

OBEX Vandal / Behavioral

RECESSED AND SURFACE LUMINAIRE

FEATURES

- 2x2, 2x4, and 1x4 recessed fixture for vandal resistant applications. (Select configurations and options suitable for behavioral health applications)
- Shallow depth housing (less than 4"), lumen packages up to 25,000 lm+ (2x4)
- Inset and overlap door options, internal symmetric (Lambertian)
- Diffuse, polycarbonate lens options in three thicknesses
- Mounting options for recessed grid, drywall (flange) ceilings and surface mount
- Formed steel housing and door with antimicrobial white painted finish



SPECIFICATIONS

CONSTRUCTION

- Housing – 20 gauge die form and welded CRS steel, white antimicrobial paint finish. Painted, formed aluminum option available
- Inset and overlap door options are available, 18 gauge formed CRS steel, white antimicrobial paint finish standard. Painted, formed aluminum option available
- Internal components constructed of painted cold-rolled steel
- Tamper resistant screws, standard

OPTICAL PERFORMANCE

- Diffuse, polycarbonate lens available in three thicknesses; .125, .220 or .474
- Internal optics for even light distribution—symmetric (Lambertian)
- LED light source available in 3000K, 3500K, 4000K, 5000K CCT with 80 CRI and 90 CRI options. For color LED options consult factory.
- Optimal led life of L70 >72,000 hours, L90 > 45,000 hours.

INSTALLATION

- OBEX in available for Grid (Nema G), Drywall (Flange), and Surface Mount.
- Grid mount accommodates 1" and 1.5" grid. For 2" grid overlap door option must be used.
- Swing gates are standard for drywall applications.

INSTALLATION

- Frame kit available for Drywall applications.
- Secure and proper mounting must be used for behavioral applications.

ELECTRICAL

- Available in universal 120–277V 50/60 Hz and 347V. Not all options available in all voltages
- 1 and 2 circuit configurations are available. When White/Color LED option is selected, 2 circuits are provided
- 0–10V dimming drivers are available for levels down to 1% and “dim to off.” DALI and others available, consult factory for your application
- Integral emergency battery packs and generator compatible options are available as options
- Fusing and 10KVA surge suppression as options

CERTIFICATIONS

- All luminaires are built to UL 1598 standards and bear appropriate cULus labels
- CSA certified to UL 924 standards with battery pack or DTS options
- Emergency battery pack options are California Energy Commission (CEC) Title 20 Compliant

CERTIFICATIONS CONTINUED

- UL Ambient Temp Range: -20°C to 25°C
- CCEA approved (City of Chicago Environmental Air)
- FCC Part 15b
- IC label is standard for recessed products
- IK10 impact rated
- IP66 rated, room side
- IP69K rated, room side, Overlapping doorframe only
- ISO3 certified, tested in accordance with ISO 14644-1; suitable for ISO Class 3–9 positive and negative pressure clean rooms
- NSF2
- This product meets federal procurement law requirements under the Buy American Act (FAR 52.225-9) and Trade Agreements Act (FAR 52.225-11). See [Buy America\(n\) Solutions](#).

WARRANTY

- 5 Year Warranty

KEY DATA	
Lumen Range	1755–25,323
Wattage Range	14–172
Efficacy Range (LPW)	105–155
Rated Life (Hours)	L70: > 72,000 L90: > 45,000

OBEX Vandal / Behavioral

RECESSED AND SURFACE LUMINAIRE

DATE: _____ LOCATION: _____
 TYPE: _____ PROJECT: _____
 CATALOG #: _____

ORDERING GUIDE

Example: OBX-V-14-DW-I-S-PCH/PCD-DP2-1C-835-L080-EDIU-DTS

CATALOG # _____

OBX	V								
Model	Application	Size	Ceiling Type	Doorframe	Distribution	Housing Material	Doorframe Material	Lens / Diffuser	
OBX OBEX	V Vandal / Behavioral	14 1x4 22 2x2 24 2x4	G Grid DW Drywall Ceiling S Surface Mount	I Inset ¹ O Overlapping	S Standard Lambertian	PCH Painted Cold Rolled Steel, Anti-Microbial White PAH Painted Formed Aluminum, Anti-Microbial White	PCD Painted Cold Rolled Steel, Anti-Microbial White PAD Painted Formed Aluminum, Anti-Microbial White	DP1 Diffuse Polycarbonate (125) DP2 Diffuse Polycarbonate (220) DP3 Diffuse Polycarbonate (474)	

Circuiting ^{2,3}	CRI ⁵	CCT	Optional Color/Circuit	Primary White Output	Driver ¹²
1C 1 Circuit: Single Color LED only ⁴	8 CRI >80	30 3000K	Blank None, White Only	2x4 L020 2,000 lm L040 4,000 lm L060 6,000 lm L080 8,000 lm L100 10,000 lm L120 12,000 lm L140 14,000 lm L160 16,000 lm L180 18,000 lm L200 20,000 lm L220 22,000 lm L240 24,000 lm	ED 0-10V Dimming ¹³ EDD 0-10V Dim to Off ED1 0-10V 1% Dim DALIP Powered by DALI ¹⁴ LUTH Lutron Hi-Lume 1% ECOSystem Driver ^{14, 15}
2C 2 Circuit: 2 Circuits White LED only, Standard for White/Color LED	9 CRI >90 Blank No White Circuit(s)	35 3500K 40 4000K 50 5000K	AM Amber 590nm ^{6,7} AMW Amber 590nm / White ^{6,8} BL Blue 475nm ^{6,9} BLW Blue 475nm / White ^{6,8} RD Red 620nm ^{6,10} RDW Red 620nm / White ^{6,11}	2x2 L020 2,000 lm L040 4,000 lm L060 6,000 lm L080 8,000 lm L100 10,000 lm L120 12,000 lm 1x4 L020 2,000 lm L040 4,000 lm L060 6,000 lm L080 8,000 lm L100 10,000 lm L120 12,000 lm	

Voltage	Options
U Universal Voltage (120-277V) 347 347V	GLR Fast Blow Fuse SSP10 Surge Suppression — 10kVA ^{16, 17, 18} ELL14 Emergency Battery Pack Installed, 1400 Lumens ^{14, 17, 18, 19} ELL14H2 Emergency Battery Pack Installed, 1400 Lumens, 2-Hour Run Time ^{14, 17, 18, 19} ELL14ST Emergency Battery Pack Installed, 1400 Lumens, Self Test ^{14, 17} ELL14CP 1400 Lumen Emer, Cold Pack ^{14, 17, 18} DTS Automatic Load Control Relay ^{14, 17, 19} C588 6 Ft. Flex Whip, 5 Wire ¹⁷ MIL MIL461G ^{14, 18, 20}

Notes:

- IP69K not available with I, Inset Doorframe option.
- Two circuit (2C) provided as inboard/outboard for 2x2 and 2x4 white LED only configurations. Color LED provided as inboard on white/color configurations.
- Two circuit (2C) provided as board 1/board 2 for 1x4 white LED only configurations. Color LED provided as board 1 for white/color configurations. Board 1 on asymmetric fixtures is defined as board closest to operating room table.
- Not available with L140 and higher lumen outputs when combined with EDD or ED1 driver options.
- Consult Performance Data Table for actual lumen output.
- Not available with Emergency Battery Pack options or DTS.
- Only available with L060 and lower lumen outputs in 1x4 fixtures. Only available with L080 and lower lumen outputs in 2x2. Only available with L120 and lower lumen outputs in 2x4 fixtures.
- Only available with L080 and lower lumen outputs in 1x4 fixtures. Only available with L100 and lower lumen outputs in 2x2. Only available with L120 and lower lumen outputs in 2x4 fixtures. (LUTH DRIVER WITH AMW/BLW NOT AVAILABLE WITH L100 and higher lumen outputs)
- Only available with L040 and lower lumen outputs in 1x4 and 2x2 fixtures. Only available with L060 and lower lumen outputs in 2x4 fixtures.
- Only available with L020 and lower lumen outputs in 1x4 and 2x2 fixtures. Only available with L040 and lower lumen outputs in 2x4 fixtures.
- Only available with L080 and lower lumen outputs in 1x4 fixtures. Only available with L100 and lower lumen outputs in 2x2. Only available with L120 and lower lumen outputs in 2x4 fixtures. (LUTH DRIVER NOT AVAILABLE WITH RDW)
- All circuits within a fixture will be provided with the same driver function.
- Only available with L140 and higher lumen packages and 1C Circuiting.
- Not available with 347V.
- Not available with L200 or higher lumen packages.
- Not available with 2x2 when combined with ELL14, ELL14H2, ELL14ST or ELL14CP.
- Not available with 2C, two circuit option.
- Not available with 1x4 fixtures.
- Not available with MIL option.
- Only available with DP1 lens.
- Only available with Drywall (DW) or Grid (G) ceiling types and Inset (I) door options.

Accessories

- FK14 1'x4' Single Flange Kit (Shipped separately)²¹
- FK22 2'x2' Single Flange Kit (Shipped separately)²¹
- FK24 2'x4' Single Flange Kit (Shipped separately)²¹

OBEX Vandal / Behavioral

RECESSED AND SURFACE LUMINAIRE

DATE: _____ LOCATION: _____

TYPE: _____ PROJECT: _____

CATALOG #: _____

PERFORMANCE DATA TABLE

The table below shows the delivered lumens for the various lumen outputs.

White LED Fixtures 2 x 2		80 CRI			90 CRI		
Model	CCT	Lumens	Input Watts	LPW	Lumens	Input Watts	LPW
OBX22-L020	3000K	2024	14	142	1755	14	123
	3500K	2052	14	143	1779	14	124
	4000K	2111	14	148	1830	14	128
	5000K	2130	14	149	1847	14	129
OBX22-L040	3000K	4048	29	139	3510	29	121
	3500K	4106	29	141	3560	29	122
	4000K	4225	29	145	3663	29	126
OBX22-L060	3000K	5894	44	135	5110	44	117
	3500K	6070	44	139	5263	44	120
	4000K	6246	44	143	5415	44	124
OBX22-L080	3000K	8218	56	147	7125	56	127
	3500K	8335	56	149	7226	56	129
	4000K	8577	56	153	7436	56	133
	5000K	8693	56	155	7537	56	135
OBX22-L100	3000K	10164	70	145	8812	70	126
	3500K	10308	70	147	8937	70	128
	4000K	10607	70	152	9196	70	131
	5000K	10751	70	154	9321	70	133
OBX22-L120	3000K	11426	86	133	9906	86	115
	3500K	11586	86	135	10045	86	117
	4000K	11917	86	139	10332	86	120
	5000K	12248	86	142	10619	86	123

White LED Fixtures 2 x 4		80 CRI			90 CRI		
Model	CCT	Lumens	Input Watts	LPW	Lumens	Input Watts	LPW
OBX24-L020	3000K	2110	16	142	1829	16	118
	3500K	2140	16	138	1855	16	120
	4000K	2203	16	142	1910	16	123
	5000K	2234	16	149	1937	16	124
OBX24-L040	3000K	4262	30	144	3696	30	124
	3500K	4323	30	141	3748	30	126
	4000K	4448	30	150	3857	30	130
	5000K	4509	30	152	3909	30	132
OBX24-L060	3000K	6175	44	140	5354	44	122
	3500K	6263	44	139	5430	44	123
	4000K	6445	44	146	5587	44	127
	5000K	6532	44	148	5664	44	129
OBX24-L080	3000K	8153	57	144	7069	57	125
	3500K	8269	57	146	7169	57	127
	4000K	8509	57	151	7377	57	131
	5000K	8625	57	153	7477	57	132
OBX24-L100	3000K	10091	71	142	8749	71	123
	3500K	10234	71	144	8873	71	125
	4000K	10531	71	148	9130	71	129
	5000K	10674	71	150	9254	71	130
OBX24-L120	3000K	12171	86	142	10552	86	123
	3500K	12344	86	144	10702	86	124
	4000K	12702	86	148	11013	86	128
	5000K	12875	86	150	11162	86	130
OBX24-L140	3000K	13863	97.9	142	12019	98	123
	3500K	14066	97.9	144	12195	98	125
	4000K	14471	97.9	148	12546	98	128
	5000K	14674	97.9	150	12722	98	130
OBX24-L160	3000K	16534	111.5	148	14335	112	129
	3500K	16776	111.5	150	14545	112	130
	4000K	17259	111.5	155	14964	112	134
	5000K	17501	111.5	157	15173	112	136
OBX24-L180	3000K	18091	126.6	143	15685	127	124
	3500K	18348	126.6	145	15908	127	126
	4000K	18880	126.6	149	16369	127	129
	5000K	19137	126.6	151	16592	127	131
OBX24-L200	3000K	19968	141.1	142	17313	141	123
	3500K	20252	141.1	144	17558	141	124
	4000K	20839	141.1	148	18068	141	128
	5000K	21123	141.1	150	18313	141	130
OBX24-L220	3000K	22272	154.6	144	19309	155	125
	3500K	22597	154.6	146	19592	155	127
	4000K	23248	154.6	150	20156	155	130
	5000K	23573	154.6	152	20438	155	132
OBX24-L240	3000K	24117	169	143	20909	169	124
	3500K	24455	169	145	21202	169	125
	4000K	24968	169	148	21648	169	128
	5000K	25323	169	150	21955	169	130

White LED Fixtures 1 x 4		80 CRI			90 CRI		
Model	CCT	Lumens	Input Watts	LPW	Lumens	Input Watts	LPW
OBX14-L020	3000K	2031	17	142	1761	17	105
	3500K	2059	17	123	1786	17	106
	4000K	2149	17	128	1864	17	111
	5000K	2180	17	149	1890	17	113
OBX14-L040	3000K	4236	33	128	3672	33	111
	3500K	4296	33	141	3725	33	113
	4000K	4421	33	134	3833	33	116
	5000K	4481	33	136	3885	33	118
OBX14-L060	3000K	6261	47	133	5428	47	115
	3500K	6352	47	139	5507	47	117
	4000K	6535	47	139	5666	47	121
	5000K	6626	47	141	5745	47	122
OBX14-L080	3000K	7985	64	125	6923	64	108
	3500K	8102	64	127	7024	64	110
	4000K	8335	64	130	7226	64	113
	5000K	8452	64	132	7328	64	114
OBX14-L100	3000K	9988	76	131	8660	76	114
	3500K	10134	76	133	8786	76	116
	4000K	10426	76	137	9039	76	119
	5000K	10572	76	139	9166	76	121
OBX14-L120	3000K	11547	92	126	10011	92	109
	3500K	11709	92	127	10151	92	110
	4000K	12034	92	131	10434	92	113
	5000K	12205	92	133	10582	92	115

OBEX Vandal / Behavioral

RECESSED AND SURFACE LUMINAIRE

DATE: _____ LOCATION: _____

TYPE: _____ PROJECT: _____

CATALOG #: _____

PERFORMANCE DATA TABLE CONTINUED

Red and White LED Fixtures		80 CRI			90 CRI			535nm		
Model	CCT	Lumens	Input Watts	LPW	Lumens	Input Watts	LPW	Lumens	Input Watts	LPW
OBX22-ASYM-RDW-L020	3000K	2029	17	142	1759	17	105	602	28	22
	3500K	2058	17	123	1784	17	106			
	4000K	2087	17	124	1809	17	108			
	5000K	2146	17	149	1861	17	111			
OBX22-ASYM-RDW-L040	3000K	3978	33	121	3449	32	108	602	28	22
	3500K	4034	33	141	3497	32	109			
	4000K	4090	33	124	3546	32	111			
	5000K	4207	33	127	3648	32	114			
OBX22-ASYM-RDW-L060	3000K	5968	41	145	5174	47	110	602	28	22
	3500K	6053	41	139	5248	47	112			
	4000K	6138	41	149	5321	47	113			
	5000K	6313	41	153	5474	47	116			
OBX14-ASYM-RDW-L020	3000K	1876	17	142	1627	17	97	565	28	20
	3500K	1903	17	113	1650	17	98			
	4000K	1958	17	116	1698	17	101			
	5000K	1985	17	149	1721	17	102			
OBX14-ASYM-RDW-L040	3000K	3742	33	112	3244	33	98	565	28	20
	3500K	3795	33	141	3290	33	100			
	4000K	3905	33	117	3386	33	103			
	5000K	3958	33	119	3432	33	104			
OBX14-ASYM-RDW-L060	3000K	5925	48	123	5137	48	107	565	28	20
	3500K	6009	48	139	5210	48	109			
	4000K	6183	48	129	5361	48	112			
	5000K	6267	48	130	5434	48	113			
OBX24-ASYM-RDW-L020	3000K	2059	16	129	1785	16	113	710	26	27
	3500K	2088	16	131	1810	16	115			
	4000K	2149	16	135	1863	16	118			
	5000K	2178	16	137	1888	16	120			
OBX24-ASYM-RDW-L040	3000K	4223	39	109	3661	29	126	710	26	27
	3500K	4283	39	110	3713	29	128			
	4000K	4407	39	113	3821	29	132			
	5000K	4467	39	115	3873	29	134			
OBX24-ASYM-RDW-L060	3000K	6199	44	140	5375	45	119	710	26	27
	3500K	6287	44	142	5451	45	121			
	4000K	6469	44	146	5609	45	124			
	5000K	6557	44	148	5685	45	126			
OBX24-ASYM-RDW-L080	3000K	8070	59	138	6997	57	124	1267	53	24
	3500K	8185	59	140	7096	57	125			
	4000K	8422	59	144	7302	57	129			
	5000K	8537	59	146	7402	57	131			
OBX24-ASYM-RDW-L100	3000K	9844	75	132	8535	72	119	1267	53	24
	3500K	9984	75	134	8656	72	121			
	4000K	10274	75	138	8907	72	124			
	5000K	10413	75	140	9028	72	126			
OBX24-ASYM-RDW-L120	3000K	11826	85	139	10253	87	117	1267	53	24
	3500K	11994	85	141	10399	87	119			
	4000K	12342	85	145	10700	87	122			
	5000K	12510	85	147	10846	87	124			
OBX24-ASYM-RDW-L140	3000K	13628	100	136	11816	97	122	1267	53	24
	3500K	13822	100	138	11984	97	123			
	4000K	14223	100	142	12331	97	127			
	5000K	14416	100	144	12499	97	129			
OBX24-ASYM-RDW-L160	3000K	15212	115	132	13189	111	118	1267	53	24
	3500K	15428	115	134	13376	111	120			
	4000K	15875	115	138	13764	111	124			
	5000K	16091	115	140	13951	111	125			

Red and White LED Fixtures		80 CRI			90 CRI			535nm		
Model	CCT	Lumens	Input Watts	LPW	Lumens	Input Watts	LPW	Lumens	Input Watts	LPW
OBX22-RDW-L020	3000K	2024	14	142	1755	14	123	1806	80	23
	3500K	2052	14	143	1779	14	124			
	4000K	2111	14	148	1830	14	128			
	5000K	2130	14	149	1847	14	129			
OBX22-RDW-L040	3000K	4048	29	139	3510	29	121	1806	80	23
	3500K	4106	29	141	3560	29	122			
	4000K	4225	29	145	3663	29	126			
	5000K	4282	29	147	3712	29	128			
OBX14-RDW-L020	3000K	2031	17	142	1761	17	105	1694	80	21
	3500K	2059	17	123	1786	17	106			
	4000K	2149	17	128	1864	17	111			
	5000K	2180	17	149	1890	17	113			
OBX14-RDW-L040	3000K	4236	33	128	3672	33	111	1694	80	21
	3500K	4296	33	141	3725	33	113			
	4000K	4421	33	134	3833	33	116			
	5000K	4481	33	136	3885	33	118			
OBX24-RDW-L020	3000K	2110	16	142	1829	16	118	2131	78	27
	3500K	2140	16	138	1855	16	120			
	4000K	2203	16	142	1910	16	123			
	5000K	2234	16	149	1937	16	124			
OBX24-RDW-L040	3000K	4262	30	144	3696	30	124	2131	78	27
	3500K	4323	30	141	3748	30	126			
	4000K	4448	30	150	3857	30	130			
	5000K	4509	30	152	3909	30	132			
OBX24-RDW-L060	3000K	6175	44	140	5354	44	122	2131	78	27
	3500K	6263	44	139	5430	44	123			
	4000K	6445	44	146	5587	44	127			
	5000K	6532	44	148	5664	44	129			
OBX24-RDW-L080	3000K	8153	57	144	7069	57	125	3803	160	24
	3500K	8269	57	146	7169	57	127			
	4000K	8509	57	151	7377	57	131			
	5000K	8625	57	153	7477	57	132			
OBX24-RDW-L100	3000K	10091	71	142	8749	71	123	3803	160	24
	3500K	10234	71	144	8873	71	125			
	4000K	10531	71	148	9130	71	129			
	5000K	10674	71	150	9254	71	130			
OBX24-RDW-L120	3000K	12171	86	142	10552	86	123	3803	160	24
	3500K	12344	86	144	10702	86	124			
	4000K	12702	86	148	11013	86	128			
	5000K	12875	86	150	11162	86	130			

Model	CCT	Lumens	Input Watts	LPW
OBX22-RD-L020	620nm	1806	79.8	23
OBX22-RD-ASYM-L020	620nm	1806	79.8	23
OBX14-RD-L020	620nm	1694	79.8	21
OBX14-RD-ASYM-L020	620nm	1694	79.8	21
OBX24-RD-L020	620nm	2131	77.8	27
OBX24-RD-L040	620nm	3803	159.8	24
OBX24-RD-ASYM-L020	620nm	2131	77.8	27
OBX24-RD-ASYM-L040	620nm	3803	159.8	24

OBEX Vandal / Behavioral

RECESSED AND SURFACE LUMINAIRE

DATE: _____ LOCATION: _____

TYPE: _____ PROJECT: _____

CATALOG #: _____

PERFORMANCE DATA TABLE CONTINUED

Blue and White LED Fixtures		80 CRI			90 CRI			535nm			Blue and White LED Fixtures		80 CRI			90 CRI			535nm		
Model	CCT	Lumens	Input Watts	LPW	Lumens	Input Watts	LPW	Lumens	Input Watts	LPW	Model	CCT	Lumens	Input Watts	LPW	Lumens	Input Watts	LPW	Lumens	Input Watts	LPW
OBX22-ASYM-BLW-L020	3000K	2029	17	142	1759	17	105	307	27	11	OBX22-BLW-L020	3000K	2024	14	142	1755	14	123	922	81	11
	3500K	2058	17	123	1784	17	106					3500K	2052	14	143	1779	14	124			
	4000K	2087	17	124	1809	17	108					4000K	2111	14	148	1830	14	128			
	5000K	2146	17	149	1861	17	111					5000K	2130	14	149	1847	14	129			
OBX22-ASYM-BLW-L040	3000K	3978	33	121	3449	32	108	1114	31	36	OBX22-BLW-L040	3000K	4048	29	139	3510	29	121	3341	91	37
	3500K	4034	33	141	3497	32	109					3500K	4106	29	141	3560	29	122			
	4000K	4090	33	124	3546	32	111					4000K	4225	29	145	3663	29	126			
	5000K	4207	33	127	3648	32	114					5000K	4282	29	147	3712	29	128			
OBX22-ASYM-BLW-L060	3000K	5968	41	145	5174	47	110	1904	34	56	OBX22-BLW-L060	3000K	5894	44	135	5110	44	117	5711	102	56
	3500K	6053	41	139	5248	47	112					3500K	6070	44	139	5263	44	120			
	4000K	6138	41	149	5321	47	113					4000K	6246	44	143	5415	44	124			
	5000K	6313	41	153	5474	47	116					5000K	6331	44	145	5489	44	125			
OBX14-ASYM-BLW-L020	3000K	1876	17	142	1627	17	97	378	40	9	OBX14-BLW-L020	3000K	2031	17	142	1761	17	105	757	80	9
	3500K	1903	17	113	1650	17	98					3500K	2059	17	123	1786	17	106			
	4000K	1958	17	116	1698	17	101					4000K	2149	17	128	1864	17	111			
	5000K	1985	17	149	1721	17	102					5000K	2180	17	149	1890	17	113			
OBX14-ASYM-BLW-L040	3000K	3742	33	112	3244	33	98	1752	50	35	OBX14-BLW-L040	3000K	4236	33	128	3672	33	111	3505	100	32
	3500K	3795	33	141	3290	33	100					3500K	4296	33	141	3725	33	113			
	4000K	3905	33	117	3386	33	103					4000K	4421	33	134	3833	33	116			
	5000K	3958	33	119	3432	33	104					5000K	4481	33	136	3885	33	118			
OBX24-ASYM-BLW-L020	3000K	2059	16	129	1785	16	113	306	27	11	OBX24-BLW-L020	3000K	2110	16	142	1829	16	118	917	82	11
	3500K	2088	16	131	1810	16	115					3500K	2140	16	138	1855	16	120			
	4000K	2149	16	135	1863	16	118					4000K	2203	16	142	1910	16	123			
	5000K	2178	16	137	1888	16	120					5000K	2234	16	149	1937	16	124			
OBX24-ASYM-BLW-L040	3000K	4223	39	109	3661	29	126	1200	37	33	OBX24-BLW-L040	3000K	4262	30	144	3696	30	124	3601	110	33
	3500K	4283	39	110	3713	29	128					3500K	4323	30	141	3748	30	126			
	4000K	4407	39	113	3821	29	132					4000K	4448	30	150	3857	30	130			
	5000K	4467	39	115	3873	29	134					5000K	4509	30	152	3909	30	132			
OBX24-ASYM-BLW-L060	3000K	6199	44	140	5375	45	119	1824	43	42	OBX24-BLW-L060	3000K	6175	44	140	5354	44	122	5473	130	42
	3500K	6287	44	142	5451	45	121					3500K	6263	44	139	5430	44	123			
	4000K	6469	44	146	5609	45	124					4000K	6445	44	146	5587	44	127			
	5000K	6557	44	148	5685	45	126					5000K	6532	44	148	5664	44	129			
OBX24-ASYM-BLW-L080	3000K	8070	59	138	6997	57	124	2565	51	50	OBX24-BLW-L080	3000K	8153	57	144	7069	57	125	7695	153	50
	3500K	8185	59	140	7096	57	125					3500K	8269	57	146	7169	57	127			
	4000K	8422	59	144	7302	57	129					4000K	8509	57	151	7377	57	131			
	5000K	8537	59	146	7402	57	131					5000K	8625	57	153	7477	57	132			

Model	CCT	Lumens	Input Watts	LPW
OBX22-BL-L020	475nm	922	81.2	11
OBX22-BL-L040	475nm	3341	91.4	37
OBX22-BL-L060	475nm	5711	101.5	56
OBX22-BL-ASYM-L020	475nm	922	81.2	11
OBX22-BL-ASYM-L040	475nm	3341	91.4	37
OBX22-BL-ASYM-L060	475nm	5711	101.5	56
OBX14-BL-L020	475nm	757	79.7	9
OBX14-BL-L040	475nm	3505	100.4	35
OBX14-BL-ASYM-L020	475nm	757	79.7	9
OBX14-BL-ASYM-L040	475nm	3505	100.4	35

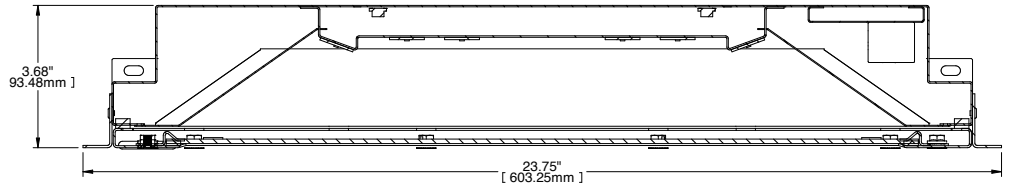
Model	CCT	Lumens	Input Watts	LPW
OBX24-BL-L020	475nm	917	81.8	11
OBX24-BL-L040	475nm	3601	110	33
OBX24-BL-L060	475nm	5473	129.9	42
OBX24-BL-L080	475nm	7695	153.0	50
OBX24-BL-ASYM-L020	475nm	917	81.8	11
OBX24-BL-ASYM-L040	475nm	3601	110	33
OBX24-BL-ASYM-L060	475nm	5473	129.9	42
OBX24-BL-ASYM-L080	475nm	7695	153.0	50
OBX24-AM-ASYM-L020	590nm	2047	210	97
OBX24-AM-ASYM-L040	590nm	3896	41.4	94

OBEX Vandal / Behavioral

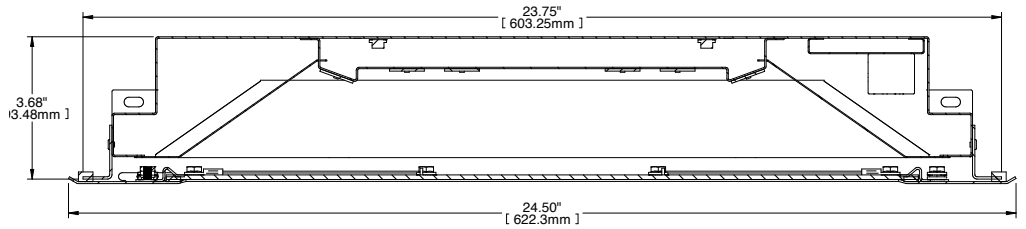
RECESSED AND SURFACE LUMINAIRE

DIMENSIONS

**2X2/2X4
SYM INSET DOOR
(GRID OPTION SHOWN)**



**2X2/2X4
SYM OVERLAP DOOR
(GRIDE OPTION SHOWN)**

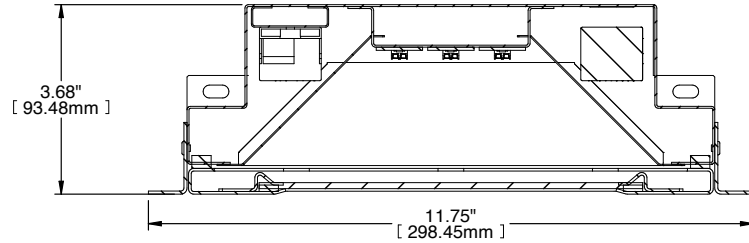


OBEX Vandal / Behavioral

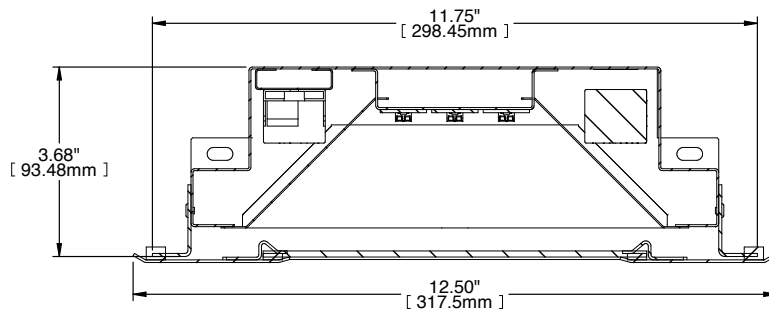
RECESSED AND SURFACE LUMINAIRE

DIMENSIONS CONTINUED

1X4
SYM INSET DOOR
(GRID OPTION SHOWN)



1X4
SYM OVERLAP DOOR
(GRID OPTION SHOWN)

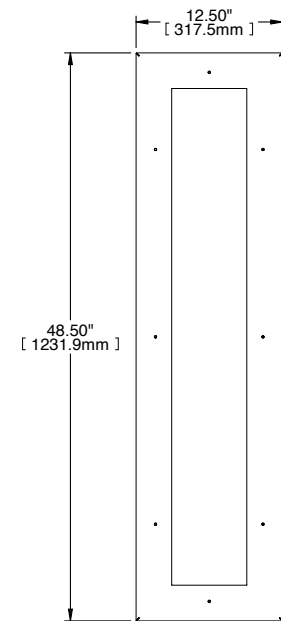
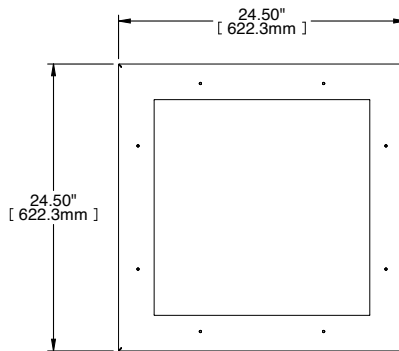
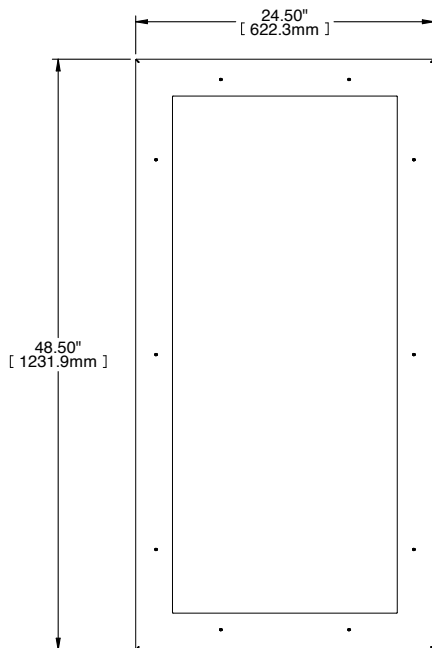
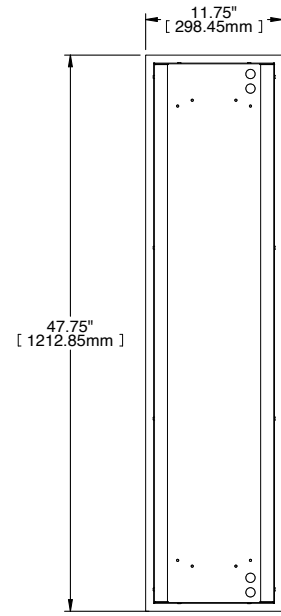
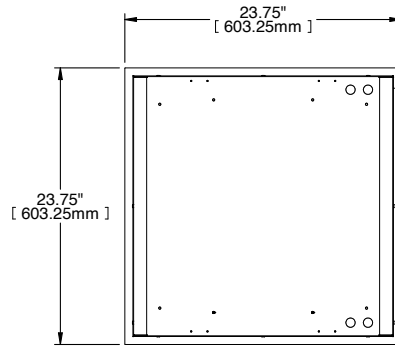
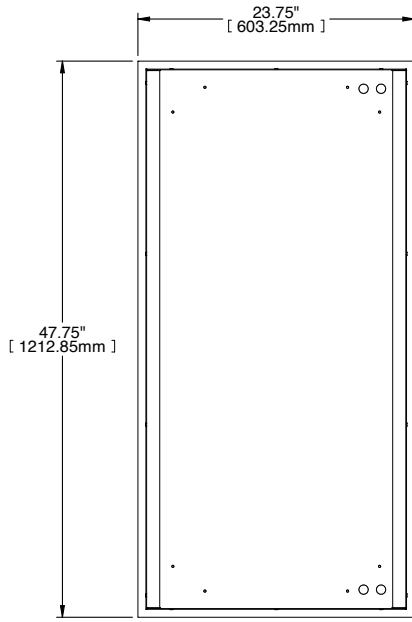


OBEX Vandal / Behavioral

RECESSED AND SURFACE LUMINAIRE

DIMENSIONS CONTINUED

PLAN VIEW - HOUSINGS



OBEX Vandal / Behavioral

RECESSED AND SURFACE LUMINAIRE

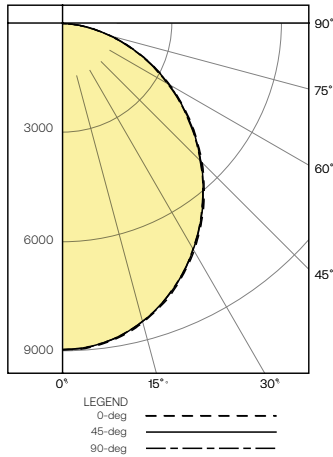
PHOTOMETRY

2 x 4, Symmetric / OBX24-40K8-SYM-L220

LUMINAIRE DATA

Test No.	21.00407
Description	4000K, 80 CRI
Lens	Diffuse Acrylic
Distribution	Lambertian
Delivered Lumens	23,248
Efficacy	150.3 LPW
Mounting	Recessed

POLAR GRAPH



ZONAL LUMEN SUMMARY

Zone	Lumens
0-5	213
5-10	629
10-15	1018
15-20	1363
20-25	1652
25-30	1875
30-35	2025
35-40	2101
40-45	2103
45-50	2035
50-55	1904
55-60	1716
60-65	1477
65-70	1204
70-75	906
75-80	604
80-85	326
85-90	95

Zone	Lumens	% of Fixture
0-30	6750	29.0
0-40	10877	46.8
0-60	18636	80.2
0-90	23248	100.0
0-180	23248	100.0

CCT CONVERSION CHART

	3000K	3500K	4000K	5000K
3000K	1.00	1.014	1.043	1.058
3500K	0.986	1.00	1.029	1.043
4000K	0.958	0.972	1.00	1.014
5000K	0.945	0.959	0.986	1.00