

**GEHL**

Form No.  
907878  
Revision D  
February  
2008

# DL SERIES Dynalift®

**DL6 / DL8 / DL10 / DL12\***

\*DL12 SN 50513 and before

## Telescopic Handlers



# Parts Manual

---

**NOTE:** DL12 units (SN 505313 and before) built after December 2007 are equipped with TIER 3 and newer engines; refer to Parts Manual #913272.

---

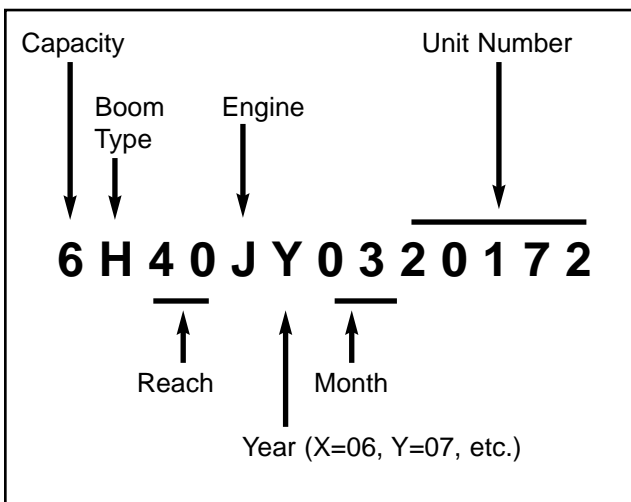
**NOTE:** This parts manual identifies standard and optional features for this model. Depending on the features of your machine, some of the items identified in the parts lists may, or may not be included with your machine.

---

The table of contents pages show the page locations of various component groups on the machine.

When ordering service parts, specify the correct part number, full description, quantity required, and the unit model and serial number.

Model and serial numbers for this unit are stamped on a plate located inside the operator's station. The serial number is also stamped on the top front frame. The following reference shows the breakdown of the serial number:



“Right” and “left” are determined from a position standing behind the unit and facing the direction of travel.

GEHL Company reserves the right to make changes or improvements in the design or construction of any part of the unit without incurring the obligation to install such changes on any unit previously delivered.

Grease fittings and common attaching hardware, such as cotter pins, set screws, woodruff keys, screws, nuts, etc., are included in the parts list, indented below the parts it is associated with, but NOT illustrated, except where a particular routing or special fastening arrangement MUST be maintained. The hardware listed is for mounting purposes and is NOT included when the part is ordered for replacement.

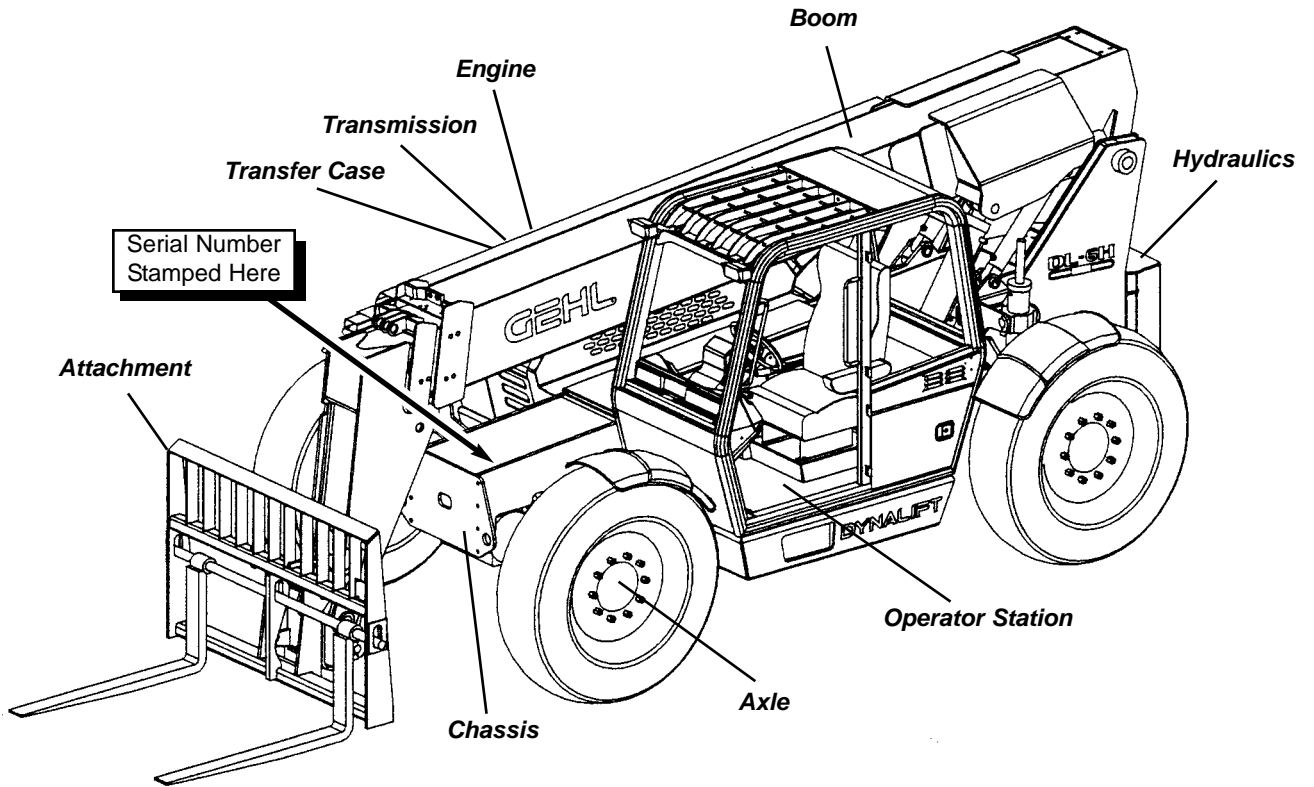
Part numbers for standard bolts are listed indented under the component being fastened, followed by abbreviations for washers/nuts.

Standard attaching hardware torque values are provided on the inside back cover. Unless otherwise specified, all cap screws are Grade 5, cadmium or zinc plated; hexagon nuts for Grade 5 cap screws or bolts are Grade 5.

**Gehl, Dynalift, Dynattach, Dynahandler and Dynacarrier** are registered trademarks of Gehl Company.

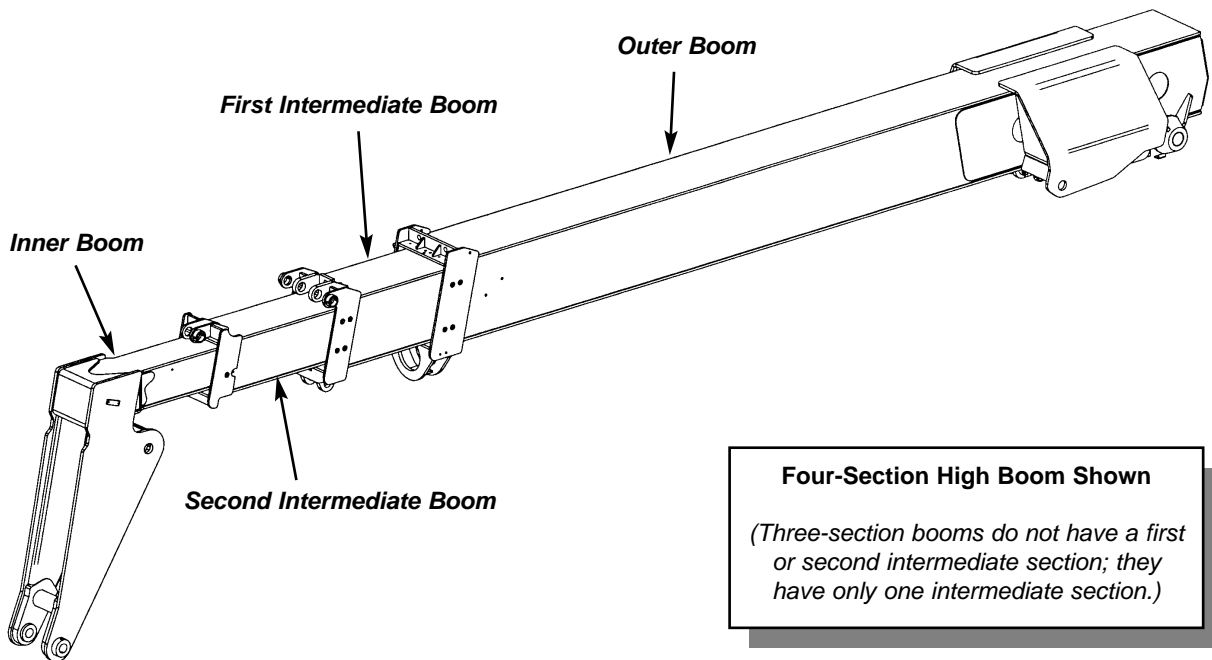
RIGHT

REAR



FRONT

LEFT



# Table of Contents

---

	<b>Page</b>
<b>INTRODUCTION</b> .....	Inside Front Cover
Locator Reference .....	.1
Table Of Contents .....	.2
<b>FILTERS</b>	
Filters .....	.8
<b>DECALS</b>	
General Information .....	.10
New Application .....	.10
Decal Locations .....	.11
Load Chart Reference .....	.17
<b>OPERATOR'S STATION</b>	
Cab .....	.20
Front Glass .....	.26
Windshield Wiper - Front .....	.28
Top Glass and Wiper (Early Style) .....	.30
Top Glass and Wiper (Later Style) .....	.32
Left Glass .....	.34
Rear Glass .....	.36
Upper Door .....	.40
Lower Door .....	.44
Dash .....	.48
Heater - A/C Group .....	.52
A/C Condenser Group .....	.60
A/C Hoses, Compressor and Dryer .....	.62
Steering Column .....	.64
Console Tilt Group .....	.66
Brake Pedal Group .....	.68
Throttle Pedal Group .....	.70
Right Panel Plastic and Seat Group .....	.72
<b>PERSONNEL WORK PLATFORM SYSTEM</b>	
Personnel Work Platform - Cab Group .....	.74
Personnel Work Platform - Boom Group .....	.76
Radio Remote - Transmitter and Receiver .....	.78
<b>CHASSIS</b>	
Rear Access Door .....	.80
Engine / Transmission Cover Group .....	.82
Battery Tray Group .....	.84
Hydraulic Tank Group .....	.86
Fuel Tank Group .....	.88
Outriggers .....	.90

# Table of Contents

---

	<b>Page</b>
<b>ENGINE</b>	
External Engine Components Group .....	90
Radiator Group .....	96
Engine Air Cleaner Group .....	100
Engine Muffler Group .....	106
<b>TRANSFER CASE</b>	
Transfer Case External Components .....	108
Transfer Case Assembly Group .....	110
<b>TRANSMISSION</b>	
External Transmission and Drive Shaft Group .....	114
Converter Housing Group .....	116
Case Group .....	118
Torque Converter .....	119
Charging Pump .....	120
Pump Drive .....	121
Forward Low/High Shaft and Gears Group .....	122
Reverse/1st Shaft and Gears Group .....	126
2nd Shaft Group .....	130
Input Shaft Group .....	132
Output Shaft Group .....	133
Drive Plate Group .....	134
Control Valve Mounting Group .....	135
Control Valve Assembly Group .....	136
<b>AXLES (26.25 and 26.28)</b>	
External Components Group (26.25 and 26.28 axle) .....	138
Front Axle Housing (26.25 and 26.28 axle) .....	140
Front Axle Swivel Housing and Steer Cylinder (26.25 and 26.28 axle) .....	142
Front Axle Gear and Pinion Set (26.25 axle) .....	144
Front Axle Gear and Pinion Set (26.28 axle) .....	145
Front Axle Differential (26.25 and 26.28 axle) .....	146
Front Axle Double Joint Shaft (26.25 and 26.28 axle) .....	147
Front Axle Brakes (26.25 and 26.28 axle) .....	148
Front Axle Wheel Hub (26.25 and 26.28 axle) .....	150
Front Axle Planetary Drive (26.25 and 26.28 axle) .....	151
Rear Axle Housing (26.25 and 26.28 axle) .....	152
Rear Axle Swivel Housings and Steer Cylinder (26.25 and 26.28 axle) .....	154
Rear Axle Gear and Pinion Set (26.25 axle) .....	156
Rear Axle Gear and Pinion Set (26.28 axle) .....	157
Rear Axle Differential (26.25 and 26.28 axle) .....	158
Rear Axle Double Joint Shaft (26.25 and 26.28 axle) .....	159
Rear Axle Wheel Hub (26.25 and 26.28 axle) .....	160
Rear Axle Planetary Drive (26.25 and 26.28 axle) .....	161
<b>Axles continued on next page.</b>	

# Table of Contents

---

	Page
<b>AXLES (26.48)</b>	
External Components Group .....	162
Axle Housing .....	164
Swivel Housing and Steer Cylinder .....	166
Gear and Pinion Set (Front Axle) .....	168
Gear and Pinion Set (Rear Axle) .....	169
Differential .....	170
Double U-Joint .....	171
Wheel Hub and Final Reduction .....	172
Brakes .....	173
<b>BOOM</b>	
<b>Low Boom</b>	
Three-Section Low Boom - Outer Boom - Rear Section .....	174
Three-Section Low Boom - Outer Boom - Front Section .....	176
Three-Section Low Boom - Intermediate Boom - Rear Section .....	178
Three-Section Low Boom - Intermediate Boom - Front Section .....	180
Three-Section Low Boom - Intermediate Boom - Chain Group .....	182
Three-Section Low Boom - Intermediate Boom - Hose Tray .....	184
Three-Section Low Boom - Inner Boom - Rear Section .....	186
Three-Section Low Boom - Inner Boom - Hose Tray .....	188
Four-Section Low Boom - Outer Boom - Rear Section .....	190
Four-Section Low Boom - Outer Boom - Front Section .....	192
Four-Section Low Boom - First Intermediate Boom - Rear Section .....	194
Four-Section Low Boom - First Intermediate Boom - Front Section .....	196
Four-Section Low Boom - Second Intermediate Boom - Rear Section .....	198
Four-Section Low Boom - Second Intermediate Boom - Front Section .....	200
Four-Section Low Boom - Inner Boom - Rear Section .....	202
Three and Four-Section Low Boom - Inner Boom - Front Section .....	204
Manual DynacARRIER® Bracket (Low Boom) .....	206
Dynattach® Bracket (Low Boom) .....	208
<b>High Boom</b>	
Three-Section High Boom - Outer Boom - Rear Section .....	210
Three-Section High Boom - Outer Boom - Side Cover .....	212
Three-Section High Boom - Outer Boom - Front Section .....	214
Three-Section High Boom - Intermediate Boom - Rear Section .....	216
Three-Section High Boom - Intermediate Boom - Front Section .....	218
Three-Section High Boom - Intermediate Boom - Chain Group .....	220
Three-Section High Boom - Intermediate Boom - Hose Tray .....	222
Three-Section High Boom - Inner Boom - Rear Section .....	224
Four-Section High Boom - Outer Boom - Rear and Side Section .....	226
Four-Section High Boom - Outer Boom - Front Section .....	228
Four-Section High Boom - First Intermediate Boom - Rear Section .....	230

(Continued on next page.)

# Table of Contents

	<b>Page</b>
<b>High Boom (continued).</b>	
Four-Section High Boom - First Intermediate Boom - Front Section .....	232
Four-Section High Boom - Second Intermediate Boom - Rear Section .....	234
Four-Section High Boom - Second Intermediate Boom - Front Section .....	236
Four-Section High Boom - Inner Boom - Rear Section .....	238
Four-Section High Boom - Inner Boom - Front Section .....	240
Manual DynacARRIER® Bracket (High Boom) .....	242
Dynattach® Bracket(High Boom) .....	244
<b>HYDRAULIC SYSTEMS</b>	
Hydraulic Pump and Accumulator .....	246
Hydraulic Pump with Outrigger Option .....	248
SAHR and Accumulator Charge Valve .....	250
SAHR with PWP Valve - Early Models .....	252
Steer Select Valve .....	254
Steer/Brake Lines Manifold (26.25 and 26.28 axles) .....	256
Steer/Brake Lines Manifold (26.48 axle) .....	258
Park Brake Intensifier (26.48 axle) .....	260
Steer/Brake Lines on Axle (26.25 and 26.28 axles) .....	262
Steer/Brake Lines on Axle (26.48 axle) .....	264
Brake Valve .....	266
Steer Motor .....	267
Level Valve .....	268
V40 Main Valve Group .....	270
Pilot Manifold - Tri-Function (4-Button) Joystick - Standard Hydraulics .....	274
Pilot Manifold - Tri-Function (4-Button) Joystick - Auxiliary Hydraulics .....	276
Pilot Manifold - Tri-Function (4-Button) - Radio Remote Option .....	278
Pilot Manifold - Dual-Function (2-Button) Joystick - Standard Hydraulics .....	280
Pilot Manifold - Dual-Function (2-Button) Joystick - Radio Remote Option .....	282
Pilot Manifold - Dual-Function (2-Button) Joystick - Auxiliary Hydraulics .....	284
Pilot Manifold - Dual-Function (2-Button) Joystick - Radio Remote with Auxiliary Hydraulics ..	286
V20 Valve (Outriggers) .....	288
Pilot Manifold - Outriggers .....	290
Joystick Controller Group -Tri-Function (4-Button) .....	292
Joystick Controller Group- Dual-Function (2-Button) .....	294
Return Manifold and Filter Group .....	296
Frame Level Cylinder Group .....	298
Frame Stabilizer Cylinder Group .....	300
Lift Cylinder Group .....	302
Slave Cylinder Group .....	304
<b>Continued on next page.</b>	

# Table of Contents

---

	Page
<b>HYDRAULIC SYSTEMS (Continued)</b>	
Tilt Cylinder Group - Low Boom - Three-Section Boom	306
Tilt Cylinder Group - Low Boom - Four-Section Boom	308
Tilt Cylinder Group - High Boom - Three-Section Boom	310
Tilt Cylinder Group - High Boom - Four-Section Boom	312
Extend Cylinder Group - Low Boom - Three-Section Boom	314
Extend Cylinder Group - Low Boom - Four-Section Boom	316
Extend Cylinder Group - High Boom - Three-Section Boom	318
Extend Cylinder Group - High Boom - Four-Section Boom	320
Auxiliary Hydraulics - Low Boom - Three-Section Boom	322
Auxiliary Hydraulics - Low Boom - Four-Section Boom	324
Auxiliary Hydraulics - High Boom - Three-Section Boom	326
Auxiliary Hydraulics - High Boom - Four-Section Boom	328
Coolers Group - Hydraulic and Transmission	330
 <b>HYDRAULIC COMPONENTS</b>	
Flow Divider	334
Joystick Disengage Valve	335
SAHR Valve (Late)	336
SAHR Valve (Early)	337
Steer Select Valve	338
Level Valve	339
V40 Valve	340
Auxiliary Hydraulics V40 Work Section	344
Pilot Manifold - Dual-Function (2-Button) Joystick Option	346
Pilot Manifold - Tri-Function (4-Button) Joystick Option	347
Radio Remote Manifold (Option)	348
V20 Outrigger Valve	350
Outrigger Pilot Manifold	352
Joystick Controller - Tri-Function (4-Button)	354
Joystick Controller - Dual-Function (2-Button)	356
Stabilizer Cylinder Manifold Group	360
Frame Level Cylinder	362
Frame Stabilizer Cylinder	364
Lift Cylinder	366
Slave Cylinder	368
Tilt Cylinder	370
Boom Extend Cylinder - Three-Section Boom	372
Boom Extend Cylinder - Four-Section Boom	374
Outrigger Cylinder	376
DynacARRIER® Lock Cylinder	378
Swing Carriage Cylinder	379
Rotate Carriage Cylinder	380

**Continued on next page.**

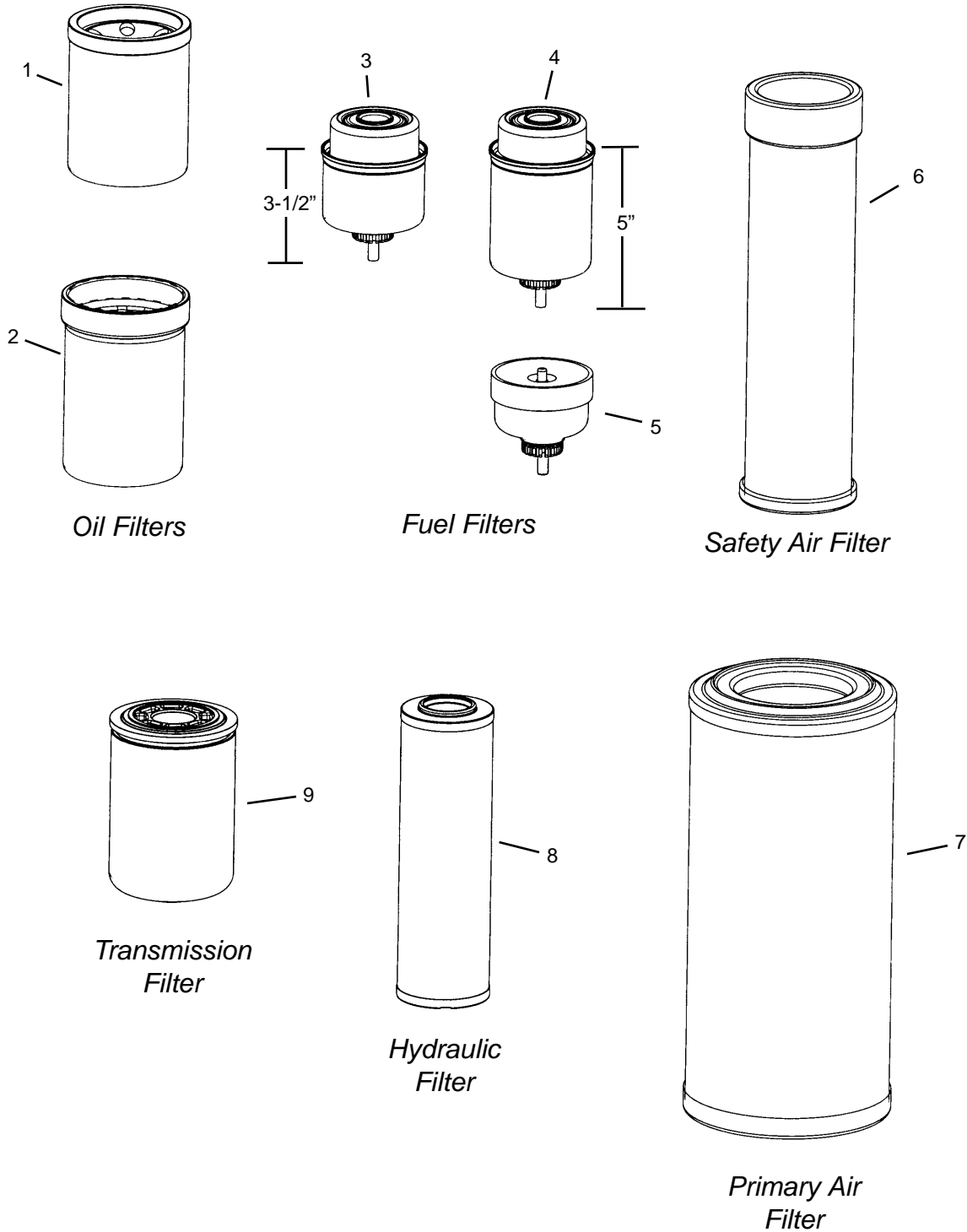


# Table of Contents

---

	<b>Page</b>
<b>HYDRAULIC COMPONENTS (Continued)</b>	
Fork-Shift Carriage Cylinder .....	.382
Grapple Cylinder .....	.383
Park Brake Caliper .....	.384
<b>ATTACHMENTS</b>	
Personnel Work Platform .....	.386
Forks .....	.390
<b>Dynattach® Attachments</b> .....	.392
Standard Carriage .....	.392
Rotating Carriage .....	.394
Swing Carriage .....	.398
Log/Pipe Carriage .....	.400
Fork-Shift Carriage .....	.402
Bucket, 1.3-cubic yard .....	.403
Truss Boom .....	.404
<b>DynacARRIER® Attachments</b> .....	.406
Standard Carriage .....	.406
Rotating Carriage .....	.408
Log/Pipe Carriage .....	.412
Truss Boom, Booms with Winch .....	.414
Bucket, 1.3-cubic yard .....	.416
Bucket, 2.5-cubic yard .....	.417
Dual Top Clamp Group .....	.418
Bucket, 3.0-cubic yard .....	.420
<b>NUMERICAL INDEX</b>	
Numerical Index List .....	.421

**Filters**



**Filters**

Ref. No.	Part No.	Description	Qty. Req.	Ref. No.	Part No.	Description	Qty. Req.
<b>-- ENGINE OIL FILTER --</b>				a Use dust seal PN 102742 as needed.			
01 <sup>af</sup>	102173	ENGINE OIL FILTER (John Deere).	1	b Units equipped with manual accelerator pedal. This filter measures 3-1/2" high; as shown in the illustration.			
02 <sup>e</sup>	L99420	ENGINE OIL FILTER (John Deere).	1	c Units equipped with electronic accelerator pedal. This filter measures 5" high; as shown in the illustration.			
009	078849	ENGINE OIL FILTER (Perkins 4.0L)	1	d Replace as needed.			
<b>-- ENGINE FUEL FILTER --</b>				e DL6L SN 25615 and before DL6H SN 20823 and before DL8L SN 35503 and before DL8H SN 30851 and before DL10L SN 45184 and before DL10H SN 40498 and before DL12H SN 50220 and before			
03 <sup>b</sup>	L98978	FUEL FILTER (John Deere).	1	f DL6L SN 25616 and up DL6H SN 20824 and up DL8L SN 35504 and up DL8H SN 30852 and up DL10L SN 45185 and up DL10H SN 40499 and up DL12H SN 50221 and up			
04 <sup>c</sup>	102174	FUEL FILTER (John Deere).	1	g Part not shown in illustration.			
05 <sup>d</sup>	103441	SEDIMENT BOWL (John Deere).	1	h If needed, order PN L500352 o-ring set.			
009	L88976	FUEL FILTER (Perkins 4.0L).	1				
<b>-- ENGINE AIR FILTER --</b>							
06	L99967	SAFETY AIR FILTER (inner).	1				
07	L99453	PRIMARY AIR FILTER (outer).	1				
<b>-- HYDRAULIC FILTER --</b>							
08 <sup>h</sup>	L99459	HYDRAULIC FILTER.	1				
<b>-- TRANSMISSION FILTER --</b>							
09	L99440	TRANSMISSION FILTER	1				

## GENERAL INFORMATION



**ALWAYS** read and follow the safety precautions and information shown on decals. If any decals are damaged or unreadable, or if the unit is repainted, the decals must be replaced. If repainting, **BE SURE** that all decals that apply to your machine are affixed in their proper locations.

Decal locations information is provided to assist in the proper selection and application of new decals, in the event the original decals become damaged or the machine is repainted.

For correct replacement of decals, compare the location photographs to your machine before starting to refinish the unit. Check off each required decal using the illustration reference number to find the part number, description and quantity in the list. Refer to the appropriate illustration for replacement location.

If a part with a decal affixed is replaced, the decal must also be replaced; affixed to the new part.

**NOTE:** Refer to the *SAFETY* chapter of the *Operator's Manual* for specific information provided on the various safety decals.

## NEW DECAL APPLICATION

Before applying the new decals, surfaces must be free from dirt, dust, grease and other foreign material. To apply a solid-formed decal, remove the smaller portion of the decal backing paper and apply this part of the exposed adhesive backing to the clean surface while maintaining proper position and alignment. Slowly peel off the other portion of the backing paper while applying hand pressure to smooth out decal surface. To apply a pre-mask decal, first remove the backing paper to expose the adhesive side of the decal. Then, properly orient and position the decal onto the clean mounting surface. After the decal is

## PAINT FINISH

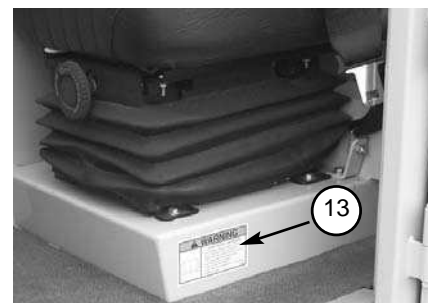
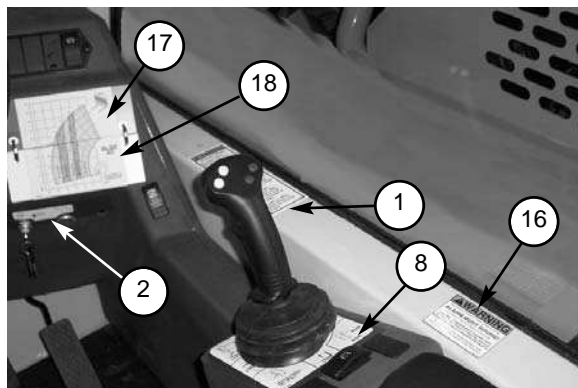
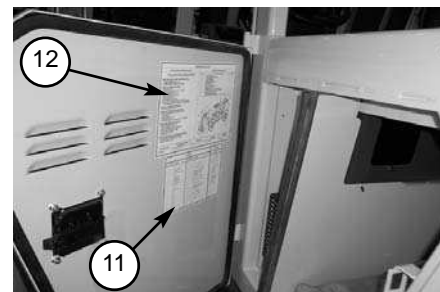
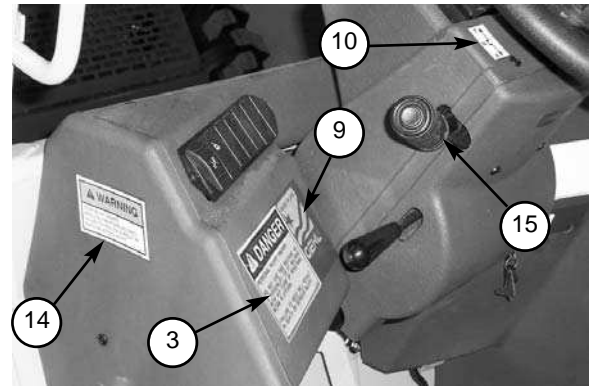
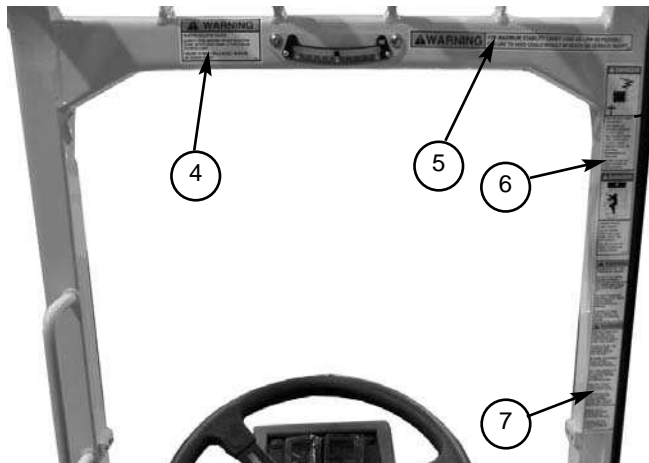
Use this list to order paint for refinishing:

167788	Yellow; four quarts
167789	Yellow; six 12 oz. Spray Cans)
167758	Charcoal Gray, four quarts
167760	Charcoal Gray; six (12 oz. Spray Cans)
167754	Gun Metal Gray; four quarts
167755	Gun Metal Gray; six (12 oz. Spray Can)

## Decal Kits

L500919	Decal Kit, DL6H 40 w/ PWP
103426	Decal Kit, DL6H 40 w/o PWP
L500920	Decal Kit, DL6L 40 w/ PWP
103427	Decal Kit, DL6L 40 w/o PWP
L500921	Decal Kit, DL6H 42 w/ PWP
103428	Decal Kit, DL6H 42 w/o PWP
L500922	Decal Kit, DL6L 42 w/ PWP
103429	Decal Kit, DL6L 42 w/o PWP
L500923	Decal Kit, DL6H 44 w/ PWP
103430	Decal Kit, DL6H 44 w/o PWP
L500924	Decal Kit, DL6L 44 w/ PWP
103431	Decal Kit, DL6L 44 w/o PWP
L500925	Decal Kit, DL8H 42 w/ PWP
103432	Decal Kit, DL8H 42 w/o PWP
L500926	Decal Kit, DL8L 42 w/ PWP
103433	Decal Kit, DL8L 42 w/o PWP
L500927	Decal Kit, DL8H 44 w/ PWP
103434	Decal Kit, DL8H 44 w/o PWP
L500928	Decal Kit, DL8L 44 w/ PWP
103435	Decal Kit, DL8L 44 w/o PWP
L500929	Decal Kit, DL10H 44 w/ PWP
103436	Decal Kit, DL10H 44 w/o PWP
L500930	Decal Kit, DL10L 44 w/ PWP
103437	Decal Kit, DL10L 44 w/o PWP
L500931	Decal Kit, DL10H 55 w/ PWP
103438	Decal Kit, DL10H 55 w/o PWP
L500932	Decal Kit, DL10L 55 w/ PWP
103439	Decal Kit, DL10L 55 w/o PWP
L500933	Decal Kit, DL12H 40 w/ PWP
103440	Decal Kit, DL12H 40 w/o PWP

**NOTE:** Decals may be purchased in kits or individually.

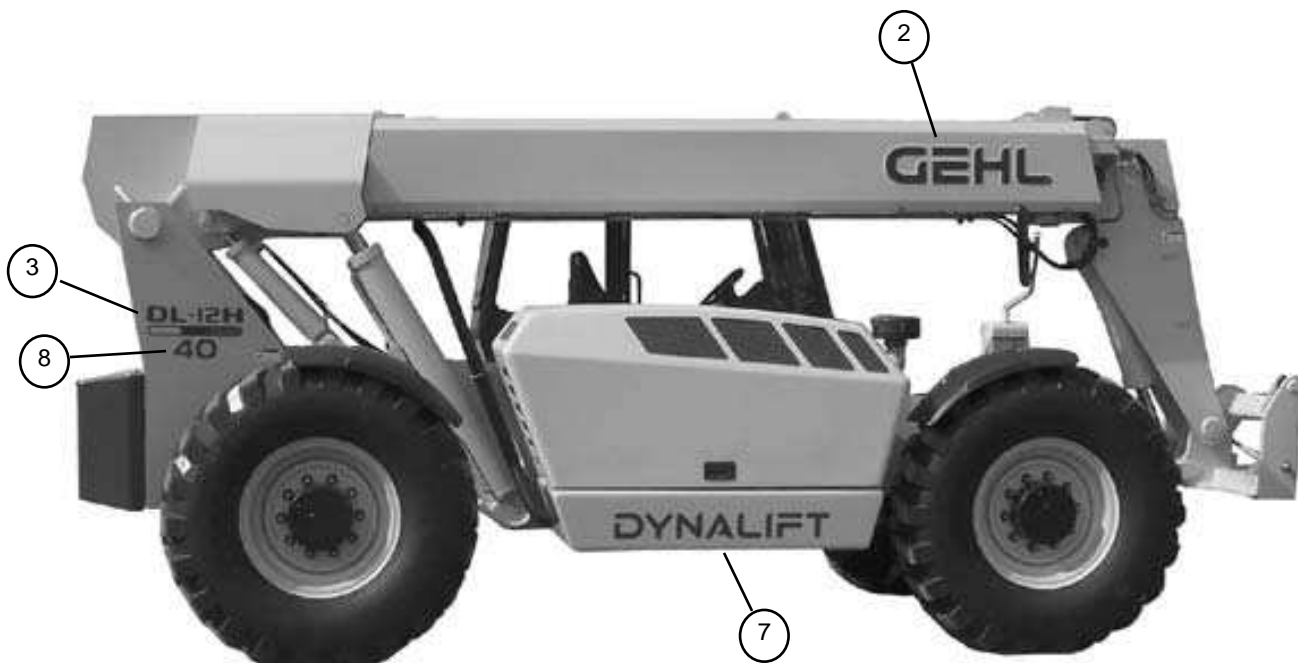
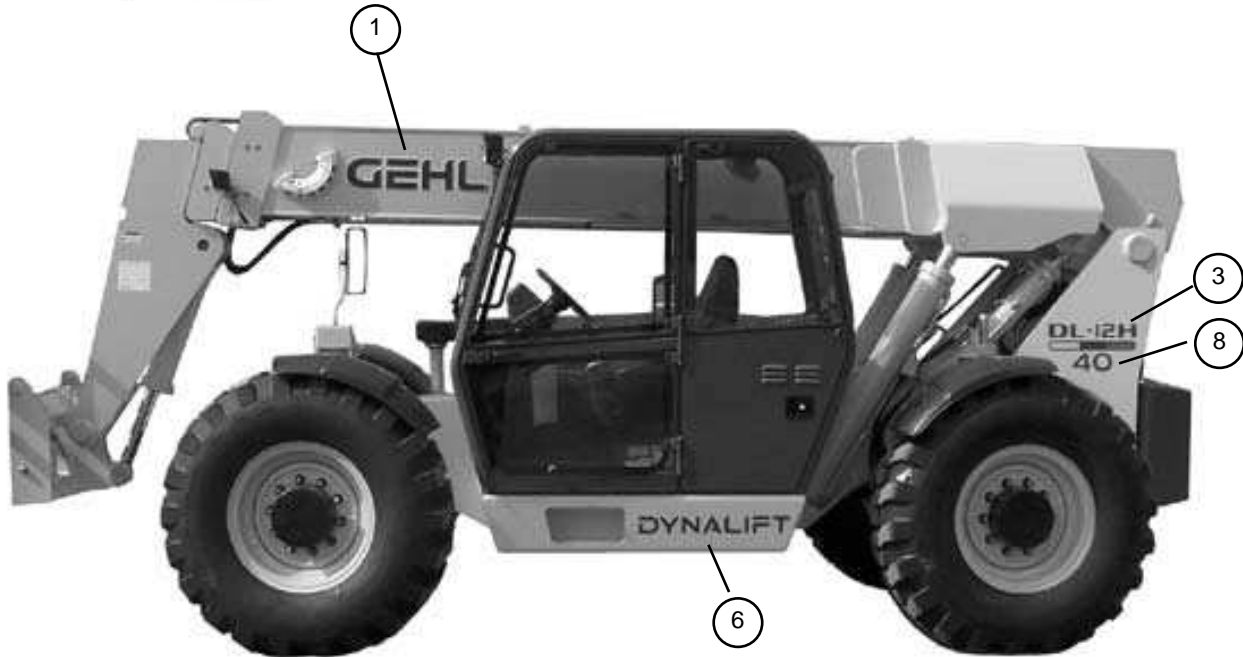
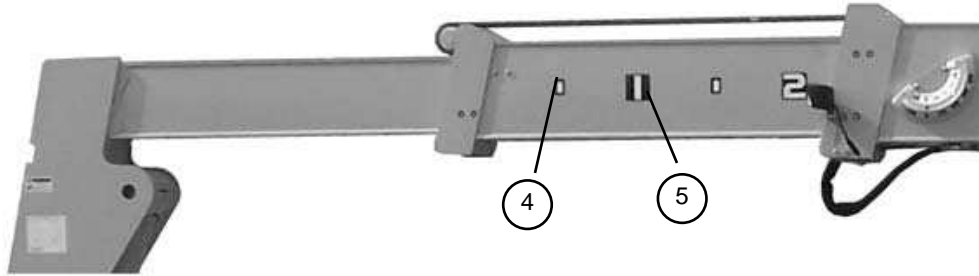


### DECAL LOCATIONS - OPERATOR'S STATION

REF. NO.	DESCRIPTION	DL6	DL8	DL10	DL12
01	WARNING - SEAT BELT AND PARK BRAKE	101506	101506	101506	101506
02	IGNITION	101507	101507	101507	101507
03	DANGER - PERSONNEL INJURY <i>(units w/o PWP)</i>	L65928	L65928	L65928	L65928
04	WARNING - ROLLOVER HAZARD	L65930	L65930	L65930	L65930
05	WARNING - CARRY LOAD LOW	093475	093475	093475	093475
06	DANGER - HI-VOLT/MOVING PARTS	L70307	L70307	L70307	L70307
07	WARNING - TILT HAZARD/GENL. OPER.	L70306	L70306	L70306	L70306
08	JOYSTICK CONTROL	L70339	L70339	L70339	L70339
09	MADE IN USA	140516	140516	140516	140516
10	F-N-R SHIFTER	L68295	L68295	L68295	L68295
11	FUSES/RELAYS REFERENCE	101451	101451	101451	101451
12	MAINTENANCE CHART	L70243	L70243	L70243	L70243
13	OPERATOR MANUAL	100359	100359	100359	100359
14	WARNING - NO RIDERS	L65932	L65932	L65932	L65932
15	SHIFTER 1,2,3,4	L500439	L500439	L500439	L500439
16	WARNING - BACKUP ALARM	L500445	L500445	L500445	L500445
17	LOAD ZONE CHARTS	See Note	See Note	See Note	See Note
18	PWP LOADCHART USAGE <i>(units w/o PWP)</i>	103376	103376	103376	103376

**Note:** See Load Zone Charts section of this manual for individual load zone chart part numbers.

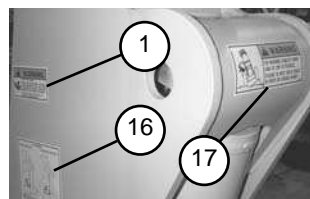
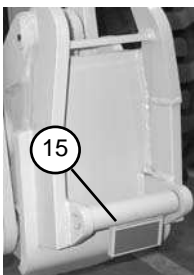
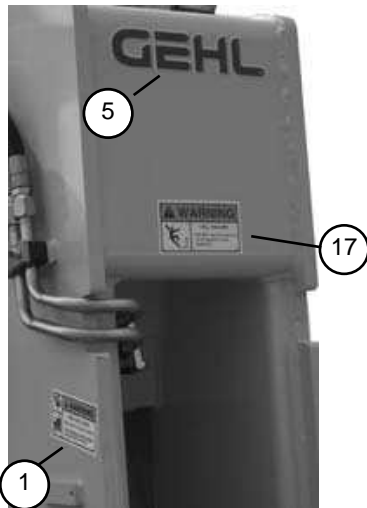
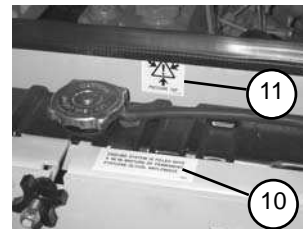
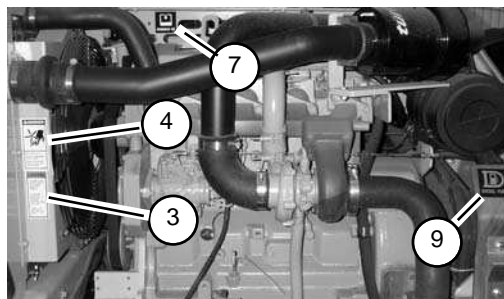
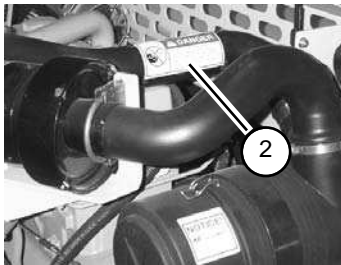
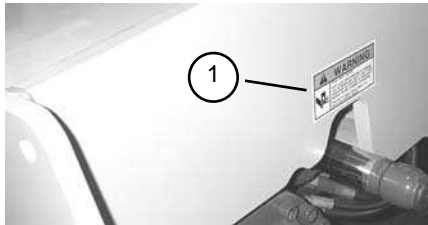
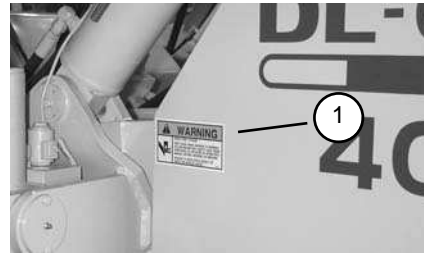
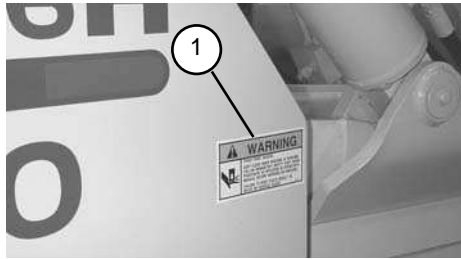
## DECAL LOCATIONS - TRUCK FRAME and BOOM



## DECAL LOCATIONS - TRUCK FRAME and BOOM

REF. NO.	DESCRIPTION	DL6	DL8	DL10	DL12
01	GEHL, 6.38" (solid color decal)	101466	101466	101466	101466
	GEHL, 6.75" (3-D style decal)	184069	184069	184069	184069
02	GEHL, 8.00" (solid color decal)	101467	101467	101467	101467
	GEHL, 8.00" (3-D style decal)	102025	102025	102025	102025
03	DL6H	101469	---	---	---
	DL6L	101470	---	---	---
	DL8H	---	101471	---	---
	DL8L	---	101472	---	---
	DL10H	---	---	101473	---
	DL10L	---	---	101474	---
	DL12H	---	---	---	101475
04	HALF ZONE MARKER (5 ea. 40' Booms)	L62583	---	---	L62583
	HALF ZONE MARKER (6 ea. 42', 44', & 55' Booms)		L62583	L62583	---
05	"1" EXTENSION MARK (1 ea.)	L67719	L67719	L67719	L67719
	"2" EXTENSION MARK (1 ea.)	L67720	L67720	L67720	L67720
	"3" EXTENSION MARK (1 ea.)	L67721	L67721	L67721	L67721
	"4" EXTENSION MARK (1 ea.)	L67722	L67722	L67722	L67722
	"5" EXTENSION MARK (1 ea.)	L67723	L67723	L67723	L67723
06	DYNALIFT, 3.25" (dark gray)	103357	103357	103357	103357
	DYNALIFT, 3" (light gray)	L70438	L70438	L70438	L70438
07	DYNALIFT, 4.50"	103358	103358	103358	103358
	DYNALIFT, 4"	L70439	L70439	L70439	L70439
08	40	101476	---	---	L70440
	42	101477	101477	---	---
	44	101478	101478	101478	---
	55	---	---	101479	---

## DECAL LOCATIONS - FRAME and BOOM

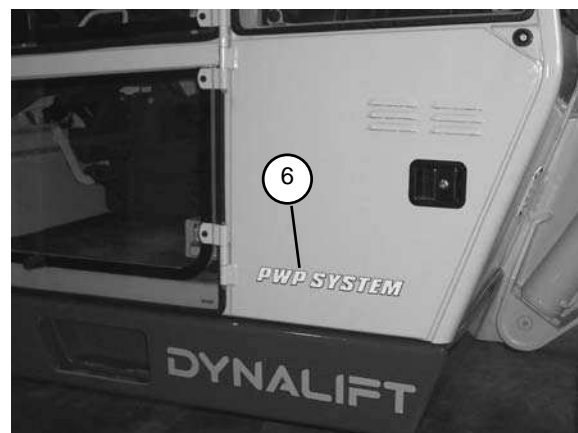
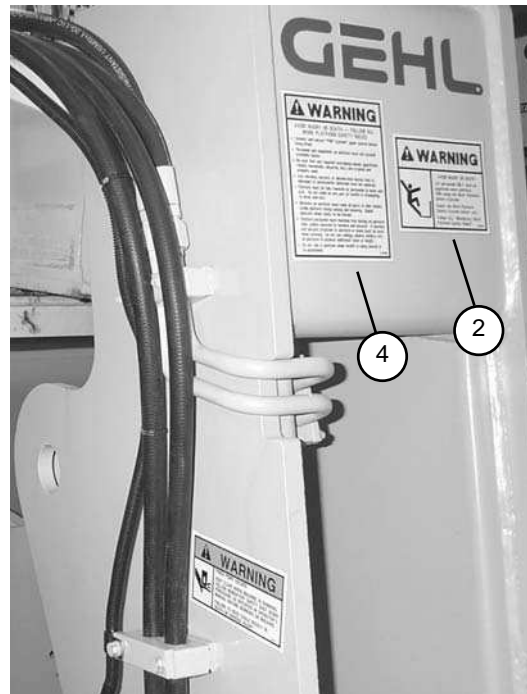
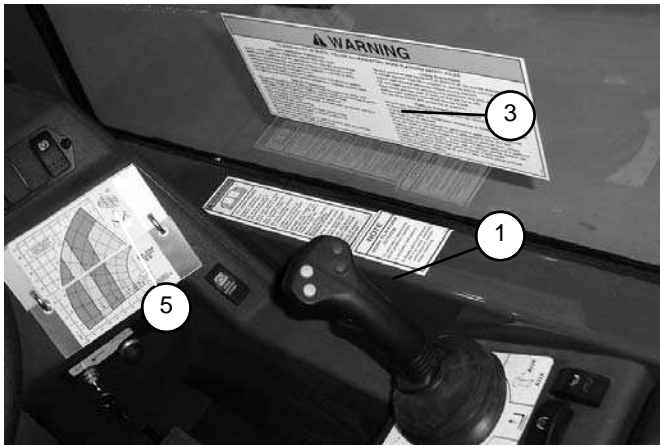




## DECAL LOCATIONS - FRAME and BOOM

REF. NO.	DESCRIPTION	DL6	DL8	DL10	DL12
01	WARNING - PINCH POINT	L65927	L65927	L65927	L65927
02	DANGER - JUMPSTART	L65933	L65933	L65933	L65933
03	WARNING - GAS CYLINDERS	122745	122745	122745	122745
04	DANGER - HANDS OUT	L70305	L70305	L70305	L70305
05	GEHL, 2.0" (solid color decal)	101468	101468	101468	101468
05	GEHL, 2.0" (3-D style decal)	102026	102026	102026	102026
06	GEHL, 5.25" (solid color decal)	L70464	L70464	L70464	L70464
06	GEHL, 5.00" (3-D style decal)	102027	102027	102027	102027
07	HYDRAULIC OIL	072794	072794	072794	072794
08	ACCUMULATOR DISCHARGE	L70238	L70238	L70238	L70238
09	DIESEL FUEL	072797	072797	072797	072797
10	ANTI-FREEZE	056859	056859	056859	056859
11	COOLANT UNDER PRESSURE	072798	072798	072798	072798
12	PERSONNEL LIFT (with PWP)	L71554	L71554	L71554	L71554
13	PERSONNEL LIFT SAFETY RULES (with PWP)	L71700	L71700	L71700	L71700
14	DANGER - PERSONLIFT (without PWP)	L65928	L65928	L65928	L65928
15	DYNATTACH UNLOCKED	L66613	L66613	L66613	L66613
16	DYNATTACH DIAGRAM	L65937	L65937	L65937	L65937
17	CARRY LOAD LOW	L65926	L65926	L65926	L65926

## DECAL LOCATIONS - PWP EQUIPPED UNITS



REF. NO.	DESCRIPTION	DL6	DL8	DL10	DL12
01	PWP SWITCH INSTRUCTION	102969	102969	102969	102969
02	PERSONNEL LIFT	L71554	L71554	L71554	L71554
03	WORK PLATFORM RULES	L71555	L71555	L71555	L71555
04	PERSONNEL LIFT SAFETY RULES	L71700	L71700	L71700	L71700
05	PWP LOAD ZONE CHART	See Note	See Note	See Note	See Note
06	PWP SYSTEM	103028	103028	103028	103028

**Note:** See Load Zone Charts section of this manual for individual PWP load zone chart part numbers.

**DL - 6**

<i>DL6H / 40</i>	
Decal	Description
L70488	STANDARD CARRIAGE
L70974	ROTATE CARRIAGE
L70535	12 FT. TRUSS BOOM
L70550	15 FT. TRUSS BOOM
L70555	1.3 CU. YD BUCKET
L70532	2.5 CU. YD. BUCKET
L70997	WINCH
L71064	SWING CARRIAGE
L71711	PWP

<i>DL6L / 42</i>	
Decal	Description
L70780	STANDARD CARRIAGE
L70982	ROTATE CARRIAGE
L70782	12 FT. TRUSS BOOM
L70783	15 FT. TRUSS BOOM
L70784	1.3 CU. YD BUCKET
L70785	2.5 CU. YD. BUCKET
L70994	WINCH
L71063	SWING CARRIAGE
L71744	PWP

<i>DL6L / 40</i>	
Decal	Description
L70498	STANDARD CARRIAGE
L70977	ROTATE CARRIAGE
L70545	12 FT. TRUSS BOOM
L70560	15 FT. TRUSS BOOM
L70569	1.3 CU. YD BUCKET
L70542	2.5 CU. YD. BUCKET
L70996	WINCH
L71065	SWING CARRIAGE
L71745	PWP

<i>DL6H / 44</i>	
Decal	Description
L70730	STANDARD CARRIAGE
L70984	ROTATE CARRIAGE
L70732	12 FT. TRUSS BOOM
L70733	15 FT. TRUSS BOOM
L70734	1.3 CU. YD BUCKET
L70735	2.5 CU. YD. BUCKET
L70993	WINCH
L71060	SWING CARRIAGE
L71741	PWP

<i>DL6H / 42</i>	
Decal	Description
L70770	STANDARD CARRIAGE
L70980	ROTATE CARRIAGE
L70772	12 FT. TRUSS BOOM
L70773	15 FT. TRUSS BOOM
L70774	1.3 CU. YD BUCKET
L70775	2.5 CU. YD. BUCKET
L70995	WINCH
L71062	SWING CARRIAGE
L71743	PWP

<i>DL6L / 44</i>	
Decal	Description
L70740	STANDARD CARRIAGE
L70985	ROTATE CARRIAGE
L70742	12 FT. TRUSS BOOM
L70743	15 FT. TRUSS BOOM
L70744	1.3 CU. YD BUCKET
L70745	2.5 CU. YD. BUCKET
L70992	WINCH
L71061	SWING CARRIAGE
L71742	PWP

*For additional plastic load chart plates order PN L69402*

## DL - 8

<i>DL8H / 42</i>	
Decal	Description
L70489	STANDARD CARRIAGE
L70975	ROTATE CARRIAGE
L70536	12 FT. TRUSS BOOM
L70551	15 FT. TRUSS BOOM
L70556	1.3 CU. YD BUCKET
L70533	2.5 CU. YD. BUCKET
L70991	WINCH
L70721	SWING CARRIAGE
L71739	PWP

<i>DL8H / 44</i>	
Decal	Description
L70750	STANDARD CARRIAGE
L70981	ROTATE CARRIAGE
L70752	12 FT. TRUSS BOOM
L70753	15 FT. TRUSS BOOM
L70754	1.3 CU. YD BUCKET
L70755	2.5 CU. YD. BUCKET
L70989	WINCH
L71057	SWING CARRIAGE
L71737	PWP

<i>DL8L / 42</i>	
Decal	Description
L70499	STANDARD CARRIAGE
L70978	ROTATE CARRIAGE
L70546	12 FT. TRUSS BOOM
L70561	15 FT. TRUSS BOOM
L70570	1.3 CU. YD BUCKET
L70543	2.5 CU. YD. BUCKET
L70990	WINCH
L71059	SWING CARRIAGE
L71740	PWP

<i>DL8L / 44</i>	
Decal	Description
L70760	STANDARD CARRIAGE
L70983	ROTATE CARRIAGE
L70762	12 FT. TRUSS BOOM
L70763	15 FT. TRUSS BOOM
L70764	1.3 CU. YD BUCKET
L70765	2.5 CU. YD. BUCKET
L70988	WINCH
L71058	SWING CARRIAGE
L71738	PWP

For additional plastic load chart plates order PN L69402

***DL - 10 and DL - 12***

<b><i>DL10H / 44</i></b>	
<b>Decal</b>	<b>Description</b>
L70490	STANDARD CARRIAGE
103173	ROTATE CARRIAGE
L70537	12 FT. TRUSS BOOM
L70552	15 FT. TRUSS BOOM
L70557	1.3 CU. YD BUCKET
L70534	2.5 CU. YD. BUCKET
L70987	WINCH
L70720	SWING CARRIAGE
L71734	PWP

<b><i>DL10L / 44</i></b>	
<b>Decal</b>	<b>Description</b>
L70500	STANDARD CARRIAGE
103174	ROTATE CARRIAGE
L70547	12 FT. TRUSS BOOM
L70562	15 FT. TRUSS BOOM
L70571	1.3 CU. YD BUCKET
L70544	2.5 CU. YD. BUCKET
L70986	WINCH
L71056	SWING CARRIAGE
L71735	PWP

<b><i>DL10H / 55 Outriggers Up</i></b>	
<b>Decal</b>	<b>Description</b>
L71091	STANDARD CARRIAGE
103169	ROTATE CARRIAGE
L71117	12 FT. TRUSS BOOM
L71119	15 FT. TRUSS BOOM
L71115	1.3 CU. YD BUCKET
L71121	WINCH
L71123	SWING CARRIAGE
101106	PWP

<b><i>DL10H / 55 Outriggers Down</i></b>	
<b>Decal</b>	<b>Description</b>
L71092	STANDARD CARRIAGE
103170	ROTATE CARRIAGE
L71118	12 FT. TRUSS BOOM
L71120	15 FT. TRUSS BOOM
L71116	1.3 CU. YD BUCKET
L71122	WINCH
L71124	SWING CARRIAGE
101107	PWP

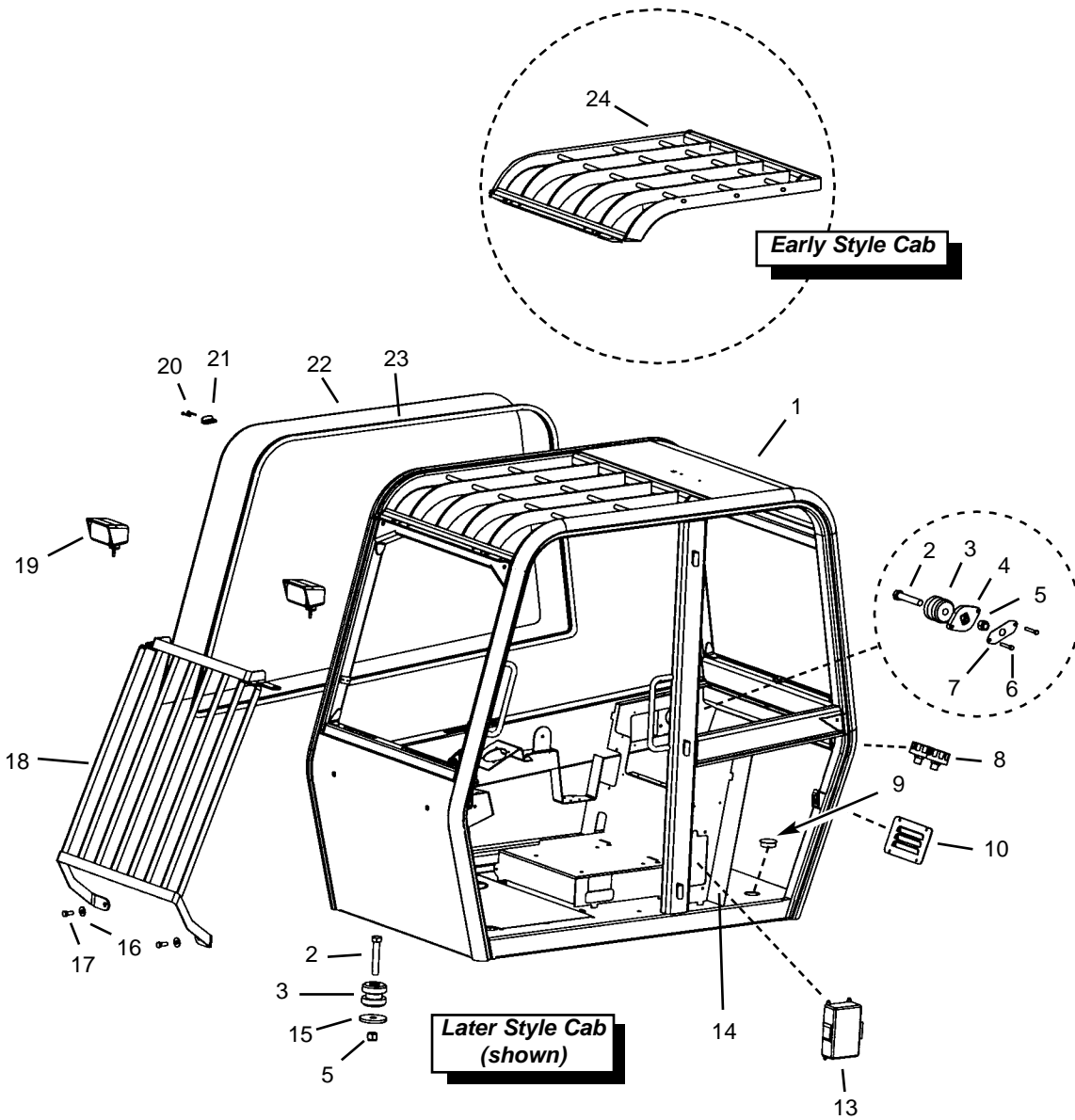
<b><i>DL10L / 55 Outriggers Up</i></b>	
<b>Decal</b>	<b>Description</b>
L71108	STANDARD CARRIAGE
103171	ROTATE CARRIAGE
L71130	12 FT. TRUSS BOOM
L71132	15 FT. TRUSS BOOM
L71128	1.3 CU. YD BUCKET
L71134	WINCH
L71136	SWING CARRIAGE
101108	PWP

<b><i>DL10L / 55 Outriggers Down</i></b>	
<b>Decal</b>	<b>Description</b>
L71109	STANDARD CARRIAGE
103172	ROTATE CARRIAGE
L71131	12 FT. TRUSS BOOM
L71133	15 FT. TRUSS BOOM
L71129	1.3 CU. YD BUCKET
L71135	WINCH
L71137	SWING CARRIAGE
101109	PWP

*For additional plastic load chart plates order PN L69402*

<b><i>DL12H / 40</i></b>	
<b>Decal</b>	<b>Description</b>
L71093	STANDARD CARRIAGE
103168	ROTATE CARRIAGE
L71149	12 FT. TRUSS BOOM
L71150	15 FT. TRUSS BOOM
L71151	1.3 CU. YD BUCKET
L71152	2.5 CU. YD. BUCKET
L71153	WINCH
L71154	SWING CARRIAGE
L71736	PWP

Cab (Part 1 of 3)

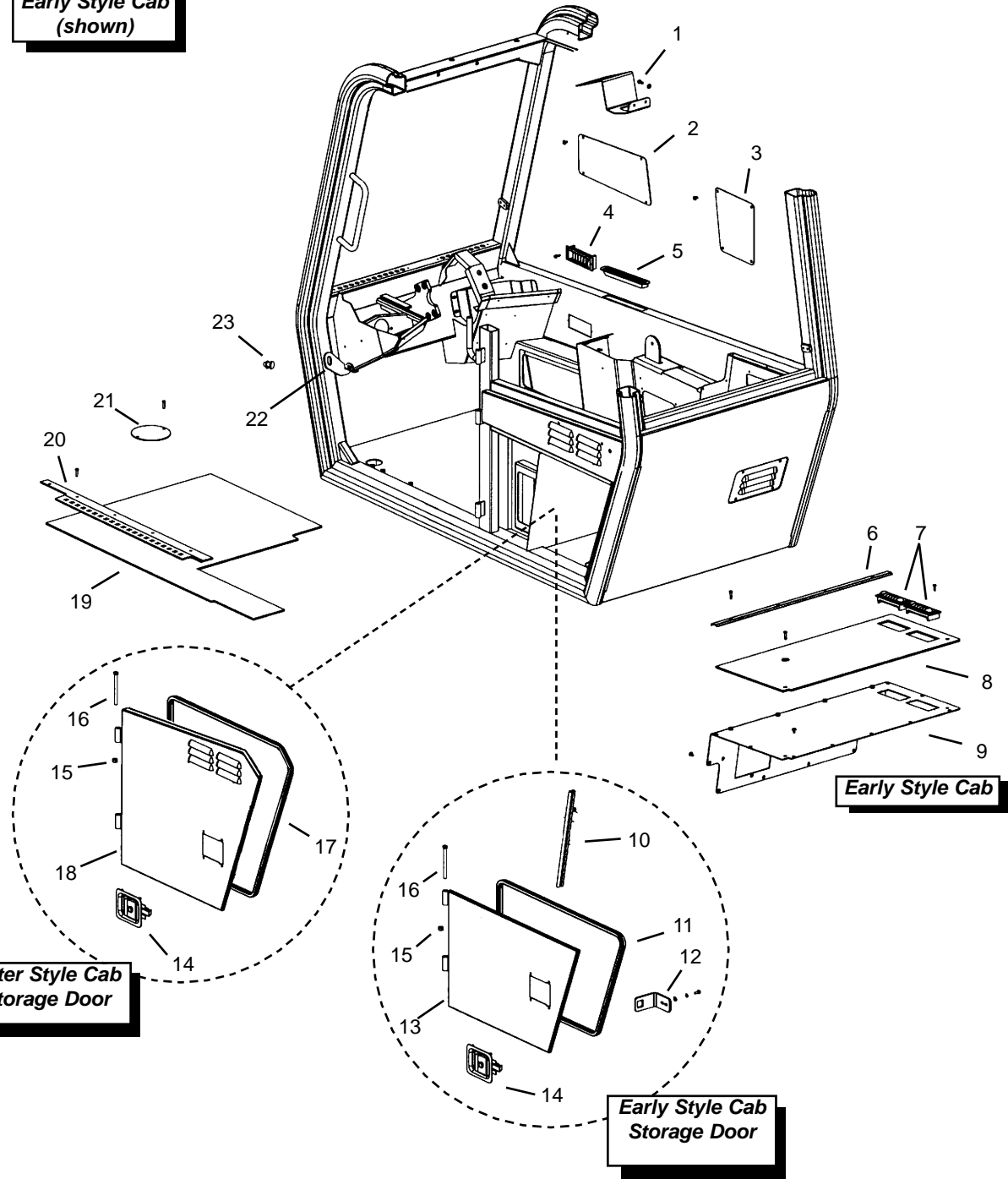


Cab (Part 1 of 3)

Ref. No.	Part No.	Description	Qty. Req.	Ref. No.	Part No.	Description	Qty. Req.
01	L500969	OPEN CANOPY (cab weldment) .. 1		00	L500060	DECAL/ROPS/FOPS WARN. .... 1	
	101418	(note a, b and c) [canopy kit] (yellow) (note d)		00 <sup>abc</sup>	L500244	HEADLINER FOAM. .... 1	
	101972	(note e) (Yellow Cab)		00 <sup>abc</sup>	L500245	HEADLINER .... 1	
	101974	(note e) (Gray Cab)		00 <sup>de</sup>	101716	HEADLINER .... 1	
02	L50300	7/8"-9X5" HEX GR 5 ..... 4					
03	L69115	ISO MOUNT ..... 4		00		<b>(Wiring Harness)</b> CANOPY WIRE HARNESS. .... 1	
04	101487	WASHER/CANOPY MOUNT. .... 2			L70403	(note a)	
05	L50301	7/8"-9 CLASS C LOCK NUT ..... 4			L71146	(note b)	
06	L50371	3/8"-16X2-1/2" HX GR5. .... 4			L71351	(note c)	
07	101667	RETAINER/CANOPY NUT ..... 2			101443	(note d and e)	
08	L70388	BREATHER ..... 2		00		FRAME WIRE HARNESS. .... 1	
09	L70017	PLUG/HOLE 2.25" ..... 2			L70406	(note a and b)	
10		PANEL/ACCESS BREATHER. .... 1			L71341	(note c, d and e)	
	L99974	(Yellow Cab)					
	101902	(Gray Cab)					
13	L69137	FUSE/RELAY BOX ..... 1					
	L70075	CHANGE OVER RELAY ..... 10					
	L70123	FLASHER UNIT ..... 1		a		DL6H SN 20299 and before	These units may also require updating of switches to current style; consult factory for details.
	L70121	WIRE ASY ..... 7				DL6L SN 25351 and before	
	101356	CONNECTION BRIDGE. .... 2				DL8H SN 30301 and before	
	L70244	5 A ATC FUSE ..... 4				DL8L SN 35302 and before	
	L70245	10 A ATC FUSE ..... 4				DL10H SN 40135 and before	
	L70246	20 A ATC FUSE ..... 4				DL10L SN 45097 and before	
	L70247	30 A FUSE ..... 4					
	L500225	60 A FUSE ..... 4		b		DL6H SN 20300 Thru SN 20576	
14 <sup>de</sup>	101774	TRIM/DIVIDER ..... 1				DL6L SN 25352 Thru SN 25498	
15	L69729	RETAINER WASHER ..... 2				DL8H SN 30302 Thru SN 30525	
16	L50151	1/2" FLAT WASHER ..... AR				DL8L SN 35303 Thru SN 35401	
17	L50283	1/2"-13X1-1/4" BOLT GR5 HX ... AR				DL10H SN 40136 Thru SN 40261	
18		FRONT GUARD ..... 1				DL10L SN 45098 Thru SN 45135	
	L70471	(note a, b and c)				DL12H SN 50129 and before	
	101767	(note d and e)		c		DL6H SN 20577 Thru SN 20797	
19	L70039	HEAD LIGHT ..... 2				DL6L SN 25499 Thru SN 25587	
	L70241	HEAD LIGHT HARNESS ..... 2				DL8H SN 30526 Thru SN 30820	
	101711	GROMMET, 11/16" ID 1-5/16" OD . 2				DL8L SN 35402 Thru SN 35492	
	101712	GROMMET, 3/8" ID 13/16"OD. ... AR				DL10H SN 40262 Thru SN 40468	
	L70463	GROMMET, 3/8" ID 3/4" OD. .... AR				DL10L SN 45135 Thru SN 45172	
20	L500055	SCREW/FLANGE ..... AR				DL12H SN 50130 Thru SN 50199	
21	L500057	CLIP/WINDOW BLACK ..... AR		d		DL6H SN 20798 Thru SN 20823	
22		GLASS/RH SIDE ..... 1				DL6L SN 25558 Thru SN 25615	
	L500069	(note a, b and c)				DL8H SN 30821 Thru SN 30851	
	101714	(note d and e)				DL8L SN 35493 Thru SN 35503	
	L71223	SCREEN (option) (note a, b and c)				DL10H SN 40469 Thru SN 40498	
	101704	SCREEN (option) (note d and e)				DL10L SN 45173 Thru SN 45184	
23		BULBSEAL/RH SIDE WINDOW ... 1				DL12H SN 50200 and before	
	L500058	(note a, b and c)		e		DL6H SN 20824 and up	
	101713	(note d and e)				DL6L SN 25616 and up	
24 <sup>abc</sup>	L500068	FOPS WELDMENT (bolt on). .... 1				DL8H SN 30852 and up	
						DL8L SN 35504 and up	
						DL10H SN 40499 and up	
						DL10L SN 45185 and up	
						DL12H SN 50201 and up	
-- ITEMS NOT SHOWN --							
00	L500064	PLUG/HOLE,.5" BLACK ..... 1					
00 <sup>de</sup>	L500080	BRKT/STEER COLUMN FRONT .. 1					
00 <sup>de</sup>	L500081	WLDMT/STEER BRKT REAR. .... 1					
00	088296	STROBE LIGHT (option). .... 1					

Cab (Part 2 of 3)

Early Style Cab  
(shown)



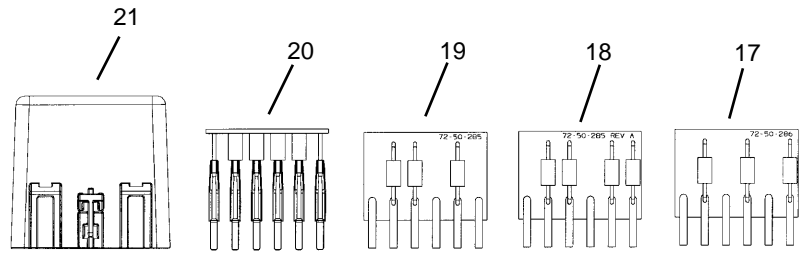
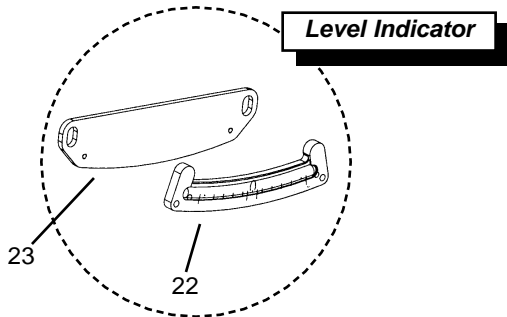
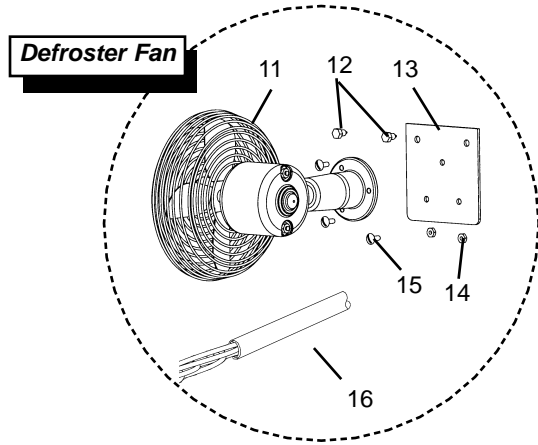
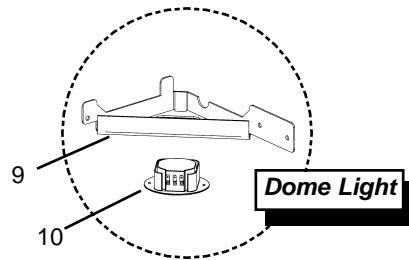
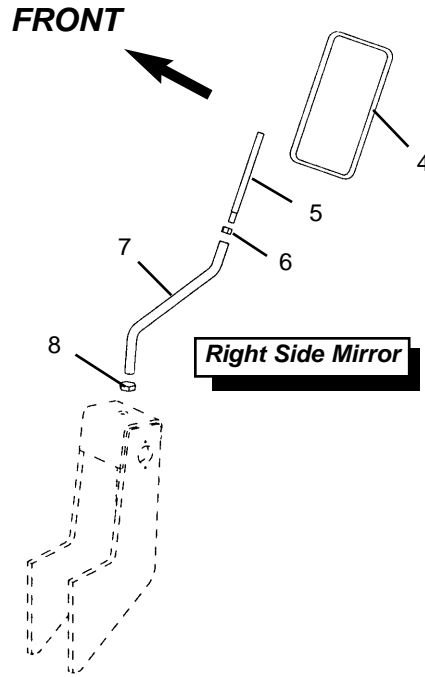
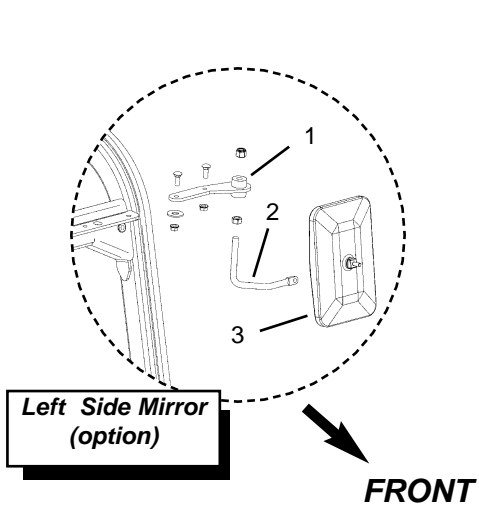


**Cab (Part 2 of 3)**

Ref. No.	Part No.	Description	Qty. Req.	Ref. No.	Part No.	Description	Qty. Req.
01ab	L500077	JOYSTICK BRACKET . . . . .	1				
02ab	L70055	LOWER FRONT COVER . . . . .	1	a	DL6H SN 20213 and before		
	L70116	M6-12X1 SCREW . . . . .	4		DL6L SN 25229 and before		
03ab		LOWER REAR COVER . . . . .	1		DL8H SN 30228 and before		
	L500078	Note a			DL8L SN 35237 and before		
	L500228	Note b			DL10H SN 40103 and before		
	L70116	M6-12X1 SCREW . . . . .	AR		DL10L SN 45084 and before		
04ab	L99843	RECTANGULAR LOUVER . . . . .	1	b	DL6H SN 20214 Thru SN 20797		
05	L500059	FIXED VANE LOUVER . . . . .	AR		DL6L SN 25230 Thru SN 25587		
06ab	L500075	DECK MAT RETAINER . . . . .	1		DL8H SN 30229 Thru SN30820		
	L70486	1/4"-20x1" TORX BOLT . . . . .	AR		DL8L SN 35238 Thru SN 35492		
07ab	L99843	RECTANGULAR LOUVER . . . . .	2		DL10H SN 40104 Thru SN 40468		
08ab	L500548	REAR DECK MAT . . . . .	1		DL10L SN 45085 Thru SN 45172		
09ab	L500076	STORAGE COMPARTMENT LID . . .	1		DL12H SN 50199 and before		
10ab	L500052	BULB SEAL . . . . .	1	c	DL6H SN 20798 Thru SN 20823		
11ab	L500082	BULB SEAL . . . . .	1		DL6L SN 25558 Thru SN 25615		
12ab	L500067	DOOR STRIKER . . . . .	1		DL8H SN 30821 Thru SN 30851		
13ab	L500124	STORAGE DOOR . . . . .	1		DL8L SN 35493 Thru SN 35503		
14	L500125	PADDLE LATCH . . . . .	1		DL10H SN 40469 Thru SN 40498		
	L99157	KEY ONLY (CH751) . . . . .	1		DL10L SN 45173 Thru SN 45184		
15	L500049	3/8-16 LOCK NUT . . . . .	2		DL12H SN 50200 and before		
16	650697	3/8-16X6 BOLT . . . . .	2	d	DL6H SN 20824 and up		
17cd	101773	BULB SEAL/STORAGE DOOR . . .	1		DL6L SN 25616 and up		
18cd		STORAGE DOOR . . . . .	1		DL8H SN 30852 and up		
	101772	(Yellow Cab)			DL8L SN 35504 and up		
	101914	(Gray Cab)			DL10H SN 40499 and up		
	101774	TRIM/DIVIDER			DL10L SN 45185 and up		
19		FLOOR MAT . . . . .	1		DL12H SN 50201 and up		
	L500072	(note a and b)					
	101721	(note c and d)					
20		FLOOR MAT RETAINER . . . . .	1				
	L500071	(note a and b)					
	101720	(note c and d)					
21	L500070	FLOAT GAUGE COVER . . . . .	1				
22ab	L500169	BRACKET, STRIKER . . . . .	1				
23	L63548	STRIKER . . . . .	1				

**Note:** refer to the section "Dash/Tilt Plastic Housing Group (Part 2 of 2)" for interior plastic parts for later style cabs including: rear deck, joystick console, panels, etc.

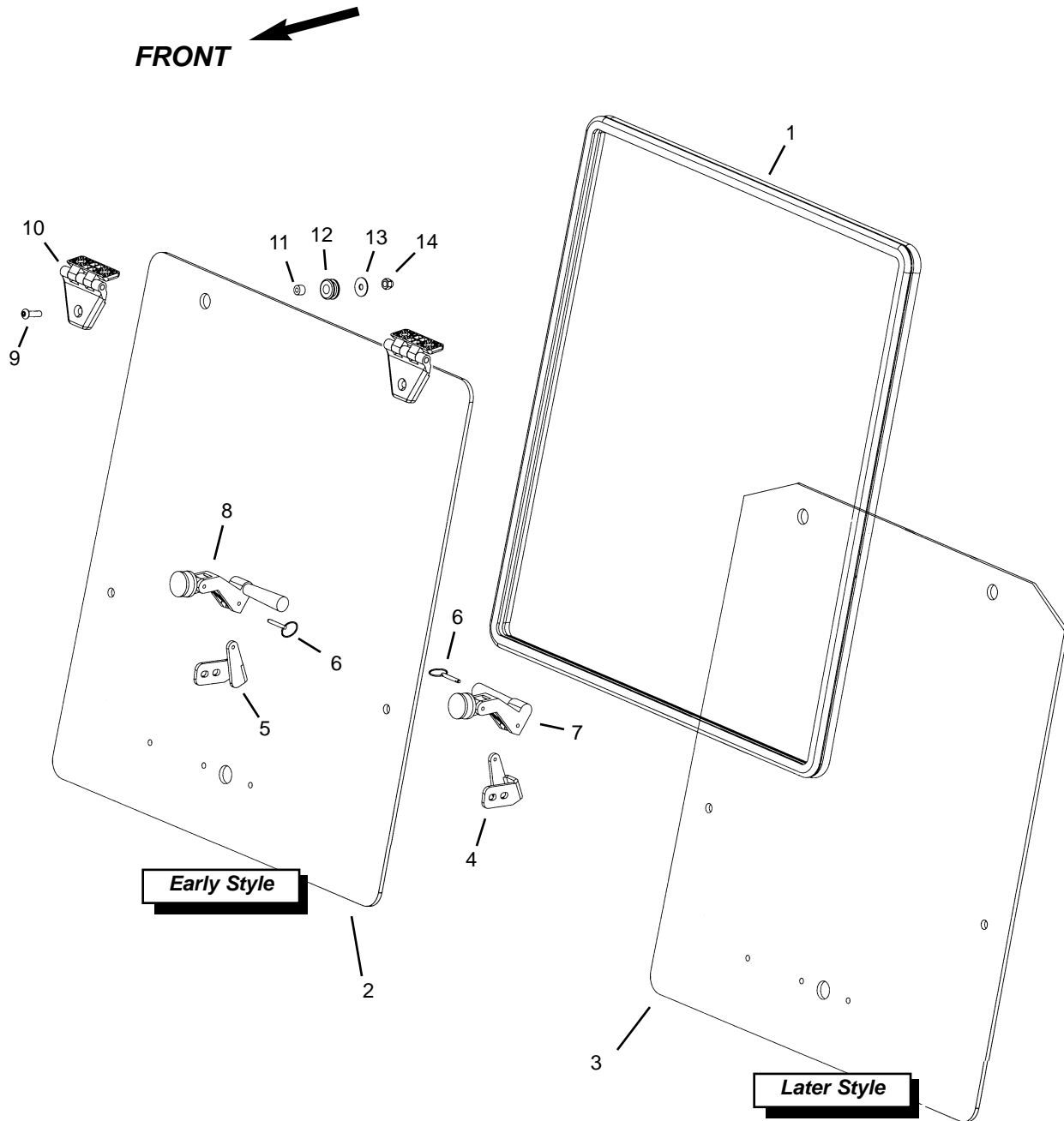
Cab (Part 3 of 3)



**Cab (Part 3 of 3)**

Ref. No.	Part No.	Description	Qty. Req.	Ref. No.	Part No.	Description	Qty. Req.
<b>(Left Side Mirror - Option)</b>				<b>(Wiring Harness - Diode Packs)</b>			
01 <sup>a</sup>	102962	MIRROR MOUNT . . . . .	1	17	L500748	DIODE PACK, 3 DIODES. . . . . <i>(72-50-286 )</i>	AR
02 <sup>a</sup>	102963	BAR, MIRROR MOUNT . . . . .	1			<i>Imprinted on diode pack.</i>	
03 <sup>a</sup>	L63756	MIRROR . . . . .	1	18	103104	DIODE PACK, 4 DIODES. . . . . <i>(72-50-285 REV A )</i>	AR
<b>(Right Side Mirror)</b>						<i>Imprinted on diode pack.</i>	
04	L70417	SIDE MIRROR. . . . .	1	19	103101	DIODE PACK, 3 DIODES. . . . . <i>(72-50-285 )</i>	AR
05	L70345	MIRROR BAR <i>(Mirror End)</i> . . . . .	1			<i>Imprinted on diode pack.</i>	
06	L50081	5/8"-11 NUT . . . . .	1	20	L500569	DIODE PACK, 4 DIODES. . . . . <i>(72-50-283)</i>	AR
07	L70344	MIRROR BAR <i>(Base End)</i> . . . . .	1			<i>Imprinted on diode pack.</i>	
08	L50105	1-1/8" JAM NUT . . . . .	1	21	L500747	CLEAR COVER, DIODE PACK . .	AR
<b>(Dome Light)</b>				<b>(Level Indicator)</b>			
09 <sup>a</sup>	103159	WLDMNT/DOME LIGHT MOUNT . .	1	22	L66011	LEVEL INDICATOR. . . . .	1
10 <sup>a</sup>	137497	DOVE LIGHT . . . . .	1	23	L69297	LEVEL INDICATOR MOUNT. . . . .	1
	103160	HARNESS, INTERIOR LIGHT . . . .	1				
	103161	HARNESS, DOME LIGHT GRND . .	1				
<b>(Defroster Fan)</b>				<b>(Strobe Light [option] - Not Shown)</b>			
11	L66986	DEFROSTER FAN . . . . .	1	00	104952	STROBE, AMBER. . . . .	1
12	L50208	1/4"-20X1/2" SELF TAPSCREW . . .	2				
13	L66993	BRACKET, DEFROSTER FAN . . . .	1				
14	L50896	#10-24 NUT . . . . .	3				
15	L50655	#10-24 BOLT . . . . .	3				
16	101158	HARNESS/DEFROSTER FAN . . . .	1	a	<i>Designed for units with these serial numbers:</i>		
	L70463	GROMMET, 3/8"ID 3/4"OD . . . .	AR		<i>DL6H SN 20798 and up</i>		
					<i>DL6L SN 25558 and up</i>		
					<i>DL8H SN 30821 and up</i>		
					<i>DL8L SN 35493 and up</i>		
					<i>DL10H SN 40469 and up</i>		
					<i>DL10L SN 45173 and up</i>		
					<i>DL12H SN 50200 and up</i>		

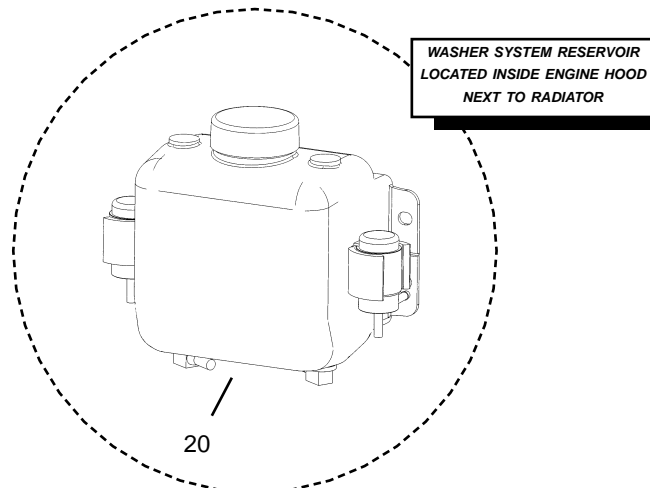
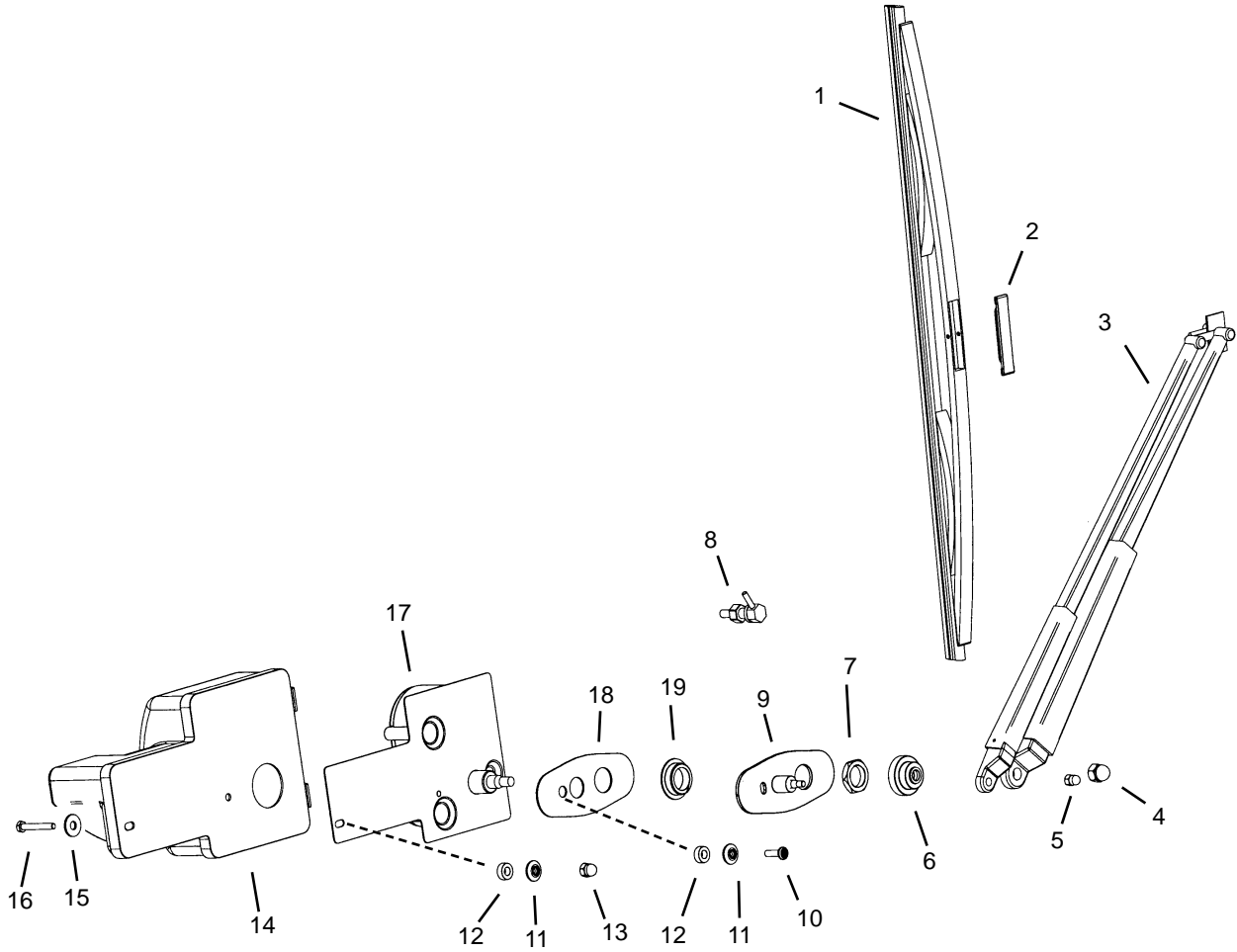
**Front Glass**



**Front Glass**

Ref. No.	Part No.	Description	Qty. Req.	Ref. No.	Part No.	Description	Qty. Req.
01	L500032 101726	BULB SEAL . . . . . <i>Note a and b</i> <i>Note c</i>	1				
02	L500109 L500713	FRONT GLASS . . . . . <i>Note a</i> <i>Note b</i>	1				
03 <sup>c</sup>	101725	FRONT GLASS . . . . .	1				
04	L500030 L50486 L50139 L50137	HOLD OPEN BRACKET . . . . . 1/4"-20X5/8" BOLT . . . . . 1/4" LOCK WASHER . . . . . 1/4" FLAT WASHER . . . . .	1 2 2 2				
05	L500031 L50486 L50139 L50137	HOLD OPEN BRACKET . . . . . 1/4"-20X5/8" BOLT . . . . . 1/4" LOCK WASHER . . . . . 1/4" FLAT WASHER . . . . .	1 2 2 2				
06	L500025	DETENT RING PIN . . . . .	2				
07	L500028 L500019	L STYLE HOLD OPEN (LH) . . . . . ROLL PIN 3/16"X1/2" . . . . .	1 1				
08	L500027 L500019	L STYLE HOLD OPEN (RH) . . . . . ROLL PIN 3/16"X1/2" . . . . .	1 1				
09	L70486	1/4"-20X1" TORXSCREW . . . . .	2				
10	L500111	FRONT WINDOW HINGE . . . . .	2				
11	L500020	NYLON BUSHING 1/4" ID . . . . .	2				
12	L500021	GROMMET 1/2" ID . . . . .	2				
13	L500022	FLATWASHER. .28" ID . . . . .	2				
14	L500017	1/4"-20 ACORN NUT BLACK . . . . .	2				
						<b>(Complete Front Window Assembly)</b>	
				00 <sup>c</sup>	101764	COMPLETE ASSEMBLY . . . . . <i>(includes all items shown, except item 3; as well as wiper motor, wiper blade and related wiper parts)</i>	1
				a		<i>DL6H SN 20771 and before</i> <i>DL6L SN 25581 and before</i> <i>DL8H SN 30767 and before</i> <i>DL8L SN 35488 and before</i> <i>DL10H SN 40434 and before</i> <i>DL10L SN 45171 and before</i> <i>DL12H SN 50192 and before</i>	
				b		<i>DL6H SN 20772 Thru SN 20797</i> <i>DL6L SN 25582 Thru SN 25587</i> <i>DL8H SN 30768 Thru SN 30820</i> <i>DL8L SN 35489 Thru SN 35492</i> <i>DL10H SN 40435 Thru SN 40468</i> <i>DL10L SN 45172 Thru SN 45172</i> <i>DL12H SN 50193 Thru SN 50199</i>	
				c		<i>DL6L SN 25588 and up</i> <i>DL6H SN 20798 and up</i> <i>DL8L SN 35493 and up</i> <i>DL8H SN 30821 and up</i> <i>DL10L SN 45173 and up</i> <i>DL10H SN 40469 and up</i> <i>DL12H SN 50200 and up</i>	

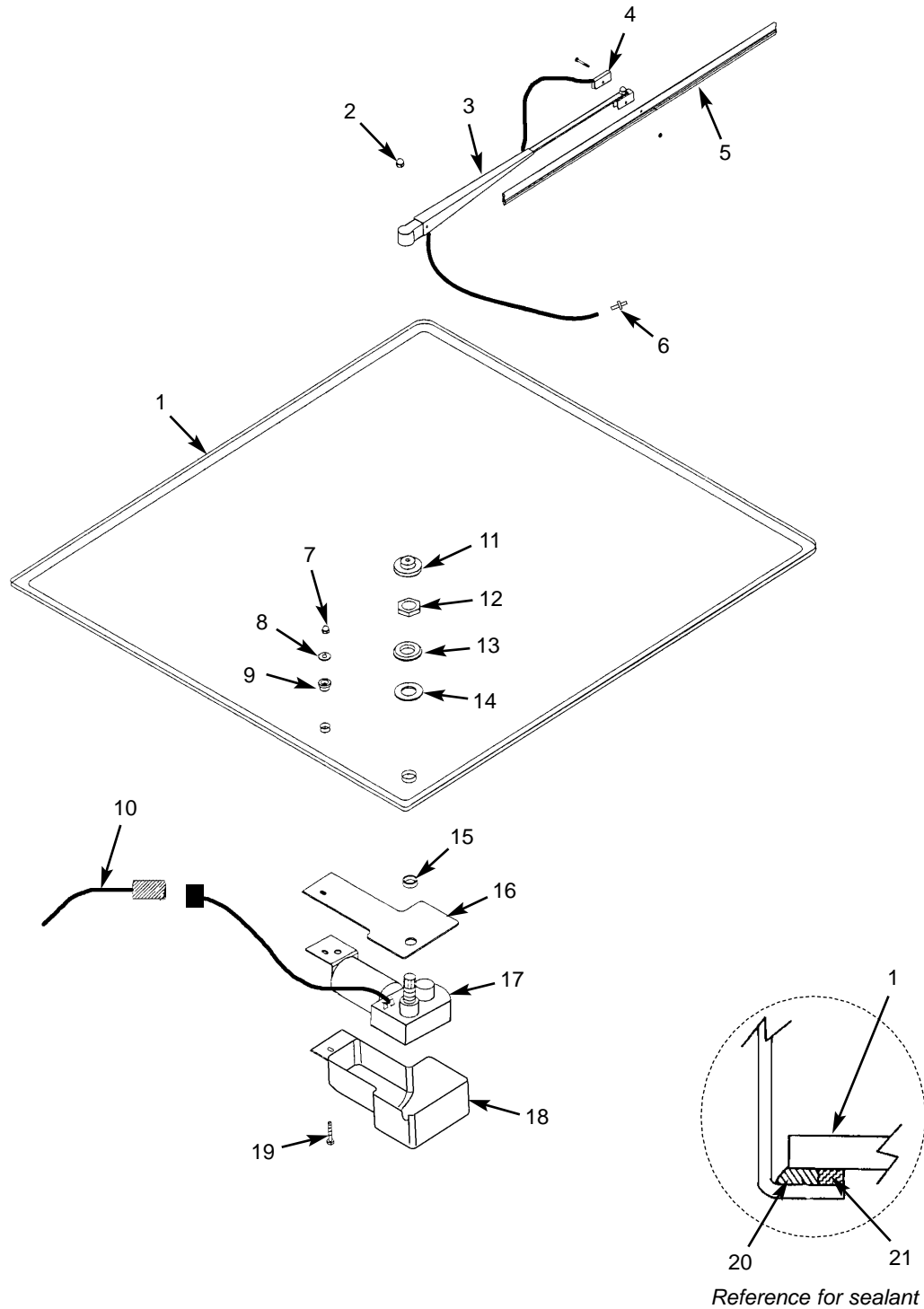
**Windshield Wiper - Front**



**Windshield Wiper - Front**

Ref. No.	Part No.	Description	Qty. Req.	Ref. No.	Part No.	Description	Qty. Req.
01		WIPER BLADE . . . . .	1			<b>-- ITEMS NOT SHOWN --</b>	
	L500102	<i>Note a (20")</i>				<b>(Wet arm kit)</b>	
	L500703	<i>Note b and c (20")</i>		00 <sup>a</sup>	L500106	WET ARM KIT . . . . .	1
02 <sup>bc</sup>	L500707	ADAPTER / PIN LOCK . . . . .	1			<i>(when not included with wiper arm)</i>	
03 <sup>d</sup>		WIPER ARM . . . . .	1			<b>(Windshield Wiper Harness)</b>	
	L500101	<i>Note a (included with #9 - note a)</i>		00		HARNESS, FRONT WIPER . . . . .	1
	L500702	<i>Note b and c (15-1/2")</i>			L500113	<i>Note a</i>	
04	L500700	M8 / ACORN NUT . . . . .	1		L500715	<i>Note b</i>	
05	L500706	M5 / ACORN NUT . . . . .	1			<b>(Windshield Washer System)</b>	
06	L500709	RAIN SHIELD . . . . .	1	00	L70709	HARNESS, WASHER BOTTLE . . . AR	
07	L500697	M18 / NUT . . . . .	1				
08	L500099	ADAPTER/WET ARM . . . . .	1				
09		PANTO ADAPTER PLATE. . . . .	1				
	L500101	<i>Note a (included with #3 - note a)</i>		a		<i>DL6H SN 20771 and before</i>	
	L500719	<i>Note b and c</i>				<i>DL6L SN 25581 and before</i>	
10	L500711	SCREW / M5 16mm . . . . .	1			<i>DL8H SN 30767 and before</i>	
11	101717	WASHER, #10 WEATHERTITE . . .	2			<i>DL8L SN 35488 and before</i>	
12	L500694	BUSHING / NYLON. . . . .	2			<i>DL10H SN 40434 and before</i>	
13	L500004	NUT/ACORN #10-24 BLK. . . . .	1			<i>DL10L SN 45171 and before</i>	
14		COVER WIPER MOTOR. . . . .	1			<i>DL12H SN 50192 and before</i>	
	L500110	<i>Note a</i>		b		<i>DL6H SN 20772 Thru SN 20797</i>	
	L500696	<i>Note b and c</i>				<i>DL6L SN 25582 Thru SN 25587</i>	
15	L500001	WASHER/BLK NYLON. . . . .	AR			<i>DL8H SN 30768 Thru SN 30820</i>	
16		FASTENER . . . . .	1			<i>DL8L SN 35489 Thru SN 35492</i>	
	L500112	<i>Note a (#10-32x7/8" screw)</i>				<i>DL10H SN 40435 Thru SN 40468</i>	
	L500718	<i>Note b and c (#10-24x1-1/4" bolt)</i>				<i>DL10L SN 45172 Thru SN 45172</i>	
17		WIPER MOTOR. . . . .	1			<i>DL12H SN 50193 Thru SN 50199</i>	
	L99848	<i>Note a and e</i>		c		<i>DL6L SN 25588 and up</i>	
	L500695	<i>Note b and c</i>				<i>DL6H SN 20798 and up</i>	
18	L500701	GASKET / PANTO ADAPTER. . . . .	1			<i>DL8L SN 35493 and up</i>	
19		TOWER SEAL / WIPER . . . . .	1			<i>DL8H SN 30821 and up</i>	
	L500108	<i>Note a (nylon spacer 5/16" ID)</i>				<i>DL10L SN 45173 and up</i>	
	L500712	<i>Note b (glass with 3/4" ID)</i>				<i>DL10H SN 40469 and up</i>	
	L500708	<i>Note b and c (glass with 1" ID)</i>				<i>DL12H SN 50200 and up</i>	
20		WASHER BOTTLE, W/PUMP(S) . . .	1	d		<i>PN L500702 has a built in washer spray nozzle and hose (wet arm).</i>	
	L70649	SINGLE PUMP				<i>PN L500101 does <u>not</u> come with the washer spray nozzle and hose (wet arm); order L500106 Wet Arm Kit if needed.</i>	
	101495	DUAL PUMP		e		<i>It is recommended to order wiper kit L500749.</i>	

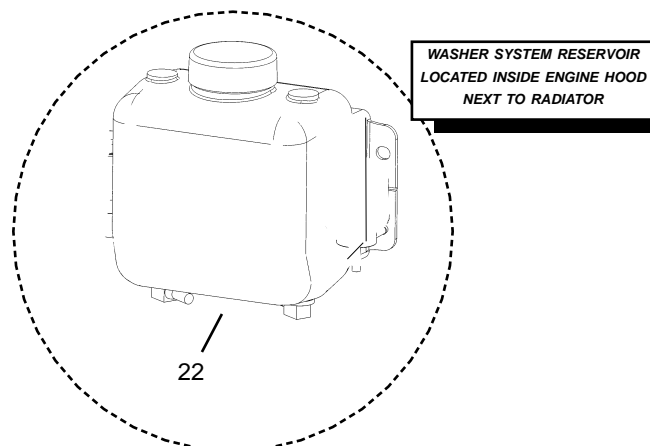
*Top Glass and Wiper (Early Style)*



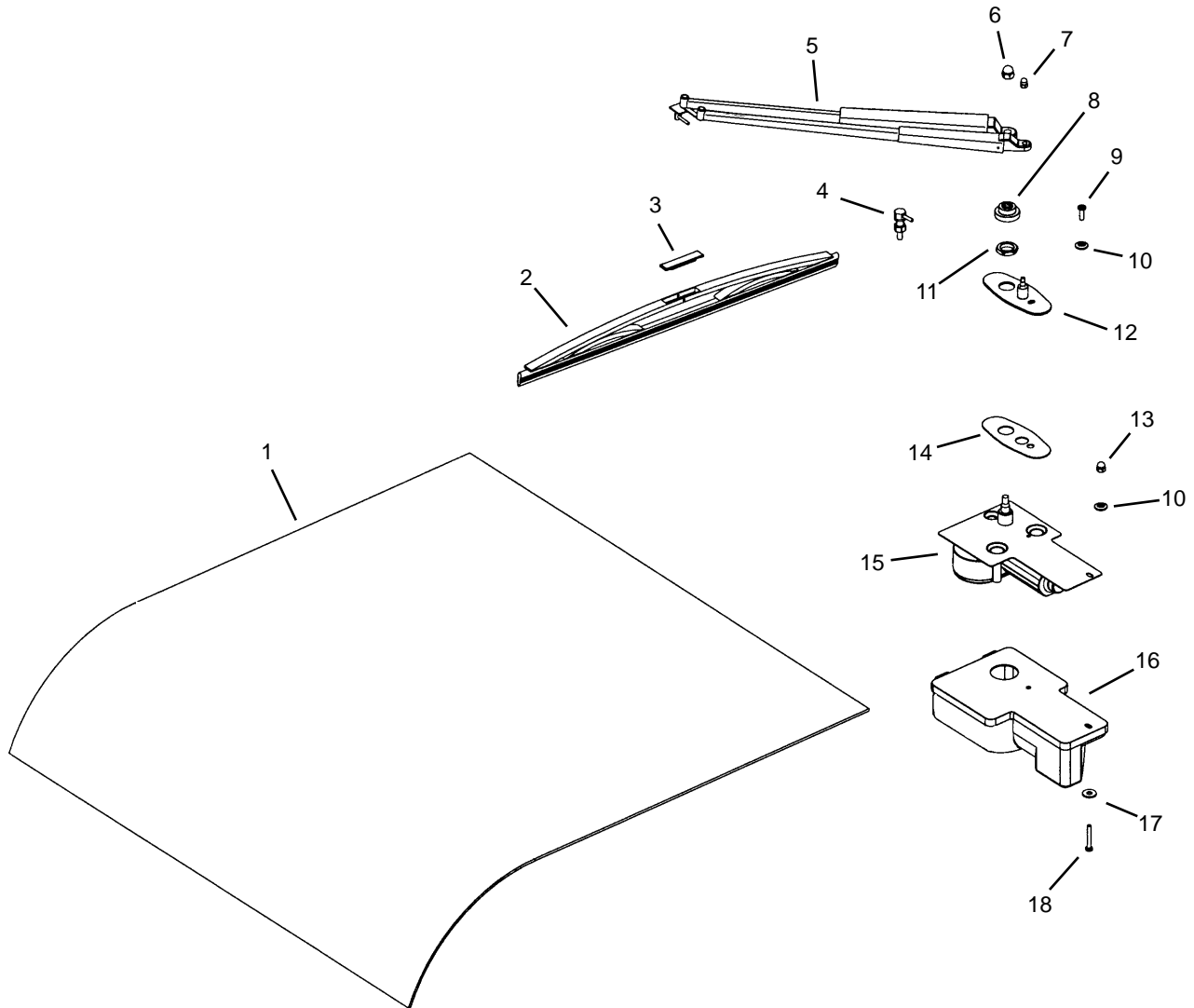


**Top Glass and Wiper (Early Style)**

Ref. No.	Part No.	Description	Qty. Req.	Ref. No.	Part No.	Description	Qty. Req.
01	L500011	TOP GLASS	1	18	L500013	WIPER MOTOR COVER	1
	L500714	<i>Note a</i>			L500696	<i>Note a (Included with item 16 note a)</i>	
02 <sup>b</sup>	L500680	NUT, M8 HEX ( <i>Trico motor</i> )	1	19	L500006	ROUND HEAD SCREW	1
03	L500009	RADIAL WIPER ARM	1		L500001	<i>Note a (#10-24X7/8")</i>	1
	L500705	<i>Note b</i>			L500718	FLATWASHER .26"ID	1
04	L500008	WET ARM KIT	1	20	L500607	<i>Note b (#10-24X1-1/14")</i>	1
05	L500002	WIPER BLADE, 20"	1	21	L500005	GLUE KIT	1
	L500704	<i>Note a</i>		22 <sup>d</sup>	L70649	SETTING BLOCK	8
06	L500016	<i>Note b</i>			L70709	WASHER BOTTLE, W/PUMP	1
07	L500004	HOSE REDUCER	1			WASHER WIRE HARNESS	1
08	L500001	#10-24 ACORN NUT	1	a	<i>DL6H SN 20771 and before</i>		
09 <sup>a</sup>	L500104	FLATWASHER .26"ID	1		<i>DL6L SN 25581 and before</i>		
	L500114	RUBBER WASHER .187"ID	1		<i>DL8H SN 30767 and before</i>		
09 <sup>b</sup>	L500717	NYLON BUSHING 1/4"ID	1		<i>DL8L SN 35488 and before</i>		
10	L500014	GROMMET, T-STYLE RUBBER	1		<i>DL10H SN 40434 and before</i>		
	L500716	TOP WINDOW WIRE HARNESS	1		<i>DL10L SN 45171 and before</i>		
	L500709	<i>Note a</i>			<i>DL12H SN 50192 and before</i>		
11 <sup>b</sup>	L500697	RAIN SHIELD	1	b	<i>DL6H SN 20772 Thru SN 20797</i>		
12 <sup>b</sup>	L500697	NUT, M18 HEX	1		<i>DL6L SN 25582 Thru SN 25587</i>		
13 <sup>b</sup>	L500699	WASHER, STEEL M18	1		<i>DL8H SN 30768 Thru SN 30820</i>		
14 <sup>b</sup>	L500698	WASHER, FIBER M18	1		<i>DL8L SN 35489 Thru SN 35492</i>		
15	L500108	NYLON SPACER	1		<i>DL10H SN 40435 Thru SN 40468</i>		
	L500712	<i>Note a (3/4" ID)</i>			<i>DL10L SN 45172 Thru SN 45172</i>		
	L500708	<i>Note b and c</i>			<i>DL12H SN 50193 Thru SN 50199</i>		
16	L500013	WIPER MOTOR COVER	1	c	<i>Use L500712 for glass with 3/4" diameter hole.</i>		
	L500013	<i>Note a (Included with item 18 note a)</i>			<i>Use L500708 for glass with 1" diameter hole.</i>		
	L500710	<i>Note b</i>		d	<i>Washer bottle has one pump. Refer to next page if washer bottle has two pumps.</i>		
17	L500750	WIPER MOTOR	1				
	L500695	<i>Note a (replacement kit for L99848)</i>					
		<i>Note b</i>					

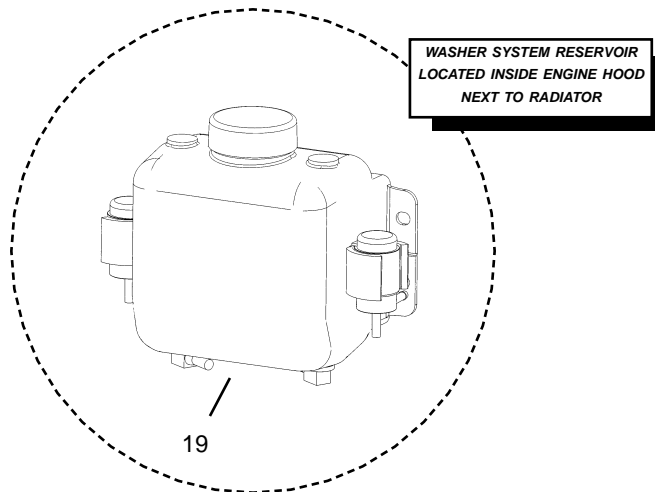


***Top Glass and Wiper (Later Style)***



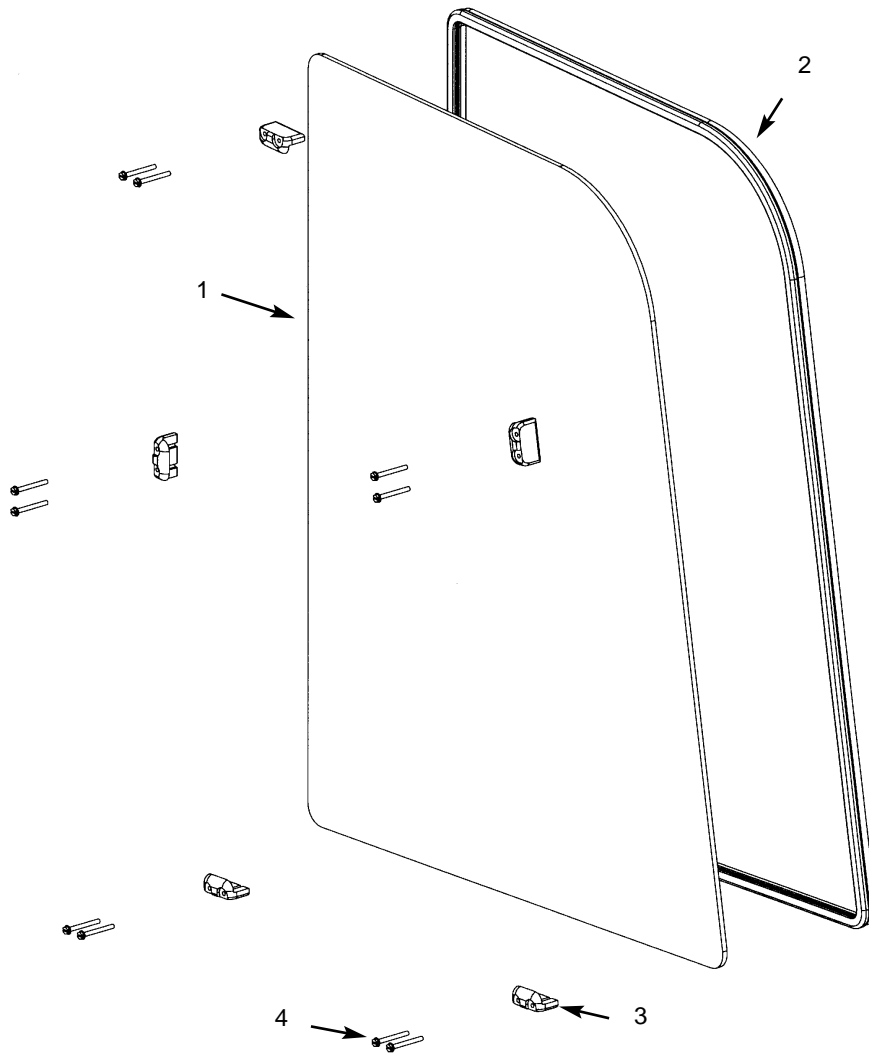
**Top Glass and Wiper (Later Style)**

Ref. No.	Part No.	Description	Qty. Req.	Ref. No.	Part No.	Description	Qty. Req.
01 <sup>a</sup>	101723	GLASS, SKYLIGHT CURVED.....	1	16 <sup>a</sup>	L500696	COVER WIPER MOTOR.....	1
	L500607	GLUE KIT.....	AR	17 <sup>a</sup>	L500001	WASHER/BLK NYLON.....	1
02 <sup>a</sup>	L500703	WIPER BLADE / 20".....	1	18 <sup>a</sup>	L500718	#10-24x1.25 BOLT GR5.....	1
03 <sup>a</sup>	L500707	ADAPTER/PIN LOCK.....	1	19 <sup>c</sup>	101495	WASHER BOTTLE, W/PUMPS....	1
04 <sup>a</sup>	L500099	ADAPTER/WET ARM.....	1		103912	TOP WIPER HARNESS.....	1
05 <sup>ab</sup>	101718	ARM, WIPER 24" WET PANTO ...	1			(includes top washer hose)	
06 <sup>a</sup>	L500700	NUT / M8 PANTO PLATE.....	1	a	<i>DL6L SN 25588 and up</i>		
07 <sup>a</sup>	L500706	NUT / M5 ACORN.....	1		<i>DL6H SN 20798 and up</i>		
08 <sup>a</sup>	L500709	RAIN SHIELD.....	1		<i>DL8L SN 35493 and up</i>		
09 <sup>a</sup>	L500711	SCREW / M5 16MM.....	1		<i>DL8H SN 30821 and up</i>		
10 <sup>a</sup>	101717	WASHER, #10 WEATHERTITE ..	AR		<i>DL10L SN 45173 and up</i>		
11 <sup>a</sup>	L500697	NUT M18 HEX.....	1		<i>DL10H SN 40469 and up</i>		
12 <sup>a</sup>	L500719	PANTO ADAPTER PLATE.....	1		<i>DL12H SN 50200 and up</i>		
13 <sup>a</sup>	L500004	NUT/ACORN #10-24 BLK.....	1	b	<i>Windshield washer spray nozzle is incorporated into wiper arm and is not sold separately.</i>		
14 <sup>a</sup>	L500701	GASKET / PANTO ADAPTER.....	1	c	<i>Washer bottle with two pumps. Early style (PN L70649) had one pump; refer to previous page for early style washer system.</i>		
15 <sup>a</sup>	L500695	WIPER MOTOR / TRICO.....	1				



**Left Glass (Early Style)**

(Refer to Usage Table below)



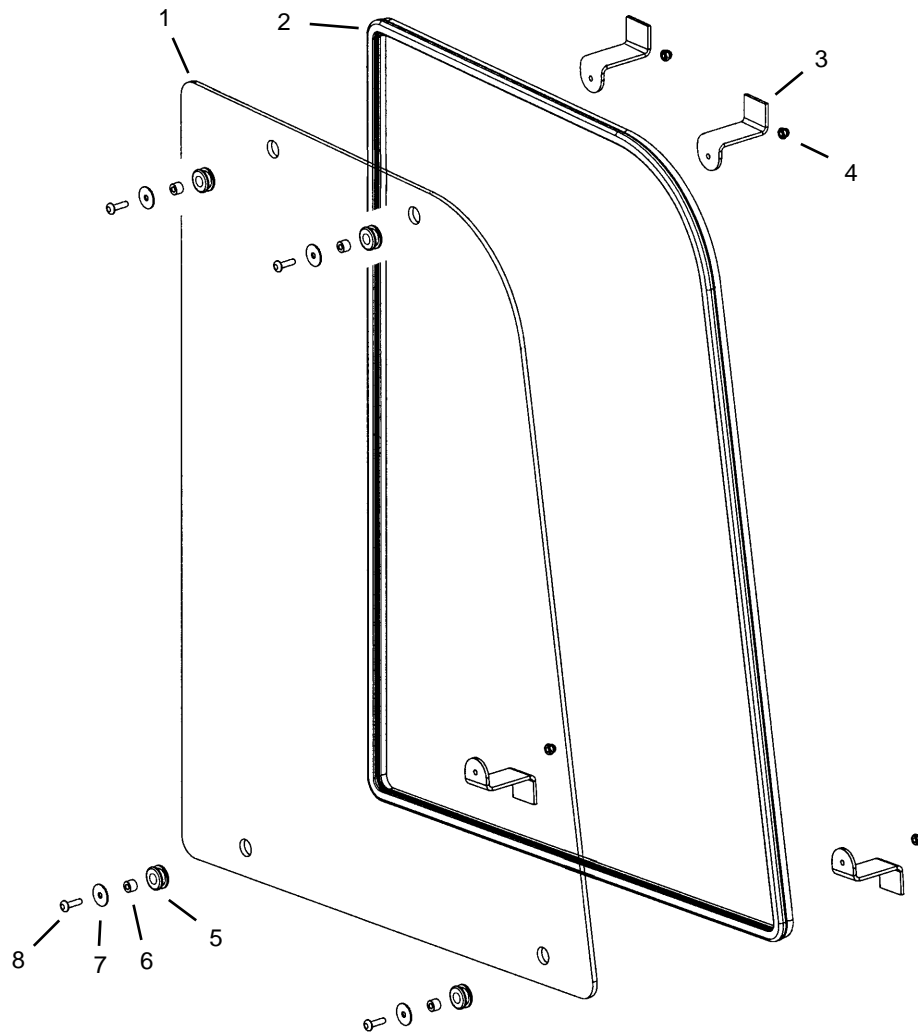
Ref. No.	Part No.	Description	Qty. Req.
00	L500117	COMPLETE ASSEMBLY.....	1
01	L500033	LEFT REAR GLASS .....	1
02	L500032	BULB SEAL 1/4" CLIP ON .....	1
03	L500057	WINDOW CLIP .....	5
04	L500055	#10-16X1.75 FLNG SCREW.....	10

Ref. No.	Part No.	Description	Qty. Req.
----------	----------	-------------	-----------

Usage Table	
<b>Parts listed on this page apply to the following units:</b>	
DL6L SN 25587 and before	
DL6H SN 20797 and before	
DL8L SN 35492 and before	
DL8H SN 30820 and before	
DL10L SN 45172 and before	
DL10H SN 40468 and before	
DL12H SN 50199 and before	

**Left Glass (Later Style)**

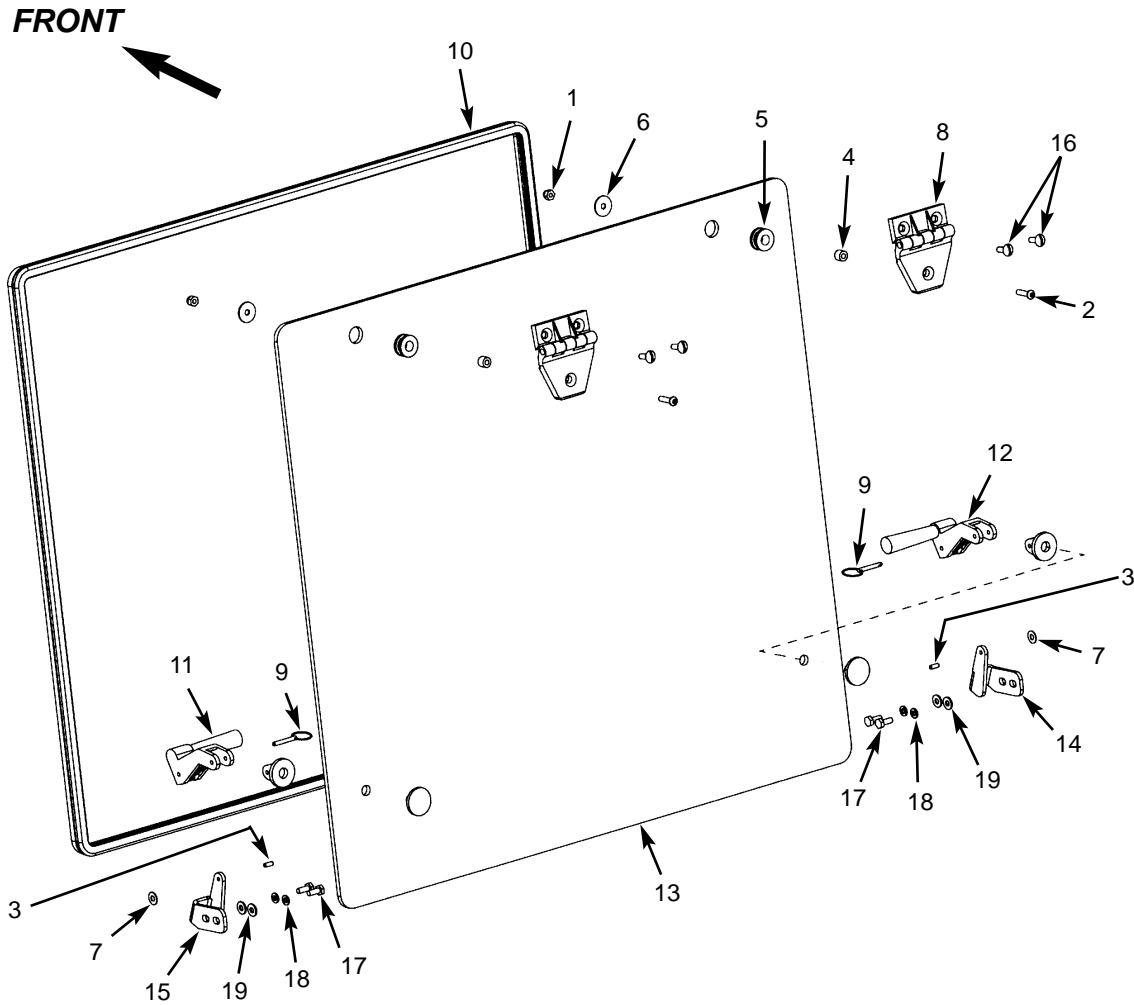
(Refer to Usage Table below)



Ref. No.	Part No.	Description	Qty. Req.
01	101724	GLASS LH SIDE . . . . .	1
02	101722	BULBSEAL, LH REAR WINDOW . .	1
03	101715	CLIP, Z. . . . .	4
04	L500017	1/4"-20 NUT/ACORN BLK. . . . .	4
05	L500021	GROMMET/.50 ID .25 GROOVE . .	4
06	L500020	BUSHING/NYLON. . . . .	4
07	L500022	WASHER/FLAT BLACK. . . . .	4
08	101733	1/4"-20x7/8" TRS TX . . . . .	4

Usage Table	
<b>Parts listed on this page apply to the following units:</b>	
DL6L SN 25588 and up	
DL6H SN 20798 and up	
DL8L SN 35493 and up	
DL8H SN 30821 and up	
DL10L SN 45173 and up	
DL10H SN 40469 and up	
DL12H SN 50200 and up	

**Rear Glass (Early Style)**

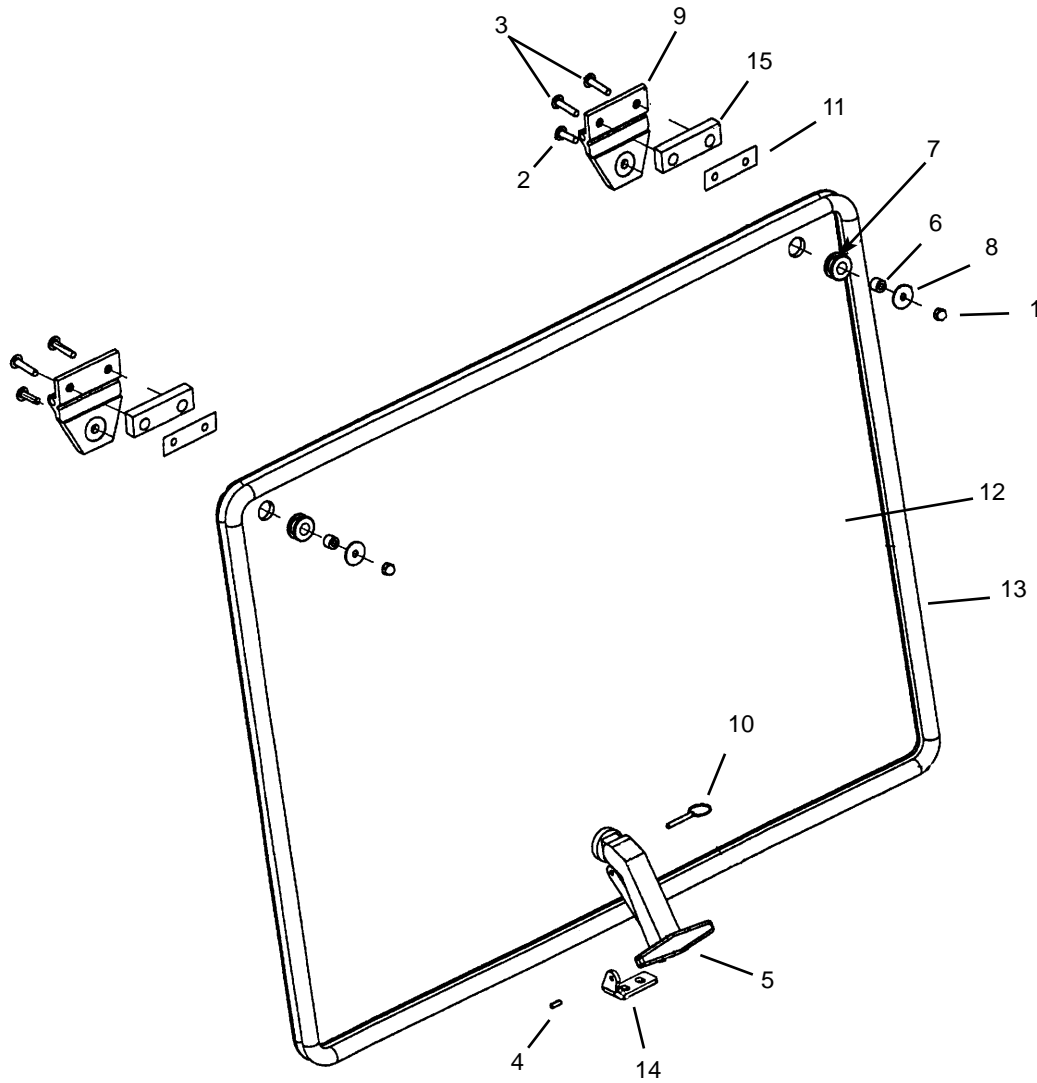


**Rear Glass (Early Style)**

Ref. No.	Part No.	Description	Qty. Req.	Ref. No.	Part No.	Description	Qty. Req.
00	L500116	COMPLETE ASSEMBLY.....	1	09	L500025	DETENT RING PIN .188".....	2
01	L500017	1/4"-20 ACORN NUT.....	2	10	L500026	BULB SEAL.....	1
	NSS	BLUE LOCKTITE®.....	AR	11	L500027	RH HOLD OPEN.....	1
02	L70486	1/4"-20X1" TORX SCREW.....	2	12	L500028	LH HOLD OPEN.....	1
03	L500019	ROLL PIN 3/16X1/2.....	2	13	L500029	REAR GLASS.....	1
04	L500020	NYLON BUSHING 1/4"ID.....	2	14	L500030	HOLD OPEN BRACKET.....	1
05	L500021	GROMMET 1/2"ID.....	2	15	L500031	HOLD OPEN BRACKET.....	1
06	L500022	FLATWASHER. .28"ID.....	2	16	L50328	1/4"-20X3/4" TORX SCREW.....	4
07	L500023	FLATWASHER. 1/4"ID.....	2	17	L50486	1/4"-20X5/8" GR5 BOLT.....	4
08	L500024	PLASTIC HINGE.....	2	18	L50139	1/4" LOCK WASHER.....	4
				19	L50137	1/4" FLAT WASHER.....	4

Usage Table
<p><b>Parts listed on this page apply to the following units:</b>                      DL6L SN 25587 and before                      DL6H SN 20797 and before                      DL8L SN 35492 and before                      DL8H SN 30820 and before                      DL10L SN 45172 and before                      DL10H SN 40468 and before                      DL12H SN 50199 and before</p>

**Rear Glass (Later Style)**



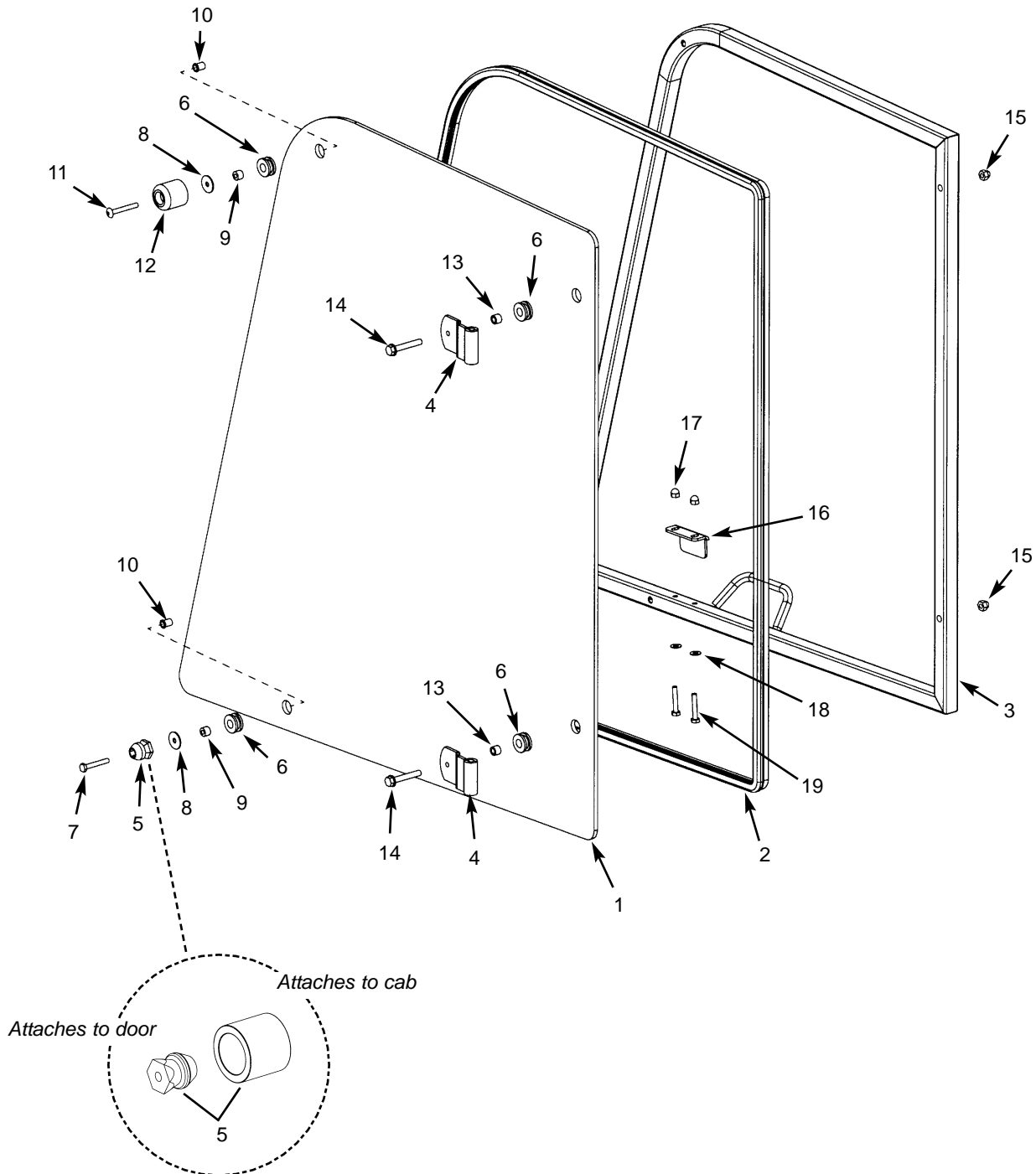


***Rear Glass (Later Style)***

Ref. No.	Part No.	Description	Qty. Req.	Ref. No.	Part No.	Description	Qty. Req.
00	101761	COMPLETE ASSEMBLY.....	1	08	L500022	WASHER/FLAT BLACK.....	2
01	L500017	1/4"-20 NUT/ACORN BLK.....	2	09	L500024	HINGE/PLASTIC.....	2
02	L70486	1/4"-20x1" BOLT BLK.....	2	10	L500025	PIN/DETENT RING.....	1
03	101732	1/4"-20x1-1/4" TRS G5 ES5BF....	4	11	101790	GASKET.....	2
04	L500019	PIN/ROLL.....	1	12	101728	GLASS, REAR WINDOW.....	1
05	101727	HOLD OPEN, WINDOW T-STYLE..	1	13	101729	BULBSEAL, REAR WINDOW....	1
06	L500020	BUSHING/NYLON.....	2	14	101730	MOUNT, REAR WINDOW LATCH..	1
07	L500021	GROMMET, 1/2"ID 1/4" GROOVE..	2	15	101731	HINGE BLOCK.....	2

Usage Table
<p><b>Parts listed on this page apply to the following units:</b></p> <p><i>DL6L SN 25588 and up</i></p> <p><i>DL6H SN 20798 and up</i></p> <p><i>DL8L SN 35493 and up</i></p> <p><i>DL8H SN 30821 and up</i></p> <p><i>DL10L SN 45173 and up</i></p> <p><i>DL10H SN 40469 and up</i></p> <p><i>DL12H SN 50200 and up</i></p>

***Upper Door (Early Style)***

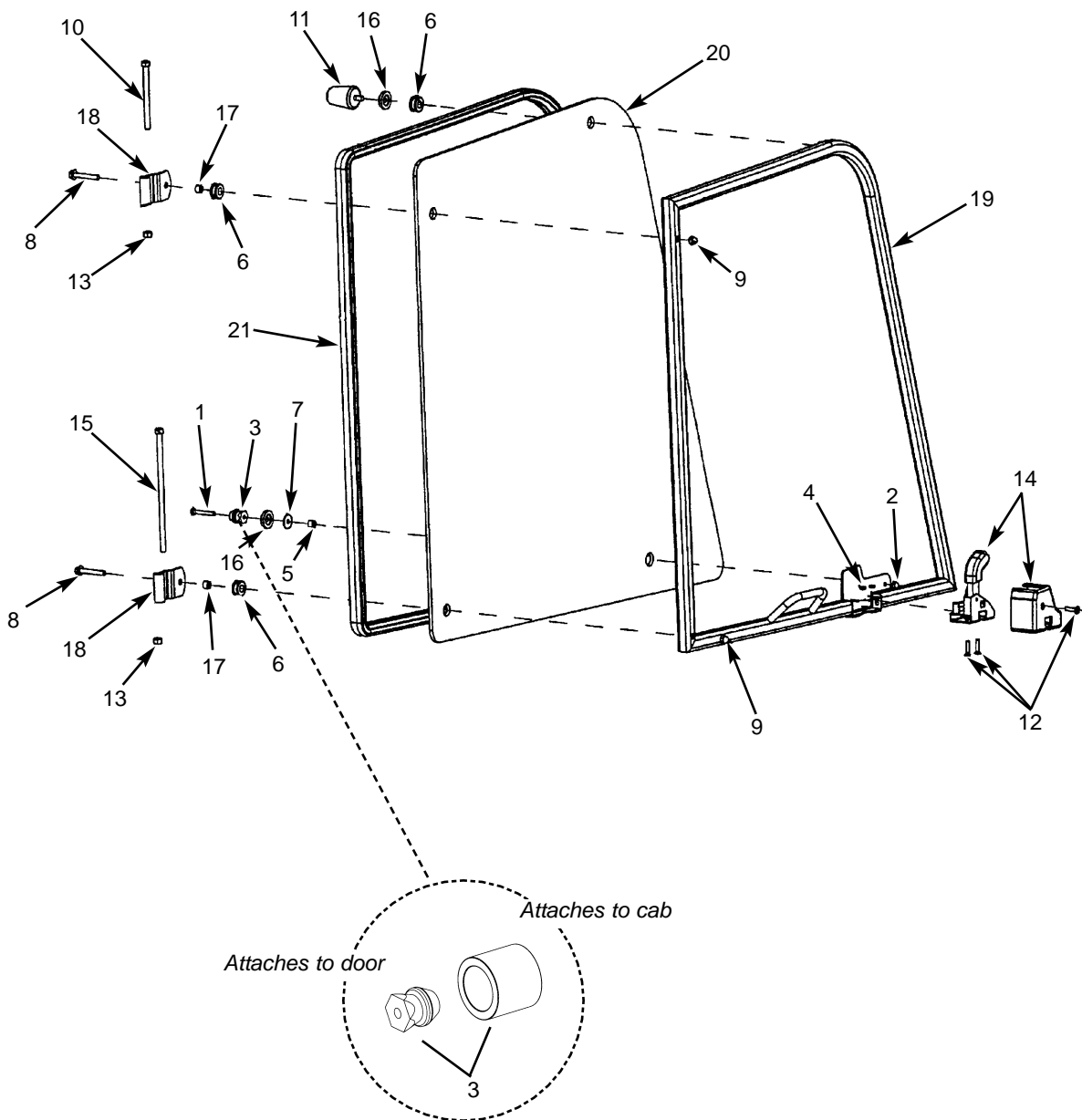


## Upper Door (Early Style)

Ref. No.	Part No.	Description	Qty. Req.	Ref. No.	Part No.	Description	Qty. Req.
00 <sup>a</sup>	L500355	COMPLETE ASSEMBLY..... 1 <i>(Includes items 1 and 3 - note c)</i>	1	17	L500017	1/4"-20 ACORN NUT..... 2	2
				18	L500023	FLAT WASHER..... 2	2
				19	L500041	1/4"-20X1-1/2" HEX HD SCREW .. 2	2
01		UPPER DOOR GLASS..... 1 <i>Note b; includes item 3, note c.</i>	1	a		<i>Replaces older style upper door and glass</i>	
	L500355	<i>Note c</i>				<b>--- SERIAL NUMBERS ---</b>	
	L500360	<i>Note c</i>		b		<i>DL6H SN 20556 and before</i>	
	L500607	GLUE KIT..... 1	1			<i>DL6L SN 25487 and before</i>	
02	L500039	UPPER DOOR BULB SEAL..... 1	1			<i>DL8H SN 30515 and before</i>	
03		UPPER DOOR FRAME..... 1	1			<i>DL8L SN 35400 and before</i>	
	L500355	<i>Note b. Includes item 1 note c.</i>				<i>DL10H SN 40253 and before</i>	
	L500359	<i>Note c</i>				<i>DL10L SN 45135 and before</i>	
04	L500043	HINGE..... 2	2			<i>DL12H SN 50128 and before</i>	
05 <sup>d</sup>	L500036	DOOR HOLD OPEN..... 1	1	c		<i>DL6H SN 20557 Thru SN20797</i>	
06	L500021	GROMMET..... 4	4			<i>DL6L SN 25488 Thru SN 25587</i>	
07	L500034	1/4"-20X1-3/4" BOLT..... 1	1			<i>DL8H SN 30516 Thru SN 30820</i>	
08	L500022	1/4" FLAT WASHER..... 2	2			<i>DL8L SN 35401 Thru SN 35492</i>	
09	L500020	NYLON BUSHING..... 2	2			<i>DL10H SN 40253 Thru SN 40468</i>	
10	L500040	1/4"-20 NUTSERT..... 2	2			<i>DL10L SN 45135 Thru SN 45172</i>	
11	L500269	1/4"-20X2" TORX HD SCREW .... 1	1			<i>DL12H SN 50129 Thru 50199</i>	
12	L500268	RUBBER BUMPER..... 1	1	d		<i>Includes both components, one attaches to door, the other attaches to the cab; they are not sold separately.</i>	
13	L500042	STEEL BUSHING..... 2	2				
14	L500037	5/16"-18X2" TRUSS HD SCREW .. 2	2				
15	L500038	5/16"-18 ACORN NUT..... 2	2				
16	L500046	STRIKER..... 1	1				

Usage Table
<p><b>Parts listed on this page apply to the following units:</b></p> <p><i>DL6L SN 25587 and before</i></p> <p><i>DL6H SN 20797 and before</i></p> <p><i>DL8L SN 35492 and before</i></p> <p><i>DL8H SN 30820 and before</i></p> <p><i>DL10L SN 45172 and before</i></p> <p><i>DL10H SN 40468 and before</i></p> <p><i>DL12H SN 50199 and before</i></p>

***Upper Door (Later Style)***



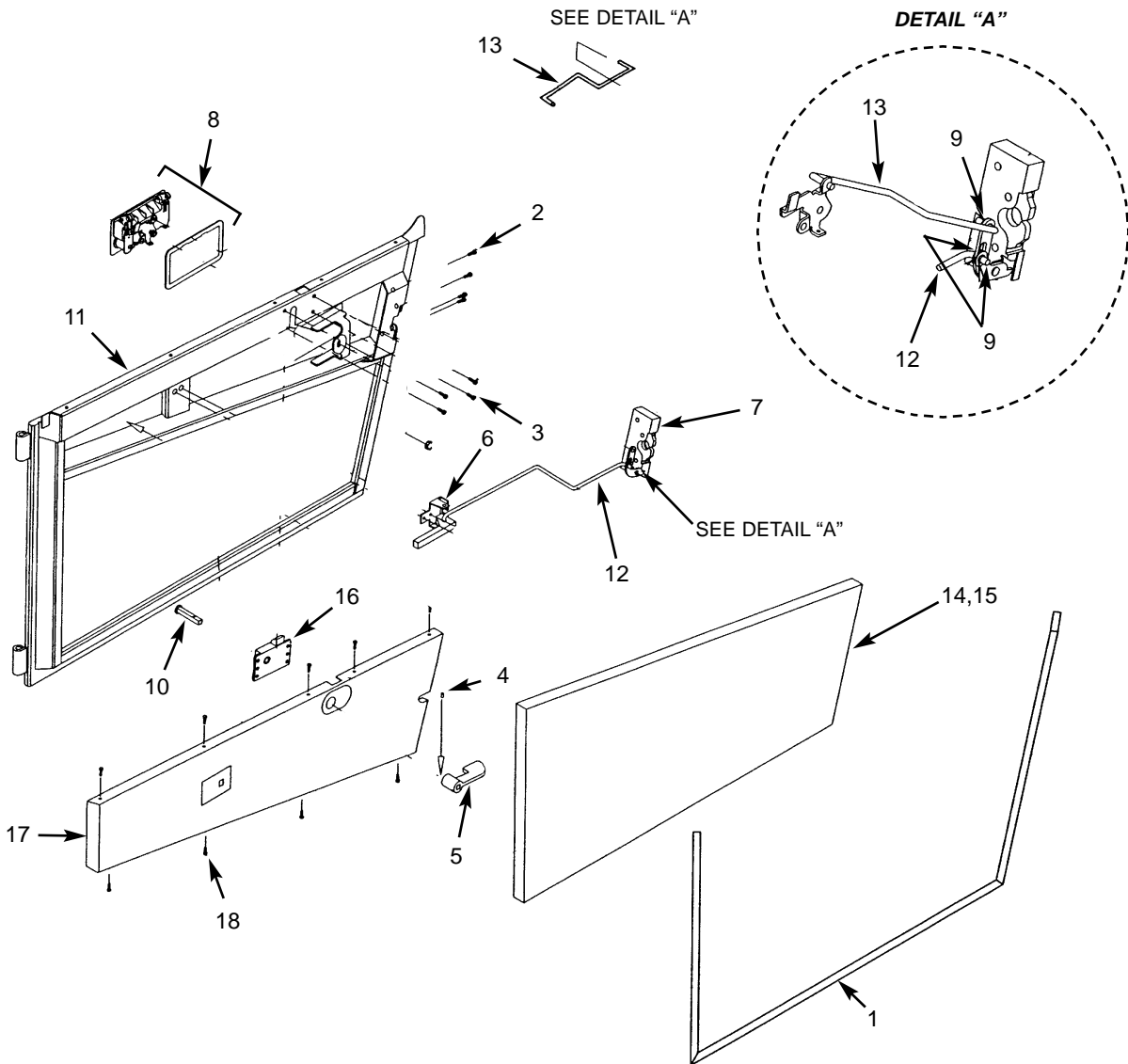
***Upper Door (Later Style)***

Ref. No.	Part No.	Description	Qty. Req.	Ref. No.	Part No.	Description	Qty. Req.
00		COMPLETE ASSEMBLY.....	1	15	101757	BLT, .38-16x8.5 HEX SS.....	1
	101763	(Yellow Cab)		16	101719	GLASS MOUNT.....	2
	101907	(Gray Cab)		17	L500042	BUSHING/STEEL.....	2
01	L500034	SCREW/HEX.....	1	18		HINGE, DOOR.....	2
02	L500017	NUT/ACORN .25-20 BLK.....	1		101750	(Yellow Cab)	
03 <sup>a</sup>	L500036	HOLD OPEN/DOOR (set).....	1		101909	(Gray Cab)	
04	101753	NUT, HEX M6x1 YZ DR 10.9.....	2	19		WLDMNT, UPPER DOOR.....	1
05	L500020	BUSHING/NYLON.....	1		101758	(Yellow Cab)	
06	L500021	GROMMET/.50id .25 GROOVE... 3			101910	(Gray Cab)	
07	L500114	BUSHING/NYLON-WHITE.....	1	20	L500967	GLASS, UPPER DOOR.....	1
08	L500037	BOLT/BLK TRUSS HEAD.....	2		L500607	GLUE KIT.....	1
09	L500038	NUT/ACORN BLACK.....	2	21	101759	BULBSEAL, UPPER DOOR.....	1
10	101754	BOLT, .38-16x4.5 HEX 304 SS....	1				
11	101709	BUMPER, RUBBER 2" CONE....	1				
12	101755	BOLT, M6x1x25 FLT PH ES5YZ... 3					
13	101743	NUT, .38-16 HEX TL-316SS.....	2				
14	101756	LATCH, ROTARY RIGHT.....	1				

*a Includes both components, one attaches to door, the other attaches to the cab; they are not sold separately.*

Usage Table
<p><b>Parts listed on this page apply to the following units:</b>                      DL6L SN 25588 and up                      DL6H SN 20798 and up                      DL8L SN 35493 and up                      DL8H SN 30821 and up                      DL10L SN 45173 and up                      DL10H SN 40469 and up                      DL12H SN 50200 and up</p>

**Lower Door (Early Style)**

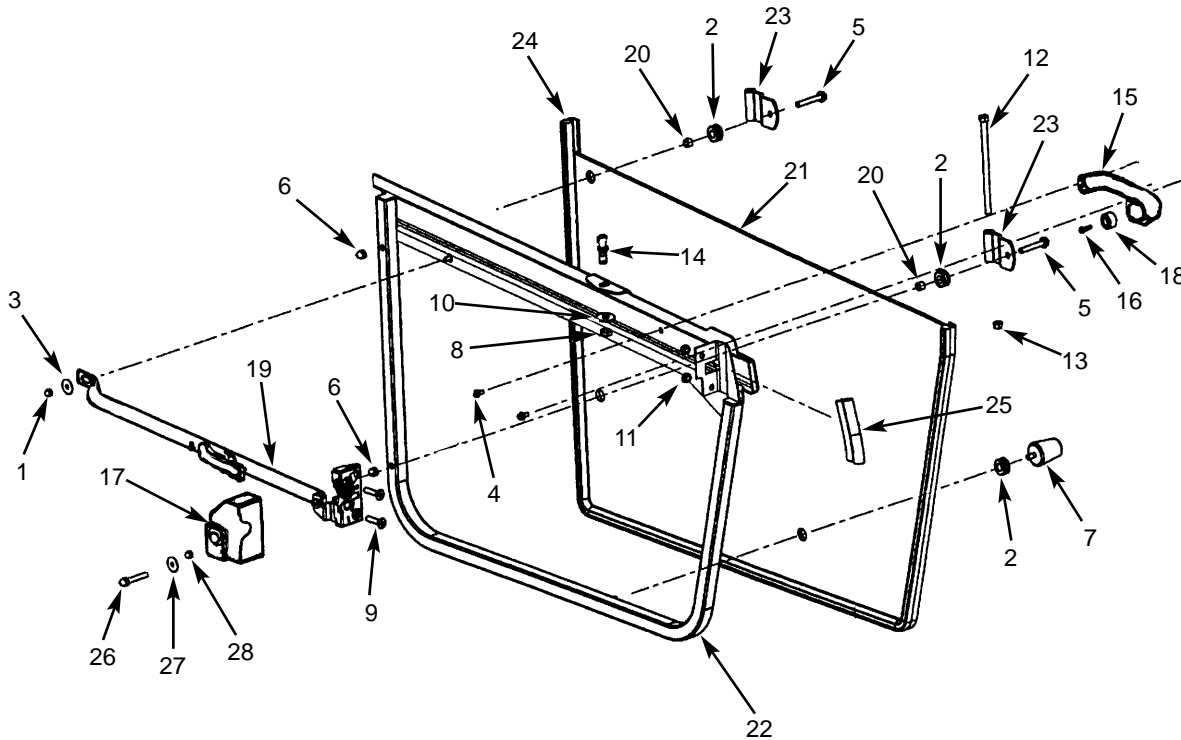


***Lower Door (Early Style)***

Ref. No.	Part No.	Description	Qty. Req.	Ref. No.	Part No.	Description	Qty. Req.
00	L500120	COMPLETE ASSEMBLY.....	1	09	L500090	INTERNAL TOOTH RETAINER ...	3
01	L500082	BULB SEAL.....	1	10	L500091	LH DRIVE BAR WELD.....	1
02	L500083	1/4-20X3/4 TRUSS HD SCREW...	4	11	L500092	LOWER DOOR WELD.....	1
03	L500084	#10-24X1/2 TRUSS HD SCREW ..	6	12	L500093	DOOR RELEASE ROD.....	1
04	651574	#8-32x1-1/8" SOCKT HD SCREW .	1	13	L500094	DOOR LATCH SHORT ROD.....	1
	166776	#8-32 NUT.....	1	14	L500095	DOOR CARPET .....	1
05	L500086	RELEASE LEVER.....	1	15	NSS	CONTACT ADHESIVE .....	AR
	L66907	INSIDE DOOR HANDLE .....	1	16	L500096	SLAM LATCH WELD.....	1
	L50212	#10-24X1/4" SET SCREW .....	1	17	L500097	DOOR PLASTIC .....	1
06	L500087	LH INSIDE HANDLE ASY. ....	1	18	L70116	M6-12X1 SCREW .....	9
07	L500088	RH ROTARY LATCH.....	1				
08	L500089	PADDLE LATCH .....	1				
	L99157	KEY/CAB (CH751).....	1				

Usage Table
<p><b>Parts listed on this page apply to the following units:</b>                      DL6L SN 25587 and before                      DL6H SN 20797 and before                      DL8L SN 35492 and before                      DL8H SN 30820 and before                      DL10L SN 45172 and before                      DL10H SN 40468 and before                      DL12H SN 50199 and before</p>

***Lower Door (Later Style)***



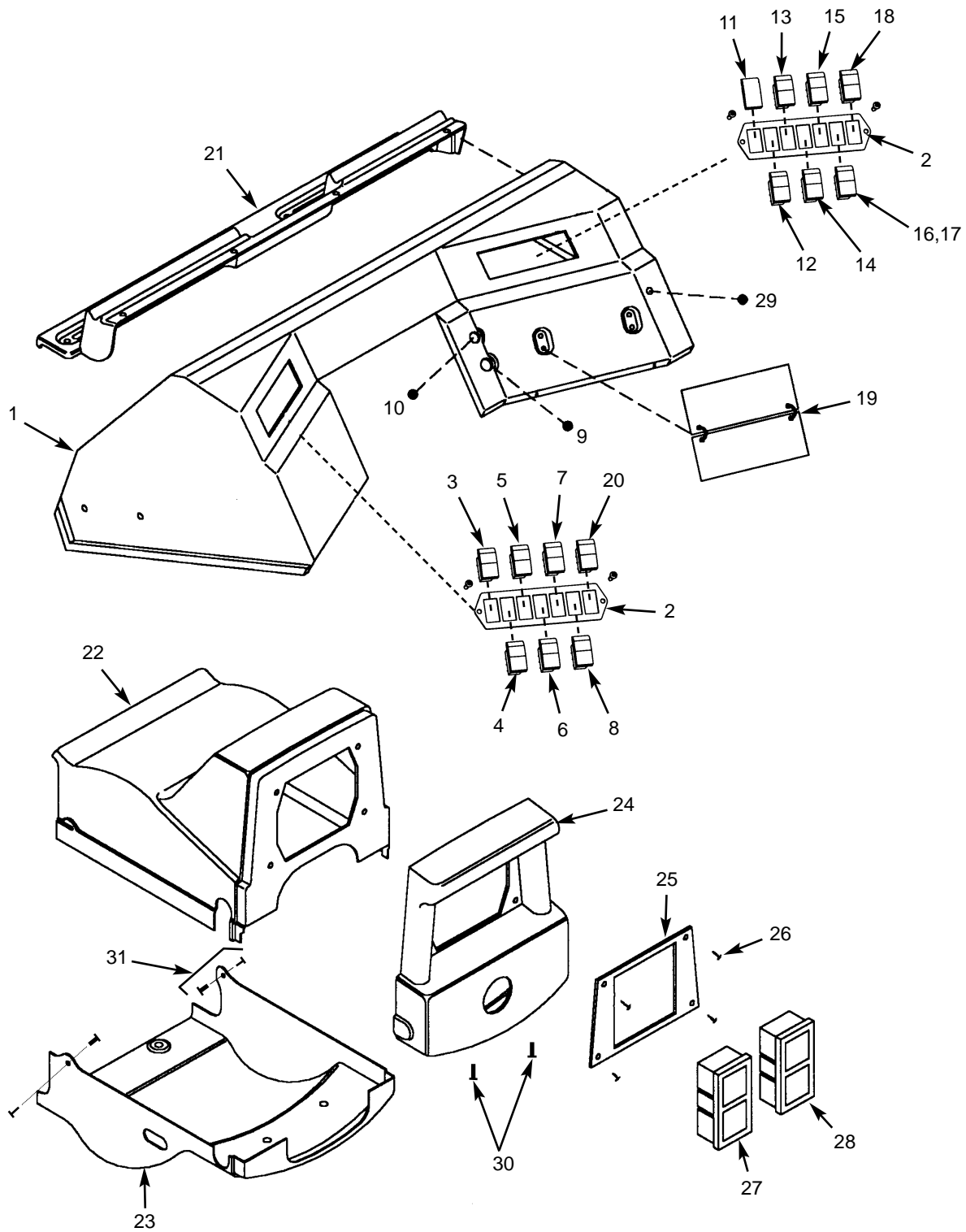


***Lower Door (Later Style)***

Ref. No.	Part No.	Description	Qty. Req.	Ref. No.	Part No.	Description	Qty. Req.
00		COMPLETE ASSEMBLY.....	1	18	101747	BUMPER, RECESS .....	1
	101762	(Yellow Cab)		19	101748	CAM LATCH, LH .....	1
	101906	(Gray Cab)		20	L500042	BUSHING/STEEL .....	2
01	L500017	1/4"-20 NUT/ACORN BLK. ....	1	21	L500966	GLASS, LOWER DOOR .....	1
02	L500021	GROMMET/.50ID .25 GROOVE ...	3	22		WLDMNT, LOWER DOOR .....	1
03	L500022	WASHER/FLAT BLACK.....	1		101749	(Yellow Cab)	
04	101737	SCR, M6x1x12 FLG YZD .....	2		101912	(Gray Cab)	
05	L500037	BOLT/BLK TRUSS HEAD .....	2	23		HINGE, LOWER DOOR .....	2
06	L500038	NUT/ACORN BLACK .....	2		101750	(Yellow Cab)	
07	101709	BUMPER, RUBBER 2" CONE ....	1		101909	(Gray Cab)	
08	101738	M12x1 HEX BOLT ES5CZ.....	1				
09	101739	M8x1.25x35 BOLT.....	2	24	101751	BULBSEAL, LOWER DOOR.....	1
10	101740	1/2"x1-1/4"X.083" FLT WASHER Z .	1	25	101752	INSIDE SEAL, LOWER DOOR ....	1
11	101741	M8x1.25 HEX NUT NK ES5CZ....	2	26	101793	M8X20 BOLT HEX FLNG HD ....	1
12	101742	3/8"-16x5" BOLT .....	1	27	L500098	WASHER/BLK NYLON .....	1
13	101743	38"-16 HEX NUT TL-316SS .....	1	28	101794	M8 HEX NUT YZ.....	1
14	101710	STRIKER, M12x1x25 .....	1				
15	101744	HANDLE, EXT. DOOR LOCKING..	1				
	101792	KEY ONLY					
16	101745	M5x.8x20 BOLT PAN PH .....	1				
17	101746	COVER, GRAB HANDLE LATCH..	1				
						<b>-- ITEMS NOT SHOWN --</b>	
				00	L500607	GLUE KIT .....	1

Usage Table
<p><b>Parts listed on this page apply to the following units:</b>  DL6L SN 25588 and up  DL6H SN 20798 and up  DL8L SN 35493 and up  DL8H SN 30821 and up  DL10L SN 45173 and up  DL10H SN 40469 and up  DL12H SN 50200 and up</p>

***Dash (Early Style)***



## Dash (Early Style)

Ref. No.	Part No.	Description	Qty. Req.	Ref. No.	Part No.	Description	Qty. Req.
01	L71681	FRONT DASH PLASTIC . . . . .	1	20	L71691	WORK PLATFORM SWITCH . . . . .	1
	L70116	<i>Note d and Note e</i> M6-12X1 SCREW . . . . .	8	21	L69546	DASH PLASTIC . . . . .	1
02	L70710	SWITCH MOUNT PLATE . . . . .	2	22	L69551	COLUMN TOP PLASTIC . . . . .	1
	L71095	<i>Note a - (6 holes)</i>		23	L69549	COLUMN BOTTOM PLASTIC . . . . .	1
	L71709	<i>Note b - (6 holes)</i>			L70116	M6-12X1 SCREW . . . . .	4
	L70486	<i>Note b - (7 holes)</i>		24	L69548	COLUMN FACE PLASTIC . . . . .	1
	L52027	1/4"-20X1" TORX SCREW . . . . .	2	25	L69466	GAUGE MOUNT PLATE . . . . .	1
03	L69282	WELD NUT 1/4-20 . . . . .	2	26	L70501	REMOVABLE RIVET . . . . .	4
	L71075	STEER MODE SWITCH . . . . .	1	27	L69489	FUEL/HOURMETER GAUGE . . . . .	1
	L70414	<i>Note a</i>		28	L69490	INDICATORS GAUGE . . . . .	1
04	L71085	<i>Note b</i> AXLE ALIGN SWITCH . . . . .	1	29	L99844	ROTARY SWITCH, HEAT . . . . .	1
	L71085	<i>Note a</i>			L99983	KNOB ONLY . . . . .	1
05	L69290	<i>Note b</i> LIGHTS SWITCH . . . . .	1		L99845	CONTROL CABLE 84" . . . . .	1
	L71082	<i>Note a and f</i>		30	L69824	PLASTIC RIVET . . . . .	2
06	L71077	<i>Note b and c</i> HAZARD SWITCH . . . . .	1	31	L69825	BINDING SCREW . . . . .	2
	L69284	<i>Note a and f</i>					
	L71077	<i>Note b and c</i>					
07	L70031	TURN SIGNAL SWITCH . . . . .	1				
	L71084	<i>Note a and f</i>					
08	L69300	<i>Note b and c</i> BEACON SWITCH . . . . .	1				
	L71083	<i>Note a and f</i>					
09	089069	<i>Note b and c</i> START SWITCH . . . . .	1				
	089070	<i>Note a and f</i> KEY ONLY . . . . .	1				
10	L41848	START PUSH BUTTON . . . . .	1				
11	L71088	SWITCH HOLE PLUG . . . . .	AR				
12	L69289	ETHER SWITCH . . . . .	1				
	L71081	<i>Note a and f</i>					
	L71081	<i>Note b and c</i>					
13	L70416	CLUTCH CUT-OUT SWITCH . . . . .	1				
	L71086	<i>Note a</i>					
14	L69283	<i>Note b</i> WIPER/WASHER SWITCH . . . . .	1				
	L71076	<i>Note a and f</i>					
	L71076	<i>Note b and c</i>					
15	L69285	FAN SPEED SWITCH . . . . .	1				
	L71078	<i>Note a and f</i>					
	L71078	<i>Note b and c</i>					
16	L69287	HEAT/AC SWITCH . . . . .	1				
	L71080	<i>Note a and f</i>					
	L71080	<i>Note b and c</i>					
17	L69286	HEAT ONLY SWITCH . . . . .	1				
	L71079	<i>Note a and f</i>					
	L71079	<i>Note b and c</i>					
18	L69281	PARK BRAKE SWITCH . . . . .	1				
	L71074	<i>Note a</i>					
	L71074	<i>Note b</i>					
19	L69402	PLASTIC LOAD CHART PLATE . . . . .	10				
	L63887	U-BOLT 1/4"-20 . . . . .	2				
	L50051	1/4"-20 SERRATED FLNG NUT . . . . .	8				

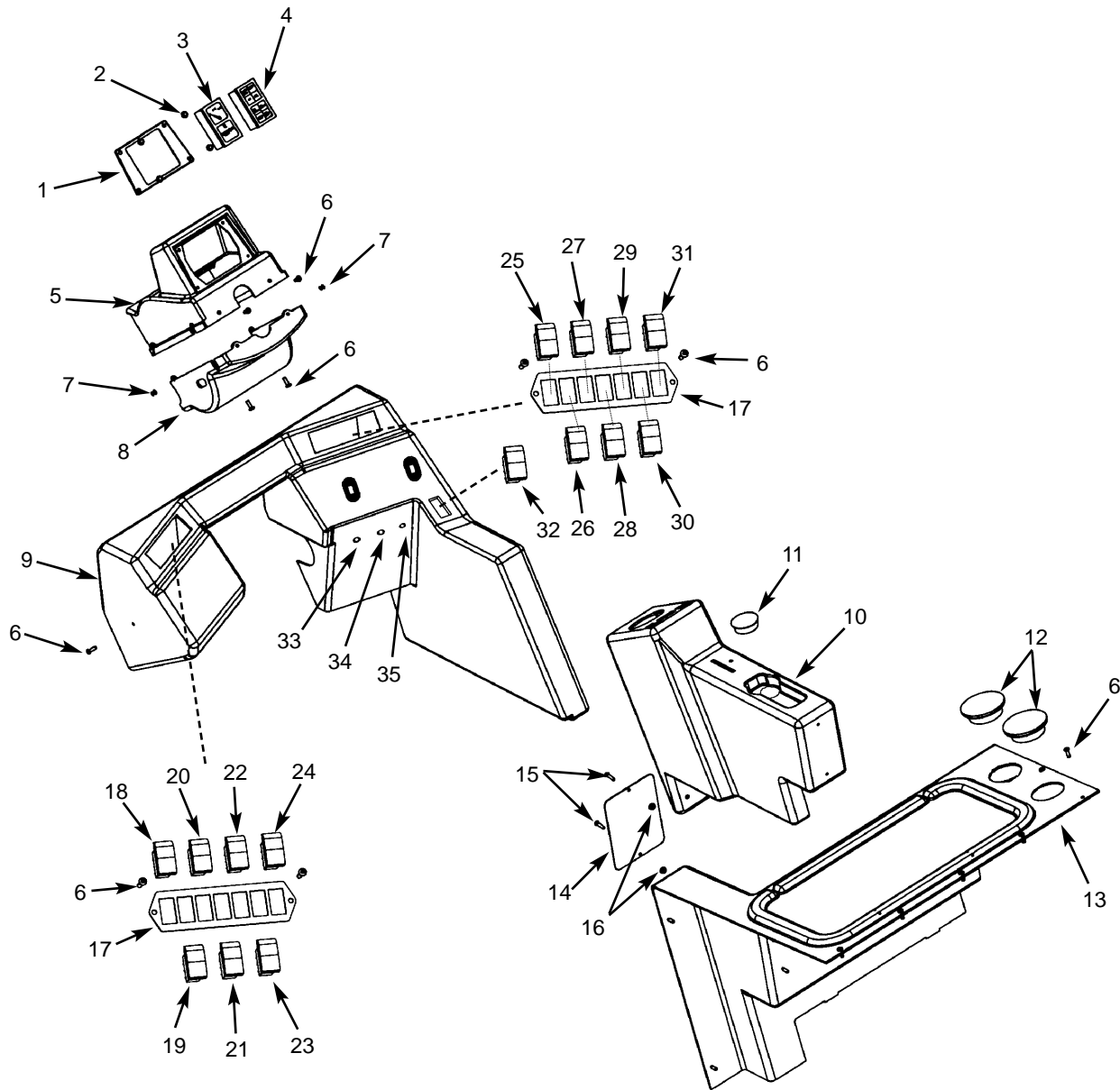
**--- SERIAL NUMBERS ---**

- a DL6H SN 20299 and before  
DL6L SN 25351 and before  
DL8H SN 30301 and before  
DL8L SN 35302 and before  
DL10H SN 40135 and before  
DL10L SN 45097 and before
- b DL6H SN 20300 and up  
DL6L SN 25352 and up  
DL8H SN 30302 and up  
DL8L SN 35303 and up  
DL10H SN 40136 and up  
DL10L SN 45098 and up  
DL12H SN All
- c When unit is not equipped with this option, use part # L71088 Switch Hole Plug.
- d Early style dash used 6 hole switch mount plate. If replacing this older dash, it will also be necessary to order (2) L71709 switch mount plates.
- e Uses 7 hole switch mount plate # L71709
- f When not equipped with this option, use part # L69291 Switch Hole Plug.

**Usage Table**

**Parts listed on this page apply to the following units:**  
 DL6L SN 25587 and before  
 DL6H SN 20797 and before  
 DL8L SN 35492 and before  
 DL8H SN 30820 and before  
 DL10L SN 45172 and before  
 DL10H SN 40468 and before  
 DL12H SN 50199 and before

***Dash (Later Style)***

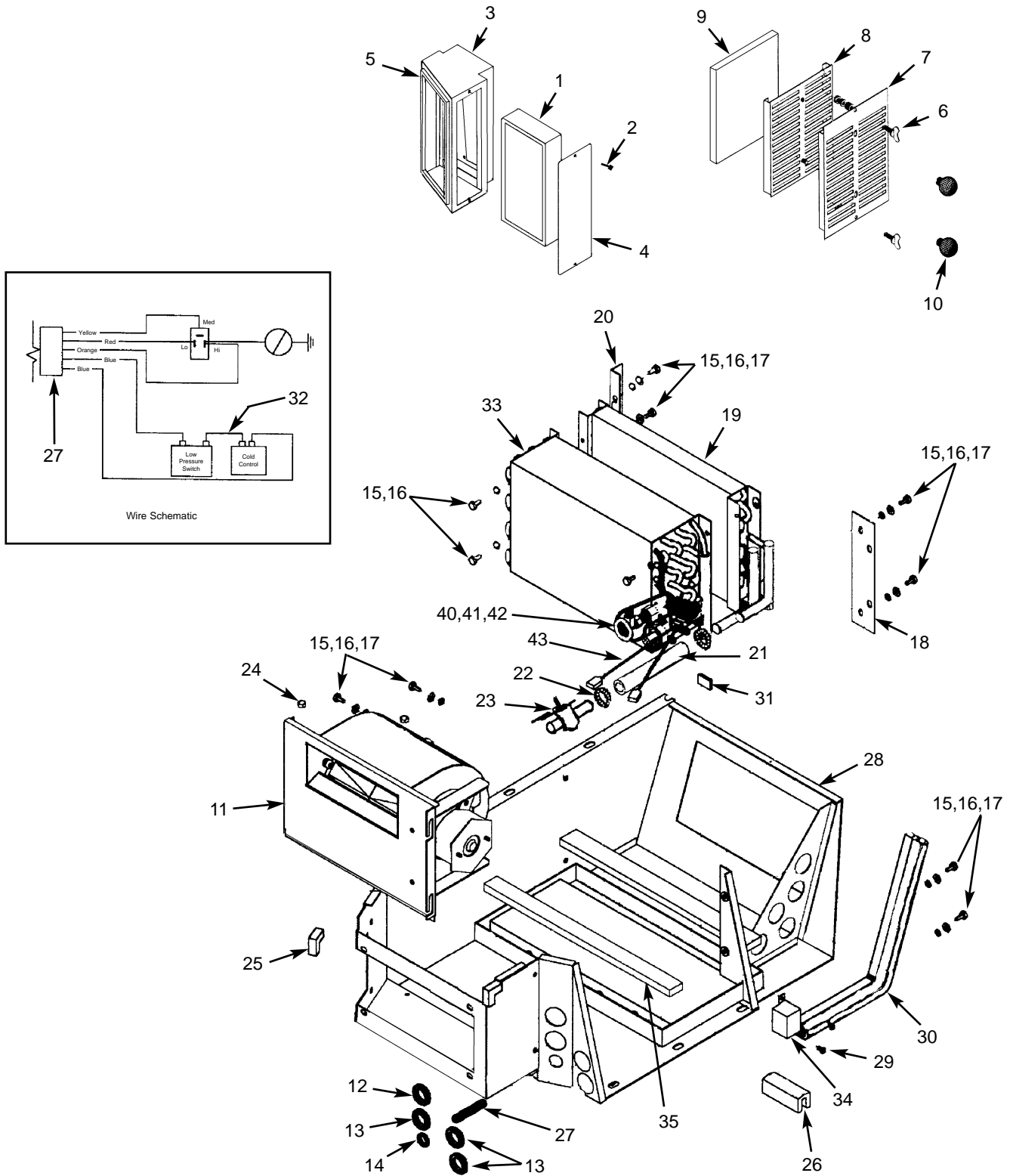


***Dash (Later Style)***

Ref. No.	Part No.	Description	Qty. Req.	Ref. No.	Part No.	Description	Qty. Req.
01	L69466	PLATE / GAUGE MOUNT . . . . .	1	27 <sup>a</sup>	L71076	SWITCH / WIPER-WASHER. . . . .	1
02	L70501	RIVET / REMOVABLE . . . . .	4	28 <sup>a</sup>	L71076	SWITCH / WIPER-WASHER. . . . .	1
03	L69489	GAUGE / FUEL-HOURMETER. . . . .	1	29 <sup>a</sup>	L71078	SWITCH / FAN SPEED . . . . .	1
04	L69490	GAUGE / INDICATORS. . . . .	1	30 <sup>a</sup>	L71080	SWITCH / HEATER & A/C. . . . .	1
05	101492	PLASTIC / UPPER STEER COL. . . . .	1		L71079	SWITCH / HEATER ONLY . . . . .	1
06	101550	SCREW / 1/4-20x.75" PHILLIPS. . . . .	32	31	L71074	SWITCH / PARK BRAKE. . . . .	1
07	L69825	BINDING POST & SCREW. . . . .	2	32 <sup>b</sup>	101278	SWITCH / ENGINE FAULT . . . . .	1
08	101491	PLASTIC / LOWER STEER COL. . . . .	1	33	089069	IGNITION SWITCH . . . . .	1
09	101490	PLASTIC / DASH. . . . .	1		089070	KEY ONLY . . . . .	1
10	101493	PLASTIC / RH CONSOLE. . . . .	1	34	L41848	START PUSH BUTTON . . . . .	1
11	L70017	PLUG / 2.25 " HOLE . . . . .	1	35	101378	HEATER CONTROL W/CABLE. . . . .	1
12	101524	PLUG / 3.0" HOLE. . . . .	2		L99983	KNOB ONLY. . . . .	1
13	101494	PLASTIC / REAR DECK. . . . .	1				
14	101528	COVER / RECIRC VENT HOLE . . . . .	1				
15	L70486	SCREW /.25-20x1.0 BLK . . . . .	2				
16	L50051	NUT / 1/4-20 WHIZ LOCK ZP. . . . .	2	a		<i>When unit is not equipped with this option, use part number L71088 Switch Hole Plug.</i>	
17	L71709	BEZEL / 7 HOLE SWITCH . . . . .	2				
18	L71075	SWITCH / STEER MODE . . . . .	1	b		<i>When equipped with TIER II engine.</i>	
19	L71085	SWITCH / AXLE ALIGNMENT . . . . .	1			<i>DL6H SN 20824 and up</i>	
20 <sup>a</sup>	L71082	SWITCH / LIGHTS . . . . .	1			<i>DL6L SN 25616 and up</i>	
21 <sup>a</sup>	L71077	SWITCH / HAZARD LIGHTS . . . . .	1			<i>DL8H SN 30852 and up</i>	
22 <sup>a</sup>	L71084	SWITCH / TURN SIGNALS. . . . .	1			<i>DL8L SN 35504 and up</i>	
23 <sup>a</sup>	L71083	SWITCH / BEACON . . . . .	1			<i>DL10H SN 40499 and up</i>	
24	L71691	SWITCH / WORK PLATFORM . . . . .	1			<i>DL10L SN 45185 and up</i>	
25 <sup>a</sup>	L71081	SWITCH / ETHER INJECTION. . . . .	1			<i>DL12H SN 50221 and up</i>	
26	L71086	SWITCH / CLUTCH CUT-OUT . . . . .	1				

Usage Table
<p><b>Parts listed on this page apply to the following units:</b>  <i>DL6L SN 25588 and up</i>  <i>DL6H SN 20798 and up</i>  <i>DL8L SN 35493 and up</i>  <i>DL8H SN 30821 and up</i>  <i>DL10L SN 45173 and up</i>  <i>DL10H SN 40469 and up</i>  <i>DL12H SN 50200 and up</i></p>

### Heater - A/C Group (Refer to Usage Table on facing page)



**Heater - A/C Group**  
*(Refer to Usage Table below)*

Ref. No.	Part No.	Description	Qty. Req.	Ref. No.	Part No.	Description	Qty. Req.
01	L500139	FILTER 12X6X2.19 . . . . .	1		654002	1/4"FLAT WASHER . . . . .	4
02	L500138	1/4"-20X1/2" THUMB SCREW . . . . .	2	25	L500148	CUT WEATHERSTRIP SEAL . . . . .	1
03	102322	HOUSING . . . . .	1	26	L500147	CUT TRIM STRIP . . . . .	1
04	L500137	COVER . . . . .	1	27	L500578	WIRE HARNESS . . . . .	1
05	L500136	CUT WEATHER SEAL . . . . .	1	28	L500571	MAIN HOUSING WELDMENT . . . . .	1
06	L500167	FASTENER, FRAC-TURN. . . . .	2	29	L500570	SEMS SCREWS . . . . .	2
07	L500166	RECIRC. COVER . . . . .	1	30	L500573	BULB SEAL. . . . .	1
08	L500165	RECIRC. HOLDER . . . . .	1	31	L500574	COIL MOUNTING CLIP. . . . .	1
09	L500164	RECIRC. FILTER. . . . .	1	32	L500575	WIRE ASSEMBLY . . . . .	1
10	L500168	KNOB. . . . .	2	33	L500576	EVAPORATOR COIL. . . . .	1
11		BLOWER ASSEMBLY . . . . .	1	34	L500577	COLD CONTROL . . . . .	1
	L500398	<b>Assembly with one fan motor</b>		35	L500580	DRAIN FOAM . . . . .	2
	103010	FAN MOTOR <i>(one only)</i> . . . . .	1				
	L500149	<b>Assembly with two fan motors</b>					
	L500145	LEFT FAN MOTOR . . . . .	1	36	L99843	RECTANGULAR LOUVER . . . . .	1
	L500146	RIGHT FAN MOTOR . . . . .	1	37	L99844	ROTARY HEAT CONTROL. . . . .	1
	L500143	RESISTOR BLOCK . . . . .	1			<i>(Mounted. on Dash, Incl. Knob)</i>	
12	L500579	GROMMET, 1-1/4"X7/8" . . . . .	1		L99983	KNOB ONLY. . . . .	1
13	L500160	GROMMET 1-3/8"X1" . . . . .	3		L99845	CONTROL CABLE 84". . . . .	1
14	L500159	GROMMET 7/8"X5/8" . . . . .	1	38	L99847	HEATER HOSE 5/8" . . . . .	16 FT.
15	650542	1/4"-20X1/2" CAP SCREW . . . . .	11	39	L99966	SHUTOFF VALVE . . . . .	1
16	654022	1/4" LOCK WASHER. . . . .	9			<i>(Mounted. on Engine)</i>	
17	654002	1/4" FLAT WASHER 1/4 . . . . .	8	40	L500403	EXPANSION VALVE . . . . .	1
18	L500151	RIGHT. COIL BRACKET . . . . .	1	41	L500664	O-RING #8. . . . .	1
19	L500162	HEATER COIL. . . . .	1	42	L500665	O-RING #4. . . . .	1
20	L500152	LEFT. COIL BRACKET . . . . .	1	43	L500666	LOW PRESSURE SWITCH . . . . .	1
21	L500150	CUT HEATER HOSE. . . . .	1				
22	L500161	HOSE CLAMP. . . . .	2				
23	L500163	WATER VALVE . . . . .	1				
24	653005	1/4" NUT . . . . .	4				
	654022	1/4" LOCK WASHER . . . . .	4				

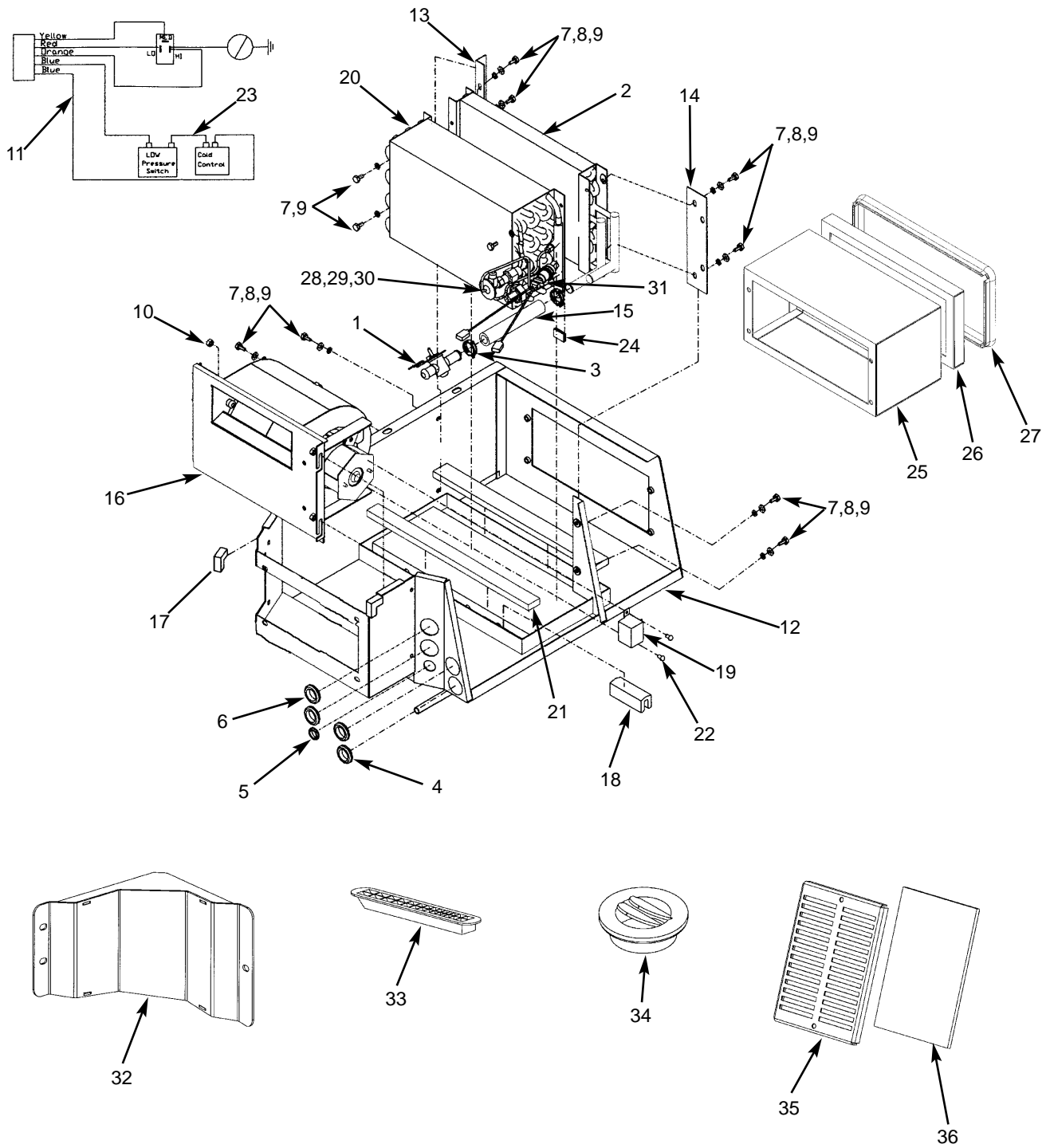
**--- EXTERNAL COMPONENTS NOT SHOWN ---**

36	L99843	RECTANGULAR LOUVER . . . . .	1
37	L99844	ROTARY HEAT CONTROL. . . . .	1
		<i>(Mounted. on Dash, Incl. Knob)</i>	
	L99983	KNOB ONLY. . . . .	1
	L99845	CONTROL CABLE 84". . . . .	1
38	L99847	HEATER HOSE 5/8" . . . . .	16 FT.
39	L99966	SHUTOFF VALVE . . . . .	1
		<i>(Mounted. on Engine)</i>	
40	L500403	EXPANSION VALVE . . . . .	1
41	L500664	O-RING #8. . . . .	1
42	L500665	O-RING #4. . . . .	1
43	L500666	LOW PRESSURE SWITCH . . . . .	1

**Usage Table**

**Parts listed on this page apply to the following units:**  
 DL6L SN 25587 and before  
 DL6H SN 20797 and before  
 DL8L SN 35492 and before  
 DL8H SN 30820 and before  
 DL10L SN 45172 and before  
 DL10H SN 40468 and before  
 DL12H SN 50199 and before

### Heater - A/C Group (Refer to Usage Table on facing page)

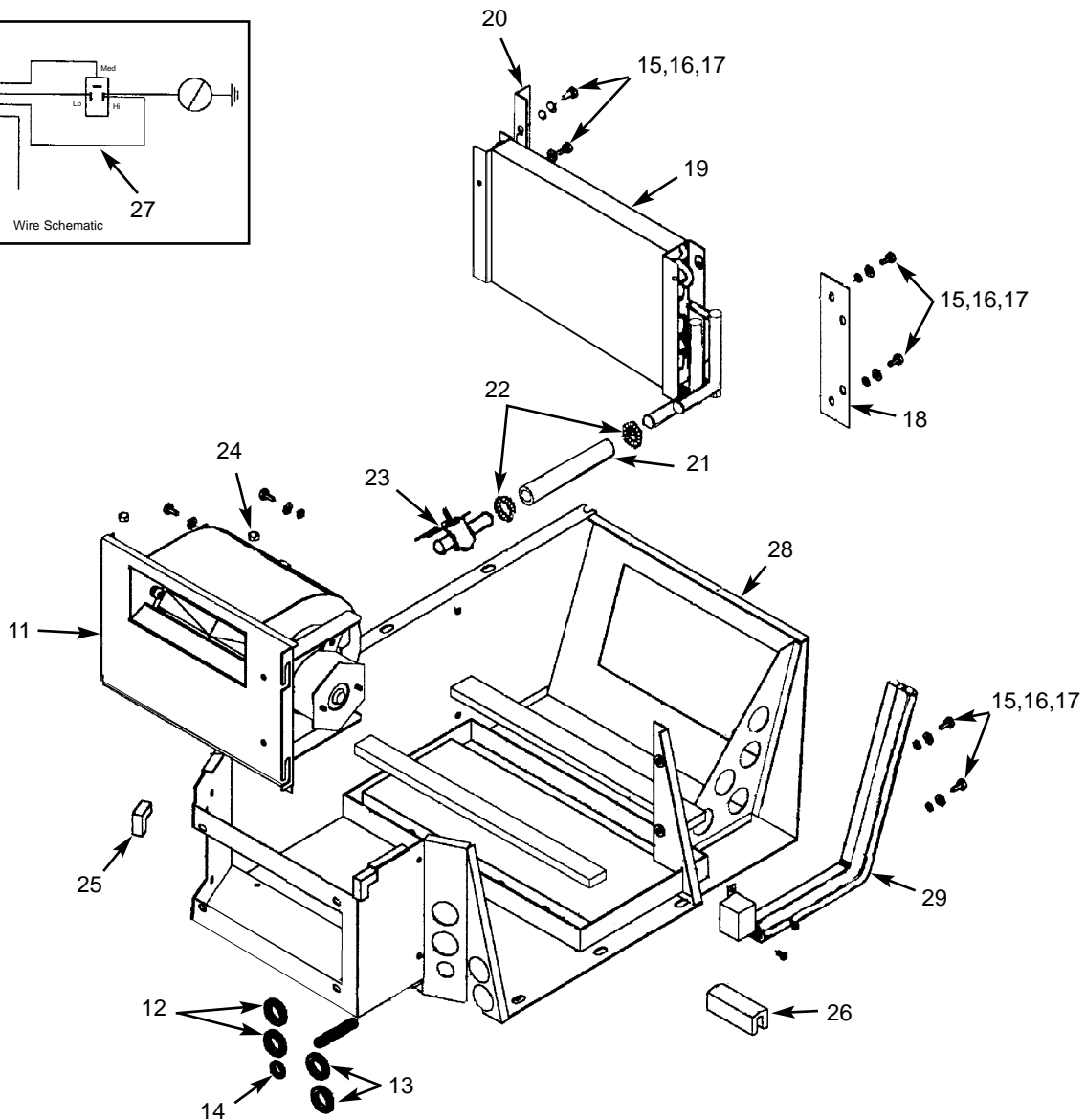
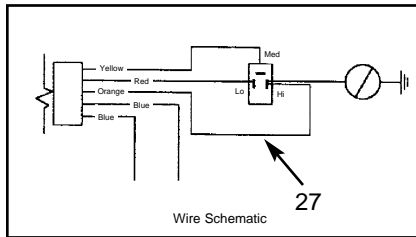
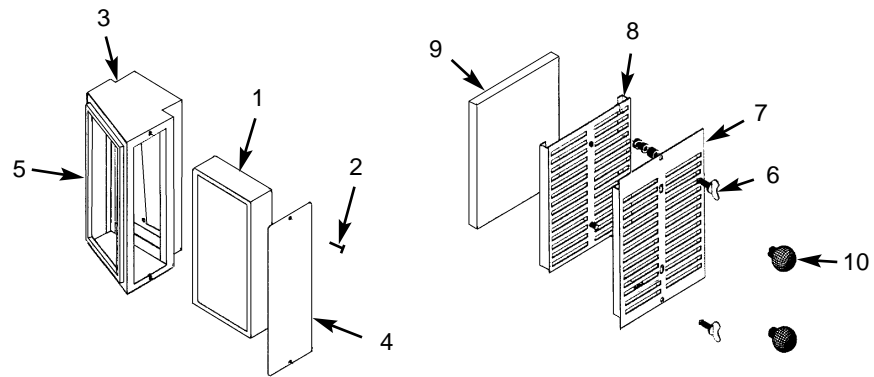






# Heater Assembly

(Refer to Usage Table on facing page)



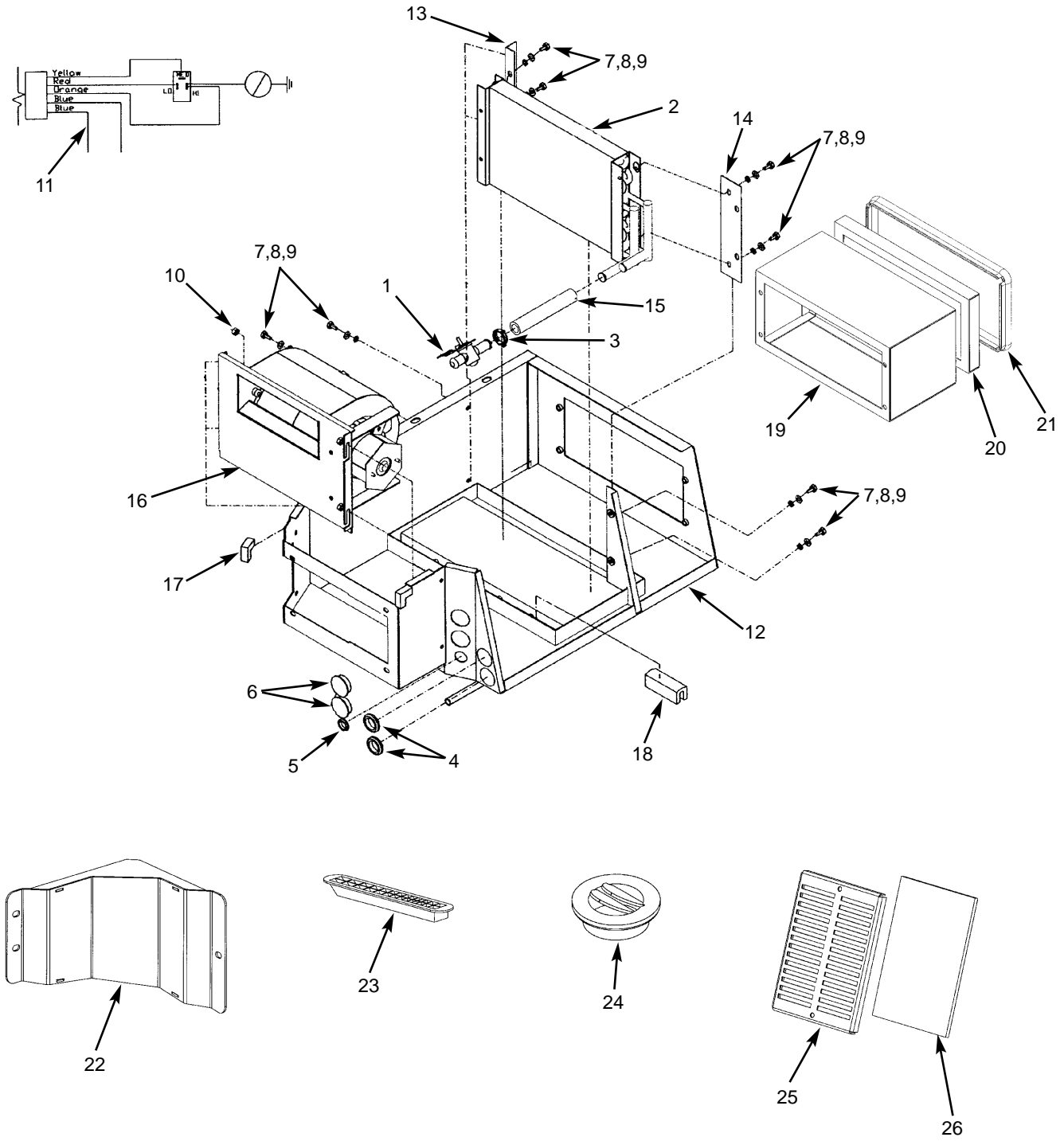
**Heater Assembly**  
(Refer to Usage Table below)

Ref. No.	Part No.	Description	Qty. Req.	Ref. No.	Part No.	Description	Qty. Req.
01	L500139	FILTER 12X6X2.19 . . . . .	1	18	L500151	RIGHT. COIL BRACKET . . . . .	1
02	L500138	1/4"-20X1/2" THUMB SCREW . . . . .	2	19	L500162	HEATER COIL . . . . .	1
03	102322	HOUSING . . . . .	1	20	L500152	LEFT. COIL BRACKET . . . . .	1
04	L500137	COVER . . . . .	1	21	L500150	CUT HEATER HOSE . . . . .	1
05	L500136	CUT WEATHER SEAL . . . . .	1	22	L500161	HOSE CLAMP . . . . .	2
06	L500167	FASTENER, FRAC-TURN. . . . .	2	23	L500163	WATER VALVE . . . . .	1
07	L500166	RECIRC. COVER . . . . .	1	24	L50051	HEX NUT 1/4. . . . .	4
08	L500165	RECIRC. HOLDER . . . . .	1		654022	1/4" LOCK WASHER . . . . .	4
09	L500164	RECIRC. FILTER. . . . .	1		L50137	1/4" FLAT WASHER . . . . .	4
10	L500168	KNOB. . . . .	2	25	L500148	CUT WEATHERSTRIP SEAL . . . . .	1
11		BLOWER ASSEMBLY . . . . .	1	26	L500147	CUT TRIM STRIP . . . . .	1
	L500398	<b>Assembly with one fan motor</b>		27	L500578	WIRE HARNESS . . . . .	1
	103010	FAN MOTOR (one only) . . . . .	1	28	L500571	MAIN HOUSING WELDMENT . . . . .	1
	L500149	<b>Assembly with two fan motors</b>		29	L500573	BULB SEAL . . . . .	1
	L500145	LEFT FAN MOTOR . . . . .	1				
	L500146	RIGHT FAN MOTOR . . . . .	1				
	L500143	RESISTOR BLOCK . . . . .	1				
12	L500158	PLASTIC PLUG, 1 3/8" . . . . .	2	30	L99843	RECTANGULAR LOUVER . . . . .	1
13	L500160	GROMMET 1-3/8"X1" . . . . .	2	31	L99844	ROTARY HEAT CONTROL . . . . .	1
14	L500159	GROMMET 7/8"X5/8" . . . . .	1			(Mounted. on Dash, Incl. Knob)	
15	L50236	1/4"-20X1/2" BOLT. . . . .	11		L99983	KNOB ONLY. . . . .	1
16	654022	LOCK WASHER 1/4 . . . . .	9		L99845	CONTROL CABLE 84". . . . .	1
17	L50137	FLAT WASHER 1/4 . . . . .	8	32	L99847	HEATER HOSE 5/8" X 16' . . . . .	1
				33	L99966	SHUTOFF VALVE . . . . .	1
						(Mounted. on Engine)	

--- EXTERNAL COMPONENTS NOT SHOWN ---

Usage Table
<p><b>Parts listed on this page apply to the following units:</b>  DL6L SN 25587 and before  DL6H SN 20797 and before  DL8L SN 35492 and before  DL8H SN 30820 and before  DL10L SN 45172 and before  DL10H SN 40468 and before  DL12H SN 50199 and before</p>

### Heater Assembly (Refer to Usage Table on facing page)

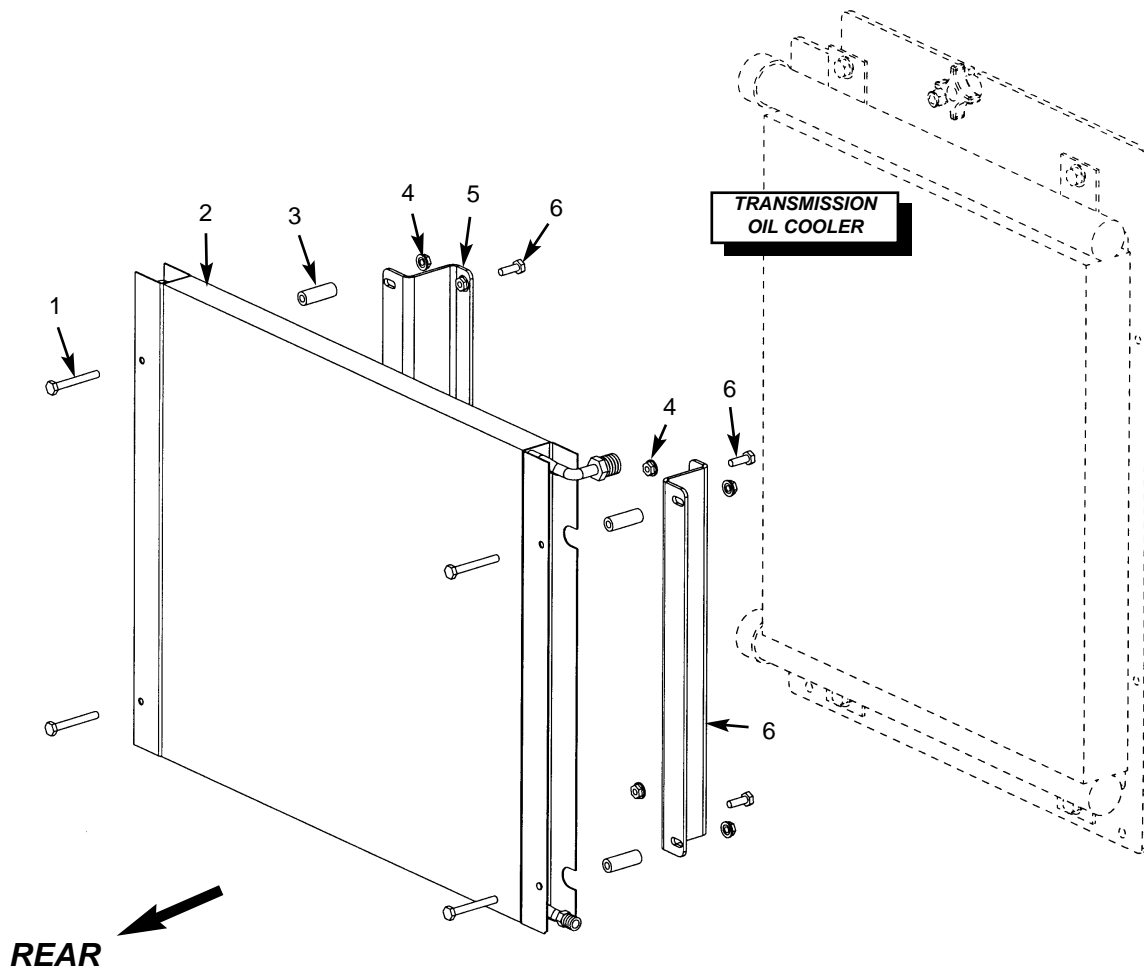


**Heater Assembly**  
(Refer to Usage Table below)

Ref. No.	Part No.	Description	Qty. Req.	Ref. No.	Part No.	Description	Qty. Req.
01	L500163	VALVE / WATER .....	1	19	101840	FILTER HOUSING.....	1
02	L500162	COIL / HEATER.....	1	20	101843	FILTER.....	1
03	L500161	CLAMP / HOSE.....	2	21	101841	HOUSING BULBSEAL .....	1
04	L500160	GROMMET / 1-3/8 X 1 .....	2	22	101650	HEATER DUCT.....	1
05	L500159	GROMMET / 7/8 X 5/8 .....	1		L50208	SCREW / 1/4-20X1/2 .....	3
06	L500158	PLUG / PLASTIC / 1-3/8.....	2	23	L500059	LOUVER / FIXED VAIN.....	1
07	L500157	CAPSCREW, 1/4-20X1/2.....	11	24	137502	LOUVER / ROUND 3" .....	2
08	L50137	FLAT WASHER, 1/4".....	8	25	101849	COVER / RECIRC FILTER .....	1
09	654022	LOCK WASHER, 1/4" .....	11	26	101848	RECIRCULATING FILTER .....	1
10	L50051	NUT / 1/4-20 WHIZ LOCK ZP.....	4				
11	L500578	WIRE HARNESS.....	1			<b>--EXTERNAL COMPONENTS NOT SHOWN--</b>	
12	101825	MAIN HOUSING WLDMNT.....	1	27	101378	HEATER CONTROL W/CABLE....	1
13	L500152	BRACKET / COIL LH.....	1		L99983	KNOB ONLY.....	1
14	L500151	BRACKET / COIL RH .....	1	28	101508	DECAL / HEATER CONTROL....	1
15	L500150	HOSE / HEATER.....	1	29	L99847	HEATER HOSE.....	16 FT.
16	L500398	ASY / BLOWER.....	1	30	L99966	SHUTOFF VALVE .....	1
	103010	FAN MOTOR ( <i>one only</i> ).....	1			(Mounted on Engine)	
17	L500148	STRIP / WEATHERSTRIP.....	1				
18	L500147	STRIP / TRIM .....	1				

Usage Table
<p><b>Parts listed on this page apply to the following units:</b>  DL6L SN 25588 and up  DL6H SN 20798 and up  DL8L SN 35493 and up  DL8H SN 30821 and up  DL10L SN 45173 and up  DL10H SN 40469 and up  DL12H SN 50200 and up</p>

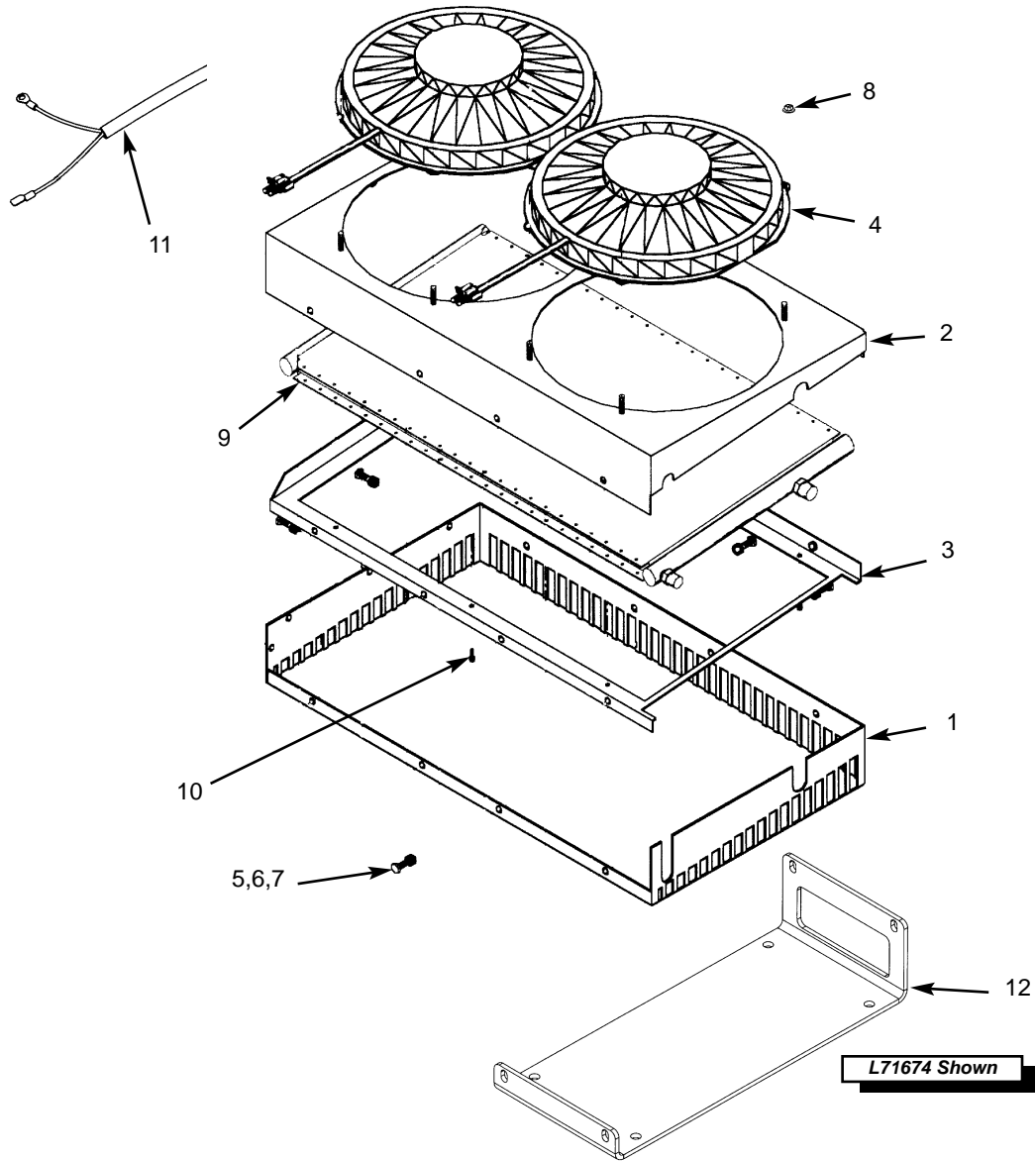
**A/C Condenser Group - Early Model**



Ref. No.	Part No.	Description	Qty. Req.
01	L50841	1/4"-20X2" BOLT	4
02	L70391	CONDENSER COIL	1
03	L71357	CONDENSER SPACER	4
04	L50051	1/4"-20 WHIZ LOCK NUT	8
05	L70396	CONDENSER MOUNT	2
06	L50211	1/4"-20X3/4" BOLT	4

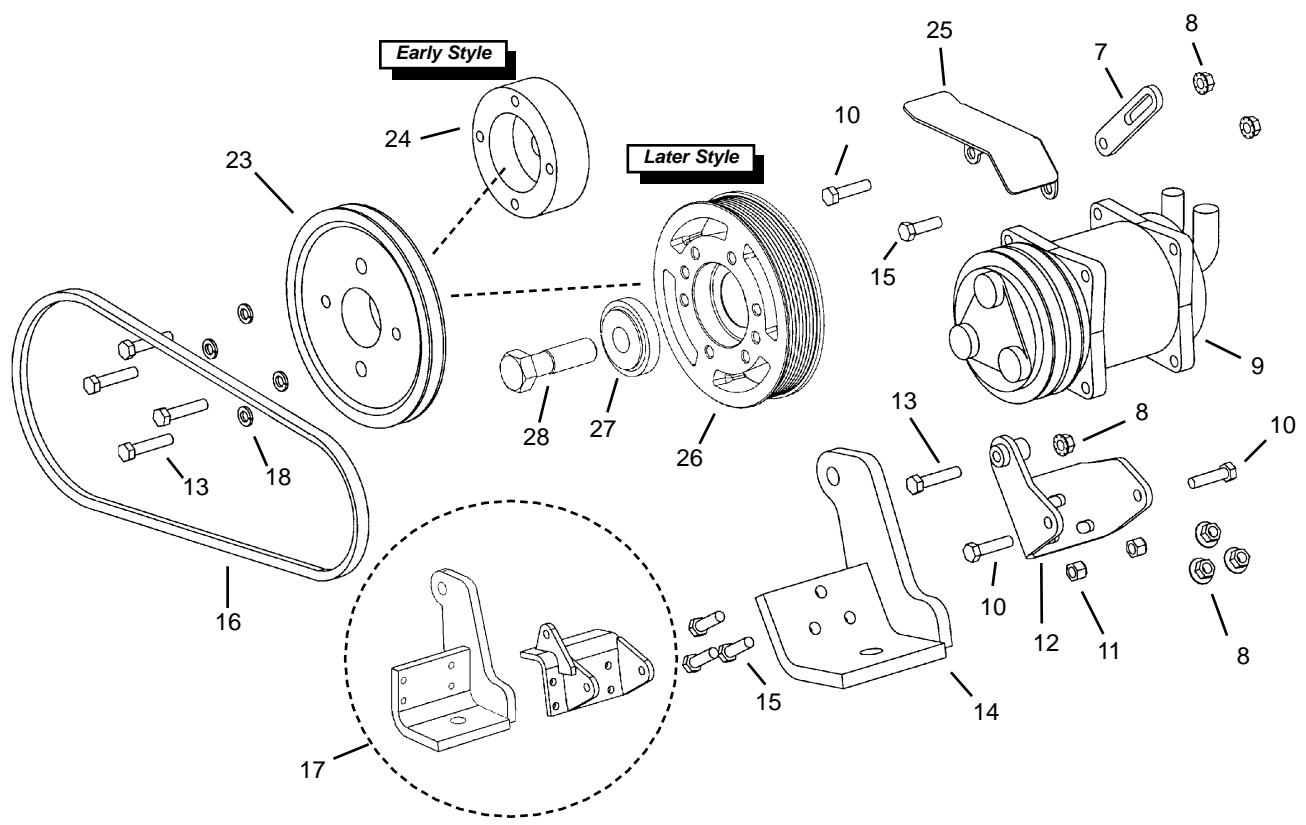
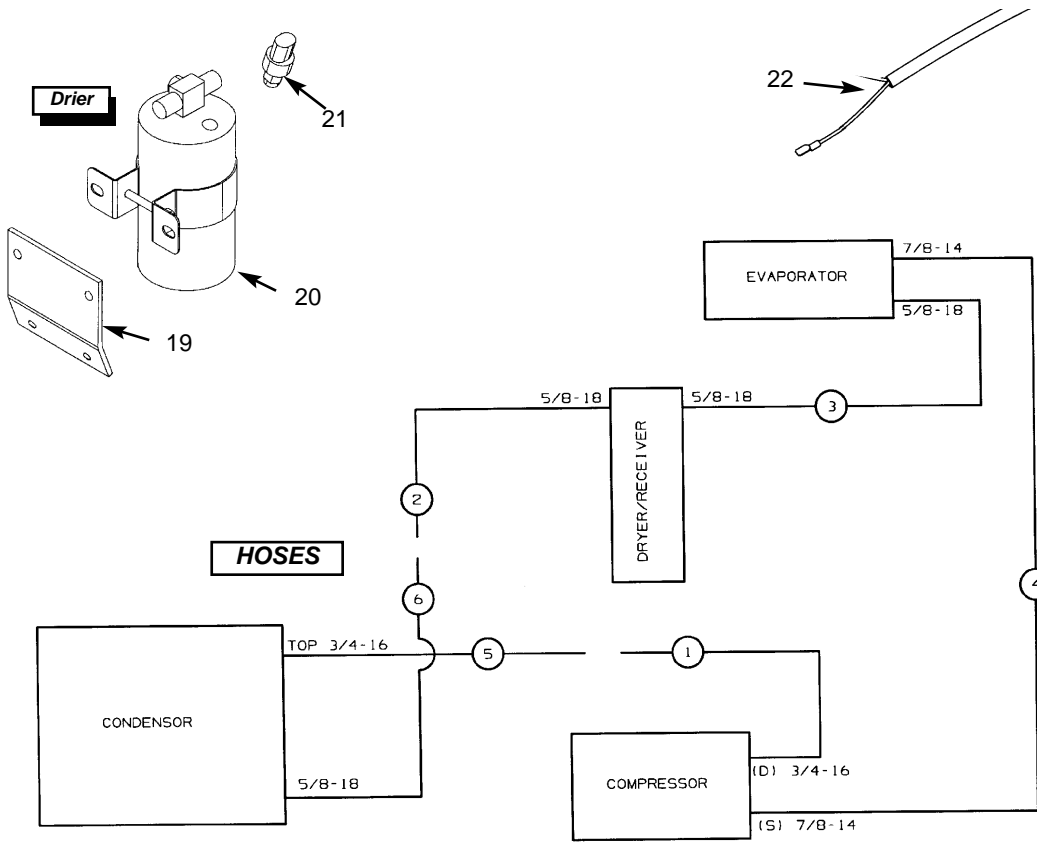
Ref. No.	Part No.	Description	Qty. Req.
--- FOR SERIAL NUMBER ---			
		DL6H SN 20423 and before	
		DL6L SN 25440 and before	
		DL8H SN 30407 and before	
		DL8L SN 35368 and before	
		DL10H SN 40189 and before	
		DL10L SN 45118 and before	
		DL12H SN 50122 and before	

**A/C Condenser Group - Later Model**



Ref. No.	Part No.	Description	Qty. Req.	Ref. No.	Part No.	Description	Qty. Req.
00	L71520	COMPLETE ASSEMBLY.....	1	11	L71720	CONDENSER WIRE HARNESS... 1	
01	L500591	CONDENSER BASE PLATE.....	1		L70075	RELAY (not shown) .....	1
02	L500592	CONDENSER TOP PLATE .....	1	12		CONDENSER MOUNT .....	1
03	L500593	CONDENSER COIL PLATE .....	1		100091	3-section high boom	
04	L500594	CONDENSER FAN ASSEMBLY ...	2		L71674	3-section low boom	
05	L50236	1/4"-20X1/2" CAP SCREW .....	12		100501	4-section high boom	
06	L50137	FLAT WASHER 1/4" .....	12		101668	4-section low boom	
07	654022	LOCK WASHER 1/4".....	1				
08	L50051	1/4"-20 SERRATED FLANGE NUT. 8					
09	L500595	CONDENSER COIL .....	1				
10	L500596	SHEET METAL SCREW .....	6				

A/C Group - Hoses, Compressor, and Dryer

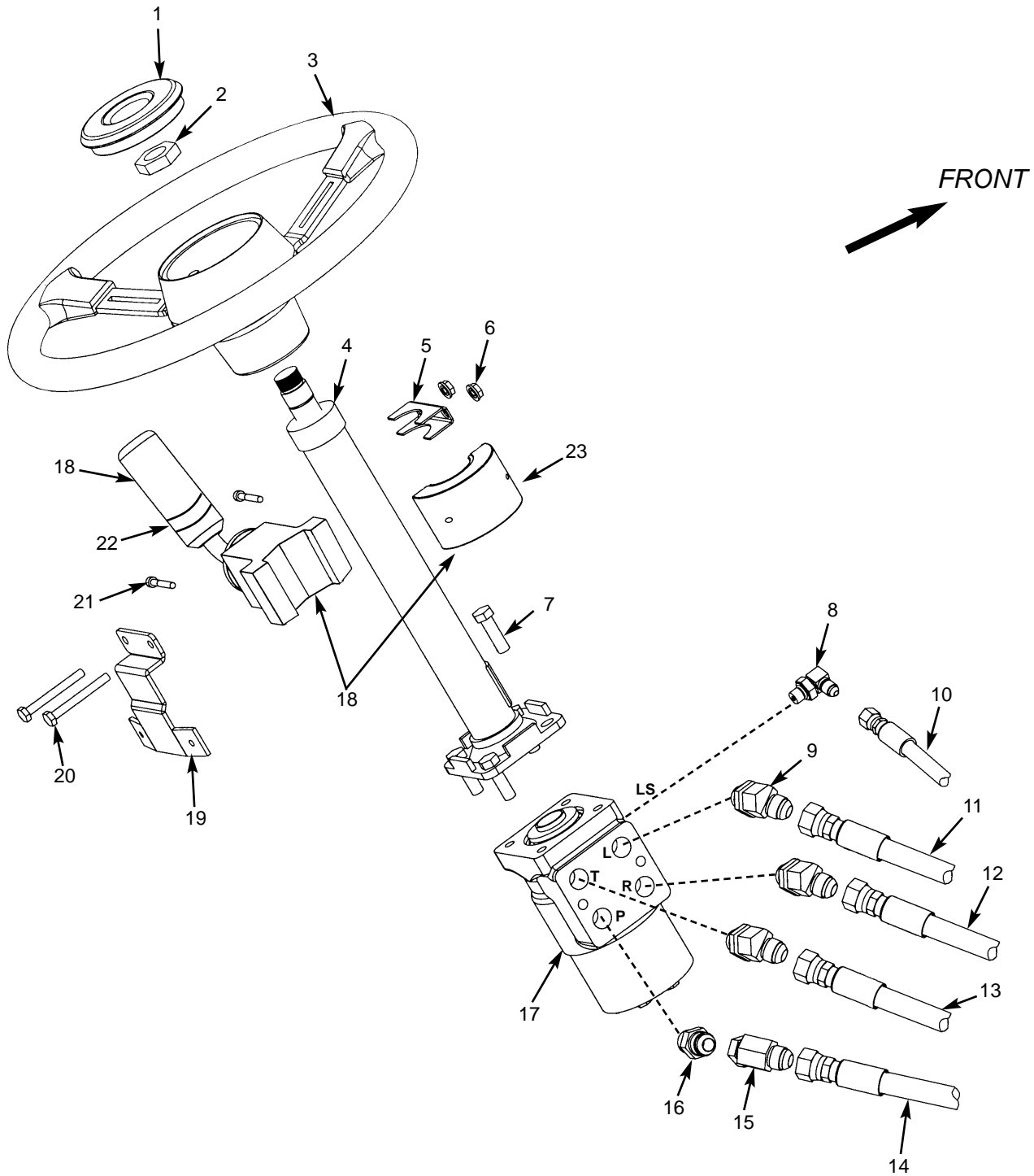




A/C Group - Hoses, Compressor, and Dryer

Ref. No.	Part No.	Description	Qty. Req.	Ref. No.	Part No.	Description	Qty. Req.
01	L71352 L71715	HOSE ASSEMBLY . . . . . 1 <i>Note a (13/32" X 107")</i> <i>Note b (13/32" X 150")</i>					
02	L71353 L71716	HOSE ASSEMBLY . . . . . 1 <i>Note a (5/16" X 44")</i> . . . . . 1 <i>Note b (5/16" X 102")</i> . . . . . 1		a		--- FOR SERIAL NUMBER --- DL6H Thru SN 20423 DL6L Thru SN 25440 DL8H Thru SN 30407 DL8L Thru SN 35368 DL10H Thru SN 40189 DL10L Thru SN 45118 DL12H Thru SN 50122	
03	L70798	HOSE ASY, 5/16" X 72" . . . . . 1					
04	L70799	HOSE ASY, 1/2" X 122" . . . . . 1					
05 <sup>bf</sup>	L71717 101687 L71754	HOSE ASSEMBLY . . . . . 1 <i>(3-section low boom) 13/32" X 96"</i> <i>(4-section low boom) 13/32" X 100"</i> . <i>(High boom) 13/32" X 66"</i>		b		DL6H SN 20424 and up DL6L SN 25441 and up DL8H SN 30408 and up DL8L SN 35369 and up DL10H SN 40190 and up DL10L SN 45119 and up DL12H SN 50123 and up	
06 <sup>bf</sup>	L71718 101688 L71755	HOSE ASSEMBLY . . . . . 1 <i>(3-section low boom) 5/16" X 96"</i> <i>(4-section low boom) 5/16" X 100"</i> <i>(High boom) 5/16" X 66"</i>					
07	L70677	ADJUSTER . . . . . 1					
08	L50061	3/8-16 SER.FLANGE NUT . . . . . 6					
09	L70722	AC COMPRESSOR . . . . . 1		c		This AC Compressor bracket replaces the bracket shown in reference 17. This bracket must be used with engine mount PN 100751 (ref. 14)	
10	L50261	3/8-16X1-1/2" BOLT . . . . . 3					
11	L520005	3/8-16 NYLON INSERT NUT . . . . . 2					
12 <sup>c</sup>	101226	AC COMPRESSOR BRACKET . . . . . 1		d		This engine mount replaces the engine mount shown in reference 17. When unit is equipped with air conditioning, this mount must be used with AC Compressor bracket PN 100226 (ref. 12)	
13	L50836	3/8-16X1 3/4" BOLT . . . . . 1					
14 <sup>d</sup>	100751	ENGINE MOUNT . . . . . 1					
15	L52026	3/8-16X1 1/4" BOLT . . . . . 4		e		The engine mount and AC Comp. bracket shown are replaced by items 12 and 14.	
16	L70778	BELT - AC COMPRESSOR . . . . . 1					
17	<i>Note e</i>	ENGINE MOUNT/ AC BRACKET		f		Items 5 and 6 are not used on units listed under note "a".	
18	L50147	WASHER, 3/8 SPRING LOCK . . . . . 4					
19	L70696 L50228 L50056	DRYER MOUNT BRACKET . . . . . 1 5/16"-18X1/2" CAP SCREW . . . . . 4 5/16"-18 NUT . . . . . 2		g		DL6L SN 25615 and before DL6H SN 20823 and before DL8L SN 35503 and before DL8H SN 30851 and before DL10L SN 45184 and before DL10H SN 40498 and before DL12H SN 50220 and before	
20	L70723 L50228 L50056	A/C DRYER . . . . . 1 5/16"-18X1/2" CAP SCREW . . . . . 2 5/16"-18 FLANGE NUT . . . . . 2					
21	L500720	BINARY SWITCH . . . . . 1					
22	L71721	A/C WIRE HARNESS . . . . . 1					
23	L68569 102171	V-BELT PULLEY . . . . . 1 <i>Note g</i> <i>Note h</i>		h		DL6L SN 25616 and up DL6H SN 20824 and up DL8L SN 35504 and up DL8H SN 30852 and up DL10L SN 45185 and up DL10H SN 40499 and up DL12H SN 50221 and up	
24 <sup>g</sup>	L70817	PULLEY ADAPTER . . . . . 1					
25	L70786	BELT GUARD . . . . . 1					
26 <sup>h</sup>	102169	CRANKSHAFT PULLEY . . . . . 1					
27 <sup>h</sup>	102170	WASHER . . . . . 1					
28 <sup>h</sup>	102168	CRANKSHAFT PULLEY BOLT . . . . . 1					

Steering Column Group



**Steering Column Group**

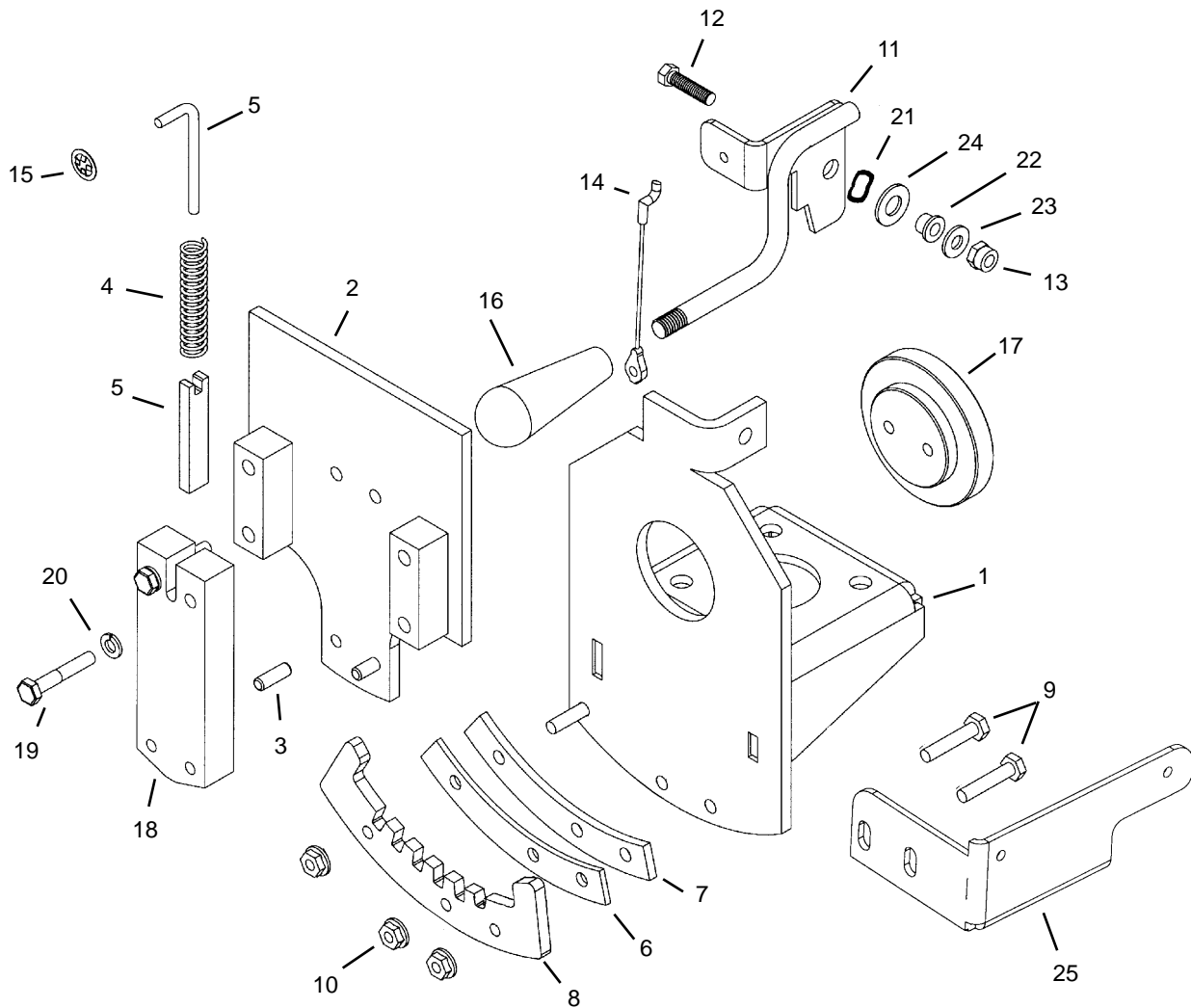
Ref. No.	Part No.	Description	Qty. Req.	Ref. No.	Part No.	Description	Qty. Req.
01	L69596	HORN BUTTON W/TRUMPET . . . .	1	20	L50452	1/4-20X2-1/4" BOLT . . . . .	2
02	L41261	COLUMN NUT. . . . .	1	21	L50101	M5-.8X35 MM SHCS. . . . .	2
03	L69595	STEERING WHEEL . . . . .	1	22	L500439	DECAL, SHIFTER 1-2-3-4. . . . .	1
04	L70120	STEERING COLUMN . . . . .	1	23	105236	SHIFTER CLAMP (only) . . . . .	1
05	P054800	MUFFLER CLAMP BRACKET . . . .	1			(included with item #18)	
06	L50051	1/4-20 FLANGE NUT. . . . .	2				
07	L52026	3/8-16X1-1/4" BUTTN HD BOLT. . .	4	a		DL6H SN 20820 and before	
08	L51591	ADAP -4ORM -4JICM . . . . .	1			DL6L SN 25605 and before	
09	L445013	ADAP -8ORM -8JICM 45 ELBOW . 3				DL8H SN 30846 and before	
10	L69925	HOSE -4 A4/A6 100" . . . . .	1			DL8L SN 35499 and before	
11	L69935	HOSE -6 A8/A6 108" . . . . .	1			DL10H SN 40493 and before	
12	L69936	HOSE -6 A8/DS6 100". . . . .	1			DL10L SN 45181 and before	
13	L69933	HOSE -6 A8/A6 60" . . . . .	1			DL12H SN 50216 and before	
14	L69934	HOSE -6 A8/DS8 88" . . . . .	1				
15	L446024	ADAP -8JICFS -8JICM SWVL. . . .	1	b		DL6H SN 20821 and up	
16	L64524	CHECK VALVE . . . . .	1			DL6L SN 25606 and up	
17		STEER MOTOR ASY. . . . .	1			DL8H SN 30847 and up	
	L69128	<i>Note a</i>				DL8L SN 35500 and up	
	101881	<i>Note b</i>				DL10H SN 40494 and up	
18	L69012	F-N-R/1-2-3-4 SHIFTER. . . . .	1			DL10L SN 45182 and up	
		(includes item #23)				DL12H SN 50217 and up	
	L99425	BOOT, SHIFTER . . . . .	1				
19	L500080	STEER COL. MT. BRACKET . . . .	1				

**Hose Locator**

Ref No.	From Port	To Port
10	STEER MOTOR "LS" (IN CAB)	LEVEL VALVE "LSB"
11	STEER MOTOR "L" (IN CAB)	STEER SELECT VALVE "P"
12	STEER MOTOR "R" (IN CAB)	STEER/BRAKE MANIFOLD (TOP RIGHT SIDE)
13	STEER MOTOR "T" (IN CAB)	HYDRAULIC TANK RETURN MANIFOLD
14	STEER MOTOR "P" (IN CAB)	HYDRAULIC PUMP

(Refer to item #32 hydraulic pump page)

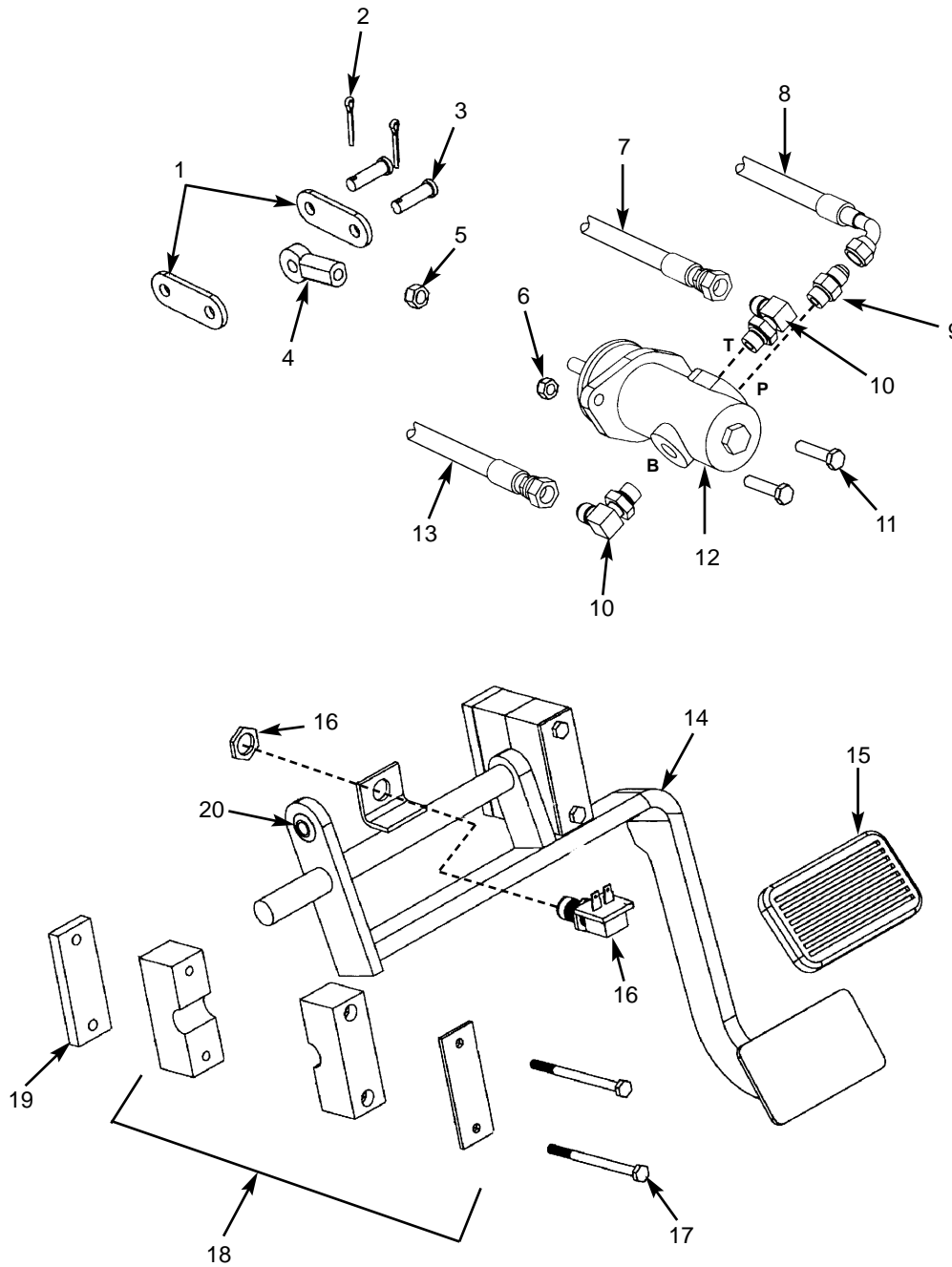
Console Tilt Group



**Console Tilt Group**

Ref. No.	Part No.	Description	Qty. Req.	Ref. No.	Part No.	Description	Qty. Req.
01	101884	MOUNT WELDMENT . . . . .	1	14	L69226	TILT LEVER CABLE . . . . .	1
02	L69542	STEERING MOUNT WELD. . . . .	1	15	L69099	PUSH-ON RETAINER . . . . .	1
	L50367	3/8"-16X1" BOLT . . . . .	4	16	L69232	TILT HANDLE KNOB. . . . .	1
03	L69085	DOWEL . . . . .	2	17	L69101	PIVOT PIN. . . . .	1
04	L69095	COMPRESSION SPRING. . . . .	1	18	L69155	PIN GUIDE . . . . .	1
05	L69100	CATCH PIN WELD. . . . .	1	19	L50364	1/4"-20X1-1/2" BOLT . . . . .	2
06	L69079	SPACER 3/16" . . . . .	1	20	L50139	1/4" LOCK WASHER. . . . .	2
07	L69081	SPACER 1/16" . . . . .	1	21	L69392	WAVE SPRING . . . . .	1
08 <sup>a</sup>	L69162	CATCH PLATE . . . . .	1	22	L69355	NYLON SHOULDER WASHER . . . . .	1
09	L510046	1/4"-20X1-1/4" BOLT . . . . .	3	23	L50137	1/4" WASHER . . . . .	1
10	L50051	1/4"-20 SERR. FLANGE NUT. . . . .	3	24	L50145	3/8" WASHER . . . . .	1
11	L69238	TILT LEVER WELD. . . . .	1	25	L500081	BRACKET, LOWER PLASTIC. . . . .	1
12	L510046	1/4"-20X1-1/4" BOLT . . . . .	1				
13	L500023	1/4"-20 NYLON INSERT NUT . . . . .	1	a		<i>Replaces two plates used on earlier units.</i>	

**Brake Pedal Group**



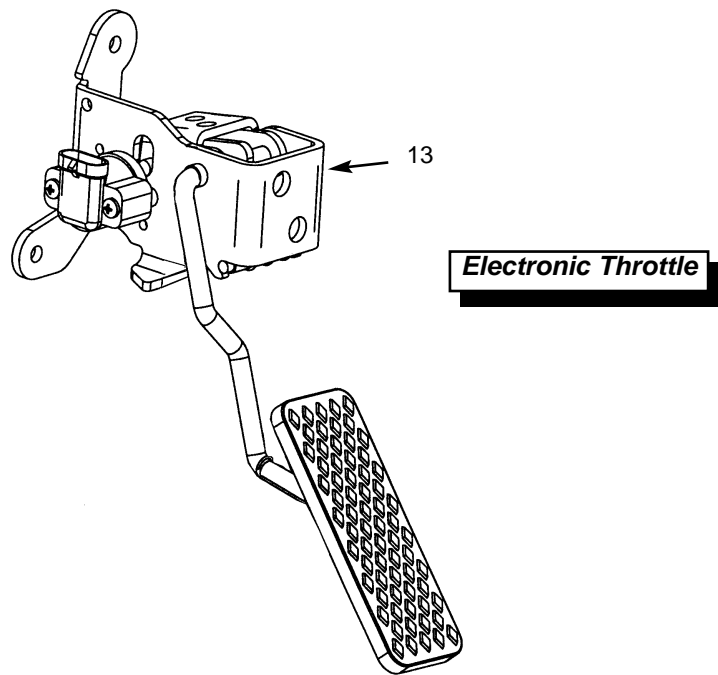
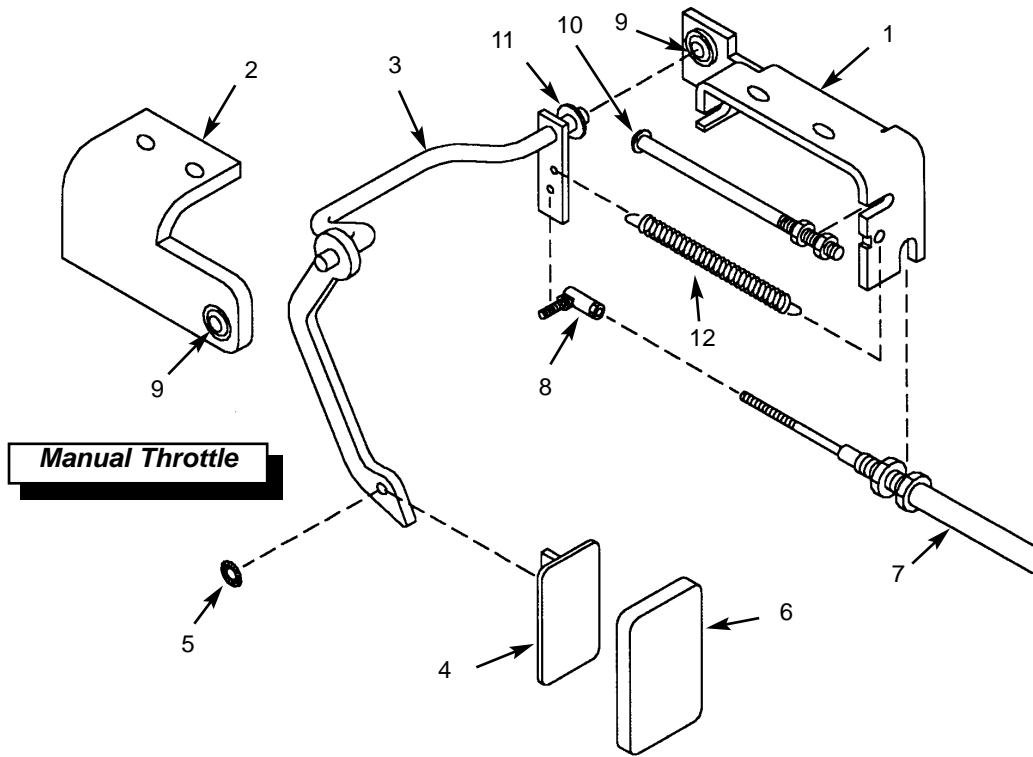
***Brake Pedal Group***

Ref. No.	Part No.	Description	Qty. Req.	Ref. No.	Part No.	Description	Qty. Req.
01	L70184	LINK.....	2	11	L50823	5/16-18x1" BOLT.....	2
02	L50607	COTTER PIN 1/8X1.....	2	12	L69572	BRAKE MODULATING VALVE.....	1
03	L42342	CLEVIS PIN 3/8X1-1/4.....	2	13	L69929	HOSE -4 A6/A4 102".....	1
04	L70183	ROD END 3/8".....	1	14	L69590	BRAKE LEVER WELD.....	1
05	L50066	3/8-24 NUT.....	1	15	L69789	RUBBER PAD.....	1
06	L520004	5/16-18 NYLON INSERT NUT.....	2	16	L64890	ELECTRIC SWITCH.....	1
07	L69927	HOSE -4 A6/A6 81".....	1	17	L50217	CS 1/4-20X3-1/2.....	4
08	L69926	HOSE -4 A6/DS6 100".....	1	18	L70248	CLAMP BLOCK AND PLATE.....	2
09	L444002	ADAP -6ORM -6JICM STR.....	1	19	L70250	CLAMP SPACER.....	2
10	L445003	ADAP -6ORM -6JICM 90 DEG.....	2	20	L70435	BUSHING.....	1

***Hose Locator***

Ref No.	From Port	To Port
07	BRAKE MODULATING VALVE "T"	HYDRAULIC TANK RETURN MANIFOLD
08	BRAKE MODULATING VALVE "P"	SAHR VALVE "AO"
13	BRAKE MODULATING VALVE "B"	BRAKE MANIFOLD (BOTTOM PORT)

**Throttle Pedal Group**

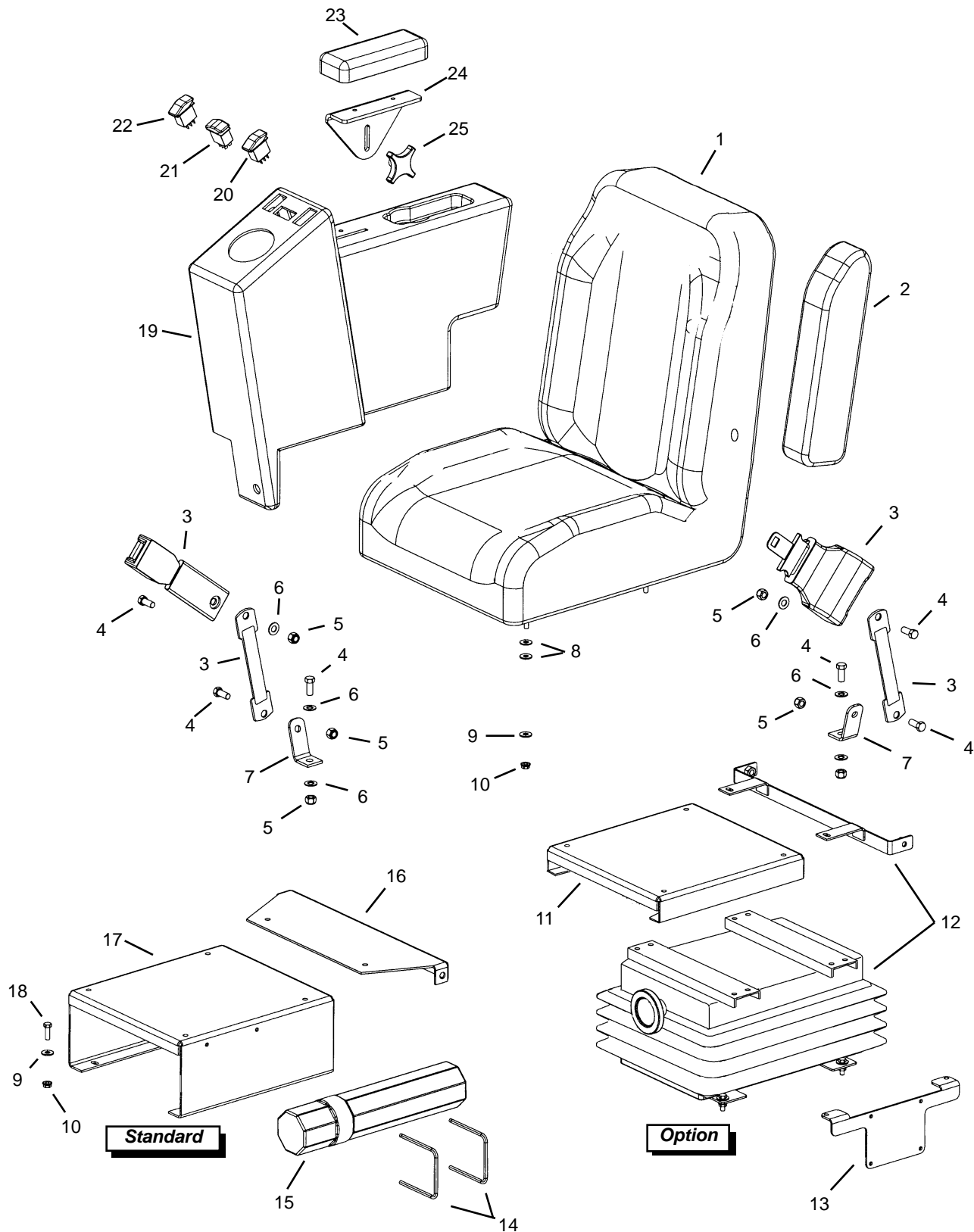




***Throttle Pedal Group***

Ref. No.	Part No.	Description	Qty. Req.	Ref. No.	Part No.	Description	Qty. Req.
01 <sup>a</sup>	L70568	CABLE MOUNT W/BUSHING . . . .	1	a		<i>When equipped with engines prior to TIER II. DL6H SN 20823 and before DL6L SN 25615 and before DL8H SN 30851 and before DL8L SN 35503 and before DL10H SN 40498 and before DL10L SN 45184 and before DL12H SN 50220 and before</i>	
	L50230	5/16"-18X3/4" CARRIAGE BOLT . . .	2				
	L50143	5/16" LOCK WASHER . . . . .	2				
	L50056	5/16"-18 SERR. FLANGE NUT . . .	2				
02 <sup>a</sup>	L69619	OUTER MOUNT W/BUSHING . . . .	1				
	L50823	5/16"-18X1" BOLT . . . . .	2				
	L50143	5/16" LOCK WASHER . . . . .	2				
03 <sup>a</sup>	L70565	THROTTLE LEVER WELD. . . . .	1				
04 <sup>a</sup>	L69615	THROTTLE PEDAL WELD. . . . .	1				
	L50403	3/8"-16X1-1/4" BOLT . . . . .	1				
	L50145	3/8" FLAT WASHER . . . . .	1	b	<i>When equipped with TIER II engine. DL6H SN 20824 Thru 20924 DL6L SN 25616 Thru 25647 DL8H SN 30852 Thru 31006 DL8L SN 35504 Thru 35545 DL10H SN 40499 Thru 40905 DL10L SN 45185 Thru 45393 DL12H SN 50221 Thru 50489</i>		
	L520005	3/8"-16 CENTER LOCK NUT . . . .	1				
05 <sup>a</sup>	L69392	WAVE SPRING . . . . .	1				
06 <sup>a</sup>	L69789	RUBBER PAD . . . . .	1				
07 <sup>a</sup>	L69607	THROTTLE CABLE . . . . .	1				
08 <sup>a</sup>	L580009	BALL JOINT #10-32 . . . . .	1				
	L50050	#10-32 NUT . . . . .	1				
09 <sup>a</sup>	L70435	BEARING . . . . .	2				
10 <sup>a</sup>	L50565	5/16"-18X6" CARRIAGE BOLT . . . .	1				
11 <sup>a</sup>	L43965	SPACER . . . . .	1				
12 <sup>a</sup>	L69634	THROTTLE SPRING . . . . .	1	c	<i>When equipped with TIER II or higher engine. DL6H SN 20925 and up DL6L SN 25648 and up DL8H SN 31007 and up DL8L SN 35546 and up DL10H SN 40906 and up DL10L SN 45394 and up DL12H SN 50490 and up</i>		
13		FOOTPEDAL, ELECTRONIC . . . .	1				
	101291	<i>Note b</i>					
	105502	<i>Note c</i>					
	L50143	5/16" LOCK WASHER . . . . .	2				
	L50823	5/16"-18X1" BOLT . . . . .	2				

Seat Group and Right Hand Dash

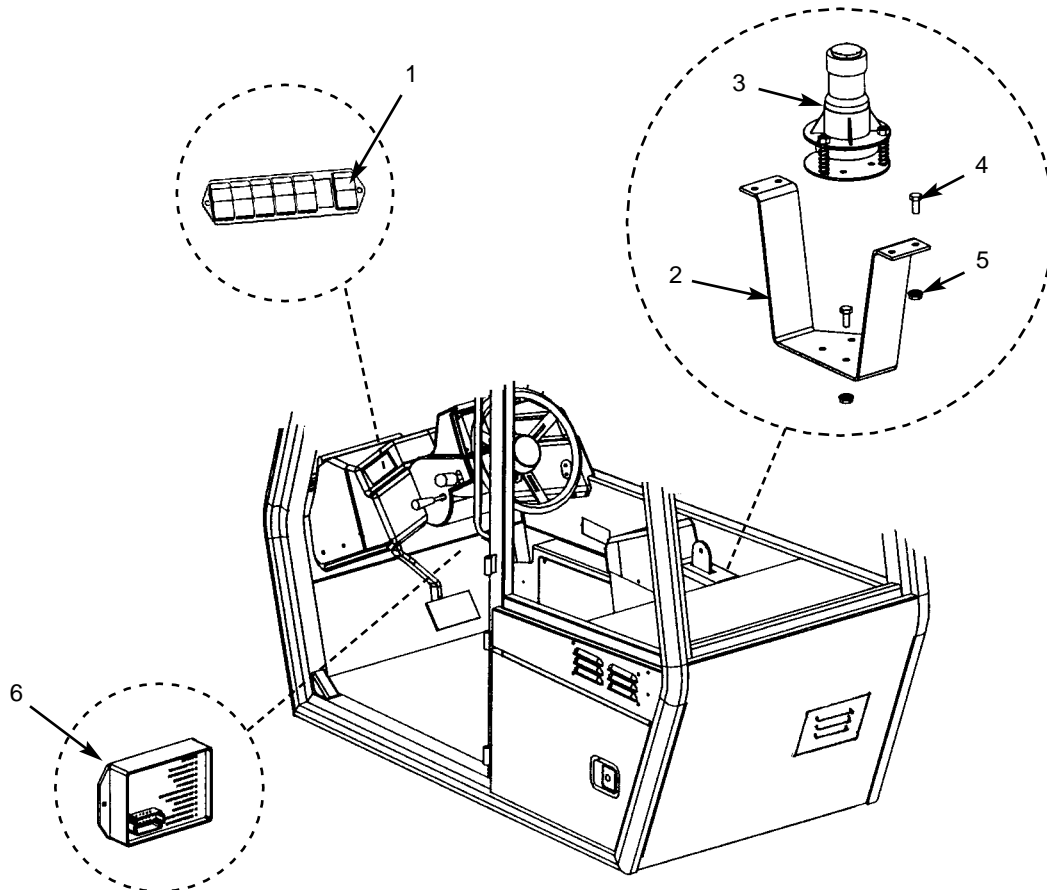


**Seat Group and Right Hand Dash**

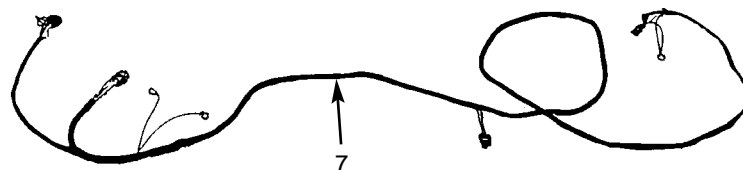
Ref. No.	Part No.	Description	Qty. Req.	Ref. No.	Part No.	Description	Qty. Req.
01	100135	SEAT . . . . .	1				
		<i>(Includes item 2 - Arm Rest)</i>					
02	L99454	SEAT ARM REST (Left Hand) . . . . .	1	a		DL6H SN 20286 and before , except 20272 and 20273	
		<i>(Included with item 1 - Seat)</i>					
03	L70634	SEAT BELT (Incls. tether straps) . . . . .	1			DL6L SN 25332 and before, except 25327, 25328, 25330 and 25331	
04	L510041	7/16"-20X1" BOLT . . . . .	AR			DL8H SN 30292 and before, except 30289	
05	L50517	7/16"-20 NYLON INSERT NUT . . . . .	AR			DL8L SN 35288 and before, except 35280 and 35281	
06	L50196	7/16" FLAT WASHER . . . . .	AR			DL10H SN 40129 and before	
07	L70212	TETHER BRACKET . . . . .	2			DL10L SN 45092 and before	
08	L50141	5/16" WASHER (spacers) . . . . .	AR				
09	L50141	5/16" WASHER . . . . .	4				
10	L50056	5/16"-18 SERR. FLANGE NUT . . . . .	4				
11 <sup>c</sup>	L70592	SEAT EXTENSION . . . . .	1	b		DL6H SN 20272, 20273, 20287 and up	
12 <sup>i</sup>	L68496	SUSPENSION BELLOWS (option) . . . . .	1			DL6L SN 25327, 25328, 25330, 25331, 25333 and up	
		<i>(includes seat belt bracket as shown)</i>				DL8H SN 30289, 30293 and up	
13 <sup>d</sup>	L70449	MANUAL TUBE BRACKET . . . . .	1			DL8L SN 35280, 35281, 35289 and up	
14 <sup>d</sup>	L70450	TUBE U-BOLTS 1/4"-20 . . . . .	2			DL10H SN 40130 and up	
	L50051	1/4"-20 WHIZ LOCK NUTS . . . . .	4			DL10L SN 45093 and up	
15 <sup>d</sup>	L70453	MANUAL TUBE . . . . .	1			DL12H SN All	
16 <sup>j</sup>	L70201	SEAT BELT MOUNT (Standard) . . . . .	1				
17		SEAT RISER (Standard Seat) . . . . .	1	c		Used only with low boom units.	
	L70452	<i>Note d</i>					
	100071	<i>Note e</i>		d		Units that use the manual tube (item 15). Early models without the pouch behind the seat used a container to hold the operator's manual.	
18	L50823	5/16"-18X1" BOLT . . . . .	4				
19		RIGHT HAND CONSOLE . . . . .	1	e		Units that have a seats with a pouch for operator's manual.	
	L69545	<i>Note a</i>					
	L71147	<i>Note g</i>					
	101493	<i>Note h</i>		f		When not equipped with outriggers, use L71088 Switch hole plug in place of switches.	
20 <sup>f</sup>		SWITCH OUTRIGGER (Left) . . . . .	1				
	L69279	<i>Note a</i>					
	L71072	<i>Note b</i>		g		DL6L SN 25587 and before	
21		LEVEL SWITCH . . . . .	1			DL6H SN 20797 and before	
	L500247	<i>Note a</i>				DL8L SN 35492 and before	
	L71071	<i>Note b</i>				DL8H SN 30820 and before	
22 <sup>f</sup>		SWITCH OUTRIGGER (Right) . . . . .	1			DL10L SN 45172 and before	
	L69280	<i>Note a</i>				DL10H SN 40468 and before	
	L71073	<i>Note b</i>				DL12H SN 50199 and before	
24	L70015	ARM REST MOUNT BRKT. . . . .	1				
23	L69756	ARM REST . . . . .	1				
	L50202	1/4"-20X5/8" BUTTON HD BOLT . . . . .	2				
25	L69755	KNOB . . . . .	1	h		DL6L SN 25588 and up	
	L50483	3/8"-16X1" CARRIAGE BOLT . . . . .	1			DL6H SN 20798 and up	
						DL8L SN 35493 and up	
						DL8H SN 30821 and up	
						DL10L SN 45173 and up	
						DL10H SN 40469 and up	
						DL12H SN 50200 and up	
				i		Suspension seat option	
				j		Standard seat.	
		<b>-- ITEMS NOT SHOWN --</b>					
00	L64078	DUAL RATE ALARM (Buzzer) . . . . .	1				

***Personnel Work Platform - Cab Group***

**Level Sensor**  
located to the  
rear of the right console



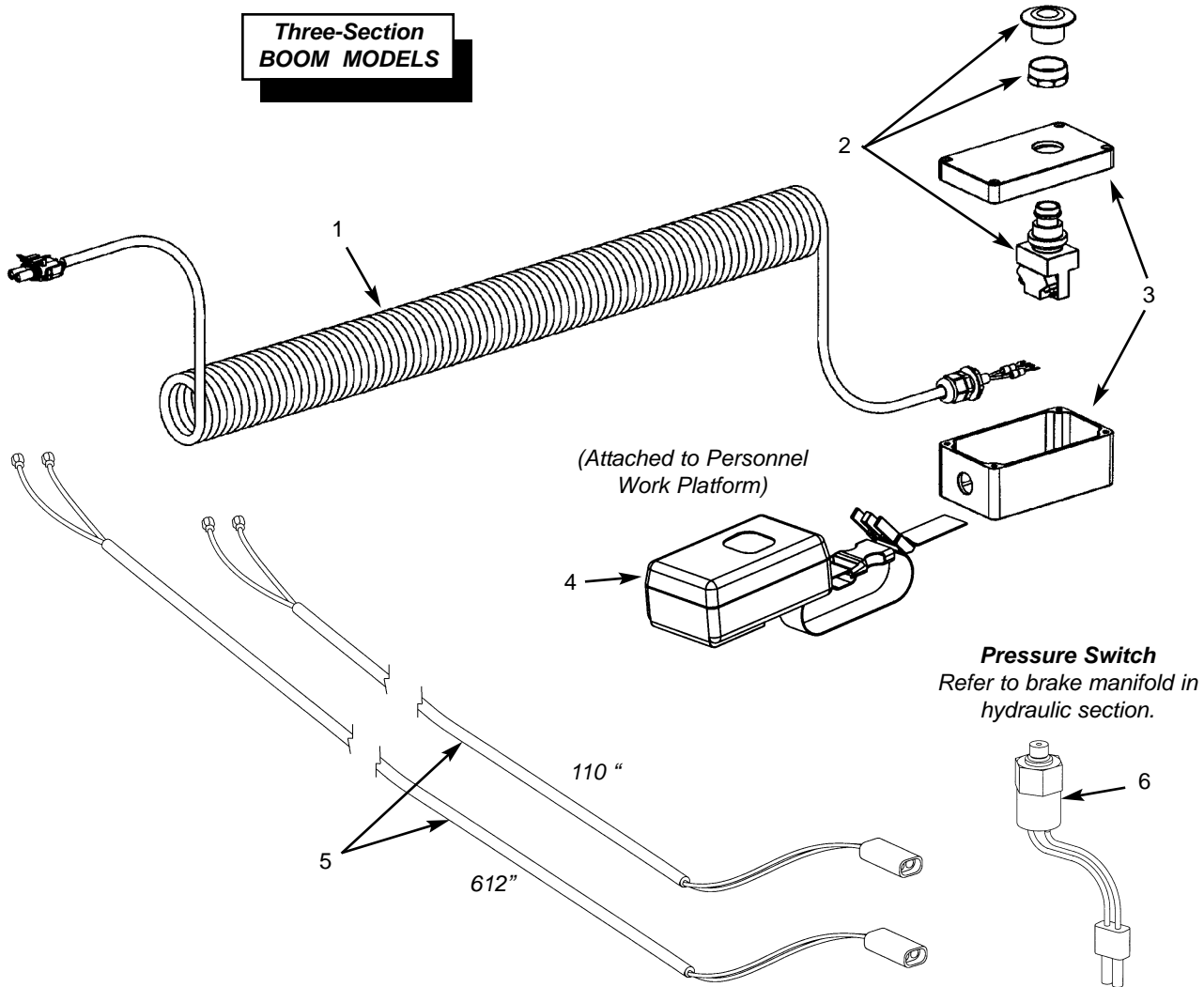
**PWP Control Module**  
located under front dash  
above brake pedal.



***Personnel Work Platform - Cab Group***

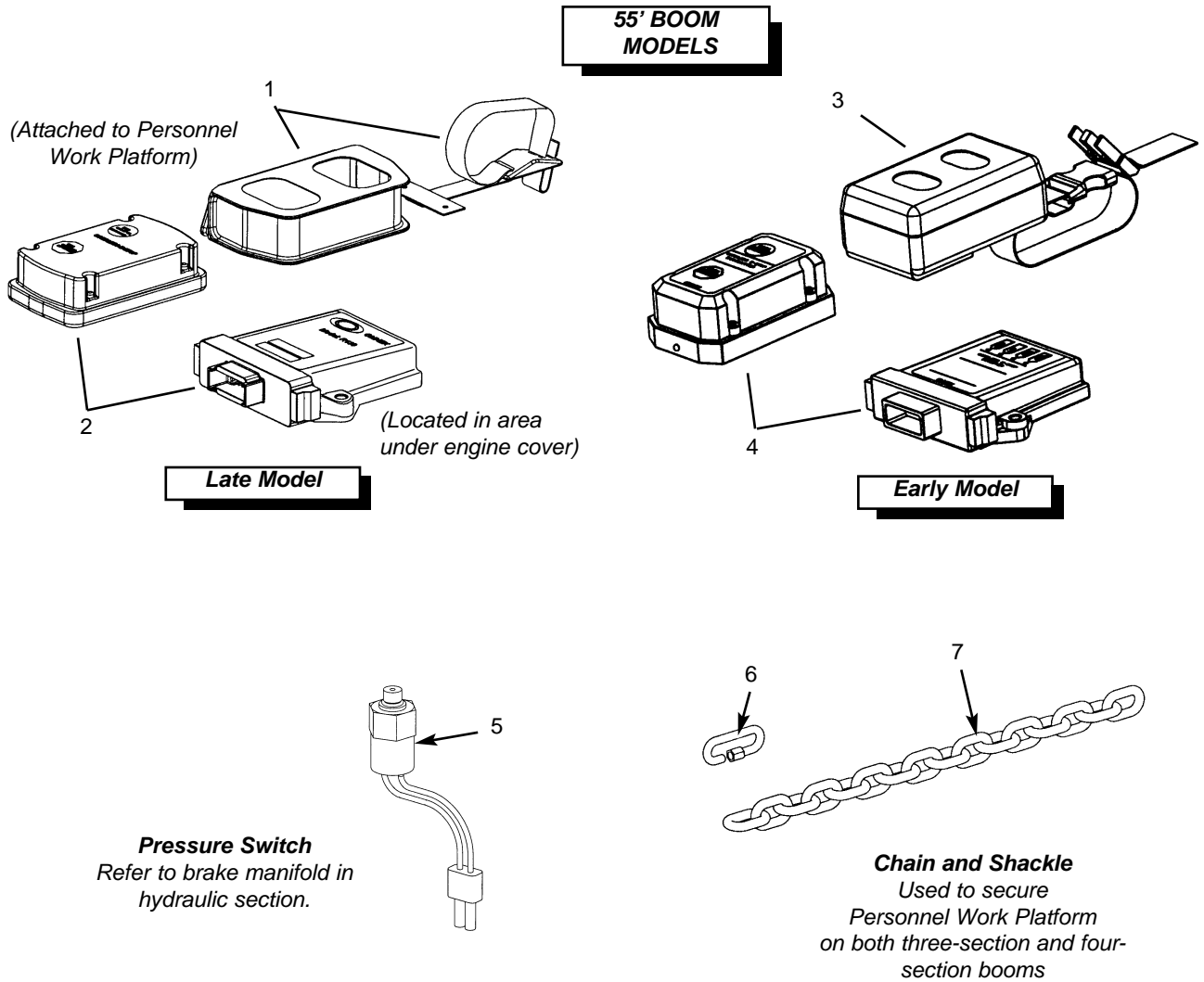
<b>Ref. No.</b>	<b>Part No.</b>	<b>Description</b>	<b>Qty. Req.</b>	<b>Ref. No.</b>	<b>Part No.</b>	<b>Description</b>	<b>Qty. Req.</b>
01	L71691	WORK PLATFORM SWITCH . . . . .	1	a		<i>Used only on the following units:</i>	
02 <sup>a</sup>	L71564	LEVEL SWITCH BRACKET . . . . .	1			<i>DL6L; SN 25587 and before</i>	
03	L71553	LEVEL SENSOR . . . . .	1			<i>DL6H; SN 20797 and before</i>	
04 <sup>a</sup>	L50486	1/4"-20X5/8" HEX HEAD BOLT . . . . .	8			<i>DL8L; SN 35492 and before</i>	
05 <sup>a</sup>	L50051	1/4"-20 FLANGE NUT . . . . .	8			<i>DL8H; SN 30820 and before</i>	
06	104078	CONTROL MODULE . . . . .	1			<i>DL10L; SN 45172 and before</i>	
07 <sup>b</sup>		WIRE HARNESS . . . . .	1			<i>DL10H; SN 40468 and before</i>	
	104065	<i>(used with 104078 module)</i>				<i>DL12H; SN 50199 and before</i>	
	101689	<i>(used with L71710 module)</i>		b		<i>Refer to the control module which has a part number label affixed to it.</i>	

**Personnel Work Platform - 3 Section Boom**



Ref. No.	Part No.	Description	Qty. Req.	Ref. No.	Part No.	Description	Qty. Req.
00 <sup>a</sup>	L71729	REMOTE SWITCH W/CABLE . . . . .	1	04	L71750	REMOTE SWITCH POUCH . . . . .	1
		<i>(Includes items 1-3)</i>		05	L71732	REMOTE SWITCH HARNESS . . . . .	1
01	102408	CABLE ASSEMBLY . . . . .	1			<i>(Consists of two cables)</i>	
02	L71726	REMOTE STOP SWITCH . . . . .	1	06	L70415	PRESSURE SWITCH . . . . .	1
03	L71725	REMOTE SWITCH ENCLOSURE . . . . .	1				

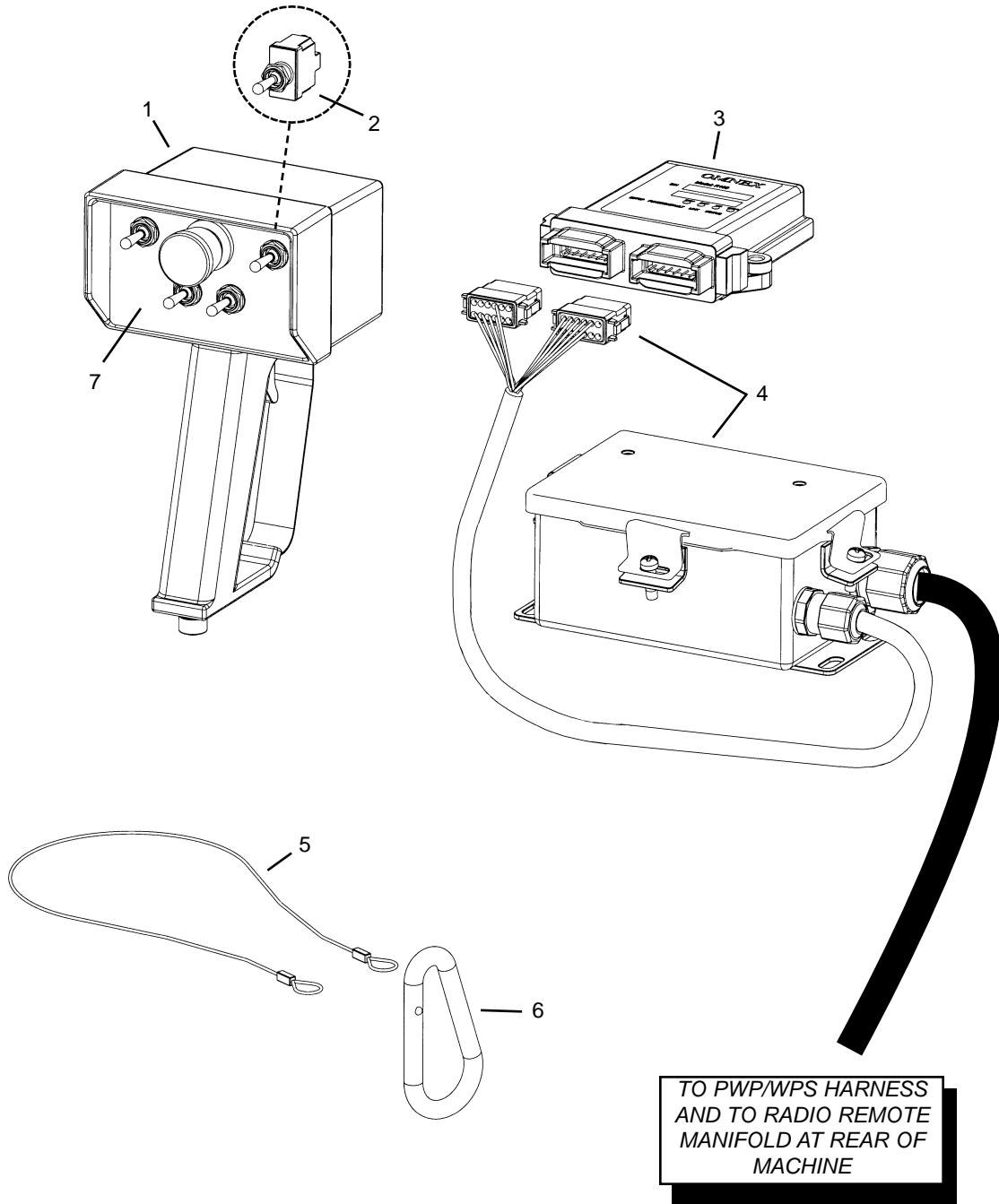
**Personnel Work Platform - 4 Section Boom**



Ref. No.	Part No.	Description	Qty. Req.
01 <sup>a</sup>	102676	WIRELESS SWITCH POUCH. . . . .	1
02 <sup>ac</sup>	102675	RADIO REMOTE SYSTEM. . . . . (Transmitter and Receiver)	1
03 <sup>b</sup>	101198	WIRELESS SWITCH POUCH. . . . .	1
04 <sup>bc</sup>	102677	RADIO REMOTE SYSTEM(kit). . . . . (Transmitter and Receiver)	1
05	L70415	PRESSURE SWITCH . . . . .	1
06 <sup>d</sup>	L71752	5/16" CHAIN SHACKLE . . . . .	1
07 <sup>d</sup>	L71751	5/16" CHAIN GR40 16 LINKS . . . . .	1
<b>-- ITEMS NOT SHOWN --</b>			
00		RADIO REMOTE HARNESS . . . . . (e-stop receiver)	1
	102655	Note c	
	101199	Note d	

Ref. No.	Part No.	Description	Qty. Req.
a		DL10H SN 40525 and up DL10L SN 45190 and up	
b		DL10H SN 40524 and before DL10L SN 45189 and before	
c		The transmitter and receiver are frequency matched, therefore, it is required to purchase both as a set.	
d		Chain shackle and chain are used on both four and Three-Section boom applications to secure the Personnel Work Platform.	

**Radio Remote - Transmitter and Receiver**

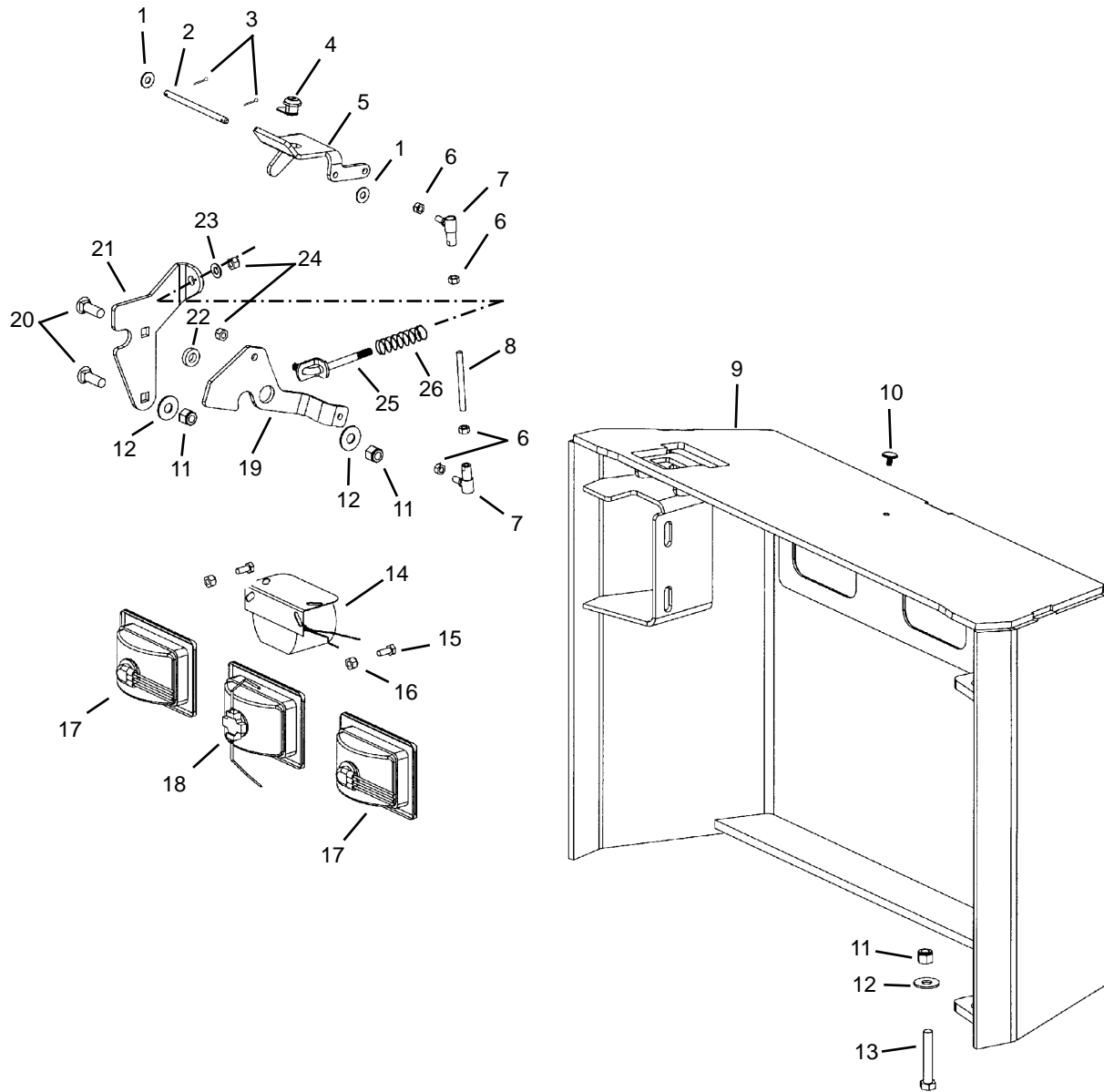




***Radio Remote -Transmitter and Receiver***

Ref. No.	Part No.	Description	Qty. Req.	Ref. No.	Part No.	Description	Qty. Req.
00	103414	COMPLETE, RADIO REMOTE . . . .	1			<b>-- ITEMS NOT SHOWN --</b>	
		<i>(Includes all items shown)</i>		00	104963	WIRE HARNESS . . . . .	1
01 <sub>a</sub>	103479	REMOTE TRANSMITTER . . . . .	1			<i>(to existing PWP wire harness)</i>	
02	103482	SWITCH, TOGGLE 3 POS. MIL . . .	4				
03	NSS	REMOTE RECEIVER . . . . .	1	a		<i>Requires programming; refer to "Radio Remote Operators manual " that was included with the Radio Remote Control at the time of purchase.</i>	
04	NSS	ENCLOSURE / CIRCUIT BOARD. . .	1				
05	103475	LANYARD <i>(wire cable)</i> . . . . .	1				
06	103476	SNAP RING, LANYARD . . . . .	1				
07	104675	LABEL . . . . .	1				

Rear Access Door Group



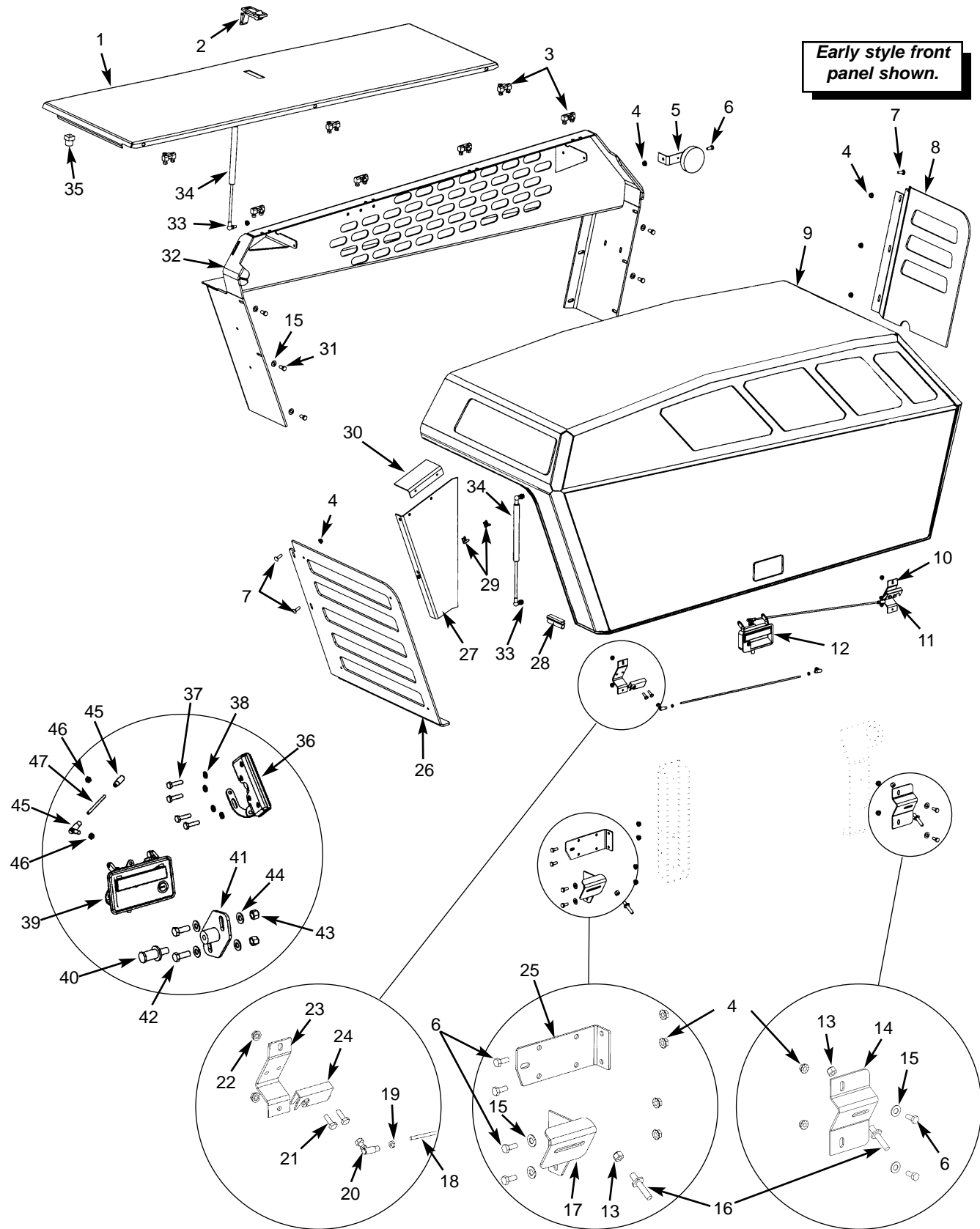
***Rear Access Door Group***

Ref. No.	Part No.	Description	Qty. Req.	Ref. No.	Part No.	Description	Qty. Req.
01	L50141	5/16" FLAT WASHER	2	18		BACKUP LIGHT	1
02	L70326	PIN.	1		L70041	<i>Note a (early models)</i>	
03	L50607	1/8X1" COTTER PIN	2		L71595	<i>Note b (later models)</i>	
04	L70225	CAMLOCK.	1		L500606	RUBBER MOUNTING BEZEL	1
	L99157	KEY ONLY (CH751)	1		100102	JUMPER - BACKUP LIGHT	1
05	L70257	LATCH ASY. HANDLE.	1	19	L70216	LATCH	1
06	L50059	5/16-24 NUT	4		L99157	KEY ONLY (CH751)	1
07	L70226	5/16-24 BALL JOINT	2	20	L50603	1/2-13X1-1/2" CARRIAGE. BOLT	2
08	L70227	LINKAGE ROD	1	21	L69766	LATCH MOUNT.	1
09	L500657	REAR DOOR	1	22	131940	BUSHING	1
10	L71305	PLUG, REAR HOOD	1	23	L50145	3/8" FLAT WASHER	1
11	L520019	1/2-13 NYLON INSERT NUT	3	24	L520005	3/8-16 NYLON INSERT NUT	2
12	L50151	1/2" FLAT WASHER	3	25	131799	LATCH ROD ASY	1
13	L50292	1/2-13x3" BOLT	1	26	L70009	COMPRESSION SPRING.	1
14	L70200	BACKUP ALARM.	1			<b>-- ITEMS NOT SHOW --</b>	
15	L50230	5/16-18X3/4" BOLT	2	00	L60587	SINGLE DIODE	AR
16	L50056	5/16-18 FLARE NUT	2			<i>(located in the wire harness near tail lights)</i>	
17	L70701	TAIL LIGHT W CONNECTOR	2				
	L500339	RUBBER MOUNTING BEZEL	2				

*a Use this backup light if the center opening in rear door is the same size as the tail light openings.*

*b Use this backup light if the center opening in the rear door is smaller than the tail light openings.*

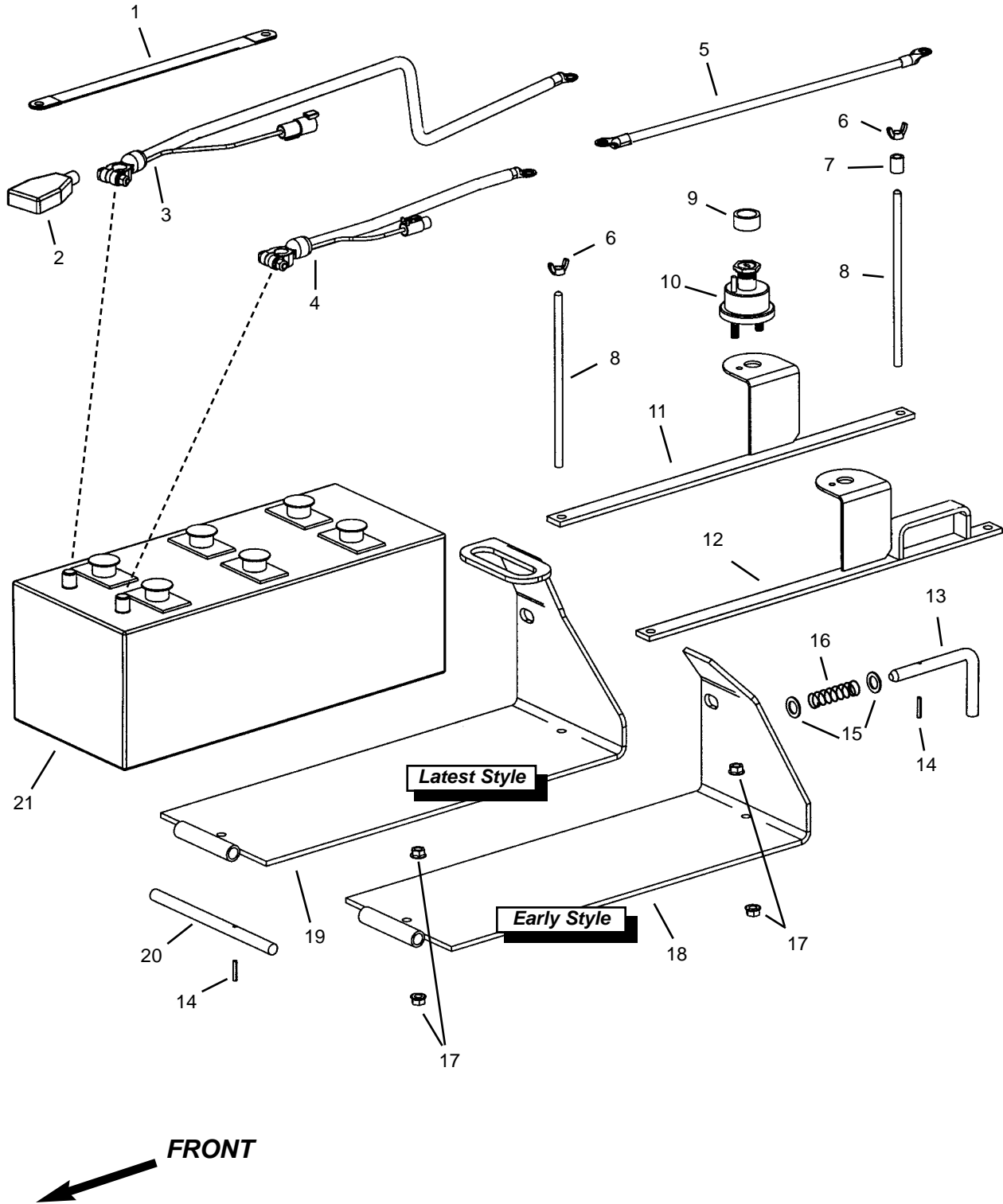
# Engine -Transmission Cover Group



**Engine -Transmission Cover Group**

Ref. No.	Part No.	Description	Qty. Req.	Ref. No.	Part No.	Description	Qty. Req.
01	L70239	TRANSMISSION COVER . . . . .	1	40 <sup>d</sup>	101436	STRIKER-HOOD . . . . .	1
02	L70198	LATCH - TRANSMISSION COVER. . . . .	1	41 <sup>d</sup>	101397	STRIKER MOUNT . . . . .	1
	L99157	KEY ONLY (CH751) . . . . .	1	42 <sup>d</sup>	650490	CS 3/8x1 C5ZY . . . . .	2
03	L69465	HINGE . . . . .	7	43 <sup>d</sup>	067847	HLN INST 3/8 CZY . . . . .	2
04	L50056	5/16-18 FLARE NUT . . . . .	18	44 <sup>d</sup>	654049	FW 3/8 ANZY . . . . .	4
05	L70045	HORN . . . . .	1	45 <sup>d</sup>	L580009	BALL JOINT/10-32 ROD END. . . . .	2
06	L50230	5/16-18X3/4" BOLT . . . . .	7	46 <sup>d</sup>	L50050	NUT, 10-32 HEX . . . . .	2
07	L50461	5/16-18X1" CARRIAGE BOLT. . . . .	5	47 <sup>d</sup>	101453	ROD-LINKAGE . . . . .	1
08		END PANEL - FRONT . . . . .	1				
	101349	<i>Note a (not shown)</i>					
	L71168	<i>Note b (shown)</i>					
09	101488	ENGINE COVER HOOD . . . . .	1	00 <sup>a</sup>	101965	FRONT AIR BAFFLE BRACKET . . . . .	1
10 <sup>c</sup>	L70321	FRONT LATCH MOUNT . . . . .	1	00 <sup>a</sup>	101966	REAR AIR BAFFLE BRACKET . . . . .	1
11 <sup>c</sup>	L70065	ROTARY LATCH (LEFT) . . . . .	1				
12 <sup>c</sup>	L70067	PADDLE HANDLE . . . . .	1				
	L99157	KEY ONLY (CH751) . . . . .	1	<i>a</i>	<i>DL6L SN 25588 and up</i>		
13	L520005	3/8-16 NYLON INSERT NUT . . . . .	2		<i>DL6H SN 20798 and up</i>		
14 <sup>c</sup>	L70586	STRIKER MOUNT (FRONT) . . . . .	1		<i>DL8L SN 35493 and up</i>		
15	L50145	3/8" FLAT WASHER . . . . .	10		<i>DL8H SN 30821 and up</i>		
16 <sup>c</sup>	L70197	STRIKER PIN . . . . .	2		<i>DL10L SN 45173 and up</i>		
17 <sup>c</sup>	L70588	STRIKER MOUNT (REAR) . . . . .	1		<i>DL10H SN 40469 and up</i>		
18 <sup>c</sup>	L70162	LINKAGE ROD . . . . .	2		<i>DL12H SN 50200 and up</i>		
19	L50050	10-32 NUT . . . . .	4	<i>b</i>	<i>DL6L SN 25587 and before</i>		
20	L580009	BALL JOINT 10-32 ROD END. . . . .	4		<i>DL6H SN 20797 and before</i>		
21	L50211	1/4-20X3/4" BOLT . . . . .	4		<i>DL8L SN 35492 and before</i>		
22	L50051	1/4-20 FLARE NUT . . . . .	4		<i>DL8H SN 30820 and before</i>		
23 <sup>c</sup>	L70322	REAR LATCH MOUNT . . . . .	1		<i>DL10L SN 45172 and before</i>		
24 <sup>c</sup>	L70064	ROTARY LATCH (RIGHT) . . . . .	1		<i>DL10H SN 40468 and before</i>		
25	L71172	ETHER MOUNT BRACKET . . . . .	1		<i>DL12H SN 50199 and before</i>		
26	102002	END PANEL WELDMENT. . . . .	1				
27		BAFFLE, AIR RECIRC. . . . .	1	<i>c</i>	<i>Used on early engine covers equipped with the two latching points.</i>		
	101967	<i>Note a and f (not shown)</i>					
	L71337	<i>Note b and e (shown)</i>					
28 <sup>bd</sup>	L70619	BULB SEAL, ENGINE COVER . . . . .	1	<i>d</i>	<i>Used on later engine covers equipped with the single center latching point.</i>		
29 <sup>b</sup>	L68133	CAPTIVE SCREW. . . . .	2				
	L68134	SCREW RETAINER . . . . .	2				
	L68135	SCREW RECEPTACLE . . . . .	2	<i>e</i>	<i>When equipped with air conditioning and serial number is within note b, then use L71355 Air Baffle.</i>		
30 <sup>b</sup>	L71336	BAFFLE, TOP PLATE . . . . .	1				
31	L50251	3/8-16X3/4" BOLT . . . . .	6				
32	L71193	ENGINE COVER MOUNT. . . . .	1	<i>f</i>	<i>Items used with this baffle, but are not shown, include (1) 101965 Front Air Baffle Bracket and (1) 101966 Rear Air Baffle Bracket.</i>		
33	L69488	BALL STUD . . . . .	6				
	L50056	5/16-18 FLARE NUT . . . . .	6				
34	L69473	GAS SPRING . . . . .	3				
		<i>(Does not include item 33)</i>					
35	L69468	RUBBER BUMPER . . . . .	2				
36 <sup>d</sup>	101421	LATCH . . . . .	1				
37 <sup>d</sup>	650835	CS 1/4x1 C5ZY . . . . .	4				
38 <sup>d</sup>	654022	LW 1/4 RZY . . . . .	4				
39 <sup>d</sup>	101422	HANDLE-PADDLE, W/KEY . . . . .	1				
	L99157	KEY ONLY (CH751) . . . . .	1				

Battery Tray Group

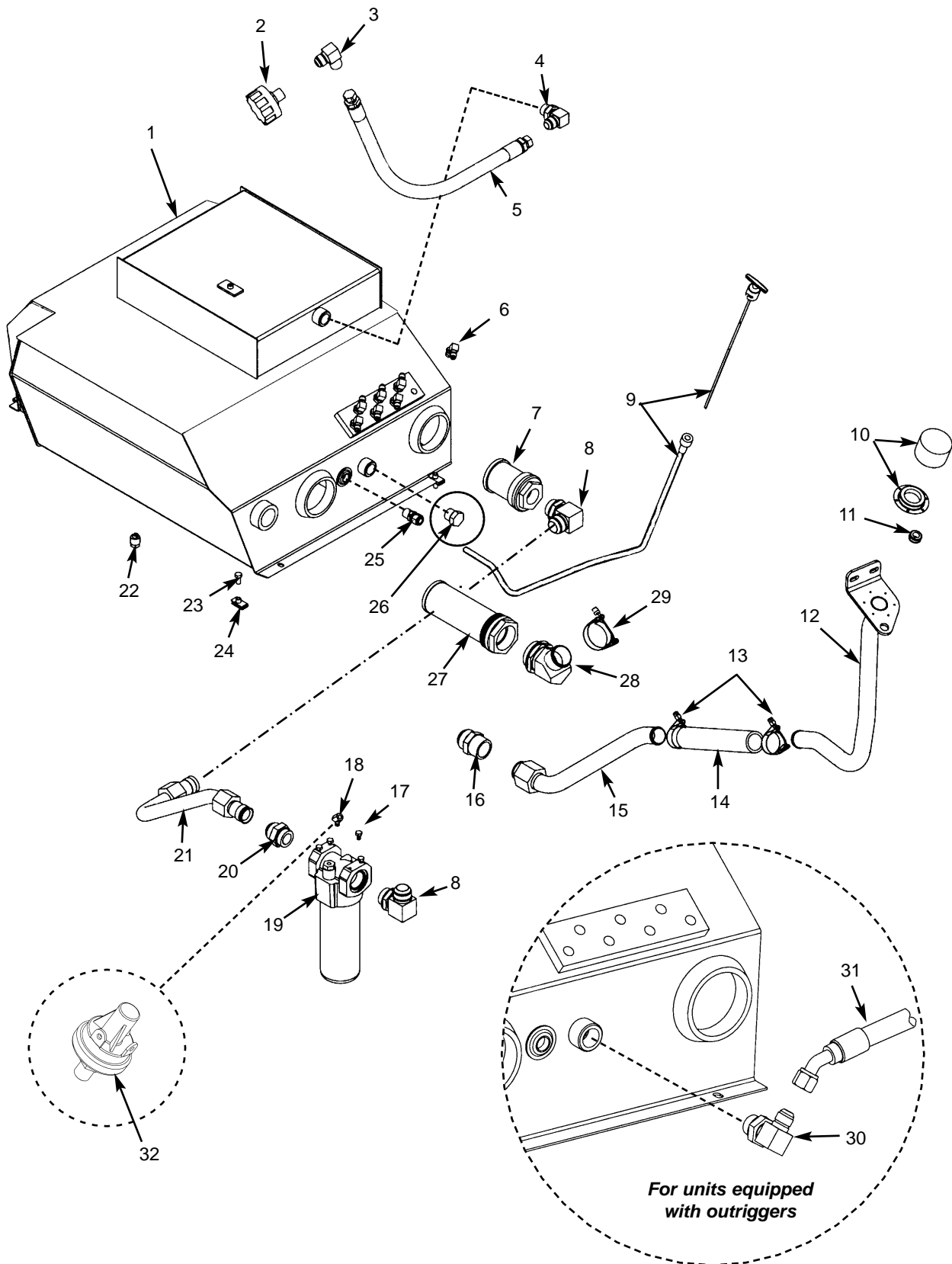


**Battery Tray Group**

Ref. No.	Part No.	Description	Qty. Req.	Ref. No.	Part No.	Description	Qty. Req.
01	L630004	GROUND STRAP 14GA. 14" . . . . .	1	18 <sup>ab</sup>	L69629	BATTERY TRAY WELD. . . . .	1
02	L630003	RUBBER BOOT . . . . .	1	19 <sup>c</sup>	101364	BATTERY TRAY WELD. . . . .	1
03		POS. BATTERY CABLE 75" . . . . .	1	20	L69624	TRAY HINGE (pin). . . . .	1
	101247	<i>Note c (shown in illustration)</i>		21	NSS	BATTERY 12 V BCI NO. 4DLT . . . . .	1
	101960	POWER PLUG (female end) . . . . .	1				
	101963	#8 DUETCH PIN . . . . .	1				
	L70180	<i>Note a and b</i>					
04		NEG. BATTERY CABLE, 12" . . . . .	1				
	102176	<i>Note c (shown in illustration)</i>		a		<i>DL6H SN 20440 and before</i>	
	101961	POWER PLUG (male end). . . . .	1			<i>DL6L SN 25441 and before</i>	
	101962	#8 DUETCH SOCKET . . . . .	1			<i>DL8H SN 30419 and before</i>	
	L70178	<i>Note a and b</i>				<i>DL8L SN 35372 and before</i>	
05	L70179	NEG. BATTERY CABLE, 64" . . . . .	1			<i>DL10H SN 40198 and before</i>	
06	L530003	3/8-16 WING NUT . . . . .	2			<i>DL10L SN 45119 and before</i>	
07	L43964	SPACER . . . . .	1			<i>DL12H SN 50122 and before</i>	
08	L70146	HOLD DOWN ROD . . . . .	2	b		<i>DL6H SN 20441 Thru 20782</i>	
09	L500311	SPACER . . . . .	1			<i>DL6L SN 25442 Thru 25585</i>	
10		MASTER DISCONNECT SWITCH . 1				<i>DL8H SN 30420 Thru 30809</i>	
	L68585	<i>Note a (includes key)</i>				<i>DL8L SN 35373 Thru 35492</i>	
	L99900	KEY				<i>DL10H SN 40199 Thru 40458</i>	
	L71258	<i>Note b and c (includes key)</i>				<i>DL10L SN 45120 Thru 45172</i>	
	L500312	KEY				<i>DL12H SN 50123 Thru 50199</i>	
11 <sup>c</sup>	101457	BATTERY HANDLE, WELDMENT . 1		c		<i>DL6H SN 20783 and up</i>	
12		BATTERY HANDLE, WELDMENT . 1				<i>DL6L SN 25586 and up</i>	
	L70149	<i>Note a</i>				<i>DL8H SN 30810 and up</i>	
	L71259	<i>Note b</i>				<i>DL8L SN 35493 and up</i>	
13	L69625	BATTERY LEVER ROD. . . . .	1			<i>DL10H SN 40459 and up</i>	
14	L50628	ROLL PIN .19X1 . . . . .	2			<i>DL10L SN 45173 and up</i>	
15	L50174	9/16" FLAT WASHER . . . . .	2			<i>DL12H SN 50200 and up</i>	
16	L69627	SPRING, BATTERY LEVER . . . . .	1				
17	L50061	3/8"-16 FLARE NUT . . . . .	4				

---FOR SERIAL NUMBER----

### Hydraulic Tank Group





**Hydraulic Tank Group**

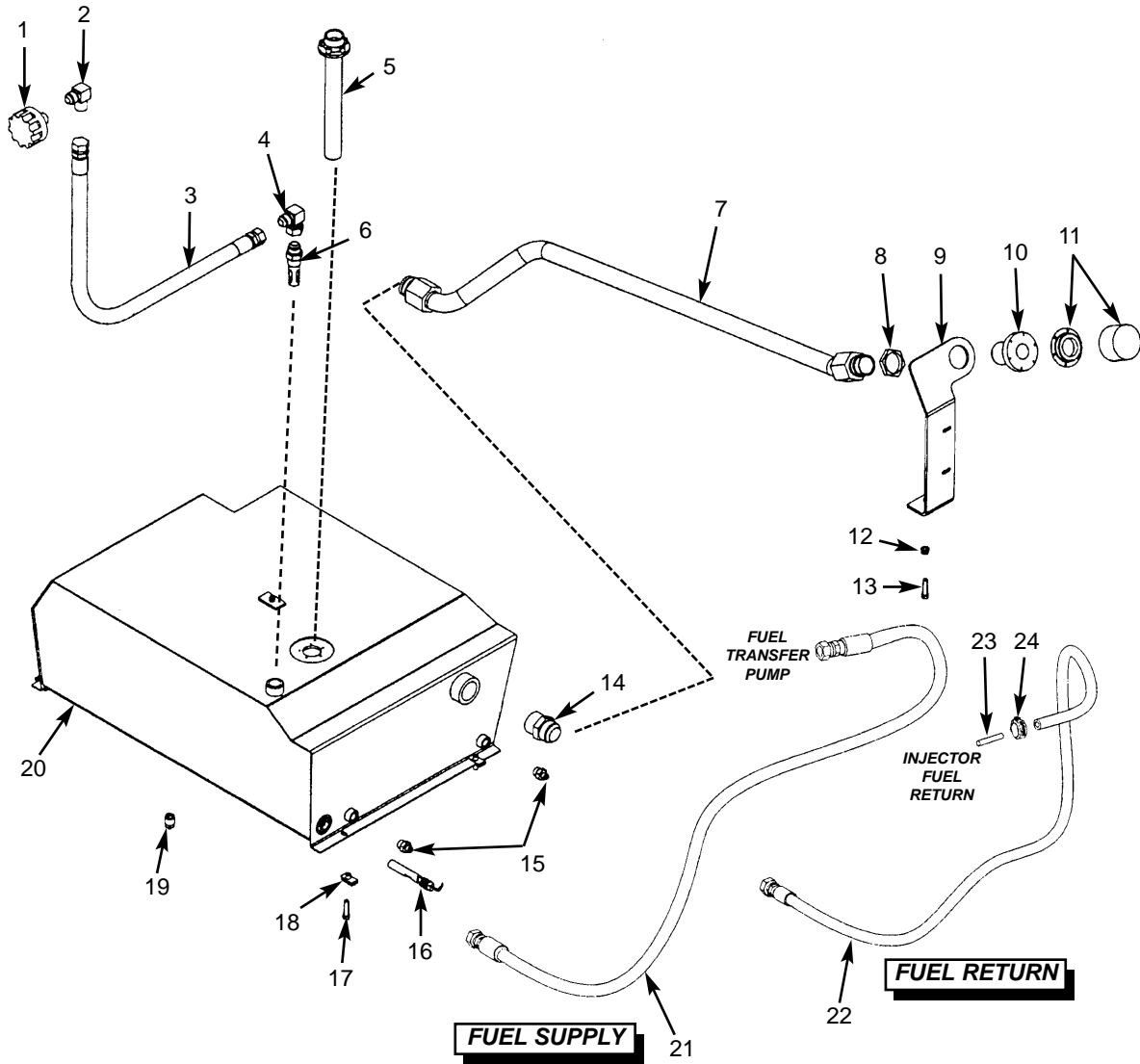
Ref. No.	Part No.	Description	Qty. Req.	Ref. No.	Part No.	Description	Qty. Req.
01	L70377	HYDRAULIC TANK WELDMENT . . .	1	21	L70379	TUBE, FILTER TO TANK. . . . .	1
02	L70388	TANK BREATHER. . . . .	1	22	L43221	1/2-14 MAGNETIC PLUG . . . . .	1
03	L442004	ADAP -12JICM -12NPTM 90 DEG . .	1	23	L50251	3/8-16X3/4" BOLT . . . . .	4
04	L445001	ADAP -12ORM -12JICM 90 DEG . .	1	24	L65211	3/8-16 CLIP RETAINING NUT. . . . .	4
05	L70390	HOSE -10 -12JFX - 12JFX 31" . . . .	1	25	L70338	SWAGELOK CONNECTOR . . . . .	1
06	L445003	ADAP -6ORM -6JICM 90 DEG . . . .	7	26 <sup>b</sup>	L446047	PLUG -12ORM . . . . .	1
07	L70378	TANK DIFFUSER . . . . .	1	27	L69358	SUCTION STRAINER . . . . .	1
08	L62954	ADAP -20ORM -20JICM 90 DEG . .	2	28	L446001	ADAP -32ORM -32HBARB 45 DEG	1
09	L71413	DIPSTICK, HYDRAULIC OIL . . . .	1	29	L70465	2-1/2" T-BOLT BAND CLAMP . . . .	1
10	L69578	FILLER CAP ASSEMBLY . . . . .	1	30 <sup>c</sup>	P471353	ADAP -12ORM -10JICM 90 . . . . .	1
	L500227	GASKET. . . . .	1	31 <sup>c</sup>	L70692	HOSE, -12 A12/NS10 51". . . . .	1
11	L63546	DIPSTICK HOUSING GROMMET . .	1	32	L99970	RESTRICTOR SWITCH . . . . .	1
12	L70207	HYD. OIL FILL TUBE, WELDMENT	1			<i>(Included with item 19)</i>	
13	L70234	2" T-BOLT BAND CLAMP . . . . .	2	a		<i>Return filter includes Housing, L99459 filter cartridge, L500352 o ring and L99970 switch.</i>	
14	L70266	HOSE -24 31". . . . .	1	b		<i>Use P471353 -12ORM -10JICM 90 elbow adapter for units equipped with outriggers.</i>	
15	L69636	HYDRAULIC PIPE. . . . .	1	c		<i>Used only on units equipped with outriggers.</i>	
16	L441010	ADAP -24NPTM -24JICM STR . . . .	1				
17	L50288	5/16-18X1/2" BOLT . . . . .	4				
18	L448002	ADAP 1/8NPTM 1/8NPTF 45 DEG . .	1				
19 <sup>a</sup>	L69309	RETURN FILTER. . . . .	1				
	L99459	HYD. FILTER CARTRIDGE . . . . .	1				
	L500352	O RING. . . . .	1				
	L99970	RESTRICTOR SWITCH <i>(item 32)</i> . .	1				
20	L51587	ADAP -20ORM -20JICM STR . . . . .	1				

**Hose Locator**

Ref No.	From Port	To Port
*31	HYDRAULIC TANK	V20 VALVE "OUT"

\* Used only on units equipped with outriggers.

**Fuel Tank Group**

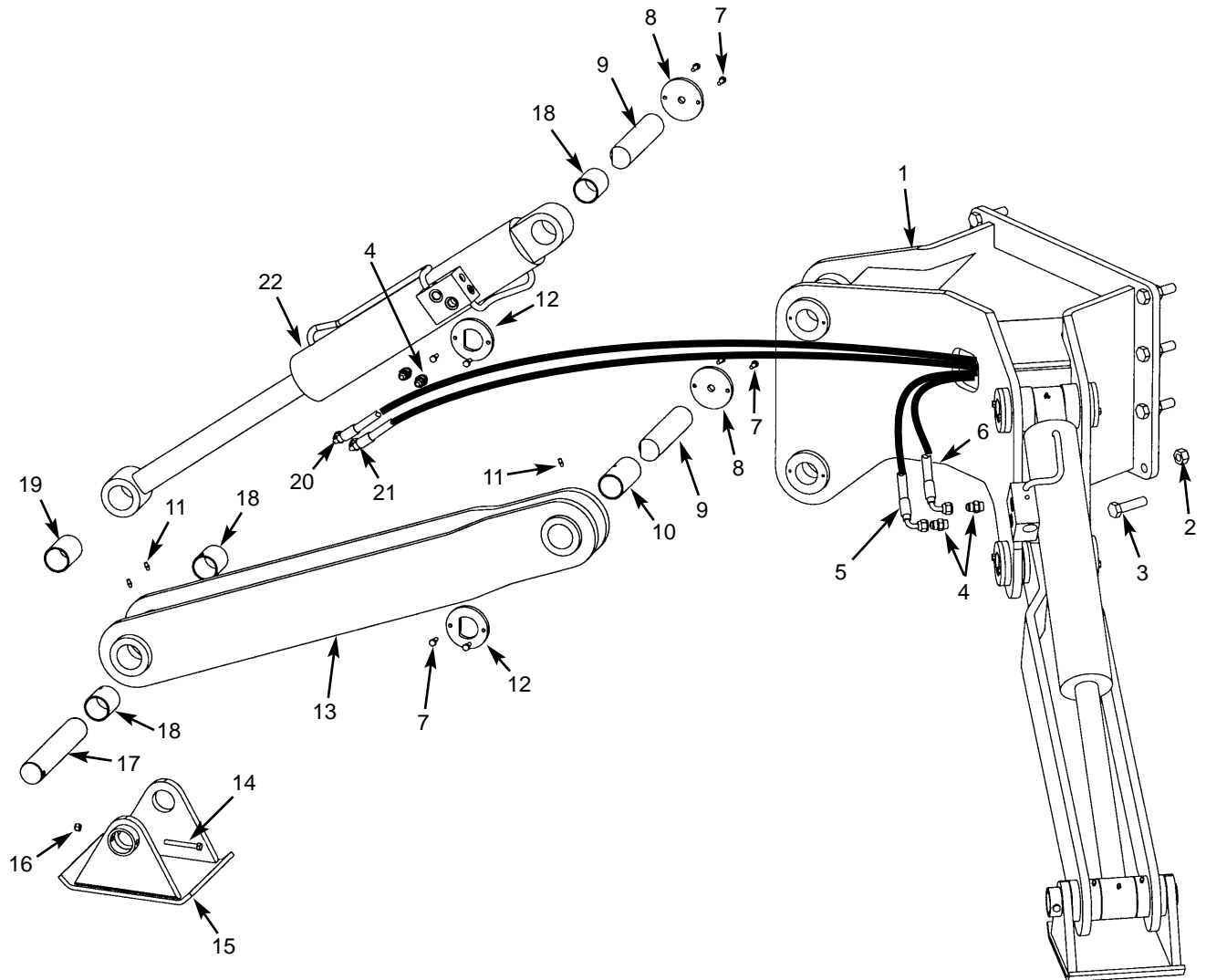


***Fuel Tank Group***

Ref. No.	Part No.	Description	Qty. Req.	Ref. No.	Part No.	Description	Qty. Req.
01	L70388	TANK BREATHER.....	1	15	L277484	ADAP -8ORM -6JICM STR.....	2
02	L442004	ADAP -12JICM -12NPTM 90 DEG .	1	16	L70575	LOW FUEL SWITCH.....	1
03	L70389	BREATHER HOSE .....	1	17	L50251	3/8-16X3/4" BOLT .....	4
04	L446020	ADAP -12JICFS -12JICM 90 DEG .	1	18	L65211	3/8-16 CLIP RETAINING NUT. ....	4
05	L70173	FUEL SENDER .....	1	19	L43221	1/2-14 MAGNETIC PLUG .....	1
06	L79117	BREATHER VALVE ASSEMBLY... .	1	20	L69360	FUEL TANK.....	1
07	L69740	FUEL FILL TUBE.....	1	21 <sup>a</sup>	L70455	HOSE -6 A6/A5 56" FUEL LINE ...	1
08	L69782	1-7/8-12 JAM NUT. ....	1	22 <sup>b</sup>	L70456	HOSE-4 A6 73" FUEL LINE .....	1
09	L69741	FUEL FILL MOUNT .....	1	22 <sup>c</sup>	L71175	HOSE-4 A6 84" FUEL LINE .....	1
10	L69739	FILLER CAP MOUNT .....	1	23	L69166	TUBE, FUEL LINE.....	1
11	L69578	FILLER CAP ASSEMBLY .....	1	24	L75956	HOSE CLAMP #10 .....	1
	L500227	GASKET.....	1				
12	L50061	3/8-16 FLARE NUT .....	1				
13	L50261	3/8-16X1-1/2" BOLT .....	1				
14	L441010	ADAP -24NPTM -24JICM STR....	1				

*a Refer to Engine Section for fittings*  
*b Used with JD engine.*  
*c Used with Perkins engine.*

Outriggers



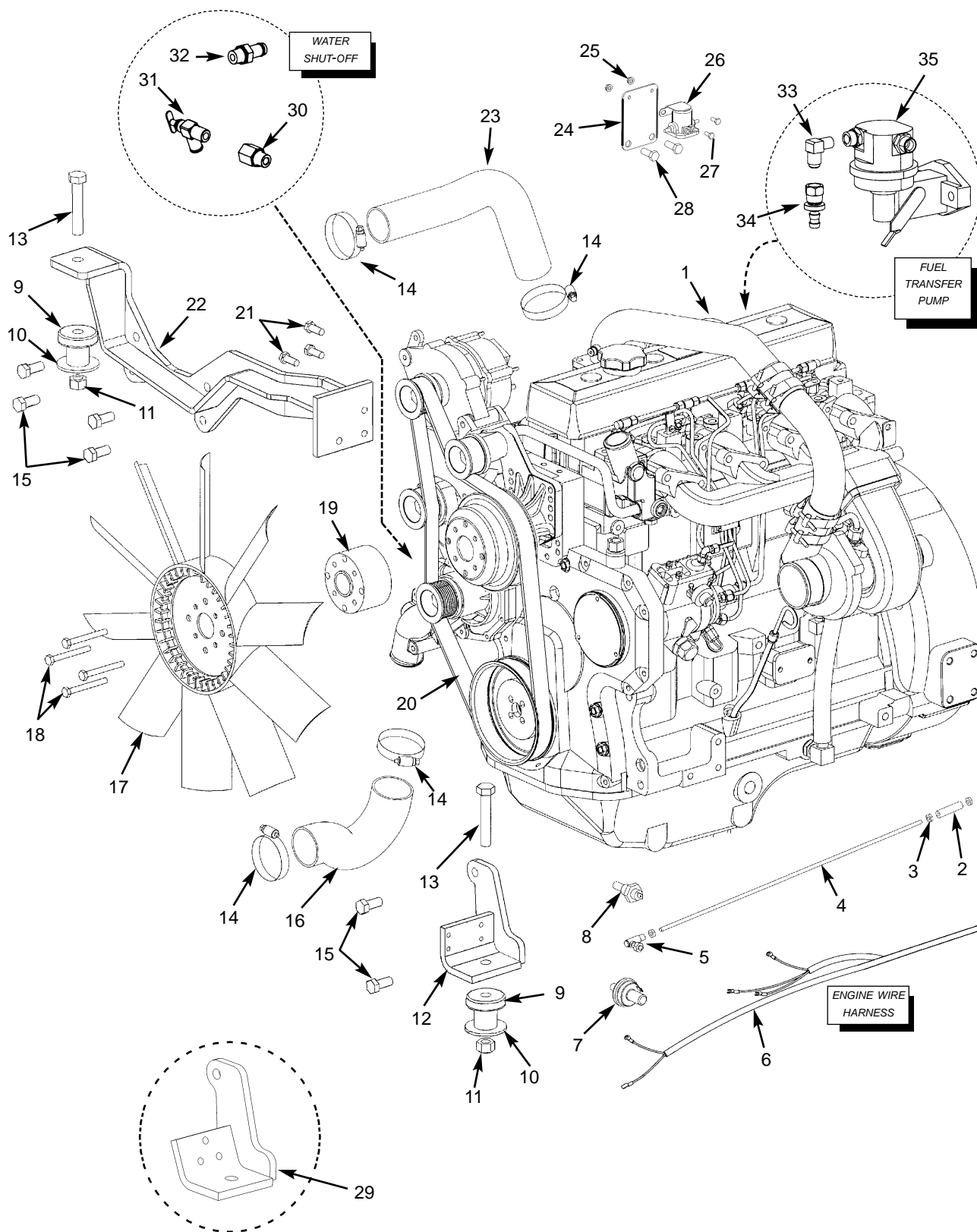
***Outriggers***

Ref. No.	Part No.	Description	Qty. Req.	Ref. No.	Part No.	Description	Qty. Req.
01	L70605	OUTRIGGER FRAME WLDMNT . . .	1	12	L69725	LOCK PIN CAP . . . . .	4
02	L50084	3/4"-10 STOVER LOCK NUT . . . .	8	13	L70615	OUTRIGGER LEG WELDMNT . . .	2
03	L50385	3/4"-10X3" GR8 BOLT . . . . .	8	14	L50275	3/8"-16X3" BOLT . . . . .	2
04	L444004	ADAP -8ORM -8JICM STR . . . . .	4	15	L64914	OUTRIGGER LEG PAD WLDMNT .	2
05	L70695	HOSE -6 DS8/A8 68" . . . . .	1	16	L520005	3/8"-16 NYLON INSERT NUT . . .	2
06	L70691	HOSE -6 DS8/A8 70" . . . . .	1	17	L64963	LEG AND CYLINDER PIN. . . . .	2
07	L50230	5/16"-18X3/4" BOLT . . . . .	16	18	L69138	BRONZE BUSHING . . . . .	6
08	L69724	PIVOT PIN CAP . . . . .	4	19	L70618	BRONZE BUSHING (CYLINDER)..	2
09	L70621	PIVOT PIN LEG/CYLINDER . . . . .	4	20	L70695	HOSE -6 DS8/A8 68" . . . . .	1
10	L70614	BRONZE BUSHING . . . . .	2	21	L70691	HOSE -6 DS8/A8 70" . . . . .	1
11	L10465	ZERK 1/4"-28 STR . . . . .	8	22	L70616	OUTRIGGER CYLINDER . . . . .	2

***Hose Locator***

Ref No.	From Port	To Port
05	LEFT CYLINDER LOWER PORT	OUTRIGGER PILOT MANIFOLD PORT "4"
06	LEFT CYLINDER UPPER PORT	OUTRIGGER PILOT MANIFOLD PORT "3"
20	RIGHT CYLINDER UPPER PORT	OUTRIGGER PILOT MANIFOLD PORT "2"
21	RIGHT CYLINDER LOWER PORT	OUTRIGGER PILOT MANIFOLD PORT "1"

External Engine Components Group



**External Engine Components Group**

Ref. No.	Part No.	Description	Qty. Req.	Ref. No.	Part No.	Description	Qty. Req.
<p><b>NOTE:</b> All reference notes and serial breaks are listed on the next two pages.</p>				20		FAN BELT . . . . .	1
01	NSS	ENGINE . . . . .	1		L99982	Note e (John Deere)	
02 <sup>j</sup>	L64664	COUPLER, ROD TO CABLE . . . . .	1		L500444	Note f (John Deere)	
03 <sup>i</sup>	L50050	#10-32 NUT . . . . .	3		L500598	Note i (John Deere)	
04 <sup>aj</sup>	L64663	THROTTLE EXTEND ROD . . . . .	1		NSS	(Perkins 1004-40T)	
04 <sup>b</sup>	L71176	THROTTLE EXTEND ROD . . . . .	1	21 <sup>a</sup>	656016	M12 1.75X30 MM BOLT . . . . .	3
05 <sup>i</sup>	L580009	BALL JOINT, #10-32 ROD END . . . . .	1	22 <sup>a</sup>	L69807	ENGINE/TRANS. MOUNT . . . . .	1
06		WIRE HARNESS (to engine) . . . . .	1	22 <sup>b</sup>	L69813	ENGINE/TRANS. MOUNT . . . . .	1
	101250	Note a and k		23		UPPER RADIATOR HOSE . . . . .	1
	101818	HARNESS (not shown) Note k			L69686	Note a and j	
	L70865	Note a, j			L69695	Note b	
	L70413	Note b			101869	Note a and k	
07		ENG. OIL PRES. SENDER . . . . .	1	24	L70233	RELAY MOUNT BRACKET. . . . .	1
	L64646	Note j		25	L50051	1/4-20 FLANGE NUT. . . . .	2
	103626	Note k		26	L41179	STARTER RELAY . . . . .	1
08		TEMP. SWITCH. . . . .	1	27	L50209	1/4-20X1/2" BOLT . . . . .	2
	L64795	Note k (250 set)		28	L50706	M12 1.75X20MM BOLT . . . . .	2
	L500224	Note a and g (235 set-Relocation Kit)		29 <sup>d</sup>	100751	ENGINE / AC COMP. MOUNT . . . . .	1
	L70819	Note a and h (235 set)		30	L69718	ADAP, M18 -6NPTF STR . . . . .	1
	L70402	Note b (225 set)		31	L99966	SHUTOFF, MANUAL/WATER . . . . .	1
09	L69240	ISO MOUNT . . . . .	2	32	L447005	ADAP, M18 10 BEAD STR . . . . .	1
10	L69241	TAIL WASHER ASSY . . . . .	2	33	104340	ADAP, 5MJ -2MP90. . . . .	1
11	L50519	3/4-10 NYLON INSERT NUT . . . . .	2	34	104341	ADAP, -6 PUSHON -5FEM JIC . . . . .	1
12 <sup>ac</sup>	L70682	ENGINE MOUNT. . . . .	1	35	NSS	FUEL TRANSFER PUMP . . . . .	1
12 <sup>b</sup>	L69812	ENGINE MOUNT. . . . .	1	<b>--- ITEMS NOT SHOWN---</b>			
13	L50562	3/4-10X4" GR8 BOLT . . . . .	2	00 <sup>a</sup>	L65570	ENGINE BLOCK HEATER . . . . .	1
14	L76020	HOSE CLAMP, #32 . . . . .	4	00 <sup>b</sup>	L65568	ENGINE BLOCK HEATER . . . . .	1
15	L50305	M16 2X35 MM BOLT . . . . .	6	00 <sup>b</sup>	L80937	ENGINE STARTER (Perkins) . . . . .	1
16		LOWER RADIATOR HOSE . . . . .	1	<b>-- (JOHN DEERE TIER II ENGINE) --</b>			
	L69687	Note a and j		00 <sup>k</sup>	103862	ENGINE HARNESS / TIER 2 . . . . .	1
	L69696	Note b				(on engine)	
	101870	Note a and k		00 <sup>k</sup>	104024	BRACKET/ HARNESS MOUNT . . . . .	1
17 <sup>a</sup>	L69264	20" SUCTION FAN . . . . .	1	00 <sup>k</sup>	L50952	BOLT/M10X1.5X25 . . . . .	1
17 <sup>b</sup>	L99979	20" SUCTION FAN . . . . .	1	00 <sup>k</sup>	654028	7/16" LOCK WASHER. . . . .	1
18 <sup>a</sup>	L50422	M8 1.25X70 MM BOLT . . . . .	4	REFER TO FUEL TANK SECTION FOR A LISTING OF FUEL LINES.			
19 <sup>a</sup>	L70521	FAN SPACER (John Deere). . . . .	1	<b>NOTE: Please refer to the next page for reference notes and serial breaks.</b>			
19 <sup>b</sup>	L63605	FAN SPACER (Perkins). . . . .	1				

*External Engine Components Group*

BLANK

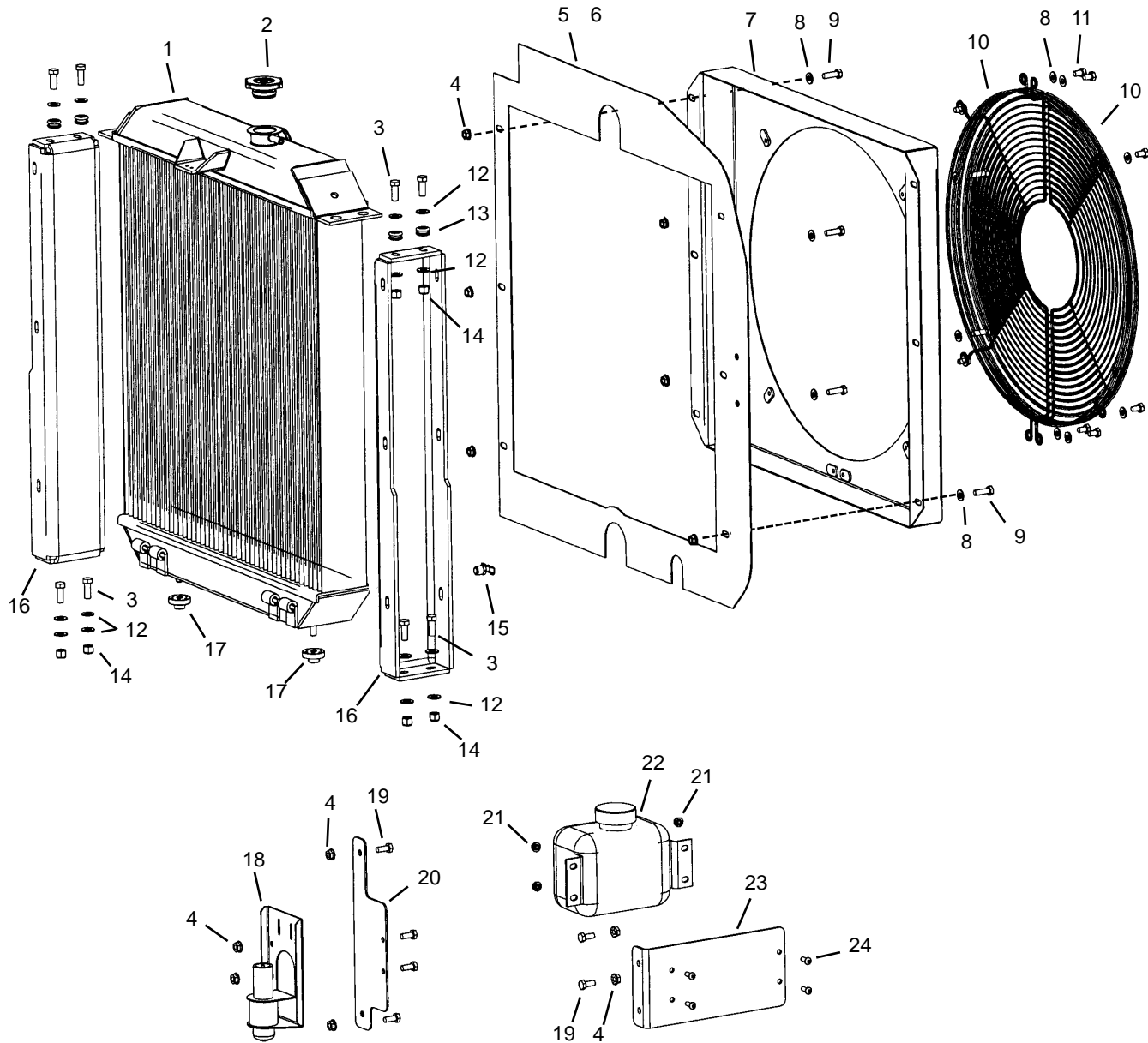


## External Engine Components Group

- |   |  |
|---|--|
| <p>a Used with JD 4045 engine</p> <p>b Used with Perkins 1004-40T engine.</p> <p>c This mount has been replaced by PN 100751 (ref. 29). If the unit is equipped with air conditioning, it will also be necessary to order PN 100226 AC Compressor Bracket and mounting hardware.</p> <p>d Replaces earlier engine mounts. If your unit used the earlier mount (ref 12), and is equipped with air conditioning, you will also need to order PN 100226 AC Compressor bracket and hardware.</p> <p style="text-align: center;">--- SERIAL NUMBERS ---</p> <p>e DL6L (Turbo) SN 25219 and before<br/>DL6L (Natural) SN 25256 and before<br/>DL6H (Turbo) SN 20211 and before<br/>DL6H (Natural) SN 20236 and before<br/>DL8L SN 35234 and before<br/>DL8H SN 30225 and before<br/>DL10L SN 45084 and before<br/>DL10H SN 40103 and before</p> <p>f DL6L (Turbo) SN 25222 Thru 25599<br/>DL6L (Natural) SN 25269 and up<br/>DL6H (Turbo) SN 20213 Thru 20780<br/>DL6H (Natural) SN 20237 and up<br/>DL8L SN 35235 Thru 35496<br/>DL8H SN 30226 Thru 30805<br/>DL10L SN 45085 Thru 45172<br/>DL10H SN 40104 Thru 40456<br/>DL12H SN 50199 and before</p> <p>g DL6L SN 25229 and before<br/>DL6H SN 20217 and before<br/>DL8L SN 35236 and before<br/>DL8H SN 30228 and before<br/>DL10L SN 45085 and before<br/>DL10H SN 40102 and before</p> | <p>h DL6L SN 25230 Thru SN 25615<br/>DL6H SN 20218 Thru SN 20823<br/>DL8L SN 35237 Thru SN 35503<br/>DL8H SN 30229 Thru SN 30851<br/>DL10L SN 45086 Thru SN 45184<br/>DL10H SN 40103 Thru SN 40498<br/>DL12H SN SN 50220 and before</p> <p>i DL6L SN 25600 and up<br/>DL6H SN 20781 and up<br/>DL8L SN 35497 and up<br/>DL8H SN 30806 and up<br/>DL10L SN 45173 and up<br/>DL10H SN 40457 and up<br/>DL12H SN 50200 and up</p> <p>j DL6L SN 25615 and before<br/>DL6H SN 20823 and before<br/>DL8L SN 35503 and before<br/>DL8H SN 30851 and before<br/>DL10L SN 45184 and before<br/>DL10H SN 40498 and before<br/>DL12H SN 50220 and before</p> <p>k DL6L SN 25616 and up<br/>DL6H SN 20824 and up<br/>DL8L SN 35504 and up<br/>DL8H SN 30852 and up<br/>DL10L SN 45185 and up<br/>DL10H SN 40499 and up<br/>DL12H SN 50221 and up</p> |
|---|--|

# Radiator Group

(Refer to Usage Table on facing page)



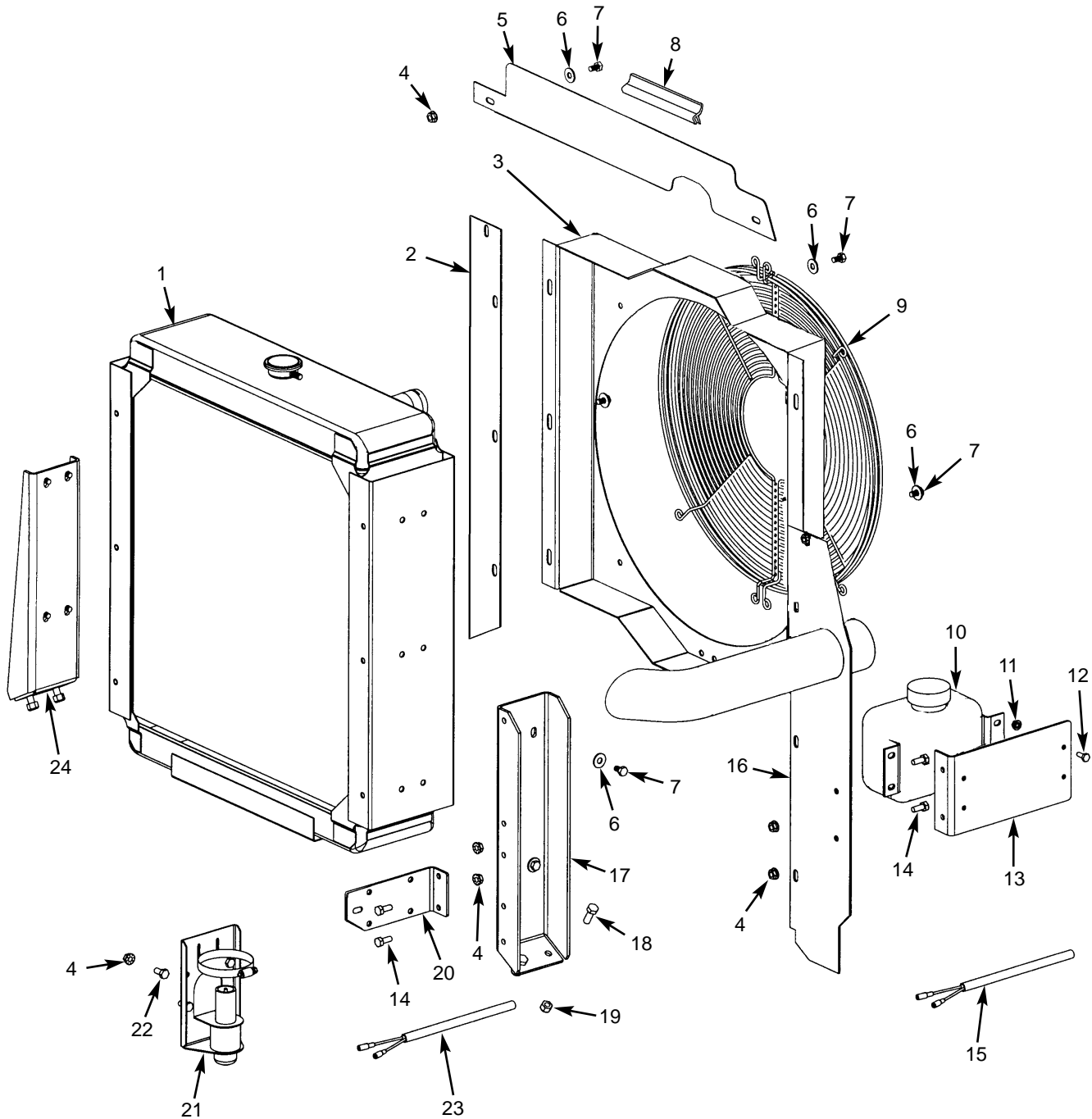
**Radiator Group**  
(Refer to Usage Table below)

Ref. No.	Part No.	Description	Qty. Req.	Ref. No.	Part No.	Description	Qty. Req.
01	102278	RADIATOR .....	1	19	L50230	5/16-18X3/4" BOLT.....	AR
02	102064	RADIATOR CAP, 13 # PSI .....	1	20	102066	ETHER MOUNT BRACKET .....	1
03	650490	3/8"-16X1" BOLT .....	8	21	L50051	1/4-20 WHIZ LOCK NUT.....	4
04	L50056	5/16"-18 FLARE NUT.....	AR	22	101495	WINDSHIELD WASHER SYS. ....	1
05	101827	AIR BAFFLE .....	1			<i>(includes reservoir and two pumps)</i>	
06	L70725	SEAL TRIM/FEET <i>(not shown)</i> ....	5	23	102065	WASHER BOTTLE MOUNT .....	1
07	102031	FAN SHROUD.....	1	24	L50202	1/4-20X5/8" BUTTON HD BOLT ...	4
08	L50141	5/16" FLAT WASHER.....	AR				
09	650027	5/16"-18X1" BOLT .....	AR				
10 <sup>a</sup>	L69351	FAN GUARD HALF 20" .....	2			<b>-- ITEMS NOT SHOWN --</b>	
11	L50228	5/16-18X1/2" BOLT.....	AR	06	L70725	SEAL TRIM/FEET <i>(not shown)</i> ....	5
12	654049	3/8" FLAT WASHER.....	AR	00	L70625	ETHER WIRE HARNESS .....	1
13	102291	GROMMET, RUBBER 3/8" ID.....	4	00	L70709	WASHER BOTTLE HARNESS ....	2
14	067847	3/8"-20 LOCKNUT.....	8	00	102262	OVERFLOW HOSE (42") .....	1
15	L99972	RADIATOR DRAIN COCK. ....	1				
16	101828	RADIATOR SUPPORT .....	2				
17	102292	ISOLATOR, RUBBER .....	2				
18	L70629	ETHER KIT .....	1				

*a Units equipped with air conditioning, use (1) L70729 Fan Guard (not shown)*

<b>Usage Table</b>
<p><b>Parts listed on this page apply to the following units:</b>                      DL6L SN 25616 and up                      DL6H SN 20824 and up                      DL8L SN 35504 and up                      DL8H SN 30852 and up                      DL10L SN 45185 and up                      DL10H SN 40499 and up                      DL12H SN 50221 and up</p>

### Radiator Group (Refer to Usage Table on facing page)

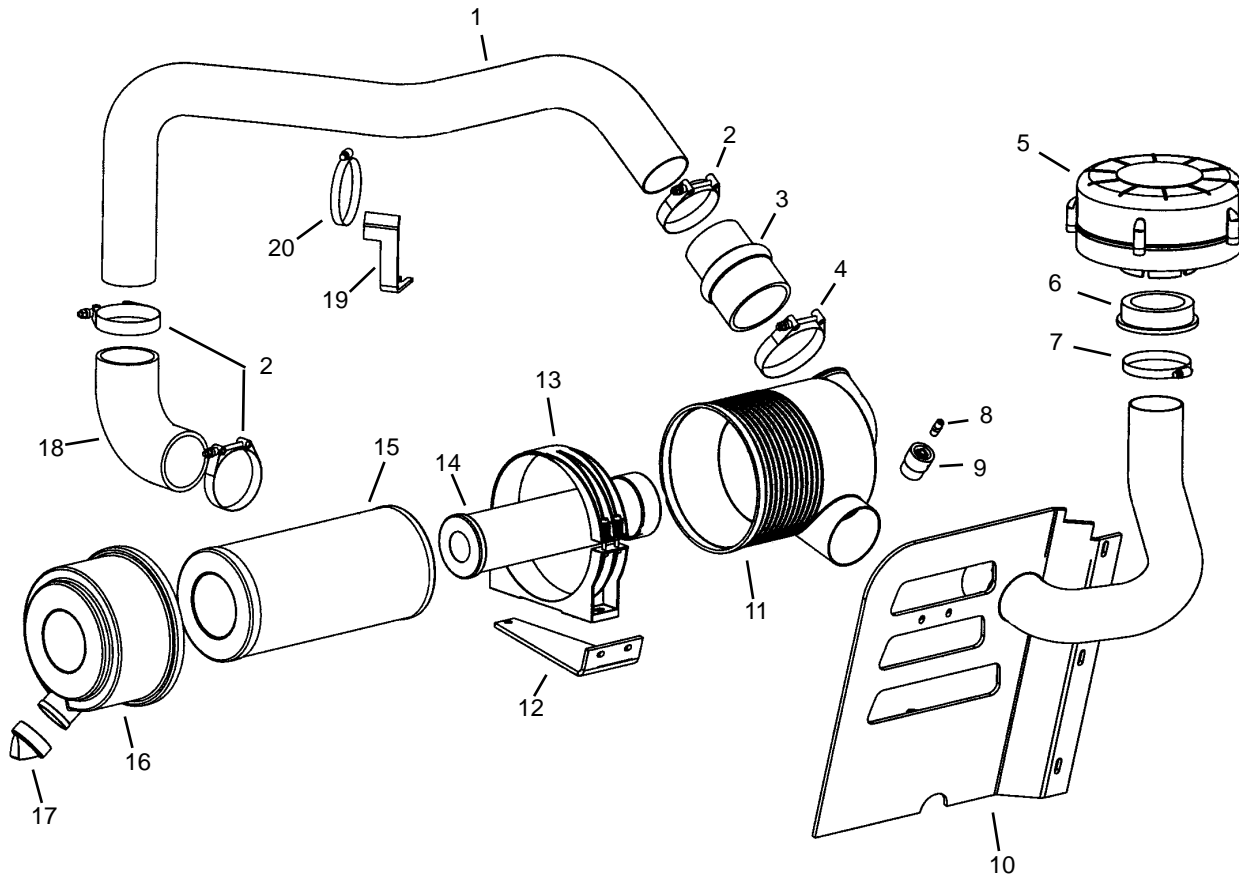


**Radiator Group**  
(Refer to Usage Table below)

Ref. No.	Part No.	Description	Qty. Req.	Ref. No.	Part No.	Description	Qty. Req.
01	L69131	RADIATOR . . . . .	1	20		ETHER MOUNT BRACKET . . . . .	1
	L99971	RADIATOR CAP, 10 # PSI . . . . .	1		L70647	(four bolt holes and no tab)	
	L99972	RADIATOR PET COCK . . . . .	1		L71172	(four bolt holes and tab with a slot)	
02	L70496	AIR BAFFLE LH . . . . .	1	21	L70629	ETHER KIT . . . . .	1
03	L69353	FAN SHROUD . . . . .	1	22	L510008	5/16-18X5/8" BOLT . . . . .	4
04	L50056	5/16-18 FLARE NUT . . . . .	8	23	L70625	ETHER WIRE HARNESS . . . . .	1
05	L70130	AIR BAFFLE TOP . . . . .	1	24	L69311	RADIATOR SUPPORT LH . . . . .	1
06	L50141	5/16" FLAT WASHER . . . . .	24				
07	L50228	5/16-18X1/2" BOLT . . . . .	24	a		Units equipped with air conditioning, use (1) L70729 Fan Guard 20" [2 halves] (not shown)	
08	L70725	SEAL TRIM/FEET . . . . .	5				
09 <sup>a</sup>	L69351	FAN GUARD HALF20" . . . . .	2				
10	L70649	WINDSHIELD WASHER SYS. . . . .	1				
		(includes reservoir and pump)					
11	L50051	1/4-20 WHIZ LOCK NUT. . . . .	4	b		DL6L SN 25216 and before DL6H SN 20206 and before DL8L SN 35228 and before DL8H SN 30216 and before DL10L SN 45082 and before DL10H SN 40101 and before	
12	L50202	1/4-20X5/8" BUTTON HD BOLT . . . . .	4				
13	L70697	WASHER BOTTLE MOUNT . . . . .	1				
14	L50230	5/16-18X3/4" BOLT . . . . .	4				
15	L70709	WASHER BOTTLE HARNESS . . . . .	1				
16		AIR BAFFLE RH . . . . .	1				
	L70129	Note b					
	L70718	Note c					
17	L69665	RADIATOR SUPPORT RH . . . . .	1	c		DL6L SN 25217 Thru SN 25615 DL6H SN 20207 Thru SN 20823 DL8L SN 35229 Thru SN 35503 DL8H SN 30217 Thru SN 30851 DL10L SN 45083 Thru 45184 DL10H SN 40102 Thru 40498 DL12H SN 50220 and before	
18	L50367	3/8-16X1" BOLT . . . . .	4				
19	L520005	3/8-16 LOCK NUT . . . . .	4				

<b>Usage Table</b>
<p><b>Parts listed on this page apply to the following units:</b>  DL6L SN 25615 and before  DL6H SN 20823 and before  DL8L SN 35503 and before  DL8H SN 30851 and before  DL10L SN 45184 and before  DL10H SN 40498 and before  DL12H SN 50220 and before</p>

**Air Cleaner Group**  
(Refer to Usage Table on facing page)



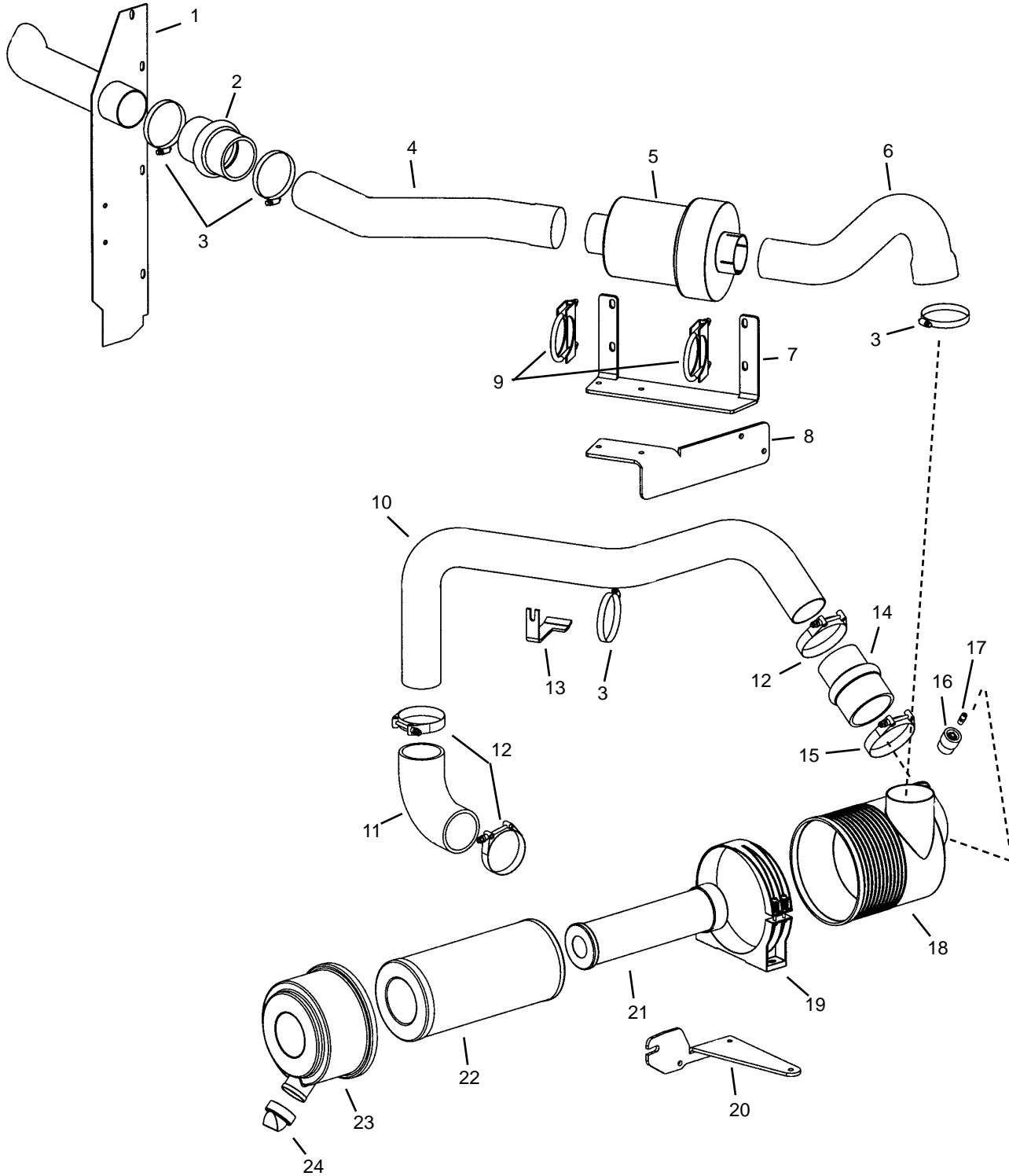
**Air Cleaner Group**  
(Refer to Usage Table below)

01		AIR INLET PIPE . . . . . 1	13	L69303	AIR CLEANER MOUNT BAND . . . . 1
	L69584	<i>Note a</i>	14	L99967	AIR FILTER SAFETY ELEMENT . . 1
	L69714	<i>Note b</i>	15	L99453	AIR FILTER ELEMENT . . . . . 1
	L69793	<i>Note c</i>	16	L99931	END COVER ASSEMBLY . . . . . 1
02	L70467	T-BOLT BAND CLAMP 3-1/2" . . . . 3		L99933	LATCH . . . . . 3
03		REDUCER, STR . . . . . 1	17	L99932	EVACUATOR VALVE . . . . . 1
	L69570	<i>Note a and b</i>	18		RUBBER ELBOW 90 DEG . . . . . 1
	L69795	<i>Note c</i>		L63439	<i>Note a</i>
04	L70468	T-BOLT BAND CLAMP 4" . . . . . 1		L120041	<i>Note b</i>
05	101926	PRECLEANER ( <i>includes item 7</i> ) . . 1		L69796	<i>Note c</i>
06	L68517	REDUCER, RUBBER 4"-3" . . . . . 1	19	L66594	INTAKE PIPE BRACKET . . . . . 1
07	NSS	HOSE CLAMP, SAE 64 . . . . . 1	20	L51099	HOSE CLAMP, #52 . . . . . 1
		( <i>included with item 5</i> )			
08	L442059	FITTING . . . . . 1			
09	L69306	AIR RESTRICTION INDICATOR . . . 1		<i>a</i>	<i>Used with JD Natural engine</i>
10	101349	FRONT PANEL, HIGH AIR . . . . . 1		<i>b</i>	<i>Used with JD Turbo engine</i>
11	L69304	AIR CLEANER ASSEMBLY . . . . . 1		<i>c</i>	<i>Used with Perkins engine</i>
		( <i>Includes items 14-17</i> )		<i>d</i>	<i>Refer to Usage Table below</i>
12	101523	BRACKET, AIR FILTER MOUNT . . . 1			

<b>Usage Table</b>
<p><b>Parts listed on this page apply to the following units:</b>                      DL6L SN 25616 and up                      DL6H SN 20824 and up                      DL8L SN 35504 and up                      DL8H SN 30852 and up                      DL10L SN 45185 and up                      DL10H SN 40499 and up                      DL12H SN 50221 and up</p>

### Air Cleaner Group

(Refer to Usage Table on facing page)



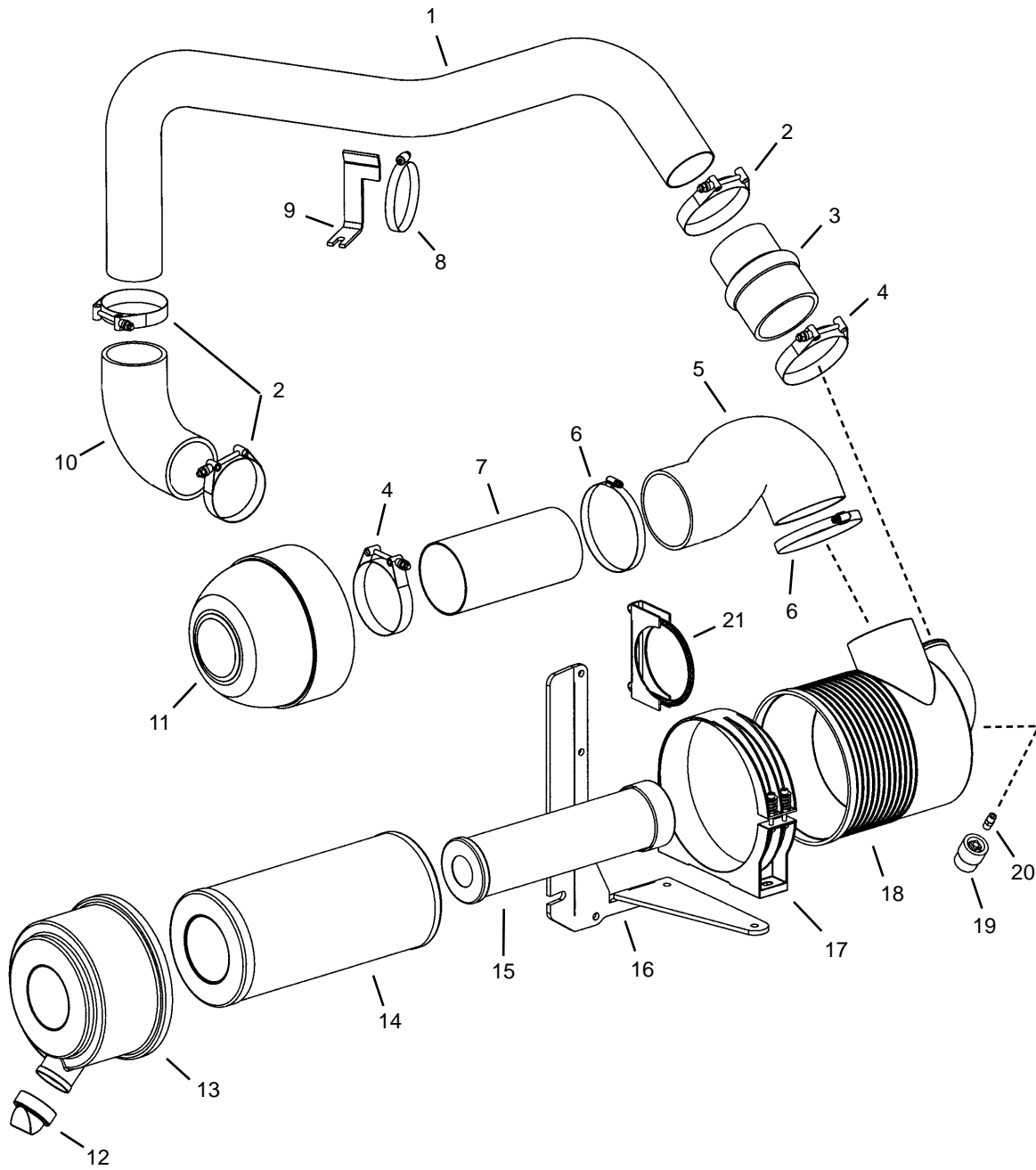


**Air Cleaner Group**  
(Refer to Usage Table below)

Ref. No.	Part No.	Description	Qty. Req.	Ref. No.	Part No.	Description	Qty. Req.
01	L70718	AIR BAFFLE/INLET.....	1	13	L66594	INTAKE PIPE BRACKET.....	1
02 <sup>d</sup>	L64787	STRAIGHT ADAPTER.....	1	14		REDUCER, STR.....	1
03	L51099	HOSE CLAMP, #52.....	4		L69570	<i>Note a and b</i>	
04 <sup>d</sup>	L70653	PRE-CLEANER PIPE.....	1		L69795	<i>Note c</i>	
05 <sup>d</sup>	101682	PRE-CLEANER (Turbo III).....	1	15	L70468	T-BOLT BAND CLAMP 4".....	1
06 <sup>d</sup>	L70652	AIR CLEANER PIPE.....	1	16	L69306	AIR RESTRICTION INDICATOR... 1	
07 <sup>d</sup>	L70656	PRE-CLEANER MOUNT.....	1	17	L442059	FITTING.....	1
08		PRE-CLEANER SUPPORT.....	1	18	L69304	AIR CLEANER ASSEMBLY.....	1
	L70657	<i>Note a, b and d</i>				<i>(Includes items 21-24)</i>	
	L70684	<i>Note c and d</i>		19	L69303	AIR CLEANER MOUNT BAND.... 1	
	L70686	SPACER <i>(Note c and d)</i> .....	1	20	L70726	AIR CLEANER BRACKET.....	1
09 <sup>d</sup>	L60492	CLAMP, 3".....	2	21	L99967	AIR FILTER SAFETY ELEMENT .. 1	
10		AIR INLET PIPE.....	1	22	L99453	AIR FILTER ELEMENT.....	1
	L69584	<i>Note a</i>		23	L99931	END COVER ASSEMBLY.....	1
	L69714	<i>Note b</i>			L99933	LATCH.....	3
	L69793	<i>Note c</i>		24	L99932	EVACUATOR VALVE.....	1
11		RUBBER ELBOW 90 DEG.....	1				
	L63439	<i>Note a</i>		<i>a</i>		<i>Used with JD Natural engine</i>	
	L120041	<i>Note b</i>		<i>b</i>		<i>Used with JD Turbo engine</i>	
	L69796	<i>Note c</i>		<i>c</i>		<i>Used with Perkins engine</i>	
12	L70467	T-BOLT BAND CLAMP 3-1/2".....	3	<i>d</i>		<i>Refer to Usage Table below</i>	

<b>Usage Table</b>
<p><b>Parts listed on this page apply to the following units:</b>                      DL6L SN 25217 Thru SN 25615                      DL6H SN 20207 Thru SN 20823                      DL8L SN 35227 Thru SN 35503                      DL8H SN 30217 Thru SN 30851                      DL10L SN 45083 Thru SN 45184                      DL10H SN 40102 Thru SN 40498                      DL12H SN 50220 and before</p>

**Air Cleaner Group**  
(Refer to Usage Table on facing page)

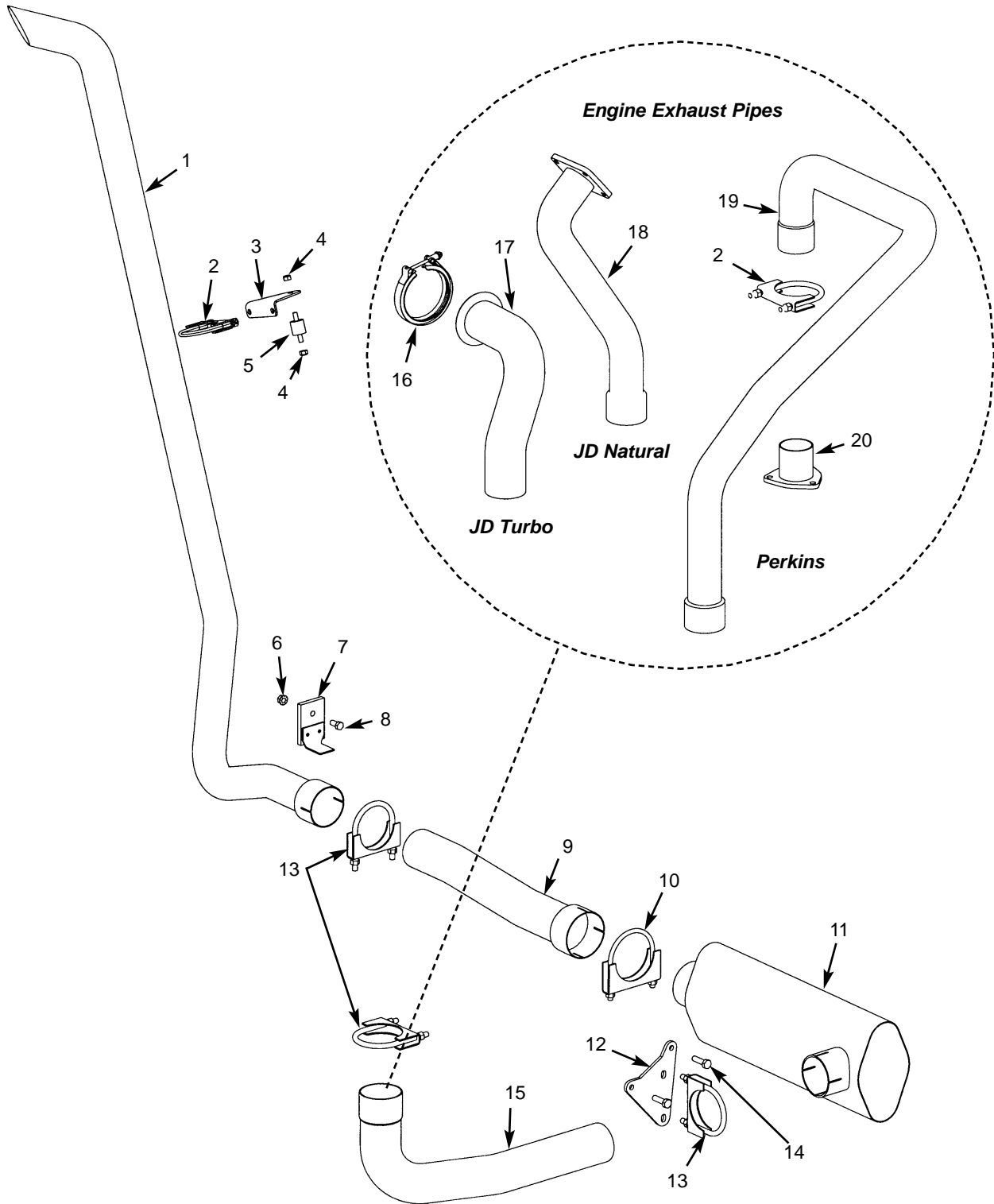


**Air Cleaner Group**  
(Refer to Usage Table below)

Ref. No.	Part No.	Description	Qty. Req.	Ref. No.	Part No.	Description	Qty. Req.
01		AIR INLET PIPE . . . . .	1	11	L68516	PRE-CLEANER . . . . .	1
	L69584	<i>Note a</i>		12	L99932	VACUATOR VALVE . . . . .	1
	L69714	<i>Note b</i>		13	L99931	END COVER ASSEMBLY . . . . .	1
	L69793	<i>Note c</i>			L99933	LATCH . . . . .	3
02	L70467	T-BOLT BAND CLAMP 3-1/2" . . . . .	3	14	L99453	AIR FILTER ELEMENT . . . . .	1
03		REDUCER, STR . . . . .	1	15	L99967	AIR FILTER SAFETY ELEMENT . . . . .	1
	L69570	<i>Note a and b</i>		16	L70443	MOUNT BRACKET . . . . .	1
	L69795	<i>Note c</i>		17	L69303	AIR CLEANER MOUNT BAND . . . . .	1
04	L70468	T-BOLT BAND CLAMP 4" . . . . .	1	18	L69304	AIR CLEANER ASSEMBLY . . . . .	1
05	L70461	INLET ADAPTER HOSE . . . . .	1			(includes Items 12-15)	
06	L51781	HOSE CLAMP #72 . . . . .	2	19	L69306	RESTRICTION INDICATOR . . . . .	1
07	L70470	INLET TUBE . . . . .	1	20	L442059	FITTING . . . . .	1
08	L51099	HOSE CLAMP, #52 . . . . .	1	21	L49725	MUFFLER CLAMP 4" . . . . .	1
09	L66594	INTAKE PIPE BRACKET . . . . .	1				
10		RUBBER ELBOW 90 DEG . . . . .	1	<i>a</i>		<i>Used with JD Natural engine</i>	
	L63439	<i>Note a</i>		<i>b</i>		<i>Used with JD Turbo engine</i>	
	L120041	<i>Note b</i>		<i>c</i>		<i>Used with Perkins engine</i>	
	L69796	<i>Note c</i>		<i>d</i>		<i>Refer to Usage Table below</i>	

Usage Table
<p><b>Parts listed on this page apply to the following units:</b>                      DL6L SN 25216 and before                      DL6H SN 20206 and before                      DL8L SN 35227 and before                      DL8H SN 30217 and before                      DL10L SN 45083 and before                      DL10H SN 40102 and before                      DL12H N/A</p>

**Engine Muffler Group**



**Engine Muffler Group**

Ref. No.	Part No.	Description	Qty. Req.	Ref. No.	Part No.	Description	Qty. Req.
01	L70325	VERTICAL TAIL PIPE . . . . .	1	16 <sup>b</sup>	L99434	TURBO CLAMP . . . . .	1
02 <sup>a</sup>	L120047	2-1/2" MUFFLER CLAMP . . . . .	1*	17 <sup>b</sup>	L69712	OUTLET EXH PIPE ( <i>JD Turbo</i> ) . . .	1
03	L70333	TAIL PIPE BRACKET . . . . .	1	18 <sup>c</sup>	L70412	OUTLET EXH PIPE ( <i>JD Natural</i> ) . .	1
04	L520004	5/16-18 NYLON INSERT NUT . . . .	2	19 <sup>a</sup>	L69791	EXHAUST PIPE ( <i>Perkins</i> ) . . . . .	1
05	L70335	ISO MOUNT . . . . .	1	20 <sup>a</sup>	L69794	OUTLET EXH PIPE ( <i>Perkins</i> ) . . . .	1
06	L50061	3/8-16 FLARE NUT . . . . .	1				
07	L64764	FLEXIBLE BRACKET . . . . .	1				
08	L50251	3/8-16X3/4" BOLT . . . . .	1				
09	L70324	HORIZONTAL TAIL PIPE . . . . .	1	00 <sup>b</sup>	L71314	CATALYTIC PURIFIER ( <i>option</i> ) . . .	1
10	L50856	3-1/2" MUFFLER CLAMP . . . . .	1			( <i>used for reducing emissions</i> )	
11	L69540	OVAL MUFFLER . . . . .	1				
12	L69538	MUFFLER BRACKET . . . . .	1	<i>a</i>		<i>Used with Perkins engine</i>	
13	L60492	3" MUFFLER CLAMP . . . . .	3	<i>b</i>		<i>Used with JD Turbo engine</i>	
14	L50757	M10 1.5X39 MM BOLT . . . . .	2	<i>c</i>		<i>Used with JD Natural engine</i>	
15	L69567	MUFFLER PIPE . . . . .	1	*		<i>Quantity is 2 for units with Perkins engine.</i>	

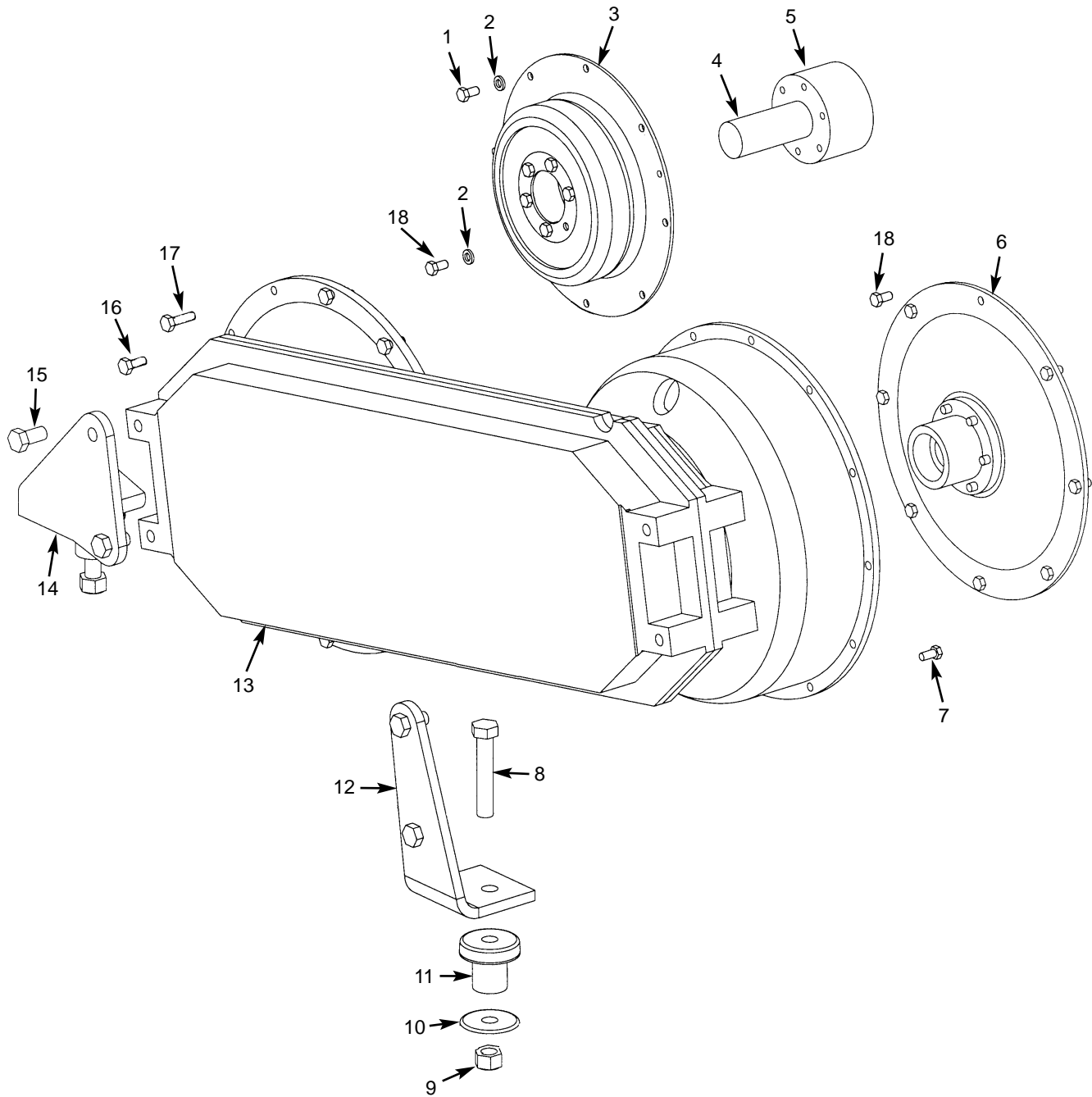
**-- ITEMS NOT SHOWN --**

00<sup>b</sup> L71314 CATALYTIC PURIFIER (*option*) . . . 1  
(*used for reducing emissions*)

*a* Used with Perkins engine  
*b* Used with JD Turbo engine  
*c* Used with JD Natural engine

\* Quantity is 2 for units with Perkins engine.

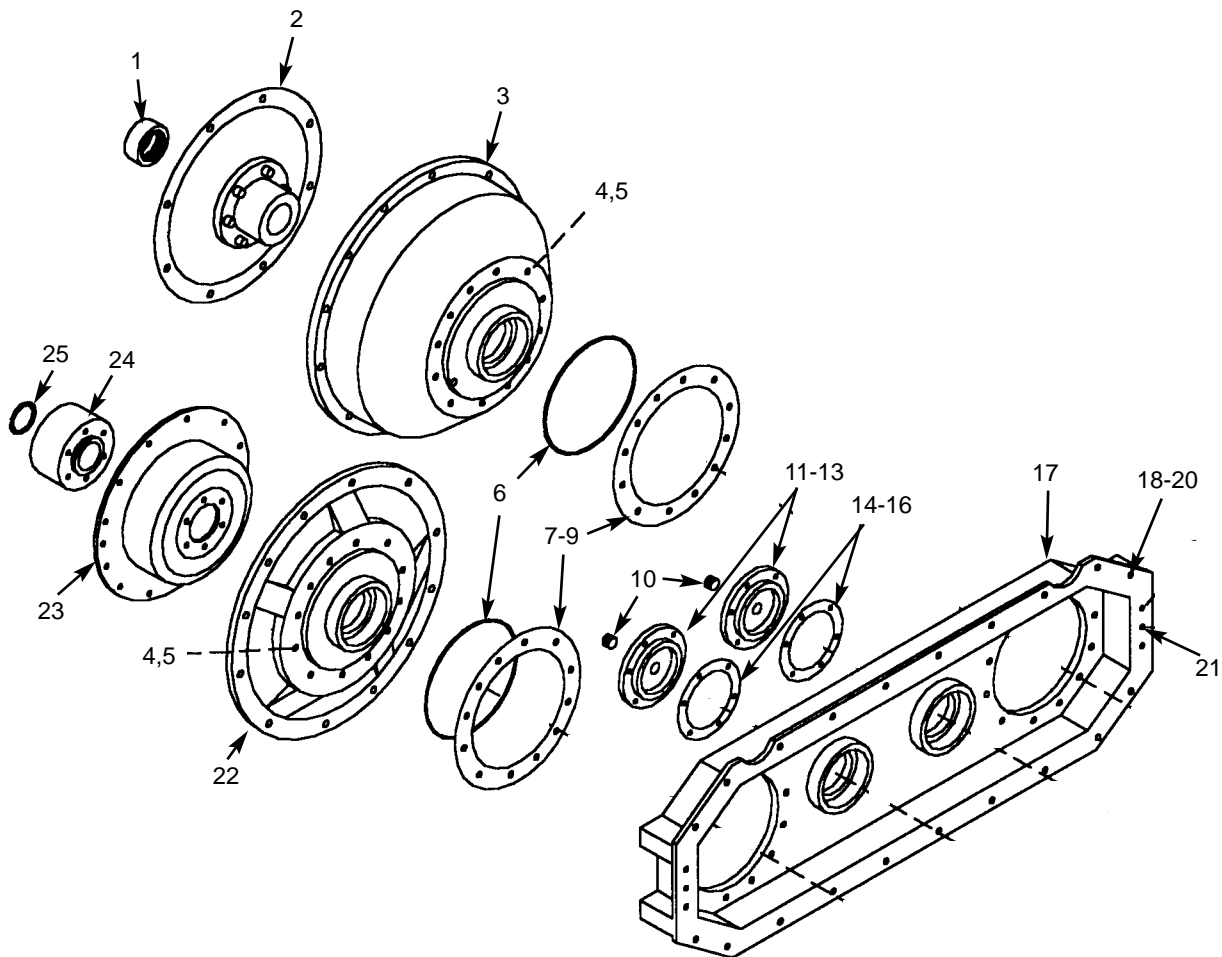
**Transfer Case External Components**



***Transfer Case External Components***

Ref. No.	Part No.	Description	Qty. Req.	Ref. No.	Part No.	Description	Qty. Req.
01	L50367	3/8-16x1" BOLT . . . . .	8	10	L69241	TAIL WASHER . . . . .	2
02	L50820	3/8" HARDENED WASHER . . . . .	14	11	L69240	CENTER BONDED MOUNT . . . . .	2
03	L69400	FLEXIBLE COUPLING . . . . .	1	12	L69324	CASE MOUNT BAR . . . . .	1
04	L99825	SHAFT ADAPTER . . . . .	1	13	L69123	TRANSFER CASE ASY. . . . .	1
05	L99799	HUB ADAPTER . . . . .	1	14	L69265	CASE MOUNT WELDMENT . . . . .	1
06	L99800	DRIVEN PLATE ASY. . . . .	1	15	L50359	5/8-11X1/1/4" BOLT . . . . .	4
07	L50368	3/8-16X1-1/4" BOLT . . . . .	12	16	L50952	M10 1.5X25 MM BOLT . . . . .	8
08	L50562	3/4-10X4" BOLT . . . . .	2	17	L50727	M10 1.5X35 MM BOLT . . . . .	4
09	L50519	3/4-10 NYLON INSERT NUT . . . . .	2	18	L50819	3/8-24X3/4" BOLT . . . . .	14

**Transfer Case Assembly Group**  
**Part 1 of 2**

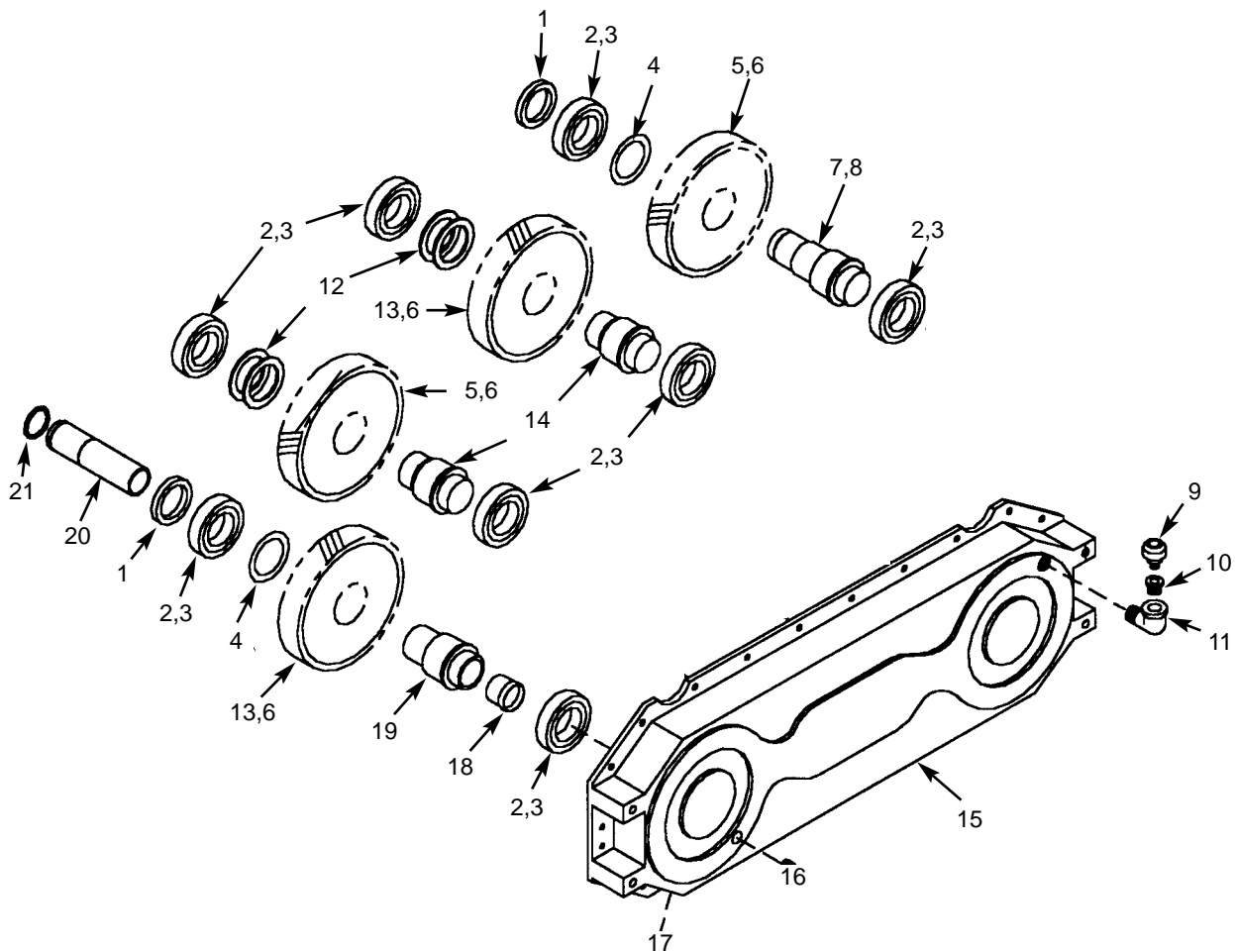




**Transfer Case Assembly Group  
Part 1 of 2**

<b>Ref. No.</b>	<b>Part No.</b>	<b>Description</b>	<b>Qty. Req.</b>	<b>Ref. No.</b>	<b>Part No.</b>	<b>Description</b>	<b>Qty. Req.</b>
01	L99828	EXTERNAL RETAINING RING . . . .	1	14	L99812	IDLERS SHIM .005 . . . . .	8
	L99829	BUSHING . . . . .	1	15	L99813	IDLERS SHIM .007 . . . . .	8
02	L99800	DRIVEN PLATE ASY. . . . .	1	16	L99814	IDLERS SHIM .020 . . . . .	2
03	L99797	TRANSMISSION. ADAPTER . . . . .	1	17	NSS	HOUSING SUB-ASY. . . . .	1
04	L50592	1/2-13X1-1/2" GR8 BOLT. . . . .	12	18	L50368	3/8-16X1-1/4" GR8 BOLT . . . . .	14
05	L50152	1/2" LOCK WASHER. . . . .	12	19	L50145	3/8 FLAT WASHER . . . . .	14
06	L99818	O-RING . . . . .	2	20	L50066	3/8-16 GR8 NUT . . . . .	14
07	L99809	INPUT/OUTPUT SHIM .007 . . . . .	8	21	L99819	DOWEL PIN. . . . .	2
08	L99810	INPUT/OUTPUT SHIM .020 . . . . .	2	22	L99796	ADAPTER, SAE #3 . . . . .	1
09	L99811	INPUT/OUTPUT SHIM .005 . . . . .	8	23	L69400	FLEXIBLE COUPLING . . . . .	1
10	L99823	1/2" NPT PLUG . . . . .	3	24	L99799	HUB ADAPTER . . . . .	1
11	L99798	END-INTERM. CAP. . . . .	2	25	L67379	EXTERNAL RETAINER RING. . . . .	2
12	L50823	5/16-18X1" BOLT. . . . .	12				
13	L50143	5/16" LOCK WASHER . . . . .	12				

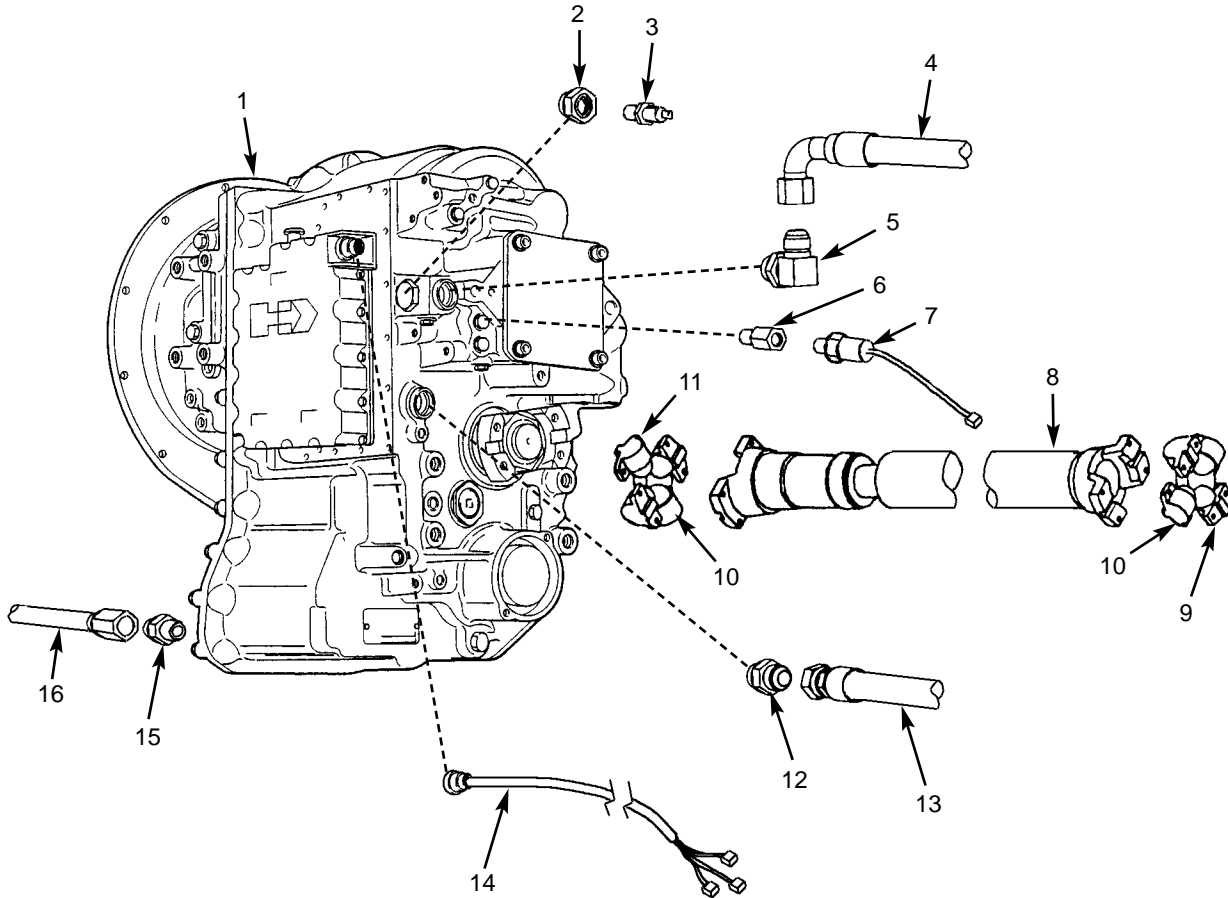
**Transfer Case Assembly Group**  
**Part 2 of 2**



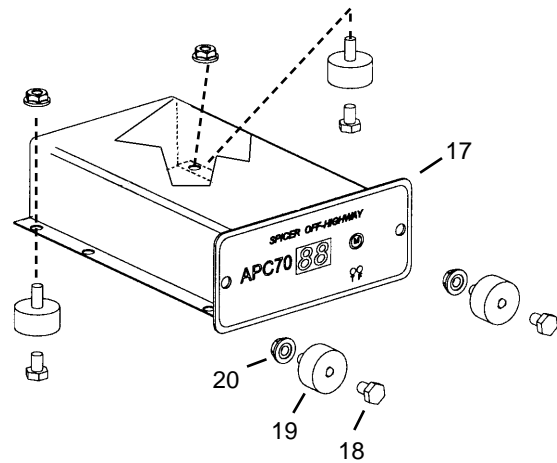
**Transfer Case Assembly Group  
Part 2 of 2**

<b>Ref. No.</b>	<b>Part No.</b>	<b>Description</b>	<b>Qty. Req.</b>	<b>Ref. No.</b>	<b>Part No.</b>	<b>Description</b>	<b>Qty. Req.</b>
01	L99817	HIGH TEMP. VITON SEAL . . . . .	2	12	L99808	IDLER SPACER. . . . .	4
02	L99805	BEARING CONE. . . . .	8	13	L99802	LH GEAR (79 TEETH). . . . .	2
03	520013	BEARING CUP . . . . .	8	14	L99804	IDLER SHAFT . . . . .	2
04	L99807	OUTER SPACER. . . . .	2	15	NSS	HOUSING SUB-ASY. . . . .	1
05	L99801	RH GEAR (84 TEETH) . . . . .	2	16	L99823	1/2" NPT PLUG . . . . .	3
06	L99816	KEY . . . . .	4	17	L99822	1/2" NPT MAGNETIC PLUG . . . . .	1
07	L99826	OUTPUT SHAFT. . . . .	1	18	L99815	EXPANSION PLUG. . . . .	1
08	L99827	KEY . . . . .	1	19	L99803	INPUT SHAFT . . . . .	1
09	L99820	BREATHER . . . . .	1	20	L99825	SHAFT ADAPTER. . . . .	1
10	L99821	3/8" TO 3/4" BUSHING . . . . .	1	21	L67379	EXTERNAL RETAINER RING. . . . .	2
11	L99824	3/4" NPT STREET ELBOW. . . . .	1				

**Transmission and Drive Shafts Group**



**Transmission Controller  
(located in cab's storage  
compartment)**



**Transmission and Drive Shafts Group**

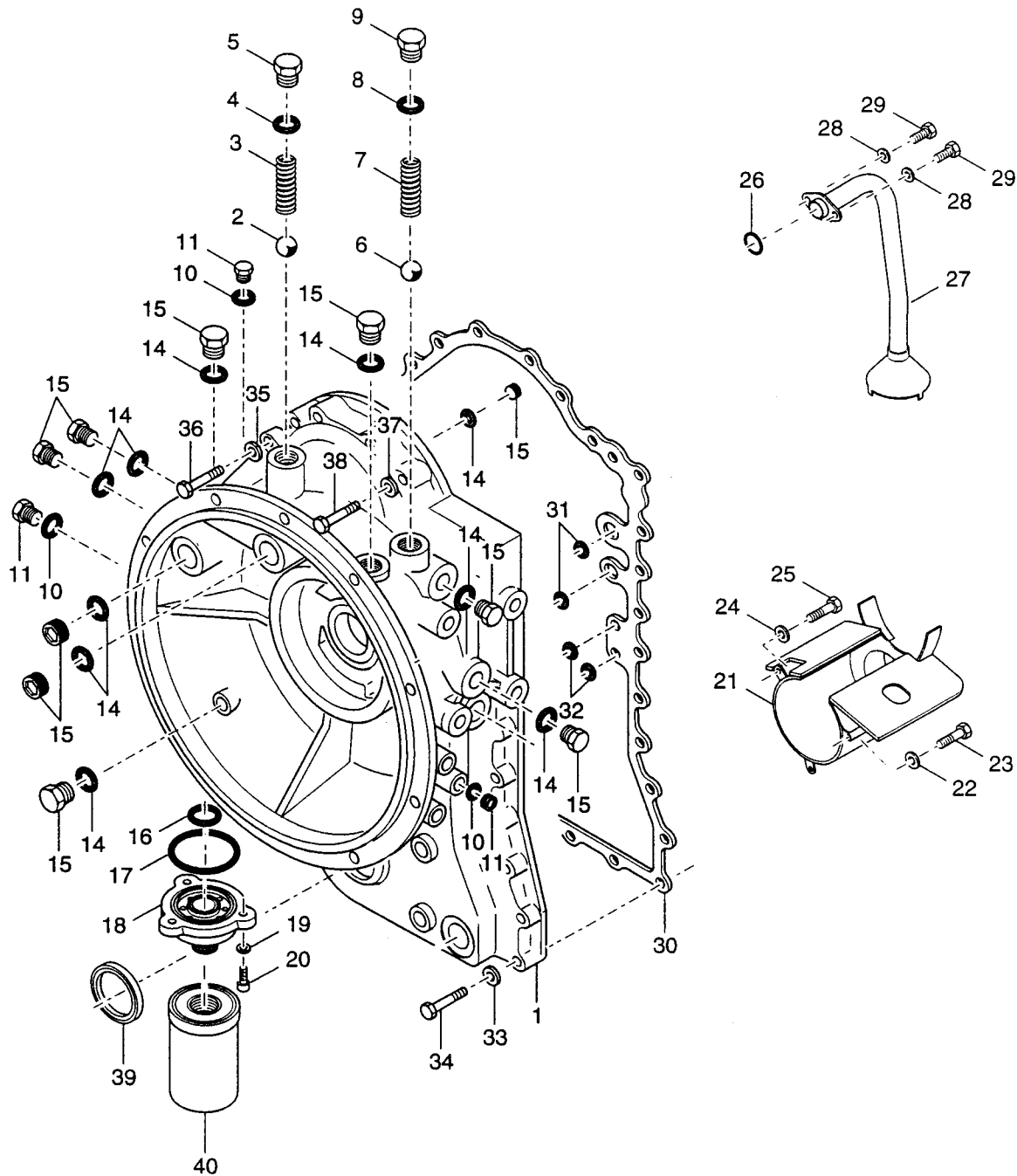
Ref. No.	Part No.	Description	Qty. Req.	Ref. No.	Part No.	Description	Qty. Req.
01		TRANSMISSION ASY . . . . . 1				<b>-- ITEMS NOT SHOWN --</b>	
	100403	(Turbo equipped engines) Note c		00	L500375	TEST ADAPTER . . . . . 1	
	100404	(Natural engines) Note c				(for checking pressure)	
	104867	(Turbo equipped engines) Note d					
02	L446014	ADAP -12ORM -8NPTF. . . . . 1		a		DL6L SN 25615 and before	
03	L64795	TEMP. SENDER . . . . . 1				DL6H SN 20823 and before	
04		HOSE -12 A12/DL12 44". . . . . 1				DL8L SN 35503 and before	
	L70087	Note a				DL8H SN 30851 and before	
	102110	Note b				DL10L SN 45184 and before	
05	L445001	ADAP -12ORM -12JICM 90 DEG . . 1				DL10H SN 40498 and before	
06	L445007	ADAP 1/8NPTF -10ORM. . . . . 1				DL12H SN 50220 and before	
07	L70133	REV. PRESSURE SWITCH . . . . . 1		b		DL6L SN 25616 and up	
08		FRONT DRIVE SHAFT . . . . . 1				DL6H SN 20824 and up	
	L69735	Used with 26.25 and 26.28 axles				DL8L SN 35504 and up	
	100263	Used with 26.48 axle				DL8H SN 30852 and up	
		REAR DRIVE SHAFT . . . . . 1				DL10L SN 45185 and up	
	L69736	Used with 26.25 and 26.28 axles				DL10H SN 40499 and up	
	100264	Used with 26.48 axle				DL12H SN 50221 and up	
09	L50873	M10X1.0/45MM GR10.9 BOLT . . . . 8		c		DL6H SN 20916 and before	
	L50468	3/8-24X1-3/4" GR8 BOLT . . . . . 8				DL6L SN 25644 and before	
10	L99182	UNIVERSAL JOINT . . . . . 4				DL8H SN 30994 and before	
11	L50468	3/8-24X1-3/4" GR8 BOLT . . . . . 16				DL8L SN 35533 and before	
	L50147	3/8" LOCK WASHER. . . . . 16				DL10H SN 40795 and before	
12	L444001	ADAP -12ORM -12JICM . . . . . 1				DL10L SN 45262 and before	
13	L70083	HOSE -12 A12/A12 35". . . . . 1				DL12H SN 50411 and before	
14	L70232	CV WIRE HARNESS. . . . . 1		d		DL6H SN 20917 and up	
15	L64853	ADAP -16ORM -12JICM STR. . . . . 1				DL6L SN 25645 and up	
16	L71412	DIPSTICK TUBE ASSEMBLY . . . . . 1				DL8H SN 30995 and up	
		(Dipstick only not sold separately)				DL8L SN 35534 and up	
17		CONTROLLER, APC70/71 . . . . . 1				DL10H SN 40796 and up	
	L70359	Note c				DL10L SN 45263 and up	
	104868	Note d				DL12H SN 50412 and up	
	L70404	WIRE HARNESS (not shown). . . . . 1					
18 <sup>cd</sup>	L50645	1/4"-20X3/8" BOLT . . . . . 4					
19 <sup>cd</sup>	L70448	ISO MOUNT, RUBBER . . . . . 4					
20	L50051	1/4"-20 WHIZ NUT . . . . . AR					

AXLE REFERENCE TABLE	
<b>26.25 and 26.28 axles used with the following:</b>	<b>26.48 axles used with the following:</b>
DL6L Thru SN 25587	DL6L SN 25588 and up
DL6H Thru SN 20803	DL6H SN 20804 and up
DL8L Thru SN 35492	DL8L SN 35493 and up
DL8H Thru SN 30813	DL8H SN 30814 and up
DL10L Thru SN 45172	DL10L SN 45173 and up
DL10H Thru SN 40459	DL10H SN 40460 and up
DL12H Thru SN 50199	DL12H SN 50200 and up

**Hose Locator**

04	TRANSMISSION "UPPER PORT"	OUTER COOLER UPPER PORT
13	TRANSMISSION "LOWER PORT"	OUTER COOLER LOWER PORT

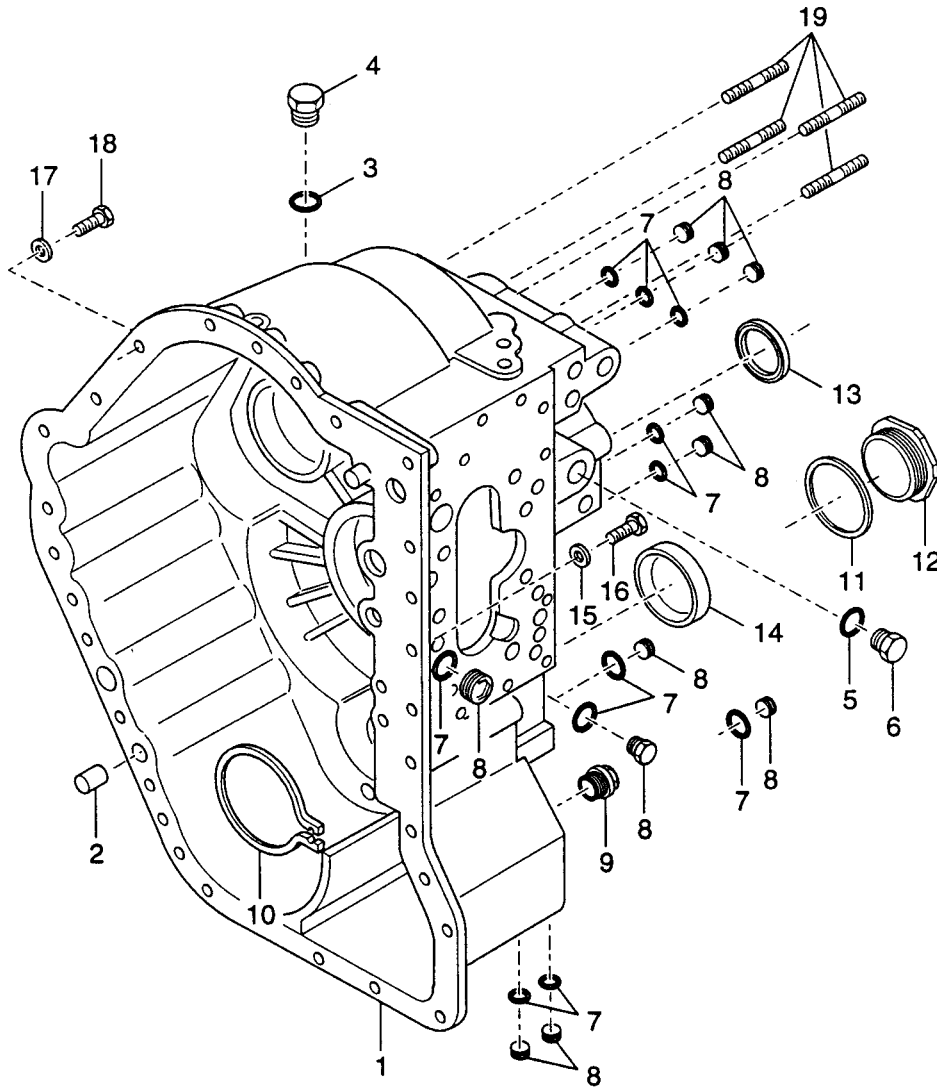
Converter Housing Group



**Converter Housing Group**

Ref. No.	Part No.	Description	Qty. Req.	Ref. No.	Part No.	Description	Qty. Req.
01	L99661	CONVERTER HSG. ASY. ....	1	23	L99679	MOUNTING SCREW. ....	2
02	L99662	BALL .....	1	24	L99029	SCREW LOCKWASHER. ....	1
03	L99663	BY-PASS SPRING. ....	1	25	L99269	MOUNTING SCREW. ....	1
04	L99664	PLUG O-RING (Part of Item 5) ...	1	26	L99681	SUCT. TUBE O-RING .....	1
05	L99665	PLUG (Incls. Item 4) .....	1	27	L99682	SUCTION TUBE ASY. ....	1
06	L99666	BALL .....	1	28	L99029	SCREW LOCKWASHER. ....	2
07	L99667	SAFETY VALVE SPRING .....	1	29	L99679	MOUNTING SCREW. ....	2
08	L99668	PLUG O-RING (Part of Item 9) ...	1	30	L99683	CASE GASKET .....	1
09	L99669	PLUG (Includes.item 8) .....	1	31	L99680	CASE O-RING .....	2
10	L99670	PLUG O-RING (Part of item 11) ...	3	32	L98312	CASE O-RING .....	2
11	L99671	PLUG (Includes.item 10) .....	3	33	L99029	SCREW LOCKWASHER. ....	14
14	L99672	PLUG O-RING (Part of Item 15) ..	10	34	L99045	CASE SCREW .....	14
15	L99673	PLUG (Includes.item 14) .....	10	35	L99029	SCREW LOCKWASHER. ....	1
16	L99674	FILTER ADAPTER O-RING. ....	1	36	L99285	CASE SCREW .....	1
17	L99675	FILTER ADAPTER O-RING. ....	1	37	L99029	SCREW LOCKWASHER. ....	5
18	L99676	FILTER ADAPTER. ....	1	38	L99684	CASE SCREW .....	5
19	L99029	SCREW LOCKWASHER. ....	3	39	L99685	FRONT OUTPUT SHAFT SEAL ...	1
20	L99677	ADAPTER SCREW .....	3	40	L99440	FILTER ASY. ....	1
21	L99678	OIL BAFFLE .....	1				
22	L99029	SCREW LOCKWASHER. ....	2				

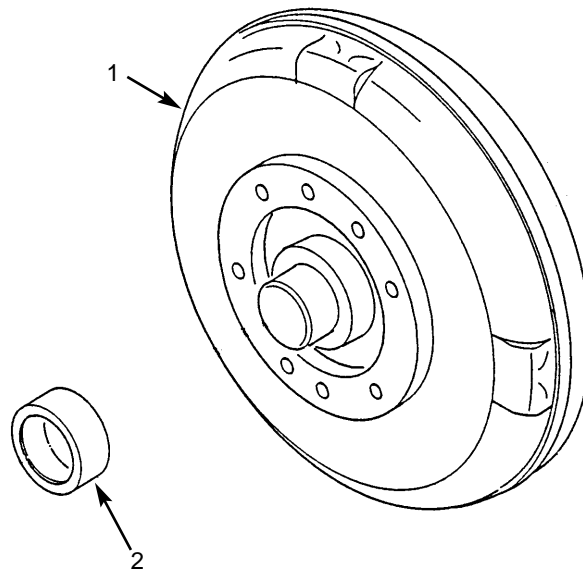
Case Group



Ref. No.	Part No.	Description	Qty. Req.	Ref. No.	Part No.	Description	Qty. Req.
01	L99686	CASE ASSEMBLY. ....	1	11	L94818	PLUG GASKET . . . . .	1
02	L99786	CASE/HOUSING PIN . . . . .	2	12	L99689	PLUG . . . . .	1
03	L99672	PLUG O-RING (Part of item 4) . . . . .	1	13	L99685	REAR SHAFT SEAL . . . . .	1
04	L99673	PLUG (Incls. Item 3) . . . . .	1	14	L99690	SHAFT BORE PLUG. . . . .	1
05	L99687	PLUG O-RING (Part of item 6) . . . . .	1	15	L99029	CASE SCREW LOCKWASHER . . . . .	5
06	L99688	PLUG (Includes.item 5) . . . . .	1	16	L99285	CASE SCREW . . . . .	5
07	L99670	PLUG O-RING (Part of item 8) . . . . .	11	17	L99029	CASE SCREW LOCKWASHER . . . . .	4
08	L99671	PLUG (Includes.item 7) . . . . .	11	18	L99285	CASE SCREW . . . . .	4
09	L98425	MAGNETIC DRAIN PLUG. . . . .	1	19	L99691	STUD. . . . .	4
10	L94770	BEARING SNAP RING . . . . .	1				

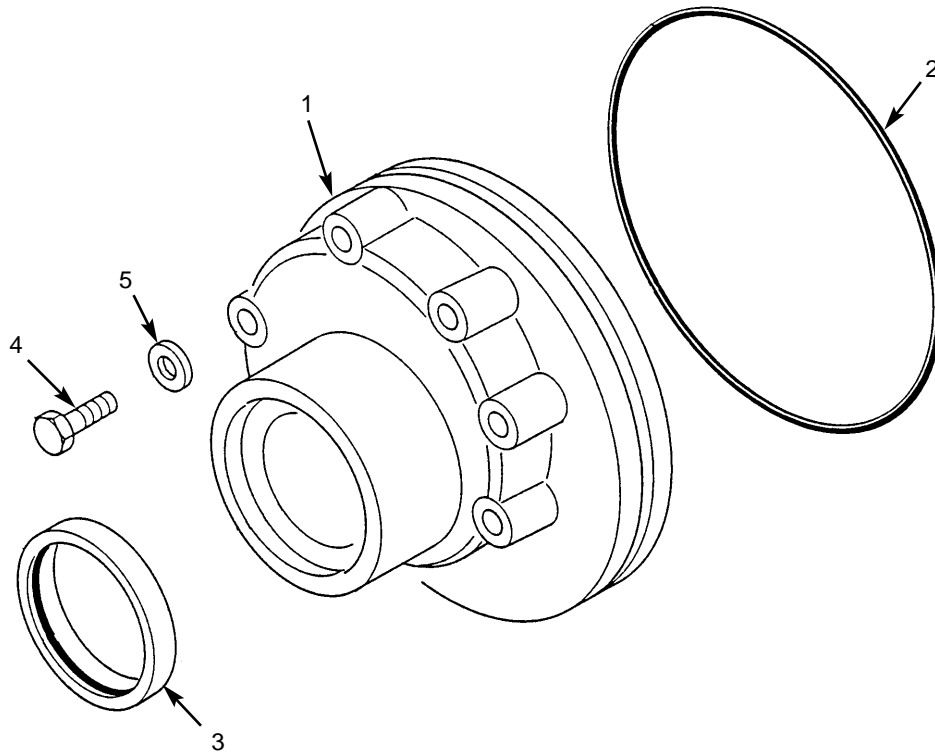


**Torque Converter**



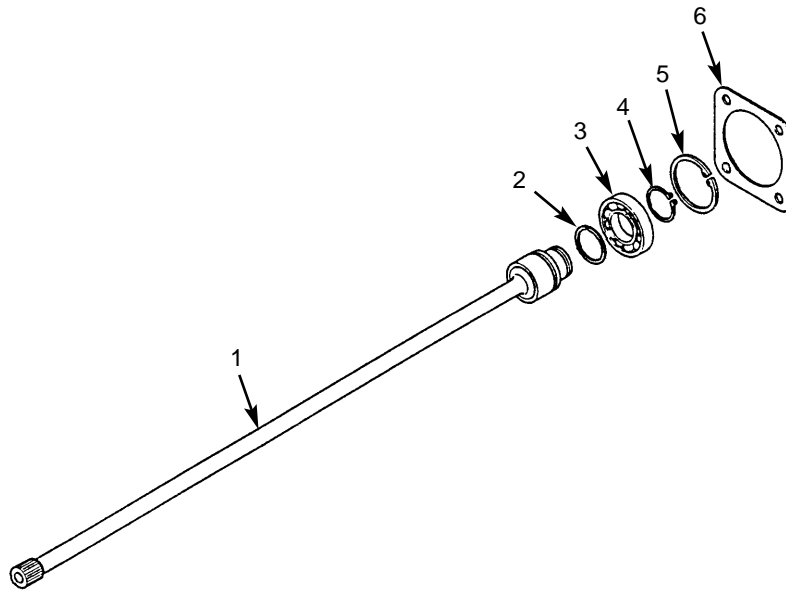
Ref. No.	Part No.	Description	Qty. Req.	Ref. No.	Part No.	Description	Qty. Req.
01	L500440 L99441	CONVERTER & BUSHING ASY... <i>Note a</i> <i>Note b</i>	1	a		<i>Used with turbo charged engines.</i>	
02	L99693	PILOT BUSHING..... <i>(Included with item 1)</i>	1	b		<i>Used with naturally aspirated engines.</i>	

**Charging Pump**



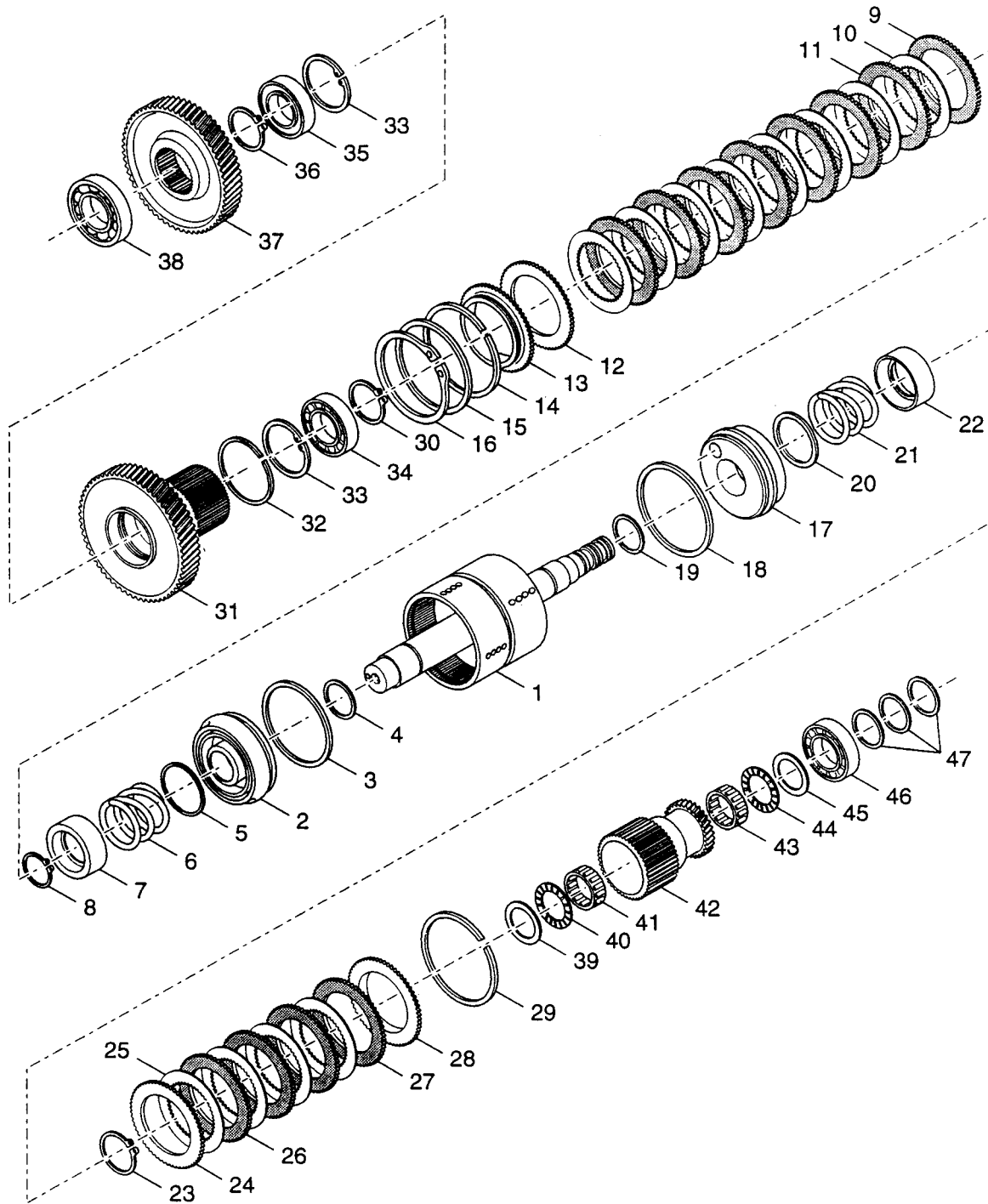
Ref. No.	Part No.	Description	Qty. Req.	Ref. No.	Part No.	Description	Qty. Req.
01	L99702	CHARGE PUMP ASY. ....	1	03	L99704	PUMP OIL SEAL .....	1
		(Includes. items 2 & 3)		04	L99705	PUMP MTG. SCREW .....	6
02	L99703	PUMP O-RING .....	1	05	L99706	SCREW SEAL WASHER .....	6

***Pump Drive***



Ref. No.	Part No.	Description	Qty. Req.	Ref. No.	Part No.	Description	Qty. Req.
01	L99694	PUMP DRIVE SHAFT . . . . .	1	04	L99696	BEARING SNAP RING . . . . .	1
02	L99695	PISTON RING . . . . .	1	05	L99697	BEARING RETAINING RING . . . . .	1
03	L94856	DRIVE SHAFT BEARING . . . . .	1	06	L99698	HOLE COVER GASKET . . . . .	1

**Fwd. Low/High Shaft and Gears Group**



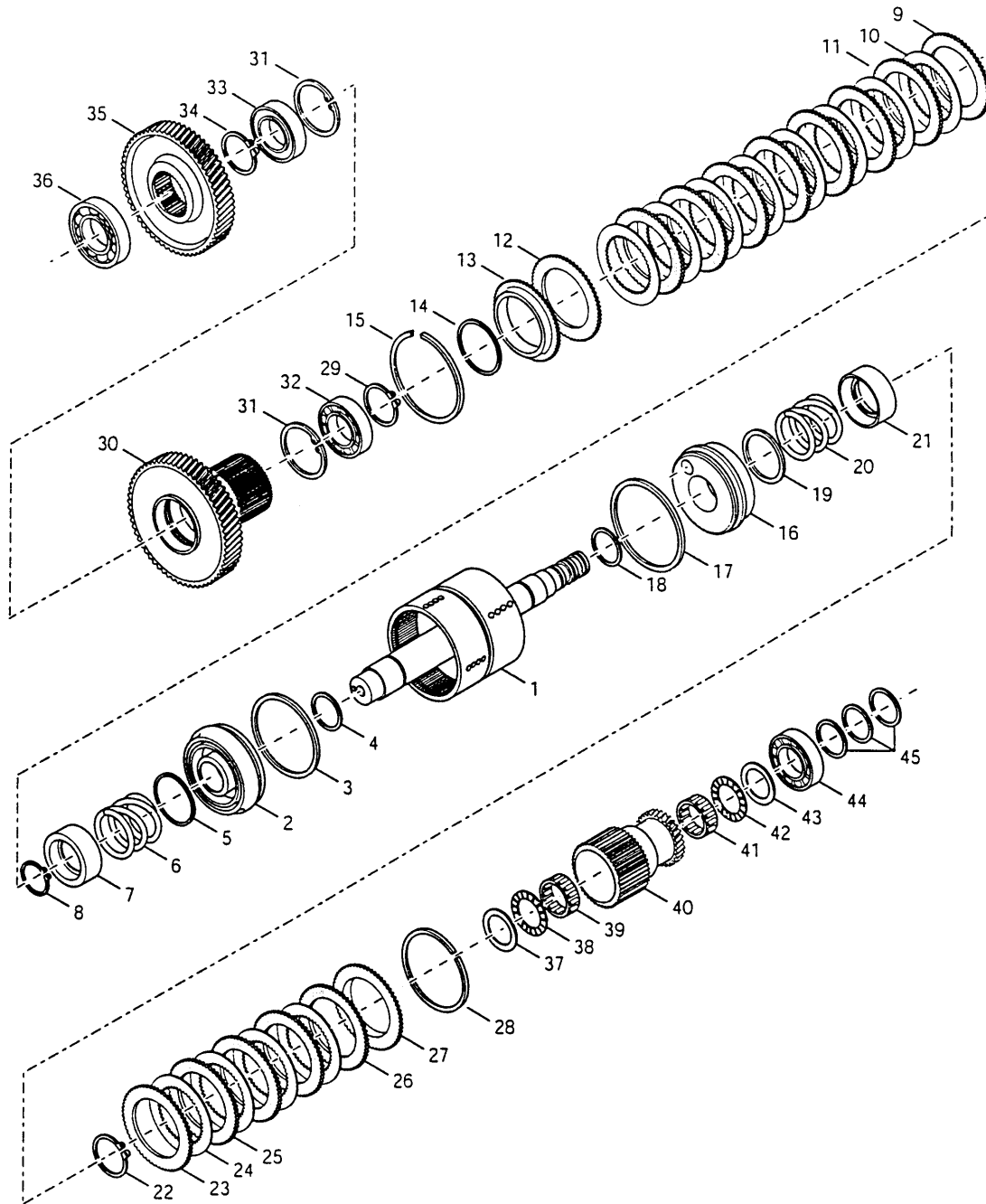
***Fwd. Low/High Shaft and Gears Group***  
***(For Serial Numbers Listed Below)***

<b>Ref. No.</b>	<b>Part No.</b>	<b>Description</b>	<b>Qty. Req.</b>	<b>Ref. No.</b>	<b>Part No.</b>	<b>Description</b>	<b>Qty. Req.</b>
01	L99707	DRUM & PLUG ASY. ....	1	22	L99711	SPRING RETAINER .....	1
02	L99708	PISTON & SEALS ASY. ....	1	23	L94849	RETAINER SNAP RING .....	1
		(Includes.items 3 & 4)		24	L99712	OUTER HALF DISC .....	1
03	L96065	PISTON OUTER SEAL .....	1	25	L99713	INNER DISC .....	4
		(Part of Item 2)		26	L99714	OUTER DISC .....	3
04	L96066	PISTON INNER SEAL .....	1	27	L99712	OUTER HALF DISC .....	1
		(Part of item 2)		28	L99718	DISC BACKING PLATE .....	1
05	L99709	PISTON WEAR PLATE .....	1	29	L96060	PLATE SNAP RING .....	1
06	L99710	PISTON RETURN SPRING .....	1	30	L98266	BEARING SNAP RING .....	1
07	L99711	SPRING RETAINER .....	1	31	L99719	FWD. LOW CLUTCH GEAR (54T) .	1
08	L94849	RETAINER SNAP RING .....	1	32	L99720	GEAR PISTON RING .....	1
09	L99712	OUTER HALF DISC .....	1	33	L99721	FL BRG. LOCATING RING .....	2
10	L99713	INNER DISC .....	8	34	L94898	FL GEAR INNER BEARING .....	1
11	L99714	OUTER DISC .....	7	35	L99722	GEAR OUTER BEARING .....	1
12	L99712	OUTER HALF DISC .....	1			(Shield Out)	
13	L99715	DISC BACKING PLATE .....	1	36	L98266	BEARING SNAP RING .....	1
14	L96060	PLATE SNAP RING .....	1	37	L99723	FWD. DRIVEN GEAR (42T) .....	1
15	L99716	PLATE SPACER .....	1	38	L99724	FL/FH SHAFT FRONT BRG. ....	1
16	L99717	SPACER SNAP RING .....	1	39	L99725	THRUST BEARING SPACER ....	1
17	L99708	PISTON & SEALS ASY. ....	1	40	L99726	FH GEAR THRUST BEARING ....	1
		(Includes.items 18 & 19)		41	L99727	FH GEAR NEEDLE BEARING ....	1
18	L96065	PISTON OUTER SEAL .....	1	42	L99728	FH CLUTCH GEAR (34T) .....	1
		(Part of item 17)		43	L99727	FH GEAR NEEDLE BEARING ....	1
19	L96066	PISTON INNER SEAL .....	1	44	L99726	FH GEAR THRUST BEARING ....	1
		(Part of item 17)		45	L99725	THRUST BEARING SPACER ....	1
20	L99709	PISTON WEAR PLATE .....	1	46	L99729	FL/FH SHAFT REAR BEARING ...	1
21	L99710	PISTON RETURN SPRING .....	1	47	L99730	FL/FH SHAFT PISTON RING .....	3

***Serial Number Breaks***

*DL6H SN 20728 and before*  
*DL6L SN 25561 and before*  
*DL8H SN 30699 and before*  
*DL8L SN 35373 and before*  
*DL10H SN 40399 and before*  
*DL10L SN 45168 and before*  
*DL12H SN 50157 and before*

**Forward Low/High Shaft and Gears Group**



***Forward Low/High Shaft and Gears Group***

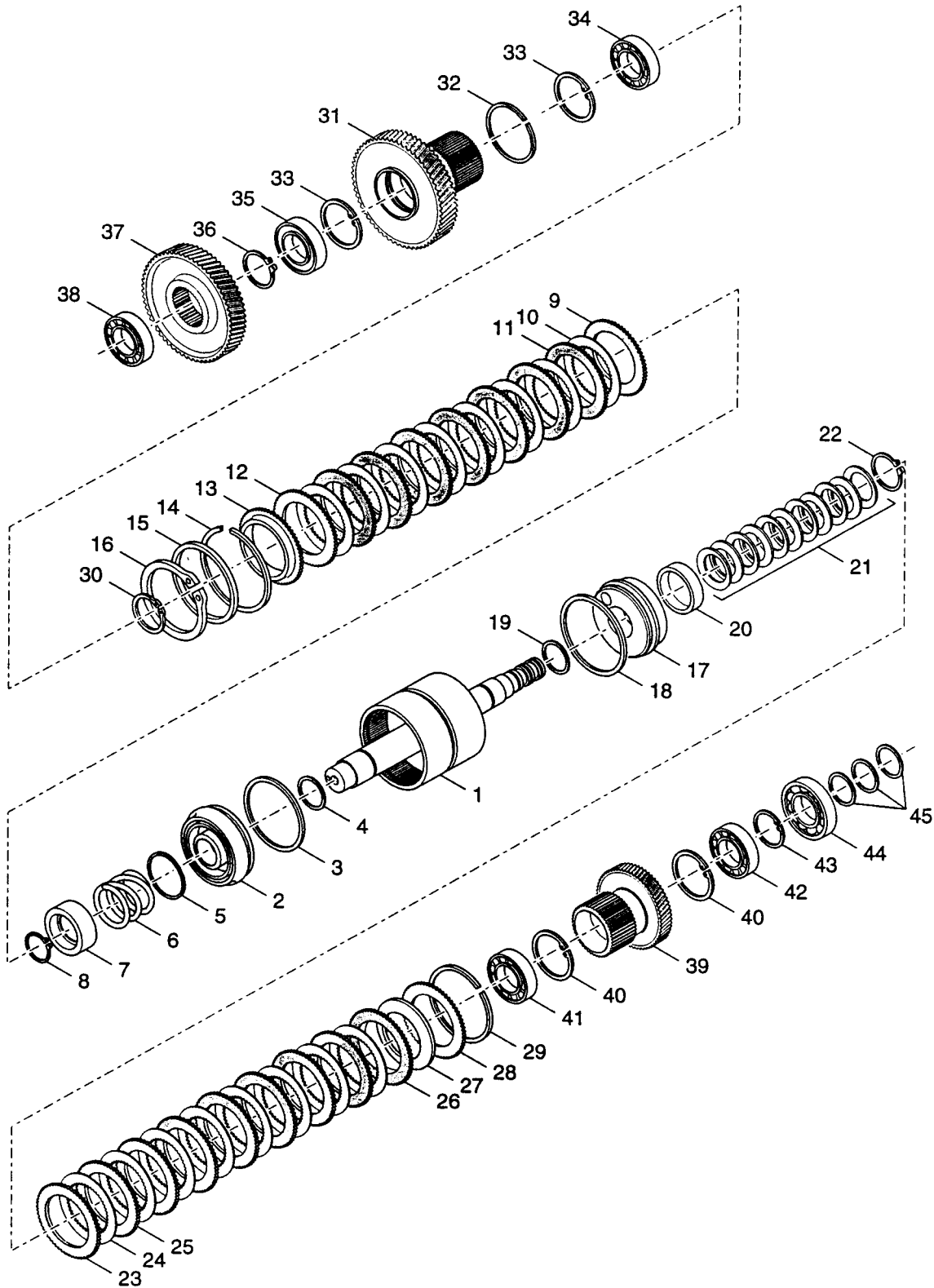
***(For Serial Numbers Listed Below)***

Ref. No.	Part No.	Description	Qty. Req.	Ref. No.	Part No.	Description	Qty. Req.
01	L500601	DRUM & PLUG ASY. ....	1	20	L99710	PISTON RETURN SPRING .....	1
02	L99708	PISTON & SEALS ASY. ....	1	21	L99711	SPRING RETAINER .....	1
		(Includes items 3 & 4)		22	L94849	RETAINER SNAP RING .....	1
03	L96065	PISTON OUTER SEAL .....	1	23	L99712	OUTER HALF DISC .....	1
		(Included in item 2)		24	L99713	INNER DISC .....	4
04	L96066	PISTON INNER SEAL .....	1	25	L99714	OUTER DISC .....	3
		(Includes item 2)		26	L99712	OUTER HALF DISC .....	1
05	L99709	PISTON WEAR PLATE .....	1	27	L99718	DISC BACKING PLATE .....	1
06	L99710	PISTON RETURN SPRING .....	1	28	L96060	PLATE SNAP RING .....	1
07	L99711	SPRING RETAINER .....	1	29	L98266	BEARING SNAP RING .....	1
08	L94849	RETAINER SNAP RING .....	1	30	L500604	FWD. LOW CLUTCH GEAR (54T) .	1
09	L99712	OUTER HALF DISC .....	1	31	L99721	FL BRG. LOCATING RING .....	2
10	L99713	INNER DISC .....	8	32	L94898	FL GEAR INNER BEARING .....	1
11	L99714	OUTER DISC .....	7	33	L99722	GEAR OUTER BEARING .....	1
12	L99712	OUTER HALF DISC .....	1			(Shield Out)	
13	L500602	END PLATE AND SEAL ASY .....	1	34	L98266	BEARING SNAP RING .....	1
		(Includes item 14)		35	L99723	FWD. DRIVEN GEAR (42T) .....	1
14	L500603	BACKING PLATE SEAL .....	1	36	L99724	FL/FH SHAFT FRONT BRG. ....	1
		(Included in item 13)		37	L99725	THRUST BEARING SPACER .....	1
15	L96060	PLATE SNAP RING .....	1	38	L99726	FH GEAR THRUST BEARING .....	1
16	L99708	PISTON & SEALS ASY. ....	1	39	L99727	FH GEAR NEEDLE BEARING .....	1
		(Includes items 17 & 18)		40	L99728	FH CLUTCH GEAR (34T) .....	1
17	L96065	PISTON OUTER SEAL .....	1	41	L99727	FH GEAR NEEDLE BEARING .....	1
		(Included in item 16)		42	L99726	FH GEAR THRUST BEARING .....	1
18	L96066	PISTON INNER SEAL .....	1	43	L99725	THRUST BEARING SPACER .....	1
		(Included in item 16)		44	L99729	FL/FH SHAFT REAR BEARING ...	1
19	L99709	PISTON WEAR PLATE .....	1	45	L99730	FL/FH SHAFT PISTON RING .....	3

***Serial Number Breaks***

*DL6H SN 20729 and up  
 DL6L SN 25562 and up  
 DL8H SN 30700 and up  
 DL8L SN 35374 and up  
 DL10H SN 40400 and up  
 DL10L SN 45169 and up  
 DL12H SN 50158 and up*

Reverse 1st Shaft and Gears Group





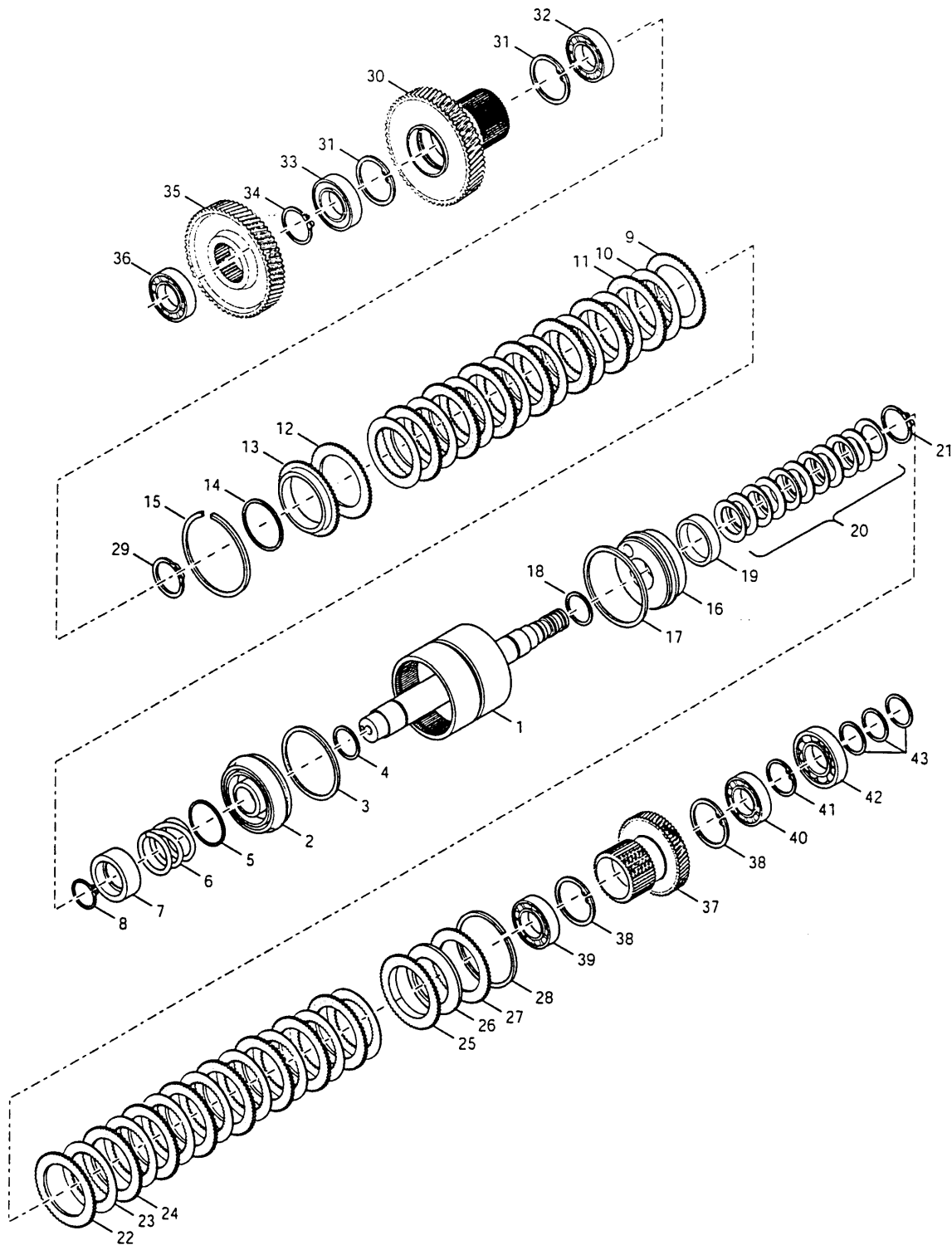
**Reverse 1st Shaft and Gears Group**  
**(For Serial Numbers Listed Below)**

<b>Ref. No.</b>	<b>Part No.</b>	<b>Description</b>	<b>Qty. Req.</b>	<b>Ref. No.</b>	<b>Part No.</b>	<b>Description</b>	<b>Qty. Req.</b>
01	L99731	R/1 SHAFT DRUM & PLUG ASY. . . . .	1	23	L99712	OUTER HALF DISC . . . . .	1
02	L99708	PISTON & SEALS ASY. . . . .	1	24	L99713	INNER DISC . . . . .	8
		(Includes.items 3 & 4)		25	L99714	OUTER DISC . . . . .	7
03	L96065	PISTON OUTER SEAL . . . . .	1	26	L99712	OUTER HALF DISC . . . . .	1
		(Part of item 2)		27	L99733	MODULATION SPRING . . . . .	1
04	L96066	PISTON INNER SEAL . . . . .	1	28	L99718	DISC BACKING PLATE . . . . .	1
		(Part of item 2)		29	L96060	PLATE SNAP RING . . . . .	1
05	L99709	PISTON WEAR PLATE . . . . .	1	30	L98266	BEARING SNAP RING . . . . .	1
06	L99710	PISTON RETURN SPRING . . . . .	1	31	L99719	REV. CLUTCH GEAR (54T) . . . . .	1
07	L99711	SPRING RETAINER . . . . .	1	32	L99720	GEAR PISTON RING . . . . .	1
08	L94849	RETAINER SNAP RING . . . . .	1	33	L99721	R GEAR LOCATING RING . . . . .	2
09	L99712	OUTER HALF DISC . . . . .	1	34	L94898	R GEAR INNER BEARING . . . . .	1
10	L99713	INNER DISC . . . . .	8	35	L99722	R GEAR OUTER BEARING . . . . .	1
11	L99714	OUTER DISC . . . . .	7			(Shield Out)	
12	L99712	OUTER HALF DISC . . . . .	1	36	L98266	BEARING SNAP RING . . . . .	1
13	L99715	DISC BACKING PLATE . . . . .	1	37	L99734	REV. DRIVEN GEAR (50T) . . . . .	1
14	L96060	BACKING PLATE SNAP RING . . . . .	1	38	L99724	R/1 SHAFT FRONT BEARING . . . . .	1
15	L99716	BACKING PLATE SPACER . . . . .	1	39	L99735	1ST CLUTCH GEAR (30T) . . . . .	1
16	L99717	SPACER SNAP RING . . . . .	1	40	L99736	BEARING LOCATING RING . . . . .	2
17	L99708	PISTON & SEALS ASY. . . . .	1	41	L99737	1ST GEAR INNER BEARING . . . . .	1
		(Includes.items 18 & 19)		42	L99738	1ST GEAR OUTER BEARING . . . . .	1
18	L96065	OUTER SEAL (Part of item 17) . . . . .	1			(Shield Out)	
19	L96066	INNER SEAL (Part of item 17) . . . . .	1	43	L99739	BEARING SNAP RING . . . . .	1
20	L99732	PISTON WEAR PLATE . . . . .	1	44	L99740	R/1 SHAFT REAR BEARING . . . . .	1
21	L99787	RETURN SPRING . . . . .	1	45	L99730	R/1 SHAFT PISTON RING . . . . .	3
		(Belleville Washer)					
22	L94849	SNAP RING . . . . .	1				

**Serial Number Breaks**

*DL6H SN 20728 and before*  
*DL6L SN 25561 and before*  
*DL8H SN 30699 and before*  
*DL8L SN 35373 and before*  
*DL10H SN 40399 and before*  
*DL10L SN 45168 and before*  
*DL12H SN 50157 and before*

Reverse 1st Shaft and Gears Group



**Reverse 1st Shaft and Gears Group**

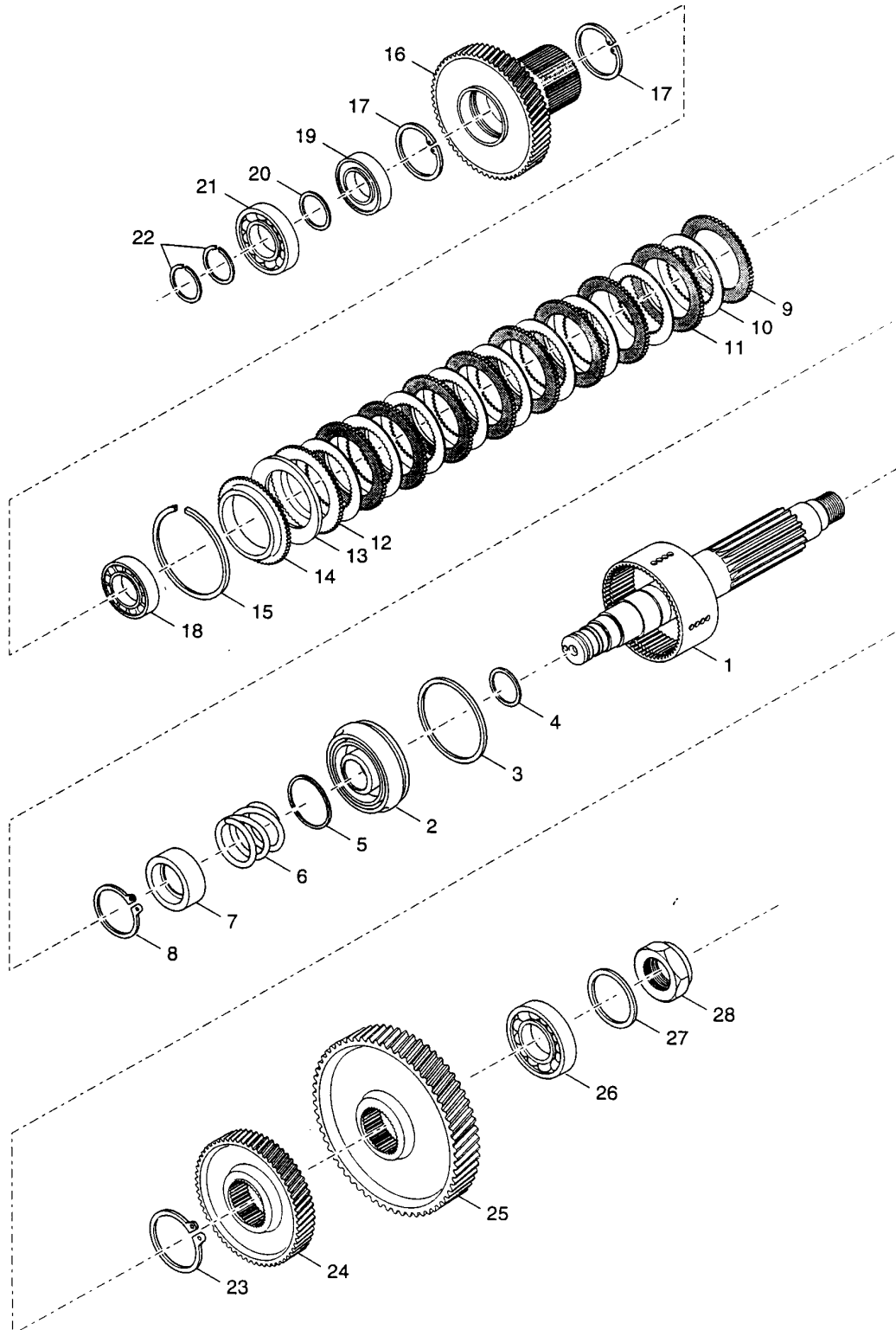
**(For Serial Numbers Listed Below)**

Ref. No.	Part No.	Description	Qty. Req.	Ref. No.	Part No.	Description	Qty. Req.
01	L500605	DRUM & PLUG ASY. ....	1	20	L99787	RETURN SPRING..... (Belleville Washer)	1
02	L99708	PISTON & SEALS ASY. .... (Includes items 3 & 4)	1	21	L94849	SNAP RING.....	1
03	L96065	PISTON OUTER SEAL..... (Included in item 2)	1	22	L99712	OUTER HALF DISC .....	1
04	L96066	PISTON INNER SEAL..... (Includes item 2)	1	23	L99713	INNER DISC .....	8
05	L99709	PISTON WEAR PLATE.....	1	24	L99714	OUTER DISC .....	7
06	L99710	PISTON RETURN SPRING .....	1	25	L99712	OUTER HALF DISC .....	1
07	L99711	SPRING RETAINER .....	1	26	L99733	MODULATION SPRING .....	1
08	L94849	RETAINER SNAP RING .....	1	27	L99718	DISC BACKING PLATE.....	1
09	L99712	OUTER HALF DISC .....	1	28	L96060	PLATE SNAP RING.....	1
10	L99713	INNER DISC .....	8	29	L98266	BEARING SNAP RING .....	1
11	L99714	OUTER DISC .....	7	30	L500604	REV. CLUTCH GEAR (54T) .....	1
12	L99712	OUTER HALF DISC .....	1	31	L99721	R GEAR LOCATING RING .....	2
13	L500602	END PLATE AND SEAL ASY .....	1	32	L94898	R GEAR INNER BEARING.....	1
		(Includes item 14)		33	L99722	R GEAR OUTER BEARING .....	1
14	L500603	BACKING PLATE SEAL .....	1			(Shield Out)	
		(Included in item 13)		34	L98266	BEARING SNAP RING .....	1
15	L96060	PLATE SNAP RING.....	1	35	L99734	REV. DRIVEN GEAR (50T).....	1
16	L99708	PISTON & SEALS ASY..... (Includes items 17 & 18)	1	36	L99724	R/1 SHAFT FRONT BEARING ...	1
17	L96065	PISTON OUTER SEAL..... (Include in item 16)	1	37	L99735	1ST CLUTCH GEAR (30T).....	1
18	L96066	PISTON INNER SEAL..... (Included in item 16)	1	38	L99736	BEARING LOCATING RING.....	2
19	L99709	PISTON WEAR PLATE.....	1	39	L99737	1ST GEAR INNER BEARING .....	1
				40	L99738	1ST GEAR OUTER BEARING ....	1
						(Shield Out)	
				41	L99739	BEARING SNAP RING .....	1
				42	L500600	R/1 SHAFT REAR BEARING .....	1
				43	L99730	R/1 SHAFT PISTON RING .....	3

**Serial Number Breaks**

*DL6H SN 20729 and up  
 DL6L SN 25562 and up  
 DL8H SN 30700 and up  
 DL8L SN 35374 and up  
 DL10H SN 40400 and up  
 DL10L SN 45169 and up  
 DL12H SN 50158 and up*

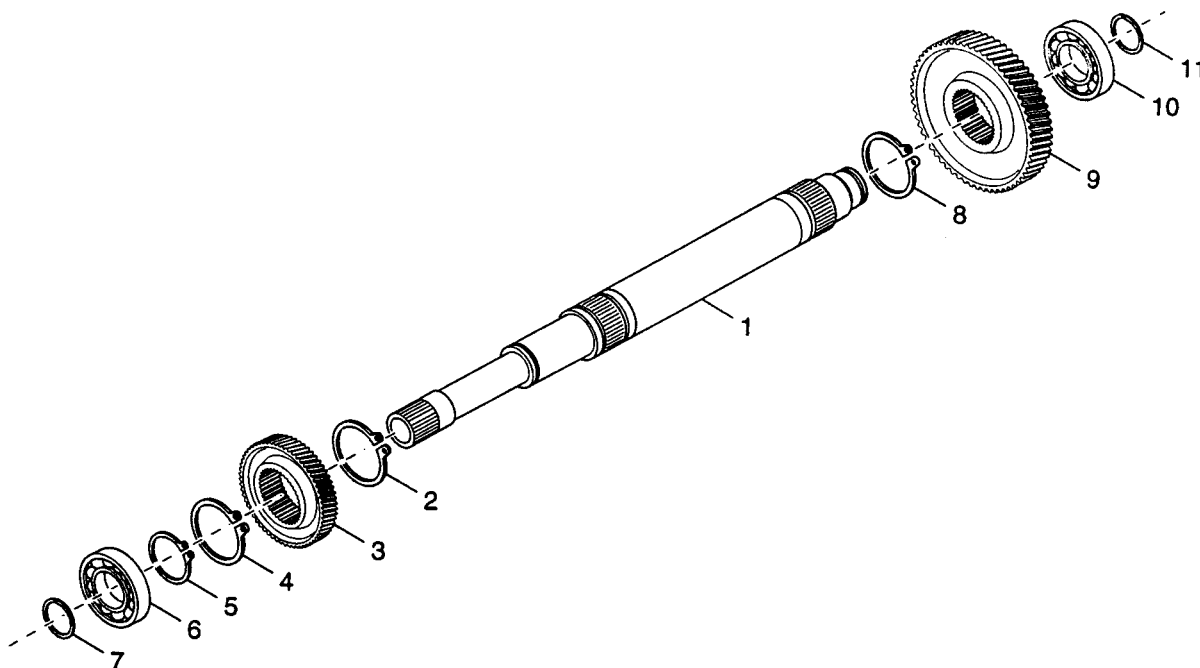
2nd Shaft Group



**2nd Shaft Group**

Ref. No.	Part No.	Description	Qty. Req.	Ref. No.	Part No.	Description	Qty. Req.
01	L99745	2ND SHAFT, HUB		15	L96060	BACKING PLATE SNAP RING . . . .	1
		DRUM & PLUG ASY. . . . .	1	16	L99746	2ND CLUTCH GEAR (52T). . . . .	1
02	L99708	PISTON & SEALS ASY. . . . .	1	17	L99736	BEARING LOCATING RING . . . . .	2
		(Includes.items 3 & 4)		18	L99737	2ND GEAR INNER BEARING. . . . .	1
03	L96065	PISTON OUTER SEAL . . . . .	1	19	L99738	2ND GEAR OUTER BRG. . . . .	1
		(Part of item 2)				(Shield Out)	
04	L96066	PISTON INNER SEAL. . . . .	1	20	L99747	BEARING SUPPORT WASHER . . .	1
		(Part of item 2)		21	L99740	2ND SHAFT FRONT BEARING . . .	1
05	L99709	PISTON WEAR PLATE . . . . .	1	22	L99730	2ND SHAFT PISTON RING . . . . .	2
06	L99710	PISTON RETURN SPRING . . . . .	1	23	L99748	GEAR RETAINER SNAP RING. . . .	1
07	L99711	SPRING RETAINER . . . . .	1	24	L99749	LOWER OUTPUT	
08	L94849	RETAINER SNAP RING . . . . .	1			DRIVE GEAR (41T) . . . . .	1
09	L99712	OUTER HALF DISC . . . . .	1	25	L99750	UPPER OUTPUT	
10	L99713	CLUTCH INNER DISC . . . . .	8			DRIVE GEAR (59T) . . . . .	1
11	L99714	CLUTCH OUTER DISC. . . . .	7	26	L99751	2ND SHAFT REAR BEARING . . . .	1
12	L99712	OUTER HALF DISC . . . . .	1	27	L99752	OUTPUT FLANGE WASHER . . . . .	1
13	L99733	MODULATION SPRING . . . . .	1	28	L99753	OUTPUT FLANGE NUT . . . . .	1
14	L99718	DISC BACKING PLATE. . . . .	1				

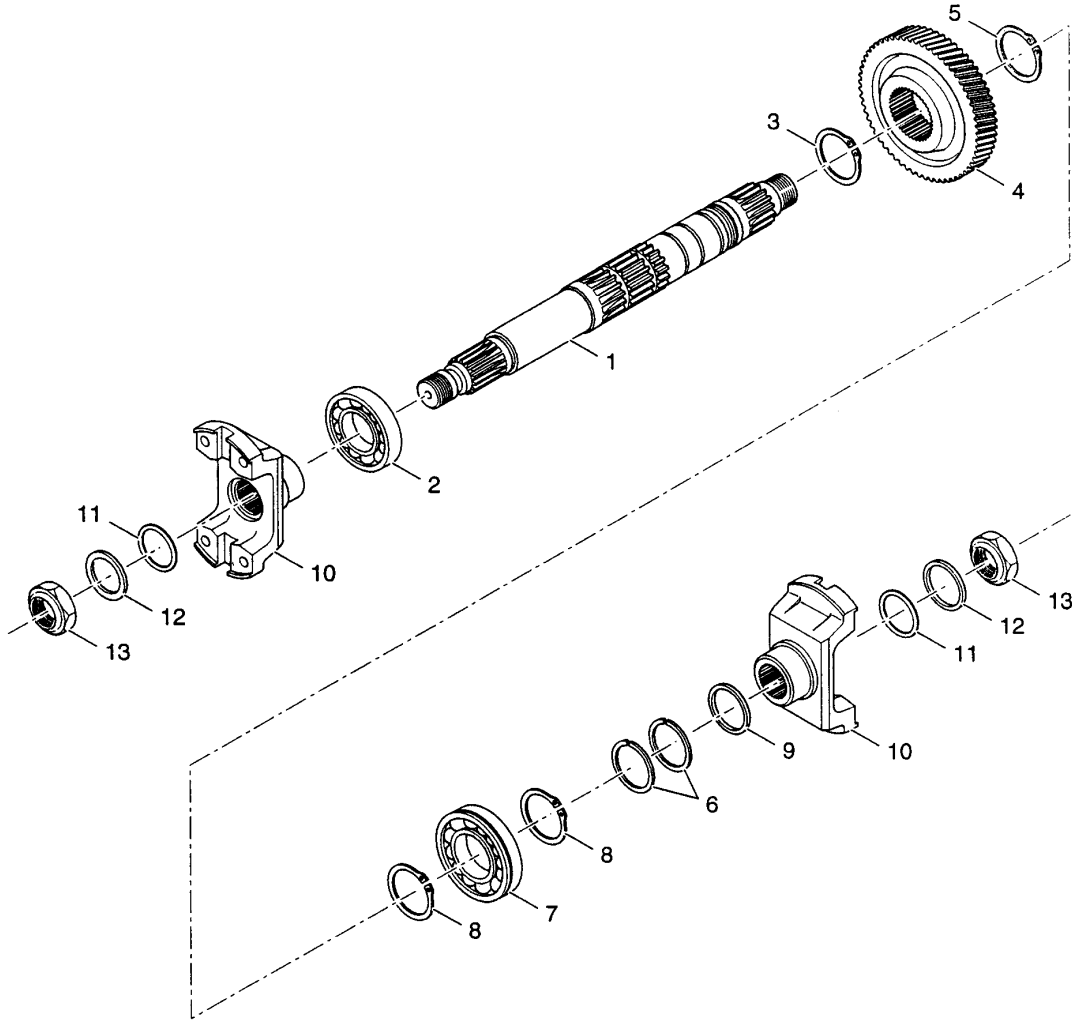
**Input Shaft Group**



Ref. No.	Part No.	Description	Qty. Req.	
01	L99741	INPUT SHAFT	1	
02	L99742	F/L GEAR SNAP RING	1	
03	L99743	FWD/LOW GEAR (26T)	1	
04	L98266	GEAR SNAP RING	1	
05	L99696	BEARING SNAP RING	1	
06	Note a	SHAFT FRONT BEARING	1	
07	L99730	SHAFT PISTON RING	1	
08	L98266	F/H GEAR SNAP RING	1	
09	L99744	FWD/HIGH GEAR (62T)	1	
10	L99740	INPUT SHAFT REAR BRG.	1	
11	L99730	SHAFT PISTON RING	1	

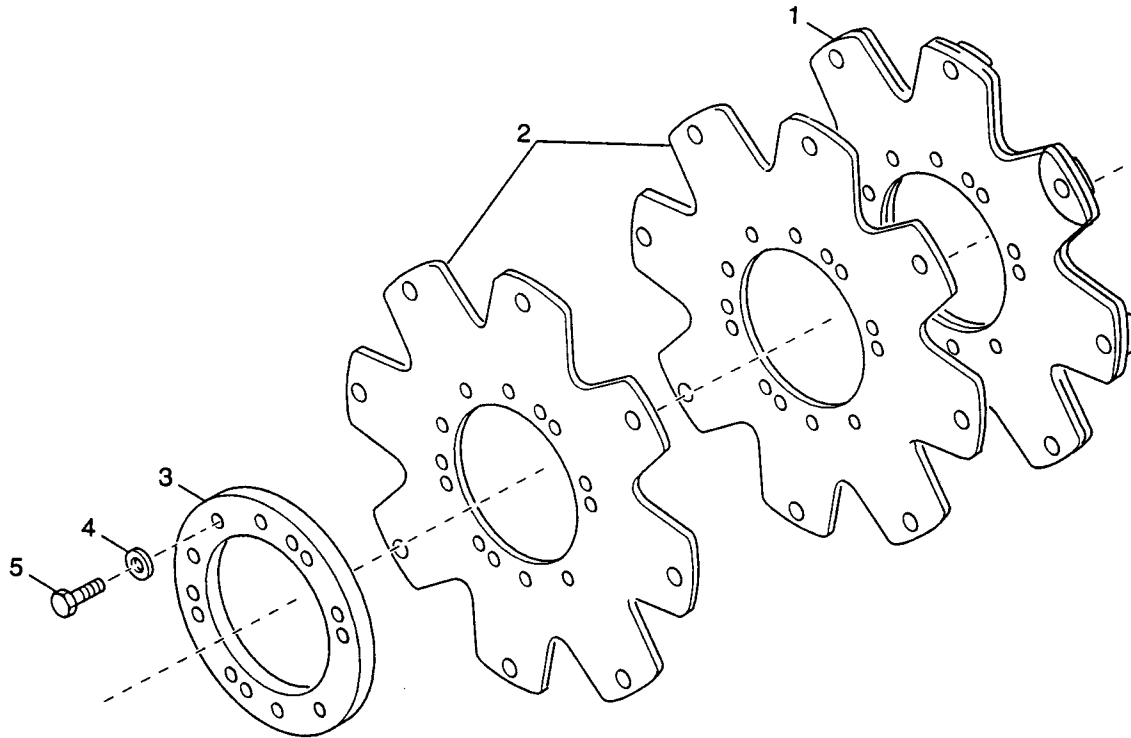
a DL6H Thru SN 20728, use PN L99740  
 DL6H SN 20729 and up, use PN L500600  
 DL6L Thru SN 25561, use PN L99740  
 DL6L SN 25562 and up, use PN L500600  
 DL8H Thru SN 30699, use PN L99740  
 DL8H SN 30700 and up, use PN L500600  
 DL8L Thru SN 35373, use PN L99740  
 DL8L SN 35374 and up, use PN L500600  
 DL10H Thru SN 40399, use PN L99740  
 DL10H SN 40400 and up, use PN L500600  
 DL10L Thru SN 45168, use PN L99740  
 DL10L SN 45169 and up, use PN L500600  
 DL12H Thru SN 50157, use PN L99740  
 DL12H SN 50158 and up, use PN L500600

**Output Shaft Group**



Ref. No.	Part No.	Description	Qty. Req.	Ref. No.	Part No.	Description	Qty. Req.
01	L99754	OUTPUT SHAFT ASY. ....	1	08	L99759	SNAP RING.....	1
02	L99755	SHAFT FRONT BEARING .....	1	09	L99760	OUTPUT FLANGE SPACER.....	1
03	L99756	SNAP RING.....	1	10	L99761	OUTPUT FLANGE.....	2
04	L99757	OUTPUT SHAFT GEAR .....	1	11	L99762	FLANGE O-RING .....	2
05	L99756	SNAP RING.....	1	12	L99752	FLANGE WASHER.....	2
06	L99758	SHAFT PISTON RING .....	2	13	L99753	FLANGE NUT .....	2
07	L99763	SHAFT REAR BEARING.....	1				

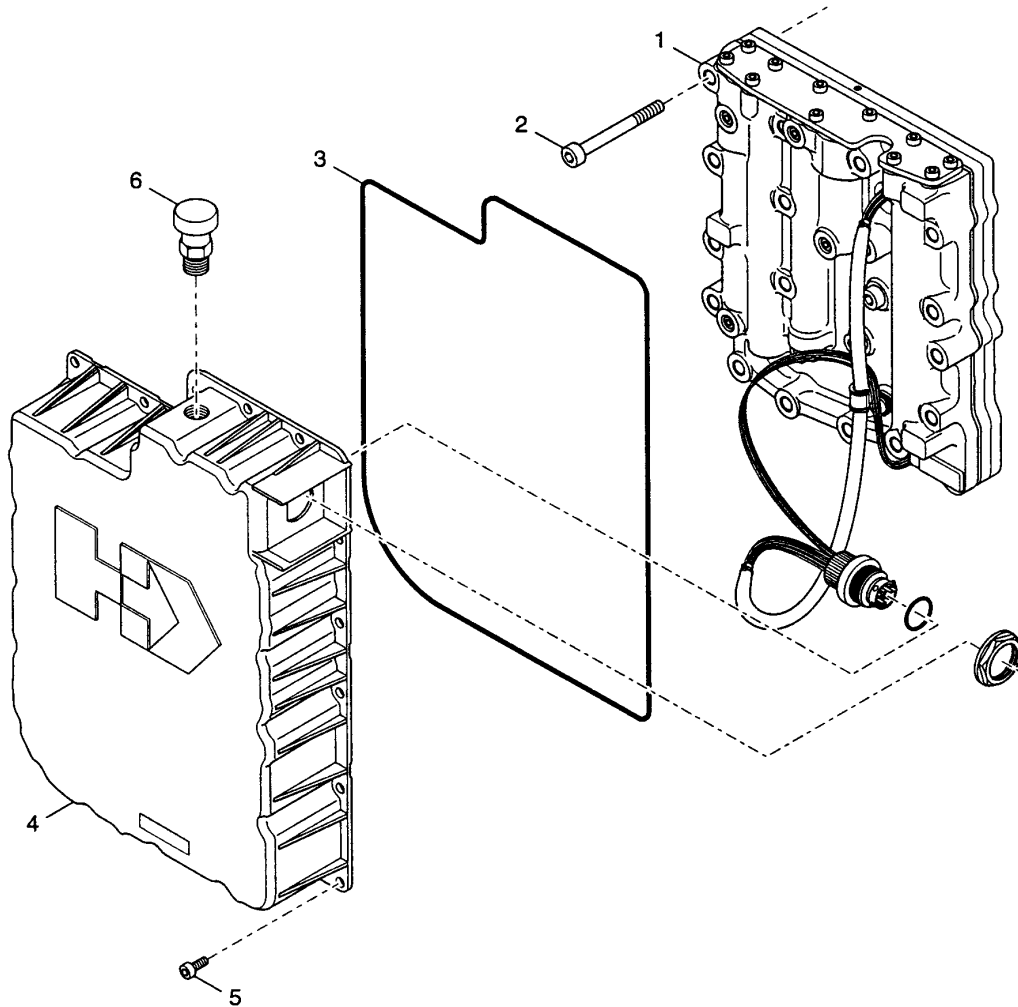
**Drive Plate Group**



Ref. No.	Part No.	Description	Qty. Req.	Ref. No.	Part No.	Description	Qty. Req.
01	L99784	DRIVE PLATE ASY..... 1 (Includes items 2-5.)	1	03	L97516	PLATE BACKING RING .....	1
02	NSS	DRIVE PLATE (Included w/item 1.).	2	04	L99030	SCREW LOCKWASHER.....	6
				05	L99785	MOUNTING SCREW.....	6

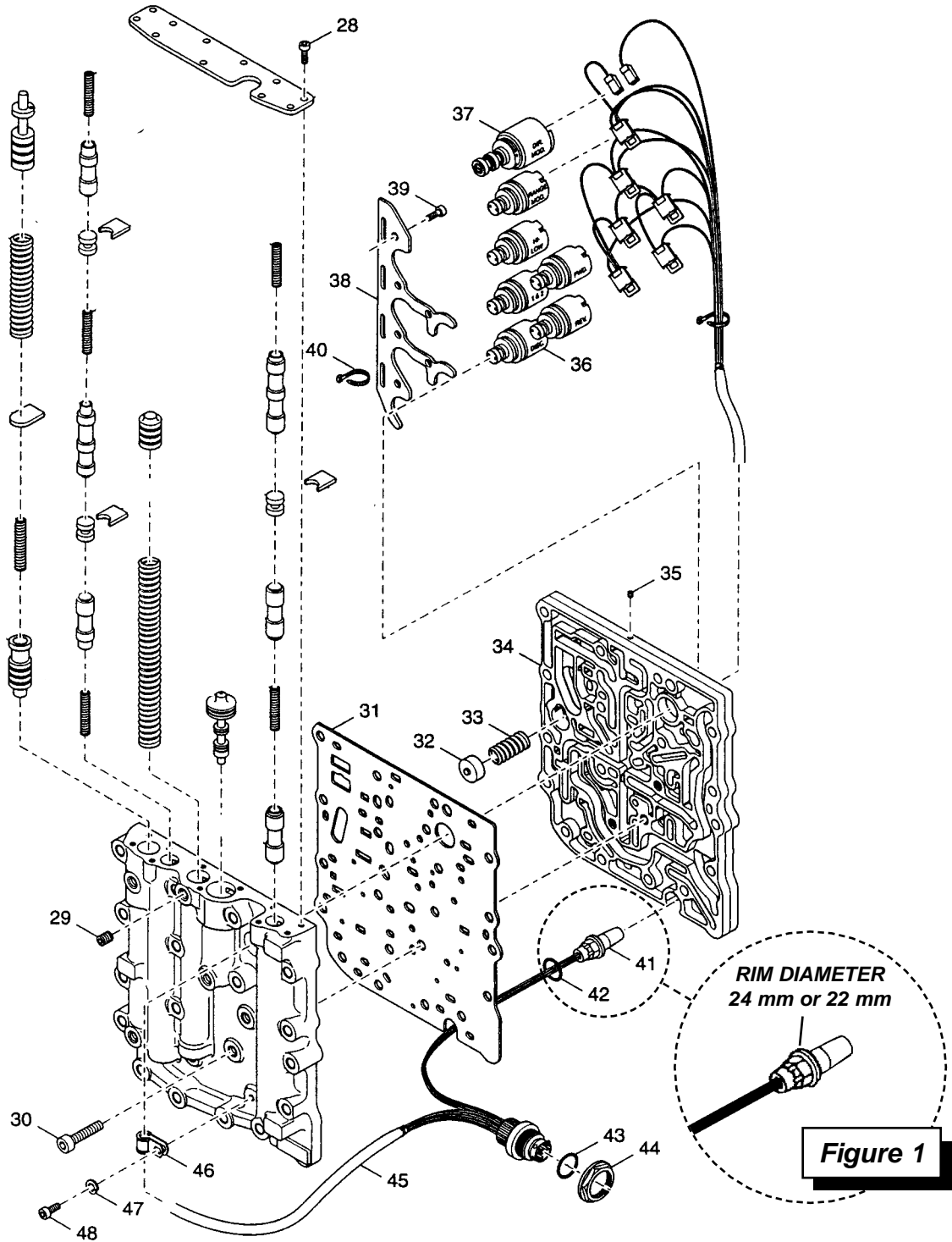


**Control Valve Mounting Group**



Ref. No.	Part No.	Description	Qty. Req.	Ref. No.	Part No.	Description	Qty. Req.
01		CONTROL VALVE ASSEMBLY. . . . . 1		a		DL6H SN 20917 and up DL6L SN 25645 and up DL8H SN 30995 and up DL8L SN 35534 and up DL10H SN 40796 and up DL10L SN 45263 and up DL12H SN 50412 and up	
	105082	Note a					
	L99764	Note b					
02	L99765	VALVE MOUNTING SCREW . . . . . 2					
03	L99766	PROTECTION COVER SEAL . . . . . 1					
04	L99767	PROTECTION COVER ASY. . . . . 1					
		(Includes item 6)					
05	L99768	COVER SCREW . . . . . 20					
06	L94824	AIR BREATHER . . . . . 1		b		DL6H SN 20916 and before DL6L SN 25644 and before DL8H SN 30994 and before DL8L SN 35533 and before DL10H SN 40795 and before DL10L SN 45262 and before DL12H SN 50411 and before	
		(Part of item 4)					

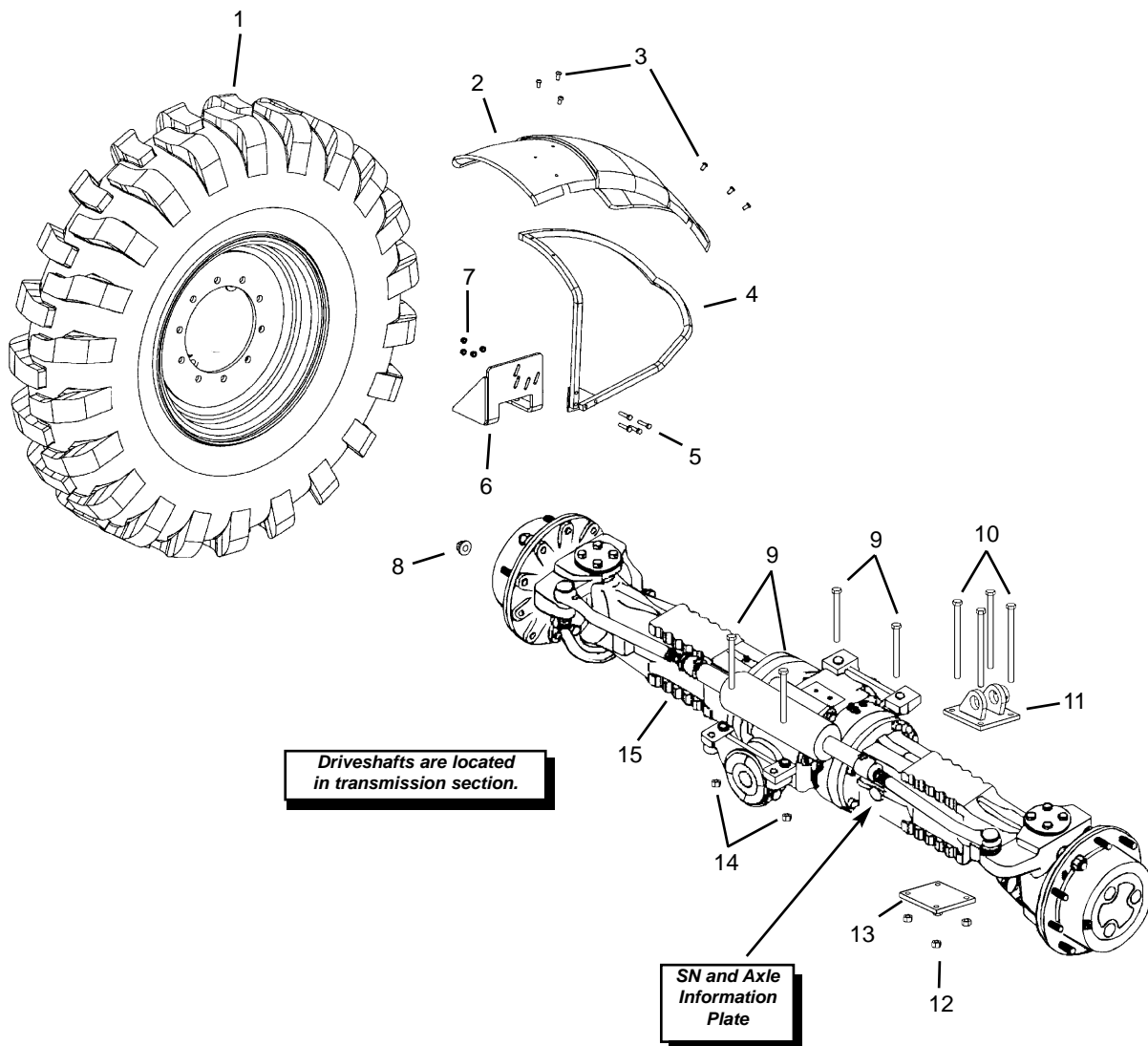
### Control Valve Assembly Group



**Control Valve Assembly Group**

Ref. No.	Part No.	Description	Qty. Req.	Ref. No.	Part No.	Description	Qty. Req.
00		CONTROL VALVE ASSEMBLY. . . . .	1	46	L99781	WIRING CLAMP . . . . .	1
	105082	<i>Note a</i>		47	L99782	SCREW LOCKWASHER. . . . .	1
	L99764	<i>Note b</i>		48	L99769	CLAMP SCREW . . . . .	1
28	L99769	COVER SCREW . . . . .	11				
29	L99770	CHECK PORT PLUGS . . . . .	2				
30	L99771	SOL. PLATE SCREW . . . . .	3	a		<i>DL6H SN 20917 and up</i>	
32	L99772	BYPASS VALVE SPOOL. . . . .	1			<i>DL6L SN 25645 and up</i>	
33	L99773	VALVE SPRING. . . . .	1			<i>DL8H SN 30995 and up</i>	
35	L99774	PLUG . . . . .	6			<i>DL8L SN 35534 and up</i>	
36	L99775	SOLENOID . . . . .	6			<i>DL10H SN 40796 and up</i>	
37		ELEC. CONTL. MODULE VALVE . . .	1			<i>DL10L SN 45263 and up</i>	
	104869	<i>Note a</i>				<i>DL12H SN 50412 and up</i>	
	L99776	<i>Note b</i>		b		<i>DL6H SN 20916 and before</i>	
39	L99769	CLAMP SCREW . . . . .	6			<i>DL6L SN 25644 and before</i>	
40	L99834	WIRING STRAP . . . . .	6			<i>DL8H SN 30994 and before</i>	
42	L99778	SENSOR O-RING . . . . .	1			<i>DL8L SN 35533 and before</i>	
41	NSS	SPEED SENSOR ( <i>included w/#45</i> ). .	1			<i>DL10H SN 40795 and before</i>	
42	L99778	SENSOR O-RING . . . . .	1			<i>DL10L SN 45262 and before</i>	
43	L99779	JAM NUT O-RING. . . . .	1			<i>DL12H SN 50411 and before</i>	
44	NSS	JAM NUT ( <i>included w/#45</i> ) . . . . .	1				
45 <sup>c</sup>		HARNESS & SPEED SENSOR . . . . .	1	c		<i>Measure the outside rim diameter of the speed</i>	
		(Includes items 41-44.)				<i>sensor (refer to Figure 1). The measurement should</i>	
	105851	( <i>24 mm rim diameter</i> )				<i>either be 24 mm or 22 mm.</i>	
	L99780	( <i>22 mm rim diameter</i> )					

**External Components Group**  
*(26.25 and 26.28 Axles)*



## External Components Group (26.25 and 26.28 Axles)

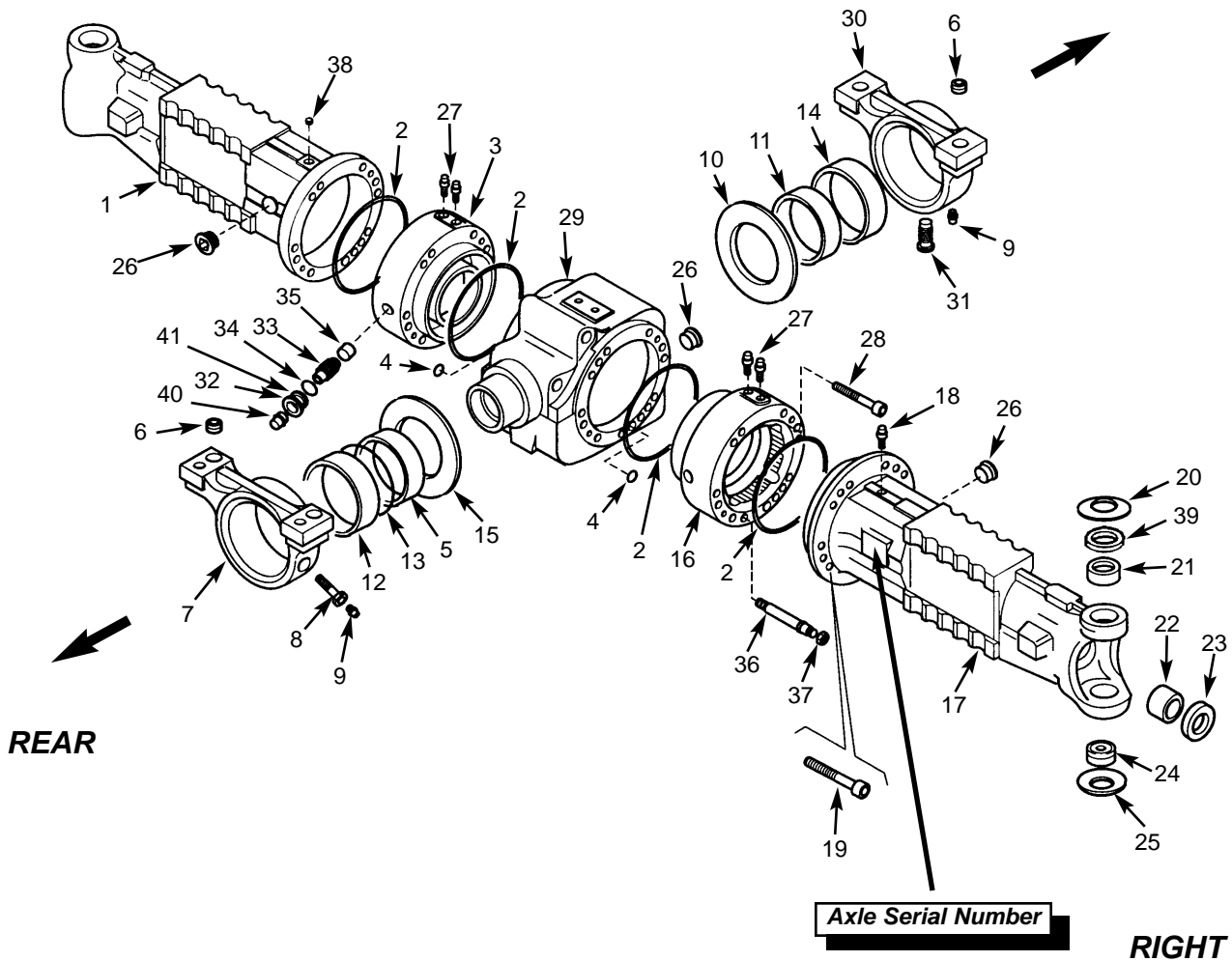
Ref. No.	Part No.	Description	Qty. Req.	Ref. No.	Part No.	Description	Qty. Req.
01 <sup>a</sup>		13.00X24 TIRE SET		12	L50084	3/4-10 NUT . . . . .	4
	L47270	TIRE/13.00X24TG 12PLY . . . . .	4	13	L69382	MOUNT PLATE . . . . .	2
	L69114	WHEEL/24 X 9.00 GR . . . . .	4	14	L50201	M20-2.5 CLASS 10 NUT . . . . .	8
01 <sup>a</sup>		13.00X24 TIRE SET (Rock)		15	L69010	FRONT AXLE (DL6) . . . . .	1
	L71758	TIRE, 13.00X24 12PLY ROCK . . . . .	4		L69011	REAR AXLE (DL6) . . . . .	1
	L69114	WHEEL/24 X 9.00 GR . . . . .	4		L69015	FRONT AXLE . . . . .	1
01 <sup>a</sup>		13.00X24 TIRE SET (Foam Filled)				(Models DL8, DL10 and DL12)	
	L47270	TIRE/13.00X24TG 12PLY . . . . .	4		L69016	REAR AXLE	
	L69114	WHEEL/24 X 9.00 GR . . . . .	4			(Models DL8, DL10 and DL12)	
01		14.00X24 TIRE SET		a	Not available for DL10 and DL12		
	L60198	TIRE/14.00X24TG 12PLY . . . . .	4		---- SERIAL NUMBERS ---		
	L69114	WHEEL/24 X 9.00 GR . . . . .	4				
01		14.00X24 TIRE SET (Rock)		b	DL6H SN 20406 and before		
	L71723	TIRE 14.00 X 24 ROCK . . . . .	4		DL6L SN 25431 and before		
	L71577	WHEEL, 10.00VAX24 . . . . .	4		DL8H SN 30398 and before		
01		14.00X24 TIRE SET (Foam Filled)			DL8L SN 35356 and before		
	L60198	TIRE/14.00X24TG 12PLY . . . . .	4		DL10H SN 40176 and before		
	L69114	WHEEL/24 X 9.00 GR . . . . .	4		DL10L SN 45116 and before		
02	L99951	FENDER . . . . .	4	c	DL6H SN 20407 Thru SN 20729		
03	L50253	3/8-16X3/4" BUTTON HD BOLT . . . . .	24		DL6L SN 25432 Thru SN 25561		
04		FENDER MNT RF / LR (fender) . . . . .	2		DL8H SN 30399 Thru SN 30700		
	L70582	Thru note c			DL8L SN 35357 Thru SN 35474		
	100003	Note d			DL10H SN 40177 Thru SN 40399		
04		FENDER MNT LF / RR (fender) . . . . .	2		DL10L SN 45117 Thru SN 45168		
	L70581	Thru note c			DL12H Thru SN 50158		
	100008	Note d		d	DL6H SN 20730 and up		
05	L50836	3/8-16X1-3/4" BOLT . . . . .	16		DL6L SN 25562 and up		
06		FENDER MOUNT RF / LR (axle) . . . . .	2		DL8H SN 30701 and up		
	L70715	Note b			DL8L SN 35475 and up		
	L70970	Note c			DL10H SN 40400 and up		
	100006	Note d			DL10L SN 45169 and up		
06		FENDER MOUNT LF / RR (axle) . . . . .	2		DL12H SN 50159		
	L70714	Note b					
	L70969	Note c					
	100007	Note d					
07	L50061	3/8-16 FLARE NUT . . . . .	16				
08	L69734	M22X1.5 WHEEL NUT . . . . .	40				
09	L50200	M20-2.5X110 MM BOLT . . . . .	8				
10	L50684	3/4-10x11" GR8 BOLT . . . . .	4				
11	L69275	LEVEL/STABILIZER MOUNT . . . . .	2				
		(Model DL6)					
	L70128	LEVEL/STABILIZER MOUNT . . . . .	2				
		(Models DL8, DL10 and DL12)					

AXLE REFERENCE TABLE
<p><b>26.25 and 26.28 axles used with the following:</b>                      DL6L SN 25587 and before                      DL6H SN 20803 and before                      DL8L SN 35492 and before                      DL8H SN 30813 and before                      DL10L SN 45172 and before                      DL10H SN 40459 and before                      DL12H SN 50199 and before</p>

**Front Axle Housing**  
(26.25 and 26.28 Axles)

LEFT

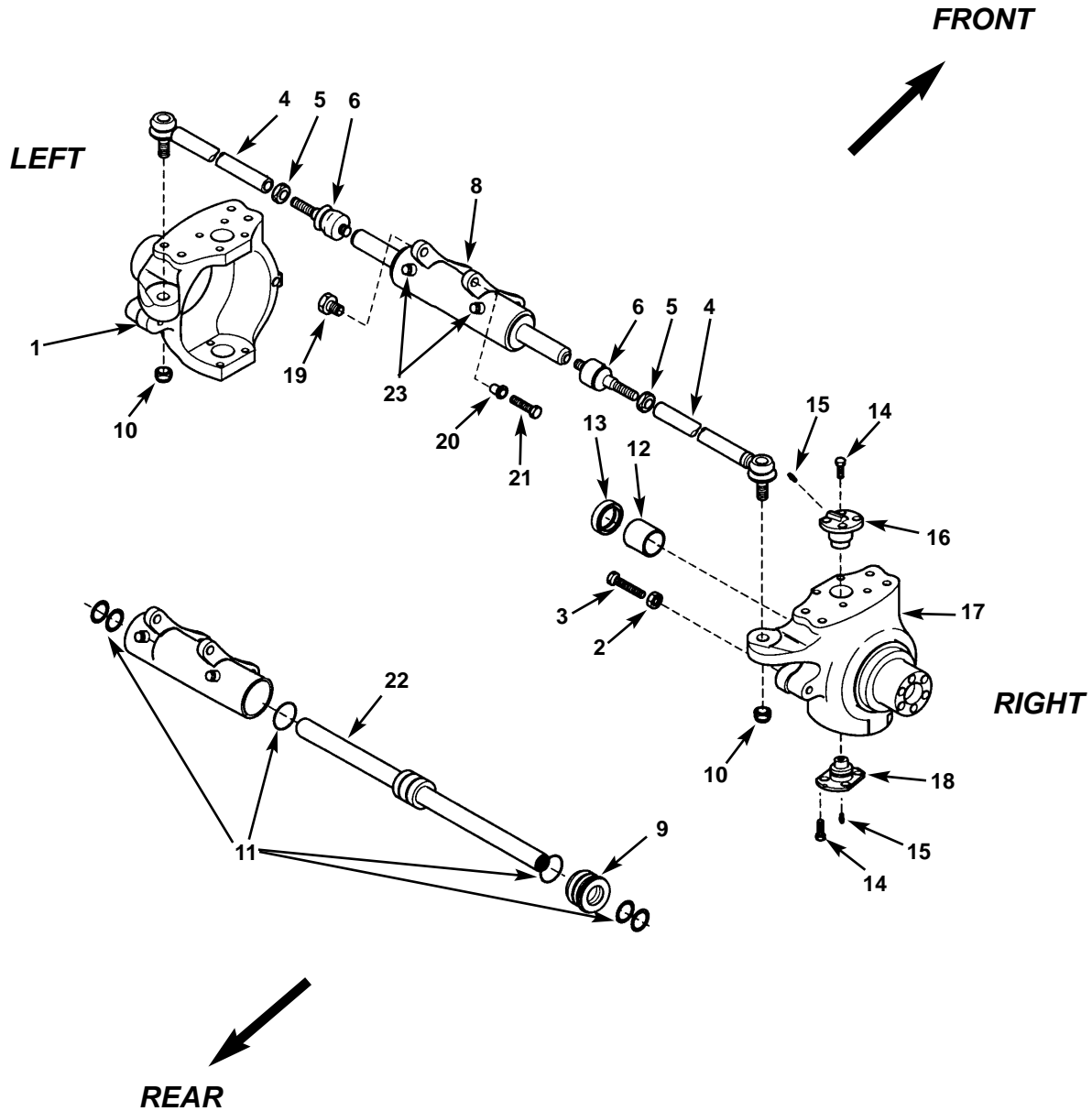
FRONT



**Front Axle Housing**  
**(26.25 and 26.28 Axles)**

Ref. No.	Part No.	Description	Qty. Req.	Ref. No.	Part No.	Description	Qty. Req.
<b>NOTE: All quantities are per axle.</b>							
01		BEAM TRUMPET . . . . .	1	27	L99488	BREATHER, M10X1 . . . . .	4
	L99461	DL6 Thru Axle SN 537		28	L99489	BOLT M12X110 . . . . .	4
		DL8/10/12 Thru Axle SN 719		29		CENTRAL BODY ( <i>Model DL6</i> ) . . . . .	1
	L500376	DL6 Axle SN 538 Thru 1283			L99490	DL6 Thru Axle SN 537	
		DL8/10/12 Axle SN 720 Thru 1695			L500397	DL6 Axle SN 538 & Up	
	L500608	DL6 Axle SN 1284 & Up		29		CENTRAL BODY ( <i>DL8/10/12</i> ). . . . .	1
		DL8/10/12 SN 1696 & Up			L99606	DL8/10/12 Thru Axle SN 719	
02	L99462	O-RING . . . . .	4		L500379	DL8/10/12 Axle SN 720 & Up	
03	<i>Note a</i>	BRAKE CYLINDER . . . . .	1	30	L99491	FRONT SUPPORT . . . . .	1
04	L500393	O-RING . . . . .	2	31		BOLT . . . . .	1
05	L99471	BUSHING . . . . .	1		L99492	DL6 Axle SN 537& Before	
06	L99466	BUSHING . . . . .	4			DL8/10/12 Thru Axle SN 719	
07	L99467	REAR SUPPORT . . . . .	1		L500380	DL6 Axle SN 538 & Up	
08	L99468	BOLT . . . . .	1			DL8/10/12 Axle SN 720 & Up	
09	L99469	GREASE ZERK . . . . .	2	32	L99493	SNAP RING ( <i>not shown</i> ). . . . .	6
10	L99475	THRUST WASHER . . . . .	1			DL6 Axle SN 537& Before	
11	L99474	BUSHING . . . . .	1			DL8/10/12 Axle SN 719& Before	
12	L99472	BUSHING . . . . .	1		L500381	SCREW ( <i>shown</i> ) . . . . .	6
13	L99473	O-RING . . . . .	1			DL6 Axle SN 538 & Up	
14	L99465	BUSHING . . . . .	1			DL8/10/12 Axle SN 720 & Up	
15	L99470	THRUST WASHER . . . . .	1	33	L99494	BOLT . . . . .	6
16	<i>Note a</i>	BRAKE CYLINDER . . . . .	1	34	L99456	O-RING . . . . .	6
17		BEAM TRUMPET . . . . .	1	35		PIN . . . . .	6
	L99477	DL6 Thru Axle SN 537			L99496	DL6 Axle SN 537& Before	
		DL8/10/12 Thru Axle SN 719				DL8/10/12 Axle SN 719& Before	
	L500376	DL6 Axle SN 538 Thru 1283			L500382	DL6 Axle SN 538 & Up	
		DL8/10/12 Axle SN 720 Thru 1695				DL8/10/12 Axle SN 720 & Up	
	L500608	DL6 Axle SN 1284 & Up		36	L500383	BOLT . . . . .	2
		DL8/10/12 Axle SN 1696 & Up		37	L500384	NUT . . . . .	2
18	L99478	BREATHER M10X1 . . . . .	1	38	L500385	PLUG . . . . .	1
19	L99479	BOLT . . . . .	24	39		SHIM . . . . .	2
20	L99480	BELLEVILLE WASHER . . . . .	2		L99481	DL6 Axle SN 1283 & Before	
21		BUSHING . . . . .	2			DL8/10/12 Axle SN 1695& Before	
	L99482	DL6 Thru Axle SN 1283		40	L500918	PLUG, M16X1.5 . . . . .	6
		DL8/10/12 Thru Axle SN 1695		41	L99457	WASHER . . . . .	6
	L500785	DL6 Axle SN 1284 & Up				DL6 Axle SN 537& Before	
		DL8/10/12 Axle SN 1696 & Up				DL8/10/12 Axle SN 719 & Before	
22	L99483	BUSHING . . . . .	2				
23		OIL SEAL . . . . .	2	<i>a</i>	<i>Refer to the Front Axle - Brakes section for internal components and brake assembly part numbers.</i>		
	L99484	DL6 Thru Axle SN 1283					
		DL8/10/12 Thru Axle SN 1695					
	L500610	DL6 Axle SN 1284 & Up					
		DL8/10/12 Axle SN 1696 & Up					
24	L99485	SPHERICAL BEARING . . . . .	2				
25	L99486	BELLEVILLE WASHER . . . . .	2				
26	L99615	OIL PLUG M30X2 . . . . .	3				

**Swivel Housing and Steer Cylinder**  
(26.25 and 26.28 Axles)

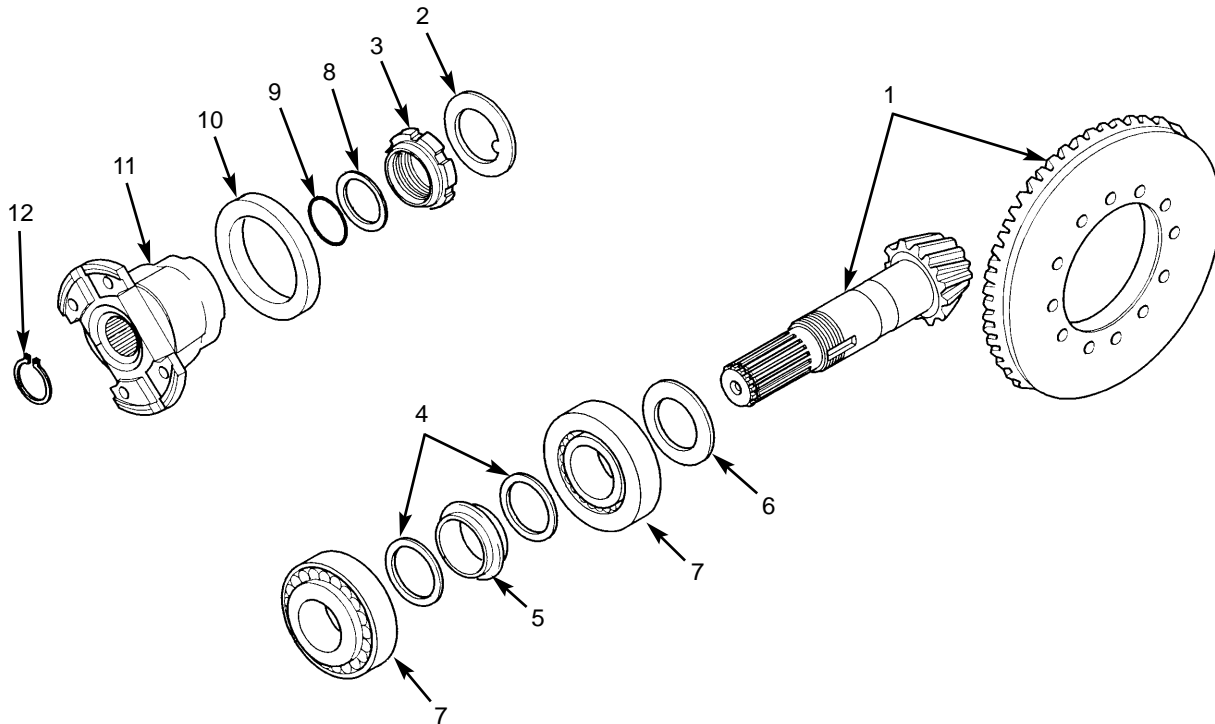




**Swivel Housing and Steer Cylinder  
(26.25 and 26.28 Axles)**

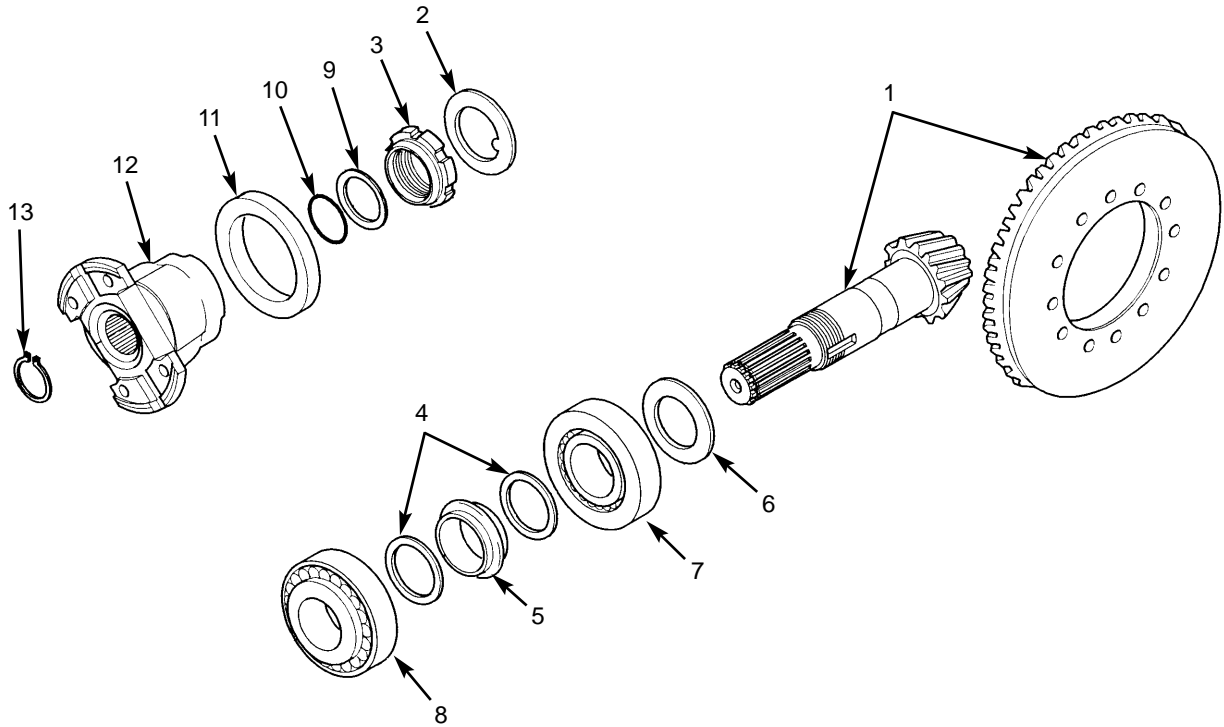
Ref. No.	Part No.	Description	Qty. Req.	Ref. No.	Part No.	Description	Qty. Req.
<b>NOTE: All quantities are per axle.</b>				13		OIL SEAL . . . . .	2
01 <sup>a</sup>		SWIVEL. HOUSING . . . . .	1	L99512		DL6 Axle SN 1283 & Before DL8/10/12 Axle SN 1695 & Before (Dimensions 48mmX65mmX11mm)	
	103008	DL6 Axle SN 1283 & Before			L500618	DL6 Axle SN 1284 & Up DL8/10/12 SN 1696 & Up (Dimensions 48mmX65mmX16.5mm)	
	L500617	DL6 Axle SN 1284 & Up					
02	L99498	NUT, M14. . . . .	4	14	L99513	BOLT, M16X2X38 . . . . .	16
		DL6 Axle SN 115 & Before		15	L99514	GREASE ZERK M6X1. . . . .	4
		DL8/10/12 Axle SN 110 & Before		16	L99515	KING PIN. . . . .	2
02	L500266	NUT M16. . . . .	4	17 <sup>a</sup>		SWIVEL. HOUSING . . . . .	1
		DL6 Axle SN 116 & Up			103009	DL6 Axle SN 1283 & Before DL8/10/12 Axle SN 1695 & Before	
		DL8/10/12 Axle SN 111 & Up			L500619	DL6 Axle SN 1284 & Up DL8/10/12 SN 1696 & Up	
03	L500265	BOLT, M14X95 . . . . .	4	18	L99517	KING PIN. . . . .	2
		DL6 Axle SN 115 & Before		19	L99519	BOLT, M22X55 . . . . .	2
		DL8/10/12 Axle SN 110 & Before		20	L99520	BUSHING . . . . .	2
03	L500267	BOLT, M16X100 . . . . .	4	21	L99593	BOLT, M14X65 . . . . .	2
		DL6 Axle SN 116 & Up		22	L99995	CYLINDER ROD . . . . .	1
		DL8/10/12 Axle SN 111 & Up		23	L69576	ADAP M18X1.5ORM -8JICM STR . 2	
04		STEERING ARM . . . . .	1*				
	L500280	DL6 only					
	L500281	DL8, DL10, DL12					
05	L99501	NUT, M24X1.5 . . . . .	1*				
06	L99502	BALL JOINT . . . . .	1*				
08	L500386	STEERING CYLINDER. . . . .	1	a		Must order new Item 2 (L500266) & Item 3 (L500267) when ordering new Item 1 and 17.	
09	L99506	CYLINDER HEAD . . . . .	1				
10	L99507	NUT, M24X1.5 . . . . .	2				
11	L500387	OIL SEAL KIT . . . . .	1	*		Quantity for one steering arm assembly.	
12	L99511	BUSHING . . . . .	2				

**Gear and Pinion Set**  
(26.25 Axle)



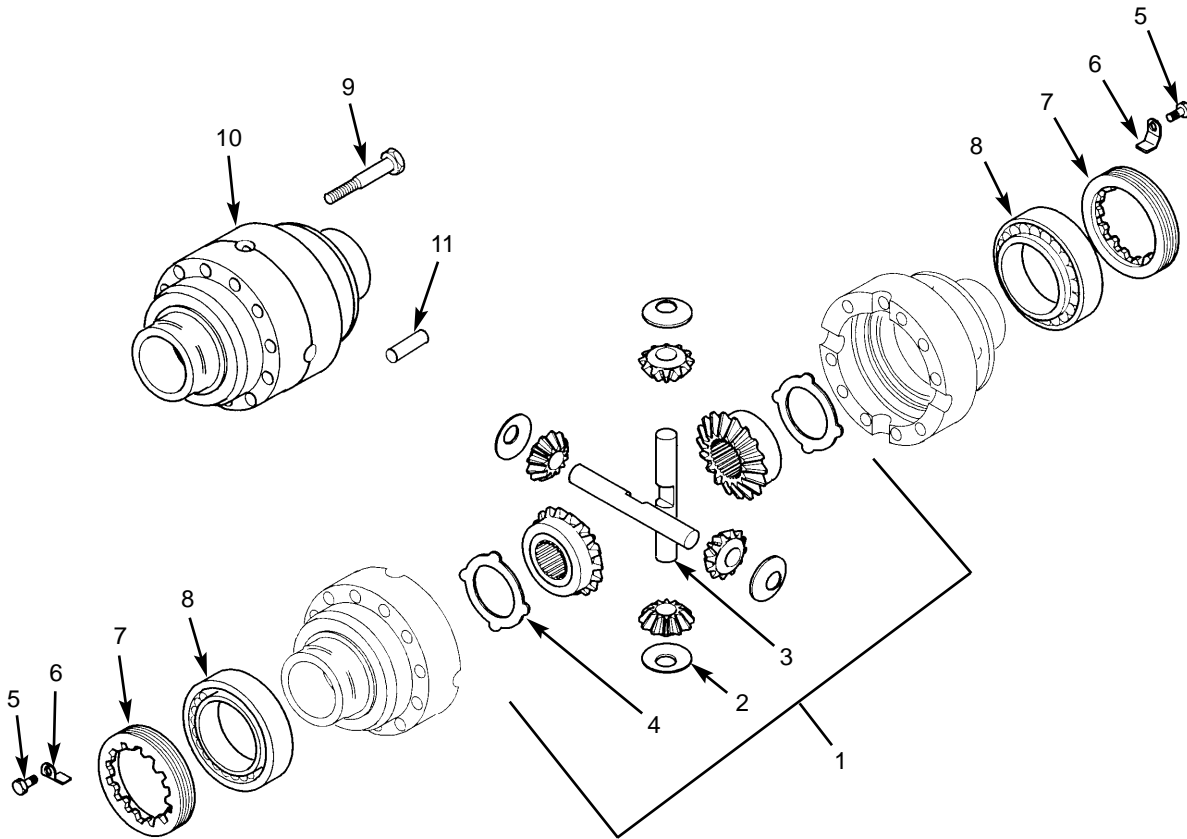
Ref. No.	Part No.	Description	Qty. Req.	Ref. No.	Part No.	Description	Qty. Req.
01	L99522	GEAR & PINION SET . . . . .	1	07	L99538	BEARING . . . . .	2
		<i>(Includes Items 2-5)</i>		08	L99539	WASHER . . . . .	1
02	L99523	LOCKWASHER . . . . .	1	09	L99540	O-RING . . . . .	1
03	L99524	RING NUT, M40X1.5 . . . . .	1	10		OIL SEAL 65X92X14 . . . . .	1
04	L99525	WASHER, 50X40X2 . . . . .	2		L99541	Axle SN 1283 & Before	
05	L99526	COLLAPSIBLE SPACER . . . . .	1		L500615	Axle SN 1284 & Up	
06	L99528	SHIM, 2.50MM . . . . .	AR	11	L99542	FLANGE . . . . .	1
	L99529	SHIM, 2.60MM . . . . .	AR	12	L99527	SNAP RING D.34 . . . . .	1
	L99530	SHIM, 2.70MM . . . . .	AR				
	L99531	SHIM, 2.80MM . . . . .	AR				
	L99532	SHIM, 2.90MM . . . . .	AR				
	L99533	SHIM, 3.00MM . . . . .	AR				
	L99534	SHIM, 3.10MM . . . . .	AR				
	L99535	SHIM, 3.20MM . . . . .	AR				
	L99536	SHIM, 3.30MM . . . . .	AR				
	L99537	SHIM, 3.40MM . . . . .	AR				

**Gear and Pinion Set  
(26.28 Axle)**



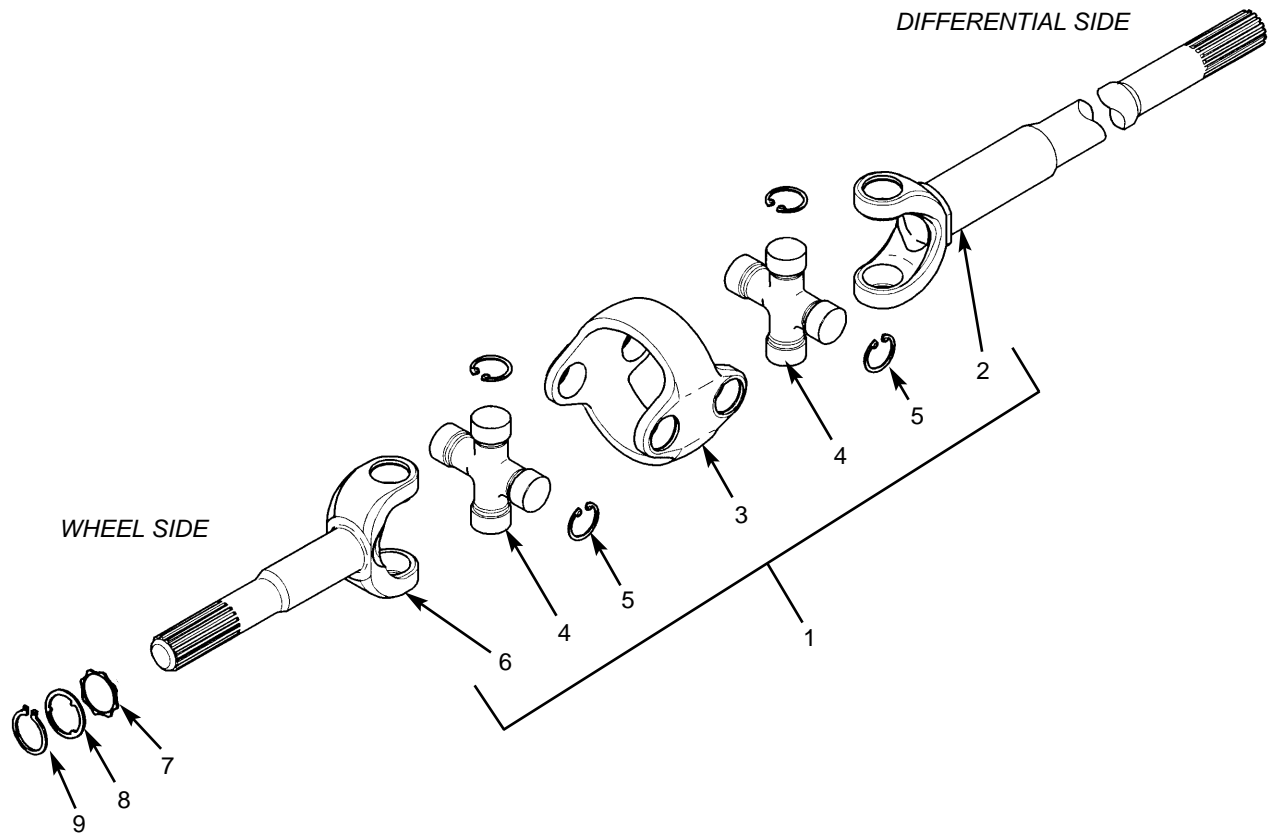
Ref. No.	Part No.	Description	Qty. Req.	Ref. No.	Part No.	Description	Qty. Req.
01	L99612	GEAR & PINION SET . . . . .	1	07	L99626	BEARING . . . . .	1
		<i>(Includes. Items 2-5)</i>		08	L99538	BEARING . . . . .	1
02	L99523	LOCKWASHER . . . . .	1	09	L99539	WASHER . . . . .	1
03	L99524	RING NUT, M40X1.5 . . . . .	1	10	L99540	O-RING . . . . .	1
04	L99525	WASHER, 50X40X2 . . . . .	2	11	L99541	OIL SEAL 65X92X14 . . . . .	1
05	L99613	COLLAPSIBLE SPACER . . . . .	1		L99541	Axle SN 1748 & Before	
06	L99614	SHIM, 2.50MM . . . . .	AR		L500615	Axle SN 1749 & Up	
	L99617	SHIM, 2.60MM . . . . .	AR	12	L99542	FLANGE . . . . .	1
	L99618	SHIM, 2.70MM . . . . .	AR	13	L99527	SNAP RING D.34 . . . . .	1
	L99619	SHIM, 2.80MM . . . . .	AR				
	L99620	SHIM, 2.90MM . . . . .	AR				
	L99621	SHIM, 3.00MM . . . . .	AR				
	L99622	SHIM, 3.10MM . . . . .	AR				
	L99623	SHIM, 3.20MM . . . . .	AR				
	L99624	SHIM, 3.30MM . . . . .	AR				
	L99625	SHIM, 3.40MM . . . . .	AR				

**Axle Differential**  
(26.25 and 26.28 Axles)



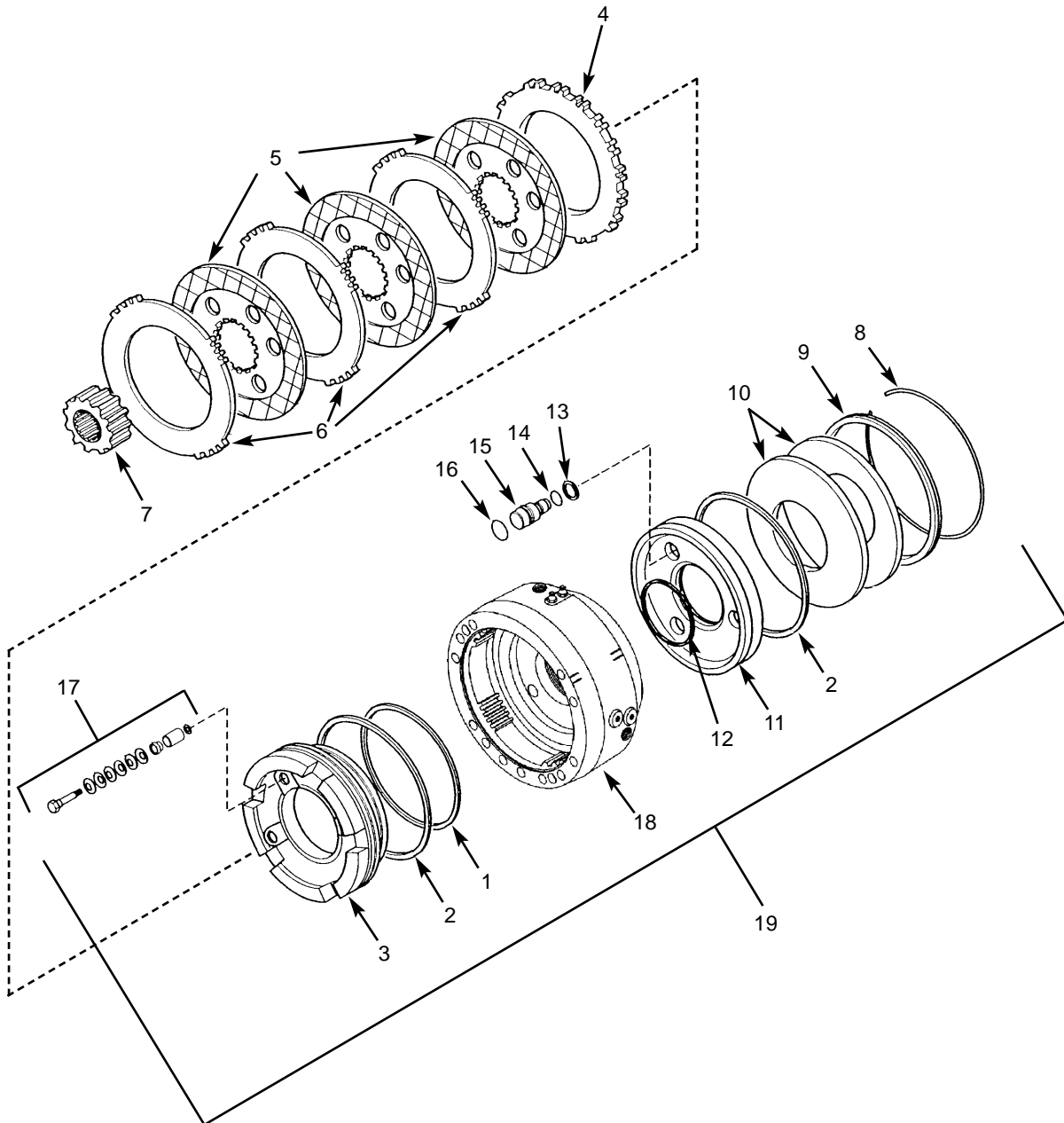
Ref. No.	Part No.	Description	Qty. Req.	Ref. No.	Part No.	Description	Qty. Req.
01		DIFFERENTIAL KIT . . . . .	1	08		BEARING . . . . .	2
	L99543	(Includes items 2-4)			L99550	(Model DL6)	
	L99628	(Models DL8, DL10 and DL12)			L99632	(Models DL8, DL10 and DL12)	
02		THRUST WASHER . . . . .	4	09	L99633	BOLT, M12X1.75X90 . . . . .	10
	L99544	(Model DL6)			L99551	(Models DL8, DL10 and DL12)	
	L99629	(Models DL8, DL10 and DL12)				BOLT, M10X1.5X75 . . . . .	12
03		SHAFT . . . . .	2			(Models DL6)	
	L99545	(Model DL6)		10		DIFFERENTIAL HOUSING . . . . .	1
	L99630	(Models DL8, DL10 and DL12)			L99552	(Model DL6)	
04		DRIVE PLATE . . . . .	2		L99634	(Models DL8, DL10 and DL12)	
	L99546	(Model DL6)		11 <sup>a</sup>	L99635	PIN D12X40 . . . . .	1
	L99631	(Models DL8, DL10 and DL12)					
05	L99547	BOLT, M6X1X10 . . . . .	2				
06	L99548	LOCKING PLATE . . . . .	2	a		Not used on model DL6	
07	L99549	RING NUT . . . . .	2				

**Double Joint Shaft**  
(26.25 and 26.28 Axles)



Ref. No.	Part No.	Description	Qty. Req.	Ref. No.	Part No.	Description	Qty. Req.
01		DOUBLE JOINT SHAFT . . . . . 2 (Includes items 2-6)		06		HALF SHAFT - WHL. SIDE . . . . . 1*	
	L99553	DL6			L99558	DL6	
	L99636	DL8/10/12 Axle SN 1826 & Before			L99558	DL8/10/12 Axle SN 1826 & Before	
	L500910	DL8/10/12 Axle SN 1827 & Up			L500915	DL8/10/12 Axle SN 1827 & Up	
02		HALF SHAFT - DIFF. SIDE . . . . . 1*		07 <sup>a</sup>	L500658	THRUST WASHER . . . . . 2	
	L99554	DL6		08		WASHER . . . . . 2	
	L99637	DL8/10/12 Axle SN 1826 & Before			L500388	DL6 Axle SN 699 & Before	
	L500911	DL8/10/12 Axle SN 1827 & Up			L99560	DL8/10/12 Axle SN 813 & Before	
03		CENTRAL BODY . . . . . 1*			L500388	DL6 Axle SN 700 & Up	
	L99555	DL6				DL8/10/12 Axle SN 814 Thru 1826	
	L99555	DL8/10/12 Axle SN 1826 & Before			L500916	DL8/10/12 Axle SN 1827 & Up	
	L500912	DL8/10/12 Axle SN 1827 & Up		09		SNAP RING D.45 . . . . . 2	
04		SPIDER . . . . . 2*			L99561	DL6	
	L99556	DL6			L99561	DL8/10/12 Axle SN 1826 & Before	
	L99556	DL8/10/12 Axle SN 1826 & Before			L500917	DL8/10/12 Axle SN 1827 & Up	
	L500913	DL8/10/12 Axle SN 1827 & Up		a		Some models used 2 washers per double joint shaft. These have been replaced by the 1 washer per double joint shaft shown.	
05		SNAP RING . . . . . 8*		*		Quantity for one double joint shaft.	
	L99557	DL6					
	L99557	DL8/10/12 Axle SN 1826 & Before					
	L500914	DL8/10/12 Axle SN 1827 & Up					

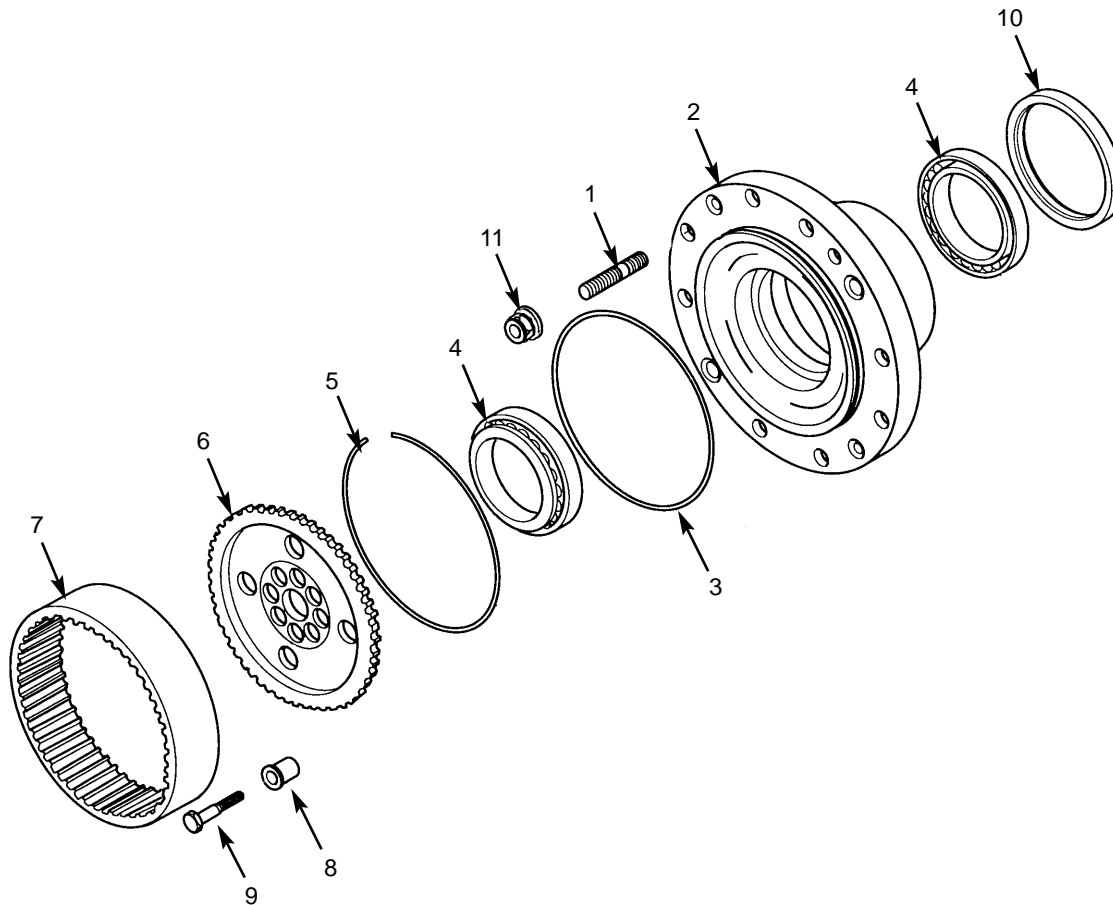
**Brakes**  
(26.25 and 26.28 Axles)



**Brakes**  
**(26.25 and 26.28 Axles)**

Ref. No.	Part No.	Description	Qty. Req.	Ref. No.	Part No.	Description	Qty. Req.
<b>NOTE: All quantities are per axle.</b>				15	L99581	SHAFT . . . . .	6
01	L500389	O-RING . . . . .	2	16	L500393	O-RING . . . . .	6
02	L500390	O-RING . . . . .	4	17	L99996	SELF ADJUST KIT . . . . .	2
03	L99564	BRAKE PISTON, POS. . . . .	2			<i>(3 per kit)</i>	
04	L99565	DRIVE PLATE . . . . .	2	18	NSS	BRAKE CYLINDER . . . . .	1
05	L99566	BRAKE DISC . . . . .	6	19		BRAKE KIT, LH . . . . .	1
06	L99567	DRIVE PLATE . . . . .	6			<i>(Includes items 1-3, 8-18)</i>	
07	L99568	SLEEVE . . . . .	2		L500295	DL6 Axle SN 537 & Before	
08	L99574	RING . . . . .	2			DL8/10/12 Axle SN 719 & Before	
09	L99575	SLEEVE . . . . .	2		L500759	DL6 Axle SN 538 & Up	
10	L99576	BELLEVILLE WASHER . . . . .	4			DL8/10/12 Axle SN 720 & Up	
11	L99577	BRAKE PISTON, NEG. . . . .	2	19		BRAKE KIT, RH. . . . .	1
12	L500391	O-RING . . . . .	2			<i>(Includes items 1-3, 8-18)</i>	
13	L99579	SNAP RING . . . . .	6		L500296	DL6 Axle SN 537 & Before	
14	L500392	O-RING . . . . .	6			DL8/10/12 Axle SN 719 & Before	
					L500760	DL6 Axle SN 538 & Up	
						DL8/10/12 Axle SN 720 & Up	

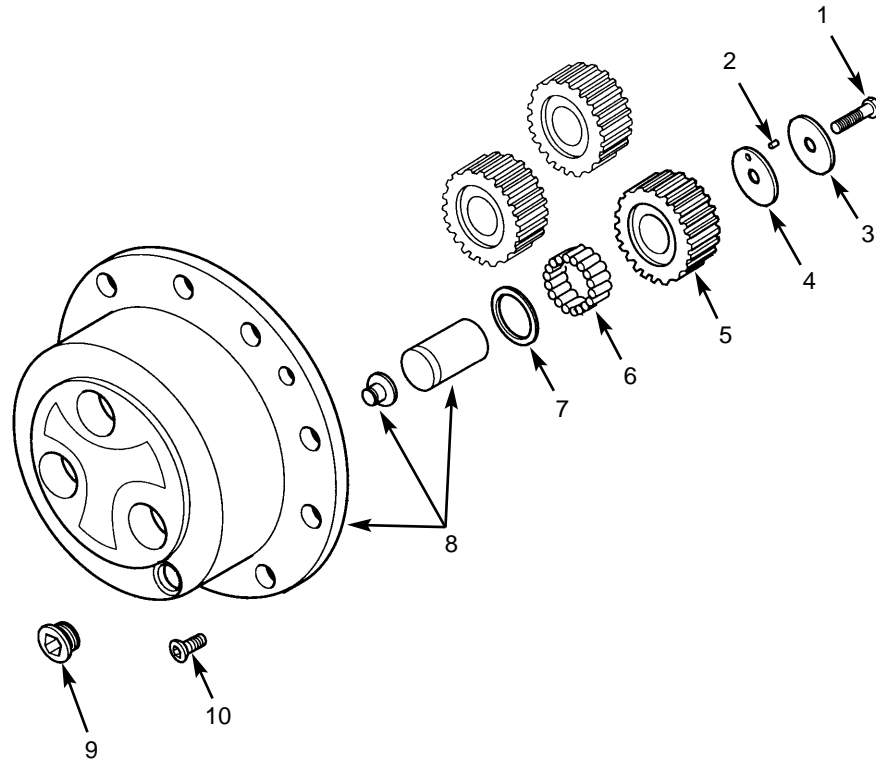
**Wheel Hub**  
(26.25 and 26.28 Axles)



Ref. No.	Part No.	Description	Qty. Req.	Ref. No.	Part No.	Description	Qty. Req.
<b>NOTE: All quantities are per axle.</b>							
01	L99584	STUD.....	20	08	L99592	CENTERING BUSHING D20 . . . .	16
02		WHEEL HUB ASY. . . . .	2	09	L99593	BOLT, M14X1.5X65.....	16
	L99585	DL6 Thru Axle SN 1283		10		CASSETTE SEAL 150X176X16 . . .	2
		DL8/10/12 Thru Axle SN 1695			L99596	DL6 Axle SN 1283 & Before	
	L500640	DL6 Axle SN 1284 & Up			L500786	DL8/10/12 Thru Axle SN 1695	
		DL8/10/12 Axle SN 1696 & Up				DL6 Axle SN 1284 & Up	
03	L99586	O-RING . . . . .	2			DL8/10/12 Axle SN 1696 & Up	
04	L99587	BEARING.....	4	11	L69734	LUG NUT.....	20
05	L99588	LOCK RING . . . . .	2				
06	L500394	WHEEL CARRIER.....	2				
07	L99590	CROWN GEAR Z=77 . . . . .	2				



**Planetary Drive**  
(26.25 and 26.28 Axles)

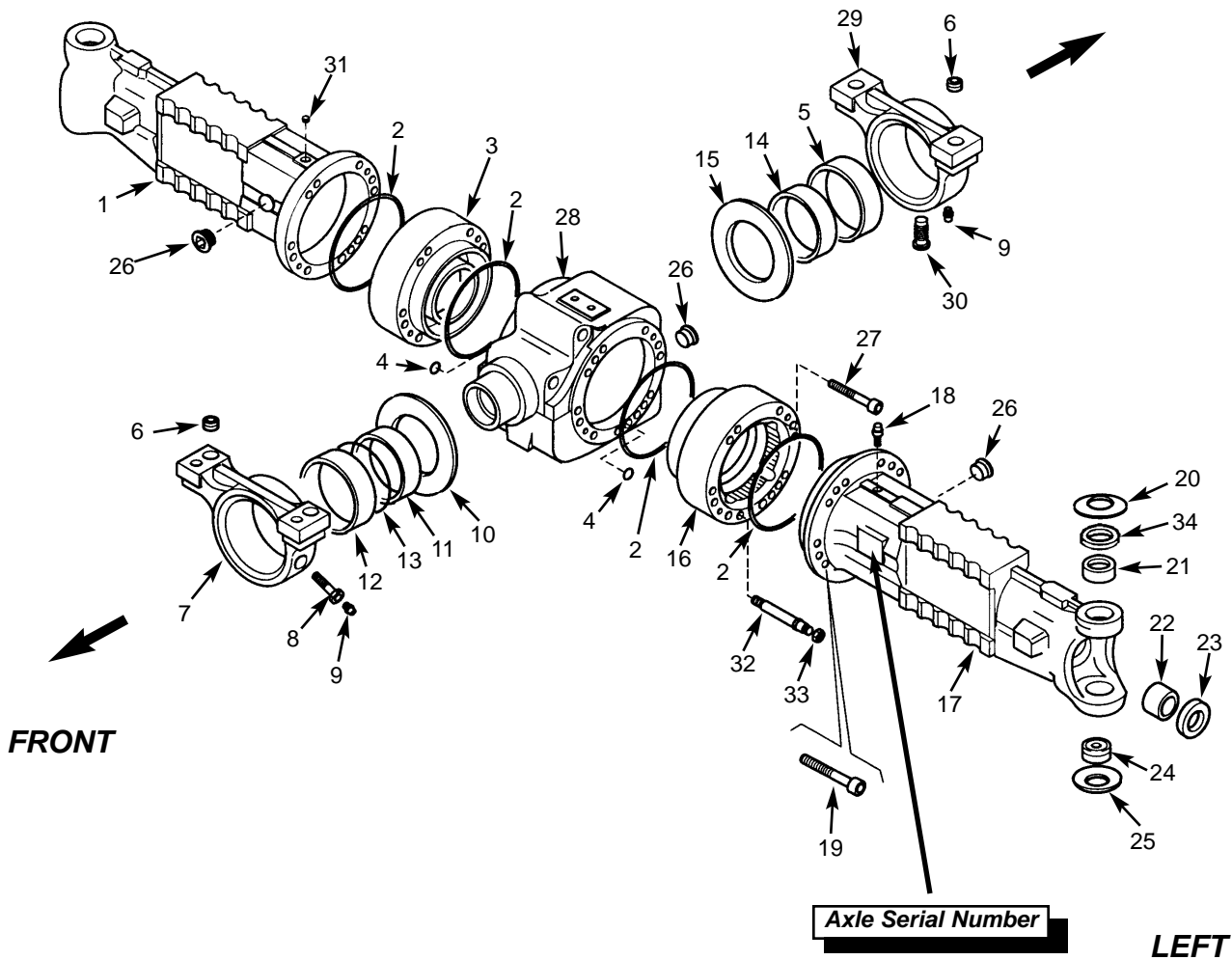


Ref. No.	Part No.	Description	Qty. Req.	Ref. No.	Part No.	Description	Qty. Req.
<b>NOTE: All quantities are per axle.</b>							
01	L99597	BOLT, M10X1.25X50 . . . . .	6	06	L99602	NEEDLE BEARING-BY TENS . . .	17
02	L99598	PIN. . . . .	6	07	L99603	THRUST WASHER, 60X40X1.5 . . .	6
03	L99599	THRUST WASHER, 60X11X3. . . . .	6	08	L99604	PLANETARY CARRIER ASY. . . . .	2
04	L99600	THRUST WASHER, 60X11X3. . . . .	6	09	L99615	OIL PLUG, M30X2. . . . .	2
05	L99601	PLANETARY GEAR . . . . .	6	10	L97616	BOLT, M8X20 . . . . .	4

**Rear Axle Housing**  
(26.25 and 26.28 Axles)

**RIGHT**

**REAR**

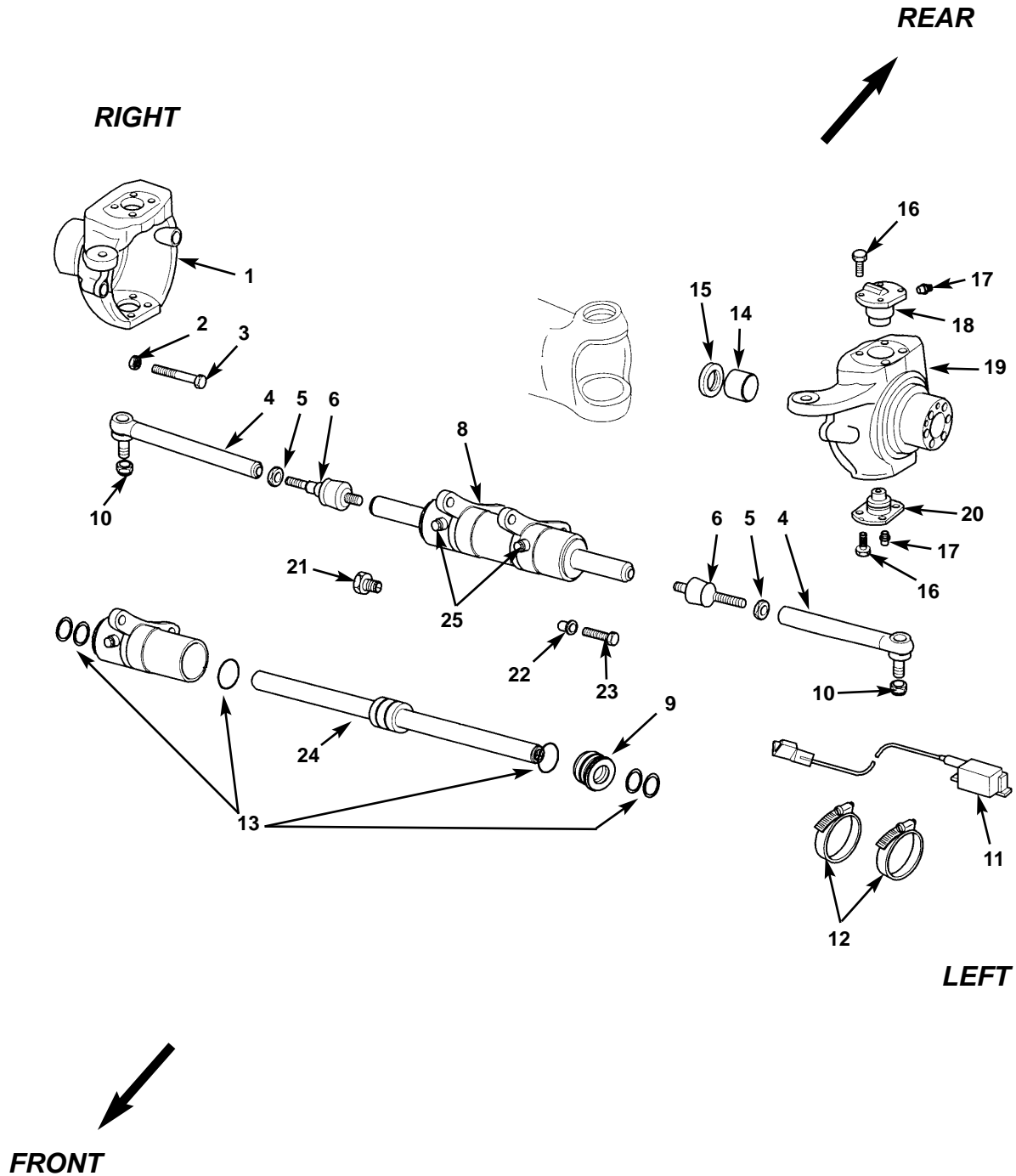


**Rear Axle Housing  
(26.25 and 26.28 Axles)**

Ref. No.	Part No.	Description	Qty. Req.	Ref. No.	Part No.	Description	Qty. Req.
01		BEAM TRUMPET . . . . .	1	20	L99480	BELLEVILLE WASHER . . . . .	2
	L99461	DL6 Thru Axle SN 536		21		BUSHING . . . . .	2
		DL8/10/12 Thru Axle SN 611			L99482	DL6 Axle SN 1434 & Before	
	L500376	DL6 Axle SN 537 Thru 1434				DL8/10/12 Axle SN 1612 & Before	
		DL8/10/12 Axle SN 612 Thru 1612			L500785	DL6 Axle SN 1435 & Up	
	L500608	DL6 Axle SN 1435 & Up				DL8/10/12 Axle SN 1613 & Up	
		DL8/10/12 SN 1613 & Up		22	L99483	BUSHING . . . . .	2
02	L99462	O-RING . . . . .	4	23		OIL SEAL . . . . .	2
03 <sup>a</sup>		BRAKE CYLINDER . . . . .	1		L99484	DL6 Axle SN 1434 & Before	
	L99641	DL6 Thru Axle SN 536				DL8/10/12 Axle SN 1612 & Before	
		DL8/10/12 Thru Axle SN 611			L500610	DL6 Axle SN 1435 & Up	
	L500395	DL6 Axle SN 537 & Up				DL8/10/12 Axle SN 1613 & Up	
		DL8/10/12 Axle SN 612 & Up		24	L99485	SPHERICAL BEARING . . . . .	2
04	L500393	O-RING . . . . .	2	25	L99486	BELLEVILLE WASHER . . . . .	2
05	L99465	BUSHING . . . . .	1	26	L99615	OIL PLUG M30X2 . . . . .	3
06	L99466	BUSHING . . . . .	4	27	L99489	BOLT M12X110 . . . . .	4
07	L99467	SUPPORT FRONT . . . . .	1	28		CENTRAL BODY (DL6) . . . . .	1
08	L99468	BOLT . . . . .	1		L99490	DL6 Axle SN 536 & Before	
09	L99469	GREASE ZERK . . . . .	2		L500397	DL6 Axle SN 537 & Up	
10	L99470	THRUST WASHER . . . . .	1	28		CENTRAL BODY (DL8/10/12) . . . . .	1
11	L99471	BUSHING . . . . .	1		L99606	DL8/10/12 Axle SN 611 & Before	
12	L99472	BUSHING . . . . .	1		L500379	DL8/10/12 Axle SN 612 & Up	
13	L99473	O-RING . . . . .	1	29	L99491	SUPPORT . . . . .	1
14	L99474	BUSHING . . . . .	1	30		BOLT . . . . .	1
15	L99475	THRUST WASHER . . . . .	1		L99492	DL6 Axle SN 536 & Before	
16 <sup>a</sup>		BRAKE CYLINDER . . . . .	1			DL8/10/12 Axle SN 611 & Before	
	L99642	DL6 Axle SN 536 & Before			L500380	DL6 Axle SN 537 & Up	
		DL8/10/12 Axle SN 611 & Before				DL8/10/12 Axle SN 612 & Up	
	L500396	DL6 Axle SN 537 & Up		31	L500385	PLUG . . . . .	1
		DL8/10/12 Axle SN 612 & Up		32	L500383	BOLT . . . . .	2
17		BEAM TRUMPET . . . . .	1	33	L500384	NUT . . . . .	2
	L99477	DL6 Axle SN 536 & Before		34		SHIM . . . . .	2
		DL8/10/12 Axle SN 611 & Before			L99481	DL6 Axle SN 1434 & Before	
	L500376	DL6 Axle SN 537 Thru SN 1434				DL8/10/12 Axle SN 1612 & Before	
		DL8/10/12 Axle SN 612 Thru 1612					
	L500608	DL6 Axle SN 1435 & Up					
		DL8/10/12 SN 1613 & Up					
18	L99478	BREATHER M10X1 . . . . .	1				
19	L99479	BOLT . . . . .	24				

*a Does not include internal brake components. This machine is not equipped with brakes on the rear axle.*

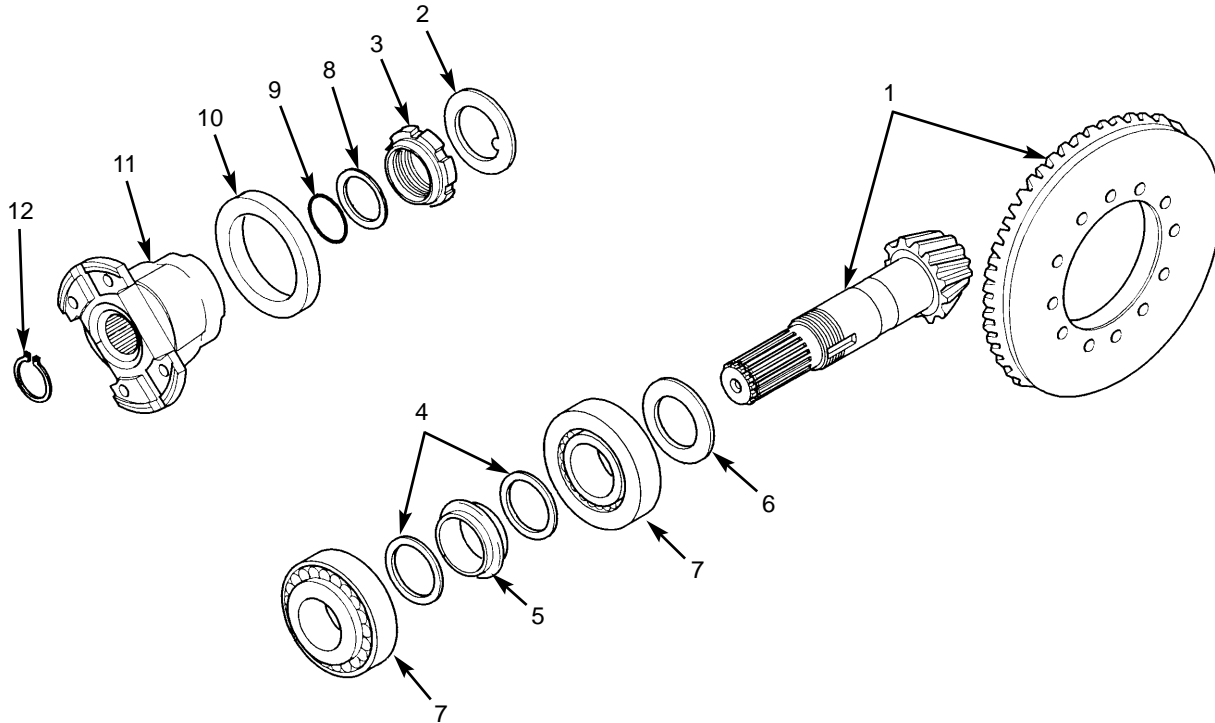
**Axle Swivel Housings and Steer Cylinder**  
(26.25 and 26.28 Axles)



**Axle Swivel Housings and Steer Cylinder  
(26.25 and 26.28 Axles)**

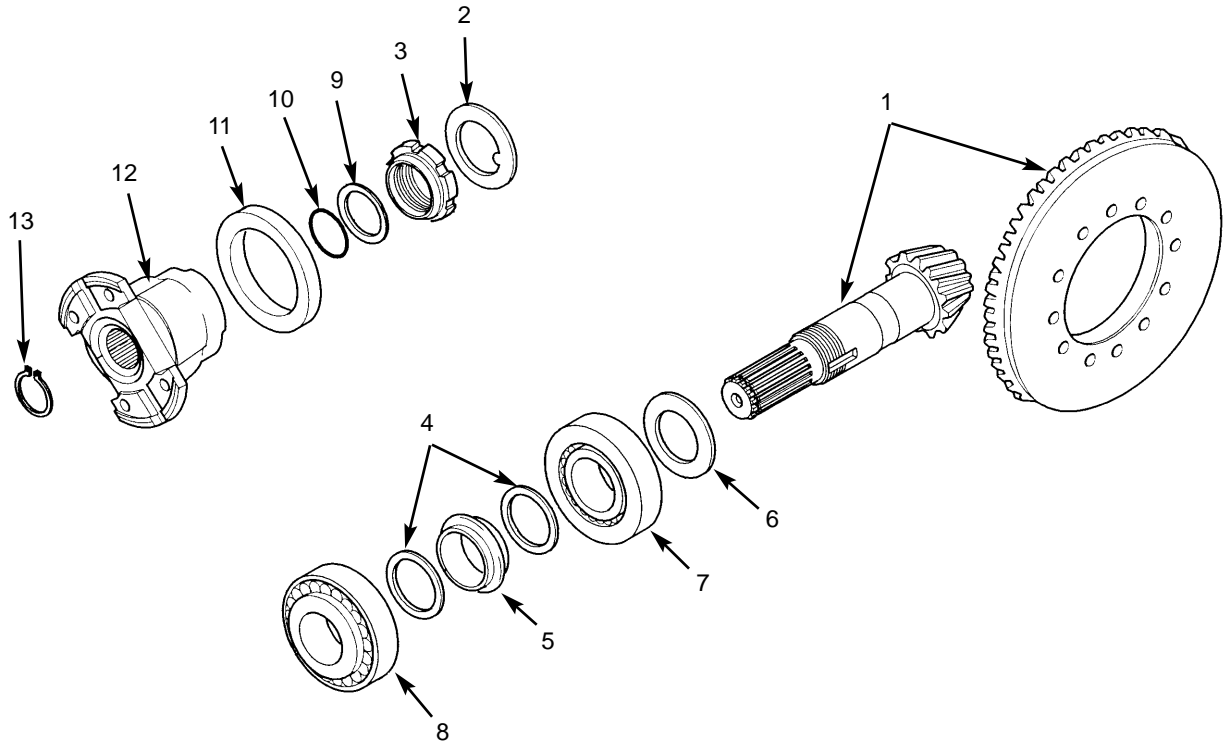
Ref. No.	Part No.	Description	Qty. Req.	Ref. No.	Part No.	Description	Qty. Req.
01 <sup>a</sup>		SWIVEL. HOUSING . . . . .	1	14	L99511	BUSHING . . . . .	2
	103008	DL6 Axle SN 1434 & Before		15		OIL SEAL 48X65X11 . . . . .	2
		DL8/10/12 Axle SN 1612 & Before			L99512	DL6 Axle SN 1434 & Before	
	L500617	DL6 Axle SN 1435 & Up				DL8/10/12 Axle SN 1612 & Before	
		DL8/10/12 SN 1613 & Up				(Dimensions 48mmX65mmX11mm)	
02	L99498	NUT, M14. . . . .	4		L500618	DL6 Axle SN 1435 & Up	
		DL6 Axle SN 110 & Before				DL8/10/12 SN 1613 & Up	
		DL8/10/12 Axle SN 135 & Before				(Dimensions 48mmX65mmX16.5mm)	
02	L500266	NUT, M16. . . . .	4	16	L99513	BOLT, M16X2X38 . . . . .	16
		DL6 Axle SN 111 & Up		17	L99514	GREASE ZERK M6X1. . . . .	4
		DL8/10/12 Axle SN 136 & Up		18	L99515	KING PIN. . . . .	2
03	L500265	BOLT, M14X95 . . . . .	4	19 <sup>a</sup>		SWIVEL. HOUSING . . . . .	1
		DL6 Axle SN 110 & Before			103009	DL6 Axle SN 1434 & Before	
		DL8/10/12 Axle SN135 & Before				DL8/10/12 Axle SN 1612 & Before	
03	L500267	BOLT, M16X100 . . . . .	4		L500619	DL6 Axle SN 1435 & Up	
		DL6 Axle SN 111 & Up				DL8/10/12 SN 1613 & Up	
		DL8/10/12 Axle SN 136 & Up		20	L99517	KING PIN. . . . .	2
04		STEERING ARM . . . . .	1*	21	L99519	BOLT, M22X55 . . . . .	2
	L500280	DL6 only		22	L99520	BUSHING . . . . .	2
	L500281	DL8, DL10, DL12		23	L99593	BOLT, M14X65 . . . . .	2
05	L99501	NUT, M24X1.5 . . . . .	1*	24	L99995	ROD. . . . .	1
06	L99502	BALL JOINT . . . . .	1*	25	L69576	ADAP M18X1.5ORM -8JICM STR . . . . .	2
08	L99504	STEERING CYLINDER. . . . .	1				
09	L99506	CYLINDER HEAD . . . . .	2	a	Must order new Item 2 (L500266) & Item 3 (L500267) when ordering new Item 1.		
10	L99507	NUT, M24X1.5 . . . . .	2				
11	L99610	STEERING SENSOR . . . . .	1				
12	L99509	CLAMP . . . . .	2	*	Quantity for one steering arm assembly.		
13	L500387	CYLINDER SEAL KIT (seals only) . . . . .	1				

**Axle Gear and Pinion Set**  
(26.25 Axle)



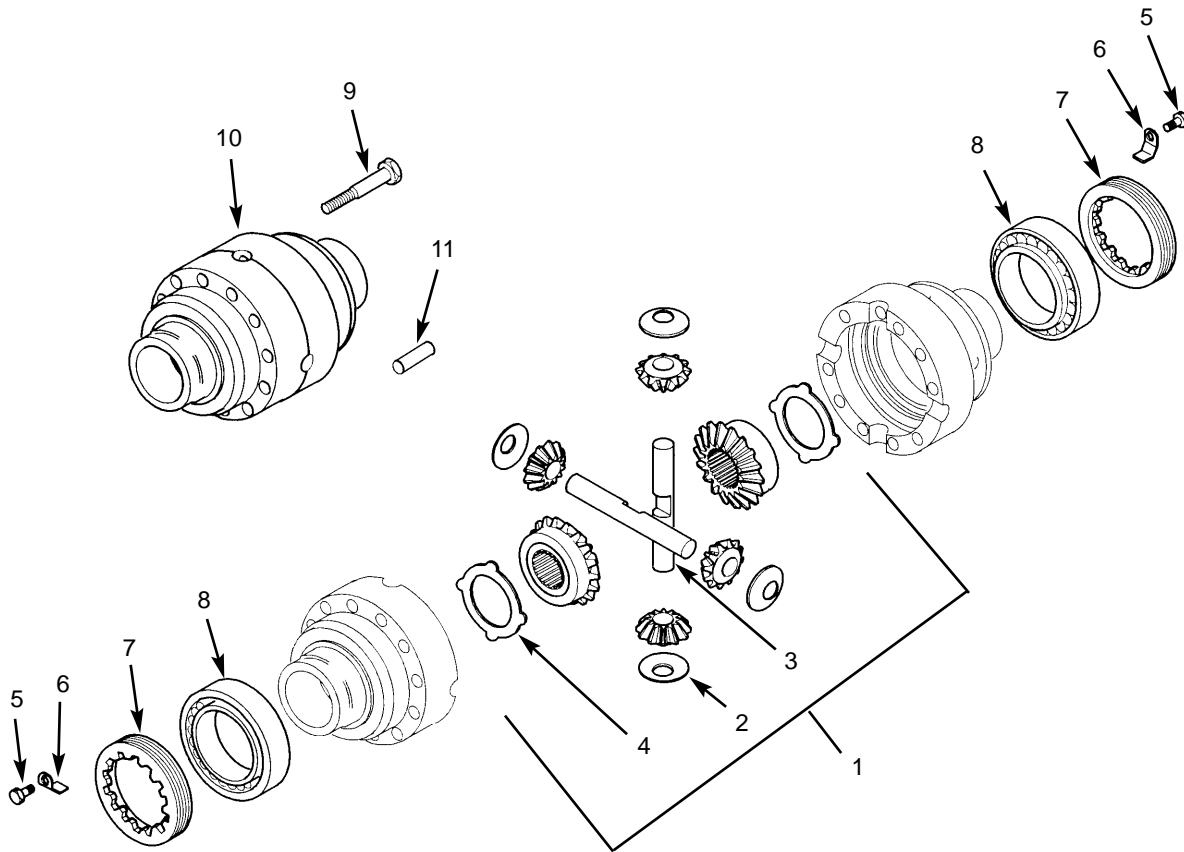
Ref. No.	Part No.	Description	Qty. Req.	Ref. No.	Part No.	Description	Qty. Req.
01	L99643	GEAR & PINION SET . . . . .	1	07	L99538	BEARING . . . . .	2
		<i>(Includes Items 2-4)</i>		08	L99539	WASHER . . . . .	1
02	L99523	LOCKWASHER . . . . .	1	09	L99540	O-RING . . . . .	1
03	L99524	RING NUT, M40X1.5 . . . . .	1	10		OIL SEAL 65X92X14 . . . . .	1
04	L99525	WASHER, 50X40X2 . . . . .	2		L99541	Axle SN 1434 & Before	
05	L99526	COLLAPSIBLE SPACER . . . . .	1		L500615	Axle SN 1435 & Up	
06	L99528	SHIM, 2.50MM . . . . .	AR	11	L99542	FLANGE . . . . .	1
	L99529	SHIM, 2.60MM . . . . .	AR	12	L99527	SNAP RING D.34 . . . . .	1
	L99530	SHIM, 2.70MM . . . . .	AR				
	L99531	SHIM, 2.80MM . . . . .	AR				
	L99532	SHIM, 2.90MM . . . . .	AR				
	L99533	SHIM, 3.00MM . . . . .	AR				
	L99534	SHIM, 3.10MM . . . . .	AR				
	L99535	SHIM, 3.20MM . . . . .	AR				
	L99536	SHIM, 3.30MM . . . . .	AR				
	L99537	SHIM, 3.40MM . . . . .	AR				

**Gear and Pinion Set**  
(26.28 Axle)



Ref. No.	Part No.	Description	Qty. Req.	Ref. No.	Part No.	Description	Qty. Req.
01	L99649	GEAR & PINION SET . . . . .	1	07	L99626	BEARING. . . . .	1
		<i>(Includes. Items 2-5)</i>		08	L99538	BEARING. . . . .	1
02	L99523	LOCKWASHER . . . . .	1	09	L99539	WASHER. . . . .	1
03	L99524	RING NUT, M40X1.5 . . . . .	1	10	L99540	O-RING . . . . .	1
04	L99525	WASHER, 50X40X2 . . . . .	2	11	L99541	OIL SEAL 65X92X14. . . . .	1
05	L99613	COLLAPSIBLE SPACER. . . . .	1		L99541	Thru Axle SN 1612	
06	L99614	SHIM, 2.50MM . . . . .	AR		L500615	Axle SN 1613 & Up	
	L99617	SHIM, 2.60MM . . . . .	AR	12	L99542	FLANGE . . . . .	1
	L99618	SHIM, 2.70MM . . . . .	AR	13	L99527	SNAP RING D.34 . . . . .	1
	L99619	SHIM, 2.80MM . . . . .	AR				
	L99620	SHIM, 2.90MM . . . . .	AR				
	L99621	SHIM, 3.00MM . . . . .	AR				
	L99622	SHIM, 3.10MM . . . . .	AR				
	L99623	SHIM, 3.20MM . . . . .	AR				
	L99624	SHIM, 3.30MM . . . . .	AR				
	L99625	SHIM, 3.40MM . . . . .	AR				

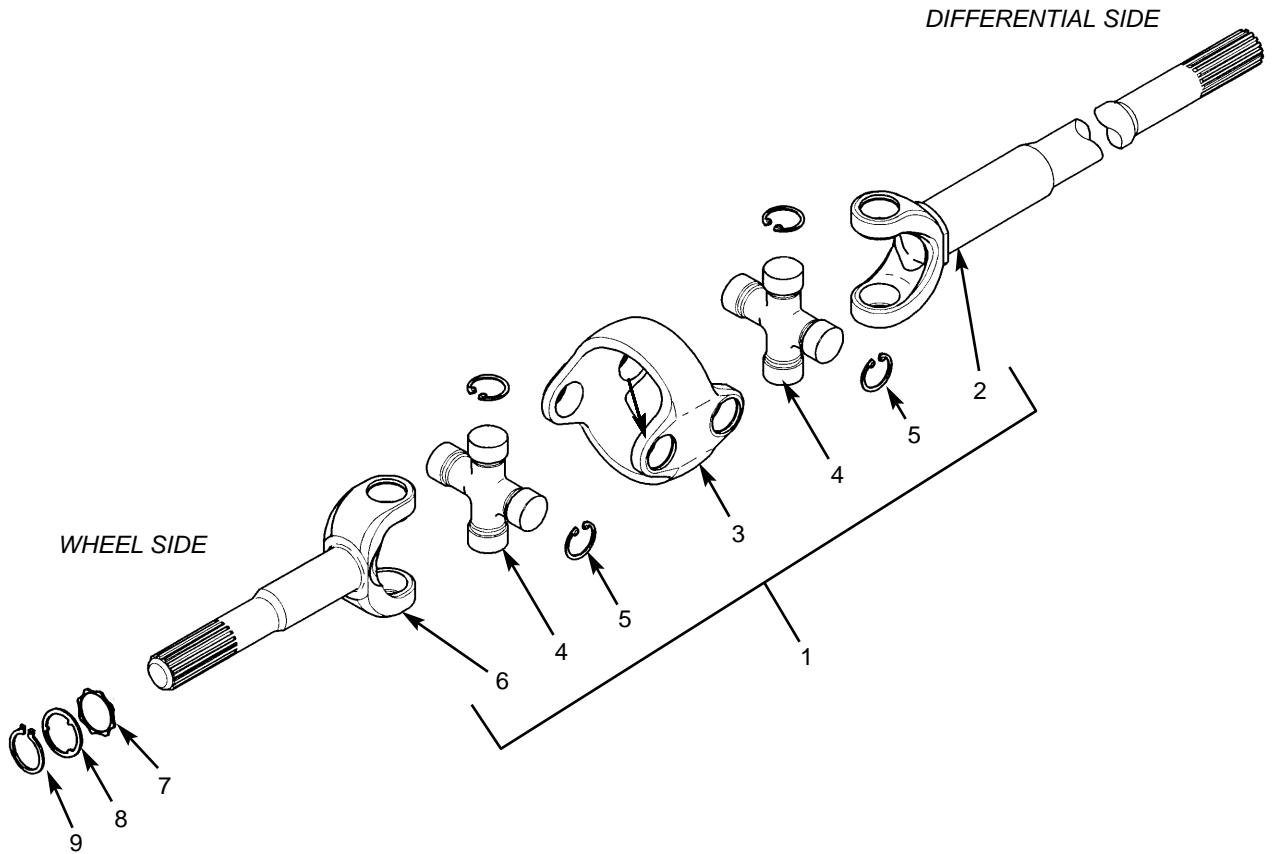
**Axle Differential**  
(26.25 and 26.28 Axles)



Ref. No.	Part No.	Description	Qty. Req.	Ref. No.	Part No.	Description	Qty. Req.
01		DIFFERENTIAL KIT..... 1 (Includes items 2-4)	1	07	L99549	RING NUT..... 2	2
	L99543	(Model DL6)		08	L99550	BEARING..... 2 (Model DL6)	2
	L99628	(Models DL8/10/12)			L99632	(Models DL8/10/12)	
02		THRUST WASHER..... 4	4	09	L99551	BOLT, M10X1.5X75 (Model DL6) . 12	12
	L99544	(Model DL6)			L99633	BOLT, M12X1.75X90..... 10	10
	L99629	(Models DL8/10/12)			10	DIFFERENTIAL HOUSING..... 1	1
03		SHAFT..... 2	2		L99552	(Model DL6)	
	L99545	(Model DL6)			L99634	(Models DL8/10/12)	
	L99630	(Models DL8/10/12)		11 <sup>a</sup>	L99635	PIN D12X40..... 1	1
04		DRIVE PLATE..... 2	2	a		Not used on model DL6	
	L99546	(Model DL6)					
	L99631	(Models DL8/10/12)					
05	L99547	BOLT, M6X1X10..... 2	2				
06	L99548	LOCKING PLATE..... 2	2				

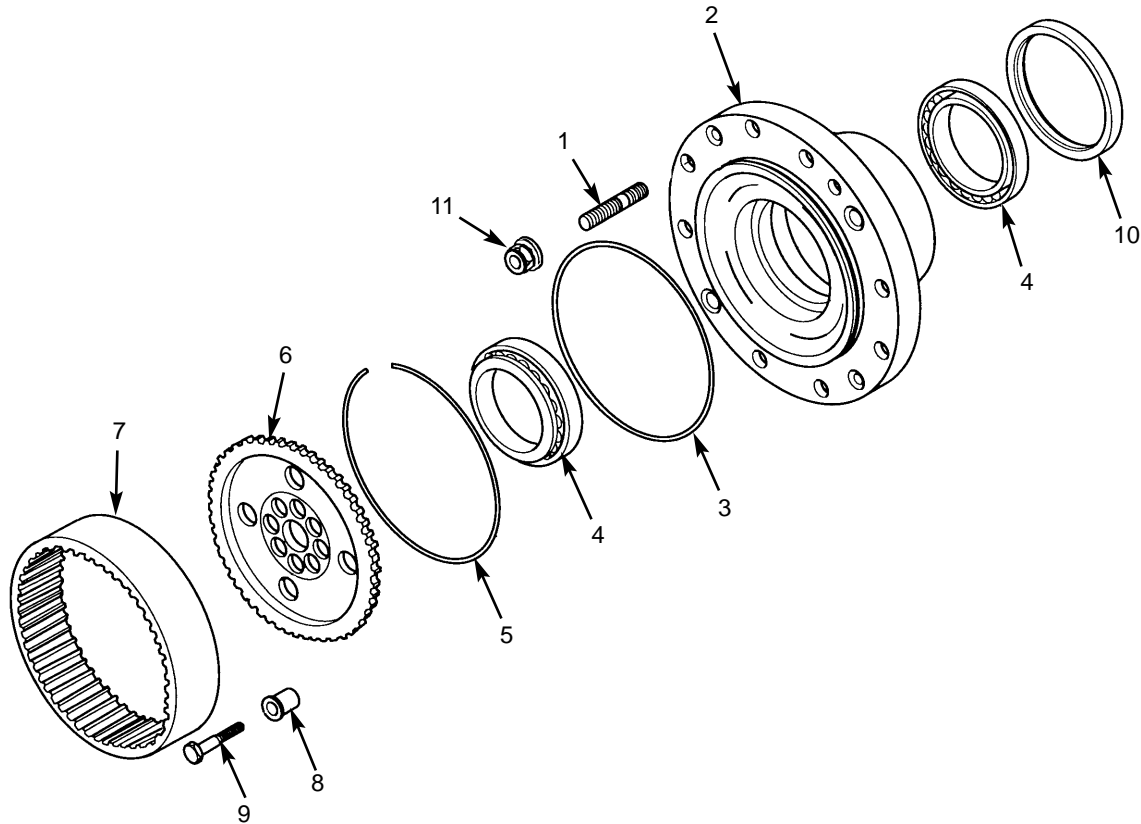


**Axle Double Joint Shaft**  
(26.25 and 26.28 Axles)



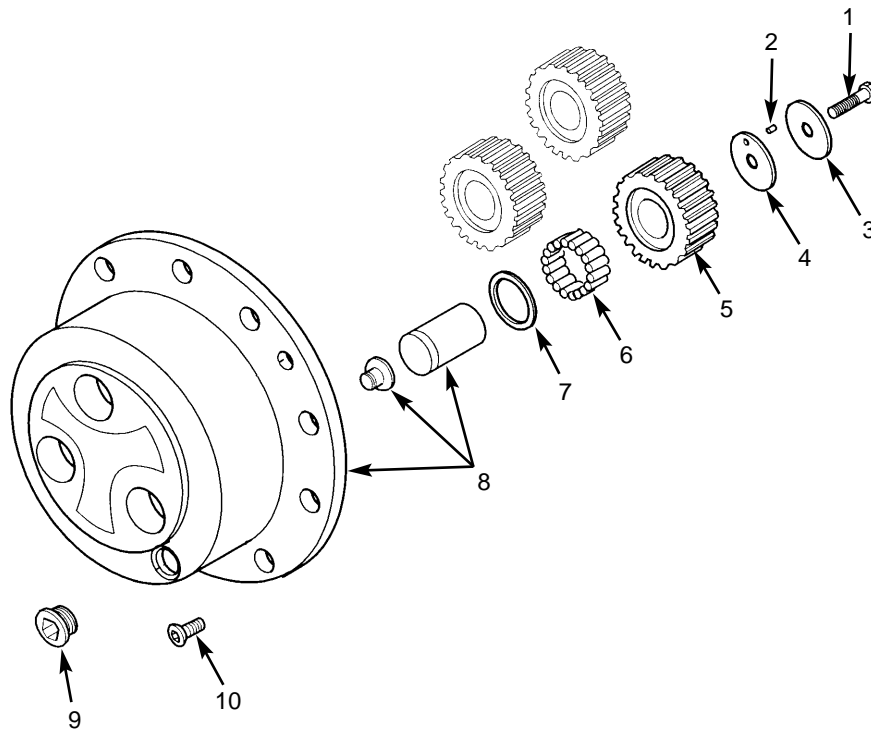
Ref. No.	Part No.	Description	Qty. Req.	Ref. No.	Part No.	Description	Qty. Req.
01		DOUBLE JOINT SHAFT . . . . . 2 (Includes items 2-6)		06		HALF SHAFT - WHL. SIDE . . . . . 1*	
	L99553	DL6			L99558	DL6	
	L99636	DL8/10/12 Axle SN 1716 & Before			L99558	DL8/10/12 Axle SN 1716 & Before	
	L500910	DL8/10/12 Axle SN 1717 and Up			L500915	DL8/10/12 Axle SN 1717 & Up	
02		HALF SHAFT - DIFF. SIDE . . . . . 1*		07 <sup>a</sup>	L500658	THRUST WASHER . . . . . 2	
	L99554	DL6		08		WASHER . . . . . 2	
	L99637	DL8/10/12 Axle SN 1716 & Before			L500388	DL6 Axle SN 699 & Before	
	L500911	DL8/10/12 Axle SN 1717 and Up			L99560	DL8/10/12 Axle 832 & Before	
03		CENTRAL BODY . . . . . 1*			L500388	DL6 Axle SN 700 & Up	
	L99555	DL6				DL8/10/12 Axle SN 833 Thru 1716	
	L99555	DL8/10/12 Axle SN 1716 & Before			L500916	DL8/10/12 Axle SN 1717 & Up	
	L500912	DL8/10/12 Axle SN 1717 & Up		09		SNAP RING D.45 . . . . . 2	
04		SPIDER . . . . . 2*			L99561	DL6	
	L99556	DL6			L99561	DL8/10/12 Axle SN 1716 & Before	
	L99556	DL8/10/12 Axle SN 1716 & Before			L500917	DL8/10/12 Axle SN 1717 & Up	
	L500913	DL8/10/12 Axle SN 1717 & Up		a	<i>Some models used 2 washers per double joint shaft. These have been replaced by the 1 washer per double joint shaft shown.</i>		
05		SNAP RING . . . . . 8*		*	<i>Quantity for one double joint shaft.</i>		
	L99557	DL6					
	L99557	DL8/10/12 Axle SN 1716 & Before					
	L500914	DL8/10/12 Axle SN 1717 & Up					

**Axle Wheel Hub**  
(26.25 and 26.28 Axles)



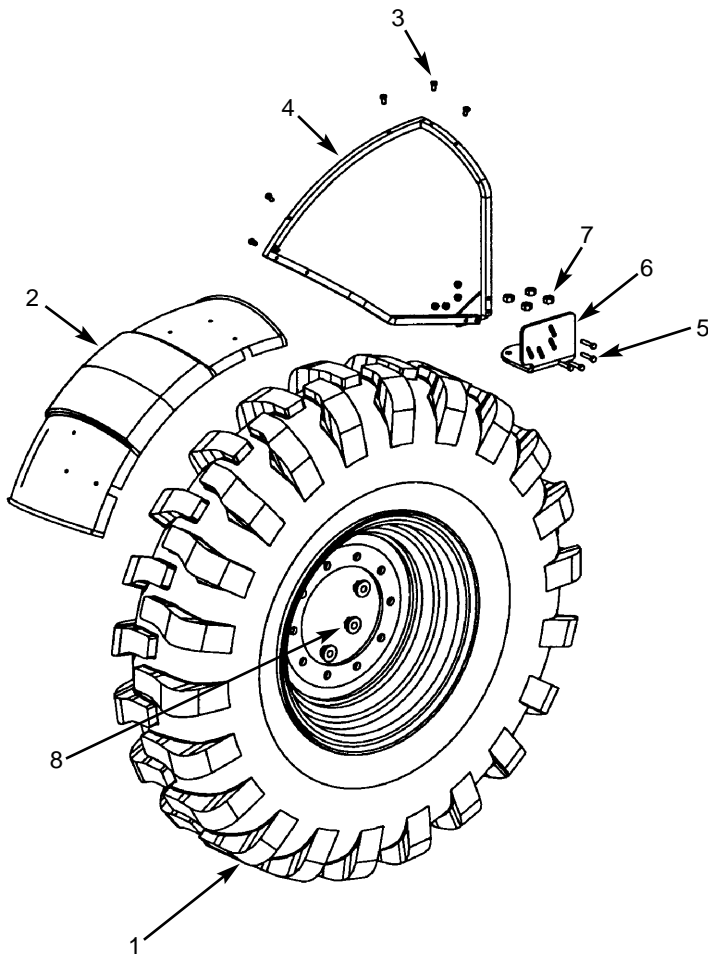
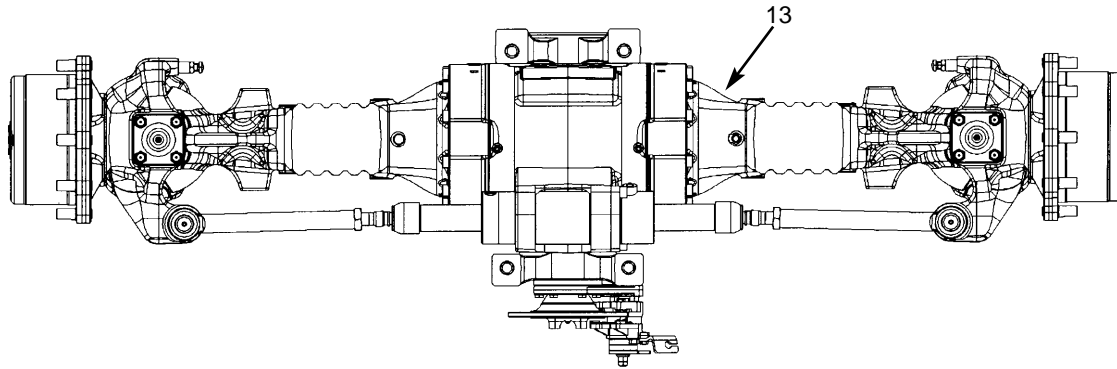
Ref. No.	Part No.	Description	Qty. Req.	Ref. No.	Part No.	Description	Qty. Req.
<b>NOTE: All quantities are per axle.</b>							
01	L99584	STUD.....	20	07	L99590	CROWN GEAR Z=77 .....	2
02		WHEEL HUB ASY. ....	2	08	L99592	CENTERING BUSHING D20 ....	16
	L99585	DL6 Axle SN 1434 & Before		09	L99593	BOLT, M14X1.5X65.....	16
		DL8/10/12 Axle SN 1612 & Before		10		CASSETTE SEAL 150X176X16 ...	2
	L500640	DL6 Axle SN 1435 & Up			L99596	DL6 Axle SN 1434 & Before	
		DL8/10/12 Axle SN 1613 & Up				DL8/10/12 Axle SN 1612 & Before	
03	L99586	O-RING .....	2		L500786	DL6 Axle SN 1435 & Up	
04	L99587	BEARING.....	4			DL8/10/12 Axle SN 1613 & Up	
05	L99588	LOCK RING.....	2	11	L69734	LUG NUT .....	20
06		WHEEL CARRIER.....	2				
	L99589	DL6 Axle SN 688 & Before					
		DL8/10/12 Axle SN 782 & Before					
	L500394	DL6 Axle SN 689 & Up					
		DL8/10/12 Axle SN 783 & Up					

**Axle Planetary Drive**  
(26.25 and 26.28 Axles)

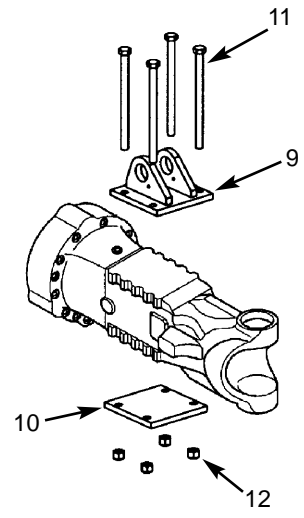


Ref. No.	Part No.	Description	Qty. Req.	Ref. No.	Part No.	Description	Qty. Req.
<b>NOTE: All quantities are per axle.</b>				06	L99602	NEEDLE BEARING-BY TENS ...	17
01	L99597	BOLT, M10X1.25X50 .....	6	07	L99603	THRUST WASHER, 60X40X1.5 ...	6
02	L99598	PIN. ....	6	08	L99604	PLANETARY CARRIER ASY. ....	2
03	L99599	THRUST WASHER, 60X11X3. ....	6	09	L99615	OIL PLUG, M30X2. ....	2
04	L99600	THRUST WASHER, 60X11X3. ....	6	10	L97616	BOLT, M8X20 .....	4
05	L99601	PLANETARY GEAR .....	6				

**External Components Group**  
(26.48 Axle)



**Driveshafts are located  
in transmission section.**



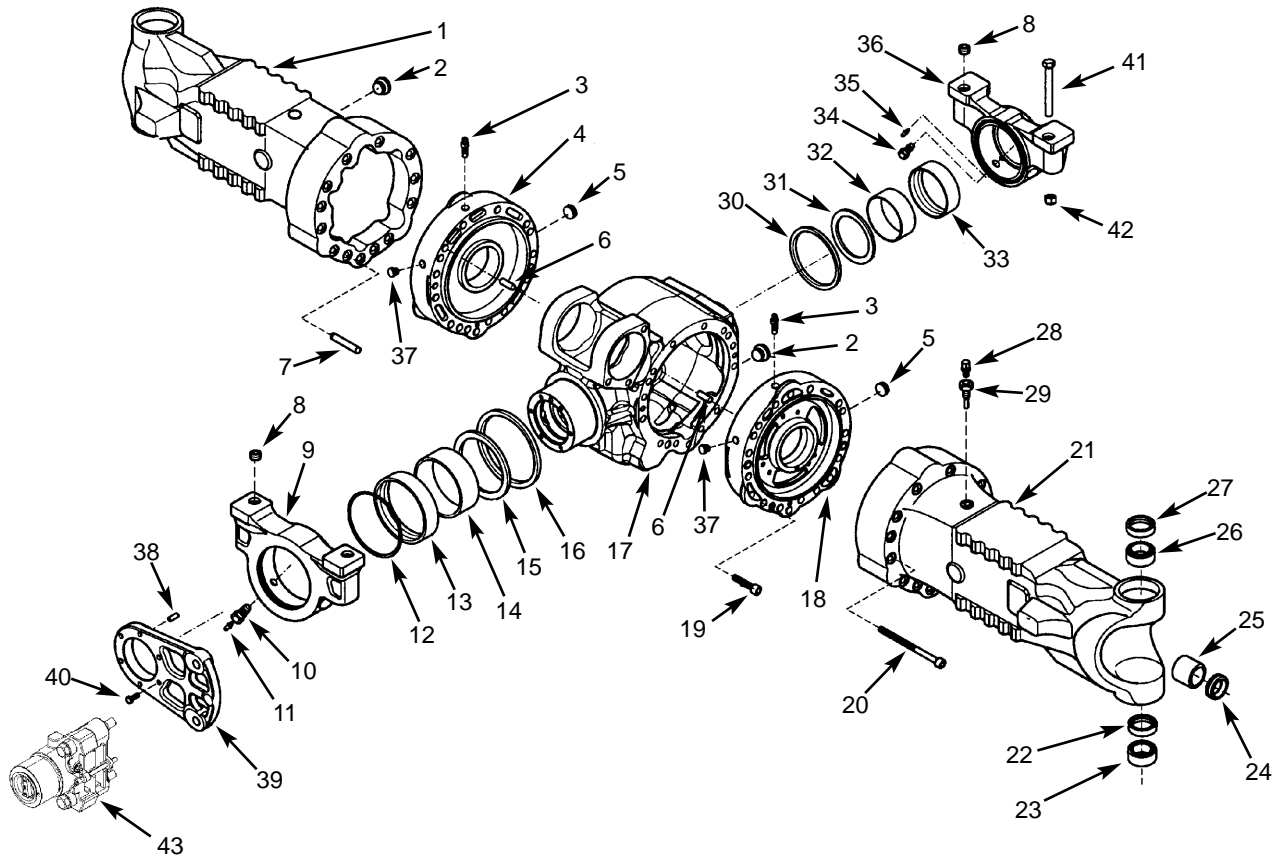
**External Components Group  
(26.48 Axle)**

Ref. No.	Part No.	Description	Qty. Req.	Ref. No.	Part No.	Description	Qty. Req.
<b>NOTE: All quantities are per axle.</b>				04		FENDER MOUNT ( <i>fender</i> )	
01 <sup>a</sup>		13.00X24 TIRE SET			100003	( <i>Right Front / Left Rear</i> ) . . . . .	2
	L47270	TIRE/13.00X24TG 12PLY . . . . .	4		100008	( <i>Left Front / Right Rear</i> ) . . . . .	2
	L69114	WHEEL/24 X 9.00 GR . . . . .	4	05	L50836	3/8-16X1-3/4" BOLT . . . . .	8
01 <sup>a</sup>		13.00X24 TIRE SET ( <i>Rock</i> )		06		FENDER MOUNT ( <i>axle</i> ) . . . . .	2
	L71758	TIRE, 13.00X24 12PLY ROCK . . . . .	4		100260	( <i>Right Front / Left Rear</i> ) . . . . .	2
	L69114	WHEEL/24 X 9.00 GR . . . . .	4		100259	( <i>Left Front / Right Rear</i> ) . . . . .	2
01 <sup>a</sup>		13.00X24 TIRE SET ( <i>Foam Filled</i> )		07	656052	M16-2.00 NUT . . . . .	8
	L47270	TIRE/13.00X24TG 12PLY . . . . .	4	08	L69734	M22X1.5 WHEEL NUT . . . . .	20
	L69114	WHEEL/24 X 9.00 GR . . . . .	4	09	100252	LEVEL/STABILIZER MOUNT . . . . .	1
01		14.00X24 TIRE SET		10	100255	LEVEL/STABILIZER PLATE . . . . .	1
	L60198	TIRE/14.00X24TG 12PLY . . . . .	4	11	L50684	3/4-10X11 BOLT . . . . .	4
	L69114	WHEEL/24 X 9.00 GR . . . . .	4	12	L50084	3/4-10 NUT . . . . .	4
01		14.00X24 TIRE SET ( <i>Rock</i> )		13		AXLE	
	L71723	TIRE 14.00 X 24 ROCK . . . . .	4		100330	FRONT . . . . .	1
	L71577	WHEEL, 10.00VAX24 . . . . .	4		100332	REAR . . . . .	1
01		14.00X24 TIRE SET ( <i>Foam Filled</i> )		a		<i>Not available for models DL10 and DL12</i>	
	L60198	TIRE/14.00X24TG 12PLY . . . . .	4				
	L69114	WHEEL/24 X 9.00 GR . . . . .	4				
02	L99951	FENDER . . . . .	4				
03	L50253	3/8-16X3/4" BUTTON HD BOLT . . . . .	12				

**26.48 axles used with the following:**

- DL6L SN 25588 and up
- DL6H SN 20804 and up
- DL8L SN 35493 and up
- DL8H SN 30814 and up
- DL10L SN 45173 and up
- DL10H SN 40460 and up
- DL12H SN 50200 and up

**Axle Housing**  
(26.48 Axle)



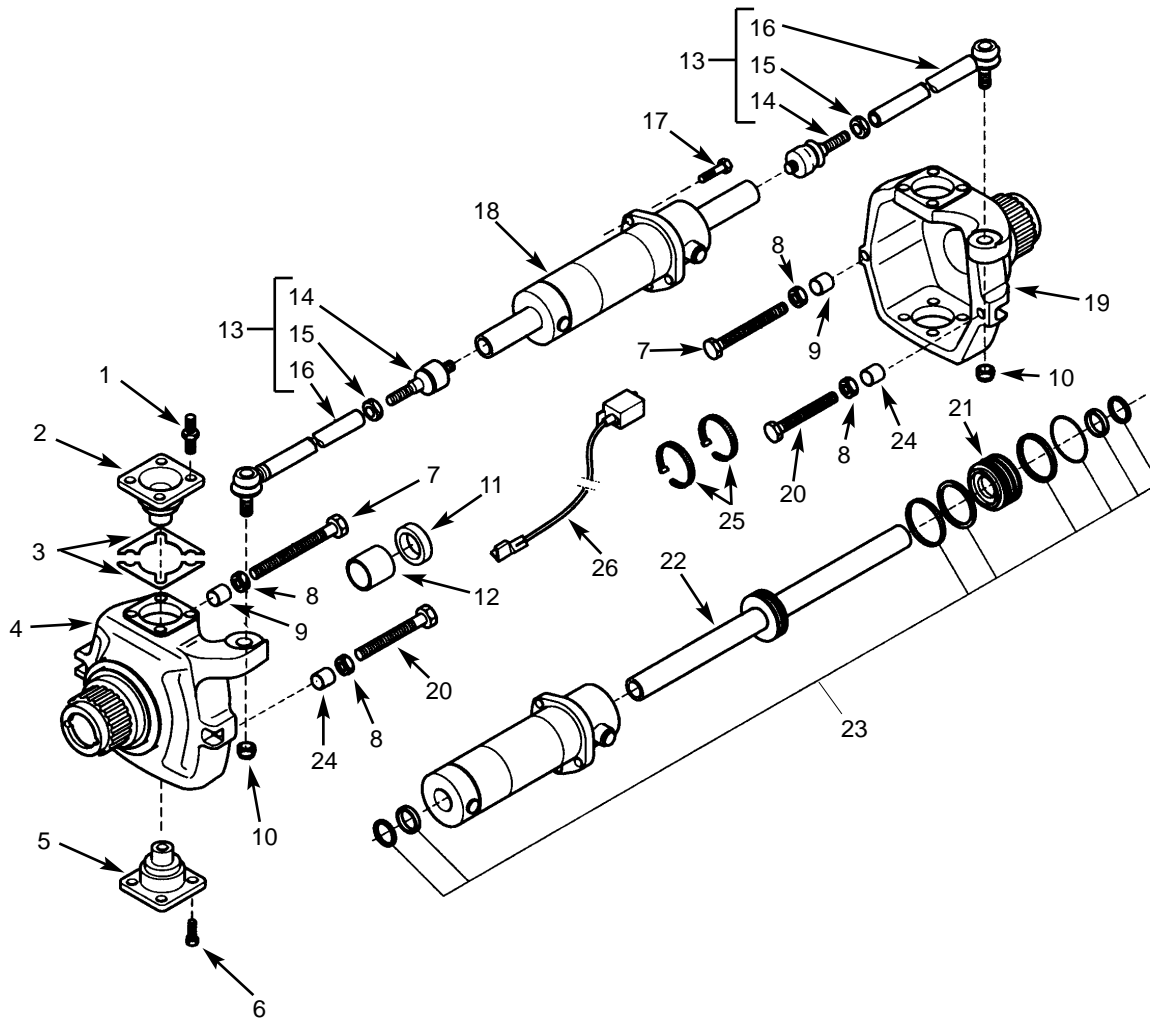
**Axle Housing  
(26.48 Axle)**

Ref. No.	Part No.	Description	Qty. Req.	Ref. No.	Part No.	Description	Qty. Req.
<b>NOTE: All quantities are per axle.</b>				22	L500804	SEAL RING . . . . .	2
01	L500787	LEG HOUSING . . . . . <i>(Left Front Axle, Right Rear Axle)</i>	1	23	L500805	BEARING . . . . .	2
02	L99615	PLUG M30x2 . . . . .	2	24	L500618	SEAL RING . . . . .	2
03	L99488	BREATHER M10x1 . . . . .	2	25	L99511	BUSHING . . . . .	2
04	102324	BRAKE CYLINDER . . . . . <i>(Left Front Axle, Right Rear Axle)</i>	1	26	L500806	BEARING . . . . .	2
05	L500789	PLUG M24x1.5 . . . . .	2	27	L500807	SEAL RING . . . . .	2
06	L500790	PIN D16x40 . . . . .	4	28	L99478	BREATHER M10x1 . . . . .	1
07	L500791	PIN . . . . .	6	29	L500808	BREATHER EXTENSION . . . . .	1
08	L99466	BUSHING . . . . .	4	30	L500809	SEAL RING . . . . .	1
09	L500792	SUPPORT . . . . . <i>(Rear Front Axle, Front Rear Axle)</i>	1	31	L500810	THRUST WASHER . . . . .	1
10	L500793	BOLT . . . . .	1	32	L99471	BUSHING . . . . .	1
11	L99514	ZERK/GREASE M6x1 . . . . .	1	33	L500811	BUSHING . . . . .	1
12	L500794	O-RING . . . . .	1	34	L500812	BOLT . . . . .	1
13	L500795	BUSHING . . . . .	1	35	L99469	ZERK/GREASE M8x1 . . . . .	1
14	L500796	BUSHING . . . . .	1	36	L500813	SUPPORT . . . . . <i>(Front Front Axle, Rear Rear Axle)</i>	1
15	L500797	THRUST WASHER . . . . .	1	37	L500814	PLUG . . . . .	2
16	L500798	RING . . . . .	1	38	L500815	PIN D10x25 . . . . . <i>(Front Axle Only)</i>	1
17	L500799	CENTRAL BODY . . . . .	1	39	L500816	BRAKE CALIPER SUPPORT . . . . . <i>(Front Axle Only)</i>	1
18	102323	BRAKE CYLINDER . . . . . <i>(Right Front Axle, Left Rear Axle)</i>	1	40	L500817	BOLT M10x35 . . . . . <i>(Front Axle Only)</i>	6
19	L500801	BOLT M16x65 . . . . .	4	41	651599	M20-2.50X150 BOLT . . . . .	4
20	L500802	BOLT M16x160 . . . . .	26	42	L50201	NUT, M20-2.5 . . . . .	4
21	L500803	LEG HOUSING . . . . . <i>(Right Front Axle, Left Rear Axle)</i>	1	43	101308	BRAKE CALIPER ASY . . . . . <i>(Front Axle Only)</i> <i>(See Hydraulic Component Section for more parts)</i>	1

**26.48 axles used with the following:**

- DL6L SN 25588 and up*
- DL6H SN 20804 and up*
- DL8L SN 35493 and up*
- DL8H SN 30814 and up*
- DL10L SN 45173 and up*
- DL10H SN 40460 and up*
- DL12H SN 50200 and up*

**Swivel Housing and Steer Cylinder**  
**(26.48 Axle)**

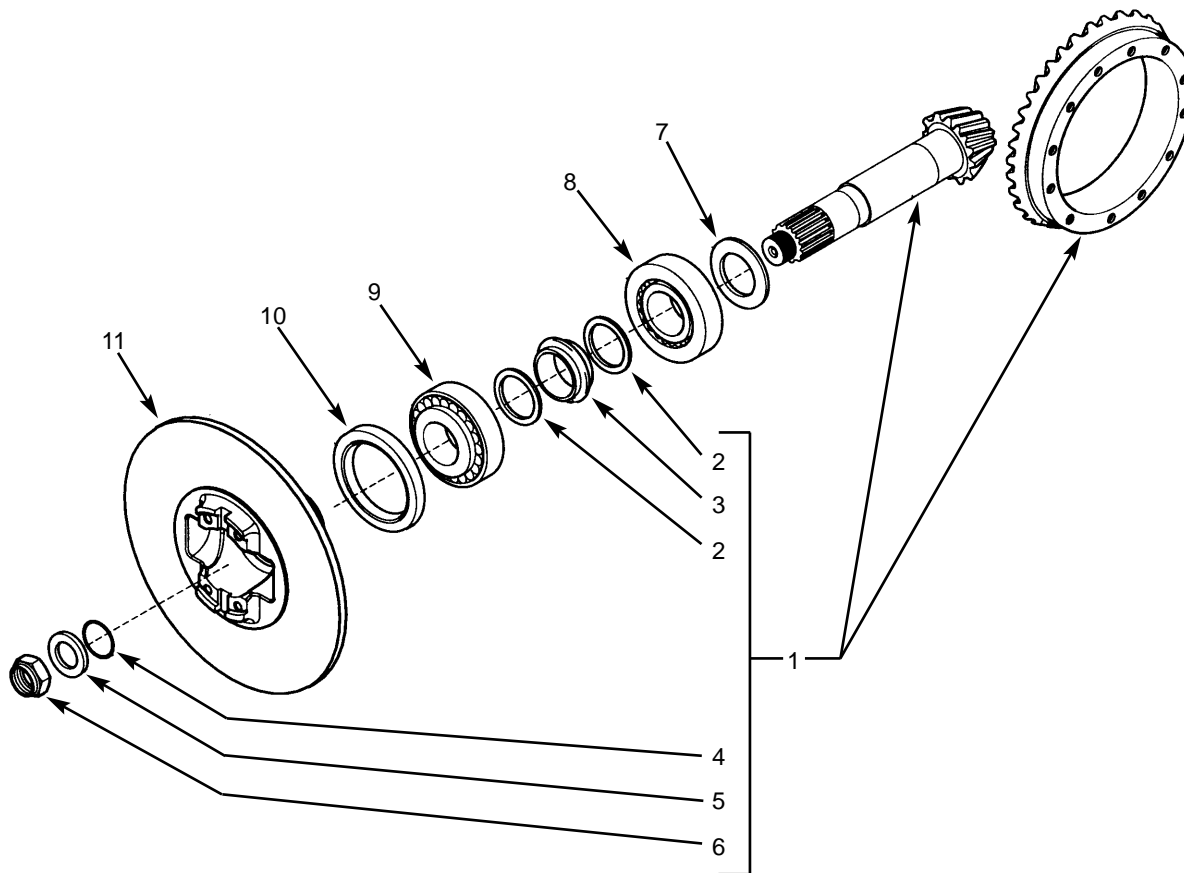




**Swivel Housing and Steer Cylinder**  
**(26.48 Axle)**

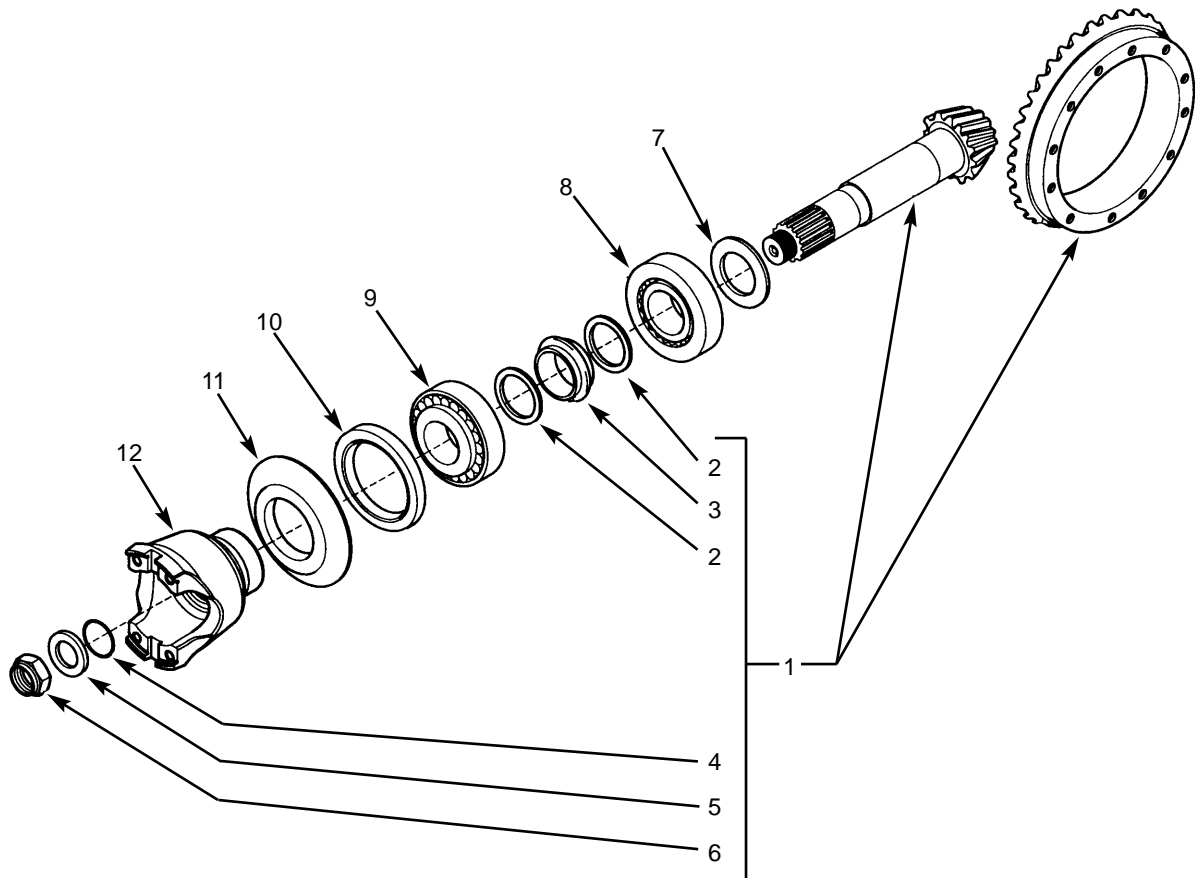
Ref. No.	Part No.	Description	Qty. Req.	Ref. No.	Part No.	Description	Qty. Req.
<b>NOTE: All quantities are per axle.</b>				14	L500829	BALL JOINT.....	2
01	L500818	SPECIAL BOLT M16x38 .....	8	15	L500830	NUT M28x1.5 .....	2
02	L500819	UPPER KIN PIN .....	2	16	L500831	TIE ROD .....	2
03		SHIM.....	AR	17	L500832	BOLT M16x45 .....	3
	103483	0.15mm .....		18		STEERING CYLINDER.....	1
	103484	0.20mm .....			L500833	Front Axle	
	103485	0.50mm .....			L500905	Rear Axle	
04	103486	SWIVEL HOUSING .....	1	19	103487	SWIVEL HOUSING.....	1
		<i>(Left Front Axle, Right Rear Axle)</i>				<i>(Right Front Axle, Left Rear Axle)</i>	
05	L500822	LOWER KING PIN.....	2	20	L500267	BOLT M16x100 .....	2
06	L99513	BOLT M16x38 .....	8	21	L99506	CYLINDER HEAD .....	1
07	L500823	BOLT M16x130 .....	2	22	L500835	ROD.....	1
08	L500266	NUT M16.....	4	23		SEAL KIT.....	1
09	L500824	BUSHING .....	2		L500836	Front Axle	
10	L500825	NUT M27x1.5 .....	2		L500906	Rear Axle	
11	L500826	SEAL RING .....	2	24	L500837	BUSHING .....	2
12	L500827	BUSHING .....	2	25	L99561	CLAMP <i>(Rear Axle Only)</i> .....	2
13	L500828	STEERING ARM ASY.....	2	26	L99610	SENSOR <i>(Rear Axle Only)</i> .....	1

**Gear and Pinion Set**  
(26.48 Axle)



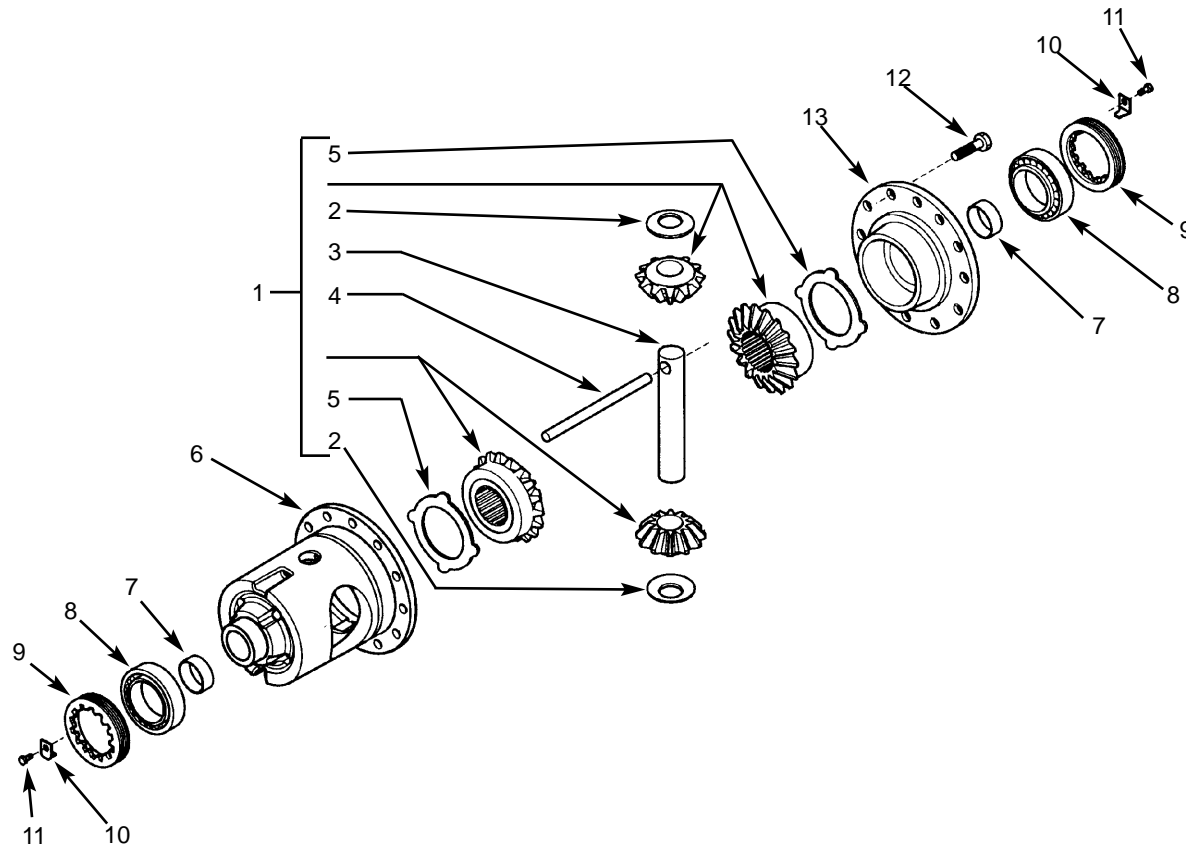
Ref. No.	Part No.	Description	Qty. Req.	Ref. No.	Part No.	Description	Qty. Req.
01	L500838	BEVEL GEAR / PINION Z10/36 . . .	1		L500848	SHIM 2.9mm. . . . .	AR
02	L500839	WASHER. . . . .	2		L500849	SHIM 3.0mm. . . . .	AR
03	L500840	COLLAPSIBLE SPACER. . . . .	1		L500850	SHIM 3.1mm. . . . .	AR
04	L500841	O-RING . . . . .	1		L500851	SHIM 3.2mm. . . . .	AR
05	L500842	WASHER. . . . .	1		L500852	SHIM 3.3mm. . . . .	AR
06	L500843	NUT M30x2 . . . . .	1		L500853	SHIM 3.4mm. . . . .	AR
07	L500844	SHIM 2.5mm. . . . .	AR	08	L500854	BEARING. . . . .	1
	L500845	SHIM 2.6mm. . . . .	AR	09	L500855	BEARING. . . . .	1
	L500846	SHIM 2.7mm. . . . .	AR	10	L500856	SEAL RING . . . . .	1
	L500847	SHIM 2.8mm. . . . .	AR	11	L500857	FLANGE . . . . .	1

**Gear and Pinion Set  
(26.48 Axle)**



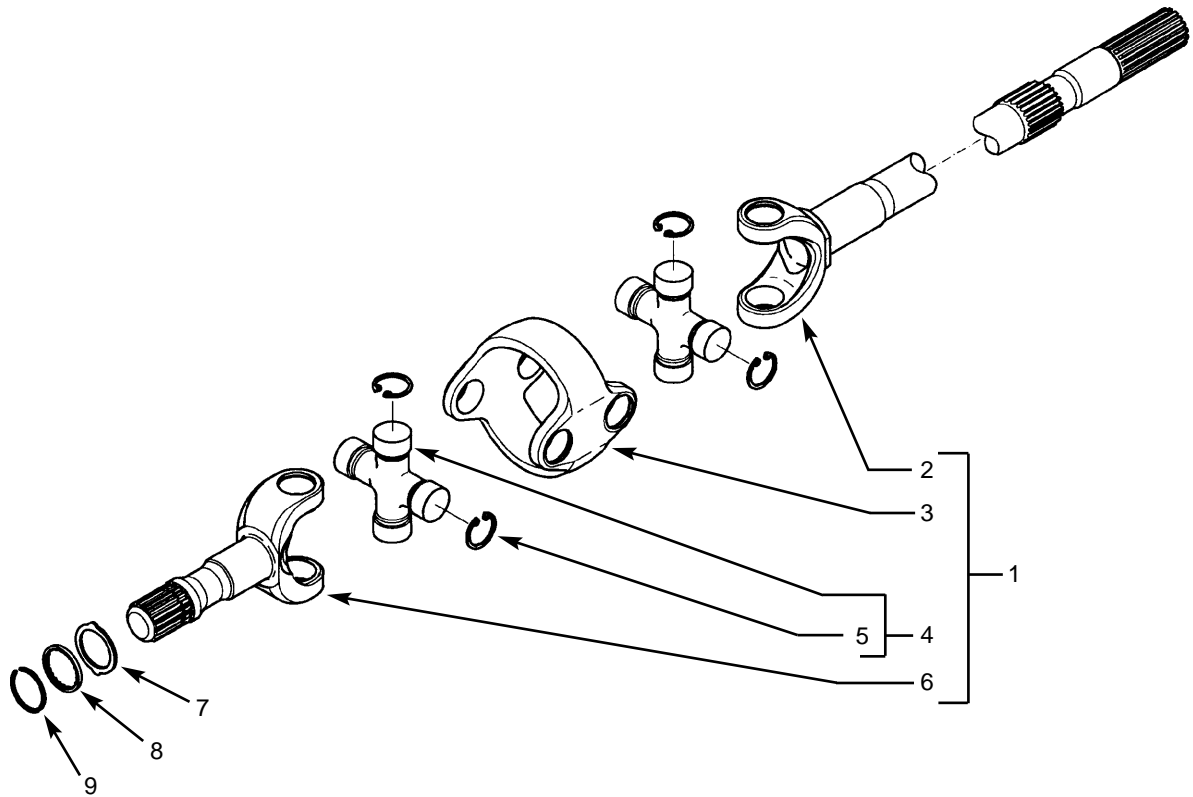
Ref. No.	Part No.	Description	Qty. Req.	Ref. No.	Part No.	Description	Qty. Req.
01	L500907	BEVEL GEAR / PINION Z10/36 . . .	1		L500848	SHIM 2.9mm. . . . .	AR
02	L500839	WASHER. . . . .	2		L500849	SHIM 3.0mm. . . . .	AR
03	L500840	COLLAPSIBLE SPACER. . . . .	1		L500850	SHIM 3.1mm. . . . .	AR
04	L500841	O-RING . . . . .	1		L500851	SHIM 3.2mm. . . . .	AR
05	L500842	WASHER. . . . .	1		L500852	SHIM 3.3mm. . . . .	AR
06	L500843	NUT M30x2 . . . . .	1		L500853	SHIM 3.4mm. . . . .	AR
07	L500844	SHIM 2.5mm. . . . .	AR	08	L500854	BEARING. . . . .	1
	L500845	SHIM 2.6mm. . . . .	AR	09	L500855	BEARING. . . . .	1
	L500846	SHIM 2.7mm . . . . .	AR	10	L500856	SEAL RING . . . . .	1
	L500847	SHIM 2.8mm. . . . .	AR	11	L500908	PROTECTING COVER . . . . .	1
				12	L500909	FLANGE . . . . .	1

**Differential**  
**(26.48 Axle)**



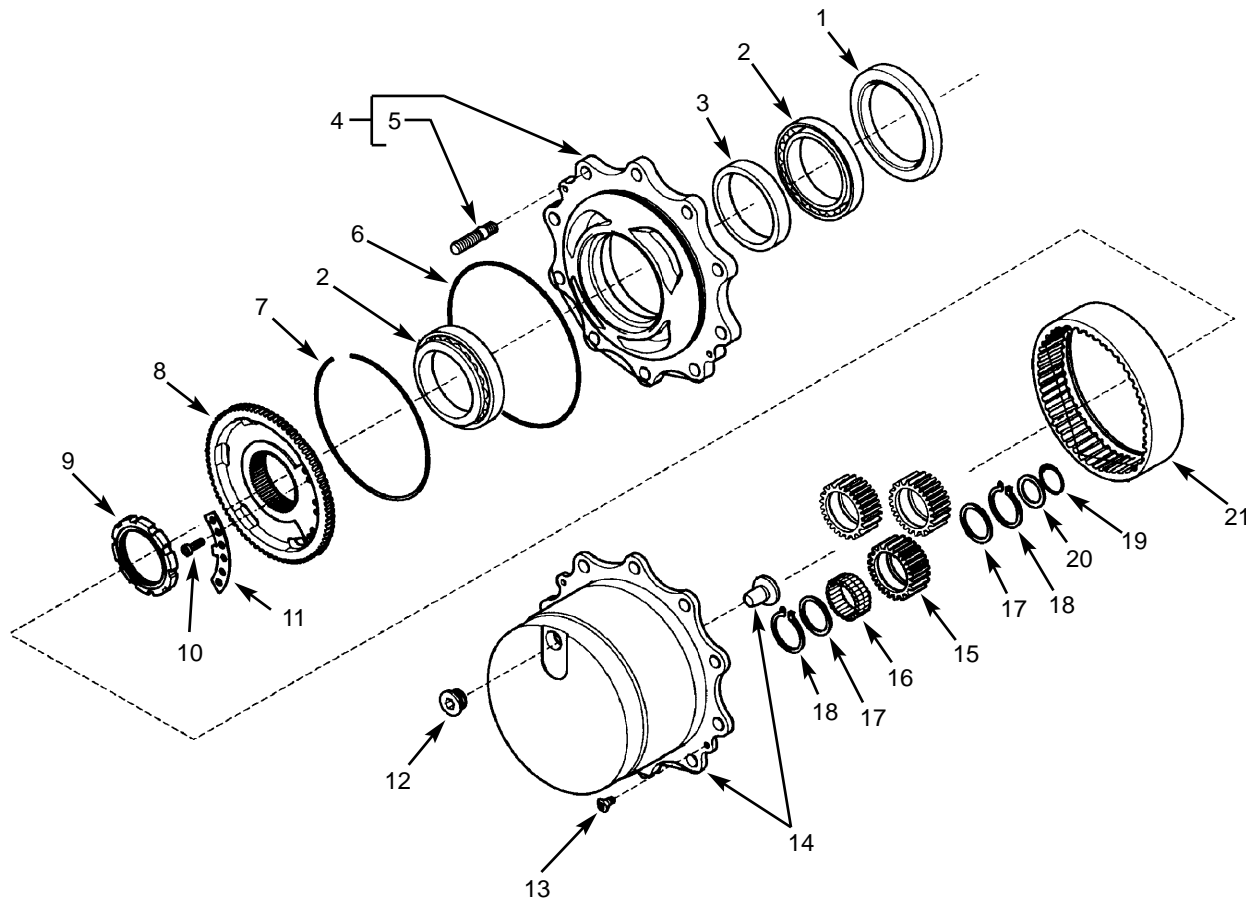
Ref. No.	Part No.	Description	Qty. Req.	Ref. No.	Part No.	Description	Qty. Req.
<b>NOTE: All quantities are per axle.</b>				07	L500864	BUSH.....	2
01	L500858	DIFFERENTIAL KIT.....	1	08	L500865	BEARING.....	2
02	L500859	THRUST WASHER.....	2	09	L500866	RING NUT.....	2
03	L500860	PIN.....	1	10	L500867	LOCKING PLATE.....	2
04	L500861	PIN D7x124.....	1	11	L99547	BOLT M6x10.....	2
05	L500862	COUNTER DISC.....	2	12	L500868	BOLT.....	12
06	L500863	DIFFERENTIAL HOUSING.....	1	13	L500869	DIFF. HOUSING COVER.....	1

**Double U-Joint**  
(26.48 Axle)



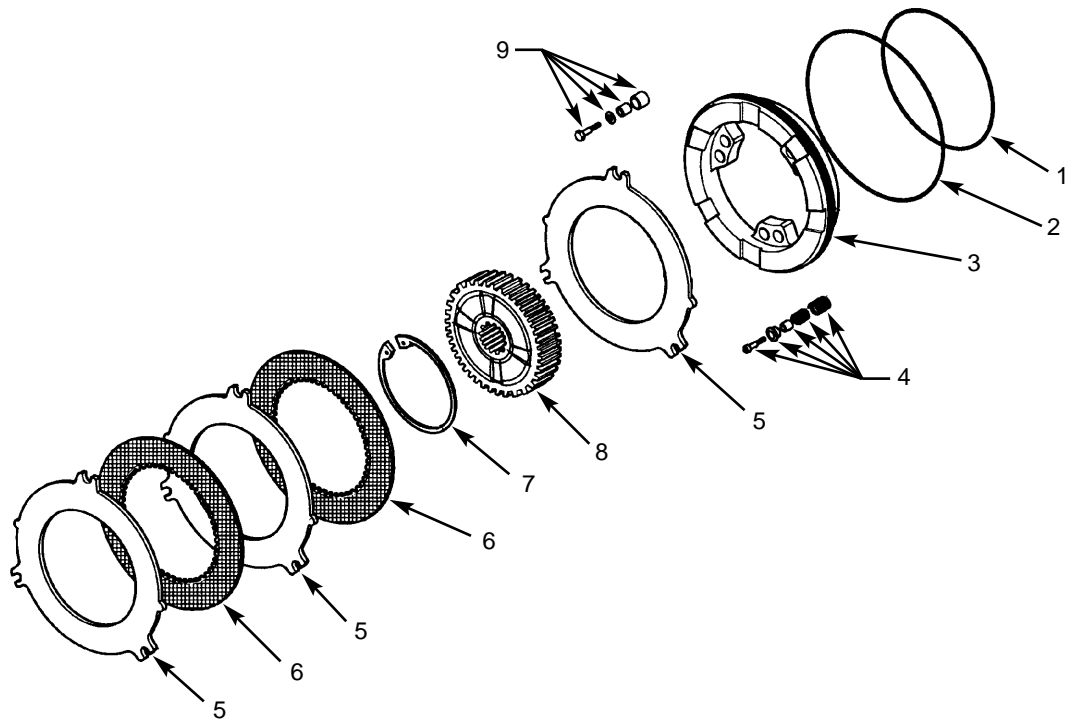
Ref. No.	Part No.	Description	Qty. Req.	Ref. No.	Part No.	Description	Qty. Req.
<b>NOTE: All quantities are per axle.</b>				05	L500874	LOCK RING.....	16
01	L500870	DOUBLE JOINT .....	2	06	L500875	FORK (Wheel Side).....	2
02	L500871	FORK (Diff. Side).....	2	07	L500876	THRUST WASHER.....	2
03	L500872	CENTRAL BODY.....	2	08	L500877	WASHER.....	2
04	L500873	SPIDER.....	4	09	L500878	LOCK RING.....	2

**Wheel Hub and Final Reduction  
(26.48 Axle)**



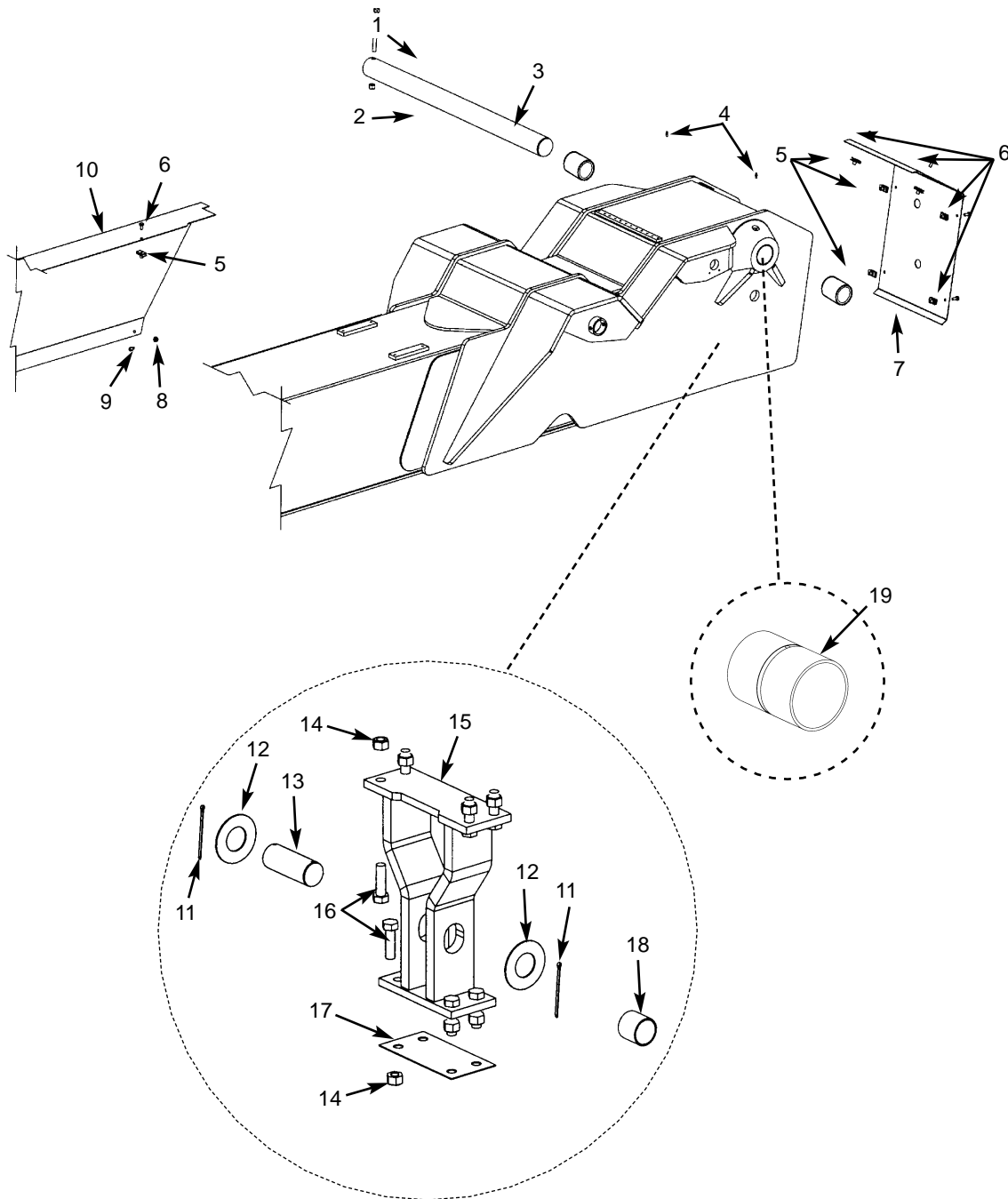
Ref. No.	Part No.	Description	Qty. Req.	Ref. No.	Part No.	Description	Qty. Req.
<b>NOTE: All quantities are per axle.</b>				11	L500896	LOCKING PLATE	2
01	L500786	SEAL RING	2	12	L99615	PLUG M30x2	2
02	L500889	BEARING	4	13	L97616	BOLT	4
03	L500890	SPACER	2	14	L500897	PLANETARY CARRIER ASY	2
04	L500891	WHEEL HUB KIT	2	15	L500898	GEAR Z=31	6
05	L99584	STUD	20	16	L500899	BEARING	6
06	L99586	O-RING	2	17	L500900	THRUST WASHER	12
07	L500892	LOCK RING	2	18	L500901	SNAP RING D72	12
08	L500893	WHEEL CARRIER	2	19	L500902	SNAP RING D50	6
09	L500894	RING NUT M90x2	2	20	L500903	THRUST WASHER	6
10	L500895	BOLT M10x12	6	21	L500904	CROWN GEAR Z=81	2

**Brakes**  
(26.48 Axle)



Ref. No.	Part No.	Description	Qty. Req.	Ref. No.	Part No.	Description	Qty. Req.
<b>NOTE: All quantities are per axle.</b>				05	L500883	BRAKE COUNTER DISK . . . . .	6
01	L500879	O-RING . . . . .	2	06	L500884	BRAKE DISC . . . . .	4
02	L500880	O-RING . . . . .	2	07	L500885	SNAP RING D150 . . . . .	2
03	L500881	BRAKE PISTON . . . . .	2	08	L500886	HUB . . . . .	2
04	L500882	SELF-ADJUST KIT . . . . .	2	09	L500887	SELF-ADJUST KIT . . . . .	2

**Outer Boom - Rear Section**

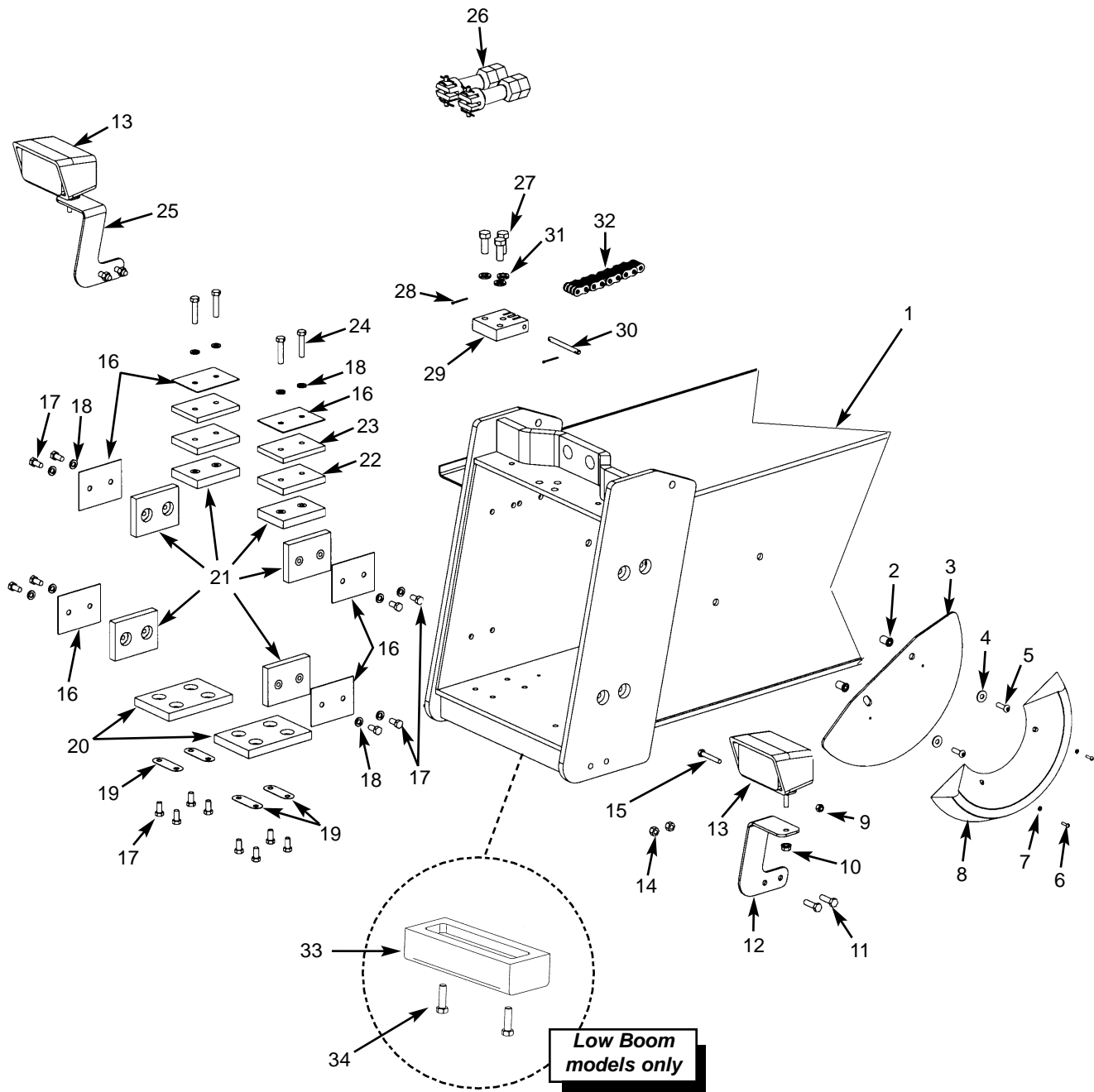




***Outer Boom - Rear Section***

Ref. No.	Part No.	Description	Qty. Req.	Ref. No.	Part No.	Description	Qty. Req.
01	L50463	1/2-13X6" BOLT.....	1	12	L400207	THRUST WASHER.....	2
02	L520019	1/2-13 NYLON INSERT NUT .....	1	13	L69994	EXTEND CYL. PIN (BASE END) ..	1
03	L69474	BOOM PIVOT PIN.....	1	14	L50519	3/4-10 NYLON INSERT NUT .....	8
04	L10465	ZERK 1/4-28 STRAIGHT.....	2	15	L69480	EXTEND MOUNT WELDMENT ...	1
05	L530004	5/16" CLIP RETAINING NUT.....	11	16	L50956	3/4-10X2-1/2" BOLT .....	8
06	L50230	5/16-18X3/4" BOLT .....	11	17	L70420	TRUNNION SHIM .....	1
07	L69866	REAR BOOM COVER.....	1	18	L71527	BUSHING ( <i>Ext. cyl. base end</i> ) ....	1
08	L50056	5/16-18 FLARE NUT .....	5	19	L69492	BUSHING, PIVOT PIN.....	2
09	L510008	5/16-18X5/8" BOLT .....	5				
10	<i>Note a</i>	BOOM SIDE COVER .....	1	<i>a</i>	<i>40' Low Boom, use PN L69867</i>		
11	L50608	3/16X4" COTTER PIN.....	2		<i>42' Low Boom, use PN L71589</i>		
					<i>44' Low Boom, use PN L69871</i>		

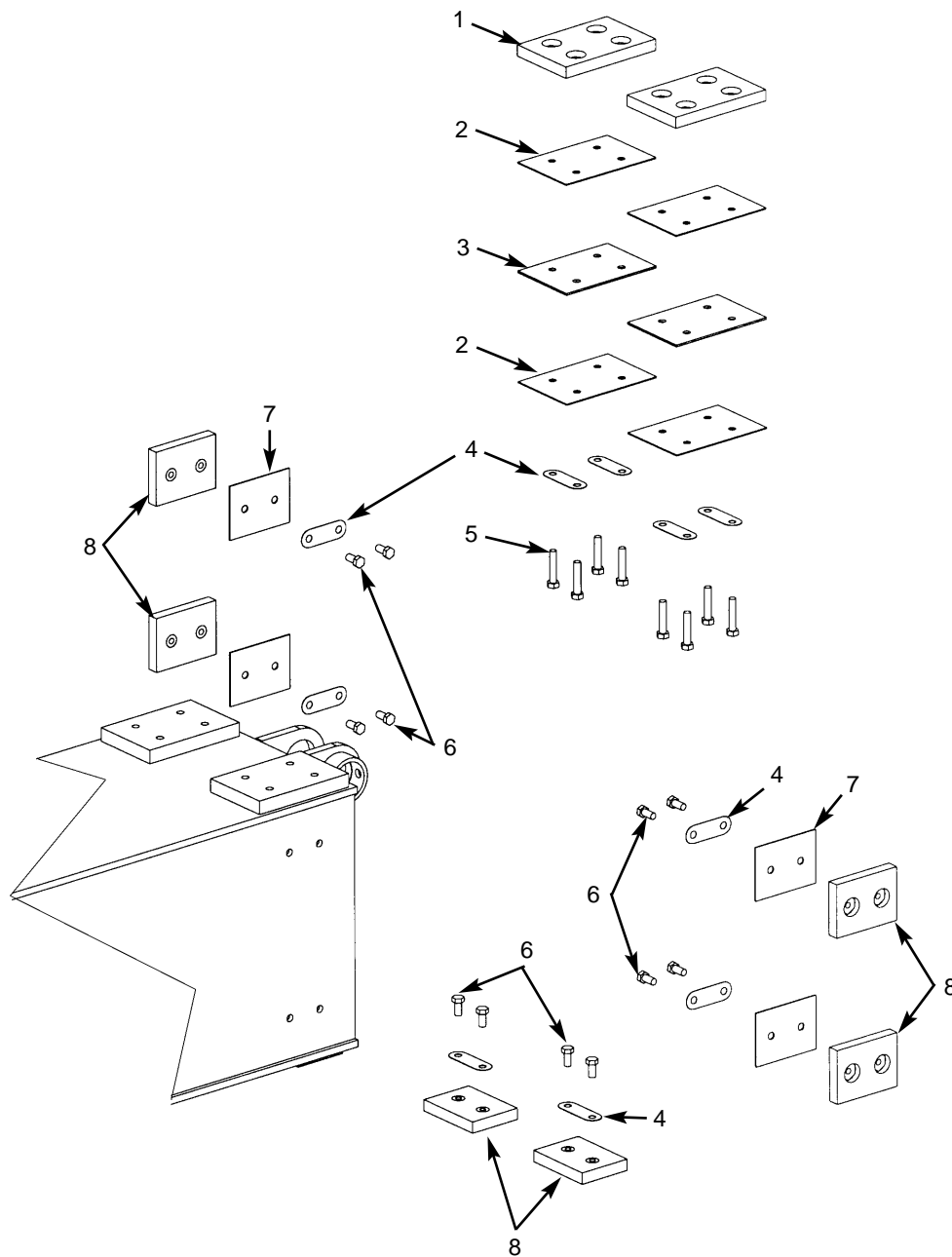
Outer Boom - Front Section



***Outer Boom - Front Section***

Ref. No.	Part No.	Description	Qty. Req.	Ref. No.	Part No.	Description	Qty. Req.
01	<i>Note a</i>	OUTER BOOM WELDMENT . . . . .	1	22	L64143	1/2"X3X4 SHIM . . . . .	2
02	L70242	5/16-18 NUT INSERT . . . . .	2	23	L64132	3/8" PAD SPACER. . . . .	2
03	L65640	BOOM ANGLE IND. PLATE . . . . .	1	24	L50836	3/8-16X1-3/4" BOLT . . . . .	4
04	L50141	5/16" FLAT WASHER . . . . .	2	25	L70635	BOOM LIGHT BRACKET (RH) . . . . .	1
05	L52048	5/16-18X1" BUTTON HD BOLT. . . . .	2	26	L64359	ADJUSTABLE CLEVIS PIN. . . . .	3
06	L50491	#8X5/8" RND HD MACH SCREW. . . . .	2			<i>(does not include nuts or cotter pins)</i>	
07	L50136	#10 LOCK WASHER . . . . .	2	27	L50380	1/2-20X1-1/4" GRD 8 BOLT . . . . .	3
08	L65638	INCLINOMETER - ANGLE IND. . . . .	1	28	L560003	3/32X1-1/4" COTTER PIN. . . . .	2
09	L520004	5/16-18 NYLON INSERT NUT . . . . .	2	29	L64384	CLEVIS . . . . .	1
10	L50061	3/8-16 FLARE NUT . . . . .	2	30	L64468	CHAIN PIN . . . . .	1
11	L52026	3/8-16X1-1/4" BOLT . . . . .	4	31	L50152	1/2" LOCK WASHER. . . . .	3
12	L70639	BOOM LIGHT BRACKET (LH) . . . . .	1	32	<i>Note b</i>	LEAF CHAIN . . . . .	3
13	L70040	WORK LIGHT . . . . .	2	33	L70429	BOOM SUPPORT PAD. . . . .	1
	L70462	LIGHT HARNESS <i>(not shown)</i> . . . . .	1	34	L50403	3/8"-16X1-3/4" BOLT . . . . .	2
14	L520005	3/8-16 NYLON INSERT NUT . . . . .	4				
15	L50835	5/16-18X2" BOLT. . . . .	2				
16	L62733	1/16"X3X4 SHIM . . . . .	6	a		<i>40' Low Boom, use PN L70423</i>	
17	L50251	3/8-16X3/4" BOLT . . . . .	16			<i>42' Low Boom, use PN L70424</i>	
18	L50147	3/8" LOCK WASHER. . . . .	12			<i>44' Low Boom, use PN L69500</i>	
19	L62715	FLAT-BOLT LOCK. . . . .	4				
20	L61708	SLIDE PAD . . . . .	2	b		<i>40' Low Boom, use PN L69249</i>	
21	L61709	SLIDE PAD . . . . .	6			<i>42' Low Boom, use PN L69254</i>	
						<i>44' Low Boom, use PN L69256</i>	

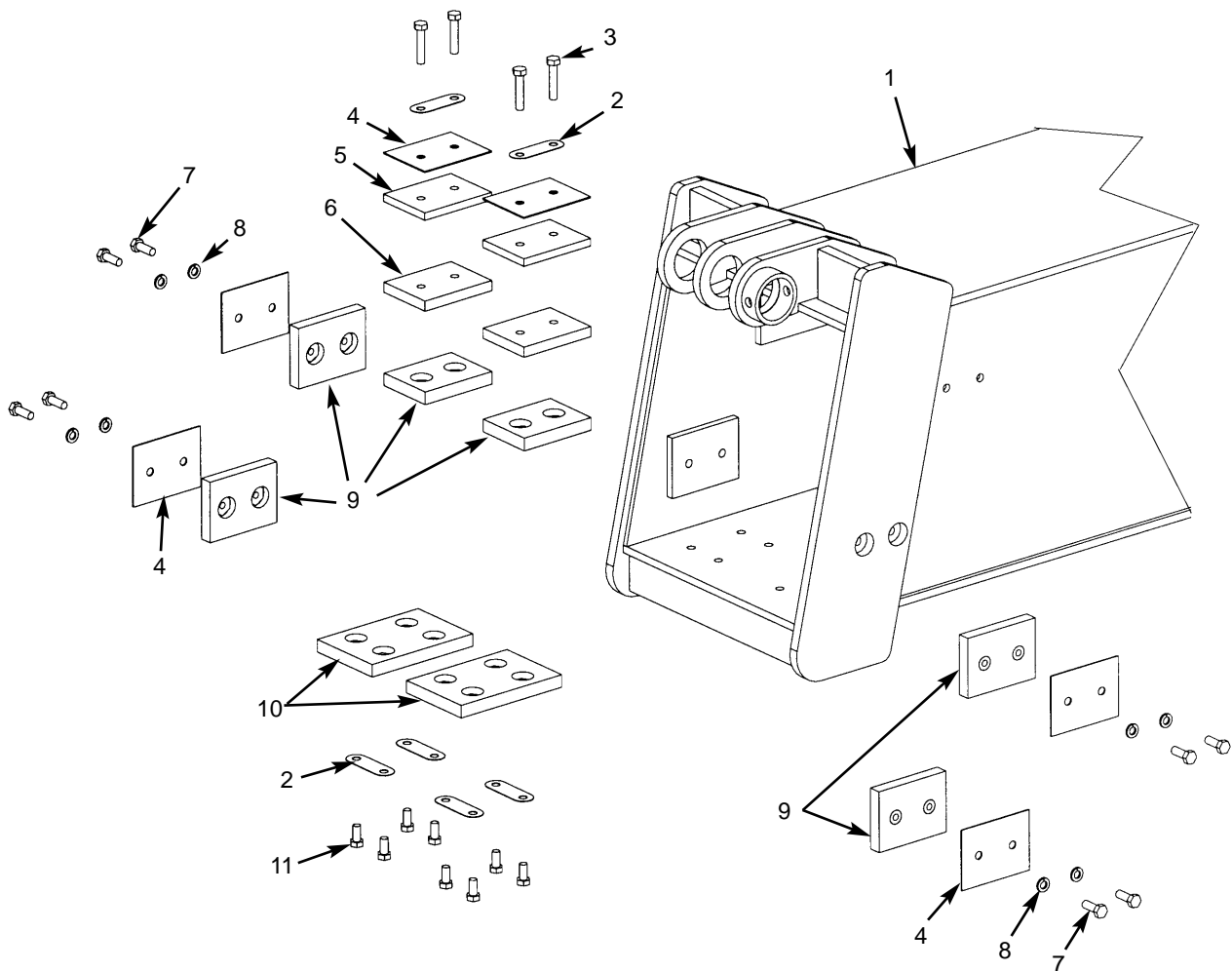
*Intermediate Boom - Rear Section*



***Intermediate Boom - Rear Section***

<b>Ref. No.</b>	<b>Part No.</b>	<b>Description</b>	<b>Qty. Req.</b>	<b>Ref. No.</b>	<b>Part No.</b>	<b>Description</b>	<b>Qty. Req.</b>
01	L61708	SLIDE PAD .....	2	05	L50836	3/8-16X1-3/4" BOLT .....	8
02	L62731	1/16"X3X4" SHIM .....	4	06	L50251	3/8-16X3/4" BOLT .....	12
03	L62732	1/8"X4X6" SHIM .....	2	07	L62733	1/16"X3X4" SHIM .....	4
04	L62715	FLAT-BOLT LOCK .....	10	08	L61709	SLIDE PAD .....	6

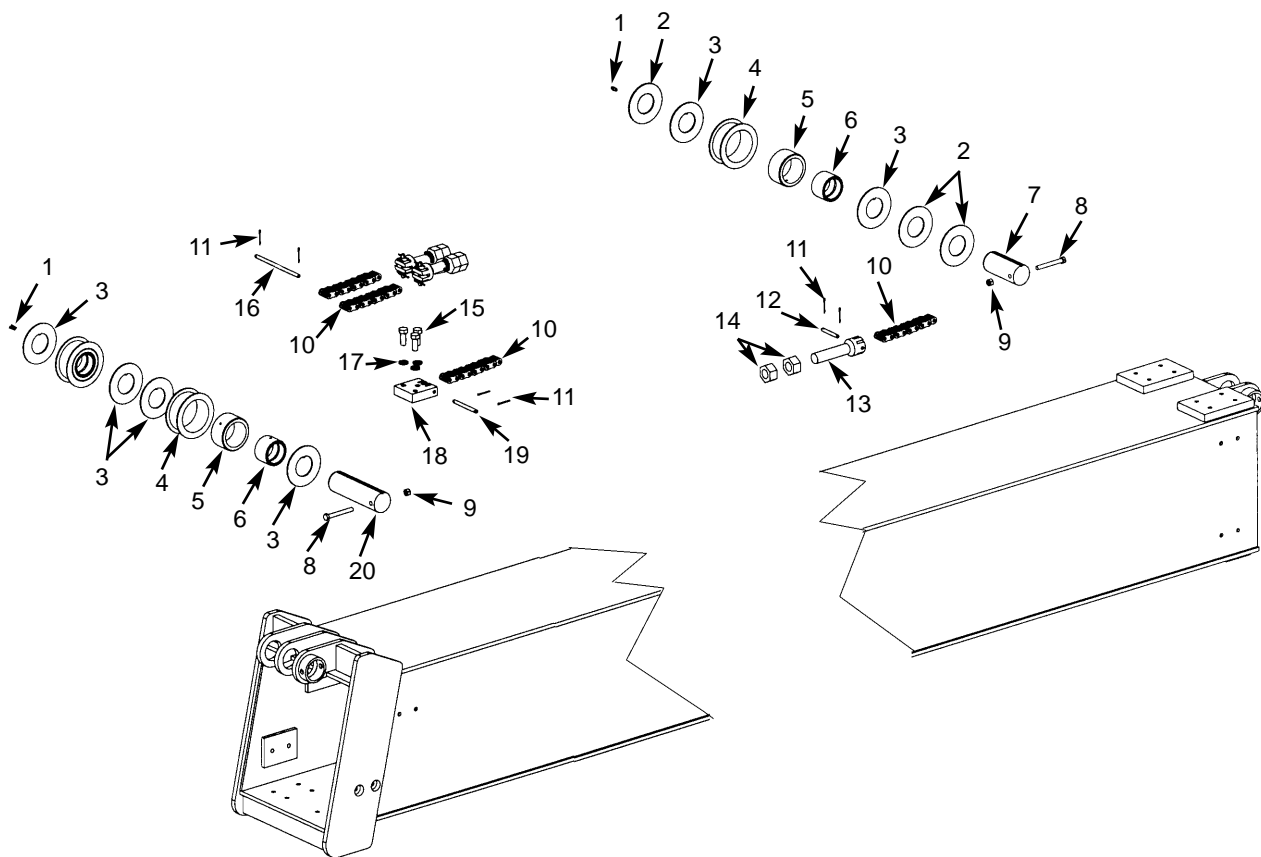
*Intermediate Boom - Front Section*



***Intermediate Boom - Front Section***

Ref. No.	Part No.	Description	Qty. Req.	Ref. No.	Part No.	Description	Qty. Req.
01	<i>Note a</i>	INTERMEDIATE WELDMENT.....	1	09	L61709	SLIDE PAD .....	6
02	L62715	FLAT-BOLT LOCK.....	6	10	L61708	SLIDE PAD .....	2
03	L50836	3/8-16X1-3/4" BOLT .....	4	11	L50251	3/8-16X3/4" BOLT .....	8
04	L62733	1/16"X3X4 SHIM .....	6				
05	L64132	3/8" PAD SPACER.....	2	<i>a</i>	<i>40' Low Boom, use PN L71210</i>		
06	L64143	1/2"X3X4 SHIM .....	2		<i>42' Low Boom, use PN L71215</i>		
07	L50367	3/8-16X1" BOLT.....	8		<i>44' Low Boom, use PN L71220</i>		
08	L50147	3/8" LOCK WASHER.....	8				

**Intermediate Boom - Chain Group**

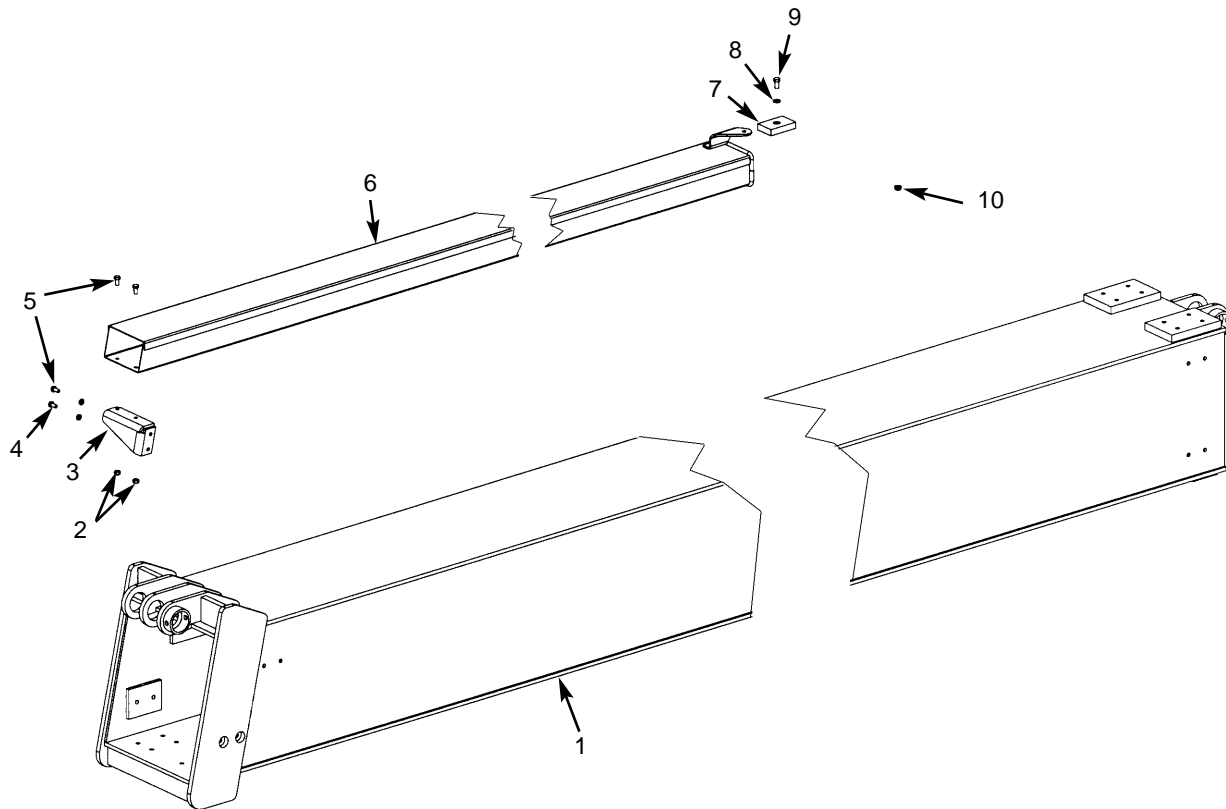




***Intermediate Boom - Chain Group***

Ref. No.	Part No.	Description	Qty. Req.	Ref. No.	Part No.	Description	Qty. Req.
01	L10465	1/4-28 ZERK, STR. ....	2				
02	L400207	THRUST WASHER ....	3				
03 <sup>c</sup>	L71205	CHAIN SHEAVE WASHER ....	6				
04	L64360	CHAIN SHEAVE ....	3				
05	L49618	ROLLER BEARING ....	3				
06	L49619	INNER RING ....	3				
07		REAR SHEAVE PIN ....	1				
	L69996	<i>Note b and d (no groove in pin)</i>					
	L71206	<i>Note c (pin grooved for washer)</i>					
08	L50275	3/8-16X3 BOLT ....	3				
09	L520005	3/8-16 NYLON INSERT NUT ....	2				
10	<i>Note a</i>	LEAF CHAIN ....	3				
11	L560003	3/32X1-1/4 COTTER PIN ....	10				
12	L64466	CHAIN ADJUST CLEVIS PIN ....	3				
13	L64359	ADJUSTABLE CLEVIS ....	3				
14	L50092	1"-8 NUT ....	6				
15	L50380	1/2-20X1-1/4" BOLT ....	3				
16	L64467	PIN, REAR CHAIN LOW INNER. . .	1				
17	L50152	1/2" LOCK WASHER. ....	3				
18	L64384	CLEVIS, TOP REAR INNER. ....	1				
19	L64468	PIN, CHAIN REAR UPPER INNR. .	1				
20		PIN, CHAIN SHEAVE ....	1				
	L64934	<i>Note b and d (no groove in pin)</i>					
	L71204	<i>Note c (pin grooved for washer)</i>					
				<i>a</i>		40' Low Boom, use PN L69249 257 Pitches - 192-3/4"	
						42' Low Boom, use PN L69254 265 Pitches - 198-3/4"	
						44' Low Boom, use PN L69256 277 Pitches - 207-3/4"	
				<i>b</i>		DL6L SN 25374 and before DL8L SN 35319 and before DL10L SN 45101 and before	
				<i>c</i>		DL6L SN 25375 and up DL8L SN 35320 and up DL10L SN 45102 and up	
				<i>d</i>		The following update kits are available:	
					<b>L500286</b>	<b>SHEAVE MNT. KIT, FRONT . . . . .</b>	<b>1</b>
					L69041	MOUNT/FRONT SHEAVE . . . . .	3
					L71204	PIN/FRONT SHEAVE . . . . .	1
					L71205	WASHER/CHAIN SHEAVE . . . . .	4
					L64490	COLLAR/2" LOCK . . . . .	1
					907367	GUIDELINES/FOR WELDING . . . .	1
					907894	INSTRUCTIONS/SHEAVE MNT. . . .	1
					<b>L500287</b>	<b>SHEAVE MNT. KIT, REAR . . . . .</b>	<b>1</b>
					L69043	MOUNT/REAR SHEAVE . . . . .	2
					L71205	WASHER/CHAIN SHEAVE . . . . .	2
					L71206	PIN/REAR SHEAVE . . . . .	1
					L64490	COLLAR/2" LOCK . . . . .	1
					907367	GUIDELINES/FOR WELDING . . . .	1
					907894	INSTRUCTIONS/SHEAVE MNT. . . .	1

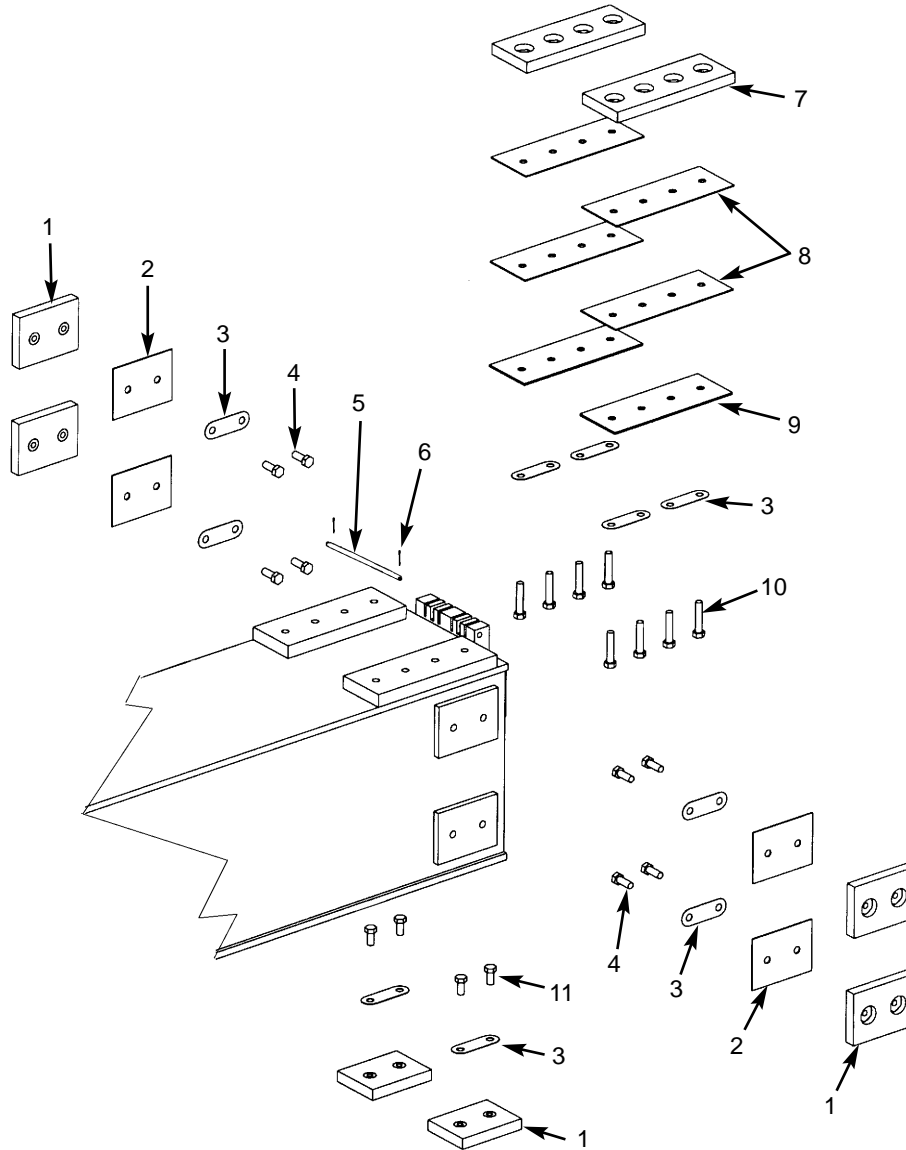
*Intermediate Boom - Hose Tray*



***Intermediate Boom - Hose Tray***

Ref. No.	Part No.	Description	Qty. Req.	Ref. No.	Part No.	Description	Qty. Req.
01	<i>Note a</i>	INTERMEDIATE WELDMENT . . . .	1	09	L50251	3/8-16X3/4" BOLT . . . . .	1
02	L520004	5/16-18 NYLON INSERT NUT . . . .	2	10	L50056	5/16-18 FLARE NUT . . . . .	1
03	L69524	TRAY BRACKET . . . . .	1				
	L68349	PLATE, CUSHION MNT ( <i>weld on</i> )		<i>a</i>		<i>40' Low Boom, use PN L71210</i>	
04	L50143	5/16" LOCK WASHER . . . . .	2			<i>42' Low Boom, use PN L71215</i>	
05	L510008	5/16-18X5/8" BOLT . . . . .	4			<i>44' Low Boom, use PN L71220</i>	
06	<i>Note b</i>	TRAY WELDMENT . . . . .	1				
07	L61699	SLIDE PAD . . . . .	1	<i>b</i>		<i>40' Low Boom, use PN L69860</i>	
08	L50147	3/8" LOCK WASHER . . . . .	1			<i>42' Low Boom, use PN L69861</i>	
						<i>44' Low Boom, use PN L69501</i>	

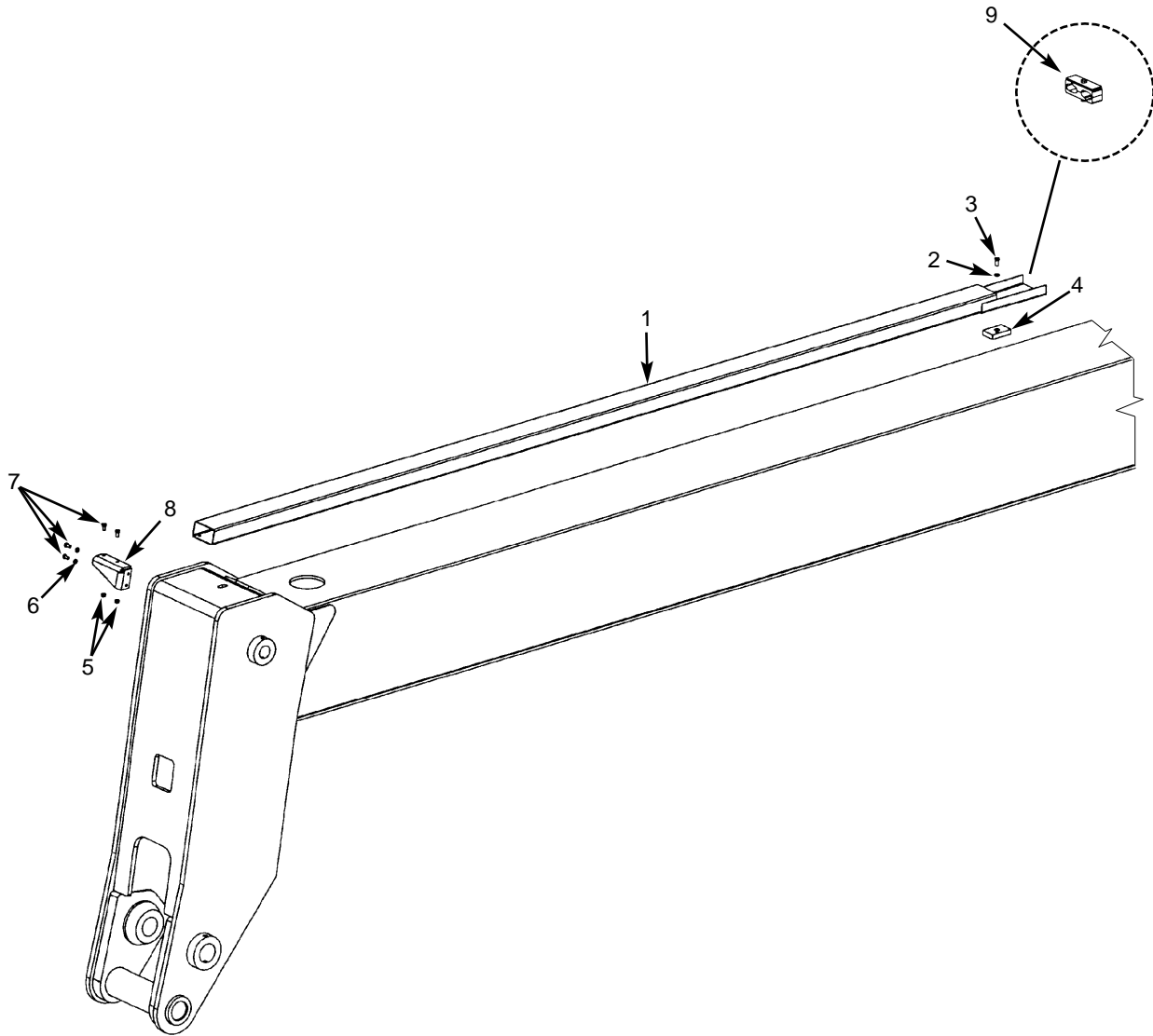
*Inner Boom- Rear Section*



***Inner Boom - Rear Section***

<b>Ref. No.</b>	<b>Part No.</b>	<b>Description</b>	<b>Qty. Req.</b>	<b>Ref. No.</b>	<b>Part No.</b>	<b>Description</b>	<b>Qty. Req.</b>
01	L61709	SLIDE PAD .....	6	07	L66780	SLIDE PAD .....	2
02	L62733	1/16"X3X4 SHIM .....	4	08	L66782	1/16"X3X8" SHIM .....	4
03	L62715	FLAT-BOLT LOCK .....	10	09	L66783	1/8"X3X8" SHIM .....	2
04	L50367	3/8-16X1" BOLT .....	8	10	L50261	3/8-16X1-1/2" BOLT .....	8
05	L64467	PIN, CHAIN REAR LOW INNER... 1		11	L50251	3/8-16X3/4" BOLT .....	4
06	L560003	3/32X1-1/4" COTTER PIN .....	2				

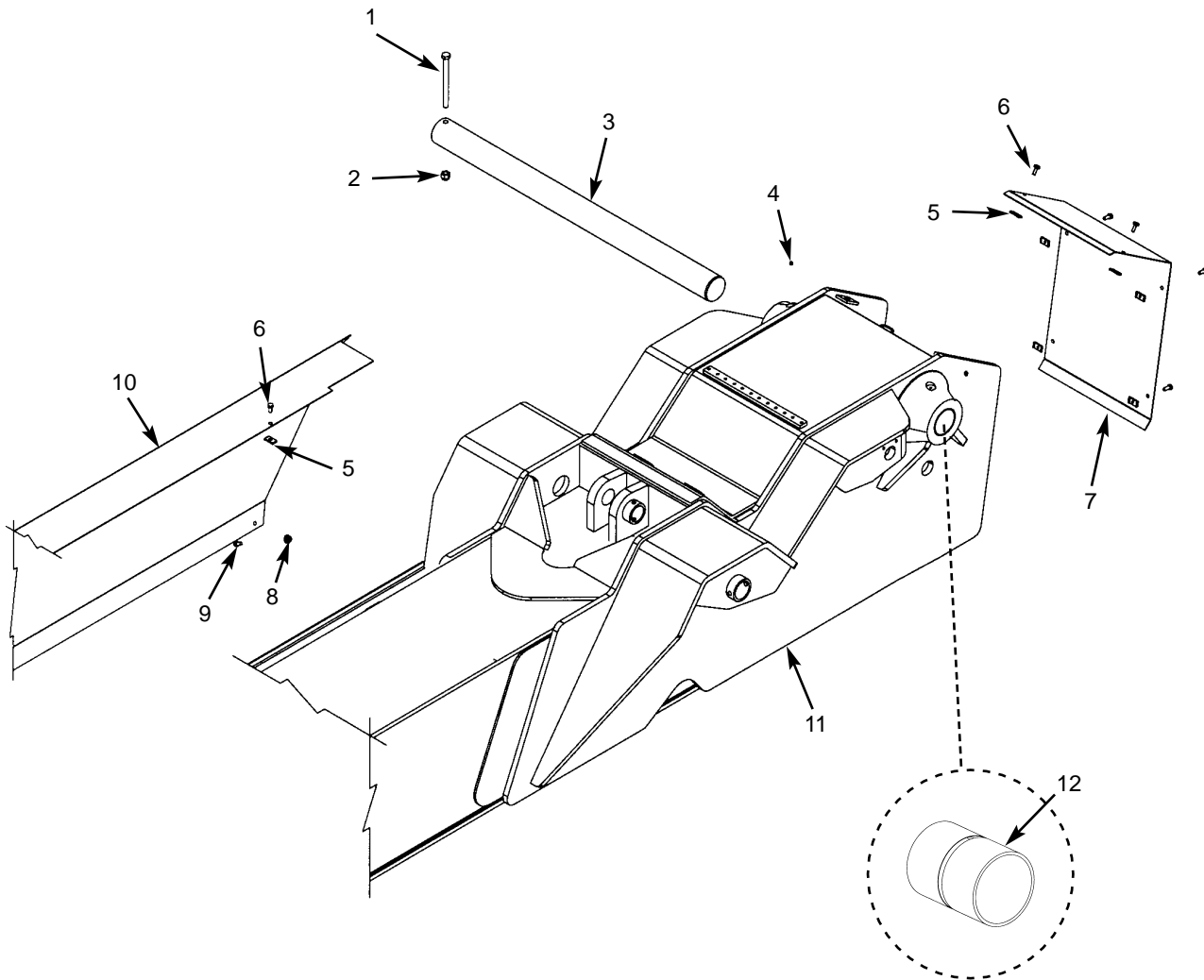
*Inner Boom Hose Tray*



***Inner Boom Hose Tray***

Ref. No.	Part No.	Description	Qty. Req.	Ref. No.	Part No.	Description	Qty. Req.
01	<i>Note a</i>	INNER TRAY WELDMENT . . . . .	1	08	L69525	INNER TRAY BRACKET . . . . .	1
02	L50147	3/8" LOCK WASHER . . . . .	1		L68349	CUSHION MNT PLATE ( <i>weld on</i> )AR	
03	L50251	3/8"-16X3/4" BOLT . . . . .	1	09	L79167	HOSE CLAMP ASSEMBLY . . . . .	1
04	L61699	SLIDE PAD . . . . .	1				
05	L520004	5/16"-18 NYLON INSERT NUT . . . . .	2	<i>a</i>		<i>40' Low Boom, use P/N L69863</i>	
06	L50143	5/16" LOCK WASHER . . . . .	2			<i>42' Low Boom, use P/N L69522</i>	
07	L510008	5/16-18X5/8" BOLT . . . . .	4			<i>44' Low Boom, use PN L69865</i>	

*Outer Boom - Rear Section*

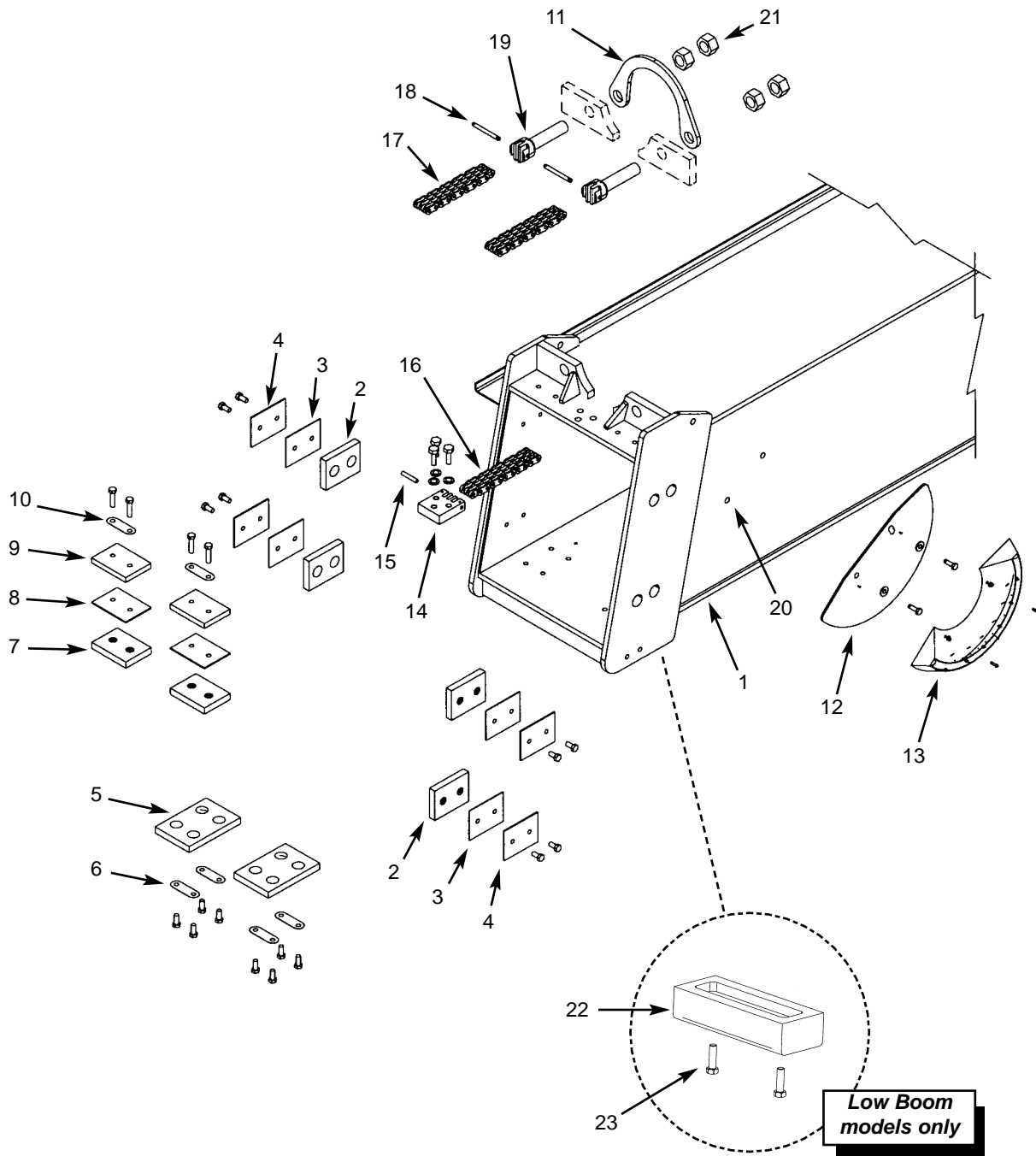




***Outer Boom - Rear Section***

<b>Ref. No.</b>	<b>Part No.</b>	<b>Description</b>	<b>Qty. Req.</b>	<b>Ref. No.</b>	<b>Part No.</b>	<b>Description</b>	<b>Qty. Req.</b>
01	L50463	1/2-13X6" BOLT.....	1	07	L69866	REAR BOOM COVER.....	1
02	L520019	1/2-13 NYLON INSERT NUT .....	1	08	L50056	5/16-18 FLARE NUT .....	5
03	L69474	BOOM PIVOT PIN.....	1	09	L510008	5/16-18X5/8" BOLT .....	5
04	L10465	ZERK 1/4-28 STRAIGHT.....	2	10	L70952	BOOM SIDE COVER .....	1
05	L530004	5/16" CLIP RETAINING NUT.....	11	11	L70864	OUTER SECTION WELDMENT...	1
06	L50230	5/16-18X3/4" BOLT .....	11	12	L69492	BUSHING, PIVOT PIN.....	2

Outer Boom - Front Section

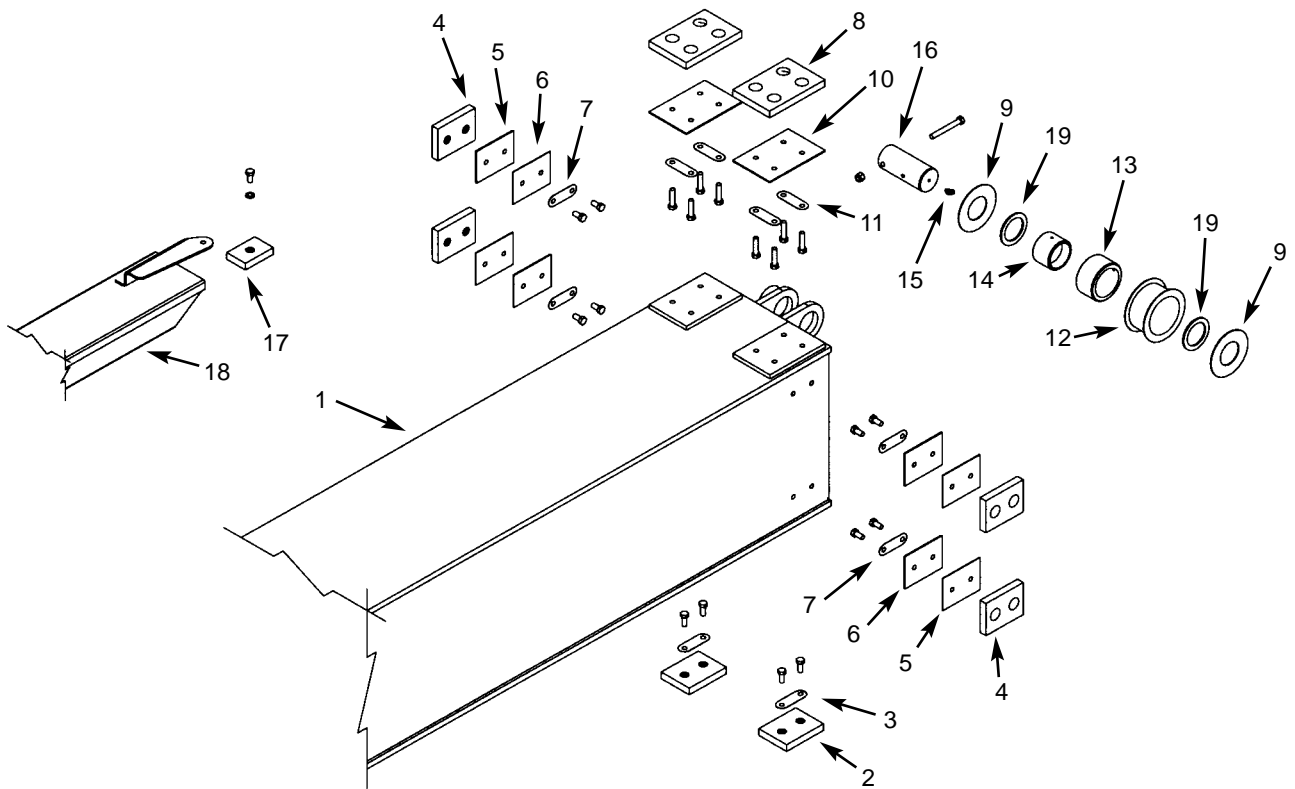


**Outer Boom - Front Section**

Ref. No.	Part No.	Description	Qty. Req.	Ref. No.	Part No.	Description	Qty. Req.
01	L70864	OUTER SECTION WELD.....	1	14	L71004	FIXED CLEVIS .....	1
02	L61709	SIDE SLIDE PAD 3X4 .....	4		L71021	SET SCREW #10-24X3/4 .....	2
	L50251	CAPSCREW 3/8-16X3/4 .....	8		L50380	CAPSCREW 1/2-20X1-1/4 GR8 ..	3
03	L62733	SHIM .06X3X4.....	4		L50152	LOCKWASHER 1/2".....	2
04	L62734	SHIM .105X3X4.....	4	15	L71005	CLEVIS PIN.....	1
05	L71020	BOTTOM. SLIDE PAD 4X6 .....	2	16	L71001	RETRACT LEAF CHAIN.....	1
06	L62715	BOLT FLAT LOCK.....	4	17	L71000	EXTEND LEAF CHAIN .....	2
	L510007	CAPSCREW 3/8-16X7/8 .....	8	18	L71007	CLEVIS PIN.....	2
07	L61709	TOP SLIDE PAD 3X4 .....	2		L560003	COTTER PIN 3/32X1-1/4.....	4
08	L62734	SHIM .105X3X4.....	2	19	L71006	ADJUSTABLE CLEVIS .....	2
09	L64143	SHIM .50 3X4 .....	2	20	L70242	THREADED INSERT.....	2
10	L62715	BOLT FLAT LOCK.....	2	21	L50092	HEX NUT 1-8 .....	4
	L50261	CAPSCREW 3/8-16X1-1/2.....	4	22	L70429	BUMPER SUPPORT PAD.....	1
11	L70972	RETAINER .....	2	23	L50403	3/8"-16X1-3/4" BOLT .....	2
12	L65640	MOUNT PLATE .....	1				
	L52048	BUTT. HD. BOLT 5/16-18X1 .....	2				
	L50141	PLAIN WASHER 5/16 .....	2				
13	L65638	ANGLE INCLINOMETER .....	1	00	L70635	BOOM LIGHT BRACKET (RH) ....	1
	L50491	RD. HD. SCREW #8-32X5/8 .....	2	00	L70639	BOOM LIGHT BRACKET (LH) ....	1
				00	L70040	WORK LIGHT .....	2

**-- ITEMS NOT SHOWN --  
(Boom Work Lights)**

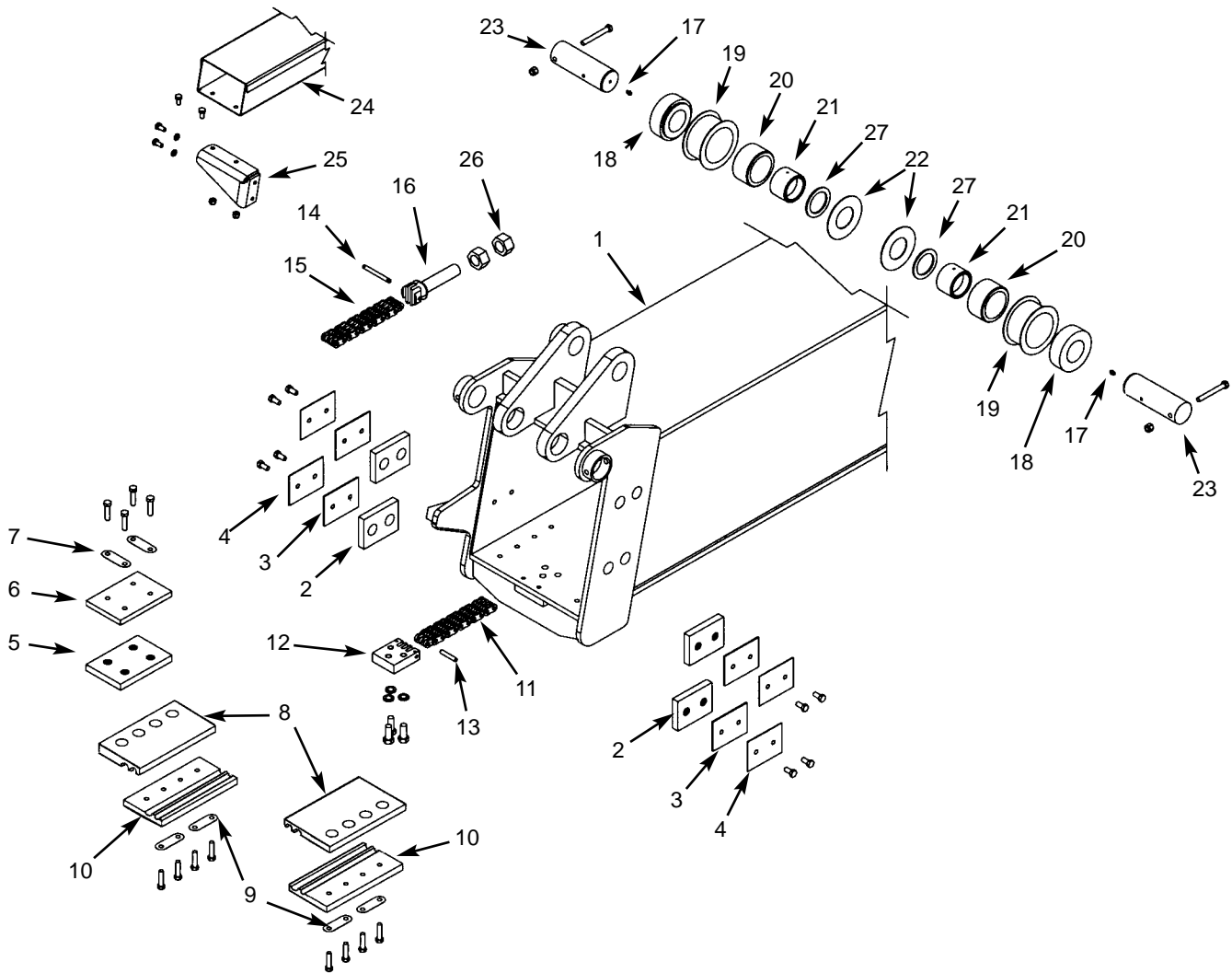
*First Intermediate - Rear Section*



***First Intermediate - Rear Section***

Ref. No.	Part No.	Description	Qty. Req.	Ref. No.	Part No.	Description	Qty. Req.
01	L70895	FIRST INTERM. SECT. WELD.....	1	12	L71008	SHEAVE .....	1
02	L61709	BOTT. SLIDE PAD 3X4.....	2	13	L49618	ROLLER BEARING.....	1
03	L62715	BOLT FLAT LOCK.....	2	14	L49619	INNER RING .....	1
	L510007	CAPSCREW 3/8-16X7/8 .....	4	15	L10057	GREASE ZERK 90 1/4-28.....	1
04	L61709	SIDE SLIDE PAD 3X4.....	4	16	L71206	REAR SHEAVE PIN .....	1
05	L62734	SHIM .105X3X4.....	4		L50275	CAPSCREW 3/8-16X3 .....	1
06	L62733	SHIM .06X3X4.....	4		L520005	NYLON INSERT NUT 3/8.....	1
07	L62715	BOLT FLAT LOCK.....	4	17	L61699	SLIDE PAD .....	1
	L50251	CAPSCREW 3/8-16X3/4 .....	8		L50251	CAPSCREW 3/8-16X3/4 .....	1
08	L71020	TOP SLIDE PAD 4X6 .....	2		L50147	LOCKWASHER 3/8 .....	1
09	L71214	HARDENED WASHER .....	2	18	L70963	HOSE TRAY WELDMENT.....	1
10	L62732	SHIM .105X4X6.....	2	19	L71245	SPACER .....	2
11	L62715	BOLT FLAT LOCK.....	4				
	L50261	CAPSCREW 3/8-16X1-1/2.....	8				

*First Intermediate - Front Section*



**First Intermediate - Front Section**

Ref. No.	Part No.	Description	Qty. Req.	Ref. No.	Part No.	Description	Qty. Req.
01	L70895	FIRST INTERM. SECT. WELD.....	1	15		EXTEND LEAF CHAIN .....	1
02	L61709	SIDE SLIDE PAD 3X4.....	4		101212	<i>Note c and e</i>	
03	L62734	SHIM .105X3X4.....	4		101212	<i>Note d</i>	
04	L62733	SHIM .06X3X4.....	4	16	L71006	ADJUSTABLE CLEVIS .....	1
	L50251	CAPSCREW 3/8-16X3/4 .....	8	17	L10465	GREASE ZERK, STR. 1/4-28 .....	2
05	L61708	TOP SLIDE PAD 4X6 .....	1	18	L71017	SHEAVE SPACER.....	2
06	L63475	SHIM .50X4X6.....	1	19	L71008	CHAIN SHEAVE .....	2
07	L62715	BOLT FLAT LOCK.....	2	20	L49618	ROLLER BEARING.....	2
	L50261	CAPSCREW 3/8-16X1-1/2.....	4	21	L49619	INNER RING .....	2
08		SLIDE PAD W/CLAMP .....	2	22	L71214	THRUST WASHER.....	2
	L71307	<i>Note a</i>		23	L71212	SHEAVE PIN .....	2
	L71420	<i>Note b</i>			L50275	CAPSCREW 3/8-16X3 .....	2
09	L62715	BOLT FLAT LOCK.....	4		L520005	NYLON INSERT NUT 3/8.....	2
	L50261	CAPSCREW 3/8-16X1-1/2.....	8	24	L70963	HOSE TRAY WELDMENT.....	1
10		SPACER PAD W/CLAMP .....	2		L510008	CAPSCREW 5/16-18X5/8 .....	2
	L71306	<i>Note a</i>			L520004	NYLON INSERT NUT 5/16.....	2
	L71419	<i>Note b</i>		25	L69524	INNER TRAY BRACKET.....	1
11	L71001	RETRACT LEAF CHAIN.....	1		L510008	CAPSCREW 5/16-18X5/8 .....	2
12		FIXED CLEVIS .....	1		L50143	LOCKWASHER 5/16 .....	2
	L500728	<i>Note c</i>			L68349	CUSHION MNT PLATE ( <i>weld on</i> )AR	
	101028	<i>Note d</i>		26	L50092	HEX NUT 1-8.....	2
	L71021	SET SCREW #10-24X3/4 .....	2	27	L71245	SPACER .....	2
	L50380	CAPSCREW 1/2-20X1-1/4GR8 ..	3				
	L50142	LOCKWASHER 1/2 .....	3				
13	L71005	FIXED CHAIN PIN.....	1				
14	L71007	CHAIN PIN .....	1				
	L560003	COTTER PIN 3/32X1-1/4.....	1				

a Use with units equipped with single hydraulic (individual) hoses.

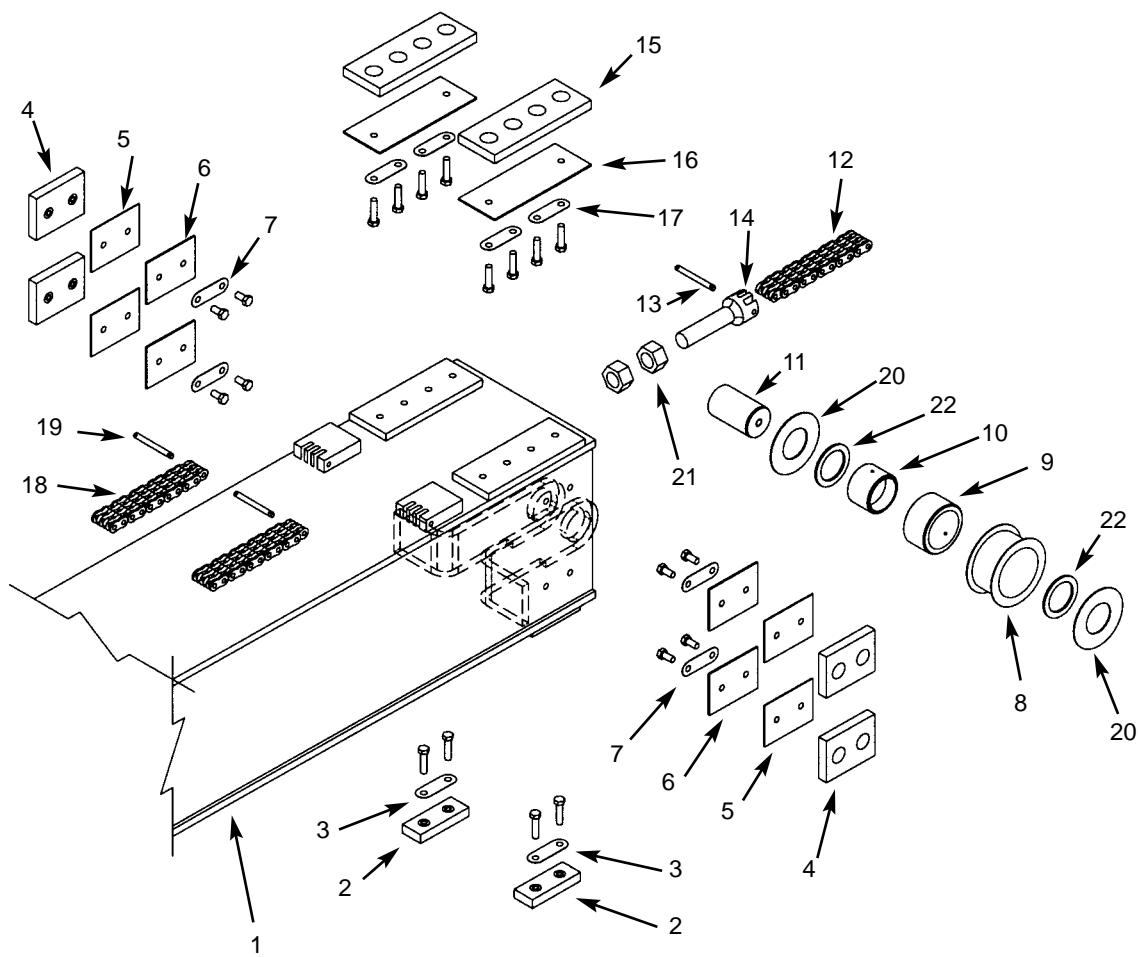
b Use with units equipped with "Twin Line" (dual) hoses.

c DL10L SN 45171 and before

d DL10L SN 45172 and up

e Must order 101028 Fixed Clevis, Ref. No. 12 on this page.

**Second Intermediate - Rear Section**



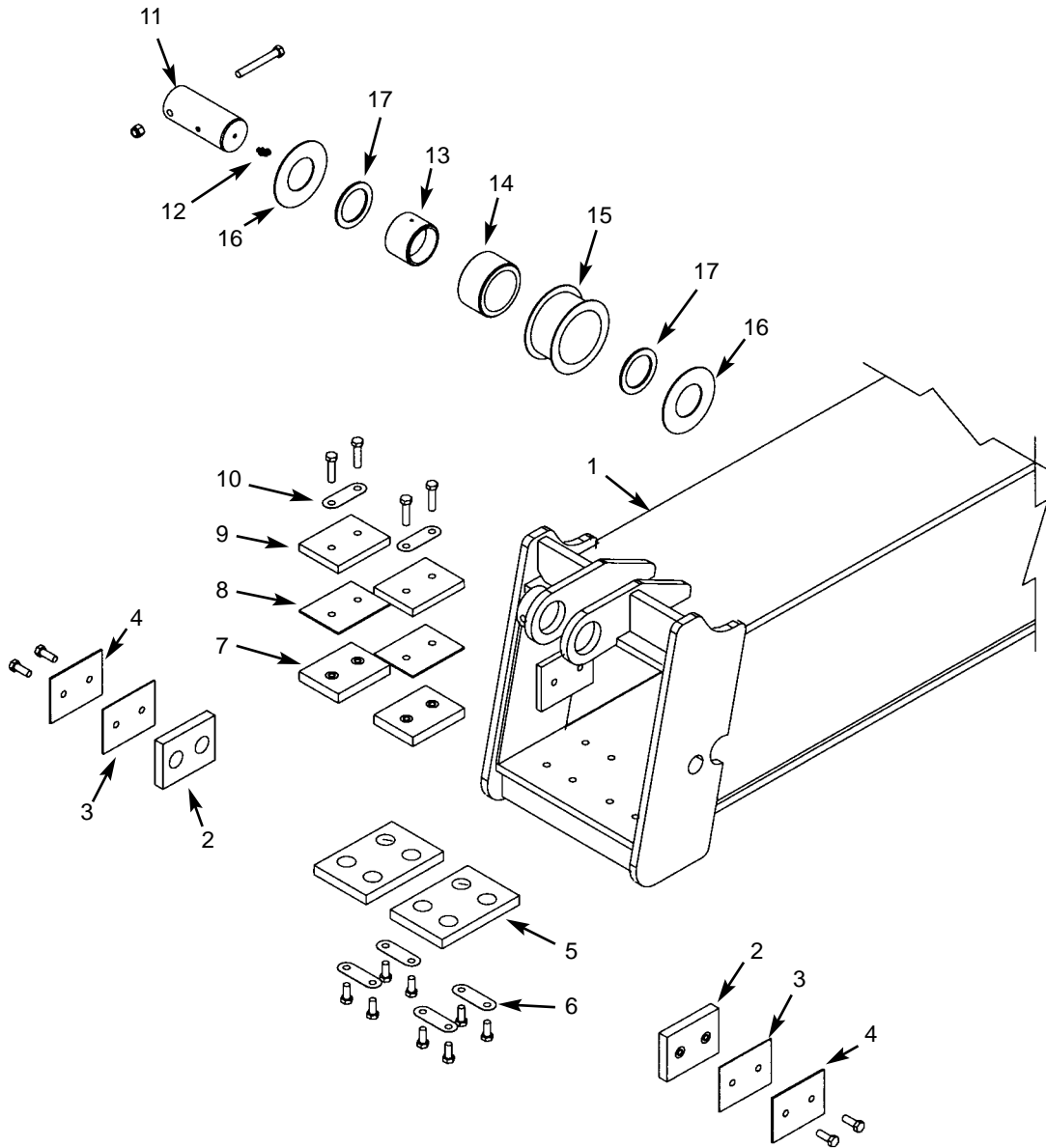
See Hydraulic Components Pages For Hose Sheaves and Hardware



***Second Intermediate - Rear Section***

Ref. No.	Part No.	Description	Qty. Req.	Ref. No.	Part No.	Description	Qty. Req.
01	L70912	2ND INTERM. SECT. WELD. ....	1	13	L71007	CHAIN PIN .....	1
02	L71003	BOTT. SLIDE PAD 1.5X4 .....	2		L560003	COTTER PIN 3/32X1-1/4.....	2
03	L62715	BOLT FLAT LOCK.....	2	14	L71006	ADJUSTABLE CLEVIS .....	1
	L50261	CAPSCREW 3/8-16X1-1/2.....	4	15	L71011	TOP SLIDE PAD 3X8 .....	2
04	L61709	SIDE SLIDE PAD 3X4.....	4	16	L66783	SHIM .105X3X8.....	2
05	L62733	SHIM .06X3X4.....	4	17	L62715	BOLT FLAT LOCK.....	4
06	L62734	SHIM .105X3X4".....	4		L50261	CAPSCREW 3/8-16X1-1/2.....	8
07	L62715	BOLT FLAT LOCK.....	4	18	L71000	EXTEND LEAF CHAIN .....	2
	L50251	CAPSCREW 3/8-16X3/4 .....	8	19	L71007	CHAIN PIN .....	2
08	L71008	CHAIN SHEAVE .....	1		L560003	COTTER PIN 3/32X1-1/4.....	4
09	L49618	ROLLER BEARING .....	1	20	L71214	HARDENED WASHER .....	2
10	L49619	INNER RING .....	1	21	L50092	HEX NUT 1-8. ....	2
11	L71213	SHEAVE PIN .....	1	22	L71245	SPACER .....	2
12	L71001	RETRACT LEAF CHAIN.....	1				

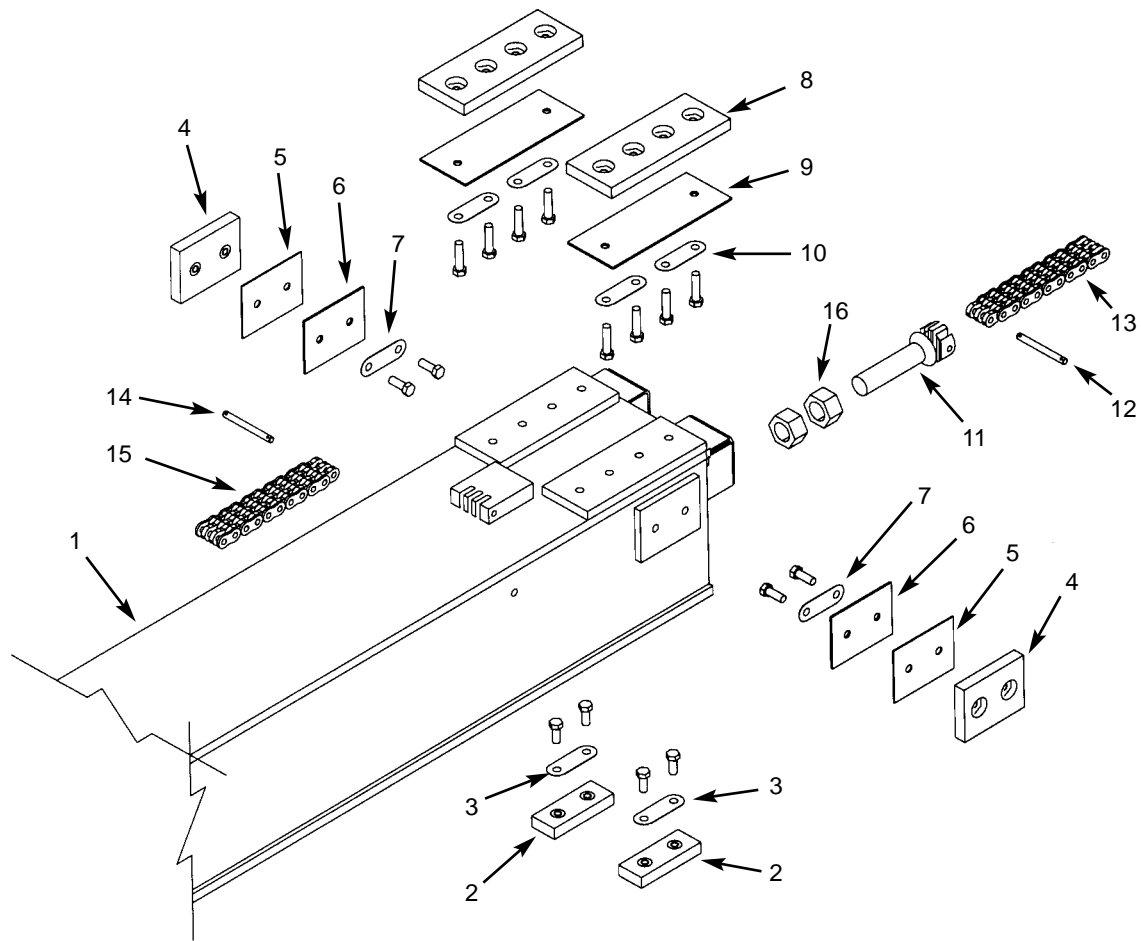
Second Intermediate - Front Section



***Second Intermediate - Front Section***

Ref. No.	Part No.	Description	Qty. Req.	Ref. No.	Part No.	Description	Qty. Req.
01	L70912	2ND INTERM. SECT. WELD. ....	1	10	L62715	BOLT FLAT LOCK .....	2
02	L61709	SIDE SLIDE PAD 3X4" .....	2		L50261	CAPSCREW 3/8-16X1-1/2" .....	4
	L50367	CAPSCREW 3/8-16X1 .....	4	11	L71206	SHEAVE PIN .....	1
03	L62733	SHIM .06X3X4" .....	2	12	L10057	GREASE ZERK 90 1/4-28 .....	1
04	L62734	SHIM .105X3X4" .....	2	13	L49619	INNER RING .....	1
05	L71020	BOTT. SLIDE PAD 4X6" .....	2	14	L49618	ROLLER BEARING .....	1
06	L62715	BOLT FLAT LOCK .....	4	15	L71008	CHAIN SHEAVE .....	1
	L510007	CAPSCREW 3/8-16X7/8" .....	8	16	L71214	HARDENED WASHER .....	2
07	L61709	TOP SLIDE PAD 3X4" .....	2	17	L71245	SPACER .....	2
08	L62734	SHIM .105X3X4" .....	2				
09	L64143	SHIM .50X3X4" .....	2				

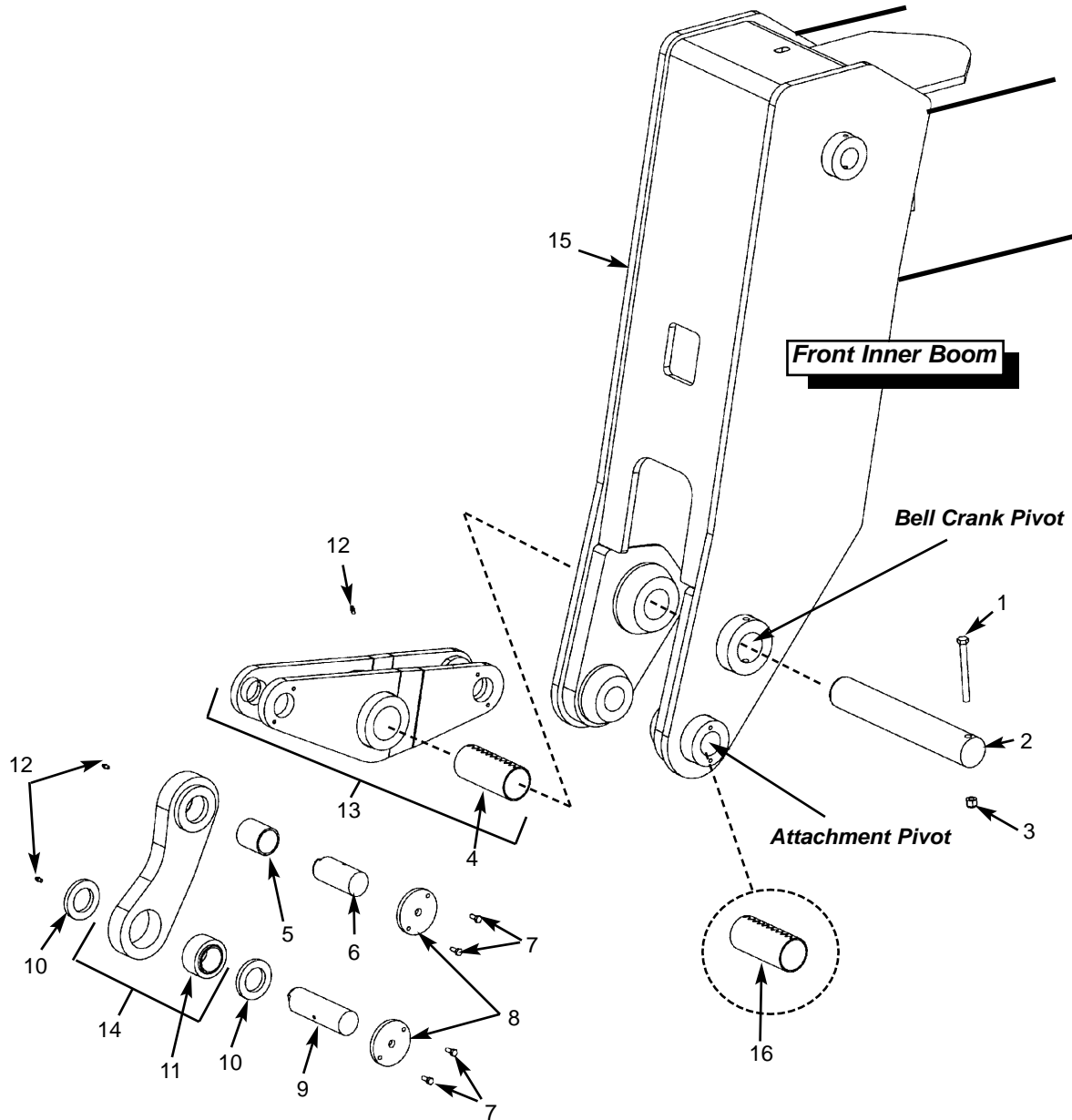
Inner Boom - Rear Section



***Inner Boom - Rear Section***

<b>Ref. No.</b>	<b>Part No.</b>	<b>Description</b>	<b>Qty. Req.</b>	<b>Ref. No.</b>	<b>Part No.</b>	<b>Description</b>	<b>Qty. Req.</b>
01		INNER WELDMENT . . . . .	1	10	L62715	BOLT FLAT LOCK . . . . .	4
	L70943	<i>Note a</i>			L50261	CAPSCREW 3/8-16X1-1/2. . . . .	8
	100120	<i>Note b</i>		11	L71006	ADJUSTABLE CLEVIS . . . . .	1
02	L71003	BOTT. SLIDE PAD 1.5X4.0 . . . . .	2	12	L71007	CHAIN PIN . . . . .	1
03	L62715	BOLT FLAT LOCK . . . . .	2		L560003	COTTER PIN 3/32X1-1/4. . . . .	2
	L510007	CAPSCREW 3/8-16X7/8 . . . . .	4	13	L71001	RETRACT LEAF CHAIN . . . . .	1
04	L61709	SIDE SLIDE PAD 3X4 . . . . .	2	14	L71007	CHAIN PIN . . . . .	1
05	L62733	SHIM .06X3X4 . . . . .	2		L560003	COTTER PIN 3/32X1-1/4. . . . .	2
06	L62734	SHIM .105X3X4 . . . . .	2	15		EXTEND LEAF CHAIN . . . . .	1
07	L62715	BOLT FLAT LOCK . . . . .	2		101212	<i>Note c</i>	
	L50367	CAPSCREW 3/8-16X1 . . . . .	4		101212	<i>Note d</i>	
08	L71011	TOP SLIDE PAD 3X8 . . . . .	2	16	L50092	HEX NUT 1-8. . . . .	2
09	L66783	SHIM .105X3X8 . . . . .	2				
				a		<i>DL10L SN 45170 and before</i>	
				b		<i>DL10L SN 45171 and up</i>	
				c		<i>DL10L SN 45171 and before</i> <i>Must also order 101028 Fixed Clevis, Ref. No. 12</i> <i>on page 167.</i>	
				d		<i>DL10L SN 45172 and up</i>	

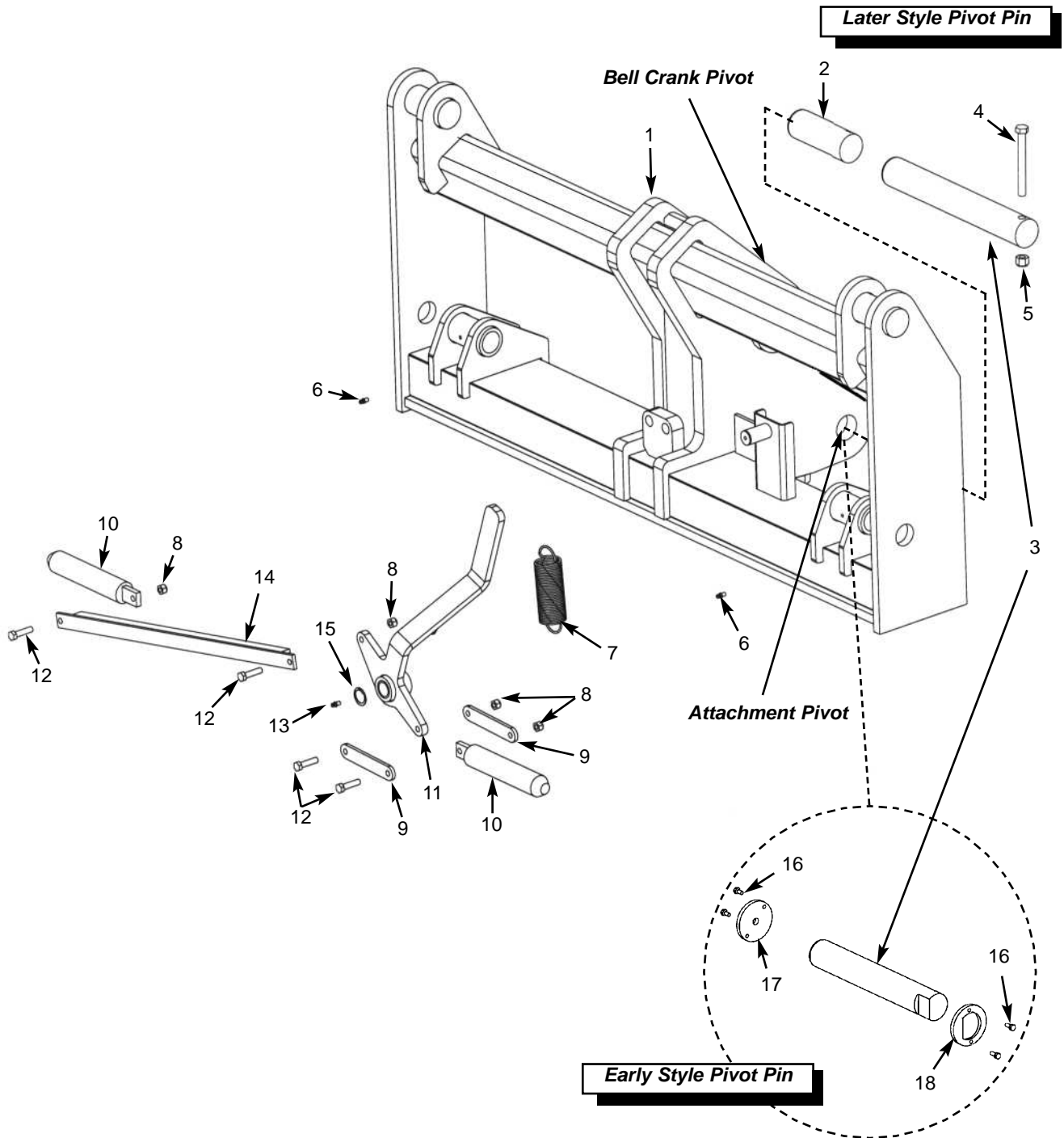
**Inner Boom - Front Section**



***Inner Boom - Front Section***

Ref. No.	Part No.	Description	Qty. Req.	Ref. No.	Part No.	Description	Qty. Req.
01	L50462	1/2-13X5" BOLT . . . . .	1				
02		BELL CRANK PIVOT PIN . . . . .	1				
	L69975	<i>Note f</i>		a		----SERIAL NUMBERS----	
	L71547	<i>Note g</i>				DL6L SN 25415 and before	
03	L520019	1/2-13 NYLON INSERT NUT . . . . .	2			DL8L SN 35343 and before	
04		SPRING BUSHING . . . . .	1			DL10L SN 45110 and before	
	L68046	<i>Note a and b</i>		b		DL6L SN 25416 Thru SN 25570	
	L71546	<i>Note c</i>				DL8L SN 35344 Thru SN 35480	
05	L69965	SPRING BUSHING . . . . .	1			DL10L SN 45111 Thru SN 45170	
06	L69952	BELL CRANK END PIN . . . . .	1				
07	L50230	5/16-18X3/4" BOLT . . . . .	6	c		DL6L SN 25570 and up	
08	L69724	PIVOT PIN CAP . . . . .	AR			DL8L SN 35481 and up	
09	L69968	Z-BAR LINK PIN . . . . .	1			DL10L SN 45171 and up	
10	L69973	Z-BAR SPACER . . . . .	2				
11	L69964	SPHERICAL BEARING . . . . .	1			----INNER BOOM PART NUMBERS----	
12	L10465	ZERK 1/4-28 STRAIGHT . . . . .	3	d		Order PN 100118 pin and select the appropriate inner boom from note e, below.	
13		BELL CRANK W/BUSHING . . . . .	1				
		<i>(Includes item 4)</i>					
	L70310	<i>Note f</i>		e		40' Low Boom, use PN 100111	
	L71550	<i>Note g</i>				42' Low Boom, use PN 100109	
14	L69963	Z-BAR LINK . . . . .	1			44' Low Boom, use PN 100110	
		<i>(Includes items 5, 11)</i>				55' Low Boom, use PN 100120	
15		LOW INNER BOOM WELDMENT . . . . .	1				
	Note d	<i>Note a and b</i>		f		DL6L SN 25560 and before	
	Note e	<i>Note c</i>				DL8L SN 35467 and before	
16 <sup>b</sup>	L69723	BUSHING . . . . .	2			DL10L SN 45162 and before	
				g		DL6L SN 25561 and up	
						DL8L SN 35468 and up	
						DL10L SN 45163 and up	

**Manual DynacARRIER® Bracket**  
(Low Boom Models)

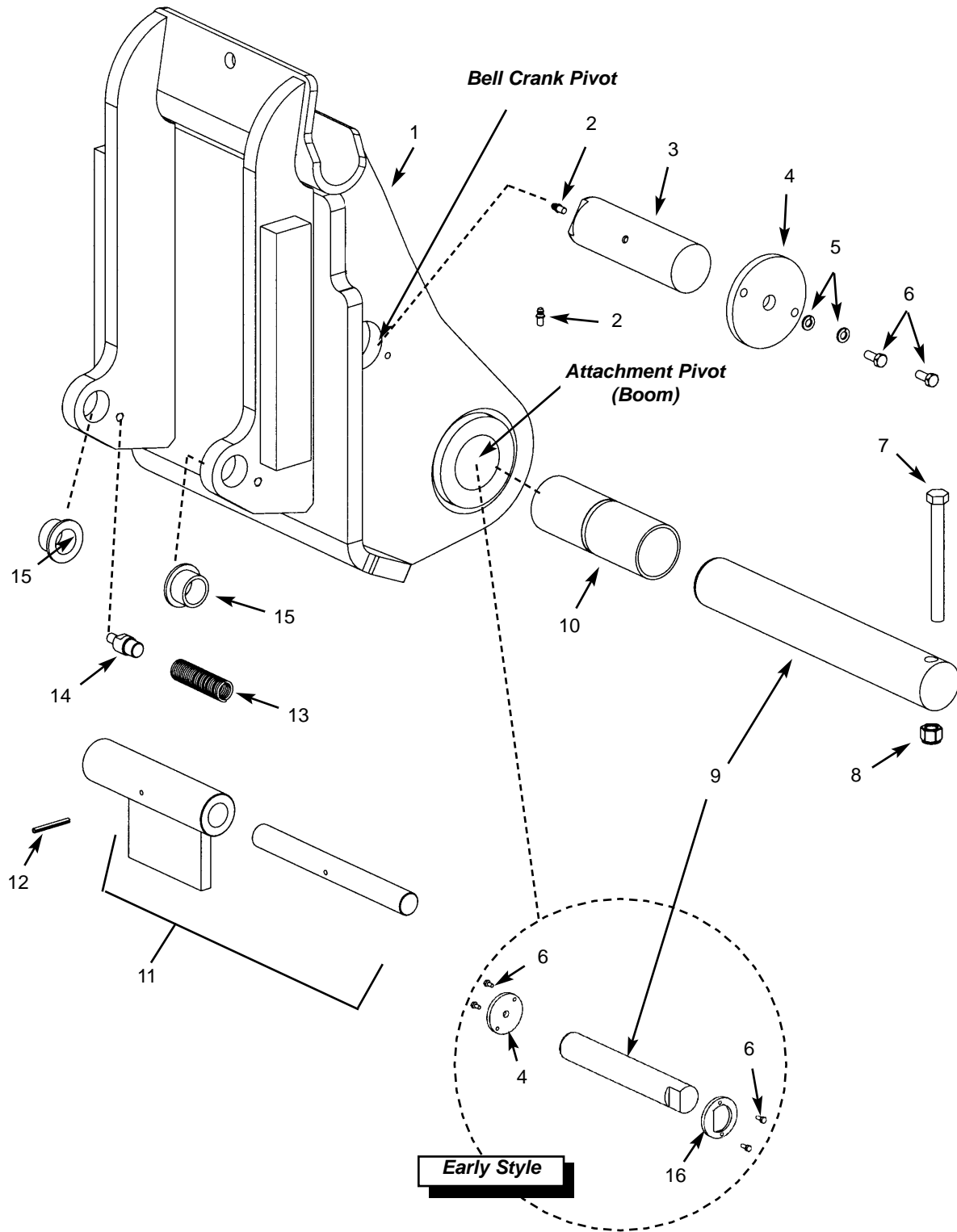




**Manual DynacARRIER® Bracket  
(Low Boom Models)**

Ref. No.	Part No.	Description	Qty. Req.	Ref. No.	Part No.	Description	Qty. Req.
01		DYNACARRIER WELDMENT..... 1		14	L67107	LATCH COUPLER BAR ..... 1	
	L70366	<i>Note a</i>		15	L276632	1" RETAINING CLIP ..... 1	
	100247	<i>Note b and c (Includes item 2)</i>		16 <sup>ab</sup>	L50230	5/16-18X3/4" BOLT ..... 4	
02 <sup>bc</sup>	101351	BUSHING ..... 1		17 <sup>ab</sup>	L69724	PIVOT PIN CAP ..... 1	
03		CARRIER PIVOT PIN ..... 1		18 <sup>ab</sup>	L69725	PIN LOCK CAP ..... 1	
	L69780	<i>Note a (21"x2" w/notch) ..... 1</i>				----SERIAL NUMBERS----	
	L69728	<i>Note b (14"x2" w/notch) ..... 1</i>		a		<i>DL6L SN 25415 and before</i>	
	100118	<i>Note c (14"x2" w/hole) ..... 1</i>				<i>DL8L SN 35343 and before</i>	
04 <sup>bc</sup>	L50986	1/2-13X4-1/2" BOLT ..... 1				<i>DL10L SN 45110 and before</i>	
05 <sup>bc</sup>	L520019	1/2-13 NYLON INSERT NUT ..... 1		b		<i>DL6L SN 25416 thru SN 25570</i>	
06	L10465	1/4-28 GREASE ZERK, STR. .... 3				<i>DL8L SN 35344 Thru SN 35480</i>	
07	L67448	LATCH SPRING ..... 1				<i>DL10L SN 45111 Thru SN 45170</i>	
08	L520005	3/8-16 NYLON INSERT NUT ..... 4		c		<i>DL6L SN 25571 and up</i>	
09	L67106	LOCK COUPLER BAR ..... 2				<i>DL8L SN 35481 and up</i>	
10	L67105	LOCK PIN WELDMENT ..... 2				<i>DL10L SN 45171 and up</i>	
11	L67100	LOCK HANDLE WELDMENT ..... 1					
	L67099	BRONZE BUSHING ..... 1					
12	L50261	3/8-16X1-1/2" BOLT ..... 4					
13	L10465	1/4-28 GREASE ZERK, STR. .... 4					

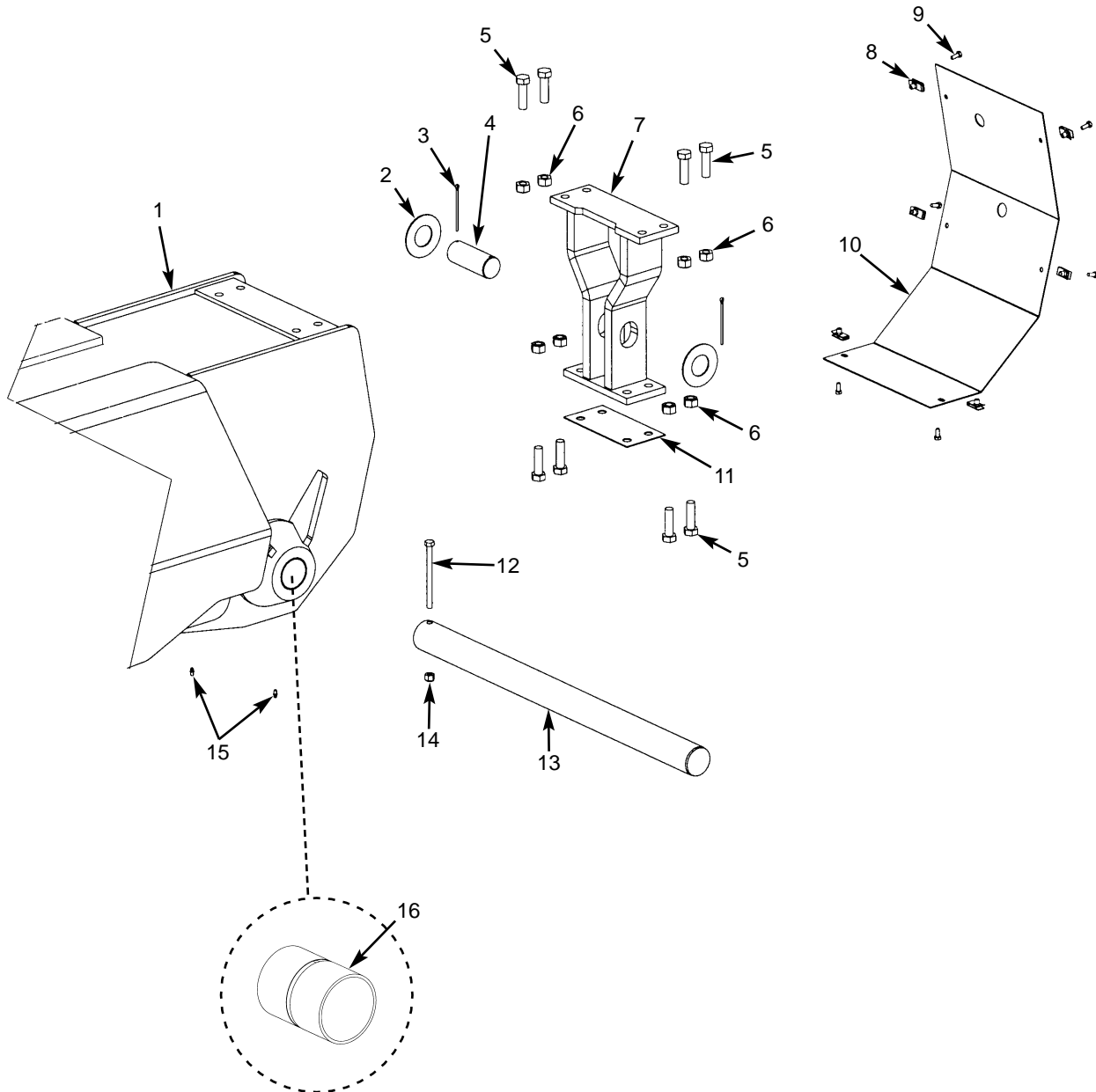
**Dynattach® Bracket**  
(All Low Boom Models)



**Dynattach® Bracket**  
**(All Low Boom Models)**

<b>Ref. No.</b>	<b>Part No.</b>	<b>Description</b>	<b>Qty. Req.</b>	<b>Ref. No.</b>	<b>Part No.</b>	<b>Description</b>	<b>Qty. Req.</b>
01	101053	DYNATTACH® WELDMENT . . . . .	1	13	L65097	LOCK SPRING . . . . .	1
02	L10465	1/4" -28 STR GREASE ZERK . . . . .	2	14	L65098	SPRING MOUNT . . . . .	1
03	L69968	Z-BAR LINK PIN . . . . .	1	15	L66456	BUSHING . . . . .	2
04	L69724	PIN CAP . . . . .	1	16	L69725	PIN LOCK CAP . . . . .	1
05	L50143	5/16" LOCK WASHER . . . . .	2			----SERIAL NUMBERS----	
06	L50230	5/16"X3/4" BOLT . . . . .	2	a		<i>DL6L SN 25570 and before</i>	
07	L50462	1/2"X5" BOLT . . . . .	1			<i>DL8L SN 35480 and before</i>	
08	L520019	1/2" NYLON INSERT NUT . . . . .	1			<i>DL10L SN 45170 and before</i>	
09		CARRIER PIVOT PIN . . . . .	1	b		<i>DL6L SN 25571 and up</i>	
	L69728	<i>Note a (with notched end)</i>				<i>DL8L SN 35481 and up</i>	
	100118	<i>Note b (with hole for bolt)</i>				<i>DL10L SN 45171 and up</i>	
10	101351	BUSHING . . . . .	1				
11	L66453	LOCK AND PIN ASSEMBLY . . . . .	1				
12	L50646	3/16"X1-3/4" ROLL PIN . . . . .	1				

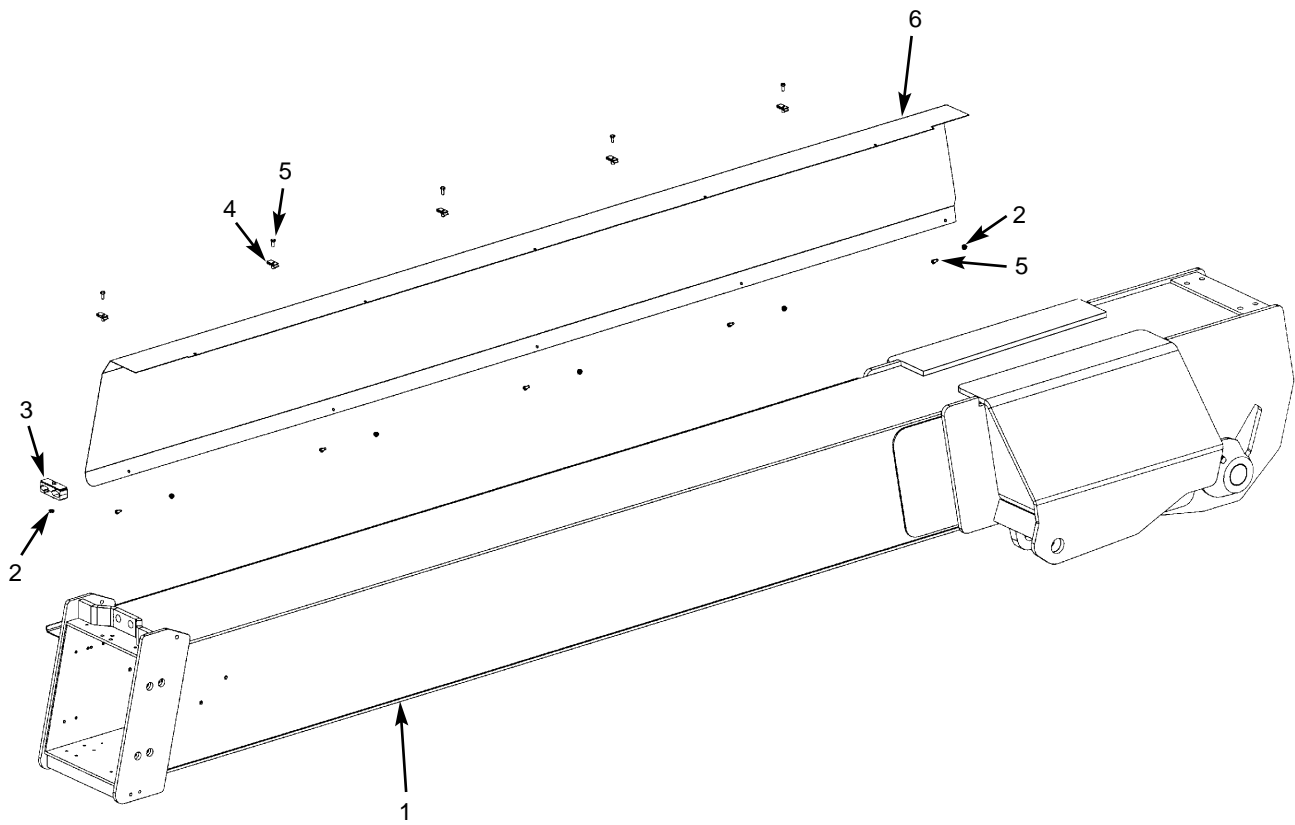
Outer Boom - Rear Section



***Outer Boom - Rear Section***

Ref. No.	Part No.	Description	Qty. Req.	Ref. No.	Part No.	Description	Qty. Req.
01	<i>Note a</i>	OUTER BOOM WELDMENT . . . . .	1	11	L70420	TRUNION SHIM . . . . .	1
02	L400207	THRUST WASHER . . . . .	2	12	L50463	1/2-13X6" BOLT . . . . .	1
03	L50608	3/16X4" COTTER PIN . . . . .	2	13	L69474	BOOM PIVOT PIN . . . . .	1
04	L69994	EXTEND CYLINDER PIN . . . . .	1	14	L520019	1/2-13 NYLON INSERT NUT . . . . .	1
05	L50956	3/4-10X2-1/2" BOLT . . . . .	8	15	L10465	1/4-28 ZERK, STRAIGHT . . . . .	2
06	L50519	3/4-10 NYLON INSERT NUT . . . . .	8	16	L69492	BUSHING, PIVOT PIN . . . . .	2
07	L69480	EXT. CYL. MOUNT WLDMNT . . . . .	1				
08	L530004	5/16" CLIP RETAINING NUT . . . . .	6	<i>a</i>	<i>40' High Boom, use PN L70421</i>		
09	L50230	5/16-18X3/4" BOLT . . . . .	6		<i>42' High Boom, use PN L70422</i>		
10	L69534	REAR BOOM COVER . . . . .	1		<i>44' High Boom, use PN L69255</i>		

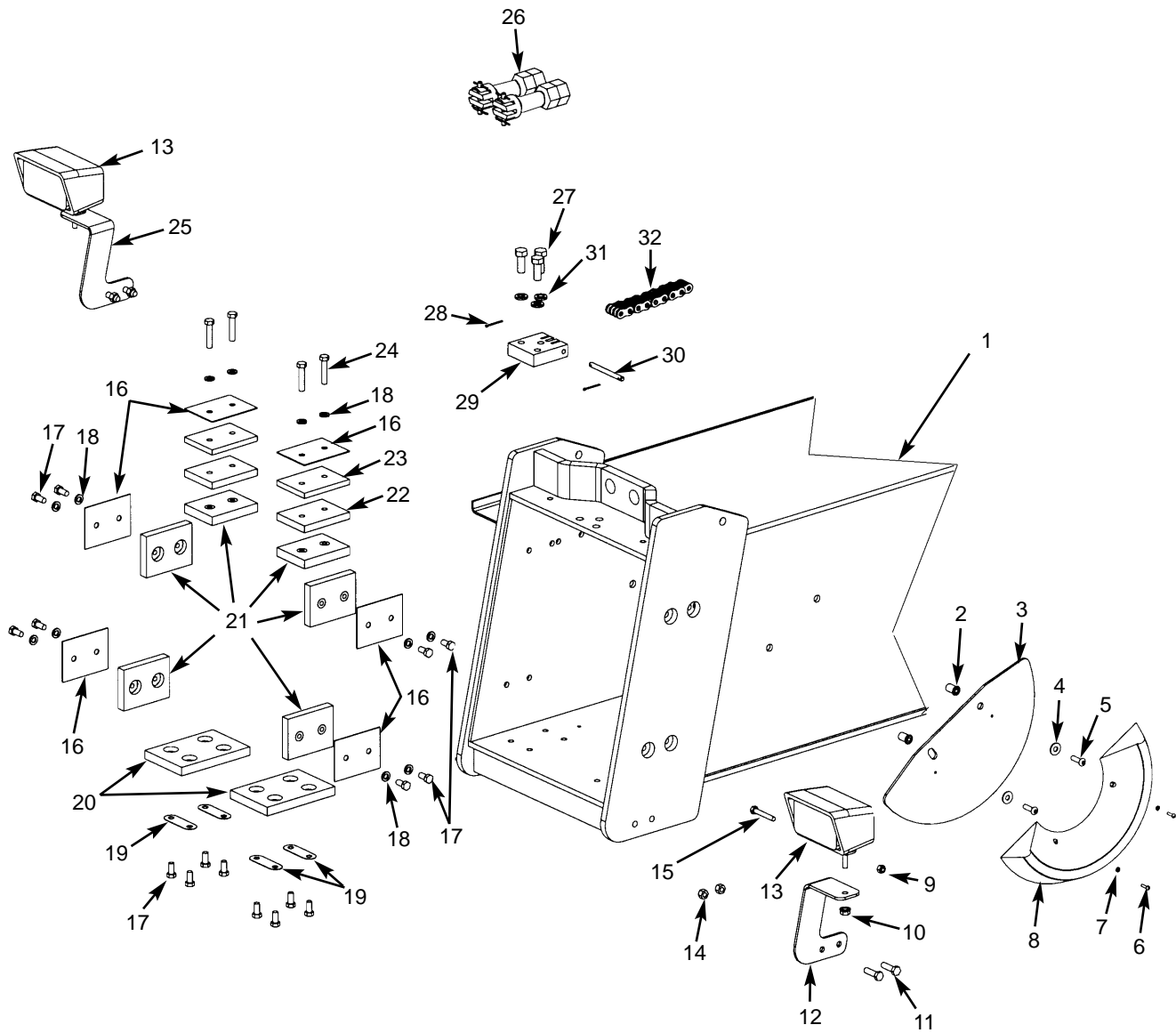
***Outer Boom Side Cover***



***Outer Boom Side Cover***

Ref. No.	Part No.	Description	Qty. Req.	Ref. No.	Part No.	Description	Qty. Req.
01	<i>Note a</i>	OUTER BOOM WELDMENT . . . . .	1	<i>a</i>		40' High Boom, use PN L70421	
02	L50056	5/16" FLARE NUT . . . . .	6			42' High Boom, use PN L70422	
03	L79167	HOSE CLAMP ASSEMBLY . . . . .	1			44' High Boom, use PN L69255	
04	L530004	5/16" CLIP RETAINING NUT. . . . .	5				
05	L50230	5/16-18X3/4" BOLT . . . . .	10	<i>b</i>		40' High Boom, use PN L69530	
06	<i>Note b</i>	OUTER SIDE COVER. . . . .	1			42' High Boom, use PN L69528	
						44' High Boom, use PN L69532	

Outer Boom - Front Section

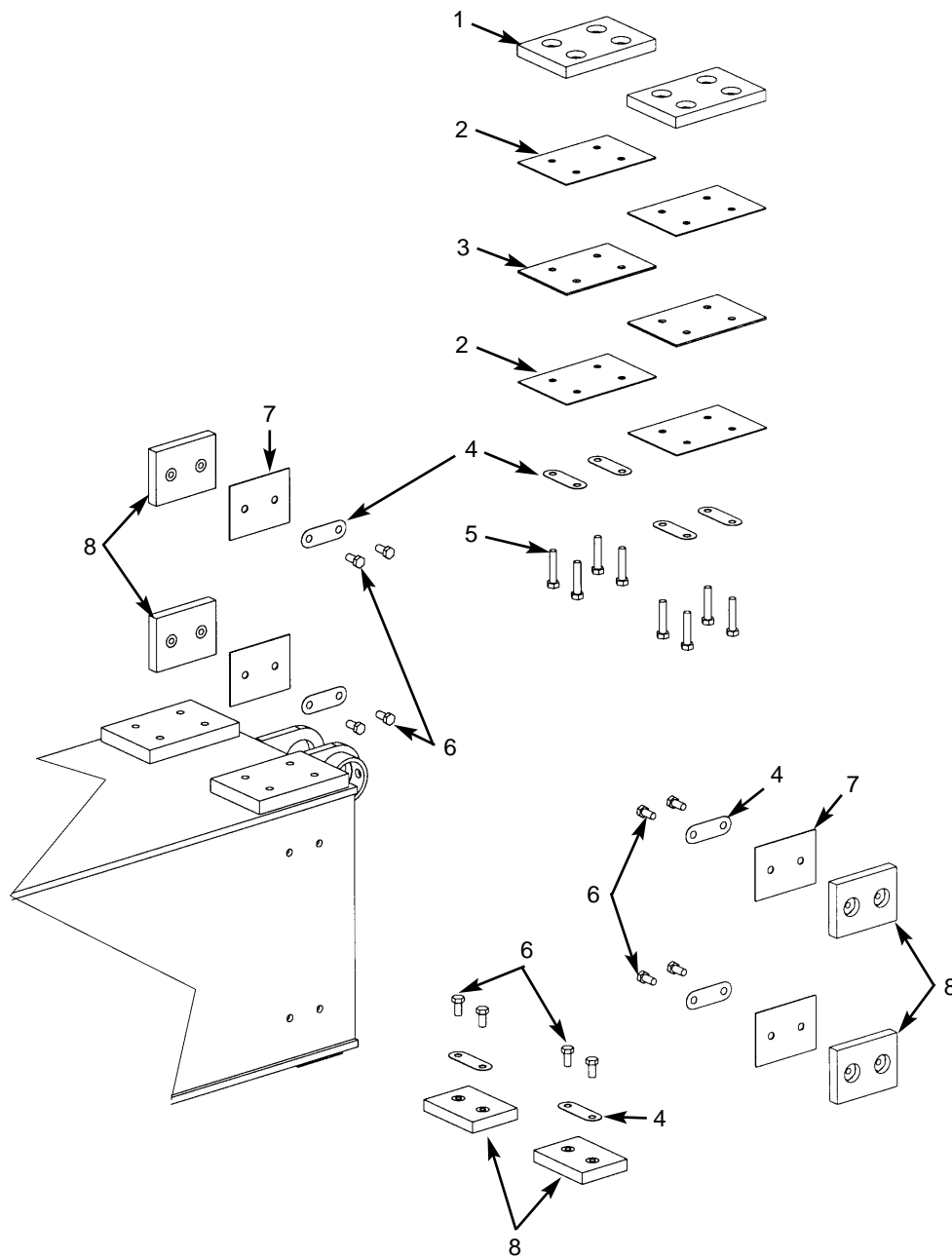




***Outer Boom - Front Section***

Ref. No.	Part No.	Description	Qty. Req.	Ref. No.	Part No.	Description	Qty. Req.
01	<i>Note a</i>	OUTER BOOM WELDMENT . . . . .	1	21	L61709	SLIDE PAD . . . . .	6
02	L70242	5/16-18 NUT INSERT . . . . .	2	22	L64143	.50X3X4 SHIM. . . . .	2
03	L65640	BOOM ANGLE IND. PLATE . . . . .	1	23	L64132	3/8" PAD SPACER. . . . .	2
04	L50141	5/16" FLAT WASHER . . . . .	2	24	L50836	3/8-16X1-3/4" BOLT . . . . .	4
05	L52048	5/16-18X1" BUTTON HD BOLT. . . . .	2	25	L70635	BOOM LIGHT BRACKET (RH) . . . . .	1
06	L50491	#8X5/8" RND HD MACH SCREW. . . . .	2	26	L64359	ADJUSTABLE CLEVIS PIN. . . . .	3
07	L50136	#10 LOCK WASHER . . . . .	2			<i>(does not include nuts or cotter pins)</i>	
08	L65638	INCLINOMETER - ANGLE IND. . . . .	1	27	L50380	1/2-20X1-1/4" GRD 8 BOLT . . . . .	3
09	L520004	5/16-18 NYLON INSERT NUT . . . . .	2	28	L560003	3/32X1-1/4" COTTER PIN. . . . .	2
10	L50061	3/8-16 FLARE NUT . . . . .	2	29	L64384	CLEVIS . . . . .	1
11	L52026	3/8-16X1-1/4" BOLT . . . . .	4	30	L64468	CHAIN PIN . . . . .	1
12	L70639	BOOM LIGHT BRACKET (LH) . . . . .	1	31	L50152	1/2" LOCK WASHER. . . . .	3
13	L70040	WORK LIGHT . . . . .	2	32	<i>Note b</i>	LEAF CHAIN . . . . .	3
	L70462	LIGHT HARNESS <i>(not shown)</i> . . . . .	1				
14	L520005	3/8-16 NYLON INSERT NUT . . . . .	4				
15	L50835	5/16-18X2" BOLT. . . . .	2	<i>a</i>	<i>40' High Boom, use PN L70421</i>		
16	L62733	.06X3X4 SHIM. . . . .	6		<i>42' High Boom, use PN L70422</i>		
17	L50251	3/8-16X3/4" BOLT . . . . .	16		<i>44' High Boom, use PN L69255</i>		
18	L50147	3/8" LOCK WASHER. . . . .	12				
19	L62715	FLAT-BOLT LOCK. . . . .	4	<i>b</i>	<i>40' High Boom, use PN L69249</i>		
20	L61708	SLIDE PAD . . . . .	2		<i>42' High Boom, use PN L69254</i>		
					<i>44' High Boom, use PN L69256</i>		

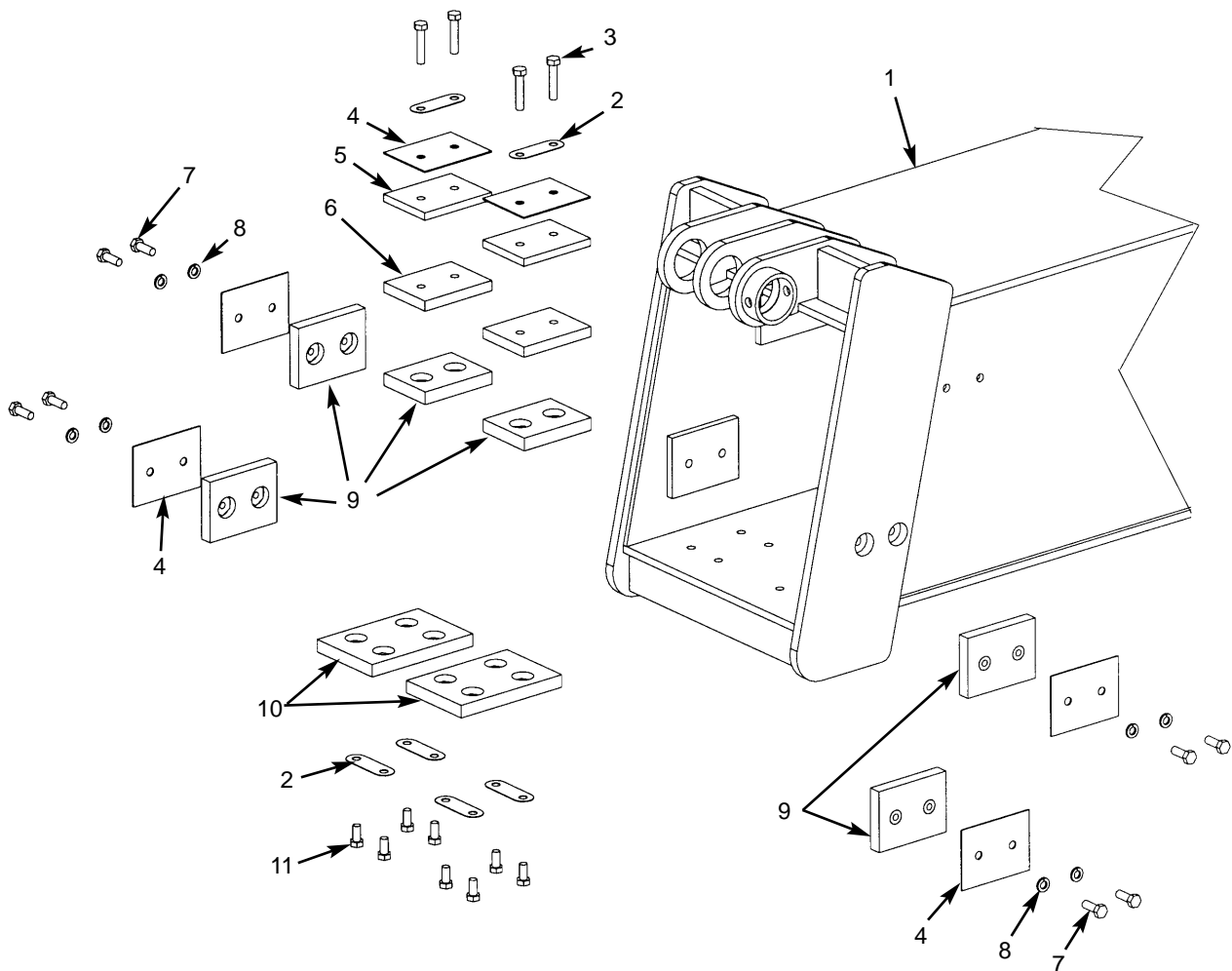
*Intermediate Boom - Rear Section*



***Intermediate Boom - Rear Section***

<b>Ref. No.</b>	<b>Part No.</b>	<b>Description</b>	<b>Qty. Req.</b>	<b>Ref. No.</b>	<b>Part No.</b>	<b>Description</b>	<b>Qty. Req.</b>
01	L61708	SLIDE PAD .....	2	05	L50836	3/8-16X1-3/4" BOLT .....	8
02	L62731	.06X3X4" SHIM .....	4	06	L50251	3/8-16X3/4" BOLT .....	12
03	L62732	.105X4X6" SHIM .....	2	07	L62733	.06X3X4" SHIM .....	4
04	L62715	FLAT-BOLT LOCK .....	10	08	L61709	SLIDE PAD .....	6

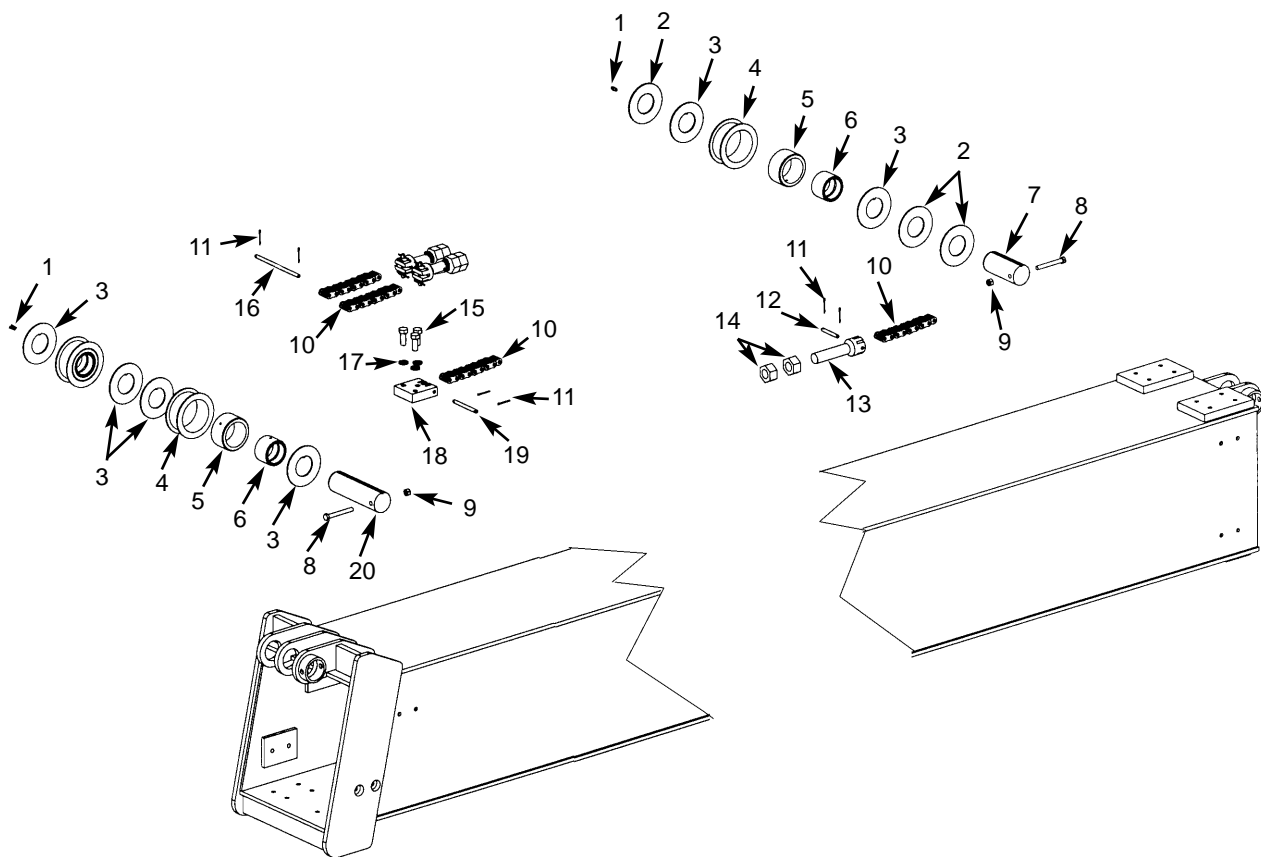
**Intermediate Boom - Front Section**



***Intermediate Boom - Front Section***

Ref. No.	Part No.	Description	Qty. Req.	Ref. No.	Part No.	Description	Qty. Req.
01	<i>Note a</i>	INTERMEDIATE WELDMENT.....	1	09	L61709	SLIDE PAD .....	6
02	L62715	FLAT-BOLT LOCK.....	6	10	L61708	SLIDE PAD .....	2
03	L50836	3/8-16X1-3/4" BOLT .....	4	11	L50251	3/8-16X3/4" BOLT .....	8
04	L62733	.06X3X4 SHIM.....	6				
05	L64132	3/8" PAD SPACER.....	2	<i>a</i>	<i>40' High Boom, use PN L71210</i>		
06	L64143	.50X3X4 SHIM.....	2		<i>42' High Boom, use PN L71215</i>		
07	L50367	3/8-16X1" BOLT.....	8		<i>44' High Boom, use PN L71220</i>		
08	L50147	3/8" LOCK WASHER.....	8				

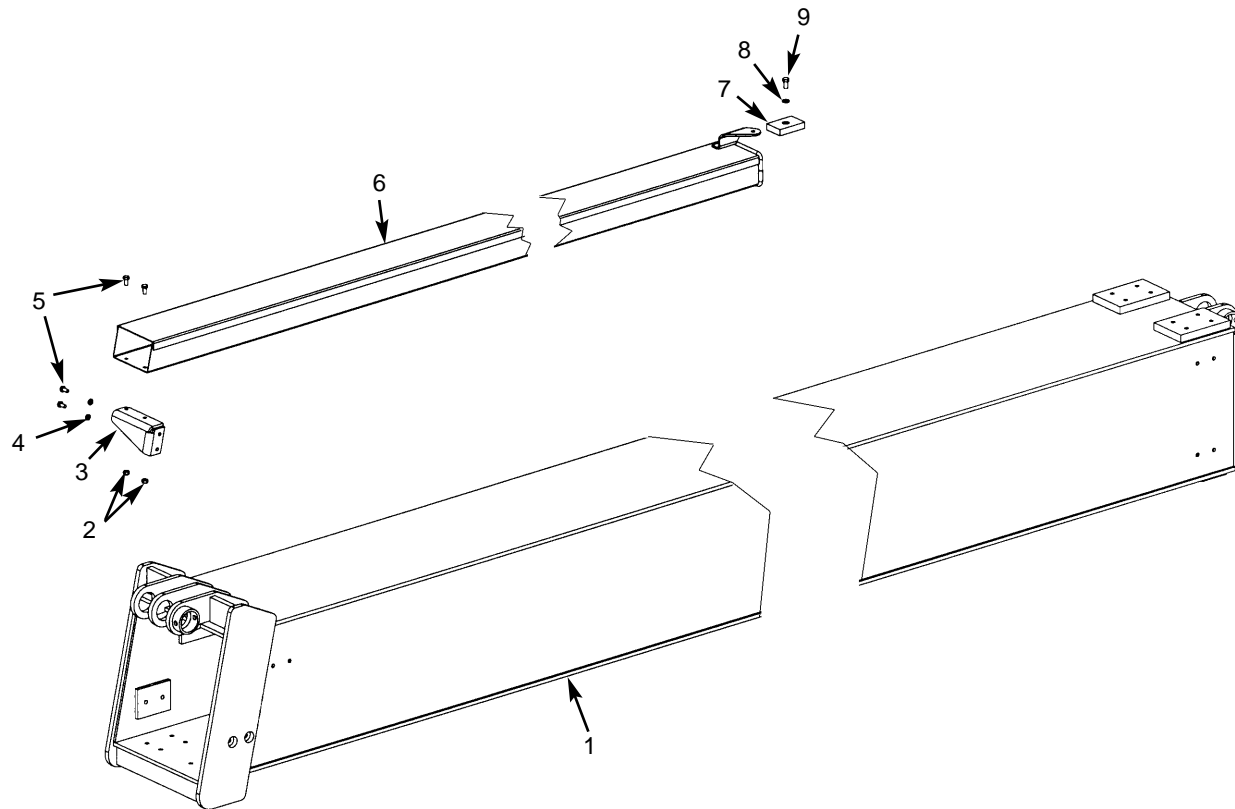
**Intermediate Boom - Chain Group**



***Intermediate Boom - Chain Group***

Ref. No.	Part No.	Description	Qty. Req.	Ref. No.	Part No.	Description	Qty. Req.
01	L10465	1/4-28 ZERK, STR. ....	2				
02	L400207	THRUST WASHER ....	3	a		40' High Boom, use PN L69249	
03 <sup>c</sup>	L71205	CHAIN SHEAVE WASHER ....	6			257 Pitches - 192-3/4"	
04	L64360	CHAIN SHEAVE ....	3			42' High Boom, use PN L69254	
05	L49618	ROLLER BEARING ....	3			265 Pitches - 198-3/4"	
06	L49619	INNER RING ....	3			44' High Boom, use PN L69256	
07		REAR SHEAVE PIN ....	1			277 Pitches - 207-3/4"	
	L69996	<i>Note b and d (no groove in pin)</i>					
	L71206	<i>Note c (pin grooved for washer)</i>		b		DL6H SN 20316 and before	
08	L50275	3/8-16X3 BOLT ....	3			DL8H SN 30317 and before	
09	L520005	3/8-16 NYLON INSERT NUT ....	2			DL10H SN 40140 and before	
10	<i>Note a</i>	LEAF CHAIN ....	3			DL12H SN 50120 and before	
11	L560003	3/32X1-1/4 COTTER PIN ....	10	c		DL6H SN 20317 and up	
12	L64466	CHAIN ADJUST CLEVIS PIN ....	3			DL8H SN 30318 and up	
13	L64359	ADJUSTABLE CLEVIS ....	3			DL10H SN 40141 and up	
14	L50092	1"-8 NUT ....	6			DL12H SN 50121 and up	
15	L50380	1/2-20X1-1/4" BOLT ....	3	d		The following update kits are available:	
16	L64467	PIN, REAR CHAIN LOW INNER. . .	1		<b>L500286</b>	<b>SHEAVE MNT. KIT, FRONT . . . . .</b>	<b>1</b>
17	L50152	1/2" LOCK WASHER. . . . .	3		L69041	MOUNT/FRONT SHEAVE . . . . .	3
18	L64384	CLEVIS, TOP REAR INNER . . . . .	1		L71204	PIN/FRONT SHEAVE . . . . .	1
19	L64468	PIN, CHAIN REAR UPPER INNR. .	1		L71205	WASHER/CHAIN SHEAVE . . . . .	4
20		PIN, CHAIN SHEAVE . . . . .	1		L64490	COLLAR/2" LOCK . . . . .	1
	L64934	<i>Note b and d (no groove in pin)</i>			907367	GUIDELINES/FOR WELDING . . . .	1
	L71204	<i>Note c (pin grooved for washer)</i>			907894	INSTRUCTIONS/SHEAVE MNT. . . .	1
					<b>L500287</b>	<b>SHEAVE MNT. KIT, REAR . . . . .</b>	<b>1</b>
					L69043	MOUNT/REAR SHEAVE . . . . .	2
					L71205	WASHER/CHAIN SHEAVE . . . . .	2
					L71206	PIN/REAR SHEAVE . . . . .	1
					L64490	COLLAR/2" LOCK . . . . .	1
					907367	GUIDELINES/FOR WELDING . . . .	1
					907894	INSTRUCTIONS/SHEAVE MNT. . . .	1

*Intermediate Boom - Hose Tray*

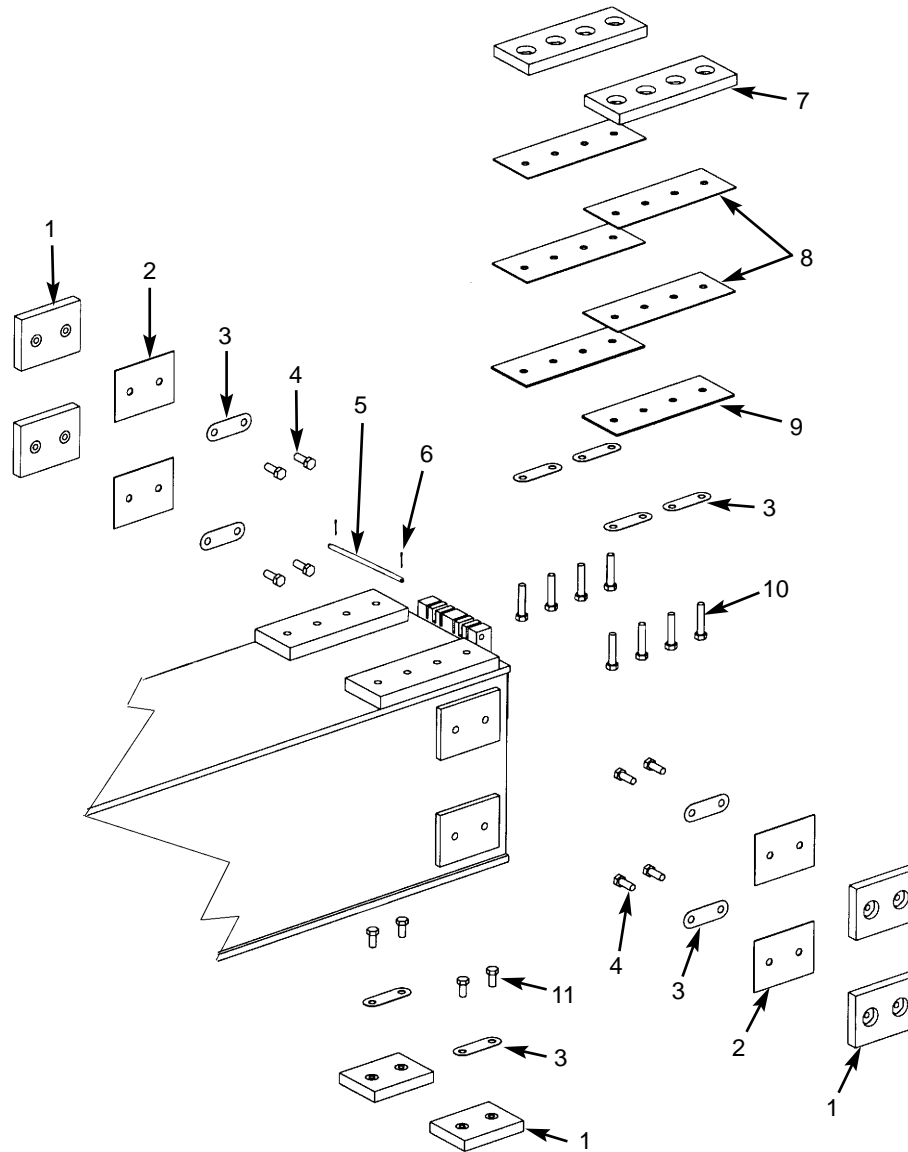




***Intermediate Boom - Hose Tray***

Ref. No.	Part No.	Description	Qty. Req.	Ref. No.	Part No.	Description	Qty. Req.
01	<i>Note a</i>	INTERMEDIATE WELDMENT . . . .	1	a		40' High Boom, use PN L71210	
02	L520004	5/16-18 NYLON INSERT NUT . . . .	2			42' High Boom, use PN L71215	
03	L69524	TRAY BRACKET . . . . .	1			44' High Boom, use PN L71220	
	L68349	PLATE, CUSHION MNT ( <i>weld on</i> )					
04	L50143	5/16" LOCK WASHER . . . . .	2				
05	L510008	5/16-18X5/8" BOLT . . . . .	4	b		40' High Boom, use PN L69506	
06	<i>Note b</i>	TRAY WELDMENT . . . . .	1			42' High Boom, use PN L69501	
07	L61699	SLIDE PAD . . . . .	1			44' High Boom, use PN L69511	
08	L50147	3/8" LOCK WASHER . . . . .	1				
09	L50251	3/8-16X3/4" BOLT . . . . .	1				
10	L50056	5/16-18 FLARE NUT . . . . .	1				

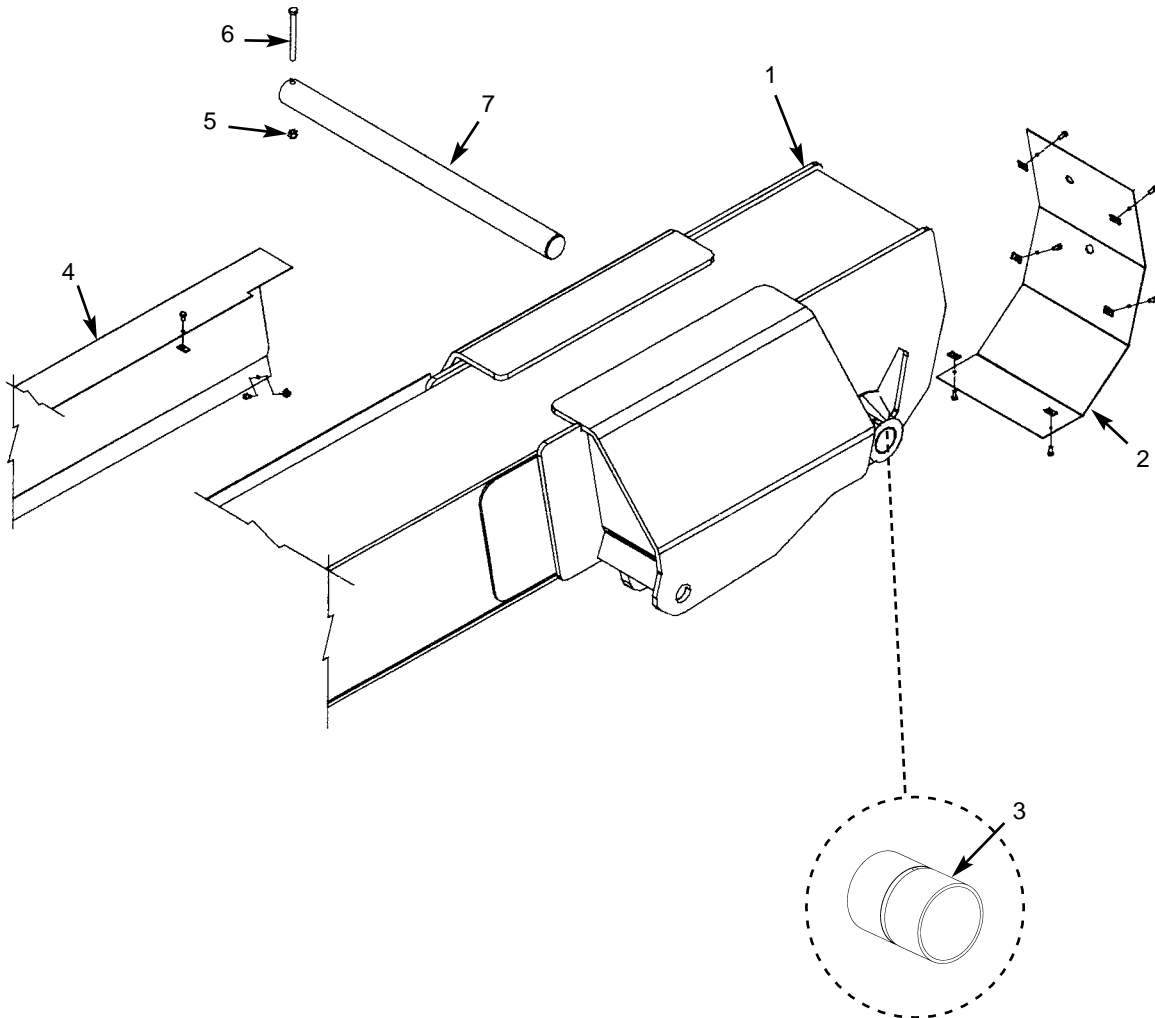
*Inner Boom- Rear Section*



***Inner Boom - Rear Section***

Ref. No.	Part No.	Description	Qty. Req.	Ref. No.	Part No.	Description	Qty. Req.
01	L61709	SLIDE PAD .....	6	07	L66780	SLIDE PAD .....	2
02	L62733	0.06X3X4 SHIM.....	4	08	L66782	0.06X3X8" SHIM .....	4
03	L62715	FLAT-BOLT LOCK.....	10	09	L66783	0.105X3X8" SHIM .....	2
04	L50367	3/8-16X1" BOLT.....	8	10	L50261	3/8-16X1-1/2" BOLT .....	8
05	L64467	PIN, CHAIN REAR LOW INNER... 1		11	L50251	3/8-16X3/4" BOLT .....	4
06	L560003	3/32X1-1/4" COTTER PIN.....	2				

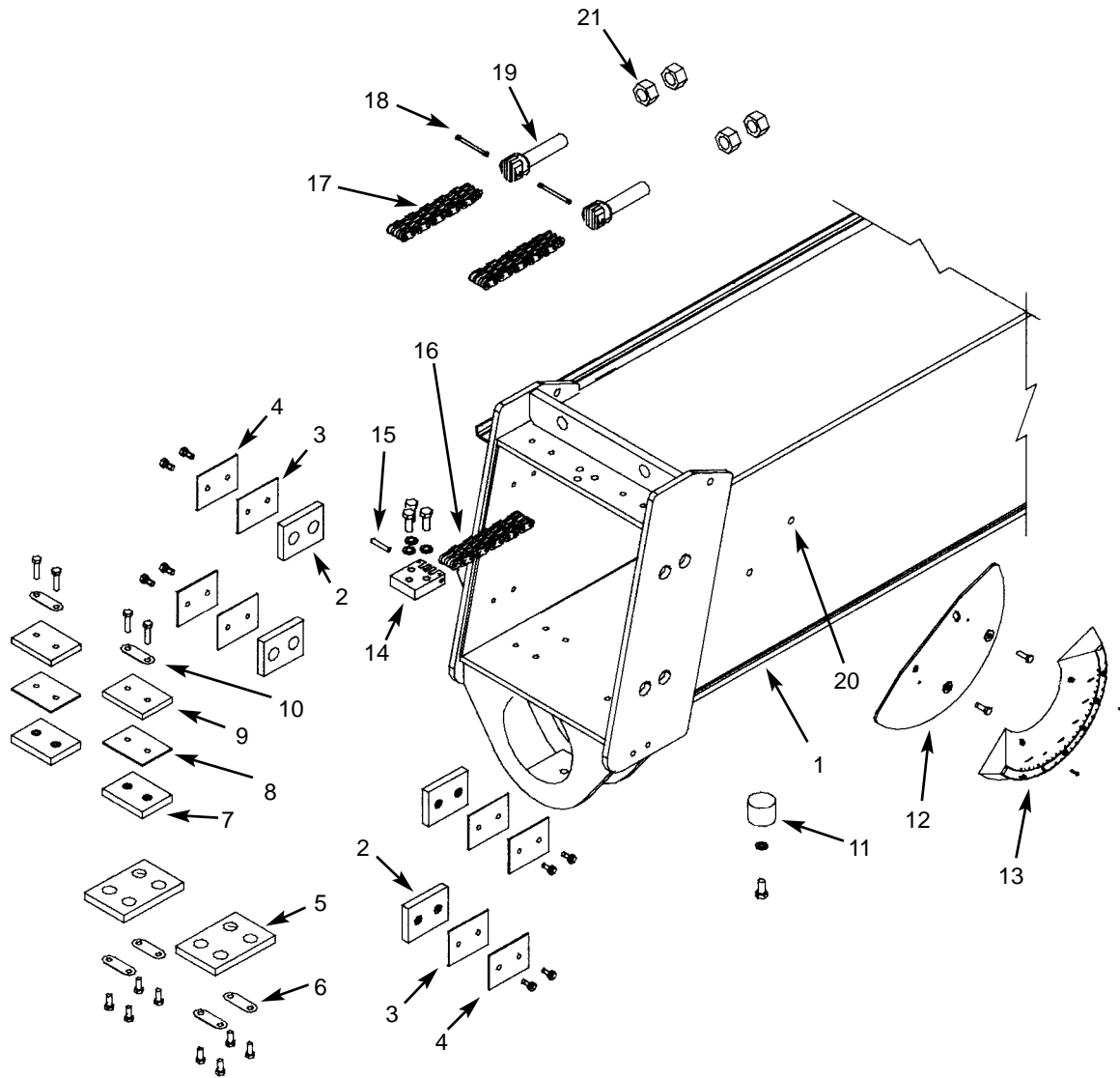
*Outer Boom - Rear Section*



***Outer Boom - Rear Section***

Ref. No.	Part No.	Description	Qty. Req.	Ref. No.	Part No.	Description	Qty. Req.
01	L70863	OUTER SECTION WELDMENT...	1	05	L520019	1/2"-13 NYLON INSERT NUT . . . . .	2
02	L69534	REAR COVER . . . . .	1	06	L50463	1/2"-13X6" BOLT . . . . .	2
	L50230	5/16"-18X3/4 BOLT . . . . .	6	07	L69474	PIVOT PIN . . . . .	2
	L530004	5/16" RET. NUT FASTNR . . . . .	6				
03	L69492	BUSHING, PIVOT PIN . . . . .	2				
04	L70956	SIDE COVER . . . . .	1				
	L510008	5/16"-18X5/8 BOLT . . . . .	5				
	L530004	5/16" RET. NUT FASTNR . . . . .	5				
	L510008	5/16"-18X5/8" BOLT . . . . .	5				
	L50056	5/16" FLANGE NUT . . . . .	5				

Outer Boom - Front Section



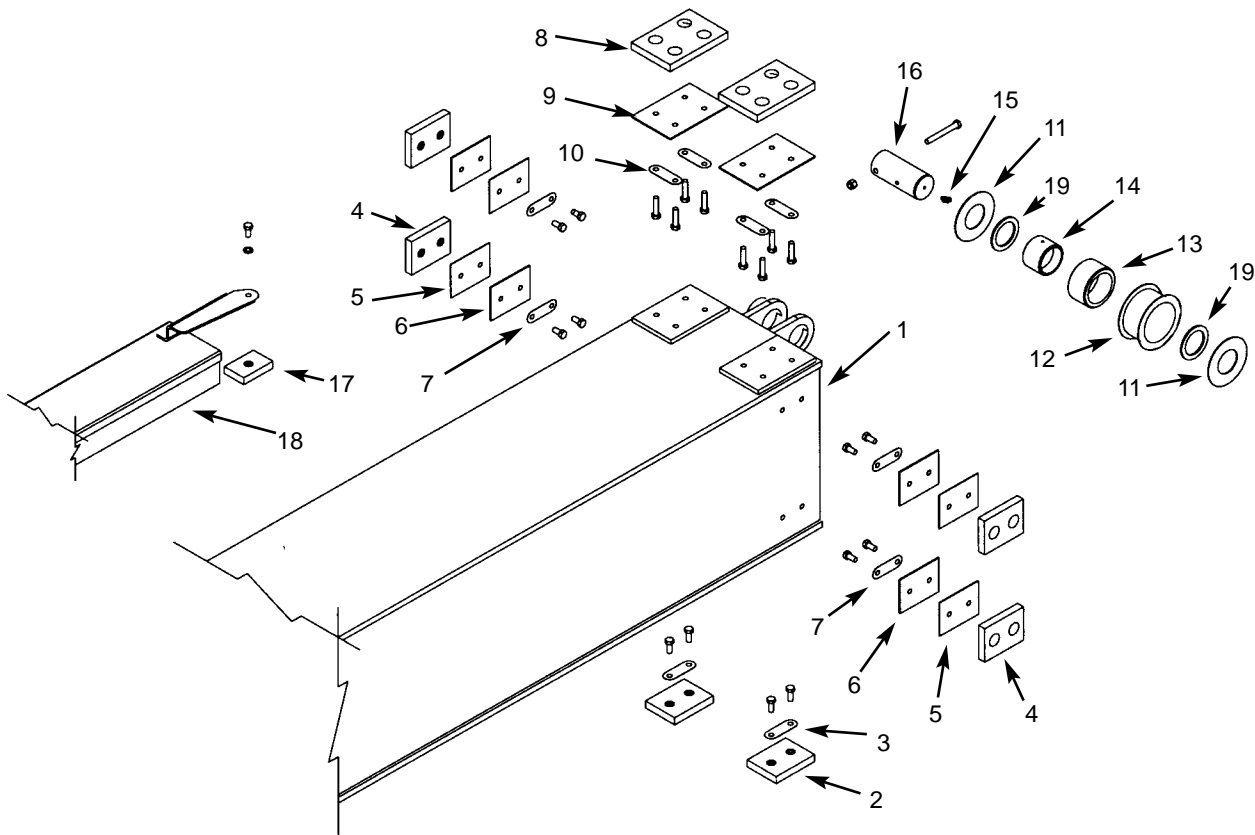
***Outer Boom - Front Section***

Ref. No.	Part No.	Description	Qty. Req.	Ref. No.	Part No.	Description	Qty. Req.
01	L70863	OUTER SECTION WELDMENT...	1	12	L65640	MOUNT PLATE . . . . .	1
02	L61709	SIDE SLIDE PAD 3X4 . . . . .	4		L52048	BUTT. HD. BOLT 5/16-18X1 . . . . .	2
	L50251	CAPSCREW 3/8-16X3/4 . . . . .	8		L50141	PLAIN WASHER 5/16 . . . . .	2
03	L62733	SHIM .06X3X4 . . . . .	4	13	L65638	ANGLE INCLINOMETER . . . . .	1
04	L62734	SHIM .105X3X4 . . . . .	4		L50491	RD. HD. SCREW #8-32X5/8 . . . . .	2
05	L71020	BOTT. SLIDE PAD 4X6 . . . . .	2	14	L71004	FIXED CLEVIS . . . . .	1
06	L62715	BOLT FLAT LOCK . . . . .	4		L71021	SETSCREW #10-24X3/4 . . . . .	2
	L510007	CAPSCREW 3/8-16X7/8 . . . . .	8		L50380	CAPSCREW 1/2-20X1-1/4 GR8 . . . . .	3
07	L61709	TOP SLIDE PAD 3X4 . . . . .	2		L50152	LOCKWASHER 1/2 . . . . .	3
08	L62734	SHIM .105X3X4 . . . . .	2	15	L71005	CLEVIS PIN . . . . .	1
09	L64143	SHIM .50 3X4 . . . . .	2	16	L71001	RETRACT LEAF CHAIN . . . . .	1
10	L62715	BOLT FLAT LOCK . . . . .	2	17	L71000	EXTEND LEAF CHAIN . . . . .	2
	L50261	CAPSCREW 3/8-16X1-1/2 . . . . .	4	18	L71007	CLEVIS PIN . . . . .	2
11	P272700	ISOLATOR . . . . .	1		L560003	COTTER PIN 3/32X1-1/4 . . . . .	4
	L50282	CAPSCREW 1/2-13X1 . . . . .	1	19	L71006	ADJUSTABLE CLEVIS . . . . .	2
	L50152	LOCKWASHER 1/2 . . . . .	1	20	L70242	THREADED INSERT . . . . .	2
				21	L50092	HEX NUT 1-8 . . . . .	4

**-- ITEMS NOT SHOWN --  
(Boom Work Lights)**

00	L70635	BOOM LIGHT BRACKET (RH) . . . . .	1
00	L70639	BOOM LIGHT BRACKET (LH) . . . . .	1
00	L70040	WORK LIGHT . . . . .	2

*First Intermediate - Rear Section*

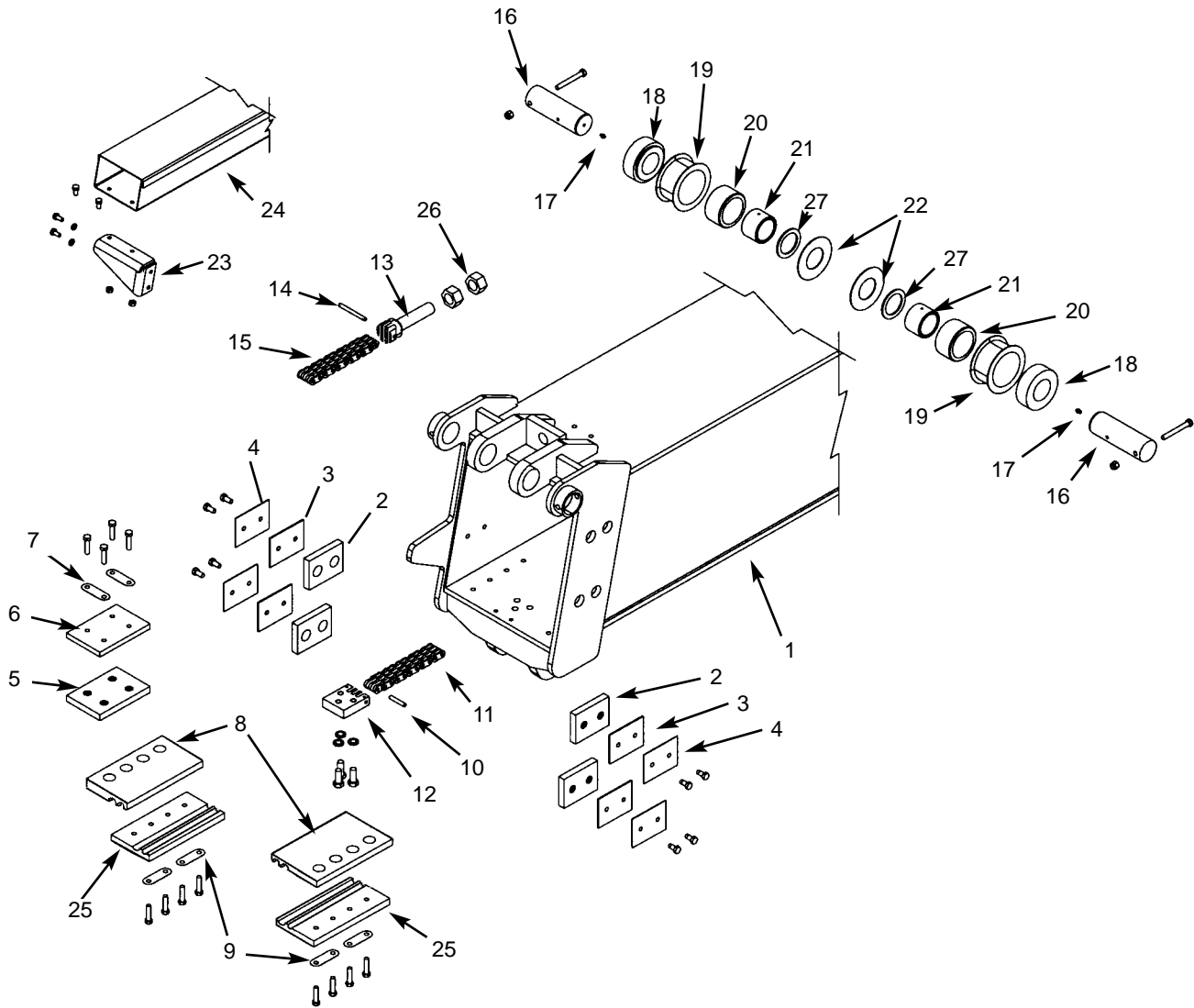




***First Intermediate - Rear Section***

Ref. No.	Part No.	Description	Qty. Req.	Ref. No.	Part No.	Description	Qty. Req.
01	L70894	FIRST INTERM. SECT. WELD.....	1	11	L71214	THRUSTWASHER .....	1
02	L61709	BOTTOM. SLIDE PAD 3X4 .....	2	12	L71008	SHEAVE .....	1
03	L62715	BOLT FLAT LOCK.....	2	13	L49618	ROLLER BEARING.....	1
	L510007	CAPSCREW 3/8-16X7/8 .....	4	14	L49619	INNER RING .....	1
04	L61709	SIDE SLIDE PAD 3X4.....	4	15	L10057	GREASE ZERK 90 1/4-28.....	1
05	L62734	SHIM .105X3X4.....	4	16	L71206	REAR SHEAVE PIN .....	1
06	L62733	SHIM .06X3X4.....	4		L50275	CAPSCREW 3/8-16X3 .....	1
07	L62715	BOLT FLAT LOCK.....	4		L520005	NYLON INSERT NUT 3/8.....	1
	L50251	CAPSCREW 3/8-16X3/4 .....	8	17	L61699	SLIDE PAD .....	1
08	L71020	TOP SLIDE PAD 4X6 .....	2		L50251	CAPSCREW 3/8-16X3/4 .....	1
09	L62732	SHIM .105X4X6.....	2		L50147	LOCKWASHER 3/8 .....	1
10	L62715	BOLT FLAT LOCK.....	4	18	L70962	HOSE TRAY WELDMENT.....	1
	L50261	CAPSCREW 3/8-16X1-1/2.....	8	19	L71245	SPACER .....	2

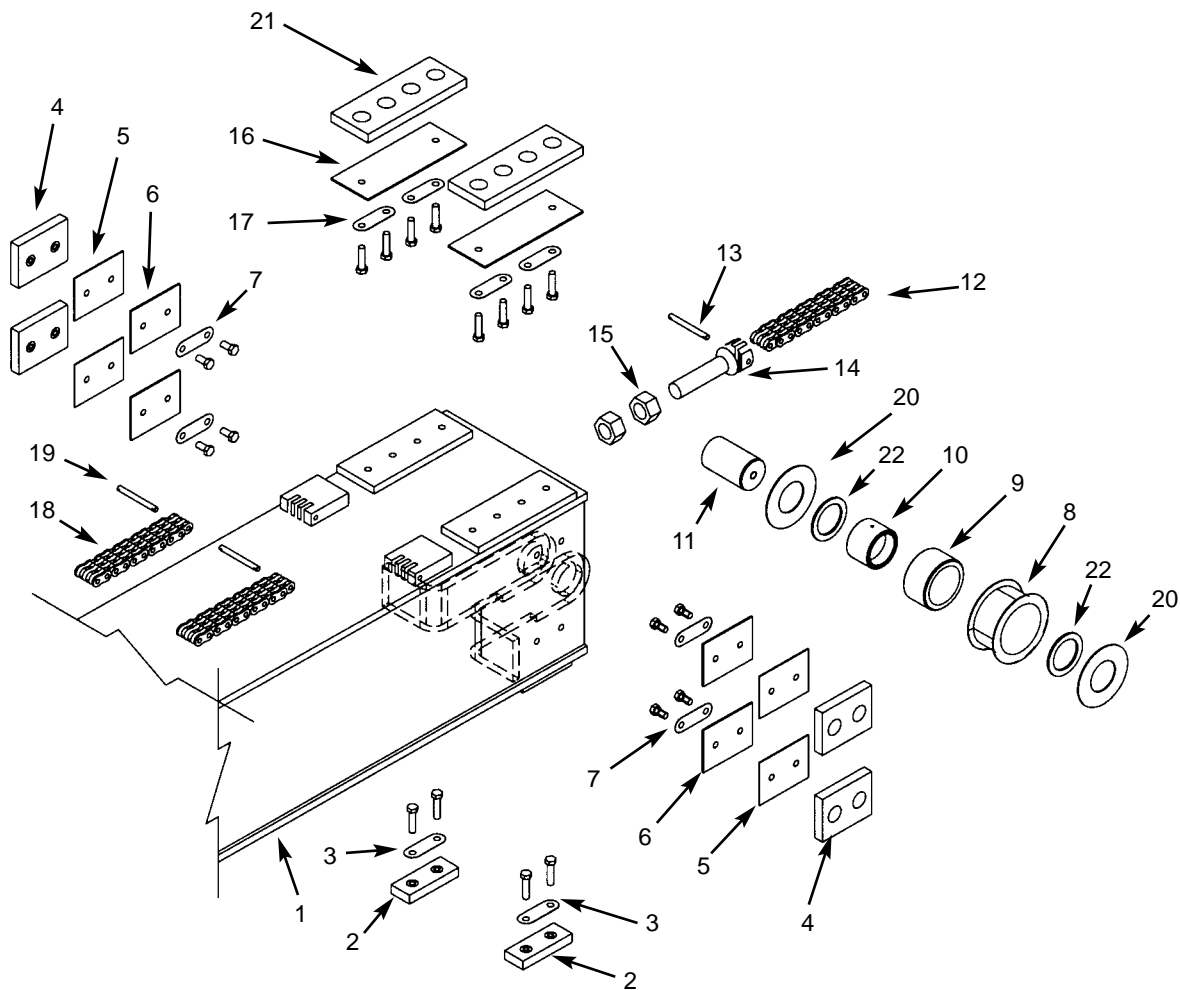
First Intermediate - Front Section



***First Intermediate - Front Section***

Ref. No.	Part No.	Description	Qty. Req.	Ref. No.	Part No.	Description	Qty. Req.
01	L70894	FIRST INTERM. SECT. WELD.....	1	17	L10465	GREASE ZERK, STR. 1/4-28 .....	2
02	L61709	SIDE SLIDE PAD 3X4 .....	4	18	L71017	SHEAVE SPACER.....	2
03	L62734	SHIM .105X3X4.....	4	19	L71008	CHAIN SHEAVE .....	2
04	L62733	SHIM .06X3X4.....	4	20	L49618	ROLLER BEARING.....	2
	L50251	3/8"-16X3/4" BOLT .....	8	21	L49619	INNER RING .....	2
05	L61708	TOP SLIDE PAD 4X6 .....	1	22	L71214	THRUST WASHER.....	2
06	L63475	SHIM .50X4X6 .....	1	23	L69524	INNER TRAY BRACKET.....	1
07	L62715	BOLT FLAT LOCK .....	2		L510008	5/16"-18X5/8" BOLT .....	2
	L50261	3/8"-16X1"-1/2 BOLT .....	4		L50143	LOCKWASHER 5/16 .....	2
08		SLIDE PAD W/CLAMP .....	2		L68349	CUSHION, MNT PLATE ( <i>weld on</i> )	
	L71307	<i>Note a</i>		24	L70962	HOSE TRAY WELDMENT.....	1
	L71420	<i>Note b</i>			L510008	5/16"-18X5/8" BOLT .....	2
09	L62715	BOLT FLAT LOCK .....	4		L520004	5/16" NYLON INSERT NUT .....	2
	L50261	3/8"-16X1-1/2" BOLT .....	8	25		SPACER PAD W/CLAMP .....	2
10	L71005	FIXED CHAIN PIN.....	1		L71306	<i>Note a</i>	
11	L71001	RETRACT LEAF CHAIN.....	1		L71419	<i>Note b</i>	
12		FIXED CLEVIS .....	1	26	L50092	HEX NUT 1"-8 .....	2
	L500728	<i>Note c</i>		27	L71245	SPACER .....	2
	101028	<i>Note d</i>					
	L71021	SETSCREW #10-24X3/4" .....	2	<i>a</i>		<i>Use with units equipped with single hydraulic (individual) hoses.</i>	
	L50380	1/2"-20X1-1/4" BOLT GR8 .....	3	<i>b</i>		<i>Use with units equipped with "Twin Line" (dual) hoses.</i>	
	L50152	LOCKWASHER 1/2 .....	3	<i>c</i>		<i>DL10H SN 40430 and before</i>	
13	L71006	ADJUSTABLE CLEVIS .....	1	<i>d</i>		<i>DL10H SN 40431 and up</i>	
14	L71007	CHAIN PIN .....	1	<i>e</i>		<i>Must order 101028 Fixed Clevis, Ref. No 12 on this page.</i>	
	L560003	COTTER PIN 3/32X1-1/4.....	1				
15		EXTEND LEAF CHAIN .....	1				
	101212	<i>Note c and e</i>					
	101212	<i>Note d</i>					
16	L71212	SHEAVE PIN .....	2				
	L50275	3/8"-16X3" BOLT .....	2				
	L520005	3/8" NYLON INSERT NUT .....	2				

Second Intermediate - Rear Section

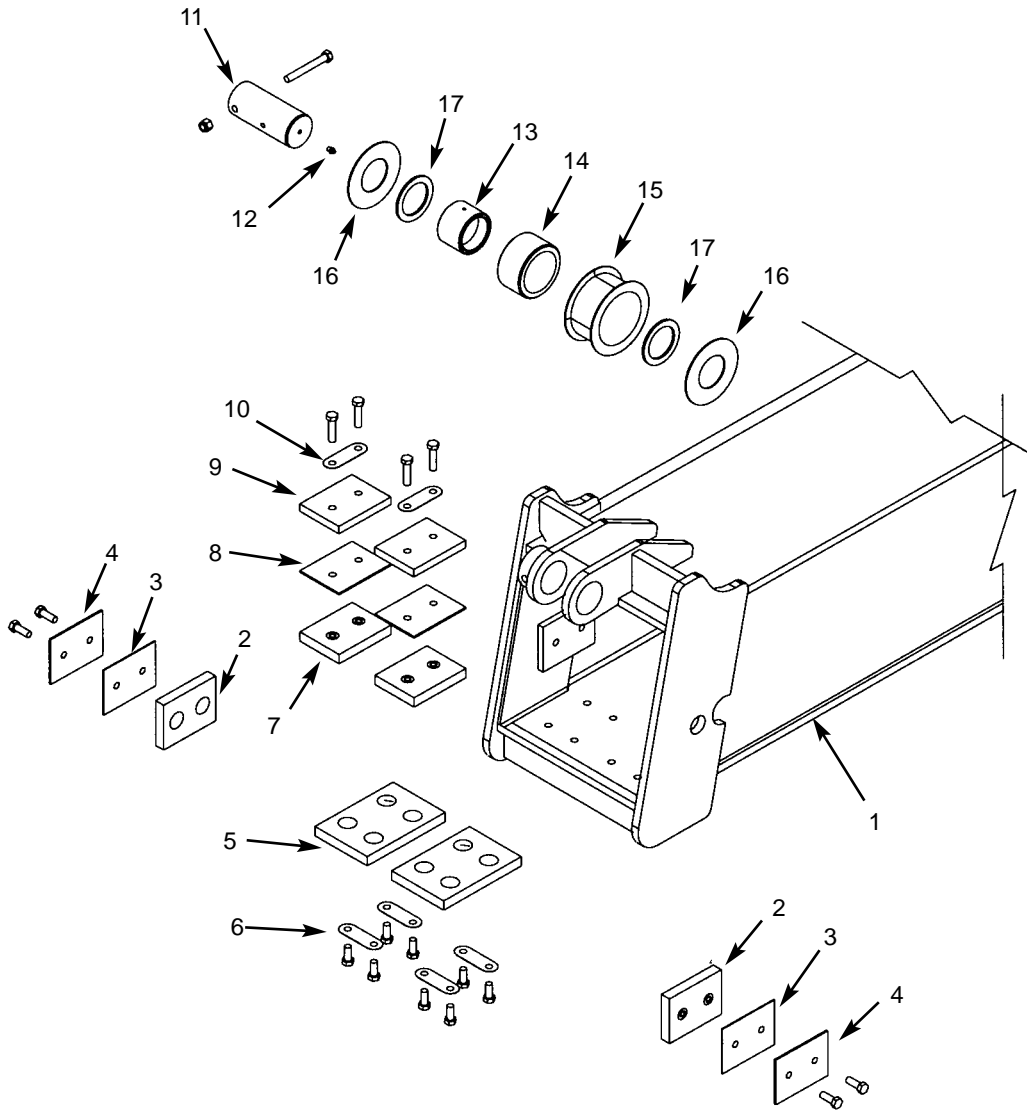


See Hydraulic Components Pages For Hose Sheaves and Hardware

***Second Intermediate - Rear Section***

Ref. No.	Part No.	Description	Qty. Req.	Ref. No.	Part No.	Description	Qty. Req.
01	L70912	2ND INTERM. SECT. WELD. ....	1	13	L71007	CHAIN PIN .....	1
02	L71003	BOTTOM. SLIDE PAD 1.5X4 .....	2		L560003	COTTER PIN 3/32X1-1/4.....	2
03	L62715	BOLT FLAT LOCK.....	2	14	L71006	ADJUSTABLE CLEVIS .....	1
	L50261	CAPSCREW 3/8-16X1-1/2.....	4	15	L50092	HEX NUT 1-8.....	2
04	L61709	SIDE SLIDE PAD 3X4.....	4	16	L66783	SHIM .105X3X8.....	2
05	L62733	SHIM .06X3X4" .....	4	17	L62715	BOLT FLAT LOCK.....	4
06	L62734	SHIM .105X3X4.....	4		L50261	CAPSCREW 3/8-16X1-1/2.....	8
07	L62715	BOLT FLAT LOCK.....	4	18	L71000	EXTEND LEAF CHAIN .....	2
	L50251	CAPSCREW 3/8-16X3/4 .....	8	19	L71007	CHAIN PIN .....	2
08	L71008	CHAIN SHEAVE .....	1		L560003	COTTER PIN 3/32X1-1/4.....	4
09	L49618	ROLLER BEARING .....	1	20	L71214	THRUSTWASHER .....	2
10	L49619	INNER RING .....	1	21	L71011	TOP SLIDE PAD 3X8 .....	2
11	L71213	SHEAVE PIN .....	1	22	L71245	SPACER .....	2
12	L71001	RETRACT LEAF CHAIN.....	1				

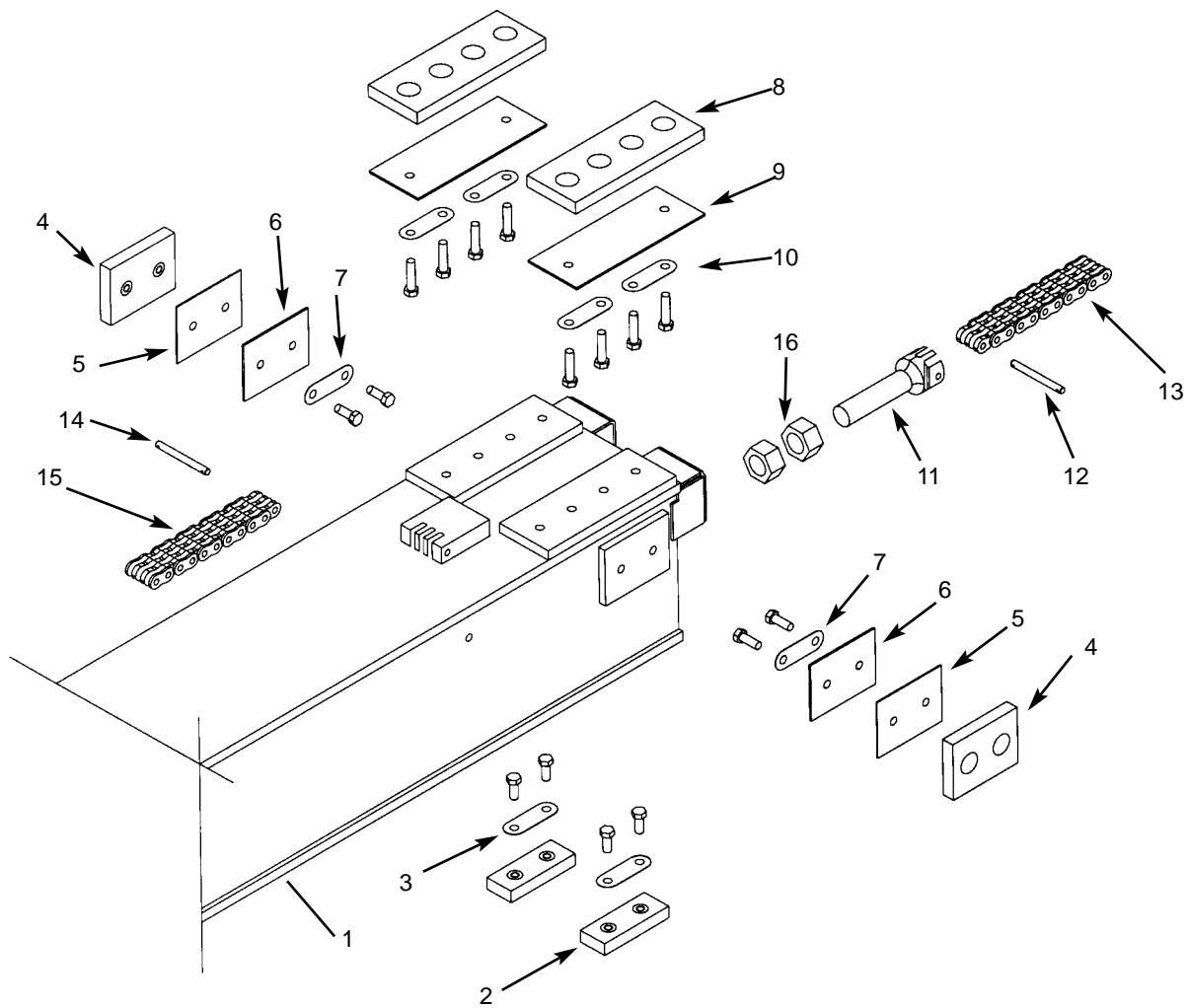
Second Intermediate - Front Section



***Second Intermediate - Front Section***

Ref. No.	Part No.	Description	Qty. Req.	Ref. No.	Part No.	Description	Qty. Req.
01	L70912	2ND INTERM. SECT. WELD. ....	1	10	L62715	BOLT FLAT LOCK.....	2
02	L61709	SIDE SLIDE PAD 3X4.....	2		L50261	CAPSCREW 3/8-16X1-1/2.....	4
	L50367	CAPSCREW 3/8-16X1.....	4	11	L71206	SHEAVE PIN.....	1
03	L62733	SHIM .06X3X4.....	2		L50275	CAPSCREW 3/8-16X3.....	1
04	L62734	SHIM .105X3X4.....	2		L520005	NYLON INSERT NUT 3/8.....	1
05	L71020	BOTT. SLIDE PAD 4X6.....	2	12	L10465	GREASE ZERK STR. 1/4-28.....	1
06	L62715	BOLT FLAT LOCK.....	4	13	L49619	INNER RING.....	1
	L510007	CAPSCREW 3/8-16X7/8.....	8	14	L49618	ROLLER BEARING.....	1
07	L61709	TOP SLIDE PAD 3X4.....	2	15	L71008	CHAIN SHEAVE.....	1
08	L62734	SHIM .105X3X4.....	2	16	L71214	THRUSTWASHER.....	2
09	L64143	SHIM .50X3X4.....	2	17	L71245	SPACER.....	2

*Inner Boom - Rear Section*

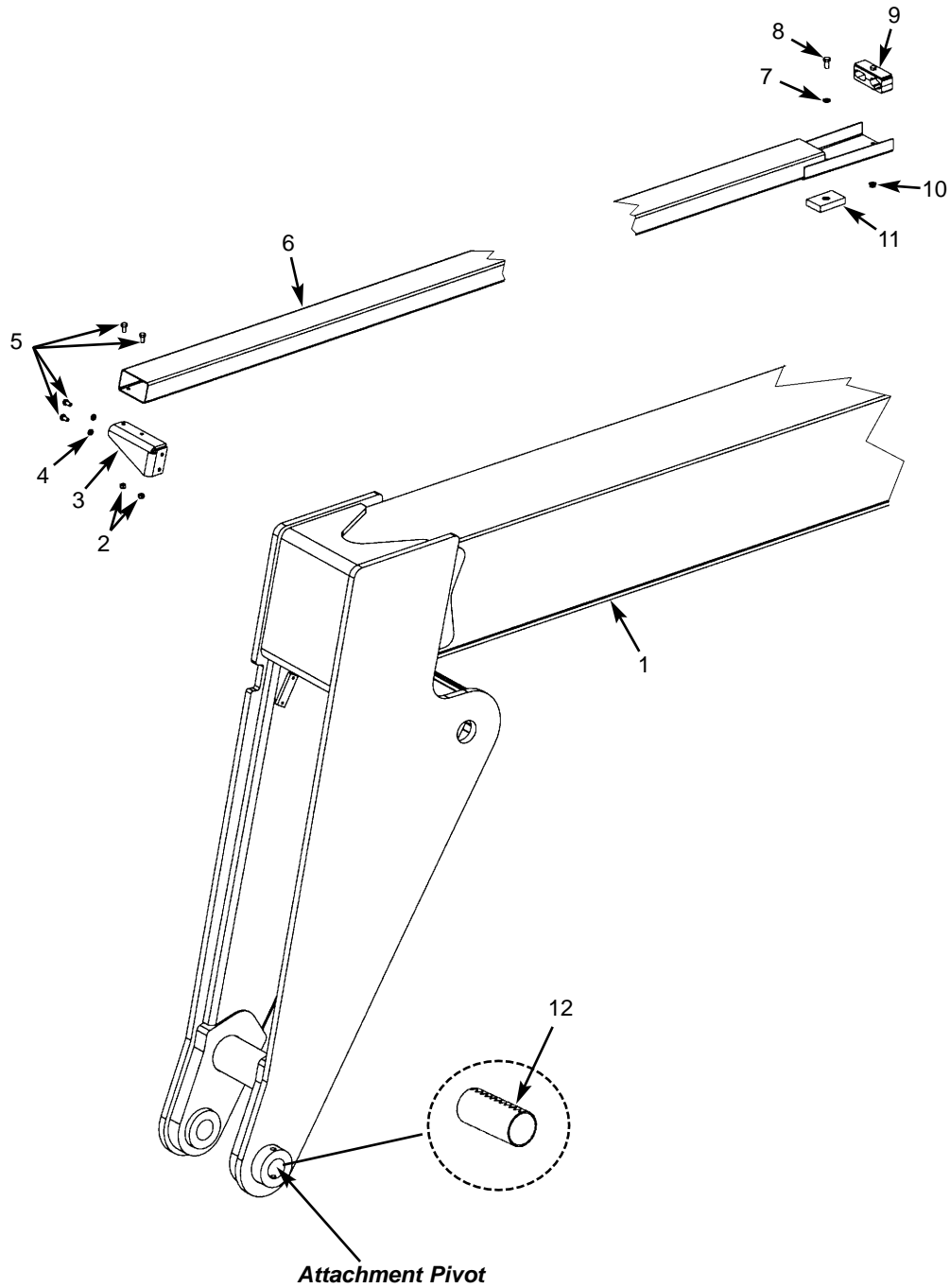




***Inner Boom - Rear Section***

<b>Ref. No.</b>	<b>Part No.</b>	<b>Description</b>	<b>Qty. Req.</b>	<b>Ref. No.</b>	<b>Part No.</b>	<b>Description</b>	<b>Qty. Req.</b>
01		INNER WELDMENT . . . . .	1	10	L62715	BOLT FLAT LOCK . . . . .	4
	L70942	<i>Note a</i>			L50261	CAPSCREW 3/8-16X1-1/2. . . . .	8
	100119	<i>Note b</i>		11	L71006	ADJUSTABLE CLEVIS . . . . .	1
02	L71003	BOTT. SLIDE PAD 1.5X4.0 . . . . .	2	12	L71007	CHAIN PIN . . . . .	1
03	L62715	BOLT FLAT LOCK . . . . .	2		L560003	COTTER PIN 3/32X1-1/4. . . . .	2
	L510007	CAPSCREW 3/8-16X7/8 . . . . .	4	13	L71001	RETRACT LEAF CHAIN . . . . .	1
04	L61709	SIDE SLIDE PAD 3X4 . . . . .	2	14	L71007	CHAIN PIN . . . . .	1
05	L62733	SHIM .06X3X4 . . . . .	2		L560003	COTTER PIN 3/32X1-1/4. . . . .	2
06	L62734	SHIM .105X3X4 . . . . .	2	15		EXTEND LEAF CHAIN . . . . .	1
07	L62715	BOLT FLAT LOCK . . . . .	2		101212	<i>Note c</i>	
	L50367	CAPSCREW 3/8-16X1 . . . . .	4		101212	<i>Note d</i>	
08	L71011	TOP SLIDE PAD 3X8 . . . . .	2	16	L50092	HEX NUT 1-8. . . . .	2
09	L66783	SHIM .105X3X8 . . . . .	2				
				a		<i>DL10H SN 40415 and before</i>	
				b		<i>DL10H SN 40416 and up</i>	
				c		<i>DL10H SN 40430 and before</i> <i>Must also order 101028 Fixed Clevis, Ref. No. 12</i> <i>on page 205.</i>	
				d		<i>DL10H SN 40431 and up</i>	

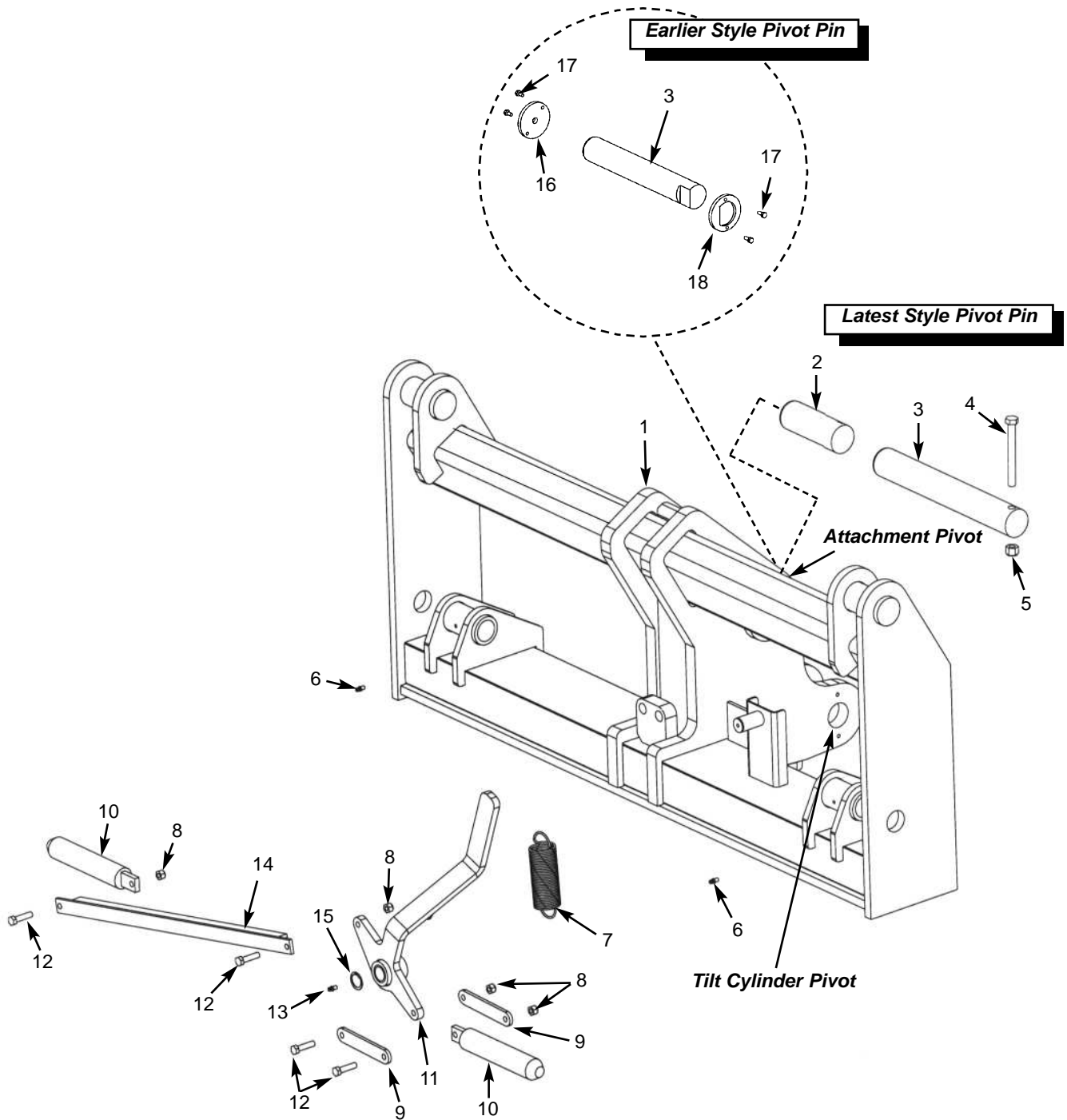
**Inner Boom - Front Section**  
*(All High Boom Models)*



**Inner Boom - Front Section  
(All High Boom Models)**

Ref. No.	Part No.	Description	Qty. Req.	Ref. No.	Part No.	Description	Qty. Req.
01 <sup>a</sup>	<i>Note d</i>	INNER WELDMENT . . . . .	1			----SERIAL NUMBERS----	
01 <sup>bc</sup>	<i>Note e</i>	INNER WELDMENT . . . . .	1	a		<i>DL6H SN 20372 and before</i>	
02	L520004	5/16-18 NYLON INSERT NUT . . . . .	2			<i>DL8H SN 30372 and before</i>	
03	L69525	INNER TRAY BRACKET . . . . .	1			<i>DL10H SN 40164 and before</i>	
	L68349	CUSHION, MNT PLATE ( <i>weld on</i> )				<i>DL12H SN 50120 and before</i>	
04	L50143	5/16" LOCK WASHER . . . . .	2	b		<i>DL6H SN 20373 Thru SN 20740</i>	
05	L510008	5/16-18X5/8" BOLT . . . . .	4			<i>DL8H SN 30373 Thru SN 30724</i>	
06	<i>Note f</i>	INNER TRAY WELDMENT . . . . .	1			<i>DL10H SN 40165 Thru SN 40414</i>	
07	L50147	3/8" LOCK WASHER . . . . .	1			<i>DL2H SN 50121 Thru SN 50168</i>	
08	L50251	3/8-16X3/4" BOLT . . . . .	1	c		<i>DL6H SN 20741 and up</i>	
09	L79167	HOSE CLAMP ASSEMBLY . . . . .	1			<i>DL8H SN 30725 and up</i>	
10	L50056	5/16-18 FLARE NUT . . . . .	1			<i>DL10H SN 40415 and up</i>	
11	L61699	SLIDE PAD . . . . .	1			<i>DL12H SN 50169 and up</i>	
12 <sup>b</sup>	L69723	BUSHING . . . . .	2				
				d		----INNER BOOM PART NUMBERS----	
						<i>Order PN 100118 pin and select the appropriate inner boom from note e, below.</i>	
				e		<i>40' High Boom, use PN 100112</i>	
						<i>42' High Boom, use PN 100113</i>	
						<i>44' High Boom, use PN 100114</i>	
						<i>55' High Boom, use PN 100119</i>	
				f		<i>40' High Boom, use PN L69522</i>	
						<i>42' High Boom, use PN L69521</i>	
						<i>44' High Boom, use PN L69523</i>	

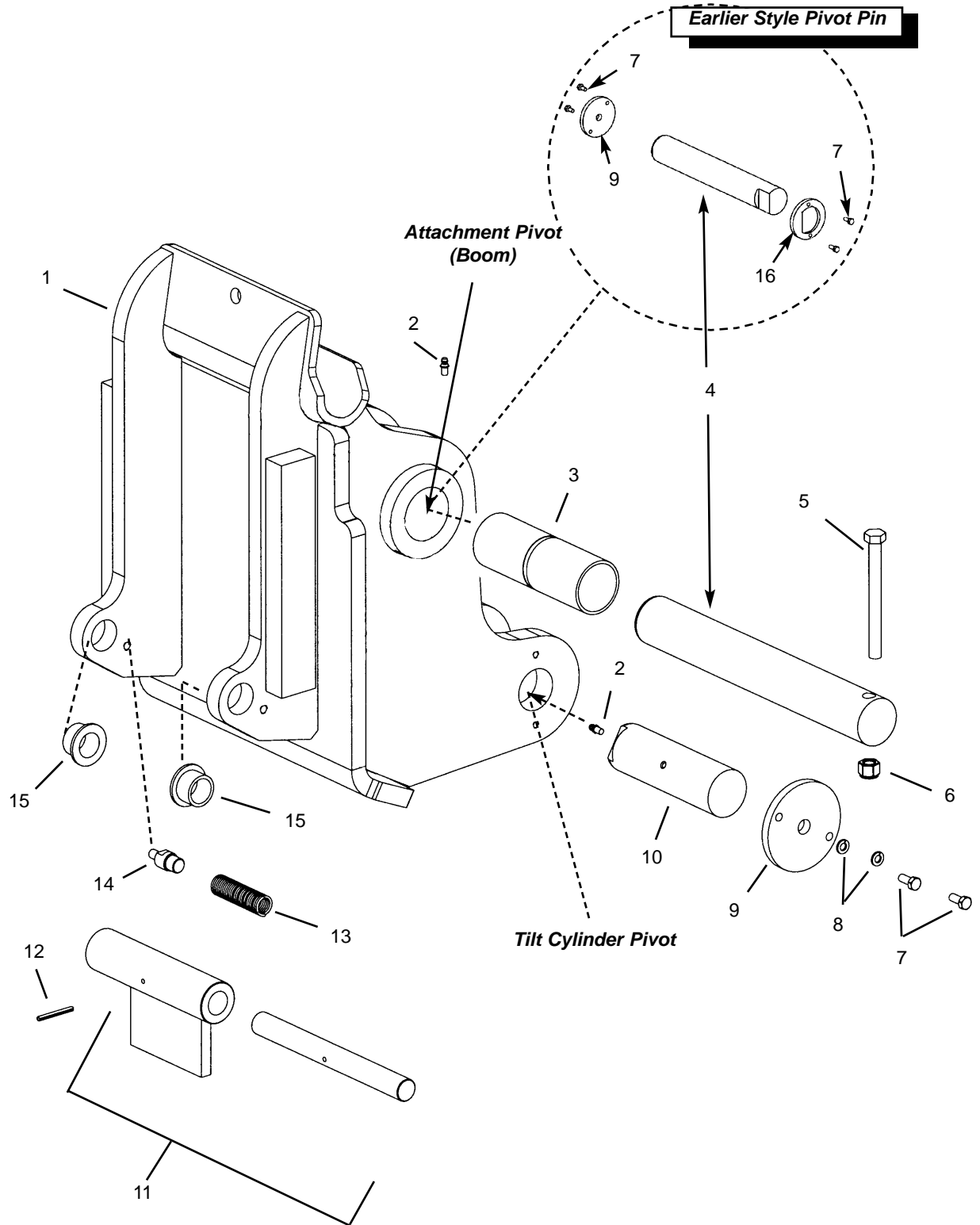
# Manual DynacARRIER® Bracket (All High Boom Models)



**Manual DynacARRIER® Bracket  
(All High Boom Models)**

Ref. No.	Part No.	Description	Qty. Req.	Ref. No.	Part No.	Description	Qty. Req.
01		DYNACARRIER WELDMENT.....	1	15	L276632	1" RETAINING CLIP .....	1
	L69781	<i>Note a</i>		16 <sup>ab</sup>	L69724	PIVOT PIN CAP .....	1
	100249	<i>Note b and c (Includes item 2)</i>		17 <sup>ab</sup>	L50230	5/16-18X3/4" BOLT .....	6
02 <sup>bc</sup>	101351	BUSHING .....	1	18 <sup>ab</sup>	L69725	PIN LOCK CAP .....	1
03		CARRIER PIVOT PIN .....	1				
	L69780	<i>Note a (21"x2" w/notch) .....</i>	1			----SERIAL NUMBERS----	
	L69728	<i>Note b (14"x2" w/notch).....</i>	1	a		<i>DL6H SN 20372 and before</i>	
	100118	<i>Note c (14"x2" w/hole).....</i>	1			<i>DL8H SN 30372 and before</i>	
04	L50986	1/2-13X4-1/2" BOLT .....	1			<i>DL10H SN 40164 and before</i>	
05	L520019	1/2-13 NYLON INSERT NUT .....	1			<i>DL12H SN 50120 and before</i>	
06	L10465	1/4-28 GREASE ZERK, STR.....	3	b		<i>DL6H SN 20373 Thru SN 20740</i>	
07	L67448	LATCH SPRING .....	1			<i>DL8H SN 30373 Thru SN 30724</i>	
08	L520005	3/8-16 NYLON INSERT NUT .....	4			<i>DL10H SN 40165 Thru SN 40414</i>	
09	L67106	LOCK COUPLER BAR .....	2			<i>DL12H SN 50121 Thru SN 50168</i>	
10	L67105	LOCK PIN WELDMENT .....	2	c		<i>DL6H SN 20741 and up</i>	
11	L67100	LOCK HANDLE WELDMENT .....	1			<i>DL8H SN 30725 and up</i>	
	L67099	BRONZE BUSHING .....	1			<i>DL10H SN 40415 and up</i>	
12	L50261	3/8-16X1-1/2" BOLT .....	4			<i>DL12H SN 50169 and up</i>	
13	L10465	1/4-28 GREASE ZERK, STR.....	4				
14	L67107	LATCH COUPLER BAR .....	1				

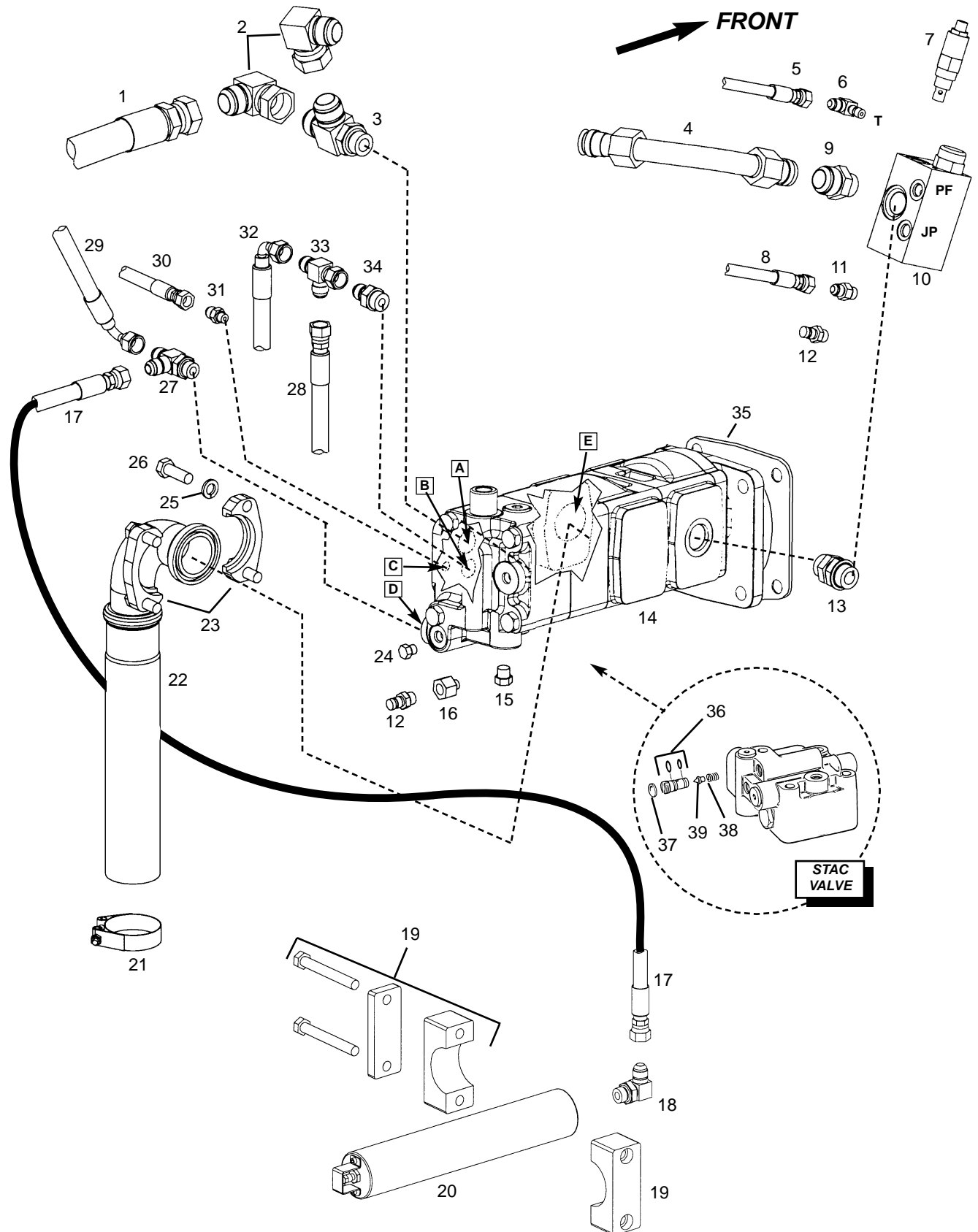
**Dynattach® Bracket**  
(All High Boom Models)



**Dynattach® Bracket  
(All High Boom Models)**

<b>Ref. No.</b>	<b>Part No.</b>	<b>Description</b>	<b>Qty. Req.</b>	<b>Ref. No.</b>	<b>Part No.</b>	<b>Description</b>	<b>Qty. Req.</b>
01	101055	DYNATTACH® WELDMENT.....	1	15	L66456	BUSHING .....	2
02	L10465	1/4" -28 STR GREASE ZERK.....	2	16 <sup>a</sup>	L69725	PIN LOCK CAP .....	1
03	101351	BUSHING .....	1				
04		CARRIER PIVOT PIN .....	1			----SERIAL NUMBERS----	
	L69728	<i>Note a (with notched end)</i>		<i>a</i>		<i>DL6H SN 20740 and before</i>	
	100118	<i>Note b (with hole for bolt)</i>				<i>DL8H SN 30724 and before</i>	
05	L50462	1/2"X5" BOLT.....	1			<i>DL10H SN 40414 and before</i>	
06	L520019	1/2" NYLON INSERT NUT .....	1			<i>DL12H SN 50168 and before</i>	
07	L50230	5/16"X3/4" BOLT .....	2				
08	L50143	5/16" LOCK WASHER.....	2	<i>b</i>		<i>DL6H SN 20741 and up</i>	
09	L69724	PIN CAP .....	1			<i>DL8H SN 30725 and up</i>	
10	L69727	PIN, TILT CYLINDER .....	1			<i>DL10H SN 40415 and up</i>	
11	L66453	LOCK AND PIN ASSEMBLY .....	1			<i>DL12H SN 50168 and up</i>	
12	L50646	3/16"X1-3/4" ROLL PIN .....	1				
13	L65097	LOCK SPRING .....	1				
14	L65098	SPRING MOUNT.....	1				

Hydraulic Pump and Accumulator





**Hydraulic Pump and Accumulator**

Ref. No.	Part No.	Description	Qty. Req.	Ref. No.	Part No.	Description	Qty. Req.
01		HOSE, -16..... 1		36	L500348	CORE PLUG POPET ASY..... 1	
	L69917	Note x (A16/D16 62")		37	L500347	CORE PLUG CAP..... 1	
	105166	Note y (A16/A16 62")		38	L500349	POPET, SPRING..... 1	
02	L64856	ADAP, -16JICFS -16JICM 90 DEG . 2		39	L500430	POPET..... 1	
03	L443004	ADAP, -12ORM -16JICM R-TEE... 1					
04 <sup>a</sup>	L69499	TUBE, PUMP OUT ..... 1		a	<i>Not used when equipped with outriggers.</i>		
05	L69920	HOSE, -4 A6/A6 40" ..... 1		b	<i>DL6L SN 25615 and before</i>		
06	L62842	ADAP, -4ORM -6JICM 90 DEG .... 1			<i>DL6H SN 20823 and before</i>		
07	L99927	RELIEF VALVE 350PSI..... 1			<i>DL8L SN 35503 and before</i>		
08	L70493	HOSE, -4 A6/A6 28" ..... 1			<i>DL8H SN 30851 and before</i>		
09	L444060	ADAP, -12ORM -16JICM STR. .... 1			<i>DL10L SN 45184 and before</i>		
10	L70229	FLOW DIVIDER..... 1			<i>DL10H SN 40498 and before</i>		
11	L444002	ADAP, -6ORM -6JICM STR. .... 1			<i>DL12H SN 50220 and before</i>		
12	P471997	TEST PORT..... 2					
13	L51972	ADAP, -12 ORM -12ORM STR .... 1		c	<i>DL6L SN 25616 and up</i>		
14	L69571	HYD. PUMP W/STAC VALVE ..... 1			<i>DL6H SN 20824 and up</i>		
15	L446048	PLUG -6ORM ..... 1			<i>DL8L SN 35504 and up</i>		
16	L444080	ADAP, -4ORM -6ORF STR ..... 1			<i>DL8H SN 30852 and up</i>		
17	L70267	HOSE, -6 A8/A8 17" ..... 1			<i>DL10L SN 45185 and up</i>		
18	L445002	ADAP, -8ORM -8JICM 90 DEG .... 1			<i>DL10H SN 40499 and up</i>		
19	L70188	CLAMP KIT 2.37" ID ..... 1			<i>DL12H SN 50221 and up</i>		
20	L70033	ACCUMULATOR, PISTON TYPE .. 1 (315 psi)		d	<i>Hose is not shown, but has a 90 degree hose end that connects directly to item #31.</i>		
21	L70465	2-1/2" T-BOLT BAND CLAMP ..... 1					
22	L69543	HOSE, -32 MS32/NONE 16" ..... 1					
23	L71271	SPLIT FLANGE KIT -32 ..... 1 (Includes items 25 , 26 and o-rings)		x	<i>DL6L SN 25647 and before</i>		
24	L60986	PLUG -4ORM ..... 1			<i>DL6H SN 20924 and before</i>		
25	L50152	1/2" LOCK WASHER..... 4			<i>DL8L SN 35545 and before</i>		
26	P47159	1/2X1-1/2" GR8 BOLT..... 4			<i>DL8H SN 31006 and before</i>		
27	L64660	ADAP, -8ORM -8JICM R-TEE..... 1			<i>DL10L SN 45393 and before</i>		
28	L69932	HOSE, -6 A6/A8 46" ..... 1			<i>DL10H SN 40905 and before</i>		
29	L69931	HOSE, -6 A6/DS8 20" ..... 1			<i>DL12H SN 50489 and before</i>		
30		HOSE..... 1		y	<i>DL6L SN 25648 and up</i>		
	L69924	-4, A6/A6 22" (Note b) (shown)			<i>DL6H SN 20925 and up</i>		
	L69903	-4, A6/DS6 17" (Note c and d)			<i>DL8L SN 35546 and up</i>		
31	L444012	ADAP, -4ORM -6JICM STR. .... 1			<i>DL8H SN 31007 and up</i>		
32	L69934	HOSE, -6 A8/DS8 88" ..... 1			<i>DL10L SN 45394 and up</i>		
33	L446026	ADAP, -8JICFS -8JICM R-TEE.... 1			<i>DL10H SN 40906 and up</i>		
34	L444008	ADAP, -10ORM -8JICM STR. .... 1			<i>DL12H SN 50490 and up</i>		
35	L70589	PUMP GASKET..... 1					

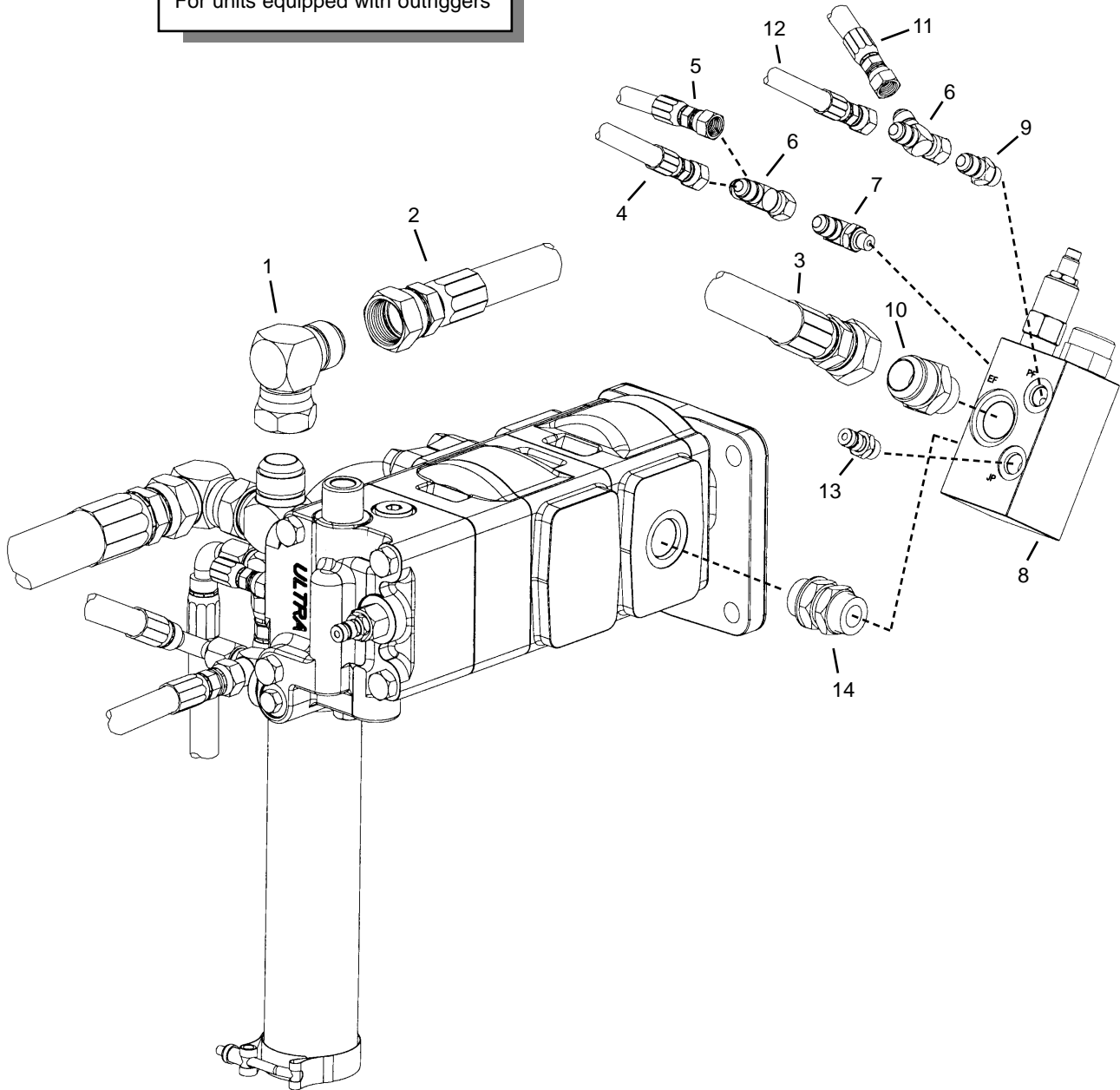
**Hose Locator**

Ref No.	From Port	To Port
01	HYDRAULIC PUMP "A"	MAIN VALVE "IN"
05	FLOW DIVIDER "T"	HYDRAULIC TANK RETURN MANIFOLD
08	FLOW DIVIDER "PF"	SAHR VALVE "P1"
17	HYDRAULIC PUMP "D"	ACCUMULATOR
22	HYDRAULIC PUMP "E"	HYDRAULIC TANK "SUCTION"
28	HYDRAULIC PUMP "B"	LEVEL VALVE "P"
29	HYDRAULIC PUMP "D"	SAHR VALVE "AI"
30	HYDRAULIC PUMP "C"	LEVEL VALVE "LSP"
32	HYDRAULIC PUMP "B"	STEER MOTOR "P" (IN CAB)

**Outrigger Hoses on Hydraulic Pump**

FRONT

For units equipped with outriggers



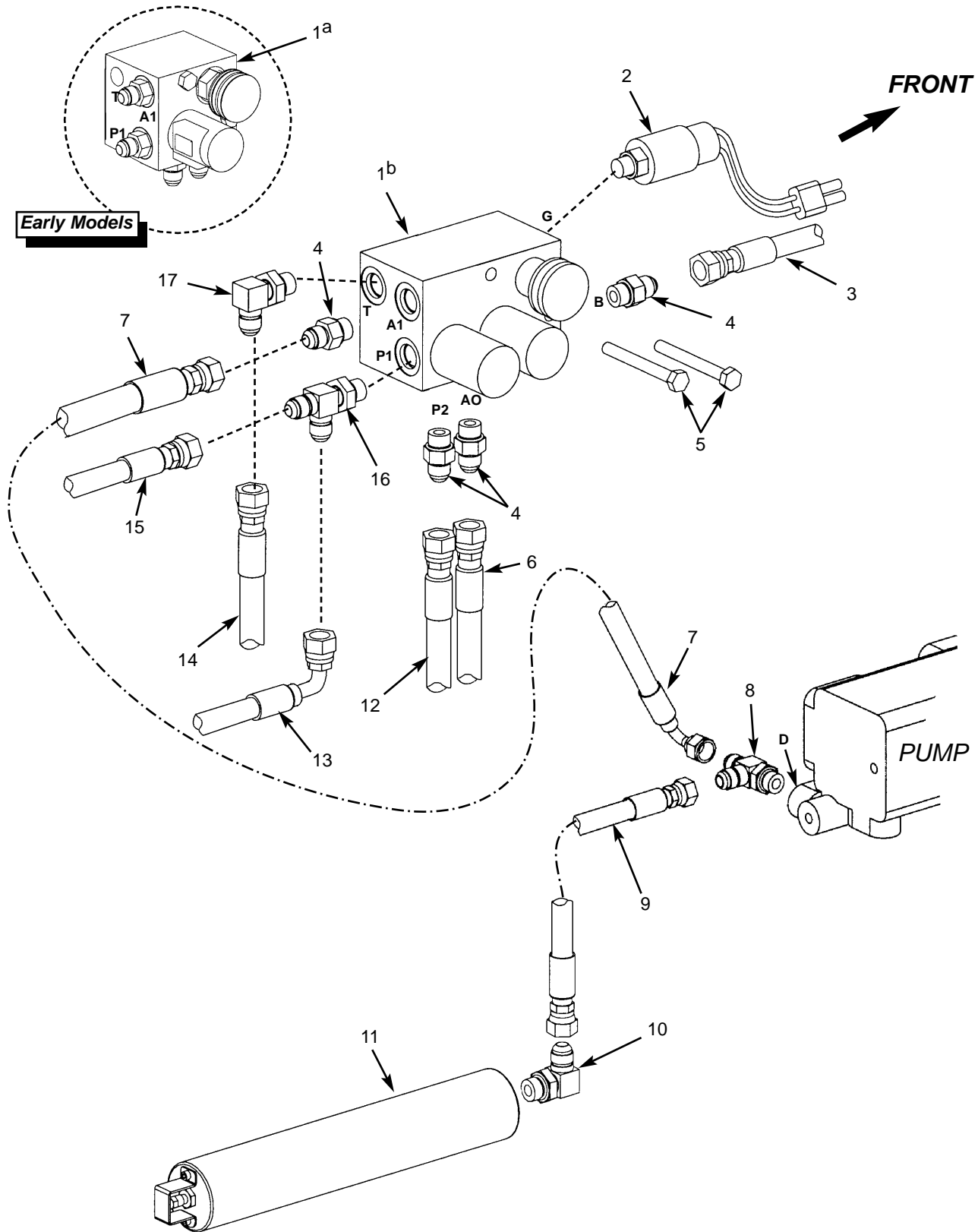
***Outrigger Hoses on Hydraulic Pump***

Ref. No.	Part No.	Description	Qty. Req.	Ref. No.	Part No.	Description	Qty. Req.
01	L64856	ADAP, -16JICFS -16JICM 90 DEG . 2		08	L70229	FLOW DIVIDER. . . . . 1	
02	L70693	HOSE, -12 A12/A16 61" . . . . . 1		09	L444002	ADAP, -6ORM -6JICM STR. . . . . 1	
03	L70694	HOSE, -12 A12/A16 76" . . . . . 1		10	L444060	ADAP, -12ORM -16JICM STR. . . . . 1	
04	L69920	HOSE, -4 A6/A6 40" . . . . . 1		11	L70690	HOSE, -4 A6/DS6 70" . . . . . 1	
05	L70690	HOSE, -4 A6/DS6 70" . . . . . 1		12	L70493	HOSE, -4 A6/A6 28" . . . . . 1	
06	L446049	ADAP, -6 SWIVEL TEE . . . . . 2		13	P471997	TEST PORT. . . . . 2	
07	L62842	ADAP, -4ORM -6JICM 90 DEG. . . . 1		14	L51972	ADAP, -12 ORM -12ORM STR . . . . 1	

***Hose Locator***

Ref No.	From Port	To Port
02	HYDRAULIC PUMP	V20 VALVE "PB"
03	FLOW DIVIDER	V20 VALVE "IN"
04	FLOW DIVIDER "T"	HYDRAULIC TANK RETURN MANIFOLD
05	FLOW DIVIDER "T" SWIVEL	OUTRIGGER PILOT MANIFOLD "T"
11	FLOW DIVIDER "PF" SWIVEL	OUTRIGGER PILOT MANIFOLD "P"
12	FLOW DIVIDER "PF"	SAHR VALVE "P1"

### SAHR and Accumulator Charge Valve



**SAHR and Accumulator Charge Valve**

Ref. No.	Part No.	Description	Qty. Req.	Ref. No.	Part No.	Description	Qty. Req.
01		SAHR / ACCUM CHARGE VALVE . . . 1		12	L69930	HOSE, -4 A6/A6 46" . . . . . 1	
	L69395	<i>Note a</i>		13 <sup>c</sup>	L71360	HOSE, -4 A6/DS6 98" . . . . . 1	
	L71707	<i>Note b (Includes built-in PWP valve)</i>		14	101814	HOSE, -6 A6/A6 25" . . . . . 1	
02	L70008	BRAKE PRESSURE SWITCH . . . . 1		15	L69931	HOSE, -6 A6/DS8 20" . . . . . 1	
03 <sup>e</sup>	L69919	HOSE, -4 A6/A4 62" . . . . . 1		16 <sup>c</sup>	L81233	ADAP, -6ORM -6JICM R-TEE . . . . 1	
03 <sup>f</sup>	101317	HOSE, -4 A6/DS6 50" . . . . . 1		16 <sup>d</sup>	L444002	ADAP, -6ORM -6JICM STR. . . . . 1	
04	L444002	ADAP, -6ORM -6JICM STR. . . . . 4		17	L445003	ADAP, -6ORM -6JICM 90 DEG . . . . 1	
05	L50545	5/16-18X2-3/4" BOLT . . . . . 2					
06	L69926	HOSE, -4 A6/DS6 100" . . . . . 1		<i>a</i>	<i>Earlier models</i>		
07	L69931	HOSE, -6 A6/DS8 20" . . . . . 1		<i>b</i>	<i>Later models</i>		
08	L64660	ADAP, -8ORM -8JICM R-TEE . . . . 1		<i>c</i>	<i>Used with 4-button joystick</i>		
09	L70267	HOSE, -6 A8/A8 17" . . . . . 1		<i>d</i>	<i>Used with 2-button joystick</i>		
10	L445002	ADAP, -8ORM -8JICM 90 DEG . . . . 1		<i>e</i>	<i>Machines equipped with 26.25 or 26.28 axles.</i>		
11	L70033	ACCUMULATOR, PISTON TYPE . . 1 <i>(315 psi) Precharged</i>		<i>f</i>	<i>Machines equipped with 26.48 axles.</i>		

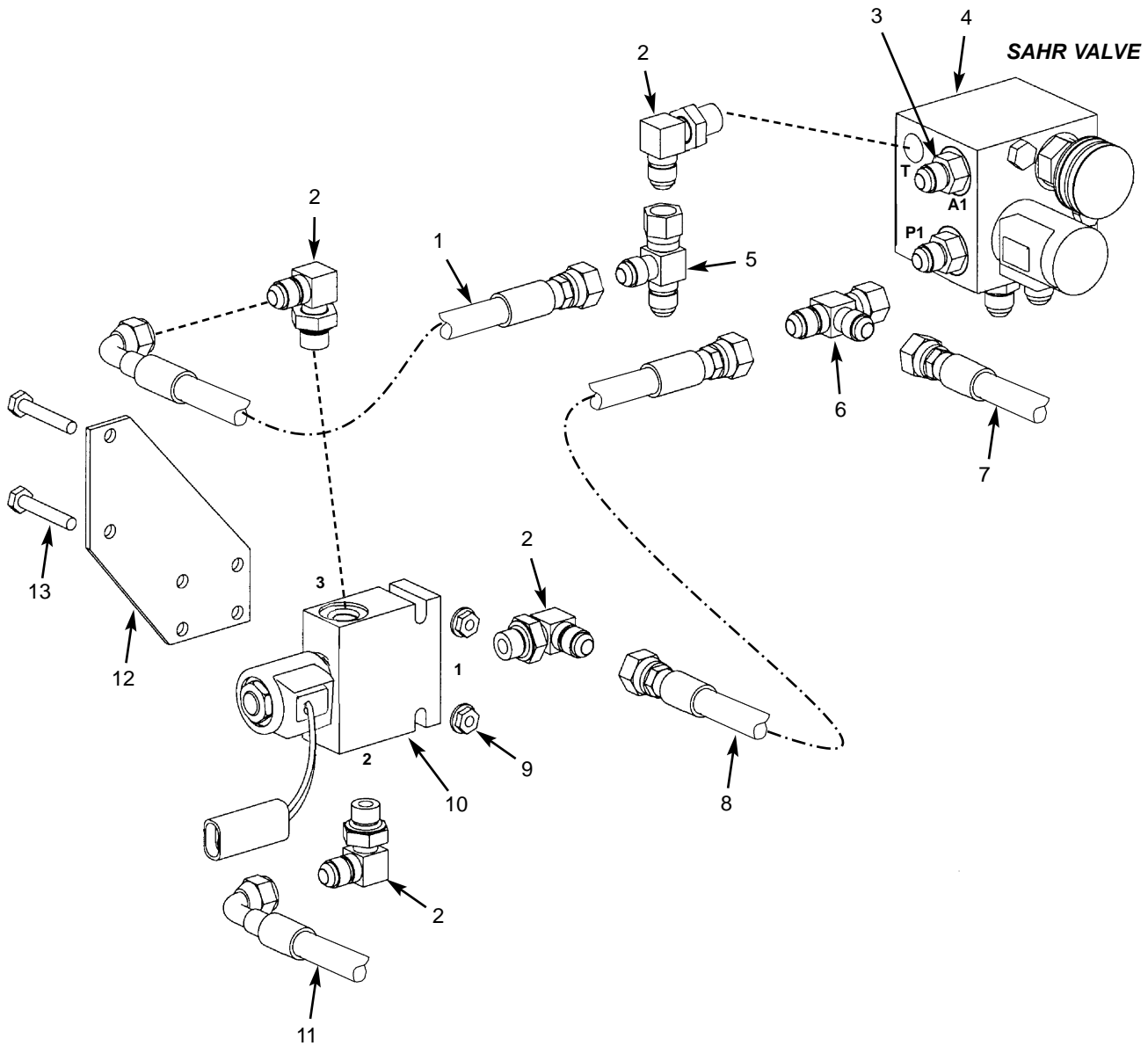
**Hose Locator**

Ref No.	From Port	To Port
03 <sup>b</sup>	SAHR "B"	STEER/BRAKE MANIFOLD "BOTTOM FRONT"
03 <sup>c</sup>	SAHR "B"	"A" BRAKE PRESSURE INTENSIFIER
06	SAHR "AO"	BRAKE VALVE "P" (IN CAB)
07	SAHR "A1"	HYDRAULIC PUMP "BOTTOM TEE"
09	HYDRAULIC PUMP "D"	ACCUMULATOR
12	SAHR "P2"	JOYSTICK "P"
13 <sup>*</sup>	SAHR "P1" (BOTTOM TEE)	<sup>a</sup> PILOT MANIFOLD "P"
14	SAHR "T"	HYDRAULIC TANK RETURN MANIFOLD
15	SAHR "P1"	FLOW DIVIDER "PF"

- a* Use "P" port on upper pilot manifold when unit is equipped with Auxiliary hydraulics
- b* Hose routing for machines equipped with 26.25 or 26.28 axles.
- c* Hose routing for machines equipped with 26.48 axles.
- \** Used with 4-button joystick

**SAHR with PWP Valve (Early Models)**

*(Refer to previous page for SAHR with PWP for Later Models)*



***SAHR with PWP Valve (Early Models)***

Ref. No.	Part No.	Description	Qty. Req.	Ref. No.	Part No.	Description	Qty. Req.
01	L69903	HOSE, -4 A6/DS6 17" . . . . .	1	08	L69903	HOSE, -4 A6/DS6 17" . . . . .	1
02	L445003	ADAP -6ORM -6JICM 90 DEG . . . .	4	09	L50051	1/4-20 FLANGE NUT. . . . .	2
03	L444002	ADAP -6ORM -6JICM STR . . . . .	5	10	L71733	JOYSTICK DISENGAGE VALVE . .	1
04	L69395	SAHR VALVE. . . . .	1	11	L70493	HOSE, -4 A6/A6 28" . . . . .	1
05	L446049	ADAP -6 SWIVEL TEE . . . . .	1	12	L71749	VALVE MOUNT BRACKET . . . . .	1
06 <sup>a</sup>	L446049	ADAP -6 SWIVEL TEE . . . . .	1	13	L50364	1/4-20X1-1/2" BOLT . . . . .	2
07 <sup>a</sup>	L71360	HOSE, -4 A6/DS6 98" . . . . .	1				

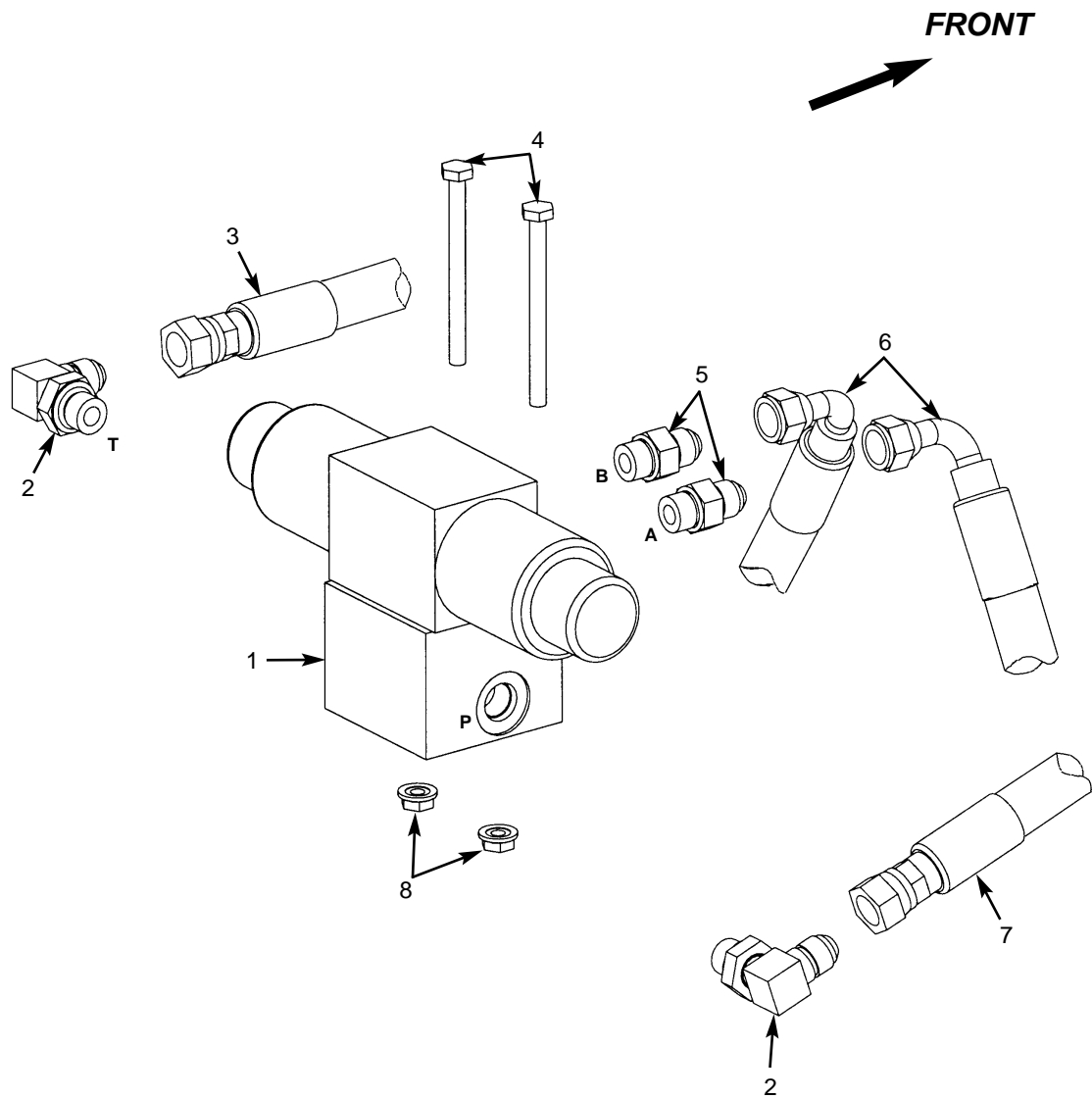
*a Used with 4-button joystick*

***Hose Locator***

Ref No.	From Port	To Port
01	PWP VALVE PORT "3"	SAHR - SWIVEL TEE ON PORT "T"
07 <sup>c</sup>	SAHR VALVE "P1" (BOTTOM OF TEE)	PILOT APPLY MANIFOLD "P"
08	PWP VALVE PORT "1"	SAHR - "P1"
11	PWP VALVE PORT "2"	HYDRAULIC PUMP/FLOW DIVIDER "PF"

*c Used only with 4-button joystick.*

**Steer Select Valve**





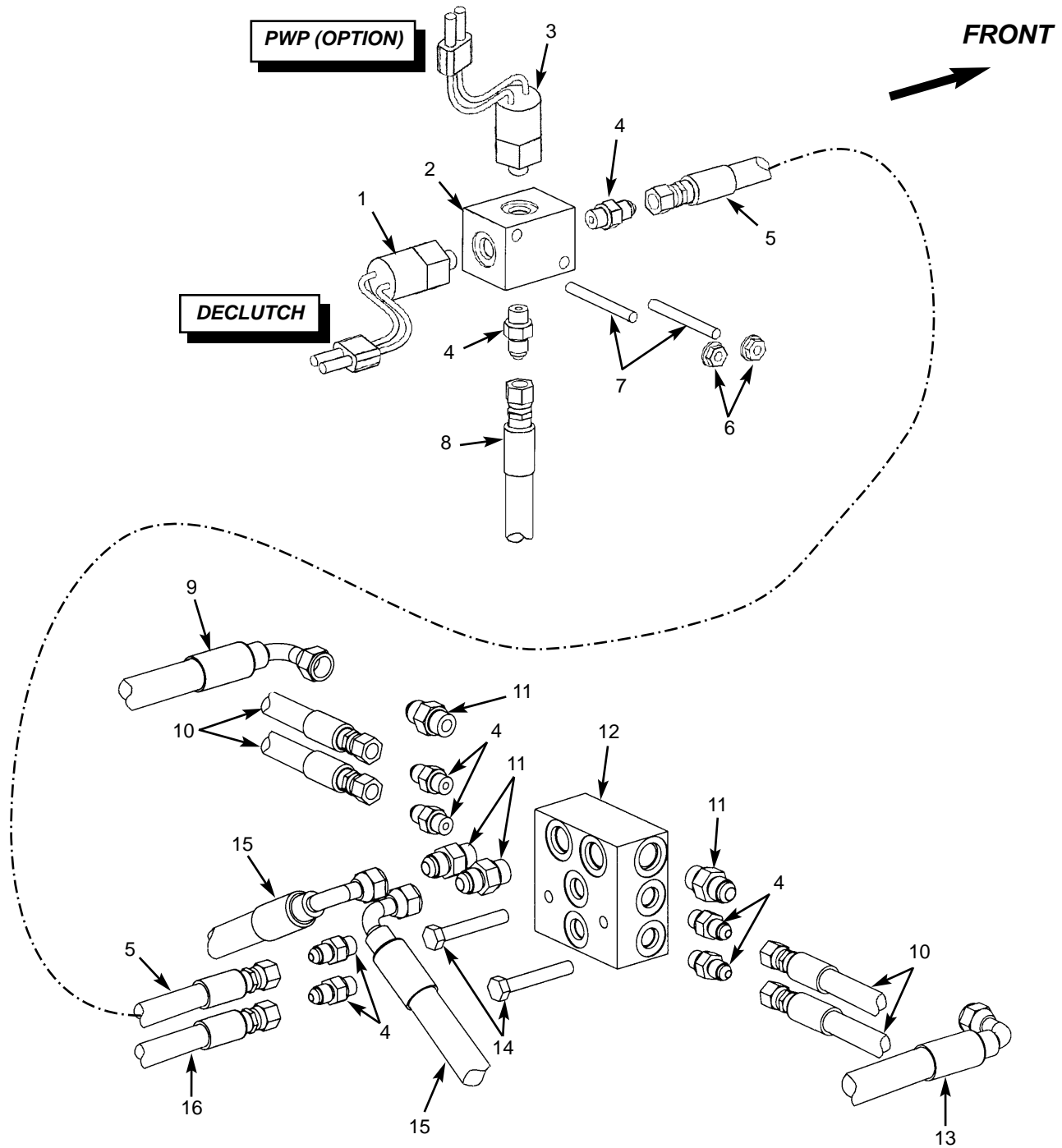
***Steer Select Valve***

Ref. No.	Part No.	Description	Qty. Req.	Ref. No.	Part No.	Description	Qty. Req.
01	L69747	STEER SELECT VALVE . . . . .	1	05	L444002	ADAP -6ORM -6JICM STR . . . . .	2
02	L445003	ADAP -6ORM -6JICM 90 DEG . . . . .	2	06	L69939	HOSE -6 A8/DS6 20" . . . . .	2
03	L69937	HOSE -6 A6/DS6 100" . . . . .	1	07	L69935	HOSE -6 A8/A6 108" . . . . .	1
04	L50535	1/4-20X3" BOLT . . . . .	2	08	L50051	1/4-20 NUT . . . . .	2

***Hose Locator***

Ref No.	From Port	To Port
03	STEER SELECT VALVE "T"	STEER/BRAKE MANIFOLD "TOP LEFT SIDE"
06	STEER SELECT VALVE "B"	STEER CYLINDER (REAR AXLE-LEFT SIDE)
06	STEER SELECT VALVE "A"	STEER CYLINDER (REAR AXLE-RIGHT SIDE)
07	STEER SELECT VALVE "P"	STEER MOTOR "L" (IN CAB)

### Steer/Brake Lines Manifolds (26.25 and 26.28 Axles)



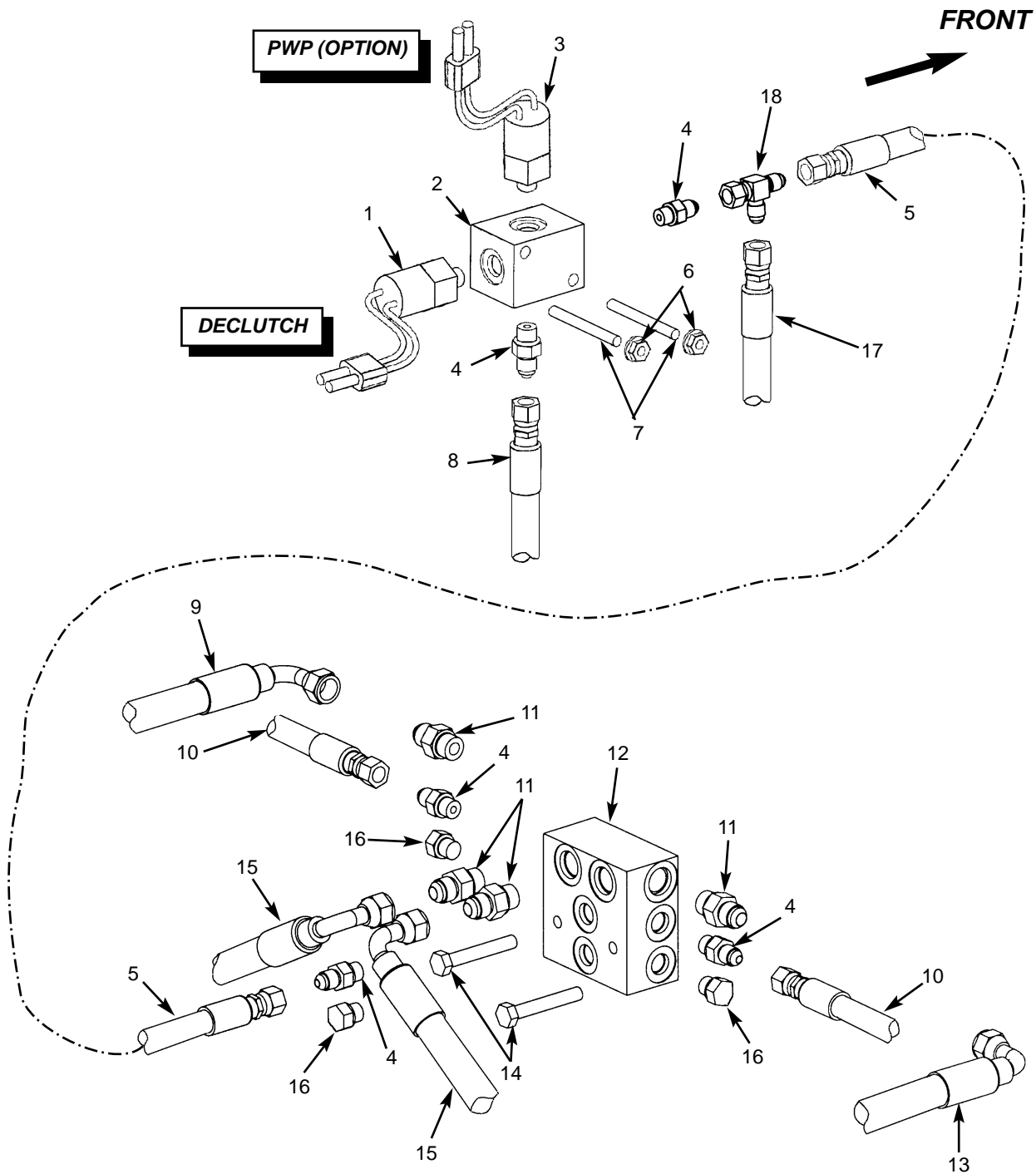
**Steer/Brake Lines Manifolds  
(26.25 and 26.28 Axles)**

<b>Ref. No.</b>	<b>Part No.</b>	<b>Description</b>	<b>Qty. Req.</b>	<b>Ref. No.</b>	<b>Part No.</b>	<b>Description</b>	<b>Qty. Req.</b>
01	L70415	PRESSURE SWITCH (Declutch) . . .	1	10	L69940	HOSE, -4 A4/NS4 20" . . . . .	4
02	L70428	BRAKE LINES MANIFOLD . . . . .	1	11	L444002	ADAP, -6ORM -6JICM STR. . . . .	4
03 <sup>a</sup>	L70415	PRESSURE SWITCH (PWP). . . . .	1	12	L70514	STEER/BRAKE BLOCK . . . . .	1
03 <sup>b</sup>	L60986	ADAP, -4ORM PLUG . . . . .	1	13	L69936	HOSE, -6 A8/DS6 100" . . . . .	1
04	L444005	ADAP, -4ORM -4JICM STR. . . . .	8	14	L50835	5/16-18X2" BOLT . . . . .	2
05	L69942	HOSE, -4 A4/A4 72" . . . . .	1	15	L69939	HOSE, -6 A8/DS6 20" . . . . .	2
06	L50051	1/4-20 FLANGE NUT. . . . .	2	16	L69919	HOSE, -4 A6/A4 62" . . . . .	1
07	L50876	1/4-20X2-1/4" STUD . . . . .	2				
08	L69929	HOSE, -4 A6/A4 102" . . . . .	1	<i>a</i>	<i>When equipped with PWP</i>		
09	L69937	HOSE, -6 A6/DS6 100" . . . . .	1	<i>b</i>	<i>When not equipped with PWP</i>		

**Hose Locator**

<b>Ref No.</b>	<b>From Port</b>	<b>To Port</b>
05	BRAKE LINES MANIFOLD (SIDE)	STEER/BRAKE MANIFOLD "CENTER FRONT"
08	BRAKE LINES MANIFOLD (LOWER)	BRAKE VALVE "B" (IN CAB)
09	STEER/BRAKE MANIFOLD (UPPER LEFT SIDE)	STEER SELECT VALVE "T"
10	STEER/BRAKE MANIFOLD (TOP/SIDE PORTS)	FRONT AXLE BRAKE TOP PORTS
	STEER/BRAKE MANIFLD. (BOTTOM/SIDE PORTS)	FRONT AXLE BRAKE BOTTOM PORTS
13	STEER/BRAKE MANIFOLD (UPPER RIGHT SIDE)	STEER MOTOR "R" (IN CAB)
15	STEER/BRAKE MANIFOLD (UPPER FRONT)	STEER CYLINDER (FRONT AXLE BOTH SIDES)
16	STEER/BRAKE MANIFOLD (LOWER FRONT)	SAHR VALVE "B"

### Steer/Brake Lines Manifolds (26.48 Axles)



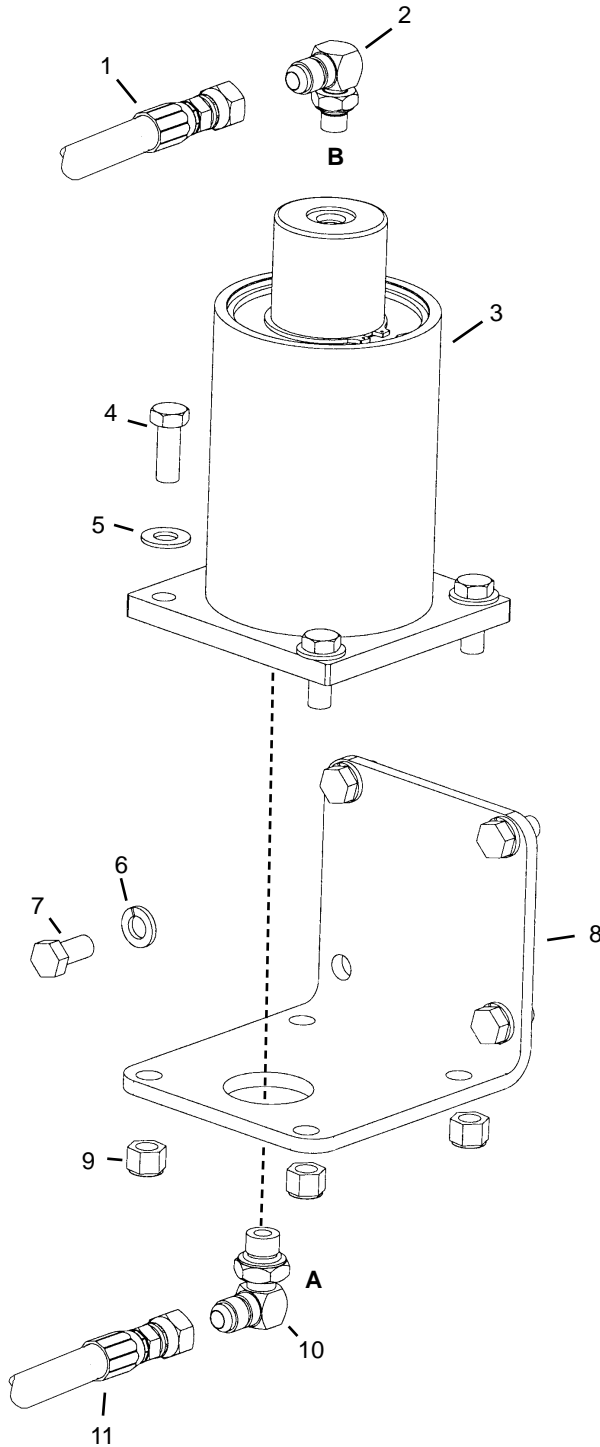
**Steer/Brake Lines Manifolds  
(26.48 Axles)**

<b>Ref. No.</b>	<b>Part No.</b>	<b>Description</b>	<b>Qty. Req.</b>	<b>Ref. No.</b>	<b>Part No.</b>	<b>Description</b>	<b>Qty. Req.</b>
01	L70415	PRESSURE SWITCH (Declutch) . . .	1	11	L444002	ADAP, -6ORM -6JICM STR. . . . .	4
02	L70428	BRAKE LINES MANIFOLD . . . . .	1	12	L70514	STEER/BRAKE BLOCK . . . . .	1
03 <sup>a</sup>	L70415	PRESSURE SWITCH (PWP). . . . .	1	13	L69936	HOSE, -6 A8/DS6 100" . . . . .	1
03 <sup>b</sup>	L60986	ADAP, -4ORM PLUG . . . . .	1	14	L50835	5/16-18X2" BOLT. . . . .	2
04	L444005	ADAP, -4ORM -4JICM STR. . . . .	5	15	L69939	HOSE, -6 A8/DS6 20" . . . . .	2
05	L69942	HOSE, -4 A4/A4 72" . . . . .	1	16	L60986	PLUG, -4 ORM. . . . .	3
06	L50051	1/4-20 FLANGE NUT. . . . .	2	17	101320	HOSE, -4 A4/A4 45" . . . . .	1
07	L50876	1/4-20X2-1/4" STUD . . . . .	2	18	L446044	ADP, -4 SWIVEL TEE . . . . .	1
08	L69929	HOSE, -4 A6/A4 102" . . . . .	1				
09	L69937	HOSE, -6 A6/DS6 100" . . . . .	1	<i>a</i>	<i>When equipped with PWP</i>		
10	L69940	HOSE, -4 A4/NS4 20" . . . . .	2	<i>b</i>	<i>When not equipped with PWP</i>		

**Hose Locator**

<b>Ref No.</b>	<b>From Port</b>	<b>To Port</b>
05	BRAKE LINES MANIFOLD (SIDE)	STEER/BRAKE MANIFOLD "CENTER FRONT"
08	BRAKE LINES MANIFOLD (LOWER)	BRAKE VALVE "B" (IN CAB)
09	STEER/BRAKE MANIFOLD (UPPER LEFT SIDE)	STEER SELECT VALVE "T"
10	STEER/BRAKE MANIFOLD (TOP/SIDE PORTS)	FRONT AXLE BRAKE TOP PORTS
13	STEER/BRAKE MANIFOLD (UPPER RIGHT SIDE)	STEER MOTOR "R" (IN CAB)
15	STEER/BRAKE MANIFOLD (UPPER FRONT)	STEER CYLINDER (FRONT AXLE BOTH SIDES)
17	BRAKE LINES MANIFOLD TEE	BULKHEAD TEE ABOVE REAR AXLE

**Park Brake Intensifier  
(26.48 Axles)**



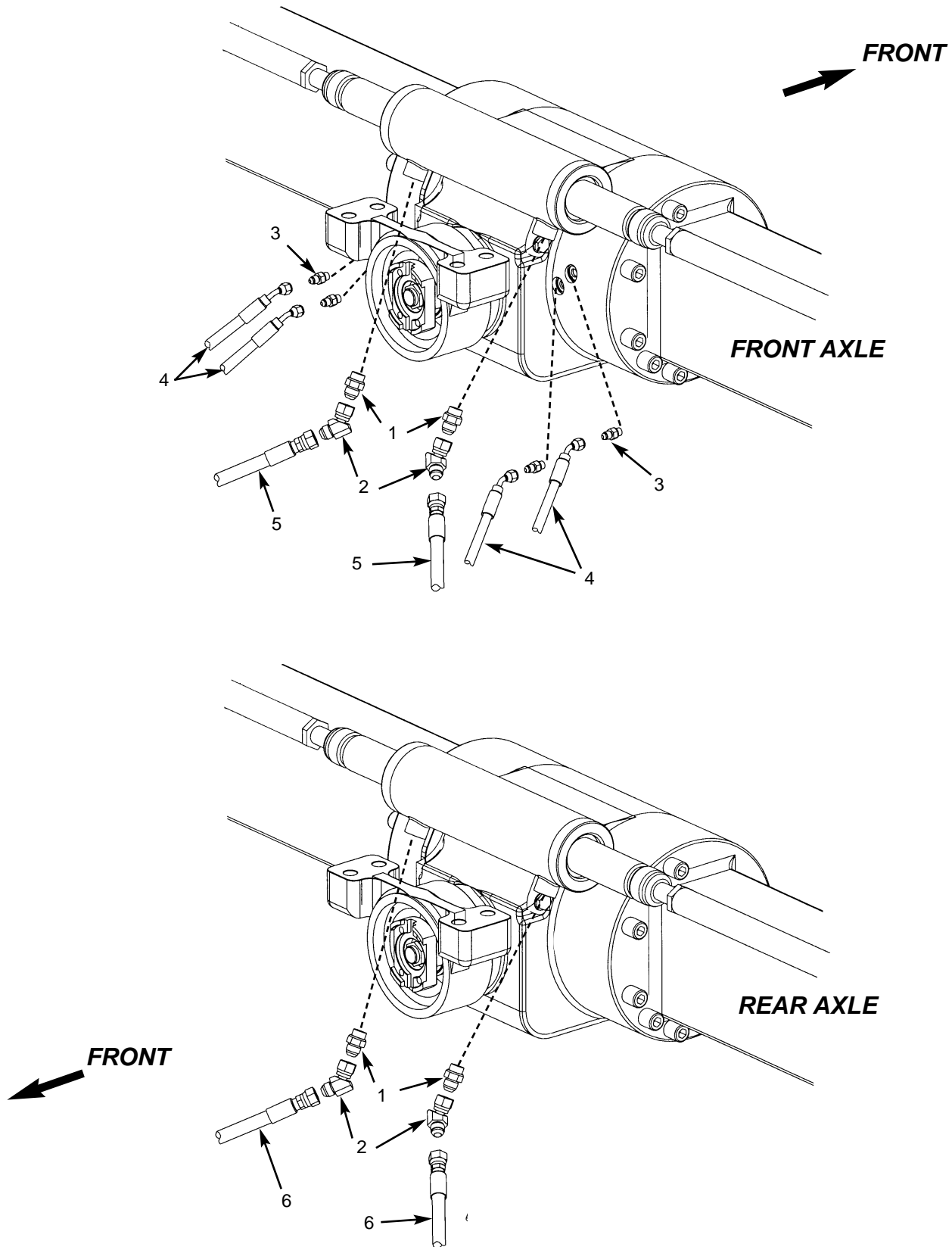
**Park Brake Intensifier  
(26.48 Axles)**

Ref. No.	Part No.	Description	Qty. Req.	Ref. No.	Part No.	Description	Qty. Req.
01	101692	HOSE -6 A6/DS6 104" . . . . .	1	07	650488	3/8"X3/4" BOLT . . . . .	4
02	L62842	ADAP -4ORM -6JICM STR . . . . .	1	08	101383	MOUNT BRACKET . . . . .	1
03	101383	PARK BRAKE INTENSIFIER . . . . .	1	09	067847	3/8" NYLON INSERT NUT . . . . .	4
04	650490	3/8"X1" BOLT . . . . .	4	10	L445003	ADAP., -6ORM -6JICM 90 <sup>0</sup> . . . . .	1
05	654049	3/8" FLAT WASHER . . . . .	4	11	101317	HOSE, -4 A6/DS6 50" . . . . .	1
06	654026	3/8" LOCK WASHER . . . . .	4				

**Hose Locator**

Ref No.	From Port	To Port
01	PARK BRAKE INTENSIFIER "B"	FRONT AXLE PARK BRAKE CALIPER
11	PARK BRAKE INTENSIFIER "A"	SAHR VALVE "B"

**Axle Steer and Brake Lines  
(26.25 and 26.28 Axles)**





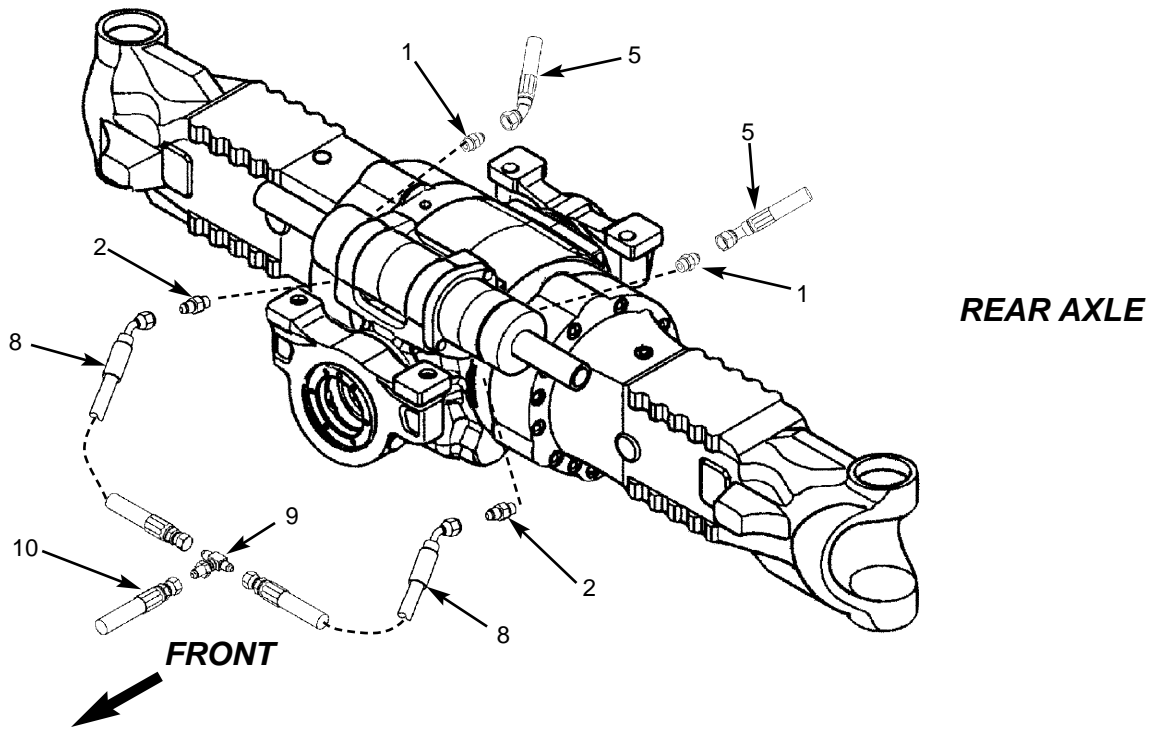
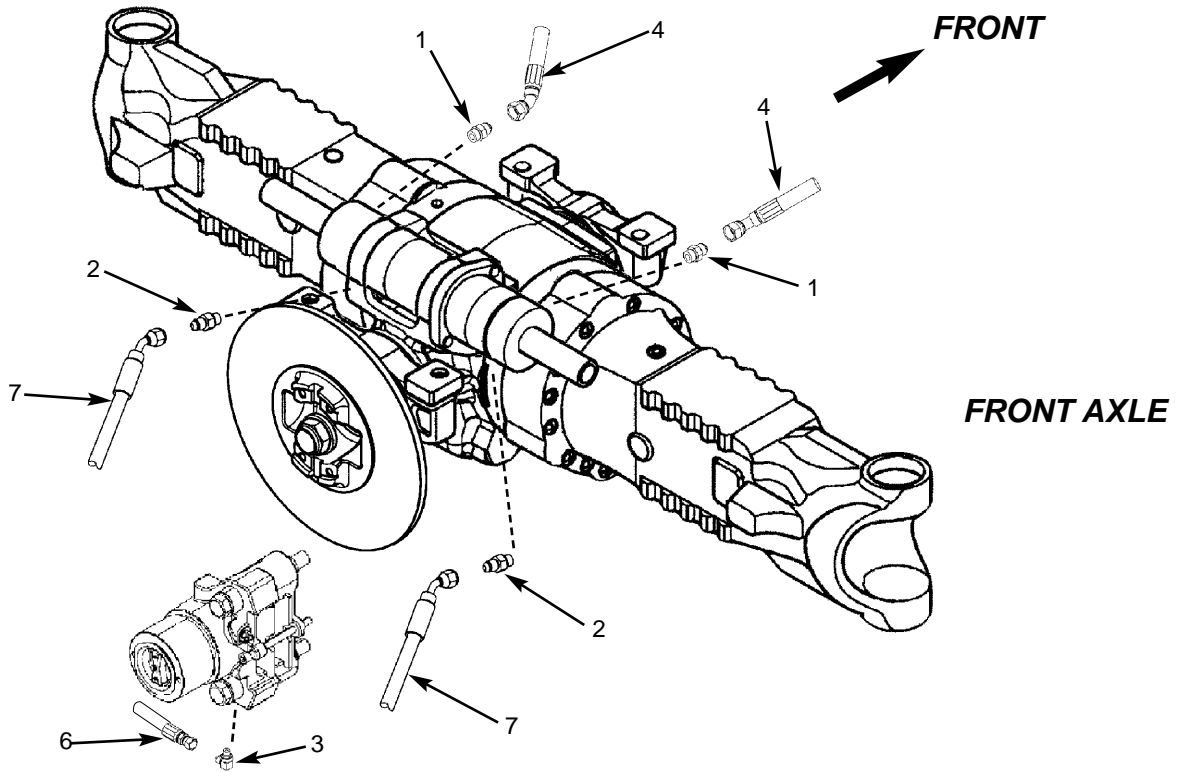
**Axle Steer and Brake Lines  
(26.25 and 26.28 Axles)**

<b>Ref. No.</b>	<b>Part No.</b>	<b>Description</b>	<b>Qty. Req.</b>	<b>Ref. No.</b>	<b>Part No.</b>	<b>Description</b>	<b>Qty. Req.</b>
01	L69576	ADAP M18X1.5ORM - 8JICM STR. . 4		04	L69940	HOSE -4 A4/NS4 20" . . . . . 4	
02	L446024	ADAP -8JICFS -8JICM SWVL 45 . . 4		05	L69939	HOSE -6 A8/DS6 20" . . . . . 2	
03	L69577	ADAP M10X1ORM -4JICM STR. . . 4		06	L69939	HOSE -6 A8/DS6 20" . . . . . 2	

**Hose Locator**

<b>Ref No.</b>	<b>From Port</b>	<b>To Port</b>
04	FRONT AXLE TOP BRAKE PORTS FRONT AXLE BOTTOM BRAKE PORTS	STEER/BRAKE MANIFOLD (TOP/SIDE PORTS) STEER/BRAKE MANFLD. (BOTTOM/SIDE PORTS)
05	STEER CYLINDER FRONT AXLE BOTH SIDES	STEER/BRAKE MANIFOLD (TOP FRONT PORTS)
06	STEER CYLINDER REAR AXLE (LEFT SIDE)	STEER SELECT VALVE "B"
06	STEER CYLINDER REAR AXLE (RIGHT SIDE)	STEER SELECT VALVE "A"

**Axle Steer and Brake Lines  
(26.48 Axles)**



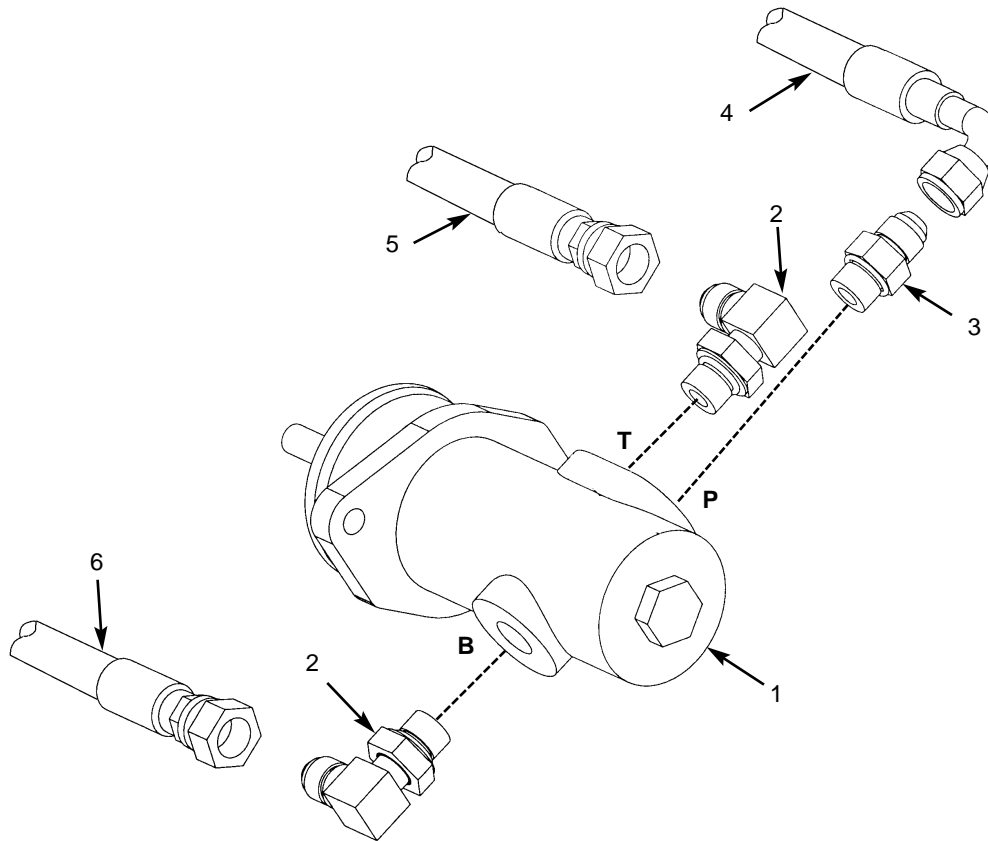
**Axle Steer and Brake Lines  
(26.48 Axles)**

<b>Ref. No.</b>	<b>Part No.</b>	<b>Description</b>	<b>Qty. Req.</b>	<b>Ref. No.</b>	<b>Part No.</b>	<b>Description</b>	<b>Qty. Req.</b>
01	L444004	ADP/-8ORM-8JICM STR.....	4	09	L446042	TEE, BULKHEAD -4JICM .....	1
02	L65753	ADP, -6ORM -4JICM STR.....	4	10	101320	HOSE, -4 A4/A4 45" .....	1
03	L62842	ADP -4ORM-6JICM 90 .....	1				
04	101319	HOSE -6 A6/NS8 40".....	2	a	<i>Some early units with the 26.48 axles used a smaller hose -4 (1/4"). If your unit currently has this smaller hose, you should order PN 430177 Hose kit which includes hose PN #101692 and (2) L62842 adapters (item #3)</i>		
05	101319	HOSE -6 A6/NS8 40".....	2				
06 <sup>a</sup>	101692	HOSE -6 A6/DS6 104".....	1				
07	L69940	HOSE -4 A4/NS4 108".....	2				
08	L69940	HOSE -4 A4/NS4 108".....	2				

**Hose Locator**

<b>Ref No.</b>	<b>From Port</b>	<b>To Port</b>
04	STEER CYLINDER FRONT AXLE BOTH SIDES	STEER/BRAKE MANIFOLD (TOP FRONT PORTS)
05	STEER CYLINDER REAR AXLE (LEFT SIDE)	STEER SELECT VALVE "B"
	STEER CYLINDER REAR AXLE (RIGHT SIDE)	STEER SELECT VALVE "A"
06	FRONT AXLE PARK BRAKE CALIPER	HYDRAULIC PRESSURE INTENSIFIER
07	FRONT AXLE BRAKE PORTS (BOTH SIDES)	STEER/BRAKE MANIFOLD (MIDDLE/SIDE PORTS)
08	REAR AXLE BRAKE PORTS (BOTH SIDES)	BULKHEAD TEE ABOVE REAR AXLE
10	BULKHEAD TEE ABOVE REAR AXLE	TEE ON THE BRAKE LINES MANIFOLD

**Brake Valve**

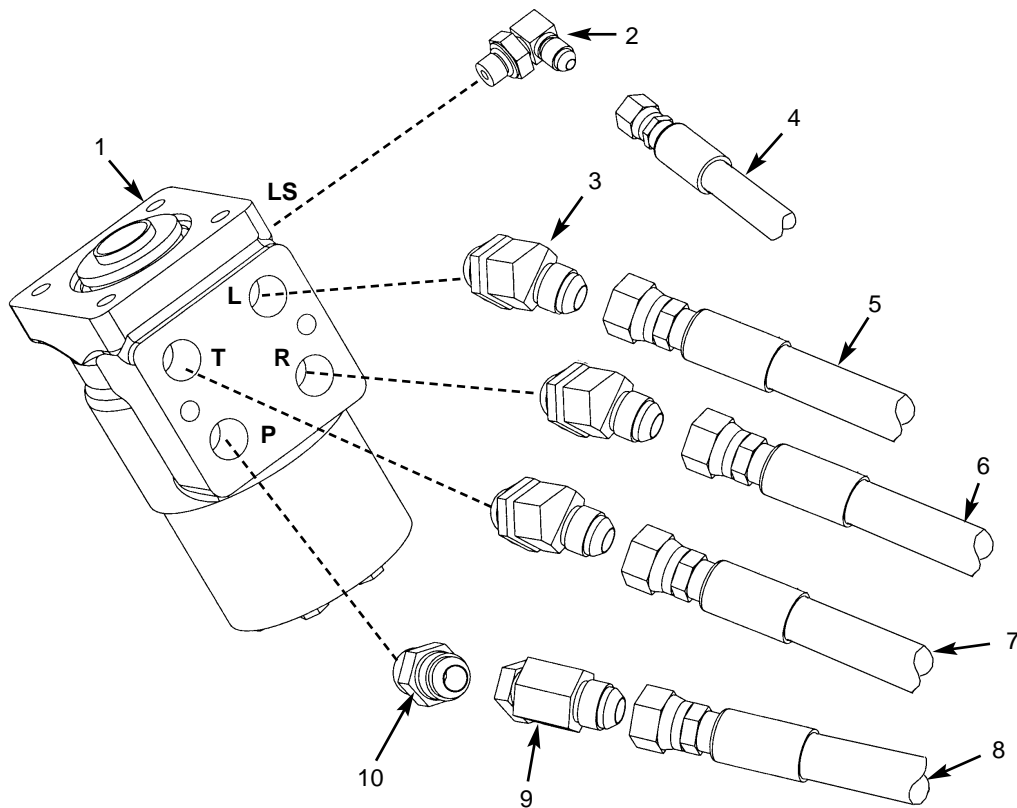


Ref. No.	Part No.	Description	Qty. Req.	Ref. No.	Part No.	Description	Qty. Req.
01	L69572	BRAKE MODULATING VALVE . . . .	1	04	L69926	HOSE -4 A6/DS6 100" . . . . .	1
02	L445003	ADAP -6ORM -6JICM 90 DEG . . . .	2	05	L69927	HOSE -4 A6/A6 81" . . . . .	1
03	L444002	ADAP -6ORM -6JICM STR . . . . .	1	06	L69929	HOSE -4 A6/A4 102" . . . . .	1

**Hose Locator**

Ref No.	From Port	To Port
04	BRAKE VALVE "P"	SAHR VALVE "AO"
05	BRAKE VALVE "T"	HYDRAULIC TANK RETURN MANIFOLD
06	BRAKE VALVE "B"	BRAKE MANIFOLD (BOTTOM PORT)

Steer Motor

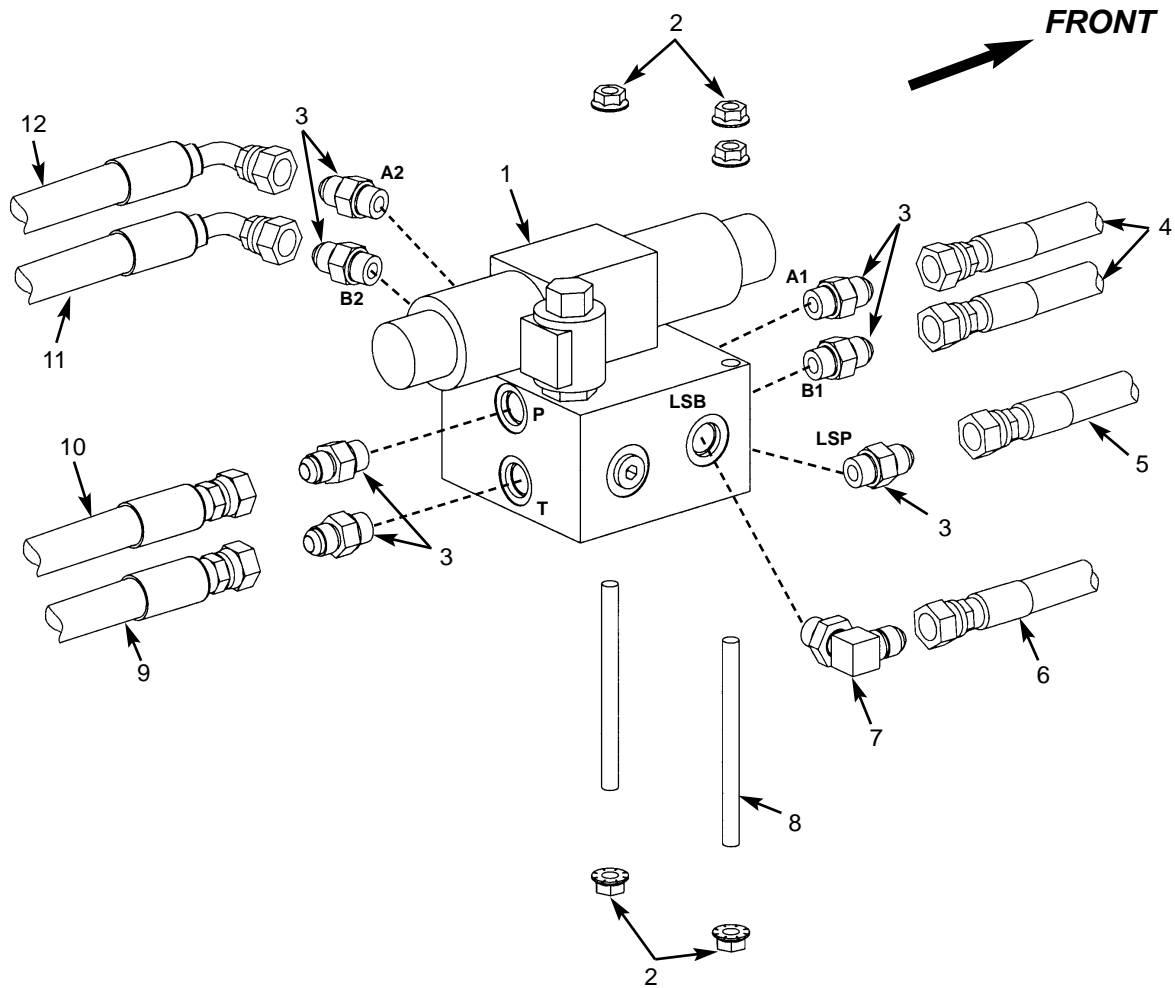


Ref. No.	Part No.	Description	Qty. Req.	Ref. No.	Part No.	Description	Qty. Req.
01 <sup>a</sup>		STEER MOTOR ASY. ....	1	a		Field replacement of parts other than seals is not recommended.	
	101881	Note b		b		DL6H SN 20821 and up	
	L500968	SEAL KIT .....	1			DL6L SN 25606 and up	
	L69128	Note c				DL8H SN 30847 and up	
	L99930	SEAL KIT .....	1			DL8L SN 35500 and up	
02	L51591	ADAP -4ORM -4JICM 90 DEG ....	1			DL10H SN 40494 and up	
03	L445013	ADAP --80RM -8JICM 45 ELBOW .	3			DL10L SN 45182 and up	
04	L69925	HOSE -4 A4/A6 100" .....	1			DL12H SN 50217 and up	
05	L69935	HOSE -6 A8/A6 108" .....	1	c		DL6H SN 20820 and before	
06	L69936	HOSE -6 A8/A6 100" .....	1			DL6L SN 25605 and before	
07	L69933	HOSE -6 A8/A6 60" .....	1			DL8H SN 30846 and before	
08	L69934	HOSE -6 A8/DS8 88" .....	1			DL8L SN 35499 and before	
09	L446024	ADAP -8JICFS -8JICM SWVL.....	1			DL10H SN 40493 and before	
10	L64524	CHECK VALVE .....	1			DL10L SN 45181 and before	
						DL12H SN 50216 and before	

HOSE LOCATOR

04	STEER MOTOR "LS" (IN CAB)	LEVEL VALVE "LSB"
05	STEER MOTOR "L" (IN CAB)	STEER SELECT VALVE "P"
06	STEER MOTOR "R" (IN CAB)	STEER/BRAKE MANIFOLD (TOP RIGHT SIDE)
07	STEER MOTOR "T" (IN CAB)	HYDRAULIC TANK RETURN MANIFOLD
08	STEER MOTOR "P" (IN CAB)	HYDRAULIC PUMP (Ref item #32 on Hyd. Pump)

Level Valve



**Level Valve**

Ref. No.	Part No.	Description	Qty. Req.	Ref. No.	Part No.	Description	Qty. Req.
01	L70230	LEVEL VALVE, COMPLETE . . . . .	1				
02	L50556	5/16-18 NUT . . . . .	5	a		<i>DL6L SN 25615 and before</i>	
03	L444002	ADAP -6ORM -6JICM STR . . . . .	7			<i>DL6H SN 20823 and before</i>	
04	L69921	HOSE, -4 A6/A6 126" . . . . .	2			<i>DL8L SN 35503 and before</i>	
05		HOSE . . . . .	1			<i>DL8H SN 30851 and before</i>	
	L69924	-4, A6/A6 22" (Note a)				<i>DL10L SN 45184 and before</i>	
	L69903	-4, A6/DS6 17" (Note b)				<i>DL10H SN 40498 and before</i>	
06	L69925	HOSE, -4 A6/DS6 100" . . . . .	1			<i>DL12H SN 50220 and before</i>	
07	L445003	ADAP -6ORM -6JICM 90 DEG . . . . .	1				
08	L50679	5/16-18X4" STUD . . . . .	2	b		<i>DL6L SN 25616 and up</i>	
09	L69922	HOSE, -6 A6/A6 50" . . . . .	1			<i>DL6H SN 20824 and up</i>	
10	L69932	HOSE, -6 A6/A8 46" . . . . .	1			<i>DL8L SN 35504 and up</i>	
11	L70084	HOSE, -4 A6/DS6 65" . . . . .	1			<i>DL8H SN 30852 and up</i>	
12	L70084	HOSE, -4 A6/DS6 65" . . . . .	1			<i>DL10L SN 45185 and up</i>	
						<i>DL10H SN 40499 and up</i>	
						<i>DL12H SN 50221 and up</i>	

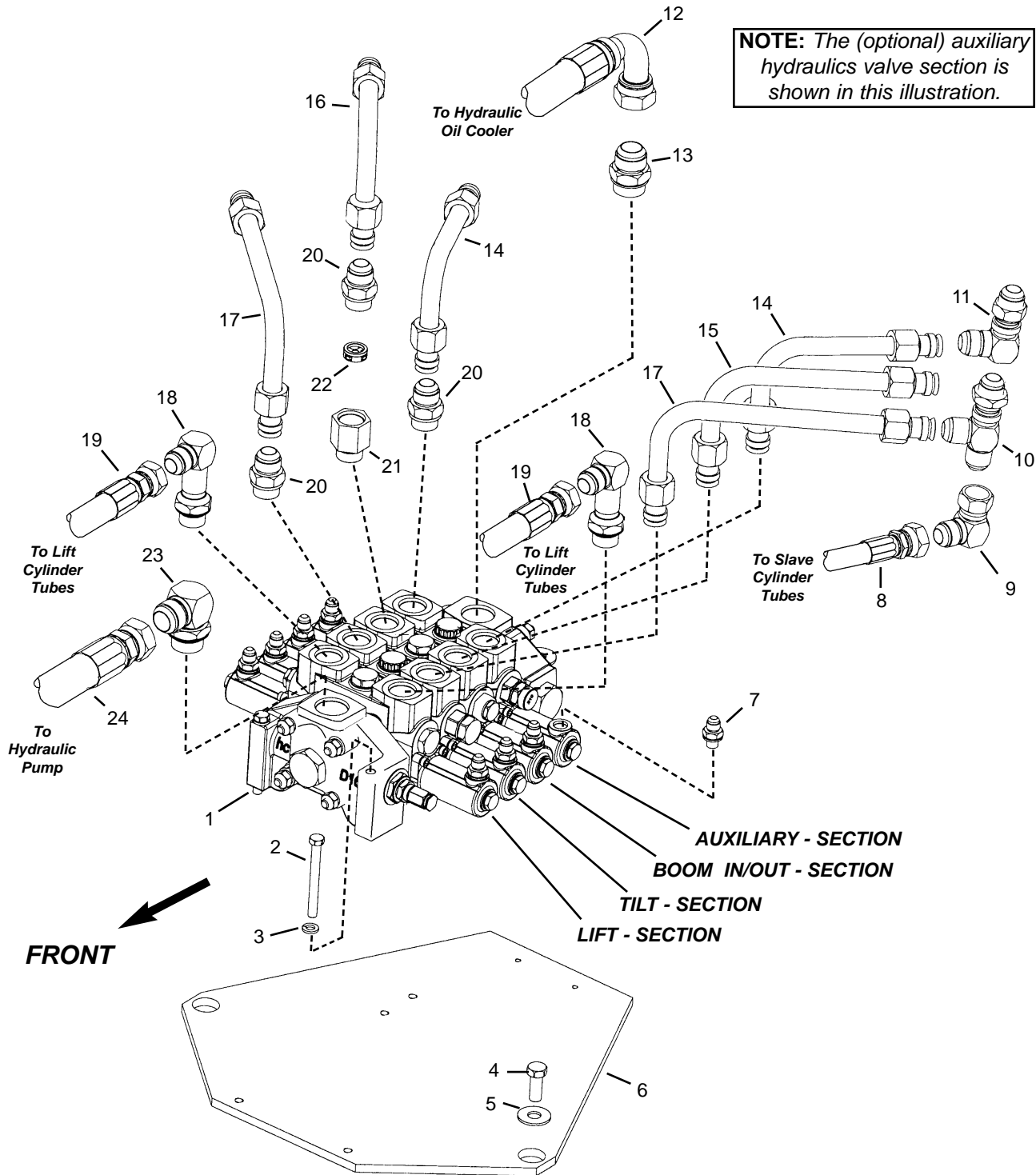
**Hose Locator**

Ref No.	From Port	To Port
04	LEVEL VALVE "A1"	LEVEL CYLINDER (OUTSIDE FITTING)
04	LEVEL VALVE "B1"	LEVEL CYLINDER (CAB SIDE FITTING)
05	LEVEL VALVE "LSP"	HYDRAULIC PUMP "C" (Refer to HYD. PUMP)
06	LEVEL VALVE "LSB"	STEER MOTOR "LS" (IN CAB)
09	LEVEL VALVE "T"	HYDRAULIC TANK RETURN MANIFOLD
10	LEVEL VALVE "P"	HYDRAULIC PUMP "B" (Refer to HYD. PUMP)
11	LEVEL VALVE "B2"	STABILIZER CYLINDER MANIFOLD "M" (REAR)
12	LEVEL VALVE "A2"	STABILIZER CYLINDER MANIFOLD "L" (FRONT)

# Main Control Valve Group

(Refer to Usage Table on facing page)

**NOTE:** The (optional) auxiliary hydraulics valve section is shown in this illustration.





**Main Control Valve Group**

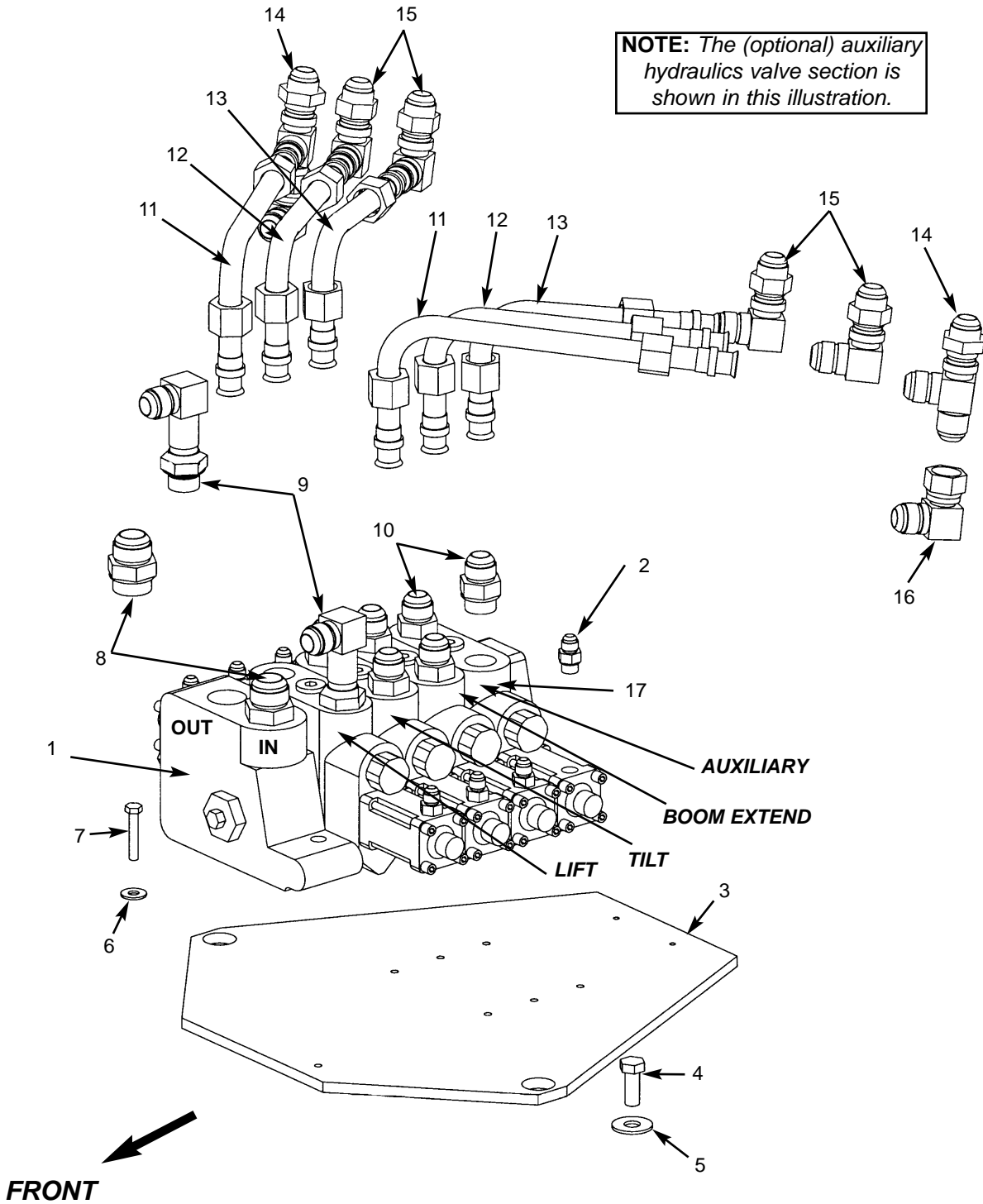
*(Refer to Usage Table below)*

Ref. No.	Part No.	Description	Qty. Req.	Ref. No.	Part No.	Description	Qty. Req.
01 <sup>a</sup>	105159	MAIN CONTROL VALVE . . . . . 1 <i>(does not include auxiliary section)</i>	1	18	L445090	ADAP. -12JICM -12ORM 90 <sup>0</sup> LNG . 2	
02	L50277	3/8"-16X3-1/2" BOLT . . . . . 2	2	19	L69913	HOSE, -12 A12/DS10 36" . . . . . 2	
03	L50147	3/8" LOCK WASHER . . . . . 2	2	20	L444001	ADAP -12ORM -12JICM STR . . . AR	
04	L50283	1/2-13X1-1/4" BOLT . . . . . 2	2	21	105161	ADAPTER, PORT RESTRICTOR . . 1	
05	L50151	1/2" FLAT WASHER . . . . . 2	2	22	L99903	RESTRICTOR, WORK PORT . . . . 1	
06	103899	VALVE MOUNT PLATE . . . . . 1	1	23	L51621	ADAP. -16JICM -16ORM 90 <sup>0</sup> . . . . 1	
07	103194	ADAPTER, JOYSTICK . . . . . AR <i>(1/4BSP -6JICM STR)</i>	AR	24	105166	HOSE, -16 A16/A16 62" . . . . . 1	
08	L69908	HOSE, -8 A12/DS10 50" . . . . . 2	2				
09	L446020	ADAP. -12JICM -12JICFS 90 <sup>0</sup> . . . . 2	2	a		<i>The standard valve does not include the auxiliary hydraulics valve section. To add the auxiliary hydraulics section order PN 105165 Valve Section and (4) PN 103059 Tie Rod Kit.</i>	
10	P471299	ADAP -12JICM BLKHD RUN TEE . 2	2				
11	L446034	ADAP -12JICM BLKHD 90 . . . . . AR	AR				
12	105167	HOSE, -16 A16/DS16 78" . . . . . 1	1	b		<i>Used when equipped with optional auxiliary hydraulics valve section.</i>	
13	L51590	ADAP. -16JICM -16ORM STR. . . . 1	1				
14 <sup>b</sup>	103902	TUBE, AUXILIARY SECT. . . . . 2	2				
15	103901	TUBE, BOOM IN/OUT (LONG). . . . 1	1				
16	105164	TUBE, BOOM IN/OUT (SHORT). . . 1	1				
17	103900	TUBE, TILT SECTION . . . . . 2	2				

<b>Usage Table</b>
<p><b>Parts listed on this page apply to the following units:</b>  DL6L SN 25648 and up  DL6H SN 20925 and up  DL8L SN 35546 and up  DL8H SN 31007 and up  DL10L SN 45394 and up  DL10H SN 40906 and up  DL12H SN 50490 and up</p>

# Main Control Valve Group

(Refer to Usage Table on facing page)



**Main Control Valve Group**

*(Refer to Usage Table below)*

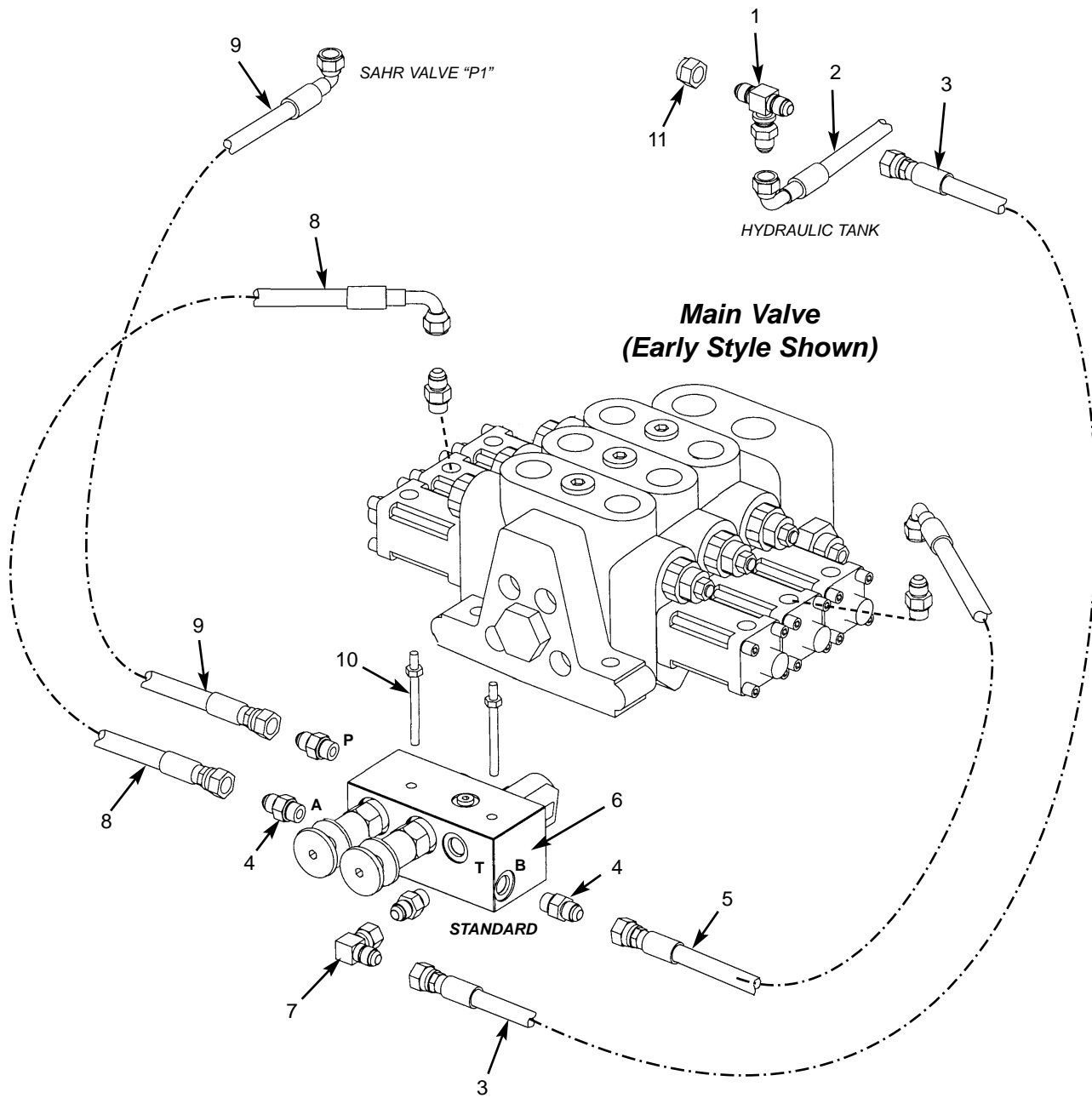
Ref. No.	Part No.	Description	Qty. Req.	Ref. No.	Part No.	Description	Qty. Req.
01	L69475	MAIN CONTROL VALVE . . . . .	1	14	P471299	ADAP -12JICM BLKHD RUN TEE . .	2
		<i>(does not include auxiliary section)</i>		15	L446034	ADAP -12JICM BLKHD 90 . . . . .	4
02	L444002	ADAPTER, JOYSTICK . . . . .	8	16	L446020	ADAP -12JIFS -12JICM 90 . . . . .	2
		<i>(-6ORM -6JICM STR)</i>		17 <sup>a</sup>	L66576	AUXILIARY VALVE SECTION. . . . .	1
03	L71454	VALVE MOUNT PLATE . . . . .	1				
04	L50283	1/2-13X1-1/4" BOLT . . . . .	2				
05	L50151	1/2" FLAT WASHER . . . . .	2				
06	L50141	5/16" FLAT WASHER . . . . .	3				
07	L50561	5/16-18X1-3/4" BOLT . . . . .	3				
08	L51590	ADAP -16ORM -16JICM STR . . . . .	2				
09	L445090	ADAP -12ORM -12JICM 90 LNG . .	2				
10	L444001	ADAP -12ORM -12JICM STR . . . . .	6				
11	L69733	TUBE, TILT . . . . .	2				
12	L69732	TUBE, BOOM EXTEND . . . . .	2				
13 <sup>a</sup>	L69731	TUBE, HYDRAULIC OPTION . . . . .	2				

*a For units equipped with Auxiliary hydraulics. Refer to Hydraulic Components section for more information.*

Usage Table
<p><b>Parts listed on this page apply to the following units:</b>                      DL6L SN 25647 and before                      DL6H SN 20924 and before                      DL8L SN 35545 and before                      DL8H SN 31006 and before                      DL10L SN 45393 and before                      DL10H SN 40905 and before                      DL12H SN 50489 and before</p>

**Tri-Function Pilot Manifold (Standard Hydraulics)**  
**(Four-Button Joystick)**

FRONT



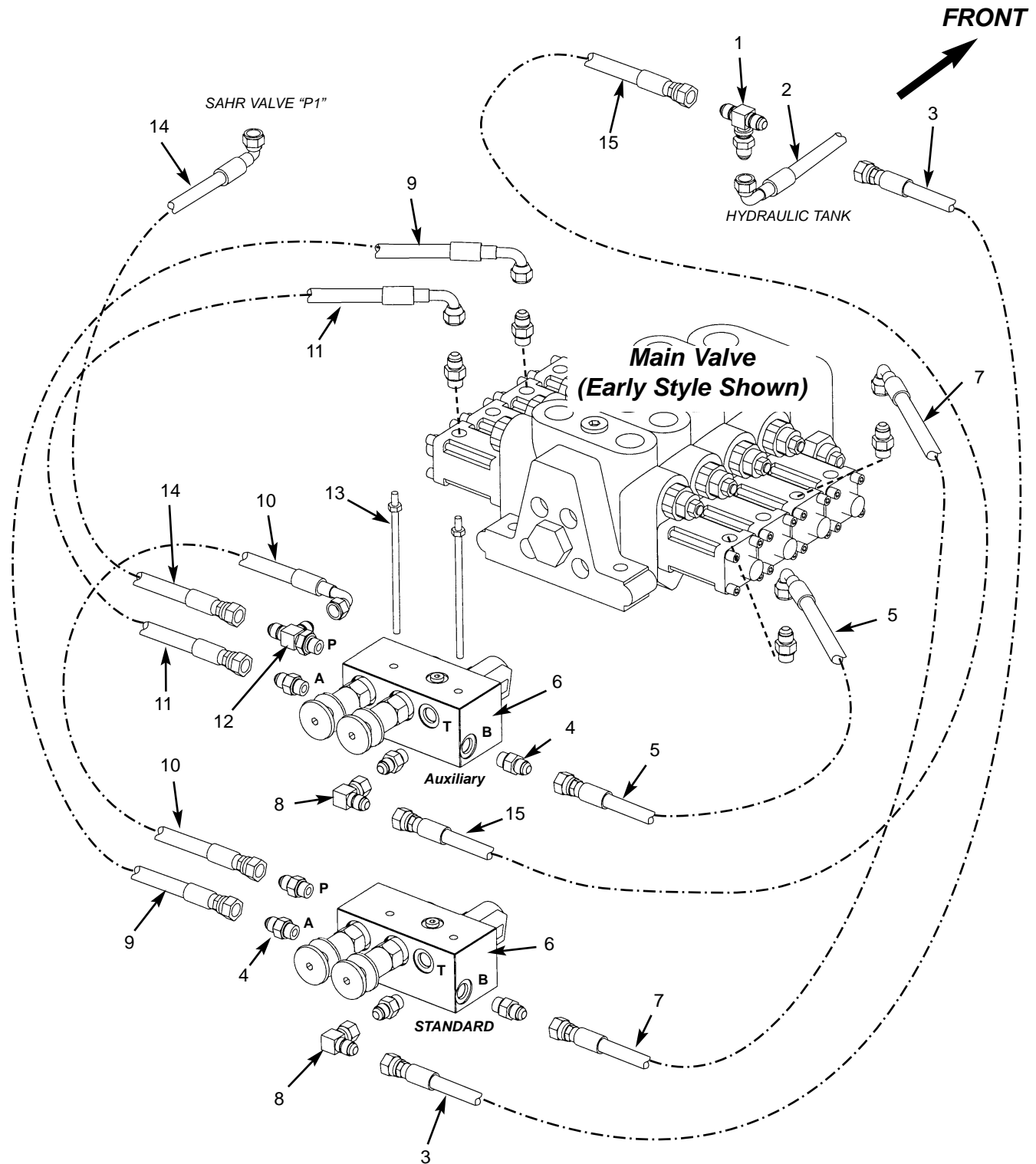
***Tri-Function Pilot Manifold (Standard Hydraulics)***  
***(Four-Button Joystick)***

<b>Ref. No.</b>	<b>Part No.</b>	<b>Description</b>	<b>Qty. Req.</b>	<b>Ref. No.</b>	<b>Part No.</b>	<b>Description</b>	<b>Qty. Req.</b>
01	L70014	ADAP -6JICM BLKHEAD TEE . . . .	1	07	L445003	ADAP -6ORM -6JICM 90 DEG . . . .	1
02	L69907	HOSE, --4 A6/DS6 84" . . . . .	1	08	L69904	HOSE, -4 A6/DS6 20" . . . . .	2
03	L69920	HOSE, -4 A6/A6 40" . . . . .	1	09	L71360	HOSE, -4 A6/DS6 98" . . . . .	1
04	L444002	ADAP -6ORM -6JICM STR . . . . AR		10	L50741	1/4"X3-1/4" STUD . . . . .	2
05	L69904	HOSE, -4 A6/DS6 20" . . . . .	2	11	L447034	ADAP CAP -6JICF. . . . .	1
06	L71339	PILOT APPLY MANIFOLD. . . . .	1				

***Hose Locator***

<b>Ref No.</b>	<b>From Port</b>	<b>To Port</b>
02	BULKHEAD TEE (ABOVE V40 VALVE)	HYDRAULIC TANK RETURN MANIFOLD
03	PILOT APPLY MANIFOLD "T"	BULKHEAD TEE (ABOVE V40 VALVE)
05	PILOT APPLY MANIFOLD "B"	V40 PILOT VALVE <i>(as shown)</i>
08	PILOT APPLY MANIFOLD "A"	V40 PILOT VALVE <i>(as shown)</i>
09	PILOT APPLY MANIFOLD "P"	SAHR VALVE "P1" (BOTTOM OF TEE)

**Tri-Function Pilot Manifold (w/Auxiliary Hydraulics)**  
**(Four-Button Joystick)**



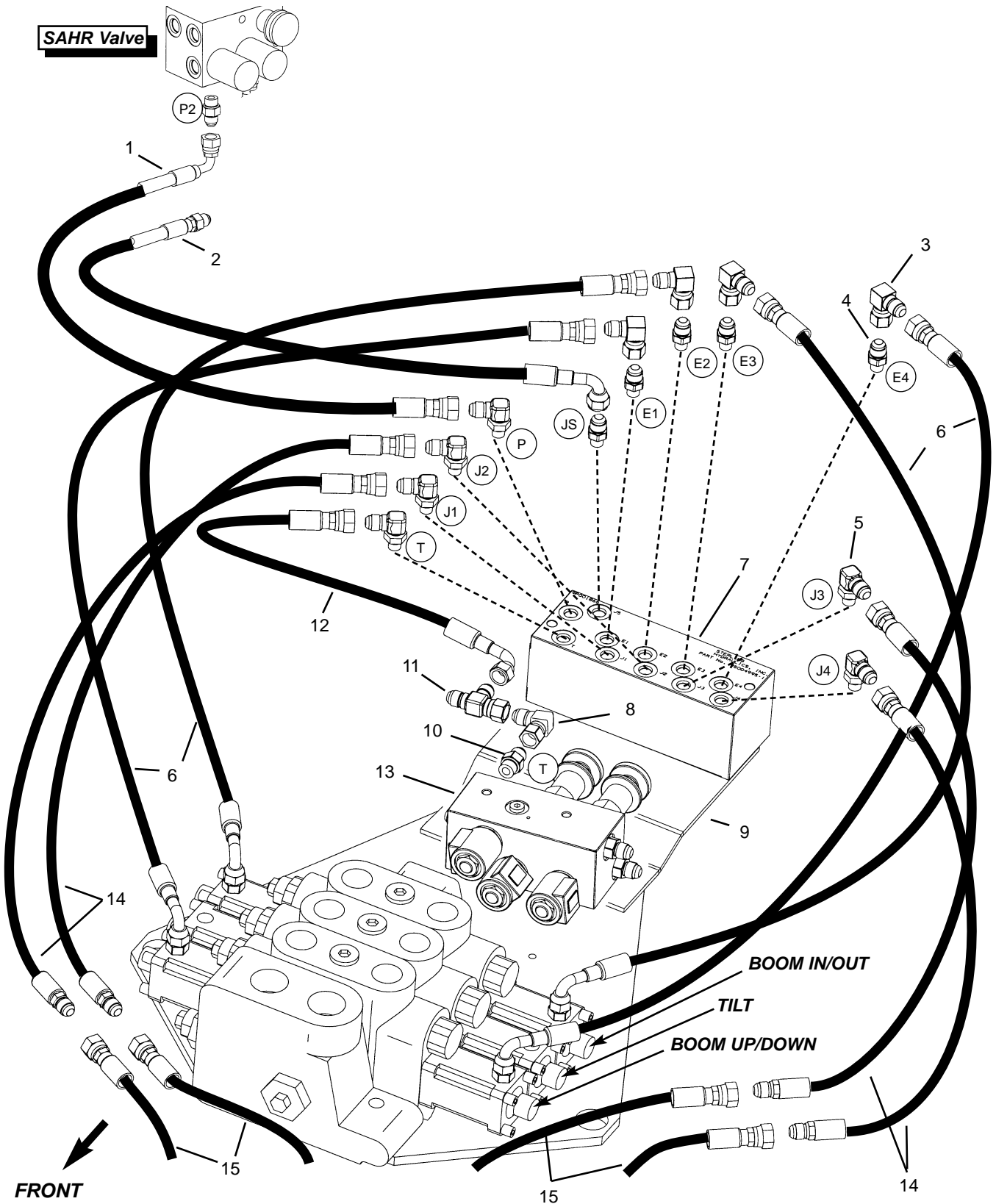
***Tri-Function Pilot Manifold (w/Auxiliary Hydraulics)  
(Four-Button Joystick)***

<b>Ref. No.</b>	<b>Part No.</b>	<b>Description</b>	<b>Qty. Req.</b>	<b>Ref. No.</b>	<b>Part No.</b>	<b>Description</b>	<b>Qty. Req.</b>
01	L70014	ADAP -6JICM BLKHEAD TEE . . . .	1	09	L69904	HOSE, -4 A6/DS6 20" . . . . .	1
02	L69907	HOSE, -4 A6/DS6 84" . . . . .	1	10	L69903	HOSE, -4 A6/DS6 17" . . . . .	1
03	L69920	HOSE, -4 A6/A6 40" . . . . .	1	11	L69903	HOSE, -4 A6/DS6 17" . . . . .	1
04	L444002	ADAP -6ORM -6JICM STR . . . . AR		12	L81233	ADAP -6ORM -6JICM RUN TEE. . .	1
05	L69903	HOSE, -4 A6/DS6 17" . . . . .	1	13	L50745	1/4"-20X5-3/4" STUD. . . . .	2
06	L71339	PILOT APPLY MANIFOLD. . . . .	1	14	L71360	HOSE, -4 A6/DS6 98" . . . . .	1
07	L69904	HOSE, -4 A6/DS6 20" . . . . .	1	15	L69920	HOSE, -4 A6/A6 40" . . . . .	1
08	L60653	ADAP -6JICFS -6JICM 90 . . . . .	2				

***Hose Locator***

<b>Ref No.</b>	<b>From Port</b>	<b>To Port</b>
02	BULKHEAD TEE (ABOVE V40 VALVE)	HYDRAULIC TANK RETURN MANIFOLD
03	STANDARD PILOT APPLY MANIFOLD "T"	BULKHEAD TEE (ABOVE V40 VALVE)
05	AUXILIARY PILOT APPLY MANIFOLD "B"	V40 PILOT VALVE <i>(as shown)</i>
07	STANDARD PILOT APPLY MANIFOLD "B"	V40 PILOT VALVE <i>(as shown)</i>
09	STANDARD PILOT APPLY MANIFOLD "A"	V40 PILOT VALVE <i>(as shown)</i>
10	STANDARD PILOT APPLY MANIFOLD "P"	Auxiliary PILOT APPLY MANIFOLD "P"
11	Auxiliary PILOT APPLY MANIFOLD "A"	V40 PILOT VALVE <i>(as shown)</i>
14	Auxiliary PILOT APPLY MANIFOLD "P"	SAHR VALVE "P1" (BOTTOM OF TEE)
15	Auxiliary PILOT APPLY MANIFOLD "T"	BULKHEAD TEE (ABOVE V40 VALVE)

**Tri-Function Pilot Manifold - Radio Remote Option  
(Four-Button Joystick)**



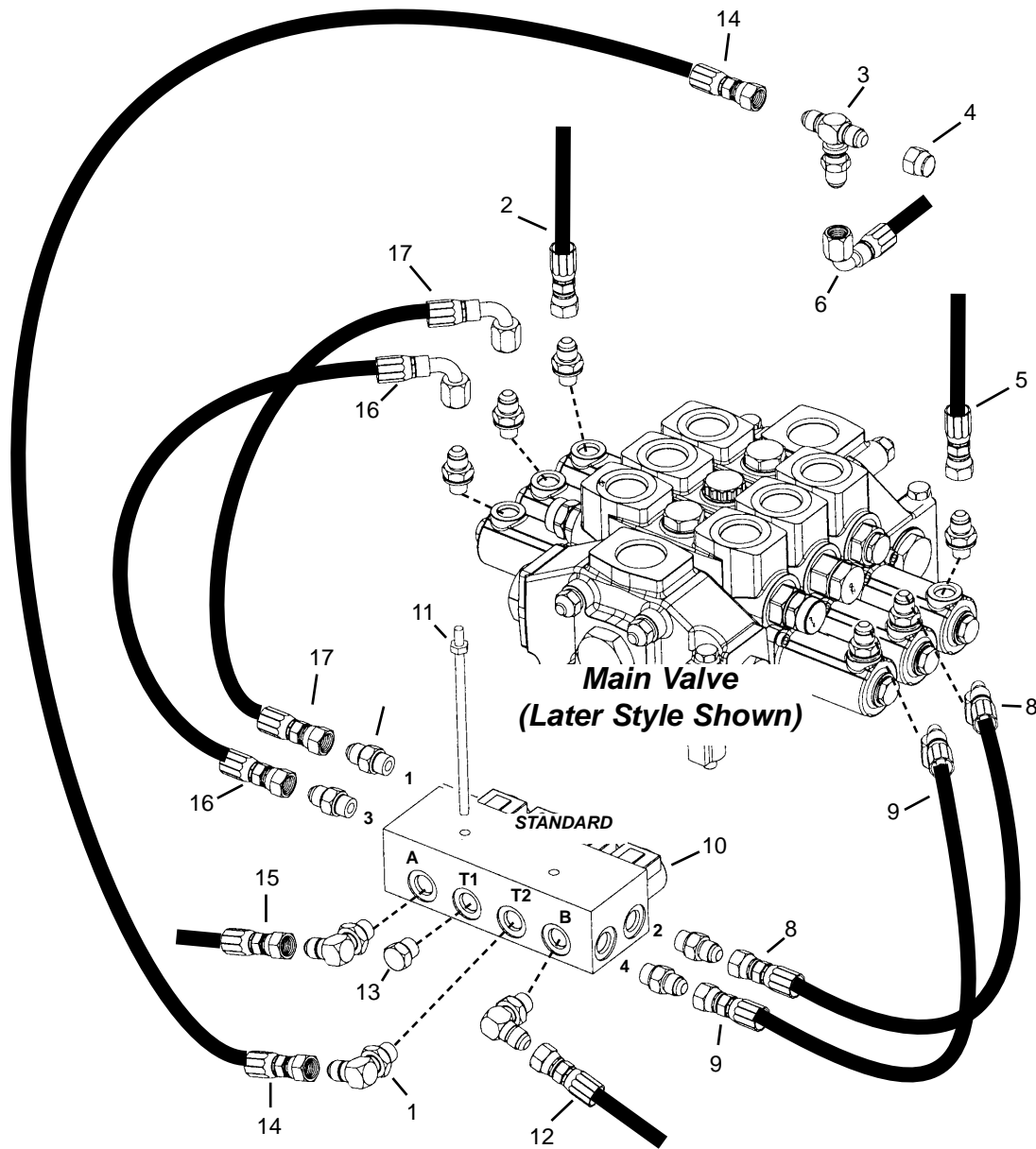


**Tri-Function Pilot Manifold - Radio Remote Option  
(Four-Button Joystick)**

Ref. No.	Part No.	Description	Qty. Req.	Ref. No.	Part No.	Description	Qty. Req.
01	103506	HOSE, -4 A6/DS6 106" . . . . .	1	11	L446049	ADAP., -6 RUN TEE . . . . .	1
02	103505	HOSE, -4 DS6/H6 109" . . . . .	1	12	L69903	HOSE, -4 A6/DS6 17" . . . . .	1
03	L60653	ADAP., -6JICFS -6JICM 90° . . . . .	4	13 <sup>a</sup>	L71339	PILOT APPLY MANIFOLD . . . . .	AR
04	L444012	ADAP., -4ORM -6JICM STR. . . . .	5	14	L69902	HOSE, -4 H6/A6 20" . . . . .	4
05	L62842	ADAP., -4ORM -6JICM 90° . . . . .	6	15	L69906	HOSE, -4 A6/A6 110" . . . . .	4
06	L68804	HOSE, -4 A6/DS6 26" . . . . .	4				
07	103413	MANIFOLD, RADIO REMOTE . . . . .	1				
08	L445003	ADAP., -6ORM -6JICM 90° . . . . .	1	a	<i>Units equipped with auxiliary hydraulics will use two manifolds. The house routing will be the same as shown in the illustration.</i>		
09	103425	MOUNT, MANIFOLD . . . . .	1				
10	L444002	ADAP., -6ORM -6JICM STR. . . . .	AR				

**Dual-Function Pilot Manifold (Standard Hydraulics)**  
**(Two-Button Joystick)**

FRONT



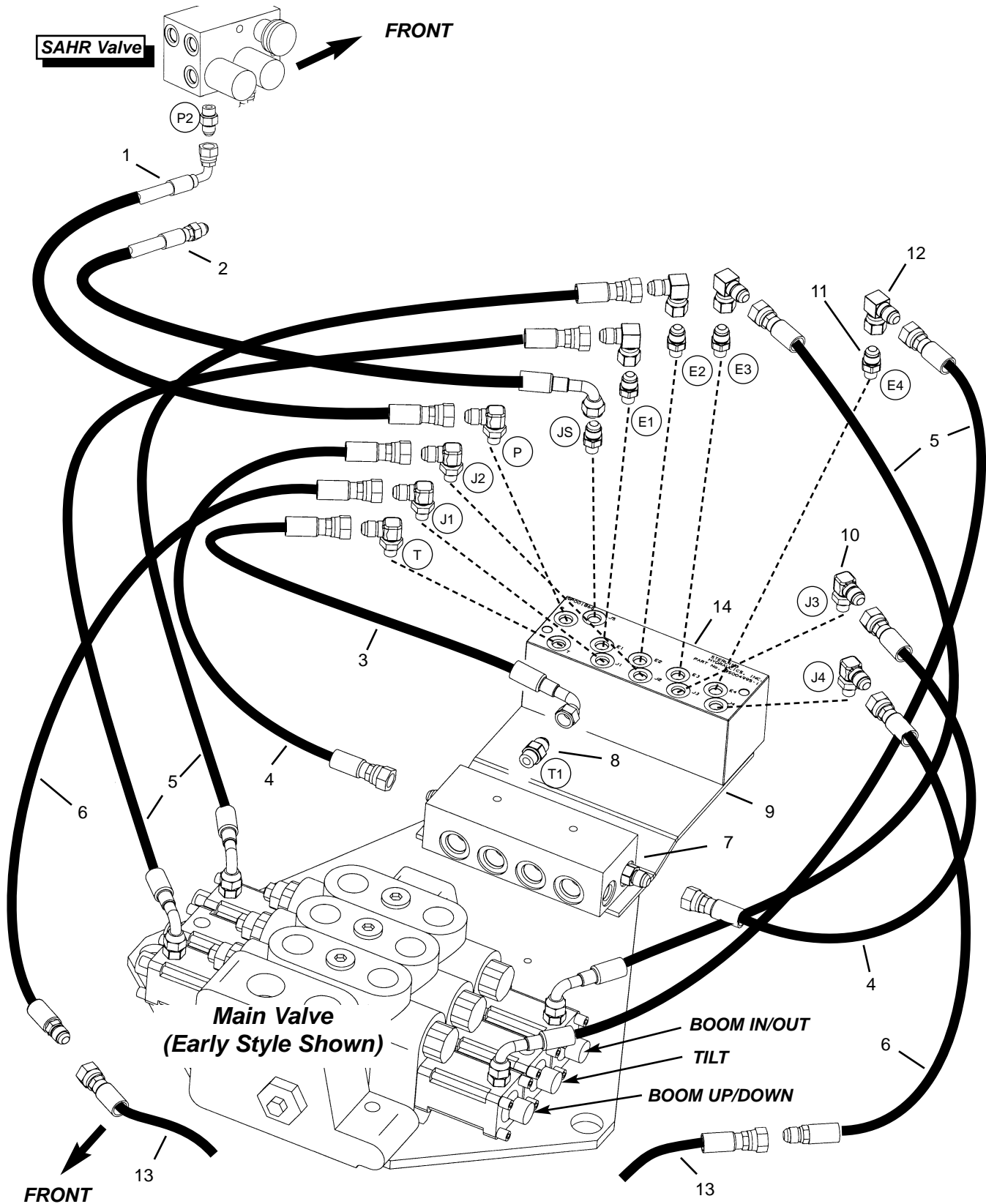
**Dual-Function Pilot Manifold (Standard Hydraulics)  
(Two-Button Joystick)**

Ref. No.	Part No.	Description	Qty. Req.	Ref. No.	Part No.	Description	Qty. Req.
01	L445003	ADAP -6ORM -6JICM 90 . . . . .	AR	13	L446048	ADAP, -6ORM PLUG . . . . .	1
02 <sup>a</sup>	L69906	HOSE, -4 A6/A6 110" . . . . .	1	14	L69920	HOSE, -4 A6/A6 40" . . . . .	1
03	L70014	ADAP -6JICM BLKHEAD TEE . . . . .	1	15 <sup>a</sup>	L69905	HOSE, -4 A6/A6 130" . . . . .	1
04	L447034	ADAP, -6JICM CAP . . . . .	1	16	L69903	HOSE, -4 A6/DS6 17" . . . . .	1
05 <sup>a</sup>	L69906	HOSE, -4 A6/A6 110" . . . . .	1	17	L69904	HOSE, -4 A6/DS6 20" . . . . .	1
06	L69907	HOSE, -4 A6/DS6 84" . . . . .	1				
07	L444002	ADAP -6ORM -6JICM STR . . . . .	7				
08	L69904	HOSE, -4 A6/DS6 20" . . . . .	1				
09	L69903	HOSE, -4 A6/DS6 17" . . . . .	1	a	<i>Hoses come from the dual-function controller (joystick). Refer to "Dual-Function Controller" for more information.</i>		
10	L69467	PILOT APPLY MANIFOLD. . . . .	1				
11	L50743	STUD . . . . .	2				
	L50051	1/4"-20 WHIZ LOCK NUT . . . . .	2				
12 <sup>a</sup>	L69905	HOSE, -4 A6/A6 130" . . . . .	1				

**Hose Locator**

Ref No.	From Port	To Port
02	PILOT VALVE <i>(as shown)</i>	JOYSTICK "4"
05	PILOT VALVE <i>(as shown)</i>	JOYSTICK "2"
06	BULKHEAD TEE (ABOVE VALVE)	HYDRAULIC TANK RETURN MANIFOLD
08	STANDARD PILOT APPLY MANIFOLD "2"	PILOT VALVE <i>(as shown)</i>
09	STANDARD PILOT APPLY MANIFOLD "4"	PILOT VALVE <i>(as shown)</i>
12	STANDARD PILOT APPLY MANIFOLD "B"	JOYSTICK "1"
14	STANDARD PILOT APPLY MANIFOLD "T2"	BULKHEAD TEE (ABOVE VALVE)
15	STANDARD PILOT APPLY MANIFOLD "A"	JOYSTICK "3"
16	STANDARD PILOT APPLY MANIFOLD "3"	PILOT VALVE <i>(as shown)</i>
17	STANDARD PILOT APPLY MANIFOLD "3"	PILOT VALVE <i>(as shown)</i>

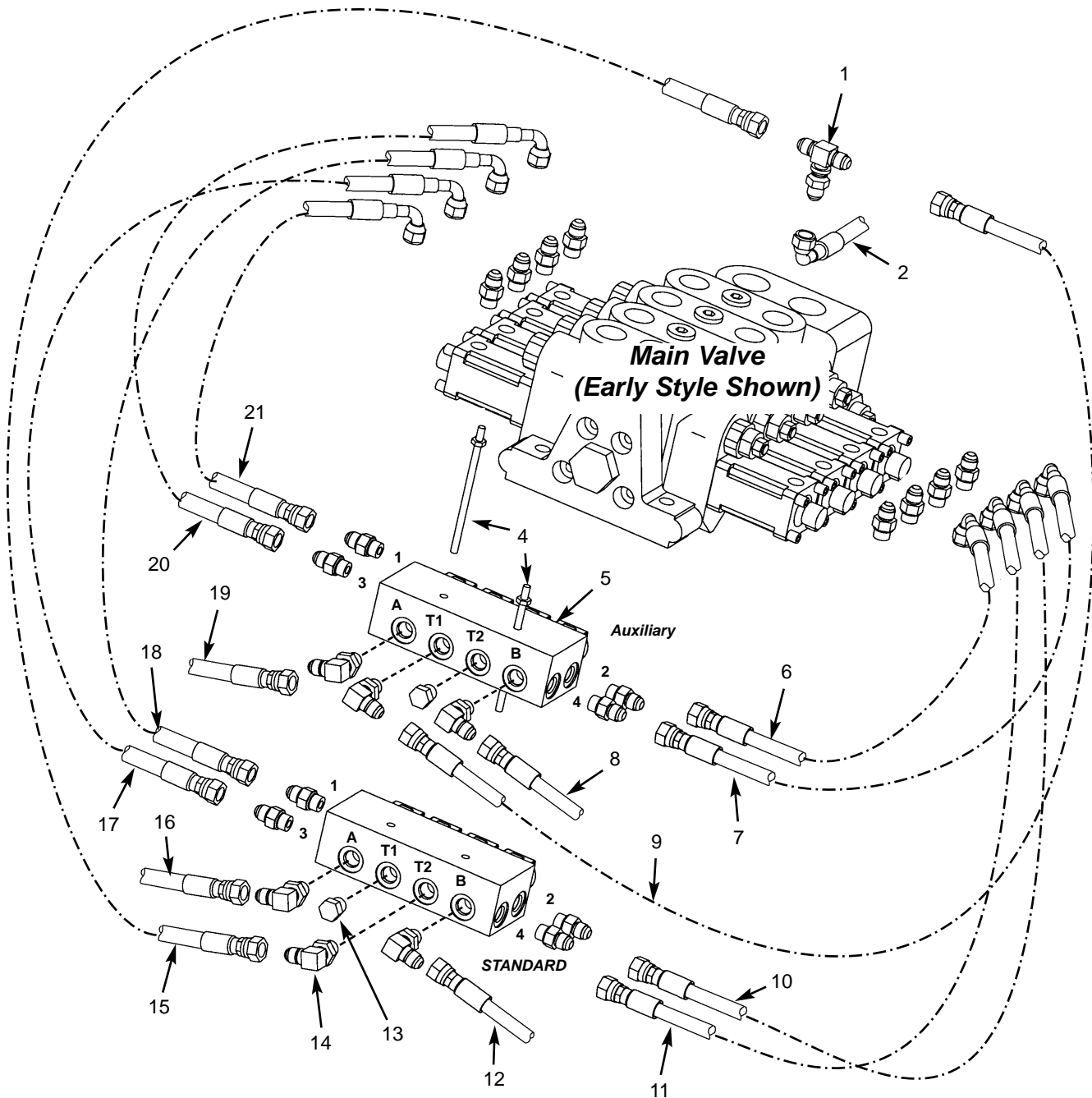
**Dual-Function Pilot Manifold - Radio Remote Option**  
*(Without Auxiliary Hydraulic Option)*



***Dual-Function Pilot Manifold - Radio Remote Option  
(Without Auxiliary Hydraulic Option)***

<b>Ref. No.</b>	<b>Part No.</b>	<b>Description</b>	<b>Qty. Req.</b>	<b>Ref. No.</b>	<b>Part No.</b>	<b>Description</b>	<b>Qty. Req.</b>
01	103506	HOSE, -4 A6/DS6 106" . . . . .	1	08	L444002	ADAP., -6ORM -6JICM STR. . . . .	AR
02	103505	HOSE, -4 DS6/H6 109" . . . . .	1	09	103425	MOUNT, MANIFOLD . . . . .	1
03	L69903	HOSE, -4 A6/DS6 17" . . . . .	1	10	L62842	ADAP., -4ORM -6JICM 90° . . . . .	6
04	L70688	HOSE, -4 A6/A6 16" . . . . .	2	11	L444012	ADAP., -4ORM -6JICM STR. . . . .	5
05	L68804	HOSE, -4 A6/DS6 26" . . . . .	4	12	L60653	ADAP., -6JICFS -6JICM 90° . . . . .	4
06	L69902	HOSE, -4 H6/A6 20" . . . . .	2	13	L69905	HOSE, -4 A6/A6 130" . . . . .	2
07	L69467	PILOT APPLY MANIFOLD. . . . .	1	14	103413	MANIFOLD, RADIO REMOTE . . . . .	1

**Dual-Function Pilot Manifold (w/AUXILIARY Hydraulics)**  
**(Two-Button Joystick)**



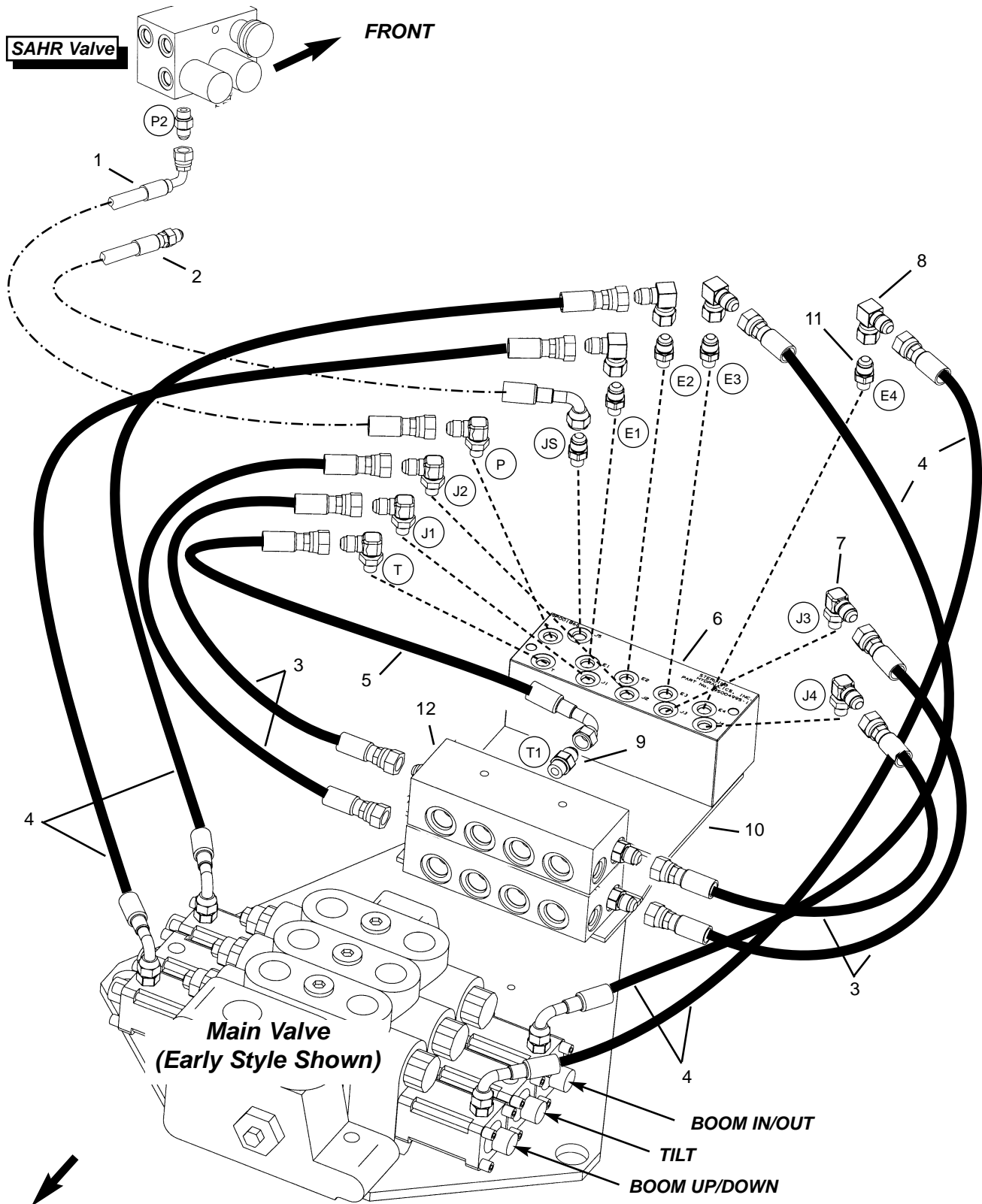
**Dual-Function Pilot Manifold (w/Auxiliary Hydraulics)  
(Two-Button Joystick)**

Ref. No.	Part No.	Description	Qty. Req.	Ref. No.	Part No.	Description	Qty. Req.
01	L70014	ADAP -6JICM BLKHEAD TEE . . . .	1	12	L69905	HOSE, -4 A6/DS6 130" . . . . .	1
02	L69907	HOSE, -4 A6/DS6 84" . . . . .	1	13	L446048	ADAP, -6ORM PLUG. . . . .	1
03	L444002	ADAP -6ORM -6JICM STR . . . . .	AR	14	L445003	ADAP -6ORM -6JICM 90. . . . .	6
04	L50744	STUD. . . . .	2	15	L69920	HOSE, -4 A6/A6 40" . . . . .	1
05	L69467	PILOT APPLY MANIFOLD. . . . .	2	16	L69905	HOSE, -4 A6/DS6 130" . . . . .	1
06	L69903	HOSE, -4 A6/DS6 17" . . . . .	1	17	L69903	HOSE, -4 A6/DS6 17" . . . . .	1
07	L69904	HOSE, -4 A6/DS6 20" . . . . .	1	18	L69904	HOSE, -4 A6/DS6 20" . . . . .	1
08	L69902	HOSE, -4 A6/H6 20" . . . . .	1	19	L69902	HOSE, -4 A6/H6 20" . . . . .	1
	L69906	HOSE, -4 A6/A6 110" . . . . .	1		L69906	HOSE, -4 A6/A6 110" . . . . .	1
09	L69920	HOSE, -4 A6/A6 40" . . . . .	1	20	L69904	HOSE, -4 A6/DS6 20" . . . . .	1
10	L69904	HOSE, -4 A6/DS6 20" . . . . .	1	21	L69903	HOSE, -4 A6/DS6 17" . . . . .	1
11	L69903	HOSE, -4 A6/DS6 17" . . . . .	1				

**Hose Locator**

Ref No.	From Port	To Port
02	BULKHEAD TEE (ABOVE V40 VALVE)	HYDRAULIC TANK RETURN MANIFOLD
06	AUXILIARY PILOT APPLY MANIFOLD "2"	V40 PILOT VALVE (as shown)
07	AUXILIARY PILOT APPLY MANIFOLD "4"	V40 PILOT VALVE (as shown)
08	Auxiliary PILOT APPLY MANIFOLD "B"	JOYSTICK "2"
09	Auxiliary PILOT APPLY MANIFOLD "T1"	BULKHEAD TEE (ABOVE V40 VALVE)
10	STANDARD PILOT APPLY MANIFOLD "2"	V40 PILOT VALVE (as shown)
11	STANDARD PILOT APPLY MANIFOLD "4"	V40 PILOT VALVE (as shown)
12	STANDARD PILOT APPLY MANIFOLD "B"	JOYSTICK "1"
15	STANDARD PILOT APPLY MANIFOLD "T2"	BULKHEAD TEE (ABOVE V40 VALVE)
16	STANDARD PILOT APPLY MANIFOLD "A"	JOYSTICK "3"
17	STANDARD PILOT APPLY MANIFOLD "1"	V40 PILOT VALVE (as shown)
18	STANDARD PILOT APPLY MANIFOLD "3"	V40 PILOT VALVE (as shown)
19	STANDARD PILOT APPLY MANIFOLD "A"	JOYSTICK "4"
20	AUXILIARY PILOT APPLY MANIFOLD "1"	V40 PILOT VALVE (as shown)
21	AUXILIARY PILOT APPLY MANIFOLD "3"	V40 PILOT VALVE (as shown)

**Dual-Function Pilot Manifold (Radio Remote Option)**  
**(With Auxiliary Hydraulic Option)**

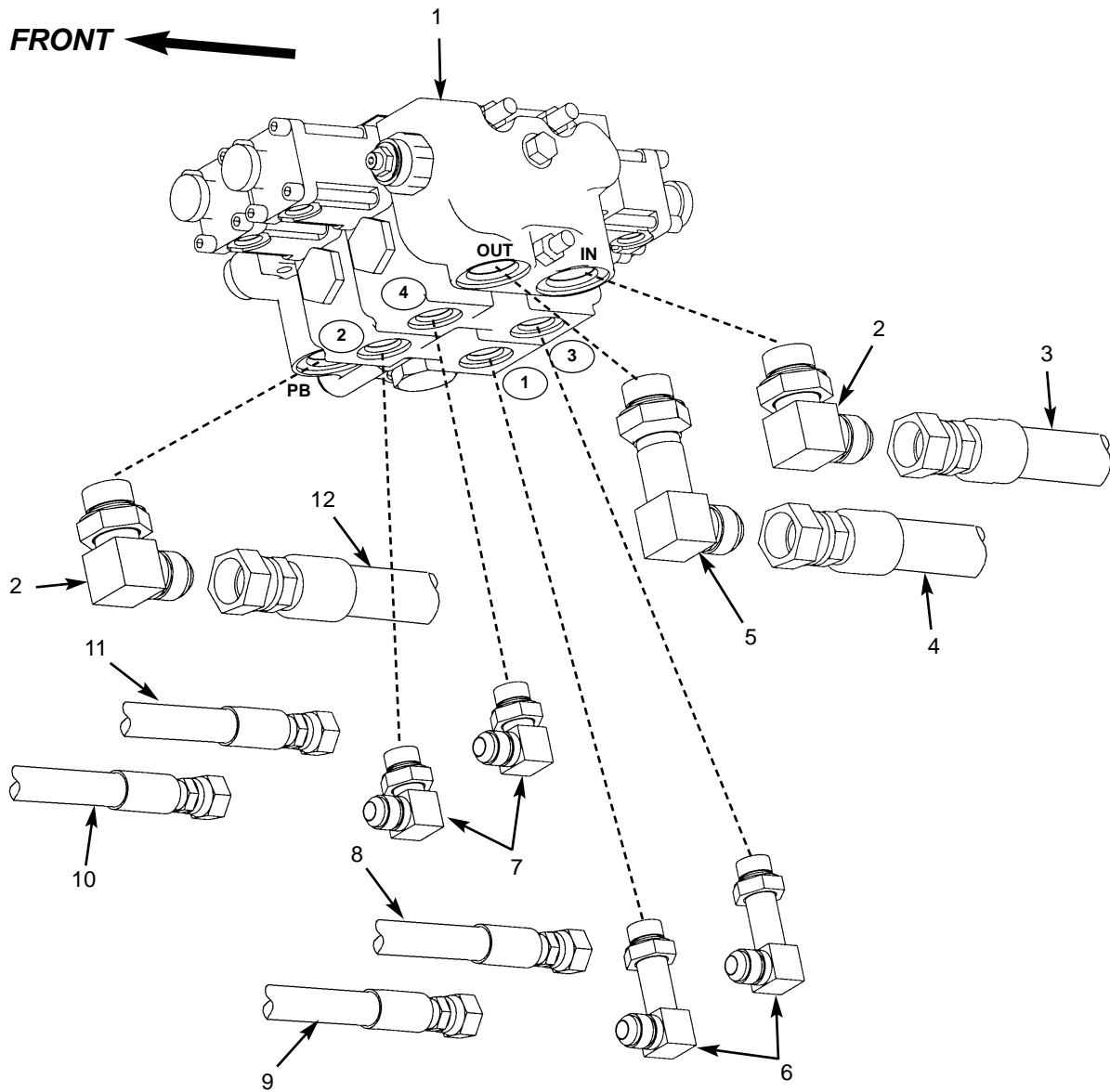




***Dual-Function Pilot Manifold (Radio Remote Option)***  
***(With Auxiliary Hydraulic Option)***

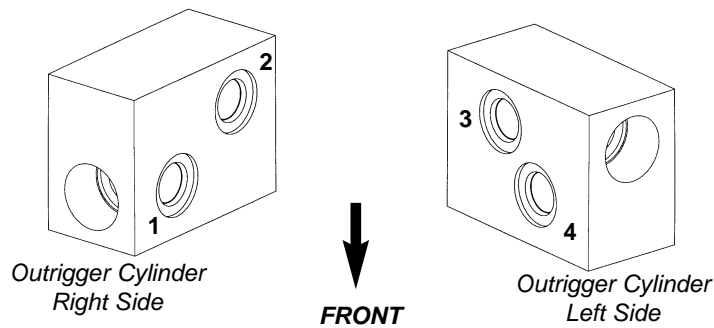
<b>Ref. No.</b>	<b>Part No.</b>	<b>Description</b>	<b>Qty. Req.</b>	<b>Ref. No.</b>	<b>Part No.</b>	<b>Description</b>	<b>Qty. Req.</b>
01	103506	HOSE, -4 A6/DS6 106" . . . . .	1	07	L62842	ADAP., -4ORM -6JICM 90° . . . . .	6
02	103505	HOSE, -4 DS6/H6 109" . . . . .	1	08	L60653	ADAP., -6JICFS -6JICM 90° . . . . .	4
03	L70688	HOSE, -4 A6/A6 16" . . . . .	4	09	L444002	ADAP., -6ORM -6JICM STR. . . . .	AR
04	L68804	HOSE, -4 A6/DS6 26" . . . . .	4	10	103425	MOUNT, MANIFOLD . . . . .	1
05	L69903	HOSE, -4 A6/DS6 17" . . . . .	1	11	L444012	ADAP., -4ORM -6JICM STR. . . . .	5
06	103413	MANIFOLD, RADIO REMOTE . . . . .	1	12	L69467	PILOT APPLY MANIFOLD. . . . .	2

### V20 Valve (Outriggers)



**V20 Valve (Outriggers)**

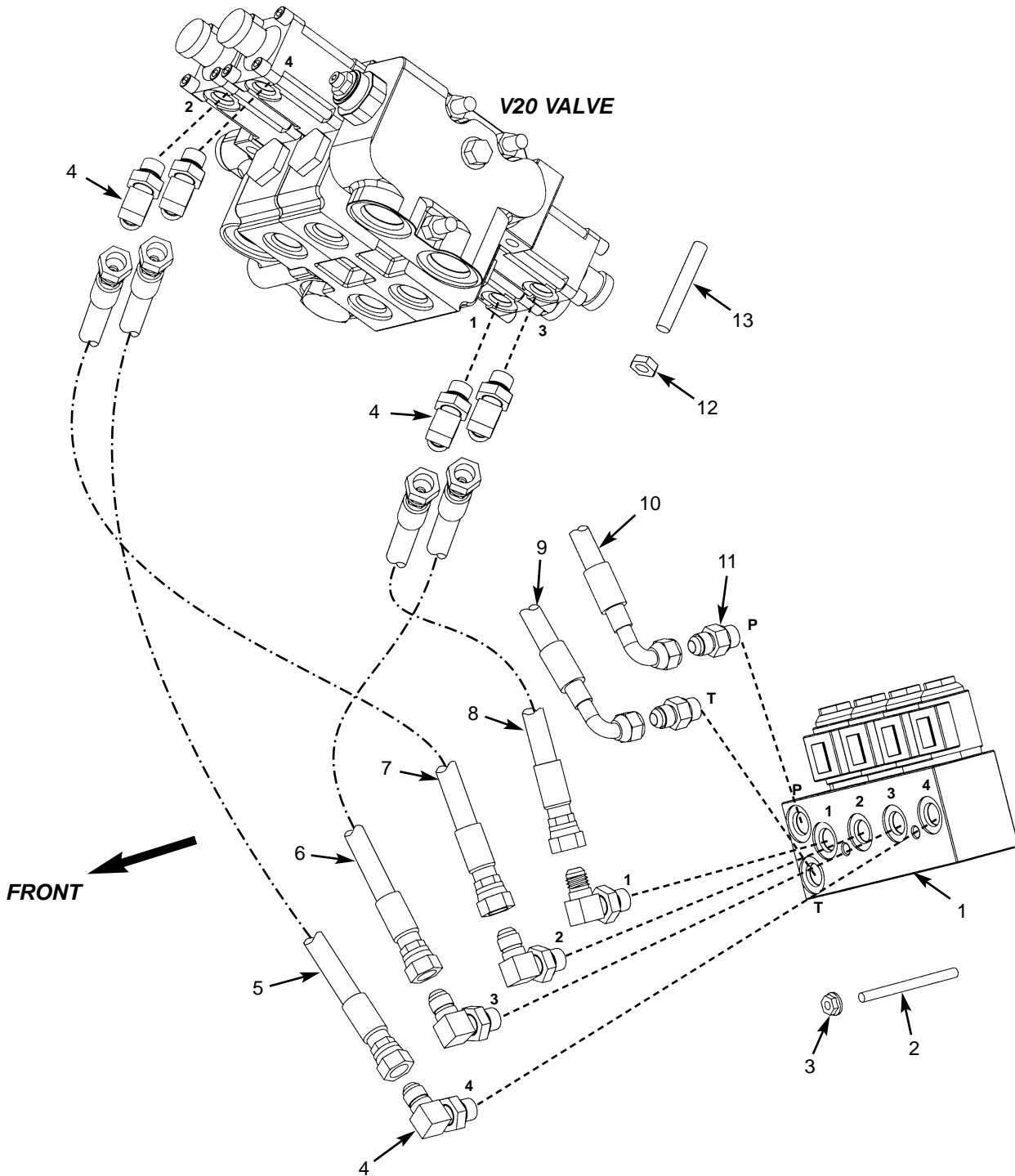
Ref. No.	Part No.	Description	Qty. Req.	Ref. No.	Part No.	Description	Qty. Req.
01	L70528	V20 VALVE . . . . .	1	07	L445002	ADAP -8ORM -8JICM 90. . . . .	2
02	L445001	ADAP -12ORM -12JICM 90 . . . . .	2	08	L70691	HOSE -6 A8/DS8 70". . . . .	1
03	L70694	HOSE -12 A12/A16 76". . . . .	1	09	L70691	HOSE -6 A8/DS8 70". . . . .	1
04	L70692	HOSE -12 A12/NS10 51" . . . . .	1	10	L70695	HOSE -6 A8/DS8 68". . . . .	1
05	L445090	ADAP -12ORM -12JICM 90 LNG. . . . .	1	11	L70695	HOSE -6 A8/DS8 68". . . . .	1
06	L443022	ADAP -8ORM -8JICM 90 LNG . . . . .	2	12	L70693	HOSE -12 A12/A16 61 . . . . .	1



**Hose Locator**

Ref No.	From Port	To Port
03	V20 VALVE "IN"	FLOW DIVIDER ON HYDRAULIC PUMP
04	V20 VALVE "OUT"	HYDRAULIC TANK
08	V20 VALVE "3"	LEFT OUTRIGGER "UPPER PORT" (3)
09	V20 VALVE "1"	RIGHT OUTRIGGER "LOWER PORT" (1)
10	V20 VALVE "2"	RIGHT OUTRIGGER "UPPER PORT" (2)
11	V20 VALVE "4"	LEFT OUTRIGGER "LOWER PORT" (4)
12	V20 VALVE "PB"	HYDRAULIC PUMP

### Outrigger Pilot Manifold



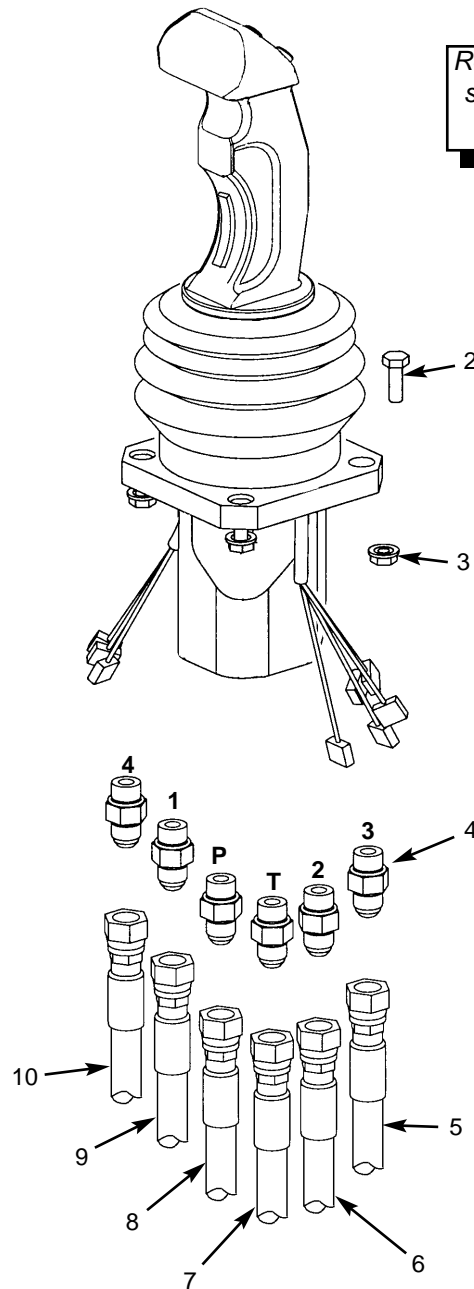
***Outrigger Pilot Manifold***

Ref. No.	Part No.	Description	Qty. Req.	Ref. No.	Part No.	Description	Qty. Req.
01	103878	OUTRIGGER PILOT VALVE . . . . .	1	08	L70688	HOSE, -4 A6/A6 16" . . . . .	1
02	L50743	1/4"-20X3" STUD. . . . .	2	09	L70690	HOSE, -4 A6/DS6 70" . . . . .	1
03	L50051	1/4"-20 FLANGE NUT . . . . .	2	10	L70690	HOSE, -4 A6/DS6 70" . . . . .	1
04	L445003	ADAP -6ORM - 6JICM 90 . . . . .	8	11	L444002	ADAP -6ORM -6JICM STR . . . . .	11
05	L70689	HOSE, -4 A6/A6 28" . . . . .	1	12	L520004	5/16"-18 NYLON INSERT NUT . . . . .	3
06	L70688	HOSE, -4 A6/A6 16" . . . . .	1	13	L50878	5/16"-18X3" STUD. . . . .	3
07	L70689	HOSE, -4 A6/A6 28" . . . . .	1				

***Hose Locator***

Ref No.	From Port	To Port
05	OUTRIGGER PILOT MANIFOLD "4"	V20 VALVE "4"
06	OUTRIGGER PILOT MANIFOLD "3"	V20 VALVE "3"
07	OUTRIGGER PILOT MANIFOLD "2"	V20 VALVE "2"
08	OUTRIGGER PILOT MANIFOLD "1"	V20 VALVE "1"
09	OUTRIGGER PILOT MANIFOLD "T"	HYDRAULIC PUMP FLOW DIVIDER "T"
10	OUTRIGGER PILOT MANIFOLD "P"	HYDRAULIC PUMP FLOW DIVIDER "PF"

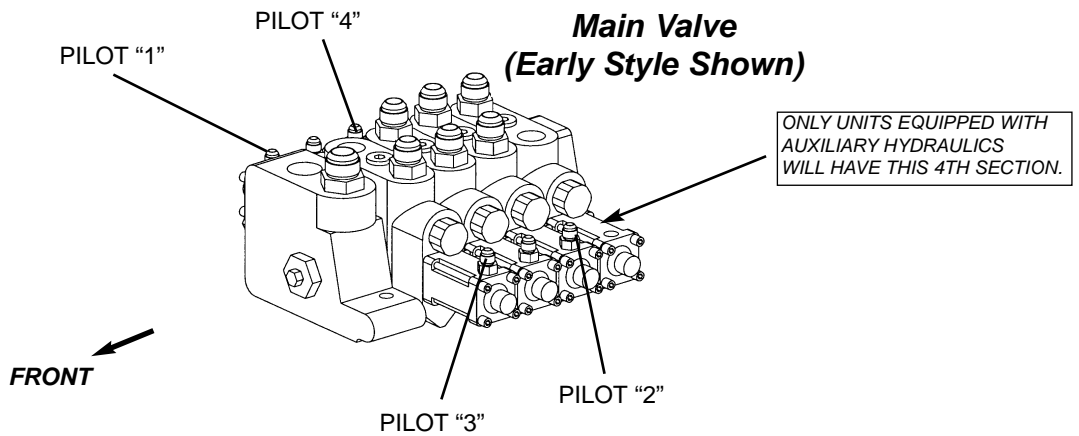
### Joystick Controller - Tri-Function (Four-Button)



Refer to "Hydraulic Components"  
section for a complete listing of  
parts for the controller.

**Joystick Controller - Tri-Function  
(Four-Button)**

Ref. No.	Part No.	Description	Qty. Req.	Ref. No.	Part No.	Description	Qty. Req.
02	L50211	1/4-20X3/4" BOLT . . . . .	4	07	L69928	HOSE, -4 A6/A6 25" . . . . .	1
03	L50051	1/4-20 FLANGE NUT. . . . .	4	08	L69930	HOSE, -4 A6/A6 46" . . . . .	1
04	L444002	ADAP -6ORM -6ORM STR . . . . .	6	09	L69906	HOSE, -4 A6/A6 110" . . . . .	1
05	L69906	HOSE, -4 A6/A6 110" . . . . .	1	10	L69906	HOSE, -4 A6/A6 110" . . . . .	1
06	L69906	HOSE, -4 A6/A6 110" . . . . .	1				

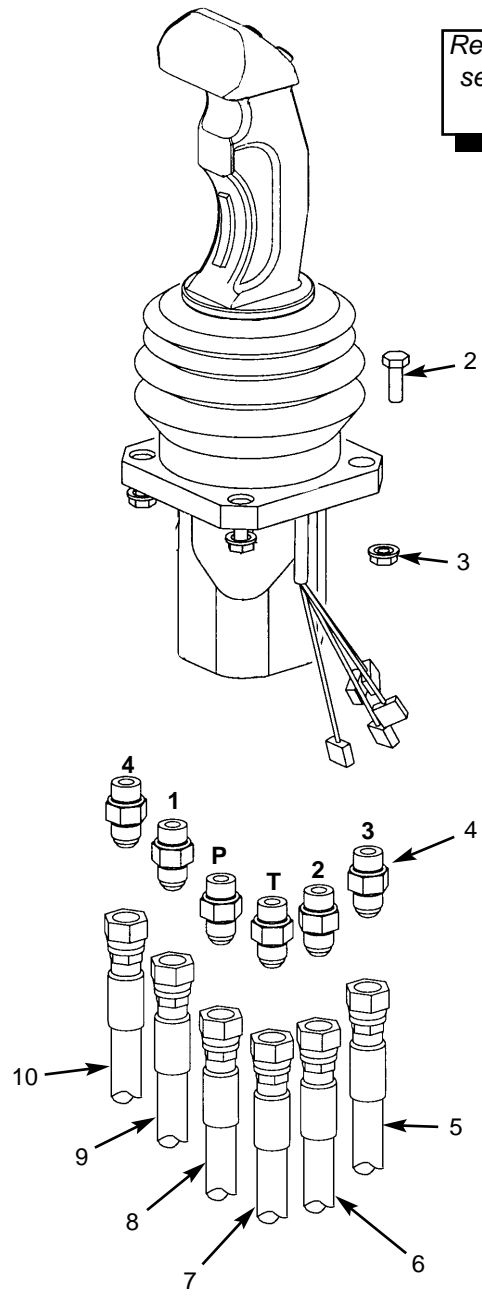


**Hose Locator**

Ref No.	From Port	To Port
05	JOYSTICK "3"	V40 PILOT "3"
06	JOYSTICK "2"	V40 PILOT "2"
07	JOYSTICK "T"	HYDRAULIC TANK RETURN MANIFOLD
08	JOYSTICK "P"	SAHR VALVE "P2"
09	JOYSTICK "1"	V40 PILOT "1"
10	JOYSTICK "4"	V40 PILOT "4"

### Joystick Controller - Dual-Function (Two-Button)

Refer to "Hydraulic Components" section for a complete listing of parts for the controller.



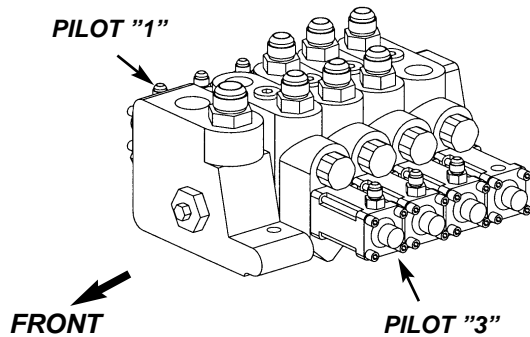


**Joystick Controller - Dual-Function  
(Two-Button)**

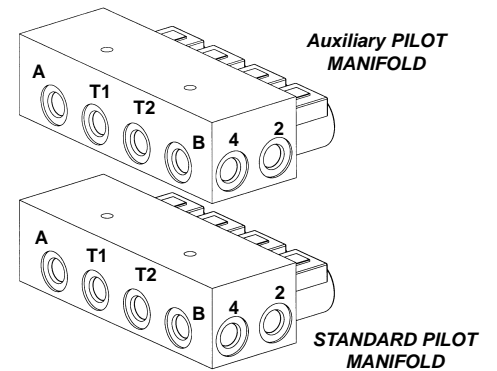
Ref. No.	Part No.	Description	Qty. Req.	Ref. No.	Part No.	Description	Qty. Req.
02	L50211	1/4-20X3/4" BOLT	4	07	L69928	HOSE, -4 A6/A6 25"	1
03	L50051	1/4-20 FLANGE NUT	4	08	L69930	HOSE, -4 A6/A6 46"	1
04	L444002	ADAP -6ORM -6ORM STR	6	09	L69905	HOSE, -4 A6/A6 130"	1
05	L69905	HOSE, -4 A6/A6 130"	1	10	L69906	HOSE, -4 A6/A6 110"	1
06	L69906	HOSE, -4 A6/A6 110"	1				

**STANDARD HYDRAULICS**

**Main Valve  
(Early Style Shown)**



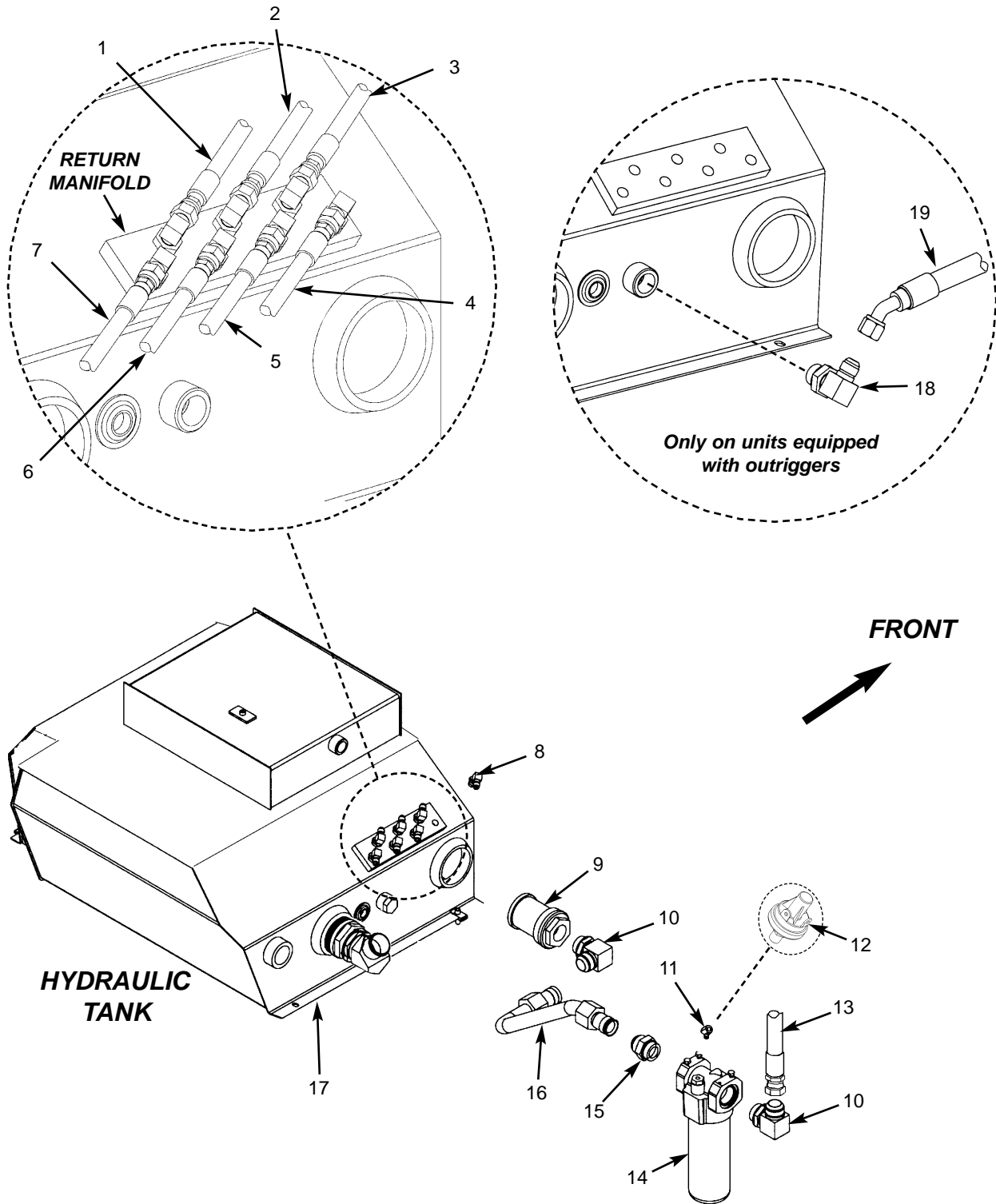
**AUXILIARY HYDRAULICS**



**Hose Locator**

Ref No.	From Port	To Port
<b>---- STANDARD HYDRAULICS ----</b>		
05	JOYSTICK "3"	STANDARD PILOT APPLY MANIFOLD "A"
06	JOYSTICK "2"	V40 PILOT "1"
07	JOYSTICK "T"	HYDRAULIC TANK RETURN MANIFOLD
08	JOYSTICK "P"	SAHR VALVE "P2"
09	JOYSTICK "1"	STANDARD PILOT APPLY MANIFOLD "B"
10	JOYSTICK "4"	V40 PILOT "3"
<b>---- AUXILIARY HYDRAULICS ----</b>		
05	JOYSTICK "3"	STANDARD PILOT APPLY MANIFOLD "A"
06	JOYSTICK "2"	Auxiliary PILOT APPLY MANIFOLD "B"
07	JOYSTICK "T"	HYDRAULIC TANK RETURN MANIFOLD
08	JOYSTICK "P"	SAHR VALVE "P2"
09	JOYSTICK "1"	STANDARD PILOT APPLY MANIFOLD "B"
10	JOYSTICK "4"	AUXILIARY PILOT APPLY MANIFOLD "A"

**Return Manifold and Filter Group**



***Return Manifold and Filter Group***

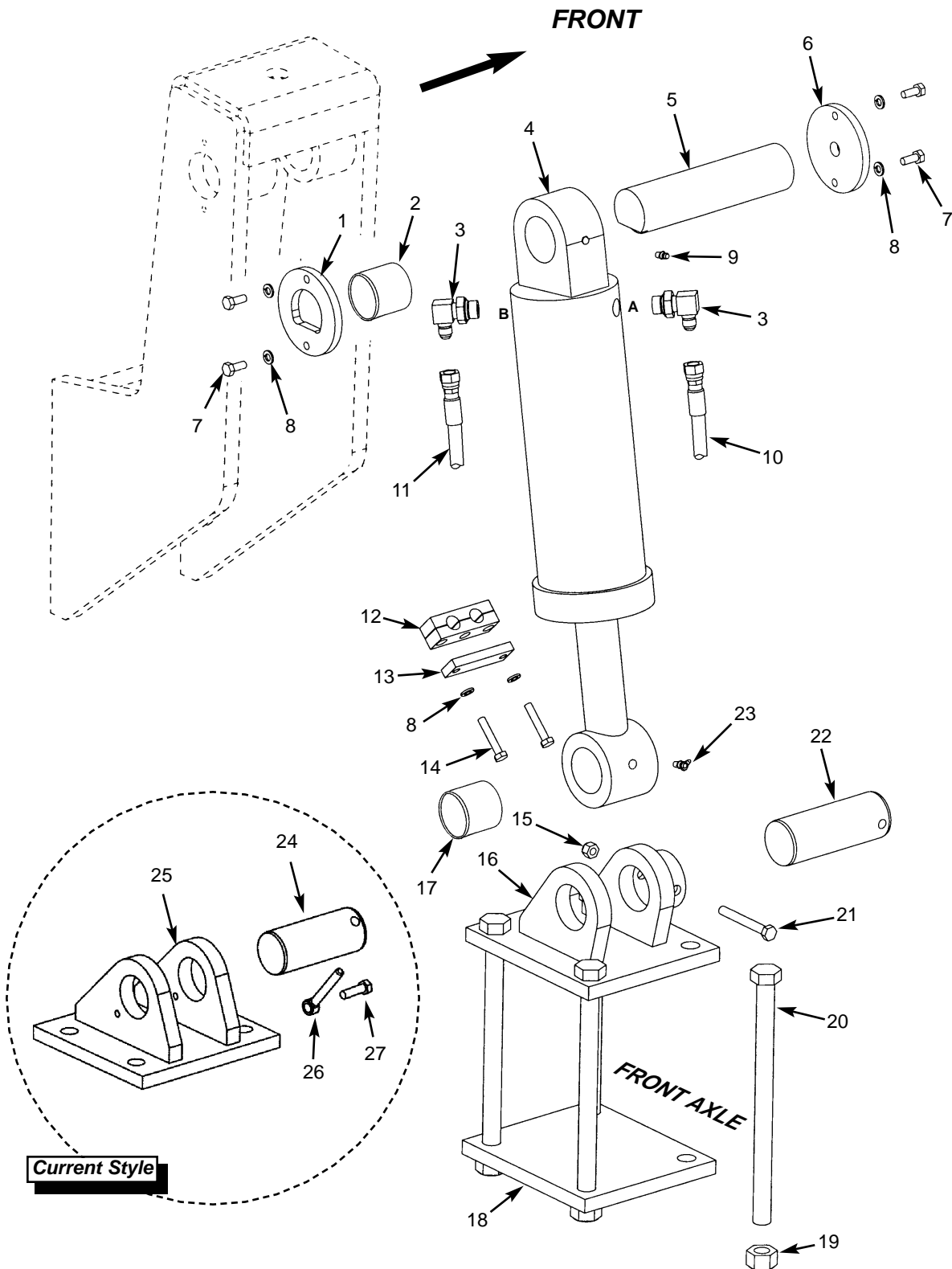
Ref. No.	Part No.	Description	Qty. Req.	Ref. No.	Part No.	Description	Qty. Req.
01	L69933	HOSE, -6 A6/A8 60" . . . . .	1	14 <sup>ac</sup>	L69309	RETURN FILTER KIT . . . . .	1
02	L69927	HOSE, -4 A6/A6 81" . . . . .	1		L99459	HYD. FILTER CARTRIDGE . . . . .	1
03	L69928	HOSE, -4 A6/A6 25" . . . . .	1		L500352	O RING . . . . .	1
04	L69920	HOSE, -4 A6/A6 40" . . . . .	1	15	L51587	ADAP -20ORM -20JICM STR . . . . .	1
05	L69907	HOSE, -4 A6/DS6 84" . . . . .	1	16	101439	TUBE, FILTER TO TANK. . . . .	1
06	L69922	HOSE, -6 A6/A6 50" . . . . .	1	17	L70377	HYDRAULIC TANK WELDMENT . . . . .	1
07	L69928	HOSE, -4 A6/A6 25" . . . . .	1	18 <sup>b</sup>	P471353	ADAP -12ORM -10JICM 90 . . . . .	1
08	L445003	ADAP -6ORM -6JICM 90 DEG . . . . .	7	19 <sup>b</sup>	L70692	HOSE, -12 A12/NS10 51". . . . .	1
09	L70378	TANK DIFFUSER . . . . .	1				
10	L62954	ADAP -20ORM -20JICM 90 DEG . . . . .	2	a		<i>Return filter includes Housing, L99459 filter cartridge, L500352 o ring and L99970 switch.</i>	
11	L448002	ADAP 1/8NPTM 1/8NPTF 45 DEG . . . . .	1	b		<i>Used only on units equipped with outriggers.</i>	
12	L99970	RESTRICTION SWITCH. . . . . <i>(Included with item 14)</i>	1	c		<i>Kit consists of the housing, filter cartridge, o ring, and item #12 restriction switch.</i>	
13	L70497	HOSE, -16 A20/DL16 30" . . . . .	1				

***Hose Locator***

Ref No.	From Port	To Port
01	STEER MOTOR "T" (IN CAB)	HYDRAULIC TANK RETURN MANIFOLD
02	BRAKE VALVE "T" (IN CAB)	HYDRAULIC TANK RETURN MANIFOLD
03	JOYSTICK "T" (IN CAB)	HYDRAULIC TANK RETURN MANIFOLD
04	FLOW DIVIDER "T" (ON HYD. PUMP)	HYDRAULIC TANK RETURN MANIFOLD
05	BULKHEAD TEE (ABOVE V40 VALVE)	HYDRAULIC TANK RETURN MANIFOLD
06	LEVEL VALVE "T"	HYDRAULIC TANK RETURN MANIFOLD
07	SAHR "T"	HYDRAULIC TANK RETURN MANIFOLD
13	LOWER COOLER (NEAREST RADIATOR)	HYDRAULIC RETURN FILTER
19*	HYDRAULIC TANK	V20 VALVE "OUT"

*\* Used only on units equipped with outriggers.*

### Frame Level Cylinder Group



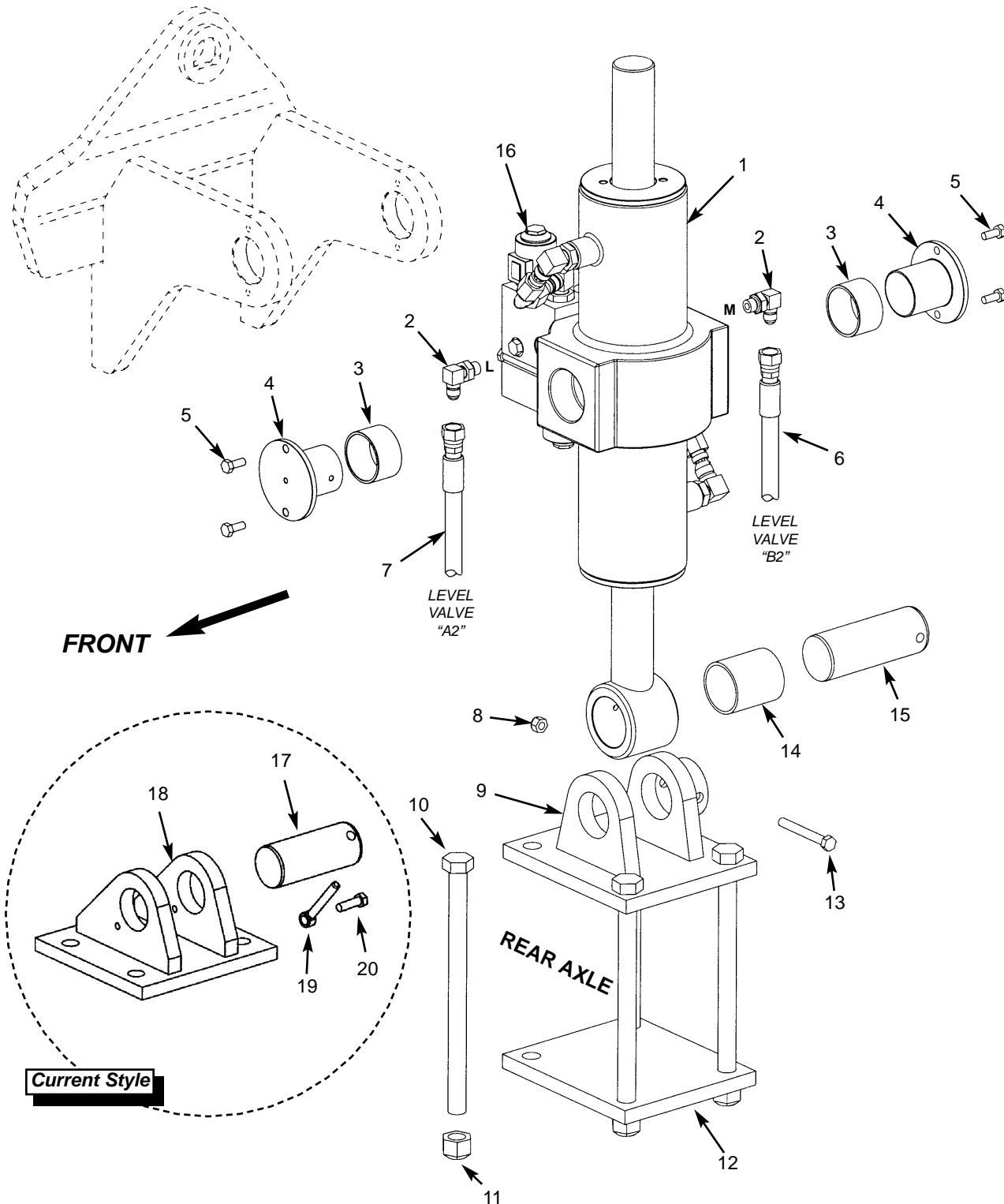
**Frame Level Cylinder Group**

Ref. No.	Part No.	Description	Qty. Req.	Ref. No.	Part No.	Description	Qty. Req.
01	L69725	PIN LOCK CAP 2" . . . . .	1	22 <sup>a</sup>	L63275	LEVEL CYL. PIN (ROD END) . . . . .	1
02	L64367	BUSHING ( <i>Base end</i> ) . . . . .	1	23	L10057	ZERK, 1/4-28 90 DEG. . . . .	1
03	L445005	ADAP -8ORM -6JICM 90 DEG . . . . .	2	24 <sup>b</sup>	L68882	LEVEL CYL. PIN (ROD END) . . . . .	1
04	L63015	FRAME LEVEL CYL. 4X7.5 . . . . .	1	25 <sup>b</sup>	100252	LEVEL CYL MOUNT WELDMENT . . . . .	1
05	L70385	LEVEL CYLINDER PIN . . . . .	1	26 <sup>b</sup>	L68881	LOCK, PIVOT PIN . . . . .	1
06	L69724	PIVOT PIN LOCK CAP . . . . .	1	27 <sup>b</sup>	L50403	BOLT . . . . .	1
07	L50230	5/16-18X3/4" BOLT . . . . .	4				
08	L50143	5/16" LOCK WASHER . . . . .	6				
09	L10465	ZERK, 1/4-28 STR. . . . .	1	a	<i>DL6H SN 20803 and before</i>		
10	L69921	HOSE -4 A6/A6 126" . . . . .	1		<i>DL6L SN 25587 and before</i>		
11	L69921	HOSE -4 A6/A6 126" . . . . .	1		<i>DL8H SN 30813 and before</i>		
12	L63716	TWIN HOSE CUSHION 11/16" . . . . .	2		<i>DL8L SN 35492 and before</i>		
13	L63715	TWIN CUSH. TOP PLATE . . . . .	1		<i>DL10H SN 40459 and before</i>		
14	L50561	5/16-18X1-3/4" BOLT . . . . .	2		<i>DL10L SN 45172 and before</i>		
15	L520005	3/8-16 NYLON INSERT NUT . . . . .	1		<i>DL12H SN 50199 and before</i>		
16 <sup>a</sup>	L69275	LEVEL MOUNT WELDMENT . . . . . <i>(Model DL6)</i>	1	b	<i>DL6H SN 20804 and up</i>		
	L70128	LEVEL MOUNT WELDMENT . . . . . <i>(Model DL8, DL10 and DL12)</i>	1		<i>DL6L SN 25588 and up</i>		
17	L63016	BUSHING (ROD END) . . . . .	1		<i>DL8H SN 30814 and up</i>		
18		LEVEL MOUNT PLATE . . . . .	1		<i>DL8L SN 35493 and up</i>		
	L69382	<i>Note a</i>			<i>DL10H SN 40460 and up</i>		
	100255	<i>Note b</i>			<i>DL10L SN 45173 and up</i>		
19	L50084	3/4-10 NUT GR8 . . . . .	4		<i>DL12H SN 50200 and up</i>		
20	L50684	3/4-10X11" GR8 BOLT . . . . .	4				
21	L50275	3/8-16X3" BOLT . . . . .	1				

**Hose Locator**

Ref No.	From Port	To Port
10	LEVEL CYLINDER "A"	LEVEL VALVE "A1"
11	LEVEL CYLINDER "B"	LEVEL VALVE "B1"

Frame Stabilizer Cylinder Group



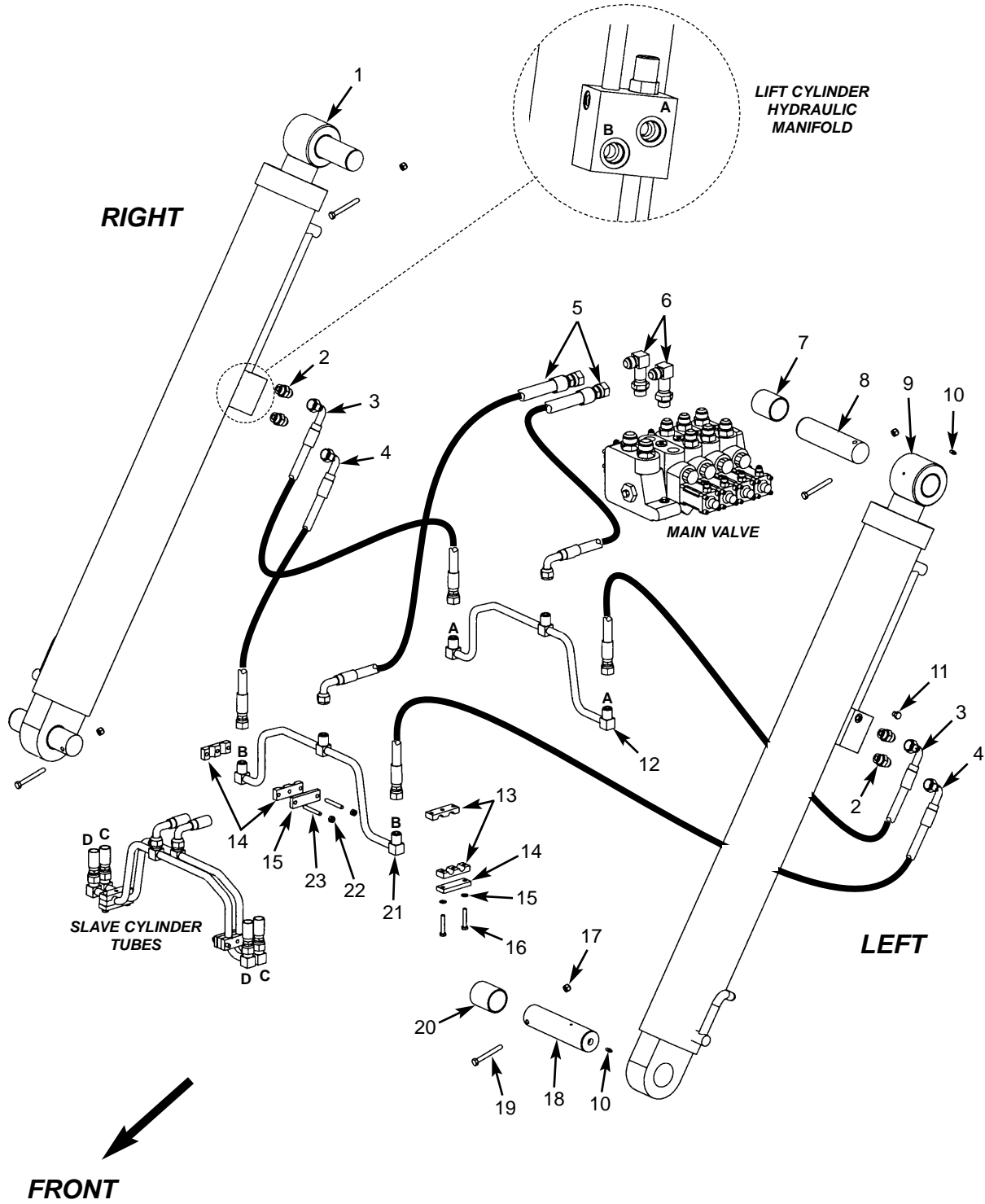
**Frame Stabilizer Cylinder Group**

Ref. No.	Part No.	Description	Qty. Req.	Ref. No.	Part No.	Description	Qty. Req.
01 <sup>c</sup>	L70358	FRAME STABILIZER CYLINDER . . . 1 <i>(Cylinder only - does not include #16)</i>		a		DL6H SN 20299 and before DL6L SN 25351 and before DL8H SN 30301 and before DL8L SN 35302 and before DL10H SN 40135 and before DL10L SN 45097 and before	
02	L445003	ADAP -6ORM -6JICM 90 DEG . . . . 2					
03	L69774	BUSHING . . . . . 2					
04	L69776	TRUNNION PIVOT PIN. . . . . 2					
05	L50230	5/16"-18X3/4" BOLT . . . . . 4					
06	L70084	HOSE, -4 A6/DS6 65" . . . . . 1					
07	L70084	HOSE, -4 A6/DS6 65" . . . . . 1					
08	L520005	3/8-16 NYLON INSERT NUT . . . . . 1		b		DL6H SN 20300 and up DL6L SN 25352 and up DL8H SN 30302 and up DL8L SN 35303 and up DL10H SN 40136 and up DL10L SN 45098 and up DL12H SN ALL	
09 <sup>d</sup>	L69275	LEVEL MOUNT WELDMENT . . . . . 1 <i>(Model DL6)</i>					
	L70128	LEVEL MOUNT WELDMENT . . . . . 1 <i>(Model DL8, DL10 and DL12)</i>					
10	L50684	3/4-10X11" GR8 BOLT . . . . . 4					
11	L50084	3/4-10 NUT GR8 . . . . . 4					
12		LEVEL MOUNT PLATE . . . . . 1		c		Refer to Stabilizer Manifold break down page for manifold, valves, hardware and tubes).	
	L69382	<i>Note d</i>					
	100255	<i>Note e</i>					
13	L50275	3/8-16X3" BOLT. . . . . 1		d		DL6H SN 20803 and before DL6L SN 25587 and before DL8H SN 30813 and before DL8L SN 35492 and before DL10H SN 40459 and before DL10L SN 45172 and before DL12H SN 50199 and before	
14	L69138	BUSHING <i>(Rod End)</i> . . . . . 1					
15	L63275	FRAME LEVEL CYL PIN. . . . . 1					
16 <sup>c</sup>		STABILIZER CYL. MANIFOLD . . . . . 1					
	L66885	<i>Note a (4" leads)</i>					
	L71166	<i>Note b (72" leads)</i>					
17 <sup>e</sup>	L68882	LEVEL CYL. PIN (ROD END) . . . . . 1					
18 <sup>e</sup>	100252	LEVEL CYL MOUNT WELDMENT . . 1					
19 <sup>e</sup>	L68881	LOCK, PIVOT PIN. . . . . 1		e		DL6H SN 20804 and up DL6L SN 25588 and up DL8H SN 30814 and up DL8L SN 35493 and up DL10H SN 40460 and up DL10L SN 45173 and up DL12H SN 50200 and up	
20 <sup>e</sup>	L50403	BOLT . . . . . 1					

**Hose Locator**

Ref No.	From Port	To Port
06	STABILIZER CYLINDER MANIFOLD "L"	LEVEL VALVE "A2"
07	STABILIZER CYLINDER MANIFOLD "M"	LEVEL VALVE "B2"

Lift Cylinder Group





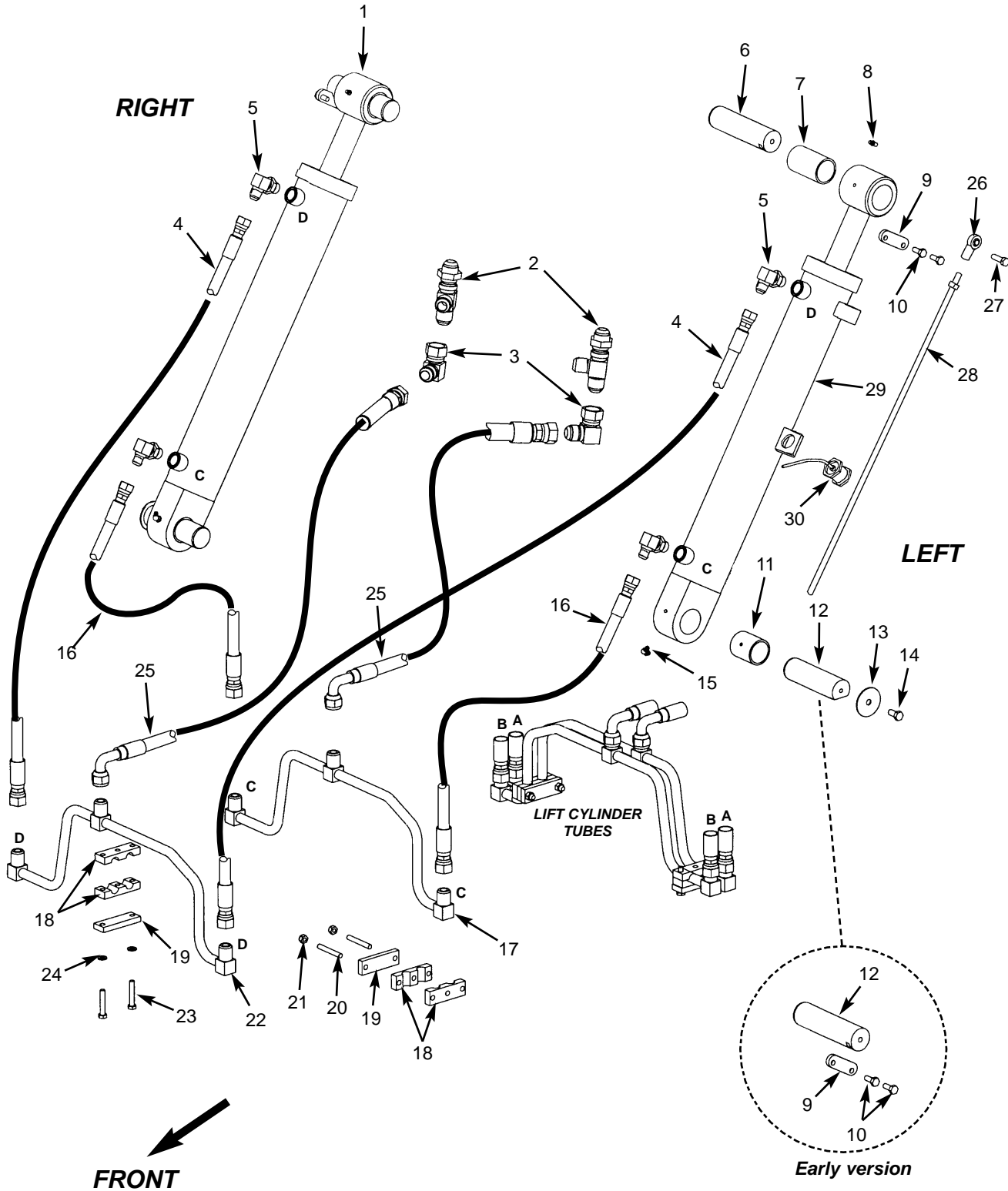
***Lift Cylinder Group***

Ref. No.	Part No.	Description	Qty. Req.	Ref. No.	Part No.	Description	Qty. Req.
01	L69125	LIFT CYLINDER (RH) . . . . .	1	10	L10465	1/4-28 GREASE ZERK STR . . . . .	4
		(Model DL6)		11	L60986	PLUG -4ORM . . . . .	2
	L69135	LIFT CYLINDER (RH) . . . . .	1	12	L69557	LIFT/SLAVE TUBE ASSEMBLY . . .	1
		(Model DL8, DL10 and DL12)		13	L68039	DOUBLE TUBE CUSHION . . . . .	4
02	L444010	ADAP -10ORM -10JICM STR . . . . .	4	14	L63715	TWIN CUSHION TOP PLATE . . . . .	2
03	L70806	HOSE -8 A10/DS10 24" . . . . .	2	15	L50143	5/16" LOCK WASHER . . . . .	2
04	L70460	HOSE -8 A10/DS10 23" . . . . .	2	16	L50561	5/16-18X1-3/4" BOLT . . . . .	2
05	L69913	HOSE -12 A12/DS10 36" . . . . .	2	17	L520005	3/8-16 NYLON INSERT NUT . . . . .	4
06	L445090	ADAP -12ORM -12JICM 90 LNG . . .	2	18	L69599	LIFT PIN (BASE END) . . . . .	2
07	L69142	BUSHING 2X2.25X3.5" . . . . .	2	19	L50275	3/8-16X3" BOLT . . . . .	4
08	L69600	LIFT PIN (ROD END) . . . . .	2	20	L69138	BUSHING . . . . .	2
09	L69564	LIFT CYLINDER (LH) . . . . .	1	21	L69558	LIFT/SLAVE TUBE ASSEMBLY . . .	1
		(Model DL6)		22	L520004	5/16-18 NYLON INSERT NUT . . . . .	2
	L69565	LIFT CYLINDER (LH) . . . . .	1	23	L50877	5/16-18X2-1/4" STUD . . . . .	2
		(Model DL8, DL10 and DL12)					

***Hose Locator***

Ref No.	From Port	To Port
03	LIFT CYLINDER/MANIFOLD "A"	LIFT/SLAVE TUBE ASSEMBLY "A" (as shown)
04	LIFT CYLINDER/MANIFOLD "B"	LIFT/SLAVE TUBE ASSEMBLY "B" (as shown)
05	LIFT/SLAVE TUBE ASSEMBLY "A & B"	V40 VALVE "A & B" (as shown)

Slave Cylinder Group



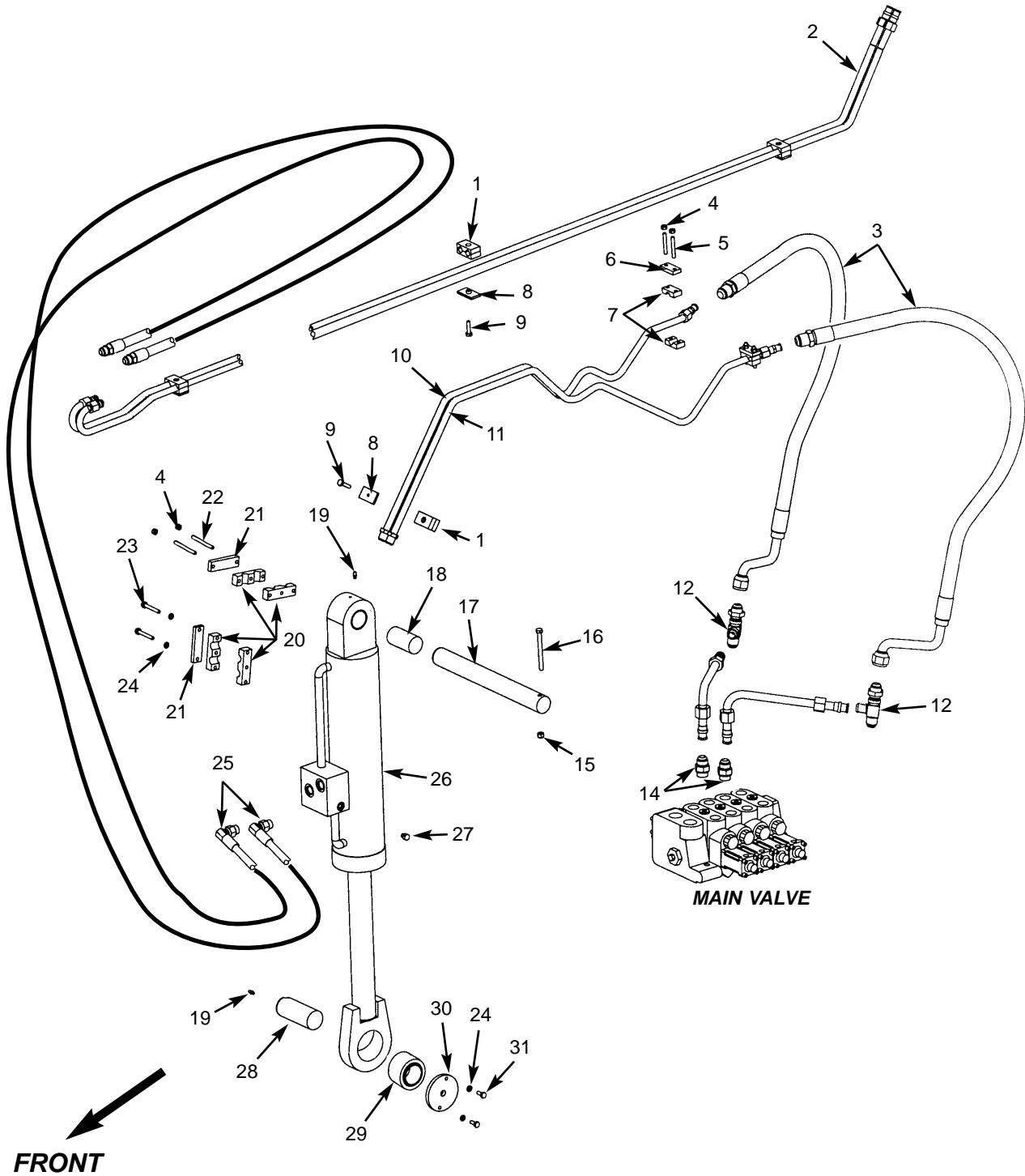
**Slave Cylinder Group**

Ref. No.	Part No.	Description	Qty. Req.	Ref. No.	Part No.	Description	Qty. Req.
01	L69149	SLAVE CYLINDER (RH) . . . . .	1	30		PROXIMITY SWITCH . . . . .	1
		(High boom models)			L70086	<i>Note c</i>	
	L69139	SLAVE CYLINDER (RH) . . . . .	1		L71165	<i>Note d</i>	
		(Low boom models)					
02	P471299	ADAP -12JICM BLKHD R TEE . . . . .	2			---- SERIAL NUMBERS----	
03	L446020	ADAP -12JICFS -12JICM 90 DEG . . . . .	2	a		<i>DL6H SN 20328 and before</i>	
04	L69910	HOSE -8 A8/A10 57" . . . . .	2			<i>DL6L SN 25381 and before</i>	
05	L445002	ADAP -8ORM -8JICM 90 DEG . . . . .	2			<i>DL8H SN 30337 and before</i>	
06	L70176	SLAVE CYL. PIN (ROD END) . . . . .	2			<i>DL8L SN 35322 and before</i>	
07	L63018	BUSHING 660 1.5IDX3.0 . . . . .	2			<i>DL10H SN 40150 and before</i>	
08	L10465	1/4-28 GREASE ZERK STR . . . . .	2			<i>DL10L SN 45103 and before</i>	
09	L70177	PIN LOCK BAR . . . . .	2				
10	L50230	5/16-18X3/4" BOLT . . . . .	4	b		<i>DL6H SN 20329 and up</i>	
11	L68003	BUSHING . . . . .	2			<i>DL6L SN 25382 and up</i>	
12		SLAVE CYLINDER PIN . . . . .	2			<i>DL8H SN 30338 and up</i>	
	L70576	<i>Note a and note e</i>				<i>DL8L SN 35323 and up</i>	
	L71222	<i>Note b</i>				<i>DL10H SN 40151 and up</i>	
13	L50170	WASHER, .41 IDX2.00D . . . . .	2			<i>DL10L SN 45104 and up</i>	
14	L50251	3/8-16X3/4" BOLT . . . . .	2			<i>DL12H SN ALL</i>	
15	L10057	1/4-28 GREASE ZERK 90 DEG . . . . .	2				
16	L69911	HOSE -8 A8/A10 38" . . . . .	2	c		<i>DL6H SN 20299 and before</i>	
17	L69558	LIFT/SLAVE TUBE ASSEMBLY . . . . .	1			<i>DL6L SN 25351 and before</i>	
18	L68039	DOUBLE TUBE CUSHION . . . . .	4			<i>DL8H SN 30301 and before</i>	
19	L63715	TWIN CUSHION TOP PLATE . . . . .	2			<i>DL8L SN 35302 and before</i>	
20	L50877	5/16-18X2-1/4" STUD . . . . .	2			<i>DL10H SN 40135 and before</i>	
21	L520004	5/16-18 NYLON INSERT NUT . . . . .	2			<i>DL10L SN 45097 and before</i>	
22	L69557	LIFT/SLAVE TUBE ASSEMBLY . . . . .	1				
23	L50561	5/16-18X1-3/4" BOLT . . . . .	2	d		<i>DL6H SN 20300 and up</i>	
24	L50143	5/16" LOCK WASHER . . . . .	2			<i>DL6L SN 25352 and up</i>	
25	L69908	HOSE -8 A12/DS10 50" . . . . .	2			<i>DL8H SN 30302 and up</i>	
26	L70183	3/8" ROD END . . . . .	1			<i>DL8L SN 35303 and up</i>	
27	L50403	3/8"-16X1-1/4" BOLT . . . . .	1			<i>DL10H SN 40136 and up</i>	
28	L70182	PROXIMITY SENSOR ROD . . . . .	1			<i>DL10L SN 45098 and up</i>	
	L50066	3/8"-24 NUT . . . . .	1			<i>DL12H SN ALL</i>	
29	L70251	SLAVE CYLINDER (LH) . . . . .	1				
		(High boom models)					
	L70240	SLAVE CYLINDER (LH) . . . . .	1	e		<i>Use along with item #9 and item #10 for each pin.</i>	
		(Low boom models)					

**Hose Locator**

Ref No.	From Port	To Port
04	SLAVE CYLINDER "D"	LIFT/SLAVE TUBE ASSEMBLY "D" (as shown)
16	SLAVE CYLINDER "C"	LIFT/SLAVE TUBE ASSEMBLY "C" (as shown)
25	LIFT/SLAVE TUBE ASSEMBLY "D"	(RIGHT) BULKHEAD TEE FITTING ABOVE V40
25	LIFT/SLAVE TUBE ASSEMBLY "C"	(LEFT) BULKHEAD TEE FITTING ABOVE V40

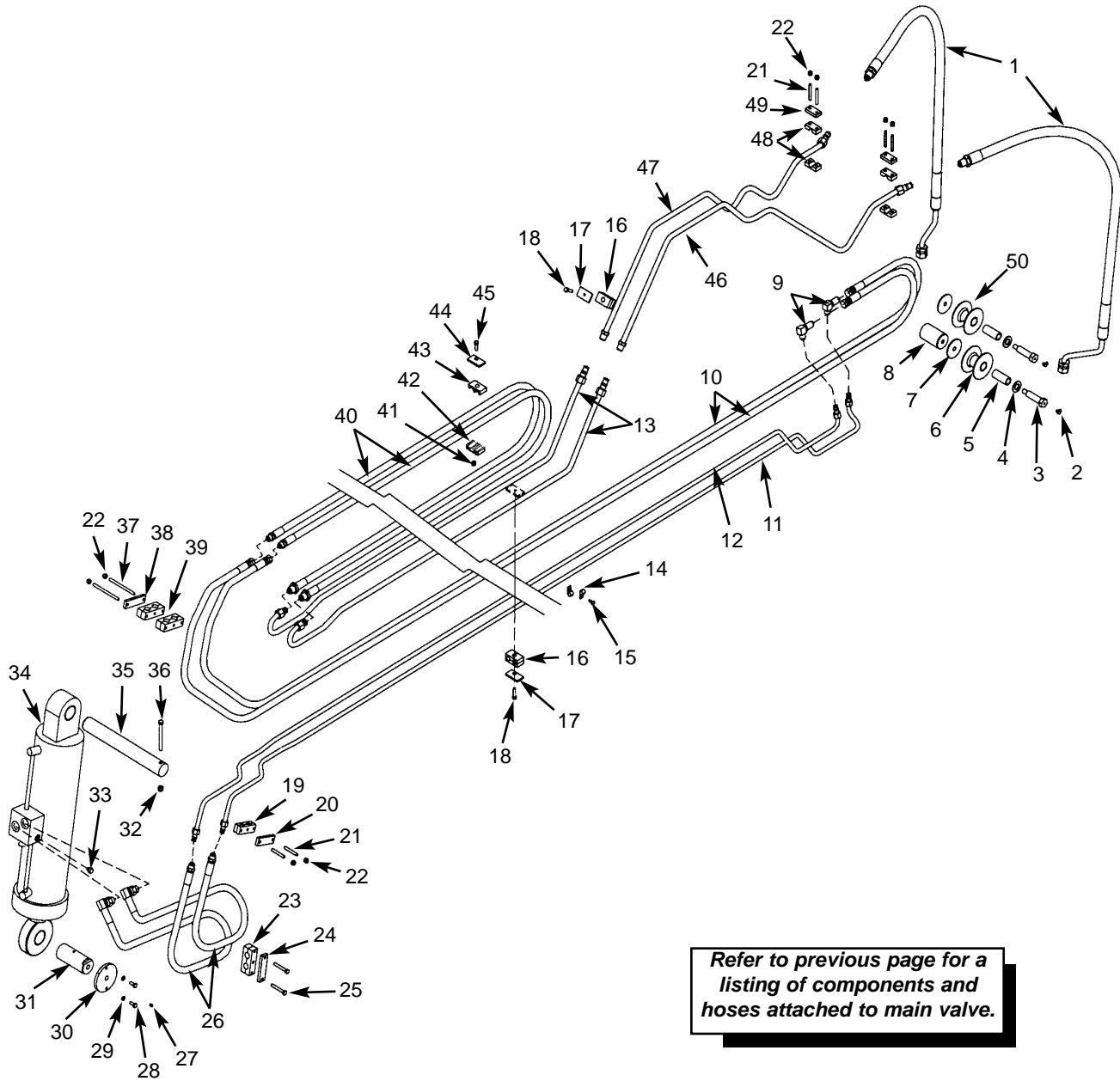
**Tilt Cylinder Group - Low Boom**  
**(Three-Section Boom)**



**Tilt Cylinder Group - Low Boom  
(Three-Section Boom)**

Ref. No.	Part No.	Description	Qty. Req.	Ref. No.	Part No.	Description	Qty. Req.
01	L69832	TUBE CLAMP PAIR, 5/8" DIA. ....	5	24	L50143	5/16" LOCK WASHER.....	4
02		TUBE, TILT/AUX BOTTOM.....	2	25		HOSE -8 H10/P10.....	2
	L69822	<i>Note a</i>			L70100	<i>Note a</i>	
	L70276	<i>Note b</i>			L70098	<i>Note b</i>	
	L70277	<i>Note c</i>			L70094	<i>Note c</i>	
03		HOSE.....	2		L500784	HOSE SLEEVE.....	1
	L70095	<i>Note e (HOSE -12 H12/DS12 66")</i>		26	L69751	TILT CYLINDER, LOW BOOM ....	1
	L70632	<i>Note f (HOSE -12 H10/Z12 53")</i>		27	L60986	PLUG, AIRWAY -4ORM.....	1
04	L520004	5/16-18 NYLON INSERT NUT ....	6	28	L70308	PIN, TILT CYL ROD END.....	1
05	L50877	5/16-18X2-1/4" STUD.....	4	29	L99891	SPHERICAL BEARING.....	1
06	L67446	TUBE CUSHION TOP PLATE ....	2	30	L69724	PIVOT PIN CAP.....	1
07	L67341	TUBE CUSHION, SINGLE 5/8" ...	4	31	L50230	5/16-18X3/4" BOLT.....	2
08	L69833	TUBE CLAMP TOP PLATE.....	5				
09	L50235	5/16-18X1-1/4" BOLT.....	5	a	<i>Use with 40' Low Boom</i>		
10		TILT CYLINDER TUBE (RH).....	1	b	<i>Use with 42' Low Boom</i>		
	L69983	<i>Note e</i>		c	<i>Use with 44' Low Boom</i>		
	L71027	<i>Note f</i>					
11		TILT CYLINDER TUBE (LH).....	1	d	<i>Units equipped with Auxiliary Hydraulics use part number L71656 5/16-18x6" STUD</i>		
	L69984	<i>Note e</i>					
	L71028	<i>Note f</i>					
12	P471299	ADAP -12JICM BLKHD RUN TEE .	2			---- SERIAL NUMBERS----	
14	L444001	ADAP -12ORM -12JICM STR.....	2	e	<i>DL6H SN 20576 and before</i>		
15	L520005	3/8-16 NYLON INSERT NUT ....	1		<i>DL6L SN 25498 and before</i>		
16	L50801	3/8-16X4" BOLT.....	1		<i>DL8H SN 30525 and before</i>		
17	L69976	PIN, TILT CYL BASE END.....	1		<i>DL8L SN 35401 and before</i>		
18	L69127	BUSHING (BASE END).....	1		<i>DL10H SN 40261 and before</i>		
19	L10465	1/4"-28 GREASE ZERK STR.....	2		<i>DL10L SN 45135 and before</i>		
20	L63720	TUBE CUSHION, DBL.....	4		<i>DL12H SN 50129 and before</i>		
21	L63719	HOSE CUSHION TOP PLATE ....	1				
22 <sup>d</sup>	L71104	5/16-18X4-1/2" STUD.....	2	f	<i>DL6L SN 25499 and up</i>		
23	L50884	5/16-18X2-1/4" BOLT.....	2		<i>DL8H SN 30526 and up</i>		
					<i>DL8L SN 35402 and up</i>		
					<i>DL10H SN 40262 and up</i>		
					<i>DL10L SN 45136 and up</i>		
					<i>DL12H SN 50130 and up</i>		

**Tilt Cylinder Group - Low Boom**  
**(Four-Section Boom)**



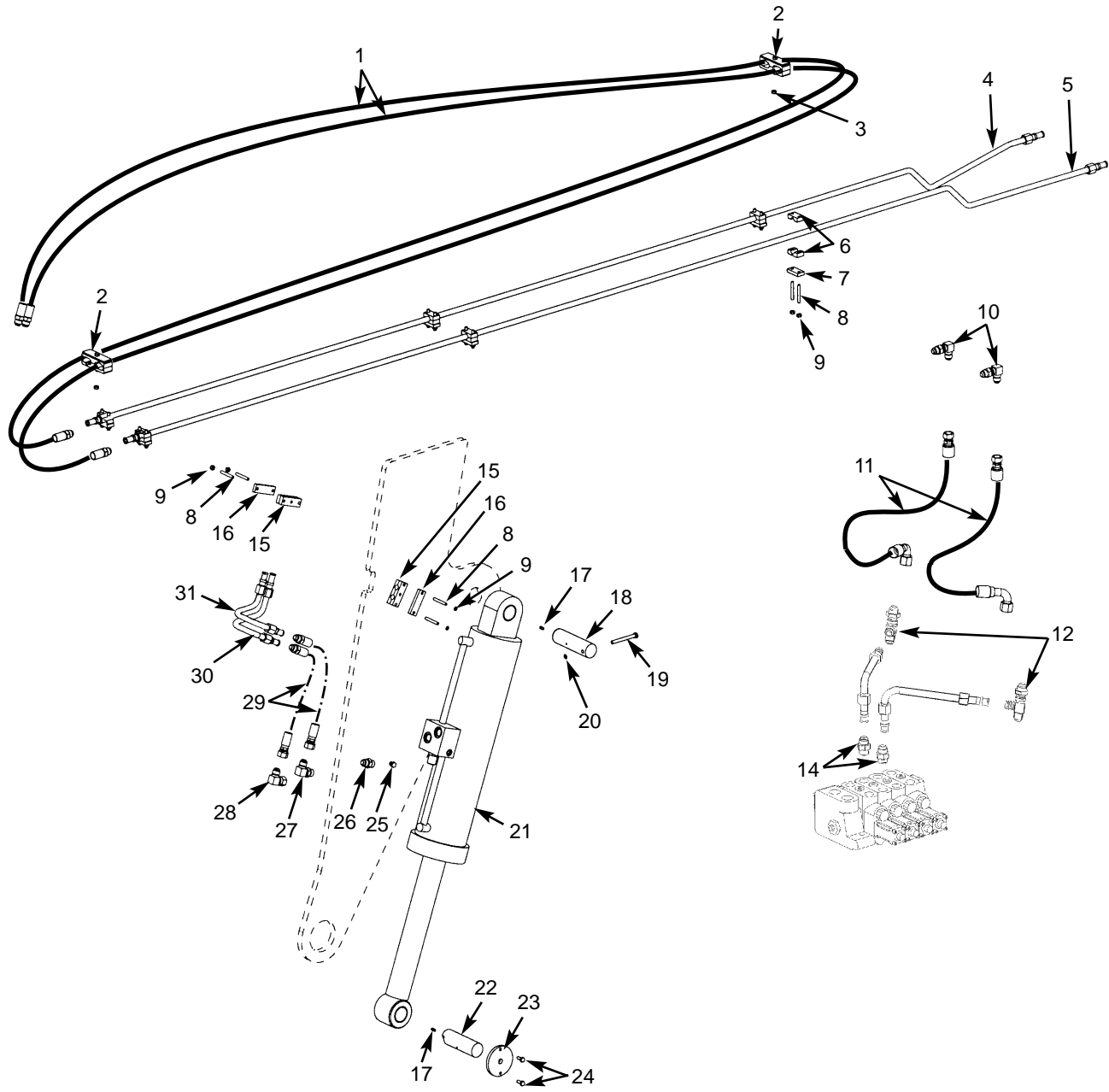
**Refer to previous page for a listing of components and hoses attached to main valve.**

**Tilt Cylinder Group - Low Boom  
(Four-Section Boom)**

Ref. No.	Part No.	Description	Qty. Req.	Ref. No.	Part No.	Description	Qty. Req.
01	L70632	HOSE ASY. -12X53 . . . . .	2	28	L50230	CAPSCREW 5/16-18X3/4 . . . . .	2
02	L10057	GREASE ZERK 90 1/4-28. . . . .	2	29	L50143	LOCKWASHER 5/16 . . . . .	2
03	L71016	HOSE RETAINER BOLT . . . . .	2	30	L69724	PIVOT PIN CAP . . . . .	1
04	L50157	PLAIN WASHER .75 . . . . .	2	31	L70308	ROD END PIN . . . . .	1
05	L71389	HOSE RETAINER SPACER . . . . .	2	32	L520005	NYLON INSERT NUT 3/8-16 . . . . .	1
06	L71347	HOSE GUIDE . . . . .	1	33	L60986	MALE PLUG (-4OR) . . . . .	1
07	L71014	SHEAVE PIN WASHER. . . . .	2	34	L69751	TILT CYL. 5-1/2D X 16-1/4 . . . . .	1
08	L71213	REAR SHEAVE PIN . . . . .	1	35	L69976	BASE END PIN . . . . .	1
09	L443011	ADAP -10JICM BLKHD 90 . . . . .	2	36	L50801	CAPSCREW 3/8-16X4 . . . . .	1
10 <sup>a</sup>	L71391	HOSE ASY. -8X254 (Twin Line) . . . . .	1	37	L71104	STUD 5/16-18X4-1/2 . . . . .	2
11	L71037	INNER TUBE . . . . .	1	38	L63719	TWIN WIDE TOP CLAMP . . . . .	1
12	L71036	INNER TUBE . . . . .	1	39	L71421	TWIN HOSE CUSHION. . . . .	2
13	L69822	TILT TUBE . . . . .	2	40	L71055	HOSE ASY. -8X268 . . . . .	2
14	L71042	VINYL CLAMP . . . . .	10		L99134	HOSE SLEEVE . . . . .	1
15	L50486	CAPSCREW 1/4-20X5/8 . . . . .	5	41	L50056	NUT . . . . .	1
16	L69832	DBL. TUBE CLAMP .63 . . . . .	4	42	L71747	CLAMP BOTTOM . . . . .	1
17	L69833	TWIN TUBE TOP PLATE . . . . .	4	43	L71705	CLAMP TOP . . . . .	1
18	L50235	CAPSCREW 5/16-18X1-1/4 . . . . .	1	44	L71748	TOP PLATE . . . . .	1
19	L63717	TWIN TUBE CUSHION .50 . . . . .	1	45	L51035	5/16"-18X2" BOLT . . . . .	1
20	L63715	TWIN NARROW TOP PLATE . . . . .	1	46	L71028	LT. REAR TUBE . . . . .	1
21	L50877	STUD 5/16-18X2-1/4 . . . . .	6	47	L71027	RT. REAR TUBE . . . . .	1
22	L520004	NYLON INSERT NUT 5/16-18 . . . . .	7	48	L67341	SGL. TUBE CUSHION .63 . . . . .	4
23	L63720	TWIN CUSHION .88 . . . . .	1	49	L67446	SGL. CUSHION TOP PLATE . . . . .	2
24	L63719	TWIN WIDE TOP PLATE. . . . .	1	50	L71010	HOSE GUIDE . . . . .	1
25	L50884	CAPSCREW 5/16-18X2-1/4 . . . . .	2				
26	L71047	HOSE ASY. -8X54 . . . . .	2				
27	L10465	GREASE ZERK STR. 1/4-28 . . . . .	1				

*a Units equipped with two individual hydraulic hoses requires hose replacement kit L500438.*

**Tilt Cylinder Group - High Boom**  
**(Three-Section Boom)**

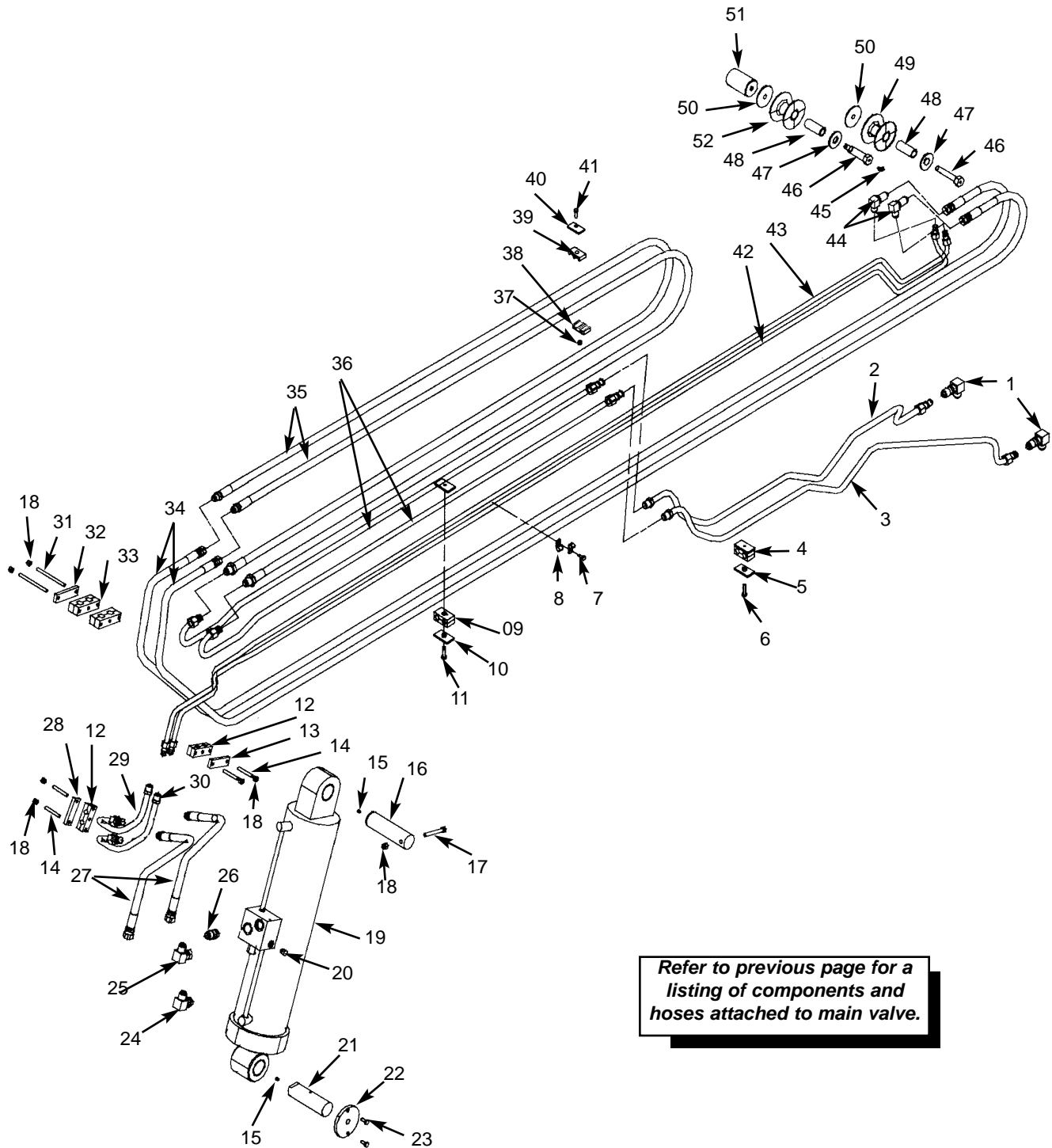




**Tilt Cylinder Group - High Boom  
(Three-Section Boom)**

Ref. No.	Part No.	Description	Qty. Req.	Ref. No.	Part No.	Description	Qty. Req.
01		HOSE -8 H10/H10.....	2	18	L69601	PIN, TILT CYL BASE END.....	1
	L70092	<i>Note a</i>		19	L50277	3/8-16X3-1/2" BOLT .....	1
	L70090	<i>Note b</i>		20	L520005	3/8" NYLON INSERT NUT .....	1
	L69944	<i>Note c</i>		21	L69144	TILT CYLINDER - 5.5X20.0.....	1
	L500784	HOSE SLEEVE .....	1	22	L69727	PIN, TILT CYL ROD END .....	1
02	L79167	HOSE CLAMP ASSEMBLY .....	2	23	L69724	PIVOT PIN CAP .....	1
03	L50056	5/16-18 FLARE NUT .....	2	24	L50230	5/16-18X3/4" BOLT .....	2
04	L69453	TILT CYLINDER TUBE .....	1	25	L60986	PLUG, AIRWAY -4ORM.....	1
05	L69452	TILT CYLINDER TUBE .....	1	26	L444010	ADAP -10ORM -10JICM STR. ....	1
06	L67341	TUBE CUSHION, SINGLE 5/8" ..	12	27	L51599	ADAP -10ORM -10JICM 90 DEG ..	1
07	L67446	TUBE CUSHION TOP PLATE ....	6	28	P471356	ADAP -10JICFS -10JICM 90 DEG .	1
08	L50877	5/16-18X2-1/4" STUD .....	16	29	L70088	HOSE -8 A10/H10 20".....	2
09	L520004	5/16-18 NYLON INSERT NUT ...	16	30	L69449	TILT CYLINDER TUBE .....	1
10	L443011	ADAP -10JICM BLKHD 90 DEG ...	2	31	L69450	TILT CYLINDER TUBE .....	1
11	L69947	HOSE -12 A10/DS12 42".....	2				
12	P471299	ADAP -12JICM BLKHD RUN TEE .	2	a	<i>Use with 40' High Boom</i>		
14	L444001	ADAP -12ORM -12JICM STR.....	2	b	<i>Use with 42' High Boom</i>		
15	L68039	TUBE CUSHION DBL 5/8" .....	4	c	<i>Use with 44' High Boom</i>		
16	L63715	HOSE CUSHION TOP PLATE ....	2				
17	L40165	1/4"-28 GREASE ZERK STR.....	2				

**Tilt Cylinder Group - High Boom**  
**(Four-Section Boom)**

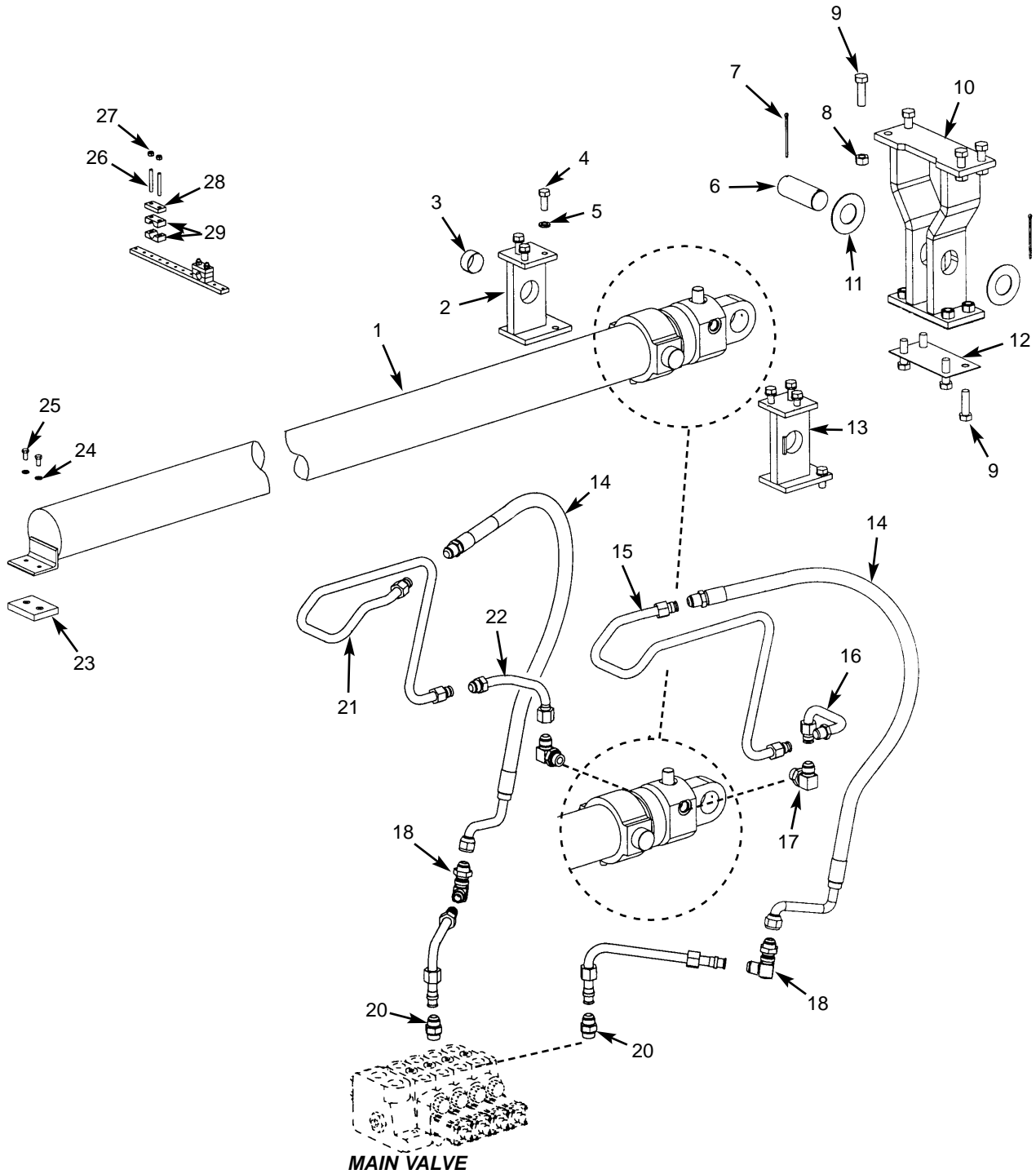


**Tilt Cylinder Group - High Boom  
(Four-Section Boom)**

Ref. No.	Part No.	Description	Qty. Req.	Ref. No.	Part No.	Description	Qty. Req.
01	L443011	ADAP -10JICM BLKHD 90 . . . . .	2	29	L71038	INNER NOSE TUBE . . . . .	1
02	L71033	OUTER REAR TUBE . . . . .	1	30	L71039	INNER NOSE TUBE . . . . .	1
03	L71034	OUTER REAR TUBE . . . . .	1	31	L71104	STUD 5/16-18X4.5 . . . . .	2
04	L69832	DOUBLE TUBE CLAMP .62 . . . . .	1	32	L63719	TWIN WIDE TOP PLATE. . . . .	1
05	L69833	CLAMP TOP PLATE . . . . .	1	33	L71421	TWIN HOSE CUSHION .88 . . . . .	2
06	L50235	CAPSCREW 5/16-18X1-1/4 . . . . .	1	34 <sup>a</sup>	L71391	HOSE ASY. -8X254. . . . .	1
07	L50486	CAPSCREW 1/4-20X5/8. . . . .	5	35	L71046	HOSE ASY. -8X290" . . . . .	2
08	L71042	VINYL CLAMP. . . . .	10		L99134	HOSE SLEEVE . . . . .	1
09	L69832	DOUBLE TUBE CLAMP .62 . . . . .	4	36	L71035	OUTER FRONT TUBE . . . . .	2
10	L69833	CLAMP TOP PLATE . . . . .	4	37	L50056	NUT . . . . .	1
11	L50235	CAPSCREW 5/16-18X1-1/4 . . . . .	4	38	L71747	CLAMP BOTTOM . . . . .	1
12	L63717	TWIN TUBE CUSHION .50. . . . .	1	39	L71705	CLAMP TOP . . . . .	1
13	L63715	TWIN NARROW TOP PLATE . . . . .	1	40	L71748	TOP PLATE . . . . .	1
14	L50877	STUD 5/15-18X2-1/4 . . . . .	2	41	L51035	5/16"-18X2" BOLT . . . . .	1
15	L10465	GREASE ZERK STR. 1/4-28 . . . . .	2	42	L71037	INNER TUBE . . . . .	1
16	L69601	BASE END PIVOT PIN . . . . .	1	43	L71036	INNER TUBE . . . . .	1
17	L50275	CAPSCREW 5/16-18X3 . . . . .	1	44	L40347	BULKHD. 90 (-8JICM). . . . .	2
18	L520004	NYLON INSERT NUT 5/16 . . . . .	2	45	L10057	GREASE ZERK 90 1/4-28. . . . .	1
19	L69144	TILT CYLINDER . . . . .	1	46	L71016	RETAINER BOLT. . . . .	1
20	L60986	PLUG, -4ORM . . . . .	1	47	L50157	PLAIN WASHER 3/4 . . . . .	2
21	L69727	ROD END PIVOT PIN. . . . .	1	48	L71389	RETAINER SPACER. . . . .	2
22	L69724	PIVOT PIN CAP . . . . .	1	49	L71010	HOSE GUIDE . . . . .	1
23	L50230	CAPSCREW 5/16-18X3/4. . . . .	2	50	L71014	PIN WASHER . . . . .	2
24	L51599	MALE 90 EL. (-10OR/-10JIC) . . . . .	1	51	L71213	PIN. . . . .	1
25	P471356	SWVL. 90 EL. (-10JICF/-10JICM). . . . .	1	52	L71347	HOSE GUIDE . . . . .	1
26	L444010	ADAP -10ROM -10JICM STR. . . . .	1				
27	L71043	HOSE ASY. -8X20. . . . .	2				
28	L63715	TWIN NARROW TOP PLATE . . . . .	1				

*a Units equipped with two individual hydraulic hoses requires hose replacement kit L500438. Kit includes twinline hose assemblies.*

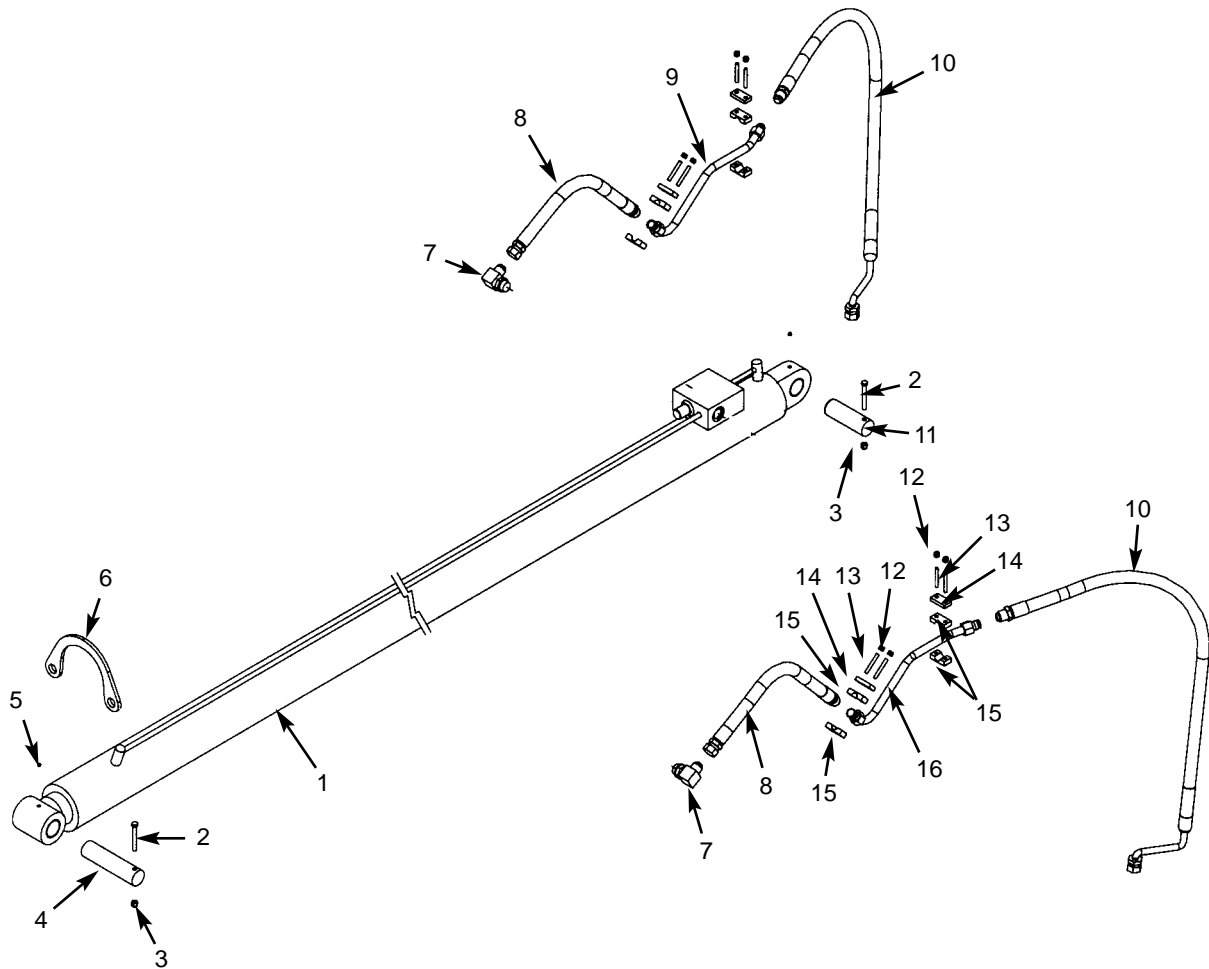
**Extend Cylinder Group - Low Boom**  
**(Three-Section Boom)**



**Extend Cylinder Group - Low Boom  
(Three-Section Boom)**

<b>Ref. No.</b>	<b>Part No.</b>	<b>Description</b>	<b>Qty. Req.</b>	<b>Ref. No.</b>	<b>Part No.</b>	<b>Description</b>	<b>Qty. Req.</b>
01	<i>Note a</i>	EXTEND CYLINDER.....	1	23	L61709	SLIDE PAD .....	1
02	L69486	TRUNNION MOUNT (RH)..... <i>(Includes item 3)</i>	1	24	L50147	3/8" LOCK WASHER.....	2
03	L48805	BUSHING 2.0" ID X 1.0" LENGTH ..	2	25	L50251	3/8-16X3/4" BOLT .....	2
04	L50313	5/8-11x1-1/2" BOLT .....	10	26	L50877	5/16"-18X2-1/4" STUD.....	4
05	L50156	5/8" LOCK WASHER.....	10	27	L520004	5/16"-18 NYLON INSERT NUT ...	4
06	L69994	EXTEND CYLINDER PIN .....	1	28	L67446	CUSHION BLOCK TOP .....	2
07	L50608	3/16X4" COTTER PIN.....	2	29	L70270	CLAMP, SINGLE .75 TUBE.....	4
08	L50519	3/4-10 NYLON INSERT NUT .....	8		<i>a</i>	<i>40' Low Boom, use PN L69305</i>	
09	L50956	3/4-10X2-1/2" BOLT .....	8			<i>42' Low Boom, use PN L69136</i>	
10	L69480	EXT CYL MOUNT WELDMNT ....	1			<i>44' Low Boom, use PN L69146</i>	
11	L400207	THRUST WASHER .....	2				
12	L70420	TRUNNION SHIM .....	1			---- SERIAL NUMBERS----	
13	L69485	TRUNNION MOUNT (LH)..... <i>(Includes item 3)</i>	1	<i>b</i>		<i>DL6H SN 20576 and before</i>	
14		HOSE.....	2			<i>DL6L SN 25498 and before</i>	
	L70096	<i>Note b (HOSE -12 H10/DS12 66")</i>				<i>DL8H SN 30525 and before</i>	
	L70633	<i>Note c (HOSE -12 H12/Z12 53")</i>				<i>DL8L SN 35401 and before</i>	
15		EXTEND CYLINDER TUBE (LH) ..	1			<i>DL10H SN 40261 and before</i>	
	L69980	<i>Note b</i>				<i>DL10L SN 45135 and before</i>	
	L70705	<i>Note c</i>		<i>c</i>		<i>DL12H SN 50129 and before</i>	
16	L69982	EXTEND CYLINDER TUBE (LH) ..	1			<i>DL6H SN 20577 and up</i>	
17	L445001	ADAP -12ORM -12JICM 90 DEG ..	2			<i>DL6L SN 25499 and up</i>	
18	L446034	ADAP -12JICM BLKHD 90 DEG ...	4			<i>DL8H SN 30526 and up</i>	
20	L444001	ADAP -12ORM -12JICM STR. ....	2			<i>DL8L SN 35402 and up</i>	
21		EXTEND CYLINDER TUBE (RH) ..	1			<i>DL10H SN 40262 and up</i>	
	L69979	<i>Note b</i>				<i>DL10L SN 45136 and up</i>	
	L70706	<i>Note c</i>				<i>DL12H SN 50130 and up</i>	
22	L69981	EXTEND CYLINDER TUBE (RH) ..	1				

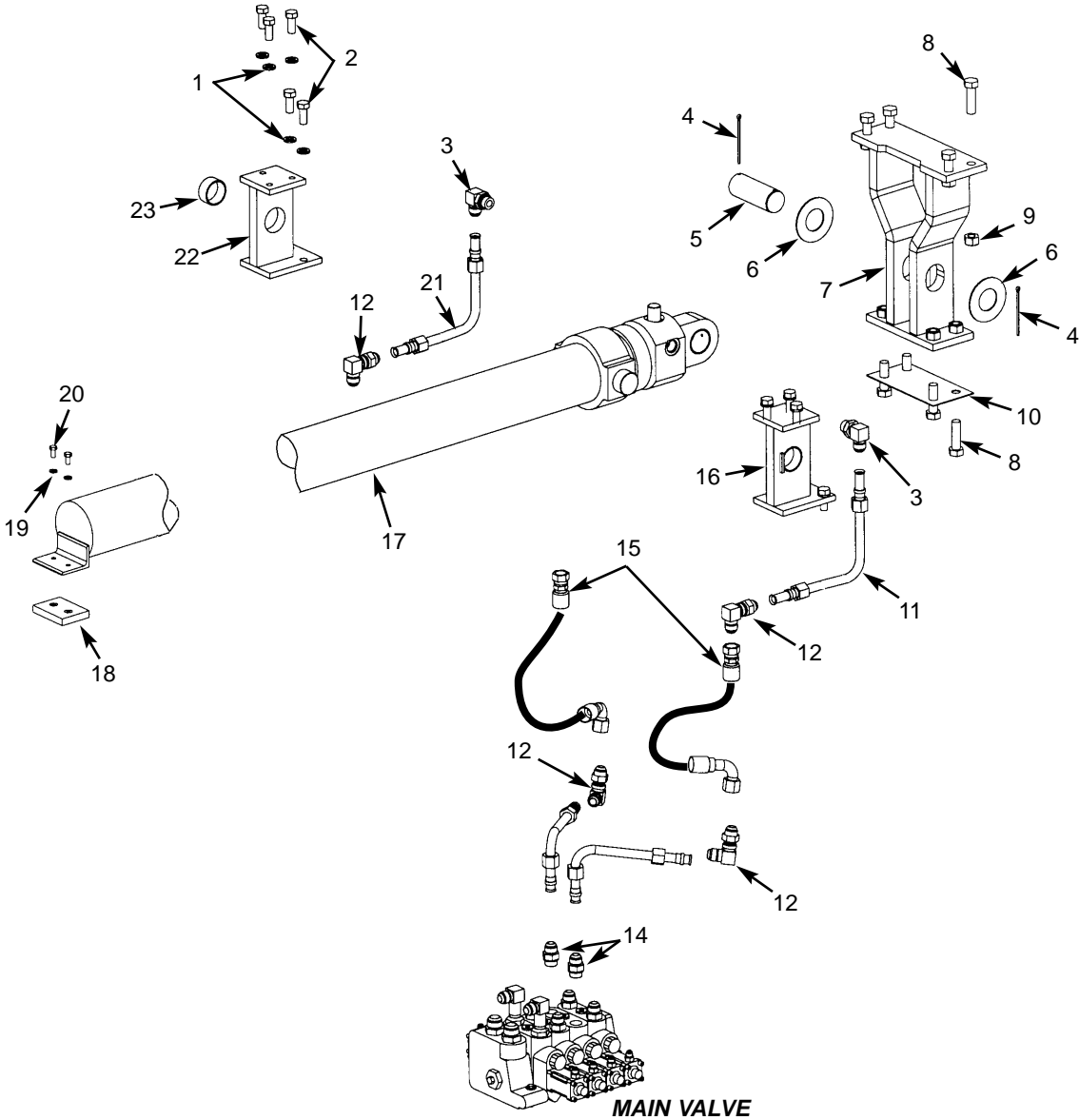
**Extend Cylinder Group - Low Boom**  
**(Four-Section Boom)**



***Extend Cylinder Group - Low Boom  
(Four-Section Boom)***

<b>Ref. No.</b>	<b>Part No.</b>	<b>Description</b>	<b>Qty. Req.</b>	<b>Ref. No.</b>	<b>Part No.</b>	<b>Description</b>	<b>Qty. Req.</b>
01	L71024	EXTEND CYLINDER.....	1	09	L71029	REAR TUBE (RH).....	1
02	L50275	3/8"-16X3" BOLT.....	2	10	L70633	HOSE ASY. -12X53.....	2
03	L520005	3/8"-16 NYLON INSERT NUT.....	2	11	L70964	BASE END PIN, 1.75 DX5.25.....	1
04	L64559	ROD PIN, 1.75 DX7.25.....	1	12	L520004	5/16-18 NYLON INSERT NUT.....	8
05	L10465	GREASE ZERK STR. 1/4-18.....	2	13	L50877	5/16-18X2-1/4" STUD.....	8
06	L70972	RETAINER.....	1	14	L67440	SINGLE CUSH. TOP PLATE.....	4
07	L445001	ADAP -12ORM -12JIC 90.....	2	15	L70270	SINGLE TUBE CUSHION .75.....	8
08	L71050	HOSE ASY. -12x20-.....	2	16	L71030	REAR TUBE (LH).....	1

**Extend Cylinder Group - High Boom**  
**(Three-Section Boom)**

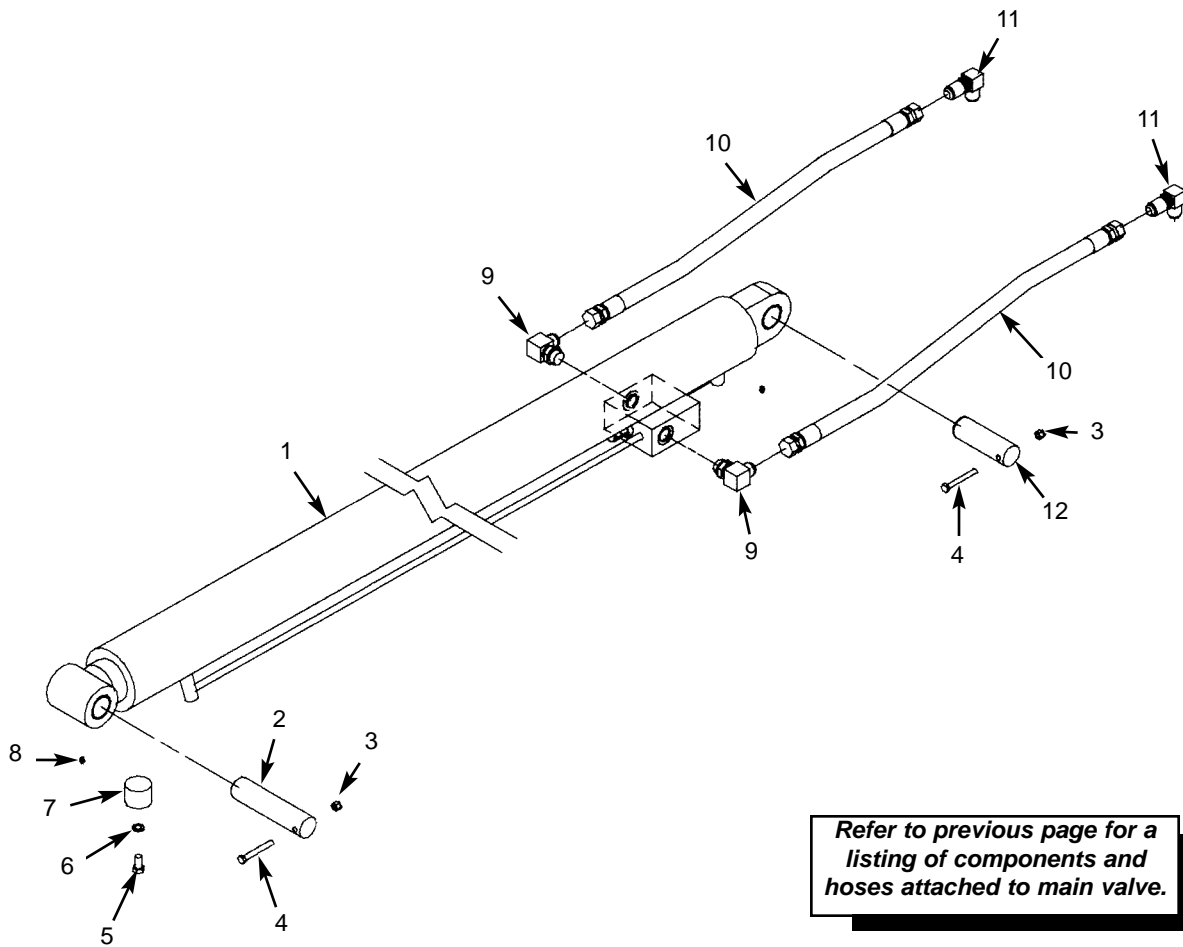




**Extend Cylinder Group - High Boom  
(Three-Section Boom)**

Ref. No.	Part No.	Description	Qty. Req.	Ref. No.	Part No.	Description	Qty. Req.
01	L50156	5/8" LOCK WASHER . . . . .	10	15	L69946	HOSE -12 A12/DS12 42" . . . . .	2
02	L50313	5/8-11x1-1/2" BOLT . . . . .	10	16	L69485	TRUNNION MOUNT (LH) . . . . .	1
03	L445001	ADAP -12ORM -12JICM 90 DEG . . . . .	2			<i>(Includes item 23)</i>	
04	L50608	3/16X4" COTTER PIN . . . . .	2	17	<i>Note a</i>	EXTEND CYLINDER . . . . .	1
05	L69994	EXTEND CYLINDER PIN . . . . .	1	18	L61709	SLIDE PAD . . . . .	1
06	L400207	THRUST WASHER . . . . .	2	19	L50147	3/8" LOCK WASHER . . . . .	2
07	L69480	EXT CYL MOUNT WELDMNT . . . . .	1	20	L50251	3/8-16X3/4" BOLT . . . . .	2
08	L50956	3/4-10X2-1/2" BOLT . . . . .	8	21	L69447	EXTEND CLYINDER TUBE (RH) . . . . .	1
09	L50519	3/4-10 NYLON INSERT NUT . . . . .	8	22	L69486	TRUNNION MOUNT (RH) . . . . .	1
10	L70420	TRUNNION SHIM . . . . .	1			<i>(Includes item 23)</i>	
11	L69448	EXTEND CYLINDER TUBE (LH) . . . . .	1	23	L48805	BUSHING 2.0" ID X 1.0" LENGTH . . . . .	2
12	L446034	ADAP -12JICM BLKHD 90 DEG . . . . .	4				
14	L444001	ADAP -12ORM -12JICM STR. . . . .	2	a	<i>40' High Boom, use PN L69136</i>		
					<i>42' High Boom, use PN L69146</i>		
					<i>44' High Boom, use PN L69156</i>		

**Extend Cylinder Group - High Boom**  
**(Four-Section Boom)**

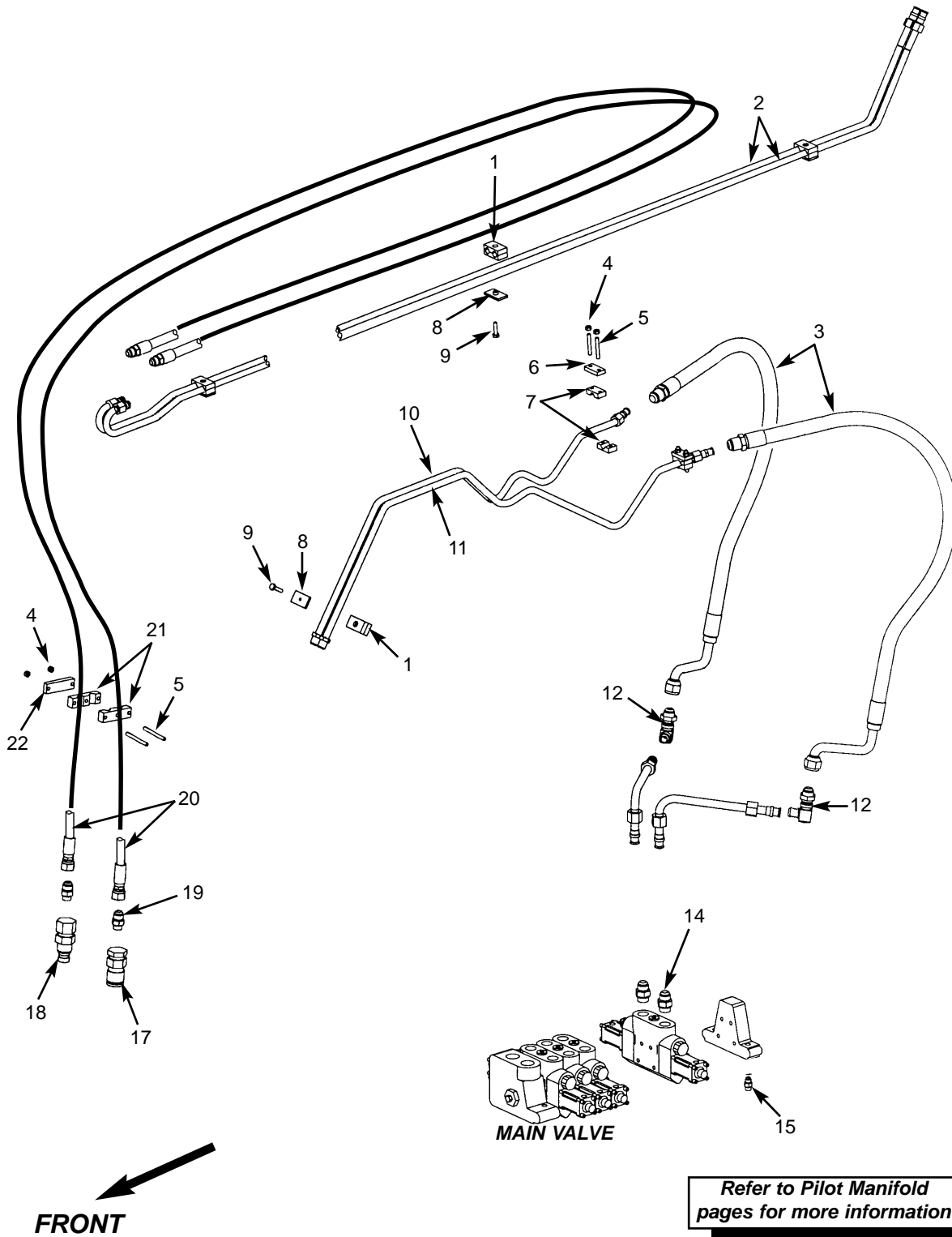


*Refer to previous page for a listing of components and hoses attached to main valve.*

***Extend Cylinder Group - High Boom  
(Four-Section Boom)***

<b>Ref. No.</b>	<b>Part No.</b>	<b>Description</b>	<b>Qty. Req.</b>	<b>Ref. No.</b>	<b>Part No.</b>	<b>Description</b>	<b>Qty. Req.</b>
01	L71023	EXTEND CYLINDER.....	1	07	P272700	ISOLATOR.....	1
02	L64559	ROD PIN, 1.75 DX7.25.....	1	08	L10465	GREASE ZERK STR. 1/4-18.....	2
04	L50275	3/8"-16X3" BOLT.....	2	09	L445001	MALE 90 ELBOW (-12OR/-12JIC) .	2
03	L520005	3/8"-16 NYLON INSERT NUT.....	2	10	L71051	HOSE ASY. -12X36.....	2
05	L50282	1/2-13"X1" BOLT.....	1	11	L446034	BULKHD. 90 (-12JICM).....	2
06	L50152	1/2" LOCKWASHER.....	1	12	L70964	BASE END PIN, 1.75 DX5.25.....	1

**Auxiliary Hydraulics - Low Boom**  
**(Three-Section Boom)**

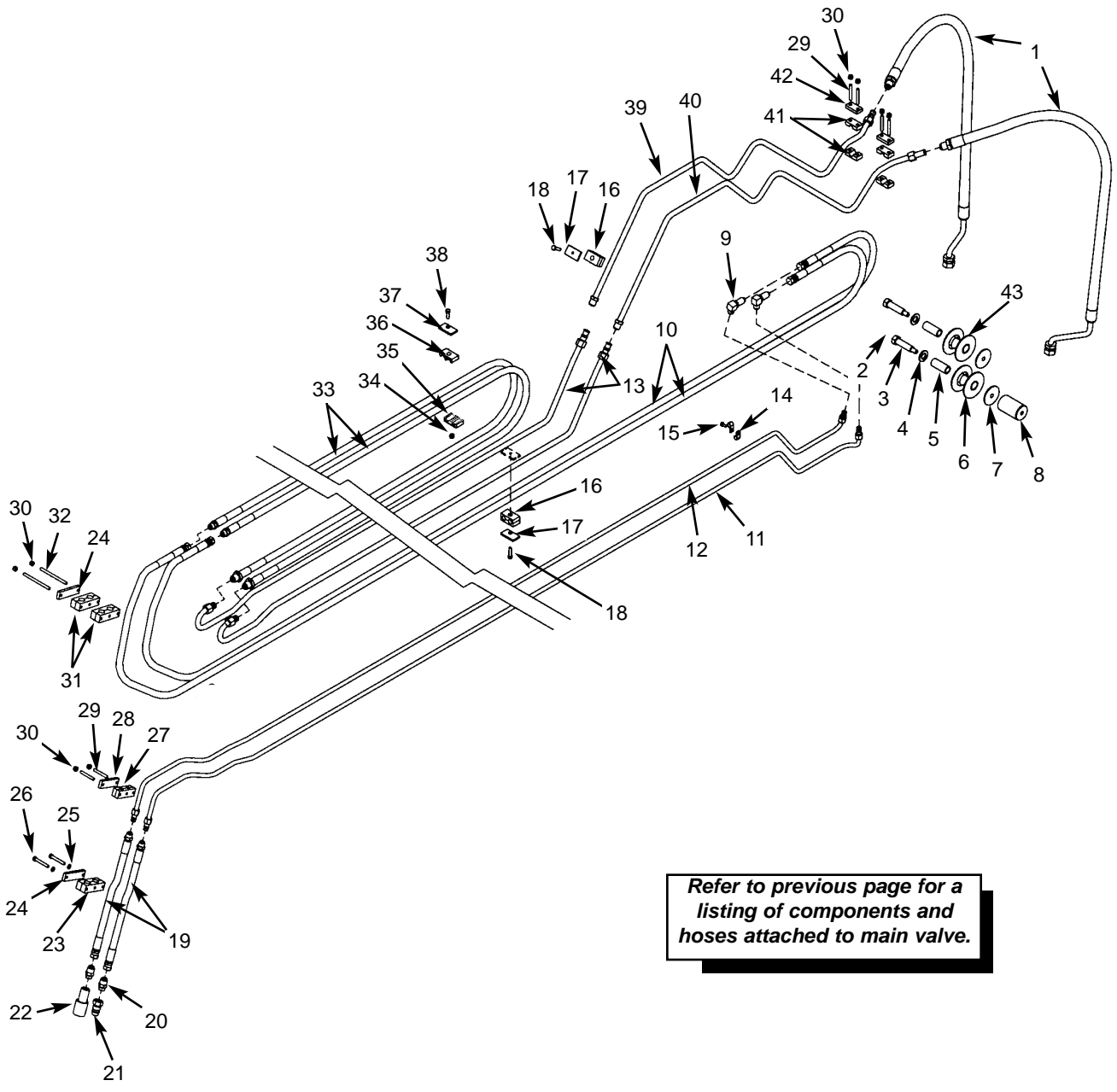


**Auxiliary Hydraulics - Low Boom  
(Three-Section Boom)**

Ref. No.	Part No.	Description	Qty. Req.	Ref. No.	Part No.	Description	Qty. Req.
01	L69832	TUBE CLAMP PAIR, 5/8" DIA. . . . .	5				
02		TUBE, TILT/AUX BOTTOM. . . . .	2	a		Use with 40' Low Boom	
	L69822	Note a		b		Use with 42' Low Boom	
	L70276	Note b		c		Use with 44' Low Boom	
	L70277	Note c					
03		HOSE. . . . .	2			---- SERIAL NUMBERS----	
	L70095	Note d (HOSE -12 H12/DS12 66")		d		DL6H SN 20576 and before	
	L70632	Note e (HOSE -12 H10/Z12 53")				DL6L SN 25498 and before	
04	L520004	5/16-18 NYLON INSERT NUT . . . . .	6			DL8H SN 30525 and before	
05	L50877	5/16-18X2-1/4" STUD . . . . .	6			DL8L SN 35401 and before	
06	L67446	TUBE CUSHION TOP PLATE . . . . .	2			DL10H SN 40261 and before	
07	L67341	TUBE CUSHION, SINGLE 5/8" . . . . .	4			DL10L SN 45135 and before	
08	L69833	TUBE CLAMP TOP PLATE . . . . .	5			DL12H SN 50129 and before	
09	L50235	5/16-18X1-1/4" BOLT . . . . .	5				
10		TUBE AUX. HYD.(Right). . . . .	1	e		DL6H SN 20577 and up	
	L69985	Note d				DL6L SN 25499 and up	
	L70703	Note e				DL8H SN 30526 and up	
11		TUBE AUX. HYD (Left) . . . . .	1			DL8L SN 35402 and up	
	L69986	Note d				DL10H SN 40262 and up	
	L70704	Note e				DL10L SN 45136 and up	
12	L446034	ADAP -12JICM BLKHD 90 DEG . . . . .	2			DL12H SN 50130 and up	
14	L444001	ADAP -12ORM -12JICM STR . . . . .	2				
15	L444002	ADAP -6ORM -6JICM STR . . . . .	2	f		Order P/N L65273 coupler set.	
17 <sup>f</sup>	NSS	COUPLER, FEMALE/FLAT . . . . .	1				
18 <sup>f</sup>	NSS	COUPLER, MALE/FLAT . . . . .	1				
19	L444011	ADAP -8ORM -10JICM STR . . . . .	2				
20		HOSE -8 H10/A10. . . . .	2				
	L70113	Note a					
	L70111	Note b					
	L70102	Note c					
	L500784	HOSE SLEEVE . . . . .	1				
21	L63720	TUBE CUSHION, DBL 3/4" DIA . . . . .	4				
22	L63719	TOP PLATE -TWIN WIDE . . . . .	1				

NOTE: Refer to the pilot manifolds page for a detailed view of the hoses.

**Auxiliary Hydraulics - Low Boom**  
**(Four-Section Boom)**



*Refer to previous page for a listing of components and hoses attached to main valve.*

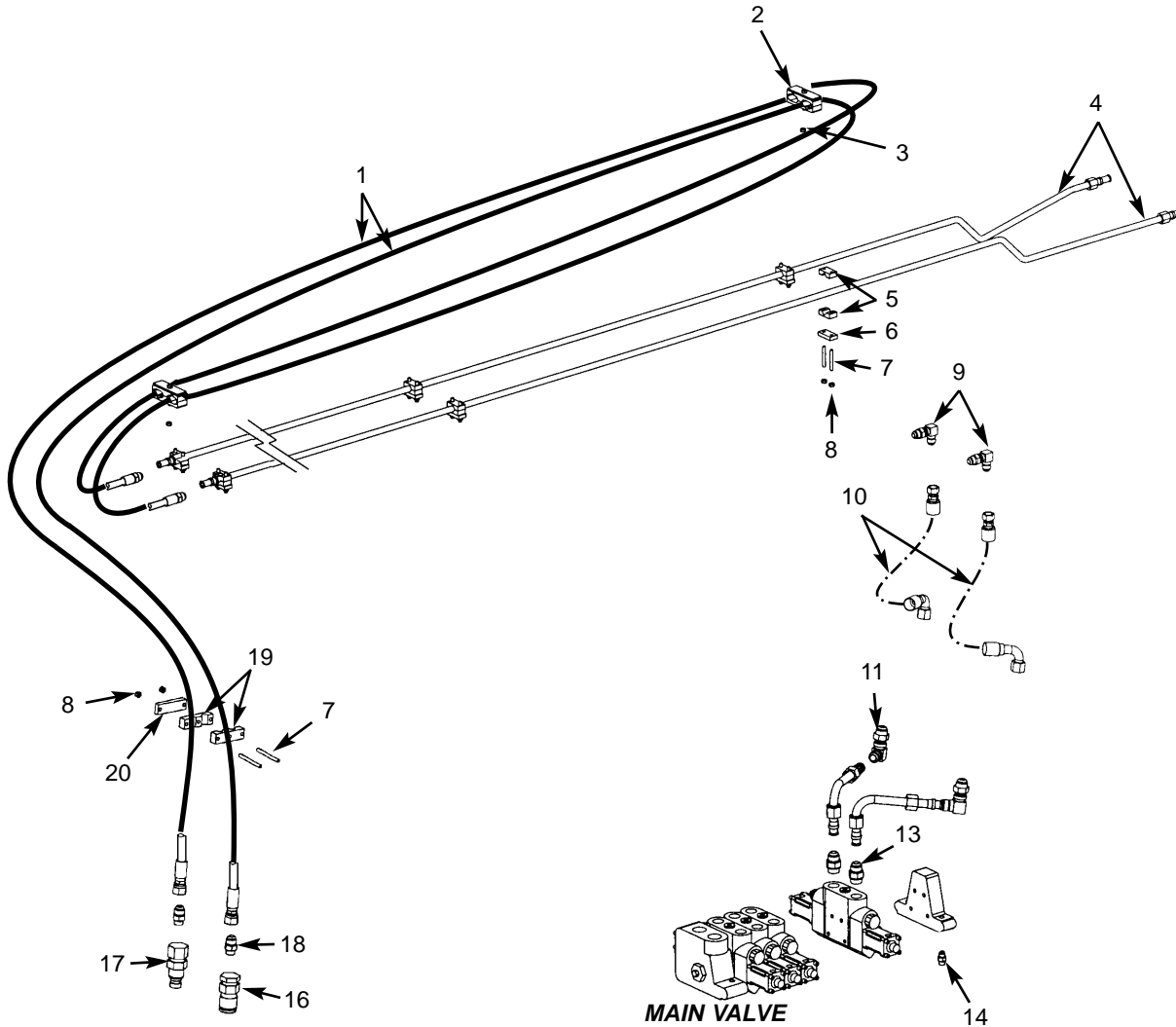
**Auxiliary Hydraulics - Low Boom  
(Four-Section Boom)**

Ref. No.	Part No.	Description	Qty. Req.	Ref. No.	Part No.	Description	Qty. Req.
01	L70632	HOSE ASY. -12X53 . . . . .	2	25	L50884	CAPSCREW 5/16-18X2-1/4 . . . . .	2
02	L10057	GREASE ZERK 90 1/4-28. . . . .	2	26	L50143	LOCKWASHER 5/16. . . . .	2
03	L71016	HOSE RETAINER BOLT. . . . .	2	27	L63717	TWIN TUBE CUSHION .50. . . . .	1
04	L50157	PLAIN WASHER .75 . . . . .	2	28	L63714	TWIN CUSHION TOP PLATE . . . . .	1
05	L71389	HOSE RETAINER SPACER . . . . .	2	29	L50877	STUD 5/16-18X2-1/4 . . . . .	6
06	L71347	HOSE GUIDE . . . . .	1	30	L520004	NYLON INSERT NUT 5/16-18 . . . . .	7
07	L71014	SHEAVE PIN WASHER. . . . .	2	31	L71421	TWIN HOSE CUSHION. . . . .	2
08	L71213	REAR SHEAVE PIN . . . . .	1	32	L71104	STUD 5/16-18X4-1/2. . . . .	2
09	L443011	ADAP -10JICM BLKHD 90 . . . . .	2	33	L71055	HOSE -8X268" . . . . .	2
10 <sup>a</sup>	L71390	HOSE ASY. -8X248" . . . . .	1		L99134	HOSE SLEEVE . . . . .	1
11	L71041	AUX. INNER BOTTOM TUBE. . . . .	1	34	L50056	NUT . . . . .	1
12	L71040	AUX. INNER TOP TUBE. . . . .	1	35	L71747	CLAMP BOTTOM . . . . .	1
13	L69822	FORWARD BOOM TUBE . . . . .	2	36	L71705	CLAMP TOP . . . . .	1
14	L71042	VINYL CLAMP . . . . .	10	37	L71748	TOP PLATE . . . . .	1
15	L50486	CAPSCREW 1/4-20X5/8. . . . .	5	38	L51035	5/16"-18X2" BOLT . . . . .	1
16	L69832	DBL. TUBE CLAMP .63. . . . .	4	39	L70704	REAR RIGHT TUBE . . . . .	1
17	L69833	TWIN TUBE TOP PLATE . . . . .	4	40	L70703	REAR LEFT TUBE . . . . .	1
18	L50235	CAPSCREW 5/16-18X1-1/4 . . . . .	1	41	L67341	SGL. TUBE CUSHION .63 . . . . .	4
19	L71048	HOSE -8X15". . . . .	2	42	L67446	SGL. CUSHION TOP PLATE . . . . .	2
20	L444011	ADAP -8ORM -10JICM STR . . . . .	2	43	L71010	HOSE GUIDE . . . . .	1
21 <sup>b</sup>	NSS	MALE COUPLER . . . . .	1				
22 <sup>b</sup>	NSS	FEMALE COUPLER . . . . .	1				
23	L63720	TWIN CUSHION .88. . . . .	AR				
24	L63719	TWIN WIDE TOP PLATE. . . . .	1				

*a Units equipped with two individual hydraulic hoses requires hose replacement kit L500438. Kit includes twinline hose assemblies.*

*b Order PN L65273 coupler set.*

**Auxiliary Hydraulics - High Boom**  
**(Three-Section Boom)**



**Refer to Pilot Manifold  
pages for more information**

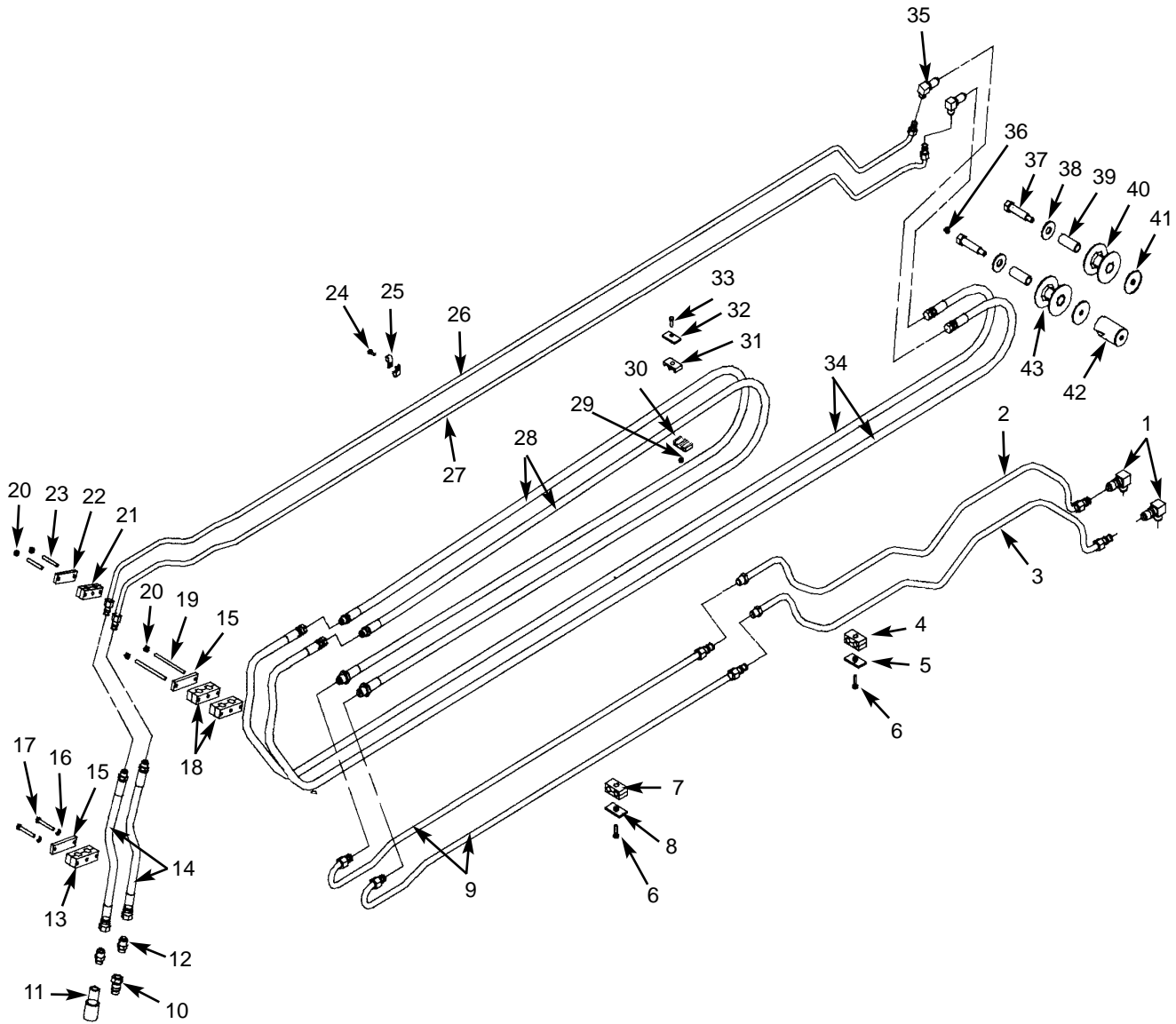
**FRONT**



### Auxiliary Hydraulics - High Boom (Three-Section Boom)

Ref. No.	Part No.	Description	Qty. Req.	Ref. No.	Part No.	Description	Qty. Req.
01		HOSE -8 H10/A10 . . . . .	2	11	L446034	ADAP -12JICM BLKHD 90 . . . . .	2
	L70107	<i>Note a</i>		13	L444001	ADAP -12ORM -12JICM STR . . . . .	2
	L70105	<i>Note b</i>		14	L444002	ADAP -6ORM -6JICM . . . . .	2
	L69945	<i>Note c</i>		16 <sup>d</sup>	NSS	COUPLER, FEMALE/FLAT . . . . .	1
	L500784	HOSE SLEEVE . . . . .	1	17 <sup>d</sup>	NSS	COUPLER, MALE/FLAT . . . . .	1
02	L79167	HOSE CLAMP ASSEMBLY . . . . .	2	18	L444011	ADAP -8ORM -10JICM STR . . . . .	2
03	L50056	5/16-18 FLARE NUT . . . . .	2	19	L63720	TUBE CUSHION, DBL 3/4" DIA . . . . .	4
04	L69451	Auxiliary TUBE (BOTTOM) . . . . .	2	20	L63719	TOP PLATE -TWIN WIDE . . . . .	1
05	L67341	TUBE CUSHION, SINGLE 5/8" . . . . .	12				
06	L67446	TUBE CUSHION TOP PLATE . . . . .	6	a	<i>Use with 40' High Boom</i>		
07	L50877	5/16-18X2-1/4" STUD . . . . .	16	b	<i>Use with 42' High Boom</i>		
08	L520004	5/16-18 NYLON INSERT NUT . . . . .	16	c	<i>Use with 44' High Boom</i>		
09	L443011	ADAP -10JICM BLKHD 90 DEG . . . . .	2				
10	L69947	HOSE -12 A10/DS12 42" . . . . .	2	d	<i>Order PN L65273 coupler set.</i>		

**Auxiliary Hydraulics - High Boom**  
**(Four-Section Boom)**



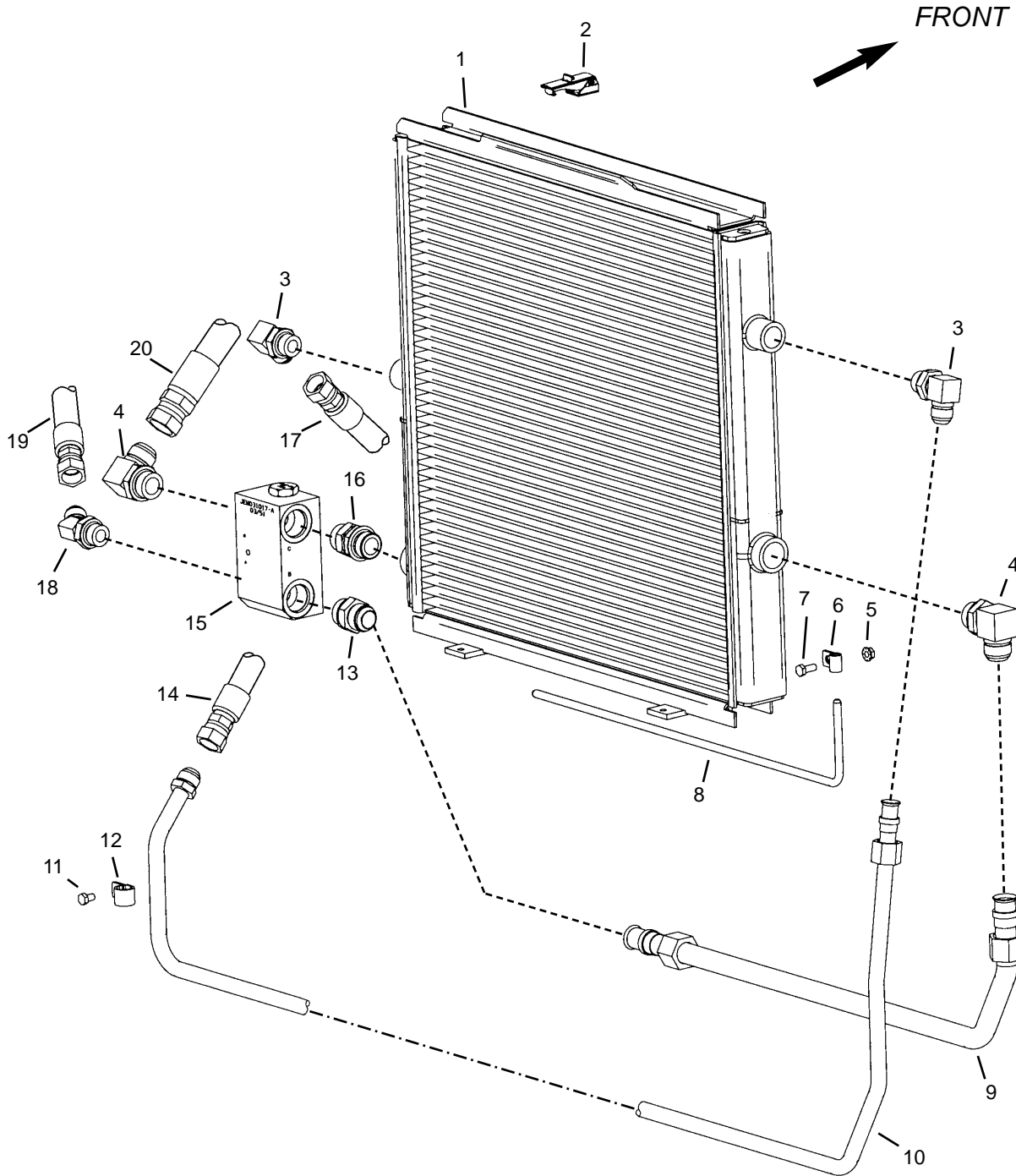
*Refer to previous page for a listing of components and hoses attached to main valve.*

**Auxiliary Hydraulics - High Boom  
(Four-Section Boom)**

Ref. No.	Part No.	Description	Qty. Req.	Ref. No.	Part No.	Description	Qty. Req.
01	L443011	ADAP-10JICM BLKHD 90 . . . . .	2	26	L71040	INNER TUBE . . . . .	1
02	L71031	OUTER REAR AUX. TUBE . . . . .	1	27	L71041	INNER TUBE . . . . .	1
03	L71032	OUTER REAR AUX. TUBE . . . . .	1	28	L71046	HOSE ASY. -8X290 . . . . .	2
04	L69832	DOUBLE TUBE CLAMP . . . . .	1		L99134	HOSE SLEEVE . . . . .	1
05	L69833	CLAMP TOP PLATE . . . . .	1	29	L50056	NUT . . . . .	1
06	L50235	5/16"-18X1-1/4" BOLT . . . . .	2	30	L71747	CLAMP BOTTOM . . . . .	1
07	L69832	DOUBLE TUBE CLAMP . . . . .	1	31	L71705	CLAMP TOP . . . . .	1
08	L69832	CLAMP TOP PLATE . . . . .	1	32	L71748	TOP PLATE . . . . .	1
09	L71035	OUTER FRONT AUX. TUBE . . . . .	2	33	L51035	5/16"-18X2" BOLT . . . . .	1
10 <sup>a</sup>	NSS	MALE COUPLER . . . . .	1	34 <sup>b</sup>	L71390	HOSE ASY. -8X248 . . . . .	1
11 <sup>a</sup>	NSS	FEMALE COUPLER . . . . .	1	35	L40347	ADAP -8JICM BLKHD 90 . . . . .	2
12	L444011	ADAP -8ORM -10JICM STR . . . . .	2	36	L10057	GREASE ZERK 90 1/4-28 . . . . .	2
13	L63720	TWIN HOSE CUSHION .88 . . . . .	AR	37	L71016	HOSE RETAINER BOLT . . . . .	2
14	L71043	HOSE ASY. -8X20 . . . . .	2	38	L50157	PLAIN WASHER 3/4 . . . . .	2
15	L63719	TWIN WIDE TOP PLATE . . . . .	2	39	L71389	HOSE RETAINER SPACER . . . . .	2
16	L50143	LOCKWASHER 5/16 . . . . .	2	40	L71010	HOSE GUIDE . . . . .	1
17	L50884	CAPSCREW 5/16-18X2-1/4 . . . . .	2	41	L71014	SHEAVE PIN WASHER . . . . .	2
18	L71421	TWIN HOSE CUSHION .69 . . . . .	2	42	L71213	PIN . . . . .	1
19	L71104	5/16"-18X4-1/2" STUD . . . . .	2	43	L71347	HOSE GUIDE . . . . .	1
20	L520004	5/16" NYLON INSERT NUT . . . . .	4				
21	L63717	TWIN TUBE CUSHION .50 . . . . .	1				
22	L63715	NARROW TWIN TOP PLATE . . . . .	1	a		Order PN L65273 coupler set.	
23	L50877	5/16-18"X2-1/4" STUD . . . . .	2	b		Units equipped with two individual hydraulic hoses requires hose replacement kit L500438. Kit includes twinline hose assemblies.	
24	L50486	1/4-20"X5/8" BOLT . . . . .	5				
25	L71042	VINYL CLAMP . . . . .	10				

### Hydraulic / Transmission Cooler Group

(Refer to Usage Table on facing page)



**Hydraulic / Transmission Cooler Group**

*(Refer to Usage Table below)*

Ref. No.	Part No.	Description	Qty. Req.	Ref. No.	Part No.	Description	Qty. Req.
01	102279	COOLER, HYD./TRANS.....	1				
02	101992	COOLER LATCH .....	1	a		<i>Earlier units with this style cooler used a 90 degree fitting; part number L445001 (same as item 3).</i>	
03	L445001	ADAP, -12ORM -12JICM 90 DEG..	2				
04	L51621	ADAP -16ORM -16JICM 90DEG..	2				
05	L50056	5/16"-18 FLARE NUT .....	1	b		<i>Used when item 18 is a 90 degree fitting.</i>	
06	L47212	CLAMP, VINYL- 3/8" .....	1				
07	650486	5/16"-18X3/4" BOLT .....	1	c		<i>Used when item 18 is a 45 degree fitting.</i>	
08	102280	PIN, COOLER HINGE.....	1				
09	101836	HOC TUBE .....	1	d		<i>DL6L SN 25647 and before</i>	
10	101835	TOC TUBE.....	1			<i>DL6H SN 20924 and before</i>	
11	650484	5/16"-18X1/2" BOLT .....	1			<i>DL8L SN 35545 and before</i>	
12	L41770	CLAMP, VINYL-3/4" .....	1			<i>DL8H SN 31006 and before</i>	
13	L51590	ADAP, -16ORM -16JICM.....	1			<i>DL10L SN 45393 and before</i>	
14	102110	HOSE, -12 A12/DL12 32" .....	1			<i>DL10H SN 40905 and before</i>	
15	102072	VALVE, COLD START BY-PASS... 1				<i>DL12H SN 50489 and before</i>	
	102289	CHECK VALVE.....	1				
16	102073	ADAP, -16ORM -16ORM.....	1	e		<i>DL6L SN 25648 and up</i>	
17	L70083	HOSE -12 A12/A12 35".....	1			<i>DL6H SN 20925 and up</i>	
18 <sup>a</sup>	L445011	ADAP, -16ORM -16JICM 45 DEG.. 1				<i>DL8L SN 35546 and up</i>	
19		HOSE -16 A16/DS16.....	1			<i>DL8H SN 31007 and up</i>	
	L69938	<i>Note b and d 84" long</i>				<i>DL10L SN 45394 and up</i>	
	102258	<i>Note c and d 74" long</i>				<i>DL10H SN 40906 and up</i>	
	105167	<i>Note e 78" long</i>				<i>DL12H SN 50490 and up</i>	
20	102111	HOSE, -16 A16/A20 30" .....	1				

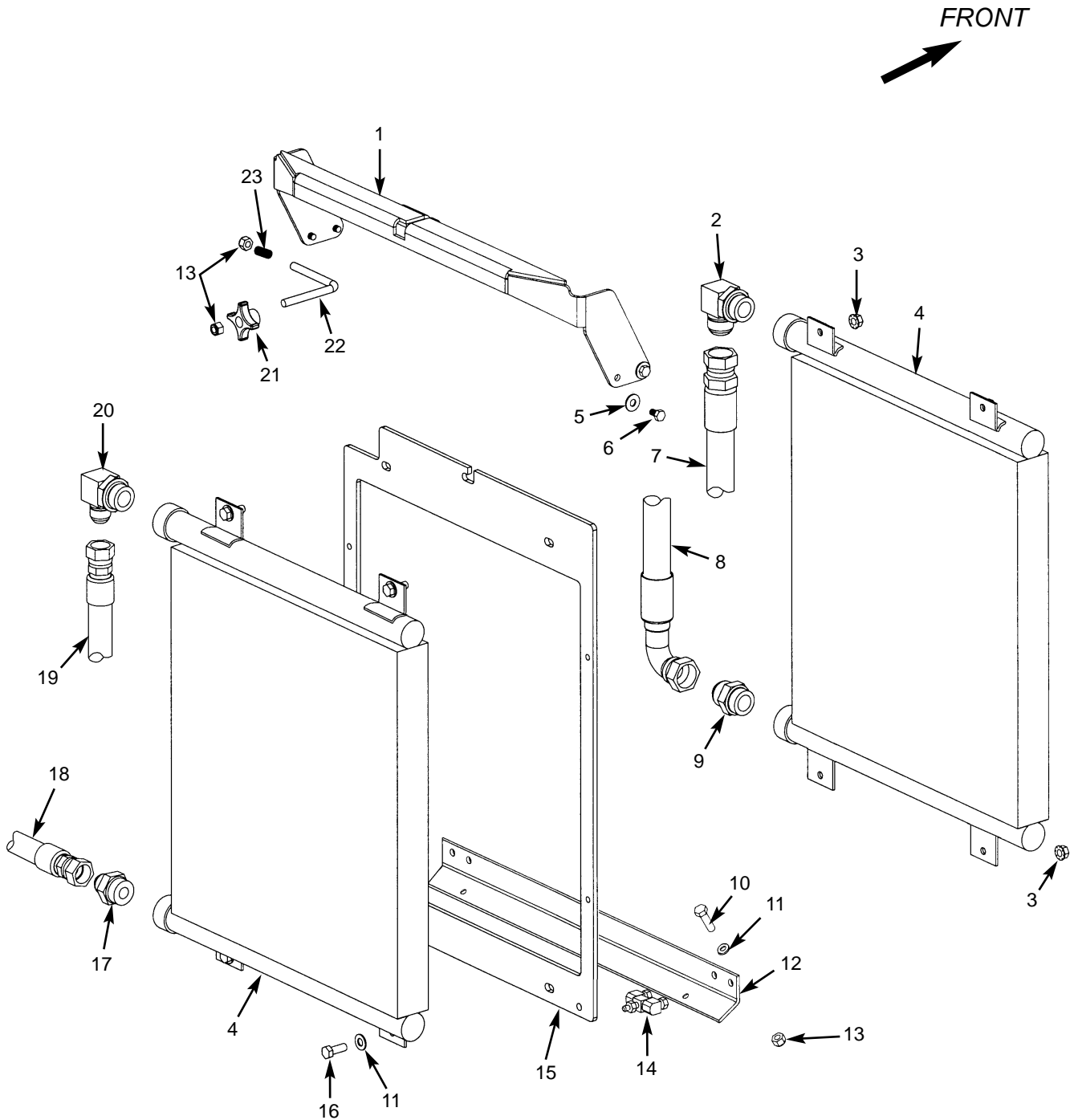
<b>Usage Table</b>	
<b>Parts listed on this page apply to the following units:</b>	
<i>DL6L SN 25616 and up</i>	
<i>DL6H SN 20824 and up</i>	
<i>DL8L SN 35504 and up</i>	
<i>DL8H SN 30852 and up</i>	
<i>DL10L SN 45185 and up</i>	
<i>DL10H SN 40499 and up</i>	
<i>DL12H SN 50221 and up</i>	

**Hose Locator**

Ref No.	From Port	To Port
19	LOWER PORT - COLD START RELIEF VALVE	V40 VALVE "OUT" (FRONT RIGHT PORT)
20	UPPER PORT - COLD START RELIEF VALVE	HYDRAULIC FILTER "IN"
17	COOLER UPPER PORT - LEFT SIDE	TRANSMISSION LOWER PORT
14	COOLER UPPER PORT - RIGHT SIDE	TRANSMISSION UPPER PORT

# Hydraulic / Transmission Cooler Group

(Refer to Usage Table on facing page)



**Hydraulic / Transmission Cooler Group**

*(Refer to Usage Table below)*

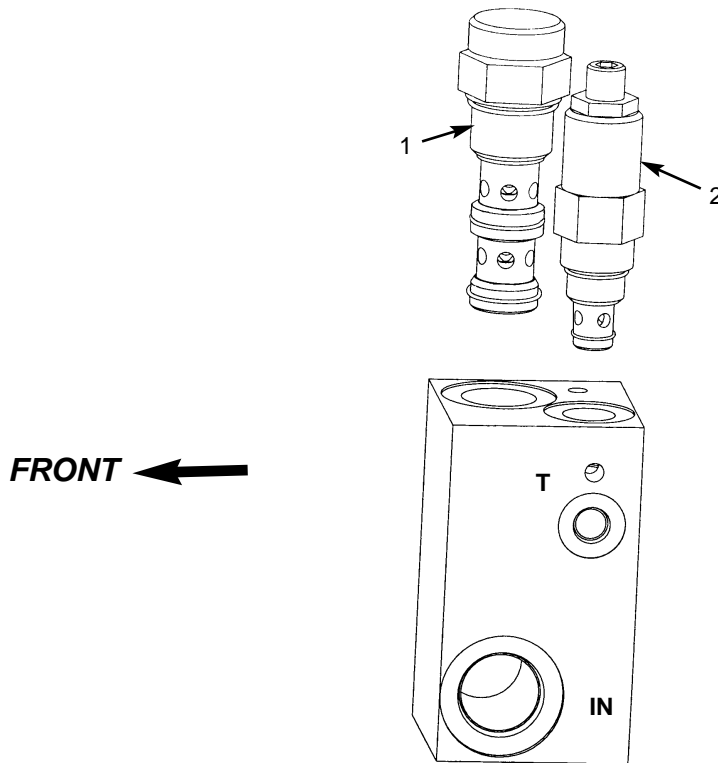
Ref. No.	Part No.	Description	Qty. Req.	Ref. No.	Part No.	Description	Qty. Req.
01	L70400	COOLER LATCH WELDMENT . . . . 1 <i>(Includes item 22)</i>		12	L70394	COOLER LOWER MOUNT . . . . . 1	
02	L51621	ADAP -16ORM -16JICM 90DEG . . . 1		13	L520005	3/8-16 LOCK NUT . . . . . 4	
03	L50061	3/8-16 FLARE NUT . . . . . 4		14	L69465	HINGE . . . . . 2	
04	L450002	COOLER, 4FPI . . . . . 2		15	L70392	COOLERS MOUNT PLATE . . . . . 1	
05	L50141	5/16" FLAT WASHER . . . . . 4		16	L50367	3/8-16X1" BOLT . . . . . 4	
06	L50228	5/16-18X1/2" BOLT . . . . . 4		17	L64853	ADAP -16ORM -12JICM STR . . . . 1	
07	L69938	HOSE -16 A16/DS16 84" . . . . . 1		18	L70083	HOSE -12 A12/A12 35" . . . . . 1	
08	L70497	HOSE -16 A20/DL16 30" . . . . . 1		19	L70087	HOSE -12 A12/DL12 44" . . . . . 1	
09	L51590	ADAP -16ORM -16JICM STR . . . . 1		20	L61092	ADAP -16ORM - 12JICM 90 DEG . 1	
10	L50403	3/8-16X1-1/4" BOLT . . . . . 2		21	L68110	KNOB . . . . . 1	
11	L50145	3/8" FLAT WASHER . . . . . 6		22	L70395	COOLER LATCH BAR . . . . . 1	
				23	L68128	COMPRESSION SPRING . . . . . 1	

Usage Table
<p><b>Parts listed on this page apply to the following units:</b></p> <p><i>DL6L SN 25615 and before</i></p> <p><i>DL6H SN 20823 and before</i></p> <p><i>DL8L SN 35503 and before</i></p> <p><i>DL8H SN 30851 and before</i></p> <p><i>DL10L SN 45184 and before</i></p> <p><i>DL10H SN 40498 and before</i></p> <p><i>DL12H SN 50220 and before</i></p>

**Hose Locator**

Ref No.	From Port	To Port
07	INNER COOLER UPPER PORT	V40 VALVE "OUT" (FRONT RIGHT PORT)
08	INNER COOLER LOWER PORT	HYDRAULIC FILTER "IN"
18	OUTER COOLER LOWER PORT	TRANSMISSION LOWER PORT
19	OUTER COOLER UPPER PORT	TRANSMISSION UPPER PORT

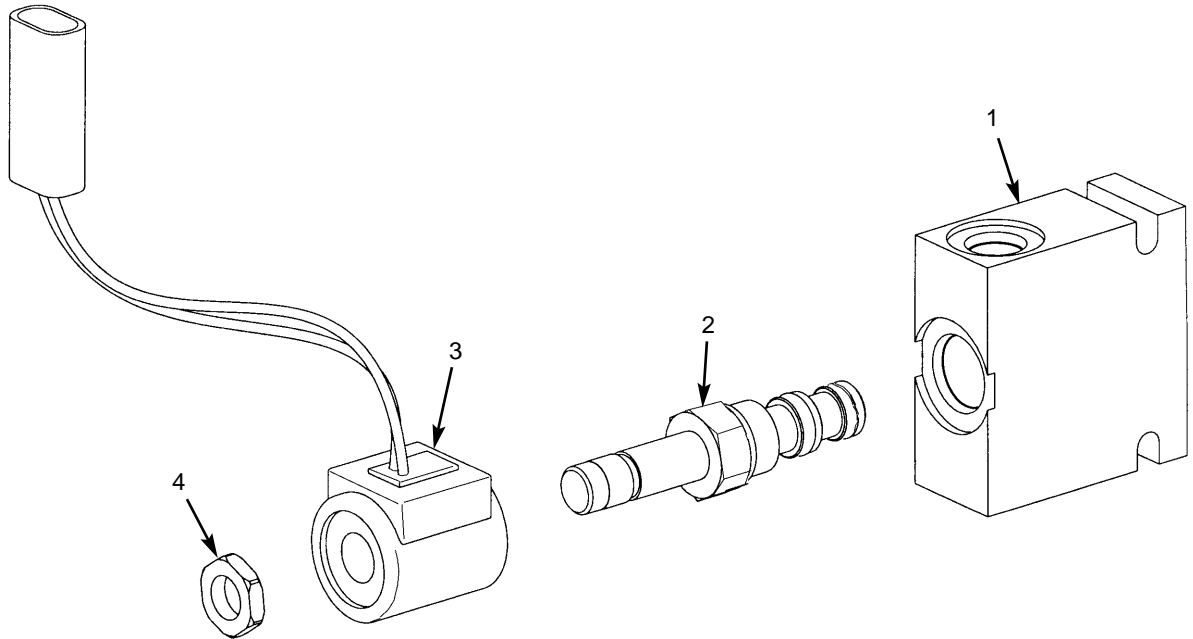
**Flow Divider**



Ref. No.	Part No.	Description	Qty. Req.	Ref. No.	Part No.	Description	Qty. Req.
00	L70229	FLOW DIVIDER.....	1	02	L99927	RELIEF VALVE .....	1
		(Includes all items shown)			L99925	SEAL KIT .....	1
01	L99928	PRESSURE REGULATOR .....	1				
	L99929	SEAL KIT .....	1				

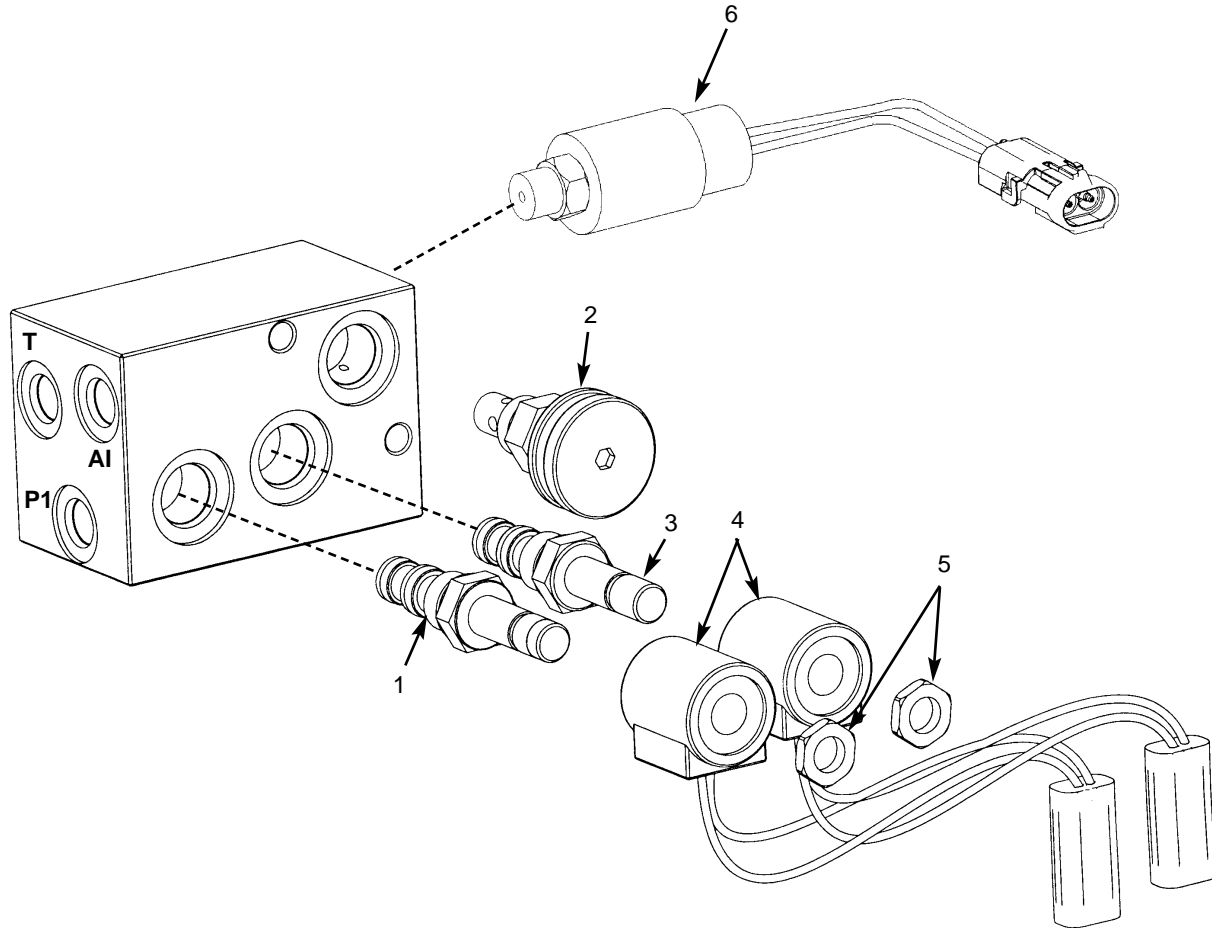


***Joystick Disengage Valve***



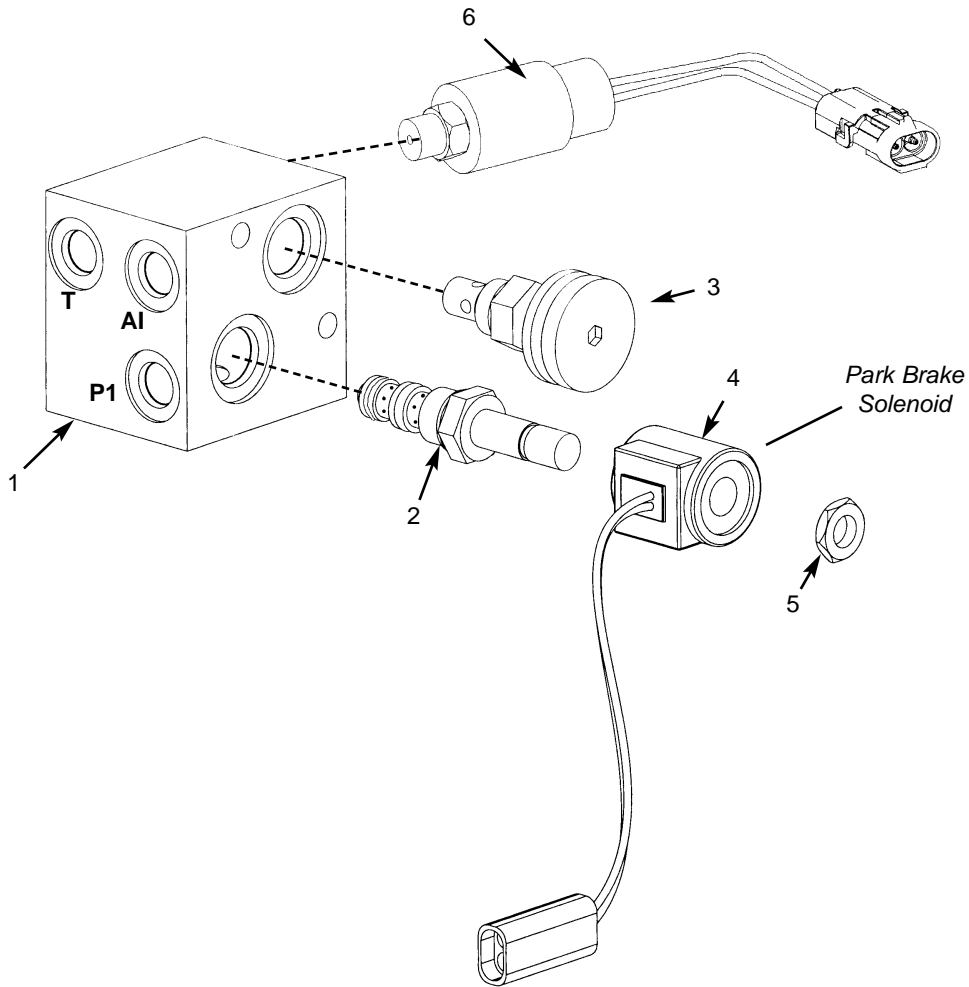
Ref. No.	Part No.	Description	Qty. Req.	Ref. No.	Part No.	Description	Qty. Req.
01	L71733	JOYSTICK DISENGAGE VALVE .. 1 (Includes all items shown)	1	03	L99908	COIL/WEATHERPAK 12VDC .....	1
02	L99910	3-WAY 2 POSITION VALVE .....	1	04	NSS	NUT .....	1
	L99911	SEAL KIT .....	1			(Included with item 2)	

**SAHR Valve (Later)**



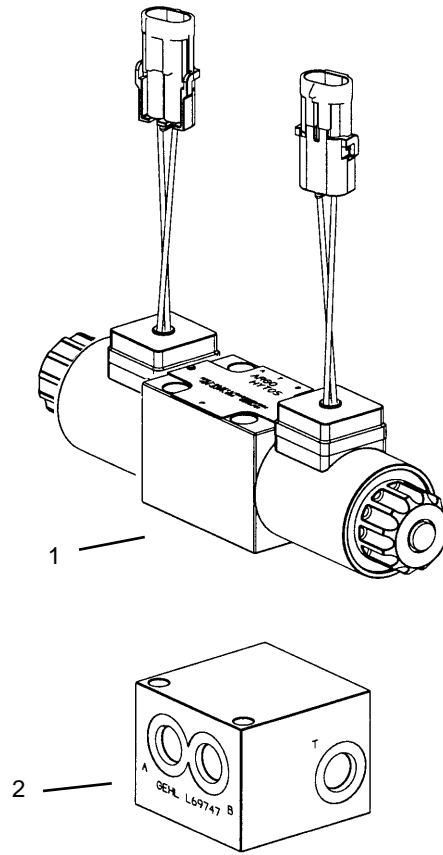
Ref. No.	Part No.	Description	Qty. Req.	Ref. No.	Part No.	Description	Qty. Req.
00	L71707	SAHR/ACCUM CHARGE VALVE .. 1 <i>(includes items 1-5)</i>	1	04	L99908	COIL/WEATHERPAK 12VDC .....	1
01	L99910	3-WAY 2 POSITION VALVE .....	1 <i>(Includes item 6)</i>	05	NSS	NUT, 1/2"-20 THIN.....	1 <i>(Included with items 1 and 3)</i>
	L99911	SEAL KIT .....	1	06	L70008	PRESSURE SWITCH .....	1 <i>(not included with valve)</i>
02	L99919	NEEDLE VALVE .....	1				
	L99925	SEAL KIT .....	1				
03	L99912	3-WAY 2 POSITION VALVE .....	1 <i>(Includes item 6)</i>				
	L99911	SEAL KIT .....	1				

**SAHR Valve (Early)**



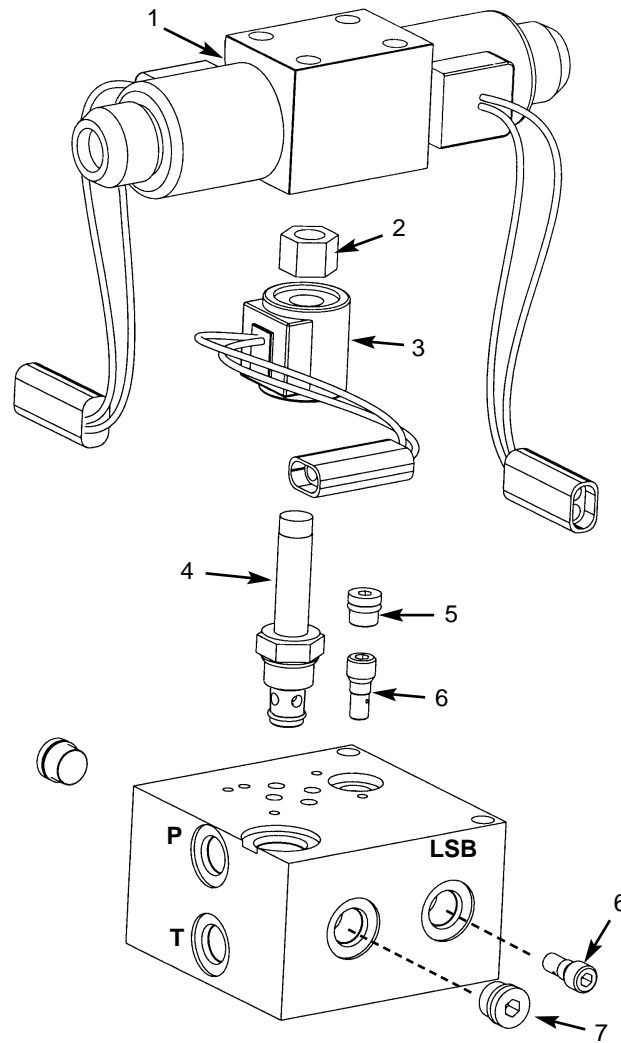
Ref. No.	Part No.	Description	Qty. Req.	Ref. No.	Part No.	Description	Qty. Req.
01	L69395	SAHR/ACCUM CHARGE VALVE .. 1 (Includes all items shown)	1	03	L99919 L99925	NEEDLE VALVE ..... 1 SEAL KIT ..... 1	1
02	L99912	3-WAY 2 POSITION VALVE ..... 1 (Includes item 5)	1	04	L99908	COIL/WEATHERPAK 12VDC ..... 1	1
	L99911	SEAL KIT ..... 1	1	05	NSS	NUT, 1/2"-20 THIN..... 1 (Included with item 2)	1
				06	L70008	PRESSURE SWITCH ..... 1 (not included with valve)	1

**Steer Select Valve**



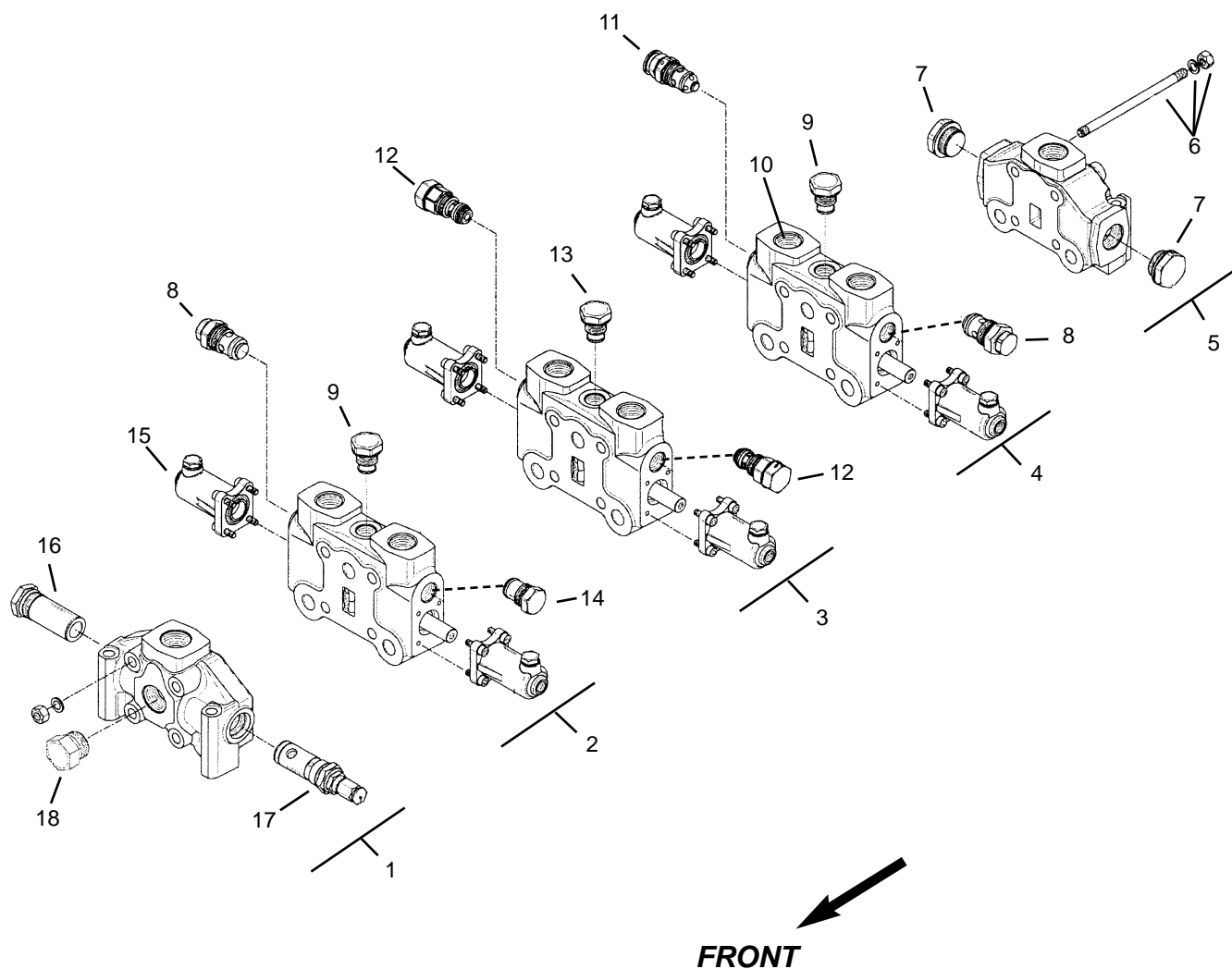
Ref. No.	Part No.	Description	Qty. Req.	Ref. No.	Part No.	Description	Qty. Req.
00	L69747	STEER SELECT VALVE, COMPL. . 1 <i>(Includes items 1 and 2)</i>	1	00	L68711	-- ITEMS NOT SHOWN -- WIRE HARNESS . . . . . 2 <i>(connects wire leads to frame wiring)</i>	2
01	210018	WEATHER PAK VALVE . . . . . 1	1				
02	NSS	MANIFOLD . . . . . 1	1				

Level Valve



Ref. No.	Part No.	Description	Qty. Req.	Ref. No.	Part No.	Description	Qty. Req.
00	L70230	LEVEL VALVE . . . . .	1	05	L99917	PLUG -4 NWD . . . . .	1
		(Includes all parts shown)		06	L99923	SHUTTLE VALVE . . . . .	2
01	L99921	VALVE, WEATHERPAK . . . . .	1	07	L99922	PLUG -6 NWD . . . . .	2
	L99907	SEAL KIT . . . . .	1				
02	NSS	NUT . . . . .	2				
		(Included with item 4)					
03	L99908	COIL, WEATHERPAK 12VDC . . . . .	1				
04	L99920	2 WAY SOLENOID VALVE . . . . .	1				
		(Includes item 2)					
	L99925	SEAL KIT . . . . .	1				

**Main Valve - (HydroControl)**



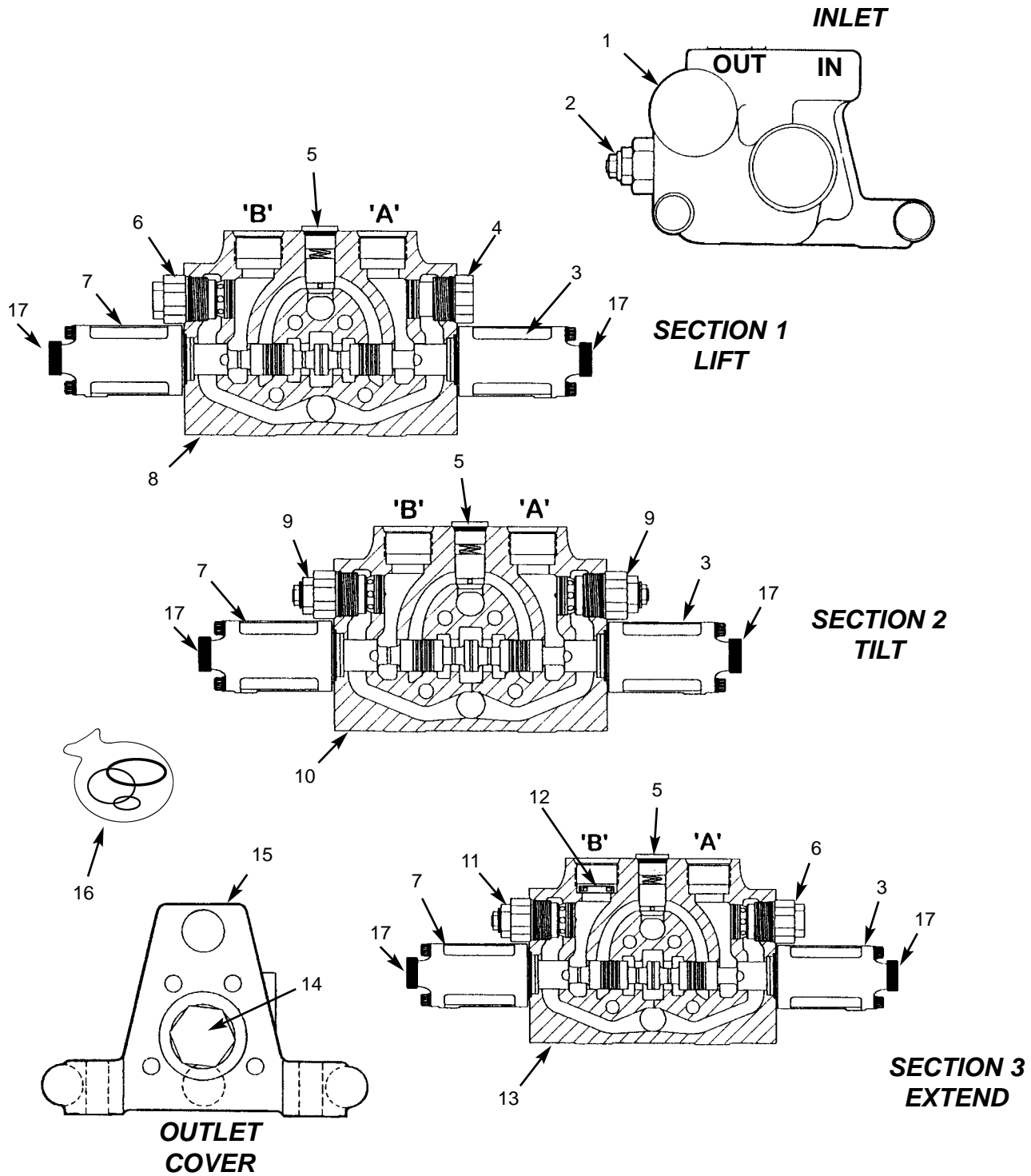
***Main Valve - (HydroControl)***

Ref. No.	Part No.	Description	Qty. Req.	Ref. No.	Part No.	Description	Qty. Req.
00	105159	V40 VALVE COMPLETE ASSY. . . . 1 <i>(without auxiliary hydraulics section)</i>		07	103068	PLUG . . . . . 2	
	105557	COMPLETE SEAL KIT <i>(not shown)</i> 1		08	103046	ANTI-CAVITATION VALVE . . . . . AR	
01	103054	INLET SECTION . . . . . 1 <i>(includes items 16-18)</i>		09	103052	CHECK VALVE . . . . . AR	
	103063	SECTION SEAL KIT <i>(not shown)</i> . . 1		10	L99903	WORK PORT RESTRICTOR . . . . . 1	
02	103057	WORK SECTION <i>(lift)</i> . . . . . 1 <i>(includes items 8,9,14,15)</i>		11	103048	ANTI-SHOCK VALVE <i>(210 bar)</i> . . . 1	
	103066	SECTION SEAL KIT <i>(not shown)</i> . . 1		12	103045	COMBINATION VALVE <i>(210 bar)</i> . . 2	
03	103058	WORK SECTION <i>(tilt)</i> . . . . . 1 <i>(includes items 12-13)</i>		13	104320	CHECK VALVE . . . . . 1	
	103067	SECTION SEAL KIT <i>(not shown)</i> . . 1		14	103047	PLUG KIT . . . . . 1	
04	103056	WORK SECTION <i>(boom in/out)</i> . . . 1 <i>(includes items 8-11)</i>		15	103053	CONTROL KIT . . . . . AR	
	103065	SECTION SEAL KIT <i>(not shown)</i> . . 1		16	103050	PLUG KIT . . . . . 1	
05	103061	OUTLET SECTION . . . . . 1 <i>(includes item 7)</i>		17	103049	PILOT RELIEF VALVE <i>(210 bar)</i> . . 1	
06	105556	TIE ROD KIT <i>(3 section valve)</i> . . . . 4 <i>(includes two nuts and washers)</i>		18	103051	PLUG KIT, 1-5/16"-12 UNF . . . . . 1	

**Usage Table - Main Control Valve**

**Parts listed on this page apply to the following units:**  
 DL6L SN 25648 and up  
 DL6H SN 20925 and up  
 DL8L SN 35546 and up  
 DL8H SN 31007 and up  
 DL10L SN 45394 and up  
 DL10H SN 40906 and up  
 DL12H SN 50490 and up

**Main Valve - (Gresen/Parker)**





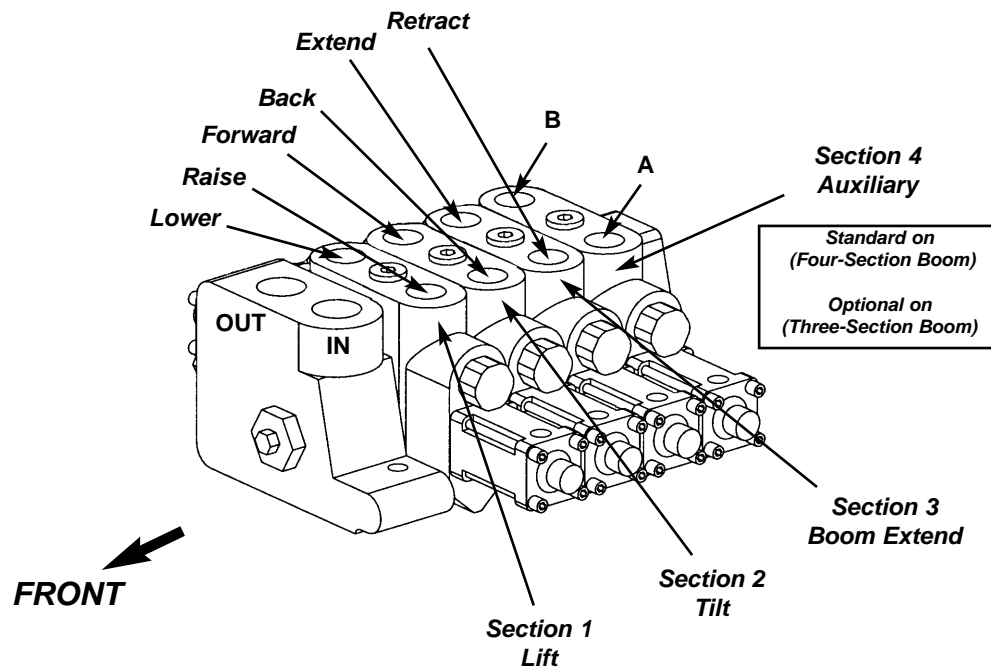
**Main Valve - (Gresen/Parker)**

Ref. No.	Part No.	Description	Qty. Req.	Ref. No.	Part No.	Description	Qty. Req.
00	L69475	V40 VALVE COMPLETE ASSY. (without Auxiliary hydraulics)		10	L99893	WORK SECT. NO. 2 ASY . . . . . 1 (Includes items 3, 5, 7 and 9)	
01	L99895	COVER HOUSING (INLET) . . . . . 1		11	L98029	RELIEF CARTRIDGE . . . . . 1	
02	L99896	RELIEF CARTRIDGE . . . . . 1			L97359	PLUG SEAL KIT . . . . . 1	
	L99897	RELIEF SEAL KIT . . . . . 1		12	L99903	WORK PORT RESTRICTOR . . . . . 1	
03 <sup>a</sup>	L99086	HRO ACTUATOR "A" PORT . . . . . 3		13	L99894	WORK SECT. NO. 3 ASY . . . . . 1 (Includes items 3, 5, 6, 7, 11 and 12)	
	L98894	SEAL KIT, ACTUATOR . . . . . AR		14	L99831	PLUG -16. . . . . 2	
04	L97358	NO RELIEF PLUG. . . . . 1		15	L99899	COVER HOUSING (OUTLET) . . . . . 1	
	L97359	PLUG SEAL KIT. . . . . 1		16	L99905	SECTION SEAL KIT . . . . . 1	
05 <sup>a</sup>	L99085	LOAD CHECK PLUG KIT . . . . . 3		17	L500300	DUST BOOT, RUBBER . . . . . AR	
06	L99898	NO RELIEF CARTRIDGE . . . . . 2					
	L97359	PLUG SEAL KIT. . . . . 1					
07 <sup>a</sup>	L99084	HRO ACTUATOR "B" PORT . . . . . 3					
	L98894	SEAL KIT, ACTUATOR . . . . . AR					
08	L99892	WORK SECT. NO. 1 ASY. . . . . 1 (Includes items 3-7)					
09	L97362	RELIEF CARTRIDGE . . . . . 2					
	L97359	PLUG SEAL KIT. . . . . 1					

**-- ITEMS NOT SHOWN --**

00	L99904	STUD KIT, 3 SECTION VALVE . . . . . 1
----	--------	---------------------------------------

*a Units with Auxiliary hydraulics use a quantity of 4.*

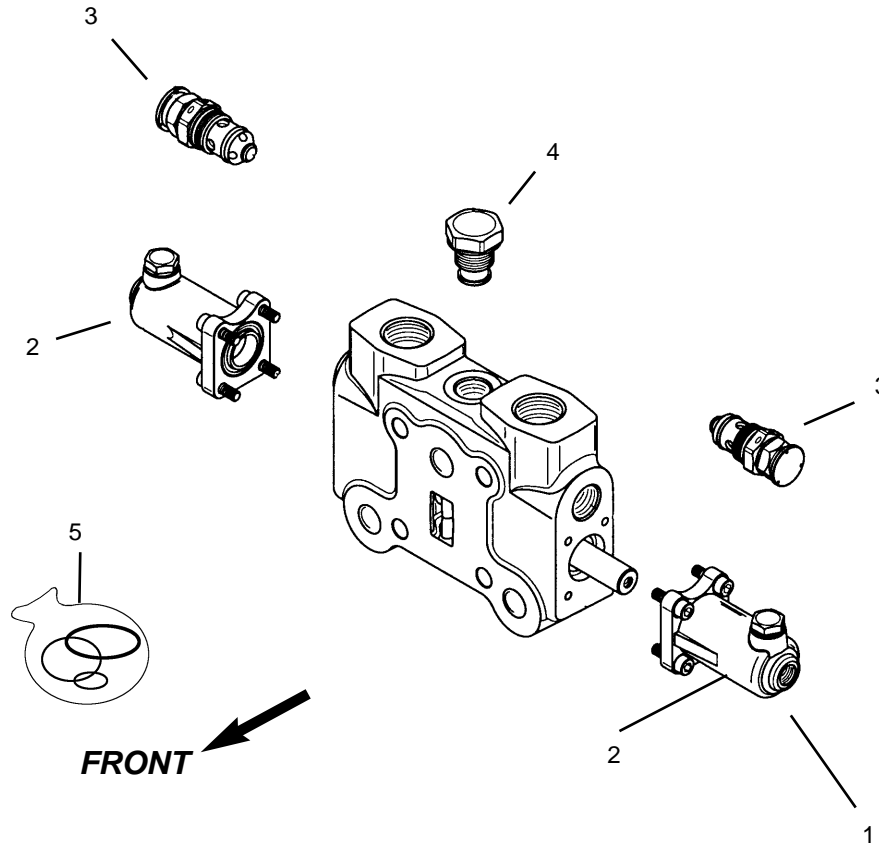


**Usage Table - Main Control Valve**

**Parts listed on this page apply to the following units:**  
 DL6L SN 25647 and before  
 DL6H SN 20924 and before  
 DL8L SN 35545 and before  
 DL8H SN 31006 and before  
 DL10L SN 45393 and before  
 DL10H SN 40905 and before  
 DL12H SN 50489 and before

## Auxiliary Hydraulics Valve Section

(Refer to Usage Table below)



Ref. No.	Part No.	Description	Qty. Req.	Ref. No.	Part No.	Description	Qty. Req.
01	105165	AUXILIARY HYD WORK SECT. . . . .1 <i>(includes items 1-4)</i>					
02 <sup>a</sup>	103053	HYD. CONTROL KIT . . . . .2					
03 <sup>c</sup>	103086	ANTISHOCK VALVE . . . . .1					
04 <sup>c</sup>	103052	CHECK VALVE . . . . .1					
05 <sup>b</sup>	103087	SEAL KIT . . . . .1					

**-- ITEMS NOT SHOWN --**

00	103059	TIE ROD KIT (4 section valve) . . . . .4 <i>(includes two nuts and washers)</i>	
----	--------	--	--

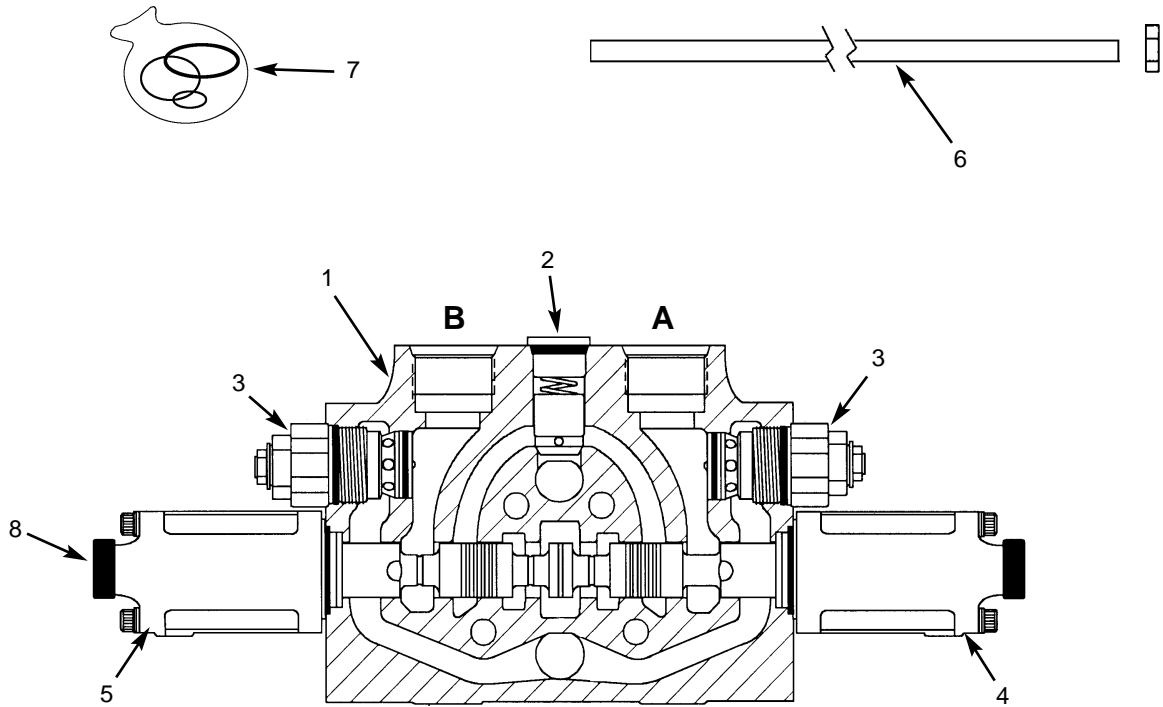
- a Includes outer caps, orings, bolts, plug and internal spool spring for this work section, does not include orings for valves/plugs or the spool.*
- b Items included with seal kit are not shown in detail.*
- c Seals/orings for this valve are not sold individually, however they are included with the work section seal kit where this valve is used.*

**Usage Table - Main Control Valve**

**Parts listed on this page apply to the following units:**  
 DL6L SN 25648 and up  
 DL6H SN 20925 and up  
 DL8L SN 35546 and up  
 DL8H SN 31007 and up  
 DL10L SN 45394 and up  
 DL10H SN 40906 and up  
 DL12H SN 50490 and up

**Auxiliary Hydraulic Valve Section**

*(Refer to Usage Table below)*



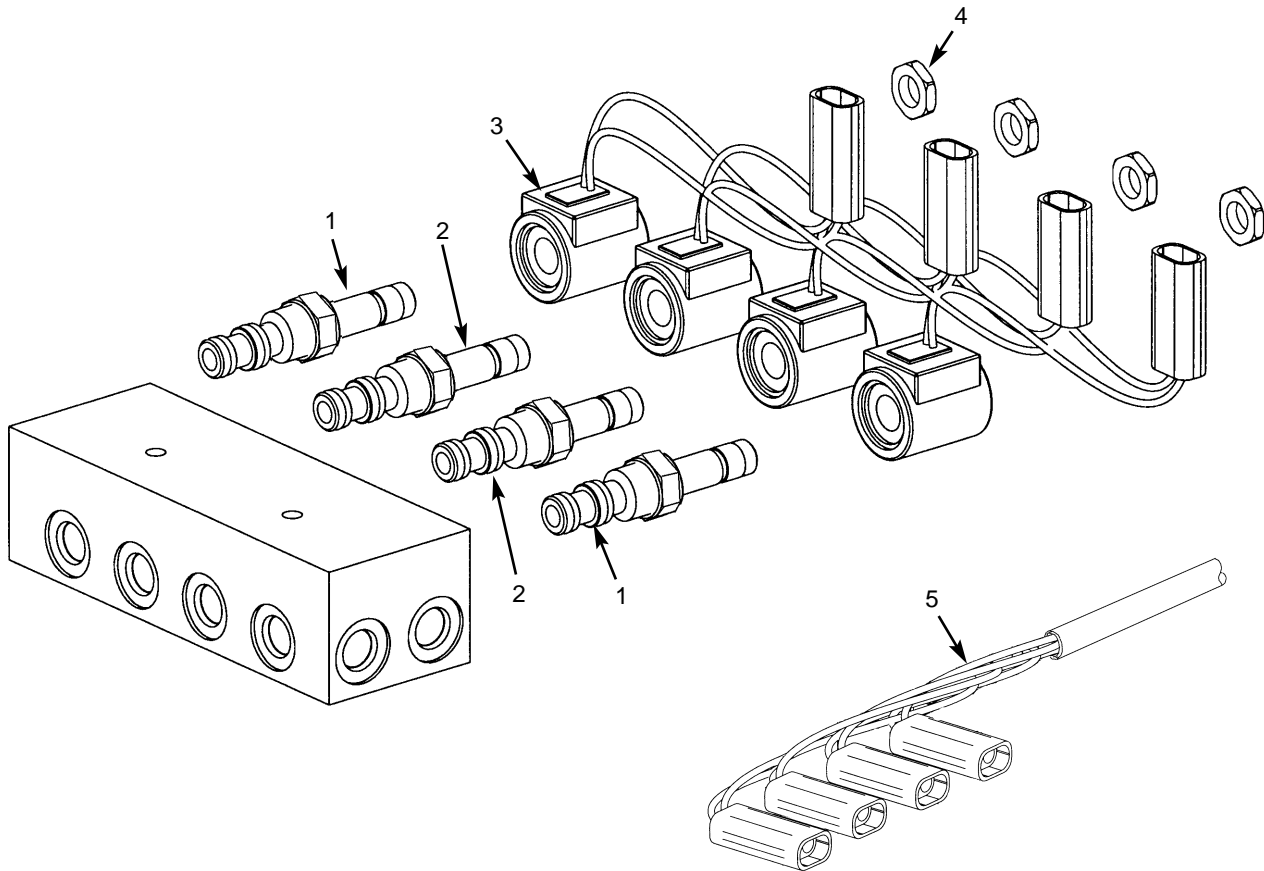
Ref. No.	Part No.	Description	Qty. Req.	Ref. No.	Part No.	Description	Qty. Req.
01	L66576	WORK SECTION (AUX) Kit . . . . .	1				
		<i>(Includes all items shown)</i>					
02	L99085	LOAD CHECK PLUG KIT . . . . .	1				
03	L97362	RELIEF CARTRIDGE . . . . .	2				
	L97359	PLUG SEAL KIT . . . . .	1				
04	L99086	HRO ACTUATOR "A" PORT . . . . .	1				
	L98894	SEAL KIT, ACTUATOR . . . . .	1				
05	L99084	HRO ACTUATOR "B" PORT . . . . .	1				
	L98894	SEAL KIT, ACTUATOR . . . . .	1				
06	L99093	STUD KIT, 4 SECTION VALVE . . . . .	1				
07	L99905	SECTION SEAL KIT . . . . .	1				
08	L500300	DUST BOOT . . . . .	AR				

*Items in seal kits are not shown*

**Usage Table - Main Control Valve**

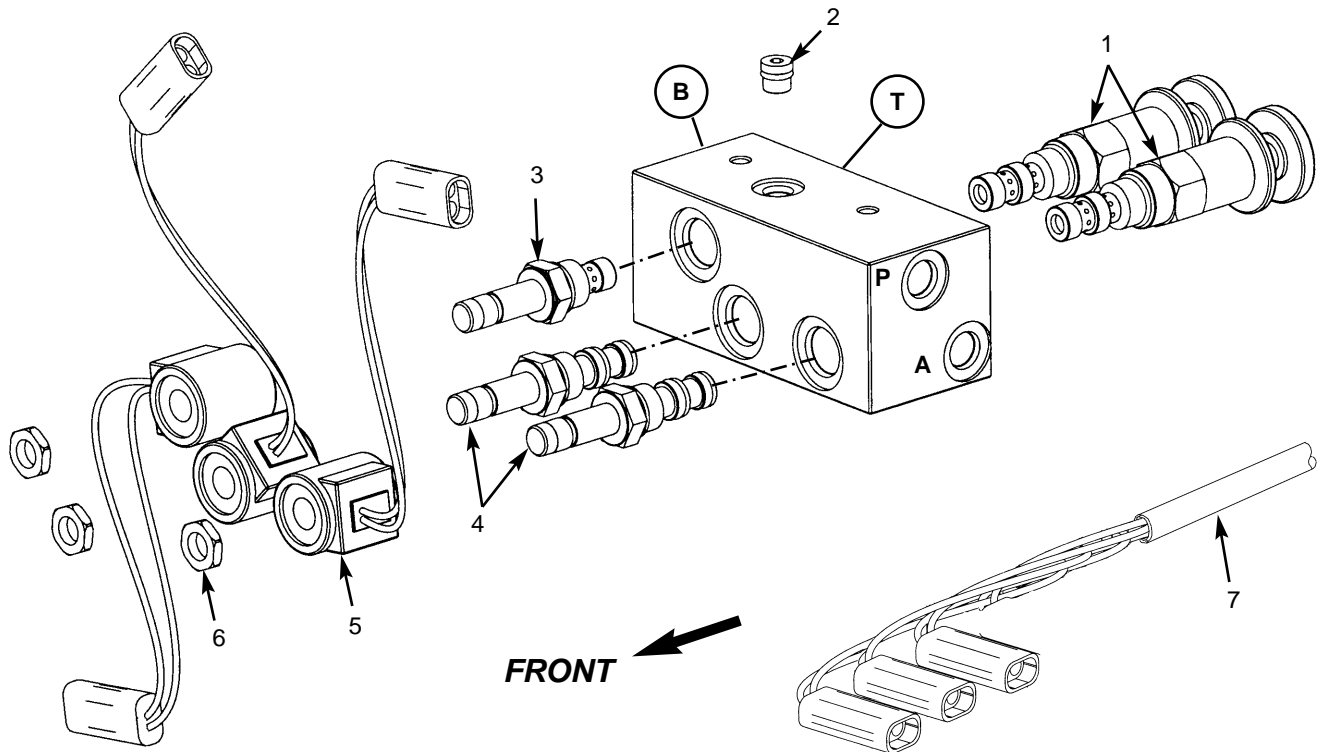
*Parts listed on this page apply to the following units:*  
 DL6L SN 25647 and before  
 DL6H SN 20924 and before  
 DL8L SN 35545 and before  
 DL8H SN 31006 and before  
 DL10L SN 45393 and before  
 DL10H SN 40905 and before  
 DL12H SN 50489 and before

**Pilot Manifold**  
**Dual-Function (Two-Button) Joystick Option**



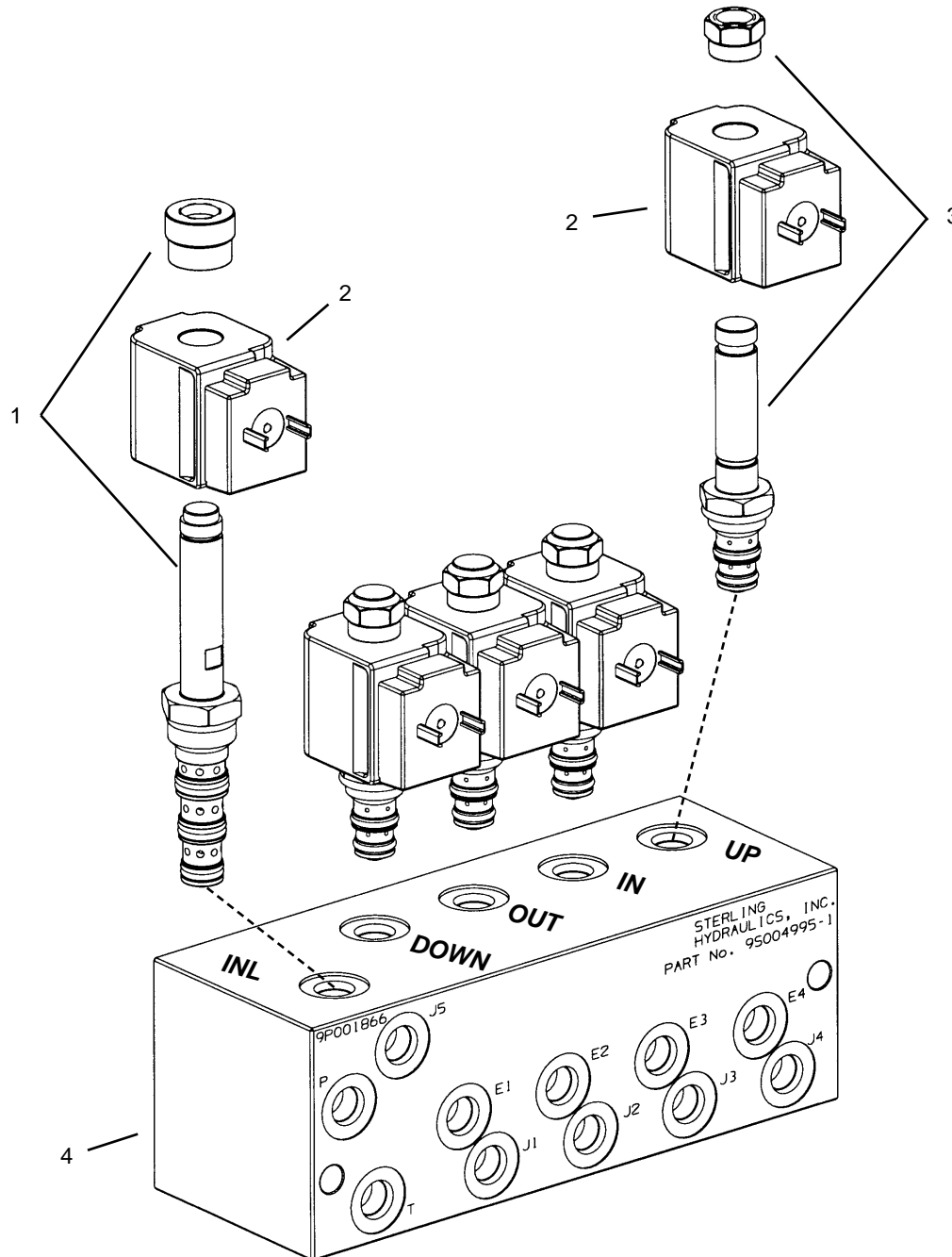
Ref. No.	Part No.	Description	Qty. Req.	Ref. No.	Part No.	Description	Qty. Req.
	L69467	PILOT APPLY MANIFOLD..... <sup>a</sup> (Includes all items except item 5)		03	L99908	COIL, WEATHERPAK 12VDC.....	4
01	L99910	VALVE, 3-WAY 2 POSITION.....	2	04	NSS	NUT.....	4
	L99911	SEAL KIT, 3-WAY VALVE.....	2			(Included with items 1 and 2)	
02	L99909	VALVE, 3-WAY 2 POSITION.....	2	05	L71342	WIRE HARNESS, TILT CONTROL.	1
	L99911	SEAL KIT, 3-WAY VALVE.....	2	<sup>a</sup>		Units equipped with Auxiliary Hydraulics will use (2) L69467 Pilot Apply Manifolds	

**Pilot Manifold  
Tri-Function (Four-Button) Joystick Option**



Ref. No.	Part No.	Description	Qty. Req.	Ref. No.	Part No.	Description	Qty. Req.
	L71339	PILOT APPLY MANIFOLD..... <sup>a</sup> (Includes all items except item 7)		04	L99910	VALVE, 3-WAY 2 POSITION..... 2 (Includes item 6)	
01	L500745	PRESSURE CONTROL..... 2			L99911	SEAL KIT, 3-WAY VALVE..... 2	
	L99911	SEAL KIT..... 2		05	L99908	COIL, WEATHERPAK 12VDC..... 3	
02	L99917	PLUG -4 NWD STYLE..... 1		06	NSS	NUT..... 3 (Included with items 3 and 4)	
03	L500746	VALVE, 2 WAY..... 1 (Includes item 6)		07	L71343	WIRE HARNESS, TILT CONTROL. 1	
	L99924	SEAL KIT, 2 WAY VALVE..... 1					
				<sup>a</sup>		Units equipped with Auxiliary Hydraulics will use (2) L71339 Pilot Apply Manifolds	

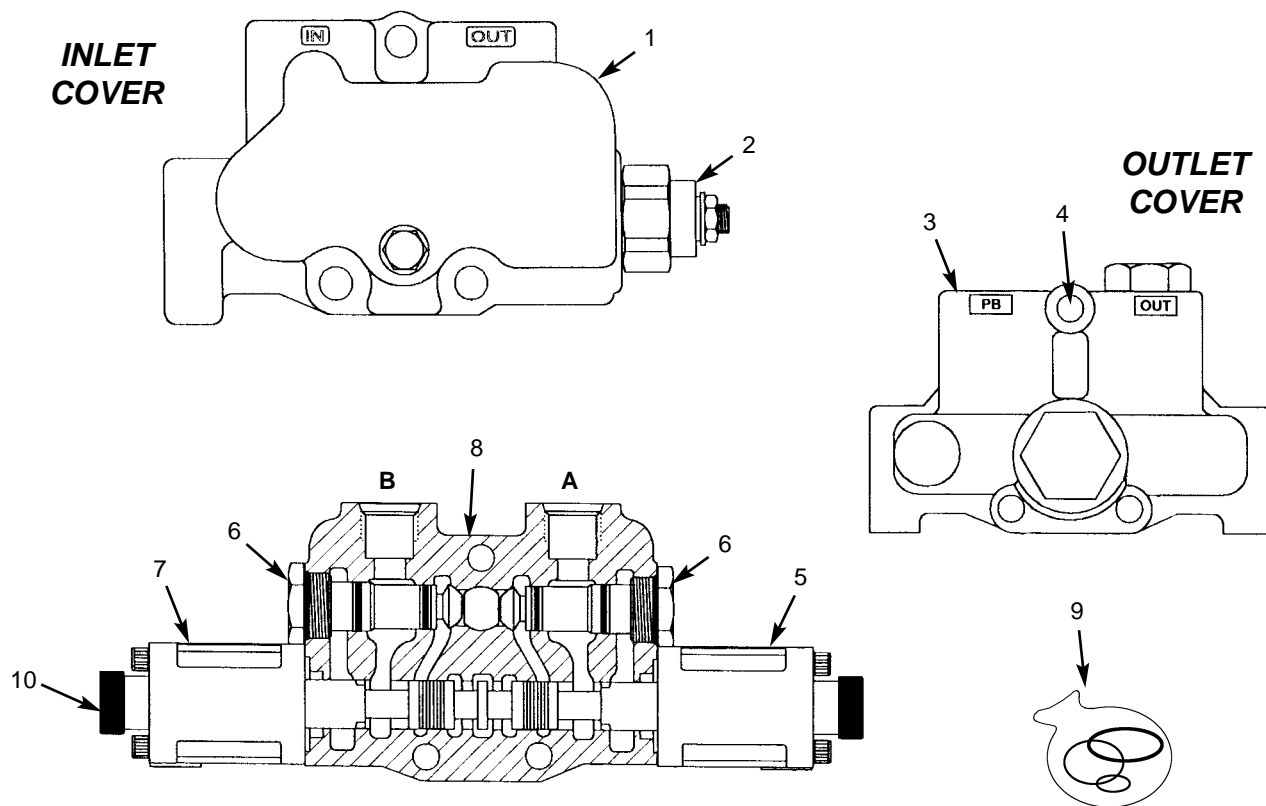
**Radio Remote Manifold (Option)**



***Radio Remote Manifold (Option)***

Ref. No.	Part No.	Description	Qty. Req.	Ref. No.	Part No.	Description	Qty. Req.
00	103413	COMPLETE VALVE . . . . .	1	04	NSS	MANIFOLD . . . . .	1
		<i>(includes all items shown and listed)</i>					
01	103508	2/4 WAY SOLENOID VALVE . . . . .	1			<b>-- ITEMS NOT SHOWN --</b>	
	103511	SEAL KIT FOR VALVE . . . . .	1	00	103514	SHUTTLE VALVE . . . . .	4
02	103510	12 VDC COIL (DIN CONN.) . . . . .	5		103513	SEAL KIT FOR VALVE . . . . .	AR
03	103509	PROPORTIONAL PRESS. VALVE . . . . .	4				
	103512	SEAL KIT FOR VALVE . . . . .	AR				

Outrigger V20 Valve



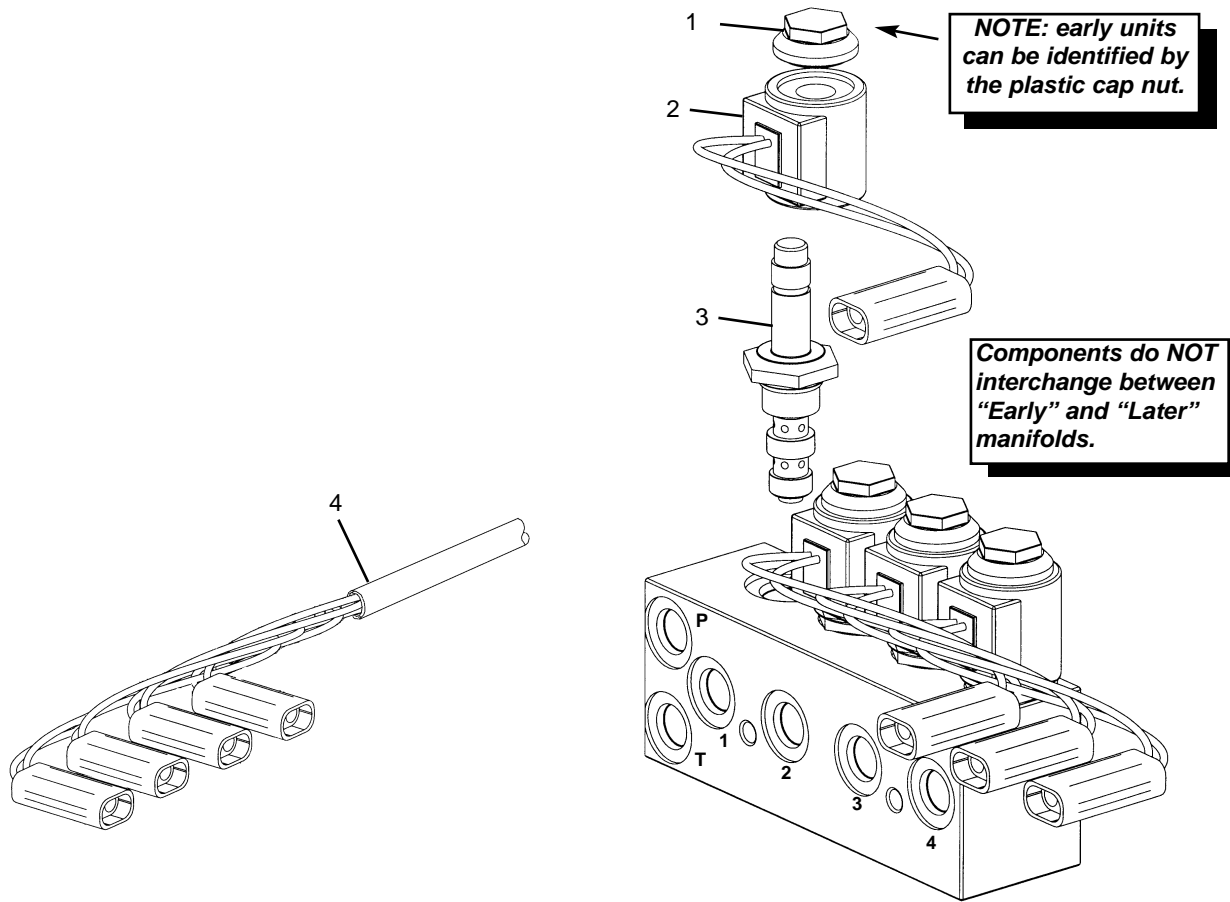


***Outrigger V20 Valve***

Ref. No.	Part No.	Description	Qty. Req.	Ref. No.	Part No.	Description	Qty. Req.
	L70528	COMPLETE VALVE ASY. ....	1	06	L500132	LOAD CHECK PLUG .....	4
01	L500128	INLET COVER HOUSING. ....	1	07 <sup>a</sup>	L500134	HRO ACTUATOR "B" PORT .....	2
02	L500129	RELIEF CARTRIDGE .....	1		L98894	SEAL KIT, ACTUATOR .....	AR
	L96580	RELIEF SEAL KIT .....	1	08	L500131	WORK SECTION ( <i>includes 5-7</i> ) ...	2
03	L500133	OUTLET COVER HOUSING. ....	1	09 <sup>a</sup>	L500127	SECTION SEAL KIT .....	1
04	L500126	STUD ASY. KIT .....	1	10	L500300	DUST BOOT. ....	AR
05 <sup>a</sup>	L500135	HRO ACTUATOR "A" PORT .....	2				
	L98894	SEAL KIT, ACTUATOR .....	AR				

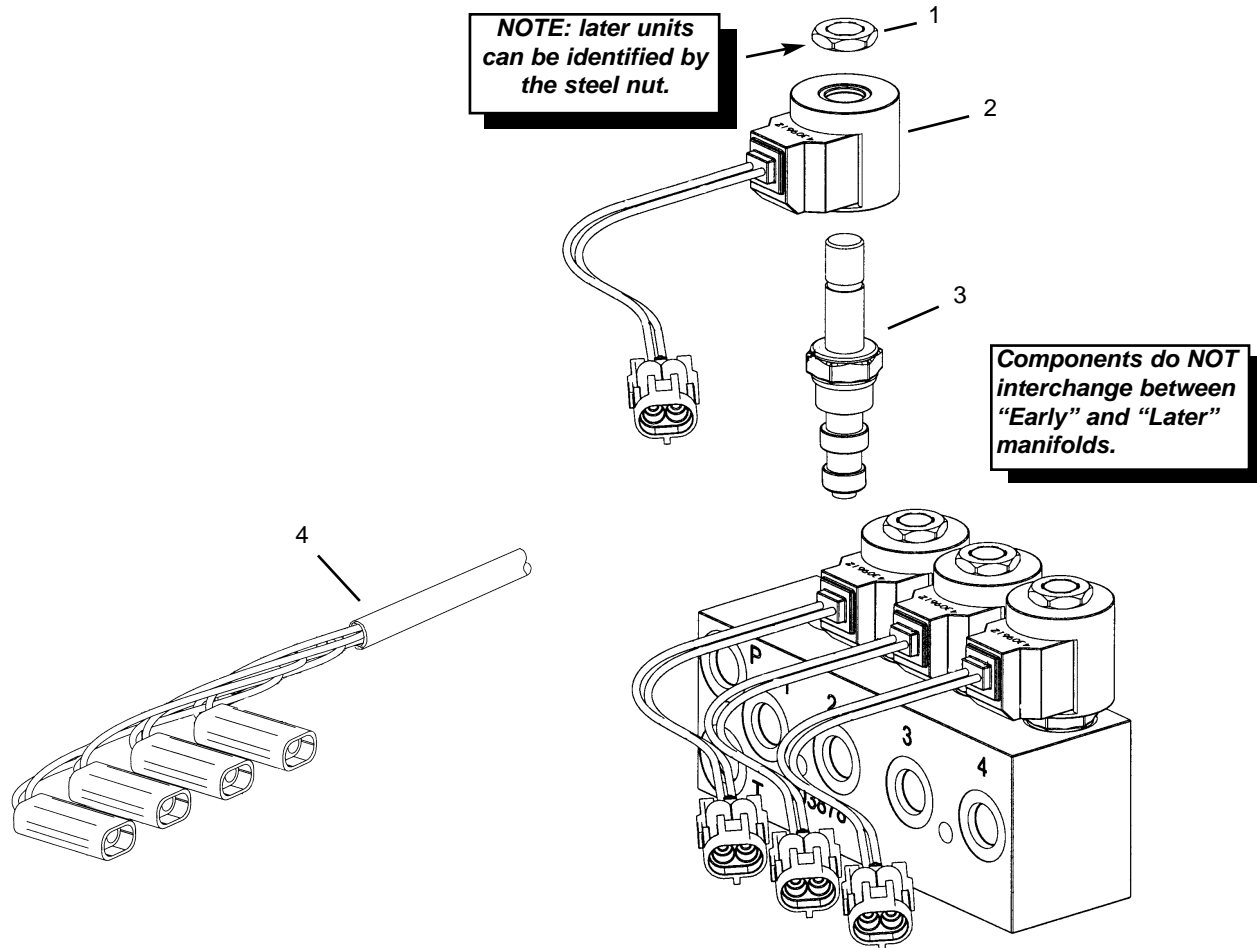
*a Items in seal kits are not shown*

**Outrigger Pilot Manifold (Early Style)**



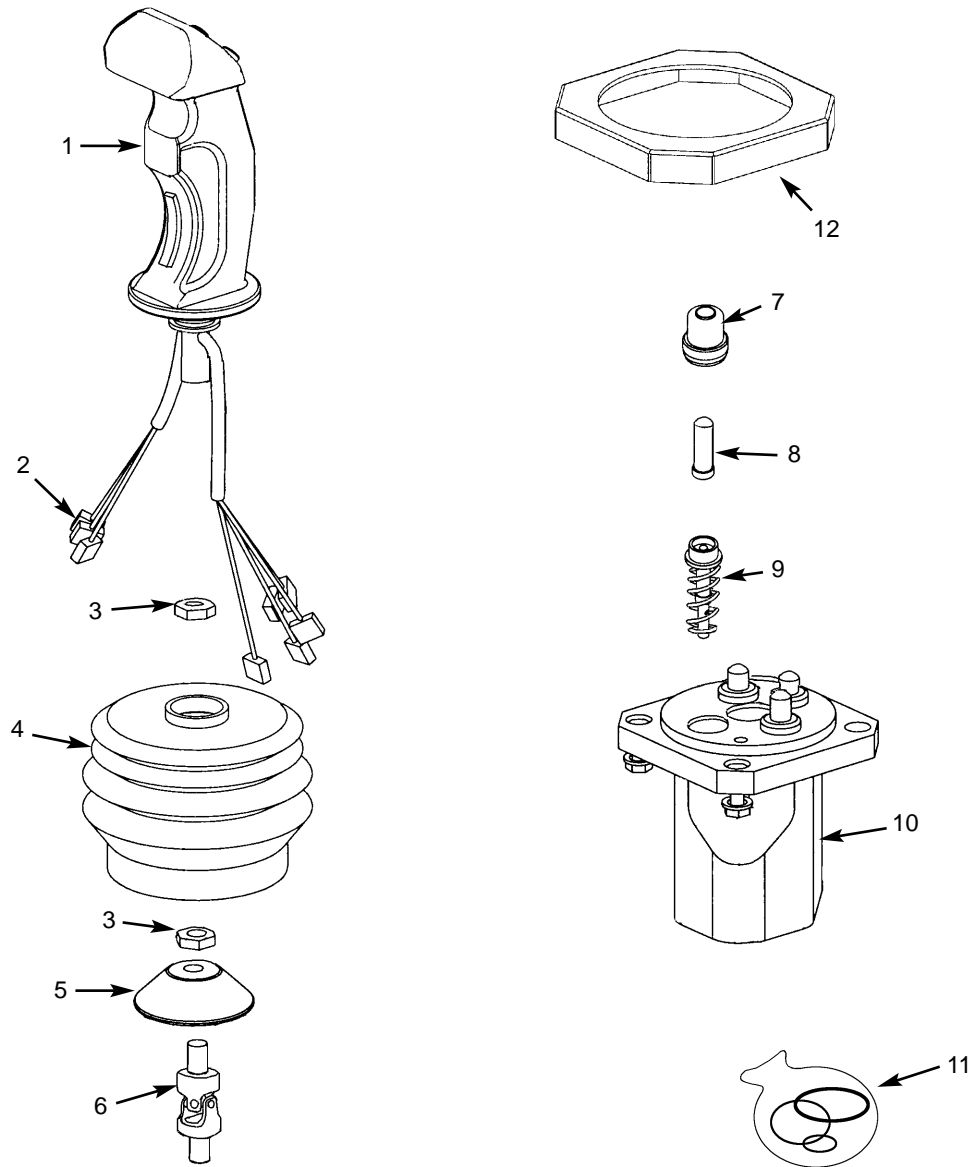
Ref. No.	Part No.	Description	Qty. Req.	Ref. No.	Part No.	Description	Qty. Req.
	103878	COMPLETE. VALVE ASSEMBLY . . . 1 (Includes items 1-3)	1	02	L99908	WEATHERPAK COIL 12VDC . . . . . 4	4
01	L500243	WEATHERPROOF NUT KIT . . . . . 4 (Includes nut and 2 o-rings) (Included with item 3)	4	03	L99998	VALVE . . . . . 4 (Includes item 1)	4
				04	L70651	OUTRIGGER WIRE HARNESS . . . 1	1

**Outrigger Pilot Manifold (Later Style)**



Ref. No.	Part No.	Description	Qty. Req.	Ref. No.	Part No.	Description	Qty. Req.
	103878	COMPLETE. VALVE ASSEMBLY . . . 1 (Includes items 1-3)	1	02	104016	E-COIL 12VDC . . . . .	4
01	NSS	NUT, SOLENOID VALVE. . . . . 4 (Included with item 3)	4	03	L99912	VALVE . . . . .	4
				04	L70651	OUTRIGGER WIRE HARNESS . . . 1	1

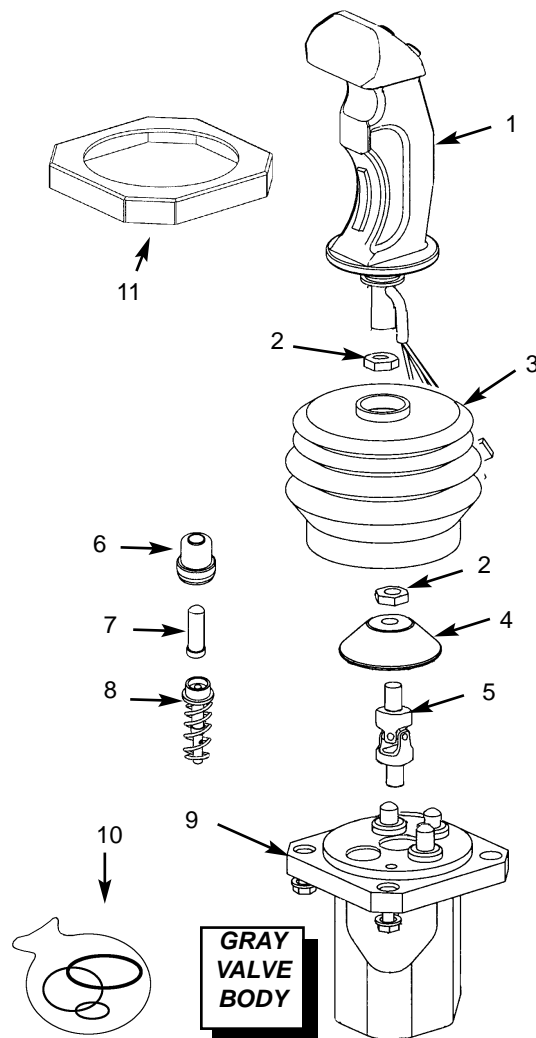
**Tri-Function (Four-Button) Joystick Controller**



***Tri-Function (Four-Button) Joystick Controller***

Ref. No.	Part No.	Description	Qty. Req.	Ref. No.	Part No.	Description	Qty. Req.
00		JOYSTICK 4-BUTTON/TRIGGER..	1	10	NSS	BODY ASSEMBLY.....	1
	L71346	<i>Note a</i>		11 <sup>c</sup>	L500653	SEAL REPAIR KIT .....	1
	104083	<i>Note b</i>		12	104304	BEZEL, JOYSTICK .....	1
01	L500371	HANDLE W/4 BUTTONS .....	1				
02	L62761	WIRE CONNECTOR .....	8				
03	L500688	NUT M10 UNI .....	2	a		<i>DL6L SN 25647 and before</i>	
04	L500656	RUBBER BOOT .....	1			<i>DL6H SN 20924 and before</i>	
05	L500689	SELECTOR DISC .....	1			<i>DL8L SN 35545 and before</i>	
06	L500652	UNIVERSAL JOINT .....	1			<i>DL8H SN 31006 and before</i>	
07	L500692	SPINDLE GUIDE ASSEMBLY.....	4			<i>DL10L SN 45393 and before</i>	
08	L500690	HPV SPINDLE 10mm .....	4			<i>DL10H SN 40905 and before</i>	
09		PILOT SPRING PACK.....	4			<i>DL12H SN 50489 and before</i>	
	L500691	<i>Note a - (CO94 Springs)</i>		b		<i>DL6L SN 25648 and up</i>	
	104223	<i>Note b - (CO59 Springs)</i>				<i>DL6H SN 20925 and up</i>	
						<i>DL8L SN 35546 and up</i>	
						<i>DL8H SN 31007 and up</i>	
						<i>DL10L SN 45394 and up</i>	
						<i>DL10H SN 40906 and up</i>	
						<i>DL12H SN 50490 and up</i>	
				c		<i>Items included in the seal kit are not shown.</i>	

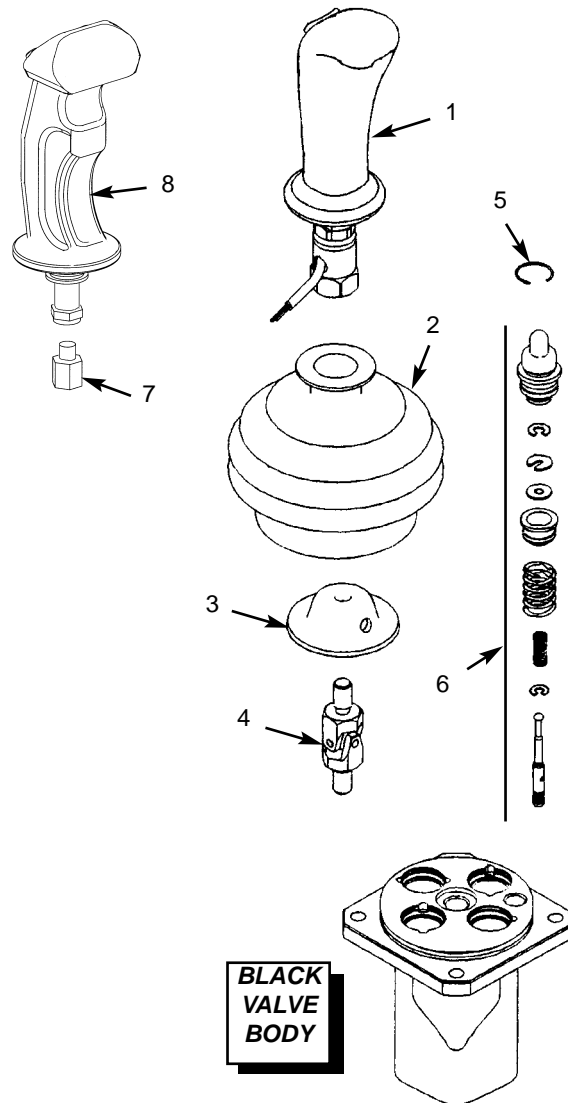
**Dual-Function (Two-Button) Joystick Controller  
(Later Style - Gray Valve Body)**



***Dual-Function (Two-Button) Joystick Controller  
(Later Style - Gray Valve Body)***

Ref. No.	Part No.	Description	Qty. Req.	Ref. No.	Part No.	Description	Qty. Req.
00		JOYSTICK 2 BUTTON..... 1		09	NSS	BODY ASSEMBLY..... 1	
	L71366	<i>Note a (gray valve body)</i>		10 <sup>c</sup>	L500653	SEAL REPAIR KIT ..... 1	
	104084	<i>Note b (gray valve body)</i>		11	104304	BEZEL, JOYSTICK ..... 1	
01	L500357	HANDLE W/2 BUTTONS ..... 1					
02	L500688	NUT M10 UNI ..... 2		a		<i>DL6L SN 25647 and before</i>	
03	L500656	RUBBER BOOT ..... 1				<i>DL6H SN 20924 and before</i>	
04	L500689	SELECTOR DISC ..... 1				<i>DL8L SN 35545 and before</i>	
05	L500652	UNIVERSAL JOINT..... 1				<i>DL8H SN 31006 and before</i>	
06	L500692	SPINDLE GUIDE ASSEMBLY..... 4				<i>DL10L SN 45393 and before</i>	
07	L500690	HPV SPINDLE 10mm ..... 4				<i>DL10H SN 40905 and before</i>	
08		PILOT SPRING PACK C094..... 4				<i>DL12H SN 50489 and before</i>	
	L500691	<i>Note a - (C094 Springs)</i>		b		<i>DL6L SN 25648 and up</i>	
	104223	<i>Note b - (C059 Springs)</i>				<i>DL6H SN 20925 and up</i>	
						<i>DL8L SN 35546 and up</i>	
						<i>DL8H SN 31007 and up</i>	
						<i>DL10L SN 45394 and up</i>	
						<i>DL10H SN 40906 and up</i>	
						<i>DL12H SN 50490 and up</i>	
				c		<i>Items included in the seal kit are not shown.</i>	

**Dual-Function (Two-Button) Joystick Controller  
(Early Style - Black Valve Body)**





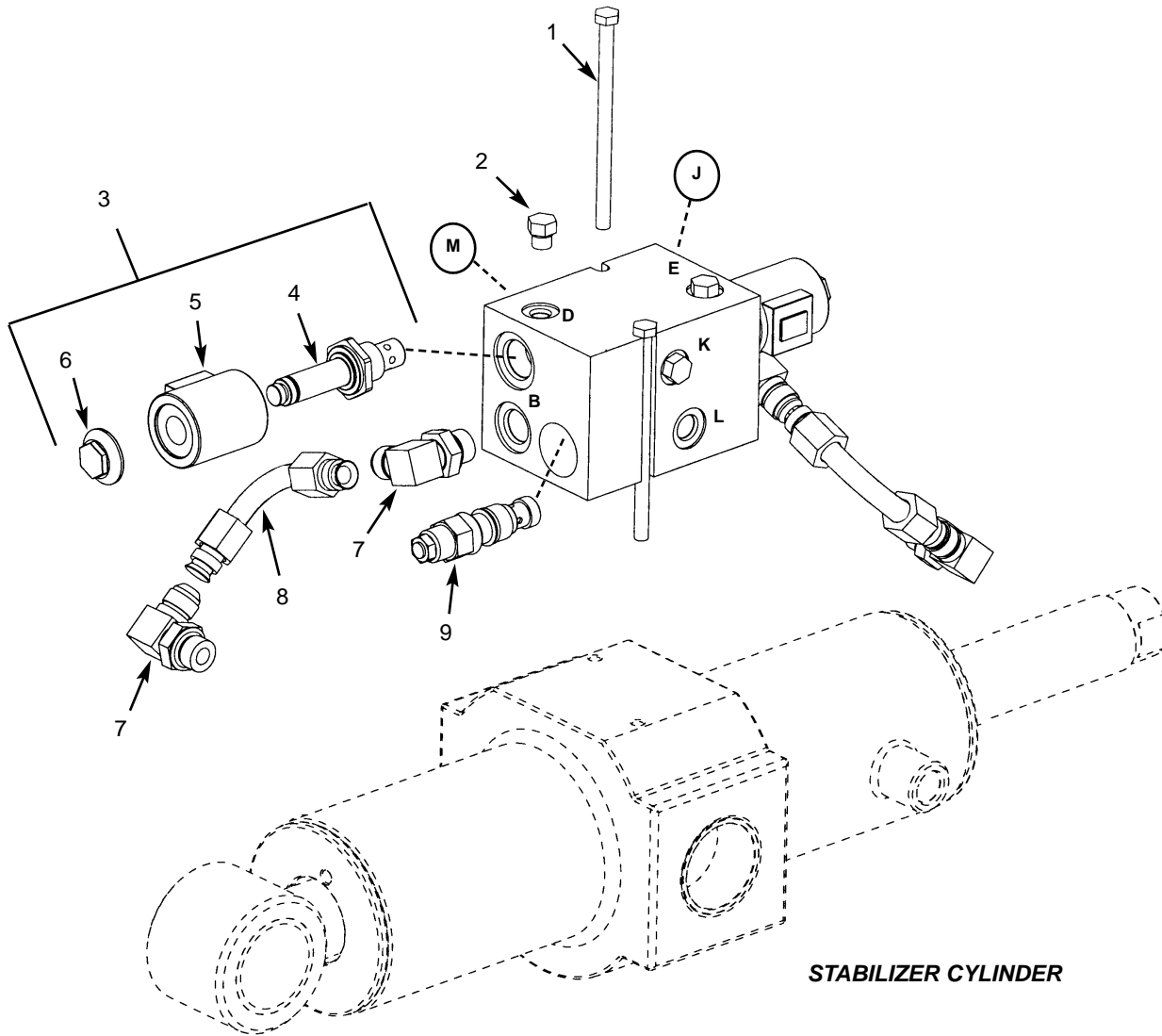
**Dual-Function (Two-Button) Joystick Controller  
(Early Style - Black Valve Body)**

Ref. No.	Part No.	Description	Qty. Req.	Ref. No.	Part No.	Description	Qty. Req.
01 <sup>a</sup>	L500361	HANDLE W/ROCKER SWITCH ...	1	07	L71415	JOYSTICK HANDLE ADAPTER ...	1
02	L99961	RUBBER BOOT .....	1		L51034	M10X1.5 JAM NUT ( <i>not shown</i> ) ...	1
03	L99962	SELECTOR SPRING (DISC) .....	1	08 <sup>b</sup>	L500357	HANDLE W/2 BUTTONS .....	1
04	L99963	CARDAN JOINT .....	1				
05	L99964	RETAINER RING.....	1				
06	L99965	PLUNGER KIT.....	4				
				<i>a</i>	<i>Replacement Kit.</i>		
				<i>b</i>	<i>Requires item # 7 L71415 adapter and L51034 jam nut.</i>		

**Usage Table**

**Parts listed on this page apply to the following units:**  
 DL6L SN 25647 and before; with black valve body  
 DL6H SN 20924 and before; with black valve body  
 DL8L SN 35545 and before; with black valve body  
 DL8H SN 31006 and before; with black valve body  
 DL10L SN 45393 and before; with black valve body  
 DL10H SN 40905 and before; with black valve body  
 DL12H SN 50489 and before; with black valve body

**Stabilizer Cylinder Manifold Group**

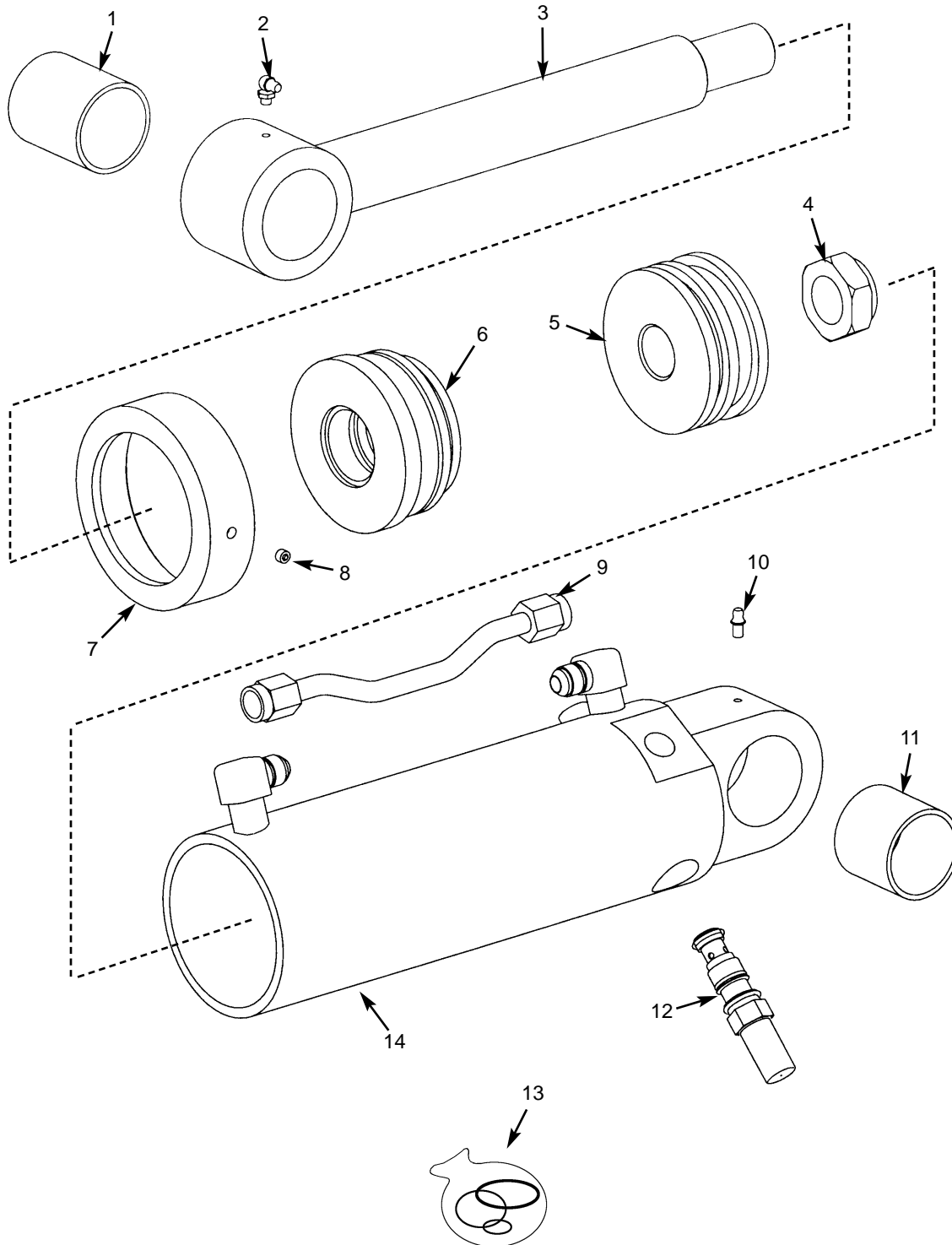


**STABILIZER CYLINDER**

***Stabilizer Cylinder Manifold Group***

Ref. No.	Part No.	Description	Qty. Req.	Ref. No.	Part No.	Description	Qty. Req.
00		COMPLETE VALVE ASSEMBLY. . . . . 1				--- SERIAL NUMBERS ---	
	L66885	<i>Note a (Includes items 2-6 and 9)</i>		a		DL6H SN 20299 and before	
	L71166	<i>Note b (Includes items 2-6 and 9)</i>				DL6L SN 25351 and before	
01	L50458	5/16"-18X3-3/4" BOLT . . . . . 2				DL8H SN 30301 and before	
02	L60986	PLUG -4ORM . . . . . 3				DL8L SN 35302 and before	
03	L69997	VALVE, 2WAY (Inc. items #4-6) . . . . . 2				DL10H SN 40135 and before	
04	L99913	CARTRIDGE (ONLY). . . . . 2				DL10L SN 45097 and before	
	L99916	SEAL KIT, CARTRIDGE. . . . . 1					
05		COIL, WEATHERPAK 12VDC. . . . . 2		b		DL6H SN 20300 and up	
	L99941	<i>Note a</i>				DL6L SN 25352 and up	
	L500252	<i>Note b</i>				DL8H SN 30302 and up	
	L99914	SEAL KIT, COIL (fits both PN's)				DL8L SN 35303 and up	
06	L500243	NUT (Included with item 5). . . . . 2				DL10H SN 40136 and up	
07	L445002	ADAP -8ORM -8JICM 90. . . . . 4				DL10L SN 45098 and up	
08	L69775	TUBE, STABILIZER CYL. . . . . 2				DL12H SN ALL	
09	L70495	COUNTER BAL. VALVE 3700PSI. . . . . 2					
	L97889	CBV SEAL KIT . . . . . 1					

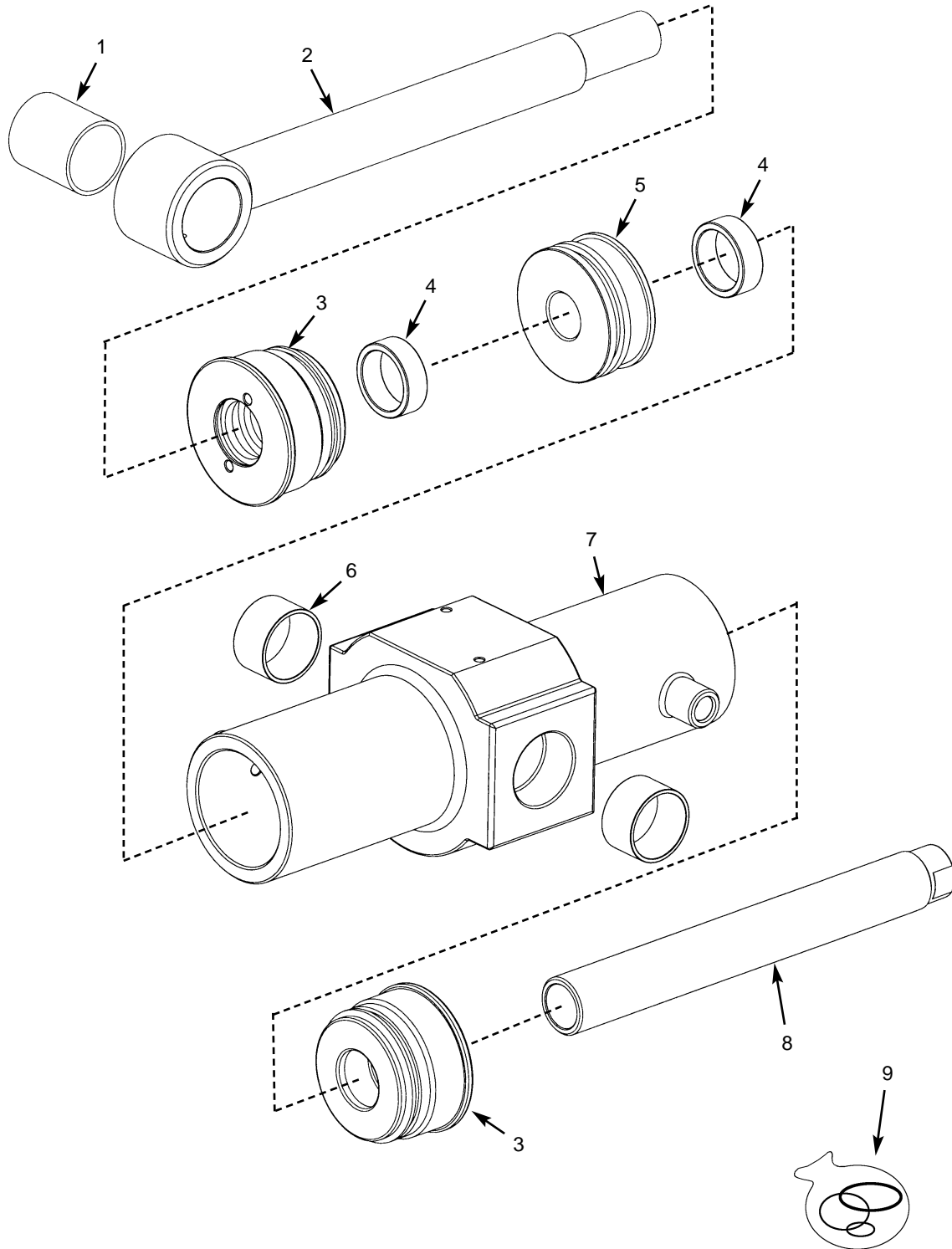
**Frame Level Cylinder**



***Frame Level Cylinder***

Ref. No.	Part No.	Description	Qty. Req.	Ref. No.	Part No.	Description	Qty. Req.
	L63015	COMPLETE ASSEMBLY		09	L98509	OIL LINE TUBE ASSEMBLY . . . . .	1
01	L63016	BUSHING 2.0X2.25X2.5" . . . . .	1	10	L10465	1/4-28 GREASE ZERK . . . . .	1
02	L10057	1/4-28 GREASE ZERK STR . . . . .	1	11	L64367	BUSHING 2.0X2.25X2.0" . . . . .	1
03	L98503	ROD WELDMENT . . . . .	1	12	L70495	COUNTER BALANCE VALVE . . . . .	2
04	L99405	1-1/4-12 UNF LOCKNUT . . . . .	1		L97889	SEAL KIT (CBV) . . . . .	1
05	L98550	PISTON . . . . .	1	13 <sup>a</sup>	L98506	CYLINDER SEAL KIT . . . . .	1
06	L98507	HEAD GLAND . . . . .	1	14	NSS	CYLINDER TUBE WELDMENT . . .	1
07	L98457	HEAD GLAND CAP . . . . .	1				
08	L99857	5/16-18X1/4" SET SCREW . . . . .	1	a		<i>Items included in the seal kit are not shown.</i>	

**Stabilizer Cylinder**

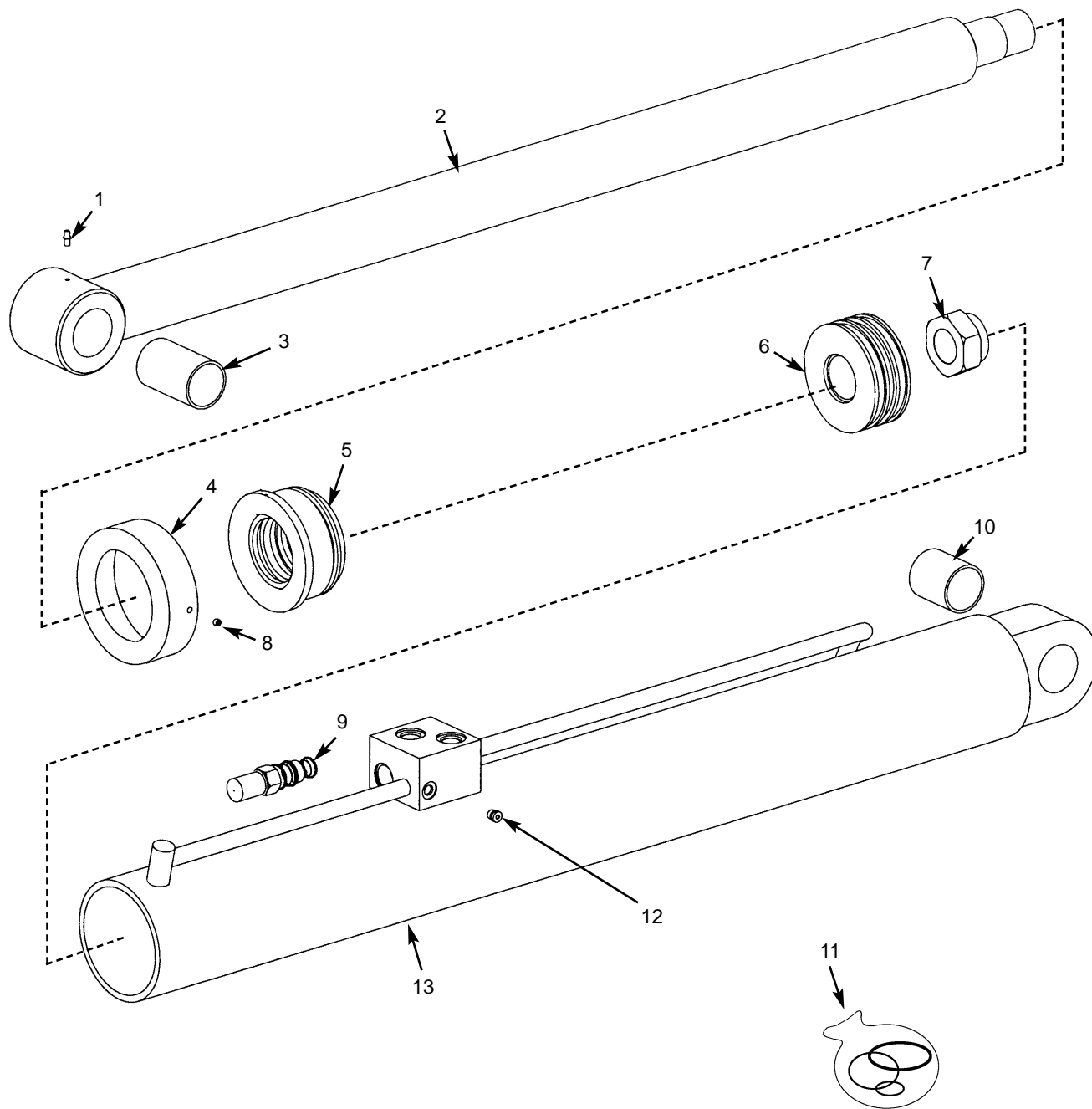


***Stabilizer Cylinder***

<b>Ref. No.</b>	<b>Part No.</b>	<b>Description</b>	<b>Qty. Req.</b>	<b>Ref. No.</b>	<b>Part No.</b>	<b>Description</b>	<b>Qty. Req.</b>
	L70358	COMPLETE ASSEMBLY		06	L69774	BUSHING .....	2
01	L69138	BUSHING .....	1	07	NSS	TUBE WELDMENT .....	1
02	L99934	ROD WELDMENT .....	1	08	L99935	CYLINDER ROD .....	1
03	L99937	HEAD GLAND .....	2	09 <sup>a</sup>	L99942	CYLINDER SEAL KIT .....	1
04	L99936	ROD SPACER .....	2				
05	L99938	PISTON .....	1				

*a Items included in the seal kit are not shown.*

*Lift Cylinder*

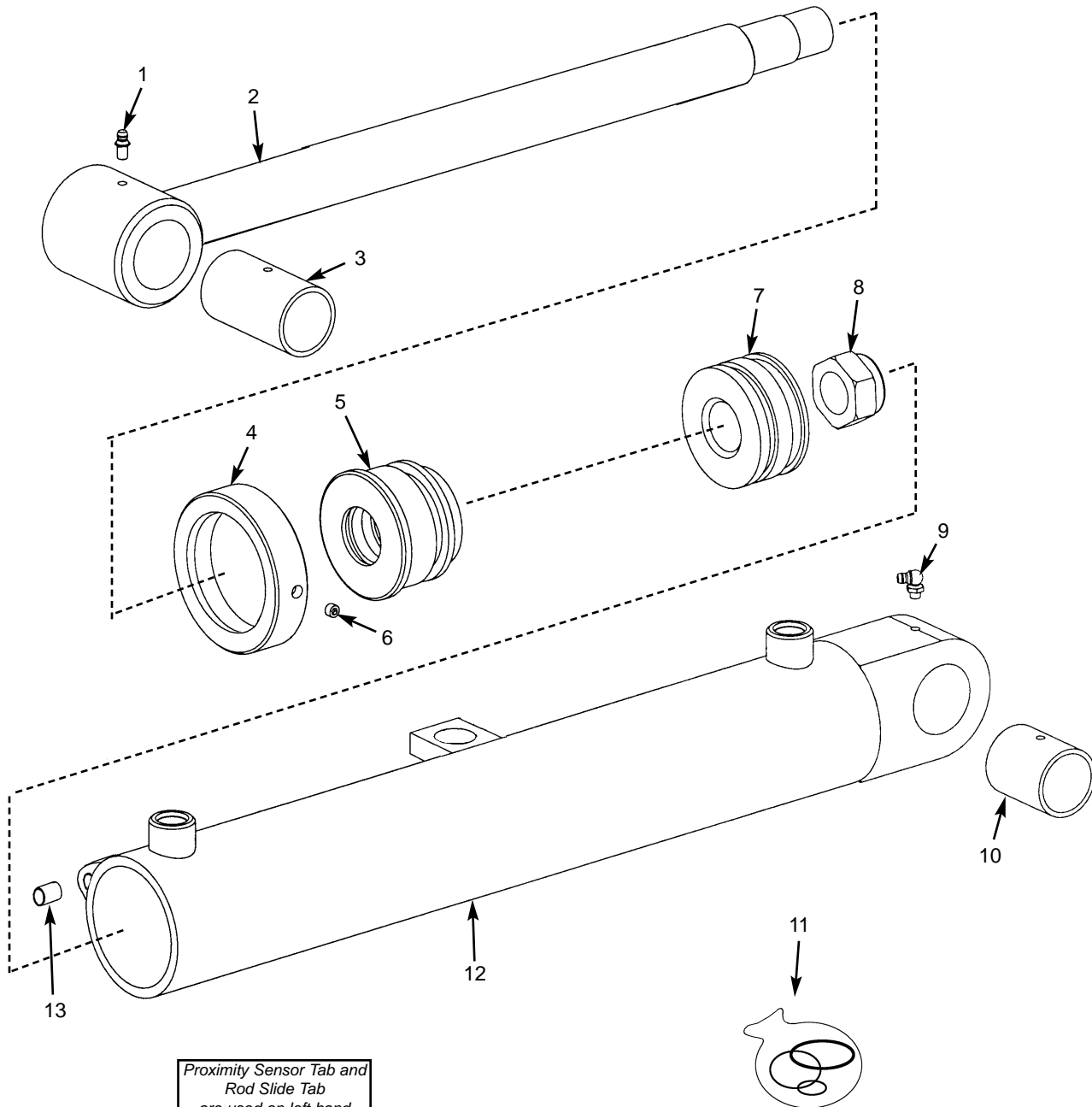




***Lift Cylinder***

Ref. No.	Part No.	Description	Qty. Req.	Ref. No.	Part No.	Description	Qty. Req.
		COMPLETE ASSEMBLY (RIGHT) . . . 1		06		PISTON . . . . . 1	
	L69125	<i>Note a</i>			L99860	<i>Note a</i>	
	L69135	<i>Note b</i>			L99851	<i>Note b</i>	
		COMPLETE ASSEMBLY (LEFT) . . . 1		07	L99122	1-3/4"-12 UNF LOCKNUT . . . . . 1	
	L69564	<i>Note a</i>		08	L99857	5/16-18X1/4" SET SCREW . . . . . 1	
	L69565	<i>Note b</i>		09	L70502	CBAL VALVE . . . . . 1	
01	L10465	1/4-28 GREASE ZERK . . . . . 1			L96838	CB VALVE SEAL KIT . . . . . 1	
02		ROD WELDMENT . . . . . 1		10	L69138	BUSHING (BASE END) . . . . . 1	
	L99861	<i>Note a</i>		11 <sup>C</sup>		CYLINDER SEAL KIT . . . . . 1	
	L99853	<i>Note b</i>			L99859	<i>Note a</i>	
03	L69142	BUSHING (ROD END) . . . . . 1			L99849	<i>Note b</i>	
04		HEAD GLAND CAP . . . . .		12	L99917	PLUG -4 . . . . . 1	
	L99863	<i>Note a</i>		13	NSS	CYLINDER TUBE WELDMENT . . . 1	
	L99856	<i>Note b</i>					
05		HEAD GLAND . . . . . 1		<i>a</i>		<i>Used on model DL6</i>	
	L99862	<i>Note a</i>		<i>b</i>		<i>Used on models DL8, DL10 and DL12</i>	
	L99854	<i>Note b</i>		*		<i>Items included in the seal kit are not shown.</i>	

**Slave Cylinder**

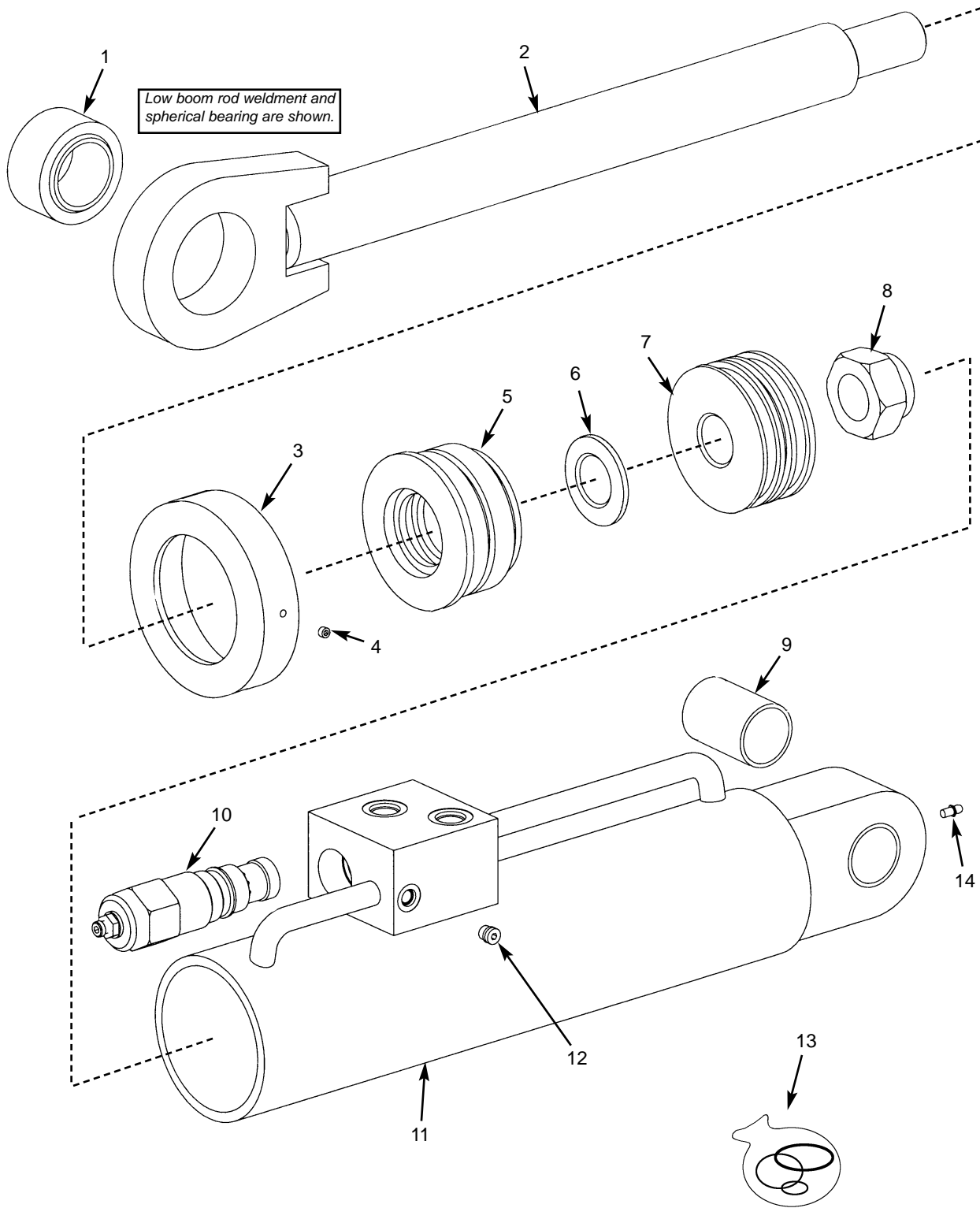


Proximity Sensor Tab and Rod Slide Tab are used on left hand cylinders only

***Slave Cylinder***

Ref. No.	Part No.	Description	Qty. Req.	Ref. No.	Part No.	Description	Qty. Req.
		COMPLETE ASSEMBLY (RIGHT) . . . 1		07		PISTON . . . . . 1	
	L69149	<i>Note a</i>			L99864	<i>Note a</i>	
	L69139	<i>Note b</i>			L99870	<i>Note b</i>	
		COMPLETE ASSEMBLY (LEFT) . . . 1		08 <sup>a</sup>	L500751	1-3/8-12 UNF LOCKNUT . . . . . 1	
	L70251	<i>Note a</i>		08 <sup>b</sup>	L99405	1-1/4-12 UNF LOCKNUT . . . . . 1	
	L70240	<i>Note b</i>		09	L10057	1/4-28 GREASE ZERK 90 DEG . . . 1	
01	L10465	1/4-28 GREASE ZERK STR . . . . . 1		10	L63017	BUSHING (BASE END) . . . . . 1	
02		ROD WELDMENT . . . . . 1		11		CYLINDER SEAL KIT . . . . . 1	
	L99865	<i>Note a</i>			L99868	<i>Note a &amp; d</i>	
	L99871	<i>Note b</i>			L99869	<i>Note b &amp; d</i>	
03	L63018	BUSHING (ROD END) . . . . . 1		12	NSS	CYLINDER TUBE WELDMENT . . . 1	
04		HEAD GLAND CAP . . . . . 1		13 <sup>c</sup>	L48179	BUSHING (ROD SLIDE TAB) . . . . 1	
	L98547	<i>Note a</i>					
	L99872	<i>Note b</i>					
05		HEAD GLAND . . . . . 1		<i>a</i>		<i>Used on high boom - all models</i>	
	L99866	<i>Note a</i>		<i>b</i>		<i>Used on low boom - all models</i>	
	L98528	<i>Note b</i>		<i>c</i>		<i>Used on cylinders L70251 and L70240</i>	
06	L99857	5/16-18X1/4" SET SCREW . . . . . 1		<i>d</i>		<i>Items included in the seal kit are not shown.</i>	

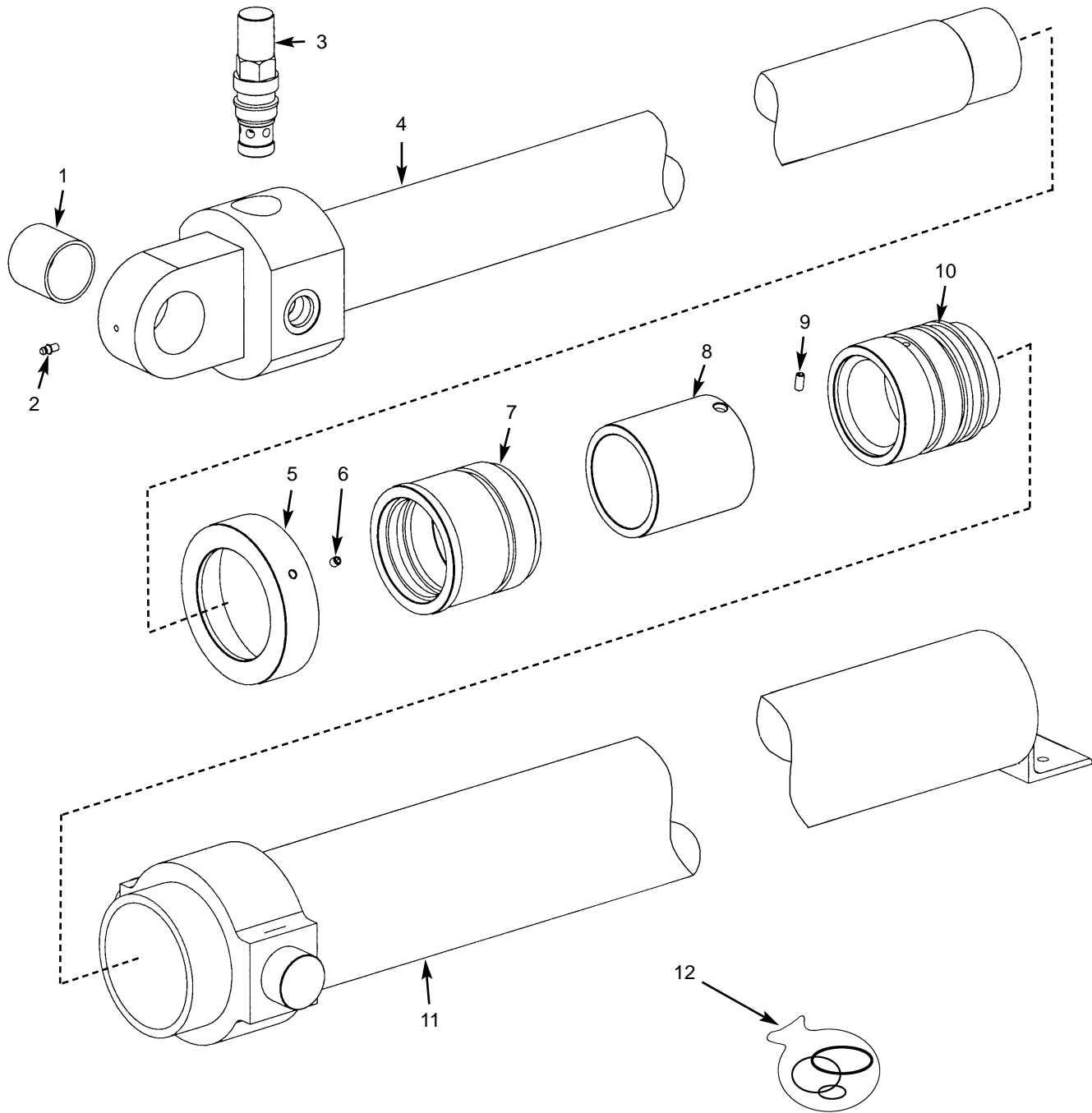
**Tilt Cylinder**



***Tilt Cylinder***

Ref. No.	Part No.	Description	Qty. Req.	Ref. No.	Part No.	Description	Qty. Req.
		COMPLETE ASSEMBLY.....	1	07	L99885	PISTON.....	1
	L69144	<i>Note a</i>		08	L99122	1-3/4" UNF LOCKNUT.....	1
	L69751	<i>Note b</i>		09	L69127	BUSHING (BASE END).....	1
01		BUSHING.....	1	10	L70502	COUNTER BALANCE VALVE.....	1
	L99889	<i>Note a (Bushing)</i>			L96838	CB VALVE SEAL KIT.....	1
	L99891	<i>Note b (Spherical bearing)</i>		11	NSS	CYLINDER TUBE WELDMENT ...	1
02		ROD WELDMENT.....	1	12	L99917	PLUG -4.....	1
	L99886	<i>Note a (Includes bushing L99889)</i>		13 <sup>c</sup>	L99883	CYLINDER SEAL KIT.....	1
	L99890	<i>Note b</i>		14	L10465	1/4-28 GREASE ZERK STR.....	1
03	L99887	HEAD GLAND CAP.....	1				
04	L99879	5/16-18X5/16" SET SCREW.....	1	<i>a</i>	<i>Used on high boom - all models.</i>		
05	L99888	HEAD GLAND.....	1	<i>b</i>	<i>Used on low boom - all models.</i>		
06	L99852	THRUST WASHER.....	1	<i>c</i>	<i>Items included in the seal kit are not shown.</i>		

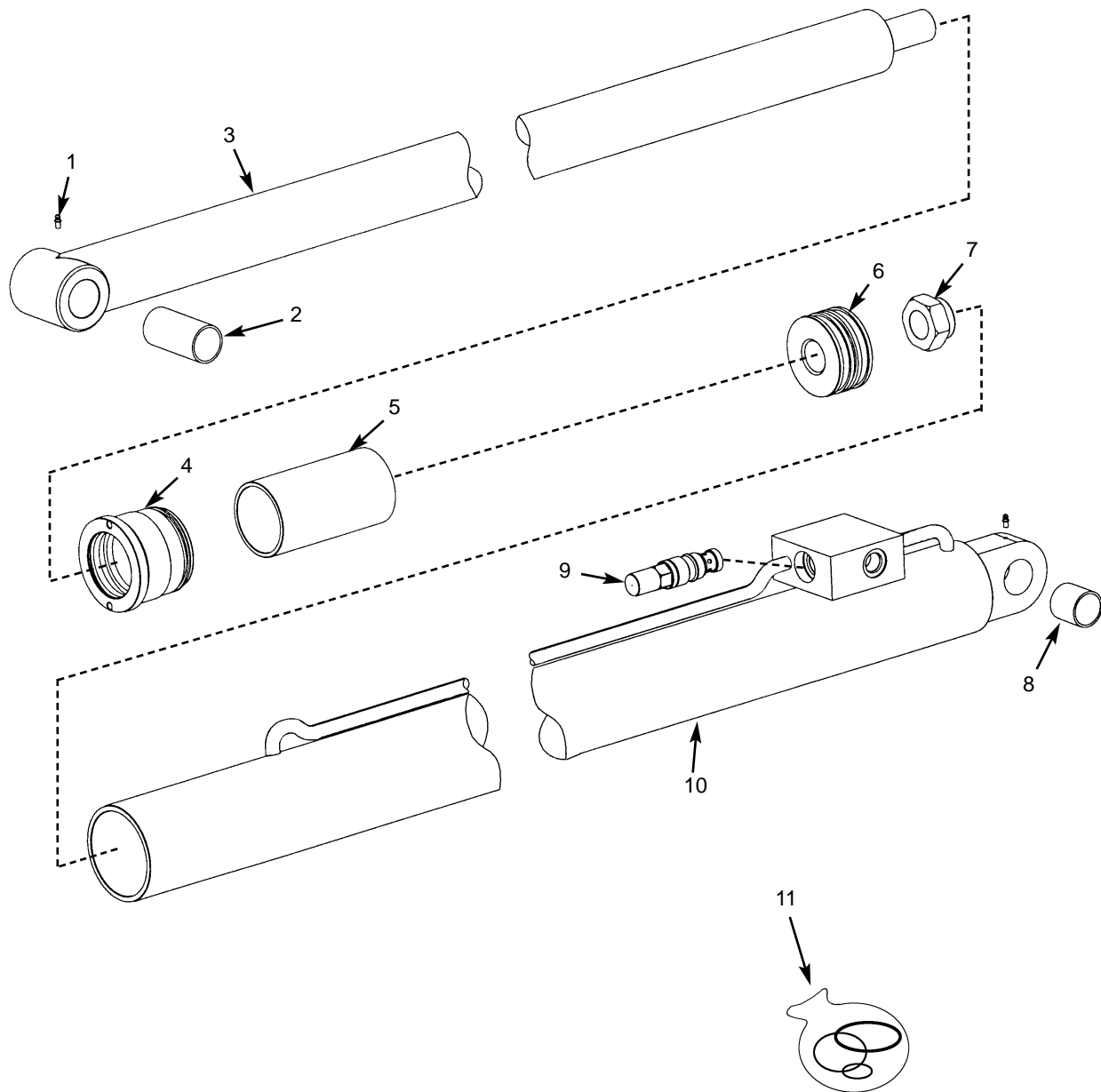
**Boom Extend Cylinder**  
*(Three-Section Boom)*



***Boom Extend Cylinder  
(Three-Section Boom)***

<b>Ref. No.</b>	<b>Part No.</b>	<b>Description</b>	<b>Qty. Req.</b>	<b>Ref. No.</b>	<b>Part No.</b>	<b>Description</b>	<b>Qty. Req.</b>
		COMPLETE ASSEMBLY.....	1	05	L99056	HEAD GLAND CAP.....	1
	L69305	<i>Note a</i>		06	L99879	5/16-18X5/16" SET SCREW.....	1
	L69136	<i>Note b</i>		07	L99053	HEAD GLAND.....	1
	L69146	<i>Note c</i>		08	L99877	ROD SPACER.....	1
	L69156	<i>Note d</i>		09	L99875	5/16-18X5/8" SET SCREW.....	1
01	L64367	BUSHING (ROD END).....	1	10	L99874	PISTON.....	1
02	L10465	1/4"-28 GREASE ZERK.....	1	11	NSS	CYLINDER TUBE WELDMENT ...	1
03	L70274	COUNTER BALANCE VALVE.....	1	12 <sup>e</sup>	L99873	CYLINDER SEAL KIT.....	1
	L99943	CBAL VALVE SEAL KIT.....	1				
04		ROD WELDMENT.....	1	<i>a</i>	<i>40' Low Boom</i>		
	L99880	<i>Note a</i>		<i>b</i>	<i>40' High Boom and 42' Low Boom</i>		
	L99878	<i>Note b</i>		<i>c</i>	<i>42' High Boom and 44' Low Boom</i>		
	L99881	<i>Note c</i>		<i>d</i>	<i>44' High Boom</i>		
	L99882	<i>Note d</i>		<i>e</i>	<i>Items included in the seal kit are not shown.</i>		

**Boom Extend Cylinder**  
*(Four-Section Boom)*

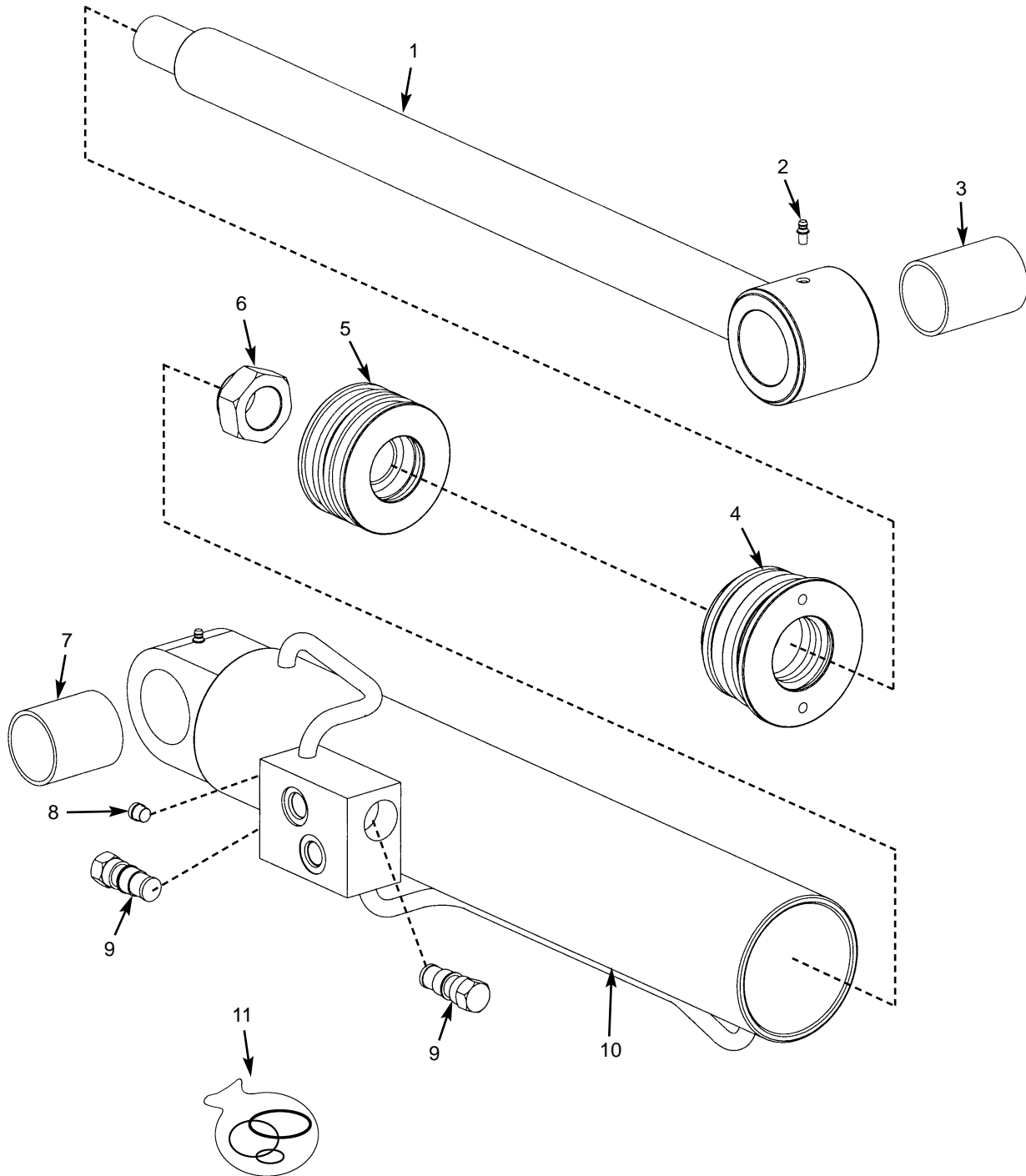




***Boom Extend Cylinder  
(Four-Section Boom)***

<b>Ref. No.</b>	<b>Part No.</b>	<b>Description</b>	<b>Qty. Req.</b>	<b>Ref. No.</b>	<b>Part No.</b>	<b>Description</b>	<b>Qty. Req.</b>
		COMPLETE ASSEMBLY.....	1	06	L500757	PISTON.....	1
	L71023	<i>Note a</i>		07	L99122	1-3/4"-12 UNF LOCKNUT.....	1
	L71024	<i>Note b</i>		08	L67120	BUSHING (BASE END).....	1
01	L10465	1/4"-28 GREASE ZERK.....	2	09	L70274	COUNTER BALANCE VALVE.....	1
02	L67119	BUSHING (ROD END).....	1		L99943	CBAL VALVE SEAL KIT.....	1
03		ROD WELDMENT.....	1	10	NSS	CYLINDER TUBE WELDMENT ...	1
	L500752	<i>Note a</i>		11 <sup>c</sup>	L500262	CYLINDER SEAL KIT.....	1
	L500753	<i>Note b</i>					
04	L500758	HEAD GLAND.....	1	<i>a</i>	<i>Four-Section High Boom</i>		
05		ROD SPACER.....	1	<i>b</i>	<i>Four-Section Low Boom</i>		
	L500754	<i>Note a</i>		<i>c</i>	<i>Items included in the seal kit are not shown.</i>		
	L500755	<i>Note b</i>					

**Outrigger Cylinder**

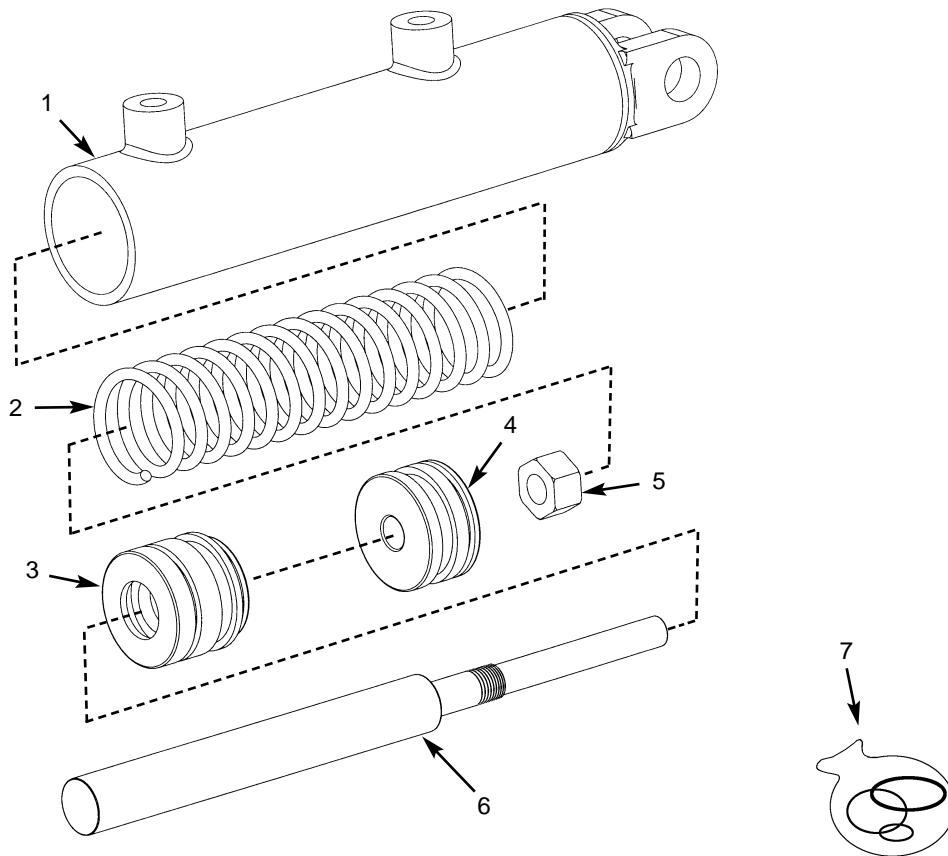


***Outrigger Cylinder***

<b>Ref. No.</b>	<b>Part No.</b>	<b>Description</b>	<b>Qty. Req.</b>	<b>Ref. No.</b>	<b>Part No.</b>	<b>Description</b>	<b>Qty. Req.</b>
	L70616	COMPLETE ASSEMBLY		07	L69138	BUSHING (BASE END).....	1
01	L99989	ROD WELDMENT.....	1	08	L99917	PLUG, -40RM .....	1
02	L10465	1/4"-28 GREASE ZERK.....	2	09	L99987	PO CHECK VALVE .....	2
03	L70618	BUSHING (ROD END) .....	1	10	NSS	CYLINDER TUBE WELDMENT ...	1
04	L99991	HEAD GLAND .....	1	11 <sup>a</sup>	L99988	CYLINDER SEAL KIT .....	1
05	L99992	PISTON .....	1				
06	L500751	1-3/8"-12 UNF LOCKNUT.....	1				

*a Items included in the seal kit are not shown.*

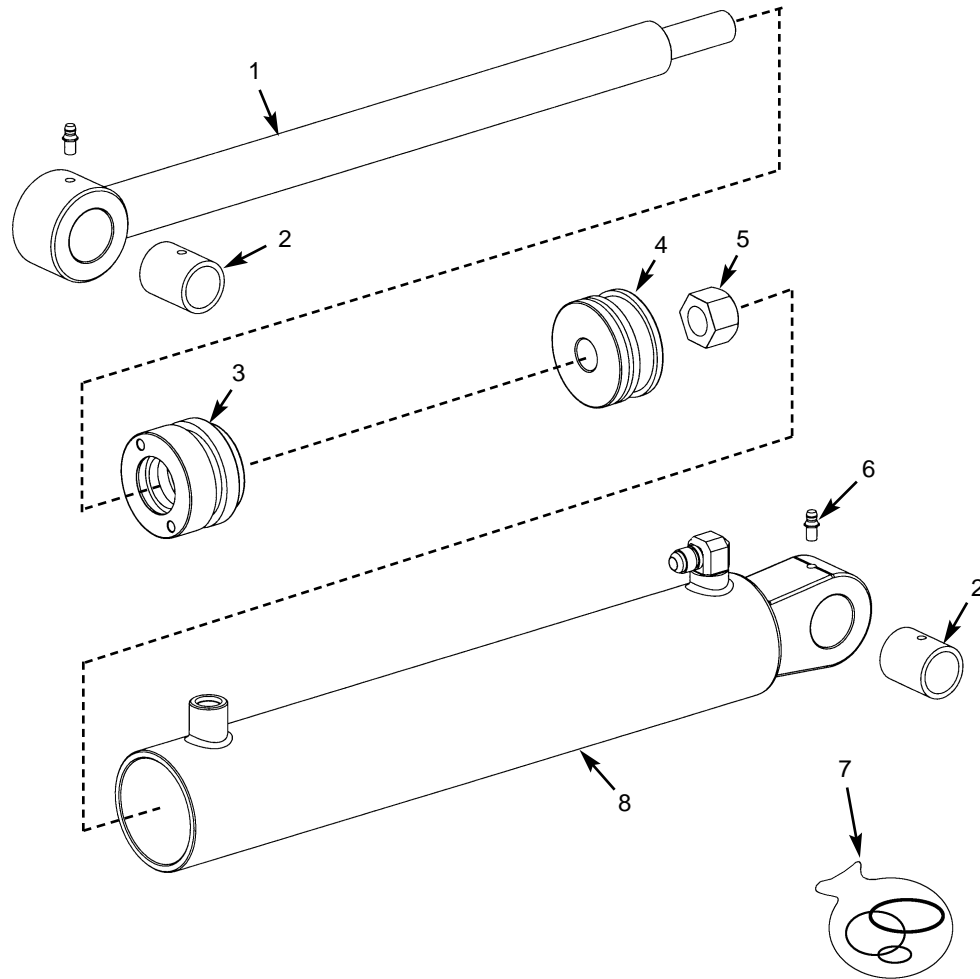
**DynacARRIER® Lock Cylinder**



Ref. No.	Part No.	Description	Qty. Req.	Ref. No.	Part No.	Description	Qty. Req.
00	L71425	COMPLETE ASSEMBLY		05	L500724	9/16-18 UNF LOCKNUT . . . . .	1
01	NSS	CYLINDER TUBE WELDMENT . . . . .	1	06	L500723	CYLINDER ROD . . . . .	1
02	L500725	DIE SPRING, MED 2X3.69X8 . . . . .	1	07 <sup>a</sup>	L500726	SEAL KIT . . . . .	1
03	L500722	HEAD GLAND . . . . .	1				
04	L500721	PISTON . . . . .	1				

<sup>a</sup> Items included in seal kit are not shown.

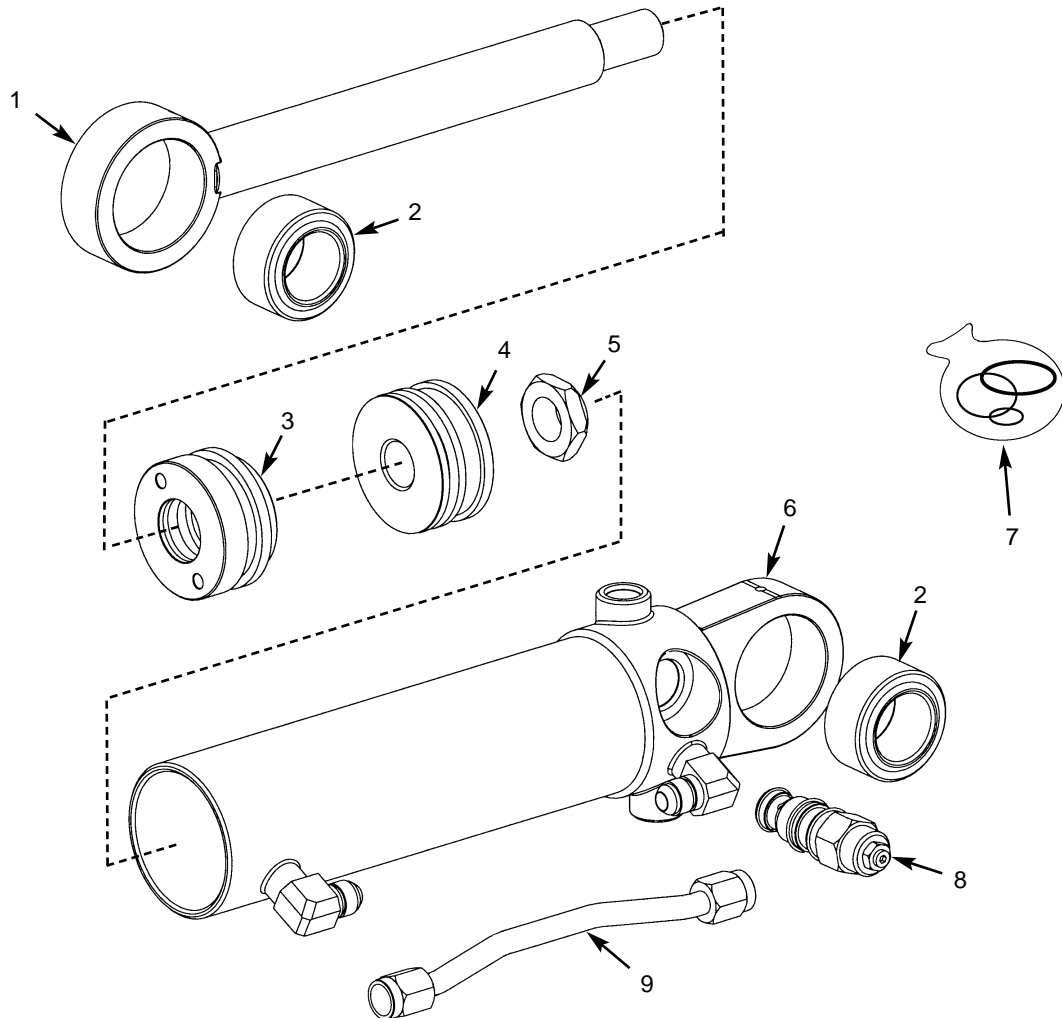
**Swing Carriage Cylinder**



Ref. No.	Part No.	Description	Qty. Req.	Ref. No.	Part No.	Description	Qty. Req.
00	L63970	COMPLETE ASSEMBLY		06	L10465	1/4"-28 GREASE ZERK.....	2
01	L500364	ROD WELDMENT.....	1	07 <sup>a</sup>	L99944	SEAL KIT.....	1
02	L63593	BUSHING.....	2	08	NSS	TUBE WELDMENT.....	1
03	L500365	HEAD GLAND.....	1				
04	L98662	PISTON.....	1				
05	L500367	3/4"-16 LOCKNUT.....	1				

*a Items included in the seal kit are not shown.*

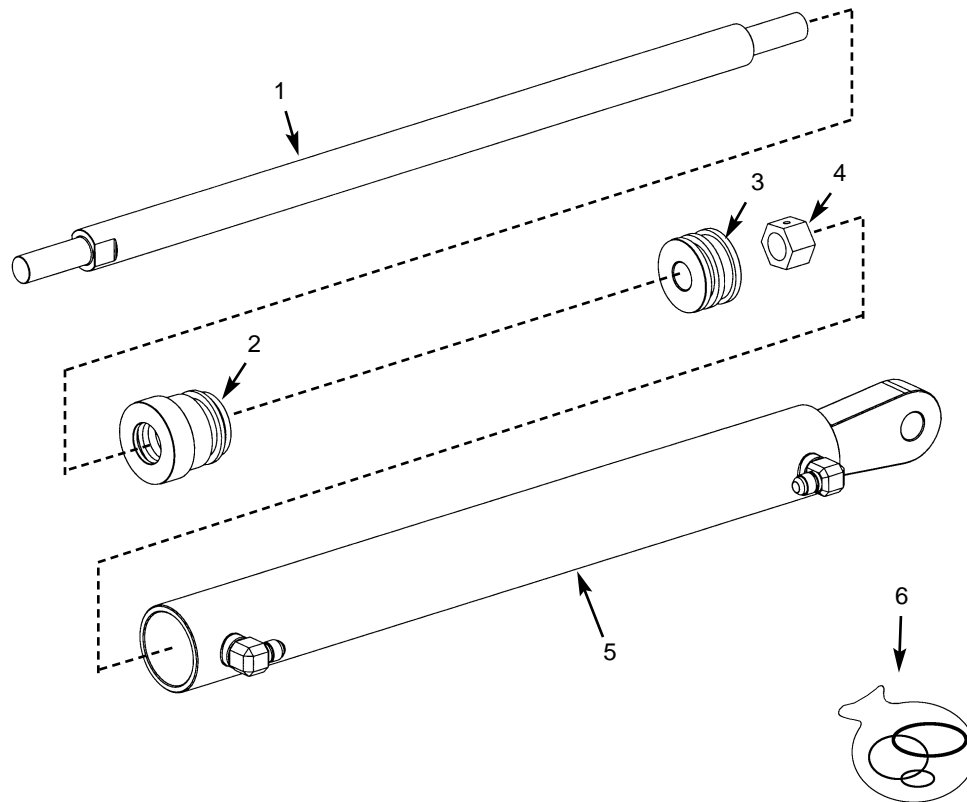
**Rotate Carriage Cylinder**



***Rotate Carriage Cylinder***

Ref. No.	Part No.	Description	Qty. Req.	Ref. No.	Part No.	Description	Qty. Req.
00		COMPLETE ASSEMBLY		08 <sup>a</sup>	L64175	CB VALVE . . . . .	1
	L61317	<i>Note a</i>			L97889	CB VALVE SEAL KIT . . . . .	1
	L70655	<i>Note b and note c</i>		08 <sup>bc</sup>	L48868A	CB VALVE (3000 psi) . . . . .	2
01 <sup>a</sup>	L97768	ROD WELDMENT . . . . .	1		L96838	CB VALVE SEAL KIT . . . . .	1
01 <sup>bc</sup>	L500242	ROD WELDMENT . . . . .	1	09		HYDRAULIC LINE ASSEMBLY . . . . .	1
02	L64122	SPHERICAL BEARING . . . . .	2		L97767	<i>Note a</i>	
03	L99074	HEAD GLAND . . . . .	1		L500241	<i>Note b and note c</i>	
04	L97839	PISTON . . . . .	1				
05 <sup>a</sup>	L99405	1"-14 JAM NUT . . . . .	1	<i>a</i>		<i>Dynattach - Attachment SN 5483 and before</i>	
05 <sup>bc</sup>	080313	1"-14 UNS THIN COL. LOCKNUT . . . . .	1	<i>b</i>		<i>Dynattach - Attachment SN 5484 and up</i>	
06	NSS	TUBE WELDMENT . . . . .	1	<i>c</i>		<i>Dynacarrier - SN ALL</i>	
07 <sup>d</sup>	L97769	SEAL KIT . . . . .	1	<i>d</i>		<i>Items included in the seal kit are not shown.</i>	

**Fork Shift Carriage Cylinder**



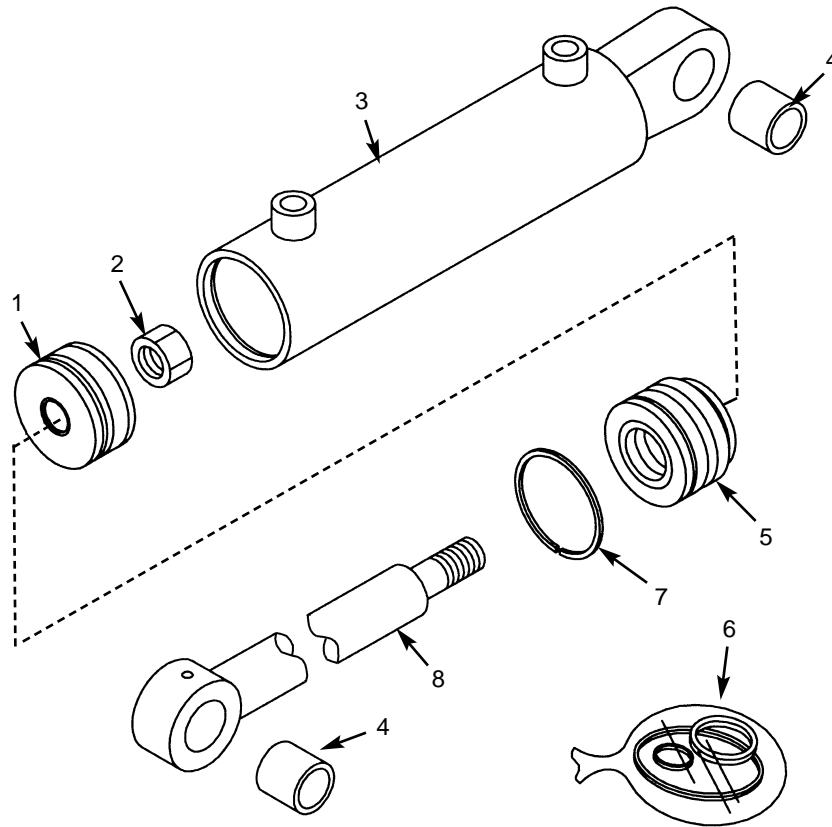
Ref. No.	Part No.	Description	Qty. Req.
00	L68337	COMPLETE ASSEMBLY	
01	L500763	ROD WELDMENT.....	1
02	L500762	HEAD GLAND.....	1
03	L500761	PISTON.....	1
04	L500367	3/4\"-16 UNF LOCKNUT.....	1

Ref. No.	Part No.	Description	Qty. Req.
05	NSS	TUBE WELDMENT.....	1
06 <sup>a</sup>	L500370	SEAL KIT.....	1

*a Items included in the seal kit are not shown.*



Grapple Cylinder

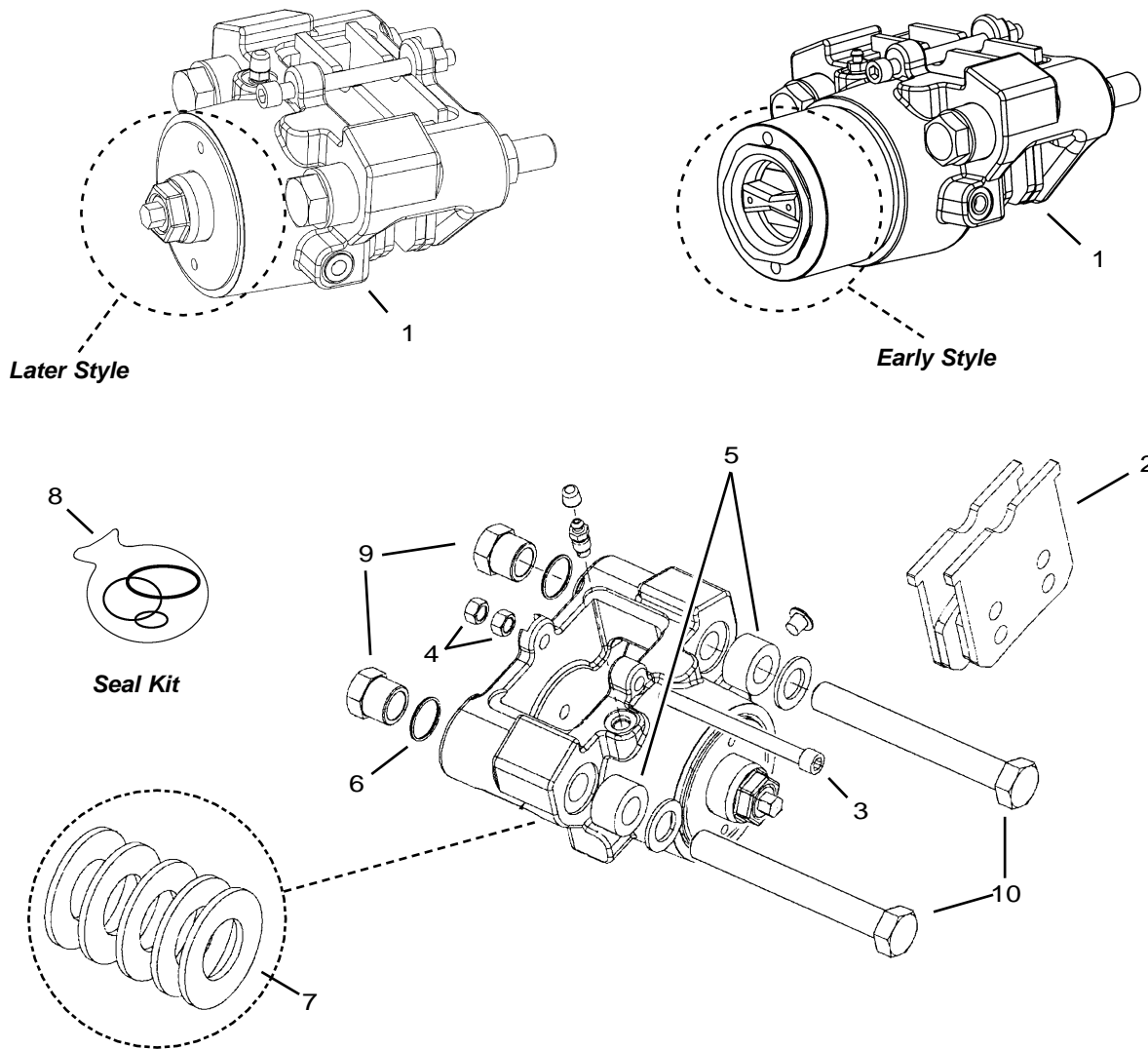


Ref. No.	Part No.	Description	Qty. Req.
00	L67248	COMPLETE ASSEMBLY	
01	L98921	PISTON . . . . .	1
02	080319	3/4-16 UNF LOCKNUT . . . . .	1
03	NSS	CYLINDER TUBE WELDMENT . . .	1
04	L63593	BRONZE BUSHING 1X1.25X1.5 . .	2
05	L98919	HEAD GLAND . . . . .	1

Ref. No.	Part No.	Description	Qty. Req.
06 <sup>a</sup>	L98922	SEAL KIT . . . . .	1
		(Includes item 7)	
07	NSS	SNAP RING . . . . .	1
		(Included with item 6)	
08	L98923	ROD WELDMENT . . . . .	1

a Not all items included in the seal kit are shown.

**Park Brake Caliper**



**Park Brake Caliper**

Ref. No.	Part No.	Description	Qty. Req.
01		COMPLETE ASSEMBLY..... 1	
	105238	<i>Note a</i>	
	101308	<i>Note b</i>	
02	L500941	BRAKE PAD KIT ..... 1 <i>(includes items 2-4)</i>	
03	NSS	BOLT <i>(included with item 2)</i> ..... 1	
04	NSS	NUT <i>(included with item 2)</i> ..... 2	
05	L500942	URETHANE SPRING KIT ..... 1 <i>(consists of two urethane bushings)</i>	
06	NSS	O-RING <i>(included with item 8)</i> .... 2	
07	NSS	DISC SPRINGS..... 5	
08		SEAL KIT <i>(items in kit not shown)</i> . . 1	
	105271	<i>Note a</i>	
	105270	<i>Note b</i>	
09	105261	JAMNUT / SLEEVE 3/4"-10 ..... 2	
10	651719	BOLT, 3/4"-10X6" GR8 ..... 2	

Ref. No.	Part No.	Description	Qty. Req.
		<b>-- ITEMS NOT SHOWN --</b>	
00		OVERHAUL KIT ..... 1	
	105239	<i>Note a</i>	
	L500940	<i>Note b</i>	
		<i>(overhaul kit includes items 2-8)</i>	

---

**NOTE:** Always visually compare the park brake caliper on your machine with the illustrations on the facing page before ordering parts.

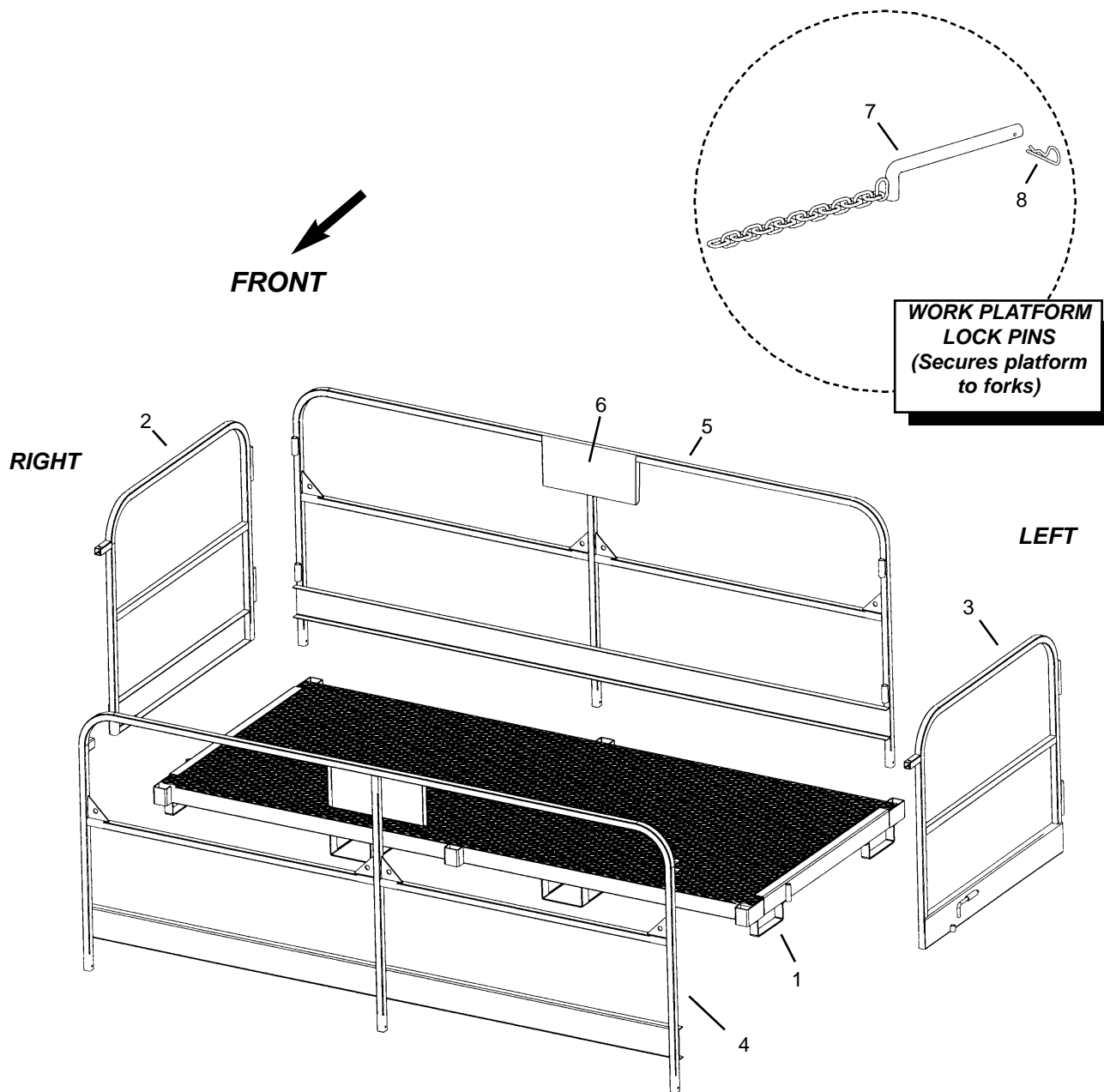
---

a Refer to Illustration on facing page. In most cases, applies to the following (later style) machines:  
 DL6L SN 25649 and up  
 DL6H SN 20927 and up  
 DL8L SN 35547 and up  
 DL8H SN 31007 and up  
 DL10L SN 45407 and up  
 DL10H SN 40925 and up  
 DL12H SN 50495 and up

b Refer to Illustration on facing page. In most cases, applies to the following (early style) machines:  
 DL6L SN 25648 and before  
 DL6H SN 20926 and before  
 DL8L SN 35546 and before  
 DL8H SN 31006 and before  
 DL10L SN 45406 and before  
 DL10H SN 40924 and before  
 DL12H SN 50494 and before

### Personnel Work Platform

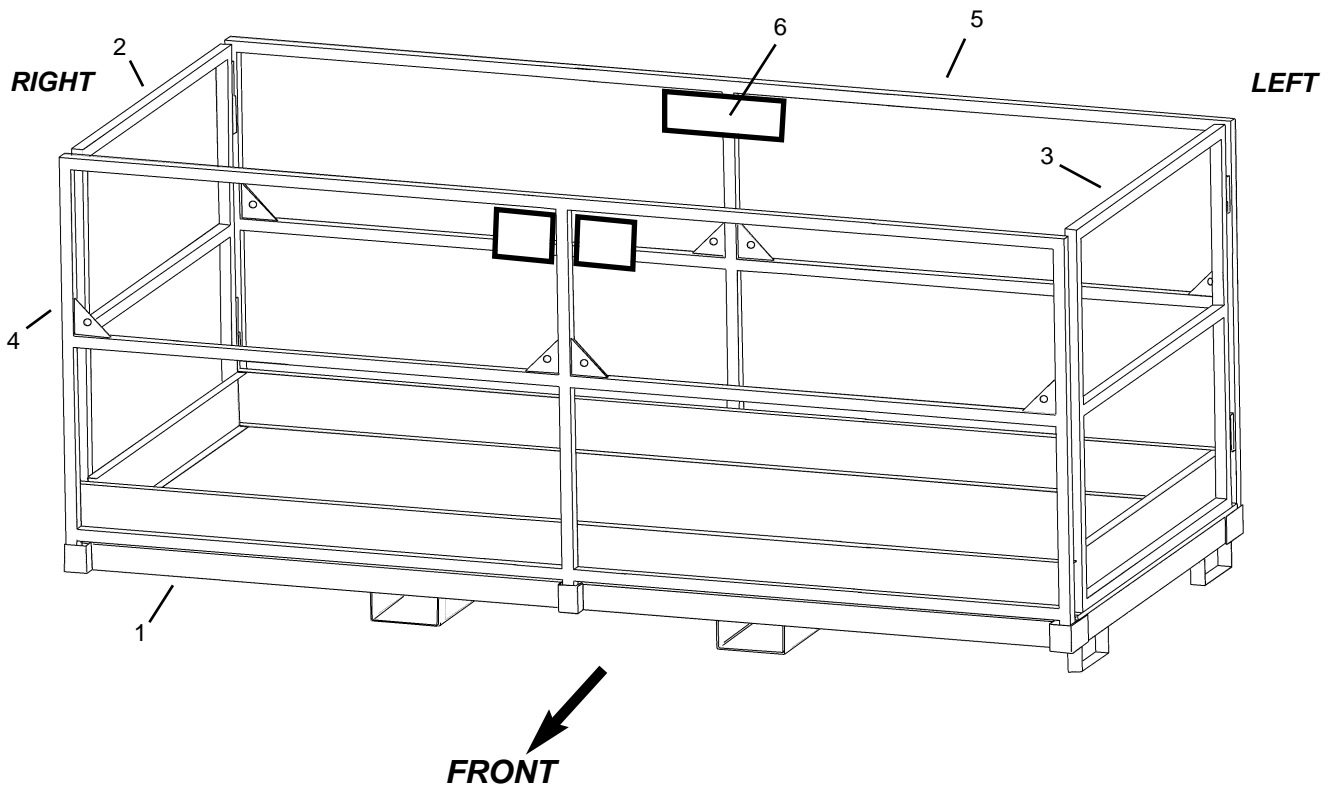
(With serial number format 00-000-A and Rounded Top of Panel)



Ref. No.	Part No.	Description	Qty. Req.	Ref. No.	Part No.	Description	Qty. Req.
01	103905	BASE	1			<b>-- ITEMS NOT SHOWN --</b>	
02	103906	RIGHT DOOR	1	00	103911	PIN AND CHAIN KIT (sides)	1
03	103907	LEFT DOOR	1	00	101149	DECAL, FALL HAZARD	2
04	103908	FRONT SIDE	1	00	103910	HARDWARE KIT	1
05	103909	BACK SIDE	1				
06	100883	DECAL, PLATFORM RULES	2	a		Chain is welded to platform base.	
07 <sup>a</sup>	105845	PIN AND CHAIN ASSY.	2				
08	076099	HAIRPIN CLIP .148DIAX2-11/16"	2				

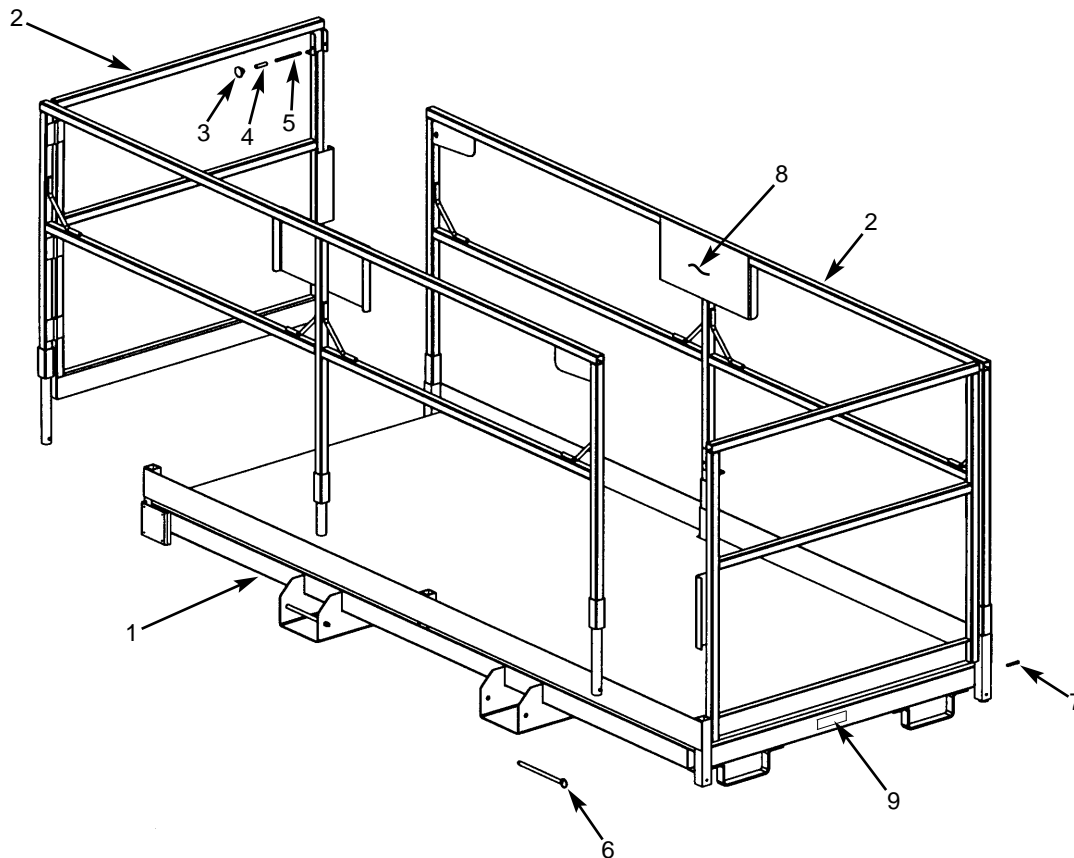
**Personnel Work Platform**

*(With serial number format 00-000-A and Square Top of Panel)*



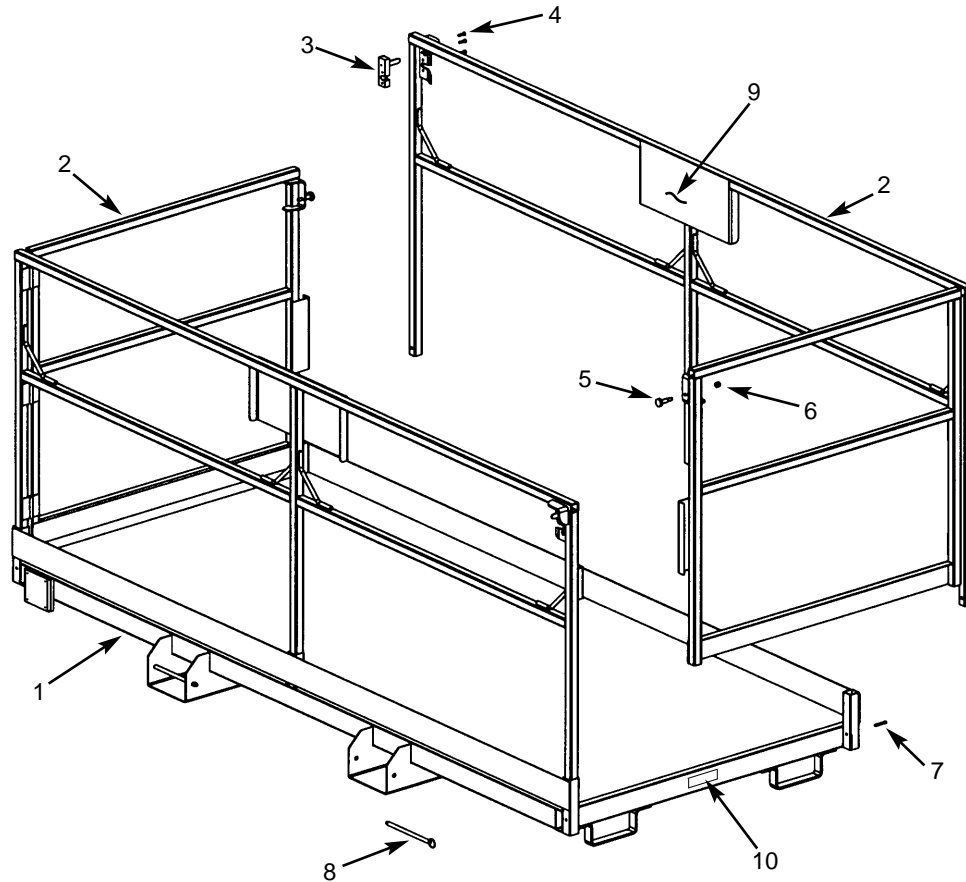
Ref. No.	Part No.	Description	Qty. Req.	Ref. No.	Part No.	Description	Qty. Req.
01	103905	BASE .....	1			<b>-- ITEMS NOT SHOWN --</b>	
02	105603	RIGHT DOOR .....	1	00	103911	PIN AND CHAIN KIT .....	1
03	105604	LEFT DOOR .....	1	00	101149	DECAL, FALL HAZARD .....	2
04	105605	FRONT SIDE .....	1	00	103910	HARDWARE KIT .....	1
05	105606	BACK SIDE .....	1				
06	100883	DECAL, PLATFORM RULES .....	2				

**Personnel Work Platform**  
(Attachment SN 10837 thru 11192)



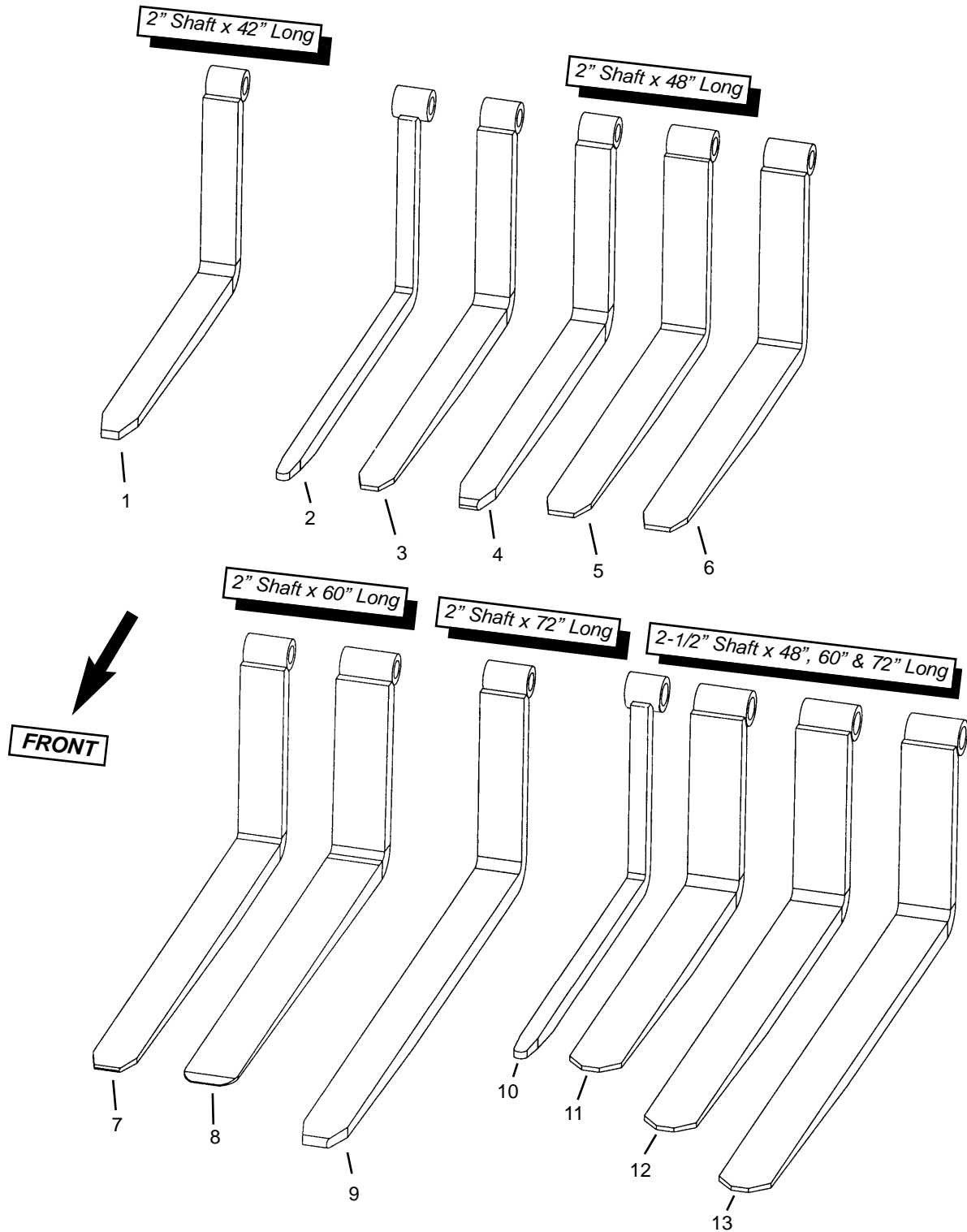
Ref. No.	Part No.	Description	Qty. Req.	Ref. No.	Part No.	Description	Qty. Req.
01	100044	PWP FRAME.....	1	06	100049	QUICK RELEASE PIN.....	2
02	100047	GUARD RAIL ASY.....	2		101029	LANYARD.....	2
03	100058	KNOB.....	2		651233	SCREW 1/4".....	2
04	100057	SPRING.....	2	07	100059	CLEVIS PIN, 1/4 DIA.....	4
05	100056	LATCH PIN.....	2		100051	COTTER PIN, HAIRPIN, 1/4"X 3/8".....	4
	100051	COTTER PIN, HAIRPIN, 1/4"X 3/8".....	2	08	100883	DECAL, PLATFORM RULES.....	2
				09	101149	DECAL, FALL HAZARD.....	1

**Personnel Work Platform**  
(Attachment SN 11193 thru 13853)



Ref. No.	Part No.	Description	Qty. Req.	Ref. No.	Part No.	Description	Qty. Req.
01	101428	PWP FRAME . . . . .	1	08	100049	QUICK RELEASE PIN . . . . .	2
02	101427	GUARD RAIL ASY. . . . .	2		101029	LANYARD . . . . .	2
03	101434	LATCH . . . . .	2		651233	SCREW 1/4" . . . . .	2
04	651233	SCREW, 1/4" . . . . .	6	09	100883	DECAL, PLATFORM RULES . . . . .	2
05	101432	STRIKER BOLT . . . . .	2	10	101149	DECAL, FALL HAZARD . . . . .	1
06	L520005	NUT, 3/8-16 LOCK. . . . .	2				
07	100059	CLEVIS PIN, 1/4 DIA. . . . .	4				
	100051	COTTER PIN, HAIRPIN, 1/4"X 3/8" 4					

### Carriage Forks



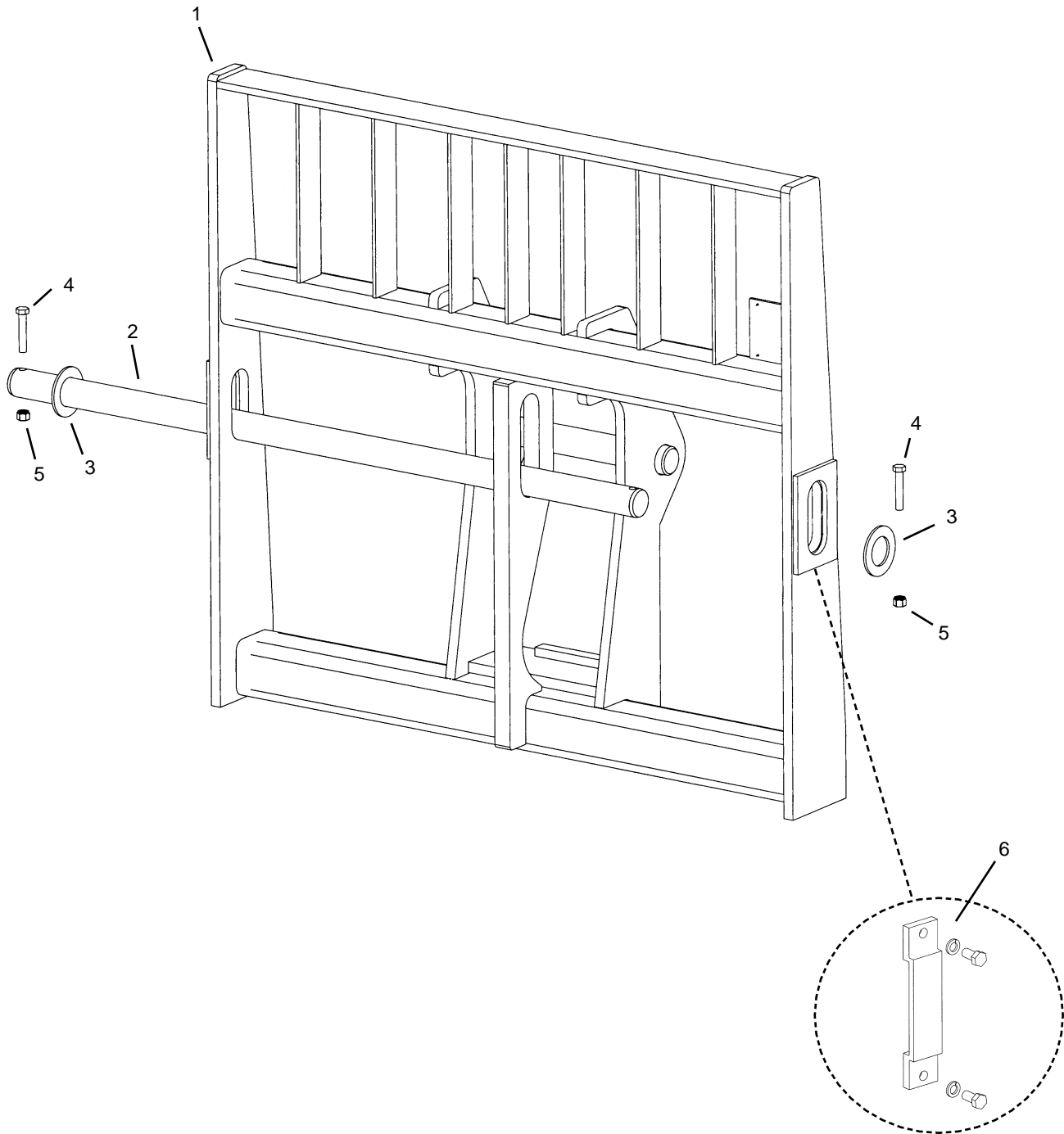


**Carriage Forks**

Ref. No.	Part No.	Description	Qty. Req.	Ref. No.	Part No.	Description	Qty. Req.
<b>-- 2" FORK SHAFT DIAMETER --</b>				<b>-- 2-1/2" FORK SHAFT DIAMETER --</b>			
01 <sup>a</sup>	L71350	FORK, 42"X4"X2" (8,400 lbs.) . . . .	2	10 <sup>cd</sup>	210016	FORK, 48"X2"X2" (4,200 lbs.) . . . .	6
02 <sup>b</sup>	L61001	FORK, 48"X2"X2" (4,200 lbs.) . . . .	4	11 <sup>d</sup>	L71159	FORK, 48"X6"X2" (12,640 lbs.) . . . .	2
03 <sup>a</sup>	L61017	FORK, 48"X4"X2" (8,400 lbs.) . . . .	2	12 <sup>d</sup>	L71160	FORK, 60"X6"X2" (12,640 lbs.) . . . .	2
04	L66406	FORK, 48"X4"X2-1/4" (12,000 lbs.) . . . .	2	13 <sup>d</sup>	L71161	FORK, 72"X6"X2" (12,640lbs.) . . . .	2
05 <sup>a</sup>	L400929	FORK, 48"X5"X1-3/4" (8,500 lbs.) . . . .	2				
06	L47263	FORK, 48"X5"X2" (10,500 lbs.) . . . .	2	a	Not used on DL12		
07	L47265	FORK, 60"X5"X2" (10,500 lbs.) . . . .	2	b	Requires 2 sets (4 forks).		
08	L60961	FORK, 60"X6"X2-1/4" (12,500 lbs.) . . . .	2	c	Requires 3 sets (6 forks).		
09	L68331	FORK, 72"X5"X2" (10,500 lbs.) . . . .	2	d	Used ONLY on DL12; requires a 2-1/2" bar shaft.		

*Note: ratings are based on 2 forks and the load is 24" on center. Except for item 2; where 4 forks are required, and item 10; where 6 forks are required.*

**Dynattach<sup>®</sup> Carriage**



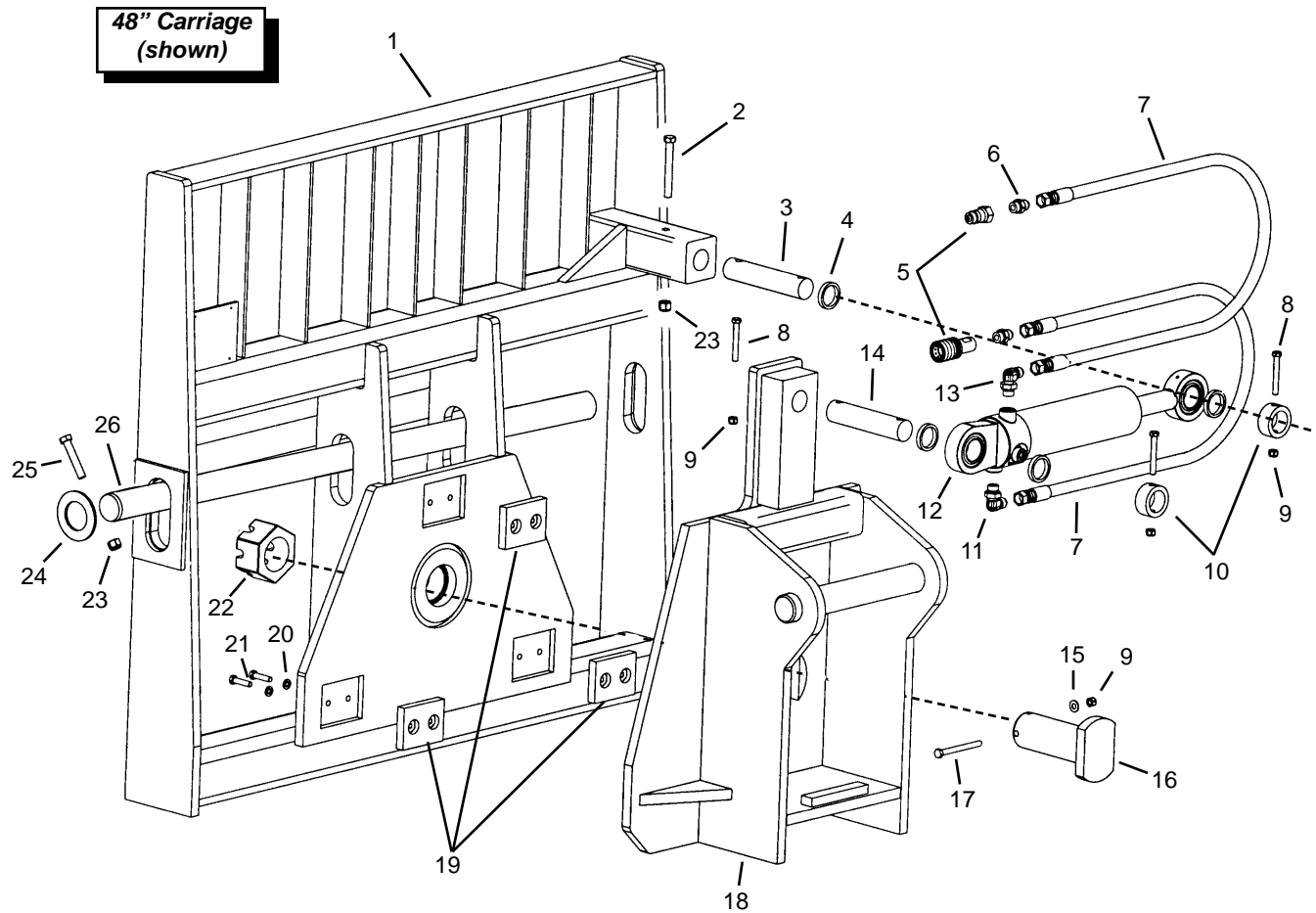
**Dynattach® Carriage**

Ref. No.	Part No.	Description	Qty. Req.	Ref. No.	Part No.	Description	Qty. Req.
01		CARRIAGE WELDMENT . . . . .	1	04		BOLT . . . . .	2
	L99190	48" (2" pin) . . . . .	1		L510003	Note a -- 1/2"X2-3/4" BOLT . . . . .	2
	L99191	66" (2" pin) . . . . .	1		L50294	Note b -- 1/2"-13"X3-1/2" BOLT . . . . .	2
	430171	Note e -- 48" (2-1/2" pin) . . . . .	1	05	L520019	1/2"-13 NYLON INSERT NUT . . . . .	2
	430173	Note e -- 66" (2-1/2" pin) . . . . .	1	06	L500764	FORKSHAFT RETAINER . . . . .	1
02		FORK SHAFT BAR . . . . .	1		L50152	1/2" LOCK WASHER . . . . .	2
	L65223	(2"X51-1/2") . . . . .	1		L50282	1/2"-13X1" BOLT . . . . .	2
	L64561	(2"X69-1/2") . . . . .	1				
	101625	Note c -- (2-1/2"X51-1/2") . . . . .	1	a		Used with 2" diameter Fork Shaft Bar	
	101624	Note c -- (2-1/2"X69-1/2") . . . . .	1	b		Used with 2-1/2" diameter Fork Shaft Bar	
	101240	Note d -- (2-1/2"X48-1/2") . . . . .	1	c		Used on carriages that do <u>not</u> use item 6 to retain the Fork Shaft Bar.	
	101241	Note d -- (2-1/2"X66-1/2") . . . . .	1	d		Used on carriages that use item 6 to retain the Fork Shaft Bar.	
03		FORK SHAFT WASHER . . . . .	2	e		If your current carriage uses item 6 to retain the Fork Shaft Bar, you will need to order the following items when replacing the carriage: item 2, note c; item 3; item 4 and item 5.	
	L400425	Note a					
	100369	Note b					

### Dynattach® Rotating Carriage

48" - Attachment SN 14031 and UP

66" - Attachment SN 14290 and UP



**Dynattach® Rotating Carriage**

**48" - Attachment SN 14031 and UP**

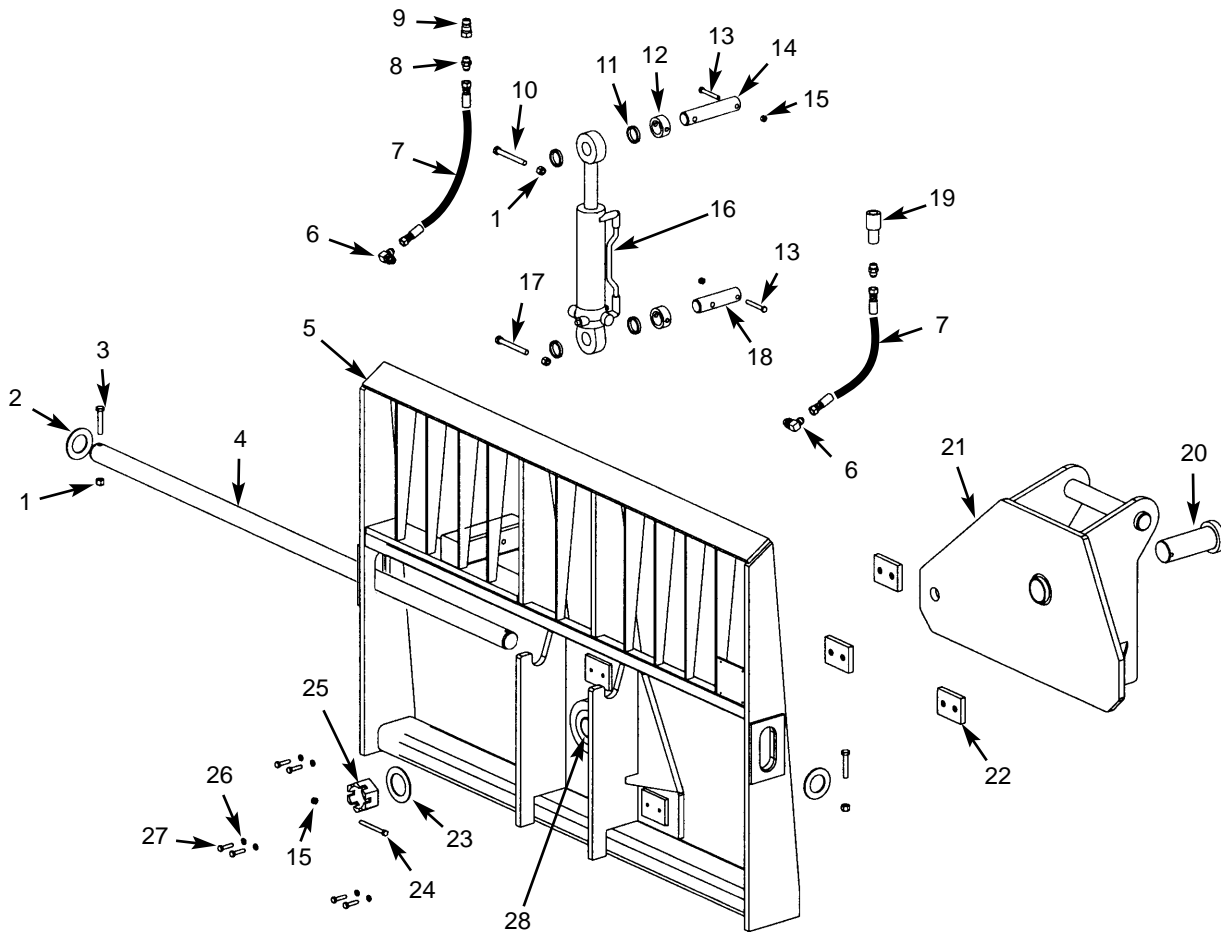
**66" - Attachment SN 14290 and UP**

Ref. No.	Part No.	Description	Qty. Req.	Ref. No.	Part No.	Description	Qty. Req.
01		CARRIAGE, ROTATING . . . . .	1	16	101003	ROTATOR PIN. . . . .	1
	103517	(48" Carriage) 2" dia. fork shaft		17	L50801	3/8"X4" BOLT. . . . .	1
	103518	(66" Carriage) 2" dia. fork shaft		18	101999	ROTATOR PLATE WELDMENT . . .	1
	103519	(48" Carriage) 2-1/2" dia. fork shaft		19	L61709	SLIDE PAD . . . . .	3
	103520	(66" Carriage) 2-1/2" dia. fork shaft		20	L50147	3/8" LOCK WASHER. . . . .	6
02	L50982	1/2"X4" BOLT. . . . .	1	21	L50261	3/8"X1-1/2" BOLT . . . . .	6
03	L65181	PIN, ROTATOR ROD END . . . . .	1	22	L50718	2-1/2"-12 CASTELL NUT. . . . .	1
04	L61307	SPACER . . . . .	4	23	L520019	1/2"-13 NYLON INSERT NUT . . . .	4
05	L65273	QUICK COUPLER SET. . . . .	1	24		FORK SHAFT WASHER. . . . .	2
06	L444004	ADAP -8ORM -8JICM STR . . . . .	2		L400425	2" ID	
07	L64294	HOSE -8 A8/A8 53" . . . . .	2		100369	2-1/2" ID	
08	L50273	3/8"X2-3/4" BOLT . . . . .	3	25		BOLT . . . . .	2
09	L520005	3/8"-16 NYLON INSERT NUT . . . AR			L510003	1/2"X2-3/4" BOLT (2" dia. shaft)	
10	L62026	LOCK COLLAR 1.5" OD . . . . .	2		L50294	1/2"X2-3/4" BOLT (2-1/2" dia. shaft)	
11	L66017	ADAP -8ORM -8JICM 90 w/ORF. . . 2		26		FORK SHAFT BAR . . . . .	1
12	L70655	ROTATE CYLINDER . . . . .	1		L65223	(48" Carriage) 2" dia. fork shaft	
13	L66017	ADAP -8ORM -8JICM 90 w/ORF. . . 2			L64561	(66" Carriage) 2" dia. fork shaft	
14	L65180	PIN, ROTATOR BASE END . . . . .	1		101625	(48" Carriage) 2-1/2" dia. fork shaft	
15	L50145	3/8" FLAT WASHER. . . . .	AR		101624	(66" Carriage) 2-1/2" dia. fork shaft	

**Dynattach<sup>®</sup> Rotating Carriage**

**48" - Attachment SN 14030 and before**

**66" - Attachment SN 14289 and before**



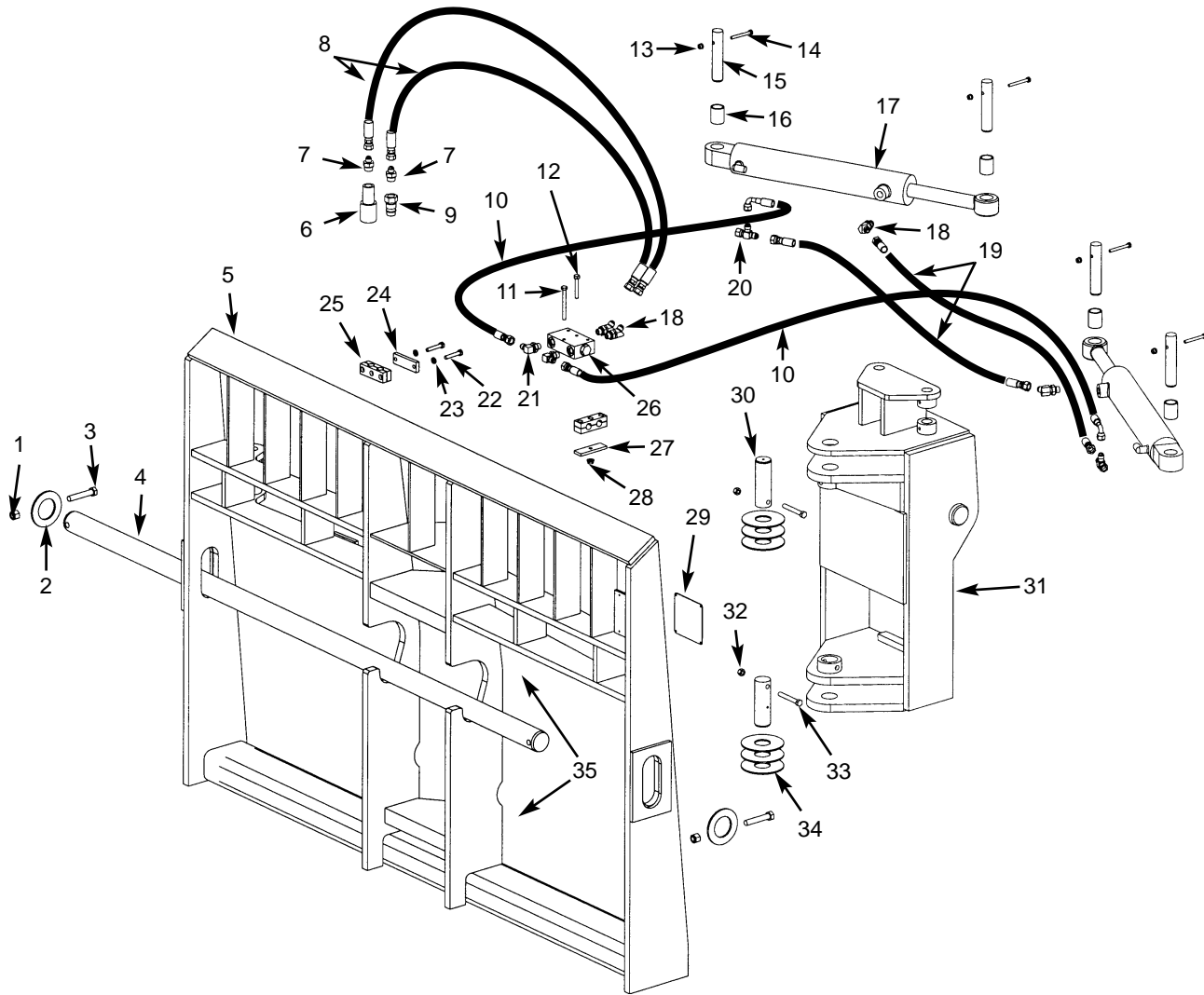
**Dynattach® Rotating Carriage**

**48" - Attachment SN 14030 and before**

**66" - Attachment SN 14289 and before**

Ref. No.	Part No.	Description	Qty. Req.	Ref. No.	Part No.	Description	Qty. Req.
01	L520019	1/2"-13 NYLON INSERT NUT . . . . .	4	17	L50896	1/2"-13X4-1/2" BOLT . . . . .	1
02	L400425	FORK SHAFT WASHER . . . . .	2	18	L65180	PIN, ROTATOR BASE END . . . . .	1
		(2" dia. fork shaft)		19 <sup>c</sup>	NSS	COUPLER, FEMALE . . . . .	1
03	L510003	1/2"X2-3/4" BOLT . . . . .	2	20	NSS	ROTATOR PIN . . . . .	1
		(2" dia. fork shaft)		21	L65167	ROTATOR PLATE WELDMENT . . . . .	1
04		FORK SHAFT BAR . . . . .	1			(Includes Item 20)	
	L65223	(48" Carriage) 2" dia. fork shaft		22	L61709	SLIDE PAD . . . . .	3
	L64561	(66" Carriage) 2" dia. fork shaft		23	L61287	4"ODX2.5"ID WASHER . . . . .	1
05		CARRIAGE, ROTATING . . . . .	1	24	L50801	3/8"X4" BOLT . . . . .	1
	L99223	(48" Carriage) 2" dia. fork shaft		25	L50718	2-1/2"-12 CASTELL NUT . . . . .	1
	L99222	(66" Carriage) 2" dia. fork shaft		26	L50147	3/8" LOCK WASHER . . . . .	6
06	L66017	ADAP -8ORM -8JICM 90 w/ORF. . . . .	2	27	L50261	3/8"X1-1/2" BOLT . . . . .	6
07	L64294	HOSE -8 A8/A8 53" . . . . .	2	28	L810005	PIVOT BEARING (not shown) . . . . .	1
08	L444004	ADAP -8ORM -8JICM STR . . . . .	2			(Included in item 5)	
09 <sup>c</sup>	NSS	COUPLER, MALE . . . . .	1	a	Attachment thru SN 5483		
10	L50982	1/2"-13X4" BOLT . . . . .	2	b	Attachment SN 5484 Thru 14289		
11	L61307	SPACER . . . . .	4	c	Order PN L65273 Coupler Set		
12	L62026	LOCK COLLAR 1.5" OD . . . . .	2				
13	L50273	3/8"X2-3/4" BOLT . . . . .	2				
14	L65181	PIN, ROTATOR ROD END . . . . .	1				
15	L520005	3/8"-16 NYLON INSERT NUT . . . . .	3				
16		ROTATE CYLINDER . . . . .	1				
	L61317	Note a					
	L70655	Note b					

**Dynattach® Swing Carriage**

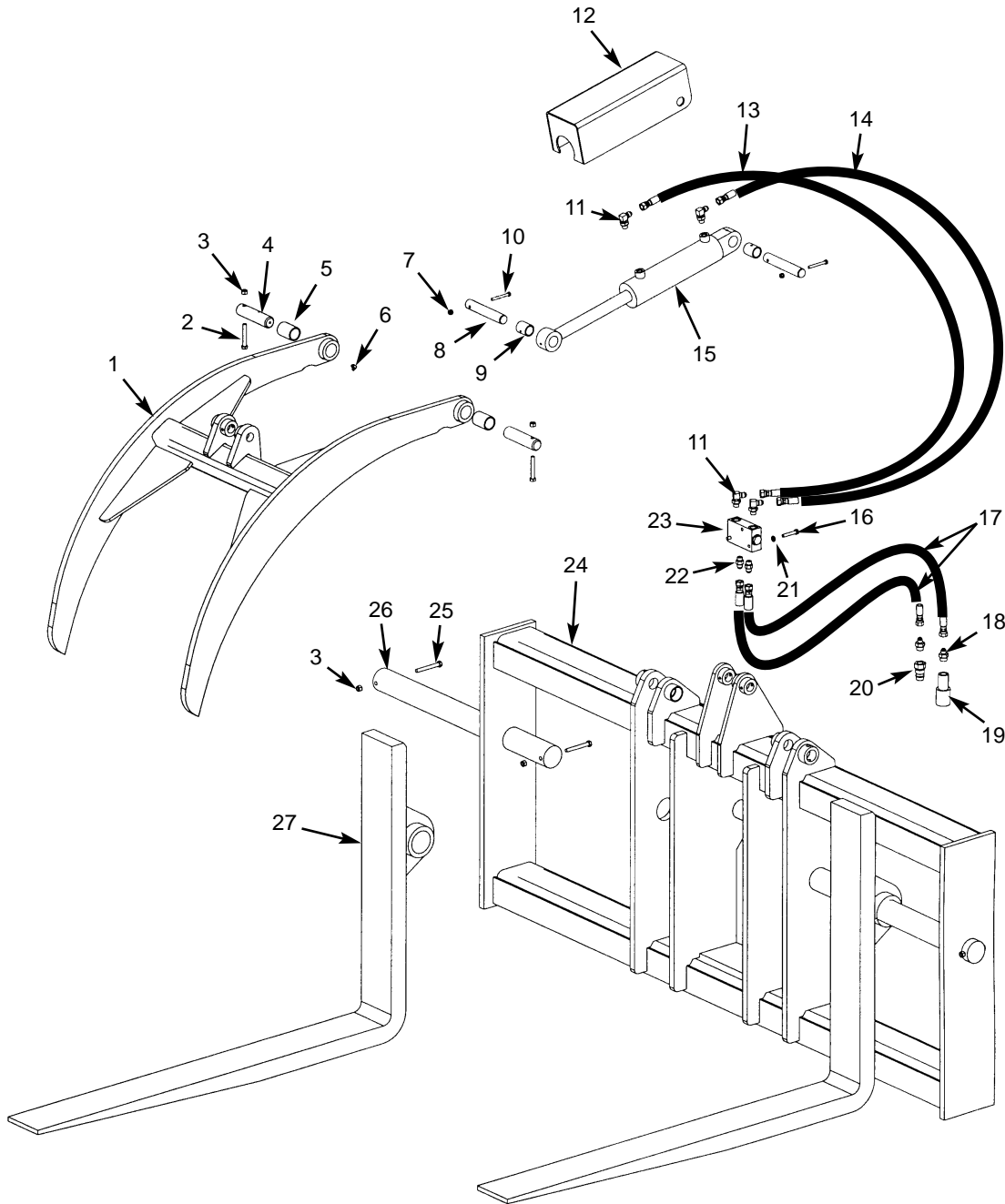




**Dynattach<sup>®</sup> Swing Carriage**

Ref. No.	Part No.	Description	Qty. Req.	Ref. No.	Part No.	Description	Qty. Req.
01	L520019	1/2"-13 NYLON INSERT NUT . . . . .	2	22	L50561	5/16"-18X1-3/4" BOLT . . . . .	2
02	L400425	FORK SHAFT WASHER . . . . .	2	23	L50143	5/16" LOCK WASHER . . . . .	2
03	L510003	1/2"X2-3/4" BOLT . . . . .	2	24	L63715	TWIN CUSH. TOP PLATE . . . . .	1
04	L64561	FORK SHAFT BAR (66" Carriage) .	1	25	L63716	TWIN HOSE CUSHION . . . . .	2
05	L500216	66" CARRIAGE, SWING . . . . .	1	26	L71651	VALVE, DUAL PO . . . . .	1
06 <sup>a</sup>	NSS	COUPLER, FEMALE . . . . .	1	27	L63233	HOSE CUSH. TOP PLATE . . . . .	1
07	L63143	ADAP -8ORM -6JICM STR w/ORF	2	28	L50056	5/16" FLARE NUT . . . . .	2
08	L66958	HOSE -6 A6/A6 89" . . . . .	2	29	NSS	NAME PLATE . . . . .	1
09 <sup>a</sup>	NSS	COUPLER, MALE . . . . .	1	30	L63994	PIN, CARRIAGE PIVOT . . . . .	2
10	L63984	HOSE -4 DS6/A6 22" . . . . .	2	31	L70719	SWING PIVOT WELDMENT . . . . .	1
11	L50895	5/16"X3" BOLT . . . . .	1	32	L520005	3/8"-16 NYLON INSERT NUT . . . . .	2
12	L50835	5/16"X2" BOLT . . . . .	1	33	L50273	3/8"-16X2-3/4" BOLT . . . . .	2
13	L520003	1/4" NYLON INSERT NUT . . . . .	4	34	L63951	THRUST WASHER . . . . .	6
14	L50452	1/4"X2-1/4" BOLT . . . . .	4	35	L63468	BUSHING, CARRIAGE PIVOT . . . . .	2
15	L63995	PIN, SWING CYLINDER . . . . .	4			(Not shown)	
16	L63593	BUSHING . . . . .	4				
17	L63970	SWING CYLINDER . . . . .	2	a		Order PN L65273 Coupler Set	
18	L445004	ADAP -6ORM -6JICM 45 . . . . .	4				
19	L63983	HOSE -4 A6/A6 36" . . . . .	2				
20	L446049	ADAP -6JICFS -6JICM TEE . . . . .	2				
21	L445003	ADAP -6ORM -6JICM 90 . . . . .	2				

**Dynattach<sup>®</sup> Log/Pipe Carriage**

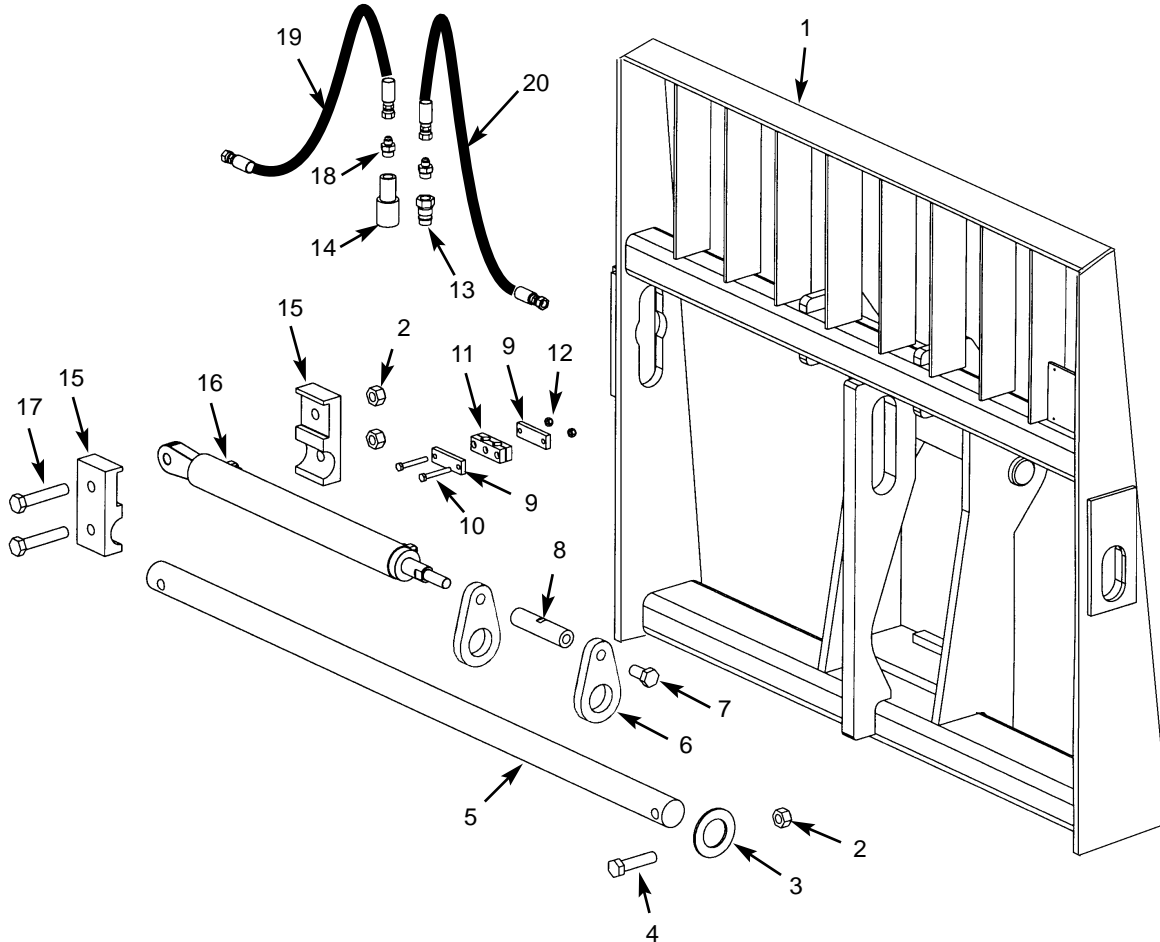


**Dynattach® Log/Pipe Carriage**

Ref. No.	Part No.	Description	Qty. Req.	Ref. No.	Part No.	Description	Qty. Req.
01	L67347	LOG GRAPPLE WELDMENT . . . . .	1	15	L67248	LOG GRAPPLE CYLINDER . . . . .	1
02	L50371	3/8"X2-1/2" BOLT . . . . .	2	16	L50561	5/16"-18X1-3/4" BOLT . . . . .	2
03	L520005	3/8"-16 NYLON INSERT NUT . . . . .	6	17	L66831	HOSE -6 A6/A6 52" . . . . .	2
04	L67246	LOG GRAPPLE PIVOT PIN . . . . .	2	18	L63143	ADAP -8ORM -6JICM w/ORF . . . . .	2
05	L61866	BUSHING . . . . .	2	19 <sup>a</sup>	NSS	COUPLER, FEMALE . . . . .	1
06	L10057	1/4-28 GREASE ZERK 90 DEG . . . . .	2	20 <sup>a</sup>	NSS	COUPLER, MALE . . . . .	1
07	L520003	1/4" NYLON INSERT NUT . . . . .	2	21	L50143	5/16" LOCKWASHER . . . . .	2
08	L66811	GRAPPLE CYLINDER PIN . . . . .	2	22	L444002	ADAP -6ORM -6JICM . . . . .	2
09	L63593	BUSHING . . . . .	2	23	L65689	VALVE, DOUBLE PORT CHECK . . . . .	1
10	L50452	1/4X2-1/4" BOLT . . . . .	2	24	L500220	LOG CARRIAGE WELDMENT . . . . .	1
11	L445003	ADAP -6ORM -6JICM 90 DEG . . . . .	4	25	L50275	3/8"-16X3" BOLT . . . . .	4
12	L67495	CYLINDER COVER . . . . .	1	26	L66809	LOG FORK SHAFT . . . . .	2
13	L67598	HOSE -4 A6/A6 32" . . . . .	1	27		LOG FORK WELDMENT . . . . .	2
14	L67599	HOSE -4 A6/A6 20" . . . . .	1		L66805	2"x5"x48"	
					100547	2"x5"x60"	

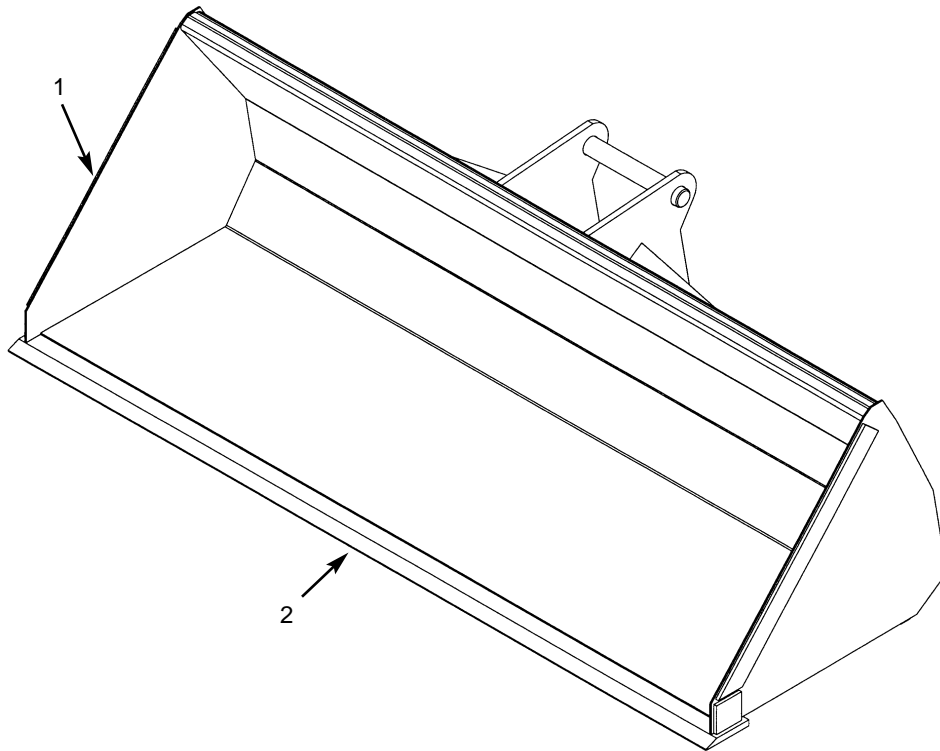
*a Order PN L65273 Coupler Set*

**Dynattach® Fork-Shift Carriage**



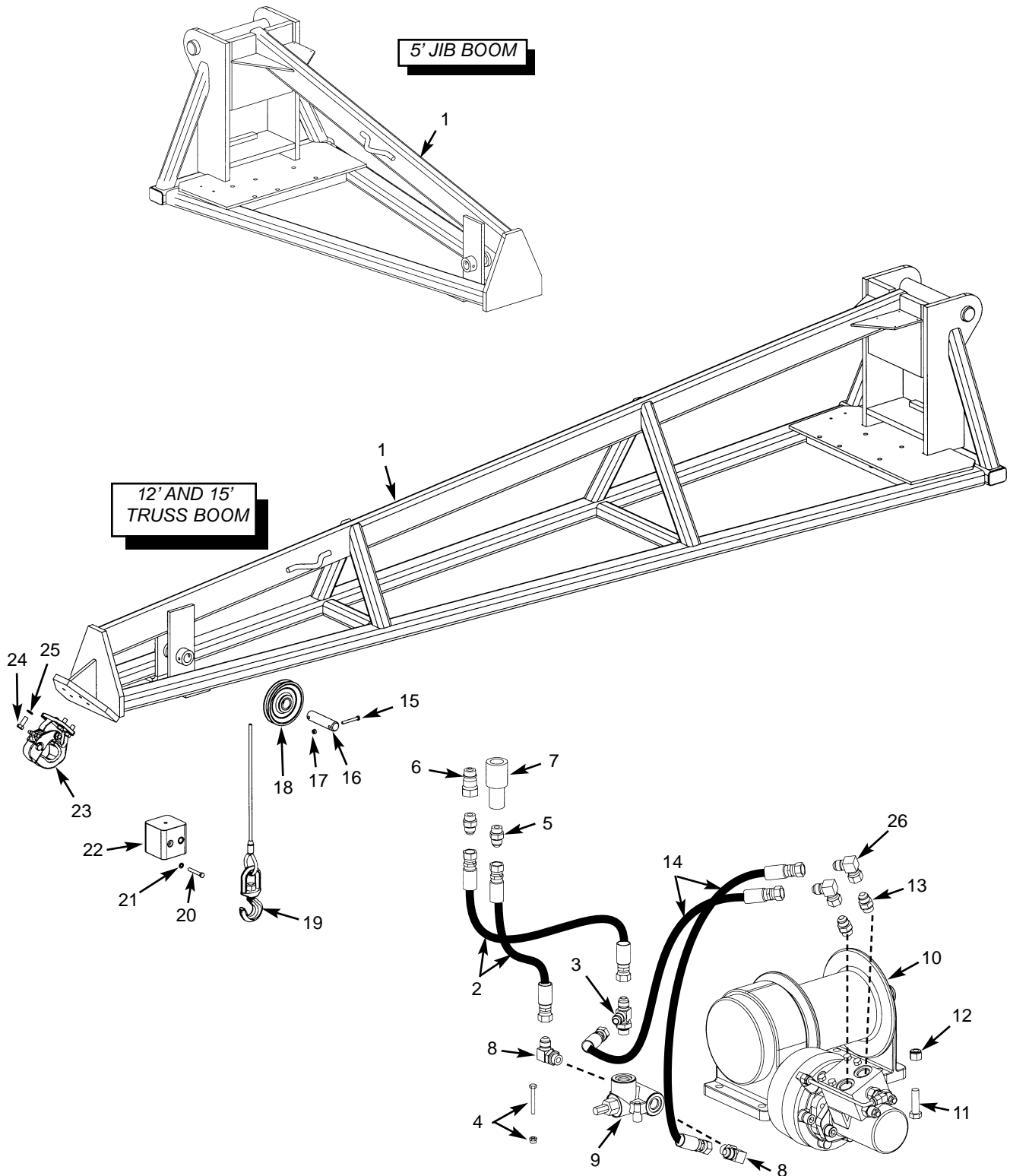
Ref. No.	Part No.	Description	Qty. Req.	Ref. No.	Part No.	Description	Qty. Req.
01	L500213	FORK SHIFT CARRIAGE . . . . .	1	14 <sup>b</sup>	NSS	COUPLER, FEMALE . . . . .	1
02	L50519	3/4"-10 NYLON INSERT NUT . . . . .	3	15	L66918	CYLINDER MOUNT . . . . .	2
03	L400425	FORK SHAFT WASHER . . . . .	1	16	L68337	FORK SHIFT CYLINDER . . . . .	1
04	L50333	3/4"-10X3" BOLT . . . . .	1	17	L50562	3/4"-10X4" BOLT . . . . .	2
05	L66919	FORK SHAFT, 50" . . . . .	1	18	L63143	ADAP -8ORM -6JICM W/.06 ORF . . . . .	2
06	L66931	FORK SLIDE PLATE . . . . .	2	19	L66950	HOSE -6 A6/A6 59" . . . . .	1
07	L50875	3/4"-10X1-1/2" BOLT . . . . .	1	20	L66949	HOSE -6 A6/A6 56" . . . . .	1
08	<i>Note a</i>	FORK SLIDE COUPLER . . . . .	1				
09	L63715	TWIN CUSHION TOP PLATE . . . . .	2	<i>a</i>	<i>For 4" wide forks use PN L66921. For 5" wide forks use PN L66948.</i>		
10	L50242	5/16"-18X2-1/4" BOLT . . . . .	2	<i>b</i>	<i>Order PN L65273 Coupler Set</i>		
11	L63716	TWIN HOSE CUSHION . . . . .	1				
12	L520004	5/16"-18 NYLON INSERT NUT . . . . .	2				
13 <sup>b</sup>	NSS	COUPLER, MALE . . . . .	1				

**Dynattach<sup>®</sup> Bucket**



Ref. No.	Part No.	Description	Qty. Req.	Ref. No.	Part No.	Description	Qty. Req.
01	L500374	1.3 CU. YD. BUCKET WELDMNT . 1					
02	L68831	CUTTING EDGE, 98"x6"x3/4" . . . . . 1 (weld on)					

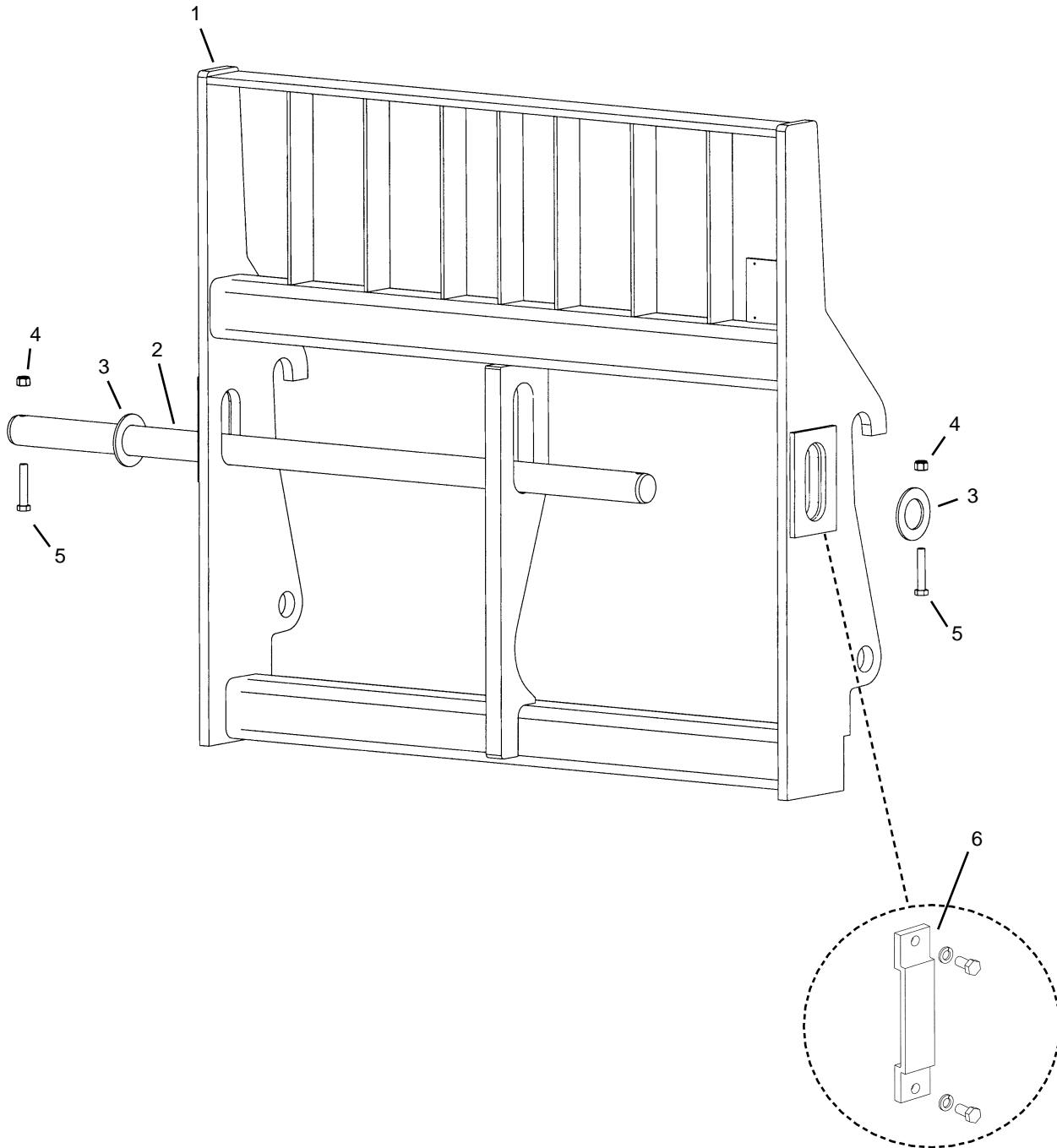
**Dynattach<sup>®</sup> Truss Boom**



## Dynattach® Truss Boom

Ref. No.	Part No.	Description	Qty. Req.	Ref. No.	Part No.	Description	Qty. Req.
01	L500218	5' TRUSS WELDMENT . . . . .	1	23	L61411	PINTLE HOOK . . . . .	1
	L99236	12' TRUSS WELDMENT . . . . .	1	24	L50380	1/2"-20X1-1/4" GR 8 BOLT . . . . .	4
	L99235	15' TRUSS WELDMENT . . . . .	1	25	L50152	1/2" LOCK WASHER . . . . .	4
02	L64294	HOSE -8 A8/A8 53" . . . . .	2	26 <sup>d</sup>	L446017	ADAP -8JICFS -8JICM 90 . . . . .	2
03	L64660	ADAP -8ORM -8JICM RUN TEE . . .	1				
04	L50841	1/4-20"X2" BOLT . . . . .	2			<b>-- ITEMS NOT SHOWN--</b>	
	L520003	1/4"-20 NYLON INSERT NUT . . . .	2	00	L500223	ADAPTER PLATE . . . . .	1
05	L444004	ADAP -8ORM -8JICM STR . . . . .	2			(Used with auger.)	
06 <sup>e</sup>	NSS	COUPLER, MALE . . . . .	1	a		Used on all 12' and 15' Truss Booms equipped with a winch, and on 5' Jib Booms after attachment serial number 11182. The winch on 5' Jib Booms before attachment serial number 11183 has been discontinued. You must purchase a Jib Boom and a winch.	
07 <sup>e</sup>	NSS	COUPLER, FEMALE . . . . .	1	b		Used with 12' and 15' Truss Booms with winch.	
08	L445002	ADAP -8ORM -8JICM 90 DEG . . . .	2	c		Used with 5' Jib Booms with winch.	
09	L82358	RELIEF VALVE . . . . .	1	d		Not used on some attachments.	
10 <sup>a</sup>	100963	HYDRAULIC WINCH . . . . .	1	e		Order PN L65273 Coupler Set	
11	L50286	1/2"-13X1-3/4" GR 8 BOLT . . . . .	6				
12	L520019	1/2-13 NYLON INSERT NUT . . . . .	6				
13	L444008	ADAP -10ORM -8JICM . . . . .	2				
14	L400398	HOSE -6 A8/A8 18.5" . . . . .	2				
15	L50815	5/16"X2-1/2" BOLT . . . . .	2				
16	100076	PIN, TRUSS WINCH . . . . .	1				
17	L520004	5/16"-18 NYLON INSERT NUT . . . .	2				
18	L65338	WINCH SHEAVE . . . . .	1				
19 <sup>b</sup>	L71266	3/8"X100' WINCH CABLE . . . . .	1				
		(Includes hook and swivel)					
19 <sup>c</sup>	L66946	3/8"X60' WINCH CABLE . . . . .	1				
		(Includes hook and swivel)					
20	L50371	3/8"X2-1/2" BOLT . . . . .	2				
21	L50147	3/8" LOCK WASHER . . . . .	2				
22	L60451	WINCH BALL . . . . .	1				

**DynacARRIER® Carriage**





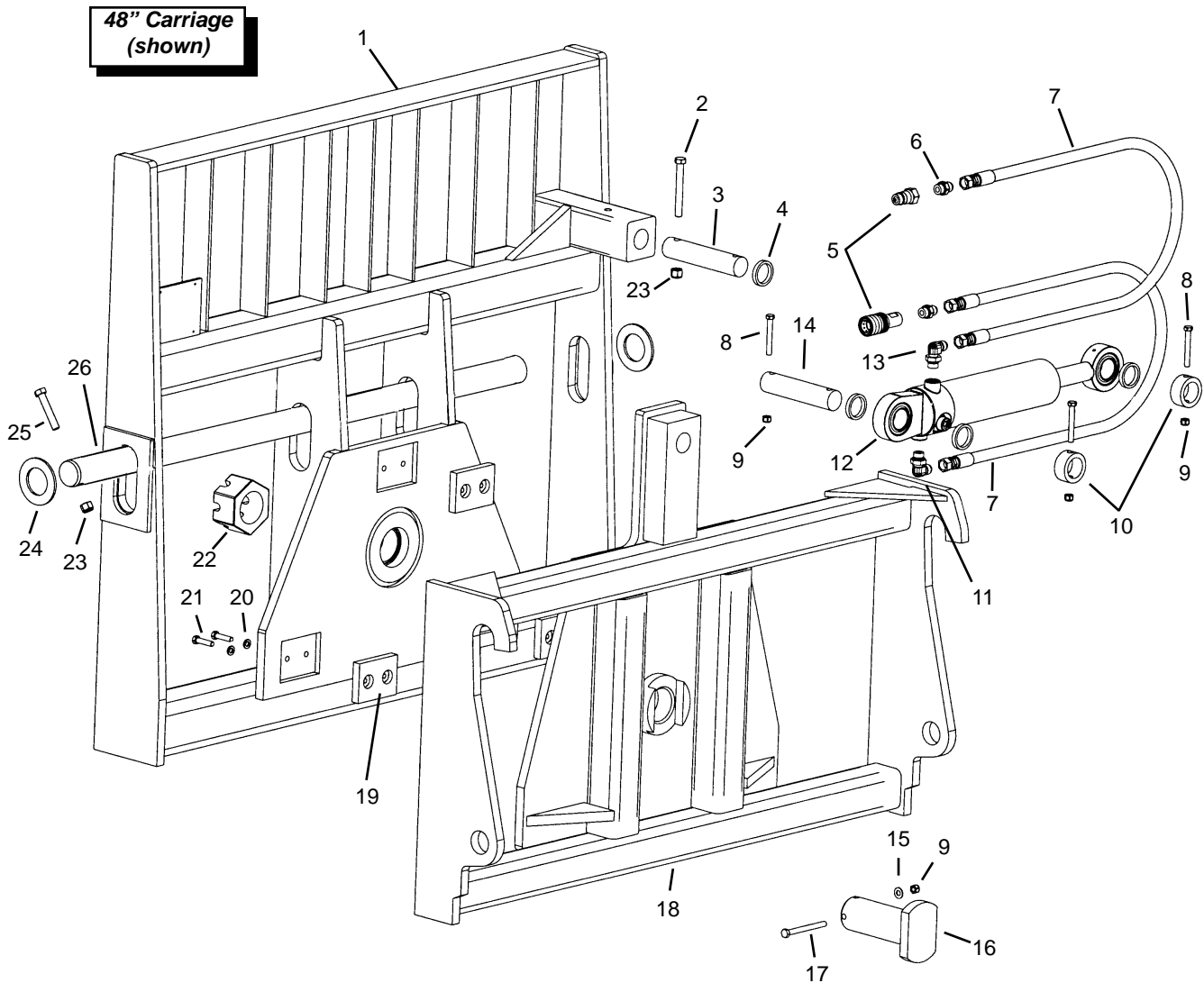
**DynacARRIER® Carriage**

Ref. No.	Part No.	Description	Qty. Req.	Ref. No.	Part No.	Description	Qty. Req.
01		CARRIAGE WELDMENT . . . . .	1	05		BOLT . . . . .	2
	L500196	48" (2" pin) . . . . .	1		L510003	Note a -- 1/2"X2-3/4" BOLT . . . . .	2
	L500197	66" (2" pin) . . . . .	1		L50294	Note b -- 1/2"-13"X3-1/2" BOLT . . . . .	2
	430170	Note e -- 48" (2-1/2" pin) . . . . .	1				
	430172	Note e -- 66" (2-1/2" pin) . . . . .	1	06	L500764	FORKSHAFT RETAINER . . . . .	1
02		FORK SHAFT BAR . . . . .	1		L50152	1/2" LOCK WASHER . . . . .	2
	L65223	(2"X51-1/2") . . . . .	1		L50282	1/2"-13X1" BOLT . . . . .	2
	L64561	(2"X69-1/2") . . . . .	1				
	101625	Note c -- (2-1/2"X51-1/2") . . . . .	1	a		Used with 2" diameter Fork Shaft Bar	
	101624	Note c -- (2-1/2"X69-1/2") . . . . .	1	b		Used with 2-1/2" diameter Fork Shaft Bar	
	101240	Note d -- (2-1/2"X48-1/2") . . . . .	1	c		Used on carriages that do <u>not</u> use item 6 to retain the Fork Shaft Bar.	
	101241	Note d -- (2-1/2"X66-1/2") . . . . .	1	d		Used on carriages that use item 6 to retain the Fork Shaft Bar.	
03		FORK SHAFT WASHER . . . . .	2	e		If your current carriage uses item 6 to retain the Fork Shaft Bar, you will need to order the following items when replacing the carriage: item 2, note c; item 3; item 4 and item 5.	
	L400425	Note a					
	100369	Note b					
04	L520019	1/2"-13 NYLON INSERT NUT . . . . .	2				

# DynacARRIER® Rotating Carriage

48" - Attachment SN 14962 and UP

66" - Attachment SN 14191 and UP



**DynacARRIER® Rotating Carriage****48" - Attachment SN 14962 and UP****66" - Attachment SN 14191 and UP**

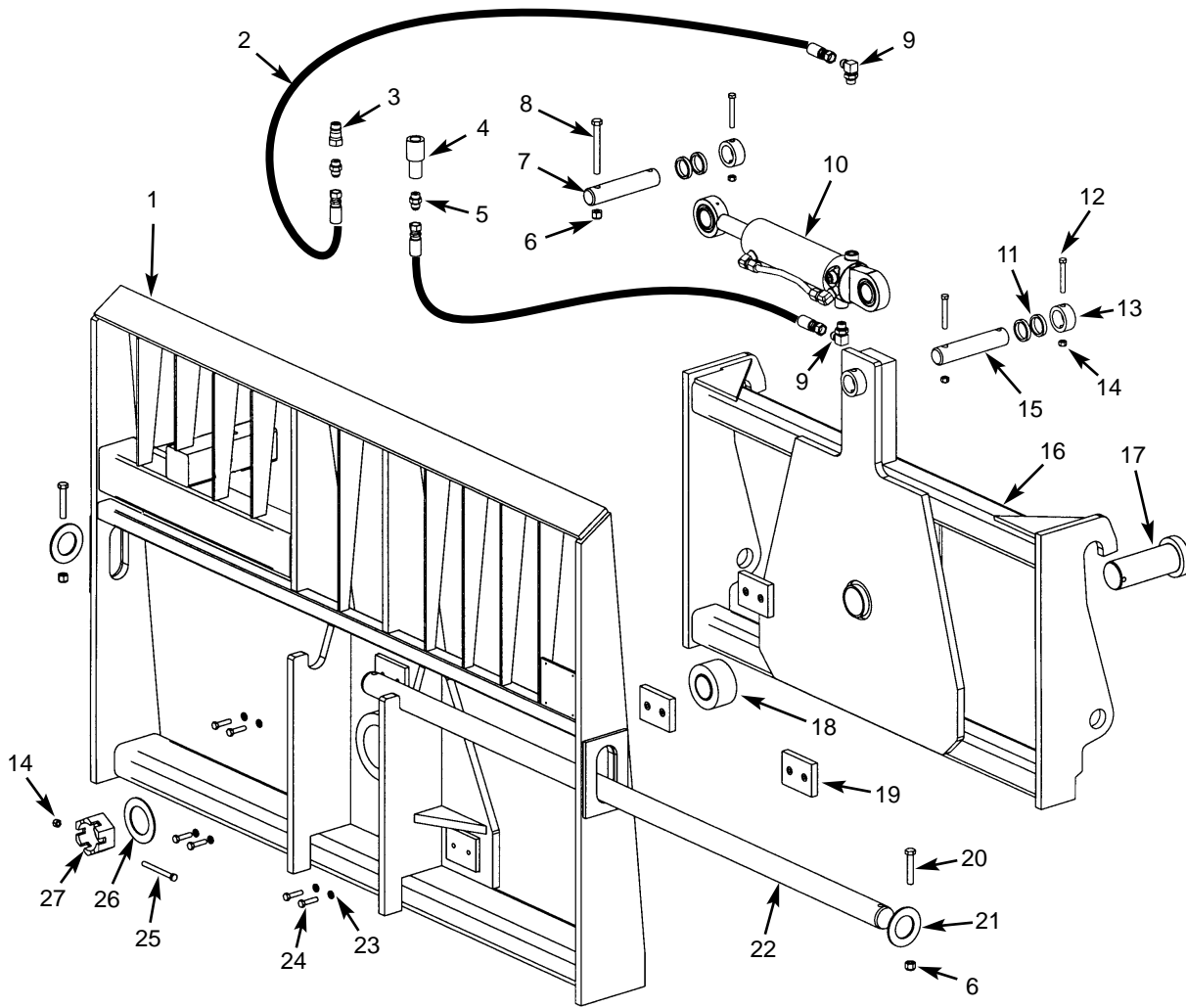
Ref. No.	Part No.	Description	Qty. Req.	Ref. No.	Part No.	Description	Qty. Req.
01		CARRIAGE, ROTATING . . . . .	1	16	101003	ROTATOR PIN. . . . .	1
	103517	(48" Carriage) 2" dia. fork shaft		17	L50801	3/8"X4" BOLT. . . . .	1
	103518	(66" Carriage) 2" dia. fork shaft		18	101002	ROTATOR PLATE WELDMENT . . .	1
	103519	(48" Carriage) 2-1/2" dia. fork shaft		19	L61709	SLIDE PAD . . . . .	3
	103520	(66" Carriage) 2-1/2" dia. fork shaft		20	L50147	3/8" LOCK WASHER. . . . .	6
02	L50982	1/2"X4" BOLT. . . . .	1	21	L50261	3/8"X1-1/2" BOLT . . . . .	6
03	L65181	PIN, ROTATOR ROD END . . . . .	1	22	L50718	2-1/2"-12 CASTELL NUT. . . . .	1
04	L61307	SPACER . . . . .	4	23	L520019	1/2"-13 NYLON INSERT NUT . . . .	4
05	L65273	QUICK COUPLER SET. . . . .	1	24		FORK SHAFT WASHER. . . . .	2
06	L444004	ADAP -8ORM -8JICM STR . . . . .	2		L400425	2" ID	
07	L64294	HOSE -8 A8/A8 53" . . . . .	2		100369	2-1/2" ID	
08	L50273	3/8"X2-3/4" BOLT . . . . .	3	25		BOLT . . . . .	2
09	L520005	3/8"-16 NYLON INSERT NUT . . . AR			L510003	1/2"X2-3/4" BOLT (2" dia. shaft)	
10	L62026	LOCK COLLAR 1.5" OD . . . . .	2		L50294	1/2"X2-3/4" BOLT (2-1/2" dia. shaft)	
11	L66017	ADAP -8ORM -8JICM 90 w/ORF. . .	2	26		FORK SHAFT BAR . . . . .	1
12	L70655	ROTATE CYLINDER . . . . .	1		L65223	(48" Carriage) 2" dia. fork shaft	
13	L66017	ADAP -8ORM -8JICM 90 w/ORF. . .	2		L64561	(66" Carriage) 2" dia. fork shaft	
14	L65180	PIN, ROTATOR BASE END . . . . .	1		101625	(48" Carriage) 2-1/2" dia. fork shaft	
15	L50145	3/8" FLAT WASHER. . . . .	AR		101624	(66" Carriage) 2-1/2" dia. fork shaft	

### DynacARRIER® Rotating Carriage

48" - Attachment SN 14961 and before

66" - Attachment SN 14190 and before

48" Carriage  
(shown)



**DynacARRIER® Rotating Carriage**

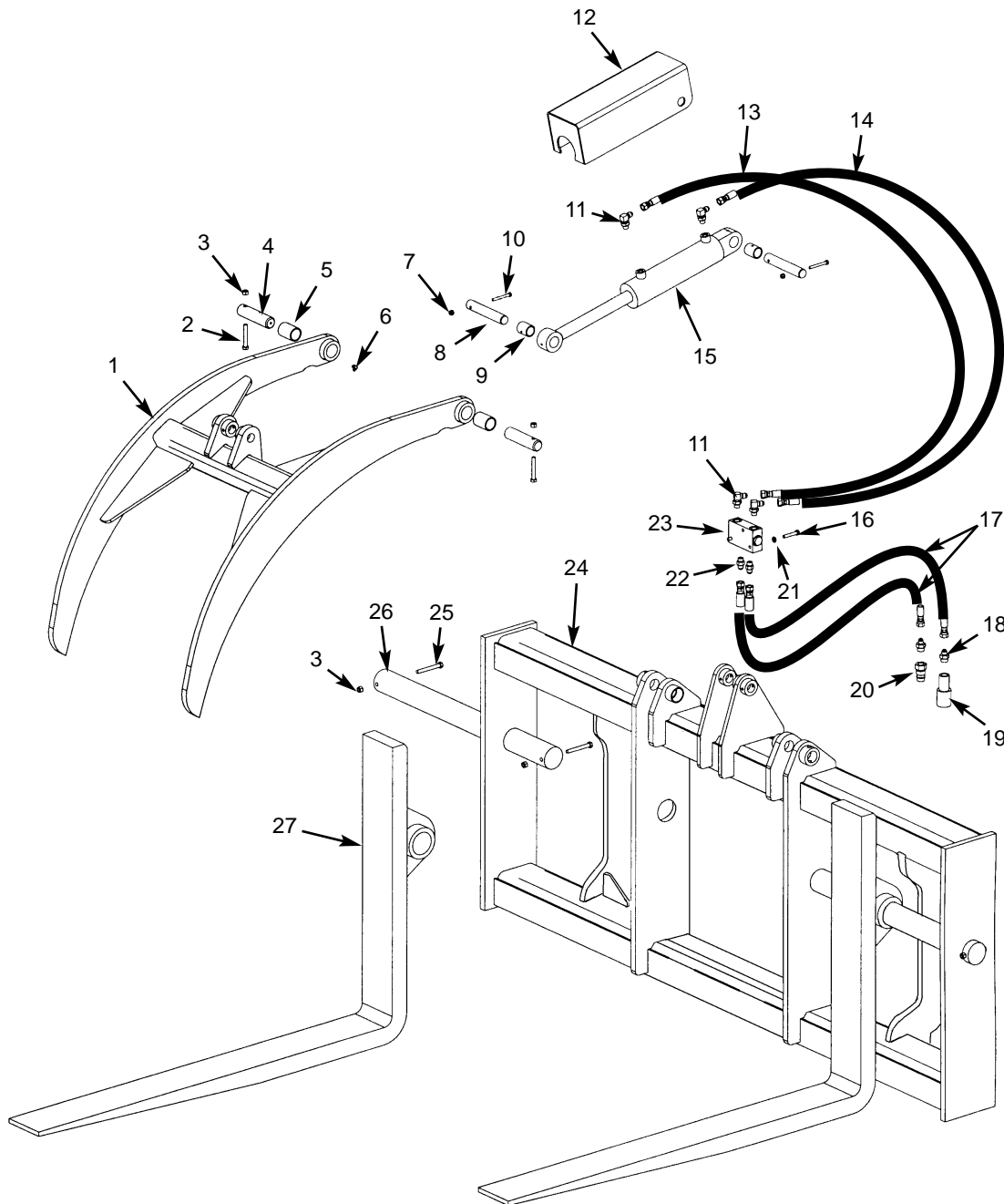
**48" - Attachment SN 14961 and before**

**66" - Attachment SN 14190 and before**

Ref. No.	Part No.	Description	Qty. Req.	Ref. No.	Part No.	Description	Qty. Req.
01	L500230	48" CARRIAGE, ROTATING . . . . .	1	15	L65180	PIN, ROTATOR BASE END . . . . .	1
	L500231	66" CARRIAGE, ROTATING . . . . .	1	16	L70862	ROTATOR PLATE WELDMENT . . . . .	1
02	L64294	HOSE -8 A8/A8 53" . . . . .	2			(Includes Item 17)	
03 <sup>a</sup>	NSS	COUPLER, MALE . . . . .	1	17	NSS	ROTATOR PIN. . . . .	1
04 <sup>a</sup>	NSS	COUPLER, FEMALE . . . . .	1	18	L810005	PIVOT BEARING. . . . .	1
05	L444004	ADAP -8ORM -8JICM STR . . . . .	2	19	L61709	SLIDE PAD . . . . .	3
06	L520019	1/2"-13 NYLON INSERT NUT . . . . .	3	20	L510003	1/2"X2-3/4" BOLT . . . . .	2
07	L65181	PIN, ROTATOR ROD END . . . . .	1	21	L400425	FORK SHAFT WASHER . . . . .	2
08	L50896	1/2"-13X4-1/2" BOLT . . . . .	1	22	L65223	FORK SHAFT BAR (48" Carriage) . . . . .	1
09	L66017	ADAP -8ORM -8JICM 90 W/ORF. . . . .	2		L64561	FORK SHAFT BAR (66" Carriage) . . . . .	1
10	L70655	ROTATE CYLINDER . . . . .	1	23	L50147	3/8" LOCK WASHER. . . . .	6
11	L61307	SPACER . . . . .	4	24	L50261	3/8"X1-1/2" BOLT . . . . .	6
12	L50273	3/8"X2-3/4" BOLT . . . . .	3	25	L50801	3/8"X4" BOLT. . . . .	1
13	L62026	LOCK COLLAR 1.5" OD . . . . .	2	26	L61287	4"ODX2.5"ID WASHER . . . . .	1
14	L520005	3/8"-16 NYLON INSERT NUT . . . . .	3	27	L50718	2-1/2"-12 CASTELL NUT. . . . .	1

a Order PN L65273 Coupler Set

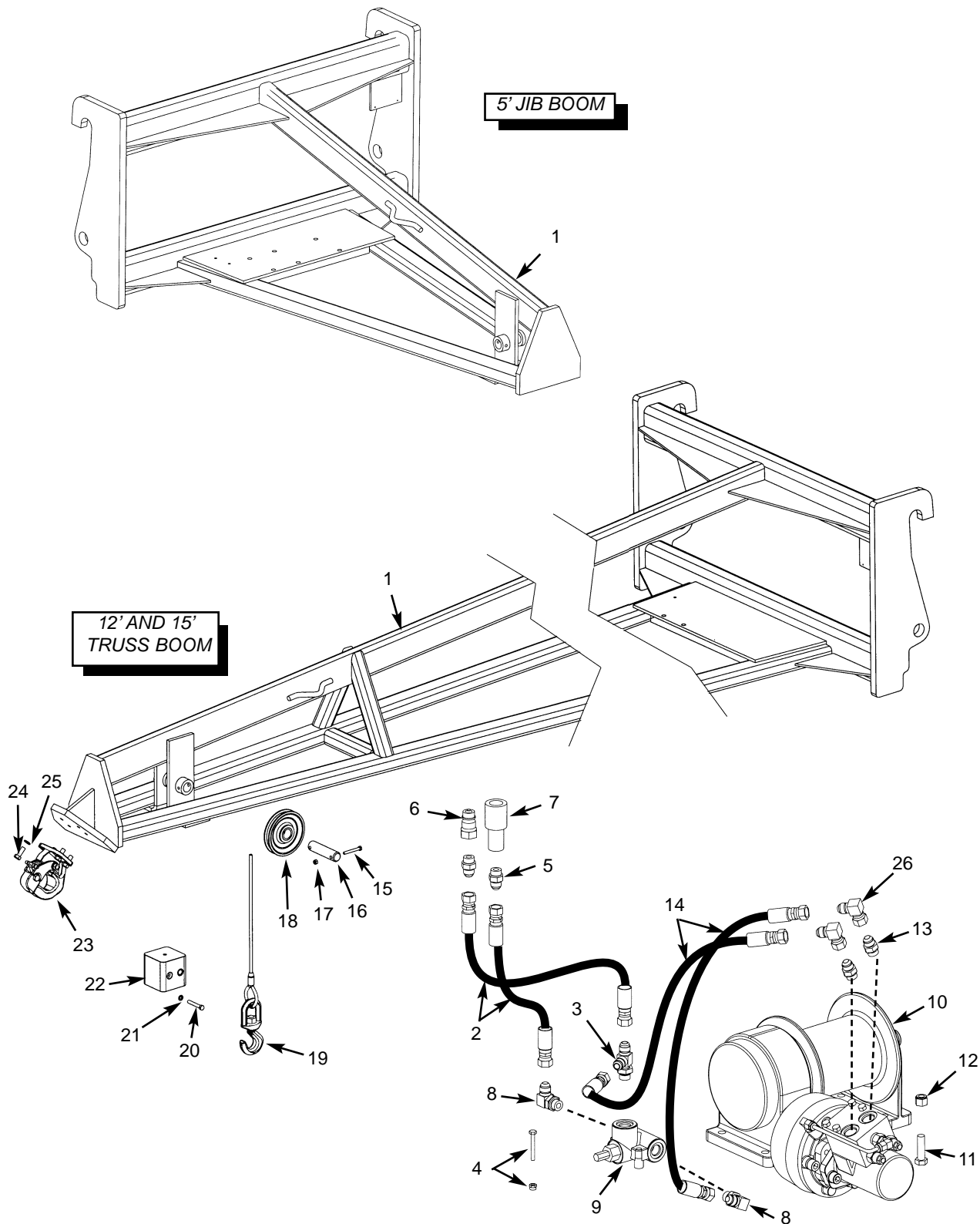
**Dynacarrier<sup>®</sup> Log/Pipe Carriage**



**DynacARRIER® Log/Pipe Carriage**

Ref. No.	Part No.	Description	Qty. Req.	Ref. No.	Part No.	Description	Qty. Req.
01	L67347	LOG GRAPPLE WELDMENT . . . . .	1	21	L50143	5/16" LOCKWASHER . . . . .	2
02	L50371	3/8"X2-1/2" BOLT . . . . .	2	22	L444002	ADAP -6ORM -6JICM . . . . .	2
03	L520005	3/8"-16 NYLON INSERT NUT . . . . .	6	23	L65689	VALVE, DOUBLE PORT CHECK . . .	1
04	L67246	LOG GRAPPLE PIVOT PIN . . . . .	2	24		LOG CARRIAGE WELDMENT . . . . .	1
05	L61866	BUSHING . . . . .	2		103528	<i>Note a</i>	
06	L10057	1/4-28 GREASE ZERK 90 DEG . . .	2		L500210	<i>Note b</i>	
07	L520003	1/4" NYLON INSERT NUT . . . . .	2	25		BOLT . . . . .	4
08	L66811	GRAPPLE CYLINDER PIN . . . . .	2		L50275	<i>Note a</i> (3/8"-16X3")	
09	L63593	BUSHING . . . . .	2		L50273	<i>Note b</i> (3/8"-16X2-3/4")	
10	L50452	1/4X2-1/4" BOLT . . . . .	2	26		LOG FORK SHAFT . . . . .	2
11	L445003	ADAP -6ORM -6JICM 90 DEG . . . .	4		L66809	<i>Note a</i>	
12	L67495	CYLINDER COVER . . . . .	1		L67267	<i>Note b</i>	
13	L67598	HOSE -4 A6/A6 32" . . . . .	1	27		LOG FORK WELDMENT . . . . .	2
14	L67599	HOSE -4 A6/A6 20" . . . . .	1		100547	<i>Note a</i> (2"X5"x60")	
15	L67248	LOG GRAPPLE CYLINDER . . . . .	1		L66805	(2"x5"x48")	
16	L50561	5/16"-18X1-3/4" BOLT . . . . .	2		L67239	<i>Note b</i> (2"X4"X42")	
17	L66831	HOSE -6 A6/A6 52" . . . . .	2				
18	L63143	ADAP -8ORM -6JICM w/ORF . . . . .	2	a		<i>Attachment SN 6311 and up</i>	
19 <sup>c</sup>	NSS	COUPLER, FEMALE . . . . .	1	b		<i>Attachment SN 6310 and before</i>	
20 <sup>c</sup>	NSS	COUPLER, MALE . . . . .	1	c		<i>Order PN L65273 Coupler Set</i>	

# DynacARRIER® Truss Boom

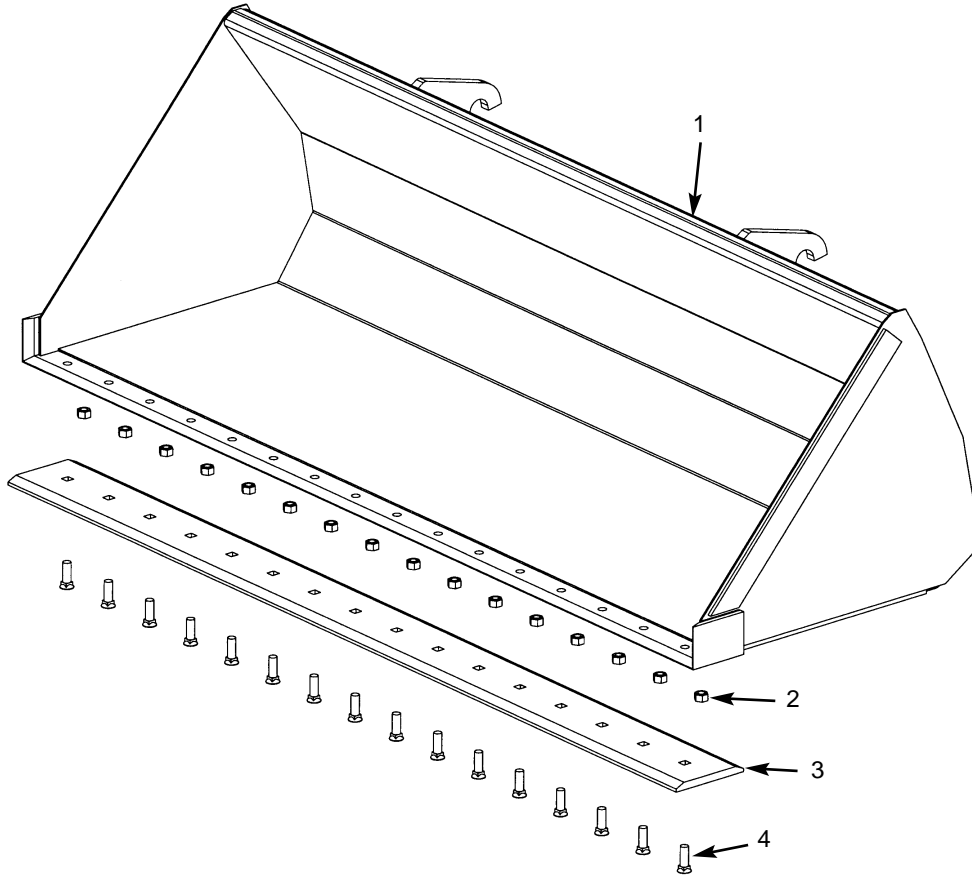




**DynacARRIER® Truss Boom**

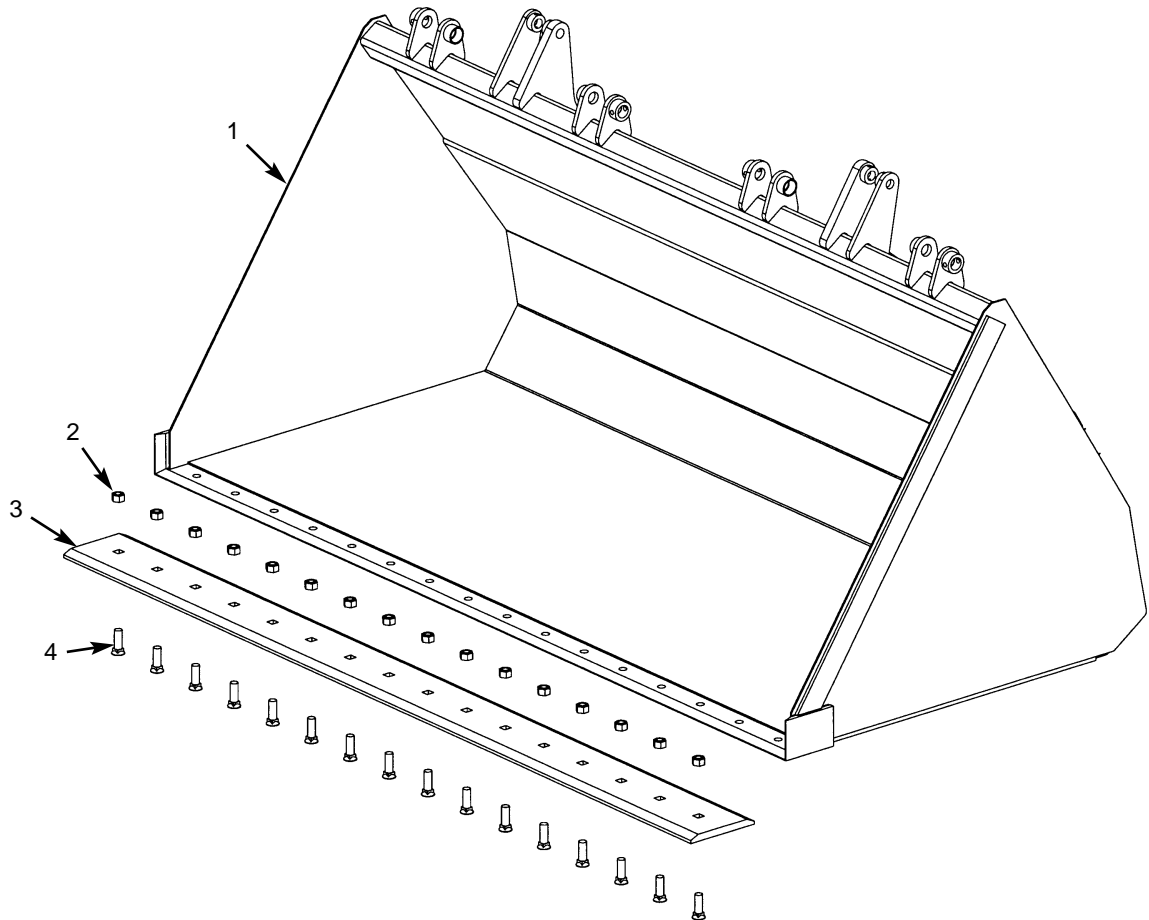
Ref. No.	Part No.	Description	Qty. Req.	Ref. No.	Part No.	Description	Qty. Req.
01	L500212	5' JIB TRUSS WELDMENT . . . . .	1	21	L50147	3/8" LOCK WASHER . . . . .	2
01	L99238	12' TRUSS WELDMENT . . . . .	1	22	L60451	WINCH BALL . . . . .	1
01	L500350	15' TRUSS WELDMENT . . . . .	1	23	L61411	PINTLE HOOK . . . . .	1
02	L64294	HOSE -8 A8/A8 53" . . . . .	2	24	L50380	1/2"-20X1-1/4" GR 8 BOLT . . . . .	4
03	L64660	ADAP -8ORM -8JICM RUN TEE . . . . .	1	25	L50152	1/2" LOCK WASHER . . . . .	4
04	L50841	1/4-20"X2" BOLT . . . . .	2	26 <sup>d</sup>	L446017	ADAP -8JICFS -8JICM 90 . . . . .	2
	L520003	1/4"-20 NYLON INSERT NUT . . . . .	2				
05	L444004	ADAP -8ORM -8JICM STR . . . . .	2			<b>-- ITEMS NOT SHOWN--</b>	
06 <sup>e</sup>	NSS	COUPLER, MALE . . . . .	1	00	L500221	ADAPTER PLATE . . . . .	1
07 <sup>e</sup>	NSS	COUPLER, FEMALE . . . . .	1			<i>(Used with auger.)</i>	
08	L445002	ADAP -8ORM -8JICM 90 DEG . . . . .	2				
09	L82358	RELIEF VALVE . . . . .	1				
10 <sup>a</sup>	100963	HYDRAULIC WINCH . . . . .	1	a		<i>Used on all 12' and 15' Truss Booms equipped with a winch, and on 5' Jib Booms after attachment serial number 11182. The winch on 5' Jib Booms before attachment serial number 11183 has been discontinued. You must purchase a Jib Boom and a winch.</i>	
11	L50286	1/2"-13X1-3/4" GR 8 BOLT . . . . .	6				
12	L520019	1/2-13 NYLON INSERT NUT . . . . .	6				
13	L444008	ADAP -10ORM -8JICM . . . . .	2				
14	L400398	HOSE -6 A8/A8 18.5" . . . . .	2				
15	L50815	5/16"X2-1/2" BOLT . . . . .	2				
16	100076	PIN, TRUSS WINCH . . . . .	1	b		<i>Used with 12' and 15' Truss Booms with winch.</i>	
17	L520004	5/16"-18 NYLON INSERT NUT . . . . .	2				
18	L65338	WINCH SHEAVE . . . . .	1	c		<i>Used with 5' Jib Booms with winch.</i>	
19 <sup>b</sup>	L71266	3/8"X100' WINCH CABLE . . . . .	1				
		<i>(Includes hook and swivel)</i>		d		<i>Not used on some attachments.</i>	
19 <sup>c</sup>	L66946	3/8"X60' WINCH CABLE . . . . .	1				
		<i>(Includes hook and swivel)</i>		e		<i>Order PN L65273 Coupler Set</i>	
20	L50371	3/8"X2-1/2" BOLT . . . . .	2				

**DynacARRIER® Bucket / 1.3-Cubic-Yard**



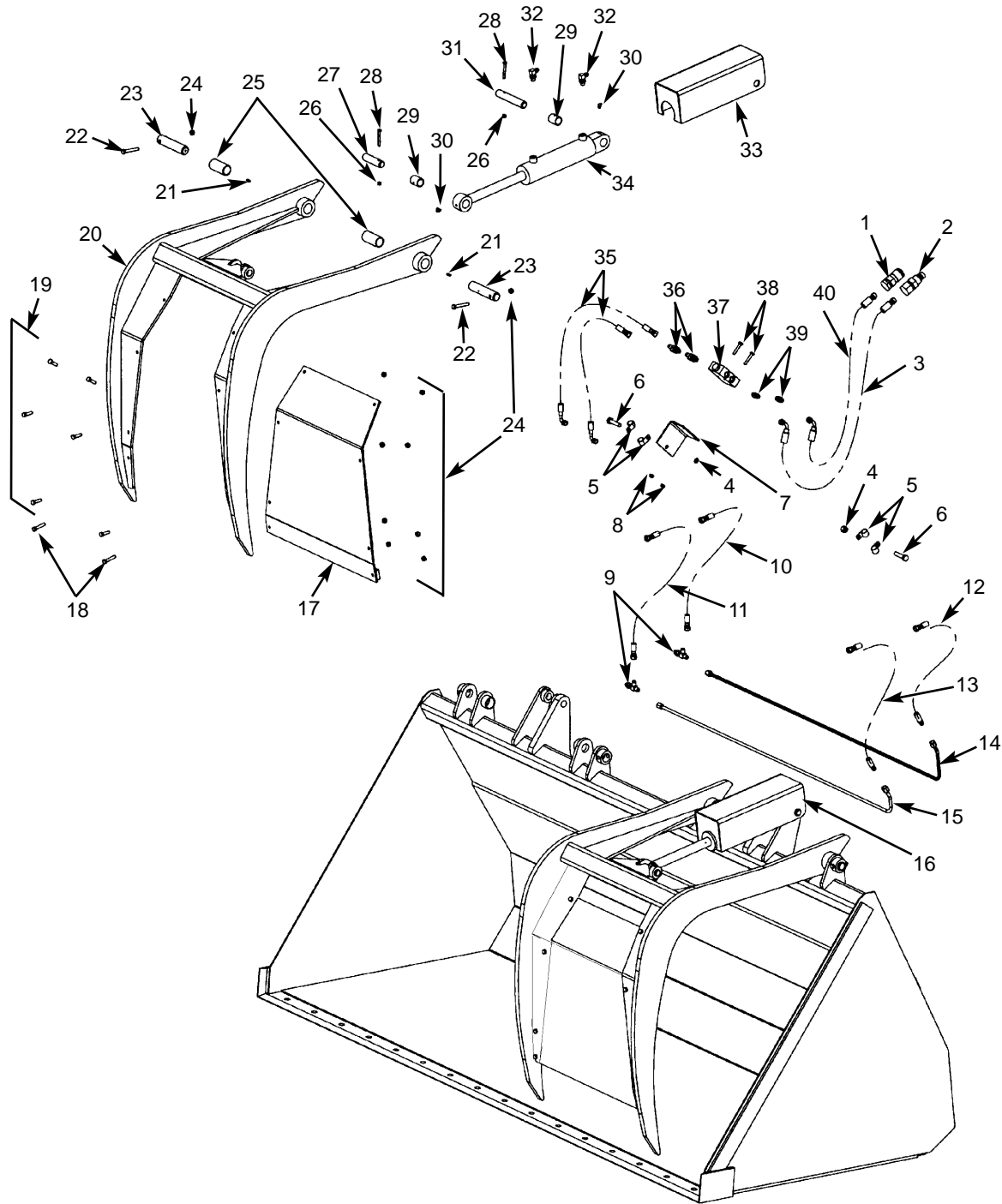
Ref. No.	Part No.	Description	Qty. Req.	Ref. No.	Part No.	Description	Qty. Req.
01	L500189	BUCKET WELDMENT 1.3 CU YD . 1		03	L69167	REVERSIBLE CUTTING EDGE . . . 1	
02	L50519	3/4"-10 NYLON INSERT NUT . . . . 16		04	L50284	3/4"-10X2-1/2" PLOW BOLT . . . . 16	

**DynacARRIER® Bucket / 2-Cubic-Yard**



Ref. No.	Part No.	Description	Qty. Req.	Ref. No.	Part No.	Description	Qty. Req.
01 <sup>ab</sup>		BUCKET WELDMENT 2 CU YD. . . . .	1	a		Order Stock Number 820005, which includes all items shown.	
02	L50519	3/4"-10 NYLON INSERT NUT . . . . .	16	b		Use L71640 weldment for open back scrap bucket	
03	L69167	REVERSIBLE CUTTING EDGE . . . . .	1			<b>Optional for open back scrap bucket</b>	
04	L50284	3/4"-10X2-1/2" PLOW BOLT . . . . .	16	00	L67624	BOLT ON SIDE PLATE KIT	
				00	L67620	BOLT ON SIDE PLATE . . . . .	2
				00	L50286	1/2"-13X1-3/4" BOLT . . . . .	10
				00	L520019	1/2"-13 NYLON INSERT NUT . . . . .	10

**DynacARRIER® Dual Top Clamp Group**

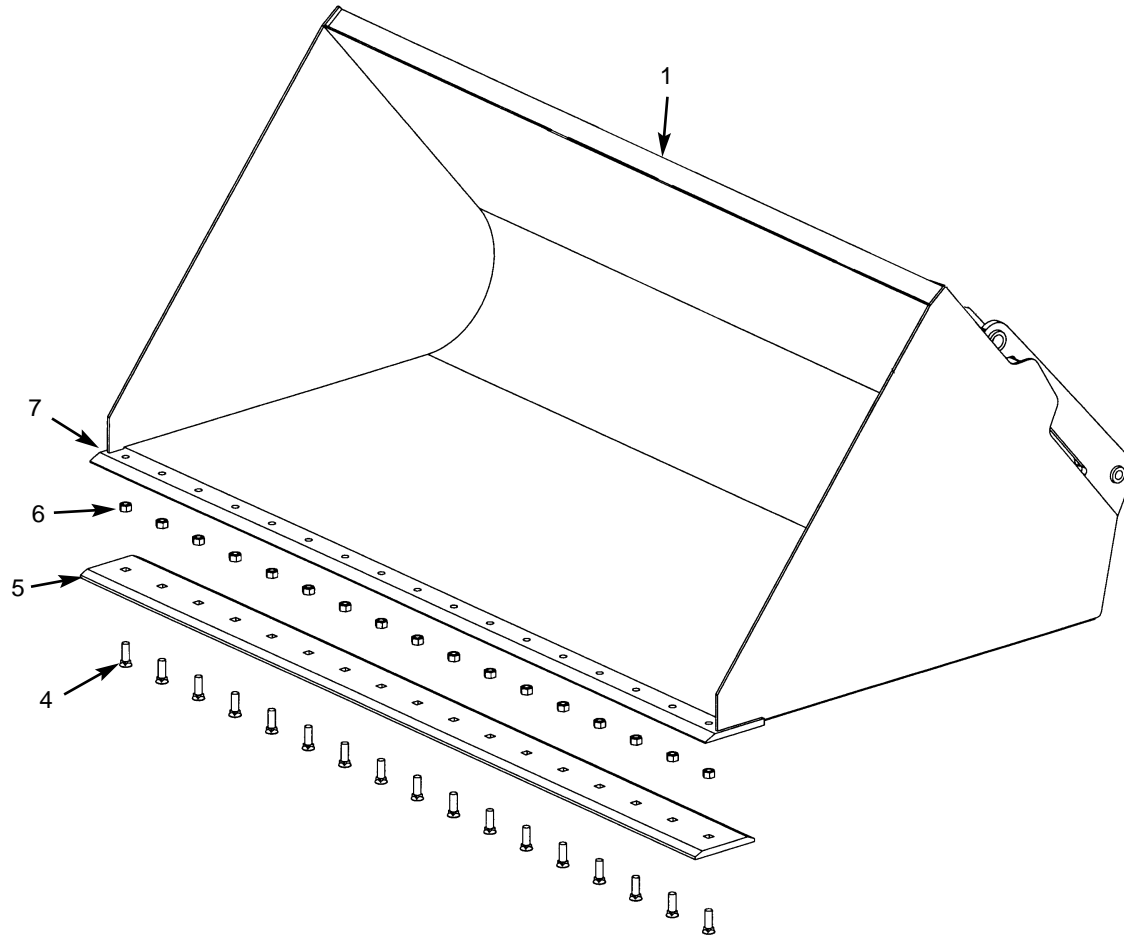


**DynacARRIER® Dual Top Clamp Group**

Ref. No.	Part No.	Description	Qty. Req.	Ref. No.	Part No.	Description	Qty. Req.
01 <sup>a</sup>	NSS	FEMALE FLAT COUPLER . . . . .	1	21	L10465	ZERK, 1/4-28 STRAIGHT . . . . .	4
02 <sup>a</sup>	NSS	MALE FLAT COUPLER. . . . .	1	22	L50371	3/8-16X2-1/2" BOLT . . . . .	4
03	L67514	HOSE DM6/B8 57" . . . . .	1	23	L67491	PIN, GRAPPLE PIVOT . . . . .	4
04	L520019	1/2-13 NYLON INSERT NUT . . . . .	4	24	L520005	3/8-16 NYLON INSERT NUT . . . . .	20
05	L41770	VINYL COVERED CLAMP . . . . .	4	25	L48806	BUSHING, 1-1/2" ODX1-1/4" ID . . . . .	4
06	L50288	1/2-13X2" BOLT. . . . .	4	26	L520003	1/4-20 NYLON INSERT NUT . . . . .	4
07	L71708	CHECK VALVE BRACKET . . . . .	1	27	L67258	PIN, GRAPPLE CYL ROD END . . . . .	2
08	L520004	5/16-18 NYLON INSERT NUT . . . . .	2	28	L50452	1/4-20X2-1/4" BOLT . . . . .	4
09	L67510	ADAP BULKHEAD -6JICM TEE. . . . .	2	29	L63593	BUSHING, 1.01X1.25X1.5. . . . .	4
10	L67609	HOSE A6/A6 33" . . . . .	1	30	L10057	ZERK, 1/4-28 90 DEGREE . . . . .	4
11	L67608	HOSE A6/A6 41" . . . . .	1	31	L67489	PIN, GRAPPLE CYL BUTT END. . . . .	2
12	L67611	HOSE A6/H6 30" . . . . .	1	32	L445003	ADAP -6ORM -6JICM 90 DEG . . . . .	4
13	L67610	HOSE A6/H6 40" . . . . .	1	33	L67495	CYLINDER COVER RIGHT HND . . . . .	1
14	L67577	TUBE, BULKHEAD OUTSIDE CYL . . . . .	1	34	L67248	CYLINDER, GRAPPLE . . . . .	2
15	L67576	TUBE, BULKHEAD INSIDE CYL . . . . .	1	35	L69903	HOSE A6/DS6 17" . . . . .	2
16	L67494	CYLINDER COVER LEFT HAND . . . . .	1	36	L445004	ADAP -6ORM -6JICM 45 DEG . . . . .	2
17	L67749	GRAPPLE ENCLOSURE . . . . .	2	37	L71651	DUAL PO CHECK VALVE . . . . .	1
18	L50836	3/8-16X1-3/4" BOLT . . . . .	4	38	L50561	5/16-18X1-3/4" BOLT . . . . .	2
19	L50403	3/8-16X1-1/4" BOLT . . . . .	12	39	L444002	ADAP -6ORM -6JICM STRAIGHT . . . . .	2
20	L67740	GRAPPLE WELDMENT . . . . .	2	40	L67802	HOSE DM6/B8 55" . . . . .	1

a Order PN L65273 coupler set.

**DynacARRIER® Bucket / 3-Cubic-Yard**



Ref. No.	Part No.	Description	Qty. Req.	Ref. No.	Part No.	Description	Qty. Req.
01	L500660	BUCKET WELDMENT 3 CU YD...	1	06	L50284	3/4"-10X2-1/2" PLOW BOLT . . . .	17
04	L50519	3/4"-10 NYLON INSERT NUT . . . .	17	07	100323	WELD ON EDGE W / HOLES. . . .	1
05	100341	CUTTING EDGE - 101-3/8" LONG .	1				

Part No.	Page No.	Ref. No.	Part No.	Page No.	Ref. No.	Part No.	Page No.	Ref. No.	Part No.	Page No.	Ref. No.
056859	15	10	100369	393	03	101351	243	02	101709	43	11
067847	83	43	100369	395	24	101351	245	03	101709	47	07
067847	95	14	100369	407	03	101356	21	13	101710	47	14
067847	261	09	100369	409	24	101364	85	19	101711	21	19
076099	386	08	100403	115	01	101378	51	35	101713	21	23
078849	9	00	100404	115	01	101378	55	00	101714	21	22
080313	381	05	100501	61	12	101378	59	27	101716	21	00
080319	383	02	100547	401	27	101383	261	03	101717	29	11
088296	21	00	100547	413	27	101383	261	08	101717	33	10
089069	49	09	100751	63	14	101397	83	41	101718	33	05
089069	51	33	100751	93	29	101418	21	01	101719	43	16
089070	49	09	100883	386	06	101421	83	36	101720	23	20
089070	51	33	100883	387	06	101422	83	39	101721	23	19
100003	139	04	100883	388	08	101427	389	02	101723	33	01
100003	163	04	100883	389	09	101428	389	01	101725	27	03
100006	139	06	100963	405	10	101432	389	05	101726	27	01
100007	139	06	100963	415	10	101434	389	03	101727	39	05
100008	139	04	101002	409	18	101436	83	40	101728	39	12
100008	163	04	101003	395	16	101439	297	16	101729	39	13
100044	388	01	101003	409	16	101443	21	00	101730	39	14
100047	388	02	101028	233	12	101453	83	47	101731	39	15
100049	388	06	101029	388	06	101457	85	11	101737	47	04
100049	389	08	101029	389	08	101487	21	04	101738	47	08
100049	389	08	101053	209	01	101488	83	09	101739	47	09
100051	388	05	101055	245	01	101490	51	09	101740	47	10
100051	388	07	101149	386	00	101491	51	08	101741	47	11
100051	389	07	101149	387	00	101492	51	05	101742	47	12
100056	388	05	101149	388	09	101493	51	10	101743	43	13
100057	388	04	101149	389	10	101493	73	19	101743	47	13
100058	388	03	101149	389	10	101494	51	13	101744	47	15
100059	388	07	101158	25	16	101495	33	19	101745	47	16
100059	389	07	101198	77	03	101495	95	22	101746	47	17
100071	73	17	101199	77	00	101508	55	00	101747	47	18
100076	405	16	101212	203	15	101508	59	28	101748	47	19
100076	415	16	101212	203	15	101523	101	12	101749	47	22
100091	61	12	101212	233	15	101524	51	12	101750	43	18
100102	81	18	101212	233	15	101528	51	14	101750	47	23
100118	207	03	101226	63	12	101550	51	06	101751	47	24
100118	209	09	101240	393	02	101624	393	02	101752	47	25
100118	243	03	101240	407	02	101624	395	26	101753	43	04
100118	245	04	101241	393	02	101624	407	02	101754	43	10
100135	73	01	101241	407	02	101624	409	26	101755	43	12
100247	207	01	101247	85	03	101624	409	26	101756	43	14
100249	243	01	101250	93	06	101625	393	02	101756	43	14
100252	163	09	101278	51	32	101625	395	26	101757	43	15
100252	299	25	101291	71	13	101625	407	02	101758	43	19
100252	301	18	101308	165	43	101625	409	26	101759	43	21
100255	163	10	101308	385	01	101650	55	32	101761	39	00
100255	299	18	101317	251	03	101650	59	22	101762	47	00
100255	301	12	101317	261	11	101667	21	07	101763	43	00
100259	163	06	101319	265	04	101668	61	12	101764	27	00
100260	163	06	101319	265	05	101682	103	05	101767	21	18
100263	115	08	101320	259	17	101687	63	05	101772	23	18
100264	115	08	101320	265	10	101688	63	06	101773	23	17
100323	420	07	101349	83	08	101689	75	07	101774	21	14
100330	163	13	101349	101	10	101692	261	01	101774	23	18
100332	163	13	101351	207	02	101692	265	06	101790	39	11
100341	420	05	101351	209	10	101704	21	22	101792	47	15

Part No.	Page No.	Ref. No.	Part No.	Page No.	Ref. No.	Part No.	Page No.	Ref. No.	Part No.	Page No.	Ref. No.
101793	47	26	102171	63	23	103413	287	06	104016	353	02
101794	47	28	102173	9	01	103413	349	00	104024	93	00
101814	251	14	102174	9	04	103414	79	00	104065	75	07
101818	93	06	102258	331	19	103425	279	09	104078	75	06
101825	55	12	102262	95	00	103425	283	09	104223	355	09
101825	59	12	102278	95	01	103425	287	10	104223	357	08
101827	95	05	102279	331	01	103441	9	05	104304	355	12
101828	95	16	102280	331	08	103475	79	05	104304	357	11
101835	331	10	102289	331	15	103476	79	06	104320	341	13
101836	331	09	102291	95	13	103479	79	01	104340	93	33
101840	55	25	102292	95	17	103482	79	02	104341	93	34
101840	59	19	102322	53	03	103483	167	03	104675	79	07
101841	55	27	102322	57	03	103484	167	03	104867	115	01
101841	59	21	102323	165	18	103485	167	03	104868	115	17
101843	55	26	102324	165	04	103486	167	04	104869	137	37
101843	59	20	102408	76	01	103487	167	19	104952	25	00
101848	55	36	102655	77	00	103505	279	02	104963	79	00
101848	59	26	102675	77	02	103505	283	02	105082	135	01
101849	55	35	102676	77	01	103505	287	02	105082	137	00
101849	59	25	102677	77	04	103506	279	01	105159	271	01
101869	93	23	102962	25	01	103506	283	01	105159	341	00
101870	93	16	102963	25	02	103506	287	01	105161	271	21
101881	267	01	103008	143	01	103508	349	01	105164	271	16
101884	67	01	103008	155	01	103509	349	03	105165	344	01
101902	21	10	103009	143	17	103510	349	02	105166	247	01
101906	47	00	103009	155	19	103511	349	01	105166	271	24
101907	43	00	103010	53	11	103512	349	03	105167	271	12
101909	43	18	103010	57	11	103513	349	00	105167	331	19
101909	47	23	103045	341	12	103514	349	00	105236	65	23
101910	43	19	103046	341	08	103517	395	01	105238	385	01
101912	47	22	103047	341	14	103517	409	01	105239	385	00
101914	23	18	103048	341	11	103518	395	01	105261	385	09
101926	101	05	103049	341	17	103518	409	01	105270	385	08
101960	85	03	103050	341	16	103519	395	01	105271	385	08
101961	85	04	103051	341	18	103519	409	01	105502	71	13
101962	85	04	103052	341	09	103520	395	01	105556	341	06
101963	85	03	103052	344	04	103520	409	01	105603	387	02
101965	83	00	103053	341	15	103528	413	24	105604	387	03
101966	83	00	103053	344	02	103626	93	07	105605	387	04
101967	83	27	103054	341	01	103862	93	00	105606	387	05
101972	21	01	103056	341	04	103878	291	01	105845	386	07
101974	21	01	103057	341	02	103878	352	00	105851	137	45
101992	331	02	103058	341	03	103899	271	06	131799	81	25
101999	395	18	103061	341	05	103900	271	17	131940	81	22
102002	83	26	103063	341	01	103901	271	15	137497	25	10
102031	95	07	103065	341	04	103902	271	14	137502	55	34
102064	95	02	103066	341	02	103905	386	01	137502	59	24
102065	95	23	103067	341	00	103905	387	01	138563	55	06
102066	95	20	103068	341	07	103906	386	02	210016	391	10
102072	331	15	103086	344	03	103907	386	03	210018	338	01
102073	331	16	103087	344	05	103908	386	04	430170	407	01
102110	115	04	103101	25	19	103909	386	05	430171	393	01
102110	331	14	103104	25	18	103910	386	00	430172	407	01
102111	331	20	103159	25	09	103910	387	00	430173	393	01
102168	63	28	103194	271	07	103911	386	00	520013	113	03
102169	63	26	103413	279	07	103911	387	00	650027	95	09
102170	63	27	103413	283	14	103912	33	19	650484	331	11



Part No.	Page No.	Ref. No.	Part No.	Page No.	Ref. No.	Part No.	Page No.	Ref. No.	Part No.	Page No.	Ref. No.
650486	331	07	L10465	369	01	L444005	259	04	L446049	253	05
650488	261	07	L10465	419	21	L444008	247	34	L446049	253	06
650490	83	42	L120041	101	18	L444008	405	13	L446049	279	11
650490	95	03	L120041	103	11	L444008	415	13	L446049	399	20
650490	261	04	L120041	105	10	L444010	303	02	L447005	93	32
650542	53	15	L120047	107	02	L444010	311	26	L447034	275	11
650697	23	16	L276632	207	15	L444010	313	26	L447034	281	04
650835	83	37	L277484	89	15	L444011	323	19	L448002	87	18
651233	388	06	L400207	175	12	L444011	325	20	L448002	297	11
651233	389	04	L400207	183	02	L444011	327	18	L450002	333	04
651233	389	08	L400207	211	02	L444011	329	12	L47212	331	06
651574	45	04	L400207	221	02	L444012	247	31	L47263	391	06
651599	165	41	L400207	315	11	L444012	279	04	L47265	391	07
651719	385	10	L400207	319	06	L444012	283	11	L47270	139	01
653005	53	24	L400398	405	14	L444012	287	11	L47270	139	01
654002	53	17	L400398	415	14	L444060	247	09	L48179	369	13
654022	53	16	L400425	393	03	L444060	249	10	L48805	315	03
654022	55	09	L400425	395	24	L444080	247	16	L48805	319	23
654022	57	16	L400425	397	02	L445001	289	02	L48806	419	25
654022	59	09	L400425	399	02	L445001	317	07	L48868A	381	08
654022	61	07	L400425	402	03	L445001	319	03	L49618	183	05
654022	83	38	L400425	407	03	L445001	321	09	L49618	195	13
654026	261	06	L400425	409	24	L445001	331	03	L49619	183	06
654028	93	00	L400425	411	21	L445002	247	18	L49619	195	14
654049	83	44	L400929	391	05	L445003	69	10	L49725	105	21
654049	95	12	L40165	311	17	L445004	399	18	L500001	29	15
654049	261	05	L40347	313	44	L445004	419	36	L500001	31	08
656016	93	21	L40347	329	35	L445005	299	03	L500001	33	17
656052	163	07	L41179	93	26	L445007	115	06	L500002	31	05
L10057	195	15	L41261	65	02	L445011	331	18	L500004	29	13
L10057	201	12	L41770	331	12	L445013	65	09	L500004	31	07
L10057	231	15	L41770	419	05	L445013	267	03	L500004	33	13
L10057	299	23	L41848	49	10	L445090	271	18	L500005	31	21
L10057	309	02	L41848	51	34	L445090	273	09	L500008	31	04
L10057	313	45	L42342	69	03	L445090	289	05	L500009	31	03
L10057	325	02	L43221	87	22	L445090	303	06	L500011	31	01
L10057	329	36	L43221	89	19	L446001	87	28	L500013	31	16
L10057	363	02	L43964	85	07	L446014	115	02	L500013	31	16
L10057	401	06	L43965	71	11	L446017	405	26	L500013	31	18
L10057	419	30	L441010	87	16	L446017	415	26	L500014	31	10
L10465	91	11	L441010	89	14	L446020	89	04	L500016	31	06
L10465	175	04	L442004	87	03	L446020	271	09	L500017	35	01
L10465	191	04	L442004	89	02	L446020	273	16	L500017	43	02
L10465	197	17	L442059	101	08	L446020	305	03	L500017	47	01
L10465	205	12	L442059	103	17	L446024	65	15	L500019	35	03
L10465	209	02	L442059	105	20	L446024	263	02	L500019	37	03
L10465	233	17	L443004	247	03	L446024	267	09	L500019	39	04
L10465	237	12	L443011	313	01	L446026	247	33	L500020	27	11
L10465	245	02	L443011	329	01	L446034	271	11	L500021	27	12
L10465	299	09	L443022	289	06	L446034	321	11	L500022	27	13
L10465	305	08	L444001	115	12	L446042	265	09	L500023	35	07
L10465	309	27	L444001	273	10	L446044	259	18	L500024	35	08
L10465	313	15	L444002	247	11	L446047	87	26	L500024	37	08
L10465	317	05	L444002	249	09	L446048	247	15	L500024	39	09
L10465	321	08	L444004	91	04	L446048	281	13	L500025	27	06
L10465	363	10	L444004	265	01	L446048	285	13	L500026	35	10
L10465	367	01	L444005	257	04	L446049	249	06	L500026	37	10

Part No.	Page No.	Ref. No.	Part No.	Page No.	Ref. No.	Part No.	Page No.	Ref. No.	Part No.	Page No.	Ref. No.
L500027	27	08	L500080	65	19	L500139	57	01	L500166	53	07
L500027	35	11	L500081	21	00	L500143	53	11	L500166	57	07
L500027	37	11	L500081	67	25	L500143	57	11	L500167	53	06
L500028	27	07	L500082	23	11	L500145	53	11	L500167	57	06
L500028	35	12	L500082	45	01	L500145	57	11	L500168	53	10
L500028	37	12	L500083	45	02	L500146	53	11	L500168	57	10
L500029	35	13	L500084	45	03	L500146	57	11	L500169	23	22
L500029	37	13	L500086	45	05	L500147	53	26	L500189	416	01
L500030	27	04	L500087	45	06	L500147	55	18	L500196	407	01
L500030	35	14	L500088	45	07	L500147	57	26	L500197	407	01
L500030	37	14	L500089	45	08	L500147	59	18	L500210	413	24
L500031	27	05	L500090	45	09	L500148	53	25	L500212	415	01
L500031	35	15	L500091	45	10	L500148	55	17	L500213	402	01
L500031	37	15	L500092	45	11	L500148	57	25	L500216	399	05
L500032	27	01	L500093	45	12	L500148	59	17	L500218	405	01
L500032	34	02	L500094	45	13	L500149	53	11	L500220	401	24
L500033	34	01	L500095	45	14	L500149	57	11	L500221	415	00
L500034	41	07	L500096	45	16	L500150	53	21	L500223	405	00
L500034	43	01	L500097	45	17	L500150	55	15	L500224	93	08
L500036	41	05	L500098	47	27	L500150	57	21	L500225	21	13
L500036	43	03	L500099	29	08	L500150	59	15	L500227	87	10
L500037	41	14	L500099	33	04	L500151	53	18	L500227	89	11
L500037	43	08	L500101	29	03	L500151	55	14	L500228	23	03
L500037	47	05	L500101	29	09	L500151	57	18	L500230	411	01
L500038	41	15	L500102	29	01	L500151	59	14	L500231	411	01
L500038	43	09	L500104	31	09	L500152	53	20	L500242	381	01
L500038	47	06	L500106	29	00	L500152	55	13	L500243	352	01
L500039	41	02	L500108	29	19	L500152	57	20	L500243	361	06
L500040	41	10	L500108	31	15	L500152	59	13	L500244	21	00
L500042	41	13	L500109	27	02	L500157	55	07	L500245	21	00
L500042	43	17	L500110	29	14	L500157	59	07	L500247	73	21
L500042	47	20	L500111	27	10	L500158	57	12	L500252	361	05
L500043	41	04	L500112	29	16	L500158	59	06	L500262	375	11
L500046	41	16	L500113	29	00	L500159	53	14	L500265	143	03
L500049	23	15	L500114	43	07	L500159	55	05	L500265	155	03
L500052	23	10	L500116	35	00	L500159	57	14	L500266	143	02
L500055	21	20	L500116	37	00	L500159	59	05	L500266	155	02
L500055	34	04	L500117	34	00	L500160	53	13	L500266	167	08
L500057	21	21	L500120	45	00	L500160	55	04	L500267	143	03
L500057	34	03	L500124	23	13	L500160	57	13	L500267	155	03
L500058	21	23	L500125	23	14	L500160	59	04	L500267	167	20
L500059	23	05	L500126	351	04	L500161	53	22	L500268	41	12
L500059	55	33	L500127	351	09	L500161	55	03	L500269	41	11
L500059	59	23	L500128	351	01	L500161	57	22	L500280	143	04
L500060	21	00	L500129	351	02	L500161	59	03	L500280	155	04
L500064	21	00	L500131	351	08	L500162	53	19	L500281	143	04
L500067	23	12	L500132	351	06	L500162	55	02	L500281	155	04
L500068	21	24	L500133	351	03	L500162	57	19	L500286	183	00
L500069	21	22	L500134	351	07	L500162	59	02	L500287	183	00
L500070	23	21	L500135	351	05	L500163	53	23	L500295	149	19
L500071	23	20	L500136	53	05	L500163	55	01	L500296	149	19
L500072	23	19	L500136	57	05	L500163	57	23	L500300	343	17
L500075	23	06	L500137	53	04	L500163	59	01	L500300	345	08
L500076	23	09	L500137	57	04	L500164	53	09	L500300	351	10
L500077	23	01	L500138	53	02	L500164	57	09	L500311	85	09
L500078	23	03	L500138	57	02	L500165	53	08	L500312	85	10
L500080	21	00	L500139	53	01	L500165	57	08	L500339	81	17

Part No.	Page No.	Ref. No.	Part No.	Page No.	Ref. No.	Part No.	Page No.	Ref. No.	Part No.	Page No.	Ref. No.
L500347	247	37	L500398	53	11	L500608	153	17	L500697	33	11
L500348	247	36	L500398	55	16	L50061	63	08	L500698	31	14
L500349	247	38	L500398	57	11	L50061	85	17	L500699	31	13
L500350	415	01	L500398	59	16	L50061	333	03	L500700	29	04
L500352	87	19	L500403	53	40	L500610	141	23	L500700	33	06
L500352	297	14	L500403	55	28	L500610	153	23	L500701	29	18
L500355	41	00	L500430	247	39	L500615	144	10	L500701	33	14
L500355	41	01	L500439	65	22	L500615	145	11	L500702	29	03
L500355	41	03	L500440	119	01	L500615	156	10	L500703	29	01
L500357	357	01	L500444	93	20	L500615	157	11	L500703	33	02
L500357	359	08	L50050	83	19	L500617	143	01	L500704	31	05
L500359	41	03	L50050	83	46	L500617	155	01	L500705	31	03
L500360	41	01	L50050	93	03	L500618	143	13	L500706	29	05
L500361	359	01	L50051	51	16	L500618	155	15	L500706	33	07
L500364	379	01	L500548	23	08	L500618	165	24	L500707	29	02
L500365	379	03	L50056	73	10	L500619	143	17	L500707	33	03
L500367	379	05	L500569	25	20	L500619	155	19	L500708	29	19
L500367	382	04	L500570	53	29	L500640	150	02	L500708	31	15
L500370	382	06	L500570	55	22	L500640	160	02	L500709	29	06
L500371	355	01	L500571	53	28	L500652	355	06	L500709	31	11
L500374	403	01	L500571	57	28	L500652	357	05	L500709	33	08
L500375	115	00	L500573	53	30	L500653	355	11	L500710	31	16
L500376	141	01	L500573	57	29	L500653	357	10	L500711	29	10
L500376	141	17	L500574	53	31	L500656	355	04	L500711	33	09
L500376	153	01	L500574	55	24	L500656	357	03	L500712	29	19
L500376	153	17	L500575	53	32	L500657	81	09	L500712	31	15
L500379	153	28	L500575	55	23	L500658	147	07	L500713	27	02
L500380	141	31	L500576	53	33	L500658	159	07	L500714	31	01
L500380	153	30	L500576	55	20	L50066	69	05	L500715	29	00
L500381	141	32	L500577	53	34	L50066	111	20	L500716	31	10
L500382	141	35	L500577	55	19	L500660	420	01	L500717	31	09
L500383	141	36	L500578	53	27	L500664	53	41	L500718	29	16
L500383	153	32	L500579	53	12	L500664	55	30	L500718	33	18
L500384	141	37	L500580	53	35	L500665	53	42	L500719	29	09
L500384	153	33	L500580	55	21	L500665	55	29	L500719	33	12
L500385	141	38	L50059	81	06	L500666	53	43	L500720	63	21
L500385	153	31	L500591	61	01	L500666	55	31	L500721	378	04
L500386	143	08	L500592	61	02	L500680	31	02	L500722	378	03
L500387	143	11	L500593	61	03	L500688	355	03	L500723	378	06
L500387	155	13	L500594	61	04	L500688	357	02	L500724	378	05
L500388	147	08	L500595	61	09	L500689	355	05	L500725	378	02
L500388	147	08	L500596	61	10	L500689	357	04	L500726	378	07
L500388	159	08	L500598	93	20	L500690	355	08	L500728	233	12
L500388	159	08	L500600	129	42	L500690	357	07	L500745	347	01
L500389	149	01	L500601	125	01	L500691	355	09	L500746	347	03
L500390	149	02	L500602	125	13	L500691	357	08	L500747	25	21
L500391	149	12	L500602	129	13	L500692	355	07	L500748	25	17
L500392	149	14	L500603	125	14	L500692	357	06	L500750	31	17
L500393	141	04	L500603	129	14	L500694	29	12	L500751	369	08
L500393	149	16	L500604	125	30	L500695	29	17	L500751	377	06
L500393	153	04	L500604	129	30	L500695	31	17	L500752	375	03
L500394	150	06	L500605	129	01	L500695	33	15	L500753	375	03
L500394	160	06	L500606	81	18	L500696	29	14	L500754	375	05
L500395	153	03	L500607	31	20	L500696	31	18	L500755	375	05
L500396	153	16	L500608	141	01	L500696	33	16	L500757	375	06
L500397	141	29	L500608	141	17	L500697	29	07	L500758	375	04
L500397	153	28	L500608	153	01	L500697	31	12	L500759	149	19

Part No.	Page No.	Ref. No.	Part No.	Page No.	Ref. No.	Part No.	Page No.	Ref. No.	Part No.	Page No.	Ref. No.
L500760	149	19	L500831	167	16	L500866	170	09	L500917	147	09
L500761	382	03	L500832	167	17	L500867	170	10	L500917	159	09
L500762	382	02	L500833	167	18	L500868	170	12	L500918	141	40
L500763	382	01	L500835	167	22	L500869	170	13	L50092	183	14
L500764	393	06	L500836	167	23	L500870	171	01	L50092	193	21
L500764	407	06	L500837	167	24	L500871	171	02	L50092	197	26
L500784	307	25	L500838	168	01	L500872	171	03	L50092	199	21
L500784	311	01	L500839	168	02	L500873	171	04	L50092	221	14
L500784	323	20	L500839	169	02	L500874	171	05	L50092	229	21
L500784	327	01	L50084	91	02	L500875	171	06	L50092	233	26
L500785	141	21	L50084	139	12	L500876	171	07	L50092	235	15
L500785	153	21	L50084	163	12	L500877	171	08	L50092	239	16
L500786	150	10	L50084	299	19	L500878	171	09	L50092		16
L500786	160	10	L50084	301	11	L500879	173	01	L500940	385	00
L500786		172	L500840	168	03	L500880	173	02	L500941	385	02
01			L500840	169	03	L500881	173	03	L500942	385	05
L500787	165	01	L500841	168	04	L500882	173	04	L500966	47	21
L500789	165	05	L500841	169	04	L500883	173	05	L500967	43	20
L500790	165	06	L500842	168	05	L500884	173	06	L500968	267	01
L500791	165	07	L500842	169	05	L500885	173	07	L500969	21	01
L500792	165	09	L500843	168	06	L500886	173	08	L50101	65	21
L500793	165	10	L500843	169	06	L500887	173	09	L50105	25	08
L500794	165	12	L500844	168	07	L500889	172	02	L50136	177	07
L500795	165	13	L500844	169	07	L500890	172	03	L50136	215	07
L500796	165	14	L500845	168	07	L500891	172	04	L50137	55	08
L500797	165	15	L500845	169	07	L500892	172	07	L50137	57	17
L500798	165	16	L500846	168	07	L500893	172	08	L50137	59	08
L500799	165	17	L500846	169	07	L500894	172	09	L50137	61	06
L500801	165	19	L500847	168	07	L500895	172	10	L50137	67	23
L500802	165	20	L500847	169	07	L500896	172	11	L50139	67	20
L500803	165	21	L500848	168	07	L500897	172	14	L50141	73	08
L500804	165	22	L500848	169	07	L500898	172	15	L50141	73	09
L500805	165	23	L500849	168	07	L500899	172	16	L50141	81	01
L500806	165	26	L500849	169	07	L500900	172	17	L50143	111	13
L500807	165	27	L500850	168	07	L500901	172	18	L50145	67	24
L500808	165	29	L500850	169	07	L500902	172	19	L50147	63	18
L500809	165	30	L500851	168	07	L500903	172	20	L50147	189	02
L50081	25	06	L500851	169	07	L500904	172	21	L50147	271	03
L500810	165	31	L500852	168	07	L500905	167	18	L50151	21	16
L500811	165	33	L500852	169	07	L500906	167	23	L50152	111	05
L500812	165	34	L500853	168	07	L500907	169	01	L50156	315	05
L500813	165	36	L500853	169	07	L500908	169	11	L50156	319	01
L500814	165	37	L500854	168	08	L500909	169	12	L50157	309	04
L500815	165	38	L500854	169	08	L500910	147	01	L50157	313	47
L500816	165	39	L500855	168	09	L500910	159	01	L50157	325	04
L500817	165	40	L500855	169	09	L500911	147	02	L50157	329	38
L500818	167	01	L500856	168	10	L500911	159	02	L50170	305	13
L500819	167	02	L500856	169	10	L500912	147	03	L50174	85	15
L500822	167	05	L500857	168	11	L500912	159	03	L50196	73	06
L500823	167	07	L500858	170	01	L500913	147	04	L50200	139	09
L500824	167	09	L500859	170	02	L500913	159	04	L50201	139	14
L500825	167	10	L500860	170	03	L500914	147	05	L50201	165	42
L500826	167	11	L500861	170	04	L500914	159	05	L50202	95	24
L500827	167	12	L500862	170	05	L500915	147	06	L50202	99	12
L500828	167	13	L500863	170	06	L500915	159	06	L50208	25	12
L500829	167	14	L500864	170	07	L500916	147	08	L50208	55	32
L500830	167	15	L500865	170	08	L500916	159	08			

Part No.	Page No.	Ref. No.	Part No.	Page No.	Ref. No.	Part No.	Page No.	Ref. No.	Part No.	Page No.	Ref. No.
L50209	93	27	L50371	405	20	L50727	109	17	L51099	105	08
L50211	60	06	L50371	413	02	L50741	275	10	L51587	87	20
L50217	69	17	L50371	415	20	L50743	281	11	L51587	297	15
L50228	95	11	L50371	419	22	L50743	291	02	L51590	271	13
L50228	99	07	L50380	177	27	L50744	285	04	L51591	65	08
L50228	333	06	L50385	91	03	L50745	277	13	L51591	267	02
L50230	91	07	L50403	177	34	L50801	307	16	L51599	311	27
L50235	307	09	L50422	93	18	L50801	309	36	L51599	313	24
L50235	309	18	L50452	65	20	L50801	395	17	L51621	271	23
L50236	57	15	L50458	361	01	L50801	397	24	L51621	331	04
L50236	61	05	L50461	83	07	L50801	409	17	L51621	333	02
L50242	402	10	L50462	205	01	L50801	411	25	L51781	105	06
L50251	179	06	L50462	209	07	L50815	405	15	L51972	247	13
L50251	189	03	L50462	245	05	L50815	415	15	L51972	249	14
L50253	139	03	L50463	175	01	L50819	109	18	L520003	399	13
L50253	163	03	L50463	191	01	L50820	109	02	L520003	401	07
L50261	63	10	L50463	211	12	L50823	69	11	L520003	413	07
L50261	395	21	L50463	227	06	L50823	73	18	L520003	419	26
L50261	397	27	L50486	75	04	L50823	111	12	L520004	185	02
L50261	409	21	L50486	309	15	L50835	177	15	L520005	99	19
L50261	411	24	L50486	313	07	L50835	215	15	L520019	175	02
L50273	395	08	L50486	325	15	L50836	63	13	L520019	245	06
L50273	399	33	L50486	329	24	L50836	181	03	L52026	63	15
L50273	413	25	L50491	177	06	L50841	60	01	L52026	65	07
L50275	91	14	L50491	215	06	L50841	405	04	L52026	177	11
L50277	271	02	L50517	73	05	L50841	415	04	L52026	215	11
L50277	311	19	L50519	211	06	L50856	107	10	L52027	49	02
L50282	321	05	L50535	255	04	L50873	115	09	L52048	177	05
L50283	21	17	L50545	251	05	L50875	402	07	L52048	215	05
L50283	271	04	L50561	273	07	L50876	257	07	L530003	85	06
L50283	273	04	L50562	93	13	L50876	259	07	L530004	175	05
L50284	416	04	L50562	109	08	L50877	307	05	L560003	183	11
L50284	417	04	L50562	402	17	L50878	291	13	L560003	221	11
L50284	420	06	L50565	71	10	L50884	307	23	L580009	71	08
L50286	405	11	L50592	111	04	L50895	399	11	L580009	83	20
L50286	415	11	L50603	81	20	L50896	25	14	L580009	83	45
L50288	87	17	L50607	69	02	L50896	397	17	L580009	93	05
L50288	419	06	L50607	81	03	L50896	411	08	L60198	139	01
L50292	81	13	L50608	175	11	L50952	93	00	L60198	139	01
L50294	393	04	L50608	211	03	L50952	109	16	L60198	163	01
L50294	395	25	L50608	315	07	L50956	175	16	L60451	405	22
L50294	407	05	L50608	319	04	L50982	395	02	L60451	415	22
L50294	409	25	L50628	85	14	L50982	397	10	L60492	103	09
L50300	21	02	L50645	115	18	L50982	409	02	L60492	107	13
L50301	21	05	L50646	209	12	L50986	207	04	L60587	81	00
L50305	93	15	L50646	245	12	L50986	243	04	L60653	277	08
L50313	315	04	L50655	25	15	L510003	393	04	L60653	279	03
L50313	319	02	L50679	269	08	L510003	397	03	L60653	283	12
L50333	402	04	L50684	139	10	L510003	407	05	L60653	287	08
L50359	109	15	L50684	163	11	L510008	185	05	L60961	391	08
L50364	67	19	L50684	299	20	L510041	73	04	L60986	247	24
L50364	253	13	L50684	301	10	L510046	67	09	L60986	257	04
L50367	109	01	L50706	93	28	L510046	67	12	L60986	259	03
L50368	109	07	L50718	395	22	L51034	359	07	L60986	259	16
L50368	111	18	L50718	397	25	L51035	329	33	L60986	303	11
L50371	21	06	L50718	409	22	L51099	101	20	L60986	307	27
L50371	401	02	L50718	411	27	L51099	103	03	L60986	309	33

Part No.	Page No.	Ref. No.	Part No.	Page No.	Ref. No.	Part No.	Page No.	Ref. No.	Part No.	Page No.	Ref. No.
L60986	311	25	L61709	319	18	L63717	329	21	L64561	407	02
L60986	313	20	L61709	395	19	L63719	307	21	L64561	409	26
L60986	361	02	L61709	397	22	L63720	307	20	L64561	411	22
L61001	391	02	L61709	409	19	L63756	25	03	L64646	93	07
L61017	391	03	L61709	411	19	L63887	49	19	L64660	247	27
L61092	333	20	L61866	401	05	L63951	399	34	L64660	251	08
L61287	397	23	L61866	413	05	L63970	379	00	L64660	405	03
L61287	411	26	L62026	395	10	L63970	399	17	L64660	415	03
L61307	395	04	L62026	397	12	L63983	399	19	L64663	93	04
L61307	397	11	L62026	409	10	L63984	399	10	L64664	93	02
L61307	409	04	L62026	411	13	L63994	399	30	L64764	107	07
L61307	411	11	L62715	177	19	L63995	399	15	L64787	103	02
L61317	381	01	L62715	179	04	L64078	73	00	L64795	93	08
L61317	397	16	L62715	239	10	L64122	381	02	L64795	115	03
L61411	405	23	L62731	179	02	L64132	177	23	L64853	115	15
L61411	415	23	L62731	217	02	L64132	181	05	L64853	333	17
L61699	185	07	L62732	179	03	L64132	215	23	L64856	247	02
L61699	189	04	L62732	195	10	L64132	219	05	L64856	249	01
L61699	195	17	L62732	217	03	L64143	177	22	L64890	69	16
L61699	223	07	L62732	231	09	L64175	381	08	L64914	91	15
L61699	231	17	L62733	177	16	L64294	395	07	L64934	183	20
L61699	241	11	L62734	193	04	L64294	397	07	L64934	221	20
L61708	177	20	L62761	355	02	L64294	405	02	L64963	91	17
L61708	179	01	L62842	247	06	L64294	409	07	L65097	209	13
L61708	181	10	L62954	87	08	L64294	411	02	L65097	245	13
L61708	197	05	L62954	297	10	L64294	415	02	L65098	209	14
L61708	215	20	L630003	85	02	L64359	177	26	L65098	245	14
L61708	217	01	L630004	85	01	L64359	183	13	L65167	397	21
L61708	219	10	L63015	299	04	L64359	215	26	L65180	395	14
L61708	233	05	L63015	363	00	L64359	221	13	L65180	397	18
L61709	177	21	L63016	299	17	L64360	183	04	L65180	409	14
L61709	179	08	L63016	363	01	L64360	221	04	L65180	411	15
L61709	181	09	L63017	369	10	L64367	299	02	L65181	395	03
L61709	187	01	L63018	305	07	L64367	363	11	L65181	397	14
L61709	193	02	L63018	369	03	L64367	373	01	L65181	409	03
L61709	193	07	L63143	399	07	L64384	177	29	L65181	411	07
L61709	195	02	L63233	399	27	L64384	183	18	L65211	87	24
L61709	195	04	L63275	299	22	L64384	215	29	L65211	89	18
L61709	197	02	L63275	301	15	L64384	221	18	L65223	393	02
L61709	199	04	L63439	101	18	L64466	183	12	L65223	395	26
L61709	201	02	L63439	103	11	L64466	221	12	L65223	397	04
L61709	201	07	L63439	105	10	L64467	183	16	L65223	407	02
L61709	203	04	L63468	399	35	L64467	187	05	L65223	409	26
L61709	215	21	L63475	197	06	L64467	221	16	L65223	411	22
L61709	217	08	L63475	233	06	L64467	225	05	L65273	395	05
L61709	219	09	L63546	87	11	L64468	177	30	L65273	409	05
L61709	225	01	L63548	23	23	L64468	183	19	L65338	405	18
L61709	229	02	L63593	379	02	L64468	215	30	L65338	415	18
L61709	229	07	L63605	93	19	L64468	221	19	L65568	93	00
L61709	231	02	L63714	325	28	L64524	65	16	L65570	93	00
L61709	231	04	L63715	299	13	L64524	267	10	L65638	177	08
L61709	233	02	L63716	299	12	L64559	317	04	L65638	193	13
L61709	235	04	L63716	399	25	L64559	321	02	L65638	215	08
L61709	237	02	L63716	402	11	L64561	393	02	L65638	229	13
L61709	237	07	L63717	309	19	L64561	395	26	L65640	177	03
L61709	239	04	L63717	313	12	L64561	397	04	L65640	193	12
L61709	315	23	L63717	325	27	L64561	399	04	L65640	215	03

Part No.	Page No.	Ref. No.	Part No.	Page No.	Ref. No.	Part No.	Page No.	Ref. No.	Part No.	Page No.	Ref. No.
L65640	229	12	L67106	207	09	L67802	419	40	L69138	365	01
L65689	401	23	L67106	243	09	L68003	305	11	L69138	367	10
L65689	413	23	L67107	207	14	L68039	303	13	L69138	377	07
L65753	265	02	L67107	243	14	L68039	305	18	L69139	305	01
L66011	25	22	L67119	375	02	L68039	311	15	L69139	369	00
L66017	395	11	L67120	375	08	L68046	205	04	L69142	303	07
L66017	395	13	L67239	413	27	L68110	333	21	L69142	367	03
L66017	397	06	L67246	401	04	L68128	333	23	L69144	311	21
L66017	409	11	L67246	413	04	L68133	83	29	L69144	313	19
L66017	409	13	L67248	383	00	L68331	391	09	L69144	371	00
L66017	411	09	L67248	401	15	L68337	382	00	L69146	373	00
L66406	391	04	L67248	413	15	L68337	402	16	L69149	305	01
L66453	209	11	L67248	419	34	L68349	189	08	L69149	369	00
L66453	245	11	L67258	419	27	L68349	223	03	L69155	67	18
L66456	209	15	L67267	413	26	L68349	241	03	L69156	373	00
L66456	245	15	L67341	307	07	L68496	73	12	L69162	67	08
L66576	273	17	L67341	309	48	L68516	105	11	L69166	89	23
L66576	345	01	L67341	311	06	L68517	101	06	L69167	416	03
L66594	101	19	L67341	323	07	L68569	63	23	L69167	417	03
L66594	103	13	L67341	325	41	L68585	85	10	L69226	67	14
L66594	105	09	L67341	327	05	L68711	338	00	L69232	67	16
L66780	187	07	L67347	401	01	L68804	279	06	L69238	67	11
L66780	225	07	L67347	413	01	L68804	283	05	L69240	93	09
L66782	187	08	L67379	111	25	L68804	287	04	L69240	109	11
L66782	225	08	L67379	113	21	L68831	403	02	L69241	93	10
L66783	187	09	L67440	317	14	L68881	299	26	L69241	109	10
L66783	199	16	L67446	307	06	L68881	301	19	L69264	93	17
L66783	203	09	L67446	309	49	L68882	299	24	L69265	109	14
L66783	225	09	L67446	311	07	L68882	301	17	L69275	139	11
L66783	235	16	L67446	315	28	L69010	139	15	L69275	299	16
L66783	239	09	L67446	323	06	L69011	139	15	L69275	301	09
L66805	401	27	L67446	325	42	L69012	65	18	L69279	73	20
L66805	413	27	L67446	327	06	L69015	139	15	L69280	73	22
L66809	401	26	L67448	207	07	L69016	139	15	L69281	49	18
L66809	413	26	L67448	243	07	L69079	67	06	L69282	49	03
L66811	401	08	L67489	419	31	L69081	67	07	L69283	49	14
L66811	413	08	L67491	419	23	L69085	67	03	L69284	49	06
L66831	401	17	L67494	419	16	L69095	67	04	L69285	49	15
L66831	413	17	L67495	401	12	L69099	67	15	L69286	49	17
L66885	301	16	L67495	413	12	L69100	67	05	L69287	49	16
L66885	361	00	L67495	419	33	L69101	67	17	L69289	49	12
L66918	402	15	L67510	419	09	L69114	163	01	L69290	49	05
L66919	402	05	L67514	419	03	L69115	21	03	L69297	25	23
L66931	402	06	L67576	419	15	L69123	109	13	L69300	49	08
L66946	405	19	L67577	419	14	L69125	303	01	L69303	101	13
L66946	415	19	L67598	401	13	L69125	367	00	L69303	103	19
L66949	402	20	L67598	413	13	L69127	307	18	L69303	105	17
L66950	402	19	L67599	401	14	L69127	371	09	L69304	101	11
L66958	399	08	L67599	413	14	L69128	267	01	L69304	103	18
L66986	25	11	L67608	419	11	L69131	99	01	L69304	105	18
L66993	25	13	L67609	419	10	L69135	303	01	L69305	373	00
L67099	207	11	L67610	419	13	L69135	367	00	L69306	101	09
L67099	243	11	L67611	419	12	L69136	373	00	L69306	103	16
L67100	207	11	L67620	417	00	L69137	21	13	L69306	105	19
L67100	243	11	L67624	417	00	L69138	91	18	L69309	87	19
L67105	207	10	L67740	419	20	L69138	301	14	L69309	297	14
L67105	243	10	L67749	419	17	L69138	303	20	L69311	99	24

Part No.	Page No.	Ref. No.	Part No.	Page No.	Ref. No.	Part No.	Page No.	Ref. No.	Part No.	Page No.	Ref. No.
L69324	109	12	L69492	211	16	L69629	85	18	L69766	81	21
L69351	95	10	L69492	227	03	L69634	71	12	L69774	301	03
L69351	99	09	L69499	247	04	L69636	87	15	L69774	365	06
L69353	99	03	L69524	185	03	L69665	99	17	L69775	361	08
L69355	67	22	L69524	197	25	L69686	93	23	L69776	301	04
L69358	87	27	L69524	223	03	L69687	93	16	L69780	207	03
L69360	89	20	L69524	233	23	L69695	93	23	L69780	243	03
L69382	139	13	L69525	189	08	L69696	93	16	L69781	243	01
L69382	299	18	L69525	241	03	L69712	107	17	L69782	89	08
L69382	301	12	L69534	211	10	L69714	101	01	L69789	69	15
L69392	67	21	L69534	227	02	L69714	103	10	L69789	71	06
L69392	71	05	L69538	107	12	L69714	105	01	L69791	107	19
L69395	251	01	L69540	107	11	L69718	93	30	L69793	101	01
L69395	253	04	L69542	67	02	L69723	205	16	L69793	103	10
L69395	337	01	L69543	247	22	L69723	241	12	L69793	105	01
L69400	109	03	L69545	73	19	L69724	91	08	L69794	107	20
L69400	111	23	L69546	49	21	L69724	205	08	L69795	101	03
L69402	49	19	L69548	49	24	L69724	207	17	L69795	103	14
L69447	319	21	L69549	49	23	L69724	209	04	L69795	105	03
L69448	319	11	L69551	49	22	L69724	245	09	L69796	101	18
L69449	311	30	L69557	303	12	L69724	299	06	L69796	103	11
L69450	311	31	L69557	305	22	L69724	307	30	L69796	105	10
L69451	327	04	L69558	303	21	L69724	309	30	L69807	93	22
L69452	311	05	L69558	305	17	L69724	311	23	L69812	93	12
L69453	311	04	L69564	303	09	L69724	313	22	L69813	93	23
L69465	83	03	L69564	367	00	L69725	91	12	L69822	307	02
L69465	333	14	L69565	303	09	L69725	207	18	L69822	309	13
L69466	49	25	L69565	367	00	L69725	209	16	L69822	323	02
L69466	51	01	L69567	107	15	L69725	245	16	L69822	325	13
L69467	281	10	L69570	101	03	L69725	299	01	L69824	49	30
L69467	283	07	L69570	103	14	L69727	245	10	L69825	49	31
L69467	285	05	L69570	105	03	L69727	311	22	L69825	51	07
L69467	287	12	L69571	247	14	L69727	313	21	L69832	307	01
L69467	346	00	L69572	69	12	L69728	207	03	L69832	309	16
L69468	83	35	L69572	266	01	L69728	209	09	L69832	313	04
L69473	83	34	L69576	143	23	L69728	243	03	L69832	313	09
L69474	175	03	L69576	155	25	L69728	245	04	L69832	323	01
L69474	191	03	L69576	263	01	L69729	21	15	L69832	325	16
L69474	211	13	L69577	263	03	L69731	273	13	L69832	329	04
L69474	227	07	L69578	87	10	L69732	273	12	L69832	329	07
L69475	273	01	L69578	89	11	L69733	273	11	L69832	329	08
L69475	343	00	L69584	101	01	L69734	139	08	L69833	307	08
L69480	175	15	L69584	103	10	L69734	150	11	L69833	309	17
L69480	211	07	L69584	105	01	L69734	160	11	L69833	313	05
L69480	315	10	L69590	69	14	L69734	163	08	L69833	313	10
L69480	319	07	L69595	65	03	L69735	115	08	L69833	323	08
L69485	315	13	L69596	65	01	L69736	115	08	L69833	325	17
L69485	319	16	L69599	303	18	L69739	89	10	L69833	329	05
L69486	315	02	L69600	303	08	L69740	89	07	L69866	175	07
L69486	319	22	L69601	311	18	L69741	89	09	L69866	191	07
L69488	83	33	L69601	313	16	L69747	255	01	L69902	279	14
L69489	49	27	L69607	71	07	L69747	338	00	L69902	283	06
L69489	51	03	L69615	71	04	L69751	307	26	L69902	285	08
L69490	49	28	L69619	71	02	L69751	309	34	L69902	285	19
L69490	51	04	L69624	85	20	L69751	371	00	L69903	247	30
L69492	175	19	L69625	85	13	L69755	73	25	L69903	253	01
L69492	191	12	L69627	85	16	L69756	73	23	L69903	253	08



Part No.	Page No.	Ref. No.	Part No.	Page No.	Ref. No.	Part No.	Page No.	Ref. No.	Part No.	Page No.	Ref. No.
L69903	269	05	L69920	275	03	L69939	255	06	L70040	193	00
L69903	277	05	L69920	277	03	L69939	257	15	L70040	215	13
L69903	277	10	L69920	277	15	L69939	259	15	L70040	229	00
L69903	277	11	L69920	281	14	L69939	263	05	L70041	81	18
L69903	279	12	L69920	285	09	L69939	263	06	L70045	83	05
L69903	281	09	L69920	285	15	L69940	257	10	L70055	23	02
L69903	281	16	L69920	297	04	L69940	259	10	L70064	83	24
L69903	283	03	L69921	269	04	L69940	263	04	L70065	83	11
L69903	285	06	L69921	299	10	L69940	265	07	L70067	83	12
L69903	285	11	L69921	299	11	L69940	265	08	L70075	21	13
L69903	285	17	L69922	269	09	L69942	257	05	L70075	61	11
L69903	285	21	L69922	297	06	L69942	259	05	L70083	115	13
L69903	287	05	L69924	247	30	L69944	311	01	L70083	331	17
L69903	419	35	L69924	269	05	L69945	327	01	L70083	333	18
L69904	275	05	L69925	65	10	L69946	319	15	L70084	269	11
L69904	275	08	L69925	267	04	L69947	311	11	L70084	269	12
L69904	277	07	L69925	269	06	L69947	327	10	L70084	301	06
L69904	277	09	L69926	69	08	L69952	205	06	L70084	301	07
L69904	281	08	L69926	251	06	L69963	205	14	L70086	305	30
L69904	281	17	L69926	266	04	L69964	205	11	L70087	115	04
L69904	285	07	L69927	69	07	L69965	205	05	L70087	333	19
L69904	285	10	L69927	266	05	L69968	205	09	L70088	311	29
L69904	285	18	L69927	297	02	L69968	209	03	L70090	311	01
L69904	285	20	L69928	293	07	L69973	205	10	L70092	311	01
L69905	281	12	L69928	295	07	L69975	205	02	L70094	307	25
L69905	281	15	L69928	297	03	L69976	307	17	L70095	307	03
L69905	283	13	L69928	297	07	L69976	309	35	L70095	323	03
L69905	285	12	L69929	69	13	L69979	315	21	L70096	315	14
L69905	285	16	L69929	257	08	L69980	315	15	L70098	307	25
L69905	295	05	L69929	259	08	L69981	315	22	L70100	307	25
L69905	295	09	L69929	266	06	L69982	315	16	L70102	323	20
L69906	279	15	L69930	251	12	L69983	307	10	L70105	327	01
L69906	281	02	L69930	293	08	L69984	307	11	L70107	327	01
L69906	281	05	L69930	295	08	L69985	323	10	L70111	323	20
L69906	285	08	L69931	247	29	L69986	323	11	L70113	323	20
L69906	293	05	L69931	251	07	L69994	175	13	L70116	23	03
L69906	293	06	L69931	251	15	L69994	211	04	L70116	45	18
L69906	293	09	L69932	247	28	L69994	315	06	L70120	65	04
L69906	293	10	L69932	269	10	L69994	319	05	L70121	21	13
L69906	295	06	L69933	65	13	L69996	183	07	L70123	21	13
L69906	295	10	L69933	267	07	L69996	221	07	L70128	139	11
L69907	275	02	L69933	297	01	L69997	361	03	L70128	299	16
L69907	277	02	L69934	65	14	L70008	251	02	L70128	301	09
L69907	281	06	L69934	247	32	L70008	337	06	L70129	99	16
L69907	285	02	L69934	267	08	L70009	81	26	L70130	99	05
L69907	297	05	L69935	65	11	L70014	275	01	L70133	115	07
L69908	271	08	L69935	255	07	L70014	277	01	L70146	85	08
L69908	305	25	L69935	267	05	L70014	281	03	L70149	85	12
L69910	305	04	L69936	65	12	L70014	285	01	L70162	83	18
L69911	305	16	L69936	257	13	L70015	73	24	L70173	89	05
L69913	271	19	L69936	259	13	L70017	21	09	L70176	305	06
L69913	303	05	L69936	267	06	L70017	51	11	L70177	305	09
L69917	247	01	L69937	255	03	L70031	49	07	L70178	85	04
L69919	251	03	L69937	257	09	L70033	247	20	L70179	85	05
L69919	257	16	L69937	259	09	L70033	251	11	L70180	85	03
L69920	247	05	L69938	331	19	L70039	21	19	L70182	305	28
L69920	249	04	L69938	333	07	L70040	177	13	L70183	69	04

Part No.	Page No.	Ref. No.	Part No.	Page No.	Ref. No.	Part No.	Page No.	Ref. No.	Part No.	Page No.	Ref. No.
L70183	305	26	L70333	107	03	L70455	89	21	L70629	99	21
L70184	69	01	L70335	107	05	L70456	89	22	L70632	307	03
L70188	247	19	L70338	87	25	L70460	303	04	L70632	309	01
L70197	83	16	L70344	25	07	L70461	105	05	L70632	323	03
L70198	83	02	L70345	25	05	L70462	215	13	L70632	325	01
L70200	81	14	L70358	301	01	L70463	21	19	L70633	315	14
L70201	73	16	L70358	365	00	L70465	87	29	L70633	317	10
L70207	87	12	L70359	115	17	L70465	247	21	L70634	73	03
L70212	73	07	L70366	207	01	L70467	101	02	L70635	177	25
L70216	81	19	L70377	87	01	L70467	103	12	L70635	193	00
L70225	81	04	L70377	297	17	L70467	105	02	L70635	215	25
L70226	81	07	L70378	87	07	L70468	101	04	L70635	229	00
L70227	81	08	L70378	297	09	L70468	103	15	L70639	177	12
L70229	247	10	L70379	87	21	L70468	105	04	L70639	193	00
L70229	249	08	L70385	299	05	L70470	105	07	L70639	215	12
L70229	334	00	L70388	21	08	L70471	21	18	L70639	229	00
L70230	269	01	L70388	87	02	L70486	27	09	L70647	99	20
L70230	339	00	L70388	89	01	L70486	35	02	L70649	31	22
L70232	115	14	L70389	89	03	L70486	37	02	L70649	99	10
L70233	93	24	L70390	87	05	L70486	51	15	L70651	352	04
L70234	87	13	L70391	60	02	L70493	247	08	L70651	353	04
L70239	83	01	L70392	333	15	L70493	249	12	L70652	103	06
L70240	305	29	L70394	333	12	L70493	253	11	L70653	103	04
L70240	369	00	L70395	333	22	L70495	361	09	L70655	381	01
L70241	21	19	L70396	60	05	L70495	363	12	L70655	395	12
L70242	177	02	L70400	333	01	L70496	99	02	L70655	397	16
L70242	193	20	L70402	93	08	L70497	297	13	L70655	409	12
L70242	215	02	L70403	21	00	L70497	333	08	L70655	411	10
L70242	229	20	L70404	115	17	L70501	49	26	L70656	103	07
L70244	21	13	L70406	21	00	L70501	51	02	L70657	103	08
L70245	21	13	L70412	107	18	L70502	367	09	L70677	63	07
L70246	21	13	L70413	93	06	L70502	371	10	L70682	93	12
L70247	21	13	L70414	49	04	L70514	257	12	L70684	103	08
L70248	69	18	L70415	76	06	L70514	259	12	L70686	103	08
L70250	69	19	L70415	77	05	L70521	93	19	L70688	283	04
L70251	305	29	L70415	257	01	L70528	289	01	L70688	287	03
L70251	369	00	L70415	257	03	L70565	71	03	L70688	291	06
L70257	81	05	L70415	259	01	L70568	71	01	L70688	291	08
L70266	87	14	L70415	259	03	L70575	89	16	L70689	291	05
L70267	247	17	L70416	49	13	L70576	305	12	L70689	291	07
L70267	251	09	L70417	25	04	L70581	139	04	L70690	249	05
L70270	315	29	L70420	175	17	L70582	139	04	L70690	249	11
L70270	317	15	L70420	211	11	L70586	83	14	L70690	291	09
L70274	373	03	L70420	315	12	L70588	83	17	L70690	291	10
L70274	375	09	L70420	319	10	L70589	247	35	L70691	91	06
L70276	307	02	L70428	257	02	L70592	73	11	L70691	91	21
L70276	323	02	L70428	259	02	L70605	91	01	L70691	289	08
L70277	307	02	L70429	177	33	L70614	91	10	L70691	289	09
L70277	323	02	L70429	193	22	L70615	91	13	L70692	87	31
L70308	307	28	L70435	69	20	L70616	91	22	L70692	289	04
L70308	309	31	L70435	71	09	L70618	91	19	L70692	297	19
L70310	205	13	L70443	105	16	L70618	377	03	L70693	249	02
L70321	83	10	L70448	115	19	L70619	83	28	L70693	289	12
L70322	83	23	L70449	73	13	L70621	91	09	L70694	249	03
L70324	107	09	L70450	73	14	L70625	95	00	L70694	289	03
L70325	107	01	L70452	73	17	L70625	99	23	L70695	91	05
L70326	81	02	L70453	73	15	L70629	95	18	L70695	91	20

Part No.	Page No.	Ref. No.	Part No.	Page No.	Ref. No.	Part No.	Page No.	Ref. No.	Part No.	Page No.	Ref. No.
L70695	289	10	L70972	193	11	L71014	309	07	L71072	73	20
L70695	289	11	L70972	317	06	L71014	313	50	L71073	73	22
L70696	63	19	L71000	193	17	L71014	325	07	L71074	49	18
L70697	99	13	L71000	199	18	L71014	329	41	L71074	51	31
L70701	81	17	L71000	229	17	L71016	309	03	L71075	49	03
L70703	323	10	L71000	235	18	L71016	313	46	L71075	51	18
L70703	325	40	L71001	193	16	L71016	325	03	L71076	49	14
L70704	323	11	L71001	197	11	L71016	329	37	L71076	51	27
L70704	325	39	L71001	199	12	L71017	197	18	L71076	51	28
L70705	315	15	L71001	203	13	L71017	233	18	L71077	49	06
L70706	315	21	L71001	229	16	L71020	193	05	L71077	49	06
L70709	29	00	L71001	233	11	L71020	195	08	L71077	51	21
L70709	95	00	L71001	235	12	L71020	201	05	L71078	49	15
L70709	99	15	L71001	239	13	L71020	229	05	L71078	51	29
L70710	49	02	L71003	199	02	L71020	231	08	L71079	49	17
L70714	139	06	L71003	203	02	L71020	237	05	L71079	51	30
L70715	139	06	L71003	235	02	L71023	321	01	L71080	49	16
L70718	99	16	L71003	239	02	L71023	375	00	L71080	51	30
L70718	103	01	L71004	193	14	L71024	317	01	L71081	49	12
L70719	399	31	L71004	229	14	L71024	375	00	L71081	51	25
L70722	63	09	L71005	193	15	L71027	307	10	L71082	49	05
L70723	63	20	L71006	193	19	L71027	309	47	L71082	51	20
L70725	95	06	L71006	197	16	L71028	307	11	L71083	49	08
L70725	95	06	L71006	199	14	L71028	309	46	L71083	51	23
L70725	99	08	L71006	203	11	L71029	317	09	L71084	49	07
L70726	103	20	L71006	229	19	L71030	317	16	L71084	51	22
L70778	63	16	L71006	233	13	L71031	329	02	L71085	49	04
L70786	63	25	L71006	235	14	L71032	329	03	L71085	51	19
L70798	63	03	L71006	239	11	L71033	313	02	L71086	49	13
L70799	63	04	L71007	193	18	L71034	313	03	L71086	51	26
L70806	303	03	L71007	197	14	L71035	313	36	L71088	49	11
L70817	63	24	L71007	199	13	L71035	329	09	L71095	49	02
L70819	93	08	L71007	199	19	L71036	309	12	L71104	307	22
L70862	411	16	L71007	203	12	L71036	313	43	L71104	309	37
L70863	227	01	L71007	203	14	L71037	309	11	L71104	313	31
L70863	229	01	L71007	229	18	L71037	313	42	L71104	325	32
L70864	191	11	L71007	233	14	L71038	313	29	L71104	329	19
L70864	193	01	L71007	235	13	L71039	313	30	L71146	21	00
L70865	93	06	L71007	235	19	L71040	325	12	L71147	73	19
L70894	231	01	L71007	239	12	L71040	329	26	L71159	391	11
L70894	233	01	L71007	239	14	L71041	325	11	L71160	391	12
L70895	195	01	L71008	195	12	L71041	329	27	L71161	391	13
L70895	197	01	L71008	197	19	L71042	309	14	L71165	305	30
L70912	199	01	L71008	199	08	L71042	313	08	L71166	301	16
L70912	201	01	L71008	201	15	L71042	325	14	L71166	361	00
L70912	235	01	L71008	231	12	L71042	329	25	L71168	83	08
L70912	237	01	L71008	233	19	L71043	313	27	L71172	83	25
L70952	191	10	L71008	235	08	L71043	329	14	L71172	99	20
L70956	227	04	L71008	237	15	L71046	313	35	L71175	89	22
L70962	231	18	L71010	309	50	L71046	329	28	L71176	93	04
L70962	233	24	L71010	313	49	L71047	309	26	L71193	83	32
L70963	195	18	L71010	325	43	L71048	325	19	L71204	183	20
L70963	197	24	L71010	329	40	L71050	317	08	L71204	221	20
L70964	317	11	L71011	199	15	L71051	321	10	L71205	183	03
L70964	321	12	L71011	203	08	L71055	309	40	L71205	221	03
L70969	139	06	L71011	235	21	L71055	325	33	L71206	183	07
L70970	139	06	L71011	239	08	L71071	73	21	L71206	195	16

Part No.	Page No.	Ref. No.	Part No.	Page No.	Ref. No.	Part No.	Page No.	Ref. No.	Part No.	Page No.	Ref. No.
L71206	201	11	L71360	275	09	L71733	336	01	L96060	131	15
L71206	221	07	L71360	277	14	L71747	309	42	L96065	123	03
L71206	231	16	L71389	309	05	L71747	313	38	L96065	123	18
L71206	237	11	L71389	313	48	L71747	325	35	L96065	125	03
L71212	197	23	L71389	325	05	L71747	329	30	L96065	125	17
L71212	233	16	L71389	329	39	L71748	309	44	L96065	127	03
L71213	199	11	L71390	325	10	L71748	313	40	L96065	127	18
L71213	235	11	L71390	329	34	L71748	325	37	L96065	129	03
L71213	309	08	L71391	309	10	L71748	329	32	L96065	129	17
L71213	313	51	L71391	313	34	L71749	253	12	L96065	131	03
L71213	325	08	L71412	115	16	L71750	76	04	L96066	123	04
L71213	329	42	L71413	87	09	L71751	77	07	L96066	123	19
L71214	195	09	L71415	359	07	L71752	77	06	L96066	125	04
L71214	197	22	L71419	233	25	L71754	63	05	L96066	125	18
L71214	199	20	L71421	309	39	L71755	63	06	L96066	127	04
L71214	201	16	L71421	313	33	L71758	139	01	L96066	127	19
L71214	231	11	L71421	325	31	L75956	89	24	L96066	129	04
L71214	233	22	L71421	329	18	L76020	93	14	L96066	129	18
L71214	235	20	L71425	378	00	L79117	89	06	L96066	131	04
L71214	237	16	L71454	273	03	L79167	189	09	L96580	351	02
L71222	305	12	L71520	61	00	L79167	213	03	L96838	367	09
L71223	21	22	L71527	175	18	L79167	241	09	L96838	371	10
L71245	195	19	L71546	205	04	L79167	311	02	L96838	381	08
L71245	197	27	L71547	205	02	L79167	327	02	L97358	343	04
L71245	199	22	L71550	205	13	L80937	93	00	L97359	343	04
L71245	201	17	L71553	75	03	L810005	397	28	L97359	343	06
L71245	231	19	L71564	75	02	L810005	411	18	L97359	343	09
L71245	233	27	L71577	139	01	L81233	251	16	L97359	343	11
L71245	235	22	L71577	163	01	L81233	277	12	L97362	343	09
L71245	237	17	L71595	81	18	L82358	405	09	L97362	345	03
L71258	85	10	L71651	399	26	L82358	415	09	L97516	134	03
L71259	85	12	L71651	419	37	L88976	9	00	L97616	151	10
L71266	405	19	L71674	61	12	L94770	118	10	L97616	161	10
L71266	415	19	L71691	49	20	L94818	118	11	L97616	172	13
L71271	247	23	L71691	51	24	L94824	135	06	L97768	381	01
L71305	81	10	L71691	75	01	L94849	123	08	L97769	381	07
L71306	233	25	L71705	309	43	L94849	123	23	L97839	381	04
L71314	107	00	L71705	313	39	L94849	125	08	L97889	361	09
L71336	83	30	L71705	325	36	L94849	125	22	L97889	363	12
L71337	83	27	L71705	329	31	L94849	127	08	L97889	381	08
L71339	275	06	L71707	251	01	L94849	127	22	L98029	343	11
L71339	277	06	L71708	419	07	L94849	129	08	L98266	123	30
L71339	279	13	L71709	49	02	L94849	129	21	L98266	123	36
L71341	21	00	L71709	51	17	L94849	131	08	L98266	125	29
L71342	346	05	L71715	63	01	L94856	121	03	L98266	125	34
L71343	347	07	L71716	63	02	L94898	123	34	L98266	127	30
L71347	309	06	L71717	63	05	L94898	125	32	L98266	127	36
L71347	313	52	L71718	63	06	L94898	127	34	L98266	129	29
L71347	325	06	L71720	61	11	L94898	129	32	L98266	129	34
L71347	329	43	L71721	63	22	L96060	123	14	L98266	132	04
L71350	391	01	L71723	139	01	L96060	123	29	L98266	132	08
L71351	21	00	L71725	76	03	L96060	125	15	L98312	117	32
L71352	63	01	L71726	76	02	L96060	125	28	L98425	118	09
L71353	63	02	L71729	76	00	L96060	127	14	L98457	363	07
L71357	60	03	L71732	76	05	L96060	127	29	L98503	363	03
L71360	251	13	L71733	253	10	L96060	129	15	L98506	363	13
L71360	253	07	L71733	335	01	L96060	129	28	L98507	363	06

Part No.	Page No.	Ref. No.	Part No.	Page No.	Ref. No.	Part No.	Page No.	Ref. No.	Part No.	Page No.	Ref. No.
L98509	363	09	L99269	117	25	L99479	141	19	L99519	143	19
L98528	369	05	L99285	117	36	L99479	153	19	L99519	155	21
L98547	369	04	L99285	118	16	L99480	141	20	L99520	143	20
L98550	363	05	L99285	118	18	L99480	153	20	L99520	155	22
L98662	379	04	L99405	363	04	L99481	141	39	L99522	144	01
L98894	343	03	L99405	369	08	L99481	153	34	L99523	144	02
L98894	343	07	L99405	381	05	L99482	141	21	L99523	145	02
L98894	345	04	L99420	9	02	L99482	153	21	L99523	156	02
L98894	351	05	L99425	65	18	L99483	141	22	L99523	157	02
L98894	351	07	L99434	107	16	L99483	153	22	L99524	144	03
L98919	383	05	L99440	9	09	L99484	141	23	L99524	145	03
L98921	383	01	L99440	117	40	L99484	153	23	L99524	156	03
L98922	383	06	L99441	119	01	L99485	141	24	L99524	157	03
L98923	383	08	L99453	9	07	L99485	153	24	L99525	144	04
L98978	9	03	L99453	101	15	L99486	141	25	L99525	145	04
L99029	117	19	L99453	103	22	L99486	153	25	L99525	156	04
L99029	117	22	L99453	105	14	L99488	141	27	L99525	157	04
L99029	117	24	L99454	73	02	L99488	165	03	L99526	144	05
L99029	117	28	L99456	141	34	L99489	141	28	L99526	156	05
L99029	117	33	L99457	141	41	L99489	153	27	L99527	144	12
L99029	117	35	L99459	9	08	L99490	141	29	L99527	145	13
L99029	117	37	L99459	87	19	L99490	153	28	L99527	156	12
L99029	118	15	L99459	297	14	L99491	141	30	L99527	157	13
L99029	118	17	L99461	141	01	L99491	153	29	L99528	144	06
L99030	134	04	L99461	153	01	L99492	141	31	L99528	156	06
L99045	117	34	L99462	141	02	L99492	153	30	L99529	144	06
L99053	373	07	L99462	153	02	L99493	141	32	L99529	156	06
L99056	373	05	L99465	141	14	L99494	141	33	L99530	144	06
L99074	381	03	L99465	153	05	L99496	141	35	L99530	156	06
L99084	343	07	L99466	141	06	L99498	143	02	L99531	144	06
L99084	345	05	L99466	153	06	L99498	155	02	L99531	156	06
L99085	343	05	L99466	165	08	L99501	143	05	L99532	144	06
L99085	345	02	L99467	141	07	L99501	155	05	L99532	156	06
L99086	343	03	L99467	153	07	L99502	143	06	L99533	144	06
L99086	345	04	L99468	141	08	L99502	155	06	L99533	156	06
L99093	345	06	L99468	153	08	L99504	155	08	L99534	144	06
L99122	367	07	L99469	141	09	L99506	143	09	L99534	156	06
L99122	371	08	L99469	153	09	L99506	155	09	L99535	144	06
L99122	375	07	L99469	165	35	L99506	167	21	L99535	156	06
L99134	309	40	L99470	141	15	L99507	143	10	L99536	144	06
L99134	313	35	L99470	153	10	L99507	155	10	L99536	156	06
L99134	325	33	L99471	141	05	L99509	155	12	L99537	144	06
L99134	329	28	L99471	153	11	L99511	143	12	L99537	156	06
L99157	23	14	L99471	165	32	L99511	155	14	L99538	144	07
L99157	45	08	L99472	141	12	L99511	165	25	L99538	145	08
L99157	81	04	L99472	153	12	L99512	143	13	L99538	156	07
L99157	81	19	L99473	141	13	L99512	155	15	L99538	157	08
L99157	83	12	L99473	153	13	L99513	143	14	L99539	144	08
L99157	83	39	L99474	141	11	L99513	155	16	L99539	145	09
L99182	115	10	L99474	153	14	L99513	167	06	L99539	156	08
L99190	393	01	L99475	141	10	L99514	143	15	L99539	157	09
L99191	393	01	L99475	153	15	L99514	155	17	L99540	144	09
L99222	397	05	L99477	141	17	L99514	165	11	L99540	145	10
L99223	397	05	L99477	153	17	L99515	143	16	L99540	156	09
L99235	405	01	L99478	141	18	L99515	155	18	L99540	157	10
L99236	405	01	L99478	153	18	L99517	143	18	L99541	144	10
L99238	415	01	L99478	165	28	L99517	155	20	L99541	145	11

Part No.	Page No.	Ref. No.	Part No.	Page No.	Ref. No.	Part No.	Page No.	Ref. No.	Part No.	Page No.	Ref. No.
L99541	156	10	L99567	149	06	L99615	153	26	L99670	117	10
L99541	157	11	L99568	149	07	L99615	161	09	L99670	118	07
L99542	144	11	L99574	149	08	L99615	165	02	L99671	117	11
L99542	145	12	L99575	149	09	L99615	172	12	L99671	118	08
L99542	156	11	L99576	149	10	L99617	145	06	L99672	117	14
L99542	157	12	L99577	149	11	L99617	157	06	L99672	118	03
L99543	146	01	L99579	149	13	L99618	145	06	L99673	117	15
L99543	158	01	L99581	149	15	L99618	157	06	L99673	118	04
L99544	146	02	L99584	150	01	L99619	145	06	L99674	117	16
L99544	158	02	L99584	160	01	L99619	157	06	L99675	117	17
L99545	146	03	L99584	172	05	L99620	145	06	L99676	117	18
L99545	158	03	L99585	150	02	L99620	157	06	L99677	117	20
L99546	146	04	L99585	160	02	L99621	145	06	L99678	117	21
L99546	158	04	L99586	150	03	L99621	157	06	L99679	117	23
L99546	158	04	L99586	150	03	L99621	157	06	L99679	117	23
L99547	146	05	L99586	160	03	L99622	145	06	L99679	117	29
L99547	158	05	L99586	172	06	L99622	157	06	L99680	117	31
L99547	170	11	L99587	150	04	L99622	157	06	L99680	117	31
L99548	146	06	L99587	160	04	L99623	145	06	L99681	117	26
L99548	158	06	L99588	150	05	L99623	157	06	L99682	117	27
L99548	158	06	L99588	150	05	L99624	145	06	L99683	117	30
L99549	146	07	L99588	160	05	L99624	157	06	L99684	117	38
L99549	158	07	L99589	160	06	L99625	145	06	L99685	117	39
L99550	146	08	L99590	150	07	L99625	157	06	L99685	118	13
L99550	158	08	L99590	160	07	L99626	145	07	L99686	118	01
L99551	146	09	L99592	150	08	L99626	157	07	L99687	118	05
L99551	158	09	L99592	160	08	L99628	146	01	L99688	118	06
L99552	146	10	L99593	143	21	L99628	158	01	L99689	118	12
L99552	158	10	L99593	150	09	L99629	146	02	L99690	118	14
L99553	147	01	L99593	155	23	L99629	158	02	L99691	118	19
L99553	159	01	L99593	160	09	L99630	146	03	L99693	119	02
L99554	147	02	L99596	150	10	L99630	158	03	L99694	121	01
L99554	159	02	L99596	160	10	L99631	146	04	L99695	121	02
L99555	147	03	L99597	151	01	L99631	158	04	L99696	121	04
L99555	147	03	L99597	161	01	L99632	146	08	L99696	132	05
L99555	159	03	L99598	151	02	L99632	158	08	L99697	121	05
L99555	159	03	L99598	161	02	L99632	158	08	L99697	121	05
L99556	147	04	L99599	151	03	L99633	146	09	L99698	121	06
L99556	147	04	L99599	161	03	L99633	158	09	L99702	120	01
L99556	147	04	L99599	161	03	L99634	146	10	L99703	120	02
L99556	159	04	L99600	151	04	L99634	146	10	L99703	120	02
L99556	159	04	L99600	151	04	L99634	158	10	L99704	120	03
L99556	159	04	L99600	161	04	L99635	146	11	L99705	120	04
L99557	147	05	L99601	151	05	L99635	158	11	L99706	120	05
L99557	147	05	L99601	161	05	L99636	147	01	L99707	123	01
L99557	159	05	L99602	151	06	L99636	159	01	L99708	123	02
L99557	159	05	L99602	161	06	L99637	147	02	L99708	123	17
L99558	147	06	L99603	151	07	L99637	159	02	L99708	123	17
L99558	147	06	L99603	161	07	L99637	159	02	L99708	125	02
L99558	159	06	L99604	151	08	L99641	153	03	L99708	125	16
L99558	159	06	L99604	161	08	L99642	153	16	L99708	127	02
L99558	159	06	L99604	161	08	L99643	156	01	L99708	127	17
L99560	147	08	L99606	153	28	L99649	157	01	L99708	127	17
L99560	159	08	L99610	155	11	L99661	117	01	L99708	129	02
L99560	159	08	L99610	155	11	L99661	117	01	L99708	129	16
L99561	147	09	L99610	167	26	L99662	117	02	L99708	129	16
L99561	147	09	L99612	145	01	L99663	117	03	L99708	131	02
L99561	159	09	L99613	145	05	L99663	117	03	L99709	123	05
L99561	159	09	L99613	157	05	L99664	117	04	L99709	123	20
L99561	159	09	L99613	157	05	L99665	117	05	L99709	123	20
L99561	167	25	L99614	145	06	L99665	117	05	L99709	125	05
L99564	149	03	L99614	157	06	L99666	117	06	L99709	125	19
L99564	149	03	L99614	157	06	L99667	117	07	L99709	125	19
L99565	149	04	L99615	141	26	L99667	117	07	L99709	127	05
L99565	149	04	L99615	141	26	L99668	117	08	L99709	127	05
L99566	149	05	L99615	151	09	L99668	117	08	L99709	129	05
L99566	149	05	L99615	151	09	L99669	117	09	L99709	129	19
L99566	149	05	L99615	151	09	L99669	117	09	L99709	129	19




Part No.	Page No.	Ref. No.	Part No.	Page No.	Ref. No.	Part No.	Page No.	Ref. No.	Part No.	Page No.	Ref. No.
L99709	131	05	L99718	123	28	L99736	131	17	L99780	137	45
L99710	123	06	L99718	125	27	L99737	127	41	L99781	137	46
L99710	123	21	L99718	127	28	L99737	129	39	L99782	137	47
L99710	125	06	L99718	129	27	L99737	131	18	L99784	134	01
L99710	125	20	L99718	131	14	L99738	127	42	L99785	134	05
L99710	127	06	L99719	123	31	L99738	129	40	L99786	118	02
L99710	129	06	L99719	127	31	L99738	131	19	L99787	127	21
L99710	131	06	L99720	123	32	L99739	127	43	L99787	129	20
L99711	123	07	L99720	127	32	L99739	129	41	L99796	111	22
L99711	123	22	L99721	123	33	L99740	127	44	L99797	111	03
L99711	125	07	L99721	125	31	L99740	131	21	L99798	111	11
L99711	125	21	L99721	127	33	L99740	132	10	L99799	109	05
L99711	127	07	L99721	129	31	L99741	132	01	L99799	111	24
L99711	129	07	L99722	123	35	L99742	132	02	L99800	109	06
L99711	131	07	L99722	125	33	L99743	132	03	L99800	111	02
L99712	123	09	L99722	127	35	L99744	132	09	L99801	113	05
L99712	123	12	L99722	129	33	L99745	131	01	L99802	113	13
L99712	123	24	L99723	123	37	L99746	131	16	L99803	113	19
L99712	123	27	L99723	125	35	L99747	131	20	L99804	113	14
L99712	125	09	L99724	123	38	L99748	131	23	L99805	113	02
L99712	125	12	L99724	125	36	L99749	131	24	L99807	113	04
L99712	125	23	L99724	127	38	L99750	131	25	L99808	113	12
L99712	125	26	L99724	129	36	L99751	131	26	L99809	111	07
L99712	127	09	L99725	123	39	L99752	131	27	L99810	111	08
L99712	127	12	L99725	123	45	L99752	133	12	L99811	111	09
L99712	127	23	L99725	125	37	L99753	131	28	L99812	111	14
L99712	127	26	L99725	125	43	L99753	133	13	L99813	111	15
L99712	129	09	L99726	123	40	L99754	133	01	L99814	111	16
L99712	129	12	L99726	123	44	L99755	133	02	L99815	113	18
L99712	129	22	L99726	125	38	L99756	133	03	L99816	113	06
L99712	129	25	L99726	125	42	L99756	133	05	L99817	113	01
L99712	131	09	L99727	123	41	L99757	133	04	L99818	111	06
L99712	131	12	L99727	123	43	L99758	133	06	L99819	111	21
L99713	123	10	L99727	125	39	L99759	133	08	L99820	113	09
L99713	123	25	L99727	125	41	L99760	133	09	L99821	113	10
L99713	125	10	L99728	123	42	L99761	133	10	L99822	113	17
L99713	125	24	L99728	125	40	L99762	133	11	L99823	111	10
L99713	127	10	L99729	123	46	L99763	133	07	L99823	113	16
L99713	127	24	L99729	125	44	L99764	135	01	L99824	113	11
L99713	129	10	L99730	123	47	L99764	137	00	L99825	109	04
L99713	129	23	L99730	125	45	L99765	135	02	L99825	113	20
L99713	131	10	L99730	127	45	L99766	135	03	L99826	113	07
L99714	123	11	L99730	129	43	L99767	135	04	L99827	113	08
L99714	123	26	L99730	131	22	L99768	135	05	L99828	111	01
L99714	125	11	L99730	132	07	L99769	137	28	L99829	111	01
L99714	125	25	L99730	132	11	L99769	137	39	L99831	343	14
L99714	127	11	L99731	127	01	L99769	137	48	L99834	137	40
L99714	127	25	L99732	127	20	L99770	137	29	L99843	23	04
L99714	129	11	L99733	127	27	L99771	137	30	L99843	23	07
L99714	129	24	L99733	129	26	L99772	137	32	L99843	53	36
L99714	131	11	L99733	131	13	L99773	137	33	L99843	57	30
L99715	123	13	L99734	127	37	L99774	137	35	L99844	49	29
L99715	127	13	L99734	129	35	L99775	137	36	L99844	53	37
L99716	123	15	L99735	127	39	L99776	137	37	L99844	57	31
L99716	127	15	L99735	129	37	L99778	137	42	L99845	49	29
L99717	123	16	L99736	127	40	L99778	137	42	L99845	53	37
L99717	127	16	L99736	129	38	L99779	137	43	L99845	57	31




Part No.	Page No.	Ref. No.	Part No.	Page No.	Ref. No.	Part No.	Page No.	Ref. No.	Part No.	Page No.	Ref. No.
L99847	53	38	L99903	343	12	L99934	365	02	P47159	247	26
L99847	55	00	L99904	343	00	L99935	365	08	P471997	247	12
L99847	57	32	L99905	343	16	L99936	365	04	P471997	249	13
L99847	59	29	L99905	345	07	L99937	365	03			
L99848	29	17	L99907	339	00	L99938	365	05			
L99849	367	11	L99908	335	03	L99941	361	05			
L99851	367	06	L99908	336	03	L99942	365	09			
L99852	371	06	L99908	337	04	L99943	373	03			
L99853	367	02	L99908	339	03	L99943	375	09			
L99854	367	05	L99908	346	03	L99944	379	07			
L99856	367	04	L99908	347	05	L99951	139	02			
L99857	363	08	L99908	352	02	L99951	163	02			
L99857	367	08	L99909	346	02	L99961	359	02			
L99857	369	06	L99910	335	02	L99962	359	03			
L99859	367	11	L99910	336	02	L99963	359	04			
L99860	367	06	L99910	346	01	L99964	359	05			
L99861	367	02	L99910	347	04	L99965	359	06			
L99862	367	05	L99911	335	02	L99966	53	39			
L99863	367	04	L99911	336	02	L99966	55	00			
L99864	369	07	L99911	337	00	L99966	57	33			
L99865	369	02	L99911	346	01	L99966	59	30			
L99866	369	05	L99911	346	02	L99966	93	31			
L99868	369	11	L99911	347	01	L99967	9	06			
L99869	369	11	L99911	347	04	L99967	101	14			
L99870	369	07	L99912	337	02	L99967	103	21			
L99871	369	02	L99912	353	03	L99967	105	15			
L99872	369	04	L99913	361	04	L99970	87	19			
L99873	373	12	L99914	361	05	L99970	87	32			
L99874	373	10	L99916	361	04	L99970	297	12			
L99875	373	09	L99917	339	05	L99971	99	01			
L99877	373	08	L99917	347	02	L99972	95	15			
L99878	373	04	L99917	367	12	L99972	99	01			
L99879	371	04	L99917	371	12	L99974	21	10			
L99879	373	06	L99917	377	08	L99979	93	17			
L99880	373	04	L99919	337	03	L99982	93	20			
L99881	373	04	L99920	339	04	L99983	49	29			
L99882	373	04	L99921	339	01	L99983	53	37			
L99883	371	13	L99922	339	07	L99983	55	00			
L99885	371	07	L99923	339	06	L99983	57	31			
L99886	371	02	L99924	347	03	L99983	59	27			
L99887	371	03	L99925	334	02	L99987	377	09			
L99888	371	05	L99925	337	03	L99988	377	11			
L99889	371	01	L99925	339	04	L99989	377	01			
L99890	371	03	L99927	247	07	L99991	377	04			
L99891	307	29	L99927	334	02	L99992	377	05			
L99891	371	01	L99928	334	01	L99995	143	22			
L99892	343	08	L99929	334	01	L99995	155	24			
L99893	343	10	L99930	267	01	L99996	149	17			
L99894	343	13	L99931	101	16	L99998	352	03			
L99895	343	01	L99931	103	23	P054800	65	05			
L99896	343	02	L99931	105	13	P272700	229	11			
L99897	343	03	L99932	101	17	P272700	321	07			
L99898	343	06	L99932	103	24	P471299	305	02			
L99899	343	15	L99932	105	12	P471353	87	30			
L99900	85	10	L99933	101	16	P471353	297	18			
L99903	271	22	L99933	103	23	P471356	311	28			
L99903	341	10	L99933	105	13	P471356	313	25			



# Torque Specifications

Use these torque values when tightening hardware (excluding: locknuts and self-tapping, thread-forming and metal screws) unless otherwise specified.

Unified National Thread	Grade 2 		Grade 5 		Grade 8 	
	Dry	Lubed	Dry	Lubed	Dry	Lubed
8-32	19*	14*	30*	22*	41*	31*
8-36	20*	15*	31*	23*	43*	32*
10-24	27*	21*	43*	32*	60*	45*
10-32	31*	23*	49*	36*	68*	51*
1/4-20	66*	50*	9	75*	12	9
1/4-28	76*	56*	10	86*	14	10
5/16-18	11	9	17	13	25	18
5/16-24	12	9	19	14	25	20
3/8-16	20	15	30	23	45	35
3/8-24	23	17	35	25	50	35
7/16-14	32	24	50	35	70	55
7/16-20	36	27	55	40	80	60
1/2-13	35	35	75	55	110	80
1/2-20	40	40	90	65	120	90
9/16-12	55	55	110	80	150	110
9/16-18	60	60	120	90	170	130
5/8-11	75	75	150	110	220	170
5/8-18	85	85	180	130	240	180
3/4-10	130	130	260	200	380	280
3/4-16	150	150	300	220	420	320
7/8-9	125	125	430	320	600	460
7/8-14	140	140	470	360	660	500
1-8	190	190	640	480	900	680
1-14	210	210	710	530	1000	740

Metric Course Thread	Grade 8.8 		Grade 10.9 		Grade 12.9 	
	Dry	Lubed	Dry	Lubed	Dry	Lubed
M6-1	8	6	11	7	13.5	10*
24M8-1.25	19	14	27	20	32.5	24*
M10-1.5	37.5	28	53	39	64	47
M12-1.75	65	48	91.5	67.5	111.5	82
M14-2	103.5	76.5	145.5	108	176.5	131
M16-2	158.5	117.5	223.5	165.5	271	200

\* All torque values are in lb.-ft. except those marked with an \*, which are in lb.-in.  
For metric torque value (Nm), multiply lb.-ft. value by 1.355 or lb.-in. by 0.113.

# GEHL®

**GEHL Company** 143 Water Street, P.O. Box 179, West Bend, WI 53095-0179 U.S.A  
[www.gehl.com](http://www.gehl.com)