

Hammond Transformers



Imperator

Fortress

Spartan

Get years of reliable service from a quality transformer at a practical price

HPS Imperator™ control transformers for industrial applications

HPS Imperator control transformers from Hammond are designed for high inrush applications requiring reliable output voltage stability. Designed for industrial applications where electromagnetic devices such as relays, solenoids, etc. are used, they maximize inrush capability and output voltage regulation when electromagnetic devices are initially energized.

HPS Imperator control transformers use Mylar, Nomex and other high-quality insulating materials to electrically insulate turn-to-turn windings, layer-to-layer windings, primary-to-secondary windings and ground. These transformers are vacuum impregnated with VT polyester resin and oven-cured, which seals the surface and eliminates moisture. Filling the entire unit provides a strong mechanical bond and offers protection from the environment. This design utilizes superior insulation systems and is constructed with high quality silicon steel laminations, which provide optimum performance and reliability.

The custom injection-molded cover, with its unique fin-shaped design, provides excellent cooling properties while protecting the coils and terminations from moisture, dirt and other industrial airborne contaminants.

The heavy steel mounting feet are welded to the core, providing maximum strength and low noise in a compact design.

The HPS Imperator's unique terminal block design (patent pending) allows for the quick and easy installation of standard secondary or optional primary 13/32" x 1 1/2" midget/type CC fuse clips on every unit. This is the simplest and most inexpensive fusing installation provided on any industrial control transformer in the market today.

The windings and internal terminations of the HPS Imperator are encapsulated, which protects them from moisture, dirt and other airborne contaminants. The custom molded coil covers with their unique fin-shaped design combine superior transformer cooling properties with a clean bold look.

The HPS Imperator utilizes custom serrated terminals in combination with standard SEMS washer screws for easier assembly and quicker installation as well as superior connection strength when connecting with bare, solid, or stranded wire. It also allows for ring or spade termination connectors with a maximum width of 0.37 in (9.4 mm).

www.automationdirect.com

HPS Fortress™ commercial potted transformers

The HPS Fortress commercial potted transformers provide an innovative design with commercial applications where quality, ease of installation, and low cost are key.

All Fortress units are encapsulated with electrical grade silica sand and resin compounds, which completely enclose the core and coil to seal out moisture, airborne contaminants and eliminates corrosion and deterioration.

HPS Spartan™ open core and coil control transformers

The HPS Spartan line of industrial open-style control transformers is ideally suited for general purpose, industrial and light duty loads.

Designed for applications with lower inrush and where less demanding environmental protections are needed, HPS Spartan models offer an efficient and economical solution. They feature molded terminal blocks up to 3000VA or 30A. Optional finger guards and a fuse block adapter kit are available.

Superior quality and value

- Compact, efficient design
- Easy installation and hook-up
- Inexpensive while maintaining superior quality in materials and workmanship
- Wall mounting

Applications

- Lighting
- Motor control circuits
- HVAC
- Signal and alarm systems
- Circuit isolation
- Schools
- Office buildings

HPS Imperator™ Control Transformer Selection



To select the proper transformer, you must first determine three characteristics of the load circuit. They are: total steady-state (sealed) VA, total inrush VA, and inrush load power factor.

Total steady-state "sealed" VA is the total amount of VA that the transformer must supply to the load circuit for an extended length of time. Calculate by adding the total steady-state VA of all devices in your control circuit. (The operating VA data for the devices should be available from the manufacturers.)

The inrush VA is the amount of VA that the transformer must supply for all components in the control circuit that are energized together. Consideration for the start-up sequence may be required. (Inrush VA data should be obtained from the device manufacturers.)

The inrush load power factor is difficult to determine without detailed vector analysis of all the control components. In the absence of such information, we recommend that a 40% power factor be utilized.

Six easy steps

Once the three load circuit variables have been determined, follow these steps to select the proper transformer.

1. Determine your primary (supply) and secondary (output) voltage requirements, as well as the required frequency (i.e. 60 Hz).
2. Calculate the total sealed VA of your circuit by adding the total sealed VA of all devices in the control circuit.
3. Calculate the inrush VA by adding the inrush VA of all components being energized together. Remember to add the sealed VA of all components that do not have inrush VA (lamps, timers, etc.), as they do present a load to the transformer during maximum inrush. If the inrush for your components is unknown, assume a 40% inrush power factor.
4. Calculate the total inrush VA using one of two methods as shown below. **Method B will result in selection of a slightly larger transformer.**

A
$$\text{Total Inrush VA} = \sqrt{(\text{VA sealed})^2 + (\text{VA inrush})^2}$$

or

B
$$\text{Total Inrush VA} = \text{VA Sealed} + \text{VA Inrush}$$

5. If the nominal supply voltage does not fluctuate more than 5%, reference the 90% secondary voltage column in the Regulation Data Table for the correct VA rating.

If the supply voltage varies up to 10%, the 95% secondary voltage column should be used to size the transformer. The 85% secondary voltage column gives minimum values for proper electromagnetic device operation and should only be used as a reference.

HPS Imperator Transformer Regulation Data Table

Continuous VA Transformer Nameplate	Inrush VA @ 40% Power Factor		
	85% Secondary Voltage	90% Secondary Voltage	95% Secondary Voltage
50	330	259	192
75	350	258	170
100	620	467	321
150	895	699	512
250	1596	1229	880
350	2464	1889	1345
500	3939	2854	1819
750	6422	4778	3228
1000	9842	7102	4530
1500	12797	9018	5489

Note: It is recommended that a control transformer be sized at a 40% power factor. Some components in a circuit, such as electromagnetic devices, typically operate at that level due to their inherently lower power factor. Selecting a transformer at 40% power factor will more than adequately size the unit for all the various loads in the circuit.

6. Using the regulation data table below, select the appropriate VA rated transformer:
 - A. With a continuous VA rating that is equal to or greater than the value in Step 2.
 - B. With a maximum inrush VA equal to or greater than the value obtained in Step 4.

Note: See over-current protection chart for transformers at the end of this section.

Voltage regulation in transformers

Voltage regulation in transformers is the difference between the "No-Load voltage" and the "Full-Load voltage." This is expressed in terms of percentage.

$$\text{Regulation Percentage} = \frac{E_{\text{No-Load}} - E_{\text{Full Load}}}{E_{\text{Full Load}}} (100\%)$$

The secondary voltages (nominal) listed in these pages are at Full-Load, meaning the point at which the transformer is operating at maximum permissible secondary current. No-Load voltage can increase 4 to 6%.

Warning:

Secondary voltages of transformers may damage some loads. For example, a transformer connected as 480/120 Volt but applied 495 Volt primary can produce at No-Load a voltage of 134 Volts which will damage the inputs of a PLC [D0-06AA](#), whose maximum input voltage is 132 Volt. Notice that the current of [D0-06AA](#) input is 10mA, making it very close to No-Load.

HPS Imperator™

380x277x208 / 240x120 VAC

Control Transformers



Features

- 600V class, machine tool rated industrial control transformers
- 50/60 Hz
- VA range from 50VA up to 1000VA
- Constructed with high-quality silicon steel laminations that provide optimum performance and reliability
- Encapsulated coils encased in a custom injection molded cover which protects coils and terminations from moisture, dirt and other industrial airborne contaminants
- Temperature range: -20°C (-4°F) to 40°C (104°F)
- Terminated with #8-32 slot/Phillips terminal screws complete with SEMS washer (suitable for 18AWG to 14AWG solid or 14AWG stranded wire)
- Insulation system:
 - **50 - 150VA:** Temperature rise 55°C (131°F), insulation class 105°C (221°F)
 - **250 - 500VA:** Temperature rise 80°C (176°F), insulation class 130°C (266°F)
- SEMS (standard machine screw with lock washer) standard
- Standard secondary fuse kits utilizing 13/32 in x 1.5 in fuse clips included with all transformers. Fuses are not included. (See Edison fuse section for MEN fuses.)
- Optional primary fuse kits available utilizing 13/32 in x 1.5 in fuse clips (See Edison HCTR series fuses at automationdirect.com).
- Optional finger-safe terminal covers
- LIFETIME warranty (limited to manufacturing defects)

Agency Approvals

- UL Listed (approved for U.S. and Canada) File E50394
- CE Mark standard on all units



HPS Imperator 380x277x208 / 240x120 Control Transformer Specifications

Part Number	Price	Volt-Amp Rating*	Mtg. Fig.	Primary Voltage (VAC) (50/60 Hz)	Secondary Voltage (VAC) (Nominal)	Output Current (Amps) 120/240 VAC	Impedance %		Total Heat Dissipation (Watts)**	Weight lb [kg]
							VA	%z		
PH50MGJ	\$80.00	50	A	208x277x380	120x240	0.42/0.21	50	8.3	12	3.5 [1.59]
PH75MGJ	\$81.00	75	A			0.63/0.31	75	8.7	14	4.5 [2.04]
PH100MGJ	\$90.00	100	A			0.83/0.42	100	8.4	15	5.2 [2.36]
PH150MGJ	\$118.00	150	B			1.25/0.63	150	8.0	25	7.6 [3.45]
PH250MGJ	\$166.00	250	B			2.08/1.04	250	7.8	35	8.3 [3.76]
PH350MGJ	\$198.00	350	B			2.92/1.46	350	7.0	47	11.0 [4.99]
PH500MGJ	\$256.00	500	B			4.17/2.08	500	5.0	52	16.3 [7.39]
PH1000MGJ	\$343.00	1000	B			8.33/4.17	1000	3.9	81	25.5 [11.57]

Note: *VA capacity rated at the output of the transformer.

** Heat dissipation calculated based on full rated load on transformer.

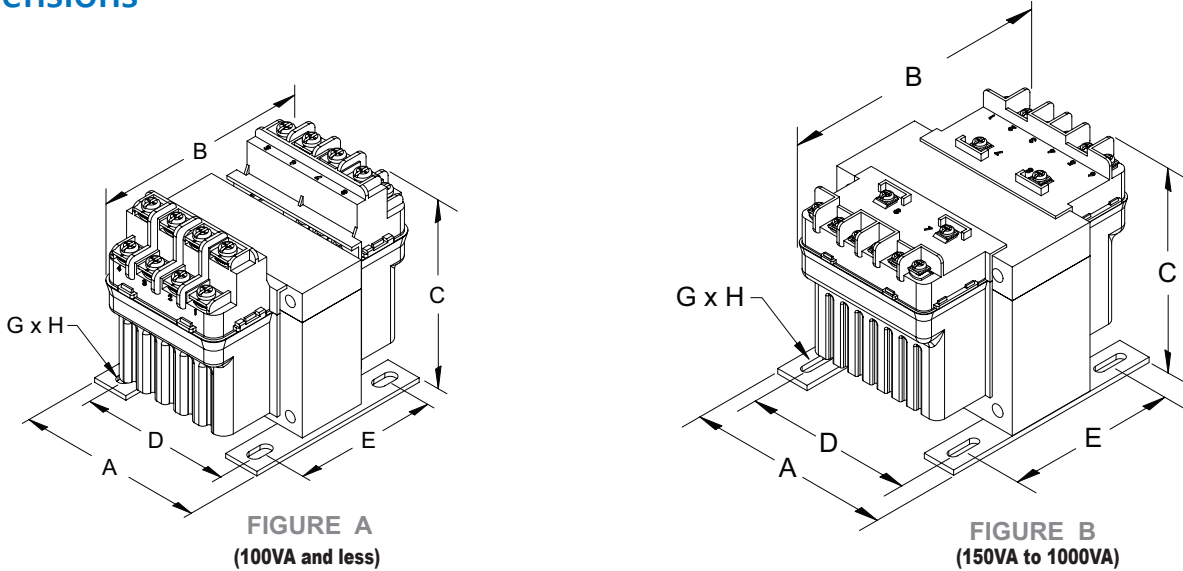
HPS Imperator™

380x277x208 / 240x120 VAC

Control Transformers



Dimensions



HPS Imperator 380x277x208 / 240x120 Control Transformer Dimensions									
Part Number	Mtg. Fig.	Overall Dimensions in (mm)			Mounting Centers in (mm)		Mounting Slot in (mm)	Height with Finger Guard in (mm)	Depth with Finger Guard in (mm)
		A	B	C	D	E			
PH50MGJ	A	3.25 [82.6]	3.88 [98.6]	3.56 [90.4]	2.63 [66.8]	2.50 [63.5]	0.22 x 0.44 [5.6 x 11.2]	4.37 [111.0]	5.32 [135.1]
PH75MGJ	A	3.25 [82.6]	4.19 [106.4]	3.63 [92.2]	2.63 [66.8]	2.63 [66.8]	0.22 x 0.44 [5.6 x 11.2]	4.44 [112.8]	5.63 [143.0]
PH100MGJ	A	3.25 [82.6]	4.69 [119.1]	3.63 [92.2]	2.63 [66.8]	2.63 [66.8]	0.22 x 0.44 [5.6 x 11.2]	4.44 [112.8]	6.13 [155.7]
PH150MGJ	B	4.00 [101.6]	5.44 [138.2]	3.81 [96.8]	3.38 [85.9]	2.75 [69.9]	0.22 x 0.75 [5.6 x 19.1]	4.50 [114.3]	6.94 [176.3]
PH250MGJ	B	4.50 [114.3]	4.88 [124.0]	4.44 [112.8]	3.75 [95.3]	3.75 [95.3]	0.22 x 0.75 [5.6 x 19.1]	4.94 [125.5]	6.38 [162.1]
PH350MGJ	B	4.50 [114.3]	5.56 [141.2]	4.44 [112.8]	3.75 [95.3]	3.75 [95.3]	0.22 x 0.75 [5.6 x 19.1]	4.94 [125.5]	7.06 [179.3]
PH500MGJ	B	4.75 [120.7]	6.69 [169.9]	4.31 [109.5]	4.06 [103.1]	4.50 [114.3]	0.31 x 0.94 [7.9 x 23.9]	4.81 [122.2]	8.19 [208.0]
PH1000MGJ	B	5.25 [133.4]	7.25 [184.2]	4.94 [125.5]	4.50 [114.3]	4.83 [122.7]	0.31 x 0.81 [7.9 x 20.6]	5.56 [141.2]	9.69 [246.1]

Note: All dimensions are ±0.06 in unless otherwise noted.

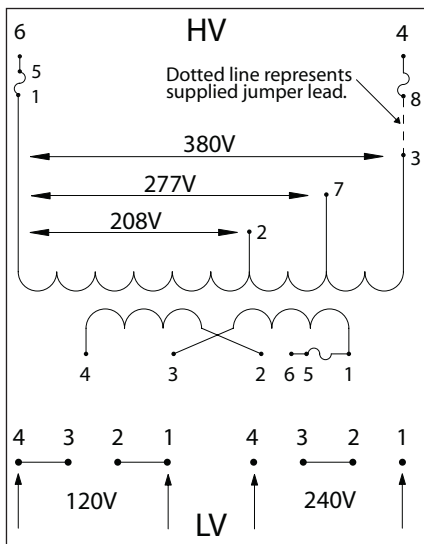
HPS Imperator™

380x277x208 / 240x120 VAC

Control Transformers



Wiring

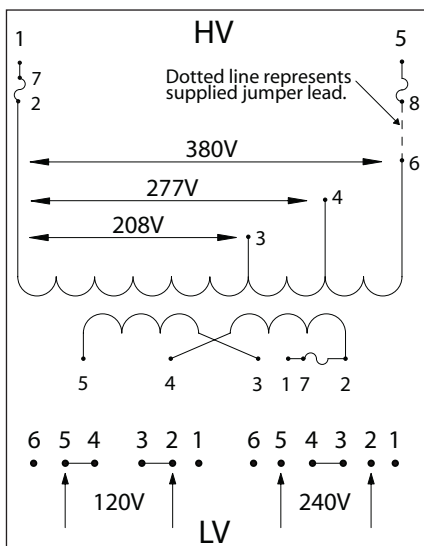


PH***MGJ Schematic for 50, 75 and 100VA Units

High Voltage (HV) (Primary Volts)	Install Supplied Jumpers Between Terminals	Supply Lines Connect To	Install Fuse Clips To
380	None	1, 3	Unfused
277	None	1, 7	Unfused
208	None	1, 2	Unfused
380	3-8	6, 4	1-5, 4-8
277	8-7	6, 4	1-5, 4-8
208	2-8	6, 4	1-5, 4-8

Low Voltage (LV) (Secondary Volts)	Install Supplied Links Between Terminals	Load Lines Connect To	Install Fuse Clips To
120	3-4, 1-2	1, 4	Unfused
240	2-3	1, 4	Unfused
120	3-4, 1-2	4, 6	1-5
240	2-3	4, 6	1-5

PH***MGJ Schematic for 150VA to 1000VA Units



High Voltage (HV) (Primary Volts)	Install Supplied Jumpers Between Terminals	Supply Lines Connect To	Install Fuse Clips To
380	None	2, 6	Unfused
277	None	2, 4	Unfused
208	None	2, 3	Unfused
380	8-6	1, 5	2-7, 5-8
277	4-8	1, 5	2-7, 5-8
208	3-8	1, 5	2-7, 5-8

Low Voltage (LV) (Secondary Volts)	Install Supplied Links Between Terminals	Load Lines Connect To	Install Fuse Clips To
120	4-5, 2-3	2, 5	Unfused
240	3-4	2, 5	Unfused
120	4-5, 2-3	1, 5	2-7
240	3-4	1, 5	2-7

Notes

- FUSES NOT INCLUDED (see Edison HCTR series fuses at automationdirect.com).
- Secondary fuse clips supplied but not installed. Order fuses and primary fuse clips separately.
- Jumper links to make primary/secondary series/parallel connections supplied, but not installed.

HPS Imperator™ Transformers Accessories - Terminal Covers and Fuse Kits



Finger-safe terminal covers

These one-piece molded terminal covers are a quick and easy way to provide safety and protection in the workplace. They protect operators from potential shock hazards and guard against accidental contact with the fuses.

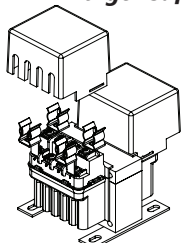
Fuse Kits

These optional primary side fuse kits contain four fuse clips, four mounting screws, and complete instructions. The table below makes it easy to choose the correct terminal covers and fuse kits for your Hammond control transformer.

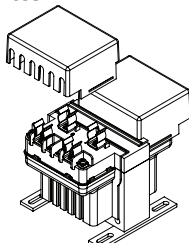
Transformer		Finger-Safe Terminal Covers			Primary Side Fuse Kits		
Part Number	Part #	Pcs/Pkg	Price	Description	Part #	Pcs/Pkg	Price
PH50MQMJ PH50PG	FG1	1 cover	\$5.75	Finger-safe cover for MQMJ and PG series 50VA unfused control transformers. Cover fits primary side or secondary side.	PFK1	4 fuse clips, 4 mounting screws	\$11.00
	FGF1	1 cover	\$6.25	Finger-safe cover for MQMJ and PG series 50VA fused control transformers. Cover fits primary side or secondary side.			
PH75MQMJ PH75PG PH100MQMJ PH100PG	FG2	1 cover	\$5.75	Finger-safe cover for all 75VA, all 100VA, PH50MLI and PH50MGJ unfused control transformers. Cover fits primary or secondary side.			
	FGF2	1 cover	\$6.75	Finger-safe cover for 75VA, all 100VA, PH50MLI and PH50MGJ fused control transformers. Cover fits primary or secondary side.			
PH150MQMJ PH150PG PH250MQMJ PH250PG	FG3	1 cover	\$6.25	Finger-safe cover for all 150VA, PH250MQMJ and PH250PG fused and unfused control transformers. Cover fits primary or secondary side.	PFK2	4 fuse clips, 4 mounting screws	\$11.00
PH350MQMJ PH350PG PH500MQMJ PH500PG PH750MQMJ	FG4	1 cover	\$6.25	Finger-safe cover for all 350VA, 500VA, PH250MLI, PH250MGJ, and PH750MQMJ fused and unfused control transformers. Cover fits primary or secondary side.	PFK3	4 fuse clips, 4 mounting screws	\$11.00
PH1000MQMJ PH750PG PH1500MQMJ PH1000PG	FG5	1 cover	\$6.25	Finger-safe cover for all 750VA, 1000VA, 1500VA fused and unfused control transformers. Cover fits primary or secondary side.	PFK4	4 fuse clips, 4 mounting screws 1 cover 1 jumper wire	\$11.00
PH50MLI PH50MGJ	FG2	1 cover	\$5.75	Finger-safe cover for all 75VA, all 100VA, PH50MLI and PH50MGJ unfused control transformers. Cover fits primary or secondary side.	PFK5	4 fuse clips, 4 mounting screws 1 cover 1 jumper wire	\$11.00
	FGF2	1 cover	\$6.75	Finger-safe cover for 75VA, all 100VA, PH50MLI and PH50MGJ fused control transformers. Cover fits primary or secondary side.			
PH100MLI PH75MGJ PH100MGJ	FG2	1 cover	\$5.75	Finger-safe cover for all 75VA, all 100VA, PH50MLI and PH50MGJ unfused control transformers. Cover fits primary or secondary side.	PFK6	4 fuse clips, 4 mounting screws 1 jumper wire	\$11.50
	FGF2	1 cover	\$6.75	Finger-safe cover for 75VA, all 100VA, PH50MLI and PH50MGJ fused control transformers. Cover fits primary or secondary side.			
PH150MGJ PH150MLI	FG3	1 cover	\$6.25	Finger-safe cover for all 150VA, PH250MQMJ and PH250PG fused and unfused control transformers. Cover fits primary or secondary side.	PFK7	4 fuse clips, 4 mounting screws 1 jumper wire	\$11.50
PH250MLI PH250MGJ	FG4	1 cover	\$6.25	Finger-safe cover for all 350VA, 500VA, PH250MLI, PH250MGJ, and PH750MQMJ fused and unfused control transformers. Cover fits primary or secondary side.			
PH350MLI PH350MGJ PH500MLI PH500MGJ			1 cover	\$6.25	Finger-safe cover for all 350VA, 500VA, PH250MLI, PH250MGJ, and PH750MQMJ fused and unfused control transformers. Cover fits primary or secondary side.		
PH750MLI PH1000MLI PH1000MGJ	FG5	1 cover	\$6.25	Finger-safe cover for all 1000VA, 1500VA, PH750PG, and PH750MLI fused and unfused control transformers. Cover fits primary or secondary side.			

- Torque all terminal screws between 12 and 14 lb•in (1.36 and 1.58 N•m)
- For all bare wire connections, the recommended wire size range is 18AWG to 14AWG for solid wire and 14AWG for stranded. A ring or spade connector (maximum width 0.37 in [9.4 mm]) must be used if using a wire size outside the range listed above.
- Ensure mounting screws used for transformer installation (not supplied) are properly sized for transformer weight.
- When mounting fuse clips, remove the appropriate captive washer screw(s) from terminal block and install fuse clip(s) and new terminal screw(s).
- Please refer to wiring instructions included with the Hammond control transformer for connection details.

Finger-safe Cover accessories

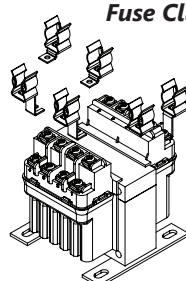


Sample Assembly Drawing for Finger Guard Installation (for 50, 75 and 100VA)

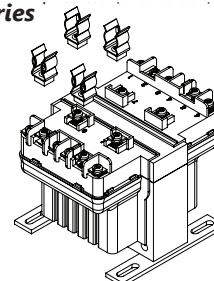


Sample Assembly Drawing for Finger Guard Installation (for 150VA to 1500VA)

Fuse Clips accessories



Sample Assembly Drawing for Fuse Clip Installation (for 50, 75 and 100VA)



Sample Assembly Drawing for Fuse Clip Installation (for 150VA to 1500VA)

Standard secondary fuse kits utilizing 13/32" x 1 1/2" fuse clips included with all transformers. Fuses are not included. (See Edison fuse section for MEN fuses.)