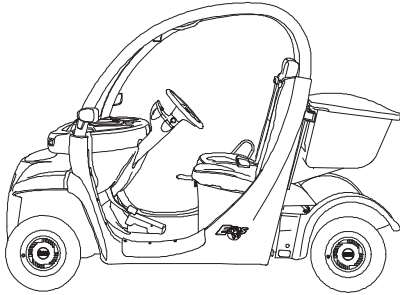


## Parts Catalog

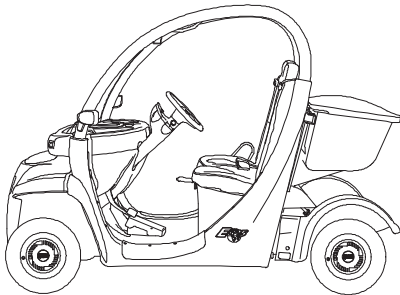
GEM

1999-2004 Models

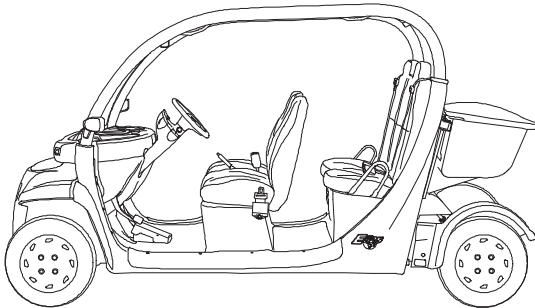
---



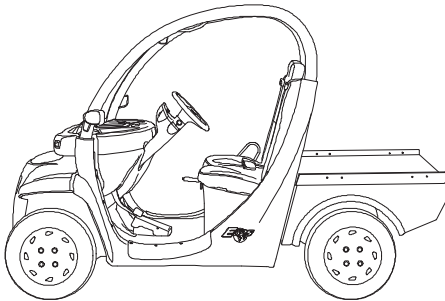
**GEM E825 - 2 Passenger Narrow NEV**



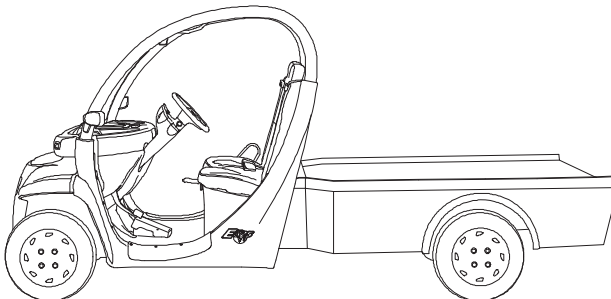
**GEM E825 - 2 Passenger NEV**



**GEM E825 - 4 Passenger NEV**



**GEM E825 - 2 Passenger Short-back NEV**



**GEM E825 - 2 Passenger Long-back NEV**

**GEM E825 - 2 Passenger Narrow NEV**

**GEM E825 - 2 Passenger NEV**

**GEM E825 - 4 Passenger NEV**

**GEM E825 - 2 Passenger Short-back NEV**

**GEM E825 - 2 Passenger Long-back NEV**

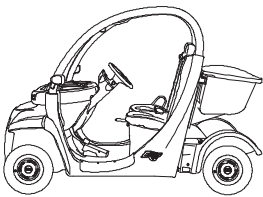
# HOW TO USE THIS CATALOG AND LOCATE PARTS

This catalog is divided into Item Class Groups in which illustrations for parts of a similar function and/or location are published.

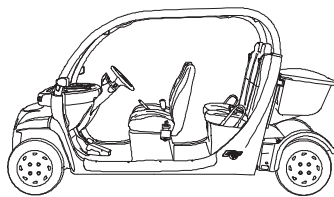
**Option 1:** From the contents page of the parts catalog, select the section which would most logically contain the part to be found. When the part is found, then determine if the part is for your model of vehicle by locating the correct icon at the top of the page. (See illustration below "Determining if the part is for your model of vehicle")

**Option 2:** If the part number is known but the applications and/or locations need to be determined, refer to the numerical index. This index shows the **Part Number, Description, and Page Numbers** that the item is contained on.

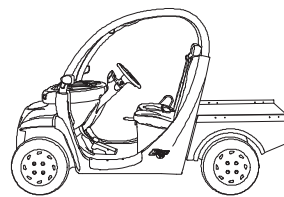
## DETERMINING IF THE PART IS FOR YOUR MODEL OF VEHICLE



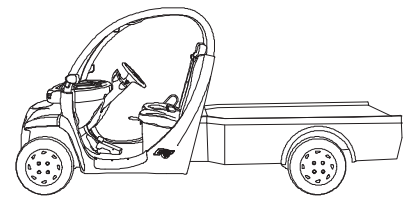
**GEM E825 - 2 Passenger NEV**



**GEM E825 - 4 Passenger NEV**



**GEM E825 - 2 Passenger Short-back NEV**



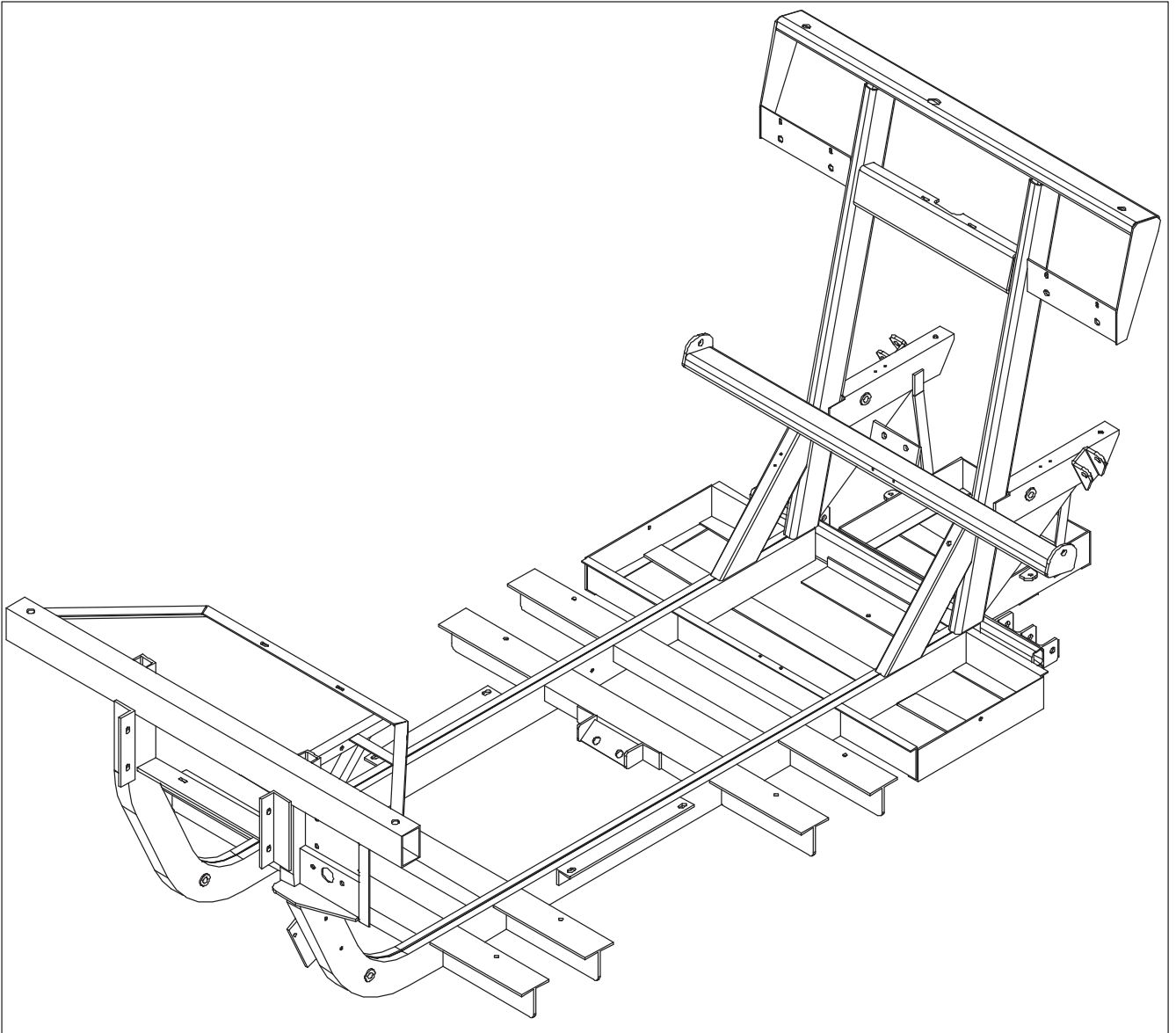
**GEM E825 - 2 Passenger Long-back NEV**

ITEM	PART NO.	DESCRIPTION	QTY
	0116-00167	ASSY. WHEEL END KIT - LH REAR	1
1	-	ASSY. HUB	1
2	0311-00833	SHOE - BRAKE RIGHT	1
4	0311-00834	SHOE - BRAKE LEFT	1
5	0311-00835	SPRING - E-BRAKE RELEASE RH	1
6	-	SPINDLE	1
7	-	DRUM	1
8	-	SHANK AXLE	1
9	-	TUBE SPACER - BEARING	1
10	0861-00038	NUT - HEX - TOP LOCK - 1/8" X 1 1/2 GRADE 12	1
11	0852-00038	BOLT - HEX - UNCS. - M8 X 1.25 X 34.5 GR 8.8	4
12	-	SCREW - HEX SOCKET - CNTSK M6 X 8 X 12 LG GR 10.9	2
13	0524-00038	WASHER - FLAT - 1/8" NARROW 17.2X10.3X.03	1
14	0811-00033	KIT - CYLINDER - BRAKE - REAR	1
15	-	BEARING - ROLLER	1

\* STARRED ITEMS ARE NOT AVAILABLE SEPARATELY

\* STARRED ITEMS ARE NOT AVAILABLE SEPARATELY

## HOW TO ORDER A FRAME FOR A 1999-2004 GEM



1 \*

WELDMENT, FRAME - ALL MODELS

\*REPLACEMENT FRAMES FOR 99-04 GEM MODELS ARE NOT AVAILABLE DIRECTLY FROM GEM/POLARIS. FOR REPLACEMENT FRAME OPTIONS, CONTACT VOYAGER ALUMINUM INC. AT 800-980-4940.

## **Table of Contents**

**CLICK HEADING BELOW TO LINK TO PAGE**

### **BATTERIES & HOLDDOWN**

BATTERY TRAY/ MATS

### **BODY**

BACK PANEL

BED ASSEMBLY

BUMPER

DASH ASSEMBLY

DASH/ LOWER ASSY

FLOOR

FLOORMATS

HOOD/HINGE/LATCH

MIRRORS

MUDGUARD

ROOF/MOUNTING

SCUFF GUARDS

SHOCK MOUNT COVER

SIDE PANEL

SPAT

SPLASH PROTECTION

STAKE SIDES / BEDRAILS

TRUNKBACK / LINKSBACK

WINDSHIELD / WINDOWS

## **BRAKE**

BRAKE LINE FRONT (ALL)  
BRAKE LINE REAR (2 PASS)  
BRAKE PEDAL BRACKETS W/ SWITCHES  
HYDRAULIC BRAKE SPACERS  
MASTER CYLINDER & BRAKE PEDAL

## **DECALS**

## **ELECTRICAL**

CHARGER  
ACCESSORY CHARGING CORD SET  
CONVERTER/ CONTACTOR  
ECM PLATE  
ELECTRIC MOTOR CONTROLLER  
FUSES  
HEATER / DEFROST  
HORN  
INSTRUMENT POD  
LICENSE PLATE MOUNT / LAMP  
MOTOR  
ROTARY SWITCH / MASTER DISCONNECT  
SPEED CONTROL ASSY  
STEREO PACKAGE  
TAIL LIGHTS  
T-HANDLE / SEAT BACK / TAIL LIGHTS  
TURN SIGNAL / SWITCH  
WARNING BEACON

WIRE HARNESSSES

**PARKING BRAKE ASSY (INCLUDE PARKING BRAKE FRAMING )**

**SEATS /SEATBELTS/MOUNTING**

**STEERING, DRIVELINE & DIFFERENTIAL**

CONTROL ARM W/ WHEEL HUB

DIFFERENTIAL VENT KIT

INPUT SHAFT KIT

STEERING AND DRIVELINE – FRONT ASSEMBLY

STEERING COLUMN

STEERING COLUMN INSTRUMENT POD

STEERING GEAR ASM

STEERING SHAFT

STEERING WHEEL

SUPPORT FRAME, FRONT

**SUSPENSION**

FRONT SHOCKS

REAR SUSPENSION ASSEMBLY (ALL)

REAR 2 PASSENGER (NARROW)

SHOCK MOUNT INSTALLATION KIT

**WHEEL**

WHEEL VARIOUS SIZE OPTIONS

WHEEL, FRONT HUB KIT (FRONT BRAKES)

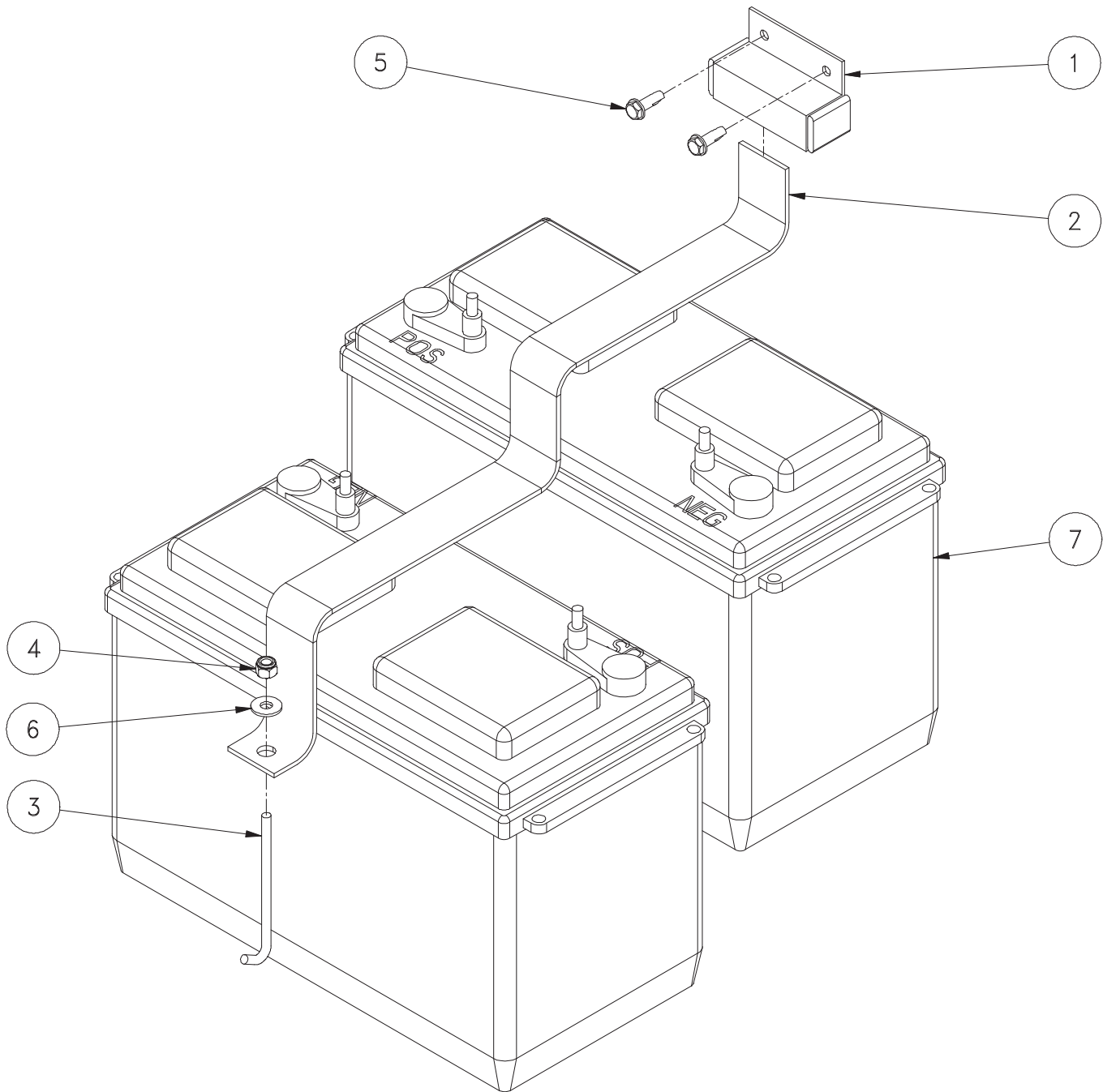
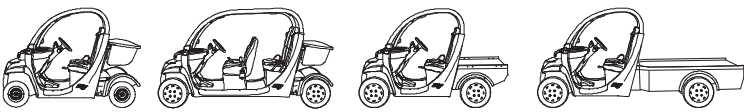
WHEEL, REAR HUB KIT (REAR BRAKES)

**WINDSHIELD WIPER**

SPLASH GUARDS / FIREWALL MAT / WINDSHIELD WIPER / HOODLATCH

WINDSHIELD WIPER MOTOR / ARM

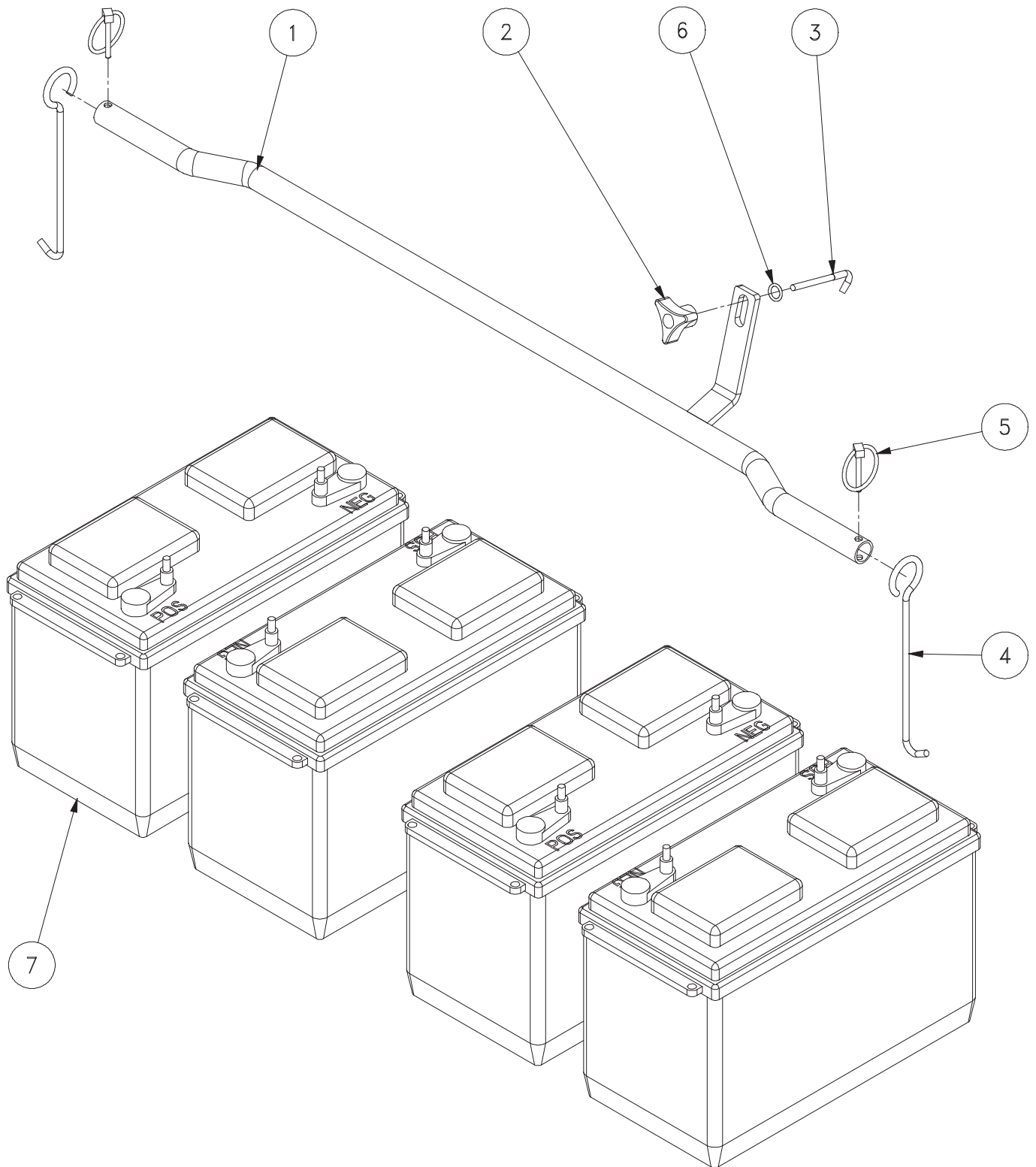
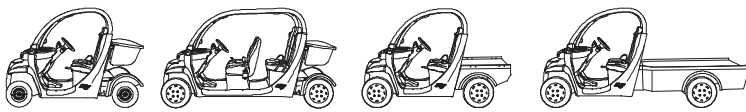




**ASSY, BATTERY FRONT (NEW BATTERY HOLD DOWNS FOR V.I.N. 027109 AND LATER)**

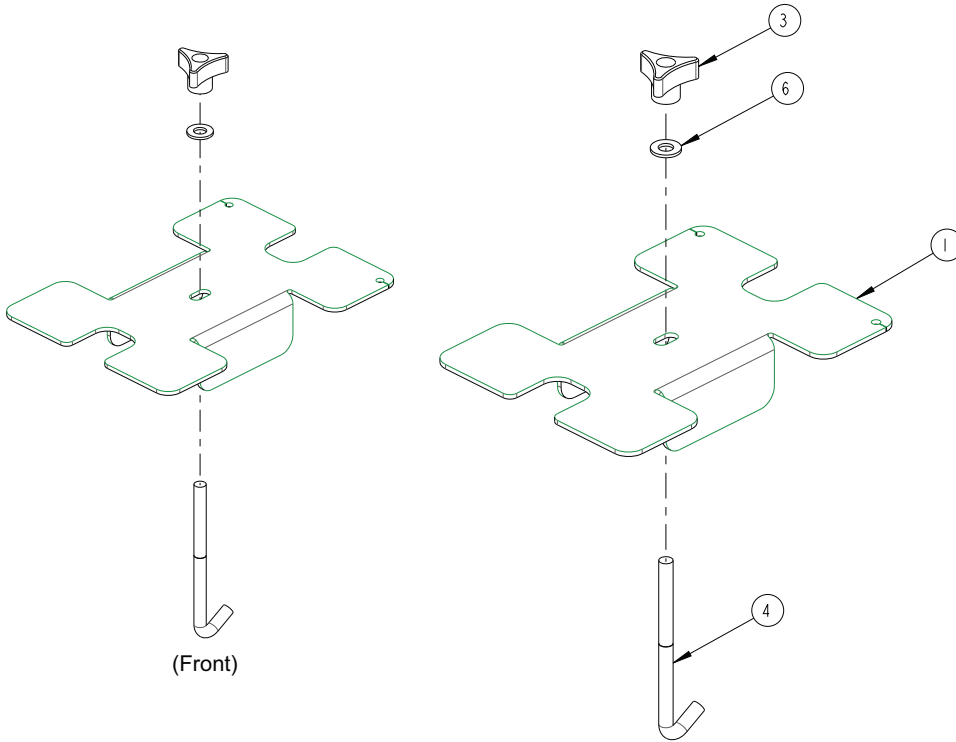
<u>ITEM</u>	<u>PART NO.</u>	<u>DESCRIPTION</u>	<u>QTY.</u>
1018584 1	0251-00239	WELDMENT, FRONT BATTERY BRACKET	1
2	0351-02223	BRACKET, BATTERY - FRONT --	1
3	0510-00336	HOOK, J THREADED 1/4-20 UNC X 4"	1
4	0521-00050	NUT, HEX - NYLOCK 1/4-20 UNC GR5 ZN	1
5	0523-00032	SCREW, HEX - WHSD 1/4 X .75 ZN --	2
6	0524-00062	WASHER, FLAT - 1/4 .282 ID X .715 OD X .063 THK ZN	1
7	N/A	BATTERY, 12 VOLT DEEP CYCLE - TROJAN MODEL 30XHS/SCS225, PROCURE LOCALLY FOR UNSELECTABLE ZIVAN CHARGER. ORDER 0606-00364 GEL BATTERY 8G31 FOR SELECTABLE ZIVAN/ DELTA Q CHARGER.	2





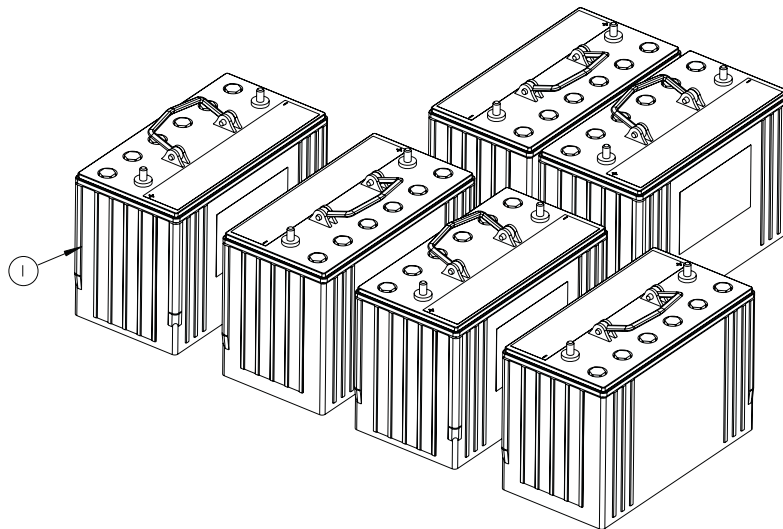
**ASSY, BATTERY REAR (NEW BATTERY HOLD DOWNS FOR V.I.N. 027109 AND LATER)**

<b>ITEM</b>	<b>PART NO.</b>	<b>DESCRIPTION</b>	<b>QTY.</b>
1	N/A	WELDMENT, REAR BATTERY HANDLE - SEE FOLLOWING PAGE	1
2	0306-00996	KNOB, 1/4 - 20 3 PRONG	1
3	0510-00336	HOOK, J THREADED 1/4-20 UNC X 3"	1
4	0510-00286	HOOK, J REAR PIVOT TUBE HOLD DOWN ZINC PLATED	2
5	0510-00287	PIN, LYNCH 3/16" ZINC PLATED	2
6	0510-00342	O-RING, 3/32 C/S X 7/32 ID X 13/32 OD	1
7	N/A	BATTERY, 12 VOLT DEEP CYCLE - TRJOAN MODEL 30XHS/SCS225 PROCURE LOCALLY FOR UNSELECTABLE ZIVAN CHARGER. ORDER 0606-00364 GEL BATTERY 8G31 FOR SELECTABLE ZIVAN/ DELTA Q CHARGER.	4



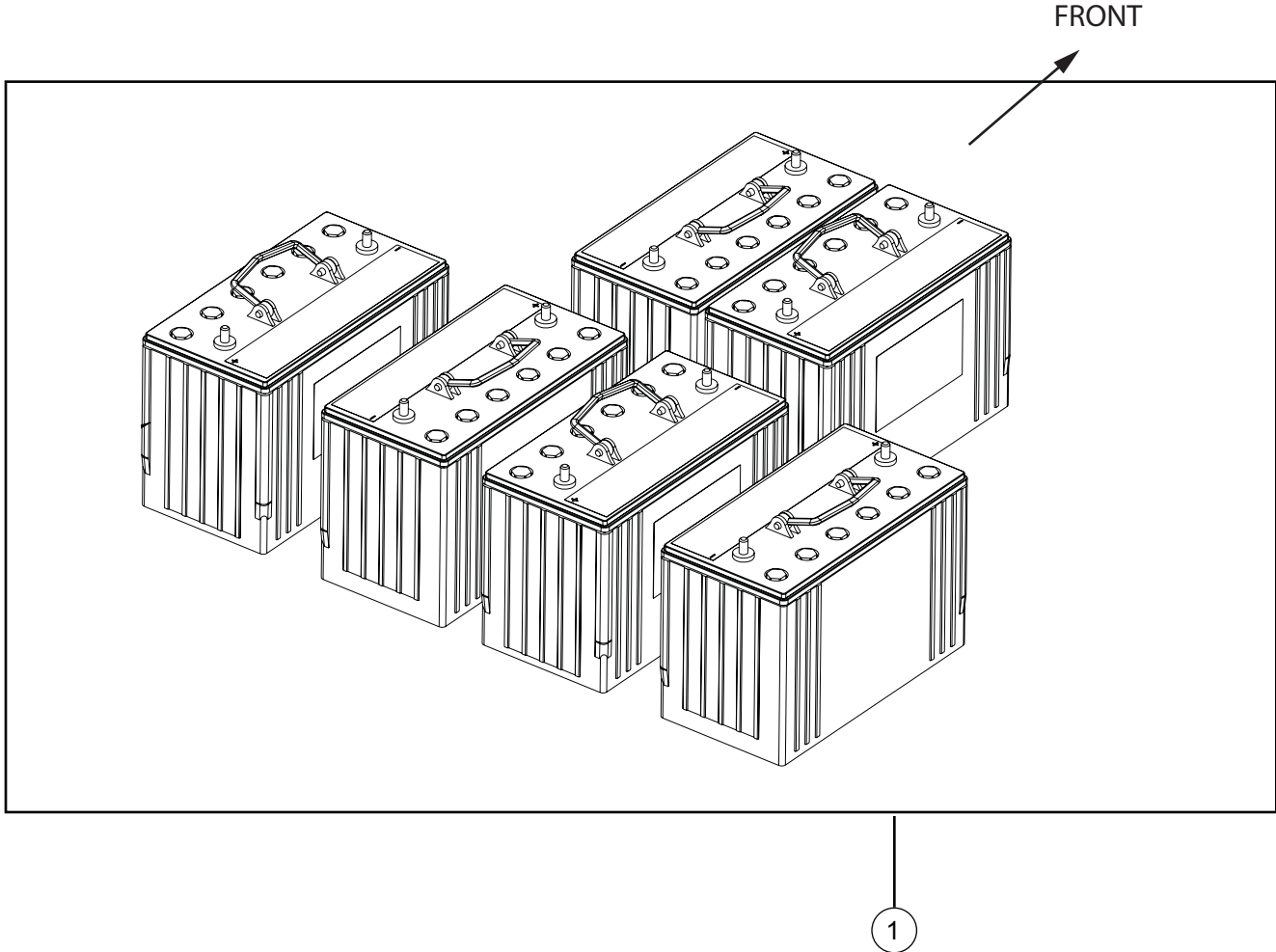
**ASSY, BATTERY HOLD DOWN**

ITEM	PART NO.	DESCRIPTION	QTY.
1	0306-01944	BRACKET, BATTERY HOLD DOWN	2
3	0506-00481	KNOB, 3/8 - 16 3 PRONG	2
4	0510-00479	HOOK, J THREADED 3/8 - 16 UNC X 5 1/2"	2
6	0524-00009	WASHER, FLAT - 3/8 SAE .406 ID X .8125 OD X .080 THK ZN	2



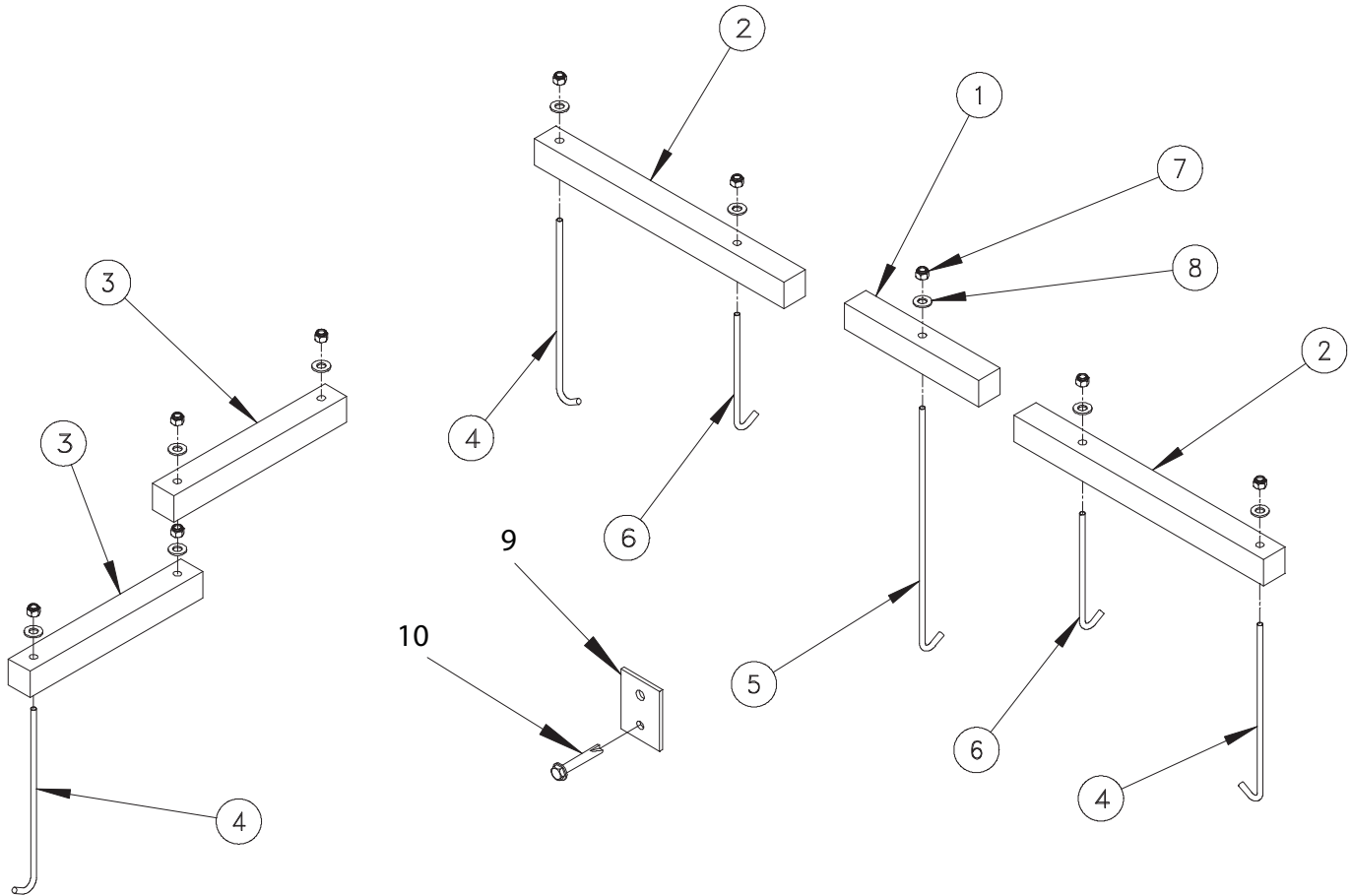
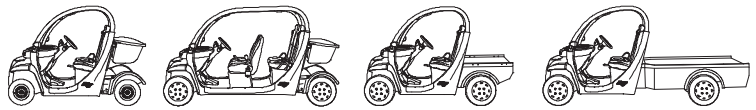
**ASSY, BATTERY PACK-GEL**

ITEM	PART NO.	DESCRIPTION	QTY.
1	0606-00364	BATTERY, 12 VOLT-GEL DEEP CYCLE	6



**OPTIONS, BATTERIES 12 VOLT, GEL**

ITEM	PART NO.	DESCRIPTION	QTY.
1	0606-00364	BATTERY, GEL-12 VOLT	6

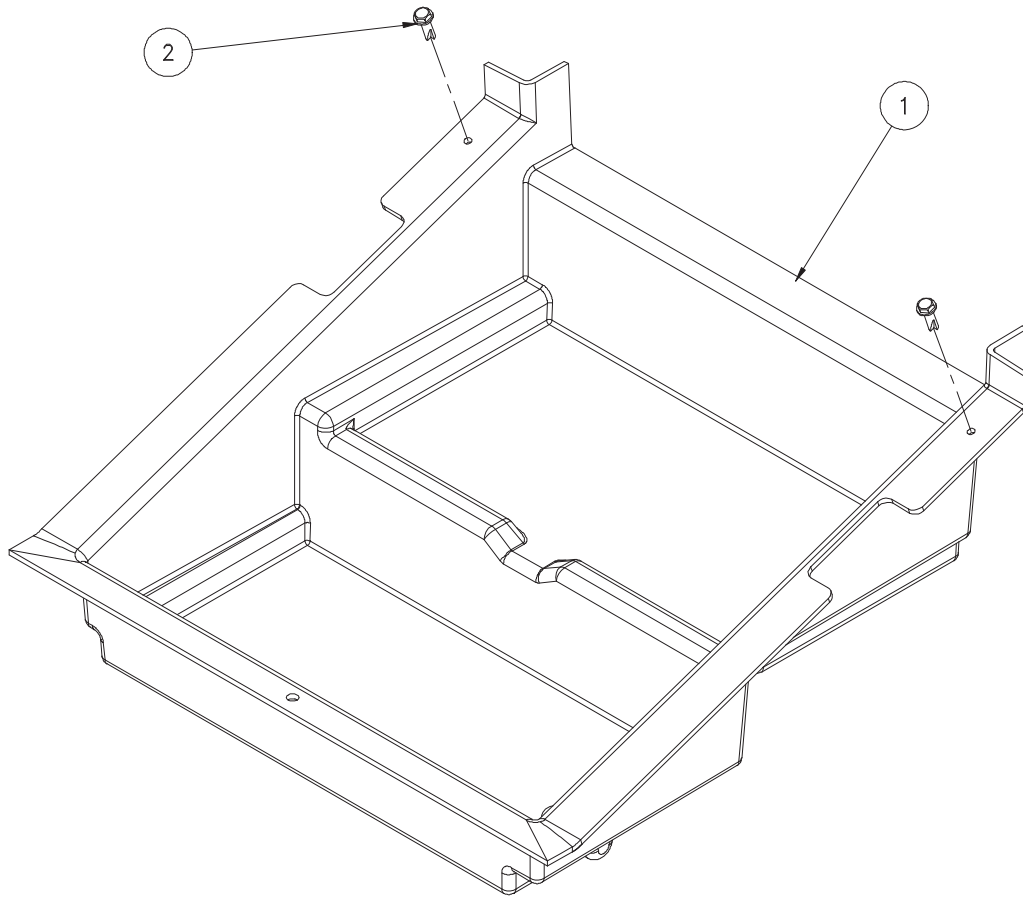
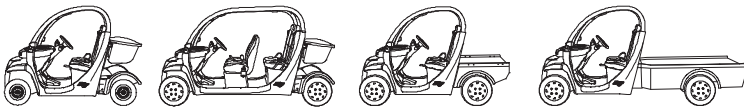


**ASSY, FRONT AND REAR BATTERY HOLD-DOWNS FOR VIN 027108 & PRIOR**

<u>ITEM</u>	<u>PART NO.</u>	<u>DESCRIPTION</u>	<u>QTY.</u>
1	0306-00497	HOLD DOWN, BATTERY - REAR CENTER	1
2	0306-00498	HOLD DOWN, BATTERY	2
3	0306-00499	HOLD DOWN, BATTERY	2
4	0510-00103	HOOK, J - THREADED 1/4-20 UNC	3
5	0510-00104	HOOK, "J" THREADED 1/4-20UNC	1
6	0510-00117	HOOK, J - THREADED 1/4-20UNC	2
7	0521-00050	NUT, HEX - NYLOCK - 1/4-20 UNC GR5 ZINC PLATED	9
8	0524-00003	WASHER, FLAT - 5/16 SAE	9
9	0610-00079	PLATE MOUNTING	1
10	0523-00122	SCREW, HEX 1/4 X 1.5	1

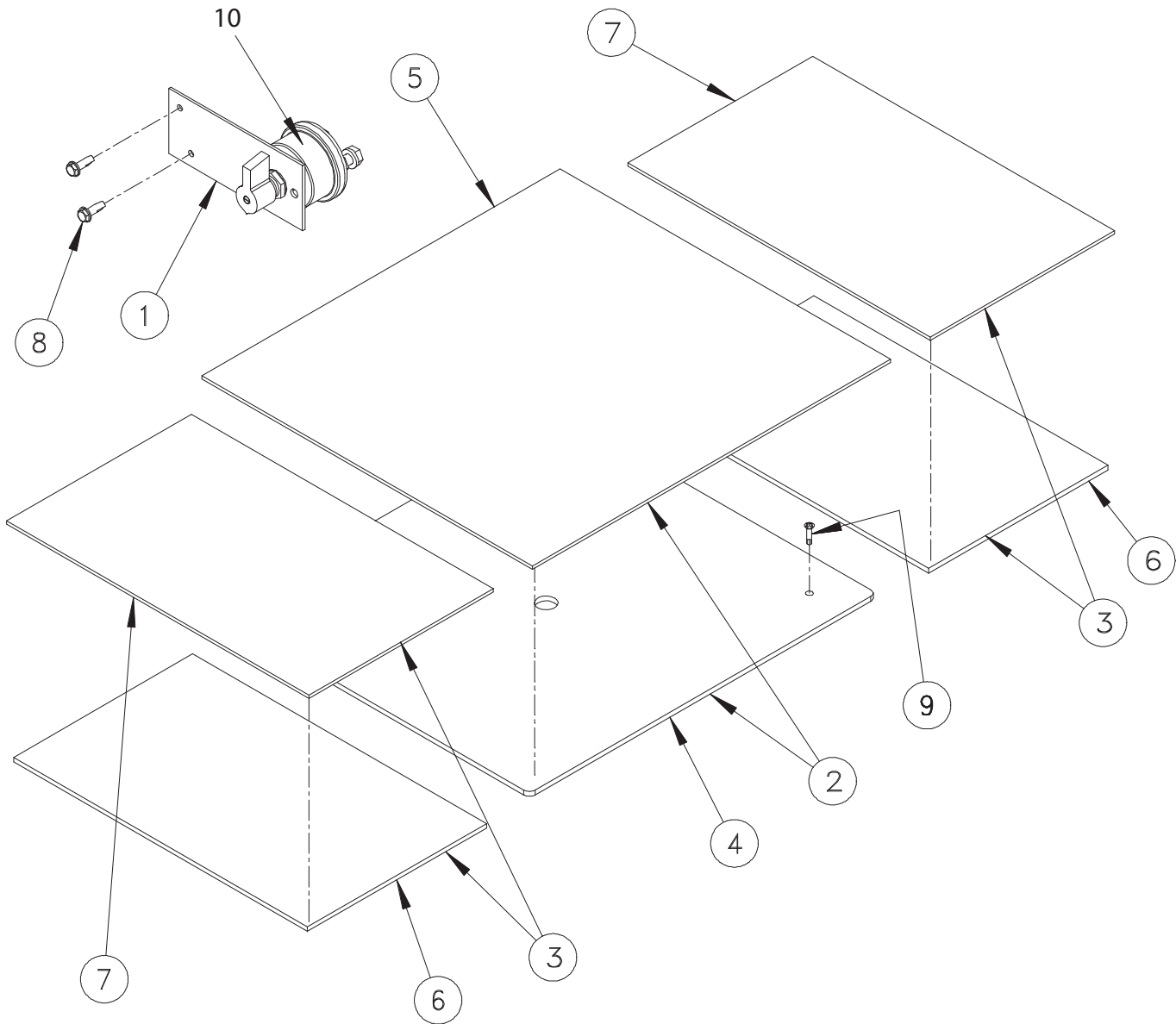
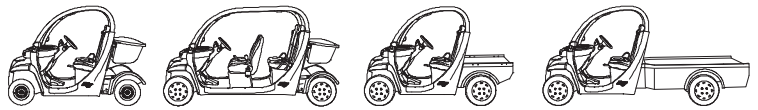
**ASSY, BATTERY HOLD DOWN RETRO FIT KIT- VIN 027108-034286 (NOT SHOWN)**

<u>ITEM</u>	<u>PART NO.</u>	<u>DESCRIPTION</u>	<u>QTY.</u>
1	0106-00225	ASSY, CABLE, BATTERY DISCONNECT TO B3+	1
2	0106-00226	ASSY, CABLE, BATTERY DISCONNECT TO B4-	1
3	0106-00228	ASSY, CABLE, BATTERY B2- TO B1+	1
4	0106-00229	ASSY, CABLE, BATTERY B6- TO B5+	1
5	0251-00239	WLD, BATTERY BRACKET, FRONT EV31	1
6	0306-01944	BRACKET, BATTERY HOLDDOWN EV31	2
7	0351-02223	BRACKET, BATTERY HLD DWN- FRNT EV31 PRE 05	1
8	0506-00481	KNOB, 3/8 - 16 3 PRONG	2
9	0510-00336	HOOK, J THREADED, 1/4-20 UNC x 4"	1
10	0510-00479	HOOK, J THREADED, 3/8- 16 UNC x 5"	2
11	0521-00050	NUT, HEX - NYLOCK 1/4 -20 UNC GR 5	1
12	0523-00032	SCR, .25-14 X .75 HFL	2
13	0524-00062	WASHER, FLAT	1
14	0524-00482	WASHER, LOCK	2



**ASSY, BATTERY TRAY**

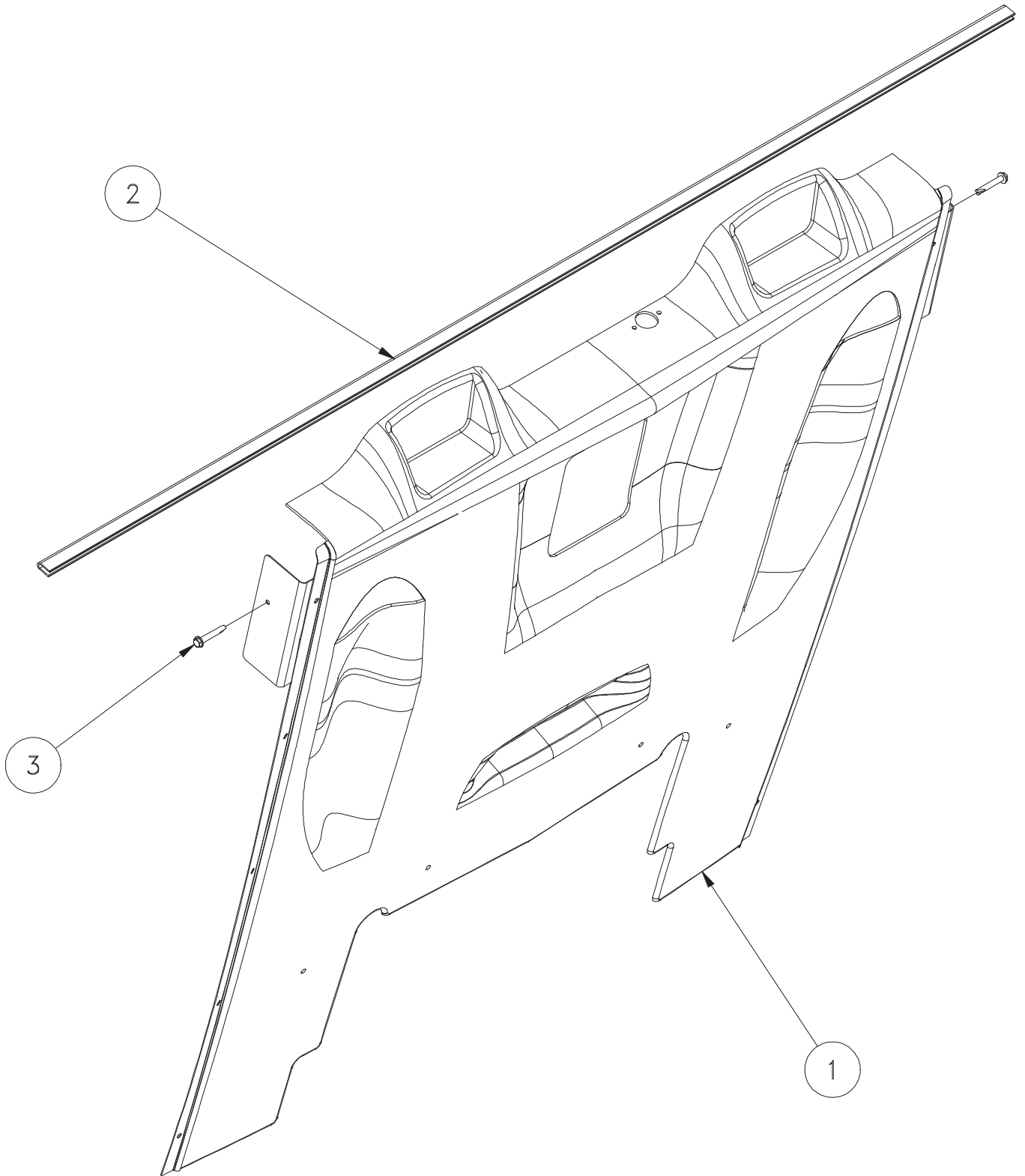
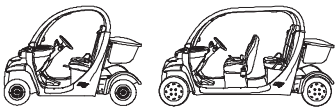
<u>ITEM</u>	<u>PART NO.</u>	<u>DESCRIPTION</u>	<u>QTY.</u>
1	0310-00308	TRAY, BATTERY - FRONT	1
2	0523-00032	SCREW, HEX - WHSD 1/4 X .75 ZN	2



**ASSY, BATTERY TRAY MATS - MASTER DISCONNECT SWITCH**

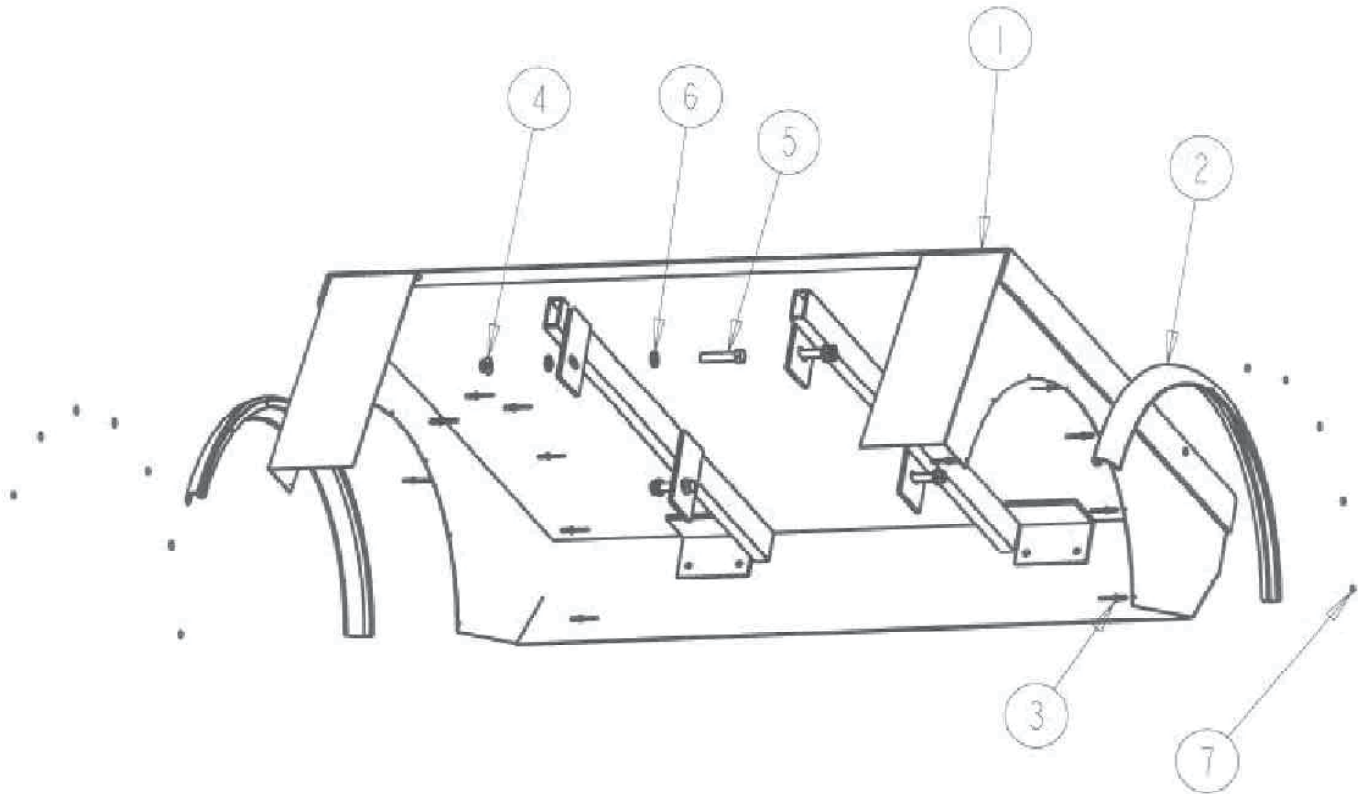
<u>ITEM</u>	<u>PART NO.</u>	<u>DESCRIPTION</u>	<u>QTY.</u>
1	0306-00494	BRACKET, MASTER DISCONNECT	1
2*	N/A	ASSY, BATTERY TRAY - REAR MID	1
3*	N/A	ASSY, BATTERY TRAY - REAR RH	2
4	0310-00347	BASE, BATTERY TRAY - REAR MID	1
5	0310-00348	MAT, BATTERY TRAY - REAR MID	1
6	0310-00349	BASE, BATTERY TRAY - REAR SIDE	2
7	0310-00350	MAT, BATTERY TRAY - REAR SIDE	2
8	0523-00032	SCREW, HEX - WHSD 1/4 X .75 ZN	2
9	0523-00105	SCREW, SELF DRILL - #8-18 X 3/4	2
10	0606-00089	SWITCH, ROTARY -MASTER DISCONNECT	1

\*NOT AVAILABLE AS AN ASSEMBLY



**ASSY, BACK PANEL**

<u>ITEM</u>	<u>PART NO.</u>	<u>DESCRIPTION</u>	<u>QTY.</u>
1	0305-00406	PANEL, BACK 2P-4P	1
2	0417-00141	TRIM, BACK PANEL - 2 PASS WHITE VINYL - 59"	5 FT
3	0523-00122	SCREW, HEX - WHSD 1/4 X 1.5 ZINC PLATED	2

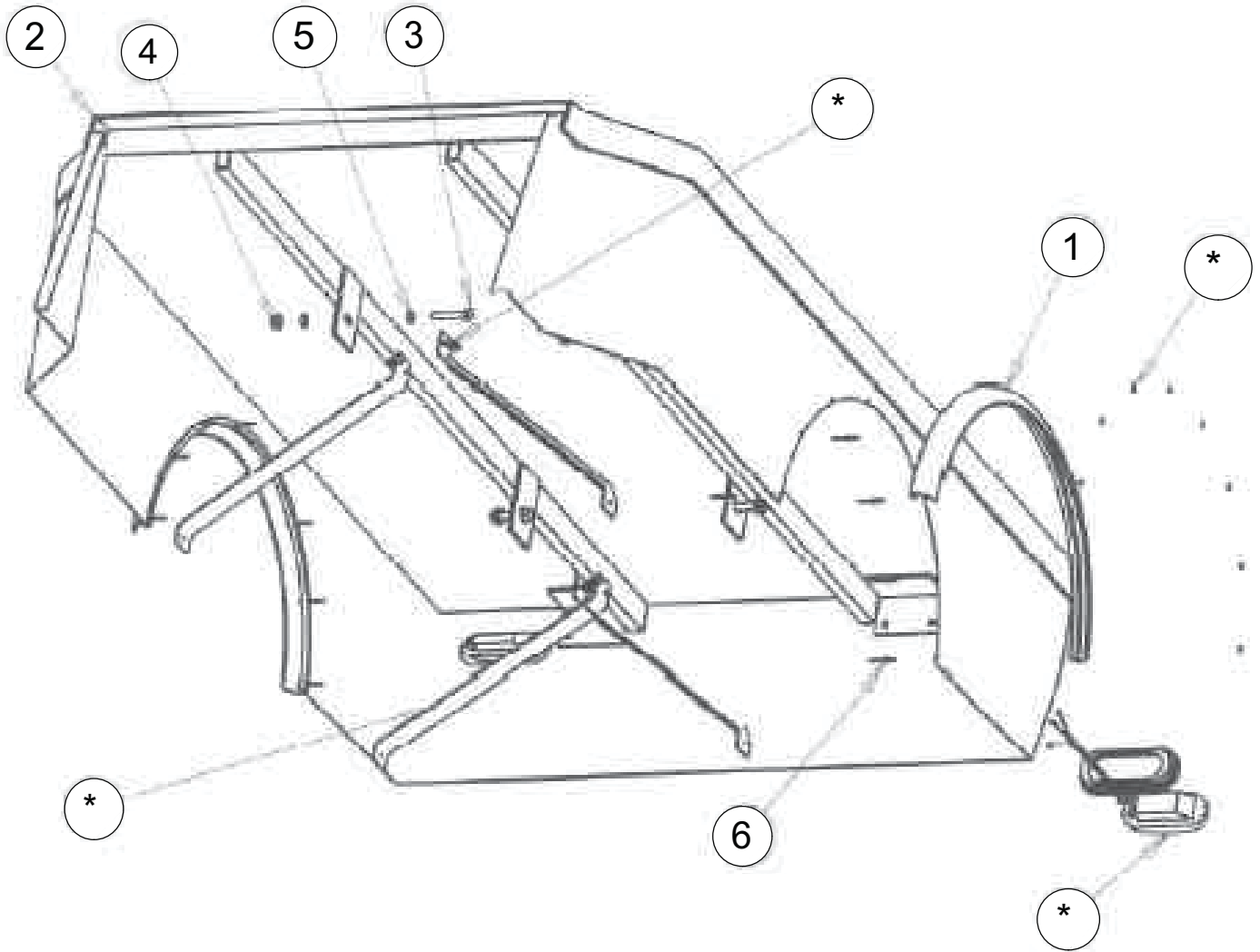


**ASSY, BED, SM UTILITY**

<u>ITEM</u>	<u>PART NO.</u>	<u>DESCRIPTION</u>	<u>QTY.</u>
*1	0205-00133	WLD, BED, SM UTILITY	1
2	0418-00223	TRIM, FENDER WELL, RUBBER	8
3	0520-00093	RIVET, POP, ALUM 3/16x.50 DOME HEAD	14
4	0521-00024	NUT, HEX FLANGE, TECH LOCK 1/2-13 UNC GR 6	4
5	0522-00059	BOLT, HEX 1/2-13 UNC x 2.50 GR 8	4
6	0524-00559	WASHER, FLAT -1/2	8
7	0524-00189	WASHER, FLAT -3/16 HIGH TOLERANCE	14

\* LIMITED AVAILABILITY

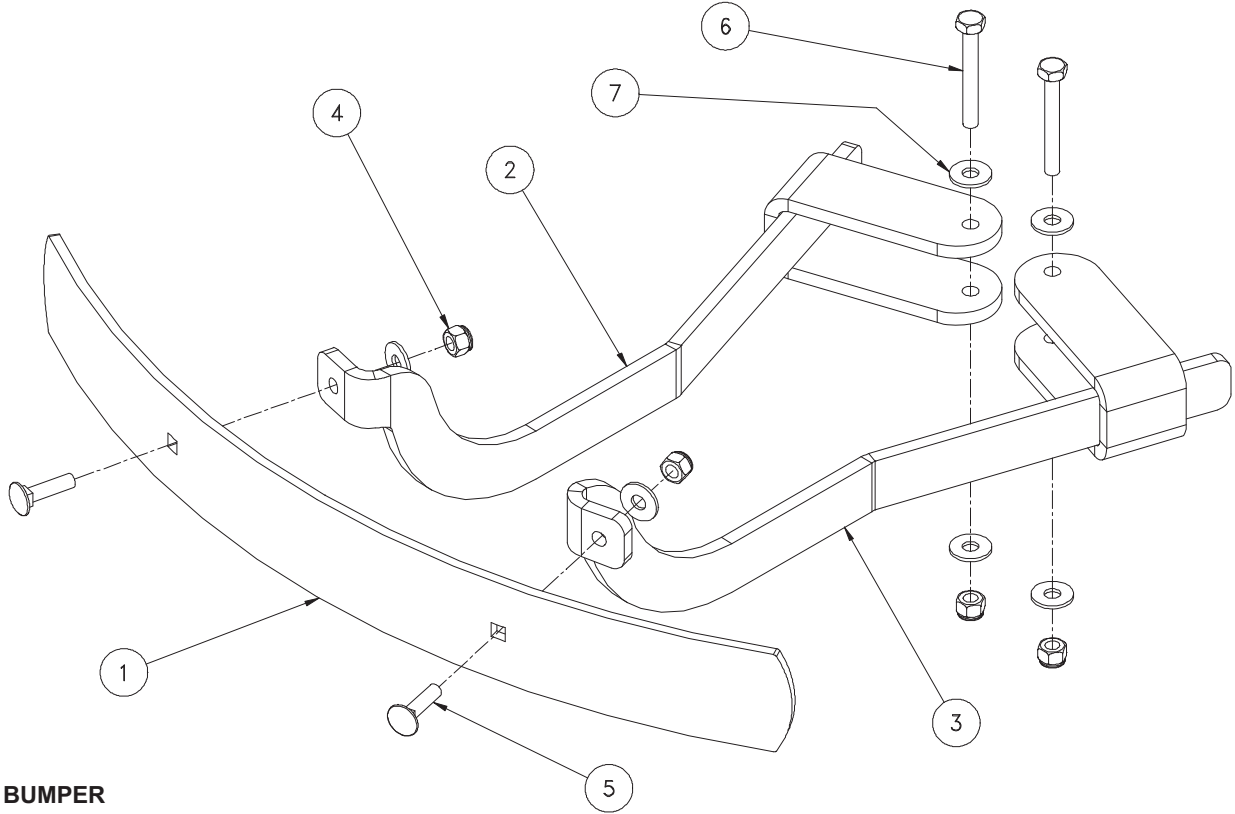
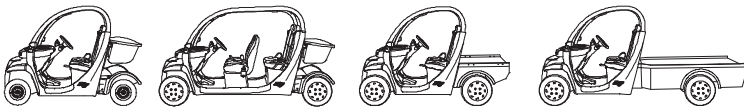




**ASSY, BED - LONG UTILITY**

ITEM	PART NO.	DESCRIPTION	QTY.
1	0418-00223	EXTENSION, FENDER FLARE, RUBBER	8 FT
2	0205-00134	ASSY, BED, LG UTILITY	1
3	0522-00059	BOLT, HEX 1/2 - 13 UNC x 2.5 LG GR 8 ZINC PLATED	4
4	0521-00024	NUT, HEX FLANGE 1/2 -13 UNC GR 6	4
5	0524-00115	WASHER FLAT, M 12 13MM ID x 24MM OD x 2.5MM THK	8
7	0520-00093	RIVET, POP 3/16 ALUM	14

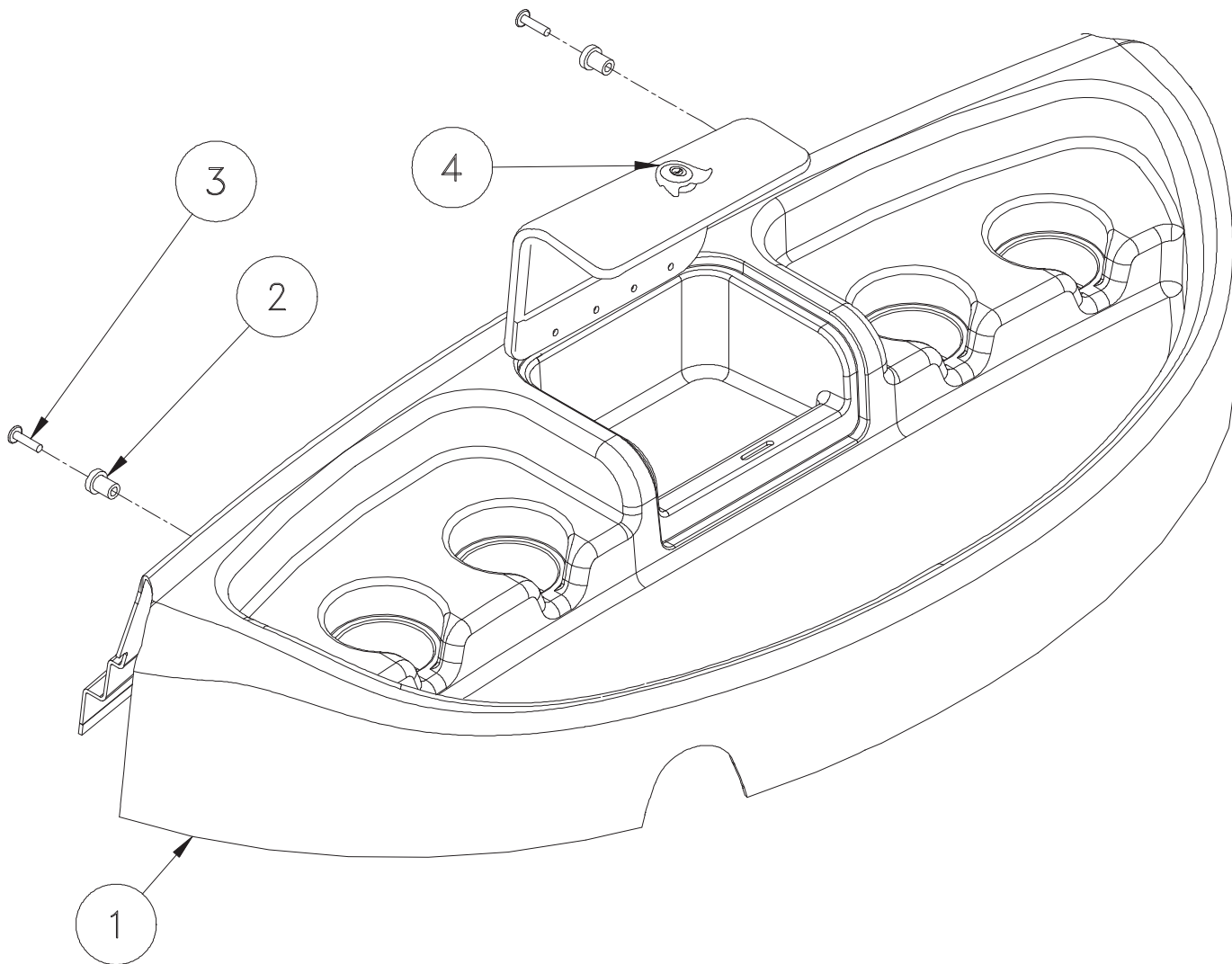
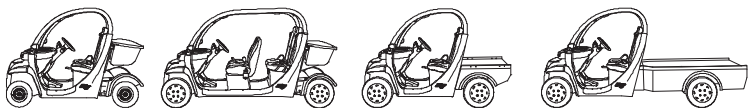
\* ITEMS SHOWN ON ALTERNATE DIAGRAM



**ASSY, BUMPER**

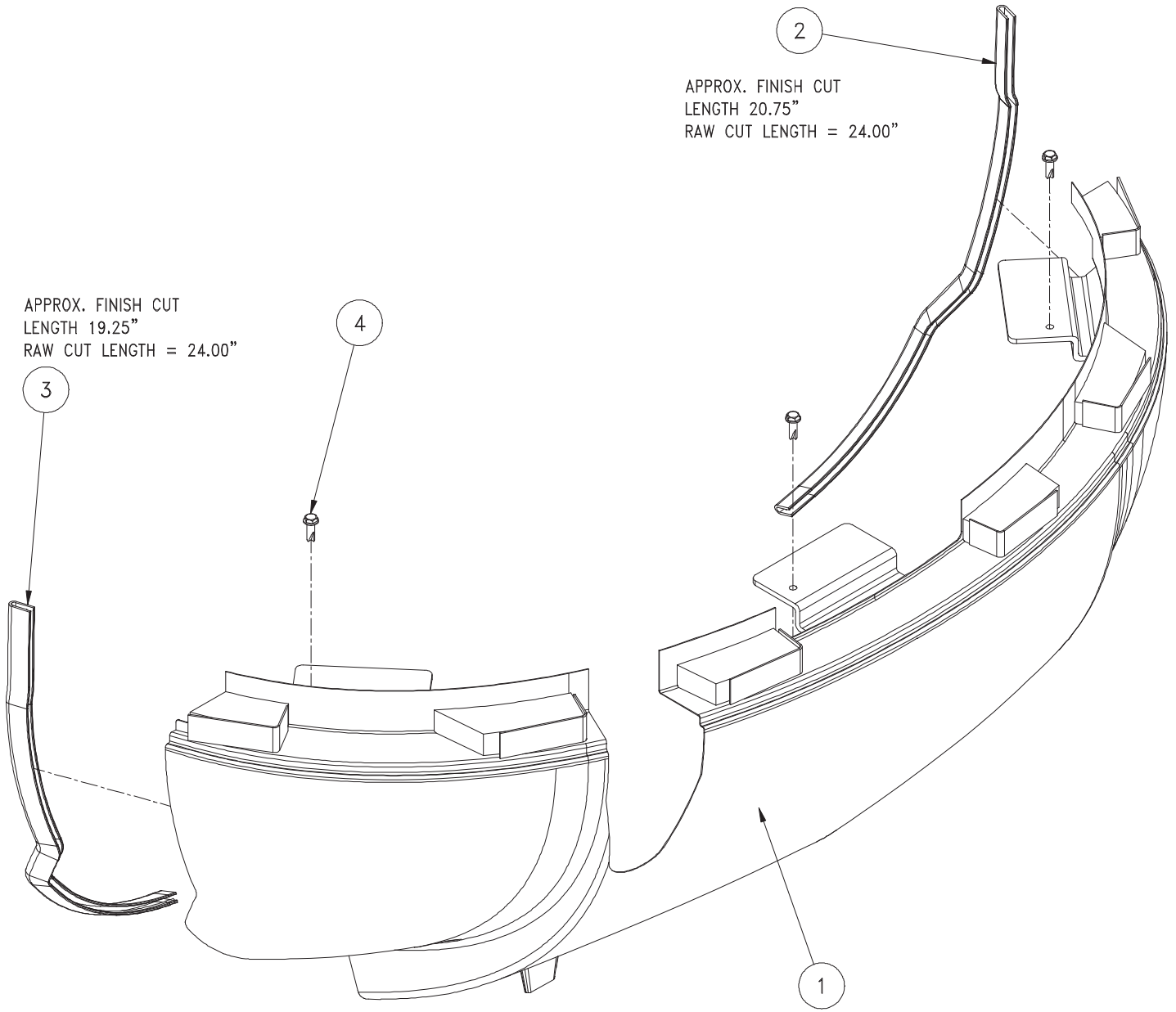
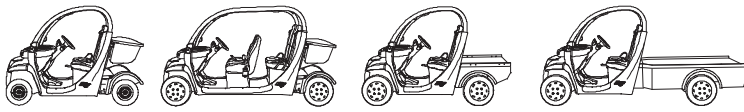
<u>ITEM</u>	<u>PART NO.</u>	<u>DESCRIPTION</u>	<u>QTY.</u>
1	0107-02349	ASSY, BUMPER W/CHROME (IMAGE VARIES FROM ACTUAL PART)	1
2	0205-00125	WLD, BUMPER MOUNT - RH	1
3	0205-00126	WLD, BUMPER MOUNT - LH	1
4	0521-00050	NUT, HEX - NYLOCK 1/4-20 UNC GR5 ZINC PLATED	2
5	0522-00333	BOLT, CARRIAGE - 1/4 - 20 UNC X 1.00 LG GR 5 CHROMED	2
6	0522-00207	BOLT, HEX HD 1/4-20 X 2.00 UNC GR 5 ZINC PLATED	2
7	0524-00062	WASHER, FLAT - 1/4 .282 ID X .715 OD X .063 THK ZINC PLATED	4
8*	0610-00589	PLUG, TUBING 2" BLK	2

\* NOT SHOWN



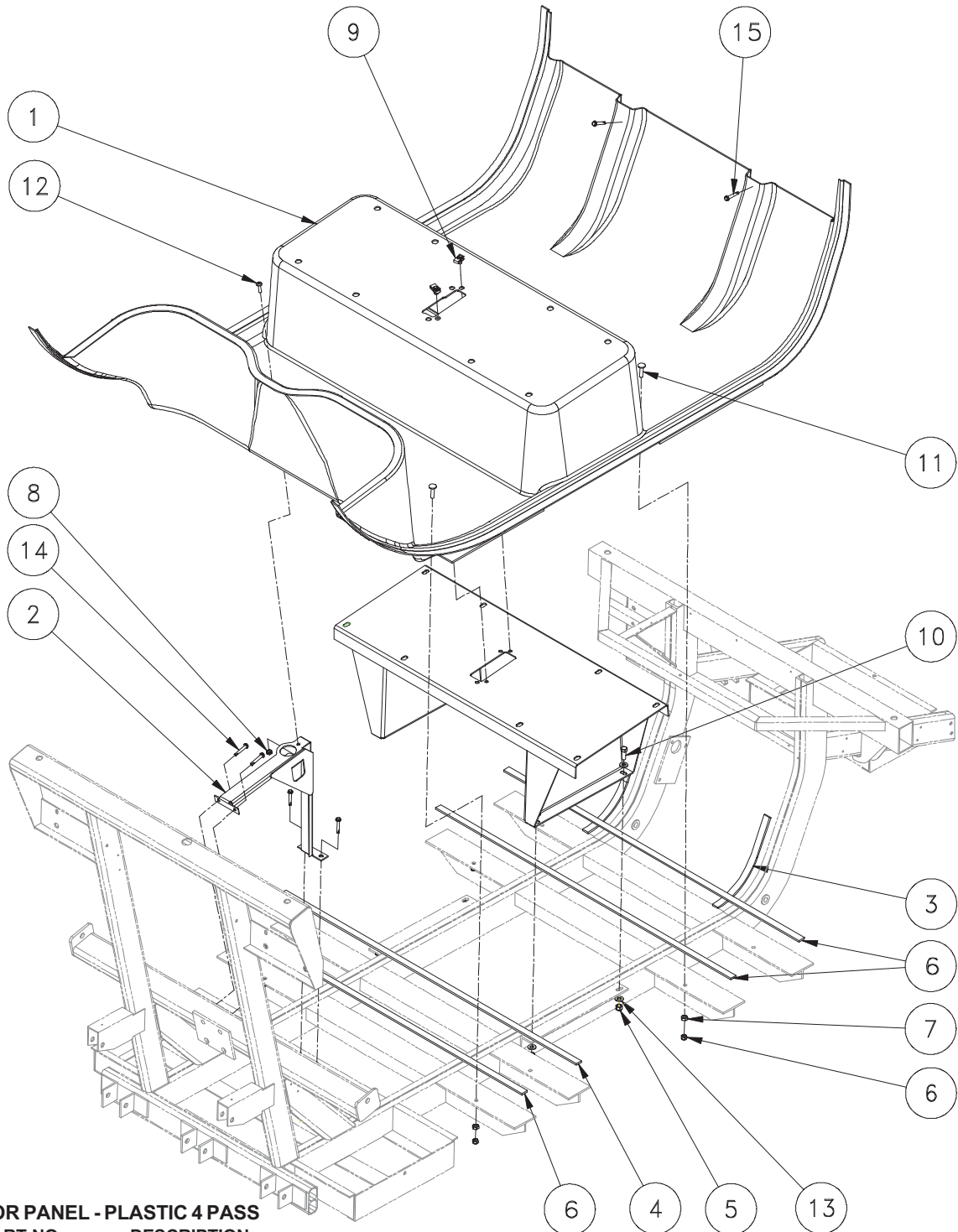
**ASSY, UPPER DASH**

<u>ITEM</u>	<u>PART NO.</u>	<u>DESCRIPTION</u>	<u>QTY.</u>
1	0105-00070	ASSY, DASH - UPPER	1
2	0521-00092	NUT, WELL - 1/4 - 20 UNC - 5/8"	2
3	0523-00280	SCREW, MACH - TRS HD PHL 1/4-20 UNC X 1	2
4	0610-00365	LOCK, GLOVE BOX	1



**ASSY, LOWER DASH LOWER W/TRIM**

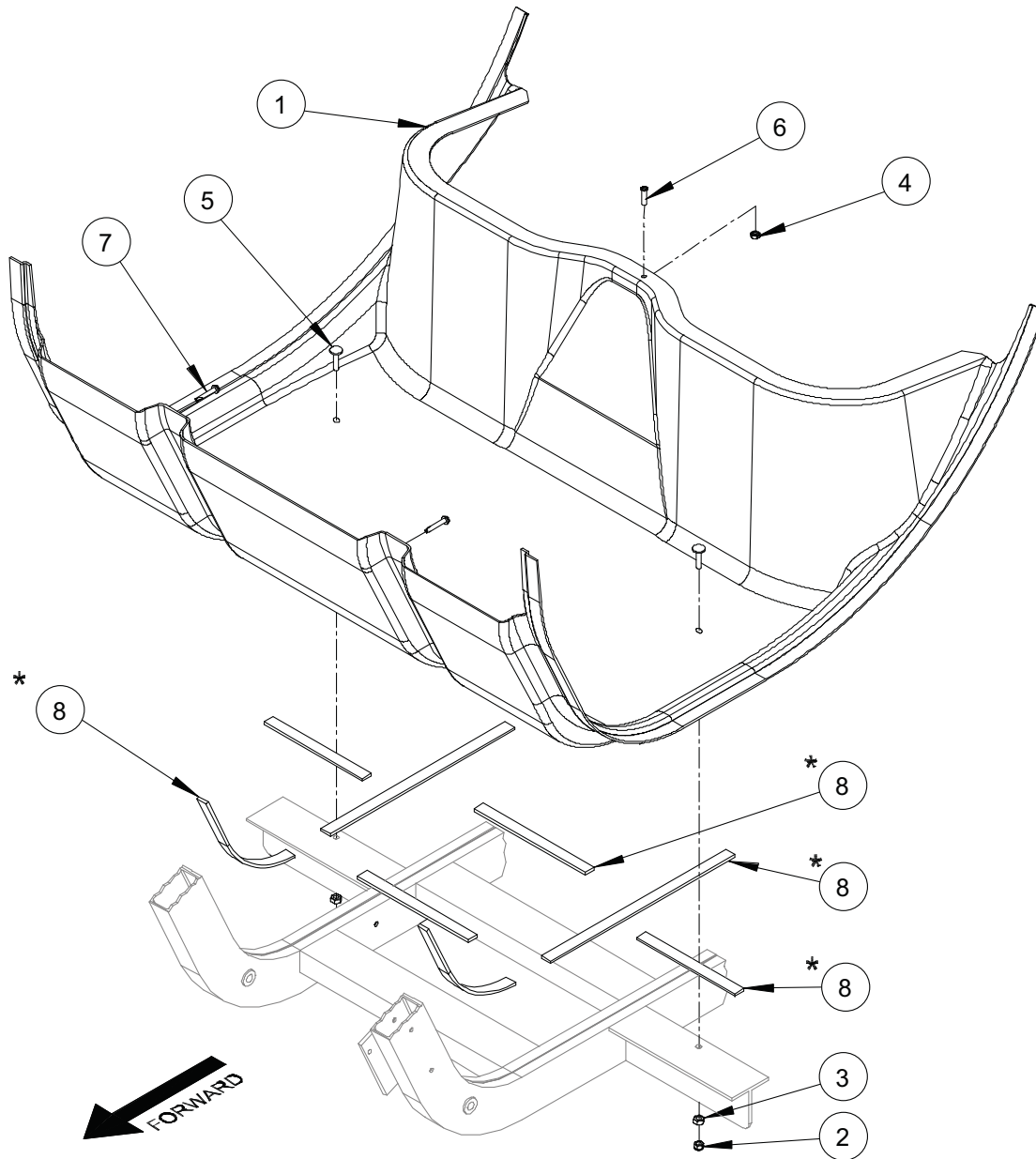
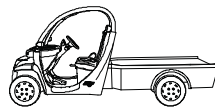
<u>ITEM</u>	<u>PART NO.</u>	<u>DESCRIPTION</u>	<u>QTY.</u>
1	0105-00529	ASSY, DASH - LOWER	1
2	0417-00089	TRIM, LOWER DASH - RH	2 FT
3	0417-00089	TRIM, LOWER DASH - LH	2 FT
4	0523-00032	SCREW, HEX - WHSD 1/4 X .75 ZN	3



**ASSY, FLOOR PANEL - PLASTIC 4 PASS**

ITEM	PART NO.	DESCRIPTION	QTY.
‡1	0105-03856	ASSY, PANEL - FLOOR, PLASTIC-4PASS-W/O C 4 PASS PLASTIC	1
2	0211-00117	WLDMT, BRACKET REAR SEAT HOLDDOWN	1
3	0417-00066	STRIP, VINYL - FOAM PVC VF-5100 SERIES .187 X .75 X 11	2
4	0417-00066	STRIP, VINYL - FOAM PVC VF-5100 SERIES .187 X .75 X 41	4
5	0521-00010	NUT, HEX - NYLOCK 3/8-16 UNC GR5 ZN	4
6	0521-00017	NUT, HEX - NYLOCK 5/16-18 UNC GR5 ZN	4
7	0521-00031	NUT, HEX - 5/16-18 UNC GR 5 ZN ZINC PLATED	4
8	0521-00071	NUT, KEPS - 1/4 - 20 UNC ZINC PLATED GR 5 ZINC PLATED	1
9	0521-00225	NUT, EXTRUDED U-NUT 5/16 - 18 -	2
10	0522-00063	BOLT, HEX - HHCS 3/8-16 UNC x 1.0 LG GR 5 ZINC PLATED	4
11	0522-00121	BOLT, WELD - PROJECTION 5/16 - 18 UNC X 1.25 GR 5 BLK	4
12	0523-00280	SCREW, MACH TRUSS HEAD PHIL 1/4 - 20 UNC X 1.0 LG SST	1
13	0524-00009	WASHER, FLAT - 3/8 SAE .406 ID X .8125 OD X .080 THK ZN	8
14	0523-00122	SCREW, HEX - WHSD 1/4 X 1.5 ZINC PLATED	6

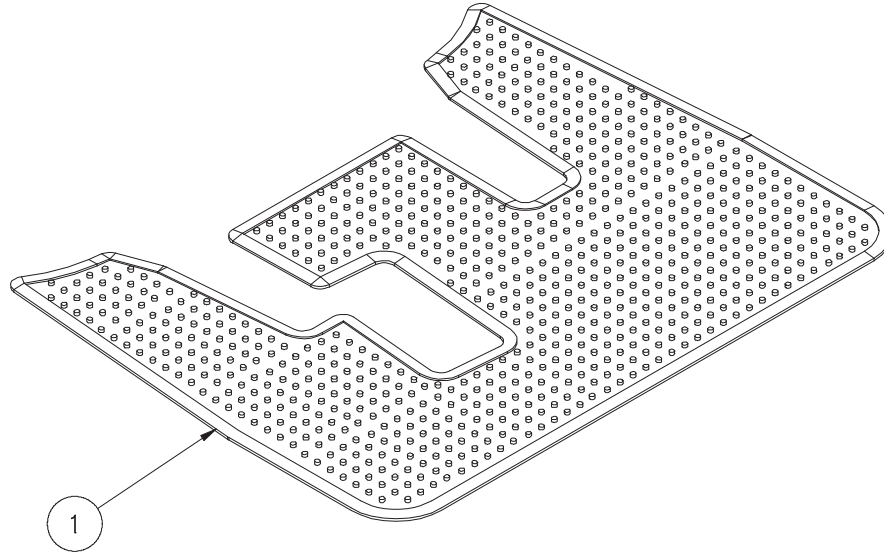
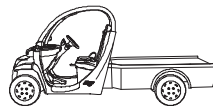
‡ The floor panel is available only without the hole for the outlet plug. Drill to  $\phi 1.875$  for outlet plug



**ASSY, FLOOR PANEL - 2 PASSENGER**

ITEM	PART NO.	DESCRIPTION	QTY.
1	0105-03855	ASSY, FLOOR PANEL - 2 PASS	1
2	0521-00017	NUT, HEX - NYLOCK 5/16-18 UNC GR5 ZN	2
3	0521-00031	NUT, HEX - 5/16-18 UNC GR 5 ZN	2
4	0521-00071	NUT, KEPS - 1/4 - 20 UNC ZINC PLATED GR 5 ZINC PLATED	1
5	0522-00121	BOLT, WELD - PROJECTION 5/16 - 18 UNC X 1.25 GR 5 BLK	2
6	0522-00333	BOLT, TORX - TRUSS HD - 1/4 - 20 X 1 - 18-8 S.S.	1
7	0523-00122	SCREW, HEX - WASHERHEAD SELF DRILL 1/4	2
*8	0417-00066	FOAM, VINYL - PVC VF-5100 SERIES 0.187 X 0.750 X 30 FT ROLL	1

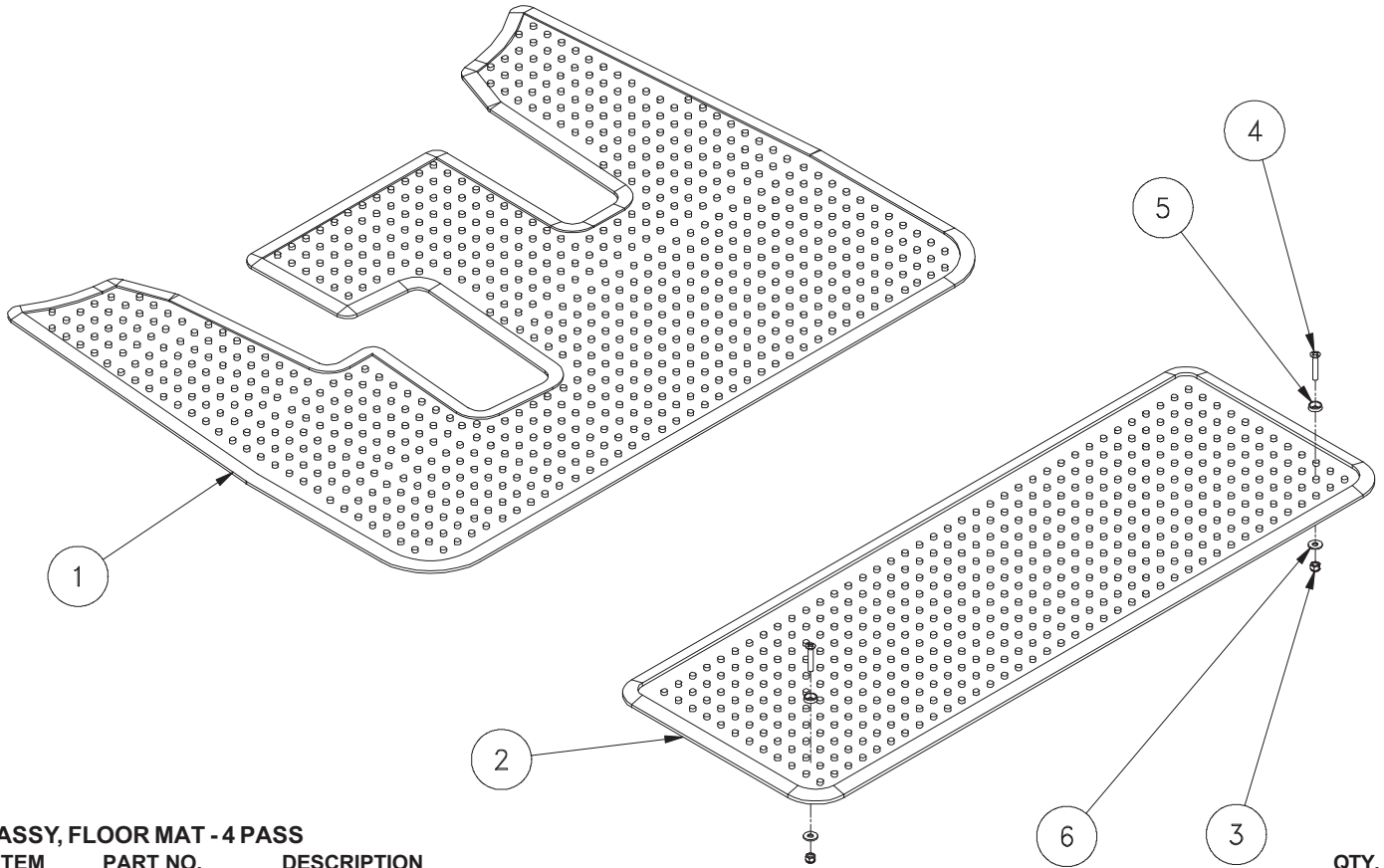
\* SOLD AS ENTIRE ROLL ONLY. P/N 0414-00066 FOAM, VINYL - PVC VF-5100 SERIES 0.187 X 0.750 X 30 FT ROLL



**ASSY, FLOOR MAT - 2 PASS**

<u>ITEM</u>	<u>PART NO.</u>	<u>DESCRIPTION</u>
1	0318-00229	MAT, FLOOR - FRONT

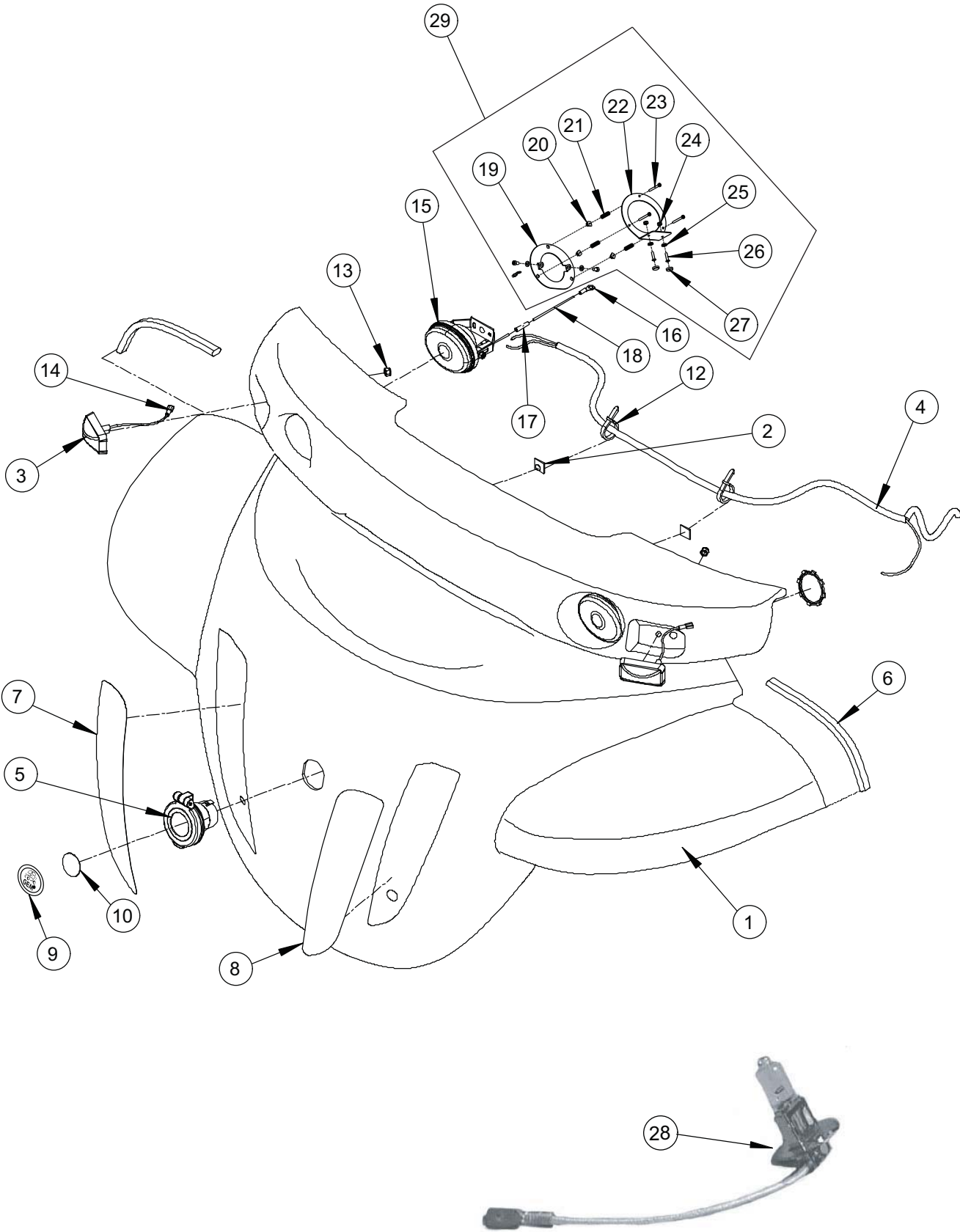
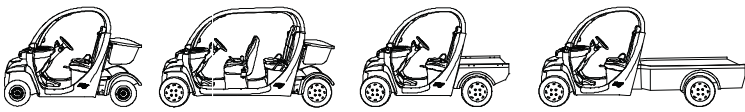
<u>QTY.</u>
1



**ASSY, FLOOR MAT - 4 PASS**

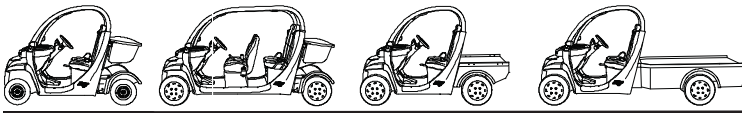
<u>ITEM</u>	<u>PART NO.</u>	<u>DESCRIPTION</u>
1	0318-00229	MAT, FLOOR - FRONT
2	0318-00230	MAT, FLOOR - REAR
3	0521-00050	NUT, HEX - NYLOCK 1/4-20 UNC GR5 ZN
4	0523-00052	SCREW, MACH - OVAL PHIL 1/4 - 20 UNC X 1.5 LG ZINC PLATED
5	0524-00054	WASHER, COUNTER SINK 1/4 INCH
6	0524-00062	WASHER, FLAT - 1/4 .282 ID X .715 OD X .063 THK ZN

<u>QTY.</u>
1
1
2
2
2
2



ASSY, HOOD COMPLETE- SEE NEXT PAGE FOR PARTS LISTING

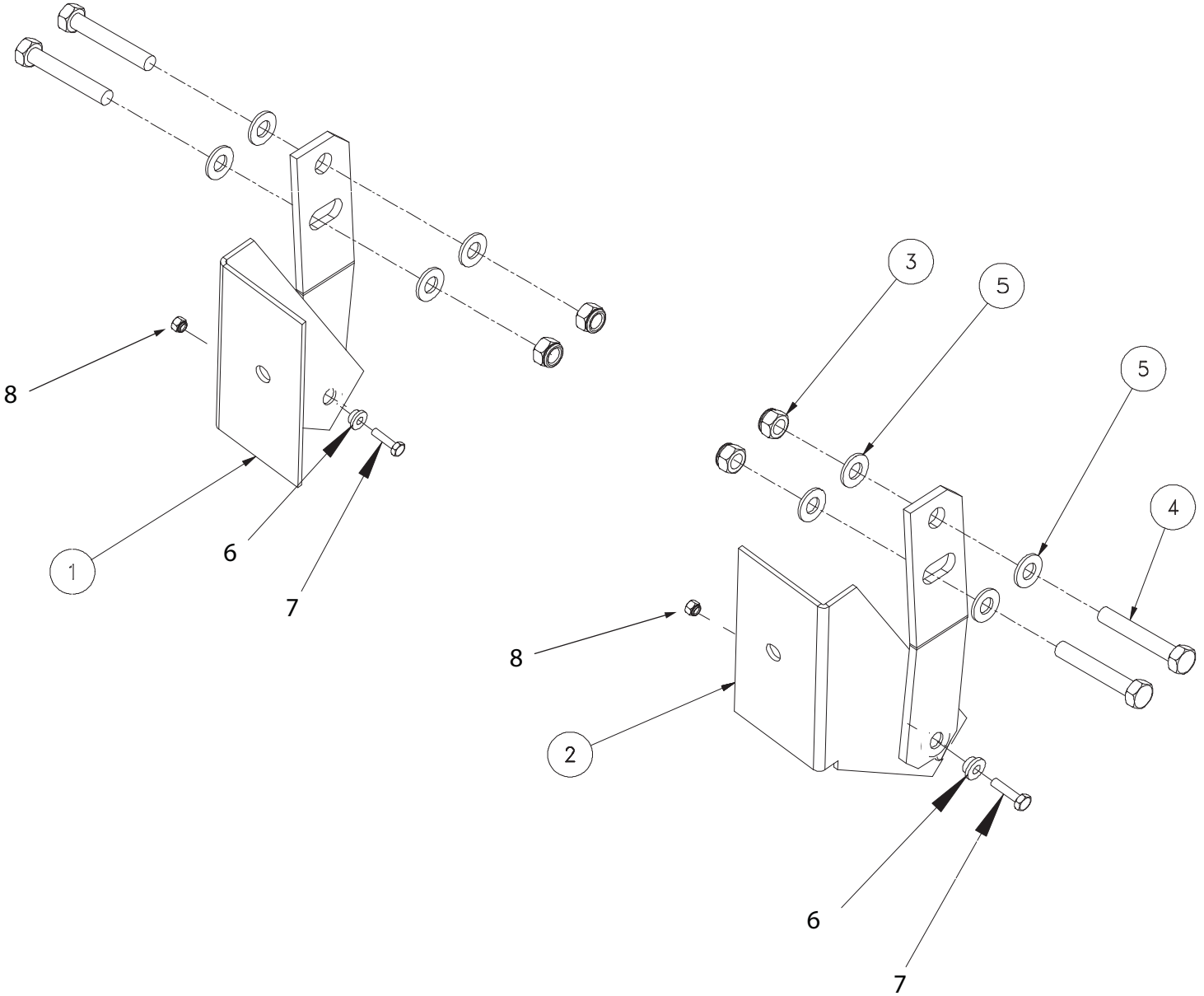
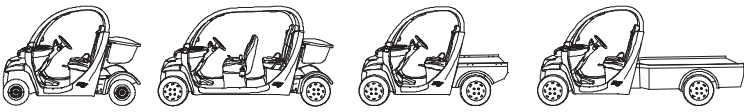




**ASSY, HOOD COMPLETE**

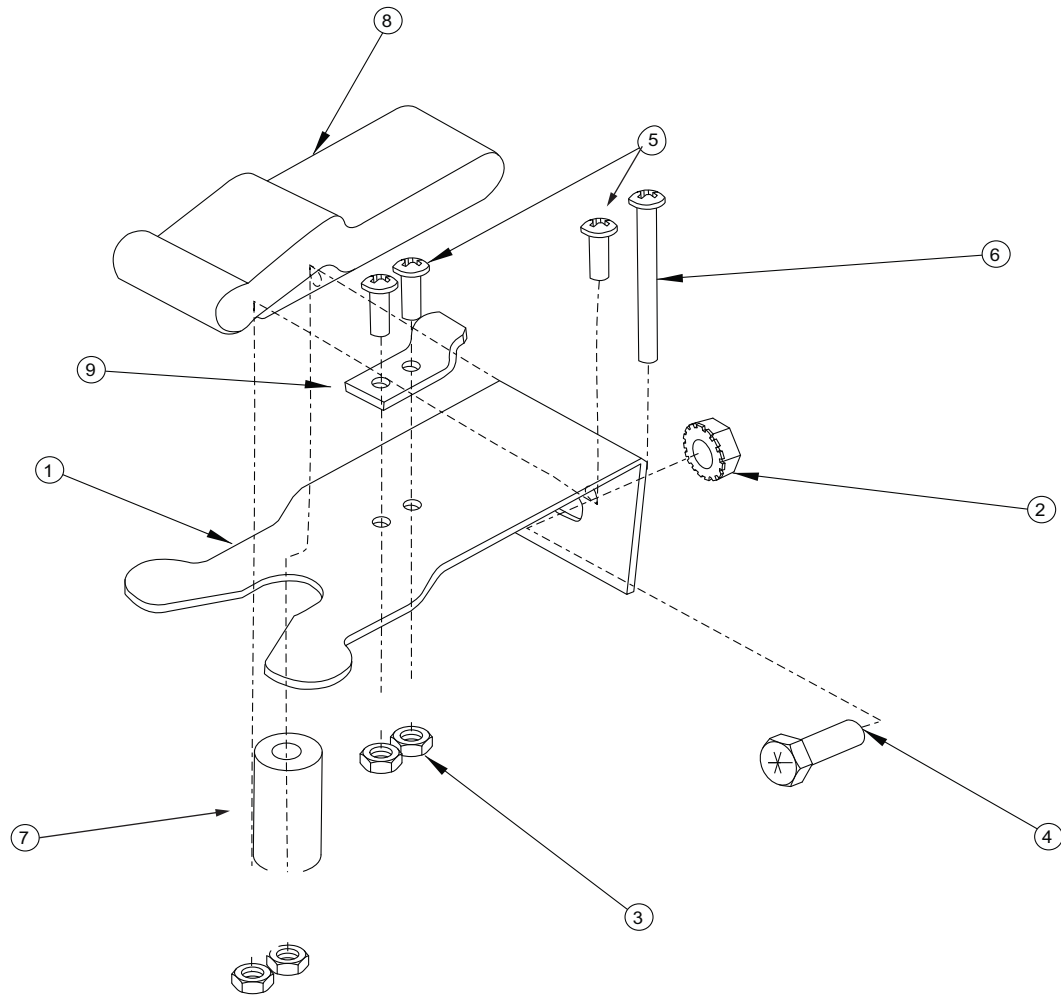
<b>ITEM</b>	<b>PART NO.</b>	<b>DESCRIPTION</b>	<b>QTY.</b>
1	0305-03201	ASSY, HOOD, RED-CMP WITH INLET CUTOUT	1
1	0305-03207	ASSY, HOOD, YELLOW-CMP WITH INLET CUTOUT	1
1	0305-03203	ASSY, HOOD, BLUE-CMP WITH INLET CUTOUT	1
1	0305-03204	ASSY, HOOD, GREEN-CMP WITH INLET CUTOUT	1
1	0305-03202	ASSY, HOOD, WHITE-CMP WITH INLET CUTOUT	1
1	0305-03205	ASSY, HOOD, SILVER-CMP WITH INLET CUTOUT	1
2	0610-00099	3/4 SQUARE CRADLE MOUNT NYL	2
3	0106-00184	ASSY, LIGHT BLINKER - AMBER	2
4	-	REFER TO SECTION 7 ELECTRICAL	1
5	0110-00832	ASSY, EXTERIOR CHARGING INLET HOUSING	1
6	0417-00089	TRIM, HOOD BLACK	2
7	0350-00538	REFER TO SECTION 10 - DECALS	1
8	0350-00546	REFER TO SECTION 10 - DECALS	1
9	0350-02145	REFER TO SECTION 10 - DECALS	1
10	0350-01134	DECAL, EXTERIOR CHARGING INLET - FILLER	1
12	0510-00137	TIE, CABLE W/#10 MOUNT HOLE 9" BLACK	2
13	0521-00050	NUT, HEX - NYLOCK 1/4-20 UNC GR5 ZN	2
14	0606-00108	TERMINAL, SPADE - FEMALE INSULATED 1/4 16 - 14 GA WIRE	2
15	0106-00164	ASSY, HEADLIGHT STD SINGLE BEAM	2
16	0606-00095	TERMINAL, RING 22-18 - 1/4 - RED	2
17	0606-00096	CONNECTOR, BUTT SPLICE - 18-22 GA. - PINK	2
18	N/A	WIRE, GROUND - HEAD LIGHT	2
19	0351-02194	BRACKET, HEADLAMP - LAMP	1
20	0521-00491	NUT, LICENSE PLATE - #8 SCREW SIZE, NYLON	3
21	0610-00956	SPRING, COMPRESSION - .17" ID X 1.00", SS	3
22	0351-02195	BRACKET, HEADLAMP HOOD	1
23	0523-00674	SCREW, #8 X 1.5 PAN, PH-AB, SS	3
24	0521-00188	NUT, HEX - NYLOCK 10 - 24 GR5	2
25	0610-00674	BASE, SCREW COVER - #10 PAN POP-ON	2
26	0523-00505	SCREW, MACH PAN HEAD PHIL 10 - 24 X 0.75 ZN	2
27	0606-00096	CONNECTOR, BUTT - INSULATED 22-18	2
28	0610-00092	BULB, HEAD LIGHT H3 (STANDARD ROUND HEADLAMP)	1
29	1207-00055	KIT, HEADLIGHT BRACKET - ADJUSTABLE RETROFIT	1

*\*HI/LOW HEADLAMP HOOD NOT SHOWN*



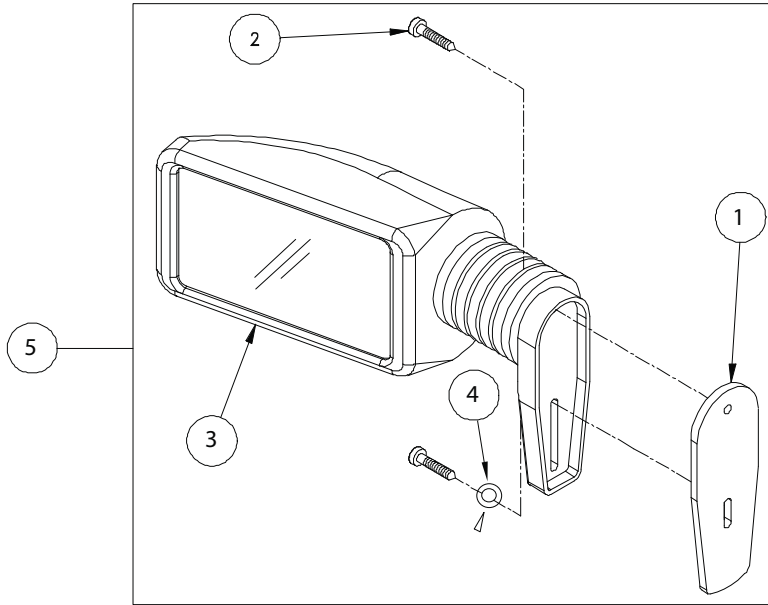
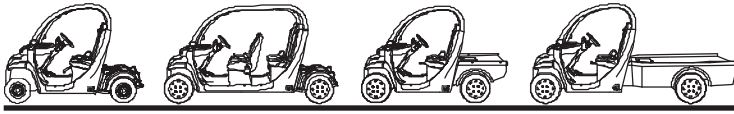
**ASSY, HOOD HINGE**

<u>ITEM</u>	<u>PART NO.</u>	<u>DESCRIPTION</u>	<u>QTY.</u>
1	0105-00592	ASSY, HOOD HINGE RH (ALSO INCLUDES 6-8)	1
2	0105-00593	ASSY, HOOD HINGE LH (ALSO INCLUDES 6-8)	1
3	0521-00017	NUT, HEX - NYLOCK 5/16-18 UNC GR5 ZN	4
4	0522-00051	BOLT, HEX - HHCS 5/16 - 18 UNC X 2.0 GR 5 ZINC PLATED	4
5	0524-00003	WASHER, FLAT - 5/16 SAE .344 ID X .688 OD X .065 THK ZN	8
6	0524-00083	WASHER, SHOULDER	2
7	0522-00056	BOLT HEX 1/4 -20 UNC X 1.0 GR 8	2
8	0521-00050	NUT, HEX NYLOCK	2



**ASSY, HOOD LATCH**

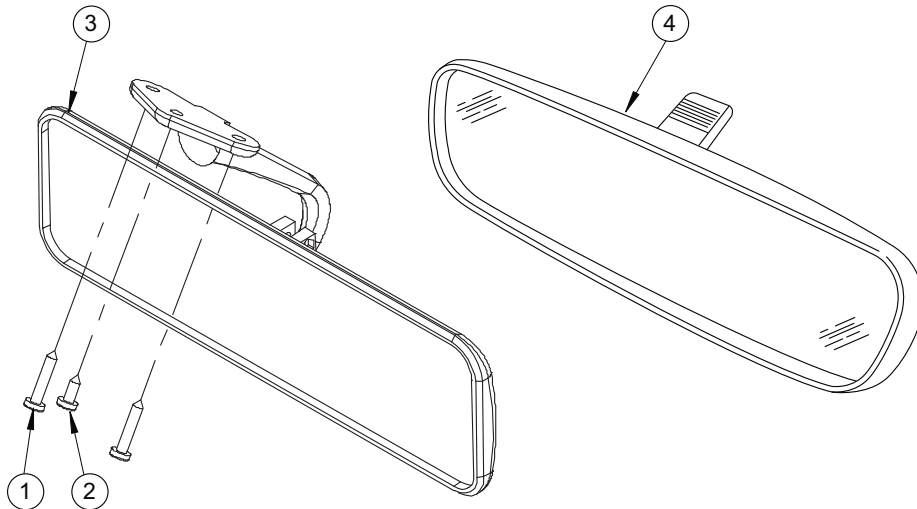
ITEM	PART NO.	DESCRIPTION	QTY.
1	0305-01542	BRACKET, HOOD LATCH	1
2	0521-00071	NUT, KEPS - 1/4 - 20 UNC ZINC PLATED	1
3	0521-00667	NUT, HEX - #8 - 32 ZINC PLATED	4
4	0522-00333	BOLT, TORX -	1
5	0523-00670	SCREW, MACH -	3
6	0523-00671	SCREW, MACH -	1
7	0528-00231	BUSHING	1
8	0605-00246	LATCH	1
9	0605-00247	LATCH HOOK	1



**ASSY, MIRROR - SIDE (STANDARD COMPONENT FOR EUROPEAN HOMOLOGATED VEHICLE)**

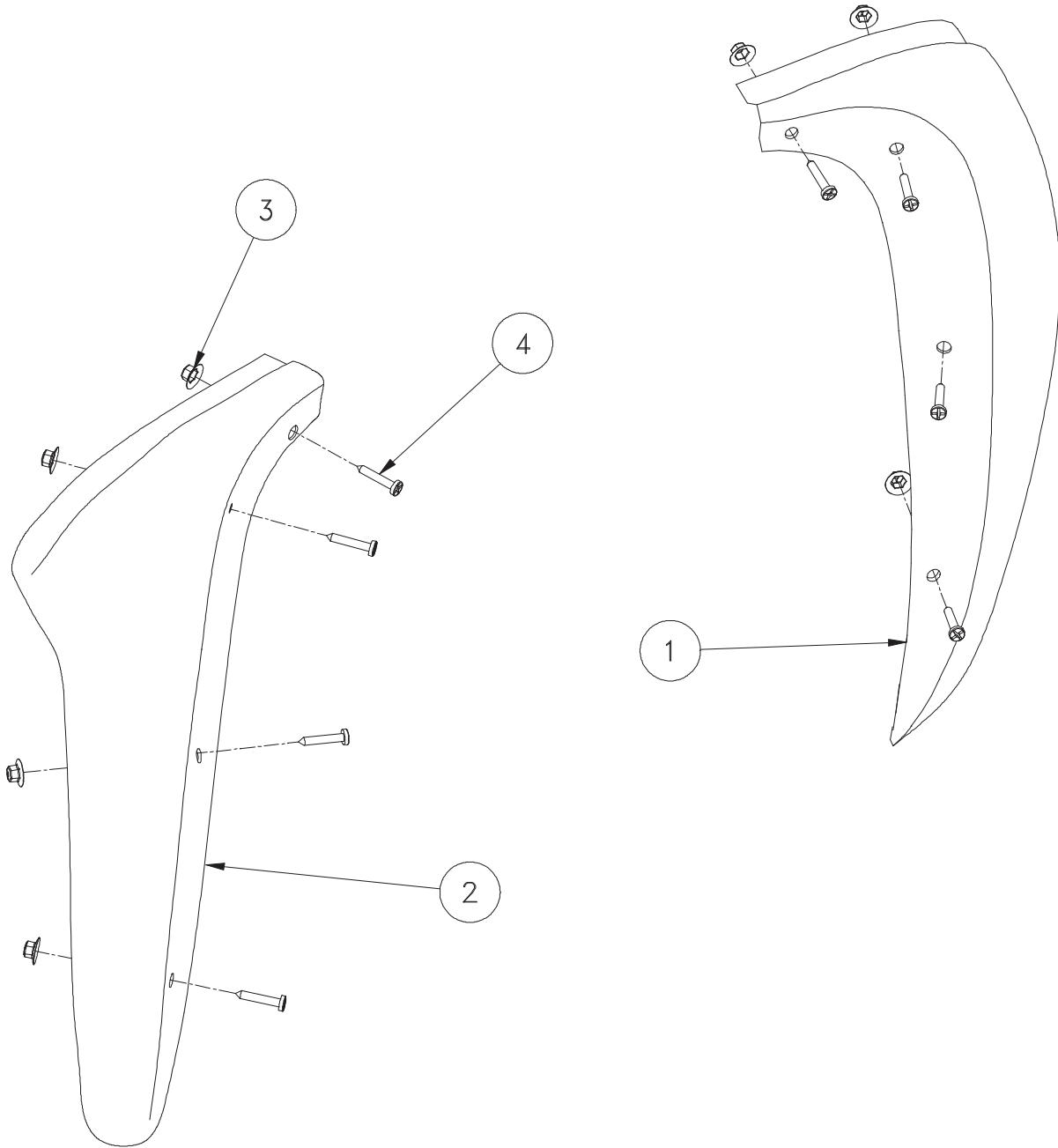
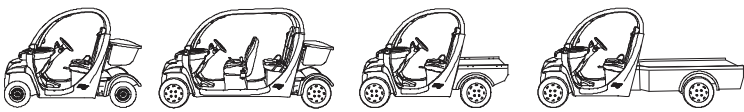
ITEM	PART NO.	DESCRIPTION	QTY.
1	0310-00856	GASKET, SIDE MIRROR	1
2	0523-00208	SCREW, PHIL PAN HEAD- #10 X 1.0 LG STL 18-8 SELF THREADING	2
3	0610-00243	MIRROR, SIDE (INTERCHANGEABLE FROM LEFT TO RIGHT)	1
4	0524-00159	WASHER, FLAT	1
5	0110-00588	ASSY, MIRROR - SIDE (Includes all of the items above)	1

NOTE: MIRROR ASSEMBLY IS USED FOR LEFT AND RIGHT SIDE

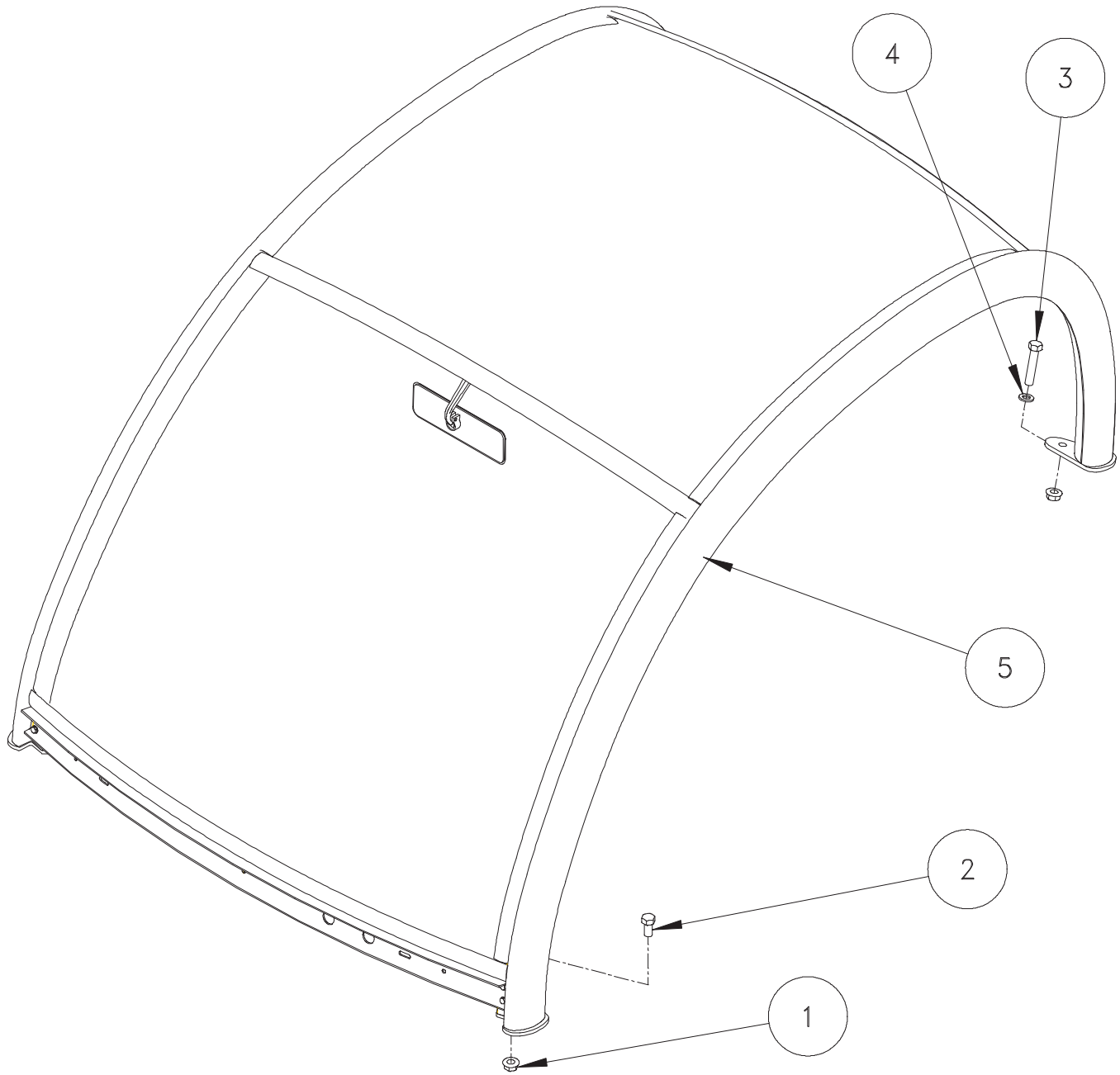
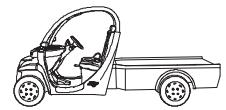


**ASSY, REARVIEW MIRROR**

ITEM	PART NO.	DESCRIPTION	QTY.
1	0523-00064	SCREW, PHIL PAN HEAD- #6 X 3/4 LG BLACK SELF THREADING	2
2	0523-00066	SCREW, PHIL PAN HEAD - #6 X 3/8 BLACK SELF THREADING	1
3	0610-00023	MIRROR, REARVIEW	1
4	0610-00341	MIRROR, REARVIEW -DAY/NIGHT	1

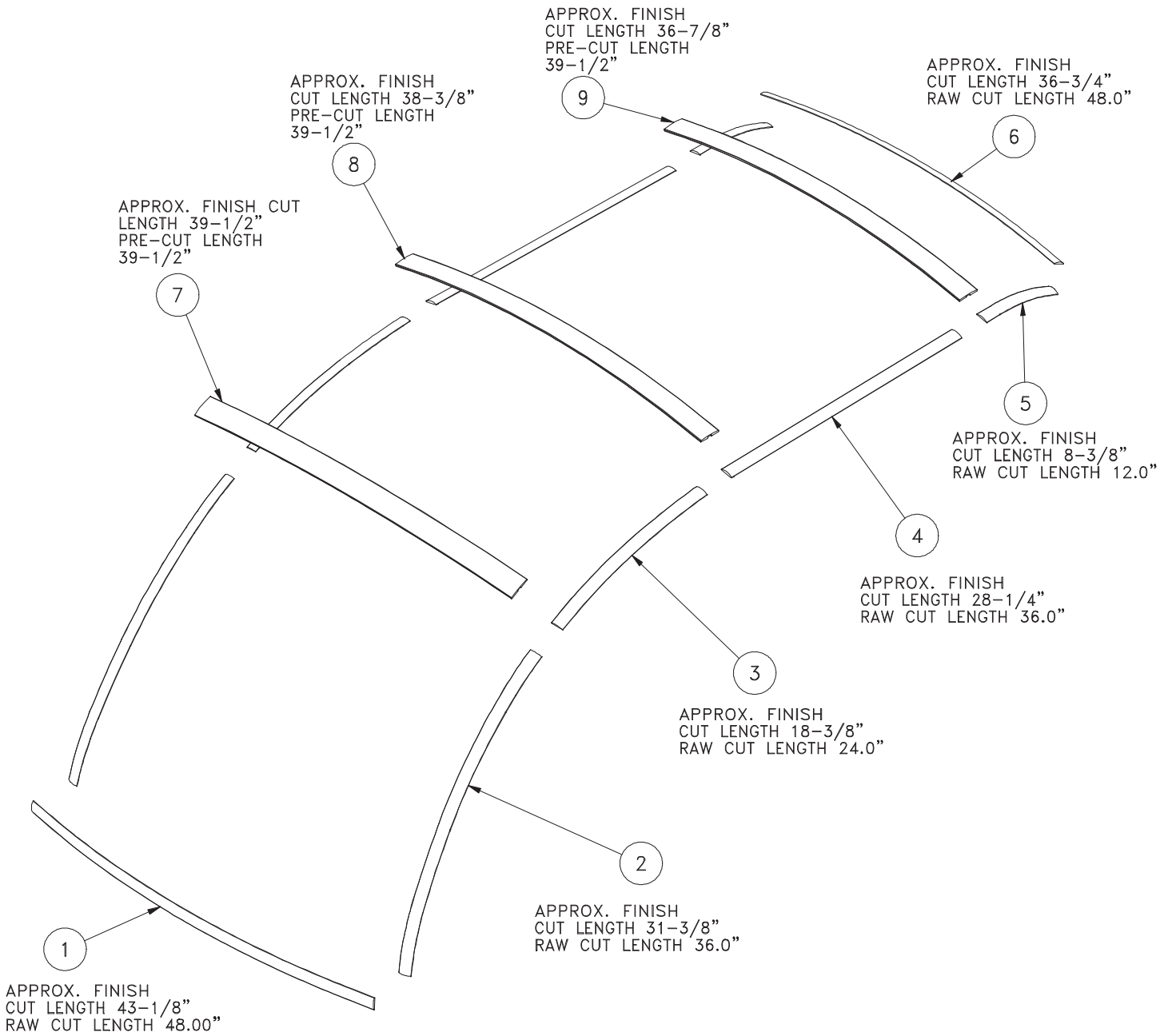


<u>ITEM</u>	<u>PART NO.</u>	<u>DESCRIPTION</u>	<u>QTY.</u>
1	0305-03190	GUARD, MUD, RED RH - COLOR MATCHED PLASTIC	1
2	0305-03179	GUARD, MUD, RED LH - COLOR MATCHED PLASTIC	1
1	0305-00783	GUARD, MUD, YELLOW RH - COLOR MATCHED PLASTIC	1
2	0305-00784	GUARD, MUD, YELLOW LH - COLOR MATCHED PLASTIC	1
1	0305-00785	GUARD, MUD, BLUE RH - COLOR MATCHED PLASTIC	1
2	0305-00786	GUARD, MUD, BLUE LH - COLOR MATCHED PLASTIC	1
1	0305-00787	GUARD, MUD, GREEN RH - COLOR MATCHED PLASTIC	1
2	0305-00788	GUARD, MUD, GREEN LH - COLOR MATCHED PLASTIC	1
1	0305-03191	GUARD, MUD, WHITE RH - COLOR MATCHED PLASTIC	1
2	0305-03180	GUARD, MUD, WHITE LH - COLOR MATCHED PLASTIC	1
1	0305-00791	GUARD, MUD, SILVER RH - COLOR MATCHED PLASTIC	1
2	0305-00792	GUARD, MUD, SILVER LH - COLOR MATCHED PLASTIC	1
3	0521-00319	NUT, WASHER LOCK #12 - MECH ZINC	8
4	0523-00162	SCREW, PHIL PAN HEAD-#12 X 1 1/4 LG SST 18-8 SELF THREADING	8



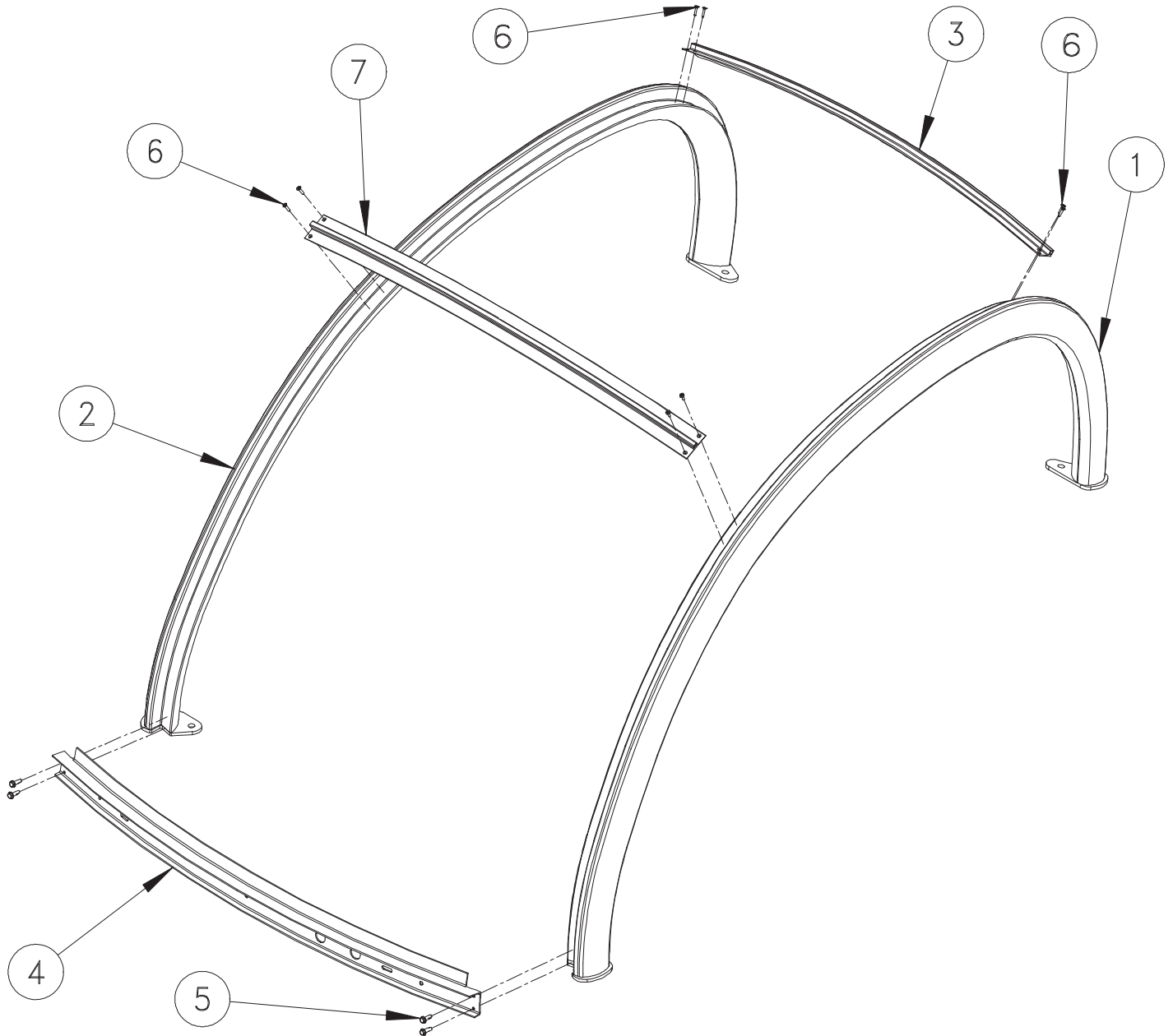
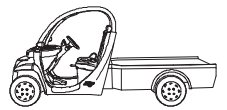
**ASSY, ROOF INSTALLATION**

<b>ITEM</b>	<b>PART NO.</b>	<b>DESCRIPTION</b>	<b>QTY.</b>
1	0521-00024	NUT, HEX FLANGE - TECK LOCK - 1/2 - 13 UNC GR 6	4
2	0522-00021	BOLT, HEX - HHCS - 1/2 - 13 UNC X 1.0 GR 8 ZN YL	2
3	0522-00059	BOLT, HEX - HHCS - 1/2 - 13 UNC X 2.5 LG GR 8	2
4	0524-00115	WASHER, FLAT - M12 13mm ID X 24mm OD X 2.5mm THK	2
5	-	ASSY, ROOF (SEE FOLLOWING PAGES)	1



**ASSY, ROOF TRIM - 4 PASS**

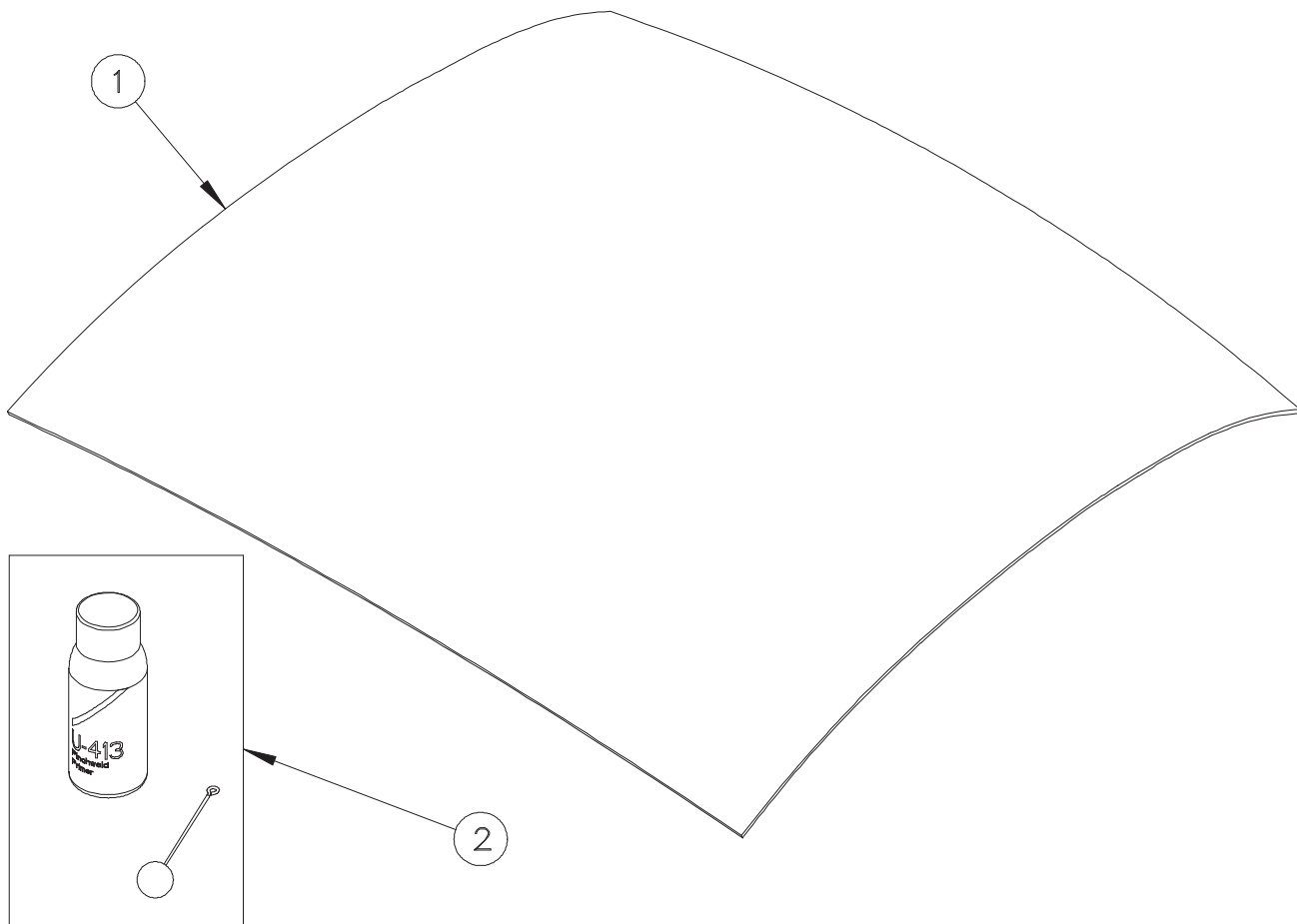
<u>ITEM</u>	<u>PART NO.</u>	<u>DESCRIPTION</u>	<u>QTY.</u>
1	0417-00067	STRIP, TRIM UPPER WINDSHIELD	4 FT
2	0417-00067	STRIP, TRIM SIDE WINDSHIELD	6 FT
3	0417-00067	STRIP, TRIM - SIDE FRONT ROOF - 4 PASS	4 FT
4	0417-00067	STRIP, TRIM - SIDE - SUNROOF	6 FT
5	0417-00067	STRIP, TRIM - SIDE REAR ROOF	2 FT
6	0417-00067	STRIP, TRIM - REAR REAR ROOF	4 FT
7	0417-00214	STRIP, WIDE TRIM - UPPER WINDSHIELD	1
8	0417-00214	STRIP, WIDE TRIM - FRONT SUN ROOF	1
9	0417-00214	STRIP, WIDE TRIM - REAR SUN ROOF	1



**ASSY, ROOF RAIL - SUPPORT ASSEMBLY - 2 PASS**

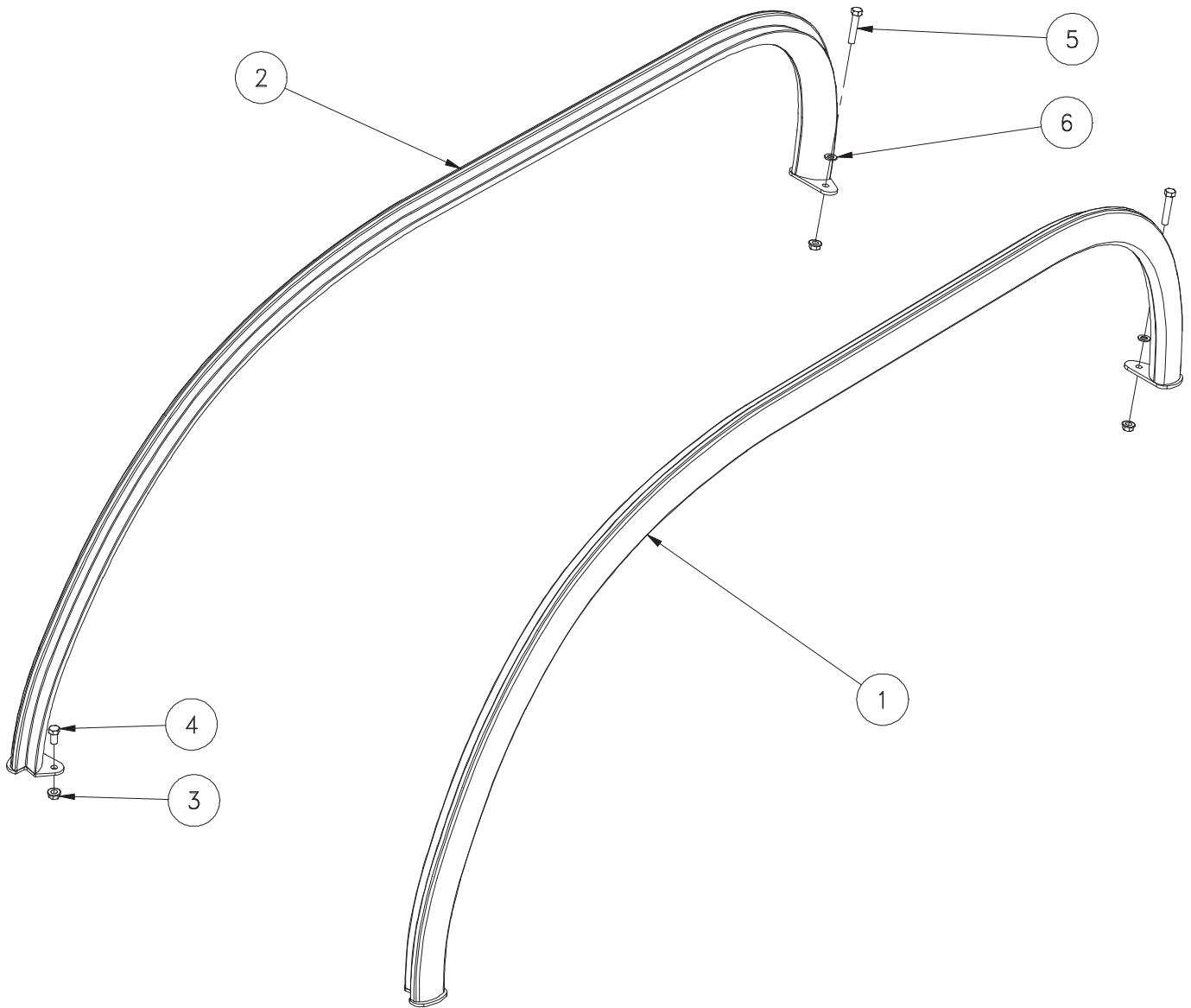
<u>ITEM</u>	<u>PART NO.</u>	<u>DESCRIPTION</u>	<u>QTY.</u>
1	0204-00086	WELDMENT, ROOF RAIL - LH 2 PASS PAINTED	1
2	0204-00087	WELDMENT, ROOF RAIL - RH 2 PASS PAINTED	1
3	0304-02530	SUPPORT, ROOF - REAR - 2 PASS	1
4	0304-00149	SUPPORT, WINDSHIELD - LOWER FRONT	1
5	0523-00032	SCREW, HEX - WASHER HEAD SELF DRILL 1/4 - 14 X .75 ZINC PLATED	4
6	0523-00057	SCREW, C'SNK PHIL FLAT - #6 X 3/4 STAINLESS STEEL	8
7	0304-02527	SUPPORT, WINDSHIELD - UPPER FR	1





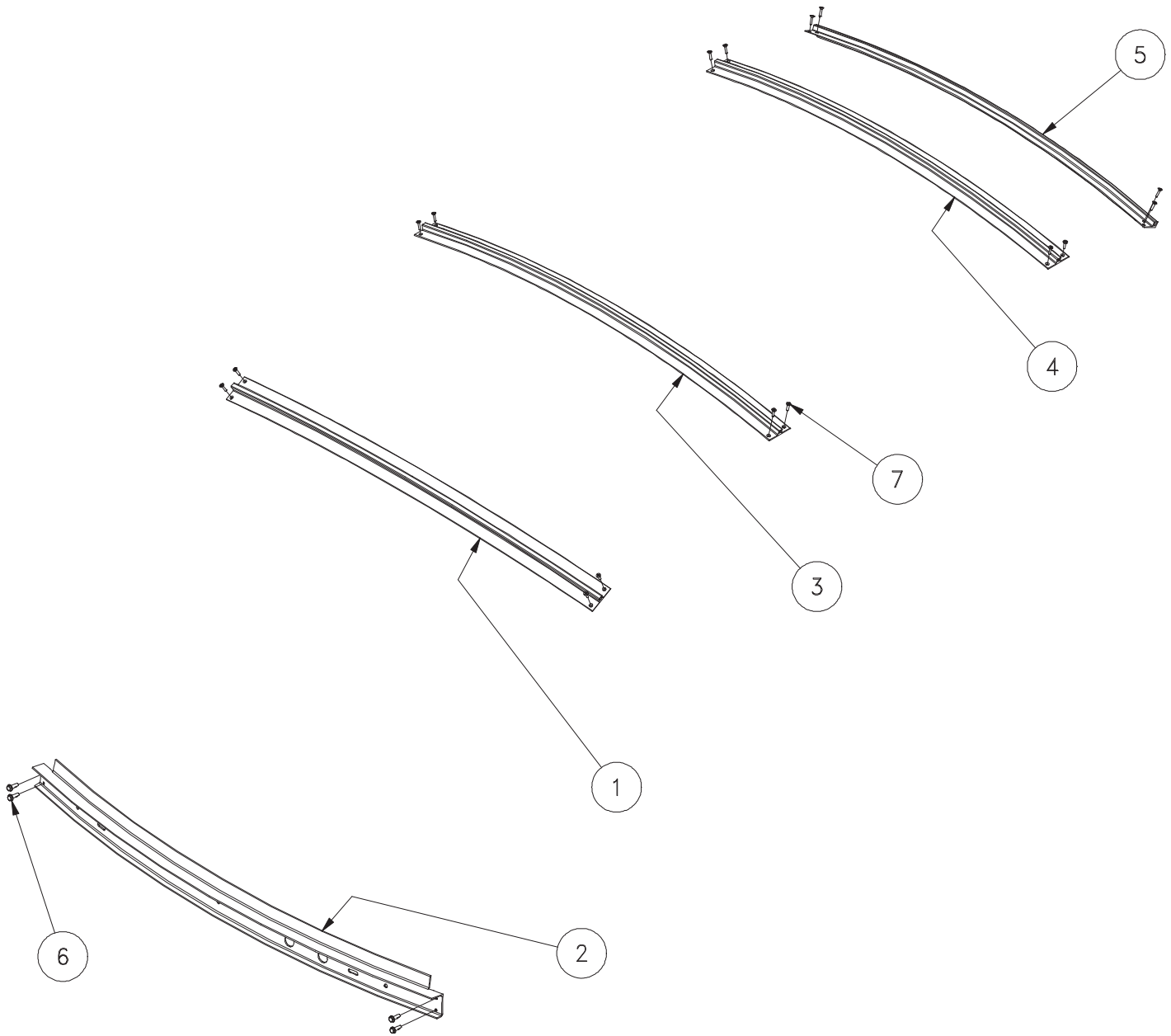
**ASSY, ROOF PANEL PREP**

<u>ITEM</u>	<u>PART NO.</u>	<u>DESCRIPTION</u>	<u>QTY.</u>
1	0304-00157	PANEL, ROOF 2 PASS WHITE -	1
2	0408-00275	PRIMER ABS - U-413 (4 OZ CONTAINER SHOWN - .22 OZ USED IN PREP)	1



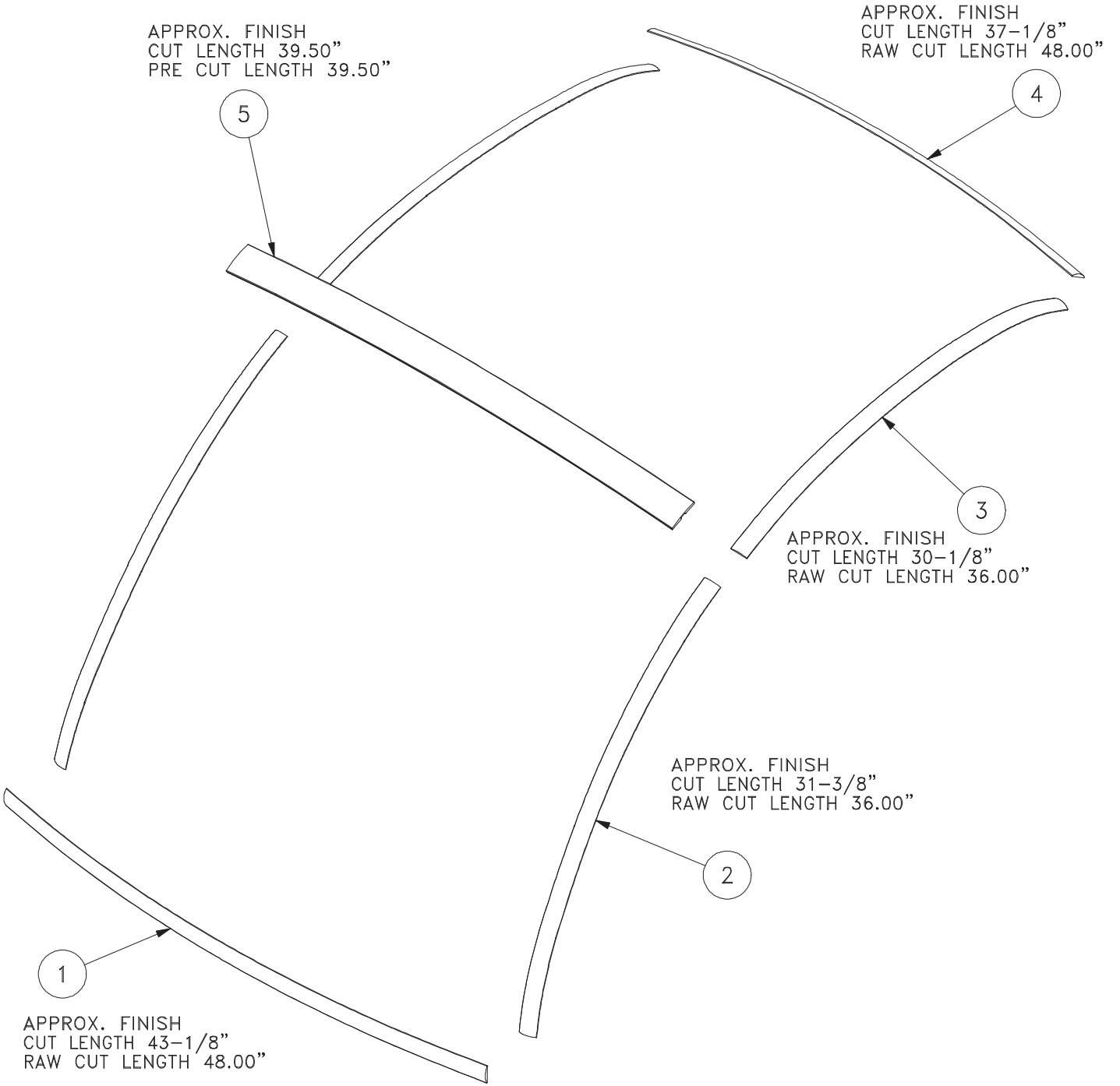
**ASSY, ROOF RAILS - 4 PASS**

<u>ITEM</u>	<u>PART NO.</u>	<u>DESCRIPTION</u>	<u>QTY.</u>
1	0204-00139	WELDMENT, ROOF RAIL PAINTED -LH	1
2	0204-00140	WELDMENT , ROOF RAIL PAINTED -RH	1
3	0521-00024	NUT, HEX FLANGE 1/2-13 UNC GR 6 TECH LOCK	4
4	0522-00021	BOLT, HEX - HHCS 1/2 - 13 UNC X 1.0 GR 8 ZN YL ZINC PLATED	2
5	0522-00059	BOLT, HEX - HHCS 1/2 - 13 UNC X 2.5 LG GR 8 ZINC PLATED	2
6	0524-00115	WASHER, FLAT - M12 13mm ID X 24mm OD X 2.5mm THK	2



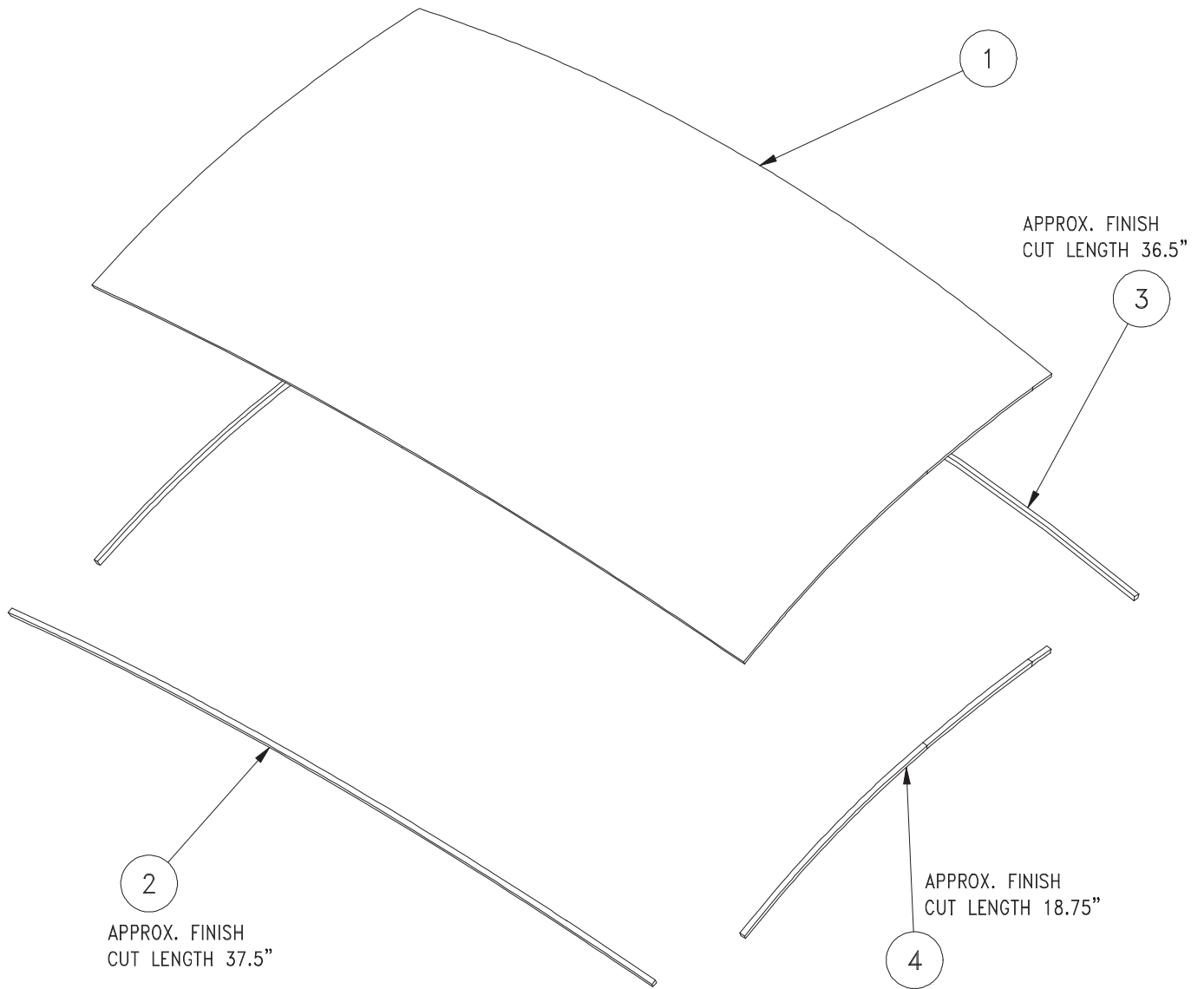
**ASSY, ROOF SUPPORTS - 4 PASS**

<u>ITEM</u>	<u>PART NO.</u>	<u>DESCRIPTION</u>	<u>QTY.</u>
1	0304-02527	SUPPORT WINDSHIELD UPPER FRONT	1
2	0304-00149	SUPPORT, WINDSHIELD LOWER FRONT	1
3	0304-02525	SUPPORT, SUNROOF FRONT	1
4	0304-02529	SUPPORT, SUNROOF REAR	1
5	0304-02530	SUPPORT, ROOF - REAR 4 PASS	1
6	0523-00032	SCREW, HEX - WHSD 1/4 X .75 ZN	4
7	0523-00057	SCREW, C'SNK PHIL FLAT - #6 X 3/4 LG STAINLESS STEEL	16



**ASSY, ROOF TRIM - 2 PASS**

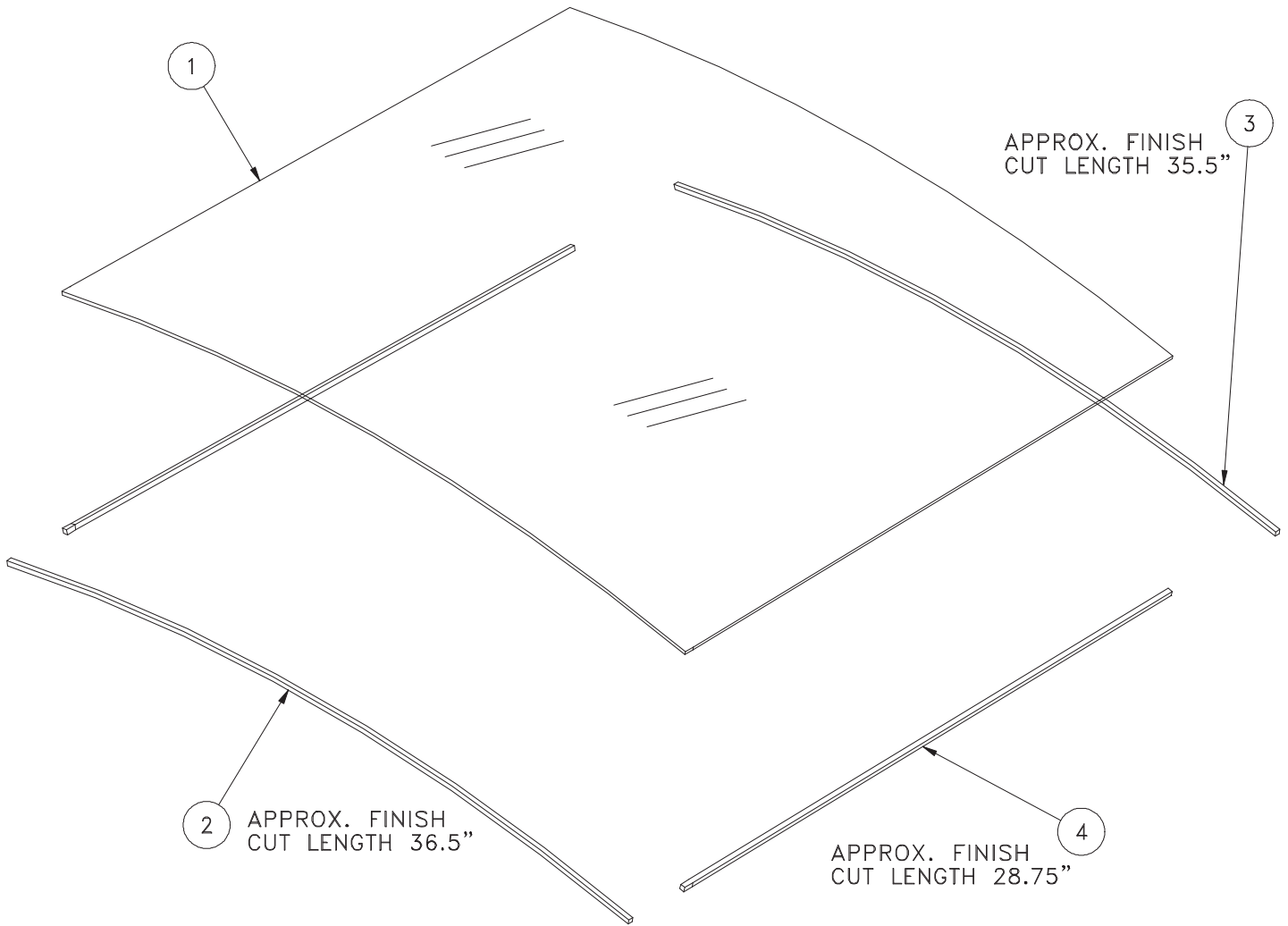
<u>ITEM</u>	<u>PART NO.</u>	<u>DESCRIPTION</u>	<u>QTY.</u>
1	0417-00067	STRIP, TRIM UPPER WINDSHIELD	4 FT
2	0417-00067	STRIP, TRIM SIDE WINDSHIELD	6 FT
3	0417-00067	STRIP, ROOF REAR	6 FT
4	0417-00067	STRIP, ROOF REAR	4 FT
5	0417-00214	STRIP, WIDE TRIM - UPPER WINDSHIELD	4 FT



**ASSY, ROOF PANEL - 4 PASS**

<u>ITEM</u>	<u>PART NO.</u>	<u>DESCRIPTION</u>	<u>QTY.</u>
1	0305-03282	PANEL, ROOF 4 PASS FRONT -	1
2	0417-00065	STRIP, WEATHER UPPER WINDSHEILD	1
3	0417-00065	STRIP, WEATHER - FRONT SUNROOF	1
4	0417-00065	STRIP, WEATHER SIDE FRONT ROOF	2

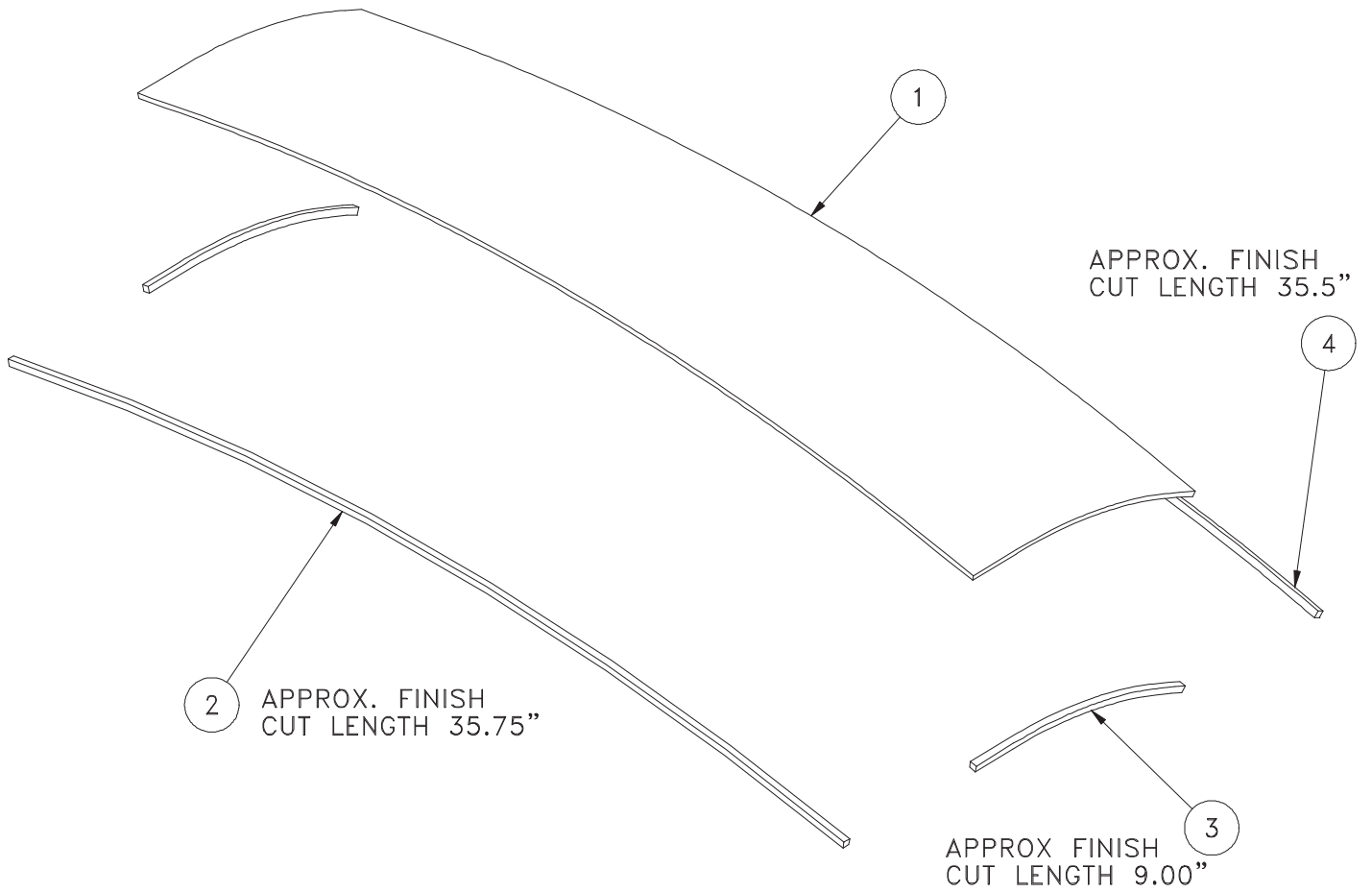
\* For any or all of items 2, 3, & 4, use 0417-00065 FOAM, VINYL - PVC VF-5600 SERIES .250 X .250 X 50 FT ROLL (Sold Only as Entire Roll)



**ASSY, SUNROOF PANEL**

<u>ITEM</u>	<u>PART NO.</u>	<u>DESCRIPTION</u>	<u>QTY.</u>
1	0304-00154	PANEL, SUNROOF 4 PASS GREY SMOKE	1
2	0417-00065	STRIP, WEATHER - FRONT SUNROOF	1
3	0417-00065	STRIP, WEATHER - REAR SUNROOF	1
4	0417-00065	STRIP, WEATHER - SIDE SUNROOF	2

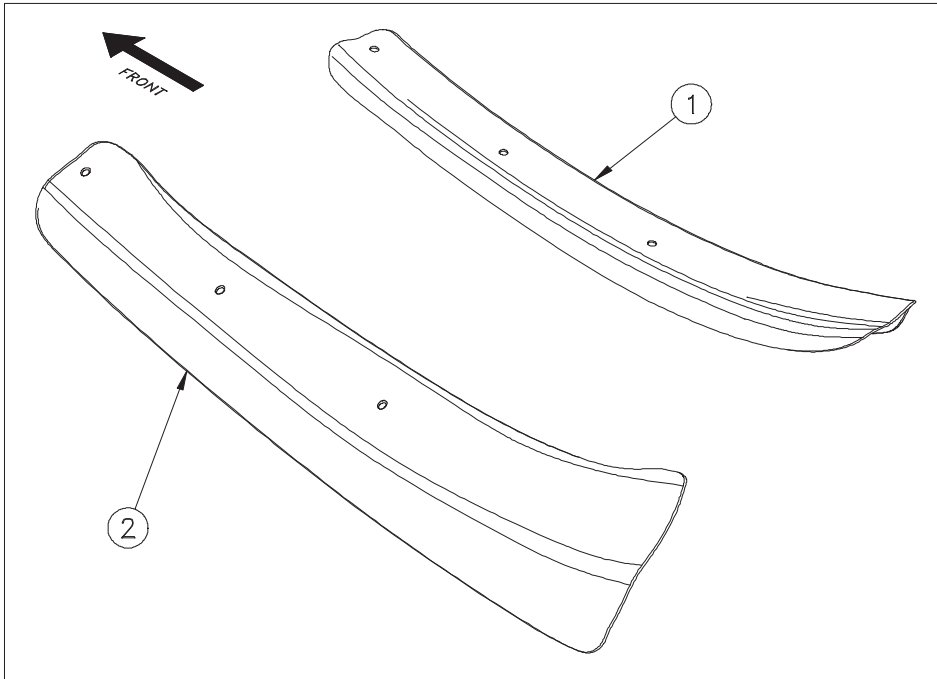
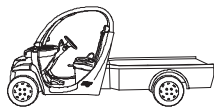
\* For any or all of items 2, 3, & 4, use 0417-00065 FOAM, VINYL - PVC VF-5600 SERIES .250 X .250 X 50 FT ROLL (Sold Only as Entire Roll)



**ASSY, ROOF PANEL - REAR 4 PASS**

<u>ITEM</u>	<u>PART NO.</u>	<u>DESCRIPTION</u>	<u>QTY.</u>
1	0305-03284	PANEL, ROOF 4 PASS REAR	1
2	0417-00065	STRIP, WEATHER - REAR SUNROOF	1
3	0417-00065	STRIP, WEATHER - SIDE - REAR ROOF	2
4	0417-00065	STRIP, WEATHER - REAR - REAR ROOF	1

\* For any or all of items 2, 3, & 4, use 0417-00065 FOAM, VINYL - PVC VF-5600 SERIES .250 X .250 X 50 FT ROLL (Sold Only as Entire Roll)

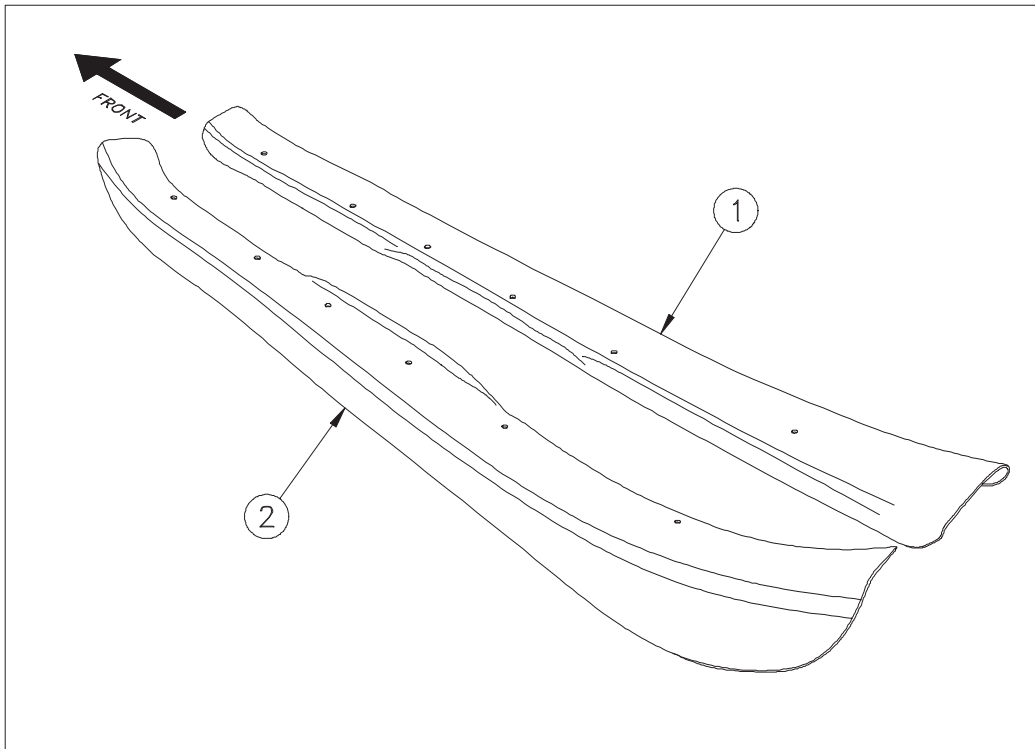


**0107-00104 ASSY, SCUFF GUARDS - 2 PASS**

<u>ITEM</u>	<u>PART NO.</u>	<u>DESCRIPTION</u>	<u>QTY.</u>
1	0307-00412	GUARD, SCUFF - RH BLACK PLASTIC 2 PASS	1
2	0307-00413	GUARD, SCUFF - LH BLACK PLASTIC 2 PASS	1
3*	0521-00071	NUT, 1.4-20 UNC ZNC	4
4*	0522-00333	BOLT, TORX -TRUSS 1/4-20 X1 T 27	4

\*NOT SHOWN

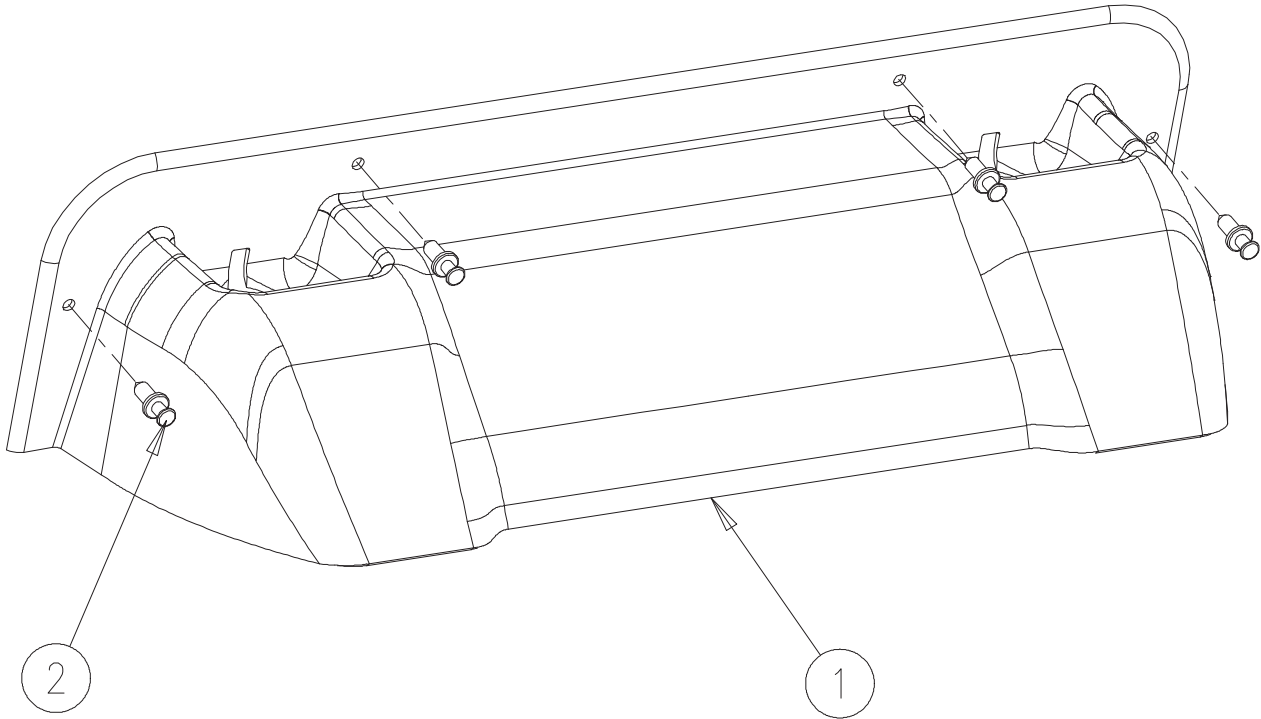
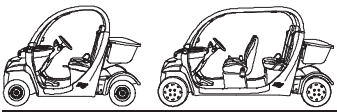




**ASSY, SCUFF GUARDS - 4 PASS**

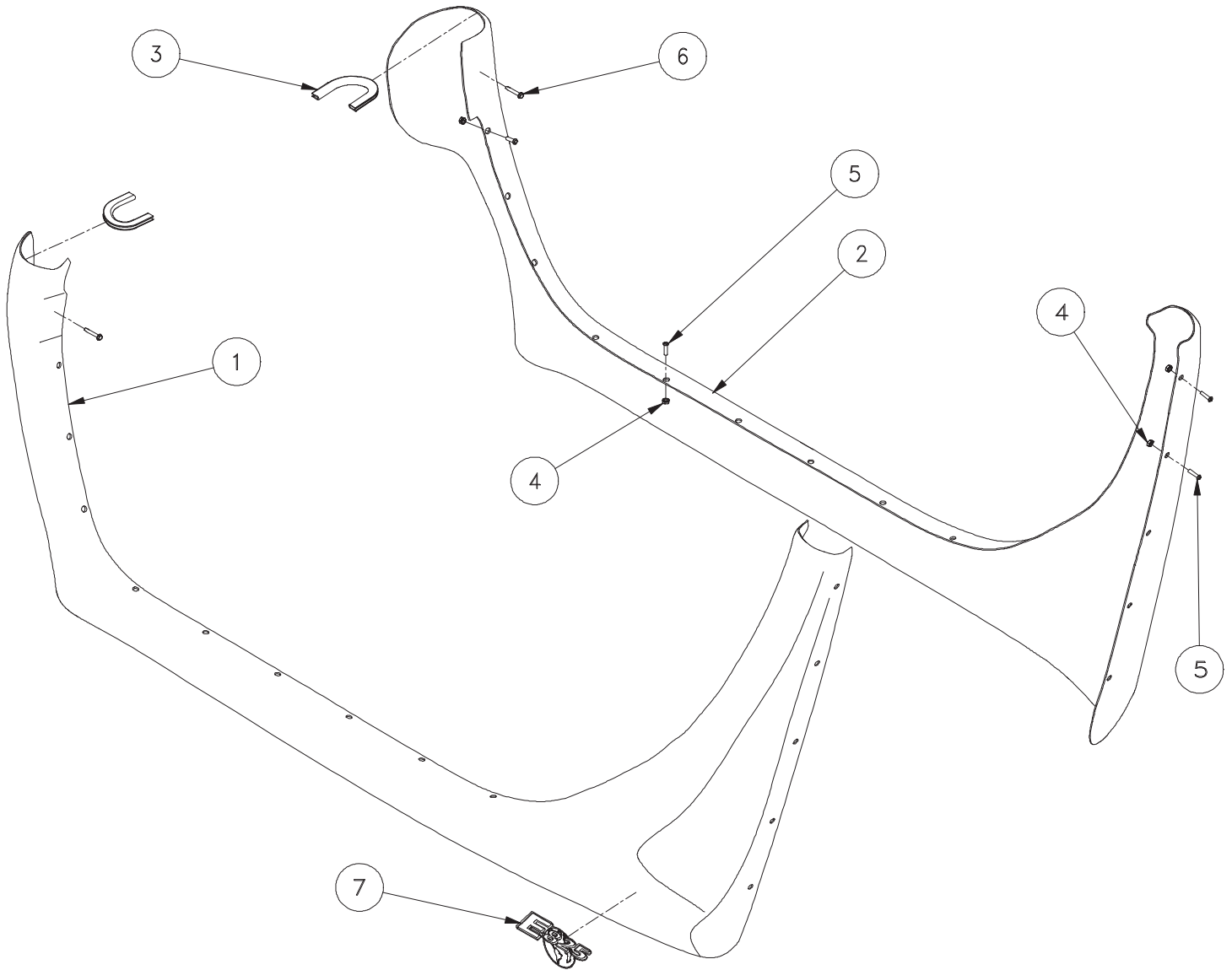
<u>ITEM</u>	<u>PART NO.</u>	<u>DESCRIPTION</u>	<u>QTY.</u>
1	0307-02312	GUARD, SCUFF - RH BLACK PLASTIC 4 PASS W/ PL TUB	1
2	0307-02313	GUARD, SCUFF - LH BLACK PLASTIC 4 PASS W/ PL TUB	1
3*	0521-00071	NUT, KEPS - 1/4-20 UNC ZNC	4
4*	0522-00333	BOLT, TORX- TRUSS 1/4-20 X 1 T 27	4

\* NOT SHOWN



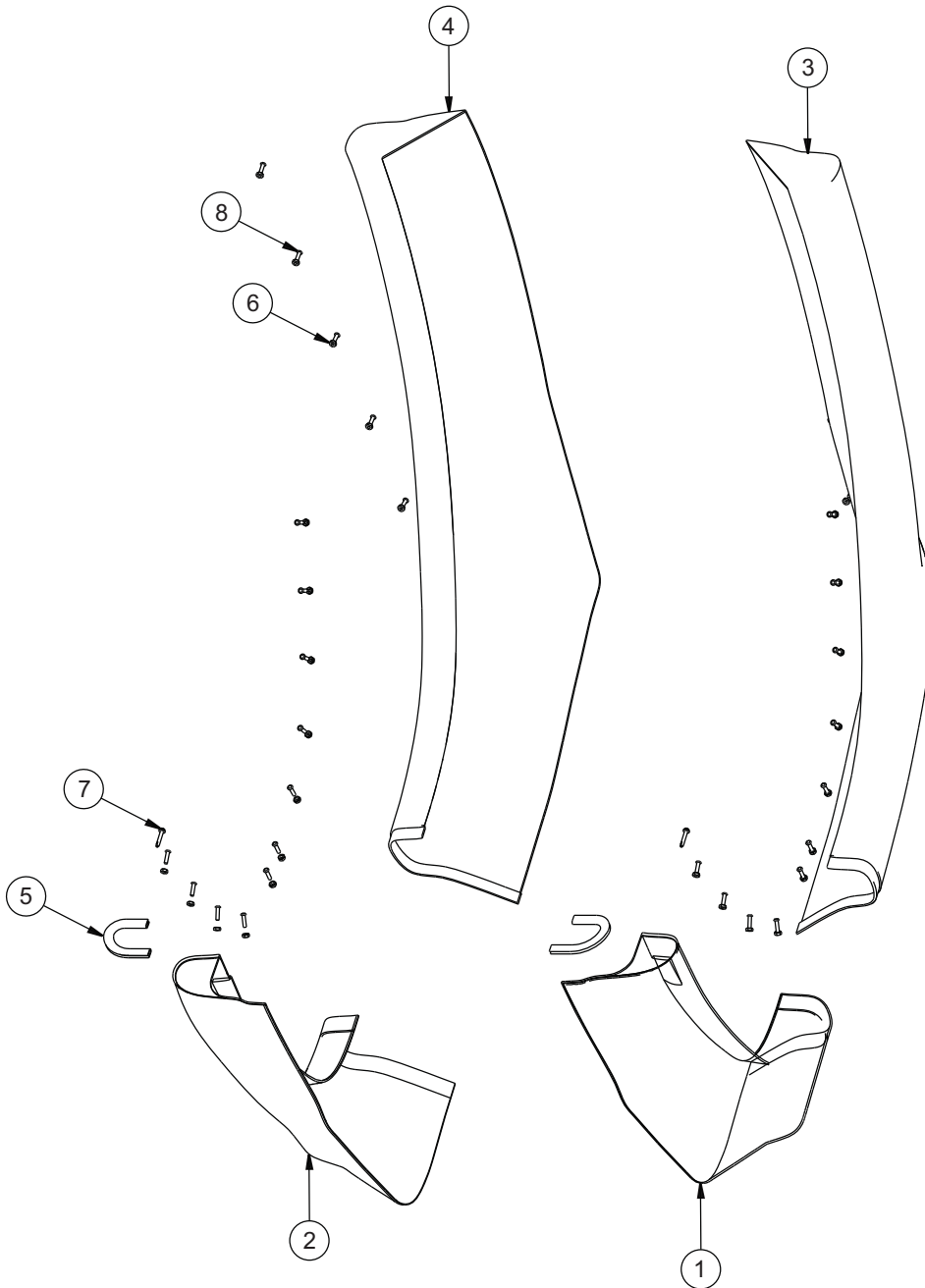
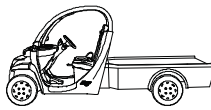
**0105-00084 ASSY, SHOCK MOUNT COVER - REAR**

<u>ITEM</u>	<u>PART NO.</u>	<u>DESCRIPTION</u>	<u>QTY.</u>
1	0305-00875	COVER, SHOCK MOUNT - REAR	1
2	0520-00073	RIVET, PUSH - TUFLOK BLACK PLASTIC FASTEX #M3.0800.16	4



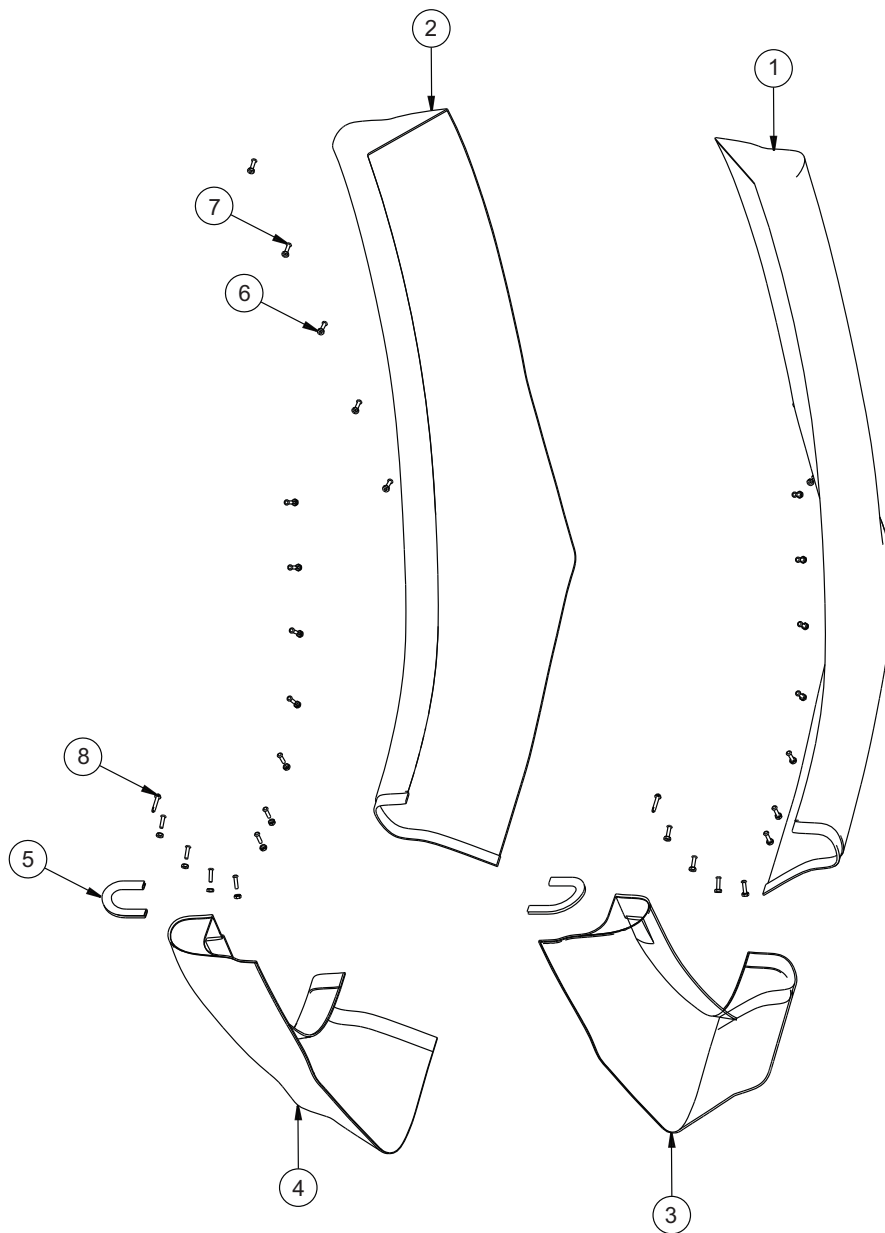
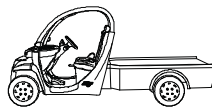
**ASSY, SIDE PANEL - 4 PASS ABS**

<u>ITEM</u>	<u>PART NO.</u>	<u>DESCRIPTION</u>	<u>QTY.</u>
1	0305-03287	PANEL, SIDE - LH 4 PASS ABS	1
2	0305-03288	PANEL, SIDE - RH 4 PASS ABS	1
3	0417-00141	TRIM, EDGE - U SHAPE WHITE VINYL - 9" (FORMERLY 0317-00888)	2
4	0521-00071	NUT, KEPS - 1/4 - 20 UNC ZINC PLATED GR 5 ZINC PLATED	4
5	0522-00333	BOLT, TORX - TRUSS HD - 1/4 - 20 X 1 - 18-8 S.S.	4
6	0532-00122	SCREW, HEX - WHSD 1/4 X 1.5 ZINC PLATED	2
7	0350-00536	DECAL, E825 - 7.75 X 3.50	2



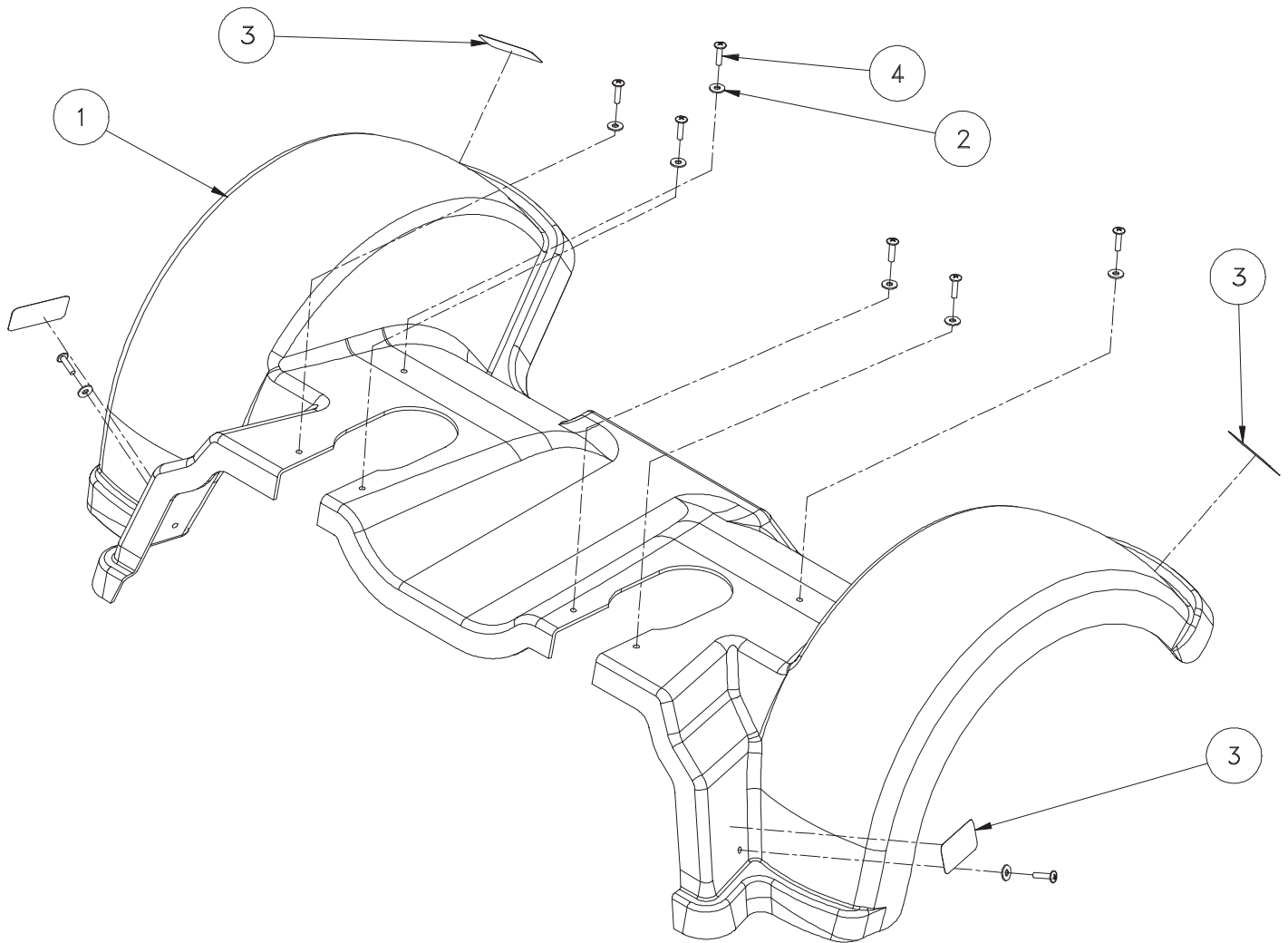
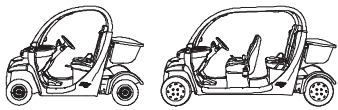
**ASSY, SIDE PANEL 2 PASSENGER**

ITEM	PART NO.	DESCRIPTION	QTY.
1	0305-03289	PANEL, SIDE - LH FRONT	1
2	0305-03290	PANEL, SIDE - RH FRONT	1
3	0305-03291	PANEL, SIDE - LH REAR	1
4	0305-03292	PANEL, SIDE - RH REAR	1
5	0417-00141	TRIM, EDGE-U SHAPE WHITE VINYL METAL	2
6	0521-00071	NUT, KEPS - 1/4 - 20 UNC ZINC PLATED	32
7	0523-00122	SCREW, HEX - WASHER HEAD SELF DRILL 1/4	2
8	0522-00333	BOLT, TORX - TRUSS HEAD - 1/4 - 20 X 1	32



**ASSY, SIDE PANEL 2 PASSENGER WITH HARD DOOR OPTION**

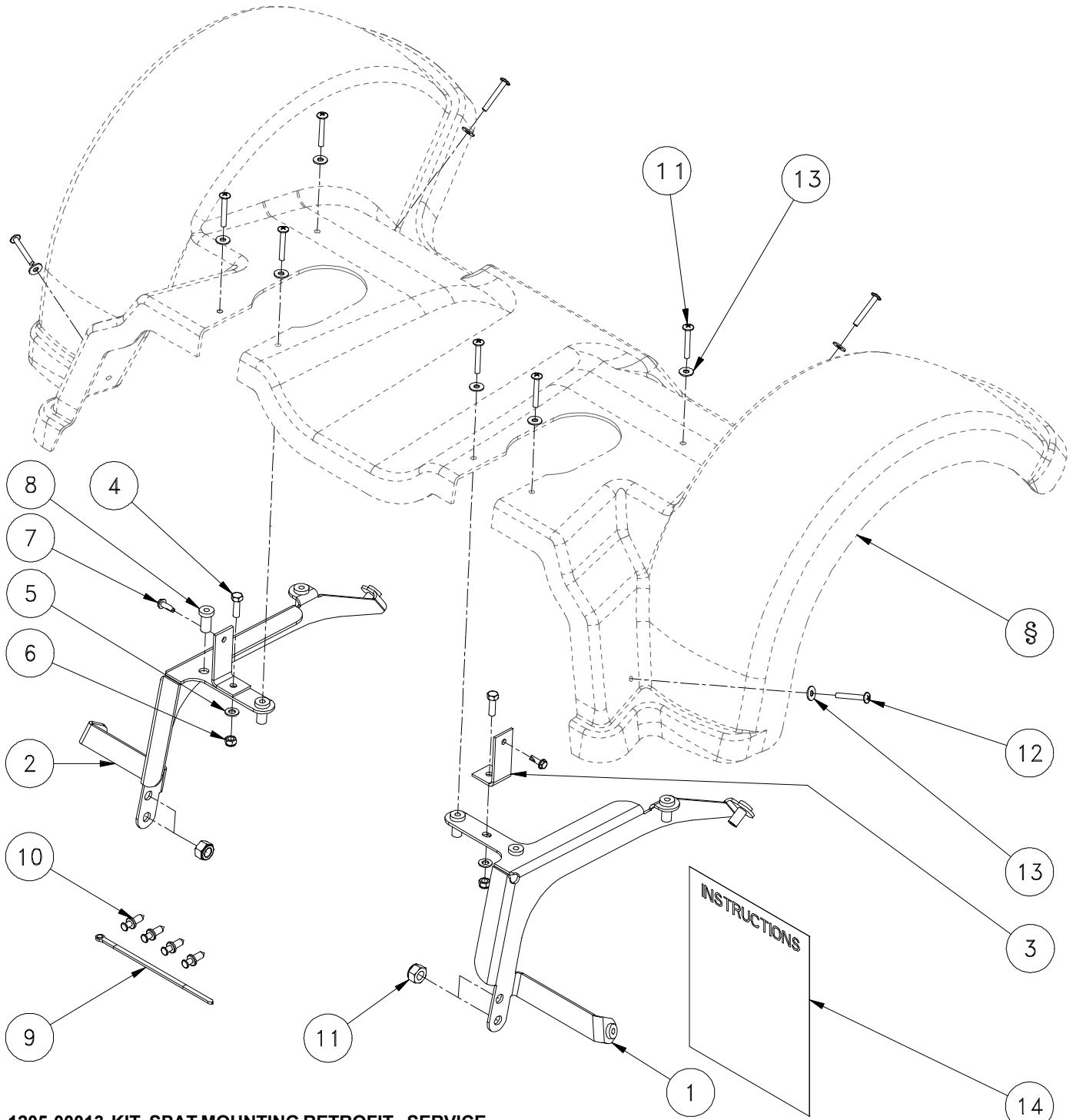
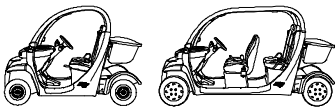
ITEM	PART NO.	DESCRIPTION	QTY.
1	0305-03291	PANEL, SIDE - LH REAR	1
2	0305-03292	PANEL, SIDE - RH REAR	1
3	0305-03295	PANEL, SIDE - LH FRONT W/HDOORS	1
4	0305-03296	PANEL, SIDE - RH FRONT W/HDOORS	1
5	0417-00141	TRIM, EDGE-U SHAPE WHITE VINYL - 9"	2
6	0521-00071	NUT, KEPS - 1/4 - 20 UNC ZINC PLATED	32
7	0522-00333	BOLT, TORX - TRUSS HEAD - 1/4 - 20 X 1 - 18-8 S.S.	32
8	0523-00122	SCREW, HEX - WASHER HEAD SELF DRILL 1/4	2



**ASSY, SPAT - COLOR MATCH PLASTIC COMPLETE**

<u>ITEM</u>	<u>PART NO.</u>	<u>DESCRIPTION</u>	<u>QTY.</u>
1	N/A	SPAT, RED - COLOR MATCH PLASTIC WIDE	1
1	N/A	SPAT, YELLOW - COLOR MATCH PLASTIC WIDE	1
1	N/A	SPAT, BLUE - COLOR MATCH PLASTIC WIDE	1
1	N/A	SPAT, GREEN - COLOR MATCH PLASTIC WIDE	1
1	0305-00797	SPAT, WHITE - COLOR MATCH PLASTIC WIDE	1
1	N/A	SPAT, SILVER - COLOR MATCH PLASTIC WIDE	1
2	0524-00053	WASHER, FLAT - 1/4 BLACK PLASTIC	8
3	0350-00542	DECAL, REFLECTORS	4
4	0523-00280	SCREW, MACH TRUSS HEAD PHIL 1/4 - 20 UNC X 1.0 LG SST	8

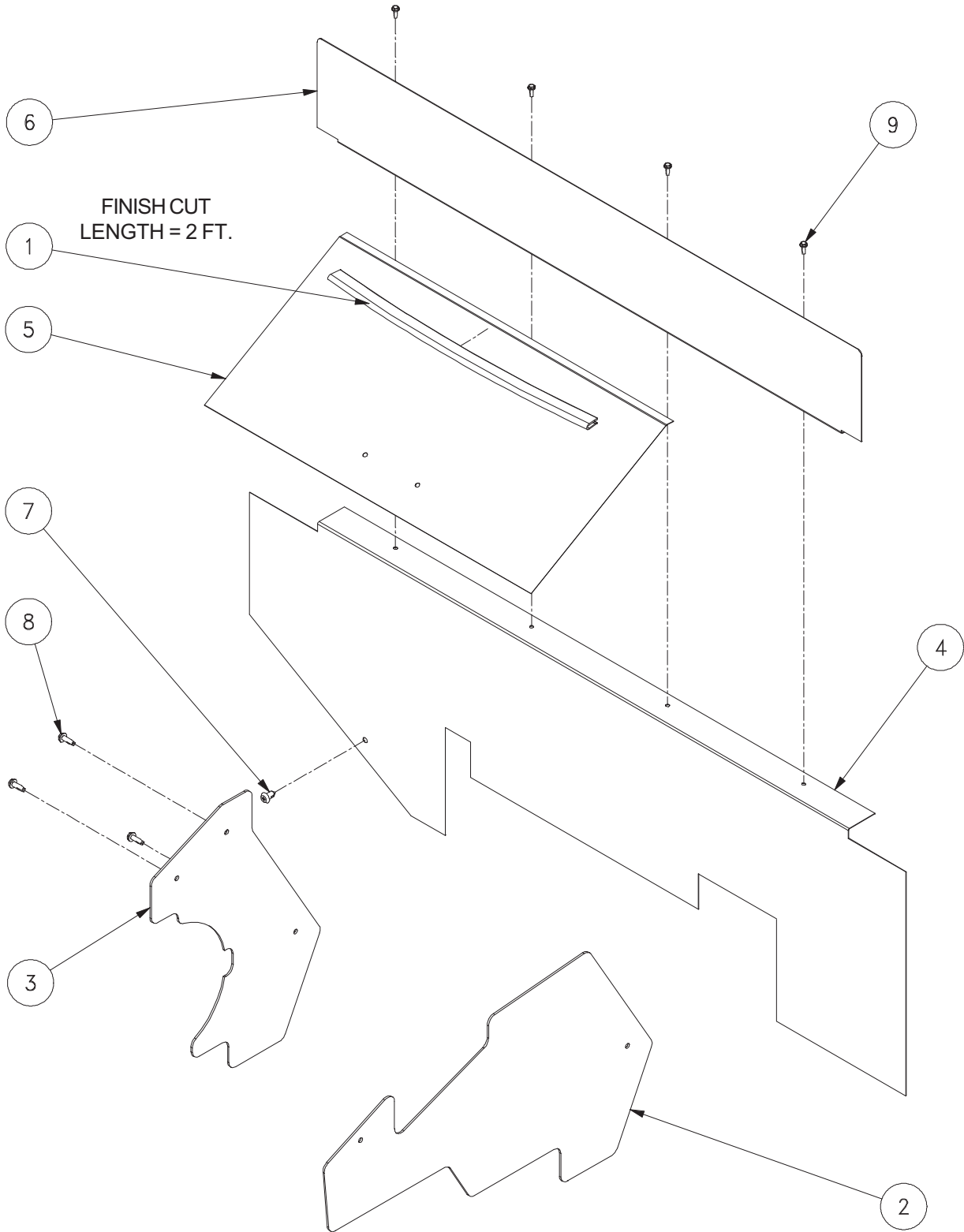
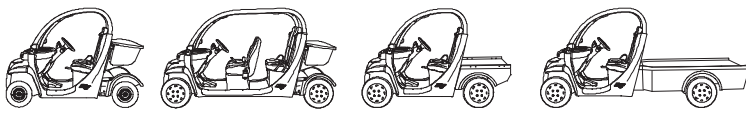
\* TOUCH UP PAINT AND PAINT CODES ARE NOT AVAILABLE. PROCURE LOCALLY THROUGH AN AUTOMOTIVE PAINT SUPPLY OUTLET AND HAVE PAINTED LOCALLY.



**1205-00013 KIT, SPAT MOUNTING RETROFIT - SERVICE**

ITEM	PART NO.	DESCRIPTION	QTY.
1	0351-01163	BRKT, SPAT MOUNT - LH FRAME MOUNTED	1
2	0351-01196	BRKT, SPAT MOUNT - RH FRAME MOUNTED	1
3	0351-01195	ANGLE, HANGER BRACKET SPAT	2
4	0522-00016	BOLT, HEX - HHCS 5/16 - 18 UNC X 1.0 GR 5 ZINC PLATED	2
5	0524-00003	WASHER, FLAT - 5/16 SAE .344 ID X .688 OD X .065 THK ZN	2
6	0521-00017	NUT, HEX - NYLOCK 5/16-18 UNC GR5 ZN	2
7	0523-00032	SCREW, HEX - WHSD 1/4 X .75 ZN --	2
8	0521-00279	NUT, WELL - 1/4 - 20 UNC x 1" --	10
9	0510-00137	TIE, CABLE W/#10 MOUNT HOLE 9" BLACK	1
10	0520-00073	RIVET, PUSH - TUFLOK FASTEX # M3.0800.16 BLACK PLASTIC	4
11	0521-00023	NUT, HEX - NYLOCK M12 X 1.75 ZN	2
12	0523-00347	SCREW, MACH TRUSS HEAD PHIL 1/4 - 20 UNC X 1.75 LG SST	10
13	0524-00053	WASHER, FLAT - 1/4 BLACK PLASTIC	10

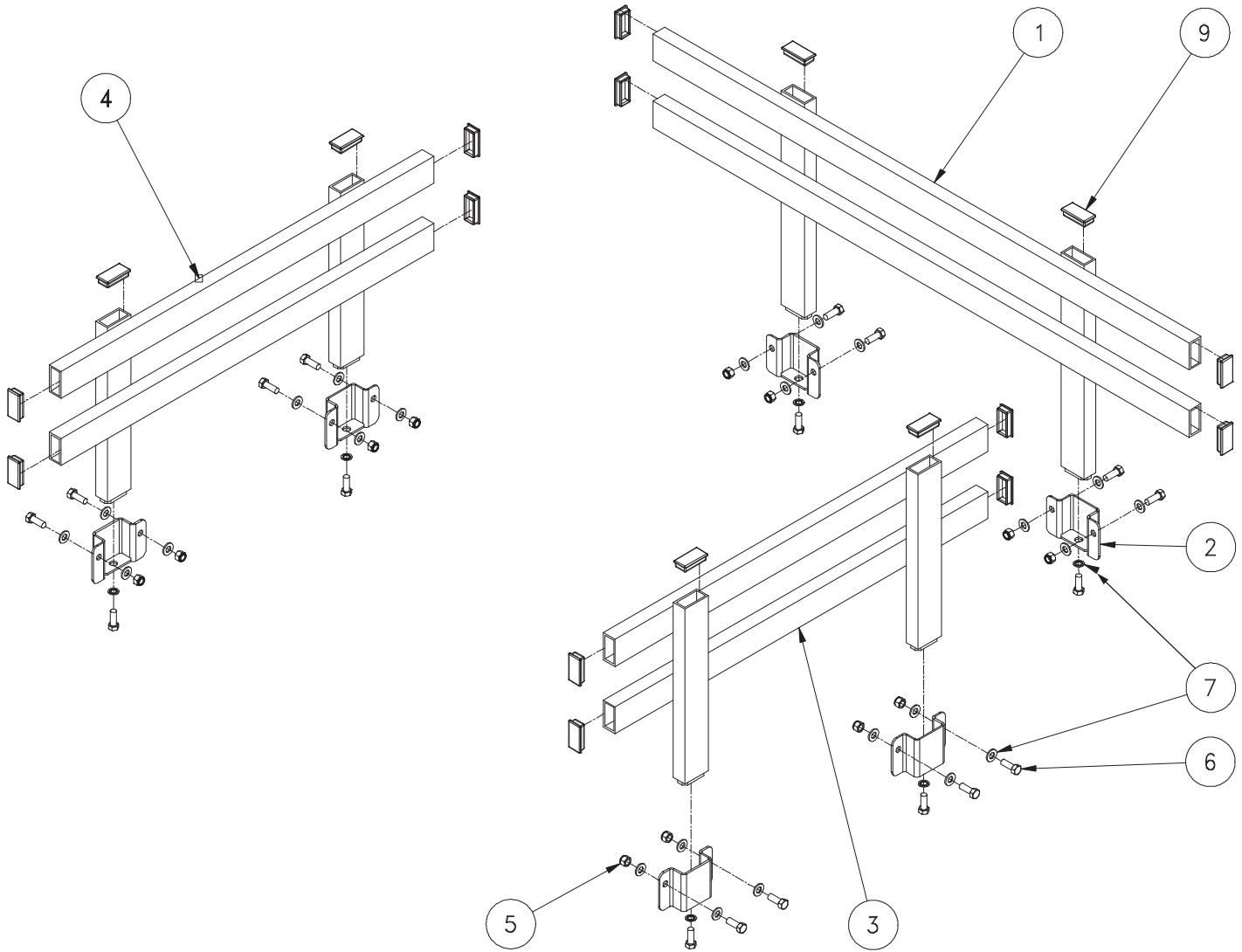
§ SPAT SHOWN FOR REFERENCE ONLY- SEE BODY SECTION OF THE PARTS CATALOG



**ASSY, SPLASH PROTECTION**

<b>ITEM</b>	<b>PART NO.</b>	<b>DESCRIPTION</b>	<b>QTY.</b>
1	0417-00089	TRIM, SPLASH PROTECTION (Finish Cut Length 2 Ft.)	1
2	0305-00850	SHIELD, SPLASH GUARD - LH	1
3	0305-00851	SHIELD, SPLASH RH	1
4	0310-01969	MAT, FIREWALL INNER	1
5	0310-00161	MAT, FIRE WALL OUTER	1
6	0310-00651	ANGLE, SPASH PROTECTION	1
7	0520-00175	RIVET, PIN - REMOVABLE	1
8	0523-00032	SCREW, HEX - WHSD 1/4 X .75 ZN	3
9	0523-00163	SCREW, HEX - WHSD 10 - 16 X 1/2 # 2 POINT STL BLK ZINC	4

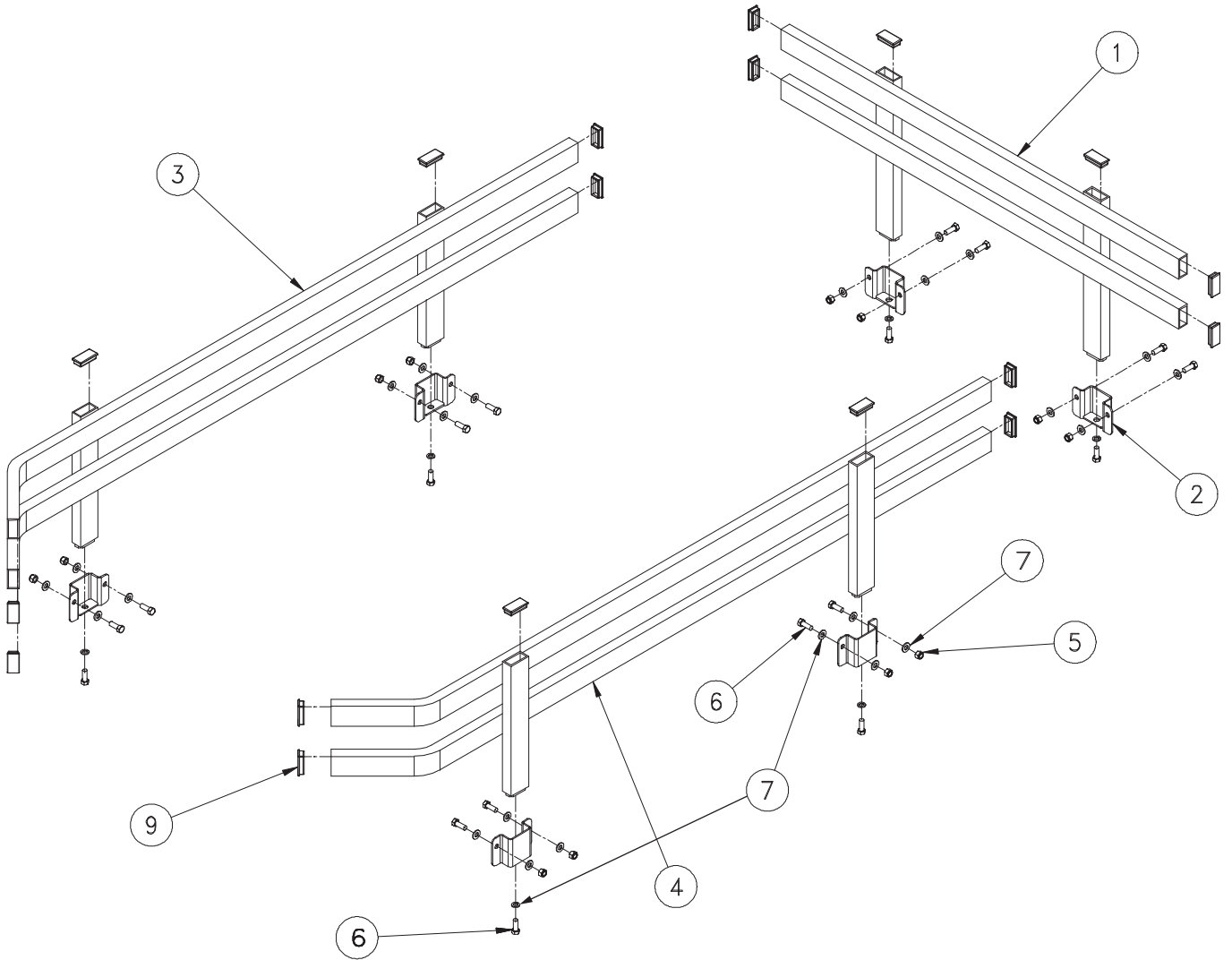
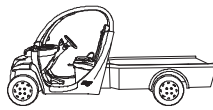




**0105-00119 ASSY, SIDE KIT - SM UTILITY**

<u>ITEM</u>	<u>PART NO.</u>	<u>DESCRIPTION</u>	<u>QTY.</u>
1	0205-00039	WLD, REAR - SIDE KIT	1
2	0205-00040	WLD, STAKE POCKET	6
3	0205-00069	WLD, SIDE -	1
4	0205-00069	WLD, SIDE - SM UTILITY	1
5	0521-00010	NUT, HEX - NYLOCK 3/8-16 UNC GR5 ZN	12
6	0522-00663	BOLT, HEX - HHCS 3/8-16 UNC x 1.0 LG GR 5 ZINC PLATED	18
7	0524-00009	WASHER, FLAT - 3/8 SAE .406 ID X .8125 OD X .080 THK ZN	24
9	0610-00024	CAP, TUBE - PLASTIC 1 X 2 BLACK	18
10*	0350-01198	DECAL, BED RAIL	3

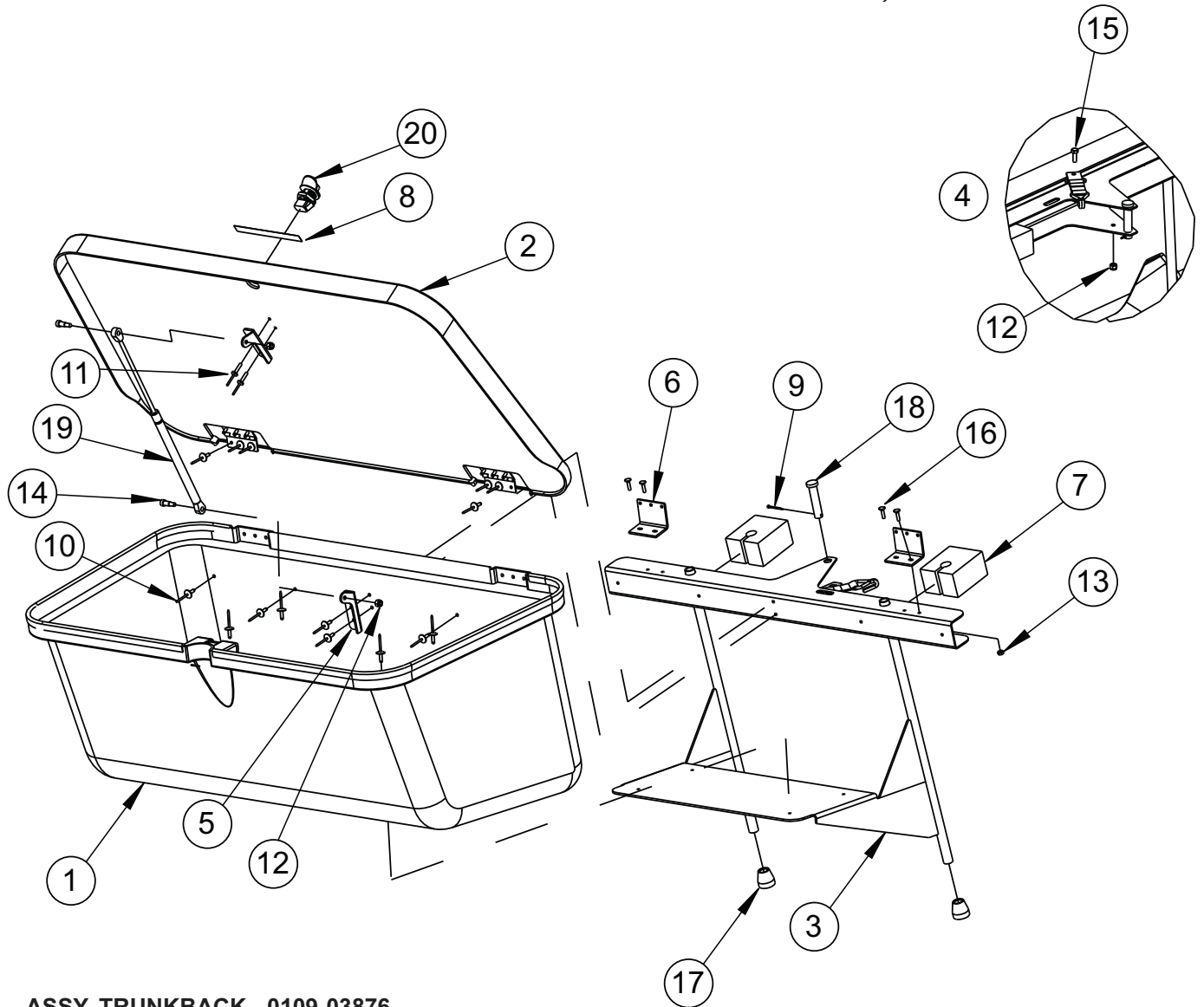
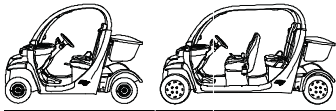
\* NOT SHOWN



**0105-00062 ASSY, SIDE KIT**

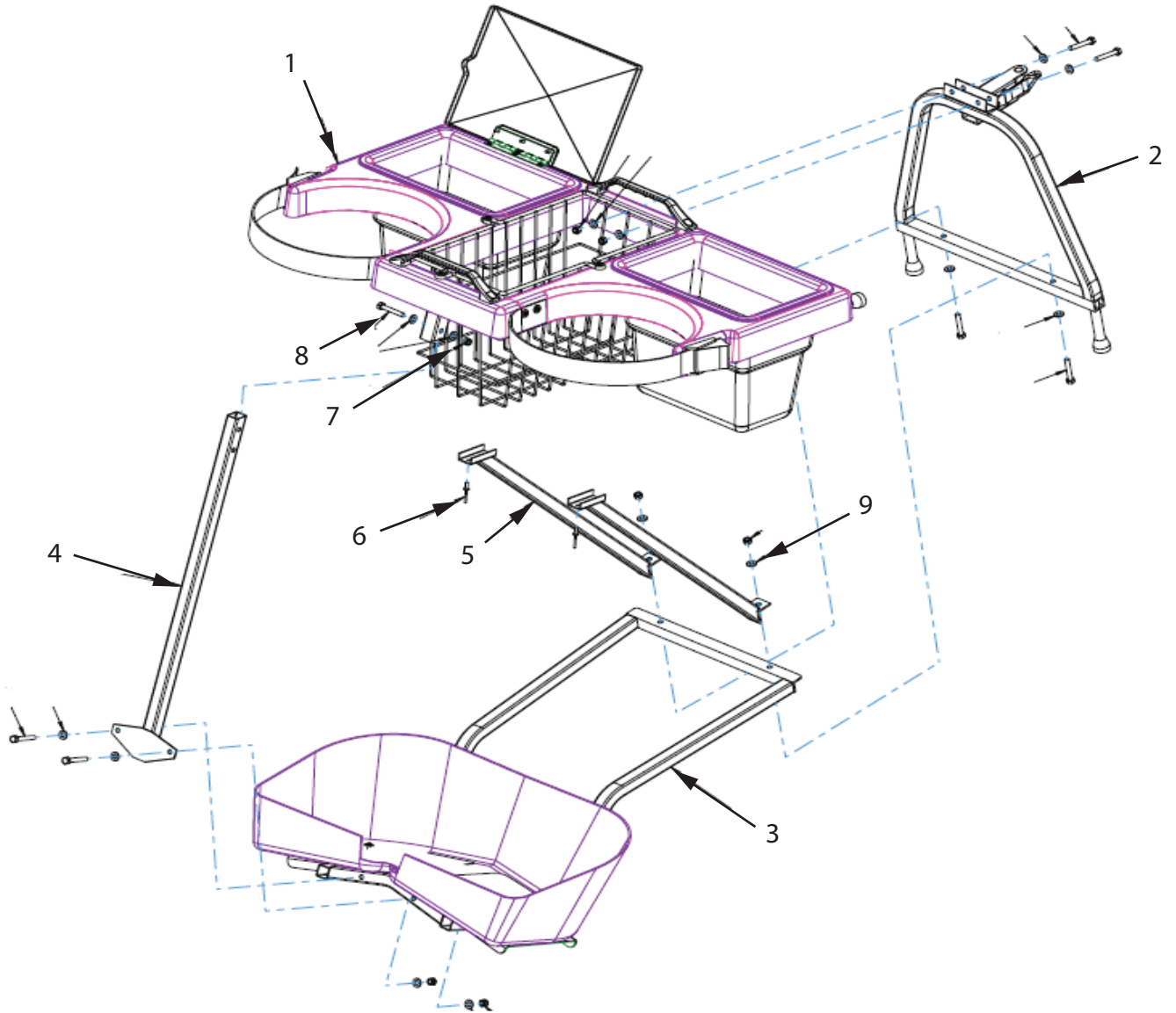
<u>ITEM</u>	<u>PART NO.</u>	<u>DESCRIPTION</u>	<u>QTY.</u>
1	0205-00039	WLD, REAR - SIDE KIT	1
2	0205-00040	WLD, STAKE POCKET	6
3	0205-00123	WLD, SIDE - RH SIDE KIT	1
4	0205-00124	WLD, SIDE - LH SIDE KIT	1
5	0521-00010	NUT, HEX - NYLOCK - 3/8-16 UNC GR5 ZINC PLATED	12
6	0522-00663	BOLT, HEX - HHCS 3/8-16 UNC x 1.0 LG GR 5 ZINC PLATED	18
7	0524-00009	WASHER, FLAT - 3/8 SAE .406 ID X .8125 OD X .080 THK ZINC PLATED	30
9	0610-00624	CAP, TUBE - PLASTIC 1 X 2 BLACK	18
10*	0350-01198	DECAL, BED RAIL	3

\*NOT SHOWN



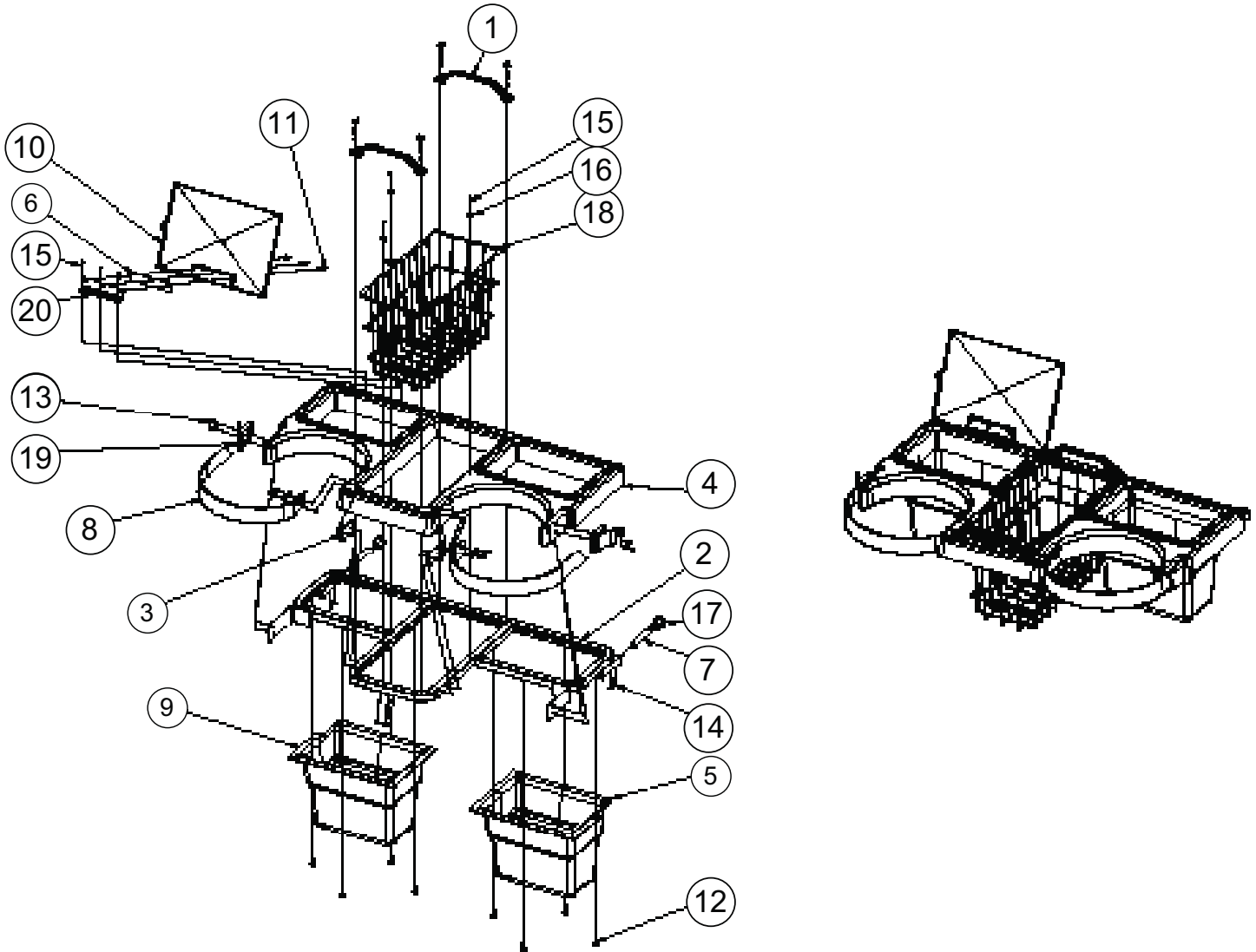
**ASSY, TRUNKBACK - 0109-03876**

ITEM	PART NO.	DESCRIPTION	QTY.
1	0109-03859	ASSY, TRUNKBACK TUB	1
2	0109-03860	ASSY, LID - TRUNKBACK	1
3	0209-00286	WLD, MOUNT TRUNK BACK	1
4	0307-02307	STRAP, PACK - SAFETY	1
5	0309-00601	MNT, CYLINDER - PACK	2
6	0309-00656	SUPPORT, HINGE	2
7	0309-02839	SUPPORT - FOAM BLOCK - TRUNKBACK	2
8	0350-00767	DECAL, LOAD LIMIT SWIVEL PACK	1
9	0510-00007	PIN, COTTER 3/32 X 1.0 LONG	1
10	0520-00186	RIVET, POP - ALUM 3/16 GRP - 0.375 - 50 LG FLANGE	16
11	0520-00501	RIVET, BND TRI FLD - 3/16 ALUM 0.18 - 0.38 GRP X 0.44 BLACK	2
12	0521-00050	NUT, HEX - NYLOCK 1/4-20 UNC GR5	3
13	0521-00209	NUT, EXTERNAL TOOTH LOCK 18-24 UNC ZINC	4
14	0522-00185	BOLT, SHOULDER - 5/16 X 1 LG 1/4 - 20 UNC SST	2
15	0522-00369	BOLT, HEX - 1/4 - 20 UNC X 0.75 GR 5 ZN	1
16	0523-00210	SCREW, MACHINE - CARRIAGE 10-24 UNC ZINC	4
17	0609-00484	CAP, TUBE - 1 INCH ROUND	2
18	0609-00075	PIN, CLEVIS 1/2" DIA X 2.5LG - TRUNKBACK	1
19	0609-00165	STRUT, GAS - PACK	1
20	0609-00193	LATCH, SLAM - BLACK - KEYED	1



**ASSY, LINKSBACK - 0109-04115**

ITEM	PART NO.	DESCRIPTION	QTY.
1	-	ASSY, UPPER FRAME LINKSBACK (SEE FOLLOWING PAGES FOR PARTS BREAKDOWN)	1
2	-	ASSY, FRAME MOUNT LINKSBACK (SEE FOLLOWING PAGES FOR PARTS BREAKDOWN)	1
3	-	ASSY, LOWER FRAME LINKSBACK (SEE FOLLOWING PAGES FOR PARTS BREAKDOWN)	1
4	0209-00064	WLD, BRACE TUBE LINKSBACK	1
5	0209-00434	WLD, BRACE LINKSBACK	2
6	0520-00158	RIVET, POP- 3/16 ALUM .25 GRIP X .375 FLANGE DIA. BLACK FINISH	2
7	0521-00017	NUT, HEX - NYLOCK 5/16 - 18 UNC GR5	8
8	0522-00051	BOLT, HEX - 5/16 - 18 UNC X 2.0 GR 5	8
9	0524-00003	WASHER, FLAT - 5/16 SAE .344 ID X .688 OD X .065 THK ZN	16



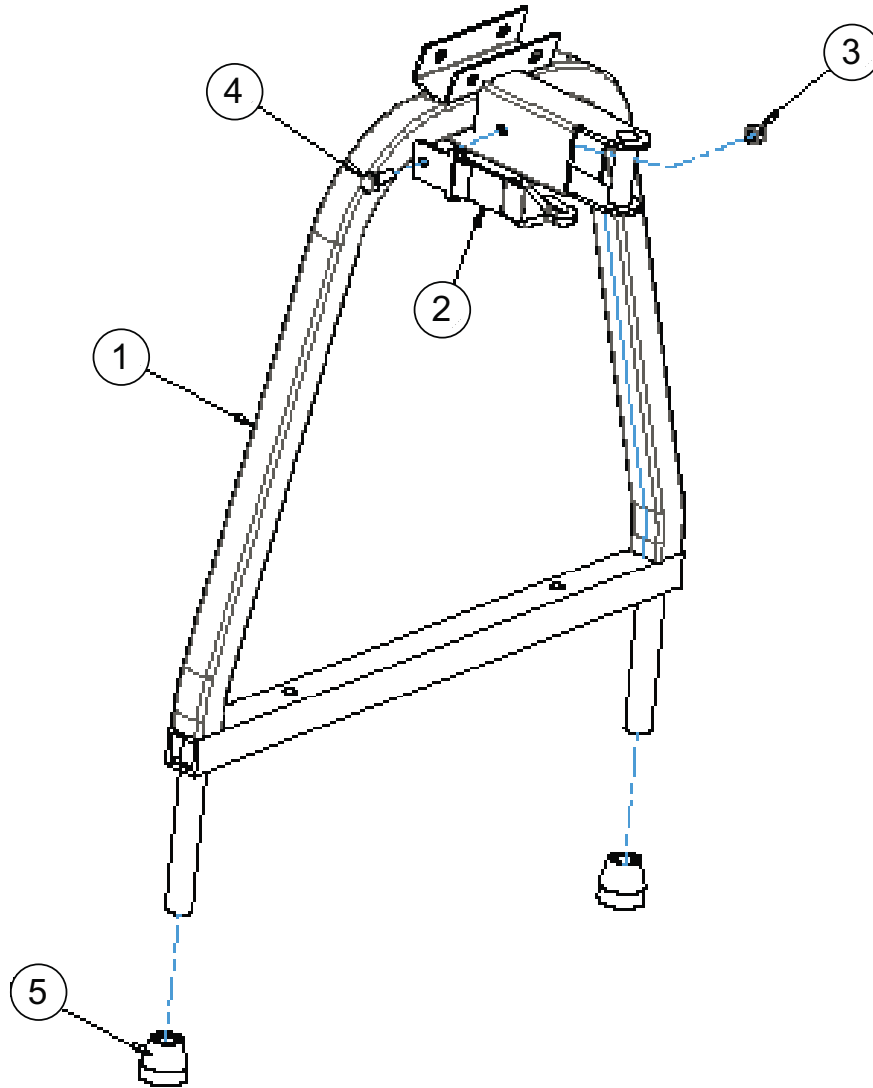
**ASSY, UPPER FRAME LINKBACK**

ITEM	PART NO.	DESCRIPTION	QTY.
1	0610-00748	ASSY, GRAB HANDLE	2
2	0209-00048	WLD FRAME - UPPER	1
3	0309-00399	SUPPORT, LINKSBACK COVER	2
4	0309-00402	COVER, UPPER FRAME LINKSBACK	1
5	0309-00403	BASKET, PLASTIC RH LINKSBACK	1
6	0309-00431	MAT, HINGE BACKING	1
7	0309-00640	TUBE, STABALIZER LINKSBACK	2
8	0309-00641	STRAP, BAG HOLDER LINKSBACK	2
9	0309-00644	BASKET, PLASTIC LH LINKSBACK	1
10	0309-00774	LID LINKSBACK	1
11	0520-00158	RIVET, POP - 3/16 ALUM .25 GRIP X .375 FLANGE DIA. BLK FINISH	3
12	0523-00032	SCREW, HEX WHSD 1/4 X .75 ZN WASHER HD SELF DRILLING	8
13	0523-00074	SCREW, T/S TYPE A OVAL PHIL #12 X 1 LG 18-8 SST	4
14	0523-00176	SCREW, HEX - WHSD #6 X 3/4 ZINC PLATED WSHR HD SELF DRILLING	4
15	0523-00190	SCREW, PHIL PAN PAN HEAD-#8 X 1 SLF THRD BLACK ZINC	10
16	0524-00189	WASHER, FLAT .187 ID X .625 OD X .062 THK STL ZN BLK	7
17	0609-00054	BOOT, RUBBER - PAK LEG	2
18	0609-00166	BASKET, WIRE LINKSBACK	1
19	0609-00167	BUCKLE, BAG RETAINER LINKSBACK	2
20	0609-00168	HINGE, LID - LINKSBACK	1



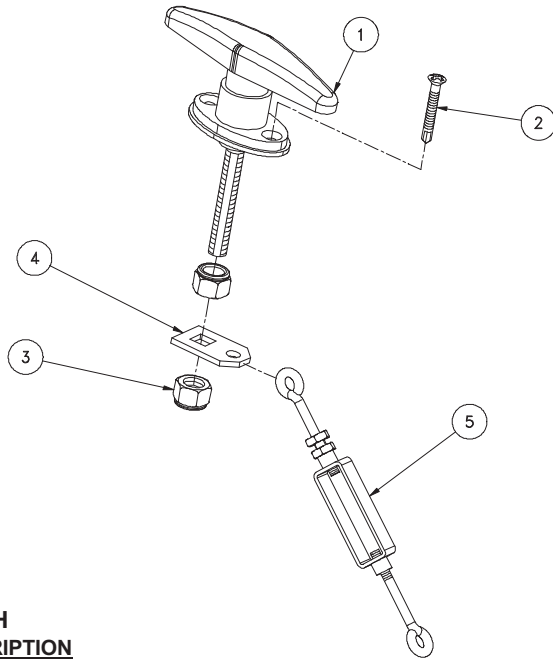
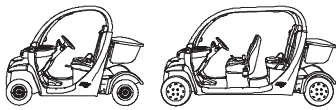
**ASSY, LOWER FRAME - LINKSBACK**

ITEM	PART NO.	DESCRIPTION	QTY.
1	0209-00436	WLD, FRAME - LOWER LINKSBACK	1
2	0309-00404	BASE, BAG - LINKSBACK	1
3	0309-00642	PAD, BAG HOLDER - LH	1
4	0309-00643	PAD, BAG HOLDER - RH	1
5	0523-00190	SCREW, PHIL PAN HEAD- #8 X 1 SLF THRD BLACK	4
6	0524-00189	WASHER, FLAT 0.187 ID X 0.625 OD X 0.062 THK STL ZN BLK	4



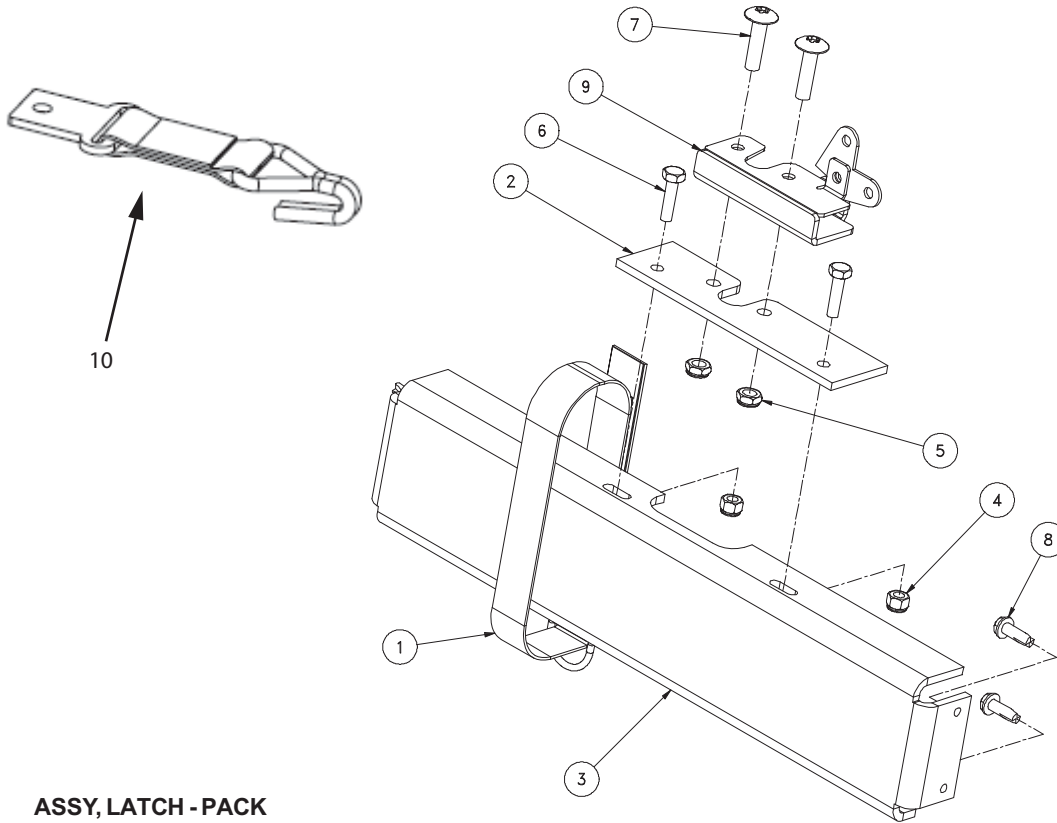
**ASSY, FRAME MOUNT - LINKSBACK**

ITEM	PART NO.	DESCRIPTION	QTY.
1	0209-00435	WLD, FRAME MOUNT - LINKSPAK	1
2	0307-02307	STRAP, PACK - SAFETY	1
3	0521-00050	NUT, HEX - NYLOCK 1/4-20 UNC GR5	1
4	0522-00369	BOLT HEX - 1/4 - 20 UNC X 0.75 GR5 ZN	1
5	0609-00054	BOOT, RUBBER - PAK LEG	2



**ASSY, T - HANDLE - PACK LATCH**

ITEM	PART NO.	DESCRIPTION	QTY.
1	0609-00068	HANDLE, LOCK - SWIVEL PAK	1
2	0523-00200	SCREW, TEK - PHI OVL #8-18 X 1 1/4 #2 PT --	2
3	0521-00194	NUT, HEX - SERRATED FLANGE 3/8 - 24 ZN	2
4	N/A	TAB, TURNBUCKLE - PAK RELEASE (INCLUDED WITH ITEM 5)	1
5	0609-00098	ASSY, TURNBUCKLE PACK - RELEASE	1

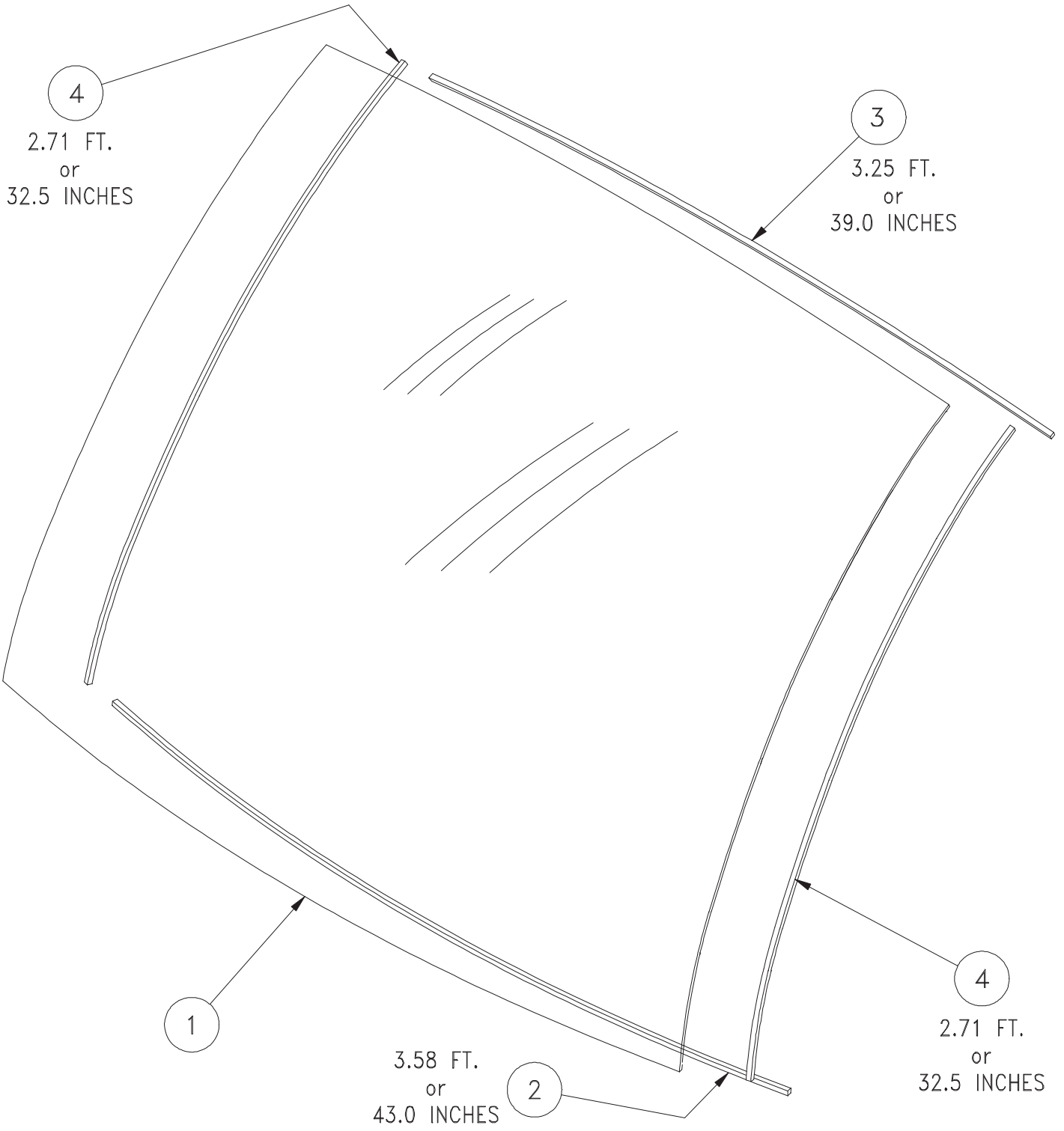
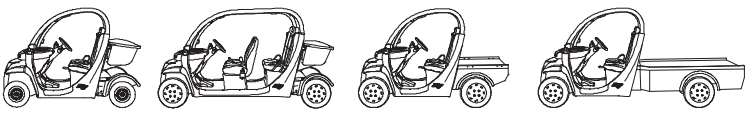


**ASSY, LATCH - PACK**

ITEM	PART NO.	DESCRIPTION	QTY.
1*	N/A	ASSY, STRAP - PAK - SAFETY	1
2	0309-02330	PLATE, LATCH MOUNT	1
3	0309-00284	BRACKET, LATCH MOUNT PLATE	1
4	0521-00050	NUT, HEX - NYLOCK 1/4-20 UNC GR5 ZN	2
5	0521-00251	NUT, HEX - NYLOCK L/N 5/16 - 18 NTE THIN ZN	2
6	0522-00056	BOLT, HEX - HHCS 1/4 - 20 UNC X 1.0 GR 8 ZN YL ZINC PLATED	2
7	0522-00228	BOLT, TORX HD 5/16 - 18 X 1 1/4" ZN PL	2
8	0523-00032	SCREW, HEX - WHSD 1/4 X .75 ZN --	5
9	0609-00045	LATCH, PACK --	1
10	0307-02307	STRAP, PACK- SAFETY	1

\*NO LONGER AVAILABLE, SEE ITEM 10

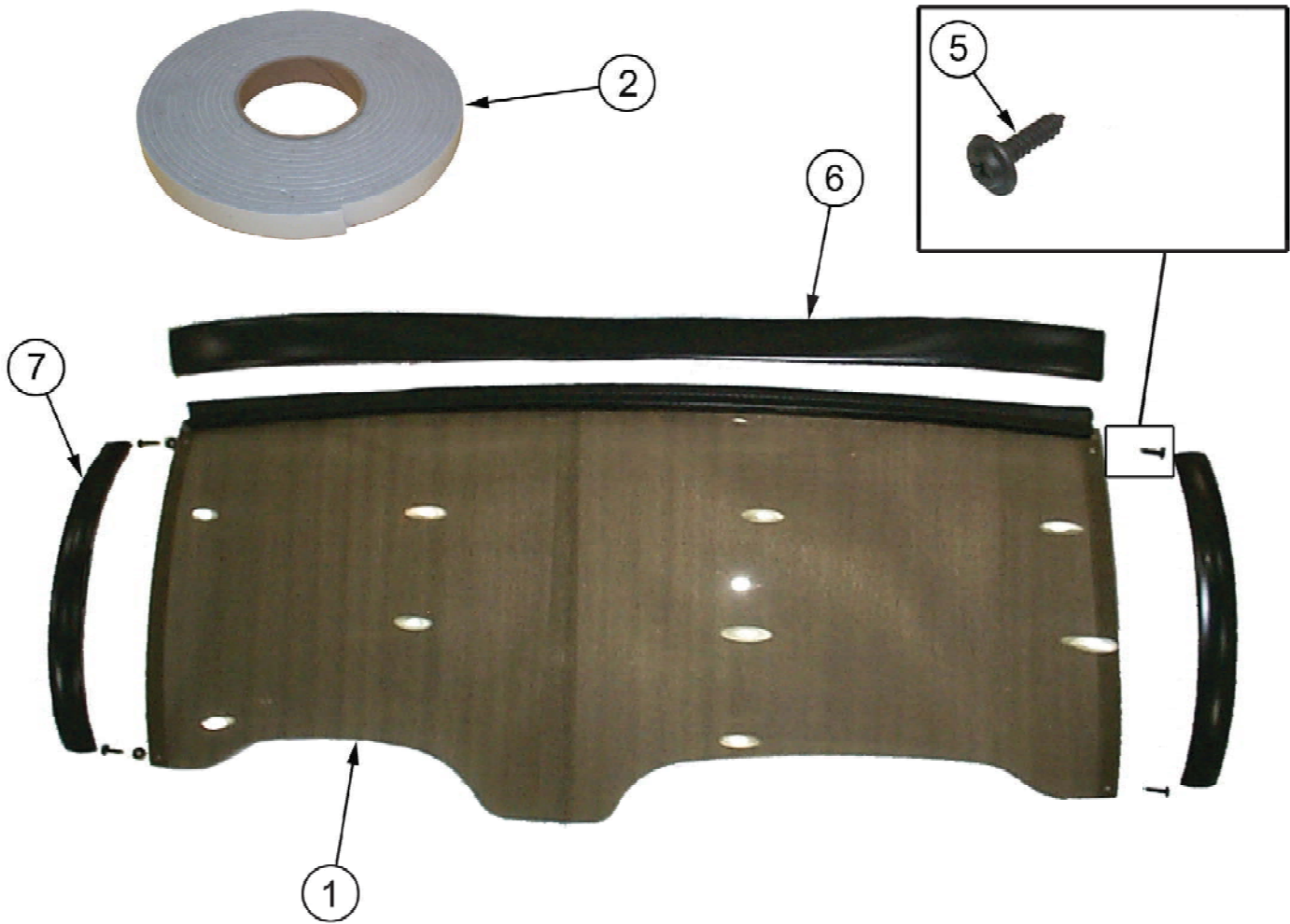




**ASSY, WIND SHEILD**

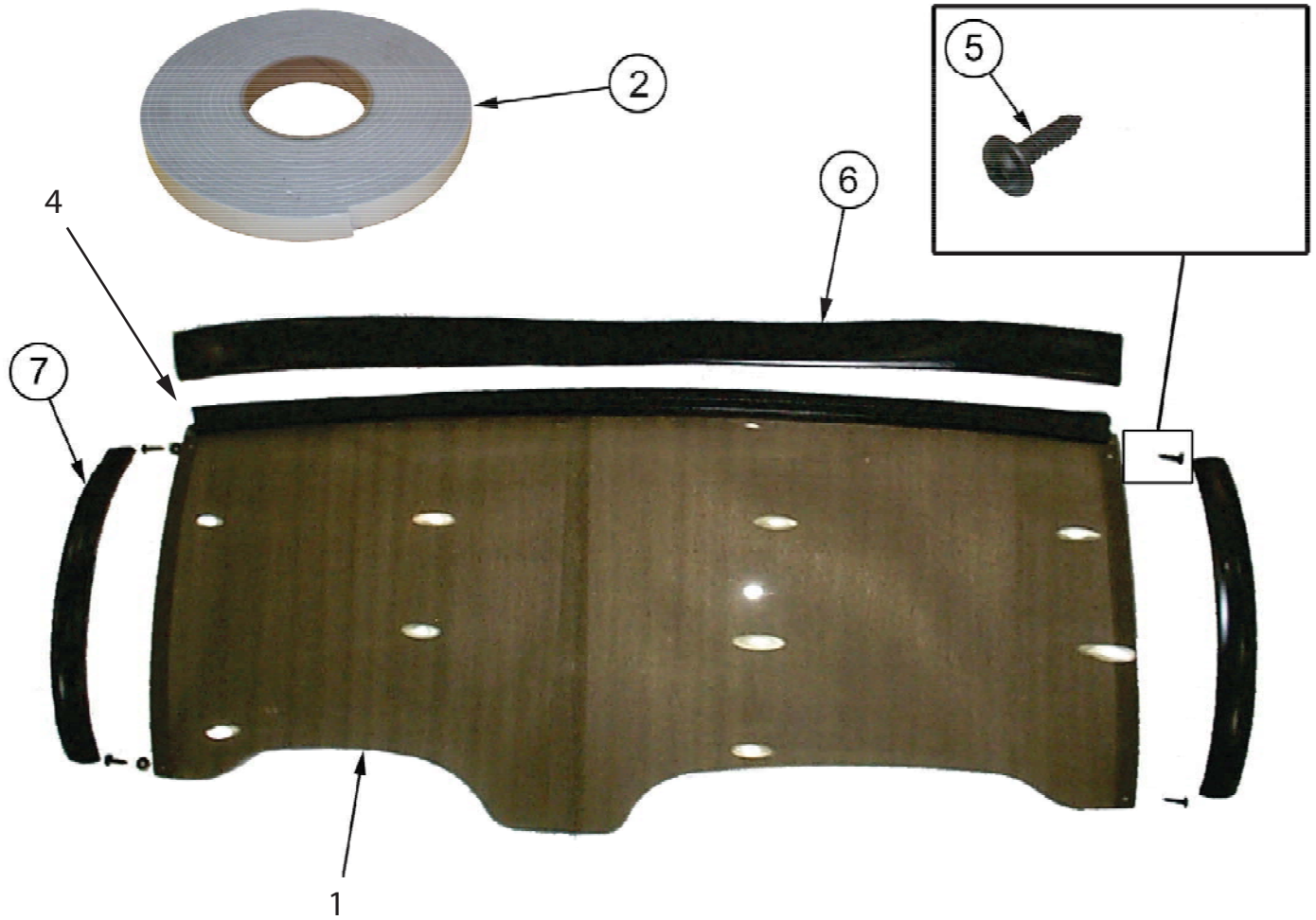
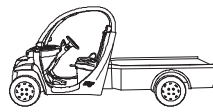
<u>ITEM</u>	<u>PART NO.</u>	<u>DESCRIPTION</u>	<u>QTY.</u>
1	0304-00170	SHIELD, WIND	1
*2	0417-00065	STRIP, WEATHER LOWER WINDSHIELD	1
*3	0417-00065	STRIP, WEATHER UPPER WINDSHIELD	1
*4	0417-00065	STRIP, WEATHER SIDE	2

\* For any or all of items 2, 3, & 4, use 0417-00065 FOAM, VINYL - PVC VF-5600 SERIES .250 X .250 X 50 FT ROLL (Sold Only as Entire Roll)



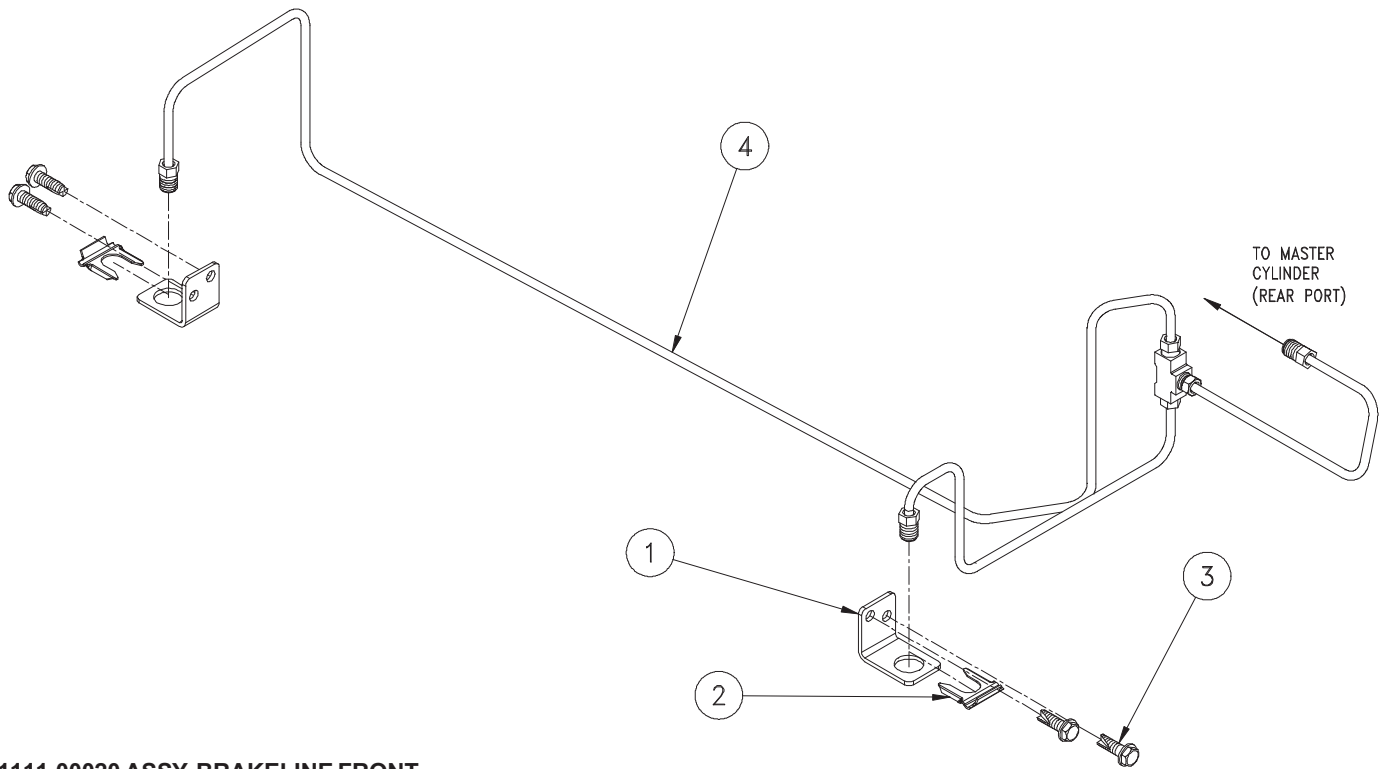
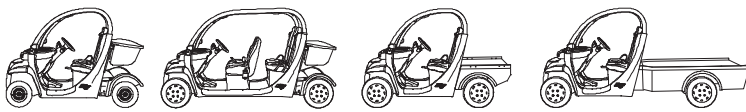
**0105-00959 ASSY, REAR WINDOW - 4 PASS HARD DOOR - SERVICE**

<u>ITEM</u>	<u>PART NO.</u>	<u>DESCRIPTION</u>	<u>QTY.</u>
1	0305-01025	ASSY, REAR WINDOW- 4 PASS	1
2	0417-00066	STRIP, VINYL - FOAM1	1
4	0417-00247	SEAL, REAR WINDOW	4 FT
5	0523-00672	SCREW, REAR WINDOW MOUNTING	4
6	0417-00194	MOLDING, REAR WINDOW, TOP	4 FT
7	0417-00067	MOLDING, REAR WINDOW, SIDE	3 FT



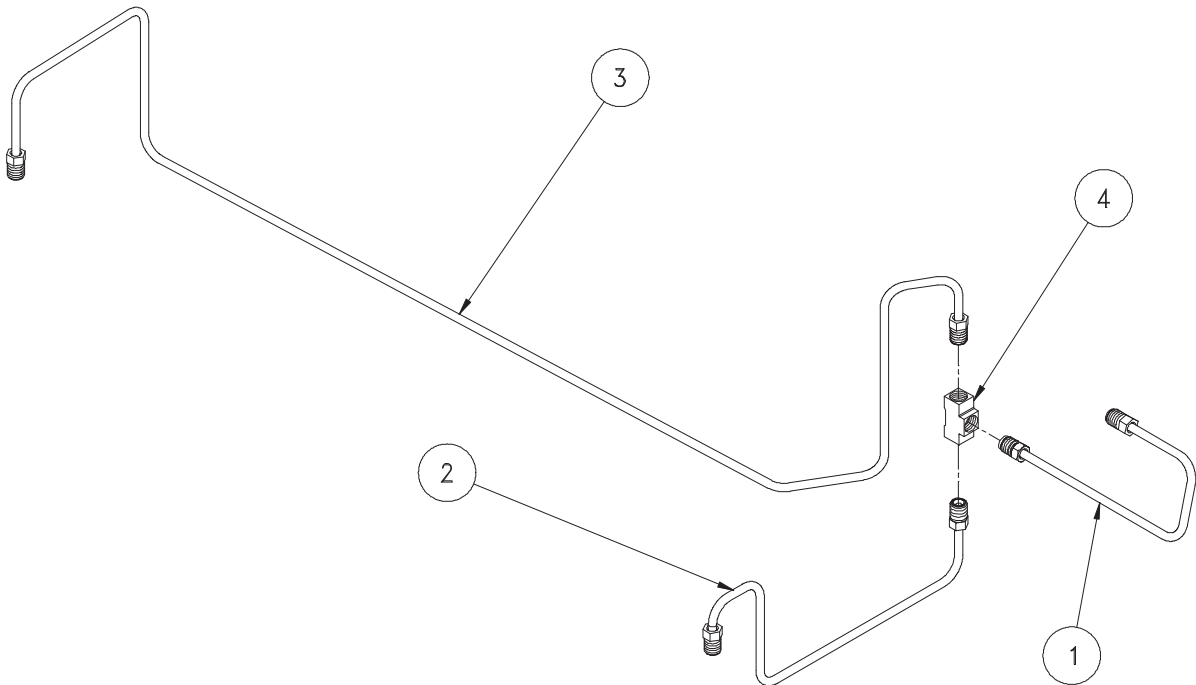
**ASSY, REAR WINDOW - 2P HARD DOOR-SERVICE**

<u>ITEM</u>	<u>PART NO.</u>	<u>DESCRIPTION</u>	<u>QTY.</u>
1	0305-01026	ASSY, REAR WINDOW- 2 PASS	1
2	0417-00066	STRIP, VINYL - FOAM	1
4	0417-00247	SEAL, REAR WINDOW	4 FT
5	0523-00672	SCREW, REAR WINDOW MOUNTING	4
6	0417-00294	MOLDING, REAR WINDOW, TOP	4 FT
7	0417-00067	MOLDING, REAR WINDOW, SIDE	3 FT



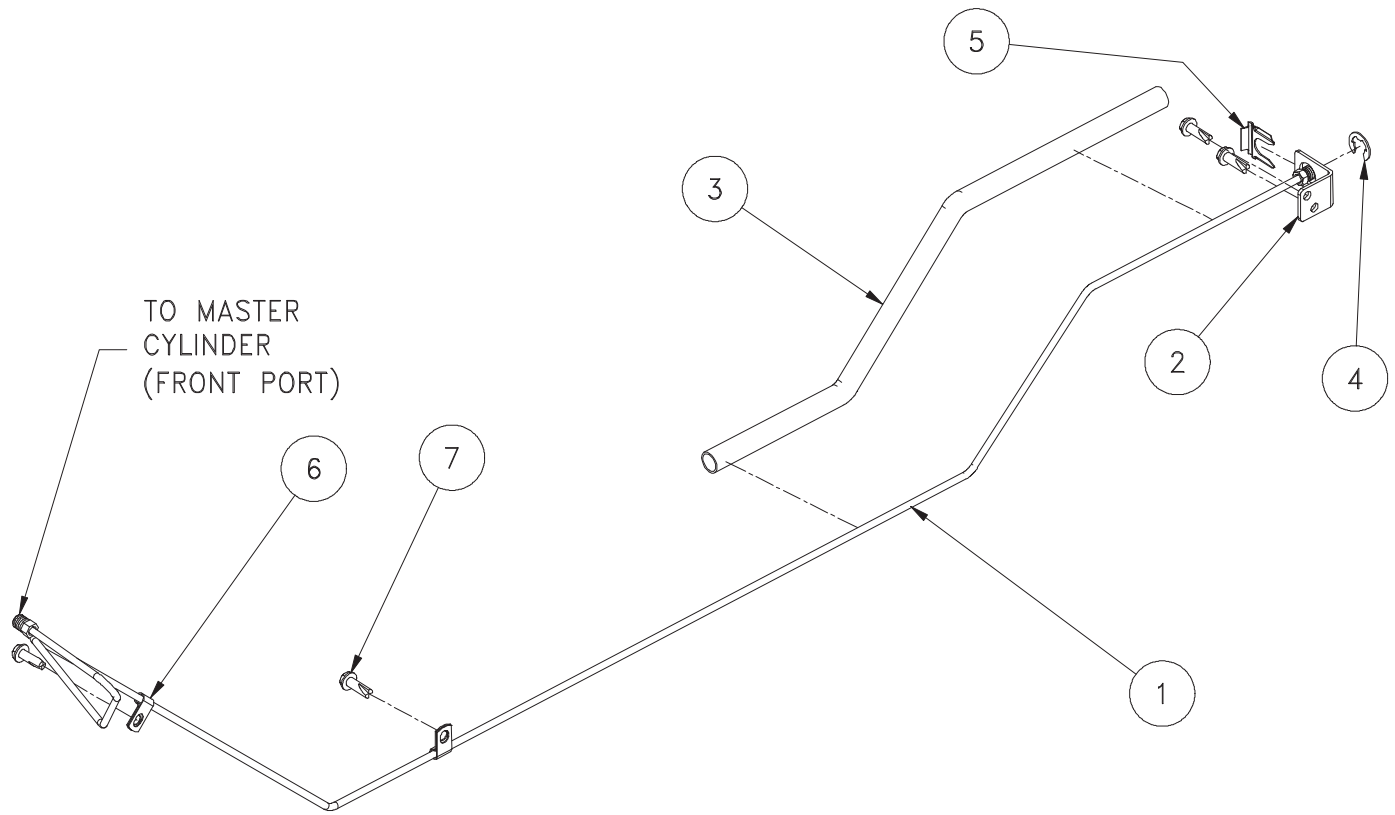
**1111-00020 ASSY, BRAKELINE FRONT**

<u>ITEM</u>	<u>PART NO.</u>	<u>DESCRIPTION</u>	<u>QTY.</u>
1	0311-00533	BRACKET, BRAKE HOSE	2
2	0510-00169	CLIP, HORSE SHOE	2
3	0523-00032	SCREW, HEX - WHSD 1/4 X .75 ZN	4
4	0111-00265	ASSY, BRAKELINE - STEEL FRONT	1



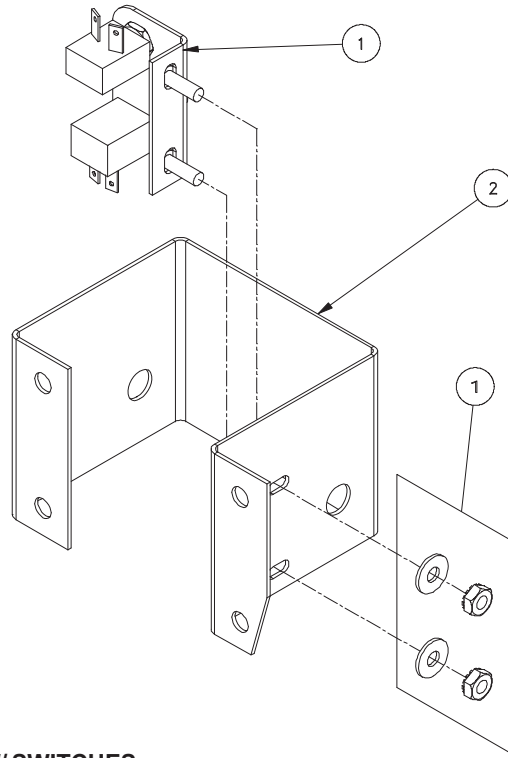
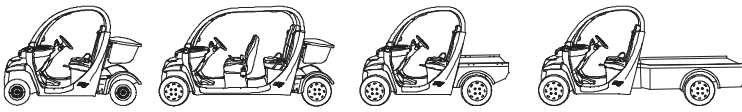
**ASSY, BRAKELINE - STEEL FRONT**

<u>ITEM</u>	<u>PART NO.</u>	<u>DESCRIPTION</u>	<u>QTY.</u>
1	0111-00263	ASSY, BRAKE LINE - FRONT (MC TO TEE)	1
2	0111-00264	ASSY, BRAKE LINE - FRONT LH (LH BRKT TO TEE)	1
3	0111-00265	ASSY, BRAKE LINE - FRONT CROSSOVER (TEE TO RH BRKT)	1
4	0611-00132	FITTING, TEE UNION	1



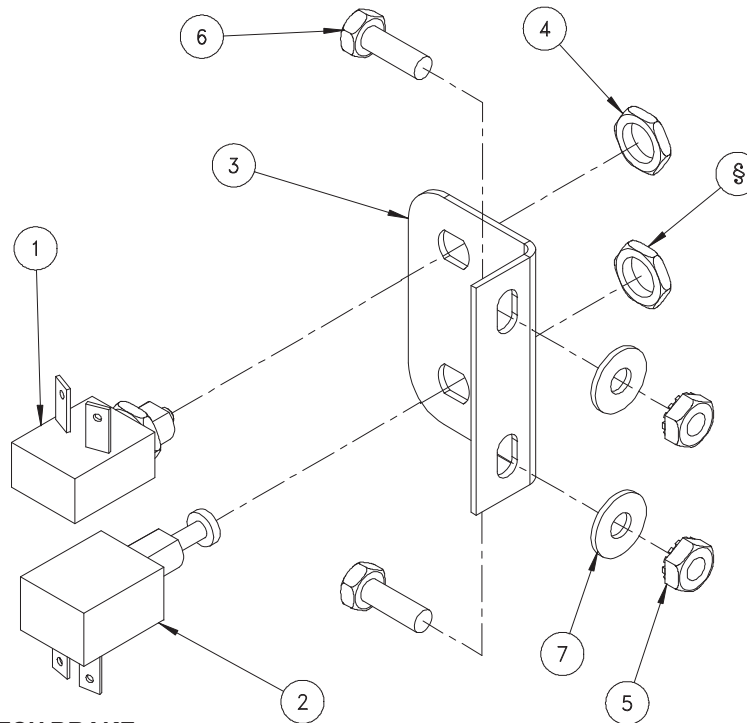
**ASSY, BRAKE LINE - REAR - 2 PASS**

<u>ITEM</u>	<u>PART NO.</u>	<u>DESCRIPTION</u>	<u>QTY.</u>
1	0111-00267	ASSY, BRAKELINE - REAR ( MC TO BRKT)	1
2	0311-00533	BRACKET, BRAKE HOSE	1
3	0319-00534	HOSE, COVER	1
4	0510-00018	CLIP, E - 7/16 SHAFT	1
5	0510-00169	CLIP, HORSE SHOE	1
6	0510-00171	CLAMP, P - 3/8 WIRE	2
7	0523-00032	SCREW, HEX - WHSD 1/4 X .75 ZN	4



**ASSY, BRAKE PEDAL BRACKET W/ SWITCHES**

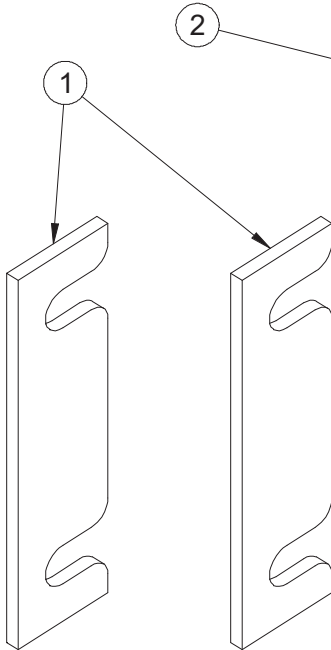
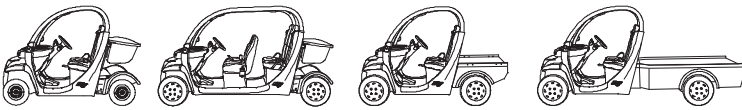
<u>ITEM</u>	<u>PART NO.</u>	<u>DESCRIPTION</u>	<u>QTY.</u>
1	-	ASSY, SWITCH BRAKE (SEE BELOW FOR BREAKDOWN)	1
2	0311-00077	BRKT, BRAKE PEDAL	1




**ASSY, SWITCH BRAKE**

<u>ITEM</u>	<u>PART NO.</u>	<u>DESCRIPTION</u>	<u>QTY.</u>
1	0306-00107	SWITCH, BRAKE LAMP	1
2	0306-00108	SWITCH, BRAKE FAILURE - WARNING	1
3	0311-00105	BRKT, SWITCH - BRAKE	1
4	0521-00013	NUT, HEX - PANEL ZINC PLATED	1
5	0521-00071	NUT, KEPS - 1/4 - 20 UNC ZINC PLATED	2
6	0522-00179	BOLT, HEX 1/4-20 UNC X .75 LG SERATED WASHER HD	2
7	0524-00062	WASHER, FLAT - 1/4 .282 ID X .715 OD X .063 THK ZINC PLATED	2

§ THIS PART COMES AS AN ASSEMBLY OF ITEM #2 AND IS SHOWN EXPLODED FOR ASSEMBLY REFERENCE





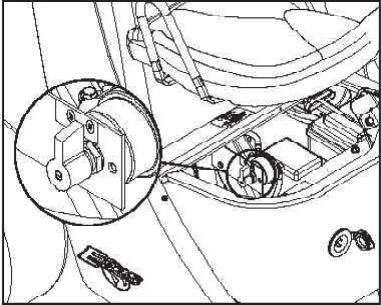
**Global Electric Motorcars, LLC**  
A DaimlerChrysler Company

### INSTRUCTIONS

**Product:** GEM Electric Motorcars  
**Models:** All  
**Subject:** Instructions for installing Brake Pedal Bracket Spacer  
**Effected V.I.N. Range:** 017490 & Lower  
**Effected Mfg. Date Range:** 12/17/01 & Earlier  
**Estimated Completion Time:** .50 Hour  
**Associated Documents:** 1010-00056  
**Parts:** See Page # 5

REQUIRED TOOLS & SUPPLIES:	
(1) Ratchet	(1) 1/2" Open End Wrench
(1) 3/8" Socket	(1) Flashlight or Trouble Light
(1) 1/2" Socket	(1) Hydraulic Jack
(1) 7/16" Socket	(2) Jack-Stands
(1) Med. Phillips Screw-driver	
(1) Torque Wrench	

1. Remove bench seat cushion (rear bench seat cushion for 4 passenger vehicles) to access the Master Disconnect switch. Switch master disconnect off. (See Fig. # 1.



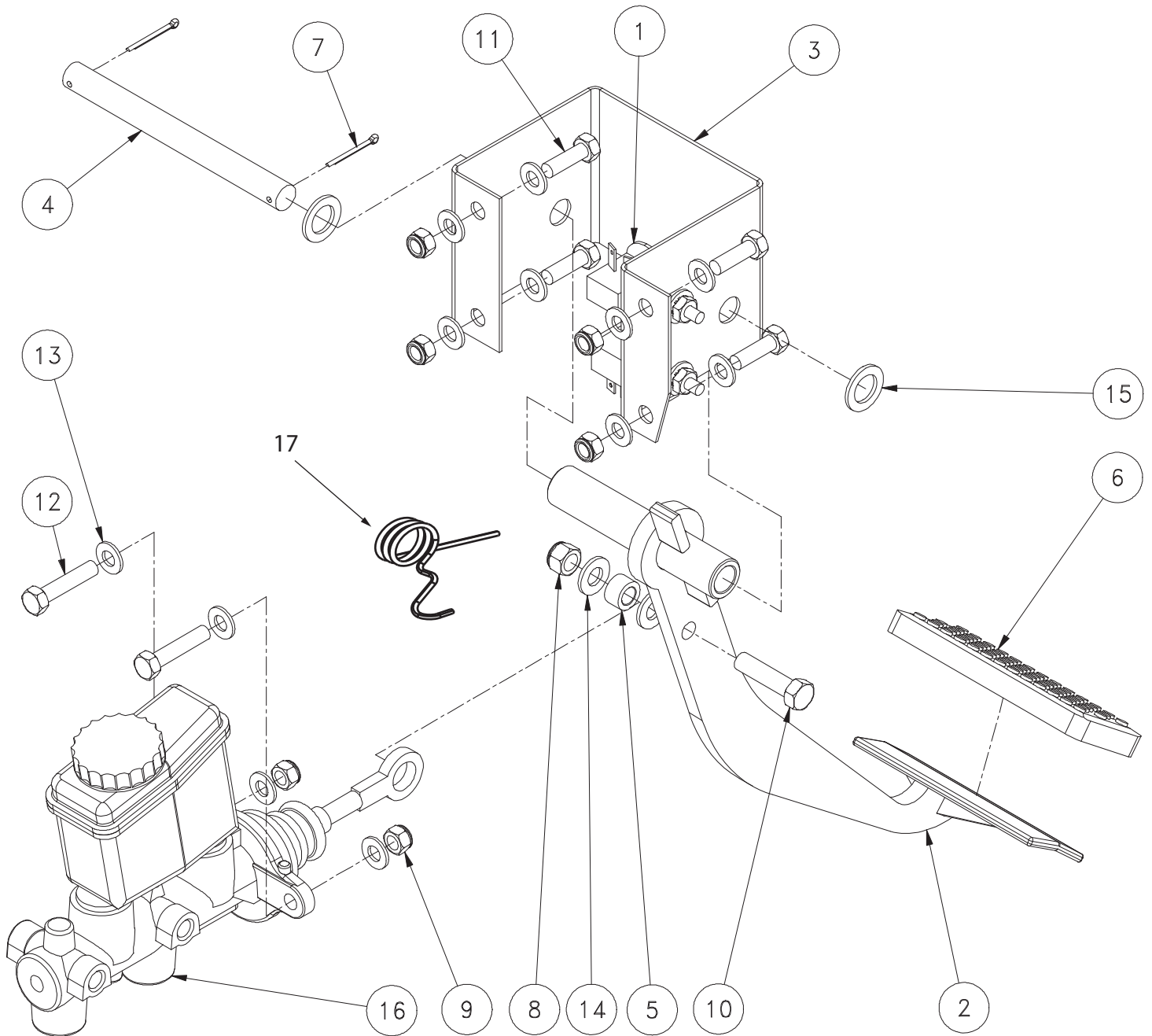
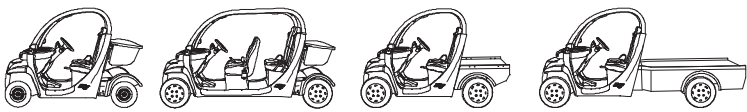
*Fig. # 1 Switch master disconnect off*

**IMPORTANT**

**Before completing any service work:** Decide if the vehicle falls within the V.I.N. Range. If the vehicle "does not" fall within the V.I.N. range (See **INSPECTION**., Step "A"). If the vehicle "does" fall within the V.I.N. range, inspect the

**ASSY, SERVICE KIT - HYDRAULIC BRAKE SPACERS**

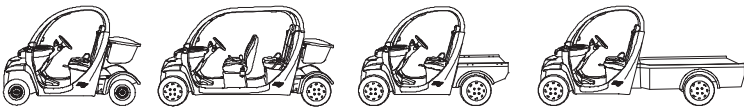
ITEM	PART NO.	DESCRIPTION	QTY.
1	0311-00944	SPACER, BRAKE PEDAL BRACKET	2
2	1010-00058	INSTRUCTION, BRAKE PEDAL BRACKET SPACER INSTALLATION	1



**ASSY, MASTER CYLINDER & BRAKE PEDAL BRACKET W/ SWITCHES**

<u>ITEM</u>	<u>PART NO.</u>	<u>DESCRIPTION</u>	<u>QTY.</u>
1	0106-00230	ASSY, SWITCH BRAKE (SEE FOLLOWING PAGE FOR PART BREAKDOWN)	1
2	0211-00116	WLDMT, BRAKE PEDAL	1
3	0311-00077	BRKT, BRAKE PEDAL	1
4	0311-00684	SHAFT, BRAKE PEDAL	1
5	0311-00089	BUSHING, PUSH ROD MNT	1
6	0311-00285	PAD, BRAKE PEDAL	1
7	0510-00007	PIN, COTTER 3/32 X 1.0 LONG	1
8	0521-00010	NUT, HEX - NYLOCK 3/8-16 UNC GR5 ZN	1
9	0521-00017	NUT, HEX - NYLOCK 5/16-18 UNC GR5 ZN	6
10	0522-00008	BOLT, HEX - HHCS 3/8-16 UNC x 1.5 LG GR 5 ZINC PLATED	1
11	0522-00016	BOLT, HEX - HHCS 5/16 - 18 UNC X 1.0 GR 5 ZINC PLATED	4
12	0522-00084	BOLT, HEX - HHCS 5/16 - 18 UNC X 1.5 GR 5 ZINC PLATED	2
13	0524-00003	WASHER, FLAT - 5/16 SAE .344 ID X .688 OD X .065 THK ZN	12
14	0524-00009	WASHER, FLAT - 3/8 SAE .406 ID X .8125 OD X .080 THK ZN	2
15	0524-00153	WASHER, FLAT - 5/8 MACH BUSHING 5/8 ID X 1.0 OD X .080 ZN	1
16	0611-00411	CYLINDER, MASTER	1
17	0611-00684	SPRING, TORSION BRAKE PEDAL	1





**WARNING**

- Read the Owners Manual before operating this vehicle
- This is a (4) passenger vehicle
- Operate the vehicle by authorized person only and from driver's side only
- Do not start the vehicle until all people are seated
- Stop the vehicle before reversing direction (be aware of small children and objects)
- Always use the turf setting when on the golf course
- Avoid sharp turns on steep inclines and at high speeds (may cause tip over)
- This is an open vehicle, keep arms and legs inside vehicle at all times
- Shall not be operated at a speed of more than twenty five miles per hour (25 mph)
- Shall not be driven on a highway that has a posted speed limit of more than thirty five miles per hour (35 mph)
- Drive with safety and wear seat belts (failure to do so may cause severe injury or death)
- Reduce speed on wet and slippery surfaces and in turns
- Do not leave children unattended in vehicle
- Do not operate this vehicle while under the influence of alcohol, drugs or medication
- Set handbrake before leaving vehicle
- Remove key when leaving vehicle unattended
- Check your local law and regulations (city and state)

0350-00648

**WARNING**

- Read the Owners Manual before operating this vehicle
- This is a (2) passenger vehicle
- Operate the vehicle by authorized person only and from driver's side only
- Do not start the vehicle until all people are seated
- Stop the vehicle before reversing direction (be aware of small children and objects)
- Always use the turf setting when on the golf course
- Avoid sharp turns on steep inclines and at high speeds (may cause tip over)
- This is an open vehicle, keep arms and legs inside vehicle at all times
- Shall not be operated at a speed of more than twenty five miles per hour (25 mph)
- Shall not be driven on a highway that has a posted speed limit of more than thirty five miles per hour (35 mph)
- Drive with safety and wear seat belts (failure to do so may cause severe injury or death)
- Reduce speed on wet and slippery surfaces and in turns
- Do not leave children unattended in vehicle
- Do not operate this vehicle while under the influence of alcohol, drugs or medication
- Set handbrake before leaving vehicle
- Remove key when leaving vehicle unattended
- Check your local law and regulations (city and state)

0350-00549

**WARNING!**

**HIGH VOLTAGE**

You could be seriously or fatally injured by electric shock if you attempt to open, repair, test, inspect or adjust. Only qualified technicians should open and service. Consult service manual.

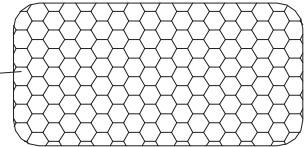
4785058

**WARNING!**

**HIGH VOLTAGE**

You could be seriously or fatally injured by electric shock if you attempt to open, repair, test, inspect or adjust. Only qualified technicians should open and service. Consult service manual.

0350-0086



**• Load capacity 100 pounds.  
• No Riders! This is not a seat.**

0350-00767

**WARNING**

**FOLLOW DIRECTIONS CAREFULLY TO AVOID INJURY**

- Position the ramps such that the three base contact the trailer floor, and the opposite ends contact the ground. The top of the edge of the ramps should be outside the guide.
- Rotate the U-shaped support pipes located on the side of the ramp, and connect them to the posts on the opposite ramp.
- Remove the lower pin in the center support legs. Lower the base until they touch the ground, and then raise the base up to the maximum height. Reinsert the pin and verify the top ends of the ramps are in contact with the trailer floor and the ground.
- Secure the ramps to the trailer using one (2) straps per ramp. Hook one end of the strap to the rings located near the center of the bottom side of the ramp. Attach the other end to the rear of the trailer and tighten just until snug. The strap should not force the ramp off of the trailer floor.

Proceed to use with GEM VEHICLES ONLY.

**CORRECT**

**WRONG**

**WRONG**

**WARNING**

**FOLLOW DIRECTIONS CAREFULLY TO AVOID INJURY**

- Position the ramps such that the three base contact the trailer floor, and the opposite ends contact the ground. The top of the edge of the ramps should be outside the guide.
- Rotate the U-shaped support pipes located on the side of the ramp, and connect them to the posts on the opposite ramp.
- Remove the lower pin in the center support legs. Lower the base until they touch the ground, and then raise the base up to the maximum height. Reinsert the pin and verify the top ends of the ramps are in contact with the trailer floor and the ground.
- Secure the ramps to the trailer using one (2) straps per ramp. Hook one end of the strap to the rings located near the center of the bottom side of the ramp. Attach the other end to the rear of the trailer and tighten just until snug. The strap should not force the ramp off of the trailer floor.

Proceed to use with GEM VEHICLES ONLY.

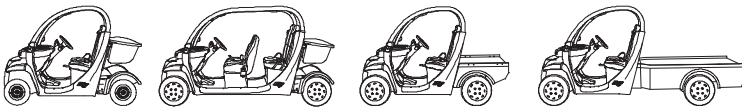
**CORRECT**

**WRONG**

**WRONG**

**DECALS, SAFETY**

ITEM	PART NO.	DESCRIPTION	QTY.
1	0350-02212	DECAL, WARNING - 4 PASSENGER	1
2	0350-02212	DECAL, WARNING - 2 PASSENGER	1
3	0650-00209	DECAL, WARNING - HIGH VOLTAGE - PSA	1
4	0610-00188	DECAL, WARNING - HIGH VOLTAGE	1
5	0350-00542	DECAL, REFLECTORS RED	1
6	0350-00767	DECAL, LOAD LIMIT - SWIVEL PACK	1
7	0350-00863	DECAL, DEALER RAMP, LH	1
8	0350-00864	DECAL, DEALER RAMP, RH	1



1

**⚠ WARNING**

- Maximum payload capacity of this vehicle is 700 lb.
- Distribute weight equally over axle.
- Do not exceed GVW of 2300 lb.
- Abuse or noncompliance will void warranty.

0350-01181

2

**⚠ WARNING**

- Maximum payload capacity of this vehicle is 330 lb.
- Distribute weight equally over axle.
- Do not exceed GVW of 1850 lb.
- Abuse or noncompliance will void warranty.

0350-01182

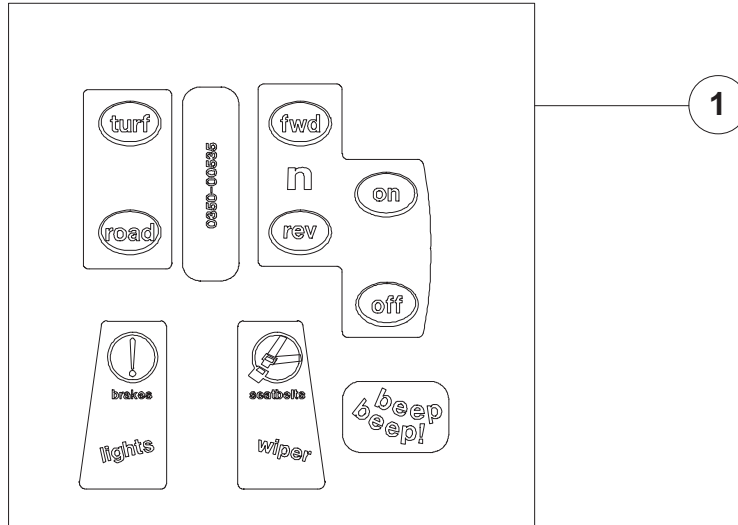
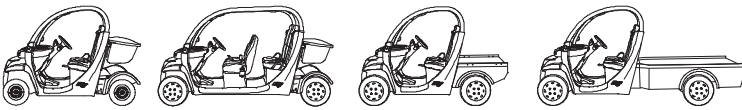
3

**⚠ WARNING**

To avoid damage to the bed do not strap or tie anything to the rails.


**DECALS, SAFETY**

<u>ITEM</u>	<u>PART NO.</u>	<u>DESCRIPTION</u>	<u>QTY.</u>
1	0350-02496	DECAL, WARNING - PAYLOAD LG UTILITY	1
1	0350-02495	DECAL, WARNING - PAYLOAD SM UTILITY	1
1	0350-01198	DECAL, BED RAIL	1



**IMPORTANT! Please read the following information**  
 This sticker is to be removed only by the customer.

- Read and understand the owner's manual before operating vehicle.
- Never haul vehicle on an open trailer, while facing backwards.
- If hauling car on an open trailer, pull at speeds of 55 mph or less. Always pull the car facing forward.
- Store vehicle with the battery disconnect switch turned off.
- Battery disconnect switch must be turned on to charge vehicle.
- Check battery water level at least once a month.
- The cargo peck attachment system utilizes a dual stage latch. For a secure attachment, ensure that the peck has latched into both stages. (Listen for two "clicks")



1-888-871-4367 Global Electric Motorcars, LLC www.gemcar.com 0350-00545

**DISCLOSURE TO LOW SPEED VEHICLE BUYER**

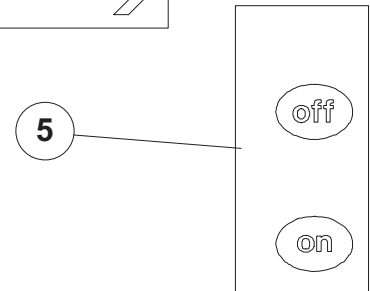
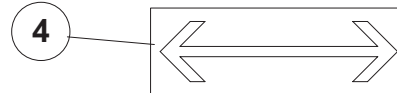
This vehicle

- Has a maximum speed of 25 miles per hour.
- May be hazard on the roadways if it impedes traffic.
- May subject the driver to citations for impeding traffic.



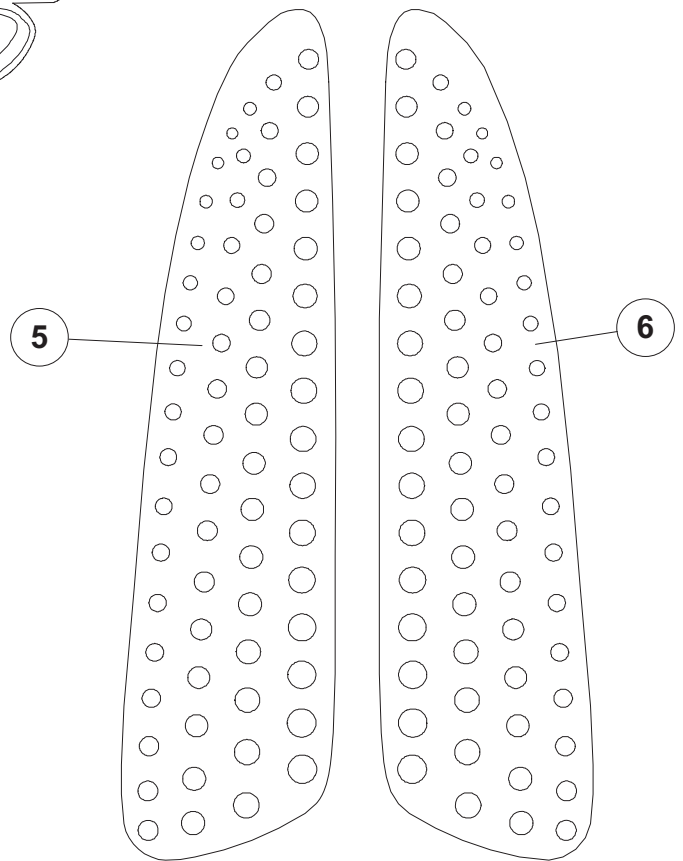
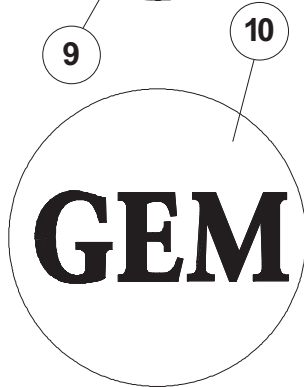
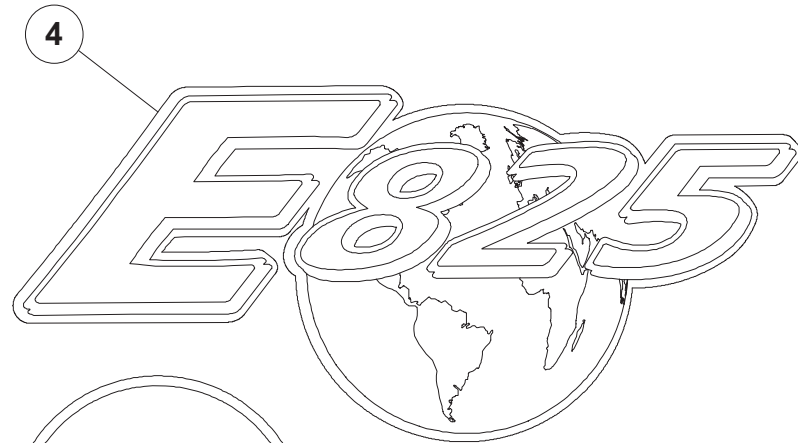
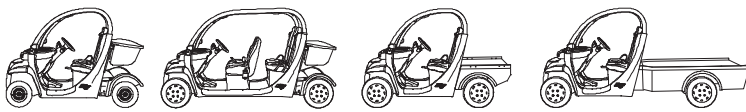
**GEM™**  
 Global Electric Motorcars, LLC  
 888-871-4367

PATENT PENDING 0350-00550 WWW.GEMCAR.COM



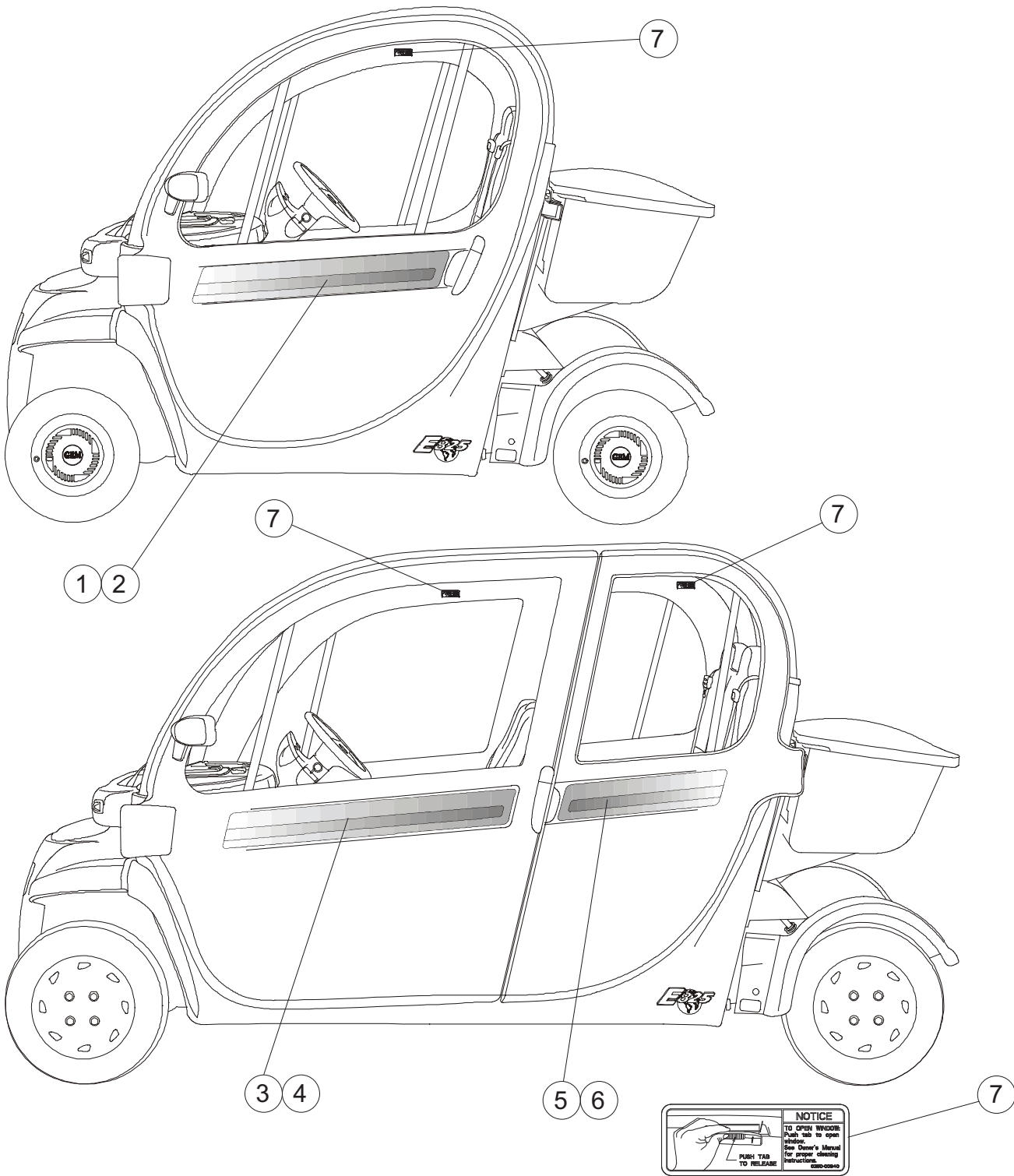
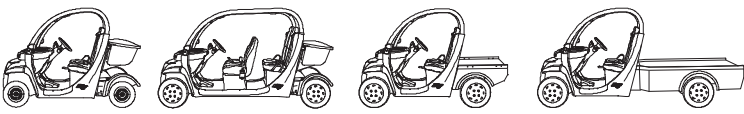
**DECALS, INFORMATIONAL**

ITEM	PART NO.	DESCRIPTION	QTY.
1	0350-00535	DECAL, I/P 72V	1
2	0350-04144	DECAL, WINDOW	1
3	0350-02209	DECAL, LOW SPEED DISCLOSURE	1
4	0350-00553	DECAL, ARROW	1
5	0350-00544	DECAL, ON-OFF	1
6	0350-04147	DECAL, GLOBAL 888 NBR	1



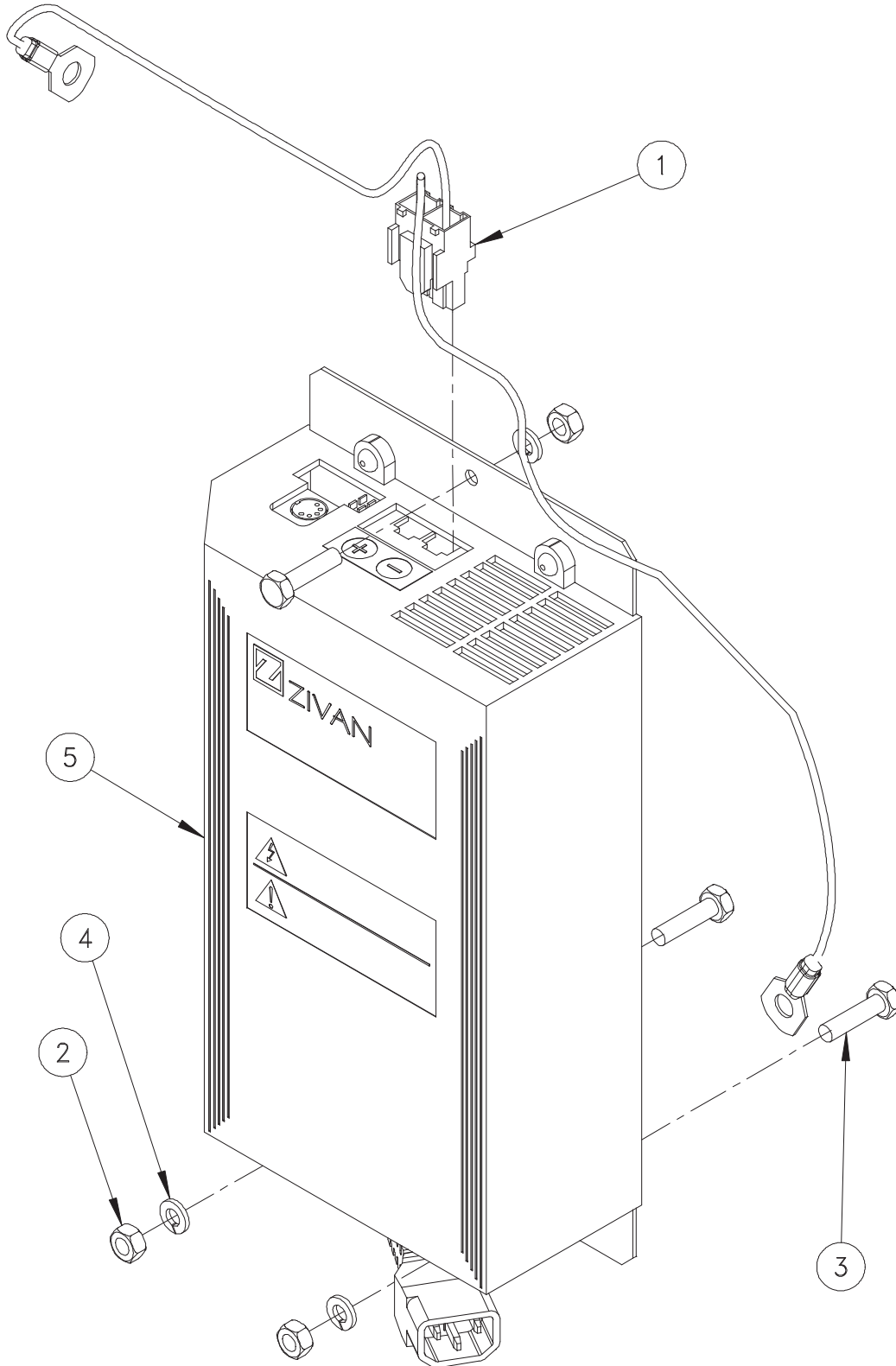
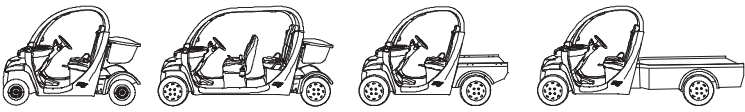
**DECALS, COSMETIC**

<u>ITEM</u>	<u>PART NO.</u>	<u>DESCRIPTION</u>	<u>QTY.</u>
1	0350-00540	DECAL, 1.875" GEM - REAR	1
4	0350-00536	DECAL, E825	1
5	0350-00538	DECAL, HOOD GRILLE - RH (ABS PLASTIC HOOD SMALLER IN SIZE THAN P/N 0350-00865)	1
6	0350-00546	DECAL, HOOD GRILLE - LH (ABS PLASTIC HOOD SMALLER IN SIZE THAN P/N 0350-00866)	1
9	0350-00554	DECAL, STEERING WHEEL	1
10	0350-00749	DECAL, HUBCAP 10"	1



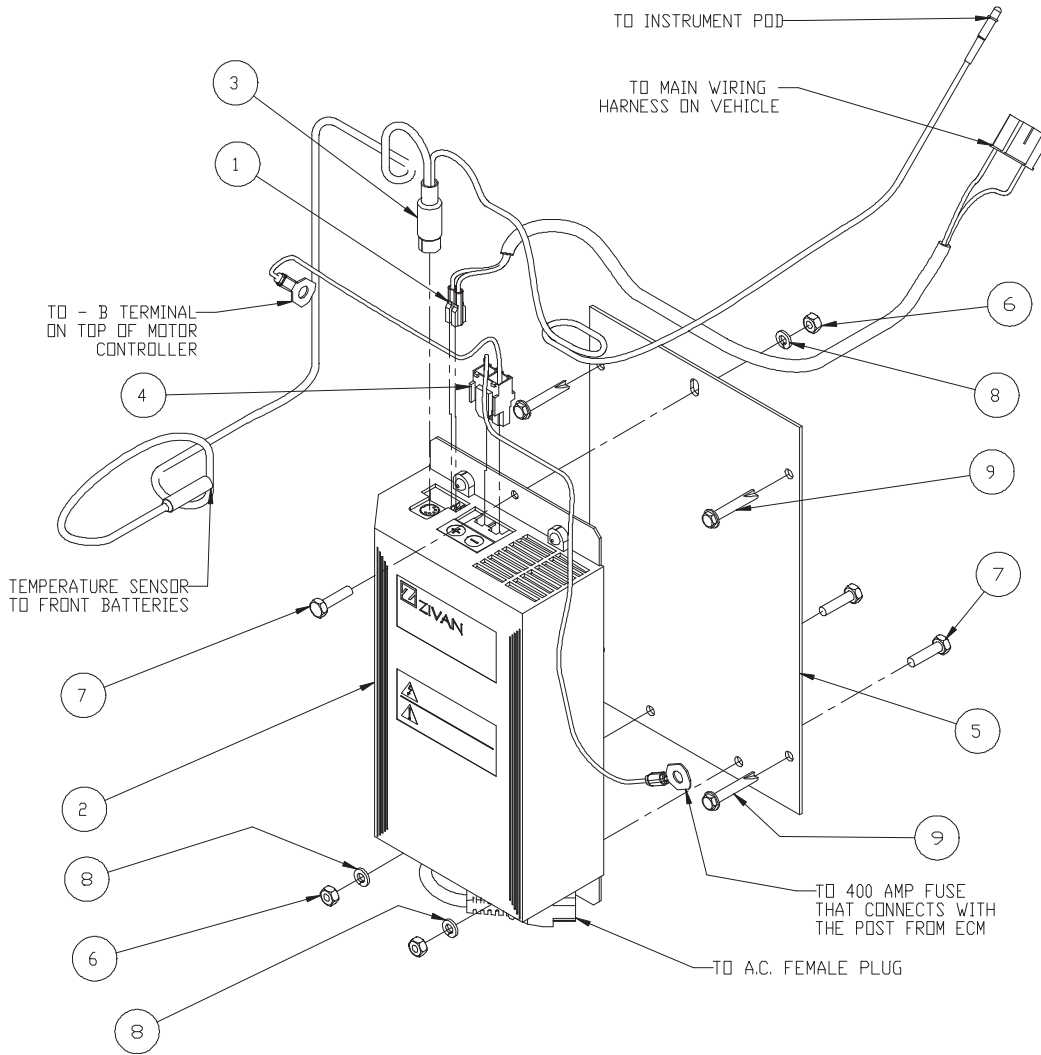
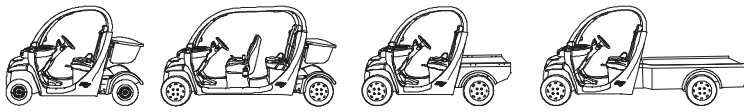
**HARD DOOR DECALS**

<b>ITEM</b>	<b>PART NO.</b>	<b>DESCRIPTION</b>	<b>QTY.</b>
1	0350-00954	DECAL, STRIPE - HARD DOOR - 2PASS LH	1
2	0350-00955	DECAL, STRIPE - HARD DOOR - 2 PASS RH	1
3	0350-00956	DECAL, STRIPE-HARD DR-4 PASS-FRONT-LH	1
4	0350-00957	DECAL, STRIPE-HARD DR-4 PASS-FRONT-RH	1
5	0350-00958	DECAL, STRIPE-HARD DR-4 PASS-REAR-LH	1
6	0350-00959	DECAL, STRIPE-HARD DR-4 PASS-REAR-RH	1
7	0350-00940	DECAL, NOTE-WINDOW OPENING INSTRUCTION (Qty. 4 NEEDED FOR 4 -PASS, & 2 NEEDED FOR 2-PASS)	1



**0106-00504 CHARGER, ZIVAN - 110 VOLT**

<u>ITEM</u>	<u>PART NO.</u>	<u>DESCRIPTION</u>	<u>QTY.</u>
1	0106-00520	ASSEMBLY, HARNESS CHARGER, ZIVAN -	1
2	0521-00099	NUT, HEX - 1/4-20 UNC GR 5 ZN ZINC PLATED -	3
3	0522-00056	BOLT, HEX - HHCS 1/4 - 20 UNC X 1.0 GR 8 ZN YL ZINC PLATED	3
4	0524-00142	WASHER, LOCK - 1/4 ZINC PLATED -	3
5	0606-00568	CHARGER, 72 VOLT 10 AMP OUTPUT 110 VOLT INPUT - ZIVAN	1



**GEM** Global Electric Motors, LLC  
A Delco/Remy Company

**INSTRUCTIONS**  
Product: GEM Electric Motors  
Model: All  
Subject: Instructions For Installing/Reinstalling  
Charger  
Estimated Completion Time: 3 Hours  
Revision: Rev 001

**REQUIRED TOOLS & SUPPLIES:**  
 (1) Flathead Screwdriver  
 (1) 1/2" Drive Socket  
 (1) 1/2" Drive Wrench  
 (1) 1/4" Drive Wrench  
 (1) 1/4" Drive Socket  
 (1) 1/4" Drive Torx  
 (1) 1/4" Drive Torx Bit  
 (1) 1/4" Drive Torx Bit

**WARNING!**  
 Disconnect the battery before working on the electrical system. Do not touch the battery terminals while the battery is connected. Do not use the battery as a power source for anything other than starting the engine.

**WARNING!**  
 High Voltage! Do not touch the battery terminals while the battery is connected. Do not touch the battery terminals while the battery is connected.

**INSTALLATION PROCEDURE:**  
 1. Remove the battery and disconnect the battery terminals. Do not touch the battery terminals while the battery is connected. Do not touch the battery terminals while the battery is connected.  
 2. Check the fuse.

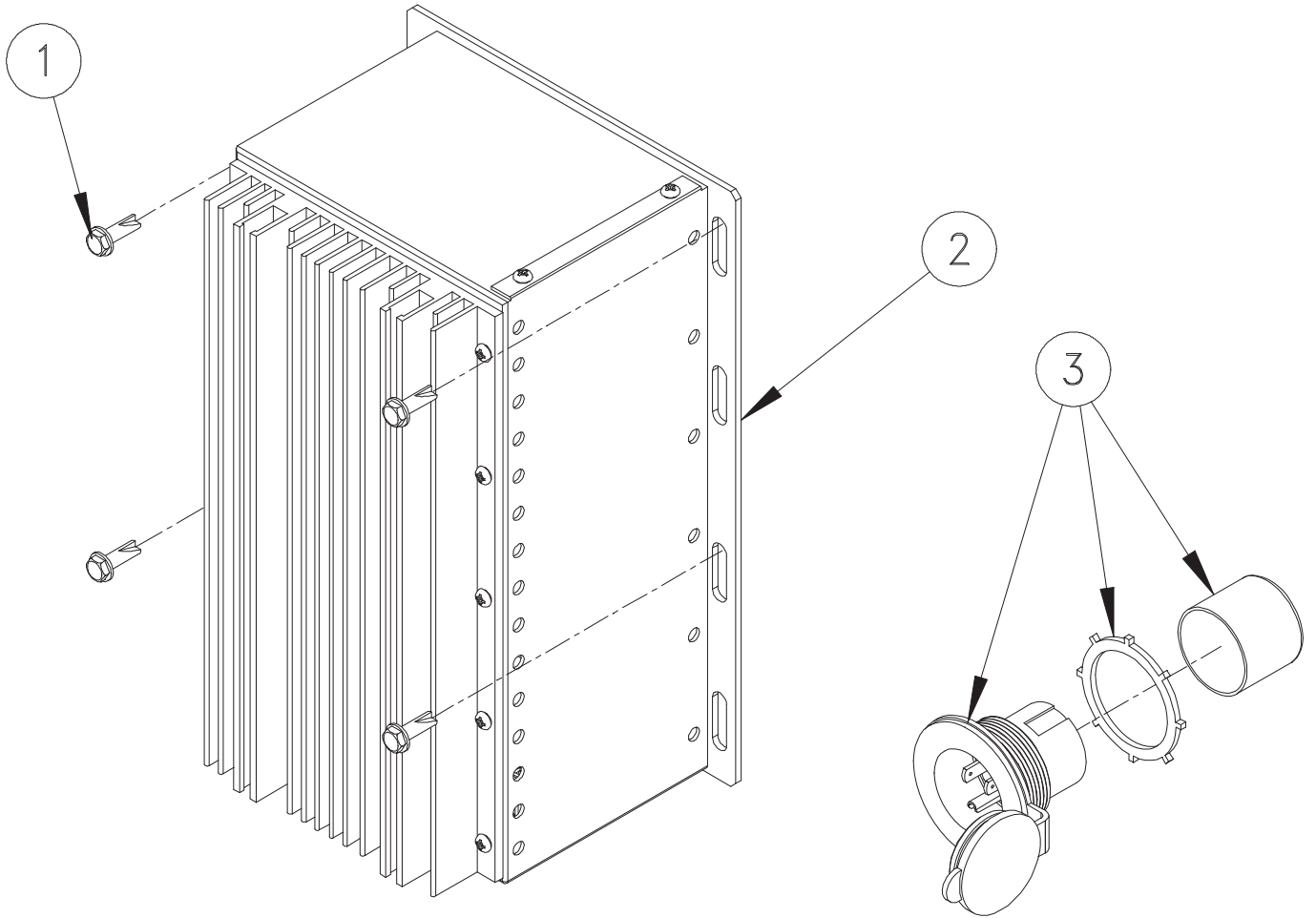
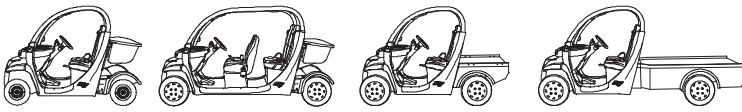
Fig. 1 Installation of the Charger  
 Fig. 2 Installation of the Charger  
 Fig. 3 Installation of the Charger  
 Fig. 4 Installation of the Charger

Page 1 of 1

**ASSY, CHARGER RETROFIT 110 VOLT**

ITEM	PART NO.	DESCRIPTION	QTY.
1	0106-00482	ASSEMBLY, HARNESS, ZIVAN CHARGER	1
2*	0606-00568	CHARGER, 72 VOLT 10 AMP OUTPUT 110 VOLT INPUT - ZIVAN	1
3	0106-00506	ASSEMBLY, HARNESS, THERMAL SENSOR	1
4	0106-00520	ASSEMBLY, HARNESS	1
5	0306-00799	PLATE, MOUNT - ZIVAN	1
6	0521-00099	NUT, HEX 1/4-20 UNC GR 5 ZINC PLTD	3
7	0522-00049	BOLT, HEX - 1/4 - 28 UNF X 1.0 GR 2	3
8	0524-00142	WASHER, LOCK - 1/4 ZINC PLATED	3
9	0523-00122	SCREW, HEX - WASHER HEAD SELF DRILL 1/4 X 1.5 ZINC PLATED	4
10	1010-00032	INSTRUCTION, ZIVAN CHARGER RETROFIT 110 AND 220	1

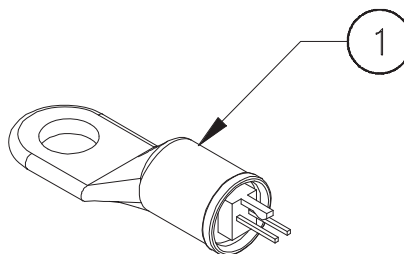
\*LIMITED AVAILABILITY



**CHARGER TYPE:, STANDARD 110 VOLT - SCHOTT**

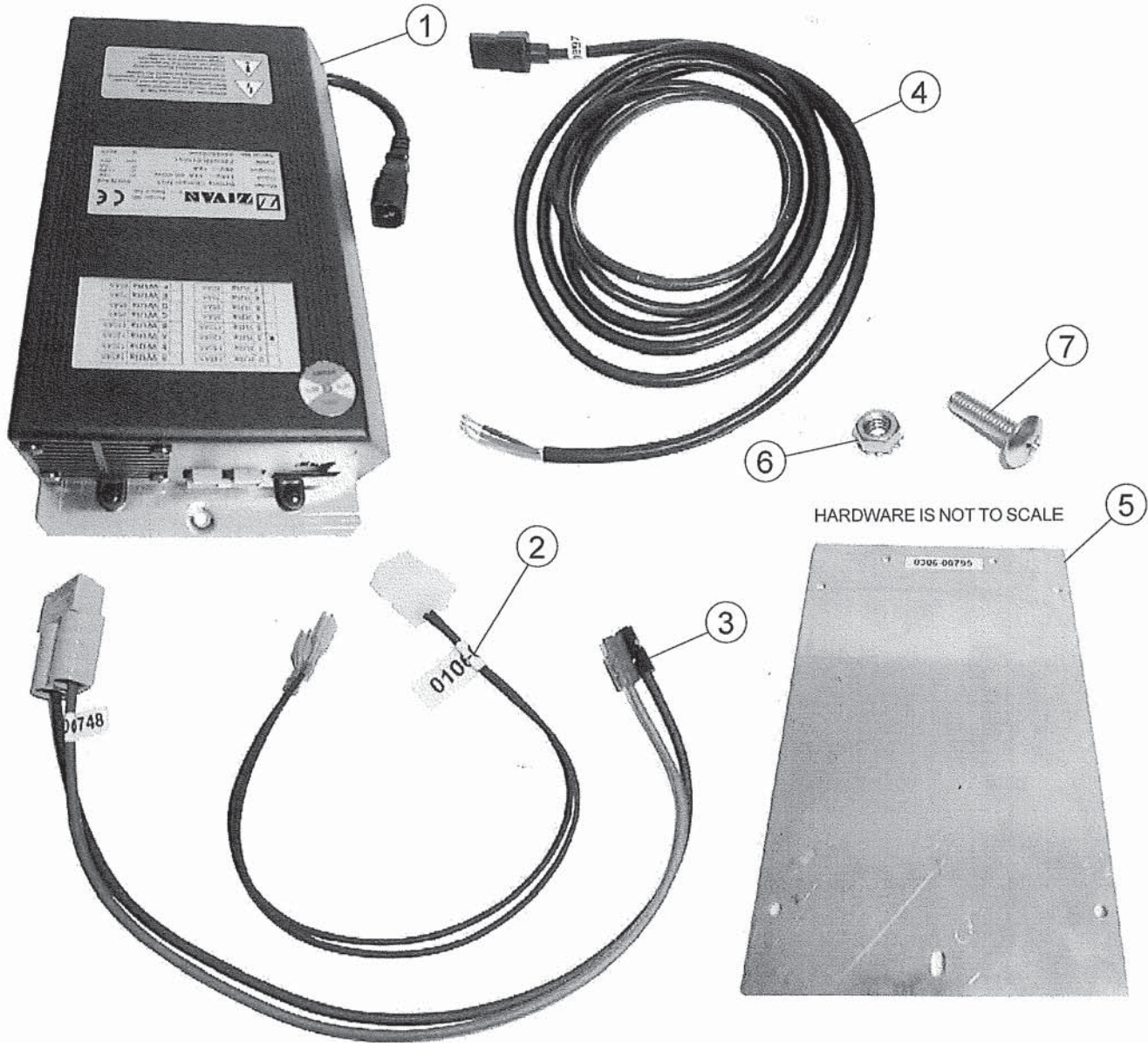
<u>ITEM</u>	<u>PART NO.</u>	<u>DESCRIPTION</u>	<u>QTY.</u>
1	0523-00032	SCREW, HEX - WASHER HEAD SELF DRILL 1/4 X .75 ZN	4
2*	N/A	CHARGER, 72 VOLT 10 AMP OUTPUT 110 VOLT INPUT (SCHOTT)	1
3	0606-00086	RECEPTACLE, CHARGER 125 VOLT 15 AMP	1
4	0106-00259	ASSY, HARNESS CHARGER INDICATOR LIGHT (NOT SHOWN)	1

\* NO LONGER AVAILABLE, ORDER # 1206-00027- RETROFIT CHARGER KIT, SCHOTT TO DELTA Q



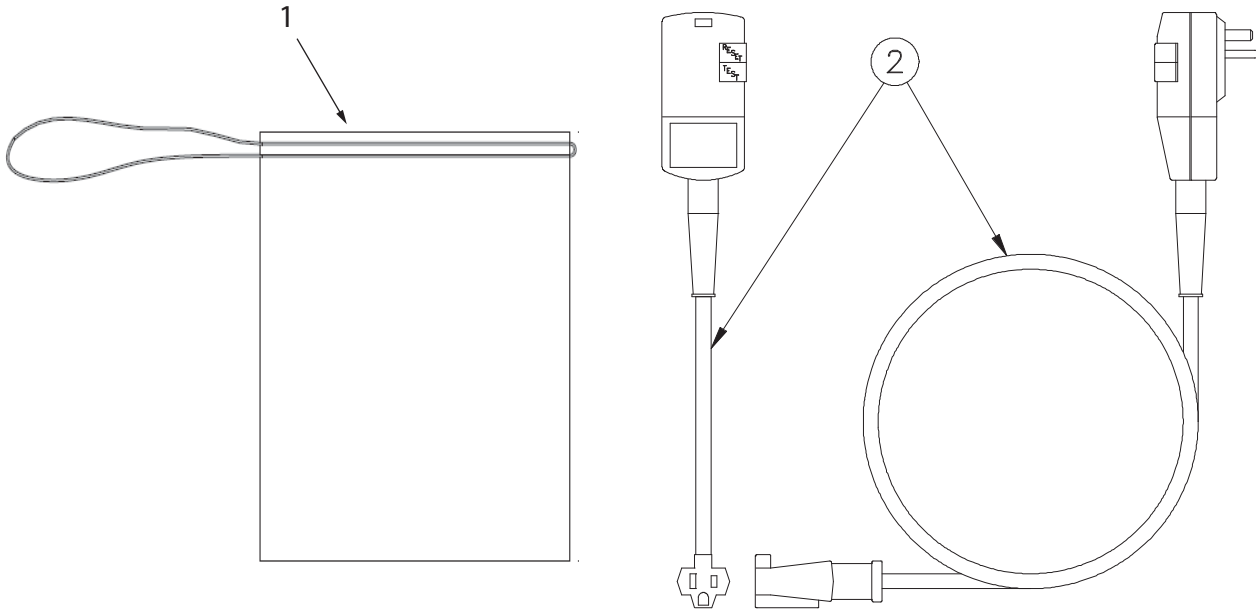
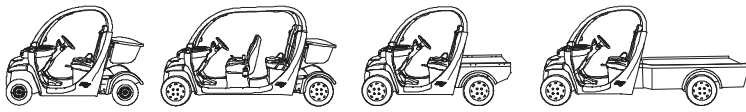
<u>ITEM</u>	<u>PART NO.</u>	<u>DESCRIPTION</u>	<u>QTY.</u>
1	0106-00293	ASSY, HEAT SENSOR - BATTERY (FOR USE WITH SCHOTT CHARGER ONLY)	1





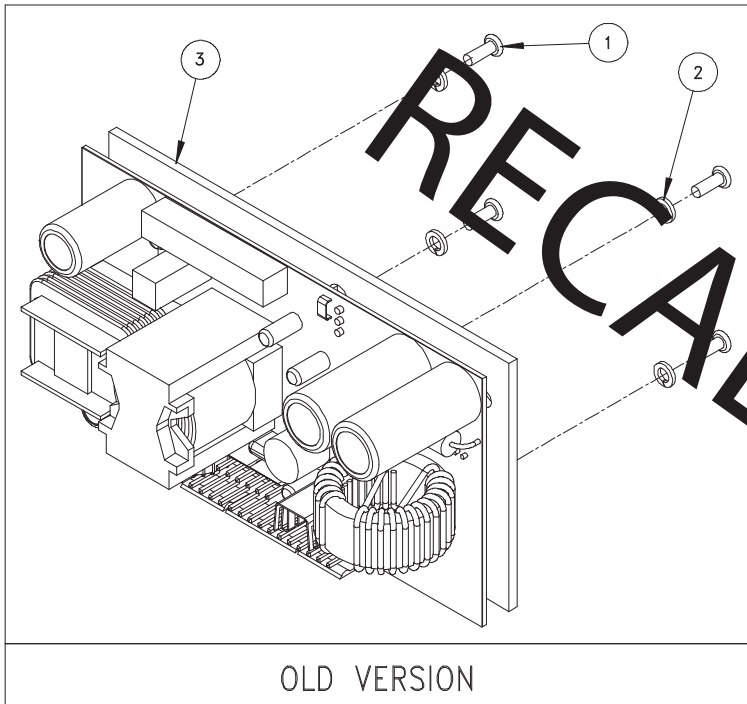
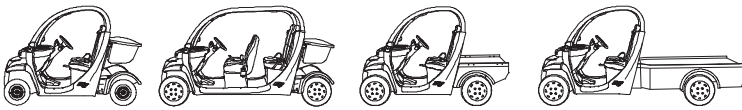
**0106-00749 KIT, CHARGER - ZIVAN - 48 VOLT - SERVICE (LIMITED AVAILABILITY)**

<u>ITEM</u>	<u>PART NO.</u>	<u>DESCRIPTION</u>	<u>QTY.</u>
1	0606-00306	CHARGER, 48 VOLT - ZIVAN	1
2	0106-00747	ASSY, JUMPER HARNESS - 48 VOLT	1
3	0106-00748	ASSY, POWER HARNESS - 48 VOLT	1
4	0306-00997	CORD, POWER - 48 VOLT A/C POWER CORD	1
5	0306-00799	PLATE, MOUNT - ZIVAN	1
6	0521-00071	NUT, KEPS - 1/4 - 20 UNC ZINC PLATED	3
7	0523-00072	SCREW, MACH-TRS HD PHL 1/4-20 UNC X 1.25	3
8	1010-00142	INSTRUCTIONS, 48 VOLT ZIVAN CHARGER INSTALLATION (NOT SHOWN)	1

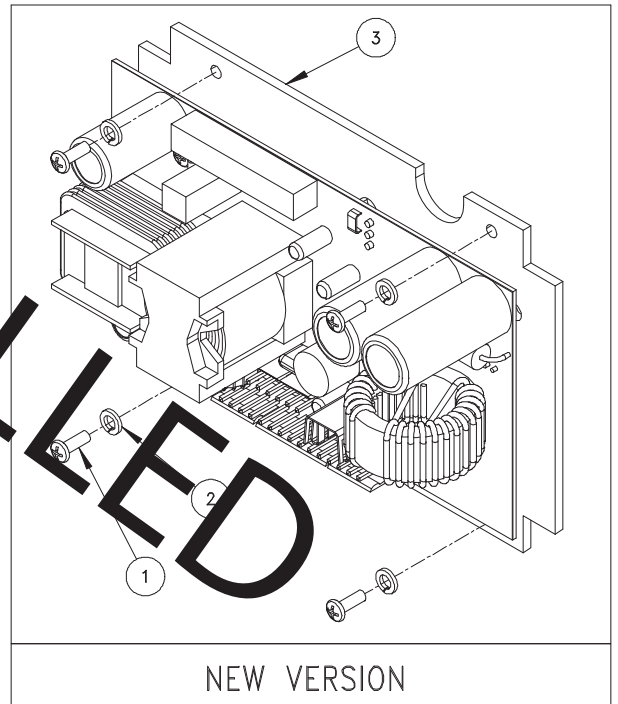


**ASSY, CHARGING CORDSET KIT**

<u>ITEM</u>	<u>PART NO.</u>	<u>DESCRIPTION</u>	<u>QTY.</u>
1	0610-00746	BAG, CHARGING CORDSET	1
2	0606-00266	CORDSET, CHARGING, 25'-14/3 W/GFCI PLUG	1



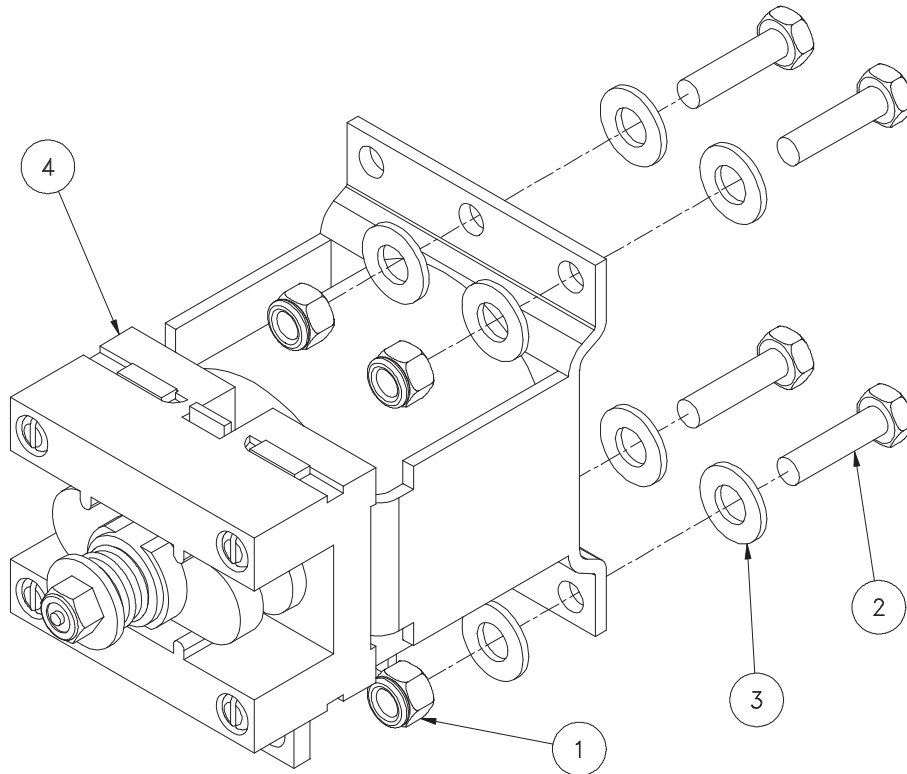
OLD VERSION



NEW VERSION

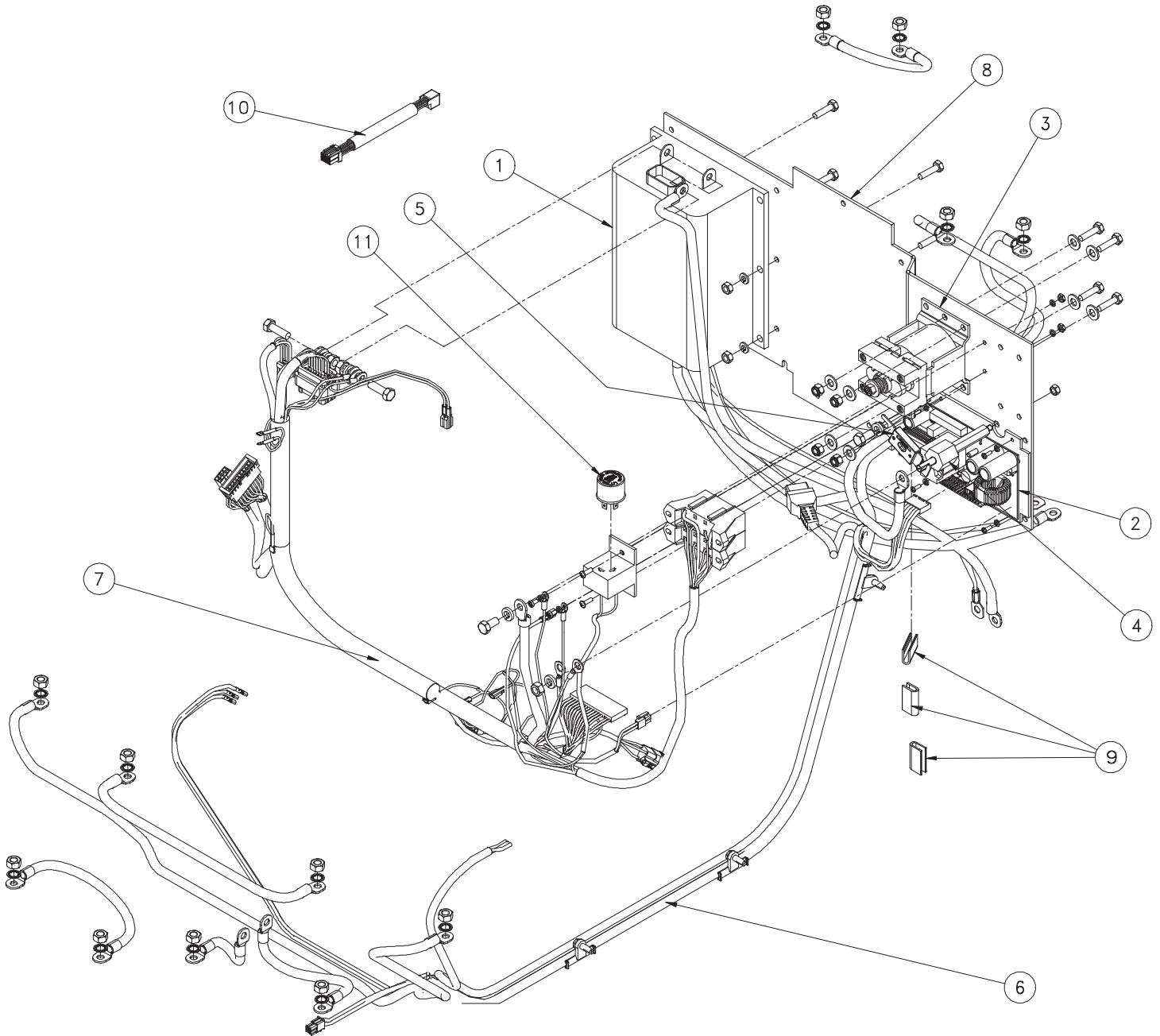
**ASSY, DC/DC CONVERTER**

<u>ITEM</u>	<u>PART NO.</u>	<u>DESCRIPTION</u>	<u>QTY.</u>
1	0523-00148	SCREW, MACH PAN HEAD PHIL 6-32 X 3/8 LG	4
2	0524-00109	WASHER, LOCK - #8 ZINC PLATED	4
3	N/A	CONVERTER, DC/DC (CONTACT TECHNICAL PARTS FOR THE PROPER PART #)	1



**ASSY , MAIN CONTACTOR**

<u>ITEM</u>	<u>PART NO.</u>	<u>DESCRIPTION</u>	<u>QTY.</u>
1	0521-00050	NUT, HEX - NYLOCK 1/4-20 UNC GR5 ZINC PLATED	4
2	0522-00056	BOLT, HEX - HHCS 1/4 - 20 UNC X 1.0 GR 8 ZN YL ZINC PLATED	4
3	0524-00003	WASHER, FLAT - 5/16 SAE .344 ID X .688 OD X .065 THK ZINC PLATED	8
4	0606-00104	CONTACTOR, MAIN	1

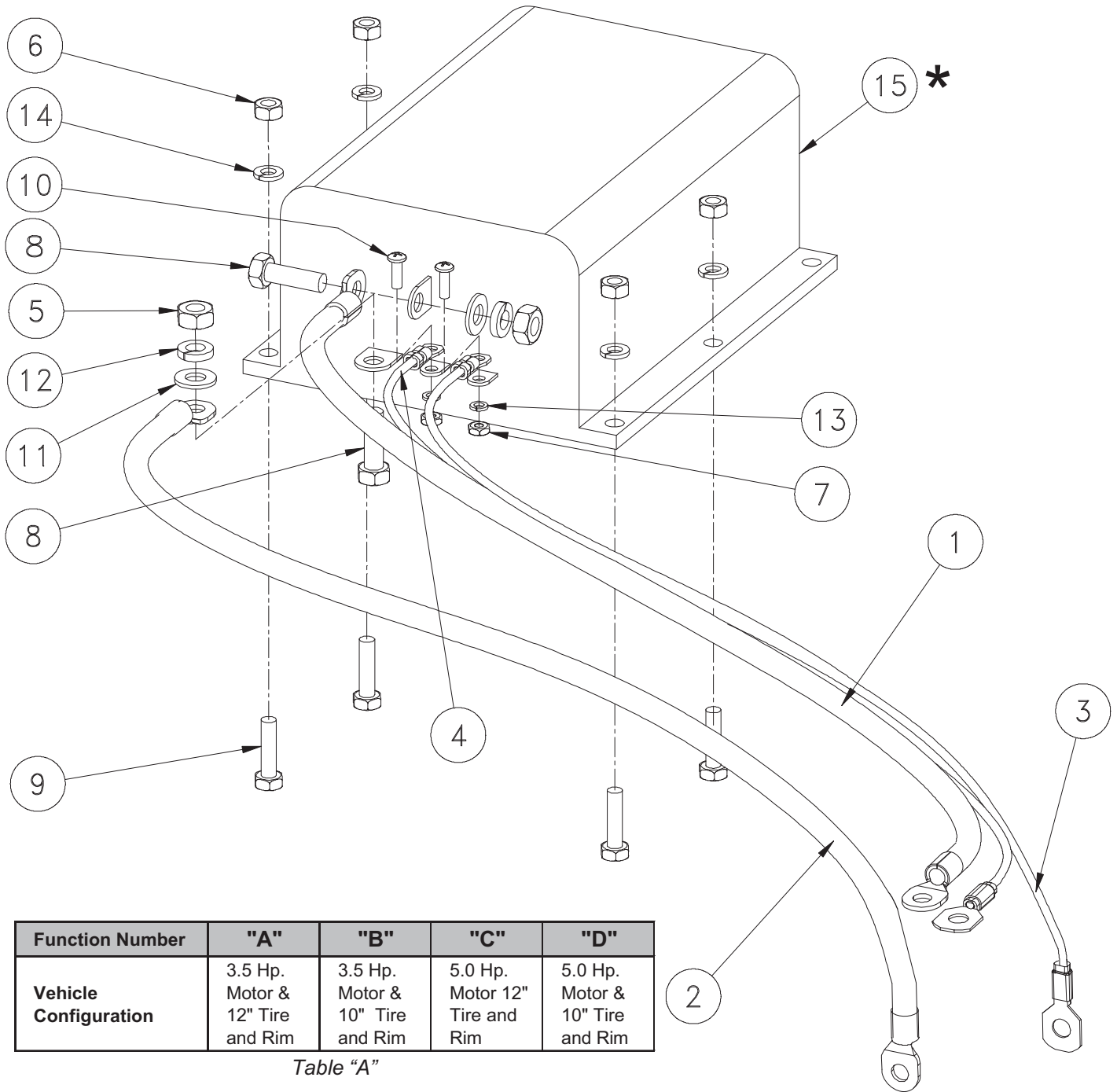
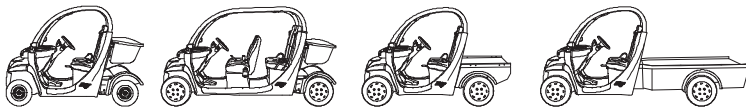


**ASSY, ECM PLATE - 72 VOLT 2 PASSENGER**

<u>ITEM</u>	<u>PART NO.</u>	<u>DESCRIPTION</u>	<u>QTY.</u>
1*	0606-00277	ASSY, CONTROLLER - 72 VOLT T2	1
2	N/A	ASSY, DC/DC CONVERTER (CONTACT TECHNICAL PARTS FOR PROPER PART #)	1
3	0606-00104	ASSY, MAIN CONTACTOR	1
4	0606-00062	ASSY, FUSE STANDOFF	1
5	0606-00040	ASSY, BATTERY FUSE	1
6	0106-00210	ASSY, POWER CABLE HARNESS	1
7*	0106-00525	ASSY, ECM HARNESS	1
8	0306-00726	PLATE, MOUNT - ECM 72 VOLT- ZIVAN CHARGER	1
9	0317-00089	PROTECTOR, EDGE	1 Ft.
10*	0106-00678	ASSY, WIRE HARNESS - SPLIT HEATSINK JUMP	1
11	0606-00061	FUSE, FLASHER UNIT	1

\* USED FOR 8 TO 12 PIN CONVERSION ONLY T1 TO T2

\* FOR VIN'S 021445 AND PRIOR ORDER ITEMS 1, 7 & 10.



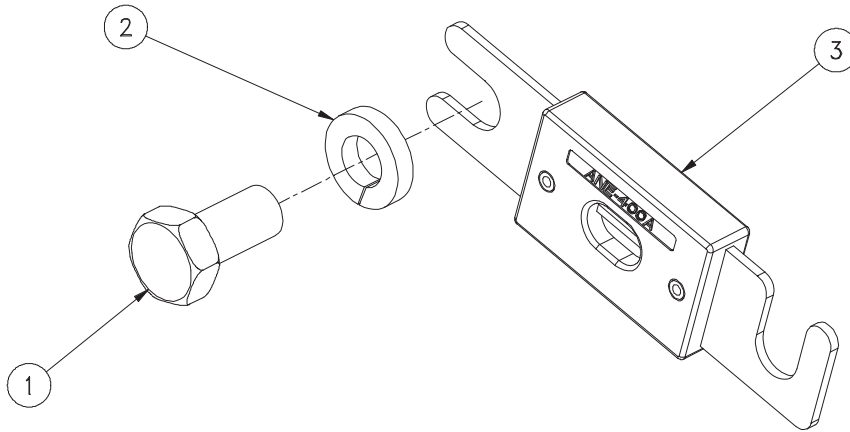
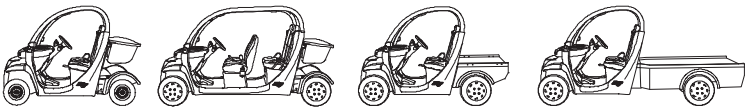
Function Number	"A"	"B"	"C"	"D"
<b>Vehicle Configuration</b>	3.5 Hp. Motor & 12" Tire and Rim	3.5 Hp. Motor & 10" Tire and Rim	5.0 Hp. Motor 12" Tire and Rim	5.0 Hp. Motor & 10" Tire and Rim

Table "A"

ITEM	PART NO.	DESCRIPTION	QTY.
1	0106-00199	ASSY, CABLE - MTR A1 TO CTL A1	1
2	0106-00200	ASSY, CABLE - MTR A2 TO CTL A2	1
3	0106-00201	ASSY, CABLE - MTR F1 TO CTL F1	1
4	0106-00202	ASSY, CABLE - MTR F2 TO CTL F2	1
5	0521-00031	NUT, HEX - 5/16-18 UNC GR 5 ZN ZINC PLATED	2
6	0521-00099	NUT, HEX - 1/4-20 UNC GR 5 ZN ZINC PLATED	4
7	0521-00145	NUT, HEX - #8 - 32 ZINC PLATED	2
8	0522-00016	BOLT, HEX - HHCS 5/16 - 18 UNC X 1.0 GR 5 ZINC PLATED	2
9	0522-00056	BOLT, HEX - HHCS 1/4 - 20 UNC X 1.0 GR 8 ZN YL ZINC PLATED	4
10	0523-00110	SCREW, MACH PAN HEAD PHIL 8-32 X 1/2 SST	2
11	0524-00003	WASHER, FLAT - 5/16 SAE .344 ID X .688 OD X .065 THK ZINC PLATED	2
12	0524-00081	WASHER, LOCK - 5/16 ZINC PLATED	2
13	0524-00109	WASHER, LOCK - #8 ZINC PLATED	2
14	0524-00142	WASHER, LOCK - 1/4 ZINC PLATED	4
*15	0606-00277	CONTROL - ELEC MTR, 10.35 GR, 5 HP (12 PIN CONNECTOR CONTROLLER HARNESS ONLY) *	1
*15	N/A	CONTROLLER, ELECTRIC MOTOR - 8.91 GR, 12 (8 PIN CONNECTOR CONTROLLER HARNESS ONLY) *	1

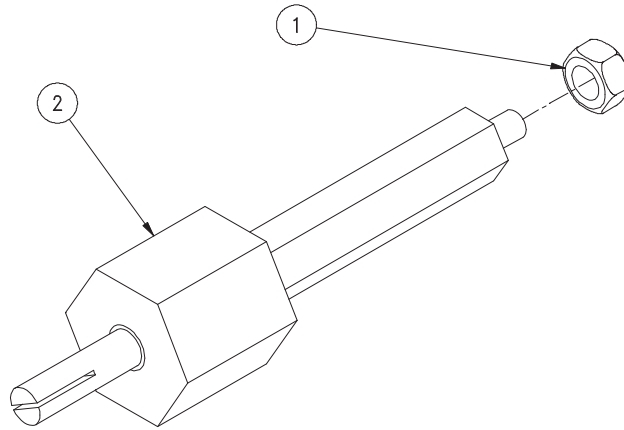
\* Before ordering controller, See Table "A" to specify controller function number.

\* SEE HEAT SINK HARNESS RETROFIT PAGE FOR VINS 021445 & PRIOR.



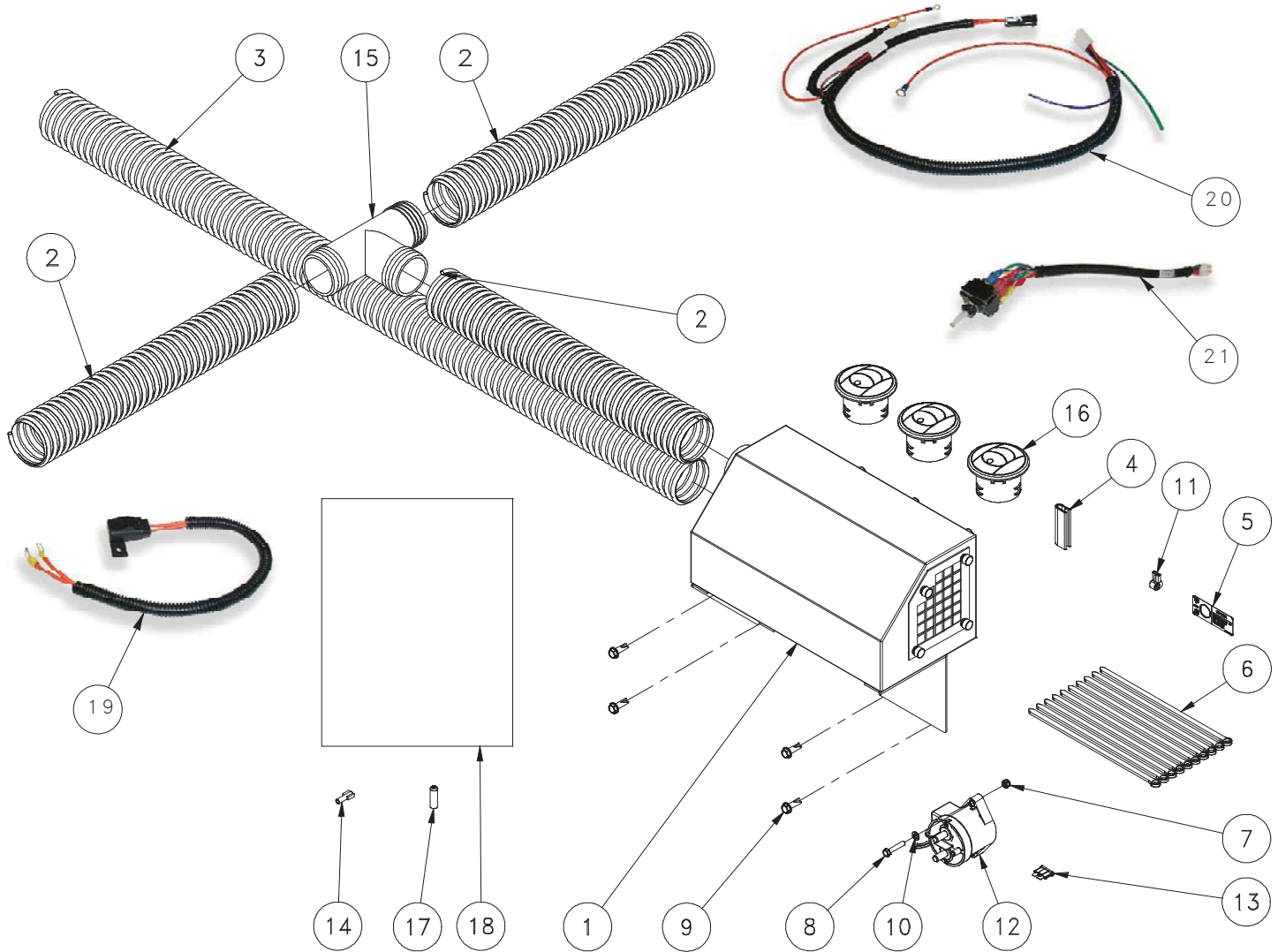
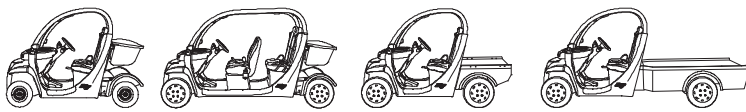
**0106-00207 ASSY, BATTERY FUSE**

<u>ITEM</u>	<u>PART NO.</u>	<u>DESCRIPTION</u>	<u>QTY.</u>
1	0522-00146	BOLT, HEX - M8 X 1.25 X 16 LG HHCS - GR 8.8 ZN	1
2	0524-00081	WASHER, LOCK - 5/16 ZINC PLATED	1
3	0606-00060	FUSE, BATTERY	1



**0106-00206 ASSY, FUSE STANDOFF**

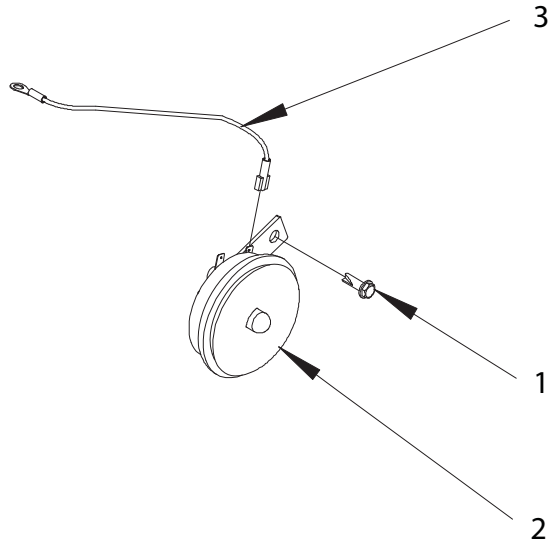
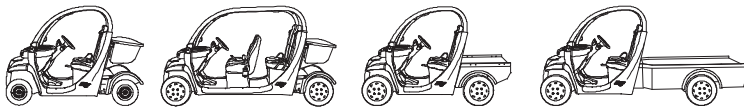
<u>ITEM</u>	<u>PART NO.</u>	<u>DESCRIPTION</u>	<u>QTY.</u>
1	0521-00149	NUT, HEX - M6 X 1.00 ZINC PLATED	1
2	0606-00062	STANDOFF, FUSE	1



**0107-00587 ASSY, HEATER / DEFROSTER UNIT**

<u>ITEM</u>	<u>PART NO.</u>	<u>DESCRIPTION</u>	<u>QTY.</u>
1*	0107-00579	ASSY, HEATER/DEFROSTER UNIT	1
2	0310-00848	HOSE, 2" HEATER DUCT, 16" LENGTH	3
3	0310-00848	HOSE, 2" HEATER DUCT, 40" LENGTH	1
4	0417-00089	EDGE TRIM, 2" LONG DUCT HOSE PROTECTION	1 FT
5	0350-01037	DECAL, HEATER DEFROSTER TOGGLE SWITCH	1
6	0510-00137	TIE, CABLE W/#10 MOUNT HOLE 9" BLACK	10
7	0521-00272	NUT, HEX - NYLOCK M5 X 0.8 ZN	1
8	0522-00270	BOLT, HEX - M8 X 0.8 X 25 LG HHCS - GR 8.8 ZN	1
9	0523-00032	SCREW, HEX - WHSD 1/4 X .75 ZN	4
10	0524-00271	WASHER, FLAT - M5	1
11	0606-00176	CONNECTOR, T-WIRE	2
12	0106-02336	CONTACTOR, HEATER-12VDC COIL	1
13	0606-00293	FUSE, ATC-10	1
14	0606-00733	TERMINAL, SPADE - FEMALE INSULATED 1/4", 22-18 GA	1
15	0607-00251	TEE, PLASTIC - 2" BARBED	1
16	0607-00412	VENT, ROUND - 2" BARBED	3
17	0610-00360	CAP, SCREW THREAD, BLACK VINYL - .25 X 1	1
18	1010-00024	INSTRUCTION, HEATER / DEFROSTER INSTALL	1
19	0106-00670	ASSY, WIRE HARNESS - HEATER FUSE	1
20	0106-00671	ASSY, WIRE HARNESS - HEATER / DEFROSTER	1
21	0106-00595	ASSY, HEATER CONTROL SWITCH	1

\* LIMITED AVAILABILITY

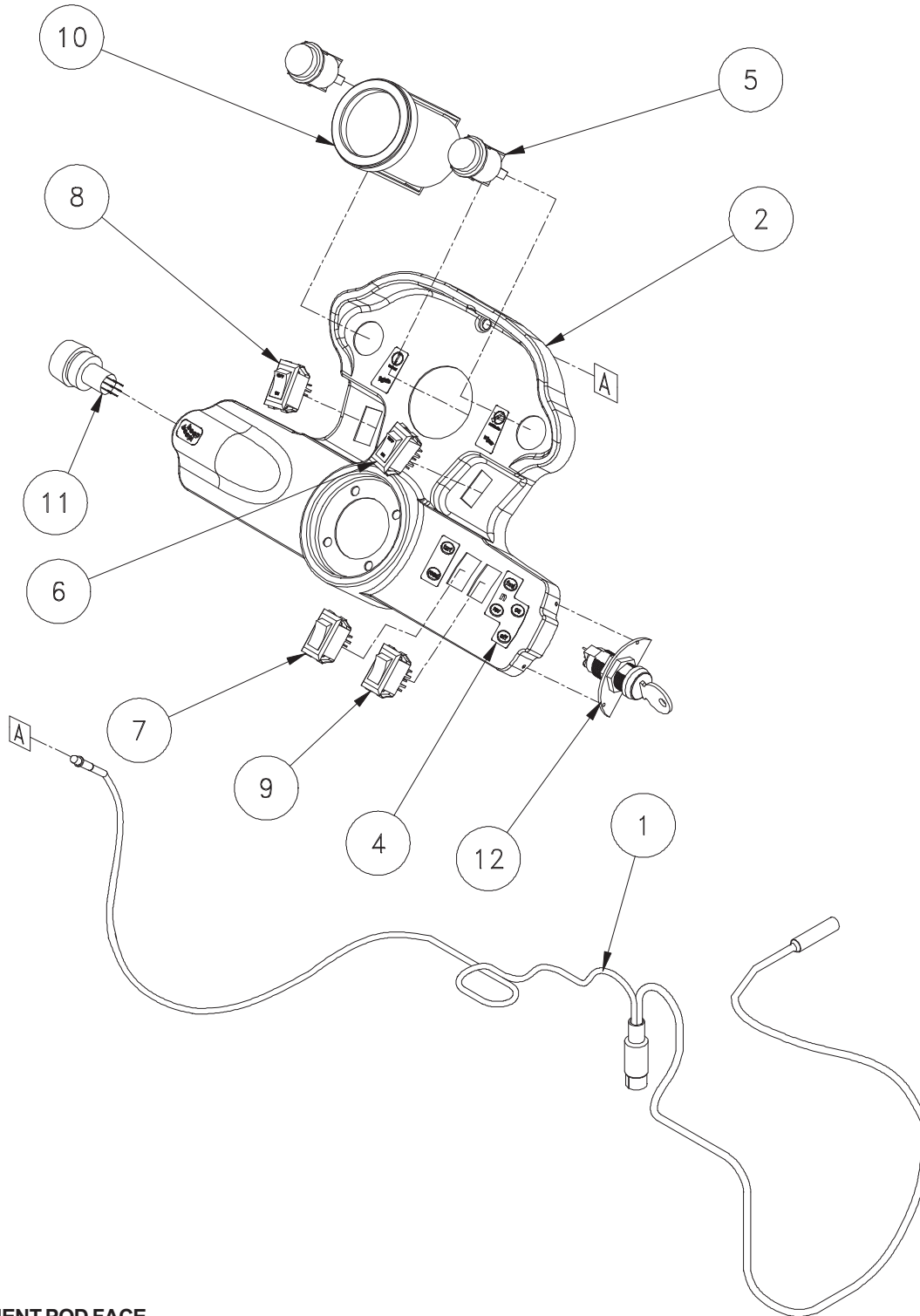
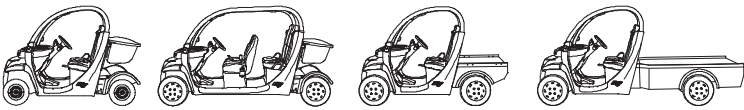


**ASSY-HORN**

<u>ITEM</u>	<u>PART NO.</u>	<u>DESCRIPTION</u>	<u>QTY.</u>
1	0523-00032	SCREW, HEX - WHSD 1/4 X .75 ZN	1
2	0606-00507	HORN	1
3*	0106-00473	ASSY, GRO UND WIRE - HORN	1

\* ITEM NO LONGER AVAILABLE





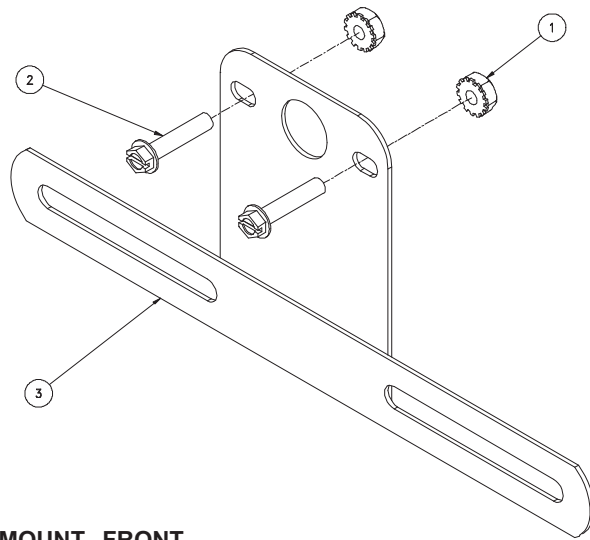
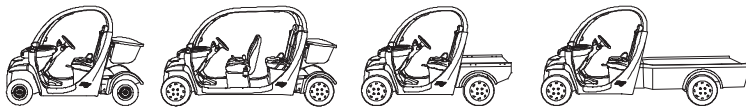
**ASSY, INSTRUMENT POD FACE**

ITEM	PART NO.	DESCRIPTION	QTY.
1	0106-00506	ASSY, HARNESS - CHARGER LIGHT / HEAT SENSOR (ZIVAN) -	1
2	0305-00846	FACE, INSTRUMENT POD - (WITH PLASTIC TABS ASSEMBLED) (TEXTURED)	1
4	0350-00535	DECAL, I/P 72V (SEE DECAL SECTION FOR MORE DETAIL)	1
5	0606-00133	LAMP, INDICATOR - TURN	2
6	0606-00134	SWITCH, TOGGLE SPDT WIPER	1
7	0606-00135	SWITCH, TOGGLE SPST TURF	1
8	0606-00136	SWITCH, TOGGLE SPST HEAD LAMP	1
9	0606-00137	SWITCH, TOGGLE SPDT FWD REV	1
10	0606-00138	GAGE, BDI BATTERY DISCHARGE INDICATOR 72V	1
11	0606-00140	SWITCH, PUSH BUTTON HORN	1
12	1106-00049	ASSY, IGNITION SWITCH*	1

KY003521 MEDECO TR2C###A,B,C Etc  
 KY005620 GC###  
 KY006228 FORT KEY #001-100

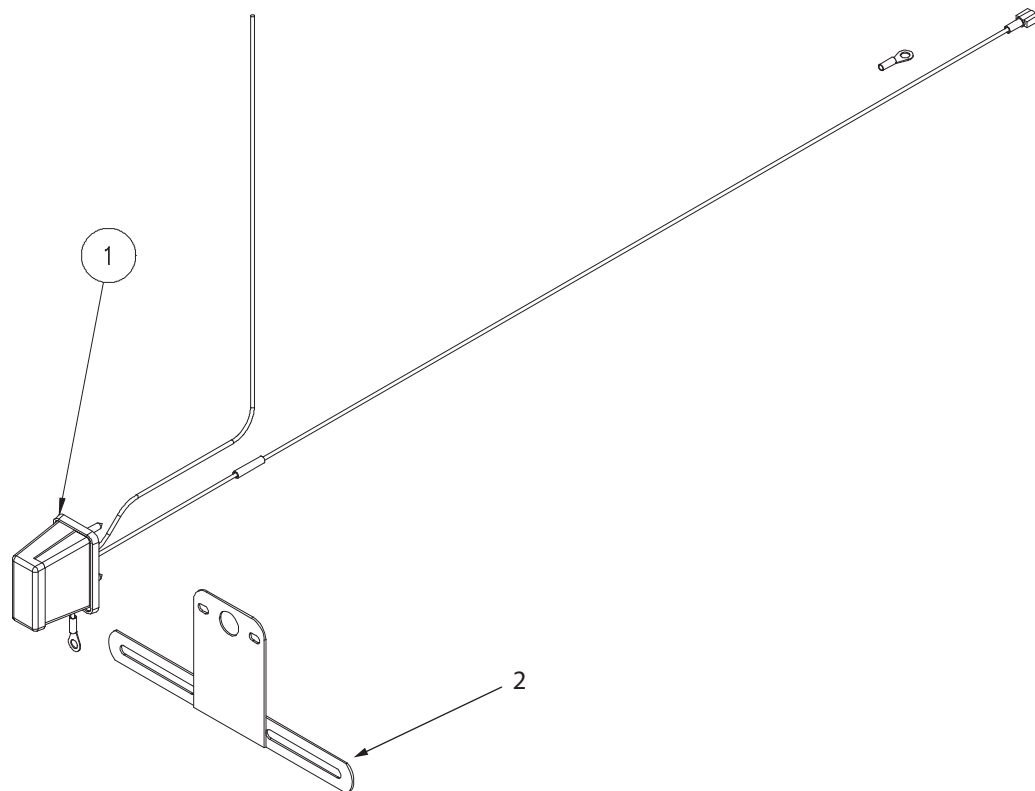
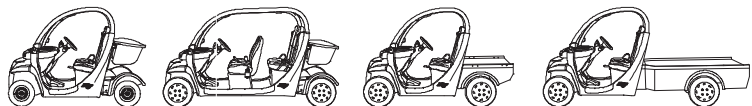
<http://midwestkeys.com> NO NEED TO CALL.

\*FOR REPLACEMENT KEYS CONTACT MIDWEST SECURITY PRODUCTS AT 800-767-6894. YOU WILL NEED TO PROVIDE THEM WITH THE KEY CODE WHICH IS STAMPED ON THE ORIGINAL KEY AND LOCK CYLINDER.



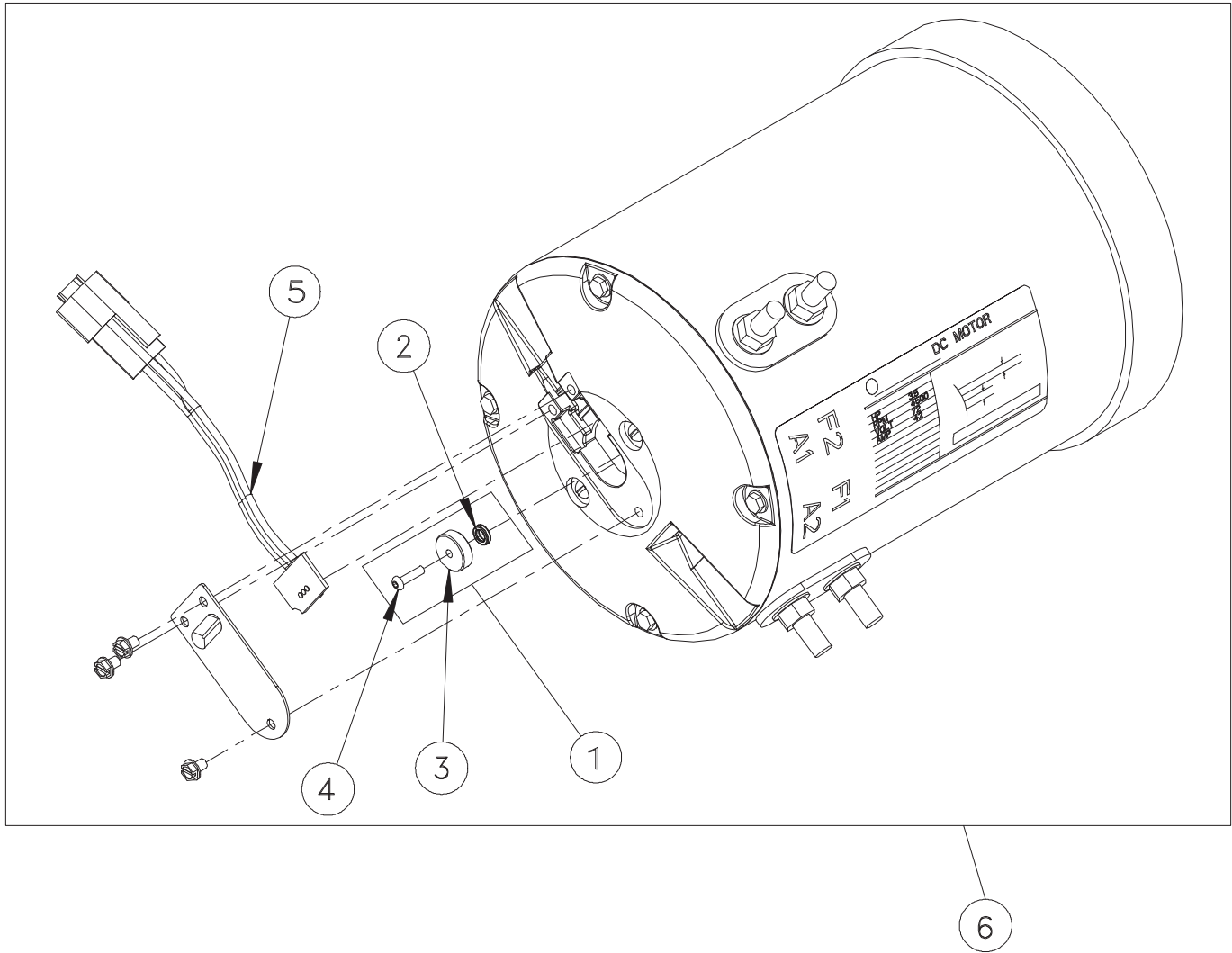
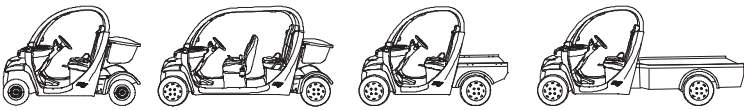
**ASSY, LICENSE PLATE MOUNT - FRONT**

<u>ITEM</u>	<u>PART NO.</u>	<u>DESCRIPTION</u>	<u>QTY.</u>
1	0521-00014	NUT, KEPS - 12 - 24 UNC ZINC PLATED GR 5 ZINC PLATED	2
2	0523-00134	SCREW, MACHINE #12-24 x 1 HEX SLOT HEAD	2
3	0607-00180	BRACKET, LICENSE PLATE - FRONT	1



**ASSY, OPTION - LICENSE PLATE LAMP - NEW YORK**

<u>ITEM</u>	<u>PART NO.</u>	<u>DESCRIPTION</u>	<u>QTY.</u>
1	0606-00206	ASSY, LICENSE PLATE LAMP	1
2	0607-00180	LICENSE PLATE BRACKET	1



**KIT, MAGNET - MOTOR**

<u>ITEM</u>	<u>PART NO.</u>	<u>DESCRIPTION</u>	<u>QTY.</u>
1	0606-00201	KIT, MAGNET - MOTOR (INCL. 2-4)	1
2*	N/A	SEAL, SPEED SENSOR - FOR ELECTRIC 3.5 HP MOTOR	1
3*	N/A	MAGNET, SPEED SENSOR - FOR ELECTRIC 3.5 HP MOTOR	1
4*	N/A	SCREW, MACHINE - ROUND HEAD HEX SOCKET #5-40 X .50" BLACK ZP	1

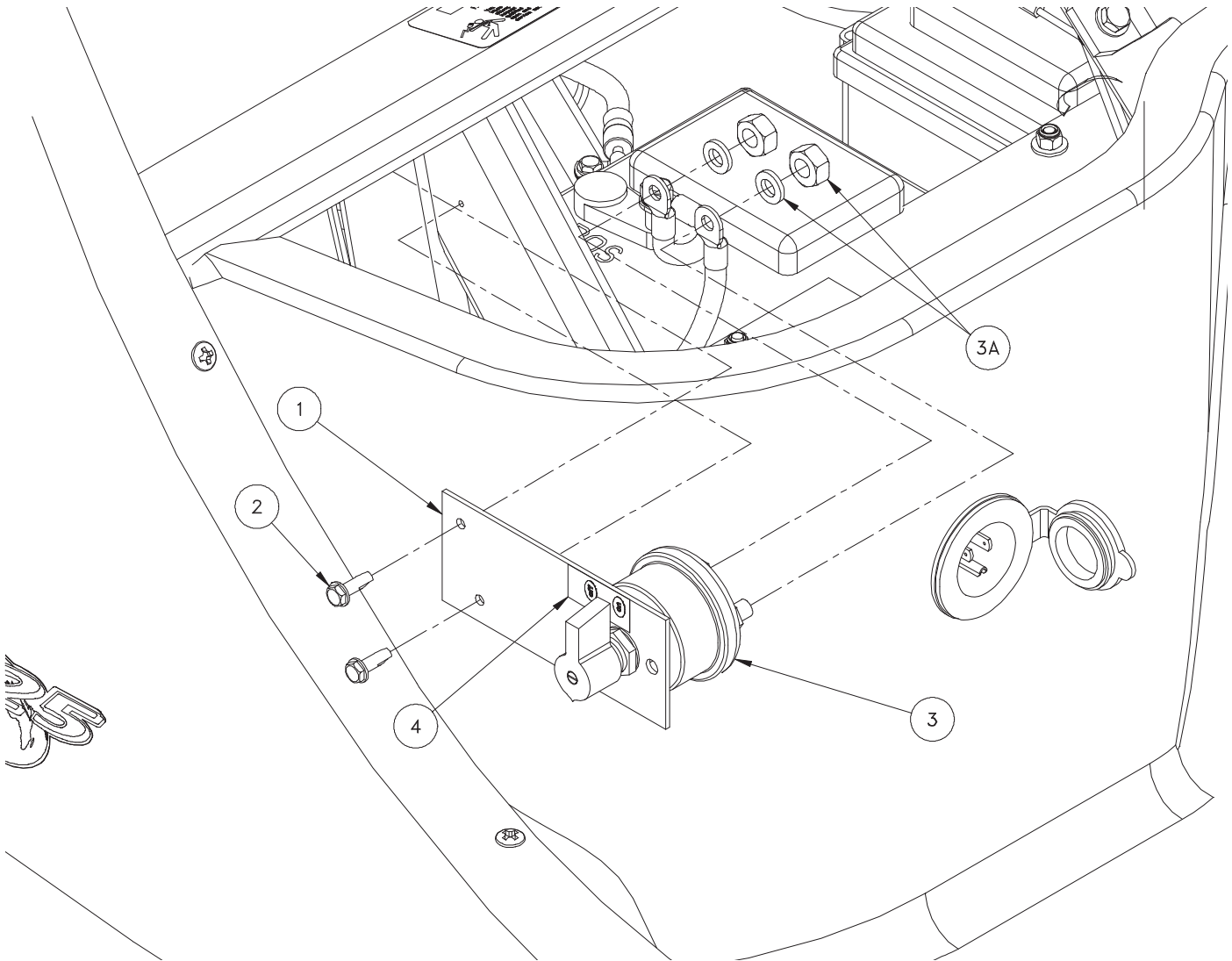
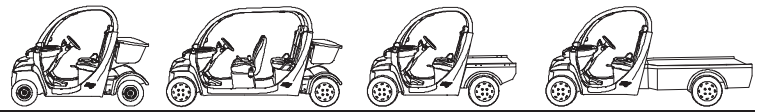
\* NOT AVAILABLE SEPARATELY, ORDER ITEM # 1

**SENSOR, SPEED**

<u>ITEM</u>	<u>PART NO.</u>	<u>DESCRIPTION</u>	<u>QTY.</u>
5	0606-00200	SENSOR, SPEED (OLD STYLE)	1
	0606-00272	SENSOR SPEED (NEW STYLE GE MOTOR, BLACK ROUND CAP)	1
	1206-00096	SENSOR SPEED W/MAGNET (3.5 HP KINETEK MOTOR)	1

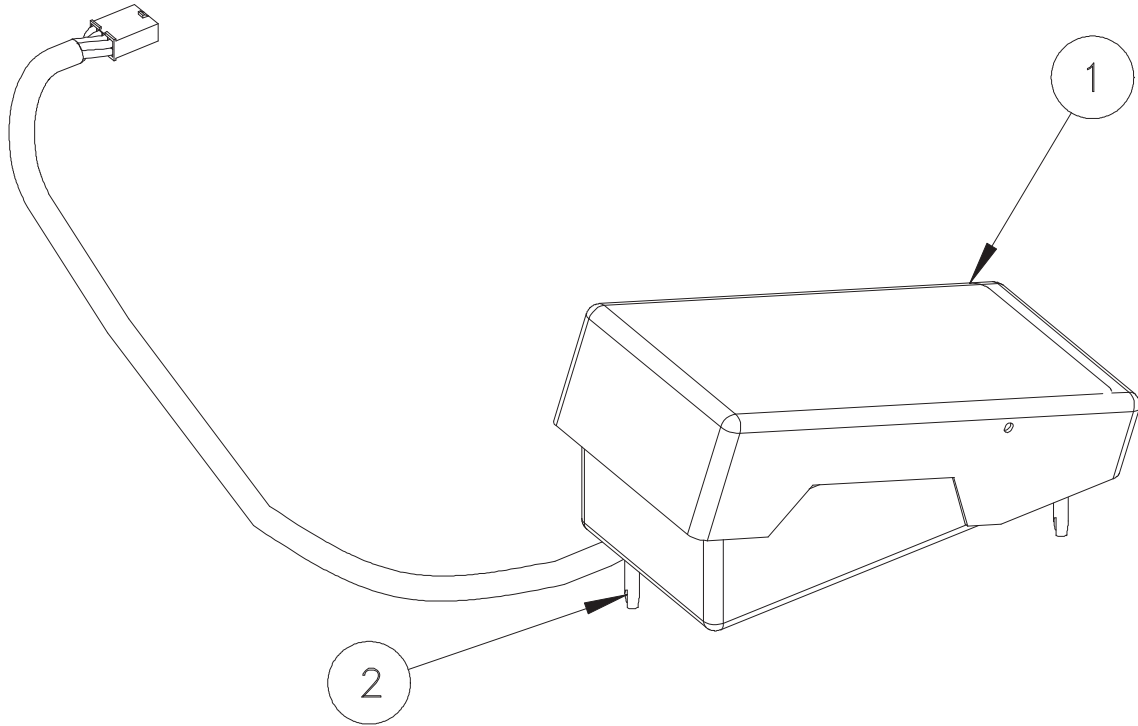
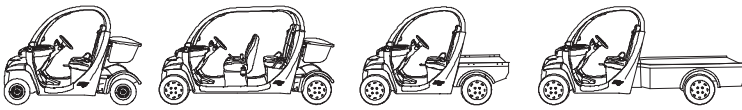
**MOTOR, ELECTRIC - 72 VOLT 3.5 HP**

<u>ITEM</u>	<u>PART NO.</u>	<u>DESCRIPTION</u>	<u>QTY.</u>
6	0613-00008	MOTOR, ELECTRIC - 72 VOLT 3.5HP (LIMITED AVAILABILITY)	1
	0613-00958	MOTOR, ELECTRIC - 72V 3.5 HP KINETEK (NOT SHOWN)	1



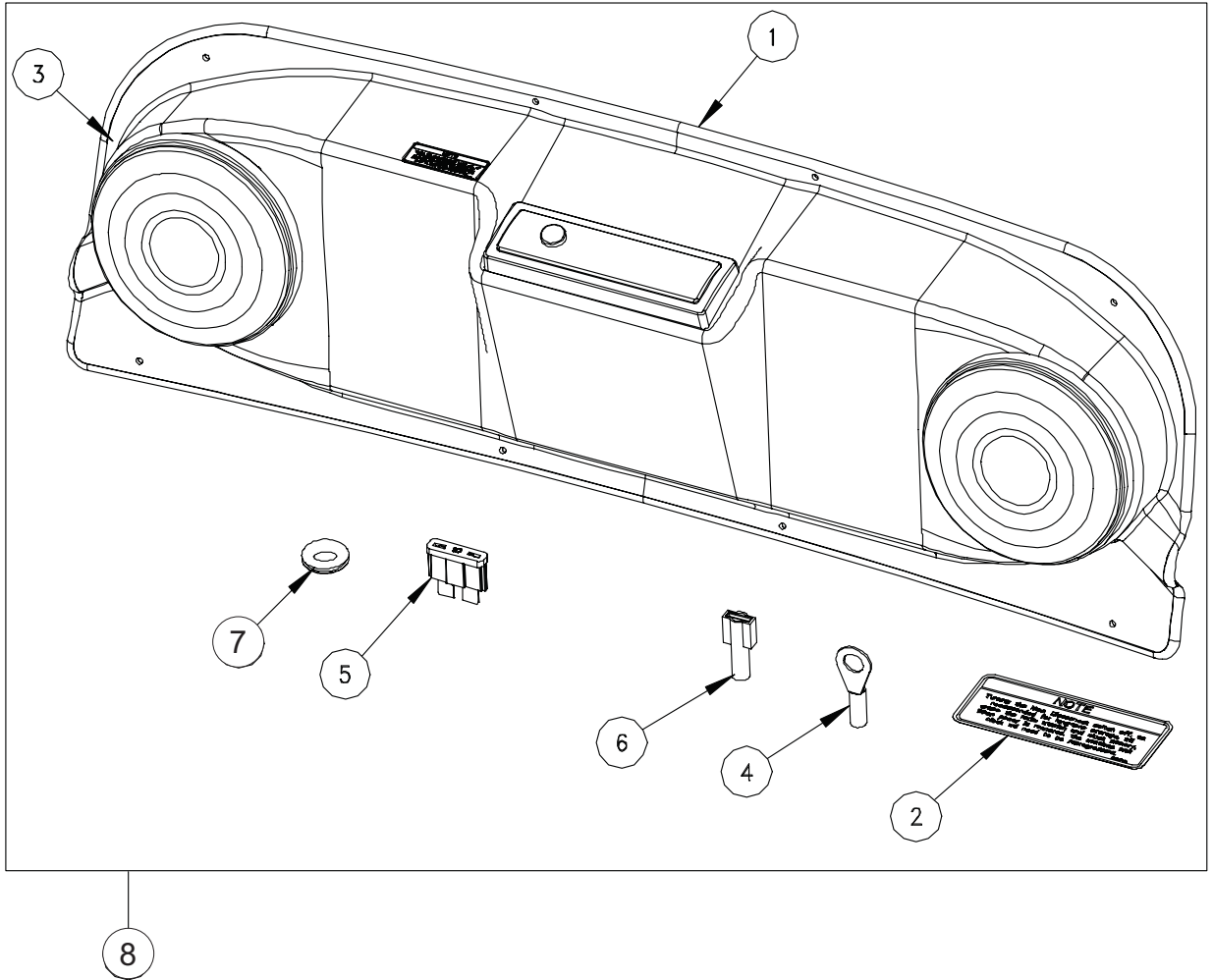
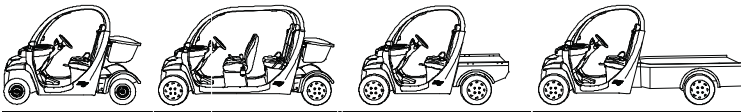
**SWITCH, ROTARY - MASTER DISCONNECT**

<u>ITEM</u>	<u>PART NO.</u>	<u>DESCRIPTION</u>	<u>QTY.</u>
1	0306-00494	BRACKET, MASTER DISCONNECT	1
2	0523-00032	SCREW, HEX - WASHER HEAD SELF DRILL 1/4 X .75 ZINC	2
3	0606-00089	SWITCH, ROTARY - MASTER DISCONNECT	1
4	0350-00544	DECAL, ON / OFF	1



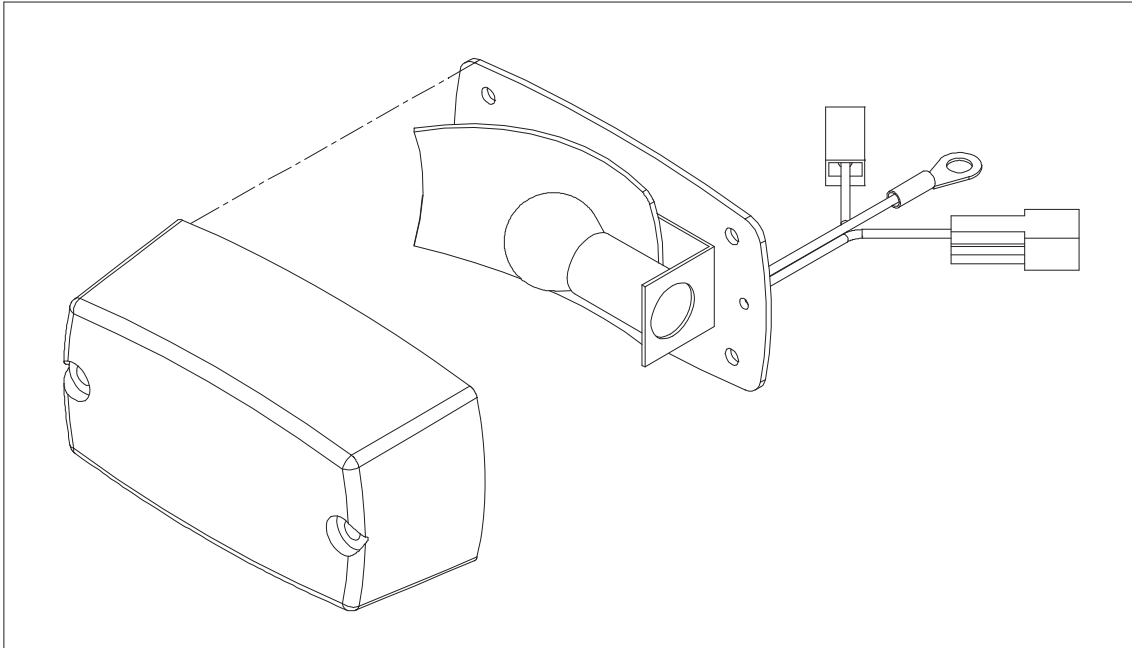
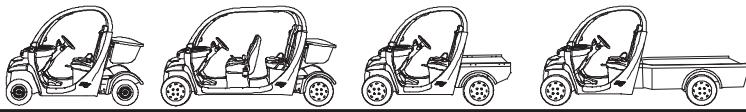
**ASSY, SPEED CONTROL - 72V**

<u>ITEM</u>	<u>PART NO.</u>	<u>DESCRIPTION</u>	<u>QTY.</u>
1	0106-00019	ASSY, FOOT CONTROL - POTENTIOMETER 72V	1
2	0523-00122	SCREW, HEX - WASHER HEAD SELF DRILL 1/4	2
3	0610-00796	SPRING, RETURN ACCELERATOR	1
4	0606-00174	SWITCH, ACCELERATOR	1



**ASSY, STEREO PACKAGE - 0107-01224**

ITEM	PART NO.	DESCRIPTION	QTY.
1	0106-01218	ASSY, STEREO PACKAGE OVERHEAD CONSOLE	1
2	0350-01504	DECAL, RADIO MEMORY	1
3	0408-00263	ADHESIVE, METHACRYLATE	1
4	0606-00406	TERMINAL, RING 22 - 18 - 1/4 - RED	1
5	0606-00293	FUSE, ATC-10	1
6	0606-00733	TERMINAL, SPADE - FEMALE INSULATED 1/4", 22 - 18 GA	1
7	0619-00359	BUSHING, OPEN/CLOSE - 0.50 INCH HOLE	2
8	0107-01224	ASSY, STEREO PACKAGE - (Includes All of the items above)	1
9	0606-00176	CONNECTOR, T-WIRE (NOT SHOWN)	1
10	0606-00117	TERMINAL, SPADE - MALE INSULATED 1/4", 22-18 GA (NOT SHOWN)	1

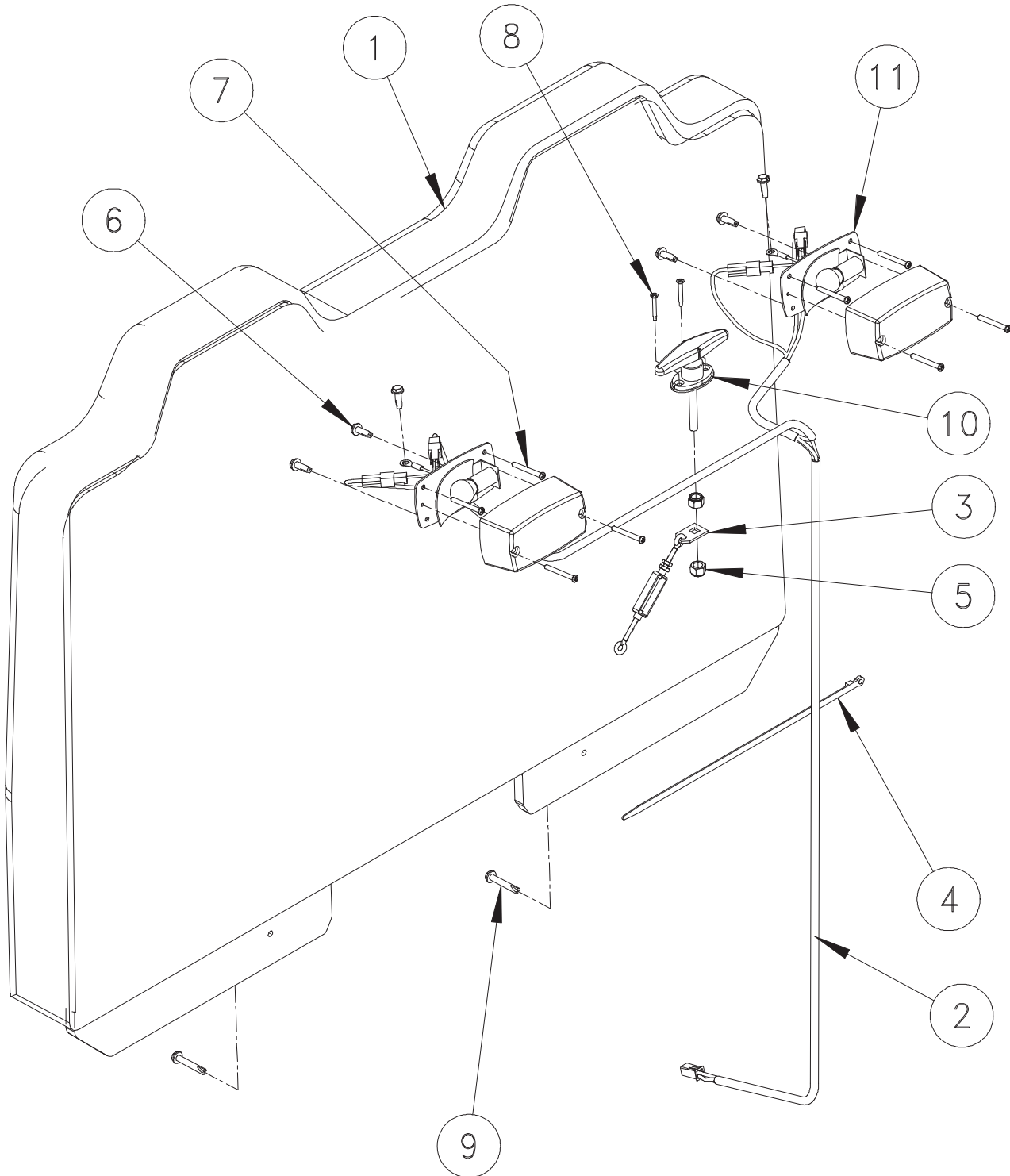
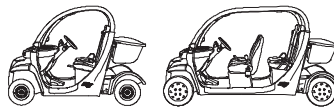


**1106-00043 ASSY, TAIL LIGHT**

<u>ITEM</u>	<u>PART NO.</u>	<u>DESCRIPTION</u>
1	0606-00141	ASSY, TAIL LIGHT

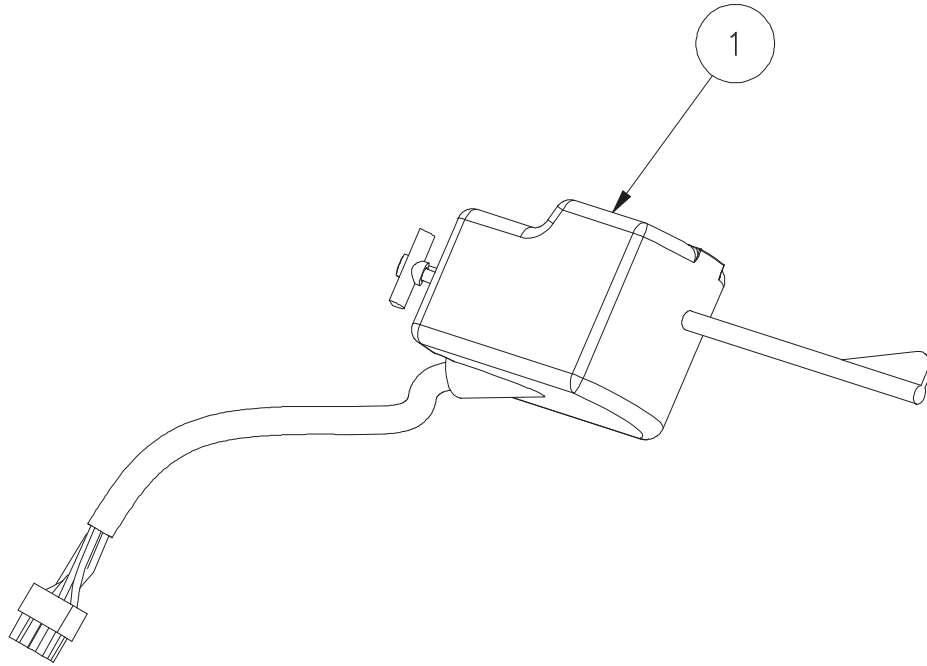
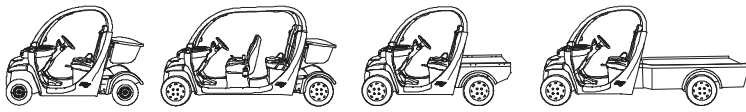
QTY.  
1



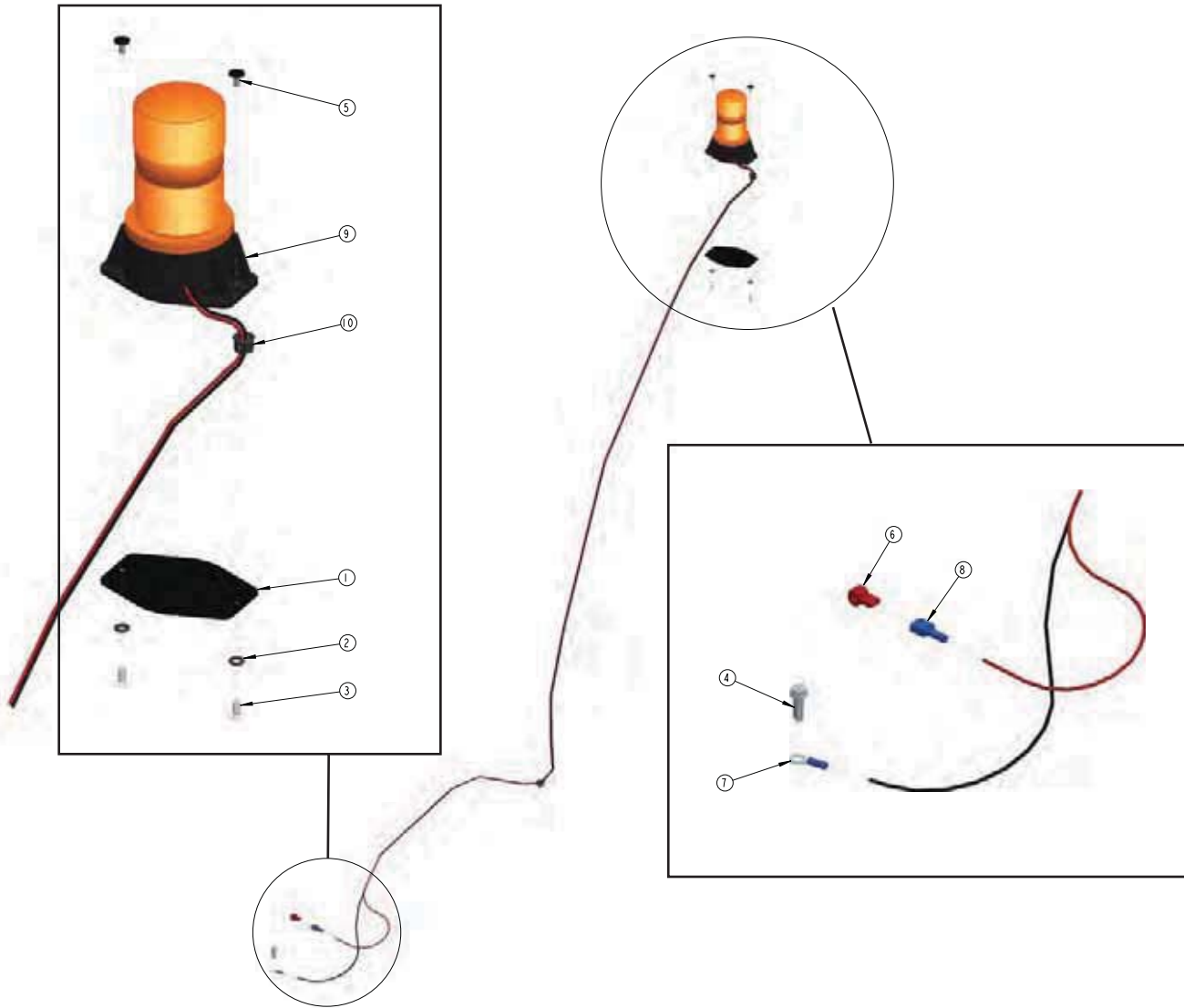


**ASSY, T-HANDLE-SEAT BACK-TAIL LIGHTS**

<u>ITEM</u>	<u>PART NO.</u>	<u>DESCRIPTION</u>	<u>QTY.</u>
1	0105-00091	ASSY, SEAT BACK	1
2	0106-00234	ASSY, WIRE HARNESS	1
3	0609-00098	ASSY, TURNBUCKLE- PACK RELEASE WITH TAB	1
4	0510-00137	TIE, CABLE W/#10 MOUNT HOLE 9" BLACK	1
5	0521-00194	NUT, HEX - SERRATED FLANGE - 3/8 - 24 ZINC PLATED	2
6	0523-00032	SCREW, HEX - WHSD 1/4 X .75 ZN	6
7	0523-00168	SCREW, PHIL TRUSS HEAD-#8-1 3/4 LG STEEL ZINC	8
8	0523-00200	SCREW, TEK - PHIL OVAL #8 - 18 X 1 1/4 #2 PT STL BLK ZN	2
9	0523-00122	SCREW, HEX - WHSD 1/4 X 1.5 ZINC PLATED	2
10	0609-00068	HANDLE, LOCK - SWIVEL PAK	1
11	0606-00141	ASSY, TAIL LIGHT	2

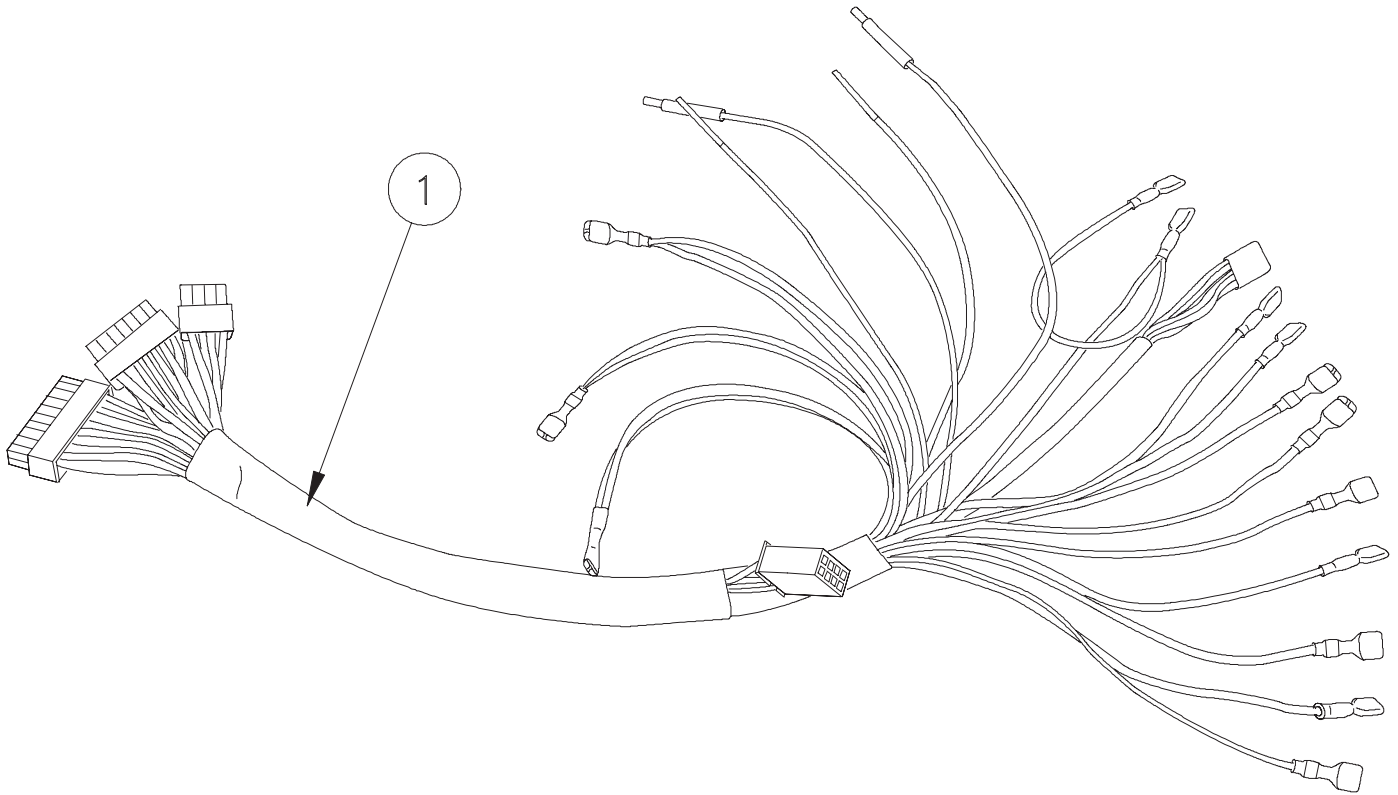
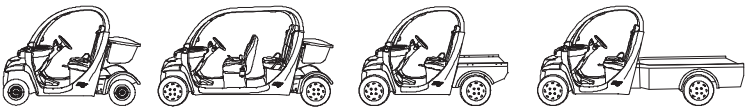


<u>ITEM</u>	<u>PART NO.</u>	<u>DESCRIPTION</u>	<u>QTY.</u>
1	0106-00296	ASSY, SWITCH - TURN SIGNAL	1
	0106-00821	ASSY, TURN SIGNAL SWITCH - WITH HAZARDS FLASHER (NOT SHOWN)	1

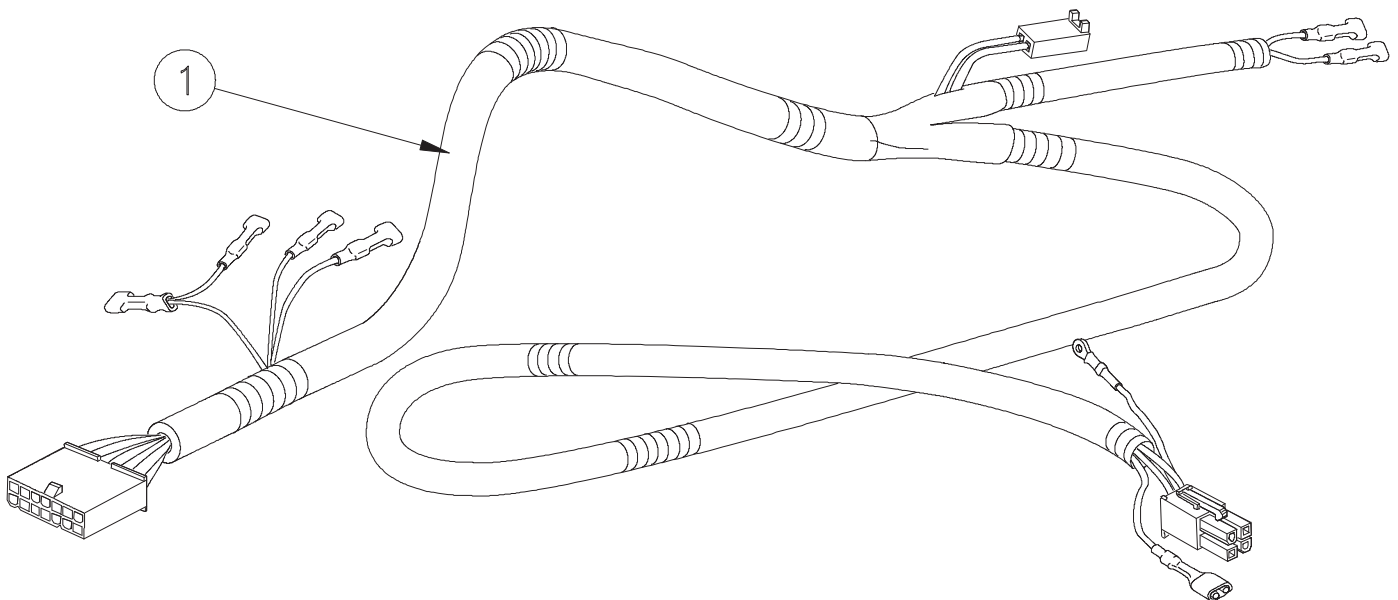


**ASSY, BEACON -YELLOW WARNING - SERVICE - 0106-00714**

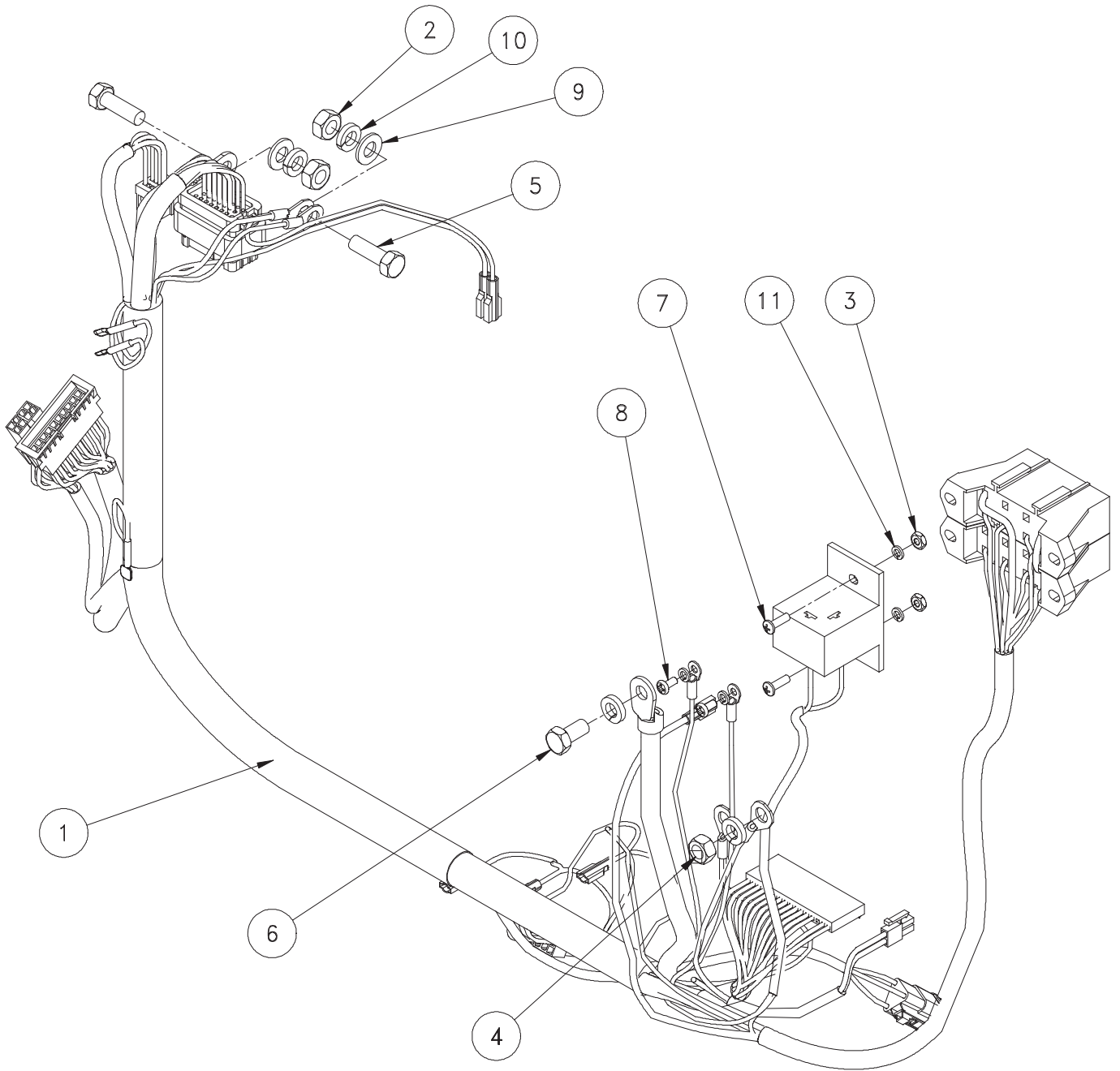
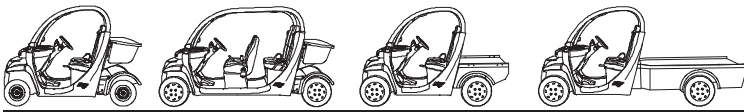
ITEM	PART NO.	DESCRIPTION	QTY.
1	0310-03141	GASKET, BEACON LAMP	1
2	0510-00342	O-RING, 3/32 C/S X 7/32 ID X 13/32 OD	2
3	0521-00240	NUT, BINDING POST # 8-32 WHITE	2
4	0523-00032	SCREW, HEX - WHSD 1/4 X .75 ZN WASHER HD SELF DRILLING	1
5	0523-00241	SCREW, BINDING POST #8-32 X .375 BLACK	2
6	0606-00176	CONNECTOR, T - WIRE	1
7	0606-00406	TERMINAL, RING 14-16 GAGE - 1/4"	1
8	0606-00904	TERMINAL, SPADE - MALE INSULATED 1/4 16-14 GA WIRE	1
9	0607-00902	LAMP, WARNING BEACON	1
10	0619-00359	BUSHING, OPEN/CLOSE -.50 INCH HOLE	2
11	0417-00067	MOLDING, BLACK - 1.34 X .25 FT (NOT SHOWN)	6 FT



<u>ITEM</u>	<u>PART NO.</u>	<u>DESCRIPTION</u>	<u>QTY.</u>
1	0106-00001	ASSY, WIRE HARNESS INST POD	1

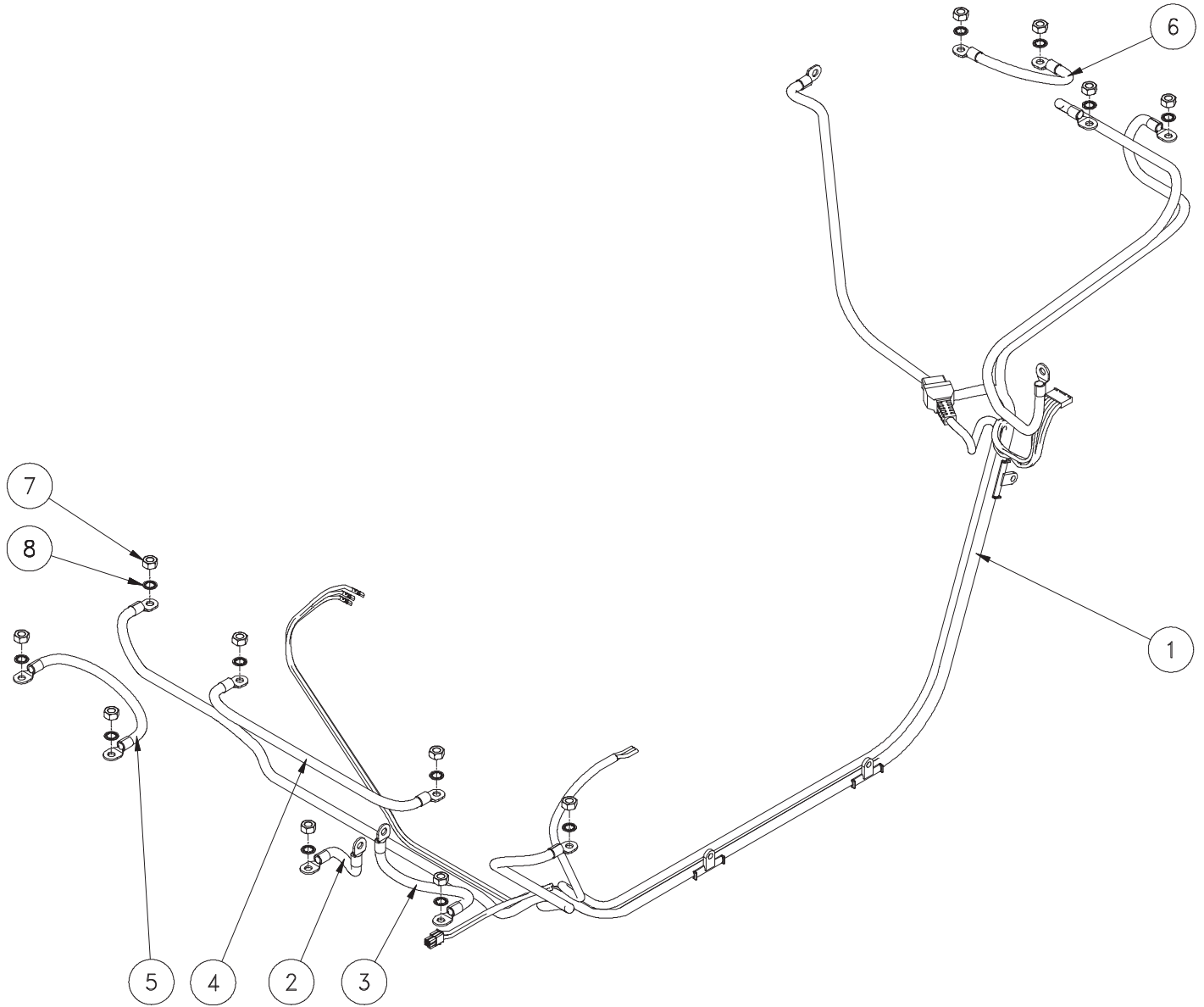
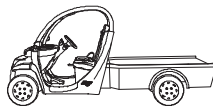


<u>ITEM</u>	<u>PART NO.</u>	<u>DESCRIPTION</u>	<u>QTY.</u>
1	0106-00531	ASSY, WIRE HARNESS - FRONT	1



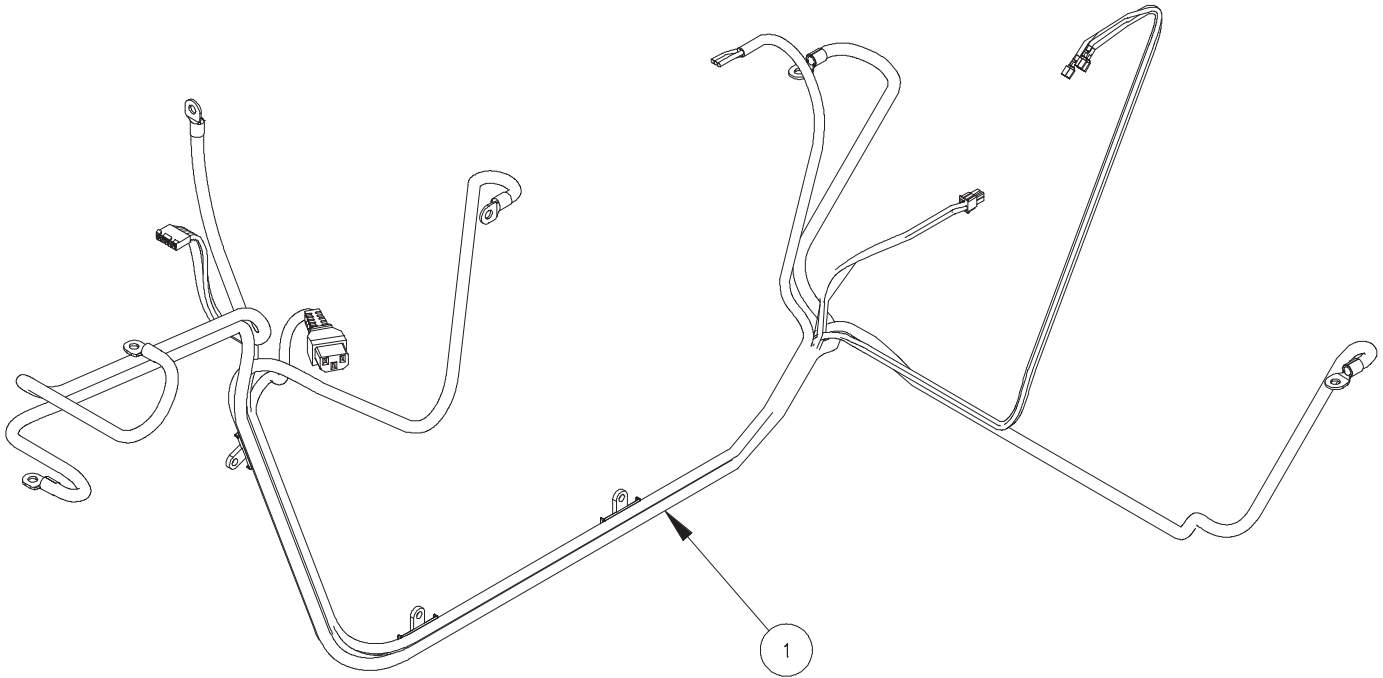
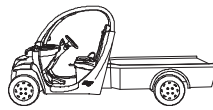
**ASSY, ECM HARNESS**

<u>ITEM</u>	<u>PART NO.</u>	<u>DESCRIPTION</u>	<u>QTY.</u>
1	0106-00525	ASSEMBLY, ECM HARNESS	1
2	0521-00031	NUT, HEX - 5/16-18 UNC GR 5 ZN ZINC PLATED -	2
3	0521-00145	NUT, HEX - #8 - 32 ZINC PLATED -	2
4	0521-00147	NUT, HEX - M8 X 1.25 ZINC PLATED	1
5	0522-00016	BOLT, HEX - HHCS 5/16 - 18 UNC X 1.0 GR 5 ZINC PLATED	2
6	0522-00146	BOLT, HEX - M8 X 1.25 X 16 LG HHCS - GR 8.8 ZN	1
7	0523-00110	SCREW, MACH PAN HEAD PHIL 8-32 X 1/2 SST	2
8	0523-00150	SCREW, MACH - PAN HEAD PHIL 1/4 - 20 UNC X 1.25 LG STAINLESS STEEL -	2
9	0524-00003	WASHER, FLAT - 5/16 SAE .344 ID X .688 OD X .065 THK ZN	2
10	0524-00081	WASHER, LOCK - 5/16 ZINC PLATED -	4
11	0524-00109	WASHER, LOCK - #8 ZINC PLATED -	4



**ASSY, POWER CABLE HARNESS**

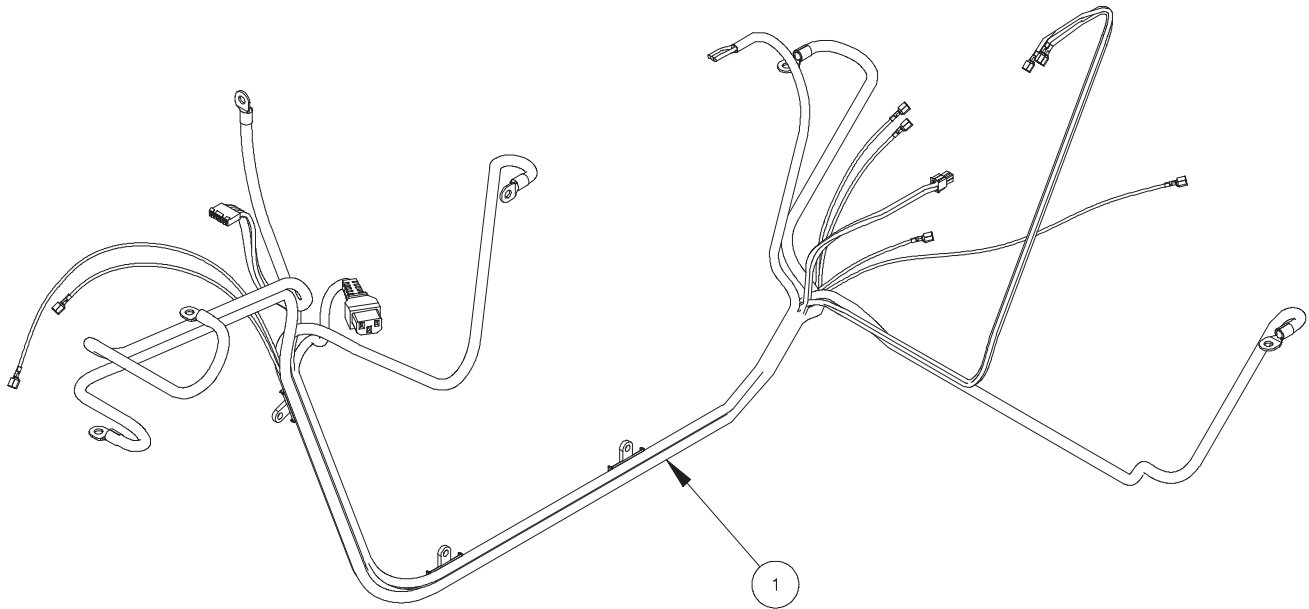
<u>ITEM</u>	<u>PART NO.</u>	<u>DESCRIPTION</u>	<u>QTY.</u>
1	0106-00210	ASSY, WIRE HARNESS - POWER CABLE	1
2	0106-00225	ASSY, CABLE - BATTERY DISCONNECT TO B3+	1
3	0106-00226	ASSY, CABLE - BATTERY DISCONNECT TO B4-	1
4	0106-02245	ASSY, CABLE - BATTERY B3- TO B2+	1
5	0106-00228	ASSY, CABLE - BATTERY B2- TO B1+	1
6	0106-00229	ASSY, CABLE - BATTERY B6- TO B5+	1
7	0521-00244	NUT, HEX - 5/16-18 STAINLESS	12
8	0524-00152	WASHER, LOCK 5/16 INTERNAL TOOTH ZINC PLATED	12



**0106-00210 ASSY, WIRE HARNESS - POWER CABLE**

<u>ITEM</u>	<u>PART NO.</u>	<u>DESCRIPTION</u>	<u>QTY.</u>
1	0106-00210	ASSY, WIRE HARNESS - POWER CABLE	1

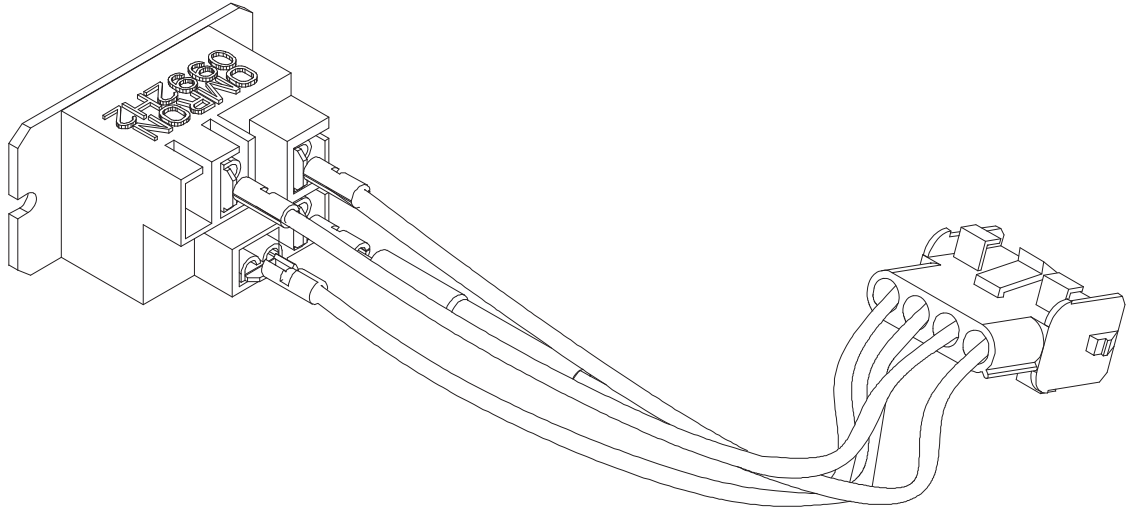
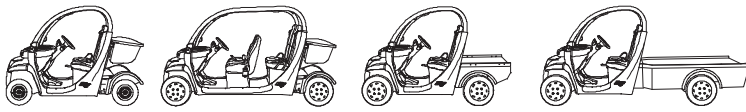
<u>QTY.</u>
1



**0106-00797 ASSY, WIRE HARNESS - POWER CABLE**

<u>ITEM</u>	<u>PART NO.</u>	<u>DESCRIPTION</u>	<u>QTY.</u>
*1	0106-00797	ASSY, WIRE HARNESS-POWER CABLE - 2 PASS - NY	1
* FOR VEHICLES WITH THE NEW YORK OPTION ONLY.			

<u>QTY.</u>
1

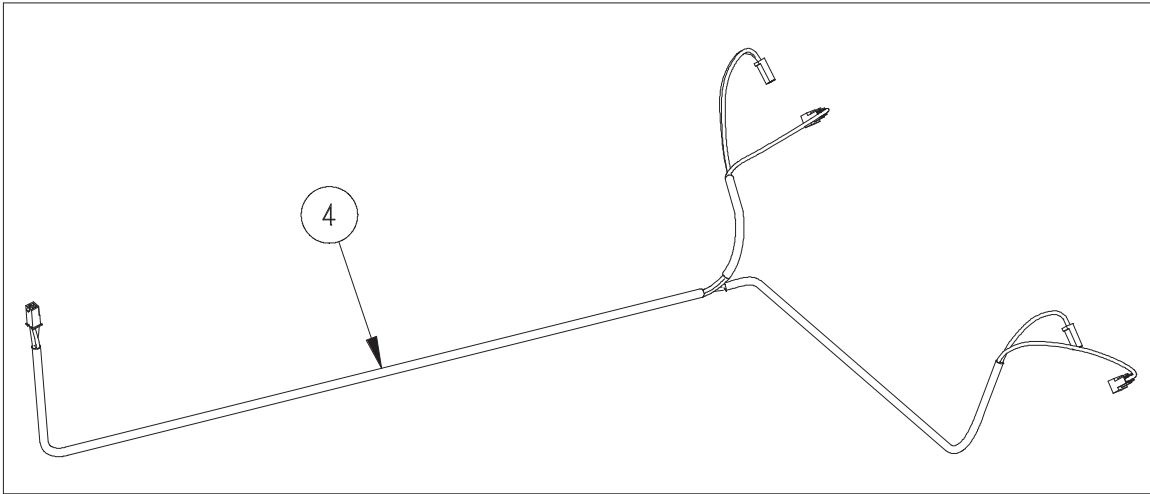
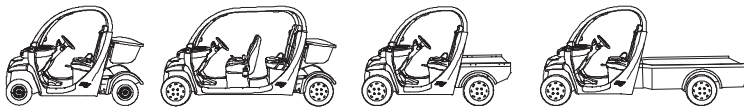


**0106-00885 ASSY, WIRE HARNESS - RELAY, BACKUP**

<u>ITEM</u>	<u>PART NO.</u>	<u>DESCRIPTION</u>
1	0106-00885	ASSY, WIRE HARNESS - RELAY, BACKUP

QTY.  
1

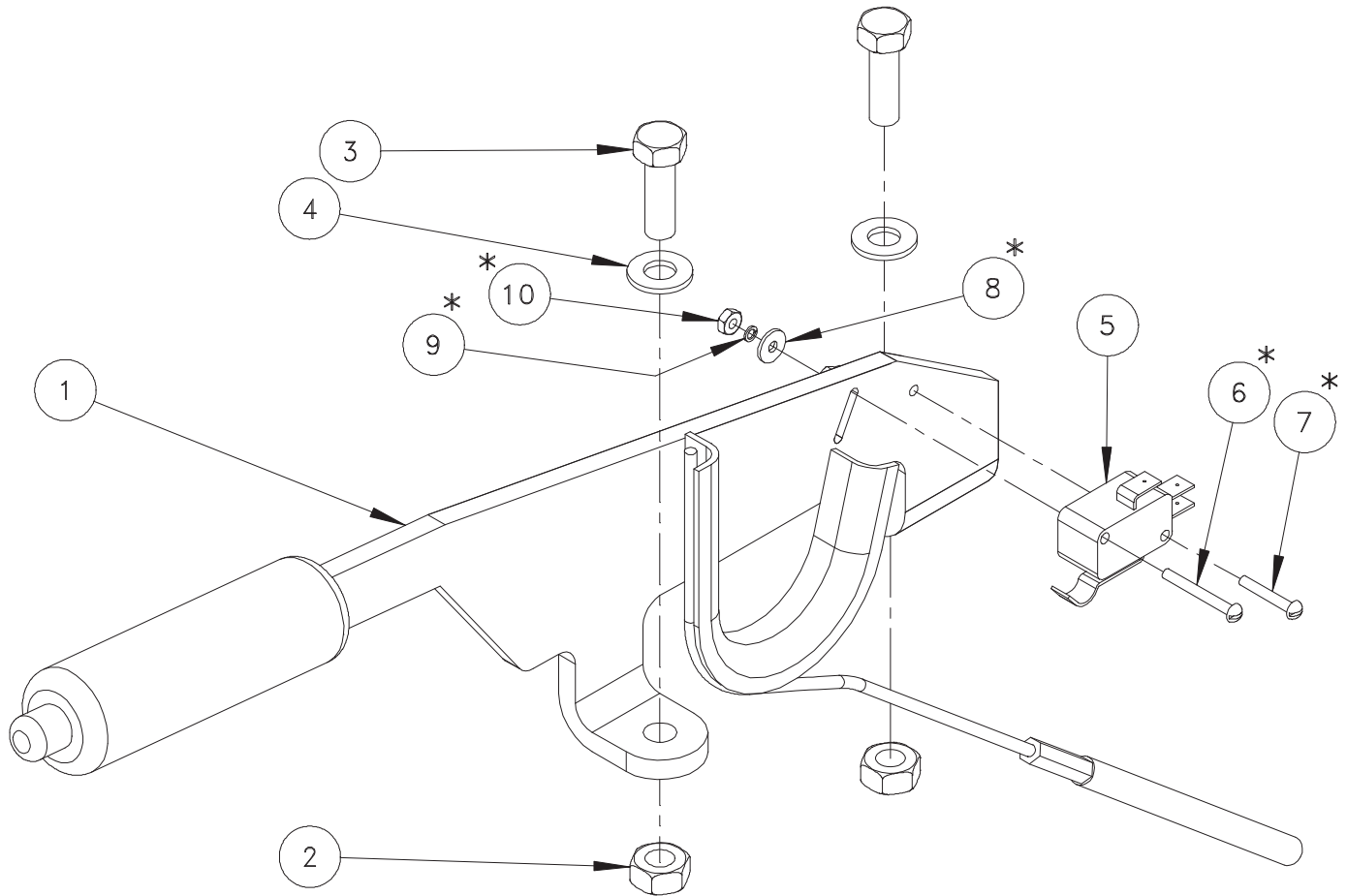
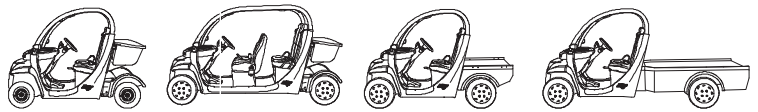




**0106-00234 ASSY, WIRE HARNESS - TAIL LIGHT**

<u>ITEM</u>	<u>PART NO.</u>	<u>DESCRIPTION</u>
4	0106-00234	ASSY, WIRE HARNESS - TAIL LIGHT

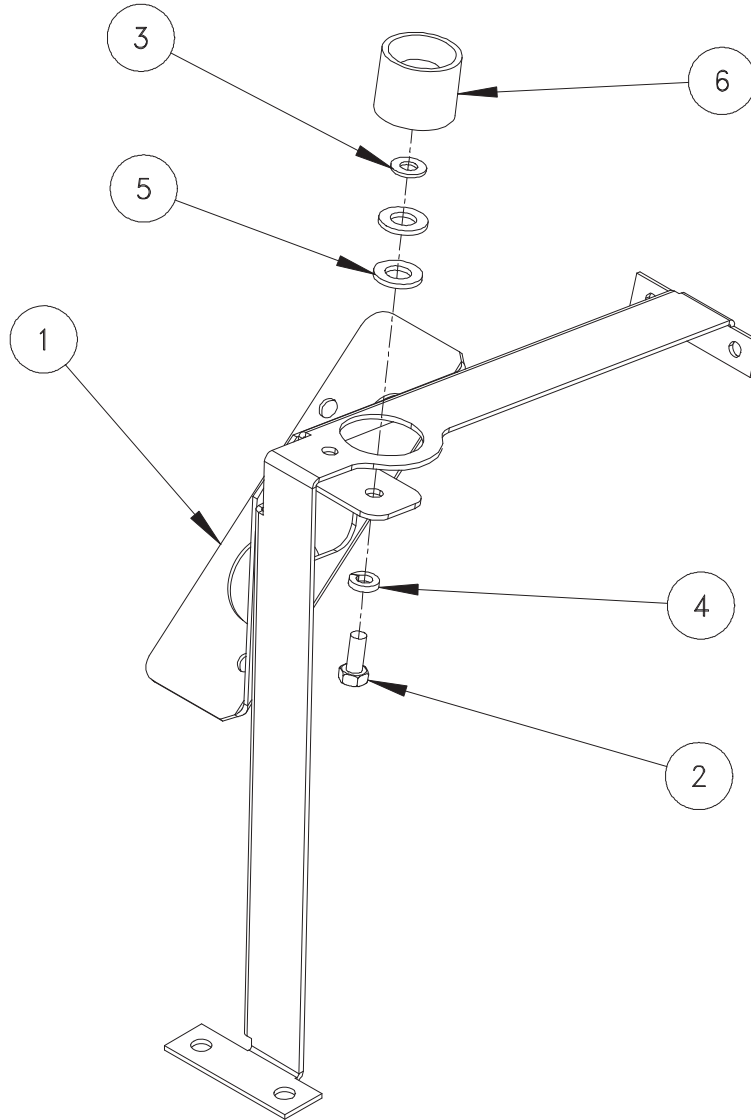
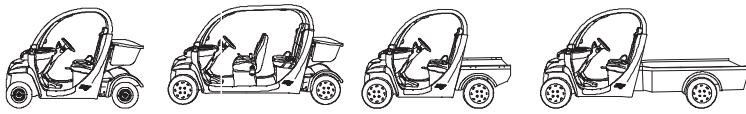
QTY.  
1



**ASSY, PARKING BRAKE LEVER**

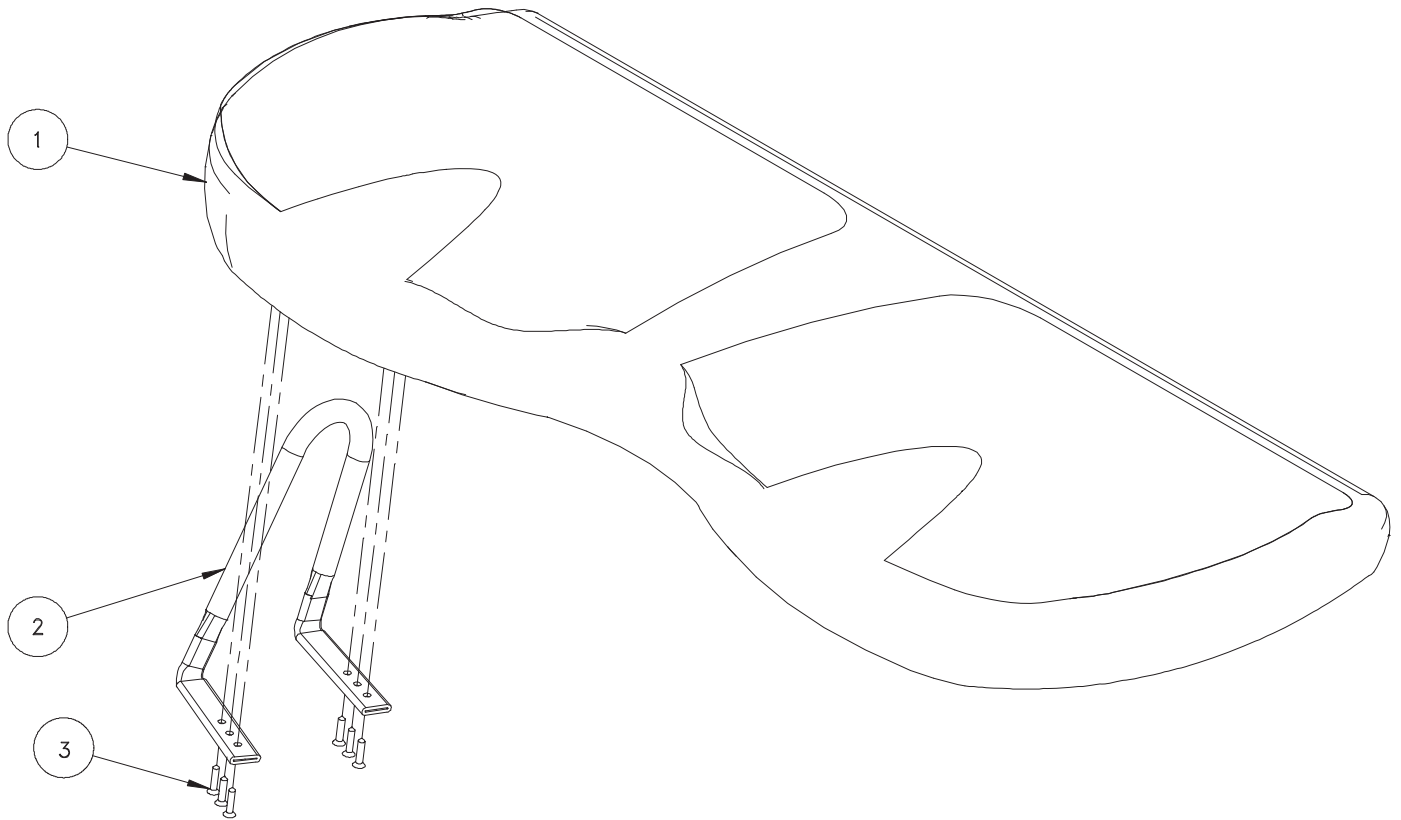
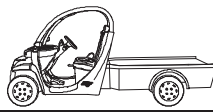
<u>ITEM</u>	<u>PART NO.</u>	<u>DESCRIPTION</u>	<u>QTY.</u>
1	0111-03597	ASSY, PARKING BRAKE LEVER	1
2	0521-00031	NUT, HEX - 5/16-18 UNC GR 5 ZN	2
3	0522-00016	BOLT, HEX - HHCS	2
4	0524-00003	WASHER, FLAT - 5/16 SAE	2
5	0306-00120	SWITCH, PARKING BRAKE LEVER	1
6	*0523-00026	SCREW, MACHINE - SLOTTED RND HEAD NO 4 - 40 X 1.0	1
7	*0523-00027	SCREW, MACHINE - SLOTTED RND HEAD NO 4 - 40 X .75	1
8	*0524-00028	WASHER, FLAT - NO. 4	1
9	*0524-00029	WASHER, LOCK - N04	1
10	*0521-00030	NUT, HEX - #4-40 UNC ZN	1

\* STARRED ITEMS ARE NOT AVAILABLE SEPARATELY



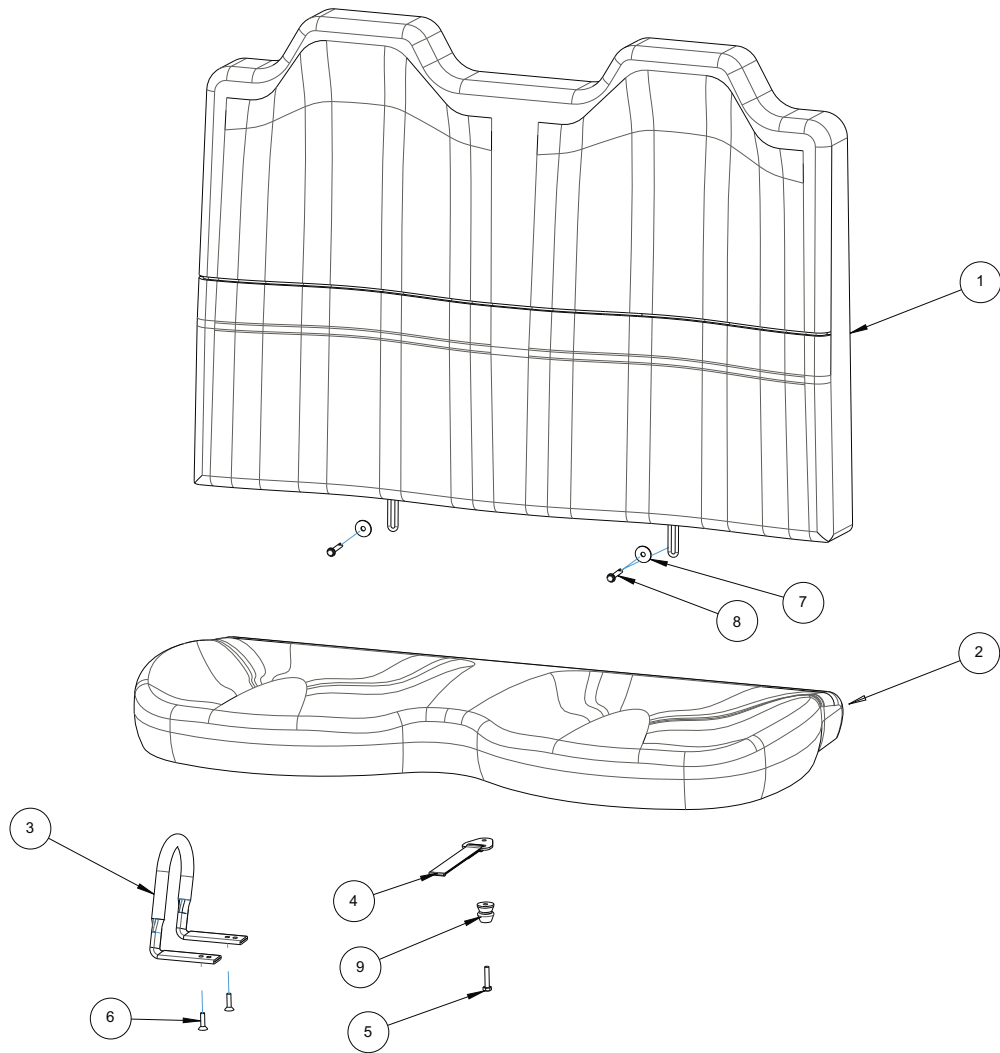
**0111-00629 ASSY, PARK BRAKE LEVER BRACKET**

<u>ITEM</u>	<u>PART NO.</u>	<u>DESCRIPTION</u>	<u>QTY.</u>
1	0211-00113	WLD, PARK BRAKE LEVER BRACKET (MODELS e2, eS, eL)	1
	0211-00217	WLD, BARK BRAKE LEVER BRACKET (e4 ONLY)	1
2	0522-00144	BOLT, HEX - HHCS	1
3	0524-00003	WASHER, FLAT - 5/16 SAE	1
4	0524-00081	WASHER, LOCK - 1/2	1
5	0524-00115	WASHER, FLAT - M12	2
6	0605-00237	SOCKET, SEAT HOLD DOWN	1



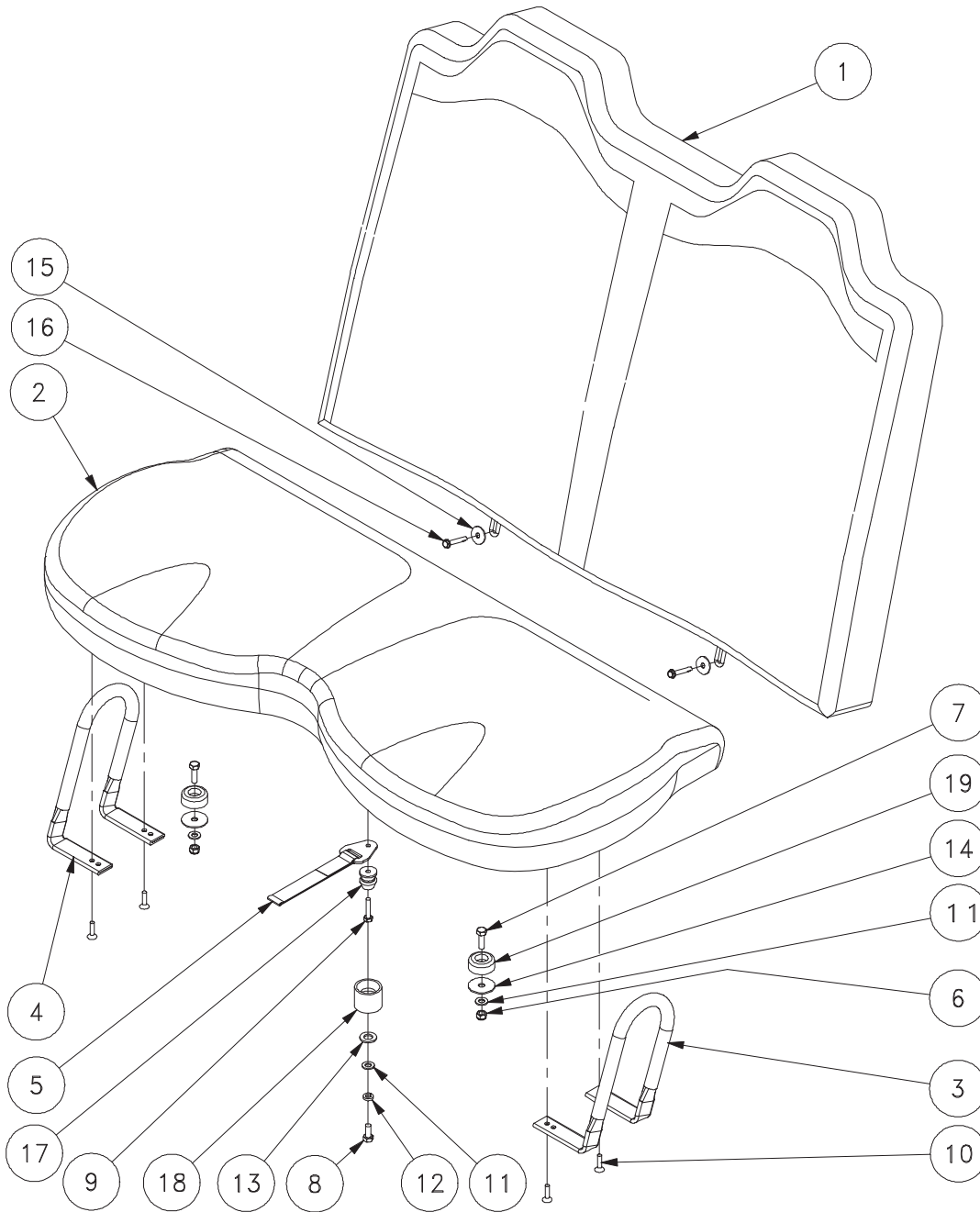
**ASSY, SEAT BOTTOM 2-PASS (ROUGH RIDER OLD STYLE, WOOD BASED BACKING)**

<u>ITEM</u>	<u>PART NO.</u>	<u>DESCRIPTION</u>	<u>QTY.</u>
1	N/A	ASSY, SEAT BASE - 4 PASS (NO LONGER AVAILABLE, SEE FOLLOWING PAGES)	1
2	0305-00388	BRACKET, SAFETY - RH SEAT	1
3	0523-00074	SCREW, T/S TYPE A - OVAL PHIL # 12 X 1 LG 18-8 SST	6



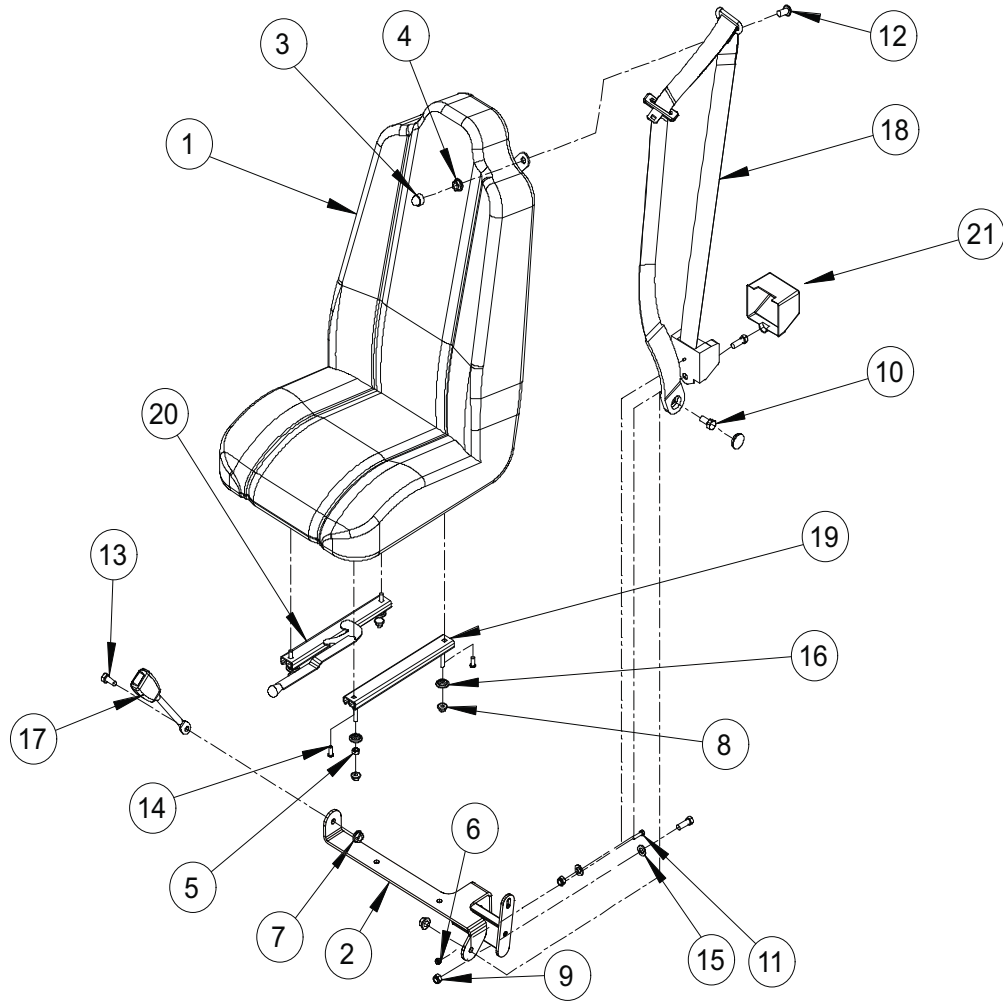
**ASSY, SEAT - 2 PASSENGER (RCO/FLEXSTEEL) WIRE FRAMED BACKING**

ITEM	PART NO.	DESCRIPTION	QTY.
1	0105-00653	ASSY, SEAT BACK- BENCH- GRAY STANDARD	1
1	0105-02503	ASSY, SEAT BACK – BENCH TWO TONED OPTION	1
2	0105-00654	ASSY, BENCH SEAT-CUSHION-GRAY STANDARD	1
2	0105-02501	ASSY, BENCH SEAT – CUSHION TWO TONED OPTION	1
3	0305-02203	BRACKET, SAFETY-RH SEAT	1
4	0310-00966	STRAP, SEAT BOTTOM RELEASE	1
5	0522-00238	BOLT, HEX - 1/4 20- UNC X 1.25 GR 5	1
6	0523-00273	SCREW, PHIL FLAT FT THRD ROL TT- 1/4---	2
7	0524-00315	WASHER, FENDER - .25 ID X 1.0 OD ZN	2
8	0523-00122	SCREW, HEX - WHSD 1/4 X 1.5 ZINC PLATED WASHER HD SELF DRILLING	2
9	0605-00236	STEM, SEAT HOLD DOWN	1



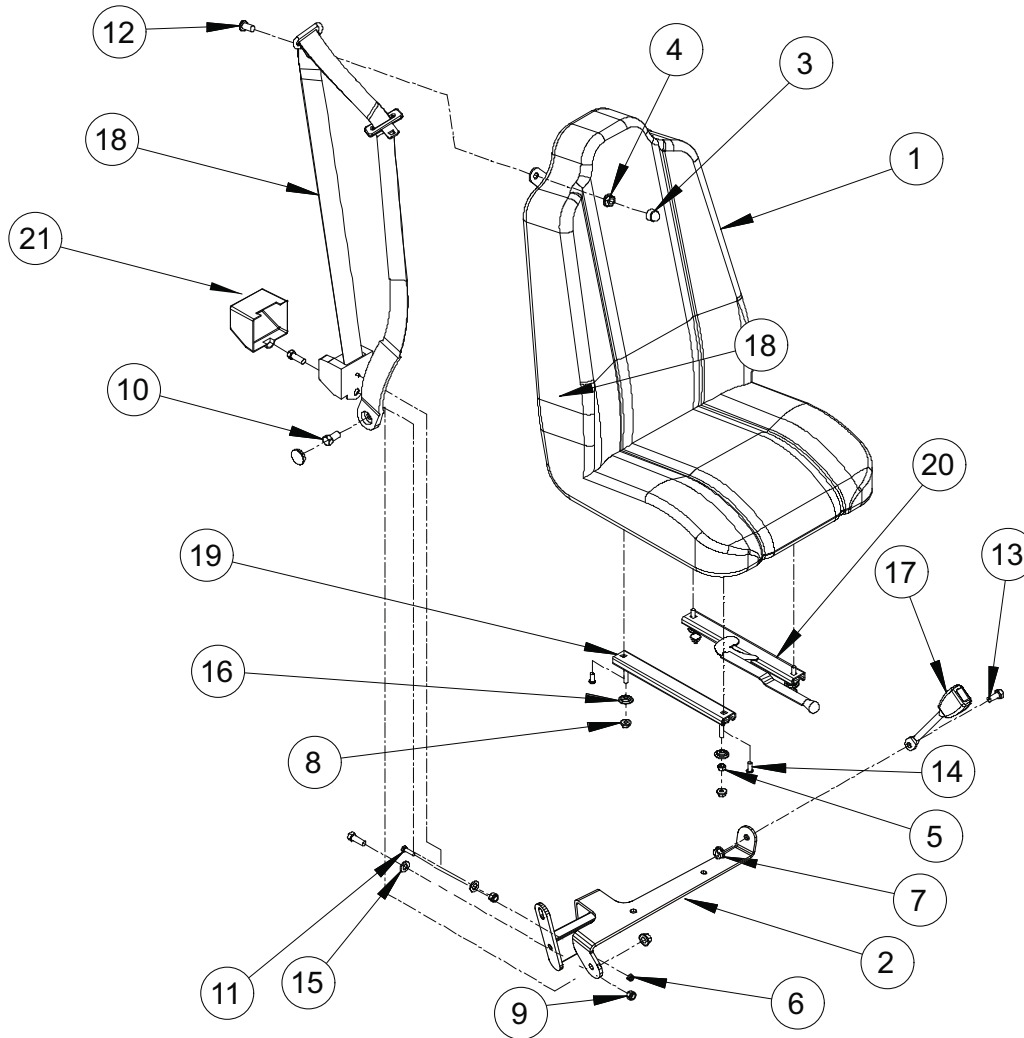
**ASSY, SEAT - REAR (NEW RCO SEATS)**

<u>ITEM</u>	<u>PART NO.</u>	<u>DESCRIPTION</u>	<u>QTY.</u>
1	0105-00653	ASSY, SEAT BACK - BENCH	1
2	0105-00654	ASSY, BENCH SEAT - CUSHION	1
3	0305-02202	BRACKET, SAFETY - LH SEAT	1
4	0305-02203	BRACKET, SAFETY - RH SEAT	1
5	0310-00966	STRAP, SEAT BOTTOM RELEASE	1
6	0521-00017	NUT, HEX - NYLOCK 5/16-18 UNC GR5 ZN	2
7	0522-00016	BOLT, HEX - HHCS 5/16 - 18 UNC X 1.0 GR 5 ZINC PLATED	2
8	0522-00144	BOLT, HEX - HHCS 5/16 - 18 UNC X .75 GR 5 ZINC PLATED	1
9	0522-00238	BOLT, HEX HD 1/4-20 UNC X 1.25 GR 5 ZINC PLATED	1
10	0523-00273	SCREW, PHIL FLAT FT THRD ROL TT - 1/4 -	4
11	0524-00003	WASHER, FLAT - 5/16 SAE .344 ID X .688 OD X .065 THK ZN	3
12	0524-00081	WASHER, LOCK - 5/16 ZINC PLATED -	1
13	0524-00115	WASHER, FLAT - M12 13mm ID X 24mm OD X 2.5mm THK	1
14	0524-00167	WASHER, FLAT - 5/16 X 1.5 OD ZINC PLATED	2
15	0524-00315	WASHER, FENDER - .25 ID x 1.0 OD generic ZN	2
16	0523-00122	SCREW, HEX - WHSD 1/4 X 1.5 ZINC PLATED	2
17	0605-00236	STEM, SEAT HOLD DOWN	1
18	0605-00237	SOCKET, SEAT HOLD DOWN	1
19	0610-00299	BUMPER, SEAT BASE/BACK	2



### ASSY, SEAT - LEFT FRONT

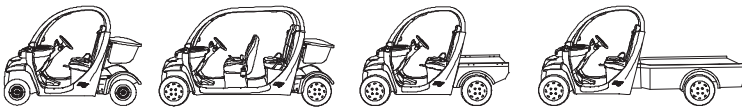
ITEM	PART NO.	DESCRIPTION	QTY.
1	0105-02508	ASSY, BUCKET SEAT - LEFT TWO-TONED OPTION	1
1	0105-00656	ASSY, BUCKET SEAT - LEFT GRAY STANDARD	1
2	0305-01570	WELDMENT, BRACKET, SEAT BELT - LH	1
3	0310-01527	COVER, COSMETIC NUT - 3/4"	1
4	0521-00024	NUT, HEX FLANGE 1/2-13 UNC GR 6 TECH LOCK	2
5	0521-00031	NUT, HEX - 5/16-18 UNC GR 5 ZN	2
6	0521-00050	NUT, HEX - NYLOCK 1/4-20 UNC GR 5 ZN TECH LOCK	1
7	0521-00129	NUT, HEX FLANGE 7/16-14 UNC GR 5 ZN TECH LOCK	1
8	0521-00203	NUT, HEX FLANGE 5/16-18 UNC GR 5 ZN TECH LOCK	4
9	0521-00322	NUT, HEX - NYLOCK -7/16-14 UNC GR 8	2
10	0522-00021	BOLT, HEX - 1/2 - 13 UNC X 1.0 GR 8 ZN YL ZINC PLATED	1
11	0522-00056	BOLT, HEX - 1/4 - 20 UNC X 1.0 GR 8 ZN YL ZINC PLATED	1
12	0523-00678	SCR, .50-13 X 1.00, BTN, HX, G8, DWG	1
13	0522-00252	BOLT, HEX - 7/16 - 14 UNC X 1.0 GR 5 ZINC PLATED	1
14	0523-00316	SCREW, MACHINE - 5/16 - 18 UNC X 0.75 6LI BU M/S X PR	4
15	0524-00115	WASHER, FLAT - M12 13mm ID X 24mm OD X 2.5mm THK	2
16	0524-00310	WASHER, BELL - 5/16	4
17	0605-00290	RECEIVER, SAFETY RESTRAINT	1
18	0605-00289	RESTRAINT, SAFETY - RETRACTABLE - 3 POINT	1
19	0605-00357	SLIDE, SEAT - NO HANDLE	1
20	0605-00358	SLIDE, SEAT - WITH HANDLE	1
21	0605-00669	COVER, RETRACTOR - SAFETY RESTRAINT BLK	1



**ASSY, SEAT - RIGHT FRONT**

ITEM	PART NO.	DESCRIPTION	QTY.
1	0105-02507	ASSY, BUCKET SEAT - RIGHT TWO-TONED OPTION	1
1	0105-00657	ASSY, BUCKET SEAT - RIGHT GRAY STANDARD	1
2	0305-01571	WELDMENT, BRACKET, SEAT BELT - RH	1
3	0310-01527	COVER, COSMETIC NUT - 3/4"	1
4	0521-00024	NUT, HEX FLANGE 1/2-13 UNC GR 6 TECH LOCK	2
5	0521-00031	NUT, HEX - 5/16-18 UNC GR 5 ZN	2
6	0521-00050	NUT, HEX - NYLOCK 1/4-20 UNC GR 5 ZN TECH LOCK	1
7	0521-00129	NUT, HEX FLANGE 7/16-14 UNC GR 5 ZN TECH LOCK	1
8	0521-00203	NUT, HEX FLANGE 5/16-18 UNC GR 5 ZN TECH LOCK	4
9	0521-00322	NUT, HEX - NYLOCK - 7/16-14 UNC GR 8	2
10	0522-00021	BOLT, HEX - 1/2 - 13 UNC X 1.0 GR 8 ZN YL ZINC PLATED	1
11	0522-00056	BOLT, HEX - 1/4 - 20 UNC X 1.0 GR 8 ZN YL ZINC PLATED	1
12	0523-00678	SCR, .50-13 X 1.00, BTN, HX, G8, DWG	1
13	0522-00252	BOLT, HEX - 7/16 - 14 UNC X 1.0 GR 5 ZINC PLATED	1
14	0523-00316	SCREW, MACHINE - 5/16 - 18 UNC X 0.75 6LI BU M/S XPR	4
15	0524-00115	WASHER, FLAT - M12 13mm ID X 24mm OD X 2.5mm THK	2
16	0524-00310	WASHER, BELL - 5/16	4
17	0605-00290	RECEIVER, SAFETY RESTRAINT	1
18	0605-00289	RESTRAINT, SAFETY - RETRACTABLE - 3 POINT	1
19	0605-00357	SLIDE, SEAT - NO HANDLE	1
20	0605-00358	SLIDE, SEAT - WITH HANDLE	1
21	0605-00669	COVER, RETRACTOR - SAFETY RESTRAINT BLK	1





**NON CURRENT SEAT BASE ASSEMBLY e4 VINYL (OLD STYLE WOOD BASED BACKING) NOT SHOWN**

<u>ITEM</u>	<u>PART NO.</u>	<u>DESCRIPTION</u>	<u>QTY.</u>
1*	0105-00088	ASSY, SEAT BASE, 4 PASS	1
2	0305-00388	BRACKET, RH SEAT	1
3	0305-00390	BRACKET, LH SEAT	1
4	0523-00074	SCREW, T/S PHILLIPS OVAL #12x1 SS	12
5*	0305-00389	BRACKET, HOLD DOWN - SEAT	2
6*	0522-00140	BOLT, KNOB - 1/4-20x1	2
7	0521-00141	NUT, INSERT 1/4-20	2

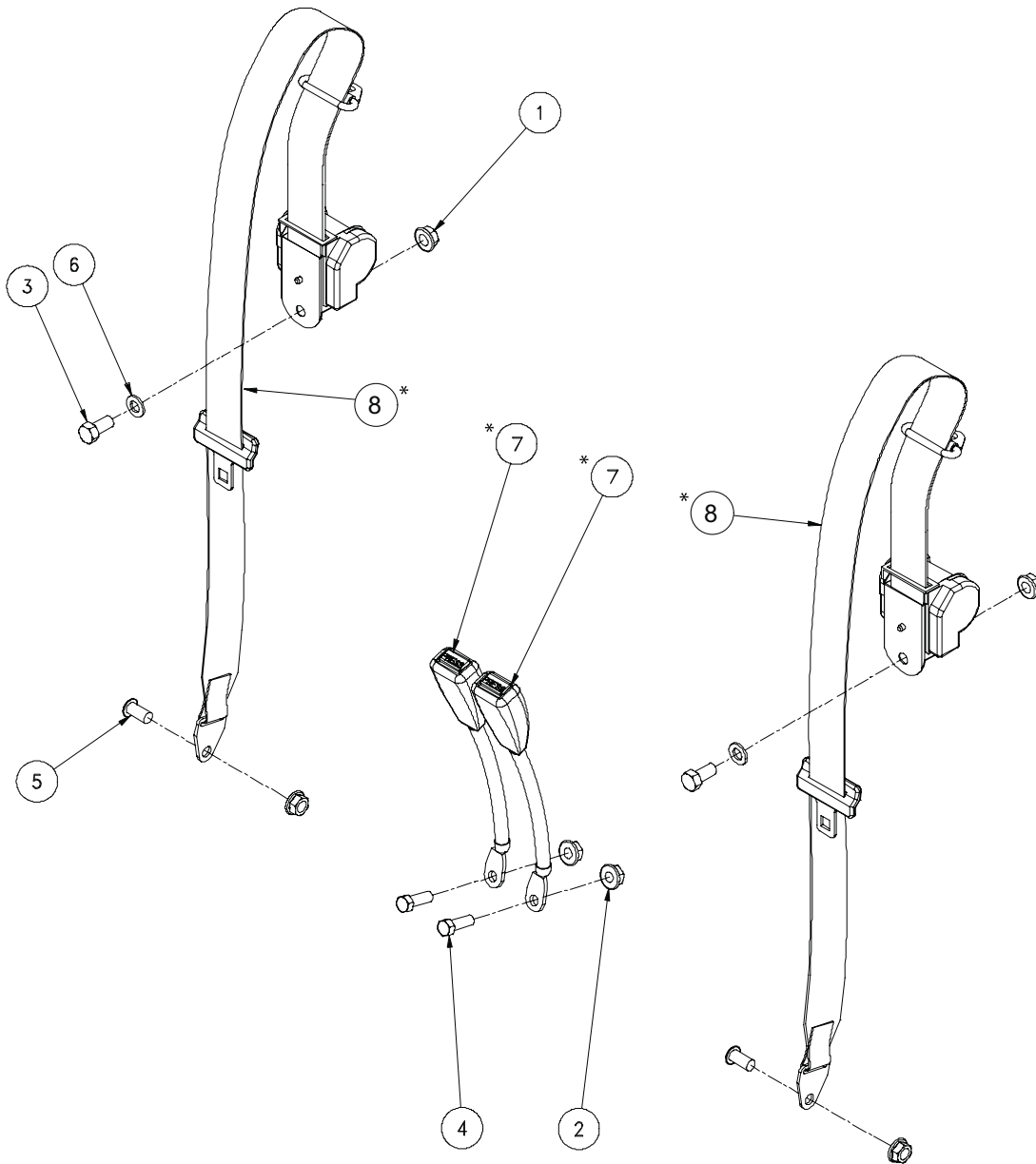
\*ITEM NO LONGER AVAILABLE

**NON CURRENT SEAT BACK ASSEMBLY, VINYL e2, e4, eS, eL (OLD STYLE WOOD BASED BACKING) NOT SHOWN**

<u>ITEM</u>	<u>PART NO.</u>	<u>DESCRIPTION</u>	<u>QTY.</u>
1	0105-00091	ASSY, SEAT BACK	1
2	0523-00122	SCREW, HEX SELF DRILL 1/4-14 x15	2

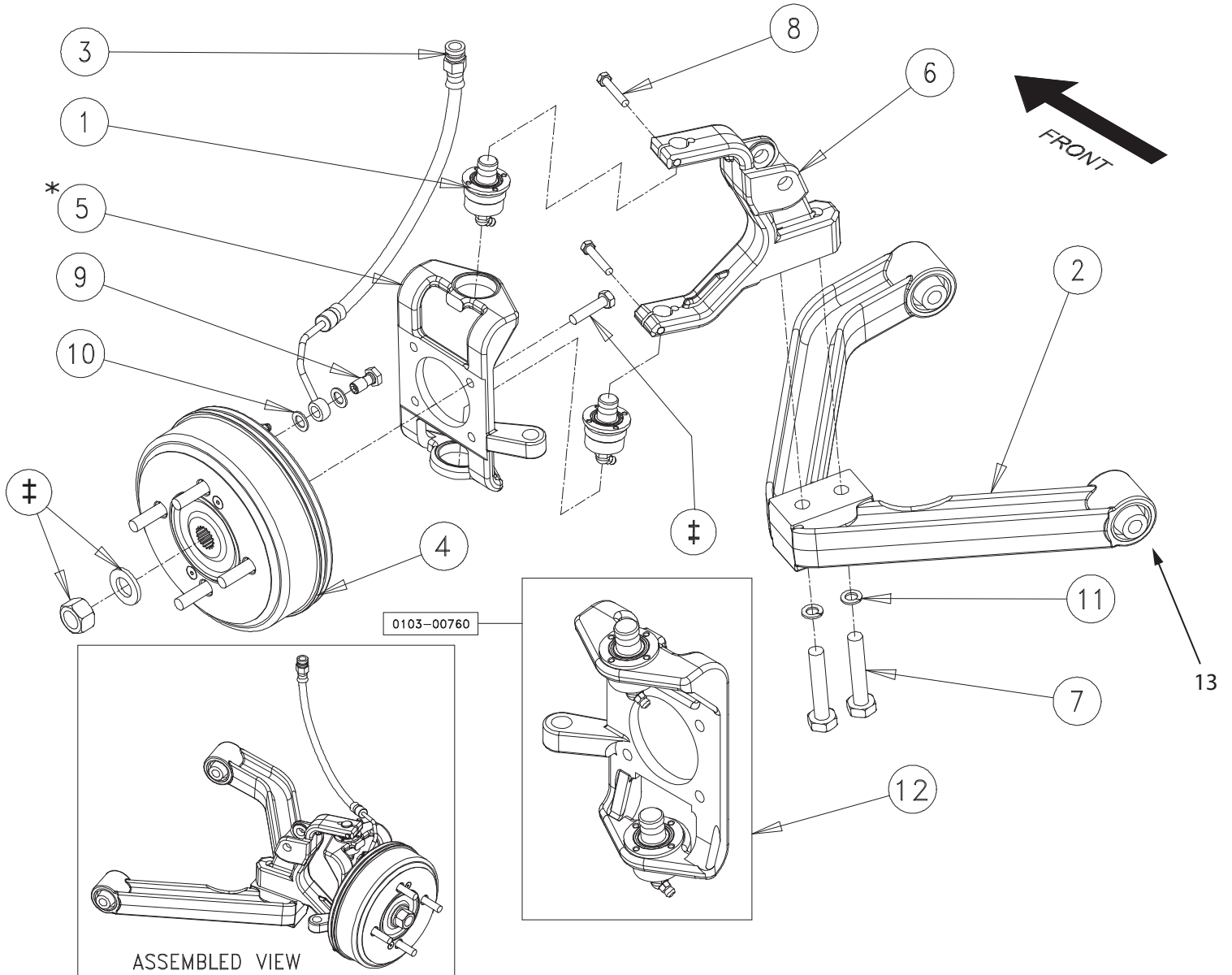
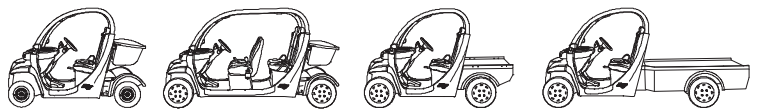
**NON CURRENT SAFETY RESTRAINT BUCKET ASSEMBLY, e4 (OLD STYLE WOOD BASED BACKING) NOT SHOWN**

<u>ITEM</u>	<u>PART NO.</u>	<u>DESCRIPTION</u>	<u>QTY.</u>
1	0605-00130	KIT, SAFETY RESTRAINT, 2-POINT	2



**ASSY, SAFETY RESTRAINT - BENCH**

ITEM	PART NO.	DESCRIPTION	QTY.
1	0521-00024	NUT, HEX FLANGE 1/2-13 UNC GR 6 TECH LOCK	4
2	0521-00129	NUT, HEX FLANGE 7/16-14 UNC GR 5 ZN TECH LOCK	2
3	0522-00021	BOLT, HEX - HHCS 1/2 - 13 UNC X 1.0 GR 8 ZN YL ZINC PLATED	2
4	0522-00164	BOLT, HEX 7/16 - 14 UNC X 1.25 GR 8 ZINC PLATED	2
5	0523-00678	SCR, .50-13 X 1.00, BTN, HX, G8, DWG	2
6	0524-00115	WASHER, FLAT - M12 13mm ID X 24mm OD X 2.5mm THK	2
7	0605-00295	RECEIVER, SAFETY RESTRAINT	1
8	0605-00294	RESTRAINT, SAFETY - RETRACTABLE - 3 POINT FRONT	1



**ASSY, CONTROL ARM W/ WHEEL END - LH**

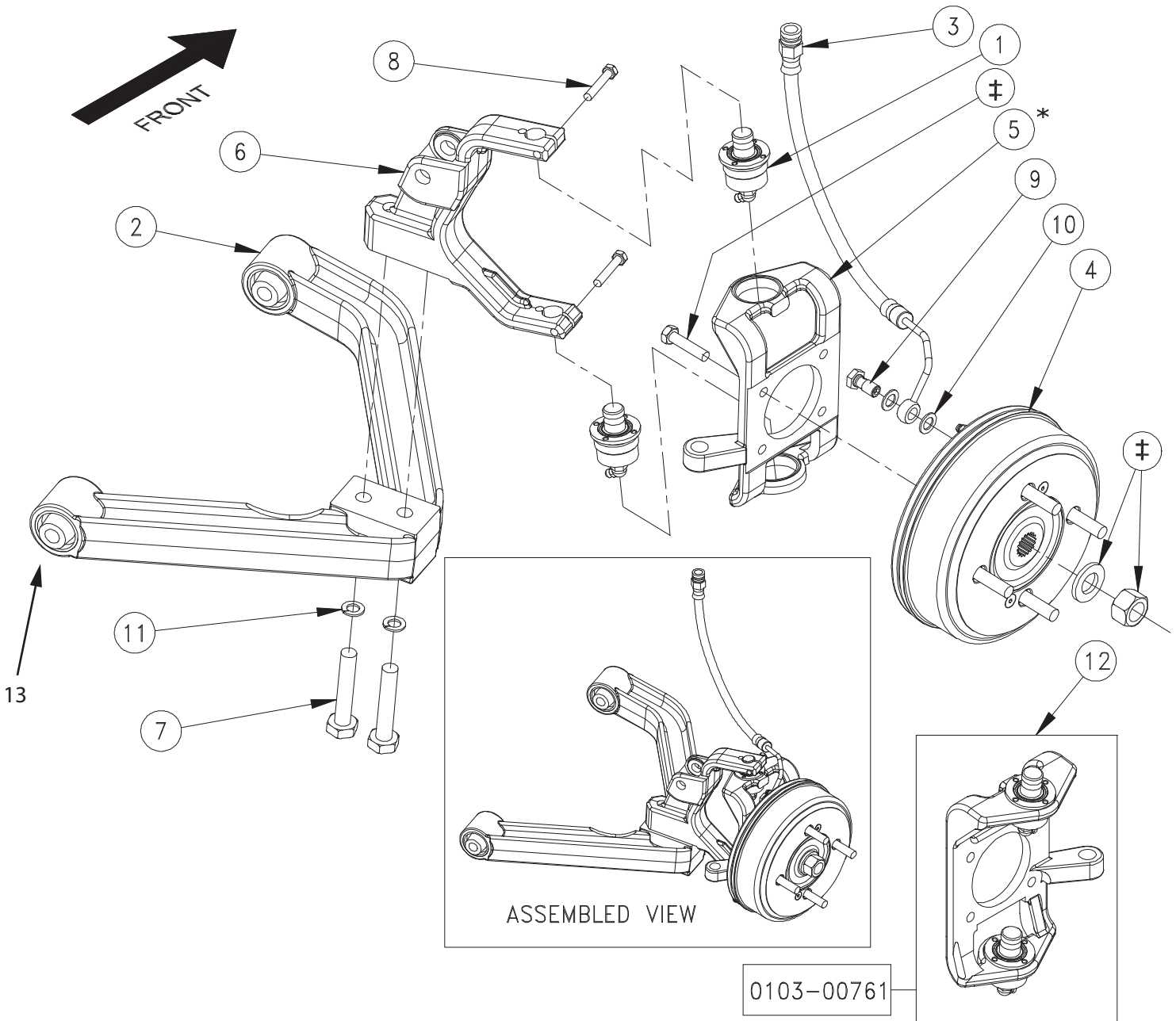
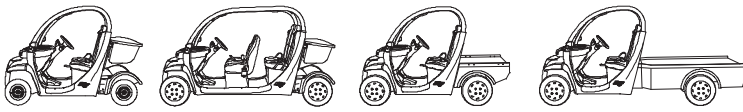
ITEM	PART NO.	DESCRIPTION	QTY.
1	0103-00082	KINGPIN-QA1	2
2	0103-00326	ASSY, CONTROL ARM W/ BUSHINGS - LH	1
3	0111-00261	ASSY, BRAKE HOSE - LH FRONT (LH BRKT TO LH SC)	1
4	0116-00165	ASSY, WHEEL END KIT - FRONT (12MM STUD)	1
5	*	KNUCKLE, STEERING - LH	1
6	0303-00137	YOKE, SUSPENSION	1
7	0522-00046	BOLT, HEX - HHCS - M12 X 1.75 X 65 LG GR 10.9	2
8	0522-00047	BOLT, HEX - HHCS - M6 X 1.0 X 35 LG GR 10.9	2
9	0522-00170	BOLT - BANJO	1
10	0524-00173	WASHER, COPPER	2
11	0524-00178	WASHER, LOCK - INTERNAL STAR ZINC PLATED	2

‡ THESE PARTS ARE PART OF THE WHEEL END KIT ASSY ITEM # 4 (P/N 0116-00165)

\* STARRED ITEMS ARE NOT AVAILABLE SEPARATELY (ORDER P/N 0103-00760- ASSY, KNUCKLE LH - KING PIN - SERVICE ONLY)

**0103-00760 ASSY, KNUCKLE LH - KING PIN - SERVICE ONLY**

ITEM	PART NO.	DESCRIPTION	QTY.
12	0103-00760	ASSY, KNUCKLE LH - KING PIN - SERVICE ONLY	1
13	0302-00163	BUSHING, SUSPENSION	2



**ASSY, CONTROL ARM W/ WHEEL END - RH**

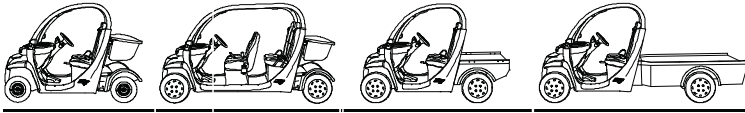
ITEM	PART NO.	DESCRIPTION	QTY.
1	0103-00082	KINGPIN-QA1	2
2	0103-00327	ASSY, CONTROL ARM W/ BUSHING - RH	1
3	0111-00262	ASSY, BRAKE HOSE - RH FRONT (RH BRKT TO RH SC)	1
4	0116-00165	ASSY, WHEEL END KIT - FRONT (12MM STUD)	1
5	*	KNUCKLE, STEERING - RH	1
6	0303-00137	YOKE, SUSPENSION	1
7	0522-00046	BOLT, HEX - HHCS - M12 X 1.75 X 65 LG GR 10.9	2
8	0522-00047	BOLT, HEX - HHCS - M6 X 1.0 X 35 LG GR 10.9	2
9	0522-00170	BOLT - BANJO	1
10	0524-00173	WASHER, COPPER	2
11	0524-00178	WASHER, LOCK - INTERNAL STAR ZINC PLATED	2

‡ THESE PARTS ARE PART OF THE WHEEL END KIT ASSY ITEM # 4 (P/N 0116-00165)

\* STARRED ITEMS ARE NOT AVAILABLE SEPARATELY (ORDER P/N 0103-00761- ASSY, KNUCKLE RH - KING PIN - SERVICE ONLY)

**0103-00761 ASSY, KNUCKLE RH - KING PIN - SERVICE ONLY**

ITEM	PART NO.	DESCRIPTION	QTY.
12	0103-00761	ASSY, KNUCKLE RH - KING PIN - SERVICE ONLY	1
13	0302-00163	BUSHING, SUSPENSION	2



1

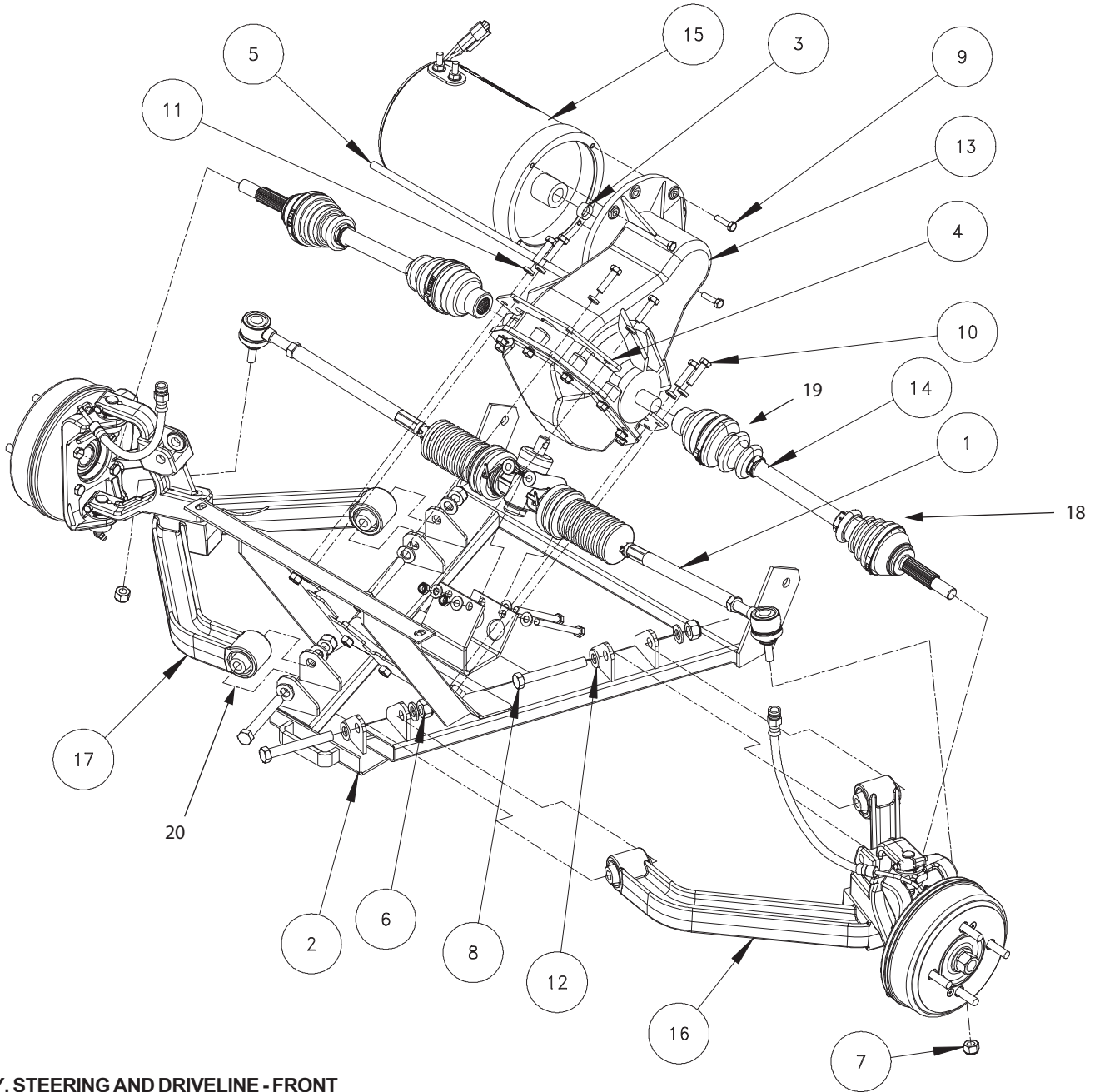
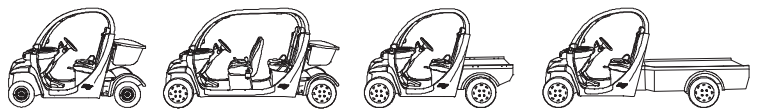
**KIT, BELLOWS-DIFFERENTIAL VENT TUBE**

<b>ITEM</b>	<b>PART NO.</b>	<b>DESCRIPTION</b>	<b>QTY.</b>
1	1213-00086	KIT BELLOWS-DIFFERENTIAL VENT TUBE	1



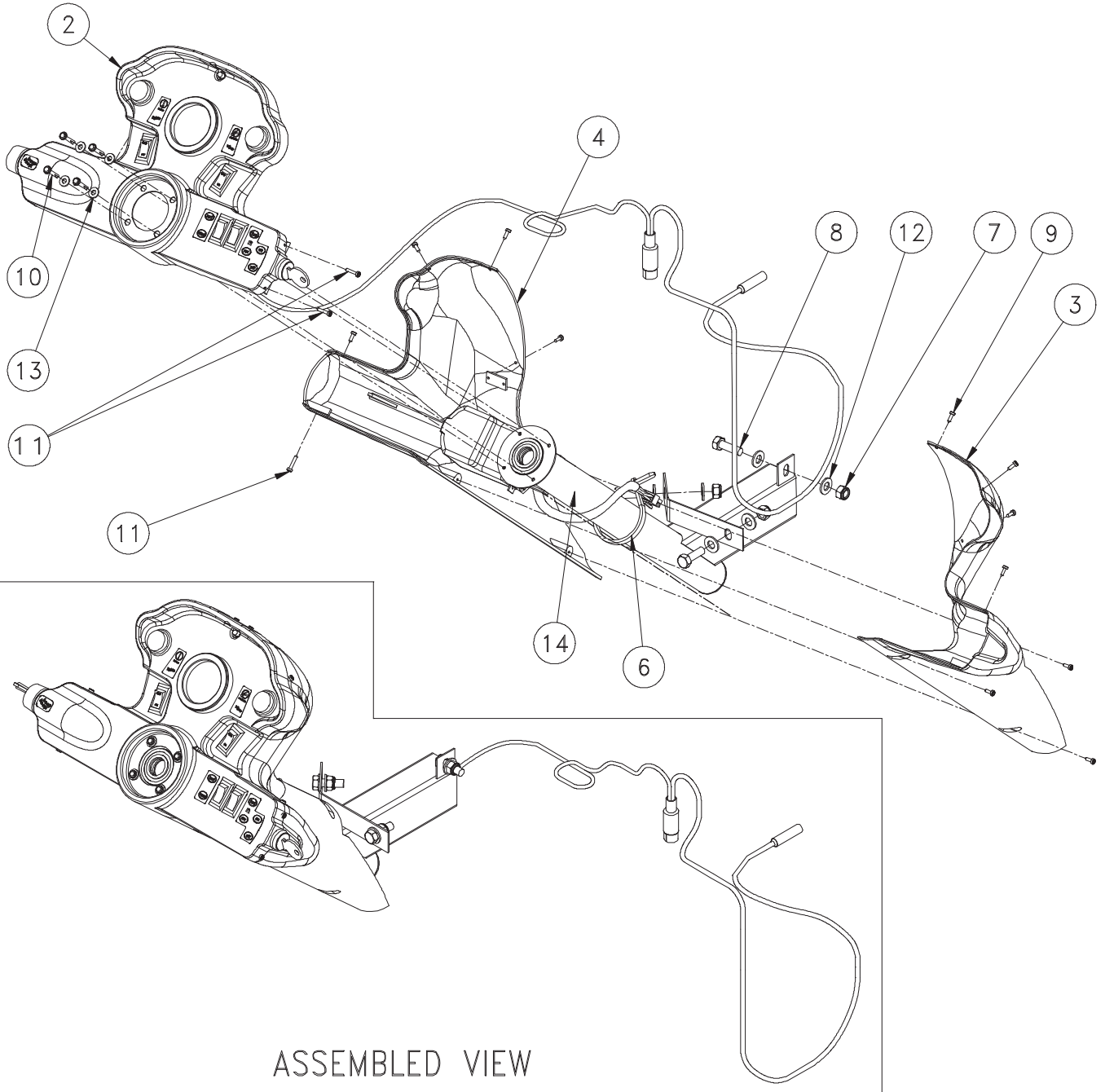
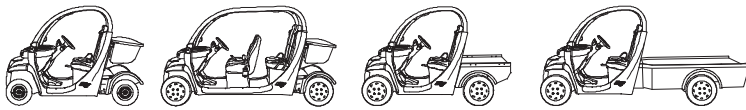
**KIT, INPUT SHAFT**

<b>ITEM</b>	<b>PART NO.</b>	<b>DESCRIPTION</b>	<b>QTY.</b>
1	0313-03046	KIT, INPUT SHAFT-10.35 : 1 VITON	1



**ASSY, STEERING AND DRIVELINE - FRONT**

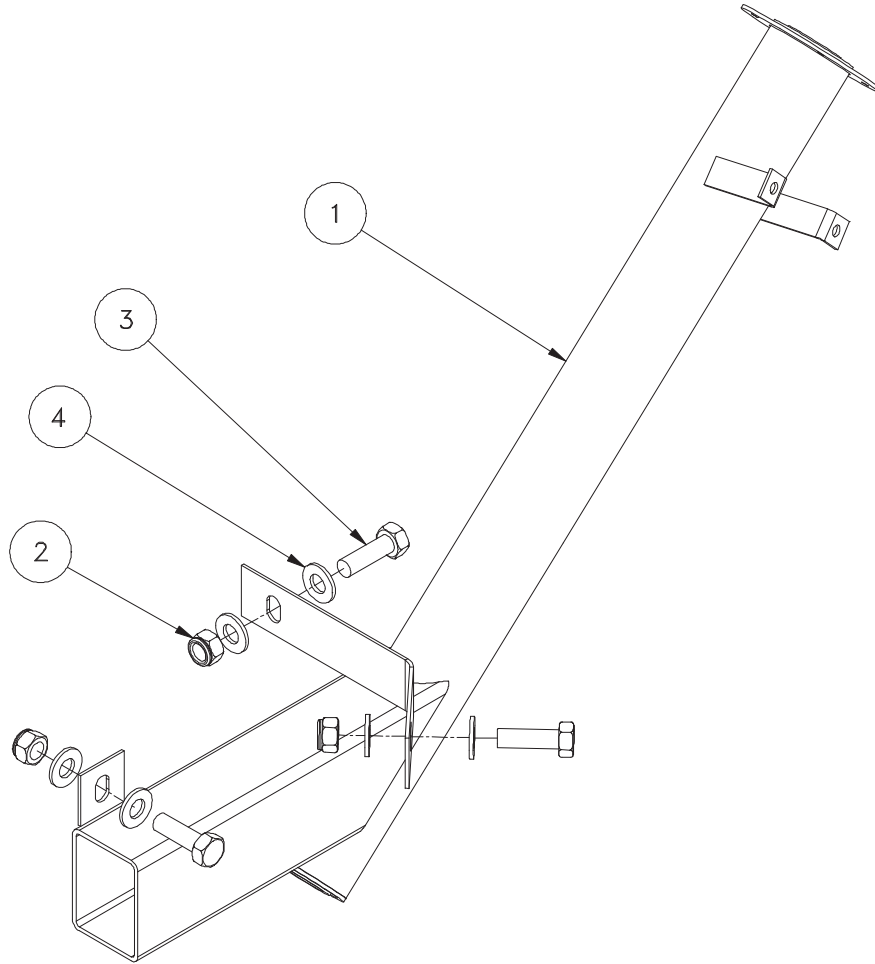
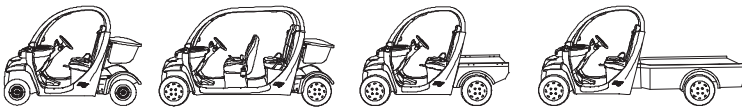
<u>ITEM</u>	<u>PART NO.</u>	<u>DESCRIPTION</u>	<u>QTY.</u>
1	0112-00646	ASSY, STEERING GEAR	1
2	0201-00061	WLD, SUPPORT FRM - FRT	1
3	0313-00168	BUMPER, RESILIENT - DIFF TO MOTOR	1
4	0313-00417	KEEPER, GEARBOX \ DIFF	2
5	-	HOSE, BREATHER - DIFFERENTIAL (SEE FOLLOWING PAGE)	1
6	0521-00023	NUT, HEX - NYLOCK - M12 X 1.75 ZINC PLATED	4
7	0521-00116	NUT, NYLOCK STEERING GEAR BALL JOINT	2
8	0522-00044	BOLT, HEX - HHCS - M12 X 1.75 X 90 CL 10.9 ZINC PLATED YELLOW	4
9	0522-00056	BOLT, HEX - HHCS - 1/4 - 20 UNC X 1.0 GR 8 ZN YL	3
10	0522-00080	BOLT, HEX - HHCS - 5/16 - 18 UNC X 1.25 GR 5	8
11	0524-00081	WASHER, LOCK - 1/2	8
12	0524-00115	WASHER, FLAT - M12 13mm ID X 24mm OD X 2.5mm THK	8
13	0613-00249	ASSY, GEAR BOX \ DIFFERENTIAL - 72 VOLT 10.35:1 (USE WITH 5 HP MOTOR ONLY)	1
13	0613-00011	ASSY, GEAR BOX \ DIFFERENTIAL - 72 VOLT 8.91:1 (USE WITH 3.5 HP MOTOR ONLY)	1
14	0613-00013	ASSY, HALF SHAFT	2
15	0613-00959	MOTOR, ELECTRIC 5HP FITS e4/eL VIN 017000-034286, e2/eS VIN 020449-034286	1
15	0613-00958	MOTOR, ELECTRIC - 72 VOLT 3.5 HP FITS e4/eL VIN 016999 & PRIOR, e2/eS VIN 020448 & PRIOR	1
16	0103-00326	ASSY, CONTROL ARM - LH	1
17	0103-00327	ASSY, CONTROL ARM -RH	1
18	0613-00196	ASSY, BOOT KIT-HALFSHAFT, OUTER (INCL. BOOT, CLAMPS & GREASE)	1
19	0613-00195	ASSY, BOOT KIT-HALFSHAFT, INNER (INCL. BOOT, CLAMPS & GREASE)	1
20	0302-00163	BUSHING, SUSPENSION	4



**ASSY, STEERING COLUMN - INSTRUMENT POD**

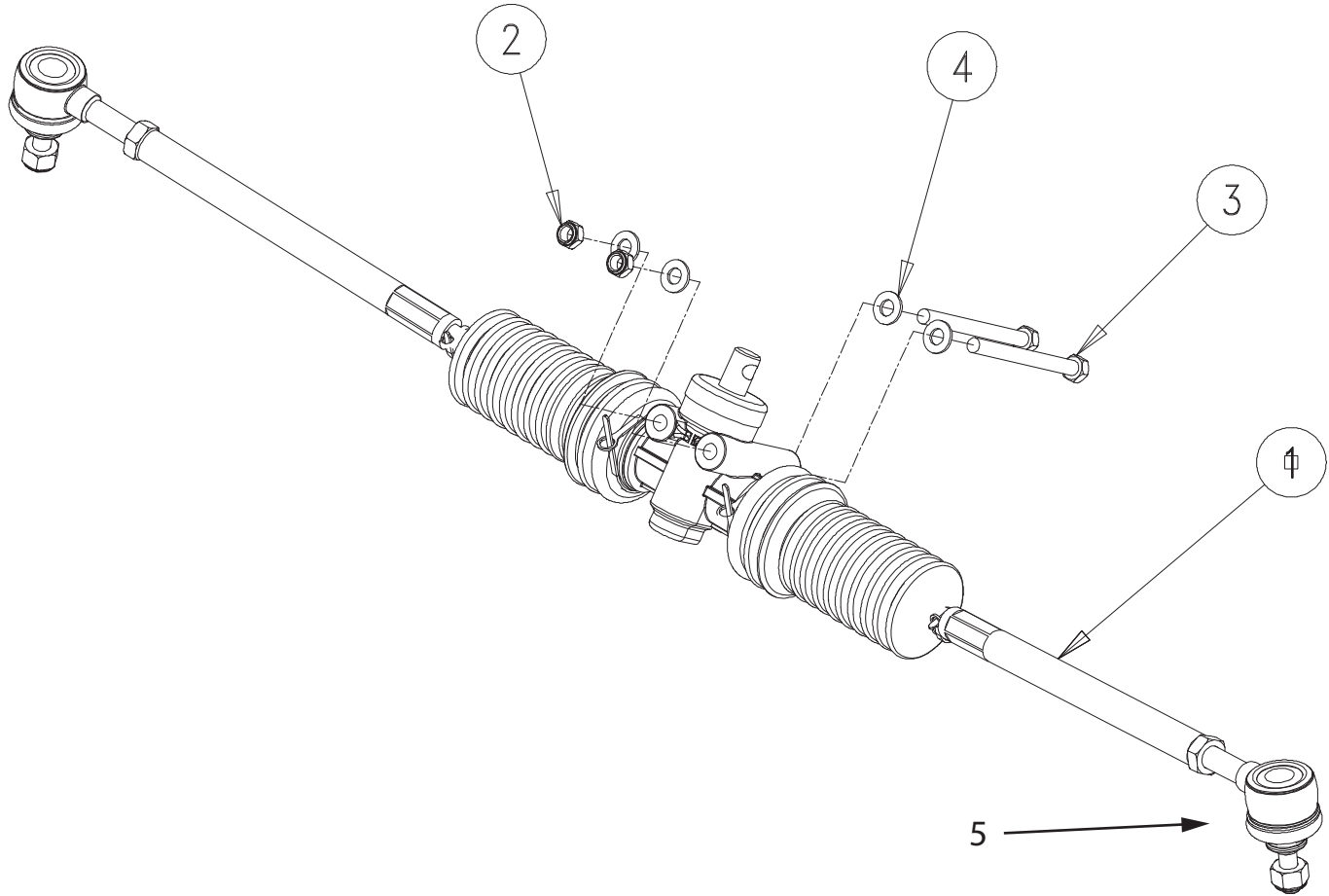
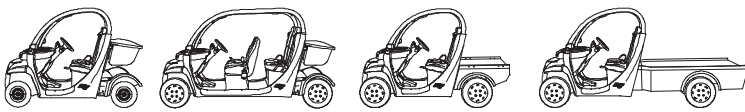
<u>ITEM</u>	<u>PART NO.</u>	<u>DESCRIPTION</u>	<u>QTY.</u>
2	0305-00846	ASSY, INSTRUMENT POD FACE	1
3	0305-00844	COWLING, INSTRUMENT POD - RH TEXTURED	1
4	0305-00845	COWLING, INSTRUMENT POD - LH TEXTURED	1
6	0510-00137	TIE, CABLE W/#10 MOUNT HOLE 9" BLACK	1
7	0521-00017	NUT, HEX - NYLOCK 5/16-18 UNC GR5 ZN	3
8	0522-00016	BOLT, HEX - HHCS 5/16 - 18 UNC X 1.0 GR 5 ZINC PLATED	3
9	0523-00165	SCREW, PHIL PAN HEAD- #4 X 3/8 PHIL PAN TAPPING 18-8 SELF THREADING	11
10	0523-00176	SCREW, HEX - WHSD #6 x 3/4 ZINC PLATED	4
11	0523-00253	SCREW, #4 x 5/8" PH PAN T/S A 18-8 18-8 SELF THREADING	3
12	0524-00003	WASHER, FLAT - 5/16 SAE .344 ID X .688 OD X .065 THK ZN	6
13	0524-00159	WASHER, FLAT .192 ID X .437 OD X .050 THK STL ZN BLK	4
14	1112-00006	ASSY, STEERING COLUMN W/ TURN SIGNAL SWITCH	1





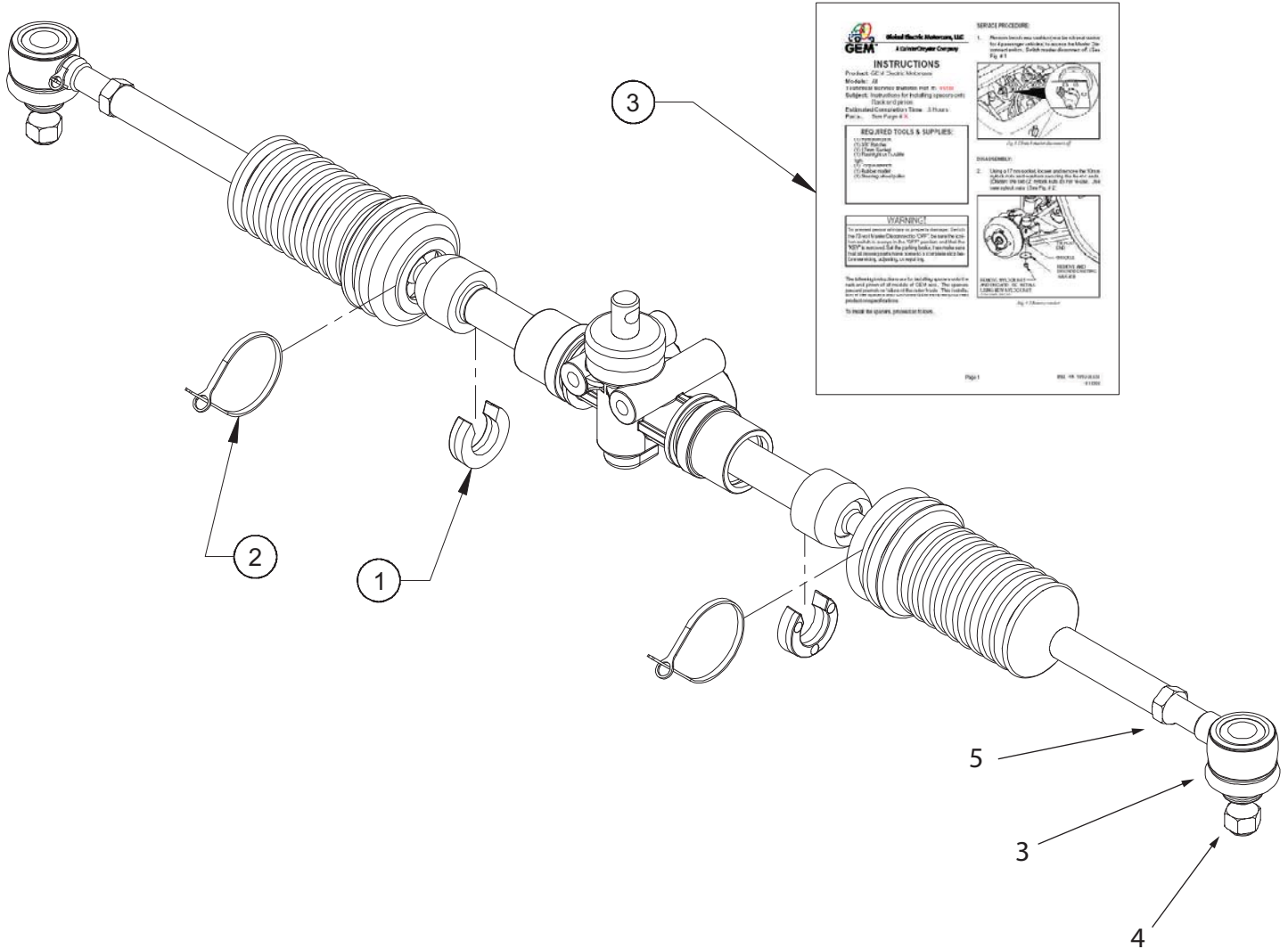
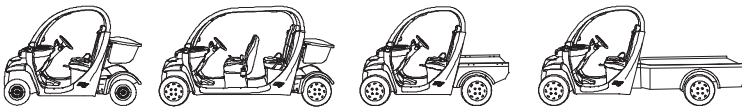
**ASSY, STEERING COLUMN**

<u>ITEM</u>	<u>PART NO.</u>	<u>DESCRIPTION</u>	<u>QTY.</u>
1	0112-00130	ASSY, STEERING COLUMN	1
2	0521-00017	NUT, HEX - NYLOCK 5/16-18 UNC GR5 ZINC PLATED	3
3	0522-00016	BOLT, HEX - HHCS 5/16 - 18 UNC X 1.0 GR 5 ZINC PLATED	3
4	0524-00003	WASHER, FLAT - 5/16 SAE .344 ID X .688 OD X .065 THK ZINC PLATED	6
5	0612-00751	BEARING, ROLLER - STEERING SHAFT (NOT SHOWN)	2



**0112-00146 ASSY, STEERING GEAR**

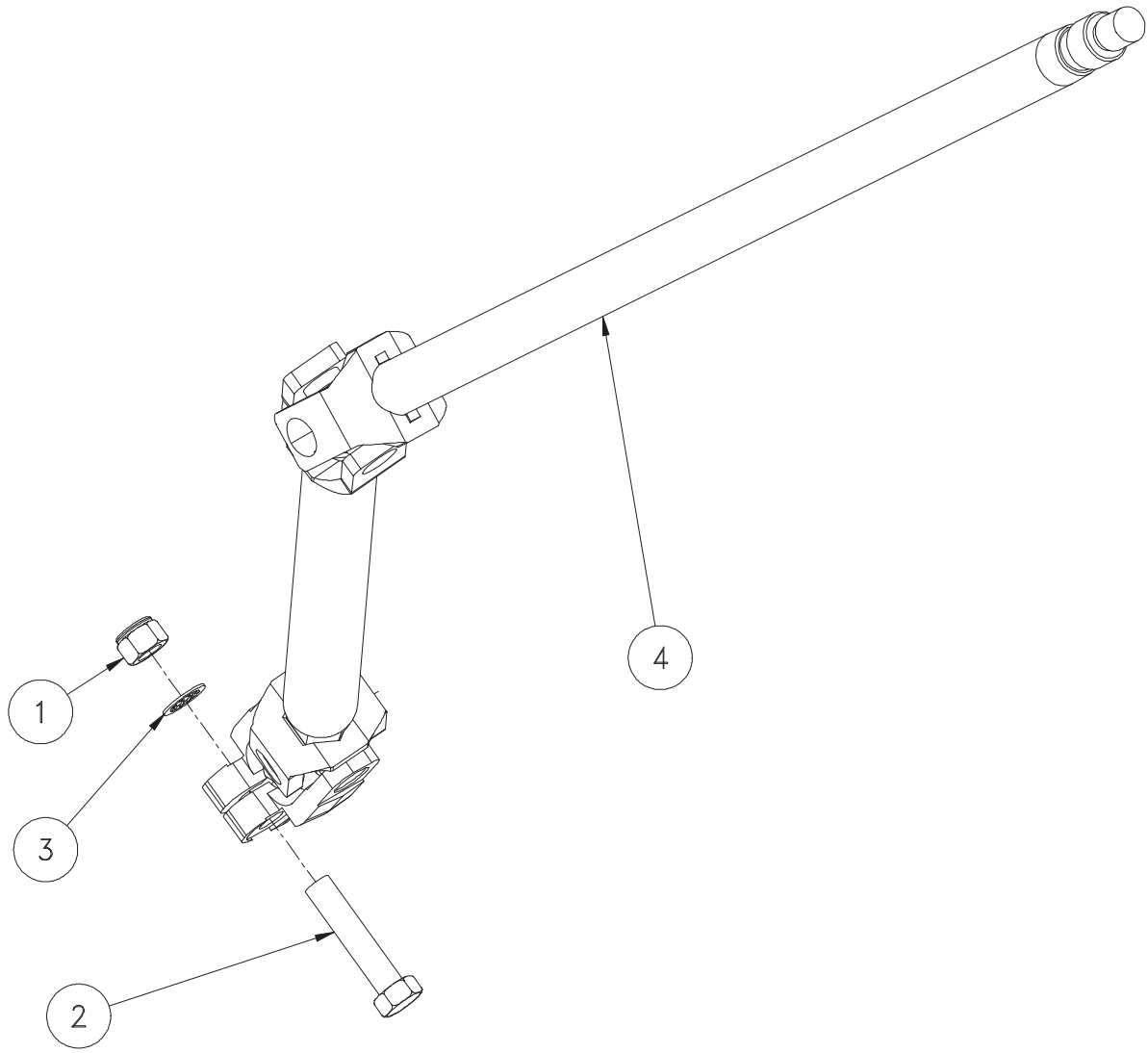
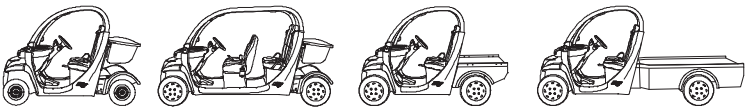
<u>ITEM</u>	<u>PART NO.</u>	<u>DESCRIPTION</u>	<u>QTY.</u>
1	0112-00646	ASSY, RACK AND PINION	1
2	0521-00112	NUT, HEX - NYLOCK M8 X 1.25 ZINC PLATED	2
3	0522-00111	BOLT, HEX - M8 X 1.25 X 90 LG GR 8.8 ZINC PLATED	2
4	0524-00003	WASHER, FLAT - 5/16 SAE	4
5	0112-00635	ASSY, TIE ROD END	2



**ASSY, STEERING GEAR SPACER KIT**

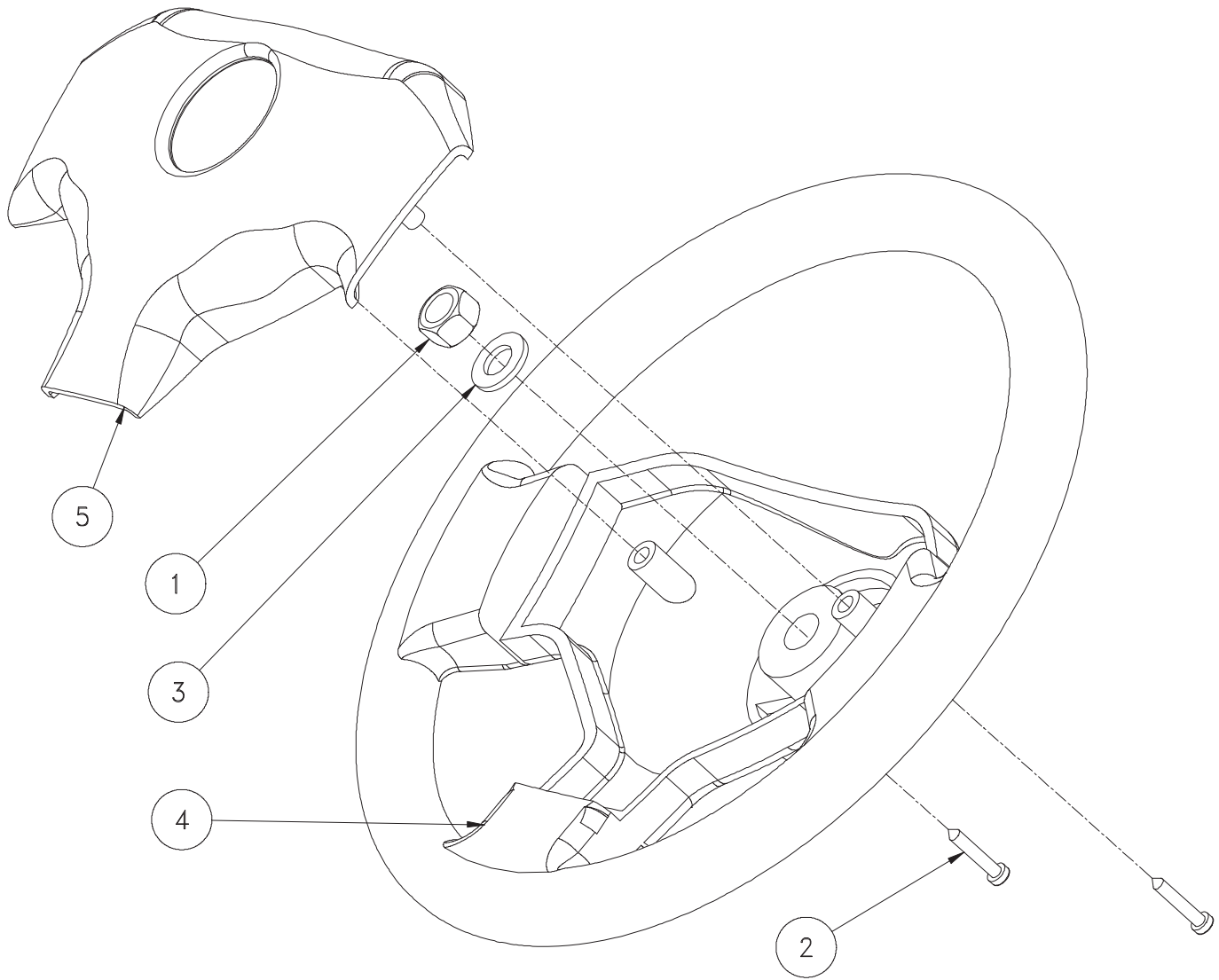
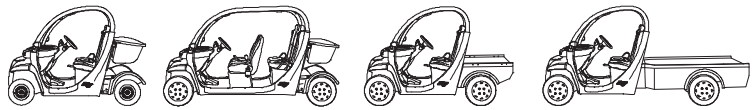
<u>ITEM</u>	<u>PART NO.</u>	<u>DESCRIPTION</u>	<u>QTY.</u>
1	0512-00250	SPACER, RACK AND PINION - NYLON - 35.3MM O.D. X 21.5 I.D. X 10MM THICK	2
2	0510-00137	TIE, CABLE BLACK 7.5"	2
3*	0112-00637	ASSY, TIE ROD END JOINT	1
4*	0521-00116	NUT, NYLOCK STEERING GEAR BALL JOINT	1
5*	0521-00248	NUT, HEX M14 X 1.5 PLATED YELLOW	1

\*ITEMS ARE NOT SOLD SEPARATELY, ORDER 0112-00635 TIE ROD END ASSY.



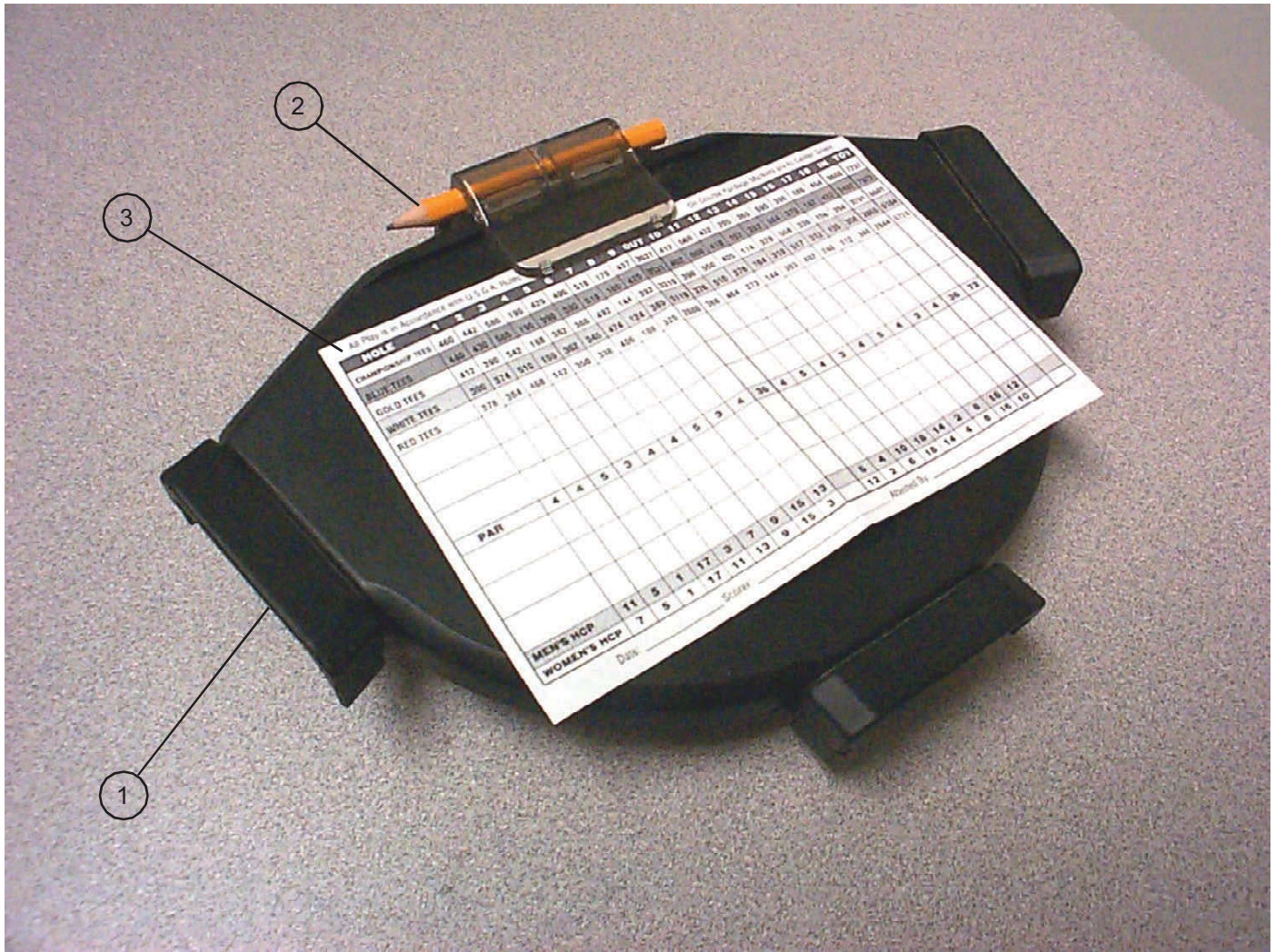
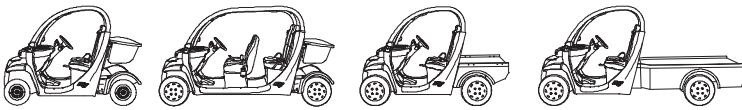
**ASSY, STEERING SHAFT**

<u>ITEM</u>	<u>PART NO.</u>	<u>DESCRIPTION</u>	<u>QTY.</u>
1	0521-00010	NUT, HEX - NYLOCK - 3/8-16 UNC GR5 ZINC PLATED	1
2	0522-00113	BOLT, HEX - HHCS 3/8-16 UNC X 1.75 LG GR 5 ZINC PLATED	1
3	0524-00178	WASHER, LOCK 3/8 INTERNAL TOOTH ZINC PLATED	1
4	0612-00033	SHAFT, STEERING	1



**ASSY, STEERING WHEEL**

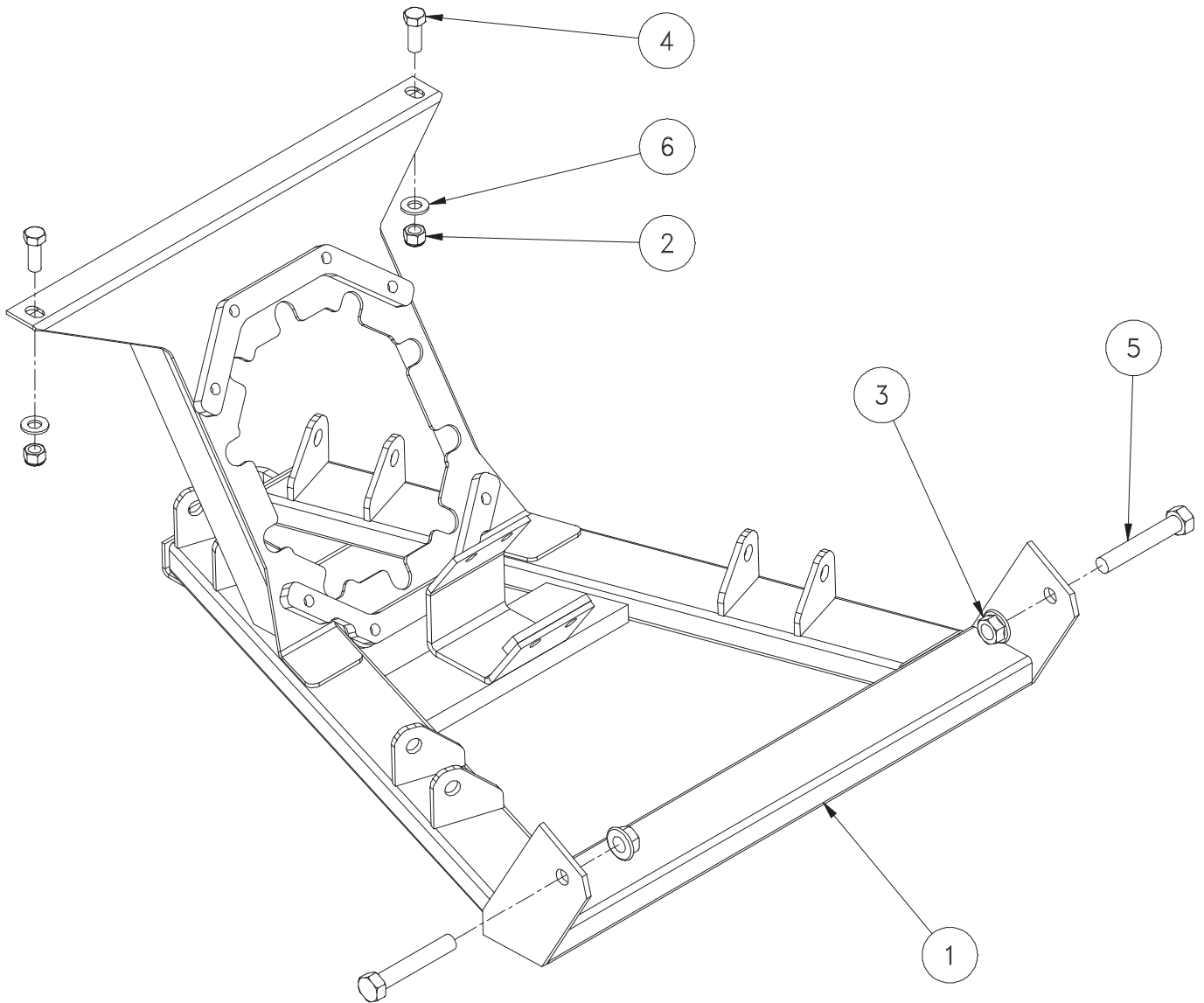
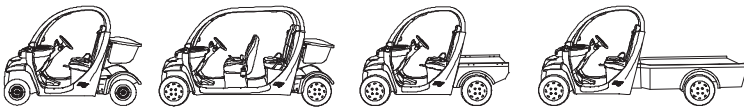
<u>ITEM</u>	<u>PART NO.</u>	<u>DESCRIPTION</u>	<u>QTY.</u>
1	0521-00114	NUT, HEX - 1/2-13 UNC GR 5 ZN	1
2	0523-00177	SCREW, HI-LOW - PHIL PAN #10 X 1 BLANK ZINC	2
3	0524-00115	WASHER, FLAT - M12	1
4	0612-00034	WHEEL, STEERING	1
5	0612-00043	COVER, STEERING WHEEL	1



**0107-00527 CENTER - STEERING WHEEL WITH CLIP**

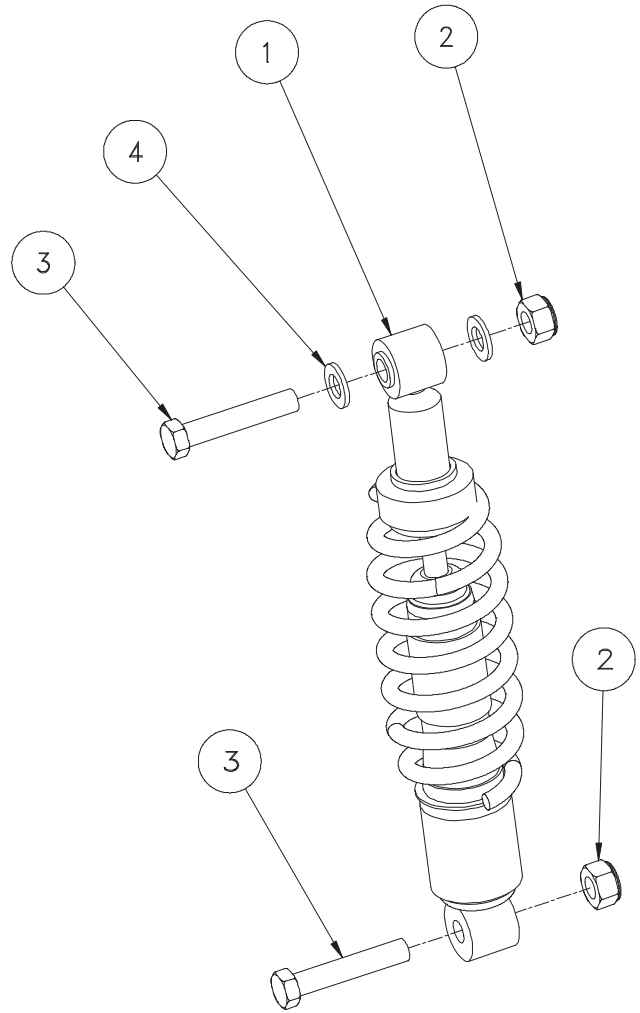
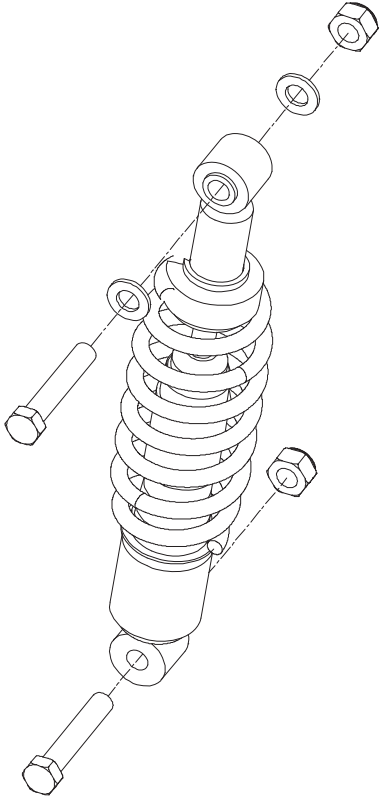
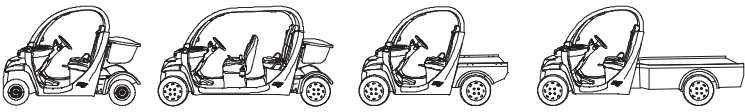
<u>ITEM</u>	<u>PART NO.</u>	<u>DESCRIPTION</u>	<u>QTY.</u>
1	0107-00527	CENTER - STEERING WHEEL WITH CLIP	1
2	*	PENCIL	1
3	*	SCORE CARD	1

\* STARRED ITEMS ARE SHOWN FOR REFERENCE ONLY. STARRRED ITEMS ARE NOT AVAILABLE SEPARATELY



**0101-00105 ASSY, SUPPORT FRAME - FRONT**

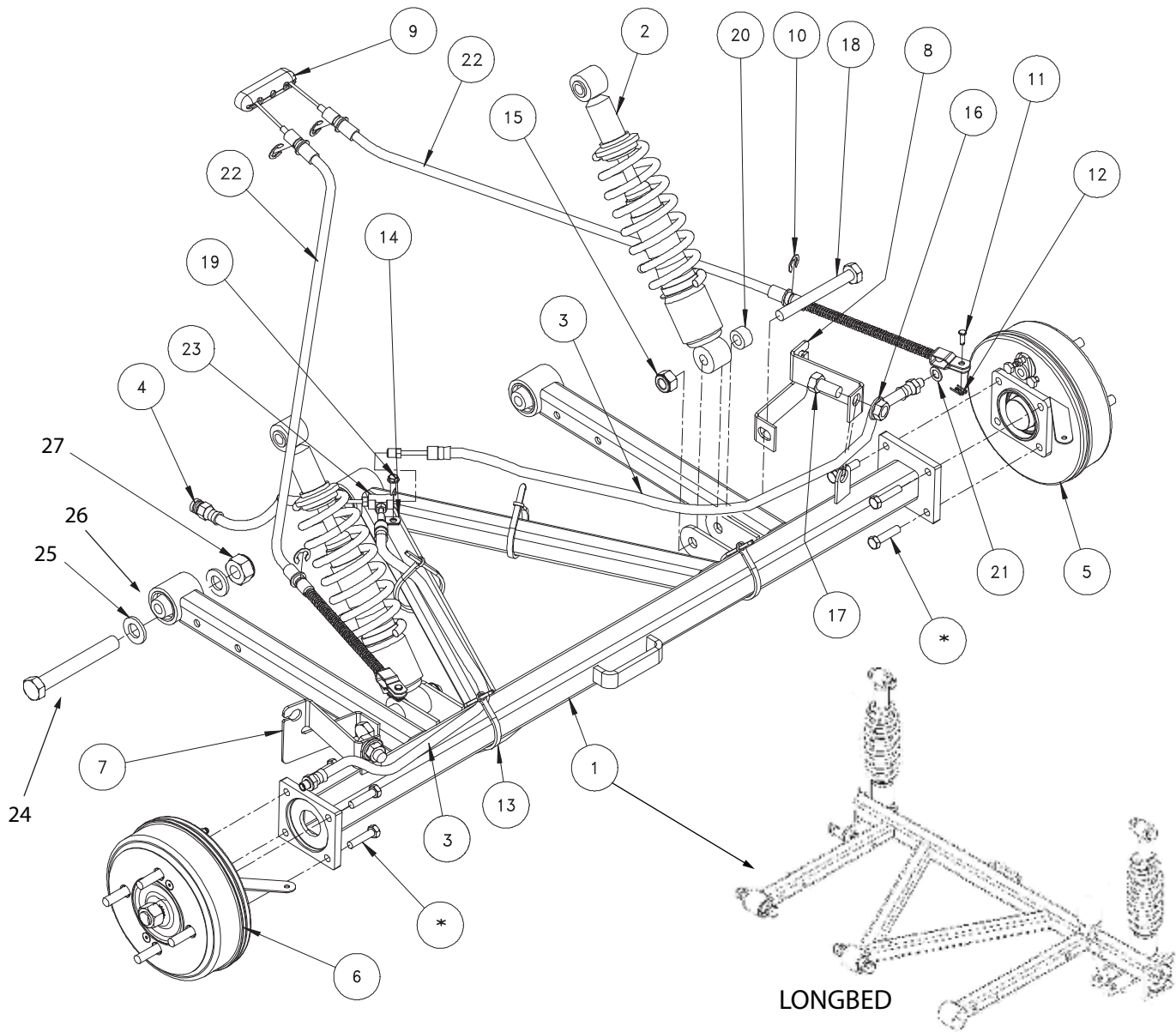
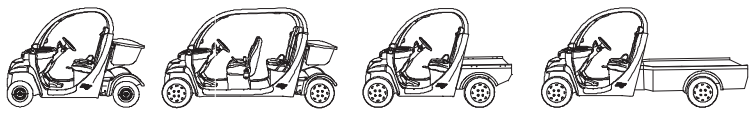
<u>ITEM</u>	<u>PART NO.</u>	<u>DESCRIPTION</u>	<u>QTY.</u>
1	0201-00061	WLDMT, SUPPORT FRM-FRT - FRONT MODULE	1
2	0521-00010	NUT, HEX - NYLOCK 3/8-16 UNC GR5 ZN	2
3	0521-00120	NUT, HEX FLANGE 1/2-13 SPIRALOCK	2
4	0522-00063	BOLT, HEX - HHCS 3/8-16 UNC x 1.0 LG GR 5 ZINC PLATED	2
5	0522-00076	BOLT, HEX - HHCS 1/2 - 13 UNC X 3.0 GR 8 ZN YL ZINC PLATED	2
6	0524-00009	WASHER, FLAT - 3/8 SAE .406 ID X .8125 OD X .080 THK ZN	2



**ASSY, FRONT SHOCKS**

<u>ITEM</u>	<u>PART NO.</u>	<u>DESCRIPTION</u>	<u>QTY.</u>
1	0103-02360	ASSY, SHOCK W/ SPRING	2
2	0521-00023	NUT, HEX - NYLOCK - M12 X 1.75 ZINC PLATED	4
3	0522-00046	BOLT, HEX - M12 X 1.75 X 65 LG	4
4	0524-00045	WASHER, FLAT - M12	4





SEE FOLLOWING PAGE FOR PART # INFORMATION

**ASSY, REAR SUSPENSION ASSY**

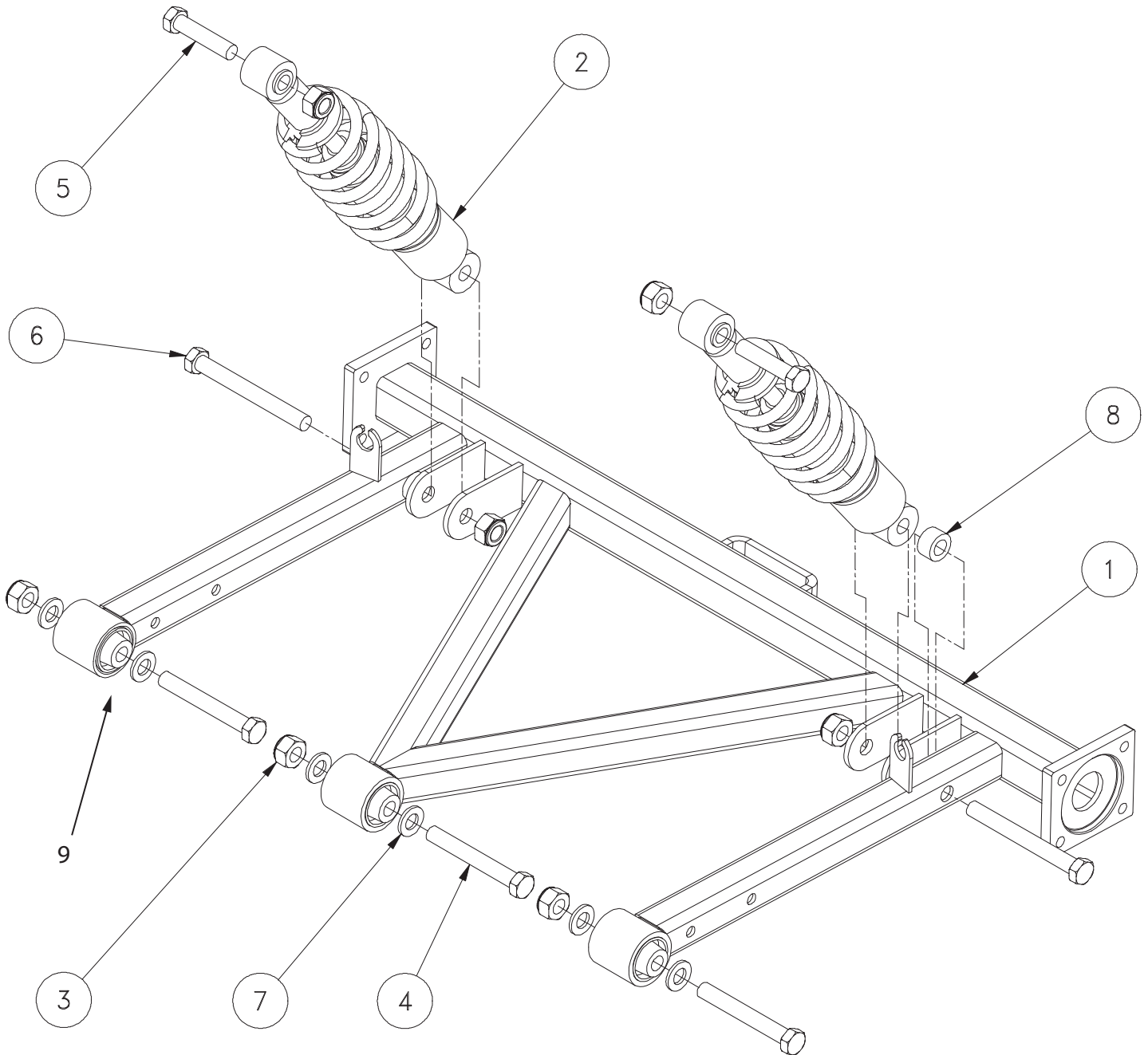
<u>ITEM</u>	<u>PART NO.</u>	<u>DESCRIPTION</u>	<u>QTY.</u>
1	0102-00325	ASSY, SUSPENSION FRAME W/BUSHINGS - REAR (e2, eS, e4)	1
	0102-00324	ASSY, SUSPENSION FRAME W/BUSHINGS -REAR (eL)	1
2	0103-01848	ASSY, SPRING OVER SHOCK	2
3	0111-00268	ASSY, BRAKE HOSE - REAR ( TEE TO RH AND LH SC)	2
4	0111-00269	ASSY, BRAKE HOSE - REAR (BRKT TO TEE)	1
5	0116-00166	ASSY, WHEEL END - RH REAR (12MM STUD)	1
6	0116-00167	ASSY, WHEEL END KIT - LH REAR (12MM STUD)	1
7	0311-00100	BRKT, BRAKE CABLE - LH	1
8	0311-00101	BRKT, BRAKE CABLE - RH	1
9	0311-00117	BRKT, EQUALIZER - PARKING BRAKE CABLE	1
10	0510-00018	CLIP, E - 7/16 SHAFT	4
11	0510-00019	PIN, CLEVIS - 3/16 ANSI B18.8.1-1972 R1983	2
12	0510-00020	PIN, COTTER - 1/16 X 1.0 LG ZINC PLATED	2
13	0510-00137	TIE, CABLE W/#10 MOUNT HOLE 9" BLACK	4
14	0510-00171	CLAMP, P - 3/8 WIRE STL/BLK VYNAL COATED	1
15	0521-00023	NUT, HEX - NYLOCK - M12 X 1.75 ZINC PLATED	2
16	0521-00024	NUT, HEX FLANGE - TECK LOCK - 1/2 - 13 UNC GR 6	2
17	0522-00021	BOLT, HEX - HHCS - 1/2 - 13 UNC X 1.0 GR 8 ZN YL	2
18	0522-00088	BOLT, HEX - HHCS - M12 X 1.75 X 110 LG GR 10.9	2
19	0523-00032	SCREW, HEX - WASHER HEAD SELF DRILL 1/4 X .75 ZN	1
20	0524-00089	BUSHING, STEEL - .875 OD X .50 ID X .50 LG	2
21	0524-00173	WASHER, COPPER	2
22**	0611-00304	ASSY, CABLE - PARKING BRAKE (MODEL e4, eL VIN 026331-034286)	2
	0611-00001	ASSY, CABLE, PARKING BRAKE (MODEL e2, eS VIN 026483 & PRIOR)	2
23	0611-00132	FITTING, TEE UNION - BRASS 3/8-24 THD FOR 3/16 O.D. TUBE	1
24	0522-00044	BOLT, HEX	3
25	0524-00115	WASHER, FLAT	6
26	0302-00163	BUSHING	3
27	0521-00023	NUT, HEX	3

\* STARRED ITEMS COME WITH ITEM # 5

\*\* FOR VIN 026330 AND PRIOR YOU MUST ALSO ORDER KIT # 0111-00690

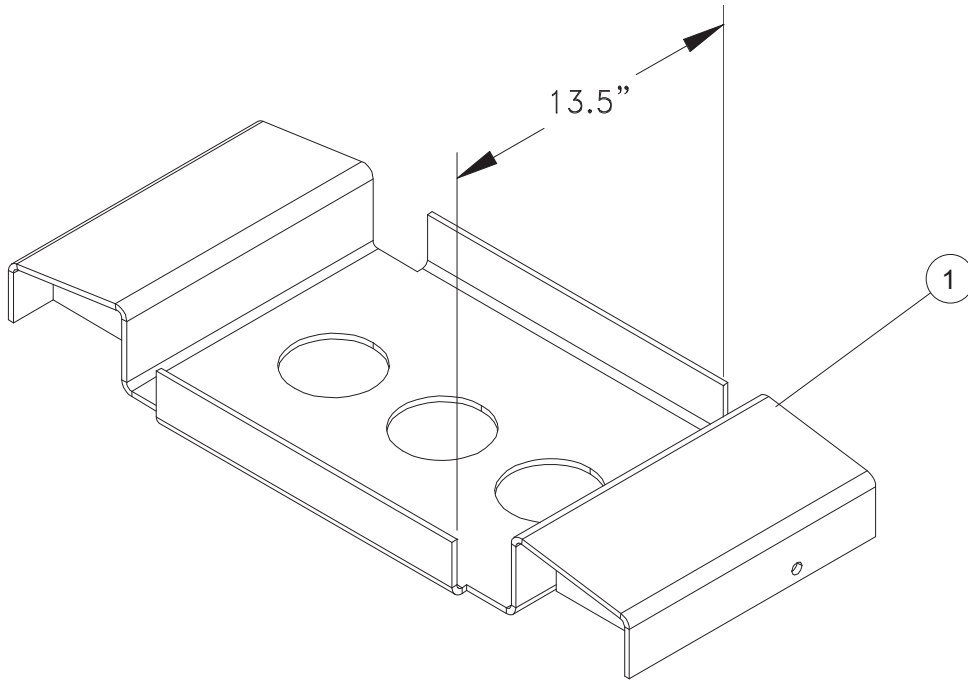


## 2 Passenger Narrow Only



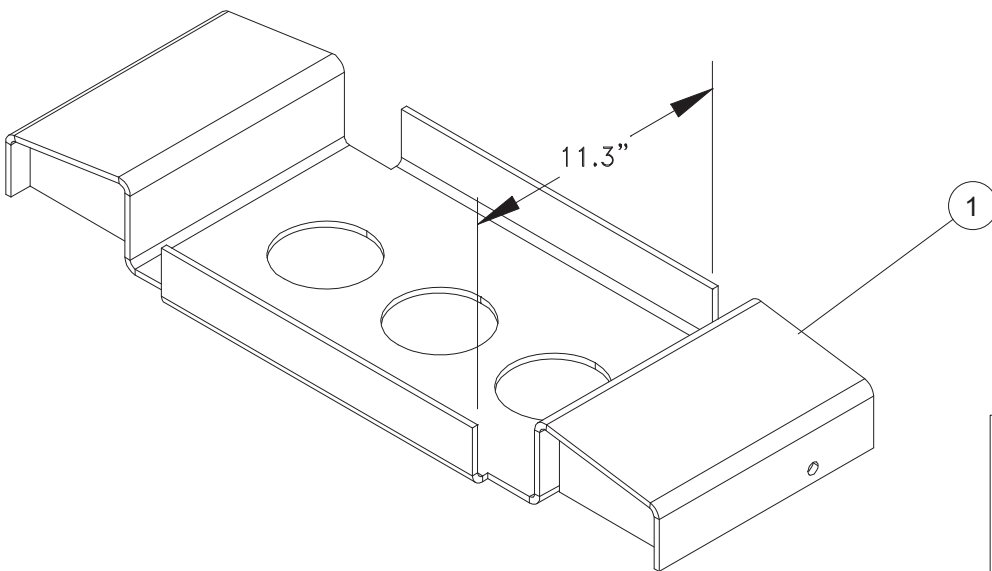
### ASSY, SUSPENSION - REAR (NARROW, 29" AT FLANGE, VIN 014169 & PRIOR)

ITEM	PART NO.	DESCRIPTION	QTY.
1	0102-00374	ASSY, SUSPENSION FRAME W/ BUSHINGS (NARROW)	1
2	0103-01848	ASSY, SHOCK SPRING OVER SHOCK	2
3	0521-00023	NUT, HEX - NYLOCK M12 X 1.75 ZN	7
4	0522-00044	BOLT, HEX - M12 X 1.75 X 90 LG HHCS - GR 10.9 ZN YLW	3
5	0522-00048	BOLT, HEX - M12 X 1.75 X 55 LG HHCS - GR 10.9 ZN YLW	2
6	0522-00088	BOLT, HEX - M12 X 1.75 X 110 LG HHCS - GR 10.9 ZN YLW	2
7	0524-00045	WASHER, FLAT - M12 .512 ID X .944 OD X .098 THK	6
8	0524-00089	BUSHING, STEEL .875 OD X .50 ID X .50 LG ZINC PLATED	2
9	0302-00163	BUSHING, SUSPENSION	3



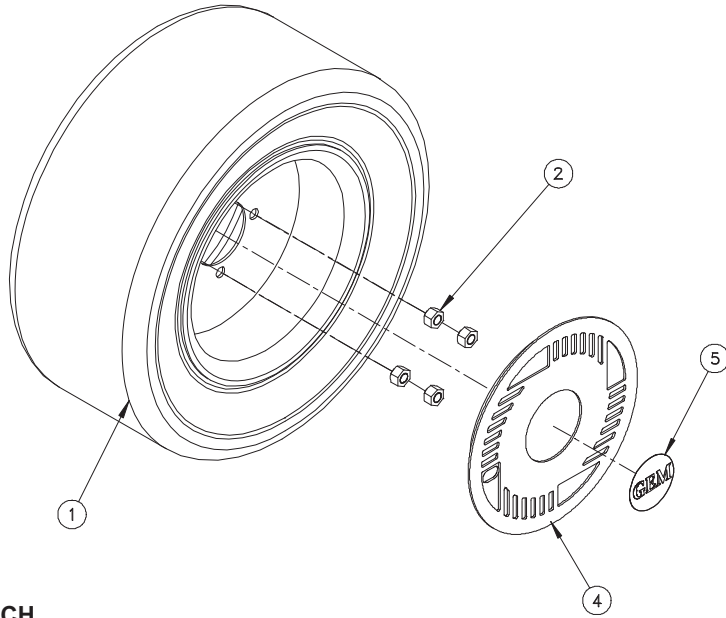
**KIT, SHOCK MOUNT INSTALLATION - SERVICE**

<u>ITEM</u>	<u>PART NO.</u>	<u>DESCRIPTION</u>	<u>QTY.</u>
1	0202-00154	WELD, PLATE SHOCK MOUNT REAR LONGBACK	1
2	1010-00148	INSTRUCTIONS, SHOCK MOUNT INSTALLATION	1



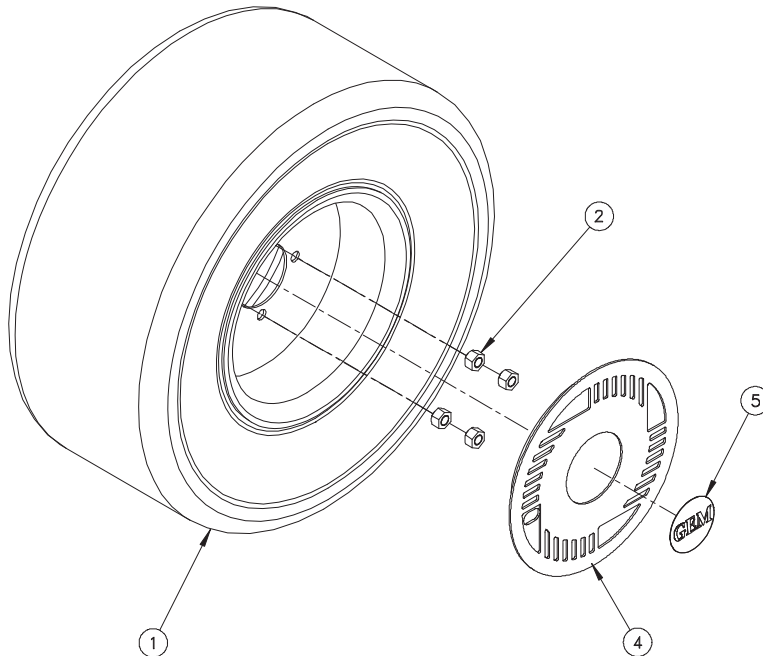
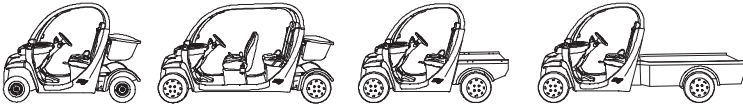
**KIT, SHOCK MOUNT INSTALLATION, NARROW SPACING - SERVICE**

<u>ITEM</u>	<u>PART NO.</u>	<u>DESCRIPTION</u>	<u>QTY.</u>
1	0202-00155	WELD, PLATE SHOCK MOUNT REAR LONGBACK NARROW	1
2	1010-00148	INSTRUCTIONS, SHOCK MOUNT INSTALLATION	1



**WHEEL OPTION - 10 INCH**

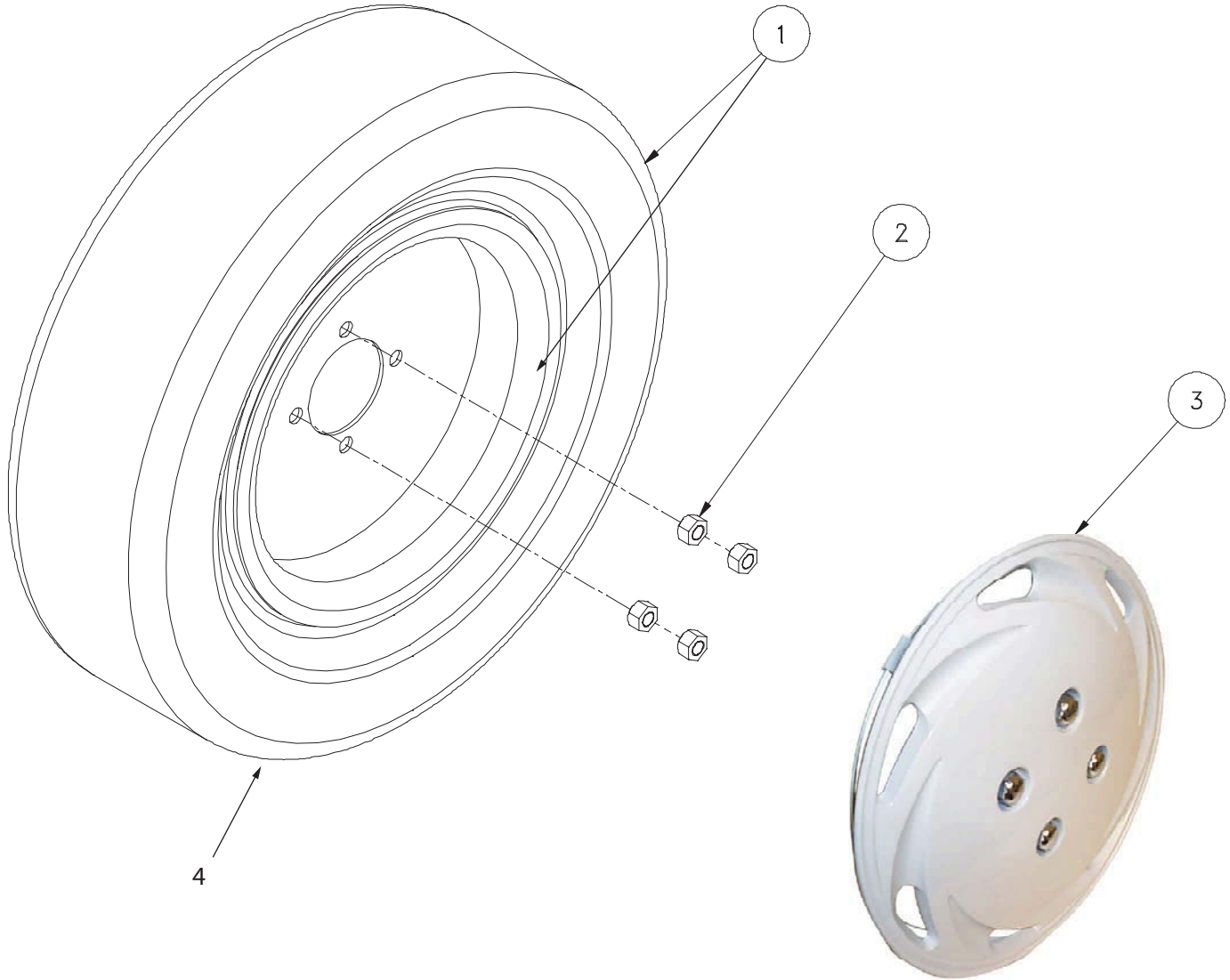
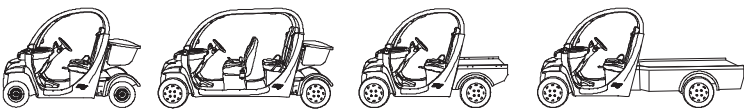
<u>ITEM</u>	<u>PART NO.</u>	<u>DESCRIPTION</u>	<u>QTY.</u>
1*	0116-00298	ASSY, WHEEL - 10 INCH (TIRE SPECS: <b>MANUFACTURE:</b> GOODYEAR <b>MODEL:</b> DOUBLE EAGLE <b>SIZE &amp; PROFILE:</b> 205/50 - 10 <b>LOAD INDEX:</b> (665 lbs. @ 30 PSI) <b>TIRE PLY:</b> 4 PLY	1
2	0521-00214	NUT, LUG M12 -1.5 (FOR V.I.N. 018998 AND UP)	4
2	0521-00060	NUT, LUG M10 -1.5 (FOR V.I.N. 018997 AND LOWER)	4
4	0616-00157	COVER, WHEEL 10"	1
5	0350-00749	DECAL, HUBCAP 10"	1



**WHEEL OPTION - 10" - CARLISLE (12" Turf Wheel)**

<u>ITEM</u>	<u>PART NO.</u>	<u>DESCRIPTION</u>	<u>QTY.</u>
1*	0116-00755	ASSY, WHEEL - 10" - CARLISLE (12" Turf Wheel) <b>TIRE SPECS: MANUFACTURE:</b> CARLISLE <b>MODEL:</b> USA TRAIL <b>SIZE &amp; PROFILE:</b> 20.5 X 8.0-10 N77 <b>LOAD INDEX:</b> (905 lbs.@ 35 PSI) <b>TIRE PLY:</b> 2 PLY	1
2	0521-00214	NUT, LUG M12 -1.5 (FOR V.I.N. 018998 AND UP)	4
2	0521-00060	NUT, LUG M10 -1.5 (FOR V.I.N. 018997 AND LOWER)	4
4	0616-00157	COVER, WHEEL 10"	1
5	0350-00749	DECAL, HUBCAP 10"	1

\* PROCURE LOCALLY OR REFER TO OTHER TIRE AND WHEEL OPTIONS FOR REPLACEMENT.



**ASSY, WHEEL OPTION -12 INCH**

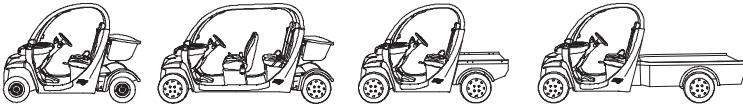
<u>ITEM</u>	<u>PART NO.</u>	<u>DESCRIPTION</u>	<u>QTY.</u>
1	0116-04562	ASSY, WHEEL - 12" (TIRE SPECS: <b>MANUFACTURE:</b> NANKANG <b>MODEL:</b> NY361 <b>SIZE &amp; PROFILE:</b> 165/70R12 <b>LOAD INDEX:</b> (908 lbs. @ 32 PSI) <b>TIRE PLY:</b> SIDEWALL - 1 PLY PLYESTER, TREAD - 1 PLY PLYESTER, 2 PLYS STEEL	1
2	0521-00214	NUT, LUG M12 -1.5 (FOR V.I.N. 018998 AND UP)	4
2	0521-00060	NUT, LUG M10 -1.5 (FOR V.I.N. 018997 AND LOWER)	4
3	0616-00183	COVER, WHEEL - 12 INCH (NEW STYLE WHEEL COVER)	1
4	0316-04109	TIRE, 165/70 R12 77T MANKANG CX668 (TIRE ONLY)	1

NOTE: THE 12 INCH WHEEL OPTION IS STANDARD FOR THE FOUR PASSENGER, LONGBACK, AND SHORTBACK, BUT OPTIONAL FOR THE TWO PASSENGER GEM VEHICLE



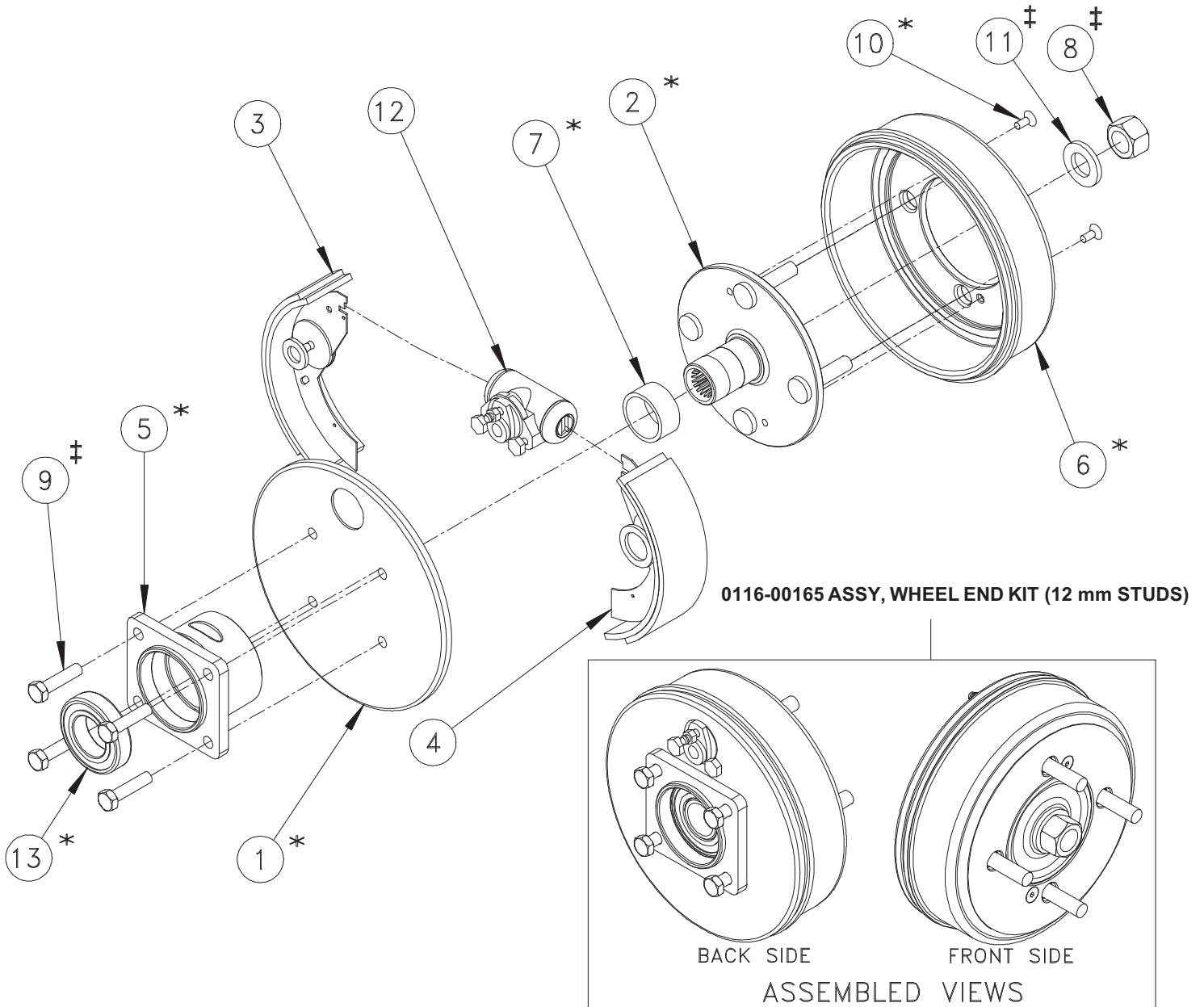
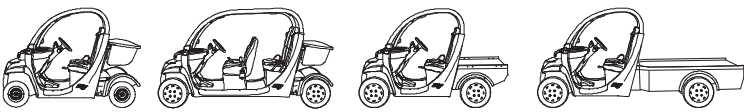
**OPTION, WHEELS, CHROME & SILVER (NEW FOR 2003)**

<u>ITEM</u>	<u>PART NO.</u>	<u>DESCRIPTION</u>	<u>QTY.</u>
1	0116-02397	ASSY, WHEEL 10" - CHROME (New For 2003)	1
2	0116-02398	ASSY, WHEEL 10" - SILVER (New for 2003)	1
4	0305-01149	COVER, WHEEL 10" SILVER	1
5	0305-01152	COVER, WHEEL 10" CHROME	1



**OPTION, WHEELS, CHROME & SILVER (NEW FOR 2003)**

<u>ITEM</u>	<u>PART NO.</u>	<u>DESCRIPTION</u>	<u>QTY.</u>
1	0105-00836	ASSY, WHEEL 12" - CHROME (New for 2003)	1
2	0105-00837	ASSY, WHEEL 12" - SILVER (New for 2003)	1
3	0305-01149	COVER, WHEEL 12" SILVER	1
4	0305-01152	COVER, WHEEL 12" CHROME	1



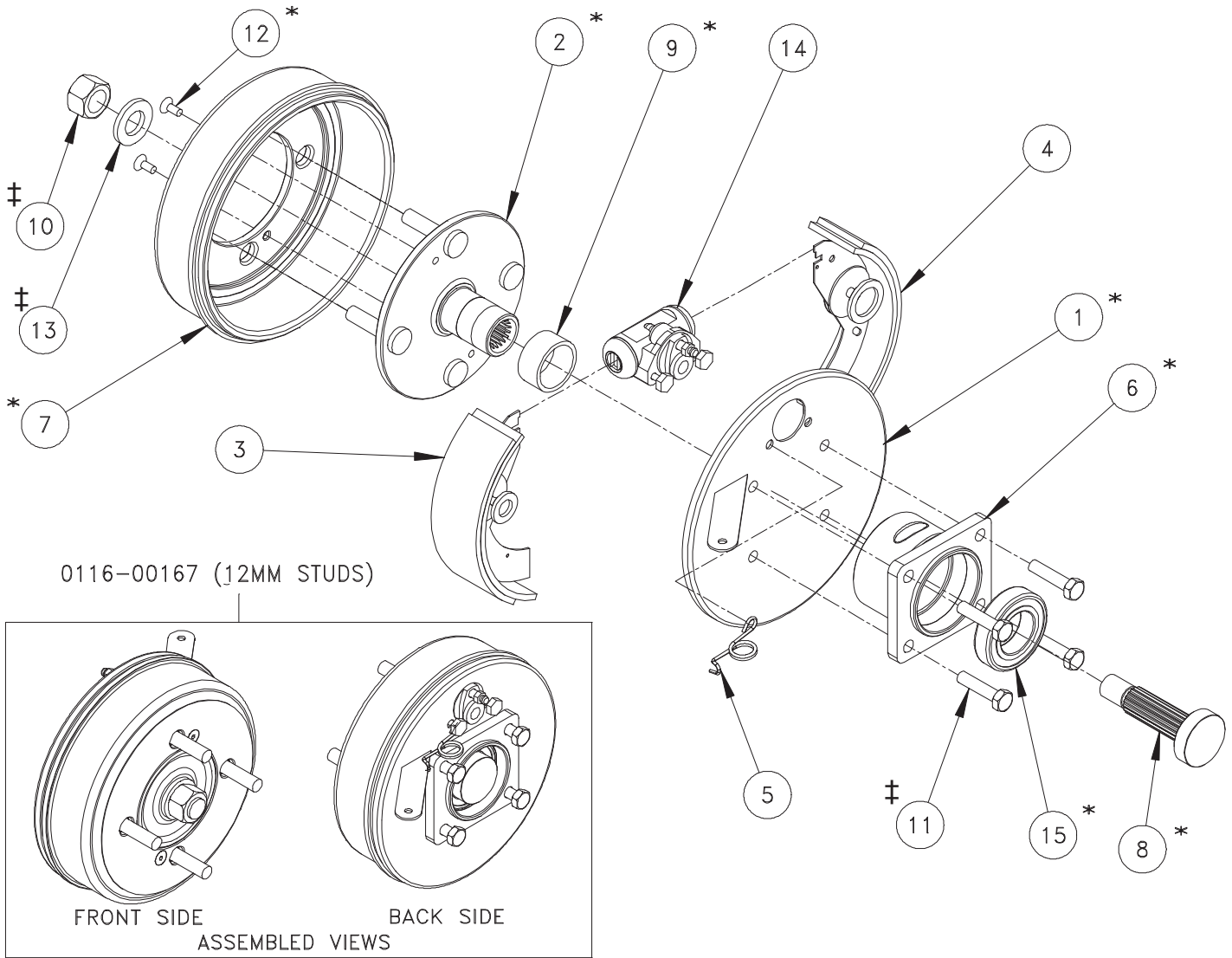
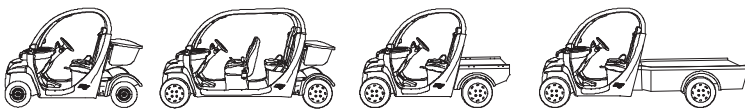
**0116-00165 ASSY, WHEEL END KIT - FRONT (12MM STUDS)**

<u>ITEM</u>	<u>PART NO.</u>	<u>DESCRIPTION</u>	<u>QTY.</u>
1	* 0111-00035	ASSY, BRAKE - FRONT	1
2	* 0116-00030	ASSY, HUB	1
3	1911827 0311-00833	SHOE, BRAKE RIGHT	1
4	1911828 0311-00834	SHOE, BRAKE LEFT	1
5	* 0316-00121	SPINDLE	1
6	* 0316-00124	DRUM	1
7	* 0316-00126	TUBE, SPACER - BEARING	1
8	‡ 0521-00035	NUT, HEX - TOP LOCK - M16 X 1.5 GRADE 12	1
9	‡ 0522-00038	BOLT, HEX - HHCS - M8 X 1.25 X 34.5 GR 8.8	4
10	* 0523-00033	SCREW, HEX SOCKET - CNTSK M5 X .8 X 12 LG GR 10.9	2
11	‡ 0524-00036	WASHER, FLAT - M16 NARROW 17.52 ID 32 OD	1
12	1911867 0611-00202	KIT, CYLINDER - BRAKES - FRONT	1
13	* 0616-00004	BEARING, ROLLER	1

\* STARRED ITEMS ARE NOT AVAILABLE SEPARATELY

‡ ITEMS ARE NOT INCLUDED WITH 0116-00165



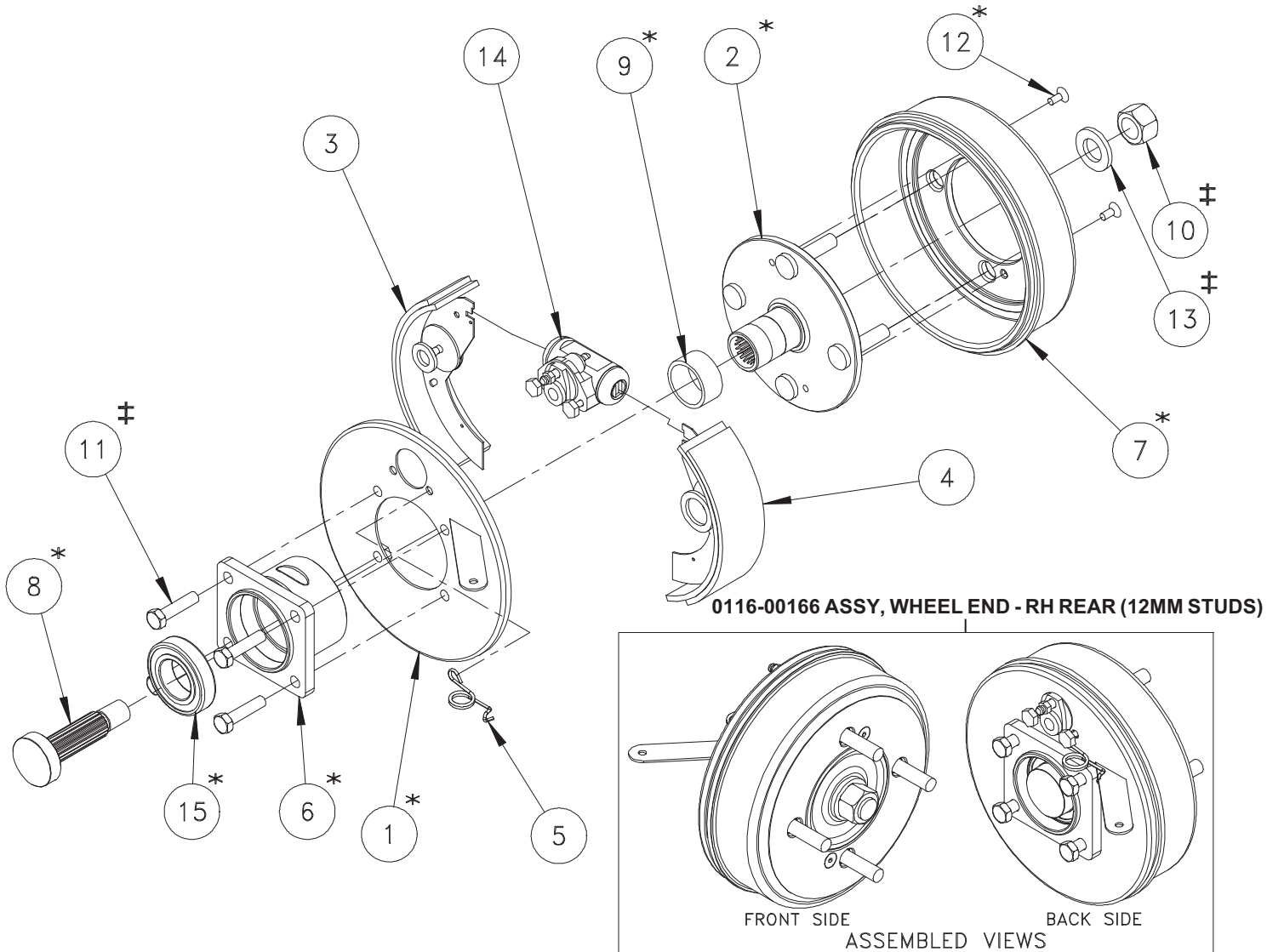
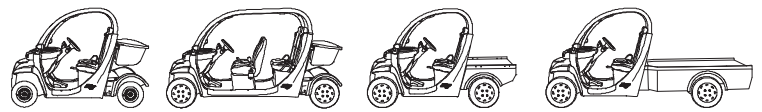


**0116-00167 ASSY, WHEEL END KIT - LH REAR (12MM STUD)**

<u>ITEM</u>	<u>PART NO.</u>	<u>DESCRIPTION</u>	<u>QTY.</u>
1	* 0111-00033	ASSY, BRAKE - LH REAR	1
2	* 0116-00030	ASSY, HUB	1
3	1911827 0311-00833	SHOE, BRAKE RIGHT	1
4	1911828 0311-00834	SHOE, BRAKE LEFT	1
5	0311-00883	SPRING, E-BRAKE RELEASE RH	1
6	* 0316-00121	SPINDLE	1
7	* 0316-00124	DRUM	1
8	* 0316-00125	SHAFT, AXLE	1
9	* 0316-00126	TUBE, SPACER - BEARING	1
10	‡ 0521-00035	NUT, HEX - TOP LOCK - M16 X 1.5 GRADE 1	1
11	‡ 0522-00038	BOLT, HEX - HHCS - M8 X 1.25 X 34.5 GR 8.8	4
12	* 0523-00033	SCREW, HEX SOCKET - CNTSK M5 X .8 X 12 LG GR 10.9	2
13	‡ 0524-00036	WASHER, FLAT - M16 NARROW 17.52 ID 32 OD	1
14	0611-00203	KIT, CYLINDER - BRAKE - REAR	1
15	* 0616-00004	BEARING, ROLLER	1

\* STARRED ITEMS ARE NOT AVAILABLE SEPARATELY

‡ ITEMS ARE NOT INCLUDED WITH 0116-00166 & 0116-00031

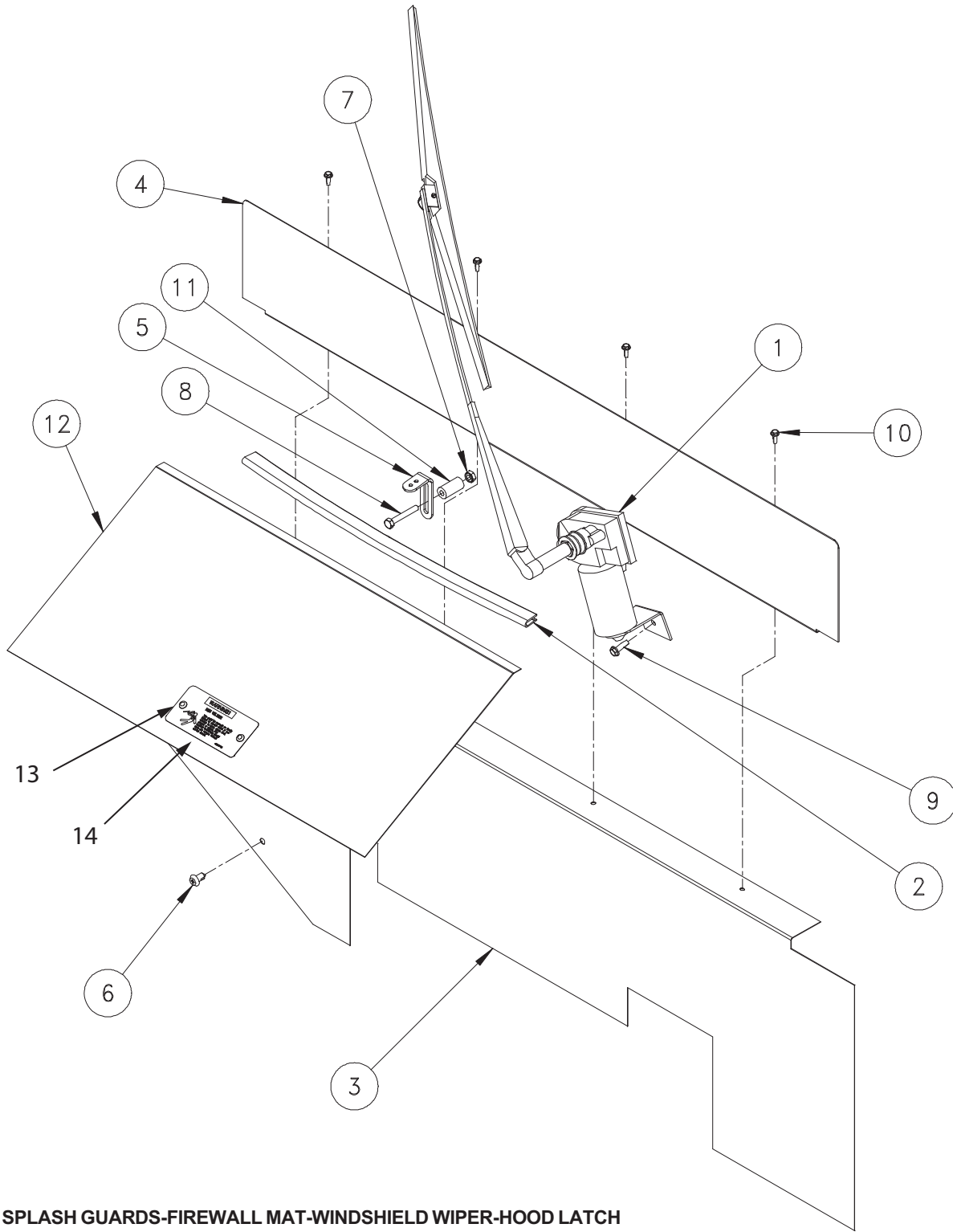
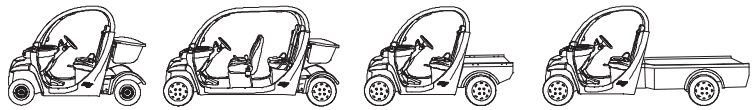


**0116-00166 ASSY, WHEEL END - RH REAR (12MM STUDS)**

<u>ITEM</u>	<u>PART NO.</u>	<u>DESCRIPTION</u>	<u>QTY.</u>
1	* 0111-00034	ASSY, BRAKE - RH REAR	1
2	* 0116-00030	ASSY, HUB	1
3	0311-00833	SHOE, BRAKE RIGHT	1
4	0311-00834	SHOE, BRAKE LEFT	1
5	0311-00884	SPRING, E-BRAKE RELEASE LH	1
6	* 0316-00121	SPINDLE	1
7	* 0316-00124	DRUM	1
8	* 0316-00125	SHAFT, AXLE	1
9	* 0316-00126	TUBE, SPACER - BEARING	1
10	‡ 0521-00035	NUT, HEX - TOP LOCK - M16 X 1.5 GRADE 12	1
11	‡ 0522-00038	BOLT, HEX - HHCS - M8 X 1.25 X 34.5 GR 8.8	4
12	* 0523-00033	SCREW, HEX SOCKET - CNTSK M5 X .8 X 12 LG GR 10.9	2
13	‡ 0524-00036	WASHER, FLAT - M16 NARROW 17.52 ID 32 OD	1
14	0611-00203	KIT, CYLINDER - BRAKE - REAR	1
15	* 0616-00004	BEARING, ROLLER	1

\* STARRED ITEMS ARE NOT AVAILABLE SEPARATELY

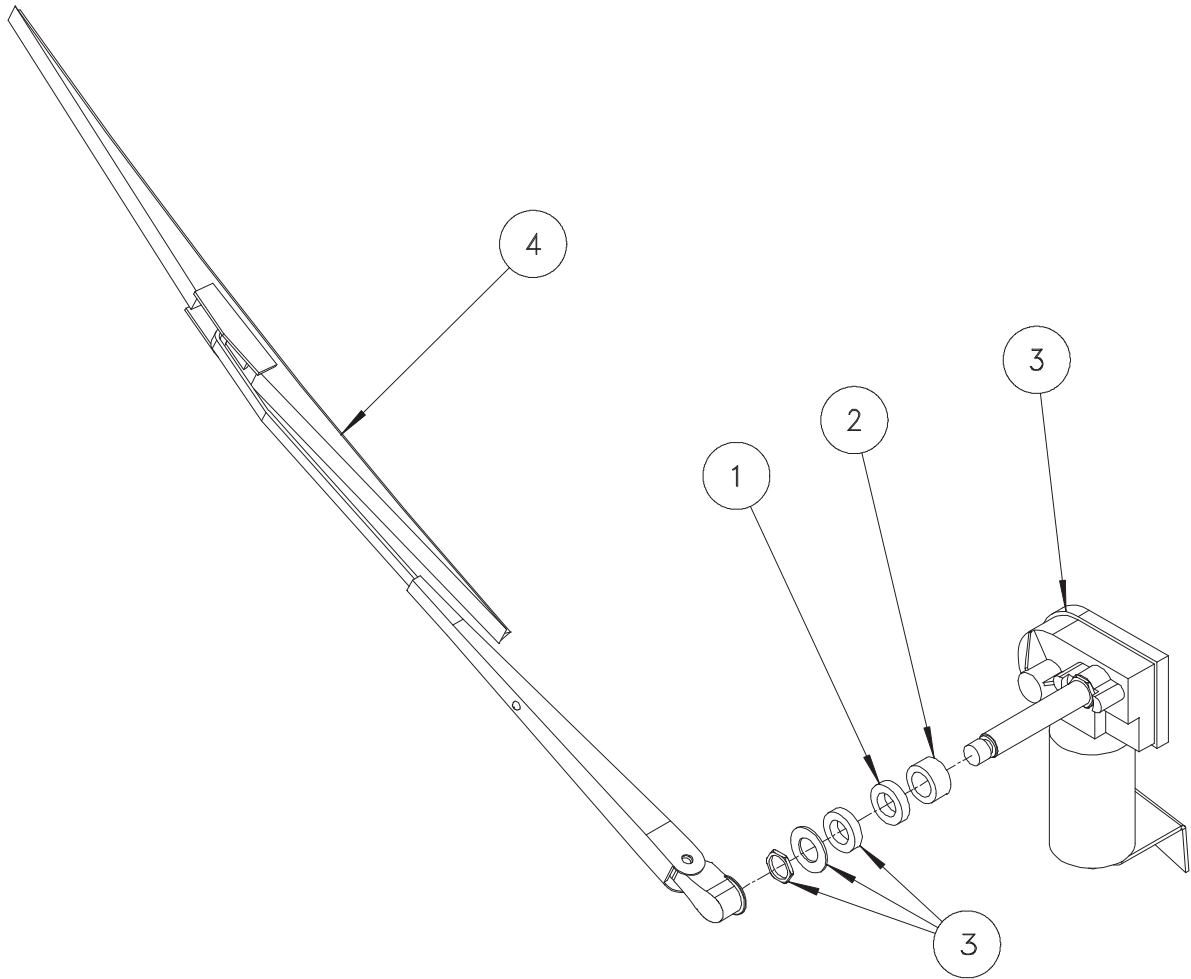
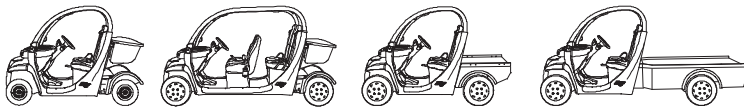
‡ ITEMS ARE NOT INCLUDED WITH 0116-00166



**ASSY, SPLASH GUARDS-FIREWALL MAT-WINDSHIELD WIPER-HOOD LATCH**

<b>ITEM</b>	<b>PART NO.</b>	<b>DESCRIPTION</b>	<b>QTY.</b>
1*	-	ASSY, WIND SHIELD WIPER	1
2	0417-00089	TRIM, SPLASH PROTECTION	3 FT
3	0310-00160	MAT, FIREWALL - INNER	1
4	0310-00470	ANGLE, SPLASH PROTECTION	1
5*	N/A	BRACKET, HOOD LATCH	1
6	0520-00175	RIVET, PIN - REMOVABLE	1
7	0521-00071	NUT, KEPS - 1/4 - 20 UNC ZINC PLATED	1
8	0522-00097	BOLT, HEX HD	1
9	0523-00032	SCREW, HEX - WHSD 1/4 X .75 ZN	1
10	0523-00163	SCREW, HEX - WHSD 10 - 16 X 1/2 # 2 POINT STL BLK ZINC	4
11	0528-00231	BUSHING	1
12	0310-00161	OUTER FIREWALL MAT	1
13	0520-00219	RIVET, PLASTIC PUSH, BLACK	2
14	0610-00161	DECAL, WARNING, HIGH VOLTAGE	1

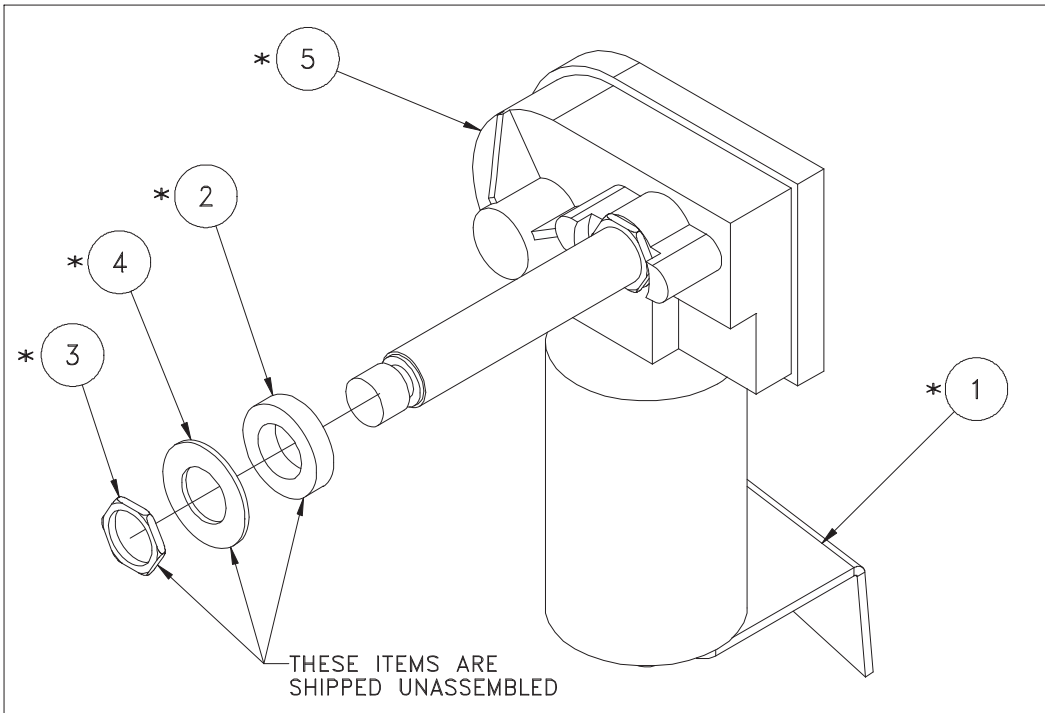
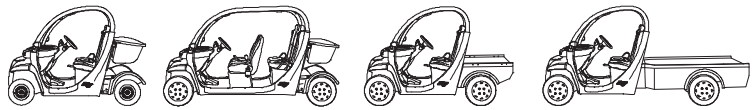
\* SEE FOLLOWING PAGES



**WINDSHIELD WIPER**

<u>ITEM</u>	<u>PART NO.</u>	<u>DESCRIPTION</u>	<u>QTY.</u>
1	0518-00085	BUSHING, RUBBER	1
2	0519-00230	BUSHING, ID.64 X OD.84 X .50 NYLON 6/6	1
*3	0610-00058	KIT, WIPER MOTOR	1
4	0110-00696	ASSY, WIPER ARM	1
5	0110-00733	KIT, WIPER CONVERSION (INCLUDES 1-4)	1

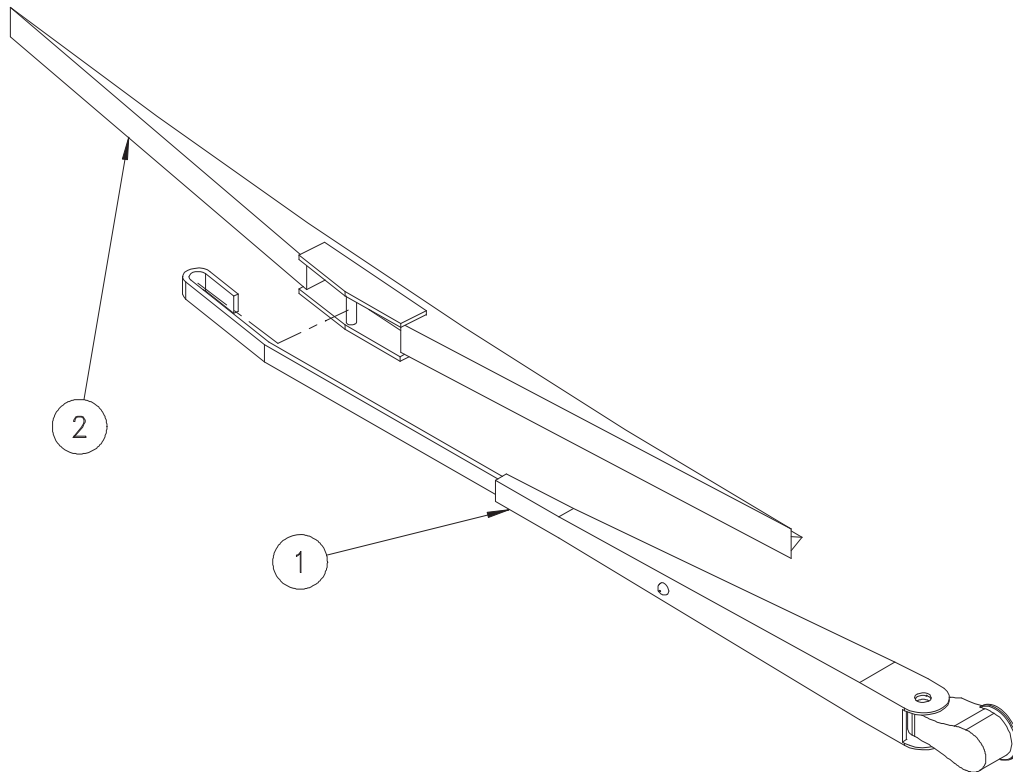
\* ITEM(S) # 3 SOLD AS COMPLETE UNIT ASSEMBLED, WIPER MOTOR INTERNALS ARE NOT SOLD SEPARATELY.



**KIT, WIPER MOTOR**

<u>ITEM</u>	<u>PART NO.</u>	<u>DESCRIPTION</u>	<u>QTY.</u>
*1	0310-00423	BRACKET, WIPER MOTOR	1
2	0518-00085	BUSHING, RUBBER	1
3	0521-00087	NUT, HEX - PANEL 5/8 - 24 X 3/4 X .093	1
4	0524-00086	WASHER, FLAT - 5/8	1
5	0610-00254	MOTOR, WIPER (2003-CURRENT BOLT ON)	1

\* = NOT SOLD SEPARATELY



**ASSY, WIPER ARM**

<u>ITEM</u>	<u>PART NO.</u>	<u>DESCRIPTION</u>	<u>QTY.</u>
1	0310-00874	ARM, WIPER	1
2	0610-00525	BLADE, WIPER	1