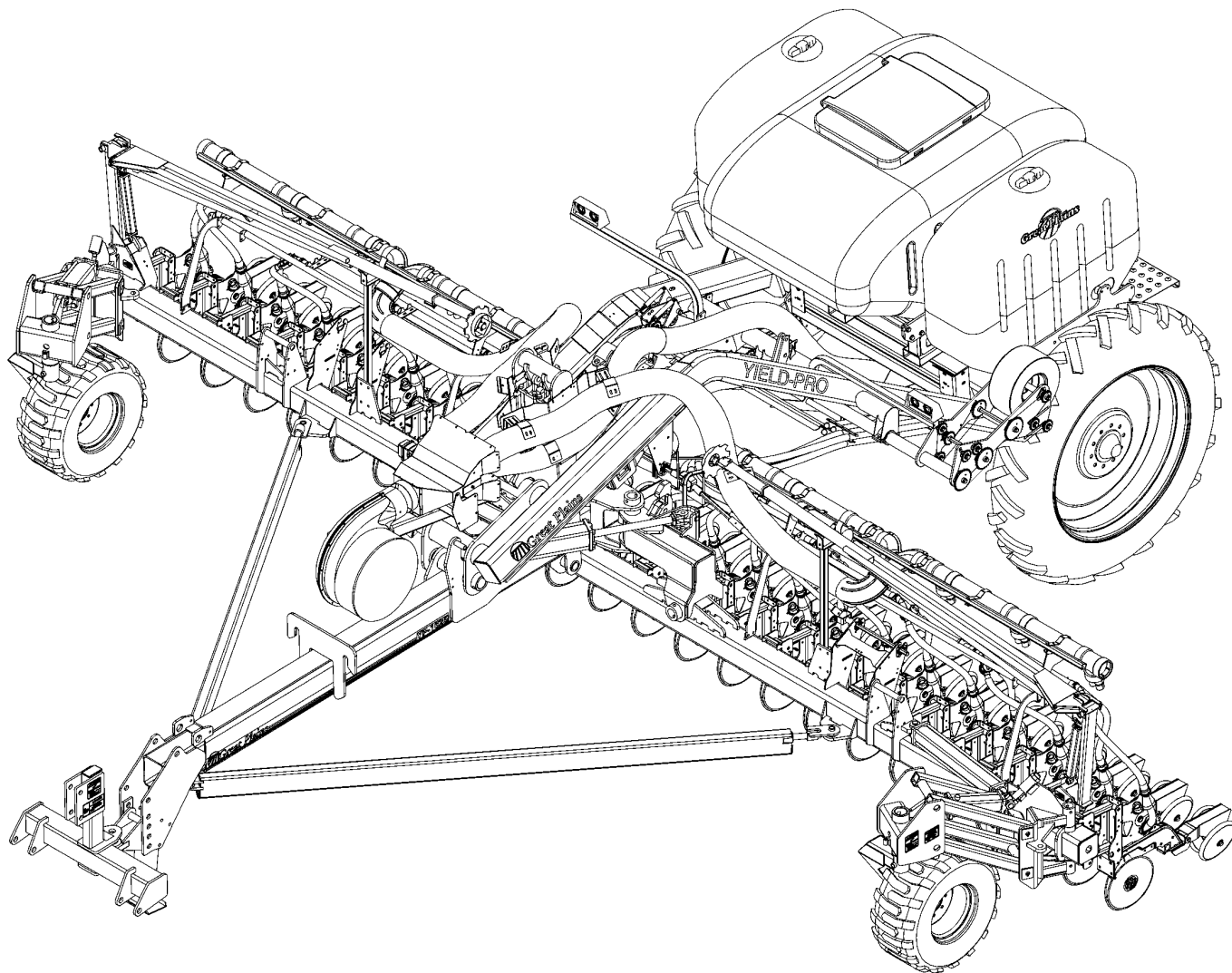


Great Plains

Planter

PARTS MANUAL

YP1225A & YP1625A ® Yield-Pro Planter



Original Instructions

401-625P



Read the Operator's Manual entirely. When you see this symbol, the subsequent instructions and warnings are serious - follow without exception. Your life and the lives of others depend on it!

© Copyright 2024 Printed 04/01/2024

Cover photo may show optional equipment not supplied with standard unit.



Table Of Contents

Introduction	2	<i>Control Box and Battery Mounting</i>	79
<i>Using This Manual</i>	2	<i>Fan to Frame</i>	81
<i>Manual Replacement Information</i>	2	<i>Hopper Box to Frame</i>	83
<i>Manual Revisions</i>	2	<i>Hydraulic Hitch Mounting</i>	87
<i>Touch-up Paint</i>	2	<i>LED Lights (S/N B1095E to B1127E) (S/N</i> .	89
<i>Hardware Legend</i>	3	<i>B1170F to B1230F)</i>	
<i>Replacement Hardware</i>	3	<i>LED Lights (S/N B1128E+) (S/N B1231F+)</i>	91
<i>Serial Numbers</i>	3	<i>Lights (S/N B1094E-) (S/N B1169F-)</i>	93
AccuShot Liquid Fertilizer	4	<i>Mainframe</i>	95
<i>AccuShot Blade Separator Mounting</i>	4	<i>Pro Box to Frame</i>	99
<i>AccuShot Monitor System</i>	6	<i>Row-Pro and Tru-Count Compressor</i>	101
<i>AccuShot Plumbing and Hydraulics</i>	8	<i>Mounting</i>	
<i>Accushot Wet Boom 12 Row</i>	12	<i>Seed Delivery</i>	103
<i>AccuShot Wet Boom 12 Twin Row</i>	14	<i>Smartbox Mount</i>	107
<i>AccuShot Wet Boom 16 Row</i>	16	<i>Tongue</i>	109
Decals	18	<i>Walkboard</i>	111
<i>Decals</i>	18	<i>YP12A Air Delivery 15" Spacing</i>	115
Drive	20	<i>YP12A Air Delivery 20" Spacing</i>	117
<i>Contact Wheel Drive</i>	20	<i>YP12A Air Delivery 30" Spacing</i>	119
<i>Dual Contact Wheel Drive</i>	24	<i>YP12A Air Delivery 30" Twin Row</i>	121
<i>Hydraulic Drive Components</i>	28	<i>YP12A Air Delivery 36" TR Spacing</i>	123
<i>Tru-Count Clutch Assembly</i>	30	<i>YP16A Air Delivery 15" Spacing</i>	125
<i>Wing Drive</i>	34	<i>YP16A Air Delivery 20" Spacing</i>	127
Fertilizer	38	<i>YP16A Air Delivery 30" Spacing</i>	129
<i>1 1/2" Ball Valve Assembly (829-013C)</i>	38	<i>YP16A Air Delivery 30" Twin Row</i>	131
<i>Banjo Strainer (831-029C)</i>	40	<i>YP16A Air Delivery 36" and 36" Twin Row</i> .	133
<i>Cam Lock Ball Valve (829-048C)</i>	42	<i>Spacing</i>	
<i>Contact Wheel Lock Up</i>	44	Hydraulic Drive for Liquid Fertilizer	135
<i>Fertilizer Contact Wheel Breakdown (S/N</i> ...	46	<i>Banjo Strainer (831-078C)</i>	135
<i>B1048E-) (S/N B1083F-)</i>		<i>Hydraulic Connections</i>	137
<i>Fertilizer Contact Wheel Breakdown (S/N</i> ...	51	<i>Hydraulic Drive Mounting</i>	139
<i>B1049E+) (S/N B1084F+)</i>		<i>Plumbing for Hydraulic Drive</i>	141
<i>Fertilizer Contact Wheel Lock Up (S/N</i>	55	Hydraulics	145
<i>B1059E+) (S/N B1106F+)</i>		<i>Auxiliary Hydraulic Kit</i>	145
<i>Fertilizer Plumbing</i>	57	<i>Double Selector Valve (810-274C)</i>	147
<i>Fertilizer Tanks and Mounts</i>	61	<i>Fan Hydraulics (S/N B1123E-) (S/N B1224F-)</i>	149
<i>John-Blue Pump (831-068C)</i>	63	<i>Fan Hydraulics (S/N B1124E+) (S/N</i>	151
Frame	65	<i>B1225F+)</i>	
<i>2 Section Air Valve Assembly</i>	65	<i>Fasse 3 Way Multiplier (810-636C)</i>	153
<i>150 BU Bulk Hopper</i>	67	<i>Fold and Marker Hydraulics (S/N B1022E-)</i>	155
<i>Air Box</i>	71	<i>Fold and Marker Hydraulics (S/N B1023E+)</i>	157
<i>Air Hose Tower Mount</i>	73	<i>Fold and Marker Hydraulics (S/N B1047F-)</i>	159
<i>Air Pressure Assembly</i>	75	<i>Fold and Marker Hydraulics (S/N B1048F+)</i>	161
<i>Alternator Mounting (411-248K)</i>	77	<i>Hitch Hydraulics</i>	165

Hydraulic Cylinder 1.5 x 2.5 x .75 Rod (810-201C)	167	Row Cleaner Extension Mount	243
Hydraulic Cylinder 3.0 x 24.0 x 1.5 Rod (810-423C)	169	Row Cleaner Unit Mount Assembly (S/N D1017Z-)	245
Hydraulic Cylinder 3.5 x 16.0 x 1.75 Rod (810-614C)	171	Row-Pro	247
Hydraulic Cylinder 4.25 x 27.75 x 2.0 Rod (810-647C)	173	Seed Lok 6" Assembly (404-093K)	251
Hydraulic Cylinder 4.5 x 10.37 x 1.5 Rod (810-697C)	175	Side Depth Wheel Assembly	253
Hydraulic Cylinder 4.75 x 10.0 x 1.5 Rod (810-545C)	177	Single Arm RC Assembly	255
Hydraulic Cylinder 4.75 x 20.0 x 1.75 Rod (810-646C)	179	Terra-Tine 15" Wheel	257
Hydraulic Cylinder 5.0 x 10.0 x 1.5 Rod (810-544C)	181	Terra-Tine 16" Wheel	259
Hydraulic Cylinder 5.0 x 10.0 x 2.0 Rod (810-698C)	183	Unit Mount Coulter	261
Hydraulic Hose Grips	185	Press Wheels	263
IRC (Individual Rate Control) Hydraulics and Electric Wiring	187	12-12D Cast Press Wheels (S/N B1081E+) (S/N B1131F+)	263
Lift Hydraulics	189	Closing Wheel Drop Mount	265
Sequence Valve (810-197C)	191	Press Wheel Assembly 1.0 x 12.0 and 1.25 x 13.5 (S/N B1081E+) (S/N B1131F+)	267
Marker	193	Press Wheel Assembly 16 and 20 Deg (S/N B1023E to B1080E) (S/N B1048F to B1130F)	269
Marker	193	Press Wheel Assembly LH Short (S/N B1022E-) (S/N B1047F-)	271
Marker Disk Assembly (113-025S)	195	Press Wheel Assembly LH Short (S/N B1023E to B1080E) (S/N B1048F to B1130F)	273
Meter	197	Press Wheel Assembly RH Long (S/N B1022E-) (S/N B1047F-)	275
25 Series Air Meter Assembly (2011-)	197	Press Wheel Assembly RH Long (S/N B1023E to B1080E) (S/N B1048F to B1130F)	277
25 Series Air Meter Assembly (2012+)	203	Press Wheel Assembly with Spider Wheels (S/N B1022E-) (S/N B1047F-)	279
25 Series IRC (Individual Rate Control) Meter	209	Press Wheel Assembly with Spider Wheels (S/N B1023E to B1080E) (S/N B1048F to B1130F)	283
Air Meter Timing Tool	213	Press Wheel Assembly with Spider Wheels (S/N B1081E+) (S/N B1131F+)	285
Monitor	215	Press Wheel Breakdown	287
IRC (Individual Rate Control) Monitor System	215	PTO Operating System	289
Monitor and Frame Control (S/N B1127E-) (S/N B1233F-)	217	Ground Drive PTO Component Mounting	289
Monitor and Frame Control (S/N B1128E+) (S/N B1234F+)	221	Ground Drive PTO Hose Routing	291
Opener	225	Hydraulic Drive PTO Component Mounting	293
25 Series Keeton Seed Firmer (Option)	225	Hydraulic Drive PTO Hose Routing	297
25 Series Side Depth Wheel Scraper Assembly	227	Transport	301
Frame Mount Double Terra-Tine	229	Gauge Wheels	301
Hub Assembly (815-255C and 204-084S)	233	Transport Wheels	306
Opener Arms and Mounts	235		
Opener Body	237		
Rigid 13" Row Cleaner (S/N D1017Z-)	241		

This Page Intentionally Left Blank

General Information



General Information

Using This Manual

This manual is divided into sections. The first section contains General Information, a Table of Contents, an Alphabetical Page Index, and a Part Number Index. The remaining sections divide the machine into segments (i.e. Frames, Drives, Hydraulics, etc.) which illustrate and list all parts.

The Great Plains parts in this manual are specially designed for this machine and should be replaced with Great Plains parts only.

The information in this manual is current at printing. Some parts may change to assure top performance.

Right-hand and left-hand as used in this manual are determined by facing the direction the machine will travel while in use.

Below is an example of two facing pages from a parts manual. Familiarize yourself with the contents of these pages.

Manual Replacement Information

Replacement manuals are available. Refer to your dealer or the Great Plains Publications Catalog for additional information.

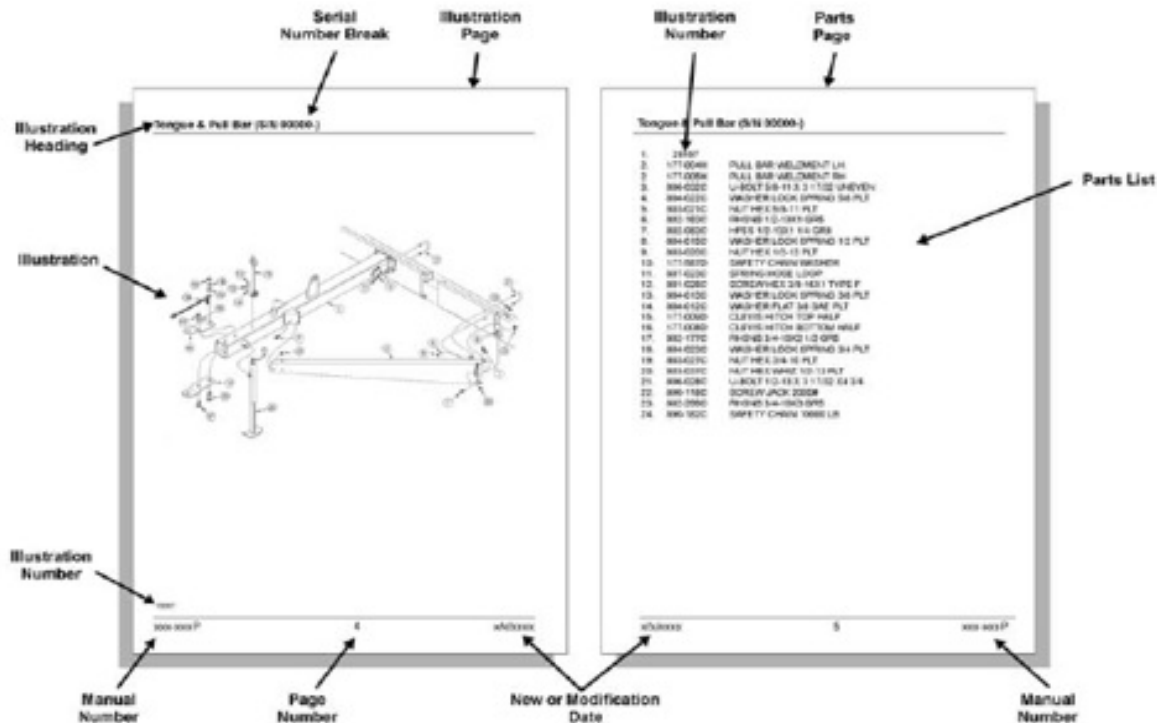
Manual Revisions

When this manual is revised, the modification date is printed on the front cover and on the revised page(s).

Touch-up Paint

Repaint parts where paint is worn or scratched to prevent rust. Aerosol touch-up paint is available. To order use Great Plains parts numbers below:

- GP Green 821-001C
- GP Black 821-002C
- GP Beige 821-003C
- GP Buckskin 821-004C



© Copyright 2020. All rights reserved.

Great Plains Manufacturing, Inc. provides this publication "as is" without warranty of any kind, either expressed or implied. While every precaution has been taken in the preparation of this manual, Great Plains Manufacturing, Inc. assumes no responsibility for errors or omissions. Neither is any liability assumed for damages resulting from the use of the information contained herein. Great Plains Manufacturing, Inc. reserves the right to revise and improve its products as it sees fit. This publication describes the state of this product at the time of its publication and may not reflect the product in the future.

Great Plains Manufacturing, Incorporated Trademarks
 The following are trademarks of Great Plains Mfg., Inc.: Application Systems, Ausherman, Land Pride, Great Plains
 All other brands and product names are trademarks or registered trademarks of their respective holders.
 Printed in the United States of America.

Hardware Legend

AR	As Required
BLADE	Blade Bolt
C	Cap Screw
CP	Cotter Pin
CPHSSS	Cup Point Hex Socket Set Screw
CPSHSS	Cup Point Square Head Set Screw
CPSQHSS	Cup Point Square Head Set Screw
CRFCHMS	Cross Recess Flat Countersunk Head Mach. Screw
CRPHMS	Cross Recess Pan Head Machine Screw
CRPHTFS	Cross Recess Pan Head Thread Forming
CRRHMS	Cross Recess Round Head Machine Screw
CRTHMS	Cross Recess Truss Head Machine Screw
CSNB	Countersunk Square Neck Bolt
FHMS	Flat Head Machine Screw
FTC	Full Thread Cap Screw
H	Hex Nut
HCLN	Hex Center Lock Nut
HFLCS	Hex Flange Lock Cap Screw
HFS	Hex Flange Screw
HFSLN	Hex Flange Serrated Lock Nut
HFSS	Hex Flange Serrated Screw
HHCS	Hex Head Cap Screw or Metric Bolt
HSBHCS	Hex Socket Button Head Cap Screw
HSFCHCS	Hex Socket Flat Countersunk Head Cap Screw
HSHCS	Hex Socket Head Cap Screw
HSSS	Hex Socket Head Screw
HTLN	Hex Top Lock Nut
HWHCS	Hex Washer Head Cap Screw

HWHMS	Hex Washer Head Machine Screw
HXBHCS	Hex Socket Button Head Cap Screw
J	Hex Jam Nut
JIC	37 Degree Tapered Thread
L	Helical Spring Lock Washer
LUG	Lug Bolt
NFC	National Fine Cap Screw
NPSM	National Pipe Straight Mechanical
NPTF	National Pipe Taper Fuel
P	Wide Plain Washer
PHMS	Pan Head Machine Screw
PLOW	Plow Bolt
RHMS	Round Head Machine Screw
RHSNB	Round Head Square Neck Bolt
SCREW LEVELING	Leveling Screw
SCREW THUMB	Thumb Screw
SCREW WELD	Weld Screw
SFCHMS	Slotted Flat Countersunk Head Machine Screw
SFHMS	Slotted Fillister Head Machine Screw
SP	Special
SP SCREW	Special Screw
SQHSS	Square Head Set Screw
SRHMS	Slotted Round Head Machine Screw
SSS	Socket Set Screw
STCS	Self Tapping Cap Screw
STHMS	Slotted Truss Head Machine Screw
WHEEL	Wheel Studs and Hub Long Bolts
WING	Wing Bolt

Replacement Hardware

The **Hardware Legend** above lists hardware abbreviations used in the parts lists. All bolts and nuts are grade 5 unless otherwise noted. The use of improper grades of hardware can result in personal injury, damage to equipment, or loss of property.

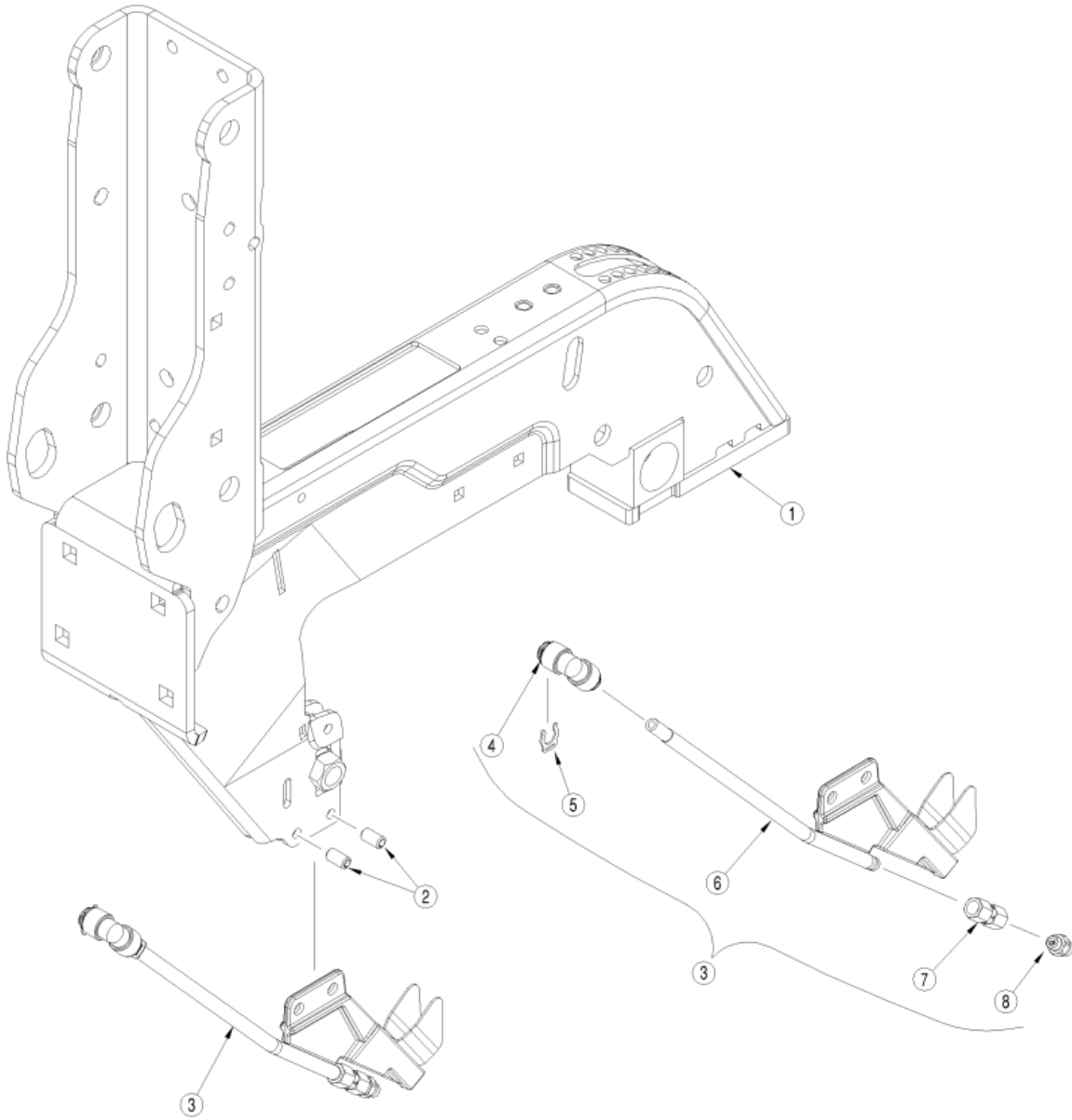
Serial Numbers

Always use the serial and model number when ordering parts. Refer to the operator's manual for serial number plate location.

(S/N 20001+ or S/N 20001 and above)	Includes serial numbers 20001 and above (to the latest number)
(S/N 10001+→20000)	Includes serial numbers between 10000 and 20001
(S/N 10000- or S/N 10000 and below)	Includes serial numbers 10000 and below (to the earliest number)

AccuShot Blade Separator Mounting

Applies to Models: YP1225A, YP1625A



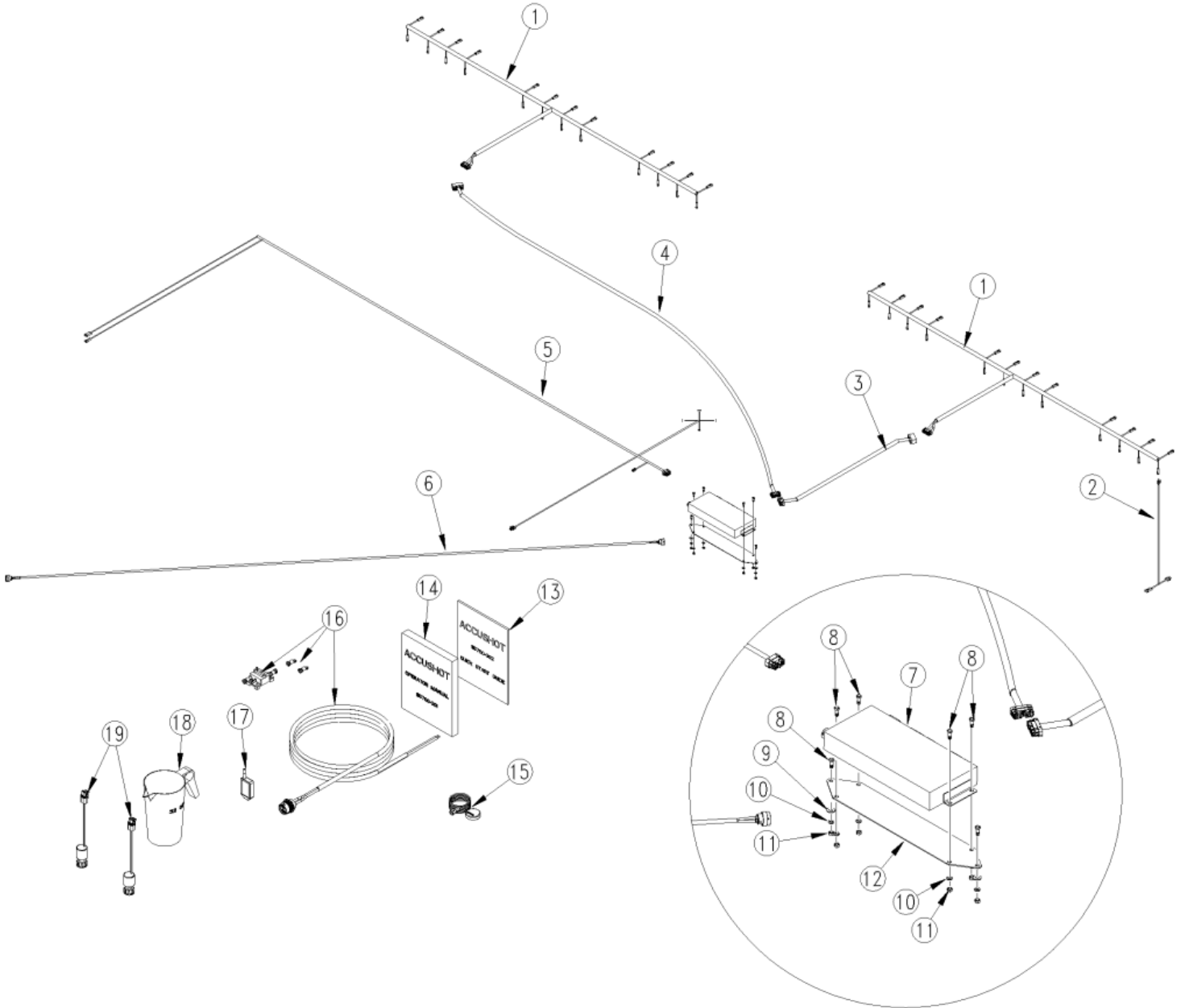
AccuShot Blade Separator Mounting

Applies to Models: YP1225A, YP1625A

Ref.	Part No.	Part Description	Comments
	DWG38402	Image No.	
1	298-509H	25 SERIES OPENER SHANK WELDMT	
2	805-335C	PIN ROLL 5/16 X 5/8 PLT	
3	417-785V	ACCUSHOT BLADE SEPARATOR ASY	Includes items 4-8.
4	830-494C	ELBOW 3/8SPEEDFT X 3/8SUPRSEAL	
5	830-464C	3/8PTC LOCKING CLIP	
6	417-776H	ACCUSHOT SCRAPER SEPARATOR	
7	829-151C	1/8FNPT SS CHECK VALVE 7PSI	
8	828-066C	NOZZLE SOLIDSTRM 1/8MEG-0008	

AccuShot Monitor System

Applies to Models: YP1225A, YP1625A



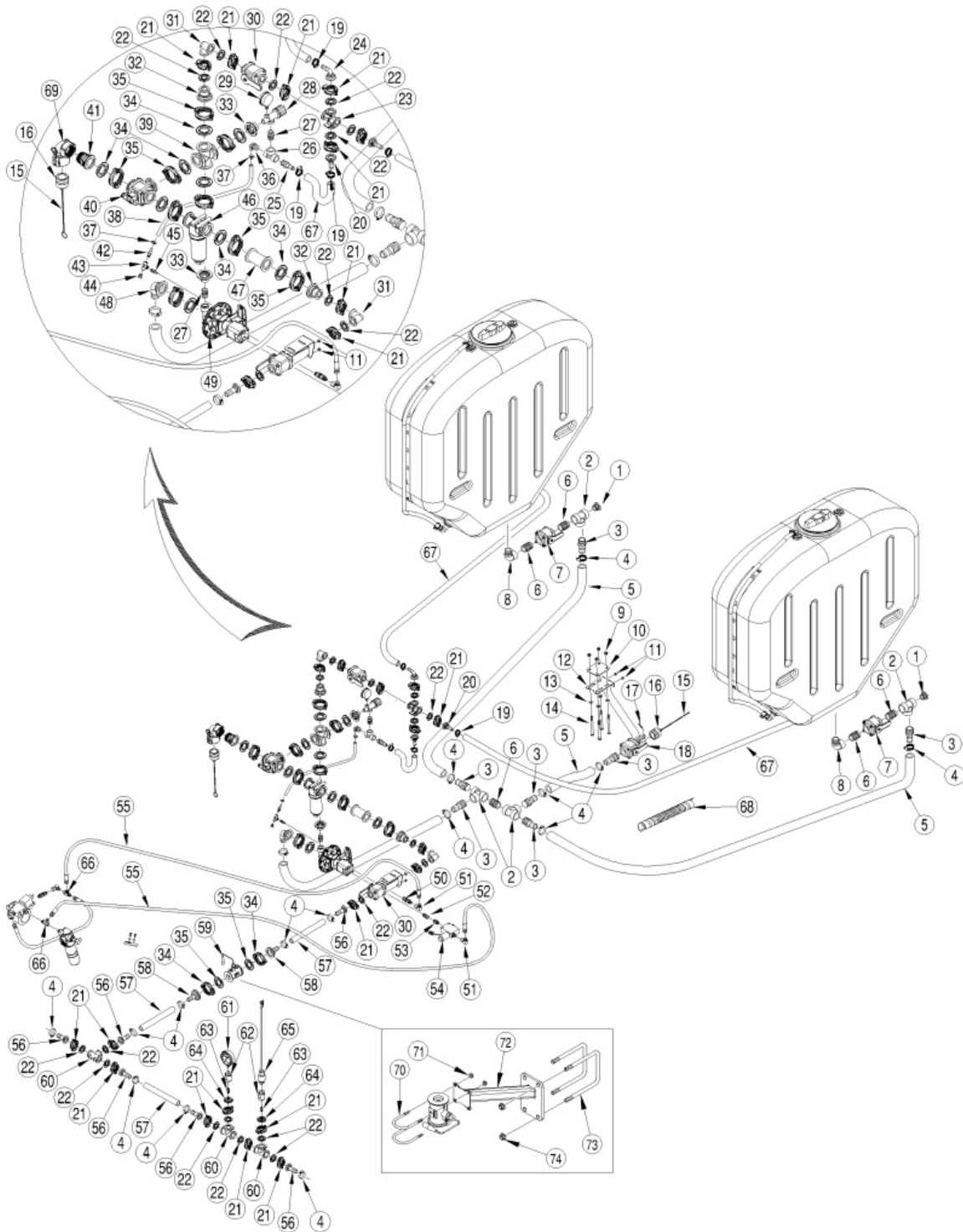
AccuShot Monitor System

Applies to Models: YP1225A, YP1625A

Ref.	Part No.	Part Description	Comments
	DWG38480	Image No.	
1	115200-102	ACCUSHOT VALVE HARNESS 06R30	12 Row.
1	115200-103	ACCUSHOT VALVE HARNESS 08R30	16 Row.
1	115200-003	ACCUSHOT VALVE HARNESS 12R15	Shown, 12 Twin Row.
2	115204-002	ACCUSHOT SEED SENSOR T HARN 60	60"
2	115204-001	ACCUSHOT SEED SENSOR T HARN 48	Shown, 48"
3	115203-005	ACCUSHOT VALVE 12CH EXT 048	
4	115203-004	ACCUSHOT VALVE 12CH EXT 324	
5	115205-001	ACCUSHOT YP12/16 ACC HARN	
6	115201-003	ACCUSHOT POWER HARNESS 324	
7	115100-361	ACCUSHOT CONTROLLER 18-18CH	
8	802-017C	HHCS 3/8-16X1 GR5	
9	804-011C	WASHER FLAT 3/8 USS PLT	
10	804-013C	WASHER LOCK SPRING 3/8 PLT	
11	803-014C	NUT HEX 3/8-16 PLT	
12	417-665D	TOP CONTROL BOX MNT	
13	115700-002	ACCUSHOT MANUAL QUICK START	
14	115700-001	ACCUSHOT OP MANUAL	
15	115206-001	ACCUSHOT GPS SENSOR MAG MNT	
16	115201-001	ACCUSHOT TRACTOR POWER HARNESS	
17	115206-100	ACCUSHOT KEYFOB	
18	115300-001	ACCUSHOT CAL CONTAINER 32OZ	
19	115290-111	ACCUSHOT VALVE ASY ARAG 12W HS	

AccuShot Plumbing and Hydraulics

Applies to Models: YP1225A, YP1625A



AccuShot Plumbing and Hydraulics

Applies to Models: YP1225A, YP1625A

Ref.	Part No.	Part Description	Comments
	DWG38493	Image No.	
1	830-024C	PL 1 1/2MNPT POLYPROP	
2	830-031C	TEE 1 1/2FNPT POLYPROP	
3	830-094C	AD 1 1/2MNPT X 1 1/2HB POLYP	
4	800-125C	CLAMP WRM DRV#28 SS(1.31-2.25)	
5	990-181R	HOSE 1 1/2 ID 250PSI EPDM	
6	830-045C	AD 1 1/2MNPT POLYPROP	
7	829-013C	VALVE 1 1/2FNPT BALL POLYPROP	
8	830-052C	EL 1 1/2MNPT X 1 1/2FNPT POLYP	
9	803-147C	NUT HEX NYLOCK 1/2-13	
10	411-273D	VALVE MNT CLAMP PLT	
11	803-195C	NUT HEX 3/8-16 SS	
12	148-410D	VALVE MOUNT PLATE	
13	804-016C	WASHER FLAT 1/2 SAE PLT	
14	802-047C	HHCS 1/2-13X6 GR5	
15	502-060D	DUST PLUG CHAIN 10	
16	830-186C	PL 2MCL POLY-GLASS	
17	805-010C	PIN HAIR COTTER .094	
18	829-048C	VALVE - 1 1/2FNPT X 2FCL POLYP	
19	800-123C	CLAMP WRM DRV #16 SS (.68-1.5)	
20	830-449C	AD 1FLG X 3/4HB POLY	
21	830-458C	CLAMP 1 FLANGE HYPRO	
22	830-461C	GASKET 1 FLANGE HYPRO	
23	830-448C	CR 1 FLANGE POLY	
24	830-369C	EL 1 FLANGE X 3/4HB POLY	
25	830-084C	AD 3/4MNPT X 3/4HB POLYPROP	
26	830-028C	TEE 3/4FNPT POLYPROP	
27	830-042C	AD 3/4MNPT POLYPROP	
28	829-105C	VALVE RELIEF 0-150 PSI POLYP	
29	829-008C	PRESSURE GAUGE 100 PSI 63MM	
30	829-114C	VALVE 1 MANIFOLD BALL POLY	
31	830-331C	EL 1 FLANGE POLY	
32	830-332C	AD 1 1/2 FLANGE X 1 FLANGE	
33	830-444C	AD 2FL X 3/4FNPT POLY	
34	830-459C	CLAMP 1 1/2 FLANGE HYPRO	
35	830-462C	GASKET 1 1/2 FLANGE HYPRO	
36	830-121C	EL 3/4MNPT X 3/8HB POLYPROP	
37	800-126C	CLAMP WRM DRV #5 SS (.44-.70)	
38	990-080R	HOSE 3/8 ID 150PSI EPDM	
39	830-384C	CR 1 1/2 FLANGE POLY	
40	829-126C	VALVE 1 1/2 MANI 3 WAY BALL	
41	830-447C	AD 2FL X 2MNPT POLY	
42	830-071C	AD 1/4MNPT X 3/8HB POLYPROP	
43	830-026C	TEE 1/4FNPT POLYPROP	
44	830-018C	PL 1/4MNPT POLYPROP	
45	830-204C	AD 1/4MNPT X 1/8MNPT SS	
46	831-078C	STRAINER MLST150-80 MESH	
47	830-270C	AD 1 1/2 FLANGE COUPLER M200	
48	830-325C	EL 1 1/2 FLANGE X 1 1/2HB POLY	
49	831-115C	FMC-75-HYD-204 ACE PUMP LEFT	

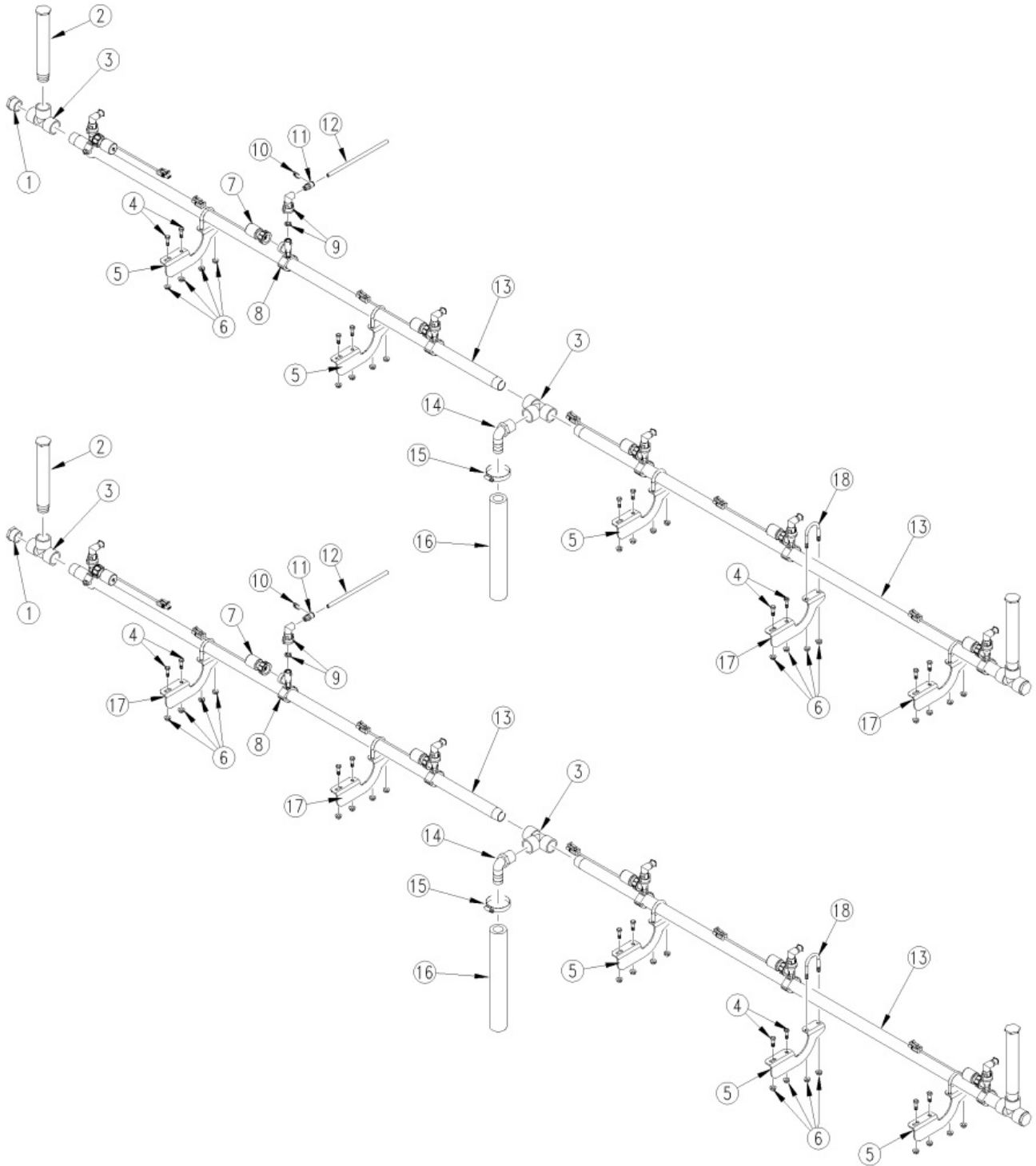
This Page Intentionally Left Blank

AccuShot Plumbing and Hydraulics

Ref.	Part No.	Part Description	Comments
50	810-696C	VALVE INLINE CHECK W/ ORIFICE	
51	811-150C	EL 3/4FJIC 3/4MJIC	
52	811-324C	AD 3/4MORB 3/4FJIC	
53	811-088C	AD 3/4MORB 3/4MJIC	
54	861-463C	PRESSURE COMP PWM VALVE	
55	811-807C	HH1/2R2 120 3/4FJIC	
56	830-374C	AD 1 FLANGE X 1 HB POLY	
57	990-082R	HOSE 1 ID 200PSI EPDM	
58	830-370C	AD 1 1/2 FLANGE X 1 HB POLY	
59	823-435C	RAVEN RFM-15 FLOWMETER	
60	830-364C	TEE 1 FLANGE POLY	
61	829-104C	GAUGE 100 PSI 4IN STAINLESS ST	
62	507-034V	GAUGE PROTECTOR ASSY	
63	830-260C	AD 1/4MNPT SCH 40 X 2 304SS	
64	830-365C	PL 1 FLANGE W/ 1/4FNPT POLY	
65	116301-001	REP BY 116301-014	
66	811-073C	TE 3/4MJIC 3/4MJIC 3/4FJIC	
67	990-081R	HOSE 3/4 ID 200PSI EPDM	
68	990-223R	SPIRAL HOSE WRAP 2.00 DIA	
69	830-446C	EL 2FCL X 2FNPT POLY	
70	806-196C	U-BOLT 5/16-18X2 7/16X3.75 RND	
71	803-199C	NUT HEX FLANGE 5/16-18 PLT	
72	431-078H	FLOW-METER STAND	
73	806-221C	U-BOLT 1/2-13 X 5 1/32 X 6 1/2	
74	803-169C	NUT HEX FLG LOCK 1/2-13 PLT	

Accushot Wet Boom 12 Row

Applies to Models: YP1225A



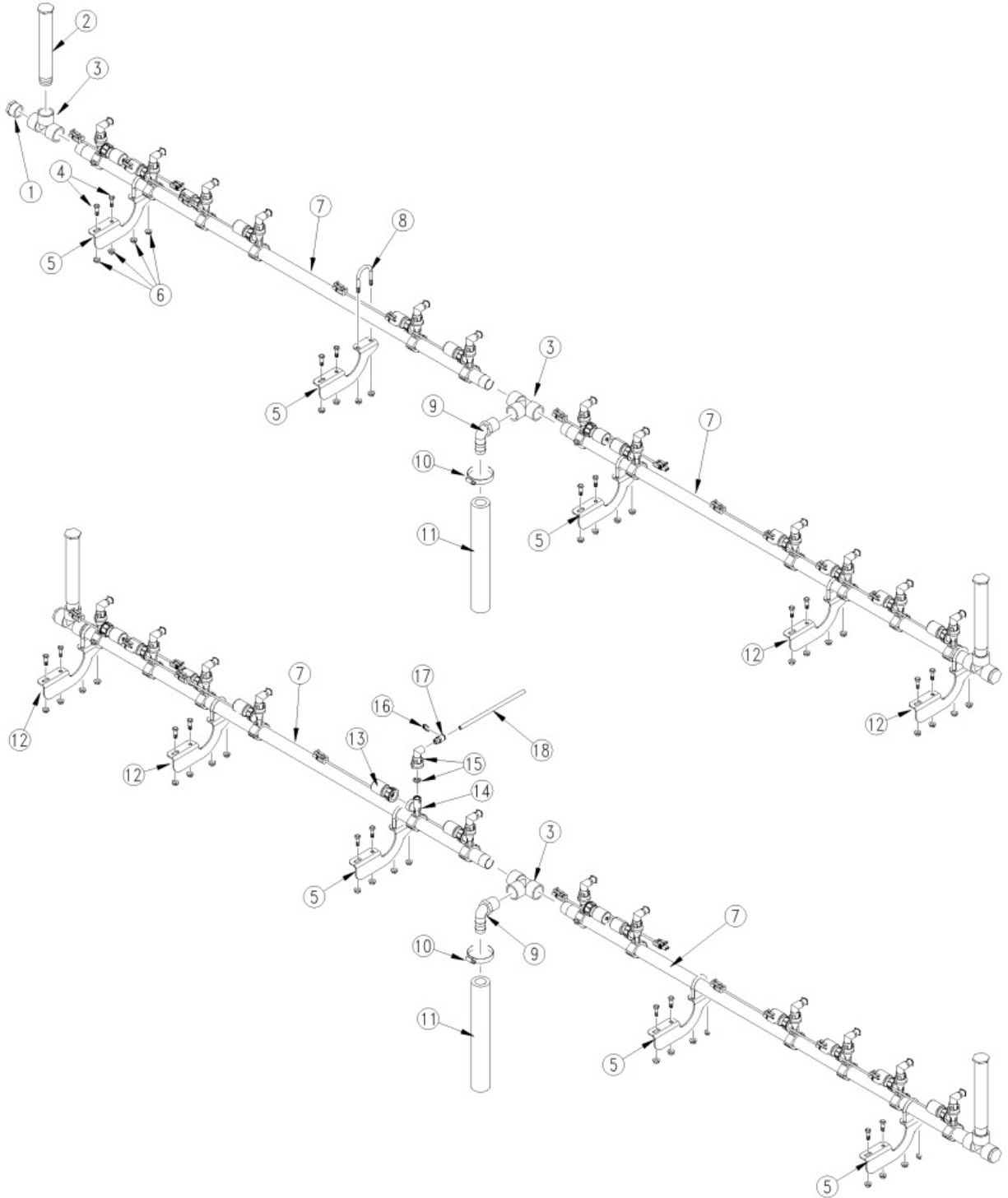
Accushot Wet Boom 12 Row

Applies to Models: YP1225A

Ref.	Part No.	Part Description	Comments
	DWG38465	Image No.	
1	830-022C	PL 1MNPT POLYPROP	
2	417-792H	WETBOOM RISER PIPE	
3	830-029C	TEE 1FNPT POLYPROP	
4	802-159C	HHCS 5/16-18X1 GR5	
5	417-641D	WETBOOM MOUNT PLT LH SHORT	
6	803-043C	NUT HEX WHIZ 5/16-18 PLT	
7	115290-111	ACCUSHOT VALVE ASY ARAG 12W HS	
8	829-152C	NZZL BD 1IN WET BOOM NO CHK	
9	832-051C	NOZZLE CAP QUICK X 90X1/4 FNPT	
10	830-464C	3/8PTC LOCKING CLIP	
11	830-426C	AD 1/4MNPT X 3/8OD TUBE PTC	
12	417-644D	TUBING 3/8ODX.075WLX78 NYLON	
13	417-660D	ACCUSHOT WETBOOM TUBE 03R30	
14	830-127C	EL 1MNPT X 1HB POLYPROP	
15	800-124C	CLAMP WRM DRV #24 SS (1.06-2)	
16	990-082R	HOSE 1 ID 200PSI EPDM	
17	417-640D	WETBOOM MOUNT PLT LH MID	
18	806-192C	U-BOLT 5/16-18X1 1/2X2 1/2 RND	

AccuShot Wet Boom 12 Twin Row

Applies to Models: YP1225A



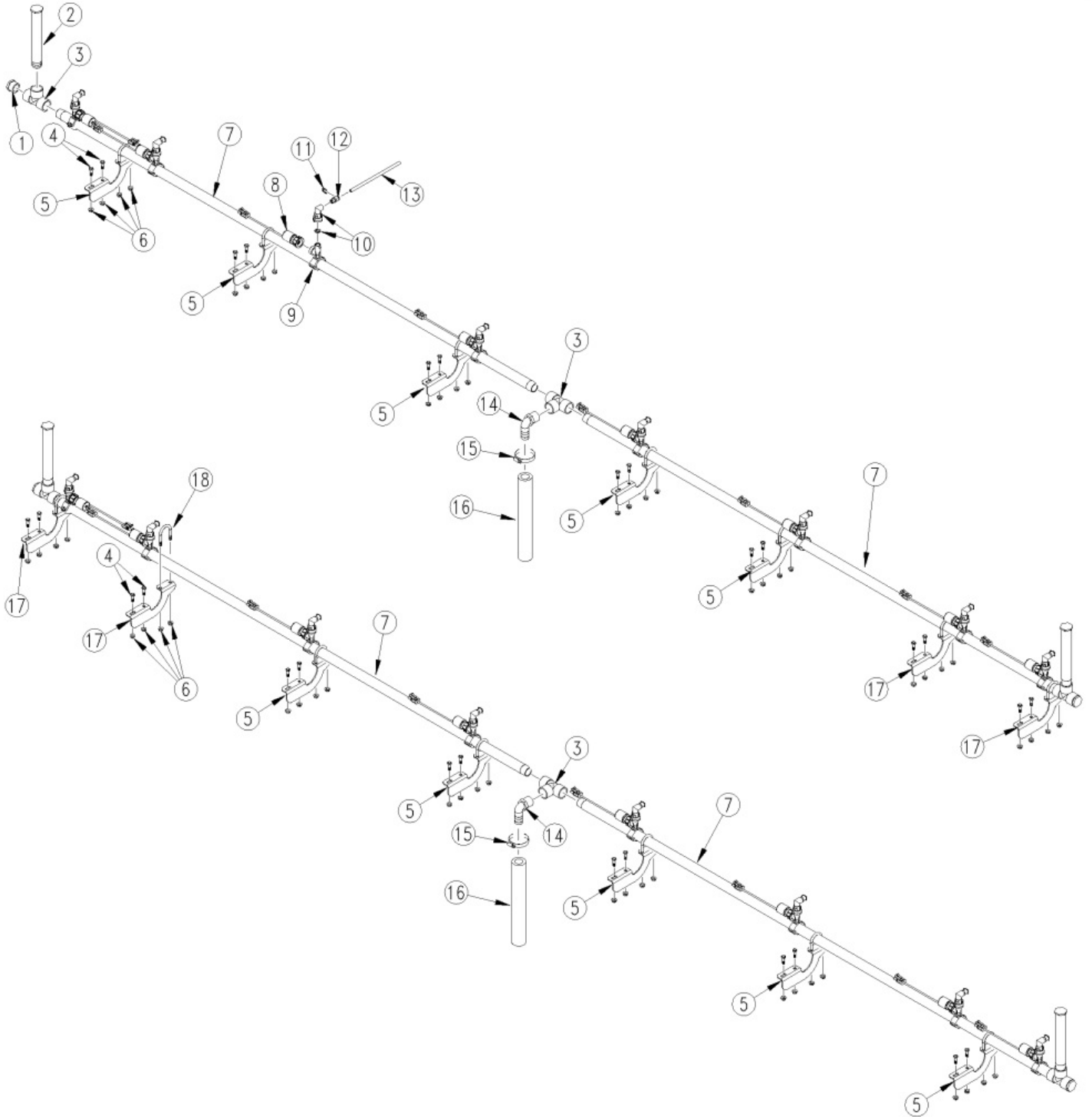
AccuShot Wet Boom 12 Twin Row

Applies to Models: YP1225A

Ref.	Part No.	Part Description	Comments
	DWG38473	Image No.	
1	830-022C	PL 1MNPT POLYPROP	
2	417-792H	WETBOOM RISER PIPE	
3	830-029C	TEE 1FNPT POLYPROP	
4	802-159C	HHCS 5/16-18X1 GR5	
5	417-641D	WETBOOM MOUNT PLT LH SHORT	
6	803-043C	NUT HEX WHIZ 5/16-18 PLT	
7	417-661D	ACCUSHOT WETBOOM TUBE 06R15	
8	806-192C	U-BOLT 5/16-18X1 1/2X2 1/2 RND	
9	830-127C	EL 1MNPT X 1HB POLYPROP	
10	800-124C	CLAMP WRM DRV #24 SS (1.06-2)	
11	990-082R	HOSE 1 ID 200PSI EPDM	
12	417-640D	WETBOOM MOUNT PLT LH MID	
13	115290-111	ACCUSHOT VALVE ASY ARAG 12W HS	
14	829-152C	NZZL BD 1IN WET BOOM NO CHK	
15	832-051C	NOZZLE CAP QUICK X 90X1/4 FNPT	
16	830-464C	3/8PTC LOCKING CLIP	
17	830-426C	AD 1/4MNPT X 3/8OD TUBE PTC	
18	417-644D	TUBING 3/8ODX.075WLX78 NYLON	

AccuShot Wet Boom 16 Row

Applies to Models: YP1625A

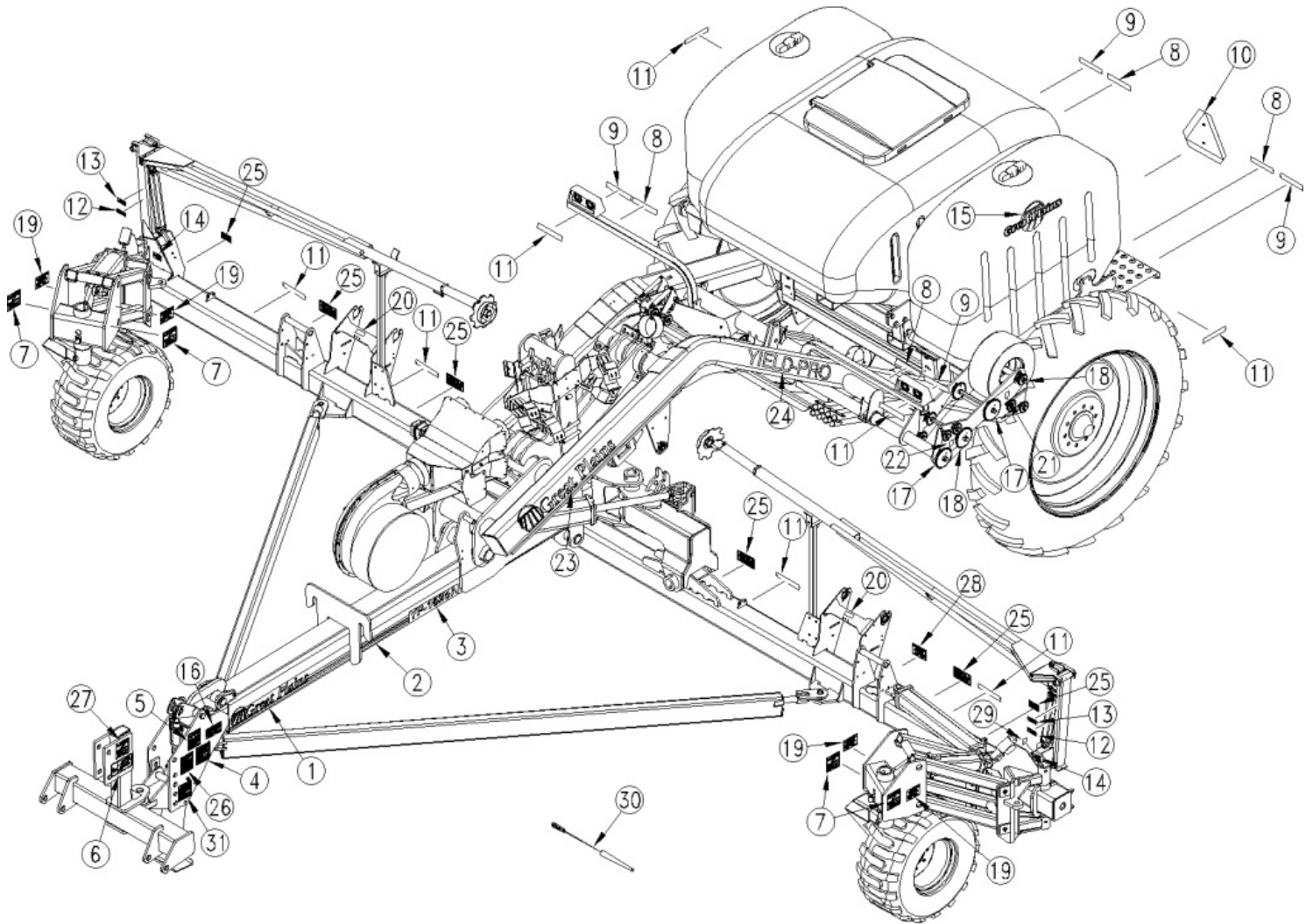


AccuShot Wet Boom 16 Row

Applies to Models: YP1625A

Ref.	Part No.	Part Description	Comments
	DWG38463	Image No.	
1	830-022C	PL 1MNPT POLYPROP	
2	417-792H	WETBOOM RISER PIPE	
3	830-029C	TEE 1FNPT POLYPROP	
4	802-159C	HHCS 5/16-18X1 GR5	
5	417-641D	WETBOOM MOUNT PLT LH SHORT	
6	803-043C	NUT HEX WHIZ 5/16-18 PLT	
7	417-658D	ACCUSHOT WETBOOM TUBE 04R30	
8	115290-111	ACCUSHOT VALVE ASY ARAG 12W HS	
9	829-152C	NZZL BD 1IN WET BOOM NO CHK	
10	832-051C	NOZZLE CAP QUICK X 90X1/4 FNPT	
11	830-464C	3/8PTC LOCKING CLIP	
12	830-426C	AD 1/4MNPT X 3/8OD TUBE PTC	
13	417-644D	TUBING 3/8ODX.075WLX78 NYLON	
14	830-127C	EL 1MNPT X 1HB POLYPROP	
15	800-127C	CLAMP WRM DRV #12 SS(.56-1.25)	
16	990-082R	HOSE 1 ID 200PSI EPDM	
17	417-640D	WETBOOM MOUNT PLT LH MID	
18	806-192C	U-BOLT 5/16-18X1 1/2X2 1/2 RND	

Applies to Models: YP1225A, YP1625A

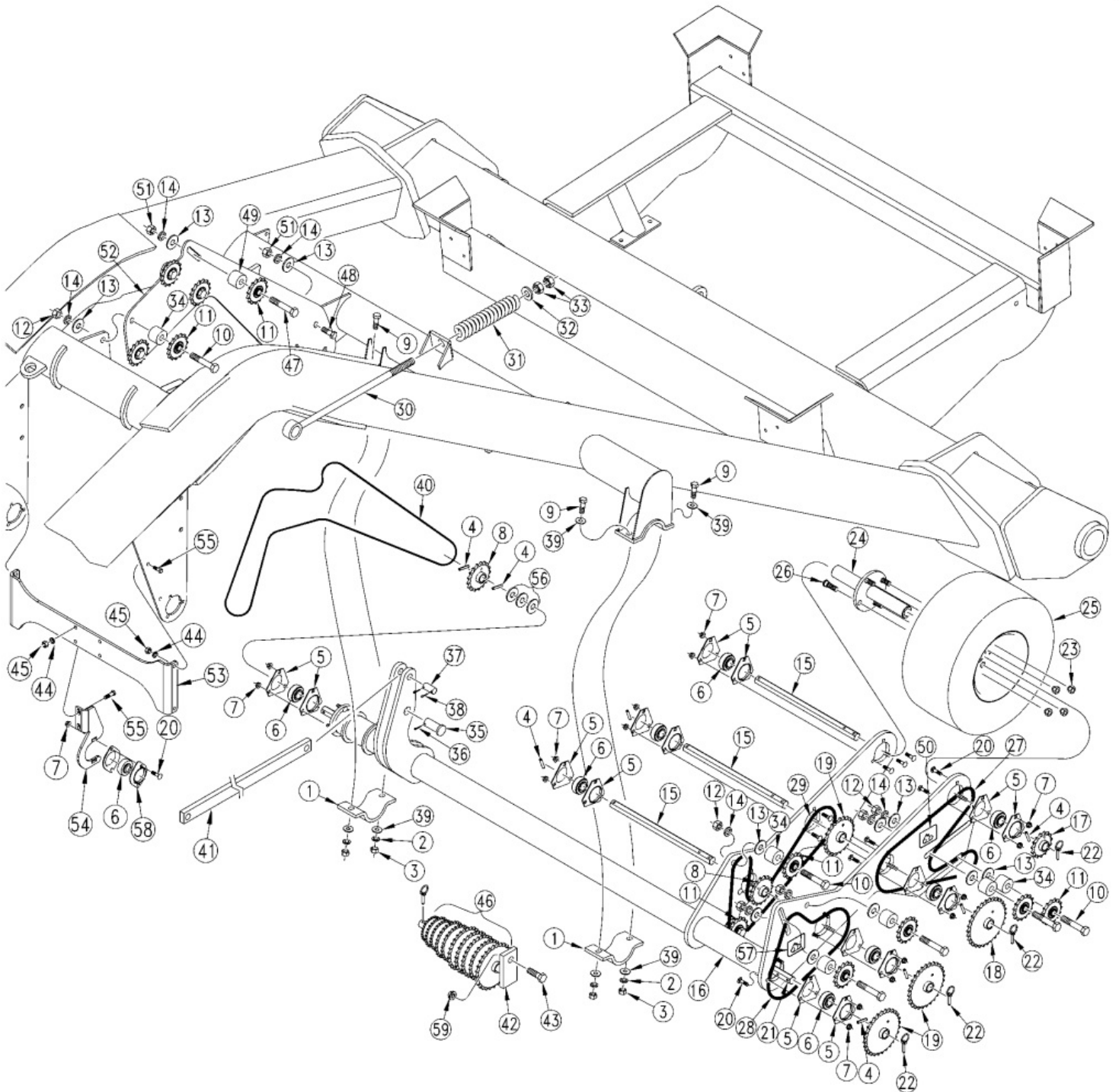


Applies to Models: YP1225A, YP1625A

Ref.	Part No.	Part Description	Comments
	DWG29622	Image No.	
1	838-161C	DECAL LOGO&GP F/STRIPE 4 X 24	
2	838-160C	DECAL 3 COLOR STRIPE 2.50 WIDE	
3	848-445C	DECAL YP-1625A	
3	848-444C	DECAL YP-1225A	
4	838-995C	DECAL YP FOLD CAUTION	
5	818-339C	DECAL WARNING HIGH PRESSUR SML	
6	818-590C	DECAL DANGER CRUSH TRCTR & 3PT	
7	818-398C	DECAL CAUTION TIRES NOT A STEP	
8	838-267C	DECAL REFLECTR DAYTIME 2X9	
9	838-266C	DECAL REFLECTOR RED 2X9	
10	818-055C	DECAL SLOW MOVING-GALV. BACKED	
11	838-265C	DECAL REFLECTOR AMBER 2X9	
12	818-579C	DECAL WARNING PINCH/SHEAR HAZ	
13	818-580C	DECAL WARNING OVERHEAD MKR HAZ	
14	838-599C	DECAL DANGER ELECTROCUTION HA	
15	844-023C	GP SUN DECAL 20X6	
16	818-188C	DECAL WARNING 20 MPH TRANS LRG	
17	838-041C	DECAL DRIVEN	
18	838-042C	DECAL DRIVING	
19	818-045C	DECAL WARNING PINCH PT/CRUSH	
20	838-763C	DECAL CLUTCH LOCKUP	
21	838-761C	DECAL RANGE YP PLTR	
22	838-762C	DECAL TRANSM YP PLTR	
23	838-168C	DECAL LOGO&GP F/STRIPE 6 X 35	
24	838-818C	DECAL YEILD-PRO	
25	838-993C	DECAL DO NOT LOCK UP REAR ROW	
26	838-994C	DECAL YP FOLD INSTRUCTIONS	
27	819-156C	ID PLATE - PATENT 7,086,342	
28	848-325C	DECAL IMPORTANT ROW LOCKUP CTR	
29	848-083C	DECAL AUX HYD SELECTOR VALVE	
30	891-259C	SEED TUBE CLEANER BRUSH	
31	818-587C	DECAL CAUTION OPERATIONAL MACH	

Contact Wheel Drive

Applies to Models: YP1225A, YP1625A



Contact Wheel Drive

Applies to Models: YP1225A, YP1625A

Ref.	Part No.	Part Description	Comments
	DWG21864	Image No.	
1	183-006D	PW ROCKSHAFT HALF BAND	
2	804-015C	WASHER LOCK SPRING 1/2 PLT	
3	803-020C	NUT HEX 1/2-13 PLT	
4	805-180C	PIN ROLL 1/4 X 1 1/2 LG PLT	
5	822-175C	FLANGETTE 52 3-BOLT PLT	
6	822-195C	BRG INS 7/8HEXX2.04OD SPH	
7	803-177C	803-184 FLG TP LK 5/16-18ZNYCR	
8	808-303C	SPKT 50C17 X 7/8 HEX BORE	
8	402-198H	SPKT 50C18 X 7/8 HES BORE	36" Twin row only
9	802-082C	HHCS 1/2-13X1 3/4 GR5	
10	802-162C	HHCS 5/8-11X3 1/2 GR5	
11	808-320C	SPKT IDLER BRG #50 15 TOOTH	
12	803-021C	NUT HEX 5/8-11 PLT	
13	804-019C	WASHER FLAT 5/8 USS PLT	
14	804-022C	WASHER LOCK SPRING 5/8 PLT	
15	402-300D	SHAFT 7/8 HEX X 16.25	
16	402-161H	CONTACT WHEEL BRACKET	
16	402-190H	36TR YP CONTACT WHL BRKT	36" Twin row only
17	808-302C	SPKT 50C15 X 7/8 HEX BORE	
18	808-319C	SPKT 50C30 X 7/8 HEX BORE	
19	808-307C	SPKT 50C23 X 7/8 HEX BORE	
20	802-009C	RHSNB 5/16-18X1 1/4 GR5	
21	402-301D	SHAFT 7/8 HEX X 76.44	
21	402-353D	SHAFT 7/8 HEX X 85.44	36" Twin row only
22	805-240C	PIN LINCH 3/16 X 1 9/16 LONG	
23	803-159C	NUT LUG 1/2-20X60DEG PLT(.75AF	
24	402-160H	CONTACT WHEEL DRIVE HUB	
25	814-318C	TIRE WHL ASM 20X8.00-10 TURF	
26	802-135C	HUB STUD 1/2-20X1 5/8 GR5	
27	136-178D	CHAIN RL #50 88 PITCHES	
28	136-218D	CHAIN RL #50 57 PITCHES	
29	136-225D	CHAIN RL #50 91 PITCHES	
30	802-718C	EYE BOLT 3/4-10X14 3/4 LG SP	
31	149-559D	SPRING 2.25 O.D. X .5 COIL	
32	149-558D	COULTER SPRING WASHER	
33	803-048C	NUT HEX JAM 3/4-10 PLT	
34	113-683D	3S-4000 MARKER CYL PIN SPACER	
35	805-187C	PIN CLEVIS 1 X 2 1/4 GR5 PLT	
36	805-017C	PIN COTTER 3/16 X 1 3/4 PLT	
37	805-140C	PIN CLEVIS 3/4 X 2 1/2 PLT	
38	805-045C	PIN COTTER 5/32 X 1 1/4 LG	
39	804-016C	WASHER FLAT 1/2 SAE PLT	
40	136-226D	CHAIN RL #50 251 PITCHES	
41	401-498D	LINK ROD	
42	196-271H	SPROCKET STORAGE WLDMENT LONG	
43	802-082C	HHCS 1/2-13X1 3/4 GR5	
44	804-013C	WASHER LOCK SPRING 3/8 PLT	
45	803-014C	NUT HEX 3/8-16 PLT	
46	808-303C	SPKT 50C17 X 7/8 HEX BORE	

Contact Wheel Drive

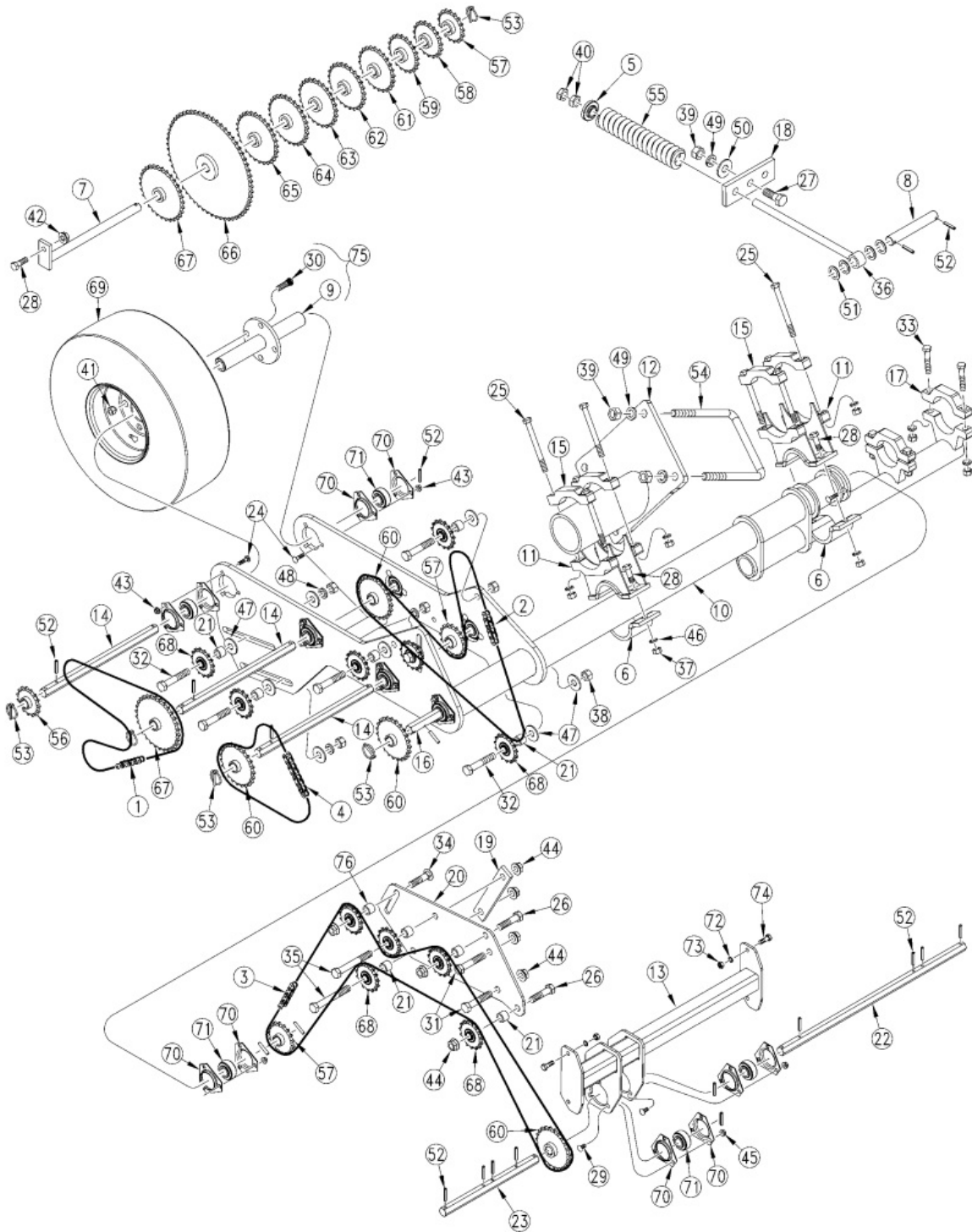
This Page Intentionally Left Blank

Contact Wheel Drive

Ref.	Part No.	Part Description	Comments
46	808-304C	SPKT 50C19 X 7/8 HEX BORE	
46	808-305C	SPKT 50C20 X 7/8 HEX BORE	
46	808-308C	SPKT 50C24 X 7/8 HEX BORE	
46	808-309C	SPKT 50C25 X 7/8 HEX BORE	
46	808-310C	SPKT 50C26 X 7/8 HEX BORE	
46	808-311C	SPKT 50C27 X 7/8 HEX BORE	
46	808-312C	SPKT 50C28 X 7/8 HEX BORE	
46	808-319C	SPKT 50C30 X 7/8 HEX BORE	
46	808-315C	SPKT 50C60 X 7/8 HEX BORE	
47	802-059C	HHCS 5/8-11X3 GR5	
48	802-050C	HHCS 5/8-11X1 1/4 GR5	
49	405-030D	25/32 PW SPACER 5/8 DIA	
50	838-761C	DECAL RANGE YP PLTR	
51	803-021C	NUT HEX 5/8-11 PLT	
52	401-562D	DRIVE CHAIN ROUTING BRACKET	
53	401-541D	DRIVE PLATE STIFFENER	
54	401-540D	DRIVE BRG BRACKET	
55	802-017C	HHCS 3/8-16X1 GR5	
56	804-061C	WASHER MACH 1.50 X 1.00 X 18GA	
57	838-762C	DECAL TRANSM YP PLTR	
58	822-032C	FLANGETTE 52 MST	
59	803-169C	NUT HEX FLG LOCK 1/2-13 PLT	

Dual Contact Wheel Drive

Applies to Models: YP1225A, YP1625A



Dual Contact Wheel Drive

Applies to Models: YP1225A, YP1625A

Ref.	Part No.	Part Description	Comments
	DWG28314	Image No.	
1	136-178D	CHAIN RL #50 88 PITCHES	
2	136-225D	CHAIN RL #50 91 PITCHES	
3	136-217D	CHAIN RL #50 256 PITCHES	
4	136-218D	CHAIN RL #50 57 PITCHES	
5	149-558D	COULTER SPRING WASHER	
6	183-006D	PW ROCKSHAFT HALF BAND	
7	196-271H	SPROCKET STORAGE WLDMENT LONG	
8	402-130D	CYL PIN	
9	402-160H	CONTACT WHEEL DRIVE HUB	
10	402-248H	RH CONTACT WHEEL ARM STD WLDMT	
10	402-268H	36 IN RH CONTACT WHL ARM WLDMT	RH Use with 36" & 36" Twin Row Spacing Only
11	402-249H	INNER BRACKET DRIVE SUPT WLDMT	
12	402-250H	OUTER SUPPORT RH DRIVE WHEEL	
13	402-251H	DUAL DRIVE SHAFT SUPPORT WLDMT	
14	402-300D	SHAFT 7/8 HEX X 16.25	
15	402-466D	HALF CLAMP 4.50 TUBE	
16	402-471D	SHAFT 7/8 HEX X 62.38	
16	402-514D	SHAFT 7/8 HEX X 71.38	RH Use with 36" & 36" Twin Row Spacing Only
16	402-353D	SHAFT 7/8 HEX X 85.44	LH Use with 36" & 36" Twin Row Spacing Only
17	402-472D	HALF CLAMP 3 IN TUBE ROUND	
18	402-473D	DUAL SPRING ANCHOR BAR	
19	402-474D	SPACER BAR 3/8	
20	402-475D	SECONDARY DRIVE PLATE	
21	113-683D	3S-4000 MARKER CYL PIN SPACER	
22	402-477D	SHAFT 7/8 HEX 26.38 LG	
23	402-478D	SHAFT 7/8 HEX 13.44 LG	
24	802-009C	RHSNB 5/16-18X1 1/4 GR5	
25	802-046C	HHCS 1/2-13X5 1/2 GR5	
26	802-058C	HHCS 5/8-11X2 1/2 GR5	
27	802-064C	HHCS 3/4-10X2 GR5	
28	802-091C	HHCS 1/2-13X1 1/2 GR5	
29	802-092C	RHSNB 5/16-18X3/4 GR5	
30	802-135C	HUB STUD 1/2-20X1 5/8 GR5	
31	802-160C	HHCS 5/8-11X3 1/4 GR5	
32	802-162C	HHCS 5/8-11X3 1/2 GR5	
33	802-226C	HHCS 1/2-13X2 3/4 GR5	
34	802-521C	RHSNB 5/8-11X2 1/2 GR5	
35	802-537C	HHCS 5/8-11X4 3/4 GR5	
36	802-718C	EYE BOLT 3/4-10X14 3/4 LG SP	
37	803-020C	NUT HEX 1/2-13 PLT	
38	803-021C	NUT HEX 5/8-11 PLT	
39	803-027C	NUT HEX 3/4-10 PLT	
40	803-048C	NUT HEX JAM 3/4-10 PLT	
41	803-159C	NUT LUG 1/2-20X60DEG PLT(.75AF	
42	803-169C	NUT HEX FLG LOCK 1/2-13 PLT	
43	803-177C	NUT HEX FLG TP LK 5/16-18ZNYCR	
44	803-196C	NUT HEX FLANGE 5/8-11 PLT	
45	803-199C	NUT HEX FLANGE 5/16-18 PLT	
46	804-015C	WASHER LOCK SPRING 1/2 PLT	

Dual Contact Wheel Drive

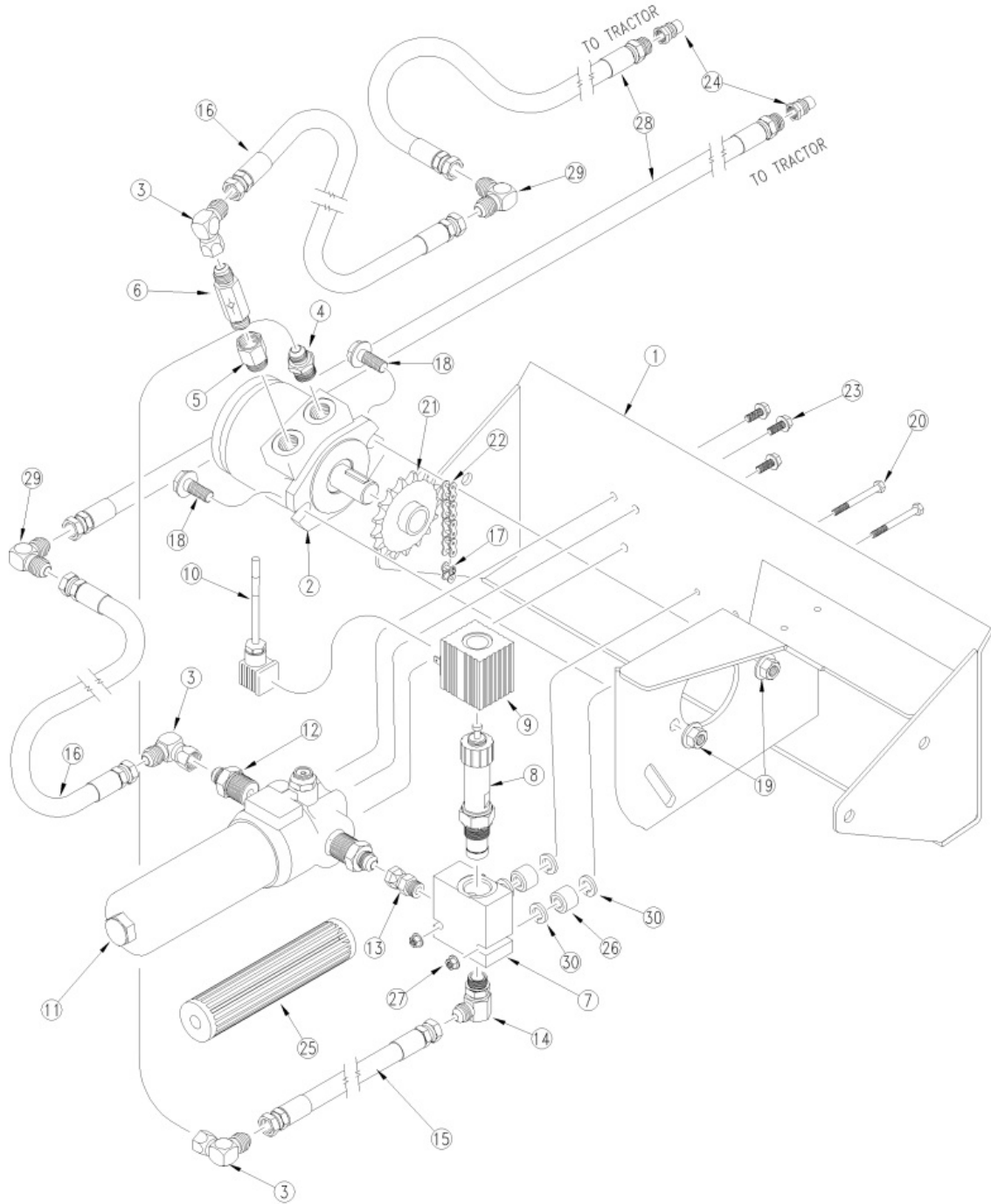
This Page Intentionally Left Blank

Dual Contact Wheel Drive

Ref.	Part No.	Part Description	Comments
47	804-019C	WASHER FLAT 5/8 USS PLT	
48	804-022C	WASHER LOCK SPRING 5/8 PLT	
49	804-023C	WASHER LOCK SPRING 3/4 PLT	
50	804-024C	WASHER FLAT 3/4 USS PLT	
51	804-192C	WASHER MACH 1.5X1.00X.075	
52	805-180C	PIN ROLL 1/4 X 1 1/2 LG PLT	
53	805-240C	PIN LINCH 3/16 X 1 9/16 LONG	
54	806-050C	U-BOLT 3/4-10 X 7 X 8 1/2	
55	149-559D	SPRING 2.25 O.D. X .5 COIL	
56	808-302C	SPKT 50C15 X 7/8 HEX BORE	
57	808-303C	SPKT 50C17 X 7/8 HEX BORE	
58	808-304C	SPKT 50C19 X 7/8 HEX BORE	
59	808-305C	SPKT 50C20 X 7/8 HEX BORE	
60	808-307C	SPKT 50C23 X 7/8 HEX BORE	
61	808-308C	SPKT 50C24 X 7/8 HEX BORE	
62	808-309C	SPKT 50C25 X 7/8 HEX BORE	
63	808-310C	SPKT 50C26 X 7/8 HEX BORE	
64	808-311C	SPKT 50C27 X 7/8 HEX BORE	
65	808-312C	SPKT 50C28 X 7/8 HEX BORE	
66	808-315C	SPKT 50C60 X 7/8 HEX BORE	
67	808-319C	SPKT 50C30 X 7/8 HEX BORE	
68	808-320C	SPKT IDLER BRG #50 15 TOOTH	
69	814-318C	TIRE WHL ASM 20X8.00-10 TURF	
70	822-175C	FLANGETTE 52 3-BOLT PLT	
71	822-195C	BRG INS 7/8HEXX2.04OD SPH	
72	804-013C	WASHER LOCK SPRING 3/8 PLT	
73	803-014C	NUT HEX 3/8-16 PLT	
74	802-017C	HHCS 3/8-16X1 GR5	
75	402-271S	CONTACT WHEEL DRIVE HUB SUBASY	
76	405-030D	25/32 PW SPACER 5/8 DIA	

Hydraulic Drive Components

Applies to Models: YP1225A, YP1625A



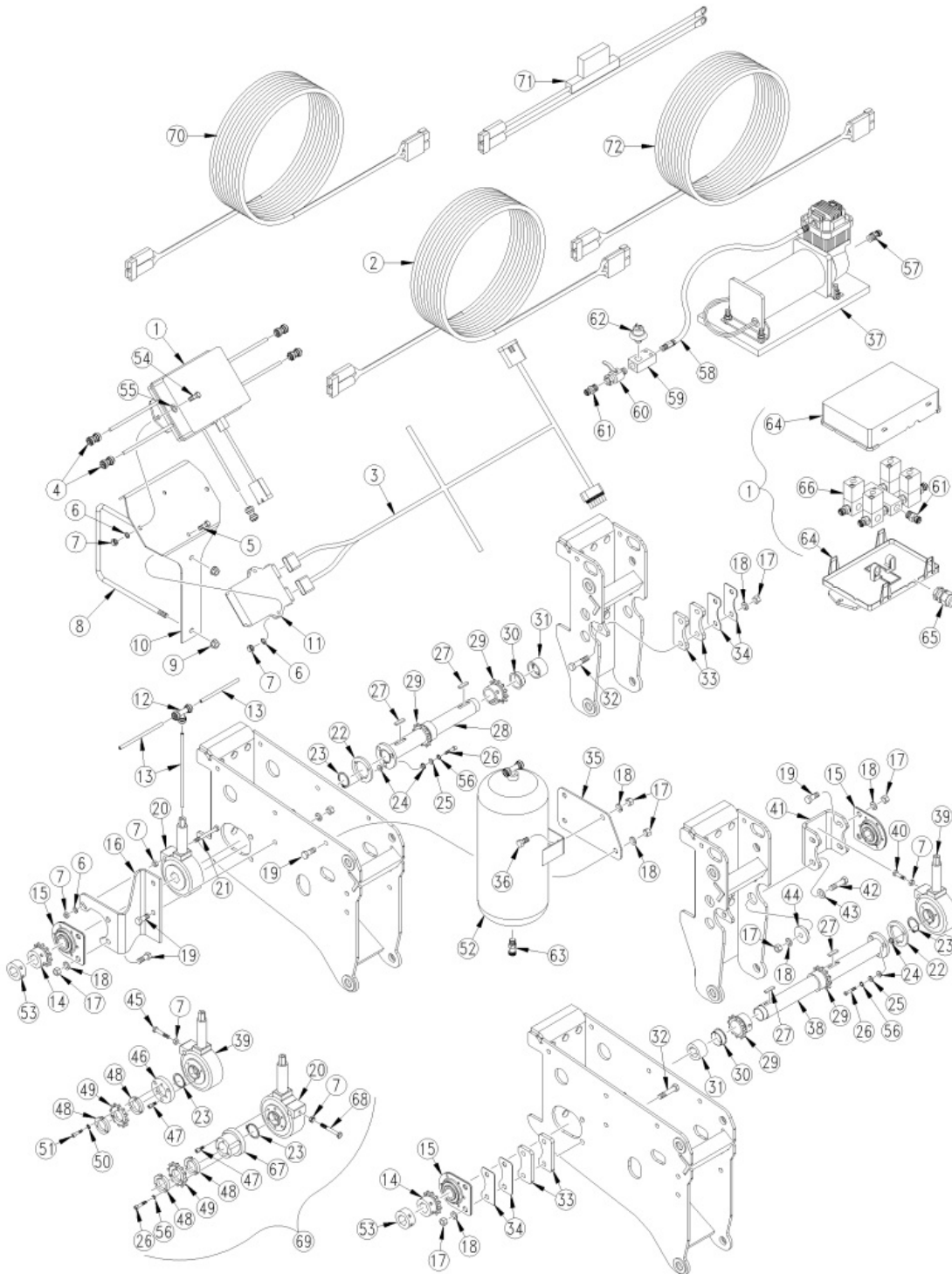
Hydraulic Drive Components

Applies to Models: YP1225A, YP1625A

Ref.	Part No.	Part Description	Comments
	DWG28475	Image No.	
1	402-260H	BRACKET YP16 HYD DRIVE	
2	810-603C	MOTOR 8.8 CU IN FC6 MNT KEYED	
3	811-150C	EL 3/4FJIC 3/4MJIC	
4	811-192C	AD 3/4MJIC 7/8MORB	
5	811-564C	AD 3/4FORB 7/8MORB	
6	810-696C	VALVE INLINE CHECK W/ ORIFICE	
7	VER-19800	VERIS VLV BODY SAE-12-2X SAE-8	
8	VER-19798	VERIS PROPORTIONAL CARTR 14GPM	
9	VER-19799	VERIS COIL 12V WATERMAN CARTR	
10	VER-18375	VERIS SOLENOID CABLE	
11	850-066C	FILTER ASM 6000PSI 6MICRON	
12	811-205C	AD 3/4MJIC 1 1/16MORB	
13	811-324C	AD 3/4MORB 3/4FJIC	
14	811-063C	EL 3/4MJIC 3/4MORB	
15	811-331C	HH1/2R2 020 3/4FJIC	
16	811-266C	HH1/2R2 192 3/4FJIC	
17	809-041C	CONNECTOR OFFSET #50	
18	802-034C	HHCS 1/2-13X1 1/4 GR5	
19	803-037C	NUT HEX WHIZ 1/2-13 PLT	
20	802-551C	HHCS 1/4-20X2 1/4 GR5	
21	808-344C	SPKT 50B17 X 1 BORE W/KW, 2 SS	
22	136-245D	CHAIN RL #50 52 PITCHES	
23	VER-18548	VERIS BLT FLG SER8.8M8-1.25X16	
24	811-394C	CP 3/4FORB MALE QD POPPET TYPE	
25	850-507C	FILTER ELEMENT 6 MICRON	Please contact Great Plains Parts Department before ordering!
26	152-379D	1/4 SPACER TUBE	
27	803-088C	NUT HEX LOCK 1/4-20 FLG	
28	811-959C	HH1/2R2 312 3/4FJIC 3/4MORB	
29	811-725C	EL 90 3/4MJIC	
30	804-015C	WASHER LOCK SPRING 1/2 PLT	

Tru-Count Clutch Assembly

Applies to Models: YP1225A, YP1625A



Tru-Count Clutch Assembly

Applies to Models: YP1225A, YP1625A

Ref.	Part No.	Part Description	Comments
	DWG29815	Image No.	
1	829-140C	TRU-COUNT 75713-00 VALVE ASM	
2	823-337C	EXTENSION HARNESS 40' 6 PIN WP	
2	823-336C	EXTENSION HARNESS 25' 6 PIN WP	
3	467983505	DJIA OUTPUT HARN 8-CH TRU-COUN	
4	830-383C	CP 1/4 PUSH LOK POLY	
5	802-224C	HHCS 1/4-20X1 1/4 GR5	
6	804-006C	WASHER LOCK SPRING 1/4 PLT	
7	803-006C	NUT HEX 1/4-20 PLT	
8	806-073C	U-BOLT 3/8-16 X 7 1/32 X 7 7/8	
9	803-209C	NUT FLANGE LOCK 3/8-16 PLT	
10	402-533D	TRU-COUNT VALVE MODULE BRACKET	
11	467982000S1	OB RPBX 467982001S1	
12	830-405C	TE POLY 1/4 PUSH LOCK	
13	990-109R	TUBE NYLON 1/4OD X 062WL	
14	808-395C	SPKT 41C12 W/SS SPCL PLT	
15	822-239C	PEER 7/8 HEX BRG AND MNT	
16	402-523D	OFFSET BRG BRACKET	RH Bracket (Shown)
16	402-532D	OFFSET BRG BRACKET LH	LH Bracket
17	803-014C	NUT HEX 3/8-16 PLT	
18	804-013C	WASHER LOCK SPRING 3/8 PLT	
19	802-017C	HHCS 3/8-16X1 GR5	
20	823-327C	TRU-COUNT CLUTCH AIR RH	RH clutch
21	802-097C	HHCS 1/4-20X2 1/2 GR5	
22	402-525D	TRU-COUNT HUB	
23	800-004C	SNAP RING EXT BASIC 1 3/16	
24	816-648C	RUBBER FLG BUSH .189ID.36OD	
25	804-046C	WASHER FLAT #10 SAE PLT	
26	802-901C	HHCS #10-32X1	
27	402-534D	KEY .250X.125X1.00 RECT	
28	402-272H	TRU-COUNT 15 IN SPKT TUBE	NO 3PYP
28	402-274H	TRU-COUNT 15 IN LH SPKT TUBE	YP40 & YP24
28	402-278H	TRU-COUNT TR SPKT TUBE REP	ALL
29	808-415C	SPKT 41B12 SPCL	
30	817-852C	FLG BSHG 30MMX32MMX12MM	
31	402-524D	ADAPTER 7/8 HEX 1 1/4 RND BORE	
32	802-023C	HHCS 3/8-16X1 3/4 GR5	
33	402-527D	SPACER PLATE FRT BEARING	
34	402-541D	SPACER SHIM FRT BRG TRU COUNT	
35	402-535D	TRU-COUNT AIR TANK MOUNT PLATE	
36	802-014C	HHCS 3/8-16X3/4 GR5	
37	823-330C	TRU-COUNT COMPRESSOR ASSEMBLY	
38	402-280H	TRU-COUNT TR REVERSE SPKT TUBE	
39	823-328C	TRU-COUNT CLUTCH AIR LH	
40	802-005C	HHCS 1/4-20X1 GR5	
41	402-538D	SUPT BRACKET HEX BRG	
42	802-022C	HHCS 3/8-16X1 1/2 GR5	
43	804-012C	WASHER FLAT 3/8 SAE PLT	
44	402-539D	STEP BUSHING FOR OPENER BRG	
45	802-167C	HHCS 1/4-20X1 1/2 GR5	Used on single row assembly

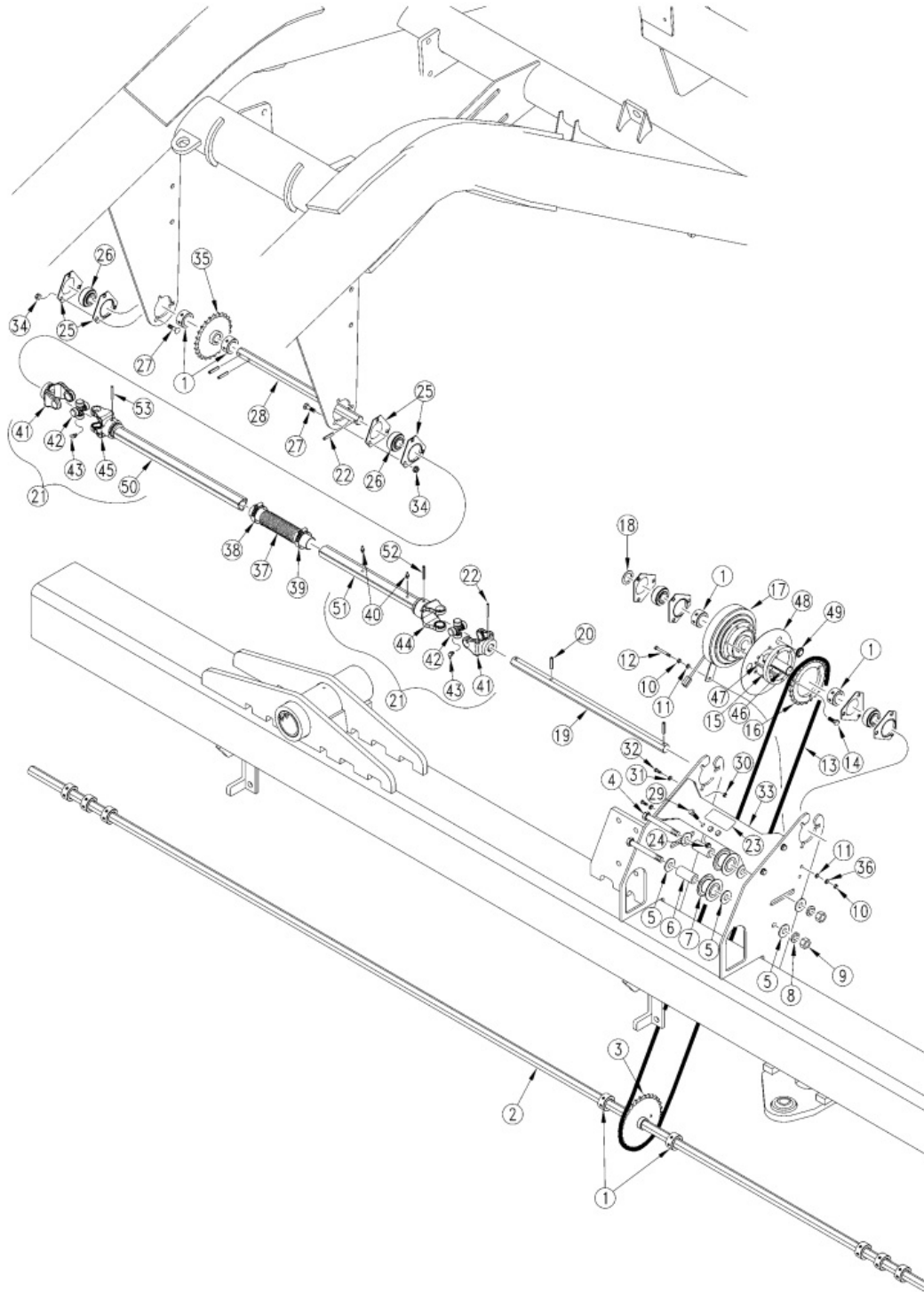
Tru-Count Clutch Assembly

This Page Intentionally Left Blank

Tru-Count Clutch Assembly

Ref.	Part No.	Part Description	Comments
46	402-529D	ADAPTER TC CLUTCH 41A12 SPKT	Used on single row assembly
47	802-575C	HSHCS #10-32X5/8	Used on single row assembly
48	402-530D	TRU-COUNT SPKT RETAINER RING	Used on single row assembly
49	402-630D	SPKT 41A12 3HOLE TC	Used on single row assembly
50	804-032C	WASHER LOCK INTERNAL #10 SS	Used on single row assembly
51	802-904C	HSHCS #10-32X7/8	Used on single row assembly
52	823-329C	TRU-COUNT AIR TANK ASM	
53	402-025S	LOCK COLLAR, 7/8 HEX W/ SET SC	
54	802-004C	HHCS 1/4-20X3/4 GR5	
55	804-007C	WASHER FLAT 1/4 SAE PLT	
56	804-054C	WASHER LOCK #10	
57	823-368C	68935 TRU CNT FIT.1/4MNPTX1/4	
58	823-367C	68932 TRU CNT HOSE FOR COMPRES	
59	823-370C	69045 TRU CNT MAN CMP 350/450C	
60	823-365C	69151 TRU COUNT MINI BALL VALV	
61	823-375C	69002-10S (10PK)TRU CNT TB FIT	
62	823-374C	77621 TRU CNT SWTCH 85-105PSI	
63	823-372C	68892 TRU CNT BRSS TNK DRN 1/4	
64	823-366C	OBSOLETE TRU CNT VALV ENCLOSUR	
65	823-373C	73814 TRU CNT STRN RELIEF LIQ	
66	823-371C	68842 TRU COUNT AIR VALVE SING	
67	402-591D	SPACER EXTENDED SNGL CLUTCH TC	
68	802-152C	HHCS 1/4-20X2 GR5	
69	402-329K	TRU-COUNT SHORT ROW SINGLE ASM	Only used on YP30. Includes items: 7, 20, 23, 26, 47-49, 56, & 67-68
70	823-389C	75166 TRIMBLE 11' EXT. HARN	
71	823-388C	75165 TRIMBLE BATT LEAD CAB	
72	823-390C	75167 TRIMBLE 8' EXT. HARN	

Applies to Models: YP1225A, YP1625A



Applies to Models: YP1225A, YP1625A

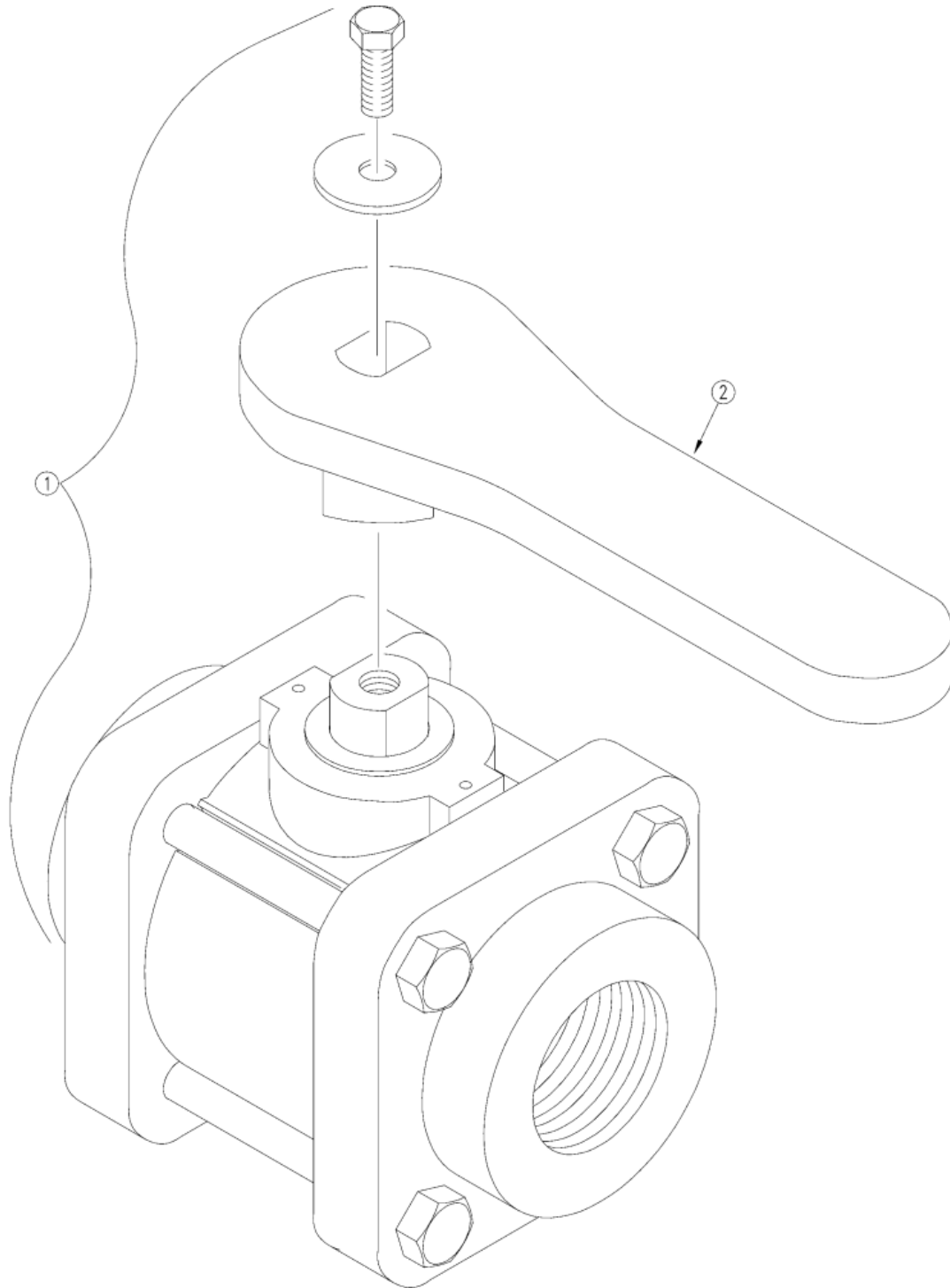
Ref.	Part No.	Part Description	Comments
	DWG29593	Image No.	
1	402-025S	LOCK COLLAR, 7/8 HEX W/ SET SC	
2	401-490D	SHAFT 7/8 HEX X 232 LONG	16 Row LH Wing
2	401-491D	SHAFT 7/8 HEX X 225 LONG	16 Row RH Wing
2	401-632D	SHAFT 7/8 HEX X 172	12 Row LH Wing
2	401-633D	SHAFT 7/8 HEX X 167	12 Row RH Wing
3	808-319C	SPKT 50C30 X 7/8 HEX BORE	
4	802-041C	HHCS 1/2-13X3 1/2 GR5	
5	804-113C	WASHER FLAT 1/2 USS HARD PLT	
6	120-306D	TUBE RND 1 OD X 7/32W X 2.13	
7	817-456C	IDLER SPOOL #50 2.38X1.01X1.31	
8	804-015C	WASHER LOCK SPRING 1/2 PLT	
9	803-020C	NUT HEX 1/2-13 PLT	
10	803-006C	NUT HEX 1/4-20 PLT	
11	804-007C	WASHER FLAT 1/4 SAE PLT	
12	802-893C	HHCS 1/4-20X6 GR5 PLT	
13	136-225D	CHAIN RL #50 91 PITCHES	
14	802-775C	HSHCS M8X1.25X30 GR8.8 PLT	
15	196-876D	CLUTCH SPROCKET SPACER	
16	808-357C	SPKT 50A25 CLUTCH METRIC BORE	
17	823-231C	OGURA CLUTCH	
18	804-061C	WASHER MACH 1.50 X 1.00 X 18GA	
19	401-747D	SHAFT 7/8 HEX 18.00 LONG	
19	401-699D	SHAFT 7/8 HEX 24.00 LONG	36" Twin Row Only
20	805-180C	PIN ROLL 1/4 X 1 1/2 LG PLT	
21	826-501C	DRVLN C1 52 0.88HEX FX	Includes items 40-45
22	805-146C	PIN ROLL 1/4 X 2 LG PL	
23	838-763C	DECAL CLUTCH LOCKUP	
24	803-278C	NUT HEX NYLOCK M8X1.25 PLT	
25	822-175C	FLANGETTE 52 3-BOLT PLT	
26	822-195C	BRG INS 7/8HEXX2.04OD SPH	
27	802-282C	RHSNB 5/16-18X1 GR5	
28	401-631D	SHAFT 7/8 HEX X 39.88	
29	802-782C	HHCS M8X1.25X14 GR8.8	
30	803-014C	NUT HEX 3/8-16 PLT	
31	804-013C	WASHER LOCK SPRING 3/8 PLT	
32	802-017C	HHCS 3/8-16X1 GR5	
33	401-563D	DRIVE PLATES BRACE	
34	803-177C	NUT HEX FLG TP LK 5/16-18ZNYCR	
35	808-307C	SPKT 50C23 X 7/8 HEX BORE	
36	804-006C	WASHER LOCK SPRING 1/4 PLT	
37	816-547C	DRIVE SHAFT BELLOWS	
38	800-257C	CLAMP WRM DRV #20SS (.81-1.75)	
39	800-125C	CLAMP WRM DRV#28 SS(1.31-2.25)	
40	6560007	M6X1X3.5MM THD ZERK 826-501-2	
41	1071001	EC YOKE ASSY	
42	1001020	EC CROSS ASSEMBLY (U JOINT)	
43	084099	WS ZERK M8 X 1 X 45 DEG	
44	1701027	EC OUTER TUBE YOKE	
45	1701029	EC INNER TUBE YOKE	

This Page Intentionally Left Blank

Ref.	Part No.	Part Description	Comments
46	196-877D	BUSHING 1 1/8 ODX7/8 HEX BORE	
47	839-956C	KEY 1/4 X 3/16 X 3.80	
48	402-507D	CLUTCH OIL SHIELD	
49	817-813C	BUTTON PLUG 7/8 ROUND HOLE	
50	1520120	EUROCARDAN INNER TUBE	
51	1521901	EUROCARDAN OUTER TUBE	
52	6330850	EC 8X50-DIN-1481 ROLL PIN	
53	6330845	EC 8X45 1485DIN ROLL PIN	

1 1/2" Ball Valve Assembly (829-013C)

Applies to Models: YP1225A, YP1625A



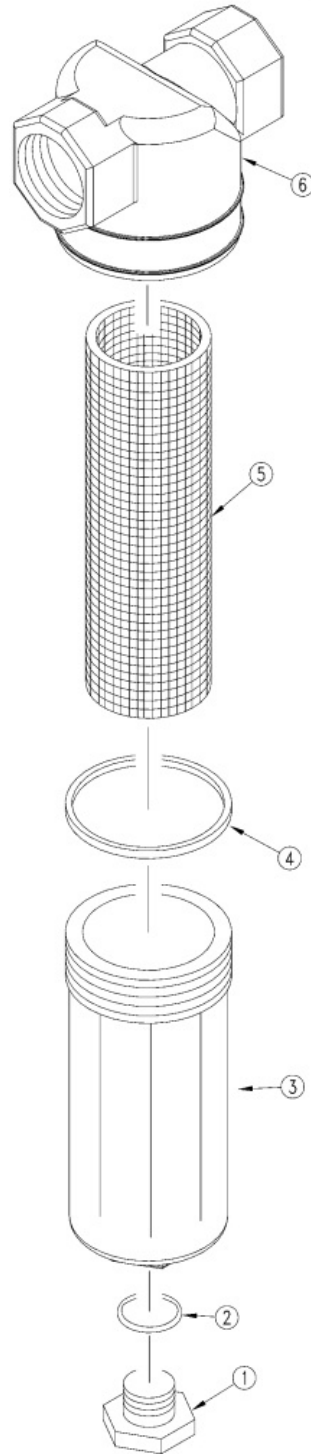
1 1/2" Ball Valve Assembly (829-013C)

Applies to Models: YP1225A, YP1625A

Ref.	Part No.	Part Description	Comments
	DWG14408	Image No.	
1	829-013C	VALVE 1 1/2FNPT BALL POLYPROP	
2	V-20153	BANJO VALVE HANDLE 1.25-1.5	

Banjo Strainer (831-029C)

Applies to Models: YP1225A, YP1625A



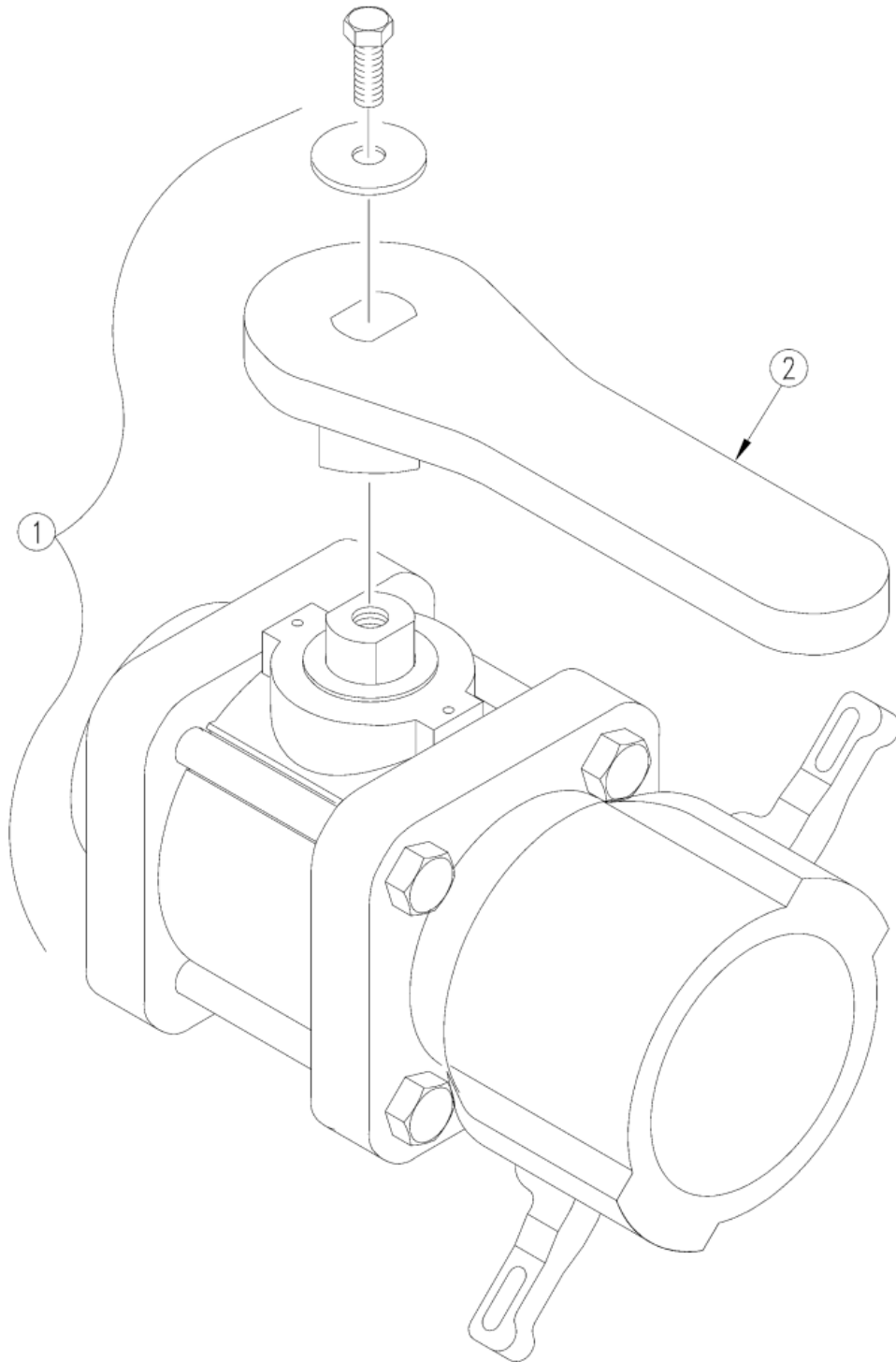
Banjo Strainer (831-029C)

Applies to Models: YP1225A, YP1625A

Ref.	Part No.	Part Description	Comments
	DWG18418	Image No.	
1	LSQ200-PL	PLUG FOR STRAINER 831-029C	
2	LSQ200-R	GASKET/O-RING	
3	LST150-B	1 1/2 FLG T-STRAIN BOWL	
4	LST150-G	GASKET FOR 831-029C	
5	LST1580	SCREEN FOR STRAINER 831-029C	
6	LST150-H	HEAD FOR 831-029C	

Cam Lock Ball Valve (829-048C)

Applies to Models: YP1225A, YP1625A



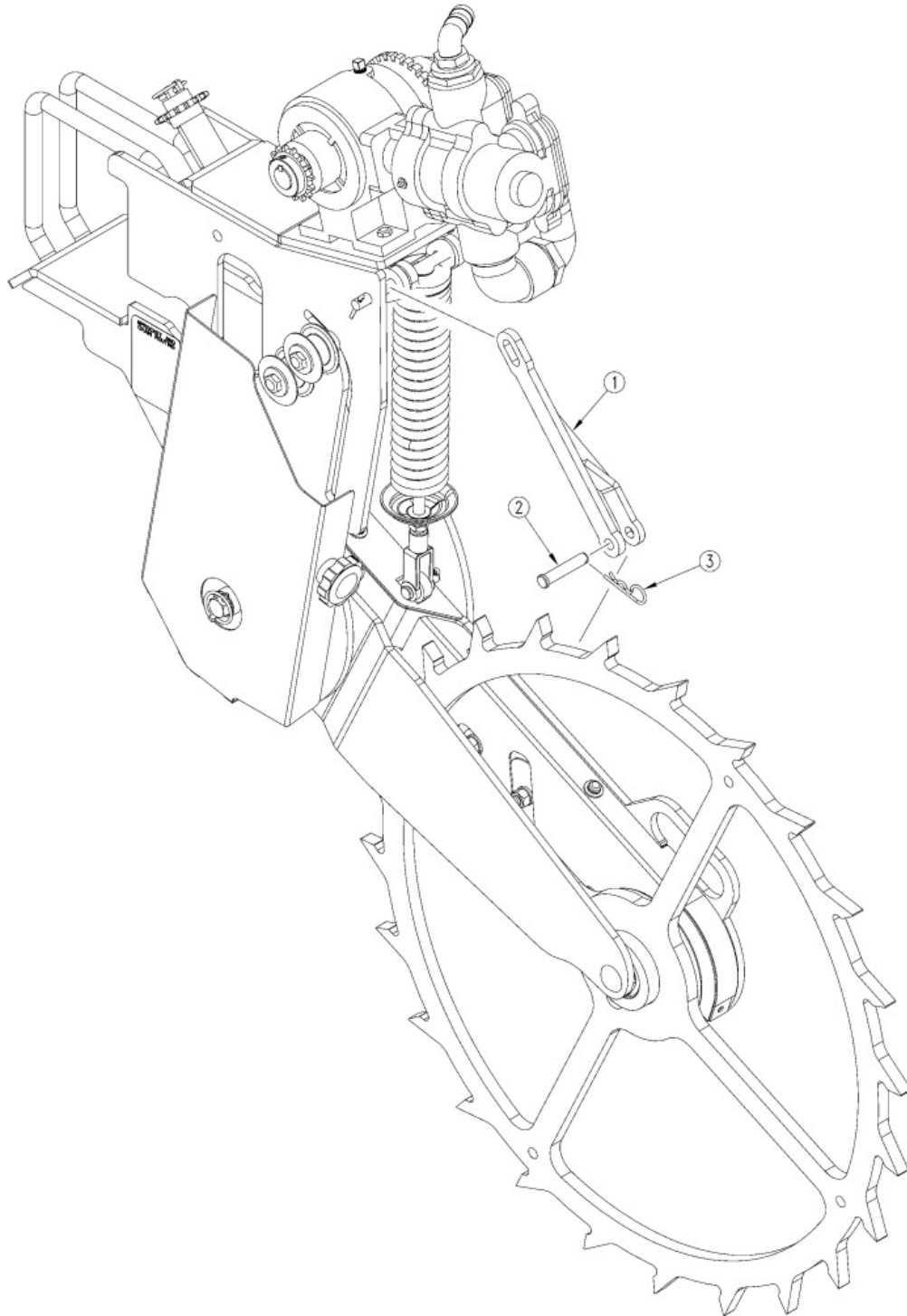
Cam Lock Ball Valve (829-048C)

Applies to Models: YP1225A, YP1625A

Ref.	Part No.	Part Description	Comments
	DWG15489	Image No.	
1	829-048C	VALVE - 1 1/2FNPT X 2FCL POLYP	
2	V-20153	BANJO VALVE HANDLE 1.25-1.5	

Contact Wheel Lock Up

Applies to Models: YP1225A, YP1625A



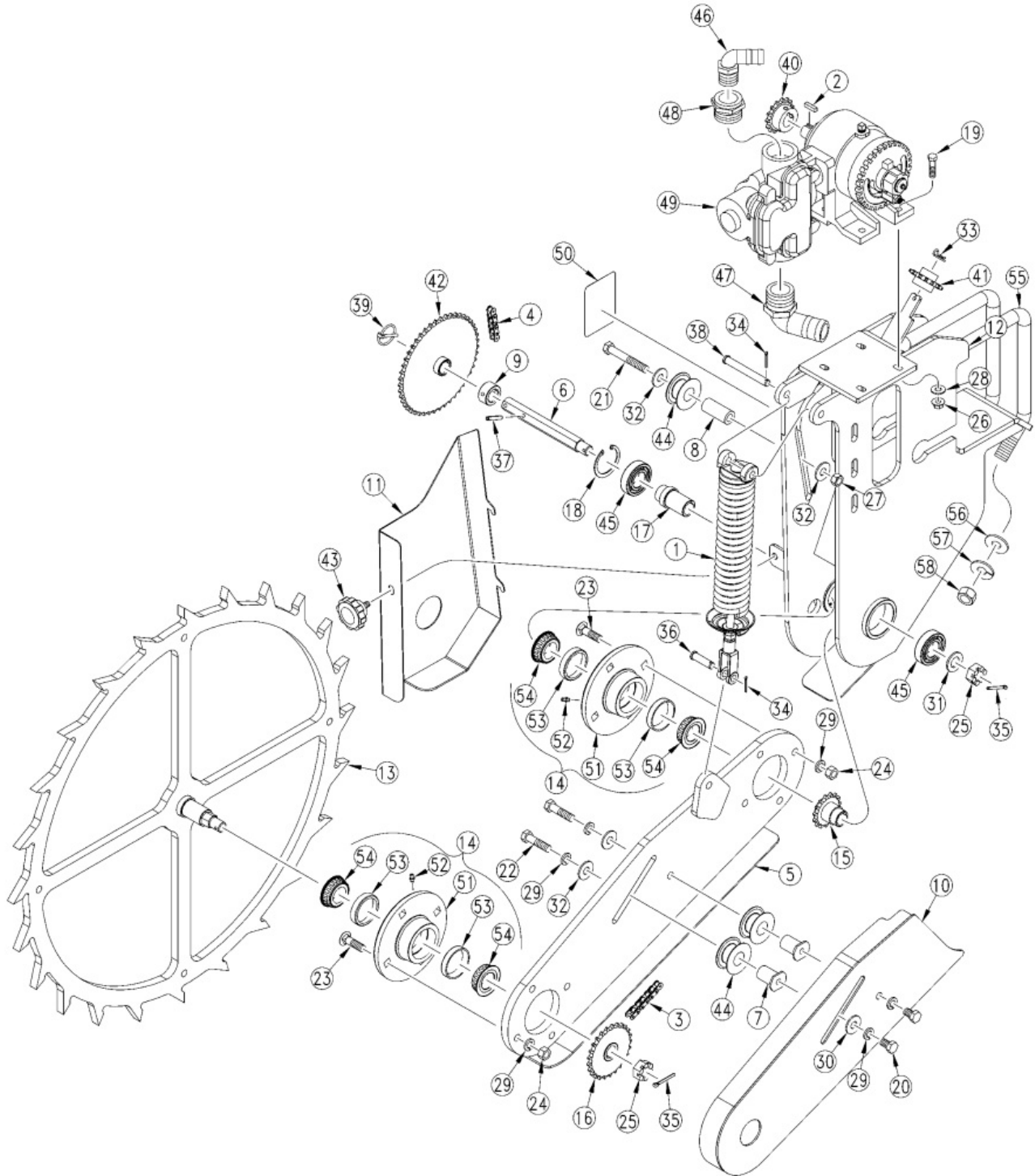
Contact Wheel Lock Up

Applies to Models: YP1225A, YP1625A

Ref.	Part No.	Part Description	Comments
	DWG32360	Image No.	
1	407-741H	FERT CONT WHL LOCK UP WLDMNT	
2	805-192C	PIN CLEVIS 1/2 X 2 1/2 PLT	
3	805-143C	PIN HAIR COTTER .120 PLT	

Fertilizer Contact Wheel Breakdown (S/N B1048E-) (S/N B1083F-)

Applies to Models: YP1225A, YP1625A



Fertilizer Contact Wheel Breakdown (S/N B1048E-) (S/N B1083F-)

Applies to Models: YP1225A, YP1625A

Ref.	Part No.	Part Description	Comments
	DWG28419	Image No.	
1	121-763S	OPENER SPRING ROD ASSY. SHRT.	
2	123-004D	KEY 1/4 X 1	
3	136-155D	CHAIN RL #40 120 PITCHES	
4	136-249D	CHAIN RL #40 130 PITCHES	
5	407-143H	FERT CONT WHL ARM WLMT	
6	407-168D	FERT DRIVE CONT WHL JACK SHAFT	
7	407-169D	IDLER PIVOT TUBE	
8	407-170D	TUBE RND 1 OD X 7/32WL X 2.25	
9	407-172D	7/8 HEX X 3/4 LNG SPKT SPACER	
10	407-193H	CONTACT WHL DR SHLD LWR	
11	407-222H	FERT PUMP UPR CHAIN GUARD WLMT	
12	407-225H	GRND DRIVE JB FERT PUMP MNT	
13	407-226H	FERT CONT WHL WLMT	
14	407-227S	4BOLT HUB ASY TAPPERED ROL BRG	Shown, Includes items 51-54. (YP1225A, S/N B1058E+) (YP1625A, S/N B1105F-)
14	407-521S	4BOLT HUB ASY TAPPERED ROL BRG	Includes items 51-54. (YP1225A, S/N B1059E+) (YP1625A S/N B1106F+)
15	407-228H	FERT DRIVE CONT WHL SPKT WLMT	Shown (YP1225A, S/N B1058E-) (YP1625A, S/N B1105F-)
15	407-736H	FERT DRIVE CONT WHL SPKT WLMT	(YP1225A, S/N B1059E+) (YP1625A B1106F+)
16	407-229H	FERT DRIVE SPKT WLMT	
17	407-329D	BEARING SPACER	Shown (YP1225A, S/N B1058E-) (YP1625A, S/N B1105F-)
17	407-826D	BEARING SPACER	(YP1225A, S/N B1059E+) (YP1625A B1106F+)
18	800-382C	SNAP RING INT 2.44 OD	
19	802-022C	HHCS 3/8-16X1 1/2 GR5	
20	802-032C	HHCS 1/2-13X3/4 GR5	
21	802-041C	HHCS 1/2-13X3 1/2 GR5	
22	802-128C	HHCS 1/2-13X2 GR5	
23	802-331C	RHSNB 1/2-13X1 3/4 GR5	
24	803-020C	NUT HEX 1/2-13 PLT	
25	803-053C	NUT HEX SLOTTED 3/4-16	
26	803-086C	NUT MAC-LOK FLG 3/8-16 GR F	
27	803-147C	NUT HEX NYLOCK 1/2-13	
28	804-011C	WASHER FLAT 3/8 USS PLT	
29	804-015C	WASHER LOCK SPRING 1/2 PLT	
30	804-017C	WASHER FLAT 1/2 USS PLT	
31	804-093C	WASHER FLAT 3/4 HARD ASTM436	
32	804-113C	WASHER FLAT 1/2 USS HARD PLT	
33	805-010C	PIN HAIR COTTER .094	
34	805-064C	PIN COTTER 7/64 X 1 LONG	Shown (YP1225A, S/N B1058E-) (YP1625A, S/N B1105F-)
34	805-143C	PIN HAIR COTTER .120 PLT	(YP1225A, S/N B1059E+) (YP1625A B1106F+)
35	805-104C	PIN COTTER 3/16 X 1 1/2 PLT	
36	805-127C	PIN CLEVIS 1/2 X 1 3/4	
37	805-180C	PIN ROLL 1/4 X 1 1/2 LG PLT	
38	805-234C	PIN CLEVIS 1/2 X 4 PLATED	Shown (YP1225A, S/N B1058E-) (YP1625A, S/N B1105F-)
38	805-235C	PIN CLEVIS 1/2 X 5 PLATED	(YP1225A, S/N B1059E+) (YP1625A B1106F+)
39	805-240C	PIN LINCH 3/16 X 1 9/16 LONG	
40	808-062C	SPKT 40B15 X 1 B W/KW & SS	
41	808-147C	SPKT 40C15 X 7/8 HEX BORE	
42	808-262C	SPKT 40C47 X 7/8 HEX BORE	
43	817-358C	KNOB 3/8-16 MALE THD 2 3/8OD	

Fertilizer Contact Wheel Breakdown (S/N B1048E-) (S/N B1083F-)

Ref.	Part No.	Part Description	Comments
44	817-406C	IDLER 1 PC 2.38X1.01X1.062	

Fertilizer Contact Wheel Breakdown (S/N B1048E-) (S/N B1083F-)

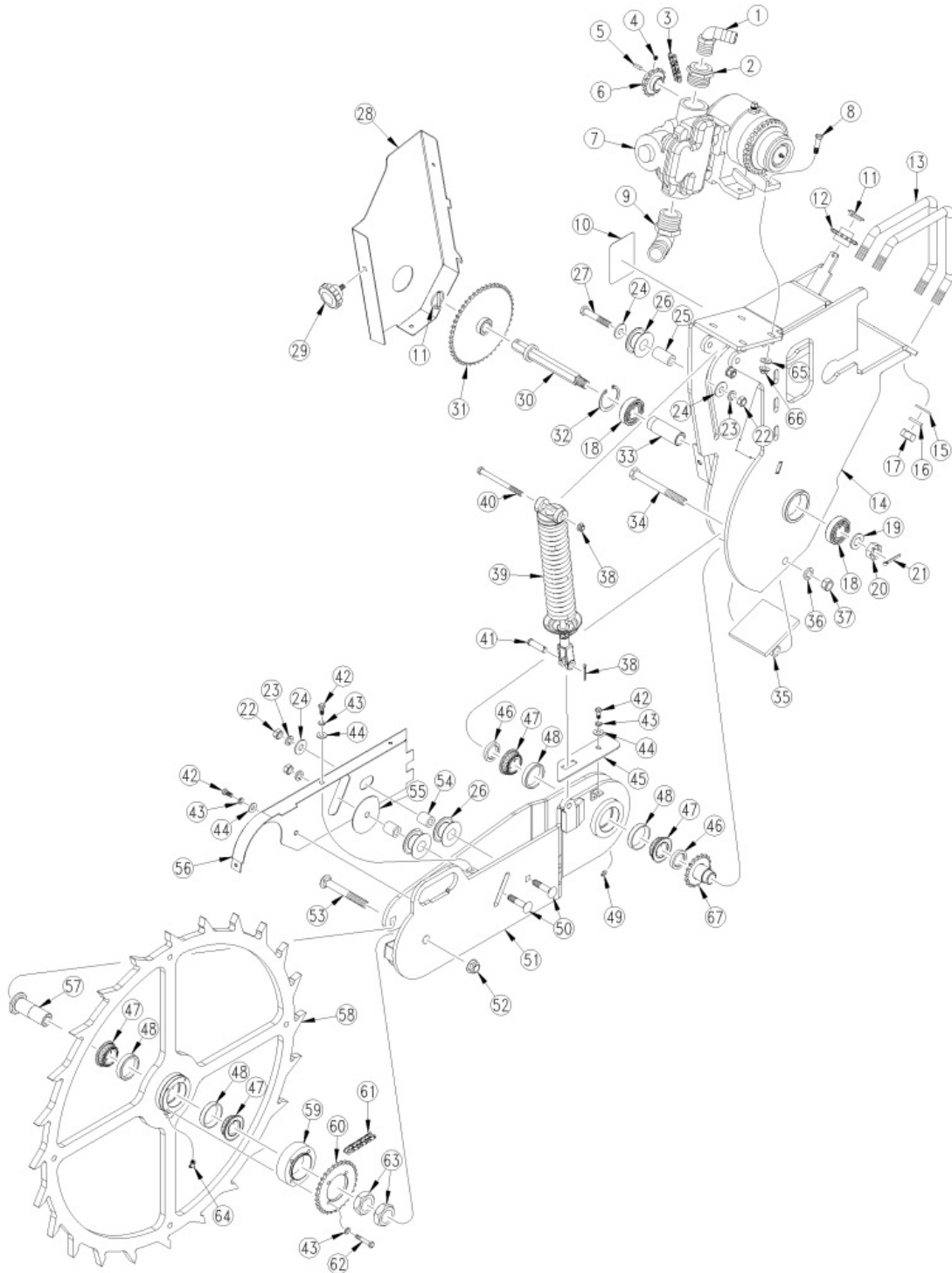
This Page Intentionally Left Blank

Fertilizer Contact Wheel Breakdown (S/N B1048E-) (S/N B1083F-)

Ref.	Part No.	Part Description	Comments
45	822-216C	BRG BALL 1.18ODX2.44OD	
46	830-127C	EL 1MNPT X 1HB POLYPROP	
47	830-133C	EL 1 1/2MNPT X 1 1/2HB POLYP	
48	830-145C	AD 1 1/2MNPT X 1FNPT POLYPROP	
49	831-068C	JB PISTON PUMP NGP 6055-K	Refer to "John-Blue Pump (831-068C)" for breakdown
50	848-095C	DECAL FERT DRIVE	
51	407-327D	4BOLT HUB TAPPERED ROL BRG	Shown (YP1225A, S/N B1058E-) (YP1625A, S/N B1105F-)
51	407-635D	4BOLT HUB TAPPERED ROL BRG	(YP1225A, S/N B1059E+) (YP1625A B1106F+)
52	800-001C	GREASE ZERK STRAIGHT 1/4-28	
53	822-020C	BRG CUP LM-67010	Shown (YP1225A, S/N B1058E-) (YP1625A, S/N B1105F-)
53	822-033C	BRG CUP LM-48510	(YP1225A, S/N B1059E+) (YP1625A B1106F+)
54	822-240C	BRG, DUO-FACE W/SEAL LM67000LA	Shown (YP1225A, S/N B1058E-) (YP1625A, S/N B1105F-)
54	822-259C	BRG, DUO-FACE W/SEAL LM48500LA	(YP1225A, S/N B1059E+) (YP1625A B1106F+)
55	806-102C	U-BOLT 3/4-10 CORNER 7 SQ	
56	804-025C	WASHER FLAT 3/4 SAE PLT	
57	804-023C	WASHER LOCK SPRING 3/4 PLT	
58	803-027C	NUT HEX 3/4-10 PLT	

Fertilizer Contact Wheel Breakdown (S/N B1049E+) (S/N B1084F+)

Applies to Models: YP1225A, YP1625A



Fertilizer Contact Wheel Breakdown (S/N B1049E+) (S/N B1084F+)

Applies to Models: YP1225A, YP1625A

Ref.	Part No.	Part Description	Comments
	DWG32003	Image No.	
1	830-127C	EL 1MNPT X 1HB POLYPROP	
2	830-145C	AD 1 1/2MNPT X 1FNPT POLYPROP	
3	136-261D	CHAIN RL #40 144 PITCHES	
4	801-231C	SCR SET SKT KCP 5/16-18X5/16NY	
5	123-004D	KEY 1/4 X 1	
6	407-469H	SPKT 40C15 1 ID X 1.13 KW/2SS	
7	831-068C	JB PISTON PUMP NGP 6055-K	
8	802-002C	RHSNB 1/4-20X3/4 GR5	
9	830-133C	EL 1 1/2MNPT X 1 1/2HB POLYP	
10	848-095C	DECAL FERT DRIVE	
11	805-240C	PIN LINCH 3/16 X 1 9/16 LONG	
12	808-147C	SPKT 40C15 X 7/8 HEX BORE	
13	806-102C	U-BOLT 3/4-10 CORNER 7 SQ	
14	407-465H	FERT DRIVE MOUNT WELDMENT	
15	804-025C	WASHER FLAT 3/4 SAE PLT	
16	804-023C	WASHER LOCK SPRING 3/4 PLT	
17	803-027C	NUT HEX 3/4-10 PLT	
18	822-216C	BRG BALL 1.18ODX2.44OD	
19	804-093C	WASHER FLAT 3/4 HARD ASTM436	
20	803-053C	NUT HEX SLOTTED 3/4-16	
21	805-104C	PIN COTTER 3/16 X 1 1/2 PLT	
22	803-020C	NUT HEX 1/2-13 PLT	
23	804-015C	WASHER LOCK SPRING 1/2 PLT	
24	804-113C	WASHER FLAT 1/2 USS HARD PLT	
25	407-598D	IDLER PIVOT TB 1ODX.56IDX1.84L	
26	817-406C	IDLER 1 PC 2.38X1.01X1.062	
27	802-039C	HHCS 1/2-13X3 GR5	
28	407-474H	PUMP DRIVE CHAIN SHIELD WELDMT	
29	817-358C	KNOB 3/8-16 MALE THD 2 3/8OD	
30	407-463H	FERT DRIVE SHAFT WELDMENT	
31	808-262C	SPKT 40C47 X 7/8 HEX BORE	
32	800-382C	SNAP RING INT 2.44 OD	
33	407-600D	FERT DRIVE WHL BEARING SPACER	
34	802-116C	HHCS 5/8-11X6 GR5	
35	407-468H	FERT DRIVE ARM STOP PLT WELDMT	
36	804-022C	WASHER LOCK SPRING 5/8 PLT	
37	803-021C	NUT HEX 5/8-11 PLT	
38	803-019C	NUT LOCK 1/2-13 PLT	
39	407-992S	GND DRIVE SPRING ASY	
40	802-045C	HHCS 1/2-13X5 GR5	
41	805-127C	PIN CLEVIS 1/2 X 1 3/4	
42	802-007C	HHCS 5/16-18X3/4 GR5	
43	804-009C	WASHER LOCK SPRING 5/16 PLT	
44	804-010C	WASHER FLAT 5/16 USS PLT	
45	407-650D	CHAIN MUD SHIELD	
46	407-581D	BEARING SPACER RING	
47	822-240C	BRG, DUO-FACE W/SEAL LM67000LA	
48	822-020C	BRG CUP LM-67010	
49	800-001C	GREASE ZERK STRAIGHT 1/4-28	

Fertilizer Contact Wheel Breakdown (S/N B1049E+) (S/N B1084F+)

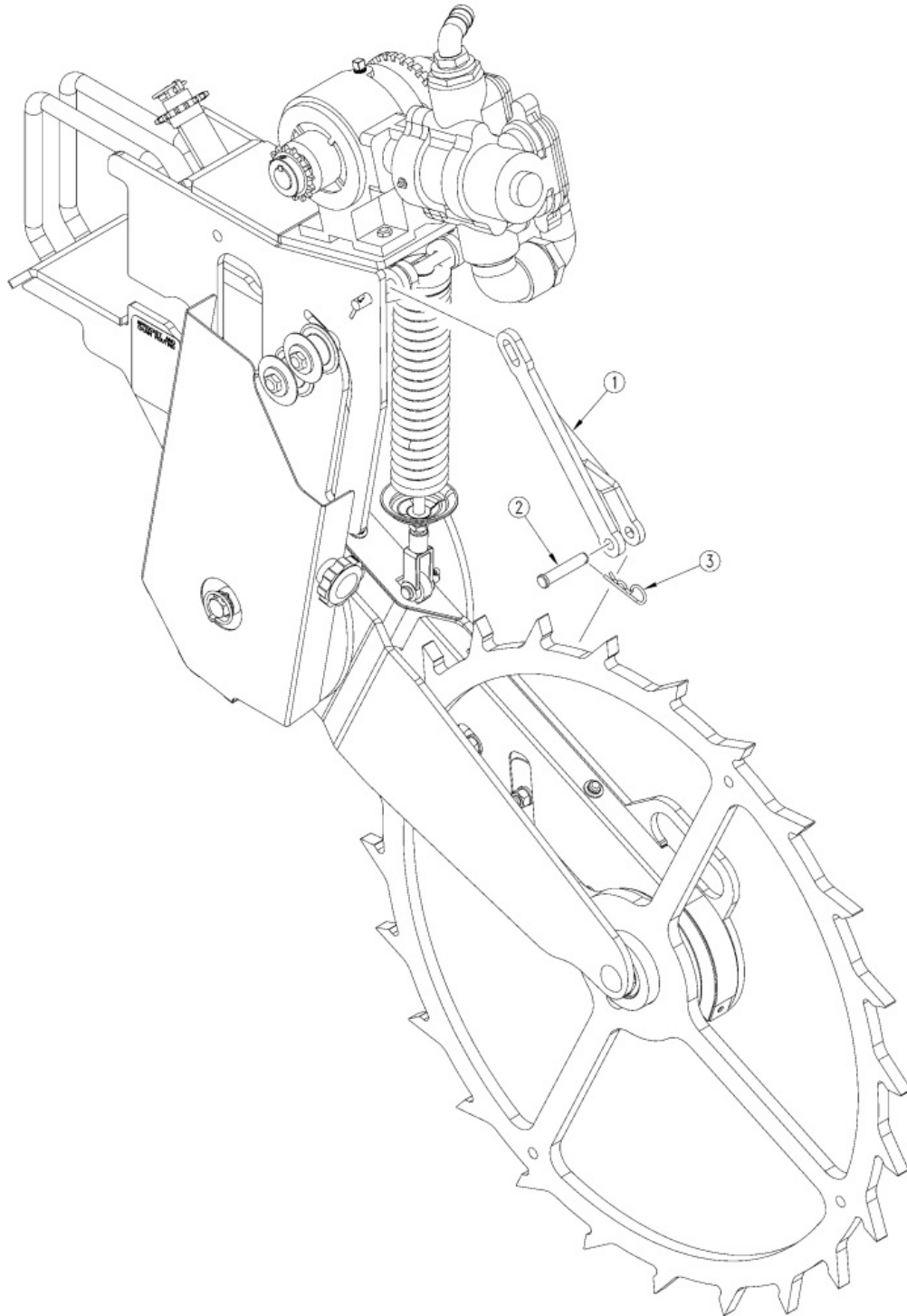
This Page Intentionally Left Blank

Fertilizer Contact Wheel Breakdown (S/N B1049E+) (S/N B1084F+)

Ref.	Part No.	Part Description	Comments
50	802-250C	RHSNB 1/2-13X2 1/4 GR5	
51	407-461H	FERT DRIVE WHL SPLIT ARM WLDMT	
52	803-263C	NUT HEX FLANGE LOCK 5/8-11 PLT	
53	802-194C	RHSNB 5/8-11X5 GR5	
54	407-592D	IDLER PIVOT TB 1ODX.56IDX1.13L	
55	407-587D	WASHER SPECIAL .074 X .53	
56	407-470H	FERT DRIVE CHAIN SHIELD WELDMT	
57	407-580D	FERT DRIVE WHEEL SPINDLE	
58	407-462H	FERT DRIVE WHEEL WELDMENT	
59	407-578D	SPROCKET SPACER RING	
60	407-579D	LOWER DRIVE SPROCKET	
61	136-016D	CHAIN RL #40 122 PITCHES	
62	802-013C	HHCS 5/16-18X1 3/4 GR5	
63	803-383C	NUT HEX JAM 1 1/4-12 PLT	
64	800-058C	GREASE ZERK 1/4-28 X 45-DEG	
65	804-011C	WASHER FLAT 3/8 USS PLT	
66	803-086C	NUT MAC-LOK FLG 3/8-16 GR F	
67	407-466H	FERT DRIVE WHL PUMP DRIVE SPKT	

Fertilizer Contact Wheel Lock Up (S/N B1059E+) (S/N B1106F+)

Applies to Models: YP1225A, YP1625A



Fertilizer Contact Wheel Lock Up (S/N B1059E+) (S/N B1106F+)

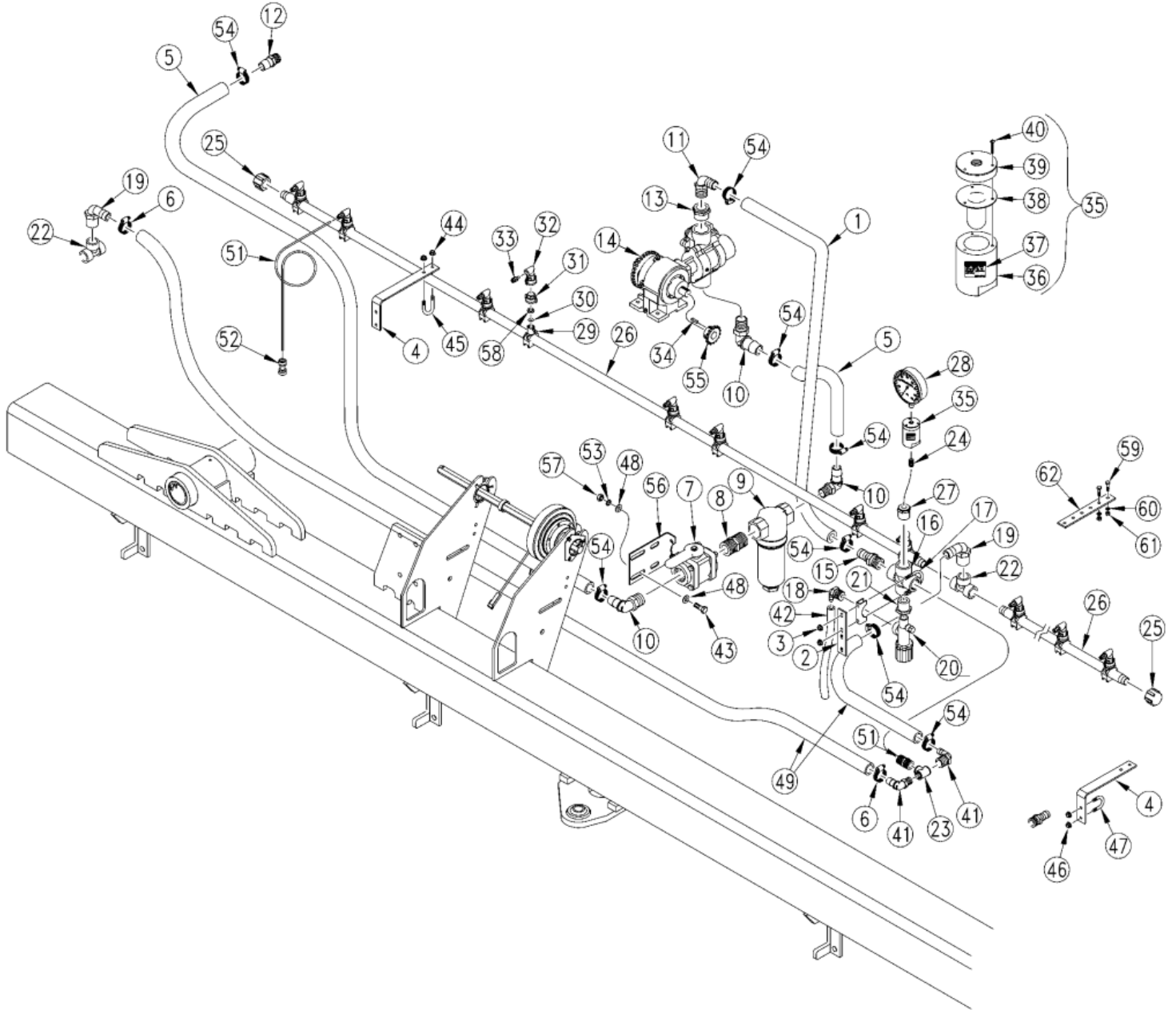
Applies to Models: YP1225A, YP1625A

Ref.	Part No.	Part Description	Comments
	DWG32360	Image No.	
1	407-741H	FERT CONT WHL LOCK UP WLDMNT	
2	805-192C	PIN CLEVIS 1/2 X 2 1/2 PLT	
3	805-143C	PIN HAIR COTTER .120 PLT	

Great Plains Fertilizer Plumbing

Fertilizer

Applies to Models: YP1225A, YP1625A



Applies to Models: YP1225A, YP1625A

Ref.	Part No.	Part Description	Comments
	DWG29830	Image No.	
1	990-082R	HOSE 1 ID 200PSI EPDM	
2	401-528D	AIR TUBE SUPPORT CLAMP	
3	803-199C	NUT HEX FLANGE 5/16-18 PLT	
4	407-137D	FERTILIZER BOOM MOUNT	
5	990-181R	HOSE 1 1/2 ID 150PSI EPDM	
6	800-123C	CLAMP WRM DRV #16 SS (.68-1.5)	
7	829-013C	VALVE 1 1/2FNPT BALL POLYPROP	
8	830-045C	AD 1 1/2MNPT POLYPROP	
9	831-029C	STRAINER LST150-80 MESH	
10	830-133C	EL 1 1/2MNPT X 1 1/2HB POLYP	
11	830-127C	EL 1MNPT X 1HB POLYPROP	
12	830-094C	AD 1 1/2MNPT X 1 1/2HB POLYP	
13	830-145C	AD 1 1/2MNPT X 1FNPT POLYPROP	
14	831-068C	JB PISTON PUMP NGP 6055-K	
15	830-087C	AD 1MNPT X 1HB POLYPROP	
16	830-237C	CR 1FNPT	
17	890-521C	MUFFLER CLAMP 1.63 SIZE	
18	830-121C	EL 3/4MNPT X 3/8HB POLYPROP	
19	830-123C	EL 3/4MNPT X 3/4HB POLYPROP	
20	829-105C	VALVE RELIEF 0-150 PSI POLYP	
21	830-142C	AD 1MNPT X 3/4FNPT POLYPROP	
22	830-028C	TEE 3/4FNPT POLYPROP	
23	830-029C	TEE 1FNPT POLYPROP	
24	830-260C	AD 1/4MNPT SCH 40 X 2 304SS	
25	830-061C	CA 3/4FNPT POLYPROP	
26	407-134D	MANIFOLD 40 FT TWIN ROW	
26	407-140D	MANIFOLD 30 FOOT TWIN ROW	
27	830-258C	AD 1MNPT X 1/4FNPT POLYPROP	
28	829-104C	GAUGE 160 PSI 4IN STAINLESS ST	
29	829-089C	NOZZLE BODY 3/4 WET BOOM CLAMP	
30	832-054C	ORIFICE SPR SYS CP4916-48 SS	
30	832-052C	ORIFICE SPR SYS CP4916-20 SS	
30	832-053C	ORIFICE SPR SYS CP4916-34 SS	
30	832-056C	ORIFICE SPR SYS CP4916-28 SS	
30	832-055C	ORIFICE SPR SYS CP4916-80 SS	
31	832-042C	NOZZLE SHUT OFF CAP W/ GASKET	
32	832-051C	NOZZLE CAP QUICK X 90X1/4 FNPT	
33	800-367C	AD PUSH 1/4TUBEX1/4MNPT	
34	123-004D	KEY 1/4 X 1	
35	507-034V	GAUGE PROTECTOR ASSY	
36	507-039D	GAUGE PROTECTOR BOTTOM	
37	818-344C	DECAL NOTICE GAUGE PROTECTOR	
38	816-144C	DIAPHRAGM - GAUGE PROTECTOR	
39	507-040D	GAUGE PROTECTOR TOP	
40	801-071C	SRHMS 5-40X5/8 SS	
41	830-126C	EL 1MNPT X 3/4HB POLYPROP	
42	990-080R	HOSE 3/8 ID 150PSI EPDM	
43	802-034C	HHCS 1/2-13X1 1/4 GR5	
44	803-088C	NUT HEX LOCK 1/4-20 FLG	

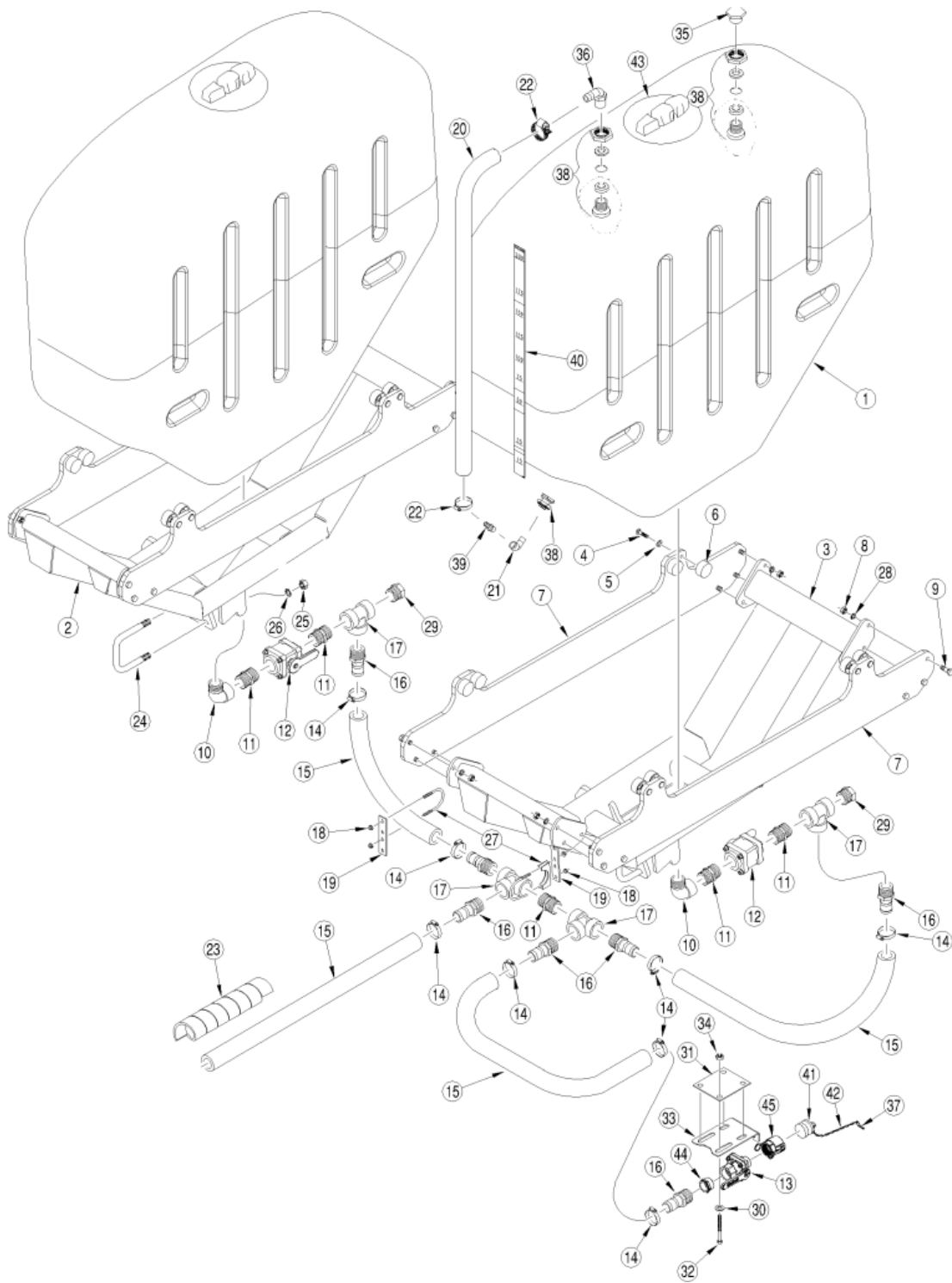
This Page Intentionally Left Blank

Fertilizer Plumbing

Ref.	Part No.	Part Description	Comments
45	806-152C	U-BOLT 1/4-20 X 1.125 X 2 RND	
46	803-177C	NUT HEX FLG TP LK 5/16-18ZNYCR	
47	806-192C	U-BOLT 5/16-18X1 1/2X2 1/2 RND	
48	804-016C	WASHER FLAT 1/2 SAE PLT	
49	990-081R	HOSE 3/4 ID 200PSI EPDM	
50	830-043C	AD 1MNPT POLYPROP	
51	990-109R	TUBE NYLON 1/4OD X 062WL	
52	830-383C	CP 1/4 PUSH LOK POLY	
53	804-015C	WASHER LOCK SPRING 1/2 PLT	
54	800-125C	CLAMP WRM DRV#28 SS(1.31-2.25)	
55	808-062C	SPKT 40B15 X 1 B W/KW & SS	
56	407-171D	FERT VALVE MNT	
57	803-020C	NUT HEX 1/2-13 PLT	
58	CP18999-EPR	VITON O-RING	
59	802-005C	HHCS 1/4-20X1 GR5	
60	804-006C	WASHER LOCK SPRING 1/4 PLT	
61	803-006C	NUT HEX 1/4-20 PLT	
62	403-593D	BRACKET FERTILIZER BOOM EXTENS	

Fertilizer Tanks and Mounts

Applies to Models: YP1225A, YP1625A



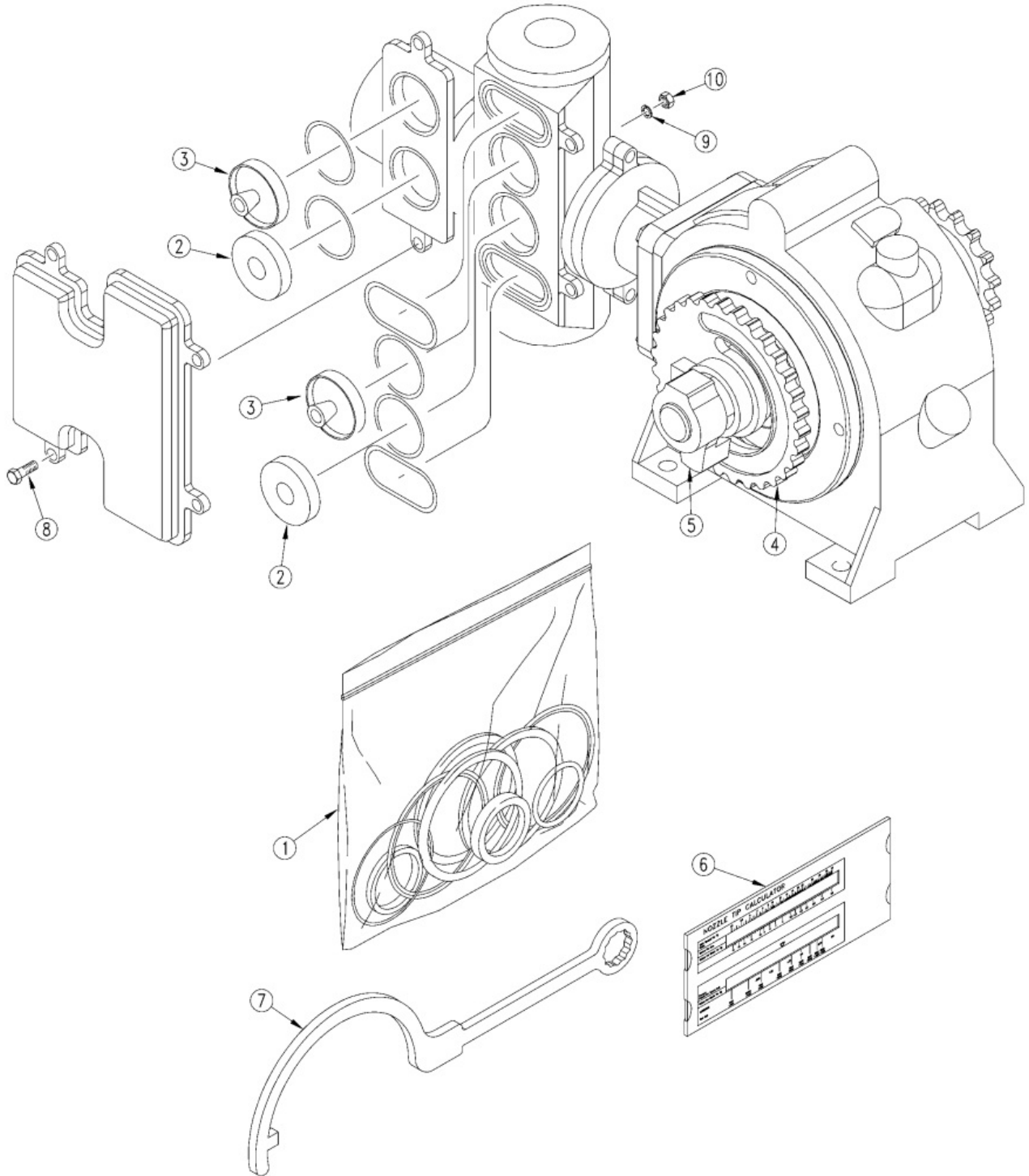
Fertilizer Tanks and Mounts

Applies to Models: YP1225A, YP1625A

Ref.	Part No.	Part Description	Comments
	DWG22821	Image No.	
1	817-555C	BULK PLANTER 200 GAL FERT TANK	
2	407-121H	200 GAL TANK SUPPORT FRAME RH	
3	407-118H	200 GAL TANK SUPPORT FRAME	
4	802-258C	HHCS 1/2-13X1 GR5	
5	804-015C	WASHER LOCK SPRING 1/2 PLT	
6	816-170C	RD BUMP STOP 2 X 1 X 1/2-13	
7	407-116D	TANK CRADLE SIDE BAR	
8	803-020C	NUT HEX 1/2-13 PLT	
9	802-055C	HHCS 5/8-11X2 GR5 FTHD	
10	830-052C	EL 1 1/2MNPT X 1 1/2FNPT POLYP	
11	830-045C	AD 1 1/2MNPT POLYPROP	
12	829-013C	VALVE 1 1/2FNPT BALL POLYPROP	Refer to page "1 1/2" Ball Valve Assembly (829-013C)" for breakdown
13	829-109C	VALVE - 2MNPT X 2FNPT FP POLYP	Items 44 (830-149C) & 45 (830-174C) must be ordered when replacing 829-109C.
14	800-125C	CLAMP WRM DRV#28 SS(1.31-2.25)	
15	990-181R	HOSE 1 1/2 ID 150PSI EPDM	
16	830-094C	AD 1 1/2MNPT X 1 1/2HB POLYP	
17	830-031C	TEE 1 1/2FNPT POLYPROP	
18	803-199C	NUT HEX FLANGE 5/16-18 PLT	
19	506-365D	WET BOOM FLAT HOSE BRACKET	
20	990-078R	HOSE 3/4ID X 1/8 WL CLEAR PVC	
21	830-380C	EL 3/4MNPT X 3/4FNPT SS	
22	800-123C	CLAMP WRM DRV #16 SS (.68-1.5)	
23	816-559C	WRAP HOSE 2 3/16 ID	
24	806-050C	U-BOLT 3/4-10 X 7 X 8 1/2	
25	803-027C	NUT HEX 3/4-10 PLT	
26	804-023C	WASHER LOCK SPRING 3/4 PLT	
27	890-522C	MUFFLER CLAMP 2.50 SIZE	
28	804-022C	WASHER LOCK SPRING 5/8 PLT	
29	830-024C	PL 1 1/2MNPT POLYPROP	
30	804-016C	WASHER FLAT 1/2 SAE PLT	
31	411-273C	VALVE MVNT CLAMP PLATE	
32	802-047C	HHCS 1/2-13X6 GR5	
33	148-410D	VALVE MOUNT PLATE	
34	803-147C	NUT HEX NYLOCK 1/2-13	
35	830-021C	PL 3/4MNPT POLYPROP	
36	830-123C	EL 3/4MNPT X 3/4HB POLYPROP	
37	805-010C	PIN HAIR COTTER .094	
38	830-295C	SP 3/4FNPT DBL THD BH	
39	830-381C	AD 3/4MNPT X 3/4HB SS	
40	838-823C	DECAL YP FERTILIZER LEVEL	
41	830-186C	PL 2MCL POLY-GLASS	
42	803-014C	NUT HEX 3/8-16 PLT	
43	ACE-10525	ACE LID FOR 817-634C 555C TANK	
44	830-149C	AD 2MNPT X 1 1/2FNPT POLYPROP	
45	830-174C	AD 2FNPT X 2FCL POLYPROP	

John-Blue Pump (831-068C)

Applies to Models: YP1225A, YP1625A



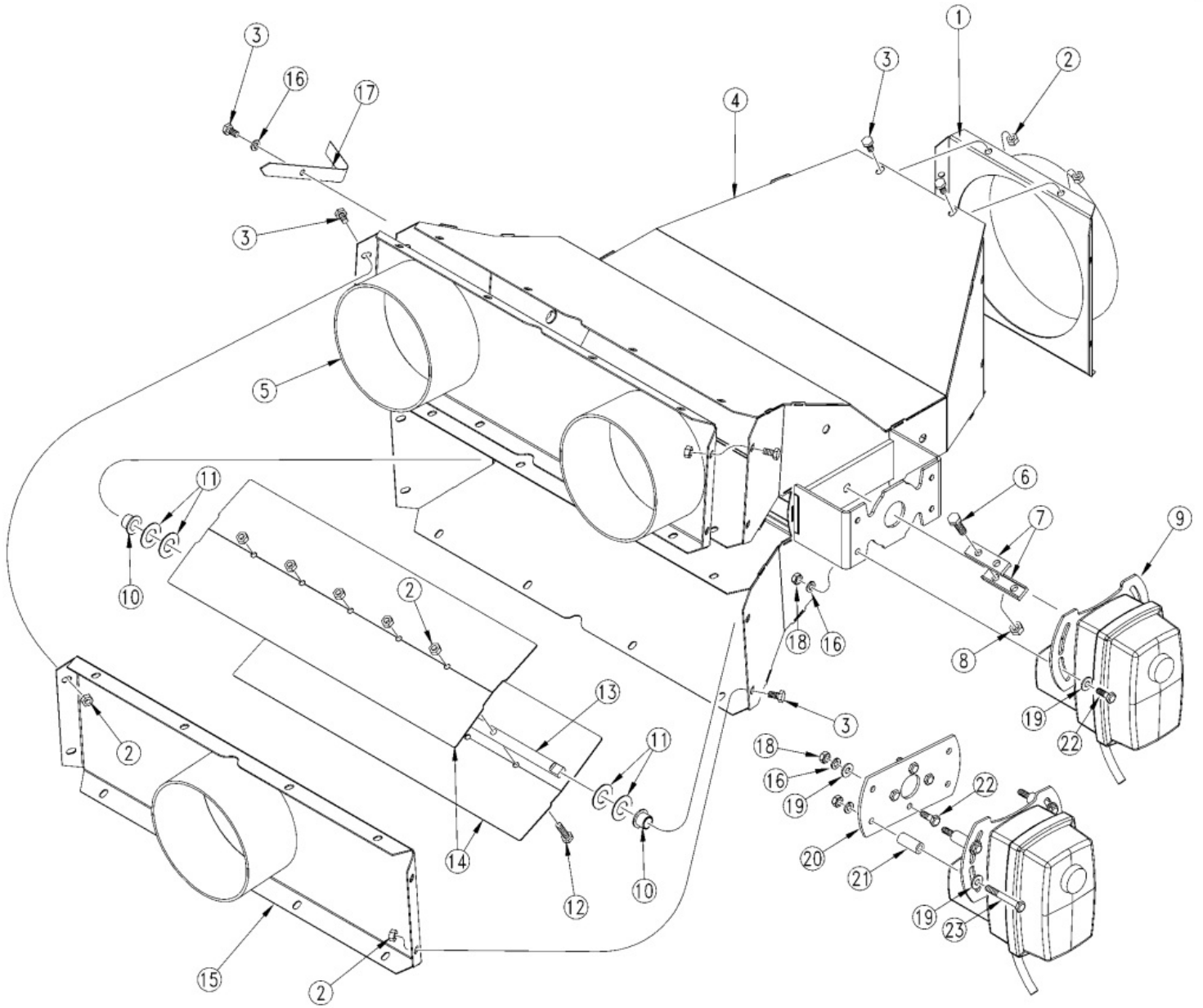
John-Blue Pump (831-068C)

Applies to Models: YP1225A, YP1625A

Ref.	Part No.	Part Description	Comments
	DWG28428	Drawing Image Number	
1	115788	JOHN BLUE REPAIR KIT--831-068C	
2	115706-91	SUCTION VALVE FOR JB 831-068C	
3	115707-91	DISCHARGE VLVE FOR JB 831-068C	
4	115627-01	SETTING HUB	
5	115628-01	SETTING POINTER FOR JB PUMP	
6	115698-91	CHART ASY PUMP SETTING	
7	115631-01	JB SETTING WRENCH	
8	802-022C	HHCS 3/8-16X1 1/2 GR5	
9	804-013C	WASHER LOCK SPRING 3/8 PLT	
10	803-014C	NUT HEX 3/8-16 PLT	

2 Section Air Valve Assembly

Applies to Models: YP1225A, YP1625A



2 Section Air Valve Assembly

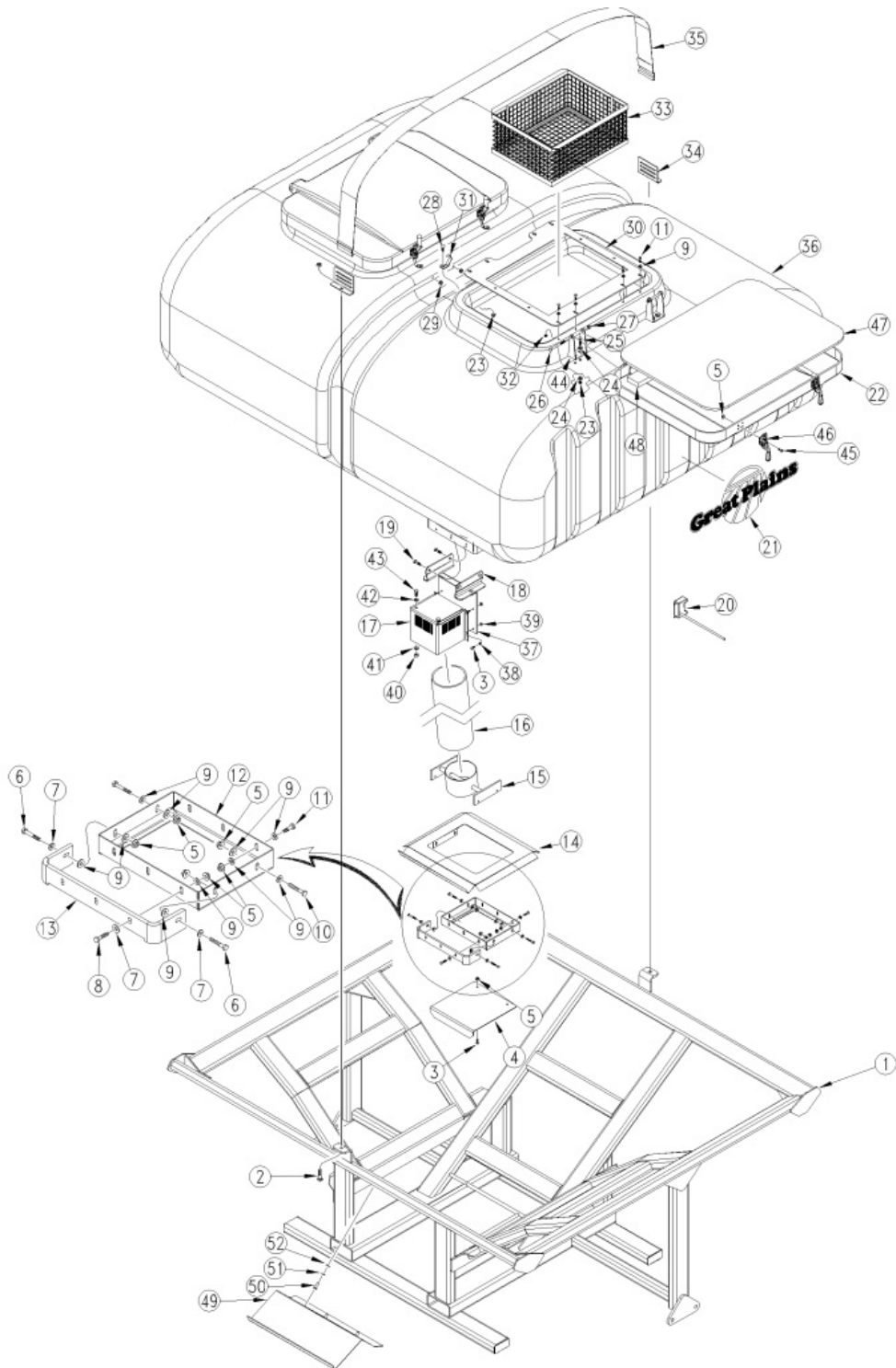
Applies to Models: YP1225A, YP1625A

Ref.	Part No.	Part Description	Comments
	DWG29583	Image No.	
1	403-296H	AIR VALVE INLET 8 INCH	
2	803-007C	NUT LOCK 1/4-20 PLT	
3	802-301C	HHCS 1/4-20X1/2 GR5	
4	403-299H	AIR VALVE BOX WELDM	
5	403-349H	AIR VALVE OUTLET 6 INCH X2	
6	802-159C	HHCS 5/16-18X1 GR5	
7	403-783D	COUPLER 1/2" SHAFT W/ FLATS	
8	803-011C	NUT LOCK 5/16-18 PLT	
9	467096051	DJ ACTUATOR ROTARY	
10	817-559C	BUSHING 1/2IDX5/8ODX1/2 FLANGE	
11	804-040C	WASHER MACH 1.19 X .63 X 18GA	
12	802-005C	HHCS 1/4-20X1 GR5	
13	403-527D	SHAFT, AIR VALVE VANE	
14	403-526D	PLATE, AIR VALVE VANE	
15	403-350H	AIR VALVE OUTLET 6 INCH X1	
16	804-006C	WASHER LOCK SPRING 1/4 PLT	
17	403-617D	POINTER, AIR VALVE	
18	803-006C	NUT HEX 1/4-20 PLT	
19	804-007C	WASHER FLAT 1/4 SAE PLT	
20	403-787D	ACTUATOR ADAPTER PLATE	(S/N B1058E-) (S/N B1105F-)
21	403-785D	TUBE 5/8 X 10GA X 1.2	(S/N B1058E-) (S/N B1105F-)
22	802-004C	HHCS 1/4-20X3/4 GR5	
23	802-152C	HHCS 1/4-20X2 GR5	(S/N B1058E-) (S/N B1105F-)

Great Plains 150 BU Bulk Hopper

Frame

Applies to Models: YP1225A, YP1625A



150 BU Bulk Hopper

Applies to Models: YP1225A, YP1625A

Ref.	Part No.	Part Description	Comments
	22946	Image No.	
1	403-180H	150BU TANK MOUNT	
2	802-250C	RHSNB 1/2-13X2 1/4 GR5	
3	802-004C	HHCS 1/4-20X3/4 GR5	
4	403-234D	BULK HOPPER UNLOAD DOOR	
5	803-088C	NUT HEX LOCK 1/4-20 FLG	
6	802-370C	HHCS 1/4-20X1 3/4 GR5	
7	804-075C	WASHER FLAT 1/4 USS PLT	
8	802-224C	HHCS 1/4-20X1 1/4 GR5	
9	804-007C	WASHER FLAT 1/4 SAE PLT	
10	802-167C	HHCS 1/4-20X1 1/2 GR5	
11	802-005C	HHCS 1/4-20X1 GR5	
12	403-159H	BULK HOPPER UNLOAD DOOR GUIDE	
13	816-477C	HOPPER DOOR TOP SEAL	
14	403-188H	HOPPER WATER GUARD WLDMNT	
15	403-241H	LOWER AIR PIPE SUPPORT 82 YP	
16	403-403D	82 BU AIR PRESSURE PIPE	
17	403-402D	AIR FLOW UPPER GUIDE	
18	403-409D	BRACKET ANGLE WITH HOLES	
19	802-079C	HHCS 3/8-16X1 1/4 GR5	
20	833-235C	DJ HOPPER LEVEL SENSOR	
21	848-910C	DECAL GP ON LOGO HARVEST LRG	
22	817-558C	LID, BULK PLANTER SEED HOPPER	
23	803-177C	NUT HEX FLG TP LK 5/16-18ZNYCR	
24	804-010C	WASHER FLAT 5/16 USS PLT	
25	802-010C	HHCS 5/16-18X1 1/4 GR5	
26	802-026C	HHCS 3/8-16X3 3/4 GR5	
27	803-078C	NUT LOCK 3/8-16 NYLON INSERT	
28	802-282C	RHSNB 5/16-18X1 GR5	
29	803-209C	NUT FLANGE LOCK 3/8-16 PLT	
30	403-332D	HOPPER STRAINER BASKET SUPPORT	
31	403-789D	150 BIN LID LATCH HOOK PLT	
32	803-230C	NUT HEX FLANGE 1/4-20 PLT	
33	807-182C	WIRE BASKET	
34	503-158D	TANK STRAP ATTACHMENT PLATE	
35	403-303D	4 IN NYLON STRAP FOR 150BU BIN	
36	817-602C	150 BU SEED HOPPER NO LID	
37	403-407D	BRACKET	
38	804-006C	WASHER LOCK SPRING 1/4 PLT	
39	803-006C	NUT HEX 1/4-20 PLT	
40	803-015C	NUT HEX 7/16-14 PLT	
41	804-041C	WASHER FLAT 7/16 SAE PLT	
42	804-014C	WASHER LOCK 7/16 PLT	
43	802-080C	HHCS 7/16-14X1 GR5	
44	403-179H	LID HINGE YP BULK HOPPER	
45	802-001C	HHCS 1/4-20X3/4 SS	
46	800-418C	DESTACO 331-R CLAMP ASSEMBLY	
47	816-725C	BIN LID SEAL	
48	816-726C	BIN LID SEAL SPACER	
49	403-948D	HOPPER RAIN SHIELD	

150 BU Bulk Hopper

This Page Intentionally Left Blank

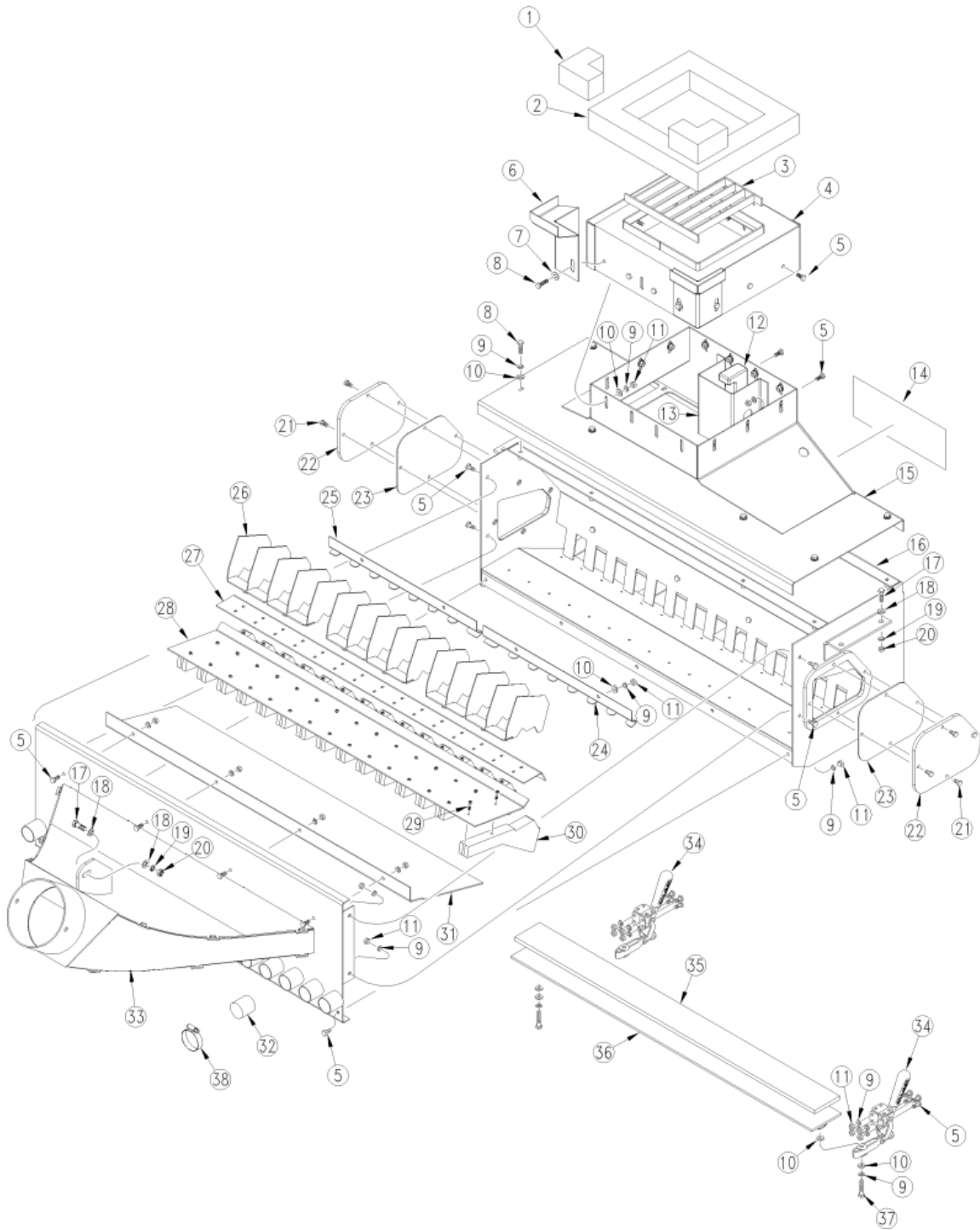
150 BU Bulk Hopper

Ref.	Part No.	Part Description	Comments
50	802-017C	HHCS 3/8-16X1 GR5	
51	804-013C	WASHER LOCK SPRING 3/8 PLT	
52	804-012C	WASHER FLAT 3/8 SAE PLT	

Great Plains Air Box

Frame

Applies to Models: YP1225A, YP1625A

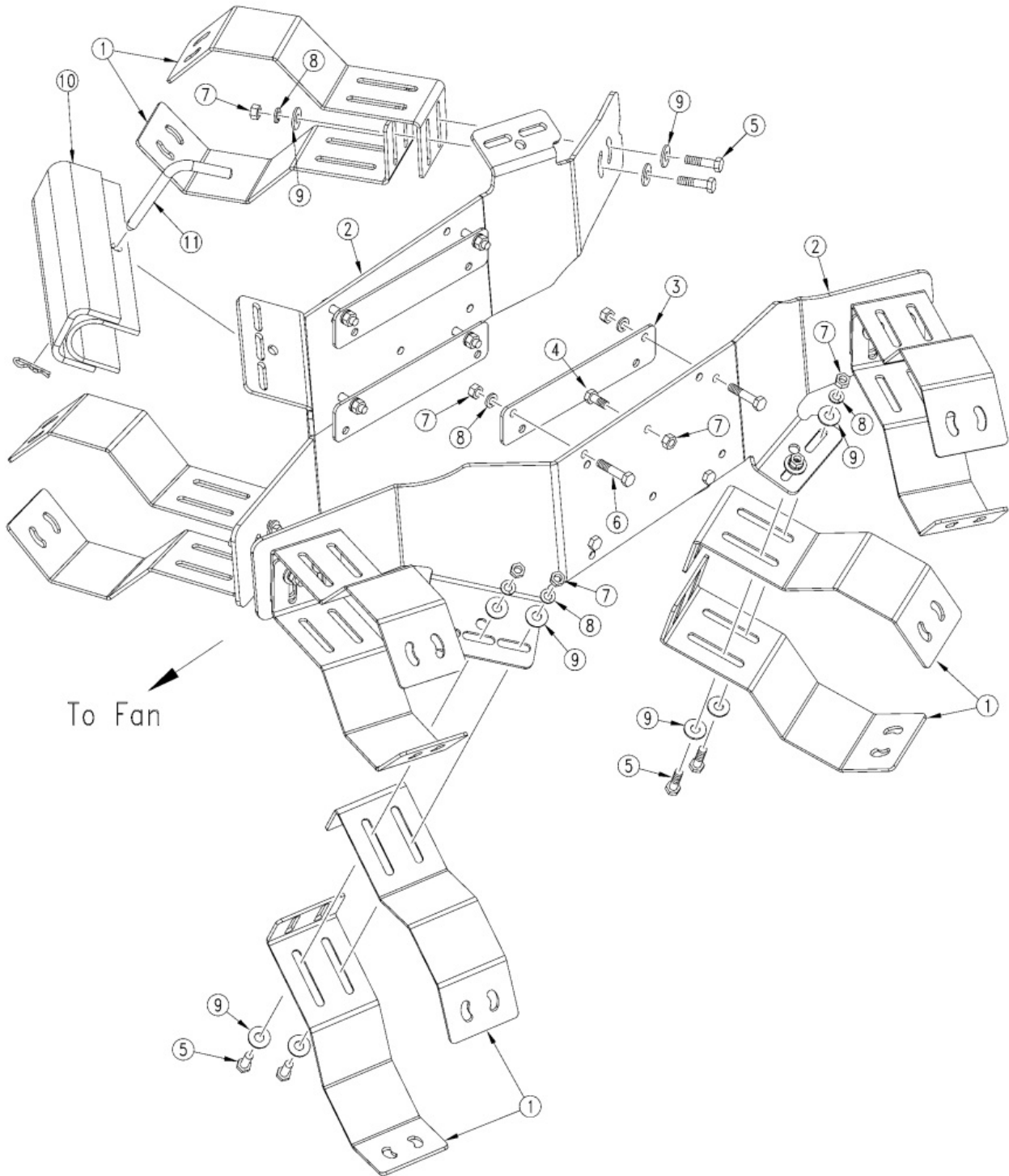


Applies to Models: YP1225A, YP1625A

Ref.	Part No.	Part Description	Comments
	DWG36087	Image No.	
1	816-479C	SEAL TOP CORNER	
2	816-478C	AUX METER TOP SEAL	
3	403-189H	SEED STRAINER GRATE WLDMNT	
4	403-165H	SEAL HOLDER WELDMENT	
5	802-078C	HHCS 1/4-20X5/8 GR5	
6	403-166H	CORNER SEAL MOUNT WLDMNT	
7	804-075C	WASHER FLAT 1/4 USS PLT	
8	802-005C	HHCS 1/4-20X1 GR5	
9	804-006C	WASHER LOCK SPRING 1/4 PLT	
10	804-007C	WASHER FLAT 1/4 SAE PLT	
11	803-006C	NUT HEX 1/4-20 PLT	
12	833-235C	DJ BIN LEVEL SENSOR	
13	403-248D	HOPPER LEVEL SENSOR SHROUD	
14	838-822C	DECAL TALC LUBRICANT YP	
15	403-239H	WIDE FILL TOP WELDMENT	
16	403-237H	RICE MANIFOLD MAIN WELDMENT	
17	802-079C	HHCS 3/8-16X1 1/4 GR5	
18	804-011C	WASHER FLAT 3/8 USS PLT	
19	804-013C	WASHER LOCK SPRING 3/8 PLT	
20	803-014C	NUT HEX 3/8-16 PLT	
21	802-705C	HHCS 5/16-18X5/8 GR5	
22	403-345D	YP MANIFOLD ACCESS DOOR	
23	816-548C	YP MANIFOLD ACCESS DOOR GASKET	
24	403-318D	SEED CHAMBER DIVIDER RH	
25	403-317D	SEED CHAMBER DIVIDER LH	
26	403-668H	AIR BOX VANE WLDMNT	
27	403-178D	MANIFOLD SLAT MOUNT PLT	
28	403-177D	MANIFOLD TOP SLAT COVER	
29	801-187C	SCREW SPAX #8X3/4 PAN HEAD	
30	403-396D	RICE MANIFOLD SPACER SEPARATOR	
31	403-402D	AIR FLOW UPPER GUIDE	
32	817-457C	CAP PLUG 1 1/2 O.D. TUBE	
33	403-236H	MANIFOLD INLET WIDE YP	
34	800-179C	DESTACO HOLD DOWN ACTION CLAMP	
35	816-502C	DOOR SEAL, PLANTER MANIFOLD	
36	403-186H	MANIFOLD UNLOAD DOOR	
37	802-167C	HHCS 1/4-20X1 1/2 GR5	
38	800-124C	CLAMP WRM DRV #24 SS (1.06-2)	

Air Hose Tower Mount

Applies to Models: YP1225A, YP1625A



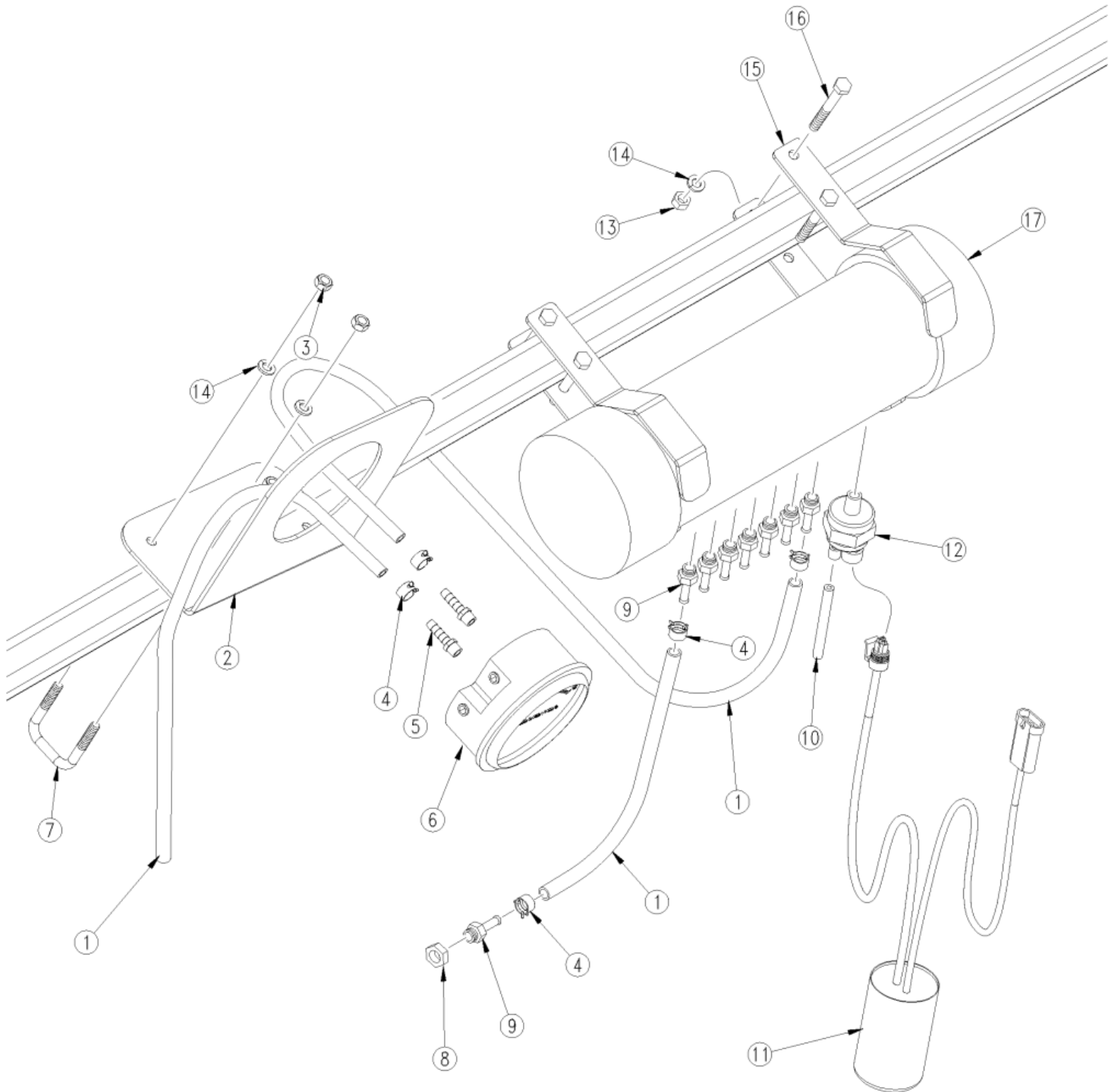
Air Hose Tower Mount

Applies to Models: YP1225A, YP1625A

Ref.	Part No.	Part Description	Comments
	DWG29629	Image No.	
1	403-579D	CLAMP, HOSE ROUTE 6 INCH	
2	403-589D	BRACKET, DUCTING, TOWER MOUNT	
3	403-590D	BRACKET, DUCTING, TOWER STRAP	
4	802-007C	HHCS 5/16-18X3/4 GR5	
5	802-010C	HHCS 5/16-18X1 1/4 GR5	
6	802-012C	HHCS 5/16-18X1 1/2 GR5	
7	803-008C	NUT HEX 5/16-18 PLT	
8	804-009C	WASHER LOCK SPRING 5/16 PLT	
9	804-010C	WASHER FLAT 5/16 USS PLT	
10	596-163H	CYL LOCK CHANNEL 2 X 9 1/2	Formerly 161-073H
11	805-001C	PIN 3/8 X 3 USABLE LW/PIN	Formerly 805-152C

Air Pressure Assembly

Applies to Models: YP1225A, YP1625A



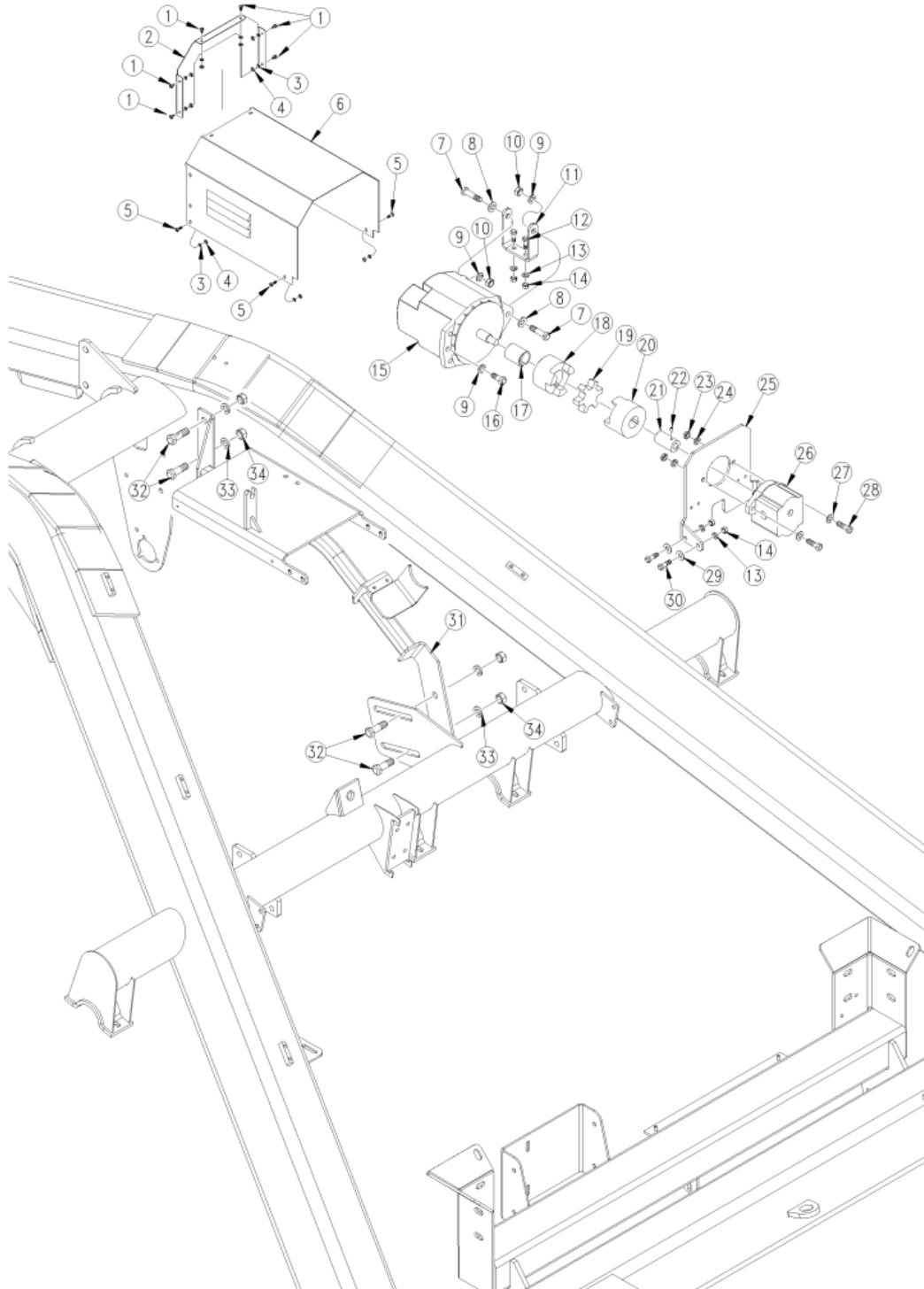
Air Pressure Assembly

Applies to Models: YP1225A, YP1625A

Ref.	Part No.	Part Description	Comments
	DWG29819	Image No.	
1	990-021R	HOSE 1/4 RUBBER AIR	
2	403-623D	PRESSURE MOUNT GAUGE	
3	803-008C	NUT HEX 5/16-18 PLT	
4	800-395C	CLAMP SPRING BAND 1/2 OD HOSE	
5	830-276C	AD 1/8MNPT X 1/4HB BRASS	
6	891-153C	MAGNAH PRES GAUGE DUAL0-6INH20	
7	806-107C	U-BOLT 5/16-18 X 1 17/32X2 1/8	
8	803-374C	NUT HEX JAM 7/16-20 PLT	
9	891-122C	AD 7/16MORB X 1/4HB BRASS	
10	403-660D	HOSE RUBBER 5/32 ID X 3.0 IN	
11	467980172	DJ CONVERTER, VOLTAGE TO FREQ	
12	467980496	DJ SENSOR, PRESSURE 0- 0.5 PSI	
13	803-008C	NUT HEX 5/16-18 PLT	
14	804-009C	WASHER LOCK SPRING 5/16 PLT	
15	403-578D	CLAMP, MANIFOLD 4 INCH	
16	802-172C	HHCS 5/16-18X2 1/2 GR5	
17	403-361S	SENSOR CHAMBER ASY	Includes items 4,8 & 9

Alternator Mounting (411-248K)

Applies to Models: YP1225A, YP1625A



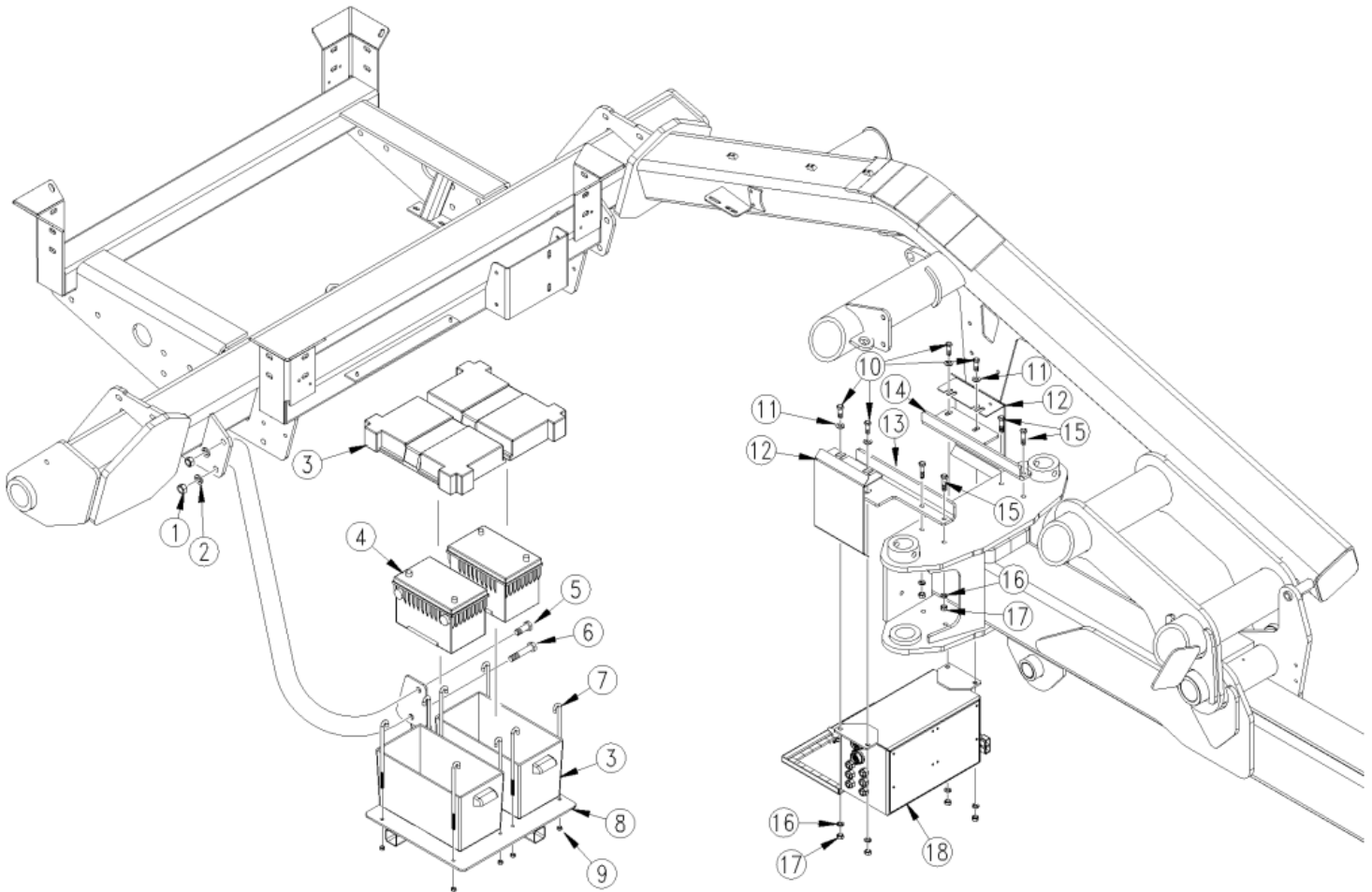
Alternator Mounting (411-248K)

Applies to Models: YP1225A, YP1625A

Ref.	Part No.	Part Description	Comments
	DWG38051	Image No.	
1	801-171C	SCREW PAN HD 10-24X3/8 TYPE F	
2	421-706D	ALTERNATOR HOUSING RIM	
3	804-004C	WASHER INTERNAL STAR #10 PLT	
4	803-001C	NUT HEX 10-24 PLT	
5	801-087C	SCR PAN HD 10-32 x 5/8 PLT	
6	421-705D	ALTERNATOR HOUSING PANEL	
7	802-128C	HHCS 1/2-13X2 GR5	
8	804-016C	WASHER FLAT 1/2 SAE PLT	
9	804-015C	WASHER LOCK SPRING 1/2 PLT	
10	803-020C	NUT HEX 1/2-13 PLT	
11	421-703D	ALTERNATOR LEFT MOUNT BRACKET	
12	802-017C	HHCS 3/8-16X1 GR5	
13	804-013C	WASHER LOCK SPRING 3/8 PLT	
14	803-013C	NUT LOCK 3/8-16 PLT	
15	833-747C	PRESTOLITE SCJ3292 ALTERNATOR	
16	802-034C	HHCS 1/2-13X1 1/4 GR5	
17	421-635D	ALTERNATOR COUPLER ADAPTOR	
18	826-836C	MCMC FLEX COUPLER 1.63 BORE	
19	826-837C	MCMC FLEX COUPLER SPIDER MATE	
20	826-839C	MCMC FLEX COUPLER 1 1/4 BORE	
21	421-652D	ALTERNATOR COUPLER ADAPTOR	
22	801-108C	SCREW SET SCKT HD 1/4-20X3/8	
23	803-374C	NUT HEX JAM 7/16-20 PLT	
24	804-014C	WASHER LOCK 7/16 PLT	
25	421-702D	511 MOTOR MOUNT PLATE	
26	850-062C	PGM 511 HYDRAULIC GEAR MOTOR	
27	804-138C	WASHER FLAT 7/16 SAE PLAIN	
28	802-029C	HHCS 7/16-14X1 1/2 GR5	
29	804-011C	WASHER FLAT 3/8 USS PLT	
30	802-079C	HHCS 3/8-16X1 1/4 GR5	
31	411-247H	ALTERNATOR TRAY WELDMENT	
32	802-055C	HHCS 5/8-11X2 GR5 FTGD	
33	804-022C	WASHER LOCK SPRING 5/8 PLT	
34	803-021C	NUT HEX 5/8-11 PLT	

Control Box and Battery Mounting

Applies to Models: YP1225A, YP1625A



Control Box and Battery Mounting

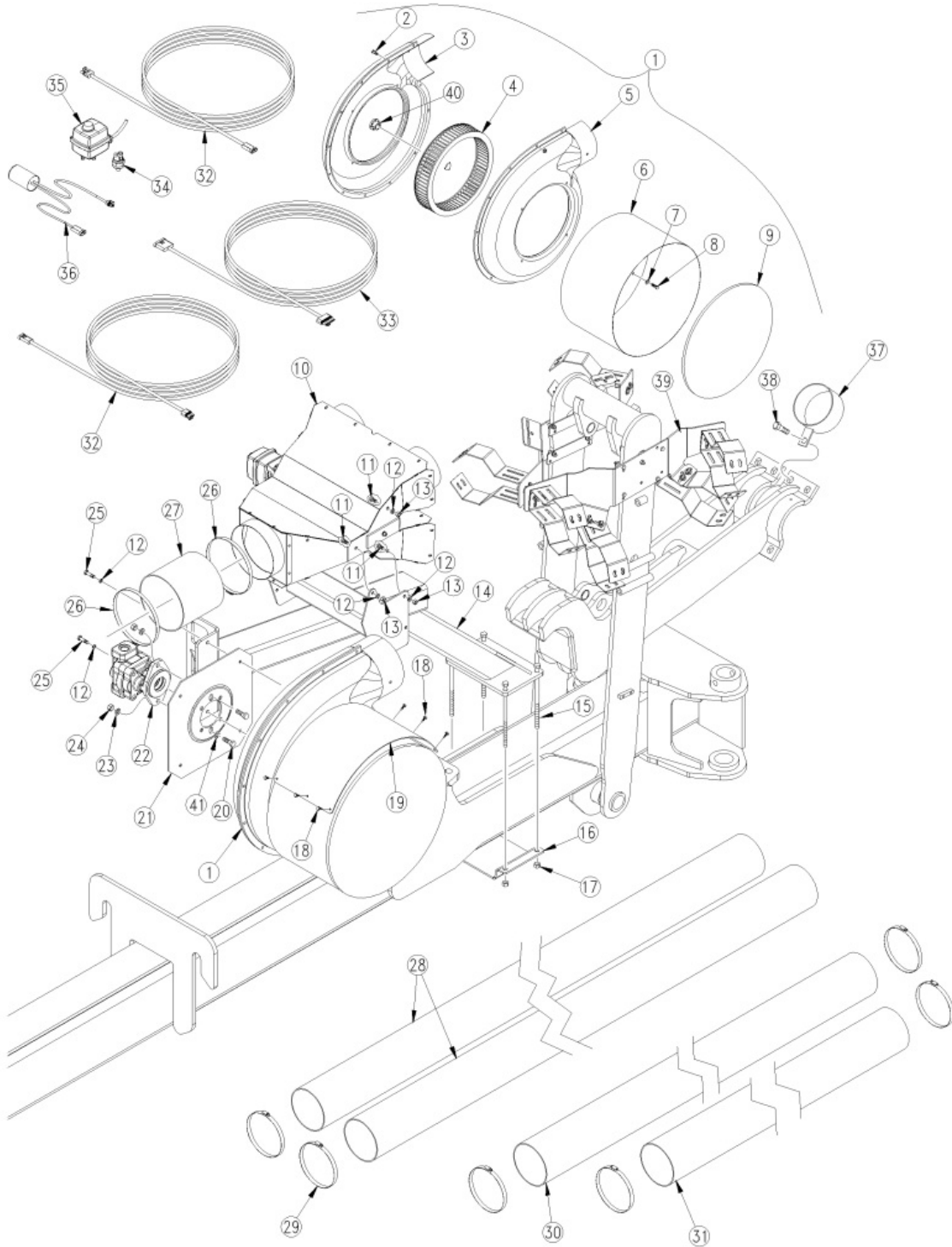
Applies to Models: YP1225A, YP1625A

Ref.	Part No.	Part Description	Comments
	DWG38064	Image No.	
1	803-026C	NUT LOCK 3/4-10 PLT	
2	804-023C	WASHER LOCK SPRING 3/4 PLT	
3	823-453C	BATTERY STORAGE BOX	
4	833-749C	DEEP CYCLE 12V BATTERY	
5	802-064C	HHCS 3/4-10X2 GR5	
6	802-204C	HHCS 3/4-10X3 3/4 GR5	
7	842-302C	J-BOLT 3/8-16 X 10	
8	411-231H	BATTERY TRAY WELDMENT	
9	803-013C	NUT LOCK 3/8-16 PLT	
10	802-091C	HHCS 1/2-13X1 1/2 GR5	
11	804-016C	WASHER FLAT 1/2 SAE PLT	
12	411-230H	CABLE SHIELD WELDMENT	
13	421-662D	YP1216 CONTROL BOX MOUNT BAR	
14	421-661D	YP1216 CONTROL BOX MOUNT BAR	
15	802-128C	HHCS 1/2-13X2 GR5	
16	804-015C	WASHER LOCK SPRING 1/2 PLT	
17	803-020C	NUT HEX 1/2-13 PLT	
18	833-748C	YP24 POWER MODULE EXTR WIRE	

Great Plains Fan to Frame

Frame

Applies to Models: YP1225A, YP1625A

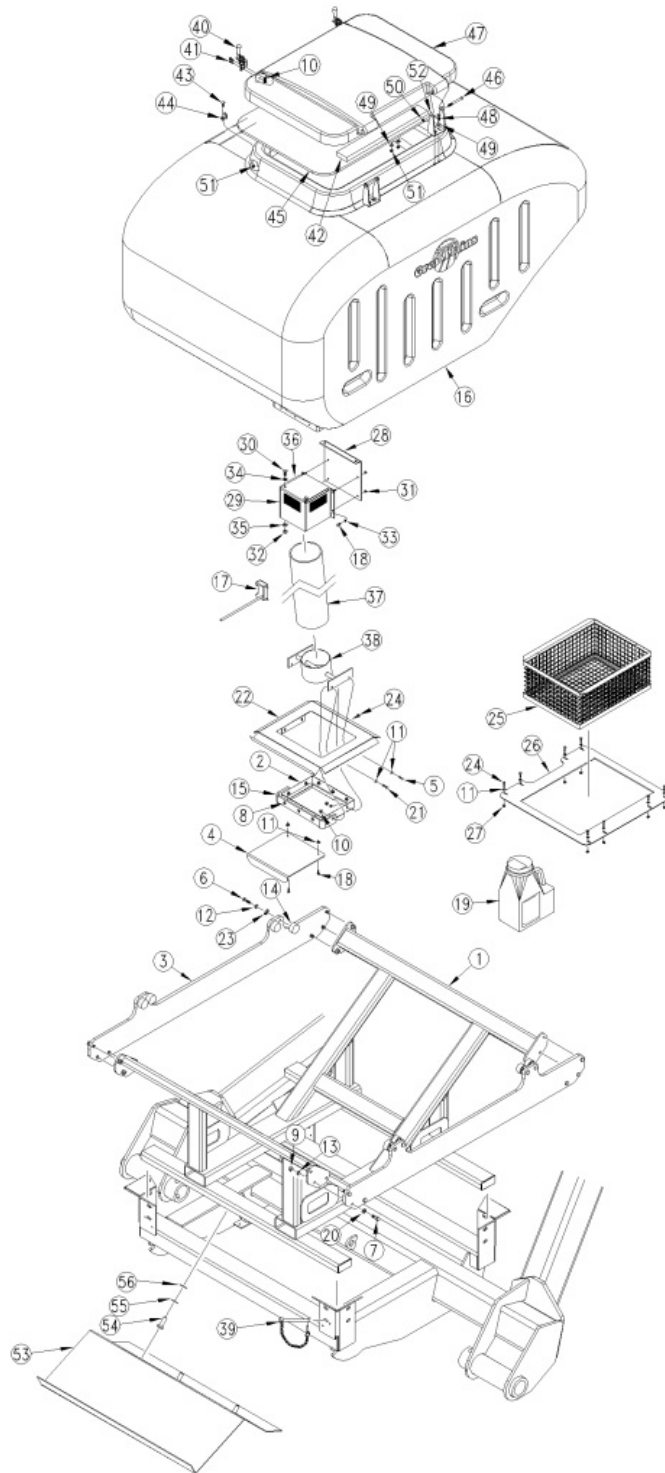


Applies to Models: YP1225A, YP1625A

Ref.	Part No.	Part Description	Comments
	DWG29632	Image No.	
1	890-987C	8 HYDRAULIC FAN KIT W/ SCREEN	Includes items 2-9
2	802-079C	HHCS 3/8-16X1 1/4 GR5	
3	CRARY-21193	FAN 8 IN HOUSING, LH	
4	CRARY-17374	FAN 8 IN IMPELLER	
5	CRARY-21194	FAN 8 IN HOUSEING, RH	
6	CRARY-23556	FAN 8 IN SCREEN WA	
7	804-011C	WASHER FLAT 3/8 USS PLT	
8	802-017C	HHCS 3/8-16X1 GR5	
9	CRARY-21450	FAN 8 IN SCREEN CAP	
10	403-348S	AIR VALVE ASSY 2 SECTION	Refer to 2 Section Air Valve Assembly for break down
11	802-014C	HHCS 3/8-16X3/4 GR5	
12	804-013C	WASHER LOCK SPRING 3/8 PLT	
13	803-014C	NUT HEX 3/8-16 PLT	
14	403-352H	MOUNT, AIR VALVE, FAN 12,16YP	
15	802-416C	HHCS 1/2-13X10 GR5	
16	403-597D	PLATE, FAN MOUNT	
17	803-019C	NUT LOCK 1/2-13 PLT	
18	802-800C	HWH #12-14X3/4	
19	817-624C	FAN INLET RAIN SHIELD	
20	802-036C	HHCS 1/2-20X1 1/2 GR5	
21	891-135C	PLATE, FAN MOTOR 8 IN, B PILOT	
22	810-649C	RPBY 403-763V	(S/N YP1225A B1123E-) (S/N YP1625A B1224F-)
22	851-639C	HYD MTR HYDROLEDUC MA18 1.1CTR	(S/N YP1225A B1124E+) (S/N YP1625A B1225F+)
23	804-015C	WASHER LOCK SPRING 1/2 PLT	
24	803-018C	NUT HEX 1/2-20 PLT	
25	802-022C	HHCS 3/8-16X1 1/2 GR5	
26	800-026C	CLAMP 8 INCH WORM DRIVE	
27	816-628C	HOSE 8.0 ID DUCTING X 0.5 FT	
28	816-626C	HOSE 6.0 ID DUCTING X 13.5 FT	Applies to YP1625A
28	816-624C	HOSE 6.0 ID DUCTING X 11.0 FT	Applies to YP1225A
29	800-151C	CLAMP WRM DRV #96SS (4.75-6.5)	
30	816-627C	HOSE 6.0 ID DUCTING X 8.2 FT	
31	816-558C	HOSE 6.0 ID DUCTING X 6.7 FT	
32	457901814	REP BY 843-056C	
33	457901823	DJ HARNESS 17 FT EXT 6 PIN WP	
34	467980496	DJ SENSOR, PRESSURE 0- 0.5 PSI	
35	467096050	RPBY 467096051 DJ	
36	467980172	DJ CONVERTER, VOLTAGE TO FREQ	
37	403-360H	STAND OFF, 6IN DUCTING	
38	802-212C	HHCS 3/4-10X2 1/2 GR5	
39	403-413S	YP12 YP16 TOWER HOSE BKT ASY	Refer to Air Hose Tower Mount for breakdown
40	891-134C	BUSHING , JA X 1.00 X 1/4 KEYW	
41	804-016C	WASHER FLAT 1/2 SAE PLT	

Hopper Box to Frame

Applies to Models: YP1225A, YP1625A



Hopper Box to Frame

Applies to Models: YP1225A, YP1625A

Ref.	Part No.	Part Description	Comments
	DWG 22749	Image No.	
1	403-142H	BEAN HOPPER SUPPORT FRAME	
2	403-159H	BULK HOPPER UNLOAD DOOR GUIDE	
3	403-214D	HOPPER RETAINER SIDE BAR	
4	403-234D	BULK HOPPER UNLOAD DOOR	
5	802-167C	HHCS 1/4-20X1 1/2 GR5	
6	802-034C	HHCS 1/2-13X1 1/4 GR5	
7	802-055C	HHCS 5/8-11X2 GR5 FTHD	
8	802-224C	HHCS 1/4-20X1 1/4 GR5	
9	803-021C	NUT HEX 5/8-11 PLT	
10	803-088C	NUT HEX LOCK 1/4-20 FLG	
11	804-007C	WASHER FLAT 1/4 SAE PLT	
12	804-015C	WASHER LOCK SPRING 1/2 PLT	
13	804-022C	WASHER LOCK SPRING 5/8 PLT	
14	816-170C	RD BUMP STOP 2 X 1 X 1/2-13	
15	816-477C	HOPPER DOOR TOP SEAL	
16	817-556C	BULK PLANTER SEED HOPPER W/LID	
17	833-235C	DJ BIN LEVEL SENSOR	
18	802-004C	HHCS 1/4-20X3/4 GR5	
19	821-048C	OB RPBX BY 821-069C	
19	821-069C	EZEE-GLIDE PLUS LUBRICANT-5GAL	
20	804-021C	WASHER FLAT 5/8 SAE PLT	
21	802-370C	HHCS 1/4-20X1 3/4 GR5	
22	403-188H	HOPPER WATER GUARD W/LDMNT	
23	804-016C	WASHER FLAT 1/2 SAE PLT	
24	802-005C	HHCS 1/4-20X1 GR5	
25	807-182C	WIRE BASKET	
26	403-332D	HOPPER STRAINER BASKET SUPPORT	
27	803-230C	NUT HEX FLANGE 1/4-20 PLT	
28	403-407D	BRACKET	
29	403-408D	AIR TRANSFER TUBE CAP	
30	802-080C	HHCS 7/16-14X1 GR5	
31	803-006C	NUT HEX 1/4-20 PLT	
32	803-015C	NUT HEX 7/16-14 PLT	
33	804-006C	WASHER LOCK SPRING 1/4 PLT	
34	804-014C	WASHER LOCK 7/16 PLT	
35	804-041C	WASHER FLAT 7/16 SAE PLT	
36	816-245C	RUBBER GUARD REAR CTR.OUTER	
37	403-403D	82 BU AIR PRESSURE PIPE	
38	403-241H	LOWER AIR PIPE SUPPORT 82 YP	
39	805-034C	PIN HITCH 1/2 X 6 1/4 W CHAIN	
40	800-418C	DESTACO 331-R CLAMP ASSEMBLY	
41	802-001C	HHCS 1/4-20X3/4 SS	
42	816-726C	BIN LID SEAL SPACER	
43	802-282C	RHSNB 5/16-18X1 GR5	
44	403-788D	82 BIN LID LATCH HOOK PLT	
45	816-725C	BIN LID SEAL	
46	802-026C	HHCS 3/8-16X3 3/4 GR5	
47	817-558C	LID, BULK PLANTER SEED HOPPER	
48	802-010C	HHCS 5/16-18X1 1/4 GR5	

Hopper Box to Frame

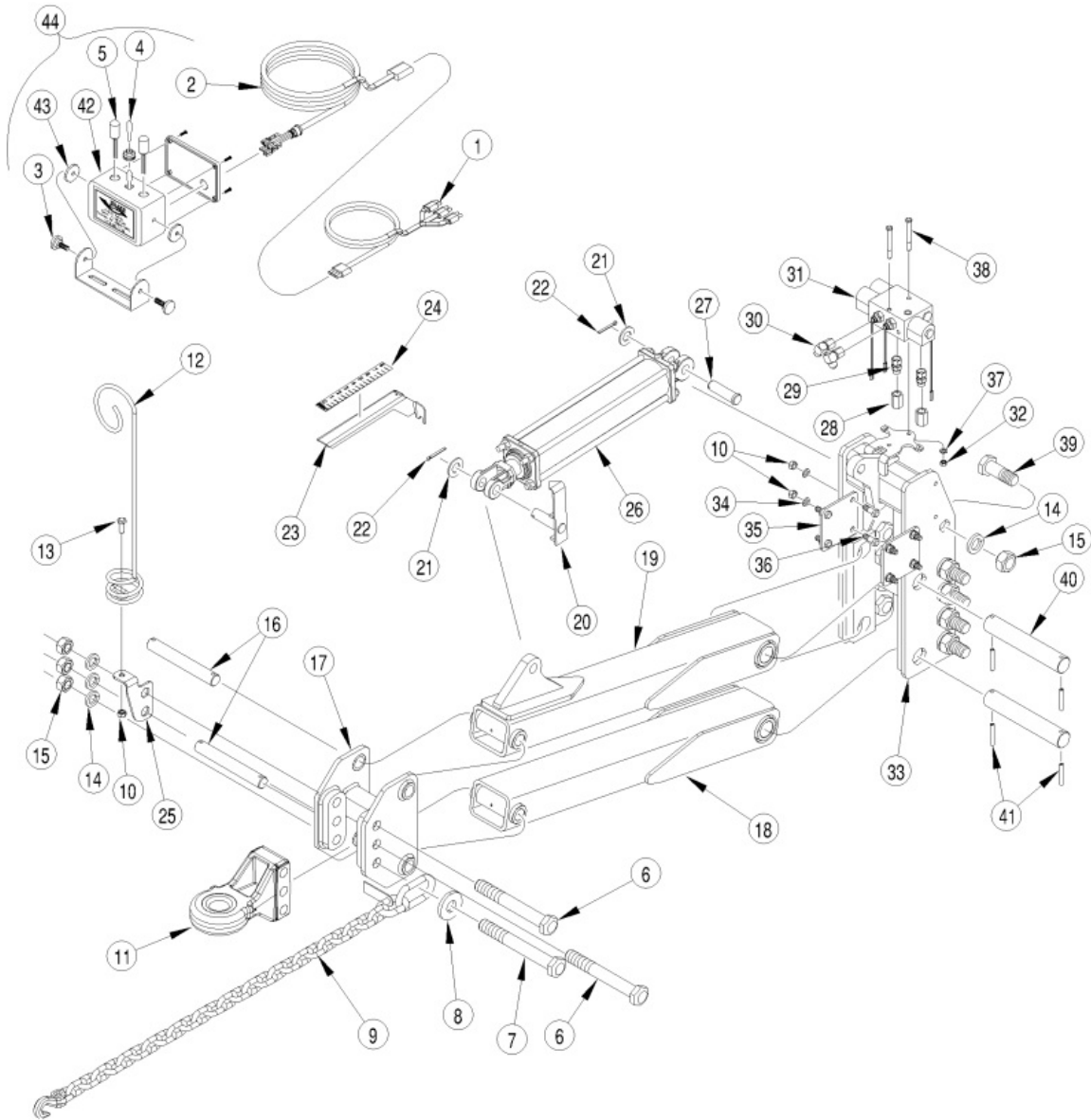
This Page Intentionally Left Blank

Hopper Box to Frame

Ref.	Part No.	Part Description	Comments
49	804-010C	WASHER FLAT 5/16 USS PLT	
50	803-078C	NUT LOCK 3/8-16 NYLON INSERT	
51	803-177C	NUT HEX FLG TP LK 5/16-18ZNYCR	
52	403-228H	LID HINGE YP BULK HOPPER SHORT	
53	403-948D	HOPPER RAIN SHIELD	
54	802-017C	HHCS 3/8-16X1 GR5	
55	804-013C	WASHER LOCK SPRING 3/8 PLT	
56	804-012C	WASHER FLAT 3/8 SAE PLT	

Hydraulic Hitch Mounting

Applies to Models: YP1225A, YP1625A



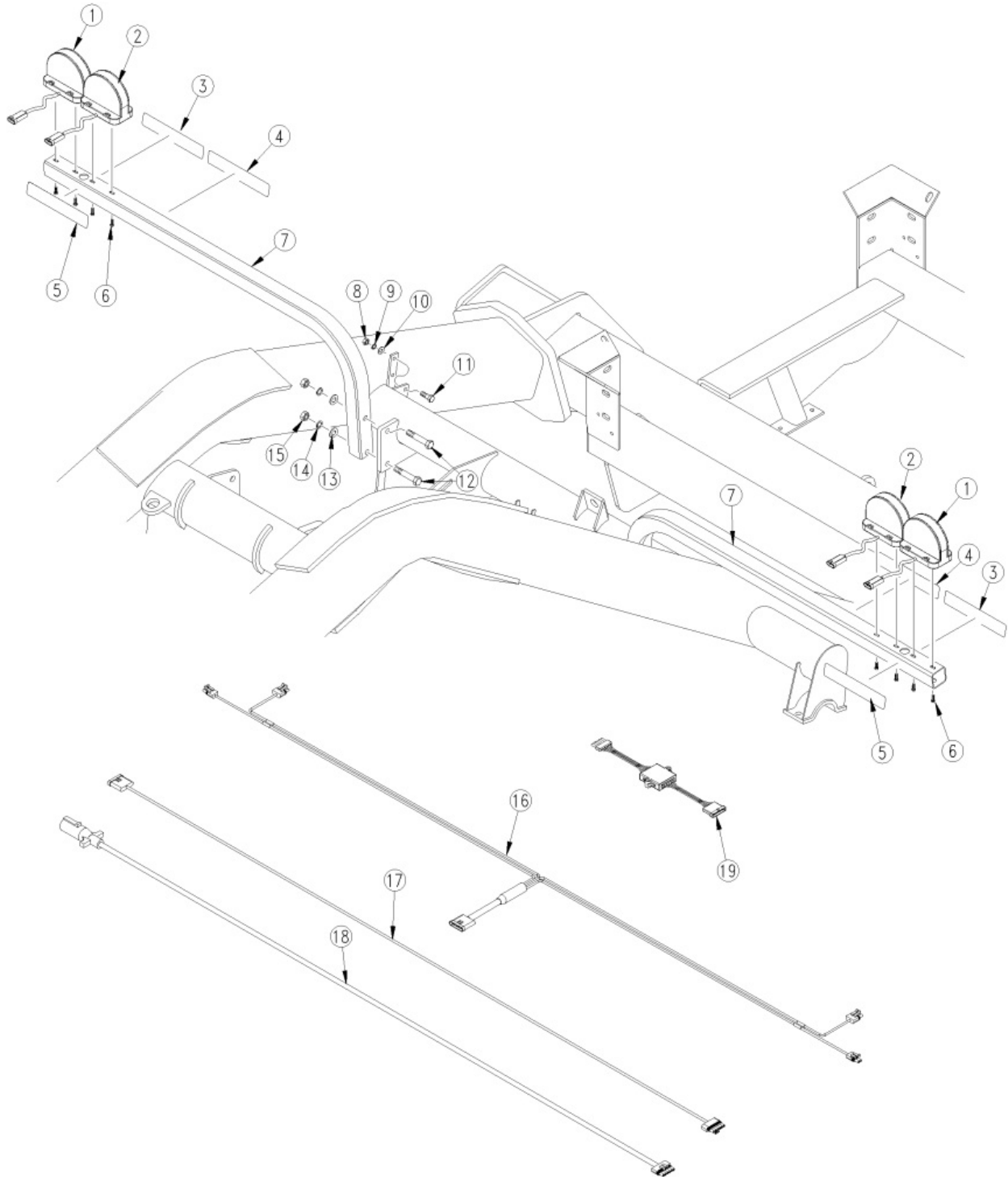
Hydraulic Hitch Mounting

Applies to Models: YP1225A, YP1625A

Ref.	Part No.	Part Description	Comments
	DWG26169	Image No.	
1	319-058	FASSE 4' HARNESS	
2	319-059	FASSE 20' HARNESS	
3	219-007	FASSE SCR THUMB BLK 1/4-20X1/2	
4	259-005	FASSE SW TOG GRP VNYL RED .187	
5	251-003	FASSE LAMP 12V 1/2 SNAP RED	
6	802-110C	HHCS 1-8X9 GR5	
7	802-429C	HHCS 1-8X10 GR5 PLT	
8	194-070D	SAFETY CHAIN WASHER	
9	890-398C	SAFETY CHAIN 40000 LB	
10	803-020C	NUT HEX 1/2-13 PLT	
11	891-670C	CAT IV ARTICULATING BALL HITCH	
12	807-073C	SPRING HOSE LOOP HEAVY	
13	802-034C	HHCS 1/2-13X1 1/4 GR5	
14	804-027C	WASHER LOCK SPRING 1 PLT	
15	803-031C	NUT HEX 1-8 PLT	
16	411-215D	PIN 1 1/4 X 7.13 USBL	
17	411-960H	HYDRAULIC HITCH MOUNT WMT	
18	401-633H	HITCH LOWER ARM WELDMNT	
19	401-632H	HITCH UPPER ARM WELDMNT	
20	148-387H	STROKE GAUGE POINTER 3000PSI	
21	804-029C	WASHER FLAT 1 SAE	
22	805-060C	PIN COTTER 7/32 X 2	
23	411-332D	HITCH INDICATOR YP TONGUE	
24	818-181C	DECAL STROKE GAUGE	
25	413-757D	SPRING PIGTAIL MOUNT	
26	810-614C	CYL 3.5X16X1.75 ROD(TIE)NOPINS	Refer to "Hydraulic Cylinder (810-614C 3.5x16x1.75 Rod)" for breakdown.
27	805-159C	PIN CLVS 1.0X3.11 USBL GR5	
28	811-488C	CP 3/4 FORB 3/4 FORB	
29	811-324C	AD 3/4MORB 3/4FJIC	
30	811-150C	EL 3/4FJIC 3/4MJIC	
31	810-613C	VALVE 2CIRCUIT SELECT LD HOLD	
32	803-014C	NUT HEX 3/8-16 PLT	
33	401-634H	CYLINDER LUG END MOUNT WELDMNT	
34	804-015C	WASHER LOCK SPRING 1/2 PLT	
35	404-228D	HYD HITCH COMP MOUNT BRACKET	Only used with Row-Pro or Tru-Count Clutch Assembly.
36	802-091C	HHCS 1/2-13X1 1/2 GR5	
37	804-013C	WASHER LOCK SPRING 3/8 PLT	
38	802-147C	HHCS 3/8-16X3 1/2 GR5	
39	802-852C	HHCS 1 1/4-7X3 1/2 SPTHD GR5	
40	411-615D	PIN 1.75X9.25 USBL 1144	
41	805-255C	PIN ROLL 3/8 X 2 1/2 PLT	
42	319-549	ENCL DRILL SWBX 1591LBK LMP2-SW1-9/16"	
43	213-005	FASSE WSHR RBR1ODX1/4IDX1/16TK	
44	833-454C	FASSE SWITCH ASM AND HARNESS	Includes #1-5, #42 & #43. Used w/out Intellig components.

LED Lights (S/N B1095E to B1127E) (S/N B1170F to B1230F)

Applies to Models: YP1225A, YP1625A



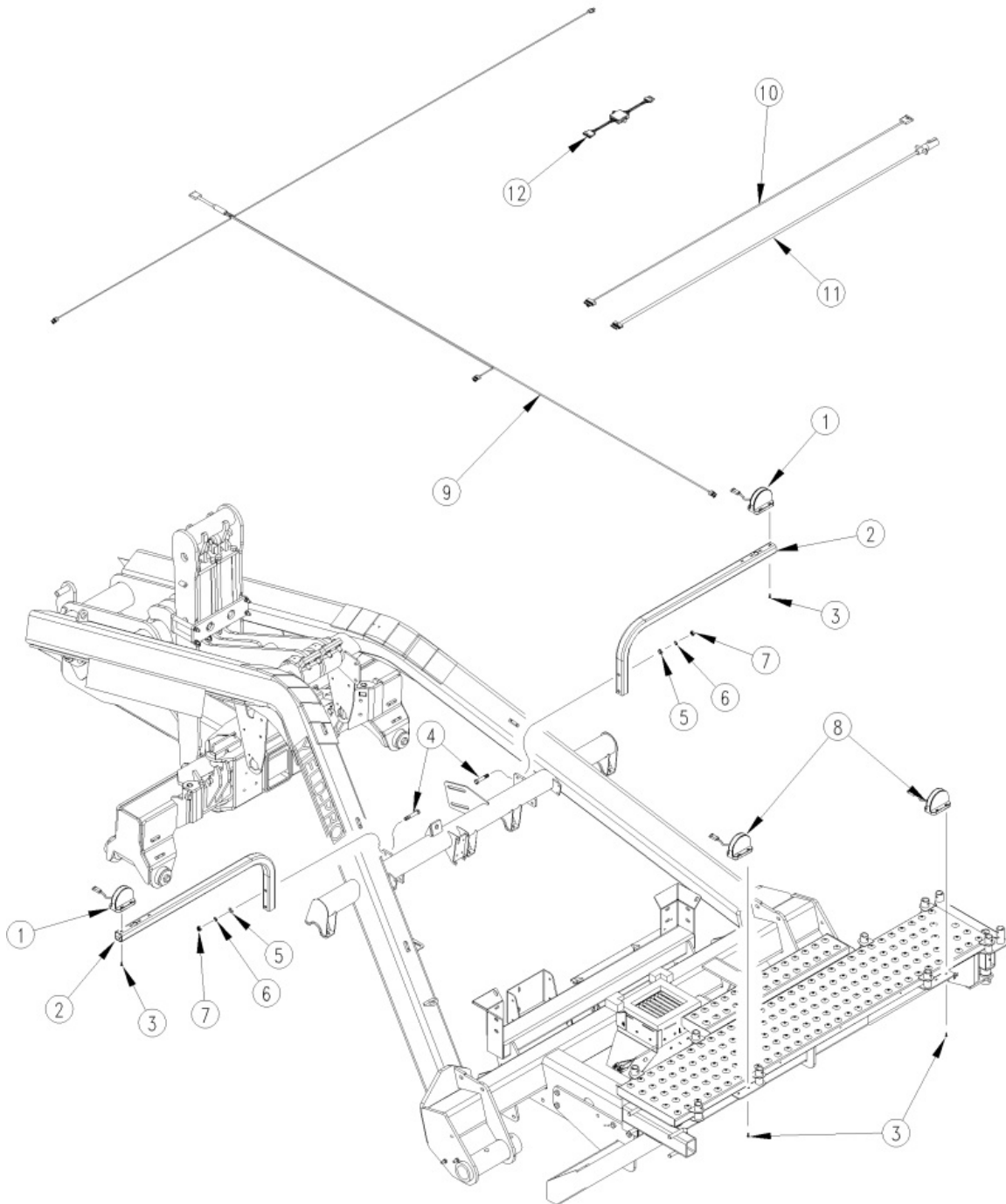
LED Lights (S/N B1095E to B1127E) (S/N B1170F to B1230F)

Applies to Models: YP1225A, YP1625A

Ref.	Part No.	Part Description	Comments
	DWG36091	Image No.	
1	833-697C	LIGHT, AMBER LAMP LED	
2	833-696C	LIGHT, RED LAMP - LED	
3	838-266C	DECAL REFLECTOR RED 1 1/2X9	
4	838-267C	DECAL REFLECTR DAYTIME 1 1/2X9	
5	838-265C	DECAL REFLECTOR AMBER 1 1/2X9	
6	801-081C	SCREW HEX SELF TAP 1/4-20X3/4	
7	401-521D	LIGHT MOUNT TUBE	
8	803-014C	NUT HEX 3/8-16 PLT	
9	804-013C	WASHER LOCK SPRING 3/8 PLT	
10	804-012C	WASHER FLAT 3/8 SAE PLT	
11	802-079C	HHCS 3/8-16X1 1/4 GR5	
12	802-099C	HHCS 1/2-13X3 1/4 GR5	
13	804-016C	WASHER FLAT 1/2 SAE PLT	
14	804-015C	WASHER LOCK SPRING 1/2 PLT	
15	803-020C	NUT HEX 1/2-13 PLT	
16	833-683C	LIGHT HRNSS, 10' WISHBONE -LED	
17	833-687C	AG LIGHT HARNESS, EXT-15' LED	
18	833-686C	LIGHT HARNESS, 35' LEAD - LED	
19	833-694C	LIGHT HRNSS ENHANCE MODULE LED	

LED Lights (S/N B1128E+) (S/N B1231F+)

Applies to Models: YP1225A, YP1625A



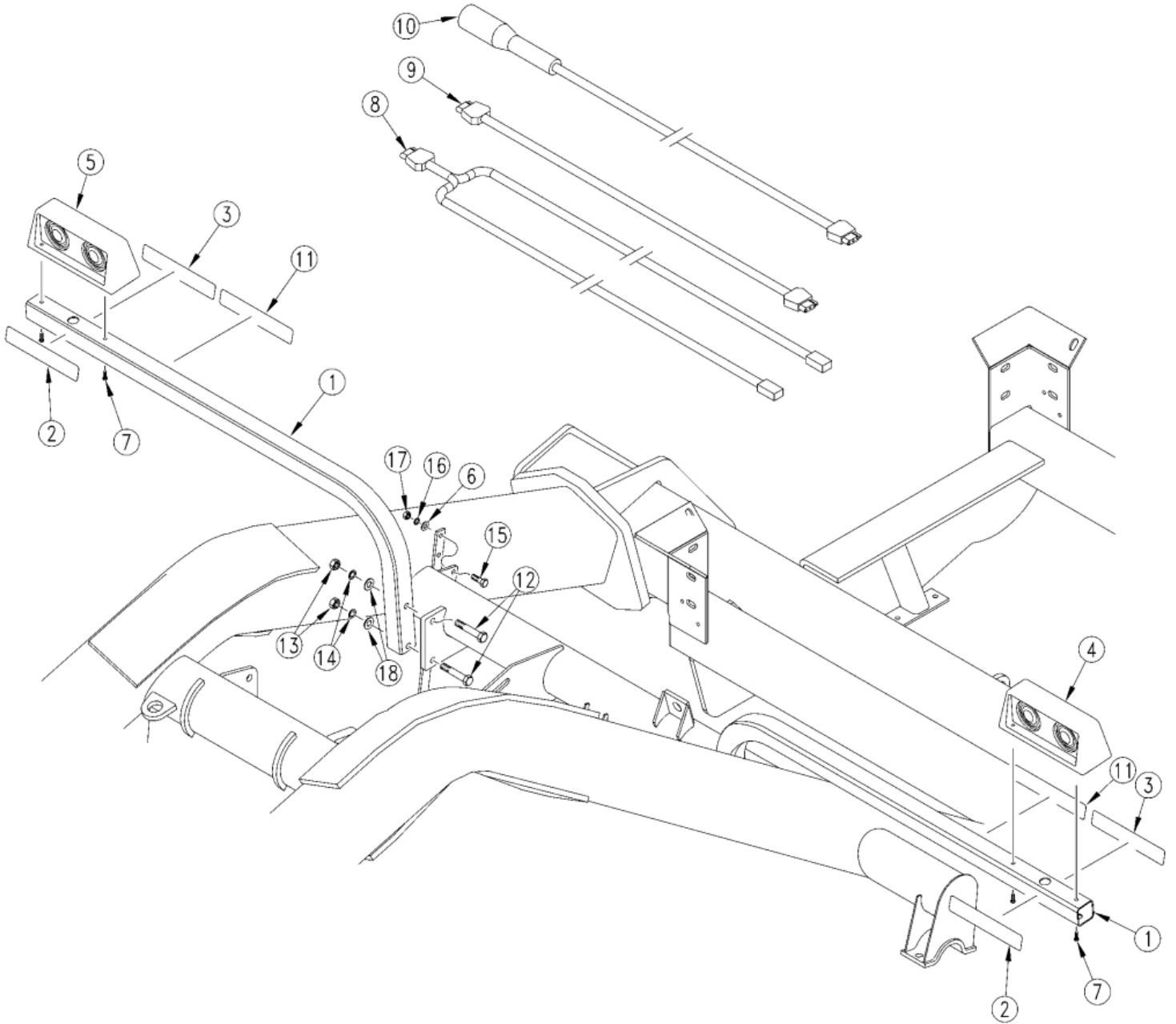
LED Lights (S/N B1128E+) (S/N B1231F+)

Applies to Models: YP1225A, YP1625A

Ref.	Part No.	Part Description	Comments
	DWG68417	Image No.	
1	833-697C	LIGHT, AMBER LAMP LED	
2	401-521D	LIGHT MOUNT TUBE	
3	801-081C	SCREW HEX SELF TAP 1/4-20X3/4	
4	802-099C	HHCS 1/2-13X3 1/4 GR5	
5	804-016C	WASHER FLAT 1/2 SAE PLT	
6	804-015C	WASHER LOCK SPRING 1/2 PLT	
7	803-020C	NUT HEX 1/2-13 PLT	
8	833-696C	LIGHT, RED LAMP - LED	
9	843-016C	LED HRNSS AR4' AL9' RR7' RL14'	
10	833-687C	AG LIGHT HARNESS, EXT-15' LED	
11	833-686C	LIGHT HARNESS, 35' LEAD - LED	
12	833-694C	LIGHT HRNSS ENHANCE MODULE LED	

Lights (S/N B1094E-) (S/N B1169F-)

Applies to Models: YP1225A, YP1625A

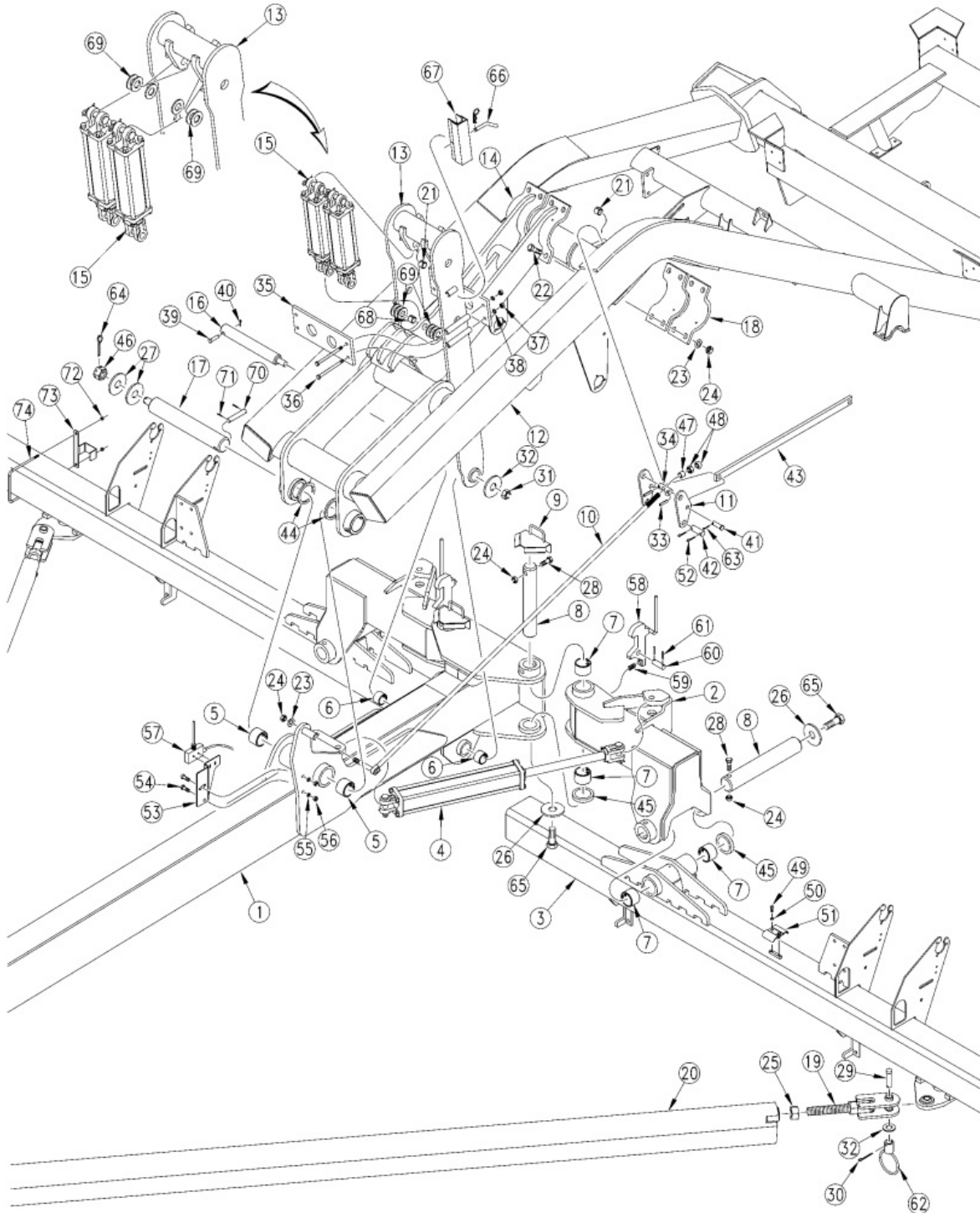


Lights (S/N B1094E-) (S/N B1169F-)

Applies to Models: YP1225A, YP1625A

Ref.	Part No.	Part Description	Comments
	DWG22877	Image No.	
1	401-521D	LIGHT MOUNT TUBE	
2	838-265C	DECAL REFLECTOR AMBER 1 1/2X9	
3	838-266C	DECAL REFLECTOR RED 1 1/2X9	
4	890-311C	DUAL AG LIGHTS LH	
5	890-312C	DUAL AG LIGHTS RH	
6	804-012C	WASHER FLAT 3/8 SAE PLT	
7	801-081C	SCREW HEX SELF TAP 1/4-20X3/4	
8	890-390C	LIGHT HARNESS, 10' WISHBONE	
9	890-600C	AG LIGHT HARNESS, EXT-15'	
10	890-431C	LIGHT HARNESS, 35' LEAD	
11	838-267C	DECAL REFLECTR DAYTIME 1 1/2X9	
12	802-099C	HHCS 1/2-13X3 1/4 GR5	
13	803-020C	NUT HEX 1/2-13 PLT	
14	804-015C	WASHER LOCK SPRING 1/2 PLT	
15	802-079C	HHCS 3/8-16X1 1/4 GR5	
16	804-013C	WASHER LOCK SPRING 3/8 PLT	
17	803-014C	NUT HEX 3/8-16 PLT	
18	804-016C	WASHER FLAT 1/2 SAE PLT	

Applies to Models: YP1225A, YP1625A



Applies to Models: YP1225A, YP1625A

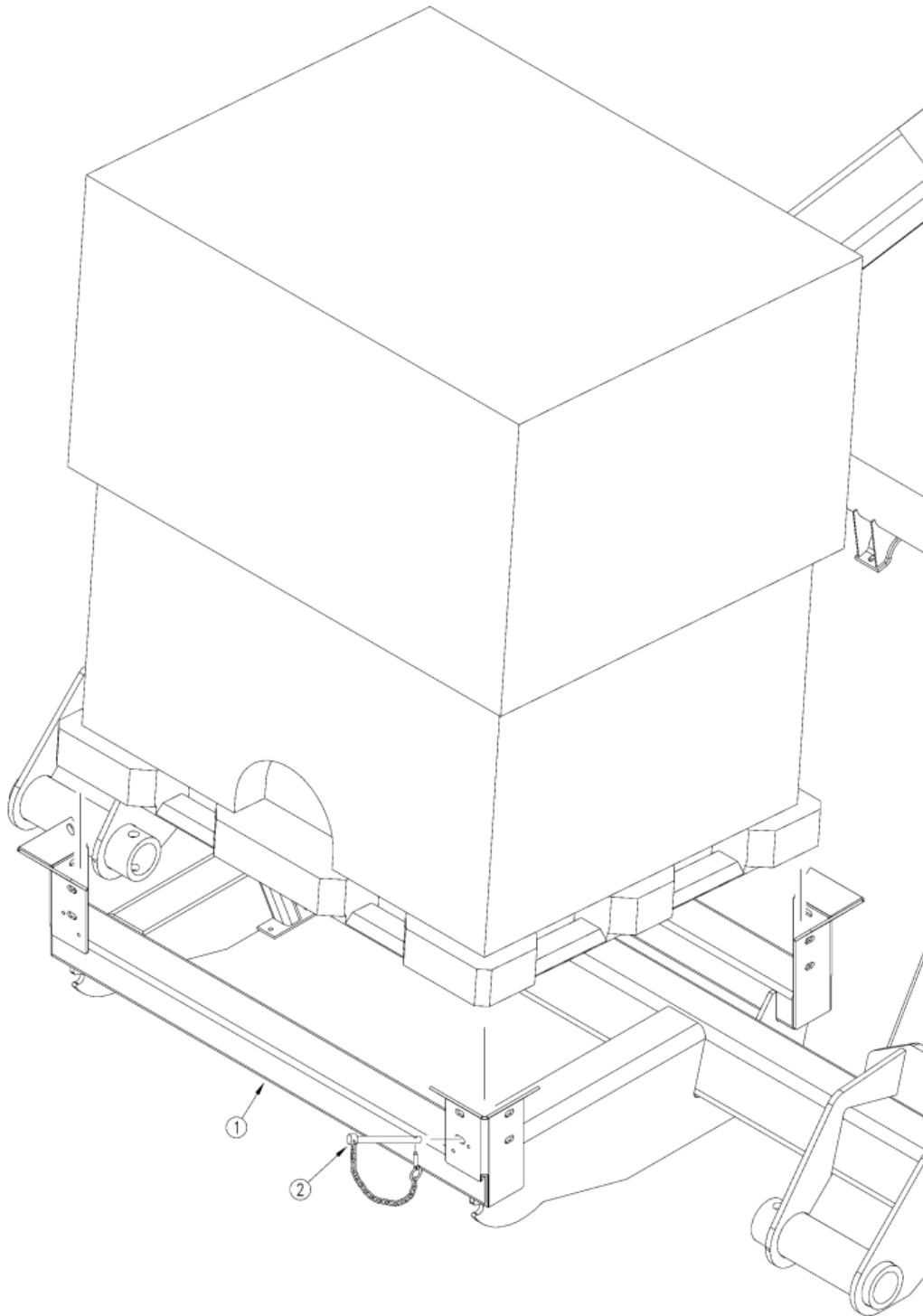
Ref.	Part No.	Part Description	Comments
	DWG 22775	Image No.	
1	401-209H	16R PB TONGUE REAR SECT WLD 2	
1	401-192H	12R PB TONGUE REAR SECT WLDMT	
2	401-198H	16R PB LH TOOLBAR WLDMT 2	
2	401-202H	16R RH TOOLBAR WLDMT 2	
3	401-210H	16R PB LH WING FRAME WLDMT 2	
3	401-320H	YP1636-TR LH WING FRAME WLDMNT	
3	401-205H	YP1225 LH WING FRAME WLDMNT	
3	401-318H	YP1236-TR LH WING FRAME WLDMNT	
3	401-211H	16R PB RH WING FRAME WLDMT 2	
3	401-321H	YP1636-TR RH WING FRAME WLDMNT	
3	401-206H	YP1225 RH WING FRAME WLDMNT	
3	401-319H	YP1236-TR RH WING FRAME WLDMNT	
4	810-537C	CYL REP 4.5X20X1.5 ROD (RET)	
4	810-646C	CYL REP 4.75X20.0X1.75 (RET)	
5	890-193C	STEEL BUSHING 3 1/4X3IDX3LONG	
6	890-051C	BUSHING 2 1/4 OD X 2 ID X 2 LG	
7	890-725C	BUSHING 3 X 2 1/2 X 2 CONNEX	
8	401-477D	TOOLBAR HORZ PIVOT PIN	(YP1625A S/N B1228F-)
9	401-791H	LH HINGE HOSE GUIDE	
9	401-792H	RH HINGE HOSE GUIDE	
10	401-168H	DRIVE WHEEL CONTROL LINK WLDMT	
11	401-494D	TOGGLE SIDE PLATE	
12	401-201H	16R 30/TR CADDY FRAME/AXLE 2	
12	401-322H	YP 1236-TR CADDY FRAME/AXLE	
13	401-196H	LIFT LINK WELDMENT 2	
14	401-195H	LIFT LUG PIVOT WLDMT 2	
15	810-544C	CYL REP 5X10X1.5 ROD (TIE)	(S/N B1022E-)(S/N B1047F-) Refer to "Hydraulic Cylinder (810-545C 5x10x1.5 Rod)" for breakdown
15	810-698C	CYL REP 5X10X2.0 ROD (TIE)	(S/N B1023E+)(S/N B1048F+) Refer to "Hydraulic Cylinder (810-698C 5x10x2.0 Rod)" for breakdown
16	401-584D	PLANTER REAR CROSS PIN 2	
17	196-653D	40P GW SWIVEL PIN	
18	196-247D	2SNT AXLE BOTTOM HALF BAND	
19	401-167H	16 ROW PULLBAR ADJUSTER	
20	401-165H	PULLBAR WELDMENT 16 ROW	
20	401-194H	PULLBAR WELDMENT 12 ROW	
21	890-005C	BUSHING CYL 1 1/4 X 1 X 1	
22	802-212C	HHCS 3/4-10X2 1/2 GR5	
23	804-025C	WASHER FLAT 3/4 SAE PLT	
24	803-026C	NUT LOCK 3/4-10 PLT	
25	803-073C	NUT HEX 1 1/2-6 PLT	
26	318-508D	WASHER 3.5ODX1.03ID .38THK.	
27	197-001D	BOX HINGE PIVOT WASHER	
28	802-069C	HHCS 3/4-10X5 GR5	
29	805-360C	PIN 1 X 4 1/2 USEABLE	
30	805-076C	PIN ROLL 3/16 X 1 3/4 PLT.	
31	803-316C	NUT HEX SIDE LOCK 1-8 PLT	
32	500-064D	WASHER - SAFETY CHAIN SA	
33	805-117C	PIN ROLL 1/4 X 2 1/2 PLT	
34	401-495D	TRUNNION PIN	
35	401-585D	CYLINDER GUIDE BAR 2	

This Page Intentionally Left Blank

Ref.	Part No.	Part Description	Comments
36	802-289C	HHCS 1/2-13X8 GR5	
37	803-020C	NUT HEX 1/2-13 PLT	
38	804-015C	WASHER LOCK SPRING 1/2 PLT	
39	805-334C	PIN CLEVIS 5/8 X 3 1/2	
40	805-109C	PIN COTTER 1/8 X 1 1/4 PLT	
41	805-140C	PIN CLEVIS 3/4 X 2 1/2 PLT	
42	805-187C	PIN CLEVIS 1 X 2 1/4 GR5 PLT	
43	401-498D	LINK ROD	
44	804-102C	PIVOT THRUST WASHER	
45	196-573D	WASHER HARD 4 X 2.56 X .25	
46	803-079C	NUT HEX SLOTTED 1 1/4 - 7	
47	164-028D	LINK PIVOT BUSHING	
48	803-048C	NUT HEX JAM 3/4-10 PLT	
49	802-010C	HHCS 5/16-18X1 1/4 GR5	
50	804-009C	WASHER LOCK SPRING 5/16 PLT	
51	502-068D	HYD HOSE CLAMP BRACKET	
52	805-017C	PIN COTTER 3/16 X 1 3/4 PLT	
53	401-753D	WHISKER SWITCH MOUNT YP VERIS	
53	401-533D	VERIS LIMIT SWITCH MOUNT	
54	802-079C	HHCS 3/8-16X1 1/4 GR5	
55	804-013C	WASHER LOCK SPRING 3/8 PLT	
56	803-014C	NUT HEX 3/8-16 PLT	
57	VER-28383	VERIS SPEED SNSR SWITHC HRNESS	Formerly VER-24697
58	401-207H	TRANSPORT SUPPORT HOOK WLDMT	
58	401-208H	TRANSPORT SUPPORT HOOK WELD RH	
59	807-260C	SPRING COMP 1.460D .148WX4.0LG	
60	401-634D	TRANSPORT HOOK PVT SHAFT 1.25	
61	805-255C	PIN ROLL 3/8 X 2 1/2 PLT	
62	506-245H	HOSE SUPPORT WELDMENT	
63	805-019C	PIN COTTER 5/32 X 1 PLT	
64	805-085C	PIN COTTER 5/16 X 2 1/2	
65	802-798C	HHCS 1-8X1 3/4 GR5 NYL	
66	805-001C	PIN 3/8 X 3 USABLE LW/PIN	Formerly 805-152C
67	161-073H	CYLINDER LOCK CHANNEL-LONG	S/N B1022E-
67	596-163H	CYL LOCK CHANNEL 2 X 9 1/2	S/N B1023E+
68	890-620C	BUSHING, 1 1/2X1 1/4X3/4LG	
69	804-165C	WASHER MACH 1 7/8X1 1/4X 14GA	
70	805-230C	PIN 3/4 X 4 13/32 USEABLE	
71	805-041C	PIN ROLL 1/4X1 3/4	
72	803-013C	NUT LOCK 3/8-16 PLT	
73	401-635D	HOSE HOLD DOWN CLAMP	
74	806-073C	U-BOLT 3/8-16 X 7 1/32 X 7 7/8	
75	804-028C	WASHER FLAT 1 USS PLT	(YP1625A S/N B1229F+)
76	431-297D	PIVOT PIN ANTI ROTATE WASHER	(YP1625A S/N B1229F+)
77	431-296D	TOOLBAR PIVOT PIN LONG	(YP1625A S/N B1229F+)

Pro Box to Frame

Applies to Models: YP1225A, YP1625A



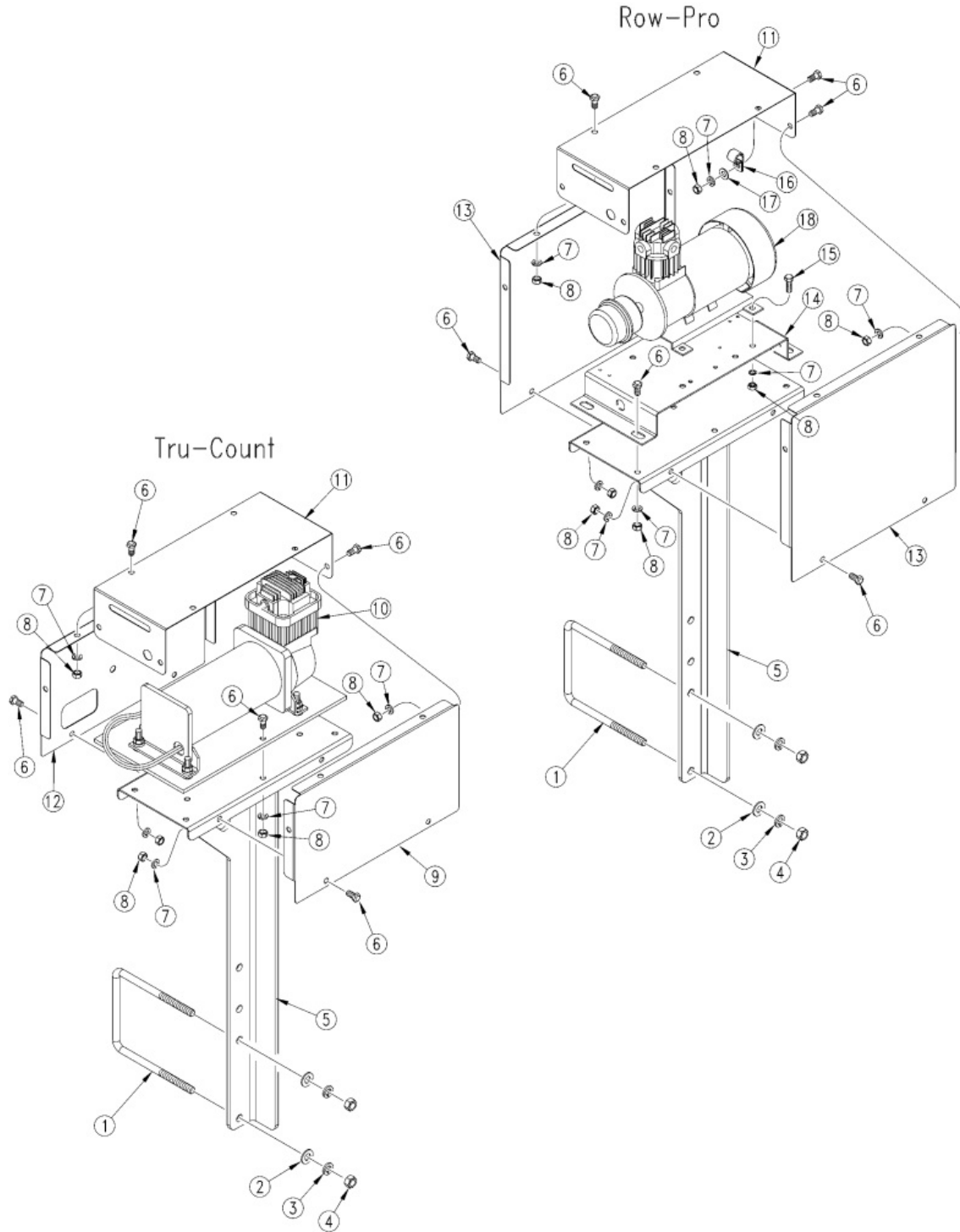
Pro Box to Frame

Applies to Models: YP1225A, YP1625A

Ref.	Part No.	Part Description	Comments
	DWG21941	Image No.	
1	401-201H	16R 30/TR CADDY FRAME/AXLE 2	
2	805-034C	PIN HITCH 1/2 X 6 1/4 W CHAIN	

Row-Pro and Tru-Count Compressor Mounting

Applies to Models: YP1225A, YP1625A



Row-Pro and Tru-Count Compressor Mounting

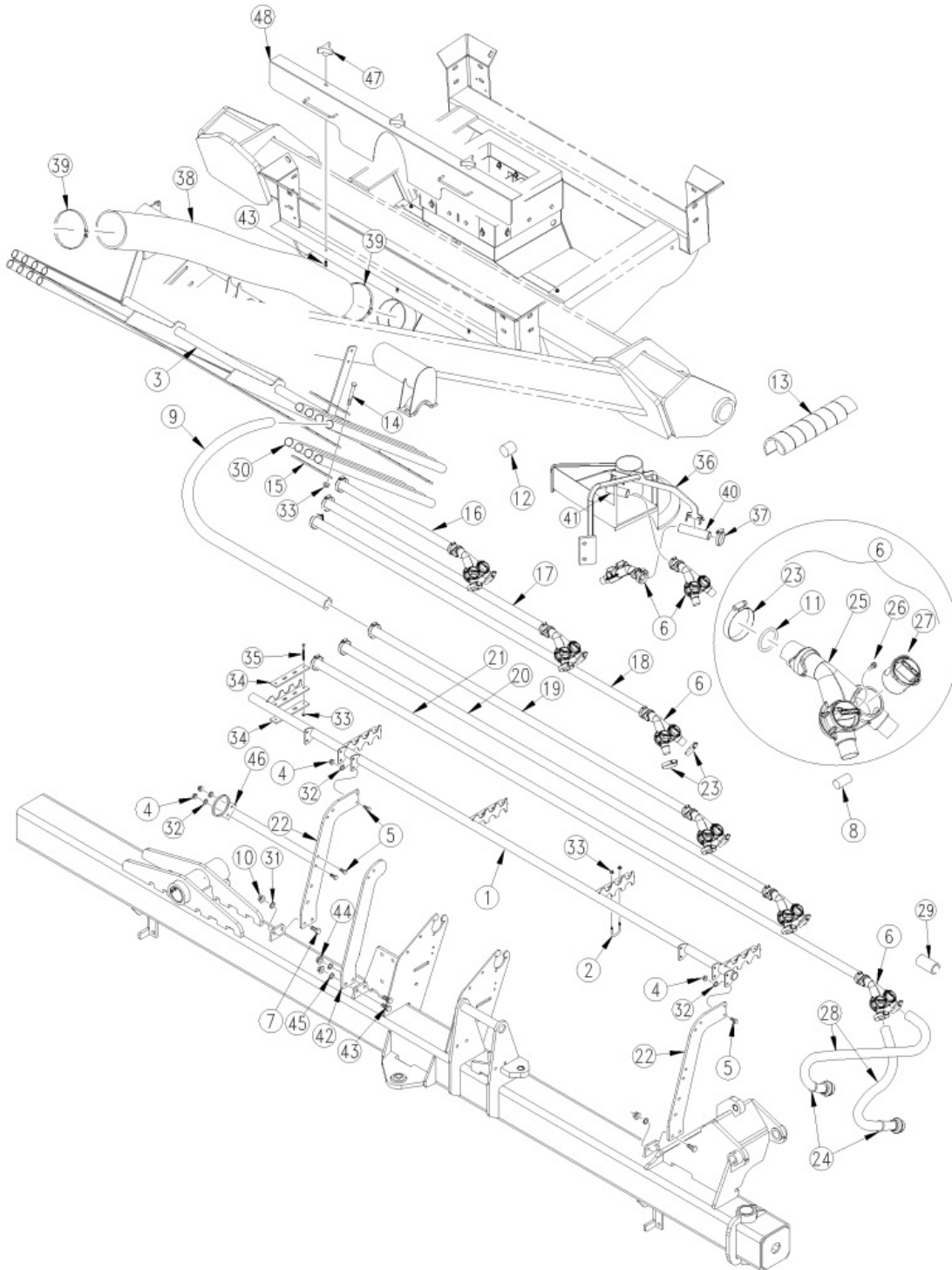
Applies to Models: YP1225A, YP1625A

Ref.	Part No.	Part Description	Comments
	DWG34090	Image No.	
1	806-060C	U-BOLT 1/2-13 X 6 1/32 X 7 1/4	
2	804-016C	WASHER FLAT 1/2 SAE PLT	
3	804-015C	WASHER LOCK SPRING 1/2 PLT	
4	803-020C	NUT HEX 1/2-13 PLT	
5	404-861H	12V COMP MOUNT WELDMENT	
6	802-014C	HHCS 3/8-16X3/4 GR5	
7	804-013C	WASHER LOCK SPRING 3/8 PLT	
8	803-014C	NUT HEX 3/8-16 PLT	
9	404-227D	TC COMPRESSOR COVER SIDE L	
10	823-330C	TRU-COUNT COMPRESSOR ASSEMBLY	
11	404-225D	12 COMPRESSOR COVER TOP	
12	404-226D	TC COMPRESSOR COVER SIDE R	
13	404-224D	RP COMPRESSOR COVER SIDE	
14	404-209D	COMPRESSOR MOUNT	
15	802-017C	HHCS 3/8-16X1 GR5	
16	800-052C	HOSE CLIP 5/8 I.D.	
17	804-012C	WASHER FLAT 3/8 SAE PLT	
18	831-088C	12V AIR COMPRESSOR	
19	002-102ST	EXTREME AIR FILTER HOUSING	Not shown. Air filter for 831-088C.

Great Plains Seed Delivery

Frame

Applies to Models: YP1225A, YP1625A



Applies to Models: YP1225A, YP1625A

Ref.	Part No.	Part Description	Comments
	DWG29623	Image No.	
1	403-167H	12ROW AIR SYS SUPT FRAME WLDMT	
1	403-168H	16ROW AIR SYS SUPT FRAME WLDMT	
2	806-192C	U-BOLT 5/16-18X1 1/2X2 1/2 RND	
3	403-171H	SEED TUBE SUPPORT BKT WLDMNT	
4	803-008C	NUT HEX 5/16-18 PLT	
5	802-159C	HHCS 5/16-18X1 GR5	
6	401-251S	PLANTER Y-TRANSITION ASY	
7	802-034C	HHCS 1/2-13X1 1/4 GR5	
8	817-622C	TUBE CAP 1 1/4 ID TB X 3 LG	
9	990-230R	HOSE 1 1/2 HI-TECH UFD-AP	
10	803-020C	NUT HEX 1/2-13 PLT	
11	816-499C	O-RING 1 1/2 IDX1 7/8 ODX3/16	
12	817-457C	CAP PLUG 1 1/2 O.D. TUBE	
13	990-223R	SPIRAL HOSE WRAP 2.00 DIA	
14	802-474C	HHCS 5/16-18X4 1/2 GR5	
15	403-278D	AIR TUBE RETAINER STRAP	
16	827-081C	SEED DELIVERY TUBE 24 AL	Use 827-095c with 36" TR spacing
17	827-080C	SEED DELIVERY TUBE 54 AL	
18	827-079C	SEED DELIVERY TUBE 84 AL	
18	827-096C	SEED DELIVERY TUBE 042 AL	Used with 36"
19	827-078C	SEED DELIVERY TUBE 114 AL	
19	827-097C	SEED DELIVERY TUBE 075 AL	Used with YP16 on 36" spacing
19	827-098C	SEED DELIVERY TUBE 073 AL	Used with YP12 on 36" spacing
20	827-077C	SEED DELIVERY TUBE 144 AL	
21	827-082C	SEED DELIVERY TUBE 174 AL	
22	403-254D	AIR SYSTEM STANDOFF BRACKET	
23	800-124C	CLAMP WRM DRV #24 SS (1.06-2)	
24	817-610C	HOSE BOOT LOCK RING	
25	401-719D	AIR PLANTER HOSE SPLITTER	
26	802-481C	SHOULDER BOLT 1/4X1/4X10-24	
27	817-595C	Y-TUBE GATE	
28	817-613C	SEED DISCHARGE HOSE 42	
29	403-306D	HOSE COUPLER 30 IN YP	
30	827-083C	SEED DELIVERY TUBE 60 AL	
31	804-015C	WASHER LOCK SPRING 1/2 PLT	
32	804-009C	WASHER LOCK SPRING 5/16 PLT	
33	803-084C	NUT HEX NYLOCK 5/16-18 PLT	
34	401-528D	AIR TUBE SUPPORT CLAMP	
35	802-172C	HHCS 5/16-18X2 1/2 GR5	
35	802-474C	HHCS 5/16-18X4 1/2 GR5	
36	403-370H	HOSE CAROUSEL LH	
36	403-371H	HOSE CAROUSEL RH	
37	800-125C	CLAMP WRM DRV#28 SS(1.31-2.25)	
38	816-627C	HOSE 6.0 ID DUCTING X 8.2 FT	
39	800-151C	CLAMP WRM DRV #96SS (4.75-6.5)	
40	827-084C	SEED DELIVERY TUBE 10 AL	
41	827-095C	SEED DELIVERY TUBE 006 AL	
42	403-805D	HOSE GUIDE SUPPORT	
43	802-010C	HHCS 5/16-18X1 1/4 GR5	

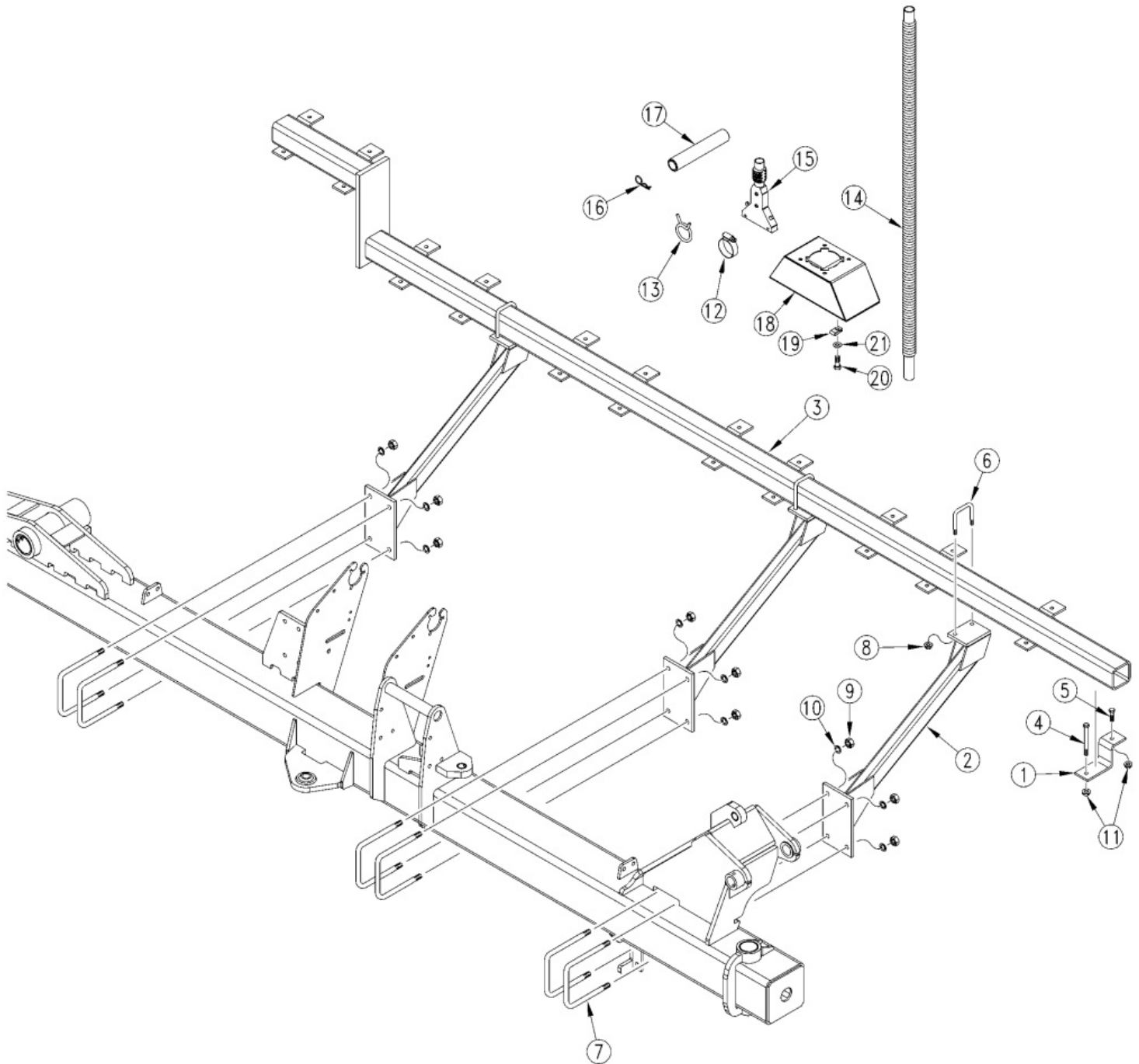
This Page Intentionally Left Blank

Ref.	Part No.	Part Description	Comments
44	803-008C	NUT HEX 5/16-18 PLT	
45	804-009C	WASHER LOCK SPRING 5/16 PLT	
46	403-627H	HOSE GUIDE	
47	817-324C	KNOB 1/4-20 FEMALE THD	
48	403-625H	SHIELD WELDMENT	

Great Plains Smartbox Mount

Frame

Applies to Models: YP1225A, YP1625A



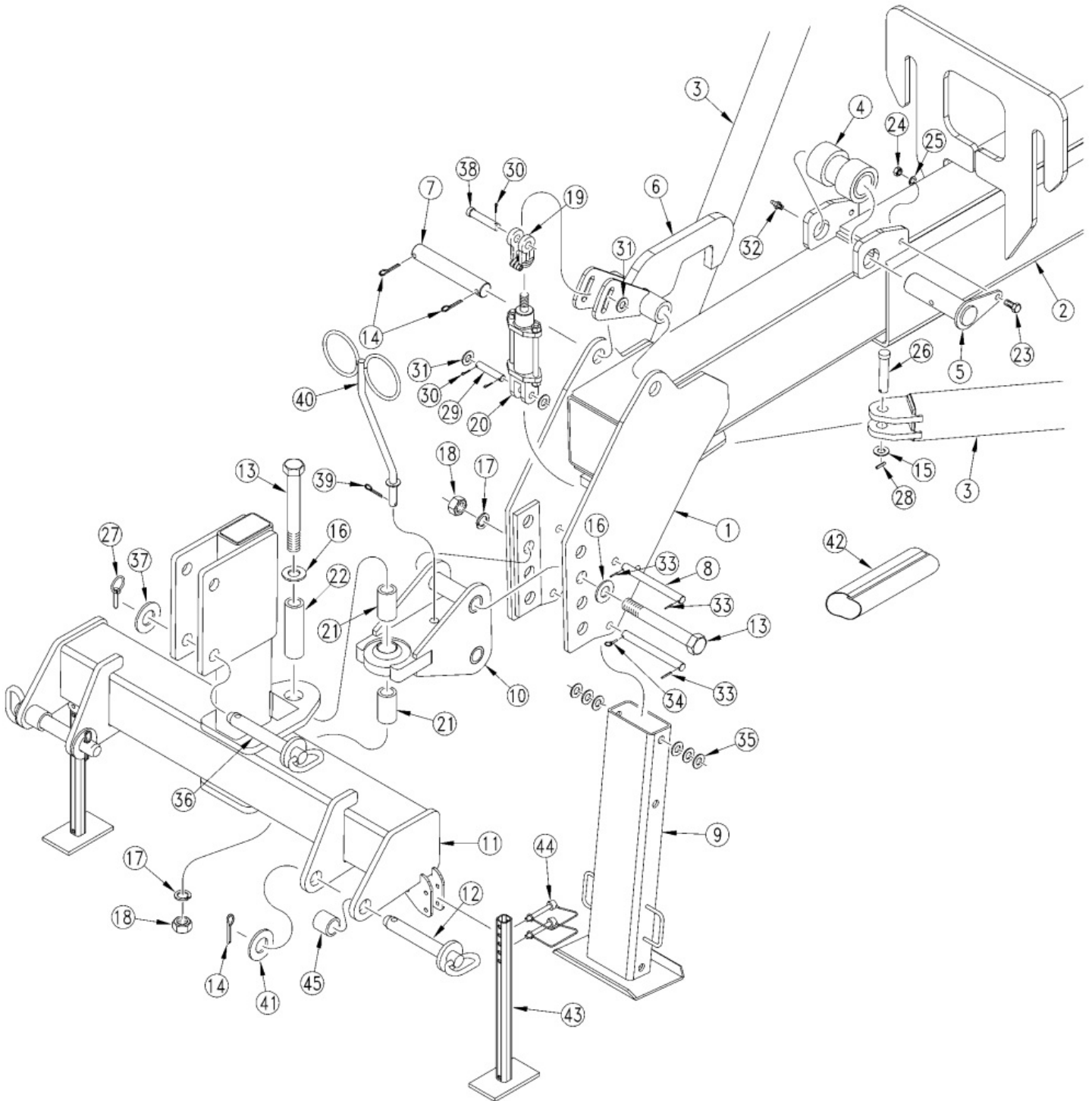
Applies to Models: YP1225A, YP1625A

Ref.	Part No.	Part Description	Comments
	DWG23282	Image No.	
1	403-319D	SMART BOX HOLD DOWN CLAMP	
2	403-191H	SMARTBOX STANDOFF SUPPORT BKT	
3	403-192H	SUPPORT TUBE WLDMNT - 12 ROW	
3	403-190H	SUPPORT TUBE WLDMNT	
4	802-223C	HHCS 3/8-16X4 GR5	
5	802-079C	HHCS 3/8-16X1 1/4 GR5	
6	806-066C	U-BOLT 1/2-13X3 1/32X4	
7	806-052C	U-BOLT 5/8 X 7 1/32 X 8 1/2	
8	803-169C	NUT HEX FLG LOCK 1/2-13 PLT	
9	803-021C	NUT HEX 5/8-11 PLT	
10	804-022C	WASHER LOCK SPRING 5/8 PLT	
11	803-209C	NUT FLANGE LOCK 3/8-16 PLT	
12	800-126C	CLAMP WRM DRV #5 SS (.44-.70)	
13	800-321C	HOSE CLAMP NO.12 3/4 ID	
14	816-358C	SGS HOSE 122 RIBS	
15	817-655C	T-BANDER	
16	805-185C	PIN COTTER .186 WIRE DIA	
17	116-001D	T-BANDER TUBE	
18	403-202H	SMARTBOX METER SPLITTER WLDMNT	
19	800-163C	RPBY 800-013C	
20	802-004C	HHCS 1/4-20X3/4 GR5	
21	804-007C	WASHER FLAT 1/4 SAE PLT	

Great Plains Tongue

Frame

Applies to Models: YP1225A, YP1625A



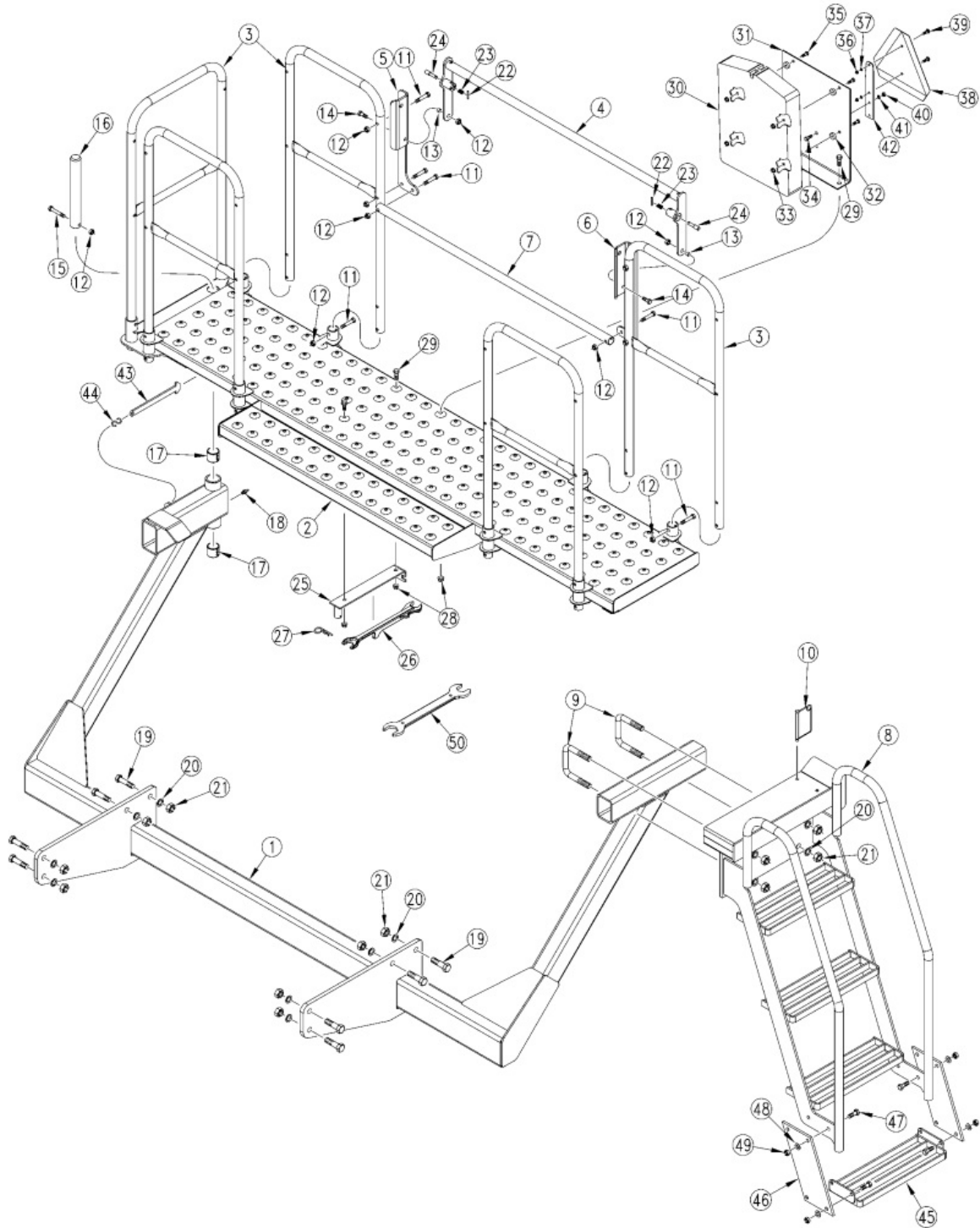
Applies to Models: YP1225A, YP1625A

Ref.	Part No.	Part Description	Comments
	DWG22745	Image No.	
1	401-204H	16R PB TONGUE FRONT SECT WLDMT	
1	401-193H	12R PB TONGUE FRONT SECT WLDMT	
2	401-209H	16R PB TONGUE REAR SECT WLD 2	
2	401-192H	12R PB TONGUE REAR SECT WLDMT	
3	401-194H	PULLBAR WELDMENT 12 ROW	
4	401-170H	TONGUE ROLLER BUSHING WELDMENT	
5	401-171H	ROLLER PIN WLDMT	
6	401-160H	TELESCOPING HITCH SAFETY LATCH	
7	401-493D	DRAFT HOOK PIN 1.5 X 9.19	
8	401-527D	PARKING SUPPORT PIN	
9	401-172H	PARKING STAND WELDMT	
10	401-159H	SWIVEL COUPLER WELDMENT	
11	401-141H	HITCH CROSSBAR WLDMT	
12	805-168C	PIN HITCH 1 7/16 X 8 3/8 PLT	
13	802-166C	HHCS 1 1/4-7X9 1/2 GR5 SPTHD	
14	805-105C	PIN COTTER 1/4 X 2 1/2 PLT	
15	804-029C	WASHER FLAT 1 SAE	
16	804-035C	WASHER FLAT 1 1/4 USS PLT	
17	804-030C	WASHER LOCK 1 1/4 SPRING PLT	
18	803-034C	NUT HEX 1 1/4-7 PLT	
19	810-491C	MIDWAY ROD CLEVIS 3/4-16 UNF	
20	810-201C	CYL 1.5X2.5X.75 ROD (TIE ROD)	
21	401-524D	SPACER TUBE FOR PLANTER HITC	
22	401-525D	INNER HITCH PIVOT TUBE	
23	802-091C	HHCS 1/2-13X1 1/2 GR5	
24	803-020C	NUT HEX 1/2-13 PLT	
25	804-015C	WASHER LOCK SPRING 1/2 PLT	
26	805-004C	PIN CLEVIS 1 X 2 3/4 USABLE LG	
27	805-240C	PIN LINCH 3/16 X 1 9/16 LONG	
28	805-041C	PIN ROLL 1/4X1 3/4	
29	805-141C	PIN CLEVIS 5/8 X 2 1/2 PLT	
30	805-109C	PIN COTTER 1/8 X 1 1/4 PLT	
31	804-021C	WASHER FLAT 5/8 SAE PLT	
32	800-001C	GREASE ZERK STRAIGHT 1/4-28	
33	805-041C	PIN ROLL 1/4X1 3/4	
34	805-126C	PIN LINCH 1/4 X 1 3/4 PLT	
35	804-025C	WASHER FLAT 3/4 SAE PLT	
36	805-119C	PIN HITCH 1 1/4 X 4 1/2	
37	804-039C	WASHER FLAT 1 1/4 SAE PLT	
38	805-334C	PIN CLEVIS 5/8 X 3 1/2	
39	805-069C	PIN COTTER 3/16 X 1	
40	196-166H	SWIVEL HOSE POST	
41	804-071C	WASHER FLAT 1 1/2 SAE PLT	
42	816-480C	HOSE WRAP 3.0-4.5 X 24LG VELCR	
43	401-258H	YP HITCH PARK SUPPORT STAND	
44	805-212C	PIN WIRE SNAP LOCK 3/8 X 2 1/2	
45	117-379D	20P CAT3 HITCH PIN BUSHING	

Great Plains Walkboard

Frame

Applies to Models: YP1225A, YP1625A



Applies to Models: YP1225A, YP1625A

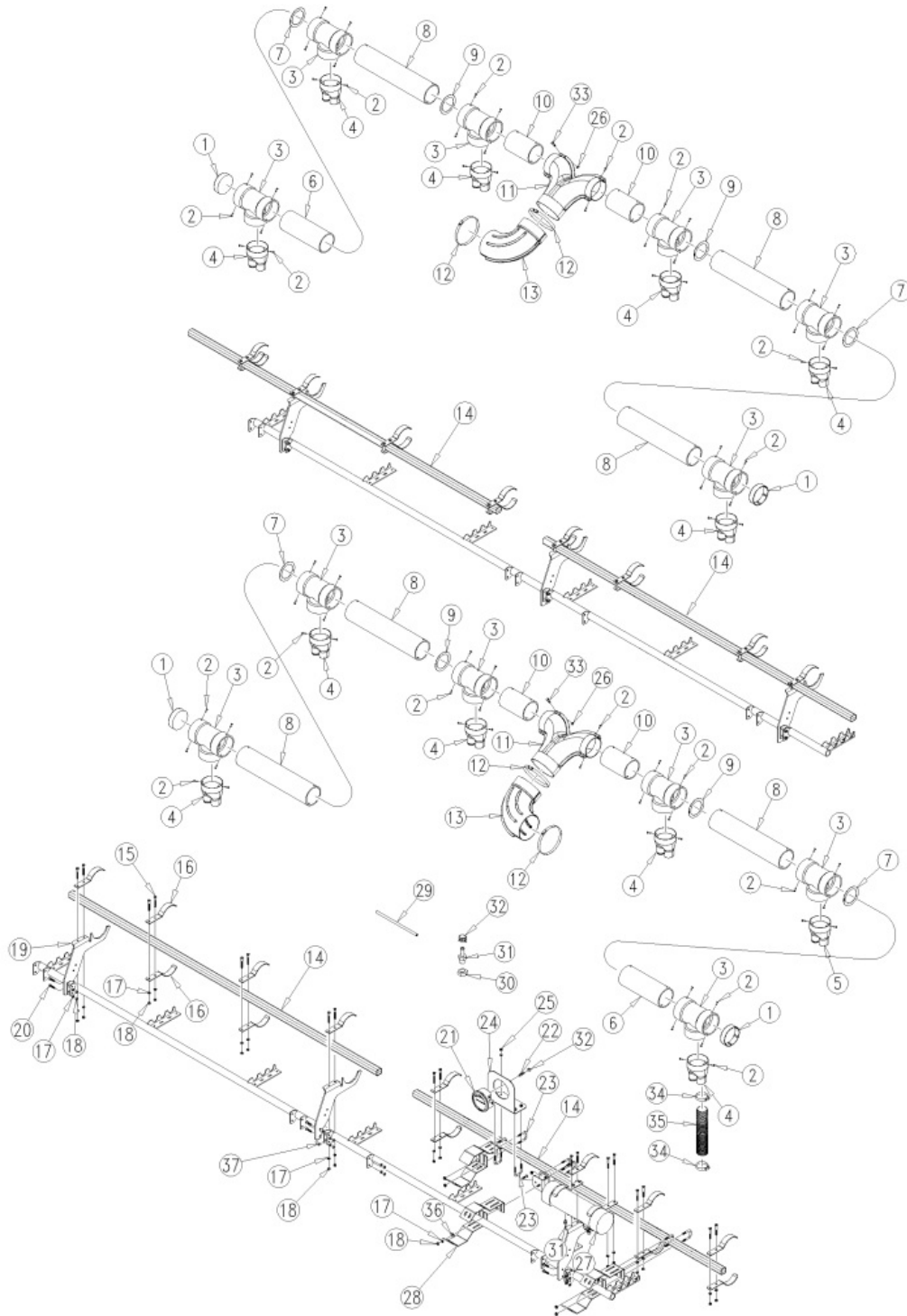
Ref.	Part No.	Part Description	Comments
	DWG23263	Image No.	
1	401-252H	YP WALKBOARD SUPPORT	
2	401-253H	YP WALKBOARD WLDMNT	
3	401-255H	HOOP HANDRAIL WELDMENT	
4	401-256H	UPPER RAIL WLDMNT	
5	401-744D	RAIL PIVOT MOUNT RH	
6	401-743D	RAIL PIVOT MOUNT LH	
7	401-742D	TOP RAIL MIDDLE SECTION	
8	401-619H	YP LADDER 3 STEP	
9	806-007C	U-BOLT 3/4-10X4 1/32X4 1/2	
10	805-178C	PIN WIRE SNAP LOCK 3/8 X 3 1/2	
11	802-143C	HHCS 3/8-16X2 GR5	
12	803-013C	NUT LOCK 3/8-16 PLT	
13	119-278D	WALKBOARD LADDER PIVOT BUSHING	
14	802-079C	HHCS 3/8-16X1 1/4 GR5	
15	802-216C	HHCS 3/8-16X2 3/4 GR5	
16	113-797D	MARKER PIVOT PIN	
17	890-264C	BUSHING 1 3/4 X 1 1/2 X 1 1/2	
18	800-001C	GREASE ZERK STRAIGHT 1/4-28	
19	802-064C	HHCS 3/4-10X2 GR5	
20	804-023C	WASHER LOCK SPRING 3/4 PLT	
21	803-027C	NUT HEX 3/4-10 PLT	
22	805-062C	PIN ROLL 3/16 X 2 1/2 LG. PTL.	
23	807-096C	SPRING COMP 1/2 OD X 1 LG	
24	172-201D	6 BOLT LOCKOUT PLUNGER	
25	403-175H	WRENCH HOLDER	
26	403-265D	SPRING AND WHEEL WRENCH	
27	805-088C	PIN, HAIR COTTER 3/16 WIRE DIA	
28	803-209C	NUT FLANGE LOCK 3/8-16 PLT	
29	802-388C	HFS 3/8-16X1 GR5	
30	817-853C	MANUAL PAK 2 1/4 THK	
31	401-697D	YP SMV MANUAL PAK HANGER	
32	817-042C	MINI END WHEEL PRESS WHEEL	
33	803-293C	NUT HEX FLNG T-LOCK 1/4-20 PLT	
34	802-007C	HHCS 5/16-18X3/4 GR5	
35	802-005C	HHCS 1/4-20X1 GR5	
36	803-006C	NUT HEX 1/4-20 PLT	
37	804-006C	WASHER LOCK SPRING 1/4 PLT	
38	818-055C	DECAL SLOW MOVING-GALV. BACKED	
39	801-018C	SCREW RD HD 1/4-20 X 5/8	
40	803-008C	NUT HEX 5/16-18 PLT	
41	804-009C	WASHER LOCK SPRING 5/16 PLT	
42	890-153C	SMV MOUNTING BLADE	
43	411-462D	LATCH WALKBOARD HOLD OPEN	
44	800-041C	S-HOOK #772 .177 X 1 1/8 PLT	
45	401-591H	STEP SINGLE BOLT-ON	
46	816-634C	STEP EXTENSION RUBBER	
47	802-091C	HHCS 1/2-13X1 1/2 GR5	
48	804-016C	WASHER FLAT 1/2 SAE PLT	
49	803-019C	NUT LOCK 1/2-13 PLT	

This Page Intentionally Left Blank

Ref.	Part No.	Part Description	Comments
50	586-158D	TRNBCKLE WRENCH 2 5/16-1 15/16	

YP12A Air Delivery 15" Spacing

Applies to Models: YP1225A, YP1625A



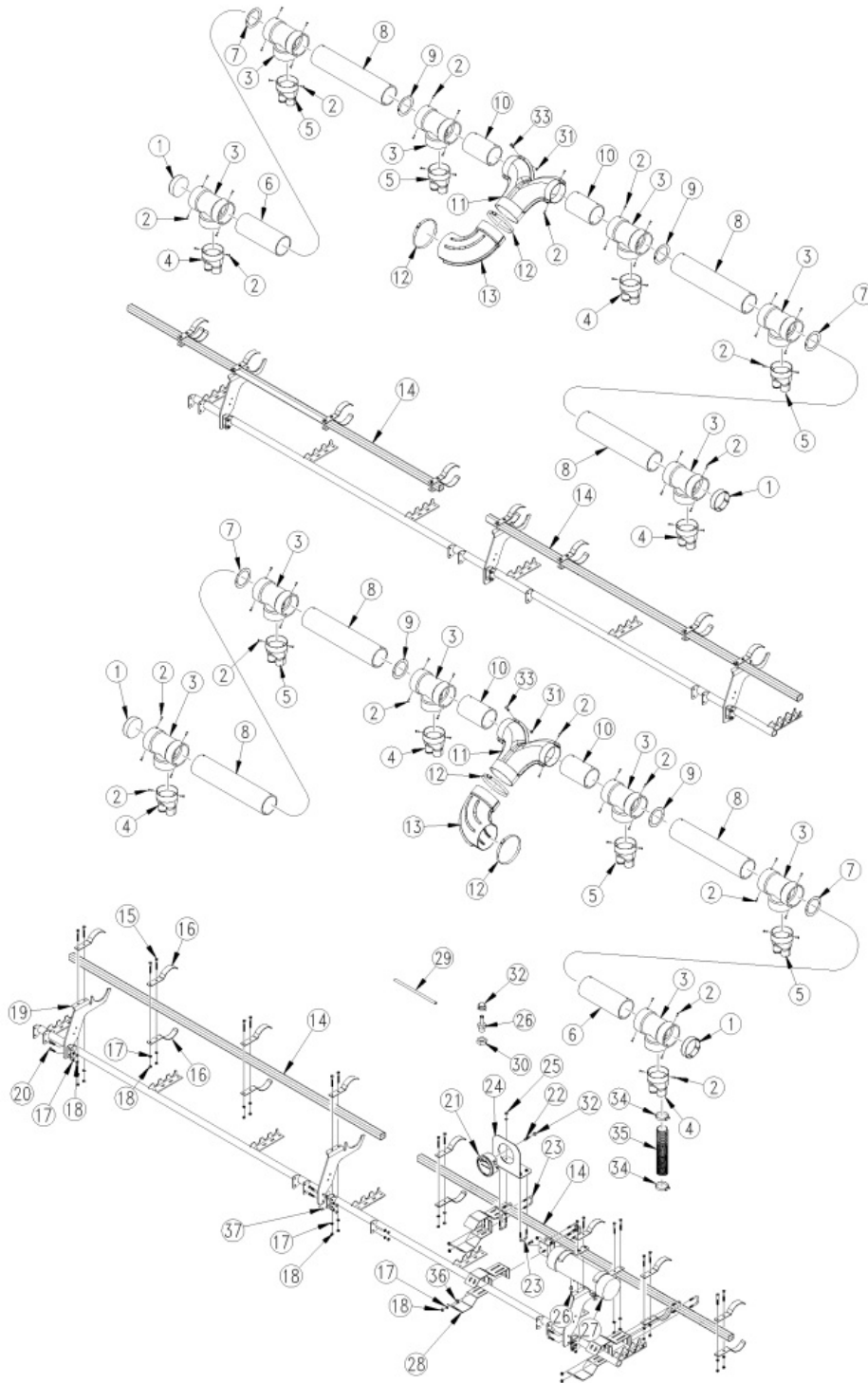
YP12A Air Delivery 15" Spacing

Applies to Models: YP1225A, YP1625A

Ref.	Part No.	Part Description	Comments
	DWG29638	Image No.	
1	817-810C	CAP PLUG DWV ABS 4 INCH	
2	801-137C	SCREW HEX SLT 10-16X3/4 PLT	
3	817-830C	TEE DWV ABS 4 X 4 X 4	
4	817-815C	ADAPT DUCTING 4 X DBBL 2	
5	403-549D	ADAPT DUCTING 4 X SING 2 ORIFI	
6	403-573D	TUBE ABS DWV 4 IN X 11.8 LONG	
7	403-560D	ORIFICE PLATE 4 OD X 3.2 ID	
8	403-575D	TUBE ABS DWV 4 IN X 20.8 LONG	
9	403-563D	ORIFICE PLATE 4 OD X 3.5 ID	
10	403-571D	TUBE ABS DWV 4 IN X 7.1 LONG	
11	817-809C	TEE, 6 IN TO 4 IN	
12	800-151C	CLAMP WRM DRV #96SS (4.75-6.5)	
13	817-812C	ELBOW, DUCTING, 6 IN	
14	403-532D	TUBE SQ 1 1/2X14GX126	
15	802-172C	HHCS 5/16-18X2 1/2 GR5	
16	403-578D	CLAMP, MANIFOLD 4 INCH	
17	804-009C	WASHER LOCK SPRING 5/16 PLT	
18	803-008C	NUT HEX 5/16-18 PLT	
19	403-808D	YP12/16 MANIFOLD BRKT	
20	802-010C	HHCS 5/16-18X1 1/4 GR5	
21	891-153C	MAGNAH PRES GAUGE DUAL0-6INH20	
22	830-276C	AD 1/8MNPT X 1/4HB BRASS	
23	806-107C	U-BOLT 5/16-18 X 1 17/32X2 1/8	
24	403-609D	MOUNT, AIR PRESSURE GAGE	
25	803-177C	NUT HEX FLG TP LK 5/16-18ZNYCR	
26	803-007C	NUT LOCK 1/4-20 PLT	
27	403-361S	SENSOR CHAMBER ASY	Includes item 26
28	403-579D	CLAMP, HOSE ROUTE 6 INCH	
29	990-021R	HOSE 1/4 RUBBER AIR	
30	803-374C	NUT HEX JAM 7/16-20 PLT	
31	891-122C	AD 7/16MORB X 1/4HB BRASS	
32	800-395C	CLAMP SPRING BAND 1/2 OD HOSE	
33	802-078C	HHCS 1/4-20X5/8 GR5	
34	800-203C	CLAMP WRM DRV #32SS (1.56-2.5)	
35	990-253R	HOSE 2 ID POLYP HELIX	
36	804-010C	WASHER FLAT 5/16 USS PLT	
37	403-812D	MANIFOLD SPACER TUBE	

YP12A Air Delivery 20" Spacing

Applies to Models: YP1225A, YP1625A



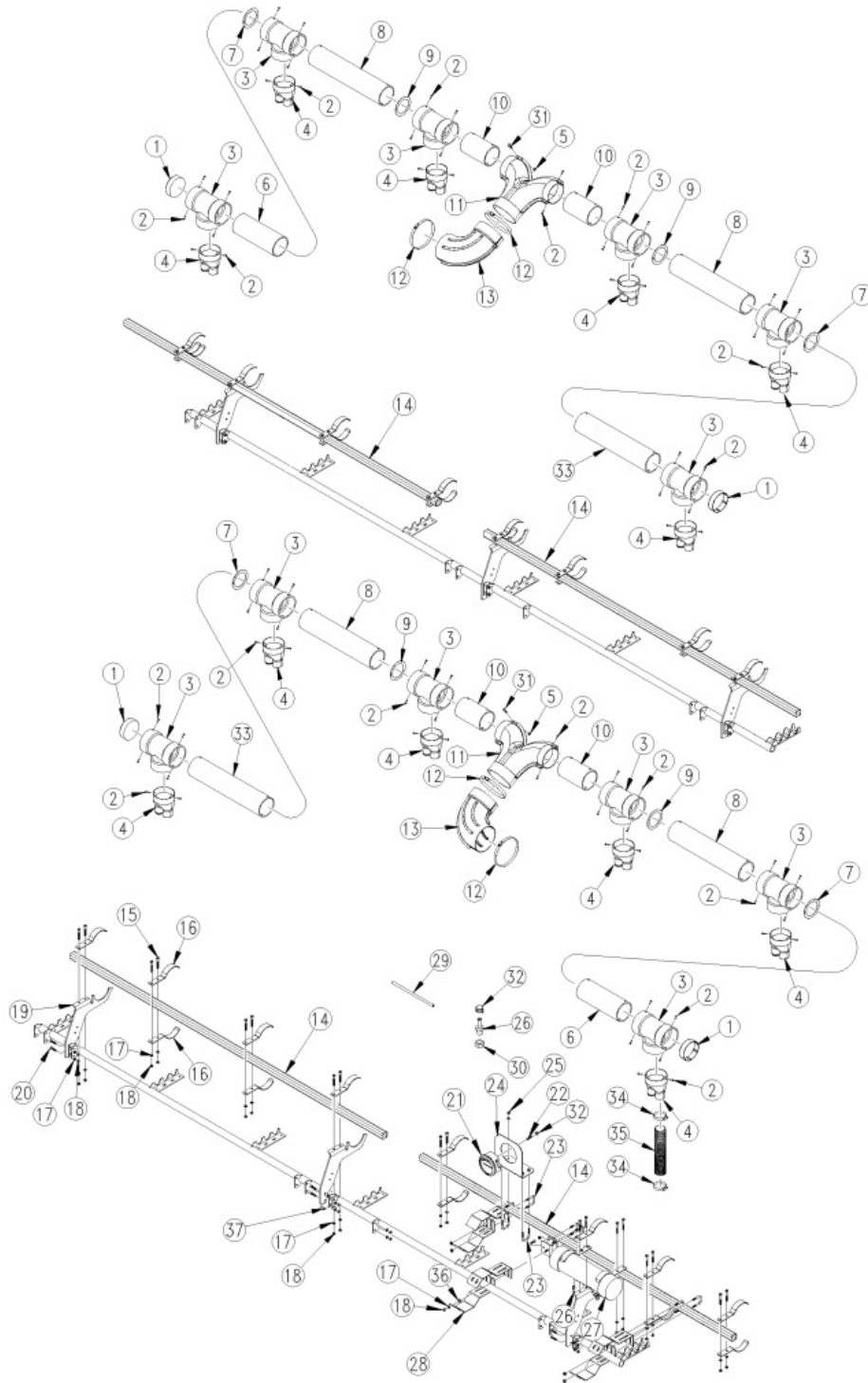
YP12A Air Delivery 20" Spacing

Applies to Models: YP1225A, YP1625A

Ref.	Part No.	Part Description	Comments
	DWG29658	Image No.	
1	817-810C	CAP PLUG DWV ABS 4 INCH	
2	801-137C	SCREW HEX SLT 10-16X3/4 PLT	
3	817-830C	TEE DWV ABS 4 X 4 X 4	
4	817-815C	ADAPT DUCTING 4 X DBBL 2	
5	403-549D	ADAPT DUCTING 4 X SING 2 ORIFI	
6	403-573D	TUBE ABS DWV 4 IN X 11.8 LONG	
7	403-560D	ORIFICE PLATE 4 OD X 3.2 ID	
8	403-575D	TUBE ABS DWV 4 IN X 20.8 LONG	
9	403-563D	ORIFICE PLATE 4 OD X 3.5 ID	
10	403-571D	TUBE ABS DWV 4 IN X 7.1 LONG	
11	817-809C	TEE, 6 IN TO 4 IN	
12	800-151C	CLAMP WRM DRV #96SS (4.75-6.5)	
13	817-812C	ELBOW, DUCTING, 6 IN	
14	403-532D	TUBE SQ 1 1/2X14GX126	
15	802-172C	HHCS 5/16-18X2 1/2 GR5	
16	403-578D	CLAMP, MANIFOLD 4 INCH	
17	804-009C	WASHER LOCK SPRING 5/16 PLT	
18	803-008C	NUT HEX 5/16-18 PLT	
19	403-808D	YP12/16 MANIFOLD BRKT	
20	802-010C	HHCS 5/16-18X1 1/4 GR5	
21	891-153C	MAGNAH PRES GAUGE DUAL0-6INH20	
22	830-276C	AD 1/8MNPT X 1/4HB BRASS	
23	806-107C	U-BOLT 5/16-18 X 1 17/32X2 1/8	
24	403-609D	MOUNT, AIR PRESSURE GAGE	
25	803-177C	NUT HEX FLG TP LK 5/16-18ZNYCR	
26	891-122C	AD 7/16MORB X 1/4HB BRASS	
27	403-361S	SENSOR CHAMBER ASY	Includes item 26
28	403-579D	CLAMP, HOSE ROUTE 6 INCH	
29	990-021R	HOSE 1/4 RUBBER AIR	
30	803-374C	NUT HEX JAM 7/16-20 PLT	
31	803-007C	NUT LOCK 1/4-20 PLT	
32	800-395C	CLAMP SPRING BAND 1/2 OD HOSE	
33	802-078C	HHCS 1/4-20X5/8 GR5	
34	800-203C	CLAMP WRM DRV #32SS (1.56-2.5)	
35	990-253R	HOSE 2 ID POLYP HELIX	
36	804-010C	WASHER FLAT 5/16 USS PLT	
37	403-812D	MANIFOLD SPACER TUBE	

YP12A Air Delivery 30" Spacing

Applies to Models: YP1225A, YP1625A



YP12A Air Delivery 30" Spacing

Applies to Models: YP1225A, YP1625A

Ref.	Part No.	Part Description	Comments
	DWG29904	Image No.	
1	817-810C	CAP PLUG DWV ABS 4 INCH	
2	801-137C	SCREW HEX SLT 10-16X3/4 PLT	
3	817-830C	TEE DWV ABS 4 X 4 X 4	
4	817-816C	ADAPT DUCTING 4 X SING 2	
5	803-007C	NUT LOCK 1/4-20 PLT	
6	403-573D	TUBE ABS DWV 4 IN X 11.8 LONG	
7	403-560D	ORIFICE PLATE 4 OD X 3.2 ID	
8	403-576D	TUBE ABS DWV 4 IN X 24.8 LONG	
9	403-563D	ORIFICE PLATE 4 OD X 3.5 ID	
10	403-571D	TUBE ABS DWV 4 IN X 7.1 LONG	
11	817-809C	TEE, 6 IN TO 4 IN	
12	800-151C	CLAMP WRM DRV #96SS (4.75-6.5)	
13	817-812C	ELBOW, DUCTING, 6 IN	
14	403-532D	TUBE SQ 1 1/2X14GX126	
15	802-172C	HHCS 5/16-18X2 1/2 GR5	
16	403-578D	CLAMP, MANIFOLD 4 INCH	
17	804-009C	WASHER LOCK SPRING 5/16 PLT	
18	803-008C	NUT HEX 5/16-18 PLT	
19	403-808D	YP12/16 MANIFOLD BRKT	
20	802-010C	HHCS 5/16-18X1 1/4 GR5	
21	891-153C	MAGNAH PRES GAUGE DUAL0-6INH20	
22	830-276C	AD 1/8MNPT X 1/4HB BRASS	
23	806-107C	U-BOLT 5/16-18 X 1 17/32X2 1/8	
24	403-609D	MOUNT, AIR PRESSURE GAGE	
25	803-177C	NUT HEX FLG TP LK 5/16-18ZNYCR	
26	891-122C	AD 7/16MORB X 1/4HB BRASS	
27	403-361S	SENSOR CHAMBER ASY	Includes item 26
28	403-579D	CLAMP, HOSE ROUTE 6 INCH	
29	990-021R	HOSE 1/4 RUBBER AIR	
30	803-374C	NUT HEX JAM 7/16-20 PLT	
31	802-078C	HHCS 1/4-20X5/8 GR5	
32	800-395C	CLAMP SPRING BAND 1/2 OD HOSE	
33	403-575D	TUBE ABS DWV 4 IN X 20.8 LONG	
34	800-203C	CLAMP WRM DRV #32SS (1.56-2.5)	
35	990-253R	HOSE 2 ID POLYP HELIX	
36	804-010C	WASHER FLAT 5/16 USS PLT	
37	403-812D	MANIFOLD SPACER TUBE	

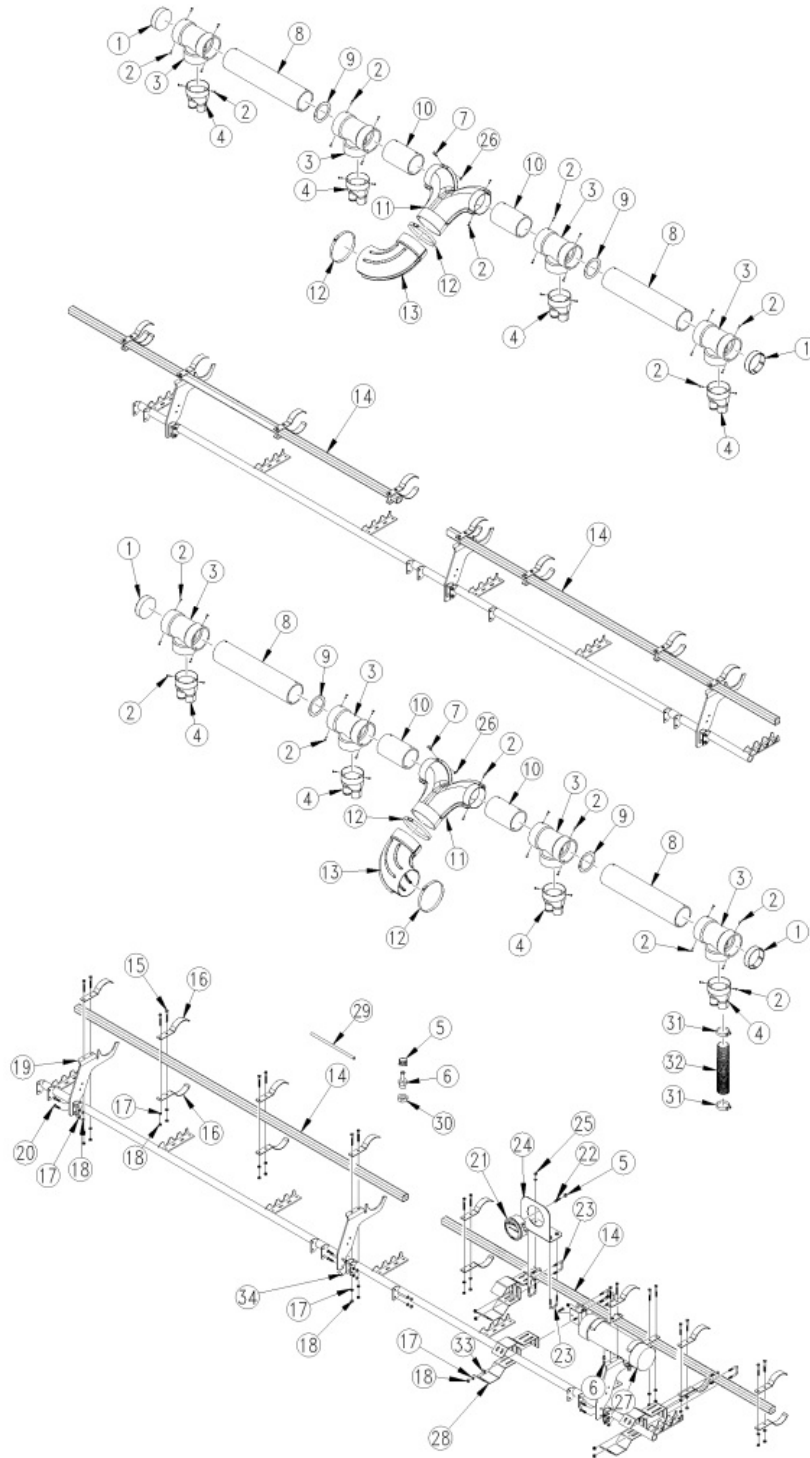
YP12A Air Delivery 30" Twin Row

Applies to Models: YP1225A, YP1625A

Ref.	Part No.	Part Description	Comments
	DWG29640	Image No.	
1	817-810C	CAP PLUG DWV ABS 4 INCH	
2	801-137C	SCREW HEX SLT 10-16X3/4 PLT	
3	817-830C	TEE DWV ABS 4 X 4 X 4	
4	817-815C	ADAPT DUCTING 4 X DBBL 2	
5	800-395C	CLAMP SPRING BAND 1/2 OD HOSE	
6	403-573D	TUBE ABS DWV 4 IN X 11.8 LONG	
7	403-560D	ORIFICE PLATE 4 OD X 3.2 ID	
8	403-575D	TUBE ABS DWV 4 IN X 20.8 LONG	
9	403-563D	ORIFICE PLATE 4 OD X 3.5 ID	
10	403-571D	TUBE ABS DWV 4 IN X 7.1 LONG	
11	817-809C	TEE, 6 IN TO 4 IN	
12	800-151C	CLAMP WRM DRV #96SS (4.75-6.5)	
13	817-812C	ELBOW, DUCTING, 6 IN	
14	403-532D	TUBE SQ 1 1/2X14GX126	
15	802-172C	HHCS 5/16-18X2 1/2 GR5	
16	403-578D	CLAMP, MANIFOLD 4 INCH	
17	804-009C	WASHER LOCK SPRING 5/16 PLT	
18	803-008C	NUT HEX 5/16-18 PLT	
19	403-808D	YP12/16 MANIFOLD BRKT	
20	802-010C	HHCS 5/16-18X1 1/4 GR5	
21	891-153C	MAGNAH PRES GAUGE DUAL0-6INH20	
22	830-276C	AD 1/8MNPT X 1/4HB BRASS	
23	806-107C	U-BOLT 5/16-18 X 1 17/32X2 1/8	
24	403-609D	MOUNT, AIR PRESSURE GAGE	
25	803-177C	NUT HEX FLG TP LK 5/16-18ZNYCR	
26	803-007C	NUT LOCK 1/4-20 PLT	
27	403-361S	SENSOR CHAMBER ASY	Includes item 31
28	403-579D	CLAMP, HOSE ROUTE 6 INCH	
29	990-021R	HOSE 1/4 RUBBER AIR	
30	803-374C	NUT HEX JAM 7/16-20 PLT	
31	891-122C	AD 7/16MORB X 1/4HB BRASS	
32	802-078C	HHCS 1/4-20X5/8 GR5	
33	800-203C	CLAMP WRM DRV #32SS (1.56-2.5)	
34	990-253R	HOSE 2 ID POLYP HELIX	
35	804-010C	WASHER FLAT 5/16 USS PLT	
36	403-812D	MANIFOLD SPACER TUBE	

YP12A Air Delivery 36" TR Spacing

Applies to Models: YP1225A, YP1625A



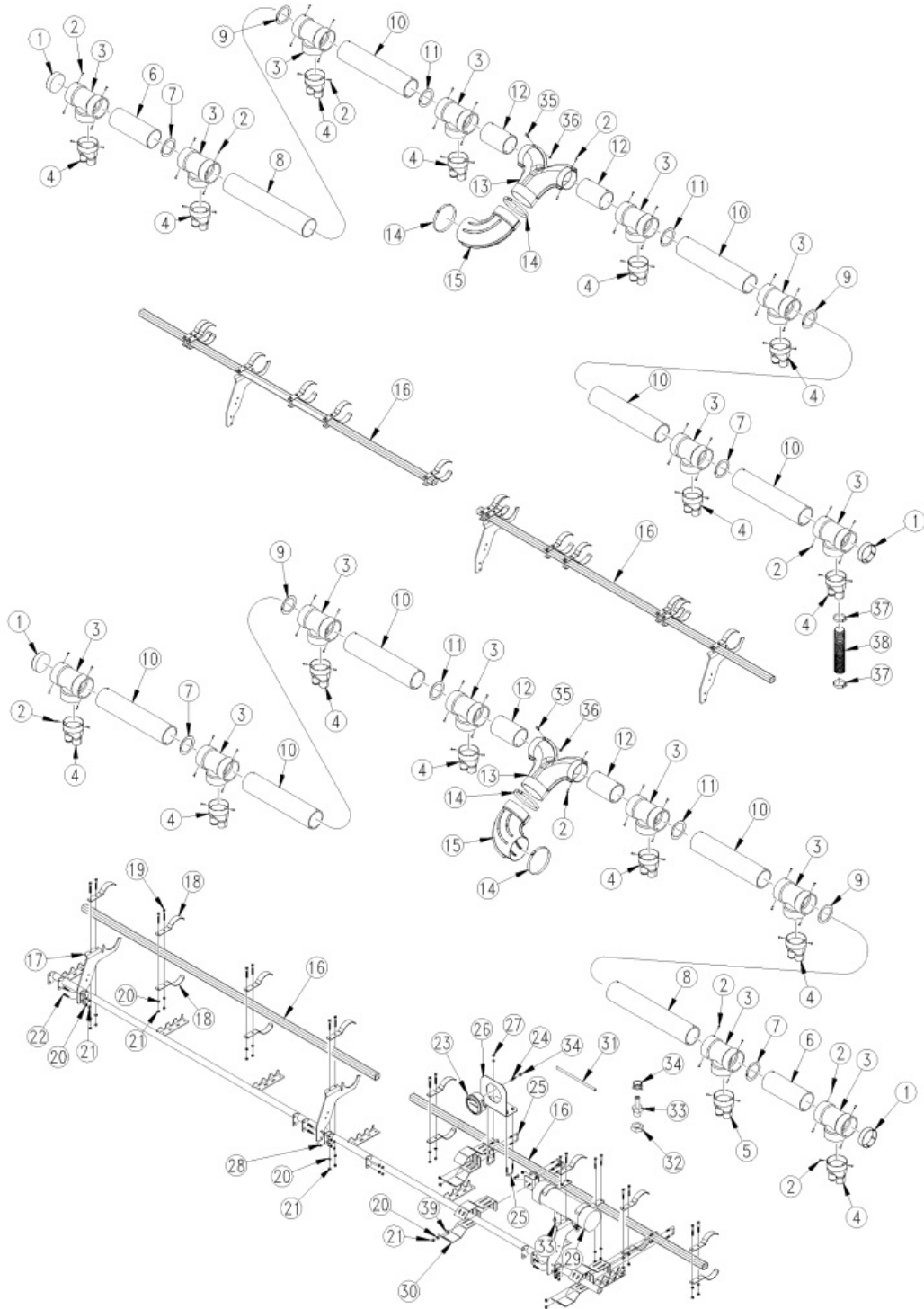
YP12A Air Delivery 36" TR Spacing

Applies to Models: YP1225A, YP1625A

Ref.	Part No.	Part Description	Comments
	DWG29903	Image No.	
1	817-810C	CAP PLUG DWV ABS 4 INCH	
2	801-137C	SCREW HEX SLT 10-16X3/4 PLT	
3	817-830C	TEE DWV ABS 4 X 4 X 4	
4	817-815C	ADAPT DUCTING 4 X DBBL 2	
5	800-395C	CLAMP SPRING BAND 1/2 OD HOSE	
6	891-122C	AD 7/16MORB X 1/4HB BRASS	
7	802-078C	HHCS 1/4-20X5/8 GR5	
8	403-576D	TUBE ABS DWV 4 IN X 24.8 LONG	
9	403-563D	ORIFICE PLATE 4 OD X 3.5 ID	
10	403-571D	TUBE ABS DWV 4 IN X 7.1 LONG	
11	817-809C	TEE, 6 IN TO 4 IN	
12	800-151C	CLAMP WRM DRV #96SS (4.75-6.5)	
13	817-812C	ELBOW, DUCTING, 6 IN	
14	403-664D	TUBE SQ 1 1/2X14GX112	
15	802-172C	HHCS 5/16-18X2 1/2 GR5	
16	403-578D	CLAMP, MANIFOLD 4 INCH	
17	804-009C	WASHER LOCK SPRING 5/16 PLT	
18	803-008C	NUT HEX 5/16-18 PLT	
19	403-808D	YP12/16 MANIFOLD BRKT	
20	802-010C	HHCS 5/16-18X1 1/4 GR5	
21	891-153C	MAGNAH PRES GAUGE DUAL0-6INH20	
22	830-276C	AD 1/8MNPT X 1/4HB BRASS	
23	806-107C	U-BOLT 5/16-18 X 1 17/32X2 1/8	
24	403-609D	MOUNT, AIR PRESSURE GAGE	
25	803-177C	NUT HEX FLG TP LK 5/16-18ZNYCR	
26	803-007C	NUT LOCK 1/4-20 PLT	
27	403-361S	SENSOR CHAMBER ASY	Includes item 6
28	403-579D	CLAMP, HOSE ROUTE 6 INCH	
29	990-021R	HOSE 1/4 RUBBER AIR	
30	803-374C	NUT HEX JAM 7/16-20 PLT	
31	800-203C	CLAMP WRM DRV #32SS (1.56-2.5)	
32	990-253R	HOSE 2 ID POLYP HELIX	
33	804-010C	WASHER FLAT 5/16 USS PLT	
34	403-812D	MANIFOLD SPACER TUBE	

YP16A Air Delivery 15" Spacing

Applies to Models: YP1225A, YP1625A



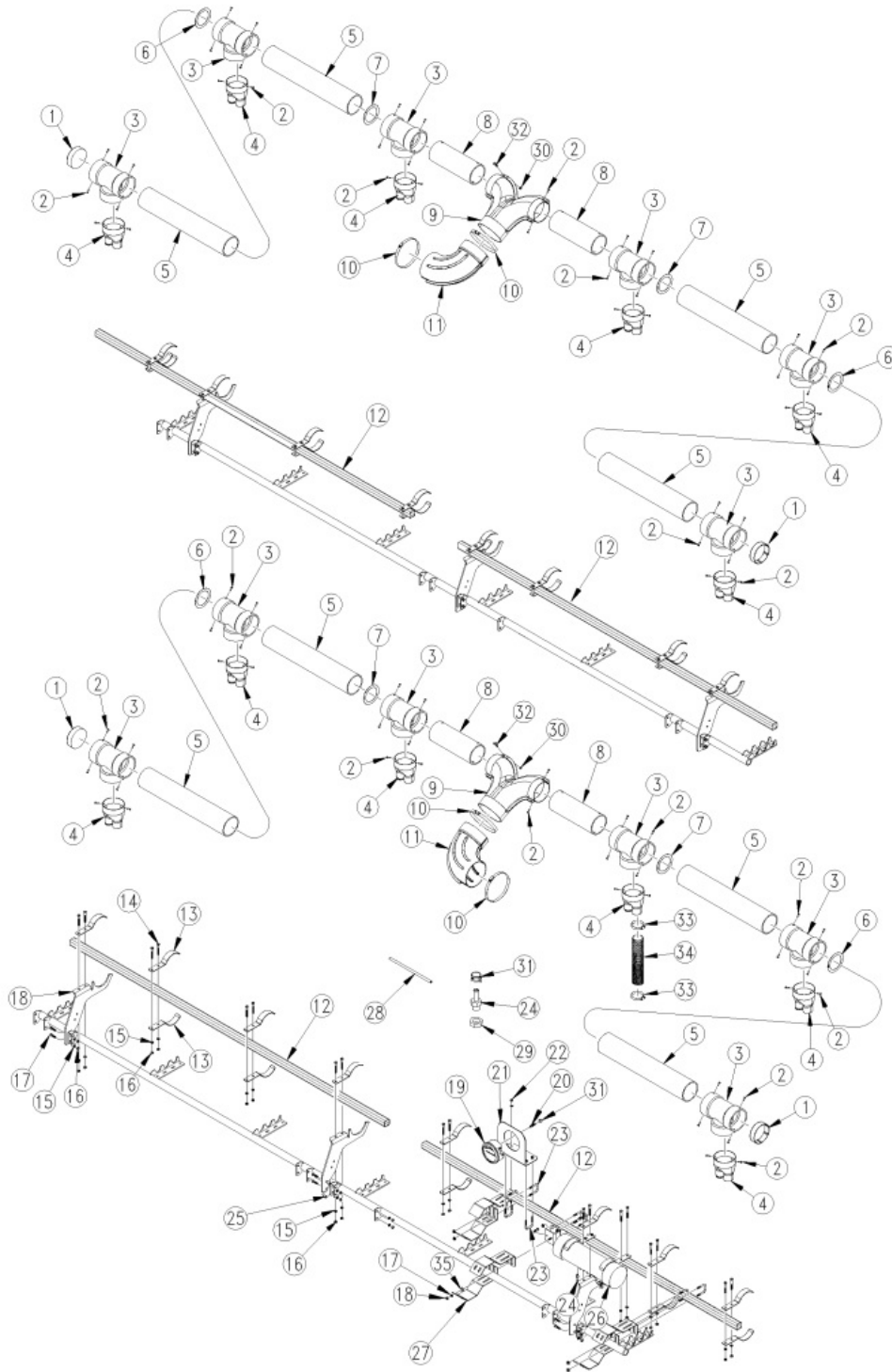
YP16A Air Delivery 15" Spacing

Applies to Models: YP1225A, YP1625A

Ref.	Part No.	Part Description	Comments
	DWG29636	Image No.	
1	817-810C	CAP PLUG DWV ABS 4 INCH	
2	801-137C	SCREW HEX SLT 10-16X3/4 PLT	
3	817-830C	TEE DWV ABS 4 X 4 X 4	
4	817-815C	ADAPT DUCTING 4 X DBBL 2	
5	403-549D	ADAPT DUCTING 4 X SING 2 ORIFI	
6	403-573D	TUBE ABS DWV 4 IN X 11.8 LONG	
7	403-558D	ORIFICE PLATE 4 OD X 3.0 ID	
8	403-576D	TUBE ABS DWV 4 IN X 24.8 LONG	
9	403-561D	ORIFICE PLATE 4 OD X 3.3 ID	
10	403-575D	TUBE ABS DWV 4 IN X 20.8 LONG	
11	403-563D	ORIFICE PLATE 4 OD X 3.5 ID	
12	403-571D	TUBE ABS DWV 4 IN X 7.1 LONG	
13	817-809C	TEE, 6 IN TO 4 IN	
14	800-151C	CLAMP WRM DRV #96SS (4.75-6.5)	
15	817-812C	ELBOW, DUCTING, 6 IN	
16	403-807D	TUBE SQ 1 1/2 X14GAX92	
17	403-808D	YP12/16 MANIFOLD BRKT	
18	403-578D	CLAMP, MANIFOLD 4 INCH	
19	802-172C	HHCS 5/16-18X2 1/2 GR5	
20	804-009C	WASHER LOCK SPRING 5/16 PLT	
21	803-008C	NUT HEX 5/16-18 PLT	
22	802-010C	HHCS 5/16-18X1 1/4 GR5	
23	891-153C	MAGNAH PRES GAUGE DUAL0-6INH20	
24	830-276C	AD 1/8MNPT X 1/4HB BRASS	
25	806-107C	U-BOLT 5/16-18 X 1 17/32X2 1/8	
26	403-609D	MOUNT, AIR PRESSURE GAGE	
27	803-177C	NUT HEX FLG TP LK 5/16-18ZNYCR	
28	403-812D	MANIFOLD SPACER TUBE	
29	403-361S	SENSOR CHAMBER ASY	Includes item 33
30	403-579D	CLAMP, HOSE ROUTE 6 INCH	
31	990-021R	HOSE 1/4 RUBBER AIR	
32	803-374C	NUT HEX JAM 7/16-20 PLT	
33	891-122C	AD 7/16MORB X 1/4HB BRASS	
34	800-395C	CLAMP SPRING BAND 1/2 OD HOSE	
35	802-078C	HHCS 1/4-20X5/8 GR5	
36	803-007C	NUT LOCK 1/4-20 PLT	
37	800-203C	CLAMP WRM DRV #32SS (1.56-2.5)	
38	990-253R	HOSE 2 ID POLYP HELIX	
39	804-010C	WASHER FLAT 5/16 USS PLT	

YP16A Air Delivery 20" Spacing

Applies to Models: YP1225A, YP1625A



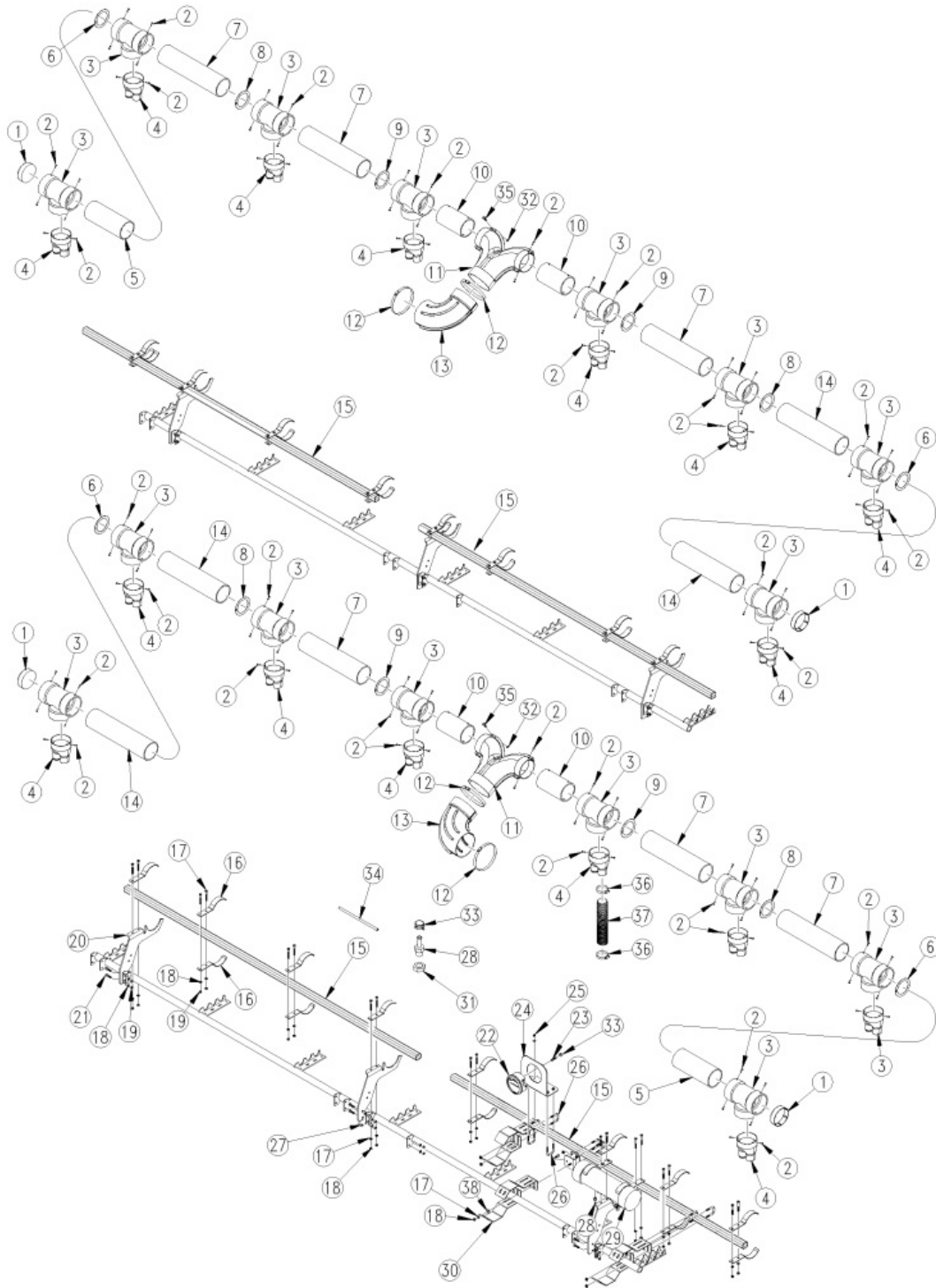
YP16A Air Delivery 20" Spacing

Applies to Models: YP1225A, YP1625A

Ref.	Part No.	Part Description	Comments
	DWG29668	Image No.	
1	817-810C	CAP PLUG DWV ABS 4 INCH	
2	801-137C	SCREW HEX SLT 10-16X3/4 PLT	
3	817-830C	TEE DWV ABS 4 X 4 X 4	
4	817-815C	ADAPT DUCTING 4 X DBBL 2	
5	403-616D	TUBE ABS DWV 4 IN X 30.0 LONG	
6	403-560D	ORIFICE PLATE 4 OD X 3.2 ID	
7	403-563D	ORIFICE PLATE 4 OD X 3.5 ID	
8	403-574D	TUBE ABS DWV 4 IN X 16.6 LONG	
9	817-809C	TEE, 6 IN TO 4 IN	
10	800-151C	CLAMP WRM DRV #96SS (4.75-6.5)	
11	817-812C	ELBOW, DUCTING, 6 IN	
12	403-533D	TUBE SQ 1 1/2X14GX186	
13	403-578D	CLAMP, MANIFOLD 4 INCH	
14	802-172C	HHCS 5/16-18X2 1/2 GR5	
15	804-009C	WASHER LOCK SPRING 5/16 PLT	
16	803-008C	NUT HEX 5/16-18 PLT	
17	802-010C	HHCS 5/16-18X1 1/4 GR5	
18	403-808D	YP12/16 MANIFOLD BRKT	
19	891-153C	MAGNAH PRES GAUGE DUAL0-6INH20	
20	830-276C	AD 1/8MNPT X 1/4HB BRASS	
21	403-609D	MOUNT, AIR PRESSURE GAGE	
22	803-177C	NUT HEX FLG TP LK 5/16-18ZNYCR	
23	806-107C	U-BOLT 5/16-18 X 1 17/32X2 1/8	
24	891-122C	AD 7/16MORB X 1/4HB BRASS	
25	403-812D	MANIFOLD SPACER TUBE	
26	403-361S	SENSOR CHAMBER ASY	Includes item 24
27	403-579D	CLAMP, HOSE ROUTE 6 INCH	
28	990-021R	HOSE 1/4 RUBBER AIR	
29	803-374C	NUT HEX JAM 7/16-20 PLT	
30	803-007C	NUT LOCK 1/4-20 PLT	
31	800-395C	CLAMP SPRING BAND 1/2 OD HOSE	
32	802-078C	HHCS 1/4-20X5/8 GR5	
33	800-203C	CLAMP WRM DRV #32SS (1.56-2.5)	
34	990-253R	HOSE 2 ID POLYP HELIX	
35	804-010C	WASHER FLAT 5/16 USS PLT	

YP16A Air Delivery 30" Spacing

Applies to Models: YP1225A, YP1625A



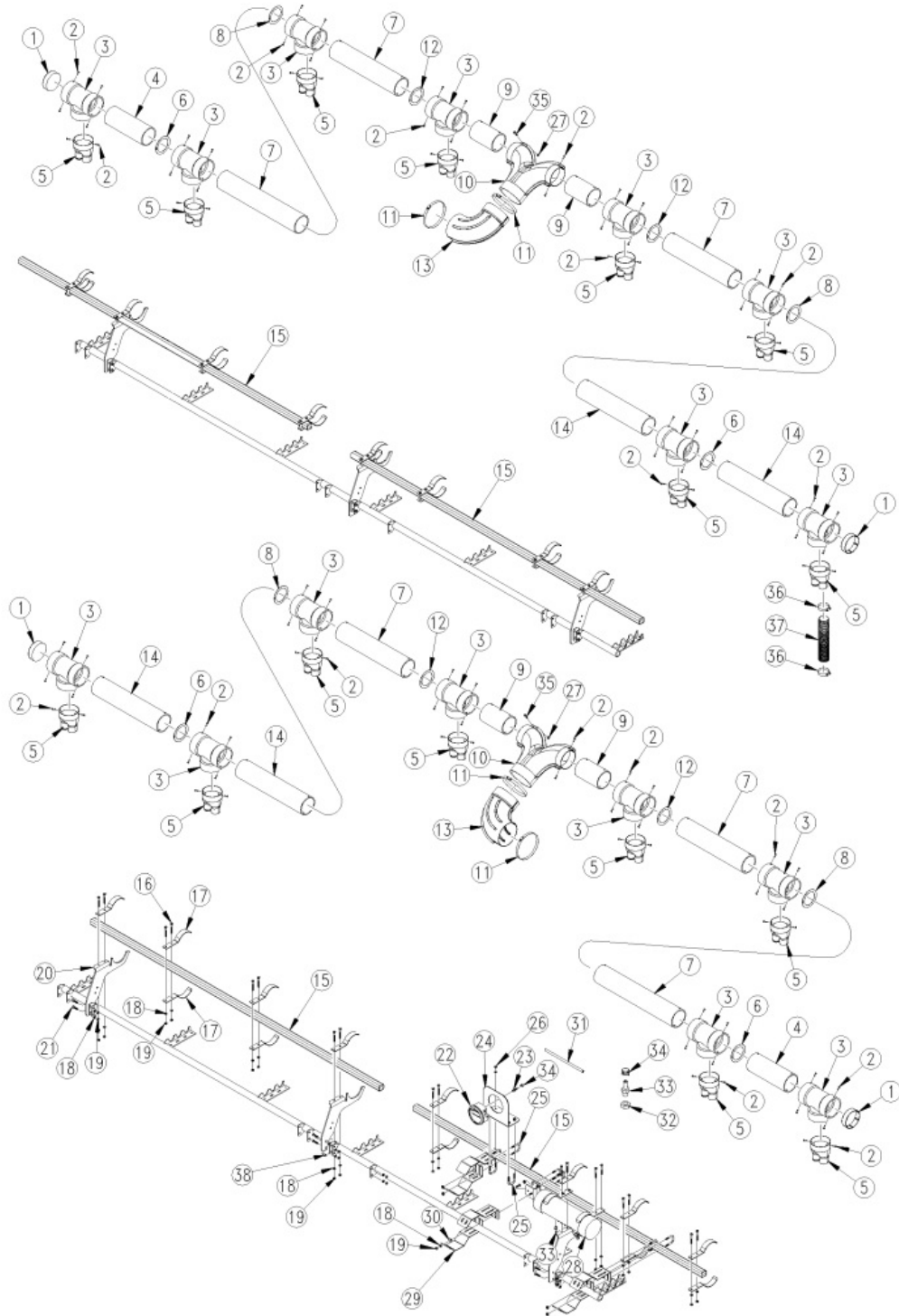
YP16A Air Delivery 30" Spacing

Applies to Models: YP1225A, YP1625A

Ref.	Part No.	Part Description	Comments
	DWG29669	Image No.	
1	817-810C	CAP PLUG DWV ABS 4 INCH	
2	801-137C	SCREW HEX SLT 10-16X3/4 PLT	
3	817-830C	TEE DWV ABS 4 X 4 X 4	
4	817-816C	ADAPT DUCTING 4 X SING 2	
5	403-573D	TUBE ABS DWV 4 IN X 11.8 LONG	
6	403-558D	ORIFICE PLATE 4 OD X 3.0 ID	
7	403-576D	TUBE ABS DWV 4 IN X 24.8 LONG	
8	403-561D	ORIFICE PLATE 4 OD X 3.3 ID	
9	403-563D	ORIFICE PLATE 4 OD X 3.5 ID	
10	403-571D	TUBE ABS DWV 4 IN X 7.1 LONG	
11	817-809C	TEE, 6 IN TO 4 IN	
12	800-151C	CLAMP WRM DRV #96SS (4.75-6.5)	
13	817-812C	ELBOW, DUCTING, 6 IN	
14	403-575D	TUBE ABS DWV 4 IN X 20.8 LONG	
15	403-533D	TUBE SQ 1 1/2X14GX186	
16	403-578D	CLAMP, MANIFOLD 4 INCH	
17	802-172C	HHCS 5/16-18X2 1/2 GR5	
18	804-009C	WASHER LOCK SPRING 5/16 PLT	
19	803-008C	NUT HEX 5/16-18 PLT	
20	403-808D	YP12/16 MANIFOLD BRKT	
21	802-010C	HHCS 5/16-18X1 1/4 GR5	
22	891-153C	MAGNAH PRES GAUGE DUAL0-6INH20	
23	830-276C	AD 1/8MNPT X 1/4HB BRASS	
24	403-609D	MOUNT, AIR PRESSURE GAGE	
25	803-177C	NUT HEX FLG TP LK 5/16-18ZNYCR	
26	806-107C	U-BOLT 5/16-18 X 1 17/32X2 1/8	
27	403-812D	MANIFOLD SPACER TUBE	
28	891-122C	AD 7/16MORB X 1/4HB BRASS	
29	403-361S	SENSOR CHAMBER ASY	Includes item 28
30	403-379D	PRO BOX GUIDE SHORT LH	
31	803-374C	NUT HEX JAM 7/16-20 PLT	
32	803-007C	NUT LOCK 1/4-20 PLT	
33	800-395C	CLAMP SPRING BAND 1/2 OD HOSE	
34	990-021R	HOSE 1/4 RUBBER AIR	
35	802-078C	HHCS 1/4-20X5/8 GR5	
36	800-203C	CLAMP WRM DRV #32SS (1.56-2.5)	
37	990-253R	HOSE 2 ID POLYP HELIX	
38	804-010C	WASHER FLAT 5/16 USS PLT	

YP16A Air Delivery 30" Twin Row

Applies to Models: YP1225A, YP1625A



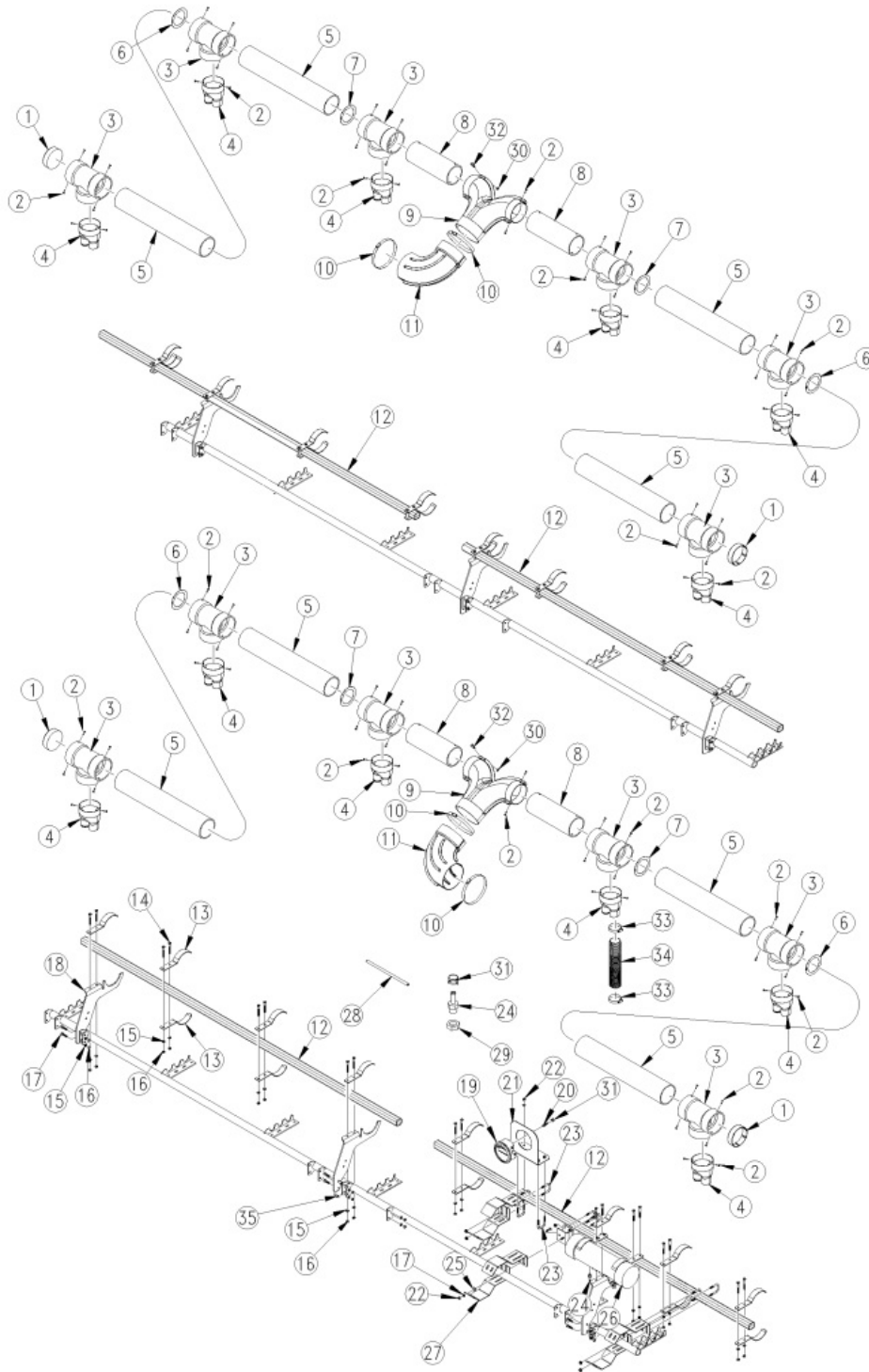
YP16A Air Delivery 30" Twin Row

Applies to Models: YP1225A, YP1625A

Ref.	Part No.	Part Description	Comments
	DWG29637	Image No.	
1	817-810C	CAP PLUG DWV ABS 4 INCH	
2	801-137C	SCREW HEX SLT 10-16X3/4 PLT	
3	817-830C	TEE DWV ABS 4 X 4 X 4	
4	403-573D	TUBE ABS DWV 4 IN X 11.8 LONG	
5	817-815C	ADAPT DUCTING 4 X DBBL 2	
6	403-558D	ORIFICE PLATE 4 OD X 3.0 ID	
7	403-576D	TUBE ABS DWV 4 IN X 24.8 LONG	
8	403-561D	ORIFICE PLATE 4 OD X 3.3 ID	
9	403-571D	TUBE ABS DWV 4 IN X 7.1 LONG	
10	817-809C	TEE, 6 IN TO 4 IN	
11	800-151C	CLAMP WRM DRV #96SS (4.75-6.5)	
12	403-563D	ORIFICE PLATE 4 OD X 3.5 ID	
13	817-812C	ELBOW, DUCTING, 6 IN	
14	403-575D	TUBE ABS DWV 4 IN X 20.8 LONG	
15	403-533D	TUBE SQ 1 1/2X14GX186	
16	802-172C	HHCS 5/16-18X2 1/2 GR5	
17	403-578D	CLAMP, MANIFOLD 4 INCH	
18	804-009C	WASHER LOCK SPRING 5/16 PLT	
19	803-008C	NUT HEX 5/16-18 PLT	
20	403-808D	YP12/16 MANIFOLD BRKT	
21	802-010C	HHCS 5/16-18X1 1/4 GR5	
22	891-153C	MAGNAH PRES GAUGE DUAL0-6INH20	
23	830-276C	AD 1/8MNPT X 1/4HB BRASS	
24	403-609D	MOUNT, AIR PRESSURE GAGE	
25	806-107C	U-BOLT 5/16-18 X 1 17/32X2 1/8	
26	803-177C	NUT HEX FLG TP LK 5/16-18ZNYCR	
27	803-007C	NUT LOCK 1/4-20 PLT	
28	403-361S	SENSOR CHAMBER ASY	Includes item 33
29	403-579D	CLAMP, HOSE ROUTE 6 INCH	
30	804-010C	WASHER FLAT 5/16 USS PLT	
31	990-021R	HOSE 1/4 RUBBER AIR	
32	803-374C	NUT HEX JAM 7/16-20 PLT	
33	891-122C	AD 7/16MORB X 1/4HB BRASS	
34	800-395C	CLAMP SPRING BAND 1/2 OD HOSE	
35	802-078C	HHCS 1/4-20X5/8 GR5	
36	800-203C	CLAMP WRM DRV #32SS (1.56-2.5)	
37	990-253R	HOSE 2 ID POLYP HELIX	
38	403-812D	MANIFOLD SPACER TUBE	

YP16A Air Delivery 36" and 36" Twin Row Spacing

Applies to Models: YP1225A, YP1625A



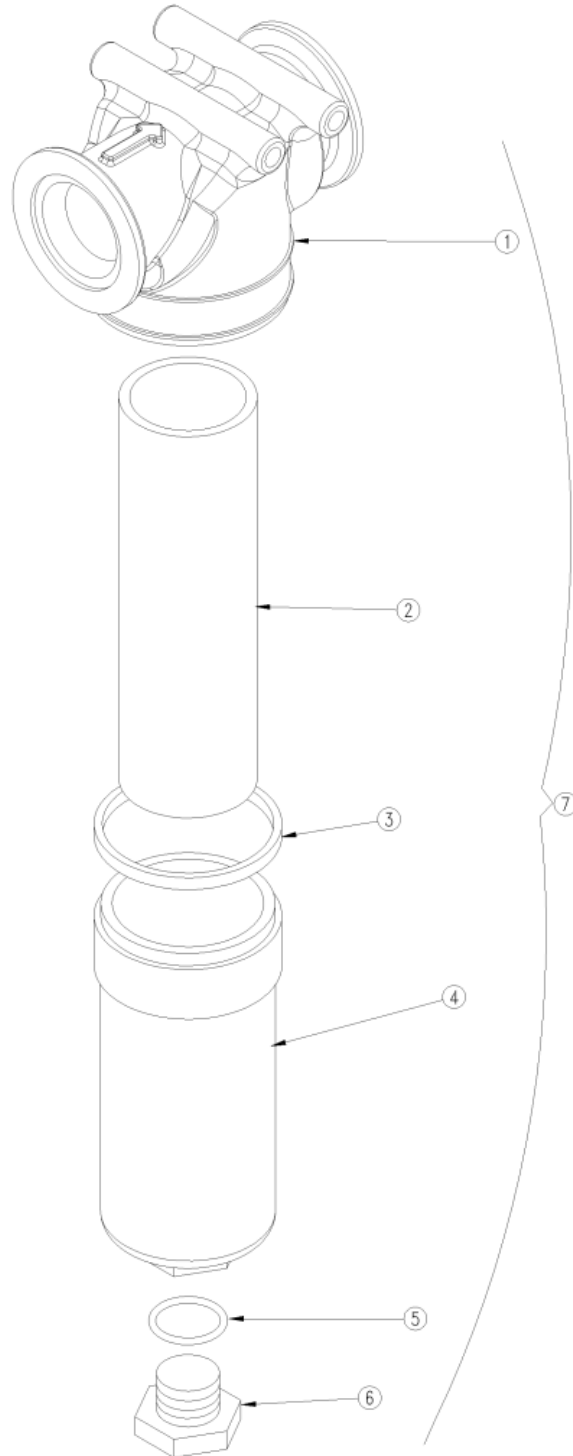
YP16A Air Delivery 36" and 36" Twin Row Spacing

Applies to Models: YP1225A, YP1625A

Ref.	Part No.	Part Description	Comments
	DWG29905	Image No.	
1	817-810C	CAP PLUG DWV ABS 4 INCH	
2	801-137C	SCREW HEX SLT 10-16X3/4 PLT	
3	817-830C	TEE DWV ABS 4 X 4 X 4	
4	817-815C	ADAPT DUCTING 4 X DBBL 2	Used with 36" Twin Row
4	817-816C	ADAPT DUCTING 4 X SING 2	Used with 36"
5	403-576D	TUBE ABS DWV 4 IN X 24.8 LONG	
6	403-559D	ORIFICE PLATE 4 OD X 3.1 ID	
7	403-562D	ORIFICE PLATE 4 OD X 3.4 ID	
8	403-574D	TUBE ABS DWV 4 IN X 16.6 LONG	
9	817-809C	TEE, 6 IN TO 4 IN	
10	800-151C	CLAMP WRM DRV #96SS (4.75-6.5)	
11	817-812C	ELBOW, DUCTING, 6 IN	
12	403-533D	TUBE SQ 1 1/2X14GX186	
13	403-578D	CLAMP, MANIFOLD 4 INCH	
14	802-172C	HHCS 5/16-18X2 1/2 GR5	
15	804-009C	WASHER LOCK SPRING 5/16 PLT	
16	803-008C	NUT HEX 5/16-18 PLT	
17	802-010C	HHCS 5/16-18X1 1/4 GR5	
18	403-808D	YP12/16 MANIFOLD BRKT	
19	891-153C	MAGNAH PRES GAUGE DUAL0-6INH20	
20	830-276C	AD 1/8MNPT X 1/4HB BRASS	
21	403-609D	MOUNT, AIR PRESSURE GAGE	
22	803-177C	NUT HEX FLG TP LK 5/16-18ZNYCR	
23	806-107C	U-BOLT 5/16-18 X 1 17/32X2 1/8	
24	891-122C	AD 7/16MORB X 1/4HB BRASS	
25	804-010C	WASHER FLAT 5/16 USS PLT	
26	403-361S	SENSOR CHAMBER ASY	Includes item 24
27	403-579D	CLAMP, HOSE ROUTE 6 INCH	
28	990-021R	HOSE 1/4 RUBBER AIR	
29	803-374C	NUT HEX JAM 7/16-20 PLT	
30	803-007C	NUT LOCK 1/4-20 PLT	
31	800-395C	CLAMP SPRING BAND 1/2 OD HOSE	
32	802-078C	HHCS 1/4-20X5/8 GR5	
33	800-203C	CLAMP WRM DRV #32SS (1.56-2.5)	
34	990-253R	HOSE 2 ID POLYP HELIX	
35	403-812D	MANIFOLD SPACER TUBE	

Banjo Strainer (831-078C)

Applies to Models: YP1225A, YP1625A

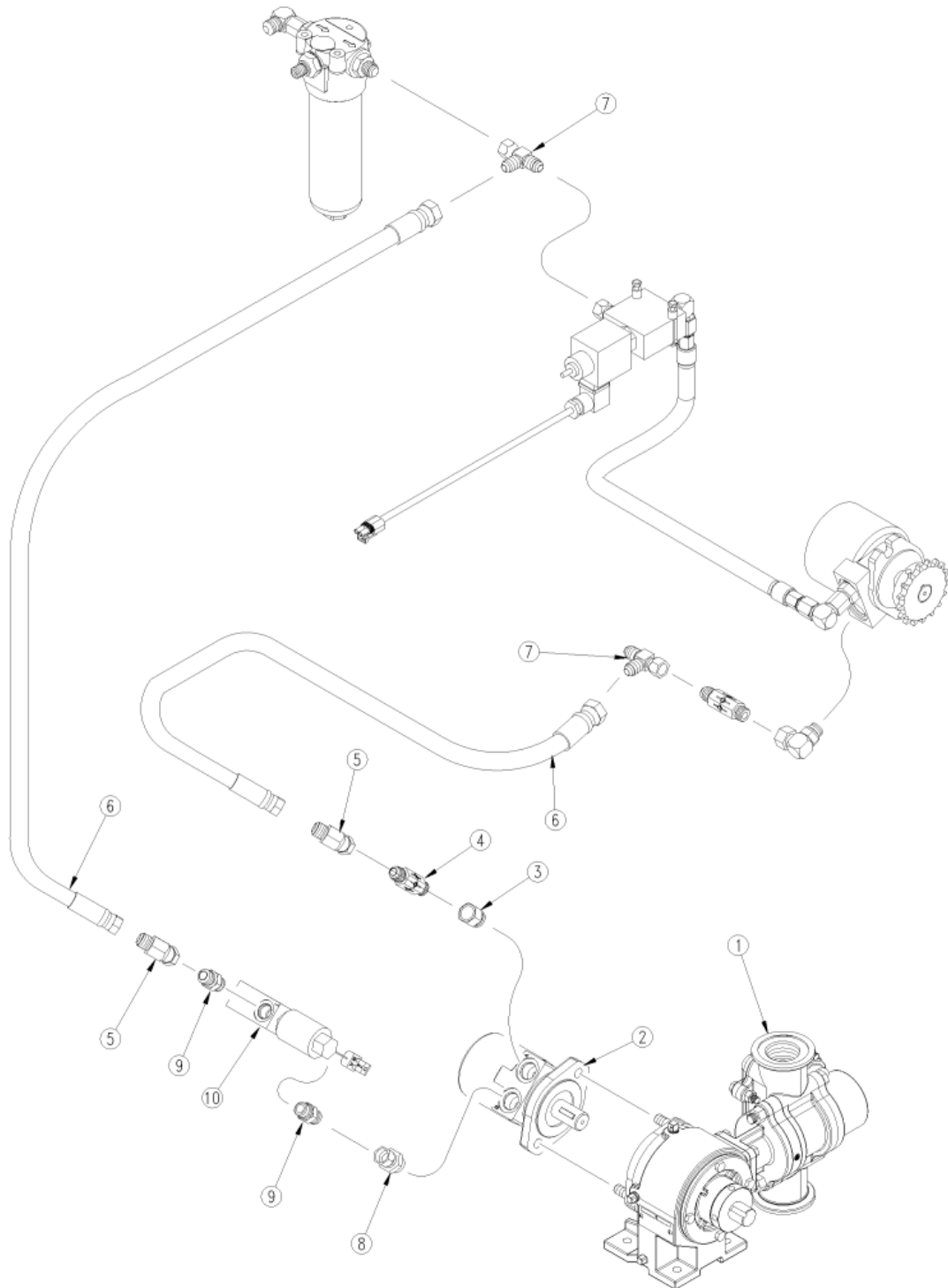


Banjo Strainer (831-078C)

Applies to Models: YP1225A, YP1625A

Ref.	Part No.	Part Description	Comments
	DWG 38352	Image No.	
1	MLST150-H	HEAD FOR BANJO 831-078C	
2	LST1580	SCREEN FOR STRAINER 831-029C	
3	LST150-G	GASKET FOR 831-029C	
4	LST150-B	1 1/2 FLG T-STRAIN BOWL	
5	LSQ200-R	GASKET/O-RING	
6	LSQ200-PL	PLUG FOR BANJO 831-078C	
7	831-078C	STRAINER MLST150-80 MESH	Includes 1 - 6

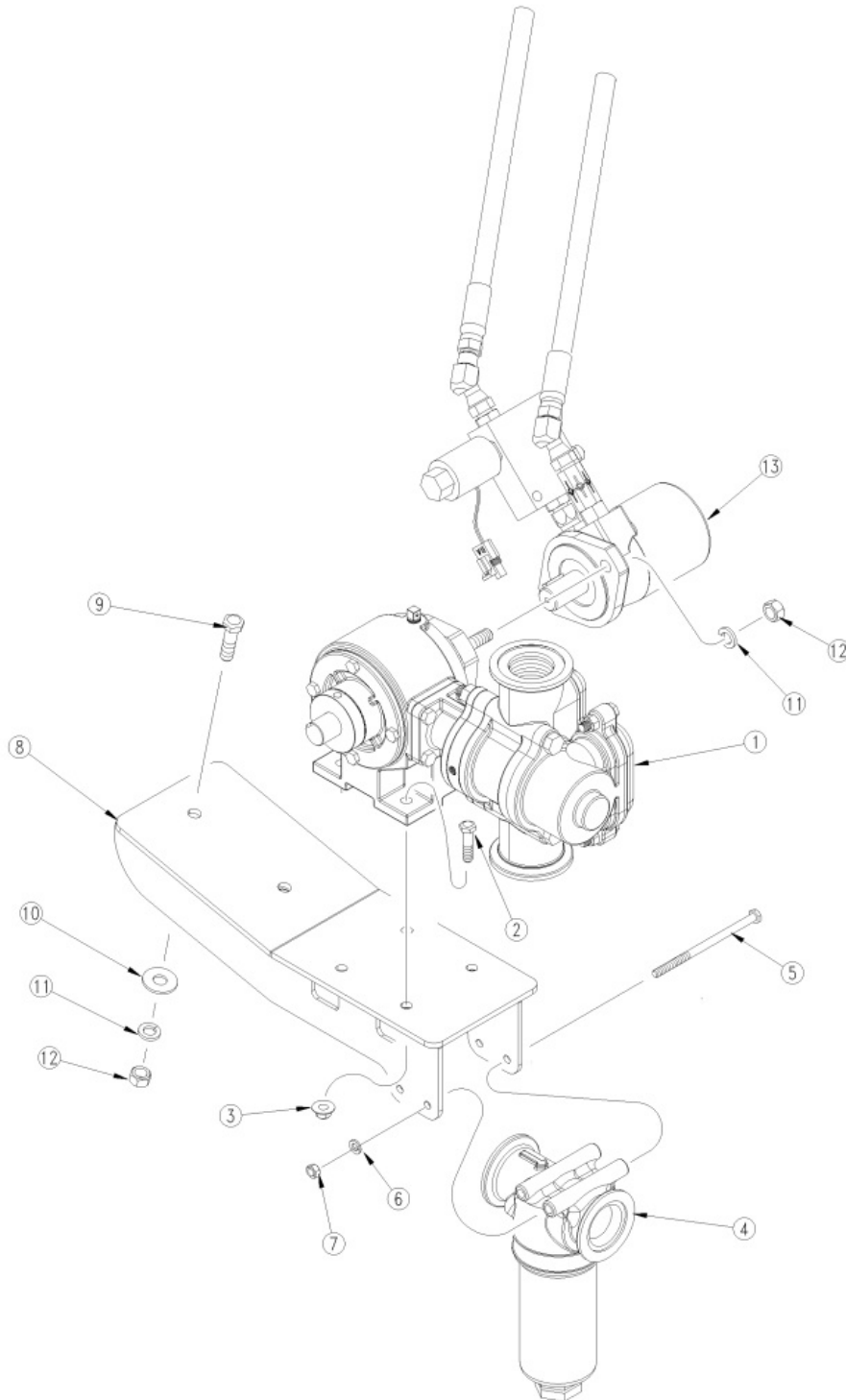
Applies to Models: YP1225A, YP1625A



Applies to Models: YP1225A, YP1625A

Ref.	Part No.	Part Description	Comments
	DWG 38355	Image No.	
1	831-121C	JOHN BLUE NGP-6055-HYF	
2	850-154C	HYD MOTOR 4.9CIR SAE A MNT	
3	811-564C	AD 3/4FORB 7/8MORB	
4	810-696C	VALVE INLINE CHECK W/ ORIFICE	
5	811-040C	EL 45 3/4MJIC 3/4FJIC	
6	811-807C	HH1/2R2 120 3/4FJIC	
7	811-073C	TE 3/4MJIC 3/4MJIC 3/4FJIC	
8	811-502C	AD 7/8MORB 3/4FJIC	
9	811-088C	AD 3/4MORB 3/4MJIC	
10	861-463C	PRESSURE COMP PWM VALVE	

Applies to Models: YP1225A, YP1625A



Hydraulic Drive Mounting

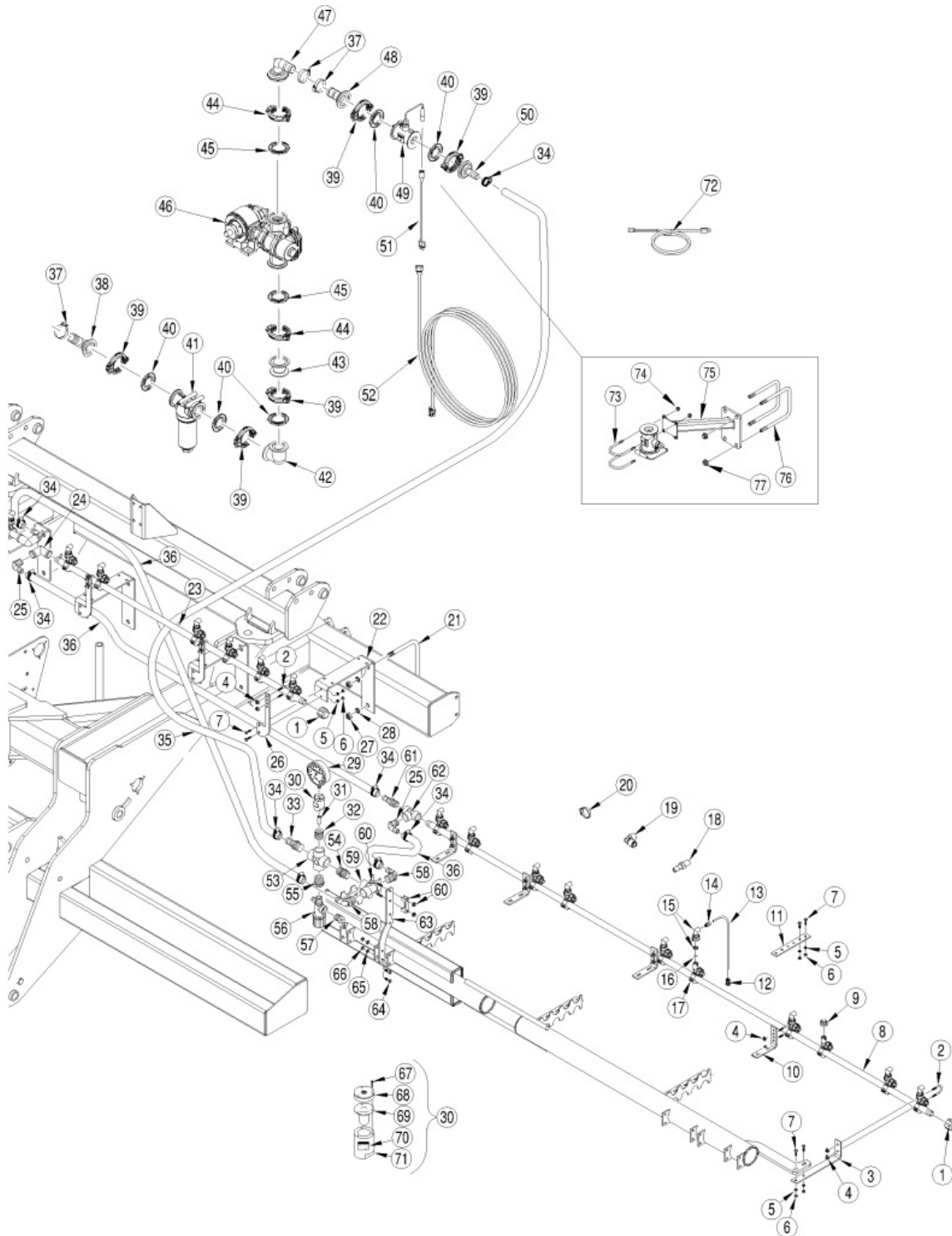
Applies to Models: YP1225A, YP1625A

Ref.	Part No.	Part Description	Comments
	DWG 38353	Image No.	
1	831-121C	JOHN BLUE NGP-6055-HYF	
2	802-022C	HHCS 3/8-16X1 1/2 GR5	
3	803-086C	NUT MAC-LOK FLG 3/8-16 GR F	
4	831-078C	STRAINER MLST150-80 MESH	Refer to "Banjo Strainer (831-078C) for breakdown.
5	802-256C	HHCS 5/16-18X5 1/2 GR5	
6	804-009C	WASHER LOCK SPRING 5/16 PLT	
7	803-008C	NUT HEX 5/16-18 PLT	
8	417-835H	VAR RATE FERTILIZER PUMP MNT	
9	802-082C	HHCS 1/2-13X1 3/4 GR5	
10	804-017C	WASHER FLAT 1/2 USS PLT	
11	804-015C	WASHER LOCK SPRING 1/2 PLT	
12	803-020C	NUT HEX 1/2-13 PLT	
13	850-154C	HYD MOTOR 4.9CIR SAE A MNT	

Great Plains Plumbing for Hydraulic Drive

Hydraulic Drive for Liquid Fertilizer

Applies to Models: YP1225A, YP1625A



Plumbing for Hydraulic Drive

Applies to Models: YP1225A, YP1625A

Ref.	Part No.	Part Description	Comments
	DWG 38380	Image No.	
1	830-061C	CA 3/4FNPT POLYPROP	
2	806-152C	U-BOLT 1/4-20 X 1.125 X 2 RND	
3	407-380D	OUTSIDE BOOM SUPPORT	
4	803-088C	NUT HEX LOCK 1/4-20 FLG	
5	804-006C	WASHER LOCK SPRING 1/4 PLT	
6	803-006C	NUT HEX 1/4-20 PLT	
7	802-005C	HHCS 1/4-20X1 GR5	
8	407-353D	MANIFOLD YP40 TR WING	
9	832-042C	NOZZLE SHUT OFF CAP W/ GASKET	
10	407-253D	FERT BOOM MOUNTING BRACKET	
11	403-593D	BRACKET FERTILIZER BOOM EXTENS	
12	830-383C	CP 1/4 PUSH LOK POLY	
13	990-109R	TUBE NYLON 1/4OD X 062WL	
14	800-367C	AD PUSH 1/4TUBEX1/4MNPT	
15	832-051C	NOZZLE CAP QUICK X 90X1/4 FNPT	
16	832-053C	ORIFICE SPR SYS CP4916-34 SS	
16	832-054C	ORIFICE SPR SYS CP4916-48 SS	
17	829-089C	NOZZLE BODY 3/4 WET BOOM CLAMP	
18	830-071C	AD 1/4MNPT X 3/8HB POLYPROP	
19	830-424C	ELBOW PTC 1/4 X 3/8	
20	800-303C	CABLE TIE 2 DIA MIN - BLK	
21	806-083C	U-BOLT 5/8-11 X 7 1/32 X 7 1/2	
22	403-361D	AIR TUBE HOLDER CENTER	
23	407-140D	MANIFOLD 30 FOOT TWIN ROW	
24	830-034C	EL 3/4FNPT POLYPROP	
25	830-123C	EL 3/4MNPT X 3/4HB POLYPROP	
26	407-252D	HI-RATE CENTER BOOM SUPPORT	
27	803-021C	NUT HEX 5/8-11 PLT	
28	804-022C	WASHER LOCK SPRING 5/8 PLT	
29	829-104C	GAUGE 100 PSI 4IN STAINLESS ST	
30	507-034V	GAUGE PROTECTOR ASSY	
31	830-260C	AD 1/4MNPT SCH 40 X 2 304SS	
32	830-258C	AD 1MNPT X 1/4FNPT POLYPROP	
33	830-087C	AD 1MNPT X 1HB POLYPROP	
34	800-123C	CLAMP WRM DRV #16 SS (.68-1.5)	
35	990-082R	HOSE 1 ID 200PSI EPDM	
36	990-081R	HOSE 3/4 ID 200PSI EPDM	
37	800-125C	CLAMP WRM DRV#28 SS(1.31-2.25)	
38	830-325C	EL 1 1/2 FLANGE X 1 1/2HB POLY	
39	830-459C	CLAMP 1 1/2 FLANGE HYPRO	
40	830-462C	GASKET 1 1/2 FLANGE HYPRO	
41	831-078C	STRAINER MLST150-80 MESH	See "Banjo Strainer (831-078C)" for breakdown.
42	830-157C	EL 1 1/2 FLANGE SHORT POLY	
43	830-390C	AD 2FP FLG X 2SP FLG POLY	
44	830-460C	CLAMP 2 FLANGE HYPRO	
45	830-463C	GASKET 2 FLANGE HYPRO	
46	417-833V	VARIABLE RATE FERT PUMP ASM	
47	830-368C	EL 2FP FLANGE X 1 1/2HB POLY	
48	830-345C	AD 2"FLANGE X 1 1/2 HB	

Plumbing for Hydraulic Drive

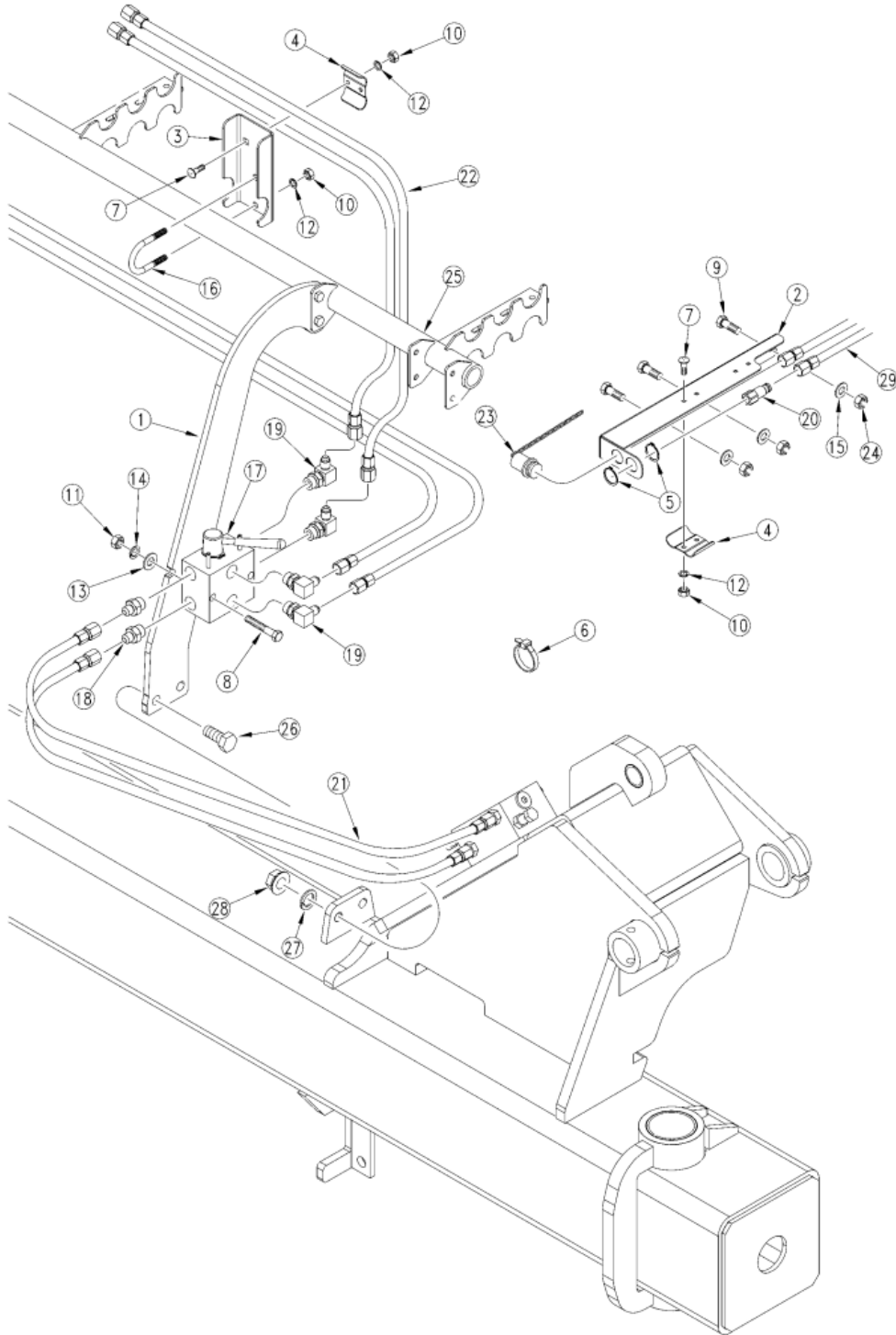
This Page Intentionally Left Blank

Plumbing for Hydraulic Drive

Ref.	Part No.	Part Description	Comments
49	823-435C	RAVEN RFM-15 FLOWMETER	
50	830-370C	AD 1 1/2 FLANGE X 1 HB POLY	
51	466980040S1	DJ RAVEN FLOW MTR AD CABLE	
52	457901815	REP BY 843-057C	
53	830-237C	CR 1FNPT	
54	830-043C	AD 1MNPT POLYPROP	
55	830-142C	AD 1MNPT X 3/4FNPT POLYPROP	
56	829-105C	VALVE RELIEF 0-150 PSI POLYP	
57	830-121C	EL 3/4MNPT X 3/8HB POLYPROP	
58	830-126C	EL 1MNPT X 3/4HB POLYPROP	
59	830-029C	TEE 1FNPT POLYPROP	
60	890-521C	MUFFLER CLAMP 1.63 SIZE	
61	830-084C	AD 3/4MNPT X 3/4HB POLYPROP	
62	830-028C	TEE 3/4FNPT POLYPROP	
63	403-596D	BRACKET, FERTILIZER GAGE	
64	802-159C	HHCS 5/16-18X1 GR5	
65	804-009C	WASHER LOCK SPRING 5/16 PLT	
66	803-008C	NUT HEX 5/16-18 PLT	
67	801-071C	SRHMS 5-40X5/8 SS	
68	507-040D	GAUGE PROTECTOR TOP	
69	816-144C	DIAPHRAGM - GAUGE PROTECTOR	
70	818-344C	DECAL NOTICE GAUGE PROTECTOR	
71	507-039D	GAUGE PROTECTOR BOTTOM	
72	823-434C	HARNESS EXT. 10' 2 PIN WP	
73	806-196C	U-BOLT 5/16-18X2 7/16X3.75 RND	
74	803-199C	NUT HEX FLANGE 5/16-18 PLT	
75	431-078H	FLOW-METER STAND	
76	806-221C	U-BOLT 1/2-13 X 5 1/32 X 6 1/2	
77	803-169C	NUT HEX FLG LOCK 1/2-13 PLT	

Auxiliary Hydraulic Kit

Applies to Models: YP1225A, YP1625A



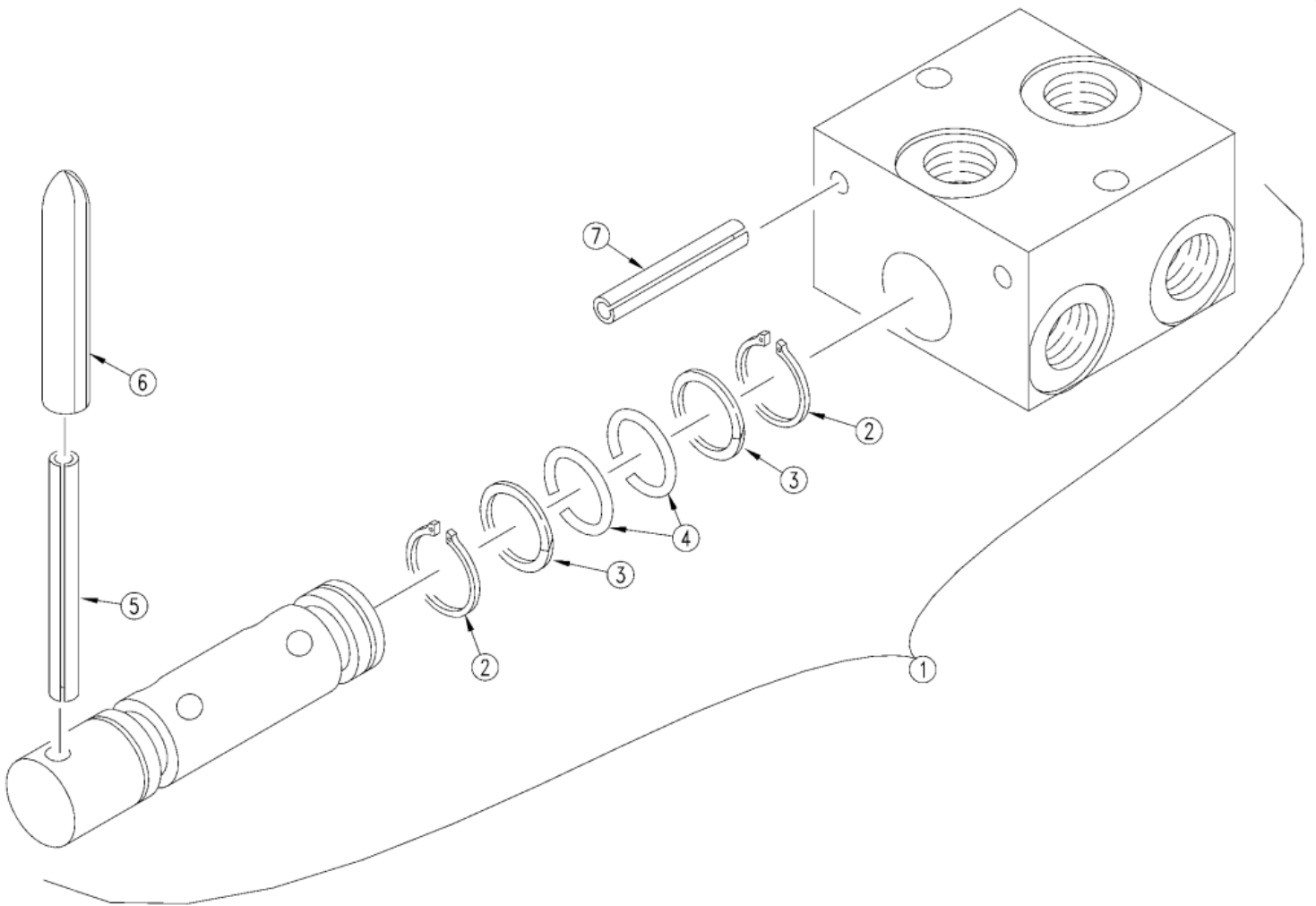
Auxiliary Hydraulic Kit

Applies to Models: YP1225A, YP1625A

Ref.	Part No.	Part Description	Comments
	DWG25315	Image No.	
1	403-254D	AIR SYSTEM STANDOFF BRACKET	
2	411-271D	BULKHEAD HOSE MNT	
3	411-272D	AUX HYD HOSE MNT	
4	502-068D	HYD HOSE CLAMP BRACKET	
5	800-044C	SNAP RING EXT 1 1/2 SHAFT	
6	800-060C	CABLE TIE .19X14.25 3DIA 50LB	
7	802-009C	RHSNB 5/16-18X1 1/4 GR5	
8	802-024C	HHCS 3/8-16X3 GR5	
9	802-212C	HHCS 3/4-10X2 1/2 GR5	
10	803-008C	NUT HEX 5/16-18 PLT	
11	803-014C	NUT HEX 3/8-16 PLT	
12	804-009C	WASHER LOCK SPRING 5/16 PLT	
13	804-011C	WASHER FLAT 3/8 USS PLT	
14	804-013C	WASHER LOCK SPRING 3/8 PLT	
15	804-025C	WASHER FLAT 3/4 SAE PLT	
16	806-192C	U-BOLT 5/16-18X1 1/2X2 1/2 RND	
17	810-274C	DOUBLE SELECTOR VALVE 3/4FORB	
18	811-133C	AD 9/16MJIC 3/4MORB	
19	811-171C	EL 3/4MORB 9/16MJIC	
20	811-870C	CP 3/4FORB QD FEMALE (POPPET)	
21	811-463C	HH3/8R2 015 9/16FJIC 9/16FJIC	
22	811-201C	HH3/8R1 262 9/16FJIC 3/4MORB	
22	841-824C	HH3/8R2 390 9/16FJIC 3/4MORB	(S/N# B1132F)
23	841-207C	DUST CAP	
24	803-027C	NUT HEX 3/4-10 PLT	
25	403-167H	12ROW AIR SYS SUPT FRAME WLDMT	
25	403-168H	16ROW AIR SYS SUPT FRAME WLDMT	
26	802-034C	HHCS 1/2-13X1 1/4 GR5	
27	804-015C	WASHER LOCK SPRING 1/2 PLT	
28	803-020C	NUT HEX 1/2-13 PLT	
29	841-365C	HH3/8R2 300 9/16FJIC 3/4MORB	

Double Selector Valve (810-274C)

Applies to Models: YP1225A, YP1625A



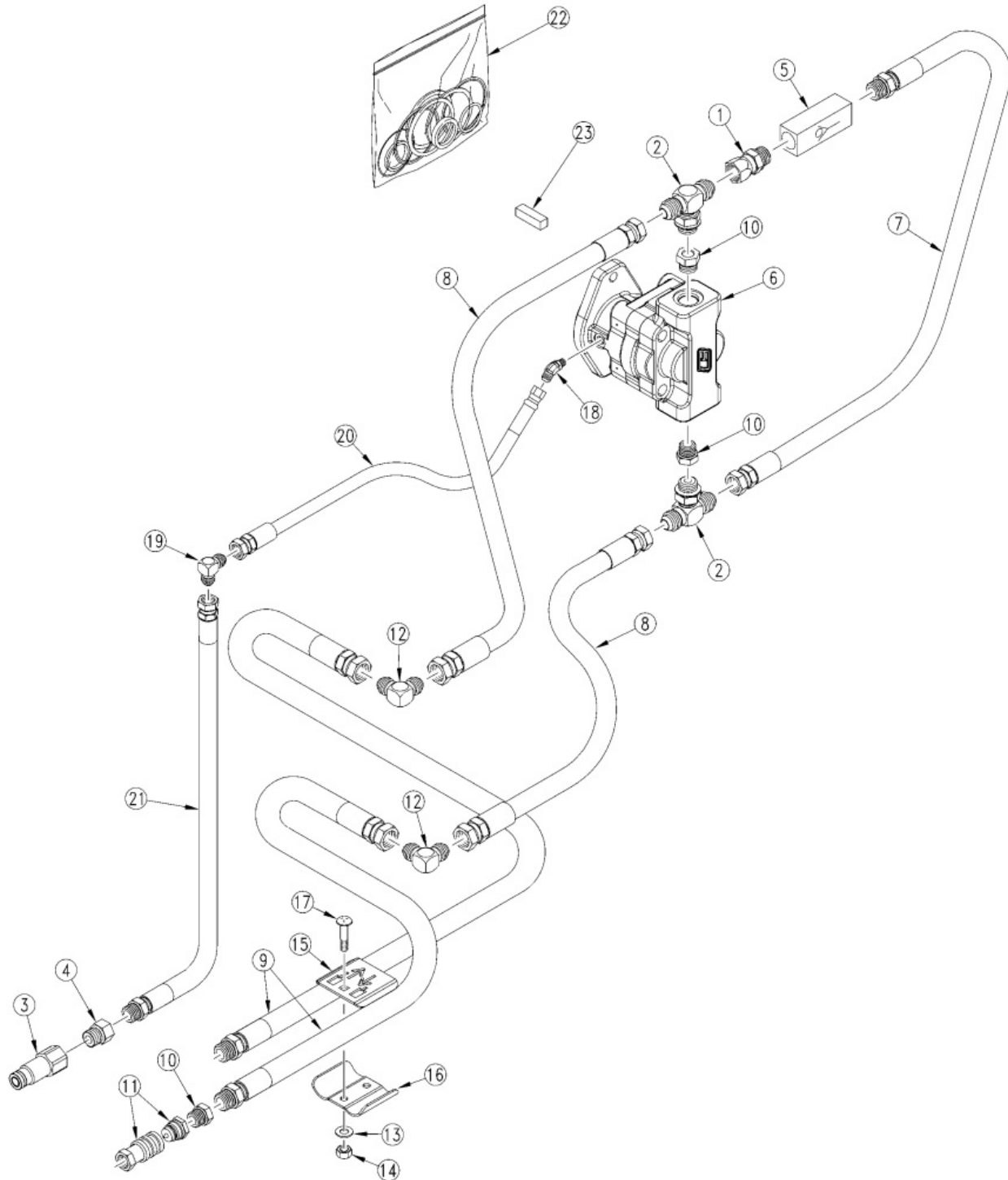
Double Selector Valve (810-274C)

Applies to Models: YP1225A, YP1625A

Ref.	Part No.	Part Description	Comments
	DWG14927	Image No.	
1	810-274C	DOUBLE SELECTOR VALVE 3/4FORB	
2	1079	RPBY SEAL KIT	
3	1089-210	RPBY SEAL KIT 810-458C	
4	1088-210	SHOEMAKER O-RING BUNA N 70DURO	
5	1285	SH GROOVE PIN	
6	817-255C	BLACK VINYL GRIP	
7	1084	SH PIN, SPRING 0.25 DIAMETER	

Fan Hydraulics (S/N B1123E-) (S/N B1224F-)

Applies to Models: YP1225A, YP1625A



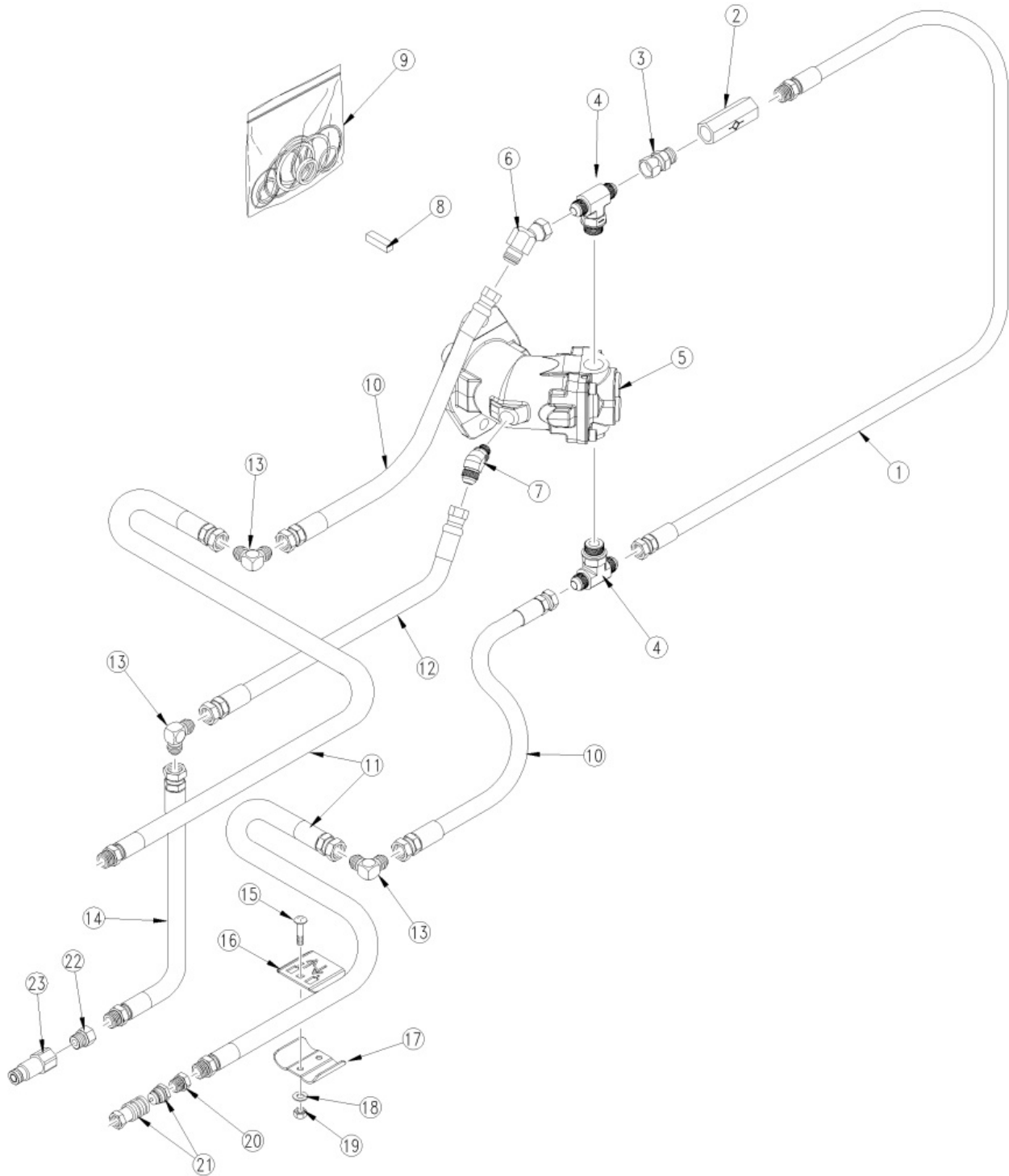
Fan Hydraulics (S/N B1123E-) (S/N B1224F-)

Applies to Models: YP1225A, YP1625A

Ref.	Part No.	Part Description	Comments
	DWG29631	Image No.	
1	811-324C	AD 3/4MORB 3/4FJIC	
2	811-077C	TE 3/4MORB 3/4MJIC 3/4MJIC	
3	841-099C	CP 3/4FORB QD FLATFACE	
4	841-103C	AD 3/4MORB 9/16FORB	
5	810-037C	VALVE LINE CHECK	
6	810-649C	RPBY 403-763V	
7	811-782C	HH1/2R1 024 3/4FJIC 3/4MORB	
8	811-955C	HH1/2R2 260 3/4FJIC	16 Row Only
8	811-265C	HH1/2R2 234 3/4FJIC	12 Row Only
9	841-165C	HH1/2R2 326 3/4MORB 3/4FJIC	(S/N# B1132F)16 Row Only
9	841-880C	HH3/8R2 330 9/16FJIC 3/4FJIC	12 Row Only
10	841-002C	AD 1 1/16MORB 3/4FORB	
11	811-069C	CP 1 1/16FORB QD	
12	811-725C	EL 90 3/4MJIC	
13	804-010C	WASHER FLAT 5/16 USS PLT	
14	803-199C	NUT HEX FLANGE 5/16-18 PLT	
15	502-067D	HYD HOSE CLAMP LABEL	
16	502-068D	HYD HOSE CLAMP BRACKET	
17	802-009C	RHSNB 5/16-18X1 1/4 GR5	
18	841-362C	EL 45 7/16MORB 9/16MJIC	
19	811-393C	EL 9/16MJIC	
20	841-094C	HH1/4R1 260 9/16FJIC	16 Row Only
20	841-092C	HH1/4R1 240 9/16FJIC	12 Row Only
21	841-825C	HH1/4R2 328 9/16FJIC 9/16MORB	(S/N# B1132F)16 Row Only
21	841-881C	HH1/4R1 296 9/16FJIC 9/16MORB	12 Row Only
22	810-673C	SEAL KIT, HYD MOTR PARKER 330C	
23	839-114C	KEY 1/4 SQ. X 1.00 LONG	

Fan Hydraulics (S/N B1124E+) (S/N B1225F+)

Applies to Models: YP1225A, YP1625A



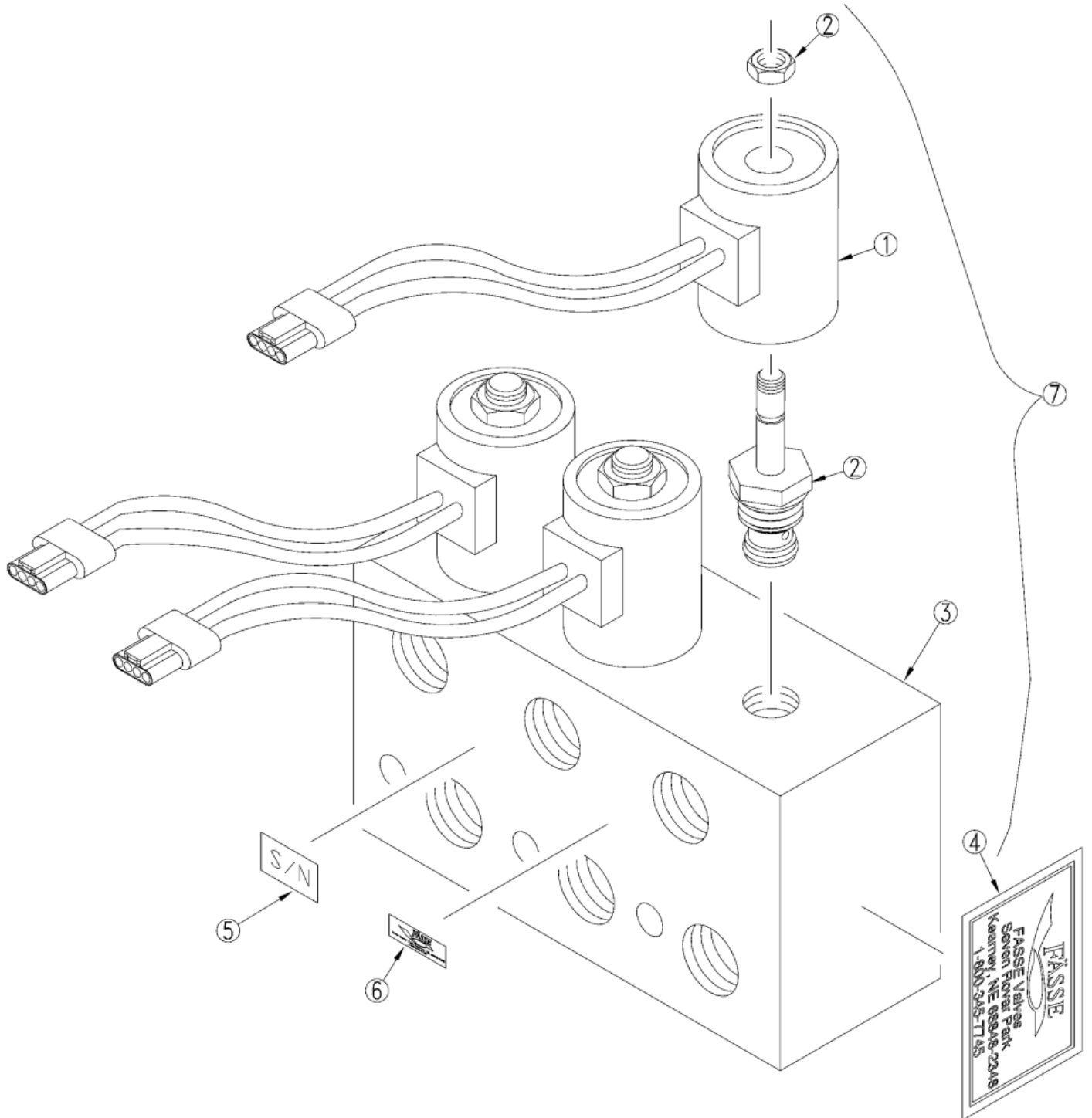
Fan Hydraulics (S/N B1124E+) (S/N B1225F+)

Applies to Models: YP1225A, YP1625A

Ref.	Part No.	Part Description	Comments
	DWG38040	Image No.	
1	811-782C	HH1/2R1 024 3/4FJIC 3/4MORB	
2	810-037C	VALVE LINE CHECK	
3	811-324C	AD 3/4MORB 3/4FJIC	
4	851-645C	TE 3/4MJIC 7/8MORB 3/4MJIC	
5	851-639C	HYD MTR HYDROLEDUC MA18 1.1CIR	
6	811-040C	EL 45 3/4MJIC 3/4FJIC	
7	851-647C	EL 45 9/16MORB 3/4MJIC	
8	839-114C	KEY 1/4 SQ. X 1.00 LONG	
9	93280	SEAL KIT FOR 851-639C	
10	811-955C	HH1/2R2 260 3/4FJIC	Used with YP1625A.
10	811-265C	HH1/2R2 234 3/4FJIC	Used with YP1225A.
11	841-165C	HH1/2R2 326 3/4MORB 3/4FJIC	Used with YP1625A.
11	841-882C	HH1/2R2 296 3/4FJIC 3/4MORB	Used with YP1225A.
12	811-972C	HH3/8R2 259 3/4FJIC	Used with YP1625A.
12	811-883C	HH3/8R2 240 3/4FJIC	Used with YP1225A.
13	811-725C	EL 90 3/4MJIC	
14	851-378C	HH3/8R2 328 3/4FJIC 3/4MORB	Used with YP1625A.
14	851-380C	HH3/8R2 296 3/4FJIC 3/4MORB	Used with YP1225A.
15	802-009C	RHSNB 5/16-18X1 1/4 GR5	
16	502-067D	HYD HOSE CLAMP LABEL	
17	502-068D	HYD HOSE CLAMP BRACKET	
18	804-010C	WASHER FLAT 5/16 USS PLT	
19	803-199C	NUT HEX FLANGE 5/16-18 PLT	
20	841-002C	AD 1 1/16MORB 3/4FORB	
21	811-069C	CP 1 1/16FORB QD	
22	841-103C	AD 3/4MORB 9/16FORB	
23	841-099C	CP 3/4FORB QD FLATFACE	

FASSE 3 Way Multiplier (810-636C)

Applies to Models: YP1225A, YP1625A



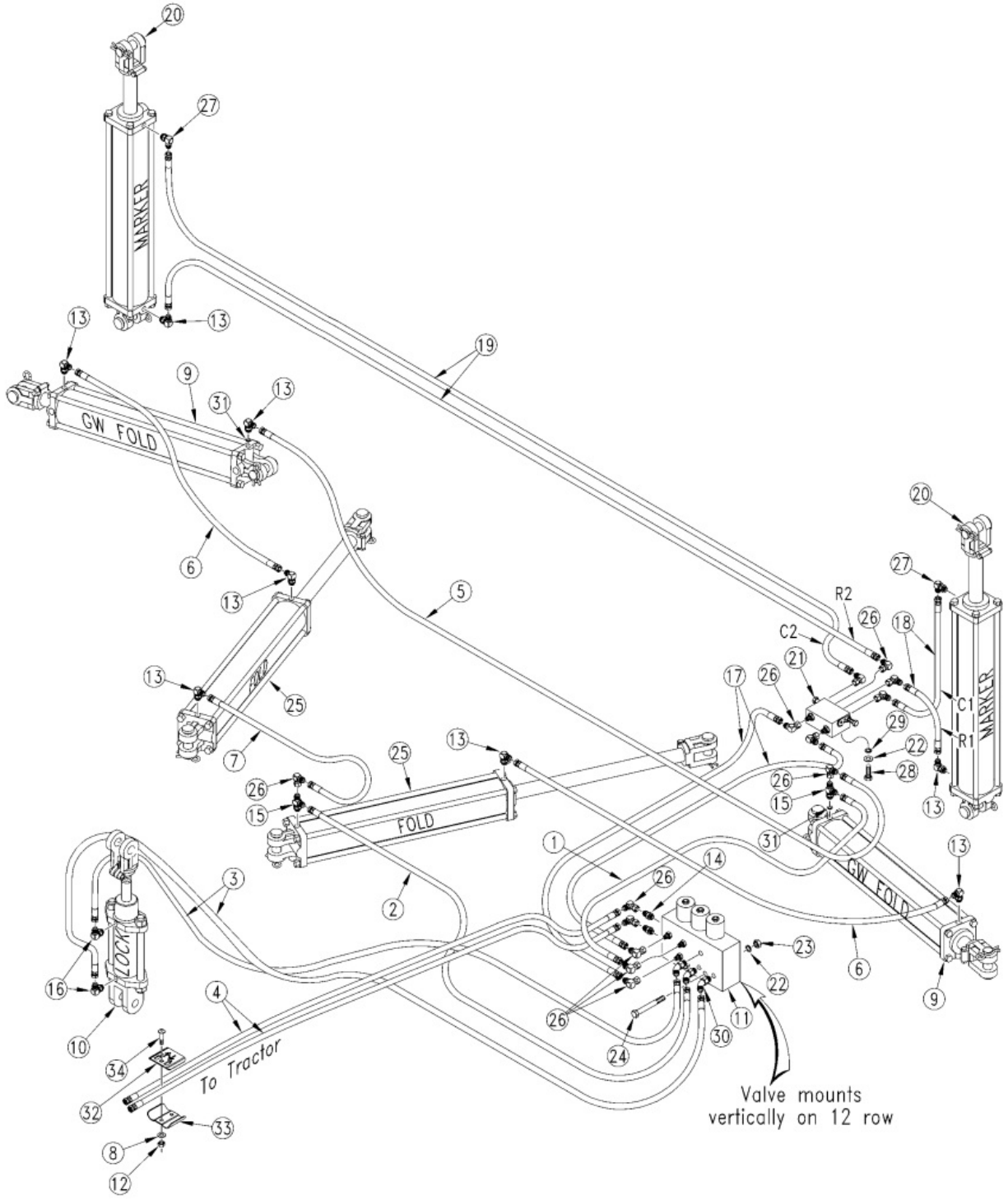
Fasse 3 Way Multiplier (810-636C)

Applies to Models: YP1225A, YP1625A

Ref.	Part No.	Part Description	Comments
	DWG25220	Image No.	
1	253-028	COIL 6359412 DW	
2	273-004	FASSE CART SV10-41-0-N-00	
3	270-078	FASSE BLOCK M10972-1A 1513/SP	
4	232-056	FASSE DECL GOLD/BLK 3 X 1.875	
5	232-050	FASSE DECL S/N (SILVER)	
6	232-059	FASSE DECL GOLD/BLK 1.5 X .5	
7	810-636C	VALVE 3 WAY MULTIPLIER	

Fold and Marker Hydraulics (S/N B1022E-)

Applies to Models: YP1225A, YP1625A



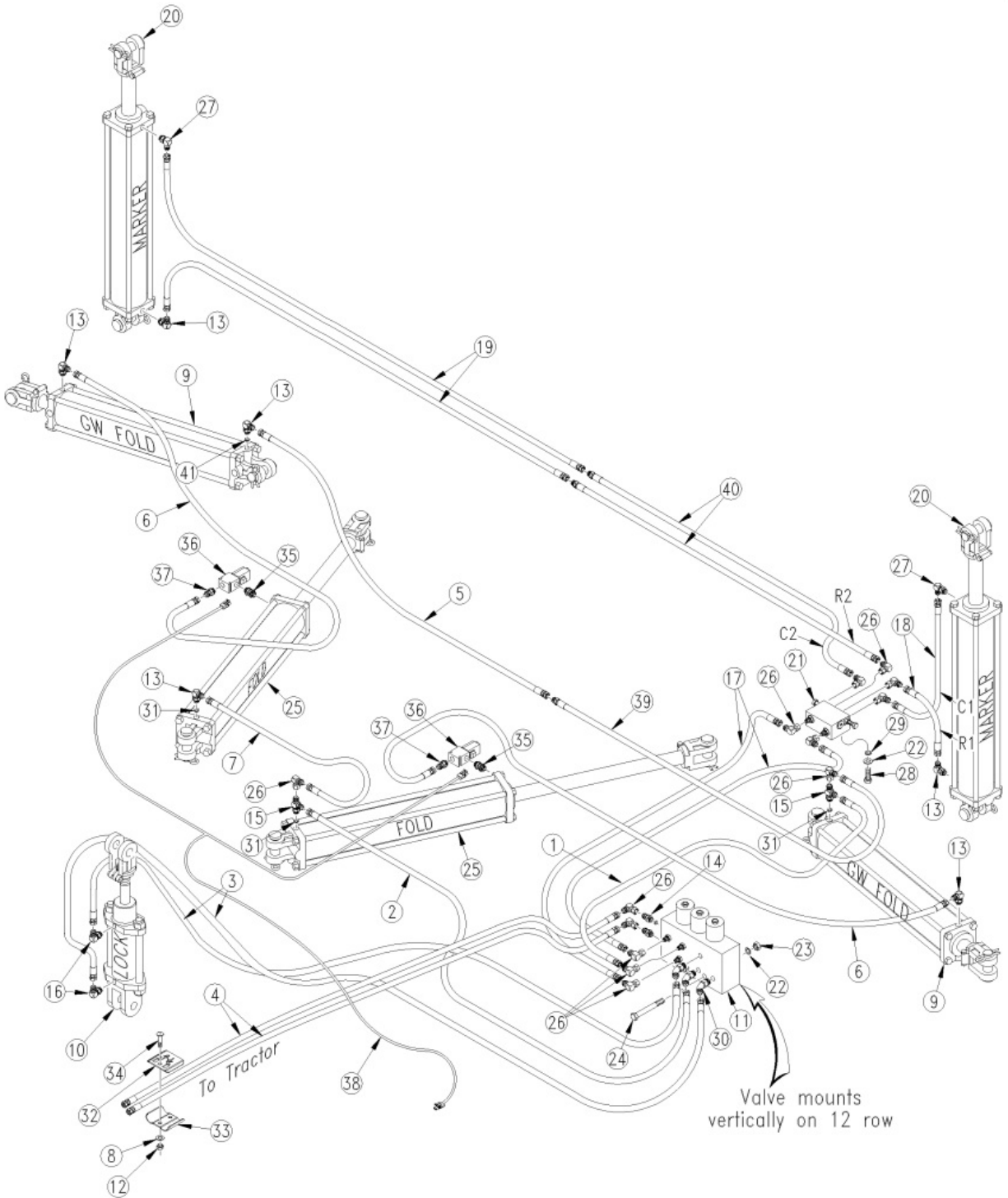
Fold and Marker Hydraulics (S/N B1022E-)

Applies to Models: YP1225A, YP1625A

Ref.	Part No.	Part Description	Comments
	DWG23154	Image No.	
1	841-071C	HH3/8R2 028 9/16FJIC	
2	841-068C	HH3/8R2 150 9/16FJIC	
3	841-073C	HH1/4R2 220 9/16FJIC	
4	841-081C	HH3/8R2 279 3/4MORB 9/16FJIC	
5	841-070C	HH3/8R2 144 9/16FJIC	
6	841-069C	HH3/8R2 208 9/16FJIC	
7	811-924C	HH3/8R2 025 9/16FJIC	
8	804-010C	WASHER FLAT 5/16 USS PLT	
9	810-647C	RPHY 810-717C	Refer to "Hydraulic Cylinder (810-647C 4.25 x 27.75 x 2.00 Rod EXT)" for breakdown. Rephases when extended
10	810-201C	CYL 1.5X2.5X.75 ROD (TIE ROD)	Refer to "Hydraulic Cylinder (810-201C 1.5 x 2.5 x .75 Rod)" for breakdown
11	810-636C	VALVE 3 WAY MULTIPLIER	Refer to "Fasse 3 Way Multiplier (810-636C)" for breakdown
12	803-199C	NUT HEX FLANGE 5/16-18 PLT	
13	811-171C	EL 3/4MORB 9/16MJIC	
14	811-133C	AD 9/16MJIC 3/4MORB	
15	811-249C	TE 9/16MJIC 3/4MORB 9/16MJIC	
16	811-065C	EL 9/16MJIC 9/16MORB	
17	811-703C	HH3/8R2 068 9/16FJIC	
18	811-922C	HH3/8R2 045 9/16FJIC	
19	841-067C	HH3/8R2 364 9/16FJIC	
20	810-423C	CYL 3X24X1.50 ROD (TIE ROD)	Refer to "Hydraulic Cylinder (810-423C 3 x 24 x 1.5 Rod)" for breakdown
21	810-197C	VALVE,SEQUENCE SHOEMAKER	Refer to "Sequence Valve (810-197C)" for breakdown
22	804-013C	WASHER LOCK SPRING 3/8 PLT	
23	803-014C	NUT HEX 3/8-16 PLT	
24	802-147C	HHCS 3/8-16X3 1/2 GR5	
25	810-646C	CYL REP 4.75X20.0X1.75 (RET)	Refer to "Hydraulic Cylinder (810-646C 4.75 x 20.0 x 1.75 Rod RET)" for breakdown. Rephases when retracted
26	811-169C	EL 9/16MJIC 9/16FJIC	
27	811-065C	EL 9/16MJIC 9/16MORB	
28	802-022C	HHCS 3/8-16X1 1/2 GR5	
29	804-011C	WASHER FLAT 3/8 USS PLT	
30	811-397C	EL 45 9/16MJIC 9/16FJIC	
31	196-430D	ORIFICE PLATE 1/16 3/4MORB	
32	502-067D	HYD HOSE CLAMP LABEL	
33	502-068D	HYD HOSE CLAMP BRACKET	
34	802-009C	RHSNB 5/16-18X1 1/4 GR5	

Fold and Marker Hydraulics (S/N B1023E+)

Applies to Models: YP1225A, YP1625A



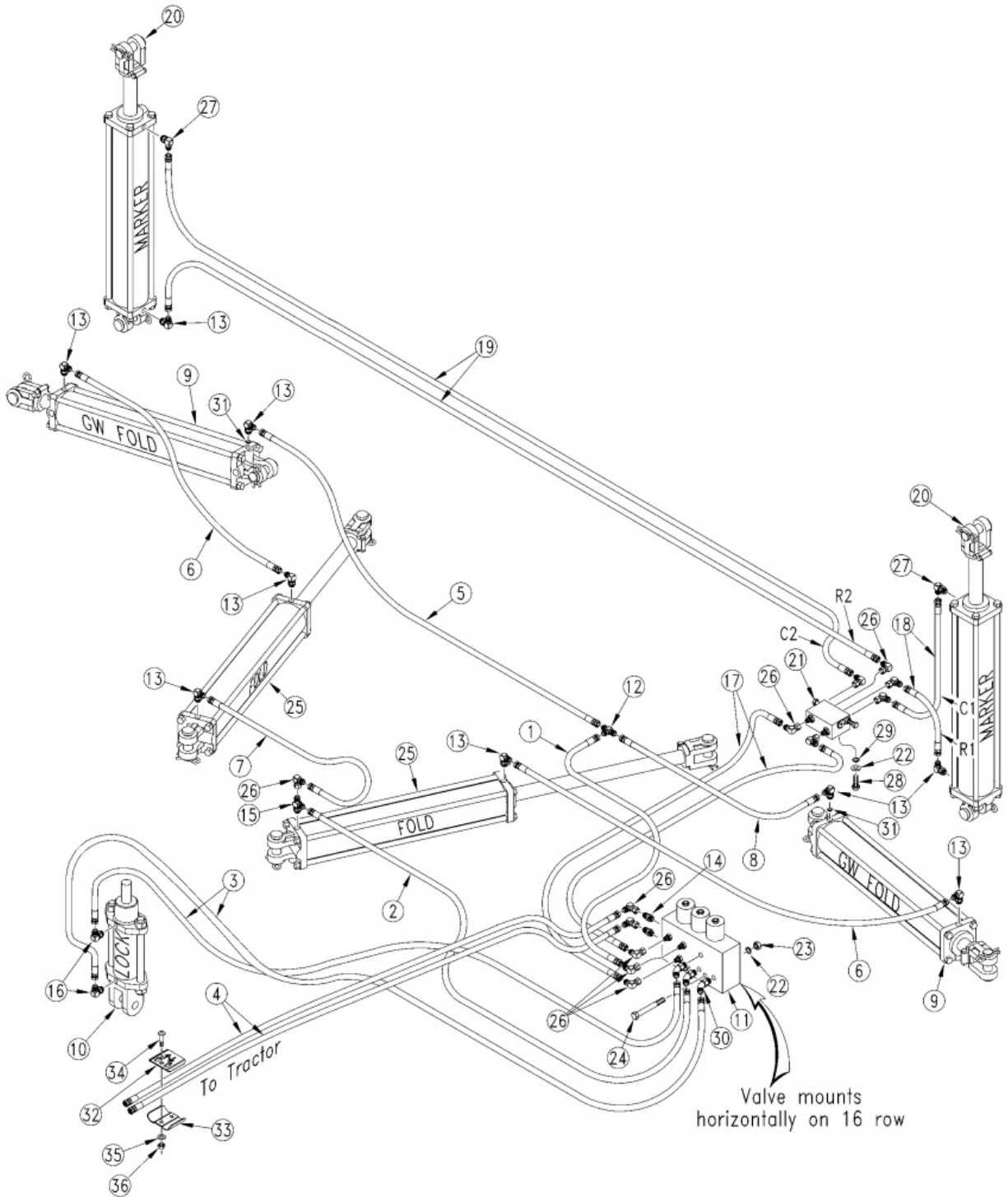
Fold and Marker Hydraulics (S/N B1023E+)

Applies to Models: YP1225A, YP1625A

Ref.	Part No.	Part Description	Comments
	DWG29748	Image No.	
1	841-071C	HH3/8R2 028 9/16FJIC	
2	841-068C	HH3/8R2 150 9/16FJIC	
3	841-884C	HH1/4R2 250 9/16FJIC	
4	841-883C	HH3/8R2 310 3/4MORB 9/16FJIC	
5	841-360C	HH3/8R2 142 9/16FJIC	
6	841-069C	HH3/8R2 208 9/16FJIC	
7	811-924C	HH3/8R2 025 9/16FJIC	
8	804-010C	WASHER FLAT 5/16 USS PLT	
9	810-543C	CYL REP 4.0X27.75X1.75ROD (EXT)	(S/N A1110K-)
9	810-647C	RPBY 810-717C	(S/N A1111K+)
10	810-201C	CYL 1.5X2.5X.75 ROD (TIE ROD)	
11	810-527C	VALVE FASSE 3 WAY MULTIPLIER	
11	810-636C	VALVE 3 WAY MULTIPLIER	
12	803-199C	NUT HEX FLANGE 5/16-18 PLT	
13	811-171C	EL 3/4MORB 9/16MJIC	
14	811-133C	AD 9/16MJIC 3/4MORB	
15	811-249C	TE 9/16MJIC 9/16MJIC 3/4MORB	
16	811-065C	EL 9/16MJIC 9/16MORB	
17	811-703C	HH3/8R2 068 9/16FJIC	
18	811-922C	HH3/8R2 045 9/16FJIC	
19	841-067C	HH3/8R2 204 9/16FJIC	
20	810-423C	CYL 3X24X1.50 ROD (TIE ROD)	
21	810-197C	VALVE,SEQUENCE SHOEMAKER	
22	804-013C	WASHER LOCK SPRING 3/8 PLT	
23	803-014C	NUT HEX 3/8-16 PLT	
24	802-147C	HHCS 3/8-16X3 1/2 GR5	
25	810-537C	CYL REP 4.5X20X1.5 ROD (RET)	(S/N A1110K-)
25	810-646C	CYL REP 4.75X20.0X1.75 (RET)	(S/N A1111K+)
26	811-169C	EL 9/16MJIC 9/16FJIC	
27	811-065C	EL 9/16MJIC 9/16MORB	
28	802-022C	HHCS 3/8-16X1 1/2 GR5	
29	804-011C	WASHER FLAT 3/8 USS PLT	
30	811-397C	EL 45 9/16MJIC 9/16FJIC	
31	196-430D	ORIFICE PLATE 1/16 3/4	
32	502-067D	HYD HOSE CLAMP LABEL	
33	502-068D	HYD HOSE CLAMP BRACKET	
34	802-009C	RHSNB 5/16-18X1 1/4 GR5	
35	811-086C	AD 3/4MORB	
36	810-342C	NC POPPET SOLENOID VALVE	
37	811-088C	AD 3/4MORB 3/4MJIC	
38	833-515C	EXT HARNESS FOLD LOCK VALVES	
39	841-571C	HH3/8R2 130 9/16FJIC 9/16MJIC	
40	841-570C	HH3/8R2 160 9/16FJIC 9/16MJIC	
41	407-913D	ORIFICE PLATE 5/64 3/4MORB	

Fold and Marker Hydraulics (S/N B1047F-)

Applies to Models: YP1225A, YP1625A



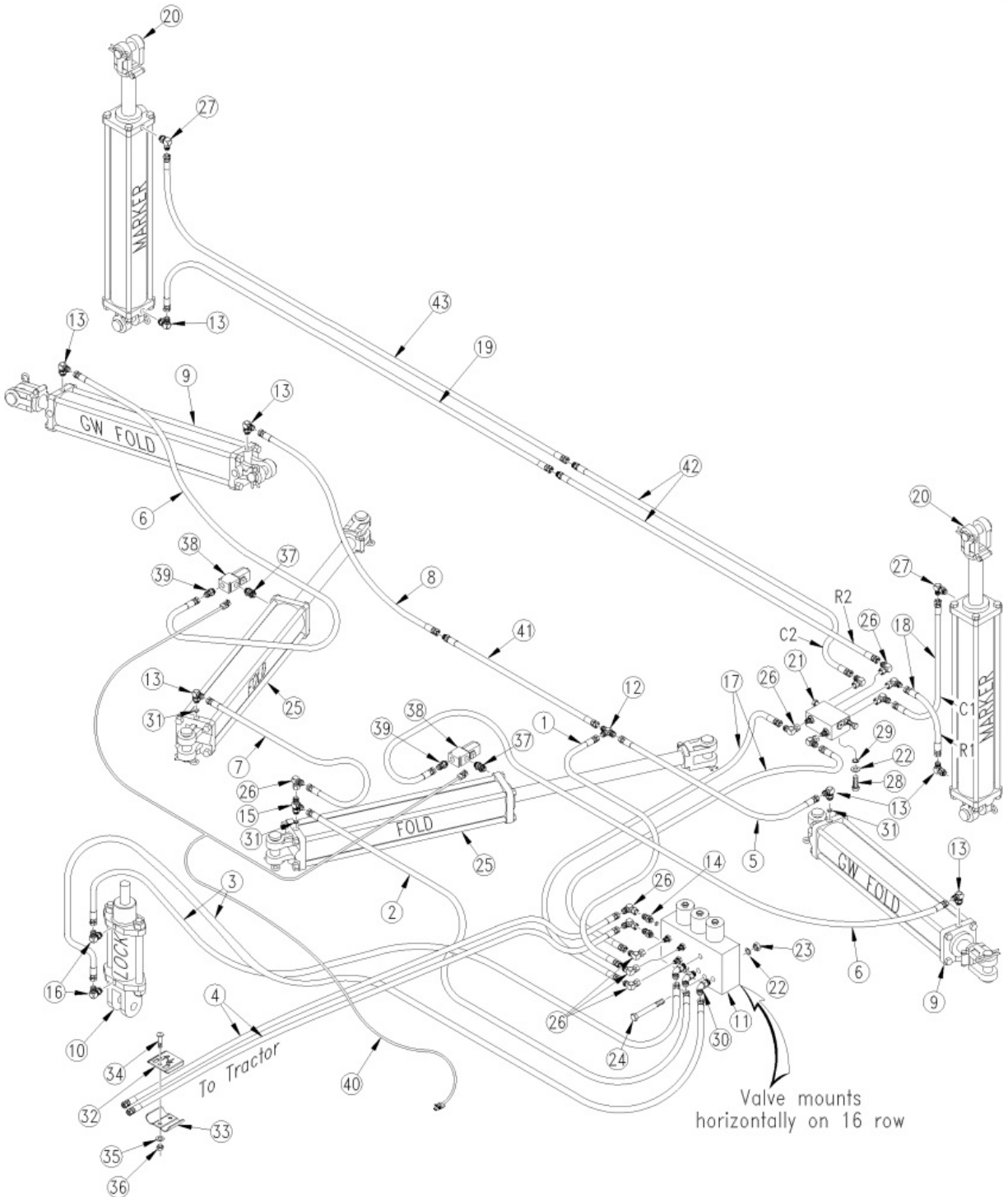
Fold and Marker Hydraulics (S/N B1047F-)

Applies to Models: YP1225A, YP1625A

Ref.	Part No.	Part Description	Comments
	DWG22752	Image No.	
1	811-928C	HH3/8R2 012 9/16FJIC	
2	811-923C	HH3/8R2 238 9/16FJIC	
3	811-957C	HH1/4R2 300 9/16FJIC	
4	811-960C	HH3/8R2 360 9/16FJIC 3/4MORB	
5	811-926C	HH3/8R2 022 9/16FJIC	
6	811-925C	HH3/8R2 280 9/16FJIC	
7	811-924C	HH3/8R2 025 9/16FJIC	
8	811-927C	HH3/8R2 356 9/16FJIC	
9	810-647C	RPBY 810-717C	Refer to "Hydraulic Cylinder (810-647C 4.25 x 27.75 x 2.00 Rod EXT)" for breakdown Rephases when extended
10	810-201C	CYL 1.5X2.5X.75 ROD (TIE ROD)	Refer to "Hydraulic Cylinder (810-201C 1.5 x 2.5 x .75 Rod)" for breakdown
11	810-636C	VALVE 3 WAY MULTIPLIER	Refer to "Fasse 3 Way Multiplier (810-636C)" for breakdown
12	811-863C	RPBY 811-312C	
13	811-171C	EL 3/4MORB 9/16MJIC	
14	811-133C	AD 9/16MJIC 3/4MORB	
15	811-249C	TE 9/16MJIC 3/4MORB 9/16MJIC	
16	811-065C	EL 9/16MJIC 9/16MORB	
17	811-921C	HH3/8R2 066 9/16FJIC	
18	811-922C	HH3/8R2 045 9/16FJIC	
19	811-920C	HH3/8R2 484 9/16FJIC	
20	810-423C	CYL 3X24X1.50 ROD (TIE ROD)	Refer to "Hydraulic Cylinder (810-423C 3x24x1.5 Rod)" for breakdown
21	810-197C	VALVE,SEQUENCE SHOEMAKER	Refer to "Sequence Valve (810-197C)" for breakdown
22	804-013C	WASHER LOCK SPRING 3/8 PLT	
23	803-014C	NUT HEX 3/8-16 PLT	
24	802-147C	HHCS 3/8-16X3 1/2 GR5	
25	810-646C	CYL REP 4.75X20.0X1.75 (RET)	Refer to "Hydraulic Cylinder (810-646C 4.75 x 20 x 1.75 Rod RET)" for breakdown Rephases when retracted
26	811-169C	EL 9/16MJIC 9/16FJIC	
27	811-065C	EL 9/16MJIC 9/16MORB	
28	802-022C	HHCS 3/8-16X1 1/2 GR5	
29	804-011C	WASHER FLAT 3/8 USS PLT	
30	811-397C	EL 45 9/16MJIC 9/16FJIC	
31	196-430D	ORIFICE PLATE 1/16 3/4MORB	
32	502-067D	HYD HOSE CLAMP LABEL	
33	502-068D	HYD HOSE CLAMP BRACKET	
34	802-009C	RHSNB 5/16-18X1 1/4 GR5	
35	804-010C	WASHER FLAT 5/16 USS PLT	
36	803-199C	NUT HEX FLANGE 5/16-18 PLT	

Fold and Marker Hydraulics (S/N B1048F+)

Applies to Models: YP1225A, YP1625A



Fold and Marker Hydraulics (S/N B1048F+)

Applies to Models: YP1225A, YP1625A

Ref.	Part No.	Part Description	Comments
	DWG29747	Image No.	
1	811-928C	HH3/8R2 012 9/16FJIC	
2	811-923C	HH3/8R2 238 9/16FJIC	
3	841-823C	HH1/4R2 333 9/16FJIC	(S/N# B1132F)
3	811-957C	HH1/4R2 303 9/16FJIC	
4	841-824C	HH3/8R2 390 9/16FJIC 3/4MORB	(S/N# B1132F)
4	811-960C	HH3/8R2 360 9/16FJIC 3/4MORB	
5	841-354C	HH3/8R2 035 9/16FJIC	(S/N# B1132F)
5	811-926C	HH3/8R2 022 9/16FJIC	
6	811-708C	HH3/8R2 296 9/16FJIC	(S/N# B1132F)
6	811-925C	HH3/8R2 280 9/16FJIC	
7	811-924C	HH3/8R2 025 9/16FJIC	
8	841-822C	HH3/8R2 200 9/16FJIC	(S/N# B1132F)
8	811-927C	HH3/8R2 190 9/16FJIC	
9	810-543C	CYL REP 4.0X27.75X1.75ROD (EXT	(S/N A1189B-)
9	810-647C	RPBY 810-717C	(S/N A1190B+)
10	810-201C	CYL 1.5X2.5X.75 ROD (TIE ROD)	
11	810-527C	VALVE FASSE 3 WAY MULTIPLIER	
12	811-863C	RPBY 811-312C	
13	811-171C	EL 3/4MORB 9/16MJIC	
14	811-133C	AD 9/16MJIC 3/4MORB	
15	811-249C	TE 9/16MJIC 9/16MJIC 3/4MORB	
16	811-065C	EL 9/16MJIC 9/16MORB	
17	841-690C	HH3/8R2 081 9/16FJIC	(S/N# B1132F)
17	811-921C	HH3/8R2 066 9/16FJIC	
18	811-922C	HH3/8R2 045 9/16FJIC	
19	811-920C	HH3/8R2 264 9/16FJIC	
20	810-423C	CYL 3X24X1.50 ROD (TIE ROD)	
21	810-197C	VALVE,SEQUENCE SHOEMAKER	
22	804-013C	WASHER LOCK SPRING 3/8 PLT	
23	803-014C	NUT HEX 3/8-16 PLT	
24	802-147C	HHCS 3/8-16X3 1/2 GR5	
25	810-537C	CYL REP 4.5X20X1.5 ROD (RET)	(S/N A1189B-)
25	810-646C	CYL REP 4.75X20.0X1.75 (RET)	(S/N A1190B+)
26	811-169C	EL 9/16MJIC 9/16FJIC	
27	811-065C	EL 9/16MJIC 9/16MORB	
28	802-022C	HHCS 3/8-16X1 1/2 GR5	
29	804-011C	WASHER FLAT 3/8 USS PLT	
30	811-397C	EL 45 9/16MJIC 9/16FJIC	
31	196-430D	ORIFICE PLATE 1/16 3/4	
32	502-067D	HYD HOSE CLAMP LABEL	
33	502-068D	HYD HOSE CLAMP BRACKET	
34	802-009C	RHSNB 5/16-18X1 1/4 GR5	
35	804-010C	WASHER FLAT 5/16 USS PLT	
36	803-199C	NUT HEX FLANGE 5/16-18 PLT	
37	811-086C	AD 3/4MORB	
38	810-342C	NC POPPET SOLENOID VALVE	
39	811-088C	AD 3/4MORB 3/4MJIC	
40	833-515C	EXT HARNESS FOLD LOCK VALVES	
41	841-569C	HH3/8R2 166 9/16FJIC 9/16MJIC	

Fold and Marker Hydraulics (S/N B1048F+)

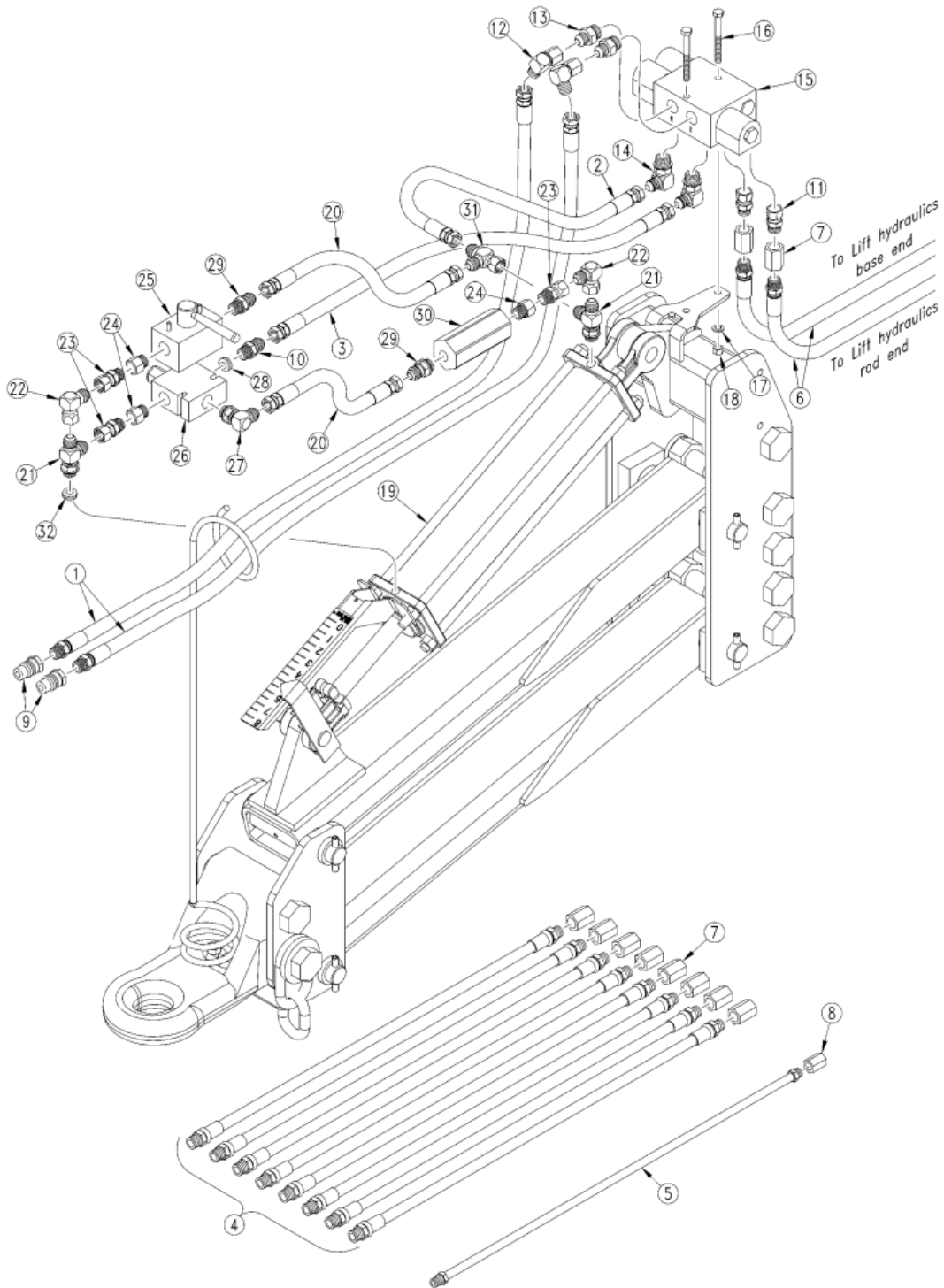
This Page Intentionally Left Blank

Fold and Marker Hydraulics (S/N B1048F+)

Ref.	Part No.	Part Description	Comments
42	841-568C	HH3/8R2 228 9/16FJIC 9/16MJIC	
43	811-925C	HH3/8R2 280 9/16FJIC	

Great Plains Hitch Hydraulics

Applies to Models: YP1225A, YP1625A

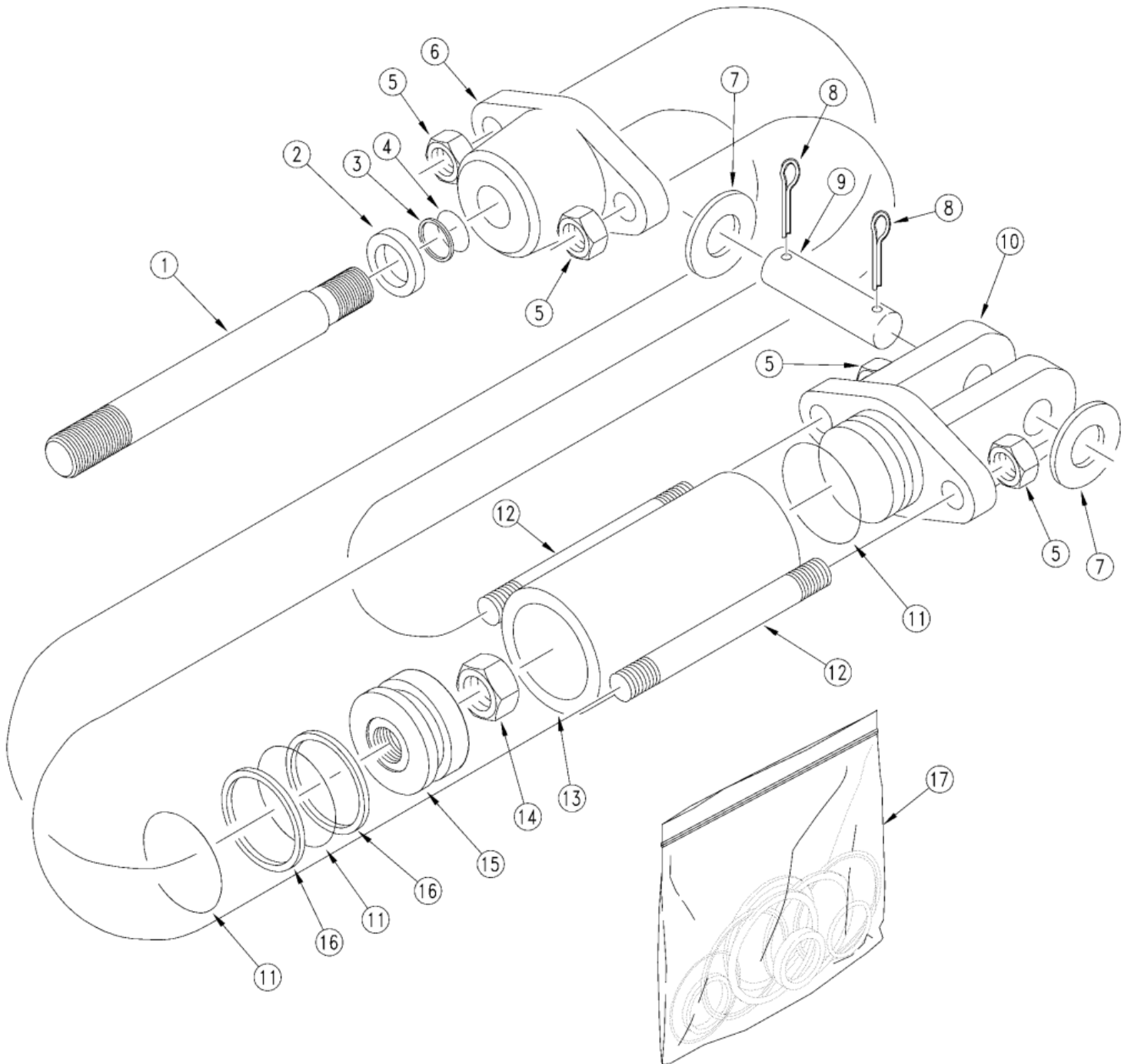


Applies to Models: YP1225A, YP1625A

Ref.	Part No.	Part Description	Comments
	DWG25490	Image No.	
1	811-054C	HH1/2R2 097 3/4FJIC 3/4MORBS	
2	841-136C	HH3/8R2 015 9/16FJIC 3/4FJIC	
3	811-386C	HH3/8R2 036 3/4FJIC	
4	841-218C	HH1/2R2 032 3/4MORB	
5	841-219C	HH1/4R2 032 9/16MORB	
6	841-211C	HH1/2R2 432 3/4MORB 3/4FJIC	
7	811-488C	CP 3/4 FORB 3/4 FORB	
8	841-220C	CP 9/16 FORB	
9	811-394C	CP 3/4FORB MALE QD POPPET TYPE	
10	811-088C	AD 3/4MORB 3/4MJIC	
11	811-324C	AD 3/4MORB 3/4FJIC	
12	811-150C	EL 3/4FJIC 3/4MJIC	
13	841-147C	AD 7/8MORB 3/4MJIC FLARE-O	
14	811-081C	EL 7/8MORB 3/4MJIC	
15	810-613C	VALVE 2CIRCUIT SELECT LD HOLD	
16	802-147C	HHCS 3/8-16X3 1/2 GR5	
17	804-013C	WASHER LOCK SPRING 3/8 PLT	
18	803-014C	NUT HEX 3/8-16 PLT	
19	810-614C	CYL 3.5X16X1.75 ROD(TIE)NOPINS	Refer to "Hydraulic Cylinder (810-614C 3.5x16x1.75 Rod)" for breakdown
20	841-187C	HH3/8R2 029 9/16FJIC	
21	811-064C	TE 9/16MJIC 9/16MJIC 9/16MORB	
22	811-169C	EL 9/16MJIC 9/16FJIC	
23	811-627C	AD 9/16MORB 9/16FJIC	
24	841-103C	AD 3/4MORB 9/16FORB	
25	810-345C	VALVE 90 DEGREE SHUT-OFF	
26	810-615C	VALVE RELIEF 700 PSI TAMP PRF	
27	811-171C	EL 3/4MORB 9/16MJIC	
28	196-429D	ORIFICE PLATE 3/32 8 MORB	
29	811-133C	AD 9/16MJIC 3/4MORB	
30	810-037C	VALVE LINE CHECK	
31	811-061C	TE 9/16MJIC 9/16MJIC 9/16FJIC	
32	811-347C	OB RPBX 193-039D	

Hydraulic Cylinder 1.5 x 2.5 x .75 Rod (810-201C)

Applies to Models: YP1225A, YP1625A



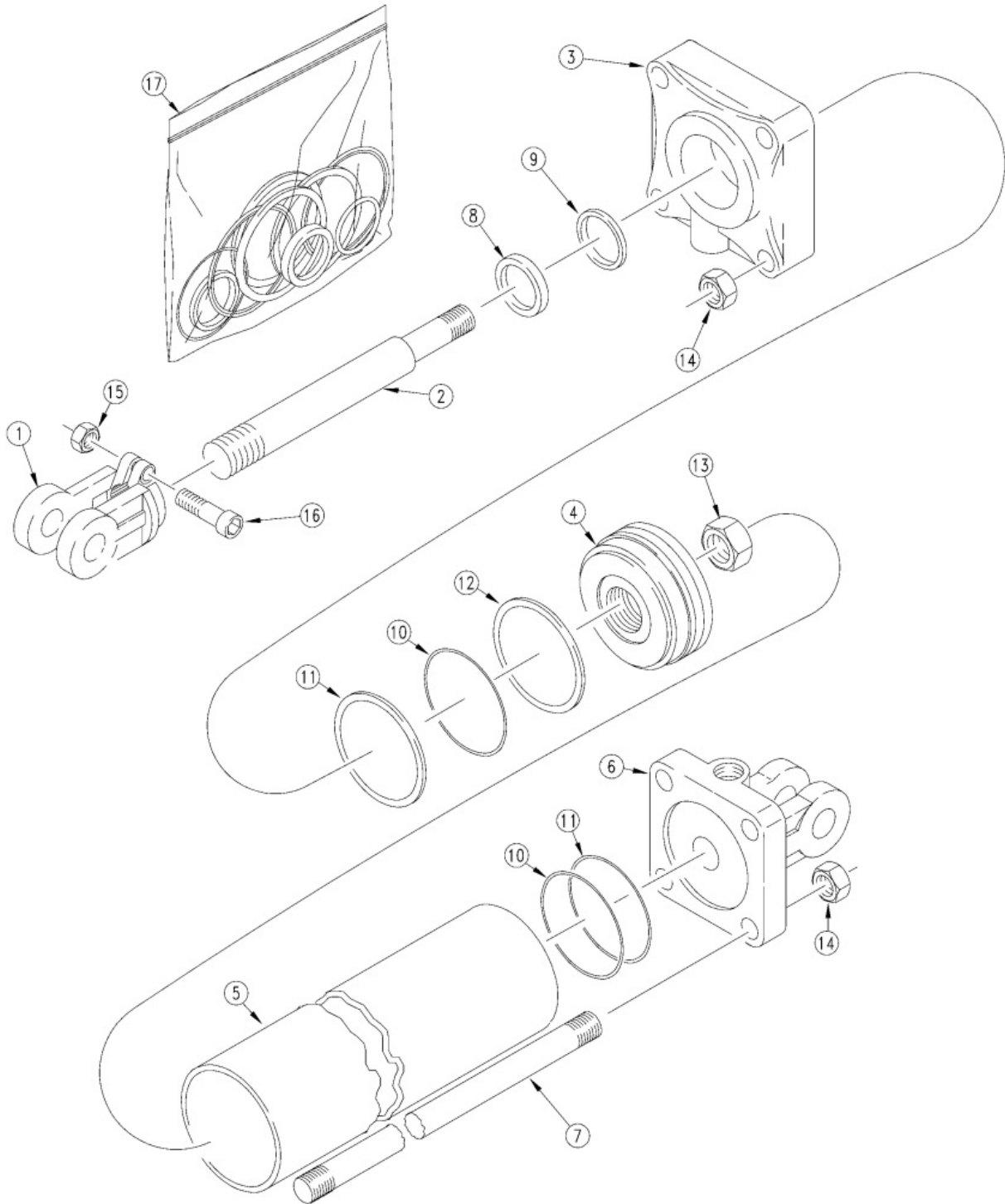
Hydraulic Cylinder 1.5 x 2.5 x .75 Rod (810-201C)

Applies to Models: YP1225A, YP1625A

Ref.	Part No.	Part Description	Comments
	DWG 12822	Image No.	
1	2M1190	REPL BY 2M1190NC MW ROD	
2		WIPER SEAL	Only available in item 17
3		BACKUP	Only available in item 17
4		O-RING	Only available in item 17
5	2A0014	MW TIE ROD NUT	
6	3M1108	MW HEAD	
7	804-021C	WASHER FLAT 5/8 SAE PLT	
8	2A0130	MW COTTER PIN	
9	2A0202	MW CLEVIS PIN	
10	6M1108	MW BASE	
11		O-RING	Only available in item 17
12	7M1302	MW TIE ROD	
13	5M1103	MW TUBE	
14	2A0018	MW TIE ROD NUT	
15	4M1102	MW PISTON	
16		BACKUP	Only available in item 17
17	810-249C	SEAL KIT MW 3A1102	

Hydraulic Cylinder 3.0 x 24.0 x 1.5 Rod (810-423C)

Applies to Models: YP1225A, YP1625A



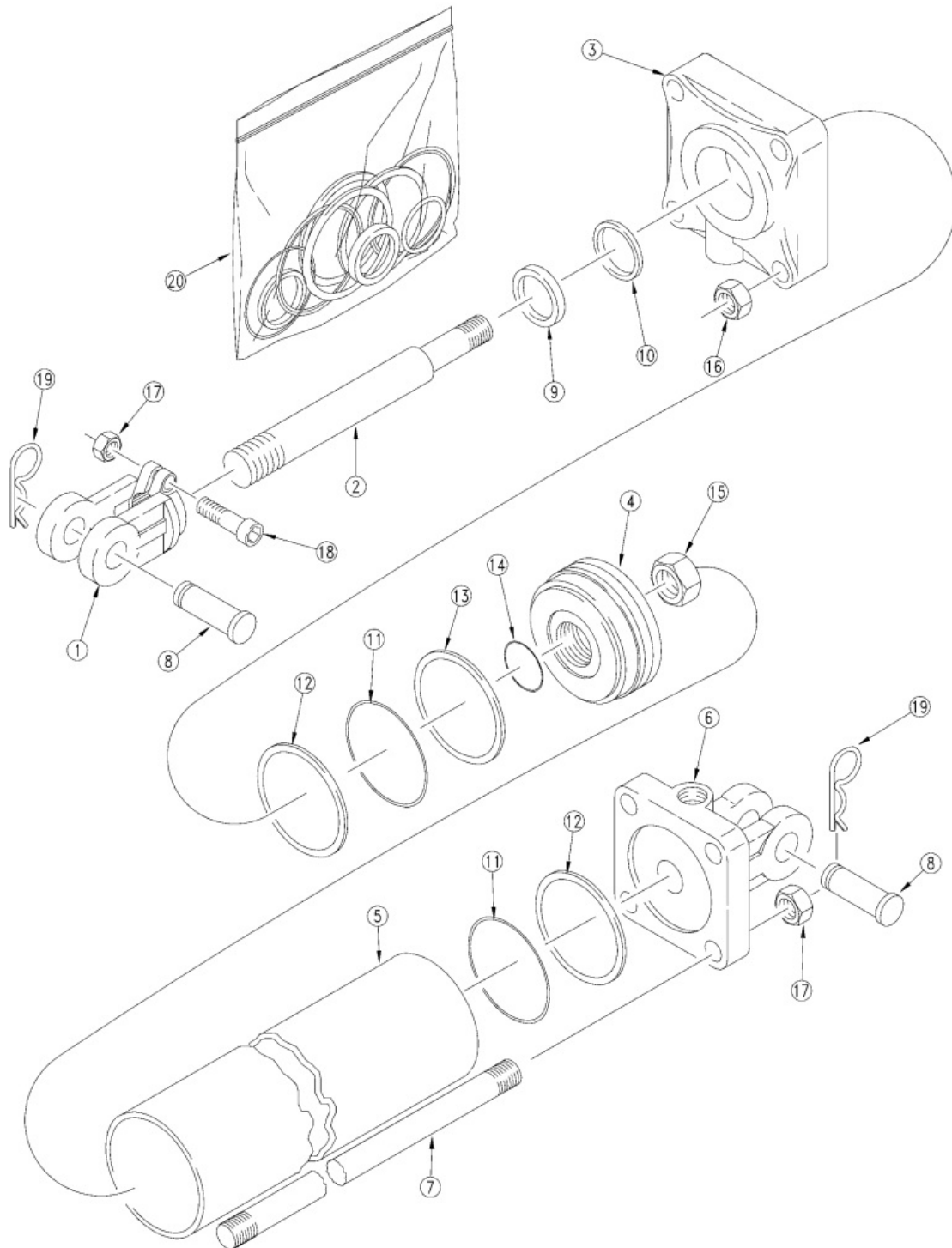
Hydraulic Cylinder 3.0 x 24.0 x 1.5 Rod (810-423C)

Applies to Models: YP1225A, YP1625A

Ref.	Part No.	Part Description	Comments
	DWG18964	Image No.	
1	1M7016	RPBY 1M7016-ADI	
2	2M4532	REPL BY 2M4532NC	
3	3R1510	MW HEAD	
4	4M4108	MW PISTON	
5	5M4132	MW TUBE	
6	6R1144	BASE MIDWAY	
7	7M4332	MW TIE ROD	
8		MW WIPER	Only found in seal kit 17
9		MW U-CUP	Only found in seal kit 17
10		MW O-RING	Only found in seal kit 17
11		MW BACKUP	Only found in seal kit 17
12		MW CROWN SEAL	Only found in seal kit 17
13	2A0024	MW PISTON NUT 1-14	
14	2A0014	MW TIE ROD NUT	
15	2A0012	RPBY 803-234C	
16	2A0006	RPBY 802-023C	
17	810-430C	SEAL KIT MW 3 CYL 5A4106	

Hydraulic Cylinder 3.5 x 16.0 x 1.75 Rod (810-614C)

Applies to Models: YP1225A, YP1625A



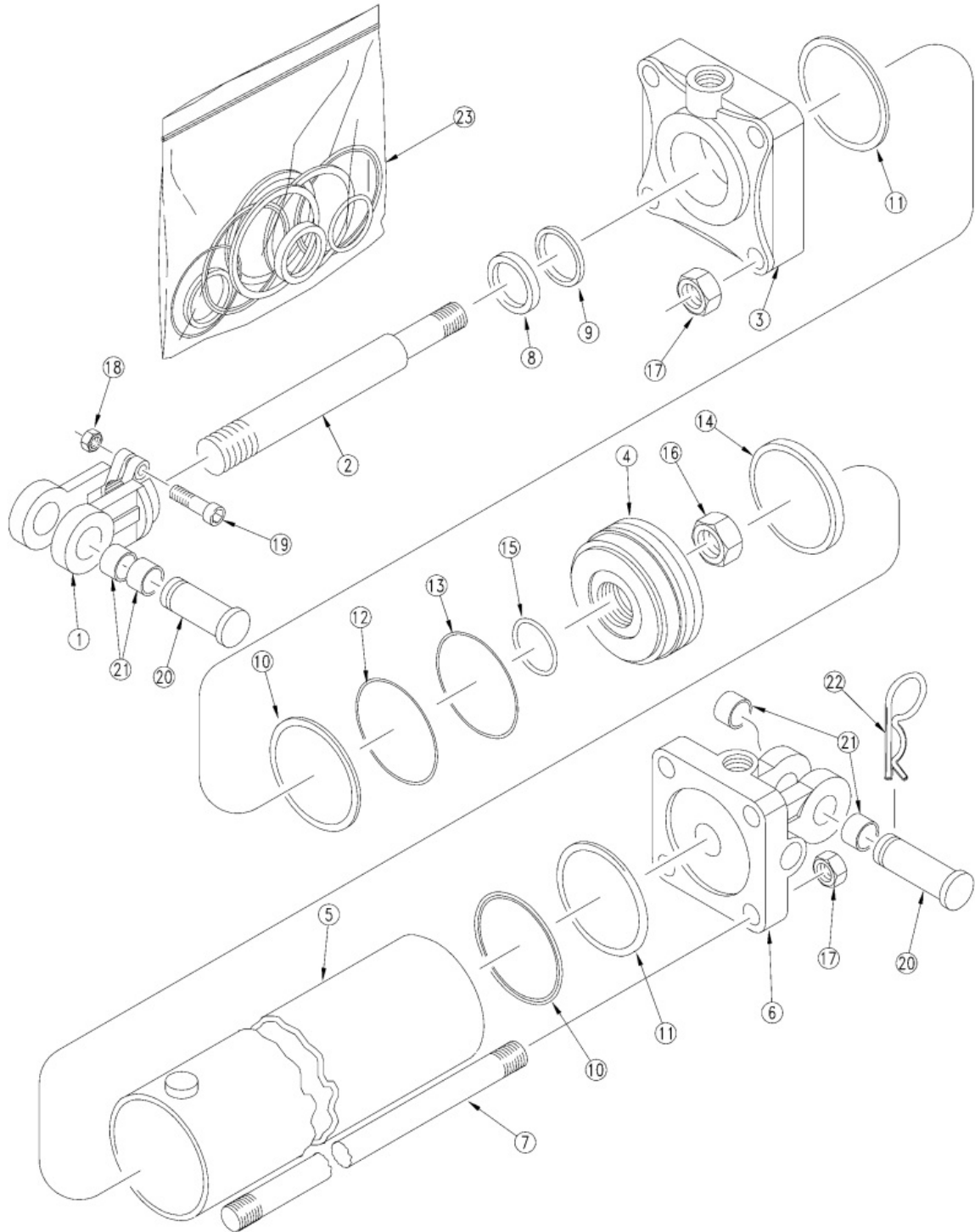
Hydraulic Cylinder 3.5 x 16.0 x 1.75 Rod (810-614C)

Applies to Models: YP1225A, YP1625A

Ref.	Part No.	Part Description	Comments
	DWG25498	Image No.	
1	1M7021	RPBY 1M7021-ADI	
2	2S5724	REPL BY 2S5724NC MIDWAY ROD	
3	3R3710	MIDWAY HEAD	
4	4M5108	MW PISTON	
5	5M5124	MW TUBE 3-1/2 X 16 CYLINDER	
6	6R3152	RPBY 6R3152-ADI	
7	7M5324	MW TIE ROD	
7	7M5417	MIDWAY TIE ROD	
8	805-124C	PIN CLEVIS 1 X 3 11/16 GR5 PLT	
9		ROD WIPER	Only available in item 20
10		U-CUP	Only available in item 20
11		O-RING	Only available in item 20
12		BACK-UP	Only available in item 20
13		CROWN SEAL	Only available in item 20
14		O-RING	Only available in item 20
15	2A0024	MW PISTON NUT 1-14	
16	2A0016	MW TIE ROD NUT	
17	2A0012	RPBY 803-234C	
18	802-023C	HHCS 3/8-16X1 3/4 GR5	
19	2A0134	MW COTTER PIN	
20	810-583C	SEAL KIT FOR 810-571C	

Hydraulic Cylinder 4.25 x 27.75 x 2.0 Rod (810-647C)

Applies to Models: YP1225A, YP1625A



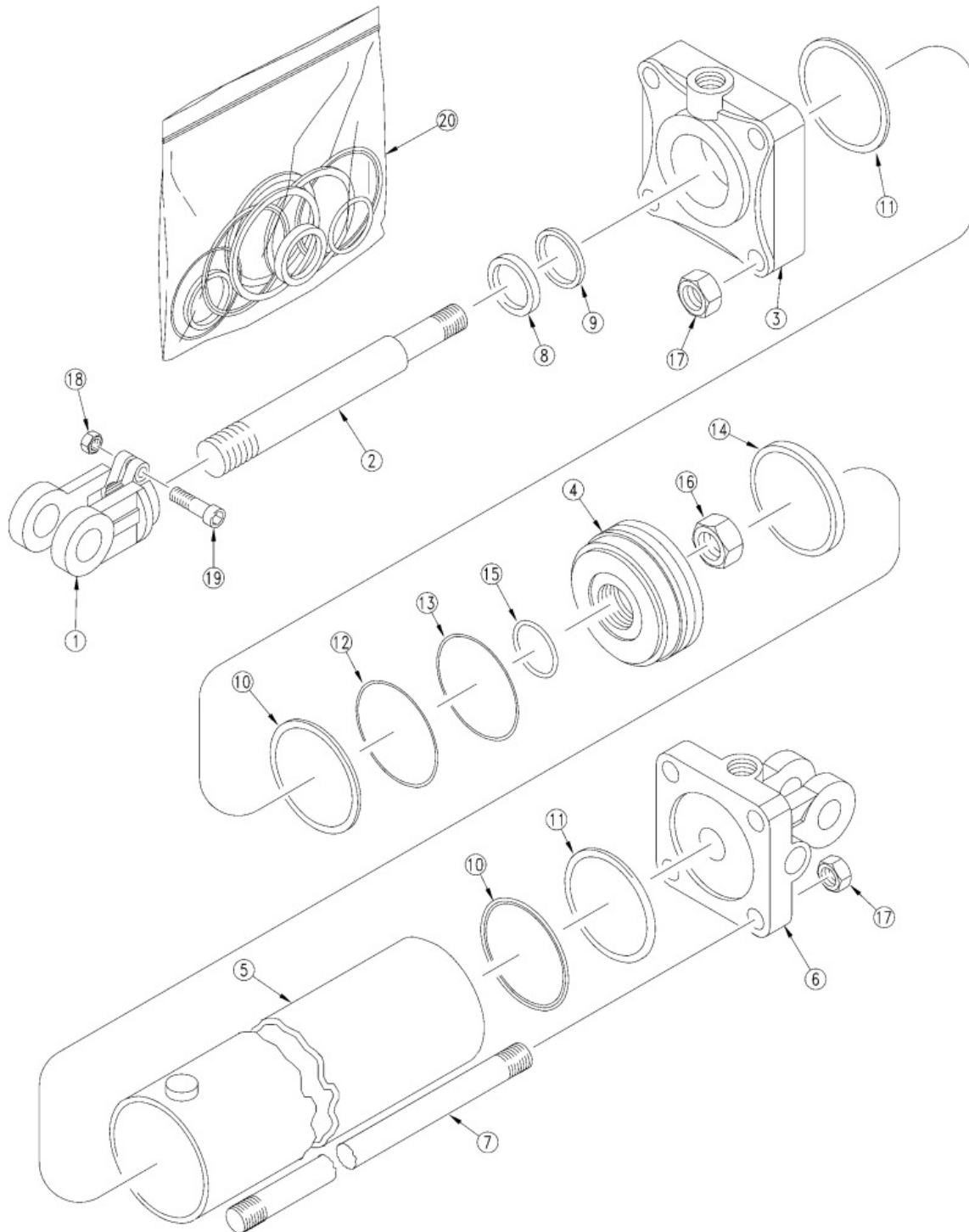
Hydraulic Cylinder 4.25 x 27.75 x 2.0 Rod (810-647C)

Applies to Models: YP1225A, YP1625A

Ref.	Part No.	Part Description	Comments
	DWG29701	Image No.	
1	1M7021-ADI	MW ROD CLEVIS 1.00PN 1.5-12THD	
2	2S7670NC	MW NICKEL/CHROME ROD	
3	3R7040	MW HEAD	
4	4R8110	MW PISTON	
5	5R6181	MW TUBE	
6	6R8162-ADI	MW ADI BASE	
7	7M7386	MW TIE ROD	
8		MW WIPER	Only available in item 23
9		U-CUP	Only available in item 23
10		O-RING	Only available in item 23
11		BACK-UP MIDWAY	Only available in item 23
12		TEFLON SEAL	Only available in item 23
13		O-RING LOADER MIDWAY	Only available in item 23
14		WEAR RING MIDWAY	Only available in item 23
15		MW O-RING	Only available in item 23
16	2A0025	MW PISTON NUT 1 1/4"-12 UNF	
17	803-257C	NUT HEX 3/4-16 PLAIN	
18	803-234C	NUT HEX 3/8-16 PLAIN	
19	802-023C	HHCS 3/8-16X1 3/4 GR5	
20	805-124C	PIN CLEVIS 1 X 3 11/16 GR5 PLT	
21	890-620C	BUSHING,1 1/2X1 1/4X3/4LG	
22	2A0134	MW COTTER PIN	
23	810-653C	SEAL KIT MW 810-647C 4A6106	

Hydraulic Cylinder 4.5 x 10.37 x 1.5 Rod (810-697C)

Applies to Models: YP1225A, YP1625A



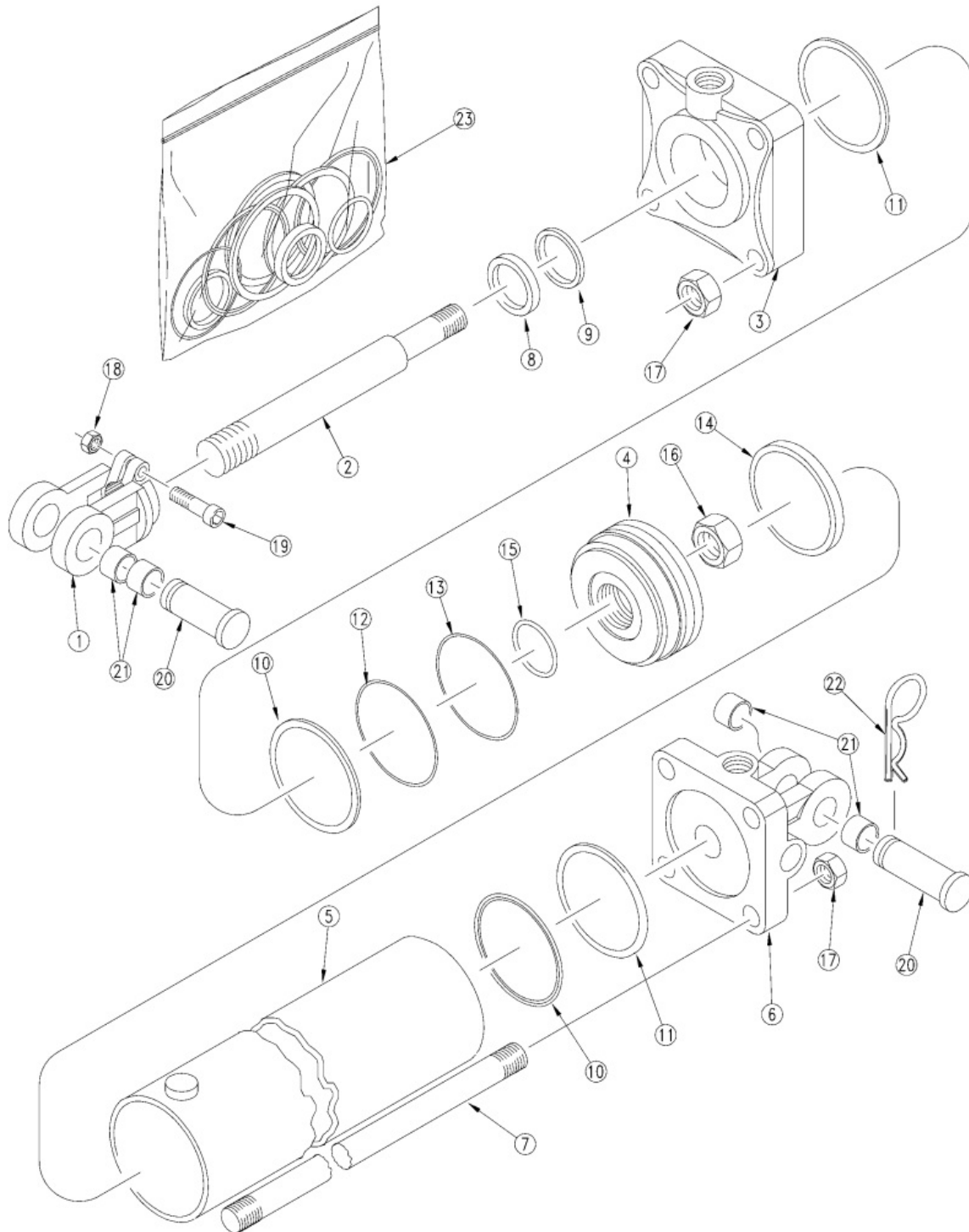
Hydraulic Cylinder 4.5 x 10.37 x 1.5 Rod (810-697C)

Applies to Models: YP1225A, YP1625A

Ref.	Part No.	Part Description	Comments
	DWG31512	Image No.	
1	1M7022-ADI	MW ROD CLEVIS 1.25PN 1.5-12THD	
2	2S7579NC	MW ROD	
3	3R7540	MW HEAD	
4	4R7109	PISTON MIDWAY	
5	5R7192	MW TUBE	
6	6R7190-ADI	MIDWAY ADI BASE	
7	7M7422	MW TIE ROD	
8		MW WIPER	Only available in item 20
9		MW U-CUP	Only available in item 20
10		MW O-RING	Only available in item 20
11		MW BACK-UP	Only available in item 20
12		PISTON SEAL	Only available in item 20
13		LOADER	Only available in item 20
14		WEAR RING MIDWAY	Only available in item 20
15		MW O-RING	Only available in item 20
16	2A0025	MW PISTON NUT 1 1/4"-12 UNF	
17	803-257C	NUT HEX 3/4-16 PLAIN	
18	803-234C	NUT HEX 3/8-16 PLAIN	
19	802-023C	HHCS 3/8-16X1 3/4 GR5	
20	810-158C	SEAL KIT MW 4.5 RPHCYL 4A7104	

Hydraulic Cylinder 4.75 x 10.0 x 1.5 Rod (810-545C)

Applies to Models: YP1225A, YP1625A



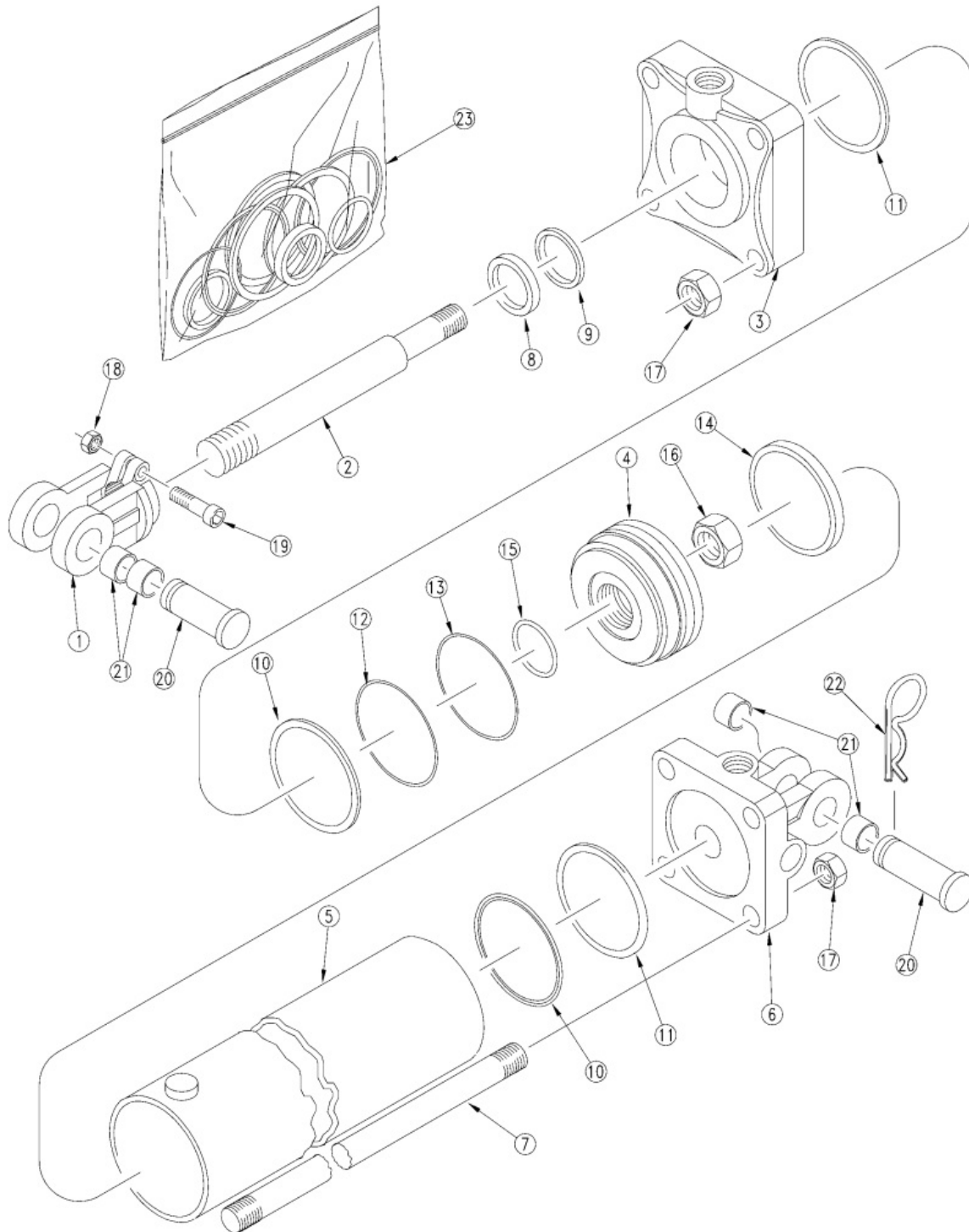
Hydraulic Cylinder 4.75 x 10.0 x 1.5 Rod (810-545C)

Applies to Models: YP1225A, YP1625A

Ref.	Part No.	Part Description	Comments
	DWG21869	Image No.	
1	1M7022-ADI	MW ROD CLEVIS 1.25PN 1.5-12THD	
2	2S8516	MIDWAY ROD	
3	3R8512	REPL BY 3R8540	
4	4R8108	RPBY 4R8109 & NEW TUBE	
5	5R8118	MIDWAY TUBE	
6	6R8170	MIDWAY BASE	
7	7M8318	MIDWAY TIE ROD F/ 4 3/4 X 10	
8		MW WIPER	Only found in seal kit 23
9		U-CUP	Only found in seal kit 23
10		O-RING MIDWAY	Only found in seal kit 23
11		MW BACK UP	Only found in seal kit 23
12		TEFLON SEAL	Only found in seal kit 23
13		O-RING LOADER MIDWAY	Only found in seal kit 23
14		WEAR RING MIDWAY	Only found in seal kit 23
15		MW O-RING	Only found in seal kit 23
16	2A0025	MW PISTON NUT 1 1/4"-12 UNF	
17	2A0019	RPBY 803-257C	
18	2A0012	RPBY 803-234C	
19	802-023C	HHCS 3/8-16X1 3/4 GR5	
20	2A0218	OB RPBY 805-437C	
21	890-620C	BUSHING,1 1/2X1 1/4X3/4LG	
22	2A0134	MW COTTER PIN	
23	810-160C	SEAL KIT MW 4.75 RPHCYL 4A8104	

Hydraulic Cylinder 4.75 x 20.0 x 1.75 Rod (810-646C)

Applies to Models: YP1225A, YP1625A



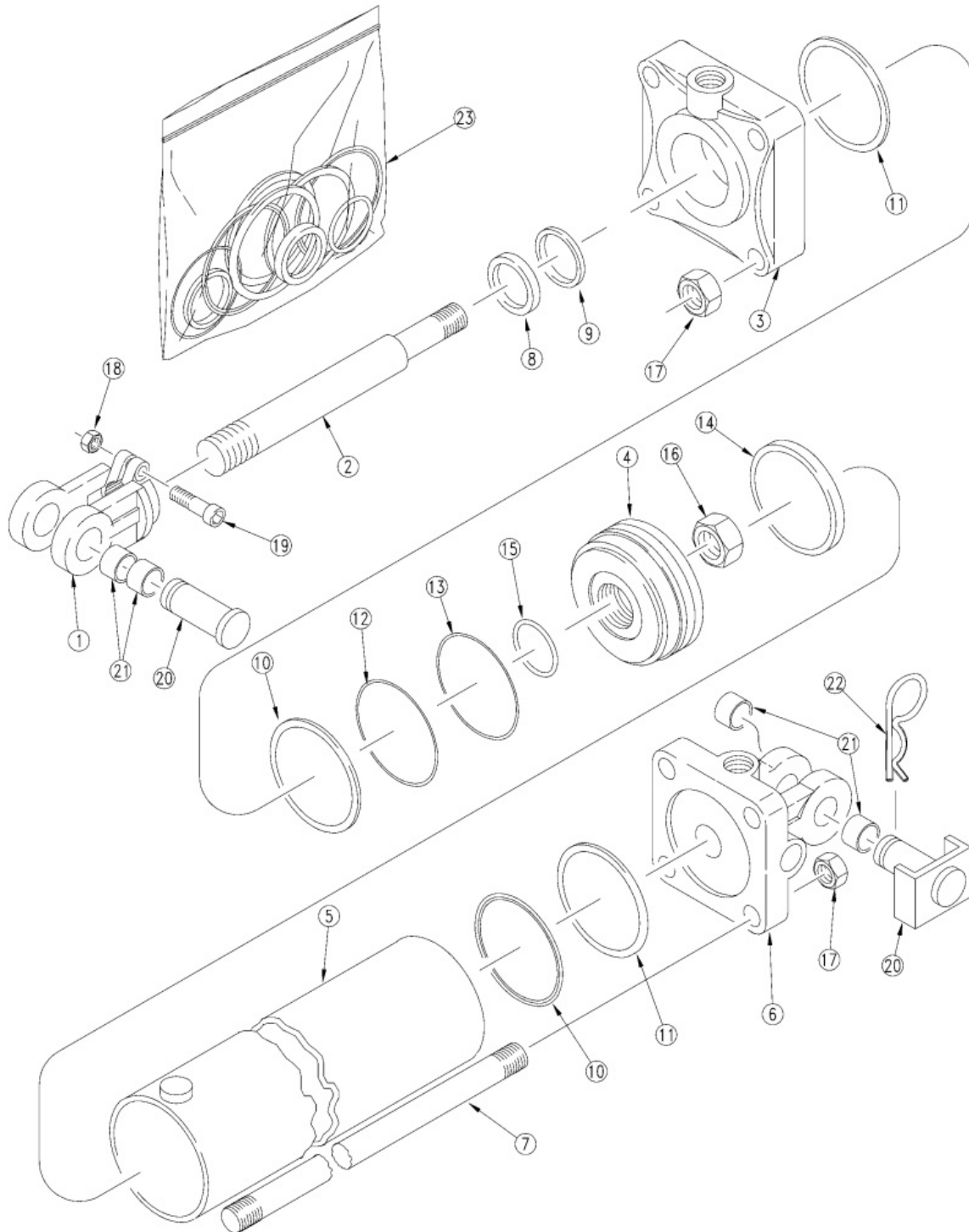
Hydraulic Cylinder 4.75 x 20.0 x 1.75 Rod (810-646C)

Applies to Models: YP1225A, YP1625A

Ref.	Part No.	Part Description	Comments
	DWG29701	Image No.	
1	1M7021-ADI	MW ROD CLEVIS 1.00PN 1.5-12THD	
2	2S8790NC	MW NICKEL/CHROME ROD	
3	3R8712	REPL BY 3R8740	
4	4R8110	MW PISTON	
5	5R8528	MW TUBE	
6	6R8162-ADI	MW ADI BASE	
7	7M8328	TIE ROD MIDWAY	
8		MW WIPER	Only available in item 23
9		U-CUP	Only available in item 23
10		O-RING	Only available in item 23
11		BACK-UP MIDWAY	Only available in item 23
12		TEFLON SEAL	Only available in item 23
13		O-RING LOADER MIDWAY	Only available in item 23
14		WEAR RING MIDWAY	Only available in item 23
15		MW O-RING	Only available in item 23
16	2A0025	MW PISTON NUT 1 1/4"-12 UNF	
17	803-257C	NUT HEX 3/4-16 PLAIN	
18	803-234C	NUT HEX 3/8-16 PLAIN	
19	802-023C	HHCS 3/8-16X1 3/4 GR5	
20	805-124C	PIN CLEVIS 1 X 3 11/16 GR5 PLT	
21	890-143C	BUSHING HARDENED 1 1/4-1-3/4 L	NOT used with ADI clevis
22	2A0134	MW COTTER PIN	
23	810-652C	SEAL KIT MW 810-646C 4A8105	

Hydraulic Cylinder 5.0 x 10.0 x 1.5 Rod (810-544C)

Applies to Models: YP1225A, YP1625A



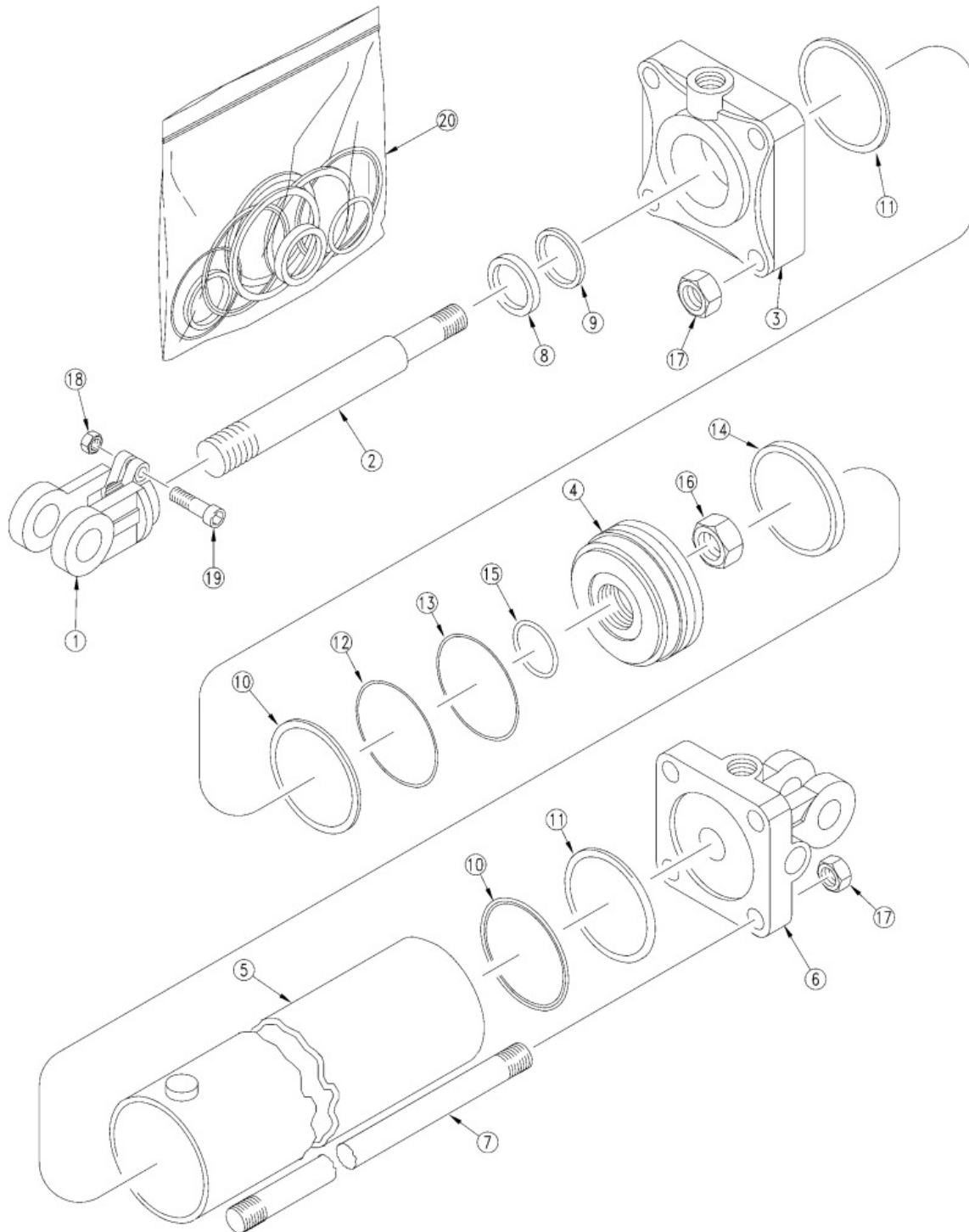
Hydraulic Cylinder 5.0 x 10.0 x 1.5 Rod (810-544C)

Applies to Models: YP1225A, YP1625A

Ref.	Part No.	Part Description	Comments
	DWG21870	Image No.	
1	1M7028	RPBY 1M7022-ADI	
2	2S8516	MIDWAY ROD	
3	3R9512	MIDWAY HEAD	
4	4R9108	RPBY 4R9110 & NEW TUBE	
5	5R9118	MIDWAY TUBE	
6	6R9170	RPBY 6R9170-ADI	
7	7M8318	MIDWAY TIE ROD F/ 4 3/4 X 10	
8		MW WIPER	Only found in seal kit 23
9		U-CUP	Only found in seal kit 23
10		O-RING	Only found in seal kit 23
11		MW BACK UP	Only found in seal kit 23
12		TEFLON SEAL	Only found in seal kit 23
13		O-RING LOADER MIDWAY	Only found in seal kit 23
14		WEAR RING MIDWAY	Only found in seal kit 23
15		MW O-RING	Only found in seal kit 23
16	2A0025	MW PISTON NUT 1 1/4"-12 UNF	
17	2A0019	RPBY 803-257C	
18	2A0012	RPBY 803-234C	
19	802-023C	HHCS 3/8-16X1 3/4 GR5	
20	148-283H	COULTER COMMAND CYLINDER PIN	
21	890-620C	BUSHING,1 1/2X1 1/4X3/4LG	
22	2A0134	MW COTTER PIN	
23	810-551C	RPBY 810-507C	

Hydraulic Cylinder 5.0 x 10.0 x 2.0 Rod (810-698C)

Applies to Models: YP1225A, YP1625A



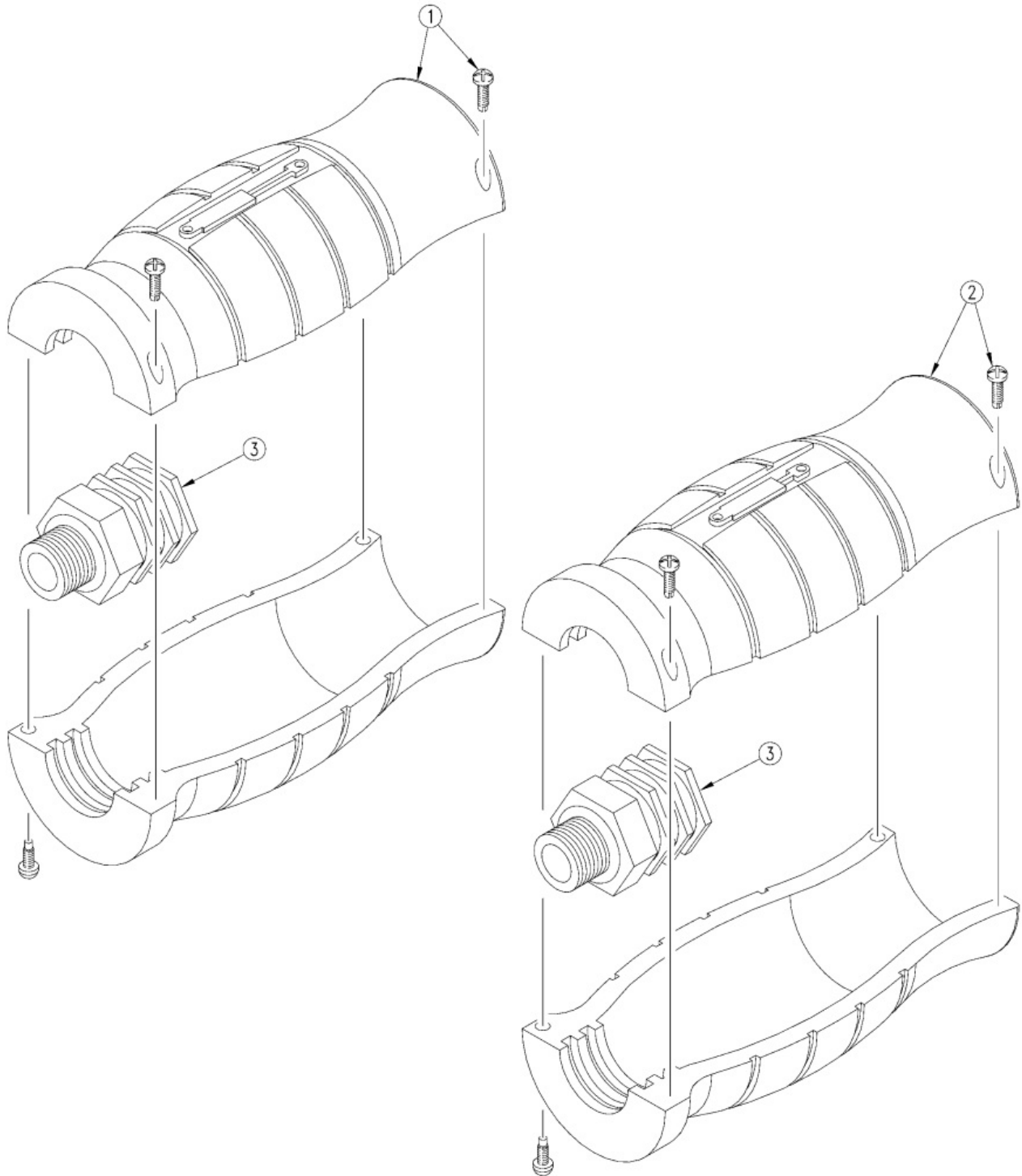
Hydraulic Cylinder 5.0 x 10.0 x 2.0 Rod (810-698C)

Applies to Models: YP1225A, YP1625A

Ref.	Part No.	Part Description	Comments
	DWG31513	Image No.	
1	1M7022-ADI	MW ROD CLEVIS 1.25PN 1.5-12THD	
2	2S8614NC	MW ROD	
3	3R9640	MW HEAD	
4	4R9110	PISTON MIDWAY	
5	5R9118	MIDWAY TUBE	
6	6R9170-ADI	MIDWAY ADI BASE	
7	7M8318	MIDWAY TIE ROD F/ 4 3/4 X 10	
8		MW WIPER	Only available in item 20
9		MW U-CUP	Only available in item 20
10		MW O-RING	Only available in item 20
11		MW BACK-UP	Only available in item 20
12		PISTON SEAL	Only available in item 20
13		LOADER	Only available in item 20
14		WEAR RING MIDWAY	Only available in item 20
15		MW O-RING	Only available in item 20
16	2A0025	MW PISTON NUT 1 1/4"-12 UNF	
17	803-257C	NUT HEX 3/4-16 PLAIN	
18	803-234C	NUT HEX 3/8-16 PLAIN	
19	802-023C	HHCS 3/8-16X1 3/4 GR5	
20	810-508C	SEAL KIT MW (4A9106)	

Hydraulic Hose Grips

Applies to Models: YP1225A, YP1625A



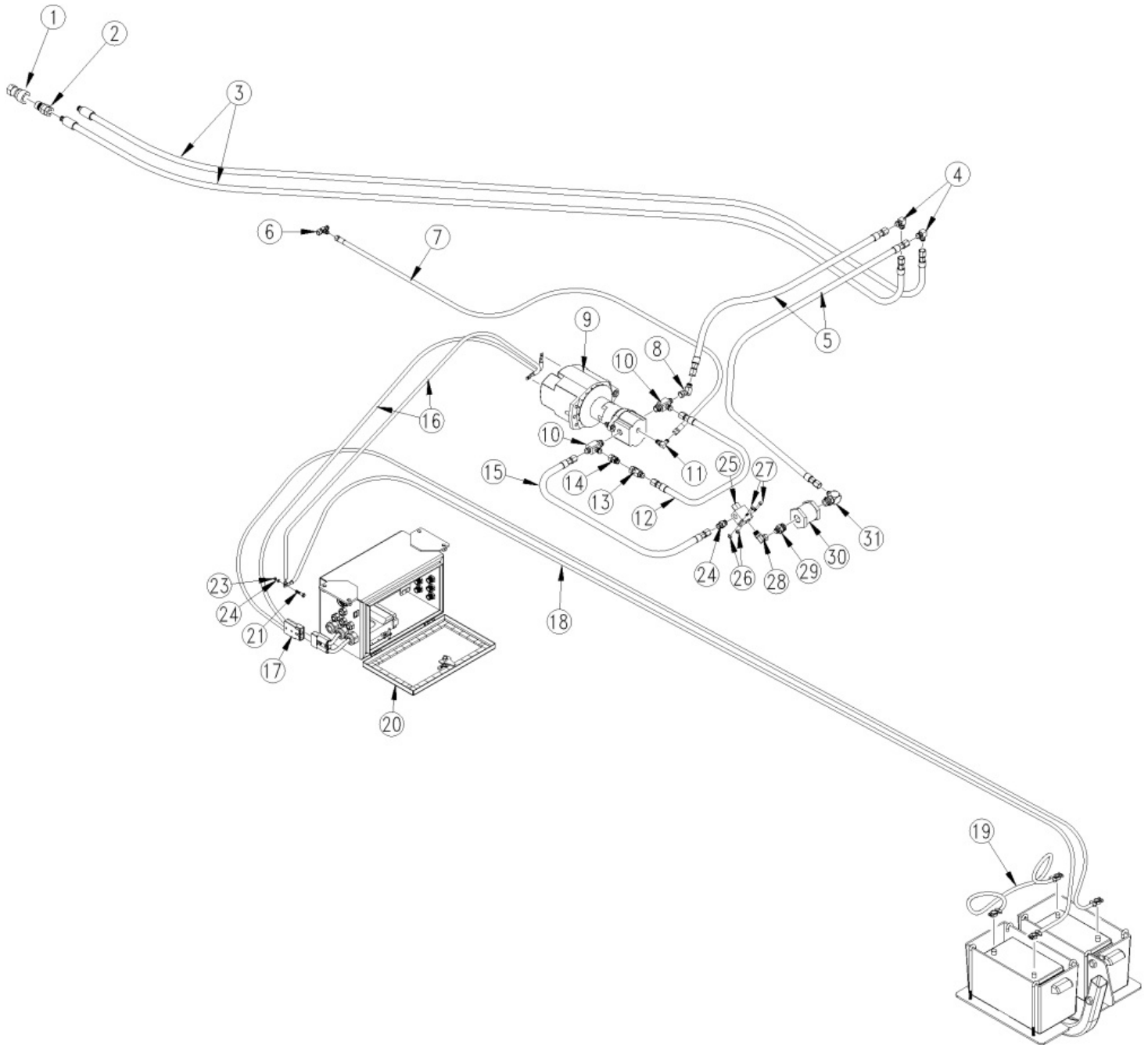
Hydraulic Hose Grips

Applies to Models: YP1225A, YP1625A

Ref.	Part No.	Part Description	Comments
	DWG31842	Image No.	
1	811-826C	HG HANDLE - BLACK EXT	Used on frame lift cylinders.
1	811-914C	HG HANDLE - RED EXT	Used on hydraulic level
1	811-915C	HG HANDLE - GREEN EXT	Used on wing fold cylinders
1	811-917C	HG HANDLE - YELLOW EXT	Used on Hydraulic Drive.
1	841-540C	HG HANDLE - GRAY EXT	Used on fold cylinders.
1	841-542C	HG HANDLE - BLUE EXT	Used on cast roller depth control.
2	811-913C	HG HANDLE - BLACK RET	Used on frame lift cylinders.
2	811-827C	HG HANDLE - RED RET	Used on hydraulic level.
2	811-916C	HG HANDLE - GREEN RET	Used on wing fold cylinders.
2	811-918C	HG HANDLE - YELLOW RET	Used on Hydraulic Drive.
2	841-541C	HG HANDLE - GRAY RET	Used on fold cylinders.
2	841-543C	HG HANDLE - BLUE RET	Used on cast roller depth control
3	811-919C	AD 3/4MORB 3/4FORB (HG)	

IRC (Individual Rate Control) Hydraulics and Electric Wiring

Applies to Models: YP1225A, YP1625A



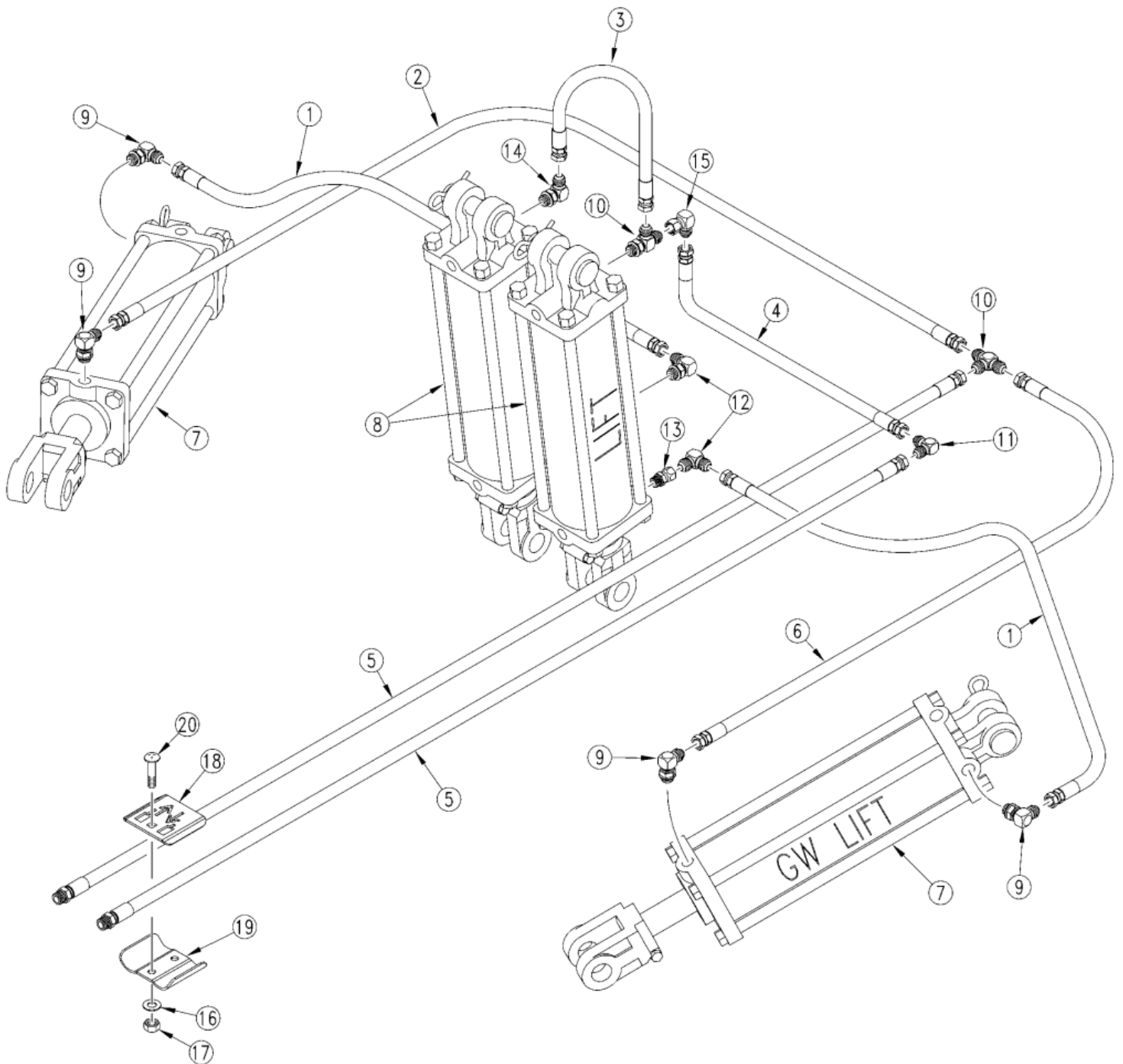
IRC (Individual Rate Control) Hydraulics and Electric Wiring

Applies to Models: YP1225A, YP1625A

Ref.	Part No.	Part Description	Comments
	DWG38055	Image No.	
1	811-185C	CP 1 1/16 FORB QD FEMALE	
2	811-184C	CP 1 1/16 FORB QD MALE	
3	811-959C	HH1/2R2 312 3/4FJIC 3/4MORB	
4	811-725C	EL 90 3/4MJIC	
5	811-266C	HH1/2R2 192 3/4FJIC	
6	811-061C	TE 9/16MJIC 9/16MJIC 9/16FJIC	
7	841-067C	HH3/8R2 204 9/16FJIC	
8	811-040C	EL 45 3/4MJIC 3/4FJIC	
9	411-248K	ALTERNATOR MOTOR ASSEMBLY	Refer to Alternator Mounting (411-248K) for breakdown.
10	841-917C	TE 7/8MORB 3/4MJIC 3/4MJIC	
11	811-065C	EL 9/16MJIC 9/16MORB	
12	851-589C	HH1/2R2 22 3/4FJIC	
13	851-693C	HYD CHECK 3/4FORB 3/4MJIC	
14	811-324C	AD 3/4MORB 3/4FJIC	
15	851-589C	HH1/2R2 22 3/4FJIC	
16	833-754C	YP12-16 ALTERNATOR GND HARNESS	
17	833-753C	YP12-16 MAIN POWER HARNESS	
18	833-756C	YP16 BATTERY GROUND CABLE	
19	833-755C	YP16 BATTERY CONNECTION CABLE	
20	833-748C	YP24 POWER MODULE EXTR WIRE	
21	802-012C	HHCS 5/16-18X1 1/2 GR5	
22	804-009C	WASHER LOCK SPRING 5/16 PLT	
23	803-008C	NUT HEX 5/16-18 PLT	
24	811-088C	AD 3/4MORB 3/4MJIC	
25	850-068C	P.C. FLOW CONTROL VALVE 5GPM	
26	803-194C	NUT HEX WHIZ 1/4-20 PLT	
27	802-551C	HHCS 1/4-20X2 1/4 GR5	
28	841-077C	EL 3/4FJIC 3/4MORB	
29	811-205C	AD 3/4MJIC 1 1/16MORB	
30	850-065C	FILTER INLINE 1 1/16 FORB	
31	811-091C	EL 3/4MJIC 1 1/16MORB	

Great Plains
Lift Hydraulics

Applies to Models: YP1225A, YP1625A

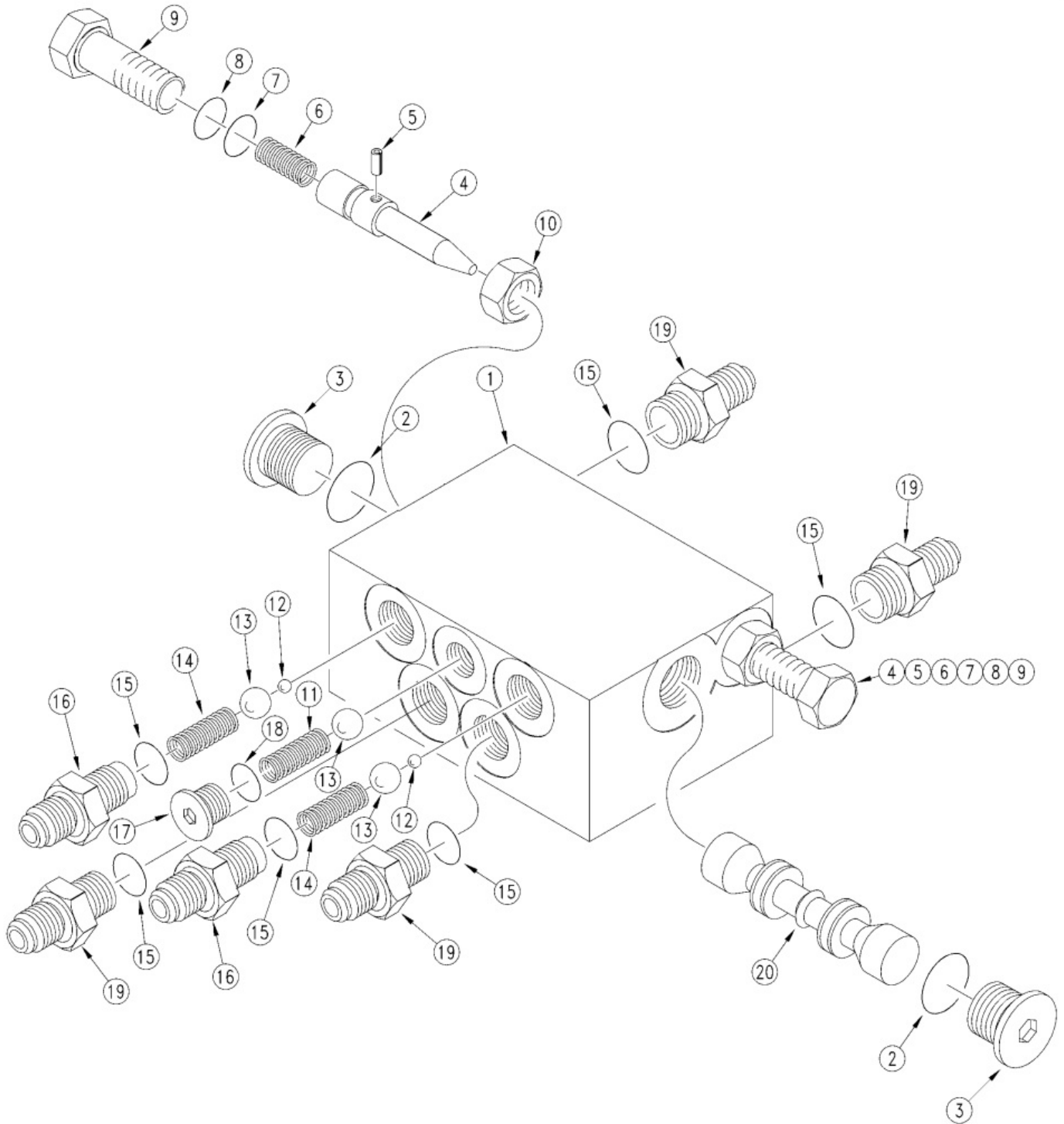


Applies to Models: YP1225A, YP1625A

Ref.	Part No.	Part Description	Comments
	DWG22753	Image No.	
1	811-930C	HH3/8R2 300 9/16FJIC	
1	841-074C	HH3/8R2 240 9/16FJIC	
2	811-932C	HH3/8R2 406 9/16FJIC 3/4FJIC	
2	841-076C	HH3/8R2 315 9/16FJIC 3/4FJIC	
3	811-929C	HH3/8R2 030 3/4FJIC	
4	811-785C	HH1/2R2 168 3/4FJIC	
4	811-617C	HH1/2R2 140 3/4FJIC	
5	841-165C	HH1/2R2 326 3/4MORB 3/4FJIC	(S/N# B1132F)
5	841-072C	HH1/2R2 280 3/4FJIC 3/4MORB	
6	811-931C	HH3/8R2 156 9/16FJIC 3/4FJIC	
6	841-075C	HH3/8R2 120 9/16FJIC 3/4FJIC	
7	810-545C	CYL REP 4.75X10X1.5ROD (TIE)	
7	810-697C	CYL REP 4.50X10.37X1.5 ROD TIE	
8	810-544C	CYL REP 5X10X1.5 ROD (TIE)	(S/N B1022E-) (S/N B1047F-)
8	810-698C	CYL REP 5X10X2.0 ROD (TIE)	(S/N B1023E+) (S/N B1048F+)
9	811-171C	EL 3/4MORB 9/16MJIC	
10	811-249C	TE 9/16MJIC 9/16MJIC 3/4MORB	
11	811-725C	EL 90 3/4MJIC	
12	811-169C	EL 9/16MJIC 9/16FJIC	
13	811-133C	AD 9/16MJIC 3/4MORB	
14	811-063C	EL 3/4MJIC 3/4MORB	
15	811-150C	EL 3/4FJIC 3/4MJIC	
16	804-010C	WASHER FLAT 5/16 USS PLT	
17	803-199C	NUT HEX FLANGE 5/16-18 PLT	
18	502-067D	HYD HOSE CLAMP LABEL	
19	502-068D	HYD HOSE CLAMP BRACKET	
20	802-009C	RHSNB 5/16-18X1 1/4 GR5	

Sequence Valve (810-197C)

Applies to Models: YP1225A, YP1625A

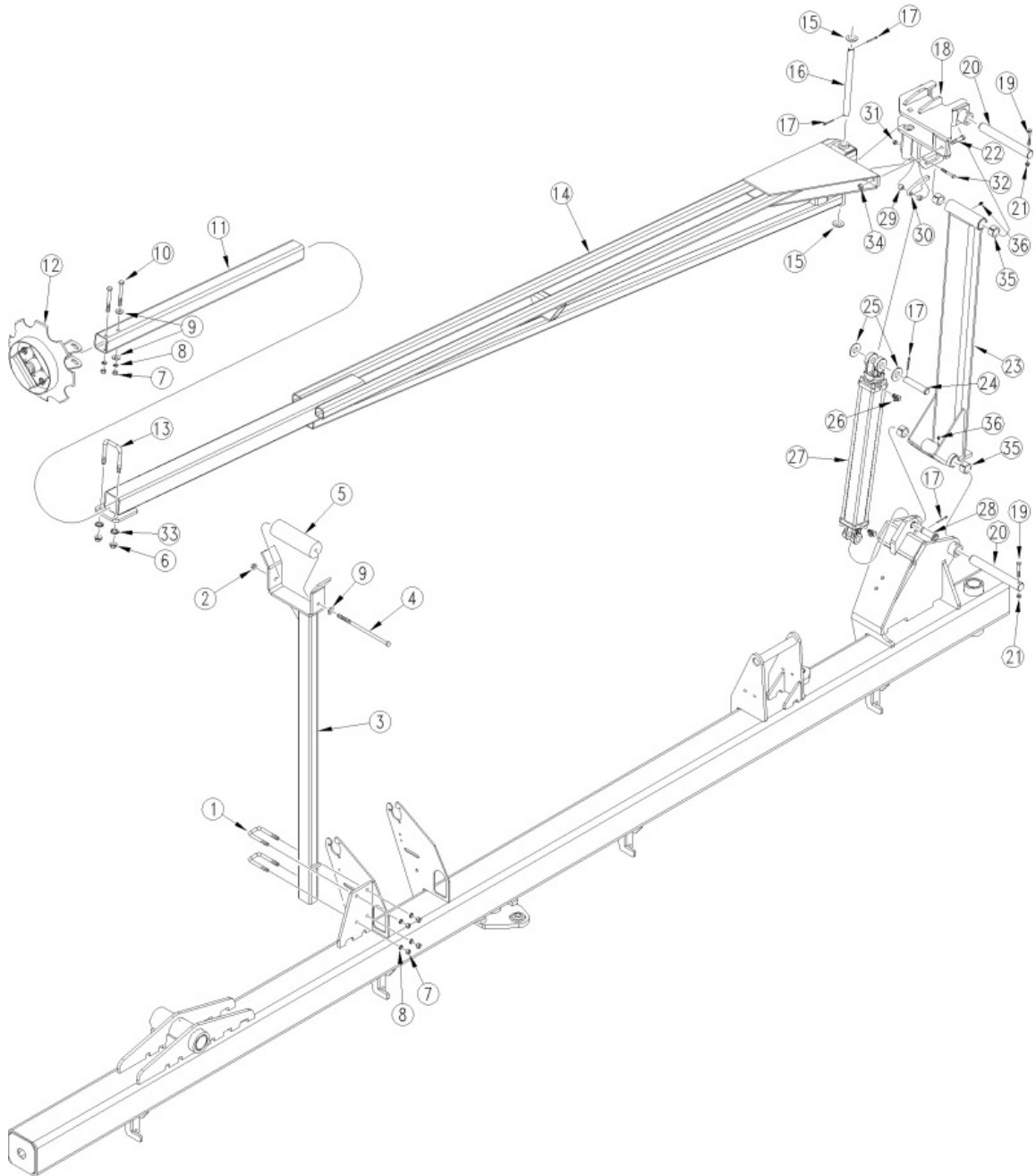


Sequence Valve (810-197C)

Applies to Models: YP1225A, YP1625A

Ref.	Part No.	Part Description	Comments
	DWG12024	Image No.	
1	3089	SHOEMAKER BODY MKR SEQ VALVE	
2	1088-908	SHOEMAKER O-RING	
3	1132-08	SHOEMAKER PLUG, HEX SOCKET	
4	1179	SHOEMAKER NEEDLE, FLOW CONTROL	
5	1217	SHOEMAKER .125 SPRING PIN	
6	1211	SHOEMAKER SPRING COMPRESSION	
7	1088-011	RPBY 1100-011	
8	1089-011	RPBY SEAL KIT	
9	1180	SHOEMAKER SCREW, FLOW CON.ADJ.	
10	1218	REPLACED BY 803-018C	
11	1099	RPBY SEAL KIT	
12	1087-250	RPBY SEAL KIT	
13	1087-437	RPBY SEAL KIT	
14	1042	RPBY SEAL KIT	
15	1088-906	SHOEMAKER O-RING	
16	1182	SHOEMAKER FITTING PORT ADPT.	
17	1132-05	SHOEMAKER HEX, SKT O-RING PLUG	
18	1088-905	SHOEMAKER O-RING	
19	1092-6-6	SHOEMAKER SAE #6 TO #6 STRGHT	
20	2153	SHOEMAKER SPOOL, MKR SEQ. .055	
	810-456C	SEAL KIT SHOEMAKER #1223	

Applies to Models: YP1225A, YP1625A

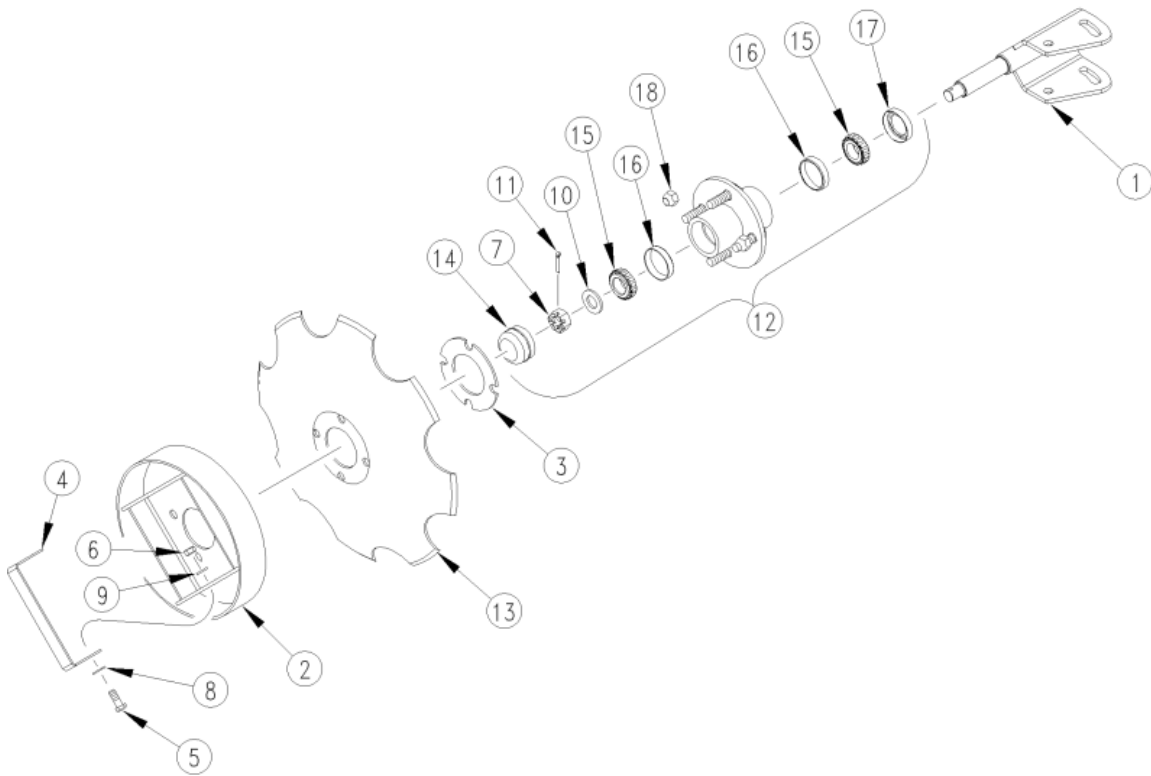


Applies to Models: YP1225A, YP1625A

Ref.	Part No.	Part Description	Comments
	DWG22929	Image No.	
1	806-168C	U-BOLT 1/2-13 X 2 1/32 X 4 1/2	
2	803-169C	NUT HEX FLG LOCK 1/2-13 PLT	
3	113-014H	MARKER TRANSPORT REST WELDMENT	
4	802-736C	HHCS 1/2-13X12 GR5	
5	113-799D	MARKER REST BUMP STOP	
6	803-021C	NUT HEX 5/8-11 PLT	
7	803-020C	NUT HEX 1/2-13 PLT	
8	804-015C	WASHER LOCK SPRING 1/2 PLT	
9	804-017C	WASHER FLAT 1/2 USS PLT	
10	802-413C	HHCS 1/2-13X4 1/2 GR5	
11	113-794D	MARKER EXTENSION TUBE	
12	113-025S	MARKER DISC ASSEMBLY	Refer to "Marker Disc Assembly (113-025S)" for breakdown
13	806-110C	U-BOLT 5/8-11 X 3 1/32 X 4 1/2	
14	113-010H	PLANTER MARKER 2ND SECTION LH	1625 Yield- Pro
14	113-013H	PLANTER MARKER 2ND SECTION RH	1625 Yield- Pro
14	113-031H	12 ROW MARKER 2ND SECTION LH	1225 Yield- Pro
14	113-032H	12 ROW MARKER 2ND SECTION RH	1225 Yield- Pro
14	113-480H	YP1625 36TR MARKER 2ND SEC RH	1625 Yield- Pro Used on 36"TR spacing
14	113-481H	YP1625 36TR MARKER 2ND SEC LH	1625 Yield- Pro Used on 36"TR spacing
15	804-029C	WASHER FLAT 1 SAE	
16	113-798D	MARKER SHEAR PIVOT PIN	
17	805-058C	PIN COTTER 3/16 X 2	
18	113-016H	MARKER SHEAR HINGE LH	
18	113-017H	MARKER SHEAR HINGE RH	
19	802-216C	HHCS 3/8-16X2 3/4 GR5	
20	113-797D	MARKER PIVOT PIN	
21	803-013C	NUT LOCK 3/8-16 PLT	
22	802-130C	HHCS 1/2-13X2 1/2 GR5	
23	113-005H	MARKER ARM FIRST SECTION	
24	805-131C	PIN CLEVIS 1 X 4 11/16 USABLE	
25	804-028C	WASHER FLAT 1 USS PLT	
26	811-065C	EL 9/16MJIC 9/16MORB	
27	810-423C	CYL 3X24X1.50 ROD (TIE ROD)	Refer to "Hydraulic Cylinder (810-423C 3x24x1.5 Rod)" for breakdown
28	805-004C	PIN CLEVIS 1 X 2 3/4 USABLE LG	
29	113-683D	3S-4000 MARKER CYL PIN SPACER	
30	113-811D	PLANTER MARKER CYL PIN LOCK	
31	803-024C	NUT LOCK 5/8-11 PLT	
32	802-100C	HHCS 5/8-11X4 1/2 GR5	
33	804-022C	WASHER LOCK SPRING 5/8 PLT	
34	803-019C	NUT LOCK 1/2-13 PLT	
35	890-264C	BUSHING 1 3/4 X 1 1/2 X 1 1/2	
36	800-001C	GREASE ZERK STRAIGHT 1/4-28	

Marker Disk Assembly (113-025S)

Applies to Models: YP1225A, YP1625A



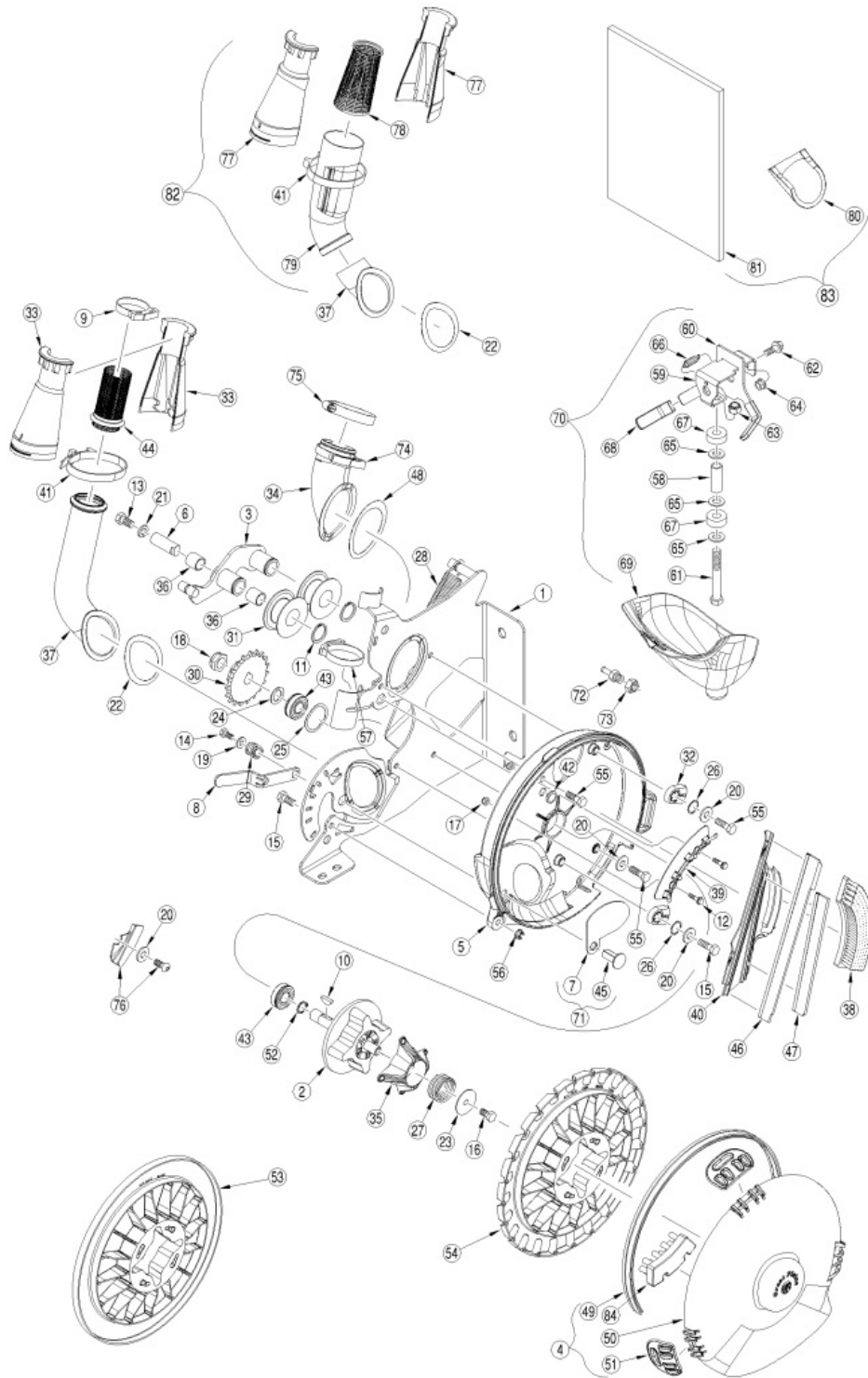
Marker Disk Assembly (113-025S)

Applies to Models: YP1225A, YP1625A

Ref.	Part No.	Part Description	Comments
	DWG 25018	Image No.	
1	113-018H	MARKER DISC SPINDLE WELDMENT	
2	113-369H	DEPTH BAND 10 4-BOLT 4B.C.	
3	116-353D	BLADE SPACER	
4	116-354D	MARKER DISC SAFETY STRAP	
5	802-017C	HHCS 3/8-16X1 GR5	
6	803-014C	NUT HEX 3/8-16 PLT	
7	803-053C	NUT HEX SLOTTED 3/4-16	
8	804-012C	WASHER FLAT 3/8 SAE PLT	
9	804-013C	WASHER LOCK SPRING 3/8 PLT	
10	804-025C	WASHER FLAT 3/4 SAE PLT	
11	805-019C	PIN COTTER 5/32 X 1 PLT	
12	815-001C	TINE GW HUB	Excludes 7, 10, 11.
13	820-094C	16 4-BOLT NOTCHED MARKER DISK	
14	890-614C	GREASE CAP #1505	
15	822-030C	BRG CONE 1.00ID L44643	
16	822-080C	BRG CUP 1.98OD L44610	
17	816-014C	TINE GAUGE WHEEL HUB SEAL	
18	803-159C	NUT LUG 1/2-20X60DEG PLT(.75AF	

25 Series Air Meter Assembly (2011-)

Applies to Models: YP1225A, YP1625A



25 Series Air Meter Assembly (2011-)

Applies to Models: YP1225A, YP1625A

Ref.	Part No.	Part Description	Comments
	DWG34457	Image No.	
1	403-272H	AIR METER MOUNT 25 SER	
2	403-608V	SHAFT AND DISK SEAT ASSY	
3	403-278H	IDLER WELDM	
4	403-284S	COVER ASSY, G1 AIR METER	Includes items 49-51 & 84.
5	403-441D	HOUSING, MACHINED, AIR METER	
6	891-192C	IDLER PIVOT 1.73 LONG	
7	403-483D	PLATE, SHUTTER	Must have Rev.A to work with item 45.
8	403-484D	HANDLE, SHUTTER	
9	800-016C	UPPER FERT HOSE CLAMP RATCHET	
10	800-046C	WOODRUFF KEY #606	
11	800-085C	SNAP RING EXT 1 HEAVY	
12	801-155C	HFS 10-24 X 3/4 PLT	
13	802-014C	HHCS 3/8-16X3/4 GR5	
14	802-078C	HHCS 1/4-20X5/8 GR5	
15	802-159C	HHCS 5/16-18X1 GR5	
16	802-705C	HHCS 5/16-18X5/8	
17	803-268C	NUT HEX NYLOCK 10-24 PLT	
18	803-302C	NUT HEX JAM NYLOCK 5/8-18 PLT	
19	804-007C	WASHER FLAT 1/4 SAE PLT	
20	804-010C	WASHER FLAT 5/16 USS PLT	
21	804-013C	WASHER LOCK SPRING 3/8 PLT	
22	891-121C	GASKET, OVAL, SEED IN	
23	804-168C	WASHER FENDER 5/16 X 1 1/2	
24	403-614D	WASHER FLAT 5/8 14GA KEYHOLE	
25	804-227C	WASHER WAVE SPRG 1.31ID 1.63OD	
26	804-228C	WASHER WAVE SPRG 0.65ID 0.79OD	
27	807-187C	SPRING COMP 1.46ODX1.5X.112W	
28	807-236C	SPRING EXT. 1.00DX5.OLX.095MW	
29	807-284C	SPRING COMP 0.72OD .095W 1.25L	
30	808-277C	SPKT 41B19 X 5/8 BORE W/KYWAY	
31	817-846C	IDLER SPOOL 2.38X1.01X0.90	
32	817-772C	AIR MTR BRUSH HOLDER SNAP	
33	817-773C	OB RPBY 403-641A	Update Meter to 403-641S.
34	817-774C	AIR MTR AIR INLET ELBOW	
35	817-776C	AIR MTR DISK CLAMP	
36	817-777C	BUSHING .63 ID X.75 OD X.75 L	
37	817-783C	AIR MTR SEED INLET ELBOW	
38	817-789C	BRUSH, SEED DROP	
39	817-801C	BRUSH, 4 TUFTED	
40	817-803C	AM BRUSH HOLDER	
41	817-826C	CLAMP HOSE NYLON GF MATRIX 192	
42	817-829C	PLUG, FLUSH HEAD POLYETH 7/16	
43	822-227C	BRG 0.625ID X1.375OD X0.43	
44	890-979C	OBSOLETE NO RPBY	Updated Meter to 403-641A.
45	891-204C	SHAFT, SHUTTER, 3/8 SQ	Only works with item 7 with Rev.A.
46	891-118C	BRUSH, STRIP, LONG	
47	891-119C	BRUSH, STRIP, SHORT	
48	891-120C	GASKET, OVAL, AIR IN	
49	817-824C	EDGE SEAL 3/32 X 7/16X.24.25L	

25 Series Air Meter Assembly (2011-)

This Page Intentionally Left Blank

25 Series Air Meter Assembly (2011-)

Ref.	Part No.	Part Description	Comments
50	817-822C	AIR MTR RAIN COVER	
51	817-823C	LATCH, FLEXIBLE SNAP	
52	800-118C	SNAP RING EXT 5/8 .050 T	
53	817-841C	DISK AIR METER BLANK	
54	817-794C	DISK CORN RND LARGE 24 CELL	Shown
54	817-795C	DISK CORN RND SMALL 24 CELL	
54	817-796C	DISK CORN RND LARGE 40 CELL	
54	817-797C	DISK CORN RND SMALL 40 CELL	
54	817-798C	DISK SOYB 84 CELL	
54	817-800C	DISK MILO 130 CELL	
54	817-836C	DISK CORN FLAT LARGE 24 CELL	
54	817-838C	DISK CORN FLAT LARGE 40 CELL	
54	817-849C	DISK MILO 65 CELL	
54	403-551D	DISK SOYB 168 CELL	
54	817-867C	DISK VOLUMETRIC NO. 1 84 CELL	
54	837-126C	DISK CORN RND MED 24 CELL	
54	837-127C	DISK CORN RND MED 40 CELL	
54	837-148C	DISK CANOLA 150 CELL	
54	817-991C	DISK CANOLA 250 CELL	
54	837-234C	DISK SUNFLOWER SML 60 CELL	
54	837-235C	DISK SUNFLOWER MED 60 CELL	
54	817-851C	DSK POPCORN SNFLWR OIL LG 24CL	
54	837-065C	DISK EDIBLE BEAN MED 60 CELL	
54	817-857C	DISK COTTON 60 CELL	
54	837-057C	DSK MILO&PELLET SUGBT 30 CELL	
54	837-364C	DISK IND HEMP 5 CELL	
54	837-386C	DISK IND HEMP 30 CELL	
54	817-967C	DISK EDIBLE BEAN LARGE 56 CELL	
54	837-186C	DISK HILL DROP COTTON 12 CELL	
55	802-007C	HHCS 5/16-18X3/4 GR5	
56	803-043C	NUT HEX WHIZ 5/16-18 PLT	
57	800-398C	NYLON HOSE CLAMP 1 7/8 - 2 1/8	Used as a Brace.
58	204-241D	FERTILIZER TINE SPACER	
59	403-726D	BRACKET, CLEANOUT FUNNEL	
60	403-727D	BRACKET, CLEANOUT FUNNEL LATCH	
61	802-044C	HHCS 1/2-13X4 GR5	
62	802-388C	HFS 3/8-16X1 GR5	
63	803-147C	NUT HEX NYLOCK 1/2-13	
64	803-209C	NUT FLANGE LOCK 3/8-16 PLT	
65	804-016C	WASHER FLAT 1/2 SAE PLT	
66	807-256C	SPRING EXT .438ODX1.5X.046W	
67	816-429C	WASHER RBR 1 3/8ODX9/16IDX1/2L	
68	817-123C	HANDLE GRIP .187 X .750 X 3 LG	
69	817-811C	AIR METER CLEAN OUT FUNNEL	
70	403-527S	CLEANOUT FUNNEL & STORAGE BKT	Includes items 58-69.
71	403-509A	AIR METER SHUTTER AND SQ SHAFT	Includes Rev.A shutter plate.
72	891-122C	AD 7/16MORB X 1/4HB BRASS	Will take place of item 42.
73	803-374C	NUT HEX JAM 7/16-20 PLT	Will take place of item 42.
74	800-406C	NYLON HOSE CLAMP 1 7/8 - 2 1/8	Used as a Brace.
75	800-203C	CLAMP WRM DRV #32SS (1.56-2.5)	Used with Air Hose.

25 Series Air Meter Assembly (2011-)

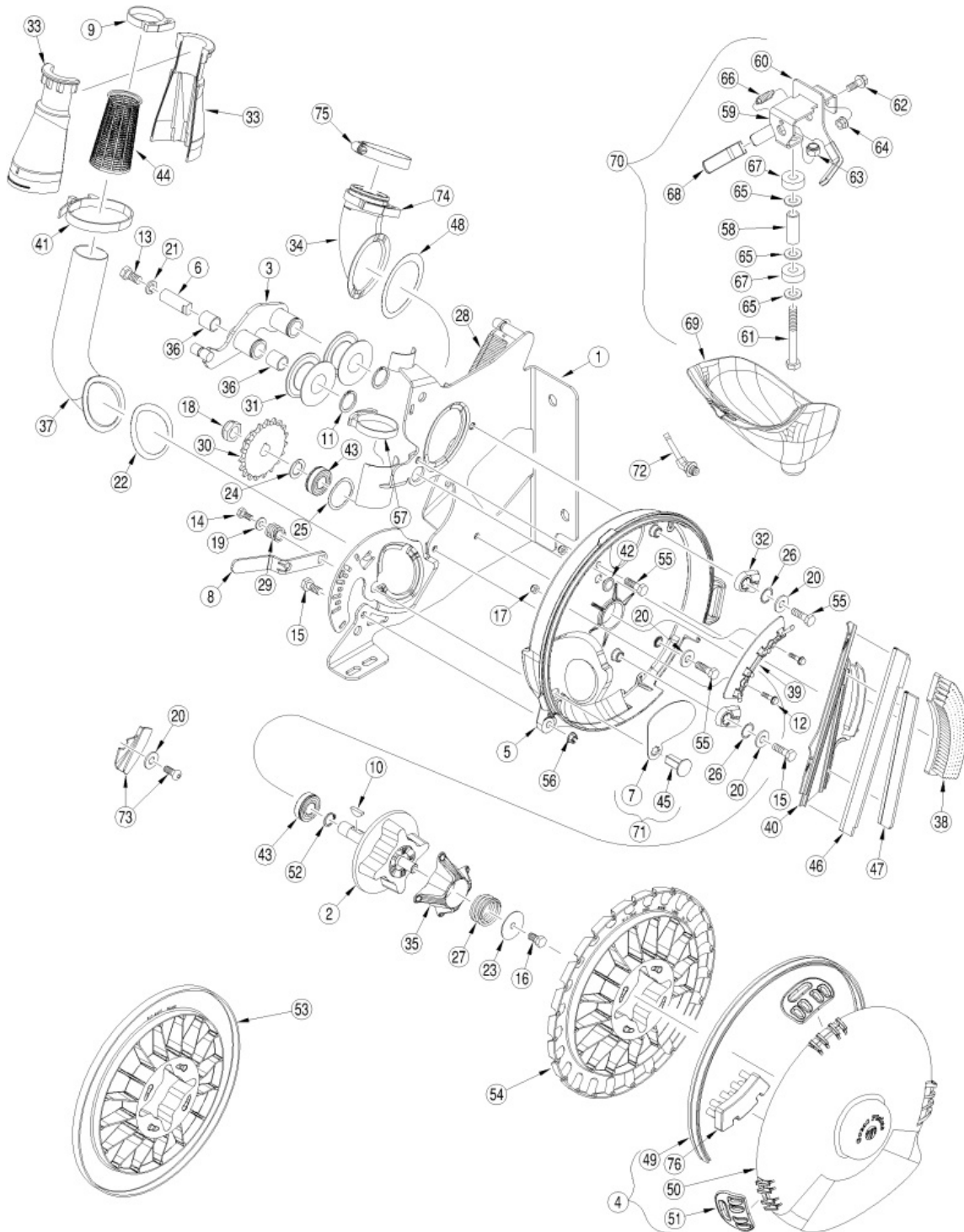
This Page Intentionally Left Blank

25 Series Air Meter Assembly (2011-)

Ref.	Part No.	Part Description	Comments
76	403-596A	VOLUMETRIC METER GRAIN SHIELD	Option used with small seeds.
77	817-964C	LG AIR MTR SCREEN CONE HALF	
78	891-295C	AIR METER SD TB SCR N CONIC	
79	817-981C	FIELD FLARED SEED TUBE	
80	817-982C	FIELD CUT TEMPLATE	
81	403-642M	MANUAL FIELD UPDT KIT, AIR-PRO	
82	403-641A	REP BY 403-969S	Includes items 41 & 77-79.
83	403-645A	AIR-PRO FIELD UPDATE TOOLS	Includes items 80 & 81.
84	837-285C	BRUSH, KNOCKOUT 1.4L UNIVERSAL	

25 Series Air Meter Assembly (2012+)

Applies to Models: YP1225A, YP1625A



25 Series Air Meter Assembly (2012+)

Applies to Models: YP1225A, YP1625A

Ref.	Part No.	Part Description	Comments
	DWG34455	Image No.	
1	403-272H	AIR METER MOUNT 25 SER	Used with all YP's except small 4-, 6-, & 8-row planters.
2	403-608V	SHAFT AND DISK SEAT ASSY	
3	403-278H	IDLER WELDM	
4	403-284S	COVER ASSY, G1 AIR METER	Includes items 49-51 & 76.
5	403-441D	HOUSING, MACHINED, AIR METER	
5	403-795D	HOUSING MACHINE AIR MTR COATED	Used with Rice.
6	891-192C	IDLER PIVOT 1.73 LONG	
7	403-483D	PLATE, SHUTTER	Must have Rev. A to work with item 45.
8	403-484D	HANDLE, SHUTTER	
9	800-016C	UPPER FERT HOSE CLAMP RATCHET	
10	800-046C	WOODRUFF KEY #606	
11	800-085C	SNAP RING EXT 1 HEAVY	
12	801-155C	HFS 10-24 X 3/4 PLT	
13	802-014C	HHCS 3/8-16X3/4 GR5	
14	802-078C	HHCS 1/4-20X5/8 GR5	
15	802-159C	HHCS 5/16-18X1 GR5	
16	802-705C	HHCS 5/16-18X5/8 GR5	
17	803-268C	NUT HEX NYLOCK 10-24 PLT	
18	803-302C	NUT HEX JAM NYLOCK 5/8-18 PLT	
19	804-007C	WASHER FLAT 1/4 SAE PLT	
20	804-010C	WASHER FLAT 5/16 USS PLT	
21	804-013C	WASHER LOCK SPRING 3/8 PLT	
22	891-121C	GASKET, OVAL, SEED IN	
23	804-168C	WASHER FENDER 5/16 X 1 1/2	
24	403-614D	WASHER FLAT 5/8 14GA KEYHOLE	
25	804-227C	WASHER WAVE SPRG 1.31ID 1.63OD	
26	804-228C	WASHER WAVE SPRG 0.65ID 0.79OD	
27	807-187C	SPRING COMP 1.46ODX1.5X.112W	
28	807-236C	SPRING EXT. 1.00DX5.OLX.095MW	
29	807-284C	SPRING COMP 0.72OD .095W 1.25L	
30	808-277C	SPKT 41B19 X 5/8 BORE W/KYWAY	
31	817-846C	IDLER SPOOL 2.38X1.01X0.90	
32	817-772C	AIR MTR BRUSH HOLDER SNAP	
33	817-964C	LG AIR MTR SCREEN CONE HALF	
34	817-774C	AIR MTR AIR INLET ELBOW	
35	817-776C	AIR MTR DISK CLAMP	
36	817-777C	BUSHING .63 ID X.75 OD X.75 L	
37	817-966C	AIR METER SEED INLET ELBOW	
38	817-789C	BRUSH, SEED DROP	
39	817-801C	BRUSH, 4 TUFTED	
40	817-803C	AM BRUSH HOLDER	
41	817-826C	CLAMP HOSE NYLON GF MATRIX 192	
42	817-829C	PLUG, FLUSH HEAD POLYETH 7/16	
43	822-227C	BRG 0.625ID X1.375OD X0.43	
44	891-295C	AIR METER SD TB SCR N CONIC	Only works with item 7 with Rev. A.
45	891-204C	SHAFT, SHUTTER, 3/8 SQ	
46	891-118C	BRUSH, STRIP, LONG	
47	891-119C	BRUSH, STRIP, SHORT	
48	891-120C	GASKET, OVAL, AIR IN	

25 Series Air Meter Assembly (2012+)

This Page Intentionally Left Blank

25 Series Air Meter Assembly (2012+)

Ref.	Part No.	Part Description	Comments
49	817-824C	EDGE SEAL 3/32 X 7/16X.24.25L	
50	817-822C	AIR MTR RAIN COVER	
51	817-823C	LATCH, FLEXIBLE SNAP	
52	800-118C	SNAP RING EXT 5/8 .050 T	
53	817-841C	DISK AIR METER BLANK	
54	817-794C	DISK CORN RND LARGE 24 CELL	Shown.
54	817-795C	DISK CORN RND SMALL 24 CELL	
54	817-796C	DISK CORN RND LARGE 40 CELL	
54	817-797C	DISK CORN RND SMALL 40 CELL	
54	817-798C	DISK SOYB 84 CELL	
54	817-800C	DSK MILO&PELLET SUGRBT130 CELL	
54	817-836C	DISK CORN FLAT LARGE 24 CELL	
54	817-838C	DISK CORN FLAT LARGE 40 CELL	
54	817-849C	DSK MILO&PELLET SUGRBT 65 CELL	
54	403-551D	DISK SOYB 168 CELL	
54	817-867C	DISK VOLUMETRIC NO. 1 84 CELL	
54	837-126C	DISK CORN RND MED 24 CELL	
54	837-127C	DISK CORN RND MED 40 CELL	
54	817-991C	DISK CANOLA 250 CELL	
54	837-186C	DISK HILL DROP COTTON 12 CELL	
54	837-148C	DISK CANOLA 150 CELL	
54	817-857C	DISK COTTON 60 CELL	
54	837-057C	DSK MILO&PELLET SUGBT 30 CELL	
54	817-851C	DSK POPCORN SNFLWR OIL LG 24CL	
54	837-065C	DISK EDIBLE BEAN MED 60 CELL	
54	817-967C	DISK EDIBLE BEAN LARGE 56 CELL	
54	837-234C	DISK SUNFLOWER SML 60 CELL	
54	837-235C	DISK SUNFLOWER MED 60 CELL	
54	837-364C	DISK IND HEMP 5 CELL	
54	837-386C	DISK IND HEMP 30 CELL	
55	802-007C	HHCS 5/16-18X3/4 GR5	
56	803-043C	NUT HEX WHIZ 5/16-18 PLT	
57	800-434C	NYLON HOSE CLAMP 2 1/8 - 2 3/8	Used as a brace.
58	204-241D	FERTILIZER TINE SPACER	
59	403-726D	BRACKET, CLEANOUT FUNNEL	
60	403-727D	BRACKET, CLEANOUT FUNNEL LATCH	
61	802-044C	HHCS 1/2-13X4 GR5	
62	802-388C	HFS 3/8-16X1 GR5	
63	803-147C	NUT HEX NYLOCK 1/2-13	
64	803-209C	NUT FLANGE LOCK 3/8-16 PLT	
65	804-016C	WASHER FLAT 1/2 SAE PLT	
66	807-256C	SPRING EXT .438ODX1.5X.046W	
67	816-429C	WASHER RBR 1 3/8ODX9/16IDX1/2L	
68	817-123C	HANDLE GRIP .187 X .750 X 3 LG	
69	817-811C	FUNNEL, AIR METER CLEAN OUT	
70	403-527S	CLEANOUT FUNNEL & STORAGE BKT	Includes item 58-69.
71	403-509A	AIR METER SHUTTER AND SQ SHAFT	Includes Rev. A shutter plate.
72	891-328C	EL 45 7/16MORB X 1/4HB	
73	403-596A	VOLUMETRIC METER GRAIN SHIELD	Option used with small seeds.
74	800-406C	NYLON HOSE CLAMP 1 7/8 - 2 1/8	Used as a brace.

25 Series Air Meter Assembly (2012+)

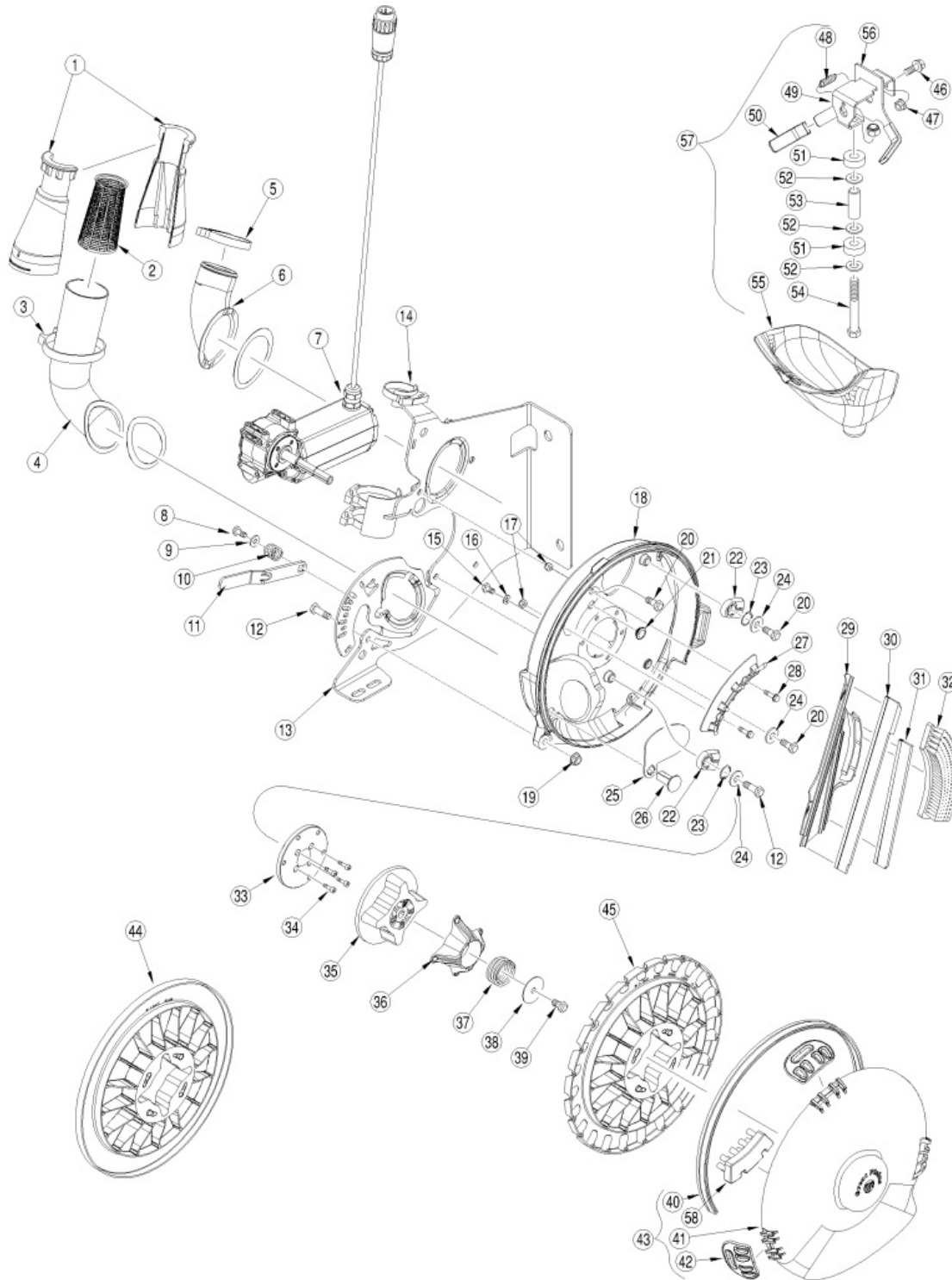
This Page Intentionally Left Blank

25 Series Air Meter Assembly (2012+)

Ref.	Part No.	Part Description	Comments
75	800-203C	CLAMP WRM DRV #32SS (1.56-2.5)	Used with air hose.
76	837-285C	BRUSH, KNOCKOUT 1.4L UNIVERSAL	

25 Series IRC (Individual Rate Control) Meter

Applies to Models: YP1225A, YP1625A



25 Series IRC (Individual Rate Control) Meter

Applies to Models: YP1225A, YP1625A

Ref.	Part No.	Part Description	Comments
	DWG 36981	Image No.	
1	817-964C	LG AIR MTR SCREEN CONE HALF	
2	891-295C	AIR METER SD TB SCRN CONIC	
3	817-826C	CLAMP HOSE NYLON GF MATRIX 192	
4	817-966C	AIR METER SEED INLET ELBOW	
5	800-406C	NYLON HOSE CLAMP 1 7/8 - 2 1/8	
6	817-774C	AIR MTR AIR INLET ELBOW	
7	403-750V	ELEC DRV MOTOR GEARBOX ASSY	
8	802-078C	HHCS 1/4-20X5/8 GR5	
9	804-007C	WASHER FLAT 1/4 SAE PLT	
10	807-284C	SPRING COMP 0.72OD .095W 1.25L	
11	403-484D	HANDLE, SHUTTER	
12	802-159C	HHCS 5/16-18X1 GR5	
13	403-751H	ELEC DRV METER MNT	
14	800-016C	UPPER FERT HOSE CLAMP RATCHET	
15	802-301C	HHCS 1/4-20X1/2 GR5	
16	804-006C	WASHER LOCK SPRING 1/4 PLT	
17	803-268C	NUT HEX NYLOCK 10-24 PLT	
18	403-922D	IRC METER MACHINED CASTING	
19	803-043C	NUT HEX WHIZ 5/16-18 PLT	
20	802-007C	HHCS 5/16-18X3/4 GR5	
21	817-829C	PLUG, FLUSH HEAD POLYETH 7/16	
22	817-772C	AIR MTR BRUSH HOLDER SNAP	
23	804-228C	WASHER WAVE SPRG 0.65ID 0.79OD	
24	804-010C	WASHER FLAT 5/16 USS PLT	
25	403-483D	PLATE, SHUTTER	
26	891-204C	SHAFT, SHUTTER, 3/8 SQ	
27	817-801C	BRUSH, 4 TUFTED	
28	801-155C	HFS 10-24 X 3/4 PLT	
29	817-803C	AM BRUSH HOLDER	
30	891-118C	BRUSH, STRIP, LONG	
31	891-119C	BRUSH, STRIP, SHORT	
32	817-789C	BRUSH, SEED DROP	
33	403-925D	ELEC METER MNT ADAPTER	
34	842-258C	HSHCS M4X0.7X15 GR8.8	
35	837-064C	ELEC AIR METER DISK SEAT	
36	817-776C	AIR MTR DISK CLAMP	
37	807-187C	SPRING COMP 1.46ODX1.5X.112W	
38	804-228C	WASHER WAVE SPRG 0.65ID 0.79OD	
39	802-705C	HHCS 5/16-18X5/8 GR5	
40	817-824C	EDGE SEAL 3/32 X 7/16X.24.25L	
41	817-822C	AIR MTR RAIN COVER	
42	817-823C	LATCH, FLEXIBLE SNAP	
43	403-284S	COVER ASSY, G1 AIR METER	Includes items 40-42 & 58.
44	817-841C	DISK AIR METER BLANK	
45	817-794C	DISK CORN RND LARGE 24 CELL	
45	817-795C	DISK CORN RND SMALL 24 CELL	
45	817-796C	DISK CORN RND LARGE 40 CELL	
45	817-797C	DISK CORN RND SMALL 40 CELL	
45	817-798C	DISK SOYB 84 CELL	

25 Series IRC (Individual Rate Control) Meter

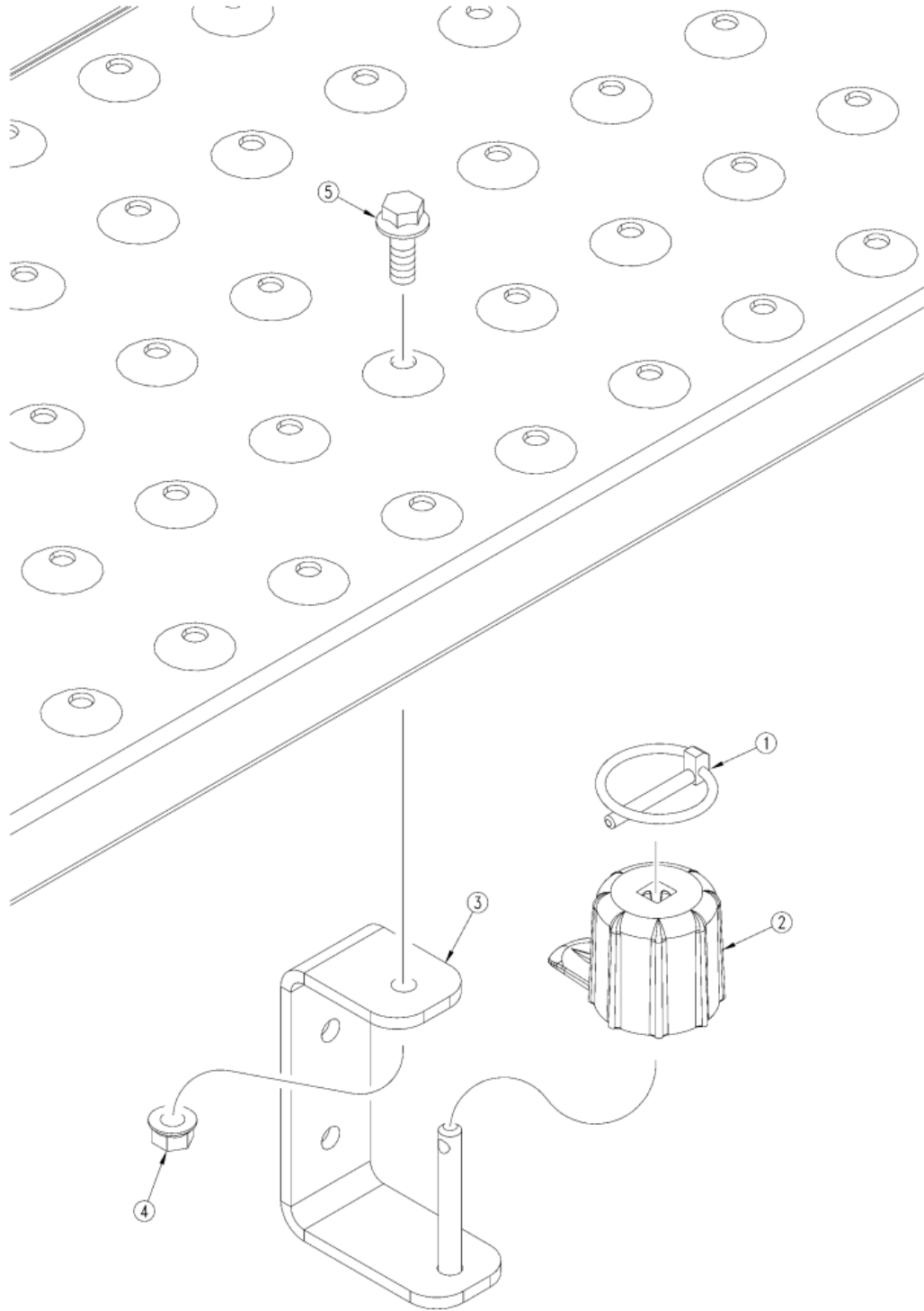
This Page Intentionally Left Blank

25 Series IRC (Individual Rate Control) Meter

Ref.	Part No.	Part Description	Comments
45	817-800C	DSK MILO&PELLET SUGRBT130 CELL	
45	817-836C	DISK CORN FLAT LARGE 24 CELL	
45	817-849C	DSK MILO&PELLET SUGRBT 65 CELL	
45	403-551D	DISK SOYB 168 CELL	
45	817-867C	DISK VOLUMETRIC NO. 1 84 CELL	
45	817-991C	DISK CANOLA 250 CELL	
45	837-148C	DISK CANOLA 150 CELL	
45	837-126C	DISK CORN RND MED 24 CELL	
45	837-127C	DISK CORN RND MED 40 CELL	
45	817-838C	DISK CORN FLAT LARGE 40 CELL	
45	837-065C	DISK EDIBLE BEAN MED 60 CELL	
45	817-967C	DISK EDIBLE BEAN LARGE 56 CELL	
45	817-857C	DISK COTTON 60 CELL	
45	837-057C	DSK MILO&PELLET SUGBT 30 CELL	
45	837-234C	DISK SUNFLOWER SML 60 CELL	
45	837-235C	DISK SUNFLOWER MED 60 CELL	
45	817-851C	DSK POPCORN SNFLWR OIL LG 24CL	
45	837-364C	DISK IND HEMP 5 CELL	
45	837-386C	DISK IND HEMP 30 CELL	
45	837-186C	DISK HILL DROP COTTON 12 CELL	
46	802-388C	HFS 3/8-16X1 GR5	
47	803-209C	NUT FLANGE LOCK 3/8-16 PLT	
48	807-256C	SPRING EXT .438ODX1.5X.046W	
49	403-726D	BRACKET, CLEANOUT FUNNEL	
50	817-123C	HANDLE GRIP .187 X .750 X 3 LG	
51	816-429C	WASHER RBR 1 3/8ODX9/16IDX1/2L	
52	804-016C	WASHER FLAT 1/2 SAE PLT	
53	204-241D	FERTILIZER TINE SPACER	
54	802-044C	HHCS 1/2-13X4 GR5	
55	817-811C	FUNNEL, AIR METER CLEAN OUT	
56	403-727D	BRACKET, CLEANOUT FUNNEL LATCH	
57	403-527S	CLEANOUT FUNNEL & STORAGE BKT	Includes items 46-56.
58	837-285C	BRUSH, KNOCKOUT 1.4L UNIVERSAL	

Air Meter Timing Tool

Applies to Models: YP1225A, YP1625A



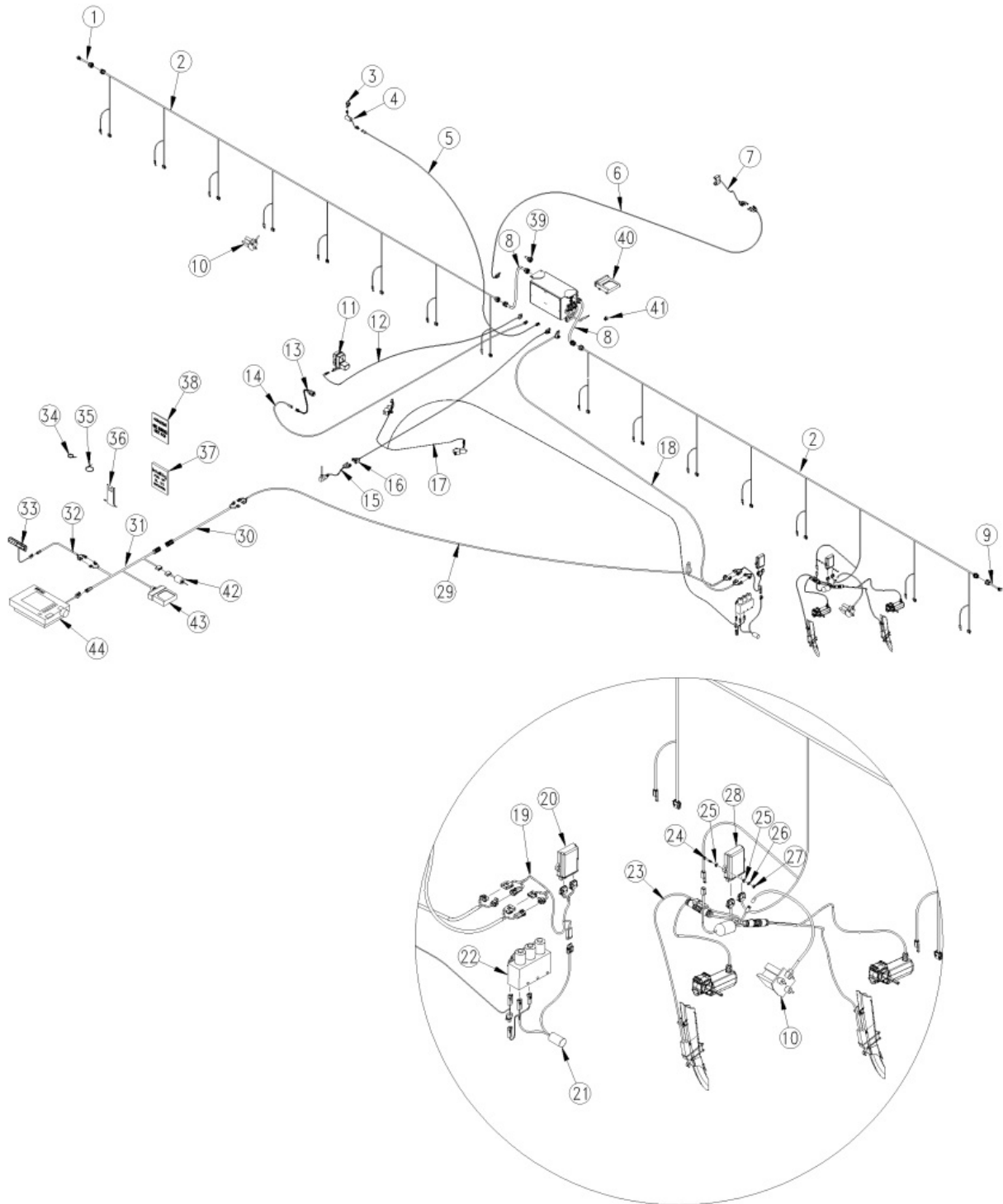
Air Meter Timing Tool

Applies to Models: YP1225A, YP1625A

Ref.	Part No.	Part Description	Comments
	DWG31482	Image No.	
1	805-240C	PIN LINCH 3/16 X 1 9/16 LONG	
2	812-391C	TIMING TOOL, 19 TOOTH	
3	403-556H	TIMING TOOL HOLDER	
4	803-209C	NUT FLANGE LOCK 3/8-16 PLT	
5	802-388C	HFS 3/8-16X1 GR5	

IRC (Individual Rate Control) Monitor System

Applies to Models: YP1225A, YP1625A



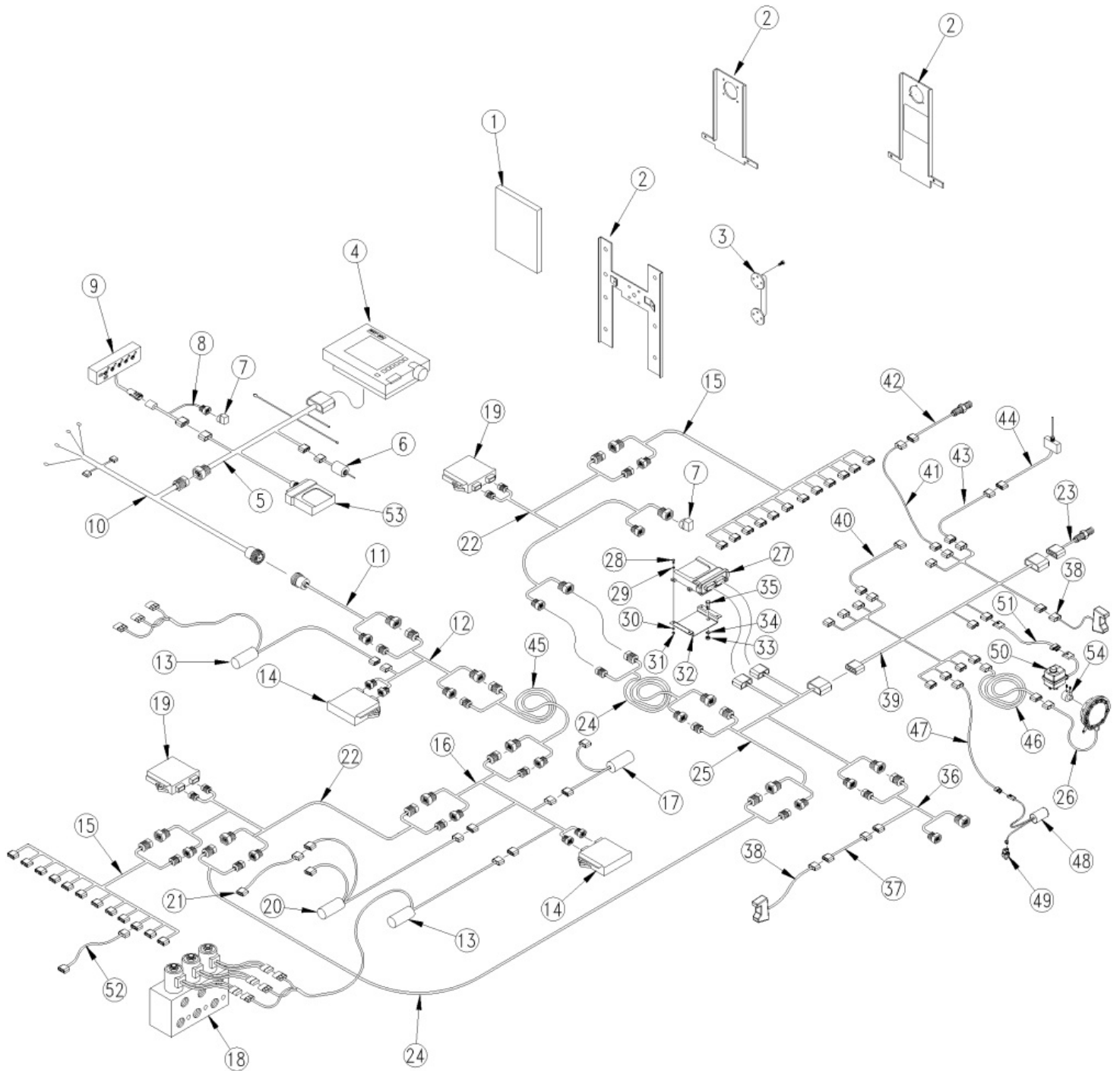
IRC (Individual Rate Control) Monitor System

Applies to Models: YP1225A, YP1625A

Ref.	Part No.	Part Description	Comments
	DWG38074	Image No.	
1	452950161	DJ CAN2 TERM 4 WIRE HARNESS	
2	452950131	DJ HARNESS, END FEED 8N30W35L	
3	467980496	DJ SENSOR, PRESSURE 0- 0.5 PSI	
4	467980172	DJ CONVERTER, VOLTAGE TO FREQ	
5	457901814	REP BY 843-056C	(YP1225A S/N B1127E-) (YP1625A S/N B1233F-)
6	843-056C	HARNESS, EXT, 3PIN WP, 20'	(YP1225A S/N B1128E+) (YP1625A S/N B1234F+)
7	833-235C	DJ HOPPER LEVEL SENSOR	
8	843-503C	HRNS CAN 2 EXT 42IN	
9	452950151	DJ CAN2 TERM 6 WIRE HARNESS	
10	467833000S1	DJ RVSI III W/ ISOLATION MOUNTS	
11	467096051	DJ ACTUATOR ROTARY	
12	457901823	DJ HARNESS 17 FT EXT 6 PIN WP	
13	466970014S1	DJ FAN RPM SENSOR THRD HALL	
14	843-054C	HARNESS, EXT, 3PIN WP, 15'	
15	464820520S1	DJ SWITCH SPDT W/WISKER & WIRE	
16	466820712S1	REP BY 843-064C	
17	810-686C	2VALVE ASM NC 2W2P POPPET W/HR	
18	833-975C	HARNESS, EXT, ISO, 25'	
19	833-978C	ISO T-HARN 6-SOL OUTPUT	
20	467982001S1	PLNTR CNTRL OUTPUT MODULE(POM)	
21	464820517S1	2 SOL SMD DRVR MODULE FOLD/MRK	
22	810-527C	VALVE FASSE 3 WAY MULTIPLIER	
23	452950101	DJ HARN, IRC MOD-MTR 29SS24M2	
24	802-167C	HHCS 1/4-20X1 1/2 GR5	
25	804-007C	WASHER FLAT 1/4 SAE PLT	
26	804-006C	WASHER LOCK SPRING 1/4 PLT	
27	803-006C	NUT HEX 1/4-20 PLT	
28	452950060	INDIVIDUAL ROW CNTRL MOD (IRC)	
29	843-073C	HARNESS, EXT, DUAL SOL PWR 25'	
30	833-961C	EXT ISO IBBC MP630F MP150F 6'	
31	843-032C	HARNESS DJ TRACTOR A1 TERMINAL	
32	833-960C	CAN Y-HARN 24 MP630F MP630M	(YP1225A S/N B1127E-) (YP1625A S/N B1233F-)
33	467984261S1	DJ 2 SW CLTCH/FLD CNTRL CB BOX	(YP1225A S/N B1127E-) (YP1625A S/N B1233F-)
34	800-112C	CABLE TIE .19X7.25 1.75D 50LB	
35	800-060C	CABLE TIE .19X14.25 3DIA 50LB	
36	467984150	DJ SWITCH CNTRL BOX MNTNG BRKT	(YP1225A S/N B1127E-) (YP1625A S/N B1233F-)
37	110011650	DJ PDC WSMT3 MAN LVL 2&3	(YP1225A S/N B1127E-) (YP1625A S/N B1233F-)
37	11001-1652	DJ PDC WSMT3 MAN LVL 1	(YP1225A S/N B1128E+) (YP1625A S/N B1234F+)
38	401-909M	QUICK REFERENCE GUIDE AI-120	(YP1225A S/N B1127E-) (YP1625A S/N B1233F-)
38	6011258	DJ PDC WSMT3 MAN LVL 2&3	(YP1225A S/N B1128E+) (YP1625A S/N B1234F+)
39	452950200	DJ CAN2 2S JUMP HARN	
40	467987510S1	DJ WSMT-3 YP IRC PLANTER	
40	467987406S1	DJ WSMT3 YP PLANTER	(YP1225A S/N B1128E+) (YP1625A S/N B1234F+)
41	467980630	DJ DUST PLUG / TERMINATOR KIT	
42	467980124	ISO MASTER SWITCH	
43	467985060S1	TECU FOR 10" TRACTOR KIT	
44	467980506	OB RPB 843-097C	(YP1225A S/N B1127E-) (YP1625A S/N B1233F-)
44	843-097C	TOPCON X35 TERMINAL WITH MOUNT	(YP1225A S/N B1128E+) (YP1625A S/N B1234F+)
45	403-934A	BASIC INTELLIAG HARN RPLC KIT	Partial replacement kit. Contact dealer, see Service Bulletin 18-01-PLUS.

Monitor and Frame Control (S/N B1127E-) (S/N B1233F-)

Applies to Models: YP1225A, YP1625A



Monitor and Frame Control (S/N B1127E-) (S/N B1233F-)

Applies to Models: YP1225A, YP1625A

Ref.	Part No.	Part Description	Comments
	DWG29761	Image No.	
1	11001387	DJ QUICK START GUIDE GPYP12	
1	11001388	DJ QUICK START GUIDE GPYP16	
1	110011508	REP BY 11001-1662	
1	110011501	RPBY 11001-1501A	
2	467980625S1	BRACKET MOUNTING FOR BSM	For 10" monitor
2	467980626S1	BRACKET MOUNTING FOR BSM	For 12" monitor
3	467980621	DJ VIRTUAL TERM A1 MNT BRK/HW	
4	467980503	INT AG VT A1, CLR W/ SD CARD	10" monitor
4	467980506	OB RPBY 843-097C	12" monitor
5	467980451A	REP BY 843-032C	
6	467980124	ISO MASTER SWITCH	
7	467980126	MINI CAN TERMINATOR	
8	833-960C	CAN Y-HARN 24 MP630F MP630M	
9	467984261S1	DJ 2 SW CLTCH/FLD CNTRL CB BOX	
10	467980455	REP BY 843-027C	
11	833-961C	EXT ISO IBBC MP630F MP150F 6'	
12	833-979C	ISO T-HARN HITCH/LIFT	
13	464820517S1	2 SOL SMD DRVR MODULE FOLD/MRK	
14	467982001S1	PLNTR CNTRL OUTPUT MODULE(POM)	
15	833-367C	YP16 16 ROW DJ HARNESS ONLY	
15	833-368C	YP12 12 ROW DJ HARNESS ONLY	
15	833-370C	YP12 DJ 30 IN HARNESS ONLY	
15	833-371C	YP16 DJ 30 IN HARNESS ONLY	
16	833-978C	ISO T-HARN 6-SOL OUTPUT	
17	464820518S1	DJ DRVR MODULE RH/ FERT CLUTCH	
18	810-527C	VALVE FASSE 3 WAY MULTIPLIER	
19	467981100S1	INTAG WSMB MODULE 18R	(2010-)
19	467988320S1	INTELLIAG WSMB-2 MODULE 18 ROW	(2011+)
20	464820511S1	2SOL SMD DRV MDUL LFT/CNT CLUT	
21	467980471	12 GA 2 PIN WP 20' EXTENSION	
22	467981201A	INT AG HARNESS, WSMB MODULE	
23	46697-0016S1	DJ HALL EFFECT SPEED SENSOR CP	
24	467980143	REP BY 833-975C	
25	467980851	REP BY 843-028C	
26	464360176S1	APPLICATION RATE SENSOR	
27	467980815S1	DJ WSMT-2 MODULE YP24	
28	801-155C	HFS 10-24 X 3/4 PLT	
29	804-046C	WASHER FLAT #10 SAE PLT	
30	804-054C	WASHER LOCK #10	
31	803-001C	NUT HEX 10-24 PLT	
32	411-386D	WSMT II MOUNT ADAPTER PLATE	
33	803-014C	NUT HEX 3/8-16 PLT	
34	804-013C	WASHER LOCK SPRING 3/8 PLT	
35	802-079C	HHCS 3/8-16X1 1/4 GR5	
36	467980410	DJ 12 ROW AND 4 HP ADP HARNESS	
37	466820714	REP BY 843-065C	
38	833-235C	DJ HOPPER LEVEL SENSOR	
39	467980160	REP BY 843-025C	
40	823-301C	DJ PWM VALVE EXT 15' 2PIN WP	

Monitor and Frame Control (S/N B1127E-) (S/N B1233F-)

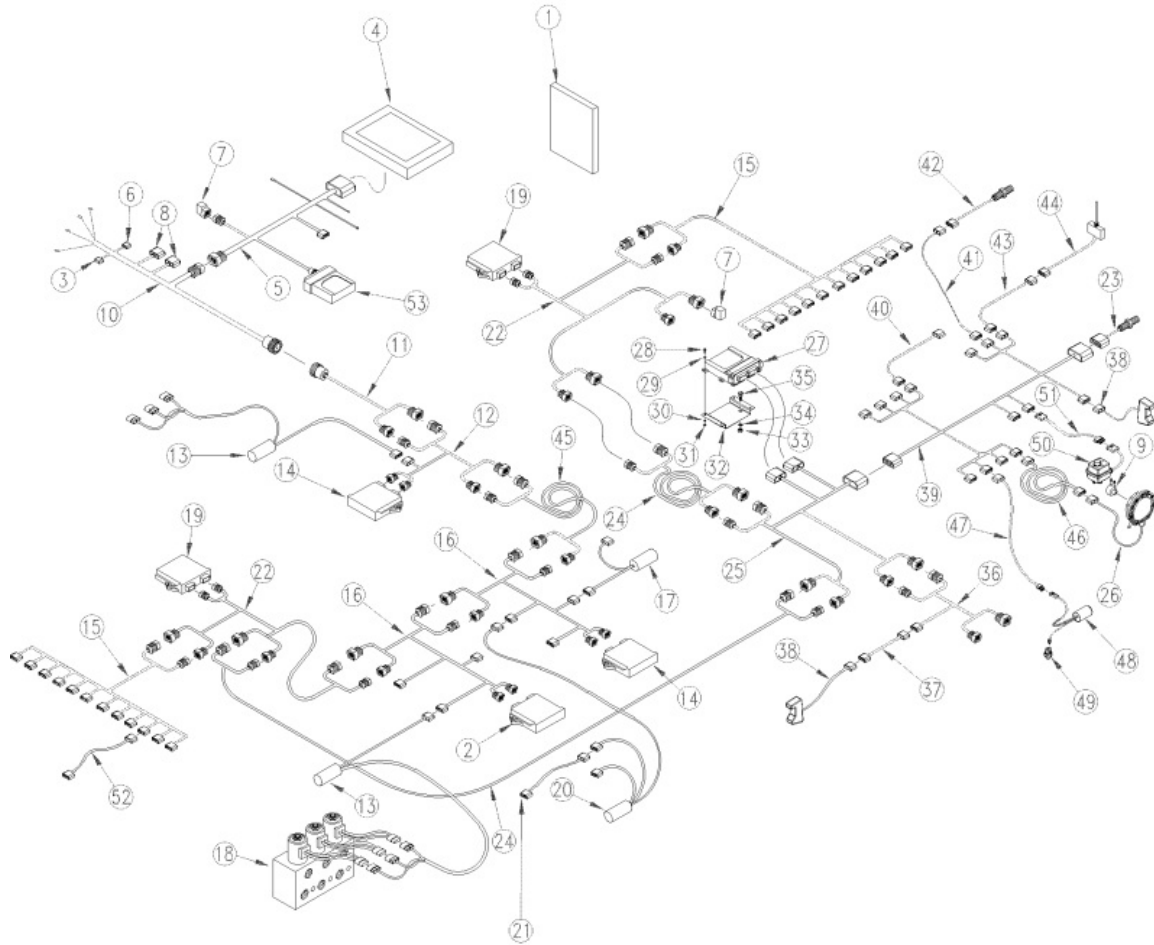
This Page Intentionally Left Blank

Monitor and Frame Control (S/N B1127E-) (S/N B1233F-)

Ref.	Part No.	Part Description	Comments
41	459680922	REP BY 843-101C	
42	466970014S1	DJ FAN RPM SENSOR THRD HALL	
43	466820714	REP BY 843-065C	
44	464820520S1	DJ SWITCH SPDT W/WISKER & WIRE	
45	843-071C	HARNESS, EXT, ISO, 20'	
46	823-300C	RPBY 843-055C	
47	457901814	REP BY 843-056C	
48	467980172	DJ CONVERTER, VOLTAGE TO FREQ	
49	467980496	DJ SENSOR, PRESSURE 0- 0.5 PSI	
50	467096051	DJ ACTUATOR ROTARY	
51	457901823	DJ HARNESS 17 FT EXT 6 PIN WP	
52	459680920	REP BY 843-059C	Used with 20" & 36" TR
53	467985060S1	TECU FOR 10" TRACTOR KIT	
54	110040179	AR SENSOR MNT HRDW W/ 1 1/4CPL	
55	F86606352	REP BY 843-034C	
56	FUSE	30 AMP FUSE	
57	FUSE	15 AMP FUSE	
58	403-934A	BASIC INTELLIAG HARN RPLC KIT	Partial replacement kit. Contact dealer, see Service Bulletin 18-01-PLUS.

Monitor and Frame Control (S/N B1128E+) (S/N B1234F+)

Applies to Models: YP1225A, YP1625A



Monitor and Frame Control (S/N B1128E+) (S/N B1234F+)

Applies to Models: YP1225A, YP1625A

Ref.	Part No.	Part Description	Comments
	DWG68754	Image No.	
1	6011258	DJ PDC WSMT3 MAN LVL 2&3	
1	11001-1652	DJ PDC WSMT3 MAN LVL 1	
2	467982050S1	DJ WSMB FCOM OUTPUT MOD	
3	FUSE	15 AMP FUSE	
4	843-097C	TOPCON X35 TERMINAL WITH MOUNT	
5	843-032C	HARNESS DJ TRACTOR A1 TERMINAL	
6	FUSE	30 AMP FUSE	
7	467980126	MINI CAN TERMINATOR	
8	F86606352	REP BY 843-034C	
9	110040179	AR SENSOR MNT HRDW W/ 1 1/4CPL	
10	843-027C	HARNESS, DJ, SYSTEM POWER IBBC	
11	833-961C	EXT ISO IBBC MP630F MP150F 6'	
12	833-979C	ISO T-HARN HITCH/LIFT	
13	464820517S1	2 SOL SMD DRVR MODULE FOLD/MRK	
14	467982001S1	PLNTR CNTRL OUTPUT MODULE(POM)	
15	833-367C	YP16 16 ROW DJ HARNESS ONLY	
15	833-368C	YP12 12 ROW DJ HARNESS ONLY	
15	833-370C	YP12 DJ 30 IN HARNESS ONLY	
15	833-371C	YP16 DJ 30 IN HARNESS ONLY	
16	833-978C	ISO T-HARN 6-SOL OUTPUT	
17	464820518S1	DJ DRVR MODULE RH/ FERT CLUTCH	
18	810-527C	VALVE FASSE 3 WAY MULTIPLIER	
19	467988320S1	INTELLIAG WSMB-2 MODULE 18 ROW	
20	464820511S1	2SOL SMD DRV MDUL LFT/CNT CLUT	
21	467980471	12 GA 2 PIN WP 20' EXTENSION	
22	467981201A	INT AG HARNESS, WSMB MODULE	
23	46697-0016S1	DJ HALL EFFECT SPEED SENSOR CP	
24	833-975C	HARNESS, EXT, ISO, 25'	
25	843-028C	HARNESS, DJ, WSMT-2 YP24	
26	464360176S1	APPLICATION RATE SENSOR	
27	467987406S1	DJ WSMT3 YP PLANTER	
28	801-155C	HFS 10-24 X 3/4 PLT	
29	804-046C	WASHER FLAT #10 SAE PLT	
30	804-054C	WASHER LOCK #10	
31	803-001C	NUT HEX 10-24 PLT	
32	411-386D	WSMT II MOUNT ADAPTER PLATE	
33	803-014C	NUT HEX 3/8-16 PLT	
34	804-013C	WASHER LOCK SPRING 3/8 PLT	
35	802-079C	HHCS 3/8-16X1 1/4 GR5	
36	467980410	DJ 12 ROW AND 4 HP ADP HARNESS	
37	843-065C	HARNESS, EXT, DJ 1PINX3, 15'	
38	833-235C	DJ HOPPER LEVEL SENSOR	
39	843-025C	HRNS, DJ, ACTUATOR, PDC-WSMT	
40	823-301C	DJ PWM VALVE EXT 15' 2PIN WP	
41	843-101C	HARNESS EXT 3PIN WP 15'FAN RPM	
42	466970014S1	DJ FAN RPM SENSOR THRD HALL	
43	466820714	REP BY 843-065C	
44	464820520S1	DJ SWITCH SPDT W/WISKER & WIRE	
45	843-071C	HARNESS, EXT, ISO, 20'	

Monitor and Frame Control (S/N B1128E+) (S/N B1234F+)

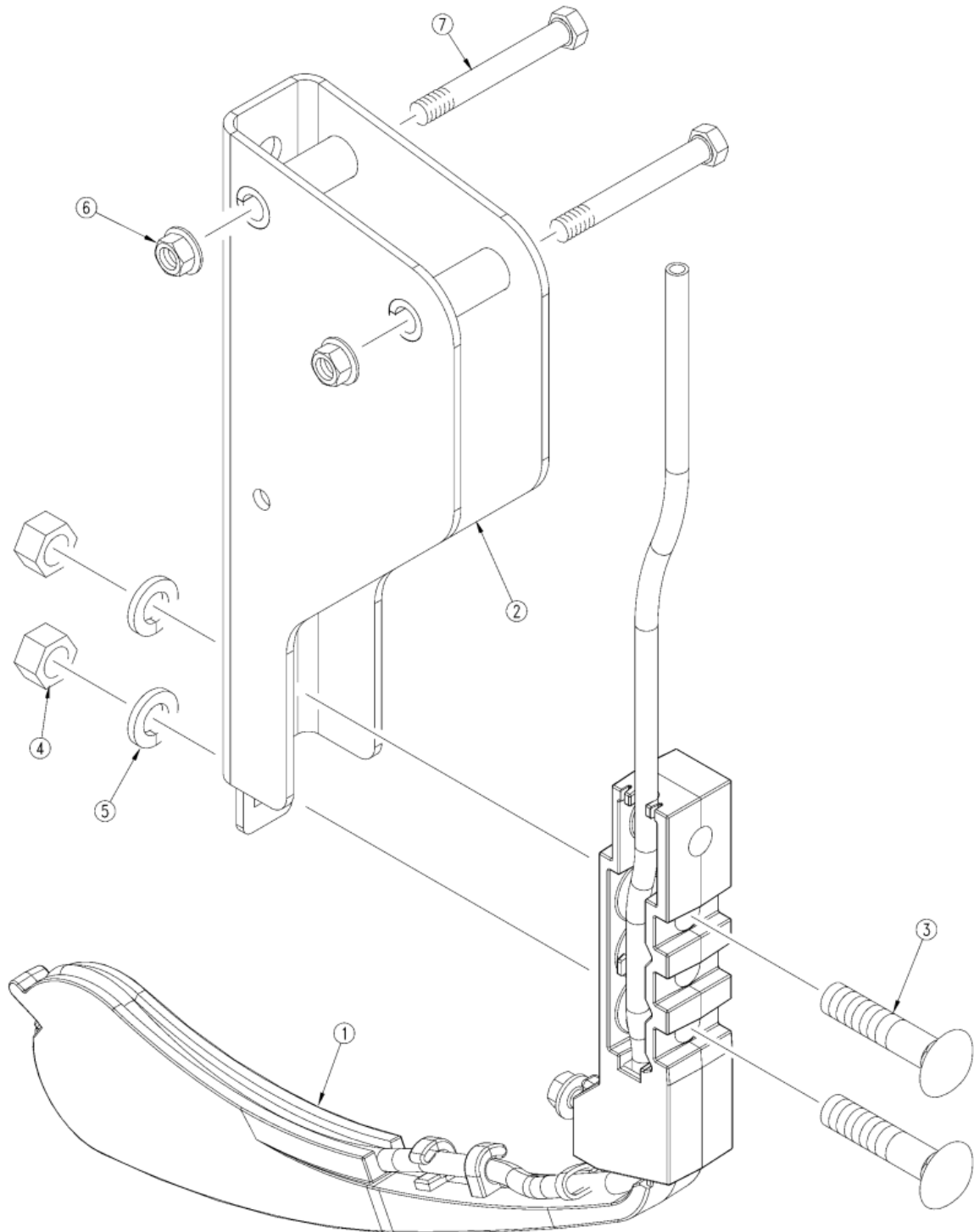
This Page Intentionally Left Blank

Monitor and Frame Control (S/N B1128E+) (S/N B1234F+)

Ref.	Part No.	Part Description	Comments
46	823-300C	RPBY 843-055C	
47	457901814	REP BY 843-056C	
48	467980172	DJ CONVERTER, VOLTAGE TO FREQ	
49	467980496	DJ SENSOR, PRESSURE 0- 0.5 PSI	
50	467096051	DJ ACTUATOR ROTARY	
51	457901823	DJ HARNESS 17 FT EXT 6 PIN WP	
52	843-059C	HARNESS, EXT, 3PIN WP, 3'	
53	467985060S1	TECU FOR 10" TRACTOR KIT	
54	403-934A	BASIC INTELLIAG HARN RPLC KIT	Partial replacement kit. Contact dealer, see Service Bulletin 18-01-PLUS.

25 Series Keeton Seed Firmer (Option)

Applies to Models: YP1225A, YP1625A



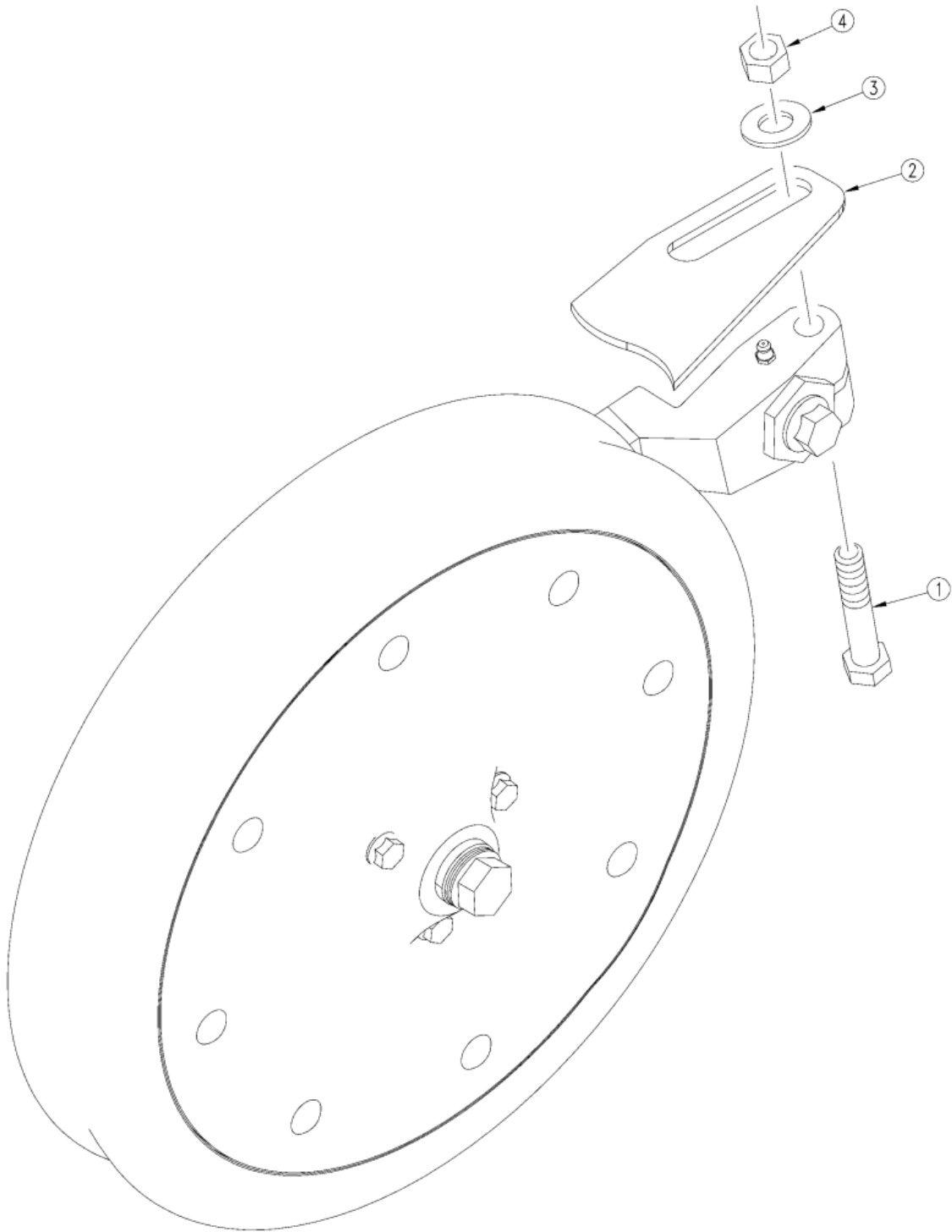
25 Series Keeton Seed Firmer (Option)

Applies to Models: YP1225A, YP1625A

Ref.	Part No.	Part Description	Comments
	DWG21855	Image No.	
1	120825	KEETON NARROW TAIL	
2	129BXT822	15 & 20 SERIES BRACKET ASY	
3	802-252C	RHSNB 3/8-16X1 3/4 GR5	
4	803-014C	NUT HEX 3/8-16 PLT	
5	804-013C	WASHER LOCK SPRING 3/8 PLT	
6	803-043C	NUT HEX WHIZ 5/16-18 PLT	
7	802-172C	HHCS 5/16-18X2 1/2 GR5	

25 Series Side Depth Wheel Scraper Assembly

Applies to Models: YP1225A, YP1625A



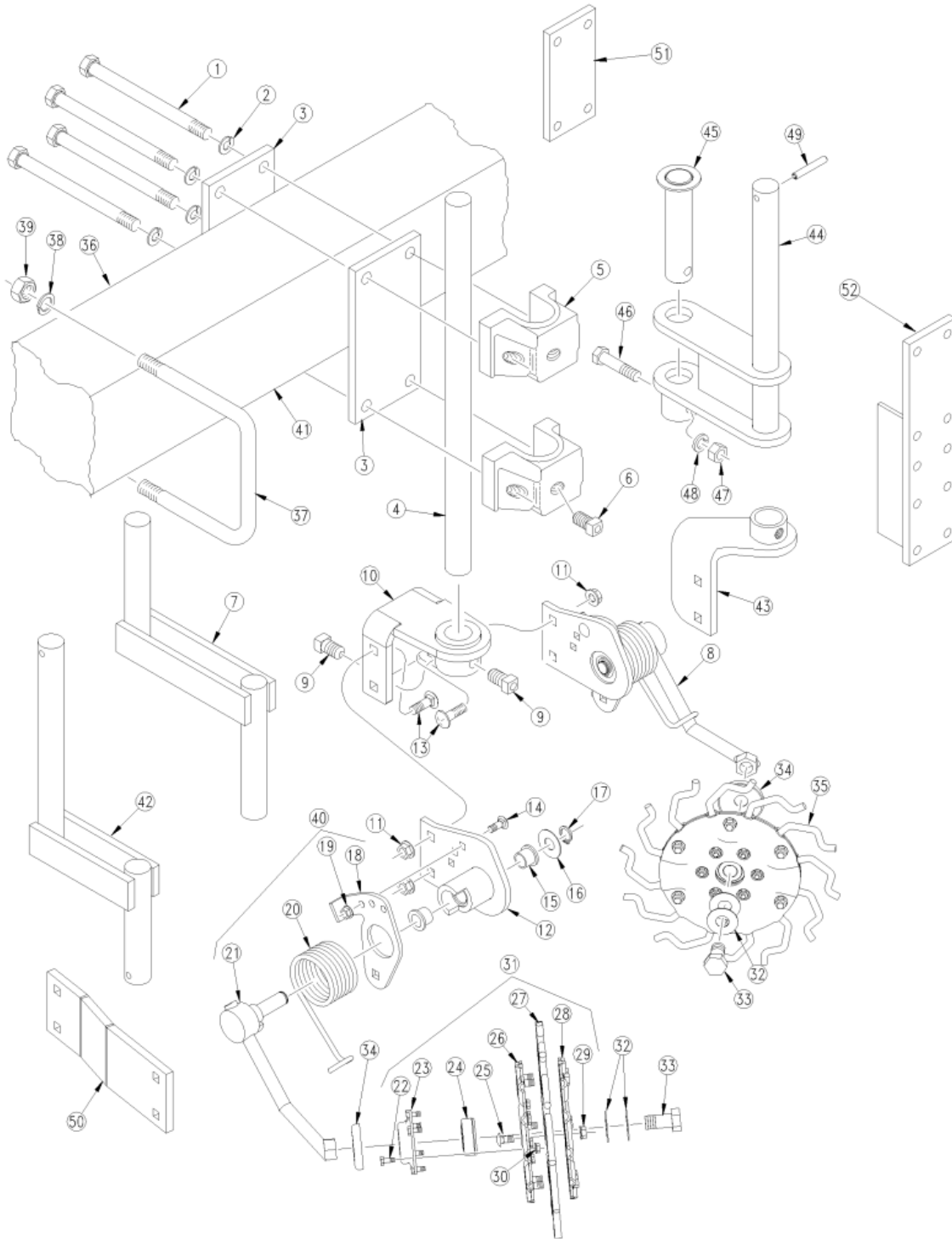
25 Series Side Depth Wheel Scraper Assembly

Applies to Models: YP1225A, YP1625A

Ref.	Part No.	Part Description	Comments
	DWG31830	Image No.	
1	802-099C	HHCS 1/2-13X3 1/4 GR5	
2	404-194D	2.5" GAUGE WHEEL SCRAPER	Shown
2	404-196D	4" GAUGE WHEEL SCRAPER	
2	404-195D	3" GAUGE WHEEL SCRAPER	
3	804-016C	WASHER FLAT 1/2 SAE PLT	
4	803-020C	NUT HEX 1/2-13 PLT	

Frame Mount Double Terra-Tine

Applies to Models: YP1225A, YP1625A



Frame Mount Double Terra-Tine

Applies to Models: YP1225A, YP1625A

Ref.	Part No.	Part Description	Comments
	DWG 22881	Image No.	
1			
1	802-044C	HHCS 1/2-13X4 GR5	
2	804-015C	WASHER LOCK SPRING 1/2 PLT	
3	204-040D	CLAMP PLT 7 BAR	
4	204-025D	SHANK 1 1/2D X 16 FERT COULT	Shown
4	204-034D	SHANK 1 1/2D X 19 FERT COULT	
4	204-024D	SHANK 1 1/2DX12 5/8 FERT COULT	
4	204-449D	1 1/2 DIA X 14 SHANK	
5	204-072D	CLAMP SHANK 1 1/2 DIA	
6	801-040C	SCREW SQ HD 5/8-11 X 1 CUP PT	
7	820-323C	16IN ROUND SHANK 4 INCH OFFSET	
8	207-010S	PIVOT ASSEMBLY RH	
9	801-167C	SET SCREW SQ HD 3/4-10 X 1 1/4	
10	207-080H	DUAL FRAME MOUNT 15" TT	
11	803-169C	NUT HEX FLG LOCK 1/2-13 PLT	
12	207-008H	PIVOT MOUNT WELDMENT LH	
13	802-106C	RHSNB 1/2-13X1 1/2 GR5	
14	802-015C	RHSNB 3/8-16X1 GR5	
15	817-084C	PARALLEL ARM PIVOT BUSHING	
16	804-099C	WASHER 1 1/4 X 3/4 X 18 GA PLT	
17	800-164C	SNAP RING 3/4 EXTERNAL HEAVY	
18	207-002D	TERRA-TINE SPRING ADJUSTER LH	
19	803-068C	NUT HEX FLANGE 3/8-16 PLT	
20	207-011D	SPRING TERRA-TINE LEFT ASSY	
21	207-004H	ARM SHAFT WELDMENT LH	
22	802-078C	HHCS 1/4-20X5/8 GR5	
23	890-466C	HSG RIBB FLG 6BOLT PLT	
24	188-007V	BEARING .760 BORE 205DD	
25	802-149C	RHSNB 3/8-16X3/4 GR5	
26	207-005D	TERRA-TINE FLANGE FRONT	
27	807-158C	SPRING TERRA-TINE FINGER 15	
28	207-004D	TERRA-TINE FLANGE BACK	
29	803-068C	NUT HEX FLANGE 3/8-16 PLT	
30	803-230C	NUT HEX FLANGE 1/4-20 PLT	
31	207-035K	TERRA-TINE WHEEL 15 RH	
32	804-099C	WASHER 1 1/4 X 3/4 X 18 GA PLT	
33	802-184C	HHCS 3/4-10X1 1/2 GR5	
34	404-027D	DD BRG FLANGE DUST COVER	
35	207-036K	TERRA-TINE WHEEL 15 LH	
36	204-324D	YP ATTACHMENT TUBE LH	
36	204-325D	YP ATTACHMENT TUBE RH	
37	806-019C	U-BOLT 5/8-11 X 4 1/32 X 3 3/8	
38	804-022C	WASHER LOCK SPRING 5/8 PLT	
39	803-021C	NUT HEX 5/8-11 PLT	
40	207-011S	PIVOT ASSEMBLY LH	
41	204-338D	YP 1225 ATTACHMENT TUBE LH	
41	204-339D	YP 1225 ATTACHMENT TUBE RH	
42	820-343C	1 1/2 X 19 X 6 OFFSET SHANK	
43	207-147H	YP SHANK MOUNHT PIVOT LH	Shown

Frame Mount Double Terra-Tine

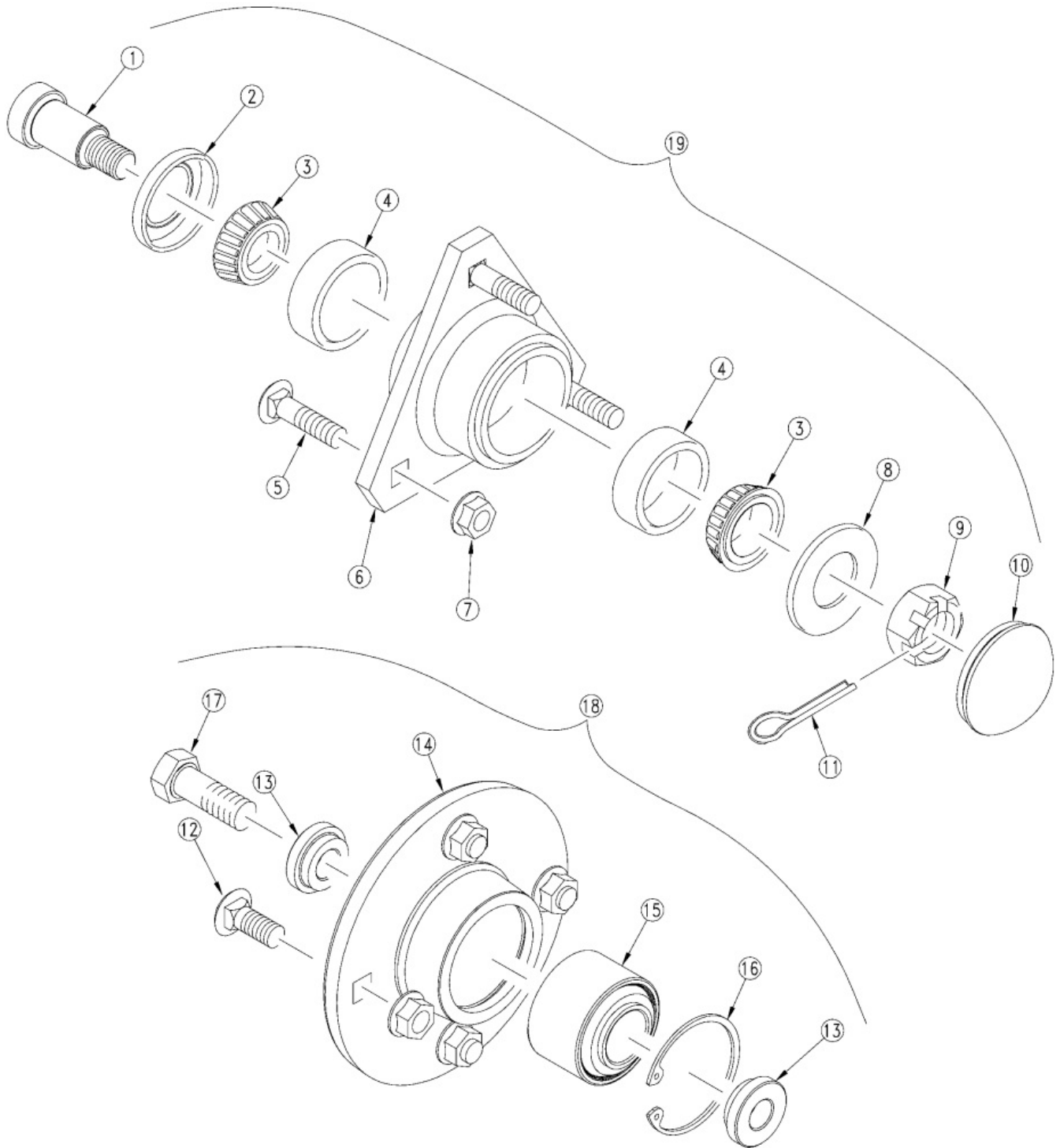
This Page Intentionally Left Blank

Frame Mount Double Terra-Tine

Ref.	Part No.	Part Description	Comments
43	207-146H	YP SHANK MOUNT PIVOT RH	
44	204-600H	YP LOW PRO 7 OFFSET SHANK WLD	
45	204-601H	YP ATTACHMENT WLD PIN	
46	802-259C	HHCS 5/8-18X2 3/4 GR5	
47	803-021C	NUT HEX 5/8-11 PLT	
48	804-022C	WASHER LOCK SPRING 5/8 PLT	
49	805-255C	PIN ROLL 3/8 X 2 1/2 PLT	
50	207-009D	TERRA-TINE EXTENSION ARM	

Hub Assembly (815-255C and 204-084S)

Applies to Models: YP1225A, YP1625A



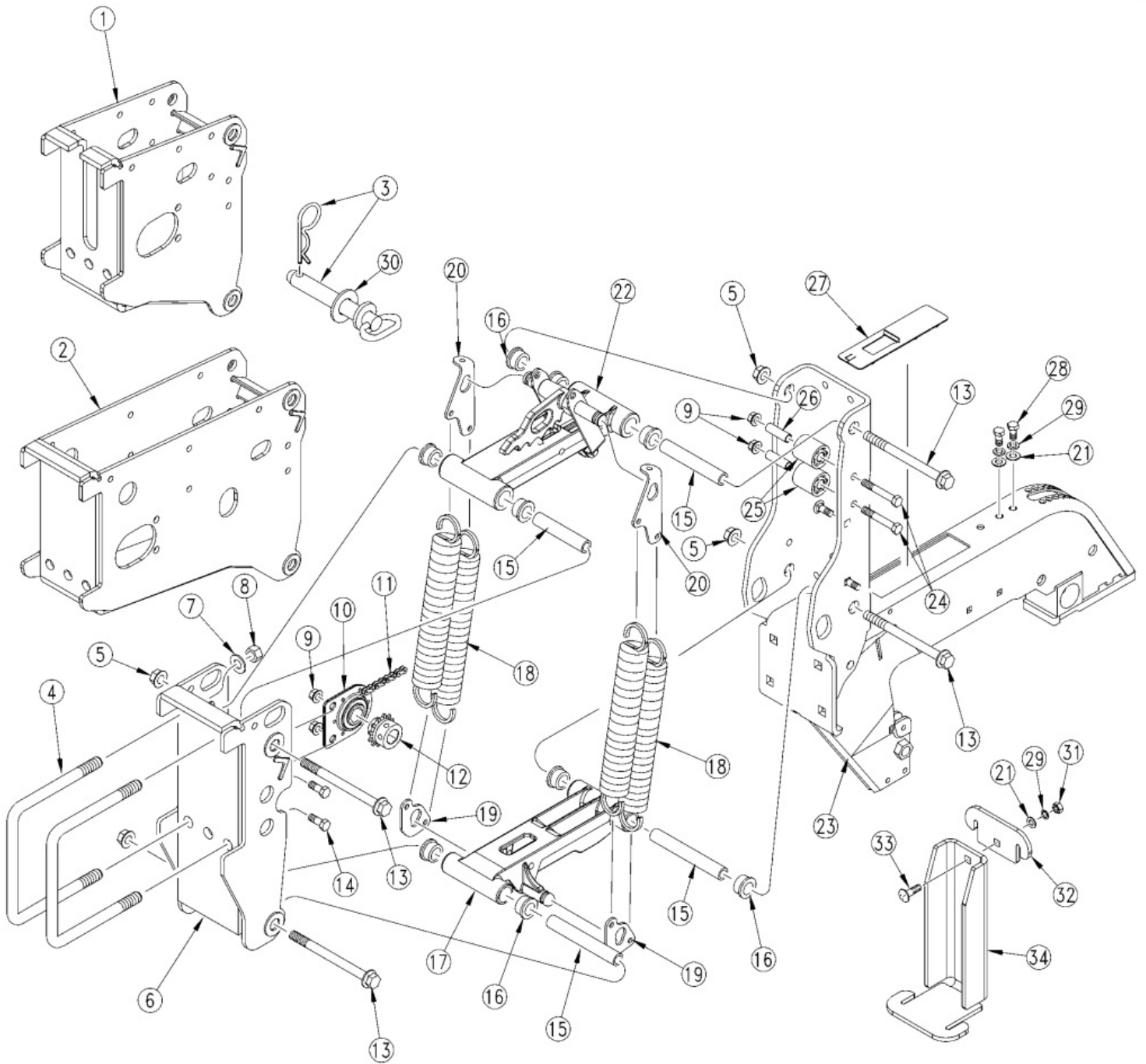
Hub Assembly (815-255C and 204-084S)

Applies to Models: YP1225A, YP1625A

Ref.	Part No.	Part Description	Comments
	DWG22747	Image No.	
1	802-051C	HHCS 5/8-11X1 1/2 GR5	
2	CR14971	MARTIN 3 LIP SEAL (JD AA26234)	
3	822-030C	BEARING CONE L44643	
4	822-080C	BEARING CUP L44610	
5	802-030C	RHSNB 7/16-14X1 3/4 GR5	
6	HU13	MARTIN HA13270 HUB HOUSING	
7	803-052C	NUT HEX WHIZ 7/16-14 PLT	
8	804-025C	WASHER FLAT 3/4 SAE PLT	
9	803-053C	NUT HEX SLOTTED 3/4-16	
10	HS1328	MARTIN HUB CAP	
11	805-045C	PIN COTTER 5/32 X 1 1/4 LG	
12	802-214C	RHSNB 1/2-13X1 1/4 GR5	
13	204-329D	NARROW HUB BOLT SPACER	
14	204-328D	NARROW COULTER HUB	
15	822-215C	BRG 5206KPP3 1.187 IDX2.44 OD	
16	800-232C	SNAP RING INT 2.44 OD .078W	
17	802-051C	HHCS 5/8-11X1 1/2 GR5	
18	204-084S	GP25S NARROW HUB ASM	Includes items 12-17
19	815-255C	ROW CLEANER HUB ASM	Includes items 1-11

Opener Arms and Mounts

Applies to Models: YP1225A, YP1625A



Opener Arms and Mounts

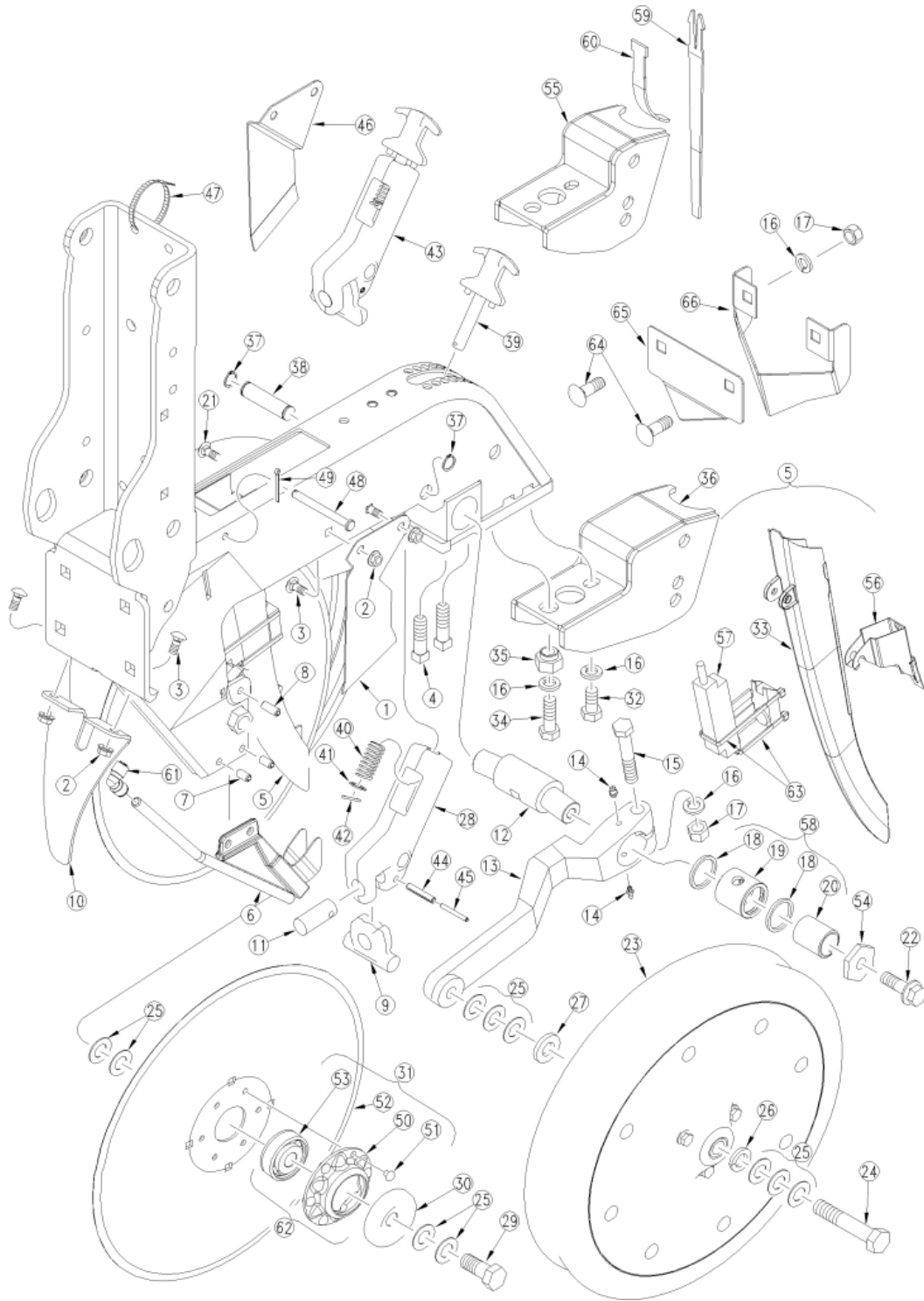
Applies to Models: YP1225A, YP1625A

Ref.	Part No.	Part Description	Comments
	DWG29615	Image No.	
1	298-626H	25P CENTER MIDDLE OPENER MOUNT	
2	298-885H	25P REAR OPENER MOUNT WELDMT	
3	805-435C	PIN HITCH 5/8 X 5 3/4 USABLE	
4	806-052C	U-BOLT 5/8-11 X 7 1/32 X 8 1/2	
5	803-169C	NUT HEX FLG LOCK 1/2-13 PLT	
6	298-884H	25P FRONT OPENER MOUNT WELDMT	
7	804-022C	WASHER LOCK SPRING 5/8 PLT	
8	803-021C	NUT HEX 5/8-11 PLT	
9	803-209C	NUT FLANGE LOCK 3/8-16 PLT	
10	822-239C	PEER 7/8 HEX BRG AND MNT	
11	136-263D	CHAIN RL #41 148 PITCHES	Used with Rear opener mount
11	136-264D	CHAIN RL #41 120 PITCHES	Used with Middle opener mount
11	136-265D	CHAIN RL #41 94 PITCHES	Used with Front opener mount
12	808-395C	SPKT 41C12 W/SS SPCL PLT	
13	802-745C	HFS 1/2-13X6 1/8GR5 PLT	
14	802-017C	HHCS 3/8-16X1 GR5	
15	198-295D	25P REAR OPENER INNER PIVOT TB	
16	817-084C	PARALLEL ARM PIVOT BUSHING	
17	298-510H	25 SERIES LOWER PARALLEL ARM	(S/N B1022E-) (S/N B1047F-)
17	403-667D	25 SRS LOWER PARALLEL ARM	(S/N B1023E+) (S/N B1048F+)
18	807-076C	SPRING EXT 1.575 OD X .225 W	
19	198-293D	25P LOWER SPRING LINK	
20	198-292D	25P UPPER SPRING LINK	
21	804-012C	WASHER FLAT 3/8 SAE PLT	
22	298-513H	25 SERIES UPPER PARALLEL ARM	(S/N B1022E-) (S/N B1047F-)
22	288-374H	25 SERIES UPPER PARALLEL ARM	(S/N B1023E+) (S/N B1048F+)
23	298-509H	25 SERIES OPENER SHANK WELDMT	
24	802-114C	HHCS 3/8-16X2 1/2 GR5	
25	817-480C	IDLER SPOOL 1.44OD X.53B X1.5L	Used with Middle and Rear Opener Mount.
25	198-333D	1 1/4 LONG PLASTIC CHAIN IDLER	Used with Front Opener Mount.
26	198-257D	IDLER SPACER TUBE 1/2OD X 1.56	Used with Middle and Rear Opener Mount.
26	198-332D	IDLER SPACER TUBE 1/2OD X 1.31	Used with Front Opener Mount.
27	817-787C	AM SEED TUBE DIRT GASKET	
28	802-014C	HHCS 3/8-16X3/4 GR5	
29	804-013C	WASHER LOCK SPRING 3/8 PLT	
30	804-019C	WASHER FLAT 5/8 USS PLT	
31	803-014C	NUT HEX 3/8-16 PLT	
32	198-335D	TWIN ROW SPACER BRACKET UPPER	
33	802-015C	RHSNB 3/8-16X1 GR5	
34	198-334D	TWIN ROW SPACER BRACKET LOWER	

Great Plains Opener Body

Opener

Applies to Models: YP1225A, YP1625A



Applies to Models: YP1225A, YP1625A

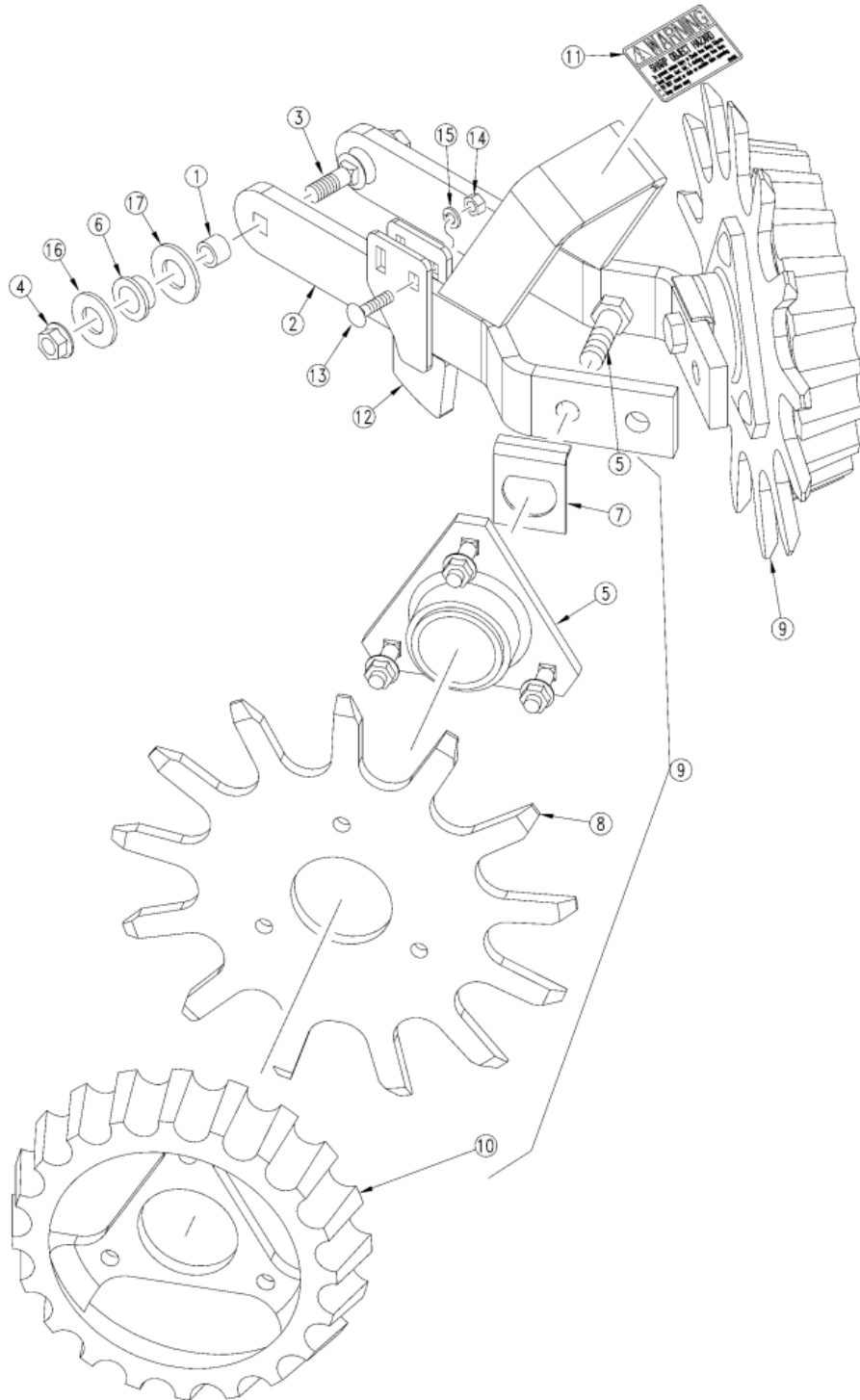
Ref.	Part No.	Part Description	Comments
	DWG29625	Image No.	
1	404-153D	SCRAPER, DISC LH	
2	803-043C	NUT HEX WHIZ 5/16-18 PLT	
3	802-092C	RHSNB 5/16-18X3/4 GR5	
4	801-164C	SCRW SET SQ HD 1/2-13X1 3/4GR5	
5	403-301S	SEED TUBE AM TB,CLIP & SENSOR	Includes items 33 & 57
6	404-796H	25P SCRAPER SEP WLDMT 3/8 FRT	
7	805-335C	PIN ROLL 5/16 X 5/8 PLT	
8	805-250C	PIN ROLL 5/16 X 7/8	
9	404-077D	WALKBEAM	
10	404-198D	DISK SHIELD	
11	404-079D	WALKBEAM PIVOT PIN	
12	404-119D	SPINDLE, GA WHL MNT ADJ	Used on wide 20" & 30" rows
12	198-288D	25P SIDE DEPTH WHL ARM SPINDLE	Shown, used on narrow, twinrow, 15"
13	198-289D	25P SIDE DEPTH WHEEL ARM	Shown, Used on Twinrow & 15"
13	404-155D	ARM, GAUGE WHEEL	Used on 20" & 30" rows
14	800-001C	GREASE ZERK STRAIGHT 1/4-28	
15	802-039C	HHCS 1/2-13X3 GR5	
16	804-015C	WASHER LOCK SPRING 1/2 PLT	
17	803-020C	NUT HEX 1/2-13 PLT	
18	816-368C	O-RING SQ 1 1/4ID X1 1/2ODX1/8	
19	198-291D	OBSOLETE RPBY 498-254V	Shown, Used on twinrow & 15"
19	404-171D	OBSOLETE RPBY 498-256V	Used on 20" & 30" rows
20	198-290D	25P DEPTH WHL ECCENTRIC BUSHNG	Shown, Used on twinrow & 15"
20	404-174D	ECCENTRIC BUSHING	Used on 20" & 30" rows
21	802-172C	HHCS 5/16-18X2 1/2 GR5	
21	802-092C	RHSNB 5/16-18X3/4 GR5	
22	802-663C	HFS 1/2-13 X 1 1/2 GR8 NYL PLT	
23	814-257C	2.5X16 SIDE DEPTH WHEEL ASSY	Refer to "Side Depth Wheel Assembly" for breakdown
23	814-260C	3X16 SIDE DEPTH WHEEL ASSY	Refer to "Side Depth Wheel Assembly" for breakdown
23	814-173C	4 X 16 GAUGE TIRE ASSY-PLASTIC	Refer to "Side Depth Wheel Assembly" for breakdown
24	802-160C	HHCS 5/8-11X3 1/4 GR5	Used on twinrow only
24	802-646C	HHCS 5/8-11 X 3 GR8	Used on 15", 20" & 30" rows
25	804-040C	WASHER MACH 1.19 X .63 X 18GA	
26	804-022C	WASHER LOCK SPRING 5/8 PLT	
27	804-195C	WASHER FLAT 1.31ODX.65IDX.188T	Used on twinrow only
28	404-078D	WALKBEAM MOUNT	
29	802-228C	HHCS 5/8-11X1 1/2 GR5 NYL	
30	107-111D	DD BRG FLANGE DUST COVER	
31	404-121S	4.0 MM 15 DISC W/ 5/8 ASSY	Includes Items 50-53
32	802-258C	HHCS 1/2-13X1 GR5	
33	817-827C	SEED TUBE AIRMETER 25 SER	
34	802-091C	HHCS 1/2-13X1 1/2 GR5	
35	405-032D	1X12 PW ADJUSTER	
36	199-108H	RPBY 199-146A	(S/N B1022E-) (S/N B1047F-) Used on short (front) row stagger on twinrows
36	199-140H	LONG PW MOUNT	(S/N B1023E+) (S/N B1048F+) Used on short (front) row stagger on twinrows
37	800-118C	SNAP RING EXT 5/8 .050 T	
38	198-202D	20 SER OPNR CAM PIN	
39	404-020D	PLANTER HANDLE	
40	807-119C	SPRING COMP .72 X 1.5 X .072WD	

This Page Intentionally Left Blank

Ref.	Part No.	Part Description	Comments
41	804-100C	WASHER 3/4 X 17/32 X 18 GA PLT	
42	805-063C	PIN COTTER 3/32 X 1 LONG	
43	404-014S	ADJUSTMENT ASSY	Includes items 9, 11, 28, 39-42, 44 & 45
44	805-180C	PIN ROLL 1/4 X 1 1/2 LG PLT	
45	805-290C	PIN ROLL 5/32 X 1 1/2 PLT	
46	404-152D	SCRAPER, DISC RH	
47	800-112C	CABLE TIE .19X7.25 1.75D 50LB	
48	805-278C	PIN CLEVIS 1/4 X 2 1/2 PLT	
49	805-063C	PIN COTTER 3/32 X 1 LONG	
50	890-466C	RIBB BRG FLNG .266 MT HOLE PLT	
51	800-213C	RIVET,BUTTON HEAD 1/4 X 1/2	
52	820-287C	4.0 MM 15 DISK (21 DEG BEVEL)	
53	188-001V	BEARING AA205DD	
54	812-327C	25P ECCENTRIC HEX ADJUSTER	
55	199-109H	RPBY 199-147A	(S/N B1022E-) (S/N B1047F-) Used on rear (long) row stagger rows on twin row
55	199-141H	25P MID PW MOUNT	(S/N B1023E+) (S/N B1048F+) Used on rear (long) row stagger rows on twin row
56	198-331D	SEED TUBE 25S HOOK CLIP	
57	843-191C	DJ STYLE WIDE SEED SENSOR	
58	298-881S	25P WIDE ELIMINATOR BUSHNG ASY	
58	298-882S	25P NARROW ELIMINATOR BUSH ASY	
59	817-349C	SEED FLAP, UHMW, LONG	
60	816-302C	SEED FLAP, RUBBER, SEED-LOK	
61	830-424C	ELBOW PTC 1/4 X 3/8	
62	107-137V	FLANGE AND BRG ASSY	Includes items 50 & 53
63	800-244C	CABLE TIE .19X15 PANDU BT4S-CO	
64	802-106C	RHSNB 1/2-13X1 1/2 GR5	
65	404-255D	TOP COVER	
66	404-254D	COVER	

Rigid 13" Row Cleaner (S/N D1017Z-)

Applies to Models: YP1225A, YP1625A



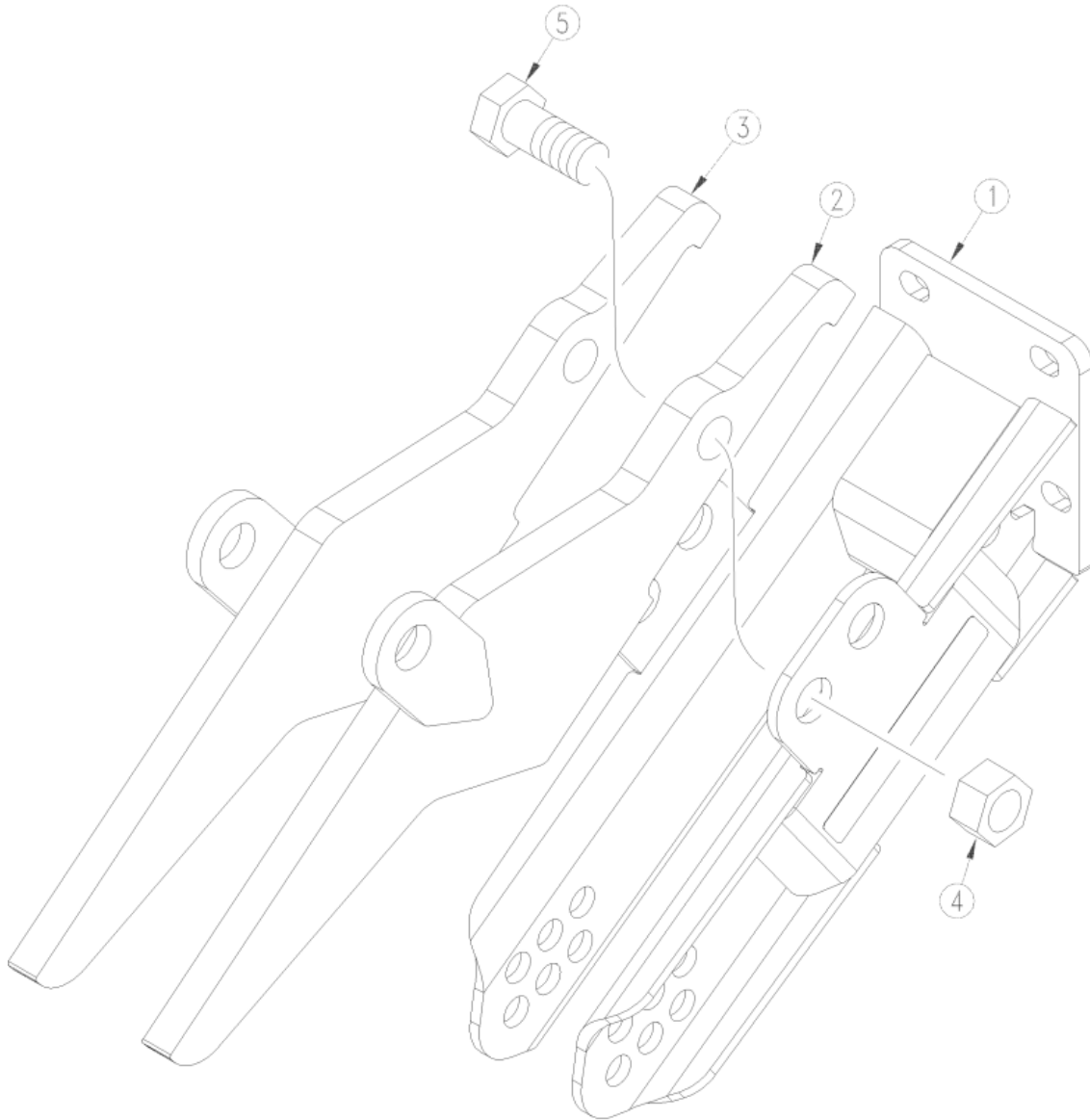
Rigid 13" Row Cleaner (S/N D1017Z-)

Applies to Models: YP1225A, YP1625A

Ref.	Part No.	Part Description	Comments
	DWG22773	Image No.	
1	207-067D	UMC RC PIVOT TUBE	
2	207-099H	DOUBLE ARM RC WLD	
3	802-331C	RHSNB 1/2-13X1 3/4 GR5	
4	803-169C	NUT HEX FLG LOCK 1/2-13 PLT	
5	815-255C	ROW CLEANER HUB ASM	Refer to "Hub Assembly (815-255C & 204-084S)" for breakdown
6	817-615C	RC ARM PIVOT BUSHING	
7	828-057C	RC HUB LOCK	
8	828-058C	RIGID 13" ROW CLEANER LH	
8	828-059C	RIGID 13" ROW CLEANER RH	
9	207-142V	RIGID ROW CLEANER ASM RH	
9	207-143V	RIGID ROW CLEANER ASM LH	
10	828-060C	DEPTH BAND WHEEL	
11	818-525C	DECAL SHARP OBJECT WARNING	
12	207-148H	UM ROW CLEAN DOWN STOP WLDM	
13	802-009C	RHSNB 5/16-18X1 1/4 GR5	
14	803-008C	NUT HEX 5/16-18 PLT	
15	804-009C	WASHER LOCK SPRING 5/16 PLT	
16	804-017C	WASHER FLAT 1/2 USS PLT	
17	804-029C	WASHER FLAT 1 SAE	

Row Cleaner Extension Mount

Applies to Models: YP1225A, YP1625A



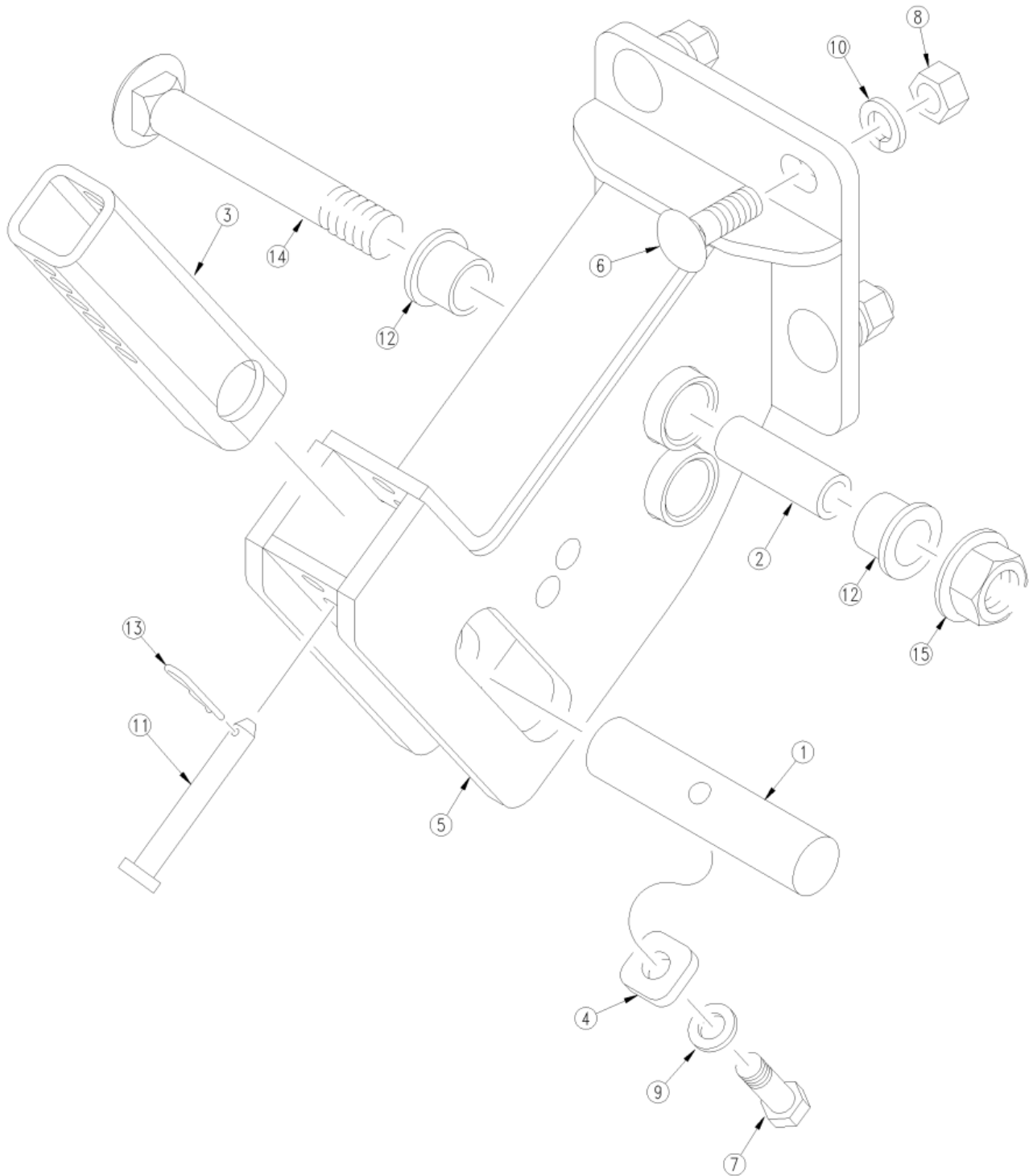
Row Cleaner Extension Mount

Applies to Models: YP1225A, YP1625A

Ref.	Part No.	Part Description	Comments
	DWG29096	Image No.	
1	204-139H	UNIT MOUNTED COULTER MOUNT	
2	407-220H	DBL ROW CLNR EXTENDED MNT LH	Used with long row unit next to fertilizer pump mount on 15" spacing.
3	407-221H	DBL ROW CLNR EXTENDED MNT RH	Used with long row unit next to fertilizer pump mount on 15" spacing.
4	803-049C	NUT HEX 7/8-9 PLT	
5	802-219C	HHCS 7/8-9X2 GR5	

Row Cleaner Unit Mount Assembly (S/N D1017Z-)

Applies to Models: YP1225A, YP1625A

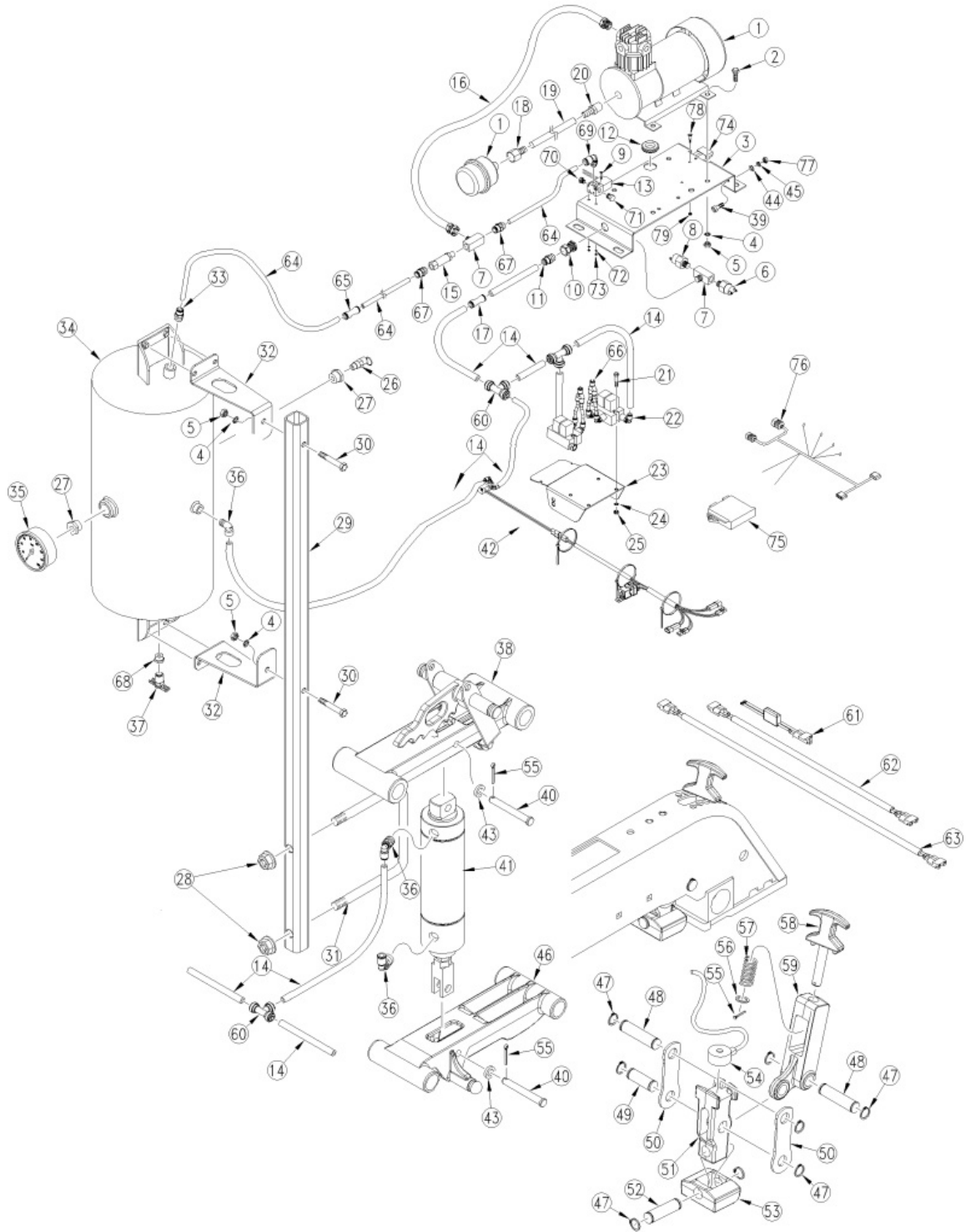


Row Cleaner Unit Mount Assembly (S/N D1017Z-)

Applies to Models: YP1225A, YP1625A

Ref.	Part No.	Part Description	Comments
	DWG27304	Image No.	
1	207-072D	UMRC MOUNT ROUND TUBE	
2	207-106D	TUBE, PIVOT .75 X 3.339 LONG	
3	207-107D	UMRC ADJUSTMENT TUBE	
4	207-108D	SPACER	
5	207-214H	UMRC MOUNT WELD	
6	802-106C	RHSNB 1/2-13X1 1/2 GR5	
7	802-673C	HHCS 7/16-14X1 1/4 GR5 PLT	
8	803-020C	NUT HEX 1/2-13 PLT	
9	804-014C	WASHER LOCK 7/16 PLT	
10	804-015C	WASHER LOCK SPRING 1/2 PLT	
11	805-385C	PIN CLEVIS 3/8 X 3 PLT	
12	817-084C	PARALLEL ARM PIVOT BUSHING	
13	805-031C	PIN HAIR COTTER .092 WIRE	
14	802-463C	RHSNB 1/2-13X5 GR5	
15	803-169C	NUT HEX FLG LOCK 1/2-13 PLT	

Applies to Models: YP1225A, YP1625A



Applies to Models: YP1225A, YP1625A

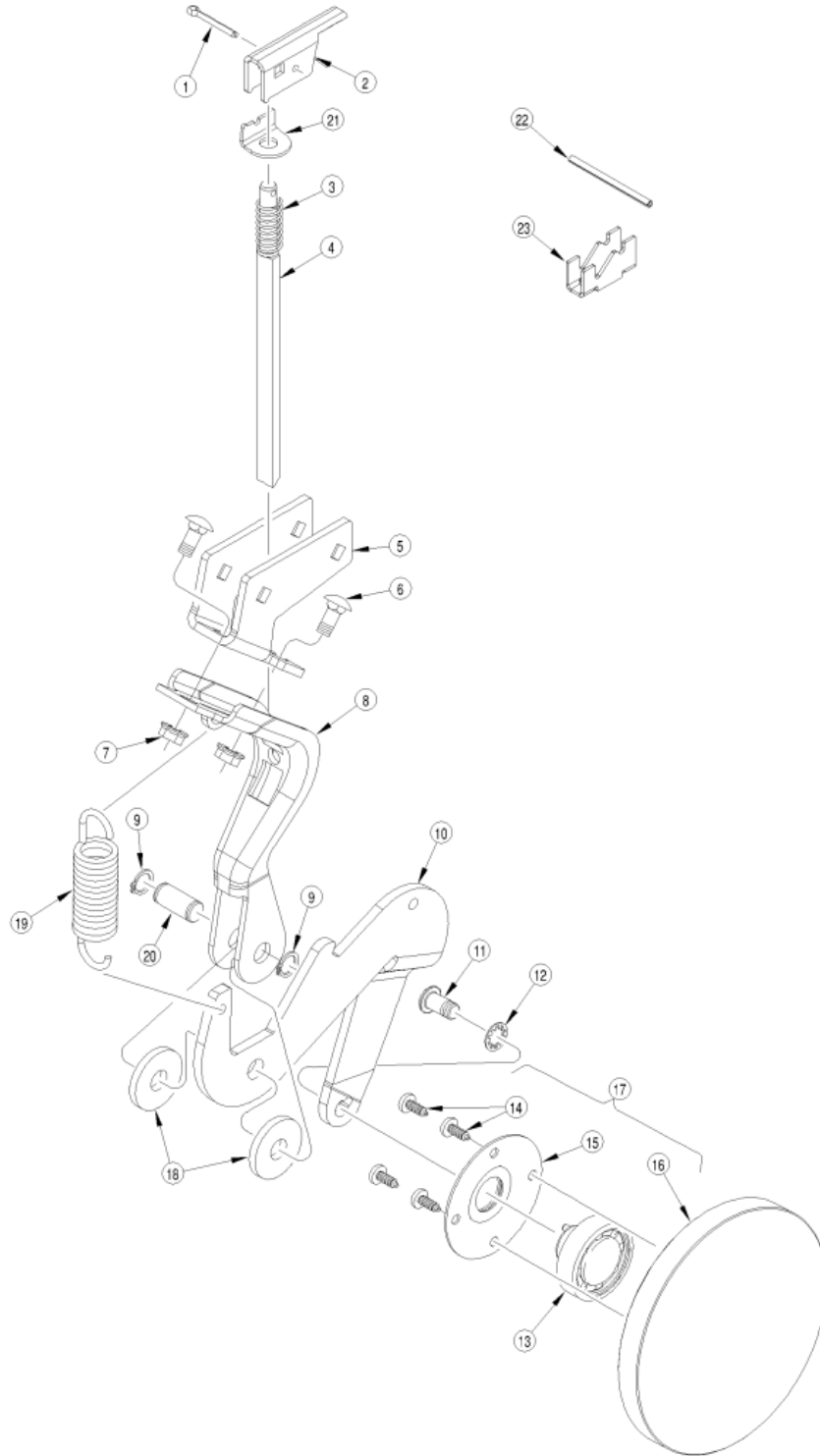
Ref.	Part No.	Part Description	Comments
	DWG31550	Image No.	
1	831-088C	12V AIR COMPRESSOR	
2	802-017C	HHCS 3/8-16X1 GR5	
3	404-209D	COMPRESSOR MOUNT	
4	804-013C	WASHER LOCK SPRING 3/8 PLT	
5	803-014C	NUT HEX 3/8-16 PLT	
6	833-539C	PRESSURE SWITCH, 150PSIR	
7	841-503C	TEE 1/4NPT BRASS FXMXF	
8	833-542C	PRESSURE SWITCH, 135PSIF	
9	801-233C	SCREW PAN HD #6-32 X 1 PLT	
10	830-423C	1/4 PIPE BULKHEAD FITTING	
11	800-367C	AD PUSH 1/4TUBEX1/4MNPT	
12	816-611C	GROMMET, .75IDX1.25ODX.063	
13	403-586K	UNLOADER VALVE ASSEMBLY	
14	990-268R	TUBING NYLON 1/4OD X .17ID GRN	
14	990-269R	TUBING NYLON 1/4OD X .17ID RED	
15	830-425C	CHECK VALVE	
16	891-233C	HEAT DISSIPATION HOSE	
17	830-383C	CP 1/4 PUSH LOK POLY	
18	830-430C	AD 1/2FNPT X 1/2 BARB BRASS	
19	990-263R	TUBING 5/8 OD X .5OD BLK NYLON	
20	830-429C	AD 1/2MNPT X 1/2 BARB BRASS	
21	802-574C	HSHCS 1/4-20X1 1/2	
22	833-559C	MAC DA SOLENOID VALVE ASM	
23	404-220D	MODULE MOUNT	
24	804-006C	WASHER LOCK SPRING 1/4 PLT	
25	803-006C	NUT HEX 1/4-20 PLT	
26	830-431C	RELIEF VALVE	
27	833-537C	3/4 MNPT X 1/4 FNPT BUSHING	
28	803-263C	NUT HEX FLANGE LOCK 5/8-11 PLT	
29	404-232D	TANK MOUNT RISER	
30	802-114C	HHCS 3/8-16X2 1/2 GR5	
31	806-084C	U-BOLT 5/8-11 X 7 1/32 X 9 1/2	
32	404-207D	AIR TANK MOUNT	
33	830-427C	AD 3/8MNPT X 3/8OD TUBE PTC	
34	891-150C	TANK AIR 1488 CU IN	
35	829-141C	2 1/2" PRESSURE GAUGE 160 PSI	
36	830-417C	ELBOW PTC 1/4 X 1/4MNPT	
37	830-403C	PETCOCK 1/4 BRASS	
38	288-374H	25 SERIES UPPER PARALLEL ARM	
39	802-575C	HSHCS #10-32X5/8	
40	805-385C	PIN CLEVIS 3/8 X 3 PLT	
41	810-701C	2"DIA X 3.25" STROKE DA CYL	
42	403-715A	ROW PRO MAIN VALVE KIT	
43	404-219D	3/8 ID X 5/8 OD X .125 SPCR	
44	804-046C	WASHER FLAT #10 SAE PLT	
45	804-054C	WASHER LOCK #10	
46	403-667D	25 SRS LOWER PARALLEL ARM	
47	800-118C	SNAP RING EXT 5/8 .050 T	
48	198-202D	20 SER OPNR CAM PIN	

This Page Intentionally Left Blank

Ref.	Part No.	Part Description	Comments
49	404-192D	PIVOT PIN	
50	404-203D	SIDE STRAP	
51	403-725D	INNER STOP MOUNT	
52	404-204D	BEAM PIVOT PIN	
53	812-374C	CAST WALK BEAM	
54	833-531C	MS FC23 LOAD CELL	
55	805-063C	PIN COTTER 3/32 X 1 LONG	
56	804-100C	WASHER 3/4 X 17/32 X 18 GA PLT	
57	807-119C	SPRING COMP .72 X 1.5 X .072WD	
58	404-020D	PLANTER HANDLE	
59	403-724D	DEPTH ADJUSTMENT PIVOT	
60	830-405C	TE POLY 1/4 PUSH LOCK	
61	833-534C	FUSE ASSEMBLY	
62	833-532C	8' EXTENSION HARNESS	
63	833-533C	11' EXTENSION HARNESS	
64	990-262R	TUBING 3/8 X .275 BLK NYLON	
65	830-428C	AD 3/8 TUBE X 3/8 TUBE PTC	
66	830-422C	UNION Y-TUBE 1/4" PTC	
67	830-426C	AD 1/4MNPT X 3/8OD TUBE PTC	
68	811-255C	AD 3/8MNPT 1/4FNPT	
69	830-434C	AD 1/8MNPT X 3/8 TUBE PTC	
70	830-420C	BREATHER VENT 1/8" MNPT	
71	811-316C	PL 1/8MNPT	
72	804-050C	WASHER LOCK #6 SS	
73	803-065C	NUT HEX 6-32 SS	
74	833-535C	COMPRESSOR HARNESS	
75	468100200S1	DJ DWN PRESSURE I/O MODULE A/S	
76	468100210	DJ HARNESS, DOWN PRESSURE	
77	803-269C	NUT HEX 10-32 PLT	
78	801-168C	SCREW THUMB 3/8-16 X 5/8 PLT	
79	803-001C	NUT HEX 10-24 PLT	
80	002-102ST	EXTREME AIR FILTER HOUSING	Not shown. Air filter for 831-088C.

Seed Lok 6" Assembly (404-093K)

Applies to Models: YP1225A, YP1625A



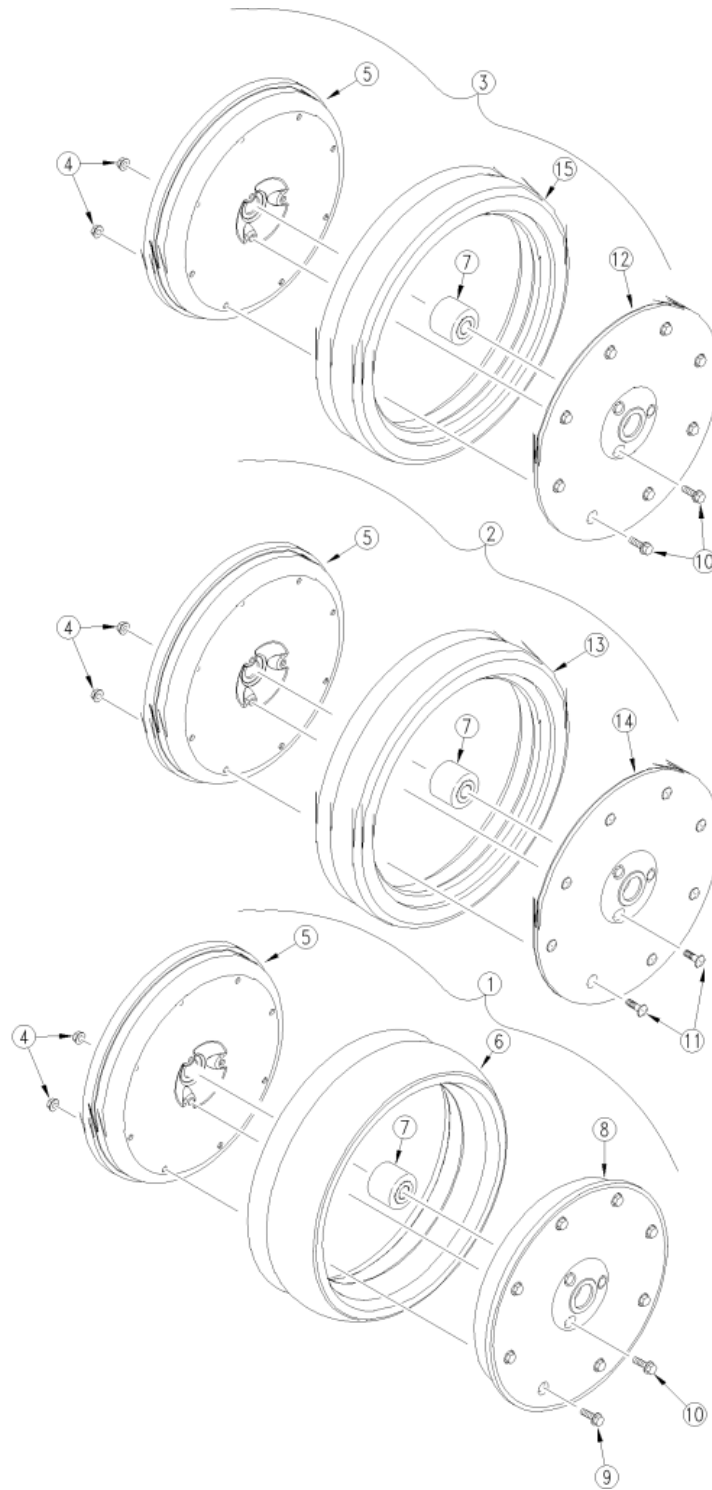
Seed Lok 6" Assembly (404-093K)

Applies to Models: YP1225A, YP1625A

Ref.	Part No.	Part Description	Comments
	DWG17663	Image No.	
1	805-045C	PIN COTTER 5/32 X 1 1/4 LG	
2	404-213D	LEVER, SEED LOK	
3	807-106C	SPRING .540 O.D.X 1 1/4 X.054W	
4	404-088H	LOCK ROD WELD	
5	404-144D	RPBY 404-822H	
6	802-092C	RHSNB 5/16-18X3/4 GR5	
7	803-043C	NUT HEX WHIZ 5/16-18 PLT	
8	206-010D	JD KINZE SEED LOK LOWER MOUNT	
9	800-166C	SNAP RING 1/2 EXTERNAL HEAVY	
10	404-061D	SEED LOK WHEEL ARM	
11	801-078C	SCR HX SKT BUT CP 3/8-16X3/4	
12	804-078C	WASHER INTERNAL STAR 3/8 PLT.	
13	122-231A	RPBY 188-008V	
14	801-084C	SCR PH THD FMG #10X1/2 TP ZP	
15	816-173C	RETAINER W/BONDED SEAL 4BLT	
16	817-191C	5/8 X 6 SEED LOK WHEEL	
17	206-014S	6 SEED LOK ASSEMBLY	
18	206-012D	WASHER MACH 1.50 X .510 X 10G	
19	807-125C	SPRING EXT 1 X 4 X .135 WD	
20	206-011D	SEED LOK PIVOT PIN	
21	404-212D	LEVER STOP	
22	805-191C	PIN ROLL 5/32 X 2 1/2 PLT	
23	404-348D	LOCK SLIDE	

Side Depth Wheel Assembly

Applies to Models: YP1225A, YP1625A



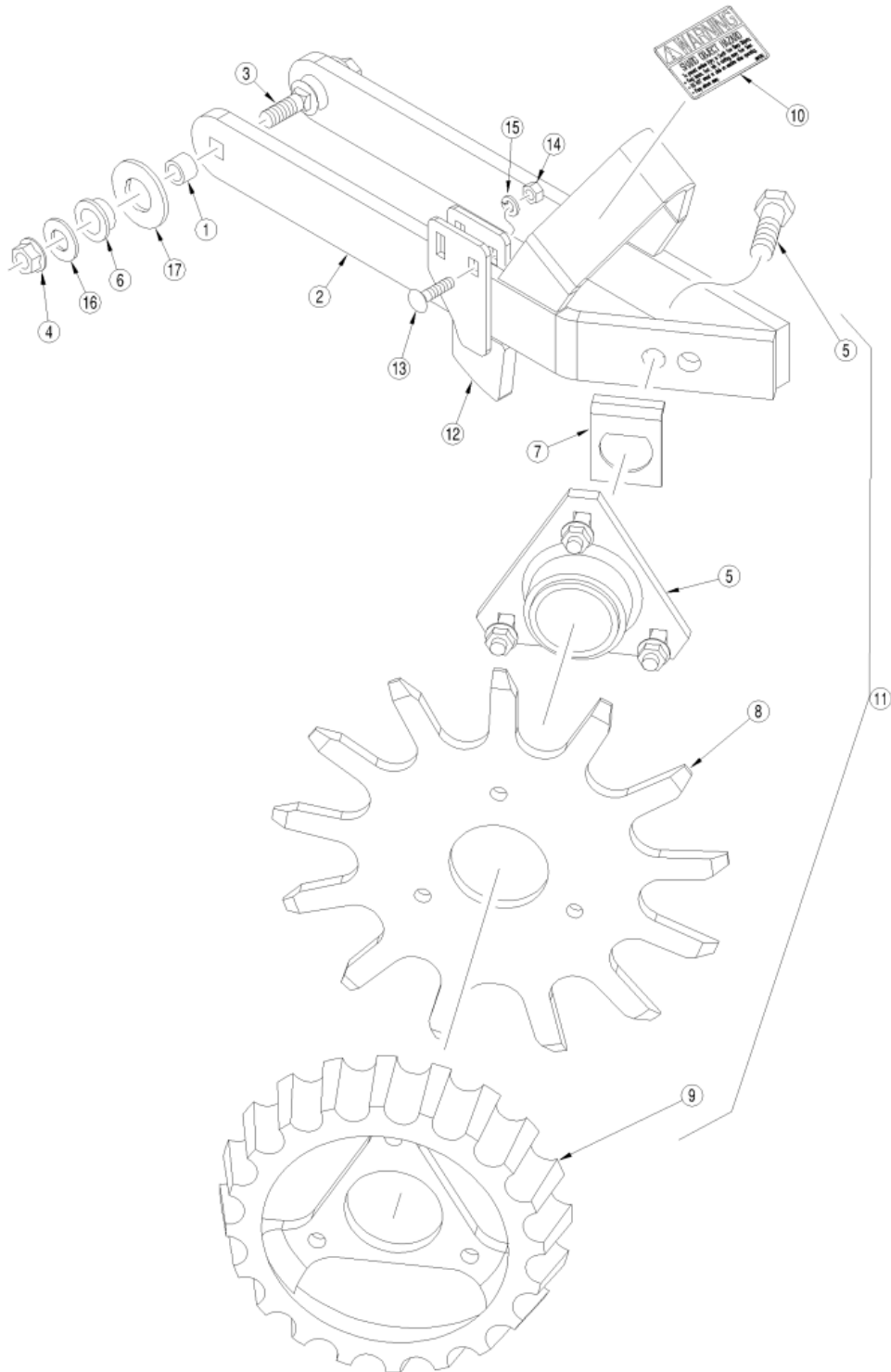
Side Depth Wheel Assembly

Applies to Models: YP1225A, YP1625A

Ref.	Part No.	Part Description	Comments
	DWG21993	Image No.	
1	814-173C	4 X 16 GAUGE TIRE ASSY-PLASTIC	
2	814-257C	2.5X16 SIDE DEPTH WHEEL ASSY	
3	814-260C	3X16 SIDE DEPTH WHEEL ASSY	
4	803-177C	803-184 FLG TP LK 5/16-18ZNYCR	
5	814-175C	4 X 16 GAUGE WHEEL RIM	
6	814-113C	4 1/2 X 16 GAUGE TIRE	
7	822-170C	BRG .63ID PRESS WHL ASY	
8	817-331C	4 X 16 GAUGE WHEEL RIM HALF	
9	802-094C	HFSS 5/16-18X1 3/4 GR5	
10	802-431C	HFSS 5/16-18X1 GR5 PLT	
11	802-883C	HSBHCS 5/16-18X5/8" GR5	
12	817-541C	3X16 NYLON WHEEL HALF-40MM	
13	814-258C	2.25X16" TIRE FOR 814-257C	
14	814-259C	2.25X16" RIM HALF FOR 814-257C	
15	814-261C	3X 16" TIRE FOR 814-260C	

Single Arm RC Assembly

Applies to Models: YP1225A, YP1625A



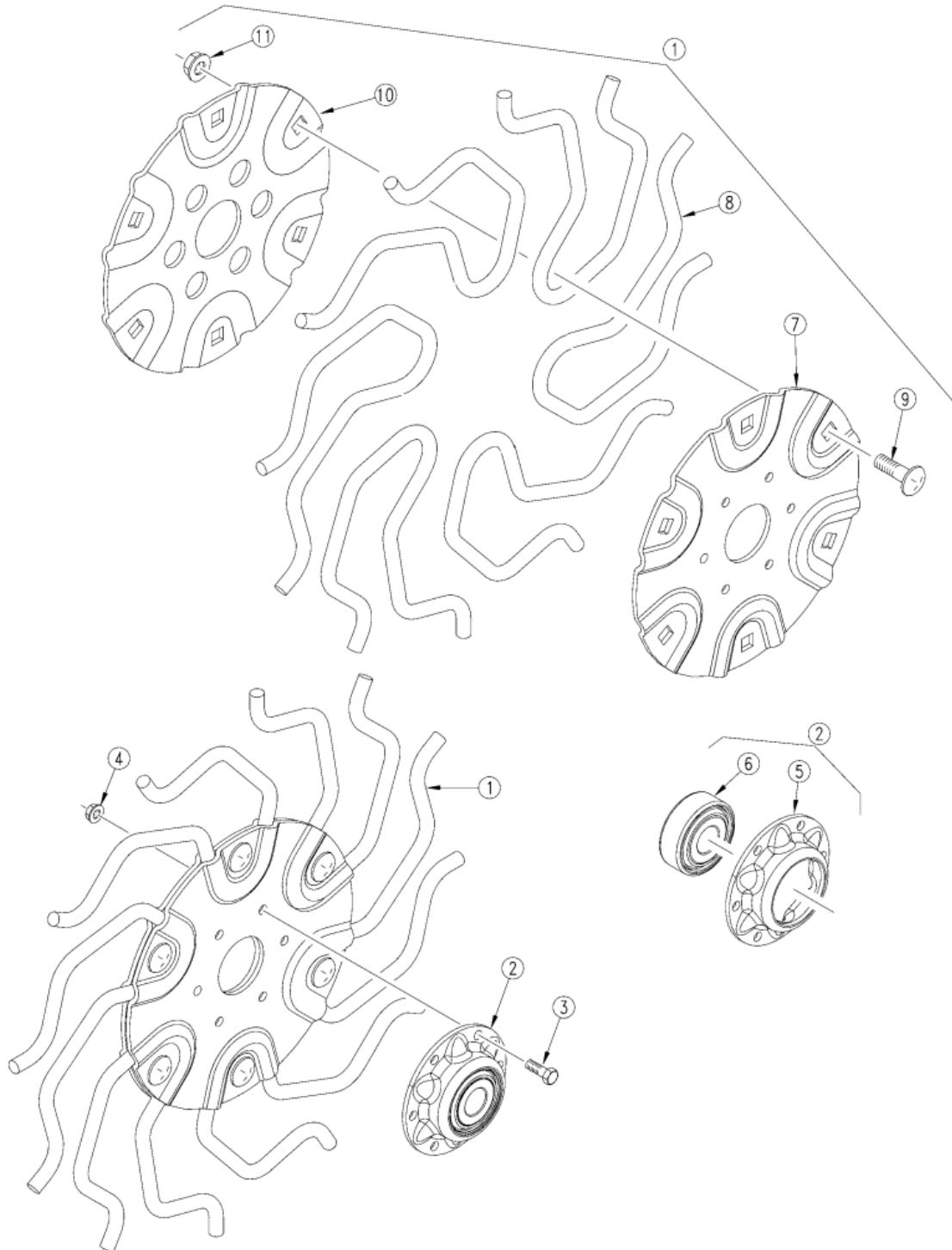
Single Arm RC Assembly

Applies to Models: YP1225A, YP1625A

Ref.	Part No.	Part Description	Comments
	DWG22748	Image No.	
1	207-067D	UMC RC PIVOT TUBE	
2	207-095H	SINGLE ARM RC WLD RH	Shown
2	207-094H	SINGLE ARM RC WLD LH	
3	802-331C	RHSNB 1/2-13X1 3/4 GR5	
4	803-169C	NUT HEX FLG LOCK 1/2-13 PLT	
5	815-255C	ROW CLEANER HUB ASM	Refer to "Hub Assembly (815-225C & 204-084S) for breakdown
6	817-615C	RC ARM PIVOT BUSHING	
7	828-057C	RC HUB LOCK	
8	828-059C	RIGID 13" ROW CLEANER RH	Shown
8	828-058C	RIGID 13" ROW CLEANER LH	
9	828-060C	DEPTH BAND WHEEL	
10	818-525C	DECAL SHARP OBJECT WARNING	
11	207-142V	RIGID ROW CLEANER ASM RH	Contains 5, 8 & 9 only. Shown.
11	207-143V	RIGID ROW CLEANER ASM LH	Contains 5, 8 & 9 only.
12	207-148H	UM ROW CLEAN DOWN STOP WLDM	
13	802-009C	RHSNB 5/16-18X1 1/4 GR5	
14	803-008C	NUT HEX 5/16-18 PLT	
15	804-009C	WASHER LOCK SPRING 5/16 PLT	
16	804-017C	WASHER FLAT 1/2 USS PLT	
17	804-029C	WASHER FLAT 1 SAE	

Terra-Tine 15" Wheel

Applies to Models: YP1225A, YP1625A



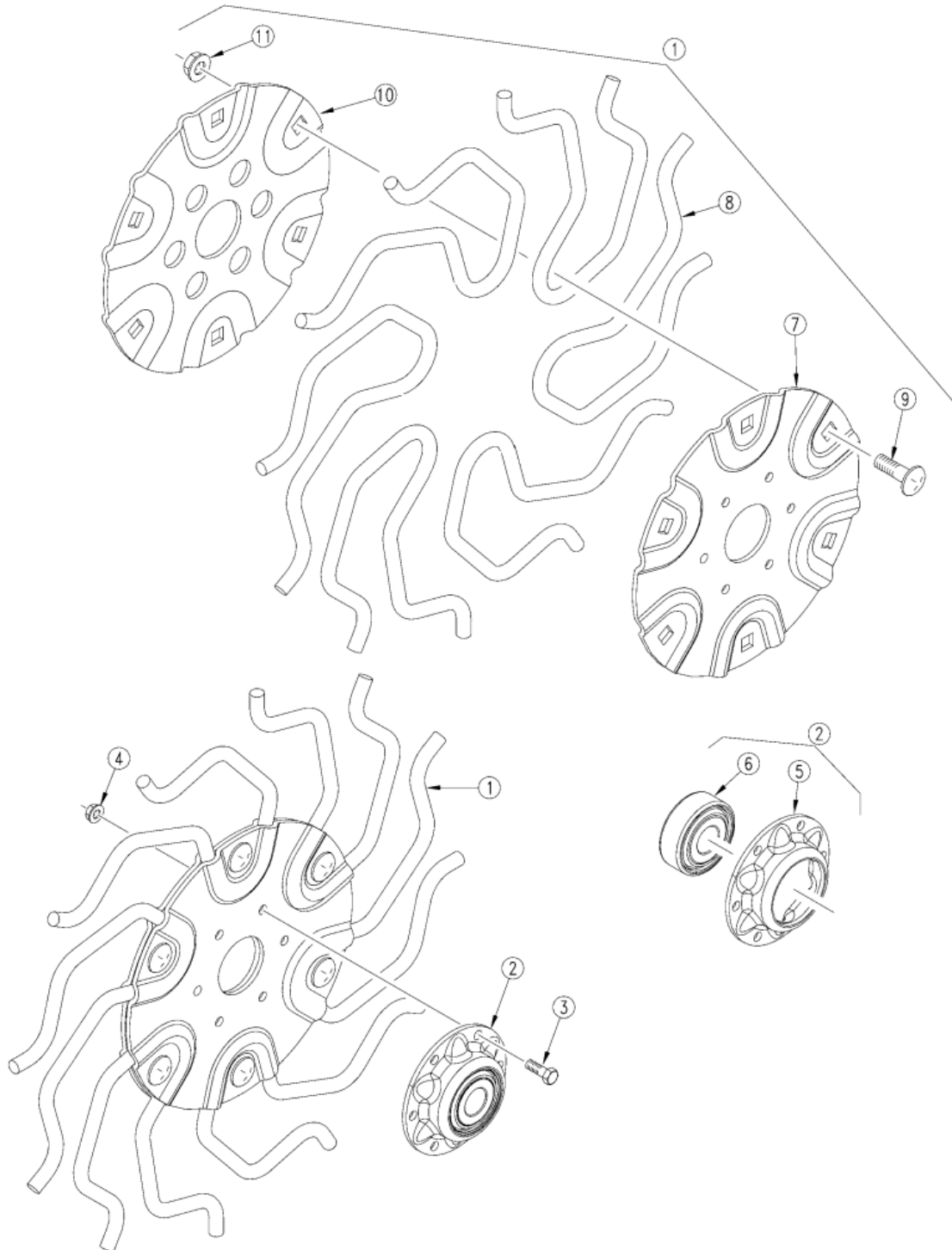
Terra-Tine 15" Wheel

Applies to Models: YP1225A, YP1625A

Ref.	Part No.	Part Description	Comments
	DWG18406	Image No.	
1	207-033S	TERRA-TINE WHL SUB-ASSY 15 RH	
1	207-034S	TERRA-TINE WHL SUB-ASSY 15 LH	
2	207-009S	FRONT FLANGE BEARING ASSEMBLY	
3	802-078C	HHCS 1/4-20X5/8 GR5	
4	803-230C	NUT HEX FLANGE 1/4-20 PLT	
5	890-466C	HSG RIBB FLG 6BOLT PLT	
6	188-007V	BEARING .760 BORE 205DD	
7	207-005D	TERRA-TINE FLANGE FRONT	
8	807-158C	SPRING TERRA-TINE FINGER 15	
9	802-149C	RHSNB 3/8-16X3/4 GR5	
10	207-004D	TERRA-TINE FLANGE BACK	
11	803-068C	NUT HEX FLANGE 3/8-16 PLT	

Terra-Tine 16" Wheel

Applies to Models: YP1225A, YP1625A



Terra-Tine 16" Wheel

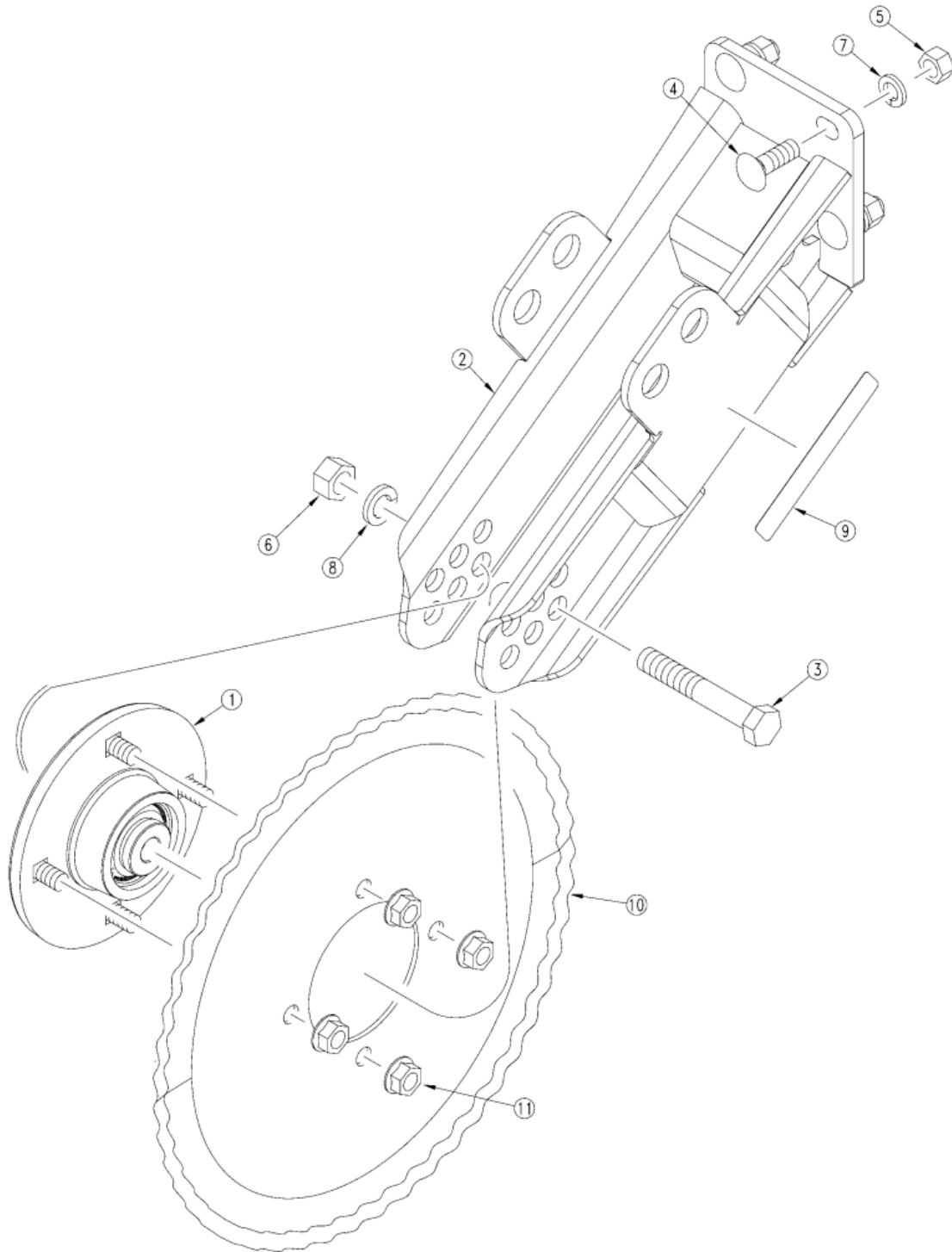
Applies to Models: YP1225A, YP1625A

Ref.	Part No.	Part Description	Comments
	DWG18406	Image No.	
1	207-014S	TERRA-TINE WHEEL SUB-ASSY RH	
1	207-015S	TERRA-TINE WHEEL SUB ASSY LH	
2	207-009S	FRONT FLANGE BEARING ASSEMBLY	
3	802-078C	HHCS 1/4-20X5/8 GR5	
4	803-230C	NUT HEX FLANGE 1/4-20 PLT	
5	890-466C	HSG RIBB FLG 6BOLT PLT	
6	188-007V	BEARING .760 BORE 205DD	
7	207-005D	TERRA-TINE FLANGE FRONT	
8	807-137C	SPRING TERRA-TINE FINGER	
9	802-149C	RHSNB 3/8-16X3/4 GR5	
10	207-004D	TERRA-TINE FLANGE BACK	
11	803-068C	NUT HEX FLANGE 3/8-16 PLT	

Great Plains
Unit Mount Coulter

Opener

Applies to Models: YP1225A, YP1625A



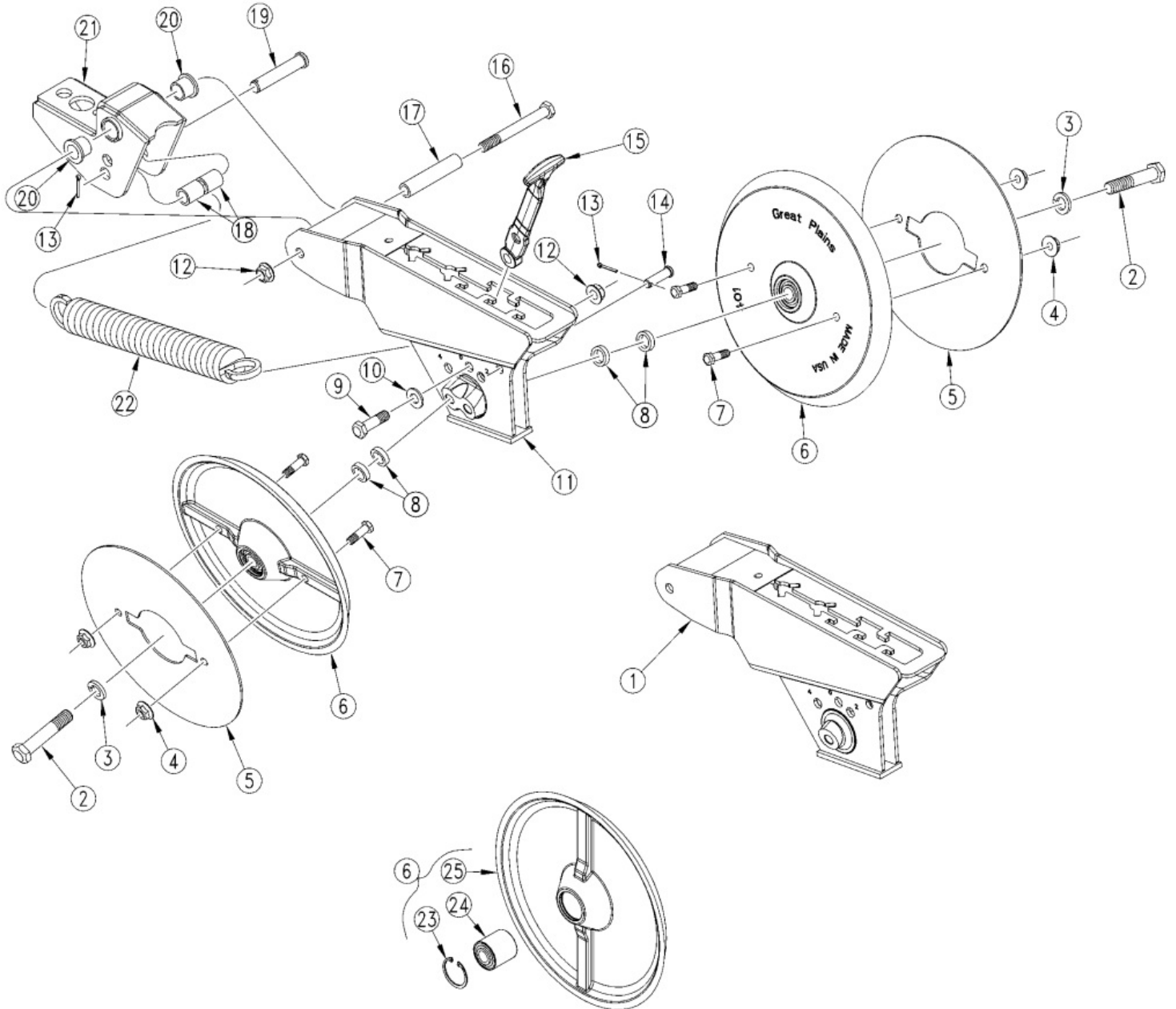
Unit Mount Coulters

Applies to Models: YP1225A, YP1625A

Ref.	Part No.	Part Description	Comments
	DWG22774	Image No.	
1	204-084S	GP25S NARROW HUB ASM	Refer to "Hub Assembly (815-255C 204-084S)" for breakdown
2	204-139H	UNIT MOUNTED COULTER MOUNT	
3	802-060C	HHCS 5/8-11X4 GR5	
4	802-106C	RHSNB 1/2-13X1 1/2 GR5	
5	803-020C	NUT HEX 1/2-13 PLT	
6	803-021C	NUT HEX 5/8-11 PLT	
7	804-015C	WASHER LOCK SPRING 1/2 PLT	
8	804-022C	WASHER LOCK SPRING 5/8 PLT	
9	838-482C	DECAL GP PLANTING COMPONENTS	
10	820-259C	COULTER BLADE-14 DIA STRAIGHT	Used on VIII ONLY
10	820-327C	COULTER BLADE (TURBO) 15" OD	
10	820-331C	COULTER BLADE (FLUTED) 15" OD	Shown
11	803-193C	NUT HEX FLANGE 1/2-13 GR G PLT	

12-12D Cast Press Wheels (S/N B1081E+) (S/N B1131F+)

Applies to Models: YP1225A, YP1625A



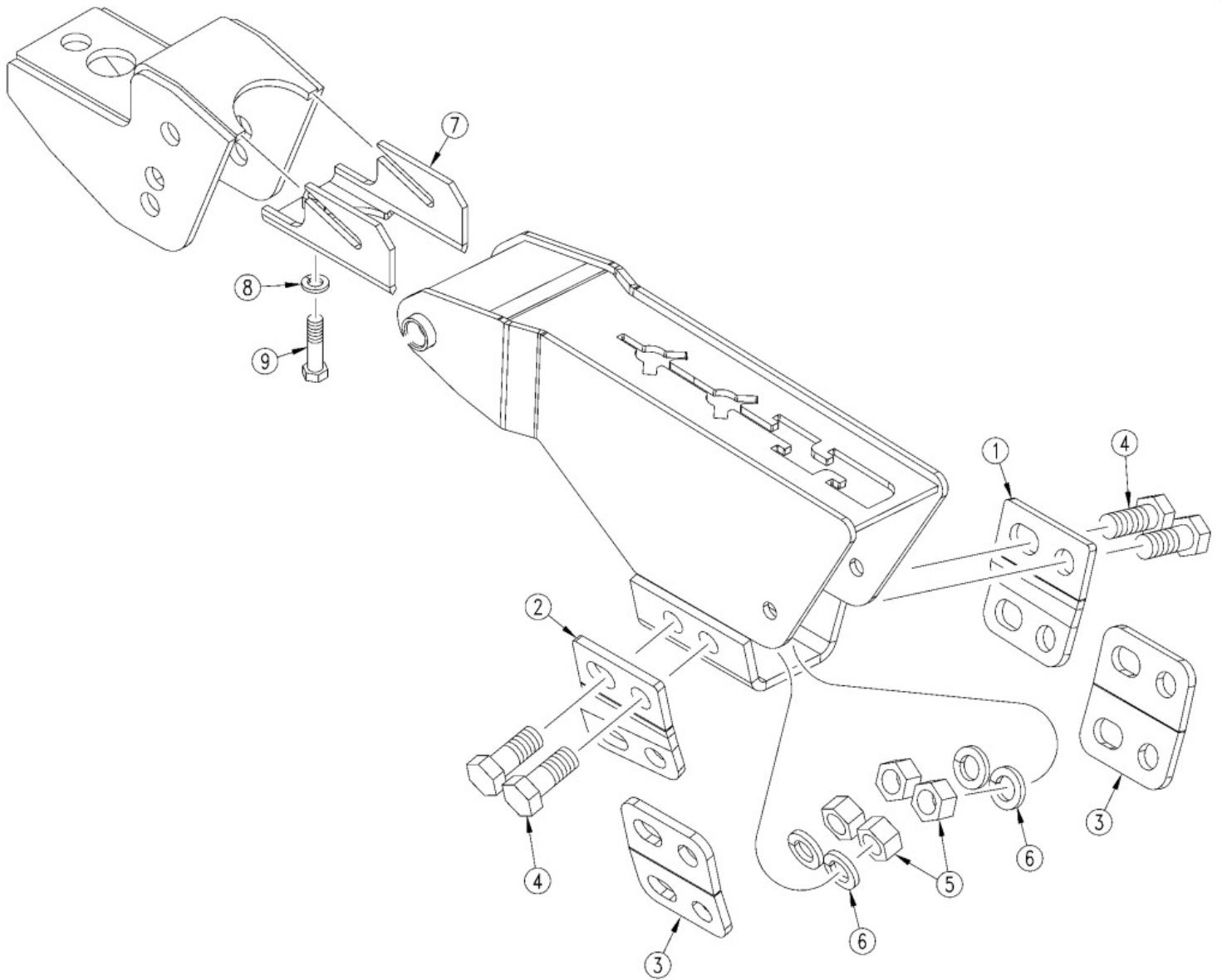
12-12D Cast Press Wheels (S/N B1081E+) (S/N B1131F+)

Applies to Models: YP1225A, YP1625A

Ref.	Part No.	Part Description	Comments
	DWG34488	Image No.	
1	199-152H	25 SER 12 DEG ADJ PW ARM WLDMT	
2	802-160C	HHCS 5/8-11X3 1/4 GR5	
3	804-022C	WASHER LOCK SPRING 5/8 PLT	
4	803-171C	MAC-LOK 3/8-16 SUPER FLANGE	(ONLY) used with Staggered Press Wheel Weldment
5	199-135D	CAST PRESS WHEEL COVER DISK	(ONLY) used with Staggered Press Wheel Weldment
6	199-151S	CAST WEDGE PW ASY 40 DEG	Includes items: 23-25
7	802-079C	HHCS 3/8-16X1 1/4 GR5	(ONLY) used with Staggered Press Wheel Weldment
8	405-031D	1/4 PW SPACER 5/8 DIA	
9	802-082C	HHCS 1/2-13X1 3/4 GR5	
10	804-094C	WASHER FLAT 1/2 HARD ASTM F436	
11	199-153H	25 SER 12 DEG STAG PW ARM WLD	
12	803-169C	NUT HEX FLG LOCK 1/2-13 PLT	
13	805-363C	PIN COTTER 1/8 X 1	
14	805-436C	PIN CLEVIS 7/16 X 1 1/2	
15	812-398C	PRESS WHEEL SPRING ADJ HANDLE	
16	802-413C	HHCS 1/2-13X4 1/2 GR5	
17	199-114D	PRESS WHEEL PVT MNT TUBE	
18	199-113D	SPRING ALIGNMENT BUSHING	
19	805-432C	PIN CLEVIS 5/8 X 3 1/4	
20	817-084C	PARALLEL ARM PIVOT BUSHING	
21	199-141H	25P MID PW MOUNT	
22	807-278C	SPRING 1.8 OC X 11 LG	
23	800-054C	SNAP RING INT 40 MM	
24	822-170C	BRG .63ID PRESS WHL ASY	
25	199-128D	CAST WEDGE PW MACHINED 40 DEG	
26	199-140H	LONG PW MOUNT	

Closing Wheel Drop Mount

Applies to Models: YP1225A, YP1625A



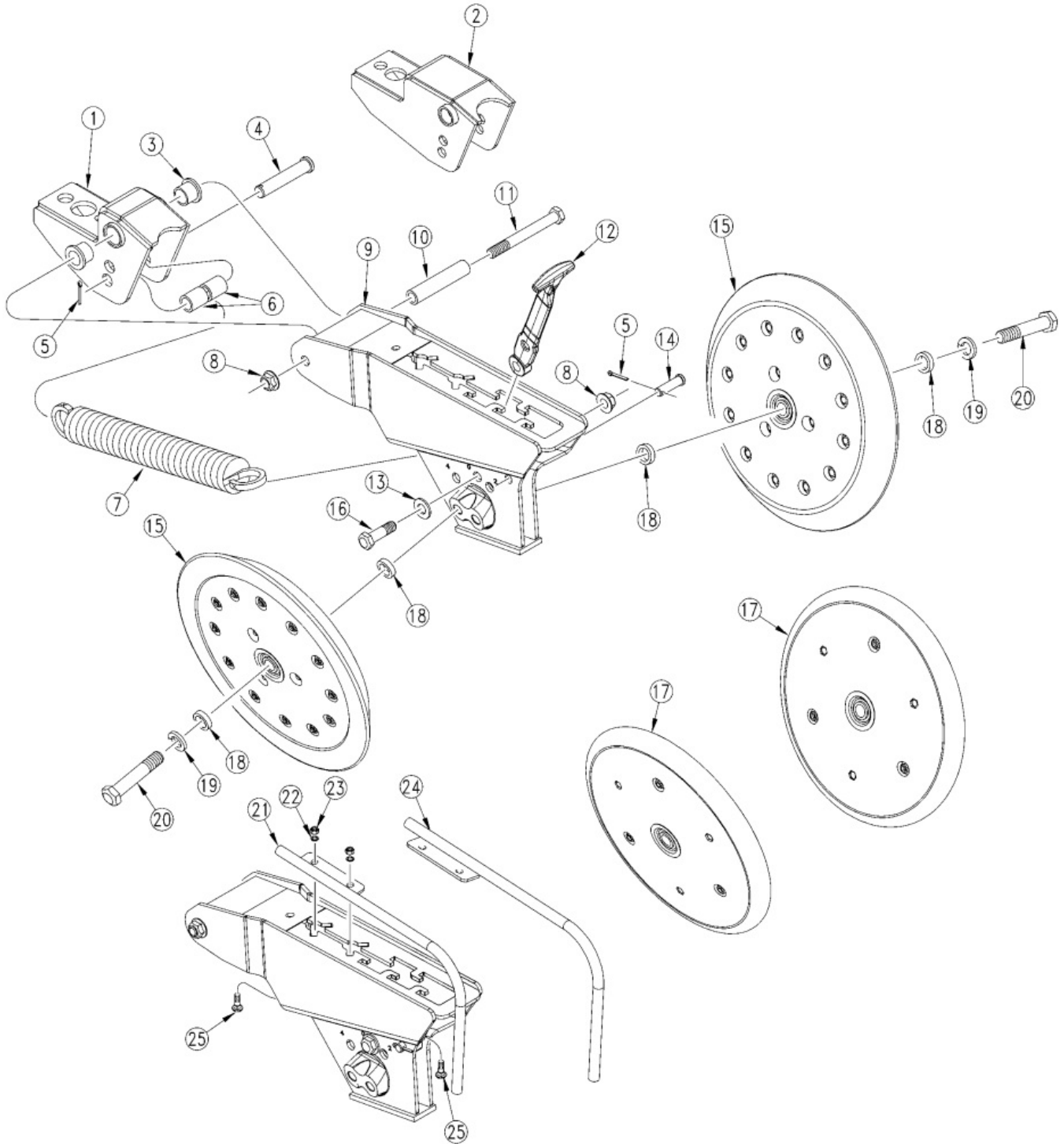
Closing Wheel Drop Mount

Applies to Models: YP1225A, YP1625A

Ref.	Part No.	Part Description	Comments
	DWG29590	Image No.	
1	405-053D	RH CLOSING WHEEL DROP PLATE	
2	405-054D	LH CLOSING WHEEL DROP PLATE	
3	405-052D	PLATE 1X10 OFFSET TO 25P	
4	802-051C	HHCS 5/8-11X1 1/2 GR5	
5	803-021C	NUT HEX 5/8-11 PLT	
6	804-022C	WASHER LOCK SPRING 5/8 PLT	
7	405-028H	SPACER WELDMENT	
8	804-013C	WASHER LOCK SPRING 3/8 PLT	
9	802-022C	HHCS 3/8-16X1 1/2 GR5	

Press Wheel Assembly 1.0 x 12.0 and 1.25 x 13.5 (S/N B1081E+) (S/N B1131F+)

Applies to Models: YP1225A, YP1625A



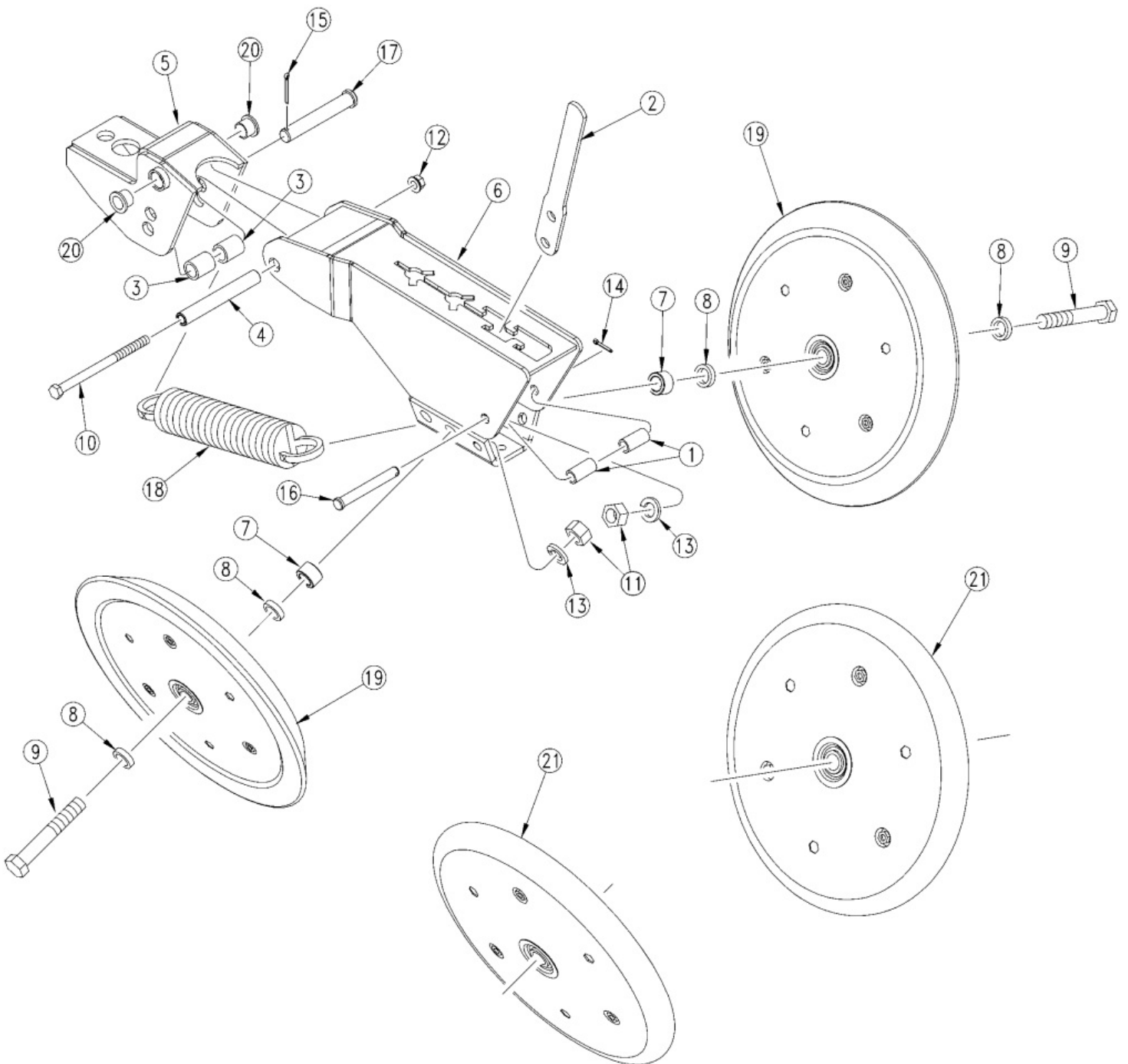
Press Wheel Assembly 1.0 x 12.0 and 1.25 x 13.5 (S/N B1081E+) (S/N B1131F+)

Applies to Models: YP1225A, YP1625A

Ref.	Part No.	Part Description	Comments
	DWG34565	Image No.	
1	199-141H	25P MID PW MOUNT	
2	199-140H	LONG PW MOUNT	
3	817-084C	PARALLEL ARM PIVOT BUSHING	
4	805-432C	PIN CLEVIS 5/8 X 3 1/4	
5	805-363C	PIN COTTER 1/8 X 1	
6	199-113D	SPRING ALIGNMENT BUSHING	
7	807-278C	SPRING 1.8 OC X 11 LG	
8	803-169C	NUT HEX FLG LOCK 1/2-13 PLT	
9	199-153H	25 SER 12 DEG STAG PW ARM WLD	
10	199-114D	PRESS WHEEL PVT MNT TUBE	
11	802-413C	HHCS 1/2-13X4 1/2 GR5	
12	812-398C	PRESS WHEEL SPRING ADJ HANDLE	
13	804-094C	WASHER FLAT 1/2 HARD ASTMF436	
14	805-436C	PIN CLEVIS 7/16 X 1 1/2	
15	814-400C	1.25 X 13.5 WEDGE HD PW ASSY	
16	802-082C	HHCS 1/2-13X1 3/4 GR5	
17	814-174C	1 X 12 PRESS WHL ASSY-5203BRG	
18	405-031D	1/4 PW SPACER 5/8 DIA	
19	804-022C	WASHER LOCK SPRING 5/8 PLT	
20	802-160C	HHCS 5/8-11X3 1/4 GR5	
21	204-133H	LH DRIBBLER TUBE	
22	804-009C	WASHER LOCK SPRING 5/16 PLT	
23	803-008C	NUT HEX 5/16-18 PLT	
24	204-134H	RH DRIBBLER TUBE	
25	802-092C	RHSNB 5/16-18X3/4 GR5	

Press Wheel Assembly 16 and 20 Deg (S/N B1023E to B1080E) (S/N B1048F to B1130F)

Applies to Models: YP1225A, YP1625A



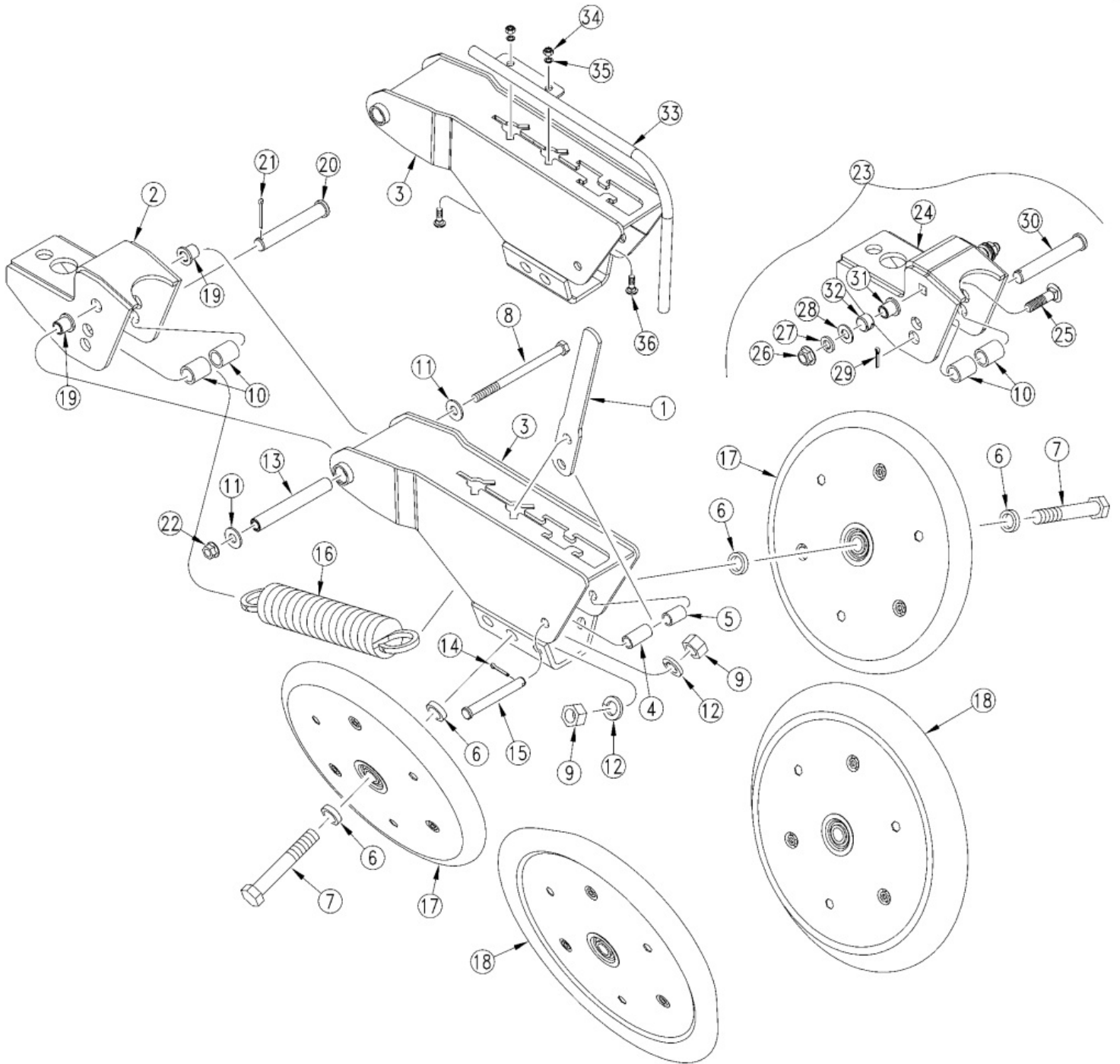
Press Wheel Assembly 16 and 20 Deg (S/N B1023E to B1080E) (S/N B1048F to B1130F)

Applies to Models: YP1225A, YP1625A

Ref.	Part No.	Part Description	Comments
	DWG31518	Image No.	
1	199-088D	25P PW HANDLE SPACER TUBE	
2	199-107D	PW SPRING HANDLE	
3	199-113D	SPRING ALIGNMENT BUSHING	
4	199-114D	PRESS WHEEL PVT MNT TUBE	
5	199-140H	LONG PQ MOUNT	Shown
5	199-141H	25P MID PW MOUNT	
6	199-145H	25P 20 DEG CENTERED PW MOUNT	Shown. Used with 20 Deg Press Wheel
6	199-144H	25P 16 DEG CENTERED PW MOUNT	Used with 16 Deg Press Wheel
7	404-147D	PARALLEL ARM PIVOT TUBE	Only used with 20 Deg Press Wheel
8	405-031D	1/4 PW SPACER 5/8 DIA	
9	802-060C	HHCS 5/8-11X4 GR5	Shown. Used with 20 Deg Press Wheel
9	802-160C	HHCS 5/8-11X3 1/4 GR5	Used with 16 Deg Press Wheel
10	802-413C	HHCS 1/2-13X4 1/2 GR5	
11	803-021C	NUT HEX 5/8-11 PLT	
12	803-169C	NUT HEX FLG LOCK 1/2-13 PLT	
13	804-022C	WASHER LOCK SPRING 5/8 PLT	
14	805-067C	PIN COTTER 1/8 X 3/4	
15	805-109C	PIN COTTER 1/8 X 1 1/4 PLT	
16	805-183C	PIN CLVS .44X3.27 USBL	
17	805-432C	PIN CLEVIS 5/8 X 3 1/4	
18	807-278C	SPRING 1.8 OC X 11 LG	
19	814-238C	1.25 X 13.5 PRESS WHEEL ASSY	Refer to Press Wheel Breakdown for breakdown
20	817-084C	PARALLEL ARM PIVOT BUSHING	
21	814-174C	1 X 12 PRESS WHL ASSY-5203BRG	Refer to Press Wheel Breakdown for breakdown

Press Wheel Assembly LH Short (S/N B1022E-) (S/N B1047F-)

Applies to Models: YP1225A, YP1625A



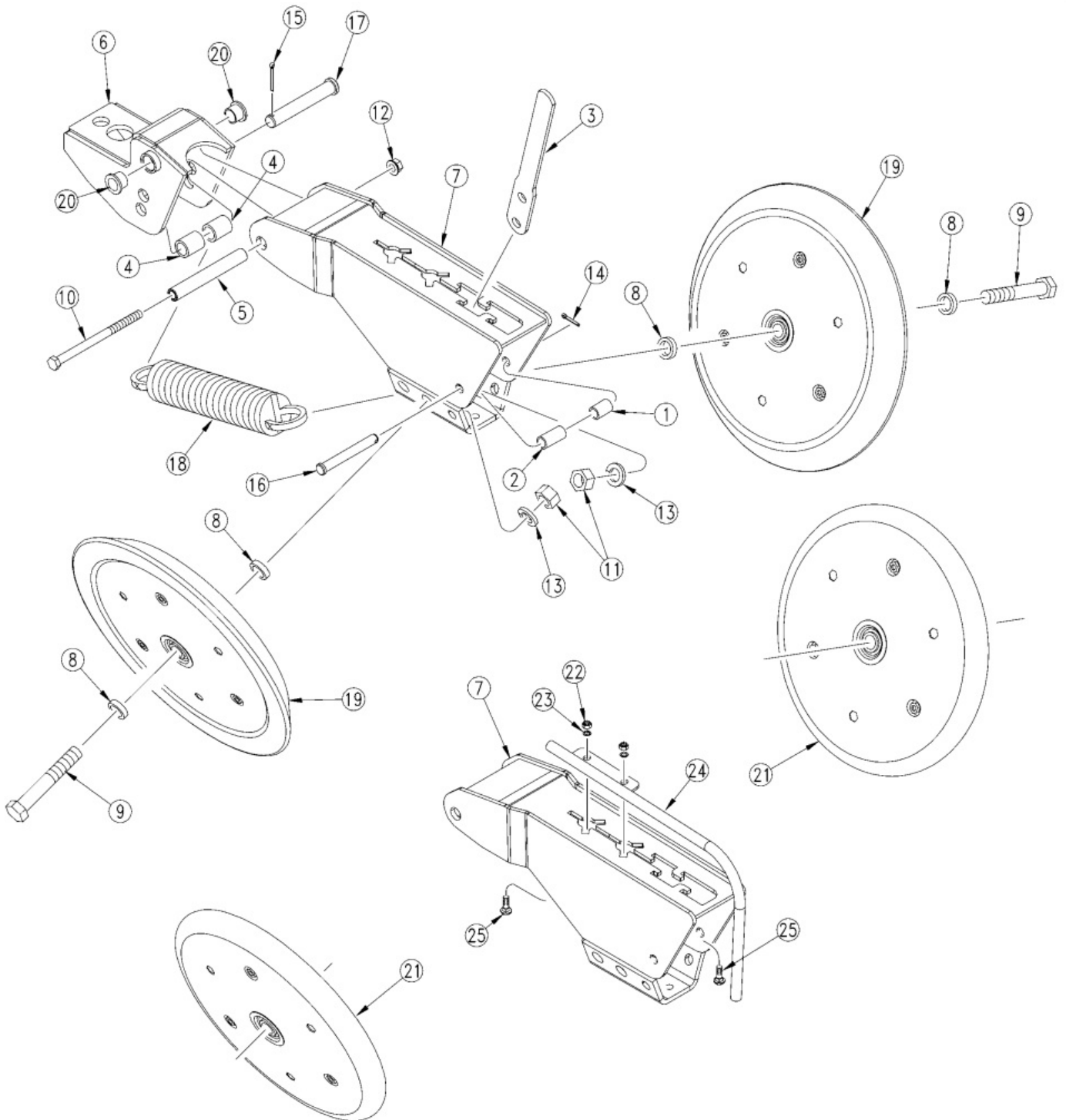
Press Wheel Assembly LH Short (S/N B1022E-) (S/N B1047F-)

Applies to Models: YP1225A, YP1625A

Ref.	Part No.	Part Description	Comments
	DWG29598	Image No.	
1	199-107D	PW SPRING HANDLE	
2	199-109H	RPBY 199-147A	
3	199-058H	25P LH OFFSET PW MOUNT	
4	199-088D	25P PW HANDLE SPACER TUBE	
5	199-015D	PW HANDLE SPACER TUBE	
6	405-031D	1/4 PW SPACER 5/8 DIA	
7	802-160C	HHCS 5/8-11X3 1/4 GR5	
8	802-616C	HHCS 3/8-16X5 1/2 GR5	
9	803-021C	NUT HEX 5/8-11 PLT	
10	199-113D	SPRING ALIGNMENT BUSHING	
11	804-011C	WASHER FLAT 3/8 USS PLT	
12	804-022C	WASHER LOCK SPRING 5/8 PLT	
13	199-106D	RPBY 199-146A OR 199-147A	
14	805-067C	PIN COTTER 1/8 X 3/4	
15	805-183C	PIN CLVS .44X3.27 USBL	
16	807-278C	SPRING 1 5/8 OD X 8.2	
17	814-174C	1 X 12 PRESS WHL ASSY-5203BRG	Refer to Press Wheel for breakdown
18	814-238C	1.25 X 13.5 PRESS WHEEL ASSY	Refer to Press Wheel for breakdown
19	817-083C	PRESS WHEEL ARM PIVOT BUSHING	
20	805-417C	PIN CLEVIS 5/8 X 3 49/64 USBL	
21	805-190C	PIN CLVS .25X2.86 USBL	
22	803-209C	NUT FLANGE LOCK 3/8-16 PLT	
23	199-147A	25P MID PW MOUNT KIT	
24	199-149H	25P MID PW MOUNT UPDATE	
25	802-030C	RHSNB 7/16-14X1 3/4 GR5	
26	803-229C	NUT HEX FLANGE LOC 7/16-14 PLT	
27	804-014C	WASHER LOCK 7/16 PLT	
28	804-041C	WASHER FLAT 7/16 SAE PLT	
29	805-067C	PIN COTTER 1/8 X 3/4	
30	805-417C	PIN CLEVIS 5/8 X 3 49/64 USBL	
31	890-524C	20 SER PW ARM PIVOT SPACER TB	
32	890-598C	BUSHING 3/4OD X 5/8ID X 1/2 LG	
33	204-133H	LH DRIBBLER TUBE	
34	803-008C	NUT HEX 5/16-18 PLT	
35	804-009C	WASHER LOCK SPRING 5/16 PLT	
36	802-092C	RHSNB 5/16-18X3/4 GR5	

Press Wheel Assembly LH Short (S/N B1023E to B1080E) (S/N B1048F to B1130F)

Applies to Models: YP1225A, YP1625A



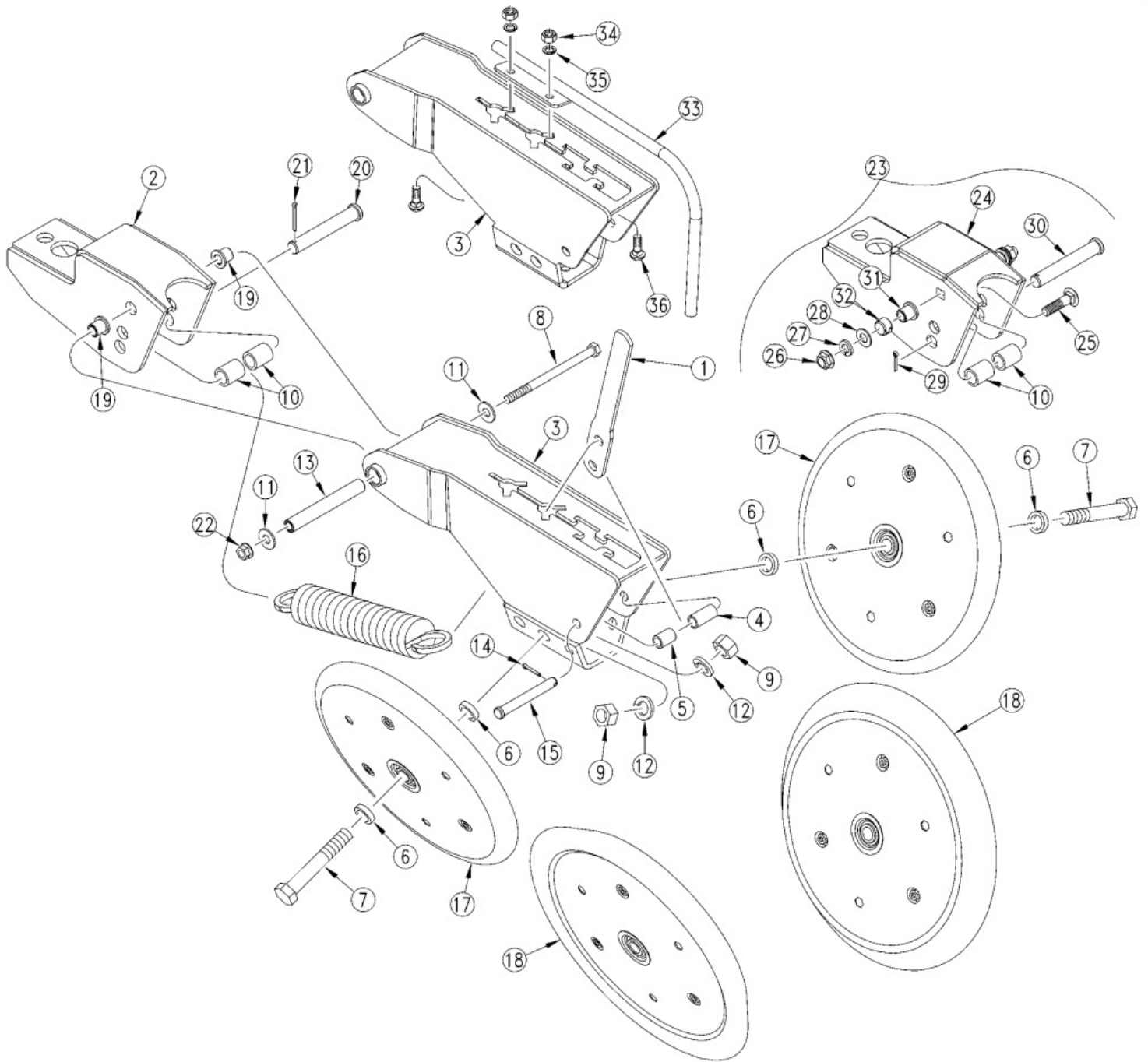
Press Wheel Assembly LH Short (S/N B1023E to B1080E) (S/N B1048F to B1130F)

Applies to Models: YP1225A, YP1625A

Ref.	Part No.	Part Description	Comments
	DWG31519	Image No.	
1	199-015D	PW HANDLE SPACER TUBE	
2	199-088D	25P PW HANDLE SPACER TUBE	
3	199-107D	PW SPRING HANDLE	
4	199-113D	SPRING ALIGNMENT BUSHING	
5	199-114D	PRESS WHEEL PVT MNT TUBE	
6	199-141H	25P MID PW MOUNT	
7	199-143H	25P LH OFFSET PW MOUNT	
8	405-031D	1/4 PW SPACER 5/8 DIA	
9	802-160C	HHCS 5/8-11X3 1/4 GR5	
10	802-413C	HHCS 1/2-13X4 1/2 GR5	
11	803-021C	NUT HEX 5/8-11 PLT	
12	803-169C	NUT HEX FLG LOCK 1/2-13 PLT	
13	804-022C	WASHER LOCK SPRING 5/8 PLT	
14	805-067C	PIN COTTER 1/8 X 3/4	
15	805-109C	PIN COTTER 1/8 X 1 1/4 PLT	
16	805-183C	PIN CLVS .44X3.27 USBL	
17	805-432C	PIN CLEVIS 5/8 X 3 1/4	
18	807-278C	SPRING 1.8 OC X 11 LG	
19	814-174C	1 X 12 PRESS WHL ASSY-5203BRG	Refer to Press Wheel Breakdown for breakdown
20	817-084C	PARALLEL ARM PIVOT BUSHING	
21	814-238C	1.25 X 13.5 PRESS WHEEL ASSY	Refer to Press Wheel Breakdown for breakdown
22	803-008C	NUT HEX 5/16-18 PLT	
23	804-009C	WASHER LOCK SPRING 5/16 PLT	
24	204-133H	LH DRIBBLER TUBE	
25	802-092C	RHSNB 5/16-18X3/4 GR5	

Press Wheel Assembly RH Long (S/N B1022E-) (S/N B1047F-)

Applies to Models: YP1225A, YP1625A



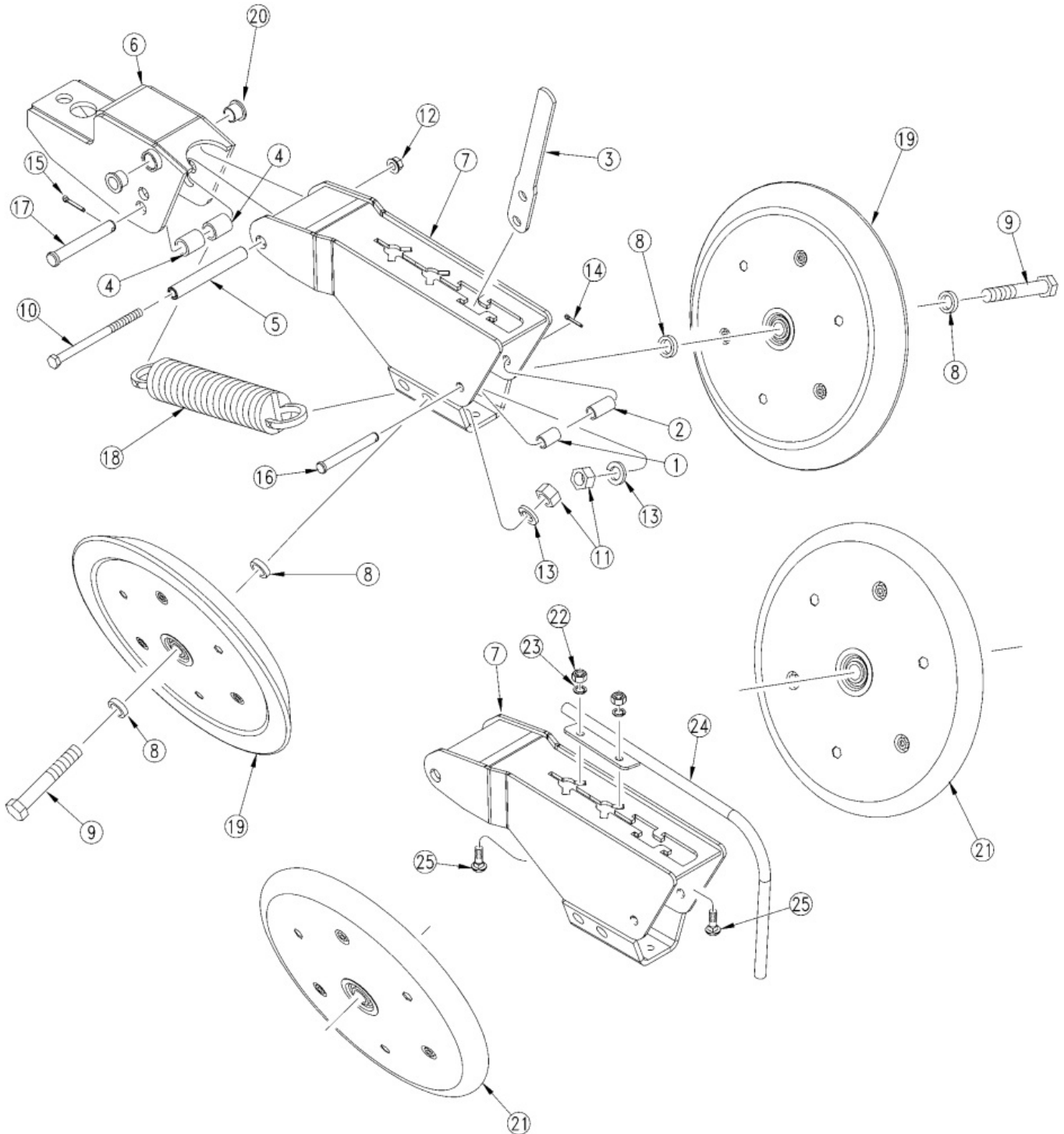
Press Wheel Assembly RH Long (S/N B1022E-) (S/N B1047F-)

Applies to Models: YP1225A, YP1625A

Ref.	Part No.	Part Description	Comments
	DWG29599	Image No.	
1	199-107D	PW SPRING HANDLE	
2	199-108H	RPBY 199-146A	
3	199-057H	25P RH OFFSET PW MOUNT	Used on short (front) stagger row units or twin row spacing
4	199-088D	25P PW HANDLE SPACER TUBE	
5	199-015D	PW HANDLE SPACER TUBE	
6	405-031D	1/4 PW SPACER 5/8 DIA	
7	802-160C	HHCS 5/8-11X3 1/4 GR5	
8	802-616C	HHCS 3/8-16X5 1/2 GR5	
9	803-021C	NUT HEX 5/8-11 PLT	
10	199-113D	SPRING ALIGNMENT BUSHING	
11	804-011C	WASHER FLAT 3/8 USS PLT	
12	804-022C	WASHER LOCK SPRING 5/8 PLT	
13	199-106D	RPBY 199-146A OR 199-147A	
14	805-067C	PIN COTTER 1/8 X 3/4	
15	805-183C	PIN CLVS .44X3.27 USBL	
16	807-278C	SPRING 1 5/8 OD X 8.2	
17	814-174C	1 X 12 PRESS WHL ASSY-5203BRG	Refer to Press Wheel brealdpwn for breakdown
18	814-238C	1.25 X 13.5 PRESS WHEEL ASSY	Refer to Press Wheel breakdown for breakdown
19	817-083C	PRESS WHEEL ARM PIVOT BUSHING	
20	805-417C	PIN CLEVIS 5/8 X 3 49/64 USBL	
21	805-109C	PIN COTTER 1/8 X 1 1/4 PLT	
22	803-209C	NUT FLANGE LOCK 3/8-16 PLT	
23	199-146A	25P LONG PW MOUNT KIT	
24	199-148H	25P LONG PW MOUNT UPDATE	
25	802-030C	RHSNB 7/16-14X1 3/4 GR5	
26	803-229C	NUT HEX FLANGE LOC 7/16-14 PLT	
27	804-014C	WASHER LOCK 7/16 PLT	
28	804-041C	WASHER FLAT 7/16 SAE PLT	
29	805-067C	PIN COTTER 1/8 X 3/4	
30	805-417C	PIN CLEVIS 5/8 X 3 49/64 USBL	
31	890-524C	20 SER PW ARM PIVOT SPACER TB	
32	890-598C	BUSHING 3/4OD X 5/8ID X 1/2 LG	
33	204-134H	RH DRIBBLER TUBE	
34	803-008C	NUT HEX 5/16-18 PLT	
35	804-009C	WASHER LOCK SPRING 5/16 PLT	
36	802-092C	RHSNB 5/16-18X3/4 GR5	

Press Wheel Assembly RH Long (S/N B1023E to B1080E) (S/N B1048F to B1130F)

Applies to Models: YP1225A, YP1625A



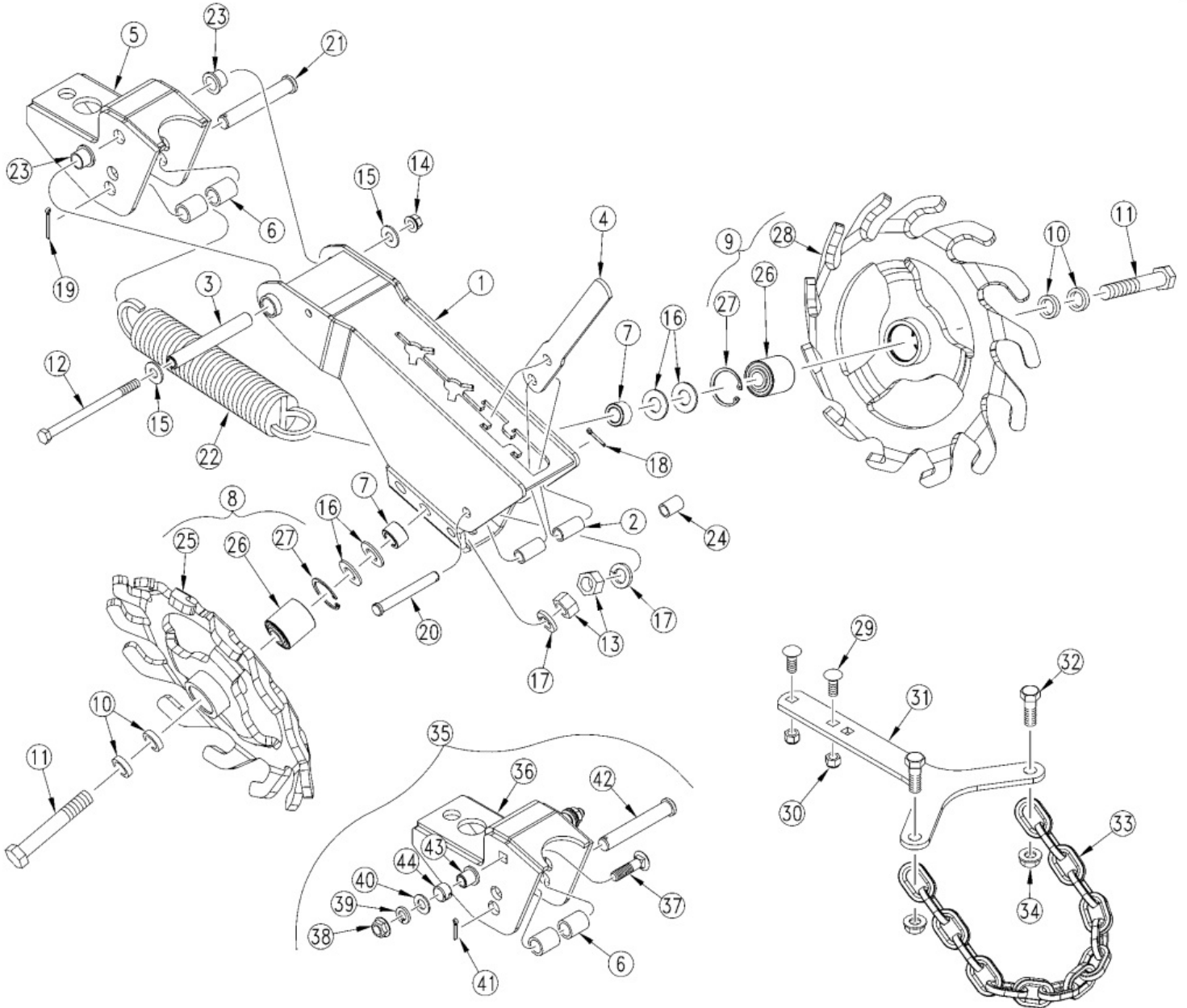
Press Wheel Assembly RH Long (S/N B1023E to B1080E) (S/N B1048F to B1130F)

Applies to Models: YP1225A, YP1625A

Ref.	Part No.	Part Description	Comments
	DWG31517	Image No.	
1	199-015D	PW HANDLE SPACER TUBE	
2	199-088D	25P PW HANDLE SPACER TUBE	
3	199-107D	PW SPRING HANDLE	
4	199-113D	SPRING ALIGNMENT BUSHING	
5	199-114D	PRESS WHEEL PVT MNT TUBE	
6	199-140H	LONG PQ MOUNT	
7	199-142H	25P RH OFFSET PW MOUNT	
8	405-031D	1/4 PW SPACER 5/8 DIA	
9	802-160C	HHCS 5/8-11X3 1/4 GR5	
10	802-413C	HHCS 1/2-13X4 1/2 GR5	
11	803-021C	NUT HEX 5/8-11 PLT	
12	803-169C	NUT HEX FLG LOCK 1/2-13 PLT	
13	804-022C	WASHER LOCK SPRING 5/8 PLT	
14	805-067C	PIN COTTER 1/8 X 3/4	
15	805-109C	PIN COTTER 1/8 X 1 1/4 PLT	
16	805-183C	PIN CLVS .44X3.27 USBL	
17	805-432C	PIN CLEVIS 5/8 X 3 1/4	
18	807-278C	SPRING 1.8 OC X 11 LG	
19	814-238C	1.25 X 13.5 PRESS WHEEL ASSY	Refer to Press Wheel Breakdown for breakdown
20	817-084C	PARALLEL ARM PIVOT BUSHING	
21	814-174C	1 X 12 PRESS WHL ASSY-5203BRG	Refer to Press Wheel Breakdown for breakdown
22	803-008C	NUT HEX 5/16-18 PLT	
23	804-009C	WASHER LOCK SPRING 5/16 PLT	
24	204-133H	LH DRIBBLER TUBE	
25	802-092C	RHSNB 5/16-18X3/4 GR5	

Press Wheel Assembly with Spider Wheels (S/N B1022E-) (S/N B1047F-)

Applies to Models: YP1225A, YP1625A



Press Wheel Assembly with Spider Wheels (S/N B1022E-) (S/N B1047F-)

Applies to Models: YP1225A, YP1625A

Ref.	Part No.	Part Description	Comments
	DWG29716	Image No.	
1	199-087H	25P 20 DEG CENTERED PW MOUNT	Shown
1	199-057H	25P RH OFFSET PW MOUNT	
1	199-058H	25P LH OFFSET PW MOUNT	
1	199-059H	25P 16 DEG CENTERED PW MOUNT	Used on 16 Deg. 10" Spacing
2	199-088D	25P PW HANDLE SPACER TUBE	
3	199-106D	RPBY 199-146A OR 199-147A	
4	199-107D	PW SPRING HANDLE	
5	199-108H	RPBY 199-146A	
5	199-109H	RPBY 199-147A	
6	199-113D	SPRING ALIGNMENT BUSHING	
7	404-147D	PARALLEL ARM PIVOT TUBE	Used with 199-087H
8	405-023S	LH 45 DEG TOOTH WHEEL ASM	
9	405-024S	RH 45 DEG TOOTH WHEEL ASM	
10	405-031D	1/4 PW SPACER 5/8 DIA	
11	802-060C	HHCS 5/8-11X4 GR5	
11	802-162C	HHCS 5/8-11X3 1/2 GR5	Used on 16 Deg. 10" Spacing
12	802-616C	HHCS 3/8-16X5 1/2 GR5	
13	803-021C	NUT HEX 5/8-11 PLT	
14	803-209C	NUT FLANGE LOCK 3/8-16 PLT	
15	804-011C	WASHER FLAT 3/8 USS PLT	
16	804-021C	WASHER FLAT 5/8 SAE PLT	
17	804-022C	WASHER LOCK SPRING 5/8 PLT	
18	805-067C	PIN COTTER 1/8 X 3/4	
19	805-109C	PIN COTTER 1/8 X 1 1/4 PLT	
20	805-183C	PIN CLVS .44X3.27 USBL	
21	805-417C	PIN CLEVIS 5/8 X 3 49/64 USBL	
22	807-278C	SPRING 1 5/8 OD X 8.2	
23	817-083C	PRESS WHEEL ARM PIVOT BUSHING	
24	199-015D	PW HANDLE SPACER TUBE	Used on LH or RH press wheel mount
25	405-021H	LH 45 DEG TOOTH CLOSING WHEEL	
26	822-170C	BRG .63ID PRESS WHL ASY	
27	800-054C	SNAP RING INT 40 MM	
28	405-022H	RH 45 DEG TOOTH CLOSING WHEEL	
29	802-015C	RHSNB 3/8-16X1 GR5	
30	803-078C	NUT LOCK 3/8-16 NYLON INSERT	
31	405-055D	PLANTER DRAG CHAIN MOUNT	Shown
31	405-057D	PLANTER DRAG CHAIN MNT NARROW	Used on 16 Deg. 10" Spacing
32	802-029C	HHCS 7/16-14X1 1/2 GR5	
33	891-186C	TWIST LINK DRAG CHAIN 16 PITCH	
34	803-229C	NUT HEX FLANGE LOC 7/16-14 PLT	
35	199-146A	25P LONG PW MOUNT KIT	
35	199-147A	25P MID PW MOUNT KIT	
36	199-148H	25P LONG PW MOUNT UPDATE	
36	199-149H	25P MID PW MOUNT UPDATE	
37	802-030C	RHSNB 7/16-14X1 3/4 GR5	
38	803-229C	NUT HEX FLANGE LOC 7/16-14 PLT	
39	804-014C	WASHER LOCK 7/16 PLT	
40	804-041C	WASHER FLAT 7/16 SAE PLT	
41	805-067C	PIN COTTER 1/8 X 3/4	

Press Wheel Assembly with Spider Wheels (S/N B1022E-) (S/N B1047F-)

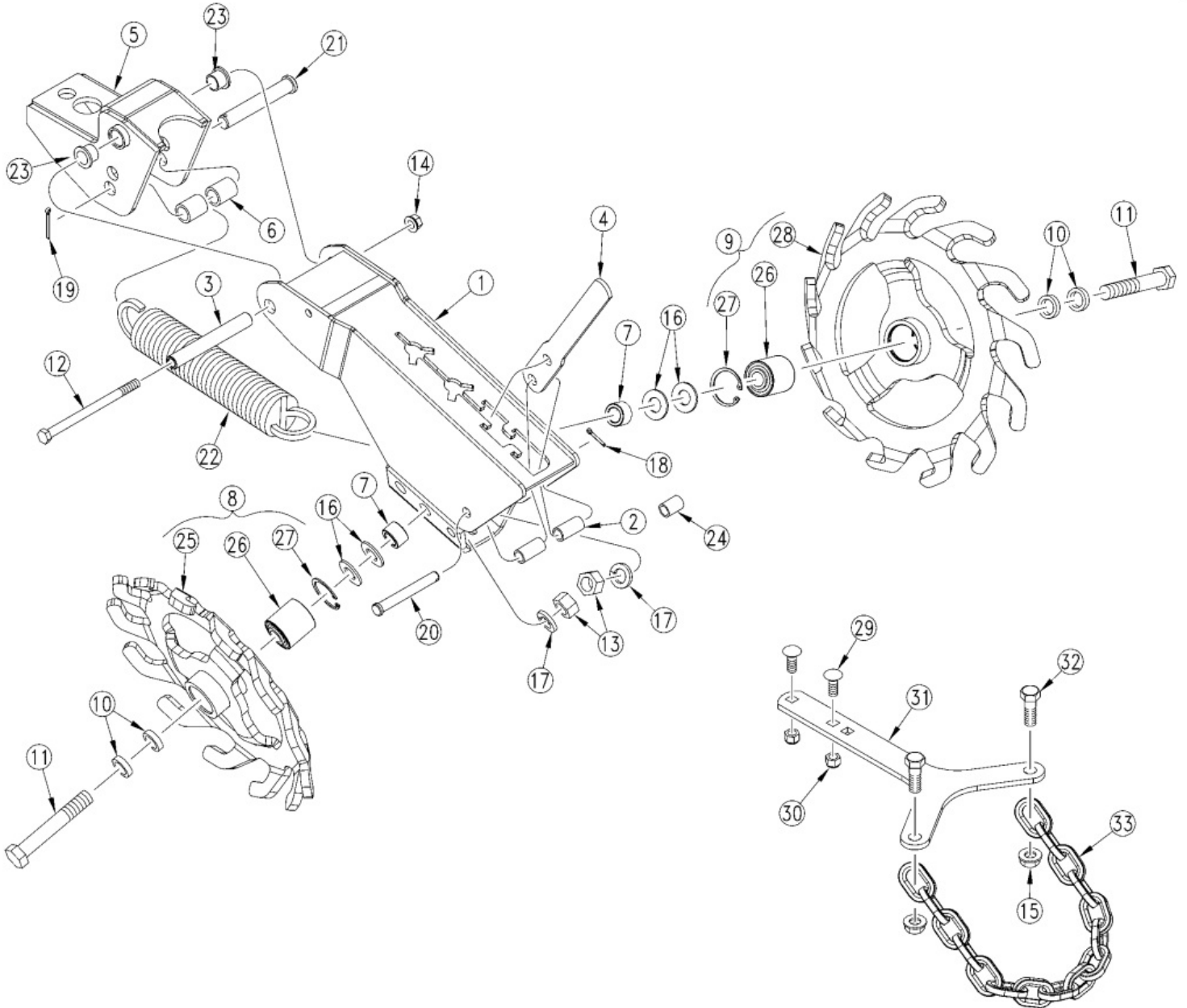
This Page Intentionally Left Blank

Press Wheel Assembly with Spider Wheels (S/N B1022E-) (S/N B1047F-)

Ref.	Part No.	Part Description	Comments
42	805-417C	PIN CLEVIS 5/8 X 3 49/64 USBL	
43	890-524C	20 SER PW ARM PIVOT SPACER TB	
44	890-598C	BUSHING 3/4OD X 5/8ID X 1/2 LG	

Press Wheel Assembly with Spider Wheels (S/N B1023E to B1080E) (S/N B1048F to B1130F)

Applies to Models: YP1225A, YP1625A



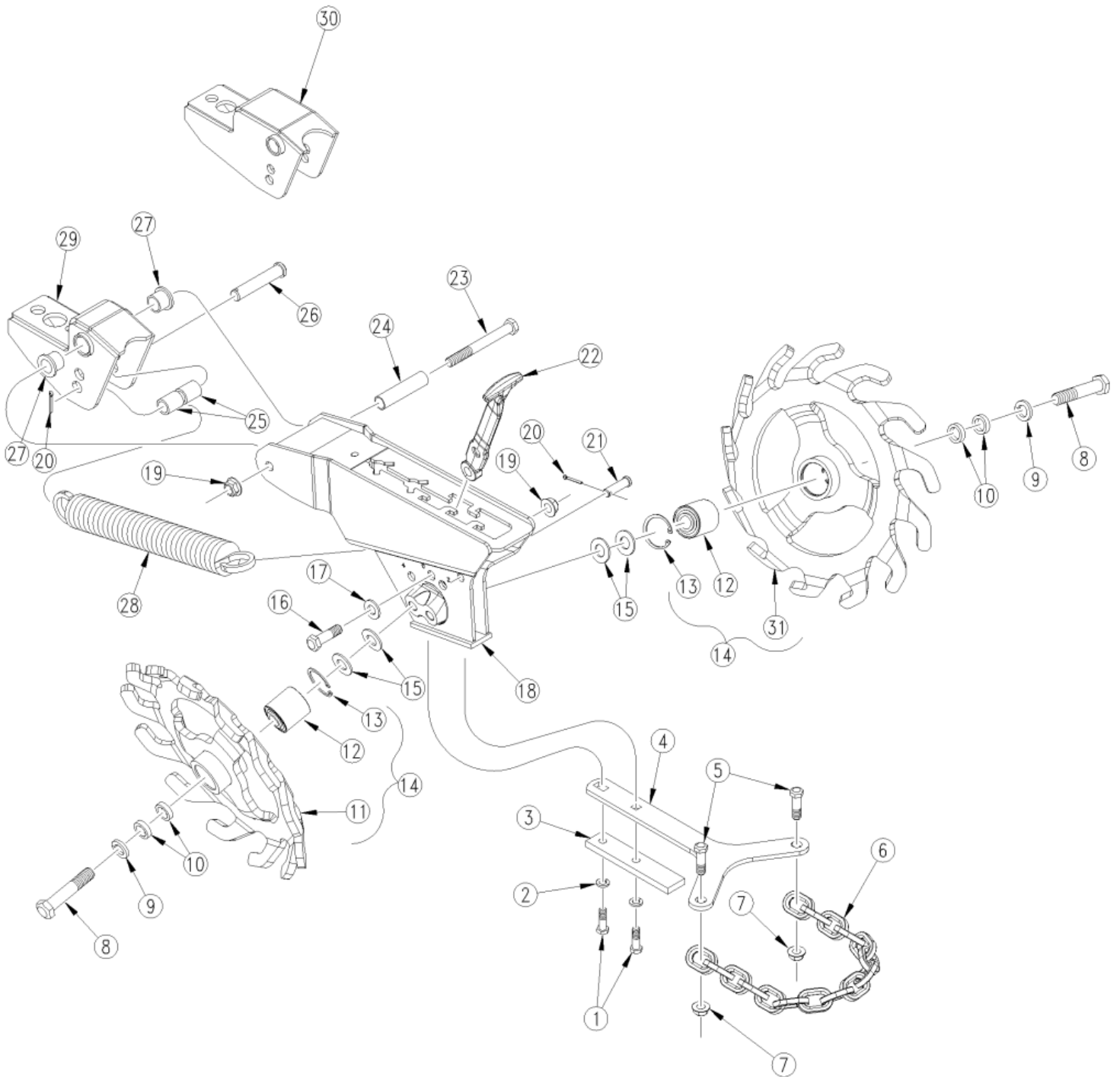
Press Wheel Assembly with Spider Wheels (S/N B1023E to B1080E) (S/N B1048F to B1130F)

Applies to Models: YP1225A, YP1625A

Ref.	Part No.	Part Description	Comments
	DWG31520	Image No.	
1	199-145H	25P 20 DEG CENTERED PW MOUNT	Shown. Used with 20 Deg Press Wheels
1	199-144H	25P 16 DEG CENTERED PW MOUNT	Used with 16 Deg Press Wheels
1	199-143H	25P LH OFFSET PW MOUNT	LH
1	199-142H	25P RH OFFSET PW MOUNT	RH
2	199-088D	25P PW HANDLE SPACER TUBE	
3	199-114D	PRESS WHEEL PVT MNT TUBE	
4	199-107D	PW SPRING HANDLE	
5	199-141H	25P MID PW MOUNT	Shown
5	199-140H	LONG PQ MOUNT	
6	199-113D	SPRING ALIGNMENT BUSHING	
7	404-147D	PARALLEL ARM PIVOT TUBE	Only used with 20 Deg Press Wheels
8	405-023S	LH 45 DEG TOOTH WHEEL ASM	Includes items 25-27
9	405-024S	RH 45 DEG TOOTH WHEEL ASM	Includes items 26-28
10	405-031D	1/4 PW SPACER 5/8 DIA	
11	802-060C	HHCS 5/8-11X4 GR5	Only used with 20 Deg Press Wheels
11	802-162C	HHCS 5/8-11X3 1/2 GR5	
12	802-413C	HHCS 1/2-13X4 1/2 GR5	
13	803-021C	NUT HEX 5/8-11 PLT	
14	803-169C	NUT HEX FLG LOCK 1/2-13 PLT	
15	803-229C	NUT HEX FLANGE LOC 7/16-14 PLT	
16	804-021C	WASHER FLAT 5/8 SAE PLT	Not used with 20 Deg Press Wheels
17	804-022C	WASHER LOCK SPRING 5/8 PLT	
18	805-067C	PIN COTTER 1/8 X 3/4	
19	805-109C	PIN COTTER 1/8 X 1 1/4 PLT	
20	805-183C	PIN CLVS .44X3.27 USBL	
21	805-432C	PIN CLEVIS 5/8 X 3 1/4	
22	807-278C	SPRING 1 5/8 OD X 8.2	
23	817-084C	PARALLEL ARM PIVOT BUSHING	
24	199-015D	PW HANDLE SPACER TUBE	Used on LH or RH press wheel mount
25	405-021H	LH 45 DEG TOOTH CLOSING WHEEL	
26	822-170C	BRG .63ID PRESS WHL ASY	
27	800-054C	SNAP RING INT 40 MM	
28	405-022H	RH 45 DEG TOOTH CLOSING WHEEL	
29	802-015C	RHSNB 3/8-16X1 GR5	
30	803-078C	NUT LOCK 3/8-16 NYLON INSERT	
31	405-055D	PLANTER DRAG CHAIN MOUNT	Shown
31	405-057D	PLANTER DRAG CHAIN MNT NARROW	Used on 16 Deg. 10" Spacing
32	802-029C	HHCS 7/16-14X1 1/2 GR5	
33	891-186C	TWIST LINK DRAG CHAIN 16 PITCH	

Press Wheel Assembly with Spider Wheels (S/N B1081E+) (S/N B1131F+)

Applies to Models: YP1225A, YP1625A



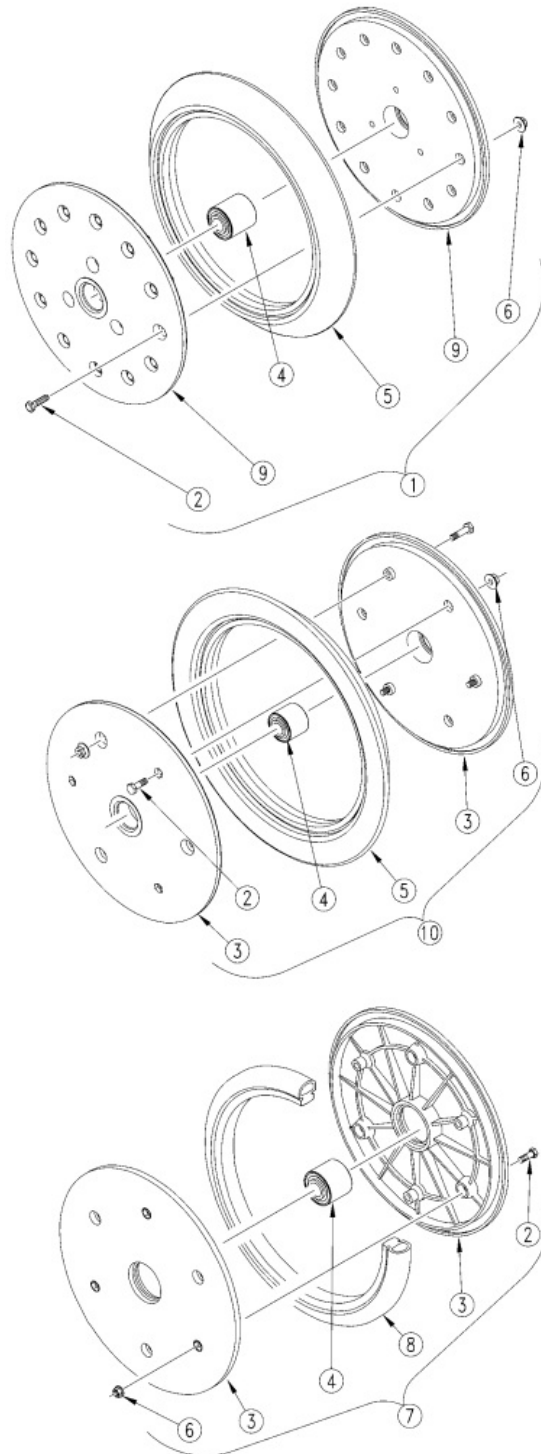
Press Wheel Assembly with Spider Wheels (S/N B1081E+) (S/N B1131F+)

Applies to Models: YP1225A, YP1625A

Ref.	Part No.	Part Description	Comments
	DWG34484	Image No.	
1	802-079C	HHCS 3/8-16X1 1/4 GR5	
2	804-013C	WASHER LOCK SPRING 3/8 PLT	
3	405-063D	DRAG CHAIN BACKUP PLATE	
4	405-055D	PLANTER DRAG CHAIN MOUNT	
5	802-029C	HHCS 7/16-14X1 1/2 GR5	
6	891-186C	TWIST LINK DRAG CHAIN 16 PITCH	
7	803-229C	NUT HEX FLANGE LOC 7/16-14 PLT	
8	802-160C	HHCS 5/8-11X3 1/4 GR5	
9	804-022C	WASHER LOCK SPRING 5/8 PLT	
10	405-031D	1/4 PW SPACER 5/8 DIA	
11	405-021H	LH 45 DEG TOOTH CLOSING WHEEL	
12	822-170C	BRG .63ID PRESS WHL ASY	
13	800-054C	SNAP RING INT 40 MM	
14	405-023S	LH 45 DEG TOOTH WHEEL ASM	Left Hand, Includes items: 11-13
14	405-024S	RH 45 DEG TOOTH WHEEL ASM	Right Hand, Includes items: 12, 13 & 31
15	804-021C	WASHER FLAT 5/8 SAE PLT	
16	802-082C	HHCS 1/2-13X1 3/4 GR5	
17	804-094C	WASHER FLAT 1/2 HARD ASTM436	
18	199-153H	25 SER 12 DEG STAG PW ARM WLD	
19	803-169C	NUT HEX FLG LOCK 1/2-13 PLT	
20	805-363C	PIN COTTER 1/8 X 1	
21	805-436C	PIN CLEVIS 7/16 X 1 1/2	
22	812-398C	PRESS WHEEL SPRING ADJ HANDLE	
23	802-413C	HHCS 1/2-13X4 1/2 GR5	
24	199-114D	PRESS WHEEL PVT MNT TUBE	
25	199-113D	SPRING ALIGNMENT BUSHING	
26	805-432C	PIN CLEVIS 5/8 X 3 1/4	
27	817-084C	PARALLEL ARM PIVOT BUSHING	
28	807-278C	SPRING 1.8 OC X 11 LG	
29	199-141H	25P MID PW MOUNT	
30	199-140H	LONG PW MOUNT	
31	405-022H	RH 45 DEG TOOTH CLOSING WHEEL	

Press Wheel Breakdown

Applies to Models: YP1225A, YP1625A



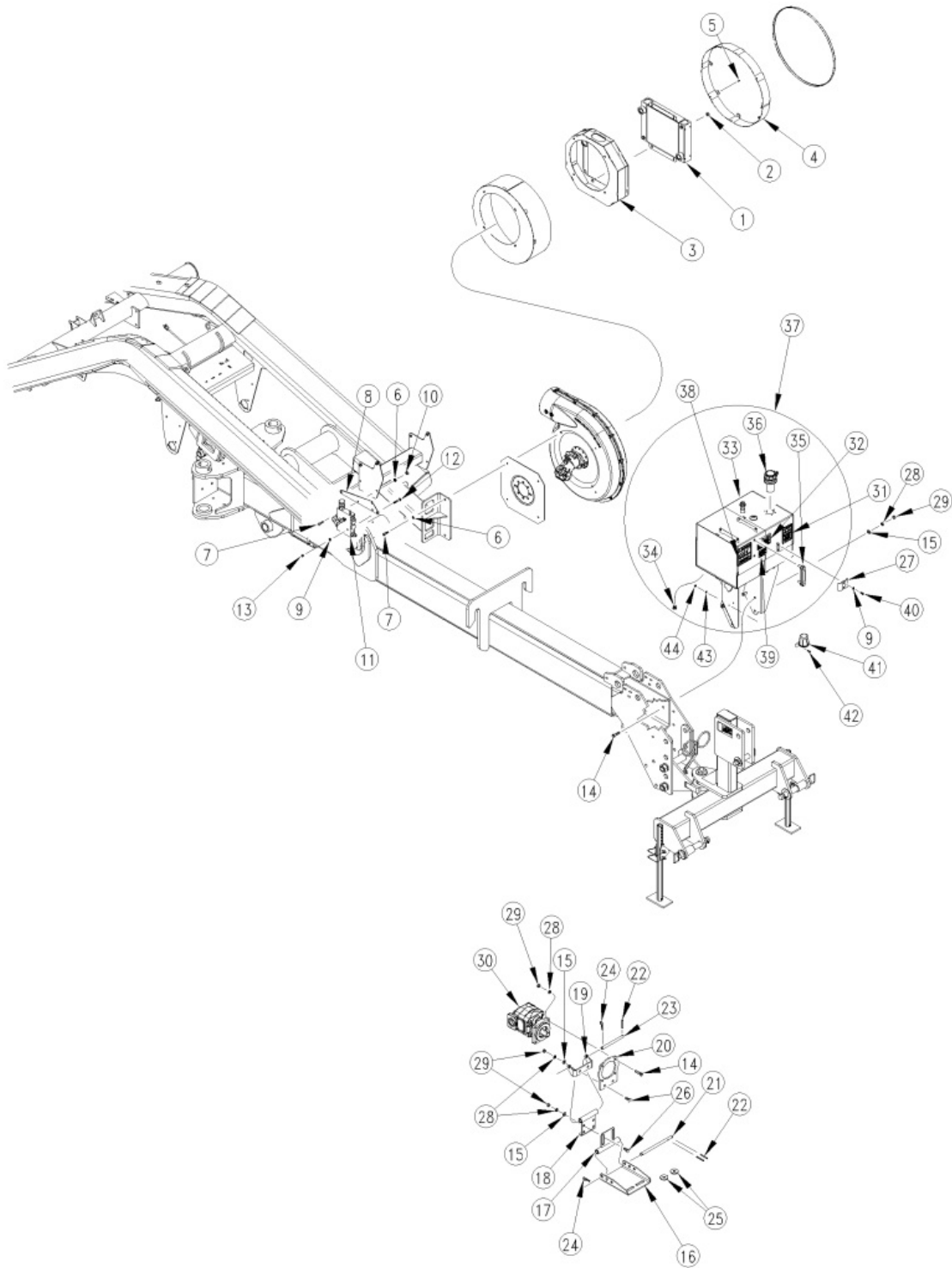
Press Wheel Breakdown

Applies to Models: YP1225A, YP1625A

Ref.	Part No.	Part Description	Comments
	DWG34570	Image No.	
1	814-400C	1.25 X 13.5 WEDGE HD PW ASSY	
2	802-005C	HHCS 1/4-20X1 GR5	
3	817-330C	1 X 12 PRESS WHEEL RIM HALF	
4	822-170C	BRG .63ID PRESS WHL ASY	
5	814-244C	1.25 X 13.5 PRESS WHEEL TIRE	
6	803-088C	NUT HEX LOCK 1/4-20 FLG	
7	814-174C	1 X 12 PRESS WHL ASSY-5203BRG	
8	814-034C	TIRE RUBBER 1 X 12	
9	817-886C	1 X 12 HD PRESS WHEEL RIM HALF	
10	814-238C	RPBY 814-400C	(S/N-)

Ground Drive PTO Component Mounting

Applies to Models: YP1225A, YP1625A



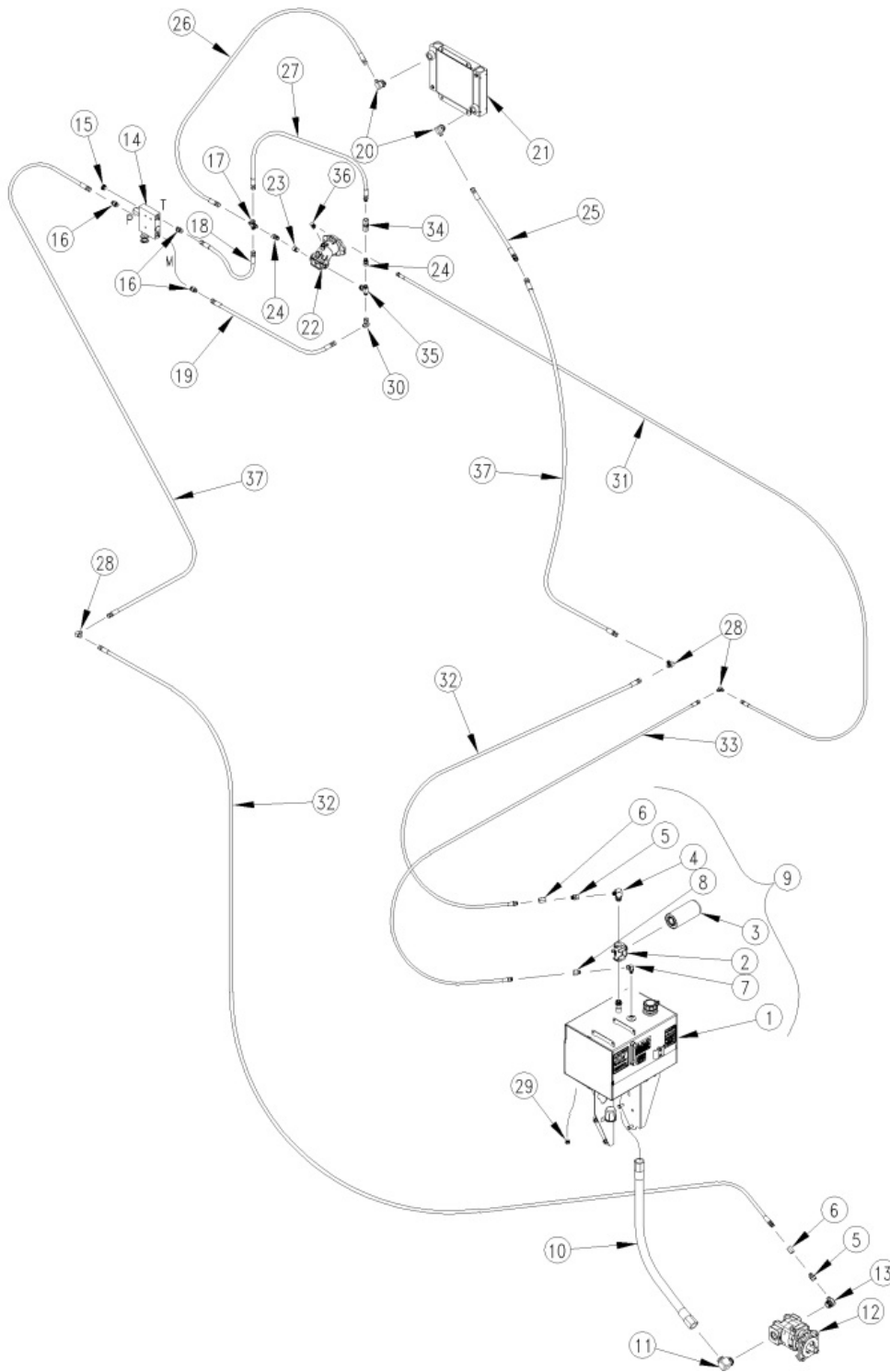
Ground Drive PTO Component Mounting

Applies to Models: YP1225A, YP1625A

Ref.	Part No.	Part Description	Comments
	DWG68122	Image No.	
1	810-894C	C18 HYD OIL COOLER	
2	803-043C	NUT HEX WHIZ 5/16-18 PLT	
3	401-958H	8IN FAN HYD OIL COOLER	
4	421-615D	CRARY 8IN FAN SCREEN EXT	
5	802-800C	HWH #12-14X3/4	
6	804-013C	WASHER LOCK SPRING 3/8 PLT	
7	802-017C	HHCS 3/8-16X1 GR5	
8	421-161D	CONTROL VALVE MNT PLT	
9	804-009C	WASHER LOCK SPRING 5/16 PLT	
10	803-014C	NUT HEX 3/8-16 PLT	
11	810-899C	PRES COMP FLOW CNTRL	
12	802-251C	RHSNB 5/16-18X2 1/4 GR5	
13	803-008C	NUT HEX 5/16-18 PLT	
14	802-128C	HHCS 1/2-13X2 GR5	
15	804-016C	WASHER FLAT 1/2 SAE PLT	
16	421-922D	TRACTOR STRAP MNT PLT	
17	411-333H	BOTTOM BRACKET	
18	411-334H	PTO PUMP MNT TOP ADJUSTMENT	
19	421-929D	PUMP OFFSET PLATE	
20	421-921D	PUMP MNT BASE PLATE	
21	421-923D	PIN 5/8X8 1/2USEABLE HEADLESS	
22	805-117C	PIN ROLL 1/4 X 2 1/2 PLT	
23	421-928D	PIN 5/8X7 USEABLE	
24	805-146C	PIN ROLL 1/4 X 2 LG PL	
25	163-096D	WASHER 5/8ID X 2OD X .25THK	
26	802-106C	RHSNB 1/2-13X1 1/2 GR5	
27	502-068D	HYD HOSE CLAMP BRACKET	
28	804-015C	WASHER LOCK SPRING 1/2 PLT	
29	803-020C	NUT HEX 1/2-13 PLT	
30	810-893C	HYD PUMP PARKER 350C 4.46 CIR	
31	858-030C	DECAL DANGER PTO SHFT MNT PUMP	
32	858-029C	DECAL 13.5GAL OIL FILL LINE	
33	401-961H	YP12,16,44 HYD RES TANK WLDMNT	
34	811-857C	PL 3/4MORB	
35	891-315C	5IN HYD SIGHT LEVEL GAUGE	
36	891-316C	HYD FILL CAP WITH SCREEN	
37	401-965S	YP12,16,44 HYD RES BASE ASSY	
38	858-004C	DECAL HOT FLUID PTO RES	
39	818-240C	DECAL CAUTION 1000 RPM	
40	802-007C	HHCS 5/16-18X3/4 GR5	
41	833-492C	7-PIN CONNECTOR HOLDER	
42	802-004C	HHCS 1/4-20X3/4 GR5	
43	804-006C	WASHER LOCK SPRING 1/4 PLT	
44	803-006C	NUT HEX 1/4-20 PLT	

Ground Drive PTO Hose Routing

Applies to Models: YP1225A, YP1625A



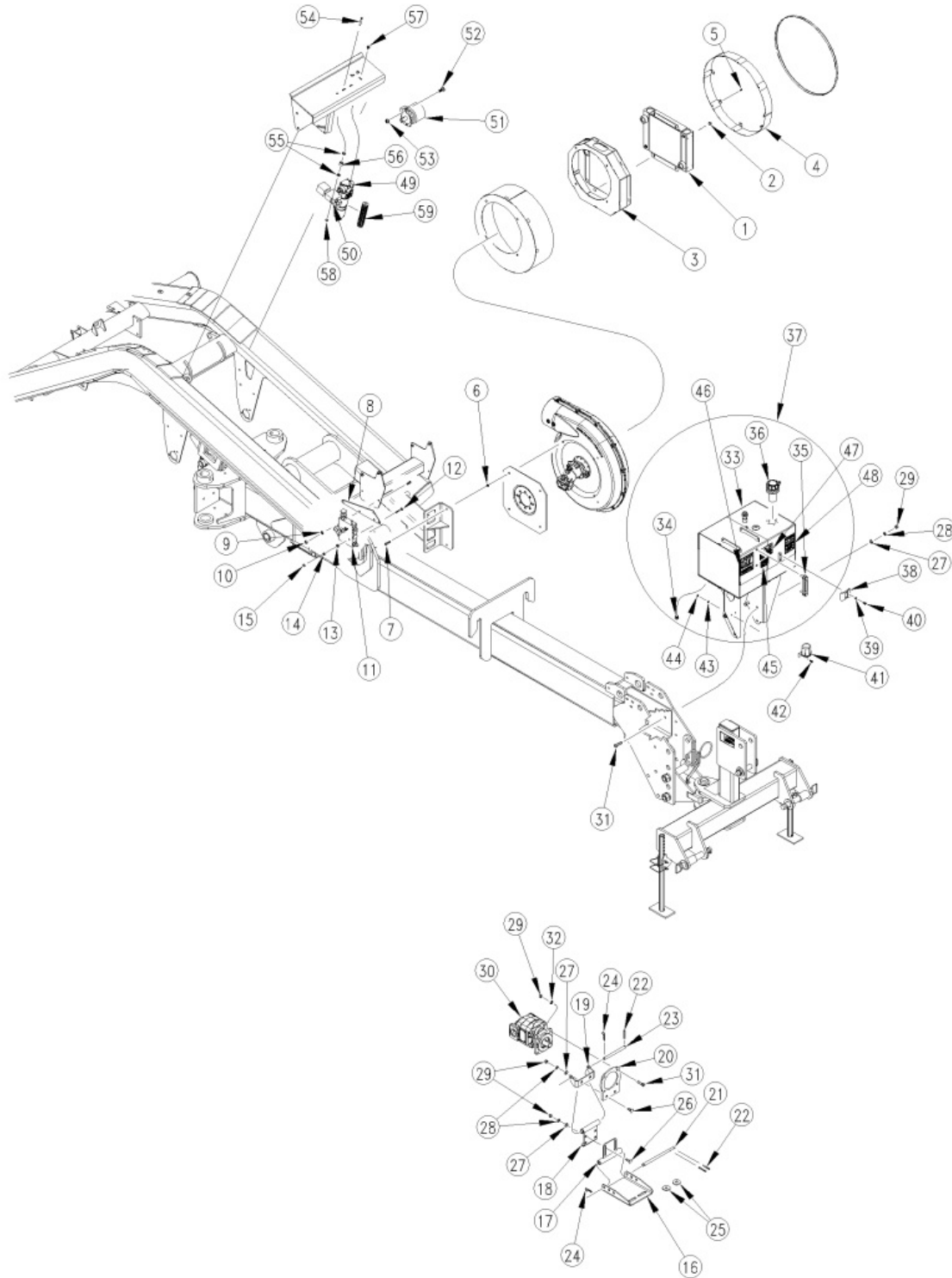
Ground Drive PTO Hose Routing

Applies to Models: YP1225A, YP1625A

Ref.	Part No.	Part Description	Comments
	DWG68121	Image No.	
1	401-965S	YP12,16,44 HYD RES BASE ASSY	
2	891-109C	FILTER HEAD	
3	891-385C	FILTER SPIN ON 10 MICRON	
4	841-916C	EL 1 1/16MORB 7/8MJIC	
5	841-919C	AD 7/8FJIC 3/4MORB	
6	811-488C	AD 3/4FORB 3/4FORB	
7	841-077C	EL 3/4FJIC 3/4MORB	
8	811-348C	AD 3/4MJIC 3/4FORB	
9	401-971L	YP12,16,44 HYD RES ASSY	Includes 1 - 8. Refer to "PTO Component Mounting" for additional parts.
10	841-920C	HH1 1/4R4 070 1 5/8FJIC	
11	841-974C	EL 1 5/8MORB 1 5/8MJIC	
12	810-893C	HYD PUMP PARKER 350C 4.46 CIR	
13	841-975C	EL 1 5/16MORB 7/8MJIC	
14	810-899C	PRES COMP FLOW CNTRL	
15	841-959C	PL 7/8MORB HOLLOW HEX	
16	811-192C	AD 3/4MJIC 7/8MORB	
17	811-147C	CR 3/4MJIC	
18	841-196C	HH1/2R2 024 3/4FJIC	
19	841-517C	HH1/2R2 054 3/4FJIC	
20	841-973C	EL 1 5/16MORB 3/4MJIC	
21	810-894C	C18 HYD OIL COOLER	
22	851-639C	HYD MTR HYDROLEDUC MA18 1.1CIR	
23	811-564C	AD 3/4FORB 7/8MORB	
24	811-324C	AD 3/4MORB 3/4FJIC	
25	841-506C	HH1/2R2 030 3/4MJIC 3/4FJIC	
26	811-279C	HH1/2R2 060 3/4FJIC	
27	811-782C	HH1/2R1 024 3/4FJIC 3/4MORB	
28	811-725C	EL 90 3/4MJIC	
29	811-857C	PL 3/4MORB	
30	811-040C	EL 45 3/4MJIC 3/4FJIC	
31	811-972C	HH3/8R2 259 3/4FJIC	16 Row only.
31	811-883C	HH3/8R2 240 3/4FJIC	12 Row only.
32	841-165C	HH1/2R2 326 3/4MORB	16 Row only.
32	841-882C	HH1/2R2 296 3/4FJIC 3/4MORB	12 Row only.
33	851-378C	HH3/8R2 328 3/4FJIC 3/4MORB	16 Row only.
33	851-380C	HH3/8R2 296 3/4FJIC 3/4MORB	12 Row only.
34	810-037C	VALVE LINE CHECK	
35	851-645C	TE 3/4MJIC 7/8MORB 3/4MJIC	
36	811-065C	EL 9/16MJIC 9/16MORB	
37	811-955C	HH1/2R2 260 3/4FJIC	16 Row only.
37	811-265C	HH1/2R2 252 3/4FJIC	12 Row only.

Hydraulic Drive PTO Component Mounting

Applies to Models: YP1225A, YP1625A



Hydraulic Drive PTO Component Mounting

Applies to Models: YP1225A, YP1625A

Ref.	Part No.	Part Description	Comments
	DWG68115	Image No.	
1	810-894C	C18 HYD OIL COOLER	
2	803-043C	NUT HEX WHIZ 5/16-18 PLT	
3	401-958H	8IN FAN HYD OIL COOLER	
4	421-615D	CRARY 8IN FAN SCREEN EXT	
5	802-800C	HWH #12-14X3/4	
6	804-013C	WASHER LOCK SPRING 3/8 PLT	
7	802-022C	HHCS 3/8-16X1 1/2 GR5	
8	421-161D	CONTROL VALVE MNT PLT	
9	804-013C	WASHER LOCK SPRING 3/8 PLT	
10	803-014C	NUT HEX 3/8-16 PLT	
11	810-898C	PRESS COMP FLOW CNTRL SHTLE	
12	802-251C	RHSNB 5/16-18X2 1/4 GR5	
13	804-036C	WASHER FLAT 5/16 SAE PLT	
14	804-009C	WASHER LOCK SPRING 5/16 PLT	
15	803-008C	NUT HEX 5/16-18 PLT	
16	421-922D	TRACTOR STRAP MNT PLT	
17	411-333H	BOTTOM BRACKET	
18	411-334H	PTO PUMP MNT TOP ADJUSTMENT	
19	421-929D	PUMP OFFSET PLATE	
20	421-921D	PUMP MNT BASE PLATE	
21	421-923D	PIN 5/8X8 1/2USEABLE HEADLESS	
22	805-117C	PIN ROLL 1/4 X 2 1/2 PLT	
23	421-928D	PIN 5/8X7 USEABLE	
24	805-143C	PIN HAIR COTTER .120 PLT	
25	163-096D	WASHER 5/8ID X 2OD X .25THK	
26	802-106C	RHSNB 1/2-13X1 1/2 GR5	
27	804-016C	WASHER FLAT 1/2 SAE PLT	
28	804-015C	WASHER LOCK SPRING 1/2 PLT	
29	803-020C	NUT HEX 1/2-13 PLT	
30	810-895C	HYD PUMP PARKER 365C 5.40CIR	
31	802-128C	HHCS 1/2-13X2 GR5	
32	804-015C	WASHER LOCK SPRING 1/2 PLT	
33	401-961H	YP12,16,44 HYD RES TANK WLDMNT	
34	811-857C	PL 3/4MORB	
35	891-315C	5IN HYD SIGHT LEVEL GAUGE	
36	891-316C	HYD FILL CAP WITH SCREEN	
37	401-965S	YP12,16,44 HYD RES BASE ASSY	Includes 33 - 36.
38	502-068D	HYD HOSE CLAMP BRACKET	
39	804-009C	WASHER LOCK SPRING 5/16 PLT	
40	802-007C	HHCS 5/16-18X3/4 GR5	
41	833-492C	7-PIN CONNECTOR HOLDER	
42	802-004C	HHCS 1/4-20X3/4 GR5	
43	804-006C	WASHER LOCK SPRING 1/4 PLT	
44	803-006C	NUT HEX 1/4-20 PLT	
45	818-240C	DECAL CAUTION 1000 RPM	
46	858-004C	DECAL HOT FLUID PTO RES	
47	858-029C	DECAL 13.5GAL OIL FILL LINE	
48	858-030C	DECAL DANGER PTO SHFT MNT PUMP	
49	850-066C	FILTER ASM 6000PSI 6MICRON	

Hydraulic Drive PTO Component Mounting

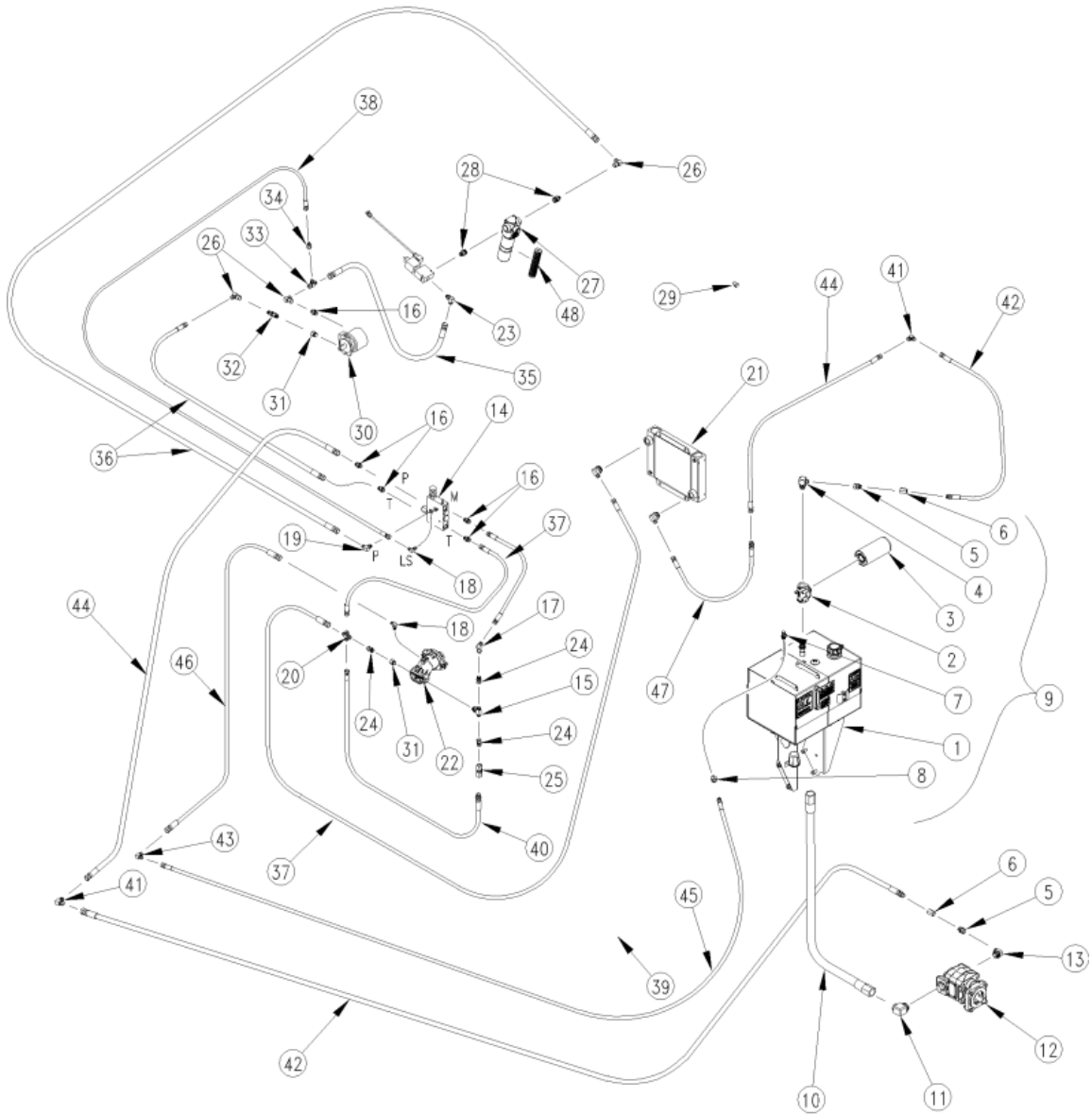
This Page Intentionally Left Blank

Hydraulic Drive PTO Component Mounting

Ref.	Part No.	Part Description	Comments
50	VER-19800	VERIS VLV BODY SAE-12-2X SAE-8	
51	810-603C	MOTOR 8.8 CU IN FC6 MNT KEYED	
52	802-034C	HHCS 1/2-13X1 1/4 GR5	
53	803-037C	NUT HEX WHIZ 1/2-13 PLT	
54	802-551C	HHCS 1/4-20X2 1/4 GR5	
55	804-015C	WASHER LOCK SPRING 1/2 PLT	
56	152-379D	1/4 SPACER TUBE	
57	VER-18548	VERIS BLT FLG SER8.8M8-1.25X16	
58	803-088C	NUT HEX LOCK 1/4-20 FLG	
59	850-507C	FILTER ELEMENT 6 MICRON	Please contact Great Plains Parts Department before ordering!

Hydraulic Drive PTO Hose Routing

Applies to Models: YP1225A, YP1625A



Hydraulic Drive PTO Hose Routing

Applies to Models: YP1225A, YP1625A

Ref.	Part No.	Part Description	Comments
	DWG68116	Image No.	
1	401-965S	YP12,16,44 HYD RES BASE ASSY	
2	891-109C	FILTER HEAD	
3	891-385C	FILTER SPIN ON 10 MICRON	
4	841-916C	EL 1 1/16MORB 7/8MJIC	
5	841-919C	AD 7/8FJIC 3/4MORB	
6	811-488C	AD 3/4FORB 3/4FORB	
7	841-077C	EL 3/4FJIC 3/4MORB	
8	811-348C	AD 3/4MJIC 3/4FORB	
9	401-971L	YP12,16,44 HYD RES ASSY	Includes 1 - 8. Refer to "PTO Component Mounting" for additional parts.
10	841-920C	HH1 1/4R4 070 1 5/8FJIC	
11	841-974C	EL 1 5/8MORB 1 5/8MJIC	
12	810-895C	HYD PUMP PARKER 365C 5.40CIR	
13	841-975C	EL 1 5/16MORB 7/8MJIC	
14	810-898C	PRESS COMP FLOW CNTRL SHTLE	
15	851-645C	TE 3/4MJIC 7/8MORB 3/4MJIC	
16	811-192C	AD 3/4MJIC 7/8MORB	
17	811-040C	EL 45 3/4MJIC 3/4FJIC	
18	811-065C	EL 9/16MJIC 9/16MORB	
19	811-216C	EL 3/4MJIC 9/16MORB	
20	811-147C	CR 3/4MJIC	
21	810-894C	C18 HYD OIL COOLER	
22	851-639C	HYD MTR HYDROLEDUC MA18 1.1CIR	
23	811-063C	EL 3/4MJIC 3/4MORB	
24	811-324C	AD 3/4MORB 3/4FJIC	
25	810-037C	VALVE LINE CHECK	
26	811-150C	EL 3/4FJIC 3/4MJIC	
27	850-066C	FILTER ASM 6000PSI 6MICRON	
28	811-205C	AD 3/4MJIC 1 1/16MORB	
29	811-341C	PL 3/4MJIC	
30	810-603C	MOTOR 8.8 CU IN FC6 MNT KEYED	
31	811-564C	AD 3/4FORB 7/8MORB	
32	810-696C	VALVE INLINE CHECK W/ ORIFICE	
33	811-073C	TE 3/4MJIC 3/4MJIC 3/4FJIC	
34	811-146C	AD 3/4FJIC 9/16MJIC	
35	811-331C	HH1/2R2 020 3/4FJIC	
36	841-249C	HH1/2R2 108 3/4FJIC	
37	811-268C	HH1/2R2 048 3/4FJIC	
38	841-397C	HH1/4R2 115 9/16FJIC	
39	811-279C	HH1/2R2 060 3/4FJIC	
40	811-782C	HH1/2R1 024 3/4FJIC 3/4MORB	
41	811-725C	EL 90 3/4MJIC	
42	811-959C	HH1/2R2 312 3/4FJIC 3/4MORB	16 Row only.
42	841-072C	HH1/2R2 280 3/4FJIC 3/4MORB	12 Row only.
43	811-393C	EL 9/16MJIC	
44	811-955C	HH1/2R2 260 3/4FJIC	16 Row only.
44	811-265C	HH1/2R2 252 3/4FJIC	12 Row only.
45	841-095C	HH1/4R1 315 9/16FJIC 9/16MORB	16 Row only.
45	841-093C	HH1/4R1 280 9/16FJIC 9/16MORB	12 Row only.
46	841-094C	HH1/4R1 260 9/16FJIC	16 Row only.

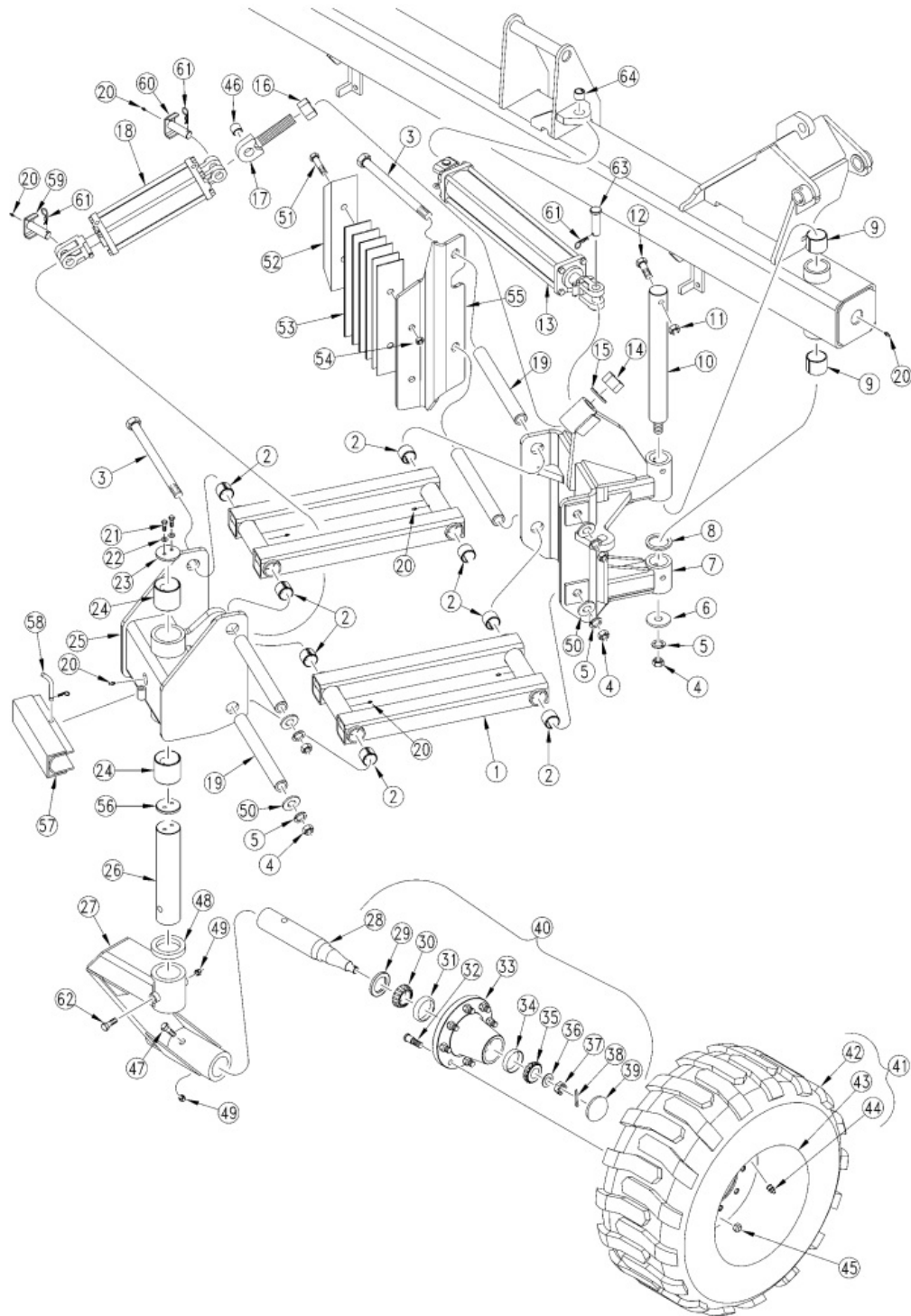
Hydraulic Drive PTO Hose Routing

This Page Intentionally Left Blank

Hydraulic Drive PTO Hose Routing

Ref.	Part No.	Part Description	Comments
46	841-092C	HH1/4R1 240 9/16FJIC	12 Row only.
47	841-506C	HH1/2R2 030 3/4MJIC 3/4FJIC	
48	850-507C	FILTER ELEMENT 6 MICRON	Please contact Great Plains Parts Department before ordering!

Applies to Models: YP1225A, YP1625A



Applies to Models: YP1225A, YP1625A

Ref.	Part No.	Part Description	Comments
	DWG22751	Image No.	
1	402-172H	16R PARALLEL ARM WLDMNT 2	
2	890-666C	BUSHING 1 7/8X1 5/8X1 1/2 SPLT	
3	802-728C	HHCS 1-8X18 GR5	
4	803-031C	NUT HEX 1-8 PLT	
5	804-027C	WASHER LOCK SPRING 1 PLT	
6	500-064D	WASHER - SAFETY CHAIN SA	
7	402-171H	16R CASTER MOUNT SWIVEL 2	
8	161-056D	CASTER SPACER	
9	890-072C	BUSHING 2 1/2 X 2 1/4 X 2 LG.	
10	402-303D	CASTER SWIVEL PIVOT PIN	
11	803-024C	NUT LOCK 5/8-11 PLT	
12	802-060C	HHCS 5/8-11X4 GR5	
13	810-543C	CYL REP 4.0X27.75X1.75ROD (EXT)	(Rephases when extended) Refer to "Hydraulic Cylinder (810-543C 4x27.75x1.75 Rod EXT)" for breakdown
14	803-063C	NUT HEX JAM 1 1/2-6 PLT	
15	804-197C	WASHER LOCK 1 1/2 PLT	
16	803-073C	NUT HEX 1 1/2-6 PLT	
17	196-293H	EYEBOLT WELDMENT	
18	810-545C	CYL REP 4.75X10X1.5ROD (TIE)	(S/N A1173K-)(S/N A1294B-) Refer to "Hydraulic Cylinder (810-545C 4.75x10x1.5 Rod)" for breakdown
18	810-697C	CYL REP 4.50X10.37X1.5 ROD TIE	(S/N A1174K+)(S/N A1295B+) Refer to "Hydraulic Cylinder (810-697C 4.5x10.37x1.5 Rod)" for breakdown
19	196-654D	40P CASTER INNER PIVOT TUBE	
20	800-001C	GREASE ZERK STRAIGHT 1/4-28	
21	802-034C	HHCS 1/2-13X1 1/4 GR5	
22	804-015C	WASHER LOCK SPRING 1/2 PLT	
23	161-231D	NTA CASTER RETAINER CAP	
24	890-193C	STEEL BUSHING 3 1/4X3IDX3LONG	
25	402-169H	16R CASTER LOWER SWIVEL WLD 2	
26	402-302D	BULK SEED CASTER VERT SHAFT	
27	402-158H	16R CASTER LOWER WLDMT	
28	815-099C	SPINDLE SGL 2.73X15.97	
29	816-019C	SEAL OIL CR25091	
30	822-036C	BRG CONE 2.00IDX1.18WD #3780	
31	822-037C	BRG CUP 3.67ODX.93WD #3720	
32	802-182C	HUB STUD 5/8-18X2 1/2 GR5	
33	200-006D	8-BOLT WHEEL HUB MACH.	
34	822-039C	BRG CUP 3.00ODX.75WD #2720	
35	822-038C	BRG CONE 1.31IDX1.01WD #2790	
36	181-064D	7/8 SPINDLE WASHER, HARDENED	
37	803-029C	NUT HEX SLOTTED 7/8-14 PLT	
38	805-016C	PIN COTTER 3/16 X 1 1/4 PLT	
39	P502001	GREASE CAP	
40	815-103C	HUB & SPINDLE ASY 8 BOLT 5790#	Includes items: 28-39, & 45
41	196-273K	LH TIRE/RIM 395/55B16.5 SKID 8	(YP1225A S/N B1023E-)(YP1625A S/N B1243F-) Includes items: 42-44; Used on both wings (Tread runs reversed)
41	196-540K	LH TIRE/RIM395/55B16.5SKID8 BK	(YP1225A S/N B1024E+)(YP1625A S/N B1244F+)
42	814-206C	TIRE SKID ST 395/55B16.5 NHS	
43	814-208C	RIM 16.5X12, 8 BLT 6 PILT 8 BC	(YP1225A S/N B1023E-)(YP1625A S/N B1243F-)
43	814-549C	RIM16.5X12 8BLT 6PILT 8BC BKS N	(YP1225A S/N B1024E+)(YP1625A S/N B1244F+)
44	814-210C	VALVE STEM METAL TR-575 TUBLES	
45	803-219C	NUT LUG 5/8-18 X 90 DEG PLT	

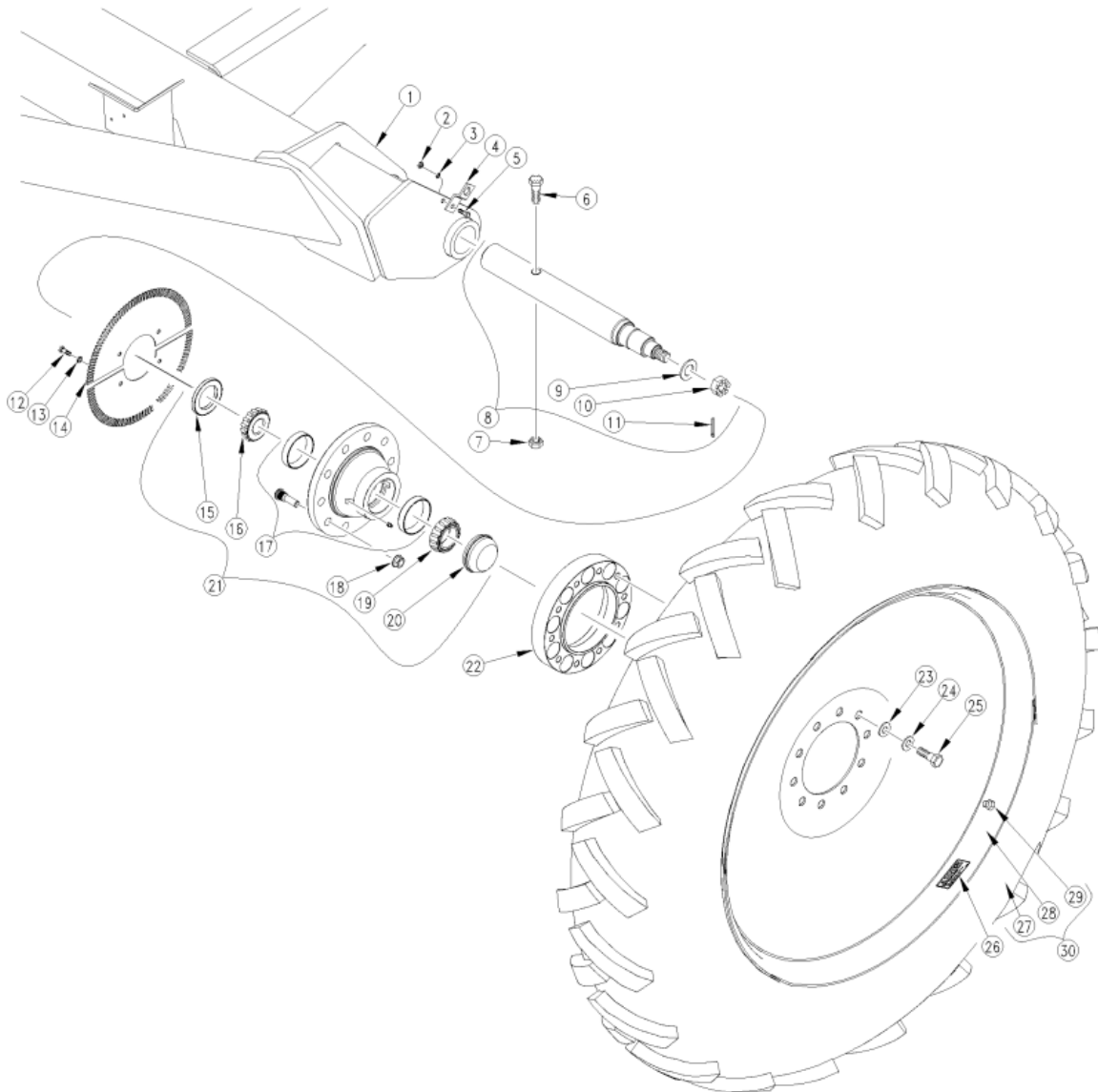
Gauge Wheels

Ref.	Part No.	Part Description	Comments
46	890-011C	BUSHING SPINDLE 1 1/2X1 1/4X1	

This Page Intentionally Left Blank

Ref.	Part No.	Part Description	Comments
47	802-069C	HHCS 3/4-10X5 GR5	
48	804-102C	PIVOT THRUST WASHER	
49	803-026C	NUT LOCK 3/4-10 PLT	
50	804-029C	WASHER FLAT 1 SAE	
51	802-059C	HHCS 5/8-11X3 GR5	
52	817-520C	TONGUE SPACER SKID BLOCK	
53	196-842D	SLIDER BLOCK ADJUST SHIM	
54	803-196C	NUT HEX FLANGE 5/8-11 PLT	
55	402-173H	YP LH TONGUE SWAY BLOCK	(SHOWN)
55	402-174H	YP RH TONGUE SWAY BLOCK	
56	401-686D	CASTER PIVOT PIN SHIM WASHER	
57	161-073H	CYLINDER LOCK CHANNEL-LONG	(S/N A1173B-)(S/N A1294B-)
57	161-118H	CYLINDER LCK CHNL 1 1/2X11 1/2	(S/N A1174K+)(S/N A1295B+)
58	805-001C	PIN 3/8 X 3 USABLE LW/PIN	Formerly 805-152C
59	196-409H	CYL PIN NR 1.25X3.09X2.63 W/GR	
60	196-392H	CYL PIN NR 1.25X3.63USBX3.13CH	
61	805-058C	PIN COTTER 3/16 X 2	
62	802-360C	HHCS 3/4-10X6 1/2 GR5	
63	805-159C	PIN CLEVIS 1 X 3 1/8 GR5 PLT	
64	890-005C	BUSHING CYL 1 1/4 X 1 X 1	

Applies to Models: YP1225A, YP1625A



Applies to Models: YP1225A, YP1625A

Ref.	Part No.	Part Description	Comments
	DWG21863	Image No.	
1	401-201H	16R 30/TR CADDY FRAME/AXLE	
2	803-021C	NUT HEX 5/8-11 PLT	
3	804-022C	WASHER LOCK SPRING 5/8 PLT	
4	401-538D	SPEED SENSOR MOUNT BRKT	
5	802-055C	HHCS 5/8-11X2 GR5 FTHD	
6	802-205C	HHCS 1-8X5 1/2 GR5	
7	803-316C	NUT HEX LOCK 1-8 PLT	
8	815-222C	16R SPINDLE 10 BOLT GKN X 24	Includes items 9-11. Spindle not sold separately.
9	804-035C	WASHER FLAT 1 1/4 USS PLT	
10	803-175C	NUT HEX SLOTTED 1 1/4-12 PLAIN	
11	805-060C	PIN COTTER 7/32 X 2	
12	802-240C	HHCS 1/2-20X1 GR5	
13	804-015C	WASHER LOCK SPRING 1/2 PLT	
14	401-497D	WHEELSENSOR TRIGGER PLATE	
15	GKN-P602128	GREASE SEAL GKN ARMSTRONG	
16	822-204C	BRG CONE 2.50ID #39585	
17	169B286-3004	HUB SUB ASSEMBLY	Assembly includes 5 parts.
18	803-183C	NUT HEX FLANGE 3/4-16 PLT	
19	822-047C	BRG CONE 1.75IDX1.15WD #460	
20	P502118	HUB CAP	
21	815-580C	HUB ASSY 10 BOLT 12000#	Includes items 15-20.
22	402-370D	10-BOLT WHL HUB 2 IN EXTENSION	Used with 36" only.
23	804-093C	WASHER FLAT 3/4 HARD ASTM436	Used with 36" only.
24	804-025C	WASHER FLAT 3/4 SAE PLT	Used with 36" only.
25	802-824C	HHCS 3/4-16X2 GR8 PLT	Used with 36" only.
26	858-792C	DECAL CAUTION TIRE 30 PSI/295	
27	814-060C	TITAN OR GOODYR 8* 14.9R46 R-1	Included in 402-155K, 402-157S.
27	814-301C	TIRE 480/80R42 R1 3 STAR	Included in 401-260K, 401-259K.
28	814-252C	WHEEL 12-46 X 10-BOLT	Included in 402-155K, 402-157S.
28	814-300C	WHEEL W16AX42 10BOLT	Included in 401-260K, 401-259K.
29	816-202C	VALVE STEM TR618AX.625X1.88LG	
30	402-155S	8 STAR 14.9R46 WHEEL ASSY	Shown. RH. Includes items 27-29.
30	402-157S	8 STAR 14.9R46 WHEEL ASSY	LH. Includes items 27-29.
30	401-260K	TIRE ASM 18.4R42 10 BOLT	RH. Includes items 27-29.
30	401-259K	TIRE ASM 18.4R42 10 BOLT	LH. Includes items 27-29.

Part Number Index

Part Number	Page	Part Number	Page	Part Number	Page
002-102ST	101, 249	115100-361	7	136-225D	21, 25, 35
084099	35	115200-003	7	136-226D	21
1001020	35	115200-102	7	136-245D	29
1042	191	115200-103	7	136-249D	47
1071001	35	115201-001	7	136-261D	51
107-111D	237	115201-003	7	136-263D	235
107-137V	239	115203-004	7	136-264D	235
1079	147	115203-005	7	136-265D	235
1084	147	115204-001	7	148-283H	181
1087-250	191	115204-002	7	148-387H	87
1087-437	191	115205-001	7	148-410D	9, 61
1088-011	191	115206-001	7	149-558D	21, 25
1088-210	147	115206-100	7	149-559D	21, 27
1088-905	191	115290-111	7, 13, 15, 17	1520120	37
1088-906	191	115300-001	7	1521901	37
1088-908	191	115627-01	63	152-379D	29, 295
1089-011	191	115628-01	63	161-056D	301
1089-210	147	115631-01	63	161-073H	97, 303
1092-6-6	191	115698-91	63	161-118H	303
1099	191	115700-001	7	161-231D	301
110011501	217	115700-002	7	163-096D	289, 293
110011508	217	115706-91	63	164-028D	97
110011650	215	115707-91	63	169B286-3004	305
11001-1652	215, 221	115788	63	1701027	35
11001387	217	116-001D	107	1701029	35
11001388	217	116301-001	11	172-201D	111
110040179	219, 221	116-353D	195	181-064D	301
113-005H	193	116-354D	195	183-006D	21, 25
113-010H	193	117-379D	109	188-001V	239
113-013H	193	1179	191	188-007V	229, 257, 259
113-014H	193	1180	191	194-070D	87
113-016H	193	1182	191	196-166H	109
113-017H	193	119-278D	111	196-247D	95
113-018H	195	120-306D	35	196-271H	21, 25
113-025S	193	120825	225	196-273K	301
113-031H	193	1211	191	196-293H	301
113-032H	193	1217	191	196-392H	303
1132-05	191	121-763S	47	196-409H	303
1132-08	191	1218	191	196-429D	165
113-369H	195	122-231A	251	196-430D	155, 157, 159, 161
113-480H	193	123-004D	47, 51, 57	196-540K	301
113-481H	193	1285	147	196-573D	97
113-683D	21, 25, 193	129BXT822	225	196-653D	95
113-794D	193	136-016D	53	196-654D	301
113-797D	111, 193	136-155D	47	196-842D	303
113-798D	193	136-178D	21, 25	196-876D	35
113-799D	193	136-217D	25	196-877D	37
113-811D	193	136-218D	21, 25		

Part Number	Page	Part Number	Page	Part Number	Page
197-001D	95	199-146A	275, 279	207-014S	259
198-202D	237, 247	199-147A	271, 279	207-015S	259
198-257D	235	199-148H	275, 279	207-033S	257
198-288D	237	199-149H	271, 279	207-034S	257
198-289D	237	199-151S	263	207-035K	229
198-290D	237	199-152H	263	207-036K	229
198-291D	237	199-153H	263, 267, 285	207-067D	241, 255
198-292D	235	1M7016	169	207-072D	245
198-293D	235	1M7021	171	207-080H	229
198-295D	235	1M7021-ADI	173, 179	207-094H	255
198-331D	239	1M7022-ADI	175, 177, 183	207-095H	255
198-332D	235	1M7028	181	207-099H	241
198-333D	235	200-006D	301	207-106D	245
198-334D	235	204-024D	229	207-107D	245
198-335D	235	204-025D	229	207-108D	245
199-015D	271, 273, 275, 277, 279, 283	204-034D	229	207-142V	241, 255
199-057H	275, 279	204-040D	229	207-143V	241, 255
199-058H	271, 279	204-072D	229	207-146H	231
199-059H	279	204-084S	233, 261	207-147H	229
199-087H	279	204-133H	267, 271, 273, 277	207-148H	241, 255
199-088D	269, 271, 273, 275, 277, 279, 283	204-134H	267, 275	207-214H	245
199-106D	271, 275, 279	204-139H	243, 261	213-005	87
199-107D	269, 271, 273, 275, 277, 279, 283	204-241D	199, 205, 211	2153	191
199-108H	237, 275, 279	204-324D	229	219-007	87
199-109H	239, 271, 279	204-325D	229	22946	67
199-113D	263, 267, 269, 271, 273, 275, 277, 279, 283, 285	204-328D	233	232-050	153
199-114D	263, 267, 269, 273, 277, 283, 285	204-329D	233	232-056	153
199-128D	263	204-329D	233	232-059	153
199-135D	263	204-338D	229	251-003	87
199-140H	237, 263, 267, 269, 277, 283, 285	204-339D	229	253-028	153
199-141H	239, 263, 267, 269, 273, 283, 285	204-449D	229	259-005	87
199-142H	277, 283	204-600H	231	270-078	153
199-143H	273, 283	204-601H	231	273-004	153
199-144H	269, 283	206-010D	251	288-374H	235, 247
199-145H	269, 283	206-011D	251	298-509H	5, 235
		206-012D	251	298-510H	235
		206-014S	251	298-513H	235
		207-002D	229	298-626H	235
		207-004D	229, 257, 259	298-826H	235
		207-004H	229	298-881S	239
		207-005D	229, 257, 259	298-882S	239
		207-008H	229	298-884H	235
		207-009D	231	298-885H	235
		207-009S	257, 259	2A0006	169
		207-010S	229	2A0012	169, 171, 177, 181
		207-011D	229	2A0014	167, 169
		207-011S	229	2A0016	171
				2A0018	167
				2A0019	177, 181

Part Number	Page	Part Number	Page	Part Number	Page
2A0024	169, 171	401-205H	95	401-634D	97
2A0025	173, 175, 177, 179, 181, 183	401-206H	95	401-634H	87
2A0130	167	401-207H	97	401-635D	97
2A0134	171, 173, 177, 179, 181	401-208H	97	401-686D	303
2A0202	167	401-209H	95, 109	401-697D	111
2A0218	177	401-210H	95	401-699D	35
2M1190	167	401-211H	95	401-719D	103
2M4532	169	401-251S	103	401-742D	111
2S5724	171	401-252H	111	401-743D	111
2S7579NC	175	401-253H	111	401-744D	111
2S7670NC	173	401-255H	111	401-747D	35
2S8516	177, 181	401-256H	111	401-753D	97
2S8614NC	183	401-258H	109	401-791H	95
2S8790NC	179	401-259K	305	401-792H	95
3089	191	401-260K	305	401-909M	215
318-508D	95	401-318H	95	401-958H	289, 293
319-058	87	401-319H	95	401-961H	289, 293
319-059	87	401-320H	95	401-965S	289, 291, 293, 297
319-549	87	401-321H	95	401-971L	291, 297
3M1108	167	401-322H	95	402-025S	33, 35
3R1510	169	401-477D	95	402-130D	25
3R3710	171	401-490D	35	402-155S	305
3R7040	173	401-491D	35	402-157S	305
3R7540	175	401-493D	109	402-158H	301
3R8512	177	401-494D	95	402-160H	21, 25
3R8712	179	401-495D	95	402-161H	21
3R9512	181	401-497D	305	402-169H	301
3R9640	183	401-498D	21, 97	402-171H	301
401-141H	109	401-521D	89, 91, 93	402-172H	301
401-159H	109	401-524D	109	402-173H	303
401-160H	109	401-525D	109	402-174H	303
401-165H	95	401-527D	109	402-190H	21
401-167H	95	401-528D	57, 103	402-198H	21
401-168H	95	401-533D	97	402-248H	25
401-170H	109	401-538D	305	402-249H	25
401-171H	109	401-540D	23	402-250H	25
401-172H	109	401-541D	23	402-251H	25
401-192H	95, 109	401-562D	23	402-260H	29
401-193H	109	401-563D	35	402-268H	25
401-194H	95, 109	401-584D	95	402-271S	27
401-195H	95	401-585D	95	402-272H	31
401-196H	95	401-591H	111	402-274H	31
401-198H	95	401-619H	111	402-278H	31
401-201H	95, 99, 305	401-631D	35	402-280H	31
401-202H	95	401-632D	35	402-300D	21, 25
401-204H	109	401-632H	87	402-301D	21
		401-633D	35	402-302D	301
		401-633H	87	402-303D	301

Part Number	Page	Part Number	Page	Part Number	Page
402-329K	33	403-234D	67, 83	403-527D	65
402-353D	21, 25	403-236H	71	403-527S	199, 205, 211
402-370D	305	403-237H	71	403-532D	115, 117, 119, 121
402-466D	25	403-239H	71	403-533D	127, 129, 131, 133
402-471D	25	403-241H	67, 83	403-549D	115, 117, 125
402-472D	25	403-248D	71	403-551D	199, 205, 211
402-473D	25	403-254D	103, 145	403-556H	213
402-474D	25	403-265D	111	403-558D	125, 129, 131
402-475D	25	403-272H	197, 203	403-559D	133
402-477D	25	403-278D	103	403-560D	115, 117, 119, 121, 127
402-478D	25	403-278H	197, 203	403-561D	125, 129, 131
402-507D	37	403-284S	197, 203, 209	403-562D	133
402-514D	25	403-296H	65	403-563D	115, 117, 119, 121, 123, 125, 127, 129, 131
402-523D	31	403-299H	65	403-571D	115, 117, 119, 121, 123, 125, 129, 131
402-524D	31	403-301S	237	403-573D	115, 117, 119, 121, 125, 129, 131
402-525D	31	403-303D	67	403-574D	127, 133
402-527D	31	403-306D	103	403-575D	115, 117, 119, 121, 125, 129, 131
402-529D	33	403-317D	71	403-576D	119, 123, 125, 129, 131, 133
402-530D	33	403-318D	71	403-578D	75, 115, 117, 119, 121, 123, 125, 127, 129, 131, 133
402-532D	31	403-319D	107	403-579D	73, 115, 117, 119, 121, 123, 125, 127, 131, 133
402-533D	31	403-332D	67, 83	403-586K	247
402-534D	31	403-345D	71	403-589D	73
402-535D	31	403-348S	81	403-590D	73
402-538D	31	403-349H	65	403-593D	59, 141
402-539D	31	403-350H	65	403-596A	201, 205
402-541D	31	403-352H	81	403-596D	143
402-591D	33	403-360H	81	403-597D	81
402-630D	33	403-361D	141	403-608V	197, 203
403-142H	83	403-361S	75, 115, 117, 119, 121, 123, 125, 127, 129, 131, 133		
403-159H	67, 83	403-370H	103		
403-165H	71	403-371H	103		
403-166H	71	403-379D	129		
403-167H	103, 145	403-396D	71		
403-168H	103, 145	403-402D	67, 71		
403-171H	103	403-403D	67, 83		
403-175H	111	403-407D	67, 83		
403-177D	71	403-408D	83		
403-178D	71	403-409D	67		
403-179H	67	403-413S	81		
403-180H	67	403-441D	197, 203		
403-186H	71	403-483D	197, 203, 209		
403-188H	67, 83	403-484D	197, 203, 209		
403-189H	71	403-509A	199, 205		
403-190H	107	403-526D	65		
403-191H	107				
403-192H	107				
403-202H	107				
403-214D	83				
403-228H	85				

Part Number	Page	Part Number	Page	Part Number	Page
403-609D	115, 117, 119, 121, 123, 125, 127, 129, 131, 133	404-078D	237	405-052D	265
403-614D	197, 203	404-079D	237	405-053D	265
403-616D	127	404-088H	251	405-054D	265
403-617D	65	404-119D	237	405-055D	279, 283, 285
403-623D	75	404-121S	237	405-057D	279, 283
403-625H	105	404-144D	251	405-063D	285
403-627H	105	404-147D	269, 279, 283	407-116D	61
403-641A	201	404-152D	239	407-118H	61
403-642M	201	404-153D	237	407-121H	61
403-645A	201	404-155D	237	407-134D	57
403-660D	75	404-171D	237	407-137D	57
403-664D	123	404-174D	237	407-140D	57, 141
403-667D	235, 247	404-192D	249	407-143H	47
403-668H	71	404-194D	227	407-168D	47
403-715A	247	404-195D	227	407-169D	47
403-724D	249	404-196D	227	407-170D	47
403-725D	249	404-198D	237	407-171D	59
403-726D	199, 205, 211	404-203D	249	407-172D	47
403-727D	199, 205, 211	404-204D	249	407-193H	47
403-750V	209	404-207D	247	407-220H	243
403-751H	209	404-209D	101, 247	407-221H	243
403-783D	65	404-212D	251	407-222H	47
403-785D	65	404-213D	251	407-225H	47
403-787D	65	404-219D	247	407-226H	47
403-788D	83	404-220D	247	407-227S	47
403-789D	67	404-224D	101	407-228H	47
403-795D	203	404-225D	101	407-229H	47
403-805D	103	404-226D	101	407-252D	141
403-807D	125	404-227D	101	407-253D	141
403-808D	115, 117, 119, 121, 123, 125, 127, 129, 131, 133	404-228D	87	407-327D	49
403-812D	115, 117, 119, 121, 123, 125, 127, 129, 131, 133	404-232D	247	407-329D	47
403-922D	209	404-254D	239	407-353D	141
403-925D	209	404-255D	239	407-380D	141
403-934A	215, 219, 223	404-348D	251	407-461H	53
403-948D	67, 85	404-796H	237	407-462H	53
404-014S	239	404-861H	101	407-463H	51
404-020D	237, 249	405-021H	279, 283, 285	407-465H	51
404-027D	229	405-022H	279, 283, 285	407-466H	53
404-061D	251	405-023S	279, 283, 285	407-468H	51
404-077D	237	405-024S	279, 283, 285	407-469H	51
		405-028H	265	407-470H	53
		405-030D	23, 27	407-474H	51
		405-031D	263, 267, 269, 271, 273, 275, 277, 279, 283, 285	407-521S	47
		405-032D	237	407-578D	53
				407-579D	53
				407-580D	53
				407-581D	51
				407-587D	53

Part Number	Page	Part Number	Page	Part Number	Page
407-592D	53	421-705D	77	467980496	75, 81, 215, 219, 223
407-598D	51	421-706D	77	467980503	217
407-600D	51	421-921D	289, 293	467980506	215, 217
407-635D	49	421-922D	289, 293	467980621	217
407-650D	51	421-923D	289, 293	467980625S1	217
407-736H	47	421-928D	289, 293	467980626S1	217
407-741H	45, 55	421-929D	289, 293	467980630	215
407-826D	47	431-078H	11, 143	467980815S1	217
407-913D	157	431-296D	97	467980851	217
407-992S	51	431-297D	97	467981100S1	217
411-215D	87	452950060	215	467981201A	217, 221
411-230H	79	452950101	215	467982000S1	31
411-231H	79	452950131	215	467982001S1	215, 217, 221
411-247H	77	452950151	215	467982050S1	221
411-248K	187	452950161	215	467983505	31
411-271D	145	452950200	215	467984150	215
411-272D	145	457901814	81, 215, 219, 223	467984261S1	215, 217
411-273C	61	457901815	143	467985060S1	215, 219, 223
411-273D	9	457901823	81, 215, 219, 223	467987406S1	215, 221
411-332D	87	459680920	219	467987510S1	215
411-333H	289, 293	459680922	219	467988320S1	217, 221
411-334H	289, 293	464360176S1	217, 221	468100200S1	249
411-386D	217, 221	464820511S1	217, 221	468100210	249
411-462D	111	464820517S1	215, 217, 221	4M1102	167
411-615D	87	464820518S1	217, 221	4M4108	169
411-960H	87	464820520S1	215, 219, 221	4M5108	171
413-757D	87	466820712S1	215	4R7109	175
417-640D	13, 15, 17	466820714	217, 219, 221	4R8108	177
417-641D	13, 15, 17	466970014S1	215, 219, 221	4R8110	173, 179
417-644D	13, 15, 17	46697-0016S1	217, 221	4R9108	181
417-658D	17	466980040S1	143	4R9110	183
417-660D	13	467096050	81	500-064D	95, 301
417-661D	15	467096051	65, 215, 219, 223	502-060D	9
417-665D	7	467833000S1	215	502-067D	149, 151, 155, 157, 159, 161, 189
417-776H	5	467980124	215, 217	502-068D	97, 145, 149, 151, 155, 157, 159, 161, 189, 289, 293
417-785V	5	467980126	217, 221	503-158D	67
417-792H	13, 15, 17	467980143	217	506-245H	97
417-833V	141	467980160	217	506-365D	61
417-835H	139	467980172	75, 81, 215, 219, 223	507-034V	11, 57, 141
421-161D	289, 293	467980410	217, 221	507-039D	57, 143
421-615D	289, 293	467980451A	217	507-040D	57, 143
421-635D	77	467980455	217	586-158D	113
421-652D	77	467980471	217, 221		
421-661D	79				
421-662D	79				
421-702D	77				
421-703D	77				

Part Number	Page	Part Number	Page	Part Number	Page
596-163H	73, 97	800-124C	13, 15, 71, 103	801-164C	237
5M1103	167	800-125C	9, 35, 59, 61, 103, 141	801-167C	229
5M4132	169	800-126C	9, 107	801-168C	249
5M5124	171	800-127C	17	801-171C	77
5R6181	173	800-151C	81, 103, 115, 117, 119, 121, 123, 125, 127, 129, 131, 133	801-187C	71
5R7192	175	800-163C	107	801-231C	51
5R8118	177	800-164C	229	801-233C	247
5R8528	179	800-166C	251	802-001C	67, 83
5R9118	181, 183	800-179C	71	802-002C	51
6011258	215, 221	800-203C	115, 117, 119, 121, 123, 125, 127, 129, 131, 133, 199, 207	802-004C	33, 65, 67, 83, 107, 289, 293
6330845	37	800-213C	239	802-005C	31, 59, 65, 67, 71, 83, 111, 141, 287
6330850	37	800-232C	233	802-007C	51, 73, 111, 199, 205, 209, 289, 293
6560007	35	800-244C	239	802-009C	21, 25, 145, 149, 151, 155, 157, 159, 161, 189, 241, 255
6M1108	167	800-257C	35	802-010C	67, 73, 83, 97, 103, 115, 117, 119, 121, 123, 125, 127, 129, 131, 133
6R1144	169	800-303C	141	802-012C	73, 187
6R3152	171	800-321C	107	802-013C	53
6R7190-ADI	175	800-367C	57, 141, 247	802-014C	31, 81, 101, 197, 203, 235
6R8162-ADI	173, 179	800-382C	47, 51	802-015C	229, 235, 279, 283
6R8170	177	800-395C	75, 115, 117, 119, 121, 123, 125, 127, 129, 131, 133	802-017C	7, 23, 27, 31, 35, 69, 77, 81, 85, 101, 195, 235, 247, 289
6R9170	181	800-418C	67, 83	802-022C	31, 47, 63, 81, 139, 155, 157, 159, 161, 265, 293
6R9170-ADI	183	800-434C	205	802-023C	31, 171, 173, 175, 177, 179, 181, 183
7M1302	167	801-018C	111	802-024C	145
7M4332	169	801-040C	229	802-026C	67, 83
7M5324	171	801-071C	57, 143	802-029C	77, 279, 283, 285
7M5417	171	801-078C	251	802-030C	233, 271, 275, 279
7M7386	173	801-081C	89, 91, 93		
7M7422	175	801-084C	251		
7M8318	177, 181, 183	801-087C	77		
7M8328	179	801-108C	77		
800-001C	49, 51, 109, 111, 193, 237, 301	801-137C	115, 117, 119, 121, 123, 125, 127, 129, 131, 133		
800-004C	31	801-155C	197, 203, 209, 217, 221		
800-016C	197, 203, 209				
800-026C	81				
800-041C	111				
800-044C	145				
800-046C	197, 203				
800-052C	101				
800-054C	263, 279, 283, 285				
800-058C	53				
800-060C	145, 215				
800-085C	197, 203				
800-112C	215, 239				
800-118C	199, 205, 237, 247				
800-123C	9, 57, 61, 141				

Part Number	Page	Part Number	Page	Part Number	Page
802-032C	47	802-116C	51	802-289C	97
802-034C	29, 57, 77, 83, 87, 103, 145, 295, 301	802-128C	47, 77, 79, 289, 293	802-301C	65, 209
802-036C	81	802-130C	193	802-331C	47, 241, 255
802-039C	51, 237	802-135C	21, 25	802-360C	303
802-041C	35, 47	802-143C	111	802-370C	67, 83
802-044C	199, 205, 211, 229	802-147C	87, 155, 157, 159, 161, 165	802-388C	111, 199, 205, 211, 213
802-045C	51	802-149C	229, 257, 259	802-413C	193, 263, 267, 269, 273, 277, 283, 285
802-046C	25	802-152C	33, 65	802-416C	81
802-047C	9, 61	802-159C	13, 15, 17, 65, 103, 143, 197, 203, 209	802-429C	87
802-050C	23	802-160C	25, 237, 263, 267, 269, 271, 273, 275, 277, 285	802-431C	253
802-051C	233, 265	802-162C	21, 25, 279, 283	802-463C	245
802-055C	61, 77, 83, 305	802-166C	109	802-474C	103
802-058C	25	802-167C	31, 67, 71, 83, 215	802-481C	103
802-059C	23, 303	802-172C	75, 103, 115, 117, 119, 121, 123, 125, 127, 129, 131, 133, 225, 237	802-521C	25
802-060C	261, 269, 279, 283, 301	802-182C	301	802-537C	25
802-064C	25, 79, 111	802-184C	229	802-551C	29, 187, 295
802-069C	95, 303	802-194C	53	802-574C	247
802-078C	71, 115, 117, 119, 121, 123, 125, 127, 129, 131, 133, 197, 203, 209, 229, 257, 259	802-204C	79	802-575C	33, 247
802-079C	67, 71, 77, 81, 89, 93, 97, 107, 111, 217, 221, 263, 285	802-205C	305	802-616C	271, 275, 279
802-080C	67, 83	802-212C	81, 95, 145	802-646C	237
802-082C	21, 139, 263, 267, 285	802-214C	233	802-663C	237
802-091C	25, 79, 87, 109, 111, 237	802-216C	111, 193	802-673C	245
802-092C	25, 237, 251, 267, 271, 273, 275, 277	802-219C	243	802-705C	71, 197, 203, 209
802-094C	253	802-223C	107	802-718C	21, 25
802-097C	31	802-224C	31, 67, 83	802-728C	301
802-099C	89, 91, 93, 227	802-226C	25	802-736C	193
802-100C	193	802-228C	237	802-745C	235
802-106C	229, 239, 245, 261, 289, 293	802-240C	305	802-775C	35
802-110C	87	802-250C	53, 67	802-782C	35
802-114C	235, 247	802-251C	289, 293	802-798C	97
		802-252C	225	802-800C	81, 289, 293
		802-256C	139	802-824C	305
		802-258C	61, 237	802-852C	87
		802-259C	231	802-883C	253
		802-282C	35, 67, 83	802-893C	35
				802-901C	31
				802-904C	33
				803-001C	77, 217, 221, 249
				803-006C	31, 35, 59, 65, 67, 71, 83, 111, 141, 215, 247, 289, 293

Part Number	Page	Part Number	Page	Part Number	Page
803-007C	65, 115, 117, 119, 121, 123, 125, 127, 129, 131, 133	803-029C	301	803-199C	11, 25, 57, 61, 143, 149, 151, 155, 157, 159, 161, 189
803-008C	73, 75, 103, 105, 111, 115, 117, 119, 121, 123, 125, 127, 129, 131, 133, 139, 143, 145, 187, 241, 255, 267, 271, 273, 275, 277, 289, 293	803-031C	87, 301	803-209C	31, 67, 107, 111, 199, 205, 211, 213, 235, 271, 275, 279
803-011C	65	803-034C	109	803-219C	301
803-013C	77, 79, 97, 111, 193	803-037C	29, 295	803-229C	271, 275, 279, 283, 285
803-014C	7, 21, 27, 31, 35, 61, 63, 71, 81, 87, 89, 93, 97, 101, 145, 155, 157, 159, 161, 165, 195, 217, 221, 225, 235, 247, 289, 293	803-043C	13, 15, 17, 199, 205, 209, 225, 237, 251, 289, 293	803-230C	67, 83, 229, 257, 259
803-015C	67, 83	803-048C	21, 25, 97	803-234C	173, 175, 179, 183
803-018C	81	803-049C	243	803-257C	173, 175, 179, 183
803-019C	51, 81, 111, 193	803-052C	233	803-263C	53, 247
803-020C	21, 25, 35, 47, 51, 59, 61, 77, 79, 87, 89, 91, 93, 97, 101, 103, 109, 139, 145, 193, 227, 237, 245, 261, 289, 293	803-053C	47, 51, 195, 233	803-268C	197, 203, 209
803-021C	21, 23, 25, 51, 77, 83, 107, 141, 193, 229, 231, 235, 261, 265, 269, 271, 273, 275, 277, 279, 283, 305	803-063C	301	803-269C	249
803-024C	193, 301	803-065C	249	803-278C	35
803-026C	79, 95, 303	803-068C	229, 257, 259	803-283C	111
803-027C	25, 49, 51, 61, 111, 145	803-073C	95, 301	803-302C	197, 203
		803-078C	67, 85, 279, 283	803-316C	95, 305
		803-079C	97	803-374C	75, 77, 115, 117, 119, 121, 123, 125, 127, 129, 131, 133, 199
		803-084C	103	803-383C	53
		803-086C	47, 53, 139	804-004C	77
		803-088C	29, 57, 67, 83, 141, 287, 295	804-006C	31, 35, 59, 65, 67, 71, 83, 111, 141, 209, 215, 247, 289, 293
		803-147C	9, 47, 61, 199, 205	804-007C	33, 35, 65, 67, 71, 83, 107, 197, 203, 209, 215
		803-159C	21, 25, 195	804-009C	51, 73, 75, 97, 103, 105, 111, 115, 117, 119, 121, 123, 125, 127, 129, 131, 133, 139, 143, 145, 187, 241, 255, 267, 271, 273, 275, 277, 289, 293
		803-169C	11, 23, 25, 107, 143, 193, 229, 235, 241, 245, 255, 263, 267, 269, 273, 277, 283, 285		
		803-171C	263		
		803-175C	305		
		803-177C	21, 25, 35, 59, 67, 85, 115, 117, 119, 121, 123, 125, 127, 129, 131, 133, 253		
		803-183C	305		
		803-193C	261		
		803-194C	187		
		803-195C	9		
		803-196C	25, 303		

Part Number	Page	Part Number	Page	Part Number	Page
804-010C	51, 67, 73, 85, 115, 117, 119, 121, 123, 125, 127, 129, 131, 133, 149, 151, 155, 157, 159, 161, 189, 197, 203, 209	804-021C	83, 109, 167, 279, 283, 285	804-197C	301
804-011C	7, 47, 53, 71, 77, 81, 145, 155, 157, 159, 161, 271, 275, 279	804-022C	21, 27, 51, 61, 77, 83, 107, 141, 193, 229, 231, 235, 237, 261, 263, 265, 267, 269, 271, 273, 275, 277, 279, 283, 285, 305	804-227C	197, 203
804-012C	31, 69, 85, 89, 93, 101, 195, 235	804-023C	27, 49, 51, 61, 79, 111	804-228C	197, 203, 209
804-013C	7, 21, 27, 31, 35, 63, 69, 71, 77, 81, 85, 87, 89, 93, 97, 101, 145, 155, 157, 159, 161, 165, 195, 197, 203, 217, 221, 225, 235, 247, 265, 285, 289, 293	804-024C	27	805-001C	73, 97, 303
804-014C	67, 77, 83, 245, 271, 275, 279	804-025C	49, 51, 95, 109, 145, 195, 233, 305	805-004C	109, 193
804-015C	21, 25, 29, 35, 47, 51, 59, 61, 77, 79, 81, 83, 87, 89, 91, 93, 97, 101, 103, 109, 139, 145, 193, 229, 237, 245, 261, 289, 293, 295, 301, 305	804-027C	87, 301	805-010C	9, 47, 61
804-016C	9, 21, 59, 61, 77, 79, 81, 83, 89, 91, 93, 101, 111, 199, 205, 211, 227, 289, 293	804-028C	97, 193	805-016C	301
804-017C	47, 139, 193, 241, 255	804-029C	87, 109, 193, 241, 255, 303	805-017C	21, 97
804-019C	21, 27, 235	804-030C	109	805-019C	97, 195
		804-032C	33	805-031C	245
		804-035C	109, 305	805-034C	83, 99
		804-036C	293	805-041C	97, 109
		804-039C	109	805-045C	21, 233, 251
		804-040C	65, 237	805-058C	193, 303
		804-041C	67, 83, 271, 275, 279	805-060C	87, 305
		804-046C	31, 217, 221, 247	805-062C	111
		804-050C	249	805-063C	239, 249
		804-054C	33, 217, 221, 247	805-064C	47
		804-061C	23, 35	805-067C	269, 271, 273, 275, 277, 279, 283
		804-071C	109	805-069C	109
		804-075C	67, 71	805-076C	95
		804-078C	251	805-085C	97
		804-093C	47, 51, 305	805-088C	111
		804-094C	263, 267, 285	805-104C	47, 51
		804-099C	229	805-105C	109
		804-100C	239, 249	805-109C	97, 109, 269, 273, 275, 277, 279, 283
		804-102C	97, 303	805-117C	95, 289, 293
		804-113C	35, 47, 51	805-119C	109
		804-138C	77	805-124C	171, 173, 179
		804-165C	97	805-126C	109
		804-168C	197, 203	805-127C	47, 51
		804-192C	27	805-131C	193
		804-195C	237	805-140C	21, 97
				805-141C	109
				805-143C	45, 47, 55, 293
				805-146C	35, 289
				805-159C	87, 303
				805-168C	109
				805-178C	111
				805-180C	21, 27, 35, 47, 239

Part Number	Page	Part Number	Page	Part Number	Page
805-183C	269, 271, 273, 275, 277, 279, 283	806-192C	13, 15, 17, 59, 103, 145	810-160C	177
805-185C	107	806-196C	11, 143	810-197C	155, 157, 159, 161
805-187C	21, 97	806-221C	11, 143	810-201C	109, 155, 157, 159, 161
805-190C	271	807-073C	87	810-249C	167
805-191C	251	807-076C	235	810-274C	145, 147
805-192C	45, 55	807-096C	111	810-342C	157, 161
805-212C	109	807-106C	251	810-345C	165
805-230C	97	807-119C	237, 249	810-423C	155, 157, 159, 161, 193
805-234C	47	807-125C	251	810-430C	169
805-235C	47	807-137C	259	810-456C	191
805-240C	21, 27, 47, 51, 109, 213	807-158C	229, 257	810-491C	109
805-250C	237	807-182C	67, 83	810-508C	183
805-255C	87, 97, 231	807-187C	197, 203, 209	810-527C	157, 161, 215, 217, 221
805-278C	239	807-236C	197, 203	810-537C	95, 157, 161
805-290C	239	807-256C	199, 205, 211	810-543C	157, 161, 301
805-334C	97, 109	807-260C	97	810-544C	95, 189
805-335C	5, 237	807-278C	263, 267, 269, 271, 273, 275, 277, 279, 283, 285	810-545C	189, 301
805-360C	95	807-284C	197, 203, 209	810-551C	181
805-363C	263, 267, 285	808-062C	47, 59	810-583C	171
805-385C	245, 247	808-147C	47, 51	810-603C	29, 295, 297
805-417C	271, 275, 279, 281	808-262C	47, 51	810-613C	87, 165
805-432C	263, 267, 269, 273, 277, 283, 285	808-277C	197, 203	810-614C	87, 165
805-435C	235	808-302C	21, 27	810-615C	165
805-436C	263, 267, 285	808-303C	21, 27	810-636C	153, 155, 157, 159
806-007C	111	808-304C	23, 27	810-646C	95, 155, 157, 159, 161
806-019C	229	808-305C	23, 27	810-647C	155, 157, 159, 161
806-050C	27, 61	808-307C	21, 27, 35	810-649C	81, 149
806-052C	107, 235	808-308C	23, 27	810-652C	179
806-060C	101	808-309C	23, 27	810-653C	173
806-066C	107	808-310C	23, 27	810-673C	149
806-073C	31, 97	808-311C	23, 27	810-686C	215
806-083C	141	808-312C	23, 27	810-696C	11, 29, 137, 297
806-084C	247	808-315C	23, 27	810-697C	189, 301
806-102C	49, 51	808-319C	21, 23, 27, 35	810-698C	95, 189
806-107C	75, 115, 117, 119, 121, 123, 125, 127, 129, 131, 133	808-320C	21, 27	810-701C	247
806-110C	193	808-344C	29	810-893C	289, 291
806-152C	59, 141	808-357C	35	810-894C	289, 291, 293, 297
806-168C	193	808-395C	31, 235	810-895C	293, 297
		808-415C	31	810-898C	293, 297
		809-041C	29	810-899C	289, 291
		810-037C	149, 151, 165, 291, 297		
		810-158C	175		

Part Number	Page	Part Number	Page	Part Number	Page
811-040C	137, 151, 187, 291, 297	811-331C	29, 297	811-930C	189
811-054C	165	811-341C	297	811-931C	189
811-061C	165, 187	811-347C	165	811-932C	189
811-063C	29, 189, 297	811-348C	291, 297	811-955C	149, 151, 291, 297
811-064C	165	811-386C	165	811-957C	159, 161
811-065C	155, 157, 159, 161, 187, 193, 291, 297	811-393C	149, 297	811-959C	29, 187, 297
811-069C	149, 151	811-394C	29, 165	811-960C	159, 161
811-073C	11, 137, 297	811-397C	155, 157, 159, 161	811-972C	151, 291
811-077C	149	811-463C	145	812-327C	239
811-081C	165	811-488C	87, 165, 291, 297	812-374C	249
811-086C	157, 161	811-502C	137	812-391C	213
811-088C	11, 137, 157, 161, 165, 187	811-564C	29, 137, 291, 297	812-398C	263, 267, 285
811-091C	187	811-617C	189	814-034C	287
811-133C	145, 155, 157, 159, 161, 165, 189	811-627C	165	814-060C	305
811-146C	297	811-703C	155, 157	814-113C	253
811-147C	291, 297	811-708C	161	814-173C	237, 253
811-150C	11, 29, 87, 165, 189, 297	811-725C	29, 149, 151, 187, 189, 291, 297	814-174C	267, 269, 271, 273, 275, 277, 287
811-169C	155, 157, 159, 161, 165, 189	811-782C	149, 151, 291, 297	814-175C	253
811-171C	145, 155, 157, 159, 161, 165, 189	811-785C	189	814-206C	301
811-184C	187	811-807C	11, 137	814-208C	301
811-185C	187	811-826C	185	814-210C	301
811-192C	29, 291, 297	811-827C	185	814-238C	269, 271, 273, 275, 277, 287
811-201C	145	811-857C	289, 291, 293	814-244C	287
811-205C	29, 187, 297	811-863C	159, 161	814-252C	305
811-216C	297	811-870C	145	814-257C	237, 253
811-249C	155, 157, 159, 161, 189	811-883C	151, 291	814-258C	253
811-255C	249	811-913C	185	814-259C	253
811-265C	149, 151, 291, 297	811-914C	185	814-260C	237, 253
811-266C	29, 187	811-915C	185	814-261C	253
811-268C	297	811-916C	185	814-300C	305
811-279C	291, 297	811-917C	185	814-301C	305
811-316C	249	811-918C	185	814-318C	21, 27
811-324C	11, 29, 87, 149, 151, 165, 187, 291, 297	811-919C	185	814-400C	267, 287
		811-920C	159, 161	814-549C	301
		811-921C	159, 161	815-001C	195
		811-922C	155, 157, 159, 161	815-099C	301
		811-923C	159, 161	815-103C	301
		811-924C	155, 157, 159, 161	815-222C	305
		811-925C	159, 161, 163	815-255C	233, 241, 255
		811-926C	159, 161	815-580C	305
		811-927C	159, 161	816-014C	195
		811-928C	159, 161	816-019C	301
		811-929C	189	816-144C	57, 143
				816-170C	61, 83

Part Number	Page	Part Number	Page	Part Number	Page
816-173C	251	817-558C	67, 83	817-822C	199, 205, 209
816-202C	305	817-559C	65	817-823C	199, 205, 209
816-245C	83	817-595C	103	817-824C	197, 205, 209
816-302C	239	817-602C	67	817-826C	197, 203, 209
816-358C	107	817-610C	103	817-827C	237
816-368C	237	817-613C	103	817-829C	197, 203, 209
816-429C	199, 205, 211	817-615C	241, 255	817-830C	115, 117, 119, 121, 123, 125, 127, 129, 131, 133
816-477C	67, 83	817-622C	103	817-836C	199, 205, 211
816-478C	71	817-624C	81	817-838C	199, 205, 211
816-479C	71	817-655C	107	817-841C	199, 205, 209
816-480C	109	817-772C	197, 203, 209	817-846C	197, 203
816-499C	103	817-773C	197	817-849C	199, 205, 211
816-502C	71	817-774C	197, 203, 209	817-851C	199, 205, 211
816-547C	35	817-776C	197, 203, 209	817-852C	31
816-548C	71	817-777C	197, 203	817-853C	111
816-558C	81	817-783C	197	817-857C	199, 205, 211
816-559C	61	817-787C	235	817-867C	199, 205, 211
816-611C	247	817-789C	197, 203, 209	817-886C	287
816-624C	81	817-794C	199, 205, 209	817-964C	201, 203, 209
816-626C	81	817-795C	199, 205, 209	817-966C	203, 209
816-627C	81, 103	817-796C	199, 205, 209	817-967C	199, 205, 211
816-628C	81	817-797C	199, 205, 209	817-981C	201
816-634C	111	817-798C	199, 205, 209	817-982C	201
816-648C	31	817-800C	199, 205, 211	817-991C	199, 205, 211
816-725C	67, 83	817-801C	197, 203, 209	818-045C	19
816-726C	67, 83	817-803C	197, 203, 209	818-055C	19, 111
817-042C	111	817-809C	115, 117, 119, 121, 123, 125, 127, 129, 131, 133	818-181C	87
817-083C	271, 275, 279	817-810C	115, 117, 119, 121, 123, 125, 127, 129, 131, 133	818-188C	19
817-084C	229, 235, 245, 263, 267, 269, 273, 277, 283, 285	817-811C	199, 205, 211	818-240C	289, 293
817-123C	199, 205, 211	817-812C	115, 117, 119, 121, 123, 125, 127, 129, 131, 133	818-339C	19
817-191C	251	817-813C	37	818-344C	57, 143
817-255C	147	817-815C	115, 117, 121, 123, 125, 127, 129, 131, 133	818-398C	19
817-324C	105	817-816C	119, 129, 133	818-525C	241, 255
817-330C	287			818-579C	19
817-331C	253			818-580C	19
817-349C	239			818-587C	19
817-358C	47, 51			818-590C	19
817-406C	47, 51			819-156C	19
817-456C	35			820-094C	195
817-457C	71, 103			820-259C	261
817-480C	235				
817-520C	303				
817-541C	253				
817-555C	61				
817-556C	83				

Part Number	Page	Part Number	Page	Part Number	Page
820-287C	239	823-388C	33	830-029C	13, 15, 17, 57, 143
820-323C	229	823-389C	33	830-031C	9, 61
820-327C	261	823-390C	33	830-034C	141
820-331C	261	823-434C	143	830-042C	9
820-343C	229	823-435C	11, 143	830-043C	59, 143
821-048C	83	823-453C	79	830-045C	9, 57, 61
821-069C	83	826-501C	35	830-052C	9, 61
822-020C	49, 51	826-836C	77	830-061C	57, 141
822-030C	195, 233	826-837C	77	830-071C	9, 141
822-032C	23	826-839C	77	830-084C	9, 143
822-033C	49	827-077C	103	830-087C	57, 141
822-036C	301	827-078C	103	830-094C	9, 57, 61
822-037C	301	827-079C	103	830-121C	9, 57, 143
822-038C	301	827-080C	103	830-123C	57, 61, 141
822-039C	301	827-081C	103	830-126C	57, 143
822-047C	305	827-082C	103	830-127C	13, 15, 17, 49, 51, 57
822-080C	195, 233	827-083C	103	830-133C	49, 51, 57
822-170C	253, 263, 279, 283, 285, 287	827-084C	103	830-142C	57, 143
822-175C	21, 27, 35	827-095C	103	830-145C	49, 51, 57
822-195C	21, 27, 35	827-096C	103	830-149C	61
822-204C	305	827-097C	103	830-157C	141
822-215C	233	827-098C	103	830-174C	61
822-216C	49, 51	828-057C	241, 255	830-186C	9, 61
822-227C	197, 203	828-058C	241, 255	830-204C	9
822-239C	31, 235	828-059C	241, 255	830-237C	57, 143
822-240C	49, 51	828-060C	241, 255	830-258C	57, 141
822-259C	49	828-066C	5	830-260C	11, 57, 141
823-231C	35	829-008C	9	830-270C	9
823-300C	219, 223	829-013C	9, 39, 57, 61	830-276C	75, 115, 117, 119, 121, 123, 125, 127, 129, 131, 133
823-301C	217, 221	829-048C	9, 43	830-295C	61
823-327C	31	829-089C	57, 141	830-325C	9, 141
823-328C	31	829-104C	11, 57, 141	830-331C	9
823-329C	33	829-105C	9, 57, 143	830-332C	9
823-329C	33	829-109C	61	830-345C	141
823-330C	31, 101	829-114C	9	830-364C	11
823-336C	31	829-126C	9	830-365C	11
823-337C	31	829-140C	31	830-368C	141
823-365C	33	829-141C	247	830-369C	9
823-366C	33	829-151C	5	830-370C	11, 143
823-367C	33	829-152C	13, 15, 17	830-374C	11
823-368C	33	830-018C	9	830-380C	61
823-370C	33	830-021C	61		
823-371C	33	830-022C	13, 15, 17		
823-372C	33	830-024C	9, 61		
823-373C	33	830-026C	9		
823-374C	33	830-028C	9, 57, 143		
823-375C	33				

Part Number	Page	Part Number	Page	Part Number	Page
830-381C	61	833-235C	67, 71, 83, 215, 217, 221	837-235C	199, 205, 211
830-383C	31, 59, 141, 247			837-285C	201, 207, 211
830-384C	9	833-367C	217, 221	837-364C	199, 205, 211
830-390C	141	833-368C	217, 221	837-386C	199, 205, 211
830-403C	247	833-370C	217, 221	838-041C	19
830-405C	31, 249	833-371C	217, 221	838-042C	19
830-417C	247	833-454C	87	838-160C	19
830-420C	249	833-492C	289, 293	838-161C	19
830-422C	249	833-515C	157, 161	838-168C	19
830-423C	247	833-531C	249	838-265C	19, 89, 93
830-424C	141, 239	833-532C	249	838-266C	19, 89, 93
830-425C	247	833-533C	249	838-267C	19, 89, 93
830-426C	13, 15, 17, 249	833-534C	249	838-482C	261
830-427C	247	833-535C	249	838-599C	19
830-428C	249	833-537C	247	838-761C	19, 23
830-429C	247	833-539C	247	838-762C	19, 23
830-430C	247	833-542C	247	838-763C	19, 35
830-431C	247	833-559C	247	838-818C	19
830-434C	249	833-683C	89	838-822C	71
830-444C	9	833-686C	89, 91	838-823C	61
830-446C	11	833-687C	89, 91	838-993C	19
830-447C	9	833-694C	89, 91	838-994C	19
830-448C	9	833-696C	89, 91	838-995C	19
830-449C	9	833-697C	89, 91	839-114C	149, 151
830-458C	9	833-747C	77	839-956C	37
830-459C	9, 141	833-748C	79, 187	841-002C	149, 151
830-460C	141	833-749C	79	841-067C	155, 157, 187
830-461C	9	833-753C	187	841-068C	155, 157
830-462C	9, 141	833-754C	187	841-069C	155, 157
830-463C	141	833-755C	187	841-070C	155
830-464C	5, 13, 15, 17	833-756C	187	841-071C	155, 157
830-494C	5	833-960C	215, 217	841-072C	189, 297
831-029C	57	833-961C	215, 217, 221	841-073C	155
831-068C	49, 51, 57	833-975C	215, 221	841-074C	189
831-078C	9, 135, 139, 141	833-978C	215, 217, 221	841-075C	189
831-088C	101, 247	833-979C	217, 221	841-076C	189
831-115C	9	837-057C	199, 205, 211	841-077C	187, 291, 297
831-121C	137, 139	837-064C	209	841-081C	155
832-042C	57, 141	837-065C	199, 205, 211	841-092C	149, 299
832-051C	13, 15, 17, 57, 141	837-126C	199, 205, 211	841-093C	297
832-052C	57	837-127C	199, 205, 211	841-094C	149, 297
832-053C	57, 141	837-148C	199, 205, 211	841-095C	297
832-054C	57, 141	837-186C	199, 205, 211	841-099C	149, 151
832-055C	57	837-234C	199, 205, 211	841-103C	149, 151, 165
832-056C	57				

Part Number	Page	Part Number	Page	Part Number	Page
841-136C	165	843-025C	221	890-311C	93
841-147C	165	843-027C	221	890-312C	93
841-165C	149, 151, 189, 291	843-028C	221	890-390C	93
841-187C	165	843-032C	215, 221	890-398C	87
841-196C	291	843-054C	215	890-431C	93
841-207C	145	843-056C	215	890-466C	229, 239, 257, 259
841-211C	165	843-059C	223	890-521C	57, 143
841-218C	165	843-065C	221	890-522C	61
841-219C	165	843-071C	219, 221	890-524C	271, 275, 281
841-220C	165	843-073C	215	890-598C	271, 275, 281
841-249C	297	843-097C	215, 221	890-600C	93
841-354C	161	843-101C	221	890-614C	195
841-360C	157	843-191C	239	890-620C	97, 173, 177, 181
841-362C	149	843-503C	215	890-666C	301
841-365C	145	844-023C	19	890-725C	95
841-397C	297	848-083C	19	890-979C	197
841-503C	247	848-095C	49, 51	890-987C	81
841-506C	291, 299	848-325C	19	891-109C	291, 297
841-517C	291	848-444C	19	891-118C	197, 203, 209
841-540C	185	848-445C	19	891-119C	197, 203, 209
841-541C	185	848-910C	67	891-120C	197, 203
841-542C	185	850-062C	77	891-121C	197, 203
841-543C	185	850-065C	187	891-122C	75, 115, 117, 119, 121, 123, 125, 127, 129, 131, 133, 199
841-568C	163	850-066C	29, 293, 297	891-134C	81
841-569C	161	850-068C	187	891-135C	81
841-570C	157	850-154C	137, 139	891-150C	247
841-571C	157	850-507C	29, 295, 299	891-153C	75, 115, 117, 119, 121, 123, 125, 127, 129, 131, 133
841-690C	161	851-378C	151, 291	891-186C	279, 283, 285
841-822C	161	851-380C	151, 291	891-192C	197, 203
841-823C	161	851-589C	187	891-204C	197, 203, 209
841-824C	145, 161	851-639C	81, 151, 291, 297	891-233C	247
841-825C	149	851-645C	151, 291, 297	891-259C	19
841-880C	149	851-647C	151	891-295C	201, 203, 209
841-881C	149	851-693C	187	891-315C	289, 293
841-882C	151, 291	858-004C	289, 293	891-316C	289, 293
841-883C	157	858-029C	289, 293	891-328C	205
841-884C	157	858-030C	289, 293	891-385C	291, 297
841-916C	291, 297	858-792C	305	891-670C	87
841-917C	187	861-463C	11, 137	93280	151
841-919C	291, 297	890-005C	95, 303		
841-920C	291, 297	890-011C	301		
841-959C	291	890-051C	95		
841-973C	291	890-072C	301		
841-974C	291, 297	890-143C	179		
841-975C	291, 297	890-153C	111		
842-258C	209	890-193C	95, 301		
842-302C	79	890-264C	111, 193		
843-016C	91				

Part Number	Page	Part Number	Page	Part Number	Page
990-021R	75, 115, 117, 119, 121, 123, 125, 127, 129, 131, 133	DWG21863	305	DWG29669	129
		DWG21864	21	DWG29701	173, 179
		DWG21869	177	DWG29716	279
		DWG21870	181	DWG29747	161
990-078R	61	DWG21941	99	DWG29748	157
990-080R	9, 57	DWG21993	253	DWG29761	217
990-081R	11, 59, 141	DWG22745	109	DWG29815	31
		DWG22747	233	DWG29819	75
990-082R	11, 13, 15, 17, 57, 141	DWG22748	255	DWG29830	57
		DWG22751	301	DWG29903	123
990-109R	31, 59, 141	DWG22752	159	DWG29904	119
		DWG22753	189	DWG29905	133
990-181R	9, 57, 61	DWG22773	241	DWG31482	213
990-223R	11, 103	DWG22774	261	DWG31512	175
990-230R	103	DWG22821	61	DWG31513	183
990-253R	115, 117, 119, 121, 123, 125, 127, 129, 131, 133	DWG22877	93	DWG31517	277
		DWG22929	193	DWG31518	269
		DWG23154	155	DWG31519	273
990-262R	249	DWG23263	111	DWG31520	283
990-263R	247	DWG23282	107	DWG31550	247
990-268R	247	DWG25220	153	DWG31830	227
990-269R	247	DWG25315	145	DWG31842	185
ACE-10525	61	DWG25490	165	DWG32003	51
CP18999-EPR	59	DWG25498	171	DWG32360	45, 55
CR14971	233	DWG26169	87	DWG34090	101
CRARY-17374	81	DWG27304	245	DWG34455	203
CRARY-21193	81	DWG28314	25	DWG34457	197
CRARY-21194	81	DWG28419	47	DWG34484	285
CRARY-21450	81	DWG28428	63	DWG34488	263
CRARY-23556	81	DWG28475	29	DWG34565	267
DWG 12822	167	DWG29096	243	DWG34570	287
DWG 22749	83	DWG29583	65	DWG36087	71
DWG 22775	95	DWG29590	265	DWG36091	89
DWG 22881	229	DWG29593	35	DWG38040	151
DWG 25018	195	DWG29598	271	DWG38051	77
DWG 36981	209	DWG29599	275	DWG38055	187
DWG 38352	135	DWG29615	235	DWG38064	79
DWG 38353	139	DWG29622	19	DWG38074	215
DWG 38355	137	DWG29623	103	DWG38402	5
DWG 38380	141	DWG29625	237	DWG38463	17
DWG12024	191	DWG29629	73	DWG38465	13
DWG14408	39	DWG29631	149	DWG38473	15
DWG14927	147	DWG29632	81	DWG38480	7
DWG15489	43	DWG29636	125	DWG38493	9
DWG17663	251	DWG29637	131	DWG68115	293
DWG18406	257, 259	DWG29638	115	DWG68116	297
DWG18418	41	DWG29640	121	DWG68121	291
DWG18964	169	DWG29658	117	DWG68122	289
DWG21855	225	DWG29668	127	DWG68417	91

Part Number	Page
DWG68754	221
F86606352	219, 221
FUSE	219, 221
GKN-P602128	305
HS1328	233
HU13	233
LSQ200-PL	41, 135
LSQ200-R	41, 135
LST150-B	41, 135
LST150-G	41, 135
LST150-H	41
LST1580	41, 135
MLST150-H	135
P502001	301
P502118	305
V-20153	39, 43
VER-18375	29
VER-18548	29, 295
VER-19798	29
VER-19799	29
VER-19800	29, 295
VER-28383	97

