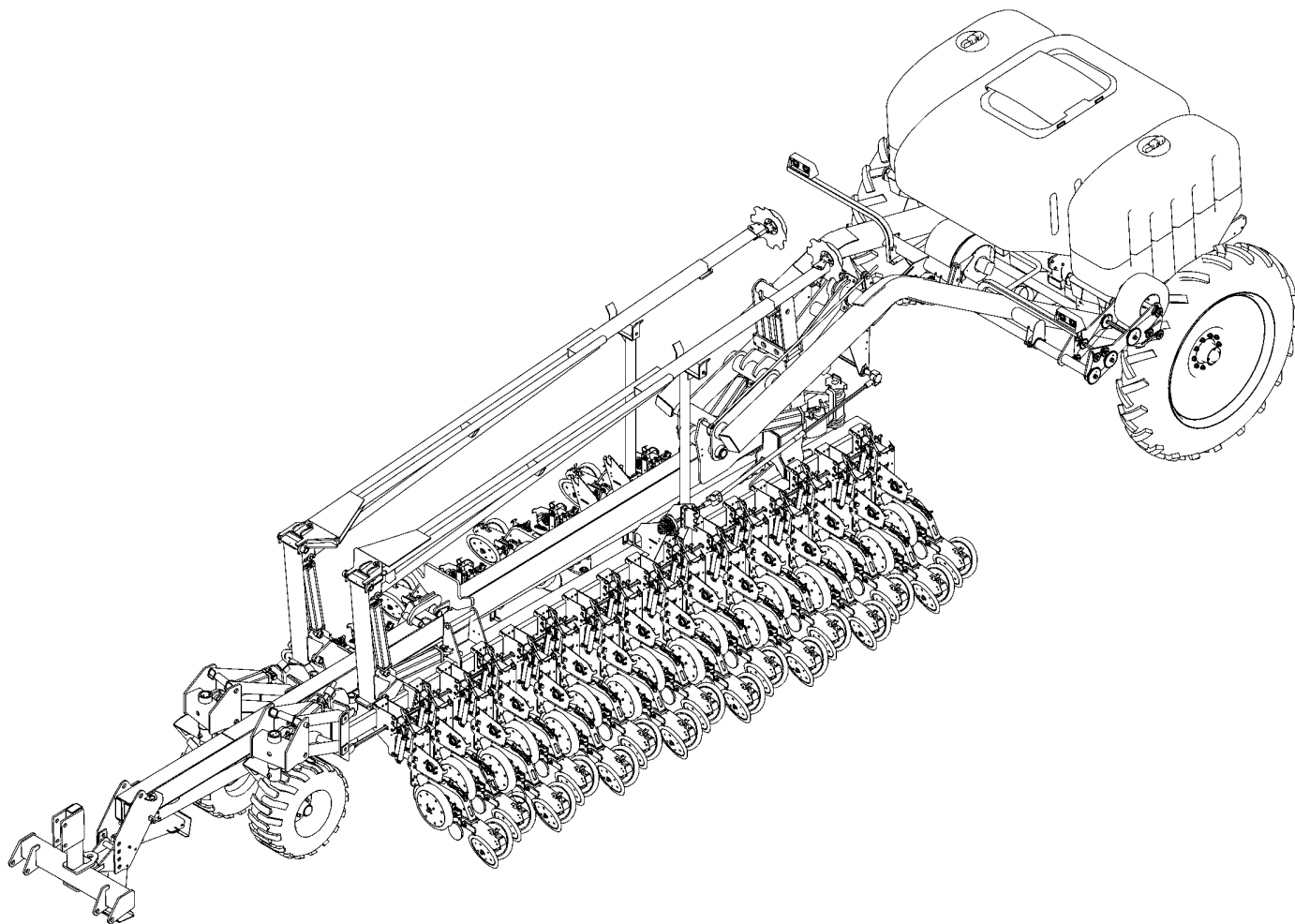


Great Plains

# Planter

## PARTS MANUAL

YP1225 & YP1625 ®Yield-Pro Planter



Original Instructions

401-226P



*Read the Operator's Manual entirely. When you see this symbol, the subsequent instructions and warnings are serious - follow without exception. Your life and the lives of others depend on it!*

© Copyright 2024 Printed 04/01/2024

*Cover photo may show optional equipment not supplied with standard unit.*





# Table Of Contents

<b>Introduction</b> .....	<b>1</b>	<i>Air Box (S/N A1085K-) (S/N A1149B-)</i> .....	73
<i>Using This Manual</i> .....	1	<i>Air Box (S/N A1086K+) (S/N A1150B+)</i> .....	75
<i>Manual Replacement Information</i> .....	1	<i>Fan to Frame</i> .....	77
<i>Manual Revisions</i> .....	1	<i>Hopper Box to Frame</i> .....	79
<i>Touch-up Paint</i> .....	1	<i>Hose Support Tubes</i> .....	83
<i>Hardware Legend</i> .....	2	<i>Hydraulic Hitch Mounting</i> .....	85
<i>Replacement Hardware</i> .....	2	<i>LED Lights (S/N A1176K+) (S/N A1317B+)</i> .....	87
<i>Serial Numbers</i> .....	2	<i>Lights (S/N A1175K-) (S/N A1316K-)</i> .....	89
<b>Decals</b> .....	<b>3</b>	<i>Mainframe</i> .....	91
<i>Decals</i> .....	3	<i>Pro Box to Frame</i> .....	95
<b>Drive</b> .....	<b>5</b>	<i>Row-Pro and Tru-Count Compressor</i> .....	97
<i>Clutch Console and Harness</i> .....	5	<i>Mounting</i> .....	
<i>Contact Wheel Drive</i> .....	7	<i>Seed Delivery</i> .....	99
<i>Dual Contact Wheel Drive</i> .....	11	<i>Smartbox Mount</i> .....	103
<i>Intelliag Drive Components (S/N A1111K+) (S/N A1190B+)</i> .....	15	<i>Tongue</i> .....	105
<i>Tru-Count Clutch Assembly</i> .....	17	<i>Walkboard (S/N A1023K-) (S/N A1051B-)</i> .....	107
<i>Veris Drive Components (S/N A1110K-) (S/N A1189B-)</i> .....	21	<i>Walkboard (S/N A1024K+) (S/N A1052B+)</i> .....	111
<i>Veris Drive Controller</i> .....	23	<b>Hydraulic Drive for Liquid Fertilizer</b> .....	<b>117</b>
<i>Wing Drive</i> .....	25	<i>Banjo Strainer</i> .....	117
<b>Fertilizer</b> .....	<b>29</b>	<i>Hydraulic Connections</i> .....	119
<i>1 1/2" Ball Valve Assembly (829-013C)</i> .....	29	<i>Hydraulic Drive Mounting</i> .....	121
<i>Banjo Strainer (831-029C)</i> .....	31	<i>Plumbing for Hydraulic Drive Option</i> .....	123
<i>Cam Lock Ball Valve (829-048C)</i> .....	33	<b>Hydraulics</b> .....	<b>127</b>
<i>Contact Wheel Lock Up</i> .....	35	<i>Auxiliary Hydraulic Kit</i> .....	127
<i>Fertilizer Contact Wheel Breakdown (S/N A1065K to A1110K) (S/N A1133B to A1189B)</i> .....	37	<i>Double Selector Valve (810-274C)</i> .....	129
<i>Fertilizer Contact Wheel Breakdown (S/N A1111K to A1173K) (S/N A1190B to A1299B)</i> .....	41	<i>Fan Hydraulics (S/N A1023K-) (S/N A1051B-)</i> .....	131
<i>Fertilizer Contact Wheel Breakdown (S/N A1174K+) (S/N A1300B+)</i> .....	45	<i>Fan Hydraulics (S/N A1024K+) (S/N A1052B+)</i> .....	133
<i>Fertilizer Contact Wheel Lock Up (S/N A1175K+) (S/N A1308B+)</i> .....	49	<i>Fasse 3 Way Multiplier (810-527C)</i> .....	135
<i>Fertilizer Plumbing (S/N A1064K-) (S/N A1132B-)</i> .....	51	<i>Fasse 3 Way Multiplier (810-636C)</i> .....	137
<i>Fertilizer Plumbing (S/N A1065K to A1110K) (S/N A1133B to A1189B)</i> .....	55	<i>Fold and Marker Hydraulics (S/N A1153K-)</i> .....	139
<i>Fertilizer Plumbing (S/N A1111K+) (S/N A1190B+)</i> .....	59	<i>Fold and Marker Hydraulics (S/N A1154K+)</i> .....	141
<i>Fertilizer Tanks and Mounts</i> .....	63	<i>Fold and Marker Hydraulics (S/N A1174B-)</i> .....	143
<i>Hypro Pump (407-190S)</i> .....	65	<i>Fold and Marker Hydraulics (S/N A1175B+)</i> .....	145
<i>John-Blue Pump (831-068C)</i> .....	67	<i>Hitch Hydraulics</i> .....	147
<b>Frame</b> .....	<b>69</b>	<i>Hydraulic Cylinder 1.5 x 2.5 x .75 Rod (810-201C)</i> .....	149
<i>150 BU Bulk Hopper</i> .....	69	<i>Hydraulic Cylinder 3.0 x 24.0 x 1.5 Rod (810-423C)</i> .....	151
		<i>Hydraulic Cylinder 3.5 x 16.0 x 1.75 Rod (810-614C)</i> .....	153
		<i>Hydraulic Cylinder 4.0 x 27.75 x 1.75 Rod (810-543C)</i> .....	155
		<i>Hydraulic Cylinder 4.25 x 27.75 x 2.0 Rod (810-647C)</i> .....	157

Hydraulic Cylinder 4.5 x 10.37 x 1.5 Rod (810-697C) .....	159	Side Depth Wheel Assembly .....	229
Hydraulic Cylinder 4.5 x 20.0 x 1.5 Rod (810-537C) .....	161	Single Arm RC Assembly .....	231
Hydraulic Cylinder 4.75 x 10.0 x 1.5 Rod (810-545C) .....	163	Terra-Tine 15" Wheel .....	233
Hydraulic Cylinder 4.75 x 20.0 x 1.75 Rod (810-646C) ..	165	Terra-Tine 16" Wheel .....	235
Hydraulic Cylinder 5.0 x 10.0 x 1.5 Rod (810-544C) .....	167	Unit Mount Coulter .....	237
Hydraulic Cylinder 5.0 x 10.0 x 2.0 Rod (810-698C) .....	169	VIII Extension and Shank .....	239
Hydraulic Hose Grips .....	171	Zone Coulter .....	241
Lift Hydraulics .....	173	<b>Press Wheels .....</b>	<b>243</b>
Sequence Valve (810-197C) .....	175	12-12D Cast Press Wheels (S/N A1175K+) (S/N A1315B+) .....	243
<b>Marker .....</b>	<b>177</b>	Closing Wheel Drop Mount .....	245
Marker .....	177	Press Wheel Assembly 1.0 x 12.0 and 1.25 x 13.5 (S/N A1175K+) (S/N A1315B+) .....	247
Marker Disk Assembly (113-025S) .....	179	Press Wheel Assembly (S/N A1174K to A1174K) (S/N A1295B to A1314B) .....	249
<b>Meter .....</b>	<b>181</b>	Press Wheel Assembly (S/N A1195B-) (S/N A1118K-) .....	251
6FP Corn Meter (890-857C) .....	181	Press Wheel Assembly (S/N A1196B to A1194B) (S/N A1119K to A1173K) .....	253
12FP Corn Meter (890-856C) 12FP Sunflower Meter (890-912C) .....	183	Press Wheel Assembly LH Short (S/N A1174K to A1174K) (S/N A1295B to A1314B) .....	255
25 Series Corn Meter (6FP 403-169K) (12FP 403-158K) (12 FP Sunflower 403-203K) .....	185	Press Wheel Assembly LH Short (S/N A1195B-) (S/N A1118K-) .....	257
25 Series Singulating Meter (403-156K) .....	187	Press Wheel Assembly LH Short (S/N A1196B to A1194B) (S/N A1119K to A1173K) .....	259
<b>Monitor .....</b>	<b>191</b>	Press Wheel Assembly RH Long (S/N A1174K to A1174K) (S/N A1295B to A1314B) .....	261
Monitor (S/N A1110K-) (S/N A1189B-) .....	191	Press Wheel Assembly RH Long (S/N A1195B-) (S/N A1118K-) .....	263
Monitor and Frame Control (S/N A1111K+) (S/N A1190B+) .....	193	Press Wheel Assembly RH Long (S/N A1196B to A1194B) (S/N A1119K to A1173K) .....	265
<b>Opener .....</b>	<b>197</b>	Press Wheel Assembly with Spider Wheels (S/N A1173K-) (S/N A1294B-) .....	267
25 Series Keeton Seed Firmer (Option) .....	197	Press Wheel Assembly with Spider Wheels (S/N A1174K to A1174K) (S/N A1295B to A1314B) .....	271
25 Series Opener Arms and Mounts .....	199	Press Wheel Assembly with Spider Wheels (S/N A1175K+) (S/N A1315B+) .....	273
25 Series Opener Body .....	203	Press Wheel Breakdown .....	275
25 Series Side Depth Wheel Scraper Assembly .....	207	<b>PTO Operating System .....</b>	<b>277</b>
Frame Mount Double Terra-Tine .....	209	Ground Drive PTO Component Mounting ..	277
Hub Assembly (815-255C and 204-084S) ..	213	Ground Drive PTO Hose Routing .....	279
Rigid 13" Row Cleaner .....	215	Hydraulic Drive PTO Component Mounting .....	281
Row Cleaner Extension Mount .....	217	Hydraulic Drive PTO Hose Routing .....	283
Row Cleaner Unit Mount Assembly (S/N A1098K-) (S/N A1163B-) .....	219	<b>Transport .....</b>	<b>287</b>
Row Cleaner Unit Mount Assembly (S/N A1099K+) (S/N A1164B+) .....	221	Gauge Wheels .....	287
Row-Pro .....	223		
Seed Lok 6" Assembly (404-093K) .....	227		





# General Information

## Using This Manual

This manual is divided into sections. The first section contains General Information, a Table of Contents, an Alphabetical Page Index, and a Part Number Index. The remaining sections divide the machine into segments (i.e. Frames, Drives, Hydraulics, etc.) which illustrate and list all parts.

The Great Plains parts in this manual are specially designed for this machine and should be replaced with Great Plains parts only.

The information in this manual is current at printing. Some parts may change to assure top performance.

Right-hand and left-hand as used in this manual are determined by facing the direction the machine will travel while in use.

Below is an example of two facing pages from a parts manual. Familiarize yourself with the contents of these pages.

## Manual Replacement Information

Replacement manuals are available. Refer to your dealer or the Great Plains Publications Catalog for additional information.

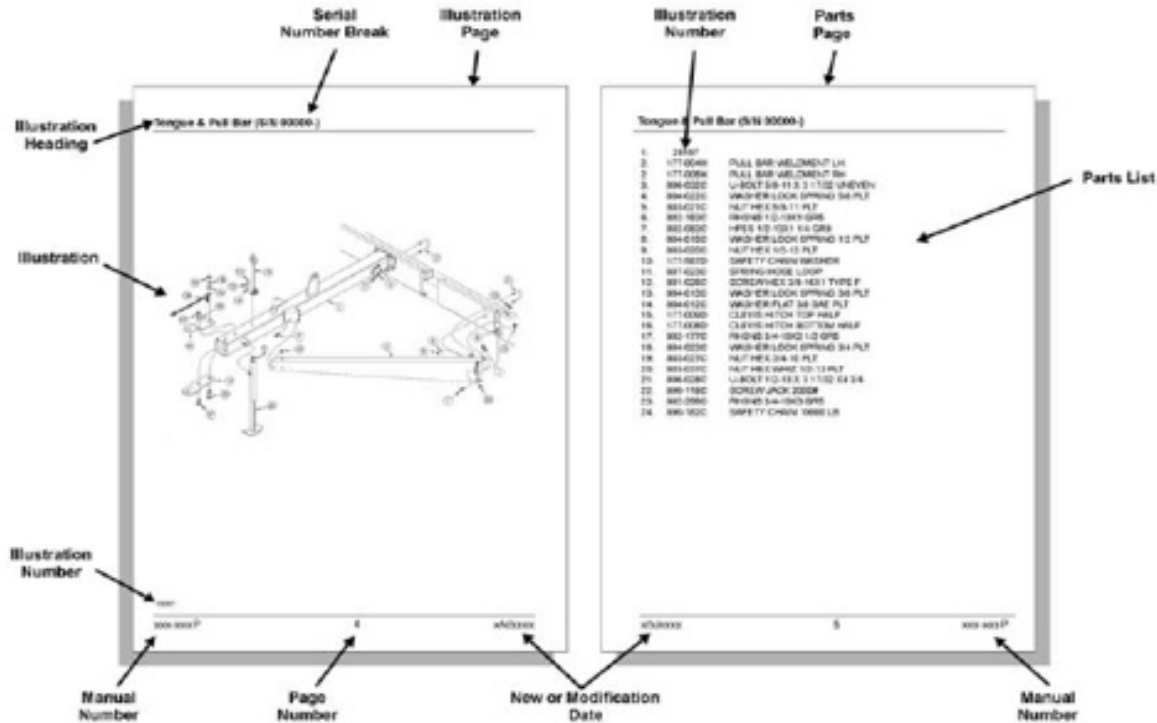
## Manual Revisions

When this manual is revised, the modification date is printed on the front cover and on the revised page(s).

## Touch-up Paint

Repaint parts where paint is worn or scratched to prevent rust. Aerosol touch-up paint is available. To order use Great Plains parts numbers below:

- GP Green . . . . . 821-001C
- GP Black . . . . . 821-002C
- GP Beige . . . . . 821-003C
- GP Buckskin . . . . . 821-004C



© Copyright 2020. All rights reserved.

Great Plains Manufacturing, Inc. provides this publication "as is" without warranty of any kind, either expressed or implied. While every precaution has been taken in the preparation of this manual, Great Plains Manufacturing, Inc. assumes no responsibility for errors or omissions. Neither is any liability assumed for damages resulting from the use of the information contained herein. Great Plains Manufacturing, Inc. reserves the right to revise and improve its products as it sees fit. This publication describes the state of this product at the time of its publication and may not reflect the product in the future.

Great Plains Manufacturing, Incorporated Trademarks

The following are trademarks of Great Plains Mfg., Inc.: Application Systems, Ausherman, Land Pride, Great Plains

All other brands and product names are trademarks or registered trademarks of their respective holders.

Printed in the United States of America.

## Hardware Legend

<b>AR</b>	As Required
<b>BLADE</b>	Blade Bolt
<b>C</b>	Cap Screw
<b>CP</b>	Cotter Pin
<b>CPHSSS</b>	Cup Point Hex Socket Set Screw
<b>CPSHSS</b>	Cup Point Square Head Set Screw
<b>CPSQHSS</b>	Cup Point Square Head Set Screw
<b>CRFCHMS</b>	Cross Recess Flat Countersunk Head Mach. Screw
<b>CRPHMS</b>	Cross Recess Pan Head Machine Screw
<b>CRPHTFS</b>	Cross Recess Pan Head Thread Forming
<b>CRRHMS</b>	Cross Recess Round Head Machine Screw
<b>CRTHMS</b>	Cross Recess Truss Head Machine Screw
<b>CSNB</b>	Countersunk Square Neck Bolt
<b>FHMS</b>	Flat Head Machine Screw
<b>FTC</b>	Full Thread Cap Screw
<b>H</b>	Hex Nut
<b>HCLN</b>	Hex Center Lock Nut
<b>HFLCS</b>	Hex Flange Lock Cap Screw
<b>HFS</b>	Hex Flange Screw
<b>HFSLN</b>	Hex Flange Serrated Lock Nut
<b>HFSS</b>	Hex Flange Serrated Screw
<b>HHCS</b>	Hex Head Cap Screw or Metric Bolt
<b>HSBHCS</b>	Hex Socket Button Head Cap Screw
<b>HSFCHCS</b>	Hex Socket Flat Countersunk Head Cap Screw
<b>HSHCS</b>	Hex Socket Head Cap Screw
<b>HSSS</b>	Hex Socket Head Screw
<b>HTLN</b>	Hex Top Lock Nut
<b>HWHCS</b>	Hex Washer Head Cap Screw

<b>HWHMS</b>	Hex Washer Head Machine Screw
<b>HXBHCS</b>	Hex Socket Button Head Cap Screw
<b>J</b>	Hex Jam Nut
<b>JIC</b>	37 Degree Tapered Thread
<b>L</b>	Helical Spring Lock Washer
<b>LUG</b>	Lug Bolt
<b>NFC</b>	National Fine Cap Screw
<b>NPSM</b>	National Pipe Straight Mechanical
<b>NPTF</b>	National Pipe Taper Fuel
<b>P</b>	Wide Plain Washer
<b>PHMS</b>	Pan Head Machine Screw
<b>PLow</b>	Plow Bolt
<b>RHMS</b>	Round Head Machine Screw
<b>RHSNB</b>	Round Head Square Neck Bolt
<b>SCREW LEVELING</b>	Leveling Screw
<b>SCREW THUMB</b>	Thumb Screw
<b>SCREW WELD</b>	Weld Screw
<b>SFCHMS</b>	Slotted Flat Countersunk Head Machine Screw
<b>SFHMS</b>	Slotted Fillister Head Machine Screw
<b>SP</b>	Special
<b>SP SCREW</b>	Special Screw
<b>SQHSS</b>	Square Head Set Screw
<b>SRHMS</b>	Slotted Round Head Machine Screw
<b>SSS</b>	Socket Set Screw
<b>STCS</b>	Self Tapping Cap Screw
<b>STHMS</b>	Slotted Truss Head Machine Screw
<b>WHEEL</b>	Wheel Studs and Hub Long Bolts
<b>WING</b>	Wing Bolt

## Replacement Hardware

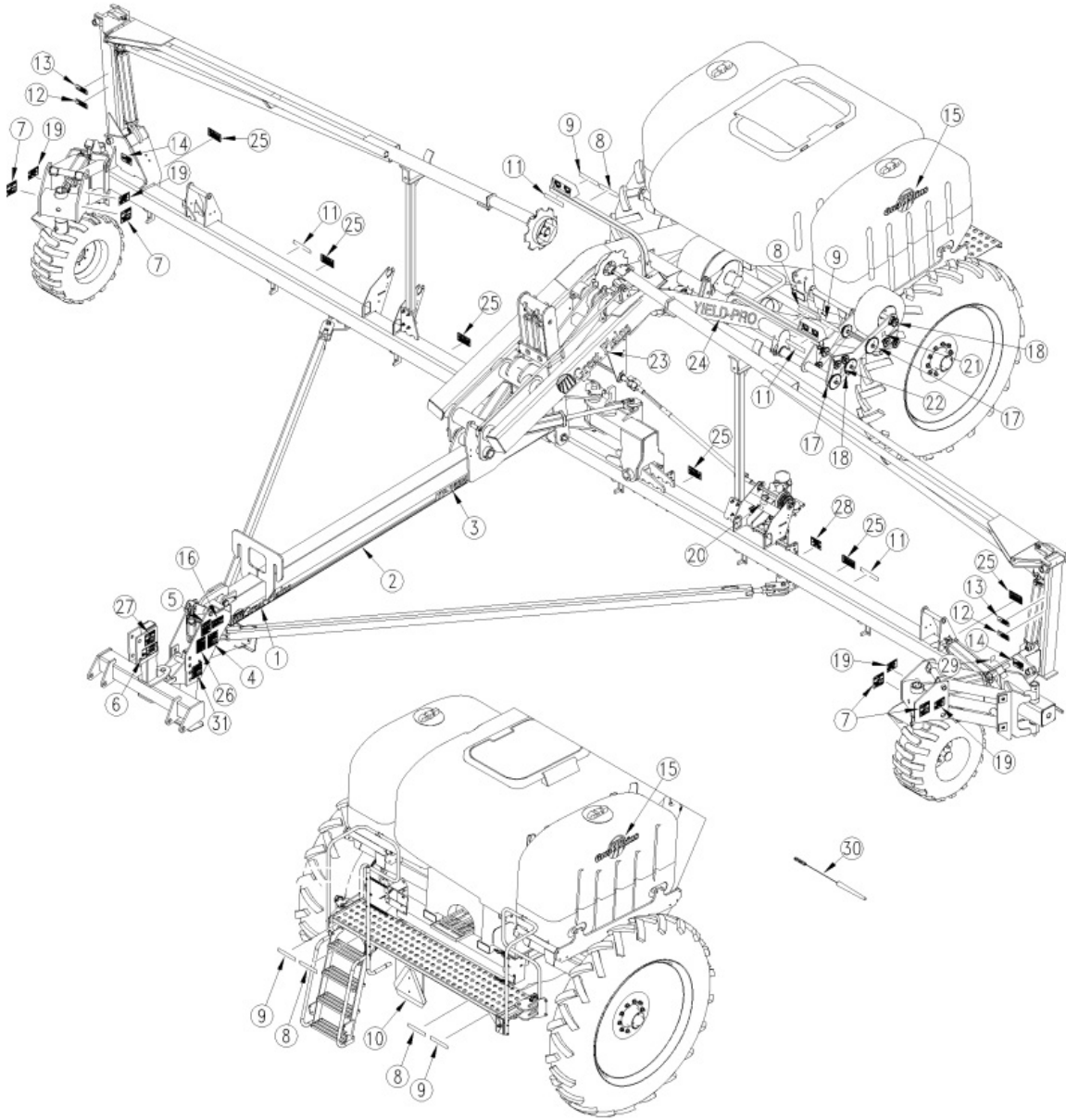
The **Hardware Legend** above lists hardware abbreviations used in the parts lists. All bolts and nuts are grade 5 unless otherwise noted. The use of improper grades of hardware can result in personal injury, damage to equipment, or loss of property.

## Serial Numbers

Always use the serial and model number when ordering parts. Refer to the operator's manual for serial number plate location.

- (S/N 20001+ or S/N 20001 and above) Includes serial numbers 20001 and above (to the latest number)
- (S/N 10001+→20000) Includes serial numbers between 10000 and 20001
- (S/N 10000- or S/N 10000 and below) Includes serial numbers 10000 and below (to the earliest number)

Applies to Models: YP1625 (2005+), YP1225 (2005+)



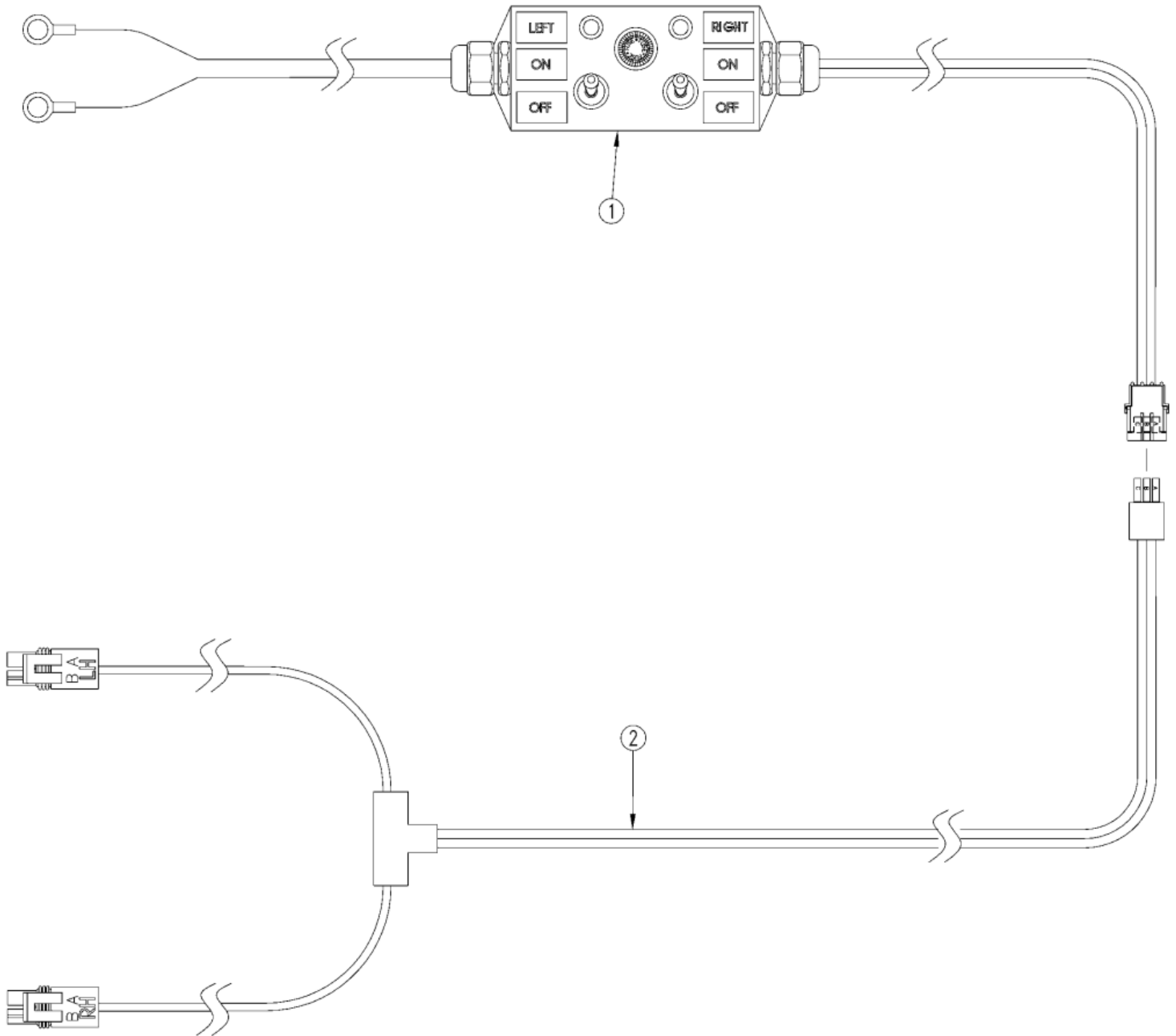


Applies to Models: YP1625 (2005+), YP1225 (2005+)

<b>Ref.</b>	<b>Part No.</b>	<b>Part Description</b>	<b>Comments</b>
	DWG22899	Image No.	
1	848-911C	DECAL GP&LOGO HARVEST/3X20 STR	
2	838-160C	DECAL 3 COLOR STRIPE 2.50 WIDE	
3	838-659C	DECAL YP-1625	
3	838-765C	DECAL YP-1225	
4	838-995C	DECAL YP FOLD CAUTION	
5	818-339C	DECAL WARNING HIGH PRESSUR SML	
6	818-590C	DECAL DANGER CRUSH TRCTR & 3PT	
7	818-398C	DECAL CAUTION TIRES NOT A STEP	
8	838-267C	DECAL REFLECTR DAYTIME 1 1/2X9	
9	838-266C	DECAL REFLECTOR RED 1 1/2X9	
10	818-055C	DECAL SLOW MOVING-GALV. BACKED	
11	838-265C	DECAL REFLECTOR AMBER 1 1/2X9	
12	818-579C	DECAL WARNING PINCH/SHEAR HAZ	
13	818-580C	DECAL WARNING OVERHEAD MKR HAZ	
14	838-599C	DECAL DANGER ELECTROCUTION HA	
15	844-023C	GP SUN DECAL 20X6	
16	818-188C	DECAL WARNING 20 MPH TRANS LRG	
17	838-041C	DECAL DRIVEN	
18	838-042C	DECAL DRIVING	
19	818-045C	DECAL WARNING PINCH PT/CRUSH	
20	838-763C	DECAL CLUTCH LOCKUP	
21	838-761C	DECAL RANGE YP PLTR	
22	838-762C	DECAL TRANSM YP PLTR	
23	838-168C	DECAL LOGO&GP F/STRIPE 6 X 35	
24	838-818C	DECAL YIELD-PRO	
25	838-993C	DECAL DO NOT LOCK UP REAR ROW	
26	838-994C	DECAL YP FOLD INSTRUCTIONS	
27	819-156C	ID PLATE - PATENT 7,086,342	
28	848-325C	DECAL IMPORTANT ROW LOCKUP CTR	
29	848-083C	DECAL AUX HYD SELECTOR VALVE	
30	891-259C	SEED TUBE CLEANER BRUSH	
31	818-587C	DECAL CAUTION OPERATIONAL MACH	

# Clutch Console and Harness

Applies to Models: YP1625 (2005+), YP1225 (2005+)



# Clutch Console and Harness

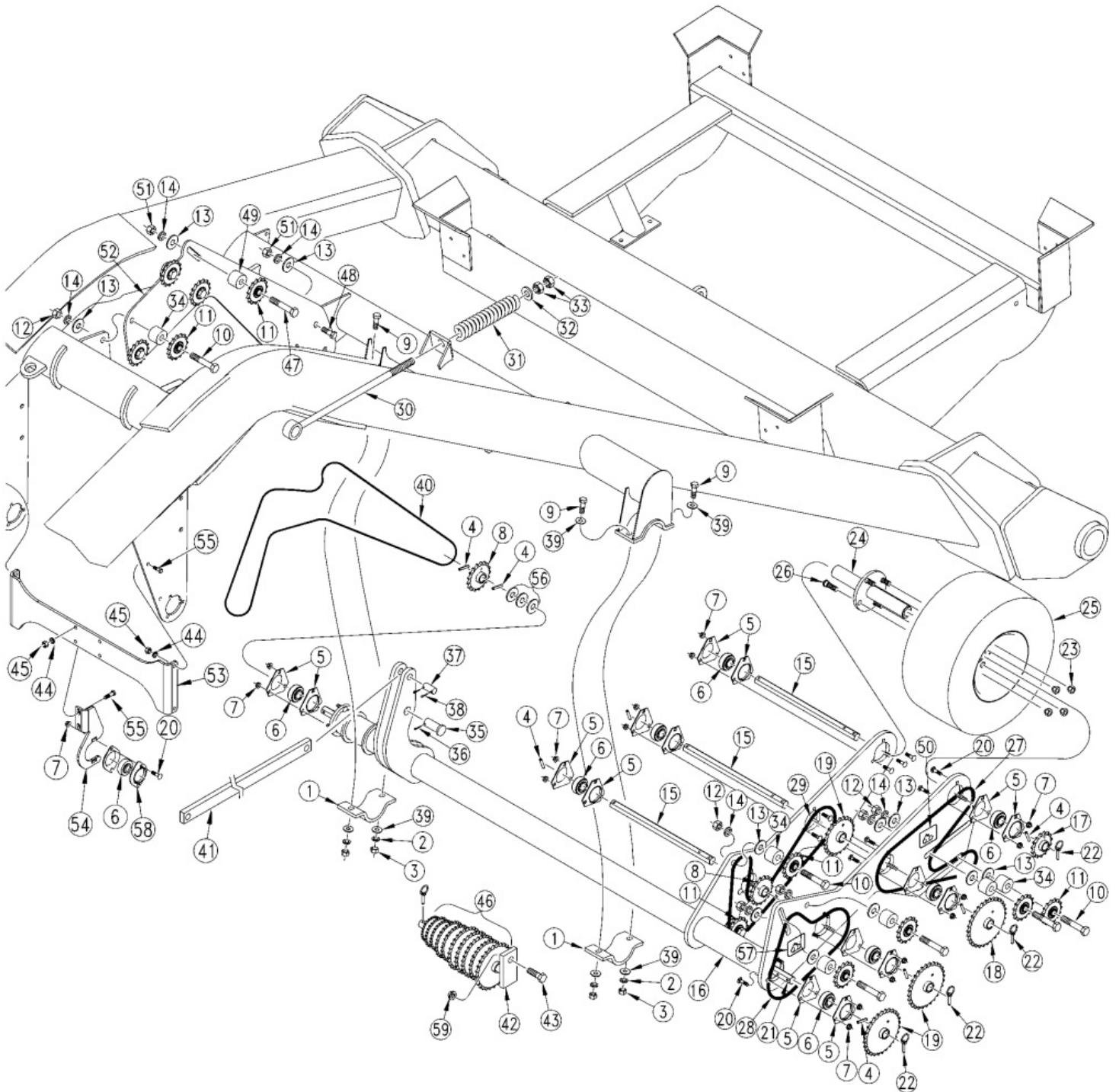
---

Applies to Models: YP1625 (2005+), YP1225 (2005+)

Ref.	Part No.	Part Description	Comments
	DWG22532	Image no.	
1	823-196C	2SNT CLUTCH CONSOLE & HARNESS	
2	823-232C	HARNESS YP1625 POINT ROW CLUTC	

# Contact Wheel Drive

Applies to Models: YP1625 (2005+), YP1225 (2005+)



**Contact Wheel Drive**

Applies to Models: YP1625 (2005+), YP1225 (2005+)

Ref.	Part No.	Part Description	Comments
	DWG21864	Image No.	
1	183-006D	PW ROCKSHAFT HALF BAND	
2	804-015C	WASHER LOCK SPRING 1/2 PLT	
3	803-020C	NUT HEX 1/2-13 PLT	
4	805-180C	PIN ROLL 1/4 X 1 1/2 LG PLT	
5	822-175C	FLANGETTE 52 3-BOLT PLT	
6	822-195C	BRG INS 7/8HEXX2.04OD SPH	
7	803-177C	803-184 FLG TP LK 5/16-18ZNYCR	
8	808-303C	SPKT 50C17 X 7/8 HEX BORE	
8	402-198H	SPKT 50C18 X 7/8 HES BORE	36" Twin row only
9	802-082C	HHCS 1/2-13X1 3/4 GR5	
10	802-162C	HHCS 5/8-11X3 1/2 GR5	
11	808-320C	SPKT IDLER BRG #50 15 TOOTH	
12	803-021C	NUT HEX 5/8-11 PLT	
13	804-019C	WASHER FLAT 5/8 USS PLT	
14	804-022C	WASHER LOCK SPRING 5/8 PLT	
15	402-300D	SHAFT 7/8 HEX X 16.25	
16	402-161H	CONTACT WHEEL BRACKET	
16	402-190H	36TR YP CONTACT WHL BRKT	36" Twin row only
17	808-302C	SPKT 50C15 X 7/8 HEX BORE	
18	808-319C	SPKT 50C30 X 7/8 HEX BORE	
19	808-307C	SPKT 50C23 X 7/8 HEX BORE	
20	802-009C	RHSNB 5/16-18X1 1/4 GR5	
21	402-301D	SHAFT 7/8 HEX X 76.44	
21	402-353D	SHAFT 7/8 HEX X 85.44	36" Twin row only
22	805-240C	PIN LINCH 3/16 X 1 9/16 LONG	
23	803-159C	NUT LUG 1/2-20X60DEG PLT(.75AF	
24	402-160H	CONTACT WHEEL DRIVE HUB	
25	814-318C	TIRE WHL ASM 20X8.00-10 TURF	(1625 S/N A1104B+)(1225 S/N A1056K+)
25	814-118C	TIRE/WHL 18X9.50-8 4PLY RIBBED	(1625 S/N A1103B-)(1225 S/N A1055K-)
26	802-135C	HUB STUD 1/2-20X1 5/8 GR5	
27	136-178D	CHAIN RL #50 88 PITCHES	
28	136-218D	CHAIN RL #50 57 PITCHES	
29	136-225D	CHAIN RL #50 91 PITCHES	(1625 S/N A1052B+)(1225 S/N A1025K+)
29	136-200D	CHAIN RL #50 92 PITCHES	(1625 S/N A1051B-)(1225 S/N A1024K-)
30	802-718C	EYE BOLT 3/4-10X14 3/4 LG SP	
31	149-559D	SPRING 2.25 O.D. X .5 COIL	
32	149-558D	COULTER SPRING WASHER	
33	803-048C	NUT HEX JAM 3/4-10 PLT	
34	113-683D	3S-4000 MARKER CYL PIN SPACER	
35	805-187C	PIN CLEVIS 1 X 2 1/4 GR5 PLT	
36	805-017C	PIN COTTER 3/16 X 1 3/4 PLT	
37	805-140C	PIN CLEVIS 3/4 X 2 1/2 PLT	
38	805-045C	PIN COTTER 5/32 X 1 1/4 LG	
39	804-016C	WASHER FLAT 1/2 SAE PLT	
40	136-226D	CHAIN RL #50 251 PITCHES	(1625 S/N A1052B+)(1225 S/N A1025K+)
40	136-217D	CHAIN RL #50 256 PITCHES	(1625 S/N A1051B-)(1225 S/N A1024K-)
41	401-498D	LINK ROD	
42	196-271H	SPROCKET STORAGE WLDMENT LONG	
43	802-082C	HHCS 1/2-13X1 3/4 GR5	

**Contact Wheel Drive**

---

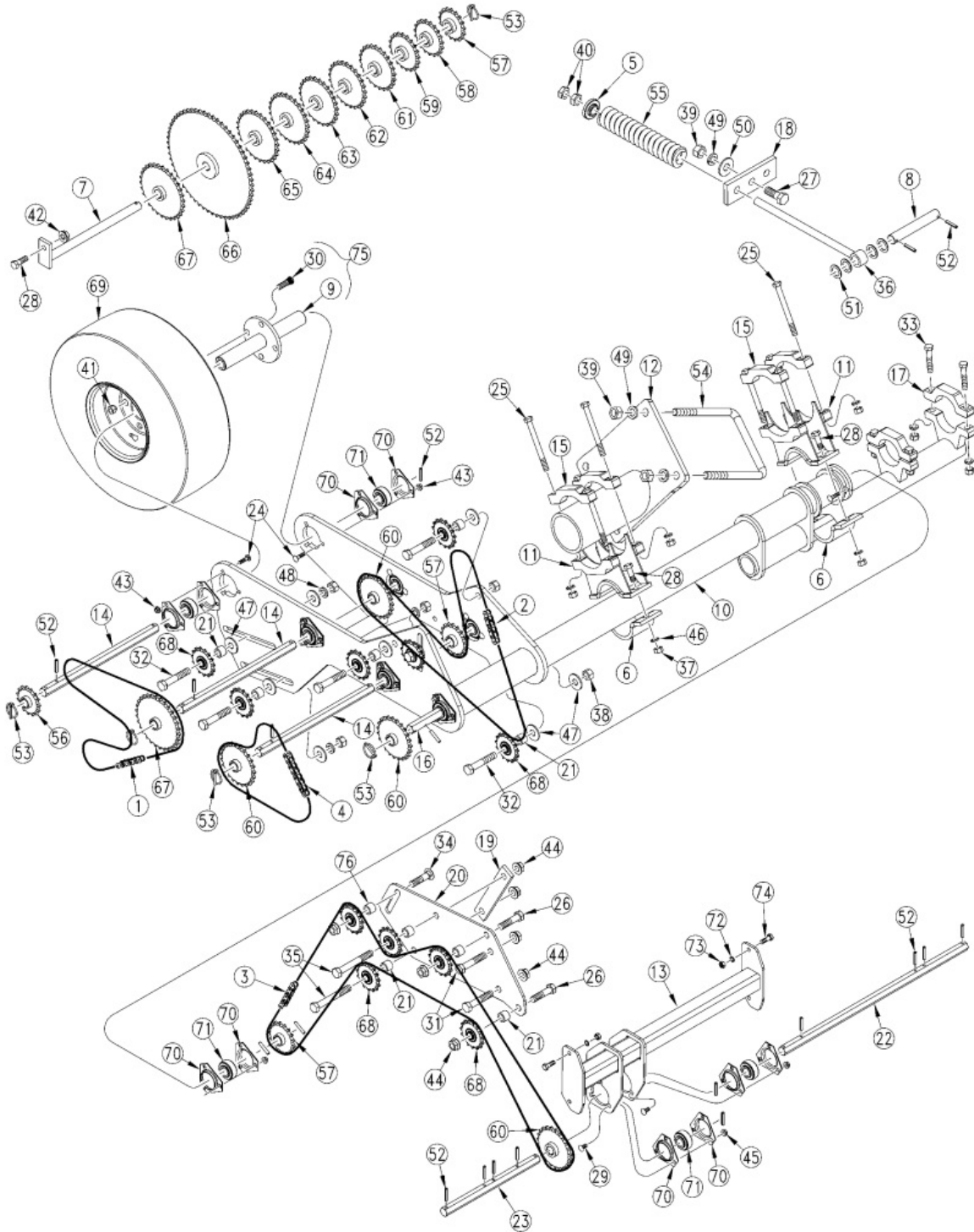
*This Page Intentionally Left Blank*

**Contact Wheel Drive**

<b>Ref.</b>	<b>Part No.</b>	<b>Part Description</b>	<b>Comments</b>
44	804-013C	WASHER LOCK SPRING 3/8 PLT	
45	803-014C	NUT HEX 3/8-16 PLT	
46	808-303C	SPKT 50C17 X 7/8 HEX BORE	
46	808-304C	SPKT 50C19 X 7/8 HEX BORE	
46	808-305C	SPKT 50C20 X 7/8 HEX BORE	
46	808-308C	SPKT 50C24 X 7/8 HEX BORE	
46	808-309C	SPKT 50C25 X 7/8 HEX BORE	
46	808-310C	SPKT 50C26 X 7/8 HEX BORE	
46	808-311C	SPKT 50C27 X 7/8 HEX BORE	
46	808-312C	SPKT 50C28 X 7/8 HEX BORE	
46	808-319C	SPKT 50C30 X 7/8 HEX BORE	
46	808-315C	SPKT 50C60 X 7/8 HEX BORE	
47	802-059C	HHCS 5/8-11X3 GR5	
48	802-050C	HHCS 5/8-11X1 1/4 GR5	
49	405-030D	25/32 PW SPACER 5/8 DIA	
50	838-761C	DECAL RANGE YP PLTR	
51	803-021C	NUT HEX 5/8-11 PLT	
52	401-562D	DRIVE CHAIN ROUTING BRACKET	
53	401-541D	DRIVE PLATE STIFFENER	
54	401-540D	DRIVE BRG BRACKET	
55	802-017C	HHCS 3/8-16X1 GR5	
56	804-061C	WASHER MACH 1.50 X 1.00 X 18GA	
57	838-762C	DECAL TRANSM YP PLTR	
58	822-032C	FLANGETTE 52 MST	
59	803-169C	NUT HEX FLG LOCK 1/2-13 PLT	

# Dual Contact Wheel Drive

Applies to Models: YP1625 (2005+), YP1225 (2005+)





**Dual Contact Wheel Drive**

Applies to Models: YP1625 (2005+), YP1225 (2005+)

Ref.	Part No.	Part Description	Comments
	DWG28314	Image No.	
1	136-178D	CHAIN RL #50 88 PITCHES	
2	136-225D	CHAIN RL #50 91 PITCHES	
3	136-217D	CHAIN RL #50 256 PITCHES	
4	136-218D	CHAIN RL #50 57 PITCHES	
5	149-558D	COULTER SPRING WASHER	
6	183-006D	PW ROCKSHAFT HALF BAND	
7	196-271H	SPROCKET STORAGE WLDMENT LONG	
8	402-130D	CYL PIN	
9	402-160H	CONTACT WHEEL DRIVE HUB	
10	402-248H	RH CONTACT WHEEL ARM STD WLDMT	
10	402-268H	36 IN RH CONTACT WHL ARM WLDMT	RH Use with 36" & 36" TR Spacing Only
11	402-249H	INNER BRACKET DRIVE SUPT WLDMT	
12	402-250H	OUTER SUPPORT RH DRIVE WHEEL	
13	402-251H	DUAL DRIVE SHAFT SUPPORT WLDMT	
14	402-300D	SHAFT 7/8 HEX X 16.25	
15	402-466D	HALF CLAMP 4.50 TUBE	
16	402-471D	SHAFT 7/8 HEX X 62.38	
16	402-514D	SHAFT 7/8 HEX X 71.38	RH Use with 36" & 36" TR Spacing Only
16	402-353D	SHAFT 7/8 HEX X 85.44	LH Use with 36" & 36" TR Spacing Only
17	402-472D	HALF CLAMP 3 IN TUBE ROUND	
18	402-473D	DUAL SPRING ANCHOR BAR	
19	402-474D	SPACER BAR 3/8	
20	402-475D	SECONDARY DRIVE PLATE	
21	113-683D	3S-4000 MARKER CYL PIN SPACER	
22	402-477D	SHAFT 7/8 HEX 26.38 LG	
23	402-478D	SHAFT 7/8 HEX 13.44 LG	
24	802-009C	RHSNB 5/16-18X1 1/4 GR5	
25	802-046C	HHCS 1/2-13X5 1/2 GR5	
26	802-058C	HHCS 5/8-11X2 1/2 GR5	
27	802-064C	HHCS 3/4-10X2 GR5	
28	802-091C	HHCS 1/2-13X1 1/2 GR5	
29	802-092C	RHSNB 5/16-18X3/4 GR5	
30	802-135C	HUB STUD 1/2-20X1 5/8 GR5	
31	802-160C	HHCS 5/8-11X3 1/4 GR5	
32	802-162C	HHCS 5/8-11X3 1/2 GR5	
33	802-226C	HHCS 1/2-13X2 3/4 GR5	
34	802-521C	RHSNB 5/8-11X2 1/2 GR5	
35	802-537C	HHCS 5/8-11X4 3/4 GR5	
36	802-718C	EYE BOLT 3/4-10X14 3/4 LG SP	
37	803-020C	NUT HEX 1/2-13 PLT	
38	803-021C	NUT HEX 5/8-11 PLT	
39	803-027C	NUT HEX 3/4-10 PLT	
40	803-048C	NUT HEX JAM 3/4-10 PLT	
41	803-159C	NUT LUG 1/2-20X60DEG PLT(.75AF	
42	803-169C	NUT HEX FLG LOCK 1/2-13 PLT	
43	803-177C	NUT HEX FLG TP LK 5/16-18ZNYCR	
44	803-196C	NUT HEX FLANGE 5/8-11 PLT	
45	803-199C	NUT HEX FLANGE 5/16-18 PLT	
46	804-015C	WASHER LOCK SPRING 1/2 PLT	

**Dual Contact Wheel Drive**

---

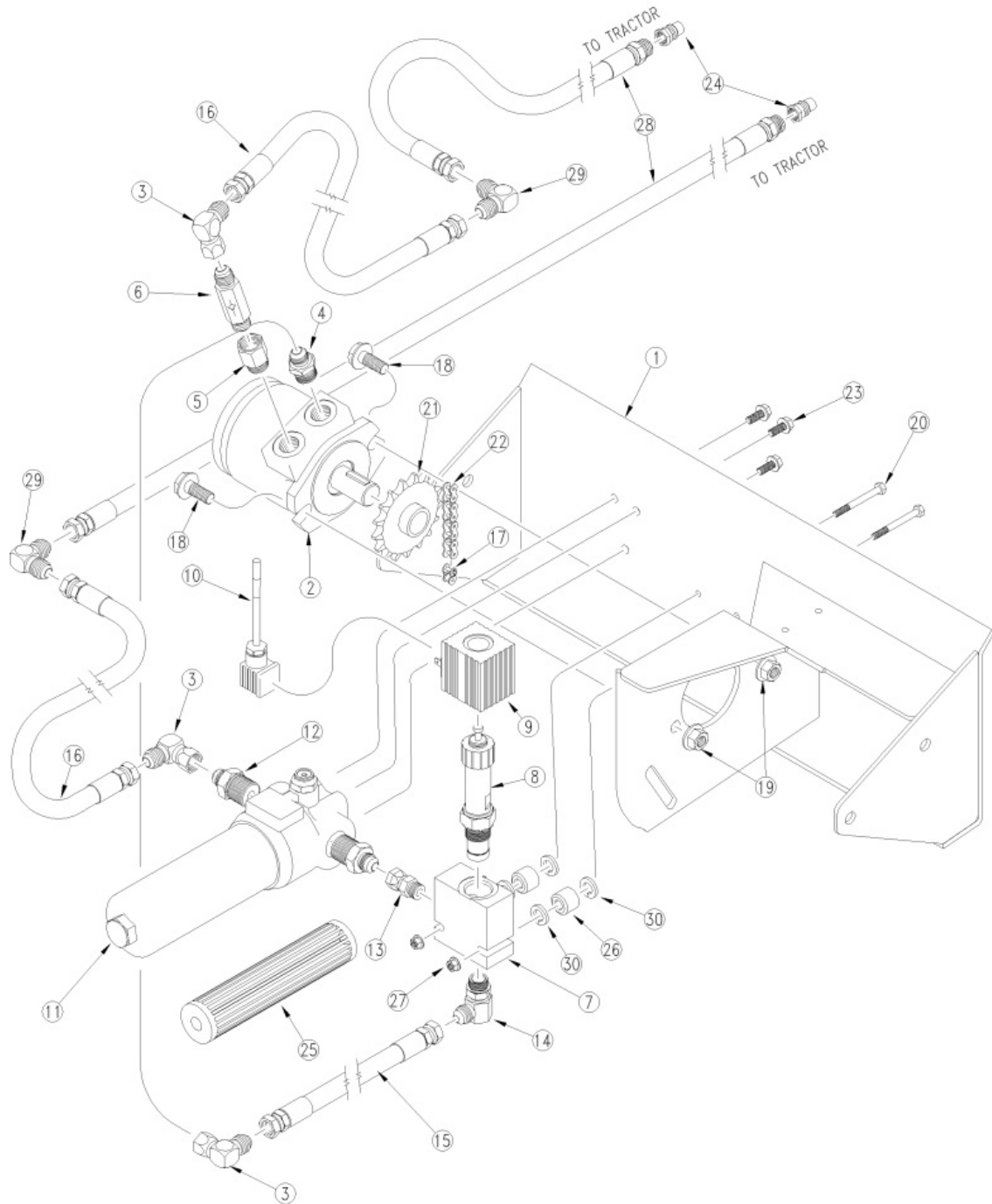
*This Page Intentionally Left Blank*

**Dual Contact Wheel Drive**

Ref.	Part No.	Part Description	Comments
47	804-019C	WASHER FLAT 5/8 USS PLT	
48	804-022C	WASHER LOCK SPRING 5/8 PLT	
49	804-023C	WASHER LOCK SPRING 3/4 PLT	
50	804-024C	WASHER FLAT 3/4 USS PLT	
51	804-192C	WASHER MACH 1.5X1.00X.075	
52	805-180C	PIN ROLL 1/4 X 1 1/2 LG PLT	
53	805-240C	PIN LINCH 3/16 X 1 9/16 LONG	
54	806-050C	U-BOLT 3/4-10 X 7 X 8 1/2	
55	149-559D	SPRING 2.25 O.D. X .5 COIL	
56	808-302C	SPKT 50C15 X 7/8 HEX BORE	
57	808-303C	SPKT 50C17 X 7/8 HEX BORE	
58	808-304C	SPKT 50C19 X 7/8 HEX BORE	
59	808-305C	SPKT 50C20 X 7/8 HEX BORE	
60	808-307C	SPKT 50C23 X 7/8 HEX BORE	
61	808-308C	SPKT 50C24 X 7/8 HEX BORE	
62	808-309C	SPKT 50C25 X 7/8 HEX BORE	
63	808-310C	SPKT 50C26 X 7/8 HEX BORE	
64	808-311C	SPKT 50C27 X 7/8 HEX BORE	
65	808-312C	SPKT 50C28 X 7/8 HEX BORE	
66	808-315C	SPKT 50C60 X 7/8 HEX BORE	
67	808-319C	SPKT 50C30 X 7/8 HEX BORE	
68	808-320C	SPKT IDLER BRG #50 15 TOOTH	
69	814-318C	TIRE WHL ASM 20X8.00-10 TURF	
70	822-175C	FLANGETTE 52 3-BOLT PLT	
71	822-195C	BRG INS 7/8HEXX2.04OD SPH	
72	804-013C	WASHER LOCK SPRING 3/8 PLT	
73	803-014C	NUT HEX 3/8-16 PLT	
74	802-017C	HHCS 3/8-16X1 GR5	
75	402-271S	CONTACT WHEEL DRIVE HUB SUBASY	
76	405-030D	25/32 PW SPACER 5/8 DIA	

# Intelliag Drive Components (S/N A1111K+) (S/N A1190B+)

Applies to Models: YP1625 (2005+), YP1225 (2005+)



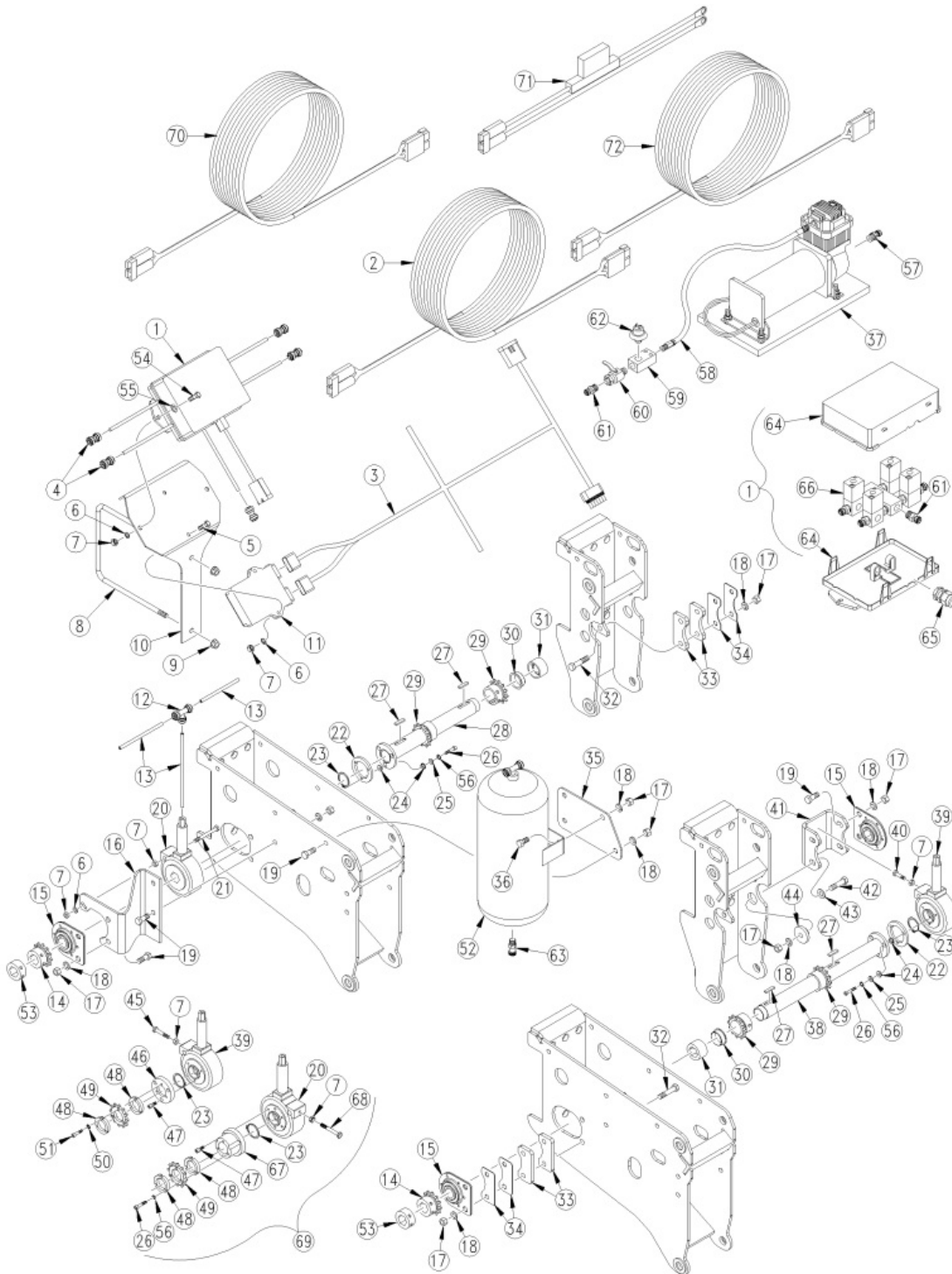
**Intelliag Drive Components (S/N A1111K+) (S/N A1190B+)**

Applies to Models: YP1625 (2005+), YP1225 (2005+)

Ref.	Part No.	Part Description	Comments
	DWG28475	Image No.	
1	402-260H	BRACKET YP16 HYD DRIVE	
2	810-603C	MOTOR 8.8 CU IN FC6 MNT KEYED	
3	811-150C	EL 3/4FJIC 3/4MJIC	
4	811-192C	AD 3/4MJIC 7/8MORB	
5	811-564C	AD 3/4FORB 7/8MORB	
6	810-696C	VALVE INLINE CHECK W/ ORIFICE	
7	VER-19800	VERIS VLV BODY SAE-12-2X SAE-8	
8	VER-19798	VERIS PROPORTIONAL CARTR 14GPM	
9	VER-19799	VERIS COIL 12V WATERMAN CARTR	
10	VER-18375	VERIS SOLENOID CABLE	
11	850-066C	FILTER ASM 6000PSI 6MICRON	
12	811-205C	AD 3/4MJIC 1 1/16MORB	
13	811-324C	AD 3/4MORB 3/4FJIC	
14	811-063C	EL 3/4MJIC 3/4MORB	
15	811-331C	HH1/2R2 020 3/4FJIC	
16	811-266C	HH1/2R2 192 3/4FJIC	
17	809-041C	CONNECTOR OFFSET #50	
18	802-034C	HHCS 1/2-13X1 1/4 GR5	
19	803-037C	NUT HEX WHIZ 1/2-13 PLT	
20	802-551C	HHCS 1/4-20X2 1/4 GR5	
21	808-344C	SPKT 50B17 X 1 BORE W/KW, 2 SS	
22	136-245D	CHAIN RL #50 52 PITCHES	
23	VER-18548	VERIS BLT FLG SER8.8M8-1.25X16	
24	811-394C	CP 3/4FORB MALE QD POPPET TYPE	
25	850-507C	FILTER ELEMENT 6 MICRON	Please contact Great Plains Parts Department before ordering!
26	152-379D	1/4 SPACER TUBE	
27	803-088C	NUT HEX LOCK 1/4-20 FLG	
28	811-959C	HH1/2R2 312 3/4FJIC 3/4MORB	
29	811-725C	EL 90 3/4MJIC	
30	804-015C	WASHER LOCK SPRING 1/2 PLT	

# Tru-Count Clutch Assembly

Applies to Models: YP1625 (2005+), YP1225 (2005+)



**Tru-Count Clutch Assembly**

Applies to Models: YP1625 (2005+), YP1225 (2005+)

Ref.	Part No.	Part Description	Comments
	DWG29815	Image No.	
1	829-140C	TRU-COUNT 75713-00 VALVE ASM	
2	823-337C	EXTENSION HARNESS 40' 6 PIN WP	
2	823-336C	EXTENSION HARNESS 25' 6 PIN WP	
3	467983505	DJIA OUTPUT HARN 8-CH TRU-COUN	
4	830-383C	CP 1/4 PUSH LOK POLY	
5	802-224C	HHCS 1/4-20X1 1/4 GR5	
6	804-006C	WASHER LOCK SPRING 1/4 PLT	
7	803-006C	NUT HEX 1/4-20 PLT	
8	806-073C	U-BOLT 3/8-16 X 7 1/32 X 7 7/8	
9	803-209C	NUT FLANGE LOCK 3/8-16 PLT	
10	402-533D	TRU-COUNT VALVE MODULE BRACKET	
11	467982000S1	OB RPBX 467982001S1	
12	830-405C	TE POLY 1/4 PUSH LOCK	
13	990-109R	TUBE NYLON 1/4OD X 062WL	
14	808-395C	SPKT 41C12 W/SS SPCL PLT	
15	822-239C	PEER 7/8 HEX BRG AND MNT	
16	402-523D	OFFSET BRG BRACKET	RH Bracket (Shown)
16	402-532D	OFFSET BRG BRACKET LH	LH Bracket
17	803-014C	NUT HEX 3/8-16 PLT	
18	804-013C	WASHER LOCK SPRING 3/8 PLT	
19	802-017C	HHCS 3/8-16X1 GR5	
20	823-327C	TRU-COUNT CLUTCH AIR RH	RH clutch
21	802-097C	HHCS 1/4-20X2 1/2 GR5	
22	402-525D	TRU-COUNT HUB	
23	800-004C	SNAP RING EXT BASIC 1 3/16	
24	816-648C	RUBBER FLG BUSH .189ID.36OD	
25	804-046C	WASHER FLAT #10 SAE PLT	
26	802-901C	HSNCS #10-32X1	
27	402-534D	KEY .250X.125X1.00 RECT	
28	402-272H	TRU-COUNT 15 IN SPKT TUBE	NO 3PYP
28	402-274H	TRU-COUNT 15 IN LH SPKT TUBE	YP40 & YP24
28	402-278H	TRU-COUNT TR SPKT TUBE REP	ALL
29	808-415C	SPKT 41B12 SPCL	
30	817-852C	FLG BSHG 30MMX32MMX12MM	
31	402-524D	ADAPTER 7/8 HEX 1 1/4 RND BORE	
32	802-023C	HHCS 3/8-16X1 3/4 GR5	
33	402-527D	SPACER PLATE FRT BEARING	
34	402-541D	SPACER SHIM FRT BRG TRU COUNT	
35	402-535D	TRU-COUNT AIR TANK MOUNT PLATE	
36	802-014C	HHCS 3/8-16X3/4 GR5	
37	823-330C	TRU-COUNT COMPRESSOR ASSEMBLY	
38	402-280H	TRU-COUNT TR REVERSE SPKT TUBE	
39	823-328C	TRU-COUNT CLUTCH AIR LH	
40	802-005C	HHCS 1/4-20X1 GR5	
41	402-538D	SUPT BRACKET HEX BRG	
42	802-022C	HHCS 3/8-16X1 1/2 GR5	
43	804-012C	WASHER FLAT 3/8 SAE PLT	
44	402-539D	STEP BUSHING FOR OPENER BRG	
45	802-167C	HHCS 1/4-20X1 1/2 GR5	Used on single row assembly

***Tru-Count Clutch Assembly***

---

*This Page Intentionally Left Blank*

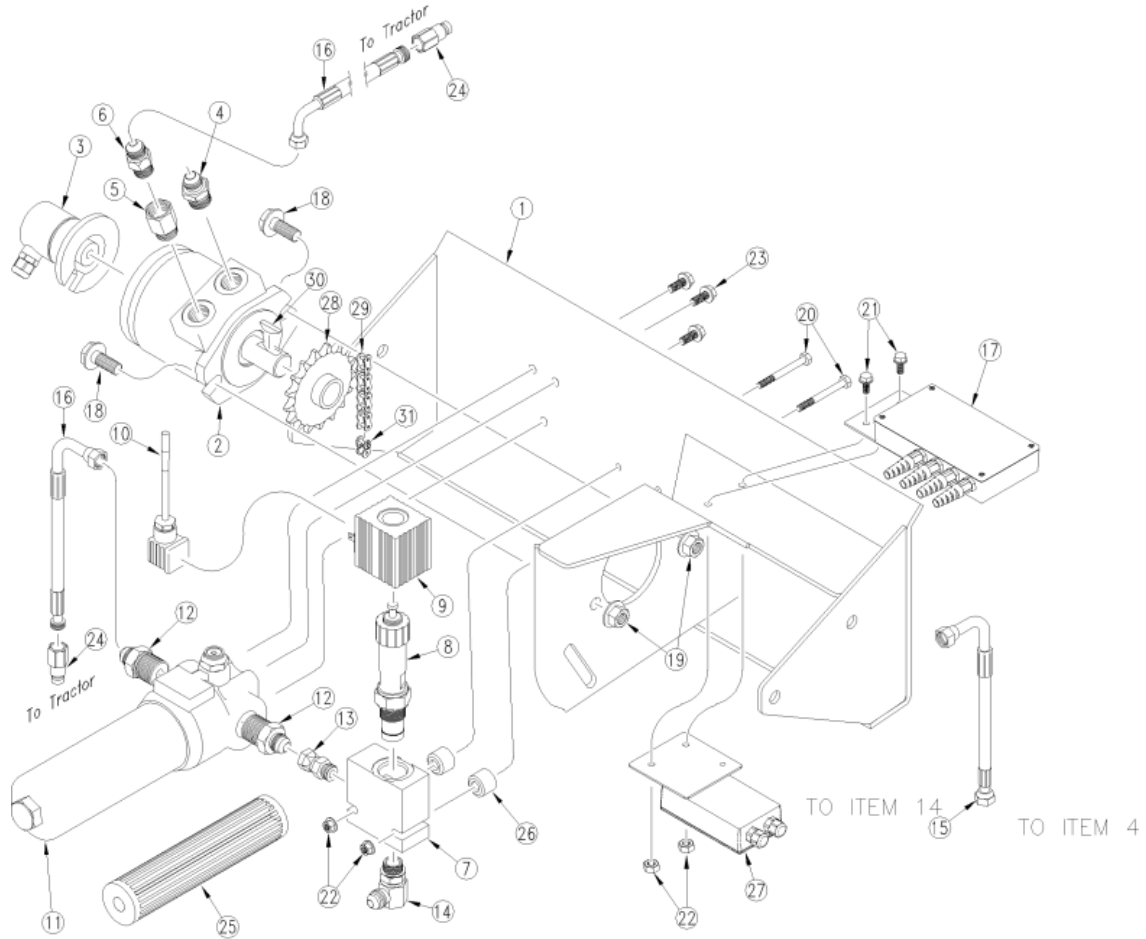


**Tru-Count Clutch Assembly**

Ref.	Part No.	Part Description	Comments
46	402-529D	ADAPTER TC CLUTCH 41A12 SPKT	Used on single row assembly
47	802-575C	HSHCS #10-32X5/8	Used on single row assembly
48	402-530D	TRU-COUNT SPKT RETAINER RING	Used on single row assembly
49	402-630D	SPKT 41A12 3HOLE TC	Used on single row assembly
50	804-032C	WASHER LOCK INTERNAL #10 SS	Used on single row assembly
51	802-904C	HSHCS #10-32X7/8	Used on single row assembly
52	823-329C	TRU-COUNT AIR TANK ASM	
53	402-025S	LOCK COLLAR, 7/8 HEX W/ SET SC	
54	802-004C	HHCS 1/4-20X3/4 GR5	
55	804-007C	WASHER FLAT 1/4 SAE PLT	
56	804-054C	WASHER LOCK #10	
57	823-368C	68935 TRU CNT FIT.1/4MNPTX1/4	
58	823-367C	68932 TRU CNT HOSE FOR COMPRES	
59	823-370C	69045 TRU CNT MAN CMP 350/450C	
60	823-365C	69151 TRU COUNT MINI BALL VALV	
61	823-375C	69002-10S (10PK)TRU CNT TB FIT	
62	823-374C	77621 TRU CNT SWTCH 85-105PSI	
63	823-372C	68892 TRU CNT BRSS TNK DRN 1/4	
64	823-366C	OBSOLETE TRU CNT VALV ENCLOSUR	
65	823-373C	73814 TRU CNT STRN RELIEF LIQ	
66	823-371C	68842 TRU COUNT AIR VALVE SING	
67	402-591D	SPACER EXTENDED SNGL CLUTCH TC	
68	802-152C	HHCS 1/4-20X2 GR5	
69	402-329K	TRU-COUNT SHORT ROW SINGLE ASM	Only used on YP30. Includes items: 7, 20, 23, 26, 47-49, 56, & 67-68
70	823-389C	75166 TRIMBLE 11' EXT. HARN	
71	823-388C	75165 TRIMBLE BATT LEAD CAB	
72	823-390C	75167 TRIMBLE 8' EXT. HARN	

# Veris Drive Components (S/N A1110K-) (S/N A1189B-)

Applies to Models: YP1625 (2005+), YP1225 (2005+)



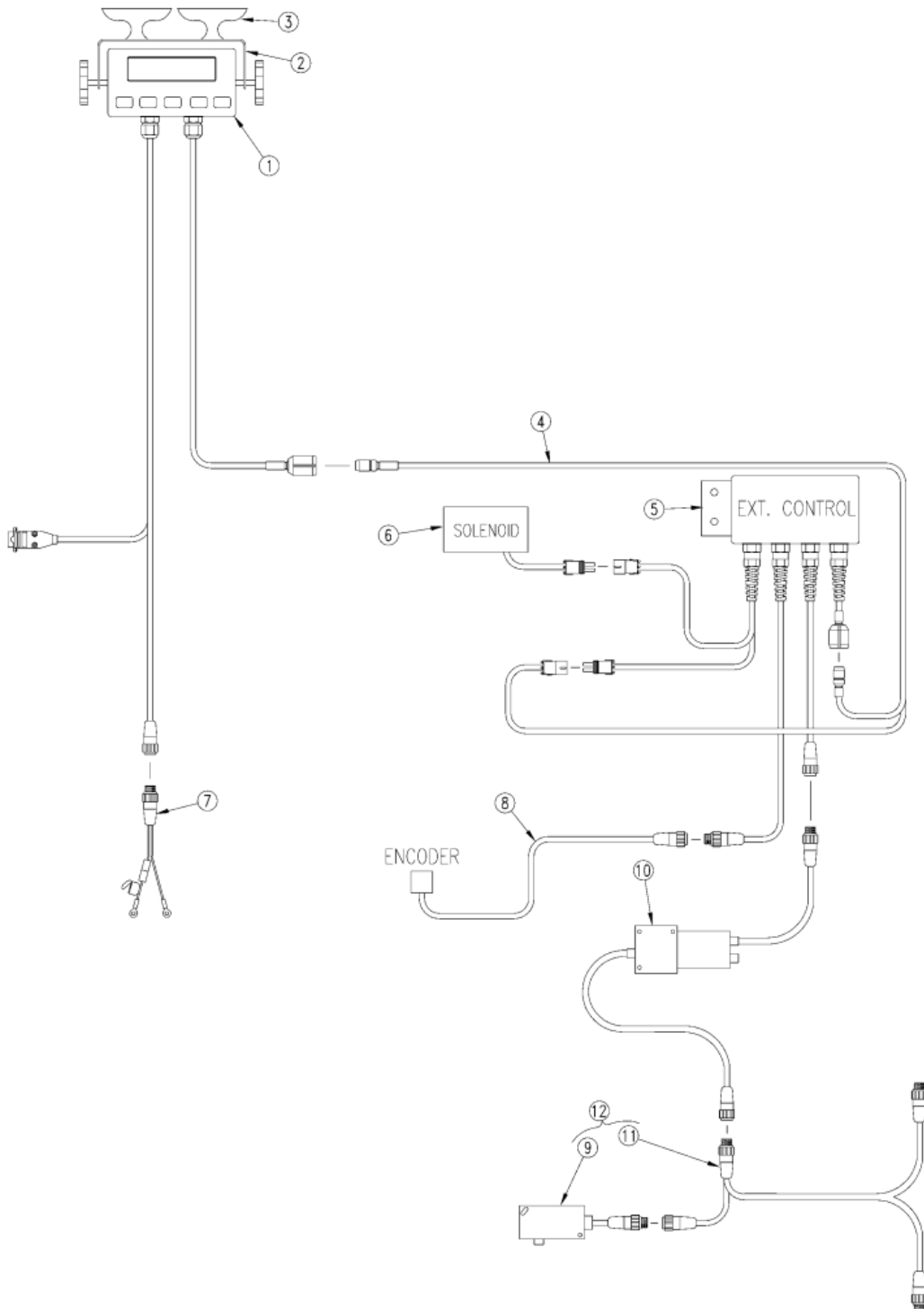
**Veris Drive Components (S/N A1110K-) (S/N A1189B-)**

Applies to Models: YP1625 (2005+), YP1225 (2005+)

Ref.	Part No.	Part Description	Comments
	DWG21873	Image No.	
1	402-260H	BRACKET YP16 HYD DRIVE	
2	VER-18468	VERIS MOTOR HYD 5.4 CIR W/ENC	
3	VER-18382	VERIS ENCODER W/ CABLE	
4	811-192C	AD 3/4MJIC 7/8MORB	
5	811-564C	AD 3/4FORB 7/8MORB	
6	810-696C	VALVE INLINE CHECK W/ ORIFICE	
7	VER-19800	VERIS VLV BODY SAE-12-2X SAE-8	
8	VER-19798	VERIS PROPORTIONAL CARTR 14GPM	
9	VER-19799	VERIS COIL 12V WATERMAN CARTR	
10	VER-18375	VERIS SOLENOID CABLE	
11	850-066C	FILTER ASM 6000PSI 6MICRON	
12	811-205C	AD 3/4MJIC 1 1/16MORB	
13	VER-8238	VERIS FTG HYD 8MB-8FJX	
14	811-063C	EL 3/4MJIC 3/4MORB	
15	VER-2584	VERIS HYD HS 8M3K-8FJX90S-8FJX	
16	VER-20524	VERIS HH 8M3K-8FJX90S-8MB-535	YP 1625 only
16	VER-26336	VERIS HH 8M3K-8FJX90S-8MB 450	YP 1225 only
17	VER-27946	YP EXTERNAL CONTROL	
18	VER-10968	BLT FLG SERR 1/2-13NCX1.25 GR5	
19	803-037C	NUT HEX WHIZ 1/2-13	
20	802-551C	HHCS 1/4-20X2 1/4 GR5	
21	802-004C	HHCS 1/4-20X3/4 GR5	
22	803-088C	NUT HEX LOCK 1/4-20 FLG	
23	VER-18548	VERIS BLT FLG SER8.8M8-1.25X16	
24	VER-19582	VERIS CX CPLR MALE 3/4-16 ORB	
25	850-507C	FILTER ELEMENT 6 MICRON	Please contact Great Plains Parts Department before ordering!
26	VER-5732	VER SPCR .75 OD X.266 ID X.625	
27	VER-24275	VER HALL EFFECT MODULE GP PLTR	
28	808-344C	SPKT 50B17 X 1 BORE W/KW, 2 SS	
29	136-182D	CHAIN RL #50 50 PITCHES	2005+
29	136-218D	CHAIN RL #50 57 PITCHES	2004-
30	VER-20317	VERIS KEY WOODRUFF	
31	809-041C	CONNECTOR OFFSET #50	2005+

# Veris Drive Controller

Applies to Models: YP1625 (2005+), YP1225 (2005+)

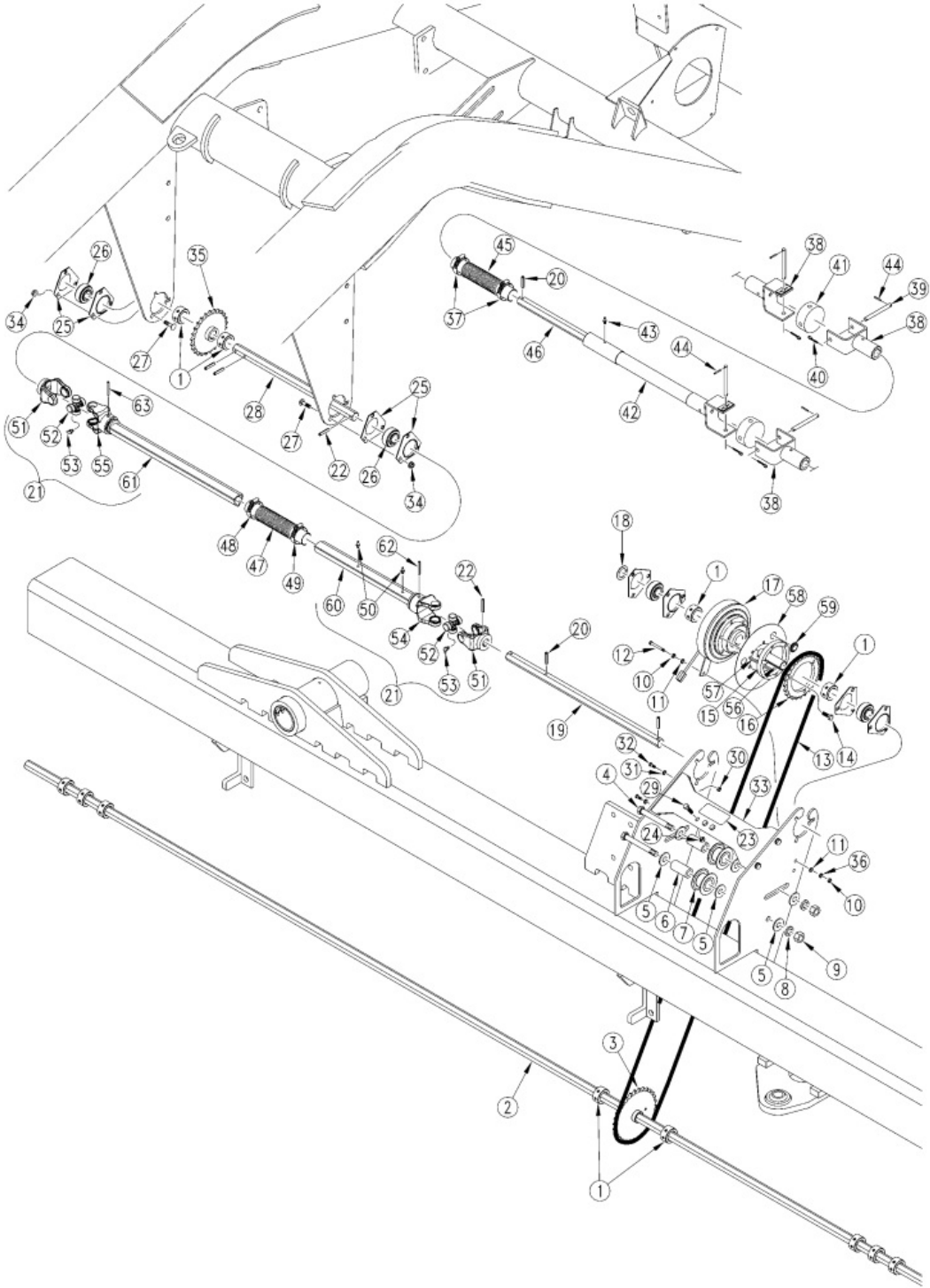


**Veris Drive Controller**

Applies to Models: YP1625 (2005+), YP1225 (2005+)

Ref.	Part No.	Part Description	Comments
	DWG22508	Image No.	
1	VER-21567	VERIS CAB CONSOLE	Includes Power Cable to Battery
2	VER-19516	VERIS MOUNT	
3	VER-21463	VERIS SUCTION CUP	
4	VER-21475	VERIS POWER/COMM CABLE 55'	
5	VER-27946	YP EXTERNAL CONTROL	
6	VER-18375	VERIS SOLENOID CABLE	
7	VER-19729	VERIS PWR PRT ADPTR-HYD DRIVE	
8	VER-18382	VERIS ENCODER W/ CABLE	
9	VER-28383	VERIS SPEED SNSR SWITHC HRNESS	(1625 S/N A1052B+)(1225 S/N A1025K+)
9	VER-24697	RPBY VER-28383	(1625 S/N A1051B-)(1225 S/N A1024K-)
10	VER-24275	VER HALL EFFECT MODULE GP PLTR	
11	VER-24698	VERIS SPEED SENSOR HARNESS	
12	VER-24223	VERIS SPEED SNSR SWITCH HRNESS	

Applies to Models: YP1625 (2005+), YP1225 (2005+)



Applies to Models: YP1625 (2005+), YP1225 (2005+)

Ref.	Part No.	Part Description	Comments
	DWG23237	Image No.	
1	402-025S	LOCK COLLAR, 7/8 HEX W/ SET SC	
2	401-490D	SHAFT 7/8 HEX X 232 LONG	16 Row LH Wing
2	401-491D	SHAFT 7/8 HEX X 225 LONG	16 Row RH Wing
2	401-632D	SHAFT 7/8 HEX X 172	12 Row LH Wing
2	401-633D	SHAFT 7/8 HEX X 167	12 Row RH Wing
3	808-319C	SPKT 50C30 X 7/8 HEX BORE	
4	802-041C	HHCS 1/2-13X3 1/2 GR5	
5	804-113C	WASHER FLAT 1/2 USS HARD PLT	
6	120-306D	TUBE RND 1 OD X 7/32W X 2.13	
7	817-456C	IDLER SPOOL #50 2.38X1.01X.31	
8	804-015C	WASHER LOCK SPRING 1/2 PLT	
9	803-020C	NUT HEX 1/2-13 PLT	
10	803-006C	NUT-HEX 1/4-20 PLT	
11	804-007C	WASHER FLAT 1/4 SAE PLT	
12	802-893C	HHCS 1/4-20X6 GR5 PLT	
13	136-225D	CHAIN RL #50 91 PITCHES	(1625 S/N A1052B+)(1225S/N A1025K+)
13	136-200D	CHAIN RL #50 92 PITCHES	(1625 S/N A1051B-)(1225S/N A1024K-)
14	802-775C	HSHCS M8X1.25X30 GR8.8 PLT	
15	196-876D	CLUTCH SPROCKET SPACER	
16	808-357C	SPKT 50A25 CLUTCH METRIC BORE	
17	823-231C	OGURA CLUTCH	
18	804-061C	WASHER MACH 1.50 X 1.00 X 18GA	
19	401-747D	SHAFT 7/8 HEX 19.13 LONG	(1625 S/N A1052B+)(1225S/N A1025K+)
19	401-492D	SHAFT 7/8 HEX 20.50 LONG	(1625 S/N A1051B-)(1225S/N A1024K-)
19	401-699D	SHAFT 7/8 HEX 25.12 LONG	36" Twin Row Only
20	805-180C	PIN ROLL 1/4 X 1 1/2 LG PLT	
21	826-501C	DRVLN C1 52 0.88HEX FX	Includes items 50-55
22	805-146C	PIN ROLL 1/4 X 2 LG PL	
23	838-763C	DECAL CLUTCH LOCKUP	
24	803-278C	NUT HEX NYLOCK M8X1.25 PLT	
25	822-175C	FLANGETTE 52 3-BOLT PLT	
26	822-195C	BRG INS 7/8HEXX2.04OD SPH	
27	802-282C	RHSNB 5/16-18X1 GR5	
28	401-631D	SHAFT 7/8 HEX X 37.38	
29	802-782C	HHCS M8X1.25X14 GR8.8	
30	803-014C	NUT HEX 3/8-16 PLT	
31	804-013C	WASHER LOCK SPRING 3/8 PLT	
32	802-017C	HHCS 3/8-16X1 GR5	
33	401-563D	DRIVE PLATES BRACE	
34	803-177C	803-184 FLG TP LK 5/16-18ZNYCR	
35	808-307C	SPKT 50C23 X 7/8 HEX BORE	(1625 S/N A1104B+)(1225 S/N A1056K+)
35	808-309C	SPKT 50C25 X 7/8 HEX BORE	(1625 S/N A1103B-)(1225 S/N A1055K-)
36	804-006C	WASHER LOCK SPRING 1/4 PLT	
37	800-311C	RPBY 800-124C	(1625 S/N A1051B-)(1225S/N A1024K-)
38	196-245H	U-JOINT DRIVE SHAFT YOKE	(1625 S/N A1051B-)(1225S/N A1024K-)
39	195-157D	U-JOINT PIN 3/8	(1625 S/N A1051B-)(1225S/N A1024K-)
40	805-067C	PIN COTTER 1/8 X 3/4	(1625 S/N A1051B-)(1225S/N A1024K-)
41	817-273C	U-JOINT NYLATRON CROSS BLOCK	(1625 S/N A1051B-)(1225S/N A1024K-)
42	196-246H	TELESCOPING DRIVE SHAFT TUBE	(1625 S/N A1051B-)(1225S/N A1024K-)

*This Page Intentionally Left Blank*

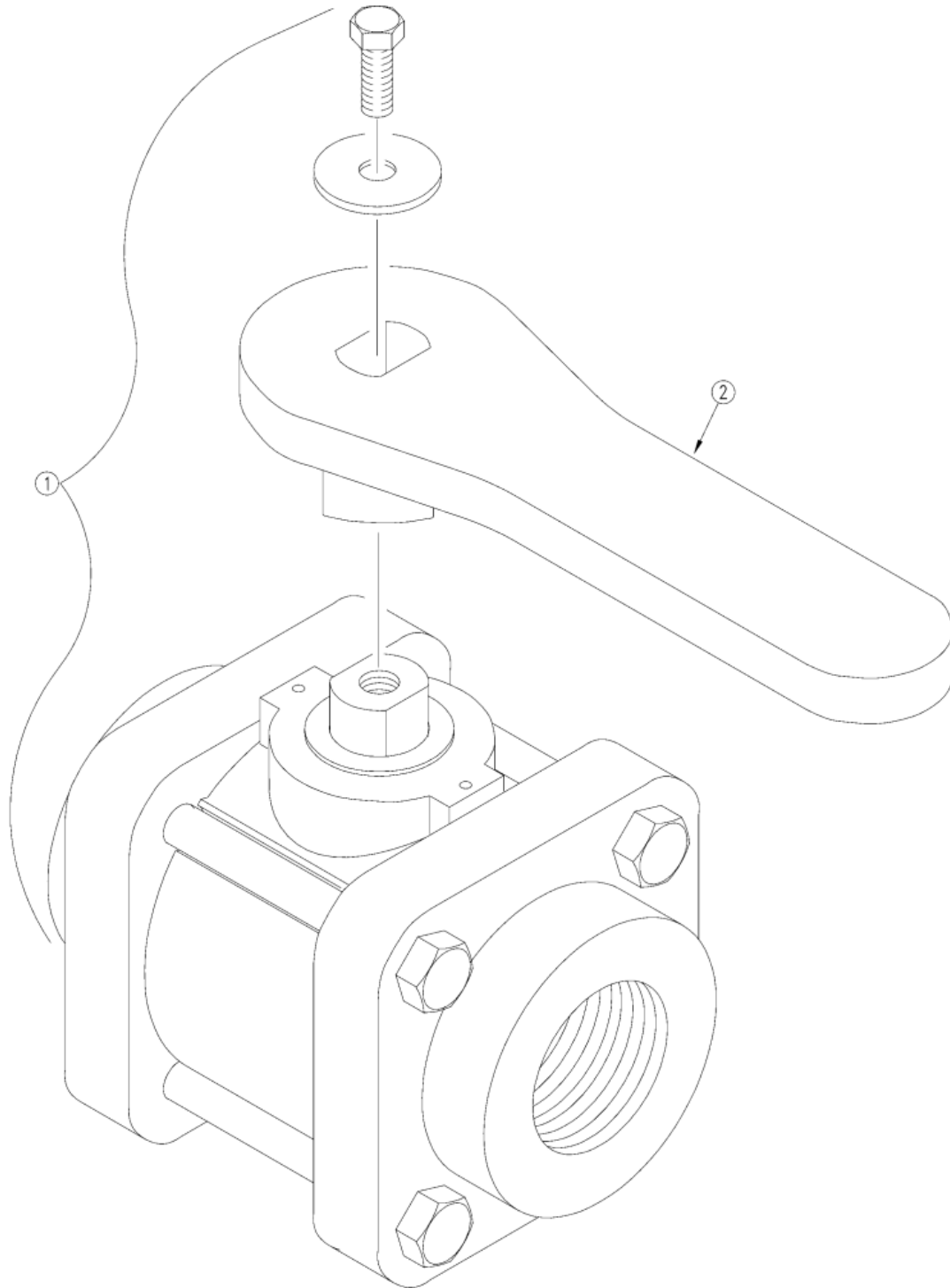


---

Ref.	Part No.	Part Description	Comments
43	6560007	M6X1X3.5MM THD ZERK 826-501-2	(1625 S/N A1051B-)(1225S/N A1024K-)
44	805-073C	PIN ROLL 5/32 X 1	(1625 S/N A1051B-)(1225S/N A1024K-)
45	816-107C	SEED HOSE X 45 RIBS	(1625 S/N A1051B-)(1225S/N A1024K-)
46	196-581D	SLIDER SHAFT 7/8 HEX 44.50 LG	(1625 S/N A1051B-)(1225S/N A1024K-)
47	816-547C	DRIVE SHAFT BELLOWS	
48	800-257C	CLAMP WRM DRV #20SS (.81-1.75)	
49	800-125C	CLAMP WRM DRV#28 SS(1.31-2.25)	
49	800-125C	CLAMP WRM DRV#28 SS(1.31-2.25)	
50	6560007	M6X1X3.5MM THD ZERK 826-501-2	
51	1071001	EC YOKE ASSY	
52	1001020	EC CROSS ASSEMBLY (U JOINT)	
53	084099	WS ZERK M8 X 1 X 45 DEG	
54	1701027	EC OUTER TUBE YOKE	
55	1701029	EC INNER TUBE YOKE	
56	196-877D	BUSHING 1 1/8 ODX7/8 HEX BORE	
57	839-956C	KEY 1/4 X 3/16 X 3.80	
58	402-507D	CLUTCH OL SHIELD	
59	817-813C	BUTTON PLUG 7/8 ROUND HOLE	
60	1521901	EUROCARDAN OUTER TUBE	
61	1520120	EUROCARDAN INNER TUBE	
62	6330850	EC 8X50-DIN-1481 ROLL PIN	
63	6330845	EC 8X45 1485DIN ROLL PIN	

# 1 1/2" Ball Valve Assembly (829-013C)

Applies to Models: YP1625 (2005+), YP1225 (2005+)



# 1 1/2" Ball Valve Assembly (829-013C)

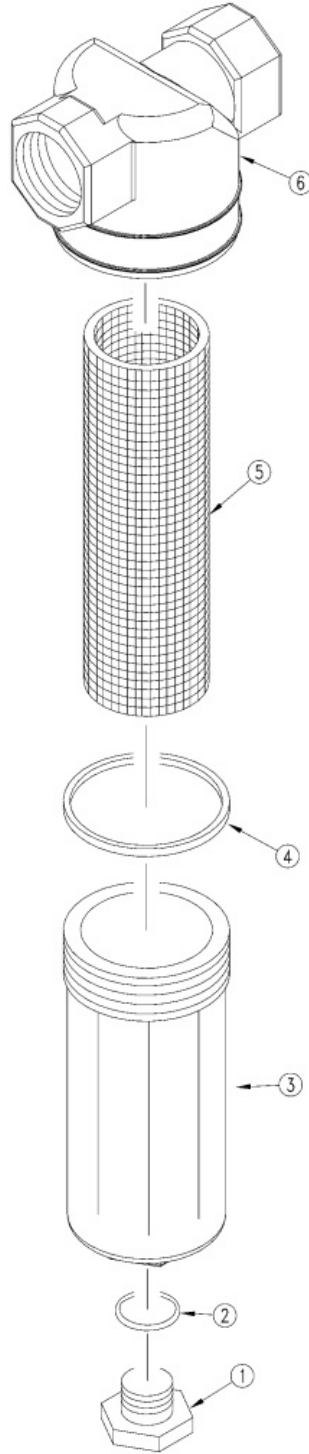
---

Applies to Models: YP1625 (2005+), YP1225 (2005+)

Ref.	Part No.	Part Description	Comments
	DWG14408	Image No.	
1	829-013C	VALVE 1 1/2FNPT BALL POLYPROP	
2	V-20153	BANJO VALVE HANDLE 1.25-1.5	

# Banjo Strainer (831-029C)

Applies to Models: YP1625 (2005+), YP1225 (2005+)



**Banjo Strainer (831-029C)**

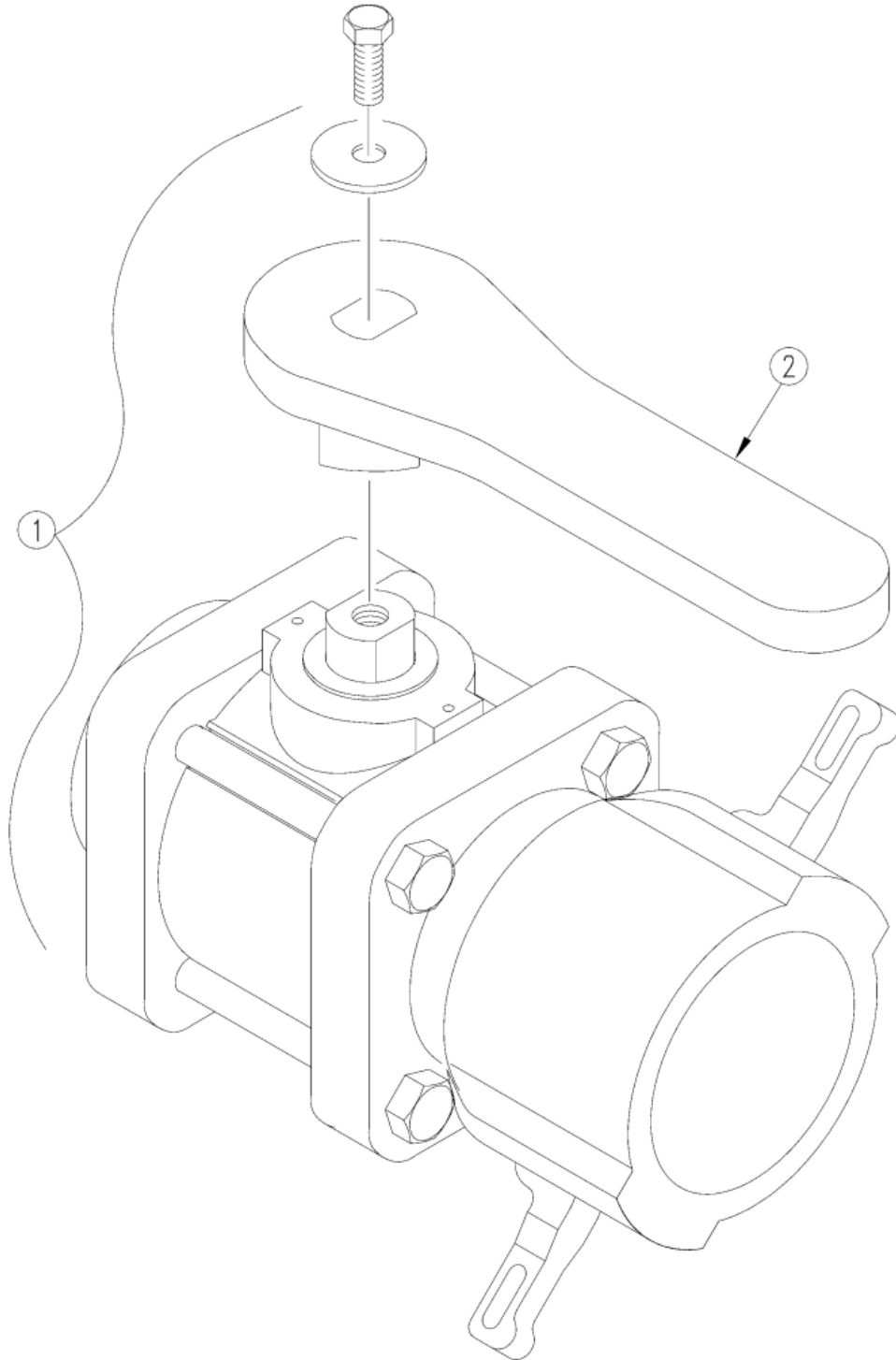
---

Applies to Models: YP1625 (2005+), YP1225 (2005+)

<b>Ref.</b>	<b>Part No.</b>	<b>Part Description</b>	<b>Comments</b>
	DWG18418	Image No.	
1	LSQ200-PL	PLUG FOR STRAINER 831-029C	
2	LSQ200-R	GASKET/O-RING	
3	LST150-B	1 1/2 FLG T-STRAIN BOWL	
4	LST150-G	GASKET FOR 831-029C	
5	LST1580	SCREEN FOR STRAINER 831-029C	
6	LST150-H	HEAD FOR 831-029C	

# Cam Lock Ball Valve (829-048C)

Applies to Models: YP1625 (2005+), YP1225 (2005+)



## Cam Lock Ball Valve (829-048C)

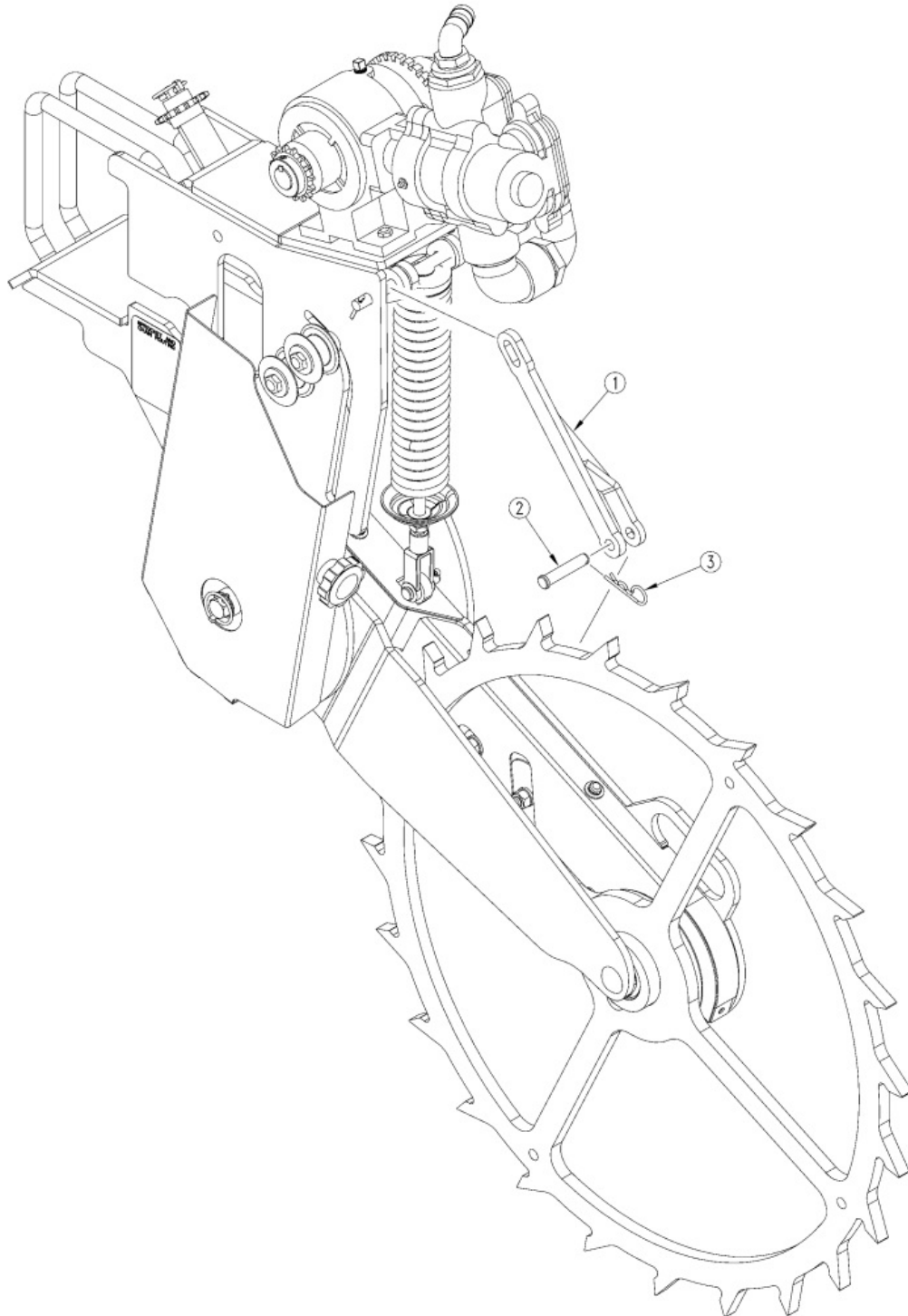
---

Applies to Models: YP1625 (2005+), YP1225 (2005+)

Ref.	Part No.	Part Description	Comments
	DWG15489	Image No.	
1	829-048C	VALVE - 1 1/2FNPT X 2FCL POLYP	
2	V-20153	BANJO VALVE HANDLE 1.25-1.5	

# Contact Wheel Lock Up

Applies to Models: YP1625 (2005+)





# Contact Wheel Lock Up

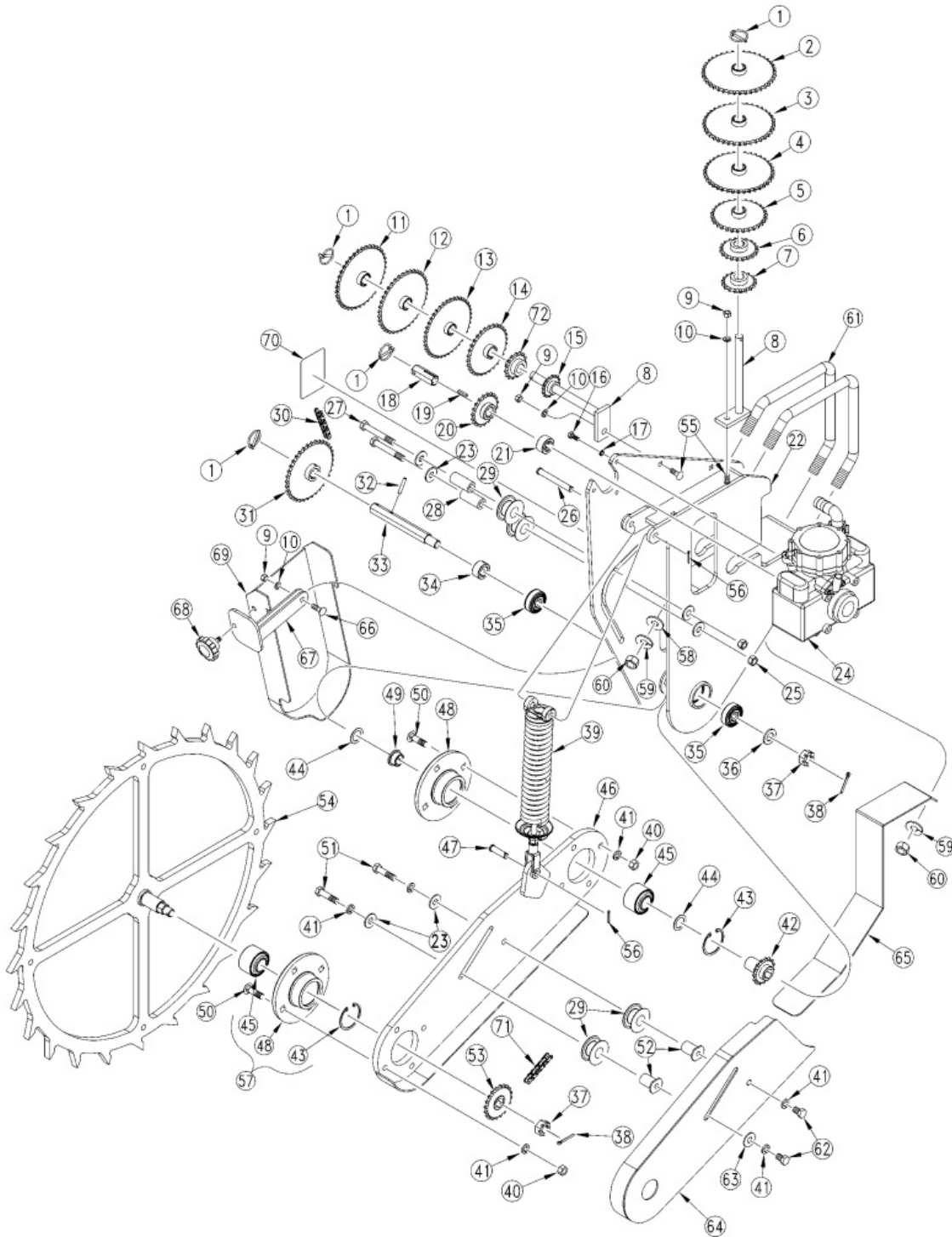
---

Applies to Models: YP1625 (2005+)

Ref.	Part No.	Part Description	Comments
	DWG32360	Image No.	
1	407-741H	FERT CONT WHL LOCK UP WLDMNT	
2	805-192C	PIN CLEVIS 1/2 X 2 1/2 PLT	
3	805-143C	PIN HAIR COTTER .120 PLT	

# Fertilizer Contact Wheel Breakdown (S/N A1065K to A1110K) (S/N A1133B to A1189B)

Applies to Models: YP1625 (2005+), YP1225 (2005+)



# Fertilizer Contact Wheel Breakdown (S/N A1065K to A1110K) (S/N A1133B to A1189B)

Applies to Models: YP1625 (2005+), YP1225 (2005+)

Ref.	Part No.	Part Description	Comments
	DWG25133	Image No.	
1	805-240C	PIN LINCH 3/16 X 1 9/16 LONG	
2	117-099H	SPKT 40C38 X 7/8 HEX BORE	
3	407-151H	SPKT 40C39 X 7/8 HEX BORE	
4	808-156C	SPKT 40C30 X 7/8 HEX BORE	
5	808-276C	SPKT 40C20 X 7/8 HEX BORE	
6	808-147C	SPKT 40C15 X 7/8 HEX BORE	
7	808-149C	SPKT 40C19 X 7/8 HEX BORE	
8	407-141H	SPKT STORAGE MNT	
9	803-014C	NUT HEX 3/8-16 PLT	
10	804-013C	WASHER LOCK SPRING 3/8 PLT	
11	407-208H	SPKT 40C49 X 7/8 HEX BORE	
12	808-262C	SPKT 40C47 X 7/8 HEX BORE	
13	117-098H	SPKT 40C45 X 7/8 HEX BORE	
14	808-251C	SPKT 40C36 X 7/8 HEX BORE	
15	808-219C	SPKT 40C12 X 7/8 HEX BORE	
16	802-714C	HHCS M8X1.25X25 GR8.8 YLW PLT	
17	804-157C	WASHER SPRING LOCK M8 PLT	
18	407-290D	DRIVE ADAPT 7/8 HEX X 3/4 RND	
19	168-127D	3/16 X 1 KEY	
20	808-249C	SPKT 40C18 X 7/8 HEX BORE	
21	402-025S	LOCK COLLAR, 7/8 HEX W/ SET SC	
22	407-187H	MOUNT	
23	804-113C	WASHER FLAT 1/2 USS HARD PLT	
24	407-190S	.UMP HYPRO D30AP SUB-ASY	Refer to "Hypro Pump (407-190S)" for breakdown
25	803-147C	NUT HEX NYLOCK 1/2-13	
26	805-234C	PIN CLEVIS 1/2 X 4 PLATED	
27	802-041C	HHCS 1/2-13X3 1/2 GR5	
28	407-170D	TUBE RND 1 OD X 7/32WL X 2.25	
29	817-406C	IDLER 1 PC 2.38X1.01X1.062	
30	136-223D	CHAIN RL #40 138 PITCHES	
31	401-152H	SPKT 40C40 X 7/8 HEX BORE	
32	805-180C	PIN ROLL 1/4 X 1 1/2 LG PLT	
33	407-168D	FERT DRIVE CONT WHL JACK SHAFT	
34	407-172D	7/8 HEX X 3/4 LNG SPKT SPACER	
35	188-006V	BRG .880 HEX BORE 205DD	
36	804-093C	WASHER FLAT 3/4 HARD ASTMF436	
37	803-053C	NUT HEX SLOTTED 3/4-16	
38	805-104C	PIN COTTER 3/16 X 1 1/2 PLT	
39	121-763S	OPENER SPRING ROD ASSY. SHRT.	
40	803-020C	NUT HEX 1/2-13 PLT	
41	804-015C	WASHER LOCK SPRING 1/2 PLT	
42	407-142H	FERT DRIVE CONT WHL SPKT WLMT	
43	800-005C	RING FC HOUSING	
44	804-061C	WASHER MACH 1.50 X 1.00 X 18GA	
45	822-215C	BRG 5206KPP3 1.187 IDX2.44 OD	
46	407-143H	FERT CONT WHL ARM WLMT	
47	805-127C	PIN CLEVIS 1/2 X 1 3/4	
48	204-328D	NARROW COULTER HUB	
49	407-167D	BRG SPACER	

**Fertilizer Contact Wheel Breakdown (S/N A1065K to A1110K) (S/N A1133B to A1189B)**

---

*This Page Intentionally Left Blank*

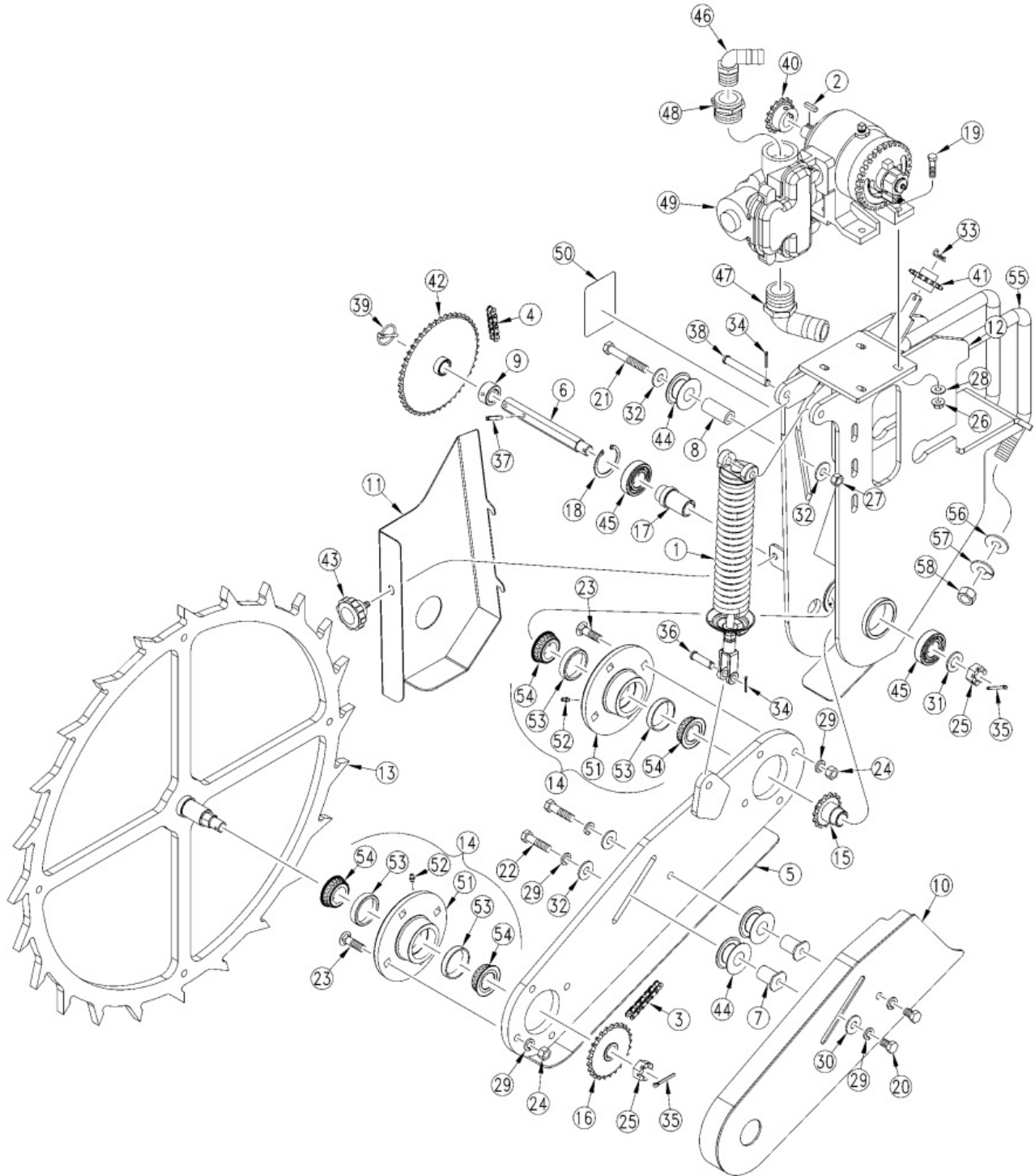
## **Fertilizer Contact Wheel Breakdown (S/N A1065K to A1110K) (S/N A1133B to A1189B)**

---

<b>Ref.</b>	<b>Part No.</b>	<b>Part Description</b>	<b>Comments</b>
50	802-331C	RHSNB 1/2-13X1 3/4 GR5	
51	802-128C	HHCS 1/2-13X2 GR5	
52	407-169D	IDLER PIVOT TUBE	
53	407-145H	FERT DRIVE SPKT WLMT	
54	407-144H	FERTILIZER CONTACT WHEEL WLMT	
55	802-115C	HHCS 5/16-18X2 GR5	
56	805-064C	PIN COTTER 7/64 X 1 LONG	
57	204-084S	GP25S NARROW HUB ASM	
58	804-025C	WASHER FLAT 3/4 SAE PLT	
59	804-023C	WASHER LOCK SPRING 3/4 PLT	
60	803-025C	NUT HEX 3/4-10 PLT NYLOCK	
61	806-102C	U-BOLT 3/4-10 CORNER 7 SQ	
62	802-032C	HHCS 1/2-13X3/4 GR5	
63	804-017C	WASHER FLAT 1/2 USS PLT	
64	407-193H	CONTACT WHL DR SHLD LWR	
65	407-289D	FERT PUMP MNT STALK SHIELD	
66	802-155C	RHSNB 3/8-16X1 1/4 GR5	
67	407-195H	FERT PUMP UPPER SHLD MNT WLMT	
68	817-358C	KNOB 3/8-16 MALE THD 2 3/8OD	
69	407-192H	CONTACT WHL DR SHLD UPPER	
70	848-095C	DECAL FERT DRIVE	
71	136-155D	CHAIN RL #40 120 PITCHES	
72	120-339H	SPKT 40C14 X 7/8 HEX BORE	

# Fertilizer Contact Wheel Breakdown (S/N A1111K to A1173K) (S/N A1190B to A1299B)

Applies to Models: YP1625 (2005+), YP1225 (2005+)



# Fertilizer Contact Wheel Breakdown (S/N A1111Kto A1173K) (S/N A1190B to A1299B)

Applies to Models: YP1625 (2005+), YP1225 (2005+)

Ref.	Part No.	Part Description	Comments
	DWG28419	Image No.	
1	121-763S	OPENER SPRING ROD ASSY. SHRT.	
2	123-004D	KEY 1/4 X 1	
3	136-155D	CHAIN RL #40 120 PITCHES	
4	136-249D	CHAIN RL #40 130 PITCHES	
5	407-143H	FERT CONT WHL ARM WLMT	
6	407-168D	FERT DRIVE CONT WHL JACK SHAFT	
7	407-169D	IDLER PIVOT TUBE	
8	407-170D	TUBE RND 1 OD X 7/32WL X 2.25	
9	407-172D	7/8 HEX X 3/4 LNG SPKT SPACER	
10	407-193H	CONTACT WHL DR SHLD LWR	
11	407-222H	FERT PUMP UPR CHAIN GUARD WLMT	
12	407-225H	GRND DRIVE JB FERT PUMP MNT	
13	407-226H	FERT CONT WHL WLMT	
14	407-227S	4BOLT HUB ASY TAPPERED ROL BRG	Shown, Includes items 51-54. (YP1225, S/N A1174k-) (YP1625, S/N A1307B-)
14	407-521S	4BOLT HUB ASY TAPPERED ROL BRG	Includes items 51-54. (YP1225, S/N A1175K+) (YP1625, S/N A1308B+)
15	407-228H	FERT DRIVE CONT WHL SPKT WLMT	Shown (YP1225, S/N A1174k-) (YP1625, S/N A1307B-)
15	407-736H	FERT DRIVE CONT WHL SPKT WLMT	(YP1225, S/N A1175K+) (YP1625, S/N A1308B+)
16	407-229H	FERT DRIVE SPKT WLMT	
17	407-329D	BEARING SPACER	Shown (YP1225, S/N A1174K-) (YP1625, S/N A1307B-)
17	407-826D	BEARING SPACER	(YP1225, S/N A1175K+) (YP1625, S/N A1308B+)
18	800-382C	SNAP RING INT 2.44 OD	
19	802-022C	HHCS 3/8-16X1 1/2 GR5	
20	802-032C	HHCS 1/2-13X3/4 GR5	
21	802-041C	HHCS 1/2-13X3 1/2 GR5	
22	802-128C	HHCS 1/2-13X2 GR5	
23	802-331C	RHSNB 1/2-13X1 3/4 GR5	
24	803-020C	NUT HEX 1/2-13 PLT	
25	803-053C	NUT HEX SLOTTED 3/4-16	
26	803-086C	NUT MAC-LOK FLG 3/8-16 GR F	
27	803-147C	NUT HEX NYLOCK 1/2-13	
28	804-011C	WASHER FLAT 3/8 USS PLT	
29	804-015C	WASHER LOCK SPRING 1/2 PLT	
30	804-017C	WASHER FLAT 1/2 USS PLT	
31	804-093C	WASHER FLAT 3/4 HARD ASTM436	
32	804-113C	WASHER FLAT 1/2 USS HARD PLT	
33	805-010C	PIN HAIR COTTER .094	
34	805-064C	PIN COTTER 7/64 X 1 LONG	Shown (YP1225, S/N A1174K-) (YP1625, S/N A1307B-)
34	805-143C	PIN HAIR COTTER .120 PLT	(YP1225, S/N A1175K+) (YP1625, S/N A1308B+)
35	805-104C	PIN COTTER 3/16 X 1 1/2 PLT	
36	805-127C	PIN CLEVIS 1/2 X 1 3/4	
37	805-180C	PIN ROLL 1/4 X 1 1/2 LG PLT	
38	805-234C	PIN CLEVIS 1/2 X 4 PLATED	Shown (YP1225, S/N A1174K-) (YP1625, S/N A1307B-)
38	805-235C	PIN CLEVIS 1/2 X 5 PLATED	(YP1225, S/N A1175K+) (YP1625, S/N A1308B+)
39	805-240C	PIN LINCH 3/16 X 1 9/16 LONG	
40	808-062C	SPKT 40B15 X 1 B W/KW & SS	
41	808-147C	SPKT 40C15 X 7/8 HEX BORE	
42	808-262C	SPKT 40C47 X 7/8 HEX BORE	
43	817-358C	KNOB 3/8-16 MALE THD 2 3/8OD	
44	817-406C	IDLER 1 PC 2.38X1.01X1.062	

**Fertilizer Contact Wheel Breakdown (S/N A1111K to A1173K) (S/N A1190B to A1299B)**

---

*This Page Intentionally Left Blank*



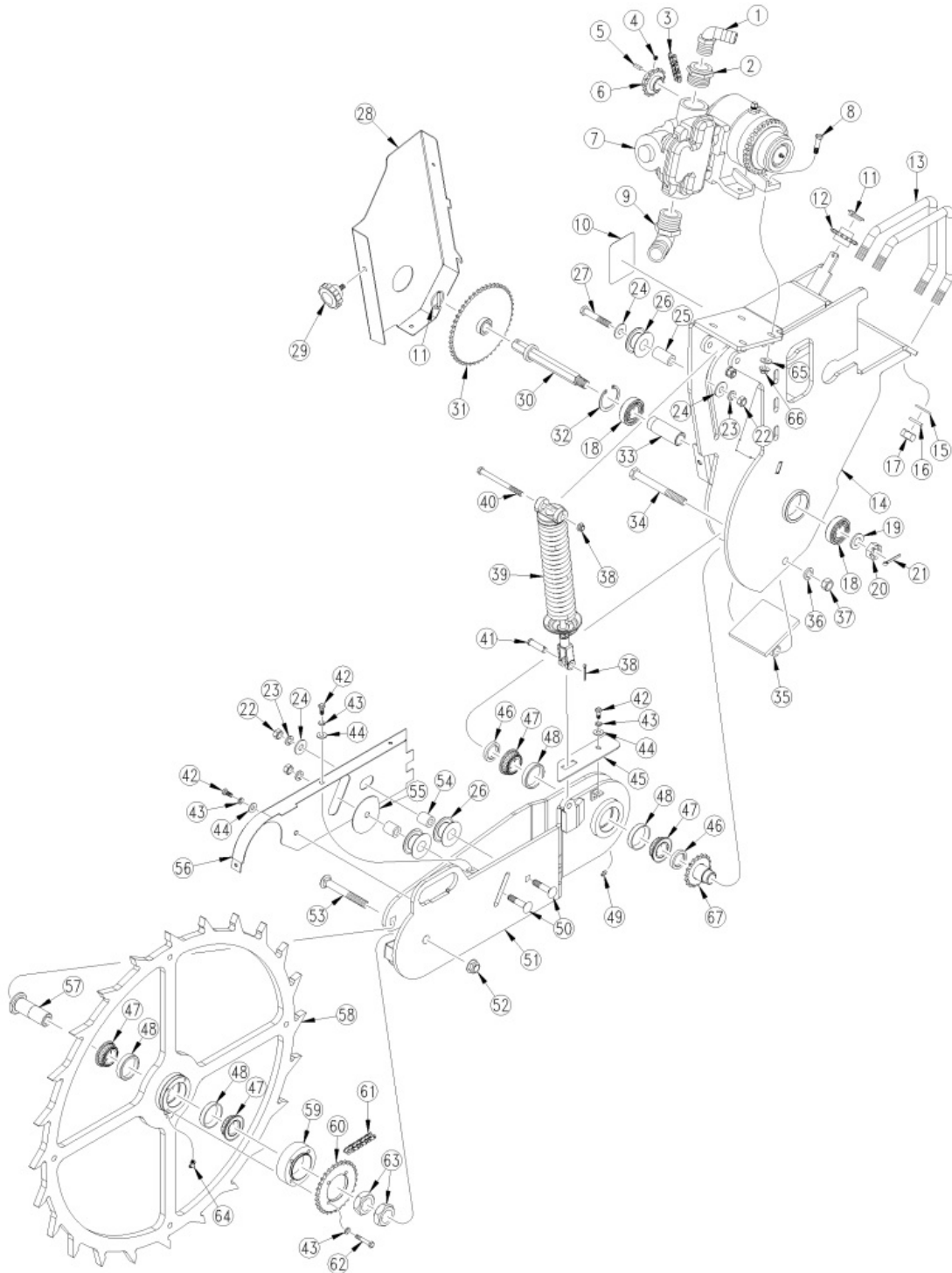
## Fertilizer Contact Wheel Breakdown (S/N A1111K to A1173K) (S/N A1190B to A1299B)

---

Ref.	Part No.	Part Description	Comments
45	822-216C	BRG BALL 1.18ODX2.44OD	
46	830-127C	EL 1MNPT X 1HB POLYPROP	
47	830-133C	EL 1 1/2MNPT X 1 1/2HB POLYP	
48	830-145C	AD 1 1/2MNPT X 1FNPT POLYPROP	
49	831-068C	JB PISTON PUMP NGP 6055-K	Refer to "John-Blue Pump (831-068C)" for breakdown
50	848-095C	DECAL FERT DRIVE	
51	407-327D	4BOLT HUB TAPPERED ROL BRG	Shown (YP1225, S/N A1174K-) (YP1625, S/N A1307B-)
51	407-635D	4BOLT HUB TAPPERED ROL BRG	(YP1225, S/N A1175K+) (YP1625, S/N A1308B+)
52	800-001C	GREASE ZERK STRAIGHT 1/4-28	
53	822-020C	BRG CUP LM-67010	Shown (YP1225, S/N A1174K-) (YP1625, S/N A1307B-)
53	822-033C	BRG CUP LM-48510	(YP1225, S/N A1175K+) (YP1625, S/N A1308B+)
54	822-240C	BRG, DUO-FACE W/SEAL LM67000LA	Shown (YP1225, S/N A1174K-) (YP1625, S/N A1307B-)
54	822-259C	BRG, DUO-FACE W/SEAL LM48500LA	(YP1225, S/N A1175K+) (YP1625, S/N A1308B+)
55	806-102C	U-BOLT 3/4-10 CORNER 7 SQ	
56	804-025C	WASHER FLAT 3/4 SAE PLT	
57	804-023C	WASHER LOCK SPRING 3/4 PLT	
58	803-027C	NUT HEX 3/4-10 PLT	

# Fertilizer Contact Wheel Breakdown (S/N A1174K+) (S/N A1300B+)

Applies to Models: YP1625 (2005+), YP1225 (2005+)



**Fertilizer Contact Wheel Breakdown (S/N A1174K+) (S/N A1300B+)**

Applies to Models: YP1625 (2005+), YP1225 (2005+)

Ref.	Part No.	Part Description	Comments
	DWG32003	Image No.	
1	830-127C	EL 1MNPT X 1HB POLYPROP	
2	830-145C	AD 1 1/2MNPT X 1FNPT POLYPROP	
3	136-261D	CHAIN RL #40 144 PITCHES	
4	801-231C	SCR SET SKT KCP 5/16-18X5/16NY	
5	123-004D	KEY 1/4 X 1	
6	407-469H	SPKT 40C15 1 ID X 1.13 KW/2SS	
7	831-068C	JB PISTON PUMP NGP 6055-K	
8	802-002C	RHSNB 1/4-20X3/4 GR5	
9	830-133C	EL 1 1/2MNPT X 1 1/2HB POLYP	
10	848-095C	DECAL FERT DRIVE	
11	805-240C	PIN LINCH 3/16 X 1 9/16 LONG	
12	808-147C	SPKT 40C15 X 7/8 HEX BORE	
13	806-102C	U-BOLT 3/4-10 CORNER 7 SQ	
14	407-465H	FERT DRIVE MOUNT WELDMENT	
15	804-025C	WASHER FLAT 3/4 SAE PLT	
16	804-023C	WASHER LOCK SPRING 3/4 PLT	
17	803-027C	NUT HEX 3/4-10 PLT	
18	822-216C	BRG BALL 1.18ODX2.44OD	
19	804-093C	WASHER FLAT 3/4 HARD ASTM436	
20	803-053C	NUT HEX SLOTTED 3/4-16	
21	805-104C	PIN COTTER 3/16 X 1 1/2 PLT	
22	803-020C	NUT HEX 1/2-13 PLT	
23	804-015C	WASHER LOCK SPRING 1/2 PLT	
24	804-113C	WASHER FLAT 1/2 USS HARD PLT	
25	407-598D	IDLER PIVOT TB 1ODX.56IDX1.84L	
26	817-406C	IDLER 1 PC 2.38X1.01X1.062	
27	802-039C	HHCS 1/2-13X3 GR5	
28	407-474H	PUMP DRIVE CHAIN SHIELD WELDMT	
29	817-358C	KNOB 3/8-16 MALE THD 2 3/8OD	
30	407-463H	FERT DRIVE SHAFT WELDMENT	
31	808-262C	SPKT 40C47 X 7/8 HEX BORE	
32	800-382C	SNAP RING INT 2.44 OD	
33	407-600D	FERT DRIVE WHL BEARING SPACER	
34	802-116C	HHCS 5/8-11X6 GR5	
35	407-468H	FERT DRIVE ARM STOP PLT WELDMT	
36	804-022C	WASHER LOCK SPRING 5/8 PLT	
37	803-021C	NUT HEX 5/8-11 PLT	
38	803-019C	NUT LOCK 1/2-13 PLT	
39	407-992S	GND DRIVE SPRING ASY	
40	802-045C	HHCS 1/2-13X5 GR5	
41	805-127C	PIN CLEVIS 1/2 X 1 3/4	
42	802-007C	HHCS 5/16-18X3/4 GR5	
43	804-009C	WASHER LOCK SPRING 5/16 PLT	
44	804-010C	WASHER FLAT 5/16 USS PLT	
45	407-650D	CHAIN MUD SHIELD	
46	407-581D	BEARING SPACER RING	
47	822-240C	BRG, DUO-FACE W/SEAL LM67000LA	
48	822-020C	BRG CUP LM-67010	
49	800-001C	GREASE ZERK STRAIGHT 1/4-28	

**Fertilizer Contact Wheel Breakdown (S/N A1174K+) (S/N A1300B+)**

---

*This Page Intentionally Left Blank*

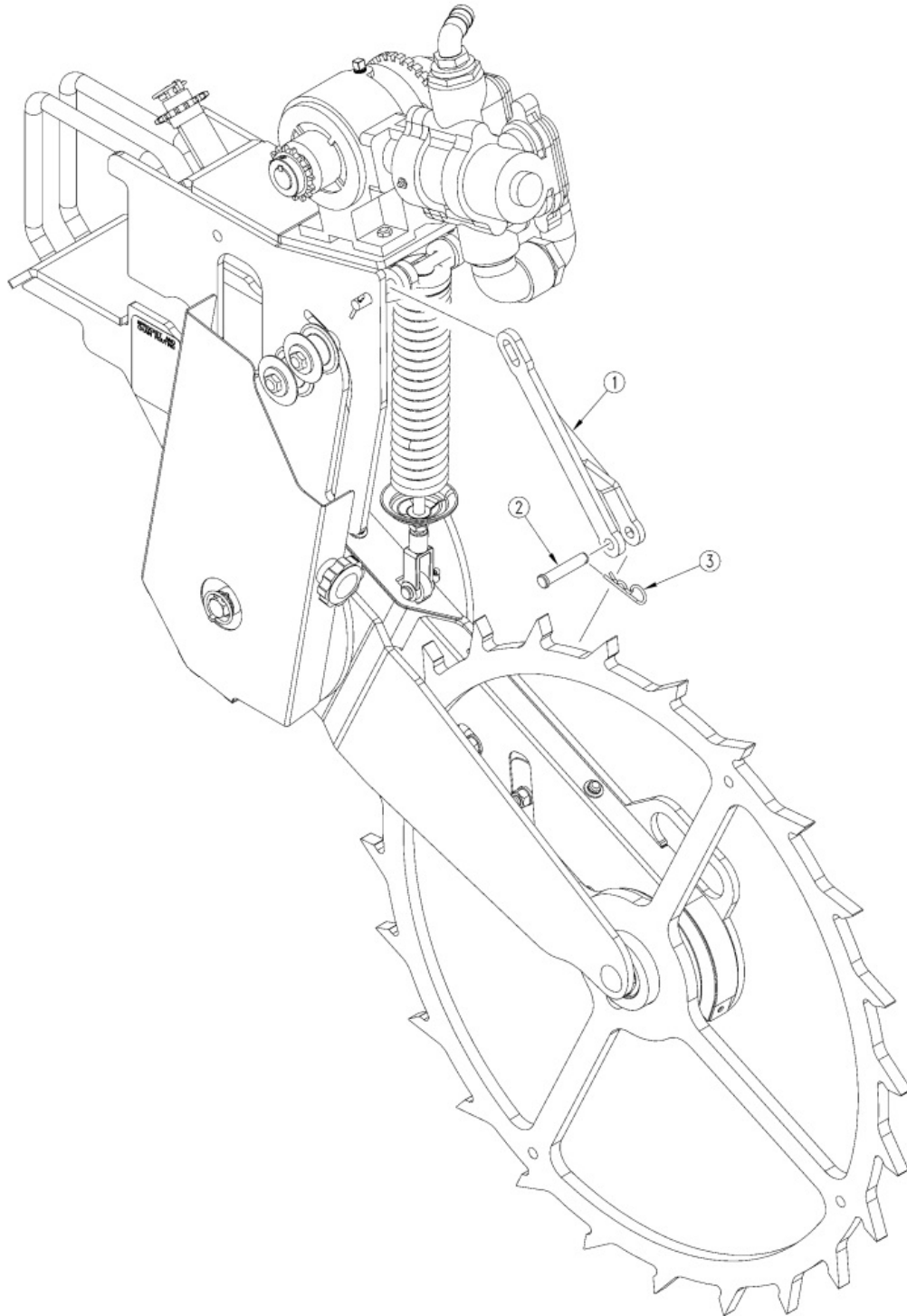
**Fertilizer Contact Wheel Breakdown (S/N A1174K+) (S/N A1300B+)**

---

<b>Ref.</b>	<b>Part No.</b>	<b>Part Description</b>	<b>Comments</b>
50	802-250C	RHSNB 1/2-13X2 1/4 GR5	
51	407-461H	FERT DRIVE WHL SPLIT ARM WLDMT	
52	803-263C	NUT HEX FLANGE LOCK 5/8-11 PLT	
53	802-194C	RHSNB 5/8-11X5 GR5	
54	407-592D	IDLER PIVOT TB 1ODX.56IDX1.13L	
55	407-587D	WASHER SPECIAL .074 X .53	
56	407-470H	FERT DRIVE CHAIN SHIELD WELDMT	
57	407-580D	FERT DRIVE WHEEL SPINDLE	
58	407-462H	FERT DRIVE WHEEL WELDMENT	
59	407-578D	SPROCKET SPACER RING	
60	407-579D	LOWER DRIVE SPROCKET	
61	136-016D	CHAIN RL #40 122 PITCHES	
62	802-013C	HHCS 5/16-18X1 3/4 GR5	
63	803-383C	NUT HEX JAM 1 1/4-12 PLT	
64	800-058C	GREASE ZERK 1/4-28 X 45-DEG	
65	804-011C	WASHER FLAT 3/8 USS PLT	
66	803-086C	NUT MAC-LOK FLG 3/8-16 GR F	
67	407-466H	FERT DRIVE WHL PUMP DRIVE SPKT	

# Fertilizer Contact Wheel Lock Up (S/N A1175K+) (S/N A1308B+)

Applies to Models: YP1625 (2005+), YP1225 (2005+)



**Fertilizer Contact Wheel Lock Up (S/N A1175K+) (S/N A1308B+)**

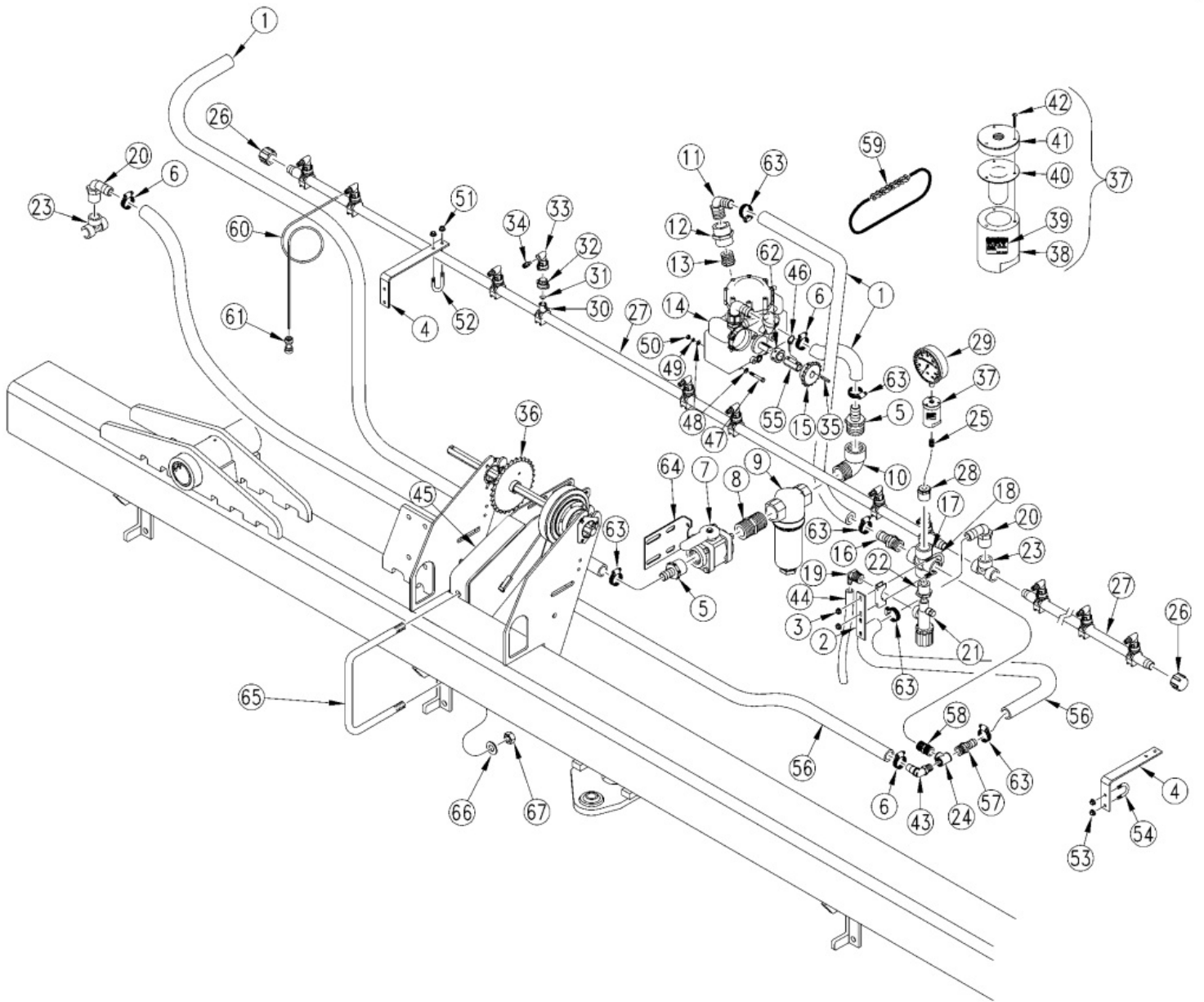
---

Applies to Models: YP1625 (2005+), YP1225 (2005+)

<b>Ref.</b>	<b>Part No.</b>	<b>Part Description</b>	<b>Comments</b>
	DWG32360	Image No.	
1	407-741H	FERT CONT WHL LOCK UP WLDMNT	
2	805-192C	PIN CLEVIS 1/2 X 2 1/2 PLT	
3	805-143C	PIN HAIR COTTER .120 PLT	

# Fertilizer Plumbing (S/N A1064K-) (S/N A1132B-)

Applies to Models: YP1625 (2005+), YP1225 (2005+)





**Fertilizer Plumbing (S/N A1064K-) (S/N A1132B-)**

Applies to Models: YP1625 (2005+), YP1225 (2005+)

Ref.	Part No.	Part Description	Comments
	DWG22820	Image No.	
1	990-082R	HOSE 1 ID 200PSI EPDM	
2	401-528D	AIR TUBE SUPPORT CLAMP	
3	803-199C	NUT HEX FLANGE 5/16-18 PLT	
4	407-137D	FERTILIZER BOOM MOUNT	
5	830-254C	AD 1 1/2MNPT X 1HB POLYPROP	
6	800-123C	CLAMP WRM DRV #16 SS (.68-1.5)	
7	829-013C	VALVE 1 1/2FNPT BALL POLYPROP	Refer to "1 1/2" Ball Valve Assembly (829-013C)" for breakdown
8	830-045C	AD 1 1/2MNPT POLYPROP	
9	831-029C	STRAINER LST150-80 MESH	Refer to "Banjo Strainer (831-029C)" for breakdown
10	830-052C	EL 1 1/2MNPT X 1 1/2FNPT POLYP	
11	830-127C	EL 1MNPT X 1HB POLYPROP	
12	830-300C	AD 1FNPT POLYPROP	
13	830-141C	AD 1MNPT X 1/2FNPT POLYPROP	
14	831-045C	RPBY 407-190S	Refer to "Hypro Pump (831-045C)" for breakdown
15	808-148C	SPKT 40C17 X 7/8 HEX BORE	
15	808-151C	SPKT 40C24 X 7/8 HEX BORE	
15	808-156C	SPKT 40C30 X 7/8 HEX BORE	
16	830-087C	AD 1MNPT X 1HB POLYPROP	
17	830-237C	CR 1FNPT	
18	890-521C	MUFFLER CLAMP 1.63 SIZE	
19	830-121C	EL 3/4MNPT X 3/8HB POLYPROP	
20	830-123C	EL 3/4MNPT X 3/4HB POLYPROP	
21	829-105C	VALVE RELIEF 0-150 PSI POLYP	
22	830-142C	AD 1MNPT X 3/4FNPT POLYPROP	
23	830-028C	TEE 3/4FNPT POLYPROP	
24	830-029C	TEE 1FNPT POLYPROP	
25	830-260C	AD 1/4MNPT SCH 40 X 2 304SS	
26	830-061C	CA 3/4FNPT POLYPROP	
27	407-134D	MANIFOLD 40 FT TWIN ROW	
27	407-140D	MANIFOLD 30 FOOT TWIN ROW	
28	830-258C	AD 1MNPT X 1/4FNPT POLYPROP	
29	829-104C	GAUGE 160 PSI 4IN STAINLESS ST	
30	829-089C	NOZZLE BODY 3/4 WET BOOM CLAMP	
31	832-054C	ORIFICE SPR SYS CP4916-48 SS	
31	832-052C	ORIFICE SPR SYS CP4916-20 SS	
31	832-053C	ORIFICE SPR SYS CP4916-34 SS	
31	832-056C	ORIFICE SPR SYS CP4916-28 SS	
31	832-055C	ORIFICE SPR SYS CP4916-80 SS	
32	832-042C	NOZZLE SHUT OFF CAP W/ GASKET	
33	832-051C	NOZZLE CAP QUICK X 90X1/4 FNPT	
34	800-367C	AD PUSH 1/4TUBEX1/4MNPT	
35	168-127D	3/16 X 1 KEY	
36	808-156C	SPKT 40C30 X 7/8 HEX BORE	16 row
36	808-150C	SPKT 40C23 X 7/8 HEX BORE	12 row
37	507-034V	GAUGE PROTECTOR ASSY	Includes items 38-42
38	507-039D	GAUGE PROTECTOR BOTTOM	
39	818-344C	DECAL NOTICE GAUGE PROTECTOR	
40	816-144C	DIAPHRAGM - GAUGE PROTECTOR	
41	507-040D	GAUGE PROTECTOR TOP	

**Fertilizer Plumbing (S/N A1064K-) (S/N A1132B-)**

---

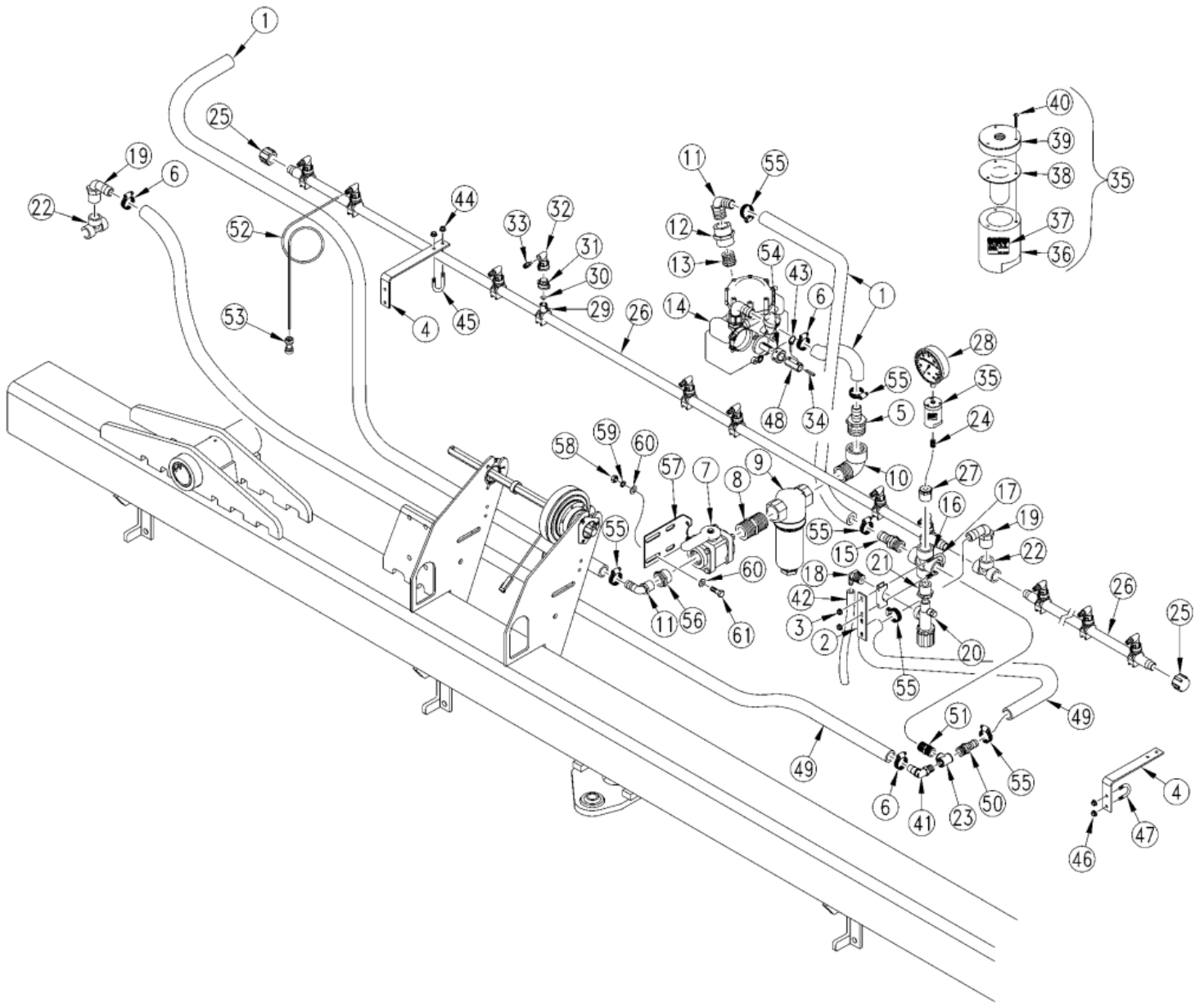
*This Page Intentionally Left Blank*

**Fertilizer Plumbing (S/N A1064K-) (S/N A1132B-)**

Ref.	Part No.	Part Description	Comments
42	801-071C	SRHMS 5-40 X 5/8 SS	
43	830-126C	EL 1MNPT X 3/4HB POLYPROP	
44	990-080R	HOSE 3/8 ID 150PSI EPDM	
45	407-120H	FERTILIZER PUMP MOUNT	
46	805-240C	PIN LINCH 3/16 X 1 9/16 LONG	
47	802-390C	HHCS 5/16-18X3 1/4 GR5	
48	804-036C	WASHER FLAT 5/16 SAE PLT	
49	804-009C	WASHER LOCK SPRING 5/16 PLT	
50	803-008C	NUT HEX 5/16-18 PLT	
51	803-088C	NUT HEX LOCK 1/4-20 FLG	
52	806-152C	U-BOLT 1/4-20 X 1.125 X 2 RND	
53	803-177C	803-184 FLG TP LK 5/16-18ZNYCR	
54	806-192C	U-BOLT 5/16-18X1 1/2X2 1/2 RND	
55	407-139D	DRIVE ADAPTER 7/8 HEX 3/4 RND	
56	990-081R	HOSE 3/4 ID 200PSI EPDM	
57	830-086C	AD 1MNPT X 3/4HB POLYPROP	
58	830-043C	AD 1MNPT POLYPROP	
59	136-056D	CHAIN RL #40 66 PITCHES	16 Row drive type 1
59	136-172D	CHAIN RL #40 63 PITCHES	12 Row drive type 1 or 2
59	136-093D	CHAIN RL #40 60 PITCHES	16 Row drive type 2
60	990-109R	TUBE NYLON 1/4OD X 062WL	
61	830-383C	CP 1/4 PUSH LOK POLY	
62	402-025S	LOCK COLLAR, 7/8 HEX W/ SET SC	
63	800-125C	CLAMP WRM DRV#28 SS(1.31-2.25)	
64	148-410D	VALVE MOUNT PLATE	
65	806-052C	U-BOLT 5/8 X 7 1/32 X 8 1/2	
66	804-022C	WASHER LOCK SPRING 5/8 PLT	
67	803-021C	NUT HEX 5/8-11 PLT	

**Fertilizer Plumbing (S/N A1065K to A1110K) (S/N A1133B to A1189B)**

Applies to Models: YP1625 (2005+), YP1225 (2005+)



**Fertilizer Plumbing (S/N A1065K to A1110K) (S/N A1133B to A1189B)**

Applies to Models: YP1625 (2005+), YP1225 (2005+)

Ref.	Part No.	Part Description	Comments
	DWG25132	Image No.	
1	990-082R	HOSE 1 ID 200PSI EPDM	
2	401-528D	AIR TUBE SUPPORT CLAMP	
3	803-199C	NUT HEX FLANGE 5/16-18 PLT	
4	407-137D	FERTILIZER BOOM MOUNT	
5	830-254C	AD 1 1/2MNPT X 1HB POLYPROP	
6	800-123C	CLAMP WRM DRV #16 SS (.68-1.5)	
7	829-013C	VALVE 1 1/2FNPT BALL POLYPROP	Refer to "1 1/2" Ball Valve Assembly (829-013C)" for breakdown
8	830-045C	AD 1 1/2MNPT POLYPROP	
9	831-029C	STRAINER LST150-80 MESH	Refer to "Banjo Strainer (831-029C)" for breakdown
10	830-052C	EL 1 1/2MNPT X 1 1/2FNPT POLYP	
11	830-127C	EL 1MNPT X 1HB POLYPROP	
12	830-300C	AD 1FNPT POLYPROP	
13	830-141C	AD 1MNPT X 1/2FNPT POLYPROP	
14	407-190S	.UMP HYPRO D30AP SUB-ASY	Refer to "Hypro Pump (407-190S)" for breakdown
15	830-087C	AD 1MNPT X 1HB POLYPROP	
16	830-237C	CR 1FNPT	
17	890-521C	MUFFLER CLAMP 1.63 SIZE	
18	830-121C	EL 3/4MNPT X 3/8HB POLYPROP	
19	830-123C	EL 3/4MNPT X 3/4HB POLYPROP	
20	829-105C	VALVE RELIEF 0-150 PSI POLYP	
21	830-142C	AD 1MNPT X 3/4FNPT POLYPROP	
22	830-028C	TEE 3/4FNPT POLYPROP	
23	830-029C	TEE 1FNPT POLYPROP	
24	830-260C	AD 1/4MNPT SCH 40 X 2 304SS	
25	830-061C	CA 3/4FNPT POLYPROP	
26	407-134D	MANIFOLD 40 FT TWIN ROW	
26	407-140D	MANIFOLD 30 FOOT TWIN ROW	
27	830-258C	AD 1MNPT X 1/4FNPT POLYPROP	
28	829-104C	GAUGE 160 PSI 4IN STAINLESS ST	
29	829-089C	NOZZLE BODY 3/4 WET BOOM CLAMP	
30	832-054C	ORIFICE SPR SYS CP4916-48 SS	
30	832-052C	ORIFICE SPR SYS CP4916-20 SS	
30	832-053C	ORIFICE SPR SYS CP4916-34 SS	
30	832-056C	ORIFICE SPR SYS CP4916-28 SS	
30	832-055C	ORIFICE SPR SYS CP4916-80 SS	
31	832-042C	NOZZLE SHUT OFF CAP W/ GASKET	
32	832-051C	NOZZLE CAP QUICK X 90X1/4 FNPT	
33	800-367C	AD PUSH 1/4TUBEX1/4MNPT	
34	168-127D	3/16 X 1 KEY	
35	507-034V	GAUGE PROTECTOR ASSY	Includes items 38-42
36	507-039D	GAUGE PROTECTOR BOTTOM	
37	818-344C	DECAL NOTICE GAUGE PROTECTOR	
38	816-144C	DIAPHRAGM - GAUGE PROTECTOR	
39	507-040D	GAUGE PROTECTOR TOP	
40	801-071C	SRHMS 5-40 X 5/8 SS	
41	830-126C	EL 1MNPT X 3/4HB POLYPROP	
42	990-080R	HOSE 3/8 ID 150PSI EPDM	
43	805-240C	PIN LINCH 3/16 X 1 9/16 LONG	
44	803-088C	NUT HEX LOCK 1/4-20 FLG	

**Fertilizer Plumbing (S/N A1065K to A1110K) (S/N A1133B to A1189B)**

---

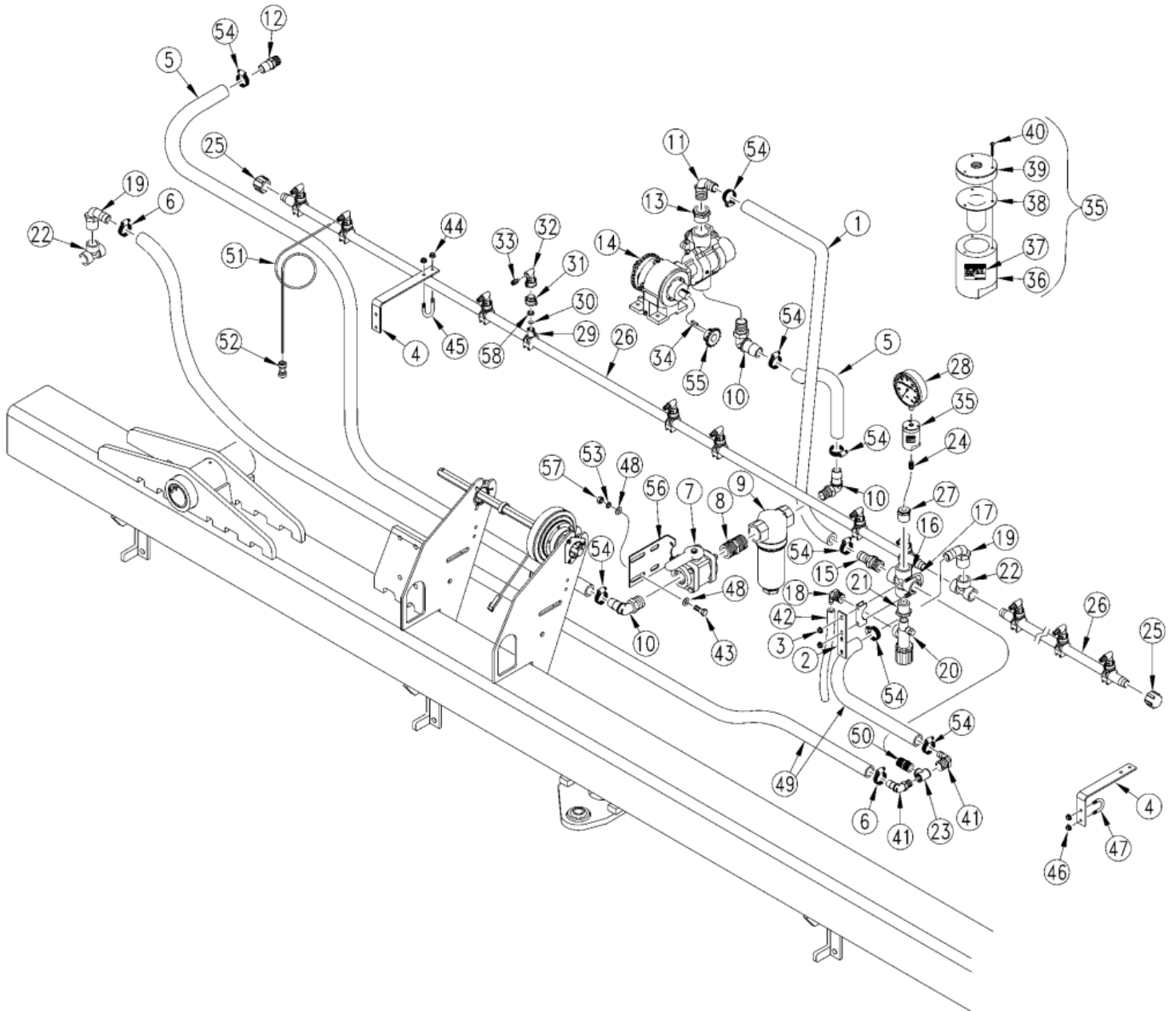
*This Page Intentionally Left Blank*

**Fertilizer Plumbing (S/N A1065K to A1110K) (S/N A1133B to A1189B)**

Ref.	Part No.	Part Description	Comments
45	806-152C	U-BOLT 1/4-20 X 1.125 X 2 RND	
46	803-177C	803-184 FLG TP LK 5/16-18ZNYCR	
47	806-192C	U-BOLT 5/16-18X1 1/2X2 1/2 RND	
48	407-139D	DRIVE ADAPTER 7/8 HEX 3/4 RND	
49	990-081R	HOSE 3/4 ID 200PSI EPDM	
50	830-086C	AD 1MNPT X 3/4HB POLYPROP	
51	830-043C	AD 1MNPT POLYPROP	
52	990-109R	TUBE NYLON 1/4OD X 062WL	
53	830-383C	CP 1/4 PUSH LOK POLY	
54	402-025S	LOCK COLLAR, 7/8 HEX W/ SET SC	
55	800-125C	CLAMP WRM DRV#28 SS(1.31-2.25)	
56	830-145C	AD 1 1/2MNPT X 1FNPT POLYPROP	
57	407-171D	FERT VALVE MNT	
58	803-020C	NUT HEX 1/2-13 PLT	
59	804-015C	WASHER LOCK SPRING 1/2 PLT	
60	804-016C	WASHER FLAT 1/2 SAE PLT	
61	802-034C	HHCS 1/2-13X1 1/4 GR5	

# Fertilizer Plumbing (S/N A1111K+) (S/N A1190B+)

Applies to Models: YP1625 (2005+), YP1225 (2005+)





**Fertilizer Plumbing (S/N A1111K+) (S/N A1190B+)**

Applies to Models: YP1625 (2005+), YP1225 (2005+)

Ref.	Part No.	Part Description	Comments
	DWG28426	Image No.	
1	990-082R	HOSE 1 ID 200PSI EPDM	
2	401-528D	AIR TUBE SUPPORT CLAMP	
3	803-199C	NUT HEX FLANGE 5/16-18 PLT	
4	407-137D	FERTILIZER BOOM MOUNT	
5	990-181R	HOSE 1 1/2 ID 150PSI EPDM	
6	800-123C	CLAMP WRM DRV #16 SS (.68-1.5)	
7	829-013C	VALVE 1 1/2FNPT BALL POLYPROP	
8	830-045C	AD 1 1/2MNPT POLYPROP	
9	831-029C	STRAINER LST150-80 MESH	
10	830-133C	EL 1 1/2MNPT X 1 1/2HB POLYP	
11	830-127C	EL 1MNPT X 1HB POLYPROP	
12	830-094C	AD 1 1/2MNPT X 1 1/2HB POLYP	
13	830-145C	AD 1 1/2MNPT X 1FNPT POLYPROP	
14	831-068C	JB PISTON PUMP NGP 6055-K	
15	830-087C	AD 1MNPT X 1HB POLYPROP	
16	830-237C	CR 1FNPT	
17	890-521C	MUFFLER CLAMP 1.63 SIZE	
18	830-121C	EL 3/4MNPT X 3/8HB POLYPROP	
19	830-123C	EL 3/4MNPT X 3/4HB POLYPROP	
20	829-105C	VALVE RELIEF 0-150 PSI POLYP	
21	830-142C	AD 1MNPT X 3/4FNPT POLYPROP	
22	830-028C	TEE 3/4FNPT POLYPROP	
23	830-029C	TEE 1FNPT POLYPROP	
24	830-260C	AD 1/4MNPT SCH 40 X 2 304SS	
25	830-061C	CA 3/4FNPT POLYPROP	
26	407-134D	MANIFOLD 40 FT TWIN ROW	
26	407-140D	MANIFOLD 30 FOOT TWIN ROW	
27	830-258C	AD 1MNPT X 1/4FNPT POLYPROP	
28	829-104C	GAUGE 160 PSI 4IN STAINLESS ST	
29	829-089C	NOZZLE BODY 3/4 WET BOOM CLAMP	
30	832-054C	ORIFICE SPR SYS CP4916-48 SS	
30	832-052C	ORIFICE SPR SYS CP4916-20 SS	
30	832-053C	ORIFICE SPR SYS CP4916-34 SS	
30	832-056C	ORIFICE SPR SYS CP4916-28 SS	
30	832-055C	ORIFICE SPR SYS CP4916-80 SS	
31	832-042C	NOZZLE SHUT OFF CAP W/ GASKET	
32	832-051C	NOZZLE CAP QUICK X 90X1/4 FNPT	
33	800-367C	AD PUSH 1/4TUBEX1/4MNPT	
34	123-004D	KEY 1/4 X 1	
35	507-034V	GAUGE PROTECTOR ASSY	
36	507-039D	GAUGE PROTECTOR BOTTOM	
37	818-344C	DECAL NOTICE GAUGE PROTECTOR	
38	816-144C	DIAPHRAGM - GAUGE PROTECTOR	
39	507-040D	GAUGE PROTECTOR TOP	
40	801-071C	SRHMS 5-40X5/8 SS	
41	830-126C	EL 1MNPT X 3/4HB POLYPROP	
42	990-080R	HOSE 3/8 ID 150PSI EPDM	
43	802-034C	HHCS 1/2-13X1 1/4 GR5	
44	803-088C	NUT HEX LOCK 1/4-20 FLG	

**Fertilizer Plumbing (S/N A1111K+) (S/N A1190B+)**

---

*This Page Intentionally Left Blank*

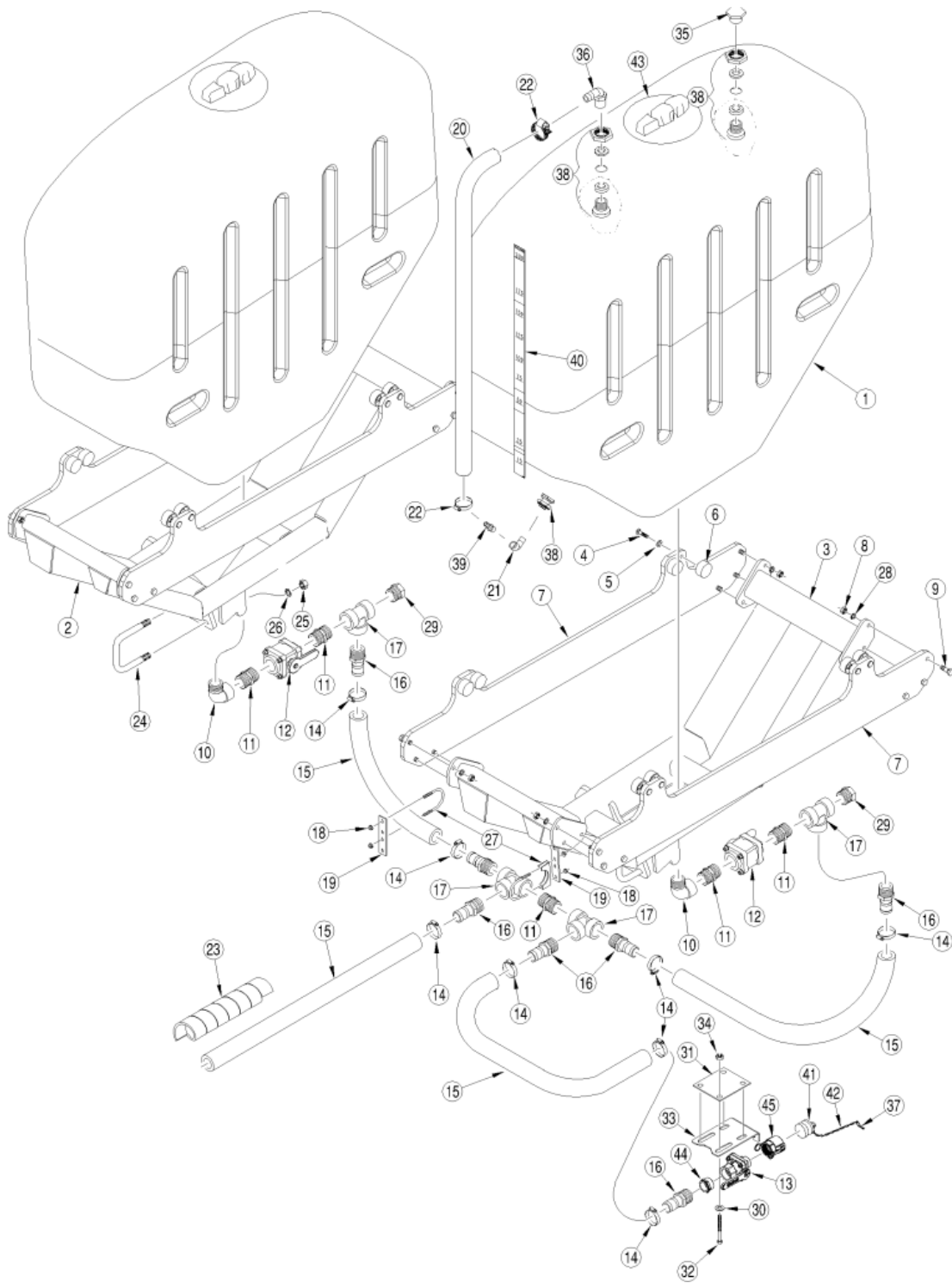
**Fertilizer Plumbing (S/N A1111K+) (S/N A1190B+)**

---

<b>Ref.</b>	<b>Part No.</b>	<b>Part Description</b>	<b>Comments</b>
45	806-152C	U-BOLT 1/4-20 X 1.125 X 2 RND	
46	803-177C	NUT HEX FLG TP LK 5/16-18ZNYCR	
47	806-192C	U-BOLT 5/16-18X1 1/2X2 1/2 RND	
48	804-016C	WASHER FLAT 1/2 SAE PLT	
49	990-081R	HOSE 3/4 ID 200PSI EPDM	
50	830-043C	AD 1MNPT POLYPROP	
51	990-109R	TUBE NYLON 1/4OD X 062WL	
52	830-383C	CP 1/4 PUSH LOK POLY	
53	804-015C	WASHER LOCK SPRING 1/2 PLT	
54	800-125C	CLAMP WRM DRV#28 SS(1.31-2.25)	
55	808-062C	SPKT 40B15 X 1 B W/KW & SS	
56	407-171D	FERT VALVE MNT	
57	803-020C	NUT HEX 1/2-13 PLT	
58	CP18999-EPR	VITON O-RING	

# Fertilizer Tanks and Mounts

Applies to Models: YP1625 (2005+), YP1225 (2005+)



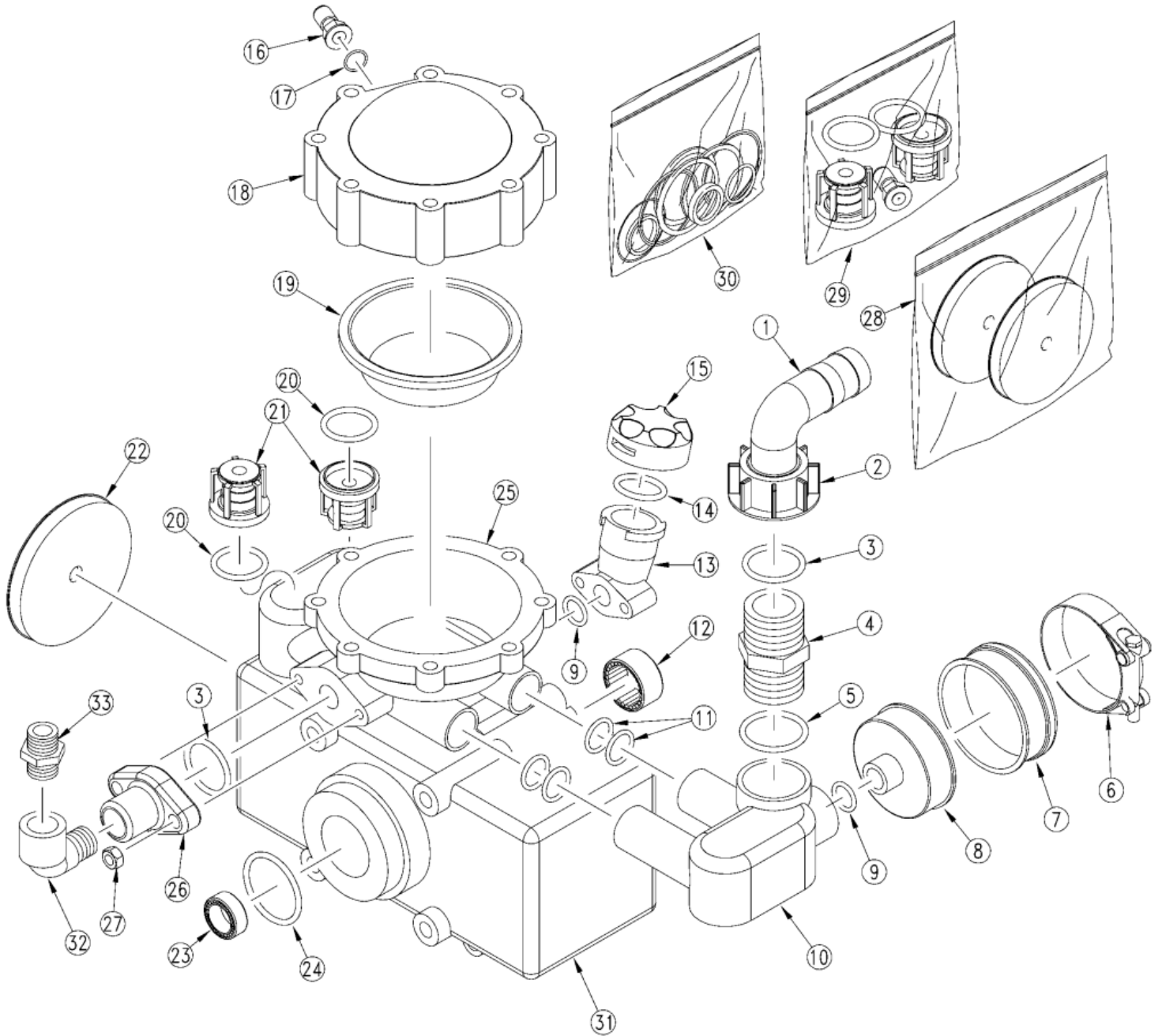
**Fertilizer Tanks and Mounts**

Applies to Models: YP1625 (2005+), YP1225 (2005+)

Ref.	Part No.	Part Description	Comments
	DWG22821	Image No.	
1	817-555C	BULK PLANTER 200 GAL FERT TANK	
2	407-121H	200 GAL TANK SUPPORT FRAME RH	
3	407-118H	200 GAL TANK SUPPORT FRAME	
4	802-258C	HHCS 1/2-13X1 GR5	
5	804-015C	WASHER LOCK SPRING 1/2 PLT	
6	816-170C	RD BUMP STOP 2 X 1 X 1/2-13	
7	407-116D	TANK CRADLE SIDE BAR	
8	803-020C	NUT HEX 1/2-13 PLT	
9	802-055C	HHCS 5/8-11X2 GR5 FTHD	
10	830-052C	EL 1 1/2MNPT X 1 1/2FNPT POLYP	
11	830-045C	AD 1 1/2MNPT POLYPROP	
12	829-013C	VALVE 1 1/2FNPT BALL POLYPROP	Refer to page "1 1/2" Ball Valve Assembly (829-013C)" for breakdown
13	829-109C	VALVE - 2MNPT X 2FNPT FP POLYP	Items 44 (830-149C) & 45 (830-174C) must be ordered when replacing 829-109C.
14	800-125C	CLAMP WRM DRV#28 SS(1.31-2.25)	
15	990-181R	HOSE 1 1/2 ID 150PSI EPDM	
16	830-094C	AD 1 1/2MNPT X 1 1/2HB POLYP	
17	830-031C	TEE 1 1/2FNPT POLYPROP	
18	803-199C	NUT HEX FLANGE 5/16-18 PLT	
19	506-365D	WET BOOM FLAT HOSE BRACKET	
20	990-078R	HOSE 3/4ID X 1/8 WL CLEAR PVC	
21	830-380C	EL 3/4MNPT X 3/4FNPT SS	
22	800-123C	CLAMP WRM DRV #16 SS (.68-1.5)	
23	816-559C	WRAP HOSE 2 3/16 ID	
24	806-050C	U-BOLT 3/4-10 X 7 X 8 1/2	
25	803-027C	NUT HEX 3/4-10 PLT	
26	804-023C	WASHER LOCK SPRING 3/4 PLT	
27	890-522C	MUFFLER CLAMP 2.50 SIZE	
28	804-022C	WASHER LOCK SPRING 5/8 PLT	
29	830-024C	PL 1 1/2MNPT POLYPROP	
30	804-016C	WASHER FLAT 1/2 SAE PLT	
31	411-273C	VALVE MVNT CLAMP PLATE	
32	802-047C	HHCS 1/2-13X6 GR5	
33	148-410D	VALVE MOUNT PLATE	
34	803-147C	NUT HEX NYLOCK 1/2-13	
35	830-021C	PL 3/4MNPT POLYPROP	
36	804-013C	WASHER LOCK SPRING 3/8 PLT	
37	805-010C	PIN HAIR COTTER .094	
38	830-295C	SP 3/4FNPT DBL THD BH	
39	830-381C	AD 3/4MNPT X 3/4HB SS	
40	838-823C	DECAL YP FERTILIZER LEVEL	
41	830-186C	PL 2MCL POLY-GLASS	
42	803-014C	NUT HEX 3/8-16 PLT	
43	ACE-10525	ACE LID FOR 817-634C 555C TANK	
44	830-149C	AD 2MNPT X 1 1/2FNPT POLYPROP	
45	830-174C	AD 2FNPT X 2FCL POLYPROP	

# Hypro Pump (407-190S)

Applies to Models: YP1625 (2005+), YP1225 (2005+)



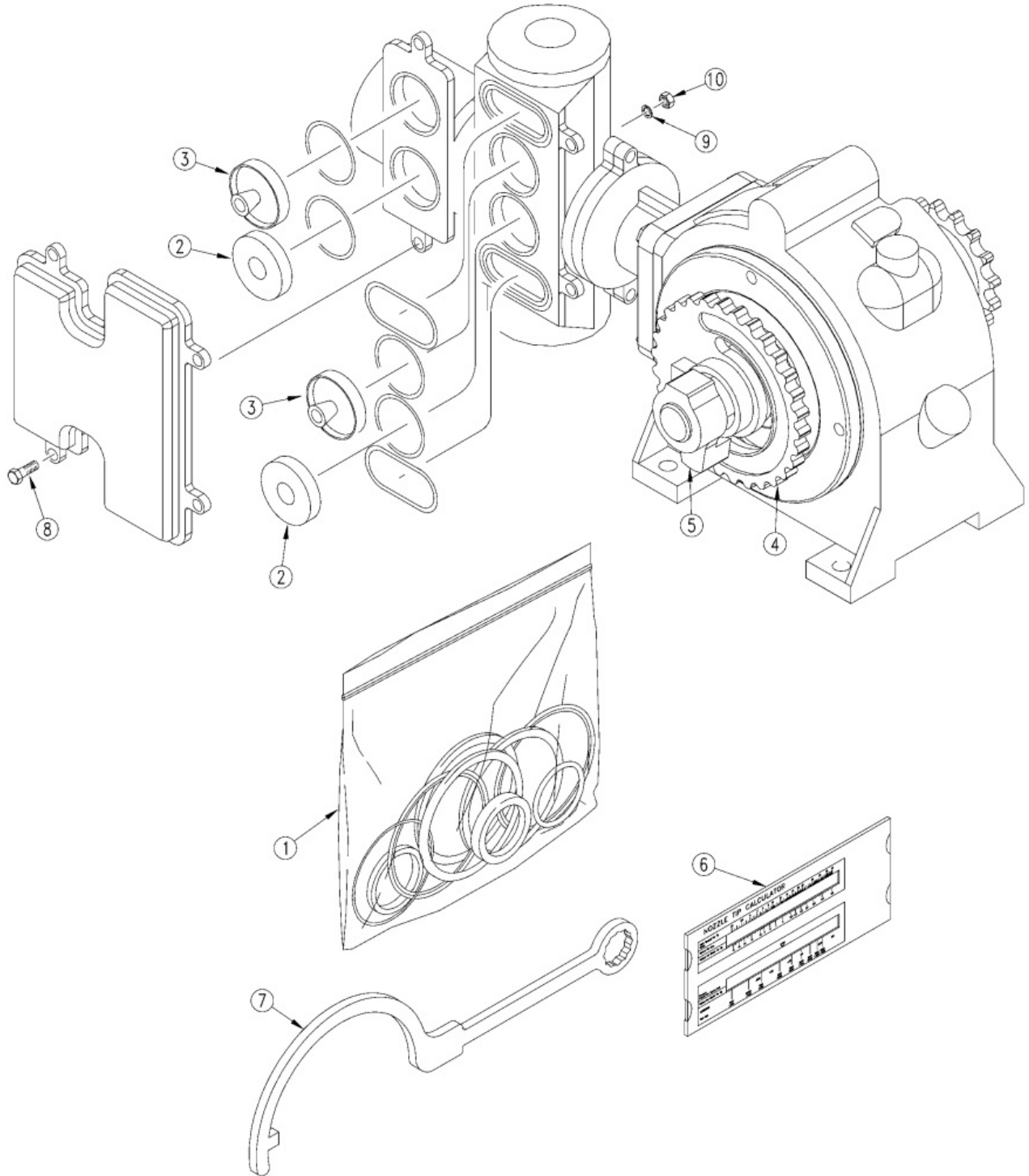
**Hypro Pump (407-190S)**

Applies to Models: YP1625 (2005+), YP1225 (2005+)

Ref.	Part No.	Part Description	Comments
	DWG21944	Image No.	
1	9910-550370	HYPRO 1" HOSE BARB	
2	9910-550242	HYPRO RING NUT	
3		O-RING	Only found in seal kit #30
4	9910-550340	HYPRO THREADED ADAPTER	
5		O-RING	Only found in seal kit #30
6	9910-650690	HYPRO CLAMP	
7	9910-650670	HYPRO SUCTION DIAPHRAGM	
8	9910-650660	HYPRO DEAPHRAGM HOLDER	
9		O-RING	Only found in seal kit #30
10	9910-620150	HYPRO SUCTION ATTACHMENT	
11		O-RING	Only found in seal kit #30
12	9910-550060	HYPRO ROLLER BRG	
13	9910-550030	HYPRO OIL SIGHT GLASS	
14		O-RING	Only found in seal kit #30
15	9910-550056	HYPRO OIL SIGHT GLASS CAP	
16		AIR VALVE	Only found in seal kit #29
17		O-RING	Only found in seal kit #30
18	9910-629211	UPPER AIR CHAMBER	
19		ACCUMULATOR DEAPHRAGM	Only found in seal kit #28
20		O-RING	Only found in seal kit #30
21		VALVE ASSEMBLY	Only found in seal kit #29
22		DEAPHRAGM	Only found in seal kit #28
23	9910-380230	HYPRO BRG	
24		O-RING	Only found in seal kit #30
25		LOWER AIR CHAMBER	
26	9910-450145	RPBY 407-188A	
27	9910-390270	HYPRO NUT	
28	9910-KIT1724	HYPRO DEAPHRAGM KIT DESMOPAN	
29	9910-KIT1917	HYPRO VALVE KIT	
30	9910-KIT1916	HYPRO O-RING KIT	
31	831-045C	RPBY 407-190S	
32	830-048C	EL 1/2MNPT X 1/2FNPT POLYP	
33	830-041C	AD 1/2MNPT POLYPROP	

# John-Blue Pump (831-068C)

Applies to Models: YP1625 (2005+), YP1225 (2005+)





**John-Blue Pump (831-068C)**

---

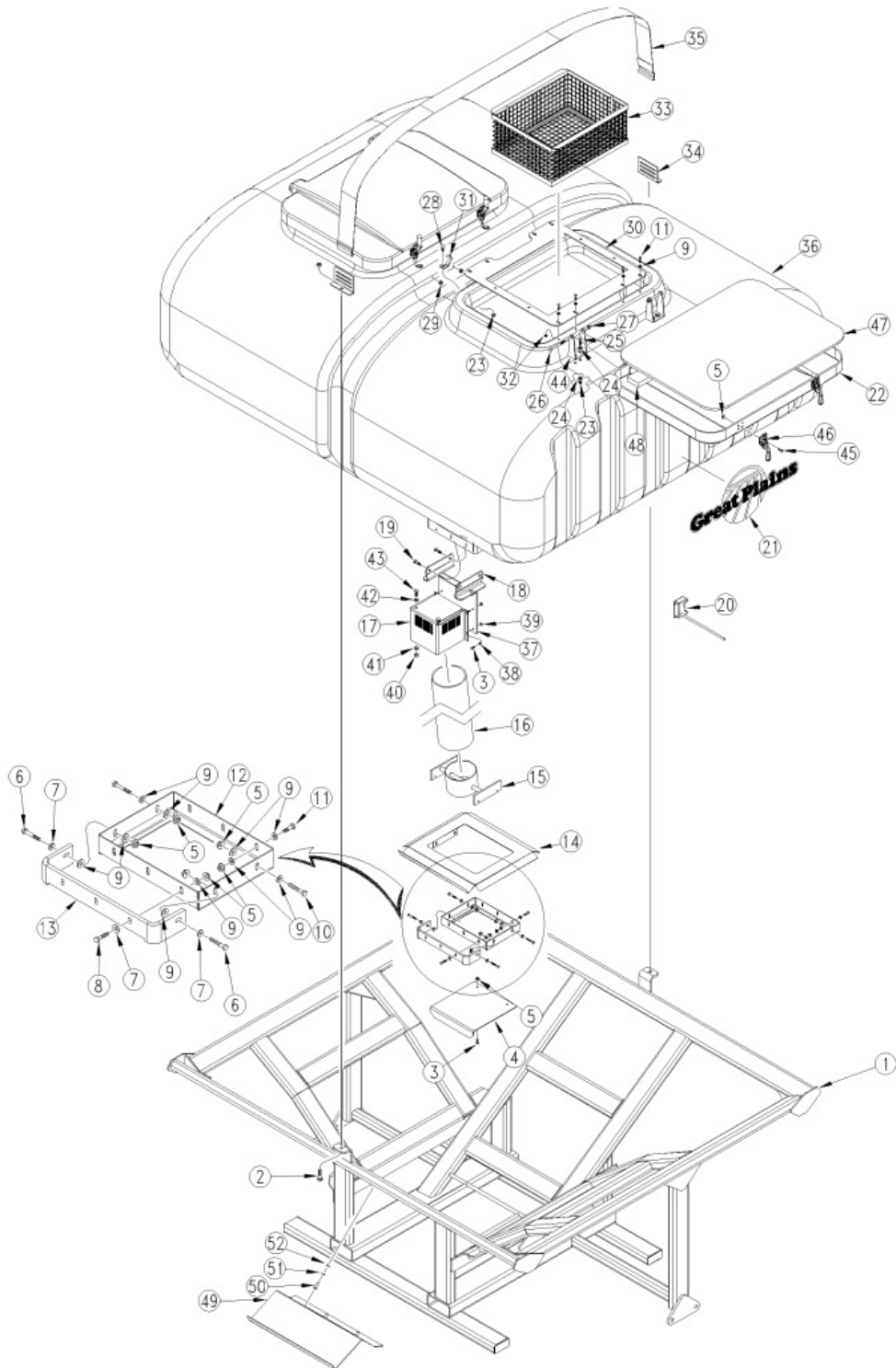
Applies to Models: YP1625 (2005+), YP1225 (2005+)

<b>Ref.</b>	<b>Part No.</b>	<b>Part Description</b>	<b>Comments</b>
	DWG28428	Drawing Image Number	
1	115788	JOHN BLUE REPAIR KIT--831-068C	
2	115606-91	SUCTION VALVE FOR JB 831-068C	
3	115607-91	DISCHARGE VLVE FOR JB 831-068C	
4	115627-01	SETTING HUB	
5	115628-01	SETTING POINTER FOR JB PUMP	
6	115698-91	CHART ASY PUMP SETTING	
7	115631-01	JB SETTING WRENCH	
8	802-022C	HHCS 3/8-16X1 1/2 GR5	
9	804-013C	WASHER LOCK SPRING 3/8 PLT	
10	803-014C	NUT HEX 3/8-16 PLT	

# Great Plains 150 BU Bulk Hopper

Frame

Applies to Models: YP1625 (2005+), YP1225 (2005+)



**150 BU Bulk Hopper**

Applies to Models: YP1625 (2005+), YP1225 (2005+)

Ref.	Part No.	Part Description	Comments
	DWG 22946	Image No.	
1	403-180H	150BU TANK MOUNT	
2	802-250C	RHSNB 1/2-13X2 1/4 GR5	
3	802-004C	HHCS 1/4-20X3/4 GR5	
4	403-234D	BULK HOPPER UNLOAD DOOR	
5	803-088C	NUT HEX LOCK 1/4-20 FLG	
6	802-370C	HHCS 1/4-20X1 3/4 GR5	
7	804-075C	WASHER FLAT 1/4 USS PLT	
8	802-224C	HHCS 1/4-20X1 1/4 GR5	
9	804-007C	WASHER FLAT 1/4 SAE PLT	
10	802-167C	HHCS 1/4-20X1 1/2 GR5	
11	802-005C	HHCS 1/4-20X1 GR5	
12	403-159H	BULK HOPPER UNLOAD DOOR GUIDE	
13	816-477C	HOPPER DOOR TOP SEAL	
14	403-188H	HOPPER WATER GUARD WLDMNT	
15	403-241H	LOWER AIR PIPE SUPPORT 82 YP	
16	403-403D	82 BU AIR PRESSURE PIPE	
17	403-402D	AIR FLOW UPPER GUIDE	
18	403-409D	BRACKET ANGLE WITH HOLES	
19	802-079C	HHCS 3/8-16X1 1/4 GR5	
20	833-235C	DJ HOPPER LEVEL SENSOR	
21	848-910C	DECAL GP ON LOGO HARVEST LRG	
22	817-558C	LID, BULK PLANTER SEED HOPPER	
23	803-177C	NUT HEX FLG TP LK 5/16-18ZNYCR	
24	804-010C	WASHER FLAT 5/16 USS PLT	
25	802-010C	HHCS 5/16-18X1 1/4 GR5	
26	802-026C	HHCS 3/8-16X3 3/4 GR5	
27	803-078C	NUT LOCK 3/8-16 NYLON INSERT	
28	802-282C	RHSNB 5/16-18X1 GR5	
29	803-209C	NUT FLANGE LOCK 3/8-16 PLT	
30	403-332D	HOPPER STRAINER BASKET SUPPORT	
31	403-789D	150 BIN LID LATCH HOOK PLT	
32	803-230C	NUT HEX FLANGE 1/4-20 PLT	
33	807-182C	WIRE BASKET	
34	503-158D	TANK STRAP ATTACHMENT PLATE	
35	403-303D	4 IN NYLON STRAP FOR 150BU BIN	
36	817-602C	150 BU SEED HOPPER NO LID	
37	403-407D	BRACKET	
38	804-006C	WASHER LOCK SPRING 1/4 PLT	
39	803-006C	NUT HEX 1/4-20 PLT	
40	803-015C	NUT HEX 7/16-14 PLT	
41	804-041C	WASHER FLAT 7/16 SAE PLT	
42	804-014C	WASHER LOCK 7/16 PLT	
43	802-080C	HHCS 7/16-14X1 GR5	
44	403-179H	LID HINGE YP BULK HOPPER	
45	802-001C	HHCS 1/4-20X3/4 SS	
46	800-418C	DESTACO 331-R CLAMP ASSEMBLY	
47	816-725C	BIN LID SEAL	
48	816-726C	BIN LID SEAL SPACER	
49	403-948D	HOPPER RAIN SHIELD	

**150 BU Bulk Hopper**

---

*This Page Intentionally Left Blank*

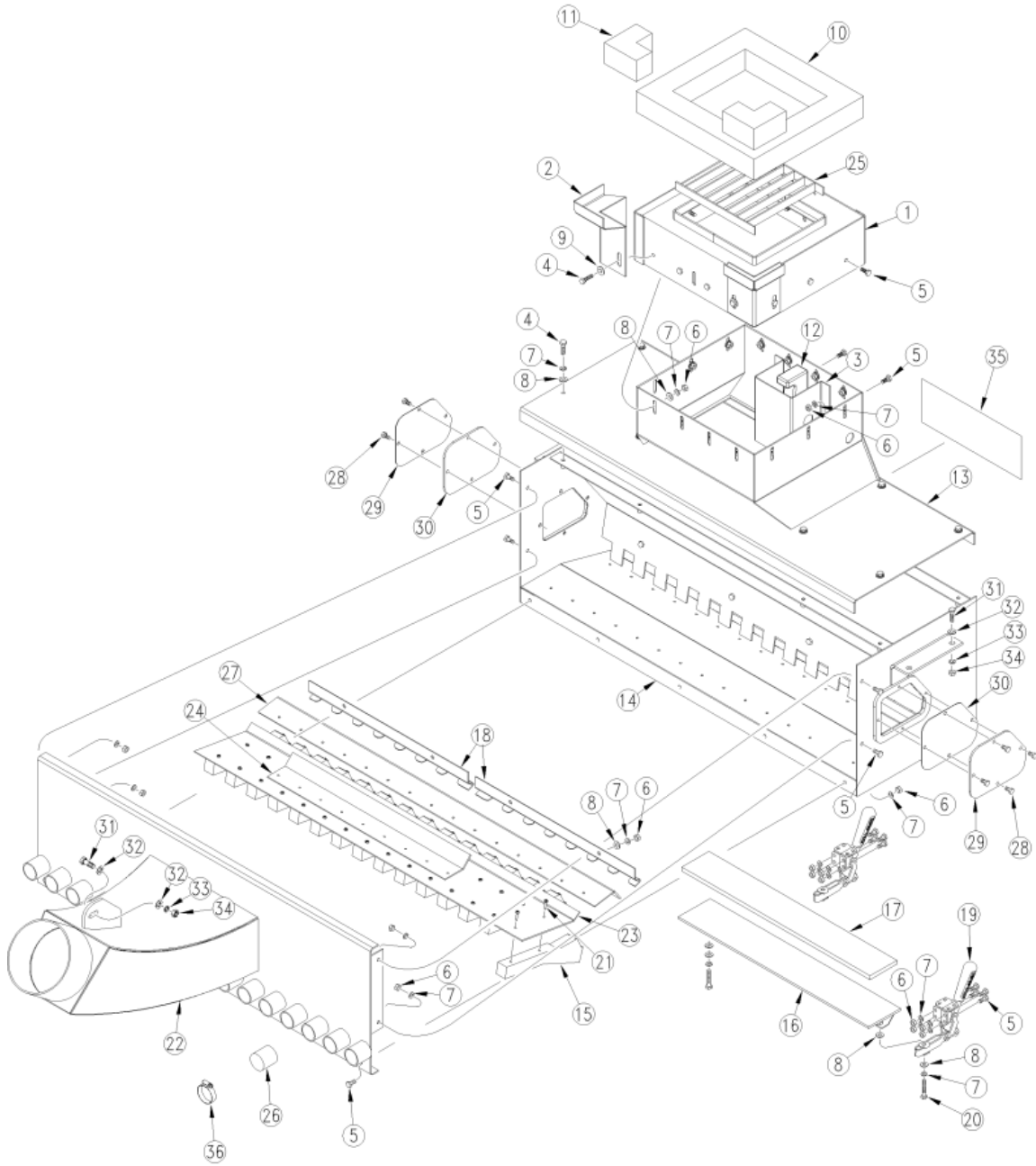
**150 BU Bulk Hopper**

---

<b>Ref.</b>	<b>Part No.</b>	<b>Part Description</b>	<b>Comments</b>
50	802-017C	HHCS 3/8-16X1 GR5	
51	804-013C	WASHER LOCK SPRING 3/8 PLT	
52	804-012C	WASHER FLAT 3/8 SAE PLT	

# Air Box (S/N A1085K-) (S/N A1149B-)

Applies to Models: YP1625 (2005+), YP1225 (2005+)



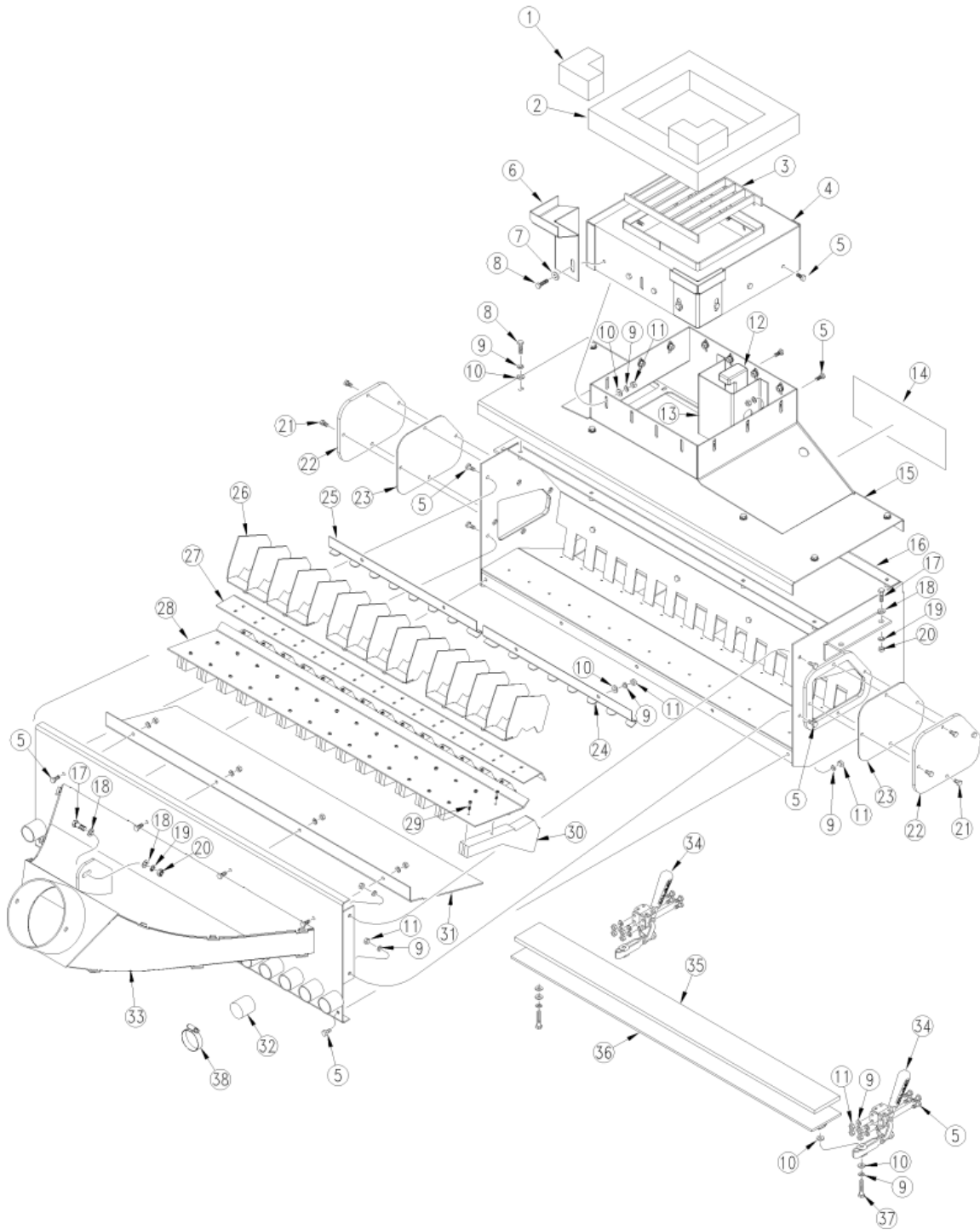
**Air Box (S/N A1085K-) (S/N A1149B-)**

Applies to Models: YP1625 (2005+), YP1225 (2005+)

Ref.	Part No.	Part Description	Comments
	DWG22756	Image No.	
1	403-165H	SEAL HOLDER WELDMENT	
2	403-166H	CORNER SEAL MOUNT WLDMNT	
3	403-248D	HOPPER LEVEL SENSOR SHROUD	
4	802-005C	HHCS 1/4-20X1 GR5	
5	802-078C	HHCS 1/4-20X5/8 GR5	
6	803-006C	NUT-HEX 1/4-20 PLT	
7	804-006C	WASHER LOCK SPRING 1/4 PLT	
8	804-007C	WASHER FLAT 1/4 SAE PLT	
9	804-075C	WASHER FLAT 1/4 USS PLT	
10	816-478C	AUX METER TOP SEAL	
11	816-479C	SEAL TOP CORNER	
12	833-235C	DJ HOPPER LEVEL SENSOR	
13	403-164H	WIDE FILL TOP WELDMENT	
14	403-161H	RICE MANIFOLD MAIN WELDMENT	
15	403-176D	RICE MANIFOLD SPACER SEPERATOR	
16	403-186H	MANIFOLD UNLOAD DOOR	(1625 S/N A1052B+)(1225 S/N A1024K+)
16	168-190H	CALIBRATION LID WELDMENT	(1625 S/N A1051B-)(1225 S/N A1023K-)
17	816-502C	DOOR SEAL, PLANTER MANIFOLD	(1625 S/N A1052B+)(1225 S/N A1024K+)
17	816-201C	METERING BOX ACCESS SEAL	(1625 S/N A1051B-)(1225 S/N A1023K-)
18	403-317D	SEED CHAMBER DIVIDER LH	
18	403-318D	SEED CHAMBER DIVIDER RH	
19	800-179C	DESTACO HOLD DOWN ACTION CLAMP	
20	802-167C	HHCS 1/4-20X1 1/2 GR5	
21	801-187C	SCREW SPAX #8X3/4 PAN HEAD	
22	403-137H	AIR FLOW FRONT SUBWELDMENT	
23	403-177D	MANIFOLD TOP SLAT COVER	
24	403-316D	AIR DEFLECTOR	
25	403-189H	SEED STRAINER GRATE WLDMNT	
26	817-457C	CAP PLUG 1 1/2 O.D. TUBE	
27	403-178D	MANIFOLD SLAT MOUNT PLT	
28	802-705C	HHCS 5/16-18X5/8	
29	403-345D	YP MANIFOLD ACCESS DOOR	
30	816-548C	YP MANIFOLD ACCESS DOOR GASKET	
31	802-079C	HHCS 3/8-16X1 1/4 GR5	
32	804-011C	WASHER FLAT 3/8 USS PLT	
33	804-013C	WASHER LOCK SPRING 3/8 PLT	
34	803-014C	NUT HEX 3/8-16 PLT	
35	838-822C	DECAL TALC LUBRICANT YP	
36	800-124C	CLAMP WRM DRV #24 SS (1.06-2)	

# Air Box (S/N A1086K+) (S/N A1150B+)

Applies to Models: YP1625 (2005+), YP1225 (2005+)





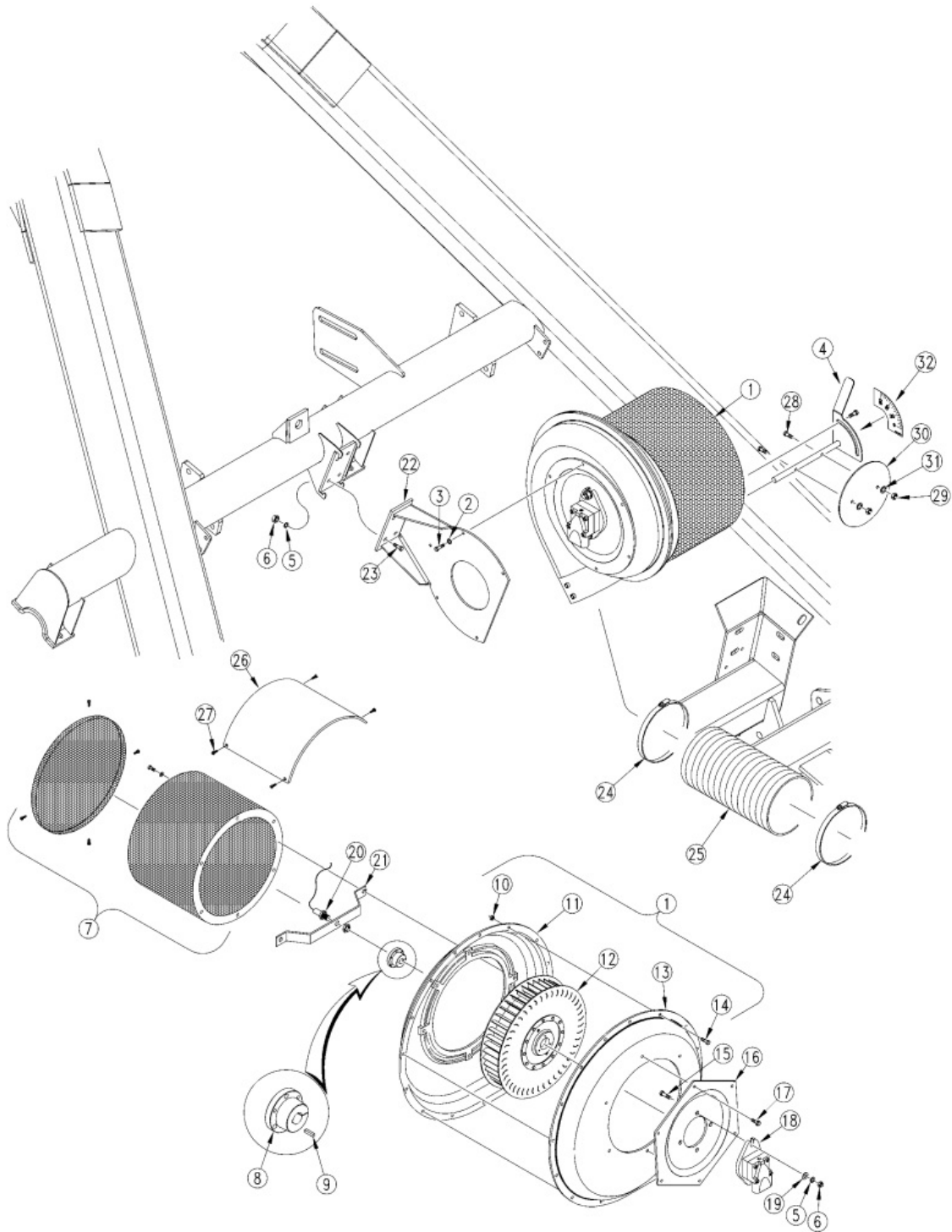
**Air Box (S/N A1086K+) (S/N A1150B+)**

Applies to Models: YP1625 (2005+), YP1225 (2005+)

Ref.	Part No.	Part Description	Comments
	DWG36087	Image No.	
1	816-479C	SEAL TOP CORNER	
2	816-478C	AUX METER TOP SEAL	
3	403-189H	SEED STRAINER GRATE WLDMNT	
4	403-165H	SEAL HOLDER WELDMENT	
5	802-078C	HHCS 1/4-20X5/8 GR5	
6	403-166H	CORNER SEAL MOUNT WLDMNT	
7	804-075C	WASHER FLAT 1/4 USS PLT	
8	802-005C	HHCS 1/4-20X1 GR5	
9	804-006C	WASHER LOCK SPRING 1/4 PLT	
10	804-007C	WASHER FLAT 1/4 SAE PLT	
11	803-006C	NUT HEX 1/4-20 PLT	
12	833-235C	DJ BIN LEVEL SENSOR	
13	403-248D	HOPPER LEVEL SENSOR SHROUD	
14	838-822C	DECAL TALC LUBRICANT YP	
15	403-239H	WIDE FILL TOP WELDMENT	
16	403-237H	RICE MANIFOLD MAIN WELDMENT	
17	802-079C	HHCS 3/8-16X1 1/4 GR5	
18	804-011C	WASHER FLAT 3/8 USS PLT	
19	804-013C	WASHER LOCK SPRING 3/8 PLT	
20	803-014C	NUT HEX 3/8-16 PLT	
21	802-705C	HHCS 5/16-18X5/8 GR5	
22	403-345D	YP MANIFOLD ACCESS DOOR	
23	816-548C	YP MANIFOLD ACCESS DOOR GASKET	
24	403-318D	SEED CHAMBER DIVIDER RH	
25	403-317D	SEED CHAMBER DIVIDER LH	
26	403-668H	AIR BOX VANE WLDMNT	
27	403-178D	MANIFOLD SLAT MOUNT PLT	
28	403-177D	MANIFOLD TOP SLAT COVER	
29	801-187C	SCREW SPAX #8X3/4 PAN HEAD	
30	403-396D	RICE MANIFOLD SPACER SEPARATOR	
31	403-402D	AIR FLOW UPPER GUIDE	
32	817-457C	CAP PLUG 1 1/2 O.D. TUBE	
33	403-236H	MANIFOLD INLET WIDE YP	
34	800-179C	DESTACO HOLD DOWN ACTION CLAMP	
35	816-502C	DOOR SEAL, PLANTER MANIFOLD	
36	403-186H	MANIFOLD UNLOAD DOOR	
37	802-167C	HHCS 1/4-20X1 1/2 GR5	
38	800-124C	CLAMP WRM DRV #24 SS (1.06-2)	

Great Plains  
**Fan to Frame**

Applies to Models: YP1625 (2005+), YP1225 (2005+)

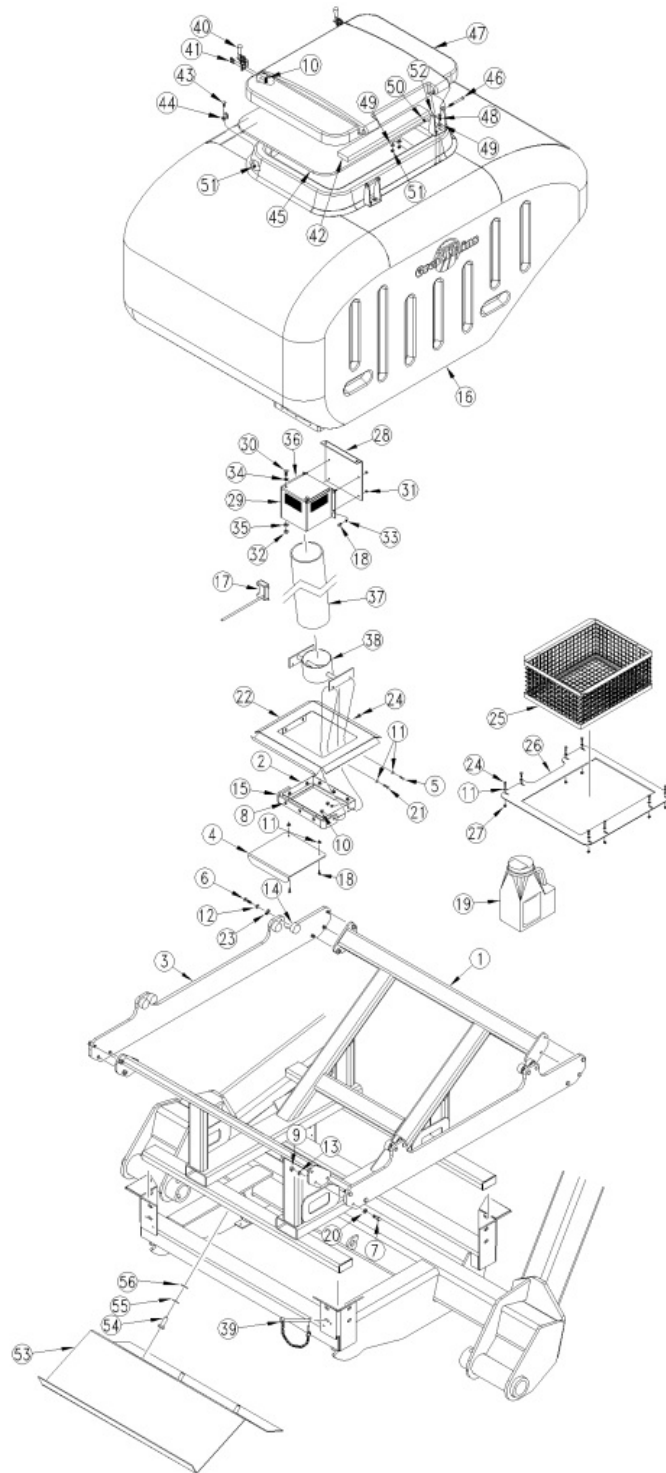


Applies to Models: YP1625 (2005+), YP1225 (2005+)

Ref.	Part No.	Part Description	Comments
	DWG22755	Image No.	
1	890-395C	6 HYDRAULIC FAN KIT W/ SCREEN	Includes items 7, 10-14, 16-17
2	804-006C	WASHER LOCK SPRING 1/4 PLT	
3	802-224C	HHCS 1/4-20X1 1/4 GR5	
4	401-363H	CRARY FAN SHUTTER	
5	804-013C	WASHER LOCK SPRING 3/8 PLT	
6	803-014C	NUT HEX 3/8-16 PLT	
7	890-624C	SCREEN FAN COVER	
8	890-891C	BUSHING, JA X 20 MM	(1225 S/N A1024K+ 1625 S/N A1052B+)
8	890-396C	BUSHING - FAN	(1225 S/N A1023K- 1625 S/N A1051B-)
9	168-094D	HYD MOTOR 1/8 KEY	
10	803-230C	NUT HEX FLANGE 1/4-20 PLT	
11	21121	RPBY 50465-00	
12	17089	13 FAN IMPELLER	
13	23320	RPBY 54134-00	
14	802-375C	HFSS 1/4-20X1 GR5	
15	802-079C	HHCS 3/8-16X1 1/4 GR5	
16	890-899C	VOLVO HYD MOTOR MOUNT PLT	(1225 S/N A1024K+ 1625 S/N A1052B+)
16	890-892C	HYDRAULIC MOTOR MOUNT PLT	(1225 S/N A1023K- 1625 S/N A1051B-)
17	801-081C	SCREW HEX SELF TAP 1/4-20X3/4	
18	810-556C	PARKER F-11 FAN MOTOR	(1225 S/N A1024K+ 1625 S/N A1052B+)
18	810-273C	HYD MOTOR 7/8ORBF	(1225 S/N A1023K- 1625 S/N A1051B-)
19	804-012C	WASHER FLAT 3/8 SAE PLT	
20	466970014S1	DJ FAN RPM SENSOR THRD HALL	
21	401-537D	DJ FAN SENSOR MOUNT BRKT	
22	401-203H	YP FAN MOUNT WLDMNT 2	
23	802-017C	HHCS 3/8-16X1 GR5	
24	800-151C	CLAMP WRM DRV #96SS (4.75-6.5)	
25	816-409C	NTA2000 6 INCH FAN HOSE	
26	817-624C	FAN INLET RAIN SHIELD	
27	802-800C	HWH #12-14X3/4	
28	801-055C	SCREW RD HD 10-24 X 1 PLT	
29	803-268C	NUT HEX NYLOCK 10-24 PLT	
30	411-030D	CRARY FAN SHUTTER DISK	
31	804-054C	WASHER LOCK #10	
32	848-020C	DECAL FAN BAFFLE INDEX	

# Hopper Box to Frame

Applies to Models: YP1625 (2005+), YP1225 (2005+)



**Hopper Box to Frame**

Applies to Models: YP1625 (2005+), YP1225 (2005+)

Ref.	Part No.	Part Description	Comments
	DWG 22749	Image No.	
1	403-142H	BEAN HOPPER SUPPORT FRAME	
2	403-159H	BULK HOPPER UNLOAD DOOR GUIDE	
3	403-214D	HOPPER RETAINER SIDE BAR	
4	403-234D	BULK HOPPER UNLOAD DOOR	
5	802-167C	HHCS 1/4-20X1 1/2 GR5	
6	802-034C	HHCS 1/2-13X1 1/4 GR5	
7	802-055C	HHCS 5/8-11X2 GR5 FTHD	
8	802-224C	HHCS 1/4-20X1 1/4 GR5	
9	803-021C	NUT HEX 5/8-11 PLT	
10	803-088C	NUT HEX LOCK 1/4-20 FLG	
11	804-007C	WASHER FLAT 1/4 SAE PLT	
12	804-015C	WASHER LOCK SPRING 1/2 PLT	
13	804-022C	WASHER LOCK SPRING 5/8 PLT	
14	816-170C	RD BUMP STOP 2 X 1 X 1/2-13	
15	816-477C	HOPPER DOOR TOP SEAL	
16	817-556C	BULK PLANTER SEED HOPPER W/LID	
17	833-235C	DJ BIN LEVEL SENSOR	
18	802-004C	HHCS 1/4-20X3/4 GR5	
19	821-048C	OB RPBX BY 821-069C	
19	821-069C	EZEE-GLIDE PLUS LUBRICANT-5GAL	
20	804-021C	WASHER FLAT 5/8 SAE PLT	
21	802-370C	HHCS 1/4-20X1 3/4 GR5	
22	403-188H	HOPPER WATER GUARD W/LDMNT	
23	804-016C	WASHER FLAT 1/2 SAE PLT	
24	802-005C	HHCS 1/4-20X1 GR5	
25	807-182C	WIRE BASKET	
26	403-332D	HOPPER STRAINER BASKET SUPPORT	
27	803-230C	NUT HEX FLANGE 1/4-20 PLT	
28	403-407D	BRACKET	
29	403-408D	AIR TRANSFER TUBE CAP	
30	802-080C	HHCS 7/16-14X1 GR5	
31	803-006C	NUT HEX 1/4-20 PLT	
32	803-015C	NUT HEX 7/16-14 PLT	
33	804-006C	WASHER LOCK SPRING 1/4 PLT	
34	804-014C	WASHER LOCK 7/16 PLT	
35	804-041C	WASHER FLAT 7/16 SAE PLT	
36	816-245C	RUBBER GUARD REAR CTR.OUTER	
37	403-403D	82 BU AIR PRESSURE PIPE	
38	403-241H	LOWER AIR PIPE SUPPORT 82 YP	
39	805-034C	PIN HITCH 1/2 X 6 1/4 W CHAIN	
40	800-418C	DESTACO 331-R CLAMP ASSEMBLY	
41	802-001C	HHCS 1/4-20X3/4 SS	
42	816-726C	BIN LID SEAL SPACER	
43	802-282C	RHSNB 5/16-18X1 GR5	
44	403-788D	82 BIN LID LATCH HOOK PLT	
45	816-725C	BIN LID SEAL	
46	802-026C	HHCS 3/8-16X3 3/4 GR5	
47	817-558C	LID, BULK PLANTER SEED HOPPER	
48	802-010C	HHCS 5/16-18X1 1/4 GR5	

***Hopper Box to Frame***

---

*This Page Intentionally Left Blank*

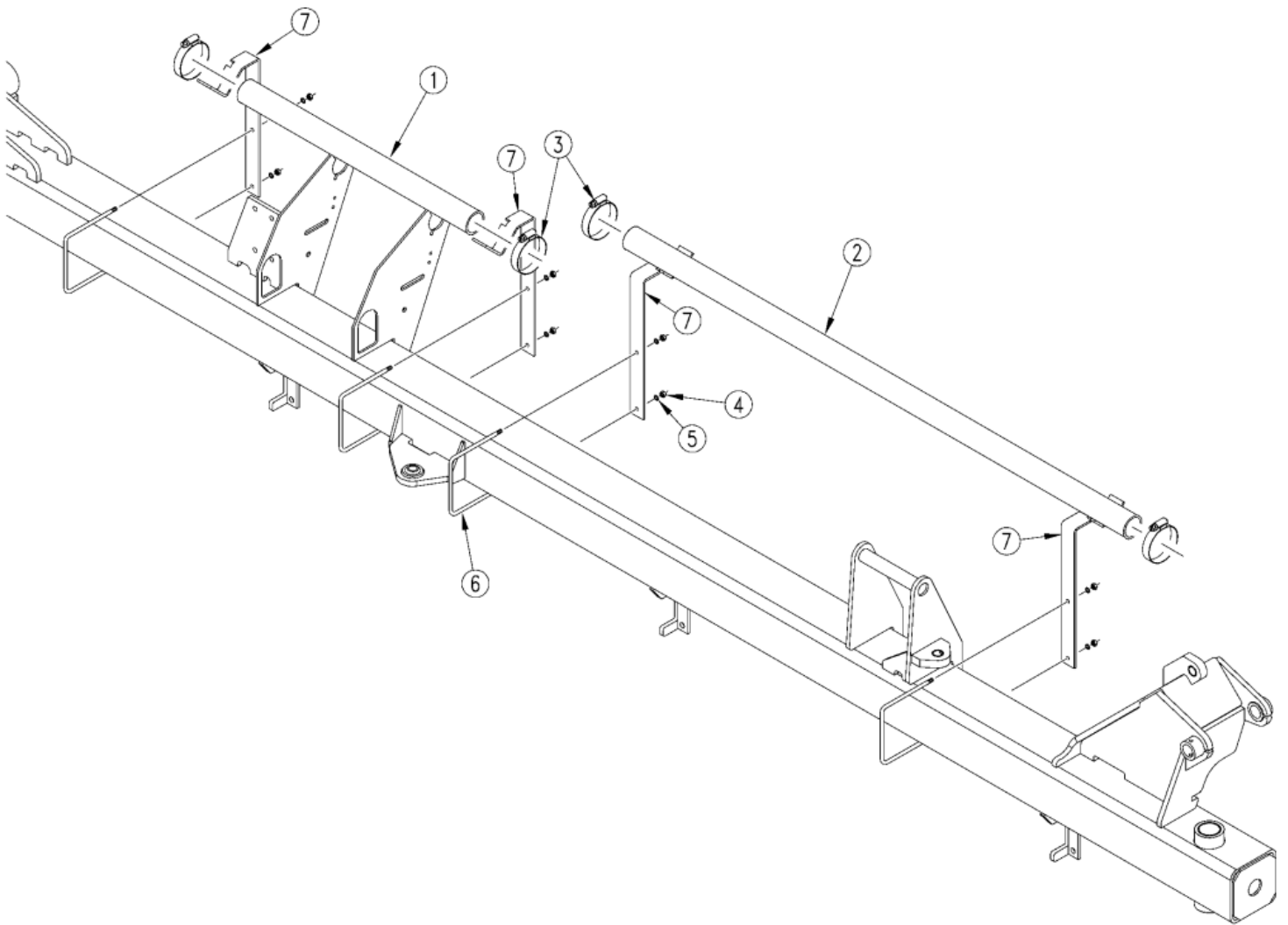
**Hopper Box to Frame**

---

<b>Ref.</b>	<b>Part No.</b>	<b>Part Description</b>	<b>Comments</b>
49	804-010C	WASHER FLAT 5/16 USS PLT	
50	803-078C	NUT LOCK 3/8-16 NYLON INSERT	
51	803-177C	NUT HEX FLG TP LK 5/16-18ZNYCR	
52	403-228H	LID HINGE YP BULK HOPPER SHORT	
53	403-948D	HOPPER RAIN SHIELD	
54	802-017C	HHCS 3/8-16X1 GR5	
55	804-013C	WASHER LOCK SPRING 3/8 PLT	
56	804-012C	WASHER FLAT 3/8 SAE PLT	

# Hose Support Tubes

Applies to Models: YP1625 (2005+), YP1225 (2005+)





## Hose Support Tubes

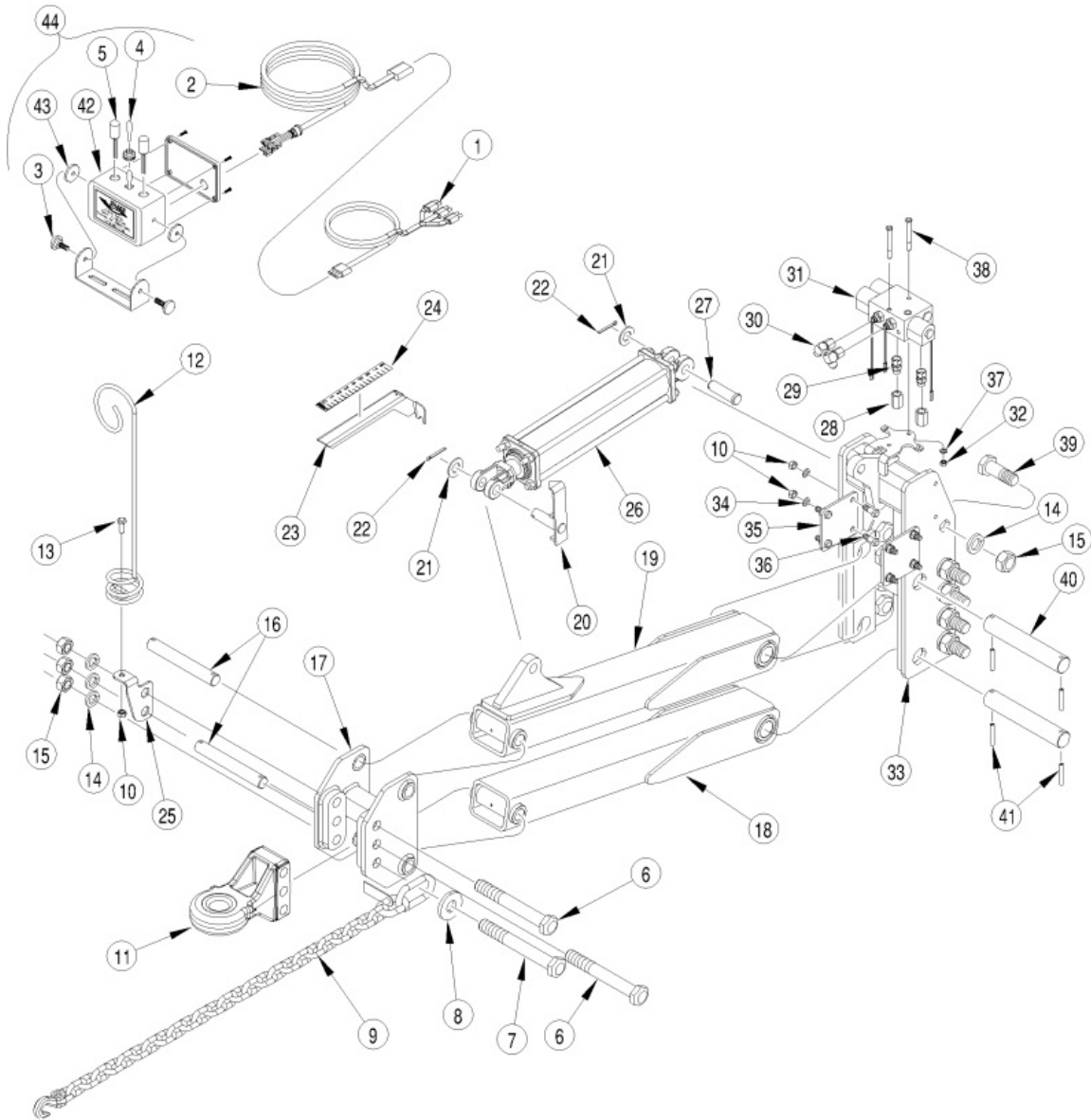
---

Applies to Models: YP1625 (2005+), YP1225 (2005+)

Ref.	Part No.	Part Description	Comments
	DWG21986	Image No.	
1	401-534D	HOSE SUPPORT TUBE 60 IN	Used on 16 row
2	401-535D	HOSE SUPPORT TUBE 78 IN	Used on 16 row
2	401-637D	HOSE SUPPORT TUBE 36 IN	Used on 12 row (2 each)
3	800-231C	CLAMP WORM DRIVE (3"-5")	
4	803-014C	NUT HEX 3/8-16 PLT	
5	825-006C	WASHER LOCK 3/8	
6	806-073C	U-BOLT 3/8-16 X 7 1/32 X 7 7/8	
7	401-536D	HOSE SUPPORT MOUNT BRACKET	

# Hydraulic Hitch Mounting

Applies to Models: YP1625 (2005+), YP1225 (2005+)



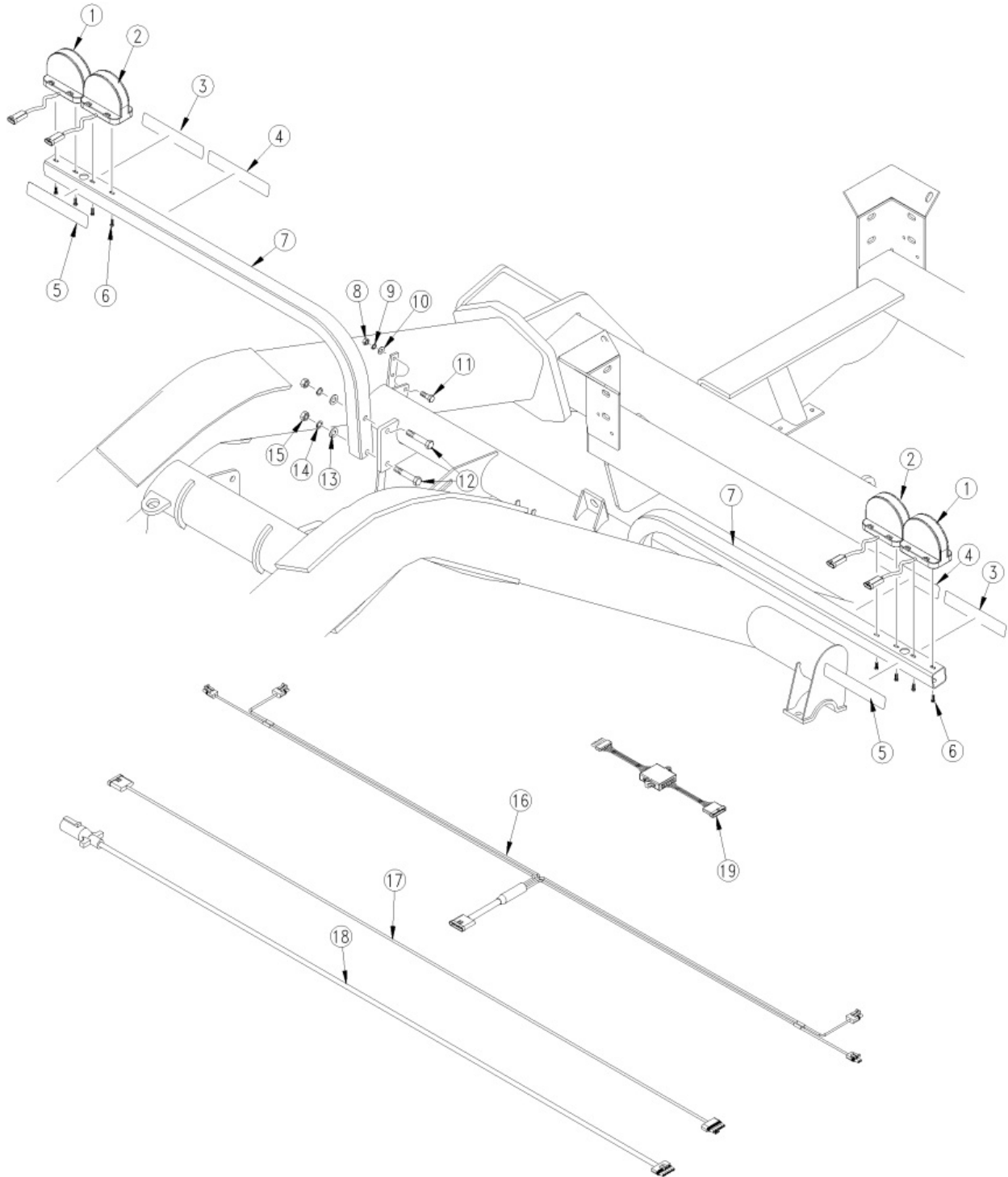
**Hydraulic Hitch Mounting**

Applies to Models: YP1625 (2005+), YP1225 (2005+)

Ref.	Part No.	Part Description	Comments
	DWG26169	Image No.	
1	319-058	FASSE 4' HARNESS	
2	319-059	FASSE 20' HARNESS	
3	219-007	FASSE SCR THUMB BLK 1/4-20X1/2	
4	259-005	FASSE SW TOG GRP VNYL RED .187	
5	251-003	FASSE LAMP 12V 1/2 SNAP RED	
6	802-110C	HHCS 1-8X9 GR5	
7	802-429C	HHCS 1-8X10 GR5 PLT	
8	194-070D	SAFETY CHAIN WASHER	
9	890-398C	SAFETY CHAIN 40000 LB	
10	803-020C	NUT HEX 1/2-13 PLT	
11	891-670C	CAT IV ARTICULATING BALL HITCH	
12	807-073C	SPRING HOSE LOOP HEAVY	
13	802-034C	HHCS 1/2-13X1 1/4 GR5	
14	804-027C	WASHER LOCK SPRING 1 PLT	
15	803-031C	NUT HEX 1-8 PLT	
16	411-215D	PIN 1 1/4 X 7.13 USBL	
17	411-960H	HYDRAULIC HITCH MOUNT WMT	
18	401-447H	HITCH LOWER ARM	(YP12 S/N A1153K-) (YP16 S/N A1174B-)
18	401-633H	HITCH LOWER ARM WELDMNT	(YP12 S/N A1154K+) (YP16 S/N A1175B+) Shown
19	401-444H	HITCH UPPER ARM	(YP12 S/N A1153K-) (YP16 S/N A1174B-)
19	401-632H	HITCH UPPER ARM WELDMNT	(YP12 S/N A1154K+) (YP16 S/N A1175B+) Shown
20	148-387H	STROKE GAUGE POINTER 3000PSI	
21	804-029C	WASHER FLAT 1 SAE	
22	805-060C	PIN COTTER 7/32 X 2	
23	411-332D	HITCH INDICATOR YP TONGUE	
24	818-181C	DECAL STROKE GAUGE	
25	413-757D	SPRING PIGTAIL MOUNT	
26	810-614C	CYL 3.5X16X1.75 ROD(TIE)NOPINS	Refer to "Hydraulic Cylinder (810-614C 3.5x16x1.75 Rod)" for breakdown
27	805-159C	PIN CLVS 1.0X3.11 USBL GR5	
28	811-488C	CP 3/4 FORB 3/4 FORB	
29	811-324C	AD 3/4MORB 3/4FJIC	
30	811-150C	EL 3/4FJIC 3/4MJIC	
31	810-613C	VALVE 2CIRCUIT SELECT LD HOLD	
32	803-014C	NUT HEX 3/8-16 PLT	
33	401-446H	CYLINDER LUG END MOUNT	(YP12 S/N A1153K-) (YP16 S/N A1174B-)
33	401-634H	CYLINDER LUG END MOUNT WELDMNT	(YP12 S/N A1154K+) (YP16 S/N A1175B+) Shown
34	804-015C	WASHER LOCK SPRING 1/2 PLT	
35	404-228D	HYD HITCH COMP MOUNT BRACKET	Only used with Row-Pro or Tru-Count Clutch Assembly
36	802-091C	HHCS 1/2-13X1 1/2 GR5	
37	804-013C	WASHER LOCK SPRING 3/8 PLT	
38	802-147C	HHCS 3/8-16X3 1/2 GR5	
39	802-852C	HHCS 1 1/4-7X3 1/2 SPTHD GR5	
40	411-214D	PIN 1 1/4 X 9.13 USBL	(YP12 S/N A1153K-) (YP16 S/N A1174B-)
40	411-615D	PIN 1.75X9.25 USBL 1144	(YP12 S/N A1154K+) (YP16 S/N A1175B+) Shown
41	805-255C	PIN ROLL 3/8 X 2 1/2 PLT	
42	319-549	ENCL DRILL SWBX 1591LBK LMP2-SW1-9/16"	
43	213-005	FASSE WSHR RBR1ODX1/4IDX1/16TK	
44	833-454C	FASSE SWITCH ASM AND HARNESS	Includes #1-5, #42 & #43. Used w/out Intellig components

# LED Lights (S/N A1176K+) (S/N A1317B+)

Applies to Models: YP1625 (2005+), YP1225 (2005+)



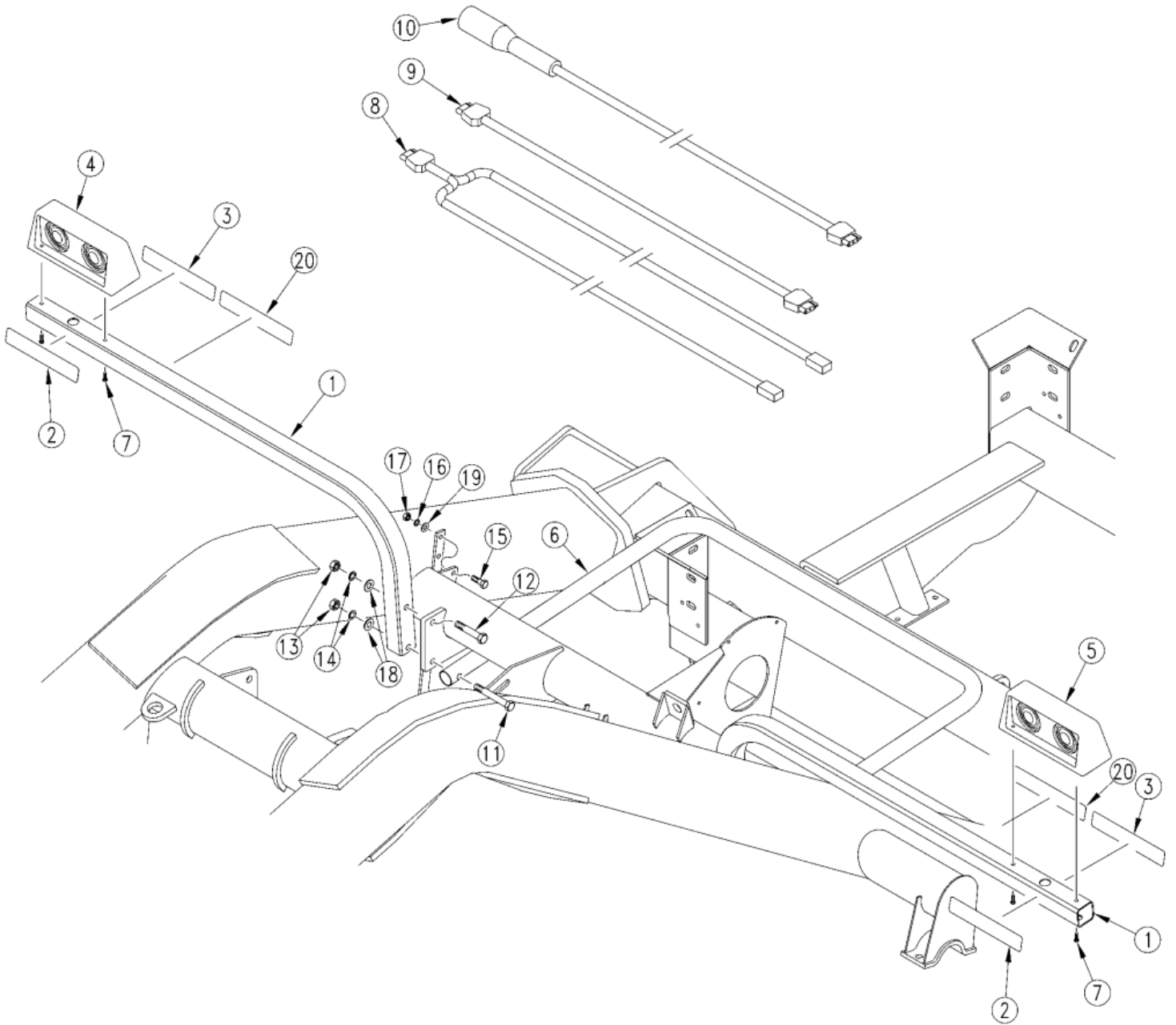
**LED Lights (S/N A1176K+) (S/N A1317B+)**

Applies to Models: YP1625 (2005+), YP1225 (2005+)

Ref.	Part No.	Part Description	Comments
	DWG36091	Image No.	
1	833-697C	LIGHT, AMBER LAMP LED	
2	833-696C	LIGHT, RED LAMP - LED	
3	838-266C	DECAL REFLECTOR RED 1 1/2X9	
4	838-267C	DECAL REFLECTR DAYTIME 1 1/2X9	
5	838-265C	DECAL REFLECTOR AMBER 1 1/2X9	
6	801-081C	SCREW HEX SELF TAP 1/4-20X3/4	
7	401-521D	LIGHT MOUNT TUBE	
8	803-014C	NUT HEX 3/8-16 PLT	
9	804-013C	WASHER LOCK SPRING 3/8 PLT	
10	804-012C	WASHER FLAT 3/8 SAE PLT	
11	802-079C	HHCS 3/8-16X1 1/4 GR5	
12	802-099C	HHCS 1/2-13X3 1/4 GR5	
13	804-016C	WASHER FLAT 1/2 SAE PLT	
14	804-015C	WASHER LOCK SPRING 1/2 PLT	
15	803-020C	NUT HEX 1/2-13 PLT	
16	833-683C	LIGHT HRNSS, 10' WISHBONE -LED	
17	833-687C	AG LIGHT HARNESS, EXT-15' LED	
18	833-686C	LIGHT HARNESS, 35' LEAD - LED	
19	833-694C	LIGHT HRNSS ENHANCE MODULE LED	

# Lights (S/N A1175K-) (S/N A1316K-)

Applies to Models: YP1625 (2005+), YP1225 (2005+)

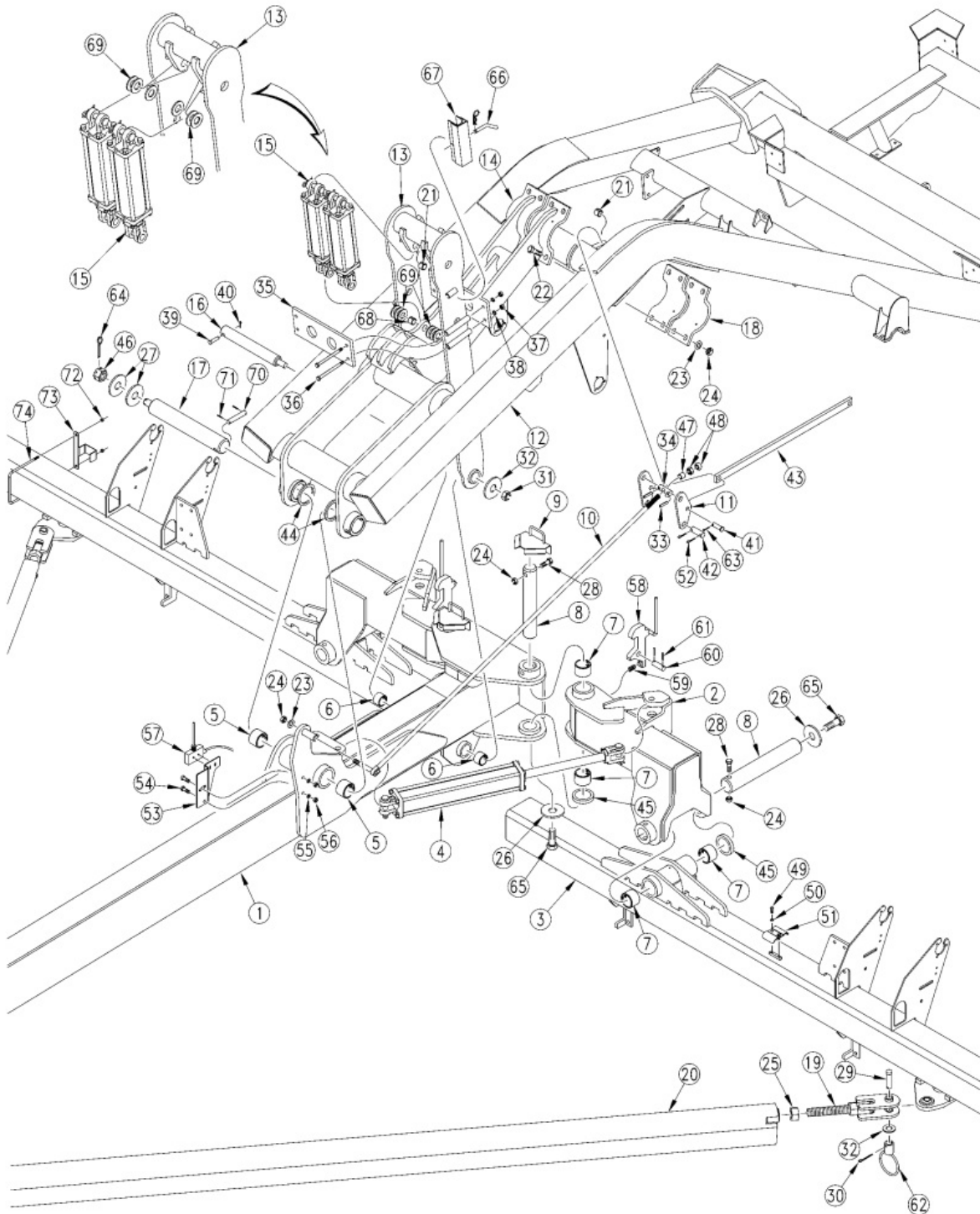


**Lights (S/N A1175K-) (S/N A1316K-)**

Applies to Models: YP1625 (2005+), YP1225 (2005+)

Ref.	Part No.	Part Description	Comments
	DWG22877	Image No.	
1	401-521D	LIGHT MOUNT TUBE	
2	838-265C	DECAL REFLECTOR AMBER 1 1/2X9	
3	838-266C	DECAL REFLECTOR RED 1 1/2X9	
4	890-311C	DUAL AG LIGHTS LH	
5	890-312C	DUAL AG LIGHTS RH	
6	401-523D	FAN GUARD	
7	801-081C	SCREW HEX SELF TAP 1/4-20X3/4	
8	890-390C	LIGHT HARNESS, 10' WISHBONE	
9	890-600C	AG LIGHT HARNESS, EXT-15'	
10	890-431C	LIGHT HARNESS, 35' LEAD	
11	802-413C	HHCS 1/2-13X4 1/2 GR5	
12	802-099C	HHCS 1/2-13X3 1/4 GR5	
13	803-020C	NUT HEX 1/2-13 PLT	
14	804-015C	WASHER LOCK SPRING 1/2 PLT	
15	802-079C	HHCS 3/8-16X1 1/4 GR5	
16	804-013C	WASHER LOCK SPRING 3/8 PLT	
17	803-014C	NUT HEX 3/8-16 PLT	
18	804-016C	WASHER FLAT 1/2 SAE PLT	
19	804-012C	WASHER FLAT 3/8 SAE PLT	
20	838-267C	DECAL REFLECTR DAYTIME 1 1/2X9	

Applies to Models: YP1625 (2005+), YP1225 (2005+)





Applies to Models: YP1625 (2005+), YP1225 (2005+)

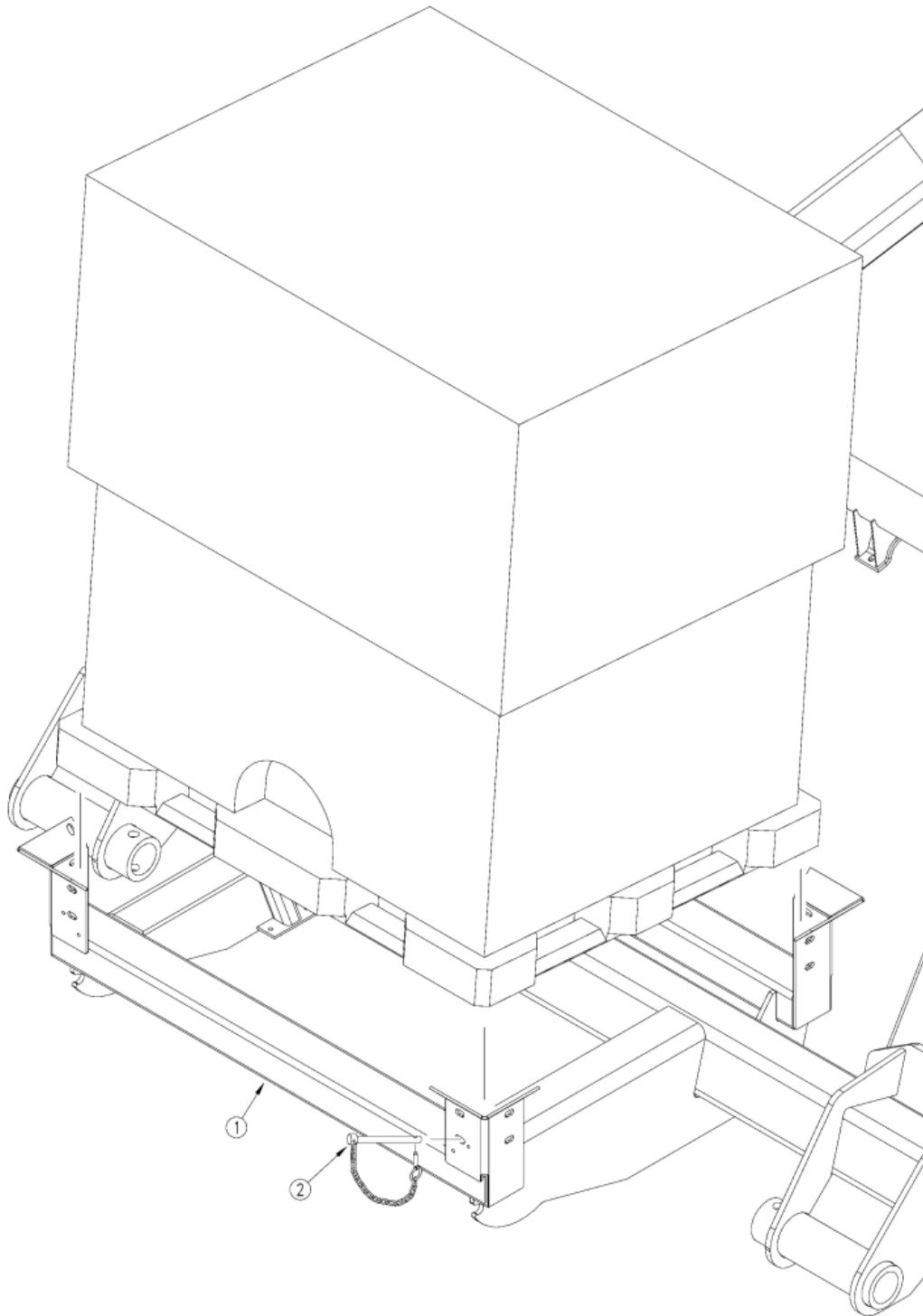
Ref.	Part No.	Part Description	Comments
	DWG 22775	Image No.	
1	401-209H	16R PB TONGUE REAR SECT WLD 2	
1	401-192H	12R PB TONGUE REAR SECT WLDMT	
2	401-198H	16R PB LH TOOLBAR WLDMT 2	
2	401-202H	16R RH TOOLBAR WLDMT 2	
3	401-210H	16R PB LH WING FRAME WLDMT 2	
3	401-320H	YP1636-TR LH WING FRAME WLDMNT	
3	401-205H	YP1225 LH WING FRAME WLDMNT	
3	401-318H	YP1236-TR LH WING FRAME WLDMNT	
3	401-211H	16R PB RH WING FRAME WLDMT 2	
3	401-321H	YP1636-TR RH WING FRAME WLDMNT	
3	401-206H	YP1225 RH WING FRAME WLDMNT	
3	401-319H	YP1236-TR RH WING FRAME WLDMNT	
4	810-537C	CYL REP 4.5X20X1.5 ROD (RET)	
4	810-646C	CYL REP 4.75X20.0X1.75 (RET)	
5	890-193C	STEEL BUSHING 3 1/4X3IDX3LONG	
6	890-051C	BUSHING 2 1/4 OD X 2 ID X 2 LG	
7	890-725C	BUSHING 3 X 2 1/2 X 2 CONNEX	
8	401-477D	TOOLBAR HORZ PIVOT PIN	(YP1625 S/N A1317B-)
9	401-791H	LH HINGE HOSE GUIDE	
9	401-792H	RH HINGE HOSE GUIDE	
10	401-168H	DRIVE WHEEL CONTROL LINK WLDMT	
11	401-494D	TOGGLE SIDE PLATE	
12	401-201H	16R 30/TR CADDY FRAME/AXLE 2	
12	401-322H	YP 1236-TR CADDY FRAME/AXLE	
13	401-196H	LIFT LINK WELDMENT 2	
14	401-195H	LIFT LUG PIVOT WLDMT 2	
15	810-544C	CYL REP 5X10X1.5 ROD (TIE)	(S/N B1022E-)(S/N B1047F-) Refer to "Hydraulic Cylinder (810-545C 5x10x1.5 Rod)" for breakdown
15	810-698C	CYL REP 5X10X2.0 ROD (TIE)	(S/N B1023E+)(S/N B1048F+) Refer to "Hydraulic Cylinder (810-698C 5x10x2.0 Rod)" for breakdown
16	401-584D	PLANTER REAR CROSS PIN 2	
17	196-653D	40P GW SWIVEL PIN	
18	196-247D	2SNT AXLE BOTTOM HALF BAND	
19	401-167H	16 ROW PULLBAR ADJUSTER	
20	401-165H	PULLBAR WELDMENT 16 ROW	
20	401-194H	PULLBAR WELDMENT 12 ROW	
21	890-005C	BUSHING CYL 1 1/4 X 1 X 1	
22	802-212C	HHCS 3/4-10X2 1/2 GR5	
23	804-025C	WASHER FLAT 3/4 SAE PLT	
24	803-026C	NUT LOCK 3/4-10 PLT	
25	803-073C	NUT HEX 1 1/2-6 PLT	
26	318-508D	WASHER 3.5ODX1.03ID .38THK.	
27	197-001D	BOX HINGE PIVOT WASHER	
28	802-069C	HHCS 3/4-10X5 GR5	
29	805-360C	PIN 1 X 4 1/2 USEABLE	
30	805-076C	PIN ROLL 3/16 X 1 3/4 PLT.	
31	803-316C	NUT HEX SIDE LOCK 1-8 PLT	
32	500-064D	WASHER - SAFETY CHAIN SA	
33	805-117C	PIN ROLL 1/4 X 2 1/2 PLT	
34	401-495D	TRUNNION PIN	
35	401-585D	CYLINDER GUIDE BAR 2	

*This Page Intentionally Left Blank*

Ref.	Part No.	Part Description	Comments
36	802-289C	HHCS 1/2-13X8 GR5	
37	803-020C	NUT HEX 1/2-13 PLT	
38	804-015C	WASHER LOCK SPRING 1/2 PLT	
39	805-334C	PIN CLEVIS 5/8 X 3 1/2	
40	805-109C	PIN COTTER 1/8 X 1 1/4 PLT	
41	805-140C	PIN CLEVIS 3/4 X 2 1/2 PLT	
42	805-187C	PIN CLEVIS 1 X 2 1/4 GR5 PLT	
43	401-498D	LINK ROD	
44	804-102C	PIVOT THRUST WASHER	
45	196-573D	WASHER HARD 4 X 2.56 X .25	
46	803-079C	NUT HEX SLOTTED 1 1/4 - 7	
47	164-028D	LINK PIVOT BUSHING	
48	803-048C	NUT HEX JAM 3/4-10 PLT	
49	802-010C	HHCS 5/16-18X1 1/4 GR5	
50	804-009C	WASHER LOCK SPRING 5/16 PLT	
51	502-068D	HYD HOSE CLAMP BRACKET	
52	805-017C	PIN COTTER 3/16 X 1 3/4 PLT	
53	401-753D	WHISKER SWITCH MOUNT YP VERIS	
53	401-533D	VERIS LIMIT SWITCH MOUNT	
54	802-079C	HHCS 3/8-16X1 1/4 GR5	
55	804-013C	WASHER LOCK SPRING 3/8 PLT	
56	803-014C	NUT HEX 3/8-16 PLT	
57	VER-28383	VERIS SPEED SNSR SWITHC HRNESS	Formerly VER-24697
58	401-207H	TRANSPORT SUPPORT HOOK WLDMT	
58	401-208H	TRANSPORT SUPPORT HOOK WELD RH	
59	807-260C	SPRING COMP 1.460D .148WX4.0LG	
60	401-634D	TRANSPORT HOOK PVT SHAFT 1.25	
61	805-255C	PIN ROLL 3/8 X 2 1/2 PLT	
62	506-245H	HOSE SUPPORT WELDMENT	
63	805-019C	PIN COTTER 5/32 X 1 PLT	
64	805-085C	PIN COTTER 5/16 X 2 1/2	
65	802-798C	HHCS 1-8X1 3/4 GR5 NYL	
66	805-001C	PIN 3/8 X 3 USABLE LW/PIN	Formerly 805-152C
67	596-163H	CYL LOCK CHANNEL 2 X 9 1/2	
68	890-620C	BUSHING,1 1/2X1 1/4X3/4LG	
69	804-165C	WASHER MACH 1 7/8X1 1/4X 14GA	
70	805-230C	PIN 3/4 X 4 13/32 USEABLE	
71	805-041C	PIN ROLL 1/4X1 3/4	
72	803-013C	NUT LOCK 3/8-16 PLT	
73	401-635D	HOSE HOLD DOWN CLAMP	
74	806-073C	U-BOLT 3/8-16 X 7 1/32 X 7 7/8	
75	804-028C	WASHER FLAT 1 USS PLT	(YP1625 S/N A1318B+)
76	431-297D	PIVOT PIN ANTI ROTATE WASHER	(YP1625 S/N A1318B+)
77	431-296D	TOOLBAR PIVOT PIN LONG	(YP1625 S/N A1318B+)

# Pro Box to Frame

Applies to Models: YP1625 (2005+), YP1225 (2005+)



**Pro Box to Frame**

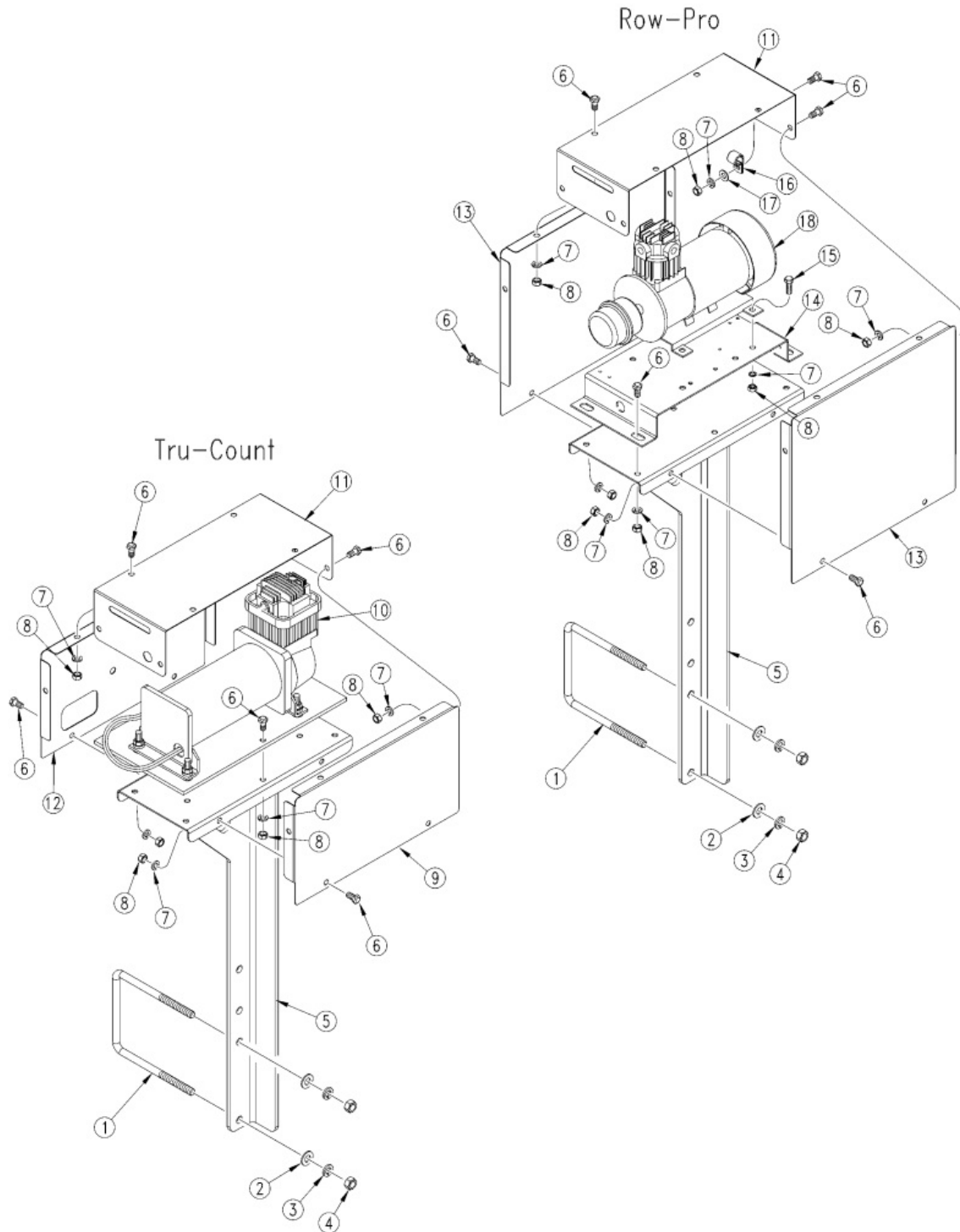
---

Applies to Models: YP1625 (2005+), YP1225 (2005+)

<b>Ref.</b>	<b>Part No.</b>	<b>Part Description</b>	<b>Comments</b>
	DWG21941	Image No.	
1	401-201H	16R 30/TR CADDY FRAME/AXLE 2	
2	805-034C	PIN HITCH 1/2 X 6 1/4 W CHAIN	

# Row-Pro and Tru-Count Compressor Mounting

Applies to Models: YP1625 (2005+), YP1225 (2005+)



**Row-Pro and Tru-Count Compressor Mounting**

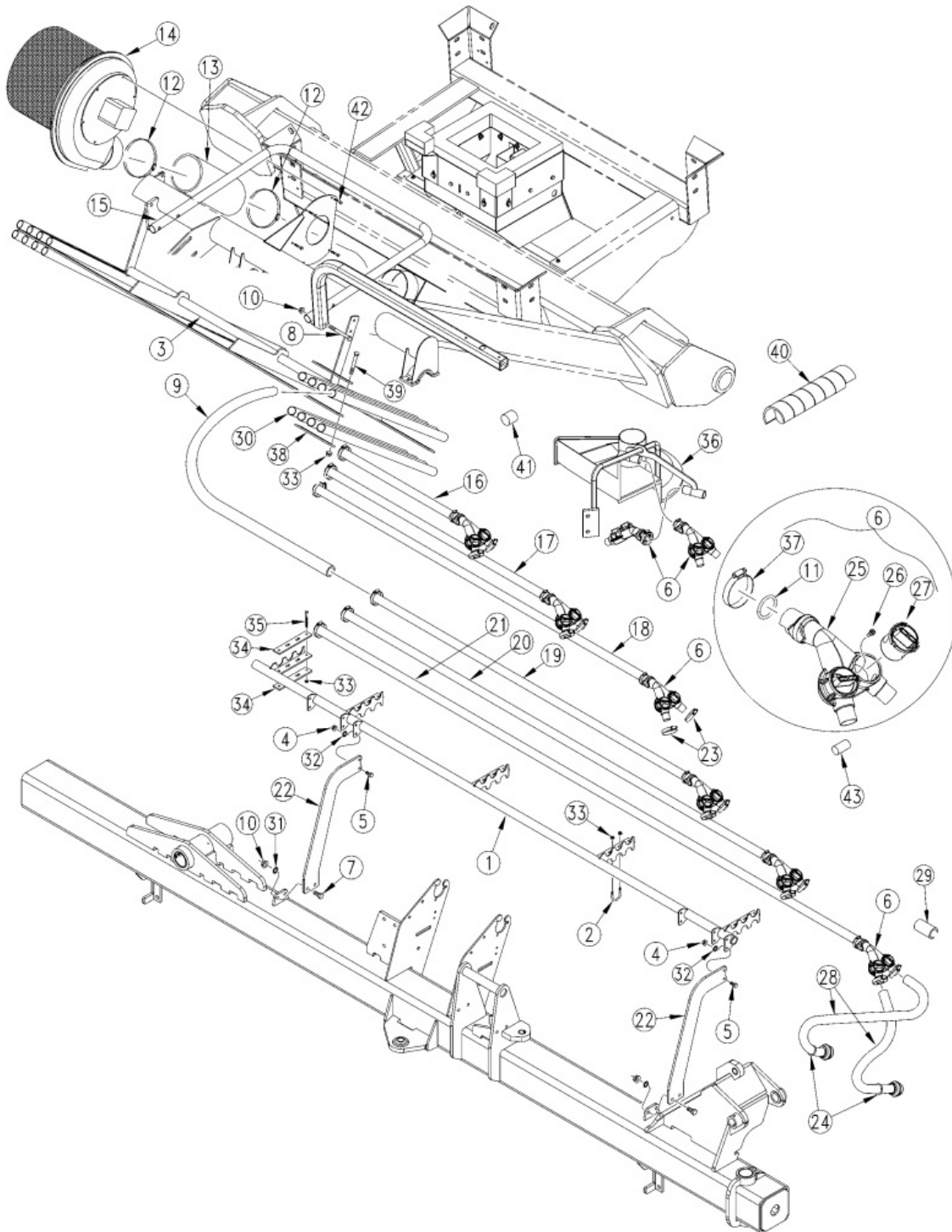
Applies to Models: YP1625 (2005+), YP1225 (2005+)

Ref.	Part No.	Part Description	Comments
	DWG34090	Image No.	
1	806-060C	U-BOLT 1/2-13 X 6 1/32 X 7 1/4	
2	804-016C	WASHER FLAT 1/2 SAE PLT	
3	804-015C	WASHER LOCK SPRING 1/2 PLT	
4	803-020C	NUT HEX 1/2-13 PLT	
5	404-861H	12V COMP MOUNT WELDMENT	
6	802-014C	HHCS 3/8-16X3/4 GR5	
7	804-013C	WASHER LOCK SPRING 3/8 PLT	
8	803-014C	NUT HEX 3/8-16 PLT	
9	404-227D	TC COMPRESSOR COVER SIDE L	
10	823-330C	TRU-COUNT COMPRESSOR ASSEMBLY	
11	404-225D	12 COMPRESSOR COVER TOP	
12	404-226D	TC COMPRESSOR COVER SIDE R	
13	404-224D	RP COMPRESSOR COVER SIDE	
14	404-209D	COMPRESSOR MOUNT	
15	802-017C	HHCS 3/8-16X1 GR5	
16	800-052C	HOSE CLIP 5/8 I.D.	
17	804-012C	WASHER FLAT 3/8 SAE PLT	
18	831-088C	12V AIR COMPRESSOR	
19	002-102ST	EXTREME AIR FILTER HOUSING	Not shown. Air filter for 831-088C.

# Great Plains Seed Delivery

# Frame

Applies to Models: YP1625 (2005+), YP1225 (2005+)





Applies to Models: YP1625 (2005+), YP1225 (2005+)

Ref.	Part No.	Part Description	Comments
	DWG22806	Image No.	
1	403-167H	12ROW AIR SYS SUPT FRAME WLDMT	Shown
1	403-168H	16ROW AIR SYS SUPT FRAME WLDMT	
2	806-192C	U-BOLT 5/16-18X1 1/2X2 1/2 RND	
3	403-171H	SEED TUBE SUPPORT BKT WLDMNT	
4	803-008C	NUT HEX 5/16-18 PLT	
5	802-159C	HHCS 5/16-18X1 GR5	
6	401-251S	PLANTER Y-TRANSITION ASY	(YP1625 S/N A1052B+)(YP1225 S/N A1024K+) Includes items 11, 25-27, 37
6	401-185S	RPBY 401-251S	(YP1625 S/N A1051B-)(YP1225 S/N A1023K-)
7	802-034C	HHCS 1/2-13X1 1/4 GR5	
8	802-045C	HHCS 1/2-13X5 GR5	
9	990-230R	HOSE 1 1/2 HI-TECH UFD-AP	
10	803-020C	NUT HEX 1/2-13 PLT	
11	816-499C	O-RING 1 1/2 IDX1 7/8 ODX3/16	
12	800-151C	CLAMP WRM DRV #96SS (4.75-6.5)	
13	816-409C	NTA2000 6 INCH FAN HOSE	
14	890-395C	6 HYDRAULIC FAN KIT W/ SCREEN	Refer to "Fan To Frame" for breakdown
15	401-523D	FAN GUARD	
16	817-575C	RPBY 827-081C	(YP1225 S/N A1110K-) (YP1625 S/N A1189B-)
16	827-081C	SEED DELIVERY TUBE 24 AL	(YP1225 S/N A1111K+) (YP1625 S/N A1190B+) Use 827-095C with 36"TR Spacing
17	817-574C	RPBY 827-080C	(YP1225 S/N A1110K-) (YP1625 S/N A1189B-)
17	827-080C	SEED DELIVERY TUBE 54 AL	(YP1225 S/N A1111K+) (YP1625 S/N A1190B+)
18	817-573C	RPBY 827-079C	(YP1225 S/N A1110K-) (YP1625 S/N A1189B-)
18	827-079C	SEED DELIVERY TUBE 84 AL	(YP1225 S/N A1111K+) (YP1625 S/N A1190B+)
18	827-096C	SEED DELIVERY TUBE 042 AL	(YP1225 S/N A1111K+) (YP1625 S/N A1190B+) Used with 36"TR Spacing
19	817-572C	RPBY 827-078C	(YP1225 S/N A1110K-) (YP1625 S/N A1189B-)
19	827-078C	SEED DELIVERY TUBE 114 AL	(YP1225 S/N A1111K+) (YP1625 S/N A1190B+)
19	827-097C	SEED DELIVERY TUBE 075 AL	(YP1625 S/N A1190B+) Used with 36"TR Spacing
19	827-098C	SEED DELIVERY TUBE 073 AL	(YP1225 S/N A1111K+) Used with 36"TR Spacing
20	817-571C	RPBY 827-077C	(YP1225 S/N A1110K-) (YP1625 S/N A1189B-)
20	827-077C	SEED DELIVERY TUBE 144 AL	(YP1225 S/N A1111K+) (YP1625 S/N A1190B+)
21	817-576C	RPBY 827-082C	(YP1225 S/N A1110K-) (YP1625 S/N A1189B-)
21	827-082C	SEED DELIVERY TUBE 174 AL	(YP1225 S/N A1111K+) (YP1625 S/N A1190B+)
22	403-254D	AIR SYSTEM STANDOFF BRACKET	
23	800-124C	CLAMP WRM DRV #24 SS (1.06-2)	
24	817-610C	HOSE BOOT LOCK RING	
25	401-719D	AIR PLANTER HOSE SPLITTER	
26	802-481C	SHOULDER BOLT 1/4X1/4X10-24	
27	817-595C	Y-TUBE GATE	
28	817-613C	SEED DISCHARGE HOSE 42	
29	403-306D	HOSE COUPLER 30 IN YP	Used with 20" & 30" rows without splitters
30	817-617C	RPBY 827-083C	(YP1225 S/N A1110K-) (YP1625 S/N A1189B-)
30	827-083C	SEED DELIVERY TUBE 60 AL	(YP1225 S/N A1111K+) (YP1625 S/N A1190B+)
31	804-015C	WASHER LOCK SPRING 1/2 PLT	
32	804-009C	WASHER LOCK SPRING 5/16 PLT	
33	803-084C	NUT HEX NYLOCK 5/16-18 PLT	
34	401-528D	AIR TUBE SUPPORT CLAMP	
35	802-172C	HHCS 5/16-18X2 1/2 GR5	
35	802-474C	HHCS 5/16-18X4 1/2 GR5	
36	403-172H	LH TOOLBAR AIR HOSE SUPPORT	(YP1225 S/N A1110K-) (YP1625 S/N A1189B-)

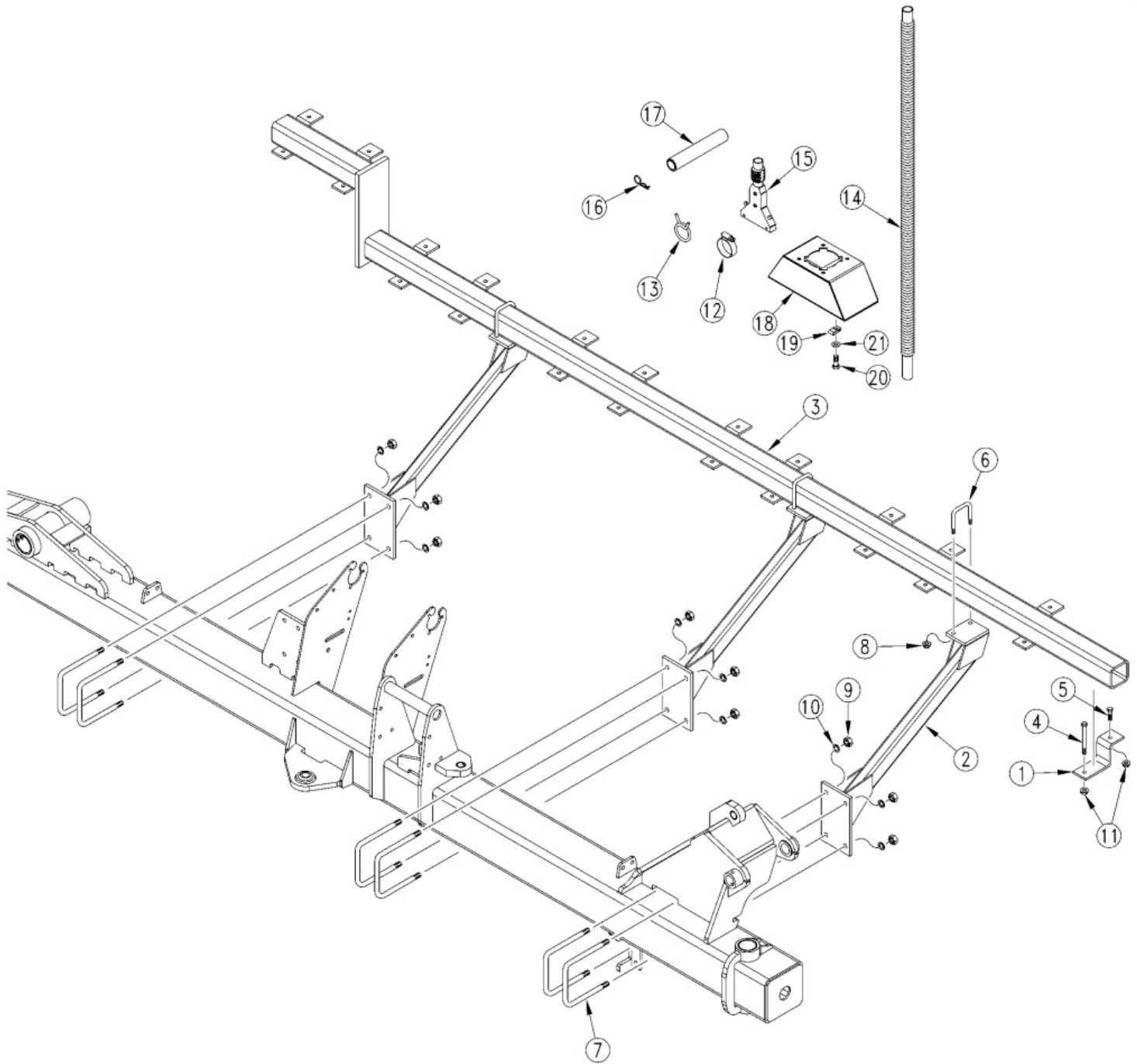
*This Page Intentionally Left Blank*

Ref.	Part No.	Part Description	Comments
36	403-370H	HOSE CAROUSEL LH	(YP1225 S/N A1111K+) (YP1625 S/N A1190B+)
36	403-173H	RH TOOLBAR AIR HOSE SUPPORT	(YP1225 S/N A1110K-) (YP1625 S/N A1189B-)
36	403-371H	HOSE CAROUSEL RH	(YP1225 S/N A1111K+) (YP1625 S/N A1190B+)
37	800-125C	CLAMP WRM DRV#28 SS(1.31-2.25)	
38	403-278D	AIR TUBE RETAINER STRAP	
39	802-474C	HHCS 5/16-18X4 1/2 GR5	
40	990-223R	SPIRAL HOSE WRAP 2.00 DIA	
41	817-457C	CAP PLUG 1 1/2 O.D. TUBE	Cap used on 12 row only
42	802-224C	HHCS 1/4-20X1 1/4 GR5	
43	817-622C	TUBE CAP 1 1/4 ID TB X 3 LG	
44	827-084C	SEED DELIVERY TUBE 10 AL	(YP1225 S/N A1111K+) (YP1625 S/N A1190B+)
45	827-095C	SEED DELIVERY TUBE 006 AL	(YP1225 S/N A1111K+) (YP1625 S/N A1190B+)

# Great Plains Smartbox Mount

Frame

Applies to Models: YP1625 (2005+), YP1225 (2005+)

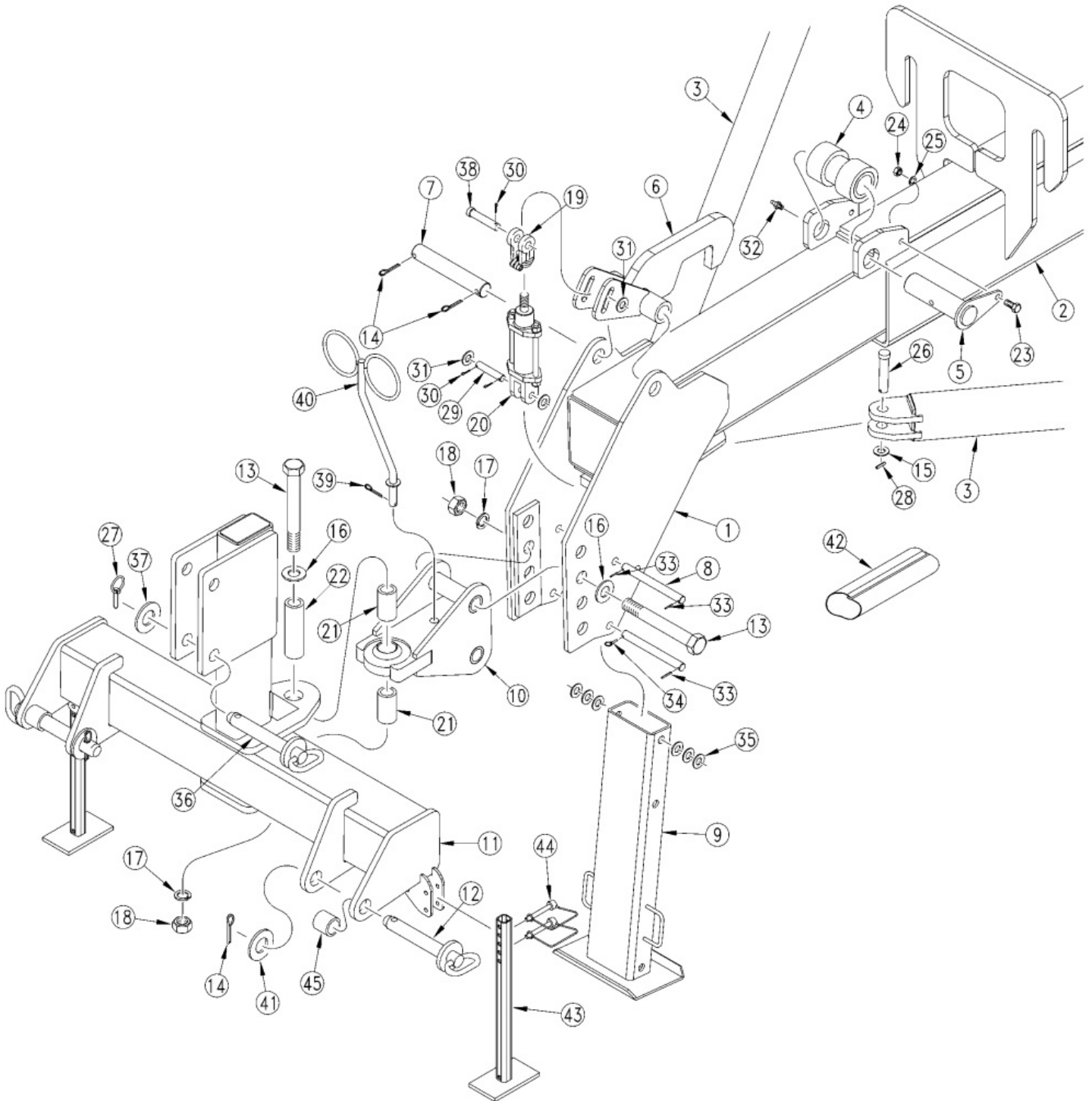


**Smartbox Mount**

Applies to Models: YP1625 (2005+), YP1225 (2005+)

Ref.	Part No.	Part Description	Comments
	DWG23282	Image No.	
1	403-319D	SMART BOX HOLD DOWN CLAMP	
2	403-191H	SMARTBOX STANDOFF SUPPORT BKT	
3	403-192H	SUPPORT TUBE WLDMNT - 12 ROW	
3	403-190H	SUPPORT TUBE WLDMNT	
4	802-223C	HHCS 3/8-16X4 GR5	
5	802-079C	HHCS 3/8-16X1 1/4 GR5	
6	806-066C	U-BOLT 1/2-13X3 1/32X4	
7	806-052C	U-BOLT 5/8 X 7 1/32 X 8 1/2	
8	803-169C	NUT HEX FLG LOCK 1/2-13 PLT	
9	803-021C	NUT HEX 5/8-11 PLT	
10	804-022C	WASHER LOCK SPRING 5/8 PLT	
11	803-209C	NUT FLANGE LOCK 3/8-16 PLT	
12	800-126C	CLAMP WRM DRV #5 SS (.44-.70)	
13	800-321C	HOSE CLAMP NO.12 3/4 ID	
14	816-358C	SGS HOSE 122 RIBS	
15	817-655C	T-BANDER	
16	805-185C	PIN COTTER .186 WIRE DIA	
17	116-001D	T-BANDER TUBE	
18	403-202H	SMARTBOX METER SPLITTER WLDMNT	
19	800-163C	RPBY 800-013C	
20	802-004C	HHCS 1/4-20X3/4 GR5	
21	804-007C	WASHER FLAT 1/4 SAE PLT	

Applies to Models: YP1625 (2005+), YP1225 (2005+)

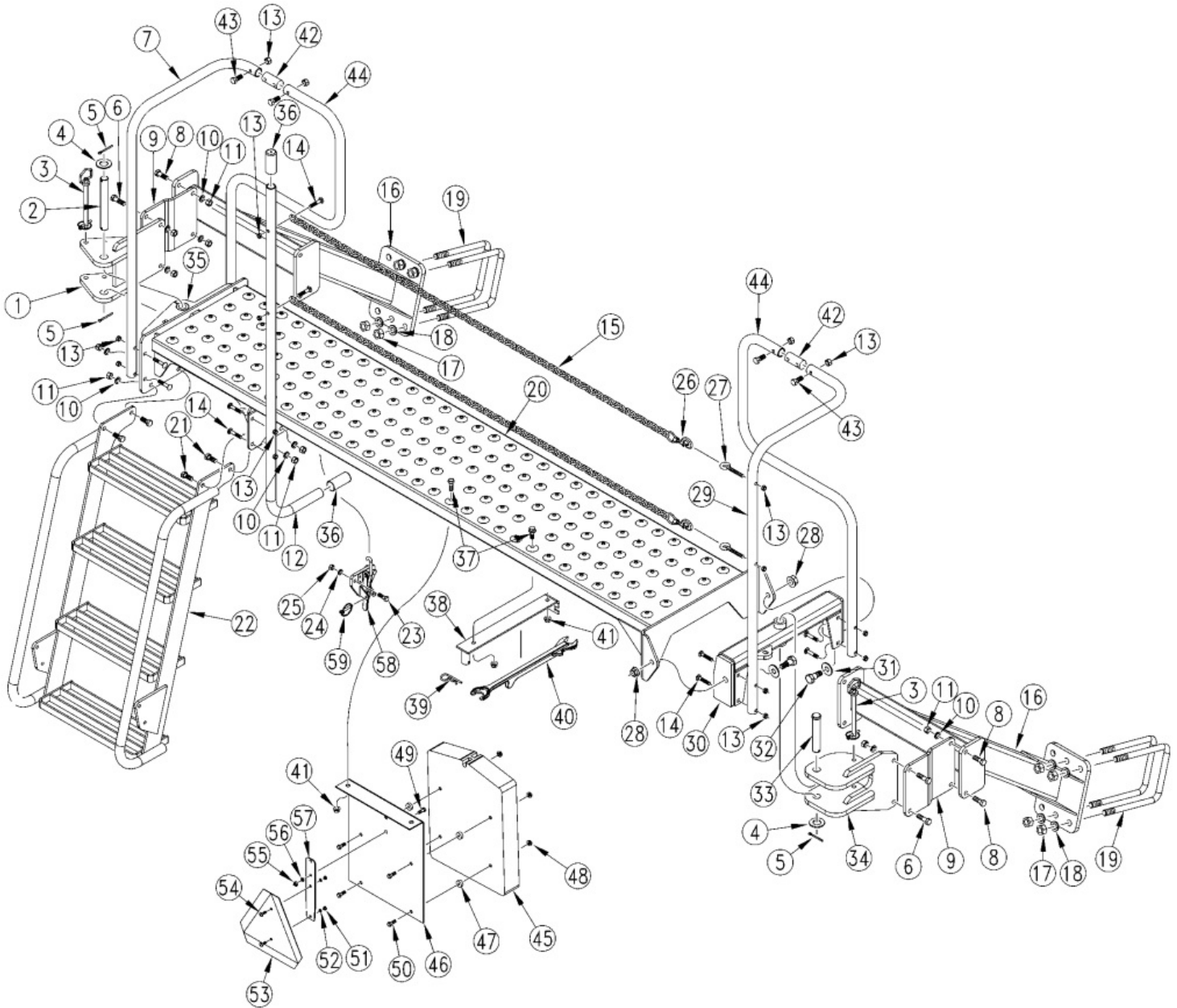


Applies to Models: YP1625 (2005+), YP1225 (2005+)

<b>Ref.</b>	<b>Part No.</b>	<b>Part Description</b>	<b>Comments</b>
	DWG22745	Image No.	
1	401-204H	16R PB TONGUE FRONT SECT WLDMT	
1	401-193H	12R PB TONGUE FRONT SECT WLDMT	
2	401-209H	16R PB TONGUE REAR SECT WLD 2	
2	401-192H	12R PB TONGUE REAR SECT WLDMT	
3	401-194H	PULLBAR WELDMENT 12 ROW	
4	401-170H	TONGUE ROLLER BUSHING WELDMENT	
5	401-171H	ROLLER PIN WLDMT	
6	401-160H	TELESCOPING HITCH SAFETY LATCH	
7	401-493D	DRAFT HOOK PIN 1.5 X 9.19	
8	401-527D	PARKING SUPPORT PIN	
9	401-172H	PARKING STAND WELDMT	
10	401-159H	SWIVEL COUPLER WELDMENT	
11	401-141H	HITCH CROSSBAR WLDMT	
12	805-168C	PIN HITCH 1 7/16 X 8 3/8 PLT	
13	802-166C	HHCS 1 1/4-7X9 1/2 GR5 SPTHD	
14	805-105C	PIN COTTER 1/4 X 2 1/2 PLT	
15	804-029C	WASHER FLAT 1 SAE	
16	804-035C	WASHER FLAT 1 1/4 USS PLT	
17	804-030C	WASHER LOCK 1 1/4 SPRING PLT	
18	803-034C	NUT HEX 1 1/4-7 PLT	
19	810-491C	MIDWAY ROD CLEVIS 3/4-16 UNF	
20	810-201C	CYL 1.5X2.5X.75 ROD (TIE ROD)	
21	401-524D	SPACER TUBE FOR PLANTER HITC	
22	401-525D	INNER HITCH PIVOT TUBE	
23	802-091C	HHCS 1/2-13X1 1/2 GR5	
24	803-020C	NUT HEX 1/2-13 PLT	
25	804-015C	WASHER LOCK SPRING 1/2 PLT	
26	805-004C	PIN CLEVIS 1 X 2 3/4 USABLE LG	
27	805-240C	PIN LINCH 3/16 X 1 9/16 LONG	
28	805-041C	PIN ROLL 1/4X1 3/4	
29	805-141C	PIN CLEVIS 5/8 X 2 1/2 PLT	
30	805-109C	PIN COTTER 1/8 X 1 1/4 PLT	
31	804-021C	WASHER FLAT 5/8 SAE PLT	
32	800-001C	GREASE ZERK STRAIGHT 1/4-28	
33	805-041C	PIN ROLL 1/4X1 3/4	
34	805-126C	PIN LINCH 1/4 X 1 3/4 PLT	
35	804-025C	WASHER FLAT 3/4 SAE PLT	
36	805-119C	PIN HITCH 1 1/4 X 4 1/2	
37	804-039C	WASHER FLAT 1 1/4 SAE PLT	
38	805-334C	PIN CLEVIS 5/8 X 3 1/2	
39	805-069C	PIN COTTER 3/16 X 1	
40	196-166H	SWIVEL HOSE POST	
41	804-071C	WASHER FLAT 1 1/2 SAE PLT	
42	816-480C	HOSE WRAP 3.0-4.5 X 24LG VELCR	
43	401-258H	YP HITCH PARK SUPPORT STAND	
44	805-212C	PIN WIRE SNAP LOCK 3/8 X 2 1/2	
45	117-379D	20P CAT3 HITCH PIN BUSHING	

# Walkboard (S/N A1023K-) (S/N A1051B-)

Applies to Models: YP1625 (2005+), YP1225 (2005+)





**Walkboard (S/N A1023K-) (S/N A1051B-)**

Applies to Models: YP1625 (2005+), YP1225 (2005+)

Ref.	Part No.	Part Description	Comments
	DWG22772	Image No.	
1	401-233H	WALKBOARD HINGE MOUNT WLMT LH	
2	805-376C	PIN CLVS HDLS 1.0X7.30 USBL	
3	805-034C	PIN HITCH 1/2 X 6 1/4 W CHAIN	
4	804-029C	WASHER FLAT 1 SAE	
5	805-058C	PIN COTTER 3/16 X 2	
6	802-082C	HHCS 1/2-13X1 3/4 GR5	
7	401-640D	LH TOP RAIL	
8	802-091C	HHCS 1/2-13X1 1/2 GR5	
9	401-682D	85BU EXTENSION BRACKET	
10	804-015C	WASHER LOCK SPRING 1/2 PLT	
11	803-020C	NUT HEX 1/2-13 PLT	
12	401-639D	WALKBOARD INSIDE HAND RAIL	
13	803-078C	NUT LOCK 3/8-16 NYLON INSERT	
14	802-411C	RHSNB 3/8-16X2 GR5	
15	401-668D	CHAIN RAIL	
16	401-249H	YP WALKBOARD MNT LH	
16	401-250H	YP WALKBOARD MNT RH	
17	803-027C	NUT HEX 3/4-10 PLT	
18	804-023C	WASHER LOCK SPRING 3/4 PLT	
19	806-050C	U-BOLT 3/4-10 X 7 X 8 1/2	
20	401-230H	WALKBOARD HINGE WLMT	
21	802-034C	HHCS 1/2-13X1 1/4 GR5	
22	401-228H	YP WLKBD UPPER LADDER WLMT	
23	802-079C	HHCS 3/8-16X1 1/4 GR5	
24	804-013C	WASHER LOCK SPRING 3/8 PLT	
25	803-014C	NUT HEX 3/8-16 PLT	
26	890-851C	BOLT SNAP 1.25 SWIVEL EYE SS	
27	802-567C	SP EYE 3/8-16X 3 7/8	
28	803-263C	NUT HEX FLANGE LOCK 5/8-11 PLT	
29	401-641D	RH TOP RAIL	
30	401-232H	WALKBOARD HINGE PIVOT WLMT	
31	804-019C	WASHER FLAT 5/8 USS PLT	
32	802-767C	SHOULDER BOLT 5/8-11X1 3/4 SPL	
33	805-219C	PIN CLEVIS 1 X 5 GR5 PLT	
34	401-231H	WALKBOARD HINGE MOUNT WLMT	
35	401-227H	YP-WALKBOARD MNT WLMT	
36	817-622C	TUBE CAP 1 1/4 ID TB X 3 LG	
37	802-388C	HFS 3/8-16X1 GR5	
38	403-175H	WRENCH HOLDER	
39	805-088C	PIN, HAIR COTTER 3/16 WIRE DIA	
40	403-265D	SPRING AND WHEEL WRENCH	
41	803-209C	NUT FLANGE LOCK 3/8-16 PLT	
42	401-685D	HANDRAIL SPLICE TUBE	
43	802-023C	HHCS 3/8-16X1 3/4 GR5	
44	401-684D	FRONT TOP RAIL	
45	817-516C	MANUAL PAK 1" W/ GASKET	
46	401-697D	YP SMV MANUAL PAK HANGER	
47	817-042C	MINI END WHEEL PRESS WHEEL	
48	803-293C	NUT HEX FLNG T-LOCK 1/4-20 YLW	

**Walkboard (S/N A1023K-) (S/N A1051B-)**

---

*This Page Intentionally Left Blank*

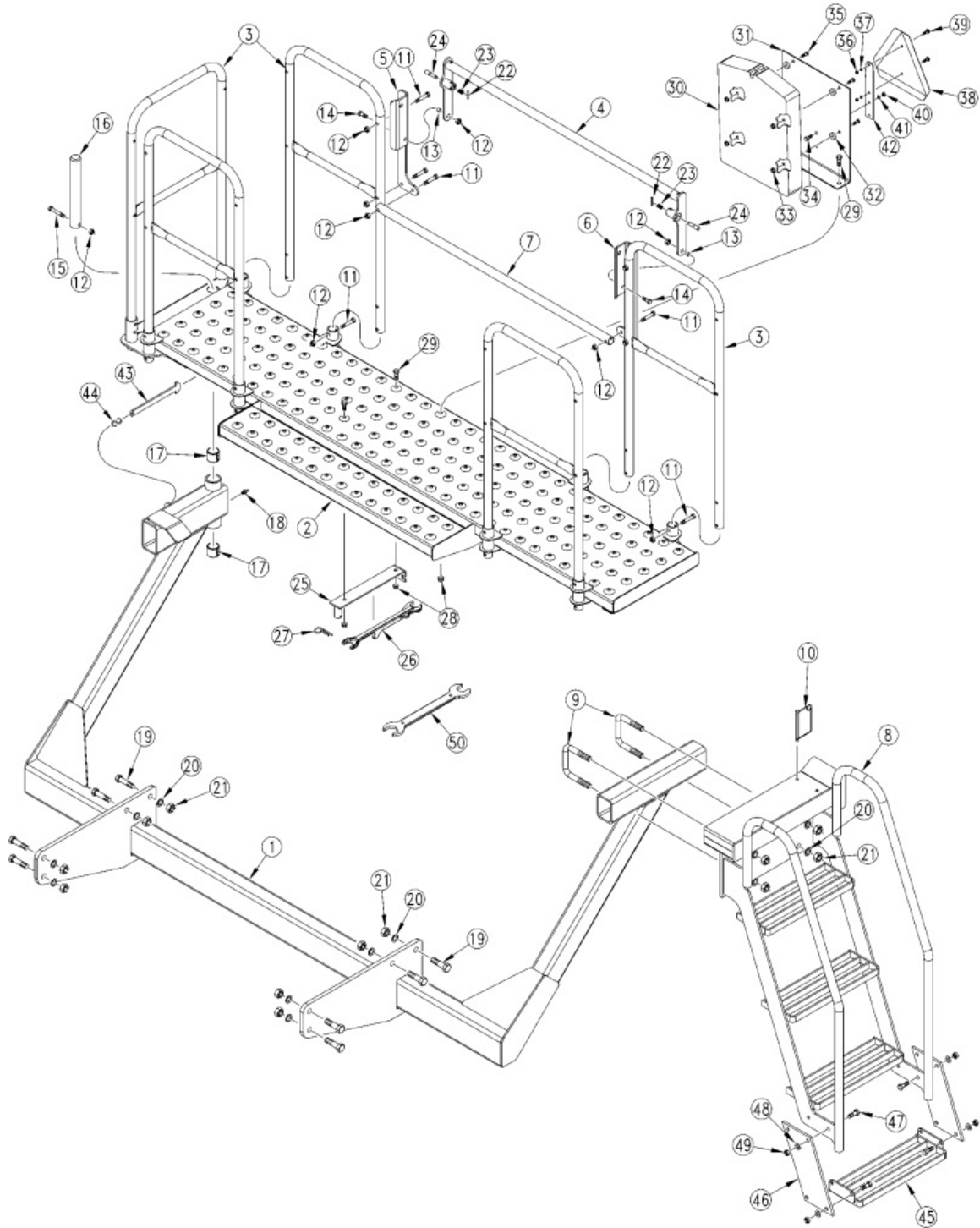
**Walkboard (S/N A1023K-) (S/N A1051B-)**

---

<b>Ref.</b>	<b>Part No.</b>	<b>Part Description</b>	<b>Comments</b>
49	802-007C	HHCS 5/16-18X3/4 GR5	
50	802-005C	HHCS 1/4-20X1 GR5	
51	803-006C	NUT-HEX 1/4-20 PLT	
52	804-006C	WASHER LOCK SPRING 1/4 PLT	
53	818-055C	DECAL SLOW MOVING-GALV. BACKED	
54	801-018C	SCREW RD HD 1/4-20 X 5/8	
55	803-008C	NUT HEX 5/16-18 PLT	
56	804-009C	WASHER LOCK SPRING 5/16 PLT	
57	890-153C	SMV MOUNTING BLADE	
58	401-248H	WALKBOARD LOCK WLMT	
59	805-126C	PIN LINCH 1/4 X 1 3/4 PLT	

# Walkboard (S/N A1024K+) (S/N A1052B+)

Applies to Models: YP1625 (2005+), YP1225 (2005+)



**Walkboard (S/N A1024K+) (S/N A1052B+)**

Applies to Models: YP1625 (2005+), YP1225 (2005+)

Ref.	Part No.	Part Description	Comments
	DWG23263	Image No.	
	DWG23263	Image No.	
1	401-252H	YP WALKBOARD SUPPORT	
1	401-252H	YP WALKBOARD SUPPORT	
2	401-253H	YP WALKBOARD WLDMNT	
2	401-253H	YP WALKBOARD WLDMNT	
3	401-255H	HOOP HANDRAIL WELDMENT	
3	401-255H	HOOP HANDRAIL WELDMENT	
4	401-256H	UPPER RAIL WLDMNT	
4	401-256H	UPPER RAIL WLDMNT	
5	401-744D	RAIL PIVOT MOUNT RH	
5	401-744D	RAIL PIVOT MOUNT RH	
6	401-743D	RAIL PIVOT MOUNT LH	
6	401-743D	RAIL PIVOT MOUNT LH	
7	401-742D	TOP RAIL MIDDLE SECTION	
7	401-742D	TOP RAIL MIDDLE SECTION	
8	401-254H	YP LADDER WELDMT	
8	401-254H	YP LADDER WELDMT	
8	401-619H	YP LADDER 3 STEP	
8	401-619H	YP LADDER 3 STEP	
9	806-007C	U-BOLT 3/4-10X4 1/32X4 1/2	
9	806-007C	U-BOLT 3/4-10X4 1/32X4 1/2	
10	805-178C	PIN WIRE SNAP LOCK 3/8 X 3 1/2	
10	805-178C	PIN WIRE SNAP LOCK 3/8 X 3 1/2	
11	802-143C	HHCS 3/8-16X2 GR5	
11	802-143C	HHCS 3/8-16X2 GR5	
12	803-013C	NUT LOCK 3/8-16 PLT	
12	803-013C	NUT LOCK 3/8-16 PLT	
13	119-278D	WALKBOARD LADDER PIVOT BUSHING	
13	119-278D	WALKBOARD LADDER PIVOT BUSHING	
14	802-079C	HHCS 3/8-16X1 1/4 GR5	
14	802-079C	HHCS 3/8-16X1 1/4 GR5	
15	802-216C	HHCS 3/8-16X2 3/4 GR5	
15	802-216C	HHCS 3/8-16X2 3/4 GR5	
16	113-797D	MARKER PIVOT PIN	
16	113-797D	MARKER PIVOT PIN	
17	890-264C	BUSHING 1 3/4 X 1 1/2 X 1 1/2	
17	890-264C	BUSHING 1 3/4 X 1 1/2 X 1 1/2	
18	800-001C	GREASE ZERK STRAIGHT 1/4-28	
18	800-001C	GREASE ZERK STRAIGHT 1/4-28	
19	802-064C	HHCS 3/4-10X2 GR5	
19	802-064C	HHCS 3/4-10X2 GR5	
20	804-023C	WASHER LOCK SPRING 3/4 PLT	
20	804-023C	WASHER LOCK SPRING 3/4 PLT	
21	803-027C	NUT HEX 3/4-10 PLT	
21	803-027C	NUT HEX 3/4-10 PLT	
22	805-062C	PIN ROLL 3/16 X 2 1/2 LG. PTL.	
22	805-062C	PIN ROLL 3/16 X 2 1/2 LG. PTL.	
23	807-096C	SPRING COMP 1/2 OD X 1 LG	
23	807-096C	SPRING COMP 1/2 OD X 1 LG	

**Walkboard (S/N A1024K+) (S/N A1052B+)**

---

*This Page Intentionally Left Blank*

**Walkboard (S/N A1024K+) (S/N A1052B+)**

Ref.	Part No.	Part Description	Comments
24	172-201D	6 BOLT LOCKOUT PLUNGER	
24	172-201D	6 BOLT LOCKOUT PLUNGER	
25	403-175H	WRENCH HOLDER	
25	403-175H	WRENCH HOLDER	
26	403-265D	SPRING AND WHEEL WRENCH	
26	403-265D	SPRING AND WHEEL WRENCH	
27	805-088C	PIN, HAIR COTTER 3/16 WIRE DIA	
27	805-088C	PIN, HAIR COTTER 3/16 WIRE DIA	
28	803-209C	NUT FLANGE LOCK 3/8-16 PLT	
28	803-209C	NUT FLANGE LOCK 3/8-16 PLT	
29	802-388C	HFS 3/8-16X1 GR5	
29	802-388C	HFS 3/8-16X1 GR5	
30	817-853C	MANUAL PAK 2 1/4 THK	
30	817-853C	MANUAL PAK 2 1/4 THK	
31	401-697D	YP SMV MANUAL PAK HANGER	
31	401-697D	YP SMV MANUAL PAK HANGER	
32	817-042C	MINI END WHEEL PRESS WHEEL	
32	817-042C	MINI END WHEEL PRESS WHEEL	
33	803-293C	NUT HEX FLNG T-LOCK 1/4-20 PLT	
33	803-293C	NUT HEX FLNG T-LOCK 1/4-20 PLT	
34	802-007C	HHCS 5/16-18X3/4 GR5	
34	802-007C	HHCS 5/16-18X3/4 GR5	
35	802-005C	HHCS 1/4-20X1 GR5	
35	802-005C	HHCS 1/4-20X1 GR5	
36	803-006C	NUT HEX 1/4-20 PLT	
36	803-006C	NUT HEX 1/4-20 PLT	
37	804-006C	WASHER LOCK SPRING 1/4 PLT	
37	804-006C	WASHER LOCK SPRING 1/4 PLT	
38	818-055C	DECAL SLOW MOVING-GALV. BACKED	
38	818-055C	DECAL SLOW MOVING-GALV. BACKED	
39	801-018C	SCREW RD HD 1/4-20 X 5/8	
39	801-018C	SCREW RD HD 1/4-20 X 5/8	
40	803-008C	NUT HEX 5/16-18 PLT	
40	803-008C	NUT HEX 5/16-18 PLT	
41	804-009C	WASHER LOCK SPRING 5/16 PLT	
41	804-009C	WASHER LOCK SPRING 5/16 PLT	
42	890-153C	SMV MOUNTING BLADE	
42	890-153C	SMV MOUNTING BLADE	
43	411-462D	LATCH WALKBOARD HOLD OPEN	
43	411-462D	LATCH WALKBOARD HOLD OPEN	
44	800-041C	S-HOOK #772 .177 X 1 1/8 PLT	
44	800-041C	S-HOOK #772 .177 X 1 1/8 PLT	
45	401-591H	STEP SINGLE BOLT-ON	
45	401-591H	STEP SINGLE BOLT-ON	
46	816-634C	STEP EXTENSION RUBBER	
46	816-634C	STEP EXTENSION RUBBER	
47	802-091C	HHCS 1/2-13X1 1/2 GR5	
47	802-091C	HHCS 1/2-13X1 1/2 GR5	
48	804-016C	WASHER FLAT 1/2 SAE PLT	
48	804-016C	WASHER FLAT 1/2 SAE PLT	

**Walkboard (S/N A1024K+) (S/N A1052B+)**

---

*This Page Intentionally Left Blank*

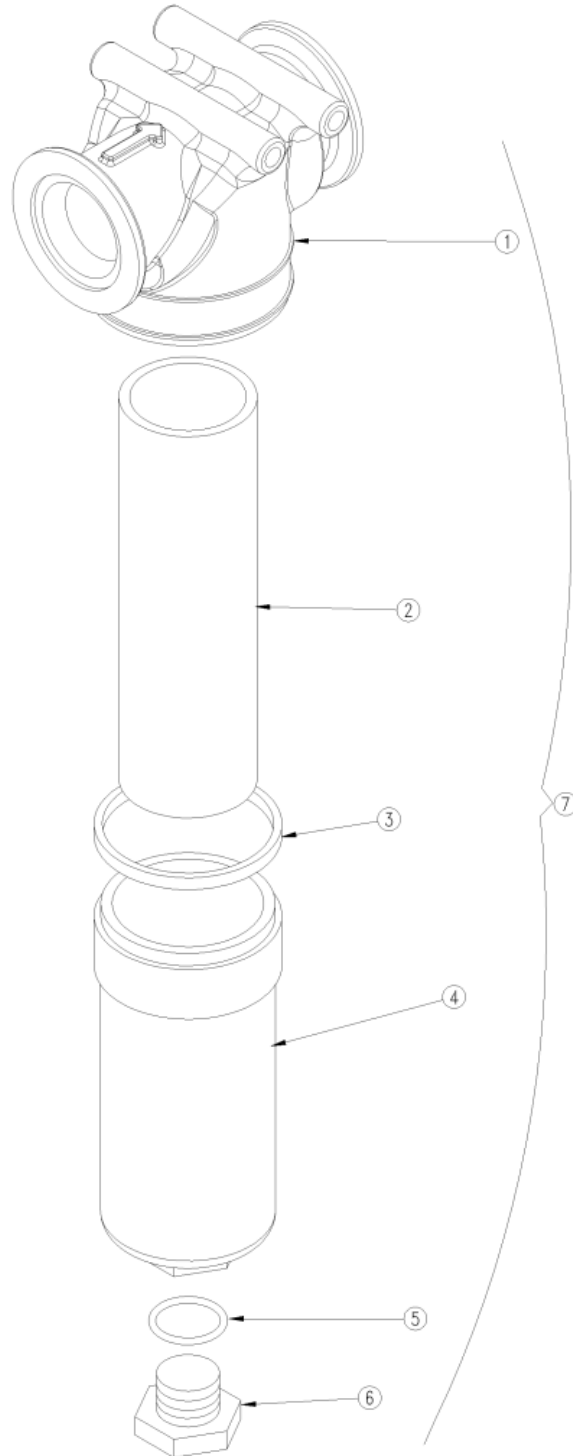


**Walkboard (S/N A1024K+) (S/N A1052B+)**

---

<b>Ref.</b>	<b>Part No.</b>	<b>Part Description</b>	<b>Comments</b>
49	803-019C	NUT LOCK 1/2-13 PLT	
49	803-019C	NUT LOCK 1/2-13 PLT	
50	586-158D	TRNBCKLE WRENCH 2 5/16-1 15/16	
50	586-158D	TRNBCKLE WRENCH 2 5/16-1 15/16	

Applies to Models: YP1625 (2005+), YP1225 (2005+)



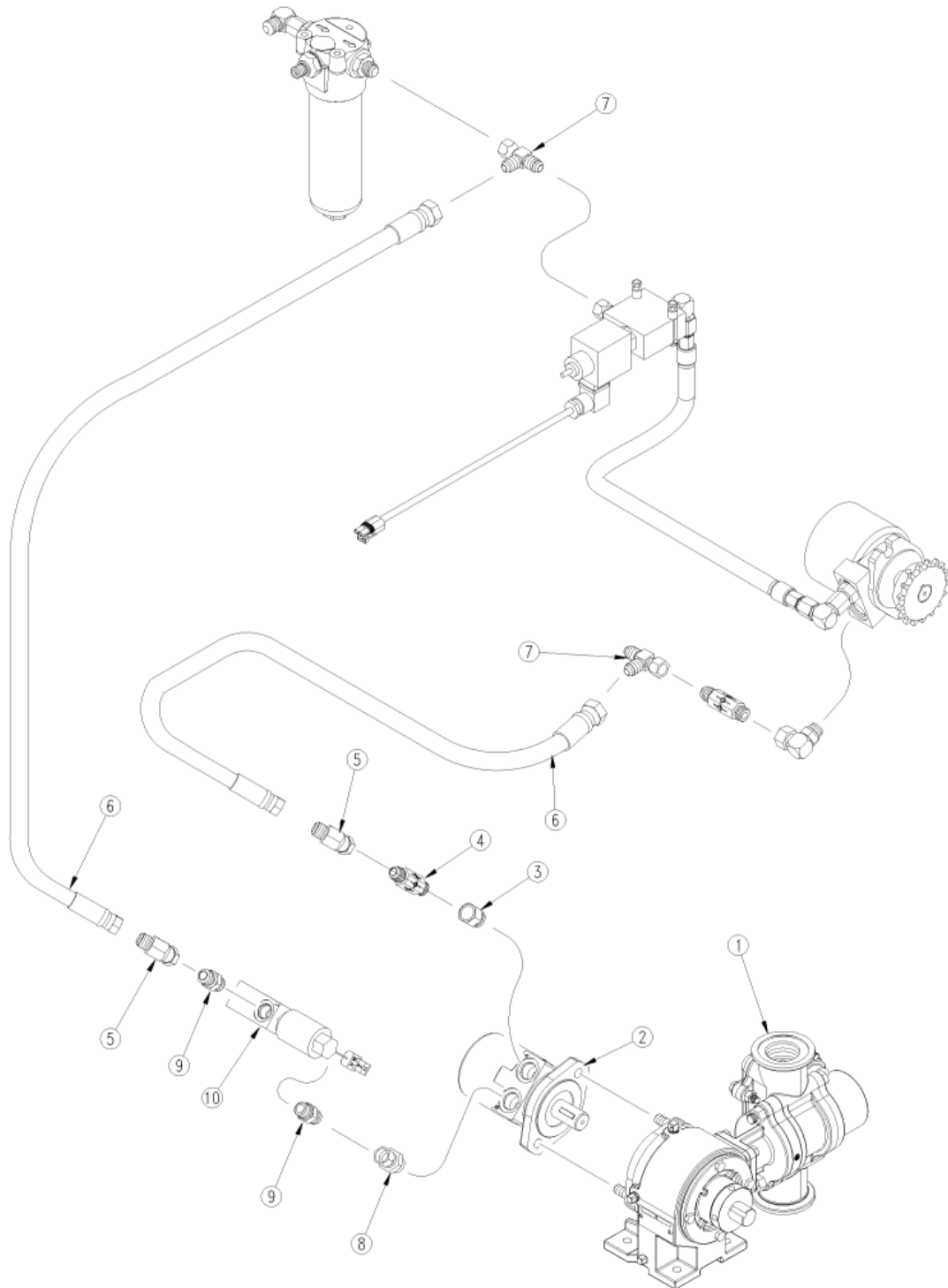
---

Applies to Models: YP1625 (2005+), YP1225 (2005+)

Ref.	Part No.	Part Description	Comments
	DWG 38352	Image No.	
1	MLST150-H	HEAD FOR BANJO 831-078C	
2	LST1580	SCREEN FOR STRAINER 831-029C	
3	LST150-G	GASKET FOR 831-029C	
4	LST150-B	1 1/2 FLG T-STRAIN BOWL	
5	LSQ200-R	GASKET/O-RING	
6	LSQ200-PL	PLUG FOR BANJO 831-078C	
7	831-078C	STRAINER MLST150-80 MESH	Includes 1 - 6

# Hydraulic Connections

Applies to Models: YP1625 (2005+), YP1225 (2005+)



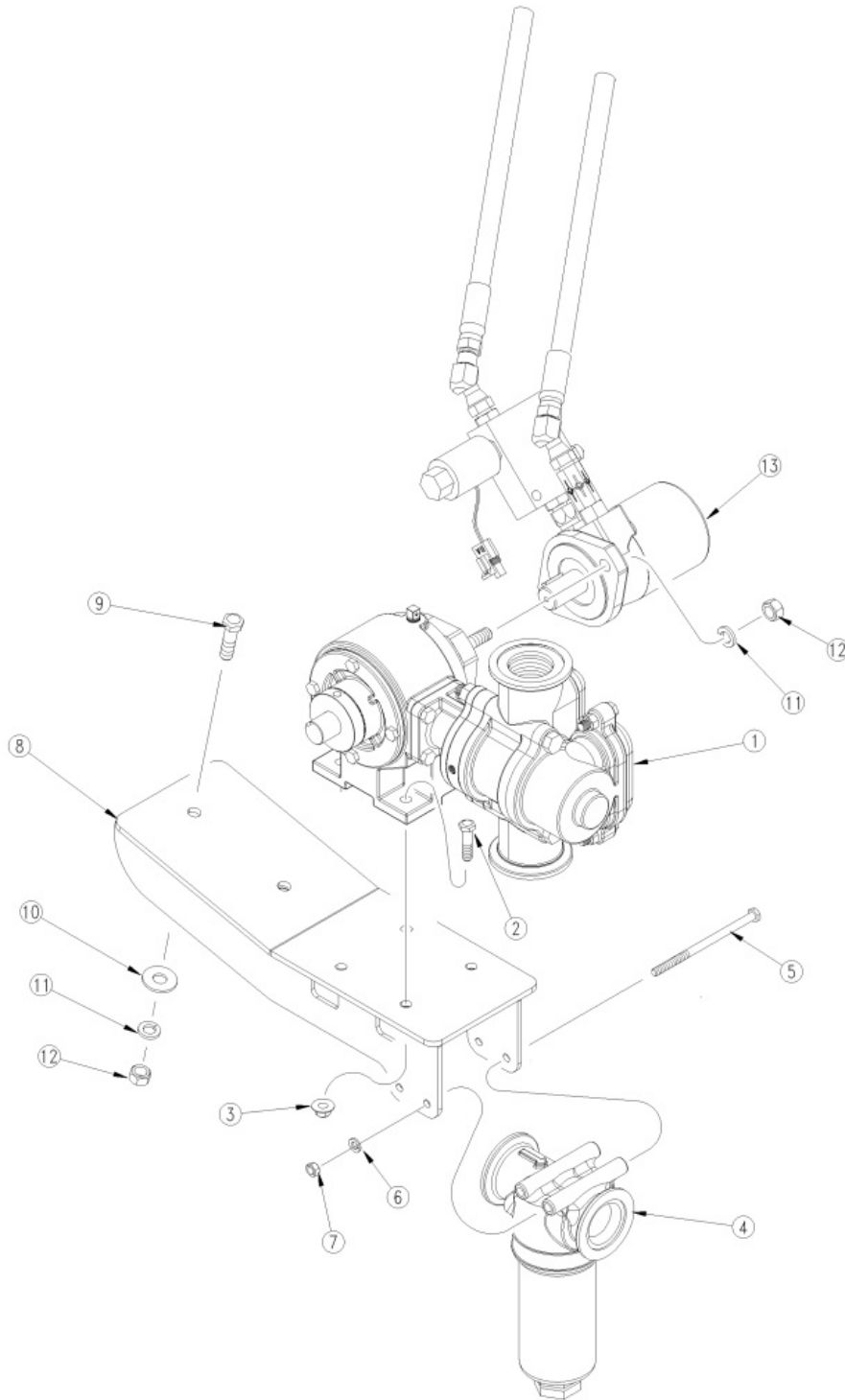
---

Applies to Models: YP1625 (2005+), YP1225 (2005+)

<b>Ref.</b>	<b>Part No.</b>	<b>Part Description</b>	<b>Comments</b>
	DWG 38355	Image No.	
1	831-121C	JOHN BLUE NGP-6055-HYF	
2	850-154C	HYD MOTOR 4.9CIR SAE A MNT	
3	811-564C	AD 3/4FORB 7/8MORB	
4	810-696C	VALVE INLINE CHECK W/ ORIFICE	
5	811-040C	EL 45 3/4MJIC 3/4FJIC	
6	811-291C	HH1/2R2 072 3/4FJIC	
7	811-073C	TE 3/4MJIC 3/4MJIC 3/4FJIC	
8	811-502C	AD 7/8MORB 3/4FJIC	
9	811-088C	AD 3/4MORB 3/4MJIC	
10	861-463C	PRESSURE COMP PWM VALVE	

# Hydraulic Drive Mounting

Applies to Models: YP1625 (2005+), YP1225 (2005+)



**Hydraulic Drive Mounting**

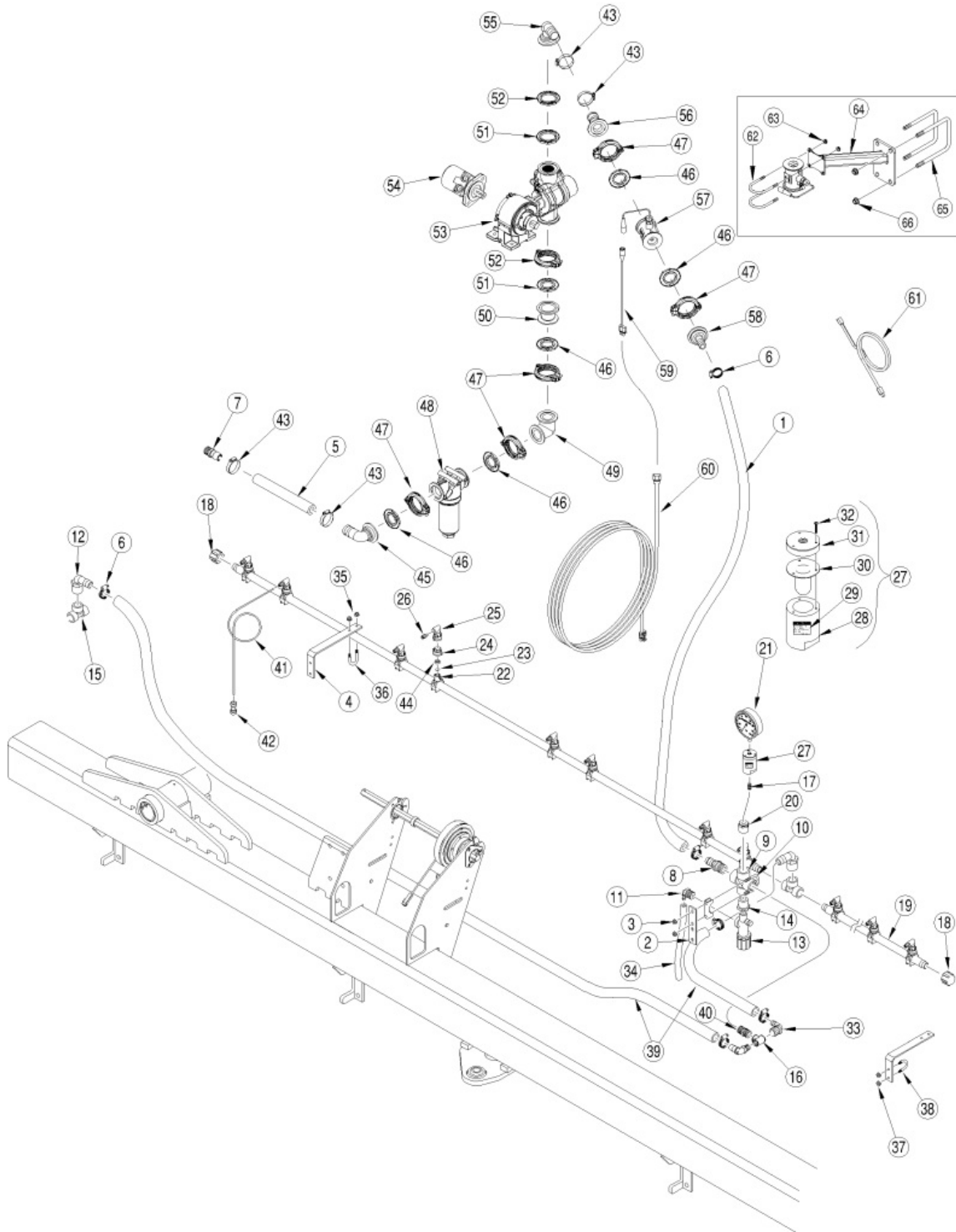
Applies to Models: YP1625 (2005+), YP1225 (2005+)

Ref.	Part No.	Part Description	Comments
	DWG 38353	Image No.	
1	831-121C	JOHN BLUE NGP-6055-HYF	
2	802-022C	HHCS 3/8-16X1 1/2 GR5	
3	803-086C	NUT MAC-LOK FLG 3/8-16 GR F	
4	831-078C	STRAINER MLST150-80 MESH	See "Banjo Strainer (831-078C)" for breakdown.
5	802-256C	HHCS 5/16-18X5 1/2 GR5	
6	804-009C	WASHER LOCK SPRING 5/16 PLT	
7	803-008C	NUT HEX 5/16-18 PLT	
8	417-835H	VAR RATE FERTILIZER PUMP MNT	
9	802-082C	HHCS 1/2-13X1 3/4 GR5	
10	804-017C	WASHER FLAT 1/2 USS PLT	
11	804-015C	WASHER LOCK SPRING 1/2 PLT	
12	803-020C	NUT HEX 1/2-13 PLT	
13	850-154C	HYD MOTOR 4.9CIR SAE A MNT	

# Great Plains Plumbing for Hydraulic Drive Option

## Hydraulic Drive for Liquid Fertilizer

Applies to Models: YP1625 (2005+), YP1225 (2005+)





**Plumbing for Hydraulic Drive Option**

Applies to Models: YP1625 (2005+), YP1225 (2005+)

Ref.	Part No.	Part Description	Comments
	DWG 38358	Image No.	
1	990-082R	HOSE 1 ID 200PSI EPDM	
2	401-528D	AIR TUBE SUPPORT CLAMP	
3	803-199C	NUT HEX FLANGE 5/16-18 PLT	
4	407-137D	FERTILIZER BOOM MOUNT	
5	990-181R	HOSE 1 1/2 ID 250PSI EPDM	
6	800-123C	CLAMP WRM DRV #16 SS (.68-1.5)	
7	830-094C	AD 1 1/2MNPT X 1 1/2HB POLYP	
8	830-087C	AD 1MNPT X 1HB POLYPROP	
9	830-237C	CR 1FNPT	
10	890-521C	MUFFLER CLAMP 1.63 SIZE	
11	830-121C	EL 3/4MNPT X 3/8HB POLYPROP	
12	830-123C	EL 3/4MNPT X 3/4HB POLYPROP	
13	829-105C	VALVE RELIEF 0-150 PSI POLYP	
14	830-142C	AD 1MNPT X 3/4FNPT POLYPROP	
15	830-028C	TEE 3/4FNPT POLYPROP	
16	830-029C	TEE 1FNPT POLYPROP	
17	830-260C	AD 1/4MNPT SCH 40 X 2 304SS	
18	830-061C	CA 3/4FNPT POLYPROP	
19	407-134D	MANIFOLD 40 FT TWIN ROW	
19	407-140D	MANIFOLD 30 FOOT TWIN ROW	
20	830-258C	AD 1MNPT X 1/4FNPT POLYPROP	
21	829-104C	GAUGE 100 PSI 4IN STAINLESS ST	
22	829-089C	NOZZLE BODY 3/4 WET BOOM CLAMP	
23	832-054C	ORIFICE SPR SYS CP4916-48 SS	
23	832-052C	ORIFICE SPR SYS CP4916-20 SS	
23	832-053C	ORIFICE SPR SYS CP4916-34 SS	
23	832-056C	ORIFICE SPR SYS CP4916-28 SS	
23	832-055C	ORIFICE SPR SYS CP4916-80 SS	
24	832-042C	NOZZLE SHUT OFF CAP W/ GASKET	
25	832-051C	NOZZLE CAP QUICK X 90X1/4 FNPT	
26	800-367C	AD PUSH 1/4TUBEX1/4MNPT	
27	507-034V	GAUGE PROTECTOR ASSY	
28	507-039D	GAUGE PROTECTOR BOTTOM	
29	818-344C	DECAL NOTICE GAUGE PROTECTOR	
30	816-144C	DIAPHRAGM - GAUGE PROTECTOR	
31	507-040D	GAUGE PROTECTOR TOP	
32	801-071C	SRHMS 5-40X5/8 SS	
33	830-126C	EL 1MNPT X 3/4HB POLYPROP	
34	990-080R	HOSE 3/8 ID 150PSI EPDM	
35	803-088C	NUT HEX LOCK 1/4-20 FLG	
36	806-152C	U-BOLT 1/4-20 X 1.125 X 2 RND	
37	803-177C	NUT HEX FLG TP LK 5/16-18ZNYCR	
38	806-192C	U-BOLT 5/16-18X1 1/2X2 1/2 RND	
39	990-081R	HOSE 3/4 ID 200PSI EPDM	
40	830-043C	AD 1MNPT POLYPROP	
41	990-109R	TUBE NYLON 1/4OD X 062WL	
42	830-383C	CP 1/4 PUSH LOK POLY	
43	800-125C	CLAMP WRM DRV#28 SS(1.31-2.25)	
44	CP18999-EPR	VITON O-RING	

***Plumbing for Hydraulic Drive Option***

---

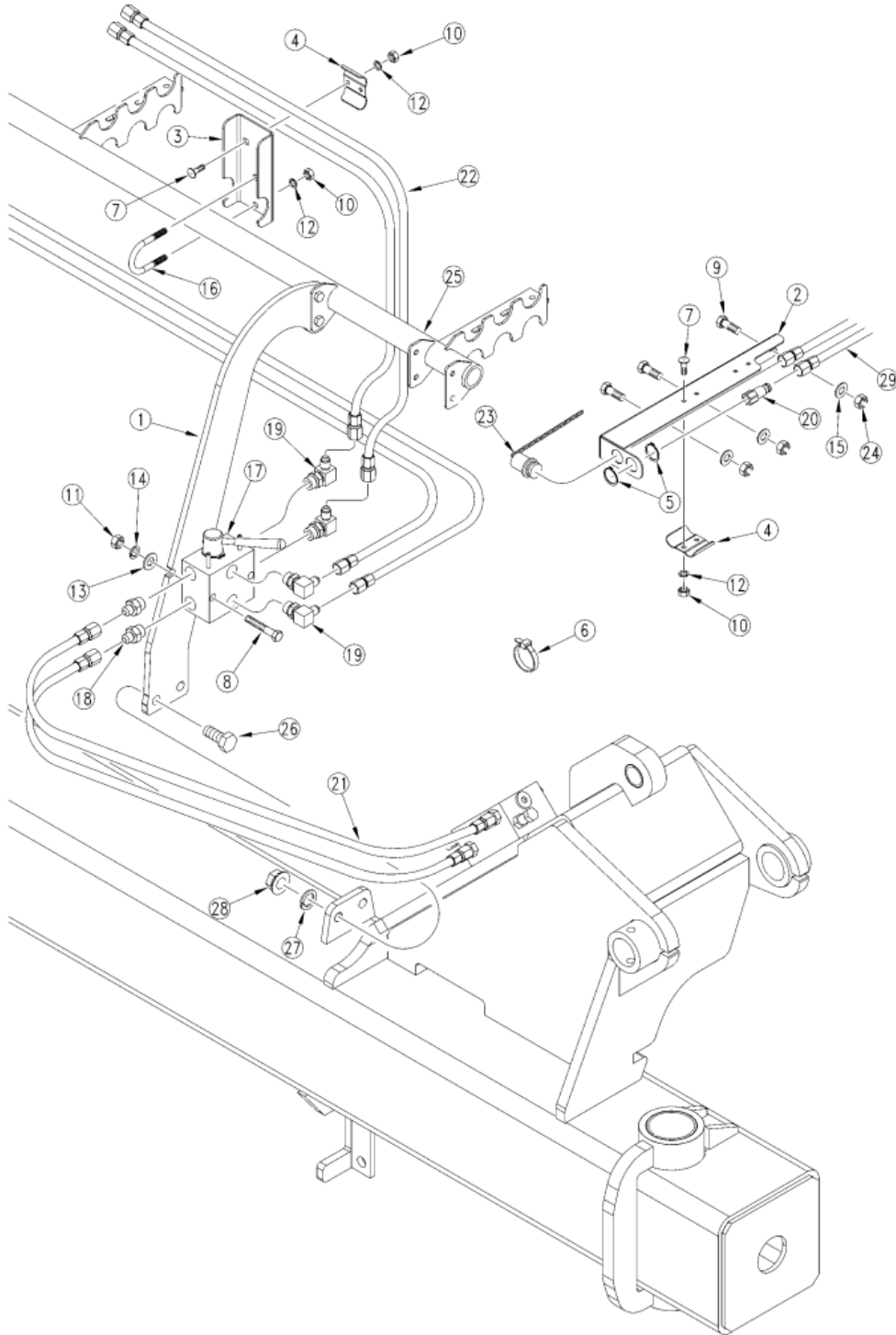
*This Page Intentionally Left Blank*

**Plumbing for Hydraulic Drive Option**

Ref.	Part No.	Part Description	Comments
45	830-325C	EL 1 1/2 FLANGE X 1 1/2HB POLY	
46	830-462C	GASKET 1 1/2 FLANGE HYPRO	
47	830-459C	CLAMP 1 1/2 FLANGE HYPRO	
48	831-078C	STRAINER MLST150-80 MESH	
49	830-157C	EL 1 1/2 FLANGE SHORT POLY	
50	830-390C	AD 2FP FLG X 2SP FLG POLY	
51	830-463C	GASKET 2 FLANGE HYPRO	
52	830-460C	CLAMP 2 FLANGE HYPRO	
53	831-121C	JOHN BLUE NGP-6055-HYF	
54	850-154C	HYD MOTOR 4.9CIR SAE A MNT	
55	830-368C	EL 2FP FLANGE X 1 1/2HB POLY	
56	830-345C	AD 2"FLANGE X 1 1/2 HB	
57	823-435C	RAVEN RFM-15 FLOWMETER	
58	830-370C	AD 1 1/2 FLANGE X 1 HB POLY	
59	466980040S1	DJ RAVEN FLOW MTR AD CABLE	
60	457901815	REP BY 843-057C	
61	823-434C	HARNESS EXT. 10' 2 PIN WP	
62	806-196C	U-BOLT 5/16-18X2 7/16X3.75 RND	
63	803-199C	NUT HEX FLANGE 5/16-18 PLT	
64	431-078H	FLOW-METER STAND	
65	806-221C	U-BOLT 1/2-13 X 5 1/32 X 6 1/2	
66	803-169C	NUT HEX FLG LOCK 1/2-13 PLT	

# Auxiliary Hydraulic Kit

Applies to Models: YP1625 (2005+), YP1225 (2005+)



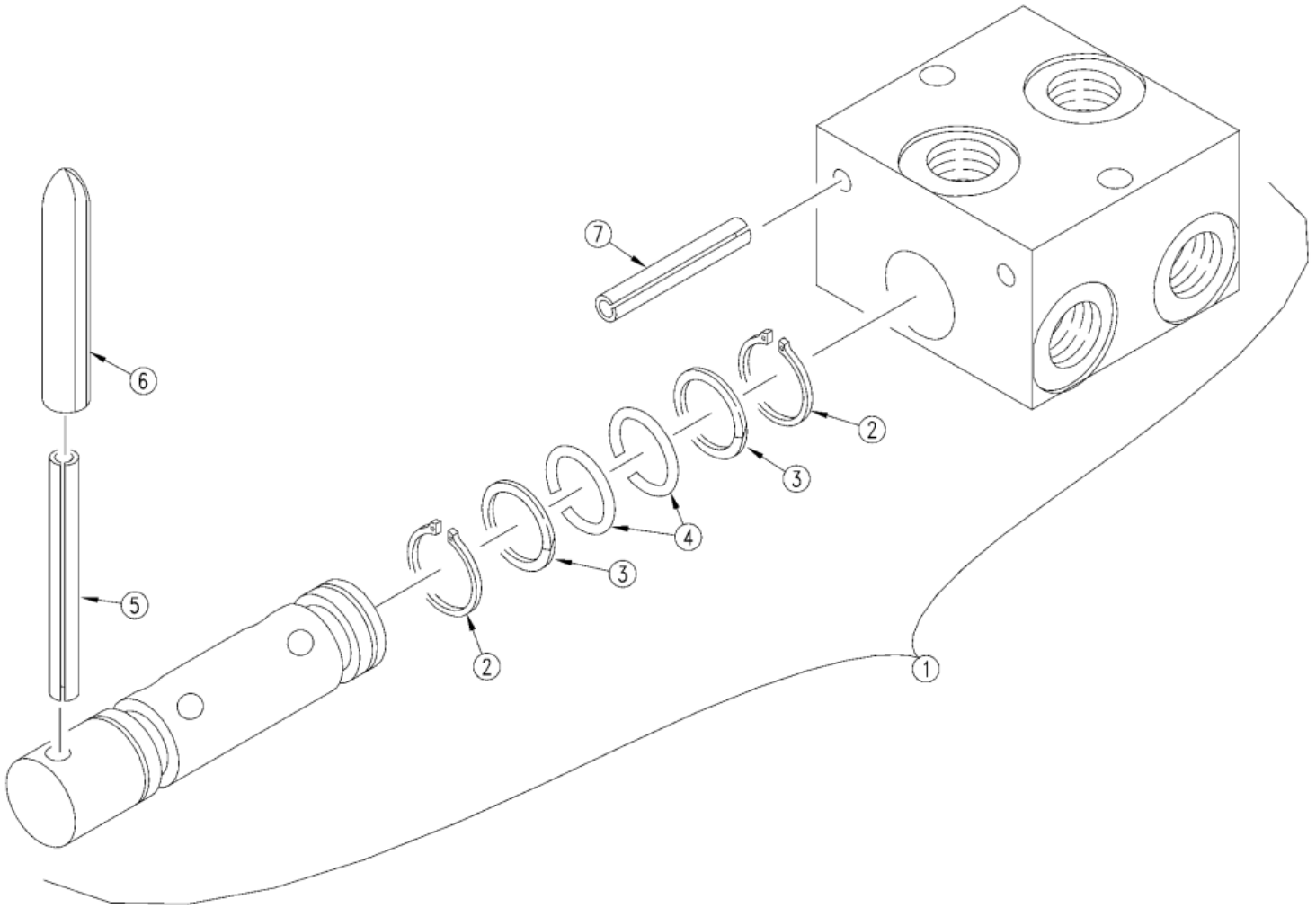
**Auxiliary Hydraulic Kit**

Applies to Models: YP1625 (2005+), YP1225 (2005+)

Ref.	Part No.	Part Description	Comments
	DWG25315	Image No.	
1	403-254D	AIR SYSTEM STANDOFF BRACKET	
2	411-271D	BULKHEAD HOSE MNT	
3	411-272D	AUX HYD HOSE MNT	
4	502-068D	HYD HOSE CLAMP BRACKET	
5	800-044C	SNAP RING EXT 1 1/2 SHAFT	
6	800-060C	CABLE TIE .19X14.25 3DIA 50LB	
7	802-009C	RHSNB 5/16-18X1 1/4 GR5	
8	802-024C	HHCS 3/8-16X3 GR5	
9	802-212C	HHCS 3/4-10X2 1/2 GR5	
10	803-008C	NUT HEX 5/16-18 PLT	
11	803-014C	NUT HEX 3/8-16 PLT	
12	804-009C	WASHER LOCK SPRING 5/16 PLT	
13	804-011C	WASHER FLAT 3/8 USS PLT	
14	804-013C	WASHER LOCK SPRING 3/8 PLT	
15	804-025C	WASHER FLAT 3/4 SAE PLT	
16	806-192C	U-BOLT 5/16-18X1 1/2X2 1/2 RND	
17	810-274C	DOUBLE SELECTOR VALVE 3/4FORB	Refer to Double Selector Valve (810-274C) for breakdown
18	811-133C	AD 9/16MJIC 3/4MORB	
19	811-171C	EL 3/4MORB 9/16MJIC	
20	811-204C	CP 3/4FORB QD BH	
21	811-463C	HH3/8R2 015 9/16FJIC 9/16FJIC	
22	811-201C	HH3/8R1 262 9/16FJIC 3/4MORB	12 Row
22	811-960C	HH3/8R2 360 9/16FJIC 3/4MORB	16 Row
23	841-207C	DUST CAP	
24	803-027C	NUT HEX 3/4-10 PLT	
25	403-167H	12ROW AIR SYS SUPT FRAME WLDMT	12 Row
25	403-168H	16ROW AIR SYS SUPT FRAME WLDMT	16 Row
26	802-034C	HHCS 1/2-13X1 1/4 GR5	
27	804-015C	WASHER LOCK SPRING 1/2 PLT	
28	803-020C	NUT HEX 1/2-13 PLT	
29	841-365C	HH3/8R2 300 9/16FJIC 3/4MORB	

# Double Selector Valve (810-274C)

Applies to Models: YP1625 (2005+), YP1225 (2005+)



**Double Selector Valve (810-274C)**

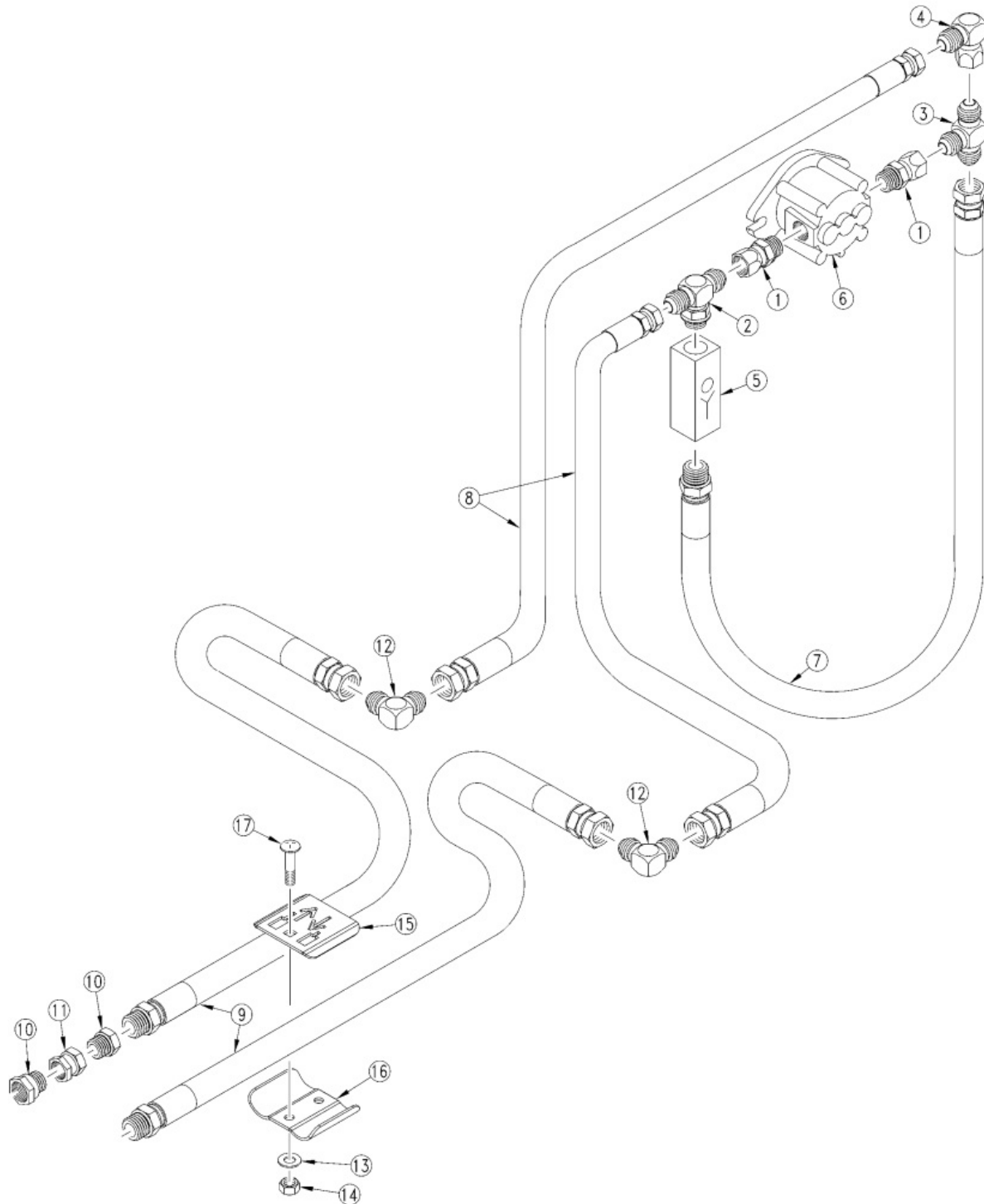
---

Applies to Models: YP1625 (2005+), YP1225 (2005+)

<b>Ref.</b>	<b>Part No.</b>	<b>Part Description</b>	<b>Comments</b>
	DWG14927	Image No.	
1	810-274C	DOUBLE SELECTOR VALVE 3/4FORB	
2	1079	RPBY SEAL KIT	
3	1089-210	RPBY SEAL KIT 810-458C	
4	1088-210	SHOEMAKER O-RING BUNA N 70DURO	
5	1285	SH GROOVE PIN	
6	817-255C	BLACK VINYL GRIP	
7	1084	SH PIN, SPRING 0.25 DIAMETER	

**Fan Hydraulics (S/N A1023K-) (S/N A1051B-)**

Applies to Models: YP1625 (2005+), YP1225 (2005+)





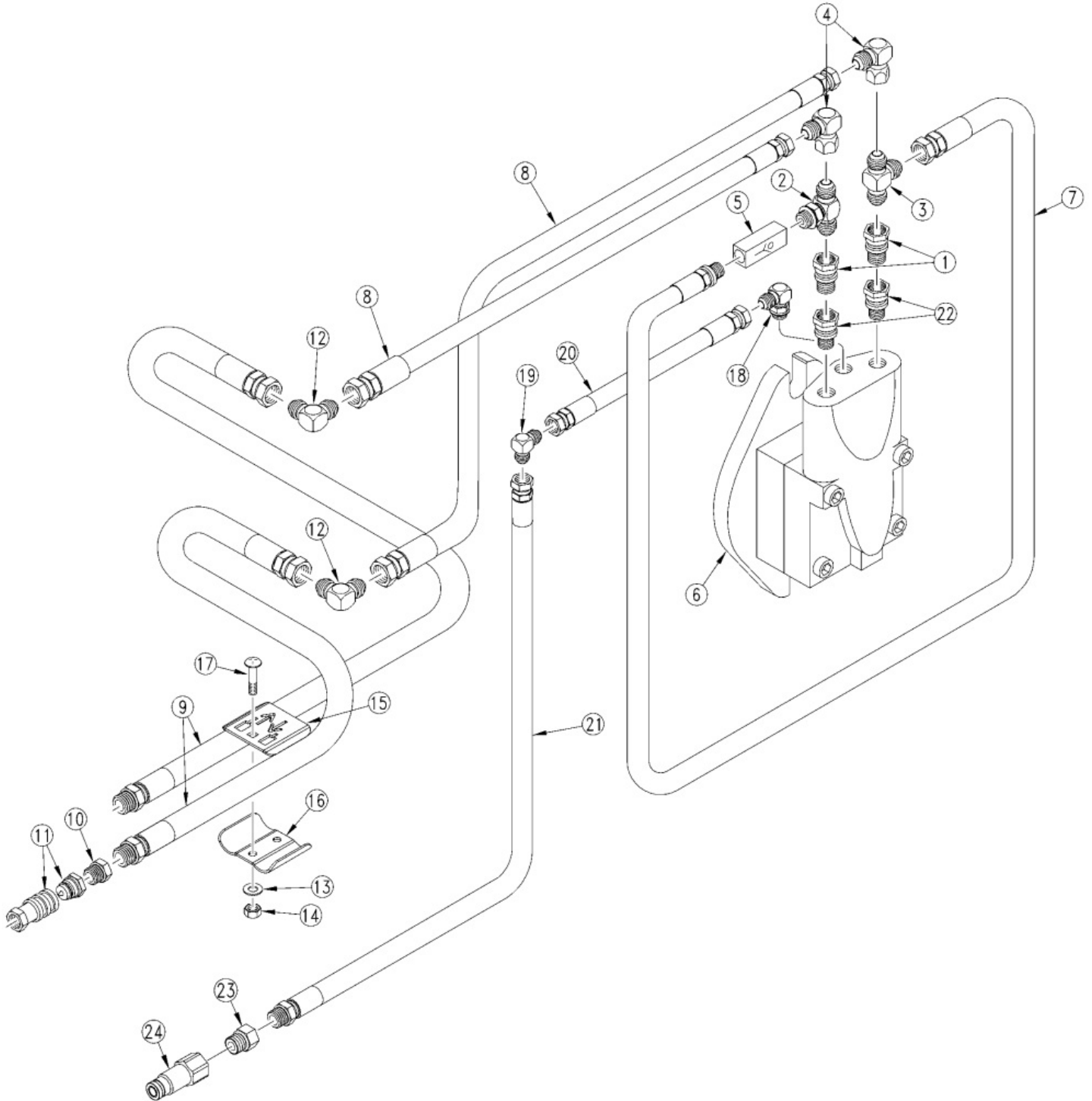
**Fan Hydraulics (S/N A1023K-) (S/N A1051B-)**

Applies to Models: YP1625 (2005+), YP1225 (2005+)

Ref.	Part No.	Part Description	Comments
	DWG22754	Image No.	
1	811-502C	AD 7/8MORB 3/4FJIC	
2	811-077C	TE 3/4MORB 3/4MJIC 3/4MJIC	
3	811-078C	TE 3/4MJIC	
4	811-150C	EL 3/4FJIC 3/4MJIC	
5	810-037C	VALVE LINE CHECK	
6	810-273C	HYD MOTOR 7/8ORBF	
7	811-782C	HH1/2R1 024 3/4FJIC 3/4MORB	
8	811-955C	HH1/2R2 260 3/4FJIC	16 Row
8	811-265C	HH1/2R2 234 3/4FJIC	12 Row
9	811-959C	HH1/2R2 312 3/4FJIC 3/4MORB	16 Row
9	841-072C	HH1/2R2 280 3/4FJIC 3/4MORB	12 Row
10	841-002C	AD 1 1/16MORB 3/4FORB	
11	811-069C	CP 1 1/16FORB QD	
12	811-725C	EL 90 3/4MJIC	
13	804-010C	WASHER FLAT 5/16 USS PLT	
14	803-199C	NUT HEX FLANGE 5/16-18 PLT	
15	502-067D	HYD HOSE CLAMP LABEL	
16	502-068D	HYD HOSE CLAMP BRACKET	
17	802-009C	RHSNB 5/16-18X1 1/4 GR5	

**Fan Hydraulics (S/N A1024K+) (S/N A1052B+)**

Applies to Models: YP1625 (2005+), YP1225 (2005+)



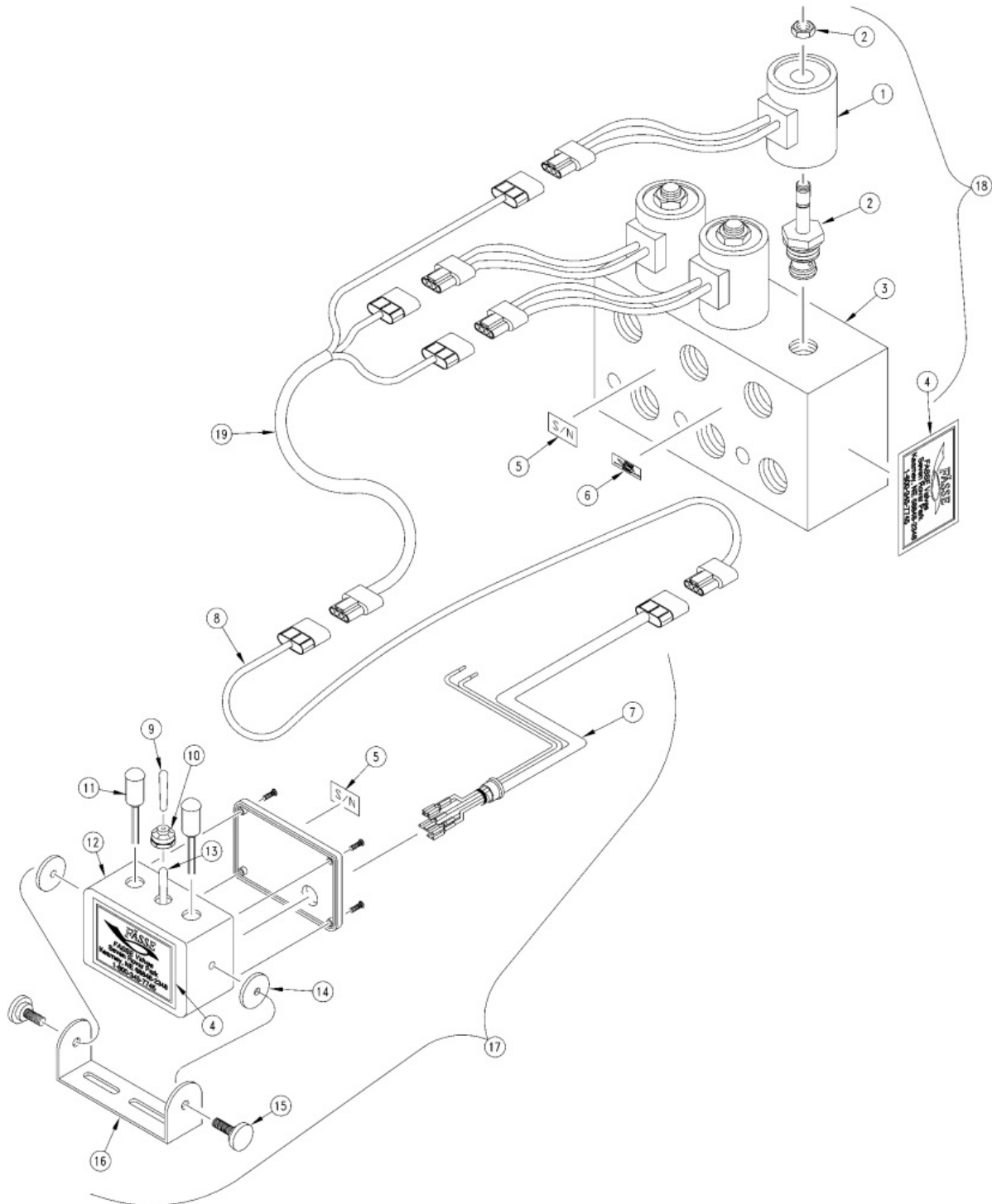
**Fan Hydraulics (S/N A1024K+) (S/N A1052B+)**

Applies to Models: YP1625 (2005+), YP1225 (2005+)

Ref.	Part No.	Part Description	Comments
	DWG23266	Image No.	
1	811-324C	AD 3/4MORB 3/4FJIC	
2	811-077C	TE 3/4MORB 3/4MJIC 3/4MJIC	
3	811-078C	TE 3/4MJIC	
4	811-150C	EL 3/4FJIC 3/4MJIC	
5	810-037C	VALVE LINE CHECK	
6	810-556C	PARKER F-11 FAN MOTOR	
7	811-782C	HH1/2R1 024 3/4FJIC 3/4MORB	
8	811-955C	HH1/2R2 260 3/4FJIC	16 Row only
8	811-265C	HH1/2R2 234 3/4FJIC	12 Row only
9	811-959C	HH1/2R2 312 3/4FJIC 3/4MORB	16 Row only
9	841-072C	HH1/2R2 280 3/4FJIC 3/4MORB	12 Row only
10	841-002C	AD 1 1/16MORB 3/4FORB	
11	811-069C	CP 1 1/16FORB QD	
12	811-725C	EL 90 3/4MJIC	
13	804-010C	WASHER FLAT 5/16 USS PLT	
14	803-199C	NUT HEX FLANGE 5/16-18 PLT	
15	502-067D	HYD HOSE CLAMP LABEL	
16	502-068D	HYD HOSE CLAMP BRACKET	
17	802-009C	RHSNB 5/16-18X1 1/4 GR5	
18	811-065C	EL 9/16MJIC 9/16MORB	
19	811-393C	EL 9/16MJIC	
20	841-094C	HH1/4R1 260 9/16FJIC	16 Row
20	841-092C	HH1/4R1 240 9/16FJIC	12 Row
21	841-095C	HH1/4R1 315 9/16FJIC 9/16MORB	16 Row
21	841-093C	HH1/4R1 280 9/16FJIC 9/16MORB	12 Row
22	841-002C	AD 1 1/16MORB 3/4FORB	
23	841-103C	AD 3/4MORB 9/16FORB	
24	841-099C	CP 3/4FORB QD FLATFACE	

# Fasse 3 Way Multiplier (810-527C)

Applies to Models: YP1625 (2005+), YP1225 (2005+)



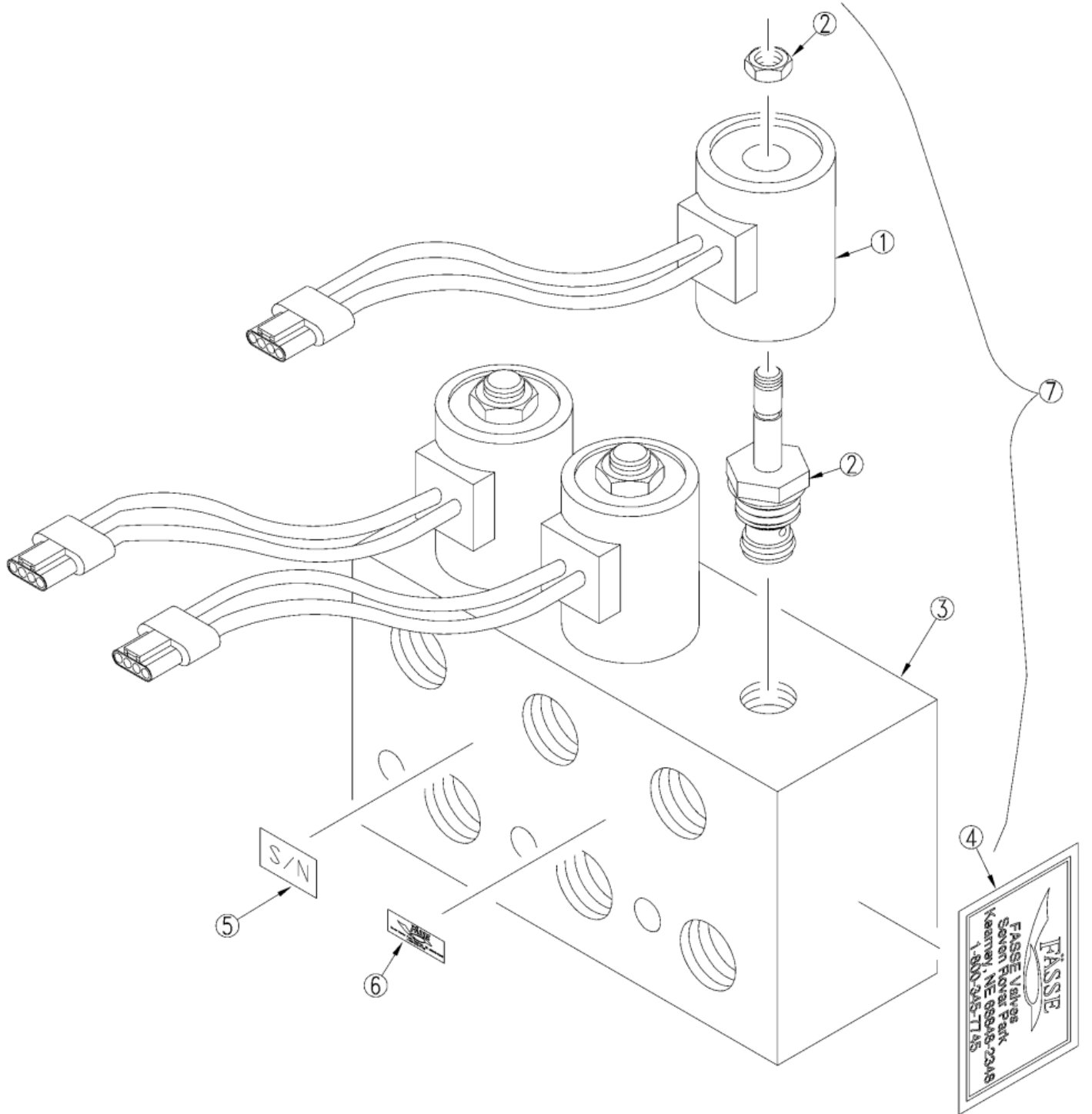
**Fasse 3 Way Multiplier (810-527C)**

Applies to Models: YP1625 (2005+), YP1225 (2005+)

Ref.	Part No.	Part Description	Comments
	DWG21871	Image No.	
1	253-028	COIL 6359412 DW	
2	273-004	FASSE CART SV10-41-0-N-00	
3	270-078	FASSE BLOCK M10972-1A 1513/SP	
4	232-056	FASSE DECL GOLD/BLK 3 X 1.875	
5	232-050	FASSE DECL S/N (SILVER)	
6	232-059	FASSE DECL GOLD/BLK 1.5 X .5	
7	316-833	FASSE HRN 4CON 16GA SJOOW W/PS	
8	318-382	REPLACED BY 833-219C	
9	259-005	FASSE SW TOG GRP VNYL RED .187	
10	250-023	FASSE SW TOG BOOT OPN BLK	
11	251-003	FASSE LAMP 12V 1/2 SNAP RED	
12	319-542	FASSE ENCL DRILL SWBX 1591BLK	
13	250-701	FASSE SW TOG DPDT 2P STAT SHRT	
14	213-005	FASSE WSHR RBR1ODX1/4IDX1/16TK	
15	219-007	FASSE SCR THUMB BLK 1/4-20X1/2	
16	219-008	FASSE BRKT ALM 3.34 #1591L	
17	300-198	SWITCHBOX FOR 810-527C	
18	302-756	MAIN ASSBY FOR FASSE 810-527C	
19	320-195	FASSE HARNESS BLK FOR 810-527C	

# Fasse 3 Way Multiplier (810-636C)

Applies to Models: YP1625 (2005+), YP1225 (2005+)



**Fasse 3 Way Multiplier (810-636C)**

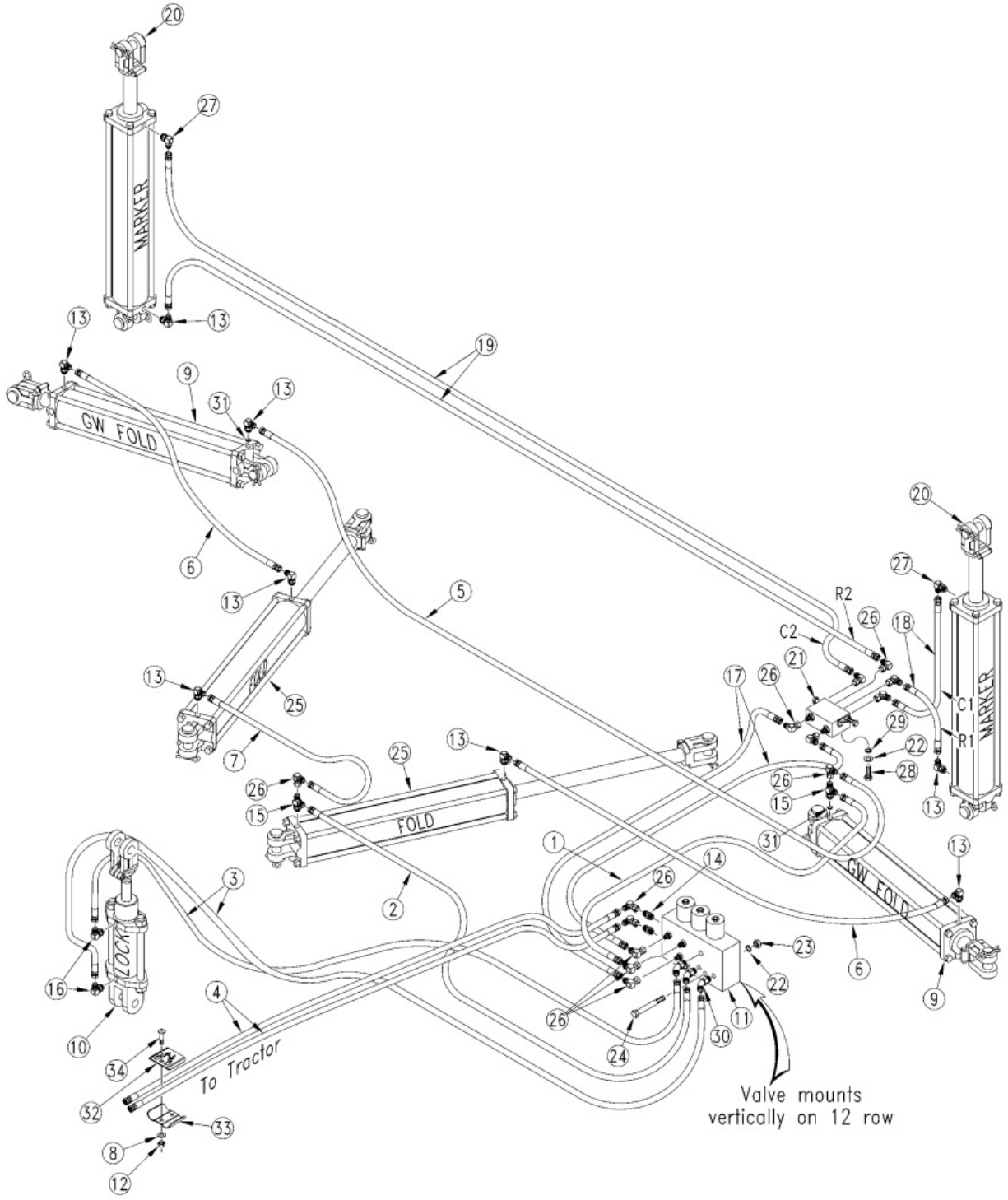
---

Applies to Models: YP1625 (2005+), YP1225 (2005+)

<b>Ref.</b>	<b>Part No.</b>	<b>Part Description</b>	<b>Comments</b>
	DWG25220	Image No.	
1	253-028	COIL 6359412 DW	
2	273-004	FASSE CART SV10-41-0-N-00	
3	270-078	FASSE BLOCK M10972-1A 1513/SP	
4	232-056	FASSE DECL GOLD/BLK 3 X 1.875	
5	232-050	FASSE DECL S/N (SILVER)	
6	232-059	FASSE DECL GOLD/BLK 1.5 X .5	
7	810-636C	VALVE 3 WAY MULTIPLIER	

# Fold and Marker Hydraulics (S/N A1153K-)

Applies to Models: YP1625 (2005+), YP1225 (2005+)





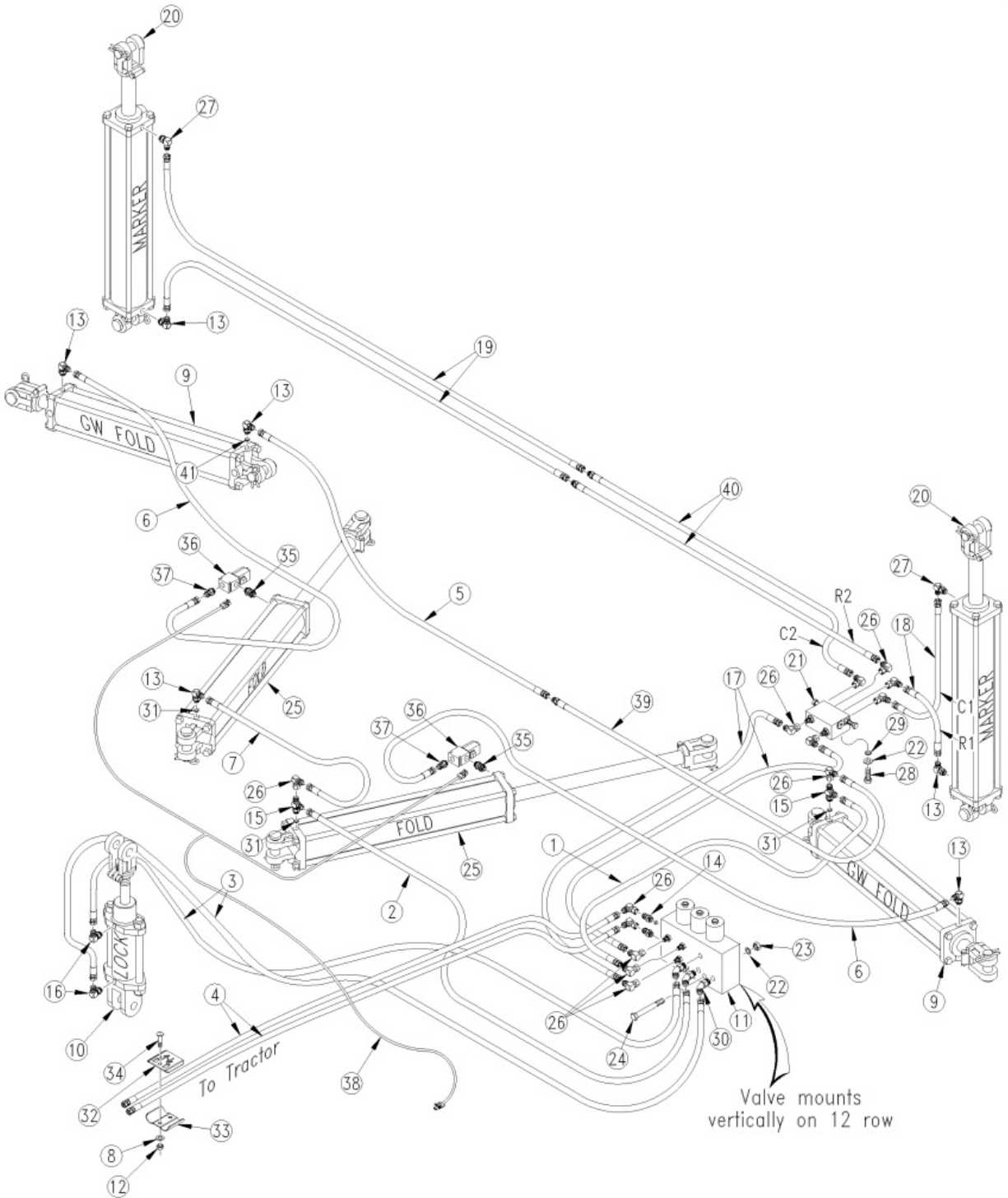
**Fold and Marker Hydraulics (S/N A1153K-)**

Applies to Models: YP1625 (2005+), YP1225 (2005+)

Ref.	Part No.	Part Description	Comments
	DWG23154	Image No.	
1	841-071C	HH3/8R2 028 9/16FJIC	
2	841-068C	HH3/8R2 150 9/16FJIC	
3	841-073C	HH1/4R2 220 9/16FJIC	
4	841-081C	HH3/8R2 279 3/4MORB 9/16FJIC	
5	841-070C	HH3/8R2 144 9/16FJIC	
6	841-069C	HH3/8R2 208 9/16FJIC	
7	811-924C	HH3/8R2 025 9/16FJIC	
8	804-010C	WASHER FLAT 5/16 USS PLT	
9	810-543C	CYL REP 4.0X27.75X1.75ROD (EXT)	Refer to "Hydraulic Cylinder (810-543C 4 x 27.75 x 1.75 Rod EXT)" for breakdown. Rephases when extended (S/N A1110K-)
9	810-647C	RPBY 810-717C	Refer to "Hydraulic Cylinder (810-647C 4.25 x 27.75 x 2.00 Rod EXT)" for breakdown. Rephases when extended (S/N A1111K+)
10	810-201C	CYL 1.5X2.5X.75 ROD (TIE ROD)	Refer to "Hydraulic Cylinder (810-201C 1.5 x 2.5 x .75 Rod)" for breakdown
11	810-527C	VALVE FASSE 3 WAY MULTIPLIER	2008 or before (With Seed Manager SE) Refer to "Fasse 3 Way Multiplier (810-527C)" for breakdown
11	810-636C	VALVE 3 WAY MULTIPLIER	2009 or later (With Intelliag) Refer to "Fasse 3 Way Multiplier (810-636C)" for breakdown
12	803-199C	NUT HEX FLANGE 5/16-18 PLT	
13	811-171C	EL 3/4MORB 9/16MJIC	
14	811-133C	AD 9/16MJIC 3/4MORB	
15	811-249C	TE 9/16MJIC 3/4MORB 9/16MJIC	
16	811-065C	EL 9/16MJIC 9/16MORB	
17	811-703C	HH3/8R2 068 9/16FJIC	
18	811-922C	HH3/8R2 045 9/16FJIC	
19	841-067C	HH3/8R2 364 9/16FJIC	
20	810-423C	CYL 3X24X1.50 ROD (TIE ROD)	Refer to "Hydraulic Cylinder (810-423C 3 x 24 x 1.5 Rod)" for breakdown
21	810-197C	VALVE,SEQUENCE SHOEMAKER	Refer to "Sequence Valve (810-197C)" for breakdown
22	804-013C	WASHER LOCK SPRING 3/8 PLT	
23	803-014C	NUT HEX 3/8-16 PLT	
24	802-147C	HHCS 3/8-16X3 1/2 GR5	
25	810-537C	CYL REP 4.5X20X1.5 ROD (RET)	Refer to "Hydraulic Cylinder (810-537C 4.5 x 20.0 x 1.5 Rod RET)" for breakdown. Rephases when retracted (S/N A1110K-)
25	810-646C	CYL REP 4.75X20.0X1.75 (RET)	Refer to "Hydraulic Cylinder (810-646C 4.75 x 20.0 x 1.75 Rod RET)" for breakdown. Rephases when retracted (S/N A1111K+)
26	811-169C	EL 9/16MJIC 9/16FJIC	
27	811-065C	EL 9/16MJIC 9/16MORB	
28	802-022C	HHCS 3/8-16X1 1/2 GR5	
29	804-011C	WASHER FLAT 3/8 USS PLT	
30	811-397C	EL 45 9/16MJIC 9/16FJIC	
31	196-430D	ORIFICE PLATE 1/16 3/4MORB	
32	502-067D	HYD HOSE CLAMP LABEL	
33	502-068D	HYD HOSE CLAMP BRACKET	
34	802-009C	RHSNB 5/16-18X1 1/4 GR5	

# Fold and Marker Hydraulics (S/N A1154K+)

Applies to Models: YP1625 (2005+), YP1225 (2005+)



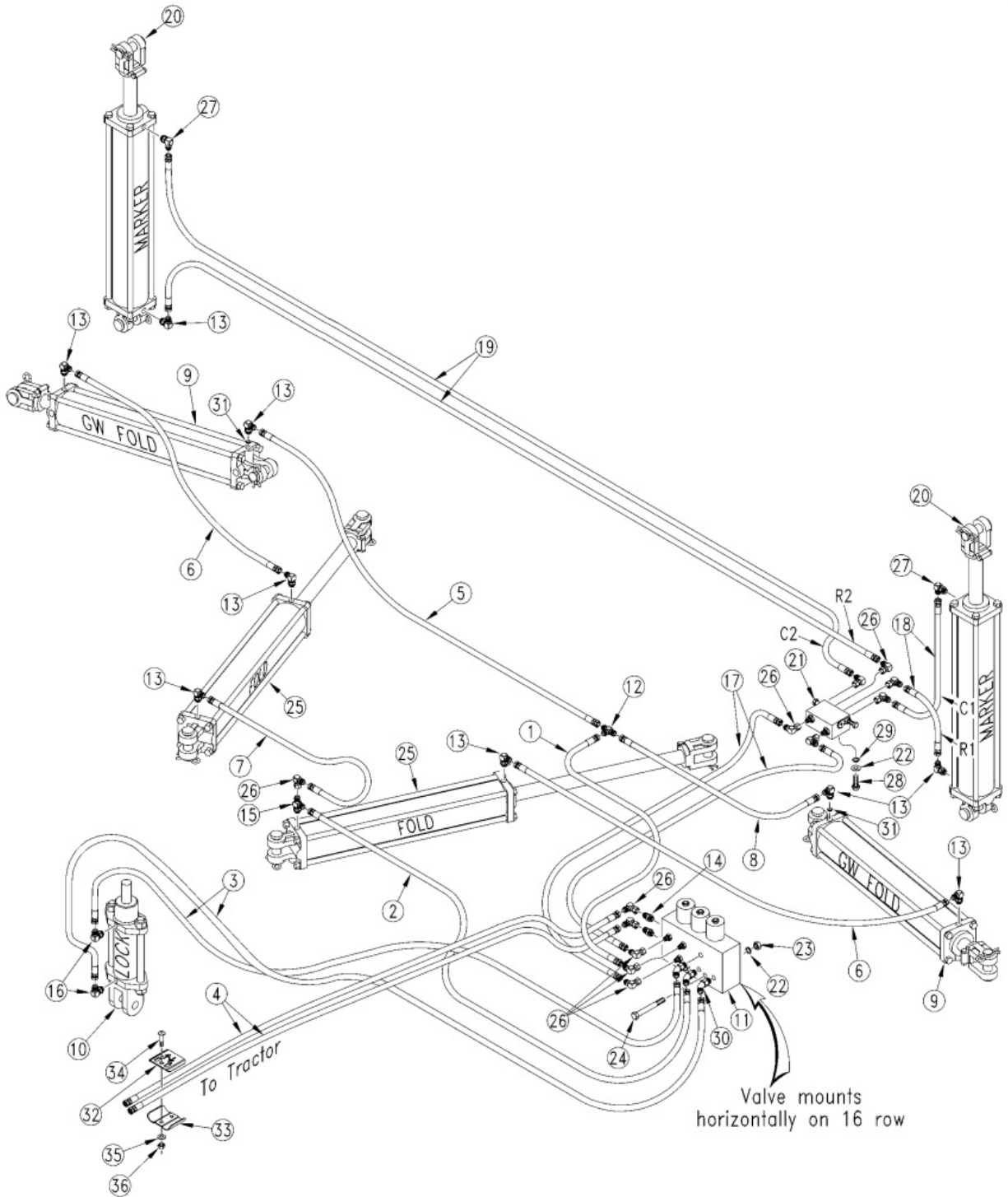
**Fold and Marker Hydraulics (S/N A1154K+)**

Applies to Models: YP1625 (2005+), YP1225 (2005+)

Ref.	Part No.	Part Description	Comments
	DWG29748	Image No.	
1	841-071C	HH3/8R2 028 9/16FJIC	
2	841-068C	HH3/8R2 150 9/16FJIC	
3	841-884C	HH1/4R2 250 9/16FJIC	
4	841-883C	HH3/8R2 310 3/4MORB 9/16FJIC	
5	841-360C	HH3/8R2 142 9/16FJIC	
6	841-069C	HH3/8R2 208 9/16FJIC	
7	811-924C	HH3/8R2 025 9/16FJIC	
8	804-010C	WASHER FLAT 5/16 USS PLT	
9	810-543C	CYL REP 4.0X27.75X1.75ROD (EXT)	(S/N A1110K-)
9	810-647C	RPBY 810-717C	(S/N A1111K+)
10	810-201C	CYL 1.5X2.5X.75 ROD (TIE ROD)	
11	810-527C	VALVE FASSE 3 WAY MULTIPLIER	
11	810-636C	VALVE 3 WAY MULTIPLIER	
12	803-199C	NUT HEX FLANGE 5/16-18 PLT	
13	811-171C	EL 3/4MORB 9/16MJIC	
14	811-133C	AD 9/16MJIC 3/4MORB	
15	811-249C	TE 9/16MJIC 9/16MJIC 3/4MORB	
16	811-065C	EL 9/16MJIC 9/16MORB	
17	811-703C	HH3/8R2 068 9/16FJIC	
18	811-922C	HH3/8R2 045 9/16FJIC	
19	841-067C	HH3/8R2 204 9/16FJIC	
20	810-423C	CYL 3X24X1.50 ROD (TIE ROD)	
21	810-197C	VALVE,SEQUENCE SHOEMAKER	
22	804-013C	WASHER LOCK SPRING 3/8 PLT	
23	803-014C	NUT HEX 3/8-16 PLT	
24	802-147C	HHCS 3/8-16X3 1/2 GR5	
25	810-537C	CYL REP 4.5X20X1.5 ROD (RET)	(S/N A1110K-)
25	810-646C	CYL REP 4.75X20.0X1.75 (RET)	(S/N A1111K+)
26	811-169C	EL 9/16MJIC 9/16FJIC	
27	811-065C	EL 9/16MJIC 9/16MORB	
28	802-022C	HHCS 3/8-16X1 1/2 GR5	
29	804-011C	WASHER FLAT 3/8 USS PLT	
30	811-397C	EL 45 9/16MJIC 9/16FJIC	
31	196-430D	ORIFICE PLATE 1/16 3/4	
32	502-067D	HYD HOSE CLAMP LABEL	
33	502-068D	HYD HOSE CLAMP BRACKET	
34	802-009C	RHSNB 5/16-18X1 1/4 GR5	
35	811-086C	AD 3/4MORB	
36	810-342C	NC POPPET SOLENOID VALVE	
37	811-088C	AD 3/4MORB 3/4MJIC	
38	833-515C	EXT HARNESS FOLD LOCK VALVES	
39	841-571C	HH3/8R2 130 9/16FJIC 9/16MJIC	
40	841-570C	HH3/8R2 160 9/16FJIC 9/16MJIC	
41	407-913D	ORIFICE PLATE 5/64 3/4MORB	

# Fold and Marker Hydraulics (S/N A1174B-)

Applies to Models: YP1625 (2005+), YP1225 (2005+)



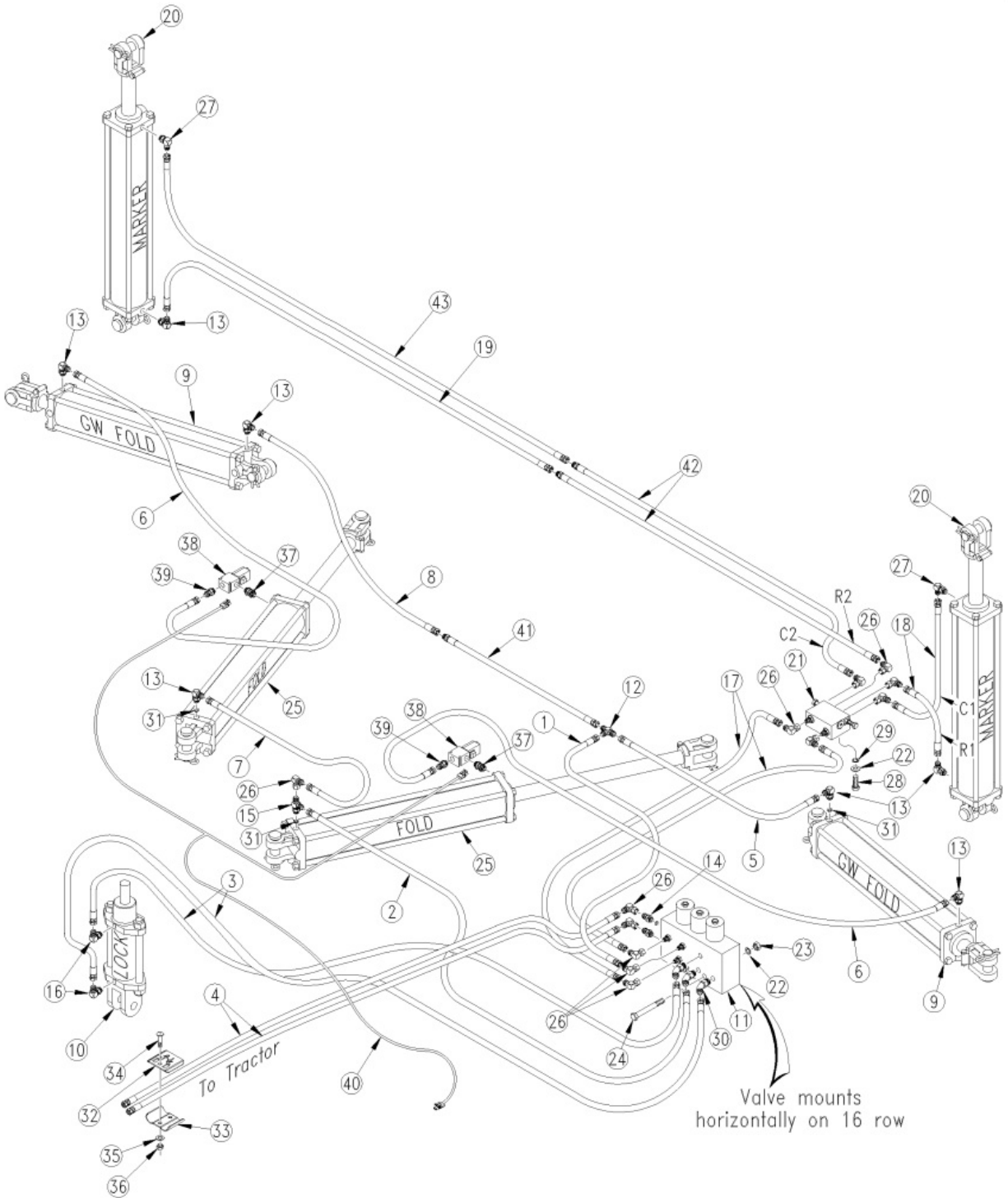
**Fold and Marker Hydraulics (S/N A1174B-)**

Applies to Models: YP1625 (2005+), YP1225 (2005+)

Ref.	Part No.	Part Description	Comments
	DWG22752	Image No.	
1	811-928C	HH3/8R2 012 9/16FJIC	
2	811-923C	HH3/8R2 238 9/16FJIC	
3	811-957C	HH1/4R2 300 9/16FJIC	
4	811-960C	HH3/8R2 360 9/16FJIC 3/4MORB	
5	811-926C	HH3/8R2 022 9/16FJIC	
6	811-925C	HH3/8R2 280 9/16FJIC	
7	811-924C	HH3/8R2 025 9/16FJIC	
8	811-927C	HH3/8R2 356 9/16FJIC	
9	810-543C	CYL REP 4.0X27.75X1.75ROD (EXT)	Refer to "Hydraulic Cylinder (810-543C 4 x 27.75 x 1.75 Rod EXT)" for breakdown Rephases when extended (S/N A1189B-)
9	810-647C	RPBY 810-717C	Refer to "Hydraulic Cylinder (810-647C 4.25 x 27.75 x 2.00 Rod EXT)" for breakdown Rephases when extended (S/N A1190B+)
10	810-201C	CYL 1.5X2.5X.75 ROD (TIE ROD)	Refer to "Hydraulic Cylinder (810-201C 1.5 x 2.5 x .75 Rod)" for breakdown
11	810-527C	VALVE FASSE 3 WAY MULTIPLIER	2008 or before (With Seed Manager SE) Refer to "Fasse 3 Way Multiplier (810-527C)" for breakdown
11	810-636C	VALVE 3 WAY MULTIPLIER	2009 or later (With Intelliag) Refer to "Fasse 3 Way Multiplier (810-636C)" for breakdown
12	811-863C	RPBY 811-312C	
13	811-171C	EL 3/4MORB 9/16MJIC	
14	811-133C	AD 9/16MJIC 3/4MORB	
15	811-249C	TE 9/16MJIC 3/4MORB 9/16MJIC	
16	811-065C	EL 9/16MJIC 9/16MORB	
17	811-921C	HH3/8R2 066 9/16FJIC	
18	811-922C	HH3/8R2 045 9/16FJIC	
19	811-920C	HH3/8R2 484 9/16FJIC	
20	810-423C	CYL 3X24X1.50 ROD (TIE ROD)	Refer to "Hydraulic Cylinder (810-423C 3x24x1.5 Rod)" for breakdown
21	810-197C	VALVE,SEQUENCE SHOEMAKER	Refer to "Sequence Valve (810-197C)" for breakdown
22	804-013C	WASHER LOCK SPRING 3/8 PLT	
23	803-014C	NUT HEX 3/8-16 PLT	
24	802-147C	HHCS 3/8-16X3 1/2 GR5	
25	810-537C	CYL REP 4.5X20X1.5 ROD (RET)	Refer to "Hydraulic Cylinder (810-537C 4.5 x 20 x 1.5 Rod RET)" for breakdown Rephases when retracted (S/N A1189B-)
25	810-646C	CYL REP 4.75X20.0X1.75 (RET)	Refer to "Hydraulic Cylinder (810-646C 4.75 x 20 x 1.75 Rod RET)" for breakdown Rephases when retracted (S/N A1190B+)
26	811-169C	EL 9/16MJIC 9/16FJIC	
27	811-065C	EL 9/16MJIC 9/16MORB	
28	802-022C	HHCS 3/8-16X1 1/2 GR5	
29	804-011C	WASHER FLAT 3/8 USS PLT	
30	811-397C	EL 45 9/16MJIC 9/16FJIC	
31	196-430D	ORIFICE PLATE 1/16 3/4MORB	
32	502-067D	HYD HOSE CLAMP LABEL	
33	502-068D	HYD HOSE CLAMP BRACKET	
34	802-009C	RHSNB 5/16-18X1 1/4 GR5	
35	804-010C	WASHER FLAT 5/16 USS PLT	
36	803-199C	NUT HEX FLANGE 5/16-18 PLT	

# Fold and Marker Hydraulics (S/N A1175B+)

Applies to Models: YP1625 (2005+), YP1225 (2005+)



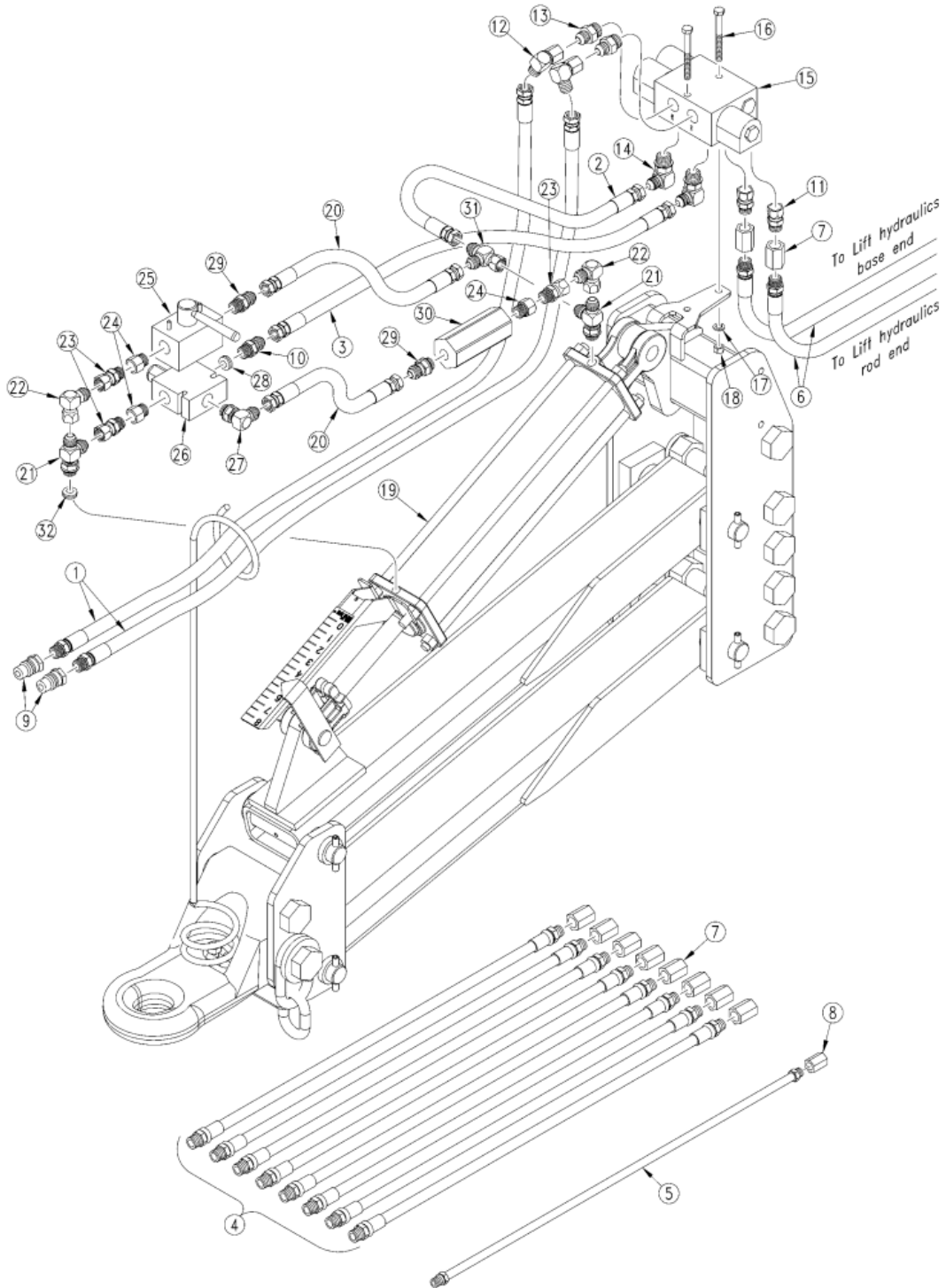
**Fold and Marker Hydraulics (S/N A1175B+)**

Applies to Models: YP1625 (2005+), YP1225 (2005+)

Ref.	Part No.	Part Description	Comments
	DWG29747	Image No.	
1	811-928C	HH3/8R2 012 9/16FJIC	
2	811-923C	HH3/8R2 238 9/16FJIC	
3	841-823C	HH1/4R2 333 9/16FJIC	
4	841-824C	HH3/8R2 390 9/16FJIC 3/4MORB	
5	841-354C	HH3/8R2 035 9/16FJIC	
6	811-708C	HH3/8R2 296 9/16FJIC	
7	811-924C	HH3/8R2 025 9/16FJIC	
8	841-822C	HH3/8R2 200 9/16FJIC	
9	810-543C	CYL REP 4.0X27.75X1.75ROD (EXT)	(S/N A1189B-)
9	810-647C	RPBY 810-717C	(S/N A1190B+)
10	810-201C	CYL 1.5X2.5X.75 ROD (TIE ROD)	
11	810-527C	VALVE FASSE 3 WAY MULTIPLIER	
12	811-863C	RPBY 811-312C	
13	811-171C	EL 3/4MORB 9/16MJIC	
14	811-133C	AD 9/16MJIC 3/4MORB	
15	811-249C	TE 9/16MJIC 9/16MJIC 3/4MORB	
16	811-065C	EL 9/16MJIC 9/16MORB	
17	841-690C	HH3/8R2 081 9/16FJIC	
18	811-922C	HH3/8R2 045 9/16FJIC	
19	811-920C	HH3/8R2 264 9/16FJIC	
20	810-423C	CYL 3X24X1.50 ROD (TIE ROD)	
21	810-197C	VALVE,SEQUENCE SHOEMAKER	
22	804-013C	WASHER LOCK SPRING 3/8 PLT	
23	803-014C	NUT HEX 3/8-16 PLT	
24	802-147C	HHCS 3/8-16X3 1/2 GR5	
25	810-537C	CYL REP 4.5X20X1.5 ROD (RET)	(S/N A1189B-)
25	810-646C	CYL REP 4.75X20.0X1.75 (RET)	(S/N A1190B+)
26	811-169C	EL 9/16MJIC 9/16FJIC	
27	811-065C	EL 9/16MJIC 9/16MORB	
28	802-022C	HHCS 3/8-16X1 1/2 GR5	
29	804-011C	WASHER FLAT 3/8 USS PLT	
30	811-397C	EL 45 9/16MJIC 9/16FJIC	
31	196-430D	ORIFICE PLATE 1/16 3/4	
32	502-067D	HYD HOSE CLAMP LABEL	
33	502-068D	HYD HOSE CLAMP BRACKET	
34	802-009C	RHSNB 5/16-18X1 1/4 GR5	
35	804-010C	WASHER FLAT 5/16 USS PLT	
36	803-199C	NUT HEX FLANGE 5/16-18 PLT	
37	811-086C	AD 3/4MORB	
38	810-342C	NC POPPET SOLENOID VALVE	
39	811-088C	AD 3/4MORB 3/4MJIC	
40	833-515C	EXT HARNESS FOLD LOCK VALVES	
41	841-569C	HH3/8R2 166 9/16FJIC 9/16MJIC	
42	841-568C	HH3/8R2 228 9/16FJIC 9/16MJIC	
43	811-925C	HH3/8R2 280 9/16FJIC	

# Hitch Hydraulics

Applies to Models: YP1625 (2005+), YP1225 (2005+)





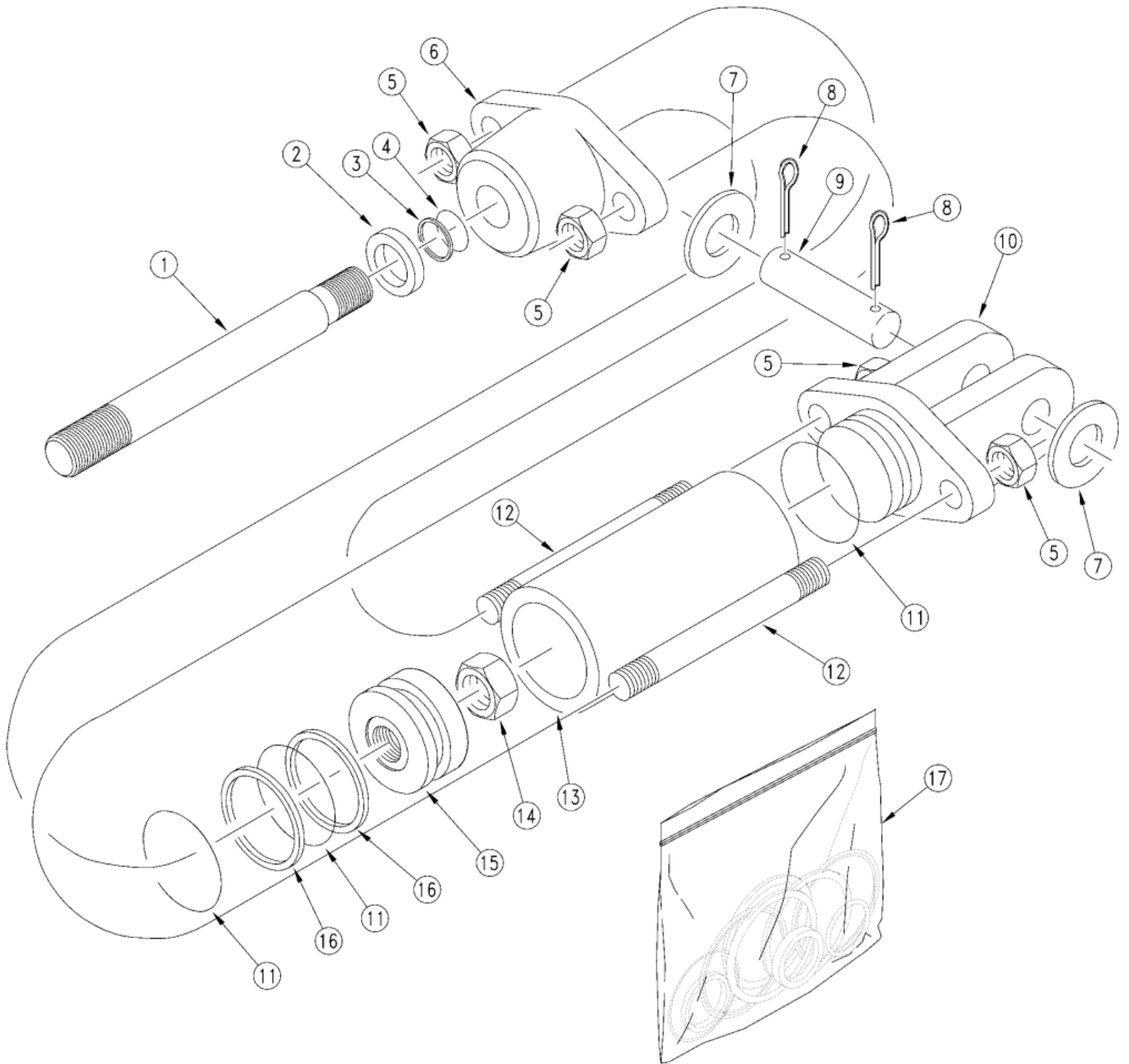
**Hitch Hydraulics**

Applies to Models: YP1625 (2005+), YP1225 (2005+)

Ref.	Part No.	Part Description	Comments
	DWG25490	Image No.	
1	811-054C	HH1/2R2 097 3/4FJIC 3/4MORBS	
2	841-136C	HH3/8R2 015 9/16FJIC 3/4FJIC	
3	811-386C	HH3/8R2 036 3/4FJIC	
4	841-218C	HH1/2R2 032 3/4MORB	
5	841-219C	HH1/4R2 032 9/16MORB	
6	841-211C	HH1/2R2 432 3/4MORB 3/4FJIC	
7	811-488C	CP 3/4 FORB 3/4 FORB	
8	841-220C	CP 9/16 FORB	
9	811-394C	CP 3/4FORB MALE QD POPPET TYPE	
10	811-088C	AD 3/4MORB 3/4MJIC	
11	811-324C	AD 3/4MORB 3/4FJIC	
12	811-150C	EL 3/4FJIC 3/4MJIC	
13	841-147C	AD 7/8MORB 3/4MJIC FLARE-O	
14	811-081C	EL 7/8MORB 3/4MJIC	
15	810-613C	VALVE 2CIRCUIT SELECT LD HOLD	
16	802-147C	HHCS 3/8-16X3 1/2 GR5	
17	804-013C	WASHER LOCK SPRING 3/8 PLT	
18	803-014C	NUT HEX 3/8-16 PLT	
19	810-614C	CYL 3.5X16X1.75 ROD(TIE)NOPINS	
20	841-187C	HH3/8R2 029 9/16FJIC	
21	811-064C	TE 9/16MJIC 9/16MJIC 9/16MORB	
22	811-169C	EL 9/16MJIC 9/16FJIC	
23	811-627C	AD 9/16MORB 9/16FJIC	
24	841-103C	AD 3/4MORB 9/16FORB	
25	810-345C	VALVE 90 DEGREE SHUT-OFF	
26	810-615C	VALVE RELIEF 700 PSI TAMP PRF	
27	811-171C	EL 3/4MORB 9/16MJIC	
28	196-429D	ORIFICE PLATE 3/32 8 MORB	
29	811-133C	AD 9/16MJIC 3/4MORB	
30	810-037C	VALVE LINE CHECK	
31	811-061C	TE 9/16MJIC 9/16MJIC 9/16FJIC	
32	811-347C	OB RPBV 193-039D	

# Hydraulic Cylinder 1.5 x 2.5 x .75 Rod (810-201C)

Applies to Models: YP1625 (2005+), YP1225 (2005+)



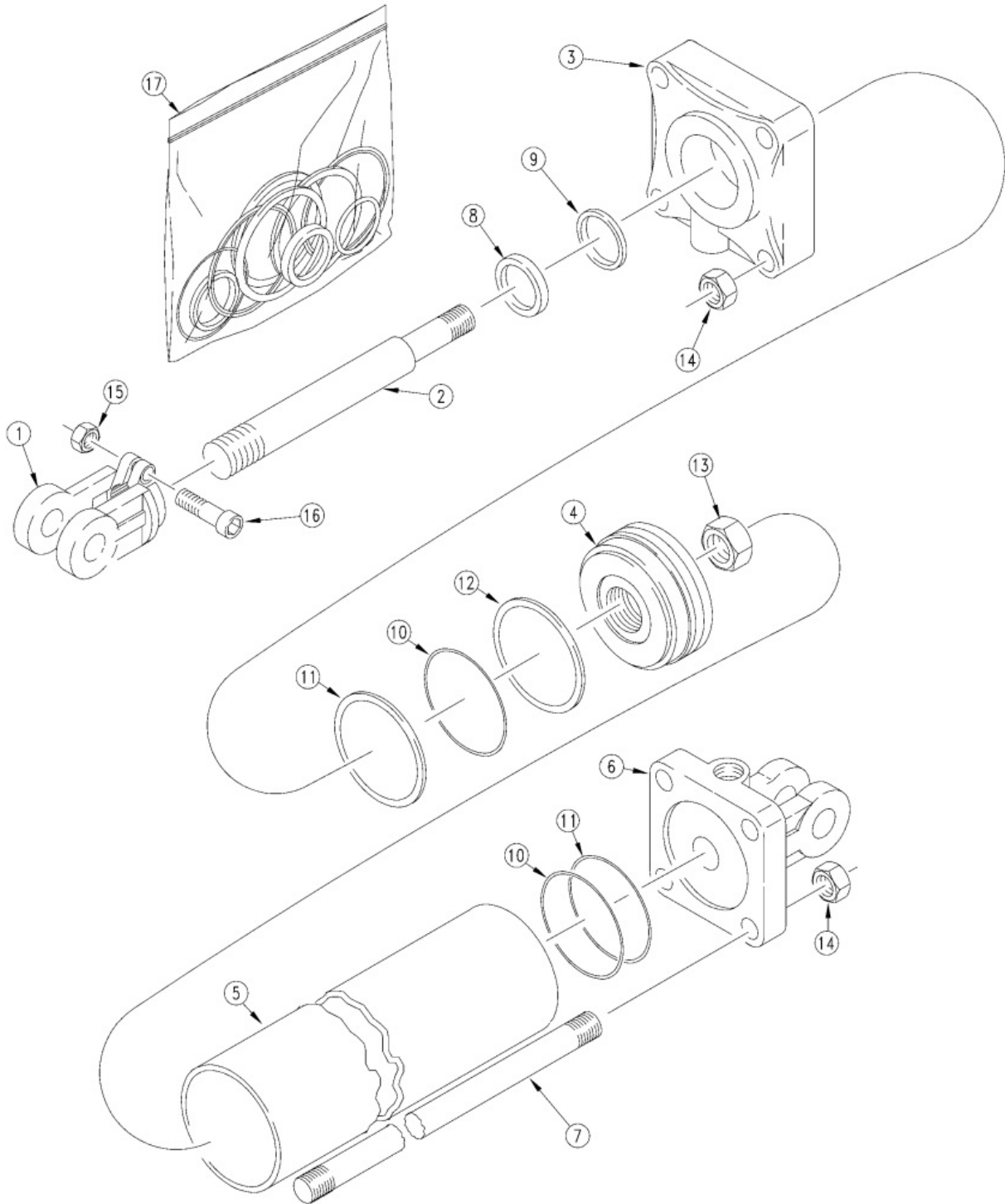
**Hydraulic Cylinder 1.5 x 2.5 x .75 Rod (810-201C)**

Applies to Models: YP1625 (2005+), YP1225 (2005+)

Ref.	Part No.	Part Description	Comments
	DWG 12822	Image No.	
1	2M1190	REPL BY 2M1190NC MW ROD	
2		WIPER SEAL	Only available in item 17
3		BACKUP	Only available in item 17
4		O-RING	Only available in item 17
5	2A0014	MW TIE ROD NUT	
6	3M1108	MW HEAD	
7	804-021C	WASHER FLAT 5/8 SAE PLT	
8	2A0130	MW COTTER PIN	
9	2A0202	MW CLEVIS PIN	
10	6M1108	MW BASE	
11		O-RING	Only available in item 17
12	7M1302	MW TIE ROD	
13	5M1103	MW TUBE	
14	2A0018	MW TIE ROD NUT	
15	4M1102	MW PISTON	
16		BACKUP	Only available in item 17
17	810-249C	SEAL KIT MW 3A1102	

# Hydraulic Cylinder 3.0 x 24.0 x 1.5 Rod (810-423C)

Applies to Models: YP1625 (2005+), YP1225 (2005+)



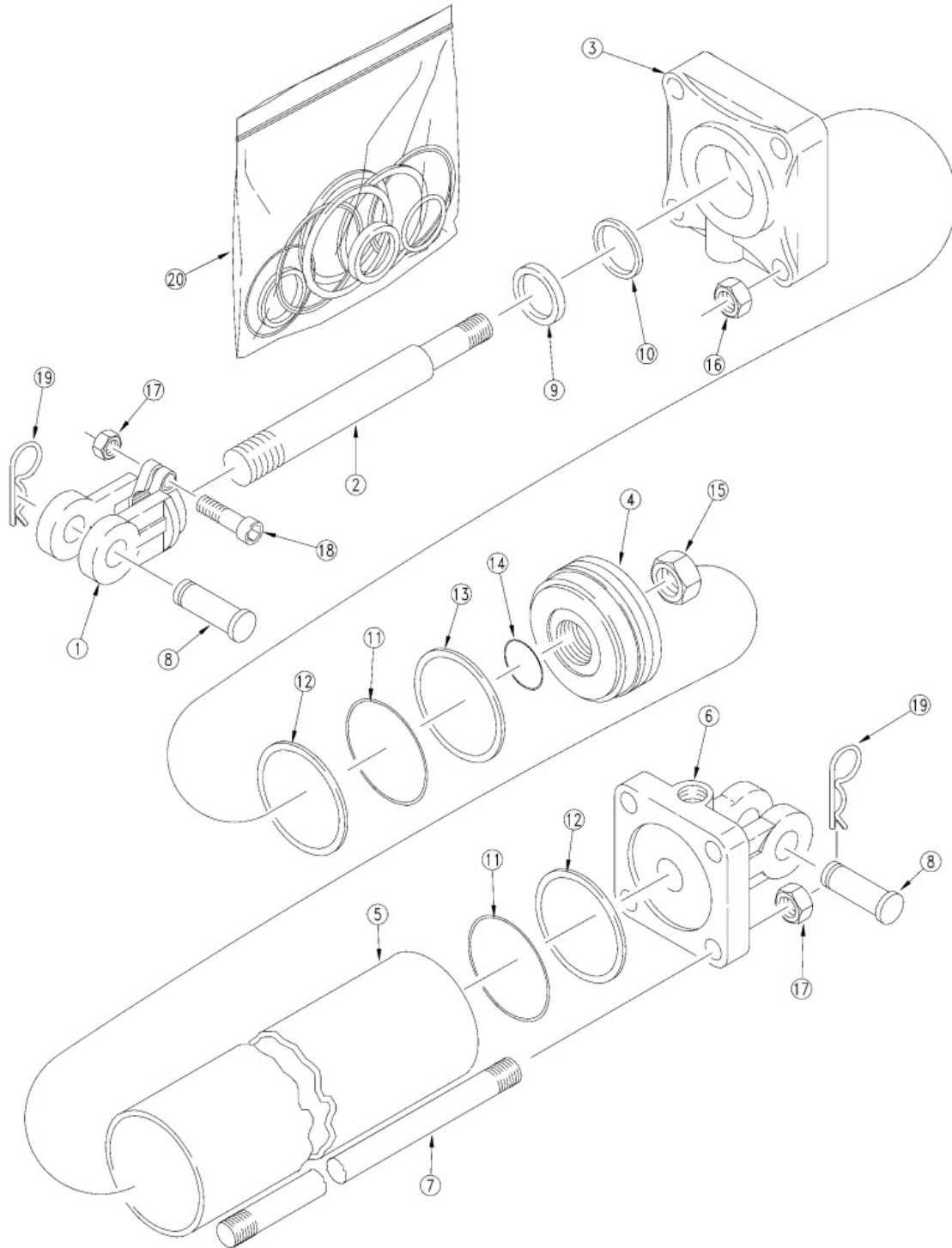
**Hydraulic Cylinder 3.0 x 24.0 x 1.5 Rod (810-423C)**

Applies to Models: YP1625 (2005+), YP1225 (2005+)

Ref.	Part No.	Part Description	Comments
	DWG18964	Image No.	
1	1M7016	RPBY 1M7016-ADI	
2	2M4532	REPL BY 2M4532NC	
3	3R1510	MW HEAD	
4	4M4108	MW PISTON	
5	5M4132	MW TUBE	
6	6R1144	BASE MIDWAY	
7	7M4332	MW TIE ROD	
8		MW WIPER	Only found in seal kit 17
9		MW U-CUP	Only found in seal kit 17
10		MW O-RING	Only found in seal kit 17
11		MW BACKUP	Only found in seal kit 17
12		MW CROWN SEAL	Only found in seal kit 17
13	2A0024	MW PISTON NUT 1-14	
14	2A0014	MW TIE ROD NUT	
15	2A0012	RPBY 803-234C	
16	2A0006	RPBY 802-023C	
17	810-430C	SEAL KIT MW 3 CYL 5A4106	

# Hydraulic Cylinder 3.5 x 16.0 x 1.75 Rod (810-614C)

Applies to Models: YP1625 (2005+), YP1225 (2005+)



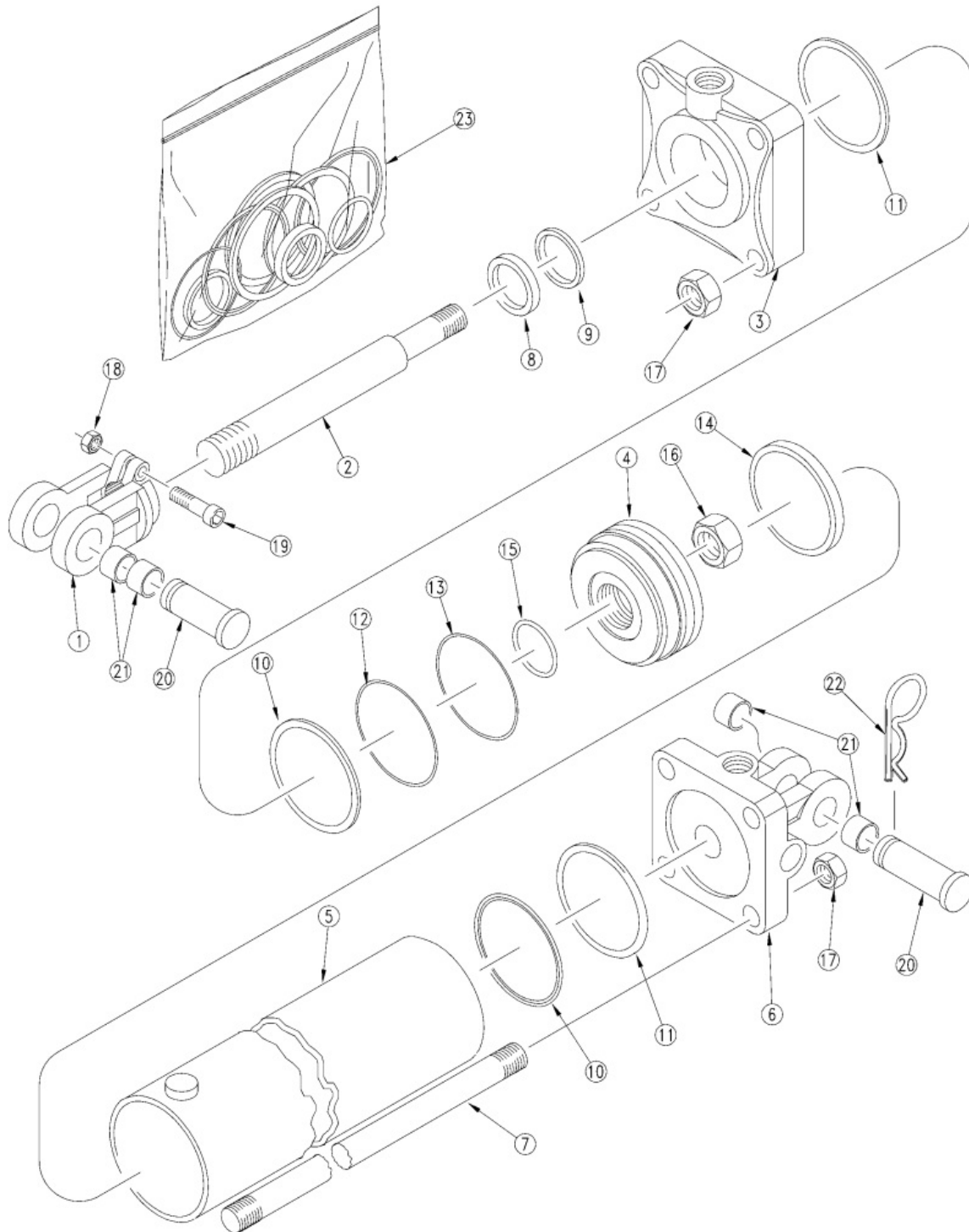
**Hydraulic Cylinder 3.5 x 16.0 x 1.75 Rod (810-614C)**

Applies to Models: YP1625 (2005+), YP1225 (2005+)

Ref.	Part No.	Part Description	Comments
	DWG25498	Image No.	
1	1M7021	RPBY 1M7021-ADI	
2	2S5724	REPL BY 2S5724NC MIDWAY ROD	
3	3R3710	MIDWAY HEAD	
4	4M5108	MW PISTON	
5	5M5124	MW TUBE 3-1/2 X 16 CYLINDER	
6	6R3152	RPBY 6R3152-ADI	
7	7M5324	MW TIE ROD	
7	7M5417	MIDWAY TIE ROD	
8	805-124C	PIN CLEVIS 1 X 3 11/16 GR5 PLT	
9		ROD WIPER	Only available in item 20
10		U-CUP	Only available in item 20
11		O-RING	Only available in item 20
12		BACK-UP	Only available in item 20
13		CROWN SEAL	Only available in item 20
14		O-RING	Only available in item 20
15	2A0024	MW PISTON NUT 1-14	
16	2A0016	MW TIE ROD NUT	
17	2A0012	RPBY 803-234C	
18	802-023C	HHCS 3/8-16X1 3/4 GR5	
19	2A0134	MW COTTER PIN	
20	810-583C	SEAL KIT FOR 810-571C	

# Hydraulic Cylinder 4.0 x 27.75 x 1.75 Rod (810-543C)

Applies to Models: YP1625 (2005+), YP1225 (2005+)





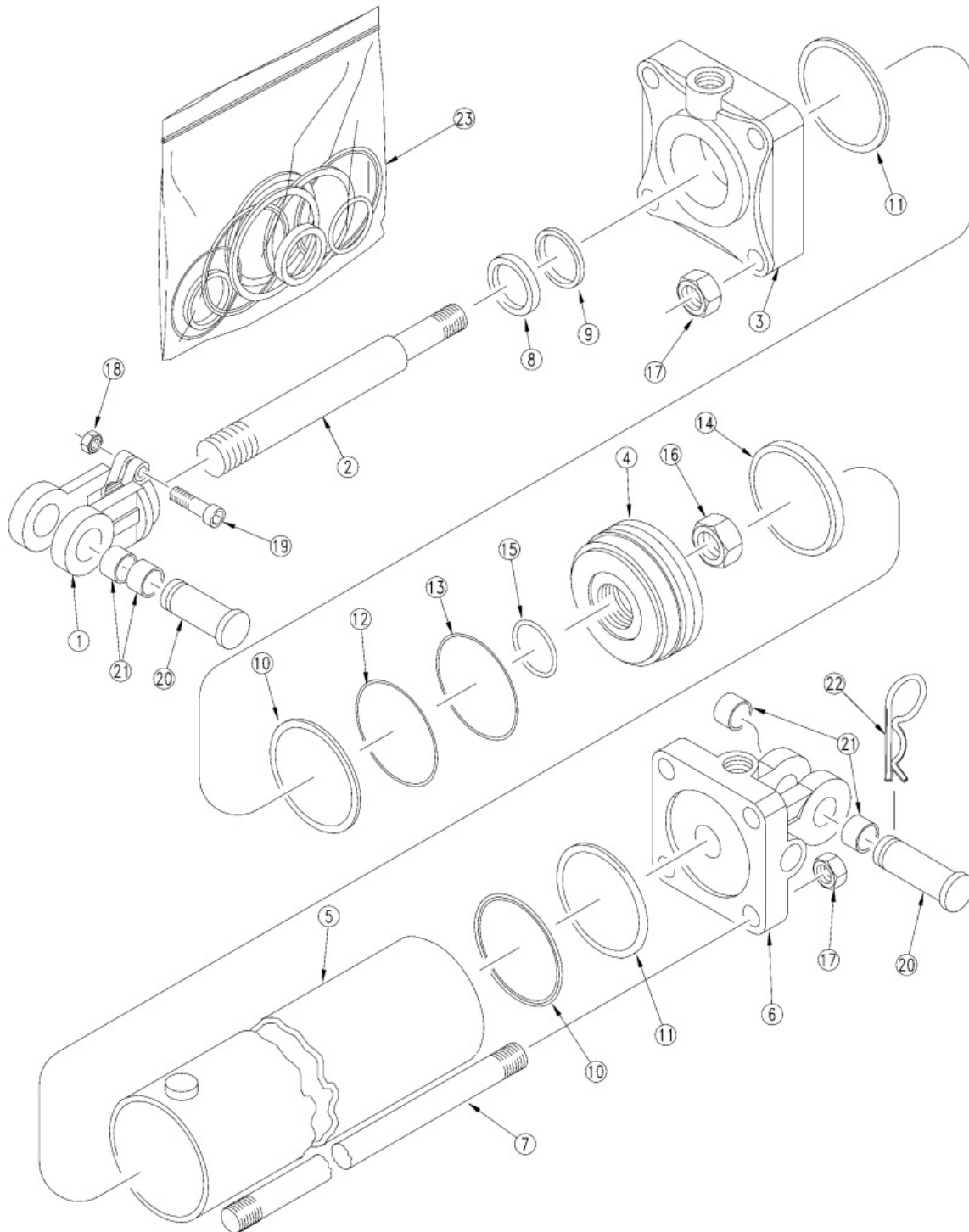
**Hydraulic Cylinder 4.0 x 27.75 x 1.75 Rod (810-543C)**

Applies to Models: YP1625 (2005+), YP1225 (2005+)

Ref.	Part No.	Part Description	Comments
	DWG21869	Image No.	
1	1M7021	RPBY 1M7021-ADI	
2	2S6996	MIDWAY ROD	
3	3R5512	MIDWAY HEAD	
4	4R5108	RPBY 4R5109 & NEW TUBE	
5	5R5210	MIDWAY TUBE	
6	6R5162	RPBY 6R5162-ADI	
7	7M6440	MIDWAY TIE ROD	
8		MW WIPER	Only found in seal kit 23
9		U-CUP	Only found in seal kit 23
10		O-RING MIDWAY	Only found in seal kit 23
11		BACK UP MIDWAY	Only found in seal kit 23
12		TEFLON SEAL	Only found in seal kit 23
13		O-RING LOADER MIDWAY	Only found in seal kit 23
14		WEAR RING MIDWAY	Only found in seal kit 23
15		MW PISTON NUT SEAL	Only found in seal kit 23
16	2A0024	MW PISTON NUT 1-14	
17	2A0018	MW TIE ROD NUT	
18	2A0012	RPBY 803-234C	
19	802-023C	HHCS 3/8-16X1 3/4 GR5	
20	2A0208	RPBY 805-124C	
21	890-620C	BUSHING,1 1/2X1 1/4X3/4LG	
22	2A0134	MW COTTER PIN	
23	810-550C	MIDWAY 4A5105 SEAL KIT	

# Hydraulic Cylinder 4.25 x 27.75 x 2.0 Rod (810-647C)

Applies to Models: YP1625 (2005+), YP1225 (2005+)



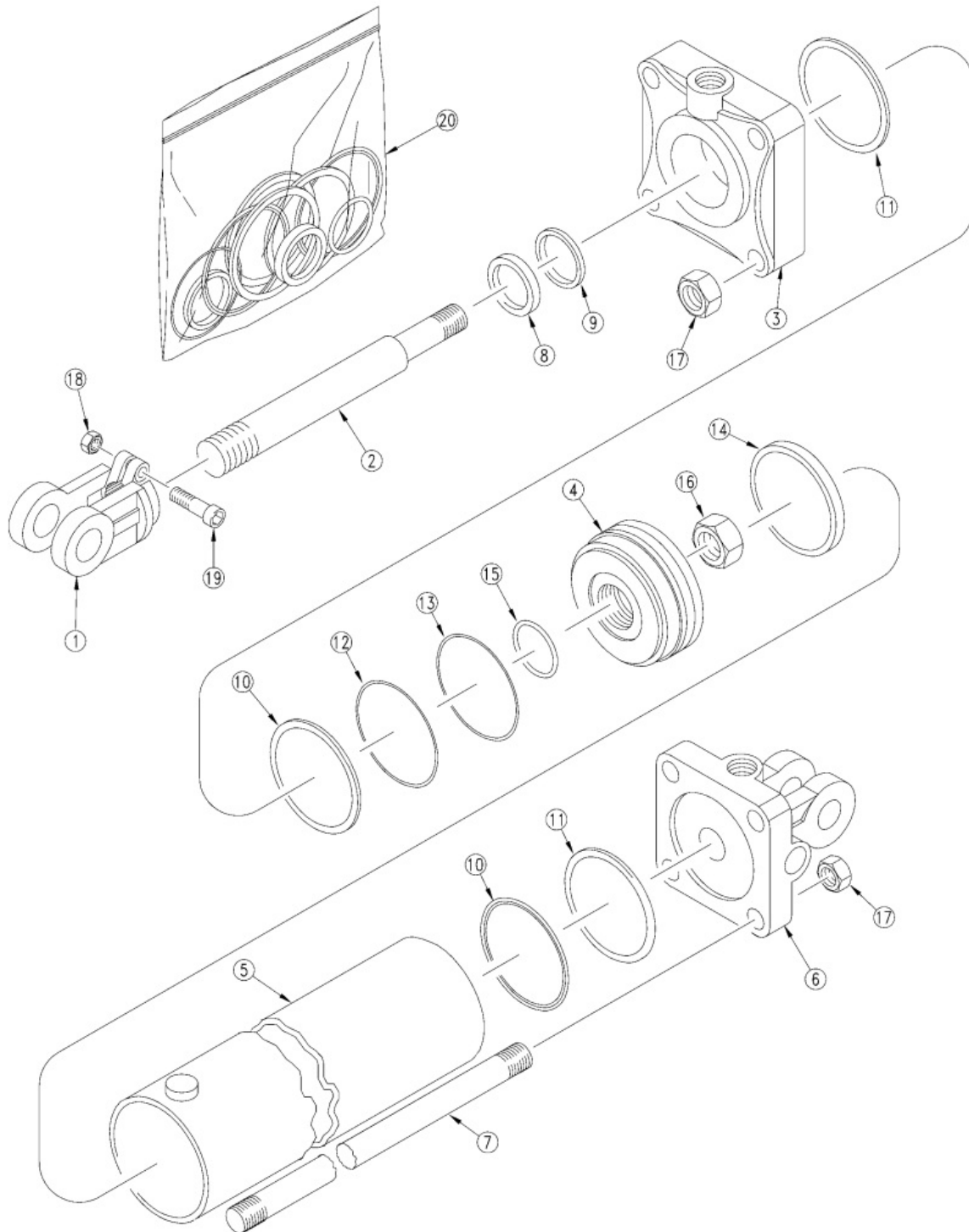
**Hydraulic Cylinder 4.25 x 27.75 x 2.0 Rod (810-647C)**

Applies to Models: YP1625 (2005+), YP1225 (2005+)

Ref.	Part No.	Part Description	Comments
	DWG29701	Image No.	
1	1M7021-ADI	MW ROD CLEVIS 1.00PN 1.5-12THD	
2	2S7670NC	MW NICKEL/CHROME ROD	
3	3R7040	MW HEAD	
4	4R8110	MW PISTON	
5	5R6181	MW TUBE	
6	6R8162-ADI	MW ADI BASE	
7	7M7386	MW TIE ROD	
8		MW WIPER	Only available in item 23
9		U-CUP	Only available in item 23
10		O-RING	Only available in item 23
11		BACK-UP MIDWAY	Only available in item 23
12		TEFLON SEAL	Only available in item 23
13		O-RING LOADER MIDWAY	Only available in item 23
14		WEAR RING MIDWAY	Only available in item 23
15		MW O-RING	Only available in item 23
16	2A0025	MW PISTON NUT 1 1/4"-12 UNF	
17	803-257C	NUT HEX 3/4-16 PLAIN	
18	803-234C	NUT HEX 3/8-16 PLAIN	
19	802-023C	HHCS 3/8-16X1 3/4 GR5	
20	805-124C	PIN CLEVIS 1 X 3 11/16 GR5 PLT	
21	890-620C	BUSHING,1 1/2X1 1/4X3/4LG	
22	2A0134	MW COTTER PIN	
23	810-653C	SEAL KIT MW 810-647C 4A6106	

# Hydraulic Cylinder 4.5 x 10.37 x 1.5 Rod (810-697C)

Applies to Models: YP1625 (2005+), YP1225 (2005+)



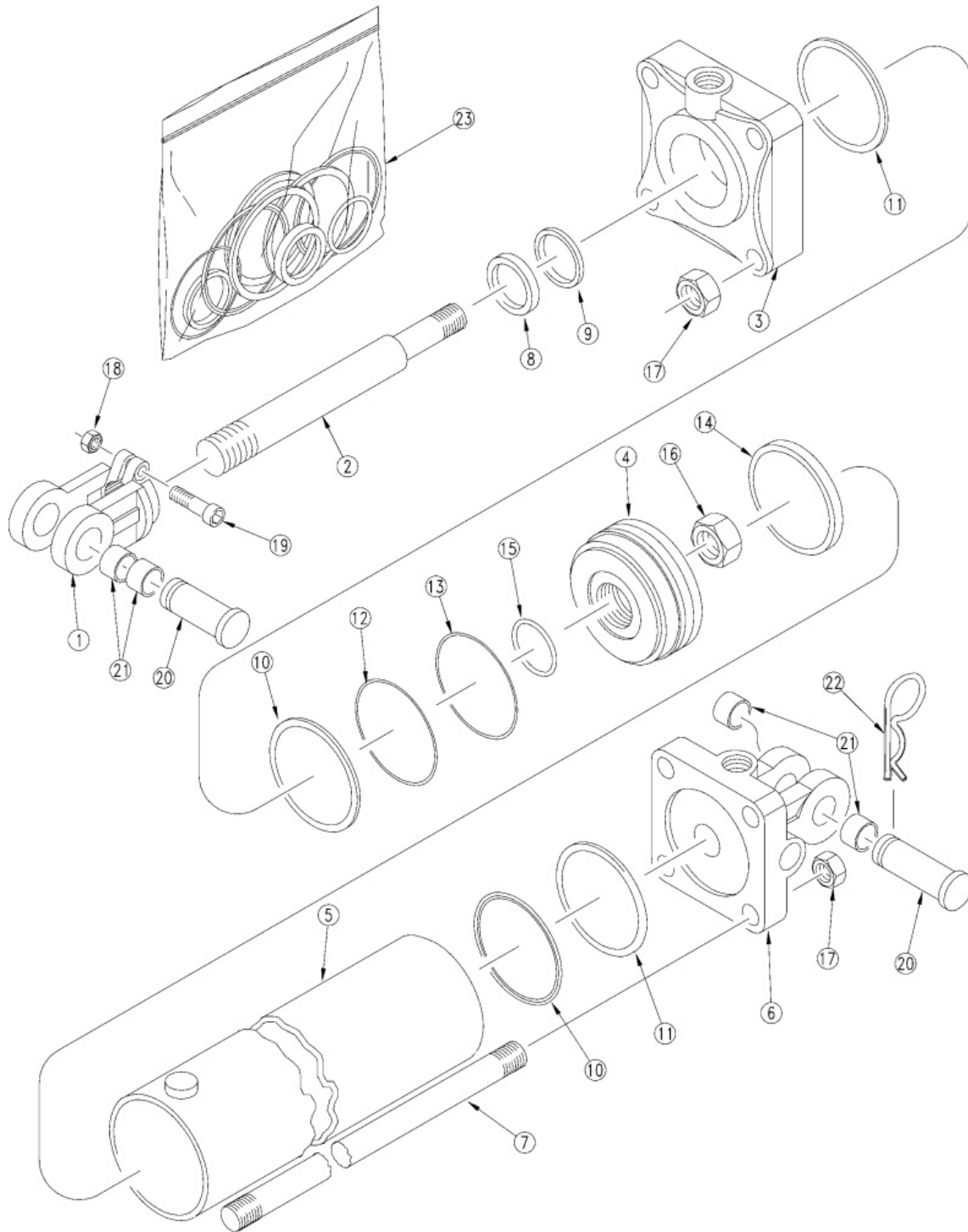
**Hydraulic Cylinder 4.5 x 10.37 x 1.5 Rod (810-697C)**

Applies to Models: YP1625 (2005+), YP1225 (2005+)

Ref.	Part No.	Part Description	Comments
	DWG31512	Image No.	
1	1M7022-ADI	MW ROD CLEVIS 1.25PN 1.5-12THD	
2	2S7579NC	MW ROD	
3	3R7540	MW HEAD	
4	4R7109	PISTON MIDWAY	
5	5R7192	MW TUBE	
6	6R7190-ADI	MIDWAY ADI BASE	
7	7M7422	MW TIE ROD	
8		MW WIPER	Only available in item 20
9		MW U-CUP	Only available in item 20
10		MW O-RING	Only available in item 20
11		MW BACK-UP	Only available in item 20
12		PISTON SEAL	Only available in item 20
13		LOADER	Only available in item 20
14		WEAR RING MIDWAY	Only available in item 20
15		MW O-RING	Only available in item 20
16	2A0025	MW PISTON NUT 1 1/4"-12 UNF	
17	803-257C	NUT HEX 3/4-16 PLAIN	
18	803-234C	NUT HEX 3/8-16 PLAIN	
19	802-023C	HHCS 3/8-16X1 3/4 GR5	
20	810-158C	SEAL KIT MW 4.5 RPHCYL 4A7104	

# Hydraulic Cylinder 4.5 x 20.0 x 1.5 Rod (810-537C)

Applies to Models: YP1625 (2005+), YP1225 (2005+)



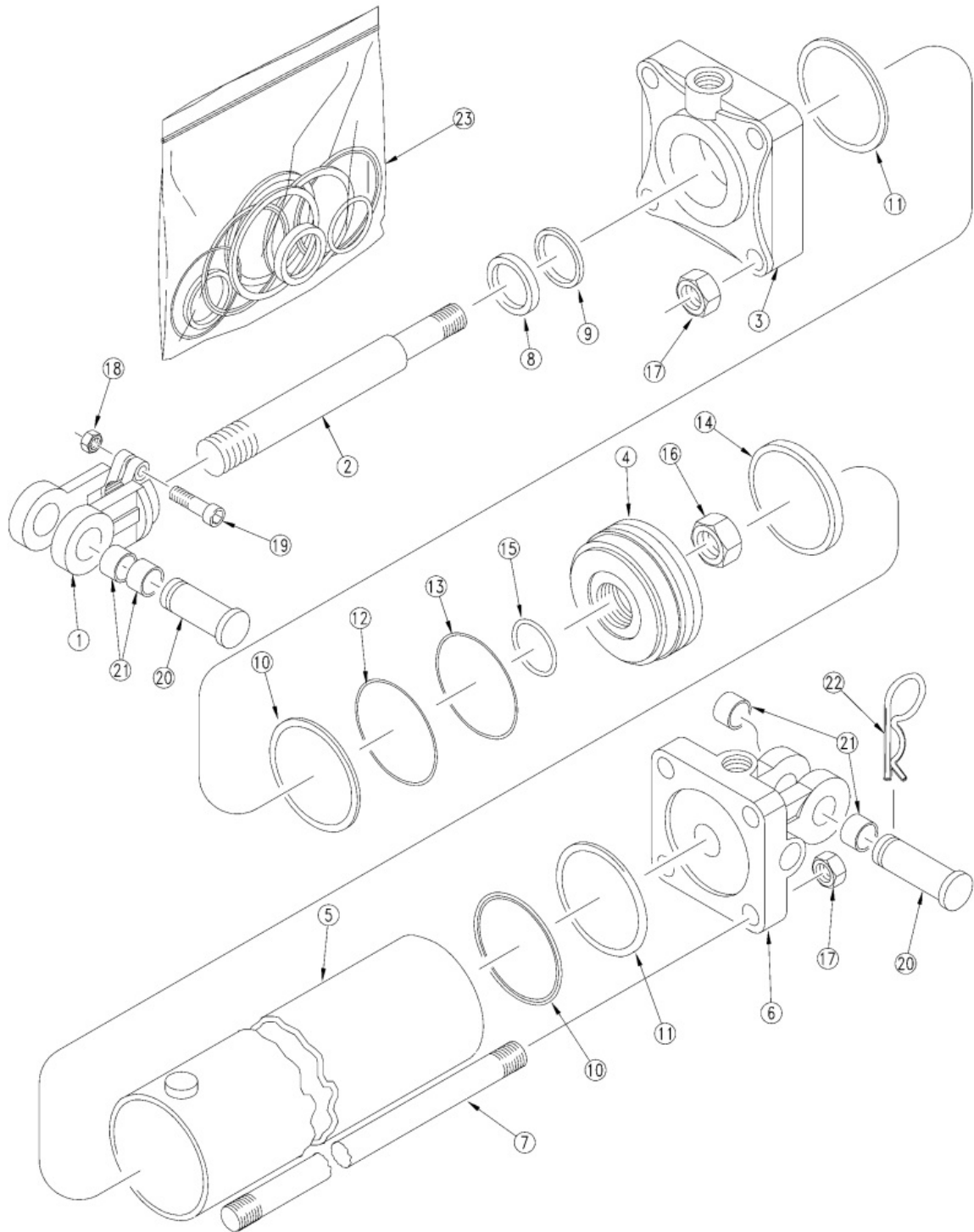
**Hydraulic Cylinder 4.5 x 20.0 x 1.5 Rod (810-537C)**

Applies to Models: YP1625 (2005+), YP1225 (2005+)

Ref.	Part No.	Part Description	Comments
	DWG21869	Image No.	
1	1M7021-ADI	MW ROD CLEVIS 1.00PN 1.5-12THD	
2	2S7597	MIDWAY ROD	
3	3R7512	HEAD MIDWAY	
4	4R7114	MIDWAY PISTON	
5	5R7728	MIDWAY TUBE	
6	6R7182-ADI	MIDWAY ADI BASE	
7	7M7328	MW TIE ROD	
8		MW WIPER	Only found in seal kit 23
9		U-CUP	Only found in seal kit 23
10		O-RING	Only found in seal kit 23
11		BACK-UP MIDWAY	Only found in seal kit 23
12		TEFLON SEAL	Only found in seal kit 23
13		O-RING LOADER MIDWAY	Only found in seal kit 23
14		WEAR RING MIDWAY	Only found in seal kit 23
15		MW O-RING	Only found in seal kit 23
16	2A0025	MW PISTON NUT 1 1/4"-12 UNF	
17	2A0019	RPBY 803-257C	
18	2A0012	RPBY 803-234C	
19	802-023C	HHCS 3/8-16X1 3/4 GR5	
20	805-124C	PIN CLEVIS 1 X 3 11/16 GR5 PLT	
21	890-143C	BUSHING HARDENED 1 1/4-1-3/4 L	NOT used with ADI clevis
22	2A0134	MW COTTER PIN	
23	810-158C	SEAL KIT MW 4.5 RPHCYL 4A7104	

# Hydraulic Cylinder 4.75 x 10.0 x 1.5 Rod (810-545C)

Applies to Models: YP1625 (2005+), YP1225 (2005+)





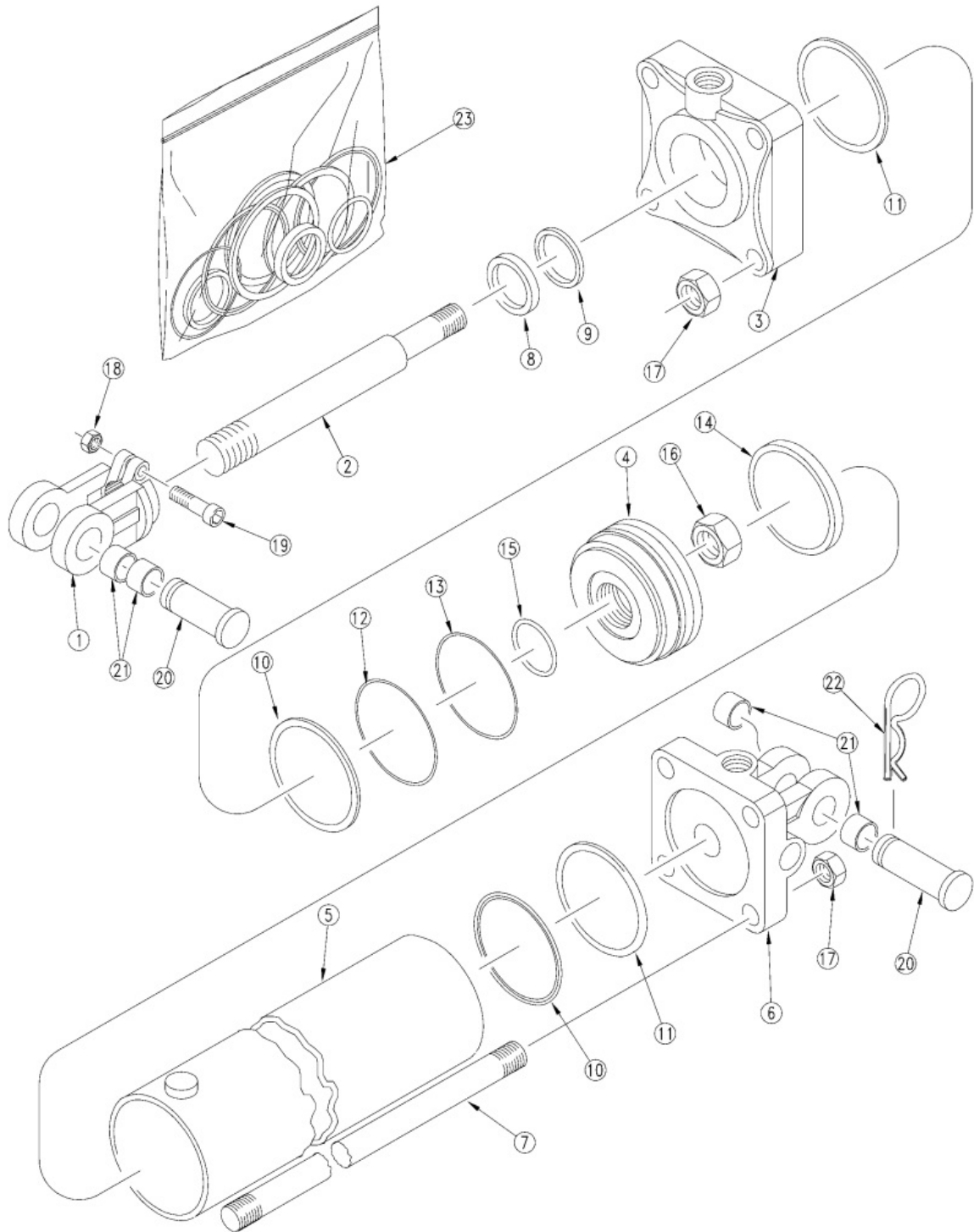
**Hydraulic Cylinder 4.75 x 10.0 x 1.5 Rod (810-545C)**

Applies to Models: YP1625 (2005+), YP1225 (2005+)

Ref.	Part No.	Part Description	Comments
	DWG21869	Image No.	Image reference: 21869
1	1M7022-ADI	MW ROD CLEVIS 1.25PN 1.5-12THD	
2	2S8516	MIDWAY ROD	
3	3R8512	REPL BY 3R8540	
4	4R8108	RPBY 4R8109 & NEW TUBE	
5	5R8118	MIDWAY TUBE	
6	6R8170	MIDWAY BASE	
7	7M8318	MIDWAY TIE ROD F/ 4 3/4 X 10	
8		MW WIPER	Only found in seal kit 23
9		U-CUP	Only found in seal kit 23
10		O-RING MIDWAY	Only found in seal kit 23
11		MW BACK UP	Only found in seal kit 23
12		TEFLON SEAL	Only found in seal kit 23
13		O-RING LOADER MIDWAY	Only found in seal kit 23
14		WEAR RING MIDWAY	Only found in seal kit 23
15		MW O-RING	Only found in seal kit 23
16	2A0025	MW PISTON NUT 1 1/4"-12 UNF	
17	2A0019	RPBY 803-257C	
18	2A0012	RPBY 803-234C	
19	802-023C	HHCS 3/8-16X1 3/4 GR5	
20	2A0218	OB RPBY 805-437C	
21	890-620C	BUSHING,1 1/2X1 1/4X3/4LG	
22	2A0134	MW COTTER PIN	
23	810-160C	SEAL KIT MW 4.75 RPHCYL 4A8104	

# Hydraulic Cylinder 4.75 x 20.0 x 1.75 Rod (810-646C)

Applies to Models: YP1625 (2005+), YP1225 (2005+)



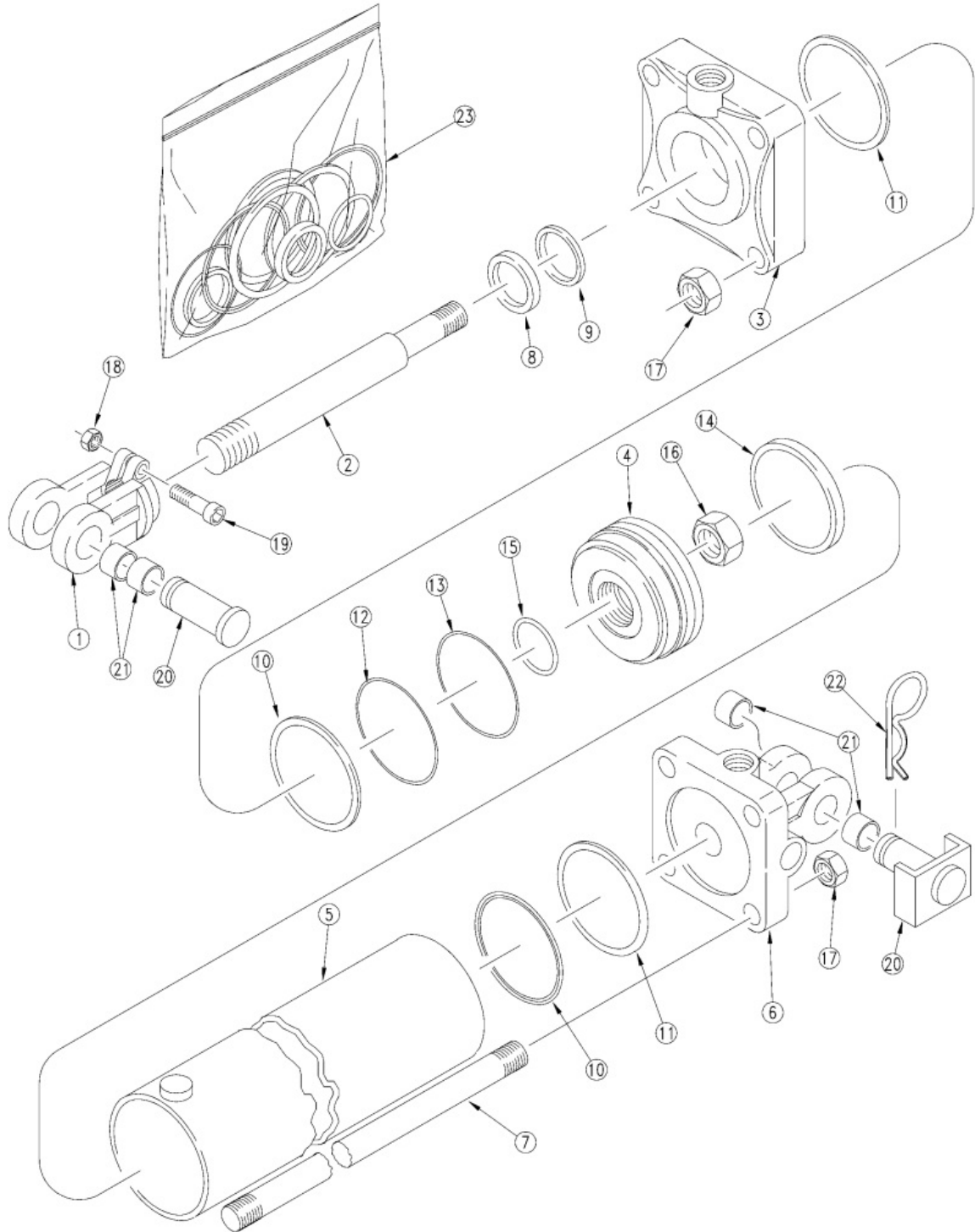
**Hydraulic Cylinder 4.75 x 20.0 x 1.75 Rod (810-646C)**

Applies to Models: YP1625 (2005+), YP1225 (2005+)

Ref.	Part No.	Part Description	Comments
	DWG29701	Image No.	
1	1M7021-ADI	MW ROD CLEVIS 1.00PN 1.5-12THD	
2	2S8790NC	MW NICKEL/CHROME ROD	
3	3R8712	REPL BY 3R8740	
4	4R8110	MW PISTON	
5	5R8528	MW TUBE	
6	6R8162-ADI	MW ADI BASE	
7	7M8328	TIE ROD MIDWAY	
8		MW WIPER	Only available in item 23
9		U-CUP	Only available in item 23
10		O-RING	Only available in item 23
11		BACK-UP MIDWAY	Only available in item 23
12		TEFLON SEAL	Only available in item 23
13		O-RING LOADER MIDWAY	Only available in item 23
14		WEAR RING MIDWAY	Only available in item 23
15		MW O-RING	Only available in item 23
16	2A0025	MW PISTON NUT 1 1/4"-12 UNF	
17	803-257C	NUT HEX 3/4-16 PLAIN	
18	803-234C	NUT HEX 3/8-16 PLAIN	
19	802-023C	HHCS 3/8-16X1 3/4 GR5	
20	805-124C	PIN CLEVIS 1 X 3 11/16 GR5 PLT	
21	890-143C	BUSHING HARDENED 1 1/4-1-3/4 L	NOT used with ADI clevis
22	2A0134	MW COTTER PIN	
23	810-652C	SEAL KIT MW 810-646C 4A8105	

# Hydraulic Cylinder 5.0 x 10.0 x 1.5 Rod (810-544C)

Applies to Models: YP1625 (2005+), YP1225 (2005+)



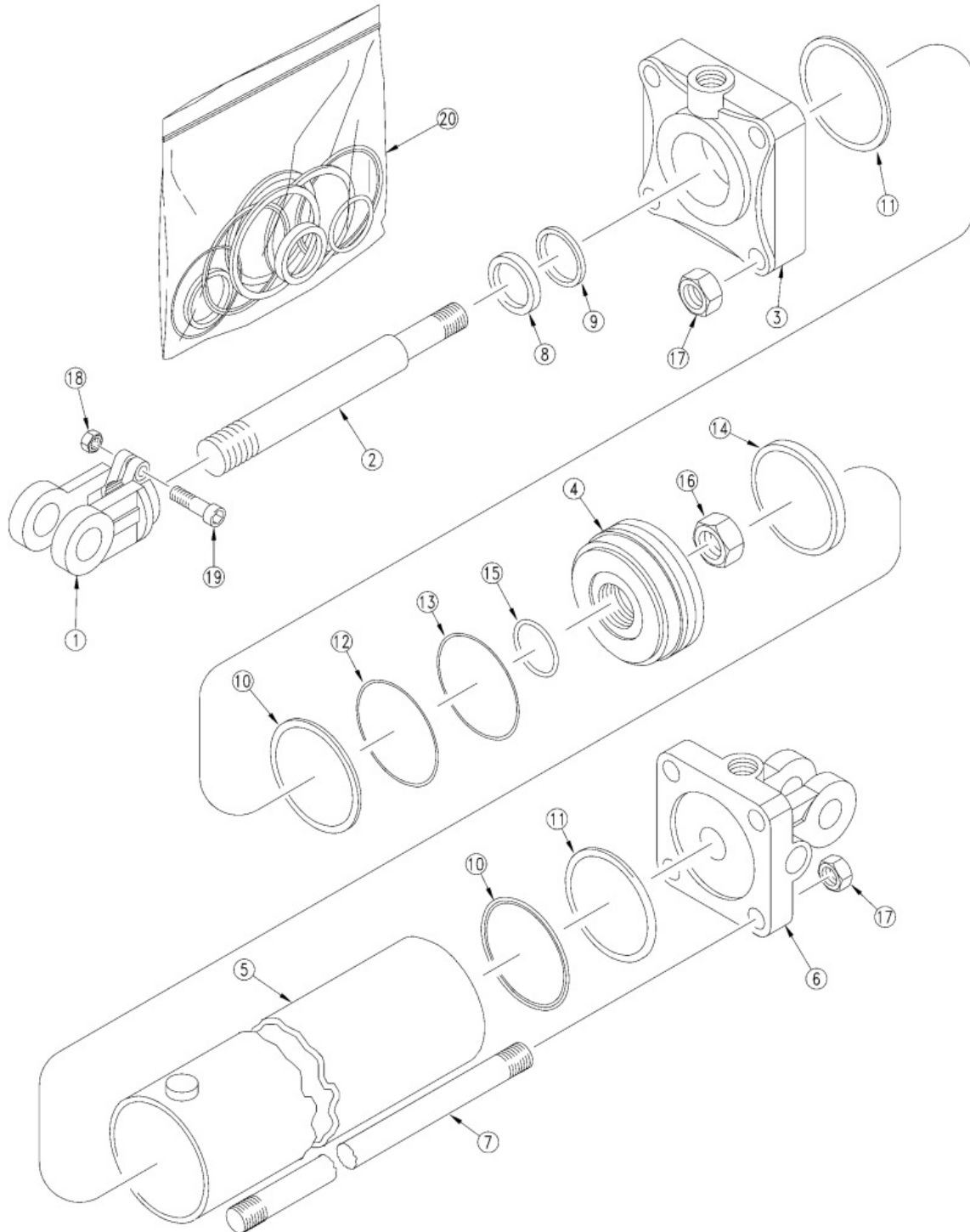
**Hydraulic Cylinder 5.0 x 10.0 x 1.5 Rod (810-544C)**

Applies to Models: YP1625 (2005+), YP1225 (2005+)

Ref.	Part No.	Part Description	Comments
	DWG21870	Image No.	
1	1M7028	RPBY 1M7022-ADI	
2	2S8516	MIDWAY ROD	
3	3R9512	MIDWAY HEAD	
4	4R9108	RPBY 4R9110 & NEW TUBE	
5	5R9118	MIDWAY TUBE	
6	6R9170	RPBY 6R9170-ADI	
7	7M8318	MIDWAY TIE ROD F/ 4 3/4 X 10	
8		MW WIPER	Only found in seal kit 23
9		U-CUP	Only found in seal kit 23
10		O-RING	Only found in seal kit 23
11		MW BACK UP	Only found in seal kit 23
12		TEFLON SEAL	Only found in seal kit 23
13		O-RING LOADER MIDWAY	Only found in seal kit 23
14		WEAR RING MIDWAY	Only found in seal kit 23
15		MW O-RING	Only found in seal kit 23
16	2A0025	MW PISTON NUT 1 1/4"-12 UNF	
17	2A0019	RPBY 803-257C	
18	2A0012	RPBY 803-234C	
19	802-023C	HHCS 3/8-16X1 3/4 GR5	
20	148-283H	COULTER COMMAND CYLINDER PIN	
21	890-620C	BUSHING,1 1/2X1 1/4X3/4LG	
22	2A0134	MW COTTER PIN	
23	810-551C	RPBY 810-507C	

# Hydraulic Cylinder 5.0 x 10.0 x 2.0 Rod (810-698C)

Applies to Models: YP1625 (2005+), YP1225 (2005+)



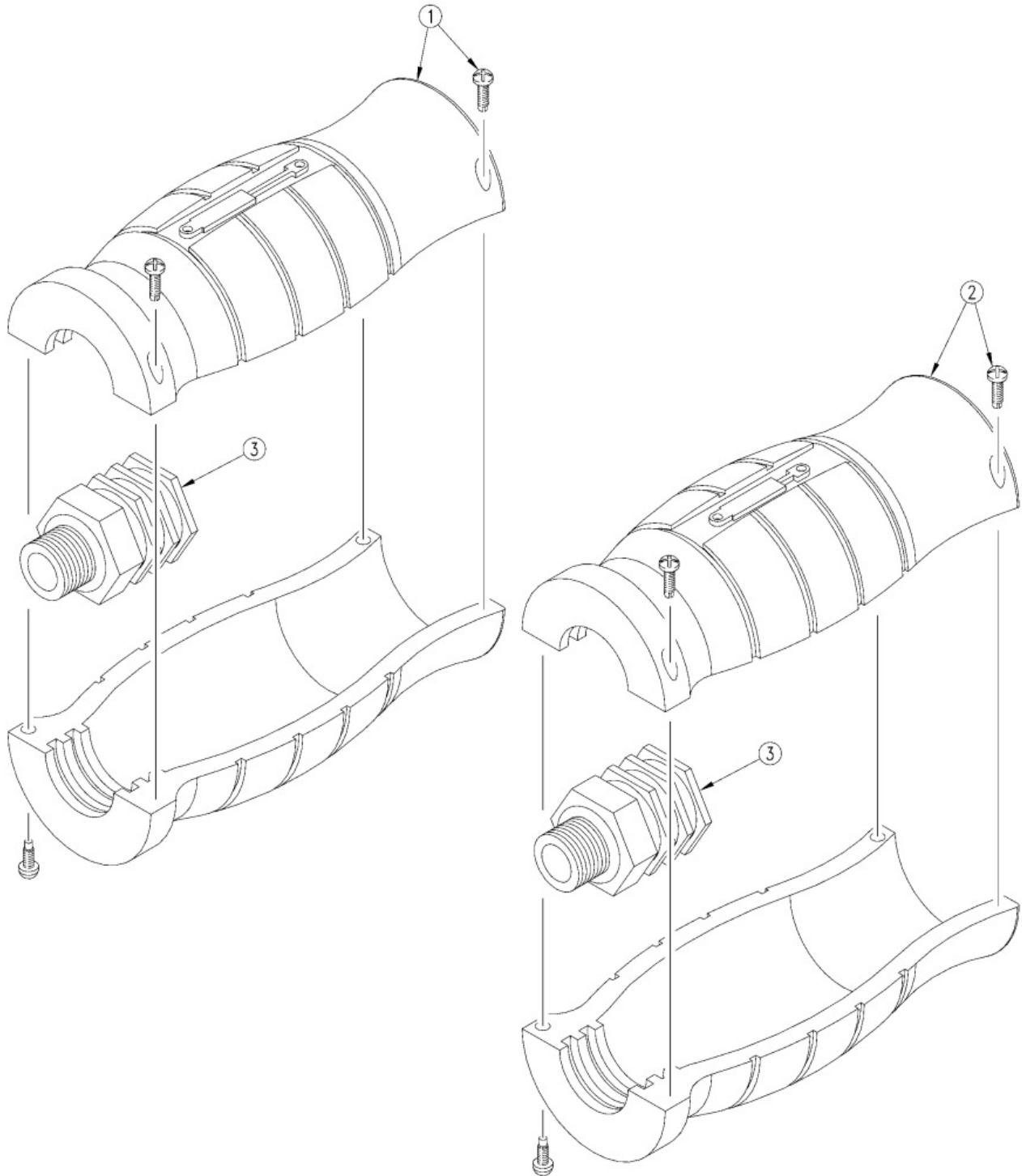
**Hydraulic Cylinder 5.0 x 10.0 x 2.0 Rod (810-698C)**

Applies to Models: YP1625 (2005+), YP1225 (2005+)

Ref.	Part No.	Part Description	Comments
	DWG31513	Image No.	
1	1M7022-ADI	MW ROD CLEVIS 1.25PN 1.5-12THD	
2	2S8614NC	MW ROD	
3	3R9640	MW HEAD	
4	4R9110	PISTON MIDWAY	
5	5R9118	MIDWAY TUBE	
6	6R9170-ADI	MIDWAY ADI BASE	
7	7M8318	MIDWAY TIE ROD F/ 4 3/4 X 10	
8		MW WIPER	Only available in item 20
9		MW U-CUP	Only available in item 20
10		MW O-RING	Only available in item 20
11		MW BACK-UP	Only available in item 20
12		PISTON SEAL	Only available in item 20
13		LOADER	Only available in item 20
14		WEAR RING MIDWAY	Only available in item 20
15		MW O-RING	Only available in item 20
16	2A0025	MW PISTON NUT 1 1/4"-12 UNF	
17	803-257C	NUT HEX 3/4-16 PLAIN	
18	803-234C	NUT HEX 3/8-16 PLAIN	
19	802-023C	HHCS 3/8-16X1 3/4 GR5	
20	810-508C	SEAL KIT MW (4A9106)	

# Hydraulic Hose Grips

Applies to Models: YP1625 (2005+), YP1225 (2005+)



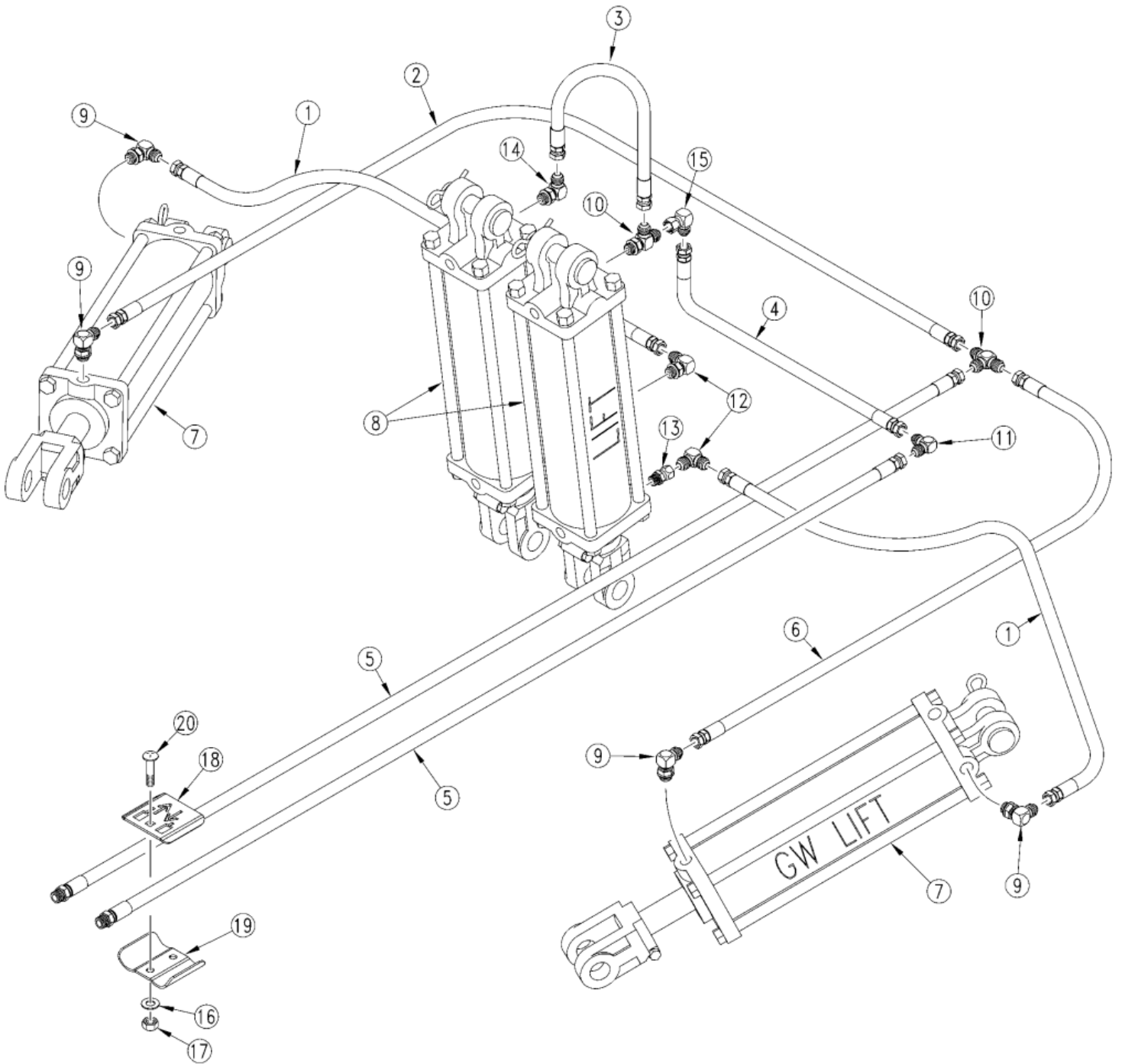


**Hydraulic Hose Grips**

Applies to Models: YP1625 (2005+), YP1225 (2005+)

Ref.	Part No.	Part Description	Comments
	DWG31842	Image No.	
1	811-826C	HG HANDLE - BLACK EXT	Used on frame lift cylinders.
1	811-914C	HG HANDLE - RED EXT	Used on hydraulic level
1	811-915C	HG HANDLE - GREEN EXT	Used on wing fold cylinders
1	811-917C	HG HANDLE - YELLOW EXT	Used on Hydraulic Drive.
1	841-540C	HG HANDLE - GRAY EXT	Used on fold cylinders.
1	841-542C	HG HANDLE - BLUE EXT	Used on cast roller depth control.
2	811-913C	HG HANDLE - BLACK RET	Used on frame lift cylinders.
2	811-827C	HG HANDLE - RED RET	Used on hydraulic level.
2	811-916C	HG HANDLE - GREEN RET	Used on wing fold cylinders.
2	811-918C	HG HANDLE - YELLOW RET	Used on Hydraulic Drive.
2	841-541C	HG HANDLE - GRAY RET	Used on fold cylinders.
2	841-543C	HG HANDLE - BLUE RET	Used on cast roller depth control
3	811-919C	AD 3/4MORB 3/4FORB (HG)	

Applies to Models: YP1625 (2005+), YP1225 (2005+)



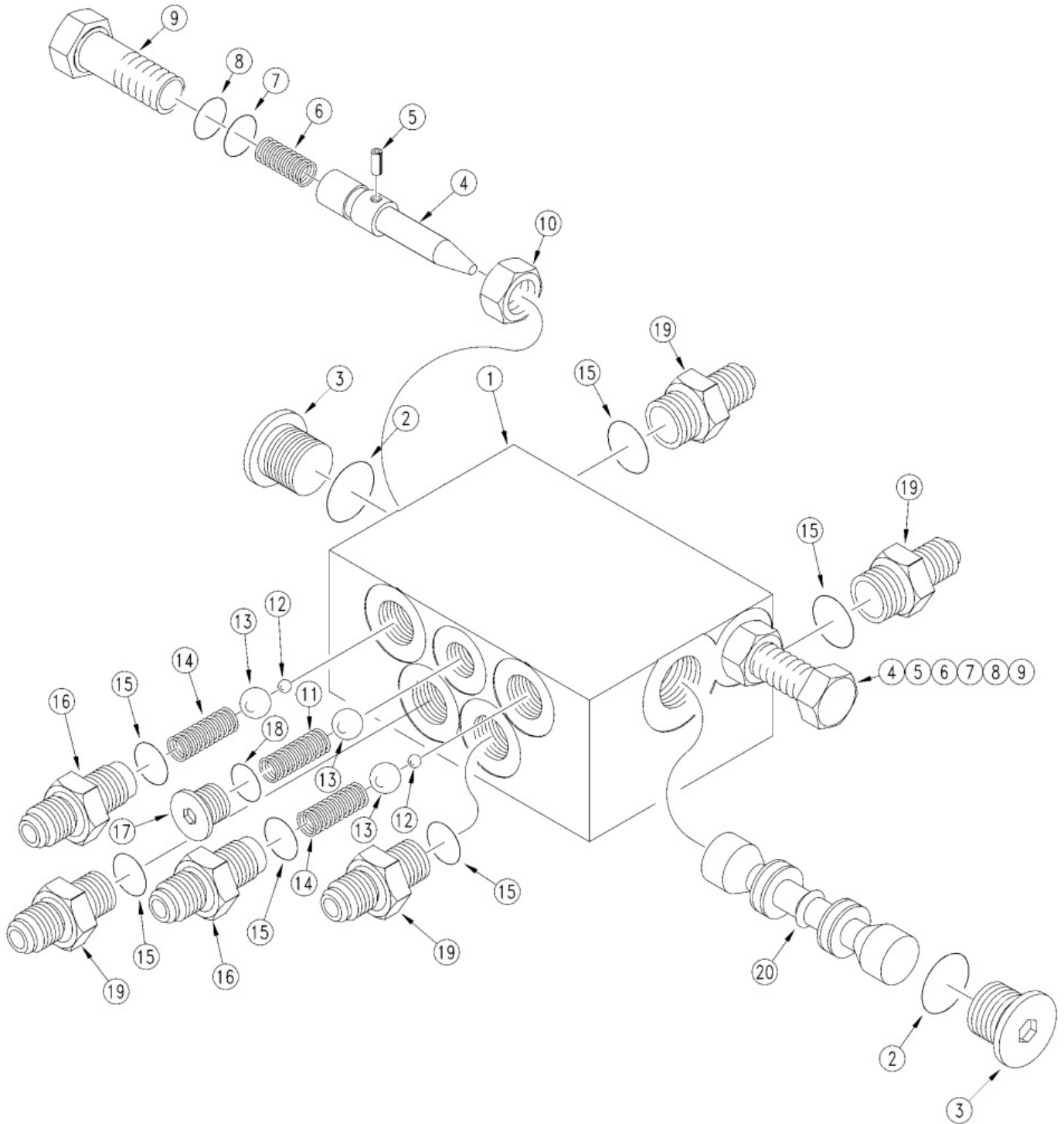
**Lift Hydraulics**

Applies to Models: YP1625 (2005+), YP1225 (2005+)

Ref.	Part No.	Part Description	Comments
	DWG22753	Image No.	
1	811-930C	HH3/8R2 300 9/16FJIC	16 Row
1	841-074C	HH3/8R2 240 9/16FJIC	12 Row
2	811-932C	HH3/8R2 406 9/16FJIC 3/4FJIC	16 Row
2	841-076C	HH3/8R2 315 9/16FJIC 3/4FJIC	12 Row
3	811-929C	HH3/8R2 030 3/4FJIC	
4	811-785C	HH1/2R2 168 3/4FJIC	16 Row
4	811-617C	HH1/2R2 140 3/4FJIC	12 Row
5	811-959C	HH1/2R2 312 3/4FJIC 3/4MORB	16 Row
5	841-072C	HH1/2R2 280 3/4FJIC 3/4MORB	12 Row
6	811-931C	HH3/8R2 156 9/16FJIC 3/4FJIC	16 Row
6	841-075C	HH3/8R2 120 9/16FJIC 3/4FJIC	12 Row
7	810-545C	CYL REP 4.75X10X1.5ROD (TIE)	(S/N A1173K-) (S/N A1294B-) Refer to "Hydraulic Cylinder (810-545C 4.75x10x1.5 Rod)" for breakdown
7	810-697C	CYL REP 4.50X10.37X1.5 ROD TIE	(S/N A1174K+) (S/N A1295B+) Refer to "Hydraulic Cylinder (810-697C 4.50x10.37x1.5 Rod)" for breakdown
8	810-544C	CYL REP 5X10X1.5 ROD (TIE)	(S/N A1173K-) (S/N A1294B-) Refer to "Hydraulic Cylinder (810-545C 5x10x1.5 Rod)" for breakdown
8	810-698C	CYL REP 5X10X2.0 ROD (TIE)	(S/N A1174K+) (S/N A1295B+) Refer to "Hydraulic Cylinder (810-698C 5x10x2.0 Rod)" for breakdown
9	811-171C	EL 3/4MORB 9/16MJIC	
10	811-249C	TE 9/16MJIC 3/4MORB 9/16MJIC	
11	811-725C	EL 90 3/4MJIC	
12	811-169C	EL 9/16MJIC 9/16FJIC	
13	811-133C	AD 9/16MJIC 3/4MORB	
14	811-063C	EL 3/4MJIC 3/4MORB	
15	811-150C	EL 3/4FJIC 3/4MJIC	
16	804-010C	WASHER FLAT 5/16 USS PLT	
17	803-199C	NUT HEX FLANGE 5/16-18 PLT	
18	502-067D	HYD HOSE CLAMP LABEL	
19	502-068D	HYD HOSE CLAMP BRACKET	
20	802-009C	RHSNB 5/16-18X1 1/4 GR5	

# Sequence Valve (810-197C)

Applies to Models: YP1625 (2005+), YP1225 (2005+)

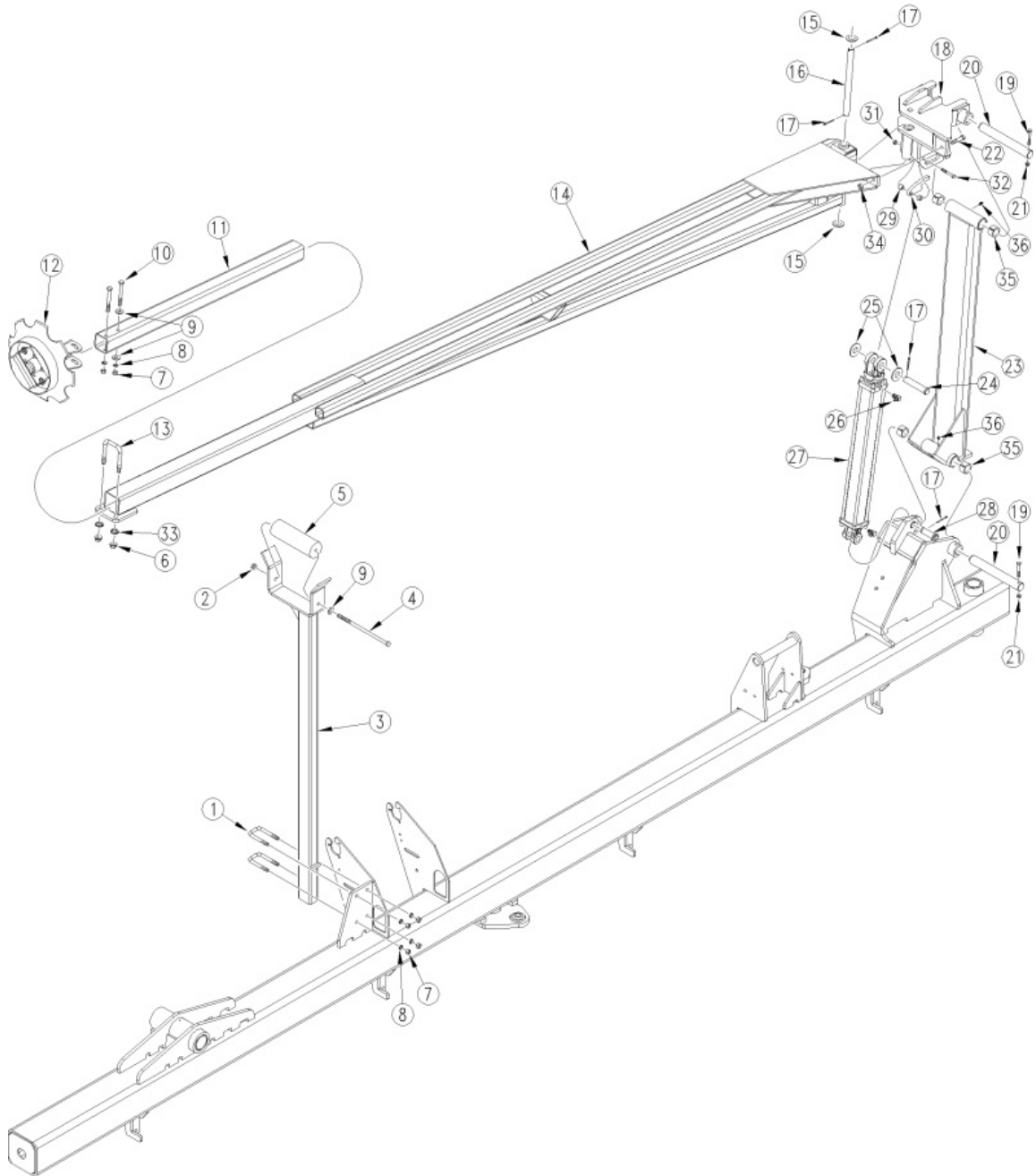


**Sequence Valve (810-197C)**

Applies to Models: YP1625 (2005+), YP1225 (2005+)

Ref.	Part No.	Part Description	Comments
	DWG12024	Image No.	
1	3089	SHOEMAKER BODY MKR SEQ VALVE	
2	1088-908	SHOEMAKER O-RING	
3	1132-08	SHOEMAKER PLUG, HEX SOCKET	
4	1179	SHOEMAKER NEEDLE, FLOW CONTROL	
5	1217	SHOEMAKER .125 SPRING PIN	
6	1211	SHOEMAKER SPRING COMPRESSION	
7	1088-011	RPBY 1100-011	
8	1089-011	RPBY SEAL KIT	
9	1180	SHOEMAKER SCREW, FLOW CON.ADJ.	
10	1218	REPLACED BY 803-018C	
11	1099	RPBY SEAL KIT	
12	1087-250	RPBY SEAL KIT	
13	1087-437	RPBY SEAL KIT	
14	1042	RPBY SEAL KIT	
15	1088-906	SHOEMAKER O-RING	
16	1182	SHOEMAKER FITTING PORT ADPT.	
17	1132-05	SHOEMAKER HEX, SKT O-RING PLUG	
18	1088-905	SHOEMAKER O-RING	
19	1092-6-6	SHOEMAKER SAE #6 TO #6 STRGHT	
20	2153	SHOEMAKER SPOOL, MKR SEQ. .055	
	810-456C	SEAL KIT SHOEMAKER #1223	

Applies to Models: YP1625 (2005+), YP1225 (2005+)

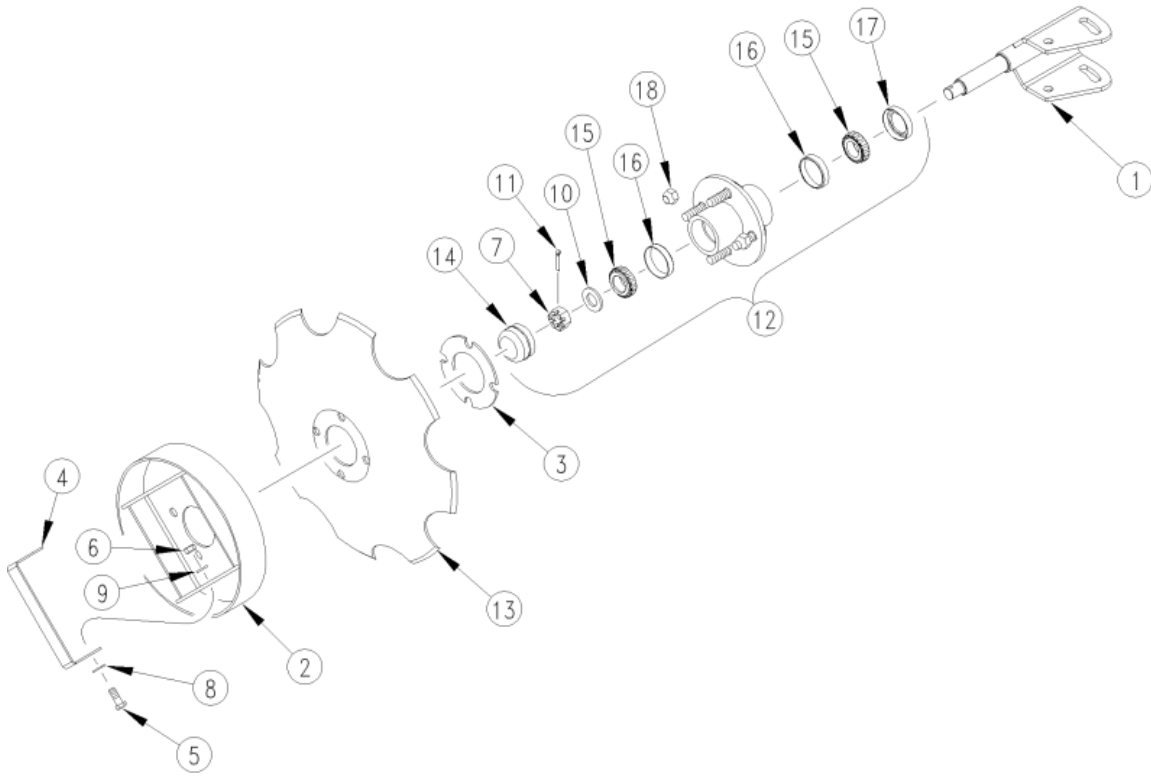


Applies to Models: YP1625 (2005+), YP1225 (2005+)

Ref.	Part No.	Part Description	Comments
	DWG22929	Image No.	
1	806-168C	U-BOLT 1/2-13 X 2 1/32 X 4 1/2	
2	803-169C	NUT HEX FLG LOCK 1/2-13 PLT	
3	113-014H	MARKER TRANSPORT REST WELDMENT	
4	802-736C	HHCS 1/2-13X12 GR5	
5	113-799D	MARKER REST BUMP STOP	
6	803-021C	NUT HEX 5/8-11 PLT	
7	803-020C	NUT HEX 1/2-13 PLT	
8	804-015C	WASHER LOCK SPRING 1/2 PLT	
9	804-017C	WASHER FLAT 1/2 USS PLT	
10	802-413C	HHCS 1/2-13X4 1/2 GR5	
11	113-794D	MARKER EXTENSION TUBE	
12	113-025S	MARKER DISC ASSEMBLY	Refer to "Marker Disc Assembly (113-025S)" for breakdown
13	806-110C	U-BOLT 5/8-11 X 3 1/32 X 4 1/2	
14	113-010H	PLANTER MARKER 2ND SECTION LH	1625 Yield- Pro
14	113-013H	PLANTER MARKER 2ND SECTION RH	1625 Yield- Pro
14	113-031H	12 ROW MARKER 2ND SECTION LH	1225 Yield- Pro
14	113-032H	12 ROW MARKER 2ND SECTION RH	1225 Yield- Pro
14	113-480H	YP1625 36TR MARKER 2ND SEC RH	1625 Yield- Pro Used on 36"TR spacing
14	113-481H	YP1625 36TR MARKER 2ND SEC LH	1625 Yield- Pro Used on 36"TR spacing
15	804-029C	WASHER FLAT 1 SAE	
16	113-798D	MARKER SHEAR PIVOT PIN	
17	805-058C	PIN COTTER 3/16 X 2	
18	113-016H	MARKER SHEAR HINGE LH	
18	113-017H	MARKER SHEAR HINGE RH	
19	802-216C	HHCS 3/8-16X2 3/4 GR5	
20	113-797D	MARKER PIVOT PIN	
21	803-013C	NUT LOCK 3/8-16 PLT	
22	802-130C	HHCS 1/2-13X2 1/2 GR5	
23	113-005H	MARKER ARM FIRST SECTION	
24	805-131C	PIN CLEVIS 1 X 4 11/16 USABLE	
25	804-028C	WASHER FLAT 1 USS PLT	
26	811-065C	EL 9/16MJIC 9/16MORB	
27	810-423C	CYL 3X24X1.50 ROD (TIE ROD)	Refer to "Hydraulic Cylinder (810-423C 3x24x1.5 Rod)" for breakdown
28	805-004C	PIN CLEVIS 1 X 2 3/4 USABLE LG	
29	113-683D	3S-4000 MARKER CYL PIN SPACER	
30	113-811D	PLANTER MARKER CYL PIN LOCK	
31	803-024C	NUT LOCK 5/8-11 PLT	
32	802-100C	HHCS 5/8-11X4 1/2 GR5	
33	804-022C	WASHER LOCK SPRING 5/8 PLT	
34	803-019C	NUT LOCK 1/2-13 PLT	
35	890-264C	BUSHING 1 3/4 X 1 1/2 X 1 1/2	
36	800-001C	GREASE ZERK STRAIGHT 1/4-28	

# Marker Disk Assembly (113-025S)

Applies to Models: YP1625 (2005+), YP1225 (2005+)





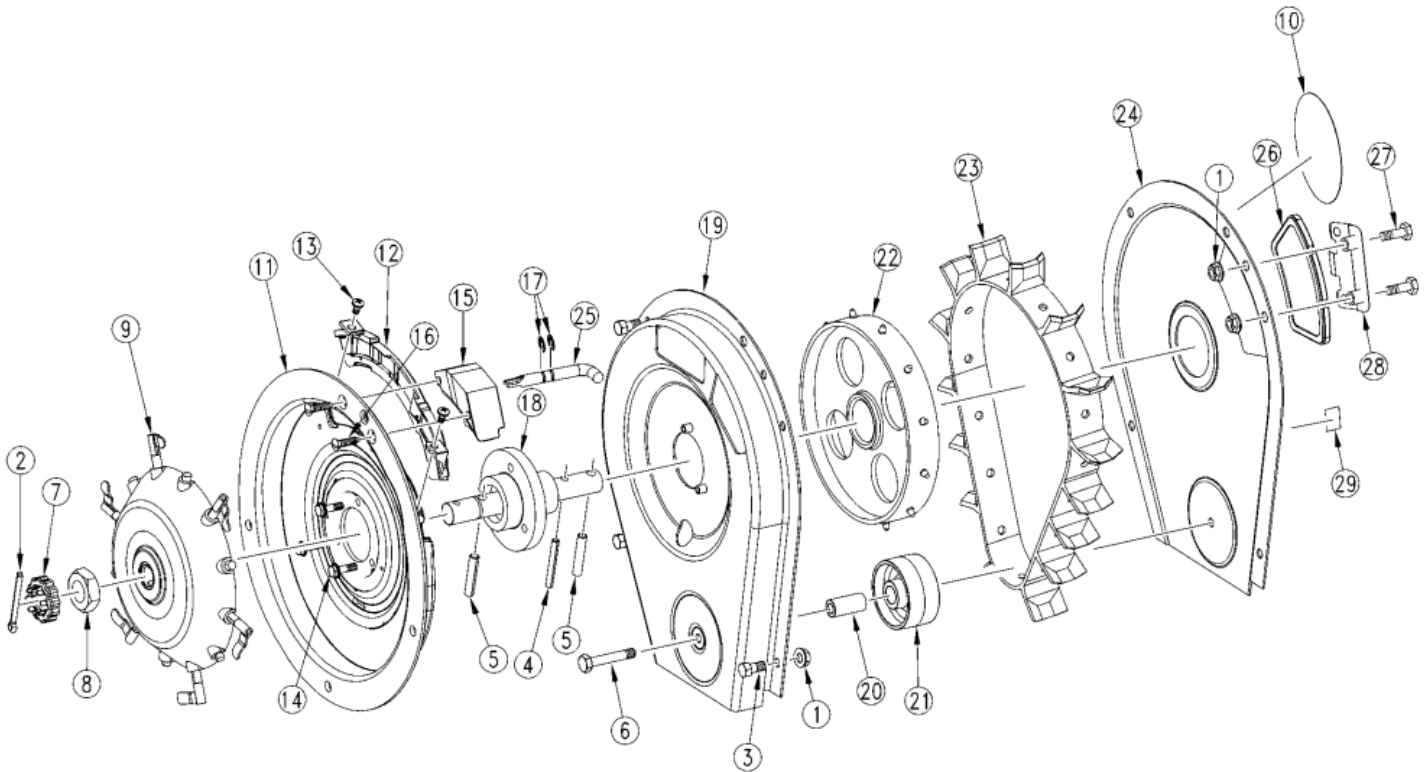
**Marker Disk Assembly (113-025S)**

Applies to Models: YP1625 (2005+), YP1225 (2005+)

Ref.	Part No.	Part Description	Comments
	DWG 25018	Image No.	
1	113-018H	MARKER DISC SPINDLE WELDMENT	
2	113-369H	DEPTH BAND 10 4-BOLT 4B.C.	
3	116-353D	BLADE SPACER	
4	116-354D	MARKER DISC SAFETY STRAP	
5	802-017C	HHCS 3/8-16X1 GR5	
6	803-014C	NUT HEX 3/8-16 PLT	
7	803-053C	NUT HEX SLOTTED 3/4-16	
8	804-012C	WASHER FLAT 3/8 SAE PLT	
9	804-013C	WASHER LOCK SPRING 3/8 PLT	
10	804-025C	WASHER FLAT 3/4 SAE PLT	
11	805-019C	PIN COTTER 5/32 X 1 PLT	
12	815-001C	TINE GW HUB	Excludes 7, 10, 11.
13	820-094C	16 4-BOLT NOTCHED MARKER DISK	
14	890-614C	GREASE CAP #1505	
15	822-030C	BRG CONE 1.00ID L44643	
16	822-080C	BRG CUP 1.98OD L44610	
17	816-014C	TINE GAUGE WHEEL HUB SEAL	
18	803-159C	NUT LUG 1/2-20X60DEG PLT(.75AF	

**6FP Corn Meter (890-857C)**

Applies to Models: YP1625 (2005+), YP1225 (2005+)

**Note:**

If meter is disassembled for service or repair it must be properly re-assembled and have the finger assembly torqued into place. Refer to operators manual for instructions.

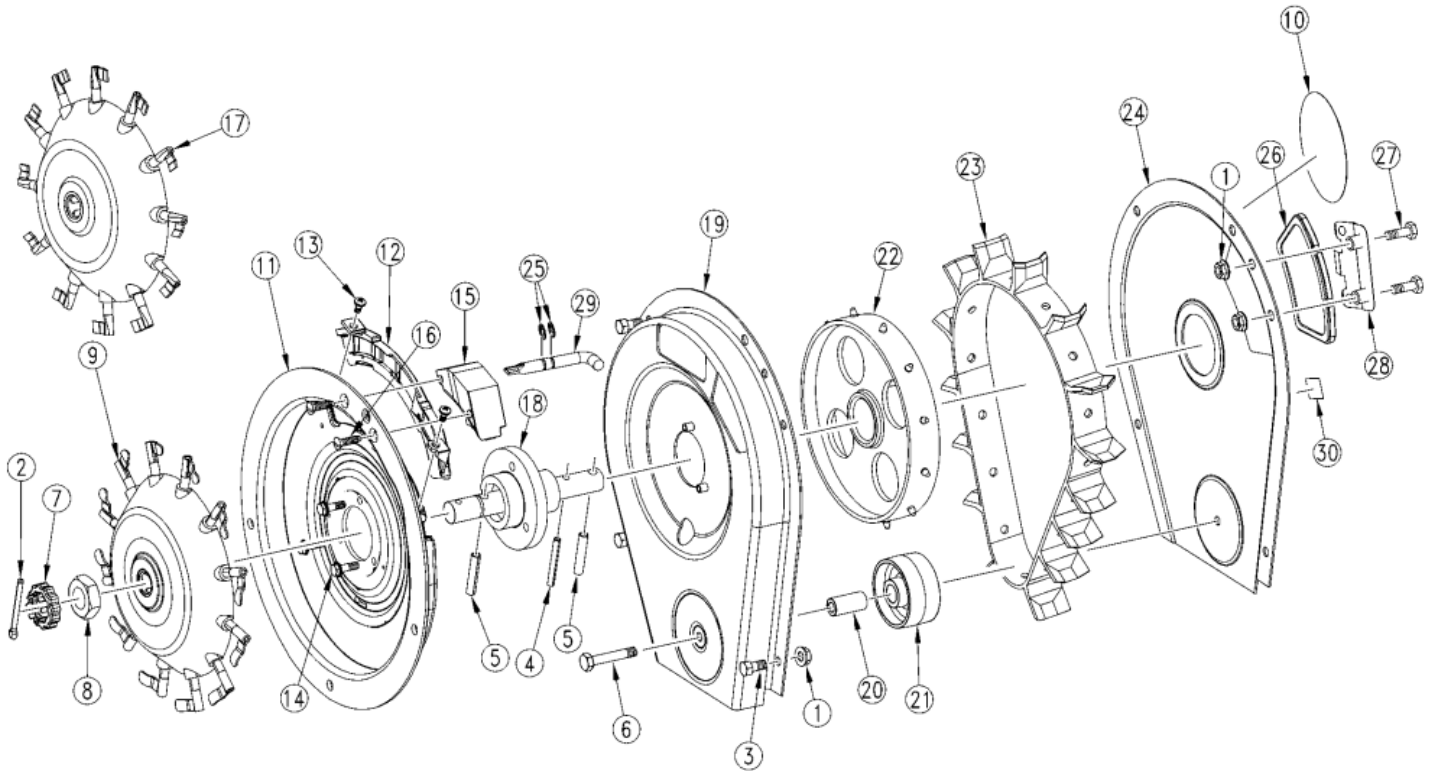
**6FP Corn Meter (890-857C)**

Applies to Models: YP1625 (2005+), YP1225 (2005+)

Ref.	Part No.	Part Description	Comments
	DWG21991	Image No.	
1	803-194C	NUT HEX WHIZ 1/4-20 PLT	
2	805-089C	PIN COTTER 5/32 X 1 1/2 LONG	
3	802-283C	HHCS 1/4-20X1/2 GR2	
4	805-024C	PIN ROLL 3/16X 1 1/2 PLT	
5	805-208C	PIN, ROLL 1/4 X 1 1/4 LONG	
6	802-221C	HHCS 1/4-20X1 1/2 GR2	
7	343021	METER NUT COVER	
8	31114H1041	REPL BY 36614A 5/8 METER NUT	
9	343053	FINGER ASSEMBLY 6 FINGER CORN	
10	900MO8	STICKER	
11	342103	POP MAX II BACK PLATE A INSERT	
12	342110	INSERT A	(Option) See your GP dealer for application. (Standard insert for Corn)
12	342107	B INSERT FOR POPMAX II	(Option) See your GP dealer for application.
12	342108	C INSERT FOR POPMAX II	(Option) See your GP dealer for application. (Standard insert for sunflower)
13	31128864	8-32 X 5/16 PAN HEAD SCREW	
14	31121H1295	SCREW .19 X 5/8	
15	343052	ADJ BRUSH KIT	
16	343032	FINGER PICKUP BRUSH SCREW	
17	343089	PRECISION E CLIP	
18	343011	PRECISION BRG W/HOUSING	
19	343002	BELT HOUSING	
20	343006	BUSHING	
21	343001	ROLLER IDLER	
22	343062	DRIVE WHEEL PREC. PLANTING	
23	343066	SUREFIRE SEED BELT	Must be oriented as shown
24	343005	METER COVER	
25	343060	REPLACED BY PRE160011	
26	343073	2007 SKIP STOP PAD	
27	802-005C	HHCS 1/4-20X1 GR5	
28	343092	HDWE FOR(4)2007 SKIP STOP PADS	
29	848-119C	DECAL 6 FINGER CORN	

**12FP Corn Meter (890-856C) 12FP Sunflower Meter (890-912C)**

Applies to Models: YP1625 (2005+), YP1225 (2005+)



### Note:

If meter is disassembled for service or repair it must be properly re-assembled and have the finger assembly torqued into place. Refer to operators manual for instructions.

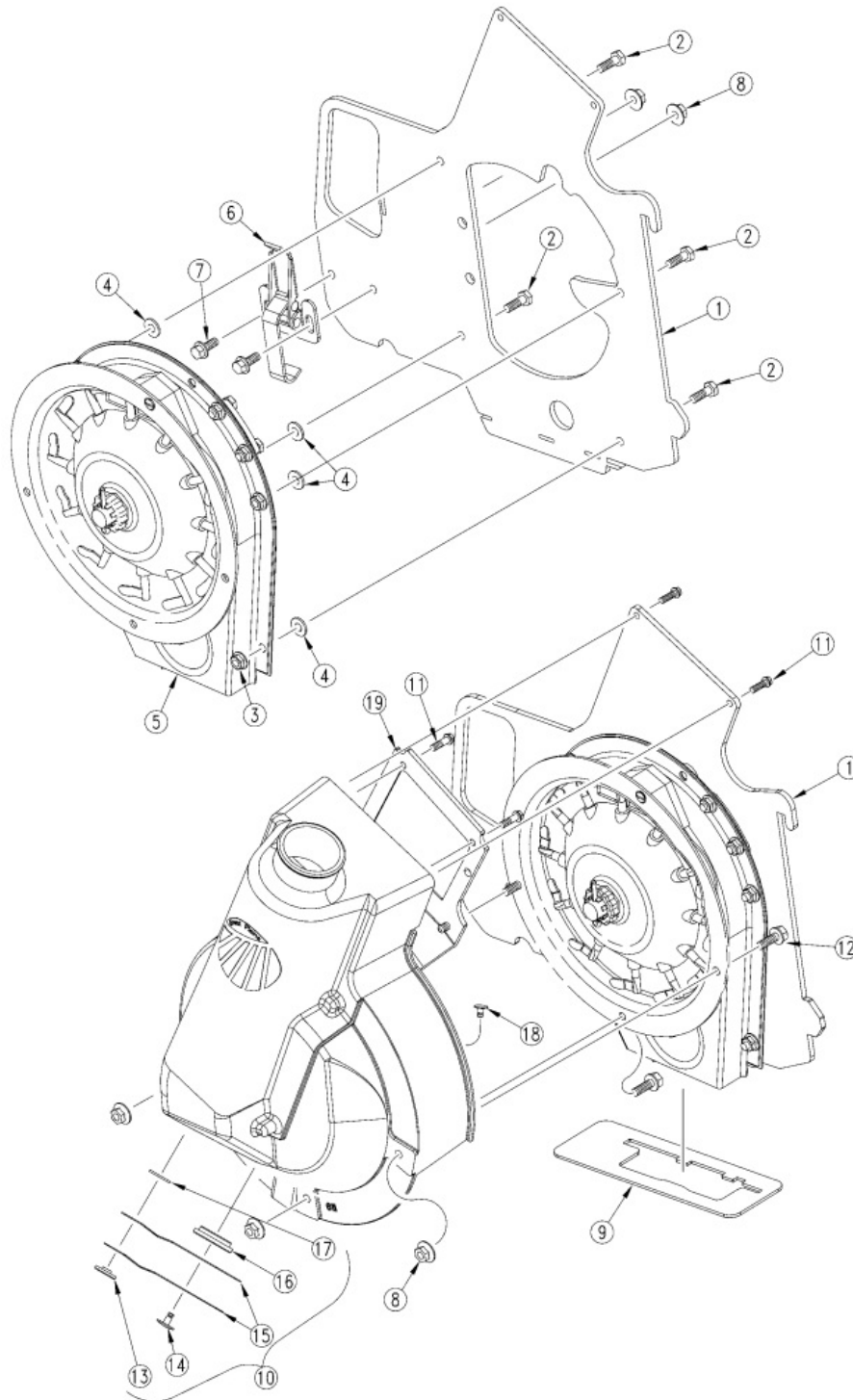
**12FP Corn Meter (890-856C) 12FP Sunflower Meter (890-912C)**

Applies to Models: YP1625 (2005+), YP1225 (2005+)

Ref.	Part No.	Part Description	Comments
	DWG21992	Image No.	
1	803-194C	NUT HEX WHIZ 1/4-20 PLT	
2	805-089C	PIN COTTER 5/32 X 1 1/2 LONG	
3	802-283C	HHCS 1/4-20X1/2 GR2	
4	805-024C	PIN ROLL 3/16X 1 1/2 PLT	
5	805-208C	PIN, ROLL 1/4 X 1 1/4 LONG	
6	802-221C	HHCS 1/4-20X1 1/2 GR2	
7	343021	METER NUT COVER	
8	31114H1041	REPL BY 36614A 5/8 METER NUT	
9	343029	FINGER ASSEMBLY 12 FINGER	Corn only
10	900M08	METER STICKER	Corn only
11	342103	POP MAX II BACK PLATE A INSERT	Corn only
11	342111	SUNFLOWER POPMAX PLATE ASSBY	Sunflower only
12	342110	INSERT A	(Option) See your GP dealer for application. (Standard insert for Corn)
12	342107	B INSERT FOR POPMAX II	(Option) See your GP dealer for application.
12	342108	C INSERT FOR POPMAX II	(Option) See your GP dealer for application. (Standard insert for sunflower)
13	31128864	8-32 X 5/16 PAN HEAD SCREW	
14	31121H1295	SCREW .19 X 5/8	
15	343052	ADJ BRUSH KIT	Corn only
15	343091	PRECISION BLANK BRUSH	Sunflower only
16	343032	FINGER PICKUP BRUSH SCREW	
17	343067	SUNFLOWER FINGER ASY 12 FINGER	Sunflower only
18	343011	PRECISION BRG W/HOUSING	
19	343002	BELT HOUSING	
20	343006	BUSHING	
21	343001	ROLLER IDLER	
22	343062	DRIVE WHEEL PREC. PLANTING	
23	343066	SURE FIRE BELT	Must be oriented as shown
24	343005	METER COVER	
25	343089	PRECISION E CLIP	Corn only
26	343073	2007 SKIP STOP PAD	
27	802-005C	HHCS 1/4-20X1 GR5	
28	343092	HDWE FOR(4)2007 SKIP STOP PADS	
29	343060	REPLACED BY PRE160011	Corn only
30	848-118C	DECAL 12 FINGER CORN	

# 25 Series Corn Meter (6FP 403-169K) (12FP 403-158K) (12 FP Sunflower 403-203K)

Applies to Models: YP1625 (2005+), YP1225 (2005+)



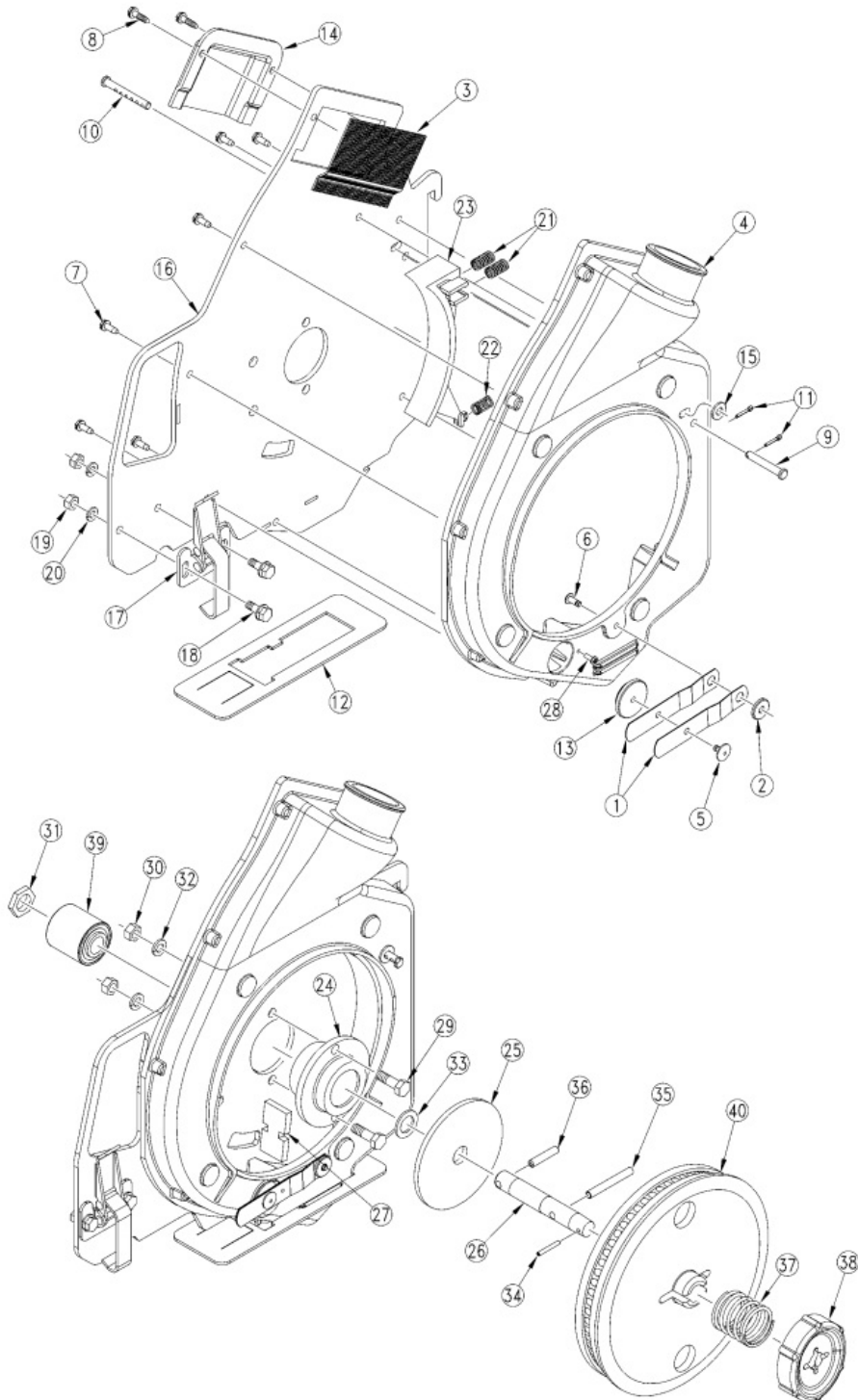
## 25 Series Corn Meter (6FP 403-169K) (12FP 403-158K) (12 FP Sunflower 403-203K)

Applies to Models: YP1625 (2005+), YP1225 (2005+)

Ref.	Part No.	Part Description	Comments
	DWG22709	Image No.	
1	403-233D	25BF FINGER PICKUP BACKING PLT	
2	802-004C	HHCS 1/4-20X3/4 GR5	
3	803-194C	NUT HEX WHIZ 1/4-20 PLT	
4	804-007C	WASHER FLAT 1/4 SAE PLT	
5	890-857C	PRECISION PL 6FP CORN METER	Refer to page (6FP Corn Meter (890-857C) for breakdown
5	890-856C	PRECISION PL 12FP CORN METER	Refer to page (12FP Corn Meter (890-856C) 12FP Sunflower Meter (890-912C) for breakdown
5	890-912C	PREC PL 12FP SUNFLOWER METER	Refer to page (12FP Corn Meter (890-856C) 12FP Sunflower Meter (890-912C) for breakdown
6	800-137C	OVER CENTER LATCH	
7	802-257C	HFSS 1/4-20X3/4 GR5	
8	803-088C	NUT HEX LOCK 1/4-20 FLG	
9	817-565C	FINGER PICKUP METER DUST FLAP	
10	403-157S	25S BULK FILL COVER SUB ASY	
11	801-195C	SCREW HI-LOW #10 X .63 HEX HD	
12	802-257C	HFSS 1/4-20X3/4 GR5	
13	403-150D	CLEANOUT SPRING BUSHING	
14	800-220C	RIVET POP 3/16 .062-.251 LF	
15	403-149D	METER CLEANOUT COVER SPRING	
16	817-607C	CORN METER CLEANOUT COVER	
17	804-206C	WASHER FENDER 3/16 X 3/4	
18	800-230C	RIVET POP 3/16 .251-.375 LF	
19	817-612C	OB RPB 403-157S	

# 25 Series Singulating Meter (403-156K)

Applies to Models: YP1625 (2005+), YP1225 (2005+)





**25 Series Singulating Meter (403-156K)**

Applies to Models: YP1625 (2005+), YP1225 (2005+)

Ref.	Part No.	Part Description	Comments
	DWG22744	Image No.	
1	403-149D	METER CLEANOUT COVER SPRING	
2	403-150D	CLEANOUT SPRING BUSHING	
3	403-152D	SINGULATOR COVER SCREEN FORMED	
4	403-232D	25BF SINGULATOR METER COVER	
5	800-220C	RIVET POP 3/16 .062-.251 LF	
6	800-227C	RIVET POP 3/16 .251-.375	
7	801-002C	SCREW HEX SLT10-16X1/2P.THD CT	
8	801-172C	SCREW HEX SLT 10-16X3/4PTHD CT	
9	805-296C	PIN CLEVIS 1/4X1 31/64 USBL	
10	805-298C	PIN CLVS .25X2.0 ADJUSTABLE	
11	805-307C	PIN COTTER 3/32 X 1/2	
12	817-564C	PRECISION METER DUST FLAP	
13	817-568C	METER CLEANOUT COVER	
14	817-569C	25BF PRECISION VENT COVER	
15	804-007C	WASHER FLAT 1/4 SAE PLT	
16	403-154D	25S BF SINGULATR METER BACK PL	
17	800-137C	OVER CENTER LATCH	
18	802-257C	HFSS 1/4-20X3/4 GR5	
19	803-006C	NUT-HEX 1/4-20 PLT	
20	804-006C	WASHER LOCK SPRING 1/4 PLT	
21	807-186C	SPRING COMP .39ODX.75LGX.047W	
22	807-194C	SPRING COMP .39ODX.69LX.043WSS	
23	817-405C	METER SEED CUTOFF SLIDE	
24	403-056D	PSS METER HUB	
25	403-058D	PSS METER WHEEL SUPPORT PLATE	
26	403-117D	PSS METER Q/C DRIVE SHAFT	
27	403-153D	METER WHEEL SCRAPER	
28	801-106C	CRPH TAPPING SCREW #6 X 3/8	
29	802-159C	HHCS 5/16-18X1 GR5	
30	803-008C	NUT HEX 5/16-18 PLT	
31	803-345C	NUT HEX THIN 5/8-18 X 3/16 PLT	
32	804-009C	WASHER LOCK SPRING 5/16 PLT	
33	804-111C	WASHER MACH 1.00 X .625 X 14GA	
34	805-080C	PIN ROLL 1/8 X 1LG. PLT.	
35	805-146C	PIN ROLL 1/4 X 2 LG PL	
36	805-208C	PIN, ROLL 1/4 X 1 1/4 LONG	
37	807-187C	SPRING COMP 1.46ODX1.5X.112W	
38	817-425C	KNOB	
39	822-170C	BRG .63ID PRESS WHL ASY	
40	403-127D	CORN RND 1400-1900 28CELL-GRN	
40	403-128D	CORN RND 1700-2200 28CELL-GRN	
40	403-129D	CORN RND 1400-1700 42CELL-GRN	
40	403-130D	CORN RND 1700-2000 42CELL-GRN	
40	403-131D	CORN FLT 1500-1675 28CELL-GRN	
40	403-132D	CORN FLT 1625-1800 28CELL-GRN	
40	403-133D	COTTON WHEEL 4000-4600-GRN	
40	403-134D	COTTON WHEEL 4600-5200-GRN	
40	403-135D	COTTON WHEEL 5200-6000-GRN	
40	403-136D	MILO WHEEL 51 CELL-GRN	

**25 Series Singulating Meter (403-156K)**

---

*This Page Intentionally Left Blank*

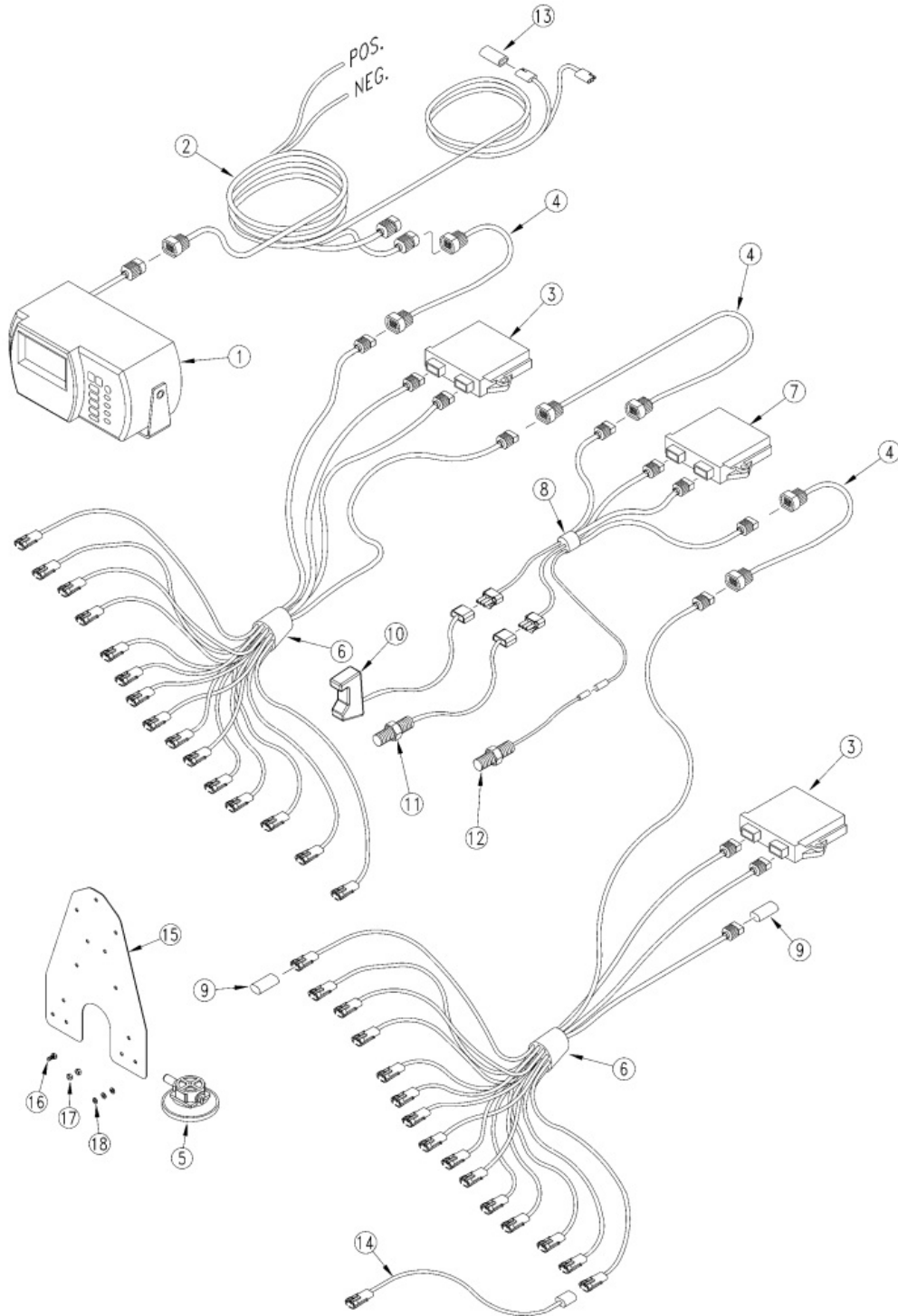
**25 Series Singulating Meter (403-156K)**

---

<b>Ref.</b>	<b>Part No.</b>	<b>Part Description</b>	<b>Comments</b>
40	403-137D	MILO WHEEL 102 CELL-GRN	
40	403-138D	MILO WHEEL 135 CELL-GRN	
40	403-139D	MILO WHEEL 270 CELL-GRN	
40	403-140D	MILO WHEEL 135 CELL-GRN	
40	403-141D	MILO WHEEL 270 CELL-GRN	
40	403-122D	SOYBEAN WHEEL 1700-2200-GRN	
40	403-123D	SOYBEAN WHEEL 2200-2700-GRN	
40	403-124D	SOYBEAN WHEEL 2700-3200-GRN	
40	403-125D	SOYBEAN WHEEL 3100-3800-GRN	
40	403-126D	SOYBEAN WHEEL 3600-4000-GRN	
40	403-118D	WHEAT WHEEL-GRN	
40	403-119D	WHEAT WHEEL-HIGH RATE-GRN	
40	403-120D	VOLUMETRIC #3-GRN	

# Monitor (S/N A1110K-) (S/N A1189B-)

Applies to Models: YP1625 (2005+), YP1225 (2005+)



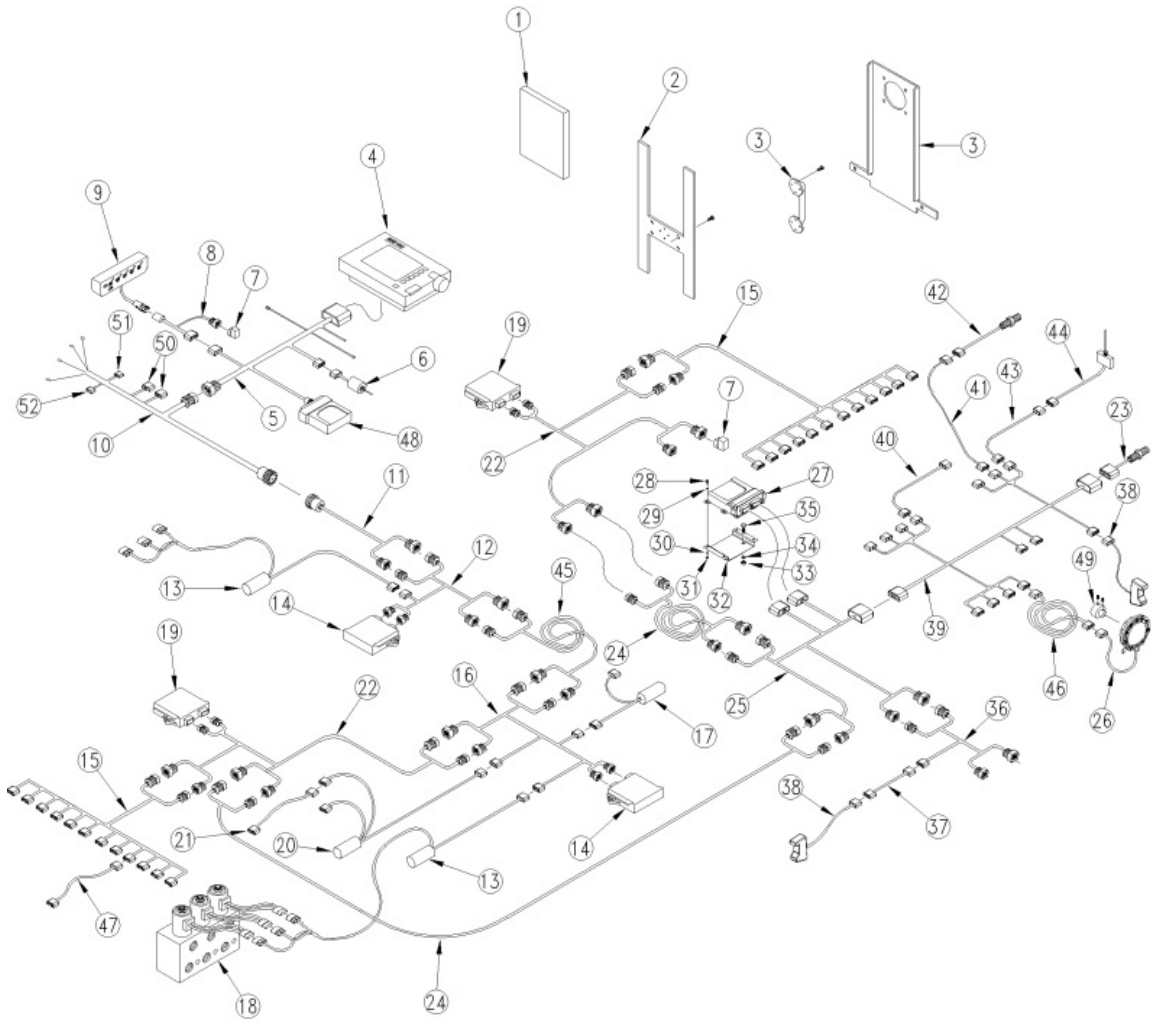
**Monitor (S/N A1110K-) (S/N A1189B-)**

Applies to Models: YP1625 (2005+), YP1225 (2005+)

Ref.	Part No.	Part Description	Comments
	DWG23088	Image No.	
1	466822000S1	DJ SE SEED MANAGER CONSOLE	
2	466820134S1	DJ SE SEED MANAGER 4WD CAB HAR	
3	467751130S1	DJ 16-ROW MODULE	
4	467751205S1	DJ HARN EXTENSION 25 FT SMSE	
5	890-890C	4 1/2 MOUNT CUP W/THRD INSERT	
6	833-367C	YP16 16 ROW DJ HARNESS ONLY	16 Row, NON 30" spacing (1 Per wing)
6	833-368C	YP12 12 ROW DJ HARNESS ONLY	12 Row, NON 30" spacing (1 Per wing)
6	833-370C	YP12 DJ 30 IN HARNESS ONLY	12 Row, 30" spacing (1 Per wing)
6	833-371C	YP16 DJ 30 IN HARNESS ONLY	16 Row, 30" spacing (1 Per wing)
7	467752020S1	DJ AIR CART MODULE	
8	467752041S1	DJ HARNESS, AIR CART MODULE	
9	464211330	REP BY 833-940C	
10	833-235C	DJ HOPPER LEVEL SENSOR	
11	466970014S1	DJ FAN RPM SENSOR THRD HALL	
12	46697-0016S1	DJ HALL EFFECT SPEED SENSOR CP	
13	464211340	PLUG DJ SE SEED MAN MOD CABLE	
14	833-194C	RPBY 459680920	
15	401-745D	CAB CONSOLE MOUNTING PLATE	
16	802-078C	HHCS 1/4-20X5/8 GR5	
17	803-006C	NUT-HEX 1/4-20 PLT	
18	804-006C	WASHER LOCK SPRING 1/4 PLT	

# Monitor and Frame Control (S/N A1111K+) (S/N A1190B+)

Applies to Models: YP1625 (2005+), YP1225 (2005+)



**Monitor and Frame Control (S/N A1111K+) (S/N A1190B+)**

Applies to Models: YP1625 (2005+), YP1225 (2005+)

Ref.	Part No.	Part Description	Comments
	DWG28476	Image No.	
1	11001387	DJ QUICK START GUIDE GPYP12	
1	11001388	DJ QUICK START GUIDE GPYP16	
1	110011375	RPBY 110011508 AND 110011501	
2	467980620	DJ SWITCH CNTRL BOX MNTNG BRKT	
2	467984150	DJ SWITCH CNTRL BOX MNTNG BRKT	
2	467980610	DJ SWITCH CNTRL BOX MNTNG BRKT	
3	467980612	DJ TERMINAL MOUNTING BRACKET	
4	467980502	REPLACED BY 467980503	
4	467980503	INT AG VT A1, CLR W/ SD CARD	
5	467980451A	REP BY 843-032C	
6	467980124	ISO MASTER SWITCH	
7	467980126	MINI CAN TERMINATOR	
8	833-960C	CAN Y-HARN 24 MP630F MP630M	
9	467984220S1	DJ YP CLUTCH/FLD CNTRL CAB BOX	
10	467980455	REP BY 843-027C	
11	833-961C	EXT ISO IBBC MP630F MP150F 6'	
12	833-979C	ISO T-HARN HITCH/LIFT	
13	464820517S1	2 SOL SMD DRVR MODULE FOLD/MRK	
14	467982000S1	OB RPBY 467982001S1	
15	833-367C	YP16 16 ROW DJ HARNESS ONLY	
15	833-368C	YP12 12 ROW DJ HARNESS ONLY	
15	833-370C	YP12 DJ 30 IN HARNESS ONLY	
15	833-371C	YP16 DJ 30 IN HARNESS ONLY	
16	833-978C	ISO T-HARN 6-SOL OUTPUT	
17	464820518S1	DJ DRVR MODULE RH/ FERT CLUTCH	
18	810-527C	VALVE FASSE 3 WAY MULTIPLIER	
19	467981100S1	INTAG WSMB MODULE 18R	(2010-)
19	467988320S1	INTELLIAG WSMB-2 MODULE 18 ROW	(2011+)
20	464820511S1	2SOL SMD DRV MDUL LFT/CNT CLUT	
21	467980471	12 GA 2 PIN WP 20' EXTENSION	
22	467981201	RPBY 467981201A	
23	46697-0016S1	DJ HALL EFFECT SPEED SENSOR CP	
24	833-975C	HARNESS, EXT, ISO, 25'	
25	467980851	REP BY 843-028C	
26	464360176S1	APPLICATION RATE SENSOR	
27	467987520S1	DJ WSMT-3 YP HYD PLANTER V1	
28	801-155C	HFS 10-24 X 3/4 PLT	
29	804-046C	WASHER FLAT #10 SAE PLT	
30	804-054C	WASHER LOCK #10	
31	803-001C	NUT HEX 10-24 PLT	
32	411-386D	WSMT II MOUNT ADAPTER PLATE	
33	803-014C	NUT HEX 3/8-16 PLT	
34	804-013C	WASHER LOCK SPRING 3/8 PLT	
35	802-079C	HHCS 3/8-16X1 1/4 GR5	
36	467980410	DJ 12 ROW AND 4 HP ADP HARNESS	
37	466820714S3	RPBY 466820714	
38	833-235C	DJ HOPPER LEVEL SENSOR	
39	467980160	REP BY 843-025C	
40	823-301C	DJ PWM VALVE EXT 15' 2PIN WP	

**Monitor and Frame Control (S/N A1111K+) (S/N A1190B+)**

---

*This Page Intentionally Left Blank*

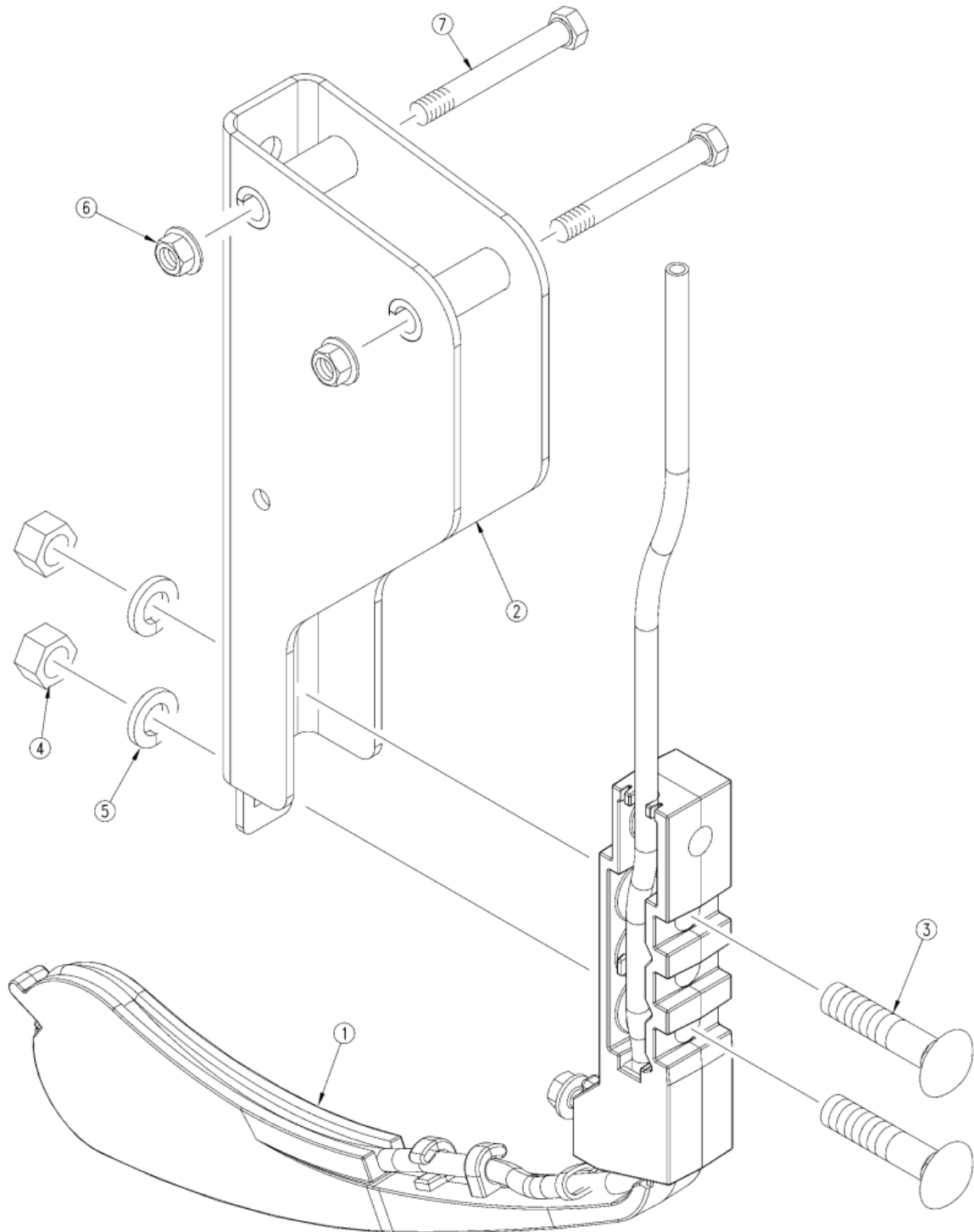


**Monitor and Frame Control (S/N A1111K+) (S/N A1190B+)**

Ref.	Part No.	Part Description	Comments
41	459680922	REP BY 843-101C	
42	466970014S1	DJ FAN RPM SENSOR THRD HALL	
43	466820714	REP BY 843-065C	
44	464820520S1	DJ SWITCH SPDT W/WISKER & WIRE	
45	467980047	20' WSMB EXT.	
46	823-300C	RPBY 843-055C	
47	459680920	REP BY 843-059C	Used on 20" & 36" TR
48	467985060S1	TECU FOR 10" TRACTOR KIT	
49	110040179	AR SENSOR MNT HRDW W/ 1 1/4CPL	
50	F86606352	REP BY 843-034C	
51	FUSE	30 AMP FUSE	
52	FUSE	15 AMP FUSE	
53	403-934A	BASIC INTELLIAG HARN RPLC KIT	Partial replacement kit. Contact dealer, see Service Bulletin 18-01-PLUS.

# 25 Series Keeton Seed Firmer (Option)

Applies to Models: YP1625 (2005+), YP1225 (2005+)



**25 Series Keeton Seed Firmer (Option)**

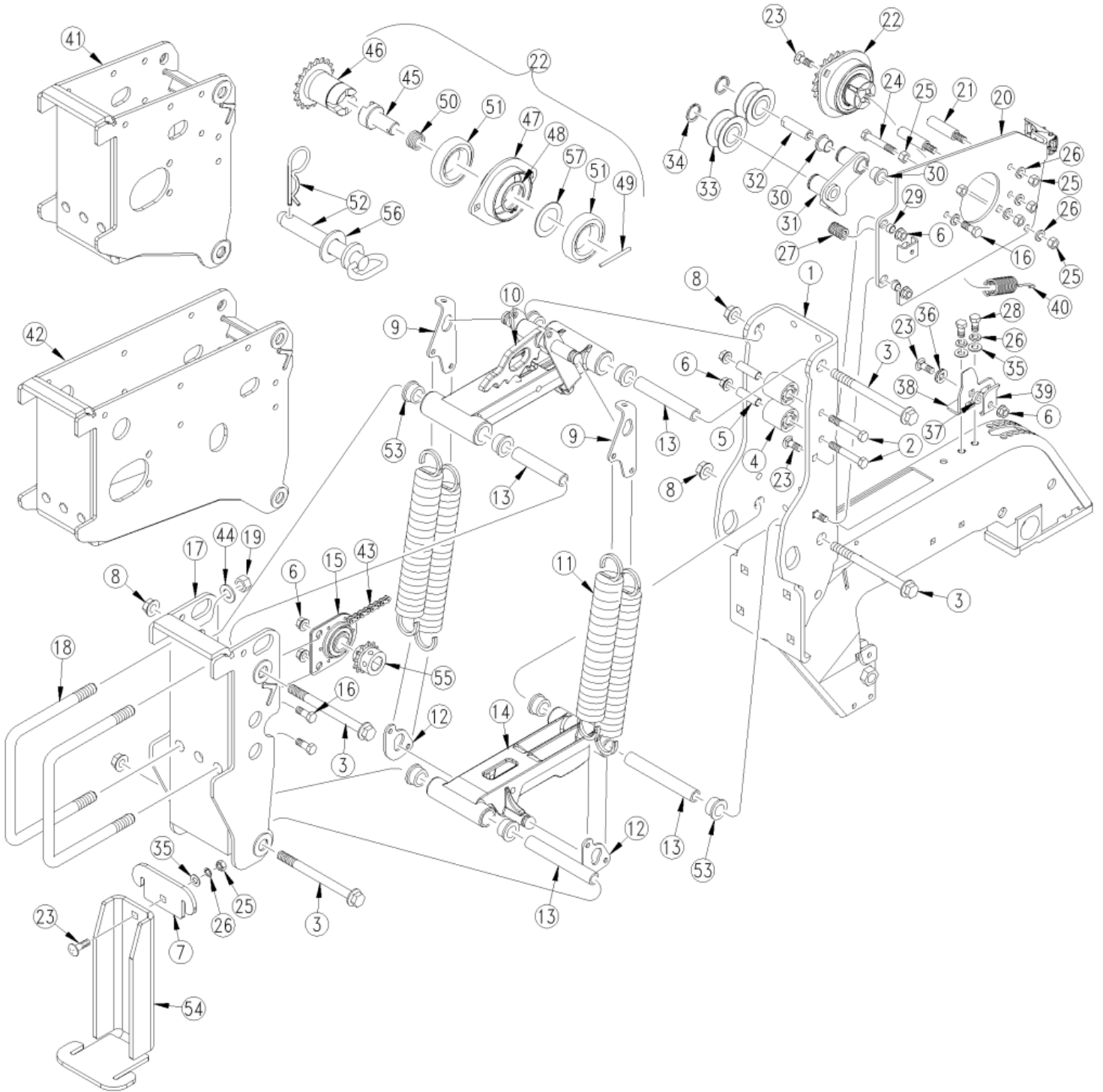
---

Applies to Models: YP1625 (2005+), YP1225 (2005+)

<b>Ref.</b>	<b>Part No.</b>	<b>Part Description</b>	<b>Comments</b>
	DWG21855	Image No.	
1	120825	KEETON NARROW TAIL	
2	129BXT822	15 & 20 SERIES BRACKET ASY	
3	802-252C	RHSNB 3/8-16X1 3/4 GR5	
4	803-014C	NUT HEX 3/8-16 PLT	
5	804-013C	WASHER LOCK SPRING 3/8 PLT	
6	803-043C	NUT HEX WHIZ 5/16-18 PLT	
7	802-172C	HHCS 5/16-18X2 1/2 GR5	

# 25 Series Opener Arms and Mounts

Applies to Models: YP1625 (2005+), YP1225 (2005+)



**25 Series Opener Arms and Mounts**

Applies to Models: YP1625 (2005+), YP1225 (2005+)

Ref.	Part No.	Part Description	Comments
	DWG21854	Image No.	
1	298-509H	25 SERIES OPENER SHANK WELDMT	
2	802-114C	HHCS 3/8-16X2 1/2 GR5	
3	802-745C	HFS 1/2-13X6 GR5 PLT	
4	817-480C	IDLER SPOOL 1.44OD X.53B X1.5L	Used with Middle and Rear Opener Mount.
4	198-333D	1 1/4 LONG PLASTIC CHAIN IDLER	Used with Front Opener Mount.
5	198-257D	IDLER SPACER TUBE 1/2OD X 1.56	Used with Middle and Rear Opener Mount.
5	198-332D	IDLER SPACER TUBE 1/2OD X 1.31	Used with Front Opener Mount.
6	803-209C	NUT FLANGE LOCK 3/8-16 PLT	
7	198-335D	TWIN ROW SPACER BRACKET UPPER	Twin row only
8	803-169C	NUT HEX FLG LOCK 1/2-13 PLT	
9	198-292D	25P UPPER SPRING LINK	
10	298-513H	25 SERIES UPPER PARALLEL ARM	(S/N A41173K-) (S/N A1294B-)
10	288-374H	25 SERIES UPPER PARALLEL ARM	Shown (S/N A41174K+) (S/N A1295B+)
11	807-076C	SPRING EXT 1.575 OD X .225 W	
12	198-293D	25P LOWER SPRING LINK	
13	198-295D	25P REAR OPENER INNER PIVOT TB	
14	298-510H	25 SERIES LOWER PARALLEL ARM	(S/N A41173K-) (S/N A1294B-)
14	403-667D	25 SRS LOWER PARALLEL ARM	Shown (S/N A41174K+) (S/N A1295B+)
15	403-059D	SPKT 41B12 7/8 HEX W/BEARING	-2008
15	822-239C	PEER 7/8 HEX BRG AND MNT	2009+
16	802-017C	HHCS 3/8-16X1 GR5	
17	298-514H	RPBY 298-883S	
17	298-883S	25P FRONT OPENER MOUNT W/BUSH	
17	298-852H	25P FRONT OPNR LH MOUNT W/LDMNT	Twin row only
18	806-052C	U-BOLT 5/8-11 X 7 1/32 X 8 1/2	
19	803-021C	NUT HEX 5/8-11 PLT	
20	403-113H	DRIVE MOUNT WELDMNT	
21	403-107D	DRIVE PLATE LINE-UP PIN	
22	403-117S	DRIVE BEARING ASSEMBLY	Includes items 45-51 & 57.
23	802-015C	RHSNB 3/8-16X1 GR5	
24	802-382C	HHCS 3/8-16X2 1/4 GR5	
25	803-014C	NUT HEX 3/8-16 PLT	
26	804-013C	WASHER LOCK SPRING 3/8 PLT	
27	807-232C	SPRING COMP DIE.75X.375X1LX515	
28	801-078C	SCR HX SKT BUT CP 3/8-16X3/4	
29	403-182D	9/16 OD DRIVE PLATE SPACER TB	
30	817-083C	PRESS WHEEL ARM PIVOT BUSHING	
31	403-115H	IDLER BRACKET WELDMNT	
32	403-105D	RPBY 891-191C	
33	817-406C	IDLER 1 PC 2.38X1.01X1.062	
34	800-085C	SNAP RING EXT 1 HEAVY	
35	804-012C	WASHER FLAT 3/8 SAE PLT	
36	804-042C	WASHER GRASS SEEDER CUP SHAFT	
37	403-108D	METER ALIGNMENT BUSHING	
38	403-112D	METER RETAINER LATCH PLATE	
39	403-111D	METER RETAINER PLATE	
40	807-236C	SPRING EXT. 1.0ODX5.OLX.095MW	
41	298-516H	RPBY 298-888S	
41	298-888S	25P MIDDLE OPENER MOUNT W/BUSH	

**25 Series Opener Arms and Mounts**

---

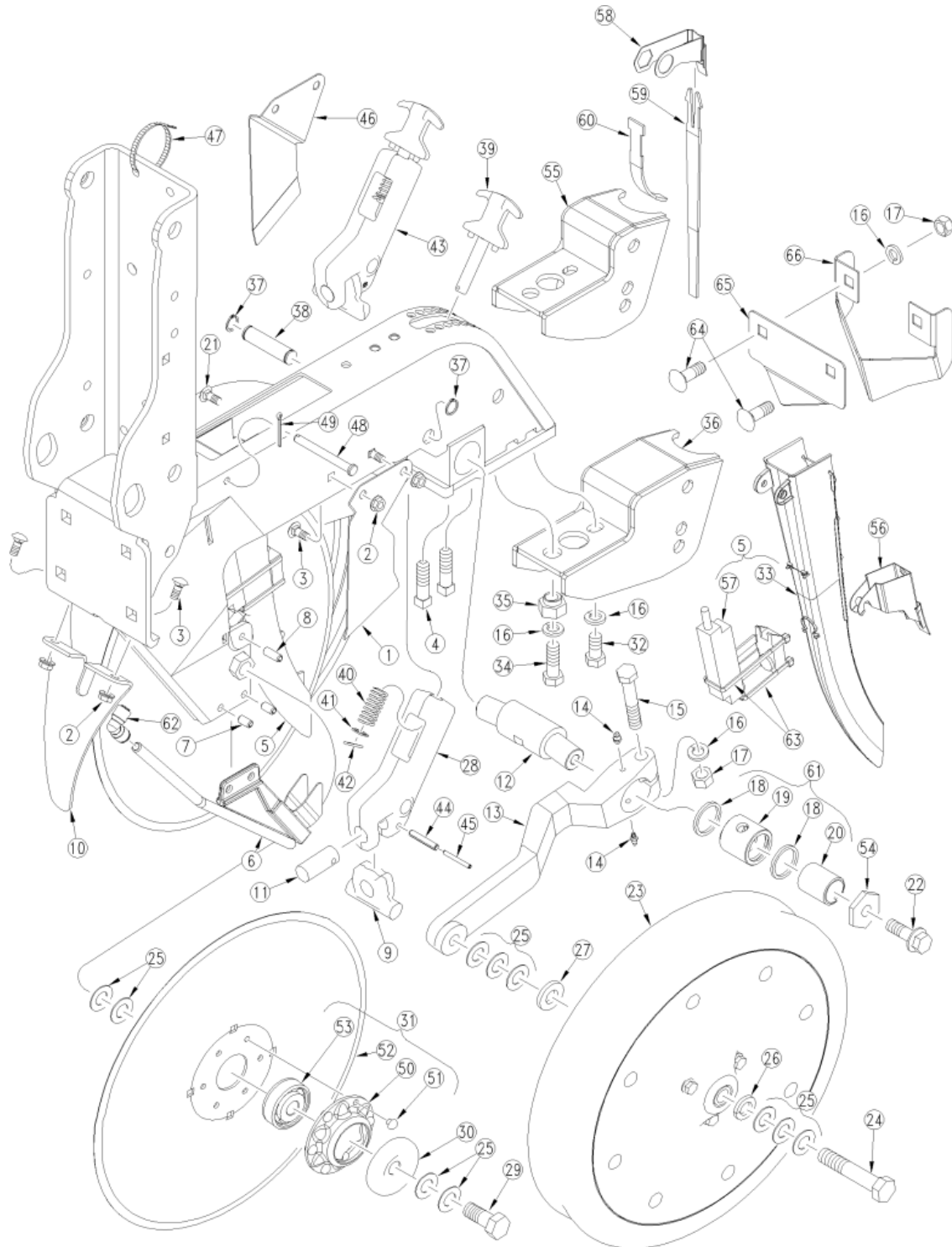
*This Page Intentionally Left Blank*

**25 Series Opener Arms and Mounts**

Ref.	Part No.	Part Description	Comments
41	298-626H	25P CENTER MIDDLE OPENER MOUNT	
42	298-515H	RPBY 298-887S	
42	298-887S	25P REAR OPENER MOUNT W/BUSH	
42	298-853H	25P REAR OPNR RH MOUNT WELDMNT	Twin row only
43	136-214D	CHAIN RL #41 90 PITCHES	
43	136-215D	CHAIN RL #41 116 PITCHES	
43	136-216D	CHAIN RL #41 144 PITCHES	
44	804-022C	WASHER LOCK SPRING 5/8 PLT	
45	403-104D	DRIVE JAW	
46	403-112H	19T SPROCKET HUB ASSY	
47	403-116H	DRIVE BEARING HOUSING	
48	800-365C	SNAP RING EXT 1.772	
49	805-117C	PIN ROLL 1/4 X 2 1/2 PLT	
50	807-174C	SPRING COMP .970ODX.063WX1.25	
51	822-210C	BRG 45MM ID 75MM OD 16MM	
52	805-435C	PIN HITCH 5/8 X 5 3/4 USABLE	
53	817-084C	PARALLEL ARM PIVOT BUSHING	
54	198-334D	TWIN ROW SPACER BRACKET LOWER	Twin row only
55	808-395C	SPKT 41C12 W/SS SPCL PLT	
56	804-019C	WASHER FLAT 5/8 USS PLT	
57	403-312D	BRG SPACER RING	

# 25 Series Opener Body

Applies to Models: YP1625 (2005+), YP1225 (2005+)





**25 Series Opener Body**

Applies to Models: YP1625 (2005+), YP1225 (2005+)

Ref.	Part No.	Part Description	Comments
	DWG21853	Image No.	
1	404-153D	SCRAPER, DISC LH	
2	803-043C	NUT HEX WHIZ 5/16-18 PLT	
3	802-092C	RHSNB 5/16-18X3/4 GR5	
4	801-164C	1/2-13X 1 3/4 SQ HD SS G5 PLTD	
5	817-604C	25P SEED TUBE W/DJ HR SENSOR	
5	403-214S	SEED TUBE FPU TB,CLIP & SENSOR	
6	404-796H	25P SCRAPER SEP WLDMT 3/8 FRT	
7	805-335C	PIN ROLL 5/16 X 5/8 PLT	
8	805-250C	PIN ROLL 5/16 X 7/8	
9	404-077D	WALKBEAM	
10	404-198D	DISK SHIELD	
11	404-079D	WALKBEAM PIVOT PIN	
12	404-119D	SPINDLE, GA WHL MNT ADJ	Used on wide 20" & 30" rows
12	198-288D	25P SIDE DEPTH WHL ARM SPINDLE	Shown, Used on narrow, twinrow, 15"
13	198-289D	25P SIDE DEPTH WHEEL ARM	Shown, Used on, twinrow, 15"
13	404-155D	ARM, GAUGE WHEEL	Used on, 20" & 30" rows
14	800-001C	GREASE ZERK STRAIGHT 1/4-28	
15	802-039C	HHCS 1/2-13X3 GR5	
16	804-015C	WASHER LOCK SPRING 1/2 PLT	
17	803-020C	NUT HEX 1/2-13 PLT	
18	816-686C	U CUP SEAL	
19	198-360D	OUTER BUSHING INNER CUP SEAL I	Shown, Used on twinrow, 15"
19	404-214D	25P O-RING BUSHING	Used on 20" & 30" rows
20	198-290D	25P DEPTH WHL ECCENTRIC BUSHNG	Shown, Used on twinrow, 15"
20	404-174D	ECCENTRIC BUSHING	Used on 20" & 30" rows
21	802-172C	HHCS 5/16-18X2 1/2 GR5	
21	802-092C	RHSNB 5/16-18X3/4 GR5	
22	802-663C	HFS 1/2-13 X 1 1/2 GR8 NYL PLT	
23	814-257C	2.5X16 SIDE DEPTH WHEEL ASSY	Refer to "Side Depth Wheel Assembly" for breakdown
23	814-260C	3X16 SIDE DEPTH WHEEL ASSY	Refer to "Side Depth Wheel Assembly" for breakdown
23	814-173C	4 X 16 GAUGE TIRE ASSY-PLASTIC	Refer to "Side Depth Wheel Assembly" for breakdown
24	802-160C	HHCS 5/8-11X3 1/4 GR5	Used on twinrow only
24	802-646C	HHCS 5/8-11 X 3 GR8	Used on 15", 20" & 30" rows
25	804-040C	WASHER MACH 1.19 X .63 X 18GA	
26	804-022C	WASHER LOCK SPRING 5/8 PLT	
27	804-195C	WASHER FLAT 1.31ODX.65IDX.188T	Used on twinrow only
28	404-078D	WALKBEAM MOUNT	
29	802-228C	HHCS 5/8-11X1 1/2 GR5 NYL	
30	107-111D	DD BRG FLANGE DUST COVER	
31	404-121S	4.0 MM 15 DISC W/ 5/8 ASSY	Includes items 50 - 53
32	802-258C	HHCS 1/2-13X1 GR5	
33	817-715C	SEED TUBE 25S FPU TB&CAP W/ HL	
33	817-605C	25P SEED TUBE W/HR SENSOR HOLE	
33	817-606C	RPBY 403-215S	
34	802-091C	HHCS 1/2-13X1 1/2 GR5	
35	405-032D	1X12 PW ADJUSTER	
36	199-140H	25P LONG PW MOUNT	Used on short (front) row stagger on twin rows. Shown (S/N A1196B+) (S/N A1119K+)
36	199-108H	RPBY 199-146A	Used on short (front) row stagger on twin rows. (S/N A1195B-) (S/N A1118K-)
37	800-118C	SNAP RING EXT 5/8 .050 T	

**25 Series Opener Body**

---

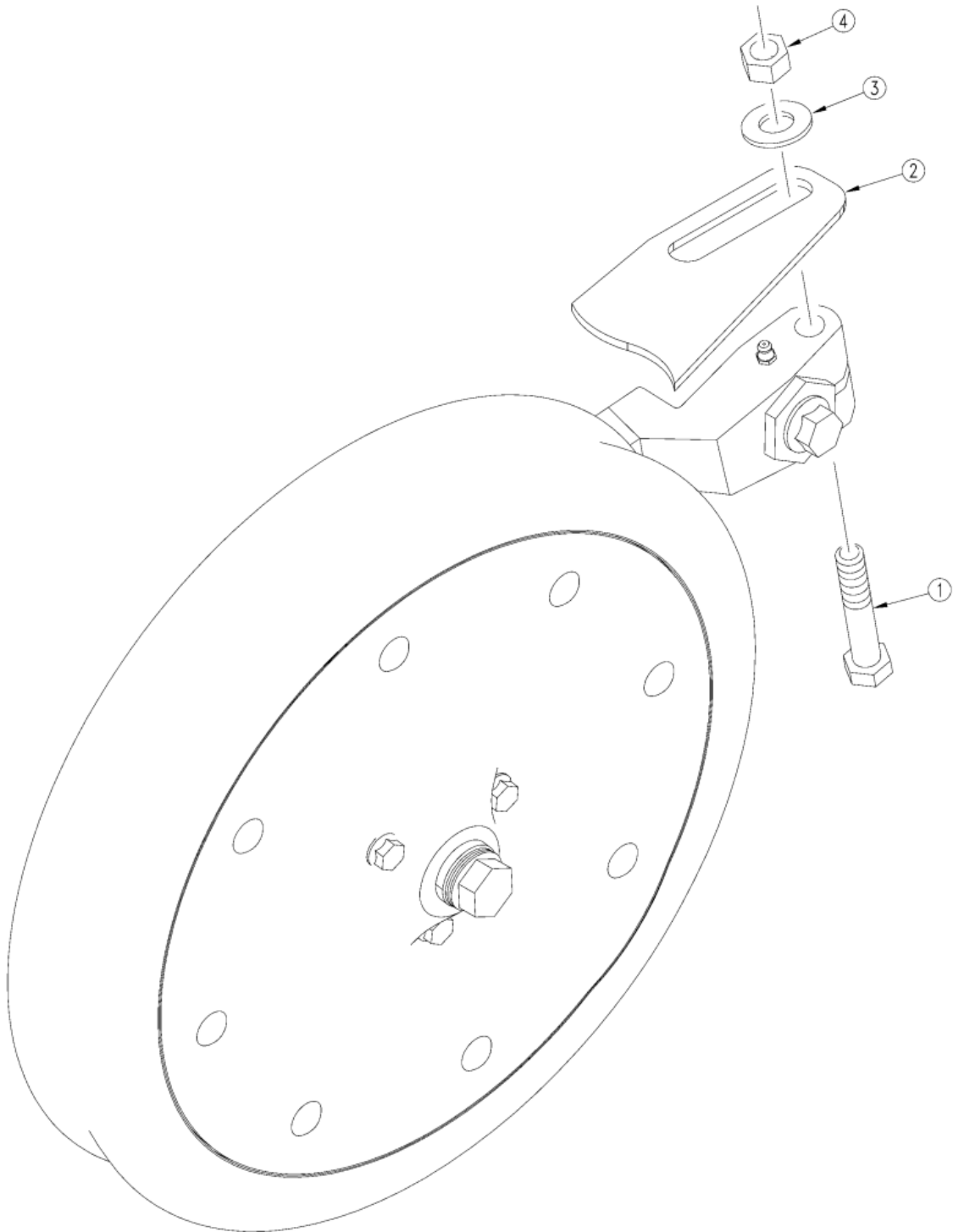
*This Page Intentionally Left Blank*

**25 Series Opener Body**

Ref.	Part No.	Part Description	Comments
38	198-202D	20 SER OPNR CAM PIN	
39	404-020D	PLANTER HANDLE	
40	807-119C	SPRING COMP .72 X 1.5 X .072WD	
41	804-100C	WASHER 3/4 X 17/32 X 18 GA PLT	
42	805-063C	PIN COTTER 3/32 X 1 LONG	
43	404-014S	ADJUSTMENT ASSY	Includes items 9, 11, 28, 39 - 42, 44 & 45
44	805-180C	PIN ROLL 1/4 X 1 1/2 LG PLT	
45	805-290C	PIN ROLL 5/32 X 1 1/2 PLT	
46	404-152D	SCRAPER, DISC RH	
47	800-112C	CABLE TIE .19X7.25 1.75D 50LB	
48	805-278C	PIN CLEVIS 1/4 X 2 1/2 PLT	
49	805-063C	PIN COTTER 3/32 X 1 LONG	
50	890-466C	HSG RIBB FLG 6BOLT PLT	
51	800-213C	RIVET,BUTTON HEAD 1/4 X 1/2	
52	820-287C	4.0 MM 15 DISK (21 DEG BEVEL)	
53	188-001V	BEARING AA205DD	
54	812-327C	25P ECCENTRIC HEX ADJUSTER	
55	199-141H	25P MID PW MOUNT	Used on rear (long) row stagger rows on twin row. Shown (S/N A1196B+) (S/N A1119K+)
55	199-109H	RPBY 199-147A	Used on rear (long) row stagger rows on twin row. (S/N A1195B-) (S/N A1118K-)
56	198-331D	SEED TUBE 25S HOOK CLIP	
57	843-191C	DJ STYLE WIDE SEED SENSOR	
58	404-189D	25 SERIES SEED FLAP CLIP	
59	817-349C	SEED FLAP, UHMW, LONG	(YP12 S/N A1169K-) (YP16 S/N A1288B-)
60	816-302C	SEED FLAP, RUBBER, SEED-LOK	(YP12 S/N A1170K+) (YP16 S/N A1289B+)
61	298-881S	25P WIDE ELIMINATOR BUSHNG ASY	
61	298-882S	25P NARROW ELIMINATOR BUSH ASY	
62	830-424C	ELBOW PTC 1/4 X 3/8	
63	800-244C	CABLE TIE .19X15 PANDU BT4S-CO	
64	802-106C	RHSNB 1/2-13X1 1/2 GR5	
65	404-255D	TOP COVER	
66	404-254D	COVER	

# 25 Series Side Depth Wheel Scraper Assembly

Applies to Models: YP1625 (2005+), YP1225 (2005+)



## 25 Series Side Depth Wheel Scraper Assembly

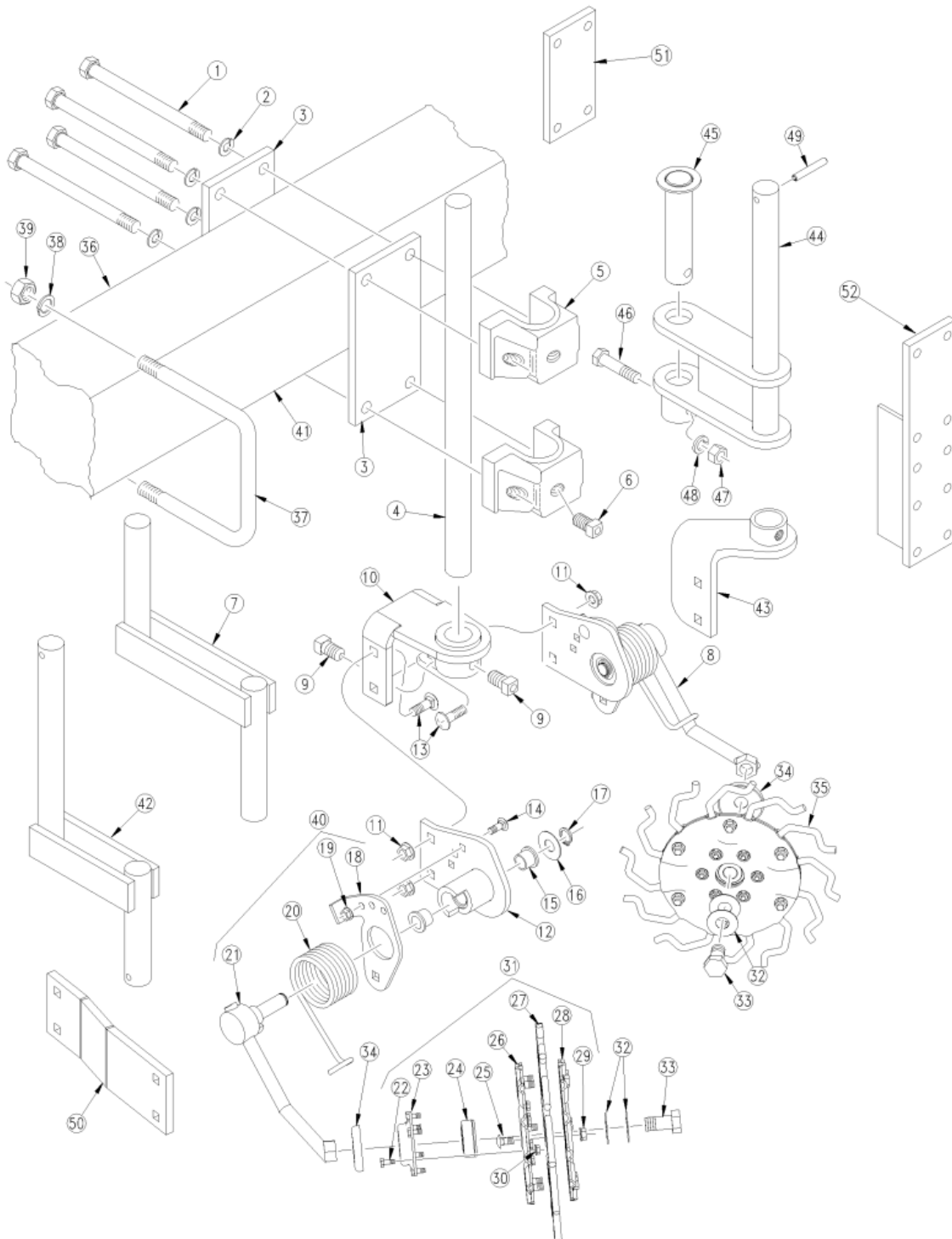
---

Applies to Models: YP1625 (2005+), YP1225 (2005+)

Ref.	Part No.	Part Description	Comments
	DWG31830	Image No.	
1	802-099C	HHCS 1/2-13X3 1/4 GR5	
2	404-194D	2.5" GAUGE WHEEL SCRAPER	Shown
2	404-196D	4" GAUGE WHEEL SCRAPER	
2	404-195D	3" GAUGE WHEEL SCRAPER	
3	804-016C	WASHER FLAT 1/2 SAE PLT	
4	803-020C	NUT HEX 1/2-13 PLT	

# Frame Mount Double Terra-Tine

Applies to Models: YP1625 (2005+), YP1225 (2005+)



**Frame Mount Double Terra-Tine**

Applies to Models: YP1625 (2005+), YP1225 (2005+)

Ref.	Part No.	Part Description	Comments
	DWG 22881	Image No.	
1	802-044C	HHCS 1/2-13X4 GR5	
2	804-015C	WASHER LOCK SPRING 1/2 PLT	
3	204-040D	CLAMP PLT 7 BAR	
4	204-025D	SHANK 1 1/2D X 16 FERT COULT	Shown
4	204-034D	SHANK 1 1/2D X 19 FERT COULT	
4	204-024D	SHANK 1 1/2DX12 5/8 FERT COULT	
4	204-449D	1 1/2 DIA X 14 SHANK	
5	204-072D	CLAMP SHANK 1 1/2 DIA	
6	801-040C	SCREW SQ HD 5/8-11 X 1 CUP PT	
7	820-323C	16IN ROUND SHANK 4 INCH OFFSET	
8	207-010S	PIVOT ASSEMBLY RH	
9	801-167C	SET SCREW SQ HD 3/4-10 X 1 1/4	
10	207-080H	DUAL FRAME MOUNT 15" TT	
11	803-169C	NUT HEX FLG LOCK 1/2-13 PLT	
12	207-008H	PIVOT MOUNT WELDMENT LH	
13	802-106C	RHSNB 1/2-13X1 1/2 GR5	
14	802-015C	RHSNB 3/8-16X1 GR5	
15	817-084C	PARALLEL ARM PIVOT BUSHING	
16	804-099C	WASHER 1 1/4 X 3/4 X 18 GA PLT	
17	800-164C	SNAP RING 3/4 EXTERNAL HEAVY	
18	207-002D	TERRA-TINE SPRING ADJUSTER LH	
19	803-068C	NUT HEX FLANGE 3/8-16 PLT	
20	207-011D	SPRING TERRA-TINE LEFT ASSY	
21	207-004H	ARM SHAFT WELDMENT LH	
22	802-078C	HHCS 1/4-20X5/8 GR5	
23	890-466C	HSG RIBB FLG 6BOLT PLT	
24	188-007V	BEARING .760 BORE 205DD	
25	802-149C	RHSNB 3/8-16X3/4 GR5	
26	207-005D	TERRA-TINE FLANGE FRONT	
27	807-158C	SPRING TERRA-TINE FINGER 15	
28	207-004D	TERRA-TINE FLANGE BACK	
29	803-068C	NUT HEX FLANGE 3/8-16 PLT	
30	803-230C	NUT HEX FLANGE 1/4-20 PLT	
31	207-035K	TERRA-TINE WHEEL 15 RH	
32	804-099C	WASHER 1 1/4 X 3/4 X 18 GA PLT	
33	802-184C	HHCS 3/4-10X1 1/2 GR5	
34	404-027D	DD BRG FLANGE DUST COVER	
35	207-036K	TERRA-TINE WHEEL 15 LH	
36	204-324D	YP ATTACHMENT TUBE LH	
36	204-325D	YP ATTACHMENT TUBE RH	
37	806-019C	U-BOLT 5/8-11 X 4 1/32 X 3 3/8	
38	804-022C	WASHER LOCK SPRING 5/8 PLT	
39	803-021C	NUT HEX 5/8-11 PLT	
40	207-011S	PIVOT ASSEMBLY LH	
41	204-338D	YP 1225 ATTACHMENT TUBE LH	
41	204-339D	YP 1225 ATTACHMENT TUBE RH	
42	820-343C	1 1/2 X 19 X 6 OFFSET SHANK	
43	207-147H	YP SHANK MOUNHT PIVOT LH	Shown
43	207-146H	YP SHANK MOUNT PIVOT RH	

**Frame Mount Double Terra-Tine**

---

*This Page Intentionally Left Blank*



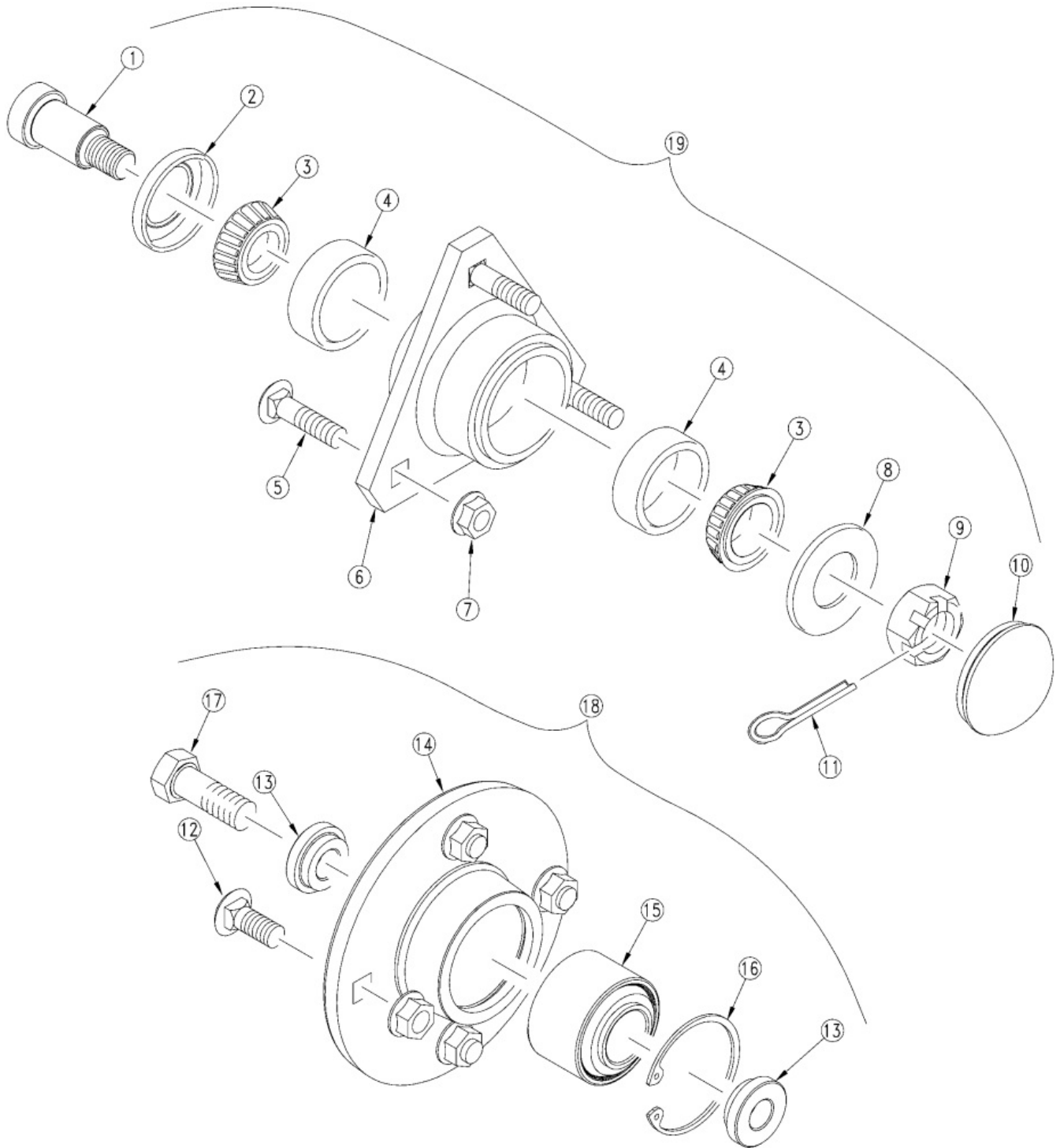
**Frame Mount Double Terra-Tine**

---

<b>Ref.</b>	<b>Part No.</b>	<b>Part Description</b>	<b>Comments</b>
44	204-600H	YP LOW PRO 7 OFFSET SHANK WLD	
45	204-601H	YP ATTACHMENT WLD PIN	
46	802-259C	HHCS 5/8-18X2 3/4 GR5	
47	803-021C	NUT HEX 5/8-11 PLT	
48	804-022C	WASHER LOCK SPRING 5/8 PLT	
49	805-255C	PIN ROLL 3/8 X 2 1/2 PLT	
50	207-009D	TERRA-TINE EXTENSION ARM	

# Hub Assembly (815-255C and 204-084S)

Applies to Models: YP1625 (2005+), YP1225 (2005+)



**Hub Assembly (815-255C and 204-084S)**

Applies to Models: YP1625 (2005+), YP1225 (2005+)

Ref.	Part No.	Part Description	Comments
	DWG22747	Image No.	
1	802-051C	HHCS 5/8-11X1 1/2 GR5	
2	CR14971	MARTIN 3 LIP SEAL (JD AA26234)	
3	822-030C	BEARING CONE L44643	
4	822-080C	BEARING CUP L44610	
5	802-030C	RHSNB 7/16-14X1 3/4 GR5	
6	HU13	MARTIN HA13270 HUB HOUSING	
7	803-052C	NUT HEX WHIZ 7/16-14 PLT	
8	804-025C	WASHER FLAT 3/4 SAE PLT	
9	803-053C	NUT HEX SLOTTED 3/4-16	
10	HS1328	MARTIN HUB CAP	
11	805-045C	PIN COTTER 5/32 X 1 1/4 LG	
12	802-214C	RHSNB 1/2-13X1 1/4 GR5	
13	204-329D	NARROW HUB BOLT SPACER	
14	204-328D	NARROW COULTER HUB	
15	822-215C	BRG 5206KPP3 1.187 IDX2.44 OD	
16	800-232C	SNAP RING INT 2.44 OD .078W	
17	802-051C	HHCS 5/8-11X1 1/2 GR5	
18	204-084S	GP25S NARROW HUB ASM	Includes items 12-17
19	815-255C	ROW CLEANER HUB ASM	Includes items 1-11

# Rigid 13" Row Cleaner

Applies to Models: YP1625 (2005+), YP1225 (2005+)



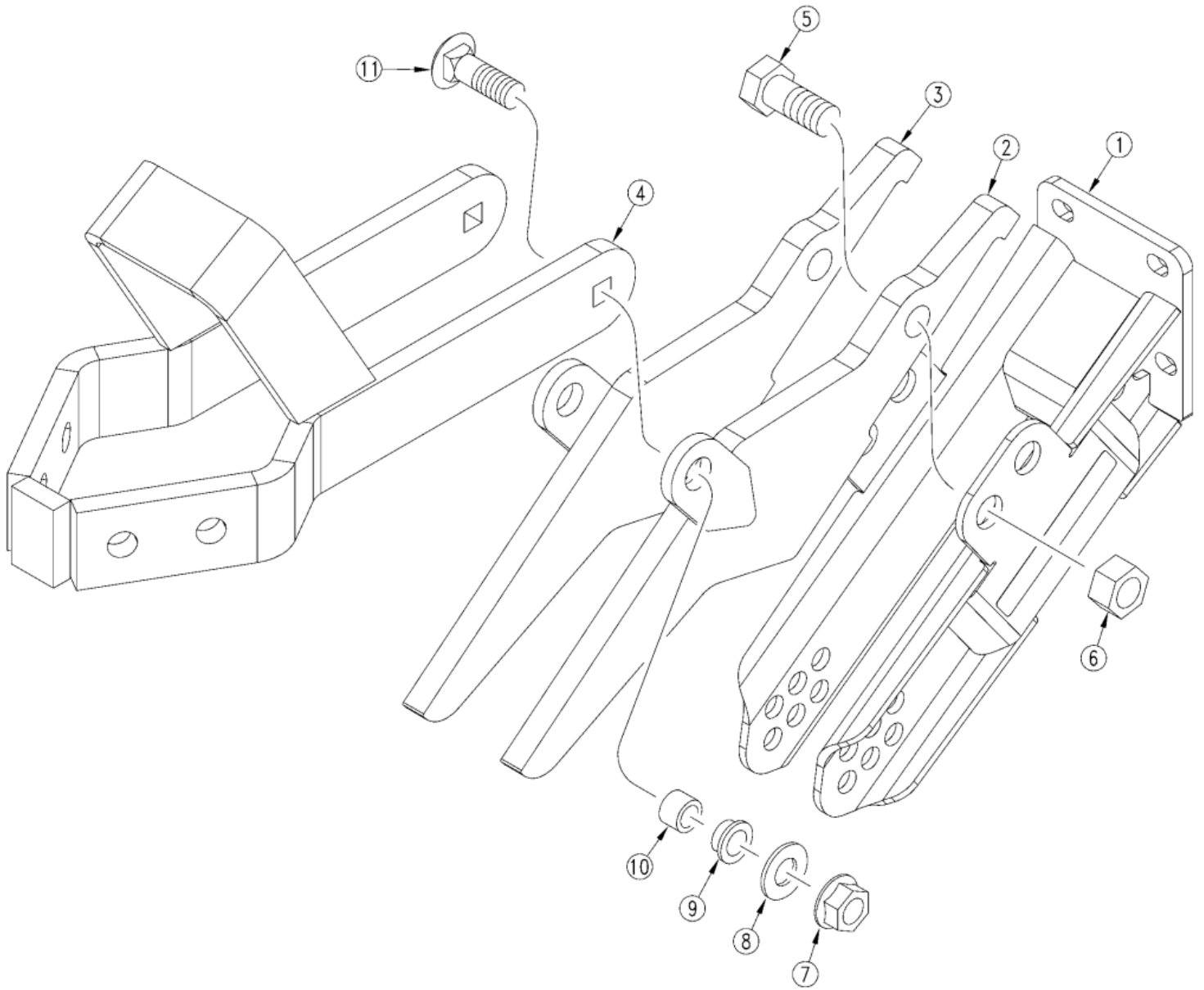
**Rigid 13" Row Cleaner**

Applies to Models: YP1625 (2005+), YP1225 (2005+)

Ref.	Part No.	Part Description	Comments
	DWG22773	Image No.	
1	207-067D	UMC RC PIVOT TUBE	
2	207-099H	DOUBLE ARM RC WLD	
3	802-331C	RHSNB 1/2-13X1 3/4 GR5	
4	803-169C	NUT HEX FLG LOCK 1/2-13 PLT	
5	815-255C	ROW CLEANER HUB ASM	Refer to "Hub Assembly (815-255C & 204-084S)" for breakdown
6	817-615C	RC ARM PIVOT BUSHING	
7	828-057C	RC HUB LOCK	
8	828-058C	RIGID 13" ROW CLEANER LH	
8	828-059C	RIGID 13" ROW CLEANER RH	
9	207-142V	RIGID ROW CLEANER ASM RH	
9	207-143V	RIGID ROW CLEANER ASM LH	
10	828-060C	DEPTH BAND WHEEL	
11	818-525C	DECAL SHARP OBJECT WARNING	
12	207-148H	UM ROW CLEAN DOWN STOP WLDM	
13	802-009C	RHSNB 5/16-18X1 1/4 GR5	
14	803-008C	NUT HEX 5/16-18 PLT	
15	804-009C	WASHER LOCK SPRING 5/16 PLT	
16	804-017C	WASHER FLAT 1/2 USS PLT	
17	804-029C	WASHER FLAT 1 SAE	

# Row Cleaner Extension Mount

Applies to Models: YP1625 (2005+), YP1225 (2005+)



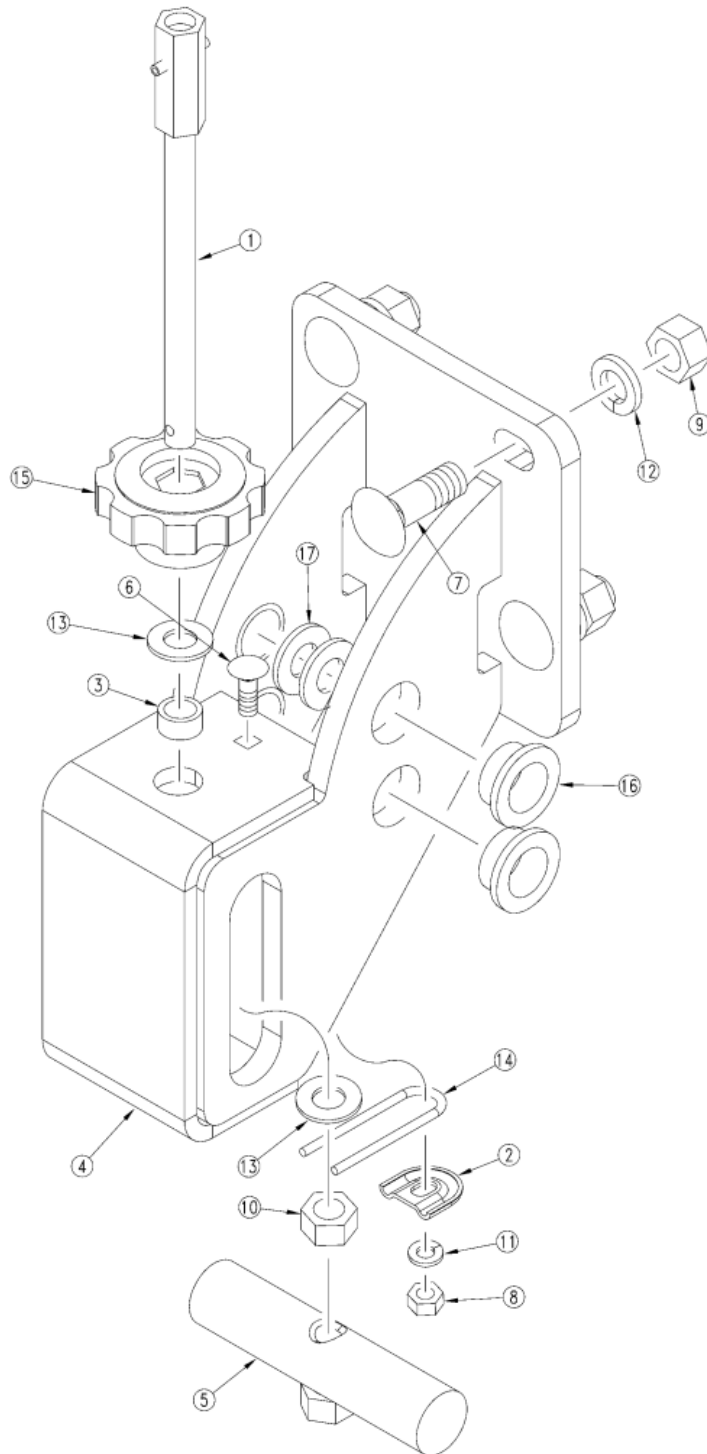
**Row Cleaner Extension Mount**

Applies to Models: YP1625 (2005+), YP1225 (2005+)

Ref.	Part No.	Part Description	Comments
	DWG29096	Image No.	
1	204-139H	UNIT MOUNTED COULTER MOUNT	
2	407-220H	DBL ROW CLNR EXTENDED MNT LH	Used with long row unit next to fertilizer pump mount on 15" spacing.
3	407-221H	DBL ROW CLNR EXTENDED MNT RH	Used with long row unit next to fertilizer pump mount on 15" spacing.
4	207-099H	DOUBLE ARM RC WLD	Shown
4	207-094H	SINGLE ARM RC WLD LH	
4	207-095H	SINGLE ARM RC WLD RH	
5	802-219C	HHCS 7/8-9X2 GR5	
6	803-049C	NUT HEX 7/8-9 PLT	
7	803-169C	NUT HEX FLG LOCK 1/2-13 PLT	
8	804-017C	WASHER FLAT 1/2 USS PLT	
9	817-615C	RC ARM PIVOT BUSHING	
10	207-067D	UMC RC PIVOT TUBE	
11	802-331C	RHSNB 1/2-13X1 3/4 GR5	

# Row Cleaner Unit Mount Assembly (S/N A1098K-) (S/N A1163B-)

Applies to Models: YP1625 (2005+), YP1225 (2005+)





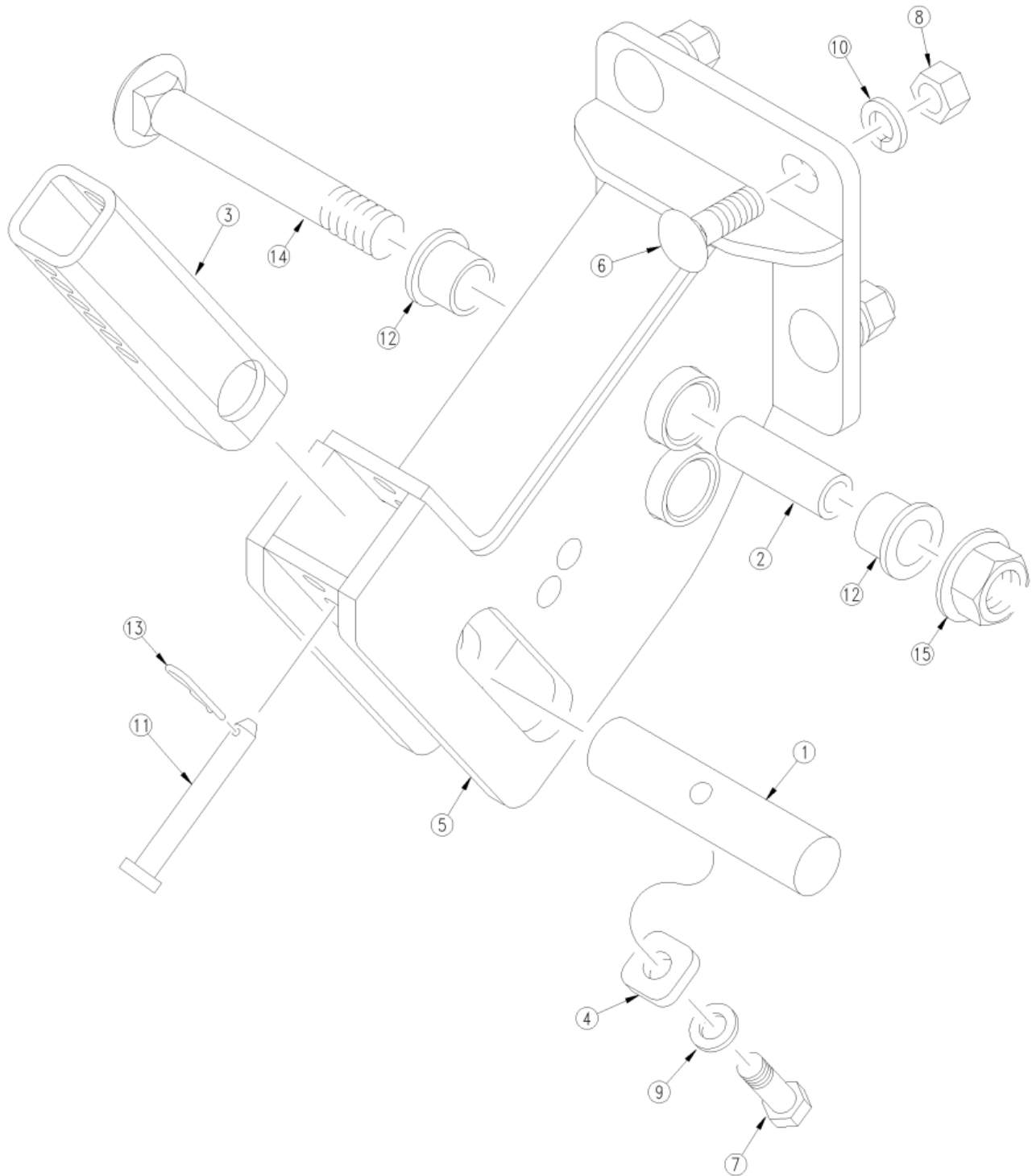
**Row Cleaner Unit Mount Assembly (S/N A1098K-) (S/N A1163B-)**

Applies to Models: YP1625 (2005+), YP1225 (2005+)

Ref.	Part No.	Part Description	Comments
	DWG22918	Image No.	
1	122-055S	SCREW ADJUSTMENT ROD	
2	122-065D	TENSION SPRING RETAINER	
3	152-380D	7/16ID X 5/16 SPACER TUBE	
4	207-103H	RPBY 207-221A	
5	207-105H	REP BY 207-072D	
6	802-002C	RHSNB 1/4-20X3/4 GR5	
7	802-106C	RHSNB 1/2-13X1 1/2 GR5	
8	803-006C	NUT-HEX 1/4-20 PLT	
9	803-020C	NUT HEX 1/2-13 PLT	
10	803-200C	NUT HEX LOCK 7/16-14 PLT	
11	804-006C	WASHER LOCK SPRING 1/4 PLT	
12	804-015C	WASHER LOCK SPRING 1/2 PLT	
13	804-041C	WASHER FLAT 7/16 SAE PLT	
14	807-020C	SPRING SCREW ADJ TENSION STRHT	
15	817-021C	KNOB P.W. ADJUSTMENT	
16	817-615C	RC ARM PIVOT BUSHING	
17	804-094C	WASHER FLAT 1/2 HARD ASTM436	

# Row Cleaner Unit Mount Assembly (S/N A1099K+) (S/N A1164B+)

Applies to Models: YP1625 (2005+), YP1225 (2005+)



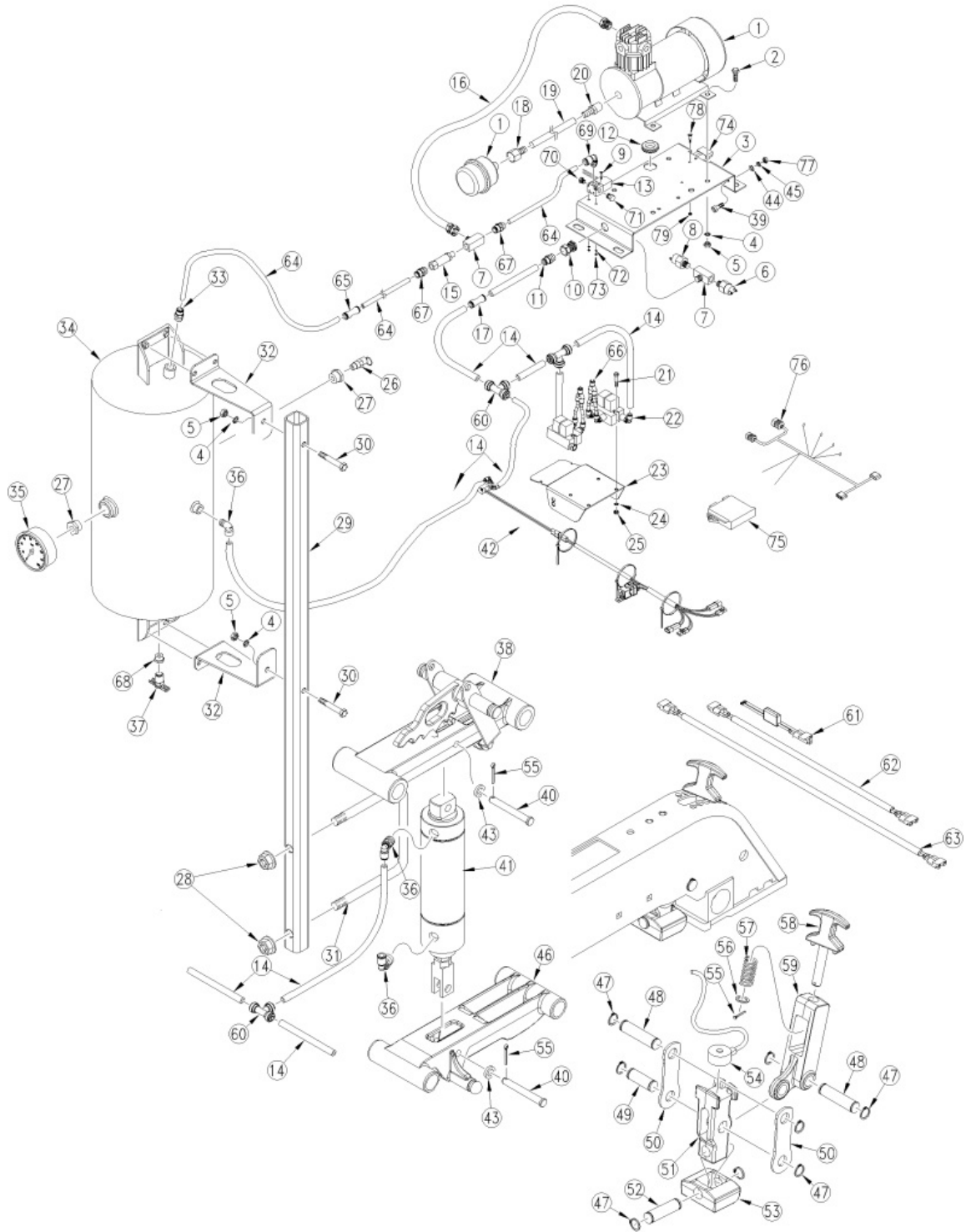
**Row Cleaner Unit Mount Assembly (S/N A1099K+) (S/N A1164B+)**

---

Applies to Models: YP1625 (2005+), YP1225 (2005+)

<b>Ref.</b>	<b>Part No.</b>	<b>Part Description</b>	<b>Comments</b>
	DWG27304	Image No.	
1	207-072D	UMRC MOUNT ROUND TUBE	
2	207-106D	TUBE, PIVOT .75 X 3.339 LONG	
3	207-107D	UMRC ADJUSTMENT TUBE	
4	207-108D	SPACER	
5	207-214H	UMRC MOUNT WELD	
6	802-106C	RHSNB 1/2-13X1 1/2 GR5	
7	802-673C	HHCS 7/16-14X1 1/4 GR5 PLT	
8	803-020C	NUT HEX 1/2-13 PLT	
9	804-014C	WASHER LOCK 7/16 PLT	
10	804-015C	WASHER LOCK SPRING 1/2 PLT	
11	805-385C	PIN CLEVIS 3/8 X 3 PLT	
12	817-084C	PARALLEL ARM PIVOT BUSHING	
13	805-031C	PIN HAIR COTTER .092 WIRE	
14	802-463C	RHSNB 1/2-13X5 GR5	
15	803-169C	NUT HEX FLG LOCK 1/2-13 PLT	

Applies to Models: YP1625 (2005+), YP1225 (2005+)



**Row-Pro**

Applies to Models: YP1625 (2005+), YP1225 (2005+)

Ref.	Part No.	Part Description	Comments
	DWG31550	Image No.	
1	831-088C	12V AIR COMPRESSOR	
2	802-017C	HHCS 3/8-16X1 GR5	
3	404-209D	COMPRESSOR MOUNT	
4	804-013C	WASHER LOCK SPRING 3/8 PLT	
5	803-014C	NUT HEX 3/8-16 PLT	
6	833-539C	PRESSURE SWITCH, 150PSIR	
7	841-503C	TEE 1/4NPT BRASS FXMXF	
8	833-542C	PRESSURE SWITCH, 135PSIF	
9	801-233C	SCREW PAN HD #6-32 X 1 PLT	
10	830-423C	1/4 PIPE BULKHEAD FITTING	
11	800-367C	AD PUSH 1/4TUBEX1/4MNPT	
12	816-611C	GROMMET, .75IDX1.25ODX.063	
13	403-586K	UNLOADER VALVE ASSEMBLY	
14	990-268R	TUBING NYLON 1/4OD X .17ID GRN	
14	990-269R	TUBING NYLON 1/4OD X .17ID RED	
15	830-425C	CHECK VALVE	
16	891-233C	HEAT DISSIPATION HOSE	
17	830-383C	CP 1/4 PUSH LOK POLY	
18	830-430C	AD 1/2FNPT X 1/2 BARB BRASS	
19	990-263R	TUBING 5/8 OD X .5OD BLK NYLON	
20	830-429C	AD 1/2MNPT X 1/2 BARB BRASS	
21	802-574C	HSHCS 1/4-20X1 1/2	
22	833-559C	MAC DA SOLENOID VALVE ASM	
23	404-220D	MODULE MOUNT	
24	804-006C	WASHER LOCK SPRING 1/4 PLT	
25	803-006C	NUT HEX 1/4-20 PLT	
26	830-431C	RELIEF VALVE	
27	833-537C	3/4 MNPT X 1/4 FNPT BUSHING	
28	803-263C	NUT HEX FLANGE LOCK 5/8-11 PLT	
29	404-232D	TANK MOUNT RISER	
30	802-114C	HHCS 3/8-16X2 1/2 GR5	
31	806-084C	U-BOLT 5/8-11 X 7 1/32 X 9 1/2	
32	404-207D	AIR TANK MOUNT	
33	830-427C	AD 3/8MNPT X 3/8OD TUBE PTC	
34	891-150C	TANK AIR 1488 CU IN	
35	829-141C	2 1/2" PRESSURE GAUGE 160 PSI	
36	830-417C	ELBOW PTC 1/4 X 1/4MNPT	
37	830-403C	PETCOCK 1/4 BRASS	
38	288-374H	25 SERIES UPPER PARALLEL ARM	
39	802-575C	HSHCS #10-32X5/8	
40	805-385C	PIN CLEVIS 3/8 X 3 PLT	
41	810-701C	2"DIA X 3.25" STROKE DA CYL	
42	403-715A	ROW PRO MAIN VALVE KIT	
43	404-219D	3/8 ID X 5/8 OD X .125 SPCR	
44	804-046C	WASHER FLAT #10 SAE PLT	
45	804-054C	WASHER LOCK #10	
46	403-667D	25 SRS LOWER PARALLEL ARM	
47	800-118C	SNAP RING EXT 5/8 .050 T	
48	198-202D	20 SER OPNR CAM PIN	

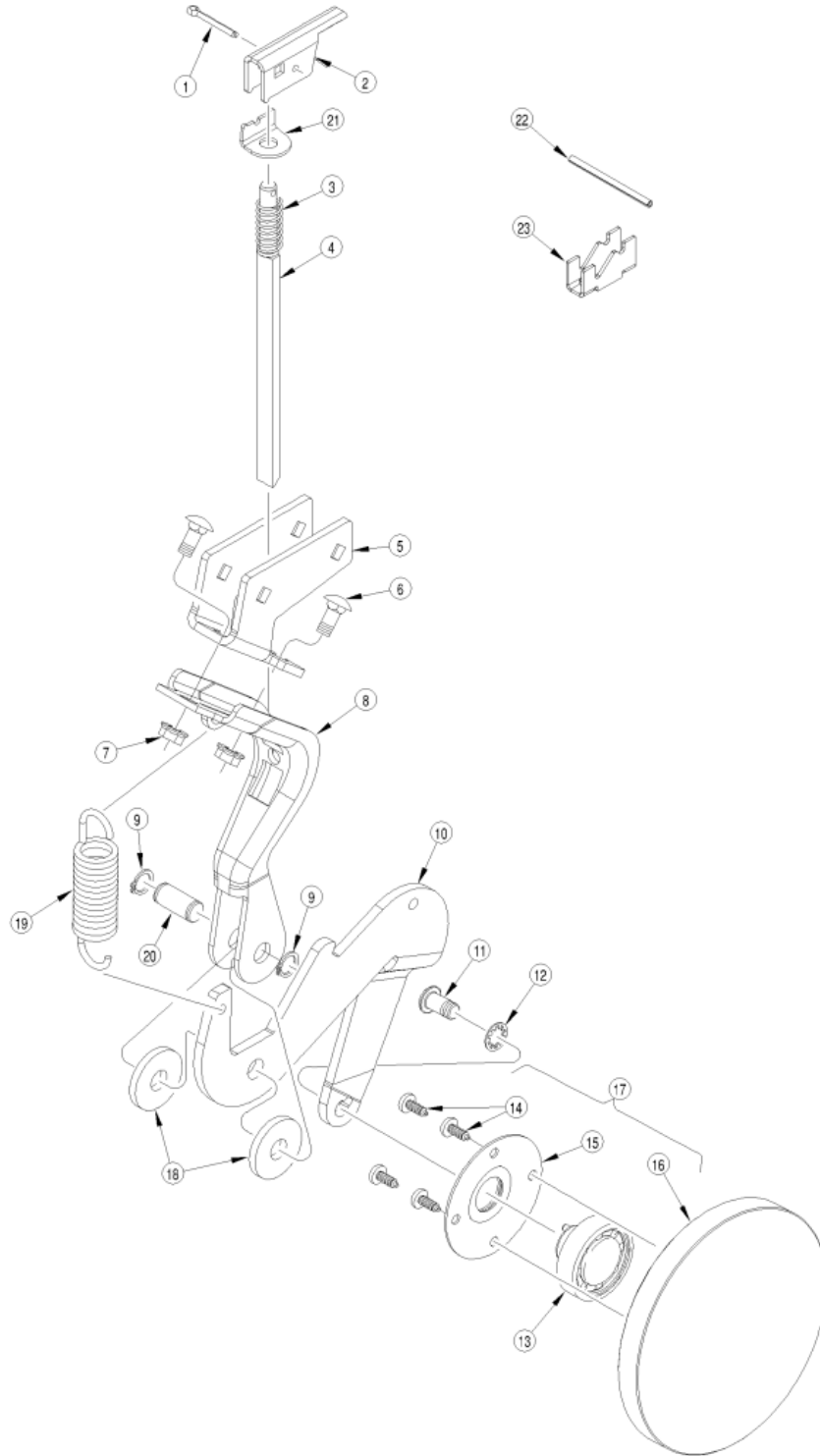
*This Page Intentionally Left Blank*

---

Ref.	Part No.	Part Description	Comments
49	404-192D	PIVOT PIN	
50	404-203D	SIDE STRAP	
51	403-725D	INNER STOP MOUNT	
52	404-204D	BEAM PIVOT PIN	
53	812-374C	CAST WALK BEAM	
54	833-531C	MS FC23 LOAD CELL	
55	805-063C	PIN COTTER 3/32 X 1 LONG	
56	804-100C	WASHER 3/4 X 17/32 X 18 GA PLT	
57	807-119C	SPRING COMP .72 X 1.5 X .072WD	
58	404-020D	PLANTER HANDLE	
59	403-724D	DEPTH ADJUSTMENT PIVOT	
60	830-405C	TE POLY 1/4 PUSH LOCK	
61	833-534C	FUSE ASSEMBLY	
62	833-532C	8' EXTENSION HARNESS	
63	833-533C	11' EXTENSION HARNESS	
64	990-262R	TUBING 3/8 X .275 BLK NYLON	
65	830-428C	AD 3/8 TUBE X 3/8 TUBE PTC	
66	830-422C	UNION Y-TUBE 1/4" PTC	
67	830-426C	AD 1/4MNPT X 3/8OD TUBE PTC	
68	811-255C	AD 3/8MNPT 1/4FNPT	
69	830-434C	AD 1/8MNPT X 3/8 TUBE PTC	
70	830-420C	BREATHER VENT 1/8" MNPT	
71	811-316C	PL 1/8MNPT	
72	804-050C	WASHER LOCK #6 SS	
73	803-065C	NUT HEX 6-32 SS	
74	833-535C	COMPRESSOR HARNESS	
75	468100200S1	DJ DWN PRESSURE I/O MODULE A/S	
76	468100210	DJ HARNESS, DOWN PRESSURE	
77	803-269C	NUT HEX 10-32 PLT	
78	801-168C	SCREW THUMB 3/8-16 X 5/8 PLT	
79	803-001C	NUT HEX 10-24 PLT	
80	002-102ST	EXTREME AIR FILTER HOUSING	Not shown. Air filter for 831-088C.

# Seed Lok 6" Assembly (404-093K)

Applies to Models: YP1625 (2005+), YP1225 (2005+)





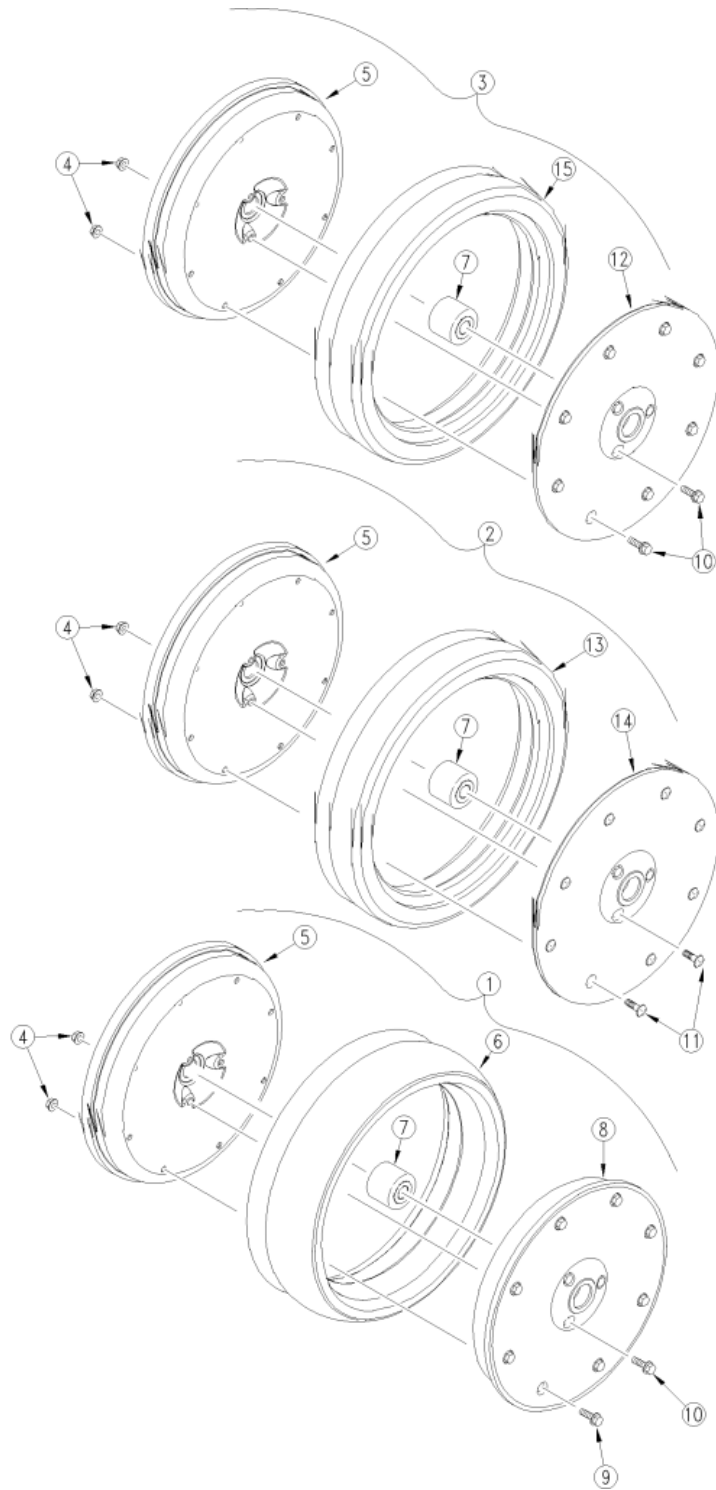
**Seed Lok 6" Assembly (404-093K)**

Applies to Models: YP1625 (2005+), YP1225 (2005+)

Ref.	Part No.	Part Description	Comments
	DWG17663	Image No.	
1	805-045C	PIN COTTER 5/32 X 1 1/4 LG	
2	404-213D	LEVER, SEED LOK	
3	807-106C	SPRING .540 O.D.X 1 1/4 X.054W	
4	404-088H	LOCK ROD WELD	
5	404-144D	RPBY 404-822H	
6	802-092C	RHSNB 5/16-18X3/4 GR5	
7	803-043C	NUT HEX WHIZ 5/16-18 PLT	
8	206-010D	JD KINZE SEED LOK LOWER MOUNT	
9	800-166C	SNAP RING 1/2 EXTERNAL HEAVY	
10	404-061D	SEED LOK WHEEL ARM	
11	801-078C	SCR HX SKT BUT CP 3/8-16X3/4	
12	804-078C	WASHER INTERNAL STAR 3/8 PLT.	
13	122-231A	RPBY 188-008V	
14	801-084C	SCR PH THD FMG #10X1/2 TP ZP	
15	816-173C	RETAINER W/BONDED SEAL 4BLT	
16	817-191C	5/8 X 6 SEED LOK WHEEL	
17	206-014S	6 SEED LOK ASSEMBLY	
18	206-012D	WASHER MACH 1.50 X .510 X 10G	
19	807-125C	SPRING EXT 1 X 4 X .135 WD	
20	206-011D	SEED LOK PIVOT PIN	
21	404-212D	LEVER STOP	
22	805-191C	PIN ROLL 5/32 X 2 1/2 PLT	
23	404-348D	LOCK SLIDE	

# Side Depth Wheel Assembly

Applies to Models: YP1625 (2005+), YP1225 (2005+)



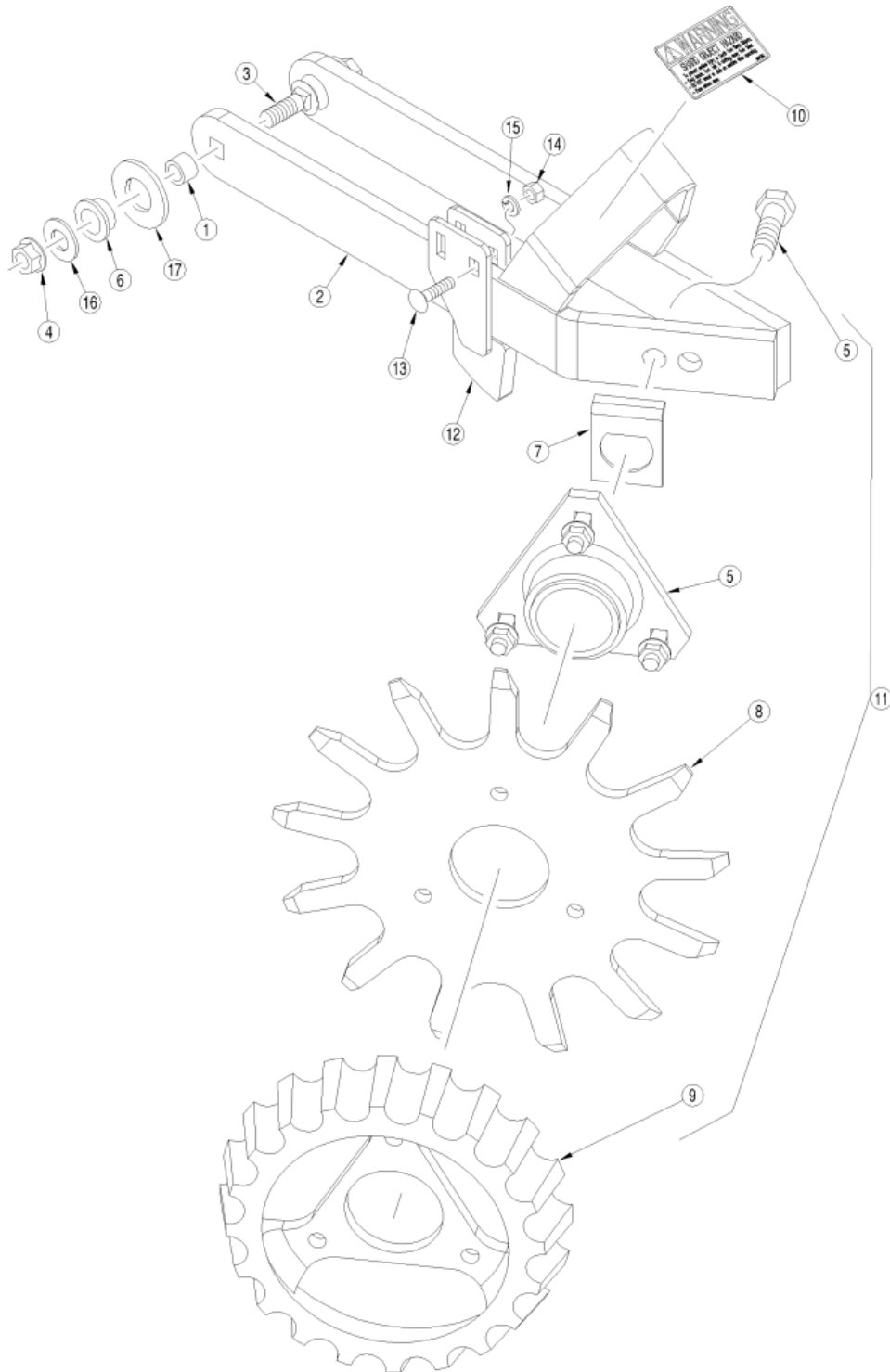
**Side Depth Wheel Assembly**

Applies to Models: YP1625 (2005+), YP1225 (2005+)

Ref.	Part No.	Part Description	Comments
	DWG21993	Image No.	
1	814-173C	4 X 16 GAUGE TIRE ASSY-PLASTIC	
2	814-257C	2.5X16 SIDE DEPTH WHEEL ASSY	
3	814-260C	3X16 SIDE DEPTH WHEEL ASSY	
4	803-177C	803-184 FLG TP LK 5/16-18ZNYCR	
5	814-175C	4 X 16 GAUGE WHEEL RIM	
6	814-113C	4 1/2 X 16 GAUGE TIRE	
7	822-170C	BRG .63ID PRESS WHL ASY	
8	817-331C	4 X 16 GAUGE WHEEL RIM HALF	
9	802-094C	HFSS 5/16-18X1 3/4 GR5	
10	802-431C	HFSS 5/16-18X1 GR5 PLT	
11	802-883C	HSBHCS 5/16-18X5/8" GR5	
12	817-541C	3X16 NYLON WHEEL HALF-40MM	
13	814-258C	2.25X16" TIRE FOR 814-257C	
14	814-259C	2.25X16" RIM HALF FOR 814-257C	
15	814-261C	3X 16" TIRE FOR 814-260C	

# Single Arm RC Assembly

Applies to Models: YP1625 (2005+), YP1225 (2005+)



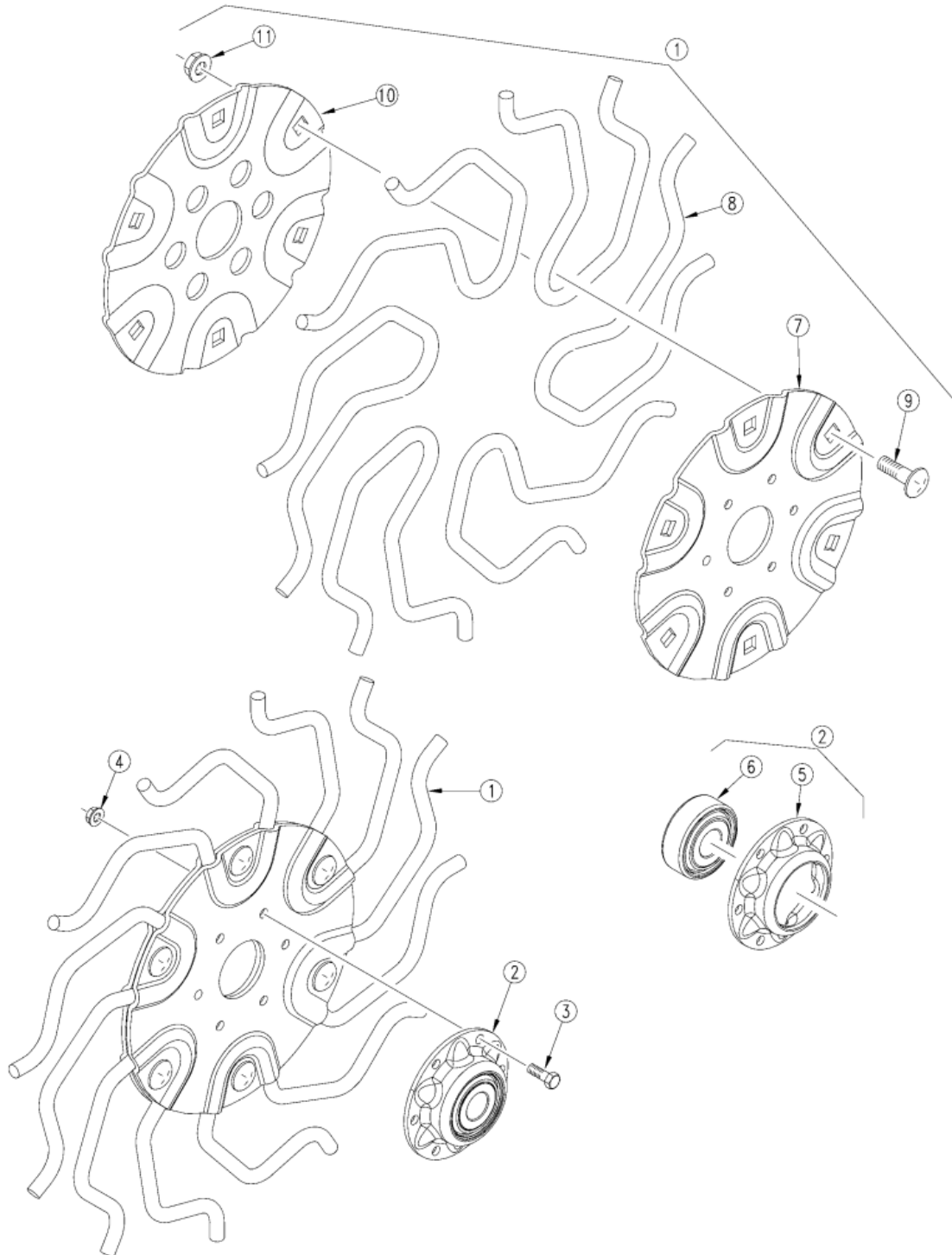
**Single Arm RC Assembly**

Applies to Models: YP1625 (2005+), YP1225 (2005+)

Ref.	Part No.	Part Description	Comments
	DWG22748	Image No.	
1	207-067D	UMC RC PIVOT TUBE	
2	207-095H	SINGLE ARM RC WLD RH	
2	207-094H	SINGLE ARM RC WLD LH	
3	802-331C	RHSNB 1/2-13X1 3/4 GR5	
4	803-169C	NUT HEX FLG LOCK 1/2-13 PLT	
5	815-255C	ROW CLEANER HUB ASM	Refer to "Hub Assembly (815-225C & 204-084S) for breakdown
6	817-615C	RC ARM PIVOT BUSHING	
7	828-057C	RC HUB LOCK	
8	828-059C	RIGID 13" ROW CLEANER RH	
8	828-058C	RIGID 13" ROW CLEANER LH	
9	828-060C	DEPTH BAND WHEEL	
10	818-525C	DECAL SHARP OBJECT WARNING	
11	207-142V	RIGID ROW CLEANER ASM RH	Contains 5, 8 & 9 only.
11	207-143V	RIGID ROW CLEANER ASM LH	Contains 5, 8 & 9 only.
12	207-148H	UM ROW CLEAN DOWN STOP WLDM	
13	802-009C	RHSNB 5/16-18X1 1/4 GR5	
14	803-008C	NUT HEX 5/16-18 PLT	
15	804-009C	WASHER LOCK SPRING 5/16 PLT	
16	804-017C	WASHER FLAT 1/2 USS PLT	
17	804-029C	WASHER FLAT 1 SAE	

# Terra-Tine 15" Wheel

Applies to Models: YP1625 (2005+), YP1225 (2005+)



**Terra-Tine 15" Wheel**

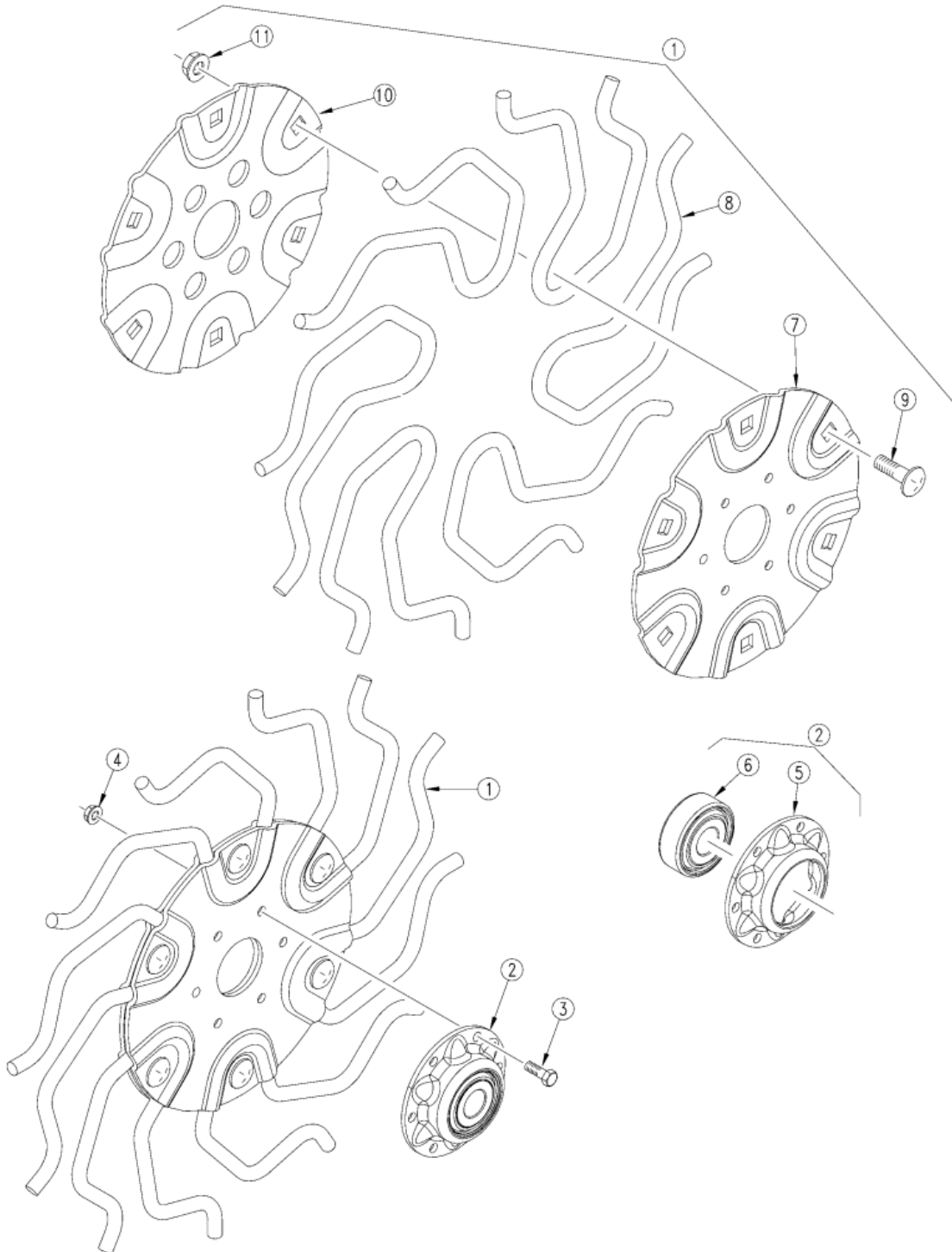
---

Applies to Models: YP1625 (2005+), YP1225 (2005+)

<b>Ref.</b>	<b>Part No.</b>	<b>Part Description</b>	<b>Comments</b>
	DWG18406	Image No.	
1	207-033S	TERRA-TINE WHL SUB-ASSY 15 RH	
1	207-034S	TERRA-TINE WHL SUB-ASSY 15 LH	
2	207-009S	FRONT FLANGE BEARING ASSEMBLY	
3	802-078C	HHCS 1/4-20X5/8 GR5	
4	803-230C	NUT HEX FLANGE 1/4-20 PLT	
5	890-466C	HSG RIBB FLG 6BOLT PLT	
6	188-007V	BEARING .760 BORE 205DD	
7	207-005D	TERRA-TINE FLANGE FRONT	
8	807-158C	SPRING TERRA-TINE FINGER 15	
9	802-149C	RHSNB 3/8-16X3/4 GR5	
10	207-004D	TERRA-TINE FLANGE BACK	
11	803-068C	NUT HEX FLANGE 3/8-16 PLT	

# Terra-Tine 16" Wheel

Applies to Models: YP1625 (2005+), YP1225 (2005+)





**Terra-Tine 16" Wheel**

---

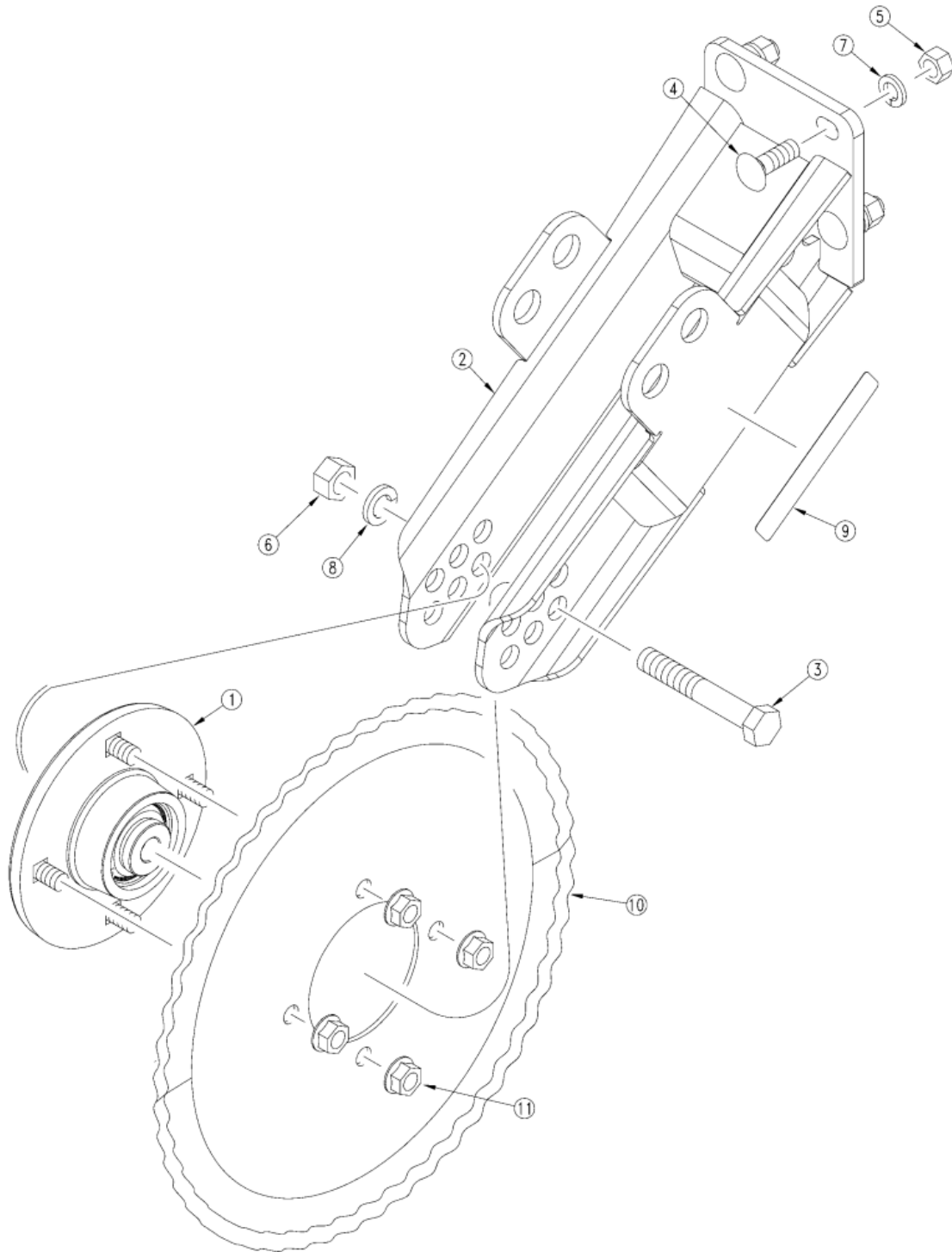
Applies to Models: YP1625 (2005+), YP1225 (2005+)

<b>Ref.</b>	<b>Part No.</b>	<b>Part Description</b>	<b>Comments</b>
	DWG18406	Image No.	
1	207-014S	TERRA-TINE WHEEL SUB-ASSY RH	
1	207-015S	TERRA-TINE WHEEL SUB ASSY LH	
2	207-009S	FRONT FLANGE BEARING ASSEMBLY	
3	802-078C	HHCS 1/4-20X5/8 GR5	
4	803-230C	NUT HEX FLANGE 1/4-20 PLT	
5	890-466C	HSG RIBB FLG 6BOLT PLT	
6	188-007V	BEARING .760 BORE 205DD	
7	207-005D	TERRA-TINE FLANGE FRONT	
8	807-137C	SPRING TERRA-TINE FINGER	
9	802-149C	RHSNB 3/8-16X3/4 GR5	
10	207-004D	TERRA-TINE FLANGE BACK	
11	803-068C	NUT HEX FLANGE 3/8-16 PLT	

Great Plains  
**Unit Mount Coulter**

Opener

Applies to Models: YP1625 (2005+), YP1225 (2005+)



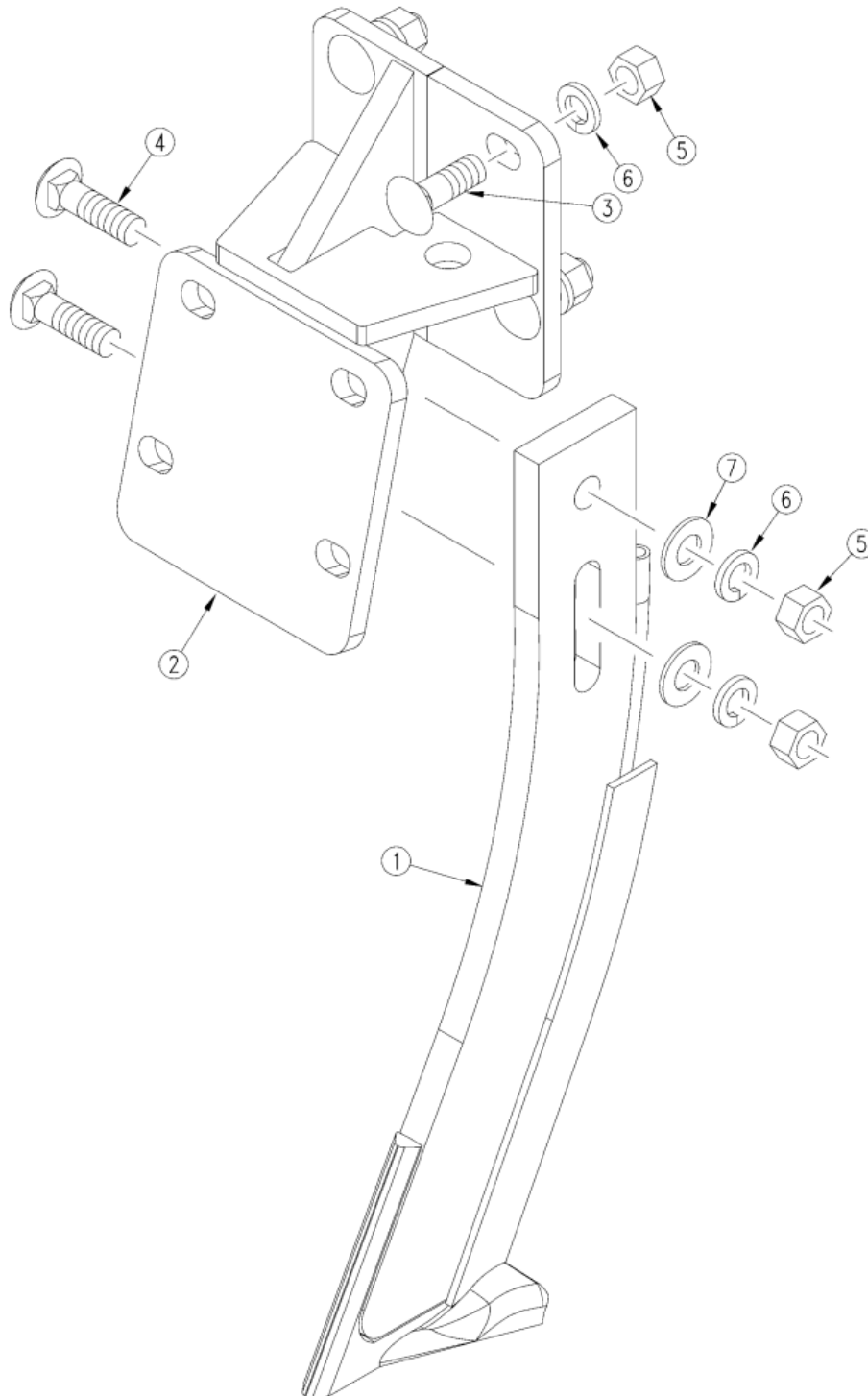
**Unit Mount Coulters**

Applies to Models: YP1625 (2005+), YP1225 (2005+)

Ref.	Part No.	Part Description	Comments
	DWG22774	Image No.	
1	204-084S	GP25S NARROW HUB ASM	Refer to "Hub Assembly (815-255C 204-084S)" for breakdown
2	204-139H	UNIT MOUNTED COULTER MOUNT	
3	802-060C	HHCS 5/8-11X4 GR5	
4	802-106C	RHSNB 1/2-13X1 1/2 GR5	
5	803-020C	NUT HEX 1/2-13 PLT	
6	803-021C	NUT HEX 5/8-11 PLT	
7	804-015C	WASHER LOCK SPRING 1/2 PLT	
8	804-022C	WASHER LOCK SPRING 5/8 PLT	
9	838-482C	DECAL GP PLANTING COMPONENTS	
10	820-259C	COULTER BLADE-14 DIA STRAIGHT	Used on VIII ONLY
10	820-327C	COULTER BLADE (TURBO) 15" OD	
10	820-331C	COULTER BLADE (FLUTED) 15" OD	Shown
11	803-193C	NUT HEX FLANGE 1/2-13 GR G PLT	

# VIII Extension and Shank

Applies to Models: YP1625 (2005+), YP1225 (2005+)



**VIII Extension and Shank**

---

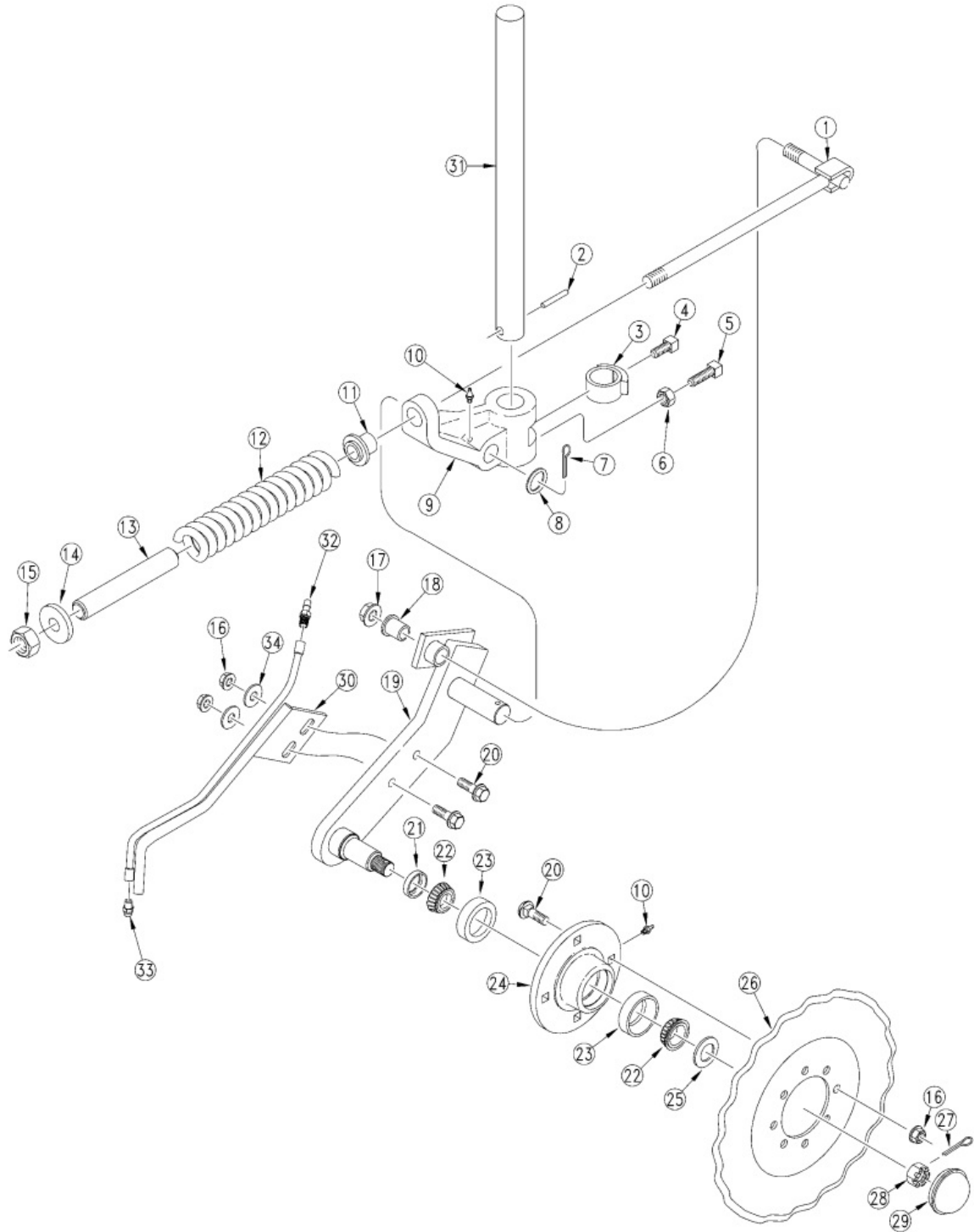
Applies to Models: YP1625 (2005+), YP1225 (2005+)

<b>Ref.</b>	<b>Part No.</b>	<b>Part Description</b>	<b>Comments</b>
	DWG22919	Image No.	
1	204-526H	OBSOLETE CURVED VIII SHANK	
2	207-096H	V3 UMC SPACER	
3	802-106C	RHSNB 1/2-13X1 1/2 GR5	
4	802-331C	RHSNB 1/2-13X1 3/4 GR5	
5	803-020C	NUT HEX 1/2-13 PLT	
6	804-015C	WASHER LOCK SPRING 1/2 PLT	
7	804-113C	WASHER FLAT 1/2 USS HARD PLT	

# Great Plains Zone Coulter

Opener

Applies to Models: YP1625 (2005+), YP1225 (2005+)

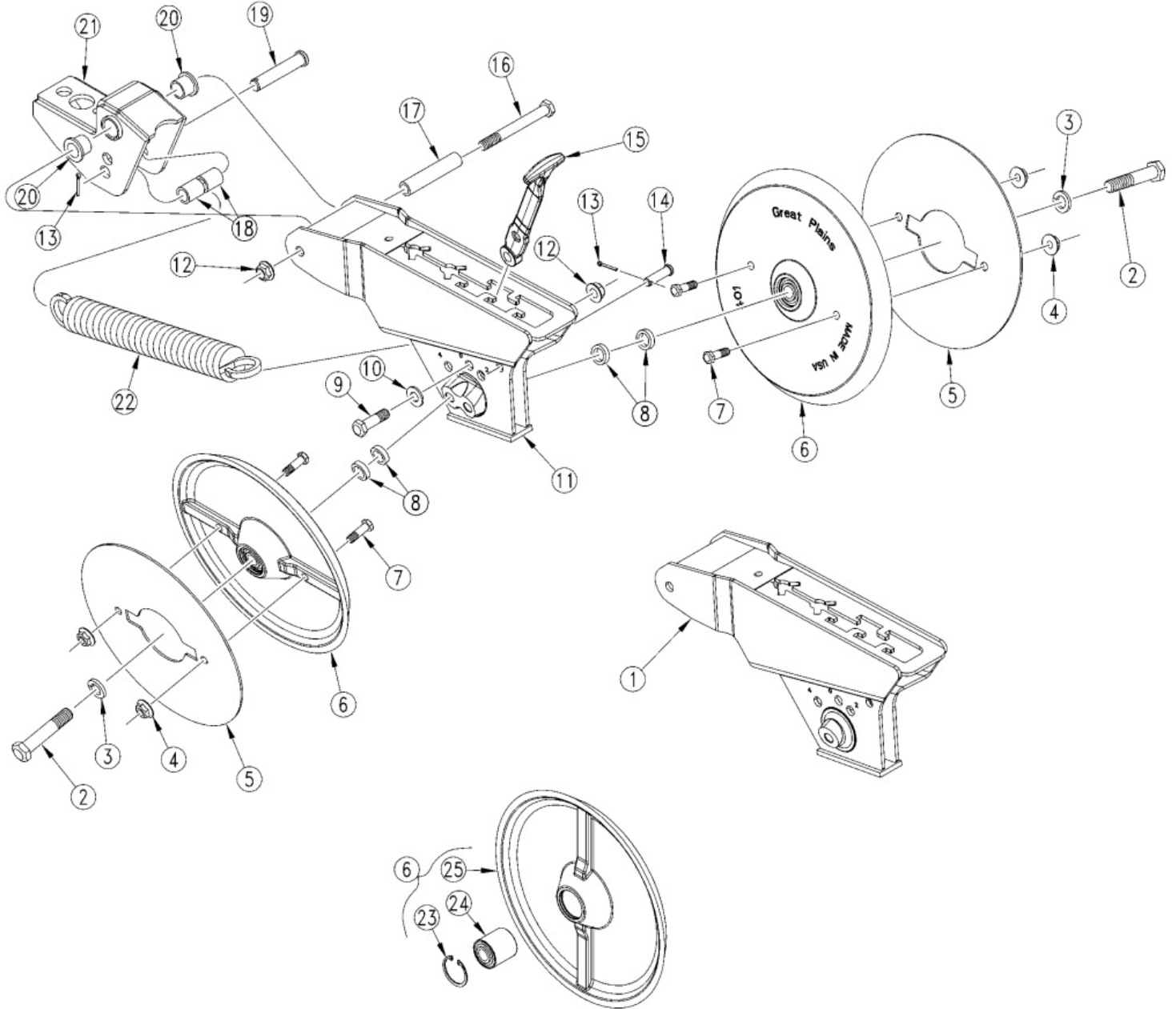


Applies to Models: YP1625 (2005+), YP1225 (2005+)

Ref.	Part No.	Part Description	Comments
	DWG22921	Image No.	
1	204-075H	COULTER SPRING ROD WLDMT	
2	805-043C	PIN SPIROL 3/8X2 1/2 PLAIN	
3	149-223H	RPBY 149-032D	
4	801-040C	SCREW SQ HD 5/8-11 X 1 CUP PT	
5	801-043C	SCREW SLOTTED RD HD 3/8-16 X 1	
6	803-023C	NUT HEX JAM 5/8-11 PLT	
7	805-021C	PIN COTTER 1/4 X 2 PLT	
8	804-039C	WASHER FLAT 1 1/4 SAE PLT	
9	204-419S	SWIVEL COULTR CASTING ASSY, R	
9	204-420S	SWIVEL COULTR CASTING ASSY, L	
10	800-001C	GREASE ZERK STRAIGHT 1/4-28	
11	817-029C	BUSHING COULTER CASTING	
12	149-559D	SPRING 2.25 O.D. X .5 COIL	
13	204-107D	SPRING ROD SLEEVE 1 1/8 OD	
14	149-558D	COULTER SPRING WASHER	
15	803-025C	NUT HEX 3/4-10 PLT NYLOCK	
16	803-193C	NUT HEX FLANGE 1/2-13 GR G PLT	
17	803-181C	NUT HEX FLANGE LOCK 3/4-10 PLT	
18	817-051C	SWING ARM BUSHING	
19	204-072H	COULTER SWING ARM WELDMENT	Shown
19	204-319H	COULTER SWING ARM LH	
19	204-596H	15" CLTR SWING ARM WELD LH	
19	204-595H	15" CLTR SWING ARM WELD RH	
20	802-214C	RHSNB 1/2-13X1 1/4 GR5	
21	816-009C	OIL SEAL DOUBLE LIP	
22	822-021C	BEARING CONE LM-67048	
23	822-020C	BEARING CUP LM-67010	
24	200-039V	COULTER HUB & CUP ASSY	
25	804-055C	WASHER SPINDLE - 7/8	
26	820-327C	COULTER BLADE WAVY	
26	820-331C	17 COULTER BLADE 3/4 WAVY	
26	820-180C	5/8 WAVY-20" TURBO BLADE	
27	805-017C	PIN COTTER 3/16 X 1 3/4 PLT	
28	803-029C	NUT HEX SLOTTED 7/8-14 PLT	
29	200-001D	HUB GREASE CAP	
30	204-439H	VANTAGE I RH FERTILIZER ARM	
30	204-438H	VANTAGE I LH FERTILIZER ARM	
31	204-025D	SHANK 1 1/2D X 16 FERT COULT	Shown
31	204-034D	SHANK 1 1/2D X 19 FERT COULT	
31	204-024D	SHANK 1 1/2DX12 5/8 FERT COULT	
31	820-323C	16IN ROUND SHANK 9.5IN OFFSET	
31	204-600H	YP LOW PRO 7 OFFSET SHANK WLD	
32	830-406C	AD 1/4MNPT X 3/8 HB SS	
33	828-046C	NOZZLE SOLIDSTRM H1/4U-SS0040	
34	804-113C	WASHER FLAT 1/2 USS HARD PLT	

# 12-12D Cast Press Wheels (S/N A1175K+) (S/N A1315B+)

Applies to Models: YP1625 (2005+), YP1225 (2005+)





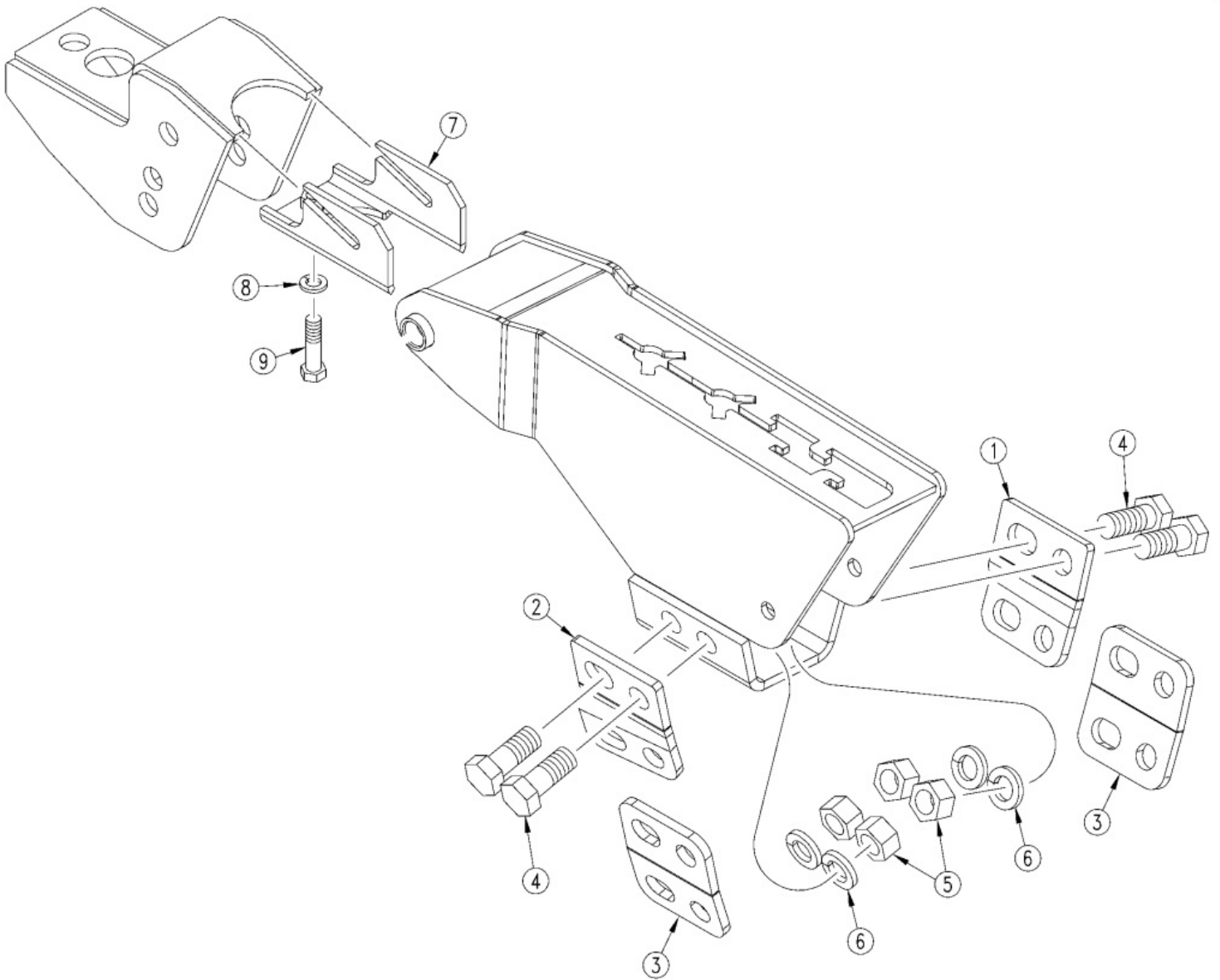
**12-12D Cast Press Wheels (S/N A1175K+) (S/N A1315B+)**

Applies to Models: YP1625 (2005+), YP1225 (2005+)

Ref.	Part No.	Part Description	Comments
	DWG34488	Image No.	
1	199-152H	25 SER 12 DEG ADJ PW ARM WLDMT	
2	802-160C	HHCS 5/8-11X3 1/4 GR5	
3	804-022C	WASHER LOCK SPRING 5/8 PLT	
4	803-171C	MAC-LOK 3/8-16 SUPER FLANGE	(ONLY) used with Staggered Press Wheel Weldment
5	199-135D	CAST PRESS WHEEL COVER DISK	(ONLY) used with Staggered Press Wheel Weldment
6	199-151S	CAST WEDGE PW ASY 40 DEG	Includes items: 23-25
7	802-079C	HHCS 3/8-16X1 1/4 GR5	(ONLY) used with Staggered Press Wheel Weldment
8	405-031D	1/4 PW SPACER 5/8 DIA	
9	802-082C	HHCS 1/2-13X1 3/4 GR5	
10	804-094C	WASHER FLAT 1/2 HARD ASTM F436	
11	199-153H	25 SER 12 DEG STAG PW ARM WLD	
12	803-169C	NUT HEX FLG LOCK 1/2-13 PLT	
13	805-363C	PIN COTTER 1/8 X 1	
14	805-436C	PIN CLEVIS 7/16 X 1 1/2	
15	812-398C	PRESS WHEEL SPRING ADJ HANDLE	
16	802-413C	HHCS 1/2-13X4 1/2 GR5	
17	199-114D	PRESS WHEEL PVT MNT TUBE	
18	199-113D	SPRING ALIGNMENT BUSHING	
19	805-432C	PIN CLEVIS 5/8 X 3 1/4	
20	817-084C	PARALLEL ARM PIVOT BUSHING	
21	199-141H	25P MID PW MOUNT	
22	807-278C	SPRING 1.8 OC X 11 LG	
23	800-054C	SNAP RING INT 40 MM	
24	822-170C	BRG .63ID PRESS WHL ASY	
25	199-128D	CAST WEDGE PW MACHINED 40 DEG	
26	199-140H	LONG PW MOUNT	

# Closing Wheel Drop Mount

Applies to Models: YP1625 (2005+), YP1225 (2005+)



## Closing Wheel Drop Mount

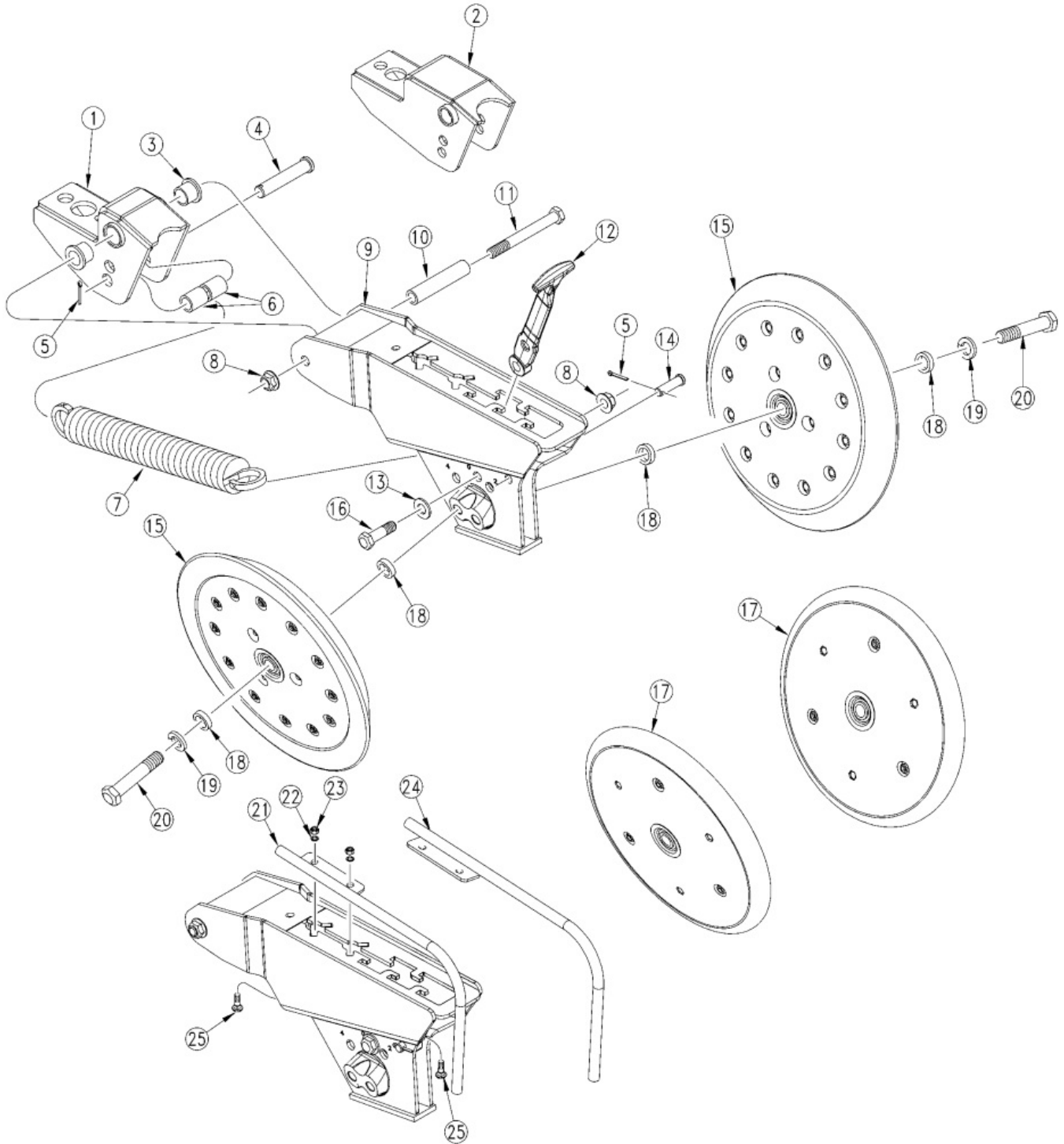
---

Applies to Models: YP1625 (2005+), YP1225 (2005+)

Ref.	Part No.	Part Description	Comments
	DWG29590	Image No.	
1	405-053D	RH CLOSING WHEEL DROP PLATE	
2	405-054D	LH CLOSING WHEEL DROP PLATE	
3	405-052D	PLATE 1X10 OFFSET TO 25P	
4	802-051C	HHCS 5/8-11X1 1/2 GR5	
5	803-021C	NUT HEX 5/8-11 PLT	
6	804-022C	WASHER LOCK SPRING 5/8 PLT	
7	405-028H	SPACER WELDMENT	
8	804-013C	WASHER LOCK SPRING 3/8 PLT	
9	802-022C	HHCS 3/8-16X1 1/2 GR5	

**Press Wheel Assembly 1.0 x 12.0 and 1.25 x 13.5 (S/N A1175K+) (S/N A1315B+)**

Applies to Models: YP1625 (2005+), YP1225 (2005+)



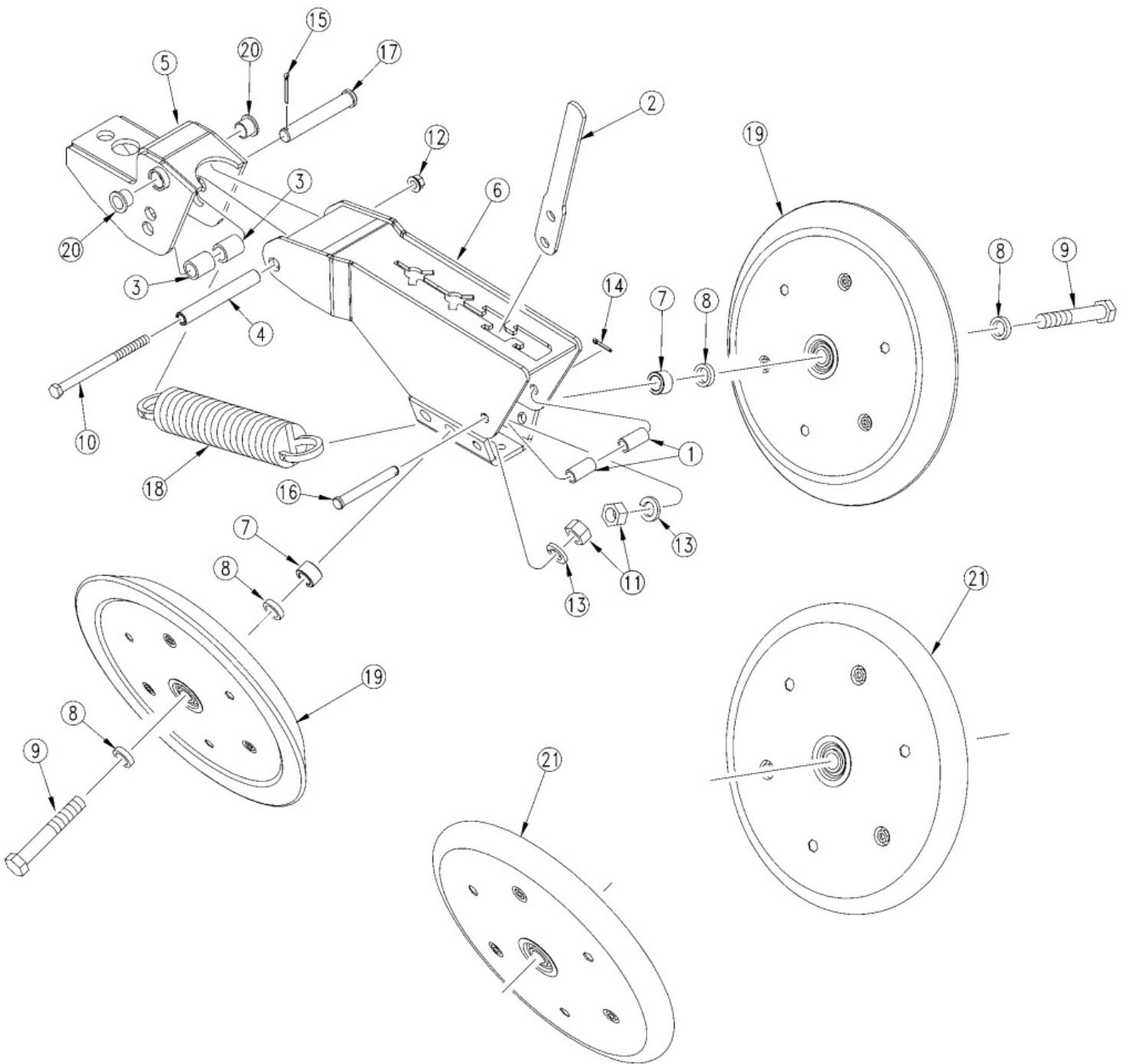
## ***Press Wheel Assembly 1.0 x 12.0 and 1.25 x 13.5 (S/N A1175K+) (S/N A1315B+)***

Applies to Models: YP1625 (2005+), YP1225 (2005+)

<b>Ref.</b>	<b>Part No.</b>	<b>Part Description</b>	<b>Comments</b>
	DWG34565	Image No.	
1	199-141H	25P MID PW MOUNT	
2	199-140H	LONG PW MOUNT	
3	817-084C	PARALLEL ARM PIVOT BUSHING	
4	805-432C	PIN CLEVIS 5/8 X 3 1/4	
5	805-363C	PIN COTTER 1/8 X 1	
6	199-113D	SPRING ALIGNMENT BUSHING	
7	807-278C	SPRING 1.8 OC X 11 LG	
8	803-169C	NUT HEX FLG LOCK 1/2-13 PLT	
9	199-153H	25 SER 12 DEG STAG PW ARM WLD	
10	199-114D	PRESS WHEEL PVT MNT TUBE	
11	802-413C	HHCS 1/2-13X4 1/2 GR5	
12	812-398C	PRESS WHEEL SPRING ADJ HANDLE	
13	804-094C	WASHER FLAT 1/2 HARD ASTM436	
14	805-436C	PIN CLEVIS 7/16 X 1 1/2	
15	814-400C	1.25 X 13.5 WEDGE HD PW ASSY	
16	802-082C	HHCS 1/2-13X1 3/4 GR5	
17	814-174C	1 X 12 PRESS WHL ASSY-5203BRG	
18	405-031D	1/4 PW SPACER 5/8 DIA	
19	804-022C	WASHER LOCK SPRING 5/8 PLT	
20	802-160C	HHCS 5/8-11X3 1/4 GR5	
21	204-133H	LH DRIBBLER TUBE	
22	804-009C	WASHER LOCK SPRING 5/16 PLT	
23	803-008C	NUT HEX 5/16-18 PLT	
24	204-134H	RH DRIBBLER TUBE	
25	802-092C	RHSNB 5/16-18X3/4 GR5	

**Press Wheel Assembly (S/N A1174K to A1174K) (S/N A1295B to A1314B)**

Applies to Models: YP1625 (2005+), YP1225 (2005+)



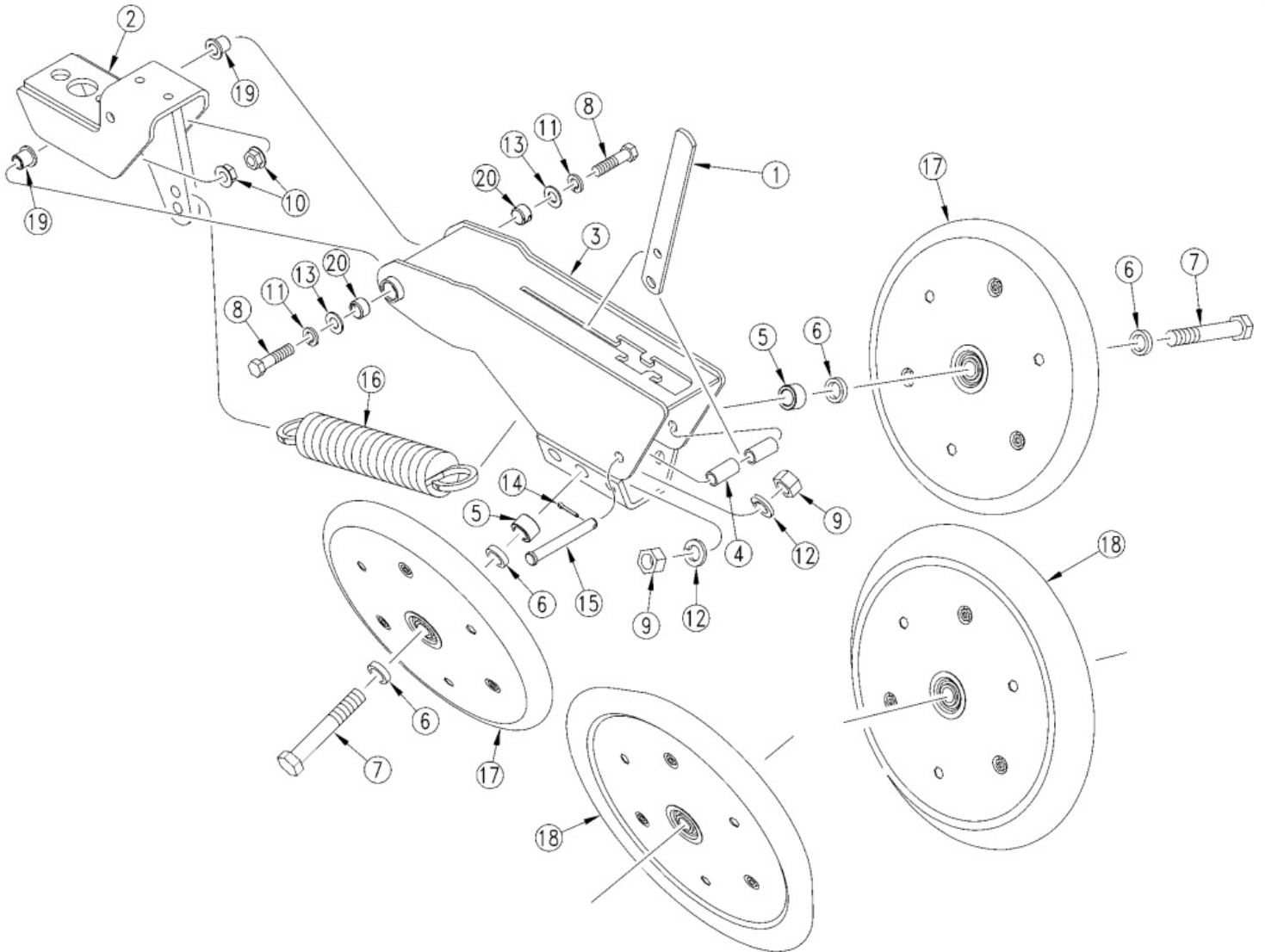
**Press Wheel Assembly (S/N A1174K to A1174K) (S/N A1295B to A1314B)**

Applies to Models: YP1625 (2005+), YP1225 (2005+)

Ref.	Part No.	Part Description	Comments
	DWG31518	Image No.	
1	199-088D	25P PW HANDLE SPACER TUBE	
2	199-107D	PW SPRING HANDLE	
3	199-113D	SPRING ALIGNMENT BUSHING	
4	199-114D	PRESS WHEEL PVT MNT TUBE	
5	199-140H	LONG PQ MOUNT	
5	199-141H	25P MID PW MOUNT	Shown
6	199-145H	25P 20 DEG CENTERED PW MOUNT	Shown. Used with 20 Deg Press Wheel
6	199-144H	25P 16 DEG CENTERED PW MOUNT	Used with 16 Deg Press Wheel
7	404-147D	PARALLEL ARM PIVOT TUBE	Only used with 20 Deg Press Wheel
8	405-031D	1/4 PW SPACER 5/8 DIA	
9	802-060C	HHCS 5/8-11X4 GR5	Shown. Used with 20 Deg Press Wheel
9	802-160C	HHCS 5/8-11X3 1/4 GR5	Used with 16 Deg Press Wheel
10	802-413C	HHCS 1/2-13X4 1/2 GR5	
11	803-021C	NUT HEX 5/8-11 PLT	
12	803-169C	NUT HEX FLG LOCK 1/2-13 PLT	
13	804-022C	WASHER LOCK SPRING 5/8 PLT	
14	805-067C	PIN COTTER 1/8 X 3/4	
15	805-109C	PIN COTTER 1/8 X 1 1/4 PLT	
16	805-183C	PIN CLVS .44X3.27 USBL	
17	805-432C	PIN CLEVIS 5/8 X 3 1/4	
18	807-278C	SPRING 1.8 OC X 11 LG	
19	814-238C	1.25 X 13.5 PRESS WHEEL ASSY	Refer to Press Wheel Breakdown for breakdown
20	817-084C	PARALLEL ARM PIVOT BUSHING	
21	814-174C	1 X 12 PRESS WHL ASSY-5203BRG	Refer to Press Wheel Breakdown for breakdown

# Press Wheel Assembly (S/N A1195B-) (S/N A1118K-)

Applies to Models: YP1625 (2005+), YP1225 (2005+)





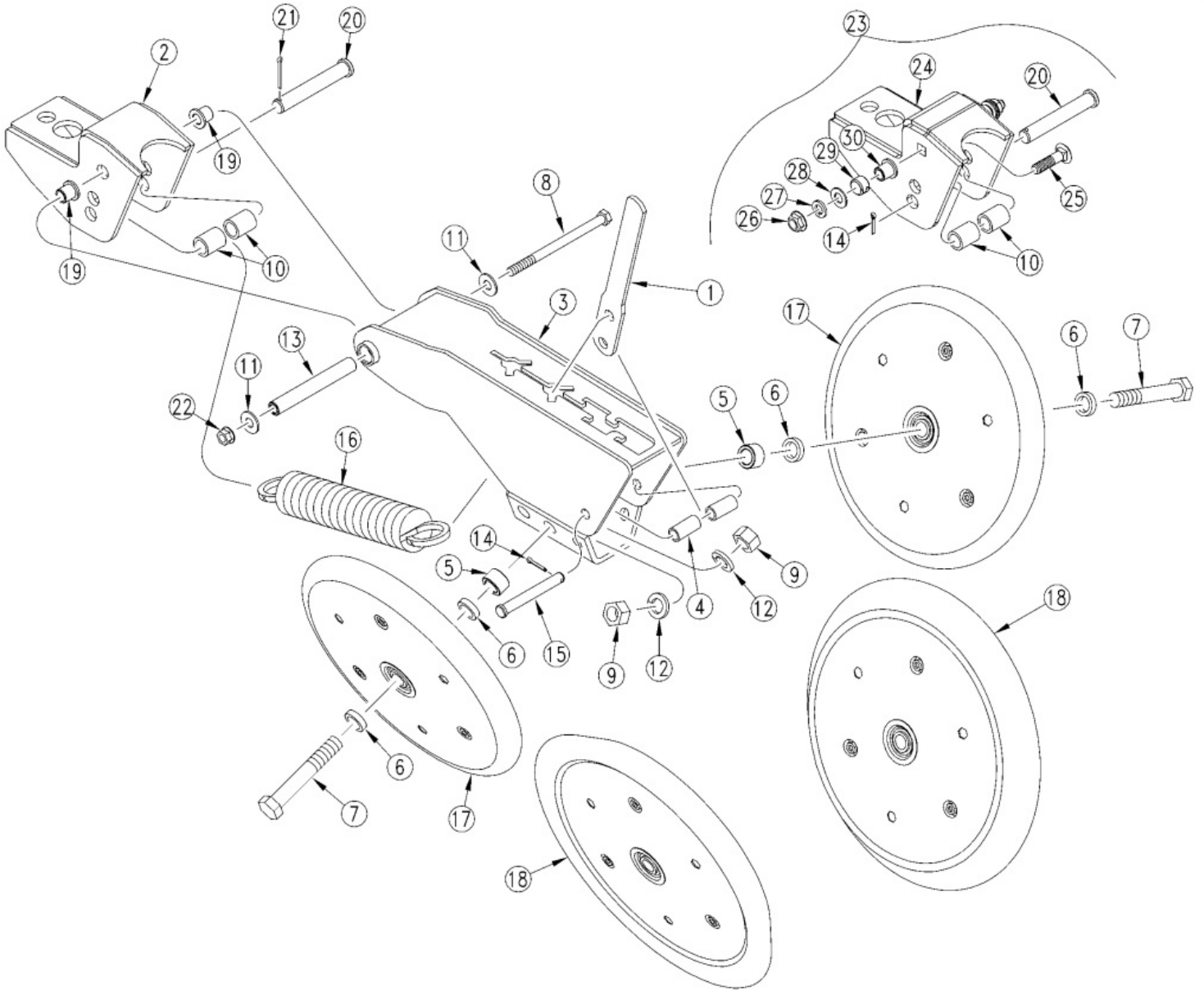
**Press Wheel Assembly (S/N A1195B-) (S/N A1118K-)**

Applies to Models: YP1625 (2005+), YP1225 (2005+)

Ref.	Part No.	Part Description	Comments
	DWG22759	Image No.	
1	199-011D	118-433DG HANDLE	
2	199-061H	25P SHORT PW MOUNT EXTENSION	
3	199-087H	25P 20 DEG CENTERED PW MOUNT	
4	199-088D	25P PW HANDLE SPACER TUBE	
5	404-147D	PARALLEL ARM PIVOT TUBE	
6	405-031D	1/4 PW SPACER 5/8 DIA	
7	802-060C	HHCS 5/8-11X4 GR5	
8	803-113C	NUT HEX METRIC M16 X 1.5 NYLCK	
9	803-021C	NUT HEX 5/8-11 PLT	
10	803-229C	NUT HEX FLANGE LOC 7/16-14 PLT	
11	804-014C	WASHER LOCK 7/16 PLT	
12	804-022C	WASHER LOCK SPRING 5/8 PLT	
13	804-041C	WASHER FLAT 7/16 SAE PLT	
14	805-067C	PIN COTTER 1/8 X 3/4	
15	805-183C	PIN CLVS .44X3.27 USBL	
16	807-113C	SPRING EXT 1 7/8ODX8 3/8X.25W	
17	814-174C	1 X 12 PRESS WHL ASSY-5203BRG	Refer to "Press Wheel Breakdowns" for breakdown
18	814-238C	1.25 X 13.5 PRESS WHEEL ASSY	Refer to "Press Wheel Breakdowns" for breakdown
19	890-524C	20 SER PW ARM PIVOT SPACER TB	
20	890-598C	BUSHING 3/4OD X 5/8ID X 1/2 LG	

**Press Wheel Assembly (S/N A1196B to A1194B) (S/N A1119K to A1173K)**

Applies to Models: YP1625 (2005+), YP1225 (2005+)



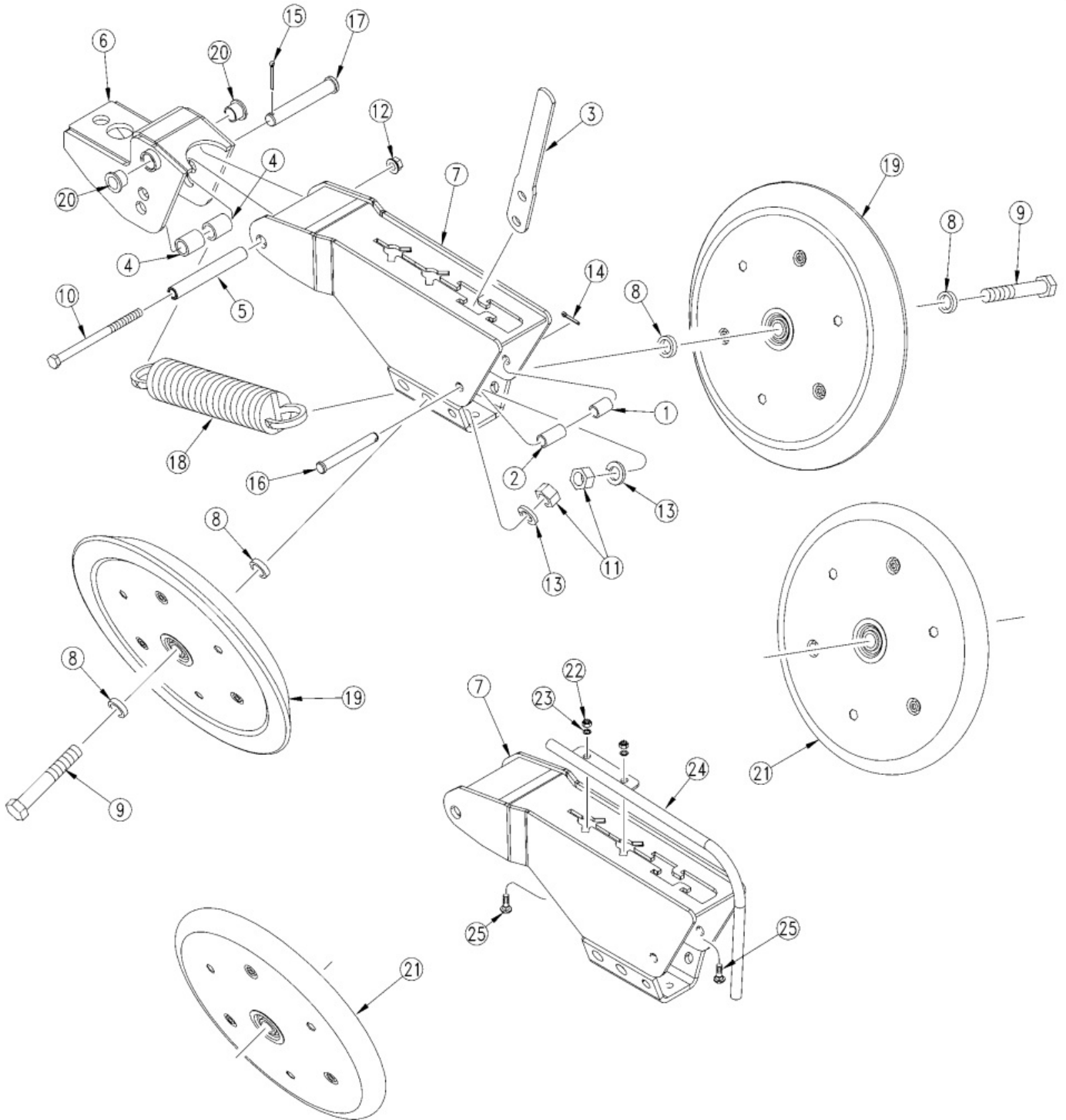
**Press Wheel Assembly (S/N A1196B to A1194B) (S/N A1119K to A1173K)**

Applies to Models: YP1625 (2005+), YP1225 (2005+)

Ref.	Part No.	Part Description	Comments
	DWG29331	Image No.	
1	199-107D	PW SPRING HANDLE	
2	199-109H	RPBY 199-147A	
2	199-108H	RPBY 199-146A	
3	199-059H	25P 16 DEG CENTERED PW MOUNT	
4	199-088D	25P PW HANDLE SPACER TUBE	
5	404-147D	PARALLEL ARM PIVOT TUBE	
6	405-031D	1/4 PW SPACER 5/8 DIA	
7	802-160C	HHCS 5/8-11X3 1/4 GR5	
8	802-616C	HHCS 3/8-16X5 1/2 GR5	
9	803-021C	NUT HEX 5/8-11 PLT	
10	199-113D	SPRING ALIGNMENT BUSHING	
11	804-011C	WASHER FLAT 3/8 USS PLT	
12	804-022C	WASHER LOCK SPRING 5/8 PLT	
13	199-106D	RPBY 199-146A OR 199-147A	
14	805-067C	PIN COTTER 1/8 X 3/4	
15	805-183C	PIN CLVS .44X3.27 USBL	
16	807-278C	SPRING 1 5/8 OD X 8.2	
17	814-174C	1 X 12 PRESS WHL ASSY-5203BRG	Refer to Press Wheel Breakdown for breakdown
18	814-238C	1.25 X 13.5 PRESS WHEEL ASSY	Refer to Press Wheel Breakdown for breakdown
19	817-083C	PRESS WHEEL ARM PIVOT BUSHING	
20	805-417C	PIN CLEVIS 5/8 X 3 49/64 USBL	
21	805-109C	PIN COTTER 1/8 X 1 1/4 PLT	
22	803-209C	NUT FLANGE LOCK 3/8-16 PLT	
23	199-147A	25P MID PW MOUNT KIT	
23	199-146A	25P LONG PW MOUNT KIT	
24	199-149H	25P MID PW MOUNT UPDATE	
24	199-148H	25P LONG PW MOUNT UPDATE	
25	802-030C	RHSNB 7/16-14X1 3/4 GR5	
26	803-229C	NUT HEX FLANGE LOC 7/16-14 PLT	
27	804-014C	WASHER LOCK 7/16 PLT	
28	804-041C	WASHER FLAT 7/16 SAE PLT	
29	890-598C	BUSHING 3/4OD X 5/8ID X 1/2 LG	
30	890-524C	20 SER PW ARM PIVOT SPACER TB	

**Press Wheel Assembly LH Short (S/N A1174K to A1174K) (S/N A1295B to A1314B)**

Applies to Models: YP1625 (2005+), YP1225 (2005+)



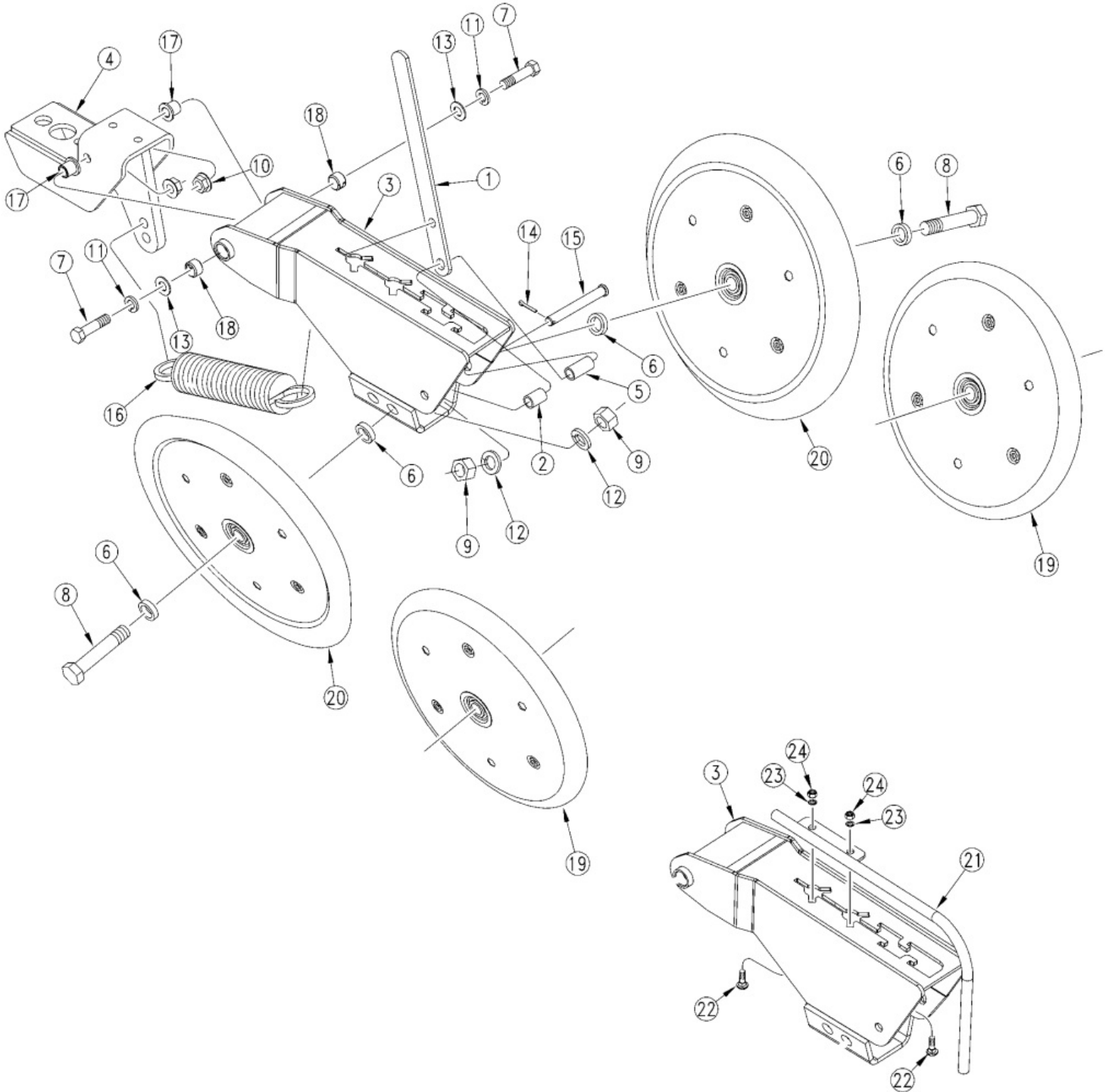
## Press Wheel Assembly LH Short (S/N A1174K to A1174K) (S/N A1295B to A1314B)

Applies to Models: YP1625 (2005+), YP1225 (2005+)

Ref.	Part No.	Part Description	Comments
	DWG31519	Image No.	
1	199-015D	PW HANDLE SPACER TUBE	
2	199-088D	25P PW HANDLE SPACER TUBE	
3	199-107D	PW SPRING HANDLE	
4	199-113D	SPRING ALIGNMENT BUSHING	
5	199-114D	PRESS WHEEL PVT MNT TUBE	
6	199-141H	25P MID PW MOUNT	
7	199-143H	25P LH OFFSET PW MOUNT	
8	405-031D	1/4 PW SPACER 5/8 DIA	
9	802-160C	HHCS 5/8-11X3 1/4 GR5	
10	802-413C	HHCS 1/2-13X4 1/2 GR5	
11	803-021C	NUT HEX 5/8-11 PLT	
12	803-169C	NUT HEX FLG LOCK 1/2-13 PLT	
13	804-022C	WASHER LOCK SPRING 5/8 PLT	
14	805-067C	PIN COTTER 1/8 X 3/4	
15	805-109C	PIN COTTER 1/8 X 1 1/4 PLT	
16	805-183C	PIN CLVS .44X3.27 USBL	
17	805-432C	PIN CLEVIS 5/8 X 3 1/4	
18	807-278C	SPRING 1.8 OC X 11 LG	
19	814-174C	1 X 12 PRESS WHL ASSY-5203BRG	Refer to Press Wheel Breakdown for breakdown
20	817-084C	PARALLEL ARM PIVOT BUSHING	
21	814-238C	1.25 X 13.5 PRESS WHEEL ASSY	Refer to Press Wheel Breakdown for breakdown
22	803-008C	NUT HEX 5/16-18 PLT	
23	804-009C	WASHER LOCK SPRING 5/16 PLT	
24	204-133H	LH DRIBBLER TUBE	
25	802-092C	RHSNB 5/16-18X3/4 GR5	

# Press Wheel Assembly LH Short (S/N A1195B-) (S/N A1118K-)

Applies to Models: YP1625 (2005+), YP1225 (2005+)



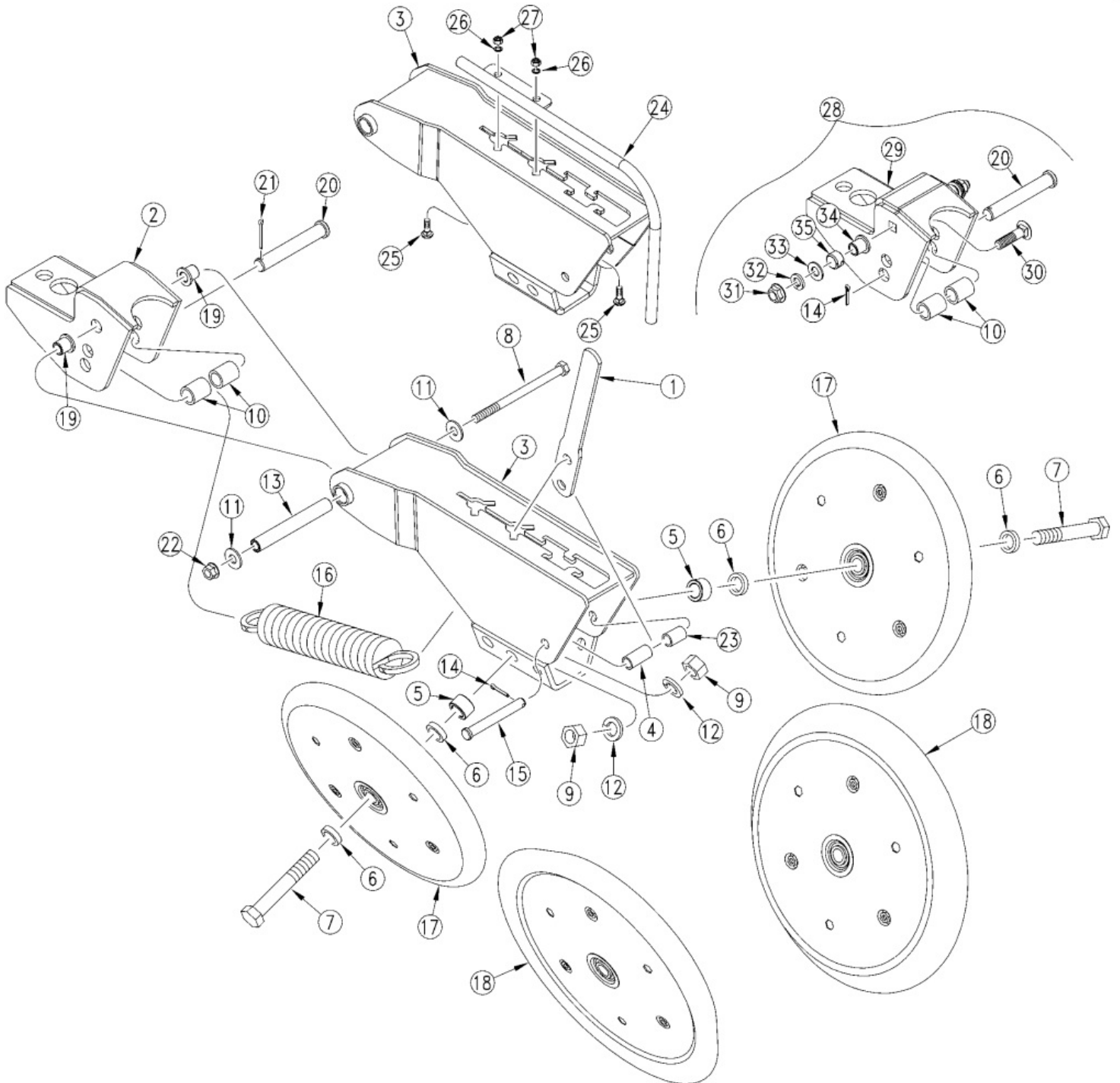
**Press Wheel Assembly LH Short (S/N A1195B-) (S/N A1118K-)**

Applies to Models: YP1625 (2005+), YP1225 (2005+)

Ref.	Part No.	Part Description	Comments
	DWG27174	Image No.	
1	199-011D	118-433DG HANDLE	
2	199-015D	PW HANDLE SPACER TUBE	
3	199-057H	25P RH OFFSET PW MOUNT	Used on short (front) stagger row units on twin row spacing
3	199-058H	25P LH OFFSET PW MOUNT	Used on long (rear) stagger row units on twin row spacing
4	199-060H	25P LONG PW MOUNT EXTENSION	
4	199-061H	25P SHORT PW MOUNT EXTENSION	
5	199-088D	25P PW HANDLE SPACER TUBE	
6	405-031D	1/4 PW SPACER 5/8 DIA	
7	802-113C	HHCS 7/16-14X1 3/4 GR5	
8	802-160C	HHCS 5/8-11X3 1/4 GR5	
9	803-021C	NUT HEX 5/8-11 PLT	
10	803-229C	NUT HEX FLANGE LOC 7/16-14 PLT	
11	804-014C	WASHER LOCK 7/16 PLT	
12	804-022C	WASHER LOCK SPRING 5/8 PLT	
13	804-041C	WASHER FLAT 7/16 SAE PLT	
14	805-067C	PIN COTTER 1/8 X 3/4	
15	805-183C	PIN CLVS .44X3.27 USBL	
16	807-113C	SPRING EXT 1 7/8ODX8 3/8X.25W	
17	890-524C	20 SER PW ARM PIVOT SPACER TB	
18	890-598C	BUSHING 3/4OD X 5/8ID X 1/2 LG	
19	814-174C	1 X 12 PRESS WHL ASSY-5203BRG	Refer to Press Wheel Breakdown for breakdown
20	814-238C	1.25 X 13.5 PRESS WHEEL ASSY	Refer to Press Wheel Breakdown for breakdown
21	204-133H	LH DRIBBLER TUBE	
22	802-092C	RHSNB 5/16-18X3/4 GR5	
23	804-009C	WASHER LOCK SPRING 5/16 PLT	
24	803-008C	NUT HEX 5/16-18 PLT	

**Press Wheel Assembly LH Short (S/N A1196B to A1194B) (S/N A1119K to A1173K)**

Applies to Models: YP1625 (2005+), YP1225 (2005+)





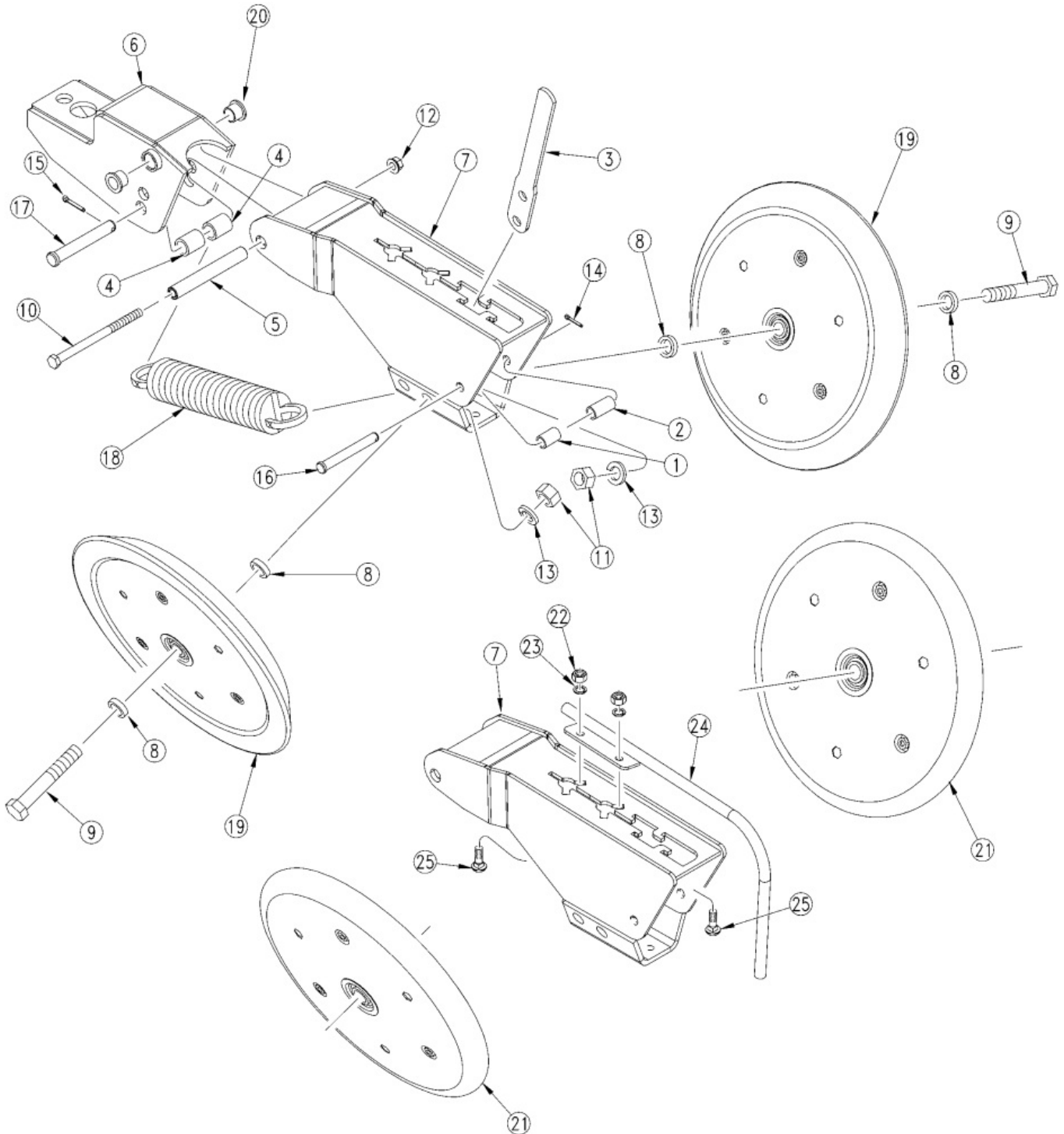
# Press Wheel Assembly LH Short (S/N A1196B to A1194B) (S/N A1119K to A1173K)

Applies to Models: YP1625 (2005+), YP1225 (2005+)

Ref.	Part No.	Part Description	Comments
	DWG29332	Image No.	
1	199-107D	PW SPRING HANDLE	
2	199-109H	RPBY 199-147A	
3	199-057H	25P RH OFFSET PW MOUNT	Used on Long (rear) Stagger row units on twin row spacing
3	199-058H	25P LH OFFSET PW MOUNT	Used on Long (rear) stagger row units on twin row spacing
4	199-088D	25P PW HANDLE SPACER TUBE	
5	404-147D	PARALLEL ARM PIVOT TUBE	
6	405-031D	1/4 PW SPACER 5/8 DIA	
7	802-160C	HHCS 5/8-11X3 1/4 GR5	
8	802-616C	HHCS 3/8-16X5 1/2 GR5	
9	803-021C	NUT HEX 5/8-11 PLT	
10	199-113D	SPRING ALIGNMENT BUSHING	
11	804-011C	WASHER FLAT 3/8 USS PLT	
12	804-022C	WASHER LOCK SPRING 5/8 PLT	
13	199-106D	RPBY 199-146A OR 199-147A	
14	805-067C	PIN COTTER 1/8 X 3/4	
15	805-183C	PIN CLVS .44X3.27 USBL	
16	807-278C	SPRING 1 5/8 OD X 8.2	
17	814-174C	1 X 12 PRESS WHL ASSY-5203BRG	Refer to Press Wheel Breakdown for breakdown
18	814-238C	1.25 X 13.5 PRESS WHEEL ASSY	Refer to Press Wheel Breakdown for Breakdown
19	817-083C	PRESS WHEEL ARM PIVOT BUSHING	
20	805-417C	PIN CLEVIS 5/8 X 3 49/64 USBL	
21	805-109C	PIN COTTER 1/8 X 1 1/4 PLT	
22	803-209C	NUT FLANGE LOCK 3/8-16 PLT	
23	199-015D	PW HANDLE SPACER TUBE	
24	204-133H	LH DRIBBLER TUBE	
25	802-092C	RHSNB 5/16-18X3/4 GR5	
26	804-009C	WASHER LOCK SPRING 5/16 PLT	
27	803-008C	NUT HEX 5/16-18 PLT	
28	199-147A	25P MID PW MOUNT KIT	Includes items 10, 14, 20 & 28-35
29	199-149H	25P MID PW MOUNT UPDATE	
30	802-030C	RHSNB 7/16-14X1 3/4 GR5	
31	803-229C	NUT HEX FLANGE LOC 7/16-14 PLT	
32	804-014C	WASHER LOCK 7/16 PLT	
33	804-041C	WASHER FLAT 7/16 SAE PLT	
34	890-524C	20 SER PW ARM PIVOT SPACER TB	
35	890-598C	BUSHING 3/4OD X 5/8ID X 1/2 LG	

**Press Wheel Assembly RH Long (S/N A1174K to A1174K) (S/N A1295B to A1314B)**

Applies to Models: YP1625 (2005+), YP1225 (2005+)



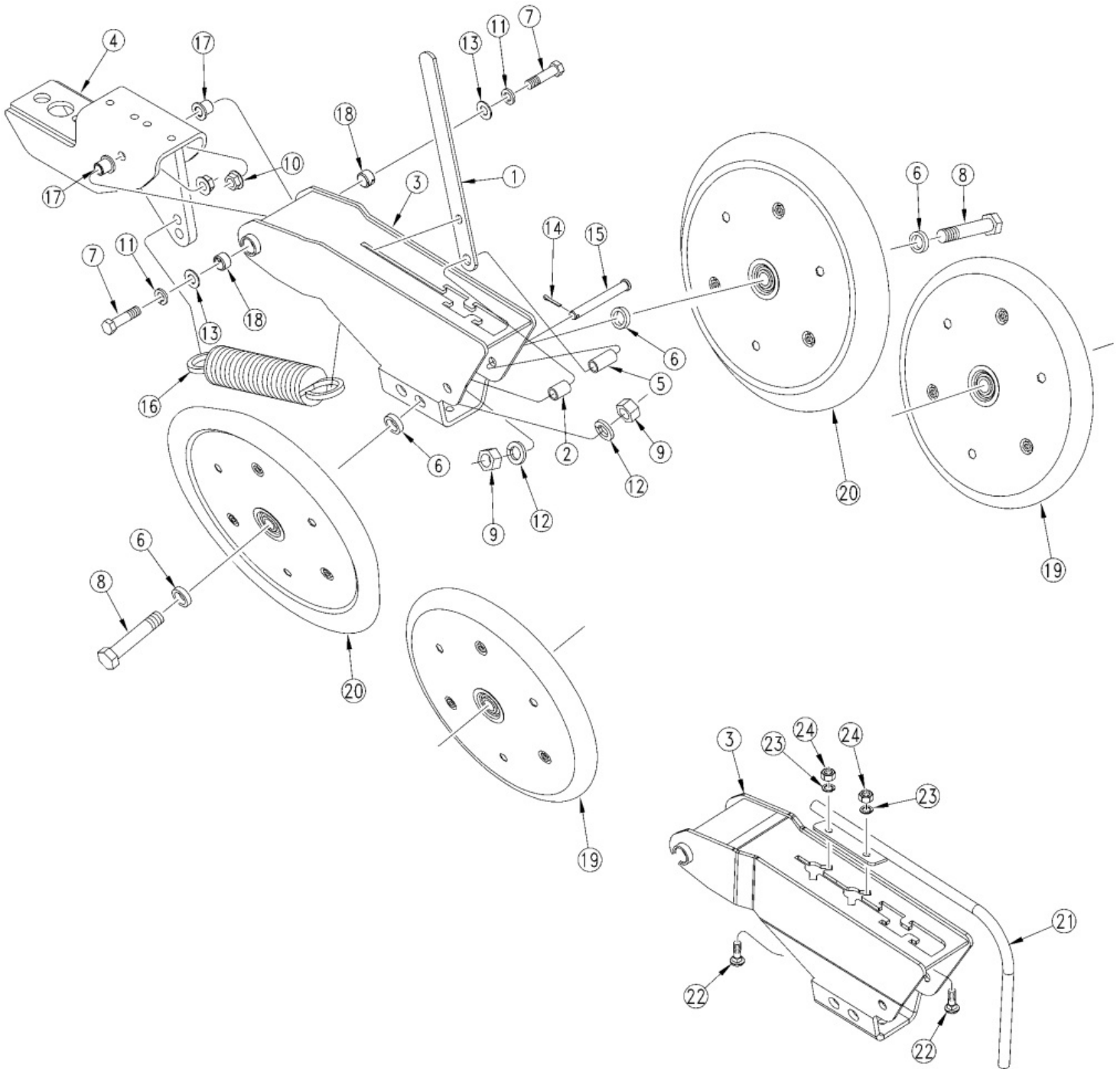
## Press Wheel Assembly RH Long (S/N A1174K to A1174K) (S/N A1295B to A1314B)

Applies to Models: YP1625 (2005+), YP1225 (2005+)

Ref.	Part No.	Part Description	Comments
	DWG31517	Image No.	
1	199-015D	PW HANDLE SPACER TUBE	
2	199-088D	25P PW HANDLE SPACER TUBE	
3	199-107D	PW SPRING HANDLE	
4	199-113D	SPRING ALIGNMENT BUSHING	
5	199-114D	PRESS WHEEL PVT MNT TUBE	
6	199-140H	LONG PQ MOUNT	
7	199-142H	25P RH OFFSET PW MOUNT	
8	405-031D	1/4 PW SPACER 5/8 DIA	
9	802-160C	HHCS 5/8-11X3 1/4 GR5	
10	802-413C	HHCS 1/2-13X4 1/2 GR5	
11	803-021C	NUT HEX 5/8-11 PLT	
12	803-169C	NUT HEX FLG LOCK 1/2-13 PLT	
13	804-022C	WASHER LOCK SPRING 5/8 PLT	
14	805-067C	PIN COTTER 1/8 X 3/4	
15	805-109C	PIN COTTER 1/8 X 1 1/4 PLT	
16	805-183C	PIN CLVS .44X3.27 USBL	
17	805-432C	PIN CLEVIS 5/8 X 3 1/4	
18	807-278C	SPRING 1.8 OC X 11 LG	
19	814-238C	1.25 X 13.5 PRESS WHEEL ASSY	Refer to Press Wheel Breakdown for breakdown
20	817-084C	PARALLEL ARM PIVOT BUSHING	
21	814-174C	1 X 12 PRESS WHL ASSY-5203BRG	Refer to Press Wheel Breakdown for breakdown
22	803-008C	NUT HEX 5/16-18 PLT	
23	804-009C	WASHER LOCK SPRING 5/16 PLT	
24	204-134H	RH DRIBBLER TUBE	
25	802-092C	RHSNB 5/16-18X3/4 GR5	

# Press Wheel Assembly RH Long (S/N A1195B-) (S/N A1118K-)

Applies to Models: YP1625 (2005+), YP1225 (2005+)



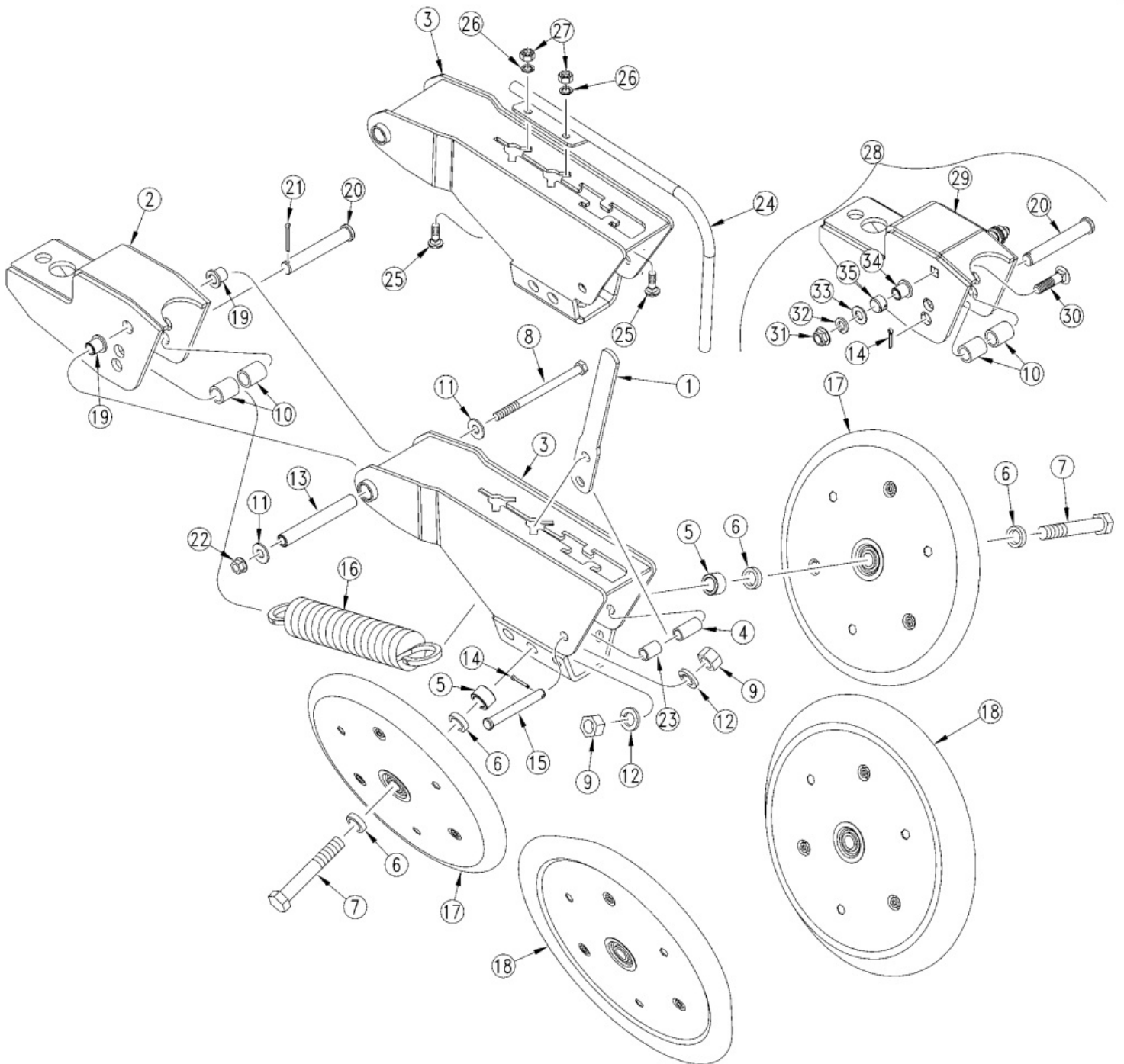
**Press Wheel Assembly RH Long (S/N A1195B-) (S/N A1118K-)**

Applies to Models: YP1625 (2005+), YP1225 (2005+)

Ref.	Part No.	Part Description	Comments
	DWG27175	Image No.	
1	199-011D	118-433DG HANDLE	
2	199-015D	PW HANDLE SPACER TUBE	
3	199-057H	25P RH OFFSET PW MOUNT	Used on short (front) stegger row units on twin row spacing
4	199-060H	25P LONG PW MOUNT EXTENSION	Used on short (front) stegger row units on twin row spacing
5	199-088D	25P PW HANDLE SPACER TUBE	
6	405-031D	1/4 PW SPACER 5/8 DIA	
7	802-113C	HHCS 7/16-14X1 3/4 GR5	
8	802-160C	HHCS 5/8-11X3 1/4 GR5	
9	803-021C	NUT HEX 5/8-11 PLT	
10	803-229C	NUT HEX FLANGE LOC 7/16-14 PLT	
11	804-014C	WASHER LOCK 7/16 PLT	
12	804-022C	WASHER LOCK SPRING 5/8 PLT	
13	804-041C	WASHER FLAT 7/16 SAE PLT	
14	805-067C	PIN COTTER 1/8 X 3/4	
15	805-183C	PIN CLVS .44X3.27 USBL	
16	807-113C	SPRING EXT 1 7/8ODX8 3/8X.25W	
17	890-524C	20 SER PW ARM PIVOT SPACER TB	
18	890-598C	BUSHING 3/4OD X 5/8ID X 1/2 LG	
19	814-174C	1 X 12 PRESS WHL ASSY-5203BRG	Refer to Press Wheel Breakdown for breakdown
20	814-238C	1.25 X 13.5 PRESS WHEEL ASSY	Refer to Press Wheel Breakdown for breakdown
21	204-134H	RH DRIBBLER TUBE	
22	802-092C	RHSNB 5/16-18X3/4 GR5	
23	804-009C	WASHER LOCK SPRING 5/16 PLT	
24	803-008C	NUT HEX 5/16-18 PLT	

**Press Wheel Assembly RH Long (S/N A1196B to A1194B) (S/N A1119K to A1173K)**

Applies to Models: YP1625 (2005+), YP1225 (2005+)



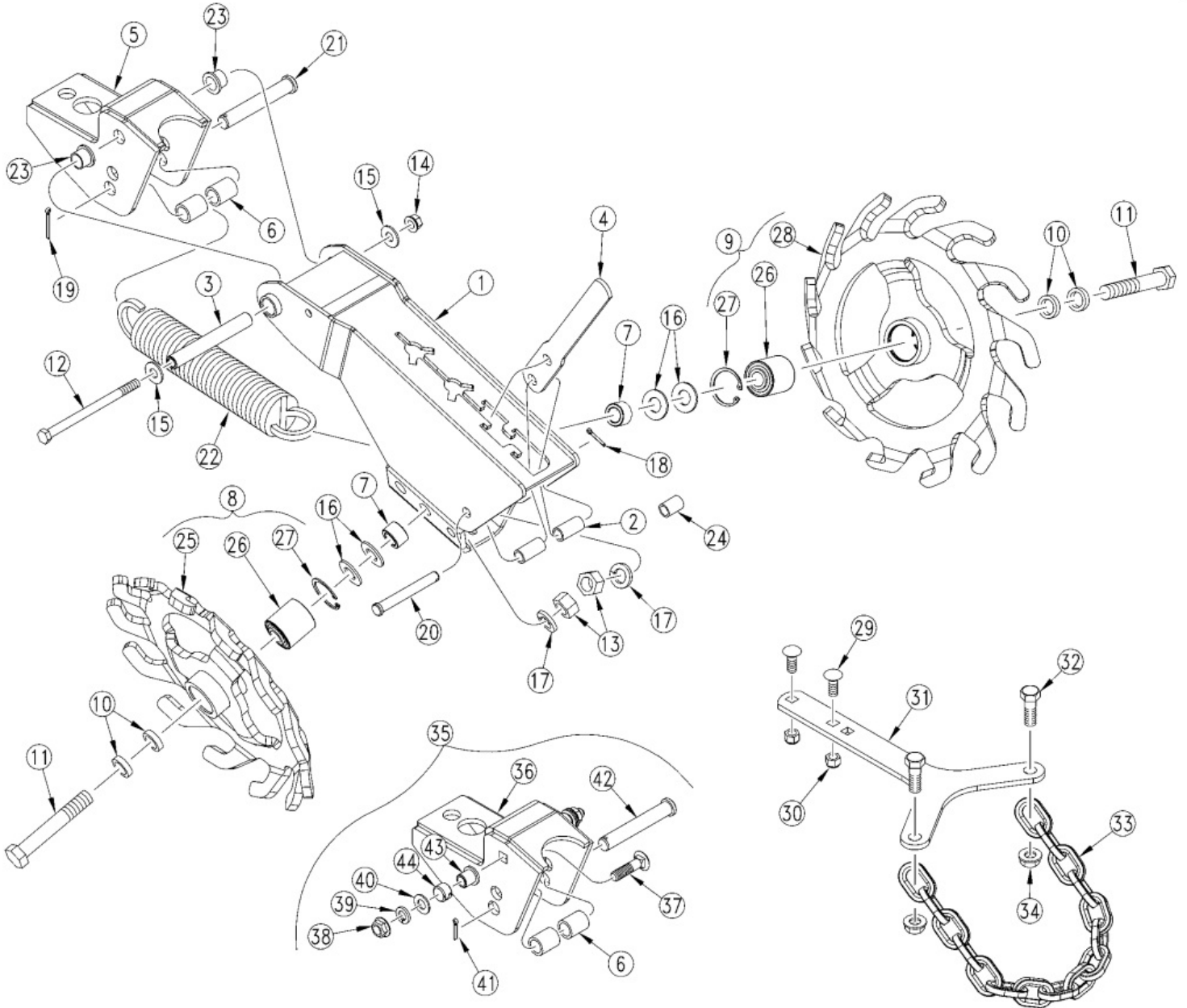
## Press Wheel Assembly RH Long (S/N A1196B to A1194B) (S/N A1119K to A1173K)

Applies to Models: YP1625 (2005+), YP1225 (2005+)

Ref.	Part No.	Part Description	Comments
	DWG29333	Image No.	
1	199-107D	PW SPRING HANDLE	
2	199-108H	RPHY 199-146A	
3	199-057H	25P RH OFFSET PW MOUNT	Used on short (front) Stegger row units on twin row spacing
3	199-060H	25P LONG PW MOUNT EXTENSION	Used on short (front) Stegger row units on twin row spacing
4	199-088D	25P PW HANDLE SPACER TUBE	
5	404-147D	PARALLEL ARM PIVOT TUBE	
6	405-031D	1/4 PW SPACER 5/8 DIA	
7	802-160C	HHCS 5/8-11X3 1/4 GR5	
8	802-616C	HHCS 3/8-16X5 1/2 GR5	
9	803-021C	NUT HEX 5/8-11 PLT	
10	199-113D	SPRING ALIGNMENT BUSHING	
11	804-011C	WASHER FLAT 3/8 USS PLT	
12	804-022C	WASHER LOCK SPRING 5/8 PLT	
13	199-106D	RPHY 199-146A OR 199-147A	
14	805-067C	PIN COTTER 1/8 X 3/4	
15	805-183C	PIN CLVS .44X3.27 USBL	
16	807-278C	SPRING 1 5/8 OD X 8.2	
17	814-174C	1 X 12 PRESS WHL ASSY-5203BRG	Refer to Press Wheel Breakdown for breakdown
18	814-238C	1.25 X 13.5 PRESS WHEEL ASSY	Refer to Press Wheel Breakdown for breakdown
19	817-083C	PRESS WHEEL ARM PIVOT BUSHING	
20	805-417C	PIN CLEVIS 5/8 X 3 49/64 USBL	
21	805-109C	PIN COTTER 1/8 X 1 1/4 PLT	
22	803-209C	NUT FLANGE LOCK 3/8-16 PLT	
23	199-015D	PW HANDLE SPACER TUBE	
24	204-134H	RH DRIBBLER TUBE	
25	802-092C	RHSNB 5/16-18X3/4 GR5	
26	804-009C	WASHER LOCK SPRING 5/16 PLT	
27	803-008C	NUT HEX 5/16-18 PLT	
28	199-146A	25P LONG PW MOUNT KIT	
29	199-148H	25P LONG PW MOUNT UPDATE	
30	802-030C	RHSNB 7/16-14X1 3/4 GR5	
31	803-229C	NUT HEX FLANGE LOC 7/16-14 PLT	
32	804-014C	WASHER LOCK 7/16 PLT	
33	804-041C	WASHER FLAT 7/16 SAE PLT	
34	890-524C	20 SER PW ARM PIVOT SPACER TB	
35	890-598C	BUSHING 3/4OD X 5/8ID X 1/2 LG	

**Press Wheel Assembly with Spider Wheels (S/N A1173K-) (S/N A1294B-)**

Applies to Models: YP1225 (2005+)





**Press Wheel Assembly with Spider Wheels (S/N A1173K-) (S/N A1294B-)**

Applies to Models: YP1225 (2005+)

Ref.	Part No.	Part Description	Comments
	DWG29716	Image No.	
1	199-087H	25P 20 DEG CENTERED PW MOUNT	Shown
1	199-057H	25P RH OFFSET PW MOUNT	
1	199-058H	25P LH OFFSET PW MOUNT	
1	199-059H	25P 16 DEG CENTERED PW MOUNT	Used on 16 Deg. 10" Spacing
2	199-088D	25P PW HANDLE SPACER TUBE	
3	199-106D	RPBY 199-146A OR 199-147A	
4	199-107D	PW SPRING HANDLE	
5	199-108H	RPBY 199-146A	
5	199-109H	RPBY 199-147A	
6	199-113D	SPRING ALIGNMENT BUSHING	
7	404-147D	PARALLEL ARM PIVOT TUBE	Used with 199-087H
8	405-023S	LH 45 DEG TOOTH WHEEL ASM	
9	405-024S	RH 45 DEG TOOTH WHEEL ASM	
10	405-031D	1/4 PW SPACER 5/8 DIA	
11	802-060C	HHCS 5/8-11X4 GR5	
11	802-162C	HHCS 5/8-11X3 1/2 GR5	Used on 16 Deg. 10" Spacing
12	802-616C	HHCS 3/8-16X5 1/2 GR5	
13	803-021C	NUT HEX 5/8-11 PLT	
14	803-209C	NUT FLANGE LOCK 3/8-16 PLT	
15	804-011C	WASHER FLAT 3/8 USS PLT	
16	804-021C	WASHER FLAT 5/8 SAE PLT	
17	804-022C	WASHER LOCK SPRING 5/8 PLT	
18	805-067C	PIN COTTER 1/8 X 3/4	
19	805-109C	PIN COTTER 1/8 X 1 1/4 PLT	
20	805-183C	PIN CLVS .44X3.27 USBL	
21	805-417C	PIN CLEVIS 5/8 X 3 49/64 USBL	
22	807-278C	SPRING 1 5/8 OD X 8.2	
23	817-083C	PRESS WHEEL ARM PIVOT BUSHING	
24	199-015D	PW HANDLE SPACER TUBE	Used on LH or RH press wheel mount
25	405-021H	LH 45 DEG TOOTH CLOSING WHEEL	
26	822-170C	BRG .63ID PRESS WHL ASY	
27	800-054C	SNAP RING INT 40 MM	
28	405-022H	RH 45 DEG TOOTH CLOSING WHEEL	
29	802-015C	RHSNB 3/8-16X1 GR5	
30	803-078C	NUT LOCK 3/8-16 NYLON INSERT	
31	405-055D	PLANTER DRAG CHAIN MOUNT	Shown
31	405-057D	PLANTER DRAG CHAIN MNT NARROW	Used on 16 Deg. 10" Spacing
32	802-029C	HHCS 7/16-14X1 1/2 GR5	
33	891-186C	TWIST LINK DRAG CHAIN 16 PITCH	
34	803-229C	NUT HEX FLANGE LOC 7/16-14 PLT	
35	199-146A	25P LONG PW MOUNT KIT	
35	199-147A	25P MID PW MOUNT KIT	
36	199-148H	25P LONG PW MOUNT UPDATE	
36	199-149H	25P MID PW MOUNT UPDATE	
37	802-030C	RHSNB 7/16-14X1 3/4 GR5	
38	803-229C	NUT HEX FLANGE LOC 7/16-14 PLT	
39	804-014C	WASHER LOCK 7/16 PLT	
40	804-041C	WASHER FLAT 7/16 SAE PLT	
41	805-067C	PIN COTTER 1/8 X 3/4	

***Press Wheel Assembly with Spider Wheels (S/N A1173K-) (S/N A1294B-)***

---

*This Page Intentionally Left Blank*

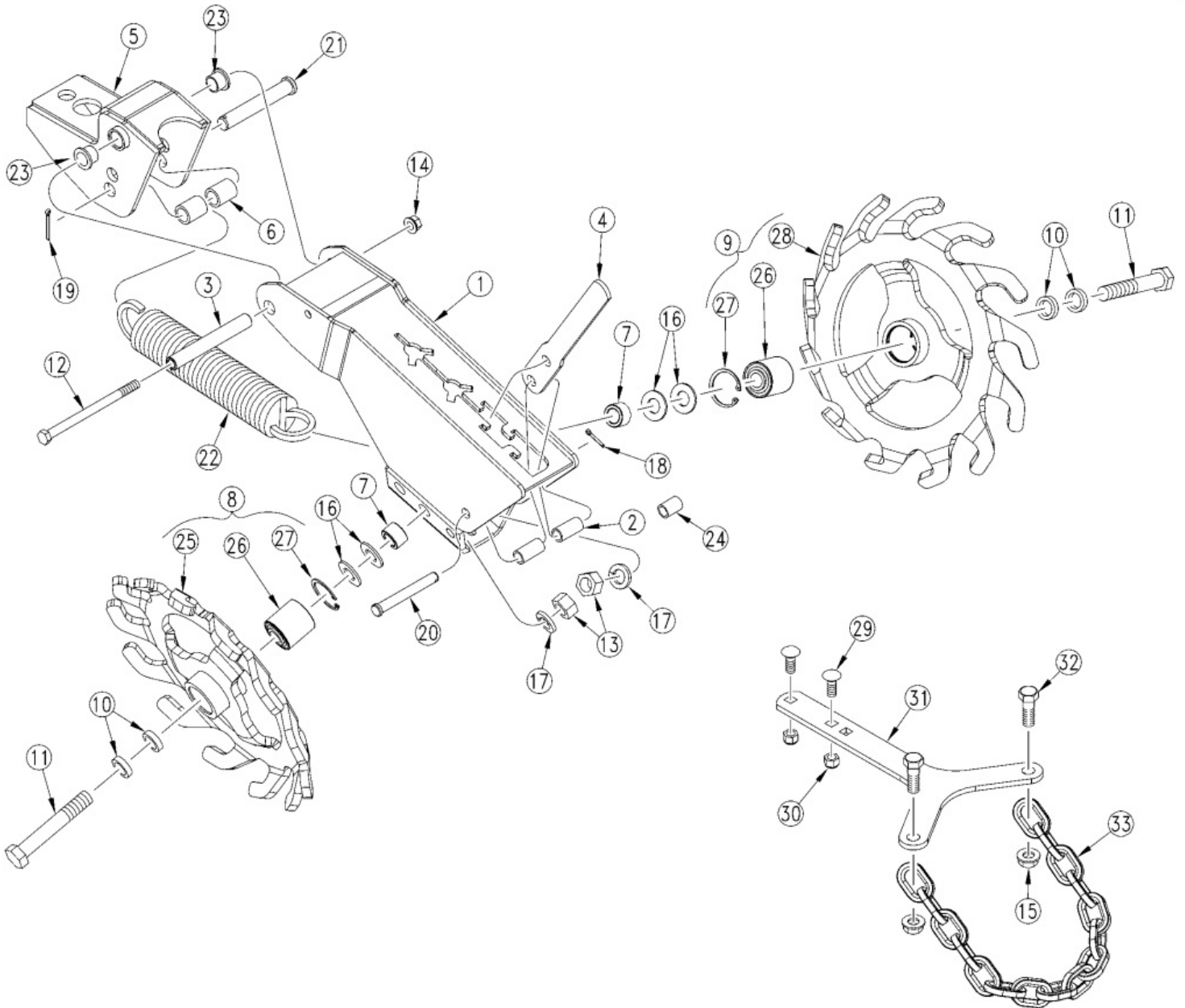
**Press Wheel Assembly with Spider Wheels (S/N A1173K-) (S/N A1294B-)**

---

<b>Ref.</b>	<b>Part No.</b>	<b>Part Description</b>	<b>Comments</b>
42	805-417C	PIN CLEVIS 5/8 X 3 49/64 USBL	
43	890-524C	20 SER PW ARM PIVOT SPACER TB	
44	890-598C	BUSHING 3/4OD X 5/8ID X 1/2 LG	

**Press Wheel Assembly with Spider Wheels (S/N A1174K to A1174K) (S/N A1295B to A1314B)**

Applies to Models: YP1625 (2005+), YP1225 (2005+)



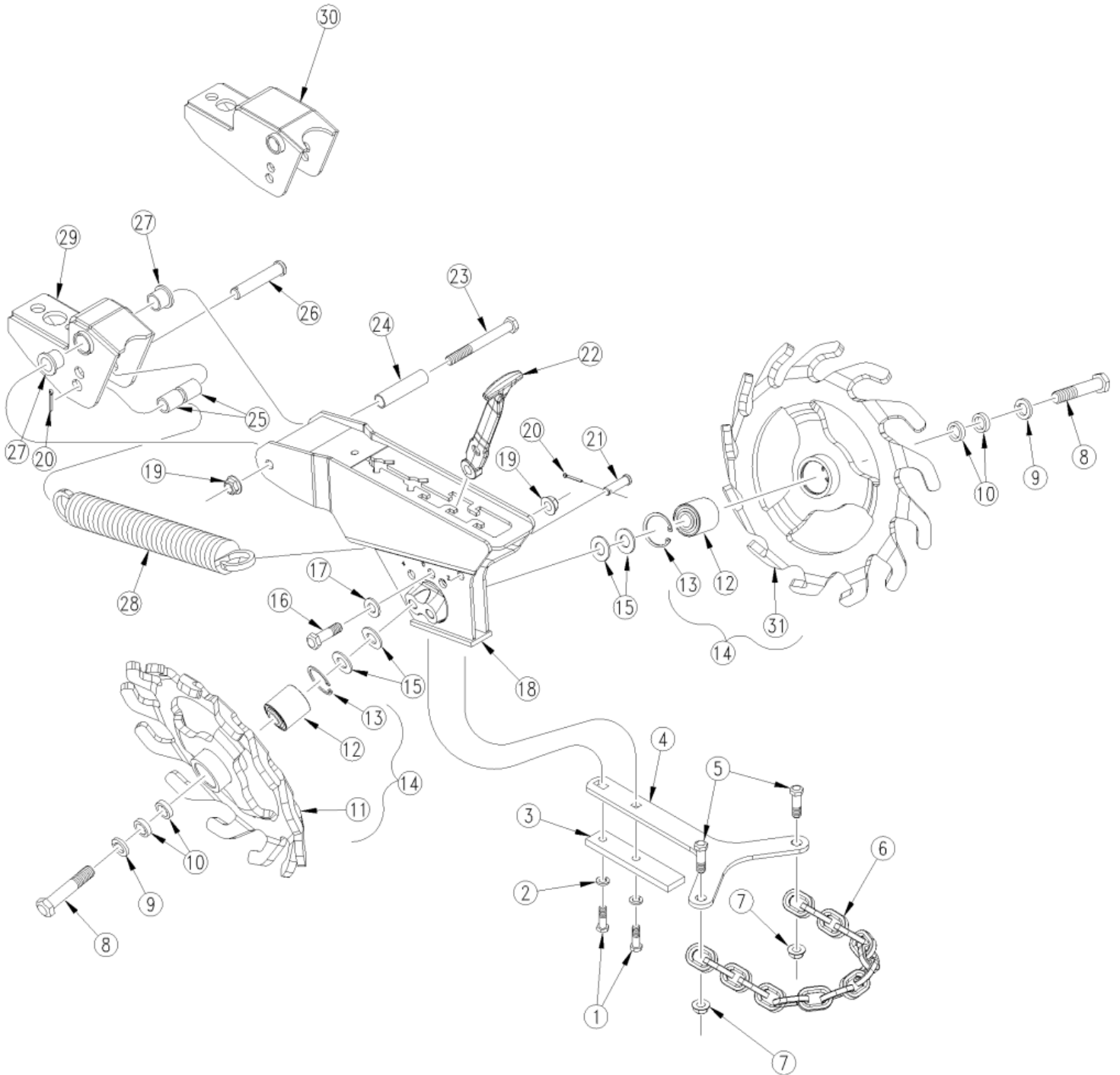
## Press Wheel Assembly with Spider Wheels (S/N A1174K to A1174K) (S/N A1295B to A1314B)

Applies to Models: YP1625 (2005+), YP1225 (2005+)

Ref.	Part No.	Part Description	Comments
	DWG31520	Image No.	
1	199-145H	25P 20 DEG CENTERED PW MOUNT	Shown. Used with 20 Deg Press Wheels
1	199-144H	25P 16 DEG CENTERED PW MOUNT	Used with 16 Deg Press Wheels
1	199-143H	25P LH OFFSET PW MOUNT	LH
1	199-142H	25P RH OFFSET PW MOUNT	RH
2	199-088D	25P PW HANDLE SPACER TUBE	
3	199-114D	PRESS WHEEL PVT MNT TUBE	
4	199-107D	PW SPRING HANDLE	
5	199-141H	25P MID PW MOUNT	Shown
5	199-140H	LONG PQ MOUNT	
6	199-113D	SPRING ALIGNMENT BUSHING	
7	404-147D	PARALLEL ARM PIVOT TUBE	Only used with 20 Deg Press Wheels
8	405-023S	LH 45 DEG TOOTH WHEEL ASM	Includes items 25-27
9	405-024S	RH 45 DEG TOOTH WHEEL ASM	Includes items 26-28
10	405-031D	1/4 PW SPACER 5/8 DIA	
11	802-060C	HHCS 5/8-11X4 GR5	Only used with 20 Deg Press Wheels
11	802-162C	HHCS 5/8-11X3 1/2 GR5	
12	802-413C	HHCS 1/2-13X4 1/2 GR5	
13	803-021C	NUT HEX 5/8-11 PLT	
14	803-169C	NUT HEX FLG LOCK 1/2-13 PLT	
15	803-229C	NUT HEX FLANGE LOC 7/16-14 PLT	
16	804-021C	WASHER FLAT 5/8 SAE PLT	Not used with 20 Deg Press Wheels
17	804-022C	WASHER LOCK SPRING 5/8 PLT	
18	805-067C	PIN COTTER 1/8 X 3/4	
19	805-109C	PIN COTTER 1/8 X 1 1/4 PLT	
20	805-183C	PIN CLVS .44X3.27 USBL	
21	805-432C	PIN CLEVIS 5/8 X 3 1/4	
22	807-278C	SPRING 1 5/8 OD X 8.2	
23	817-084C	PARALLEL ARM PIVOT BUSHING	
24	199-015D	PW HANDLE SPACER TUBE	Used on LH or RH press wheel mount
25	405-021H	LH 45 DEG TOOTH CLOSING WHEEL	
26	822-170C	BRG .63ID PRESS WHL ASY	
27	800-054C	SNAP RING INT 40 MM	
28	405-022H	RH 45 DEG TOOTH CLOSING WHEEL	
29	802-015C	RHSNB 3/8-16X1 GR5	
30	803-078C	NUT LOCK 3/8-16 NYLON INSERT	
31	405-055D	PLANTER DRAG CHAIN MOUNT	Shown
31	405-057D	PLANTER DRAG CHAIN MNT NARROW	Used on 16 Deg. 10" Spacing
32	802-029C	HHCS 7/16-14X1 1/2 GR5	
33	891-186C	TWIST LINK DRAG CHAIN 16 PITCH	

**Press Wheel Assembly with Spider Wheels (S/N A1175K+) (S/N A1315B+)**

Applies to Models: YP1625 (2005+), YP1225 (2005+)



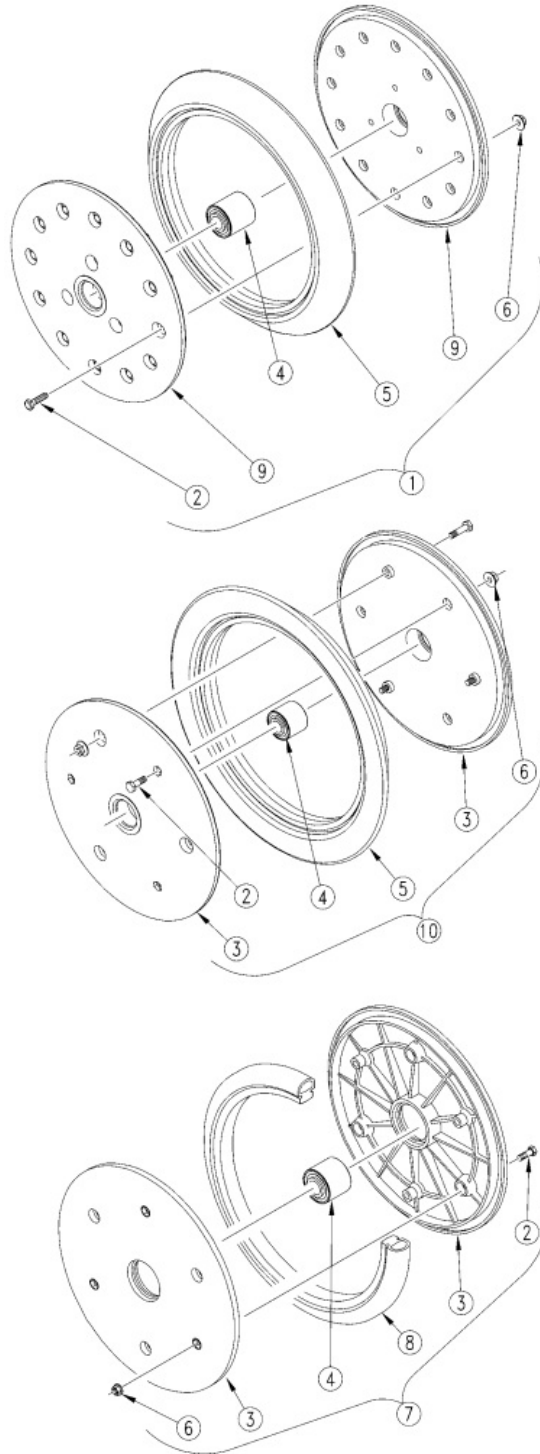
**Press Wheel Assembly with Spider Wheels (S/N A1175K+) (S/N A1315B+)**

Applies to Models: YP1625 (2005+), YP1225 (2005+)

Ref.	Part No.	Part Description	Comments
	DWG34484	Image No.	
1	802-079C	HHCS 3/8-16X1 1/4 GR5	
2	804-013C	WASHER LOCK SPRING 3/8 PLT	
3	405-063D	DRAG CHAIN BACKUP PLATE	
4	405-055D	PLANTER DRAG CHAIN MOUNT	
5	802-029C	HHCS 7/16-14X1 1/2 GR5	
6	891-186C	TWIST LINK DRAG CHAIN 16 PITCH	
7	803-229C	NUT HEX FLANGE LOC 7/16-14 PLT	
8	802-160C	HHCS 5/8-11X3 1/4 GR5	
9	804-022C	WASHER LOCK SPRING 5/8 PLT	
10	405-031D	1/4 PW SPACER 5/8 DIA	
11	405-021H	LH 45 DEG TOOTH CLOSING WHEEL	
12	822-170C	BRG .63ID PRESS WHL ASY	
13	800-054C	SNAP RING INT 40 MM	
14	405-023S	LH 45 DEG TOOTH WHEEL ASM	Left Hand, Includes items: 11-13
14	405-024S	RH 45 DEG TOOTH WHEEL ASM	Right Hand, Includes items: 12, 13 & 31
15	804-021C	WASHER FLAT 5/8 SAE PLT	
16	802-082C	HHCS 1/2-13X1 3/4 GR5	
17	804-094C	WASHER FLAT 1/2 HARD ASTM436	
18	199-153H	25 SER 12 DEG STAG PW ARM WLD	
19	803-169C	NUT HEX FLG LOCK 1/2-13 PLT	
20	805-363C	PIN COTTER 1/8 X 1	
21	805-436C	PIN CLEVIS 7/16 X 1 1/2	
22	812-398C	PRESS WHEEL SPRING ADJ HANDLE	
23	802-413C	HHCS 1/2-13X4 1/2 GR5	
24	199-114D	PRESS WHEEL PVT MNT TUBE	
25	199-113D	SPRING ALIGNMENT BUSHING	
26	805-432C	PIN CLEVIS 5/8 X 3 1/4	
27	817-084C	PARALLEL ARM PIVOT BUSHING	
28	807-278C	SPRING 1.8 OC X 11 LG	
29	199-141H	25P MID PW MOUNT	
30	199-140H	LONG PW MOUNT	
31	405-022H	RH 45 DEG TOOTH CLOSING WHEEL	

# Press Wheel Breakdown

Applies to Models: YP1625 (2005+), YP1225 (2005+)





**Press Wheel Breakdown**

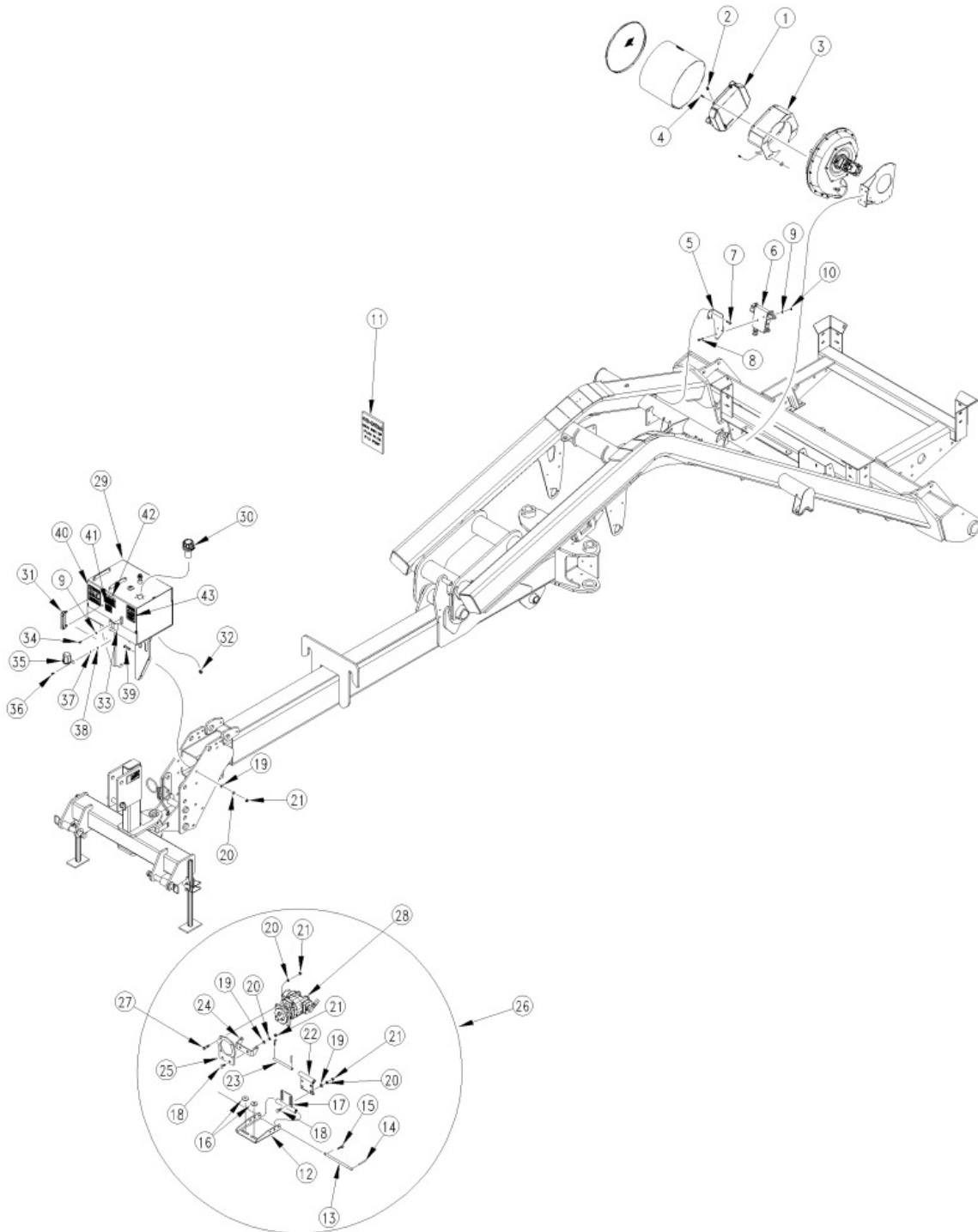
---

Applies to Models: YP1625 (2005+), YP1225 (2005+)

<b>Ref.</b>	<b>Part No.</b>	<b>Part Description</b>	<b>Comments</b>
	DWG34570	Image No.	
1	814-400C	1.25 X 13.5 WEDGE HD PW ASSY	
2	802-005C	HHCS 1/4-20X1 GR5	
3	817-330C	1 X 12 PRESS WHEEL RIM HALF	
4	822-170C	BRG .63ID PRESS WHL ASY	
5	814-244C	1.25 X 13.5 PRESS WHEEL TIRE	
6	803-088C	NUT HEX LOCK 1/4-20 FLG	
7	814-174C	1 X 12 PRESS WHL ASSY-5203BRG	
8	814-034C	TIRE RUBBER 1 X 12	
9	817-886C	1 X 12 HD PRESS WHEEL RIM HALF	
10	814-238C	RPBY 814-400C	(S/N-)

# Ground Drive PTO Component Mounting

Applies to Models: YP1625 (2005+), YP1225 (2005+)



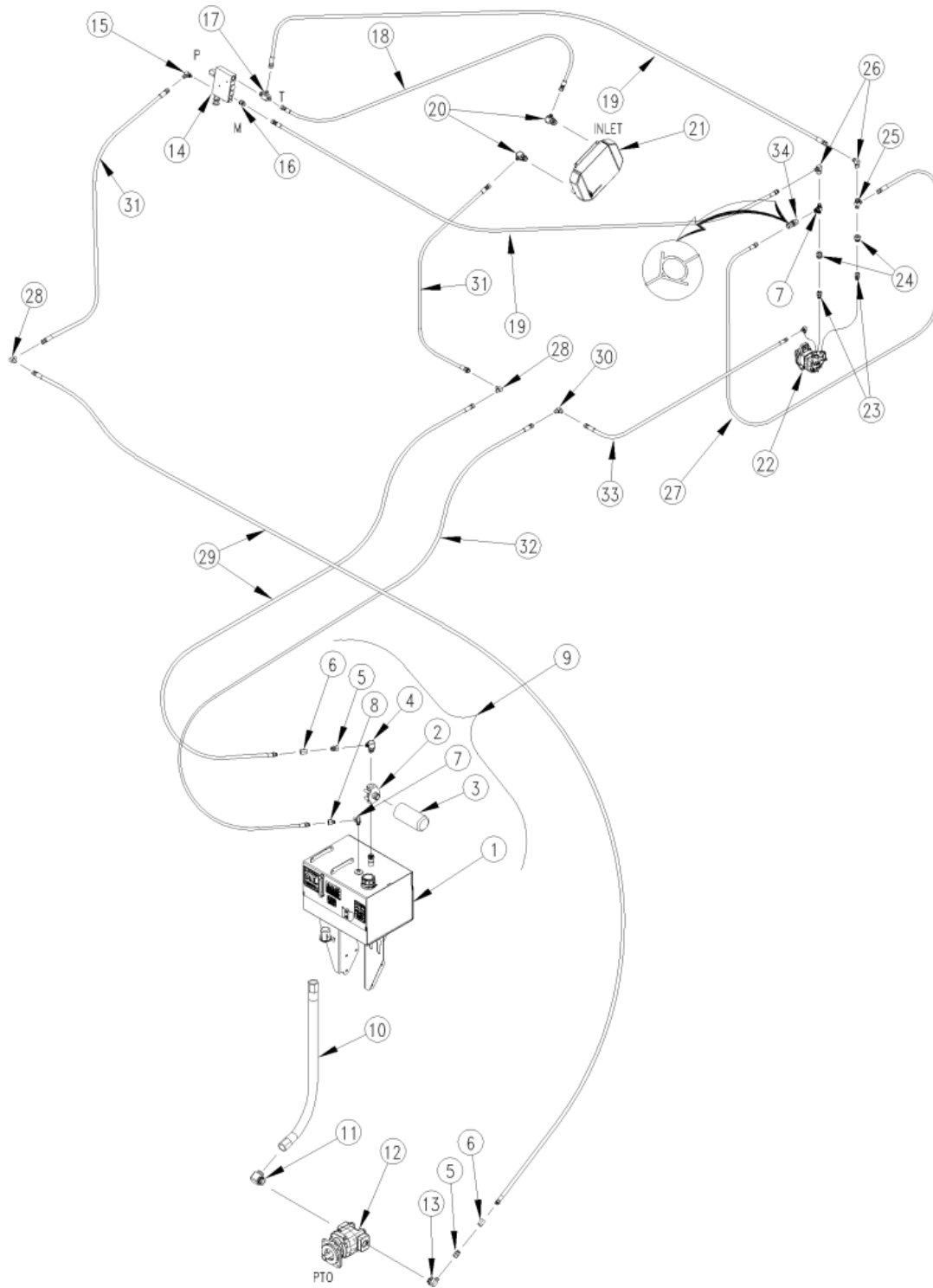
**Ground Drive PTO Component Mounting**

Applies to Models: YP1625 (2005+), YP1225 (2005+)

Ref.	Part No.	Part Description	Comments
	DWG68108	Image No.	
1	810-804C	OB RPB 431-087L	
2	800-120C	NUT CLIP U-TYPE 5/16-18	
3	401-834H	6 IN HYD FAN SHROUD	
4	802-159C	HHCS 5/16-18X1 GR5	
5	421-159D	YP12,16 PTO VALVE MNT PLT	
6	810-899C	PRES COMP FLOW CNTRL	
7	802-022C	HHCS 3/8-16X1 1/2 GR5	
8	802-115C	HHCS 5/16-18X2 GR5	
9	804-009C	WASHER LOCK SPRING 5/16 PLT	
10	803-008C	NUT HEX 5/16-18 PLT	
11	411-015M	MAN INST/OP FLDG PLTR PTO PUMP	
12	421-922D	TRACTOR STRAP MNT PLT	
13	421-923D	PIN 5/8X8 1/2 USEABLE HEADLESS	
14	805-117C	PIN ROLL 1/4 X 2 1/2 PLT	
15	805-143C	PIN HAIR COTTER .120 PLT	
16	163-096D	WASHER 5/8ID X 2OD X .25THK	
17	411-333H	BOTTOM BRACKET	
18	802-106C	RHSNB 1/2-13X1 1/2 GR5	
19	804-016C	WASHER FLAT 1/2 SAE PLT	
20	804-015C	WASHER LOCK SPRING 1/2 PLT	
21	803-020C	NUT HEX 1/2-13 PLT	
22	411-334H	PTO PUMP MNT TOP ADJUSTMENT	
23	421-928D	PIN 5/8X7 USEABLE	
24	421-929D	PUMP OFFSET PLATE	
25	421-921D	PUMP MNT BASE PLATE	
26	411-335S	PTO PUMP MNT ASM	Includes 12 - 25.
27	802-128C	HHCS 1/2-13X2 GR5	
28	810-897C	HYD PUMP PARKER 350C 3.19CIR	
29	401-965S	YP12,16,44 HYD RES BASE ASSY	
30	891-316C	HYD FILL CAP WITH SCREEN	
31	891-315C	5IN HYD SIGHT LEVEL GAUGE	
32	811-857C	PL 3/4MORB	
33	502-068D	HYD HOSE CLAMP BRACKET	
34	802-007C	HHCS 5/16-18X3/4 GR5	
35	833-492C	7-PIN CONNECTOR HOLDER	
36	802-004C	HHCS 1/4-20X3/4 GR5	
37	804-006C	WASHER LOCK SPRING 1/4 PLT	
38	803-006C	NUT HEX 1/4-20 PLT	
39	802-128C	HHCS 1/2-13X2 GR5	
40	858-004C	DECAL HOT FLUID PTO RES	
41	818-240C	DECAL CAUTION 1000 RPM	
42	858-029C	DECAL 13.5GAL OIL FILL LINE	
43	858-030C	DECAL DANGER PTO SHFT MNT PUMP	

# Ground Drive PTO Hose Routing

Applies to Models: YP1625 (2005+), YP1225 (2005+)



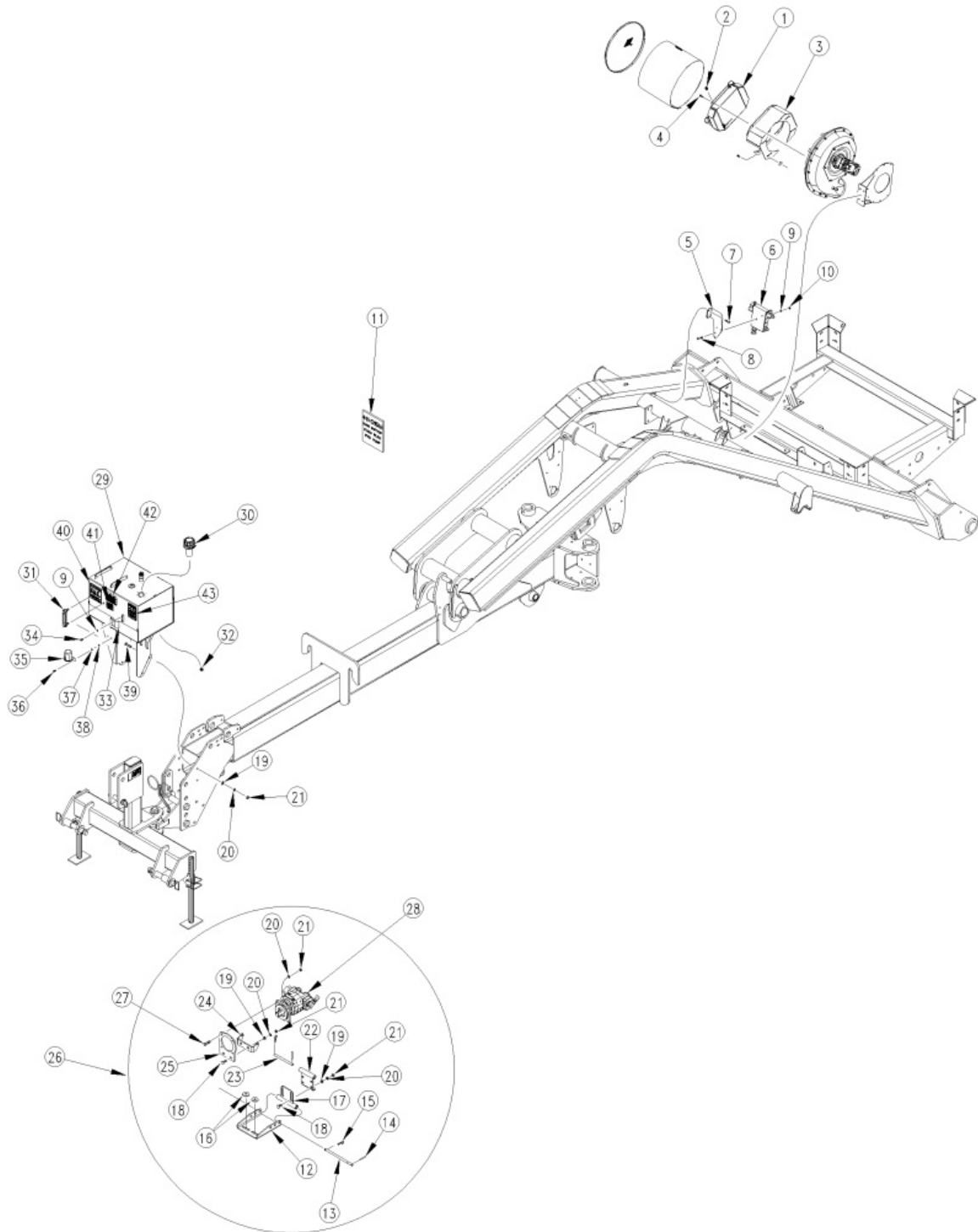
**Ground Drive PTO Hose Routing**

Applies to Models: YP1625 (2005+), YP1225 (2005+)

Ref.	Part No.	Part Description	Comments
	DWG68109	Image No.	
1	401-965S	YP12,16,44 HYD RES BASE ASSY	
2	891-109C	FILTER HEAD	
3	891-385C	FILTER SPIN ON 10 MICRON	
4	841-916C	EL 1 1/16MORB 7/8MJIC	
5	841-919C	AD 7/8FJIC 3/4MORB	
6	811-488C	AD 3/4FORB 3/4FORB	
7	841-077C	EL 3/4FJIC 3/4MORB	
8	811-348C	AD 3/4MJIC 3/4FORB	
9	401-971L	YP12,16,44 HYD RES ASSY	Includes 1 - 8. Refer to "PTO Component Mounting" for additional parts.
10	841-920C	HH1 1/4R4 070 1 5/8FJIC	
11	841-974C	EL 1 5/8MORB 1 5/8MJIC	
12	810-897C	HYD PUMP PARKER 350C 3.19CIR	
13	841-975C	EL 1 5/16MORB 7/8MJIC	
14	810-899C	PRES COMP FLOW CNTRL	
15	811-081C	EL 7/8MORB 3/4MJIC	
16	811-192C	AD 3/4MJIC 7/8MORB	
17	841-917C	TE 7/8MORB 3/4MJIC 3/4MJIC	
18	841-196C	HH1/2R2 024 3/4FJIC	
19	841-517C	HH1/2R2 054 3/4FJIC	
20	811-091C	EL 3/4MJIC 1 1/16MORB	
21	810-804C	OB RPB 431-087L	
22	810-556C	PARKER F-11 FAN MTR (16303-12)	
23	841-002C	AD 1 1/16MORB 3/4FORB	
24	811-324C	AD 3/4MORB 3/4FJIC	
25	811-078C	TE 3/4MJIC	
26	811-150C	EL 3/4FJIC 3/4MJIC	
27	811-782C	HH1/2R1 024 3/4FJIC 3/4MORB	
28	811-725C	EL 90 3/4MJIC	
29	811-959C	HH1/2R2 312 3/4FJIC 3/4MORB	16 Row only.
29	841-072C	HH1/2R2 280 3/4FJIC 3/4MORB	12 Row only.
30	811-393C	EL 9/16MJIC	
31	811-955C	HH1/2R2 260 3/4FJIC	16 Row only.
31	811-265C	HH1/2R2 252 3/4FJIC	12 Row only.
32	841-095C	HH1/4R1 315 9/16FJIC 9/16MORB	16 Row only.
32	841-093C	HH1/4R1 280 9/16FJIC 9/16MORB	12 Row only.
33	841-094C	HH1/4R1 260 9/16FJIC	16 Row only.
33	841-092C	HH1/4R1 240 9/16FJIC	12 Row only.
34	810-037C	VALVE LINE CHECK	

# Hydraulic Drive PTO Component Mounting

Applies to Models: YP1625 (2005+), YP1225 (2005+)



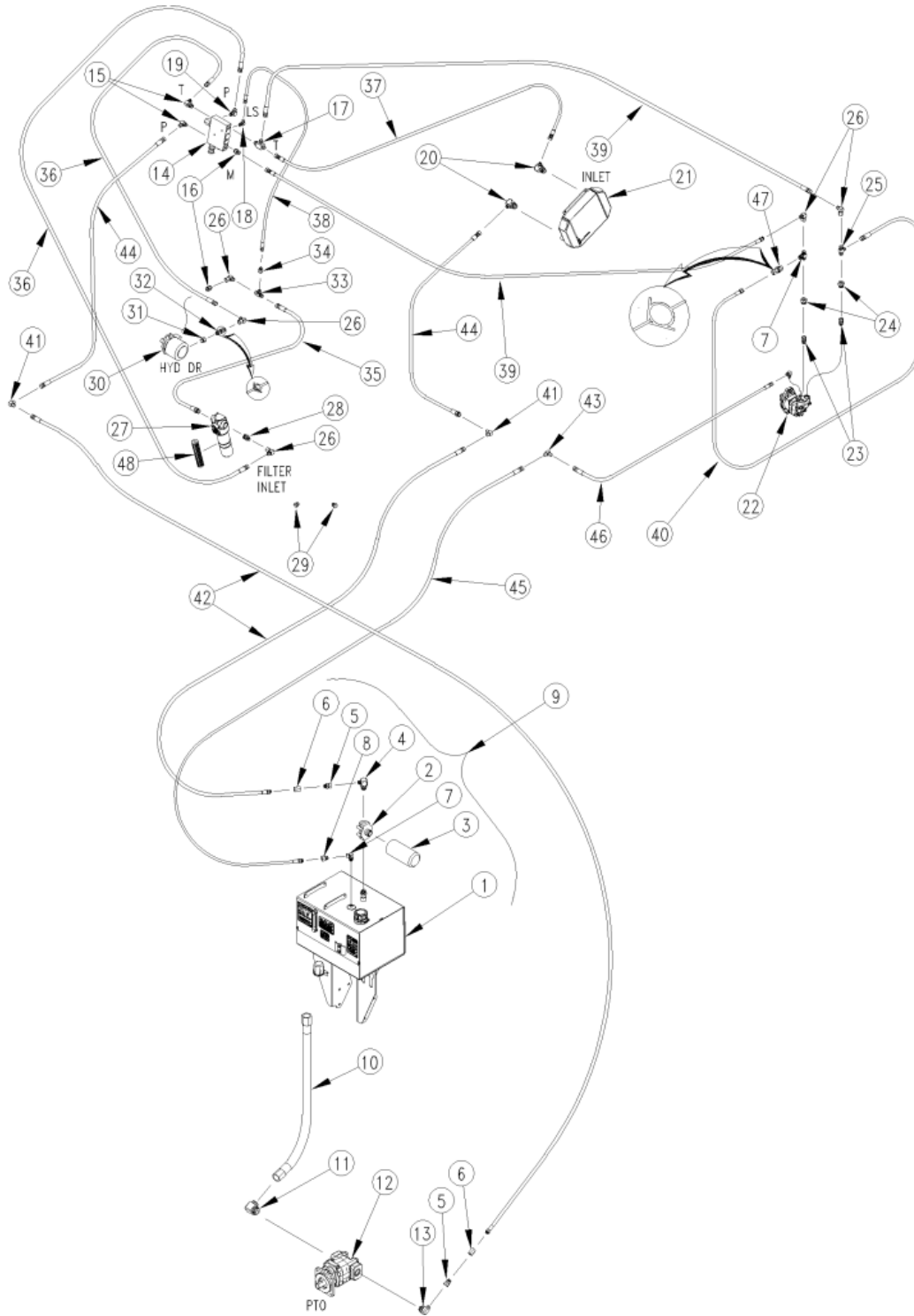
**Hydraulic Drive PTO Component Mounting**

Applies to Models: YP1625 (2005+), YP1225 (2005+)

Ref.	Part No.	Part Description	Comments
	DWG68103	Image No.	
1	810-804C	OB RPBY 431-087L	
2	800-120C	NUT CLIP U-TYPE 5/16-18	
3	401-834H	6 IN HYD FAN SHROUD	
4	802-159C	HHCS 5/16-18X1 GR5	
5	421-159D	YP12,16 PTO VALVE MNT PLT	
6	810-898C	PRESS COMP FLOW CNTRL SHTLE	
7	802-022C	HHCS 3/8-16X1 1/2 GR5	
8	802-115C	HHCS 5/16-18X2 GR5	
9	804-009C	WASHER LOCK SPRING 5/16 PLT	
10	803-008C	NUT HEX 5/16-18 PLT	
11	411-015M	MAN INST/OP FLDG PLTR PTO PUMP	
12	421-922D	TRACTOR STRAP MNT PLT	
13	421-923D	PIN 5/8X8 1/2USEABLE HEADLESS	
14	805-117C	PIN ROLL 1/4 X 2 1/2 PLT	
15	805-143C	PIN HAIR COTTER .120 PLT	
16	163-096D	WASHER 5/8ID X 2OD X .25THK	
17	411-333H	BOTTOM BRACKET	
18	802-106C	RHSNB 1/2-13X1 1/2 GR5	
19	804-016C	WASHER FLAT 1/2 SAE PLT	
20	804-015C	WASHER LOCK SPRING 1/2 PLT	
21	803-020C	NUT HEX 1/2-13 PLT	
22	411-334H	PTO PUMP MNT TOP ADJUSTMENT	
23	421-928D	PIN 5/8X7 USEABLE	
24	421-929D	PUMP OFFSET PLATE	
25	421-921D	PUMP MNT BASE PLATE	
26	411-335S	PTO PUMP MNT ASM	Includes 12 - 25.
27	802-128C	HHCS 1/2-13X2 GR5	
28	810-893C	HYD PUMP PARKER 350C 4.46 CIR	
29	401-965S	YP12,16,44 HYD RES BASE ASSY	
30	891-316C	HYD FILL CAP WITH SCREEN	
31	891-315C	5IN HYD SIGHT LEVEL GAUGE	
32	811-857C	PL 3/4MORB	
33	502-068D	HYD HOSE CLAMP BRACKET	
34	802-007C	HHCS 5/16-18X3/4 GR5	
35	833-492C	7-PIN CONNECTOR HOLDER	
36	802-004C	HHCS 1/4-20X3/4 GR5	
37	804-006C	WASHER LOCK SPRING 1/4 PLT	
38	803-006C	NUT HEX 1/4-20 PLT	
39	802-128C	HHCS 1/2-13X2 GR5	
40	858-004C	DECAL HOT FLUID PTO RES	
41	818-240C	DECAL CAUTION 1000 RPM	
42	858-029C	DECAL 13.5GAL OIL FILL LINE	
43	858-030C	DECAL DANGER PTO SHFT MNT PUMP	

# Hydraulic Drive PTO Hose Routing

Applies to Models: YP1625 (2005+), YP1225 (2005+)





**Hydraulic Drive PTO Hose Routing**

Applies to Models: YP1625 (2005+), YP1225 (2005+)

Ref.	Part No.	Part Description	Comments
	DWG68105	Image No.	
1	401-965S	YP12,16,44 HYD RES BASE ASSY	
2	891-109C	FILTER HEAD	
3	891-385C	FILTER SPIN ON 10 MICRON	
4	841-916C	EL 1 1/16MORB 7/8MJIC	
5	841-919C	AD 7/8FJIC 3/4MORB	
6	811-488C	AD 3/4FORB 3/4FORB	
7	841-077C	EL 3/4FJIC 3/4MORB	
8	811-348C	AD 3/4MJIC 3/4FORB	
9	401-971L	YP12,16,44 HYD RES ASSY	Includes 1 - 8. Refer to "PTO Component Mounting" for additional parts.
10	841-920C	HH1 1/4R4 070 1 5/8FJIC	
11	841-974C	EL 1 5/8MORB 1 5/8MJIC	
12	810-893C	HYD PUMP PARKER 350C 4.46 CIR	
13	841-975C	EL 1 5/16MORB 7/8MJIC	
14	810-898C	PRESS COMP FLOW CNTRL SHTLE	
15	811-081C	EL 7/8MORB 3/4MJIC	
16	811-192C	AD 3/4MJIC 7/8MORB	
17	841-917C	TE 7/8MORB 3/4MJIC 3/4MJIC	
18	811-065C	EL 9/16MJIC 9/16MORB	
19	811-216C	EL 3/4MJIC 9/16MORB	
20	811-091C	EL 3/4MJIC 1 1/16MORB	
21	810-804C	OB RPB 431-087L	
22	810-556C	PARKER F-11 FAN MTR (16303-12)	
23	841-002C	AD 1 1/16MORB 3/4FORB	
24	811-324C	AD 3/4MORB 3/4FJIC	
25	811-078C	TE 3/4MJIC	
26	811-150C	EL 3/4FJIC 3/4MJIC	
27	850-066C	FILTER ASM 6000PSI 6MICRON	
28	811-205C	AD 3/4MJIC 1 1/16MORB	
29	811-341C	PL 3/4MJIC	
30	810-603C	MOTOR 8.8 CU IN FC6 MNT KEYED	
31	811-564C	AD 3/4FORB 7/8MORB	
32	810-696C	VALVE INLINE CHECK W/ ORIFICE	
33	811-073C	TE 3/4MJIC 3/4MJIC 3/4FJIC	
34	811-146C	AD 3/4FJIC 9/16MJIC	
35	811-331C	HH1/2R2 020 3/4FJIC	
36	811-780C	HH1/2R2 094 3/4FJIC	
37	841-196C	HH1/2R2 024 3/4FJIC	
38	841-389C	HH1/4R2 095 9/16FJIC	
39	841-517C	HH1/2R2 054 3/4FJIC	
40	811-782C	HH1/2R1 024 3/4FJIC 3/4MORB	
41	811-725C	EL 90 3/4MJIC	
42	811-959C	HH1/2R2 312 3/4FJIC 3/4MORB	16 Row only.
42	841-072C	HH1/2R2 280 3/4FJIC 3/4MORB	12 Row only.
43	811-393C	EL 9/16MJIC	
44	811-955C	HH1/2R2 260 3/4FJIC	16 Row only.
44	811-265C	HH1/2R2 252 3/4FJIC	12 Row only.
45	841-095C	HH1/4R1 315 9/16FJIC 9/16MORB	16 Row only.
45	841-093C	HH1/4R1 280 9/16FJIC 9/16MORB	12 Row only.
46	841-094C	HH1/4R1 260 9/16FJIC	16 Row only.

**Hydraulic Drive PTO Hose Routing**

---

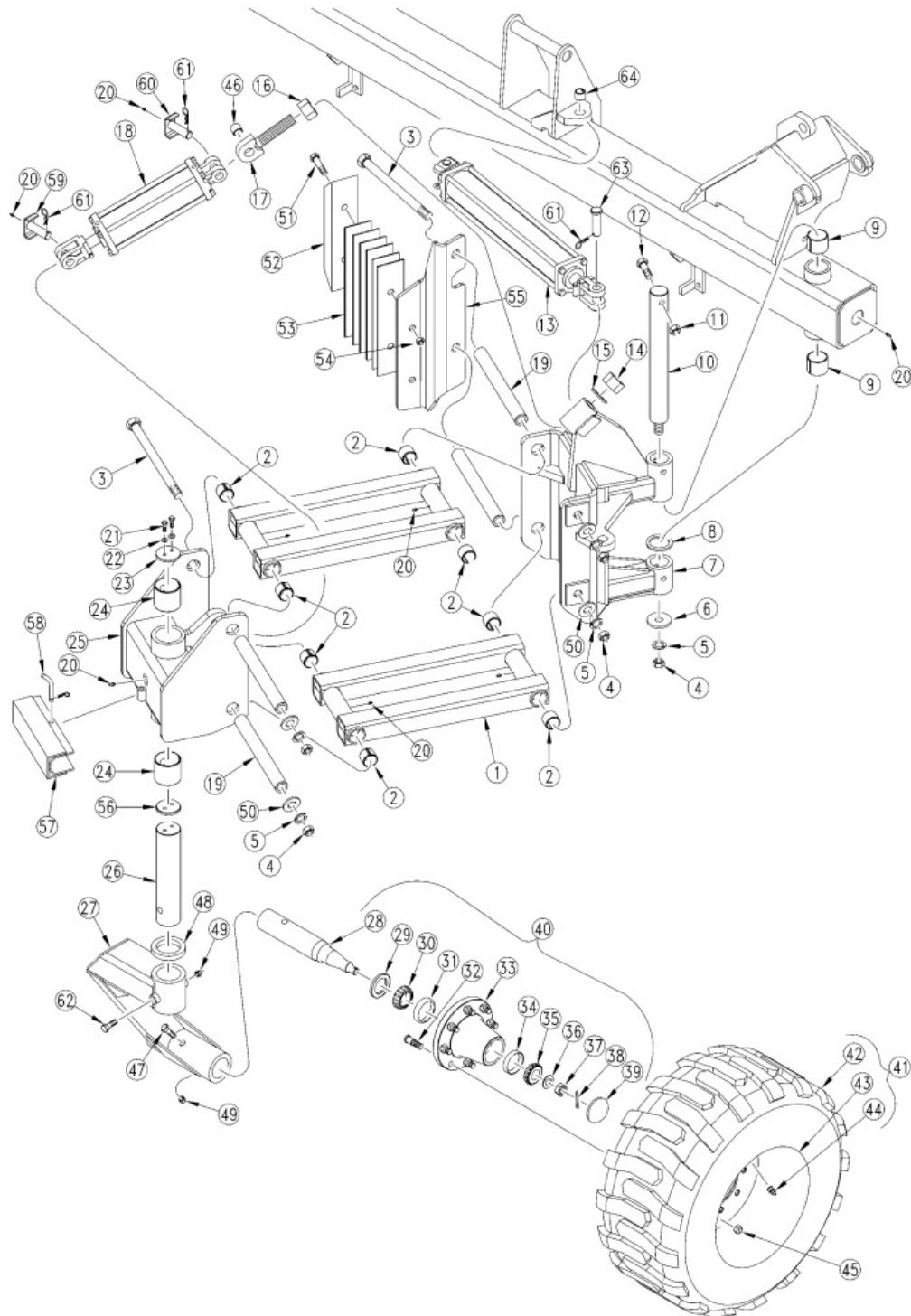
*This Page Intentionally Left Blank*

**Hydraulic Drive PTO Hose Routing**

---

<b>Ref.</b>	<b>Part No.</b>	<b>Part Description</b>	<b>Comments</b>
46	841-092C	HH1/4R1 240 9/16FJIC	12 Row only.
47	810-037C	VALVE LINE CHECK	
48	850-507C	FILTER ELEMENT 6 MICRON	Please contact Great Plains Parts Department before ordering!

Applies to Models: YP1625 (2005+), YP1225 (2005+)



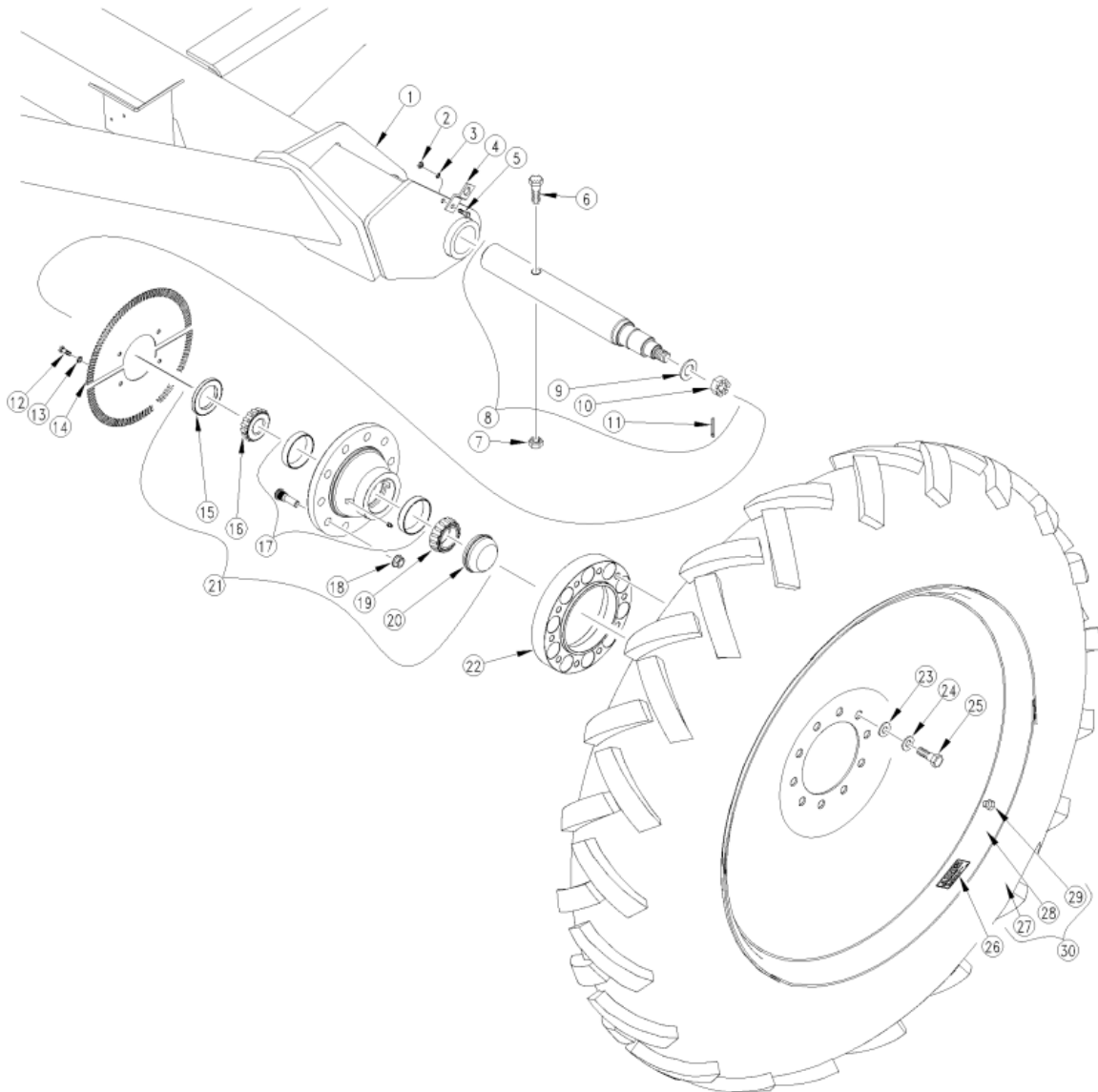
Applies to Models: YP1625 (2005+), YP1225 (2005+)

Ref.	Part No.	Part Description	Comments
	DWG22751	Image No.	
1	402-172H	16R PARALLEL ARM WLDMNT 2	
2	890-666C	BUSHING 1 7/8X1 5/8X1 1/2 SPLT	
3	802-728C	HHCS 1-8X18 GR5	
4	803-031C	NUT HEX 1-8 PLT	
5	804-027C	WASHER LOCK SPRING 1 PLT	
6	500-064D	WASHER - SAFETY CHAIN SA	
7	402-171H	16R CASTER MOUNT SWIVEL 2	
8	161-056D	CASTER SPACER	
9	890-072C	BUSHING 2 1/2 X 2 1/4 X 2 LG.	
10	402-303D	CASTER SWIVEL PIVOT PIN	
11	803-024C	NUT LOCK 5/8-11 PLT	
12	802-060C	HHCS 5/8-11X4 GR5	
13	810-543C	CYL REP 4.0X27.75X1.75ROD (EXT)	(Rephases when extended) Refer to "Hydraulic Cylinder (810-543C 4x27.75x1.75 Rod EXT)" for breakdown
14	803-063C	NUT HEX JAM 1 1/2-6 PLT	
15	804-197C	WASHER LOCK 1 1/2 PLT	
16	803-073C	NUT HEX 1 1/2-6 PLT	
17	196-293H	EYEBOLT WELDMENT	
18	810-545C	CYL REP 4.75X10X1.5ROD (TIE)	(S/N A1173K-)(S/N A1294B-) Refer to "Hydraulic Cylinder (810-545C 4.75x10x1.5 Rod)" for breakdown
18	810-697C	CYL REP 4.50X10.37X1.5 ROD TIE	(S/N A1174K+)(S/N A1295B+) Refer to "Hydraulic Cylinder (810-697C 4.5x10.37x1.5 Rod)" for breakdown
19	196-654D	40P CASTER INNER PIVOT TUBE	
20	800-001C	GREASE ZERK STRAIGHT 1/4-28	
21	802-034C	HHCS 1/2-13X1 1/4 GR5	
22	804-015C	WASHER LOCK SPRING 1/2 PLT	
23	161-231D	NTA CASTER RETAINER CAP	
24	890-193C	STEEL BUSHING 3 1/4X3IDX3LONG	
25	402-169H	16R CASTER LOWER SWIVEL WLD 2	
26	402-302D	BULK SEED CASTER VERT SHAFT	
27	402-158H	16R CASTER LOWER WLDMT	
28	815-099C	SPINDLE SGL 2.73X15.97	
29	816-019C	SEAL OIL CR25091	
30	822-036C	BRG CONE 2.00IDX1.18WD #3780	
31	822-037C	BRG CUP 3.67ODX.93WD #3720	
32	802-182C	HUB STUD 5/8-18X2 1/2 GR5	
33	200-006D	8-BOLT WHEEL HUB MACH.	
34	822-039C	BRG CUP 3.00ODX.75WD #2720	
35	822-038C	BRG CONE 1.31IDX1.01WD #2790	
36	181-064D	7/8 SPINDLE WASHER, HARDENED	
37	803-029C	NUT HEX SLOTTED 7/8-14 PLT	
38	805-016C	PIN COTTER 3/16 X 1 1/4 PLT	
39	P502001	GREASE CAP	
40	815-103C	HUB & SPINDLE ASY 8 BOLT 5790#	Includes items: 28-39, & 45
41	196-273K	LH TIRE/RIM 395/55B16.5 SKID 8	Includes items: 42-44; Used on both wings (Tread runs reversed)
42	814-206C	TIRE SKID ST 395/55B16.5 NHS	
43	814-208C	RIM 16.5X12, 8 BLT 6 PILT 8 BC	
44	814-210C	VALVE STEM METAL TR-575 TUBLES	
45	803-219C	NUT LUG 5/8-18 X 90 DEG PLT	
46	890-011C	BUSHING SPINDLE 1 1/2X1 1/4X1	
47	802-069C	HHCS 3/4-10X5 GR5	
48	804-102C	PIVOT THRUST WASHER	

*This Page Intentionally Left Blank*

Ref.	Part No.	Part Description	Comments
49	803-026C	NUT LOCK 3/4-10 PLT	
50	804-029C	WASHER FLAT 1 SAE	
51	802-059C	HHCS 5/8-11X3 GR5	
52	817-520C	TONGUE SPACER SKID BLOCK	
53	196-842D	SLIDER BLOCK ADJUST SHIM	
54	803-196C	NUT HEX FLANGE 5/8-11 PLT	
55	402-173H	YP LH TONGUE SWAY BLOCK	(SHOWN)
55	402-174H	YP RH TONGUE SWAY BLOCK	
56	401-686D	CASTER PIVOT PIN SHIM WASHER	
57	161-073H	CYLINDER LOCK CHANNEL-LONG	(S/N A1173B-)(S/N A1294B-)
57	161-118H	CYLINDER LCK CHNL 1 1/2X11 1/2	(S/N A1174K+)(S/N A1295B+)
58	805-001C	PIN 3/8 X 3 USABLE LW/PIN	Formerly 805-152C
59	196-409H	CYL PIN NR 1.25X3.09X2.63 W/GR	
60	196-392H	CYL PIN NR 1.25X3.63USBX3.13CH	
61	805-058C	PIN COTTER 3/16 X 2	
62	802-360C	HHCS 3/4-10X6 1/2 GR5	
63	805-159C	PIN CLEVIS 1 X 3 1/8 GR5 PLT	
64	890-005C	BUSHING CYL 1 1/4 X 1 X 1	

Applies to Models: YP1625 (2005+), YP1225 (2005+)





Applies to Models: YP1625 (2005+), YP1225 (2005+)

Ref.	Part No.	Part Description	Comments
	DWG21863	Image No.	
1	401-201H	16R 30/TR CADDY FRAME/AXLE	
2	803-021C	NUT HEX 5/8-11 PLT	
3	804-022C	WASHER LOCK SPRING 5/8 PLT	
4	401-538D	SPEED SENSOR MOUNT BRKT	
5	802-055C	HHCS 5/8-11X2 GR5 FTHD	
6	802-205C	HHCS 1-8X5 1/2 GR5	
7	803-316C	NUT HEX LOCK 1-8 PLT	
8	815-222C	16R SPINDLE 10 BOLT GKN X 24	Includes items 9-11. Spindle not sold separately.
9	804-035C	WASHER FLAT 1 1/4 USS PLT	
10	803-175C	NUT HEX SLOTTED 1 1/4-12 PLAIN	
11	805-060C	PIN COTTER 7/32 X 2	
12	802-240C	HHCS 1/2-20X1 GR5	
13	804-015C	WASHER LOCK SPRING 1/2 PLT	
14	401-497D	WHEELSENSOR TRIGGER PLATE	
15	GKN-P602128	GREASE SEAL GKN ARMSTRONG	
16	822-204C	BRG CONE 2.50ID #39585	
17	169B286-3004	HUB SUB ASSEMBLY	Assembly includes 5 parts.
18	803-183C	NUT HEX FLANGE 3/4-16 PLT	
19	822-047C	BRG CONE 1.75IDX1.15WD #460	
20	P502118	HUB CAP	
21	815-580C	HUB ASSY 10 BOLT 12000#	Includes items 15-20.
22	402-370D	10-BOLT WHL HUB 2 IN EXTENSION	Used with 36" only.
23	804-093C	WASHER FLAT 3/4 HARD ASTMF436	Used with 36" only.
24	804-025C	WASHER FLAT 3/4 SAE PLT	Used with 36" only.
25	802-824C	HHCS 3/4-16X2 GR8 PLT	Used with 36" only.
26	858-792C	DECAL CAUTION TIRE 30 PSI/295	
27	814-060C	TITAN OR GOODYR 8* 14.9R46 R-1	Included in 402-155K, 402-157S.
27	814-301C	TIRE 480/80R42 R1 3 STAR	Included in 401-260K, 401-259K.
28	814-252C	WHEEL 12-46 X 10-BOLT	Included in 402-155K, 402-157S.
28	814-300C	WHEEL W16AX42 10BOLT	Included in 401-260K, 401-259K.
29	816-202C	VALVE STEM TR618AX.625X1.88LG	
30	402-155S	8 STAR 14.9R46 WHEEL ASSY	Shown. RH. Includes items 27-29.
30	402-157S	8 STAR 14.9R46 WHEEL ASSY	LH. Includes items 27-29.
30	401-260K	TIRE ASM 18.4R42 10 BOLT	RH. Includes items 27-29.
30	401-259K	TIRE ASM 18.4R42 10 BOLT	LH. Includes items 27-29.

# Part Number Index

Part Number	Page	Part Number	Page	Part Number	Page
002-102ST	98, 226	115631-01	68	149-223H	242
084099	28	115698-91	68	149-558D	8, 12, 242
1001020	28	115788	68	149-559D	8, 14, 242
1042	176	116-001D	104	1520120	28
1071001	28	116-353D	180	1521901	28
107-111D	204	116-354D	180	152-379D	16
1079	130	117-098H	38	152-380D	220
1084	130	117-099H	38	161-056D	288
1087-250	176	117-379D	106	161-073H	290
1087-437	176	1179	176	161-118H	290
1088-011	176	1180	176	161-231D	288
1088-210	130	1182	176	163-096D	278, 282
1088-905	176	119-278D	112	164-028D	94
1088-906	176	120-306D	26	168-094D	78
1088-908	176	120-339H	40	168-127D	38, 52, 56
1089-011	176	120825	198	168-190H	74
1089-210	130	1211	176	169B286-3004	292
1092-6-6	176	1217	176	1701027	28
1099	176	121-763S	38, 42	1701029	28
110011375	194	1218	176	17089	78
11001387	194	122-055S	220	172-201D	114
11001388	194	122-065D	220	181-064D	288
110040179	196	122-231A	228	183-006D	8, 12
113-005H	178	123-004D	42, 46, 60	188-001V	206
113-010H	178	1285	130	188-006V	38
113-013H	178	129BXT822	198	188-007V	210, 234, 236
113-014H	178	136-016D	48	194-070D	86
113-016H	178	136-056D	54	195-157D	26
113-017H	178	136-093D	54	196-166H	106
113-018H	180	136-155D	40, 42	196-245H	26
113-025S	178	136-172D	54	196-246H	26
113-031H	178	136-178D	8, 12	196-247D	92
113-032H	178	136-182D	22	196-271H	8, 12
1132-05	176	136-200D	8, 26	196-273K	288
1132-08	176	136-214D	202	196-273H	288
113-369H	180	136-215D	202	196-293H	288
113-480H	178	136-216D	202	196-392H	290
113-481H	178	136-217D	8, 12	196-409H	290
113-683D	8, 12, 178	136-218D	8, 12, 22	196-429D	148
113-794D	178	136-223D	38	196-430D	140, 142, 144, 146
113-797D	112, 178	136-225D	8, 12, 26	196-573D	94
113-798D	178	136-226D	8	196-581D	28
113-799D	178	136-245D	16	196-653D	92
113-811D	178	136-249D	42	196-654D	288
115606-91	68	136-261D	46	196-842D	290
115607-91	68	148-283H	168	196-876D	26
115627-01	68	148-387H	86	196-877D	28
115628-01	68	148-410D	54, 64		

Part Number	Page	Part Number	Page	Part Number	Page
197-001D	92	199-140H	204, 244, 248, 250, 262, 272, 274	204-420S	242
198-202D	206, 224			204-438H	242
198-257D	200	199-141H	206, 244, 248, 250, 256, 272, 274	204-439H	242
198-288D	204			204-449D	210
198-289D	204	199-142H	262, 272	204-526H	240
198-290D	204	199-143H	256, 272	204-595H	242
198-292D	200	199-144H	250, 272	204-596H	242
198-293D	200	199-145H	250, 272	204-600H	212, 242
198-295D	200	199-146A	254, 266, 268	204-601H	212
198-331D	206	199-147A	254, 260, 268	206-010D	228
198-332D	200	199-148H	254, 266, 268	206-011D	228
198-333D	200	199-149H	254, 260, 268	206-012D	228
198-334D	202			206-014S	228
198-335D	200	199-151S	244	207-002D	210
198-360D	204	199-152H	244	207-004D	210, 234, 236
199-011D	252, 258, 264	199-153H	244, 248, 274	207-004H	210
199-015D	256, 258, 260, 262, 264, 266, 268, 272	1M7016	152	207-005D	210, 234, 236
199-057H	258, 260, 264, 266, 268	1M7021	154, 156	207-008H	210
199-058H	258, 260, 268	1M7021-ADI	158, 162, 166	207-009D	212
199-059H	254, 268	1M7022-ADI	160, 164, 170	207-009S	234, 236
199-060H	258, 264, 266	1M7028	168	207-010S	210
199-061H	252, 258	200-001D	242	207-011D	210
199-087H	252, 268	200-006D	288	207-011S	210
199-088D	250, 252, 254, 256, 258, 260, 262, 264, 266, 268, 272	200-039V	242	207-014S	236
199-106D	254, 260, 266, 268	204-024D	210, 242	207-015S	236
199-107D	250, 254, 256, 260, 262, 266, 268, 272	204-025D	210, 242	207-033S	234
199-108H	204, 254, 266, 268	204-034D	210, 242	207-034S	234
199-109H	206, 254, 260, 268	204-040D	210	207-035K	210
199-113D	244, 248, 250, 254, 256, 260, 262, 266, 268, 272, 274	204-072D	210	207-036K	210
199-114D	244, 248, 250, 256, 262, 272, 274	204-072H	242	207-067D	216, 218, 232
199-128D	244	204-075H	242	207-072D	222
199-135D	244	204-084S	40, 214, 238	207-080H	210
		204-107D	242	207-094H	218, 232
		204-133H	248, 256, 258, 260	207-095H	218, 232
		204-134H	248, 262, 264, 266	207-096H	240
		204-139H	218, 238	207-099H	216, 218
		204-319H	242	207-103H	220
		204-324D	210	207-105H	220
		204-325D	210	207-106D	222
		204-328D	38, 214	207-107D	222
		204-329D	214	207-108D	222
		204-338D	210	207-142V	216, 232
		204-339D	210	207-143V	216, 232
		204-419S	242	207-146H	210
				207-147H	210
				207-148H	216, 232
				207-214H	222

Part Number	Page	Part Number	Page	Part Number	Page
21121	78	2A0218	164	3R1510	152
213-005	86, 136	2M1190	150	3R3710	154
2153	176	2M4532	152	3R5512	156
219-007	86, 136	2S5724	154	3R7040	158
219-008	136	2S6996	156	3R7512	162
232-050	136, 138	2S7579NC	160	3R7540	160
232-056	136, 138	2S7597	162	3R8512	164
232-059	136, 138	2S7670NC	158	3R8712	166
23320	78	2S8516	164, 168	3R9512	168
250-023	136	2S8614NC	170	3R9640	170
250-701	136	2S8790NC	166	401-141H	106
251-003	86, 136	300-198	136	401-152H	38
253-028	136, 138	302-756	136	401-159H	106
259-005	86, 136	3089	176	401-160H	106
270-078	136, 138	31114H1041	182, 184	401-165H	92
273-004	136, 138	31121H1295	182, 184	401-167H	92
288-374H	200, 224	31128864	182, 184	401-168H	92
298-509H	200	316-833	136	401-170H	106
298-510H	200	318-382	136	401-171H	106
298-513H	200	318-508D	92	401-172H	106
298-514H	200	319-058	86	401-185S	100
298-515H	202	319-059	86	401-192H	92, 106
298-516H	200	319-542	136	401-193H	106
298-626H	202	319-549	86	401-194H	92, 106
298-852H	200	320-195	136	401-195H	92
298-853H	202	342103	182, 184	401-196H	92
298-881S	206	342107	182, 184	401-198H	92
298-882S	206	342108	182, 184	401-201H	92, 96, 292
298-883S	200	342110	182, 184	401-202H	92
298-887S	202	342111	184	401-203H	78
298-888S	200	343001	182, 184	401-204H	106
2A0006	152	343002	182, 184	401-205H	92
2A0012	152, 154, 156, 162, 164, 168	343005	182, 184	401-206H	92
2A0014	150, 152	343006	182, 184	401-207H	94
2A0016	154	343011	182, 184	401-208H	94
2A0018	150, 156	343021	182, 184	401-209H	92, 106
2A0019	162, 164, 168	343029	184	401-210H	92
2A0024	152, 154, 156	343032	182, 184	401-211H	92
2A0025	158, 160, 162, 164, 166, 168, 170	343052	182, 184	401-227H	108
2A0130	150	343053	182	401-228H	108
2A0134	154, 156, 158, 162, 164, 166, 168	343060	182, 184	401-228H	108
2A0202	150	343062	182, 184	401-230H	108
2A0208	156	343066	182, 184	401-231H	108
		343067	184	401-232H	108
		343073	182, 184	401-233H	108
		343089	182, 184	401-248H	110
		343091	184	401-249H	108
		343092	182, 184	401-250H	108
		3M1108	150	401-251S	100

Part Number	Page	Part Number	Page	Part Number	Page
401-252H	112	401-632H	86	402-260H	16, 22
401-253H	112	401-633D	26	402-268H	12
401-254H	112	401-633H	86	402-271S	14
401-255H	112	401-634D	94	402-272H	18
401-256H	112	401-634H	86	402-274H	18
401-258H	106	401-635D	94	402-278H	18
401-259K	292	401-637D	84	402-280H	18
401-260K	292	401-639D	108	402-300D	8, 12
401-318H	92	401-640D	108	402-301D	8
401-319H	92	401-641D	108	402-302D	288
401-320H	92	401-668D	108	402-303D	288
401-321H	92	401-682D	108	402-329K	20
401-322H	92	401-684D	108	402-353D	8, 12
401-363H	78	401-685D	108	402-370D	292
401-444H	86	401-686D	290	402-466D	12
401-446H	86	401-697D	108, 114	402-471D	12
401-447H	86	401-699D	26	402-472D	12
401-477D	92	401-719D	100	402-473D	12
401-490D	26	401-742D	112	402-474D	12
401-491D	26	401-743D	112	402-475D	12
401-492D	26	401-744D	112	402-477D	12
401-493D	106	401-745D	192	402-478D	12
401-494D	92	401-747D	26	402-507D	28
401-495D	92	401-753D	94	402-514D	12
401-497D	292	401-791H	92	402-523D	18
401-498D	8, 94	401-792H	92	402-524D	18
401-521D	88, 90	401-834H	278, 282	402-525D	18
401-523D	90, 100	401-965S	278, 280, 282, 284	402-527D	18
401-524D	106	401-971L	280, 284	402-529D	20
401-525D	106	402-025S	20, 26, 38, 54, 58	402-530D	20
401-527D	106	402-130D	12	402-532D	18
401-528D	52, 56, 60, 100, 124	402-155S	292	402-533D	18
401-533D	94	402-157S	292	402-534D	18
401-534D	84	402-158H	288	402-535D	18
401-535D	84	402-160H	8, 12	402-538D	18
401-536D	84	402-161H	8	402-539D	18
401-537D	78	402-169H	288	402-541D	18
401-538D	292	402-171H	288	402-591D	20
401-540D	10	402-172H	288	402-630D	20
401-541D	10	402-173H	290	403-056D	188
401-562D	10	402-174H	290	403-058D	188
401-563D	26	402-190H	8	403-059D	200
401-584D	92	402-198H	8	403-104D	202
401-585D	92	402-248H	12	403-105D	200
401-591H	114	402-249H	12	403-107D	200
401-619H	112	402-250H	12	403-108D	200
401-631D	26	402-251H	12	403-111D	200
401-632D	26			403-112D	200
				403-112H	202

Part Number	Page	Part Number	Page	Part Number	Page
403-113H	200	403-178D	74, 76	403-789D	70
403-115H	200	403-179H	70	403-934A	196
403-116H	202	403-180H	70	403-948D	70, 82
403-117D	188	403-182D	200	404-014S	206
403-117S	200	403-186H	74, 76	404-020D	206, 226
403-118D	190	403-188H	70, 80	404-027D	210
403-119D	190	403-189H	74, 76	404-061D	228
403-120D	190	403-190H	104	404-077D	204
403-122D	190	403-191H	104	404-078D	204
403-123D	190	403-192H	104	404-079D	204
403-124D	190	403-202H	104	404-088H	228
403-125D	190	403-214D	80	404-119D	204
403-126D	190	403-214S	204	404-121S	204
403-127D	188	403-228H	82	404-144D	228
403-128D	188	403-232D	188	404-147D	250, 252, 254, 260, 266, 268, 272
403-129D	188	403-233D	186	404-152D	206
403-130D	188	403-234D	70, 80	404-153D	204
403-131D	188	403-236H	76	404-155D	204
403-132D	188	403-237H	76	404-174D	204
403-133D	188	403-239H	76	404-189D	206
403-134D	188	403-241H	70, 80	404-192D	226
403-135D	188	403-248D	74, 76	404-194D	208
403-136D	188	403-254D	100, 128	404-195D	208
403-137D	190	403-265D	108, 114	404-196D	208
403-137H	74	403-278D	102	404-198D	204
403-138D	190	403-303D	70	404-203D	226
403-139D	190	403-306D	100	404-204D	226
403-140D	190	403-312D	202	404-207D	224
403-141D	190	403-316D	74	404-209D	98, 224
403-142H	80	403-317D	74, 76	404-212D	228
403-149D	186, 188	403-318D	74, 76	404-213D	228
403-150D	186, 188	403-319D	104	404-214D	204
403-152D	188	403-332D	70, 80	404-219D	224
403-153D	188	403-345D	74, 76	404-220D	224
403-154D	188	403-370H	102	404-224D	98
403-157S	186	403-371H	102	404-225D	98
403-159H	70, 80	403-396D	76	404-226D	98
403-161H	74	403-402D	70, 76	404-227D	98
403-164H	74	403-403D	70, 80	404-228D	86
403-165H	74, 76	403-407D	70, 80	404-232D	224
403-166H	74, 76	403-408D	80	404-254D	206
403-167H	100, 128	403-409D	70	404-255D	206
403-168H	100, 128	403-586K	224	404-348D	228
403-171H	100	403-667D	200, 224	404-796H	204
403-172H	100	403-668H	76	404-861H	98
403-173H	102	403-715A	224	405-021H	268, 272, 274
403-175H	108, 114	403-724D	226		
403-176D	74	403-725D	226		
403-177D	74, 76	403-788D	80		

Part Number	Page	Part Number	Page	Part Number	Page
405-022H	268, 272, 274	407-225H	42	413-757D	86
405-023S	268, 272, 274	407-226H	42	417-835H	122
405-024S	268, 272, 274	407-227S	42	421-159D	278, 282
405-028H	246	407-228H	42	421-921D	278, 282
405-030D	10, 14	407-229H	42	421-922D	278, 282
405-031D	244, 248, 250, 252, 254, 256, 258, 260, 262, 264, 266, 268, 272, 274	407-289D	40	421-923D	278, 282
405-032D	204	407-290D	38	421-928D	278, 282
405-052D	246	407-327D	44	421-929D	278, 282
405-053D	246	407-329D	42	431-078H	126
405-054D	246	407-461H	48	431-296D	94
405-055D	268, 272, 274	407-462H	48	431-297D	94
405-057D	268, 272	407-463H	46	457901815	126
405-063D	274	407-465H	46	459680920	196
407-116D	64	407-466H	48	459680922	196
407-118H	64	407-468H	46	464211330	192
407-120H	54	407-469H	46	464211340	192
407-121H	64	407-470H	48	464360176S1	194
407-134D	52, 56, 60, 124	407-474H	46	464820511S1	194
407-137D	52, 56, 60, 124	407-521S	42	464820517S1	194
407-139D	54, 58	407-578D	48	464820518S1	194
407-140D	52, 56, 60, 124	407-579D	48	464820520S1	196
407-141H	38	407-580D	48	466820134S1	192
407-142H	38	407-581D	46	466820714	196
407-143H	38, 42	407-587D	48	466820714S3	194
407-144H	40	407-592D	48	466822000S1	192
407-145H	40	407-598D	46	466970014S1	78, 192, 196
407-151H	38	407-600D	46	46697-0016S1	192, 194
407-167D	38	407-635D	44	466980040S1	126
407-168D	38, 42	407-650D	46	467751130S1	192
407-169D	40, 42	407-736H	42	467751205S1	192
407-170D	38, 42	407-741H	36, 50	467752020S1	192
407-171D	58, 62	407-826D	42	467752041S1	192
407-172D	38, 42	407-913D	142	467980047	196
407-187H	38	407-992S	46	467980124	194
407-190S	38, 56	411-015M	278, 282	467980126	194
407-192H	40	411-030D	78	467980160	194
407-193H	40, 42	411-214D	86	467980410	194
407-195H	40	411-215D	86	467980451A	194
407-208H	38	411-271D	128	467980455	194
407-220H	218	411-272D	128	467980471	194
407-221H	218	411-273C	64	467980502	194
407-222H	42	411-332D	86	467980503	194
		411-333H	278, 282	467980610	194
		411-334H	278, 282	467980612	194
		411-335S	278, 282	467980620	194
		411-386D	194	467980851	194
		411-462D	114	467981100S1	194
		411-615D	86	467981201	194
		411-960H	86		

Part Number	Page	Part Number	Page	Part Number	Page
467982000S1	18, 194	6M1108	150	800-213C	206
467983505	18	6R1144	152	800-220C	186, 188
467984150	194	6R3152	154	800-227C	188
467984220S1	194	6R5162	156	800-230C	186
467985060S1	196	6R7182-ADI	162	800-231C	84
467987520S1	194	6R7190-ADI	160	800-232C	214
467988320S1	194	6R8162-ADI	158, 166	800-244C	206
468100200S1	226	6R8170	164	800-257C	28
468100210	226	6R9170	168	800-311C	26
4M1102	150	6R9170-ADI	170	800-321C	104
4M4108	152	7M1302	150	800-365C	202
4M5108	154	7M4332	152	800-367C	52, 56, 60, 124, 224
4R5108	156	7M5324	154	800-382C	42, 46
4R7109	160	7M5417	154	800-418C	70, 80
4R7114	162	7M6440	156	801-002C	188
4R8108	164	7M7328	162	801-018C	110, 114
4R8110	158, 166	7M7386	158	801-040C	210, 242
4R9108	168	7M7422	160	801-043C	242
4R9110	170	7M8318	164, 168, 170	801-055C	78
500-064D	92, 288	7M8328	166	801-071C	54, 56, 60, 124
502-067D	132, 134, 140, 142, 144, 146, 174	800-001C	44, 46, 106, 112, 178, 204, 242, 288	801-078C	200, 228
502-068D	94, 128, 132, 134, 140, 142, 144, 146, 174, 278, 282	800-004C	18	801-081C	78, 88, 90
503-158D	70	800-005C	38	801-084C	228
506-245H	94	800-041C	114	801-106C	188
506-365D	64	800-044C	128	801-155C	194
507-034V	52, 56, 60, 124	800-052C	98	801-164C	204
507-039D	52, 56, 60, 124	800-054C	244, 268, 272, 274	801-167C	210
507-040D	52, 56, 60, 124	800-058C	48	801-168C	226
586-158D	116	800-060C	128	801-172C	188
596-163H	94	800-085C	200	801-187C	74, 76
5M1103	150	800-112C	206	801-195C	186
5M4132	152	800-118C	204, 224	801-231C	46
5M5124	154	800-120C	278, 282	801-233C	224
5R5210	156	800-123C	52, 56, 60, 64, 124	802-001C	70, 80
5R6181	158	800-124C	74, 76, 100	802-002C	46, 220
5R7192	160	800-125C	28, 54, 58, 62, 64, 102, 124	802-004C	20, 22, 70, 80, 104, 186, 278, 282
5R7728	162	800-126C	104	802-005C	18, 70, 74, 76, 80, 110, 114, 182, 184, 276
5R8118	164	800-137C	186, 188	802-007C	46, 110, 114, 278, 282
5R8528	166	800-151C	78, 100	802-009C	8, 12, 128, 132, 134, 140, 142, 144, 146, 174, 216, 232
5R9118	168, 170	800-163C	104		
6330845	28	800-164C	210		
6330850	28	800-166C	228		
6560007	28	800-179C	74, 76		



Part Number	Page	Part Number	Page	Part Number	Page
802-010C	70, 80, 94	802-079C	70, 74, 76, 78, 88, 90, 94, 104, 108, 112, 194, 244, 274	802-184C	210
802-013C	48			802-194C	48
802-014C	18, 98			802-205C	292
802-015C	200, 210, 268, 272	802-080C	70, 80	802-212C	92, 128
802-017C	10, 14, 18, 26, 72, 78, 82, 98, 180, 200, 224	802-082C	8, 108, 122, 244, 248, 274	802-214C	214, 242
		802-091C	12, 86, 106, 108, 114, 204	802-216C	112, 178
802-022C	18, 42, 68, 122, 140, 142, 144, 146, 246, 278, 282	802-092C	12, 204, 228, 248, 256, 258, 260, 262, 264, 266	802-219C	218
				802-221C	182, 184
802-023C	18, 108, 154, 156, 158, 160, 162, 164, 166, 168, 170, 128	802-094C	230	802-223C	104
		802-097C	18	802-224C	18, 70, 78, 80, 102
802-024C	128	802-099C	88, 90, 208	802-226C	12
802-026C	70, 80	802-100C	178	802-228C	204
802-029C	268, 272, 274	802-106C	206, 210, 220, 222, 238, 240, 278, 282	802-240C	292
802-030C	214, 254, 260, 266, 268	802-110C	86	802-250C	48, 70
802-032C	40, 42	802-113C	258, 264	802-252C	198
802-034C	16, 58, 60, 80, 86, 100, 108, 128, 288	802-114C	200, 224	802-256C	122
		802-115C	40, 278, 282	802-257C	186, 188
802-039C	46, 204	802-116C	46	802-258C	64, 204
802-041C	26, 38, 42	802-128C	40, 42, 278, 282	802-259C	212
802-044C	210	802-130C	178	802-282C	26, 70, 80
802-045C	46, 100	802-135C	8, 12	802-283C	182, 184
802-046C	12	802-143C	112	802-289C	94
802-047C	64	802-147C	86, 140, 142, 144, 146, 148	802-331C	40, 42, 216, 218, 232, 240
802-050C	10	802-149C	210, 234, 236	802-360C	290
802-051C	214, 246	802-152C	20	802-370C	70, 80
802-055C	64, 80, 292	802-155C	40	802-375C	78
802-058C	12	802-159C	100, 188, 278, 282	802-382C	200
802-059C	10, 290	802-160C	12, 204, 244, 248, 250, 254, 256, 258, 260, 262, 264, 266, 274	802-388C	108, 114
802-060C	238, 250, 252, 268, 272, 288			802-390C	54
802-064C	12, 112	802-162C	8, 12, 268, 272	802-411C	108
802-069C	92, 288	802-166C	106	802-413C	90, 178, 244, 248, 250, 256, 262, 272, 274
802-078C	74, 76, 192, 210, 234, 236	802-167C	18, 70, 74, 76, 80	802-429C	86
				802-431C	230
		802-172C	100, 198, 204	802-463C	222
		802-182C	288	802-474C	100, 102
				802-481C	100
				802-521C	12
				802-537C	12
				802-551C	16, 22
				802-567C	108
				802-574C	224
				802-575C	20, 224
				802-616C	254, 260, 266, 268

Part Number	Page	Part Number	Page	Part Number	Page
802-646C	204	803-020C	8, 12, 26, 38, 42,	803-147C	38, 42, 64
802-663C	204		46, 58, 62, 64,	803-159C	8, 12, 180
802-673C	222		86, 88, 90, 94,	803-169C	10, 12, 104, 126, 178, 200, 210, 216, 218, 222, 232, 244, 248, 250, 256, 262, 272, 274
802-705C	74, 76		98, 100, 106, 108, 122, 128, 178, 204, 208, 220, 222, 238, 240, 278, 282		
802-714C	38	803-021C	8, 10, 12, 46, 54, 80, 104, 178, 200, 210, 212, 238, 246, 250, 252, 254, 256, 258, 260, 262, 264, 266, 268, 272, 292	803-171C	244
802-718C	8, 12			803-175C	292
802-728C	288			803-177C	8, 12, 26, 54, 58, 62, 70, 82, 124, 230
802-736C	178			803-181C	242
802-745C	200			803-183C	292
802-767C	108	803-023C	242	803-193C	238, 242
802-775C	26	803-024C	178, 288	803-194C	182, 184, 186
802-782C	26	803-025C	40, 242	803-196C	12, 290
802-798C	94	803-026C	92, 290	803-199C	12, 52, 56, 60, 64, 124, 126, 132, 134, 140, 142, 144, 146, 174
802-800C	78	803-027C	12, 44, 46, 64, 108, 112, 128	803-200C	220
802-824C	292	803-029C	242, 288	803-209C	18, 70, 104, 108, 114, 200, 254, 260, 266, 268
802-852C	86	803-031C	86, 288	803-219C	288
802-883C	230	803-034C	106	803-229C	252, 254, 258, 260, 264, 266, 268, 272, 274
802-893C	26	803-037C	16, 22	803-230C	70, 78, 80, 210, 234, 236
802-901C	18	803-043C	198, 204, 228	803-234C	158, 160, 166, 170
802-904C	20	803-048C	8, 12, 94	803-257C	158, 160, 166, 170
803-001C	194, 226	803-049C	218	803-263C	48, 108, 224
803-006C	18, 26, 70, 74, 76, 80, 110, 114, 188, 192, 220, 224, 278, 282	803-052C	214	803-268C	78
		803-053C	38, 42, 46, 180, 214	803-269C	226
803-008C	54, 100, 110, 114, 122, 128, 188, 216, 232, 248, 256, 258, 260, 262, 264, 266, 278, 282	803-063C	288	803-278C	26
		803-065C	226	803-293C	108, 114
803-013C	94, 112, 178	803-068C	210, 234, 236	803-316C	92, 292
803-014C	10, 14, 18, 26, 38, 64, 68, 74, 76, 78, 84, 86, 88, 90, 94, 98, 108, 128, 140, 142, 144, 146, 148, 180, 194, 198, 200, 224	803-073C	92, 288	803-345C	188
		803-078C	70, 82, 108, 268, 272	803-383C	48
803-015C	70, 80	803-079C	94		
803-019C	46, 116, 178	803-084C	100		
		803-086C	42, 48, 122		
		803-088C	16, 22, 54, 56, 60, 70, 80, 124, 186, 276		
		803-113C	252		

Part Number	Page	Part Number	Page	Part Number	Page
804-006C	18, 26, 70, 74, 76, 78, 80, 110, 114, 188, 192, 220, 224, 278, 282	804-015C	8, 12, 16, 26, 38, 42, 46, 58, 62, 64, 80, 86, 88, 90, 94, 98, 100, 106, 108, 122, 128, 178, 204, 210, 220, 222, 238, 240, 278, 282, 288, 292	804-041C	70, 80, 220, 252, 254, 258, 260, 264, 266, 268
804-007C	20, 26, 70, 74, 76, 80, 104, 186, 188	804-016C	8, 58, 62, 64, 80, 88, 90, 98, 114, 208, 278, 282	804-042C	200
804-009C	46, 54, 94, 100, 110, 114, 122, 128, 188, 216, 232, 248, 256, 258, 260, 262, 264, 266, 278, 282	804-017C	40, 42, 122, 178, 216, 218, 232	804-046C	18, 194, 224
804-010C	46, 70, 82, 132, 134, 140, 142, 144, 146, 174	804-019C	8, 14, 108, 202	804-050C	226
804-011C	42, 48, 74, 76, 128, 140, 142, 144, 146, 254, 260, 266, 268	804-021C	80, 106, 150, 268, 272, 274	804-054C	20, 78, 194, 224
804-012C	18, 72, 78, 82, 88, 90, 98, 180, 200	804-022C	8, 14, 46, 54, 64, 80, 104, 178, 202, 204, 210, 212, 238, 244, 246, 248, 250, 252, 254, 256, 258, 260, 262, 264, 266, 268, 272, 274, 292	804-055C	242
804-013C	10, 14, 18, 26, 38, 64, 68, 72, 74, 76, 78, 82, 86, 88, 90, 94, 98, 108, 128, 140, 142, 144, 146, 148, 180, 194, 198, 200, 224, 246, 274	804-023C	14, 40, 44, 46, 64, 108, 112	804-061C	10, 26, 38
804-014C	70, 80, 222, 252, 254, 258, 260, 264, 266, 268	804-024C	14	804-071C	106
		804-025C	40, 44, 46, 92, 106, 128, 180, 214, 292	804-075C	70, 74, 76
		804-027C	86, 288	804-078C	228
		804-028C	94, 178	804-093C	38, 42, 46, 292
		804-029C	86, 106, 108, 178, 216, 232, 290	804-094C	220, 244, 248, 274
		804-030C	106	804-099C	210
		804-032C	20	804-100C	206, 226
		804-035C	106, 292	804-102C	94, 288
		804-036C	54	804-111C	188
		804-039C	106, 242	804-113C	26, 38, 42, 46, 240, 242
		804-040C	204	804-157C	38
				804-165C	94
				804-192C	14
				804-195C	204
				804-197C	288
				804-206C	186
				805-001C	94, 290
				805-004C	106, 178
				805-010C	42, 64
				805-016C	288
				805-017C	8, 94, 242
				805-019C	94, 180
				805-021C	242
				805-024C	182, 184
				805-031C	222
				805-034C	80, 96, 108
				805-041C	94, 106
				805-043C	242
				805-045C	8, 214, 228
				805-058C	108, 178, 290
				805-060C	86, 292
				805-062C	112
				805-063C	206, 226
				805-064C	40, 42

Part Number	Page	Part Number	Page	Part Number	Page
805-067C	26, 250, 252, 254, 256, 258, 260, 262, 264, 266, 268, 272	805-240C	8, 14, 38, 42, 46, 54, 56, 106	807-119C	206, 226
805-069C	106	805-250C	204	807-125C	228
805-073C	28	805-255C	86, 94, 212	807-137C	236
805-076C	92	805-278C	206	807-158C	210, 234
805-080C	188	805-290C	206	807-174C	202
805-085C	94	805-296C	188	807-182C	70, 80
805-088C	108, 114	805-298C	188	807-186C	188
805-089C	182, 184	805-307C	188	807-187C	188
805-104C	38, 42, 46	805-334C	94, 106	807-194C	188
805-105C	106	805-335C	204	807-232C	200
805-109C	94, 106, 250, 254, 256, 260, 262, 266, 268, 272	805-360C	92	807-236C	200
805-117C	92, 202, 278, 282	805-363C	244, 248, 274	807-260C	94
805-119C	106	805-376C	108	807-278C	244, 248, 250, 254, 256, 260, 262, 266, 268, 272, 274
805-124C	154, 158, 162, 166	805-385C	222, 224	808-062C	42, 62
805-126C	106, 110	805-417C	254, 260, 266, 268, 270	808-147C	38, 42, 46
805-127C	38, 42, 46	805-432C	244, 248, 250, 256, 262, 272, 274	808-148C	52
805-131C	178	805-435C	202	808-149C	38
805-140C	8, 94	805-436C	244, 248, 274	808-150C	52
805-141C	106	806-007C	112	808-151C	52
805-143C	36, 42, 50, 278, 282	806-019C	210	808-156C	38, 52
805-146C	26, 188	806-050C	14, 64, 108	808-219C	38
805-159C	86, 290	806-052C	54, 104, 200	808-249C	38
805-168C	106	806-060C	98	808-251C	38
805-178C	112	806-066C	104	808-262C	38, 42, 46
805-180C	8, 14, 26, 38, 42, 206	806-073C	18, 84, 94	808-276C	38
805-183C	250, 252, 254, 256, 258, 260, 262, 264, 266, 268, 272	806-084C	224	808-302C	8, 14
805-185C	104	806-102C	40, 44, 46	808-303C	8, 10, 14
805-187C	8, 94	806-110C	178	808-304C	10, 14
805-191C	228	806-152C	54, 58, 62, 124	808-305C	10, 14
805-192C	36, 50	806-168C	178	808-307C	8, 14, 26
805-208C	182, 184, 188	806-192C	54, 58, 62, 100, 124, 128	808-308C	10, 14
805-212C	106	806-196C	126	808-309C	10, 14, 26
805-219C	108	806-221C	126	808-310C	10, 14
805-230C	94	807-020C	220	808-311C	10, 14
805-234C	38, 42	807-073C	86	808-312C	10, 14
805-235C	42	807-076C	200	808-315C	10, 14
		807-096C	112	808-319C	8, 10, 14, 26
		807-106C	228	808-320C	8, 14
		807-113C	252, 258, 264	808-344C	16, 22
				808-357C	26
				808-395C	18, 202
				808-415C	18
				809-041C	16, 22

Part Number	Page	Part Number	Page	Part Number	Page
810-037C	132, 134, 148, 280, 286	810-893C	282, 284	811-331C	16, 284
810-158C	160, 162	810-897C	278, 280	811-341C	284
810-160C	164	810-898C	282, 284	811-347C	148
810-197C	140, 142, 144, 146	810-899C	278, 280	811-348C	280, 284
810-201C	106, 140, 142, 144, 146	811-040C	120	811-386C	148
810-249C	150	811-054C	148	811-393C	134, 280, 284
810-273C	78, 132	811-061C	148	811-394C	16, 148
810-274C	128, 130	811-063C	16, 22, 174	811-397C	140, 142, 144, 146
810-342C	142, 146	811-064C	148	811-463C	128
810-345C	148	811-065C	134, 140, 142, 144, 146, 178, 284	811-488C	86, 148, 280, 284
810-423C	140, 142, 144, 146, 178	811-069C	132, 134	811-502C	120, 132
810-430C	152	811-073C	120, 284	811-564C	16, 22, 120, 284
810-456C	176	811-077C	132, 134	811-617C	174
810-491C	106	811-078C	132, 134, 280, 284	811-627C	148
810-508C	170	811-081C	148, 280, 284	811-703C	140, 142
810-527C	140, 142, 144, 146, 194	811-086C	142, 146	811-708C	146
810-537C	92, 140, 142, 144, 146	811-088C	120, 142, 146, 148	811-725C	16, 132, 134, 174, 280, 284
810-543C	140, 142, 144, 146, 288	811-091C	280, 284	811-780C	284
810-544C	92, 174	811-133C	128, 140, 142, 144, 146, 148, 174	811-782C	132, 134, 280, 284
810-545C	174, 288	811-146C	284	811-785C	174
810-550C	156	811-150C	16, 86, 132, 134, 148, 174, 280, 284	811-826C	172
810-551C	168	811-169C	140, 142, 144, 146, 148, 174	811-827C	172
810-556C	78, 134, 280, 284	811-171C	128, 140, 142, 144, 146, 148, 174	811-857C	278, 282
810-583C	154	811-192C	16, 22, 280, 284	811-863C	144, 146
810-603C	16, 284	811-201C	128	811-913C	172
810-613C	86, 148	811-204C	128	811-914C	172
810-614C	86, 148	811-205C	16, 22, 284	811-915C	172
810-615C	148	811-216C	284	811-916C	172
810-636C	138, 140, 142, 144	811-249C	140, 142, 144, 146, 174	811-917C	172
810-646C	92, 140, 142, 144, 146	811-255C	226	811-918C	172
810-647C	140, 142, 144, 146	811-265C	132, 134, 280, 284	811-919C	172
810-652C	166	811-266C	16	811-920C	144, 146
810-653C	158	811-291C	120	811-921C	144
810-696C	16, 22, 120, 284	811-316C	226	811-922C	140, 142, 144, 146
810-697C	174, 288	811-324C	16, 86, 134, 148, 280, 284	811-923C	144, 146
810-698C	92, 174			811-924C	140, 142, 144, 146
810-701C	224			811-925C	144, 146
810-804C	278, 280, 282, 284			811-926C	144
				811-927C	144
				811-928C	144, 146
				811-929C	174
				811-930C	174
				811-931C	174
				811-932C	174

Part Number	Page	Part Number	Page	Part Number	Page
811-955C	132, 134, 280, 284	816-170C	64, 80	817-541C	230
811-957C	144	816-173C	228	817-555C	64
811-959C	16, 132, 134, 174, 280, 284	816-201C	74	817-556C	80
811-960C	128, 144	816-202C	292	817-558C	70, 80
812-327C	206	816-245C	80	817-564C	188
812-374C	226	816-302C	206	817-565C	186
812-398C	244, 248, 274	816-358C	104	817-568C	188
814-034C	276	816-409C	78, 100	817-569C	188
814-060C	292	816-477C	70, 80	817-571C	100
814-113C	230	816-478C	74, 76	817-572C	100
814-118C	8	816-479C	74, 76	817-573C	100
814-173C	204, 230	816-480C	106	817-574C	100
814-174C	248, 250, 252, 254, 256, 258, 260, 262, 264, 266, 276	816-499C	100	817-575C	100
814-175C	230	816-502C	74, 76	817-576C	100
814-206C	288	816-547C	28	817-595C	100
814-208C	288	816-548C	74, 76	817-602C	70
814-210C	288	816-559C	64	817-604C	204
814-238C	250, 252, 254, 256, 258, 260, 262, 264, 266, 276	816-611C	224	817-605C	204
814-244C	276	816-634C	114	817-606C	204
814-252C	292	816-648C	18	817-607C	186
814-257C	204, 230	816-686C	204	817-610C	100
814-258C	230	816-725C	70, 80	817-612C	186
814-259C	230	816-726C	70, 80	817-613C	100
814-260C	204, 230	817-021C	220	817-615C	216, 218, 220, 232
814-261C	230	817-029C	242	817-617C	100
814-300C	292	817-042C	108, 114	817-622C	102, 108
814-301C	292	817-051C	242	817-624C	78
814-318C	8, 14	817-083C	200, 254, 260, 266, 268	817-655C	104
814-400C	248, 276	817-084C	202, 210, 222, 244, 248, 250, 256, 262, 272, 274	817-715C	204
815-001C	180			817-813C	28
815-099C	288			817-852C	18
815-103C	288			817-853C	114
815-222C	292	817-191C	228	817-886C	276
815-255C	214, 216, 232	817-255C	130	818-045C	4
815-580C	292	817-273C	26	818-055C	4, 110, 114
816-009C	242	817-330C	276	818-181C	86
816-014C	180	817-331C	230	818-188C	4
816-019C	288	817-349C	206	818-240C	278, 282
816-107C	28	817-358C	40, 42, 46	818-339C	4
816-144C	52, 56, 60, 124	817-405C	188	818-344C	52, 56, 60, 124
		817-406C	38, 42, 46, 200	818-398C	4
		817-425C	188	818-525C	216, 232
		817-456C	26	818-579C	4
		817-457C	74, 76, 102	818-580C	4
		817-480C	200	818-587C	4
		817-516C	108	818-590C	4
		817-520C	290	819-156C	4

Part Number	Page	Part Number	Page	Part Number	Page
820-094C	180	823-371C	20	830-045C	52, 56, 60, 64
820-180C	242	823-372C	20	830-048C	66
820-259C	238	823-373C	20	830-052C	52, 56, 64
820-287C	206	823-374C	20	830-061C	52, 56, 60, 124
820-323C	210, 242	823-375C	20	830-086C	54, 58
820-327C	238, 242	823-388C	20	830-087C	52, 56, 60, 124
820-331C	238, 242	823-389C	20	830-094C	60, 64, 124
820-343C	210	823-390C	20	830-121C	52, 56, 60, 124
821-048C	80	823-434C	126	830-123C	52, 56, 60, 124
821-069C	80	823-435C	126	830-126C	54, 56, 60, 124
822-020C	44, 46, 242	825-006C	84	830-127C	44, 46, 52, 56, 60
822-021C	242	826-501C	26	830-133C	44, 46, 60
822-030C	180, 214	827-077C	100	830-141C	52, 56
822-032C	10	827-078C	100	830-142C	52, 56, 60, 124
822-033C	44	827-079C	100	830-145C	44, 46, 58, 60
822-036C	288	827-080C	100	830-149C	64
822-037C	288	827-081C	100	830-157C	126
822-038C	288	827-082C	100	830-174C	64
822-039C	288	827-083C	100	830-186C	64
822-047C	292	827-084C	102	830-237C	52, 56, 60, 124
822-080C	180, 214	827-095C	102	830-254C	52, 56
822-170C	188, 230, 244, 268, 272, 274, 276	827-096C	100	830-258C	52, 56, 60, 124
822-175C	8, 14, 26	827-097C	100	830-260C	52, 56, 60, 124
822-195C	8, 14, 26	827-098C	100	830-295C	64
822-204C	292	828-046C	242	830-300C	52, 56
822-210C	202	828-057C	216, 232	830-325C	126
822-215C	38, 214	828-058C	216, 232	830-345C	126
822-216C	44, 46	828-059C	216, 232	830-368C	126
822-239C	18, 200	828-060C	216, 232	830-370C	126
822-240C	44, 46	829-013C	30, 52, 56, 60, 64	830-380C	64
822-259C	44	829-048C	34	830-381C	64
823-196C	6	829-089C	52, 56, 60, 124	830-383C	18, 54, 58, 62, 124, 224
823-231C	26	829-104C	52, 56, 60, 124	830-390C	126
823-232C	6	829-105C	52, 56, 60, 124	830-403C	224
823-300C	196	829-109C	64	830-405C	18, 226
823-301C	194	829-109C	64	830-406C	242
823-327C	18	829-140C	18	830-417C	224
823-328C	18	829-141C	224	830-420C	226
823-329C	20	830-021C	64	830-422C	226
823-330C	18, 98	830-024C	64	830-423C	224
823-336C	18	830-028C	52, 56, 60, 124		
823-337C	18	830-029C	52, 56, 60, 124		
823-365C	20	830-031C	64		
823-366C	20	830-041C	66		
823-367C	20	830-043C	54, 58, 62, 124		
823-368C	20				
823-370C	20				

Part Number	Page	Part Number	Page	Part Number	Page
830-424C	206	833-559C	224	841-093C	134, 280, 284
830-425C	224	833-683C	88	841-094C	134, 280, 284
830-426C	226	833-686C	88	841-095C	134, 280, 284
830-427C	224	833-687C	88	841-099C	134
830-428C	226	833-694C	88	841-103C	134, 148
830-429C	224	833-696C	88	841-136C	148
830-430C	224	833-697C	88	841-147C	148
830-431C	224	833-960C	194	841-187C	148
830-434C	226	833-961C	194	841-196C	280, 284
830-459C	126	833-975C	194	841-207C	128
830-460C	126	833-978C	194	841-211C	148
830-462C	126	833-979C	194	841-218C	148
830-463C	126	838-041C	4	841-219C	148
831-029C	52, 56, 60	838-042C	4	841-220C	148
831-045C	52, 66	838-160C	4	841-354C	146
831-068C	44, 46, 60	838-168C	4	841-360C	142
831-078C	118, 122, 126	838-265C	4, 88, 90	841-365C	128
831-088C	98, 224	838-266C	4, 88, 90	841-389C	284
831-121C	120, 122, 126	838-267C	4, 88, 90	841-503C	224
832-042C	52, 56, 60, 124	838-482C	238	841-517C	280, 284
832-051C	52, 56, 60, 124	838-599C	4	841-540C	172
832-052C	52, 56, 60, 124	838-659C	4	841-541C	172
832-053C	52, 56, 60, 124	838-761C	4, 10	841-542C	172
832-054C	52, 56, 60, 124	838-762C	4, 10	841-543C	172
832-055C	52, 56, 60, 124	838-763C	4, 26	841-568C	146
832-056C	52, 56, 60, 124	838-765C	4	841-569C	146
833-194C	192	838-818C	4	841-570C	142
833-235C	70, 74, 76, 80, 192, 194	838-822C	74, 76	841-571C	142
833-367C	192, 194	838-823C	64	841-690C	146
833-368C	192, 194	838-993C	4	841-822C	146
833-370C	192, 194	838-994C	4	841-823C	146
833-371C	192, 194	838-995C	4	841-824C	146
833-454C	86	839-956C	28	841-883C	142
833-492C	278, 282	841-002C	132, 134, 280, 284	841-884C	142
833-515C	142, 146	841-067C	140, 142	841-916C	280, 284
833-531C	226	841-068C	140, 142	841-917C	280, 284
833-532C	226	841-069C	140, 142	841-919C	280, 284
833-533C	226	841-070C	140	841-920C	280, 284
833-534C	226	841-071C	140, 142	841-974C	280, 284
833-535C	226	841-072C	132, 134, 174, 280, 284	841-975C	280, 284
833-537C	224	841-073C	140	843-191C	206
833-539C	224	841-074C	174	844-023C	4
833-542C	224	841-075C	174	848-020C	78
		841-076C	174	848-083C	4
		841-077C	280, 284	848-095C	40, 44, 46
		841-081C	140	848-118C	184
		841-092C	134, 280, 286	848-119C	182



Part Number	Page	Part Number	Page	Part Number	Page
848-325C	4	890-892C	78	CR14971	214
848-910C	70	890-899C	78	DWG 12822	150
848-911C	4	890-912C	186	DWG 22749	80
850-066C	16, 22, 284	891-109C	280, 284	DWG 22775	92
850-154C	120, 122, 126	891-150C	224	DWG 22881	210
850-507C	16, 22, 286	891-186C	268, 272, 274	DWG 22946	70
858-004C	278, 282	891-233C	224	DWG 25018	180
858-029C	278, 282	891-259C	4	DWG 38352	118
858-030C	278, 282	891-315C	278, 282	DWG 38353	122
858-792C	292	891-316C	278, 282	DWG 38355	120
861-463C	120	891-385C	280, 284	DWG 38358	124
890-005C	92, 290	891-670C	86	DWG12024	176
890-011C	288	900M08	184	DWG14408	30
890-051C	92	900MO8	182	DWG14927	130
890-072C	288	990-078R	64	DWG15489	34
890-143C	162, 166	990-080R	54, 56, 60, 124	DWG17663	228
890-153C	110, 114	990-081R	54, 58, 62, 124	DWG18406	234, 236
890-193C	92, 288	990-082R	52, 56, 60, 124	DWG18418	32
890-264C	112, 178	990-109R	18, 54, 58, 62, 124	DWG18964	152
890-311C	90	990-181R	60, 64, 124	DWG21853	204
890-312C	90	990-223R	102	DWG21854	200
890-390C	90	990-230R	100	DWG21855	198
890-395C	78, 100	990-262R	226	DWG21863	292
890-396C	78	990-263R	224	DWG21864	8
890-398C	86	990-268R	224	DWG21869	156, 162, 164
890-431C	90	990-269R	224	DWG21870	168
890-466C	206, 210, 234, 236	9910-380230	66	DWG21871	136
890-521C	52, 56, 60, 124	9910-390270	66	DWG21873	22
890-522C	64	9910-450145	66	DWG21941	96
890-524C	252, 254, 258, 260, 264, 266, 270	9910-550030	66	DWG21944	66
890-598C	252, 254, 258, 260, 264, 266, 270	9910-550056	66	DWG21986	84
890-600C	90	9910-550060	66	DWG21991	182
890-614C	180	9910-550242	66	DWG21992	184
890-620C	94, 156, 158, 164, 168	9910-550340	66	DWG21993	230
890-624C	78	9910-550370	66	DWG22508	24
890-666C	288	9910-620150	66	DWG22532	6
890-725C	92	9910-629211	66	DWG22709	186
890-851C	108	9910-650660	66	DWG22744	188
890-856C	186	9910-650670	66	DWG22745	106
890-857C	186	9910-650690	66	DWG22747	214
890-890C	192	9910-KIT1724	66	DWG22748	232
890-891C	78	9910-KIT1916	66	DWG22751	288
		9910-KIT1917	66	DWG22752	144
		ACE-10525	64	DWG22753	174
		CP18999-EPR	62, 124	DWG22754	132
				DWG22755	78
				DWG22756	74
				DWG22759	252

Part Number	Page	Part Number	Page	Part Number	Page
DWG22772	108	DWG31520	272	VER-24223	24
DWG22773	216	DWG31550	224	VER-24275	22, 24
DWG22774	238	DWG31830	208	VER-24697	24
DWG22806	100	DWG31842	172	VER-24698	24
DWG22820	52	DWG32003	46	VER-2584	22
DWG22821	64	DWG32360	36, 50	VER-26336	22
DWG22877	90	DWG34090	98	VER-27946	22, 24
DWG22899	4	DWG34484	274	VER-28383	24, 94
DWG22918	220	DWG34488	244	VER-5732	22
DWG22919	240	DWG34565	248	VER-8238	22
DWG22921	242	DWG34570	276		
DWG22929	178	DWG36087	76		
DWG23088	192	DWG36091	88		
DWG23154	140	DWG68103	282		
DWG23237	26	DWG68105	284		
DWG23263	112	DWG68108	278		
DWG23266	134	DWG68109	280		
DWG23282	104	F86606352	196		
DWG25132	56	FUSE	196		
DWG25133	38	GKN-P602128	292		
DWG25220	138	HS1328	214		
DWG25315	128	HU13	214		
DWG25490	148	LSQ200-PL	32, 118		
DWG25498	154	LSQ200-R	32, 118		
DWG26169	86	LST150-B	32, 118		
DWG27174	258	LST150-G	32, 118		
DWG27175	264	LST150-H	32		
DWG27304	222	LST1580	32, 118		
DWG28314	12	MLST150-H	118		
DWG28419	42	P502001	288		
DWG28426	60	P502118	292		
DWG28428	68	V-20153	30, 34		
DWG28475	16	VER-10968	22		
DWG28476	194	VER-18375	16, 22, 24		
DWG29096	218	VER-18382	22, 24		
DWG29331	254	VER-18468	22		
DWG29332	260	VER-18548	16, 22		
DWG29333	266	VER-19516	24		
DWG29590	246	VER-19582	22		
DWG29701	158, 166	VER-19729	24		
DWG29716	268	VER-19798	16, 22		
DWG29747	146	VER-19799	16, 22		
DWG29748	142	VER-19800	16, 22		
DWG29815	18	VER-20317	22		
DWG31512	160	VER-20524	22		
DWG31513	170	VER-21463	24		
DWG31517	262	VER-21475	24		
DWG31518	250	VER-21567	24		
DWG31519	256				

