



ej

Fabricated Steel Access Covers & Drainage Gratings

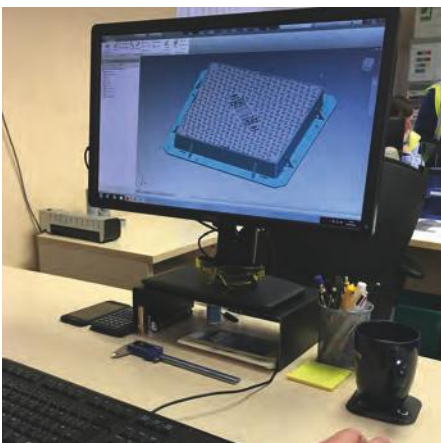


We create exceptional solutions

EJ is the world leader in the design, manufacture and distribution of access solutions for water, sewer, drainage, telecommunications and utility networks.

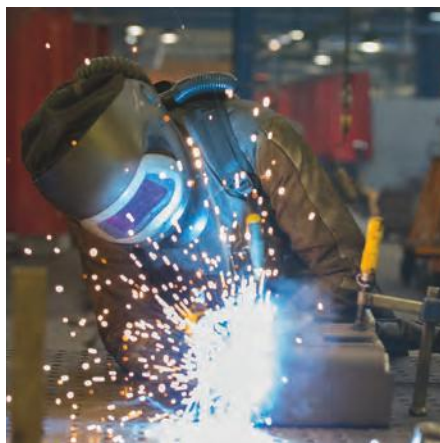
We complement our extensive in-house knowledge with third-party research and input from industry experts. Our product designers use the latest software to generate innovative designs.

Our commitment to you is that we will continue to create customer-oriented solutions that greatly improve access to infrastructure. We will do that in ways that are safer and more environmentally-friendly.



In-House Design

Our highly trained and experienced in-house product development and design teams will provide the optimum solutions to solve our customers' challenges.



Quality Manufacturing

Integrating technology, lean processes and over a century of experience in crafting metal castings and fabrications, keeps our facilities performing at peak efficiencies



Distribution Network

Access solution products, including municipal and construction castings, are available worldwide at our internal stocking locations and from our extensive network of distribution partners.

Table of Contents

FACTA Specification	10
EN 124 Specification	11
Project Examples	12
Installation Guide	87

Product	Description	Page
Solid Top	PS100 - Single	14
	PS400 - Twin	15
	PS300 - Hinged Single	16
	PS500 - Hinged Twin	17
	PS700 - Air/Water Tight	18
	PS750 - Pressure Tight	18
	PS1000 - Multiple	19
	PS1800/1850 - Deep Frame Single/Twin	20
	PS2000 - Hinged Multiple	21
	PS2100 - Multiple	22
Assisted Lift	PS1500/1550 - Upstanding Single/Twin	24
	PS1580 - Upstanding Multiple	25
	PS1600 - Flush Single	26
	PS1650 - Flush Twin	27
	PS1680 - Flush Multiple	28
	PS1680 Deep - Flush Multiple	29
	GARRISON™ High Security	31
	DEFENSO® High Security	32
Recessed Tray Type	PS3100/3300- Single/Twin	34
	PS3600 - Multiple	35
	PS4300 - Duct	36
	PS3150/3350- Heavy Duty Single/Twin	37
	PS3650 - Heavy Duty Multiple	38
	PS4350 - Heavy Duty Duct	39
	PS3700/3750 - FACTA D Loading Single/Twin	40
	PS3800 - FACTA D Loading Multiple	41
	PS4600 - FACTA D Loading Duct	42
	PS3900 - Double Seal/Double Cover	43
	PS4500/4550 - Stainless Steel Single/Twin	44
ALUMATIC®	ALUMATIC® Lite	46
Aluminium Recessed	ALUMATIC®	48
Block Paving Type	PS6000 - Single	54
	PS6700 - Twin	55
	PS6800 - Multiple	56
	PS6900 - Duct	57
Drainage Gratings	PS2600/2650 - Flat Steel Single/Duct	60
	PS2700/2750 - Open Mesh Single/Duct	61
	PS2900 - Hinged & Locked	62
	PS7300 - Deep Frame	63
EN 124	Drop In - TS, TR, TAL	66-67
	Flush Fitting - FF, FS	68-69
	Upstanding - AG	70
	Hinged Recessed - RS	72
Kitemarked	KS10 - Single Solid Top	75
	KS20 - Single Hinged Solid Top	76
	KS30 - Single Recessed Block Pavior	77
	PS7000 - Slide-out Pavior Recessed	78
Bespoke	Examples	80
	Ladders	82
Technical File & Extras	Optional Accessories - Safety Grids	84
	Optional Accessories - Safety Options	85



**Shared commitment.
Common bond.**

We've been on parallel paths: committed to creating the best infrastructure access solutions for our customers and backing them with unparalleled customer care. This commitment is our common bond. It melts distance, cultures and language. It's what strengthens us as a company under our name EJ.

Together, we are the world leader in the design, manufacture and distribution of access covers and gratings for water, sewer, drainage, telecommunications and utility networks.

**Global expertise.
Local understanding.**

As a worldwide company, we excel at serving our customers by leveraging our global and local strengths. To ensure every customer benefits from our global learning, we collaborate across departments. From Design to Manufacture, Research to Customer Care-from North America to France, Australia to the UK: we share facts, data and developments across all disciplines.

This expertise includes the intelligence we gain through in-house research, on-road testing, and through participation in Standards committees around the world. Our research and collaboration gives us the edge in creating the best infrastructure solutions available: solutions that lead the industry, act as best-in-class benchmarks, and satisfy the most demanding customer expectation.

Our distribution network, manufacturing facilities, and highly developed understanding of local cultures and standards puts us in a perfect place to back our solutions with knowledgeable and responsive customer service. Our modern, regional production capabilities put inventories within quick reach of our customers. The result: Our customers have unrivalled access to innovations, inventories and service in the field.

**Our people:
Our core strength.**

Along with our distributors and agents, we take pride in what we do. We are honest and genuinely committed to creating and maintaining real, long-lasting relationships. We work where you work, we live where you live. We hire the right people, and give them superior knowledge. It is our employees' world class knowledge and expertise that continues to keep us leading in our globally competitive industry.

We are fortunate to have a long history of attracting and retaining outstanding people. Our workforce is diverse, knowledgeable and loyal, and often includes multiple generations from the same family. Our passionate and dedicated teams repeatedly earn recognition for their high degree of professionalism.

We are a global enterprise that spans 5 continents promoting innovation, quality and a commitment to customer service.



Located in **Ardennes**, France, we have another fabrication facility containing the most advanced technology in Europe such as plasma cutting & robotic welding, and provides high volume capacity as well as tailor-made solutions to the marketplace. Management system certification includes ISO 9001, ISO 14001, and OHSAS 18001 for quality, environment, health and safety.



Our UK head office is located in **Nuneaton**. The primary UK operation is run from here and the site includes a fabricated steel facility and 3 acres of yard storage. Management system certification includes ISO 9001 for quality.



Located in **Birr**, Ireland we have a fabricated steel facility. Management system certification includes ISO 9001, ISO 14001 and OHSAS 18001 for quality, environment, health and safety.

Introduction to EJ Quality, Safety & Management

Quality Assurance

FACTA Trade Association

EJ are founder members of FACTA (Fabricated Access Cover Trade Association), which was established in 1993 by leading manufactures of steel access solutions to promote a standard for steel products.

Since then, it has become one of the most specified standards, for fabricated access covers, within the UK construction industry.

FACTA has liaised closely with BSI in producing a specification for fabricated access covers which has become an industry recognised standard within the UK.

Safety First

Health & Safety

We are well aware of our responsibilities and have therefore made industrial safety our top priority.

The health & safety of the men and women on our production site is an essential and of paramount importance. It is our responsibility to reduce the risks inherent in our activities to an absolute minimum.

No task is so important that it needs to be performed in an unsafe manner.

Management Efficiency

ISO 9001

EJ are certified by the British Standards Institute (BSI) to BS EN ISO 9001 which covers all aspects of day to day operation from product design and manufacture through to administration, order processing and stock holding.

Our quality management system:

- Places the customer at the centre of our business, assuring that their requirements and levels of satisfaction are fully met.
- Aims to constantly improve the performance and efficiency of the business.
- Is based on the principle of continuous improvement.



Introduction to EJ Safety and Security

Personal safety for all of our customers and employees is imperative. We incorporate safe practices into every process, product and service we provide—from design and manufacture, through distribution and end use.

Adding to safety is security. Infrastructure security is a concern for all government entities both large and small. EJ offers different levels of infrastructure security. In most cases, the simplest security is appropriate, however the end user has several innovative options.

Benefits

Intuitive safety features and options that provide physical and visual barriers to protect both workers and the public. Wide range of security options to protect against accidental opening or closing and prevent unauthorized access or removal.



Safety Grids

We have a range of safety grids designed for different applications from working platforms to fall arrest. Safety is one of our core values and therefore, we do not compromise when designing and manufacturing our safety grids.

Safety Stay Bar

Self-engaging safety staybar locks into place when the cover is fully opened and prevents accidental closure. The safety stay bar is easily released out of the locking position, allowing the cover to close.

Safety Barriers

Our demountable barrier system is designed to offer full protection to any operative on site. The barrier is constructed for increased strength and durability.



Fabricated Steel Introduction



FACTA Loading Standard

EJ are founder members of FACTA, an association set up in 1993 by leading manufacturers of steel access covers and frames to promote a standard for steel products.

FACTA has been very successful and has become a well-specified standard within the UK construction industry.

Class AA



Pedestrian Only

Class AAA



Occasional Slow Moving Cars

Class B



Slow Moving Cars

Class C



Slow Moving Heavy Vehicles

Class D



Slow Moving Lorries

FACTA Class	Wheel Load (Slow Moving Pneumatic*)	Wheel Load (Slow Moving Solid*)	FACTA in Service Test Load (kN)	FACTA Ultimate Test Load (kN)
AA	1.5 tonne	N/A	19	31
AAA	2.5 tonne	0.5 tonne	32	52
B	5.0 tonne	0.75 tonne	63.25	101
C	6.5 tonne	1.0 tonne	82.5	132
D	11 tonne	3.0 tonne	137.5	220

FACTA requirement

The Permanent Set reading only recorded on removal of the 5th test load.

The Permanent Set reading can be taken anywhere on the cover.

Acceptable Permanent set for class C and above shall NOT exceed test opening multiplied by 0.8%.

(600x600mm x 0.8% = 4.8mm)

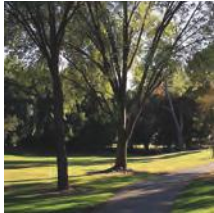
* Slow moving wheel loads are deemed to be speeds no greater than 20 mph, in low intensity trafficked areas. Where higher intensity traffic is expected, a higher load classification of cover is recommended or an iron cover.

EN 124

Loading Standard

BS EN 124 is a performance standard which states the design and load performance to suit predefined types of applications. Products designed to BS EN 124 are grouped and classified depending on their place of installation. EJ products satisfy the loading requirements of the EN124: 2015 standard. In addition, EJ are members of the EN124 review committee.

A 15



B 125



C 250



D 400



E 600



F 900



EN 124 Class	EN 124 Test Load (kN)	Loading Application
A15	15	Footways, pedestrian and cycle areas.
B125	125	Footways, pedestrian areas, car parks.
C250	250	Slow moving, occasionally trafficked areas, parking areas.
D400	400	For all types of road vehicles in areas of low speeds (20mph max) and low traffic intensity (inc. pedestrian streets), forecourts, hard shoulders and parking areas.
E600	600	For use in areas where high wheel loads are present.
F900	900	For use in areas where extremely high wheel loads are present.

Permanent Set reading - residual deflection EN 124 requirement

The Permanent Set reading must be taken after applying 2/3 of the test load 5 times.

The Permanent Set reading must be taken at the geometric centre of the cover (measured where the load is applied and the worst case scenario).

Acceptable Permanent set for class C250 and above: (7.8 a&c) = $1/300 * (600 * 1) = 2\text{mm}$ & (7.8b) = $1/500 * (600 * 1) = 1.2\text{mm}$.

* Slow moving wheel loads are deemed to be speeds no greater than 20 mph, in low intensity trafficked areas. Where higher intensity traffic is expected, a higher load classification of cover is recommended or an iron cover.

Fabricated Security Steel

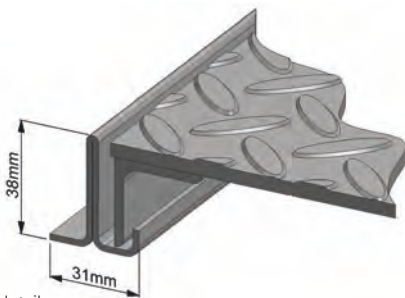
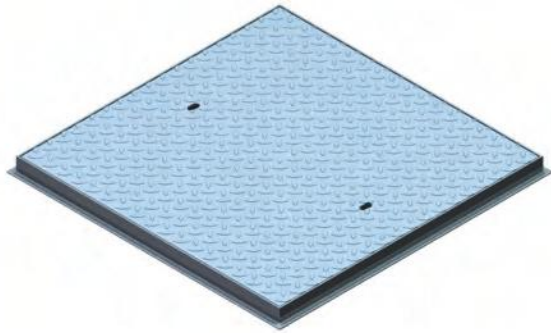
Project Examples

Project	Product Supplied
2012 London Olympic Games	PS3100 Medium Duty Recessed Tray Type PS300 Hinged Solid Top Cover PS2100 Multiple Solid Top Cover & Frame PS1600 Spring Assisted Special Cover & Frame
Trinity College, Cambridge	PS4500 Stainless Steel Special Recess Tray
Bathing Waters, South West Water	PS1600 Spring Assisted Cover & Frame PS1650 Twin Spring Assisted Cover & Frame PS1680 Multiple Spring Assisted Cover & Frame
London Bridge Station, London	PS6000 Recess Block Pavior Cover & Frame PS6700 Twin Recess Block Pavior Cover & Frame PS6800 Multiple Recess Block Pavior Cover & Frame
Llandough Hospital, Cardiff	PS4300 Special Recess Tray Type
Ilford Rail Depot	PS1000 Continuous Solid Top Duct
GlaxoSmithKline, Ware	PS6900 Special Continuous Recess Block Pavior Duct
Arsenal FC, Emirates Stadium	PS1650 Twin Spring Assisted Cover & Frame, Red Anti Slip
Royal Mail Sorting Office, Croydon	PS2100 Multiple Solid Top Cover & Frame with Cut Outs
BPA British Pipeline Agency, Kingsbury	PS1680 Multiple Spring Assisted Cover & Frame
Doncaster Rail Depot	PS1000 Continuous Solid Top Duct
Gorhambury House, St Albans	PS1680 Special Multiple Spring Assisted Cover & Frame
Blackpool Sea Front	PS1650 Stainless Steel Twin Spring Assisted Cover & Frame
Acklam Road	PS1650 Twin Spring Assisted Cover & Frame PS1680 10 Part Multiple Spring Assisted Cover & Frame
Rolls Royce, Derbyshire	PS500 Twin Hinged Solid Top Cover & Frame PS2100 Multiple Solid Top Cover & Frame
London Underground	Various Products with Fireboard Facilities
Chyandor SPS	PS1680 Multiple Spring Assisted Cover & Frame
Leicester City Centre	PS7300 Deep Frame Laser Cut Grating & Frame
Channel Islands	PS1600 Spring Assisted Cover & Frame
Harrods, London	PS1600 Spring Assisted Cover & Frame
Resorts World, Birmingham	PS750 Pressure Tight Solid Top Cover & Frame
Warkworth Water Treatment Works	PS750 Pressure Tight Solid Top Cover & Frame
Kingfisher Leisure Centre, Surrey	PS4500 Stainless Steel Recessed Cover & Frame
Kensal Green Substation, London	PS1650 Twin Spring Assisted Cover & Frame PS1680 Multiple Spring Assisted Cover & Frame PS400 Twin Solid Top Cover & Frame
Brechin Flood Alleviation Scheme	PS1680 Multiple Spring Assisted Cover & Frame
Resorts World, Birmingham	Alumatic® Recessed
Royal Quays Marina, North Shields	Alumatic® Recessed
Westminster Bridge County Hall, London	Alumatic® Recessed with Fireboard
Sunhill Junior School, Hampshire	Alumatic® Lite Recessed
Farnborough International Airfield	Alumatic® Recessed
Russel Hotel, London	Alumatic® Recessed

Fabricated Steel Solid Top



PS100
Single Solid Top Cover & Frame
FACTA Class AA, AAA, B



Section through detail.

Chequer plate solid top cover and frame, 38 mm deep as standard. The product is underbraced where required to meet the stated load. All products are manufactured under an ISO 9001 Quality system. This product is hot dip galvanised to BS EN ISO 1461 as standard.

Options:

- Double Polyethylene Seal
- Locking - Stainless Steel Screws (Slot, Allen, or Hex Pin Head)
- Lock & Lift Device
- Peephole Inspection Point
- Engraved Badging e.g. Water, Gas

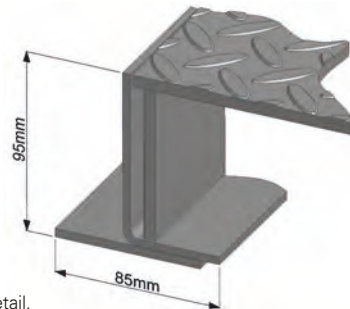
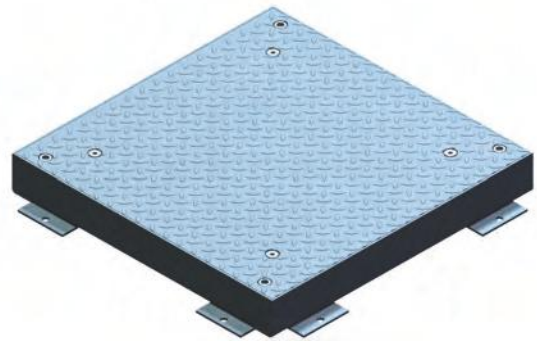
Standard Sizes

Clear Opening (mm)	Suffix	Clear Opening (mm)	Suffix
300 x 300	A	750 x 750	F
450 x 450	B	900 x 600	G
600 x 450	C	900 x 750	H
600 x 600	D	900 x 900	J
750 x 600	E	1000 x 1000	K

Non-standard sizes available

Product Loading codes: FACTA Class AA = PS101
 FACTA Class AAA = PS102
 FACTA Class B = PS104

PS100
Single Solid Top Cover & Frame
FACTA Class C & D



Section through detail.

Chequer plate solid top cover and frame, 95 mm deep as standard. The product is underbraced where required to meet the stated load. All products are manufactured under an ISO 9001 Quality system. This product is hot dip galvanised to BS EN ISO 1461 as standard.

Options:

- Single Polyethylene Seal
- Locking - M16 Cap Head
- Engraved Badging e.g. Water, Gas
- M12 Lifting Points

Standard Sizes

Clear Opening (mm)	Suffix	Clear Opening (mm)	Suffix
300 x 300	A	750 x 750	F
450 x 450	B	900 x 600	G
600 x 450	C	900 x 750	H
600 x 600	D	900 x 900	J
750 x 600	E	1000 x 1000	K

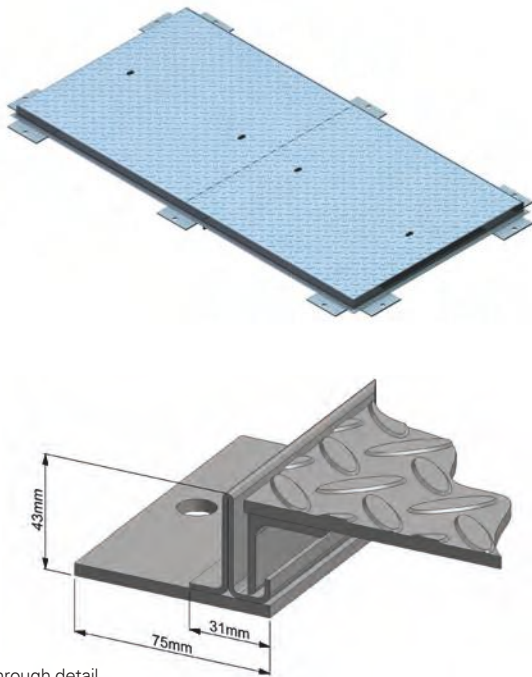
Non-standard sizes available.

Product Loading codes: FACTA Class C = PS105
 FACTA Class D = PS106

Specification/Ordering:

Please choose the required loading code and size suffix, stating any optional extras i.e. PS104D Badged Water

PS400
Twin Solid Top Cover & Frame
FACTA Class AA, AAA, B



Section through detail.

Twin chequer plate solid top cover and frame, 43 mm deep as standard. The product is underbraced where required to meet the stated load. PS400 twin units have a centre removable beam and frame fixing points. All products are manufactured under an ISO 9001 Quality system. This product is hot dip galvanised to BS EN ISO 1461 as standard.

Options:

- Double Polyethylene Seal
- Locking - Stainless Steel Screws (Slot, Allen, or Hex Pin Head)
- Lock & Lift Device
- Peephole Inspection Point
- Engraved Badging e.g. Water, Gas

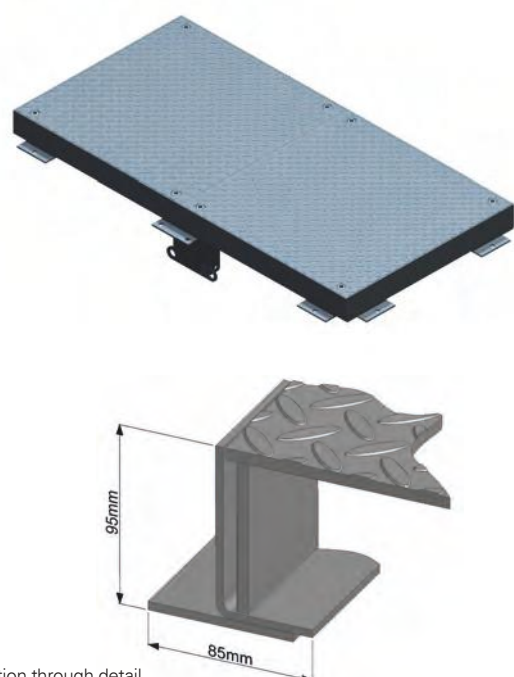
Standard Sizes

Clear Opening (mm)	Suf-fix	Clear Opening (mm)	Suffix
1200 x 600	L	1500 x 900	R
1200 x 750	M	1800 x 600	T
1200 x 900	N	1800 x 750	V
1500 x 600	P	1800 x 900	W
1500 x 750	Q		

Non-standard sizes available

Product Loading codes: FACTA Class AA = PS401
 FACTA Class AAA = PS402
 FACTA Class B = PS404

PS400
Twin Solid Top Cover & Frame
FACTA Class C & D



Section through detail.

Twin chequer plate solid top cover and frame, 95 mm deep as standard. The product is underbraced where required to meet the stated load. PS400 twin units have a centre removable beam and the covers are locked M16 as standard. All products are manufactured under an ISO 9001 Quality system. This product is hot dip galvanised to BS EN ISO 1461 as standard.

Options:

- Single Polyethylene Seal
- Engraved Badging e.g. Water, Gas
- M12 Lifting Points

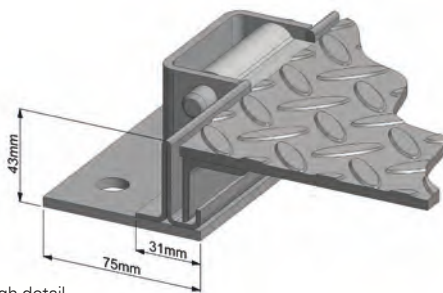
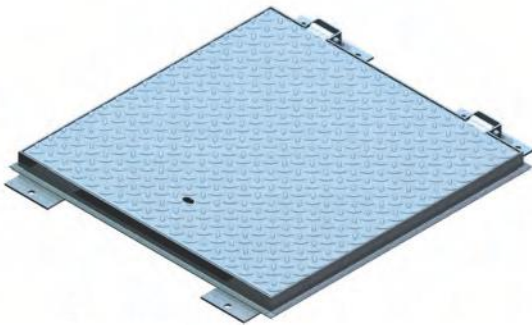
Standard Sizes

Clear Opening (mm)	Suffix	Clear Opening (mm)	Suffix
1200 x 600	L	1500 x 900	R
1200 x 750	N	1800 x 600	T
1200 x 900	N	1800 x 750	V
1500 x 600	P	1800 x 900	W
1500 x 750	Q		

Non-standard sizes available.

Product Loading codes: FACTA Class C = PS405
 FACTA Class D = PS406

PS300
Hinged Single Solid Top Cover & Frame
FACTA Class AA, AAA, B



Section through detail.

Hinged chequer plate solid top cover and frame, 43 mm deep as standard. The product is underbraced where required to meet the stated load. All products are manufactured under an ISO 9001 Quality system. This product is hot dip galvanised to BS EN ISO 1461 as standard.

Options:

- Double Polyethylene Seal
- Locking - Stainless Steel Screws (Slot, Allen, or Hex Pin Head)
- Lock and Lift Device
- Peephole Inspection Point
- Engraved Badging e.g. Water, Gas

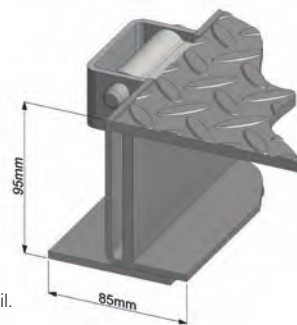
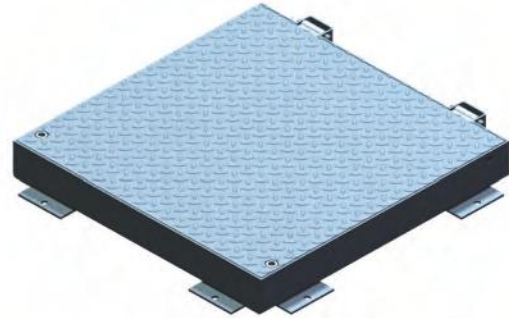
Standard Sizes

Clear Opening (mm)	Suffix	Clear Opening (mm)	Suffix
300 x 300	A	750 x 750	F
450 x 450	B	900 x 600	G
600 x 450	C	900 x 750	H
600 x 600	D	900 x 900	J
750 x 600	E	1000 x 1000	K

Non-standard sizes available

Product Loading codes: FACTA Class AA = PS301
 FACTA Class AAA = PS302
 FACTA Class B = PS304

PS300
Hinged Single Solid Top Cover & Frame
FACTA Class C & D



Section through detail.

Hinged chequer plate solid top cover and frame, 95 mm deep as standard. The product is underbraced where required to meet the stated load and locked M16 as standard. All products are manufactured under an ISO 9001 Quality system. This product is hot dip galvanised to BS EN ISO 1461 as standard.

Options:

- Single Polyethylene Seal
- Engraved Badging e.g. Water, Gas
- M12 Lifting Points

Standard Sizes

Clear Opening (mm)	Suffix	Clear Opening (mm)	Suffix
300 x 300	A	750 x 750	F
450 x 450	B	900 x 600	G
600 x 450	C	900 x 750	H
600 x 600	D	900 x 900	J
750 x 600	E	1000 x 1000	K

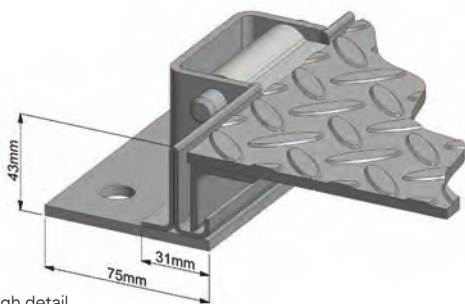
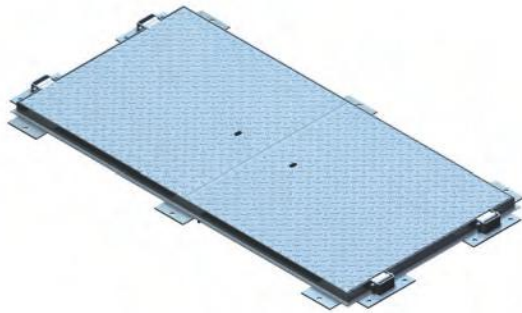
Non-standard sizes available.

Product Loading codes: FACTA Class C = PS305
 FACTA Class D = PS306

Specification/Ordering:

Please choose the required loading code and size suffix, stating any optional extras i.e. PS304D Badged Water

PS500
Hinged Twin Solid Top Cover & Frame
FACTA Class AA, AAA, B



Section through detail.

Hinged twin chequer plate solid top cover and frame, 43 mm deep as standard. The product is underbraced where required to meet the stated load. PS500 twin units have a centre removable beam and frame fixing points. All products are manufactured under an ISO 9001 Quality system. This product is hot dip galvanised to BS EN ISO 1461 as standard.

Options:

- Double Polyethylene Seal
- Locking - Stainless Steel Screws (Slot, Allen, or Hex Pin Head)
- Lock & Lift Device
- Peephole Inspection Point
- Engraved Badging e.g. Water, Gas

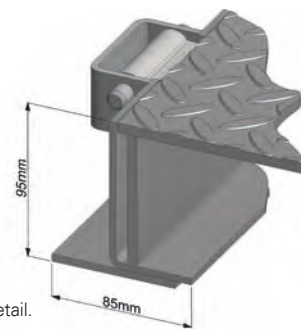
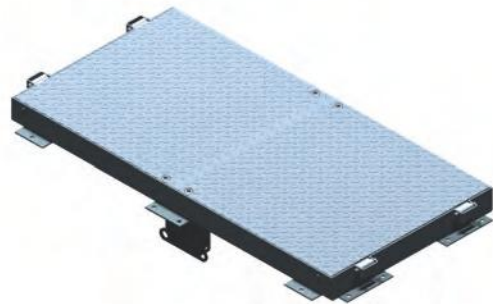
Standard Sizes

Clear Opening (mm)	Suffix	Clear Opening (mm)	Suffix
1200 x 600	L	1500 x 900	R
1200 x 750	M	1800 x 600	T
1200 x 900	N	1800 x 750	V
1500 x 600	P	1800 x 900	W
1500 x 750	Q		

Non-standard sizes available

Product Loading codes: FACTA Class AA = PS501
 FACTA Class AAA = PS502
 FACTA Class B = PS504

PS500
Hinged Twin Solid Top Cover & Frame
FACTA Class C & D



Section through detail.

Hinged twin chequer plate solid top cover and frame, 95 mm deep as standard. The product is underbraced where required to meet the stated load. PS500 twin units have a centre removable beam and are locked M16 as standard. All products are manufactured under an ISO 9001 Quality system. This product is hot dip galvanised to BS EN ISO 1461 as standard.

Options:

- Single Polyethylene Seal
- Engraved Badging e.g. Water, Gas
- M12 Lifting Points

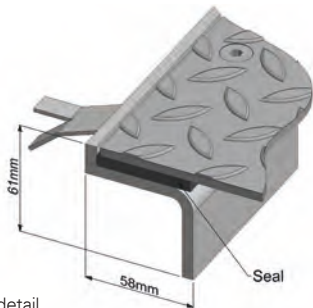
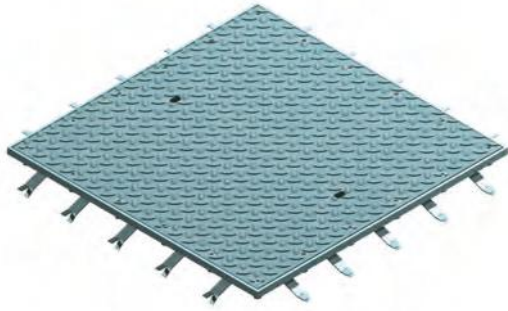
Standard Sizes

Clear Opening (mm)	Suffix	Clear Opening (mm)	Suffix
1200 x 600	L	1500 x 900	R
1200 x 750	N	1800 x 600	T
1200 x 900	N	1800 x 750	V
1500 x 600	P	1800 x 900	W
1500 x 750	Q		

Non-standard sizes available.

Product Loading codes: FACTA Class C = PS505
 FACTA Class D = PS506

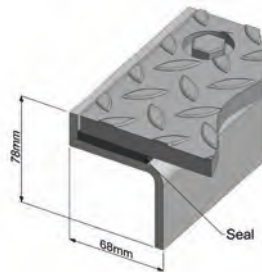
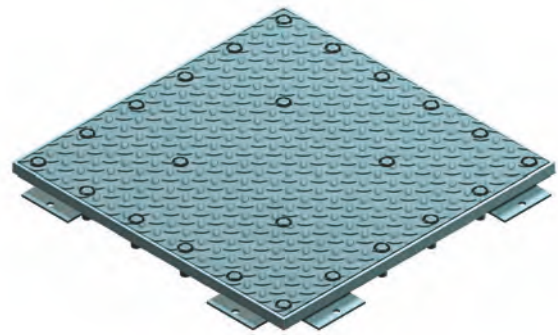
PS700
Air/Water Tight Solid Top Cover & Frame
FACTA Class AA, AAA, B, C, D



Section through detail.

Air and water tight chequer plate solid top cover and frame, 61 mm deep as standard. The PS700 is designed to prevent the egress of odours and the ingress of surface water under normal atmospheric conditions. The product is underbraced where required to meet the stated load and fitted with a polyethylene seal as standard. The cover is locked with countersunk screws at approx 100mm spacing and the frame is fitted with fishtail lugs for casting into concrete floor. All products are manufactured under an ISO 9001 Quality system. This product is hot dip galvanised to BS EN ISO 1461 as standard.

PS750
Pressure Tight Solid Top Cover & Frame
FACTA Class D



Section through detail.

Pressure tight chequer plate solid top cover and frame, 78 mm deep as standard. The PS750 is capable of sustaining 20 metre head of water (2 bar pressure). The product is underbraced where required to meet the stated load and fitted with a neoprene seal as standard. The cover is locked with hex head bolts at approx 100mm spacing and the frame is fitted with fixing pads for casting into concrete floor. All products are manufactured under an ISO 9001 Quality system. This product is hot dip galvanised to BS EN ISO 1461 as standard.

Standard Sizes

Clear Opening (mm)	Suffix	Clear Opening (mm)	Suffix
300 x 300	A	750 x 750	F
450 x 450	B	900 x 600	G
600 x 450	C	900 x 750	H
600 x 600	D	900 x 900	J
750 x 600	E	1000 x 1000	K

Non-standard sizes available

Product Loading codes: FACTA Class AA = PS701
 FACTA Class AAA = PS702
 FACTA Class B = PS704
 FACTA Class C = PS705
 FACTA Class D = PS706

Standard Sizes

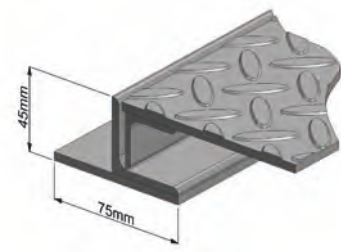
Clear Opening (mm)	Suffix	Clear Opening (mm)	Suffix
300 x 300	A	750 x 750	F
450 x 450	B	900 x 600	G
600 x 450	C	900 x 750	H
600 x 600	D	900 x 900	J
750 x 600	E	1000 x 1000	K

Non-standard sizes available.

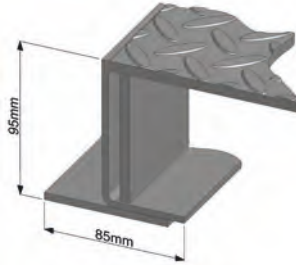
Product Loading codes: FACTA Class D = PS756

Specification/Ordering:

Please choose the required loading code and size suffix i.e. PS756C

PS1000**Continuous Duct Solid Top Cover & Frame
FACTA Class AA, AAA, B**

Section through detail.
FACTA Class AA, AAA, B



Section through detail.
FACTA C & D



Plan Detail
FACTA Class AA, AAA, B

Continuous Duct chequer plate solid top cover and frame. The product is underbraced where required to meet the stated load. PS1000 units have a centre removable beam and frame fixing points. Units are manufactured to suit any layout which may include 90° turns, T-junctions, intersections & angle turns. All products are manufactured under an ISO 9001 Quality system. This product is hot dip galvanised to BS EN ISO 1461 as standard.

Options

- Single Polyethylene Seal
- Locking - Stainless Steel Screws (Slot, Allen, or Hex Pin Head)
- FACTA C & D - M16 Locking as Standard
- Peephole Inspection Point
- Engraved Badging e.g. Water, Gas

Sizes:

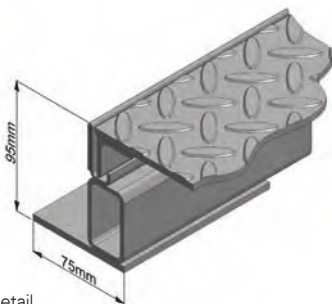
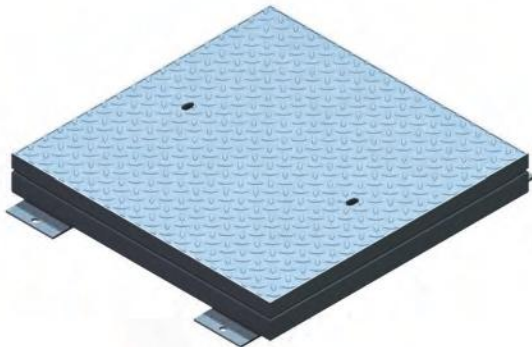
Units are manufactured to suit customer chamber sizes.

Product Loading codes: FACTA Class AA = PS1001
 FACTA Class AAA = PS1002
 FACTA Class B = PS1004
 FACTA Class C = PS1005
 FACTA Class D - PS1006

Specification/Ordering:

Please choose the required loading code and size i.e. PS1001
 2000 x 600 mm C.O or provide layout.

PS1800
95 mm Deep Single Solid Top Cover & Frame
FACTA Class AA, AAA, B



Section through detail.
 Single Metal Seal Option

Chequer plate solid top cover and frame, 95 mm deep as standard. The product is underbraced where required to meet the stated load. All products are manufactured under an ISO 9001 Quality system. This product is hot dip galvanised to BS EN ISO 1461 as standard.

Options:

- Double Polyethylene Seal
- Locking - Stainless Steel Screws (Slot, Allen, or Hex Pin Head)
- Lock and Lift Device
- Peephole Inspection Point
- Engraved Badging e.g. Water, Gas

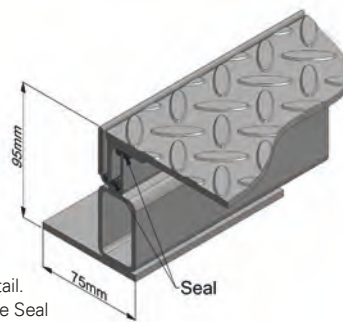
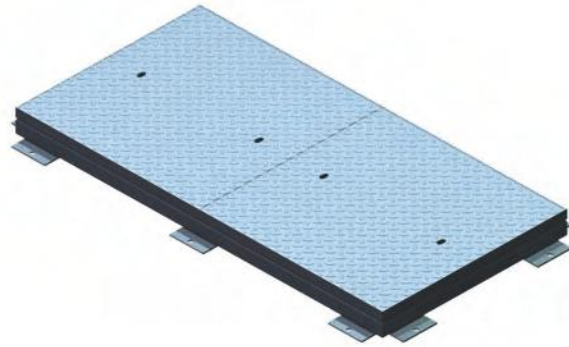
Standard Sizes

Clear Opening (mm)	Suffix	Clear Opening (mm)	Suffix
300 x 300	A	750 x 750	F
450 x 450	B	900 x 600	G
600 x 450	C	900 x 750	H
600 x 600	D	900 x 900	J
750 x 600	E	1000 x 1000	K

Non-standard sizes available

Product Loading codes: FACTA Class AA = PS1801
 FACTA Class AAA = PS1802
 FACTA Class B = PS1804

PS1850
95 mm Deep Twin Solid Top Cover & Frame
FACTA Class AA, AAA, B



Section through detail.
 Double Polyethylene Seal

Twin chequer plate solid top cover and frame, 95 mm deep as standard. The product is underbraced where required to meet the stated load. PS1850 twin units have a centre removable beam. All products are manufactured under an ISO 9001 Quality system. This product is hot dip galvanised to BS EN ISO 1461 as standard.

Options:

- Double Polyethylene Seal
- Locking - Stainless Steel Screws (Slot, Allen, or Hex Pin Head)
- Lock and Lift Device
- Peephole Inspection Point
- Engraved Badging e.g. Water, Gas

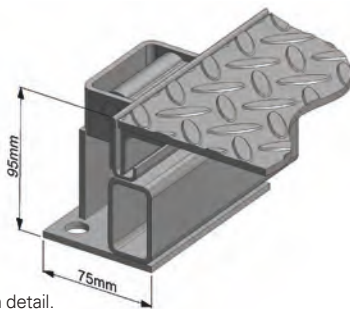
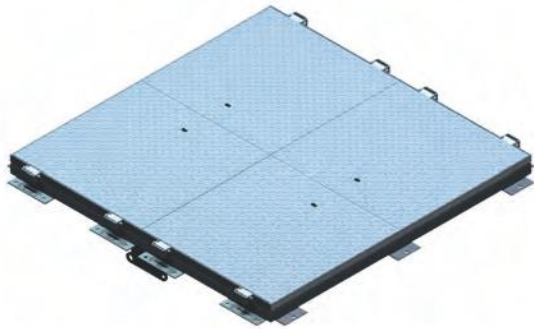
Standard Sizes

Clear Opening (mm)	Suffix	Clear Opening (mm)	Suffix
1200 x 600	L	1500 x 900	R
1200 x 750	M	1800 x 600	T
1200 x 900	N	1800 x 750	V
1500 x 600	P	1800 x 900	W
1500 x 750	Q		

Non-standard sizes available.

Product Loading codes: FACTA Class AA = PS1851
 FACTA Class AAA = PS1852
 FACTA Class B = PS1854

PS2000
Multiple Hinged Solid Top Cover & Frame
FACTA Class AA, AAA, B



Section through detail.

Hinged multiple chequer plate solid top cover and frame, 95 mm deep as standard. The product is underbraced where required to meet the stated load and has lock and lift devices as standard. PS2000 units have a centre removable beam and intermediate beamwork. All products are manufactured under an ISO 9001 Quality system. This product is hot dip galvanised to BS EN ISO 1461 as standard.

Options:

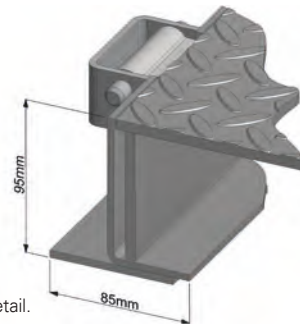
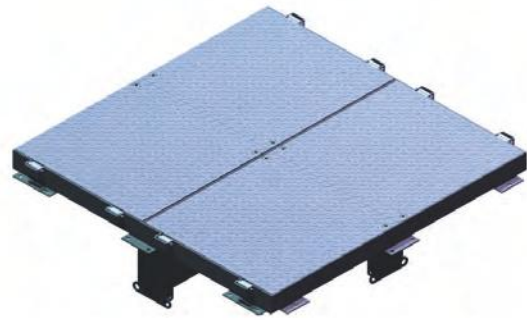
- Double Polyethylene Seal
- Locking - Stainless Steel Screws (Slot, Allen, or Hex Pin Head)
- Peephole Inspection Point
- Engraved Badging e.g. Water, Gas

Sizes:

Units are manufactured to suit customer chamber sizes.

Product Loading codes: FACTA Class AA = PS2001
 FACTA Class AAA = PS2002
 FACTA Class B = PS2004

PS2000
Multiple Hinged Solid Top Cover & Frame
FACTA Class C & D



Section through detail.

Hinged multiple chequer plate solid top cover and frame, 95 mm deep as standard. The product is underbraced where required to meet the stated load and locked M16 as standard. PS2000 units have a centre removable beam and intermediate beamwork. All products are manufactured under an ISO 9001 Quality system. This product is hot dip galvanised to BS EN ISO 1461 as standard.

Options:

- Single Polyethylene Seal
- Engraved Badging e.g. Water, Gas

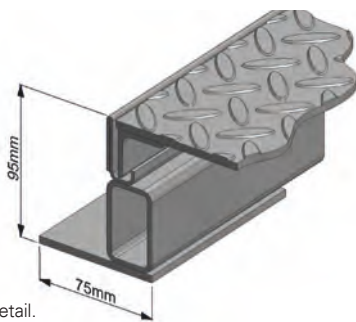
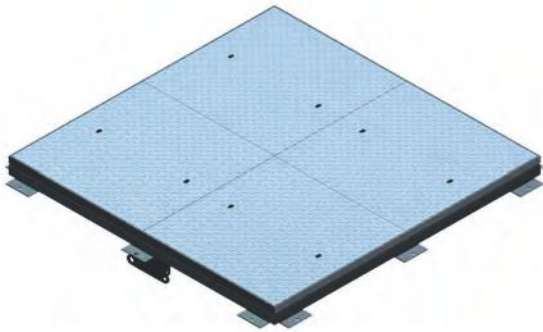
Sizes:

Units are manufactured to suit customer chamber sizes.

Product Loading codes: FACTA Class C = PS2005
 FACTA Class D = PS2006

Specification/Ordering:
 Please choose the required loading code and size suffix i.e.
 PS2001 2000 x 2000 mm C.O.

PS2100
Multiple Solid Top Cover & Frame
FACTA Class AA, AAA, B



Section through detail.

Multiple chequer plate solid top cover and frame, 95 mm deep as standard. The product is underbraced where required to meet the stated load. PS2100 units have a centre removable beam and intermediate beamwork. All products are manufactured under an ISO 9001 Quality system. This product is hot dip galvanised to BS EN ISO 1461 as standard.

Options:

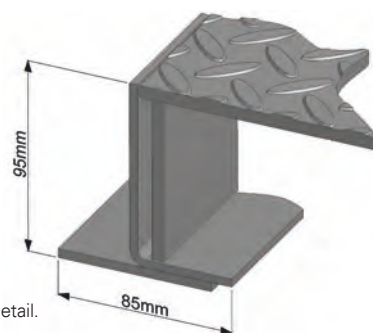
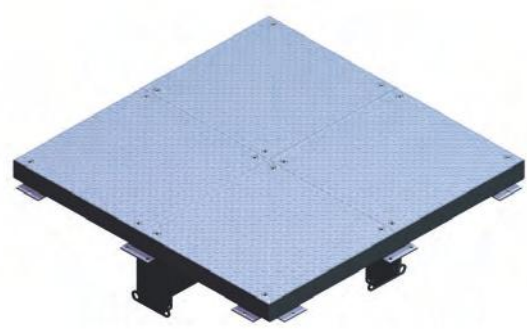
- Double Polyethylene Seal
- Locking - Stainless Steel Screws (Slot, Allen, or Hex Pin Head)
- Lock & Lift Device
- Peephole Inspection Point
- Engraved Badging e.g. Water, Gas

Sizes:

Units are manufactured to suit customer chamber sizes.

Product Loading codes: FACTA Class AA = PS2101
 FACTA Class AAA = PS2102
 FACTA Class B = PS2104

PS2100
Multiple Solid Top Cover & Frame
FACTA Class C & D



Section through detail.

Multiple chequer plate solid top cover and frame, 95 mm deep as standard. The product is underbraced where required to meet the stated load and locked M16 as standard. PS2100 units have a centre removable beam and intermediate beamwork. All products are manufactured under an ISO 9001 Quality system. This product is hot dip galvanised to BS EN ISO 1461 as standard.

Options:

- Single Polyethylene Seal
- Engraved Badging e.g. Water, Gas
- M12 Lifting Points

Sizes:

Units are manufactured to suit customer chamber sizes.

Product Loading codes: FACTA Class C = PS2105
 FACTA Class D = PS2106

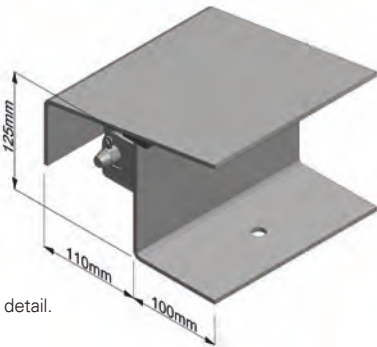
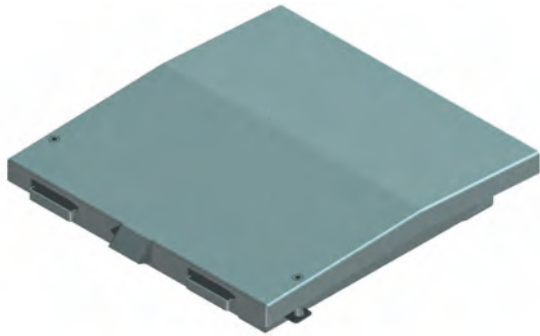
Specification/Ordering:

Please choose the required loading code and size i.e. PS2101
 1200 x 1200 mm C.O

Fabricated Steel Assisted Lift



PS1500
Single Upstanding Spring Assisted Cover & Frame



Section through detail.
 Hinged Face

Single upstanding spring assisted cover and frame. All units are haunched for increased water shedding. Units come complete with enclosed hinges and shielded hasp & staple for user padlock. All units are fitted with a polyethylene seal and are M16 locked as standard. All products are manufactured under an ISO 9001 Quality system. This product is hot dip galvanised to BS EN ISO 1461 as standard.

Options:

- Open Mesh Working Platform Safety Grid - /Grid1 (See p84)
- Jail Type Personnel Protection Safety Grid - /Grid2 (See p84)
- Lattice Type Fall Arrest Grid - /Grid3 (See p84)
- Vented - /Vent
- Sign fitted to Grid

Standard Sizes

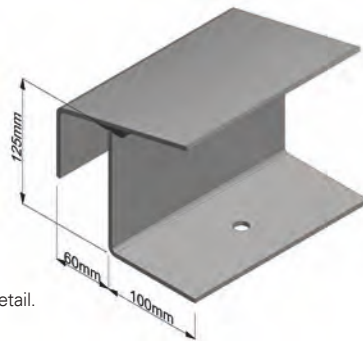
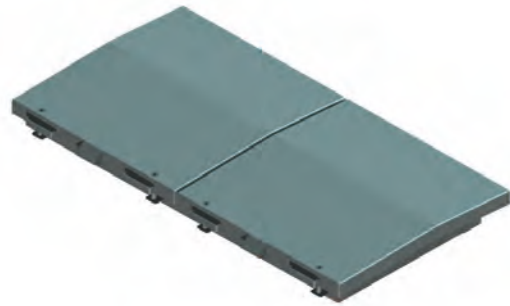
Clear Opening (mm)	Suffix	Clear Opening (mm)	Suffix
450 x 450	B	900 x 600	G
600 x 450	C	900 x 750	H
600 x 600	D	900 x 900	J
750 x 600	E	1000 x 1000	K
750 x 750	F		

Non-standard sizes available

Specification/Ordering:

Please choose the required product code and size suffix
 i.e. PS1500B/Grid2

PS1550
Twin Upstanding Spring Assisted Cover & Frame



Section through detail.
 Non Hinged Face

Twin upstanding spring assisted cover and frame. All units are haunched for increased water shedding. Units come complete with enclosed hinges and shielded hasp & staple for user padlock. All units are fitted with a polyethylene seal and are M16 locked as standard. PS1550 units are fitted with a removable channel support beam. All products are manufactured under an ISO 9001 Quality system. This product is hot dip galvanised to BS EN ISO 1461 as standard.

Options:

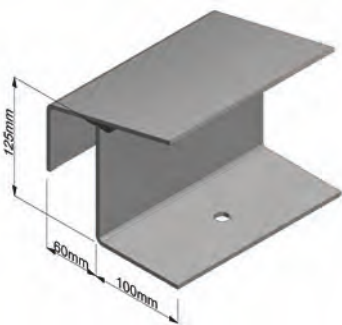
- Open Mesh Working Platform Safety Grid - /Grid1 (See p84)
- Jail Type Personnel Protection Safety Grid - /Grid2 (See p84)
- Lattice Type Fall Arrest Grid - /Grid3 (See p84)
- Vented - /Vent
- Sign fitted to Grid

Standard Sizes

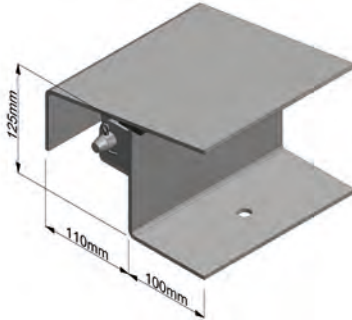
Clear Opening (mm)	Suffix	Clear Opening (mm)	Suffix
1200 x 600	L	1500 x 900	R
1200 x 750	M	1800 x 600	T
1200 x 900	N	1800 x 750	V
1500 x 600	P	1800 x 900	W
1500 x 750	Q		

Non-standard sizes available

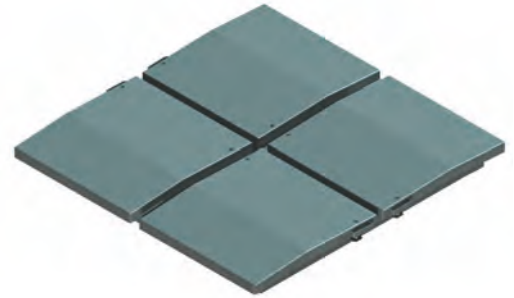
PS1580 Multiple Upstanding Spring Assisted Cover & Frame



Section through detail.
Non-Hinged Face



Section through detail.
Hinged Face



4 Part Plan Example

Multiple upstanding spring assisted cover and frame. All units are haunched for increased water shedding. Units come complete with enclosed hinges and shielded hasp & staple for user padlock. All units are fitted with a polyethylene seal and are M16 locked as standard. PS1580 units are fitted with a centre removable channel support beam and intermediate beamwork. All products are manufactured under an ISO 9001 Quality system. This product is hot dip galvanised to BS EN ISO 1461 as standard.

Options:

- Open Mesh Working Platform Safety Grid - /Grid1 (See p84)
- Jail Type Personnel Protection Safety Grid - /Grid2 (See p84)
- Lattice Type Fall Arrest Grid - /Grid3 (See p84)
- Vented - /Vent
- Sign fitted to Grid

Sizes:

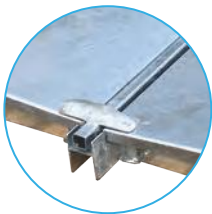
Units are manufactured to suit customer chamber sizes.

Features:

Applicable to PS1500, PS1550, PS1580.



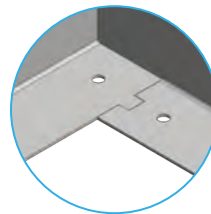
M16 Locking



Shielded Hasp &
Staple Locking Bar



Enclosed Hinges



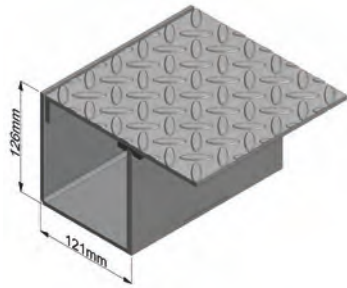
Internal Frame
Fixing

Specification/Ordering:

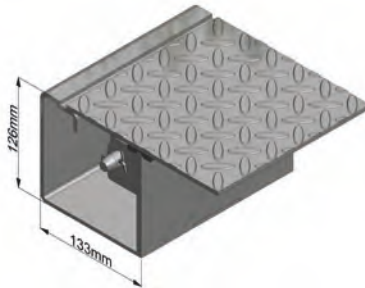
Please choose the required product code, size and any extras
i.e. PS1580 1200 x 1200 mm/Grid1

PS1600

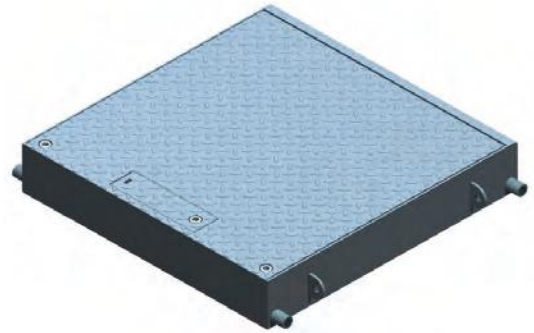
Single Flush Spring Assisted Cover & Frame FACTA Class AA, AAA, B, C, D



Section through detail.
Non-Hinged Face



Section through detail.
Hinged Face



Single flush fitting spring assisted cover and frame. Chequer plate solid top lids underbraced where necessary to meet the stated load rating. Frames are fitted with built-in lifting points to aid site positioning and fixing holes within the frame. The covers are M16 locking and are fitted with a polyethylene seal as standard. All products are manufactured under an ISO 9001 Quality system. This product is hot dip galvanised to BS EN ISO 1461 as standard.

Options:

- Open Mesh Working Platform Safety Grid - /Grid1 (See p84)
- Jail Type Personnel Protection Safety Grid - /Grid2 (See p84)
- Lattice Type Fall Arrest Grid - /Grid3 (See p84)
- Recessed Padlock Point (Locked M16) - /RPP
- Sign fitted to Grid
- Frame Drainage - Internal, External, Both
- Barrier System (See p85)
- Cable Entry Point (See p85)
- Lifting Slots
- Blue Rope Facility
- Anti-Slip Coating (See p85)
- Levelling Bolts

Standard Sizes

Clear Opening (mm)	Suffix	Clear Opening (mm)	Suffix
300 x 300	A	750 x 750	F
450 x 450	B	900 x 600	G
600 x 450	C	900 x 750	H
600 x 600	D	900 x 900	J
750 x 600	E	1000 x 1000	K

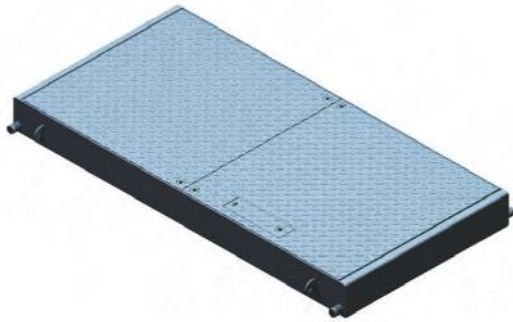
Non-standard sizes available

Specification/Ordering:

Please choose the required product code and size suffix
i.e. PS1602B/Grid2/RPP

Product Loading Codes: FACTA Class AA = PS1601
FACTA Class AAA = PS1602
FACTA Class B = PS1604
FACTA Class C = PS1605
FACTA Class D = PS1606

PS1650
Twin Bookend Flush Spring Assisted Cover & Frame - FACTA Class AA, AAA, B, C, D



Twin, bookend hinged, flush fitting, spring assisted cover and frame. Chequer plate solid top lids underbraced where necessary to meet the stated load rating. Frames are fitted with built-in lifting points to aid site positioning and fixing holes within the frame. The covers are M16 locking and are fitted with a polyethylene seal as standard. PS1650 units are fitted with a centre removable beam. All products are manufactured under an ISO 9001 Quality system. This product is hot dip galvanised to BS EN ISO 1461 as standard.

Options:

- Open Mesh Working Platform Safety Grid - /Grid1 (See p84)
- Jail Type Personnel Protection Safety Grid - /Grid2 (See p84)
- Lattice Type Fall Arrest Grid - /Grid3 (See p84)
- Recessed Padlock Point (Locked M16) - /RPP
- Sign fitted to Grid
- Frame Drainage - Internal, External, Both
- Barrier System (See p85)
- Cable Entry Point (See p85)
- Lifting Slots
- Blue Rope Facility
- Anti-Slip Coating (See p85)
- Levelling Bolts

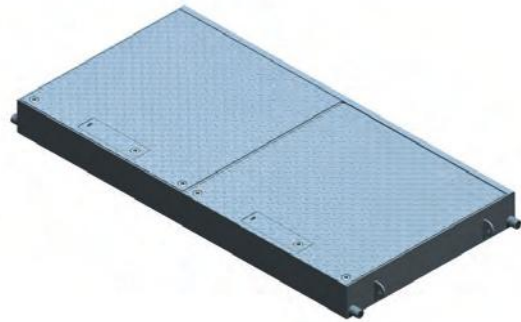
Standard Sizes

Clear Opening (mm)	Suffix	Clear Opening (mm)	Suffix
600 x 1200	L	750 x 1500	Q
750 x 1200	N	600 x 1800	T
900 x 1200	N	750 x 1800	V
600 x 1500	P	900 x 1800	W

Non-standard sizes available

Product Loading codes: FACTA Class AA = PS1651
 FACTA Class AAA = PS1652
 FACTA Class B = PS1654
 FACTA Class C = PS1655
 FACTA Class D = PS1656

PS1650
Twin Inline Flush Spring Assisted Cover & Frame - FACTA Class AA, AAA, B, C, D



Twin, inline hinged, flush fitting, spring assisted cover and frame. Chequer plate solid top lids underbraced where necessary to meet the stated load rating. Frames are fitted with built-in lifting points to aid site positioning and fixing holes within the frame. The covers are M16 locking and are fitted with a polyethylene seal as standard. PS1650 units are fitted with a centre removable beam. All products are manufactured under an ISO 9001 Quality system. This product is hot dip galvanised to BS EN ISO 1461 as standard.

Options:

- Open Mesh Working Platform Safety Grid - /Grid1 (See p84)
- Jail Type Personnel Protection Safety Grid - /Grid2 (See p84)
- Lattice Type Fall Arrest Grid - /Grid3 (See p84)
- Recessed Padlock Point (Locked M16) - /RPP
- Sign fitted to Grid
- Frame Drainage - Internal, External, Both
- Barrier System (See p85)
- Cable Entry Point (See p85)
- Lifting Slots
- Blue Rope Facility
- Anti-Slip Coating (See p85)
- Levelling Bolts

Standard Sizes

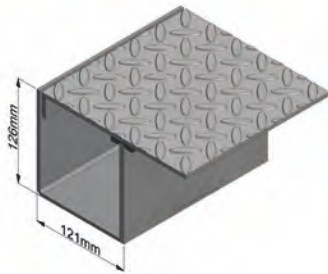
Clear Opening (mm)	Suffix	Clear Opening (mm)	Suffix
1200 x 600	L	1500 x 900	R
1200 x 750	M	1800 x 600	T
1200 x 900	N	1800 x 750	V
1500 x 600	P	1800 x 900	W
1500 x 750	Q		

Non-standard sizes available

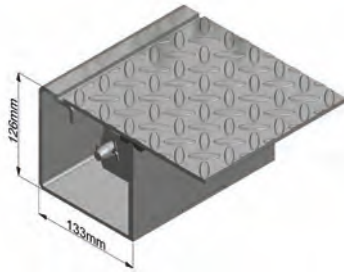
Specification/Ordering:
 Please choose the required product code, size suffix and hinge
 i.e. PS1652LBE/Grid2/RPP or PS1652LIL/Grid2/RPP

PS1680

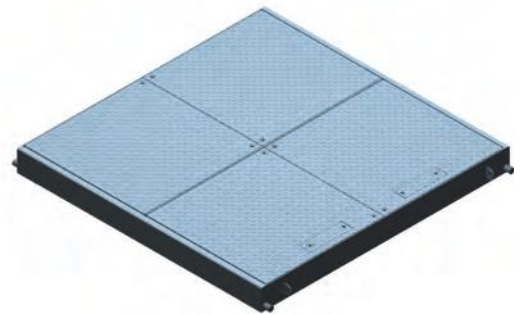
Multiple Flush Spring Assisted Cover & Frame
FACTA Class AA, AAA, B, C, D



Section through detail.
 Non-Hinged Face



Section through detail.
 Hinged Face



4 Part Plan Example

Multiple, flush fitting, spring assisted, cover and frame. Chequer plate solid top lids underbraced where necessary to meet the stated load rating. Frames are fitted with built-in lifting points to aid site positioning and fixing holes within the frame. The covers are M16 locking and are fitted with a polyethylene seal as standard. PS1680 units are fitted with a centre removable beam and intermediate beamwork. All products are manufactured under an ISO 9001 Quality system. This product is hot dip galvanised to BS EN ISO 1461 as standard.

Options:

- Open Mesh Working Platform Safety Grid - /Grid1 (See p84)
- Jail Type Personnel Protection Safety Grid - /Grid2 (See p84)
- Lattice Type Fall Arrest Grid - /Grid3 (See p84)
- Recessed Padlock Point (Locked M16) - /RPP
- Sign fitted to Grid
- Frame Drainage - Internal, External, Both
- Barrier System (See p85)
- Cable Entry Point (See p85)
- Lifting Slots
- Blue Rope Facility
- Anti-Slip Coating (See p85)
- Levelling Bolts

Sizes:

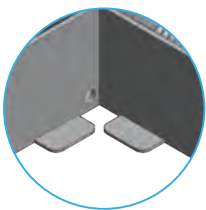
Units are manufactured to suit customer chamber sizes.

Features:

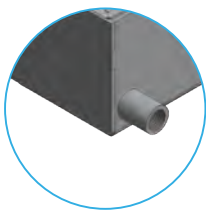
Applicable to PS1600, PS1650, PS1680, PS1680-DEEP.

Specification/Ordering:

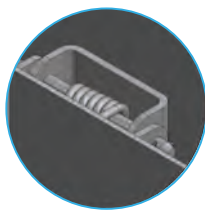
Please choose the required loading code, size and any extras
 i.e. PS1680 1200 x 1200 mm/Grid1



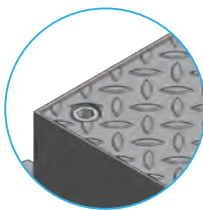
Internal Frame
 Drainage



External Frame
 Drainage



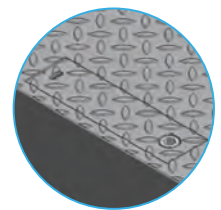
Enclosed Hinges



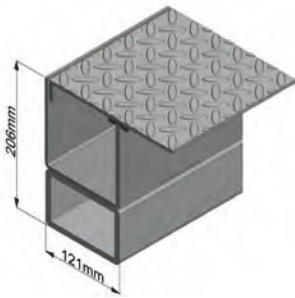
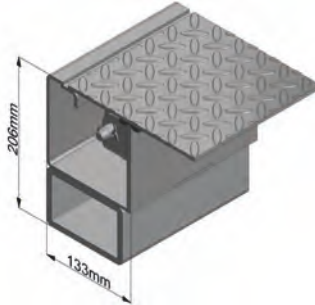
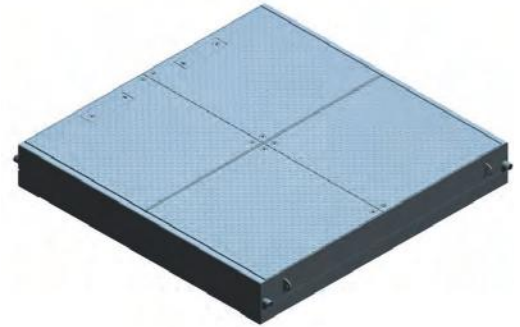
M16 Locking



Frame Lifting
 Points



Recessed Padlock
 Point
 (Optional)

PS1680 - DEEP**Deep Frame Multiple Flush Spring Assisted Cover & Frame
FACTA Class AA, AAA, B, C, D**Section through detail.
Non-Hinged FaceSection through detail.
Hinged Face4 Part Plan Example
(Deep Frame)

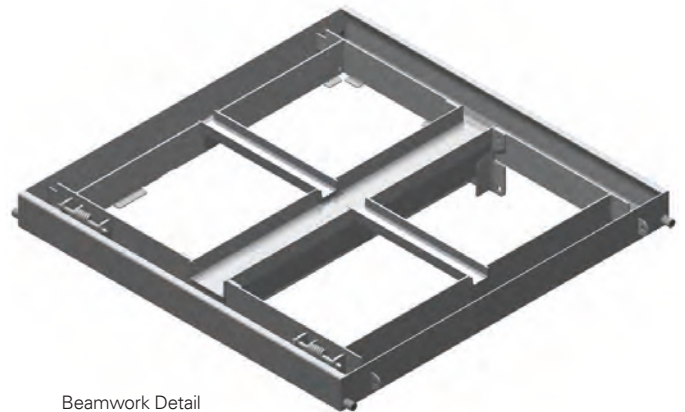
Deep frame, multiple, flush fitting, spring assisted cover and frame. Chequer plate solid top lids underbraced where necessary to meet the stated load rating. Frames are fitted with built-in lifting points to aid site positioning and fixing holes externally of the frame. The covers are M16 locking and are fitted with a polyethylene seal as standard. PS1680 units are fitted with a centre removable beam and intermediate beamwork. All products are manufactured under an ISO 9001 Quality system. This product is hot dip galvanised to BS EN ISO 1461 as standard.

Options:

- Open Mesh Working Platform Safety Grid - /Grid1 (See p84)
- Jail Type Personnel Protection Safety Grid - /Grid2 (See p84)
- Lattice Type Fall Arrest Grid - /Grid3 (See p84)
- Recessed Padlock Point (Locked M16) - /RPP
- Sign fitted to Grid
- Frame Drainage - Internal, External, Both
- Barrier System (See p85)
- Cable Entry Point (See p85)
- Anti Slip Coating (See p85)
- Lifting Slots
- Blue Rope Facility

Sizes:

Units are manufactured to suit customer chamber sizes.



Beamwork Detail

Specification/Ordering:

Please choose the required loading code, size and any extras
i.e. PS1680DEEP 1200 x 1200 mm/Grid1



GARRISON™

Fabricated Steel Security Access Covers



LPS 1175: Issue 7



GARRISON™ LPCB 3 & 4 LPS1175:Issue 7

High Security covers and frames are available in Flush Fitting, Hybrid or Upstanding units and a with a wide range of options and sizes. The GARRISON range is also designed with a number of features to improve manual handling, safety and security.



Our range of GARRISON™ LPCB 3 & 4 LPS1175:Issue 7 GARRISON covers and frames are available in various configurations including Single, Twin, 4 Part and Multiple units.



For more information on our LPCB rated range of steel security covers, refer to our [Steel Security Brochure](#) or contact sales.

DEFENSO®

Fabricated Steel Security Access Covers



DEFENSO® LPCB 3 & 4 LPS1175:Issue 7

High Security covers and frames are available in Flush Fitting, Upstanding and Wall Mounted units with a wide range of options and sizes. The DEFENSO range is also designed with a number of features to improve manual handling, safety and security.

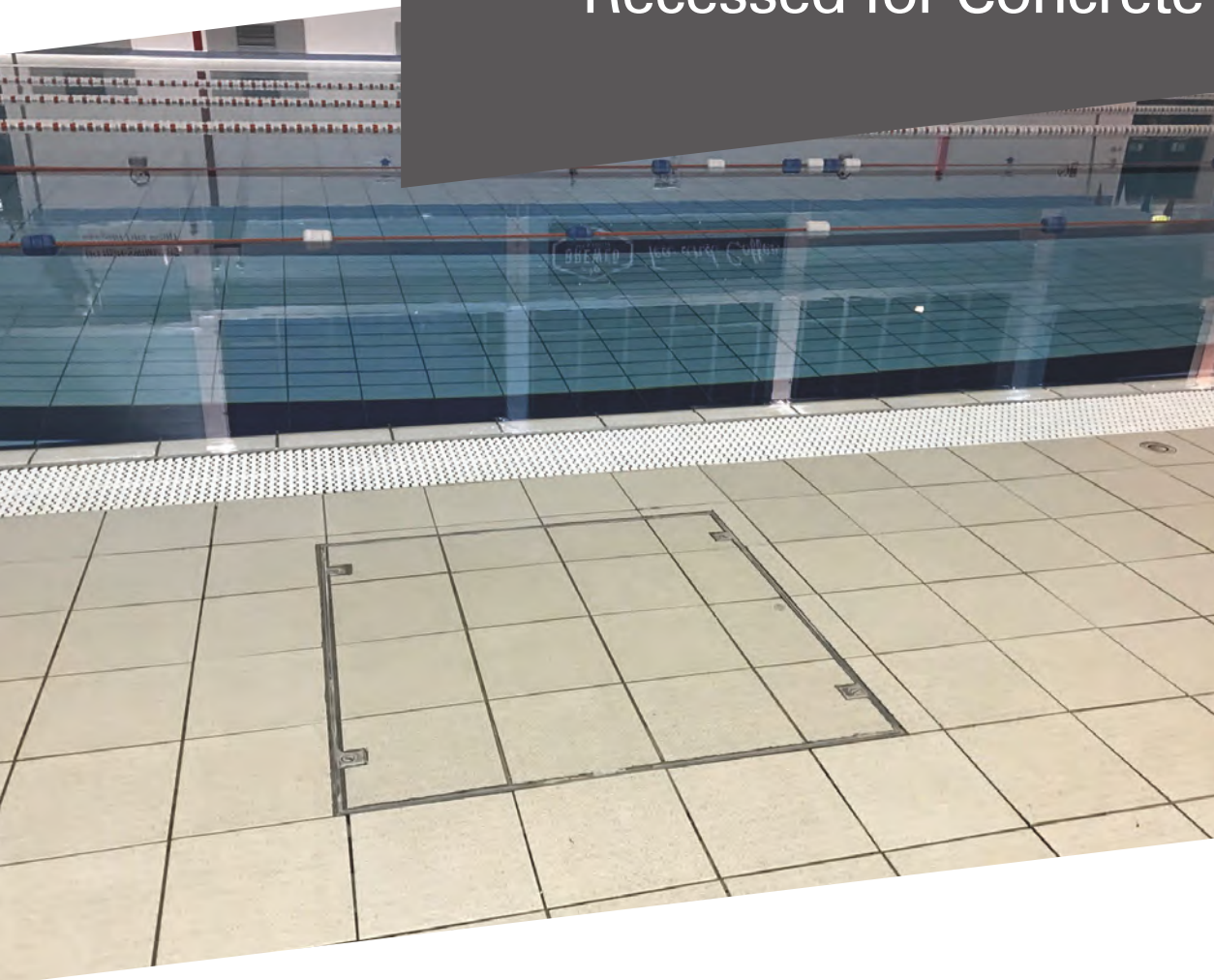


Our range of DEFENSO® LPCB 3 & 4 LPS1175:Issue 7

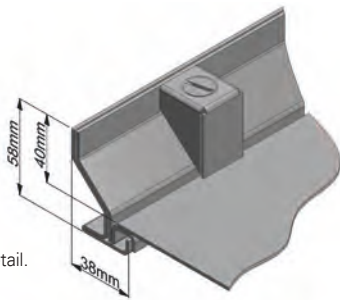
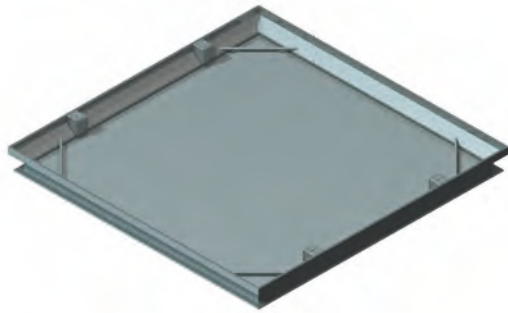
DEFENSO covers and frames are available in various configurations including Single, Twin, 4 Part and Multiple units.

For more information on our LPCB rated range of steel security covers, refer to our [Steel Security Brochure](#) or contact sales.

Fabricated Steel Recessed for Concrete Infill



PS3100
Single Recessed Tray Type Cover & Frame
FACTA Class AAA



Section through detail.
 Unsealed

Single recessed tray type cover and frame. Designed to be infilled with C25 concrete to achieve full loading. Recessed lids are designed for either full concrete infill or concrete infill with up to a 15 mm tile floor finish. Units can be supplied either 'Unsealed, non locking' or 'Double sealed & locked'. All products are manufactured under an ISO 9001 Quality system. This product is hot dip galvanised to BS EN ISO 1461 as standard.

Options:

- Stainless Steel Grade 304 Edging
- Brass Edging
- Locking - Slotted Head
- Locking - Allen Head
- Locking - Hex Pin

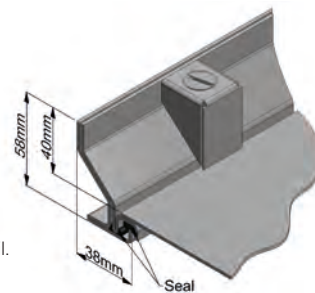
Standard Sizes

Clear Opening (mm)	Suffix	Clear Opening (mm)	Suffix
300 x 300	A	750 x 750	F
450 x 450	B	900 x 600	G
600 x 450	C	900 x 750	H
600 x 600	D	900 x 900	J
750 x 600	E	1000 x 1000	K

Non-standard sizes available

Product codes: PS3100 - Unsealed, Non-locking
 PSD3104 - Double Sealed, locked

PS3300
Twin Recessed Tray Type Cover & Frame
FACTA Class AAA



Section through detail.
 Double Sealed

Twin recessed tray type cover and frame. Designed to be infilled with C25 concrete to achieve full loading. Recessed lids are designed for either full concrete infill or concrete infill with up to a 15 mm tile floor finish. PS3300 units are fitted with a centre removable beam. All products are manufactured under an ISO 9001 Quality system. This product is hot dip galvanised to BS EN ISO 1461 as standard.

Options:

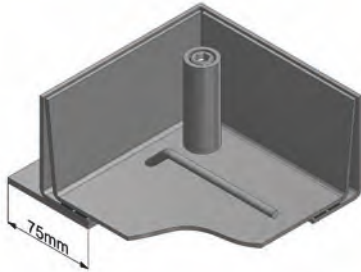
- Stainless Steel Grade 304 Edging
- Brass Edging
- Locking - Slotted Head
- Locking - Allen Head
- Locking - Hex Pin

Standard Sizes

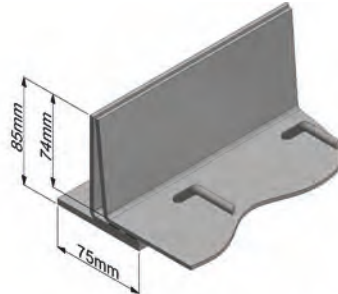
Clear Opening (mm)	Suffix	Clear Opening (mm)	Suffix
1200 x 600	L	1500 x 900	R
1200 x 750	M	1800 x 600	T
1200 x 900	N	1800 x 750	V
1500 x 600	P	1800 x 900	W
1500 x 750	Q		

Non-standard sizes available

Product codes: PS3300 - Unsealed, Non-locking
 PSD3304 - Double Sealed, locked

PS3600**Multiple Recessed Tray Type Cover & Frame
FACTA Class AAA**

Section through detail.
Corner Locking Detail



Section through detail.



4 Part Plan Example

Multiple recessed tray type cover and frame. Designed to be infilled with C25 concrete to achieve full loading. Recessed lids are designed for either full concrete infill or concrete infill with upto a 15 mm tile floor finish. PS3600 units are fitted with a centre removable beam and intermediate beamwork. All units are locked with Stainless Steel M10 Allen Head screws as standard. All products are manufactured under an ISO 9001 Quality system. This product is hot dip galvanised to BS EN ISO 1461 as standard.

Options:

- Stainless Steel Grade 304 Edging
- Brass Edging
- Unsealed
- Single Polyethylene Seal
- Double Polyethylene Seal

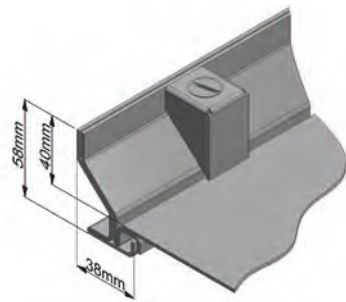
Sizes:

Units are manufactured to suit customer chamber sizes.

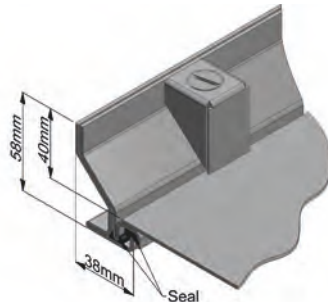
Specification/Ordering:

Please choose the required product code, size and any extras i.e.
PS3600 1200 x 1200 mm Stainless/Unsealed

PS4300
Continuous Duct Recessed Tray Type Cover & Frame
FACTA Class AAA



Section through detail.



Section through detail.
 Double Seal



Continuous duct recessed tray type cover and frame. Designed to be infilled with C25 concrete to achieve full loading. Recessed lids are designed for either full concrete infill or concrete infill with upto a 15 mm tile floor finish. PS4300 units are fitted with a centre removable beam. All units are manufactured to suit any layout which may include 90° turns, T-junctions, intersections & angle turns. Units can be supplied either 'Unsealed, non locking' or 'Double sealed & locked' All products are manufactured under an ISO 9001 Quality system. This product is hot dip galvanised to BS EN ISO 1461 as standard.

Options:

- Stainless Steel Grade 304 Edging
- Brass Edging
- Locking - Slotted Head
- Locking - Allen Head
- Locking - Hex Pin

Sizes:

Units are manufactured to suit customer chamber sizes.

Features:

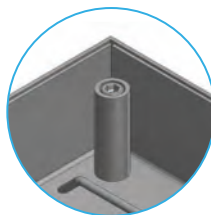
Applicable to PS3100, PS3300, PS3600, PS4300.



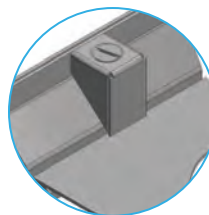
Stainless Edge Detail



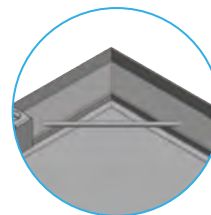
Brass Edge Detail



M10 Allen Head Locking
 (Applicable to PS3600)



Slotted Locking Screw
 (Applicable to PS3100,
 PS3300, PS4300)



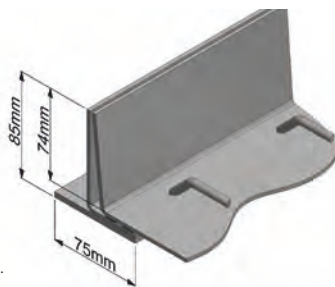
Concrete Keying Bars

Product Codes: PS4300 - Unsealed, Non-locking
 PSD4304 - Double Sealed, locked

Specification/Ordering:

Please choose the required product code, size and any extras
 i.e. PSD4304 2000 x 600 mm or provide layout

PS3150
Single Recessed Tray Type Cover & Frame
FACTA Class B



Section through detail.

Single recessed tray type cover and frame. Designed to be infilled with C25 concrete to achieve full loading. Recessed lids are designed for either full concrete infill or concrete infill with upto a 15 mm tile floor finish. Trays are locked with M10 Allen Head screws as standard. All products are manufactured under an ISO 9001 Quality system. This product is hot dip galvanised to BS EN ISO 1461 as standard.

Options:

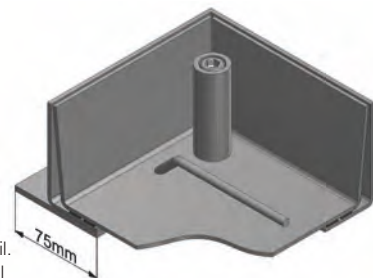
- Stainless Steel Grade 304 Edging
- Brass Edging
- Unsealed
- Single Polyethylene Seal
- Double Polyethylene Seal

Standard Sizes

Clear Opening (mm)	Suffix	Clear Opening (mm)	Suffix
300 x 300	A	750 x 750	F
450 x 450	B	900 x 600	G
600 x 450	C	900 x 750	H
600 x 600	D	900 x 900	J
750 x 600	E		

Non-standard sizes available

PS3350
Twin Recessed Tray Type Cover & Frame
FACTA Class B



Section through detail.
 Corner Locking Detail

Twin recessed tray type cover and frame. Designed to be infilled with C25 concrete to achieve full loading. Recessed lids are designed for either full concrete infill or concrete infill with upto a 15 mm tile floor finish. Trays are locked with M10 Allen Head screws as standard. PS3350 units are fitted with a centre removable beam. All products are manufactured under an ISO 9001 Quality system. This product is hot dip galvanised to BS EN ISO 1461 as standard.

Options:

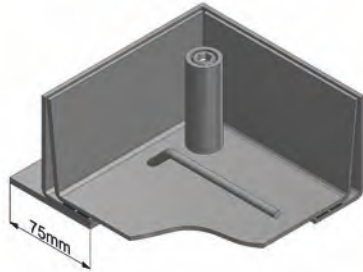
- Stainless Steel Grade 304 Edging
- Brass Edging
- Unsealed
- Single Polyethylene Seal
- Double Polyethylene Seal

Standard Sizes

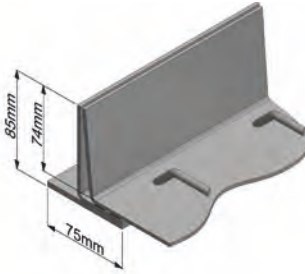
Clear Opening (mm)	Suffix	Clear Opening (mm)	Suffix
1200 x 600	L	1500 x 900	R
1200 x 750	M	1800 x 600	T
1200 x 900	N	1800 x 750	V
1500 x 600	P	1800 x 900	W
1500 x 750	Q		

Non-standard sizes available

Specification/Ordering:
 Please choose the required product code, size suffix and any extras i.e. PS3150E Stainless/Unsealed

PS3650**Multiple Recessed Tray Type Cover & Frame
FACTA Class B**

Section through detail.
Corner Locking Detail



Section through detail.



4 Part Plan Example

Multiple recessed tray type cover and frame. Designed to be infilled with C25 concrete to achieve full loading. Recessed lids are designed for either full concrete infill or concrete infill with upto a 15 mm tile floor finish. Trays are locked with M10 Allen Head screws as standard. PS3650 units are fitted with a centre removable beam and intermediate beamwork. All products are manufactured under an ISO 9001 Quality system. This product is hot dip galvanised to BS EN ISO 1461 as standard.

Options:

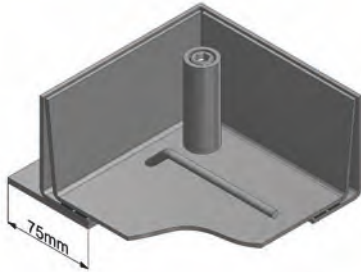
- Stainless Steel Grade 304 Edging
- Brass Edging
- Unsealed
- Single Polyethylene Seal
- Double Polyethylene Seal

Sizes:

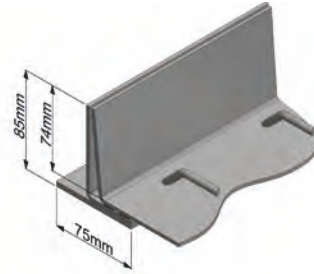
Units are manufactured to suit customer chamber sizes.

Specification/Ordering:

Please choose the required product code, size and any extras
i.e. PS3650 1200 x 1200 mm Stainless/Unsealed

PS4350**Continuous Duct Recessed Tray Type Cover & Frame
FACTA Class B**

Section through detail.
Corner Locking Detail



Section through detail.



Duct recessed tray type cover and frame. Designed to be infilled with C25 concrete to achieve full loading. Recessed lids are designed for either full concrete infill or concrete infill with upto a 15 mm tile floor finish. Trays are locked with M10 Allen Head screws as standard. PS4350 units are fitted with a centre removable beam. All units are manufactured to suit any layout which may include 90° turns, T-junctions, intersections & angle turns. All products are manufactured under an ISO 9001 Quality system. This product is hot dip galvanised to BS EN ISO 1461 as standard.

Options:

- Stainless Steel Grade 304 Edging
- Brass Edging
- Unsealed
- Single Polyethylene Seal
- Double Polyethylene Seal

Sizes:

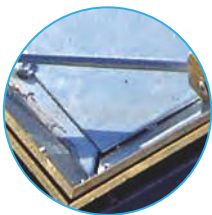
Units are manufactured to suit customer chamber sizes.

Features:

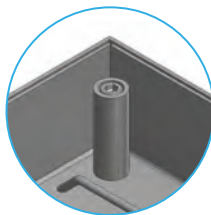
Applicable to PS3150, PS3350, PS3650, PS4350.



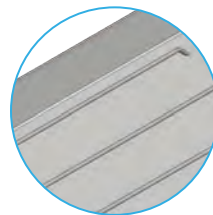
Stainless Edge
Detail



Brass Edge Detail



M10 Allen Head
Locking

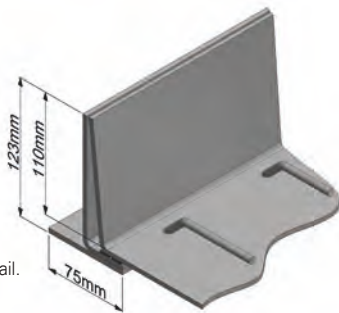
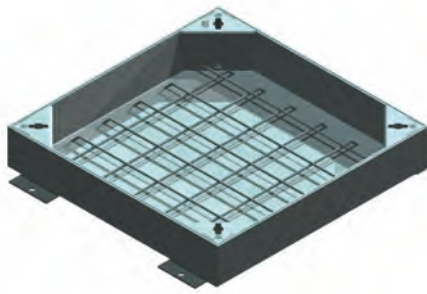


Concrete Keying
Bars

Specification/Ordering:

Please choose the required product code, size and any extras
i.e. PS4350 2000 x 600 mm Stainless/Unsealed

PS3700
Single Recessed Tray Type Cover & Frame
FACTA Class D



Section through detail.

Single recessed tray type cover and frame. Designed to be infilled with C25 concrete to achieve full loading. Recessed lids are designed for either full concrete infill or concrete infill with upto a 15 mm tile floor finish and are unsealed as standard. All products are manufactured under an ISO 9001 Quality system. This product is hot dip galvanised to BS EN ISO 1461 as standard.

Options:

- Stainless Steel Grade 304 Edging
- Stainless Steel Grade 316 Edging
- Locking - Stainless Steel Screws (Slot, Allen, or Hex Pin Head)
- Single Polyethylene Seal
- Double Polyethylene Seal
- Badged i.e. Water, Gas

Standard Sizes

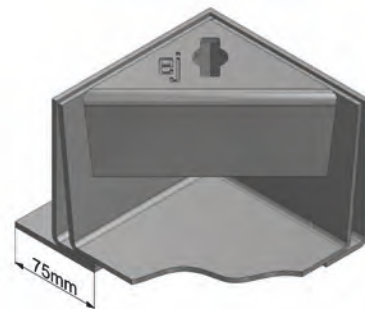
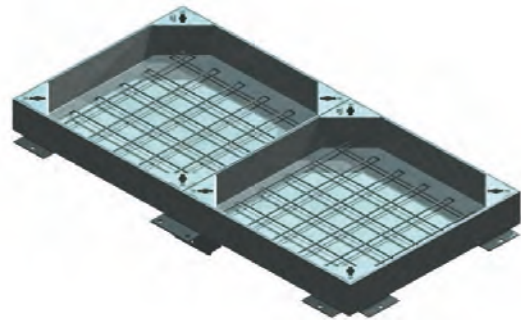
Clear Opening (mm)	Suffix	Clear Opening (mm)	Suffix
300 x 300	A	750 x 750	F
450 x 450	B	900 x 600	G
600 x 450	C	900 x 750	H
600 x 600	D	900 x 900	J
750 x 600	E	1000 x 1000	K

Non-standard sizes available

Specification/Ordering:

Please choose the required product code, size suffix and any extras i.e. PS3750V Stainless304/Unsealed

PS3750
Twin Recessed Tray Type Cover & Frame
FACTA Class D



Section through detail. Corner Detail

Twin recessed tray type cover and frame. Designed to be infilled with C25 concrete to achieve full loading. Recessed lids are designed for either full concrete infill or concrete infill with upto a 15 mm tile floor finish and are unsealed as standard. PS3750 units are fitted with a centre removable beam. All products are manufactured under an ISO 9001 Quality system. This product is hot dip galvanised to BS EN ISO 1461 as standard.

Options:

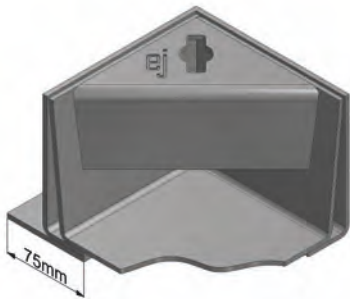
- Stainless Steel Grade 304 Edging
- Stainless Steel Grade 316 Edging
- Locking - Stainless Steel Screws (Slot, Allen, or Hex Pin Head)
- Single Polyethylene Seal
- Double Polyethylene Seal
- Badged i.e. Water, Gas

Standard Sizes

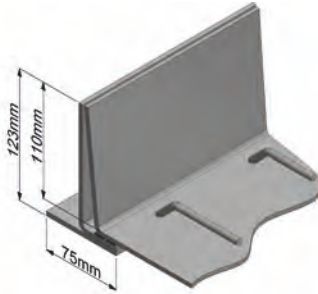
Clear Opening (mm)	Suffix	Clear Opening (mm)	Suffix
1200 x 600	L	1500 x 900	R
1200 x 750	M	1800 x 600	T
1200 x 900	N	1800 x 750	V
1500 x 600	P	1800 x 900	W
1500 x 750	Q		

Non-standard sizes available

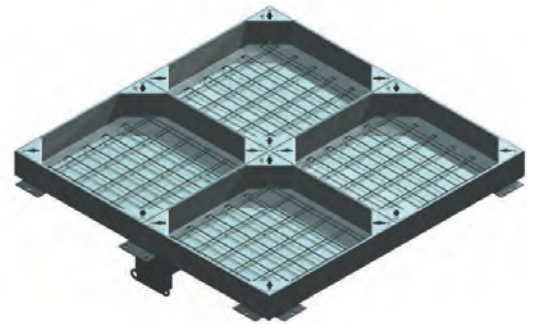
PS3800
Multiple Recessed Tray Type Cover & Frame
FACTA Class D



Section through detail.
 Corner Detail



Section through detail.



4 Part Plan Example

Multiple recessed tray type cover and frame. Designed to be infilled with C25 concrete to achieve full loading. Recessed lids are designed for either full concrete infill or concrete infill with upto a 15 mm tile floor finish and are unsealed as standard. PS3800 units are fitted with a centre removable beam and intermediate beamwork. All products are manufactured under an ISO 9001 Quality system. This product is hot dip galvanised to BS EN ISO 1461 as standard.

Options:

- Stainless Steel Grade 304 Edging
- Stainless Steel Grade 316 Edging
- Locking - Stainless Steel Screws (Slot, Allen, or Hex Pin Head)
- Single Polyethylene Seal
- Double Polyethylene Seal
- Badged i.e. Water, Gas

Sizes:

Units are manufactured to suit customer chamber sizes.

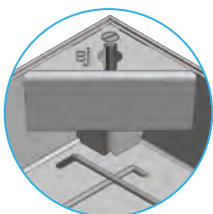
Specification/Ordering:
 Please choose the required product code, size and any extras
 i.e. PS3800 1200 x 1200 mm Stainless304/Unsealed

Features:

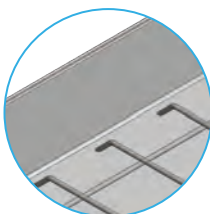
Applicable to PS3700, PS3750, PS3800, PS4600.



Stainless Edge
 Detail



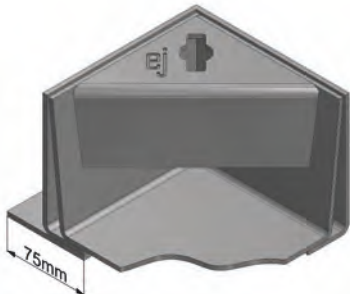
Heavy Duty
 Keyway



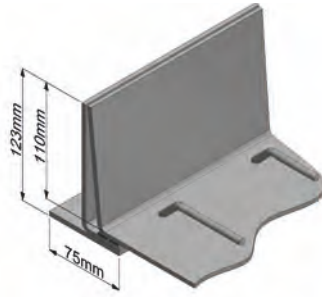
Concrete Keying
 Bars



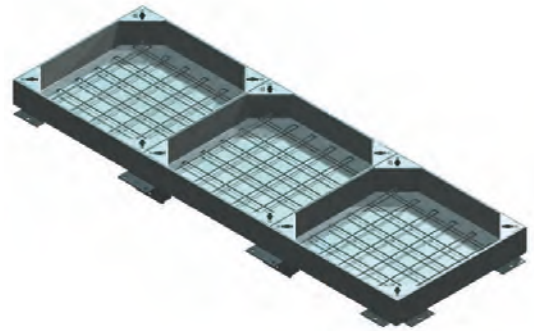
Badging &
 Locking

PS4600**Continuous Duct Recessed Tray Type Cover & Frame
FACTA Class D**

Section through detail.
Corner Detail



Section through detail.



Continuous duct recessed tray type cover and frame. Designed to be infilled with C25 concrete to achieve full loading. Recessed lids are designed for either full concrete infill or concrete infill with upto a 15 mm tile floor finish and are unsealed as standard. PS4600 units are fitted with a centre removable beam. All products are manufactured under an ISO 9001 Quality system. This product is hot dip galvanised to BS EN ISO 1461 as standard.

Options:

- Stainless Steel Grade 304 Edging
- Stainless Steel Grade 316 Edging
- Locking - Stainless Steel Screws (Slot, Allen, or Hex Pin Head)
- Single Polyethylene Seal
- Double Polyethylene Seal
- Badged i.e. Water, Gas

Sizes:

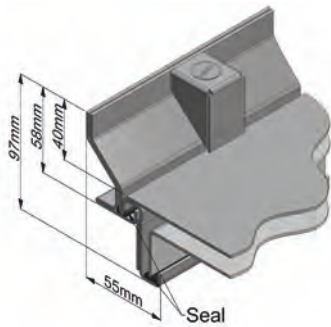
Units are manufactured to suit customer chamber sizes.

Specification/Ordering:

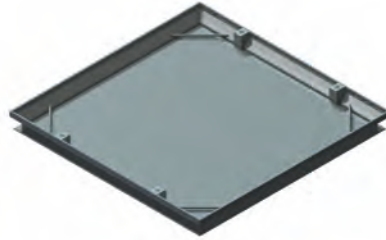
Please choose the required product code, size and any extras i.e.
PS4600 6000 x 450 mm Stainless304/Unsealed

PS3900

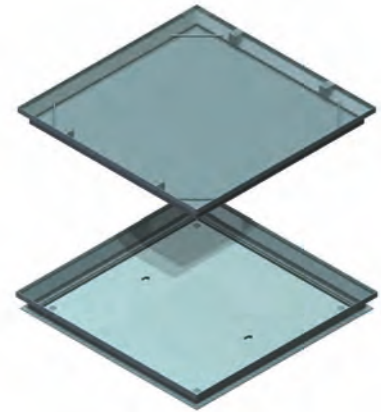
**Single Double Seal/Double Cover Tray Type Cover & Frame
FACTA Class AAA**



Section through detail.



Cover in Closed Position



Double Cover

Single double seal/double cover tray type cover and frame. Designed to be infilled with C25 concrete to achieve full loading. Recessed lids are designed for either full concrete infill or concrete infill with upto a 15 mm tile floor finish. The product is fitted with a double seal as standard and a secondary cover underneath to enhance the resistance against the egress of odours and ingress of water. All products are manufactured under an ISO 9001 Quality system. This product is hot dip galvanised to BS EN ISO 1461 as standard.

Options:

- Stainless Steel Grade 304 Edging
- Brass Edging
- Locking - Slotted Head
- Locking - Allen Head
- Locking - Hex Pin

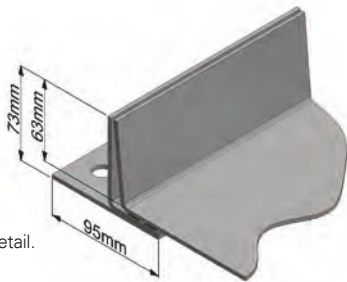
Standard Sizes

Clear Opening (mm)	Suffix	Clear Opening (mm)	Suffix
300 x 300	A	750 x 750	F
450 x 450	B	900 x 600	G
600 x 450	C	900 x 750	H
600 x 600	D	900 x 900	J
750 x 600	E		

Non-standard sizes available

Specification/Ordering:
Please choose the product code, size suffix and any extras i.e.
PS3900D Stainless/Slotted

PS4500
Single Stainless Steel Recessed Tray Type
Cover & Frame
FACTA Class B



Section through detail.

Single stainless steel recessed tray type cover and frame. Designed to be infilled with C25 concrete to achieve full loading. Recessed lids are designed for either full concrete infill or concrete infill with upto a 15 mm tile floor finish. Trays are locked with M10 Allen Head screws as standard and can be manufactured in either grade 304 or 316 stainless steel. All products are manufactured under an ISO 9001 Quality system.

Options:

- Finish - Self Colour
- Finish - Glass Bead Blast
- Finish - Electro Polish
- Fire Rated

Standard Sizes

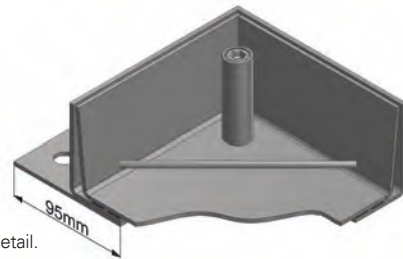
Clear Opening (mm)	Suffix	Clear Opening (mm)	Suffix
300 x 300	A	750 x 750	F
450 x 450	B	900 x 600	G
600 x 450	C	900 x 750	H
600 x 600	D	900 x 900	J
750 x 600	E		

Non-standard sizes available

Specification/Ordering:

Please choose the required product code, size suffix and any extras i.e. PS4500E Stainless304/Self Colour

PS4550
Twin Stainless Steel Recessed Tray Type
Cover & Frame
FACTA Class B



Section through detail.
 Corner Detail

Twin stainless steel recessed tray type cover and frame. Designed to be infilled with C25 concrete to achieve full loading. Recessed lids are designed for either full concrete infill or concrete infill with upto a 15 mm tile floor finish. Trays are locked with M10 Allen Head screws as standard and can be manufactured in either grade 304 or 316 stainless steel. PS4550 units are fitted with a centre removable beam. All products are manufactured under an ISO 9001 Quality system.

Options:

- Finish - Self Colour
- Finish - Glass Bead Blast
- Finish - Electro Polish
- Fire Rated

Standard Sizes

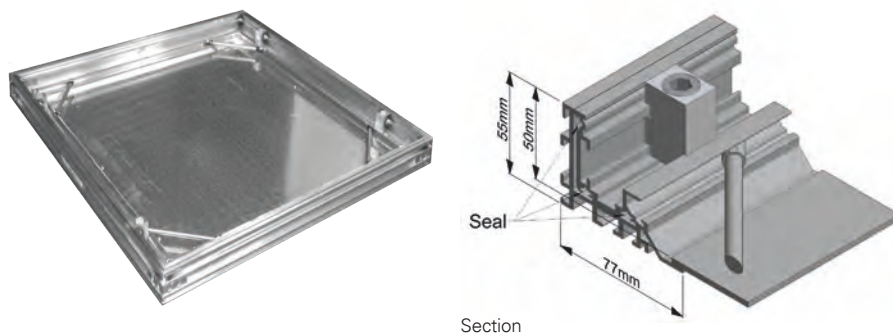
Clear Opening (mm)	Suffix	Clear Opening (mm)	Suffix
1200 x 600	L	1500 x 900	R
1200 x 750	M	1800 x 600	T
1200 x 900	N	1800 x 750	V
1500 x 600	P	1800 x 900	W
1500 x 750	Q		

Non-standard sizes available

ALUMATIC® Recessed & Solid Top



ALUMATIC® LITE
Recessed
FACTA Class AA



Triple sealed recessed access cover suitable for up to 18 mm tile/floor finish infill. Covers are designed to be infilled with C40 concrete to achieve full loading. The Alumatic® Lite features M10/M12 Lock & Lift devices. The Lite also boasts triple sealing facilities comprising of a primary dirt seal to protect against the ingress of dirt, alongside secondary and tertiary EPE inner seals to prevent the ingress/egress of gas, air and water. All products are manufactured under an ISO 9001 Quality system. This product is manufactured from Aluminium alloy 6063 and 6082 for low corrosion and superior finish.

Duct runs and beamed multiple configurations are available. Single units are gas, air and watertight at normal atmospheric pressure. Twin units feature a removable support beam and are watertight at normal atmospheric pressure.

Features:

- Lock & Lift as standard
- Stainless steel locking bolts
- Triple sealed
- High resistance to corrosion
- Accommodates up to 18 mm infill

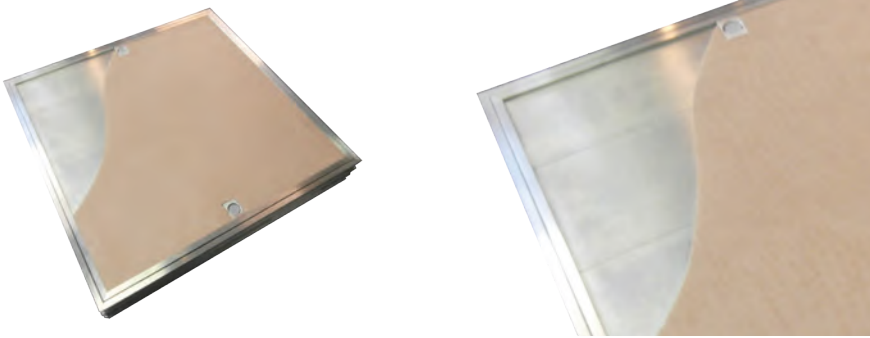
Options:

- Aluminium Edging
- Brass Edging

Standard Sizes

Code	Clear Opening (mm)	O/all Frame (mm)	Frame Depth (mm)	No of Covers
AL23030	300 x 300	410 x 410	55	Single
AL24545	450 x 450	560 x 560	55	Single
AL26045	600 x 450	710 x 560	55	Single
AL26060	600 x 600	710 x 710	55	Single
AL27560	750 x 600	860 x 710	55	Single
AL27575	750 x 750	860 x 860	55	Single
AL29075	900 x 750	1010 x 860	55	Single
AL29090	900 x 900	1010 x 1010	55	Twin
AL210060	1000 x 600	1010 x 710	55	Twin
AL210075	1000 x 750	1010 x 860	55	Twin
AL212060	1200 x 600	1310 x 710	55	Twin

Non-standard sizes available

ALUMATIC® LITE**Vinyl****FACTA Class A**

Triple sealed recessed access cover suitable for up to 3 mm vinyl finish infill. Covers are infilled with aluminium planking to leave a 3 mm recess. The Alumatic® Lite features M10/M12 Lock & Lift devices. The Lite also boasts triple sealing facilities comprising of a primary dirt seal to protect against the ingress of dirt, alongside secondary and tertiary EPE inner seals to prevent the ingress/egress of gas, air and water. All products are manufactured under an ISO 9001 Quality system. This product is manufactured from Aluminium alloy 6063 and 6082 for low corrosion and superior finish.

Single units are gas, air and watertight at normal atmospheric pressure. Twin units feature a removable support beam and are watertight at normal atmospheric pressure.

Features:

- Lock & Lift as standard
- Stainless steel locking bolts
- Triple sealed
- High resistance to corrosion
- Accommodates up to 18 mm infill

Options:

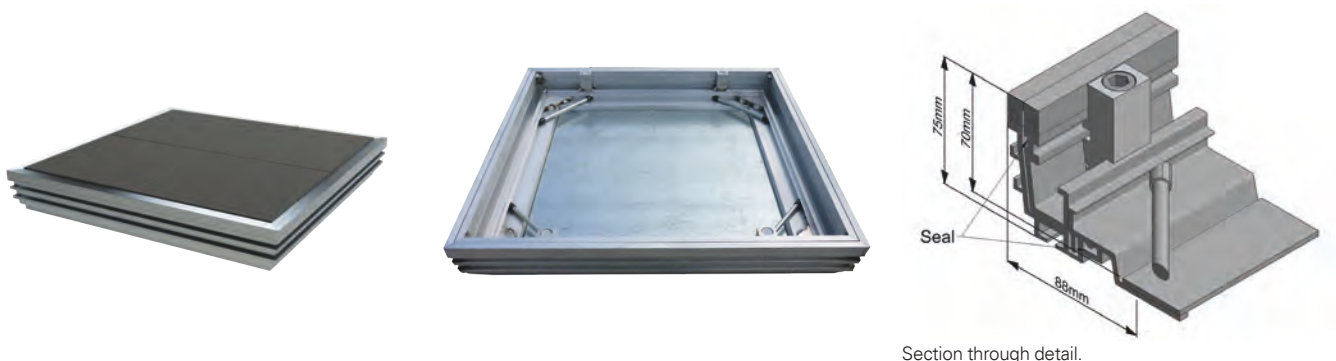
- Aluminium Edging
- Brass Edging

Standard Sizes

Code	Clear Opening (mm)	O/all Frame (mm)	Frame Depth (mm)	No of Covers
ALV3030	300 x 300	410 x 410	55	Single
ALV4545	450 x 450	560 x 560	55	Single
ALV6045	600 x 450	710 x 560	55	Single
ALV6060	600 x 600	710 x 710	55	Single
ALV7560	750 x 600	860 x 710	55	Single
ALV7575	750 x 750	860 x 860	55	Single
ALV9075	900 x 750	1010 x 860	55	Single
ALV9090	900 x 900	1010 x 1010	55	Twin

[Non-standard sizes available](#)

ALUMATIC®
Single Recessed
FACTA Class B



Triple sealed recessed access cover suitable for a high-quality floor finish up to a depth of 50 mm of tile, carpet, blocks or terrazzo infill. Aluminium or brass edging strips are 8 mm deep, which allows edges to be ground and polished in-situ up to 6 mm.

Covers are designed to be infilled with C40 concrete to achieve full loading. The Alumatic® features M10/M12 Lock & Lift devices. The Alumatic® also boasts triple sealing facilities comprising of a primary and a secondary seal to protect against the ingress of dirt and fluids, alongside an inner grease seal to prevent the ingress/ egress of gas, air and water. All products are manufactured under an ISO 9001 Quality system. This product is manufactured from Aluminium alloy 6063 and 6082 for low corrosion and superior finish.

Single units are gas, air and watertight at normal atmospheric pressure.

The ALUMATIC® range has a number of unique features designed to improve appearance and performance:

Features:

- 8 mm deep architectural edgings
- Lock & Lift as standard
- Stainless steel locking bolts
- Triple sealed (including grease seal)
- High resistance to corrosion
- Accommodates up to 50 mm infill

Options:

- Aluminium Edging
- Brass Edging
- 2 Hours Fire Integrity Rated

Standard Sizes

Code	Clear Opening (mm)	O/all Frame (mm)	Frame Depth (mm)	No of Covers
AL43030	300 x 300	428 x 428	76	Single
AL44545	450 x 450	578 x 578	76	Single
AL46045	600 x 450	728 x 578	76	Single
AL46060	600 x 600	728 x 728	76	Single
AL47560	750 x 600	878 x 728	76	Single
AL47575	750 x 750	878 x 878	76	Single
AL49075	900 x 750	1028 x 878	76	Single

Non-standard sizes available

ALUMATIC® Twin Recessed FACTA Class B



Triple sealed twin recessed access cover suitable for a depth of up to 50 mm of tile, carpet, blocks or terrazzo infill. Aluminium or brass edging strips are 8 mm deep, which allows edges to be ground and polished in-situ up to 6 mm.

Covers are designed to be infilled with C40 concrete to achieve full loading. The Alumatic® features M10/M12 Lock & Lift devices. The Alumatic® also boasts triple sealing facilities comprising of a primary and a secondary seal to protect against the ingress of dirt and fluids, alongside an inner grease seal to prevent the ingress/egress of gas, air and water. All products are manufactured under an ISO 9001 Quality system. This product is manufactured from Aluminium alloy 6063 and 6082 for low corrosion and superior finish.

Twin units feature a removable support beam and are watertight at normal atmospheric pressure.

The ALUMATIC® range has a number of unique features designed to improve appearance and performance:

Features:

- 8 mm deep architectural edgings
- Lock & Lift as standard
- Stainless steel locking bolts
- Triple sealed (including grease seal)
- High resistance to corrosion
- Accommodates up to 50 mm infill

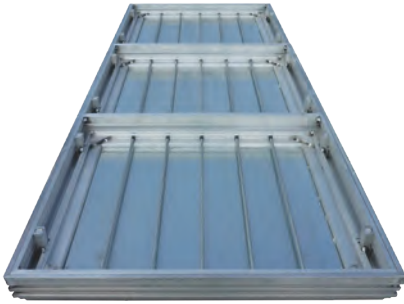
Options:

- Aluminium Edging
- Brass Edging
- 2 Hours Fire Integrity Rated

Standard Sizes

Code	Clear Opening (mm)	O/all Frame (mm)	Frame Depth (mm)	No of Covers
AL49090	900 x 900	1028 x 1028	76	Twin
AL410060	1000 x 600	1028 x 728	76	Twin
AL410075	1000 x 750	1028 x 878	76	Twin
AL412060	1200 x 600	1328 x 728	76	Twin

[Non-standard sizes available](#)

ALUMATIC®**Duct Recessed
FACTA Class B**

Triple sealed recessed access cover suitable for up to a depth of 50 mm of tile, carpet, blocks or terrazzo infill. Aluminium or brass edging strips are 8 mm deep, which allows edges to be ground and polished in-situ up to 6 mm. Covers are designed to be infilled with C40 concrete to achieve full loading. The Alumatic® features M10/M12 Lock & Lift devices. The Alumatic® also boasts triple sealing facilities comprising of a primary and a secondary seal to protect against the ingress of dirt and fluids, alongside an inner grease seal to prevent the ingress/egress of gas, air and water. All products are manufactured under an ISO 9001 Quality system. This product is manufactured from Aluminium alloy 6063 and 6082 for low corrosion and superior finish.

Duct units feature a removable support beam and are watertight at normal atmospheric pressure.

The ALUMATIC® range has a number of unique features designed to improve appearance and performance:

Features:

- 8 mm deep architectural edgings
- Lock & Lift as standard
- Stainless steel locking bolts
- Triple sealed (including grease seal)
- High resistance to corrosion
- Accommodates up to 50 mm infill

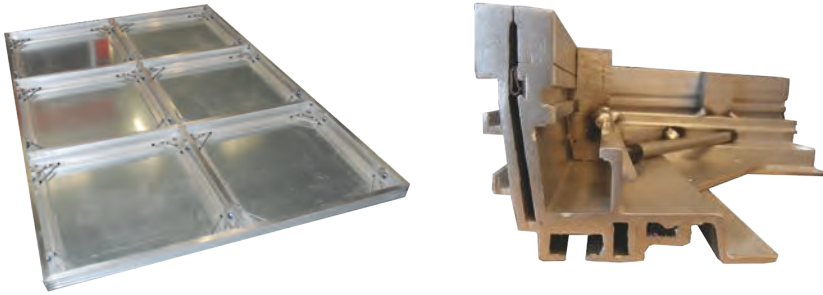
Options:

- Aluminium Edging
- Brass Edging
- 2 Hours Fire Integrity Rated

Sizes:

Units are manufactured to suit customer chamber sizes.

ALUMATIC® Multiple Recessed FACTA Class B



Triple sealed multiple recessed access cover suitable for up to 38 mm tile/floor finish infill. Aluminium or brass edging strips are 8 mm deep, which allows edges to be ground and polished in-situ up to 6 mm. Covers are designed to be infilled with C40 concrete to achieve full loading. The Alumatic® features M10/M12 Lock & Lift devices. The Alumatic® also boasts triple sealing facilities comprising of a primary and a secondary seal to protect against the ingress of dirt and fluids, alongside an inner grease seal to prevent the ingress/egress of gas, air and water. All products are manufactured under an ISO 9001 Quality system. This product is manufactured from Aluminium alloy 6063 and 6082 for low corrosion and superior finish.

Multiple units feature removable support beams and are watertight at normal atmospheric pressure.

The ALUMATIC® range has a number of unique features designed to improve appearance and performance:

Features:

- 8 mm deep architectural edgings
- Lock & Lift as standard
- Stainless steel locking bolts
- Triple sealed (including grease seal)
- High resistance to corrosion
- Accommodates up to 50 mm infill

Options:

- Aluminium Edging
- Brass Edging
- 2 Hours Fire Integrity Rated

Sizes:

Units are manufactured to suit customer chamber sizes.

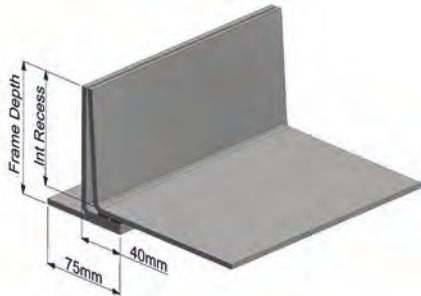


Fabricated Steel Block Paving Infill

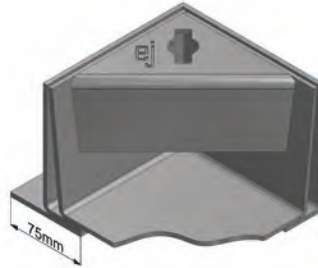


PS6000

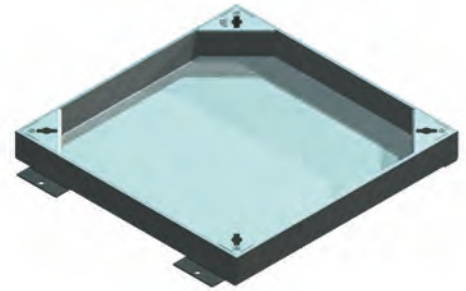
Single Recessed Block Pavior Infill Cover & Frame FACTA Class AA, AAA, B, C, D



Section through detail.



Corner Detail



Single recessed block pavior infill cover and frame. Recessed lids are designed to enable either a block or slab infill. The lids are underbraced where necessary to meet the stated load rating. All products are manufactured under an ISO 9001 Quality system. This product is hot dip galvanized to BS EN ISO 1461 as standard.

Options:

- Stainless Steel Grade 304 Edging
- Stainless Steel Grade 316 Edging
- Locking - Slotted Head
- Locking - Allen Head
- Locking - Hex Pin
- Unsealed
- Single Polyethylene Seal
- Double Polyethylene Seal
- Badged i.e. Water, Gas
- M12 Threaded Lifting Points

Standard Sizes

Clear Opening (mm)	Suffix	Clear Opening (mm)	Suffix
300 x 300	A	750 x 750	F
450 x 450	B	900 x 600	G
600 x 450	C	900 x 750	H
600 x 600	D	900 x 900	J
750 x 600	E		

[Non-standard sizes available](#)

Product Loading codes: FACTA Class AA = PS6001
 FACTA Class AAA = PS6002
 FACTA Class B = PS6004
 FACTA Class C = PS6005
 FACTA Class D = PS6006

Internal Depth Options

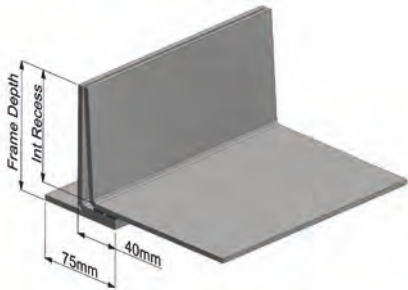
Block Size	Internal Recess	Frame Depth	Code
up to 50 mm	70 mm	83 mm	7
up to 65 mm	90 mm	103 mm	9
up to 80 mm	100 mm	113 mm	1
up to 100 mm	130 mm	143 mm	3

Specification/Ordering:

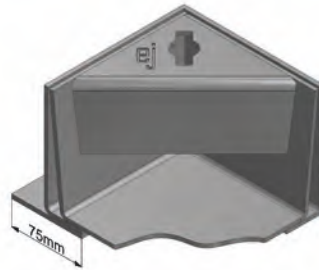
Please choose the product load code, size and lid recess suffix, and any extras i.e. PS6004D7 Stainless/Slotted

PS6700

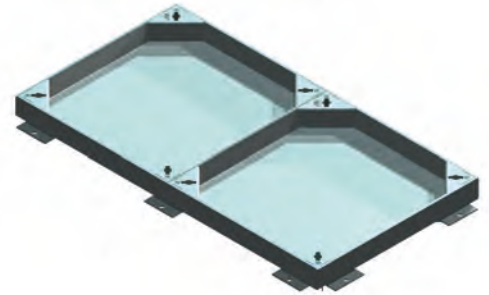
Twin Recessed Block Pavior Infill Cover & Frame
FACTA Class AA, AAA, B, C, D



Section through detail.



Corner Detail



Twin recessed block pavior infill cover and frame. Recessed lids are designed to enable either a block or slab infill. The lids are underbraced where necessary to meet the stated load rating. PS6700 units are fitted with a centre removable beam. All products are manufactured under an ISO 9001 Quality system. This product is hot dip galvanised to BS EN ISO 1461 as standard.

Options:

- Stainless Steel Grade 304 Edging
- Stainless Steel Grade 316 Edging
- Locking - Slotted Head
- Locking - Allen Head
- Locking - Hex Pin
- Unsealed
- Single Polyethylene Seal
- Double Polyethylene Seal
- Badged i.e. Water, Gas
- M12 Threaded Lifting Points

Standard Sizes

Clear Opening (mm)	Suffix	Clear Opening (mm)	Suffix
900 x 600	G	1200 x 750	M
900 x 750	H	1200 x 900	N
900 x 900	J	1500 x 600	P
1000 x 1000	K	1500 x 750	Q
1200 x 600	L		

Non-standard sizes available

Internal Depth Options

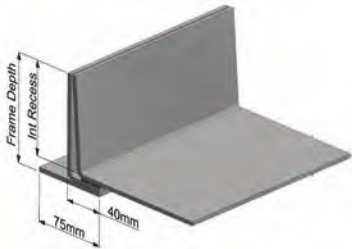
Block Size	Internal Recess	Frame Depth	Code
up to 50 mm	70 mm	83 mm	7
up to 65 mm	90 mm	103 mm	9
up to 80 mm	100 mm	113 mm	1
up to 100 mm	130 mm	143 mm	3

Product Loading codes: FACTA Class AA = PS6701
 FACTA Class AAA = PS6702
 FACTA Class B = PS6704
 FACTA Class C = PS6705
 FACTA Class D = PS6706

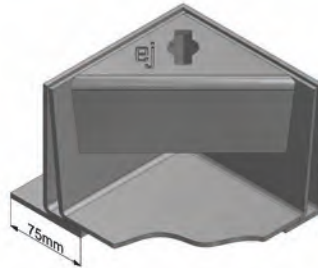
Specification/Ordering:

Please choose the product load code, size and lid recess suffix, and any extras i.e. PS6704L1 Stainless/Slotted

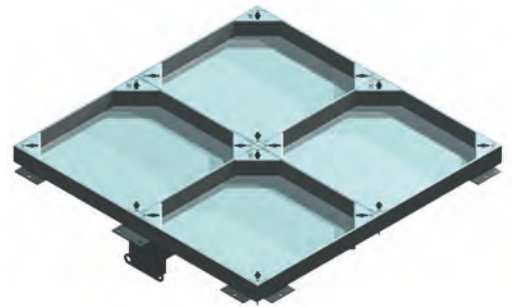
PS6800 Multiple Recessed Block Pavior Infill Cover & Frame FACTA Class AA, AAA, B, C, D



Section through detail.



Corner Detail



Multiple recessed block pavior infill cover and frame. Recessed lids are designed to enable either a block or slab infill. The lids are underbraced where necessary to meet the stated load rating. PS6800 units are fitted with a centre removable beam and intermediate beamwork. All products are manufactured under an ISO 9001 Quality system. This product is hot dip galvanised to BS EN ISO 1461 as standard.

Options:

- Stainless Steel Grade 304 Edging
- Stainless Steel Grade 316 Edging
- Locking - Slotted Head
- Locking - Allen Head
- Locking - Hex Pin
- Unsealed
- Single Polyethylene Seal
- Double Polyethylene Seal
- Badged i.e. Water, Gas
- M12 Threaded Lifting Points

Sizes:

Units are manufactured to suit customer chamber sizes.
Any configuration of covers available i.e. 4,6,8 Part

Product Loading codes: FACTA Class AA = PS6801
FACTA Class AAA = PS6802
FACTA Class B = PS6804
FACTA Class C = PS6805
FACTA Class D = PS6806

Internal Depth Options

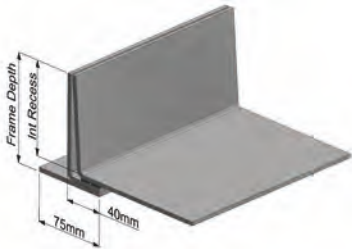
Block Size	Internal Recess	Frame Depth	Code
up to 50 mm	70 mm	83 mm	7
up to 65 mm	90 mm	103 mm	9
up to 80 mm	100 mm	113 mm	1
up to 100 mm	130 mm	143 mm	3

Specification/Ordering:

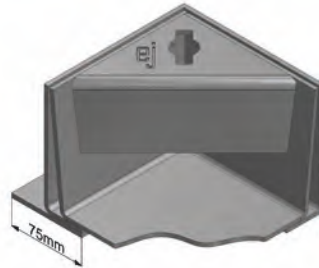
Please choose the product load code, size and lid recess suffix, and any extras i.e. PS6804 1200 x 1200 mm 7 Stainless/Slotted

PS6900

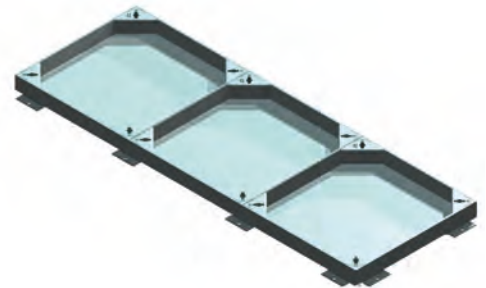
Continuous Duct Recessed Block Pavior Infill Cover & Frame FACTA Class AA, AAA, B, C, D



Section through detail.



Corner Detail



Continuous duct recessed block pavior infill cover and frame. Recessed lids are designed to enable either a block or slab infill. The lids are underbraced where necessary to meet the stated load rating. PS6900 units are fitted with a centre removable beam. All products are manufactured under an ISO 9001 Quality system. This product is hot dip galvanised to BS EN ISO 1461 as standard.

Options:

- Stainless Steel Grade 304 Edging
- Stainless Steel Grade 316 Edging
- Locking - Slotted Head
- Locking - Allen Head
- Locking - Hex Pin
- Unsealed
- Single Polyethylene Seal
- Double Polyethylene Seal
- Badged i.e. Water, Gas
- M12 Threaded Lifting Points

Sizes:

Units are manufactured to suit customer chamber sizes.

Product Loading codes: FACTA Class AA = PS6901
 FACTA Class AAA = PS6902
 FACTA Class B = PS6904
 FACTA Class C = PS6905
 FACTA Class D = PS6906

Internal Depth Options

Block Size	Internal Recess	Frame Depth	Code
up to 50 mm	70 mm	83 mm	7
up to 65 mm	90 mm	103 mm	9
up to 80 mm	100 mm	113 mm	1
up to 100 mm	130 mm	143 mm	3



Stainless Edge Detail



Heavy Duty Keyway



Badging & Locking

Specification/Ordering:

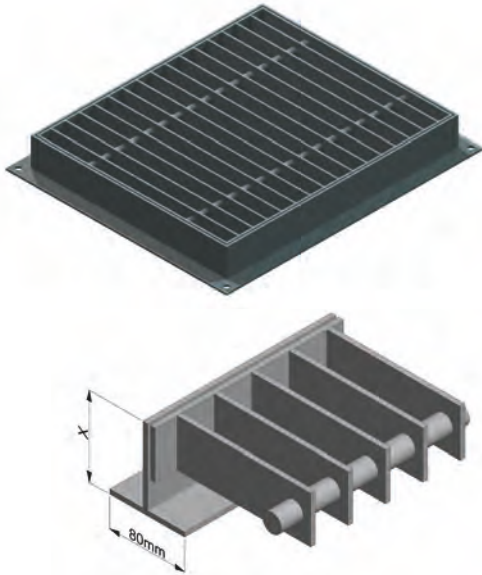
Please choose the product load code, size and lid recess suffix, and any extras i.e. PS6905 1200 x 600 mm 9 Stainless/Slotted



Fabricated Steel Drainage Gratings



PS2600
Single Flat Steel Section Drainage
Grating & Frame
FACTA Class AA, AAA, B, C, D



Section through detail.
 Dimension X is dependent on size and loading.

Single flat steel drainage grating and frame. Gratings are constructed of flat steel bars with welded round bar to increase strength. (This allows for a high strength to weight ratio enabling easy removal for drain maintenance.) All products are manufactured under an ISO 9001 Quality system. This product is hot dip galvanised to BS EN ISO 1461 as standard.

Options:

- Stainless Steel 304
- Stainless Steel 316

Standard Sizes

Clear Opening (mm)	Suffix	Clear Opening (mm)	Suffix
300 x 300	A	750 x 750	F
450 x 450	B	900 x 600	G
600 x 450	C	900 x 750	H
600 x 600	D	900 x 900	J
750 x 600	E	1000 x 1000	K

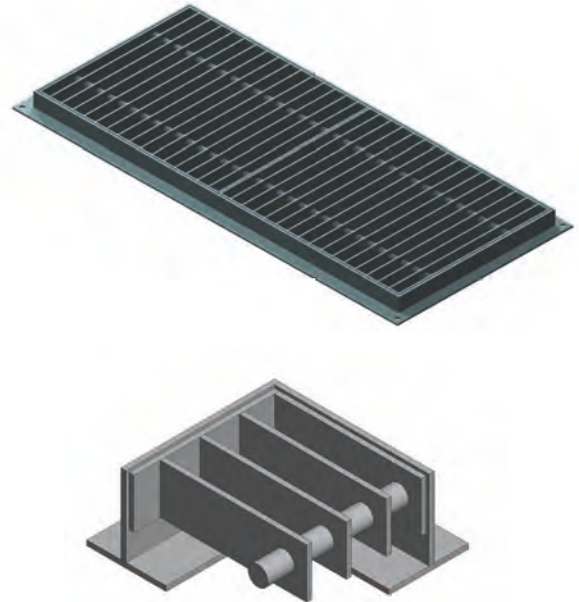
Non-standard sizes available

Product Loading Codes: FACTA Class AA = PS2601
 FACTA Class AAA = PS2602
 FACTA Class B = PS2604
 FACTA Class C = PS2605

Specification/Ordering:

Please choose the required product code, size suffix and any extras i.e. PS2604E Stainless304

PS2650
Duct Flat Steel Section Drainage
Grating & Frame
FACTA Class AA, AAA, B, C, D



Section through detail.
 Corner Detail

Ducting flat steel drainage grating and frame. Gratings are constructed of flat steel bars with welded round bar to increase strength. (This allows for a high strength to weight ratio enabling easy removal for drain maintenance.) All products are manufactured under an ISO 9001 Quality system. This product is hot dip galvanised to BS EN ISO 1461 as standard.

Options:

- Stainless Steel 304
- Stainless Steel 316

Sizes:

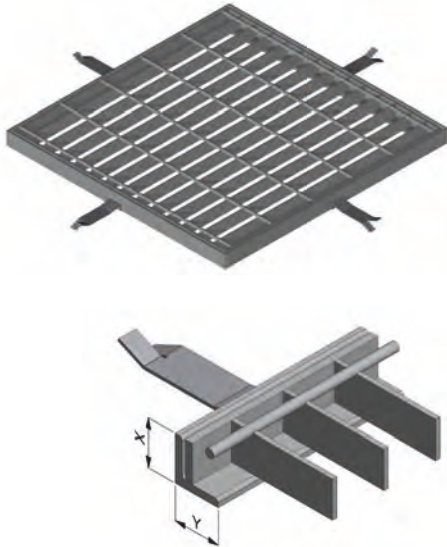
Units are manufactured to suit customer chamber sizes.

Product Loading Codes: FACTA Class AA = PS2651
 FACTA Class AAA = PS2652
 FACTA Class B = PS2654
 FACTA Class C = PS2655
 FACTA Class D = PS2656

Specification/Ordering:

Please choose the required product code, size and any extras i.e. PS2652 1500 x 450 mm Stainless304

PS2700
Single Open Mesh Flooring Drainage
Grating & Frame
FACTA Class AA, AAA, B, C, D



Section through detail.
 Dimensions X & Y are dependent on size and loading.

Single Open mesh flooring grate and frame. Gratings are manufactured from traditional open mesh flooring with the bars and aperture dimensions of the grating dependent on loading requirement. All products are manufactured under an ISO 9001 Quality system. This product is hot dip galvanised to BS EN ISO 1461 as standard.

Options:

- Locking
- Hinging

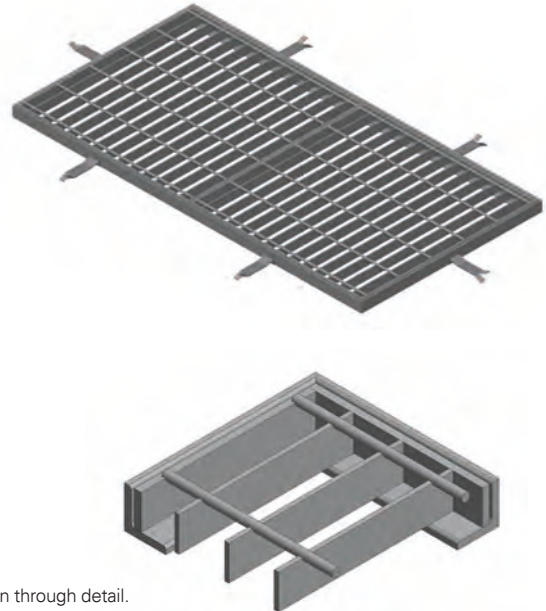
Standard Sizes

Clear Opening (mm)	Suffix	Clear Opening (mm)	Suffix
300 x 300	A	750 x 750	F
450 x 450	B	900 x 600	G
600 x 450	C	900 x 750	H
600 x 600	D	900 x 900	J
750 x 600	E	1000 x 1000	K

Non-standard sizes available

Product Loading codes: FACTA Class AA = PS2701
 FACTA Class AAA = PS2702
 FACTA Class B = PS2704
 FACTA Class C = PS2705
 FACTA Class D = PS2706

PS2750
Duct Open Mesh Flooring Drainage
Grating & Frame
FACTA Class AA, AAA, B, C, D



Section through detail.
 Corner Detail

Duct Open mesh flooring grate and frame. Gratings are manufactured from traditional open mesh flooring with the bars and aperture dimensions of the grating dependent on loading requirement. All products are manufactured under an ISO 9001 Quality system. This product is hot dip galvanised to BS EN ISO 1461 as standard.

Options:

- Locking
- Hinging

Sizes:

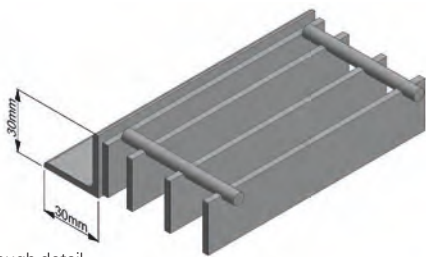
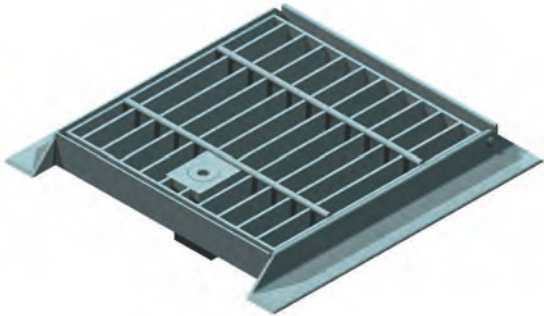
Units are manufactured to suit customer chamber sizes.

Product Loading codes: FACTA Class AA = PS2751
 FACTA Class AAA = PS2752
 FACTA Class B = PS2754
 FACTA Class C = PS2755
 FACTA Class D = PS2756

Specification/Ordering:

Please choose the required product code, size suffix and any extras i.e. PS2754 1500 x 450 mm

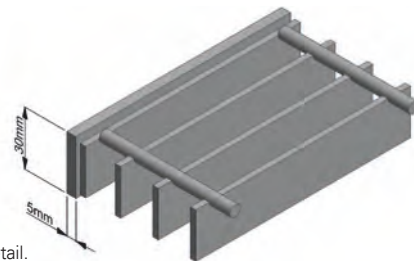
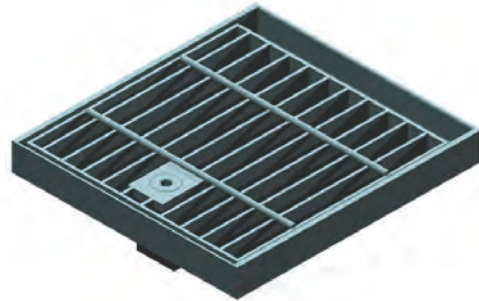
PS2900
Single Hinged & Locking Drainage Grating & Frame - Fully Flanged
FACTA Class AAA



Section through detail.

Single fabricated steel closely spaced open mesh hinged grating fitted with a turnbuckle lock and lift device. Product is complete with a flanged frame. All products are manufactured under an ISO 9001 Quality system. This product is hot dip galvanised to BS EN ISO 1461 as standard.

PS2900
Single Hinged & Locking Drainage Grating & Frame - Non Flanged
FACTA Class AAA



Section through detail.

Single fabricated steel closely spaced open mesh hinged grating fitted with a turnbuckle lock and lift device. Product is complete with a non-flanged frame. All products are manufactured under an ISO 9001 Quality system. This product is hot dip galvanised to BS EN ISO 1461 as standard.

Standard Sizes

Over Grate (mm)	Suffix
150 x 150	6A
225 x 225	9A
308 x 308	12A

Standard Sizes

Over Grate (mm)	Suffix
150 x 150	6B
225 x 225	9B
308 x 308	12B

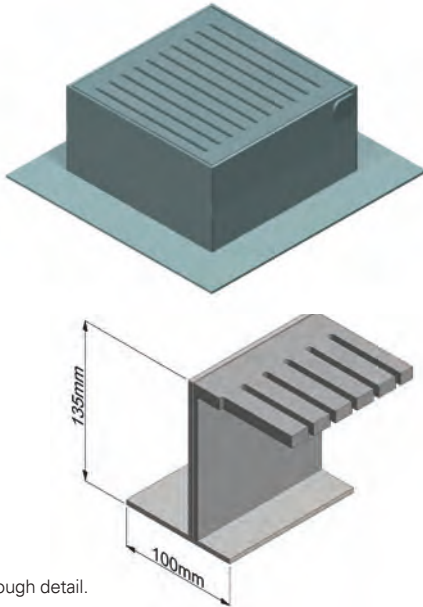
Specification/Ordering:

Please choose the required product code, size suffix and any extras i.e. PS29006A

Specification/Ordering:

Please choose the required product code, size suffix and any extras i.e. PS290012b

PS7300
Deep Frame Drainage Grating & Frame
Laser Cut Flat Top
FACTA Class AA, AAA, B, C, D



Section through detail.
 Flat Top

Single deep frame grating and frame. Grating has a laser cut flat top grating finish to allow for custom slots. The PS7300 is specially designed for block paving areas and public realm redevelopment. Grating is captive hinged to allow for easy access. All products are manufactured under an ISO 9001 Quality system. This product is hot dip galvanised to BS EN ISO 1461 as standard.

Options:

- Locking - Stainless Steel Screws
- Stainless Steel Grade 304
- Stainless Steel Grade 316
- Custom Slot Designs Available

Sizes:

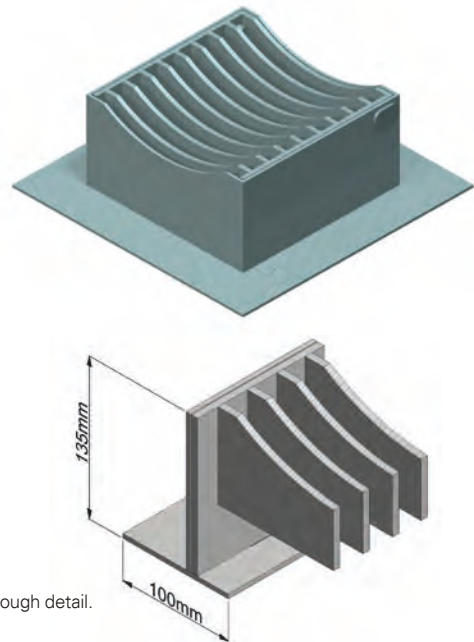
Units are manufactured to suit customer chamber sizes.

Product Loading Codes: FACTA Class AA = PSF7301
 FACTA Class AAA = PSF7302
 FACTA Class B = PSF7304
 FACTA Class C = PSF7305
 FACTA Class D = PSF7306

Specification/Ordering:

Please choose the required product code, size and any extras
 i.e. PSF7302 300 x 300 mm Over Grate/Stainless 304

PS7300
Deep Frame Drainage Grating & Frame
Dished Top
FACTA Class AA, AAA, B, C, D



Section through detail.
 Dished

Single deep frame grating and frame. Grating has a laser cut dished grating finish to allow for custom slots and dish. The PS7300 is specially designed for block paving areas and public realm redevelopment. Grating is captive hinged to allow for easy access. All products are manufactured under an ISO 9001 Quality system. This product is hot dip galvanised to BS EN ISO 1461 as standard.

Options:

- Locking - Stainless Steel Screws
- Stainless Steel Grade 304
- Stainless Steel Grade 316
- Custom Slot and Dish Designs Available

Sizes:

Units are manufactured to suit customer chamber sizes.

Product Loading Codes: FACTA Class AA = PSD7301
 FACTA Class AAA = PSD7302
 FACTA Class B = PSD7304
 FACTA Class C = PSD7305
 FACTA Class D = PSD7306

Specification/Ordering:

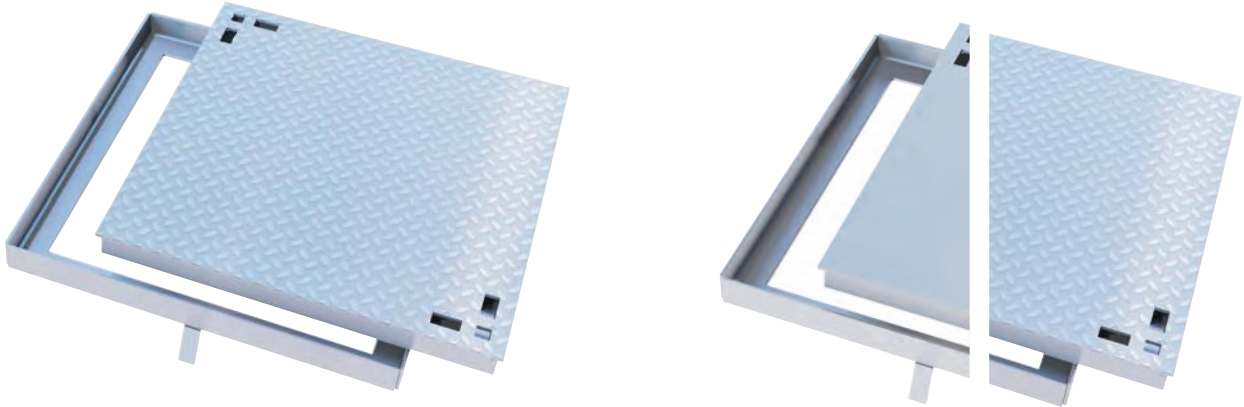
Please choose the required product code, size and any extras
 i.e. PSD7305 300 x 300 mm Over Grate/Stainless 304



Fabricated Steel EN 124



TS
Drop In Solid Top Cover & Frame
15kN, 125kN, 250kN, 400kN



Chequer plate solid top cover and frame, 60 mm deep as standard. The product is underbraced where required to meet the stated load. All products are manufactured under an ISO 9001 Quality system. This product is hot dip galvanised to BS EN ISO 1461 as standard.

Options:

- Locking - OTC M14, CHC M12, 1/4 Turn OTCI
- Recessed Padlock Facility
- Additional Handling Points
- Bespoke Keyway Shapes
- Chequer or Smooth Plate
- Secondary Access Points

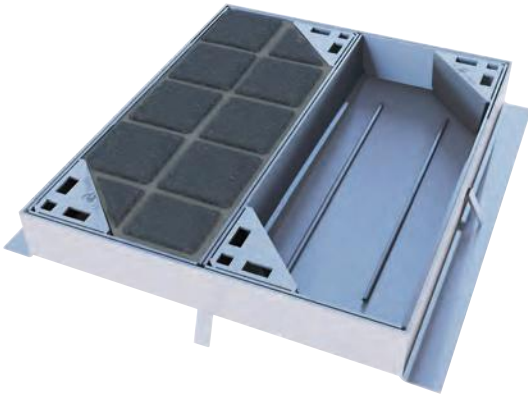
Product Loading Codes:

- TS1S 15 kN:** Footways, pedestrian and cycle areas.
- TS2S 125 kN:** Footways, pedestrian areas, car parks.
- TS3S 250 kN:** Slow moving, occasionally trafficked areas, parking areas.
- TS4S 400 kN:** For all types of road vehicles in areas of low speeds (20mph max) and low traffic intensity (inc. pedestrian streets), forecourts, hard shoulders and parking areas.

[Wide range of clear openings available](#)

Our fabrication facility contains the most advanced technology in the world, such as laser cutting which allows for precision parts to be designed. Customised markings are also available to indicate the type of service or utility provider.



TR**Drop In Recessed Cover & Frame**
15kN, 125kN, 250kN, 400kN

Recessed infill cover and frame. Recessed lids are designed to enable either a block or slab infill. The lids are underbraced where necessary to meet the stated load rating. All products are manufactured under an ISO 9001 Quality system. This product is hot dip galvanised to BS EN ISO 1461 as standard.

Options:

- Depth of Recess: 48mm, 75mm, 90mm
- Stainless Steel 304 or Stainless Steel 316
- Safety Grids
- Safety Barriers

Product Loading Codes:

TR1R 15 kN: Footways, pedestrian and cycle areas.

TR2R 125 kN: Footways, pedestrian areas, car parks.

TR3R 250 kN: Slow moving, occasionally trafficked areas, parking areas.

TR4R 400 kN: For all types of road vehicles in areas of low speeds (20mph max) and low traffic intensity (inc. pedestrian streets), forecourts, hard shoulders and parking areas.

TAL**Drop In Recessed Cover & Frame**
125kN

Place of installation: Pedestrian traffic only. Load rating of 125kN only when filled with concrete with a strength \geq to 45MPa and cured or 28 days.

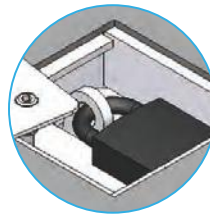


Recessed infill cover and frame. Designed to be infilled with concrete with a min strength of 45MPa after 28 days to achieve full loading. Recessed lids are designed for either full concrete infill or concrete infill with upto a 15 mm tile floor finish and are unsealed as standard. All products are manufactured under an ISO 9001 Quality system. This product is hot dip galvanised to BS EN ISO 1461 as standard.

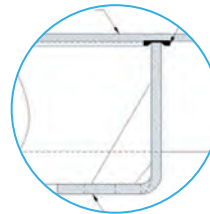
Options:

- Depth of Recess: 80mm, 120mm
- Stainless Steel 304 or Stainless Steel 316
- Locked or Unlocked

FF
Flush Fit Hinged & Assisted Cover & Frame
15kN, 125kN, 250kN, 400kN



Watertight Padlock Facility



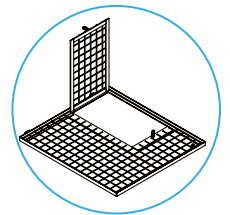
Seal



Badged



Bookend & Inline Hinging



Safety Grids

Flush fitting spring assisted cover and frame. Chequer plate solid top lids underbraced where necessary to meet the stated load rating. All products are manufactured under an ISO 9001 Quality system. This product is hot dip galvanised to BS EN ISO 1461 as standard.

Features:

- Turnbuckle Locking - Maintains a positive seal
- Ergonomic Hand Operated Safety Blocking System
- 95° Opening
- BS Keyways - Spring Loaded Anti-Debris Mechanism
- Single Person Operation
- Bolt Down Anchor Points
- Unobstructed Clear Opening

Product Loading Codes:

- FF1S 15 kN:** Footways, pedestrian and cycle areas.
- FF2S 125 kN:** Footways, pedestrian areas, car parks.
- FF3S 250 kN:** Slow moving, occasionally trafficked areas, parking areas.
- FF4S 400 kN:** For all types of road vehicles in areas of low speeds (20mph max) and low traffic intensity (inc. pedestrian streets), forecourts, hard shoulders and parking areas.

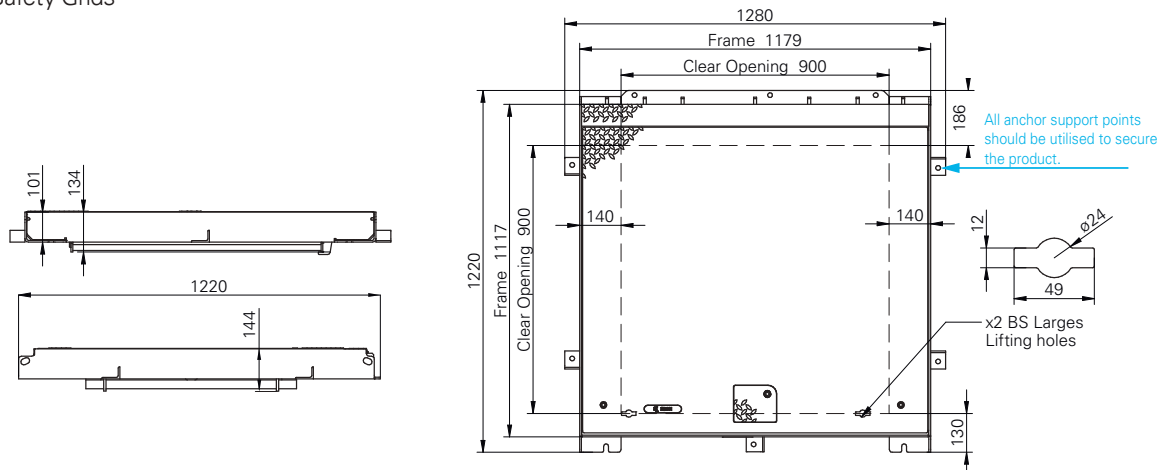
Options:

- Watertight Padlock Facility - **V**
- Standard Security Turnbuckle - **VOTC**
- Lock & Lift Locking - **OTC**
- Seal - **J**
- Badged
- Bookend & Inline Hinging
- Various Safety Grids

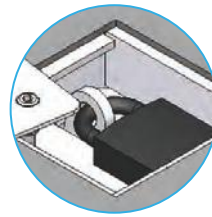
Specification/Ordering

To order a Flush Fit unit, single skin, 125kN loading, 1000 x 1000 mm clear opening, hinged, padlockable, torsion spring with a seal and safety grid use: **FF2S 100100 A V H J GS**.

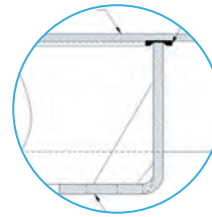
Wide range of clear openings available



FS Flush Fit Shallow Hinged & Assisted Cover & Frame 15kN, 125kN



Watertight Padlock Facility



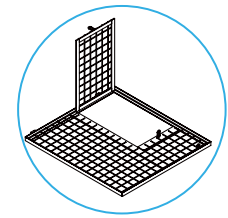
Seal



Badged



Bookend & Inline Hinging



Safety Grids

Flush fitting shallow spring assisted cover and frame. Chequer plate solid top lids underbraced where necessary to meet the load rating. All products are manufactured under an ISO 9001 Quality system and hot dip galvanised to BS EN ISO 1461 as standard.

Features:

- Turnbuckle Locking - Maintains a positive seal
- Ergonomic Hand Operated Safety Blocking System
- 95° Opening
- BS Keyways - Spring Loaded Anti-Debris Mechanism
- Mechanical Spring Strut - Single Person Operation
- Bolt Down Anchor Points
- Unobstructed Clear Opening

Options:

- Watertight Padlock Facility - **V**
- Standard Security Turnbuckle - **VOTC**
- Lock & Lift Locking - **OTC**
- Seal - **J**
- Badged
- Bookend & Inline Hinging
- Various Safety Grids

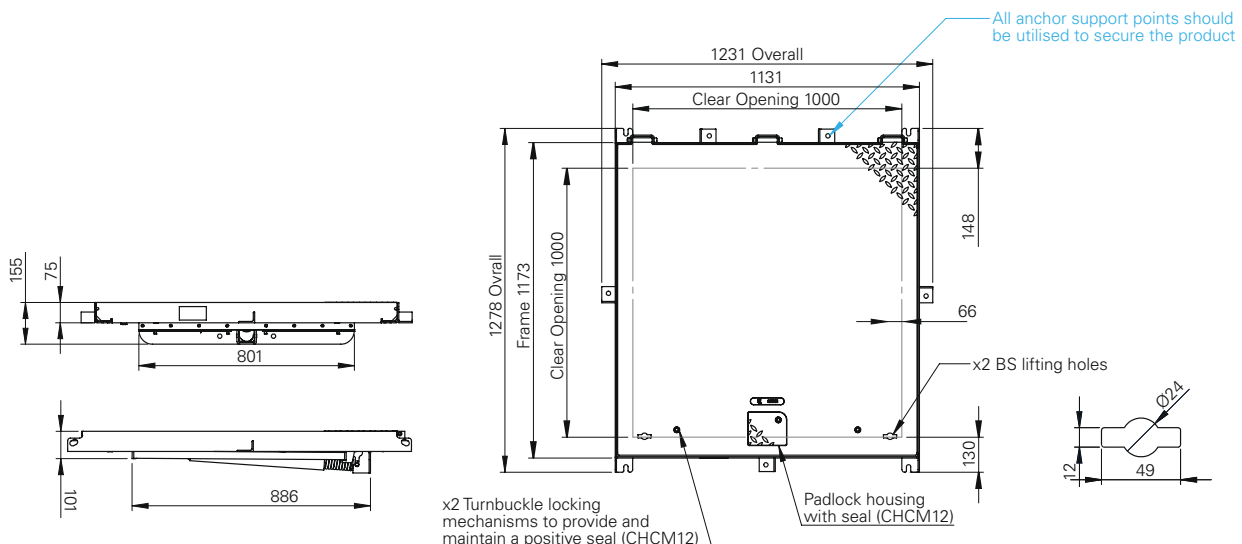
Product Loading Codes:

- FS1S 15 kN:** Footways, pedestrian and cycle areas.
- FS2S 125 kN:** Footways, pedestrian areas, car parks.

Wide range of clear openings available

Specification/Ordering

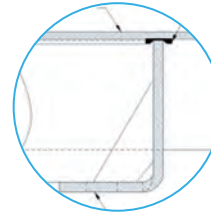
To order a Flush shallow unit, single skin, 125kN loading, 1000 x 1000 mm clear opening, hinged, padlockable, torsion spring with a seal and safety grid use: **FS2S 100100 A V H J GS.**



AG Above Ground Hinged & Assisted Cover & Frame Non-Trafficked Areas



Padlock Facility



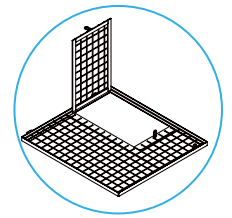
Seal



Badged



Bookend & Inline Hinging



Safety Grids

Above Ground spring assisted cover and frame. All products are manufactured under an ISO 9001 Quality system. This product is hot dip galvanised to BS EN ISO 1461 as standard.

Features:

- Ergonomic Hand Operated Safety Blocking System
- Single Person Operation
- Bolt Down Anchor Points
- Unobstructed Clear Opening
- Galvanised Chain Between Cover and Grid

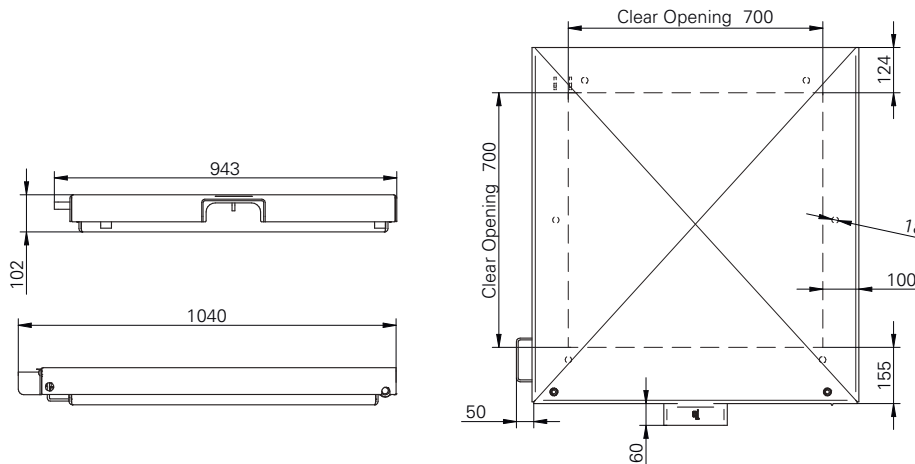
Options:

- Watertight Padlock Facility - **V**
- Standard Security Turnbuckle - **VOTC**
- Lock & Lift Locking - **OTC**
- High security turnbuckle- **VAF**
- Seal - **J**
- Badged
- Bookend & Inline Hinging
- Various Safety Grids

Specification/Ordering

To order an Above Ground unit, single skin, 1000 x 1000 mm clear opening, hinged, padlockable, torsion spring with a seal and safety grid use: **AG1S 100100 A V H J GS**

Wide range of clear openings available





RS Recessed Hinged & Assisted Cover & Frame 250kN, 400kN



Recessed hinged assisted cover and frame. Recessed lids are designed to enable either a block or slab infill. The lids are underbraced where necessary to meet the stated load rating. All products are manufactured under an ISO 9001 Quality system. This product is hot dip galvanised to BS EN ISO 1461 as standard.

Features:

- Depth of Recess - 48mm, 75mm, 90mm
- Cushioning Inserts to minimise noise
- Hinged & Assisted - Single Person Operation
- Patented Spring Strut
- Automatic Cover Blocking System
- Bolt Down Anchor Points
- Unobstructed Clear Opening

Options:

- Watertight Padlock Facility
- Lock & Lift Locking - **OTC**

Product Loading Codes:

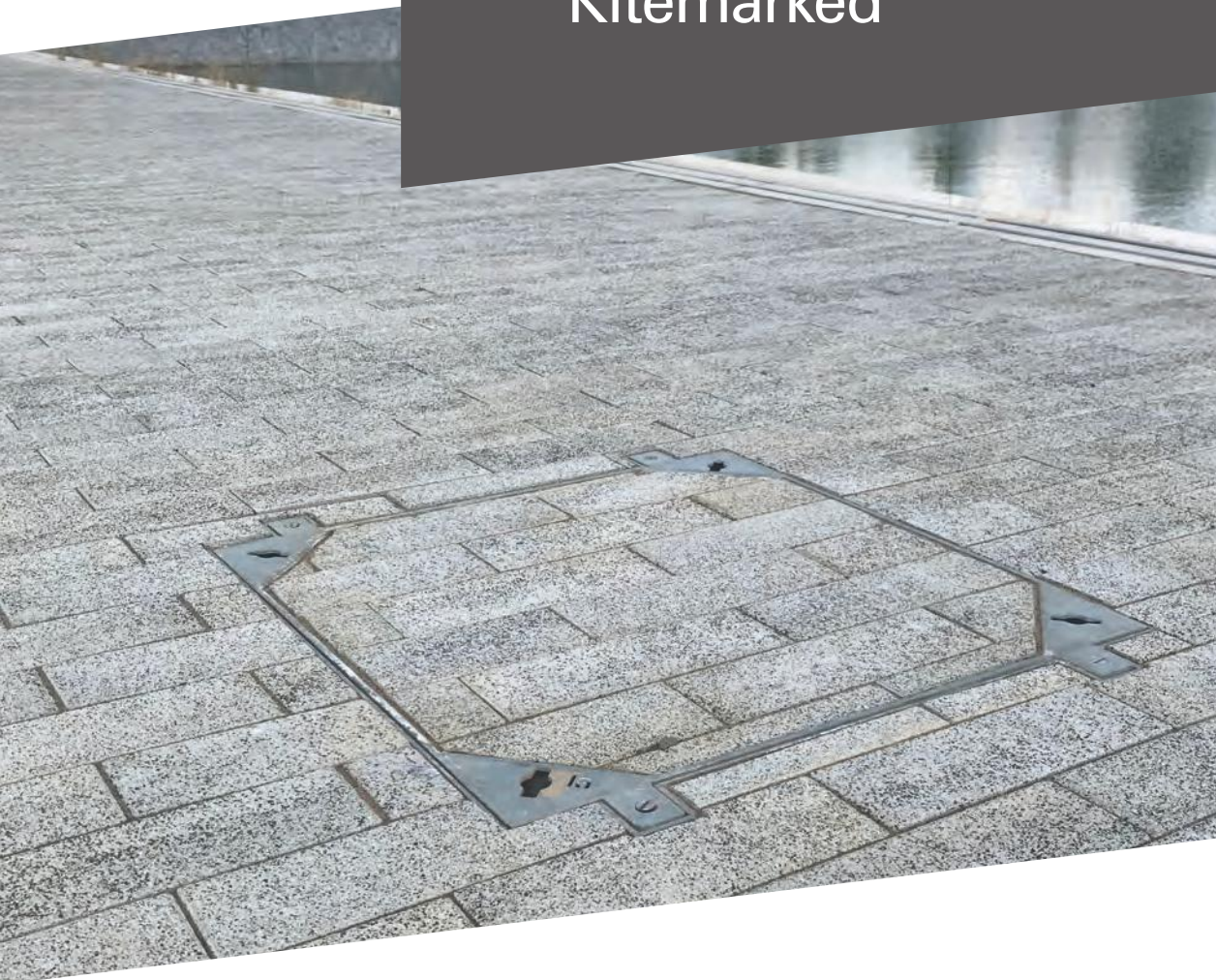
RS3R 250 kN: Slow moving, occasionally trafficked areas, parking areas.

RS4R 400 kN: For all types of road vehicles in areas of low speeds (20mph max) and low traffic intensity (inc. pedestrian streets), forecourts, hard shoulders and parking areas.

Wide range of clear openings available



Fabricated Steel Kitemarked



Kitemarked

Introduction

Our Kitemarked range of access covers & frames were designed with local authorities and utility bodies in mind. These products retain all the advantages associated with a fabricated steel assembly along with the assurances of a B.S.I Kitemark™.

All products are manufactured in our Nuneaton fabrication plant which holds ISO 9001 accreditation, audited by The British Standards Institute.

We are experienced in designing and managing Kitemark products and this steel range adds to our vast range of iron products which also carry a Kitemark.

Our range of Kitemarked steel products has been designed to suit every need. Our range includes:

- **KS10 - 'Arbury' Solid Top**
- **KS20 - 'Coton' Hinged Solid Top**
- **KS30 - 'Shilton' Block Paving Recessed**
- **PS7000 - Slide-out Pavior Recessed**

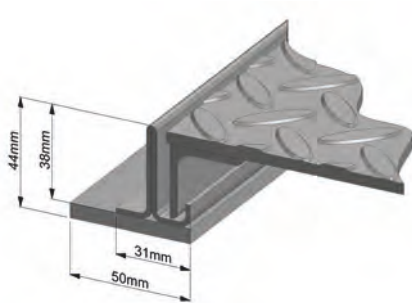


All of our Kitemarked steel products appear on our Kitemark license KM 38475

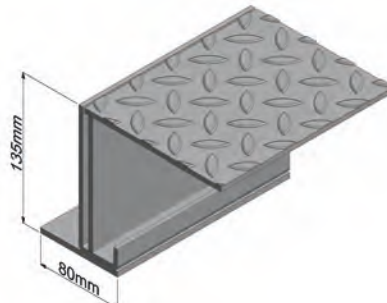


KS10

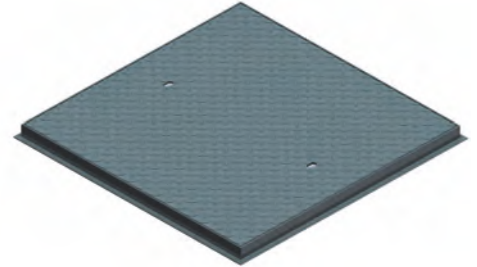
**Kitemarked 'Arbury' Solid Top Access Cover & Frame
EN 124 Class A 15, B 125, C 250, D 400**



Section through detail.
A 15, B 125, C 250



Section through detail.
D 400



Plan
A 15, B 125, C 250

Single Kitemarked solid top cover and frame. KS10 is underbraced to meet the relevant BS EN 124 loading category. All products are manufactured under an ISO 9001 Quality system. This product is hot dip galvanised to BS EN ISO 1461 as standard.

Options:

- Locking - Slotted Head
- Locking - MOD Approved
- Badged i.e. Water, Gas
- Single Seal

Standard Sizes

Clear Opening (mm)	Suffix
450 x 450	B
600 x 450	C
600 x 600	D
750 x 600	E
750 x 750	F
900 x 600	G
900 x 900	J

Product Loading Codes: Class A 15 = KS101
 Class B 125 = KS104
 Class C 250 = KS108
 Class D 400 = KS109

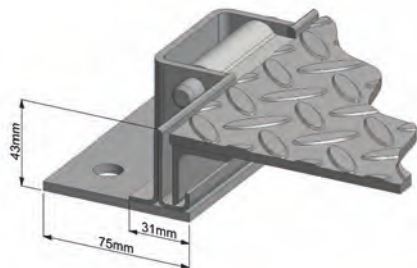
Specification/Ordering:
 Please choose the required product code, size suffix and any extras i.e. KS108D/Single Seal



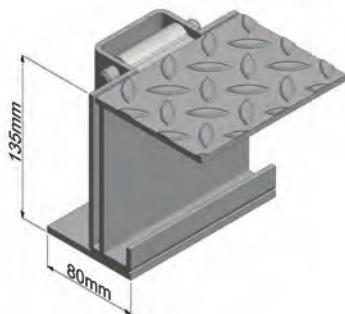
KM 38475

KS20

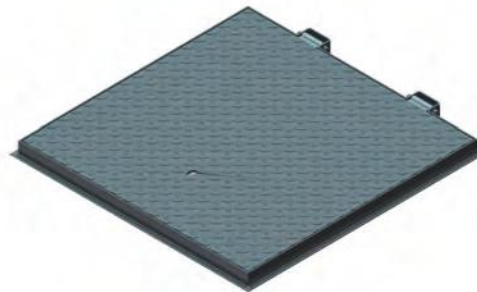
**Kitemarked 'Coton' Hinged Solid Top Access Cover & Frame
EN 124 Class A 15, B 125, C 250, D 400**



Section through detail.
A 15, B 125, C 250



Section through detail.
D 400



Plan
A 15, B 125, C 250

Single Kitemarked hinged solid top cover and frame. KS20 is underbraced to meet the relevant BS EN 124 loading category and is fitted with a 'Lock & Lift' device as standard. All products are manufactured under an ISO 9001 Quality system. This product is hot dip galvanised to BS EN ISO 1461 as standard.

Options:

- Locking - Stainless Steel Screws (Slot, Allen, or Hex Pin Head)
- Badged i.e. Water, Gas
- Single Seal

Standard Sizes

Clear Opening (mm)	Suffix
450 x 450	B
600 x 450	C
600 x 600	D
750 x 600	E
750 x 750	F
900 x 600	G
900 x 900	J

Product Loading Codes: Class A 15 = KS201
 Class B 125 = KS204
 Class C 250 = KS208
 Class D 400 = KS209

Specification/Ordering:

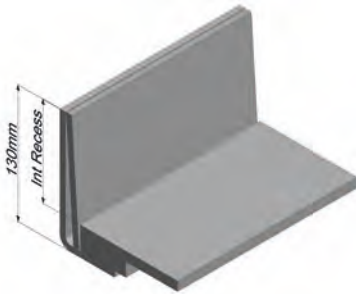
Please choose the required product code, size suffix and any extras i.e. KS208D/Single Seal



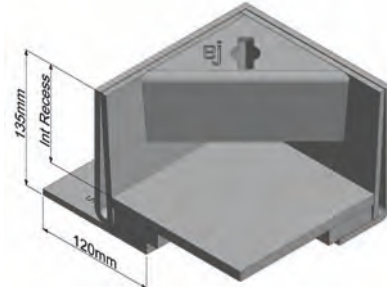
KM 38475

KS30

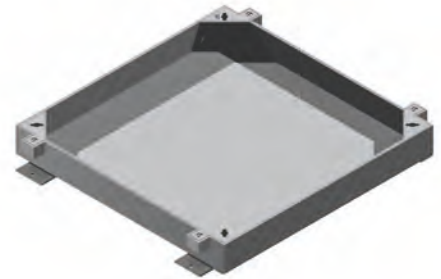
Kitemarked 'Shilton' Block Pavior Recessed Access Cover & Frame EN124 Class A 15, B 125, C 250, D 400



Section through detail.



Corner Detail



Single Kitemarked recessed block pavior infill cover and frame. Recessed lids are designed to enable either a block or slab infill. The lids are underbraced to meet the relevant BS EN 124 loading category. All products are manufactured under an ISO 9001 Quality system. This product is hot dip galvanised to BS EN ISO 1461 as standard.

Options:

- Locking - Slotted Head
- Locking - MOD Approved
- Badged i.e. Water, Gas
- 70mm Internal Recess (suit 50 mm blocks) /70
- 90mm Internal Recess (suit 70 mm blocks) /90 (A 15, B 125, C 250 Only)
- 100mm Internal Recess (suit 80 mm blocks) /100

Standard Sizes

Clear Opening (mm)	Suffix
450 x 450	B
600 x 450	C
600 x 600	D
750 x 600	E
750 x 750	F
900 x 600	G

Product Loading Codes: Class A 15 = KS301
 Class B 125 = KS304
 Class C 250 = KS308
 Class D 400 = KS309

C 250 and D 400 loadings locked as standard with external locking points

Specification/Ordering:

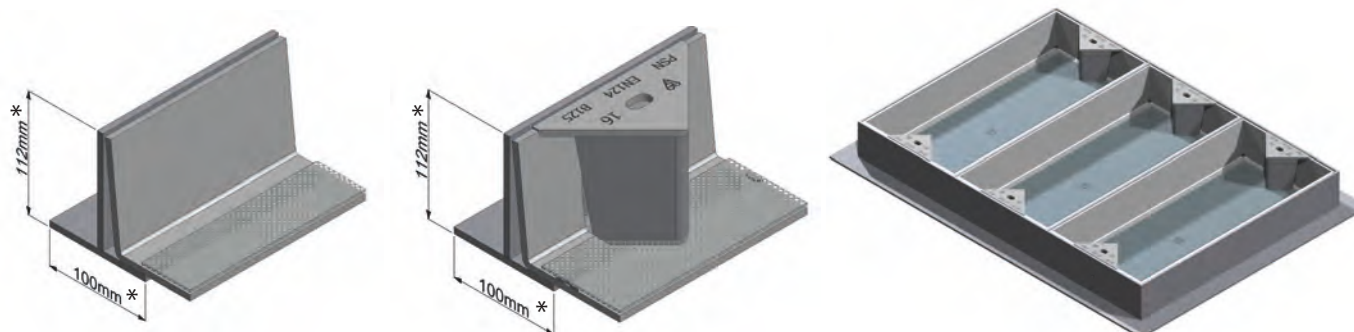
Please choose the required product code, size suffix and any extras i.e. KS304C/70



KM 38475

PS7000

Kitemarked Slide-out Pavior Recessed Access Cover & Frame EN 124 Class B 125



Section through detail.

Lifting Eye Detail

Kitemarked slide-out recessed block pavior infill cover and frame. Recessed lids are designed to enable either either a block or slab infill. Covers are slide-out and meet the relevant BS EN 124 loading category. All products are manufactured under an ISO 9001 Quality system. This product is hot dip galvanised to BS EN ISO 1461 as standard.

Options:

- Engraved Lifting Eyes e.g. CATV, WATER

Standard Sizes

Clear Opening (mm)	Code	Parts
725 x 255	KSBT2	1
915 x 445	KSBT4	3
610 x 610	KSBT5	2
1310 x 610	KSBT6	4
2285 x 710	KSBT10	6
1690 x 710	KSBT11	5
950 x 610	KSBTJC1	3

BT Approved Covers

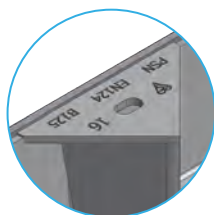
Standard Sizes

Clear Opening (mm)	Code	Parts
725 x 255	KSBT2S	1
915 x 445	KSBT4S	3
610 x 610	KSBT5S	2
1310 x 610	KSBT6S	4
2285 x 710	KSBT10S	6
1690 x 710	KSBT11S	5
950 x 610	KSBTJC1S	3

**Please note dimensions may vary from those stated*

Specification/Ordering:

Please choose the product code, size and engraving detail i.e.
KSBT4 CATV

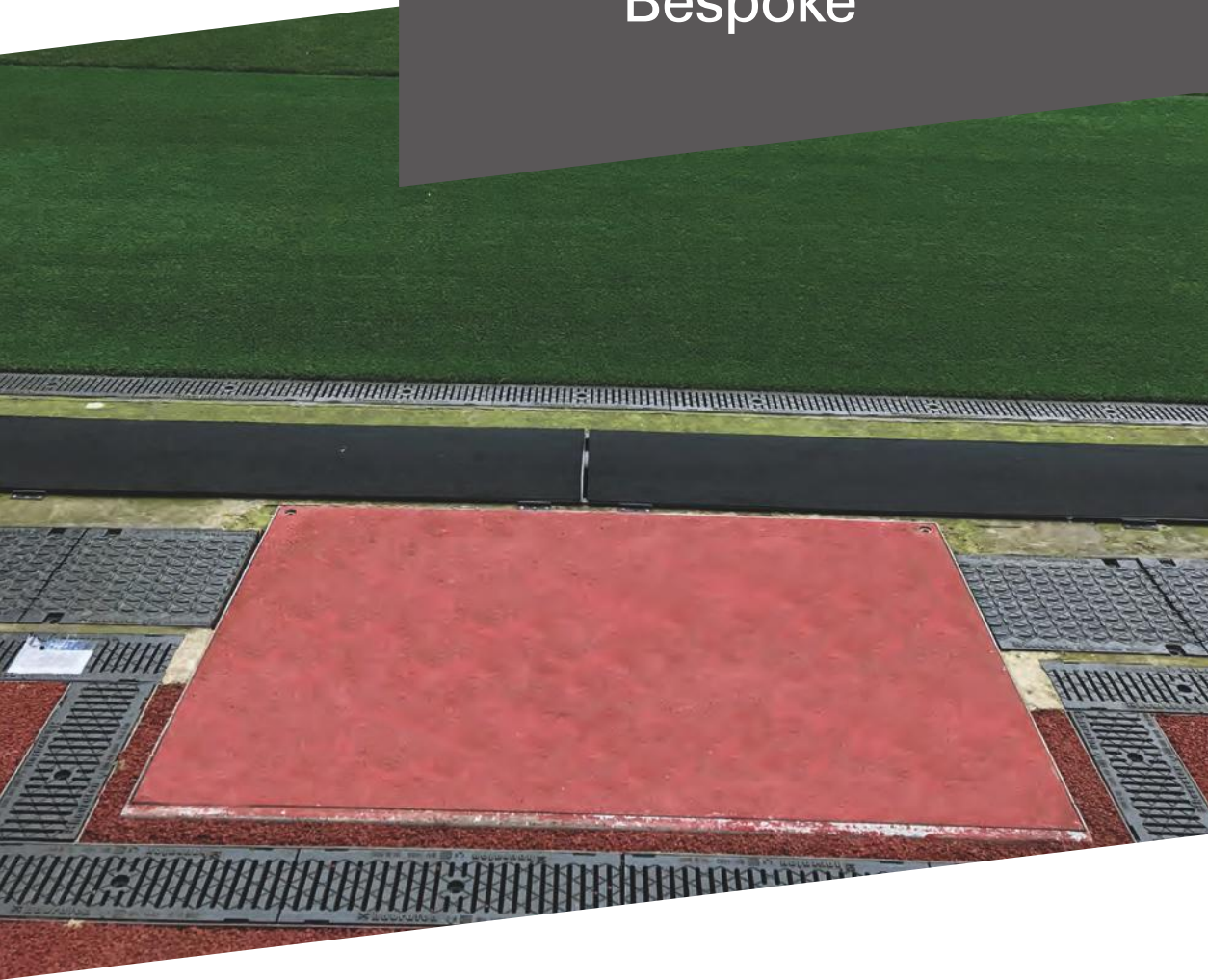


Badging Detail



KM 38475

Fabricated Steel Bespoke



Bespoke

Product examples



PS1680 5x2 Configuration multiple spring assisted cover and frame installed at Abbey Gardens on the south coast. Due to the location of these covers they required red anti slip coating to blend in with the surrounding area.



PS2100 Special Multiple cover and frame, this cover was installed at the Royal Mail Sorting Office in Croydon. This cover required multiple cut outs to allow for various sized pipework and cabling to pass through into the chamber below.



PS4600 FACTA D Continuous duct run concrete infill installed at GlaxoSmithKline. This is just one section which contained 4 specially designed trays to accommodate 2 pipes to pass through into the chamber. The length of this duct run was over 30m.

Bespoke

Product examples



PS6800 8x4 Configuration multiple recessed block paving cover and frame installed at London Bridge Underground station. This cover was installed on a walkway over the train tracks in the main concourse.



PS4300 Special recessed tray type, this cover was installed at Llandough Hospital in Cardiff. This unit featured a number of obscure angles and was over 8m in length.



PS1680 5x2 Multiple Spring Assisted cover & frame installed at Haltwhistle, Northumberland. This cover was supplied to cover a CSO 'Combined Sewer Overflow' on the banks of the South Tyne river.

PS8000 Access Ladders



Wall & Feet Fixing



Safety Hoops



Access Ladders to suit all requirements. All of our ladders conform to BS EN 14396 and are constructed of 65 x 10 mm stringers with Ø20 mm rungs at 275 mm Centres. All fixing brackets are drilled M14 for 12 mm fixings. Wall fixing brackets allow the ladder to sit 150 mm from the wall. All products are manufactured under an ISO 9001 Quality system. This product is hot dip galvanised to BS EN ISO 1461 as standard. Our ladders are also CE marked conforming to EN 14396 Annex ZA

Options:

- Tubular Retractable Ladder Handhold
- Safety Hoops
- Brackets to suit diameter of chamber
- Stainless Steel Grade 304
- Stainless Steel Grade 316

Sizes:

Units are manufactured to suit customer sizes.

Product Codes:

PS8000 - Wall and Feet Fixing Ladder

PS8005 - Wall Fixing Ladder

Specification/Ordering:

Please choose the product code, size and any extras i.e. PS8005
3150 mm Hoops

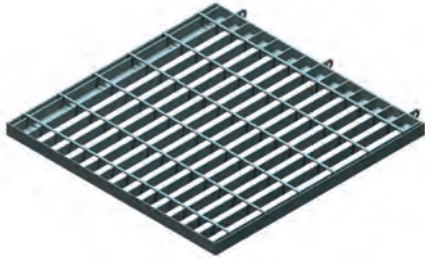
Fabricated Steel Technical File & Extras



Optional Accessories

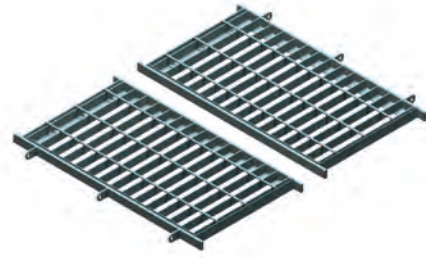
Safety Grids

Safety is a core value for EJ. For this reason we do not compromise when designing and manufacturing safety grids. Our safety grids have been designed for different applications from working platforms to fall arrest.



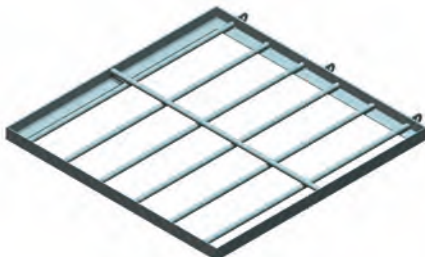
Open Mesh 'Working Platform'

Suffix /GRID1 when ordering. Mesh has 25 x 3 mm bearer bars at 41 mm centres and twisted transverse bars at 100 mm centres.



Split Open Mesh 'Working Platform'

Suffix /GRID1S when ordering. Mesh has 25 x 3 mm bearer bars at 41 mm centres and twisted transverse bars at 100 mm centres.



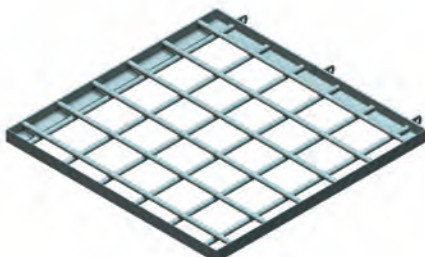
Jail Type 'Personnel Protection'

Suffix /GRID2 when ordering. Bars are Max 100 mm centres.



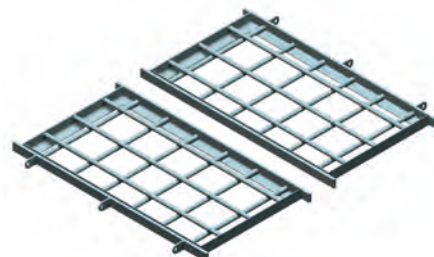
Split Jail Type 'Personnel Protection'

Suffix /GRID2S when ordering. Bars are Max 100 mm centres.



Lattice Type 'Fall Arrest'

Suffix /GRID3 when ordering. Bars are Max 100 mm centres (BS9124)



Split Lattice Type 'Fall Arrest'

Suffix /GRID3S when ordering. Bars are Max 100 mm centres (BS9124)

Optional Accessories

Safety Options

Safety Options Cable Entry

Cable entry points are available on our spring assisted solid top covers. They are designed to allow for cables to be passed from the chamber through the cable entry point when the lid is closed to create a safer working environment.



Safety Options Anti-Slip Coating

On our solid top covers we are able to offer an anti-slip coating instead of a chequer plate finish. The anti-slip coating is available in a variety of colours and has a skid resistance value, on average, of >55SRV.

Safety Options Safety Barriers

Our demountable barrier system is designed to be a minimum of 1100 mm from the finished floor level to the top of the barrier to offer full protection to any operative on site. The barrier is constructed from 30 x 30 mm RHS for increased strength and durability.

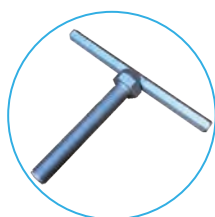


Extras

Keys Guide

Which keys do you need for each of our products?

Product	FACTA Loading	Key to suit
PS100/PS400	AA, AAA, B C & D	L-KEY D-KEY
PS300/PS500	AA, AAA, B C & D	LL2-KEY D-KEY
PS700	AA, AAA, B, C, D	L-KEY
PS750	D	M12 Eyebolt
PS1000	AA, AAA, B C & D	L-KEY D-KEY
PS1800/PS1850	AA, AAA, B, C, D	L-KEY
PS2000	AA, AAA, B C & D	LL2-KEY D-KEY
PS2100	AA, AAA, B C & D	L-KEY D-KEY
PS1500/PS1550/PS1580	AA, AAA, B, C, D	D-KEY
PS1600/PS1650/PS1680	AA, AAA, B, C, D	D-KEY
PS1700/PS1750	B	D-KEY
PS3100/PS3300	AAA	Q-KEY
PS3600	AAA	AM-KEY
PS4300	AAA	Q-KEY
PS3150/PS3350/PS3650/PS4350	B	AM-KEY
PS3700/PS3750/PS3800/PS4600	D	H-KEY
PS3900	AAA	Q-KEY
PS4500/PS4550	B	AM-KEY
PS6000/PS6700/PS6800/PS6900	AA, AAA, B, C, D	L-KEY/H-KEY
PS2600/PS2650		
PS2700/PS2750		
PS2900		LL2-KEY
PS7100/PS7150		
PS7300		



AM-KEY



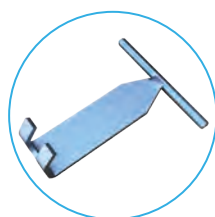
D-KEY



H-KEY



L-KEY



LL2-KEY
(For Lock & Lift Option)

Extras

Installation Guide (Non-LPCB Products)

1. Ensure the rebate is of sufficient dimensions and structure to accommodate the product supplied. Product specific details can be obtained in advance from our Sales Department.

If products are supplied split into large sections, we recommended following steps 2 to 6 below for each section prior to moving onto step 7.

2. Lower the product into the rebate, centralise over the chamber opening and set the levels of the product by the use of shims, packers and bolts (see 3. below). The frame of the product should not overhang the chamber opening at any location.
3. Product frames are provided with fixing pads or frame bolting locations with 14 mm diameter pre-drilled holes for up to M12 fixings. We recommend the use of sleeve or expanding anchors for frame fixing. Drill through the 14 mm diameter fixing holes and fit the frame fixings into the substrate.
4. Beams and their supports should be fully assembled. Integrated beam pockets should be bolted flush and vertical to the chamber walls. If beam pockets are supplied loose rather than integrated into the product frame, these should be measured and fitted now.
5. Ensure that when beams are in position they make physical contact with the underside of the covers to ensure correct loading performance.
6. If products have been supplied in large sections, ensure that these are fully connected before proceeding.
7. Open/remove the products lid/s and beams and fully shutter around the gap between the bottom of the frame and the vertical wall of the chamber to prepare for backfilling.
8. Backfilling/pouring should be carried out with the product's lid/s or tray/s in position and locked in place if screws are present. A very loose grout/mortar mix and concrete vibrators should be used as required to ensure complete frame support and the absence of voids or porous situations in the backfill material. If cure time is limited, a rapid-set, non-shrinking grout should always be used.
9. When the backfill has fully cured, the shuttering can be removed and the internal joint between the frame and the chamber should now be pointed flush, again ensuring full frame support around its entire length.

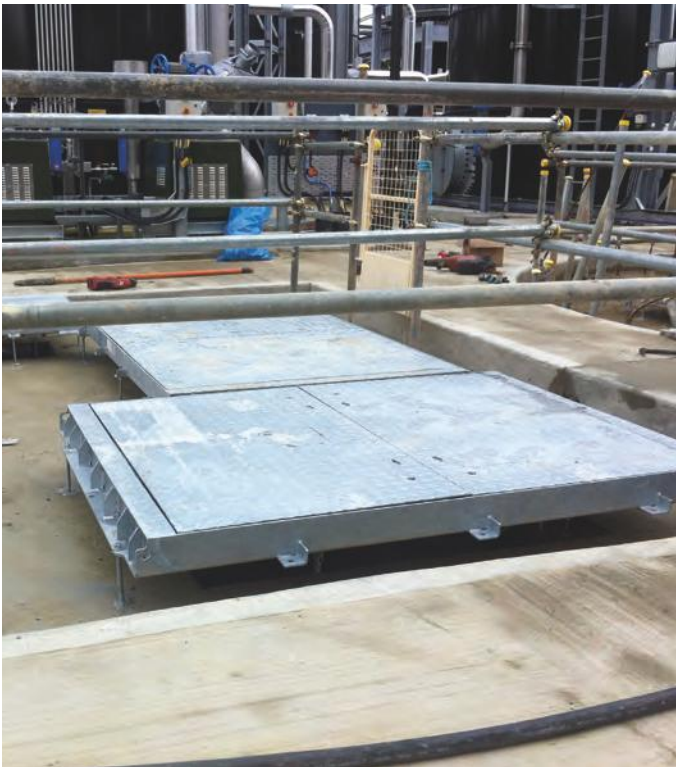
Installation Service

From the site survey stage through to the design and installation of your product, EJ are committed to working with you, offering custom-built access solutions that meet the highest standards in the world.



Installation Service

Our installation service includes in-depth site surveys, bespoke design and removal of existing assets. Get in touch today to discuss your installation requirements.



Installation Service

Project Examples



Before



After

Installation Service

Project Examples



Before



After



ej

ejco.com



Nuneaton

tel +44 (0) 24 7664 1777
fax +44 (0) 24 7637 5250
uk.sales@ejco.com

Wakefield

tel +44 (0) 1924 258 381
fax +44 (0) 1924 258 382
uk.sales@ejco.com

Nuneaton

Liberty House
Liberty Way - Nuneaton
CV11 6RZ - UK

Wakefield

York House
Asdale Road - Wakefield
WF2 7JE - UK

**Fabricated Steel Access
Covers & Drainage Gratings
EJ © - 2019**