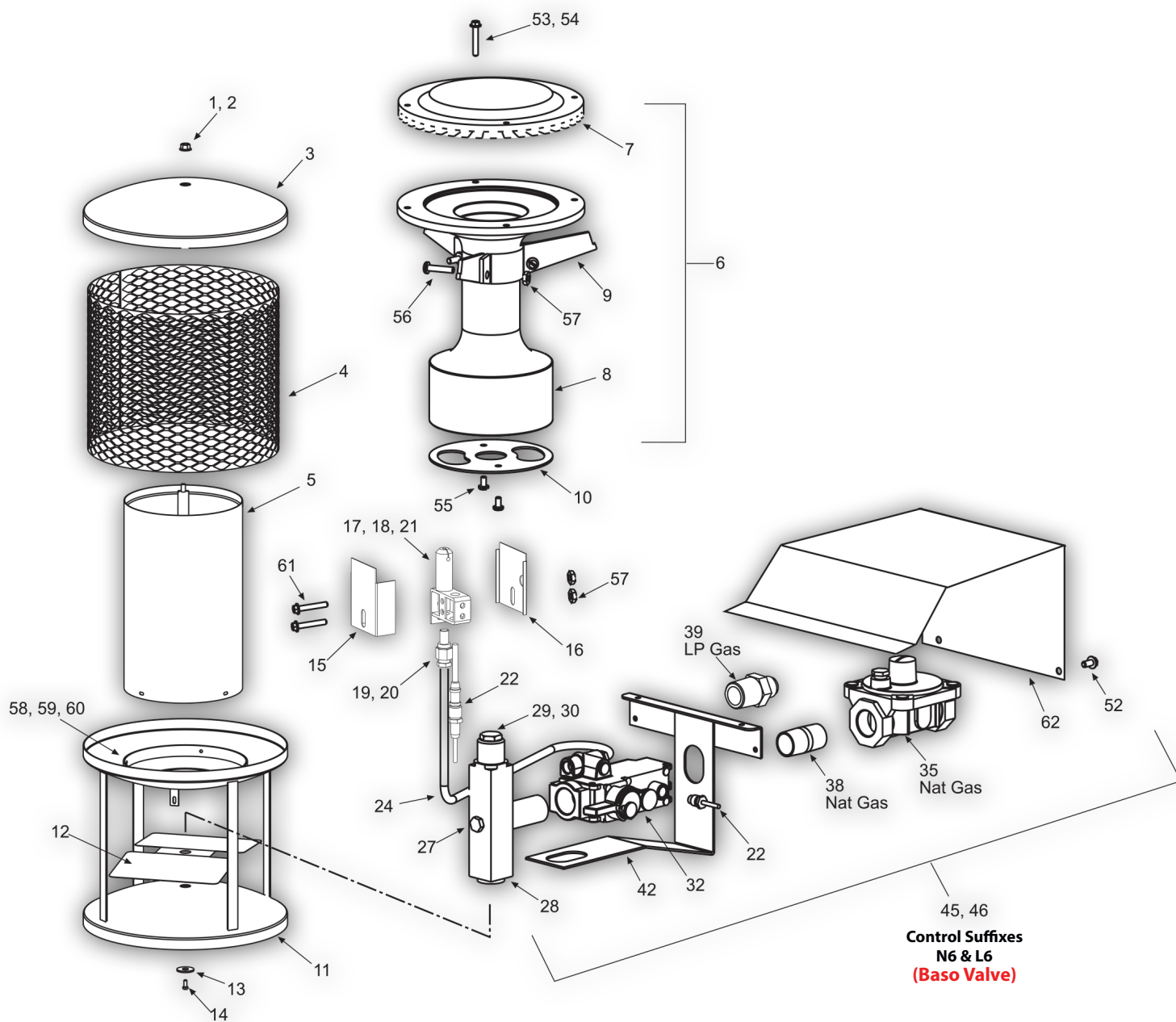


RFPA10

Replacement Parts



RFPA10

Replacement Parts

MODEL NUMBER SUFFIXES

- N - Natural Gas
- L - LP Gas
- 6 - 100% Gas Shutoff Control - Manually Operated (Baso valve)
- 6C - 100% Gas Shutoff Control - Manually Operated (White-Rodgers valve)
- 9A - 100% Gas Shutoff Control - Thermostatically Operated (Robertshaw valve)

Item	Part #	Description	Model Used On
1	02127150	Hex Nut 1/2-13	RFPA10C (ALL MODELS)
2	02129160	Flat Washer 1/2	RFPA10C (ALL MODELS)
3	04114000	Upper Head	RFPA10C (ALL MODELS)
4	04593020	Expanded Metal Guard	RFPA10C (ALL MODELS)
5	04362020	Heat Exchanger Assembly	RFPA10C (ALL MODELS)
6	04380000	Main Burner Assembly (complete)	RFPA10C (ALL MODELS)
7	41859000	Burner Cap	RFPA10C (ALL MODELS)
8	41858000	Burner Base	RFPA10C (ALL MODELS)
9	40584000	Burner Alignment Bracket Assembly	RFPA10C (ALL MODELS)
10	04094010	Shutter Plate - Fixed	RFPA10C (ALL MODELS)
11	04783010	Base Assembly	RFPA10C (ALL MODELS)
12	41806020	Label Mounting Plate	RFPA10C (ALL MODELS)
13	41847000	Washer - Burner Fitting	RFPA10C (ALL MODELS)
14	02247010	Machine Screw 1/2-13 x 1	RFPA10C (ALL MODELS)
15	41795020	Pilot Shield - Outer	RFPA10C (ALL MODELS)
16	41795010	Pilot Shield - Inner	RFPA10C (ALL MODELS)
17	03399020	Pilot Burner & Orifice Fitting - Nat. #J129DDA3223	RFPA10C-N6,N6C,N9A
18	03399030	Pilot Burner & Orifice Fitting - LP #J129DDA4212	RFPA10C-L6,L6C,L9A
19	03345010	Pilot Orifice - Nat (.023") #Y90AA - 3223	RFPA10C-N6,N6C,N9A
20	03345020	Pilot Orifice - LP (.012") #Y90AA - 4212	RFPA10C-L6,L6C,L9A
21	03437000	Pilot Burner less Orifice #J129DDA	RFPA10C (ALL MODELS)
22	03401030	Thermocouple	RFPA10C (ALL MODELS)
23	41799000	Pilot Tubing - White-Rodgers valve	RFPA10C-6C
24	04659000	Pilot Tubing - Baso valve	RFPA10C-6
25	43137010	Pilot Tubing - Robertshaw valve	RFPA10C-9A
26	03527000	Break Away Fitting - included w/Valve & Pilot Orifice	RFPA10C (ALL MODELS)
27	03339020	Plug - 1/8" (pressure tap)	RFPA10C (ALL MODELS)
28	41834000	Burner Fitting Assembly	RFPA10C (ALL MODELS)
29	03258120	Main Burner Orifice (Nat.) #12	RFPA10C-N6,N6C,N9A
30	03258910	Main Burner Orifice (LP) 7/64"	RFPA10C-L6,L6C,L9A
31	30091010	Gas Valve - White-Rodgers #764-2	RFPA10C-6C
32	03695000	Gas Valve - Baso	RFPA10C-6
33	30640010	Gas Valve - Robertshaw (Nat 3.5" w.c.)	RFPA10C-N9A
34	30640000	Gas Valve - Robertshaw (LP 10" w.c.)	RFPA10C-L9A
35	03307100	Regulator - RV48 (Nat.)	RFPA10C-N6,N6C
36	30524000	*Regulator - 230 (LP) POL x 3/8" (not shown)	RFPA10C-L6,L6C,L9A
37	03333100	Nipple 1/2 x 3	RFPA10C-6C
38	03333040	Nipple 1/2 x 1-1/2	RFPA10C-N6
39	30241010	Flare Fitting 3/8" Tube x Male 1/2" NPT	RFPA10C-L6,L9A
40	30630010	Flare Fitting 3/8" Tube x Female 1/2" NPT	RFPA10C-L6C
41	30528030	Adaptor Fitting 1/2" FPT x 1/2" NPT	RFPA10C-N9A
42	43136000	Manifold Support	RFPA10C-6,6C
43	43136050	Manifold Support (for Robertshaw valve)	RFPA10C-9A
44	41357040	Instruction Manual (Not Shown)	RFPA10C (ALL MODELS)
45	41848010	Control Arm - Nat (Baso)	RFPA10C-N6
46	41848050	Control Arm - LP (Baso)	RFPA10C-L6
47	41783010	Control Arm - Nat (White-Rodgers)	RFPA10C-N6C

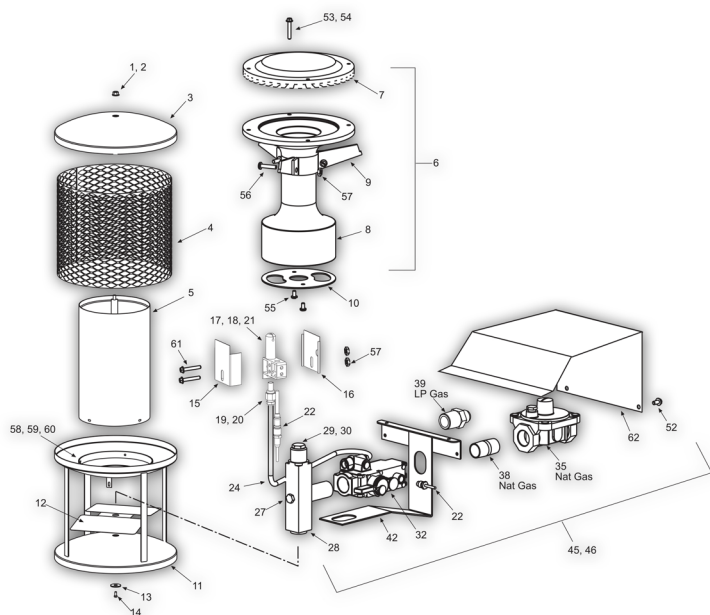
RFPA10

Replacement Parts

MODEL NUMBER SUFFIXES

N - Natural Gas
 L - LP Gas
 6 - 100% Gas Shutoff Control - Manually Operated (Baso valve)
 6C - 100% Gas Shutoff Control - Manually Operated (White-Rodgers valve)
 9A - 100% Gas Shutoff Control - Thermostatically Operated (Robertshaw valve)

Item	Part #	Description	Model Used On
48	41783030	Control Arm - LP (White-Rodgers)	RFPA10C-L6C
49	43138090	Control Arm - Nat (Robertshaw)	RFPA10C-N9A
50	43138100	Control Arm - LP (Robertshaw)	RFPA10C-L9A
51	41870050	Bulb Retainer	RFPA10C-9A
52	02152010	Hex Head Thread Cut Screw #10-24 x 3/8" (2 each)	RFPA10C (ALL MODELS)
53	02215040	Hex Washer Head Machine Screw #8-32 x 1 (4 each)	RFPA10C (ALL MODELS)
54	02186040	Hex Nut #8-32 (4 each)	RFPA10C (ALL MODELS)
55	02166010	Pan Head Machine Screw #8-32 x 3/8 (2 each)	RFPA10C (ALL MODELS)
56	02004040	Round Head Machine Screw #10-32 x 3/4 (3 each)	RFPA10C (ALL MODELS)
57	02126060	Square Nut #10-32 (5 each)	RFPA10C (ALL MODELS)
58	02240010	Hex Washer Head Sheet Metal Screw #12 x 3/4 (4ea)	RFPA10C (ALL MODELS)
59	02129050	Flat Washer #10 (4 each)	RFPA10C (ALL MODELS)
60	02104060	Speed Nut #10 (4 each)	RFPA10C (ALL MODELS)
61	02004030	Round Head Machine Screw #10-32 x 1-1/8 (2 each)	RFPA10C (ALL MODELS)
62	41988990	Plate, Label Holder	RFPA10C (ALL MODELS)



RFPA10 Replacement Parts

