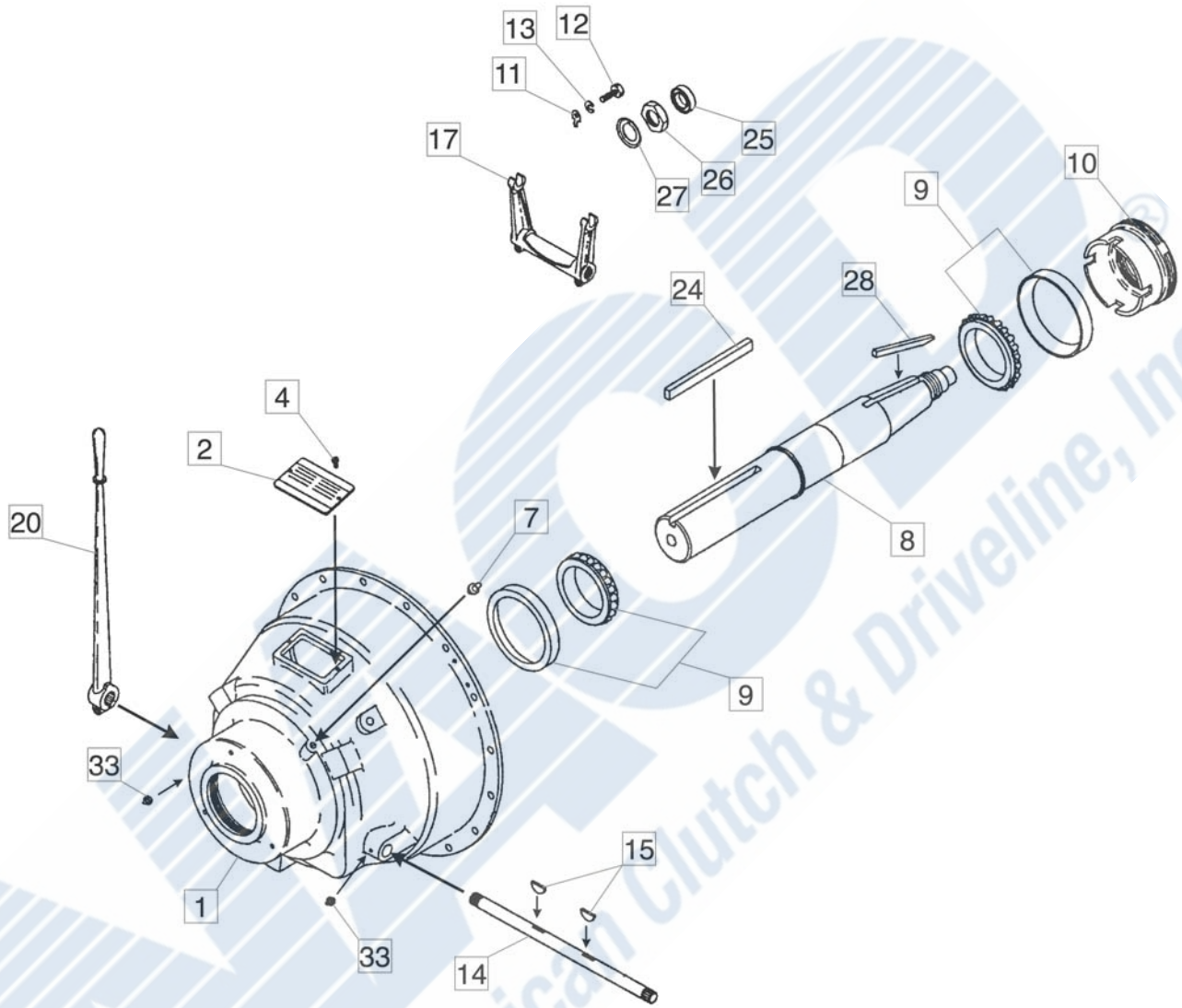


Housing: SAE #3
 Clutch: 11.5" HE (DP) (Double Plate)
 Application: Side Load or In-Line

NACD
 Power Take-Off
 434220AM



Ref #	Part Name	Part #	Qty	Ref #	Part Name	Part #	Qty	Ref #	Part Name	Part #	Qty
1	Bell Housing	234809AM	1	15	Woodruff Key	204536AM	2	79	Clutch Assembly	434230AM	1
2	Name Plate	101590AM	1	17	Yoke Sub Assy	309609AM	1		(see page 2)		
4	Bolt	206092AM	2	20	Shifting Lever	308365AM	1				
7	Grease Fitting	260843AM	1	24	Output Key	204474AM	1				
8	Drive Shaft	206339AM	1	25	Pilot Bearing	101699AM	1				
9	Main Bearings	307578AM	2	26	Nut	204724AM	1				
10	Bearing Retainer	205723AM	1	27	Locking Washer	207240AM	1				
11	Adjusting Lock	205368AM	1	28	Clutch Key	204518AM	1				
12	Lock Bolt	203061AM	1	33	Grease Fitting	207954AM	2				
13	Lock Washer	LC100533	1								
14	Cross Shaft	206431AM	1								

Clutch Model: 11.5" HE (DP)

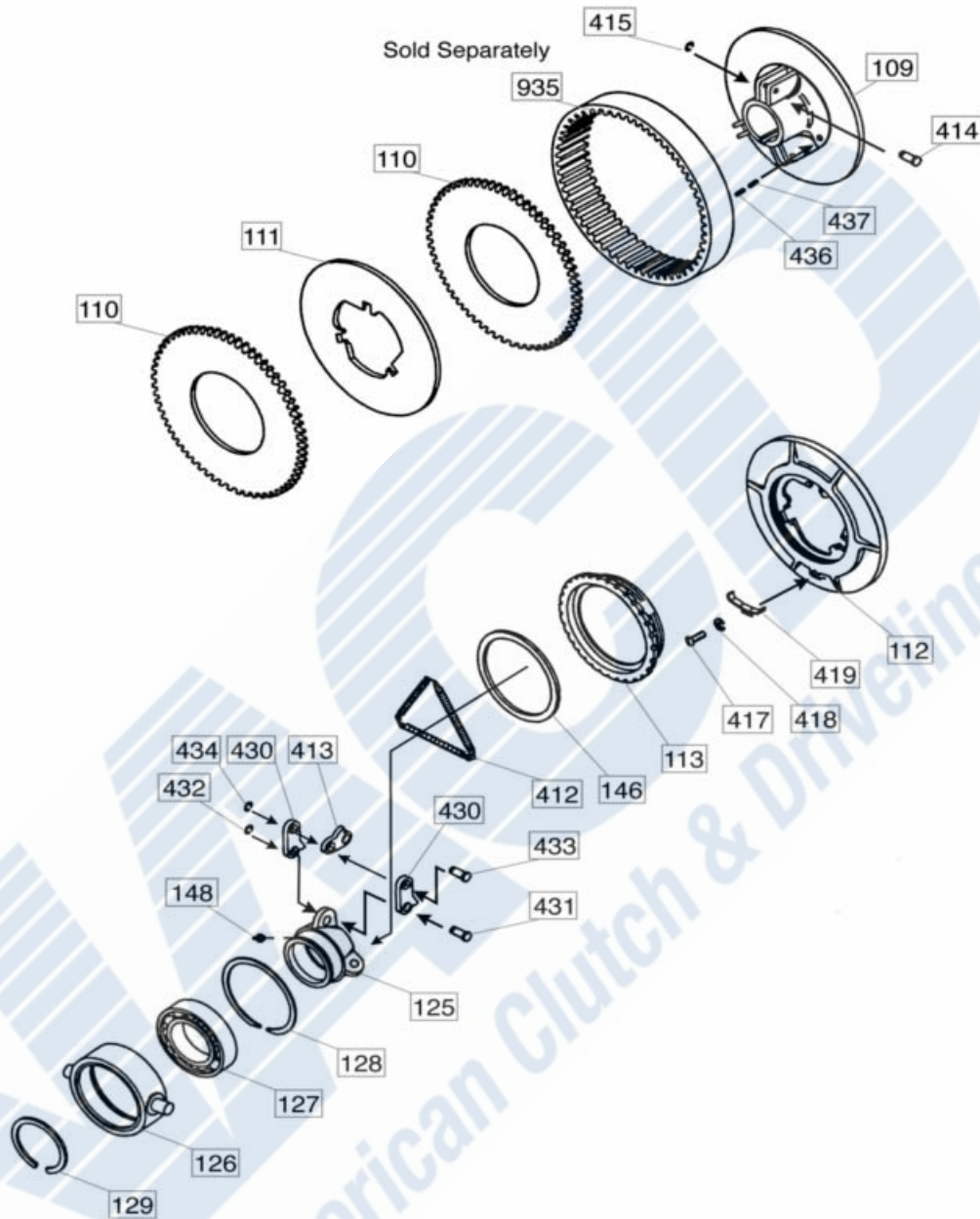
Friction Material: Organic

Release Bearing Type: Ball Bearing

NACD

Heavy Duty Clutches

434230AM



Ref #	Part Name	Part #	Qty	Ref #	Part Name	Part #	Qty	Ref #	Part Name	Part #	Qty
79	Clutch Assembly	434230AM	1	418	Lock Washer	X	1	128	Internal Snapping	101057AM	1
	<i>includes all parts but #935</i>			419	Adjustment Lock	X	1	129	External Snapping	101068AM	1
109	Clutch Body	203002AM	1	430	Link	X	6	132	Sleeve & Brng Assembly	101004AM	1
110	Facing Plate	203565AM	2	431	Clevis Pin	X	3	<i>includes 125-129 & 148</i>			
111	Center Plate	205187AM	1	432	Retaining Ring	X	3	136	Pressure Plate Assembly	308808AM	1
112	Pressure Plate	205504AM	1	433	Clevis Pin	X	3	<i>includes 112, 113, 146</i>			
113	Adjusting Ring	205821AM	1	434	Retaining Ring	X	3	146	Wear Ring	205996AM	1
412	Lever Spring	X	1	436	Separator Spring	X	3	148	Grease Fitting	207954AM	1
413	Lever	X	3	437	Roll Pin	X	3	<i>(in release sleeve)</i>			
414	Clevis Pin	X	3	125	Release Sleeve	101020AM	1	935	Drive Ring	205865AM	1
415	Retaining Ring	X	3	126	Bearing Carrier	101034AM	1				
417	Lock Bolt	X	1	127	Release Bearing	101046AM	1				

X Item is part of clutch kit 332920AM