



# RETAIL CATALOGUE

Wall mounts and stands for TVs, speakers and tablets |  
AV accessories



# Table of content

Always ahead of changes	3
Consumer support	4
We offer help	5
<b>NEXT series</b>	<b>6</b>
MotionSoundMount	7
SoundMount	8
MotionMount	9
Wall mounts for OLED - NEW	10
Floor stand - NEW	12
Design accessories	11   13
<b>THIN series</b>	<b>14</b>
Wall mount for OLED - NEW	15
Turn wall mounts	16
Wall mounts for large TV screens	18
Tilt wall mounts	19
Flat wall mounts	20
Stud adapter for TV wall mount	21
<b>WALL series</b>	<b>22</b>
Turn wall mounts	23
Tilt wall mounts	27
Flat wall mounts	28
Wall mounts for heavy TV screens - NEW	29
<b>Wall mounts flat to the wall</b>	<b>30</b>
<b>TV Floor stands</b>	<b>32</b>
<b>SAVA series</b>	<b>34</b>
CONNECT - NEW	35
CONVERT - NEW	36
CONTROL - NEW	38
STREAM - NEW	39
<b>Accessories</b>	<b>40</b>
<b>Speaker Stands &amp; Brackets</b>	<b>44</b>
Heos Wall Brackets, stand	45
Sonos Wall Brackets, stands - NEW	46
Speaker Stands & Brackets	48
Sound Bar Brackets	51
<b>Tablet Holders</b>	<b>52</b>
<b>Specifications</b>	<b>56</b>

# Always stay ahead of changes

Our company already stayed ahead of changes for 45 years, not only in technology and functionality for TVs and other devices, but also in distribution and retail. We've shifted from a purely product-oriented company to an end-user driven organisation.

## REACH OUT TO THE CONSUMER

Things move so fast in consumer electronics where new devices only succeed if they work well for the customer. We always strive to add something extra to solve a consumer problem: TV wall mount propositions with automatic motion or wall mounts that are ideal for OLED Televisions.

## BACK TO OUR ROOTS

At the end of the 70's Vogel's introduced remote and audio solutions for the first time. In 2018 we re-introduce smart audio and video solutions in the new Vogel's product range: Smart AV Accessories (SAVA). With our SAVA products, you can combine your AV devices without compromise, safeguarding what has become part of your life. That goes for both your brand new flatscreen TV as well as that long cherished stereo set, VHS player or legacy game console.

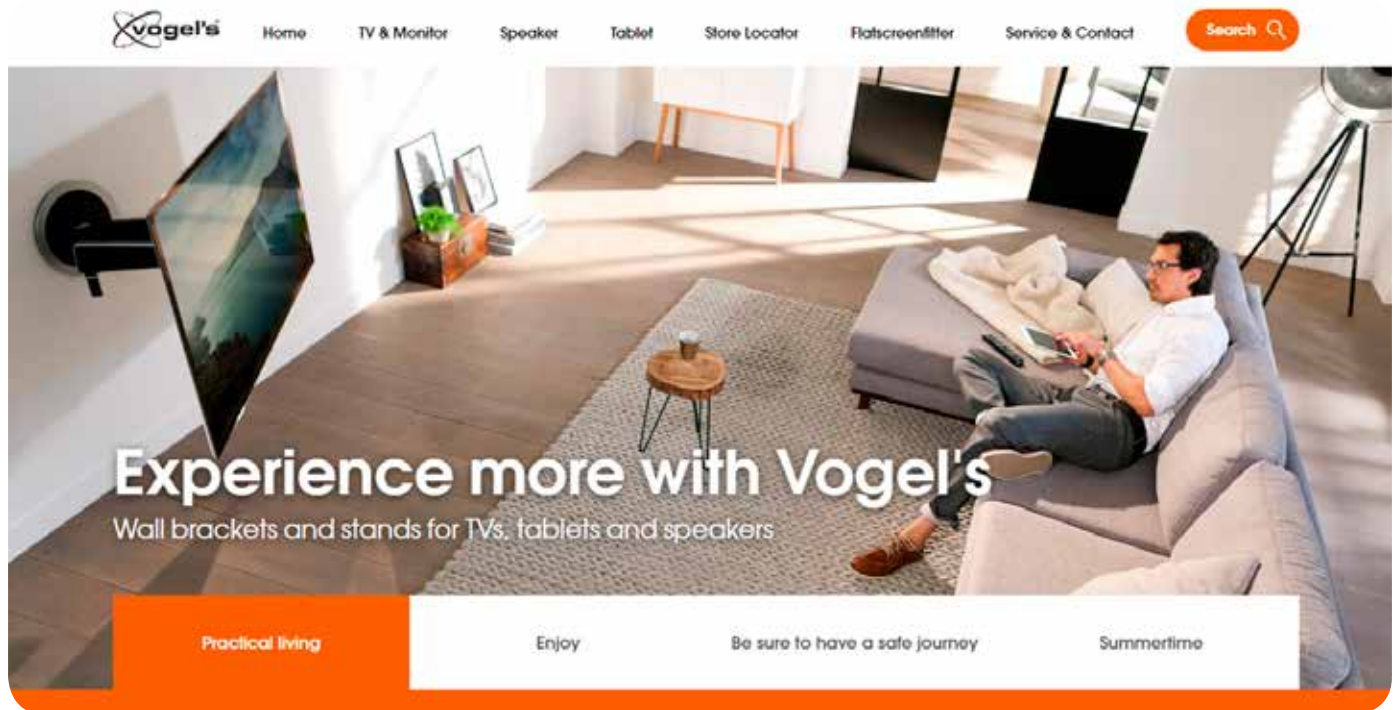
I believe the Vogel's brand reaches out to the consumer, for many years to come. And all bear the Vogel's 'Quality Signature'; your assurance for reliability, ease of use, design, innovation and ease of Installation.

Gerdi Vogels  
CEO Vogel's



# Vogel's online experience platform

In our tremendously influential and fast-changing online world, how we present ourselves on the Internet is very important. Vogel's online platform gives visitors a flawless online experience. It is designed for consumers as well as professional customers. It will add to building a strong and desirable brand, from which we all profit.



## INSPIRATIONAL CONTENT

The website is designed based on different visitor profiles. The visitor is supported during all possible touchpoints in the customer journey, from pre-purchase to post-purchase. Instead of a product catalog, we provide advice and experience for our category for both the CE and Professional visitor.

## FIND THE PERFECT TV BRACKET

TV Mount Advisor is the online consumer advice tool from Vogel's. This tool is updated with the relaunch of the website to and it helps consumers find the right TV mount for their homes.

Vogels.com is ready for the future with useful & inspirational content on advice and experience.

# Service kits



The following Vogel's Service kits are available:

Service kit number	Description	Content
<b>999932</b>	Service Kit - Spacers (25 mm), M4-M5 bolts (40 mm)   Free of charge	4x M4x40, 4x M5x40, Spacers 4x M8x14x25, Washers 4x M6x22x2
<b>999939</b>	Service Kit - Spacers (10 mm), M4-M5-M6-M8 bolts (30 mm)   Free of charge	4x M4x30, 4x M5x30, 4x M6x30, 4x M8x30, Spacers 4x D12xD8,2x10
<b>999945</b>	Service Kit - M8 bolts (12 mm)   Free of charge	4x M8x12mm
<b>999958</b>	Service Kit - M8 bolts (20 mm)   Free of charge	4x M8x20mm
<b>999989</b>	Service Kit - M8 bolts (45 mm)   Free of charge	4x M8x45mm
<b>999997</b>	Service Kit - M8 bolts (25 mm)   Free of charge	4 x M8x25mm
<b>999998</b>	Service Kit - Spacers (20 mm), M8 bolts (40 mm)   Free of charge	4xM8x40mm, 8x10mm spacers
<b>999970</b>	Service Kit - M4 bolts (45 mm)   Free of charge	4x M4x45mm
<b>896012</b>	Adaptor Kit - FAPA-01   7,99 Euro	FAPA-01 profiles for VESA 100 and 120
<b>999039</b>	Adaptor Kit - SONY   3,99 Euro	2x M6 x 16 bolts, 2x M5 x 50 bolts, 2x M6 x H10 x L40 spacers, 4x M6 washers
<b>999800</b>	Adaptor Kit - Playbar   Free of charge	Caps to fit hole behind playbar, 2x nuts, 2x ringlet
<b>999966</b>	Adaptor Kit - LOEWE   79,99 Euro	For Loewe Bild 7 screens
<b>999967</b>	Adaptor Kit - OLED   11,99 Euro	One strip for asymmetric VESA, 2x M6x8, 4x M6x20. 2 Spacers 10 mm



The very best in wall mount  
technology

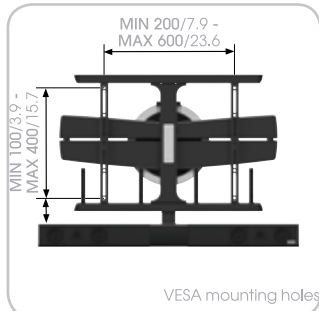
# NEXT series

If you choose a NEXT bracket, you do not just choose a beautiful bracket, but also the best wall bracket!

Intuitive usage and very supple hinges. The NEXT is the new future standard: motorized TV brackets with an integrated soundbar. The cables are invisibly hidden in the fixture, and the Screen Protection System ensures that your valuable TV does not bump into the wall.



Add more experience to your TV



**NEXT 8375**  
MotionSoundMount



TV SIZE 40-65" / 102-165 cm

MAX. WEIGHT 30 kg / 66 lbs

MAX. VESA SIZE 600 x 400 mm

- All in one: motorised full motion wall mount + integrated soundbar + wireless subwoofer
- TV wall mount that turns automatically
- App controlled
- Up to 10 pre-programmable positions (via app)
- Turns automatically when the TV is switched on and off
- Turn up to 120°
- Sound that moves with your TV
- Control the soundbar with your TV remote
- 300 Watt sound output in total
- Bluetooth audio streaming
- Wireless subwoofer can be placed anywhere
- Cable Inlay System (CIS®): hide all unsightly cables
- Screen Protection System (SPS®): Vogel's patented Screen Protection System (SPS) protects your flatscreen from bumping into the wall when turning
- Extends up to 72 cm/28.3 inch
- Combine with NEXT 7840 Cable Column



TURN

TV WALL BRACKETS

Add more experience to your TV



## NEXT 8365 SoundMount



TV SIZE 40-65" / 102-165 cm

MAX. WEIGHT 30 kg / 66 lbs

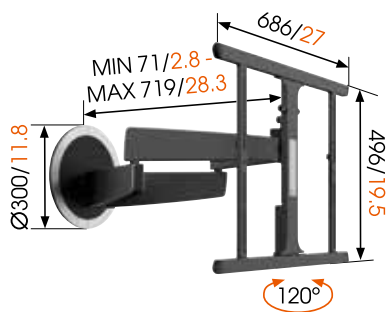
MAX. VESA SIZE 600 x 400 mm

- All in one: full motion wall mount + integrated soundbar + wireless subwoofer
- Turn up to 120°
- Sound that moves with your TV
- Control the soundbar with your TV remote
- Bluetooth audio streaming
- 300 Watt sound output in total
- Wireless subwoofer that can be placed anywhere
- Cable Inlay System (CIS®): hide all unsightly cables
- Screen Protection System (SPS®): Vogel's patented Screen Protection System (SPS) protects your flatscreen from bumping into the wall when turning
- Easy adjust: Straight mounting guaranteed
- Extends up to 72 cm/28.3 inch
- Combine with NEXT 7840 Cable Column





## NEXT 7355 MotionMount



mm/inch

TV SIZE 40-65" / 102-165 cm

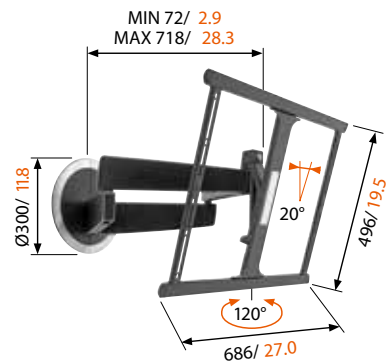
MAX. WEIGHT 30 kg / 66 lbs

MAX. VESA SIZE 600 x 400 mm

- Motorised TV wall mount that turns automatically
- Up to 10 pre-programmable positions (via app)
- Turns automatically when the TV is switched on and off
- Turn up to 120°
- Cable Inlay System (CIS®): hide all unsightly cables
- Screen Protection System (SPS®): Vogel's patented Screen Protection System (SPS) protects your flatscreen from bumping into the wall when turning
- Easy adjust: Straight mounting guaranteed
- Extends up to 72 cm/28.3 inch
- Combine with NEXT 7840 Cable Column



## NEXT 7345 DesignMount



mm[inch]

TV SIZE 40-65" / 102-165 cm

MAX. WEIGHT 30 kg / 66 lbs

MAX. VESA SIZE 600 x 400 mm

- Turn up to 120° and tilt up to 20°
- Screen Protection System (SPS®): Vogel's patented Screen Protection System (SPS) protects your flatscreen from bumping into the wall when turning
- Smart Movement Mechanism (SMM®): The patented Smart Movement Mechanism (SMM) lets you move your TV screen with the touch of a fingertip
- Magnetic Home Position: Your screen always straight with the Vogel's patented Easy Click home system
- Easy adjust: Straight mounting guaranteed
- Cable Inlay System (CIS®): hide all unsightly cables
- Extends up to 72 cm/28.3 inch
- Combine with NEXT 7840 Cable Column

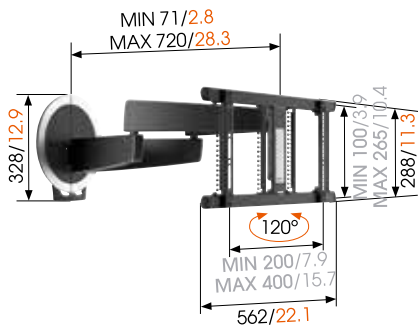


TURN

TV WALL BRACKETS

**Ideal for OLED TVs**

**NEXT 7356**  
MotionMount for OLED



**NEW**

mm/inch  
VESA mounting holes

TV SIZE 40-65" / 102-165 cm

MAX. WEIGHT 30 kg / 66 lbs

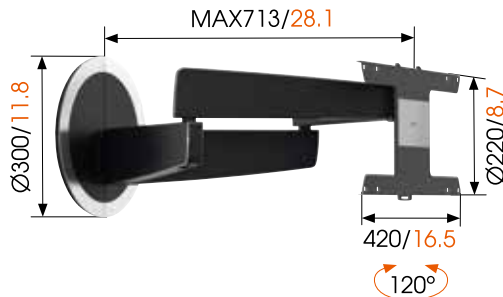
MAX. VESA SIZE 400 x 200 mm

- Ideal for OLED TV screens + VESA 400x200
- Motorised TV wall mount that turns automatically
- Up to 10 pre-programmable positions (via app)
- Turns automatically when the TV is switched on and off
- Turn up to 120°
- Cable Inlay System (CIS®): hide all unsightly cables
- Screen Protection System (SPS®): Vogel's patented Screen Protection System (SPS) protects your flatscreen from bumping into the wall when turning
- Easy adjust: Straight mounting guaranteed
- Extends up to 72 cm/28.3 inch
- Combine with NEXT 7840 Cable Column

**Ideal for OLED TV screens**



**NEXT 7346**  
Specially made for LG OLED



mm/inch

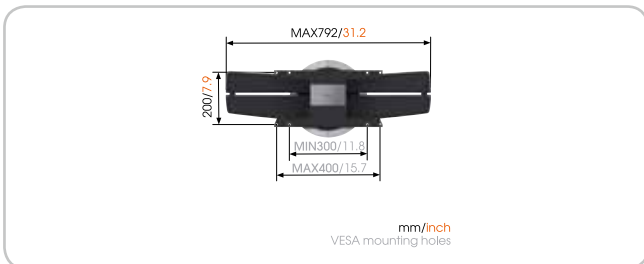
TV SIZE 40-65" / 102-165 cm

MAX. WEIGHT 30 kg / 66 lbs

MAX. VESA SIZE 400 x 200 mm

- Especially suited to the most recent LG OLED series: LG OLED G6, E6, C6, B6, B7, C7, E7
- Turn up to 120°
- Sleek, graceful design
- Movement Mechanism (SMM) lets you move your TV screen with the touch of a fingertip
- Screen Protection System (SPS®): Vogel's patented Screen Protection System (SPS) protects your flatscreen from bumping into the wall when turning
- Easy adjust: Straight mounting guaranteed
- Cable Inlay System (CIS®): hide all unsightly cables
- Extends up to 72 cm/28.3 inch
- Combine with NEXT 7840 Cable Column

**Ideal for LG OLED TVs**

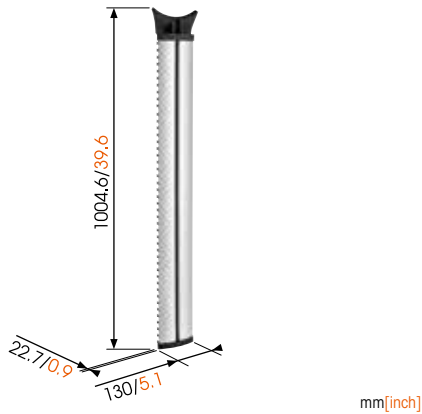


mm/inch  
VESA mounting holes



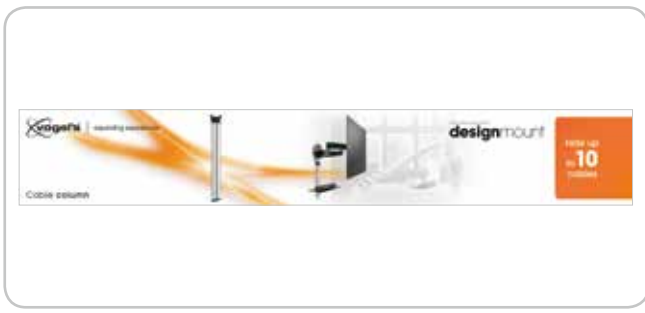
## Accessories

### NEXT 7840 Cable Column



MAX. WEIGHT 40 kg / 88 lbs

- Especially designed for MotionSoundMount NEXT 8375 / SoundMount NEXT 8365 / MotionMount NEXT 7355 and DesignMount NEXT 7345
- Sleek, graceful design
- Aluminium product
- Hide up to 10 cables
- Only 2 cm / 0.08 inch from the wall
- Combine with NEXT 7825 AV Multi support to store AV & multimedia equipment (Max. 4x NEXT 7825)



### NEXT 7825 AV Multi Support



MAX. WEIGHT 10 kg / 22 lbs

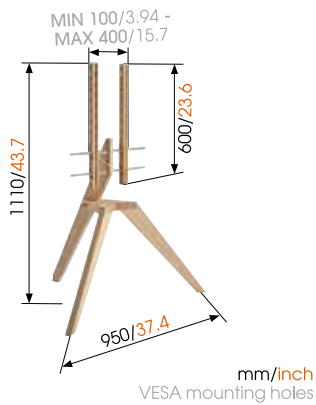
- Complete solution for all media equipment
- Sleek graceful design
- Made of high quality safety glass
- Can be positioned at any height in the column

Must be combined with cable column NEXT 7840



Pure design from back to front

**NEXT OP1**



TV SIZE 46-70" / 117-178 cm

MAX. WEIGHT 40 kg / 88 lbs

MAX. VESA SIZE 400 x 400 mm

- Your TV as focal point of the room
- FSC certified oak
- Cable Inlay System (CIS®)
- Designer collaboration series
- Attach your console with the elegant OPHANG accessory



**NEXT OP2**



**NEW**

TV SIZE 50-77" / 127-196 cm

MAX. WEIGHT 45 kg / 99 lbs

MAX. VESA SIZE 400 x 400 mm

- Your TV as focal point of the room
- Ideal placement solution for additional sound bars
- Cable Inlay System (CIS®)
- FSC certified oak
- Designer collaboration series
- Attach your console with the elegant OPHANG accessory
- Attach almost any sound bar with the elegant OPSOUND accessory (available as Service article)



## Accessories

### NEXT OPHANG

Additional console holder for OP1 | OP2



 MAX. WEIGHT 5 kg / 11 lbs

- Additional leather & steel console holder for OP1 | OP2
- Attach your console behind the TV
- Designer collaboration Series

Must be combined with OP1 | OP2 TV Floor stand





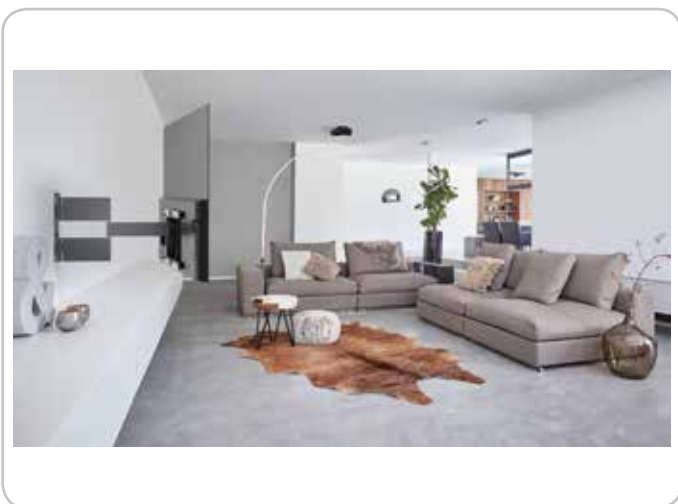
# THIN series

The thinnest TV wall mounts of  
them all

Choosing a Vogel's THIN wall mount is wanting so much more than a piece of metal you attach to the wall to showcase your television. It's a mount so thin, it's almost invisible. What's more: its quality has been thoroughly and manually tested.



Ideal for OLED TVs



## THIN 546 TV wall mount for OLED



**NEW**

TV SIZE 40-65" / 102-165 cm

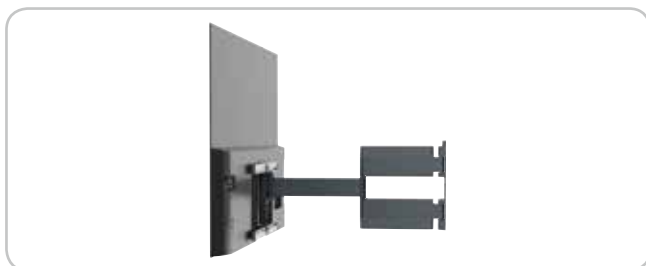
MAX. WEIGHT 30 kg / 66 lbs

MAX. VESA SIZE 400 x 200 mm

- Ideal for OLED TV screens + VESA 400x200
- Turn up to 180°
- Only 4,5 cm / 1.8 inch from the wall
- Extends up to 63 cm / 24.8 inch
- Cable Inlay System, hide your cables
- Easy level adjustment
- 3 pivot points

The Vogel's stud adapter THIN 595 allows you to install your TV wall mount securely on a hollow wall.

Ideal for OLED TV

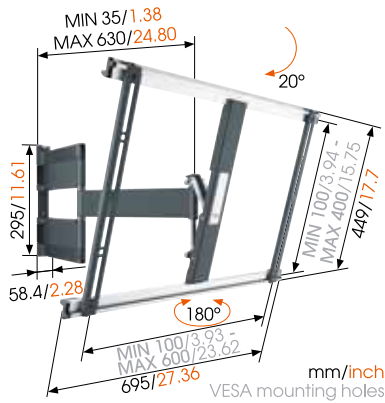


TURN

TV WALL BRACKETS

Experience the best view anywhere in the room

### THIN 545



TV SIZE 40-65" / 102-165 cm

MAX. WEIGHT 25 kg / 55 lbs

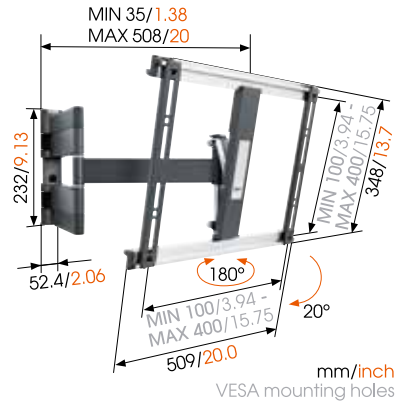
MAX. VESA SIZE 600 x 400 mm

- Turn up to 180° and tilt up to 20°
- Only 3,5 cm / 1.4 inch from the wall
- Extends up to 63 cm / 24.8 inch
- Cable Inlay System, hide your cables
- Easy level adjustment
- For use around a corner or in a cabinet
- Choose white or black to match any decor

The Vogel's stud adapter THIN 595 allows you to install your TV wall mount securely on a hollow wall.



### THIN 445

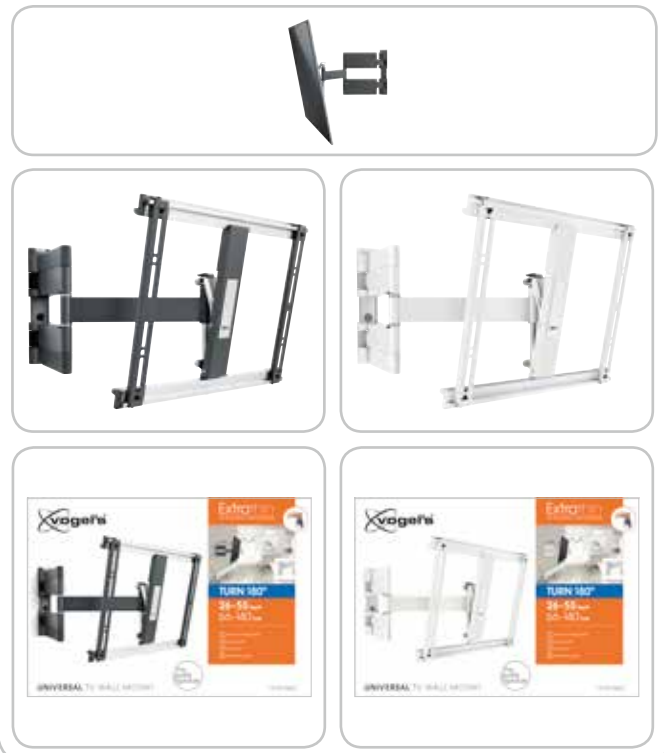


TV SIZE 26-55" / 66-140 cm

MAX. WEIGHT 18 kg / 40 lbs

MAX. VESA SIZE 400 x 400 mm

- Turn up to 180° and tilt up to 20°
- Only 3,5 cm / 1.4 inch from the wall
- Extends up to 51 cm / 20.1 inch
- Cable Inlay System, hide your cables
- Easy level adjustment
- Double turn option
- Tilt lock option
- For use around a corner or in a cabinet
- Choose white or black to match any decor



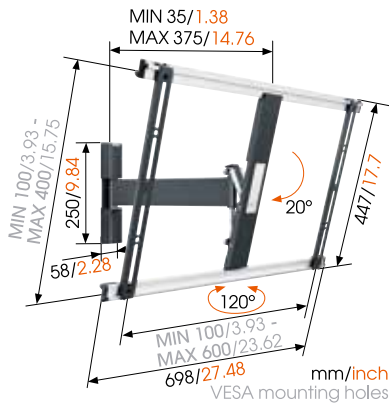
TURN

TV WALL BRACKETS



Experience the best view anywhere in the room

## THIN 525



TV SIZE 40-65" / 102-165 cm

MAX. WEIGHT 25 kg / 55 lbs

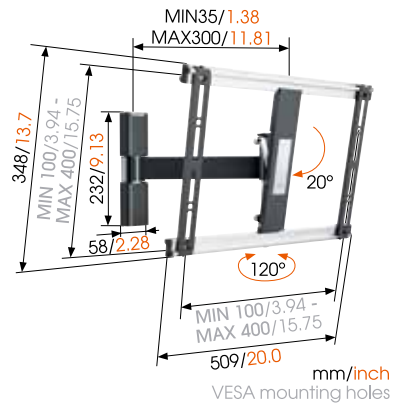
MAX. VESA SIZE 600 x 400 mm

- Turn up to 120 degrees
- Tilt up to 20 degrees
- Extends up to 37 cm / 14.6 inch
- Only 3,5 cm / 1.4 inch from the wall
- 2 pivot points
- Easy level adjustment
- Double turn option
- Tilt lock option

The Vogel's stud adapter THIN 595 allows you to install your TV wall mount securely on a hollow wall.



## THIN 425



TV SIZE 26-55" / 66-140 cm

MAX. WEIGHT 18 kg / 40 lbs

MAX. VESA SIZE 400 x 400 mm

- Turn up to 120 degrees
- Tilt up to 20 degrees
- Extends up to 30 cm / 11.8 inch
- Only 3,5 cm / 1.4 inch from the wall
- 2 pivot points
- Easy level adjustment
- Double turn option
- Tilt lock option

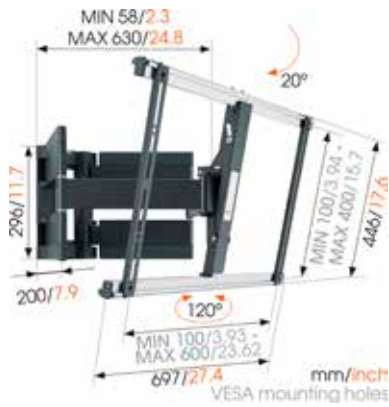


TURN

TV WALL BRACKETS

For extra heavy TV screens

THIN 550



TV SIZE 40-100" / 102-254 cm

MAX. WEIGHT 70 kg / 154 lbs

MAX. VESA SIZE 600 x 400 mm

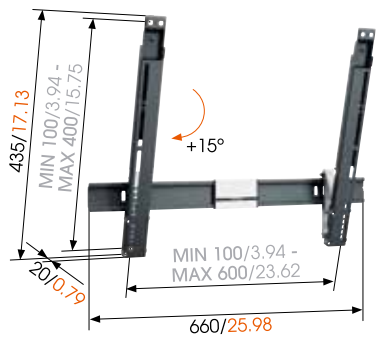
- Turn up to 120° and tilt up to 20°
- Only 5,8 cm / 2.3 inch from the wall
- Extends up to 63 cm / 44.8 inch
- Cable Inlay System, hide your cables
- Easy level adjustment
- Ultra Strong

The Vogel's stud adapter THIN 595 allows you to install your TV wall mount securely on a hollow wall.



Ideal for a TV placed high on the wall

## THIN 515



mm/inch  
VESA mounting holes

TV SIZE 40-65" / 102-165 cm

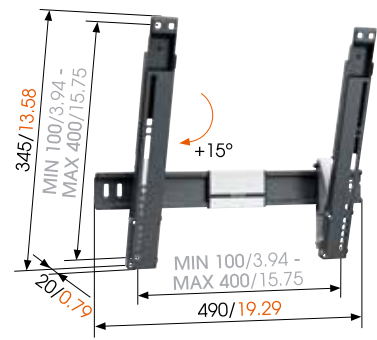
MAX. WEIGHT 25 kg / 55 lbs

MAX. VESA SIZE 600 x 400 mm

- Tilt up to 15 degrees
- Only 2 cm / 0.8 inch from the wall
- Straight mounting guaranteed thanks to the integrated spirit level



## THIN 415



mm/inch  
VESA mounting holes

TV SIZE 26-55" / 66-140 cm

MAX. WEIGHT 18 kg / 40 lbs

MAX. VESA SIZE 400 x 400 mm

- Tilt up to 15 degrees
- Only 2 cm / 0.8 inch from the wall
- Straight mounting guaranteed thanks to the integrated spirit level

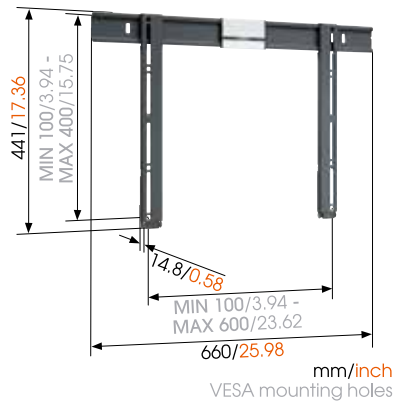


TILT

TV WALL BRACKETS

Experience the TV as a painting on the wall

**THIN 505**



TV SIZE 40-65" / 102-165 cm

MAX. WEIGHT 40 kg / 88 lbs

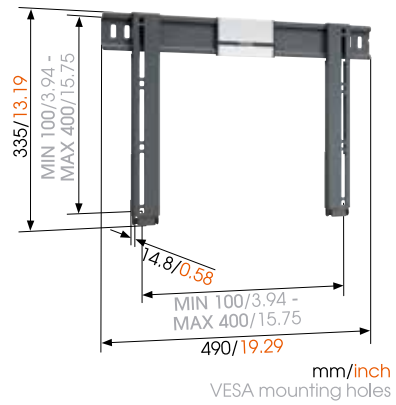
MAX. VESA SIZE 600 x 400 mm

- Only 1,5 cm / 0.6 inch from the wall
- Straight mounting guaranteed thanks to the integrated spirit level
- Easy cable access with cable service positioning

**Ideal for OLED TV**



**THIN 405**



TV SIZE 26-55" / 66-140 cm

MAX. WEIGHT 25 kg / 55 lbs

MAX. VESA SIZE 400 x 400 mm

- Only 1,5 cm / 0.6 inch from the wall
- Straight mounting guaranteed thanks to the integrated spirit level
- Easy cable access with cable service positioning

**Ideal for OLED TV**



FLAT

TV WALL BRACKETS

## Accessories

### THIN 595

Stud adapter for TV brackets



 MAX. WEIGHT 70 kg / 154 lbs

- Designed especially for (metal frame) hollow walls
- Suitable for hollow wall frames up to 600 mm apart
- Suitable for the THIN 550, THIN 546, THIN 545 and THIN 525

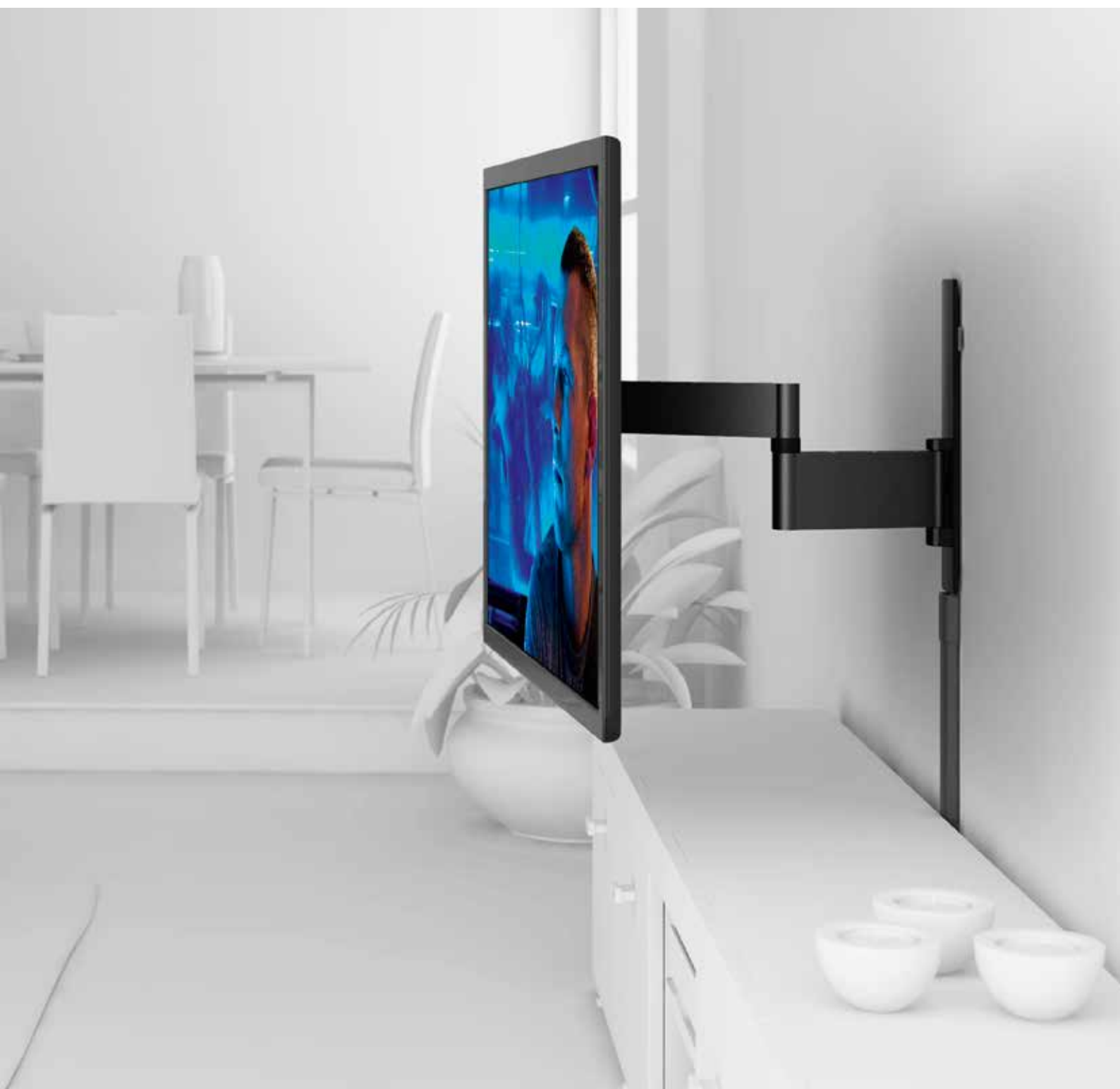




# WALL series

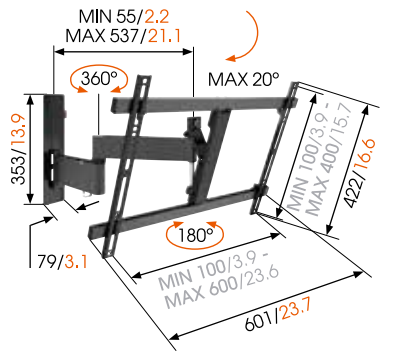
Stylish TV wall mounts for every TV

Choosing a Vogel's WALL means selecting a solid contemporary mount with big possibilities for today and tomorrow. Easily supporting the smallest as well as the biggest of screens, from kitchen to home cinema.



Experience the best view anywhere in the room

## WALL 3345



mm/inch  
VESA mounting holes

TV SIZE 40-65" / 102-165 cm

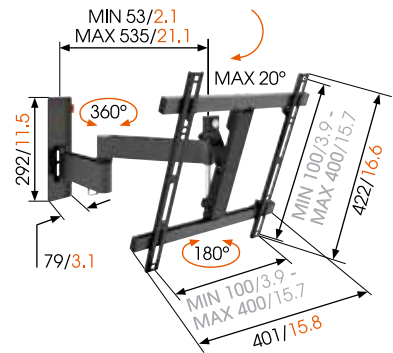
MAX. WEIGHT 30 kg / 66 lbs

MAX. VESA SIZE 600 x 400 mm

- Turn your TV (up to 180°) smoothly from couch to dining table
- Tilt (+20°) to avoid reflections and watch with more comfort
- Easily level your TV for the perfect picture, even after installation
- Guide your cables and avoid damage
- Choose white or black to match any decor



## WALL 3245



mm/inch  
VESA mounting holes

TV SIZE 32-55" / 81-140 cm

MAX. WEIGHT 20 kg / 44 lbs

MAX. VESA SIZE 400 x 400 mm

- Turn your TV (up to 180°) smoothly from couch to dining table
- Tilt (+20°) to avoid reflections and watch with more comfort
- Easily level your TV for the perfect picture, even after installation
- Guide your cables and avoid damage
- Choose white or black to match any decor

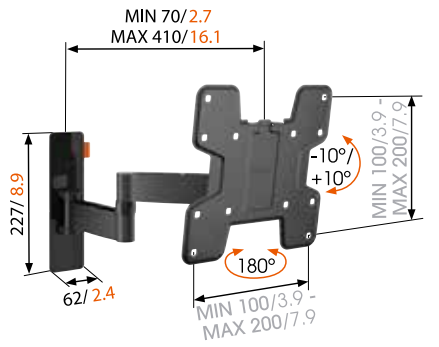


TURN

TV WALL BRACKETS

Experience the best view anywhere in the room

## WALL 3145



mm/inch  
VESA mounting holes

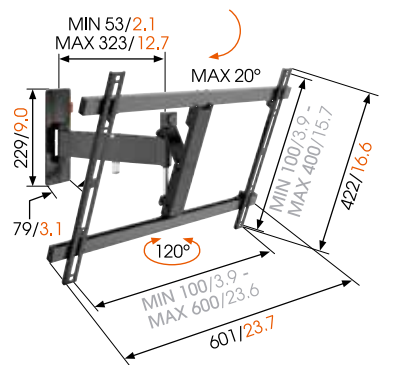
TV SIZE 19-40" / 48-102 cm

MAX. WEIGHT 15 kg / 33 lbs

MAX. VESA SIZE 200 x 200 mm

- Turn your TV (up to 180°) smoothly from couch to dining table
- Tilt (+10/-10°) to avoid reflections and watch with more comfort
- Easily level your TV for the perfect picture, even after installation
- Guide your cables and avoid damage
- Choose white or black to match any decor

## WALL 3325



mm/inch  
VESA mounting holes

TV SIZE 40-65" / 102-165 cm

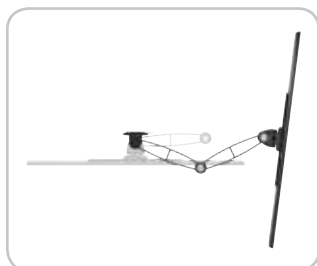
MAX. WEIGHT 30 kg / 66 lbs

MAX. VESA SIZE 600 x 400 mm

- Turn (up to 120°) to get the perfect view on your TV
- Tilt (+20°) to avoid reflections and watch with more comfort
- Easily level your TV for the perfect picture, even after installation
- Guide your cables and avoid damage
- Choose white or black to match any decor

TURN

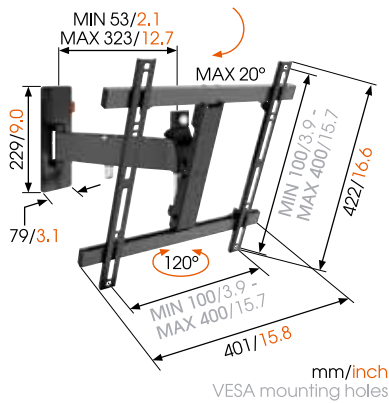
TV WALL BRACKETS





Experience the best view anywhere in the room

## WALL 3225

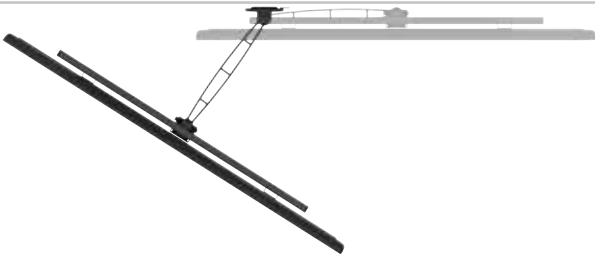


TV SIZE 32-55" / 81-140 cm

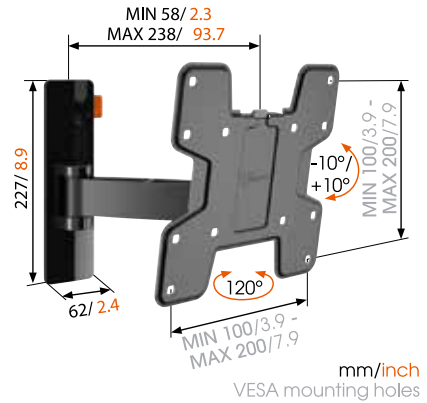
MAX. WEIGHT 20 kg / 44 lbs

MAX. VESA SIZE 400 x 400 mm

- Turn (up to 120°) to get the perfect view on your TV
- Tilt (+20°) to avoid reflections and watch with more comfort
- Easily level your TV for the perfect picture, even after installation
- Guide your cables and avoid damage
- Choose white or black to match any decor



## WALL 3125



TV SIZE 19-40" / 48-102 cm

MAX. WEIGHT 15 kg / 33 lbs

MAX. VESA SIZE 200 x 200 mm

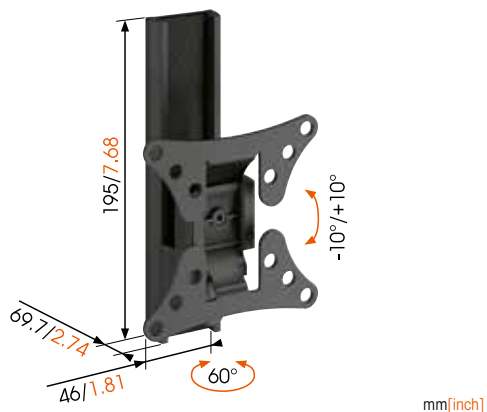
- Turn (up to 120°) to get the perfect view on your TV
- Tilt (+10/-10°) to avoid reflections and watch with more comfort
- Easily level your TV for the perfect picture, even after installation
- Guide your cables and avoid damage
- Choose white or black to match any decor



TURN

TV WALL BRACKETS

## WALL 1020

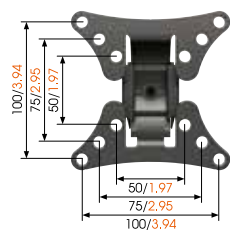


TV SIZE 17-26" / 43-66 cm

MAX. WEIGHT 15 kg / 33 lbs

MAX. VESA SIZE 100 x 100 mm

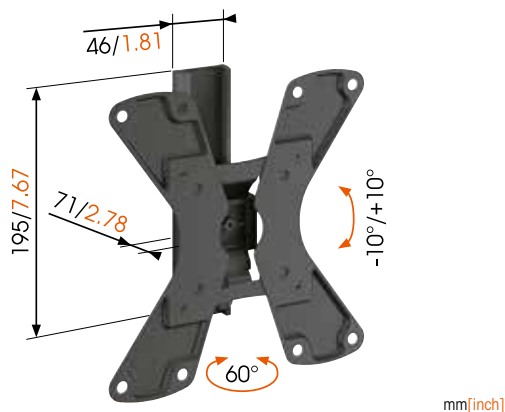
- Turn up to 60 degrees
- Tilt up to -10 / +10 degrees
- 1 pivot point



VESA mounting holes  
mm[inch]



## WALL 1120

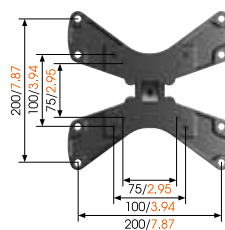


TV SIZE 19-37" / 48-94 cm

MAX. WEIGHT 15 kg / 33 lbs

MAX. VESA SIZE 200 x 200 mm

- Turn up to 60 degrees
- Tilt up to -10 / +10 degrees
- 1 pivot point

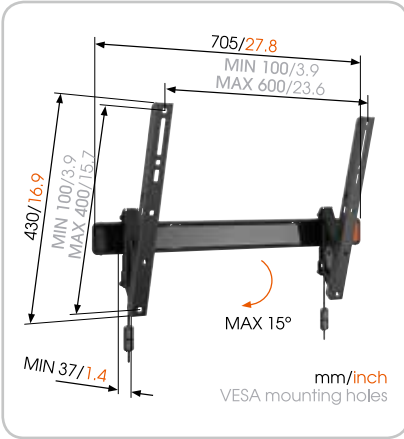


VESA mounting holes  
mm[inch]



Ideal for a TV placed high on the wall

### WALL 3315



TV SIZE 40-65" / 102-165 cm

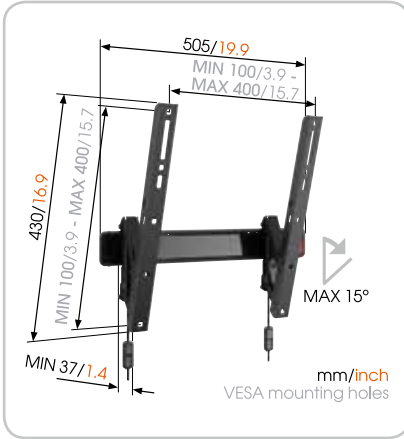
MAX. WEIGHT 40 kg / 88 lbs

MAX. VESA SIZE 600 x 400 mm

- Tilt your TV (up to 15°) to avoid reflections and watch with more comfort
- Lock your TV securely in place
- Ideal for a TV placed high on the wall
- Spirit level included



### WALL 3215



TV SIZE 32-55" / 81-140 cm

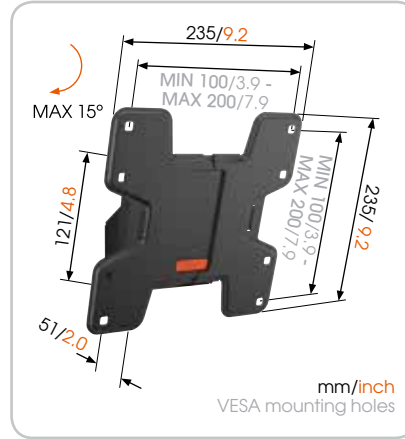
MAX. WEIGHT 30 kg / 66 lbs

MAX. VESA SIZE 400 x 400 mm

- Tilt your TV (up to 15°) to avoid reflections and watch with more comfort
- Lock your TV securely in place
- Ideal for a TV placed high on the wall
- Spirit level included



### WALL 3115



TV SIZE 19-40" / 48-102 cm

MAX. WEIGHT 20 kg / 44 lbs

MAX. VESA SIZE 200 x 200 mm

- Tilt your TV (up to 15°) to avoid reflections and watch with more comfort
- Lock your TV securely in place
- Ideal for a TV placed high on the wall

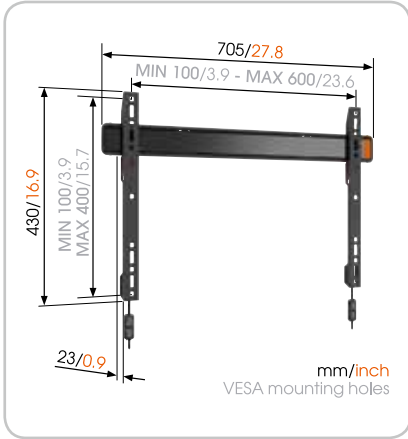


TILT

TV WALL BRACKETS

Experience the TV as a painting on the wall

**WALL 3305**



mm/inch  
VESA mounting holes

TV SIZE 40-100" / 102-254 cm

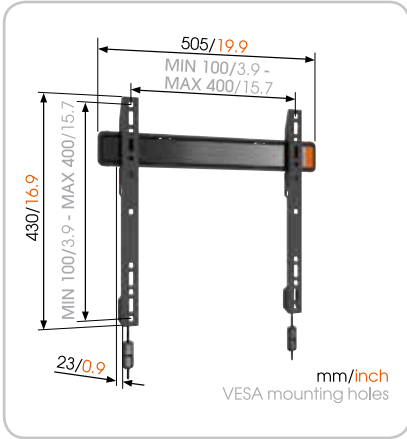
MAX. WEIGHT 80 kg / 176 lbs

MAX. VESA SIZE 600 x 400 mm

- Only 2,3 cm from the wall
- Click your TV securely in place with the Autolock system
- Experience your TV as a painting on the wall
- Spirit level included



**WALL 3205**



mm/inch  
VESA mounting holes

TV SIZE 32-55" / 81-140 cm

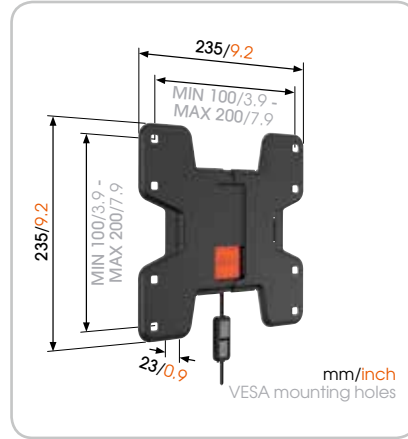
MAX. WEIGHT 50 kg / 110 lbs

MAX. VESA SIZE 400 x 400 mm

- Only 2,3 cm from the wall
- Click your TV securely in place with the Autolock system
- Experience your TV as a painting on the wall
- Spirit level included



**WALL 3105**



mm/inch  
VESA mounting holes

TV SIZE 19-40" / 48-102 cm

MAX. WEIGHT 20 kg / 44 lbs

MAX. VESA SIZE 200 x 200 mm

- Only 2,3 cm from the wall
- Click your TV securely in place with the Autolock system
- Experience your TV as a painting on the wall

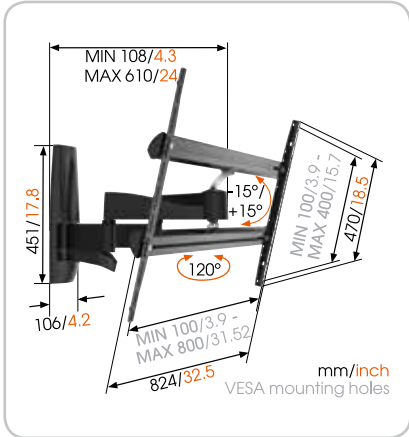


FLAT

TV WALL BRACKETS

Experience the best view anywhere in the room

**WALL 3450**



TV SIZE 55-100" / 140-254 cm

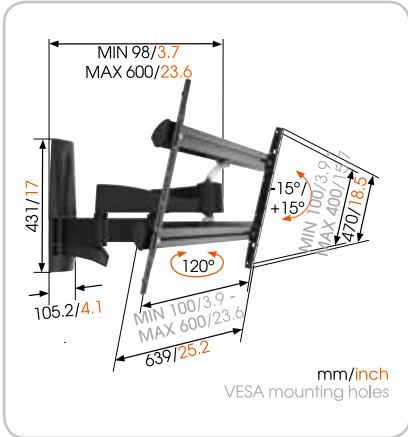
MAX. WEIGHT 55 kg / 121 lbs

MAX. VESA SIZE 800 x 400 mm

- Ultra strong built for heavy TVs
- Forward motion for extra functionality
- Turn (up to 120°) to get the perfect view on your TV
- Tilt (-15/+15°) to avoid reflections and watch with more comfort
- Easily move the biggest screens thanks to strong arms with forward movement
- Conceal and hide your unsightly cables



**WALL 3350**



TV SIZE 40-65" / 102-165 cm

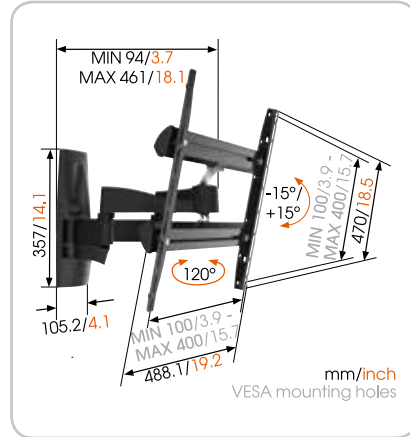
MAX. WEIGHT 45 kg / 99 lbs

MAX. VESA SIZE 600 x 400 mm

- Ultra strong built for heavy TVs
- Forward motion for extra functionality
- Turn (up to 120°) to get the perfect view on your TV
- Tilt (-15/+15°) to avoid reflections and watch with more comfort
- Easily move the biggest screens thanks to strong arms with forward movement
- Conceal and hide your unsightly cables



**WALL 3250**



TV SIZE 32-55" / 81-140 cm

MAX. WEIGHT 35 kg / 77 lbs

MAX. VESA SIZE 400 x 400 mm

- Ultra strong built for heavy TVs
- Forward motion for extra functionality
- Turn (up to 120°) to get the perfect view on your TV
- Tilt (-15/+15°) to avoid reflections and watch with more comfort
- Easily move the biggest screens thanks to strong arms with forward movement
- Conceal and hide your unsightly cables



**TURN**

**TV WALL BRACKETS**



# Like a painting on the wall

For consumers who want to create a sophisticated look we offer wall mounts that lie as flat as possible against the wall.



Experience the TV as a painting on the wall

**EFW 8105**



TV SIZE 19-40" / 48-102 cm

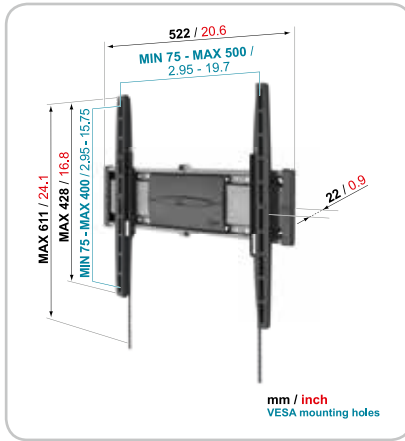
MAX. WEIGHT 20 kg / 44 lbs

MAX. VESA SIZE 200 x 200 mm

- SuperFlat - only 2 cm from the wall
- Autolock®
- Integrated spirit level



**EFW 8206**



TV SIZE 32-55" / 81-140 cm

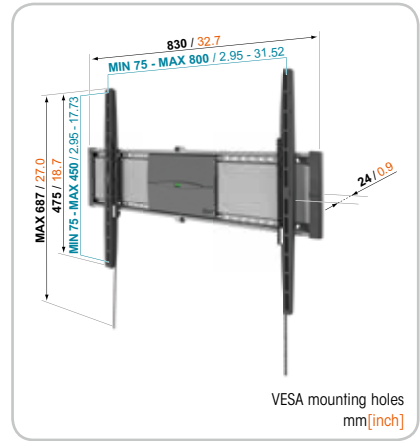
MAX. WEIGHT 30 kg / 66 lbs

MAX. VESA SIZE 500 x 400 mm

- SuperFlat - only 2,2 cm from the wall
- Autolock®
- Integrated spirit level



**EFW 8305**



TV SIZE 40-80" / 102-203 cm

MAX. WEIGHT 70 kg / 154 lbs

MAX. VESA SIZE 800 x 450 mm

- SuperFlat - only 2,4 cm from the wall
- Autolock®
- Integrated spirit level

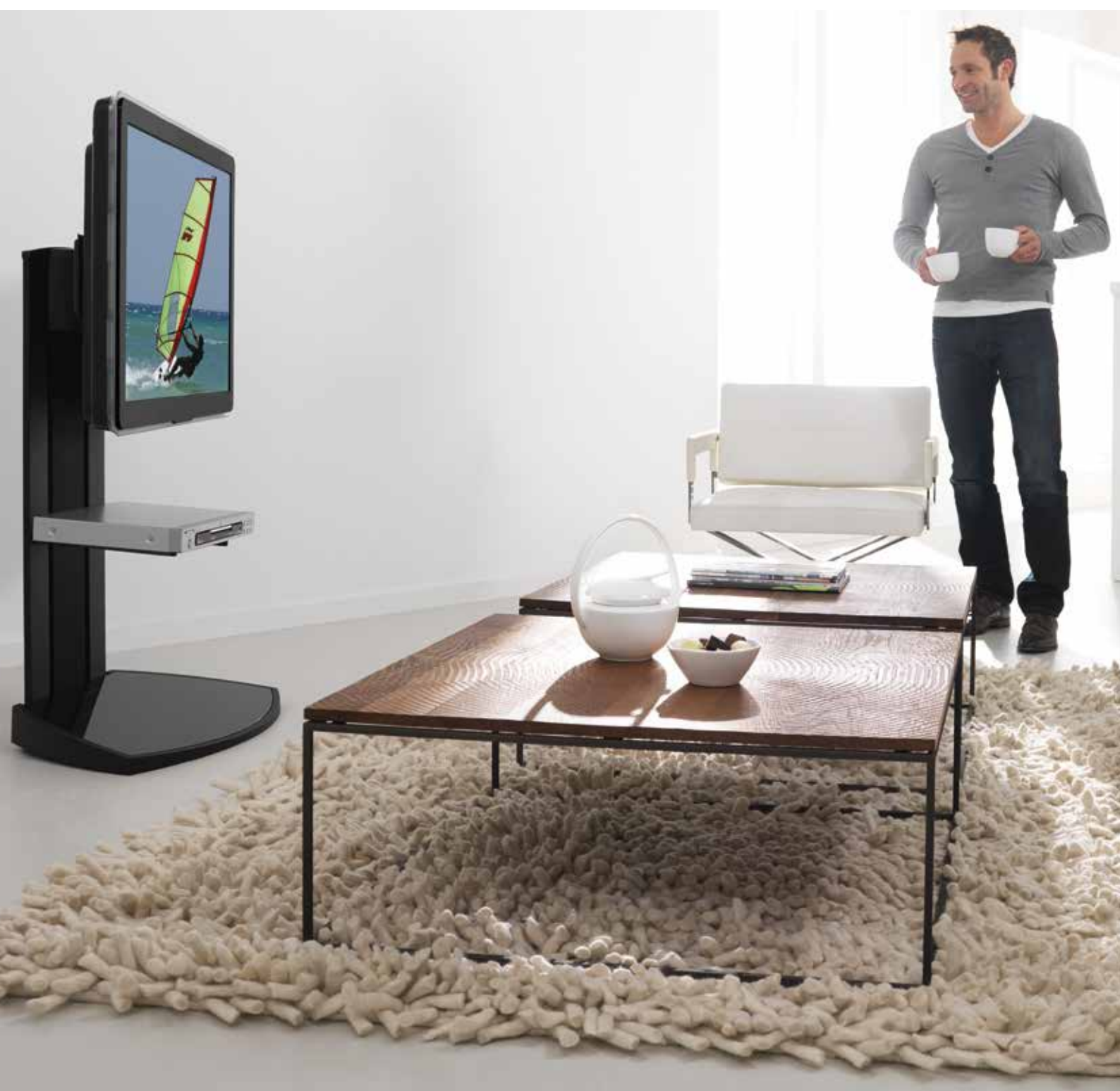


FLAT

TV WALL BRACKETS

# Floor stands

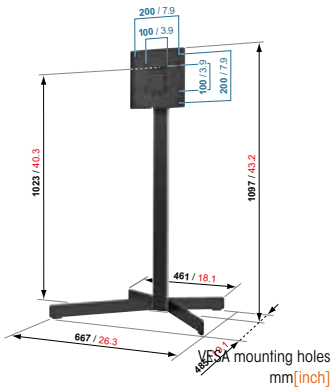
Place the TV anywhere in the room with one of our floor stands. They offer a practical and attractive alternative to wall mounts and take up less space than a traditional cabinet.





Floor stands: standing room only

EFF 8230



TV SIZE 19-40" / 48-102 cm

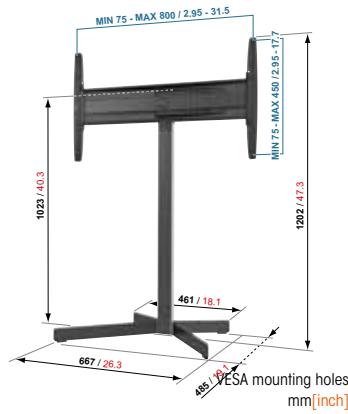
MAX. WEIGHT 30 kg / 66 lbs

MAX. VESA SIZE 200 x 200 mm

- 60° turning range
- Cable Inlay System (CIS®)



EFF 8330



TV SIZE 40-65" / 102-165 cm

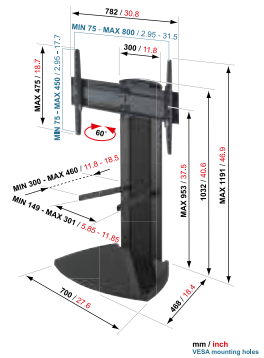
MAX. WEIGHT 45 kg / 99 lbs

MAX. VESA SIZE 800 x 450 mm

- 60° turning range
- Cable Inlay System (CIS®)
- Autolock®
- Integrated spirit level



EFF 8340



TV SIZE 40-65" / 102-165 cm

MAX. WEIGHT 45 kg / 99 lbs

MAX. VESA SIZE 800 x 450 mm



- 60° turning range
- Height adjustable
- AV multi support included
- Integrated storage
- Cable Inlay System (CIS®)
- Autolock®
- Integrated spirit level
- Available in black or a combination of black and white



TURN

TV FLOOR STANDS



Smart AV Accessories make connectivity easy

# SAVA series

Combining electronic devices into one single system creates an even richer AV experience. That's why we set out to make it easier; with our SAVA products.

We have SAVA products in four sub-categories: convert, connect, stream and control. They come with everything you need for hassle-free installation and use, including extra-long cables.



**CONNECT makes HDMI connectivity easy**

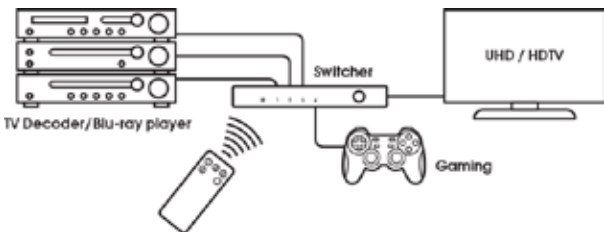
**SAVA 1026**

Smart AV HDMI auto switcher



**NEW**

- Combines 4 HDMI connections into 1 connection
- Switches automatically between the connected devices
- Supports the latest in 4K/HDR technology, including Dolby Atmos and DTS:X
- Set includes: Switch device | hdmi slimline cable (3m) | powersupply



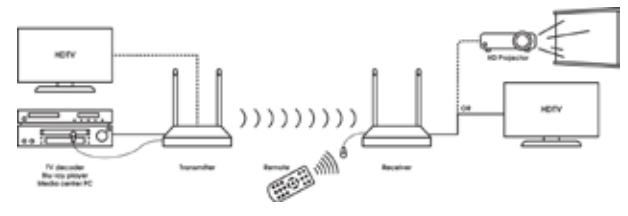
**SAVA 1022**

Smart AV wireless HDMI transmitter/receiver



**NEW**

- Sends a duplicate wireless HDMI signal
- HDMI transmission between different AV devices, including your smartphone
- Supports full HD (1080p), HDCP and fully connects to all HDMI versions
- Wireless range up to 50 metres
- Set includes: Wireless transmitter | wireless receiver | 2 hdmi cables (one of 3m and of 1.5m) powersupply



**CONVERT takes the hassle out of connecting devices**

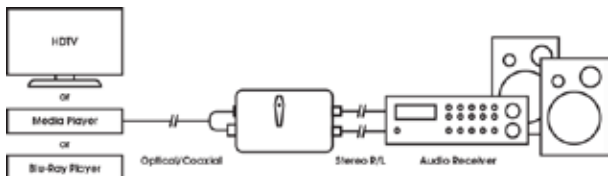
**SAVA 1041**

Smart AV converter digital / stereo



**NEW**

- Converts a digital audio signal to an RCA connection
- Connect AV devices with a Toslink or Coaxial output to an RCA input
- With improved 192kHz sample rate for the best audio quality
- Supports uncompressed digital stereo signals
- Set includes: Audio converter | RCA to RCA audio cable (3m) | Coaxial cable (0,5m) | Toslink cable (0,5m) | Power supply



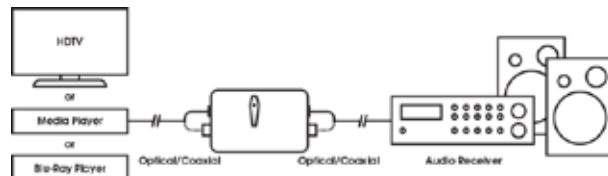
**SAVA 1031**

Smart AV converter COAX to TOS



**NEW**

- Converts Toslink to coax and vice versa
- It also amplifies the digital audio signal
- Extend the cable length without losing any of the quality
- Suitable for the most common 2 to 5.1 channel digital audio signals
- Set includes: Audio converter | coaxial cable (3 m) | toslink cable (0,5m) | power supply



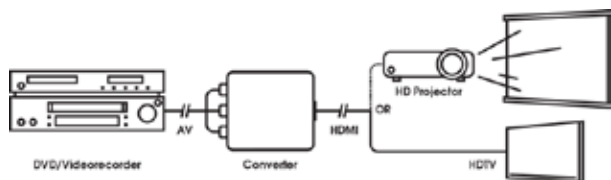
## SAVA 1021

Smart AV converter AV to HDMI



**NEW**

- Converts an (analog) AV signal to a digital HDMI signal
- RCA or SCART input/HDMI output
- Easy installation
- Set includes: AV to HDMI converter | SCART to RCA adapter | RCA cable (1.5m) | HDMI cable (3m) | Mini USB power cable + power supply



## CONTROL keeps you in control

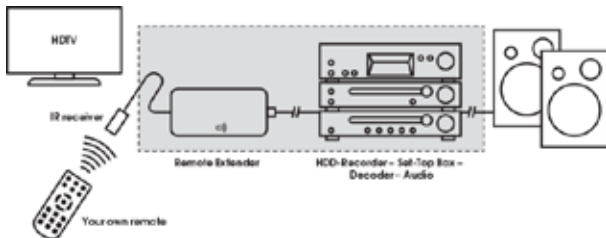
### SAVA 1014

Smart AV remote extender



**NEW**

- Control your AV devices even when they are out of sight
- Modern infrared technology guarantees a reliable connection
- Infrared range up to 10 metres
- Suitable for virtually any AV equipment brand
- Set includes: IR module | IR receiver( 3m) | 2x IR cable with 1 blaste LED | Power supply



## SAVA 1001

Smart AV Bluetooth transmitter/receiver

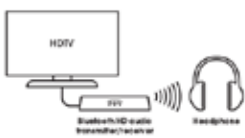


**NEW**

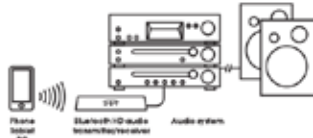
- Bluetooth adapter for streaming audio
- Stream audio from your TV/smartphone to your headphones or audio equipment
- Suitable for digital and analogue inputs and outputs
- Up to 8 devices saved in the memory
- Connect up to 2 headphones
- Bluetooth range up to 15 metres
- Set includes: Bluetooth device | optical cable (1.2 m) | stereo jack cable (1.5m) | powersupply



**TX mode**



**RX mode**



# Accessories

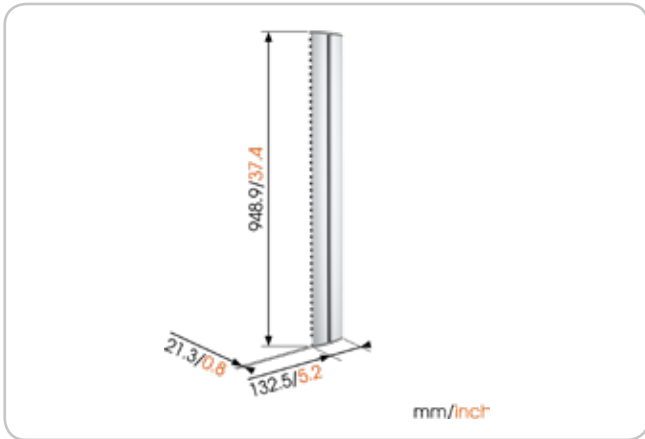
Consumers can neatly organise their projectors with our wide choice of supports, and to hide messy cables from sight we offer different solutions for concealing cables.





## Organising the TV equipment

### CABLE 10 L Cable column

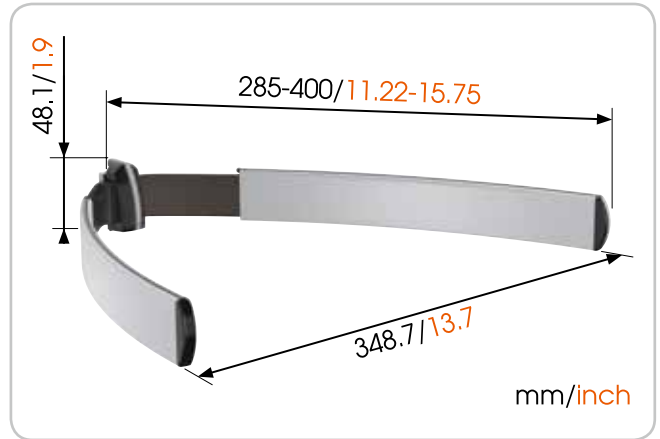


 MAX. WEIGHT 40 kg / 88 lbs

- Cable column 94 cm / 37"
- Suitable for 10 cables
- Only 2 cm from the wall
- Combine with AV 10 Multi support to store AV & multimedia equipment (Max. 4x AV 10 Multi support)



### AV 10 MULTI SUPPORT AV Multi support

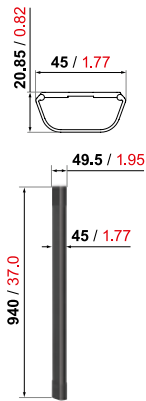


 MAX. WEIGHT 10 kg / 22 lbs

- Must be combined with cable column CABLE 10 L
- Can be positioned at any height in the column
- Adjustable arms, fit a wide range of AV & multimedia equipment



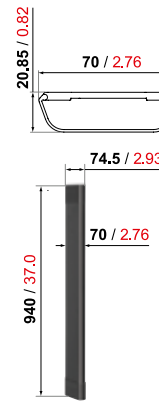
**CABLE 4**  
Universal Cable Cover



mm[inch]

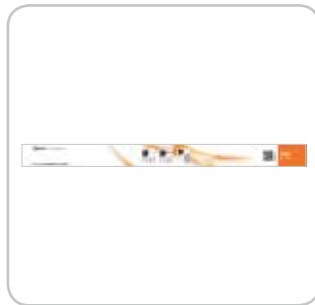
- Cable Cover - 94 cm / 37"
- Suitable for 4 cables
- SuperFlat™ - only 2 cm from the wall
- Cable Inlay System (CIS®)
- Available in black or white

**CABLE 8**  
Universal Cable Cover



mm[inch]

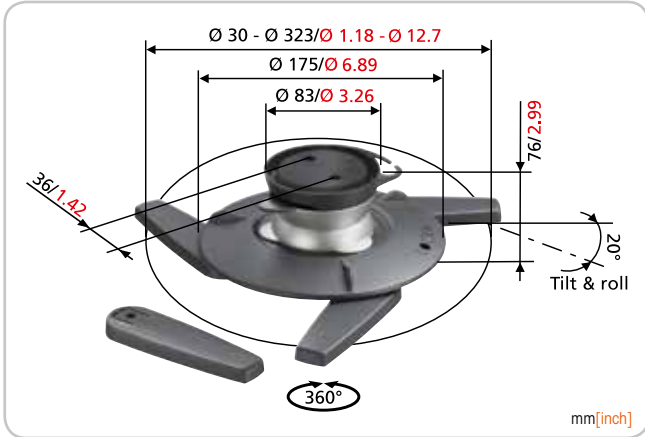
- Cable Cover - 94 cm / 37"
- Suitable for 8 cables
- SuperFlat™ - only 2 cm from the wall
- Cable Inlay System (CIS®)
- Available in black or white



## Projector solutions

### EPC 6545

Projector ceiling solution



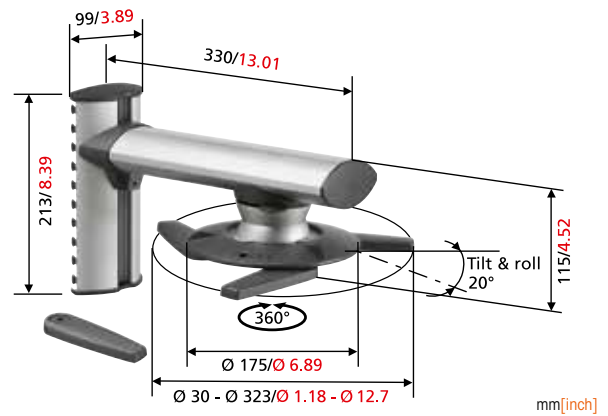
 MAX. WEIGHT 10 kg / 22 lbs

- Range of Ø 30-323 mm
- Ceiling cover included to hide cables and mount when not in use
- Adjust & secure feature to lock the projector in position
- Universal, fits virtually every projector



### EPW 6565

Projector wall solution



 MAX. WEIGHT 10 kg / 22 lbs

- Range of Ø 30-323 mm
- Reversible mounting possible to mount the projector facing either straight up or upside down
- Universal, fits every projector





# SOUND solutions

Everyone can enjoy the music they love wherever they want with a line of speaker mounts and stands.



### SOUND 5201

Wall mount for Denon HEOS 1

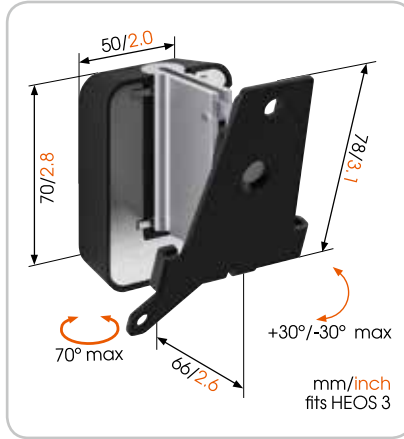


- Mount the Denon HEOS 1 anywhere on the wall
- Turn the mount up to 70° to make sure your speaker sounds best
- Tilt 30° up and down to angle your speaker in the best position
- Extension power cord (1.5 meter) included
- Integrated spirit level supports the installation
- Easy mounting is guaranteed
- Available in black and white



### SOUND 5203

Wall mount for Denon HEOS 3



- Mount the Denon HEOS 3 anywhere on the wall
- Turn the mount up to 70° to make sure your speaker sounds best
- Tilt 30° up and down to angle your speaker in the best position
- Extension power cord (1.5 meter) included
- Integrated spirit level supports the installation
- Easy mounting is guaranteed
- Available in black and white



### SOUND 5313

Floor stand for Denon HEOS 1/3

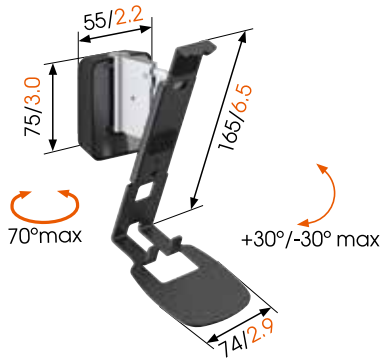


- Place the Denon HEOS 1 or HEOS 3 anywhere in the room
- Raise your speaker to ear level when you're seated
- Easy connect thanks to integrated extension power cord
- Easy mounting is guaranteed
- Available in black and white



Get more out of your Sonos

**SOUND 4201 SONOS ONE**  
For Sonos ONE & PLAY:1

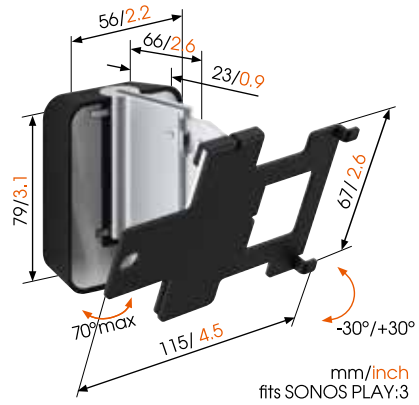


**NEW**

mm/inch

- Mount the Sonos ONE or PLAY:1 anywhere on the wall
- Turn the mount up to 70° to make sure your speaker sounds best
- Tilt 30° up and down to angle your speaker in the best position
- Easy mounting is guaranteed
- Integrated spirit level supports the installation
- Lock function for more security
- Available in black and white

**SOUND 4203**  
Wall bracket for Sonos PLAY:3

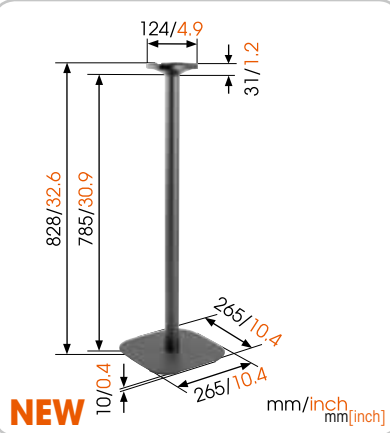


- Mount the Sonos PLAY:3 anywhere on the wall
- Turn the mount up to 70° to make sure your speaker sounds best
- Tilt 30° up and down to angle your speaker in the best position
- Easy mounting is guaranteed
- Integrated spirit level supports the installation
- Lock function for more security
- Available in black and white



Get more out of your Sonos

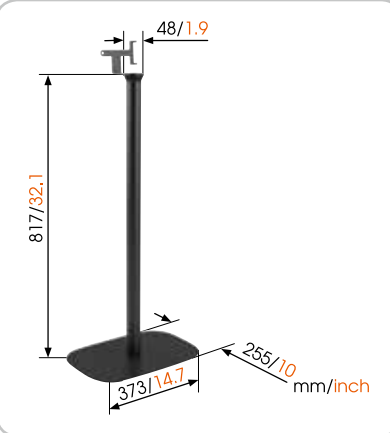
**SOUND 4301 SONOS ONE**  
For Sonos ONE & PLAY:1



- Place the Sonos ONE or PLAY:1 anywhere in the room
- Raise your speaker to ear level when you're seated
- Stylishly conceals all your cables
- Easy connect thanks to integrated extension power cord
- Easy mounting is guaranteed
- Available in black or white



**SOUND 4303**  
Floor stand for Sonos PLAY:3



- Place the Sonos PLAY:3 anywhere in the room
- Raise your speaker to ear level when you're seated
- Stylishly conceals all your cables
- Easy connect thanks to integrated extension power cord
- Easy mounting is guaranteed
- Available in black and white



**SOUND 4113**  
For SONOS ONE, PLAY:1/3



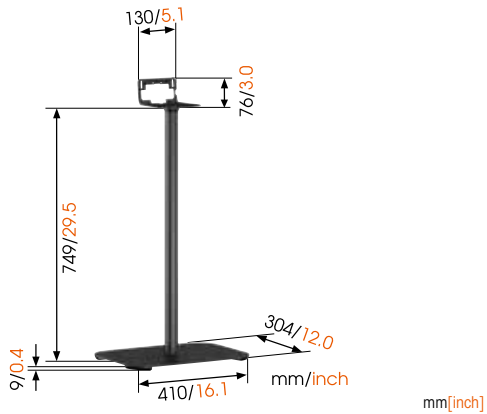
- For SONOS ONE, PLAY:1, PLAY:3
- Position your speakers in line of sight
- Turn up to 360°
- Tilt up to 10°
- Ideal to place your speaker for example on top of kitchen counter



## Loudspeaker solutions

### SOUND 3305

Universal loudspeaker floor stand



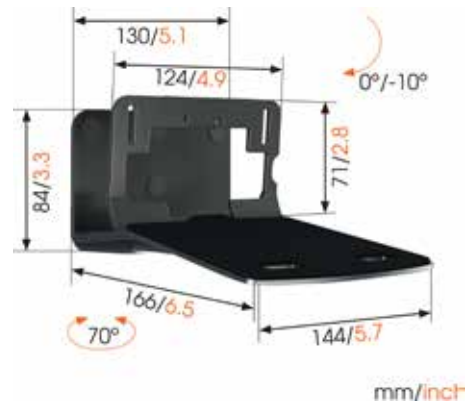
 MAX. WEIGHT 6.5 kg / 14 lbs

- Ideal for Home Cinema front & surround speakers
- Dedicated mounting materials included for SONOS PLAY:5 and Denon HEOS 5/7
- Raise your speaker to ear level when you're seated
- Easy mounting is guaranteed
- Available in black and white



### SOUND 3205

Universal loudspeaker wall mount



 MAX. WEIGHT 6.5 kg / 14 lbs

- Ideal for Home Cinema front & surround speakers
- Dedicated mounting materials included for SONOS PLAY:5 and Denon HEOS 5/7
- Turn the mount up to 70° to make sure your speaker sounds best
- Tilt 10° up and down to angle your speaker in the best position
- Easy mounting is guaranteed
- Available in black and white





## Loudspeaker solutions

### SOUND 3200

Universal loudspeaker wall mount



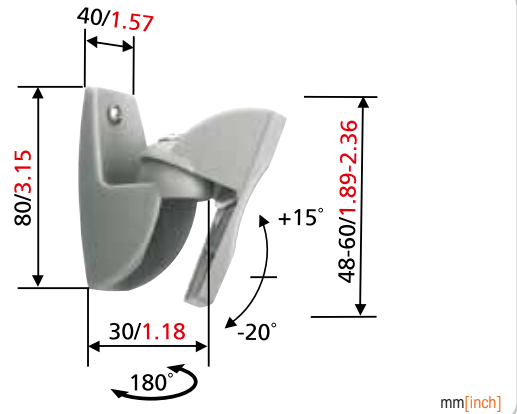
 MAX. WEIGHT 5 kg / 11 lbs

- Ideal for Home Cinema front & surround speakers
- Turn the mount up to 70° to make sure your speaker sounds best
- Tilt 30° up and down to angle your speaker in the best position
- Straight mounting guaranteed thanks to the integrated spirit level
- All wall mounting materials included: screws and fischer® plugs
- Available in black and white



### VLB 500

Loudspeaker wall mount



 MAX. WEIGHT 5 kg / 11 lbs

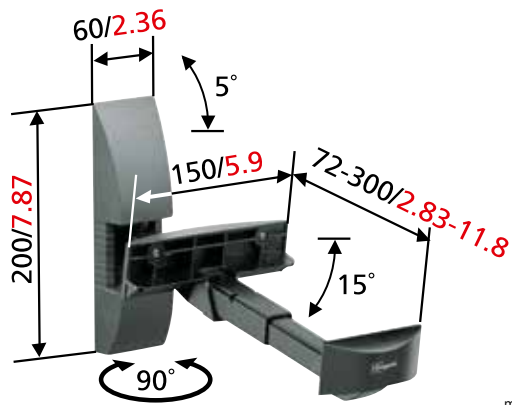
- For surround speakers and smaller hi-fi speakers
- Tilt and turn functions guarantee optimal listening position
- 2 pieces per package
- Available in black and silver



## Loudspeaker solutions

### VLB 200

Loudspeaker wall mount



mm[inch]

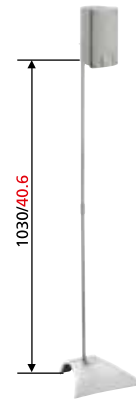
 MAX. WEIGHT 20 kg / 44 lbs

- Ideal for so-called bookshelf/standmount Hi-Fi speakers
- No screws required, due to the clamping construction
- 2 pieces per package



### VLS 615

Loudspeaker stand



mm[inch]

 MAX. WEIGHT 1.5 kg / 3 lbs

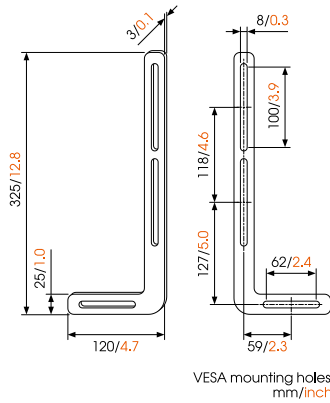
- For Home Cinema front & surround speakers
- Cable Inlay System (CIS®)
- Spiked feet (rubber feet included for delicate floors)
- Three speaker-mounting options - suitable for most brands of surround speakers
- 2 pieces per package



## Sound bar solutions

### SOUND 1250

Universal Sound Bar mount

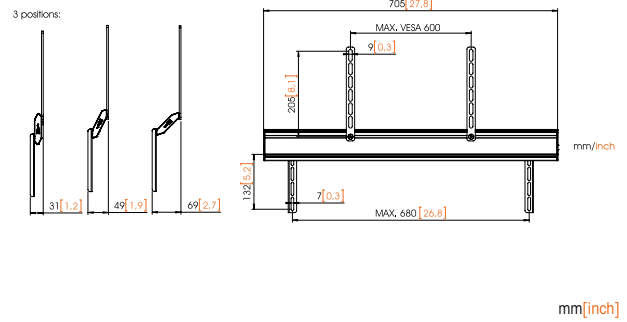


- Universal Sound Bar mount
- Can be used in combination with any swivel TV Wall mount
- Height adjustable



### SOUND 3450

Universal Sound Bar mount



 MAX. VESA SIZE 600 mm

- Universal Sound Bar mount
- Turn sound with TV
- Can be used in combination with any swivel TV wall mount (Max. VESA 600)
- Can be leveled in height and depth
- Easy to install





# Personal devices

Now tablet users can enjoy all their favourite entertainment and apps in the kitchen, bathroom and car with Vogel's Tablet Mounts.



## Tablet Mounts for in the home

### TMS 1010 Tablet Wall Pack



- Tablet Wall Pack consists of Tablet Holder and two Wall Mounts
- Adhesive mounting option
- Holder fits all tablet brands
- Fits all tablets 15 - 22 cm in width or height
- RingO Technology inside
- Holder with tablet can be clicked on and off easily
- Ultra thin mounting
- 360° rotation
- Easy to use



### TMS 1030 Tablet Flex Pack



- Tablet Flex Pack consists of Tablet Holder and Flex Mount
- Holder fits all tablet brands
- RingO Technology inside
- Fits all tablets 15 - 22 cm in width or height
- Holder with tablet can be clicked on and off easily
- Smart click mounting
- 90° free tilt, 180° full swivel/turn
- Extends to that perfect position
- 360° rotation
- Easy to use



## Tablet Mounts for on the road

### TMS 1020 Tablet Car Pack



- Tablet Car Pack consists of Tablet Holder and Car Mount
- Holder fits all tablet brands
- RingO Technology inside
- Fits all tablets 15 - 22 cm in width or height
- Holder with tablet can be clicked on and off easily
- Car Mount can be securely fixed to the front seat headrest
- 360° rotation
- No tools required for installation



### TMS 1050 Tablet Dashboard Pack



- Tablet Dashboard Pack consists of Tablet Holder and Dashboard Mount
- Holder fits all tablet brands
- RingO Technology inside
- Fits all tablets 15 - 22 cm in width or height
- Holder with tablet can be clicked on and off easily
- Dashboard Mount snaps easily to the windscreen, with secure clip
- Adhesive disc for secure dashboard mounting
- 360° rotation
- No tools required for installation



## Tablet Mounts

### TMM 1000 Tablet Holder



- Must be combined with Tablet Flex Mount, Tablet Wall Mount, Tablet Car Mount or Tablet Dashboard Mount
- Fit all tablet brands
- Secure fit through horizontal and vertical grip and anti-slip material
- RingO Technology inside
- Holder with tablet can be clicked on and off easily
- Tablet can be rotated 360 degrees when mounted



## TV WALL BRACKETS

Type nr.	Functionality	Generally used for	Screen size	Max. VESA	Max. TV weight	Min. distance to the wall	Max. distance from the wall	Adjustability		
								Tilt	Turn	Number of pivot points
NEXT 8375 Black	TURN 120°	Living room	40-65" / 102-165 cm	600 x 400 mm	30 kg / 66 lbs	7.2 cm	72 cm		up to 120 °	4
NEXT 8365 Black	TURN 120°	Living room	40-65" / 102-165 cm	600 x 400 mm	30 kg / 66 lbs	7.2 cm	72 cm		up to 120 °	4
NEXT 7355 Black	TURN 120°	Living room	40-65" / 102-165 cm	600 x 400 mm	30 kg / 66 lbs	7.2 cm	72 cm		up to 120 °	4
NEXT 7345 Black	TURN 120°	Living room	40-65" / 102-165 cm	600 x 400 mm	30 kg / 66 lbs	7.2 cm	72 cm	up to 20 °	up to 120 °	4
NEXT 7356 Black	TURN 120°	Living room	40-65" / 102-165 cm	400 x 200 mm	30 kg / 66 lbs	7.2 cm	72 cm		up to 120 °	4
NEXT 7346 Black	TURN 120°	Living room	40-65" / 102-165 cm	400 x 200 mm	30 kg / 66 lbs	7.2 cm	72 cm		up to 120 °	4
THIN 546 Black	TURN 180°	Living room	40-65" / 102-165 cm	400 x 200 mm	30 kg / 66 lbs	4.5 cm	63 cm		up to 180 °	3
THIN 545 Black	TURN 180°	Living room	40-65" / 102-165 cm	600 x 400 mm	25 kg / 55 lbs	3.5 cm	63 cm	up to 20 °	up to 180 °	3
THIN 545 White	TURN 180°	Living room	40-65" / 102-165 cm	600 x 400 mm	25 kg / 55 lbs	3.5 cm	63 cm	up to 20 °	up to 180 °	3
THIN 445 Black	TURN 180°	Bedroom	26-55" / 66-140 cm	400 x 400 mm	18 kg / 40 lbs	3.5 cm	51 cm	up to 20 °	up to 180 °	3
THIN 445 White	TURN 180°	Bedroom	26-55" / 66-140 cm	400 x 400 mm	18 kg / 40 lbs	3.5 cm	51 cm	up to 20 °	up to 180 °	3
THIN 525 Black	TURN 120°	Living room	40-65" / 102-165 cm	600 x 400 mm	25 kg / 55 lbs	3.5 cm	37 cm	up to 20 °	up to 120 °	2
THIN 425 Black	TURN 120°	Bedroom	26-55" / 66-140 cm	400 x 400 mm	18 kg / 40 lbs	3.5 cm	30 cm	up to 20 °	up to 120 °	2
THIN 550 Black	TURN 120°	Living room	40-100" / 102-254 cm	600 x 400 mm	70 kg / 154 lbs	5.8 cm	63 cm	up to 20 °	up to 120 °	
THIN 515 Black	TILT 15°	Living room	40-65" / 102-165 cm	600 x 400 mm	25 kg / 55 lbs	2 cm		up to 15 °		
THIN 415 Black	TILT 15°	Bedroom	26-55" / 66-140 cm	400 x 400 mm	18 kg / 40 lbs	2 cm		up to 15 °		
THIN 505 Black	FLAT	Living room	40-65" / 102-165 cm	600 x 400 mm	40 kg / 88 lbs	1.5 cm				
THIN 405 Black	FLAT	Bedroom	26-55" / 66-140 cm	400 x 400 mm	25 kg / 55 lbs	1.5 cm				
WALL 3345 Black	TURN 180°	Living room	40-65" / 102-165 cm	600 x 400 mm	30 kg / 66 lbs	5.5 cm	54 cm	up to +20 °	up to 180 °	3
WALL 3345 White	TURN 180°	Living room	40-65" / 102-165 cm	600 x 400 mm	30 kg / 66 lbs	5.5 cm	54 cm	up to +20 °	up to 180 °	3
WALL 3245 Black	TURN 180°	Living room	32-55" / 81-140 cm	400 x 400 mm	20 kg / 44 lbs	5.3 cm	54 cm	up to +20 °	up to 180 °	3
WALL 3245 White	TURN 180°	Living room	32-55" / 81-140 cm	400 x 400 mm	20 kg / 44 lbs	5.3 cm	54 cm	up to +20 °	up to 180 °	3
WALL 3145 Black	TURN 180°	Living room	19-40" / 48-102 cm	200 x 200 mm	15 kg / 33 lbs	7 cm	41 cm	up to +10/-10 °	up to 180 °	3
WALL 3145 White	TURN 180°	Living room	19-40" / 48-102 cm	200 x 200 mm	15 kg / 33 lbs	7 cm	41 cm	up to +10/-10 °	up to 180 °	3
WALL 3325 Black	TURN 120°	Living room	40-65" / 102-165 cm	600 x 400 mm	30 kg / 66 lbs	5.3 cm	32 cm	up to +20 °	up to 120 °	2
WALL 3225 Black	TURN 120°	Living room	32-55" / 81-140 cm	400 x 400 mm	20 kg / 44 lbs	5.3 cm	32 cm	up to +20 °	up to 120 °	2
WALL 3125 Black	TURN 120°	Living room	19-40" / 48-102 cm	200 x 200 mm	15 kg / 33 lbs	5.8 cm	24 cm	up to +10/-10 °	up to 120 °	2
WALL 1020 Black	TURN 60°	Bedroom	17-26" / 43-66 cm	100 x 100 mm	15 kg / 33 lbs	7 cm		up to +10/-10 °	up to 60 °	1
WALL 1120 Black	TURN 60°	Bedroom	19-37" / 48-94 cm	200 x 200 mm	15 kg / 33 lbs	7 cm		up to +10/-10 °	up to 60 °	1
WALL 3315 Black	TILT 15°	Living room	40-65" / 102-165 cm	600 x 400 mm	40 kg / 88 lbs	3.7 cm		up to +15 °		
WALL 3215 Black	TILT 15°	Living room	32-55" / 81-140 cm	400 x 400 mm	30 kg / 66 lbs	3.7 cm		up to +15 °		
WALL 3115 Black	TILT 15°	Living room	19-40" / 48-102 cm	200 x 200 mm	20 kg / 44 lbs	5.1 cm		up to +15 °		
WALL 3305 Black	FLAT	Living room	40-100" / 102-254 cm	600 x 400 mm	80 kg / 176 lbs	2.3 cm				
WALL 3205 Black	FLAT	Living room	32-55" / 81-140 cm	400 x 400 mm	50 kg / 110 lbs	2.3 cm				
WALL 3105 Black	FLAT	Living room	19-40" / 48-102 cm	200 x 200 mm	20 kg / 44 lbs	2.3 cm				
WALL 3450 Black	TURN 120°	Living room	55-100" / 140-254 cm	800 x 400 mm	55 kg / 121 lbs	10.8 cm	61 cm	up to +15/-15 °	up to 120 °	3



	App controlled	Automatic motion	Integrated sound	Designed for OLED TV	TUV certified	Colour	Guarantee	Item nr.	EAN code single carton	# in outer carton	Page
	✓	✓	✓		✓	Black with aluminium details	Life time*	8737080	8712285330643	1	7
			✓		✓	Black with aluminium details	Life time*	8735080 + 0887010	8712285330629 + 8712285330780	1	8
	✓	✓			✓	Black with aluminium details	Life time*	8734070	8712285330605	1	9
					✓	Black with aluminium details	Life time	8733070	8712285325304	2	9
	✓	✓		Ideal for OLED TVs	✓	Black with aluminium details	Life time*	8738170	8712285338120	1	10
				LG OLED G6, E6, C6 and B6	✓	Black with aluminium details	Life time	8738070	8712285334863	2	10
				Ideal for OLED TVs	✓	Black	Life time	8395460	8712285338144	3	15
					✓	Black	Life time	8395450	8712285335044	3	16
					✓	White	Life time	8395451	8712285335068	3	16
					✓	Black	Life time	8394450	8712285334948	3	16
					✓	White	Life time	8394451	8712285334962	3	16
					✓	Black	Life time	8395250	8712285335020	3	17
					✓	Black	Life time	8394250	8712285334924	3	17
					✓	Black	Life time	8395500	8712285335082	2	18
					✓	Black	Life time	8395150	8712285335006	5	19
					✓	Black	Life time	8394150	8712285334900	6	19
				Ideal for OLD TVs	✓	Black	Life time	8395050	8712285334986	6	20
				Ideal for OLD TVs	✓	Black	Life time	8394050	8712285334887	6	20
					✓	Black	Life time	8353130	8712285335525	3	23
					✓	White	Life time	8353131	8712285335549	3	23
					✓	Black	Life time	8353120	8712285335426	3	23
					✓	White	Life time	8353121	8712285335440	3	23
					✓	Black	Life time	8353110	8712285335327	3	24
					✓	White	Life time	8353111	8712285335341	3	24
					✓	Black	Life time	8352130	8712285335501	3	24
					✓	Black	Life time	8352120	8712285335402	3	25
					✓	Black	Life time	8352110	8712285335303	3	25
					✓	Black	Life time	8351060	8712285320620	3	26
					✓	Black	Life time	8351070	8712285320668	3	26
					✓	Black	Life time	8351130	8712285335488	3	27
					✓	Black	Life time	8351120	8712285335389	3	27
					✓	Black	Life time	8351110	8712285335280	3	27
					✓	Black	Life time	8350130	8712285335464	3	28
					✓	Black	Life time	8350120	8712285335365	3	28
					✓	Black	Life time	8350110	8712285335266	5	28
					✓	Black	Life time	8354140	8712285335600	1	29

\*2 years guarantee on electronic parts

WALL 3350 Black	TURN 120°	Living room	40-65" / 102-165 cm	600 x 400 mm	45 kg / 99 lbs	9.8 cm	60 cm	up to +15/-15°	up to 120°	3
WALL 3250 Black	TURN 120°	Living room	32-55" / 81-140 cm	400 x 400 mm	35 kg / 77 lbs	9.4 cm	46 cm	up to +15/-15°	up to 120°	3
EFW 8105 Black	FLAT	Bedroom	19-40" / 48-102 cm	200 x 200 mm	20 kg / 44 lbs	2 cm				
EFW 8206 Black	FLAT	Living room	32-55" / 81-140 cm	500 x 400 mm	30 kg / 66 lbs	2.2 cm				
EFW 8305 Black	FLAT	Living room	40-80" / 102-203 cm	800 x 450 mm	70 kg / 154 lbs	2.4 cm				

## TV STUD ADAPTER FOR TV BRACKETS

Type nr.	Description	Stud mounting	Max. distance stud frames	Suitable for	Max. weight
THIN 595 Black	Stud adapter for TV brackets	Double stud	60 cm	THIN 550, THIN 546, THIN 545, THIN 525	70 kg / 154 lbs

## TV BRACKET ACCESSORIES

Type nr.	Description	Universal	Suitable for # cables	Can be combined with	Length	Width	Depth
NEXT 7840 ALU	Cable Column	✓	10	NEXT 7825	100 cm	13 cm	2 cm
NEXT 7825 Black	AV Multi Support	✓		NEXT 7840, CABLE 10 L		67 cm	31 cm
OPHANG		✓		NEXT OP1, NEXT OP2			
CABLE 10 L Silver	Cable column	✓	10	AV 10 MULTI SUPPORT, NEXT 7825 (max 4)	94 cm	13.2 cm	
AV 10 MULTI SUPPORT Silver	AV Multi support	✓		CABLE 10 L, NEXT 7840			
CABLE 4 Black	Universal Cable Cover	✓	4		94 cm	4.5 cm	
CABLE 4 White	Universal Cable Cover	✓	4		94 cm	4.5 cm	
CABLE 8 Black	Universal Cable Cover	✓	8		94 cm	7 cm	
CABLE 8 White	Universal Cable Cover	✓	8		94 cm	7 cm	

## TV FLOOR STANDS

Type nr.	Description	Generally used for	Screen size	Max. VESA	Max. TV weight	Placement	Adjustability	
						Floor	Turn	Height
NEXT OP1 Oak		Living room	46-70" / 117-178 cm	400 x 400 mm	40 kg / 88 lbs	✓		
NEXT OP2 Oak		Living room	50-77" / 127-196 cm	400 x 400 mm	45 kg / 99 lbs	✓		
EFF 8230 Black	TURN 60°	Living room	19-40" / 48-102 cm	200 x 200 mm	30 kg / 66 lbs	✓	up to 60°	up to 120 cm
EFF 8330 Black	TURN 60°	Living room	40-65" / 102-165 cm	800 x 450 mm	45 kg / 99 lbs	✓	up to 60°	up to 120 cm
EFF 8340 Black	TURN 60°	Living room	40-65" / 102-165 cm	800 x 450 mm	45 kg / 99 lbs	✓	up to 60°	up to 120 cm
EFF 8340 White	TURN 60°	Living room	40-65" / 102-165 cm	800 x 450 mm	45 kg / 99 lbs	✓	up to 60°	up to 120 cm

				✓	Black	Life time	8354130	8712285335587	2	29
				✓	Black	Life time	8354120	8712285335563	2	29
				✓	Black	Life time	8381050	8712285315404	8	31
				✓	Black	Life time	8382060	8712285329142	4	31
				✓	Black	Life time	8383050	8712285315527	4	31

	TUV certified	Colour	Guarantee	Item nr.	EAN code single carton	# in outer carton	Page
		Black	Life time	8395950	8712285335228	1	21

	Max. weight	TUV certified	Colour	Guarantee	Item nr.	EAN code single carton	# in outer carton	Page
	40 kg / 88 lbs	✓	Aluminium	Life time	8736074	8712285325342	4	11
	10 kg / 22 lbs	✓	Aluminium	Life time	8736070	8712285325328	2	11
	5 kg / 11 lbs	✓	Aluminium	2 years	8746292	8712285337529	1	13
	40 kg / 88 lbs	✓	Silver	Life time	8357434	8712285323089	10	41
	10 kg / 22 lbs	✓	Silver	Life time	8357444	8712285323102	3	41
			Black	Life time	8387400	8712285316807	10	42
			White	Life time	8387401	8712285316821	10	42
			Black	Life time	8387410	8712285316869	10	42
			White	Life time	8387411	8712285316821	10	42

	CIS* - Cable inlay system	TUV certified	Colour	Guarantee	Item nr.	EAN code single carton	# in outer carton	Page
	✓	✓	Wood	2 years	8743232	8712285337543	1	12
	✓	✓	Wood	2 years	8743242	8712285342127	1	12
	✓	✓	Black	Life time	8382300	8712285317866	1	33
	✓	✓	Black	Life time	8383300	8712285317880	1	33
	✓	✓	Black	Life time	8383400	8712285315565	1	33
	✓	✓	White	Life time	8383401	8712285316425	1	33

## SPEAKER WALL MOUNTS & STANDS

Type nr.	Description	Speaker category	Adjustability			Max. weight	Placement
			Tilt	Turn	Height		
SOUND 5201 Black		Denon HEOS 1	up to +/-30 °	up to 70 °			Wall
SOUND 5201 White		Denon HEOS 1	up to +/-30 °	up to 70 °			Wall
SOUND 5203 Black		Denon HEOS 3	up to +/-30 °	up to 70 °			Wall
SOUND 5203 White		Denon HEOS 3	up to +/-30 °	up to 70 °			Wall
SOUND 5313 Black		Denon HEOS 1, Denon HEOS 3			up to 82 cm		Floor
SOUND 5313 White		Denon HEOS 1, Denon HEOS 3			up to 82 cm		Floor
SOUND 4201 BLACK SONOS ONE & PLAY:1			up to +/-30 °	up to 70 °			Wall
SOUND 4201 WHITE SONOS ONE & PLAY:1			up to +/-30 °	up to 70 °			Wall
SOUND 4203 Black	Wall bracket for Sonos PLAY:3	Sonos PLAY:3	up to +/-30 °	up to 70 °			Wall
SOUND 4203 White	Wall bracket for Sonos PLAY:3	Sonos PLAY:3	up to +/-30 °	up to 70 °			Wall
SOUND 4301 BLACK SONOS ONE & PLAY:1					up to 82 cm		Floor
SOUND 4301 WHITE SONOS ONE & PLAY:1					up to 82 cm		Floor
SOUND 4303 Black	Floor stand for Sonos PLAY:3	Sonos PLAY:3			up to 82 cm		Floor
SOUND 4303 White	Floor stand for Sonos PLAY:3	Sonos PLAY:3			up to 82 cm		Floor
SOUND 4113 Black	For SONOS ONE, PLAY:1/3	Sonos PLAY:1, Sonos PLAY:3	up to +10 °	up to 360 °			Table top
SOUND 4113 White	For SONOS ONE, PLAY:1/3	Sonos PLAY:1, Sonos PLAY:3	up to +10 °	up to 360 °			Table top
SOUND 3305 Black	Universal loudspeaker floor stand	Sonos PLAY:5, Large, Denon HEOS 5			up to 75 cm	6.5 kg / 14 lbs	Floor
SOUND 3305 White	Universal loudspeaker floor stand	Sonos PLAY:5, Large, Denon HEOS 5			up to 75 cm	6.5 kg / 14 lbs	Floor
SOUND 3205 Black	Universal loudspeaker wall mount	Sonos PLAY:5, Large, Denon HEOS 5, Denon HEOS 7	up to 0/-10 °	up to 70 °		6.5 kg / 14 lbs	Wall
SOUND 3205 White	Universal loudspeaker wall mount	Sonos PLAY:5, Large, Denon HEOS 5, Denon HEOS 7	up to 0/-10 °	up to 70 °		6.5 kg / 14 lbs	Wall
SOUND 3200 Black	Universal loudspeaker wall mount	Small	up to +/-30 °	up to 70 °		5 kg / 11 lbs	Wall
SOUND 3200 White	Universal loudspeaker wall mount	Small	up to +/-30 °	up to 70 °		5 kg / 11 lbs	Wall
VLB 500 Black	Loudspeaker wall mount	Medium		up to 180 °		5 kg / 11 lbs	Wall
VLB 500 Silver	Loudspeaker wall mount	Medium		up to 180 °		5 kg / 11 lbs	Wall
VLB 200 Black	Loudspeaker wall mount	Large		up to 90 °		20 kg / 44 lbs	Wall
VLS 615 Silver	Loudspeaker stand	Small				1.5 kg / 3 lbs	Floor

## SOUND BAR BRACKETS

Type nr.	Description	Universal	Must be combined with	Max Sound Bar weight	Max. pitch between holes
SOUND 1250 Black	Universal Sound Bar mount	✓	any swivel TV wall mount	20 kg / 44 lbs	
SOUND 3450 ALU	Universal Sound Bar mount	✓	any swivel TV wall mount	10 kg / 22 lbs	68 cm

	Loudspeaker fixture		CIS* - Cable inlay system	TUV certified	Colour	Guarantee	Item nr.	EAN code single carton	# in outer carton	Page
	Screws	Clamping								
✓				✓	Black	5 years	8155210	8712285333804	4	45
✓				✓	White	5 years	8155211	8712285333828	4	45
✓				✓	Black	5 years	8155230	8712285333842	4	45
✓				✓	White	5 years	8155231	8712285333866	4	45
✓			✓	✓	Black	5 years	8155300	8712285333880	2	45
✓			✓	✓	White	5 years	8155301	8712285333903	2	45
✓				✓	Black	5 years	8152020	8712285341403	4	46
✓				✓	White	5 years	8152021	8712285341427	4	46
✓				✓	Black	5 years	8152030	8712285329661	4	46
✓				✓	White	5 years	8152031	8712285329685	4	46
✓			✓	✓	Black	5 years	8153020	8712285341441	2	47
✓			✓	✓	White	5 years	8153021	8712285341465	2	47
✓			✓	✓	Black	5 years	8153030	8712285329821	2	47
✓			✓	✓	White	5 years	8153031	8712285329845	2	47
✓				✓	Black	5 years	8154100	8712285334443	4	47
✓				✓	White	5 years	8154101	8712285334467	4	47
✓				✓	Black	5 years	8153350	8712285337345	2	48
✓				✓	Black	5 years	8153351	8712285337369	2	48
✓				✓	Black	5 years	8153250	8712285337307	2	48
✓				✓	White	5 years	8153251	8712285337321	2	48
✓				✓	Black	5 years	8152000	8712285329586	4	49
✓				✓	White	5 years	8152001	8712285329616	4	49
✓				✓	Black	Life time	8105000	8712285314186	6	49
✓				✓	Silver	Life time	8105004	8712285312564	6	49
	✓		✓	✓	Black	Life time	8120200	8712285001024	3	50
✓			✓	✓	Silver	Life time	8200154	8712285310324	2	50

	Max.VESA	Colour	Guarantee	Item nr.	EAN code single carton	# in outer carton	Page
		Black	Life time	8151250	8712285326462	4	51
		Aluminium	Life time	8153450	8712285326684	4	51

## TABLET HOLDERS

Type nr.	Description	Generally used for	Pack includes	Suitable for			Can be combined with
				All Tablet brands	Tablet size	Tablet thickness	
TMS 1010	Tablet Wall Pack	Bathroom	Tablet Holder + Wall Mount	✓	7-13" / 18-33 cm	0.5 - 1.3 cm	
TMS 1030	Tablet Flex Pack	Kitchen	Tablet Holder + Flex Mount	✓	7-13" / 18-33 cm	0.5 - 1.3 cm	
TMS 1020	Tablet Car Pack	Back of headrest	Tablet Holder + Car Mount	✓	7-13" / 18-33 cm	0.5 - 1.3 cm	
TMS 1050	Tablet Dashboard Pack	Windscreen	Tablet Holder + Dashboard Mount	✓	7-13" / 18-33 cm	0.5 - 1.3 cm	
TMM 1000	Tablet Holder	Anywhere	Tablet Holder	✓	7-13" / 18-33 cm	0.5 - 1.3 cm	

## PROJECTOR MOUNTS

Type nr.	Description	Max. weight	Mounting Range Ø	Adjustability				Placement	
				Tilt	Turn	Roll	Height	Ceiling	Wall
EPC 6545 Silver	Projector ceiling solution	10 kg / 22 lbs	Ø 3 - 32.3 cm	up to 20 °	up to 360 °	✓		✓	
EPW 6565 Silver	Projector wall solution	10 kg / 22 lbs	Ø 3 - 32.3 cm	up to 20 °	up to 360 °	✓			✓

## SMART AV ACCESSORIES

Type nr.	Description	AV		Audio		Infrared		IR Frequency range
		Input	Output	Input	Output	Input	Output	
SAVA 1026	HDMI transmitter	4x HDMI	1x HDMI	HDMI on transmitter and receiver	1x Toslink (optical), 1x Coaxial (RCA)	2x RCA (left/right)		kHz
SAVA 1022								
SAVA 1041	3x RCA (video, L/R audio)		1x HDMI	Stereo	1x Toslink (optical), 1x Coaxial (RCA)	1x Toslink (optical), 1x Coaxial (RCA)	1x 3.5mm jack plug	2x 2.5mm jack plug
SAVA 1031								
SAVA 1021								
SAVA 1014								
SAVA 1001					3.5 mm jack (stereo), Toslink digital (stereo)	3.5 mm jack (stereo), Toslink digital (stereo)		kHz

	Min. distance to the wall	Max. distance from the wall	Adjustability		Guarantee	Item nr.	EAN code single carton	# in outer carton	Page
			Tilt	Rotate					
	0.5 cm	20 cm		up to 360 °	5 years	8371010	8712285326707	6	53
	4 cm		up to 90 °	up to 360 °	5 years	8371030	8712285326745	6	53
			up to 15 °	up to 360 °	5 years	8371020	8712285326721	6	54
			up to 110 °	up to 360 °	5 years	8371500	8712285326769	6	54
					5 years	8370100	8712285326806	10	55

	Distance to the ceiling / wall	CIS* - Cable inlay system	TUV certified	Colour	Guarantee	Item nr.	EAN code single carton	# in outer carton	Page
	7.6 cm	✓	✓	Silver	5 years	8027454	8172285311420	3	43
	4.3 cm	✓	✓	Silver	10 years	8023645	8172285311444	3	43

	Bluetooth	Set includes	Guarantee	Item nr.	EAN code single carton	# in outer carton	Page
		Switch device   hdmi slimline cable (3m)   powersupply	2 years	8310263	8712285339608	12	35
		Wireless transmitter   wireless receiver   2 hdmi cables ( one of 3m and of 1.5m) powersupply	2 years	8310223	8712285339547	5	35
		Audio converter   RCA to RCA audio cable (3m)   Coaxial cable (0.5m)   Toslink cable (0.5m)   Power supply	2 years	8410413	8712285339585	20	36
		Audio converter   coaxial cable (3 m)   toslink cable (0.5m)   power supply	2 years	8310313	8712285339561	20	36
		AV to HDMI converter   SCART to RCA adapter   RCA cable (1.5m)   HDMI cable (3m)   Mini USB power cable + power supply	2 years	8310213	8712285339646	12	37
		IR module   IR receiver (3m)   2x IR cable with 1 blaste LED   Power supply	2 years	8310143	8712285339622	20	38
	✓	Bluetooth device   optical cable(1.2 m)   stereo jack cable (1.5m) powersupply	2 years	8310073	8712285339523	20	39

**Follow Vogel's**

[Vogels.com](http://Vogels.com)

[Facebook.com/vogelsexperience](https://Facebook.com/vogelsexperience)

[Pinterest.com/xperience](https://Pinterest.com/xperience)

[Linkedin.com/company/vogels](https://Linkedin.com/company/vogels)



Also available:  
Vogel's Pro-AV catalogue  
gives a complete overview of  
all Vogel's mounting solutions  
for the professional market.

