



**THE BEST SUPPORT  
FOR YOUR AV & IT HARDWARE**  
T: + 31(0)23-5478888 | E: info@newstar.eu | W: www.newstar.eu

## NM-W125BLACK

## NEWSTAR FLAT SCREEN WALL MOUNT

Newstar TV/Monitor Wall Mount (tiltable) for  
10"-40" Screen - Black



### SPECIFICATIONS

Color	Black
Distance to wall	3,5 cm
Height adjustment	None
Max. screen size	40
Max. weight	20
Min. screen size	10
Min. weight	0
Screens	1
Tilt (degrees)	15°
Type	Tilt
VESA maximum	200x200 mm
VESA minimum	75x75 mm
Warranty	5 year
EAN code	8717371444976

The NewStar wall mount, model NM-W125BLACK is a tiltable wall mount for flat screens up to 40". This mount is a great choice when you want the ultimate viewing flexibility with your flat screen.

NewStars' tilt (15°) technology allows the mount to change to a viewing angle to fully benefit from the capabilities of the flat screen. Ideal for flat screens that are mounted higher on the wall. The depth of this mount is 3,5 centimetres.

NewStar NM-W125BLACK is suitable for screens up to 40" (100 cm). The weight capacity of this product is 20 kg. The wall mount is suitable for screens that meet VESA hole pattern 75x75 to 200x200 mm.

Create a clean design ambiance for your flat screen TV in a living room, bedroom or public environment.

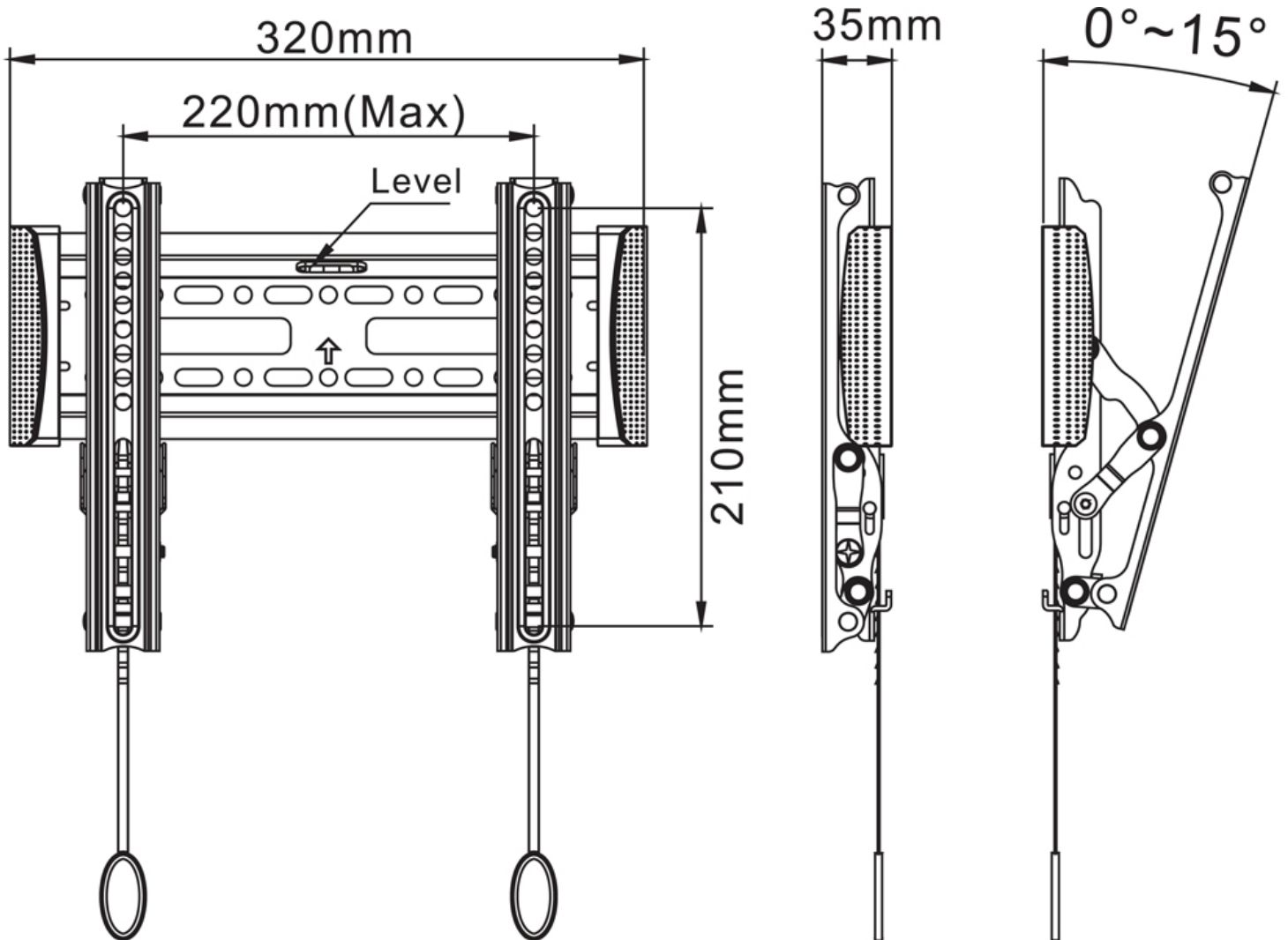
All installation material is included with the product.



THE BEST SUPPORT  
FOR YOUR AV & IT HARDWARE  
T: +31(0)23-5478888 | E: info@newstar.eu | W: www.newstar.eu

# NM-W125BLACK

# NEWSTAR FLAT SCREEN WALL MOUNT



NewStar Products Europe B.V.  
Wateringweg 62/B  
2031 EJ HAARLEM  
THE NETHERLANDS

Phone : +31(0)23-5478888  
Fax : +31(0)23-5478889  
Email : info@newstar.nl  
Website : www.newstar.eu

NewStar cannot be held liable for any inaccuracies and copyrights.  
No part of this publication may be reproduced and/or published by print, photocopy, microfilm or in any other way, without prior written permission of NewStar Computer Products Europe BV.