

HCF SERIES
SAND FILTERS

UNIVERSAL H-SERIES
ASME HEATER

HCP 3000
SERIES PUMP

MULTI-PORT VALVE

SALINE C® SERIES
POWER SUPPLY

Experience the Innovation.

Performance » Efficiency » Durability » Total Pool Management



CAT CONTROLLERS® WITH
REMOTE MONITORING

HYDRORITE® UV
CONTROLLER

TIGERSHARK™ 2

pH CHEMICAL
FEED SYSTEM

HYDRORITE® UV VESSEL

SALINE C®
SERIES VESSEL

... FLOW CONTROL VALVES ...

*For illustration purposes only. Not intended to provide guidance on product or plumbing configuration.

INNOVATION MADE EASY.





Pool Equipment and Accessories

HYDRAULIC PERFORMANCE AND RECIRCULATION SYSTEMS	7	Commercial Pumps
	14	Commercial Filters
WATER QUALITY MANAGEMENT SOLUTIONS	21	Commercial Automation
	32	Commercial Sanitization
	39	Commercial Cleaners
AMBIANCE AND COMFORT	41	Commercial Lighting
	50	Commercial Water Features
	52	Commercial Heaters
WHITE GOODS AND VALVES	57	Commercial Flow Control
	63	Commercial White Goods

Hayward Commercial Aquatics offers a full range of industry-leading innovative products designed to work together as one total system to help every commercial pool perform at its absolute best. Our products set the technological standard while providing unmatched performance, efficiency, reliability, versatility and ease of operation.

To see our innovation in action, look no further than the superior energy efficiency of a number of our flagship products that reduces power consumption, extend operational lifespan and delivers significant savings for your commercial operation. Or, consider our leading chemistry control and sanitization systems with intuitive salt and UV secondary and supplemental sanitization solutions that provide optimal water quality and safety for pools of all shapes and sizes—and optimal peace of mind for those who manage them.

Speaking of peace of mind, we know that superior products don't mean much without superior service to match. That's why our Commercial Aquatics team is dedicated to providing builders, servicers and pool designers with the tools and personalized support they need to stay at the forefront of commercial pool technology. As true extensions of any pool professional's team, Hayward representatives work hard to help each and every one of our partners succeed, day after day to keep your pool running smoothly.

These are just a few of the many reasons why Hayward is a trusted partner in powering recreational bodies of water around the world. Because bringing commercial pools the innovative products that are easy to operate and maintain is just what we do.

For more information about our partnerships, products and programs—including how to earn rewards on purchases through Totally Hayward®—visit us at HaywardCommercialPool.com.



HCP SERIES
VARIABLE FREQUENCY DRIVE



HYDRORITE® UV
DISINFECTION SYSTEM

A young girl with her arms raised, wearing a yellow bikini, is splashing in a blue pool at the end of a blue water slide. The background shows a sunny outdoor pool area with palm trees and a building.

HYDRAULIC PERFORMANCE AND RECIRCULATION MADE EASY.

DEPENDABILITY, VERSATILITY AND EFFICIENCY DELIVERED.

With our long history of innovation and industry-leading hydraulic performance, Hayward® is dedicated to keeping commercial pools running smoothly and efficiently with no down time required. Our wide assortment of dependable, high-performance pumps and filters provides the easy solution for every commercial pool system.

Commercial Pumps

Hayward Commercial Aquatics offers a complete line of technologically advanced self-priming pumps. From the industry's most energy-efficient model, the variable-speed HCP 2500 Series, to the best-in-class hydraulics and flow rate of our new HCP 3000 Series pumps, we've got pumps that exceed DOE standards and suit any commercial pool.



HCP 2000 SERIES

OUTSTANDING VALUE FOR SEMI-COMMERCIAL USE

- » Available in 0.5 to 5 HP models
- » The industry's most efficient hydraulics for 3 to 5 HP pumps
- » Ribless basket design ensures easy debris removal
- » 2 x 2½" union connections



HCP 2500 SERIES

THE INDUSTRY'S MOST EFFICIENT 2.7 HP VARIABLE-SPEED PUMPS

- » Advanced hydraulic design reduces noise and maximizes energy savings
- » 15-ft communications cable for remote interface mounting
- » Large ribless strainer basket
- » 2 x 2½" union connections



HCP 3000 SERIES

BEST-IN-CLASS FLOW RATE FOR A WIDE RANGE OF POOLS

- » Sets a new standard of flow rate for the 3" union class
- » 7 HP model delivers 250 GPM at 60' of head
- » Chemical-resistant Viton® seal for long-term durability
- » Versatile strainer basket can be mounted remotely
- » Available in 2.0 to 7.0 3-phase models
- » 5.0 HP single-phase model also available
- » Variable-speed model offered in 2.7 HP

As of July 19, 2021, the U.S. Department of Energy adopted new energy-saving regulations on residential (in-ground & above-ground) and commercial (above 1HP & up to 2.5 HP) pool pumps. Hayward is here to help you navigate the change, offering a wide range of regulation-compliant equipment:

DOE-compliant Hayward Pumps: Commercial*

PUMP NAME	DESCRIPTION	SPEED	SKU
HCP 3000	2HP, Three Phase	Single	HCP30203
	2.7THP, Single Phase	Variable	HCP3020VSP
	3HP, Three Phase	Single	HCP30303
	5HP, Three Phase	Single	HCP30503
	5HP, Single Phase	Single	HCP30501
	7HP, Three Phase	Single	HCP30703
HCP 2500	TriStar® VS C	Variable	HCP2500VSP
HCP 2000	0.5HP TriStar 3PH 208-230/460V	Single	HCP20053
	0.75HP TriStar 3PH 208-230/460V	Single	HCP20073
	1HP TriStar 3PH 208-230/460V	Single	HCP20103
	1.5HP TriStar 3PH 208-230/460V	Single	HCP20153
	2HP TriStar 3PH 208-230/460V	Single	HCP20203
	3HP TriStar 3PH 208-230/460V	Single	HCP20303
	5HP TriStar 3PH 208-230/460V	Single	HCP20503



Learn more about DOE regulatory changes at [HAYWARD.COM/REGULATIONS](https://www.hayward.com/regulations)

HCP SERIES VARIABLE FREQUENCY DRIVE

Compatible with Hayward HCP Series and many other 208-230/460 VAC commercial pool pumps, the easy-to-install Variable Frequency Drive (VFD) provides all the benefits of a variable-speed pump—including substantial energy savings, improved efficiency, optimized performance and reduced noise levels—without the hassle of replacing the existing pump.



- » **Increases pump efficiency** for energy savings up to 50%
- » **Adjustable pump motor speed** matches the necessary flow rate for various pool sizes
- » **OLED multi-language display** and touch screen provide intuitive navigation between menu options
- » **System matching** provides compatibility and seamless integration with Hayward HCP Series pumps and most other competitive pumps*
- » **Built-in software** measures and displays run hours and kWh meters
- » **Mountable** with direct wiring to pump power supply for fast, effortless installation
- » **Delivers greater than 98% efficiency**, saving energy and money
- » **1-year limited warranty** on field and factory labour
- » **2-year limited warranty** if installed with a Hayward HCP Series Pump



HAYWARD HCP SERIES COMPATIBLE PUMPS**



HCP 2000 SERIES



HCP 3000 SERIES



HCP 4000 SERIES

SPECIFICATIONS

PART NUMBER	DESCRIPTION
HCPVFD1400413P ¹	2.0HP, 3-Phase 460V input/output — NEMA4X — IP66
HCPVFD2201051P ²	2.0/3.0HP, 1-Phase 208 - 230V Input, 3-Phase 208-230V output — NEMA4X — IP66***
HCPVFD2201053P ¹	2.0/3.0HP, 3-Phase 208-230V input/output — NEMA4X — IP66
HCPVFD2400583P ¹	3.0HP, 3-Phase 460V input/output — NEMA4X — IP66
HCPVFD2400953P ¹	5.5HP, 3-Phase 460V input/output — NEMA4X — IP66
HCPVFD3201531P ²	5.5HP, 1-Phase 208-230V Input, 3-Phase 208-230V output — NEMA4X — IP66***
HCPVFD3201803P ¹	5.5HP, 3-Phase 208-230V input/output — NEMA4X — IP66
HCPVFD3202403P ¹	7.5HP, 3-Phase 208-230V input/output — NEMA4X — IP66
HCPVFD3401403P ¹	7.5/10.0HP, 3-Phase 460V input/output — NEMA4X — IP66
HCPVFD3401803P ¹	12.5HP, 3-Phase 460V input/output — NEMA4X - IP66
HCPVFD3402403P ¹	15.0HP, 3-Phase 460V input/output — NEMA4X — IP66
HCPVFD4203003P ¹	10.0HP, 3-Phase 208-230V input/output — NEMA4X — IP66
HCPVFD4204603P ¹	12.5/15.0HP, 3-Phase 208-230V input/output — NEMA4X — IP66
HCPVFD421501P ²	7.5HP, 1-Phase 230V input, 3-Phase 230V output — NEMA12 — IP55***
HCPVFD4403003P ¹	20.0HP, 3-Phase 460V input/output — NEMA4X — IP66
HCPVFD4403903P ¹	25.0HP, 3-Phase 460V input/output — NEMA4X — IP66
HCPVFD4404603P ¹	30.0HP, 3-Phase 460V input/output — NEMA4X — IP66
HCPVFD520201P ²	10.0HP, 1-Phase 230V input, 3-Phase 230V output — NEMA12 — IP55***
HCPVFD520251P ¹	12.5HP, 1-Phase 230V input, 3-Phase 230V output — NEMA12 — IP55***
HCPVFD620301P ¹	15.0HP, 1-Phase 230V input, 3-Phase 230V output — NEMA12 — IP55***
HCPVFD620401P ¹	20.0HP, 1-Phase 230V input, 3-Phase 230V output — NEMA12 — IP55***
HCPVFD620501P ¹	25.0HP, 1-Phase 230V input, 3-Phase 230V output — NEMA12 — IP55***
HCPVFD620601P ¹	30.0HP, 1-Phase 230V input, 3-Phase 230V output — NEMA12 — IP55***

¹Not Compatible with Class A GFCI circuit breakers. Check your local electrical code requirements.
²Compatible with Siemens QF Series Class A GFCI circuit breakers.

*Contact your local Hayward representative for details on compatible competitive pumps
 ** Only applies to single-speed and 3-phase models
 *** NEMA 4X-rated
 **** NEMA 12-rated

HCP 3000 SERIES PUMPS

HCP 3000 Series pumps are game changers in commercial pump performance and versatility. Engineered for durability, they set a new flow rate standard for the 3" union class. A variety of power options from 5HP single- or 3-phase and 7 HP three-phase, and single or variable speed, means you can provide the optimum solution for a wide range of pools, delivering maximum performance without compromising efficiency.



- » **Suitable for** virtually any small- to mid-sized commercial pool
- » **First 3" pumps to achieve hydraulic performance** of more than 250 gallons per minute at 60' of head [7 HP model], saving more energy than any comparable pump on the market
- » **Modern totally enclosed fan-cooled (TEFC) motors** in all models provide a higher level of reliability
- » **Chemical-resistant Viton® seal** for long-term durability
- » **Removable, oversized strainer basket** reduces daily cleaning and maintenance and can be remotely mounted for increased versatility
- » **2.5" x 3" union connections** for simple, drop-in replacement in almost any application
- » **2.7 HP variable-speed** version available
- » **Available in single- or 3-phase**
- » **Ports are compatible with most other equipment brands**
- » **3-year** limited warranty on parts
- » **3-year** limited warranty on all single-speed models*
- » **NSF/ANSI Standard 50 Certified**

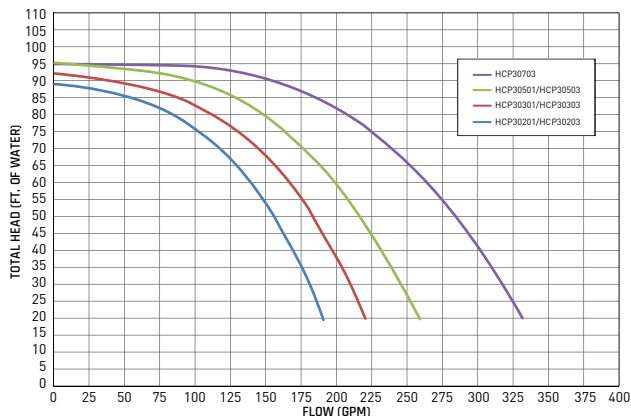


TECHNICAL SPECIFICATIONS

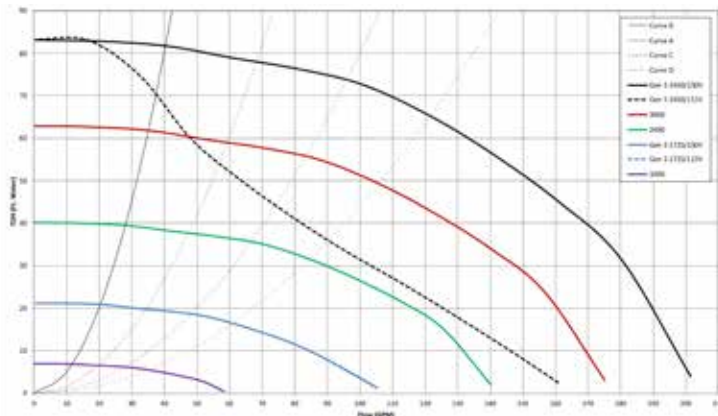
PART NUMBER	RATED HORSEPOWER	VOLTAGE	RATED CURRENT (AMPS)	HZ	WEIGHTED ENERGY FACTOR (WEF)	CTN. QTY.	CTN. WT. (LBS.)
HCP3020VSP	2.7	230V Single Phase, Variable Speed	10.9	50	7.2	1	65.0
HCP3020VSP		115V Single Phase, Variable Speed		50	10.0		
HCP30501	5.0	208-230V Single Phase, Single Speed	21.0-20.0	60	2.0	1	102.0
HCP30203	2.0	208-230/460V 3-Phase, Single Speed	6.1-6.0/3.0	50/60	2.4	1	91.0
HCP30203C	2.0	330-575V 3-Phase, Single Speed	2.4	50/60		1	91.0
HCP30303	3.0	208-230/460V 3-Phase, Single Speed	9.2-9.0/4.5	50/60	2.3	1	96.0
HCP30303C	3.0	330-575V 3-Phase, Single Speed	3.8	50/60		1	96.0
HCP30503	5.0	208-230/460V 3-Phase, Single Speed	13.6-13.2/6.6	50/60	2.1	1	102.0
HCP30503C	5.0	330-575V 3-Phase, Single Speed	5.4	50/60		1	102.0
HCP30703	7.0	230/460V 3-Phase, Single Speed	19.8-17.2/8.6	50/60	1.6	1	107.0
HCP30703C	7.0	330-575V 3-Phase, Single Speed	7.2	50/60		1	107.0

*When installed on a residential application, VSP model has a 4-year limited warranty, and single-speed models have a 3-year limited warranty.

HCP 3000 SERIES PERFORMANCE DATA 60HZ
(SINGLE- AND 3-PHASE MODELS)



HCP3020VSP PERFORMANCE DATA



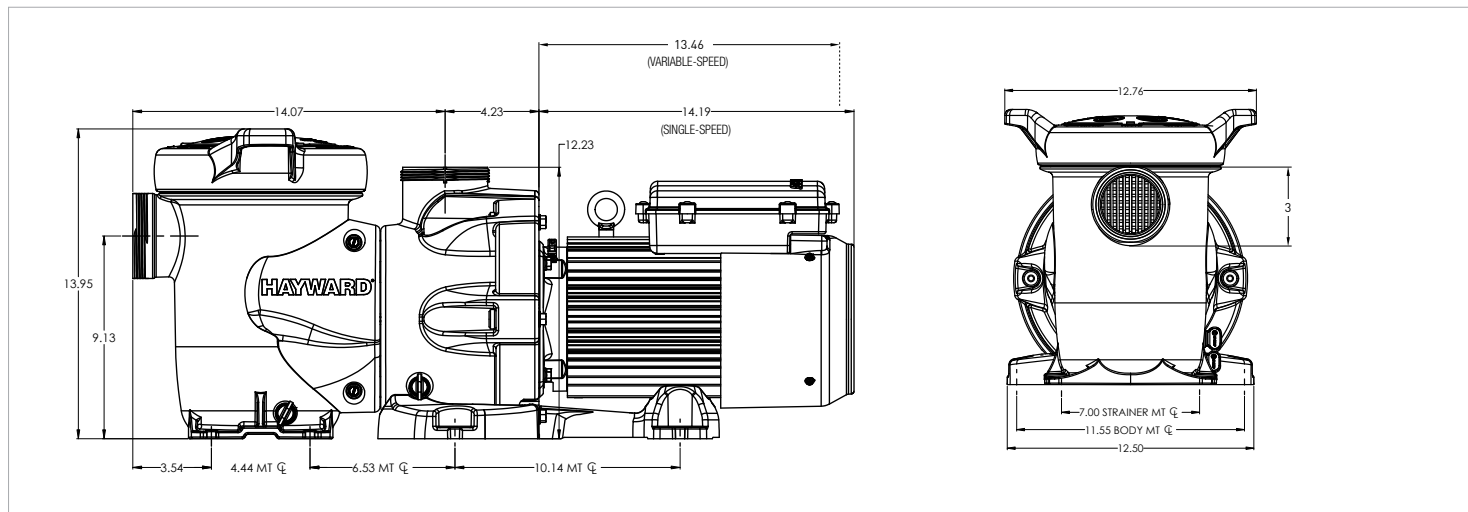
PUMP OUTPUT (GPM) VS. TOTAL RESISTANCE TO FLOW (PER FT OF HEAD)

PART NUMBER	SINGLE PHASE	3-PHASE	HP	40	50	60	70	80	90
				FLOW RATE (GPM)					
—	—	HCP30203	2.0	170	156	140	120	85	—
—	—	HCP30303	3.0	198	185	166	145	115	40
HCP30501	—	HCP30503	5.0	232	217	200	179	150	100
—	—	HCP30703	7.0	303	285	265	240	210	155

PUMP OUTPUT (GPM) VS. TOTAL RESISTANCE TO FLOW (PER FT OF HEAD)

PART NUMBER	RPM	HP	30	40	50	60	70	80	90
			FLOW RATE (GPM)						
HCP3020VSP	3450	182	170	151	133	109	51	40	—
	3000	160	128	104	49	—	—	—	—
	2400	90	21	—	—	—	—	—	—

DIMENSIONS



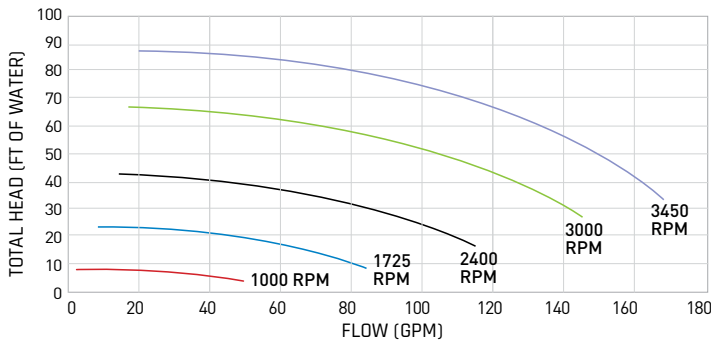
HCP 2500 SERIES PUMPS

TRISTAR® VSC

HCP 2500 is the industry’s most energy-efficient variable-speed pump. It’s fully compliant with energy efficiency regulations such as Title 20 and APSP-15 with up to eight custom speed and timer functions, and its settings can be “locked out” for authorized access only. HCP 2500’s advanced hydraulic design moves water more efficiently, operating at lower RPMs to minimize noise and save pool operators up to 90% on energy costs.

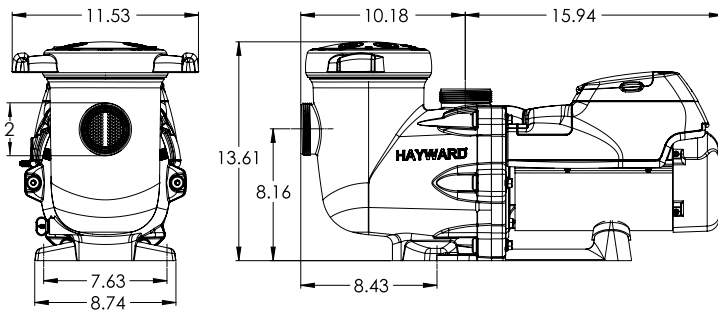


TRISTAR VS C PERFORMANCE DATA



TRISTAR VS C runs efficiently in all of these ranges.

DIMENSIONS



- » **Permanent magnet, totally enclosed fan-cooled (TEFC) motor**
- » **Passcode protection** of configuration menus to prevent unauthorized access to timer or speed settings
- » **Unique on-pump, multi-position digital control interface;** unit can also be detached and wall mounted for added convenience
- » **Large rib-less basket** for extended time between cleanings
- » **15 ft. communications cable** for remote interface mounting
- » **2" x 2½" union connections**
- » **Industry-leading hydraulic design**
- » **Interchangeable bases** for easy retrofitting
- » **3-year** limited warranty
- » **NSF/ANSI Standard 50 Certified**

OPTION 1:
Control interface can be rotated on the pump for convenient access and viewing.

OPTION 2:
For ultimate flexibility, detach the control interface and attach to wall.

TECHNICAL SPECIFICATIONS

PART NUMBER	DESCRIPTION	SPEED RANGE	RATED HORSEPOWER	VOLTAGE	WEIGHTED ENERGY FACTOR (WEF)	CARTON QUANTITY	CARTON WEIGHT (LBS.)
HCP2500VSP*	TriStar VS C	600-3450 RPM	2.7	230/115V Single Phase	7.3/10.1	1	63.0

HCP 2000 SERIES PUMPS

TRISTAR®

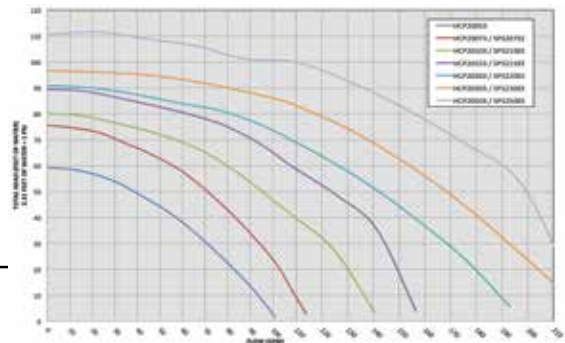
The HCP 2000 features the industry’s most energy-efficient hydraulics with the 3 to 5 HP pumps providing unmatched performance in semi-commercial applications. Easy to install, service and maintain, TriStar outperforms the competition when it comes to flow, efficiency and value. It’s the first to feature a large, ribless strainer basket design that is quick and easy to clean.

- » **2" x 2½" union connections** make installation and servicing fast and easy
- » **Self-priming** (suction lift up to 10' above water level)
- » **Elevated base** ensures better ventilation and protection from flooding
- » **Ribless basket design** ensures easy debris removal. Extra leaf-holding capacity extends time between cleanings
- » **Tri-Lock strainer cover design** seals with less than a quarter turn
- » **3-year** limited warranty
- » **NSF/ANSI Standard 50 Certified**

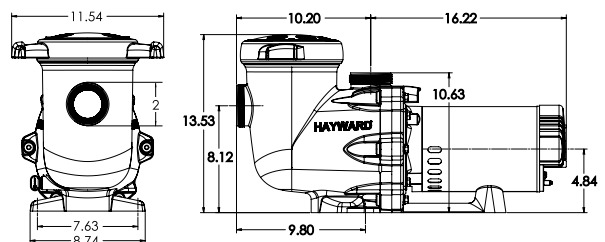


TECHNICAL SPECIFICATIONS

PART NUMBER	RATED H.P.	VOLTAGE 3-PHASE	AMPS	HZ	WEIGHTED ENERGY FACTOR (WEF)	CARTON WEIGHT (LBS.)	PUMP OUTPUT (GPM) VS. TOTAL RESISTANCE TO FLOW PER FT OF HEAD						
							30	40	50	60	70	80	90
HCP20053	0.5	208-230/460	3.8-3.6/1.8	50/60	4.2	41.0	71	51	31	—	—	—	—
HCP20073	0.75	208-230/460	5-4.6/2.3	50/60	3.4	49.0	94	82	71	55	30	—	—
HCP20103	1.0	208-230/460	6.4-5.8/2.9	50/60	3.0	49.0	121	109	55	79	56	3	—
HCP20153	1.5	208-230/460	6.8-7/3.5	50/60	2.7	49.0	144	137	123	108	91	61	—
HCP20203	2.0	208-230/460	8-8.4/4.2	50/60	2.5	49.0	168	155	142	125	108	80	15
HCP20303	3.0	208-230/460	10.8-11.4/5.7	50/60	2.3	49.0	193	181	168	154	138	117	80
HCP20503	5.0	208-230/460	13.4/6.7	50/60	2.0	65.0	210	205	198	190	172	155	135
HCP3207C	0.75	330/575	5-4.6/2.3	50/60		49.0							
HCP3210C	1.0	330/575	6.4-5.8/2.9	50/60		49.0							
HCP3215C	1.5	330/575	6.8-7/3.5	50/60		49.0							
HCP3220C	2.0	330/575	8-8.4/4.2	50/60		49.0							
HCP3230C	3.0	330/575	10.8-11.4/5.7	50/60		49.0							
HCP3250C	5.0	330/575	13.4/6.7	50/60		65.0							



PART NUMBER	RATED H.P.	VOLTAGE SINGLE-PHASE	AMPS	HZ	CARTON WEIGHT (LBS.)
SP3205EE	0.5	115/208-230	8.6/5.0-4.3	60	42.0
SP3207EE	0.75	115/208-230	11.6/7.0-5.8	60	44.0
SP3210EE	1	115/208-230	15.0/8.8-7.5	60	47.0
SP3215EE	1.5	115/208-230	20.0/12.0-10.0	60	51.0
SP3220EE	2	208-230	12.0-11.0	60	51.0
SP3230EE	3	208-230	15.4	60	66.0
SP3250EE	5	208-230	22	60	66.0



Commercial Filters

Hayward® Commercial Aquatics offers the latest in filtration technology with the HCF Series sand filters, well positioned to meet the most demanding commercial filtration requirements. Their heavy-duty fiberglass provides unprecedented flow capacity, innovative features and a 5-year warranty. In addition, our dual-quad-cluster HCF7030C cartridge system features increased hydraulic efficiency to reduce operation costs.

HCF SERIES SAND FILTERS (42" - 63")

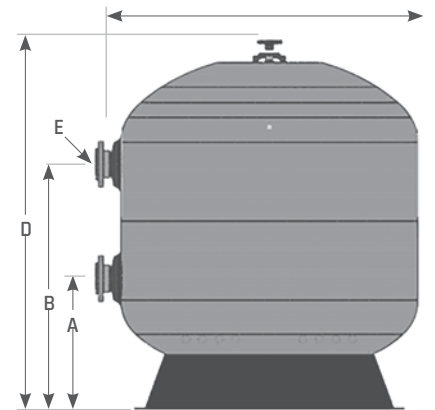
The large-format HCF Series sand filters are designed to provide the ultimate in filtration performance and durability. Larger sizes eliminate the need to use multiple smaller filters, meaning you'll save valuable floor space and reduce installation and plumbing complexity—and simplify maintenance and backwashing, too. Constructed with heavy-duty filament-wound fiberglass, a UV-protected resin and corrosion-proof internals, the large-format HCF Series sand filters offers a powerful, streamlined filtration solution for the recreational water market.



- » **Large-format filters** eliminate the need for multiple smaller filters, saving valuable space while providing flow rates up to 433 GPM
- » **Reduced installation and plumbing complexity** with simplified maintenance and backwashing
- » **Manufactured from heavy-duty filament-wound fiberglass** for high-performance filtration and long-lasting durability
- » **UV-protected resin coat and corrosion-proof internals** protect the filter from even the harshest environments
- » **Large manway mechanism with positive seal** enables easy inspection
- » **Durable fiberglass base** for sturdy installation
- » **Industrial-grade laterals and quad diffusers** improve filtration and lengthen filter cycle time

DIMENSIONS

FILTER MODEL NUMBER	DIMENSIONS (INCHES)					GRAVEL/SAND QTY. LBS.	INSTALLATION CLEARANCE (INCHES)		CARTON WEIGHT LBS.	CARTON DIMENSIONS (LxWxH)
	A	B	C	D	E		VERT.	HOR.		
HCF342C	19.64	31.46	42	48.66	3	225/1400	18	4	224.8	46.1" x 43.3" x 49.2"
HCF348C	27.12	38.94	48	58.03	3	600/2250	18	4	275.5	51.2" x 50" x 57.9"
HCF455C	31.90	48.90	55	74.50	4	500/5300	18	4	599.5	63" x 59.1" x 74.8"
HCF663C	28.22	47.22	67.25	75.82	6	850/6800	18	4	698.7	70.9" x 66.9" x 76.4"



TECHNICAL SPECIFICATIONS & PERFORMANCE DATA

PART NUMBER	HCF342C		HCF348C		HCF455C		HCF663C	
Size of Fiberglass Sand Filter	42"		48"		55"		63"	
Filtration Area/ft ² /M ²	9.83	0.91	13.40	1.24	16.49	1.53	21.64	2.01
Filtration Rate GPM/ft ²	5-20		5-20		5-20		5-20	
Filtration Flow Rate at 15 GPM/ft ² (GPM) (LPM)	147	559	201	762	247	937	325	1230
Filtration Flow Rate at 20 GPM/ft ² (GPM) (LPM)	197	745	268	1014	330	1249	433	1639
Backwash Flow Rate GPM/ft ²	5-20		5-20		5-20		5-20	
Maximum Working Pressure (PSI)	50		50		50		50	
Multiport Valve Part Number	HCV375C		HCV375C		HCV475C		HCV475C	
Inlet/Outlet Connection Type	Union/ANSI Flange*		Union/ANSI Flange*		ANSI Flange*		ANSI Flange*	
Inlet/Outlet Port Diameter	3"		3"		4"		6"	

*Inlet/outlet connection type included.



HCF SERIES SAND FILTERS (30" - 36")

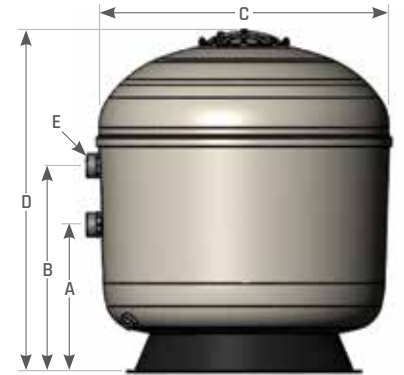
The HCF Series sand filter sets a new standard for performance and longevity in the recreational water market. Designed to improve filtration and lengthen filter cycles, it also includes a **UV-protected gel coat** that shields the filter against the elements, preventing fiberglass blooming. Its secure lid mechanism enables easy inspection, and because it's manufactured from proprietary resins and fiberglass, it's virtually corrosion proof.



- » **34" model** fits through standard 36" doorways with no need to remove the door frame, simplifying replacement installations
- » **36" model** available with 2.5" or 3" connections
- » **High-performance filtration and longer service life**
- » **UV-protected gel coat** protects the filter from the elements and algae blooming
- » **Multi-diffuser distribution heads and oversized laterals** improve filtration and lengthen filter cycle time
- » **Secure manway mechanism** enables easy inspection
- » **Commercial grade, PVC and Polypropylene injection molded slotted laterals** resist corrosion to ensure high performance
- » **Manufactured from proprietary resins and fiberglass** to be virtually corrosion proof

DIMENSIONS

FILTER MODEL NUMBER	DIMENSIONS (INCHES)					SAND QTY. LBS.	INSTALLATION CLEARANCE (INCHES)		CARTON WEIGHT LBS.	CARTON DIMENSIONS (LxWxH)
	A	B	C	D	E		VERT.	HOR.		
HCF230C	16.25	23.75	31.49	42.6	2	600	18	4	108	33.5" x 33.5" x 40.2"
HCF236C	18.75	26.25	37.4	47.6	2.5	900	18	4	167.5	38.6" x 38.6" x 45.7"
HCF336C	18.5	26.22	37.4	47.6	3	900	18	4	180.7	38.6" x 38.6" x 45.7"



TECHNICAL SPECIFICATIONS & PERFORMANCE DATA

PART NUMBER	HCF230C		HCF234C		HCF236C		HCF336C	
Size of Fiberglass Sand Filter	30"		34"		36"		36"	
Filtration Area/ft ² /M ²	4.9	0.45	6.31	0.59	7.05	0.65	7.05	0.65
Filtration Rate GPM/ft ²	5-20		5-20		5-20		5-20	
Filtration Flow Rate at 15 GPM/ft ² (GPM) (LPM)	73	278	94	358	105	400	105	400
Filtration Flow Rate at 20 GPM/ft ² (GPM) (LPM)	98	370	126	476	141	533	141	533
Backwash Flow Rate GPM/ft ²	5-20		5-20		5-20		5-20	
Maximum Working Pressure (PSI)	50		50		50		50	
Multiport Valve Part Number	HCV275C		HCV275C		HCV2575C		HCV375*	
Inlet/Outlet Connection Type	Union**		Union**		Union**		Union/ANSI Flange**	
Inlet/Outlet Port Diameter	2"		2"		2.5"		3"	

*PN HCV375 requires field plumbing
 **Inlet/outlet connection type included.



Image courtesy of **GW Oliver Construction** based in Baton Rouge, Louisiana.

COMMERCIAL MULTIPOINT VALVES

Hayward® Commercial Aquatics' HCF Series Sand Filters can be installed individually or configured in multi-filter banks to suit the filtration requirements of any swimming pool or spa. Hayward Multipoint Valves simplify installation and operation and are engineered for maximum flow and minimal pressure drop. The six-position valves facilitate selection of filter, backwash, waste, rinse, closed or recirculate modes at the turn of a single lever.

- » **Factory plumbed** to fit most Hayward HCF Series gel-coated and filament-wound commercial sand filters
- » **Simplifies** filter installation and operation
- » **Six mode selections** at the turn of a single lever
- » **Union connectors included**
- » **Complete range** with 2", 2.5", 3" and 4" models



MULTIPOINT VALVE APPLICATION CHART

HCF SERIES FILTER MODEL	PORT SIZE	MULTIPOINT VALVE
HCF230, HCF234, HCF236	2"	HCV275
HCF230C, HCF234C	2"	HCV275C
HCF236C	2.5"	HCV2575C
HCF336C	3"	HCV375*
HCF342C, HCF348C	3"	HCV375C
HCF455C	4"	HCV475C

PART NUMBER	SIZE	DESCRIPTION	CARTON QUANTITY	CARTON WEIGHT (LBS.)	GPM	LPM
HCV275	2"	2" Commercial Multipoint Valve Kit	1	10.8	125	475
HCV375	3"	3" Commercial Multipoint Valve (Valve Only)*	1	22.0	300	1137
HCV275C	2"	2" Commercial Multipoint Valve Kit	1	10.8	132	500
HV2575C	2.5"	2.5" Commercial Multipoint Valve Kit	1	16.0	206	780
HCV375C	3"	3" Commercial Multipoint Valve Kit	1	22.0	285	1078
HCV475C	4"	4" Commercial Multipoint Valve Kit (flange)	1	36.0	476	1800z

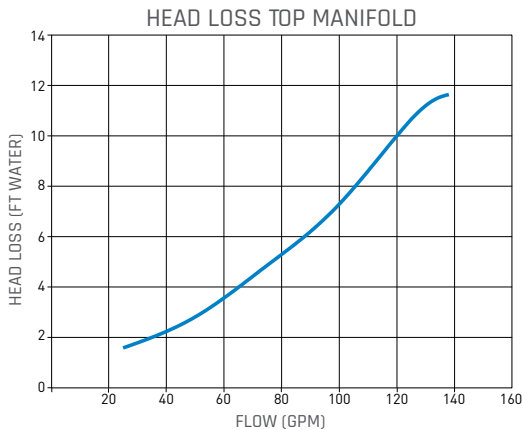


*PN HCV375 will require field plumbing

HCF SERIES CARTRIDGE FILTERS

The Dual-Quad-Cluster commercial HCF7030C cartridge filter system features a massive 700 ft² of filter area providing heavy-duty, dirt-holding capacity and extra-long filter cycles. The HCF7030C will prove to be a major contributor to any pool or spa operator driving to provide the ultimate in clear, fresh and safe water. It will reduce operation costs and enhance the eco-friendliness of the facility by saving thousands of gallons of carefully balanced, heated pool water per month through the elimination of backwashing. Ideal for new construction or retrofits, the HCF7030C can accommodate commercial flow rates to 150 GPM. The filter exterior is molded from a glass-reinforced co-polymer material capable of meeting the rigorous demands of the commercial environment.

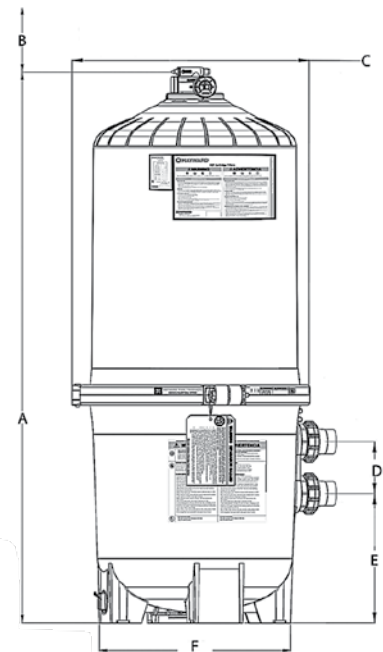
- » **700 ft² of high-performance filter media**, effective particulate removal of 10-20 microns vs. 20-40 microns with sand
- » **Easy access** to eight compact cartridges for fast, manageable cleaning
- » **2" x 2½" connections** with full 2" internal piping
- » **Capable of handling 150 GPM** flow rates
- » **1-year warranty** on parts
- » **3-year warranty** when installed on residential application
- » **NSF/ANSI Standard 50 Certified**



GPM	HLF
0	-0.5
25	1.58
50	2.81
75	4.86
100	7.29
125	10.66
138	11.64

TECHNICAL SPECIFICATIONS AND PERFORMANCE DATA

PART NUMBER	HCF7030C
Product Dimensions	52.5" Tall, 26" Diameter
Effective Filtration Area	700 ft ²
Design Flow Rate	150 GPM*
Filter Type	Dual Quad-Cluster Polyester Cartridge
Filter Tank	Injection Molded Glass-Reinforced Co-Polymer
Filter Elements	Eight Reinforced Polyester Cartridges
Replacement Elements	CX591XREPAK4 (2 each)
Maximum Working Pressure	50 psi
Turnover (in gallons) 6 hrs	54,000
Turnover (in gallons) 8 hrs	72,000
Product Weight	77 lbs.



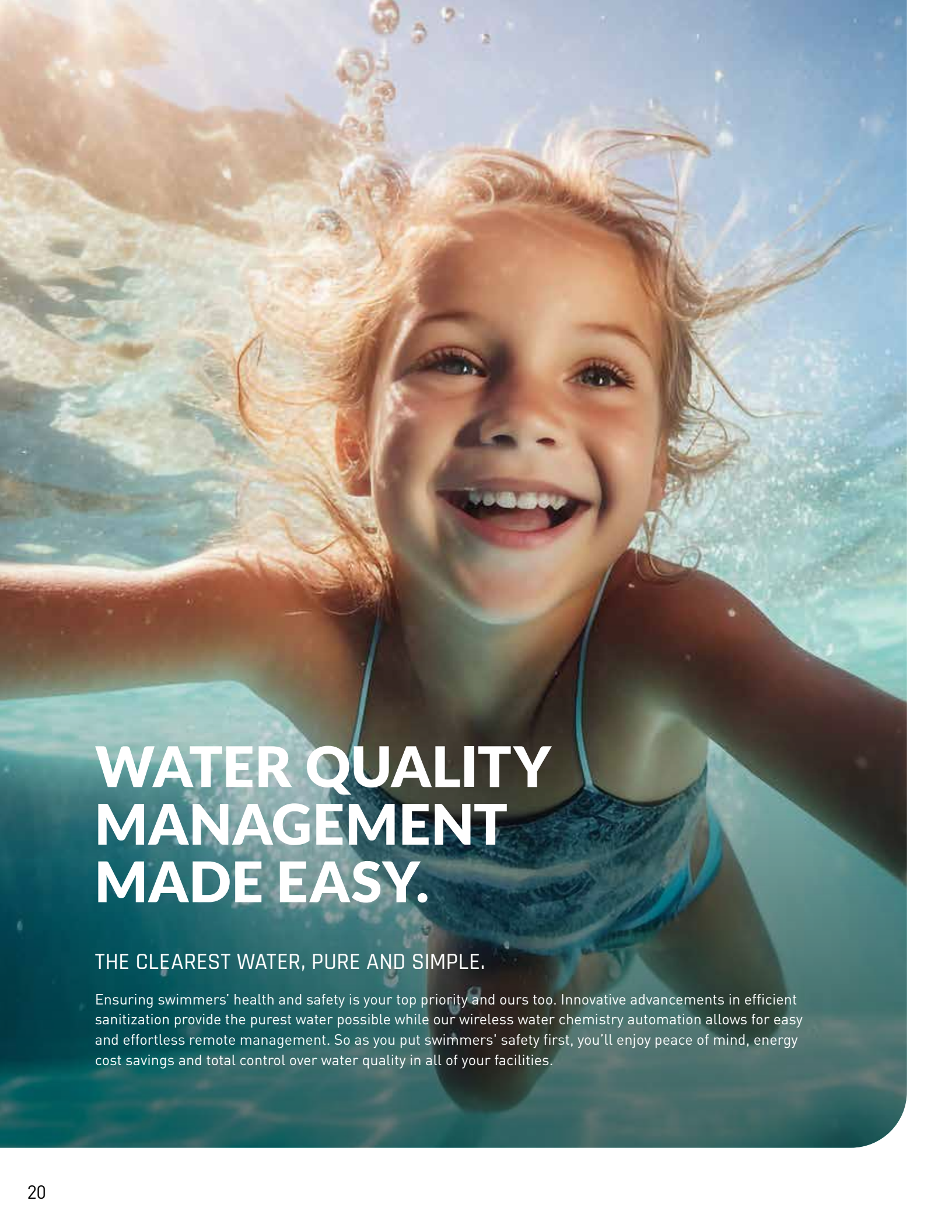
DIMENSIONS (INCHES)

A	B**	C	D	E	F
52.5	28	26	5	12.5	18

*Determined by pump size and piping system hydraulics, 2½" piping is recommended for flow rates equal to or greater than 90 GPM (341 LPM). Hayward doesn't recommend flow rates above 150 GPM.

**B = Vertical Clearance

» For more details and ordering information call 1-888-238-7665..



WATER QUALITY MANAGEMENT MADE EASY.

THE CLEAREST WATER, PURE AND SIMPLE.

Ensuring swimmers' health and safety is your top priority and ours too. Innovative advancements in efficient sanitization provide the purest water possible while our wireless water chemistry automation allows for easy and effortless remote management. So as you put swimmers' safety first, you'll enjoy peace of mind, energy cost savings and total control over water quality in all of your facilities.

Commercial Automation

Thousands of commercial pools, spas, water parks and water treatment facilities worldwide rely on CAT Controllers®, certified to NSF/ANSI Standard 50, to provide enhanced water quality management and reduced operational costs. Every model provides unmatched control over pH, ORP, and sanitization for chlorine, bromine or salt chlorinated pools. Our wireless, web-based models are available with Wi-Fi® and cellular connectivity to allow unparalleled remote monitoring and control through PoolComm® (PoolComm.com or PoolComm App). Our HCC 2000 Complete Package Controllers provide you the ultimate user convenience and one-stop-shop automation.

CAT CONTROLLER MODEL GUIDE							
	CAT 6000™	CAT 5500®	CAT 5000®	CAT 4000®	CAT 2000®		
MONITORING AND CONTROLS	pH	•	•	•	•	•	
	ORP	•	•	•	•	•	
	Temp	•	•	•			
	Water Level ¹	•	•	•	•		
	Tank Level ¹	•	•	•	•		
	Digital Flow ¹	•	•	•	•		
	Total Dissolved Solids	•	•				
	NaCl (Salt)	•	•				
	Backup Sanitization (Secondary ORP Set Point)	•	•	•	•		
	Free Chlorine	•					
	LSI Calculation	•					
	Total Dynamic Sanitizer Control	•					
	FEATURES AND CAPABILITIES	Auxiliary Relays	2	2	2	1	
		Powered Auxiliary Relay	1				
PVC Backboard			•	•	•	•	
Mounting Bracket		•					
Installation Kit ²		•	•	•	•	•	
Touch Screen Display		•					
Bluetooth Enabled ³		•					
4-20ma Inputs ³		2					
Circulation Pump Inter-lock		•					
Wireless, Web-based Communications ⁴	✓	✓	✓	✓			

Professional Package includes Machined Acrylic Flow Cell with Rotary Flow Sensor and Ball Valves. Standard Package includes Molded Flow Cell with Float Style Flow Sensor and Ball Valves. Both packages include ¼" Speedfit Connectors, 30' of installation tubing, Professional Series pH and ORP Sensors and are pre-mounted on PVC backboard.



¹ Additional sensor required.

² Installation Kit includes two quick connect fittings and 30' of ¾" OD poly tubing.

³ Coming soon.

⁴ Specify transceiver type when ordering.

CAT 6000™ WIRELESS WATER CHEMISTRY CONTROLLER WITH TRUE FREE CHLORINE MONITORING

Built with a low-maintenance true free chlorine sensor, solid-state sensing technology and Dynamic Sanitizer Control, CAT 6000 is designed to provide effortlessly precise water chemistry readouts you can trust. Its intuitive full-colour touchscreen user interface makes all settings and functions easy to access and understand, and with built-in Wi-Fi® and cellular** connectivity, you'll stay fully in control even when you're out and about.



MVP
2019
MOST VALUABLE PRODUCTS



- » **Solid-state sensing technology*** offers unmatched reliability and accuracy
- » **Low-maintenance true free chlorine sensor** provides an added level of confidence
- » **Intuitive full-colour touchscreen interface** makes operation simple and straightforward
- » **Dynamic Sanitizer Control** fine tunes water chemistry like never before
- » **Audit and monitor** energy consumption data to maximize efficiency
- » **Built-in Wi-Fi and cellular** connectivity** provide remote system access from anywhere
- » **Factory assembled** with mounting bracket and template to make installation effortless
- » **5-year limited warranty** on controller; 2-year warranty on sensors
- » **NSF/ANSI Standard 50 Certified**

*PPM, TEMP, and COND sensors only
UL Listed for indoor use only.



HAYWARD.COM/CAT6000

Explore the advanced features of CAT 6000

PART NUMBER	DESCRIPTION	CARTON QUANTITY	CARTON WEIGHT (LBS.)
CATPP6000WIFICF	Professional Package, Free Chlorine/Temp/TDS/NaCl - Wi-Fi, cellular and Bluetooth**	1	25.0

**Cellular and Bluetooth connectivity coming soon.



TOTAL SYSTEM ACCESS WITH POOLCOMM®

Take the power of CAT 6000 wherever you go with the innovative **PoolComm®** app. Whether you're managing a single spa or multiple commercial pools, PoolComm lets you view water quality data, print charts, analyze graphs—even receive alarms via email or text from any iPhone®, Android™ or other web-enabled device.

CAT 5500® AUTOMATED PH/ORP CONTROLLERS WITH TDS AND SALT MONITORING CAPABILITIES

Discover powerful water chemistry controllers complete with TDS, temperature and salt monitoring. CAT 5500 wireless communicating controller are equipped with state-of-the-art sensing and control capabilities tailored specifically for salt chlorine applications. Powerful and intuitive, these models offer the utmost in convenience in pH, ORP, conductivity/NaCl, backup sanitization and internet-based monitoring.

- » **pH and ORP controller** with TDS/NaCl and temperature monitoring
- » **Dual sanitizer set points** for back-up ORP control; temperature sensor for heater control
- » **Auxiliary relays** for control versatility; 2 relays CAT 5500
- » **Communicates wirelessly** to PoolComm®*
- » **Comes complete** with CAT Professional Series pH, ORP and conductivity sensors for unsurpassed performance
- » **Perfect complement** to Saline C® Series Salt Chlorine Generators
- » **5-year limited warranty** on controller; 2-year warranty on sensors
- » **NSF/ANSI Standard 50 Certified**



CAT 5500 PROFESSIONAL PACKAGE



PART NUMBER	DESCRIPTION	CARTON QUANTITY	CARTON WEIGHT (LBS.)
CAT5500-WIFICA	CAT 5500 PRO PKG, TEMP/TDS-WIFI TRANSCVR/DERIVED PPM	1	20.0



CAT 5000® AUTOMATED PH/ORP/TEMPERATURE CONTROLLER WITH GLOBAL COMMUNICATIONS

CAT 5000 is an advanced wireless, internet-based water quality controller employing both satellite and terrestrial communications to provide worldwide coverage. This powerful system leverages affordable wireless technology and Internet-based monitoring to give you control like never before.

The CAT 5000 offers unprecedented product quality, value and ease of use. Simply install the factory-assembled CAT 5000 system and log onto PoolComm® to activate your wireless account and begin monitoring. Using your personal PoolComm account, you can view water quality data, print charts, analyze graphs, customize your settings and receive alarm notifications via email or SMS.



CAT 5000 PROFESSIONAL PACKAGE

- » **State-of-the-art microprocessor-based water quality controller** with integrated global communications
- » **Eliminates the cost** of installing and maintaining dedicated analog telephone lines
- » **With 3 different wireless communication protocols** ranging from Wi-Fi® to cellular, the CAT 5000 will communicate wirelessly, 24/7, worldwide
- » **Monitor and maintain via web browser** from any internet-enabled computer, mobile device, or via PoolComm App for iPhone® or Android™
- » **5-year limited warranty** on controller; 2-year warranty on sensors
- » **NSF/ANSI Standard 50 Certified**



PART NUMBER	DESCRIPTION	CARTON QUANTITY	CARTON WEIGHT (LBS.)
CATPP5000WIFI	CAT 5000 Professional Package with Temp. - Wi-Fi Transceiver, includes Machined Acrylic Block Flow Cell and RFS	1	20.0
CATPP5000CELLUL	CAT 5000 Professional Package with Temp. - Wi-Fi Transceiver and UL Listed - No Power Cords, includes Machined Acrylic Block Flow Cell and RFS	1	20.0



CAT 4000® AUTOMATED PH/ORP CONTROLLER WITH WIRELESS COMMUNICATIONS

Using the CAT 4000 system, you can easily log onto PoolComm® to activate your wireless account and begin monitoring your water quality. Using your personal PoolComm account, you can view water quality data, print charts, analyze graphs, customize your settings and receive alarm notifications via email or SMS.



CAT 4000 PROFESSIONAL PACKAGE

- » **Wireless link to the PoolComm site** with extensive North American coverage and 24/7 monitoring
- » **Incredibly simple to install and operate** via simple menus and a bright alphanumeric display
- » **Compatible with** existing chemical feed equipment, so initial investment is minimized
- » **Comes complete with** CAT Professional Series pH and ORP sensors for unsurpassed performance
- » **Optional Wi-Fi® communications protocol** provides users free PoolComm access
- » **5-year limited warranty** on controller; 2-year warranty on sensors
- » **NSF/ANSI Standard 50 Certified**

PART NUMBER	DESCRIPTION	CARTON QUANTITY	CARTON WEIGHT (LBS.)
CAT-4000-WIFI	CAT 4000 Standard Package with Wi-Fi Transceiver	1	15.0
CATPP4000WIFI	CAT 4000 Professional Package with Wi-Fi Transceiver, includes Machined Acrylic Block Flow Cell and RFS	1	20.0
CATPP4000CELL	CAT 4000 Professional Package with Cell Transceiver, includes Machined Acrylic Block Flow Cell and RFS	1	20.0



CAT 2000® AUTOMATED PH/ORP CONTROLLER

Chemical automation is recognized by health officials and industry leaders as the safest, most effective method of maintaining precise, healthy water balance. The CAT 2000 constantly monitors pH and sanitizer activity (chlorine, bromine, even salt chlorine systems) and automatically implements chemical feeding in proportion to demand for picture-perfect water quality at all times.



CAT 2000 PROFESSIONAL PACKAGE



- » **Simple installation**, setup and operation
- » **Compatible with** all types of chemical feed equipment
- » **5-year limited warranty** on controller; 2-year warranty on sensors
- » **Factory-assembled system includes:** controller, sensors, machined acrylic flow cell, rotary flow sensor and PVC backboard
- » **NSF/ANSI Standard 50 Certified**

PART NUMBER	DESCRIPTION	CARTON QUANTITY	CARTON WEIGHT (LBS.)
CAT2000	CAT 2000 Standard Package	1	15.0
CAT-PP2000	CAT 2000 Professional Package, includes Machined Acrylic Block Flow Cell and RFS	1	20.0





POOLCOMM® WIRELESS WEB-BASED MANAGEMENT

PoolComm is a revolutionary way to manage the water quality of multiple commercial pools and spas from a single remote location. This interface allows detailed monitoring and adjustment of pH, ORP, conductivity/NaCl, compliance documentation and more, all through the internet or PoolComm mobile app. Any computer, iPhone®, Android™ or web-enabled mobile device can manage a pool. The PoolComm App affords commercial pool servicers, operators and managers greater convenience and flexibility when monitoring water quality at their various facilities. The app is now available for FREE download on iPhone and Android.



- » **Wi-Fi® communications option** allows free access to PoolComm anytime
- » **Get direct control of systems** from any web browser
- » **Monitor and display** multiple facilities simultaneously
- » **Customize monitoring data** to display
- » **Receive near real-time detection** of pH and ORP problems
- » **Get colour-coded alarm display**, with notification by email or SMS
- » **Promote customer satisfaction** by proactively solving problems

**NOW MONITORS
CL, SALT & TDS
READINGS**



HAYWARD.COM/POOLCOMMAPPPTUTORIAL
Watch the PoolComm App Tutorial



**REMOTE WATER QUALITY
MANAGEMENT AT YOUR FINGERTIPS.**



Download FREE
PoolComm App for
iPhone or Android.



HCC 4000 WIRELESS WATER CHEMISTRY CONTROLLER

The HCC 4000 Series controllers offer affordable, wireless water chemistry control to ensure safe and comfortable pH/ORP levels. Featuring customizable chemical feed mixing, it's simple to set the length and frequency of feed times for more consistent pH and sanitization levels. HCC 4000 controllers are the only HCC Series controllers that are compatible with the Hayward® PoolComm® app—meaning remote access, monitoring and control of commercial pool water quality is possible from any web-enabled device.



- » **Wireless design** can transmit an infinite amount of chemical reading data to the Hayward PoolComm app
- » **Comes completely assembled** for fast, easy installation
- » **Includes sensors and an in-line strainer** for additional protection
- » **Internally stores and displays** daily average chemical readings for up to 10 days
- » **Calculates derived free chlorine** and displays PPM
- » **1-year limited warranty** on controller and sensors
- » **NSF Certified**

PART NUMBERS	DESCRIPTION	CARTON	
		QTY	WEIGHT
HCC4000WIFI	HCC 4000 Hayward Chemistry Controller—pH and ORP—with Wi-Fi	1	15 lbs.
HCC4000WIFIAU	HCC 4000 Hayward Chemistry Controller—pH and ORP—with Wi-Fi and Gold ORP Sensor	1	15 lbs.



HCC 2000 AUTOMATED PH/ORP CONTROLLER

The HCC 2000 Series are powerful yet affordable microprocessor-based pH/ORP controllers. The controllers feature proportional feed to ensure precise water chemistry and reduced maintenance. The HCC 2000 complete package is complemented by reliable chemical feed equipment, providing the ultimate one-stop-shop experience. This water chemistry controller package comes complete with flow cell, flow sensor and pre-mounted peristaltic feed pumps for pH and chlorine adjustment.



- » **Advanced microprocessor-based design** technology
- » **Comes with chemical feed equipment** compatible with all existing chemical feed systems: chlorine, bromine, electronic chlorine (salt) generators, acid and CO₂
- » **Simple-to-operate user interface** with easy-to-read LED display
- » **Complete package offers** a total chemical automation system for easy installation and ultimate convenience
- » **1-year limited warranty** on controller and sensors
- » **NSF/ANSI Standard 50 Certified** (HCC 2000 only)

PART NUMBER	DESCRIPTION	CARTON QUANTITY	CARTON WEIGHT (LBS.)
HCC2000	HCC 2000 pH and ORP Water Chemistry Controller	1	11.0
HCC2000-AU	HCC 2000 pH and ORP Controller with Gold ORP Sensor	1	11.0



COMMERCIAL AUTOMATION ACCESSORIES

PART NUMBER	DESCRIPTION	CARTON		PART NUMBER	DESCRIPTION	CARTON	
		QTY.	WEIGHT			QTY.	WEIGHT
AC003	Residential CO ₂ pH Control System	1	5.0 lbs.	DF8100-10	Saddle Clamp 10" for Sch 80	1	1.0 lbs.
AC004**	Standard CO ₂ System	1	7.0 lbs.	DF8120-12	Saddle Clamp 12" for Sch 80	1	1.0 lbs.
AC005	High Output CO ₂ System	1	7.0 lbs.	LS010	Optical Level Sensor	1	1.0 lbs.
AC006	Auto Switch Over for CO ₂ system	1	6.0 lbs.	LS020	Top Mount Tank MTG Level Kit	1	1.0 lbs.
AC015	110 VAC Brass Body Solenoid Valve	1	3.0 lbs.	PR015-2	pH Probe 24" Cable	1	1.0 lbs.
AC016	24 VAC Brass Body Valve 3/4"	1	3.0 lbs.	PR015-10	pH Probe 120" (10') Cable	1	1.0 lbs.
AC018	110 VAC Stainless Steel Body Solenoid Valve	1	3.0 lbs.	PR025-AU-2	ORP Probe 24" Cable AU=Gold Tip	1	1.0 lbs.
AC025	Stenner Pump Variable Pump Output 85 GPD	1	9.0 lbs.	PR025-AU-10	ORP Probe 120" (10') Cable AU=Gold Tip	1	1.0 lbs.
AC030	Stenner Pump Fixed Pump Output 50 GPD	1	9.0 lbs.	PR025-2	ORP Probe 24" Cable	1	1.0 lbs.
AC0317	BNC Sensor Connector Adaptor	1	1.0 lbs.	PR025-10	ORP Probe 120" (10') Cable	1	1.0 lbs.
AC035	Peristaltic Feed Pump 31 GPD	1	5.0 lbs.	PR055-2	Conductivity Probe NaCl 24" Cable	1	1.0 lbs.
AC063	Molded Flow Cell Complete w/Valves and Floating Flow Sensor	1	2.0 lbs.	PR065	Conductivity, NaCl, and Temperature Sensor - Solid State for CAT 6000™	1	1.0 lbs.
AC065	Molded Flow Cell Complete for Conductivity Sensor	1	2.0 lbs.	PR075	True Free Chlorine Sensor - Solid State for CAT 6000	1	1.0 lbs.
AC075	Machined Flow Cell w/Rotary Flow Sensor	1	6.0 lbs.	AC090	Flow Cell Assembly - without Flow Sensor for CAT 6000	1	3.0 lbs.
AC080	Acrylic Flow Cell Complete for Conductivity Sensor	1	5.0 lbs.	PS001	Probe Saver Kit	1	2.0 lbs.
AC316	CAT 5000® Temperature Sensor	1	1.0 lbs.	RA030W	Remote Wi-Fi® Antenna - 2.5GH Frequency - with 10' Cable	1	5.0 lbs.
AQL-CHEM4-ACID*	Complete pH Chemical Feed System with 15 Gallon Tank and Containment Tray	1	24.0 lbs.	RA035C	Remote Cellular Antenna - Penta Band - with 10' Cable	1	5.0 lbs.
AQL-CHEM4-CHLOR	Complete Cl Chemical Feed System with 15 Gallon Tank and Containment Tray	1	24.0 lbs.	SV030	30 Gallon Solution Vat	1	30.0 lbs.
DF010	Digital Flow Meter	1	2.0 lbs.	WL010	Water Level Control Kit	1	5.0 lbs.
DF015-1-5	Saddle Clamp Kits 1.5" for Sch 40	1	1.0 lbs.	PTC30	Pump Tank Combo 30/45M5	1	35.0 lbs.
DF020-2-5	Saddle Clamp Kits 2.5" for Sch 40	1	1.0 lbs.				
DF030-3	Saddle Clamp Kits 3.0" for Sch 40	1	2.0 lbs.				
DF040-4	Saddle Clamp Kits 4.0" for Sch 40	1	2.0 lbs.				
DF060-6	Saddle Clamp Kits 6.0" for Sch 40	1	2.0 lbs.				
DF080-8	Saddle Clamp Kits 8.0" for Sch 40	1	2.0 lbs.				
DF100-10	Saddle Clamp Kits 10.0" for Sch 40	1	2.0 lbs.				
DF120-12	Saddle Clamp Kits 12.0" for Sch 40	1	2.0 lbs.				
DF815-1-5	Saddle Clamp 1.5" for Sch 80	1	1.0 lbs.				
DF820-2	Saddle Clamp 2.0" for Sch 80	1	1.0 lbs.				
DF825-2-5	Saddle Clamp 2.5" for Sch 80	1	1.0 lbs.				
DF830-3	Saddle Clamp 3.0" for Sch 80	1	1.0 lbs.				
DF840-4	Saddle Clamp 4.0" for Sch 80	1	1.0 lbs.				
DF860-6	Saddle Clamp 6.0" for Sch 80	1	1.0 lbs.				
DF880-8	Saddle Clamp 8.0" for Sch 80	1	1.0 lbs.				



*COMPLETE PH CHEMICAL FEED SYSTEM (AQL-CHEM4- ACID)



**STANDARD CO2 SYSTEM

Commercial Sanitization

With our sanitization solutions, commercial pools and spas benefit from the clearest, safest water possible. Our Saline C® Series salt chlorine generators meet commercial demands while delivering the same natural comforts of salt chlorination so common in the residential market. Our HydroRite UV ultraviolet secondary disinfection system is the only low-pressure UV system NSF-certified to kill 99.9%* of Cryptosporidium and other chlorine-resistant microorganisms, while reducing skin-irritating chloramines. Plus, you can pair our salt chlorinators and secondary disinfection systems with CAT Controllers® for a completely automated sanitization solution.

HYDRORITE® UV COMMERCIAL ULTRAVIOLET SECONDARY AND SUPPLEMENTAL SYSTEMS

ELIMINATE 99.9%* OF PATHOGENS FOR 100% PEACE OF MIND.

HydroRite UV from Hayward® Commercial Aquatics isn't just our most user-friendly sanitization system ever—it's also the most sophisticated pool sanitization product available. As the only low-pressure UV system certified by the NSF to destroy 99.9%* of Cryptosporidium (a leading cause of Recreational Water Illness) and other chlorine-resistant microorganisms, HydroRite UV utilizes two separate ultraviolet wavelengths to create ozone and powerful germ-destroying hydroxyl radicals. And because it reduces demand for both energy and chloramine-producing chemicals, HydroRite UV is definitive solution for greater savings and the greatest swimmer comfort possible.



LOW-RISK INVESTMENT FOR HIGH-RISK ENVIRONMENTS.

- » **Kills 99.9% of Cryptosporidium** using dual-wavelength (185/254 nm) UV to produce ozone and hydroxyl radicals
- » **Supplemental and/or secondary disinfection** as recommended by the CDC Model Aquatic Health Code (MAHC)
- » **Reduces irritating chloramines 50% or more**, improving indoor air quality and swimmer comfort
- » **Reduces chemical demand 50% or more**, lowering operating costs and extending salt cell life
- » **Low-pressure UV bulbs** provide sterilization and oxidation with little or no impact on chlorine level
- » **Lightweight construction** uses Schedule 80 PVC and 316L stainless steel for simple installation and maintenance
- » **Intuitive, plug-and-play design** is easy to navigate and conserves energy with 120V power input
- » **Extended lamp life** rated for 13,000 hours, more than double the time for comparable medium-pressure systems
- » **NSF 50 tested & certified to EPA standard** from cryptosporidium removal

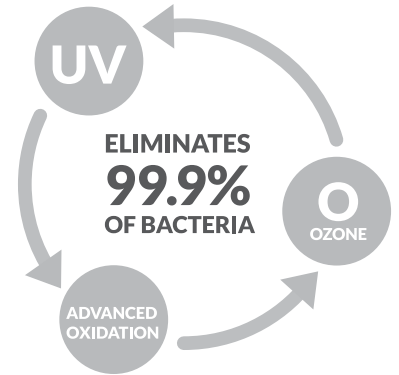
*HydroRite UV Secondary Disinfection Systems are certified to achieve a minimum inactivation equivalent of 3 log (99.9%) Cryptosporidium Parvum in accordance with NSF 50 and the US EPA UV DGM.

STAY ON THE SAFEST SIDE OF SANITIZATION

High bather loads create higher bacteria levels—most left untreated by chlorine alone. As a proactive measure, the U.S. Centers for Disease Control has created the MAHC, which highly recommends the use of UV or Ozone as a supplemental disinfectant treatment in every commercial pool. Hayward’s HydroRite UV ensures that commercial facilities stay on the cutting-edge of swimmer safety by using 3-log reduction—a standard set by the EPA—to reduce RWIs caused by *Cryptosporidium* and other harmful chlorine-resistant microorganisms.

INSIDE THE VESSEL—BEHIND THE SCENES.

- ❶ Dual-wavelength amalgam lamps produce both **ozone** and germicidal UV.
- ❷ The ozone-treated water is exposed to **ultraviolet rays** that inactivate algae, bacteria and viruses.
- ❸ The germicidal UV interacts with the ozone to create hydroxyl free radicals (which have more oxidation potential than ozone) in a process known as **Advanced Oxidation Process (AOP)**.



NSF-50 CERTIFIED MODELS FOR SUPPLEMENTAL DISINFECTION		CRYPTO CERTIFIED MODELS FOR SECONDARY DISINFECTION	
PART NUMBER	MAX FLOW RATE (GPM)	PART NUMBER	MAX FLOW RATE (GPM)
HYR75	Up to 61	HYR75L4	Up to 58
HYR150	Up to 150	HYR150L4	Up to 126
HYR400	Up to 350	HYR400L4	Up to 333



SUPPLEMENTAL DISINFECTION SYSTEMS

TECHNICAL SPECIFICATIONS

PART NUMBER	HYR75	HYR150	HYR400
Sanitization	>3-log removal of <i>E. faecium</i> and <i>P. aeruginosa</i> bacteria	>3-log removal of <i>E. faecium</i> and <i>P. aeruginosa</i> bacteria	>3-log removal of <i>E. faecium</i> and <i>P. aeruginosa</i> bacteria
Certifications	NSF50 UL 1081/1563 CSA C22.2	NSF50 UL 1081/1563 CSA C22.2	NSF50 UL 1081/1563 CSA C22.2
Electrical Enclosure Dimensions	17" H x 13" W x 6.5" D	17" H x 13" W x 6.5" D	17" H x 17" W x 6.5" D
Vessel Dimensions	6" Column Diameter 46" L x 11" H	8" Column Diameter 48" L x 13" H	10" Column Diameter 46" L x 19" H
Carton Weight	196 lbs.	236 lbs.	350 lbs.
Housing Inlet/Outlet	2" Union inlet/outlet	3" Union inlet/outlet	4" Flange inlet/outlet
Reaction Chamber Style	Schedule 80 PVC 316SS Interior Lining	Schedule 80 PVC 316SS Interior Lining	Schedule 80 PVC 316SS Interior Lining
Power Input	120VAC, 60Hz, 2.0 Amps	120VAC, 60Hz, 3.0 Amps	120VAC, 60Hz, 5.0 Amps
Flow Sensor	2" Magnetic with embedded reed switch	2" Magnetic with embedded reed switch	2" Magnetic with embedded reed switch
UV Lamps	1 Lamp	2 Lamps	4 Lamps
Lamp Wavelengths	254nm/185nm	254nm/185nm	254nm/185nm
Lamp Life	13,000 hours	13,000 hours	13,000 hours
Ozone Production	12 grams per hour	25 grams per hour	48 grams per hour
Operating Temp. Rating	40°F to 104°F	40°F to 104°F	40°F to 104°F
Amp Draw	1.2	2.4	4.8
Hz	60	60	60
Vessel Rated Pressure	50 psi	50 psi	50 psi
Rated Flow-rate for Efficacy	Up to 61 GPM	Up to 150 GPM	Up to 350 GPM
Installation Environment	Indoor/outdoor use	Indoor/outdoor use	Indoor/outdoor use
Cable Length	8.25 ft. from ballast to lamp	8.25 ft. from ballast to lamp	8.25 ft. from ballast to lamp
Safety System	Pressure and flow safety shutoff Thermal limit shutoff Safety cover removal sensor Audible and/or LED error indicator	Pressure and flow safety shutoff Thermal limit shutoff Safety cover removal sensor Audible and/or LED error indicator	Pressure and flow safety shutoff Thermal limit shutoff Safety cover removal sensor Audible and/or LED error indicator
Warranty	Vessel 1 year** Lamp 6 months	Vessel 1 year** Lamp 6 months	Vessel 1 year** Lamp 6 months



SECONDARY DISINFECTION SYSTEMS

TECHNICAL SPECIFICATIONS

PART NUMBER	HYR75L4	HYR150L4	HYR400L4
Sanitization	>3-log removal of <i>Cryptosporidium</i> Protozoa, <i>E. faecium</i> and <i>P. aeruginosa</i> bacteria	>3-log removal of <i>Cryptosporidium</i> Protozoa, <i>E. faecium</i> and <i>P. aeruginosa</i> bacteria	>3-log removal of <i>Cryptosporidium</i> Protozoa, <i>E. faecium</i> and <i>P. aeruginosa</i> bacteria
Certifications	NSF50 UL 1081/1563 CSA C22.2	NSF50 UL 1081/1563 CSA C22.2	NSF50 UL 1081/1563 CSA C22.2
Electrical Enclosure Dimensions	17" H x 13" W x 6.5" D	17" H x 13" W x 6.5" D	21" H x 17" W x 6.5" D
Vessel Dimensions	6" Column Diameter 46" L x 11" H	8" Column Diameter 48" L x 13" H	10" Column Diameter 46" L x 19" H
Carton Weight	196 lbs.	236 lbs.	350 lbs.
Housing Inlet/Outlet	2" Union inlet/outlet	3" Union inlet/outlet	4" Flange inlet/outlet
Reaction Chamber Style	Schedule 80 PVC 316SS Interior Lining	Schedule 80 PVC 316SS Interior Lining	Schedule 80 PVC 316SS Interior Lining
Power Input	120VAC, 60Hz, 2.0 Amps	120VAC, 60Hz, 3.0 Amps	120VAC, 60Hz, 5.0 Amps
Flow Sensor	2" Magnetic with embedded reed switch	2" Magnetic with embedded reed switch	2" Magnetic with embedded reed switch
UV Lamps	1 Lamp	2 Lamps	4 Lamps
Lamp Wavelengths	254nm/185nm	254nm/185nm	254nm/185nm
Lamp Life	13,000 hours	13,000 hours	13,000 hours
Ozone Production	12 grams per hour	24 grams per hour	48 grams per hour
Operating Temp. Rating	40°F to 104°F	40°F to 104°F	40°F to 104°F
Amp Draw	1.2	2.4	4.8
Hz	60	60	60
Vessel Rated Pressure	50 psi	50 psi	50 psi
Rated Flow-rate for Efficacy	Up to 58 GPM	Up to 126GPM	Up to 333 GPM
Installation Environment	Indoor use	Indoor use	Indoor use
Cable Length	8.25 ft. from ballast to lamp	8.25 ft. from ballast to lamp	8.25 ft. from ballast to lamp
Safety System	Pressure and flow safety shutoff Thermal limit shutoff Safety cover removal sensor Audible and/or LED error indicator	Pressure and flow safety shutoff Thermal limit shutoff Safety cover removal sensor Audible and/or LED error indicator	Pressure and flow safety shutoff Thermal limit shutoff Safety cover removal sensor Audible and/or LED error indicator
Warranty	Vessel 1 year** Lamp 6 months	Vessel 1 year** Lamp 6 months	Vessel 1 year** Lamp 6 months
Display	Touch menu driven with m ² or mW/cm ² UV intensity	Touch menu driven with m ² or mW/cm ² UV intensity	Touch menu driven with m ² or mW/cm ² UV intensity
Operating Measurements	Flow rate, individual lamp intensity and vessel water temperature	Flow rate, individual lamp intensity and vessel water temperature	Flow rate, individual lamp intensity and vessel water temperature
Auxiliary Relay	Low voltage dry contact alarm relay — NO/NC/COM	Low voltage dry contact alarm relay — NO/NC/COM	Low voltage dry contact alarm relay — NO/NC/COM

**Excluding lamps, quartz sleeves and stainless steel insert



COMMERCIAL SALT CHLORINE GENERATORS

The Saline C® Series of electronic chlorine generators provides an elegant, rugged solution specifically designed to meet the demands of commercial installation. The new Saline C 11.0 model is capable of generating 11 lbs of chlorine per day, complementing the current Saline C 6.0, which is capable of generating 6 lbs per day. Both systems deliver all of the benefits of salt chlorination without the wasted space and extra cost of multiplexing multiple residential units.

SALINE C SERIES

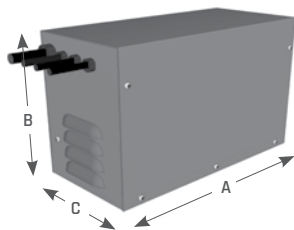
- » **High-output compact single cell and single power supply options** provide the perfect solution for virtually any pool or regulatory requirement
- » **Compact design** with single electrolytic cell
- » **110V plug-in** efficient switch mode power supply
- » **Industrial-grade, clear vessel** for easy inspection
- » **Plug N' Play** chemical automation
- » **Reduce chloramines** and associated odors/corrosion
- » **Simple, low-cost installation** vs. multi-cell alternatives
- » **NSF Certified/ANSI Standard 50 Certified**
- » **2-year limited warranty**



SALINE C 11.0

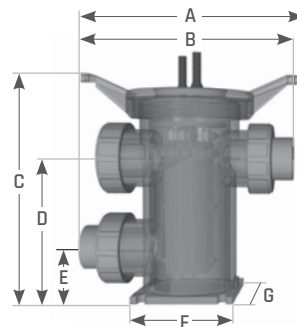


SALINE C 6.0



POWER SUPPLY DIMENSIONS

	SALINE C 6.0	SALINE C 11.0
A	12"	12.75"
B	8"	8"
C	5.625"	11.125"



VESSEL DIMENSIONS

	SALINE C 6.0	SALINE C 11.0
A	13.5"	16.06"
B	12.875"	15.56"
C	15.75"	22.42"
D	9.5"	14.83"
E	3.25"	4.83"
F	6"	6"
G	6"	6"

TRY IT WITH



For total efficiency and maximum control, **HydroRite® UV** is the perfect complement to **Saline C Series** salt chlorine generators and our pH/ORP CAT Controllers,® like the new **CAT 5500®**. When these products are installed together, this complete sanitization system becomes an advanced automated water quality solution. Connect with **PoolComm®** to enjoy effortless remote monitoring (now including conductivity/NaCl) and audit tracking.

SALINE C® SERIES TECHNICAL SPECIFICATIONS

PART NUMBER	HCSC60	HCSC110
Power Supply Dimensions	12" W x 8" H x 5.625" D	12.75" W x 8" H x 11.125" D
Vessel Dimensions	13.5" W x 15.75" H x 6" D	16.06" W x 22.42" H x 9.28" D
Certifications	UL1081, CSA C22, NSF/ANSI 50	UL1081, CSA C22, NSF/ANSI 50
LCD Display	Output adjustable 0 - 100%	[2] Output adjustable 0 - 100%
Flow Sensor	2" Magnetic with embedded reed switch	4" Magnetic with embedded reed switch
Power Input (Power Supply)	USA: 5.0 amps, 120V/60Hz International: 4.0 amps, 230V/50Hz	USA: 10.0 amps, 120V/60Hz International: 8.0 amps, 230V/50Hz
ORP Input	Cord with male pigtail connected (supplied blue cord)	Cord with male pigtail connected (supplied blue cord)
Vessel Rated Pressure	50 psi	50 psi
Housing Inlet/Outlet	2" Union inlet/outlet	4" Union inlet/outlet
Reaction Chamber Style	Clear plastic	Clear plastic
Flow Required	40 GPM through cell to achieve rated production	80 GPM through cell to achieve rated production
Maximum Flow Rate	125 GPM	250 GPM
Salt Operating Range	3,500 - 5,000 ppm	3,500 - 5,000 ppm
Electrode Stack	Reverse polarity 4mm plate gap	Reverse polarity 4mm plate gap
Rated Production Capacity	5.0 lbs @ 3,500 ppm* 6.0 lbs @ 5,000 ppm*	9.2 lbs @ 3,500 ppm** 10.8 lbs @ 5,000 ppm**
Safety System	5 GPM low flow shutoff Low salt indicator Low salt shutoff (2500-3,000 ppm) Over voltage and over current protection Conformal coated electronics for environmental protection	5 GPM low flow shutoff Low salt indicator Low salt shutoff (2500-3,000 ppm) Over voltage and over current protection Conformal coated electronics for environmental protection
Warranty	2-year warranty Warranty pro-rated on electrode stack	2-year warranty 2-year warranty on power supply (Saline C 11.0 only) 1-year full warranty and 2-years pro-rated on electrode stack

ACCESSORIES

PART NUMBER	DESCRIPTION	CARTON QUANTITY	CARTON WEIGHT (LBS.)
HCSBP3-KIT***	3" Commercial Salt Chlorine Generator - Bypass Kit	1	16.0
HCSBP4-KIT***	4" Commercial Salt Chlorine Generator - Bypass Kit	1	19.0
HCSJBOX-BU****	Junction Box for Sanitizer Back-up	1	3.0
HCSCECK15	15' Cell to Power Supply - Extension Cable Kit	1	5.0
HCSCECFS15	15' Flow Sensor to Power Supply - Extension Cable Kit	1	5.0



***BYPASS KIT



**** JUNCTION BOX

*NSF Certified at 5 lbs. per day at 3500 ppm.
 **NSF Certified at 9.2 lbs. per day at 3500 ppm.
 *** For use with Saline C 6.0 only. Saline C 11.0 kits coming soon.



HAYWARD.COM/SALINEVIDEO
 Watch the power of Saline C Series

Commercial Cleaners

Hayward® Commercial Aquatics offers commercial cleaners ideal for the Class B/HMAC recreational water market. Our TigerShark™ 2 is designed for durability and backed by a nationwide network of factory-authorized service centers.

TIGERSHARK 2

- » **On-board computer** calculates pool size and most efficient cleaning pattern
- » **Preset 7-hour clean cycle** automatically turns off when done
- » **Powerful on-board pumps** vacuum dirt and debris
- » **Scours pool bottom, walls, inclines and steps** for a complete clean
- » **Patented easy-clean removable cartridge** can be rinsed with a garden hose



SPECIFICATIONS

Part Number	RC9956GRCC	Cord Length	100'
Rec. Pool Size	Up to 30' x 60'	Voltage	120V/60Hz
Gallons Circulated	4500 GPH	Height/Width/Length	11" x 16" x 16"
Filter Micron Porosity/Area	5/1000 in. ²	Caddy Cart	Included
Motor System	Non-oil filled, microprocessor	Carton Quantity	1
Cleaning Speed	55 ft. ² /minute	Carton Weight (lbs.)	44.0
Dual-Mode Cleaning Cycles	7-hours bottom, wall and waterline	Warranty	2-year limited warranty
Recurring Cleaning Cycle	Not Available	Sensors	N/A



AMBIANCE AND COMFORT

THE MOST EFFICIENT WAYS TO SET THE MOOD AND EXTEND THE POOL SEASON.

The best commercial pools are the ultimate haven for your customers and guests. From lighting to heating, Hayward® turns an everyday swim into an unforgettable experience. Our industry-leading heaters excel in long-lasting performance and unmatched energy efficiency, while our lighting options change the game completely. Whether you're looking for vibrant colour-saturated light shows or the brightest-in-the-industry white LED lighting, Hayward saves you up to 86% on energy costs—without sacrificing an ounce of brilliance. You provide the swimmers, we'll provide the memories. It's the Hayward way.



Commercial Lighting

Hayward Commercial Aquatics gives you brilliant, versatile lighting options for both new construction and remodels to transform any body of water. First to be UL Listed to retrofit virtually all existing manufacturers' niches, Universal CrystaLogic® white LED and Universal ColorLogic® lighting are designed with industry-leading technology to cut operation costs and deliver unparalleled performance. CrystaLogic and ColorLogic 320 and 160 accent lights provide total coordination of all water environments by putting smaller pool and spa features in the spotlight.



UNIVERSAL CRYSTALOGIC WHITE LED POOL & SPA LIGHTS

Universal CrystaLogic White LED Pool and Spa Lights deliver bright, longerlasting LED lighting for commercial pools and spas. Universal CrystaLogic White LED Lighting represents a breakthrough technology for the illumination of any water feature or body of water. The optimized LED and optic design delivers both extraordinary lumen per watt energy efficiency and associated long lifetime cost. Our 500W equivalent LED Light is the only white LED light to deliver lumens equal to that of a 500W incandescent light. Our 300W pool equivalent delivers the same lumens as the leading competitor's claimed 500W equivalent and offers savings of 86% vs. incandescent equivalents.



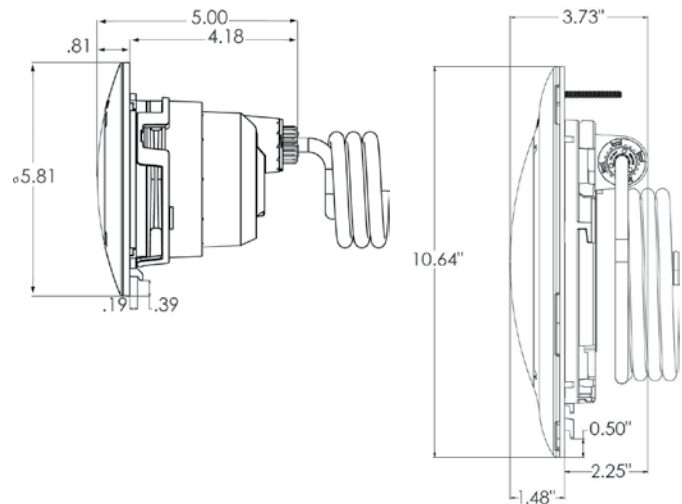
SPECIFICATIONS

PART NUMBER	WATTAGE EQUIVALENT/ LUMENS	POOL OR SPA	VOLTAGE	CORD LENGTH (FT.)
LSLUS221030	100W/1100	Spa	12	30
LSLUS221050	100W/1100	Spa	12	50
LSLUS221100	100W/1100	Spa	12	100
LSLUS221150	100W/1100	Spa	12	150
LPLUS221030	300W/3300	Pool	12	30
LPLUS221050	300W/3300	Pool	12	50
LPLUS221100	300W/3300	Pool	12	100
LPLUS221150	300W/3300	Pool	12	150
LPLUS221150	500W/4900	Pool	12	30
LPWUS11050	500W/4900	Pool	12	50
LPWUS11100*	500W/4900	Pool	12	100
LPWUS11150*	500W/4900	Pool	12	150
LPWUS11200*	500W/4900	Pool	12	200

*For cord lengths of 100ft or greater, use a 14V transformer output to ensure optimal performance.

- » **LED pool light UL listed for safe installation** in virtually any manufacturer's niche
- » **Industry-leader** in Colour
- » **Directional Optics** for Glare Reduction
- » **Detachable Cord** for ease of service
- » **Adjustable Lower Catch** to overcome variations in plaster depth
- » **Easily adjust to angled niches** using the rotatable mounting flange
- » **Stainless Steel** trim options
- » **All plastic construction** with no gaskets increases plaster depth

DIMENSIONS



» For more details and ordering information call 1-888-238-7665..

CRYSTALOGIC® 320 & 160 WHITE LED LIGHTS

CrystaLogic 320 & 160 lights provide an elegant solution for commercial swimming pool and spa lighting. They can also illuminate smaller features or landscapes, bringing brilliance to areas that are difficult to reach with traditional lighting. The easiest 1.5-inch lights to install, at just 4 inches below waterline and in as little as 8 inches of PVC conduit, our 320 & 160 lights are ideal for steps, water features, jets, bubblers, baja shelves, fountains, spray/splash pads, landscape features and more.

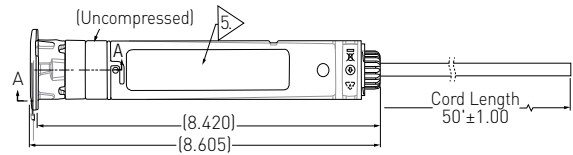


- » **Allow for total coordination** of all water environments
- » **Easiest 1.5-inch lights to install** at just 4 inches below waterline in any depth of water and in as little as 9 inches of PVC conduit
- » **Ideal for commercial pool/spa lighting** or lighting steps, water features, baja shelves, bubblers, spray/splash pads and more
- » **Can be installed** in dry/landscape applications
- » **Last 10 times longer** than incandescent lights
- » **Available in two brightness levels** with multiple cord lengths
- » **Vinyl, Fiberglass, and Concrete** low-profile installations
- » **UL Listed** for safe floor or wall installation
- » **1-year limited warranty**



DIMENSIONS FOR STANDARD SWITCHED OR HAYWARD® AUTOMATION NETWORKED LIGHTS

STANDARD SWITCHED LIGHTS



SPECIFICATIONS

STANDARD SWITCHED LIGHTS		EQUIVALENT BRIGHTNESS	LUMENS	CORD LENGTH (FT.)
LAWUS11030	High Lumen CrystaLogic 320 12V Lights	100W	1100	30
LAWUS11050				50
LAWUS11100				100
LAWUS11150				150
LYWUS11030	Standard Lumen CrystaLogic 160 12V Lights	60W	600	30
LYWUS11050				50
LYWUS11100				100
LYWUS11150				150

CRYSTALOGIC® & COLORLOGIC® LED REPLACEMENT BULBS

CrystaLogic and ColorLogic LED Replacement Bulbs are the quickest, most cost-effective way to upgrade standard incandescent pool lights to energy-efficient LEDs. With 10x longer life than incandescents and a lower lifetime cost, they ensure season after season of savings.

- » **Exceed the lumen output** of typical 300W incandescent bulbs while using up to 87% less energy
- » **120V bulb UL Listed** for direct replacement of virtually any 300-500W incandescent bulb
- » **10 fixed colours** and 7 colour-changing light shows with ColorLogic LED Replacement Bulb
- » **Last 10 times longer** than incandescent bulbs
- » **Simple installation and retrofitting** into Hayward® AstroLite™, DuraLite and other incandescent housings



SPECIFICATIONS	CRYSTALOGIC	COLORLOGIC
PART NUMBER	BPWUS11120	BPCUS11120
BRIGHTNESS	4800 lumens	—
EQUIVALENT BRIGHTNESS	500W	—
BULB TYPE	R40	R40
APPLICATION	Pool	Pool
WARRANTY	1-year warranty	3-year warranty



UNIVERSAL COLORLOGIC® COLOUR LED LIGHTS

Hayward® Universal ColorLogic lights are the first automated colour-changing LED lights designed to illuminate nearly any existing pool or spa, even those with just one light. UL Listed to retrofit virtually any existing light niche, these lights come standard with 10 vibrant colours and 7 light shows. Universal ColorLogic lights shine 100% brighter* than any other colour LED lighting and last up to 10 times longer than incandescent bulbs. Best of all, they offer energy savings of up to 86% when compared with incandescent.

- » **100% brighter*** than any other colour LED light
- » **Use up to 86% less energy** than incandescent lights and last up to 10 times longer
- » **12V, 2-wire, all-plastic construction** and an unbreakable lens makes them intrinsically safe and easy to install
- » **UL Listed** to retrofit most manufacturers' installed niches
- » **Can be installed** as close as 4 inches from the waterline or upward facing without a rock guard, suitable for main pool/spa illumination, beach entries, steps, shelves, water features, etc.
- » **UCL Thin Niche** provides incredible installation savings for new construction
- » **Colour trim rings** for pool and spa lights include smooth white and silver luster starburst—both ship with product
- » **Additional trim ring options** include white starburst, black, blue, beige and gray
- » **Brilliant** 10 fixed colours and 7 colour-changing shows
- » **White brightness** equivalent to 2300 lumens
- » **1-year limited warranty**

COLORLOGIC LED ACCENT LIGHTS

Bringing commercial pool and spa features to life is easier than ever with our range of versatile ColorLogic accent lights. ColorLogic 320 & 160 1.5-inch lights are ideal for low-profile full pool and spa lighting or for highlighting steps, jets, bubblers, baja shelves, fountains, landscaping and more, while ColorLogic 80 & 40 0.5-inch lights are designed to brighten smaller, harder-to-illuminate areas.

- » **Provide 10 fixed colours** and 7 colour-changing shows
- » **Allow for total coordination** of all water environments
- » **Easiest 1.5-inch lights to install** at just 4 inches below waterline in any depth of water and in as little as 9 inches of PVC conduit
- » **Ideal for commercial pool/spa** lighting or lighting steps, water features, baja shelves, bubblers, spray/splash pads and more
- » **Can be installed** in dry/landscape applications
- » **Last 10 times longer** than incandescent lights
- » **Available in two** brightness levels
- » **UL Listed** for safe floor or wall installation
- » **1-year limited warranty**

*Based on measured test data (2016).



SPECIFICATIONS

STANDARD SWITCHED LIGHTS		CORD LENGTH (FT.)	WHITE BRIGHTNESS (LUMENS)
LACUS11030		30	640
LACUS11050	High Lumen ColorLogic 320 12V Lights	50	
LACUS11100		100	
LACUS11150		150	
LYCUS11030			30
LYCUS11050	Standard Lumen ColorLogic 160 12V Lights	50	
LYCUS11100		100	
LYCUS11150		150	



SPECIFICATIONS

PART NUMBER	DESCRIPTION	WHITE BRIGHTNESS (LUMENS)
LMCUS11050	ColorLogic 80* 1/2" LED Light — High Lumen	165
LNCUS11050	ColorLogic 40* 1/2" LED Light — Standard Lumen	83
LMCUSPS005	ColorLogic Controller, Switched Version	--



*ColorLogic 80 and 40 must be paired with a Switched or Networked ColorLogic Controller.

ACCESSORIES FOR UNIVERSAL CRYSTALOGIC®, UNIVERSAL COLORLOGIC, CRYSTALOGIC/COLORLOGIC 320 & 160 AND COLORLOGIC 80 & 40 LIGHTS

J-BOX TRANSFORMER RETROFIT KIT

PART NUMBER	KITS	WATTS
LTBUY11H70	Hayward	70W
LTBUY11H14	Hayward	140W
LRBUY11P65	Pentair®	70W
LRBUY11T65	Thermocraft®	70W



HAYWARD



PENTAIR



THERMOCRAFT



INTERMATIC

UCL CONCRETE NICHES

PART NUMBER	DESCRIPTION	APPROVED LIGHT	POOL OR SPA
LFGUY1000	Non-Bonded, Non-Grounded Low-Profile Plastic Pool Niche for Concrete Pools	Universal ColorLogic and CrystaLogic	Pool
LGGUY1000	Non-Bonded, Non-Grounded Plastic Spa Niche for Concrete Spas	Universal ColorLogic and CrystaLogic	Spa



ACCESSORIES FOR HAYWARD AUTOMATION NETWORKED LIGHTS

PART NUMBER	DESCRIPTION
LKBUN1000	Works with ColorLogic Networked Lights Only
LKCUS1100	ColorLogic Light Controller Stand-Alone



INSTALLATION TOOL INCLUDED
SKU #SP0536CTOOL

J-BOX & WALL-MOUNT POOL LIGHTING TRANSFORMERS

PART NUMBER	TRANSFORMER	WATTS
LTBUY11H70	Hayward	70W
LTBUY11H14	Hayward	140W
LTBUY11300	Hayward	300W



LTBUY11300
WALL-MOUNT
TRANSFORMER



LTBUY11H14
ABLE TO SUPPORT
TWO LIGHTS



HAYWARD.COM/UCLCALCULATOR
Calculate your financial savings when switching from an incandescent to Hayward UCL LED Lights

HAYWARD.COM/NICHECALCULATOR
Calculate per-niche savings when using a UCL Thin Niche

Lighting Overview



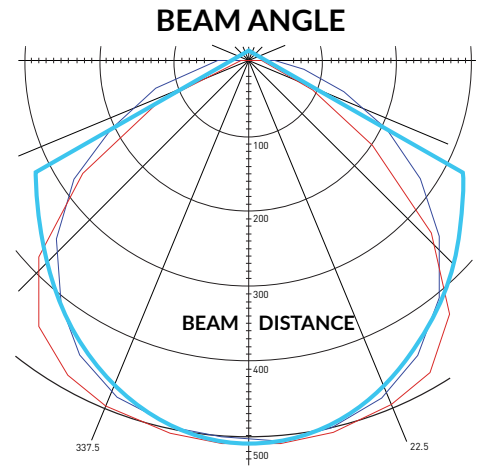
MINIMUM ILLUMINANCE

- » Depending on the local health code, incandescent lights were historically required to provide 0.5 or 1 watt per square foot of pool surface area
- » Today, most health departments and the Model Aquatic Health Code suggest 8-9 lumens per square foot
- » This value only applies to lights using a **white** wavelength



LIGHTING PLACEMENT

- » **Beam pattern:** The angular spread of light emitted from the fixture
- » The beam pattern is measured between points on opposite sides of the beam axis where the intensity drops to 50% of maximum power
- » X-axis: Horizontal spread
- » Y-axis: Vertical spread



CALCULATE NUMBER OF LIGHTS NEEDED

$$\text{Number of Lights} = \frac{\text{Pool Surface Area} \times 8 \text{ Lumens}}{\text{Lumen Output of Light}}$$

LIGHTING TRANSFORMER DATA

PRODUCT	PART NUMBER	WATTS	MAX LIGHTS PER 70W J-BOX TRANSFORMER	MAC LIGHTS PER 140W (2/70) TRANSFORMER	MAX LIGHTS PER 300W TRANSFORMER (USE 14V)	AMPS
UCL ColorLogic® Pool Light	LPCUS/LPCUN	70	1	2	3	5
UCL ColorLogic Spa Light	LSCUS/LSCUN	35	2	4	6	2.5
1.5" ColorLogic 320	LACUS	23	3	5	6	1.64
1.5" ColorLogic 180	LYCUS	13	3	5	6	0.93
0.5" ColorLogic 80	LMCUS	2.6	8	12	15	0.2
0.5" ColorLogic 40	LNCUS	1.3	15	20	25	0.1
ColorLogic 80 & 40 Driver (Up to 5 lights per driver)	LMCUSPS	13 (80s)	2 Drivers (10 Lights)	4 (2 +2 Drivers) (20 Lights)	13 Drivers (65 Lights)	1 (80s)
		6.5 (40s)				0.5 (40s)
UCL CrystaLogic® Pool Light (500W Equivalent)	LPWUS	70	1	2	3	5.4
UCL CrystaLogic Pool Light (300W Equivalent)	LPLUS	70	1	2	3	5
UCL CrystaLogic Pool Light (100W Equivalent)	LSLUS	35	1	2	6	2.5
1.5" CrystaLogic 320	LAWUS	25	2	5	6	1.78
1.5" CrystaLogic 160	LYWUS	15	3	5	6	1.07

TRY IT WITH



For added efficiency and control, **OmniHub® Smart Pool & Spa Control** is the perfect complement to **Hayward® lighting and water features.*** OmniHub installs in just a few hours and is compatible with existing equipment, providing commercial pool operators with a simple way to change lighting colours, set themes, control water features, and more—right from a smartphone.

*OmniHub is only compatible with select commercial pools.

J&J PureWhite Pool & Spa Fixtures & Lamps

J&J Electronic's™ PureWhite LED Pool and Spa Light Fixtures provide an LED lighting alternative to inefficient incandescent lamps for installations requiring a wet niche fixture. They significantly reduce energy consumption and maintenance costs. Plus, all PureWhite LED Pool and Spa Light Fixtures feature a superior rugged construction that is unmatched in the industry.

Features

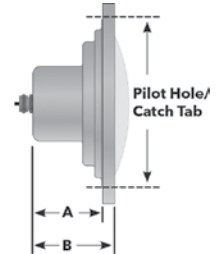
- » Uses less energy – up to 90%*
- » Lasts up to 50,000 hours – 20x longer life**
- » Enhances pool water appearance – looks clearer and cleaner
- » Enhances dark finish pools - commercial and residential
- » Installs easily – compact fixture depth allows bottom catch visibility from pool deck

NOTES: *HI Series compared to incandescent lamps
 **Compared to incandescent lamps



PureWhite LED Pool Light

OVERALL DIMENSIONS (INCHES)



LPL-F2C (Pool)	
A	3.4"
B	3.9"
Lens Diameter	6.0"
Faceplate Diameter	10.5"
Pilot Hole/Catch Tab	
Standard Fixture Version	9 1/2" Center-to-Center
SwimQuip Fixture Version*	8" Center-to-Center

NOTE: *J&J's faceplate diameter is larger than the standard SwimQuip faceplate. Ensure there is enough even surface for fixture faceplate to fit flat against pool wall.

PUREWHITE® LED POOL LIGHTS FOR SWIMQUIP NICHES

MODEL NUMBER	DESCRIPTION	PEAK LUMENS	VOLTAGE	CCT	CORD LENGTH	CTN. QTY.	CTN. WEIGHT
87-Watt PureWhite® LED Pool Fixture for SwimQuip Niches							
21127	LPL-F5W-120-30-PSQ	4,500	120	6500K	30'	1	10.5 lbs
58-Watt PureWhite® LED Pool Fixture for SwimQuip Niches							
21121	LPL-F3W-120-30-PSQ	3,900	120	6500K	30'	1	10.5 lbs.
21053	LPL-F3W-120-50-PSQ	3,900	120	6500K	50'	1	13.5 lbs.
39-Watt PureWhite® LED Pool Fixture for SwimQuip Niches							
21122	LPL-F1W-120-30-PSQ	2,400	120	6500K	30'	1	10.5 lbs.

PUREWHITE LED LIGHTS

J&J Electronic's PureWhite LED Pool and Spa Light Fixtures provide an LED lighting alternative to inefficient incandescent lamps for installations requiring a wet niche fixture. They significantly reduce energy consumption and maintenance costs. Plus, all PureWhite LED Pool and Spa Light Fixtures feature a superior rugged construction that is unmatched in the industry.

Features

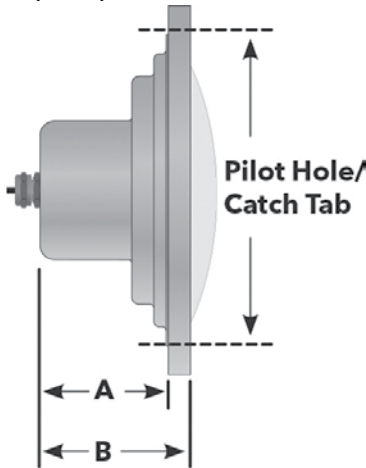
- » Uses less energy – up to 90%*
- » Lasts up to 50,000 hours – 20x longer life**
- » Enhances pool water appearance – looks clearer and cleaner
- » Enhances dark finish pools – commercial and residential
- » Installs easily – compact fixture depth allows bottom catch visibility from pool deck

NOTES: *HI Series compared to incandescent lamps
 **Compared to incandescent lamps



PureWhite LED Pool Light

OVERALL DIMENSIONS (INCHES)



	LPL-F2C (Spa)
A	2.9"
B	3.5"
Lens Diameter	2.9"
Faceplate Diameter	5.7"
Pilot Hole/Catch Tab	
Standard Fixture Version	9 1/2" Center-to-Center
SwimQuip Fixture Version*	8" Center-to-Center

NOTE: *J&J's faceplate diameter is larger than the standard SwimQuip faceplate. Ensure there is enough even surface for fixture faceplate to fit flat against pool wall.

PUREWHITE LED POOL LIGHTS FOR SWIMQUIP NICHES

MODEL NUMBER	DESCRIPTION	PEAK LUMENS	VOLTAGE	CCT	CORD LENGTH	CTN. QTY.	CTN. WEIGHT
13-Watt PureWhite LED Spa Fixture							
21100	LPL-S1W-120-30-P	500	120	6500K	30'	1	7.5 lbs.
21091	LPL-S1W-120-50-P	500	120	6500K	50'	1	10 lbs.

PUREWHITE-PRO LED LAMPS

J&J Electronic's™ PureWhite-Pro LED Replacement In-Ground Pool and Spa Lamps are the brightest, most cost-effective LED alternative to inefficient incandescent lamps. They immediately and significantly reduce energy consumption and maintenance costs. Our PureWhite-Pro lamps fit into most standard pool light housings and includes our Guardian™ replacement pool fixture lens gasket* which has been designed specifically for use with LED lamps.

Features

- » Ultra-bright white light equivalents for 100w thru 500w incandescent pool lamps
- » Uniformity of light intensity and saturation
- » Multiple colour temps: warm white 2700k and cool white 6500k
- » 12V and 120V
- » Wide beam spread
- » **NOTE:** *Fixture Lens Gasket included for use with Pentair® Amerlite™ or Pentair® SpaBrite™ pool light fixtures. Order lens gaskets for other manufactures pool light fixtures separately.

PureWhite LED Pool and Spa Lamps



LPL-M2 Series

OVERALL DIMENSIONS (INCHES)

LPL-PR Series



GUARDIAN™
Silicone Lens Gasket



PUREWHITE® LED POOL LIGHTS FOR SWIMQUIP NICHES

MODEL NUMBER	DESCRIPTION	TYPE	PEAK LUMENS	VOLTAGE	CCT	CTN. QTY.	CTN. WEIGHT
PureWhite-Pro LED Pool and Spa Lamps							
26610	LPL-PR2-CW-120	Pool	3150	120	6500	1	28.5 lbs.
26611	LPL-PR2-WW-120	Pool	2800	120	2700	1	28.5 lbs.
26612	LPL-PR2-CW-12	Pool	3150	12	6500	1	28 lbs.
26613	LPL-PR2-WW-12	Pool	2800	12	2700	1	28 lbs.
26710	LPL-M2-CW-120	Spa	1300	120	6500	1	17 lbs.
26711	LPL-M2-WW-120	Spa	1175	120	2700	1	17.5 lbs.
26712	LPL-M2-CW-12	Spa	1300	12	6500	1	18 lbs.
26713	LPL-M2-WW-12	Spa	1175	12	2700	1	17.5 lbs.
26810	LPL-PRH0-CW-120	Pool	4320	120	6500	1	27 lbs.
26811	LPL-PRH0-WW-120	Pool	4030	120	2700	1	28.5 lbs.

J&J ELECTRONICS LOW VOLTAGE TRANSFORMERS

MODEL NUMBER	DESCRIPTION	FINISH	WATTAGE	CTN. QTY.	CTN. WEIGHT
12-14V Pool and Spa Light Transformer					
25036	TR-100-PP	Beige	100W	1	7 lbs.
25037	TR-300-PP	Beige	300W	1	195 lbs.

Commercial Water Features

Hayward® water features instantly enhance the ambiance of any commercial pool. They're low profile by design, blending seamlessly into any environment, and they connect quickly and easily to reduce installation headaches and costs. Available in deck jets, sheers and bubblers, they're a versatile way to enhance any commercial pool environment with the beauty and serenity of moving water.



COLORLOGIC LAMINARS

- » **Peaceful, glass-like arcs of water**
- » **Illuminate** with ColorLogic® or CrystaLogic® LED lights
- » **Multiple lid colour options** blend seamlessly with any environment
- » **Flow and direction** can be adjusted without tools
- » **Locking stream-angle adjustment mechanism** ensures uniformity with multiple units
- » **The industry's only height-adjustment mechanism** ensures perfect deck alignment even after settling
- » **Minimal dedicated valves and lines** save time and money
- » **Performs best** at 6-7 GPM



DECK JET 500

- » **Peaceful, arching deck-to-pool stream**
- » **Flow and direction** can be adjusted without tools
- » **The industry's only height adjustment mechanism** ensures perfect deck alignment even after settling
- » **Attractive bronze-coated cover**
- » **Integrated flow adjustment** eliminates the need for dedicated valves
- » **Designed for a maximum flow rate of 5 GPM at 10.7 ft of head**



SHEER 500

- » **Customizable waterfall effect** adds tranquil visual appeal
- » **Can be installed in straight or curved applications**
- » **Rear or bottom connections** for quick and easy installation
- » **1.5" x 2" connections** are compatible with larger plumbing for maximum water flow
- » **1 GPM** per inch of sheer width



BUBBLERS

- » **Cascading column of water** creates the ultimate in high-end ambiance
- » **Adjustable nozzles** create a variety of water heights and widths
- » **Interchangeable colour options**
- » **Unobtrusive, flush design** integrates seamlessly with the pool surface
- » **Can be installed 2" to 12" below the water's surface**
- » **Two-part design** incorporates a plaster ring for adjusting the height and angle to match the pool surface
- » **10 GPM - 40 GPM**

SPECIFICATIONS

SHEER 500

PART NUMBER		DESCRIPTION	
REAR MOUNT	BOTTOM MOUNT	PRODUCT DESCRIPTION	
WFS512R6	WFS512B6	Sheer 1 ft.	6" LIP
WFS512R1	WFS512B1		1" LIP
WFS524R6	WFS524B6	Sheer 2 ft.	6" LIP
WFS524R1	WFS524B1		1" LIP
WFS536R6	WFS536B6	Sheer 3 ft.	6" LIP
WFS536R1	WFS536B1		1" LIP
WFS548R6	WFS548B6	Sheer 4 ft.	6" LIP
WFS548R1	WFS548B1		1" LIP
WFS560R6	N/A	Sheer 5 ft.	6" LIP
WFS560R1	N/A		1" LIP

HYDROTHERAPY FITTINGS

PART NUMBER	DESCRIPTION
SP14341PAKA	1" Air x 1" Water
SP14343PAKA	1" Air x 1.5" Water Body, Bulkhead Ftg. & Gasket — White
SP1434PAKA	1.5" Air x 1.5" Water Body, Bulkhead Ftg. & Gasket — White
SP1434PAKAGR	1.5" Air x 1.5" Water Body, Bulkhead Ftg. & Gasket — Gray
SP1436PAKB	Pulse-Flo Nozzle Assembly — Rotating
SP1437PAKB	Whirl-Flo Nozzle Assembly — Whirlpool
SP1434PAKB	VariFlo Nozzle Assembly — Adjustable — White
SP1434PAKBDGR	VariFlo Nozzle Assembly — Dark Gray
SP1434PAKBGR	VariFlo Nozzle Assembly — Adjustable — Gray
SP1430	1.5" FIP X 1.5" MIP JetAir Ftg.
SP1430S	1.5" SKT x 1.5" MIP JetAir Ftg.
SP14311	1.5" MIP x 1.5" FIP JetAir Ftg.
SP1433	1.5" FIP JetAir Fitting Package
SP1433S	1.5" FIP JetAir Fitting Package with SP1430S
SP1450T	1.5" Socket Turbo-Boost Spa Jet Fitting

DECK JET 500

PART NUMBER	DESCRIPTION
WFS500PAK4	Deck Jet 500 (4 pack)

BUBBLER

PART NUMBER	DESCRIPTION
WFB100	Bubbler

COLORLOGIC LAMINAR

PART NUMBER	DESCRIPTION
WFL100	ColorLogic Laminar

BUBBLER ACCESSORIES

PART NUMBER	DESCRIPTION	MATCHES WITH	DESCRIPTION
GLXBKTGR	Gray Bubbler Kit	GLX-BLN-GR	Gray Nozzle Kit
GLXBKTGD	Dark Gray Bubbler Kit	GLX-BLN-GR	Dark Gray Nozzle Kit
GLXBKTWT	White Bubbler Kit	GLX-BLN-WT	White Nozzle Kit

SPA BLOWER

PART NUMBER	DESCRIPTION
SPB101	Spa Blower, 1HP, 115V
SPB102	Spa Blower, 1HP, 230V
SPB151	Spa Blower, 1.5HP, 115V
SPB152	Spa Blower, 1.5HP, 230V
SPB201	Spa Blower, 2HP, 115V
SPB202	Spa Blower, 2HP, 230V



Commercial Heaters

Building on our proven line of industry-leading heaters, Hayward® offers unmatched performance and superior engineering with the Universal H-Series ASME commercial gas heaters. All Hayward Commercial heaters employ a forced draft design and provide exceptional corrosion resistance and hydraulic performance. The new 500,000 BTU models boast the fastest speed-to-heat capability in their class and are designed for ultimate performance, durability and energy efficiency.



UNIVERSAL H-SERIES ASME GAS HEATERS

Hayward Commercial Aquatics Universal H-Series ASME gas heaters are designed and certified for commercial use. The flagship of our H-Series line encompasses high-end features and construction materials as standard. They combine industry-leading hydraulics, exceptional performance, energy efficiency and reliability with planet-friendly low NOx emissions. Flexible connection options make them ideal for new or existing applications.

- » **Choose from 6 models** (250,000, 400,000 and 500,000 BTU natural gas or propane)
- » **500,000 BTU provides unprecedented speed-to-heat**, with just 2 models delivering 1 million BTU's while using minimal pump room space
- » **Patented Cupro Nickel Finn Plate™ heat exchanger** with bronze header included as standard on all models
- » **Independent left- or right-side electric** and water connections
- » **2" x 2½" CPVC** flanged plumbing connections
- » **ASME pressure relief valve** included as standard
- » **Electronic lock-out feature** prevents unauthorized access to configuration settings
- » **Easy installation and service** via single front panel access
- » **Easy gas valve** adjustment
- » **Easy dual-voltage conversion** with fuse-protected circuit boards
- » **83%-84% thermal efficiency**
- » **3-year limited warranty** on parts and labour



TECHNICAL SPECIFICATIONS

PART NUMBER	BTU	DESCRIPTION	PIPE SIZE	MAX. ALLOWED WORKING PRESSURE	DIMENSIONS (L X W X H)	CARTON QUANTITY	CARTON WEIGHT (LBS.)
H250FDNASME	250,000	Natural Gas	2" x 2½"	125 psi	28" x 29½" x 24"	1	195.0
H400FDNASME	400,000	Natural Gas	2" x 2½"	125 psi	36½" x 29½" x 24"	1	225.0
H500FDNASME*	500,000	Natural Gas	2" x 2½"	125 psi	40½" x 29½" x 24"	1	240.0
H250FDPASME	250,000	Propane	2" x 2½"	125 psi	28" x 29½" x 24"	1	195.0
H400FDPASME	400,000	Propane	2" x 2½"	125 psi	36½" x 29½" x 24"	1	225.0
H500FDPASME*	500,000	Propane	2" x 2½"	125 psi	40½" x 29½" x 24"	1	240.0

*Includes flow and pressure sensor.

Electronic temperature lock-out prevents unauthorized access to temperature settings

24"-high cabinet is the lowest in the industry and can be raised off the floor if necessary

Fuse-protected circuit boards make dual-voltage conversion safe and easy

Forced-draft combustion produces low NOx emissions for and is certified for high-altitude applications up to 10,000 feet standard

ASME pressure relief valve comes standard to ensure system safety

Noncorrosive feet won't rust on wet pool pads



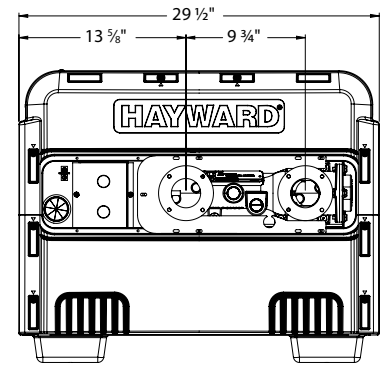
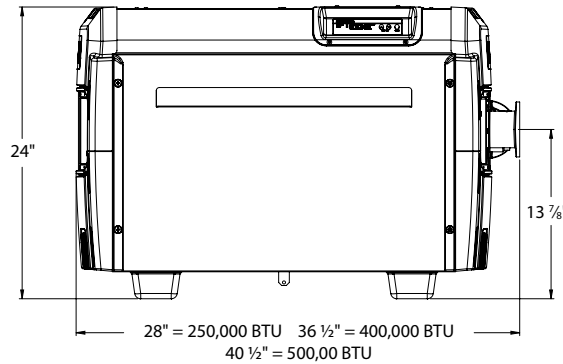
Patented cupro nickel heat exchanger with totally managed flow provides industry-best performance with powerful corrosion protection

Low-lead bronze header with patented bypass design uses up to 18% less energy

Universal plumbing, gas and electrical connections offer quick and easy retrofitting and are certified for installation on combustible surfaces

4", 6" and 8" venting kit allows for indoor natural gas installation

UNIVERSAL H-SERIES ASME HEATER DIMENSIONS



COMMERCIAL HEATER ACCESSORIES

Hayward® offers a complete range of venting kit options for all ASME heaters. Also offered is a flow switch and a temperature/pressure gauge that is required for installation into specific commercial pool markets, such as Texas. This kit will ensure the H-Series ASME heater is compliant with boiler and health code regulations. (Included with 500,000 BTU)

VENTING KIT OPTIONS AND ACCESSORIES

PART NUMBER	DESCRIPTION
UHXNEGVT12506	6" Negative Pressure Indoor Vent Kit
UHXNEGVT14008	8" Negative Pressure Indoor Vent Kit
UHXNEGVT15008	8" Negative Pressure Indoor Vent Kit
UHXDVA004	4" DuraVent Positive Pressure Appliance Adapter
UHXDVA006	6" DuraVent Positive Pressure Appliance Adapter
UHXHFA004	4" HeatFab Positive Pressure Appliance Adapter
UHXHFA006	6" HeatFab Positive Pressure Appliance Adapter
UHXP0SHZ12504	4" Positive Pressure Indoor Vent Kit (No Appliance Adaptor Included)
UHXP0SHZ12506	6" Positive Pressure Indoor Vent Kit (Includes 6" HeatFab Appliance Adaptor)
UHXP0SHZ14006	6" Positive Pressure Indoor Vent Kit (No Appliance Adaptor Included)
UHXP0SHZ14008	8" Positive Pressure Indoor Vent Kit (Includes 8" HeatFab Appliance Adaptor)
UHXP0SHZ15006	6" Positive Pressure Indoor Vent Kit (No Appliance Adaptor Included)
UHXTFP1930	Temp/Pressure and Flow Switch Kit
UHXFSW1930	Flow Switch Only



Note: The Vent Kits are the Adapters ONLY – to be used with either Heatfab®, DuraVent® or Z-Flex® vent piping.

» For more details and ordering information call 1-888-238-7665..



HEATPRO® HEAT PUMP

High performance, energy-efficient HeatPro heat pumps quietly and economically maintain the ideal water temperature at all times. HeatPro features the industry's only standard Ultra Gold corrosion resistant evaporator fin which provides extreme durability, especially in coastal environments. Its compact design allows for easy installation and service on new or existing pools.



- » **27.2-97k BTU** heating performance
- » **Inverter-driven motor** with variable-speed technology
- » **Vertical discharge fan** allows for versatile installation
- » **Titanium heat exchanger** operates powerfully and efficiently even in freezing outdoor temperatures
- » **Intuitive control panel** provides a seamless user experience via touchscreen digital display
- » **Best-in-class part-load COP** and incredibly quiet operation
- » **AHRI certified** and independently lab-tested to ensure the highest quality performance and value
- » **Efficient flow volume** (37 GPM min / 56 GPM max)
- » **3-year limited warranty** on parts and labour

SPECIFICATIONS	
PRODUCT SKU	HP21404T3M
BTU HEATING PERFORMANCE	
80°F Ambient Air, 80°F Water, 80% Relative Humidity*	140,000
80°F Ambient Air, 80°F Water, 63% Relative Humidity*	130,000
50°F Ambient Air, 80°F Water, 80% Relative Humidity*	85,000
HEAT Operating Temperature	50°F
COEFFICIENT OF PERFORMANCE (COP)	
80°F Ambient Air, 80°F Water, 80% Relative Humidity*	5.7
80°F Ambient Air, 80°F Water, 63% Relative Humidity*	5.5
50°F Ambient Air, 80°F Water, 80% Relative Humidity*	4.0
Electronic Temperature Control	Yes
Thermostat — Dual (Pool & Spa)	Dual
kW Input	7.2
Voltage	240/60/3
Minimum Circuit Amps	42
Min. Overload Protection Amps	50
Max. Overload Protection Amps	60
Water Flow Rate (GPM) Recommended Minimum/ Maximum	30/75
Plumbing Connection	2" x 2 1/2" Unions
Refrigerant	R410A
Dimensions	30 1/4" W x 34" D x 44" H
Net Weight	280 lbs.
Shipping Weight	320 lbs.





WHITE GOODS AND VALVES

ENGINEERED THERMOPLASTIC SOLUTIONS FOR OPTIMAL HYDRAULIC PERFORMANCE.

Hayward®'s full line of industrial thermoplastic valves and process control products are designed and engineered to be the most reliable in the industry. We employ precision manufacturing processes and rigorous quality assurance procedures to make sure our flow control products and white goods deliver optimum performance and long-lasting durability while meeting or exceeding industry standards and regulations. In other words, we take care of the details so you can focus on the big picture: building the very best commercial pools.

Commercial Flow Control

Hayward Flow Control has manufactured industrial thermoplastic valves and process control products since the inception of the thermoplastic valve industry over 50 years ago. We have earned an unsurpassed reputation for product design, manufacturing precision, quality assurance, experience and know-how and a total commitment to customer satisfaction and support.

COMPACT BALL VALVES – QVC SERIES (GRAY AND WHITE)

- » Pressure rating 150 psi
- » EPDM seals
- » Santoprene® seats



PART NUMBER	SIZE/DESCRIPTION	CARTON QUANTITY	CARTON WEIGHT (LBS.)
QVC1005SSEG	.5" Socket Gray	10	2.0
QVC1010SSEG	1" Socket Gray	10	5.0
QVC1015SSEG	1.5" Socket Gray	5	5.5
QVC1020SSEG	2" Socket Gray	5	7.5
QVC1025SSEG	2.5" Socket Gray	1	2.8
QVC1030SSEG	3" Socket Gray	1	5.2
QVC1040SSEG	4" Socket Gray	1	7.3
QVC1005SSEW	.5" Socket White	10	2.0
QVC1010SSEW	1" Socket White	10	5.0
QVC1015SSEW	1.5" Socket White	5	5.5
QVC1020SSEW	2" Socket White	5	7.5
QVC1025SSEW	2.5" Socket White	1	2.8
QVC1030SSEW	3" Socket White	1	5.2
QVC1040SSEW	4" Socket White	1	7.3
QVC1005TSEG	.5" Threaded Gray	10	2.0
QVC1010TSEG	1" Threaded Gray	10	5.0
QVC1015TSEG	1.5" Threaded Gray	5	5.5
QVC1020TSEG	2" Threaded Gray	5	7.5
QVC1025TSEG	2.5" Threaded Gray	1	2.8
QVC1030TSEG	3" Threaded Gray	1	5.2
QVC1040TSEG	4" Threaded Gray	1	7.3
QVC1005TSEW	.5" Threaded White	10	2.0
QVC1010TSEW	1" Threaded White	10	5.0
QVC1015TSEW	1.5" Threaded White	5	5.5
QVC1020TSEW	2" Threaded White	5	7.5
QVC1025TSEW	2.5" Threaded White	1	2.8
QVC1030TSEW	3" Threaded White	1	5.2

TRUE UNION COMPACT BALL VALVES – QTA SERIES (GRAY AND WHITE)

- » Pressure rating 150 psi
- » EPDM seals
- » Santoprene seats



PART NUMBER	SIZE/DESCRIPTION	CARTON QUANTITY	CARTON WEIGHT (LBS.)
QTA1010CSEG	1" Socket & Threaded Gray	1	0.9
QTA1015CSEG	1.5" Socket & Threaded Gray	1	2.0
QTA1020CSEG	2" Socket & Threaded Gray	1	3.2
QTA1010CSEW	1" Socket & Threaded White	1	0.9
QTA1015CSEW	1.5" Socket & Threaded White	1	2.1
QTA1020CSEW	2" Socket & Threaded White	1	3.5

TRUE UNION PVC BALL VALVES – TBB SERIES

- » Pressure rating 225 psi
- » EPDM seals
- » PTFE seats
- » Double O-Ring stem seals



PART NUMBER	SIZE/DESCRIPTION	CARTON QUANTITY	CARTON WEIGHT (LBS.)
TBB1005CPEG	.5" Socket & Threaded	1	0.5
TBB1007CPEG	.75" Socket & Threaded	1	0.8
TBB1010CPEG	1" Socket & Threaded	1	1.2
TBB1012CPEG	1.25" Socket & Threaded	1	1.9
TBB1015CPEG	1.5" Socket & Threaded	1	2.8
TBB1020CPEG	2" Socket & Threaded	1	4.9

TRUE UNION PVC BALL VALVES - TB SERIES

- » Pressure rating
 - 250 psi: 1/2"–2"
 - 235 psi: 2 1/2"–4"
 - 150 psi: 6"
- » EPDM seals
- » Reversible PTFE seats
- » Double O-Ring stem seals
- » Easily automated
- » Full port design through 4"
- » NSF/ANSI Standard 61 Certified (1/2"–4")



PART NUMBER	SIZE/DESCRIPTION	CARTON QTY	CARTON WEIGHT (LBS.)
TB1050STE	.5" Socket & Threaded	1	0.8
TB1075STE	.75" Socket & Threaded	1	1.1
TB1100STE	1" Socket & Threaded	1	1.5
TB1125STE	1.25" Socket & Threaded	1	2.9
TB1150STE	1.5" Socket & Threaded	1	3.0
TB1200STE	2" Socket & Threaded	1	4.3
TB1250TE or TB1250SE	2.5" Threaded or Socket	1	11.0
TB1300TE or TB1300SE	3" Threaded or Socket	1	11.2
TB1400TE or TB1400SE	4" Threaded or Socket	1	19.1
TB1600FE (Flanged only)	6" Flanged	1	33.7

ACTUATED BALL VALVES - EAU SERIES

- » Pressure rating 250 psi
- » True Union design
- » EPDM seals
- » PTFE seats
- » Double O-Ring stem seals
- » Assembled with actuator and linkage

Electric actuator details

- » 90-degree operation
- » UL/CSA Listed motor
- » Standard 120 Volt
- » Light weight and compact design



PART NUMBER	SIZE/DESCRIPTION	CARTON QTY	CARTON WEIGHT (LBS.)
EAUTB105STE	.5" EPDM Socket & Threaded	1	5.4
EAUTB107STE	.75" EPDM Socket & Threaded	1	5.7
EAUTB110STE	1" EPDM Socket & Threaded	1	6.7
EAUTB115STE	1.5" EPDM Socket & Threaded	1	7.9
EAUTB120STE	2" EPDM Socket & Threaded	1	8.2



TRUE UNION PVC BALL CHECK VALVES – TC SERIES

- » Pressure rating
150 psi: 2½"–6"
235 psi: ½"–2"
- » EPDM seals
- » For horizontal or vertical installation
- » NSF/ANSI Standard 61 Certified (1/2"–4")



PART NUMBER	SIZE/DESCRIPTION	CARTON QTY	CARTON WEIGHT (LBS.)
TC10050STE	.5" Socket & Threaded	1	0.7
TC10075STE	.75" Socket & Threaded	1	0.9
TC10100STE	1" Socket & Threaded	1	1.3
TC10125STE	1.25" Socket & Threaded	1	2.5
TC10150STE	1.5" Socket & Threaded	1	2.7
TC10200STE	2" Socket & Threaded	1	4.1
TC1250TE or TC1250SE	2.5" Threaded or Socket	1	9.8
TC1300TE or TC1300SE	3" Threaded or Socket	1	10.1
TC1400TE or TC1400SE	4" Threaded or Socket	1	17.5
TC1600FE (Flanged only)	6" Flanged	1	33.0



BUTTERFLY VALVES (LEVER OPERATED) – PUREBLU® BYCN SERIES

- » Pressure rating 150 psi
- » PVC body and disc
- » EPDM liner
- » 316 SS stem
- » 9-position throttle plate
- » NSF/ANSI Standard 61 Certified



BUTTERFLY VALVES (LEVER OPERATED) – BYV SERIES

- » Pressure rating 150 psi
- » PVC body and disc
- » EPDM liner
- » 1 Piece 316 SS stem
- » 19-position throttle plate
- » Hydro dynamic disc
- » External disc position and flow indication
- » NSF/ANSI Standard 61 Certified



BUTTERFLY VALVES (GEAR OPERATED) – PUREBLU BYCN SERIES

- » Pressure rating 150 psi
- » PVC body and disc
- » EPDM liner
- » 316 SS stem
- » Robust aluminum gear operator with stainless steel shaft, IP65 rating
- » NSF/ANSI Standard 61 Certified



BUTTERFLY VALVES (GEAR OPERATED) – BYV SERIES

- » Pressure rating 150 psi
- » PVC body and disc
- » EPDM liner
- » 1 Piece 316 SS stem
- » 19-position throttle plate
- » Hydro dynamic disc
- » External disc position and flow indication
- » NSF/ANSI Standard 61 Certified



PART NUMBER	SIZE / DESCRIPTION	CARTON QTY	CARTON WEIGHT (LBS.)
BYCN1020E1LGB	2" Lever	1	5.0
BYCN1025E1LGB	2.5" Lever	1	5.0
BYCN1030E1LGB	3" Lever	1	6.1
BYCN1040E1LGB	4" Lever	1	8.3
BYCN1050E1LGB	5" Lever	1	12.0
BYCN1060E1LGB	6" Lever	1	15.0
BYCN1080E1LGB	8" Lever	1	20.0

PART NUMBER	SIZE / DESCRIPTION	CARTON QTY	CARTON WEIGHT (LBS.)
BYV11020A0EL000	2" Lever	1	6.0
BYV11025A0EL000	2.5" Lever	1	6.5
BYV11030A0EL000	3" Lever	1	7.0
BYV11040A0EL000	4" Lever	1	10.0
BYV11060A0EL000	6" Lever	1	16.0
BYV11080A0EL000	8" Lever	1	22.0

PART NUMBER	SIZE / DESCRIPTION	CARTON QTY	CARTON WEIGHT (LBS.)
BYCN1020E1GGB	2" Gear	1	11.0
BYCN1025E1GGB	2.5" Gear	1	11.0
BYCN1030E1GGB	3" Gear	1	16.6
BYCN1040E1GGB	4" Gear	1	19.0
BYCN1050E1GGB	5" Gear	1	21.0
BYCN1060E1GGB	6" Gear	1	23.2
BYCN1080E1GGB	8" Gear	1	30.0

PART NUMBER	SIZE / DESCRIPTION	CARTON QTY	CARTON WEIGHT (LBS.)
BYV11020A0EG000	2" Gear	1	12.0
BYV11025A0EG000	2.5" Gear	1	12.5
BYV11030A0EG000	3" Gear	1	17.0
BYV11040A0EG000	4" Gear	1	19.0
BYV11060A0EG000	6" Gear	1	25.0
BYV11080A0EG000	8" Gear	1	32.0
BYV11100A0EG000	10" Gear	1	39.0
BYV11120A0EG000	12" Gear	1	45.0

FULL PATTERN PVC WAFER CHECK VALVES – WCV SERIES

- » Pressure rating 150 psi
- » One-piece disk and shaft design
- » EPDM gasket and face seal
- » Full pattern body – no need for spacers or specialty flanges
- » Contoured inlet port for easy flow
- » Can be installed in vertical or horizontal position



PART NUMBER	SIZE/DESCRIPTION	CARTON QTY	CARTON WEIGHT (LBS.)
WCV1200E	2" EPDM Wafer Check	1	1.3
WCV1250E	2.5" EPDM Wafer Check	1	1.9
WCV1300E	3" EPDM Wafer Check	1	2.2
WCV1400E	4" EPDM Wafer Check	1	4.4
WCV1600E	6" EPDM Wafer Check	1	6.0
WCV1800E	8" EPDM Wafer Check	1	14.0

FULL PATTERN PVC WAFER CHECK VALVES – WCV SERIES

- » Pressure rating 150 psi
- » One-piece disk and shaft design
- » EPDM gasket and face seal
- » Full pattern body – no need for spacers or specialty flanges
- » Contoured inlet port for easy flow
- » Can be installed in vertical or horizontal position
- » 316 SS disc spring



PART NUMBER	SIZE/DESCRIPTION	CARTON QTY	CARTON WEIGHT (LBS.)
WCV1200ES	2" EPDM Wafer Check w/Spring	1	1.2
WCV1250ES	2.5" EPDM Wafer Check w/Spring	1	1.9
WCV1300ES	3" EPDM Wafer Check w/Spring	1	2.2
WCV1400ES	4" EPDM Wafer Check w/Spring	1	4.4
WCV1600ES	6" EPDM Wafer Check w/Spring	1	6.2
WCV1800ES	8" EPDM Wafer Check w/Spring	1	14.4



PVC SIMPLEX BASKET STRAINER – SB SERIES

- » Pressure rating 150 psi
- » PVC body and basket
- » EPDM seals
- » Multiple basket material options
- » Ergonomic hand-removable cover
- » True Union connections
- » Each strainer includes a standard basket
- » 1/2"–1" Standard 1/32" Perforation
- » 1 1/2"–8" Standard 1/8" Perforation
- » NSF/ANSI Standard 61 Certified



PART NUMBER	SIZE/DESCRIPTION	CARTON QTY	CARTON WEIGHT (LBS.)
SB1100STE132	1" Socket & Threaded EPDM	1	7.0
SB1150STE18	1.5" Socket & Threaded EPDM	1	17.0
SB1200STE18	2" Socket & Threaded EPDM	1	17.0
SB1250SE18	2.5" Socket EPDM	1	31.0
SB1250TE18	2.5" Threaded EPDM	1	31.0
SB1300SE18	3" Socket EPDM	1	24.0
SB1300TE18	3" Threaded EPDM	1	24.0
SB1400SE18	4" Socket EPDM	1	24.0
SB1400TE18	4" Threaded EPDM	1	24.0
SB1600FTE18	6" Flanged Only EPDM	1	122.0
SB1800FTE18	8" Flanged Only EPDM	1	143.0

TRUE UNION SOLENOID VALVES – SV SERIES

- » Available in PVC and CPVC
- » Available with FPM or EPDM seals
- » Continuous or 100% duty applications
- » Corrosion-resistant polyester coil
- » No pressure differential required for operation
- » Four-position electrical connection
- » 1/2" conduit or SJ type cord electrical connection
- » 110 VAC is standard
- » Normally closed design



PART NUMBER	SIZE/DESCRIPTION	CARTON QTY	CARTON WEIGHT (LBS.)
SV20025STE	.25" CPVC Socket & Threaded EPDM	1	3.0
SV10050STE	.5" PVC Socket & Threaded EPDM	1	3.3
SV20050STE	.5" CPVC Socket & Threaded EPDM	1	3.3
SV10075STE	.75" PVC Socket & Threaded EPDM	1	3.5
SV20075STE	.75" CPVC Socket & Threaded EPDM	1	3.7
SV10100STE	1" PVC Socket & Threaded EPDM	1	3.6
SV20100STE	1" CPVC Socket & Threaded EPDM	1	3.8

- » Flanged connections are available. Please call for part number and pricing information.
- » All Hayward® Flow Control products have a 2-year warranty as standard.
- » All Hayward Flow Control items are based on a per-unit cost with the exception of all QVC Series ball valves, which are sold as bag quantities only. If bag quantities are broken, there will be a 25% upcharge.
- » All Flow Control products manufactured are in compliance with ISO 9001:2008 standards.



Backed by Hayward Flow Control's exclusive two-year warranty

Commercial White Goods

For residential and commercial concrete pools, Hayward square drain covers are available in a wide range of sizes and flow designs to satisfy any installation requirement. Whether the application demands frames and covers for new construction or replacement cover assemblies for existing installations, Hayward suction outlets set the standard for quality and value. Hayward's High Flow covers have some of the industry's highest approved flow rates. Each size and flow design cover retrofit to existing Hayward frames and are designed for an extensive 7 year life span.



VGB ACT-COMPLIANT HIGH-FLOW DRAIN COVERS AND FRAMES

All Hayward WG Series suction outlet fitting assemblies and replacement covers have been tested to ANSI/APSP/ICC-16 2017, are VGB compliant and meet CPSP requirements.

Installation of anything other than the recommended Hayward drain cover on a Hayward frame or Hayward sump may not be ANSI/APSP/ICC-16 2017 compliant. Likewise, the installation of a Hayward drain cover on a non-Hayward frame may not be compliant.

Applications

- » Meets various flow category requirements
- » Installations in concrete, residential and commercial pools
- » All Hayward drain covers can be used as a single replacement cover when installed on the same suction line as a TriStar® VS SVRS

Features

- » Certified to ANSI/APSP/ICC-16 2017
- » Retrofits to all Hayward existing frames
- » 7 year life
- » 1 year limited warranty

MODEL NUMBER	PIPE SIZE	MOUNTING POSITION	SUMP PORT LOCATION	APPROVED FLOW GPM
WG1031BHF2 & WG1031HF2PAK2 (9" x 9")	2.5"	Floor	Side	172
	2.5"	Wall	Side	184
	2.5"	Wall	Bottom	224
	3"	Floor	Side	264
	3"	Wall	Side	224
	3"	Wall	Bottom	224
WG1032BHF2 & WG1032HF2PAK2 (12" x 12")	3"	Floor	Side	416
	3"	Wall	Bottom	308
	4"	Floor	Side	484
	4"	Wall	Bottom	308
WG1033BHF2 & WG1033HF2PAK2 (18" x 18")	3"	Floor	Side	484
	3"	Wall	Bottom	484
	4"	Floor	Side	656
	4"	Wall	Bottom	688
	6"	Floor	Side	815
	6"	Wall	Bottom	732
WG1061HF2PAK2 (9" x 9")	2.5" & 3"	Floor	Side	264
	2.5" & 3"	Wall	Bottom	224

MODEL NUMBER	SIZE	COVER OPEN AREA SQ. IN.	1.5 FT/SEC. FLOW RATE GPM	CARTON QTY.	CARTON WEIGHT
REPLACEMENT COVER & INNER FRAME					
WG1031BHF2	9" x 9"	23.96	112	10	12 lbs.
WG1032BHF2	12" x 12"	41.07	192	10	18 lbs.
WG1033BHF2	18" x 18"	124.1	580	10	39 lbs.
COVER, INNER FRAME & OUTER FRAME (2 per pack)					
WG1031HF2PAK2	9" x 9"	23.96	112	4	18 lbs.
WG1032HF2PAK2	12" x 12"	41.07	192	4	30 lbs.
WG1033HF2PAK2	18" x 18"	124.1	580	2	31 lbs.
3" SUCTION OUTLET SUMP WITH COVER (2 per pack)					
WG1036HF2PAK2	9" x 9"	23.96	112	1	6 lbs.

Review expiration dates of current VGB-compliant installed drain covers

» For more details and ordering information call 1-888-238-7665.

AUTOSKIM™ SERIES SKIMMERS

Our AutoSkim Series skimmers are designed for demanding commercial and residential applications providing precision, large capacity and automatic surface skimming. They are molded from noncorrosive, nonconductive ABS material.

- » **Optional float/bypass valve**
- » **Stackable notched extension collar** allows infinite vertical adjustment
- » **NSF Certified** (approved when used with commercial cover and equalizer)



	PART NUMBER	SIZE/DESCRIPTION	CARTON QUANTITY	CARTON WEIGHT (LBS.)	GPM
AutoSkim Wide Track Series	SP10852*	AutoSkim Square Skimmer 1½" Fit in Place 9¼" Throat	1	16.0	36
	WG1082SFVE	NSF 50 Listed AutoSkim Square Skimmer 2" Socket****	1	8.0	55
	WG1084SFVE	NSF 50 Listed AutoSkim Square Skimmer 2" Socket****	1	8.0	55
	WG1082E***	NSF 50 Listed Replacement Cover for SP1080 Series Skimmers	10	15.0	-
	SP1080FVEKIT	Float Valve and Equalizer Kit for SP1080 Series Skimmers	10	12.0	-
AutoSkim Series	SP1082*	AutoSkim Square Skimmer 2" Fit in Place 5¼" Throat	1	10.0	63
	SP1084*	AutoSkim Square Skimmer 2" Fit in Place 8½" Throat	1	13.0	63

NOTE: Hayward® recommends additionally adding the float valve and equalizer kit for commercial applications.

*Available in Dark Gray. Add suffix DGR to model number.

**Available in Dark Gray. To order Dark Gray, add suffix DGR to part number. The "R" designation indicates round collar and cover assembly. OM designation indicates thru-wall, outside mount for metal wall installations.

***This part number must be ordered with any of the part numbers above to ensure it is NSF Certified.

****With Float and Equalizer Valves.

SKIMMASTER® SERIES SKIMMERS

Our SkimMaster Series is a non-corrosive, large capacity automatic surface skimmer featuring a round, tamper-proof access cover, self-adjusting 8-inch weir with stainless steel spring for added strength, dual outlets and threaded internal connections for pressure testing. The optional float/bypass valve provides a suction outlet through skimmer system and an automatic pump bypass for low water conditions. No glue is used in manufacturing, ensuring maximum strength and longevity.

- » **Adjustable deck collar** and access cover
- » **Large debris basket** and multiple plumbing connections for easier connections
- » **Automatic bypass** for low water conditions



PART NUMBER	SIZE/DESCRIPTION	CARTON QUANTITY	CARTON WEIGHT (LBS.)	MAX GPM
HCWG1072C	NSF 50 Listed SKIMMASTER Round Skimmer 2"x2.5" Socket 4.5" Throat***	1	8.0	55
WG1070C	NSF 50 Listed Replacement Cover for SP1070 Series Skimmers	1	15.0	-
SP1072S2**	SkimMaster Round Skimmer 2" Socket with Overflow Port 4½" Throat	1	8.0	63
SP1071T2SQ	SkimMaster Square Skimmer 1½" Fit in Place 4½" Throat	1	8.0	36
SP1072S2SQ	SkimMaster Square Skimmer 2" Socket 4½" Throat	1	8.0	63
SP1072S2FVA	SkimMaster Round Skimmer 2" x 2.5" Socket 4.5" Throat	1	8.0	75
SP1070FVEKIT	Float Valve and Equalizer Kit for SP1070 Series Skimmers	10	12.0	-

*Available in Gray, Dark Gray and Black. To order specific colours, add suffix GR for Gray, DGR for Dark Gray and BLK for Black. Also available with tan collar and cover, add suffix 10 to model number. For skimmer packaged with float valve, add suffix FVA to model number.

**This part number must be ordered with SP1072FVEKIT and WG1070C to ensure it is NSF Certified.

***With Float and Equalizer Valves.



Join the Totally Hayward® Partner Program.

In 2024, we're strengthening our support for commercial pool pros by combining Totally Hayward with the industry's best trade-only program: Expert Line®. By joining the Totally Hayward Partner Program, you'll earn rewards for purchasing the Hayward® Expert Line in-ground residential and commercial products your customers want and need—and can only get from you.

STANDARD



Purchase a minimum of 30 select products in a seasonal year (must include pumps and filters) to automatically qualify for program benefits.

ADVANTAGE



Purchase a minimum of 100 select products in a seasonal year (must include pumps and filters) to automatically qualify for **advantage** status program benefits.

GET MORE OUT OF EVERYTHING YOU DO.

When you join the Totally Hayward Partner Program, you're signing up to get the most out of working with Hayward.

- » **Access to the industry's best single-source residential and commercial product lineup.** Offering the latest innovations and technologies, Hayward products are always designed to put performance, reliability and efficiency first.
- » **Rewards for your purchases.** The Totally Hayward rewards offer the opportunity to redeem your points for cash.
- » **Social media assistance.** Master the world of Facebook®, Twitter®, Instagram® and YouTube® with the help of the trained experts on our Social Media Marketing Team.

Contact your Hayward sales representative for enrollment information, or fill out the application online at [TotallyHayward.com/Join](https://www.totallyhayward.com/Join) or call 1-888-238-7665 during business hours.

Discover the Hayward Commercial Aquatics Try it, Spec it, Love it Program

TRY IT



CAT
CONTROLLERS®



HYDRORITE® UV
DISINFECTION SYSTEM



HCP SERIES
PUMPS



SALINE C®
SALT CHLORINE
GENERATORS



HCP SERIES
VARIABLE FREQUENCY
DRIVE

SPEC IT



Visit hayward.com/commercialpoolspecifications to view and download specifications for Hayward Commercial products.

LOVE IT

EASY TO INSTALL. EASY TO SELL. EASY TO LOVE.

Hayward Commercial Aquatics products are expertly designed for ease of specification, installation and industry-leading energy efficiency. Through our Try it, Spec it, Love it Program, you can experience the Hayward difference firsthand when you try out one or any number of products from our extensive lineup at a significant savings. Staying on the cutting edge of advanced, innovative and efficient solutions for commercial pools and spas has never been easier—or more affordable.

TURN
PAGE TO
ORDER



HAYWARD® COMMERCIAL AQUATICS PROGRAM ORDER FORM

TRY IT, SPEC IT, LOVE IT PROGRAM

ENJOY FOUR WAYS TO ORDER

An Inside Sales Representative will follow up with all submitted requests.

- 1 Go to hayward.com/commercialprogram
- 2 Tear out and fax form to 905-829-3636
- 3 Call 1-888-238-7665
- 4 Email pclark@hayward.com

Date: _____

PO#: _____

Bill To:

Company Name: _____

Name: _____

Address: _____

City, State, Zip: _____

Tel #: _____

Fax #: _____

Ship To:

Company Name: _____

Name: _____

Address: _____

City, State, Zip: _____

Tel #: _____

Fax #: _____

Email: _____

P.O. From: Hayward Dealer Builder Pool Service Company Other

Who is your local distributor? _____

TRY ONE OR ALL SELECTIONS BELOW

PRODUCT/SKU	DESCRIPTION	MAX QTY ALLOWED	QTY ORDERED	PRICE
HCP3020VSP	HCP 3000 Series Pump, variable speed, single phase (230V)	2		
HCP 3000 Series	HCP 3000 Series Pump, any single-speed model	2		
HCF234C	Commercial Fiberglass Sand Filter, 34", 2" bulkhead	1		
LPWUS11100	Universal CrystaLogic® 500W Equivalent White LED 12V, 100' cord	5		
LPLUS11100	Universal CrystaLogic 300W Equivalent White LED 12V, 100' cord	5		
LSLUS11100	Universal CrystaLogic 100W Equivalent White LED 12V, 100' cord	5		
HYRXXX	HydroRite UV, HYR150, HYR75L4, HYR150L4, or HYR400L4	1		
HCSC60	Saline C® 6.0 Commercial Salt Chlorine Generator	1		
HCSC110	Saline C 11.0 Commercial Salt Chlorine Generator	1		
HCPVFDXXX	HCP Series Variable Frequency Drive, any model	3		
CAT-4000-WIFI	CAT 4000® Standard Package with Wi-Fi or Cellular Transceiver	1		
CATPP5500WIFI	CAT 5500® Professional Package with Wi-Fi or Cellular Transceiver, Machined Flow Cell and RFS	1		
CATPP6000WIFICF	CAT 6000®	1		
HP21404T	HeatPro® Heat Pump	1		

Special pricing is received after form is submitted and approved. Please have credit card ready.

Total: _____

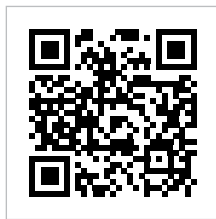
An inside sales representative will follow up when form is received. Upon review and approval, the purchaser will be required to provide credit card information in order to be issued a voucher. Purchaser must take voucher to local distributor for redemption. Limit one per customer and one-time use only. Anything over the allowed amount will be declined. This program cannot be combined with any other discount, promotion, rebate or Totally Hayward® Program. Other rules and restrictions may apply. See full terms at hayward.com/commercialprogram.

Design Resources and Product Specifications

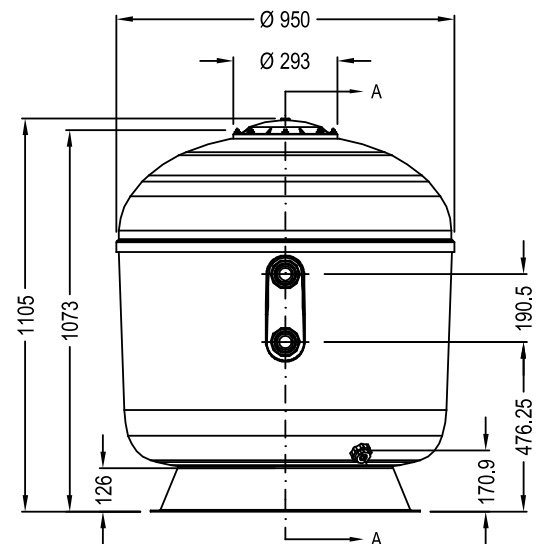
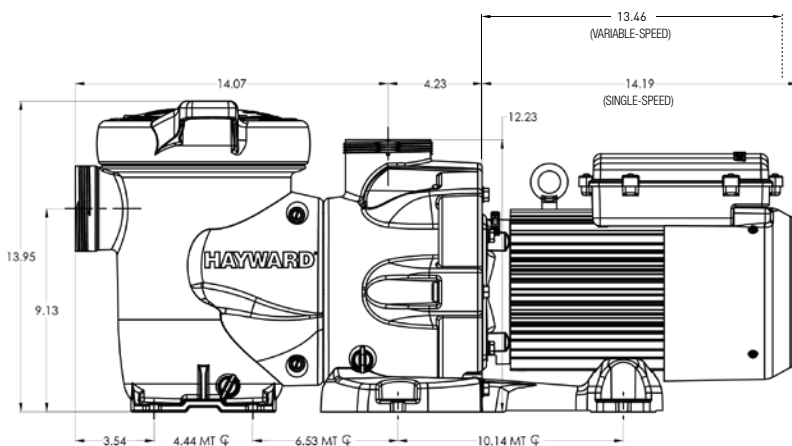


SPECIFY HAYWARD®

- » CAD Drawings
- » Bid Specifications
- » Technical Data
- » Product Images
- » Certifications



Scan to quickly locate detailed specs and ready-to-use CAD drawings for every Hayward Commercial Aquatics product.



HAYWARD.COM/COMMERCIALPOOLSPECIFICATIONS

View all design resources and Commercial Pool Product specifications.

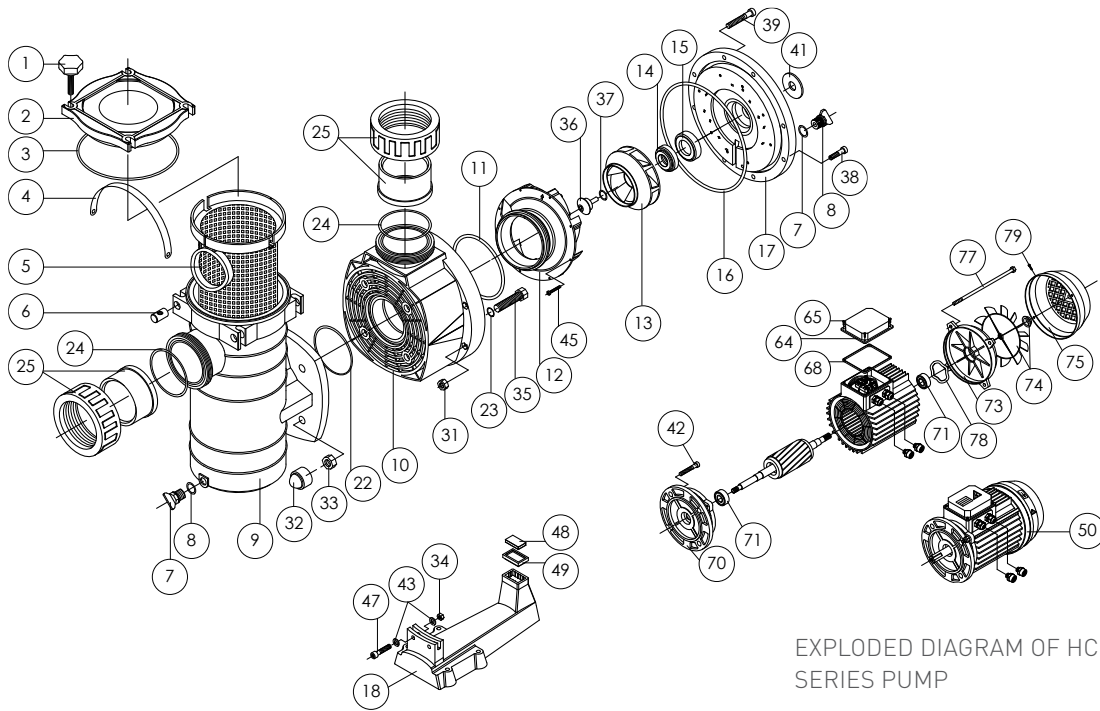




Replacement Parts

- 72 Commercial Pumps
- 77 Commercial Filters
- 82 Commercial Automation
- 84 Commercial Sanitization
- 87 Commercial Heaters
- 94 Commercial Cleaners
- 96 Commercial Flow Control

Commercial Pumps

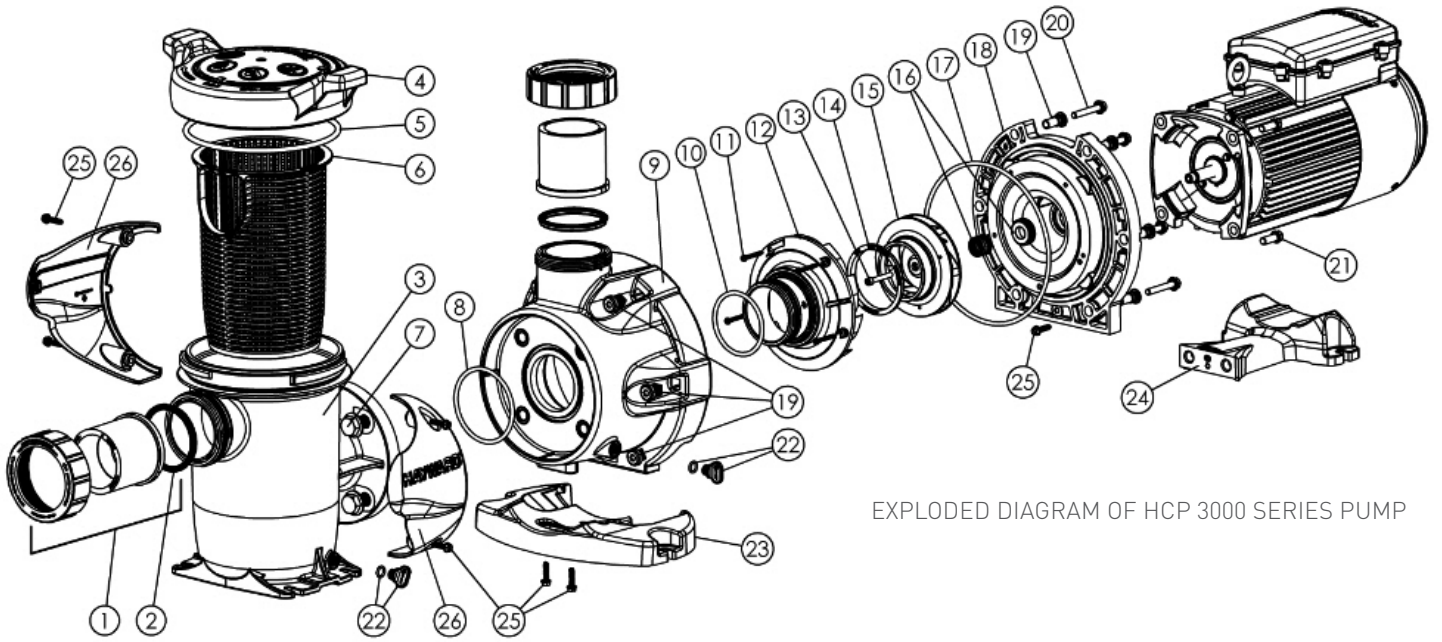


EXPLODED DIAGRAM OF HCP 4000 SERIES PUMP

PART NUMBER	SIZE / DESCRIPTION	GTIN	COMPONENTS	DRAWING NUMBER	CARTON QTY
HCP 4000 SERIES					
HCXP6000A	Lid Bolt Set	0610377136143	Cover Screw Pin	1 6	1
HCXP6001A	Pump Lid	0610377136150	Pump Lid Pump Lid O-ring	2 3	1
HCXP6002A	Filter Basket	0610377136167	Filter Basket Handle	5 4	1
HCXP6004A	Seal Set	0610377136181	Diffuser Gasket Seal - spring Seal - ceramic Flange O-ring Impeller O-ring	11 14 15 16 37	1
HCXP6005A	Diffuser (HCP55/HCP75)	0610377136198	Diffuser 501/751 Screw DIN 7985 M3-45	12 45	1
HCXP6006A	Diffuser (HCP100/HCP125)	0610377136204	Diffuser 1001/1251 Screw DIN 7985 M3-45	12 45	1
HCXP6007A	Impeller HCP55	0610377136211	Impeller 501 - 60Hz Impeller Stopper Impeller O-ring	13 36 37	1
HCXP6008A	Impeller HCP75	0610377136228	Impeller 751 - 60Hz Impeller Stopper Impeller O-ring	13 36 37	1
HCXP6009A	Impeller HCP100	0610377136235	Impeller 1001 - 60Hz Impeller Stopper Impeller O-ring	13 36 37	1
HCXP6010A	Impeller HCP125	0610377136242	Impeller 1251 - 60Hz Impeller Stopper Impeller O-ring	13 36 37	1
HCXP6012A	Pump Support	0610377136266	Pump Support Rubber Pad Supplement	18 48 49	1
HCXP6013A	Drain Plug Set	0610377136273	Drain Drain O-ring	7 8	1

PART NUMBER	SIZE / DESCRIPTION	GTIN	COMPONENTS	DRAWING NUMBER	CARTON QTY
HCP 4000 SERIES, CONTINUED					
HCXP6014A	Pump Lid O-ring	0610377136280	Pump Lid O-ring	3	1
HCXP6017A	Seal Plate	0610377136310	Plastic Flange	17	1
HCXP6018A	Seal Plate Screw Set	0610377136327	Nut DIN 934 M10 Screw DIN 912 M10 x 30 Screw DIN 912 M10 x 130	31 38 39	1
HCXP6019A	Union Connection Set (Qty of 2)	0610377136334	O-ring Tail Piece & Nut	24 25	1
HCXP6021A	Pump Casing Bolts (Qty of 4)	0610377136358	Screw DIN 933 M16 x 40 Nut DIN 934 M16 O-ring 16 x 3 Cover Screw	10 33 23 32	1
HCXP6022A	Pump Strainer Body	0610377136365	Filter Basket Body O-ring Pump Casing 124 x 4	9 22	1
HCXP6023A	Pump Support Bolt Set	0610377136372	Screw DIN 912 M8 x 40 Washer DIN 125 M8 Nut DIN 934 M8	47 43 34	1
HCXP6024A	Kit Adaptor PG21 - 3/4" (Qty of 2)	0610377136389	PG21 by 3/4" NPT Adaptor	—	1
HCXP6025A	Strain Body O-ring	0610377209793	O-ring Pump Casing 124 x 4	22	1
HCXP55MOTOR	HCP55 Motor	0610377136396	Motor 60Hz HCP 55	50	1
HCXP75MOTOR	HCP75 Motor	0610377136402	Motor 60Hz HCP 75	50	1
HCXP100MOTOR	HCP100 Motor	0610377136419	Motor 60Hz HCP 100	50	1
HCXP125MOTOR	HCP125 Motor	0610377136426	Motor 60Hz HCP 125	50	1
HCXP6050A	Bearings Set - HCP55	0610377136433	Bearing HCP 55	71	1
HCXP6051A	Bearings Set - HCP75/100/125	0610377136440	Bearing HCP 75/100/125	71	1
HCXP6066A	Fan Cover - HCP75/100/125	0610377136501	Fan Cover for HCP 75/100/125 - 60Hz Fan Cover Screw	75 79	1
HCXP6071A	Motor Flange - HCP75/100/125	0610377136525	Motor Flange HCP 75/100/125	70	1
HCXP6075A	Electrical Connection Lid	0610377136532	Connection Box Lid Lid Screw Motor Connection Box Gasket	64 65 68	1
HCXP6079A	Motor Tie Rods - HCP125 (Qty of 4)	0610377136587	Motor Screws HCP 125 Motor 60Hz	77	1

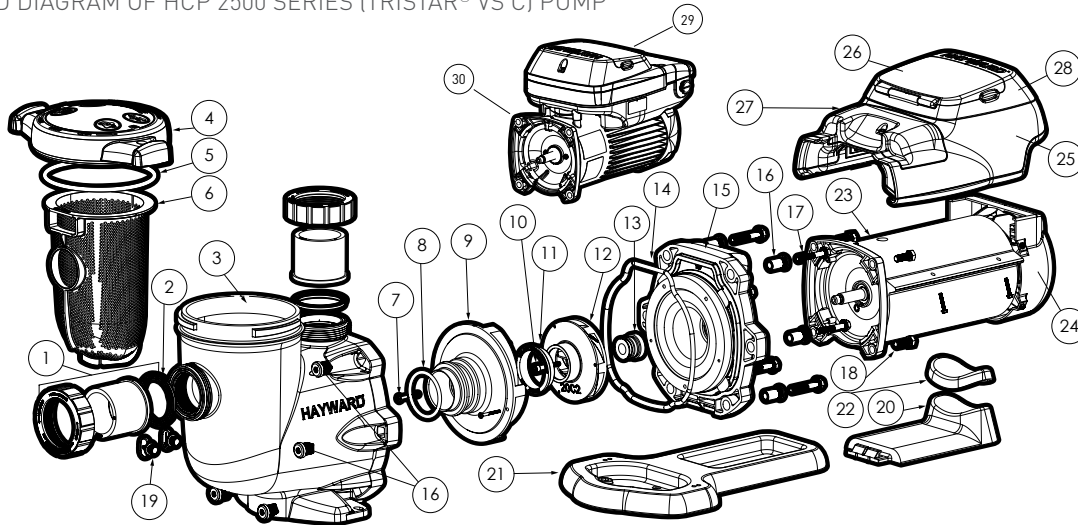




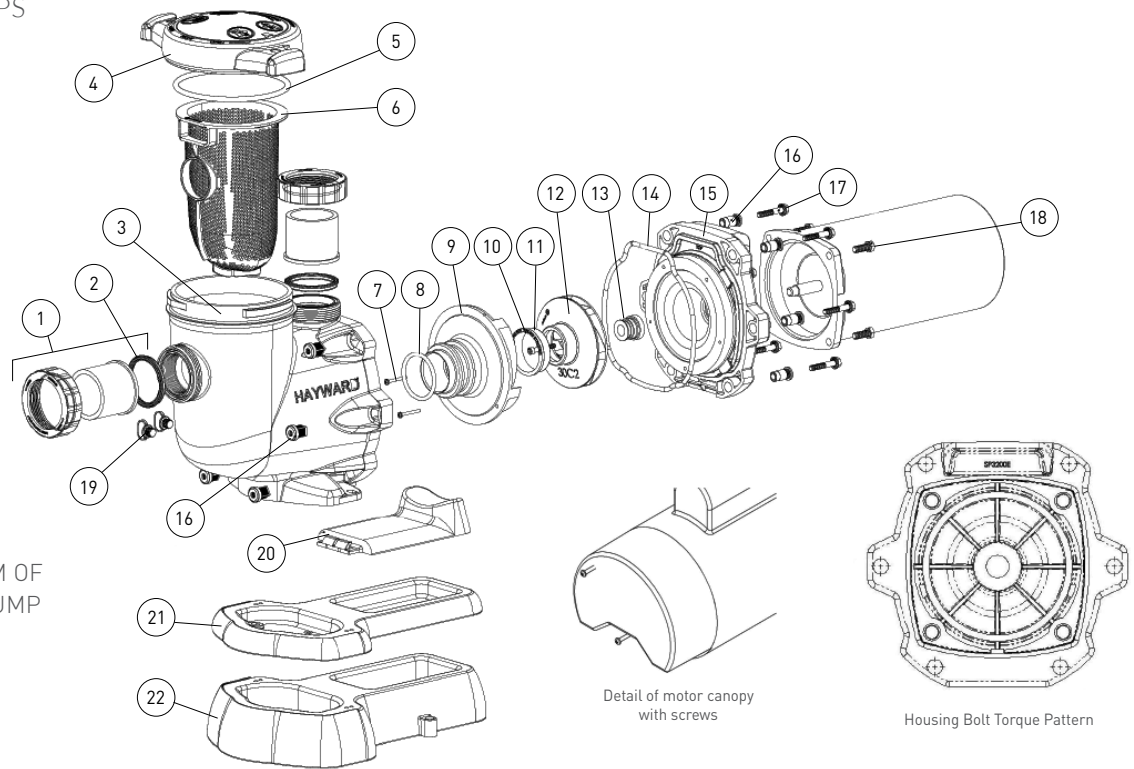
EXPLODED DIAGRAM OF HCP 3000 SERIES PUMP

PART NUMBER	SIZE / DESCRIPTION	GTIN	DRAWING NUMBER	CARTON QTY
HCP 3000 SERIES				
HCXP3000UNKIT	Union Connector Kit (Includes Union Nut, Union Connector, Union Gasket - 2 each)	0610377341257	1	1
HCXP3000UG	Union Gasket	0610377341295	2	—
HCXP3000H	Strainer Housing with Drain Plug	0610377341325	3	1
HCXP3000DLS	Strainer Cover Kit (Includes Strainer Cover, Lock Ring, O-ring)	0610377341356	4	5
SPX4000S	Strainer Cover O-ring	0610377079242	5	50
HCXP3000M	Strainer Basket	0610377341448	6	1
HCXP343V70	Strainer Housing Flange O-ring	0610377341509	8	10
HCXP3000A	Pump Housing w/Drain Plug (Power Assembly Required VSP)	0610377341547	9	1
HCXP338V60	Diffuser O-ring	0610377341561	10	10
HCXP3000B	Diffuser, 2 - 5 HP	0610377341608	12	1
HCXP3000B2	Diffuser, 7 HP	0610377341622	12	1
SPX3200Z1	Impeller Screw	0610377912013	13	50
HCXP3000R	Impeller Ring, 2 - 5 HP	0610377341684	14	10
HCXP3001R	Impeller Ring, 7 HP	0610377341691	14	10
HCXP3020C	2 HP Impeller with Impeller Screw	0610377341714	15	10
HCXP3030C	3 HP Impeller with Impeller Screw	0610377341660	15	10
HCXP3050C	5 HP Impeller with Impeller Screw	0610377341615	15	10
HCXP3070C	7 HP Impeller with Impeller Screw	0610377341592	15	10
SPX4000SAV	Shaft Seal Assembly	0610377330459	16	10
HCXP369V70	Pump Housing O-ring	0610377341578	17	10
HCXP3000E	Seal Plate	0610377341554	18	1
HCXP3020Z1D	Motor, 2 HP, Three-Phase 208-230/460V	0610377341400	—	1
HCXP3030Z1D	Motor, 3 HP, Three-Phase 208-230/460V	0610377341363	—	1
HCXP3050Z1M	Motor, 5 HP, Single-Phase 208-230V	0610377341349	—	1
HCXP3050Z1D	Motor, 5 HP, Three-Phase 208-230/460V	0610377341332	—	1
HCXP3075Z1D	Motor, 7 HP, Three-Phase 208-230/460V	0610377341318	—	1
HCXP3020Z1VSPE	VSP power end 2.7	0610377383349	—	1

EXPLODED DIAGRAM OF HCP 2500 SERIES (TRISTAR® VS C) PUMP



PART NUMBER	SIZE / DESCRIPTION	GTIN	DRAWING NUMBER	CARTON QTY
HCP 2500 SERIES (TRISTAR® VS C)				
SPX3200UNKIT	Union Connector Kit (Includes Union Nut, Union Connector,	0610377912068	1	1
SPX3200UG	Union Gasket, 50D EPDM (Qty of 2)	0610377912075	2	1
SPX3200A	Pump Strainer Housing, 2" x 2-1/2" w/Drain Plugs, Threaded Style	0610377911900	3	1
SPX3200DLS	Strainer Cover Kit (Includes Strainer Cover, Lock Ring, O-ring)	0610377911948	4	10
SPX3200S	Strainer Cover O-ring (New Power Assembly Required)	0610377911993	5	10
SPX3200M	Strainer Basket	0610377911979	6	15
SPX3200Z8	Diffuser Screw	0610377912051	7	1
SPX4000Z1	Diffuser O-ring	0610377563666	8	10
SPX3200B3	Diffuser	0610377911924	9	1
SPX3200Z1	Impeller Screw	0610377912013	10	1
SPX3021R	Impeller Ring	0610377041393	11	1
SPX3220C	Impeller for 2 HP w/Impeller Screw	0610377912129	12	10
SPX3200SA	Shaft Seal Assembly	0610377013123	13	10
SPX3200T	Housing O-ring	0610377912006	14	10
SPX3200E	Seal Plate	0610377911955	15	1
SPX3200Z211	Housing Insert/Seal Plate Spacer Kit	0610377912020	16	1
SPX3200Z3	Housing Bolt	0610377912037	17	10
SPX4000FG	Drain Plug w/O-ring	0610377551908	19	10
SPX3200GA	Bracket, Motor Support	0610377911962	20	1
SPX3200WF	Riser Base, Pentair® WhisperFlo®	0610377032605	21	1
SPX3200SR	Riser Base, Sta-Rite® Max-E-Pro™ Max-E-Glas® Dura-Glas®	0610377032674	21	1
SPX3200Q	Adapter-Motor Support	0610377134408	22	10
SPX3400Z1ECM	Motor Assembly for HCP3400VSP	0610377134453	23	1
SPX3400FAN	Motor Fan Shroud	0610377134507	24	5
SPX3400DR4	Motor Drive Display Cover, Black	0610377134415	26	5
SPX3400DR2	Motor Drive Wiring Cover	0610377134422	27	5
HCP3400LCD	Digital Control Interface Assembly	0610377141079	28	1
SPX3200LCD	Digital Control Interface Assembly (HCP2500VSP)	0610377240741	29	1
SPX3400DRKIT	Wall Mount Kit	0610377135474	—	5
SPX3206Z1VSPE	Power End Assembly (Includes Items #7-17, 20, 22, 29, 30)	0610377383332	29	1

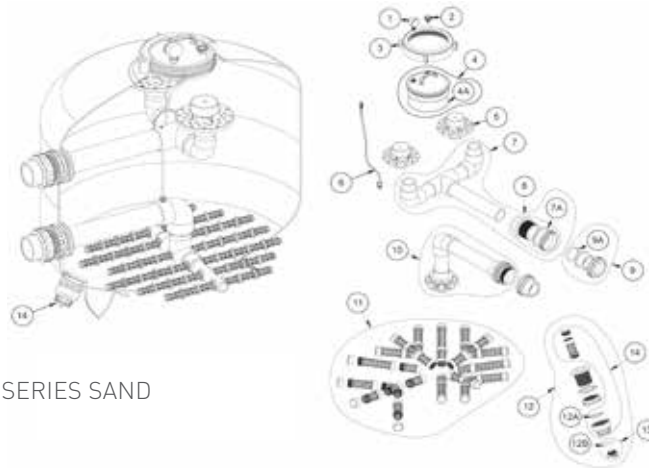


EXPLODED DIAGRAM OF HCP 2000 SERIES PUMP

PART NUMBER	SIZE / DESCRIPTION	GTIN	DRAWING NUMBER	CARTON QTY
HCP 2000 SERIES (TRISTAR®) PUMP				
SPX3200UNKIT	Union Connector Kit	0610377912068	1	10
SPX3200UG	Union Gasket	0610377912075	2	100
SPX3200A	Pump Strainer Housing	0610377911900	3	1
SPX3200DLS	Strainer Cover Kit	0610377911948	4	10
SPX3200S	Strainer Cover O-ring	0610377911993	5	50
SPX3200M	Strainer Basket	0610377911979	6	2
SPX3200Z8	Diffuser Screw	0610377912051	7	50
SPX4000Z1	Diffuser O-ring	0610377563666	8	50
SPX3200B3	Diffuser	0610377911924	9	5
SPX3200Z1	Impeller Screw	0610377912013	10	50
SPX3021R	Impeller Ring	0610377041393	11	50
SPX3205C	Impeller for 1/2 HP with Impeller Screw	0610377006187	12	10
SPX3207CM	Impeller for 3/4 HP with Impeller Screw	0610377013406	12	10
SPX3210C	Impeller for 1 HP with Impeller Screw (Full Rate)	0610377912105	12	10
SPX3215C	Impeller for 1 1/2 HP with Impeller Screw	0610377912112	12	10
SPX3220C	Impeller for 2 HP with Impeller Screw (Full Rate)	0610377912129	12	10
SPX3230C	Impeller for 3 HP with Impeller Screw	0610377912136	12	10
SPX3230C5	Impeller for 5 HP with Impeller Screw	0610377019187	12	10
SPX3200SA	Shaft Seal Assembly	0610377013123	13	10
SPX3200T	Housing O-ring	0610377912006	14	50
SPX3200E	Seal Plate	0610377911955	15	5
SPX3200Z211	Housing Insert/Seal Plate Spacer Kit	0610377912020	16	50
SPX3200Z3	Housing Bolt	0610377912037	17	50
SPX4000FG	Drain Plug with O-ring	0610377551908	19	50
SPX3200GA	Bracket, Motor Support, TriStar	0610377911962	20	5
SPX3200WF	Base, Short Riser, TriStar	0610377032605	21*	1

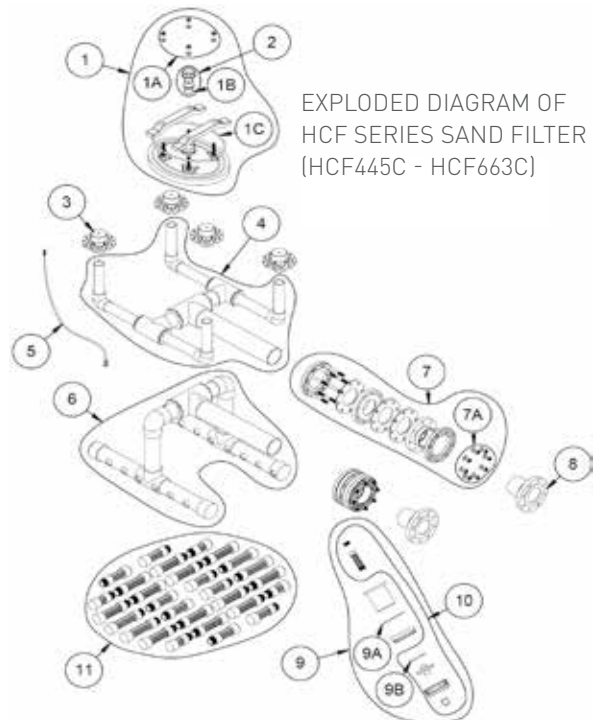
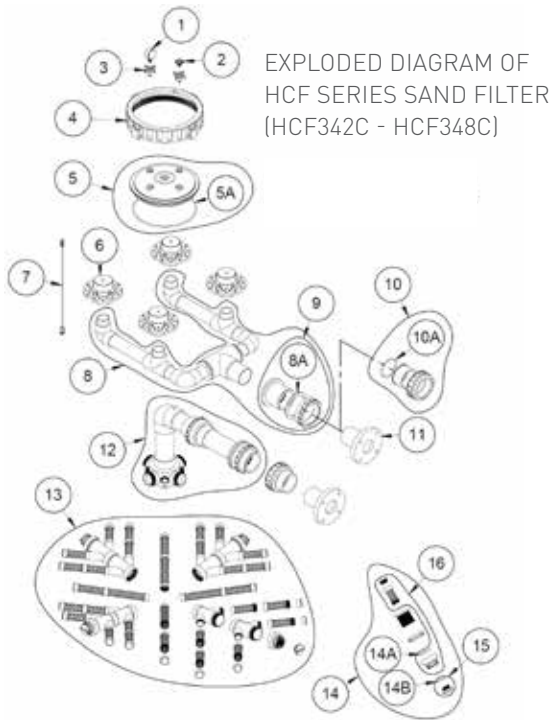
*STA-RITE is a registered trademark of Sta-Rite Industries, Inc. and WHISPERFLO is a registered trademark of Pentair Water Pool & Spa, Inc., which are used herein for identification purposes only. These are retrofit bases for existing STA-RITE and WHISPERFLO pump installations. Sta-Rite Industries, Inc. and Pentair Water Pool & Spa, Inc. are not affiliated with Hayward Pool Products.®

Commercial Sand Filters



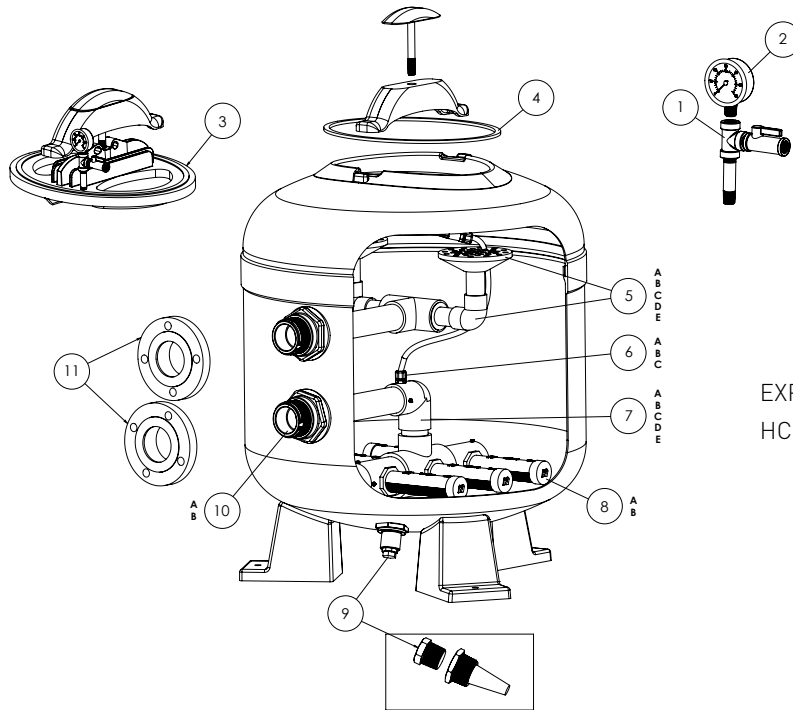
EXPLODED DIAGRAM OF HCF SERIES SAND FILTER (HCF230C - HCF336C)

PART NUMBER	SIZE / DESCRIPTION	DRAWING NUMBER
HCF SERIES SAND FILTER (HCF230C - HCF336C)		
HCXFWPG001	Pressure Gauge 0-60 PSI	1
HCXFWARV002	Air Relief Valve & O-Ring Kit	2
HCXFWLR003	Top Lid Locking Ring	3
HCXFWLIDKIT004	8" Clear Lid & O-Ring Kit	4
HCXFWLOR004A	8" Clear Lid O-Ring	4A
HCXFWDIF005	2" Diffusor Hydrodome	5
HCXFWVTKIT006	Vent Tube Kit	6
HCXFW2DIS007	HCF230C - 2" Distributor Assy	7
HCXFW2DIS107	HCF234C - 2" Distributor Assy	7
HCXFW2DIS207	HCF236C - 2" Distributor Assy	7
HCXFW2DIS307	HCF336C - 3" Distributor Assy	7
HCXFW2BHG007A	2" Bulkhead Gasket [2 per pack]	7A
HCXFW2BHG207A	2.5" Bulkhead Gasket [2 per pack]	7A
HCXFW2BHG307A	3" Bulkhead Gasket [2 per pack]	7A
HCXFW2BHK008	2" Bulkhead Kit	8
HCXFW2BHK208	2.5" Bulkhead Kit	8
HCXFW2BHK308	3" Bulkhead Kit	8
HCXFW2UNAD009	2" Union Half Adapter	9
HCXFW2UNAD209	2.5" Union Half Adapter	9
HCXFW2UNAD309	3" Union Half Adapter	9
HCXFW2UNAOR009A	2" Union O-Ring [2 per pack]	9A
HCXFW2UNAOR209A	2.5" Union O-Ring [2 per pack]	9A
HCXFW2UNAOR309A	3" Union O-Ring [2 per pack]	9A
HCXFW2COL010	HCF230C - 2" Collector Assy	10
HCXFW2COL110	HCF234C - 2" Collector Assy	10
HCXFW2COL210	HCF236C - 2.5" Collector Assy	10
HCXFW2COL310	HCF336C - 3" Collector Assy	10
HCXFWLATKIT011	HCF230C - Lateral Kit	11
HCXFWLATKIT111	HCF234C - Lateral Kit	11
HCXFWLATKIT211	HCF236C - Lateral Kit	11
HCXFWLATKIT311	HCF336C - Lateral Kit	11
HCXFWDPA012	1.5" Drain Port Assy	12
HCXFWDPOR012A	Media Drain Cap O-Ring	12A
HCXFWDPOR012B	Water Drain Plug O-Ring	12B
HCXFWDPCKIT013	Water Drain Plug & O-Ring Kit	13
HCXFWDPCKIT014	Water Drain Cap & O-Ring Kit	14



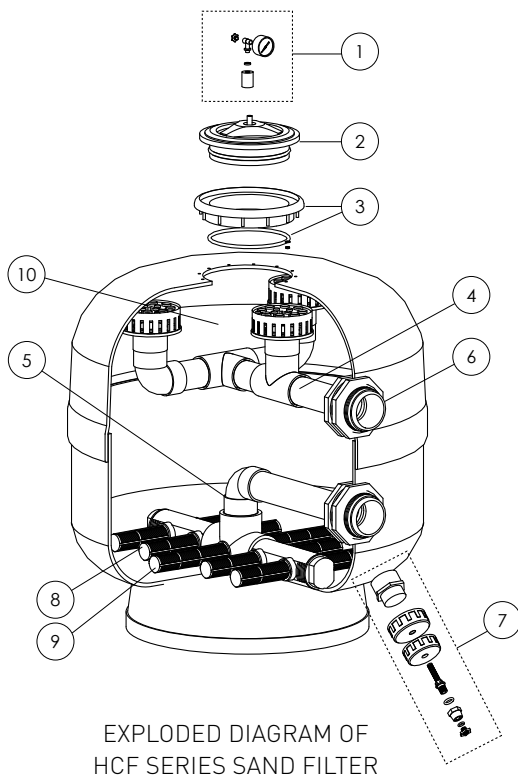
PART NUMBER	SIZE / DESCRIPTION	DRAWING NUMBER
HCF SERIES SAND FILTER (HCF342C - HCF348C)		
HCFWPG001	Pressure Gauge 0-60 PSI	1
HCFWARV002	Air Relief Valve & O-Ring Kit	2
HCFWKNOB3	Knob for Clear 12" Lid	3
HCFWLR004	12" Filter Lock Ring	4
HCFWLIDKIT005	12" Lid Kit	5
HCFWLOR005A	12" Lid O-Ring	5A
HCFWDIF005	2" Diffusor Hydrodome	6
HCFWVTKIT006	Vent Tube Kit	7
HCFW3DIS008	HCF342C - 3" Distributor Assy	8
HCFW3DIS108	HCF348C - 3" Distributor Assy	8
HCFW2BHG307A	3" Bulkhead Gasket [2 per pack]	8A
HCFW2BHK308	3" Bulkhead Kit	9
HCFW2UNAD309	3" Union Half Adapter	10
HCFW2UNAOR309A	3" Union O-Ring [2 per pack]	10A
HCFW3FLGFPASSY	3" Flange Fipt & Pipe Mipt Assy	11
HCFW3COL012	HCF342C - 3" Collector Assy	12
HCFW3COL112	HCF348C - 3" Collector Assy	12
HCFWLATKIT013	HCF342C - Lateral Kit	13A
HCFWLATKIT113	HCF348C - Lateral Kit	13B
HCFWDPA012	1.5" Drain Port Assy	14
HCFWDPA012A	Media Drain Cap O-Ring	14A
HCFWDPA012B	Water Drain Plug O-Ring	14B
HCFWDPCKIT013	Water Drain Plug & O-Ring Kit	15
HCFWDPCKIT014	Media Drain Cap & O-Ring Kit	16

PART NUMBER	SIZE / DESCRIPTION	DRAWING NUMBER
HCF SERIES SAND FILTER (HCF445C - HCF663C)		
HCFWLIDKIT001	Complete Lid Assy	1
HCFW1216HDWR	Lid Nut & Washer Kit	1A
HCFWDPA012A	1.5" Union O-Ring	1B
HCFWLR001C	Filter Lid O-Ring	1C
HCFW3UNAD002	1.5" Union Half Adapter	2
HCFWDIF005	2" Diffusor Hydrodome	3
HCFW4DIS004	HCF455C - 4" Distributor Assy	4
HCFW6DIS004	HCF663C - 6" Distributor Assy	4
HCFWVTKIT005	Vent Tube Kit	5
HCFW4COL006	HCF445C - 4" Collector Assy	6
HCFW6COL006	HCF663C - 6" Collector Assy	6
HCFWPA6007	4" Port Assembly	7
HCFWPA6007	6" Port Assembly	7
HCFWPANW4007A	4" Port Assy Nut & Washer Kit	7A
HCFWPANW6007A	6" Port Assy Nut & Washer Kit	7A
HCFW4FLGFPASSY	4" Flange Fipt & Pipe Mipt Assy	8
HCFW6FLGFPASSY	6" Flange Fipt & Pipe Mipt Assy	8
HCFWDPA009	3" Drain Port Assy	9
HCFW2BHG307A	3" Bulkhead Gasket [2 per pack]	9A
HCFW2UNAOR309A	3" Union O-Ring [2 per pack]	9B
HCFWDPCKIT010	Media Drain Cap Kit	10
HCFWLATKIT511	HCF455C - Lateral Kit	11

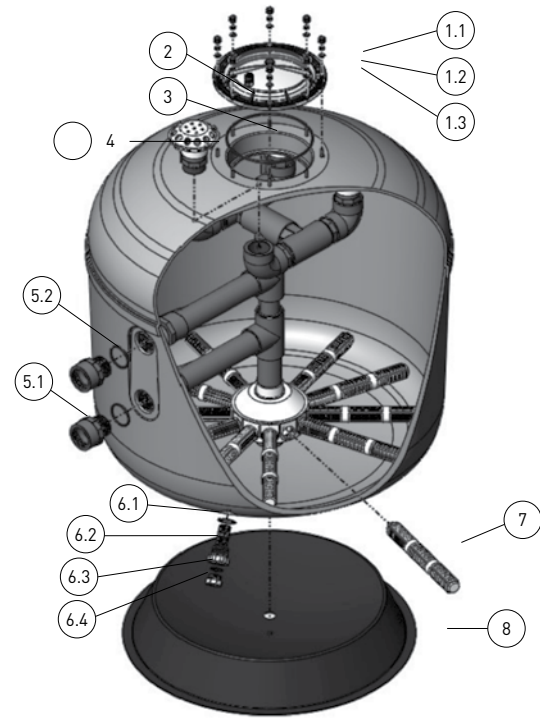


EXPLODED DIAGRAM OF HCF SERIES FILTER

PART NUMBER	SIZE / DESCRIPTION	GTIN	DRAWING NUMBER	CARTON QTY
HCF SERIES NEXT GENERATION SAND FILTER (HCF302, HCF342, HCF343, HCF343, HCF362, HCF363, HCF363)				
HCXFARV1000	External Air Relief Valve Assembly	0610377234689	1	1
HCXFPGB1000	Pressure Gauge - 1/4" BTM MT	0610377227353	2	1
HCXFMWC1000	Manway Cover Assembly [does not include air relief & gauge]	0610377242868	3	1
HCXFMCG1000	Manway Cover Gasket	0610377235105	4	1
HCXFDMA1000	Distribution Manifold Assembly [HCF302T]	0610377242776	5a	1
HCXFDMA1001	Distribution Manifold Assembly [HCF342T]	0610377242783	5b	1
HCXFDMA1002	Distribution Manifold Assembly [HCF343T, HCF343F]	0610377242837	5c	1
HCXFDMA1003	Distribution Manifold Assembly [HCF362T]	0610377242844	5d	1
HCXFDMA1004	Distribution Manifold Assembly [HCF363T, HCF363F]	0610377242851	5e	1
HCXFARA1000	Internal Air Relief Assembly [HCF302T]	0610377242561	6a	1
HCXFCMA1000	Collector Manifold Assembly [HCF302T]	0610377242707	7a	1
HCXFCMA1001	Collector Manifold Assembly [HCF342T]	0610377242714	7b	1
HCXFCMA1002	Collector Manifold Assembly [HCF343T, HCF343F]	0610377242738	7c	1
HCXFCMA1003	Collector Manifold Assembly [HCF362T]	0610377242745	7d	1
HCXFCMA1004	Collector Manifold Assembly [HCF363T, HCF363F]	0610377242752	7e	1
HCXFCLK1000	Lateral Kit [HCF302T]	0610377242677	8a	1
HCXFCLK1001	Lateral Kit [HCF342T, HCF343T, HCF343F, HCF362T, HCF363T, HCF363F]	0610377242684	8b	1
HCXFDFA1000	Drain Fitting Assembly	0610377242769	9	1
HCXFBFA1000	Bulkhead Fitting Assembly [HCF302T, HCF342T, HCF362T]	0610377227322	10a	2
HCXFBFA1001	Bulkhead Fitting Assembly [HCF343T, HCF343F, HCF363T, HCF363F]	0610377227315	10b	2
HCXFFFK1000	Filter Flange Kit 3" [HCF343F, HCF363F]	0610377227346	11	2



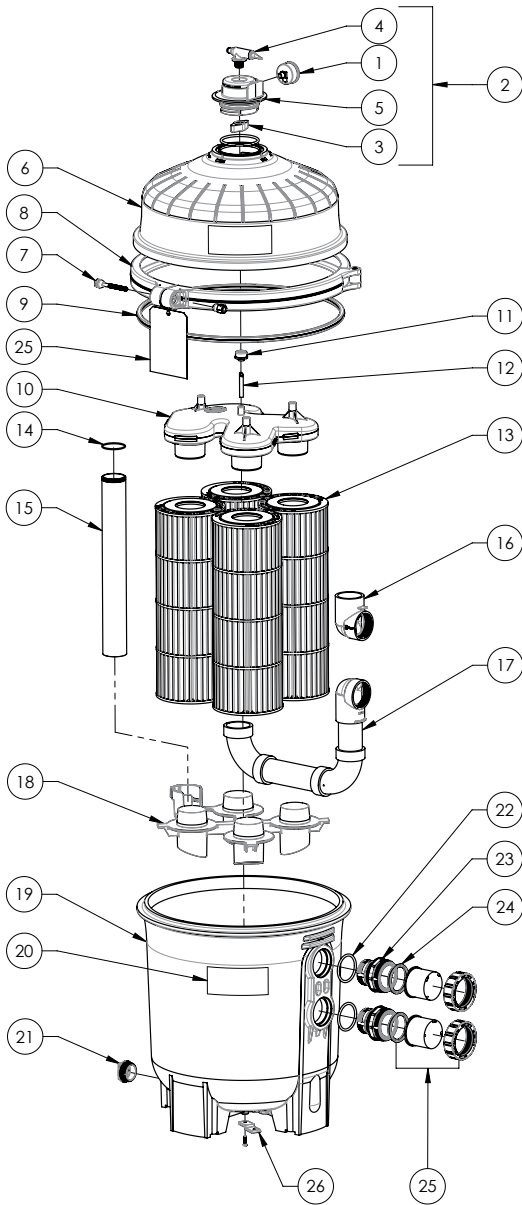
EXPLODED DIAGRAM OF HCF SERIES SAND FILTER



EXPLODED DIAGRAM OF HCF SERIES SAND FILTER (HCF230, HCF234, HCF236)

PART NUMBER	SIZE / DESCRIPTION	GTIN	DRAWING NUMBER	CARTON QTY
HCF SERIES SAND FILTER (HCF302, HCF362, HCF363)				
HCXF2780001	Gauge Assembly	0610377132190	1	1
HCXF2780002	Filter Lid	0610377132206	2	1
HCXF2780003	Neck Assembly w/Hardware	0610377132213	3	1
HCXF2780004	Drain Assembly	0610377132220	7	1
HCXF2780243	Diffuser Assembly, HCF302, Single	0610377132237	4	1
HCXF2780244	Lateral Manifold, 30," HCF302	0610377132244	5	1
HCXF1645143	Diffuser Assembly, HCF363, Triple	0610377132251	4	1
HCXF1645144	Lateral Manifold, 36," HCF363	0610377132268	8, 9	1
HCXF27802LAT	Lateral Kit, 30," HCF302	0610377132275	8, 9	1
HCXF27857LAT	Lateral Kit, 36," HCF362	0610377132282	8, 9	1
HCXF16451LAT	Lateral Kit, 36," HCF363	0610377132299	8, 9	1
HCXF2785743	Diffuser Assembly, HCF362, Triple	0610377132305	4	1
HCXF2785744	Lateral Manifold, 36," HCF362	0610377132312	5	1
HCF SERIES SAND FILTER (HCF230, 234, 236)				
HCXFMCH1000	Lid Hardware Kit (Contains 8 sets per kit)	0610377365055	1.1, 1.2, 1.3	1
HCXFMCL1000	Polycarbonate Manway Cover	0610377365062	2	1
HCXFKLOR2	Manway Cover O-ring	0610377381499	3	1
HCXFDIF1000	Diffuser	0610377365086	4	1
HCXFBHE1000	Bulkhead Fitting Kit	0610377366519	5.1, 5.2	1
HCXFDK1000	Drain Kit	0610377365048	6.1, 6.2, 6.3, 6.4	1
HCXFLAT0825	HCF230 - 8.25" Lateral Kit [2 Laterals per kit]	0610377366465	7.1	1
HCXFLAT1050	HCF234 - 10.5" Lateral Kit [2 Laterals per kit]	0610377366472	7.2	1
HCXFLAT1250	HCF236 - 12.5" Lateral Kit [2 Laterals per kit]	0610377366489	7.3	1
HCXFBH1000	Internal Bulkhead Kit includes (Pipe and Coupling)	0610377366496	8.1, 8.2, 8.3, 8.4	1
HCXFAR1000	External Air Relief Assy	0610377374781	10	1
HCXFARK1000	Internal Collector Air Relieve Kit	0610377366502	9.1, 9.2	1

Commercial Cartridge Filters



EXPLODED DIAGRAM OF
HCF SERIES CARTRIDGE FILTER

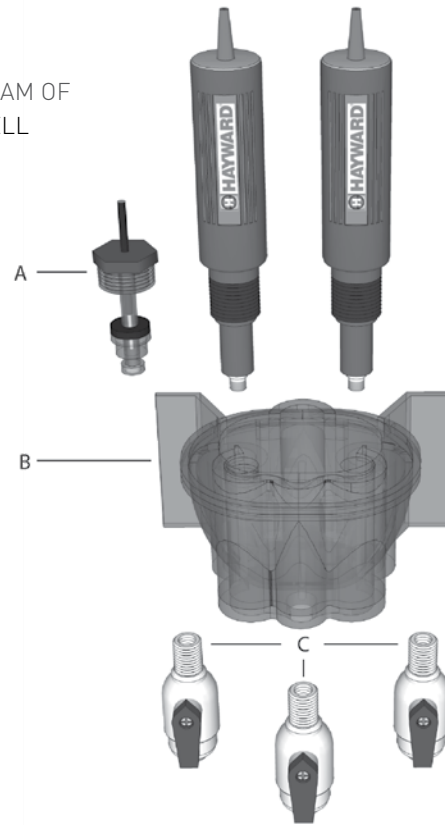
PART NUMBER	SIZE / DESCRIPTION	GTIN	DRAWING NUMBER	CARTON QTY
HCF SERIES CARTRIDGE FILTER				
ECX2712B1	Pressure Gauge	0610377809702	1	10
DEX2420Z8A	O-ring Kit (Set of 2)	0610377619578	2	10
CCX1000N	Air Relief Valve Nut	0610377845663	3	10
CCX1000V	Manual Air Relief w/O-ring	0610377845649	4	1
DEX2420MAR2	Manual Air Relief Assembly	0610377011105	5	1
DEX7220B3C	Upper Filter Body HCF7030C	0610377121439	6	1
DEX2421J2	Clamp Bolt & Nut	0610377105989	7	10
DEX2421JKIT	Clamp System (Includes Clamp, Clamp Nut & Bolt, Hang Tag, Metal Reinforced Seal and Labels)	0610377105972	8	1
DEX2422Z2	Metal Reinforced Seal	0610377105996	9	1
CX5030C	Top Manifold HCF7030C	0610377139571	10	1
CX3000J1	Air Relief Filter	0610377129206	11	1
CX2030Z3	Air Relief Tube	0610377139588	12	1
CX591XRE	Cartridge Element (8 Required)	0610377138543	13	1
CX591XREPAK4	Cartridge Elements (4 Pack)	0610377188166	—	1
CX7020M	Mid Plate Connector HCF7030C	0610377706999	—	1
DEX2400Z5	O-ring	0610377021135	14	1
CX3031F10	Outlet Pipe HCF7030C	0610377210065	15	1
CX3030F	Inlet Elbow	0610377210225	16	5
CX3030H	Assembly, SwimClear™ Piping	0610377210232	17	1
CX3030D	Bottom Seal Plate	0610377139649	18	1
DEX2420ATC	Filter Body	0610377106917	19	1
DEX2420LA6PAK	Label Pack (Includes All Warning & Operation Labels, Hang Tag, Wire Tie, Owner's Manual)	0610377106009	20	1
SP1022CBLK	1-1/2" Drain Plug w/ O-ring (Black)	0610377762106	21	100
SX220Z2	O-ring	0610377055048	22	1
CX3035F	Bulkhead Fitting	0610377139656	23	1
SPX3200UG	Union Gasket (T-Seal)	0610377912075	24	1
SPX3200UNKIT	Union Connection Kit (Includes Nut, Connector, Gasket)	0610377912068	25	1
DEX2420DCKIT	Strap Kit (Optional)	0610377618496	26	1

Commercial Automation

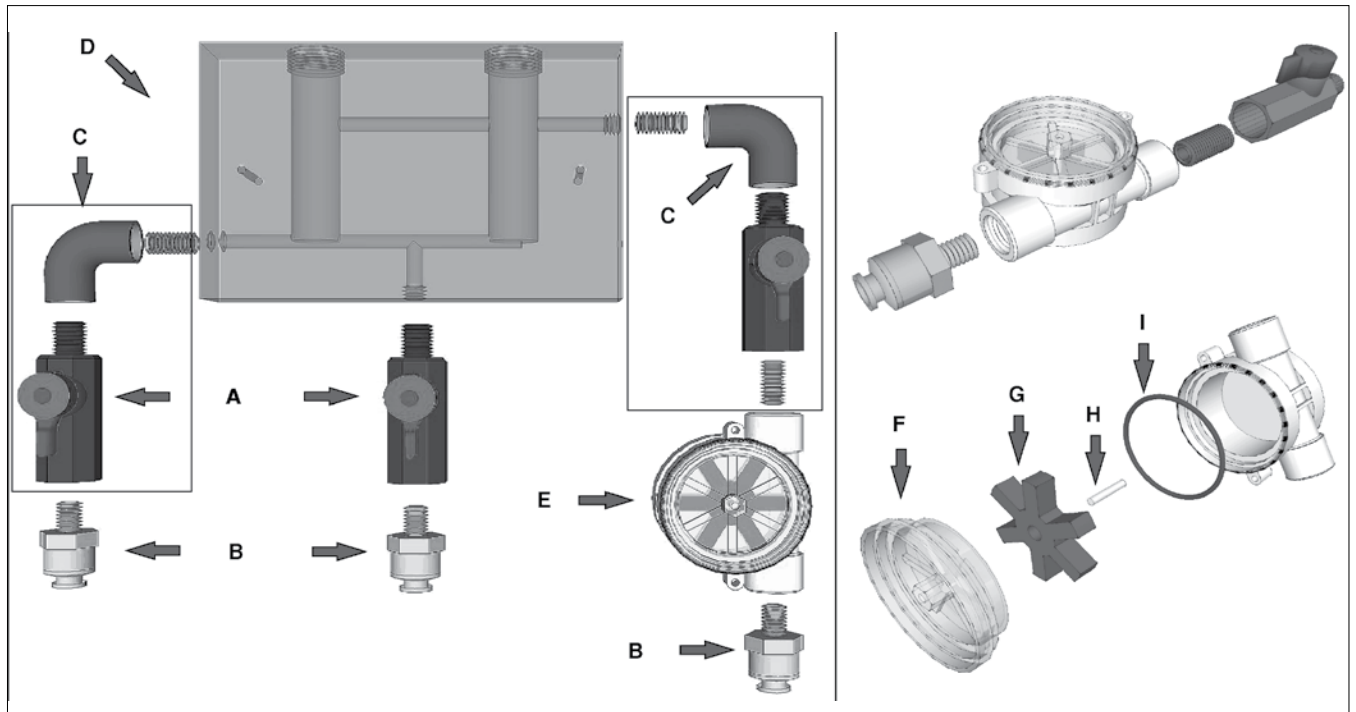
PART NUMBER	SIZE / DESCRIPTION	GTIN	CARTON QTY
CAX-20100	5 Amp Fuse	0761418012510	1
CAX-20101	1 Amp Fuse	0761418012527	1
CAX-20102	4 Amp Fuse	0761418012534	1
CAX-20275	10 Amp Fuse	0761418013135	1
CAX-20105	110 VAC Pigtail	0761418012565	1
CAX-20109	Thermal Printer w/Serial Interface	0761418012602	1
CAX-20110	Thermal Printer Paper Per Roll	0761418012619	1
CAX-20269	Thermal Printer Cable	0761418013074	1
CAX-20150	Replacement Coil For AC015 or AC018	0761418012626	1
CAX-20151	1/8" SS Solenoid Valve	0761418012633	1
CAX-20152	Replacement CO ₂ Injector	0761418012640	1
CAX-AK4010W	Stenner Lead Tube - White 100' x 1/4"	0761418012688	1
CAX-UCCP201-1	Stenner #1 Pump Tube (Qty of 2)	0761418013340	1
CAX-UCCP201-2	Stenner #2 Pump Tube (Qty of 2)	0761418013357	1
CAX-UCCP201-3	Stenner #3 Pump Tube (Qty of 2)	0761418013364	1
CAX-UCCP201-4	Stenner #4 Pump Tube (Qty of 2)	0761418013371	1
CAX-UCCP201-5	Stenner #5 Pump Tube (Qty of 2)	0761418012695	1
CAX-MCCP201-1	Stenner #1 Pump Tube (Qty of 5)	0761418013388	1
CAX-MCCP201-2	Stenner #2 Pump Tube (Qty of 5)	0761418013395	1
CAX-MCCP201-3	Stenner #3 Pump Tube (Qty of 5)	0761418013401	1
CAX-MCCP201-4	Stenner #4 Pump Tube (Qty of 5)	0761418013418	1
CAX-MCCP201-5	Stenner #5 Pump Tube (Qty of 5)	0761418013425	1
CAX-20200	Pressure Switch Complete w/Cable	0761418012718	1
CAX-20201	Pressure Switch Only	0761418012725	1
CAX-20280	Flow Sensor Cable Only	0761418012749	1
CAX-20203	Rotary Flow Sensor	0761418012749	1
CAX-20204	Clear Lens and O-ring	0761418012756	1
CAX-20205	Blue Rotor and Ceramic Pin	0761418012763	1
CAX-20206	Float Style Flow Switch For Molded Flow Cell	0761418012770	1
CAX-20250	Probe Adaptor For Professional Series Sensors	0761418012787	1
CAX-20251	2 - Sensor - Flow Cell Kit Without Rotary Flow Sensor	0761418012794	1
CAX-50251	3 - Sensor - Flow Cell Kit Without Rotary Flow Sensor	0610377337090	1
CAX-20252	3/8" OD Blue Flexible Tubing by the Foot	0761418012800	1
CAX-20271	3/8" OD Black UV Flexible Tubing by the Foot	0761418013432	1
CAX-20253	1/4" NPTM x 3/8" OD Speedfit Connectors	0761418012817	1
CAX-20254	1/4" Asahi Ball Valves	0761418012824	1
CAX-20255	1/4" Check Valve	0761418012831	1
CAX-20256	1/4" In-Line Strainer	0761418012848	1
CAX-20257	Flow Cell Arm Assembly	0761418012855	1
CAX-20258-1	PVC Backboard 10" x 14"	0761418012947	1
CAX-20258-2	PVC Backboard 16" x 16"	0761418012930	1
CAX-20258-3	PVC Backboard 16" x 21"	0761418012954	1
CAX-20258-4	PVC Backboard 24" x 24"	0761418012961	1
CAX-20260	1/4" Parker Straight Valve	0761418012886	1
CAX-20272	2 Sensor - Flow Cell, Molded	0761418013449	1
CAX-50272	3 Sensor - Flow Cell, Molded	0610377337106	1
CAX-20273	Cover Replacement Cover - CO ₂	0761418013111	1
CAX-20274	Probe Storage Cap	0761418013128	1
CAX-20276	Screen for 1/4" In-Line Strainer	0610377143233	1
CAX-3504	AC035 - PVC Crystal Suction Tube (Soft/Clear) (13' Roll)	0610377205504	1
CAX-3505	AC035 - PVC Crystal Suction Tube (Soft/Clear) (300' Roll)	0610377285612	1
CAX-3508	AC035 - 3 x 7 Santoprene® Feed Tube 6.14GPD	0610377205528	1
CAX-3509	AC035 - Roller Assembly	0610377205535	1
CAX-3510	AC035 - Foot Filter - Weighted Suction Strainer - Polypropylene - w/Ceramic Weight	0610377233002	1
CAX-3511	AC035 - Next Generation 1/4" Injection Check Valve	0610377261692	1
CAX-3512	AC035 - 3 x 7 Santoprene Feed Tube - 31GPD	0610377261708	1
CAX-3513	AC035 - Clear Front Cover	0610377258692	1
CAX-6001	Plastic, Flow Cell, Hybrid II, Machined - Unassembled, Hayward® CAT 6000™	TBD	1
CAX-6002	Plastic, Bracket, Mount, Wall, Hayward CAT 6000	TBD	1
CAX-6003	Plastic, Flow Cell Mount, Hayward CAT 6000	TBD	1
CAX-6004	Bracket, Flow Cell Mounting Plate, Stainless, Hayward CAT 6000	TBD	1
CAX-6005	Chlorine Sensor Battery Bias, Hayward CAT 6000	TBD	1
CAX-6006	Cable, AC Power Assembly 120 VAC, Hayward CAT 6000	TBD	1
HXC015	HCC2000 pH Sensor - w/Hayward Label	0610377142144	1
HXC025	HCC2000 ORP Sensor - w/Hayward Label	0610377142151	1
HXC025AU	HCC2000 ORP Sensor Gold - w/Hayward Label	0610377142168	1

EXPLODED DIAGRAM OF
MOLDED FLOWCELL

- | | |
|--------------------------------|-----------|
| A = Float Style Flow Sensor | CAX-20206 |
| B = Molded Flowcell | CAX-20272 |
| C = 1/4" Parker Straight Valve | CAX-20260 |
| Complete = AC063 | |



EXPLODED DIAGRAM OF ACRYLIC FLOWCELL



- A = 1/4" Asahi Ball Valve - CAX-20254
 B = 1/4" NPTM x 3/8" OD Speedfit Connector - CAX-20253
 C = Flowcell Arm Assembly - CAX-20257
 → 90° PVC Elbow
 → 1/4" Threaded Nipple
 → 1/4" Asahi Ball Valve

- D = Machined Flowcell (Complete) - AC075
 E = Rotary Flow Sensor - CAX-20203
 F = Clear Lens - CAX-20204
 G = Blue Rotor - CAX-20205
 H = Ceramic Pin - CAX-20205
 I = O-Ring - CAX-20204

Commercial Sanitization

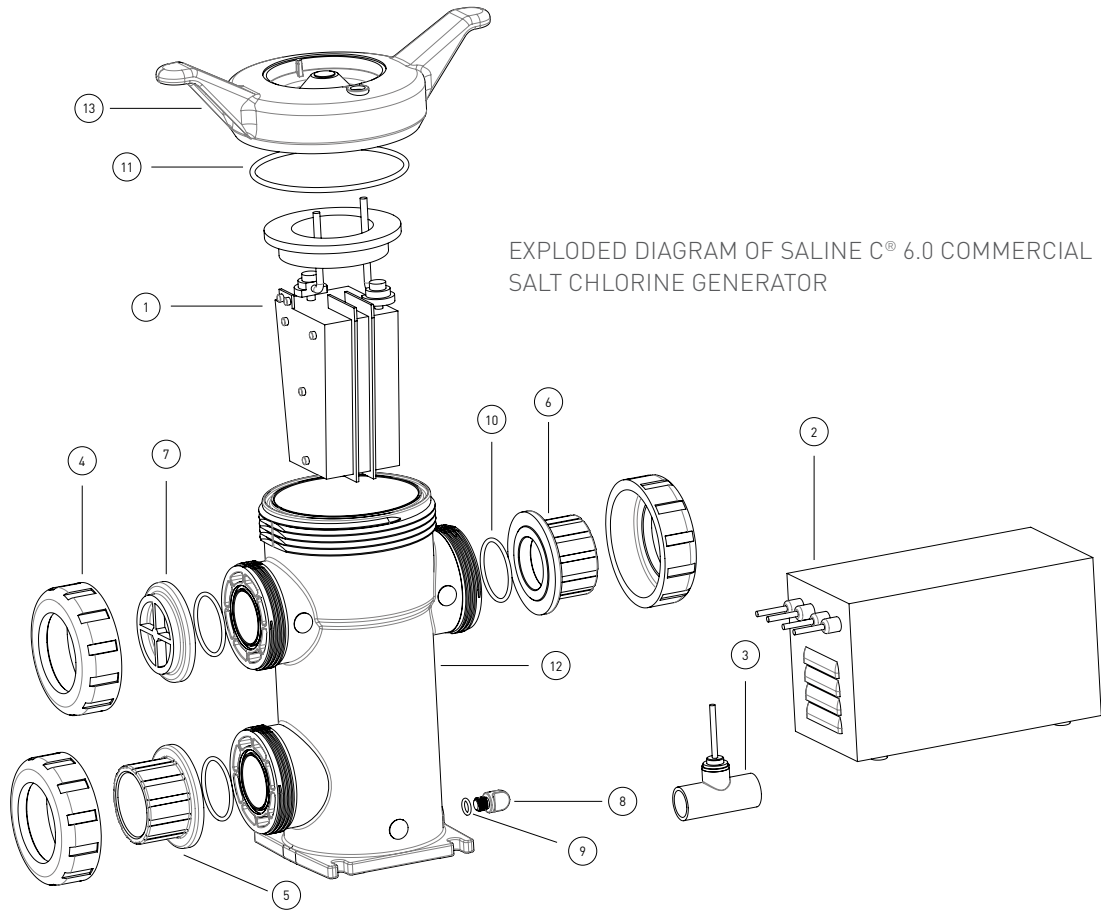
PART NUMBER	SIZE / DESCRIPTION	GTIN	CARTON QTY
HYDRORITE UV COMMERCIAL ULTRAVIOLET DISINFECTION SYSTEM			
HYXUVDSPCK	Replacement UV Display	610377405270	1
HYXUVBALCK	Replacement UV Ballast	610377405294	1
HYXUVQTZCK	Replacement UV Quarts Sleeve Kit – Complete	610377405300	1
HYXUVLAPCK	Replacement UV Lamp	610377405317	1
HYXUVSECK	Replacement UV Sensor Kit – Complete	610377405324	1
HYXUVEXTCK	Replacement UV Lead Wire	610377405331	1
HYXUVFL240CK	Replacement UV Flow Switch for Model 240PVC / 480PVC	610377405348	1
HGXUVFL120CK	Replacement UV Flow Switch for Model 120PVC	610377405355	1

PART NUMBER	SIZE / DESCRIPTION	GTIN	CARTON QTY
HYDRORITE UV COMMERCIAL ULTRAVIOLET DISINFECTION SYSTEM			
HYXUVDSPCK	Replacement UV Display	610377405270	1
HYXUVBALCK	Replacement UV Ballast	610377405294	1
HYXUVQTZCK	Replacement UV Quarts Sleeve Kit – Complete	610377405300	1
HYXUVLAPCK	Replacement UV Lamp	610377405317	1
HYXUVSECK	Replacement UV Sensor Kit – Complete	610377405324	1
HYXUVEXTCK	Replacement UV Lead Wire	610377405331	1
HYXUVFL240CK	Replacement UV Flow Switch for Model 240PVC / 480PVC	610377405348	1
HGXUVFL120CK	Replacement UV Flow Switch for Model 120PVC	610377405355	1





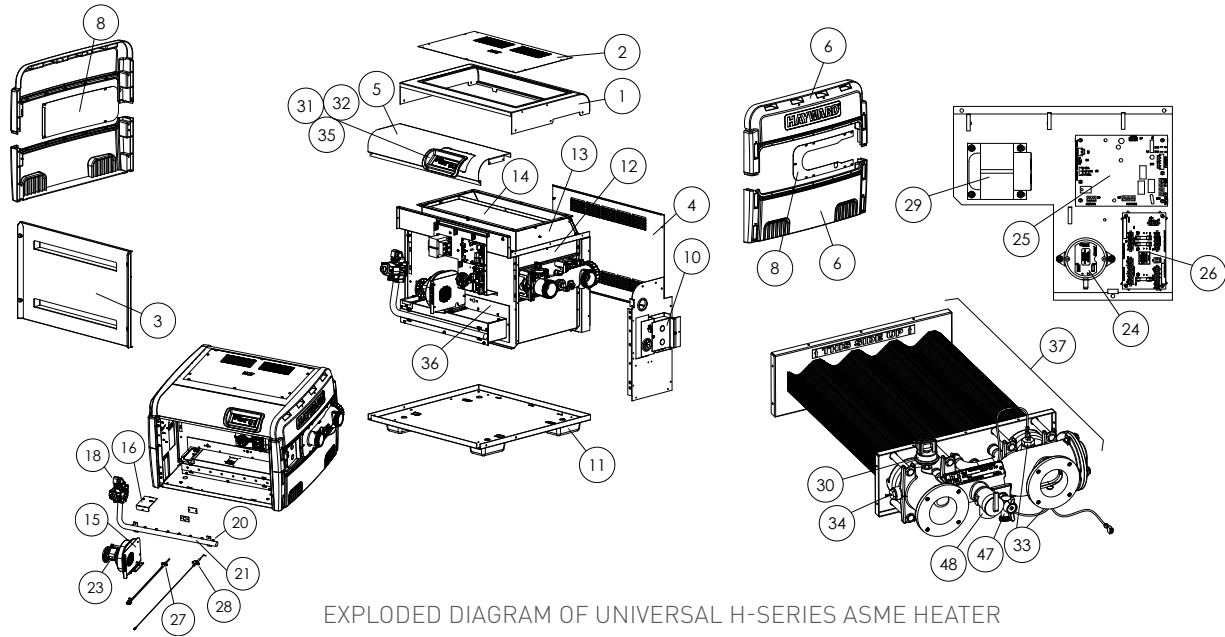
» For more details and ordering information call 1-888-238-7665..



EXPLODED DIAGRAM OF SALINE C® 6.0 COMMERCIAL SALT CHLORINE GENERATOR

PART NUMBER	SIZE / DESCRIPTION	GTIN	DRAWING NUMBER	CARTON QTY
SALINE C® 6.0				
HXSCELL6	Replacement Cell & Cover	0610377218368	1	1
HXSPTS6	Power Supply	0610377218399	2	1
HXSFLS6	Flow Sensor	0610377218405	3	1
HXCCCC	Replacement Cell Cables, Connector & Gray Cap	0610377269247	—	1
BSXC201CK	2" Clear Body	0610377225991	12	1
TBX122	2" PVC True Union Ball Valve Assembly Nut	061037776097	4	3
ECX12S	2" PVC Pipe Connector Socket	0610377191463	6	2
ECX12T	2" PVC Pipe Connector Threaded	0610377191470	5	2
BSX1CAP2	2" PVC Port Cap	0610377122108	7	1
BSX1PLUG2	1" PVC Plug	0610377122108	8	1
ORX352V70	Piston Lid O-ring	0610377018388	13	1
SB2KIT	O-ring #111 Viton 70 Duro - OR111V70	0610377872706	9	3
	O-ring #227 Viton 70 Duro - OR227V70		10	
	O-ring #357 Viton 70 Duro - OR357V70		11	
SALINE C® 11.0				
HXCCCC	Replace cell cables, connector, gray cap	0610377269247	—	1
HXCCCC11	CAP-GR cables, connect Saline 11	0610377373722	—	1
HXCDISP611	Power supply, LCD display	0610377373906	—	1
HXSCELL11	Cell & cover, Saline 11	0610377373685	—	1
HXSFLS11	Flow sensor, Saline 11	0610377373739	—	1
HXSPTS11	Power supply, Saline 11	0610377373715	—	1
BSCX401CK	4" Clear Body	TBD	12	1
TBX142	4" PVC True Union Ball Valve Assembly Nut	0610377193061	4	3
ECX14SBS	4" PVC Pipe Connector Socket	0610377191500	6	2
ECX14TBS	4" PVC Pipe Connector Threaded	0610377191517	5	2
BSX1CAP3	4" PVC Port Cap	0610377097659	7	1
BSX1PLUG2E	2" PVC Plug	0610377097659	8	1
ORX365V70	Piston Lid O-ring	0610377192323	13	1
SB4KIT	O-ring #111 Viton 70 Duro - OR111V70	0610377872720	9	3
	O-ring #365 Viton 70 Duro - OR365V70		10	
	O-ring #352 Viton 70 Duro - OR352V70		11	

Commercial Heaters



PART NUMBER	SIZE / DESCRIPTION	GTIN	DRAWING NUMBER
UNIVERSAL H-SERIES ASME HEATERS			
FDXLJKT1250A	Jacket Top, Gray, ASME - H250FD	0610377135658	1
FDXLJKT1400A	Jacket Top, Gray, ASME - H400FD	0610377135641	1
FDXLTFC1250A	Top Flue Cover, Gray, ASME - H250FD	0610377135672	2
FDXLTFC1400A	Top Flue Cover, Gray, ASME - H400FD	0610377135665	2
FDXLFAD1250A*	Front Door Assembly, Gray, ASME - H250FD	0610377135535	3
FDXLFAT1251A**	Front Door Assembly, Gray, AS-ME - H250FD		
FDXLFAD1400A*	Front Door Assembly, Gray, ASME - H400FD	0610377135528	3
FDXLFAT1401A**	Front Door Assembly, Gray, ASME - H400FD		
FDXLRAD1250A+	Rear Door Assembly, Gray, ASME - H250FD	0610377135634	4
FDXLRAD1400A	Rear Door Assembly, Gray, ASME - H400FD	0610377135627	4
FDXLTFP1250A+	Top Front Panel, Gray, ASME - H250FD	0610377135719	5
FDXLTFP1251A++	Top Front Panel, Gray, ASME - H250FD		
FDXLTFP1400A+	Top Front Panel, Gray, ASME - H400FD	0610377135702	5
FDXLTFP1401A++	Top Front Panel, Gray, ASME - H400FD		
FDXLBEC1930	Upper & Lower End Cap	0610377072557	6
FDXLBTP1930	Left & Right Trim Panel Kit	0610377072571	8
FDXLPLRC1930	Kit - Junction Box Cover, Polymer L&R	0610377297608	10
FDXLPBL1930	Base Leg	0610377072618	11
FDXLFCS1930	Flue Collector Side Panel	0610377072625	12
FDXLRGK1251	Rain Guard Assembly - H250FD	0610377132435	13
FDXLRGK1401	Rain Guard Assembly - H400FD	0610377132466	13
FDXLHBP1250	Heat Barrier Panel - H250FD	0610377072663	14
FDXLHBP1400	Heat Barrier Panel - H400FD	0610377072687	14
FDXLIAC1930	Ignitor Access Cover	0610377072724	16
FDXLSV0001	Gas Valve, Natural Gas	0610377072748	18
FDXLSV0002	Gas Valve, Propane Gas	0610377072755	18
FDXLBON1930	Burner Orifice Kit, Natural Gas	0610377072786	20
FDXLBOP1930	Burner Orifice Kit, Propane Gas	0610377072793	20
FDXLGCK1250NP	Conversion Kit, NA to LP, Quick-Change - H250FD	0610377137782	21
FDXLGCK1250PN	Conversion Kit, LP to NA, Quick-Change - H250FD	0610377137799	21
FDXLGCK1400NP	Conversion Kit, NA to LP, Quick-Change - H400FD	0610377137720	21
FDXLGCK1400PN	Conversion Kit, LP to NA, Quick-Change - H400FD	0610377137737	21
FDXLBWR1930	Combustion Blower	0610377072847	23
FDXLBVS1930	Blower Vacuum Switch	0610377079907	24

** Used only on heaters made after July 2013, Serial #21131307100333001

+ Used only on heaters made before Nov 2014, Serial #21131411103613001

++ Used only on heaters made after Nov 2014, Serial #21131411103613001

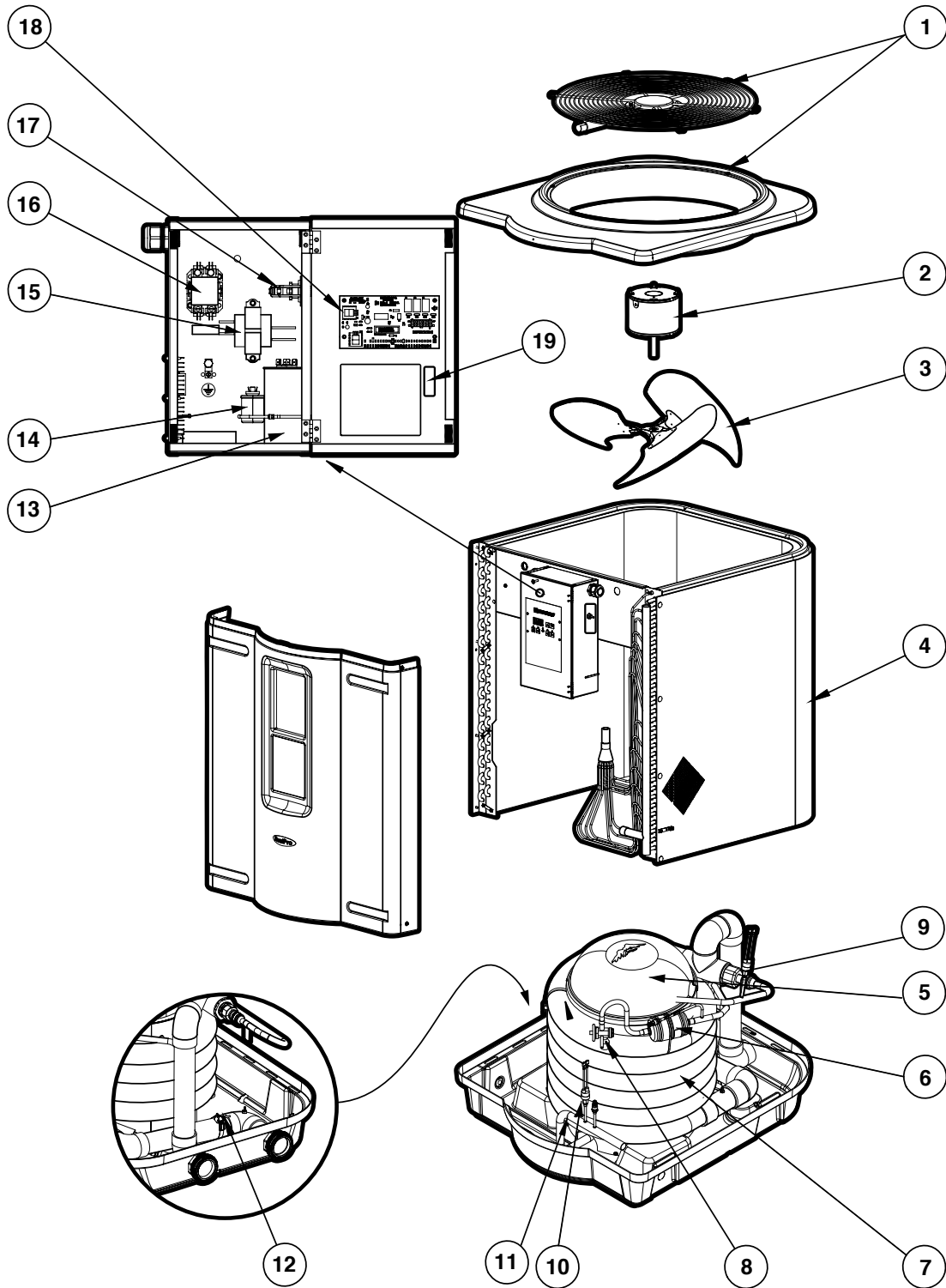
» For more details and ordering information call 1-888-238-7665.

COMMERCIAL HEATERS

PART NUMBER	SIZE / DESCRIPTION	GTIN	DRAWING NUMBER
UNIVERSAL H-SERIES ASME HEATERS, CONTINUED			
FDXLICB1930	Integrated Control Board	0610377072854	25
FDXLFWP1930	Field Wiring Panel	0610377072861	26
FDXLIGN1930	Ignitor	0610377072878	27
IDXLFLS1930	Flame Sensor	0610377625968	28
IDXL2TRF1930	Transformer	0610377854443	29
FDXLWPS1930	Water Pressure Switch	0610377074230	30
IDXL2DB1930	Display Board Only	0610377896740	31
FDXLBKP1931	Bezel and Keypad Assembly, ASME	0610377072908	32
UHXLOK1930	Control Bezel Lock-Out Kit	0610377187084	—
FDXLHL1930	High Limit 135°F	0610377073783	33
FDXLTER1930	Thermistor	0610377073790	34
FDXLGSK1932	Gasket, Bezel/Top	0610377072946	35
FDXLGSK1934	Gasket, CC Front/Air Box - All Models	0610377072960	36
FDXLHXA1250A	Heat Exchanger Assembly, ASME - H250FD	0610377135610	37
FDXLHXA1400A	Heat Exchanger Assembly, ASME - H400FD	0610377135603	37
FDXLDRV1930A	Drain Valve, ASME	0610377135818	47
CHXRLV1930	Pressure Relief Valve	0610377003179	48
FDXLB RN1930	Burner (Qty 8)	0610377072762	—
FDXLB RN1931	Burner (Qty 1)		
FDXLFSK1930	Fuse Service Kit	0610377072915	—
FDXLFSKF30	Fuse Kit, 3.0A, for Field Wiring Panel (Qty of 10)	0610377123105	—
FDXLFSKF15	Fuse Kit, 1.5A, for Field Wiring Panel (Qty of 10)	0610377123129	—
FDXLFSKF25	Fuse Kit, 2.5A, for Field Wiring Panel (Qty of 10)	0610377123112	—
FDXLFSKC30	Fuse Kit, 3.0A, for Integrated Control Board (Qty of 10)	0610377123136	—
FDXLUNK1930A	ASME Union Flange Kit (Includes Flange Fittings, Bolts, Gaskets)	0610377135801	—
FDXLGSK1930	Gasket Kit - Air Side - All Models Includes: » Gasket, Blower Mounting » Gasket, Cover/Air Box Front » Gasket, Manifold/Air Box	0610377072922	—
FDXLGSK1931	Gasket Kit - Exhaust Side - All Models Includes: » Gasket, Flue Collector Side » Gasket, Rain Guard Side » Gasket, Rain Guard Bottom Side » Gasket, Flue Collector Top » Gasket, Rain Guard Front and Rear » Gasket, Rain Guard Bottom Front and Rear	0610377072939	—
FDXLGSK1933	Insulation, Return Side Tube Sheet	0610377072953	—
FDXLTDK1930	Tie-Down Kit	0610377072977	—
FDXLWHA1930	Wiring Harness Kit Complete	0610377110730	—
FDXLVSJ1930	Voltage Selector Jumpers	0610377119870	—
FDXLCNK0001	Conversion Kit - NA to LP	0610377080095	—
FDXLCNK0002	Conversion Kit - LP to NA	0610377080101	—
FDXLHAK1930	Conversion Kit, All Models, High-Altitude 2,000-10,100'	0610377104326	—
UHXNEGVT12506	6" Negative Pressure Indoor Vent Kit	0610377396318	—
UHXNEGVT14008	8" Negative Pressure Indoor Vent Kit	0610377396288	—
UHXNEGVT15008	8" Negative Pressure Indoor Vent Kit	0610377396356	—
UHXDVA004	4" DuraVent Positive Pressure Appliance Adapter	0610377396608	—
UHXDVA006	6" DuraVent Positive Pressure Appliance Adapter	0610377396615	—
UHXHFA004	4" HeatFab Positive Pressure Appliance Adapter	0610377396622	—
UHXHFA006	6" HeatFab Positive Pressure Appliance Adapter	0610377396639	—
UHXPOSHZ12504	4" Positive Pressure Indoor Vent Kit (No Appliance Adaptor Included)	0610377396363	—
UHXPOSHZ12506	6" Positive Pressure Indoor Vent Kit (Includes 6" HeatFab Appliance Adaptor)	0610377396240	—
UHXPOSHZ14006	6" Positive Pressure Indoor Vent Kit (No Appliance Adapter Included)	0610377396387	—
UHXPOSHZ14008	8" Positive Pressure Indoor Vent Kit (Includes 8" HeatFab Appliance Adaptor)	0610377396219	—
UHXPOSHZ15006	6" Positive Pressure Indoor Vent Kit (No Appliance Adaptor Included)	0610377396394	—
UHXTFP1930	Temp/Pressure and Flow Switch Kit	0610377234276	—
UHXFSW1930	Flow Switch Only	0610377234443	—

PART NUMBER	SIZE / DESCRIPTION	GTIN	DRAWING NUMBER
H500 GAS HEATER			
FDXLTFC1500A	Top Flue Cover, Gray, ASME - H500FD	0610377274500	1
FDXLTFP1501A	Top & Front Panel H500FD	0610377282475	1
FDXLRGK1500	Kit - Rainguard Assembly H500FD	0610377277488	1
FDXLJKT1500A	Jacket Top, Gray, ASME - H500FD	0610377274494	1
FDXLHXA1500A	Heat Exch Assembly - H500FD ASME	0610377277587	1
FDXLHBP1500	Heat Barrier Pnl Kit H500FD	0610377277495	1
FDXLGCK1500NP	Conversion Kit, NA to LP, Quick Change, H500	0610377277549	1
FDXLGCK1500PN	Conversion Kit, NA to LP, Quick Change, H500	0610377277556	1
FDXLGSV1500N	Gas Valve, Natural Gas	0610377294775	10
FDXLGSV1500P	Gas Valve, Propane Gas	0610377294782	10
FDXLFAD1500A	Front Door Assembly 500ASME	0610377277433	1
FDXLBWR1500	Combustion Blower - H500FD	0610377277563	1
FDXLBCP1500	Kit - Bezel Control Panel, 500	0610377330978	1
FDXLBON1500	Kit - Gas Orifice, NA, (Pk 10) H500FDN	0610377282512	25
FDXLBOP1500	Kit - Gas Orifice, LP, (Pk 10) H500FDP	0610377282529	25





EXPLODED DIAGRAM OF
HEATPRO® HEATPUMP

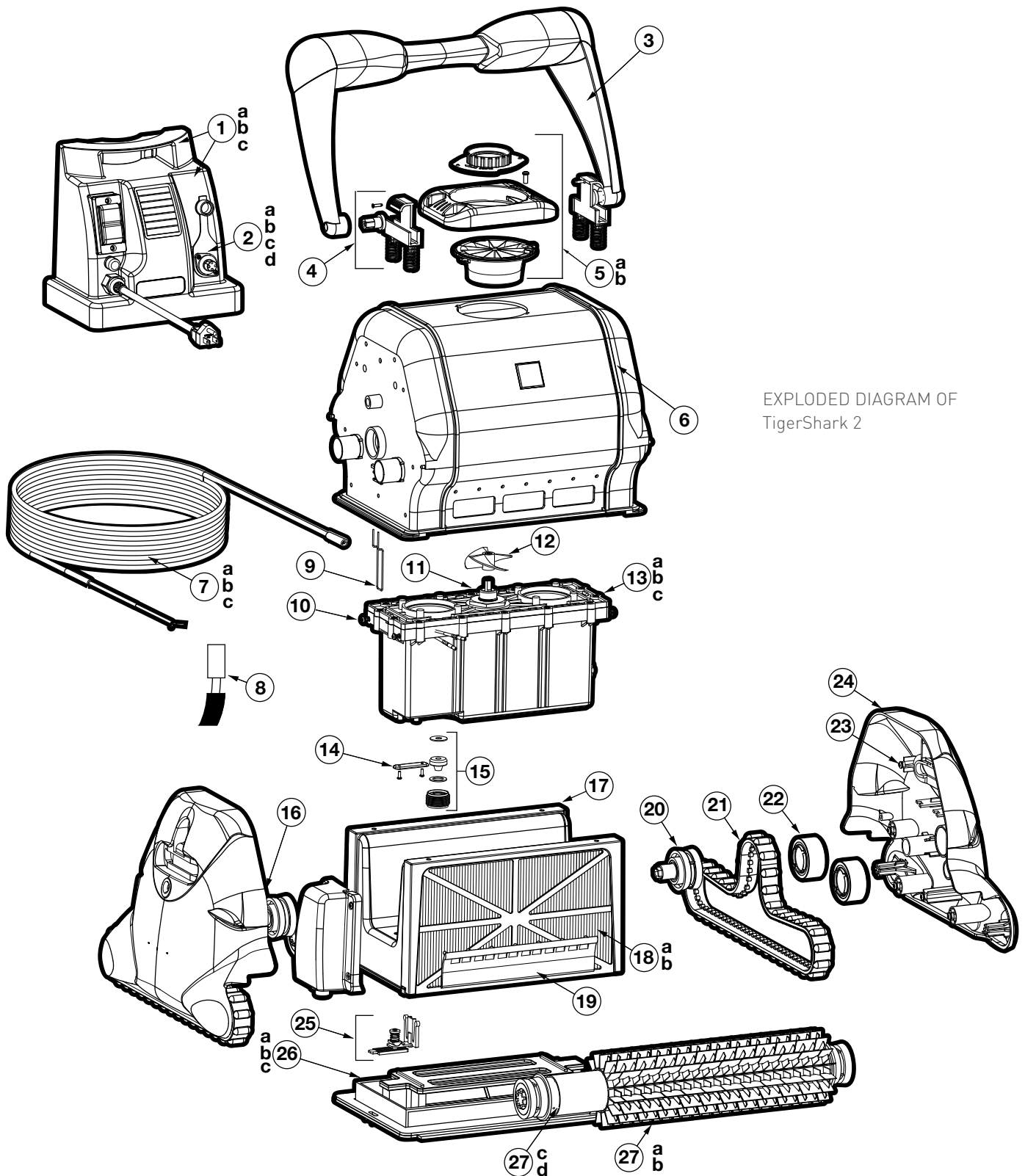
PART NUMBER	SIZE / DESCRIPTION	GTIN	DRAWING NUMBER	CARTON QTY
HEATPRO® HEATPUMP				
SMX309077011	Top Panel — Taupe with Guard	0627818000192	1	1
SMX300055036	Fan Motor	0859127001434	2	1
SMX303140003	Fan Blade	0859127001632	3	1
SMX305099004	Evaporator for HP21404T, HP21404TC	0859127001755	4	1
SMX24024408	Evaporator for HP21254T, HP21124T	0610377134903		1
SMX24024414	Evaporator for HP21004T	0610377134897		1
SMX11017204	Compressor for HP21004T prior to serial	0610377208536	5	1
SMX301150010	Compressor for HP21124T prior to serial	0859127001540		1
SMX11024201	Compressor for HP21254T prior to serial	0610377132732		1
SMX11024201	Compressor for HP21404T prior to serial	0610377132732		1
SMX11012751	Compressor for HP21004T after serial number	0610377290340		1
SMX11012753	Compressor for HP21124T after serial number	0610377290364		1
SMX11012755	Compressor for HP21254T after serial number	0610377290760		1
SMX11012755	Compressor for HP21404T after serial number	0610377290760		1
SMX10024715	Compressor Plug (not shown) for HP21004T	0610377133210		1
SMX10024715	Compressor Plug (not shown) for HP21124T	0610377133210		1
SMX10024715	Compressor Plug (not shown) for HP21254T	0610377133210		1
SMX10024715	Compressor Plug (not shown) for HP21404T	0610377133210		1
SMX10022329	Compressor Plug (not shown) for HP21004T	0610377290791		5
SMX10022329	Compressor Plug (not shown) for HP21124T	0610377290791		5
SMX10022329	Compressor Plug (not shown) for HP21254T	0610377290791		5
SMX10022329	Compressor Plug (not shown) for HP21404T	0610377290791		5
HPX1462	Filter - Drier for all	0610377829076	6	1
SMX24024864	Heat-Exchanger for HP21404T	0610377133128	7	1
SMX24022372	Heat Exchanger for HP21004T	0610377294836		1
SMX24024509	Heat Exchanger for HP21124T prior to serial	0610377133050		1
SMX2401347101	Heat Exchanger for HP21124T after serial	0610377391207		1
SMX15024595	Thermal Expansion Valve (TXV) for HP21004T	0610377132688	8	1
SMX15024595	Thermal Expansion Valve (TXV) for HP21124T	0610377132688		1
SMX15012865	Thermal Expansion Valve (TXV) for HP21004T	0610377329699		10
SMX15022368	Thermal Expansion Valve (TXV) for HP21124T	0610377329705		10
SMX15024595	Thermal Expansion Valve (TXV) for HP21254T	0610377132688		1
SMX15024916	Thermal Expansion Valve (TXV) for HP21404T	0610377132718		1
HPX11024258	High Pressure Switch	0610377127943	9	10
HPX11024259	Low Pressure Switch	0610377127950	10	10
SMX306000023	Defrost Sensor	0859127001847	11	10
SMX306000024	Water Temperature Sensor for HP21404T,	0859127001854	12	25
SMX11022320	Compressor Run Capacitor	0610377256124	13	6
HPX11024151	Fan Capacitor	0610377096959	14	6
HPX11023693	Transformer	0610377909464	15	1
HPX1985	Contactorm	0610377807029	16	5
HPX2181	Water Pressure Switch	0610377807098	17	10
SMX306000016	Control Board for HP21404T, HP21004T,	0859127001830	18	20
SMX1101191101	Master On/Off Switch	0610377339919	19	50
SMX14024927	Consumer Kit	0610377134545	--	2
SMX309077011	Top Panel — Taupe with Guard	0627818000192	1	1
SMX300055036	Fan Motor	0859127001434	2	1
SMX303140003	Fan Blade	0859127001632	3	1
SMX305099004	Evaporator for HP21404T, HP21404TC	0859127001755	4	1

COMMERCIAL HEATERS

PART NUMBER	SIZE / DESCRIPTION	GTIN	DRAWING NUMBER	CARTON QTY
HEATPRO® HEATPUMP, CONTINUED				
SMX24024408	Evaporator for HP21254T, HP21124T	0610377134903		1
SMX24024414	Evaporator for HP21004T	0610377134897		1
SMX11017204	Compressor for HP21004T prior to serial	0610377208536	5	1
SMX301150010	Compressor for HP21124T prior to serial	0859127001540		1
SMX11024201	Compressor for HP21254T prior to serial	0610377132732		1
SMX11024201	Compressor for HP21404T prior to serial	0610377132732		1
SMX11012751	Compressor for HP21004T after serial number	0610377290340		1
SMX11012753	Compressor for HP21124T after serial number	0610377290364		1
SMX11012755	Compressor for HP21254T after serial number	0610377290760		1
SMX11012755	Compressor for HP21404T after serial number	0610377290760		1
SMX10024715	Compressor Plug (not shown) for HP21004T	0610377133210		1
SMX10024715	Compressor Plug (not shown) for HP21124T	0610377133210		1
SMX10024715	Compressor Plug (not shown) for HP21254T	0610377133210		1
SMX10024715	Compressor Plug (not shown) for HP21404T	0610377133210		1
SMX10022329	Compressor Plug (not shown) for HP21004T	0610377290791		5
SMX10022329	Compressor Plug (not shown) for HP21124T	0610377290791		5
SMX10022329	Compressor Plug (not shown) for HP21254T	0610377290791		5
SMX10022329	Compressor Plug (not shown) for HP21404T	0610377290791		5
HPX1462	Filter - Drier for all	0610377829076	6	1
SMX24024864	Heat-Exchanger for HP21404T	0610377133128	7	1
SMX24022372	Heat Exchanger for HP21004T	0610377294836		1
SMX24024509	Heat Exchanger for HP21124T prior to serial	0610377133050		1
SMX2401347101	Heat Exchanger for HP21124T after serial	0610377391207		1
SMX15024595	Thermal Expansion Valve (TXV) for HP21004T	0610377132688	8	1
SMX15024595	Thermal Expansion Valve (TXV) for HP21124T	0610377132688		1
SMX15012865	Thermal Expansion Valve (TXV) for HP21004T	0610377329699		10
SMX15022368	Thermal Expansion Valve (TXV) for HP21124T	0610377329705		10
SMX15024595	Thermal Expansion Valve (TXV) for HP21254T	0610377132688		1
SMX15024916	Thermal Expansion Valve (TXV) for HP21404T	0610377132718		1
HPX11024258	High Pressure Switch	0610377127943	9	10
HPX11024259	Low Pressure Switch	0610377127950	10	10
SMX306000023	Defrost Sensor	0859127001847	11	10
SMX306000024	Water Temperature Sensor for HP21404T,	0859127001854	12	25
SMX11022320	Compressor Run Capacitor	0610377256124	13	6
HPX11024151	Fan Capacitor	0610377096959	14	6
HPX11023693	Transformer	0610377909464	15	1
HPX1985	Contactora	0610377807029	16	5
HPX2181	Water Pressure Switch	0610377807098	17	10
SMX306000016	Control Board for HP21404T, HP21004T,	0859127001830	18	20
SMX1101191101	Master On/Off Switch	0610377339919	19	50
SMX14024927	Consumer Kit	0610377134545	--	2



Commercial Cleaners



EXPLODED DIAGRAM OF
TigerShark 2

PART NUMBER	SIZE / DESCRIPTION	DRAWING NUMBER	CARTON QTY
TIGERSHARK 2 COMMERCIAL ROBOTIC CLEANER			
RCX30000RC	Power Supply-110 VAC, TigerShark Plus	1b	1
RCX97453QC	Power Supply-110 VAC, TigerShark Quikclean	1c	1
RCX31013A	Power Supply Circiut Breaker 3A	2a	50
RCX31012	Power Supply Switch 16A	2b	50
RCX31012A	Power Supply Switch Membrane Cover	2c	50
RCX31018	Power Supply Output Connector	2d	50
RCX76008-234	Handle Assembly – TS, TS Plus, TSQC, Blue	3	5
RCX14000KIT	Handle Arm Slide Kit	4	10
RCX11208	Venturi Assembly, New Style	5a	10
RCX11208BK	Venturi Assembly, Black	5b	1
RCX13001C	Main Case, TS, TSP, TSQC	6	1
RCX50061	Floating Cord Assembly – 55 ft. (TS, TSQC)	7a	1
RCX50110	Floating Cord Assembly – 100 ft. (TS2)	7b	1
RCX50070*	Floating Cord Assembly – 55 ft. (TS Plus)	7c	1
RCX59006	Connector Socket, Molex	8	50
RCX11400	Clip, Lid (Set of 2)	9	10
RCX12001	Screw, M4X12 T-20 (Set of 5)	10	10
RCX40117	Drive Pin Assembly	11	50
RCX11000	Impeller	12	10
RCX40000DC	Motor Unit, 4 hr. for TigerShark DC	13a	1
RCX43000	Motor Unit, 4 hr. for TigerSharkQC DC	13b	1
RCX40000RC*	Motor Unit, 4 hr. for TigerShark Plus DC	13c	1
RCX59007	Plate-Cover, Strain Relief	14	10
RCX59004KIT	Motor Cord Seal Kit	15	5
RCX26001	Roller Bearing Guide	16	10
RCX70100	Filter Cartridge Assembly, Frame and Filters	17	1
RCX70101PAK2	Filter Cartridges (Set of 2)	18a	5
RCX70103PAK2	Spring Cleanup Filters (Set of 2)	18b	5
RCX17100	Flap Drain, TS (Set of 2)	19	20
RCX26002	Bearing, Drive Pulley Assembly (Includes RC260031 insert)	20	10
RCX23002	Drive Track, Soft Tread	21	5
RCX26000PAK2	Pulley Bearing Kit (Set of 2)	22	5
RCX12011	Screw M5X20 Pan TORX HD T-20	23	10
RCX97201	Side Cover, TS (Right and Left)	24	1
RCX75003KIT	Locking Plate Kit	25	10
RCX75000-236	Bottom Lid Assembly, Black	26a	7
RCX78005	Bottom Lid Filter Gasket	26b	10
RCX75005	Inlet Flap	26c	10
RCX26008	Roller Brush	27a	5
RCX26012	Foam Roller Assembly	27b	5
RCX26003	Wheel Tube Assembly without Brush	27c	9
RCX26005S	Bearing-Wheel Tube Slotted	27d	10
RCX17000	High Velocity Inlet	—	10
RCX40209*	Hand-Held Wireless Remote (2007 and Prior) 418 Mhz	—	1
RCX40215*	Hand-Held Wireless Remote (2008 – present) 433 Mhz	—	10
RCX42000*	Solenoid Assembly for Remote (TS Plus)	—	1
RCX41000DC	Motor Unit, 7hr DC Input	—	1

*While supply last

Commercial Flow Control

PART NUMBER	SIZE / DESCRIPTION	GTIN	CARTON QTY
TRUE UNION BALL VALVE PARTS - TB SERIES			
TUX1052	1/4" 3/8" 1/2" PVC True Union Ball Valve Assembly Nut (Qty of 1)	0610377006224	1
TBX10752	3/4" PVC True Union Ball Valve Assembly Nut (Qty of 1)	0610377849500	1
TBX11002	1" PVC True Union Ball Valve Assembly Nut (Qty of 1)	0610377032957	1
TBX11502	1-1/4" - 1-1/2" PVC True Union Ball Valve Assembly Nut (Qty of 1)	0610377779128	1
TBX122	2" PVC True Union Ball Valve Assembly Nut (Qty of 1)	0610377776097	1
TBX132	2-1/2" - 3" PVC True Union Ball Valve Assembly Nut (Qty of 1)	0610377193047	1
TBX142	4" PVC True Union Ball Valve Assembly Nut (Qty of 1)	0610377193061	1
ECX12T	2" PVC True Union Ball Valve Threaded End Connector (Qty of 1)	0610377191470	1
HLX23	1/4" 3/8" 1/2" 3/4" Orange Handle Replacement for True Union Ball Valve	0610377114318	1
HLX24	1" Orange Handle Replacement for True Union Ball Valve	0610377114325	1
HLX22	1-1/4" 1-1/2" 2" Orange Handle Replacement for True Union Ball Valve	0610377114301	1
TBX138	3" Orange Handle Replacement for True Union Ball Valve	0610377193054	1
TBX148	4" Orange Handle Replacement for True Union Ball Valve	0610377193078	1
TRUE UNION 3-WAY BALL VALVE PARTS			
HLX23	1/2" 3/4" 3-Way True Union Ball Valve Handle Replacement	0610377114318	1
LAX1HL3	2-1/2" 3" 3-Way True Union Ball Valve Handle Replacement	0610377078641	1
LAX1HL4	4" 6" 3-Way True Union Ball Valve Handle Replacement	0610377007450	1
NTX100503B	1/2" PVC 3-Way True Union Ball Valve TN Ball	0610377192002	1
NTX100753B	3/4" PVC 3-Way True Union Ball Valve TN Ball	0610377742658	1
NTX101003B	1" PVC 3-Way True Union Ball Valve TN Ball	0610377192019	1
NTX102003B	1-1/4" 1-1/2" 2" PVC 3-Way True Union Ball Valve TN Ball	0610377192026	1
NTX103003B	2-1/2" 3" PVC 3-Way True Union Ball Valve TN Ball	0610377192033	1
NTX104003B	4" 6" PVC 3-Way True Union Ball Valve TN Ball	0610377192040	1
BSX142	4" PVC 3-Way True Union Ball Valve Assembly Nut Required for 3rd Port (Qty of 1)	0610377870733	1
ECX15T	1/2" PVC 3-Way True Union Ball Valve Threaded End Connector (Qty of 1)	0610377191531	1
ECX17T	3/4" PVC 3-Way True Union Ball Valve Threaded End Connector (Qty of 1)	0610377191555	1
ECX11T	1" PVC 3-Way True Union Ball Valve Threaded End Connector (Qty of 1)	0610377191432	1
ECX12T	2" PVC 3-Way True Union Ball Valve Threaded End Connector (Qty of 1)	0610377191470	1
ECX125T	2-1/2" PVC 3-Way True Union Ball Valve Threaded End Connector (Qty of 1)	0610377686594	1
TUX101004F	1" PVC 3-Way True Union Ball Valve Flanged End Connector w/Assembly Nut (Qty of 1)	0610377120654	1
TUX101254F	1-1/4" PVC 3-Way True Union Ball Valve Flanged End Connector w/Assembly Nut (Qty of 1)	0610377105002	1
TUX101504F	1-1/2" PVC 3-Way True Union Ball Valve Flanged End Connector w/Assembly Nut (Qty of 1)	0610377193795	1
TUX102004F	2" PVC 3-Way True Union Ball Valve Flanged End Connector w/Assembly Nut (Qty of 1)	0610377196147	1
TUX103004F	3" PVC 3-Way True Union Ball Valve Flanged End Connector w/Assembly Nut (Qty of 1)	0610377193825	1
TUX104004F	4" PVC 3-Way True Union Ball Valve Flanged End Connector w/Assembly Nut (Qty of 1)	0610377193849	1
LAX144F	4" PVC 3-Way True Union Ball Valve Flanged End Connector Required for 3rd Port (Qty of 1)	0610377138338	1
LAX144F	4" PVC 3-Way True Union Ball Valve Flanged End Connector Required for 3rd Port (Qty of 1)	0610377138338	1

PART NUMBER	SIZE / DESCRIPTION	GTIN	CARTON QTY
TRUE UNION 3-WAY BALL VALVE PARTS, CONTINUED			
LAX164F	6" PVC 3-Way True Union Ball Valve Flanged End Connector Required for 3rd Port (Qty of 1)	0610377138345	1
LAX5PAKE	1/2" PTFE Seat and EPDM Seal Repair Kit for 3-Way True Union Ball Valve	0610377870894	1
LAX7PAKE	3/4" PTFE Seat and EPDM Seal Repair Kit for 3-Way True Union Ball Valve	0610377870900	1
LAX1PAKE	1" PTFE Seat and EPDM Seal Repair Kit for 3-Way True Union Ball Valve	0610377870917	1
LAX2PAKE	1-1/4", 1-1/2", 2" PTFE Seat and EPDM Seal Repair Kit for 3-Way True Union Ball Valve	0610377870924	1
LAX3PAKE	2-1/2", 3" PTFE Seat and EPDM Seal Repair Kit for 3-Way True Union Ball Valve	0610377870931	1
LAX4PAKE	4", 6" PTFE Seat and EPDM Seal Repair Kit for 3-Way True Union Ball Valve	0610377870948	1
BYV SERIES BUTTERFLY VALVE PARTS			
BYXV4HLKIT	4" BYV Lever Assembly	0610377254656	1
BYXV6HLKIT	6" BYV Lever Assembly	0610377254663	1
BYXV8HLKIT	8" BYV Lever Assembly	0610377254717	1
BYCN SERIES BUTTERFLY VALVE PARTS			
LEX2B	2", 2-1/2" Lever Handle Replacement for Butterfly Valve (BYCN)	0610377209205	1
LEX4B	3", 4" Lever Handle Replacement for Butterfly Valve (BYCN)	0610377207270	1
LEX6B	5", 6", 8" Lever Handle Replacement for Butterfly Valve (BYCN)	0610377209212	1
BY SERIES BUTTERFLY VALVE PARTS			
LEX3A	2", 3" Lever Handle Replacement for Butterfly Valve	0610377203494	1
LEX4A	4" Lever Handle Replacement for Butterfly Valve	0610377203500	1
LEX6A	6" Lever Handle Replacement for Butterfly Valve	0610377203517	1
LEX8A	8" Lever Handle Replacement for Butterfly Valve	0610377203524	1
BYCN SERIES BUTTERFLY VALVE PARTS			
LEX2B	2", 2-1/2" Lever Handle Replacement for Butterfly Valve (BYCN)	0610377209205	1
LEX4B	3", 4" Lever Handle Replacement for Butterfly Valve (BYCN)	0610377207270	1
LEX6B	5", 6", 8" Lever Handle Replacement for Butterfly Valve (BYCN)	0610377209212	1
BY SERIES BUTTERFLY VALVE PARTS			
LEX3A	2", 3" Lever Handle Replacement for Butterfly Valve	0610377203494	1
LEX4A	4" Lever Handle Replacement for Butterfly Valve	0610377203500	1
LEX6A	6" Lever Handle Replacement for Butterfly Valve	0610377203517	1
LEX8A	8" Lever Handle Replacement for Butterfly Valve	0610377203524	1
BULKHEAD FITTING GASKETS			
BFXAGST005F	1/2" FPM BF Gasket	0610377096027	1
BFXAGST007F	3/4" FPM BF Gasket	0610377096034	1
BFXAGST010F	1" FPM BF Gasket	0610377096041	1
BFXAGST015F	1- 1/2" FPM BF Gasket	0610377096058	1
BFXAGST015F	1-1/4" FPM BF Gasket	0610377096058	1
BFXAGST020F	2" FPM BF Gasket	0610377096065	1
BFXAGST030F	3" FPM BF Gasket	0610377096072	1
BFXAGST040F	4" FPM BF Gasket	0610377096089	1
BFXAGST060F	6" FPM BF Gasket	0610377096096	1
BASKET STRAINER PARTS			
BSX1111ASSYE	1/2" - 1" PVC Simplex or Duplex Cover Assembly w/EPDM O-ring	0610377872522	1
BSX1211ASSYE	1-1/4" - 2" PVC Simplex or Duplex Cover Assembly w/EPDM O-ring	0610377872591	1
BSX1411ASSYE	2-1/2" - 4" PVC Simplex or Duplex Cover Assembly w/EPDM O-ring	0610377872614	1
BSX1611ASSYE	6" - 8" PVC Simplex or Duplex Cover Assembly w/EPDM O-ring	0610377872652	1
SB1KITE	1/2" - 1" CPVC Simplex or Duplex O-ring Replacement	0610377872690	1
SB2KITE	1-1/4" - 2" CPVC Simplex or Duplex O-ring Replacement	0610377872713	1
SB4KITE	2-1/2" - 4" CPVC Simplex or Duplex O-ring Replacement	0610377872737	1
SB6KITE	6" - 8" CPVC Simplex or Duplex O-ring Replacement	0610377872751	1
BSX1PLUG2	1/2" - 2" PVC Simplex or Duplex Plug Replacement w/FPM O-ring	0610377872751	1
BSX1PLUG2E	2-1/2" - 8" PVC Simplex or Duplex Plug Replacement w/EPDM O-ring	0610377872775	1
BASKET STRAINERS: SIMPLEX & DUPLEX EXTRA/REPLACEMENT BASKETS			
BS11001/32	1/32" PVC Perf Basket Replacement for 1/2", 3/4" and 1" Strainers	0610377659635	1
BASKET STRAINERS: SIMPLEX & DUPLEX EXTRA/REPLACEMENT BASKETS			
BS11001/32	1/32" PVC Perf Basket Replacement for 1/2", 3/4" and 1" Strainers	0610377659635	1

PART NUMBER	SIZE / DESCRIPTION	GTIN	CARTON QTY
BASKET STRAINERS: SIMPLEX & DUPLEX EXTRA/REPLACEMENT BASKETS, CONTINUED			
BS11001/16	1/16" PVC Perf Basket Replacement for 1/2," 3/4" and 1" Strainers	0610377797665	1
BS11001/8	1/8" PVC Perf Basket Replacement for 1/2," 3/4" and 1" Strainers	0610377797917	1
BS11003/16	3/16" PVC Perf Basket Replacement for 1/2," 3/4" and 1" Strainers	0610377797924	1
BS71020	20 MESH 316 SS Basket Replacement for 1/2," 3/4" and 1" Strainers	0610377111584	1
BS71040	40 MESH 316 SS Basket Replacement for 1/2," 3/4" and 1" Strainers	0610377111614	1
BS71060	60 MESH 316 SS Basket Replacement for 1/2," 3/4" and 1" Strainers	0610377111621	1
BS71080	80 MESH 316 SS Basket Replacement for 1/2," 3/4" and 1" Strainers	0610377111638	1
BS710100	100 MESH 316 SS Basket Replacement for 1/2," 3/4" and 1" Strainers	0610377111577	1
BS7101/32	1/32" 316 SS Perf Basket Replacement for 1/2," 3/4" and 1" Strainers	0610377017398	1
BS7101/16	1/16" 316 SS Perf Basket Replacement for 1/2," 3/4" and 1" Strainers	0610377017411	1
BS7101/8	1/8" 316 SS Perf Basket Replacement for 1/2," 3/4" and 1" Strainers	0610377017466	1
BS7103/16	3/16" 316 SS Perf Basket Replacement for 1/2," 3/4" and 1" Strainers	0610377017596	1
BS12001/32	1/32" PVC Perf Basket Replacement for 1-1/4," 1-1/2" and 2" Strainers	0610377793063	1
BS12001/16	1/16" PVC Perf Basket Replacement for 1-1/4," 1-1/2" and 2" Strainers	0610377111355	1
BS12001/8	1/8" PVC Perf Basket Replacement for 1-1/4," 1-1/2" and 2" Strainers	0610377793070	1
BS12003/16	3/16" PVC Perf Basket Replacement for 1-1/4," 1-1/2" and 2" Strainers	0610377793087	1
BS72020	20 MESH 316 SS Basket Replacement for 1-1/4," 1-1/2" and 2" Strainers	0610377111829	1
BS72040	40 MESH 316 SS Basket Replacement for 1-1/4," 1-1/2" and 2" Strainers	0610377111850	1
BS72060	60 MESH 316 SS Basket Replacement for 1-1/4," 1-1/2" and 2" Strainers	0610377111867	1
BS72080	80 MESH 316 SS Basket Replacement for 1-1/4," 1-1/2" and 2" Strainers	0610377111874	1
BS720100	100 MESH 316 SS Basket Replacement for 1-1/4," 1-1/2" and 2" Strainers	0610377111812	1
BS7201/32	1/32" 316 SS Perf Basket Replacement for 1-1/4," 1-1/2" and 2" Strainers	0610377018654	1
BS7201/16	1/16" 316 SS Perf Basket Replacement for 1-1/4," 1-1/2" and 2" Strainers	0610377018685	1
BS7201/8	1/8" 316 SS Perf Basket Replacement for 1-1/4," 1-1/2" and 2" Strainers	0610377018777	1
BS7203/16	3/16" 316 SS Perf Basket Replacement for 1-1/4," 1-1/2" and 2" Strainers	0610377018791	1
BS14001/32	1/32" PVC Perf Basket Replacement for 2-1/2," 3" and 4" Strainers	0610377857505	1
BS14001/16	1/16" PVC Perf Basket Replacement for 2-1/2," 3" and 4" Strainers	0610377852579	1
BS14001/8	1/8" PVC Perf Basket Replacement for 2-1/2," 3" and 4" Strainers	0610377693257	1
BS14003/16	3/16" PVC Perf Basket Replacement for 2-1/2," 3" and 4" Strainers	0610377852586	1
BS7203/16	3/16" 316 SS Perf Basket Replacement for 1-1/4," 1-1/2" and 2" Strainers	0610377018791	1
BS14001/32	1/32" PVC Perf Basket Replacement for 2-1/2," 3" and 4" Strainers	0610377857505	1
BS14001/16	1/16" PVC Perf Basket Replacement for 2-1/2," 3" and 4" Strainers	0610377852579	1
BS14001/8	1/8" PVC Perf Basket Replacement for 2-1/2," 3" and 4" Strainers	0610377693257	1
BS14003/16	3/16" PVC Perf Basket Replacement for 2-1/2," 3" and 4" Strainers	0610377852586	1
BS74020	20 MESH 316 SS Basket Replacement for 2-1/2," 3" and 4" Strainers	0610377060691	1
BS74040	40 MESH 316 SS Basket Replacement for 2-1/2," 3" and 4" Strainers	0610377081870	1
BS74060	60 MESH 316 SS Basket Replacement for 2-1/2," 3" and 4" Strainers	0610377112086	1
BS74080	80 MESH 316 SS Basket Replacement for 2-1/2," 3" and 4" Strainers	0610377072052	1
BS740100	100 MESH 316 SS Basket Replacement for 2-1/2," 3" and 4" Strainers	0610377057233	1
BS7401/16	1/16" 316 SS Perf Basket Replacement for 2-1/2," 3" and 4" Strainers	0610377018524	1
BS7401/8	1/8" 316 SS Perf Basket Replacement for 2-1/2," 3" and 4" Strainers	0610377018555	1
BS7403/16	3/16" 316 SS Perf Basket Replacement for 2-1/2," 3" and 4" Strainers	0610377018579	1
BS16001/32	1/32" PVC Perf Basket Replacement for 6" Strainers	0610377298087	1
BS16001/16	1/16" PVC Perf Basket Replacement for 6" Strainers	0610377726443	1

PART NUMBER	SIZE / DESCRIPTION	GTIN	CARTON QTY
BASKET STRAINERS: SIMPLEX & DUPLEX EXTRA/REPLACEMENT BASKETS, CONTINUED			
BS16003/16	3/16" PVC Perf Basket Replacement for 6" Strainers	0610377149877	1
BS76001420	20 MESH 316 SS Basket Replacement for 6" Strainers	0610377151221	1
BS76001440	40 MESH 316 SS Basket Replacement for 6" Strainers	0610377151252	1
BS76001480	60 MESH 316 SS Basket Replacement for 6" Strainers	0610377151276	1
BS76001460	80 MESH 316 SS Basket Replacement for 6" Strainers	0610377151269	1
BS760014100	100 MESH 316 SS Basket Replacement for 6" Strainers	0610377151214	1
BS76001/32	1/32" 316 SS Perf Basket Replacement for 6" Strainers	0610377151184	1
BS76001/16	1/16" 316 SS Perf Basket Replacement for 6" Strainers	0610377151160	1
BS76001/8	1/8" 316 SS Perf Basket Replacement for 6" Strainers	0610377151207	1
BS76003/16	3/16" 316 SS Perf Basket Replacement for 6" Strainers	0610377151283	1
BS18001/32	1/32" PVC Perf Basket Replacement for 8" Strainers	0610377790604	1
BS18001/16	1/16" PVC Perf Basket Replacement for 8" Strainers	0610377104777	1
BS18001/8	1/8" PVC Perf Basket Replacement for 8" Strainers	0610377149914	1
BS18003/16	3/16" PVC Perf Basket Replacement for 8" Strainers	0610377149921	1
BS78001420	20 MESH 316 SS Basket Replacement for 8" Strainers	0610377151405	1
BS78001440	40 MESH 316 SS Basket Replacement for 8" Strainers	0610377151436	1
BS78001460	60 MESH 316 SS Basket Replacement for 8" Strainers	0610377151443	1
BS78001480	80 MESH 316 SS Basket Replacement for 8" Strainers	0610377151450	1
BS780014100	100 MESH 316 SS Basket Replacement for 8" Strainers	0610377151399	1
BS78001/32	1/32" 316 SS Perf Basket Replacement for 8" Strainers	0610377151368	1
BS78001/16	1/16" 316 SS Perf Basket Replacement for 8" Strainers	0610377151344	1
BS78001/8	1/8" 316 SS Perf Basket Replacement for 8" Strainers	0610377151382	1
BS78003/16	3/16" 316 SS Perf Basket Replacement for 8" Strainers	0610377151467	1



INNOVATION MADE EASY.

» haywardcommercialpool.com » 1-888*238-7665

Pumps » Filters » Heaters » Sanitization » Automation » Lighting » Water Features » Cleaners » White Goods

Hayward, Hayward & Design and the H logo are registered trademarks of Hayward Canada and Hayward Industries, Inc. All other trademarks not owned by Hayward are the property of their respective owners. Hayward is not in any way affiliated with or endorsed by those third parties. © 2024 Hayward Industries, Inc.

LITCRNG24C

