



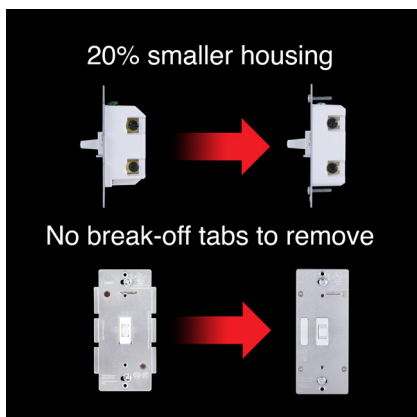
## Z-Wave In-Wall Smart Toggle Switch With QuickFit™ And SimpleWire™, White

SKU#: 46563

Expand your control with the Add-on Toggle Switch with QuickFit™ and SimpleWire™. When paired with a smart switch or dimmer, including Z-Wave, Zigbee and Bluetooth controls, the hardwired device completes multi-switch systems. Wirelessly operate and schedule up to 6-way configurations of indoor or outdoor fixtures for effortless management of your home.

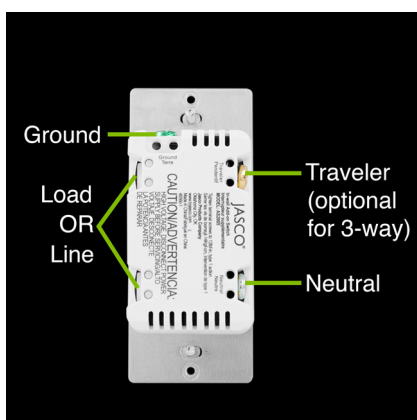
### Features

- **QuickFit** – Improved components reduced the housing depth by up to 20 percent compared to previous Z-Wave models and eliminated the need for heat tabs. QuickFit enhancements are the ideal smart solution for older-style switch boxes, multi-gang configurations or any other application with limited space.
- **SimpleWire** – Dual ground ports, which are offset to avoid switch box mounting screws, support daisy-chaining in multi-switch setups.
- **Multi-switch operation** – The switch is not a standalone device. It must be used with a smart control for Z-Wave, Zigbee or Bluetooth home automation. The smart switch or dimmer and as many as four add-on switches can be linked for up to 6-way operation.
- **Optional toggle guide light** – The white, toggle-style switch illuminates to show switch location and status. A blue LED backlight provides a soft glow and can be reversed, turned off or always on based on your indicator preferences.



## QUICKFIT

The revolutionary, space-saving QuickFit design features a rounded housing and 20 percent smaller depth compared to previous models. The elimination of heat tabs also offers a more convenient installation and user-experience without reducing the electrical ratings.



## SIMPLEWIRE

With the SimpleWire technology, the new add-on switch features dual offset ground ports, which save time, simplify installation and reduce wire congestion in multi-switch setups. Neutral wire required.

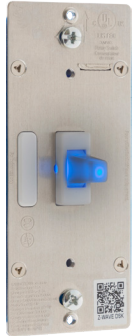


## VOICE CONTROL

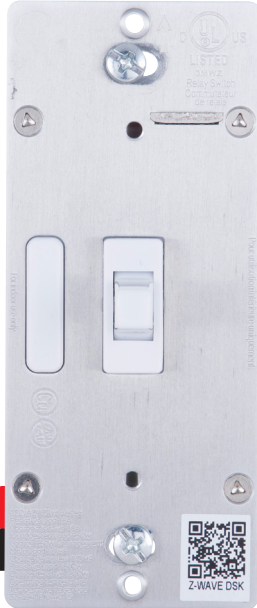
Control your connected device with only your voice! Works with Amazon Alexa and Google Assistant. Alexa/Echo/Google Assistant devices sold separately. Z-Wave hub must be Alexa compatible. *Not* directly compatible with *Echo Plus*. Will work through Z-Wave hub only.

# Jasco Z-Wave In-wall Toggle Smart Switch

# JASCO®



New blue LED backlit toggle



## Specifications

**Power:** 120VAC, 60Hz **Signal Frequency:** 908.4/916MHz

**Maximum Load:** 960W Incandescent,  
1/2 HP Motor 1800W (15A Resistive)

**Range:** Up to 150 feet from controller or closest Z-Wave device

**Operating Temperature:** 32-104° F (0-40° C)

**Warranty:** 2-year limited product warranty

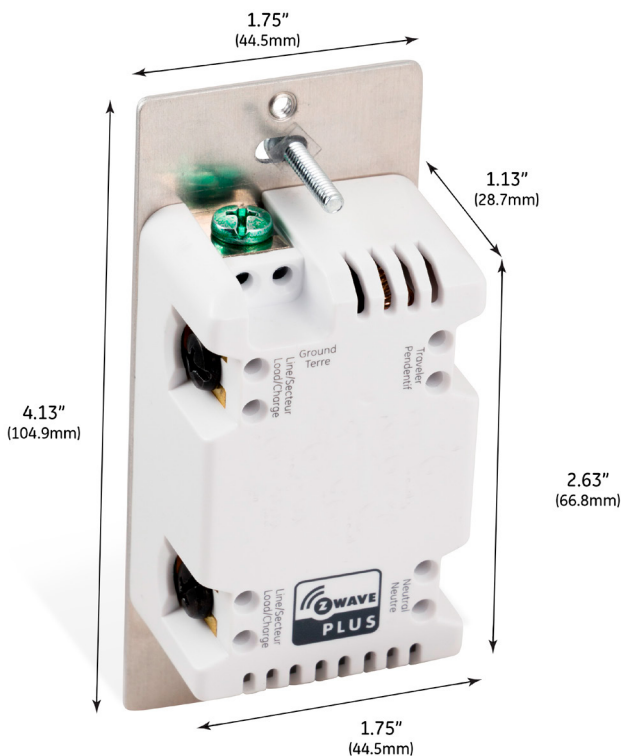
**Requires neutral wire. Switch must be mounted indoors**

## Design Features

- QuickFit™ – Improved components reduce the housing depth by up to 20 percent compared to previous Z-Wave models and eliminated the need for heat tabs
- SimpleWire™ – Auto line-load sensing terminals support fast installation by detecting line and load wires and configuring the switch accordingly
- Dual ground ports, which are offset to avoid switch box mounting screws, support daisy-chaining in multi-switch setups
- Turn the connected device On/Off manually or via Z-Wave hub or controller
- New blue LED backlit toggle (with 4 adjustable settings)
- Remotely monitor with any mobile device\*
- Works with Google and Alexa (requires compatible hub\*)
- May be used in single pole installation or with up to four Jasco model 12728 or 46561 Add-on switches in 3, 4, 5 or 6-way wiring configurations
- Works with all LED, CFL, halogen and incandescent bulbs
- Can be included in multiple Groups and Scenes
- Utilizes the Z-Wave Firmware Update Meta Data command class for standardized firmware updates Over the Air
- Supports Advanced Configuration; Alternate exclusion, LED status
- Screw Terminal installation; requires wiring connections for Line (Hot), Load, Neutral, and Ground. Traveler wire required for multi pole installation
- Uses a standard toggle wall plate (wall plate not included)
- LED status can be inverted manually changed to invert, always OFF and always ON
- Inline traveler circuit protection
- Z-Wave Plus Certified

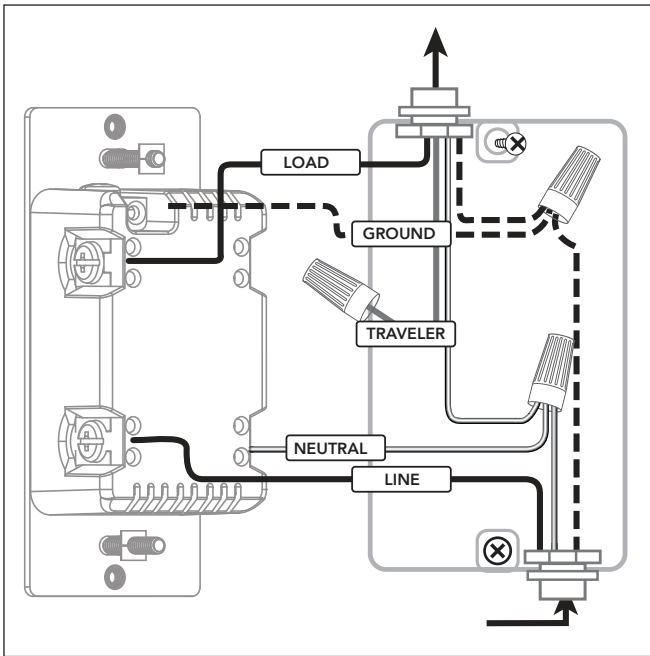
## Z-Wave Plus with S2 Security and SmartStart Features

- Improved battery life and up to 50 percent greater wireless range
- QR codes with unique, industry-standard secure key exchange to add a layer of 128-bit encryption
- Effortless device pairing to Z-Wave S2 and SmartStart certified gateways
- Backward compatible with all generations of Z-Wave devices
- 250% faster processor
- 400% more memory
- 50% more energy efficient
- Supports wireless upgrades to future-proof your home
- Supports wireless upgrades to future-proof your home

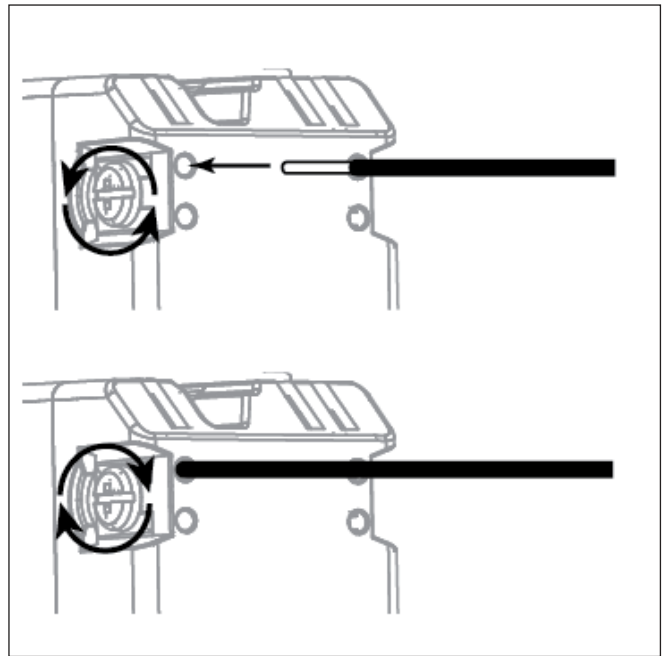


\* Requires Z-Wave hub or controller, functions may vary depending on brand.

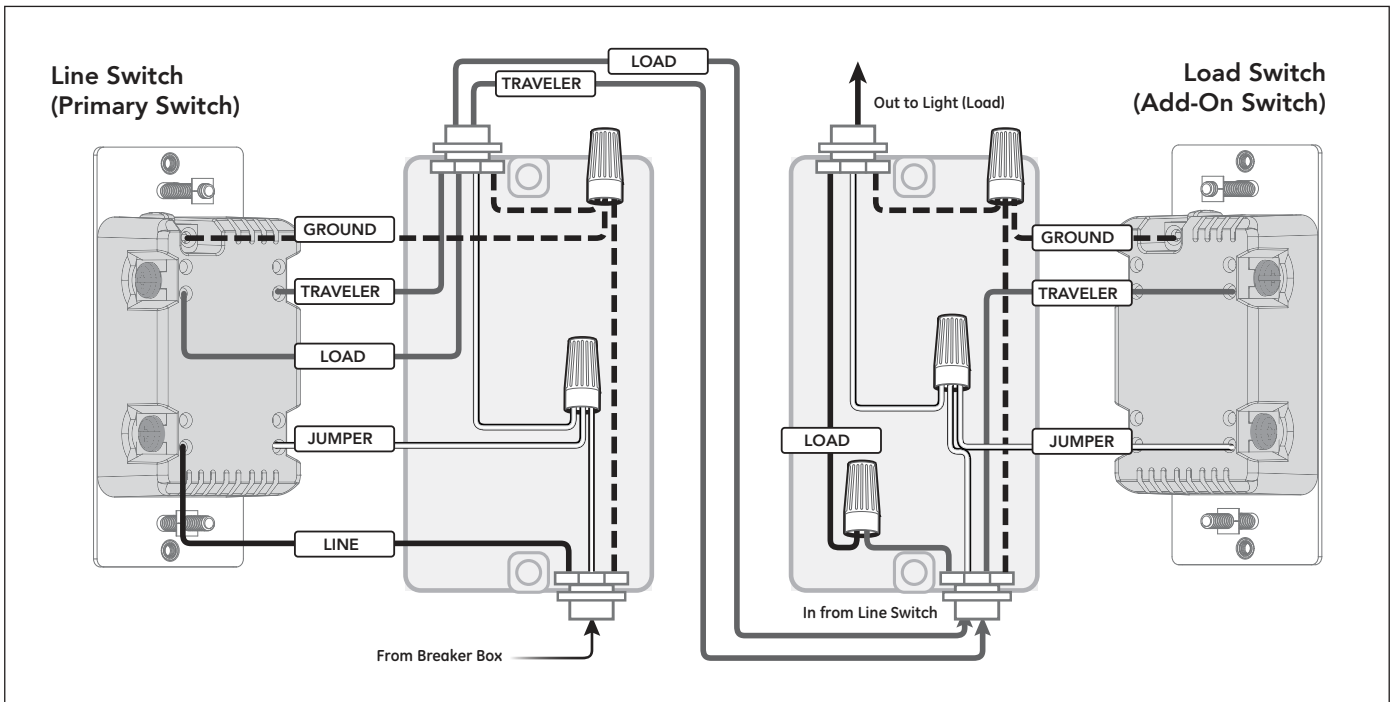
Single Location Wiring



Space-Saving Screw Terminals



Multi-Location Wiring



Installation Recommendations:

- Insert wire into port and tighten screw. Do not wrap wire around screw
- Indoor use only
- Visit <http://www.ezzwave.com/hubs> for hub compatibility
- Wallplates sold separately
- Trilingual Instruction manual – (English, French, Spanish)

## Device Configuration

### Adding your device to a Z-Wave network

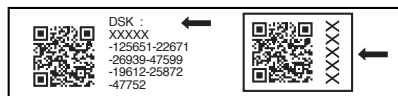
Once the hub is ready to add your smart switch, press up or down on the smart toggle switch to add it in the network.

### To remove and reset the device

Once the controller is ready to remove your device, press up or down on the smart toggle switch to remove it from the network.

### S2 + SmartStart install

The controller's app will indicate if it has discovered the device. If prompted by the controller to enter the S2 security code, refer to the QR code/security number on the side of the box, or the QR code label on the product. Enter the 5-digit code.



### To return to factory defaults

Quickly press up on the toggle 3 times, then press the down on the toggle 3 times.

## Certifications & Compliances



Compliances, specifications and availability are subject to change without notice

Distributed by Jasco Products Company LLC  
10 E. Memorial Rd., Oklahoma City, OK

©Jasco 2019



