

# Albeo™ LED Luminaire

LED High Bay Lighting  
(ABV3 - Series)



Project name \_\_\_\_\_

Date \_\_\_\_\_

Type \_\_\_\_\_

## Product Description:

The Albeo™ ABV3 LED luminaire is an exceptional mixture of value and performance. Ideal for high bay and low bay applications in industrial and commercial buildings. Designed to replace 150W-1500W HID and four-to-eight-lamp T5/T8 HIF fixtures with unmatched reliability and quality.

## Performance Highlights:

**Light Output Range:** 6,500 – 60,000 lumens  
**CRI:** 70 & 80 CRI (90CRI Refer to factory for lead-time)  
**CCT:** 3000K, 3500K, 4000K, 5000K  
**Distributions:** 120°, 90°, 55°, 30° diffused & clear lens options  
**Input Voltage:** 120V-277V, 347V, & 480V  
**Efficiency:** Up to 200 LPW  
**Fixture Rated:** L70 @ 100,000 hours min. @ 55°C  
**Limited Warranty:** 5 Years  
**Temperature Rating:** -30°C to +55°C (-22°F to 131° F)  
**Controls & Sensors:** 0-10V standard, Motion & daylight sensor options. Wireless ZigBee Daintree compliant options.

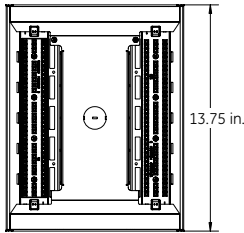


## Product Images:

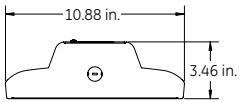


## Product Dimensions:

9T, 9H, 12T, 12H, &  
18T Output 1S-Module

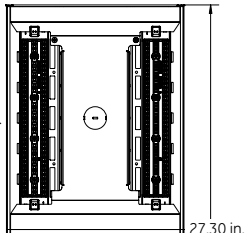


Max. Weight: 10 lbs.



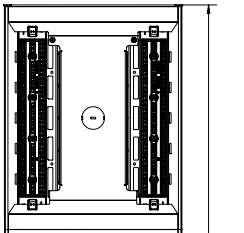
Side View

36T & 36H Output  
2S-Module



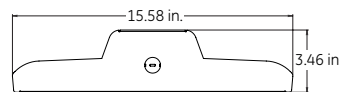
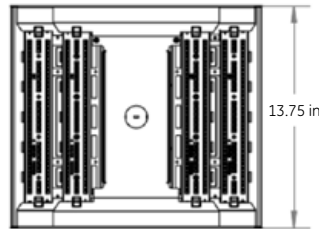
Max. Weight: 20 lbs.

48T & 48H Output  
3S-Module



Max. Weight: 30 lbs.

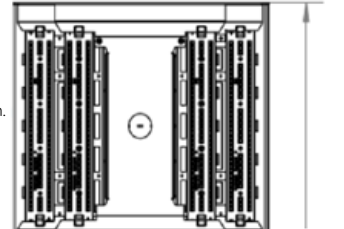
18H, 24T, & 24H Output  
1D-Module



Side View

Max. Weight: 11 lbs.

60T & 60H Output  
2D-Module



Max. Weight: 22 lbs.

## Certifications:



# Ordering Number Logic

## Industrial High Bay & Low Bay Lighting

(ABV3-Series)



Project name \_\_\_\_\_  
 Date \_\_\_\_\_  
 Type \_\_\_\_\_

**ABV3**

**W**

PRODUCT ID	VOLTAGE	LUMEN OUTPUT	PERFORMANCE LEVEL	LED COLOR TEMP	OPTICS/ LENS	SENSOR/ WIRELESS	CONTROL WIRING	MOUNTING	CORD	PLUG	FINISH	OPTIONS
ABV3 = Albeo Highbay ABV 3rd Gen	0 = 120/277 1 = 120* 2 = 208* 3 = 240* 4 = 277* 5 = 480* D = 347*	09 = 9,000 12 = 12,000 18 = 18,000 24 = 24,000 36 = 36,000 48 = 48,000 60 = 60,000	T = Standard Efficiency H = High Performance	70 Plus CRI 47 = 4000K 57 = 5000K  80 Plus CRI 38 = 3000K C8 = 3500K 48 = 4000K 58 = 5000K  90 Plus CRI 49 = 4000K C9 = 3500K	Open Optic Max. Efficiency 10 = 120° No Lens 90 = 90° No Lens  Clear Lens: Moderate Glare Reduction 1C = 120° Clear 9C = 90° Clear 5C = 55° Clear 3C = 30° Clear WC = Wide Parking Garage Optic  Diffused Lens: Maximum Glare Reduction 1D = 120° Diffused 9D = 90° Diffused 5D = 55° Diffused 3D = 30° Diffused	Q = None A = Occ Sense On/Off 360° LSXR B = Occ Sense High-Low Dimming 360° LSXR P = Daylight Sense w/ Occupancy On/Off LSXR  Full Featured 2 = Motion Sensor w/ Daylight, High-Low Dimming, and IR Remote Adjustable (IR remote sold separately to modify default settings)  ZigBee Wireless Daintree™ 4 = Wireless ZigBee Daintree™ Enabled w/ Motion Sensor T = Wireless ZigBee Daintree™ Enabled (no sensor)	V = 0-10V Control Wires Q = None/ No External Control Wiring  Note: V option not available with dimming and ZigBee sensors	ST = Standard 22 = 1/2" Threaded rod mount kit <b>Rod and nuts not included</b> SM = Surface Mount <b>Hardware not included</b> 23 = 3/4" Pendant Mount Kit <b>3/4" conduit not included</b>  41 = Y-Cable/ Hook 5 ft. 42 = Y-Cable/ Hook 10 ft. 43 = Y-Cable/ Hook 15 ft. 44 = Y-Cable/ Hook 20 ft.	K = Knockout A = 6 ft. 18ga cord B = 12 ft. 18ga cord C = 15 ft. 18ga cord D = 20 ft. 18ga cord  F = 10ft Reloc G = 15ft Reloc  M = 3ft Plug & Go H = 10ft Plug & Go	Q = None A = 15A straight plug B = 20A straight plug C = 15A twist lock plug D = 20A twist lock plug  S = Reloc OCS (use cord F or G)  F = Plug & Go (use cord M or H)	W = White Powder Coat	<b>Blank</b> = No Special Options <b>1PK</b> = Single Pack for distributor stocking. Default is Job Pack. <b>EL1</b> = 120° Battery Backup* <b>EL5</b> = 50° Battery Backup* *Battery Backup not available for 347V/480V

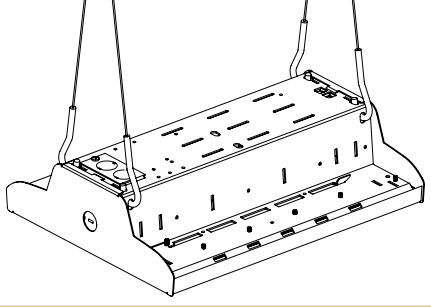
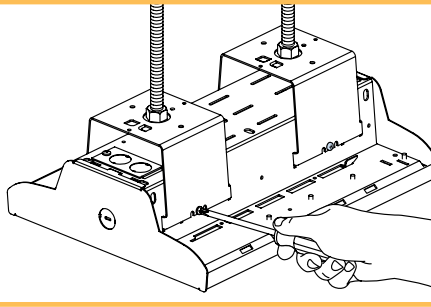
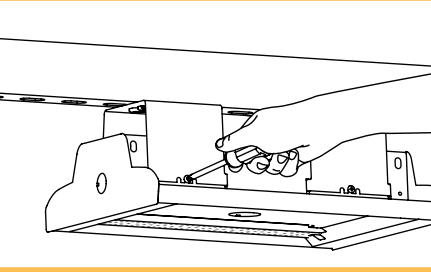
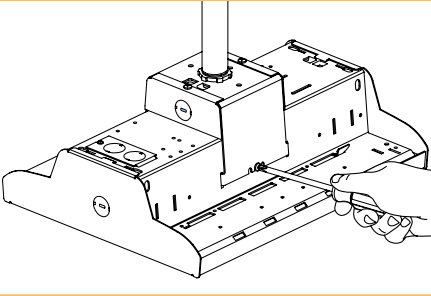

LUMEN PACKAGE	OUTPUT LEVEL	70 CRI @ 4000K OR 5000K CCT				MODULE BODY
		TYPICAL DELIVERED LUMENS	TYPICAL POWER		TYPICAL LPW 120-277V	
			120-277V	347/480V		
09	T	9,000	50	52	180	1S
09	H	9,000	46	48	196	1S
12	T	11,900	68	70	175	1S
12	H	11,900	61	63	195	1S
18	T	17,600	109	110	161	1S
18	H	17,600	88	91	200	1D
24	T	23,400	137	139	171	1D
24	H	23,400	122	124	192	1D
36	T	35,500	221	222	160	2S
36	H	35,500	190	194	187	2S
48	T	47,400	284	291	167	3S
48	H	47,400	248	257	191	3S
60	T*	58,500	360	367	163	2D
60	H	58,500	314	323	186	2D

\*All packages are 55°C rated with the exception of 60T which is 45°C ambient max rated

CRI	CCT	T OUTPUT	H OUTPUT
70	5000K	100%	100%
	4000K	100%	100%
80	5000K	95%	98%
	4000K	92%	92%
	3500K	90%	92%
	3000K	87%	92%
90	4000K	81%	79%

OPTIC CODE	OPTIC DESCRIPTION	OUTPUT
1Q	120° No Lens	100%
9Q	90° No Lens	98%
1C	120° Clear Lens	98%
9C	90° Clear Lens	96%
5C	55° Clear Lens	96%
3C	30° Clear Lens	97%
1D	120° Diffused Lens	93%
9D	90° Diffused Lens	91%
5D	55° Diffused Lens	92%
3D	30° Diffused Lens	95%

## Mounting & Accessories

MOUNTING OPTIONS	IMAGE	ORDER LOGIC CODE	AFTER MARKET ORDER LOGIC
<p><b>Standard Chain/Cable Mount</b> Available on all fixture configurations (chain not included). Y-Cable w/hook can be ordered as an accessory.</p>		<p>ST = Standard</p>	<p>Aftermarket: NA</p>
<p><b>Rod Mount (optional)</b> Available on all fixture configurations. Attaches to 1/2" threaded rod (rod and nuts not included).</p>		<p>22 = 1/2" Threaded Rod Kit</p>	
<p><b>Surface Mount (optional)</b> Available on all fixture configurations. Attaches to structural member in ceiling. (Hardware not included.)</p>		<p>SM = Surface Mount 22 = 1/2" Threaded Rod Kit</p>	<p>SKU: 93076576 Description: 1/2", 3/4" &amp; Surface all-in-one Mounting Kit</p>
<p><b>Pendant Mount (optional)</b> Available on all fixture configurations. Attaches to 3/4" threaded conduit (conduit not included).</p>		<p>23 = 3/4" Pendant Mount Kit 22 = 1/2" Threaded Rod Kit</p>	
<p><b>Y-Cable w/hook (optional)</b> Use with Standard Mounting Option only. Order separately. Price adder per pair. 5 ft., 10 ft., 15 ft., 20 ft. lengths available.</p>			<p>41 Y-Cable/Hook (5') 93075756 42 Y-Cable/Hook (10') 93075552 43 Y-Cable/Hook (15') 93075553 44 Y-Cable/Hook (20') 93075554 "NA" Y-Cable/Hook (25') 93075555 Max Load: 200 lbs. per pair</p>

Chain/cable mount is standard and included in price. Price adder for Y-Cable, Rod Mount, and Pendant Mount. Consult Sales for latest information. See "Installation Instructions" for mounting details.

## Accessories & Renewall Parts

### Replacement Lenses

ORDERING SKU	ORDERING CAT# LOGIC	FIXTURE CAT# LOGIC	DESCRIPTION
93075866	ABV3 D Kit	1D or 9D	Diffused Lens Only (2 lenses)
93075867	ABV3 C Kit	1C or 9C	Clear Lens Only (2 lenses)
93075988	ABV3 9 Kit	9	90 degree Optic (2 lenses)
93075989	ABV3 1 Kit	1	120 degree Optic (2 lenses)
93075990	ABV3 5D Kit	5D	Diffused 55 degree Lens (2 lenses)
93075991	ABV3 5C Kit	5C	Clear 55 degree Lens (2 lenses)
93075992	ABV3 3D Kit	3D	Diffused 30 degree Lens (2 lenses)
93075993	ABV3 3C Kit	3C	Clear 30 degree Lens (2 lenses)

### Sensors & Sensor Accessories



ORDERING SKU	ORDERING CAT# LOGIC	FIXTURE CAT# LOGIC	DESCRIPTION
93076263	Wattstopper Remote Kit	2Q Sensor Code	Programmer for Sensor Code 2Q Wattstopper FSP211

### Wire Guards



ORDERING SKU	ORDERING CAT# LOGIC	LUMEN PACKAGES	DESCRIPTION
93077600	WG ABV3 1S WT	9T, 9H, 12A, 12T, 12H, 18A, 18T, 24A	1S Wire Guard White Painted
93077666	WG ABV3 1D WT	18H, 24T, 24H	1D Wire Guard White Painted
93077602	WG ABV3 2S WT	36T, 36H, 48A	2S Wire Guard White Painted
93077604	WG ABV3 3S WT	48T, 48H	3S Wire Guard White Painted
93077668	WG ABV3 2D WT	60T, 60H	2D Wire Guard White Painted

\*Wire Guards must be ordered in packs of 5 each\*

# Albeo™ LED Luminaire

LED High Bay Lighting  
(ABV3 - Series)



Project name \_\_\_\_\_

Date \_\_\_\_\_

Type \_\_\_\_\_

## LED & Optical Assembly

**CRI:** 70 & 80 Standard (90 contact factory for lead-time)

**Fixture Rated Life:** L70 @ 100,000 hrs @ 55C

Fixtures are certified to depreciate no more than 30% at the maximum ambient temperature conditions.

**TM-21 Calculation at 25°C:** L70 @ 250,000 hrs minimum

L90 @ 65,000 hrs minimum

**Distribution/Lenses:**

90, 120 degrees no lens standard (most efficient)

30, 55, 90, 120 degrees w/clear lens optional

30, 55, 90, 120 degrees w/diffused lens optional

**Wire Guard Option** – for added fixture protection. Ships separately for ease of fixture install. Easily field installable.

## Electrical

**Input Voltage:** 120-277V, 347V or 480V

**Input Frequency:** 50/60Hz

**System Power Factor (PF):** >0.9\*

**Total Harmonic Distortion (THD):** <20%\*

**LED Driver Type:** Class 1, 3kV surge protection

**EMI:** FCC CFR Title 47 Part 15, Class A

\* PF and THD may vary with options

## Ratings & Evaluations

**Operating Temperature:** -30°C to +55°C (-22°F to 131° F).

**Storage Temperature:** -40°C to +70°C

**Surge Protection:** 3kV driver surge protection

**Location:** UL 1598 Suitable for Damp Locations

**Safety:** UL/cUL Listed /c

**Environmental:** RoHS compliant

**Utility:** DLC Premium on all 70CRI options & select 80CRI options. DLC Premium on all H Output options.

Meets DLC Standard on all CRI versions

Please refer to:

<http://www.designlights.org/QPL>  
for complete information.



## Construction & Finish

**Housing:** Combination steel and aluminum

**Lensing:** Polycarbonate diffused, acrylic clear

**Reflector:** White highly reflective polycarbonate

**Paint:** Powercoat Painted Housing

No glass in housing or lenses

**Weight:** 10-11lbs per module (see dimensional drawings)

## Controls

**Standard Dimming:** 0-10VDC

**Minimum Dimming:** Dim down to 10%

**Wireless Networking & Sensing:**

ZigBee Wireless Daintree with Occ Sensor – Sensor 4

ZigBee Wireless Daintree with No Sensor – Sensor T

Enlighted Sensor – Sensor 5

Wattstopper FSP Series Motion + daylight + IR config (IR remote sold separately) – Sensor 2

Wattstopper FSP remote = SKU# 93076263

Sensor Switch LSX LSXR Series - Sensor A, B, P, or S

## Mounting

**Typical Mounting:** Standard Chain/Cable mount ready Threaded rod kit, ¾" pendant mount kit, and surface mount optional.

**Cord & Plugs:**

Standard = knockout access (no cord, no plug)

6ft, 12ft, 15ft, 20ft Cord options

15A, 20A, Straight or twist lock plug – Plug A,B,C, or D

Reloc OCS Cord and Plug – Cord-Plug FS or GS

PlugNGo Plug - Cord-plug MF or HF

## Accessories, Options & Packaging

**Optional Emergency Battery:** Provides 90-minutes of Emergency lighting. Design lumen output: 1650-1750lm. Fully independent LED system that does not degrade performance or ratings of the fixture. 120-277V Only Ships separately from fixture to avoid shipping damage.

**Standalone EMBB:** Order as field installed aftermarket or standalone solution for emergency Lighting. 2lbs SKU# 93059499 - ASM2430 50° beam 1750lm SKU# 93059459 - ASM2429 120° beam 1650lm

**Packaging:** standard pack is job pack / bulk pack consisting of 7-21 fixtures in a half Gaylord box. Fixtures are sleeve wrapped within the bulk box for quick unload at jobsite. Orders of <14 fixtures are typically single pack. Single Pack (i.e. for stocking) – Option 1PK

## Design Life & Warranty

- **Reliability Testing:** Fixture components designed to exceed 100,000 hrs of operation at the worst possible rated conditions. Complete system evaluated at extreme conditions and monitored during production.
- **System Warranty:** 5 Year

**current**  
powered by GE

All trademarks are the property of their respective owners. Information provided is subject to change without notice. All values are design or typical values when measured under laboratory conditions. Current, powered by GE is a business of the General Electric Company.  
© 2018 GE.

