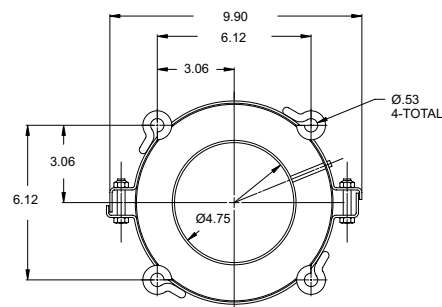


# Medium Voltage Switchgear CTs

## TYPE BYZ

1VAP428561-DB

**Test Voltage: 2500 Volts**  
**Indoor**  
 60 Hertz  
 Mechanical Rating:  
 180 x Normal



UL Recognized Component

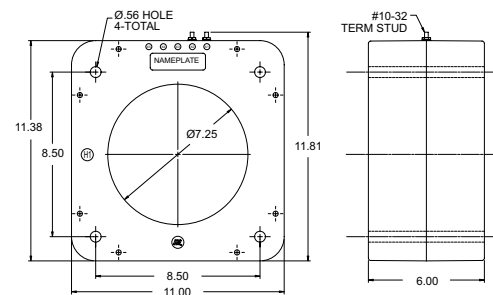
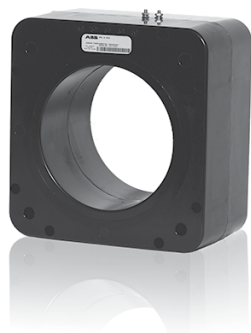
Primary Current Rating	Style Number
50	592C102G01
50	684C188G02
100	592C102G03
100	684C188G04

Relay Accuracy	Thermal Rating (x Normal, 1 sec)	Window Diameter (in.)	Weight (lb.)
C15	100	4.75	38
C20	100	7.50	38
C30	100	4.75	38
C50	100	7.50	38

## TYPE BYZ-S

1VAP428611-DB

**600 Volts**  
**Indoor**  
**10 kV BIL**  
 60 Hertz  
 Mechanical Rating:  
 180 x Normal



UL Recognized Component

Primary Current Rating	Current Style Cross-Reference	Historic Reference
50	7525A25G01	6353C97H01
100	7525A25G02	6353C97H02

Equivalent to  
 GE-ITI 143

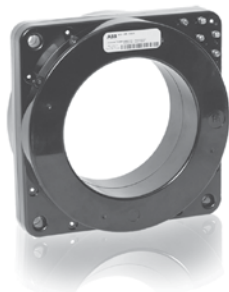
Relay Accuracy	Thermal Rating (x Normal, 1 sec)	Window Diameter (in.)	Weight (lb.)
C10	100	7.25	52
C20	100	7.25	52

# Medium Voltage Switchgear CTs

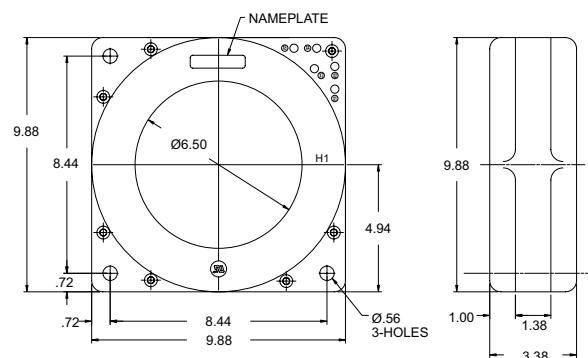
## TYPE SCV

1VAP428601-DB

600 Volts  
Indoor  
10 kV BIL  
60 Hertz  
Mechanical Rating:  
180 x Normal



UL Recognized Component



Equivalent to  
GE-ITI 780

Primary Amps	Current Style Cross-Reference	Historic Reference	Rating Factor	
			30°C	55°C
75	7527A70G20	6353C88H20	2.0	1.5
100	7527A70G01	6353C88H01	2.0	1.5
150	7527A70G02	6353C88H02	2.0	1.5
200	7527A70G03	6353C88H03	2.0	1.5
250	7527A70G04	6353C88H04	2.0	1.5
300	7527A70G05	6353C88H05	2.0	1.5
400	7527A70G06	6353C88H06	2.0	1.5
500	7527A70G07	6353C88H07	2.0	1.5
600	7527A70G08	6353C88H08	2.0	1.5
800	7527A70G09	6353C88H09	2.0	1.5
1000	7527A70G10	6353C88H10	2.0	1.5
1200	7527A70G11	6353C88H11	2.0	1.5
1500	7527A70G12	6353C88H12	2.0	1.5
2000	7527A70G13	6353C88H13	2.0	1.5
2500	7527A70G14	6353C88H14	2.0	1.5
3000	7527A70G15	6353C88H15	2.0	1.5
4000	7527A70G16	6353C88H16	2.0	1.5

Multi-Ratio,  
IEEE, 5  
Terminals

Equivalent to  
GE-ITI 781

600	7525A38G01	6350C23H01	2.0	1.5
1200	7525A38G02	6350C24H01	2.0	1.5
2000	7525A38G03	6350C25H01	2.0	1.5
3000	7525A38G04	6350C26H01	2.0	1.5
4000	7525A38G05	6350C27H01	2.0	1.5

B-0.1	IEEE Metering Accuracy				Relay Accuracy	Thermal Rating (x Normal, 1 sec)	Weight (lb.)
	B-0.2	B-0.5	B-0.9	B-1.8			
2.4	2.4	-	-	-	C10	80	29
1.2	2.4	-	-	-	C10	80	29
0.6	1.2	2.4	-	-	C20	80	29
0.6	0.6	1.2	-	-	C20	80	29
0.6	0.6	1.2	2.4	-	C20	80	29
0.3	0.6	1.2	1.2	2.4	C20	80	29
0.3	0.3	0.6	1.2	1.2	C50	80	29
0.3	0.3	0.3	0.6	1.2	C50	80	29
0.3	0.3	0.3	0.6	0.6	C100	80	29
0.3	0.3	0.3	0.3	0.6	C100	80	29
0.3	0.3	0.3	0.3	0.3	C100	80	29
0.3	0.3	0.3	0.3	0.3	C200	80	29
0.3	0.3	0.3	0.3	0.3	C200	80	29
0.3	0.3	0.3	0.3	0.3	C200	80	29
0.3	0.3	0.3	0.3	0.3	C200	80	29
0.3	0.3	0.3	0.3	0.3	C200	80	29
0.3	0.3	0.3	0.3	0.3	C200	80	29

0.3	0.3	0.3	0.6	0.6	C100	80	29
0.3	0.3	0.3	0.3	0.3	C200	80	29
0.3	0.3	0.3	0.3	0.3	C200	80	29
0.3	0.3	0.3	0.3	0.3	C200	80	29
0.3	0.3	0.3	0.3	0.3	C200	80	29

# Medium Voltage Switchgear CTs

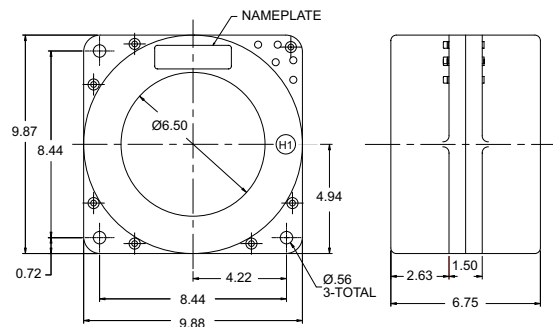
## TYPE SCV-D

1VAP428602-DB

600 Volts  
Indoor  
10 kV BIL  
60 Hertz  
Mechanical Rating:  
180 x Normal



UL Recognized Component



Equivalent to  
GE-ITI 785

Primary Amps	Current Style Cross-Reference	Historic Reference	Rating Factor	
			30°C	55°C
50	7525A37G01	6353C89H01	2.0	1.5
75	7525A37G02	6353C89H02	2.0	1.5
100	7525A37G03	6353C89H03	2.0	1.5
150	7525A37G04	6353C89H04	2.0	1.5
200	7525A37G05	6353C89H05	2.0	1.5
250	7525A37G06	6353C89H06	2.0	1.5
300	7525A37G07	6353C89H07	2.0	1.5
400	7525A37G08	6353C89H08	2.0	1.5
500	7525A37G09	6353C89H09	2.0	1.5
600	7525A37G10	6353C89H10	2.0	1.5
800	7525A37G11	6353C89H11	2.0	1.5
1000	7525A37G12	6353C89H12	2.0	1.5
1200	7525A37G13	6353C89H13	2.0	1.5
1500	7525A37G14	6353C89H14	2.0	1.5
2000	7525A37G15	6353C89H15	2.0	1.5
2500	7525A37G16	6353C89H16	2.0	1.5
3000	7525A37G17	6353C89H17	2.0	1.5
4000	7525A37G18	6353C89H18	1.33	1.0
5000	7525A37G23	-	1.0	0.75
6000	7525A37G19	-	1.0	0.75

Multi-Ratio,  
IEEE, 5  
Terminals

Equivalent to  
GE-ITI 786

600	7525A39G01	6436C46H01	2.0	1.5
1200	7525A39G02	6436C47H01	2.0	1.5
2000	7525A39G03	6436C48H01	2.0	1.5
3000	7525A39G04	6436C49H01	2.0	1.5
4000	7525A39G05	6436C50H01	1.33	1.0
5000	7525A39G06	-	1.0	0.75
6000	7525A39G11	-	1.0	0.75

B-0.1	IEEE Metering Accuracy					Relay Accuracy	Thermal Rating (x Normal, 1 sec)	Weight (lb.)
	B-0.2	B-0.5	B-0.9	B-1.8	B-1.8			
1.2	2.4	-	-	-	-	C10	80	48
1.2	1.2	2.4	-	-	-	C20	80	48
0.6	1.2	2.4	-	-	-	C20	80	48
0.6	0.6	1.2	2.4	-	-	C50	80	48
0.3	0.3	0.6	1.2	2.4	-	C50	80	48
0.3	0.3	0.6	1.2	2.4	-	C50	80	48
0.3	0.3	0.3	0.6	1.2	-	C100	80	48
0.3	0.3	0.3	0.6	0.6	-	C100	80	48
0.3	0.3	0.3	0.3	0.6	-	C100	80	48
0.3	0.3	0.3	0.3	0.6	-	C200	80	48
0.3	0.3	0.3	0.3	0.3	-	C200	80	48
0.3	0.3	0.3	0.3	0.3	-	C200	80	48
0.3	0.3	0.3	0.3	0.3	-	C400	80	48
0.3	0.3	0.3	0.3	0.3	-	C400	80	48
0.3	0.3	0.3	0.3	0.3	-	C400	80	48
0.3	0.3	0.3	0.3	0.3	-	C400	80	48
0.3	0.3	0.3	0.3	0.3	-	C400	80	48
0.3	0.3	0.3	0.3	0.3	-	C400	80	48
0.3	0.3	0.3	0.3	0.3	-	C400	80	48
0.3	0.3	0.3	0.3	0.3	-	C400	80	48

0.3	0.3	0.3	0.3	0.6	-	C200	80	48
0.3	0.3	0.3	0.3	0.3	-	C400	80	48
0.3	0.3	0.3	0.3	0.3	-	C400	80	48
0.3	0.3	0.3	0.3	0.3	-	C400	80	48
0.3	0.3	0.3	0.3	0.3	-	C400	80	48
0.3	0.3	0.3	0.3	0.3	-	C400	80	48
0.3	0.3	0.3	0.3	0.3	-	C400	80	48
0.3	0.3	0.3	0.3	0.3	-	C400	80	48