

# KUKJE A1700N4-ETR Branson Engine

## Parts Catalogue



FIG E001

A1700N4-ETR

CYLINDER BLOCK

Year/Month

2020/02

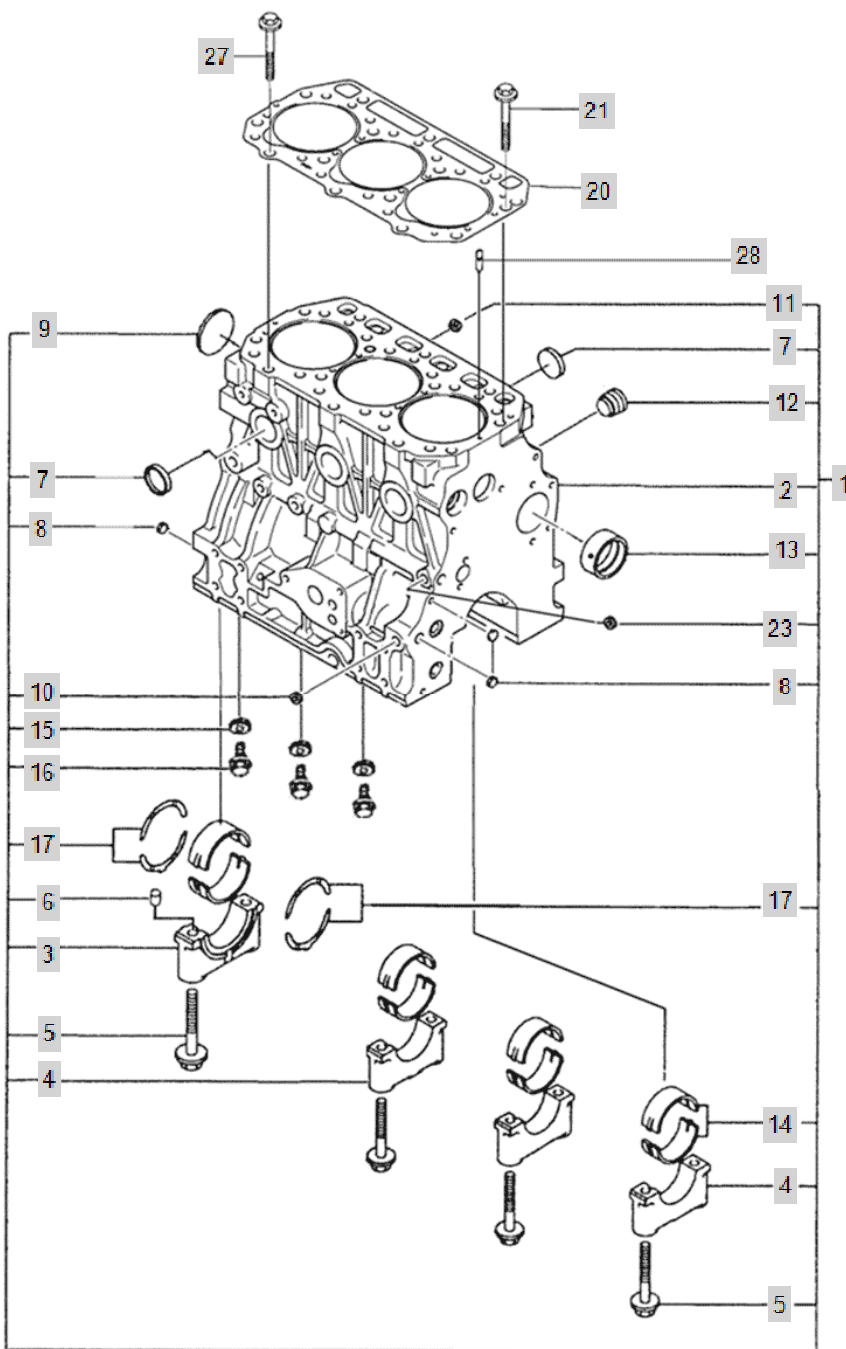




FIG E002

GEAR CASE

Year/Month

A1700N4-ETR

2020/02

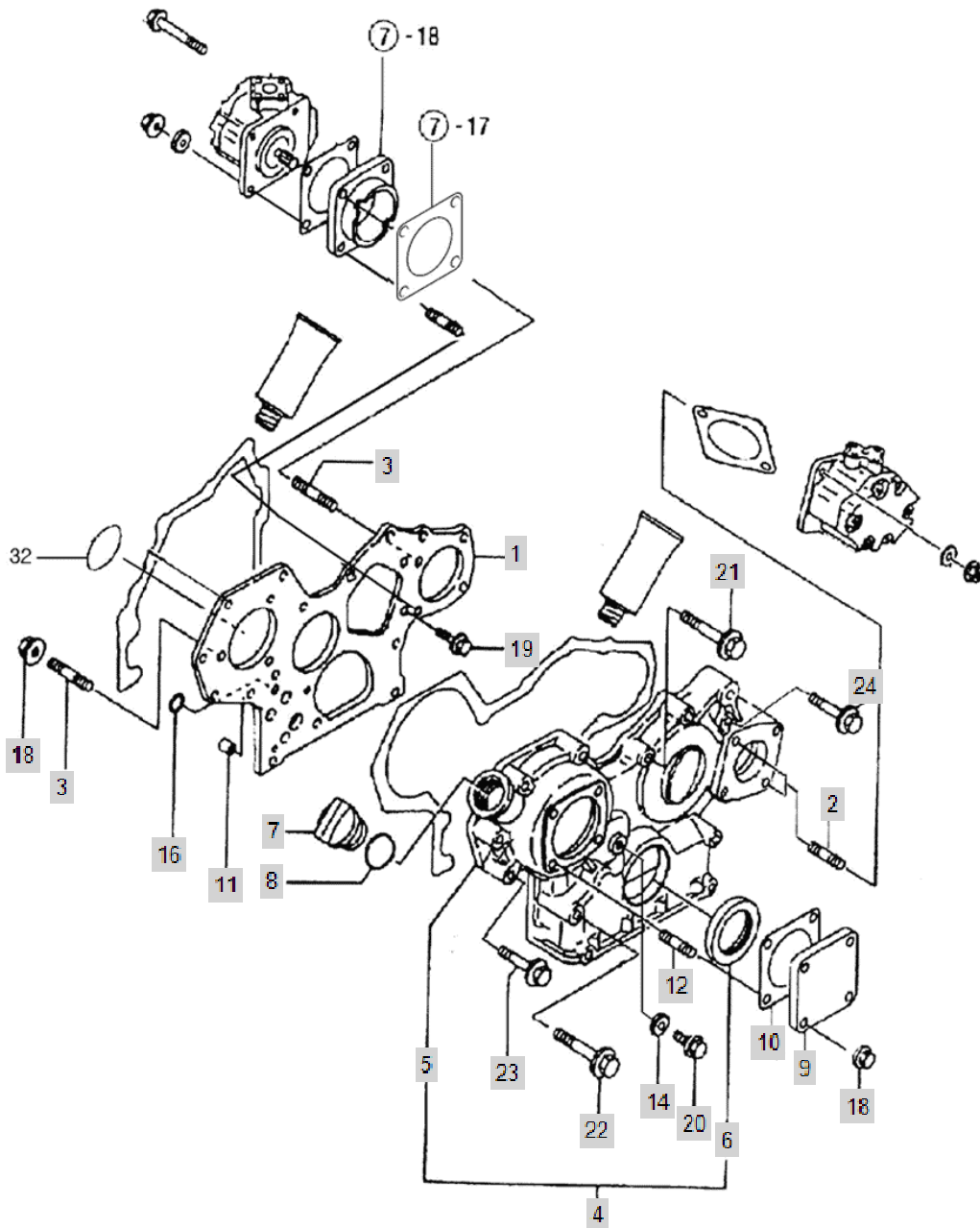




FIG E003

MOUNTING FLANGE & OIL PAN

Year/Month

2020/02

A1700N4-ETR

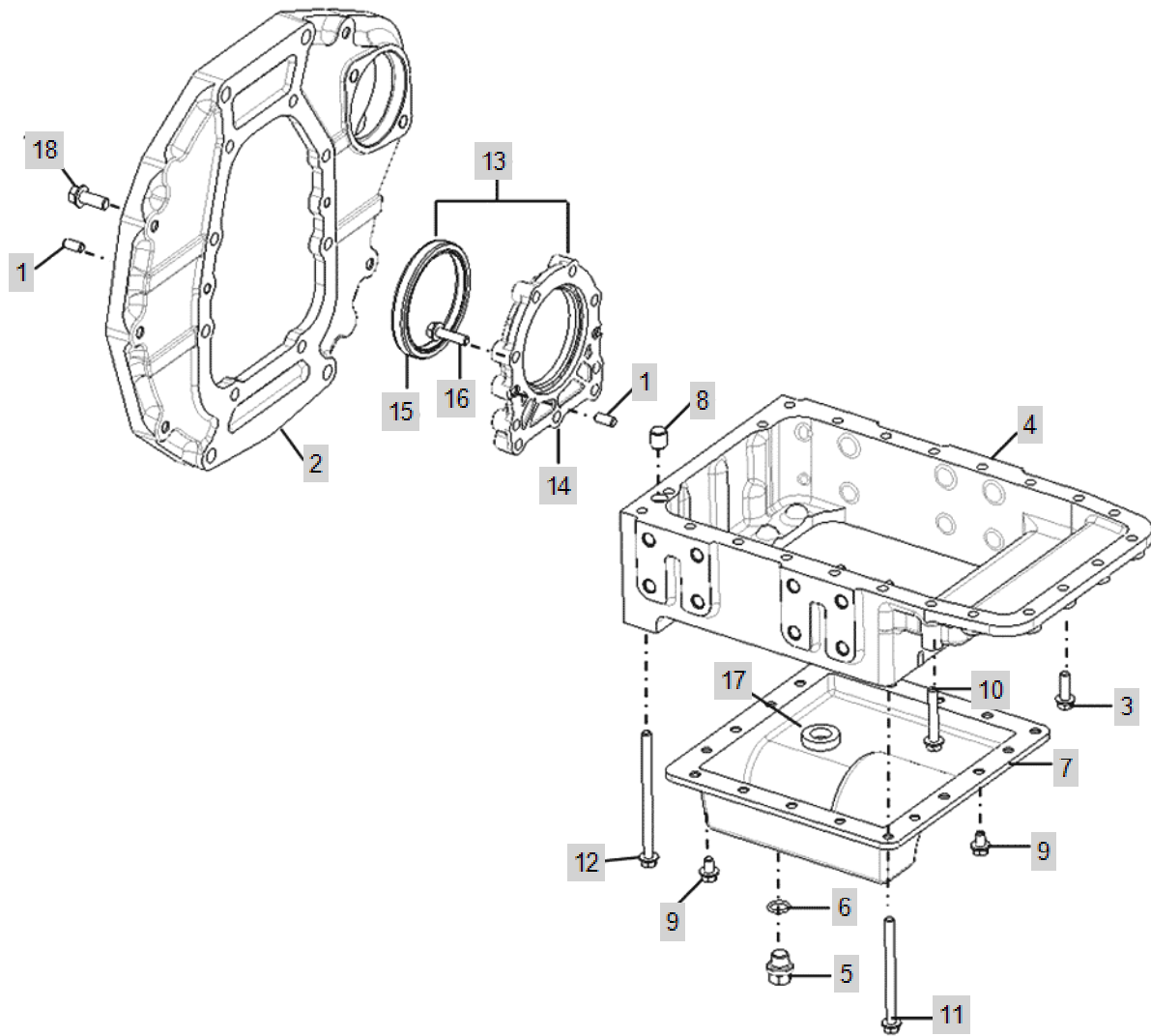






FIG E004

CYLINDER HEAD & HEAD COVER

Year/Month

2020/02

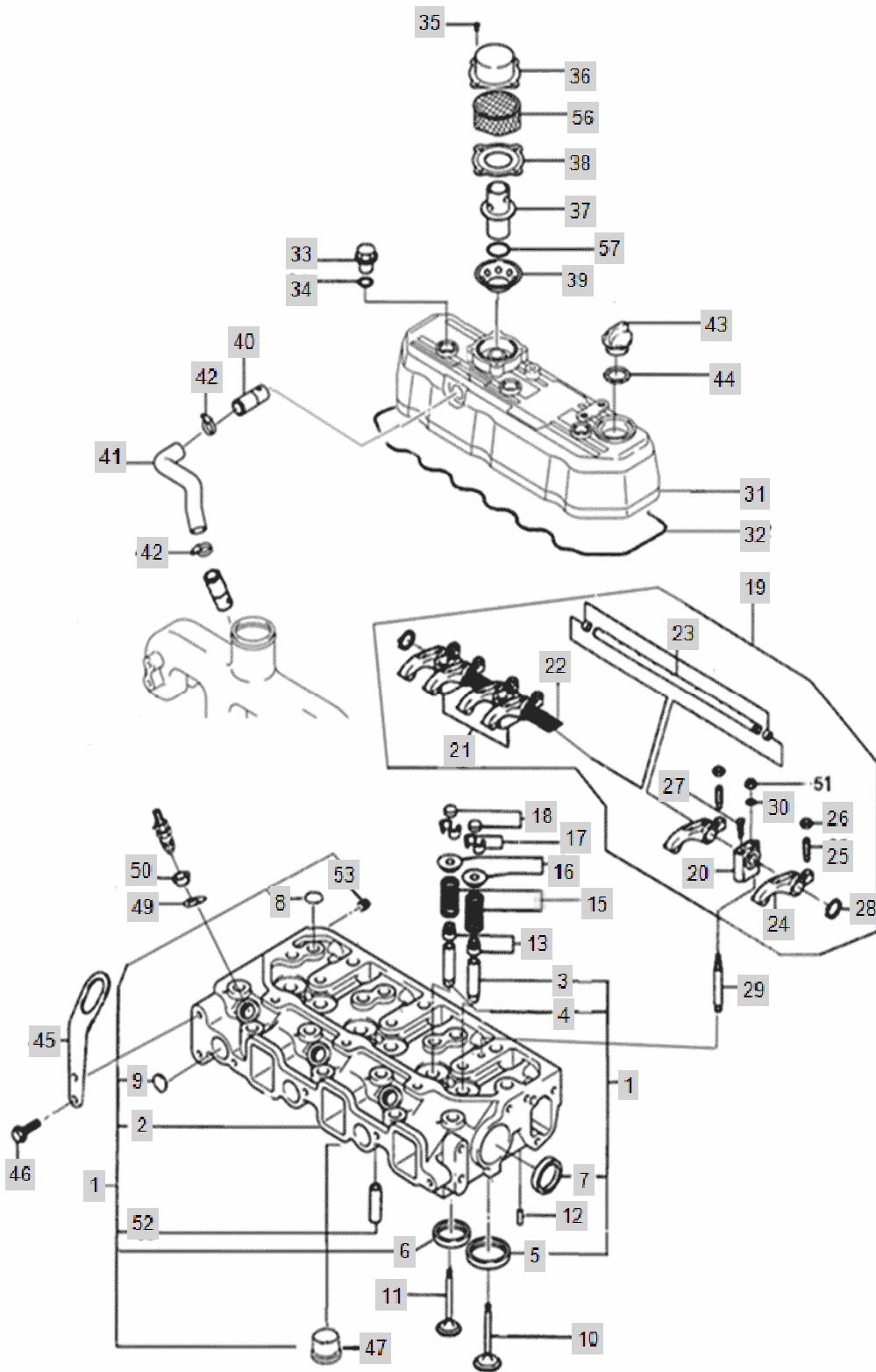


FIG E004		CYLINDER HEAD & HEAD COVER			Year/Month
A1700N4-ETR					2020/02
KeyNo.	Part Number	Part Name	Quantity	Other	
1	HRR2201000A9	HEAD, CYLINDER	1		
2	HRR2201001A0	HEAD, CYLINDER	1		
3	HRA0400102B4	GUIDE, VALVESTEM	3		
4	HRA0400103B4	GUIDE, VALVESTEM	3		
5	HRA0400104B4	SEAT, ENGINE INTAKE VALVE	3		
6	HRA0400105B4	SEAT, ENGINE EXHAUST VALVE	3		
7	27241-400000	PLUG (D40)	2		
8	27241-220000	PLUG, EXPANSION	3		
9	27241-220000	PLUG, EXPANSION	3		
10	HRA0400200A4	VALVE, INTAKE	3		
11	HRA0400300A4	VALVE, EXHAUST	3		
12	22312-040100	PIN, DOWEL (4-10)	2		
13	HA03070000A4	SEAL, VALVESTEM	6		
15	HRA0400700A4	SPRING, VALVE	6		
16	HRA0400800A4	RETAINER, VALVESPRING	6		
17	HRA0400900A4	COTTER, VALVE	12		
18	HK03680000B4	CAP, VALVE	6		
19	HRD0401100A2	SHAFT, ASSY. ROCKER ARM	1		
20	HRA0401200A4	SUPPORT, ROCKER LEVER	1		
21	HRA0401300A4	SUPPORT, ROCKER LEVER	2		
22	HRA0401400A4	SPRING, COMPRESSION	2		
23	HRD0401500A3	SHAFT, ROCKER LEVER	1		
24	HRA0401600A4	LEVER, ROCKER	6		
25	AF02110000E4	SCREW, RKR LEVER ADJUSTING	6		
26	HH05280000A4	NUT, VALVE ADJUSTING	6		
27	26921-080102	SCREW, SLOTTED SET	1		
28	22242-000190	SNAP RING, SHAFT (Φ 19)	2		
29	HRA0401800A4	STUD	3		
30	22117-120000	WASHER, PLAIN (Φ 12)	3		
31	HRD0402300B0	COVER, VALVE	1		
32	HRD0402400B3	GASKET, VALVE COVER	1		
33	HA03520000B4	NUT, HEXAGON CAP	3		
34	24311-000140	O-RING, DYNAMIC (Φ14)	3		
35	26587-040102	SCREW, FILLISTER HEAD CAP	4		
36	HRA0403600A4	COVER, BREATHER	1		
37	HRA0403700A4	Valve, Pressure Relief	1		
38	HRA0403800A4	GASKET, BREATHER	1		
39	HRA0403900A4	PLATE, BREATHER ADJUSTING	1		
40	HRA0404000A4	TUBE, BREATHER	1		
41	HRD0404100C3	BREATHER HOSE	1		
42	23080-021000	CLAMP, V BAND	2		
43	HC03470000B4	CAP, FILTER	1		
44	24311-000320	O-RING, DYNAMIC (Φ32)	1		
45	HK03530000A4	BRACKET, LIFTING	1		
46	26106-080162	SCREW, HEX FLANGE HEAD CAP	2		



FIG E005A

INTAKE MANIFOLD

Year/Month

A1700N4-ETR

2020/02

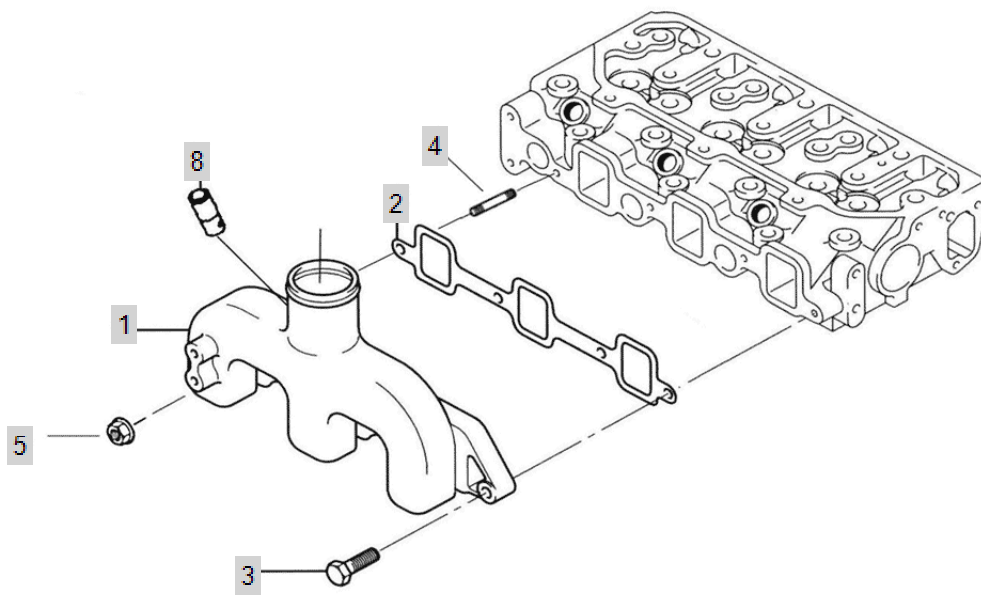




FIG E006-1

EXHAUST MANIFOLD

Year/Month

2020/02

A1700N4-ETR

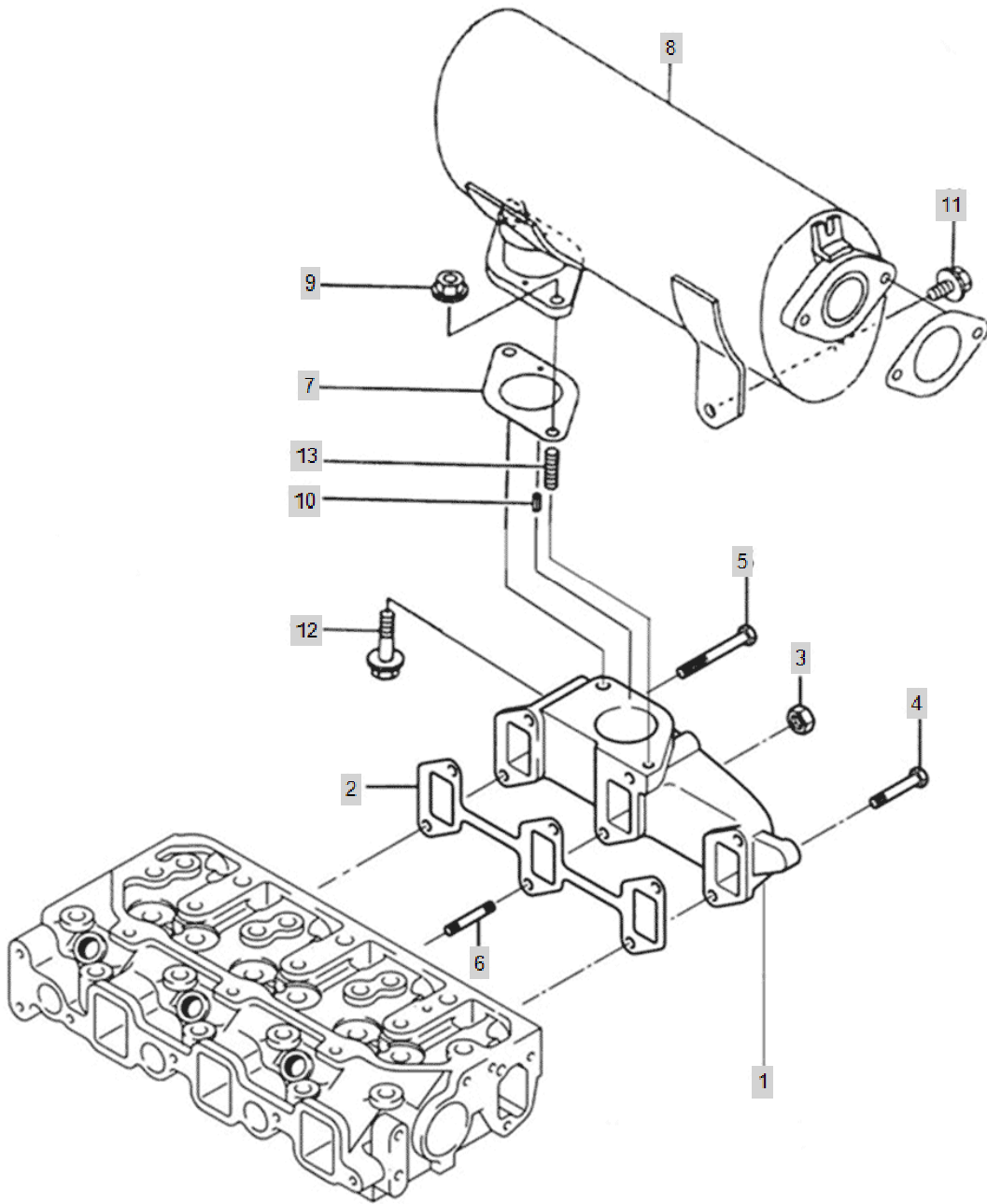




FIG E006-2

EXHAUST MANIFOLD(2019.06~)

Year/Month

2020/02

A1700N4-ETR

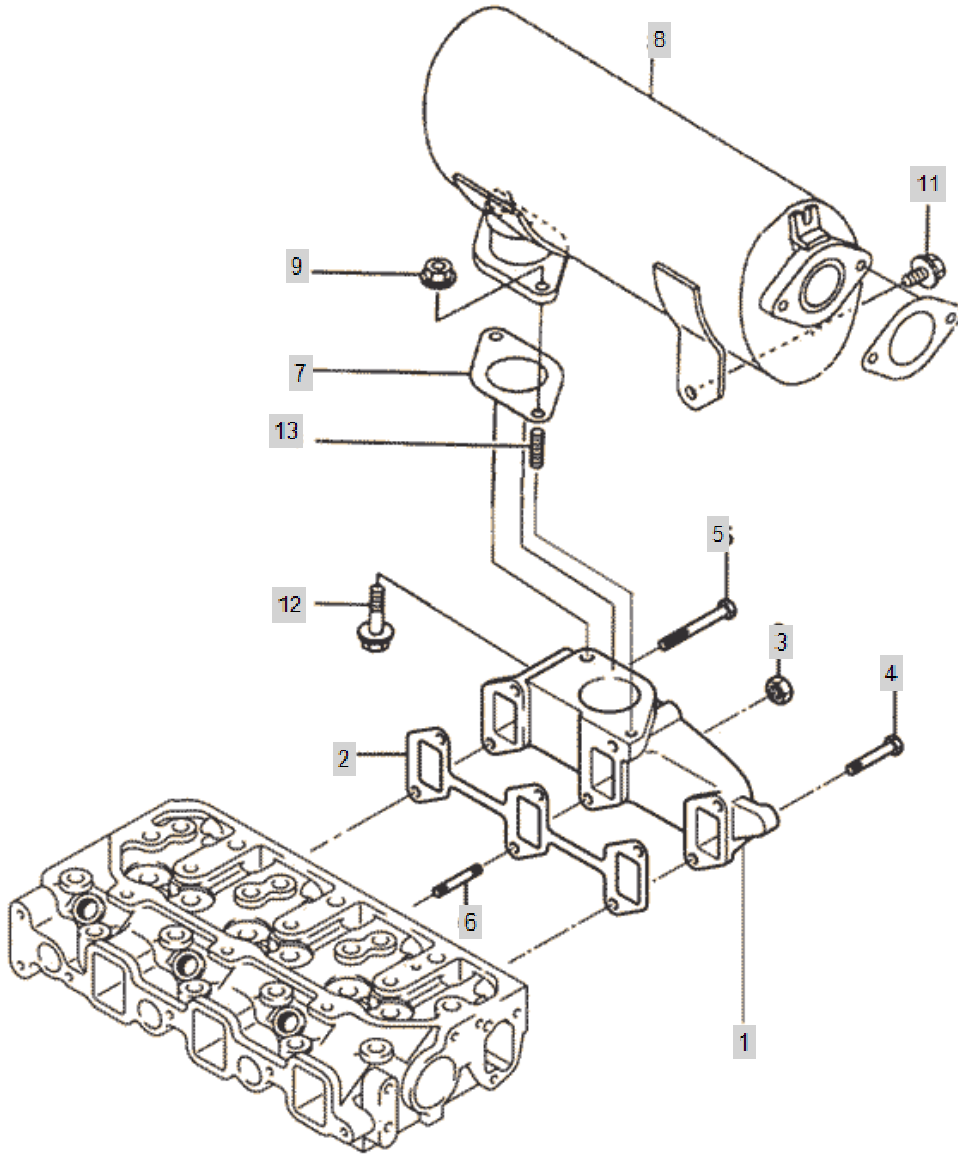






FIG E007

CAM SHAFT & DRIVING GEAR

Year/Month

2020/02

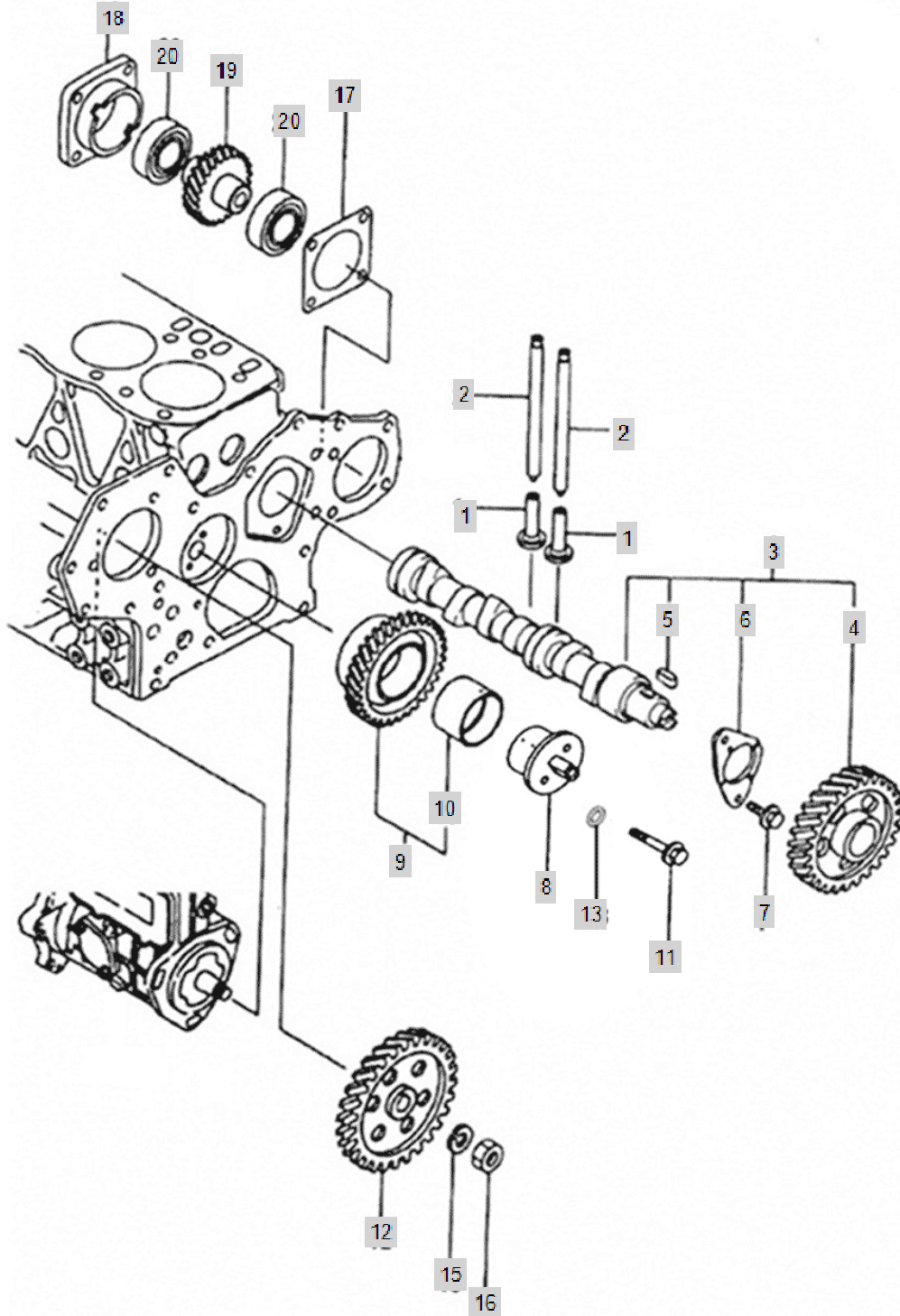




FIG E008

CRANK SHAFT & PISTON

Year/Month

A1700N4-ETR

2020/02

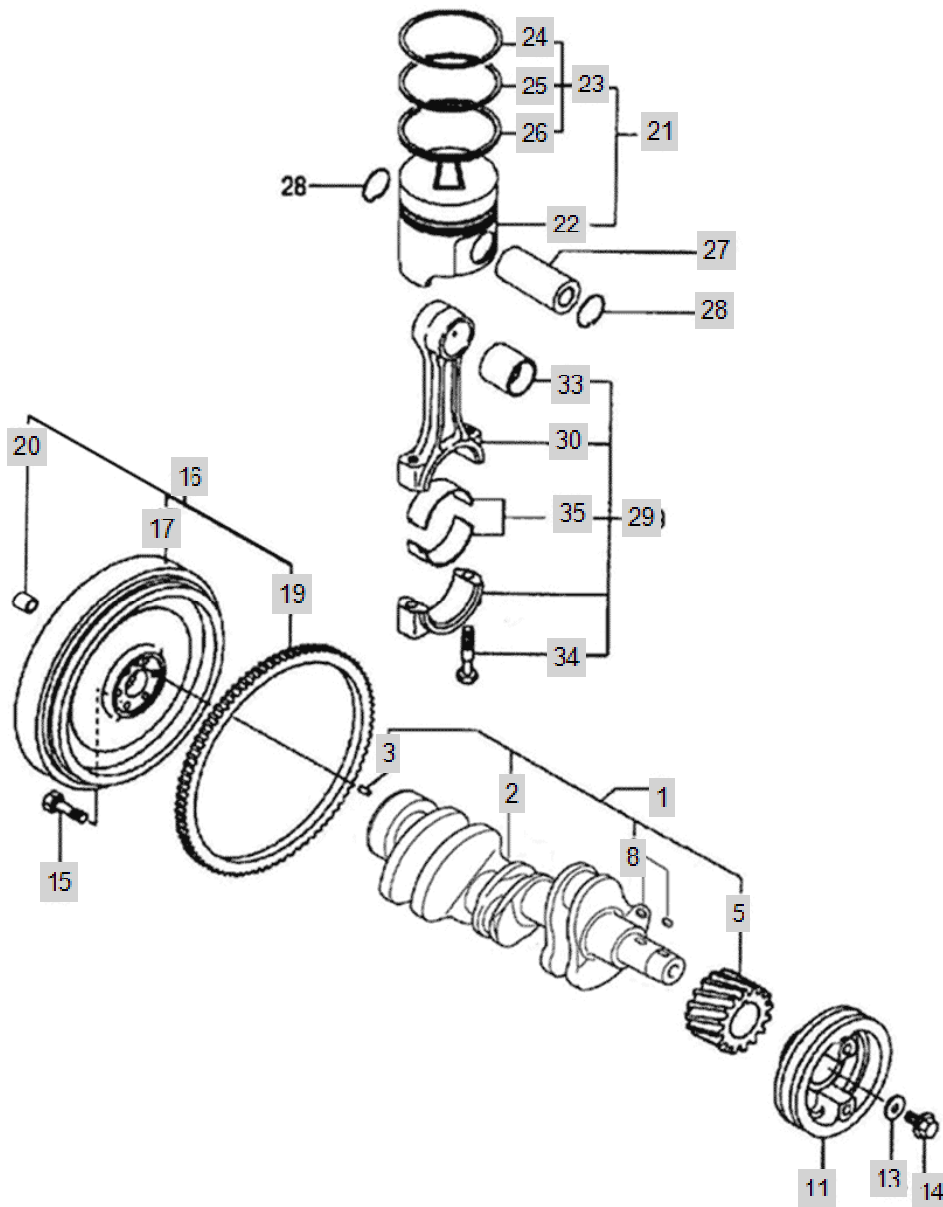




FIG E009

LUBRICATING OIL SYSTEM

Year/Month

A1700N4-ETR

2020/02

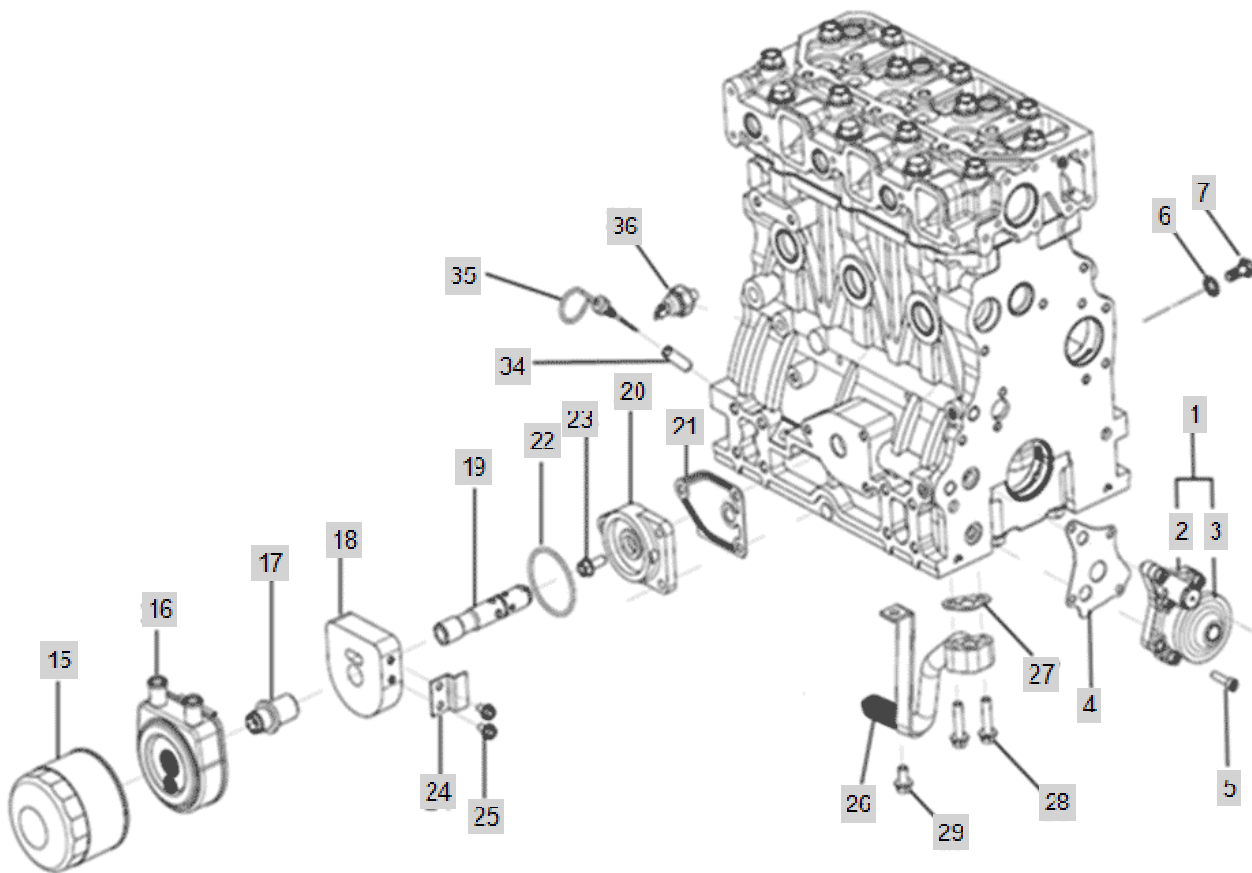




FIG E010A-1

COOLING SYSTEM

Year/Month

A1700N4-ETR

2020/02

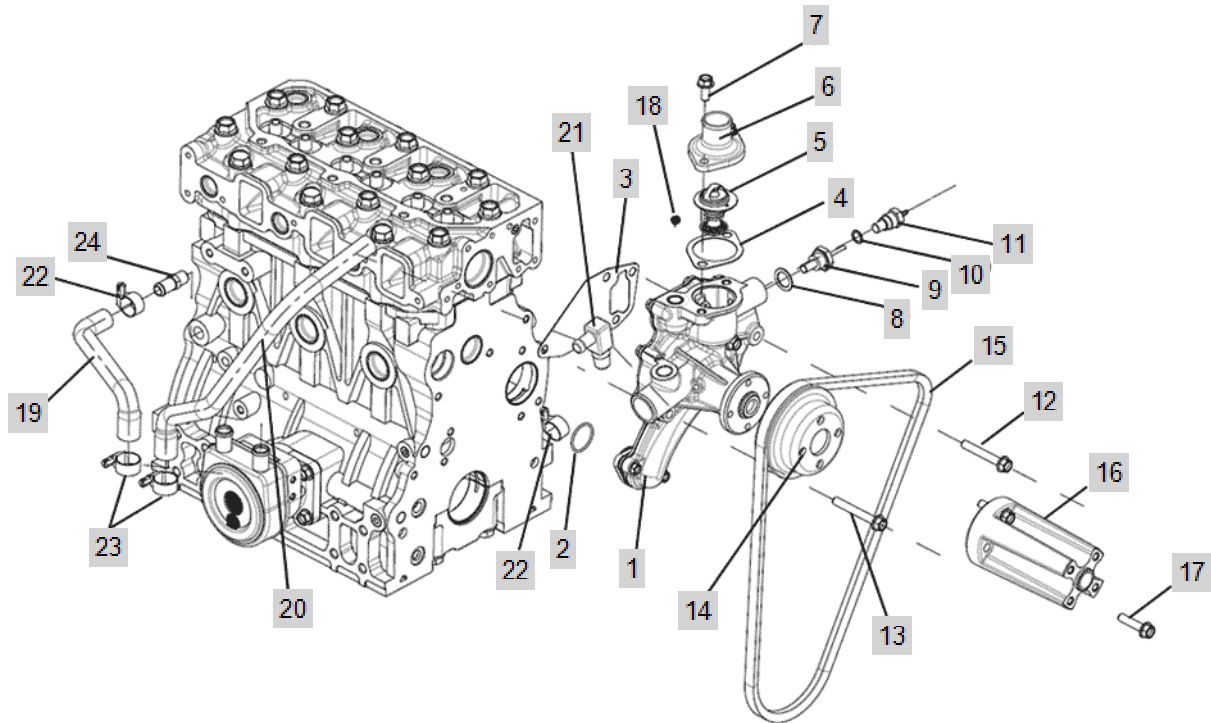






FIG E010A-2

COOLING SYSTEM(2019.06~)

Year/Month

A1700N4-ETR

2020/02

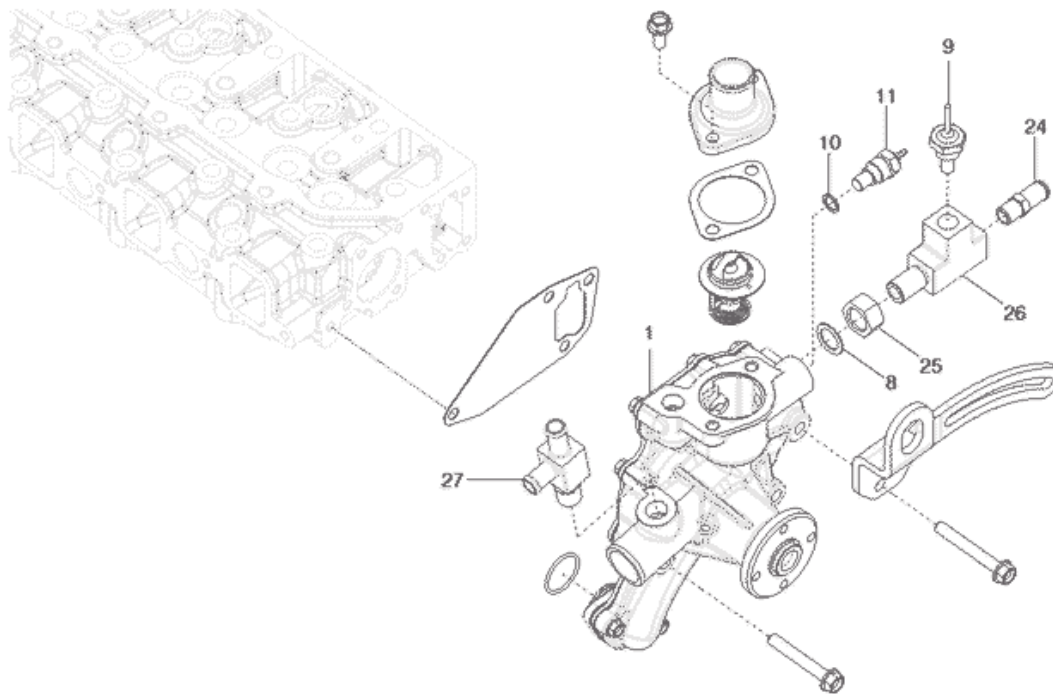
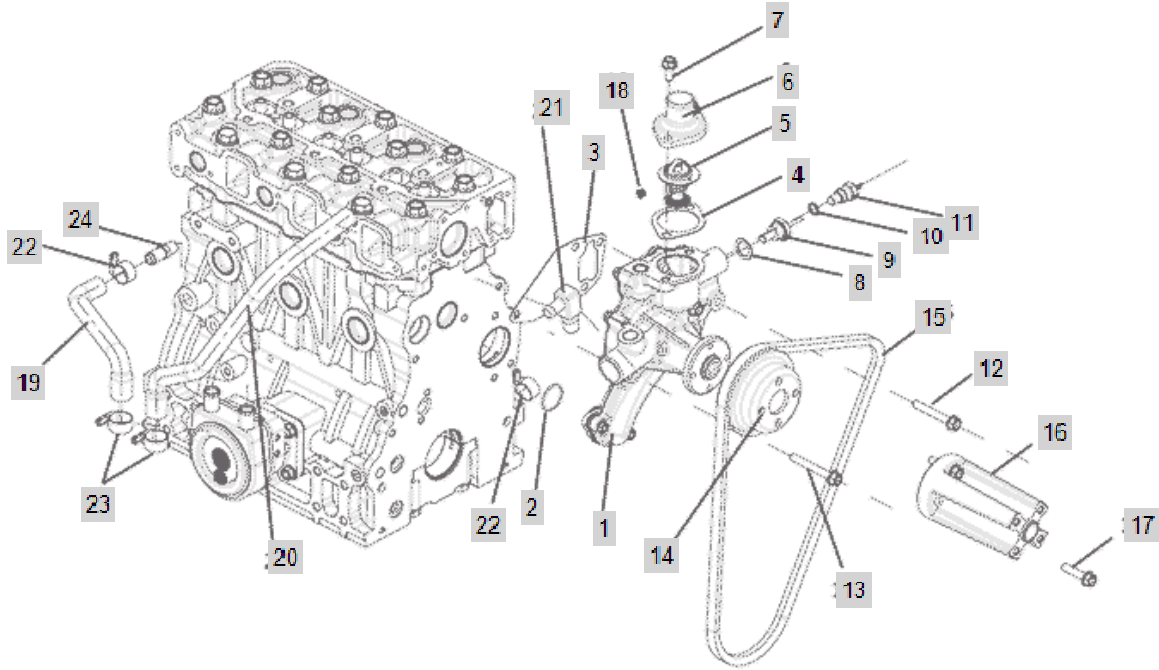




FIG E011

FUEL INJECTION PUMP

Year/Month

A1700N4-ETR

2020/02

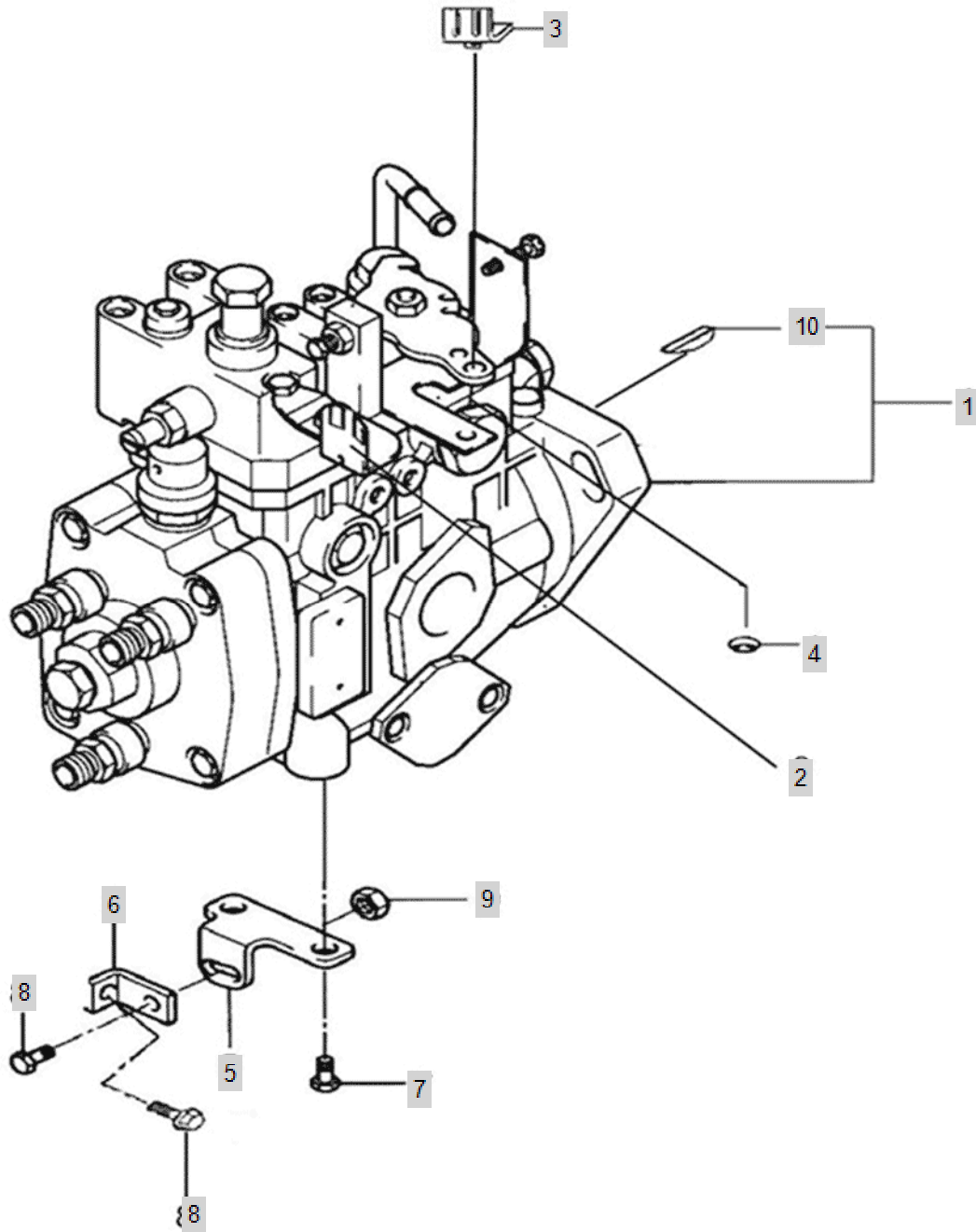




FIG E012

FUEL INJECTION SYSTEM

Year/Month

2020/02

A1700N4-ETR

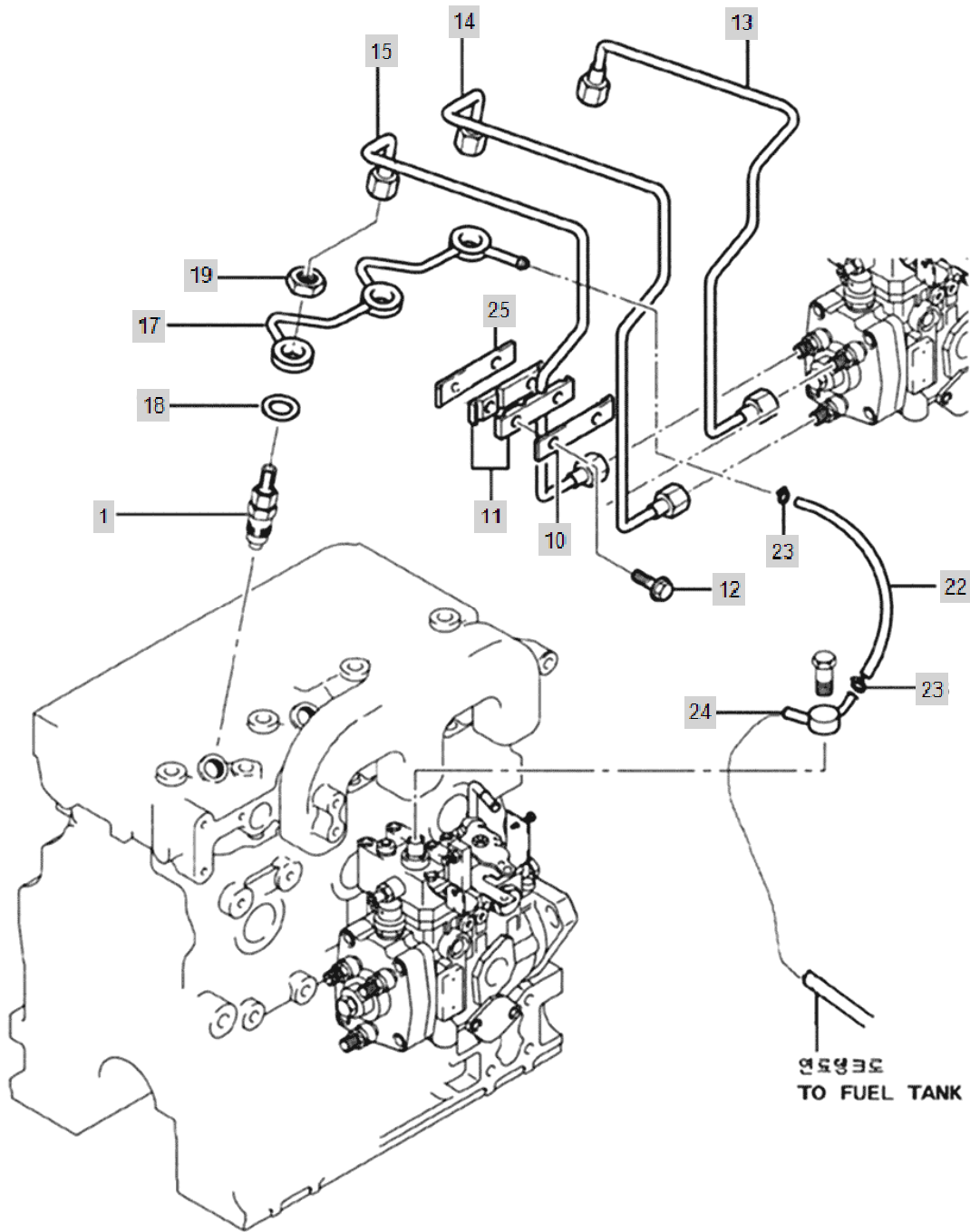




FIG E013-1

A1700N4-ETR

FUEL SYSTEM

Year/Month

2020/02

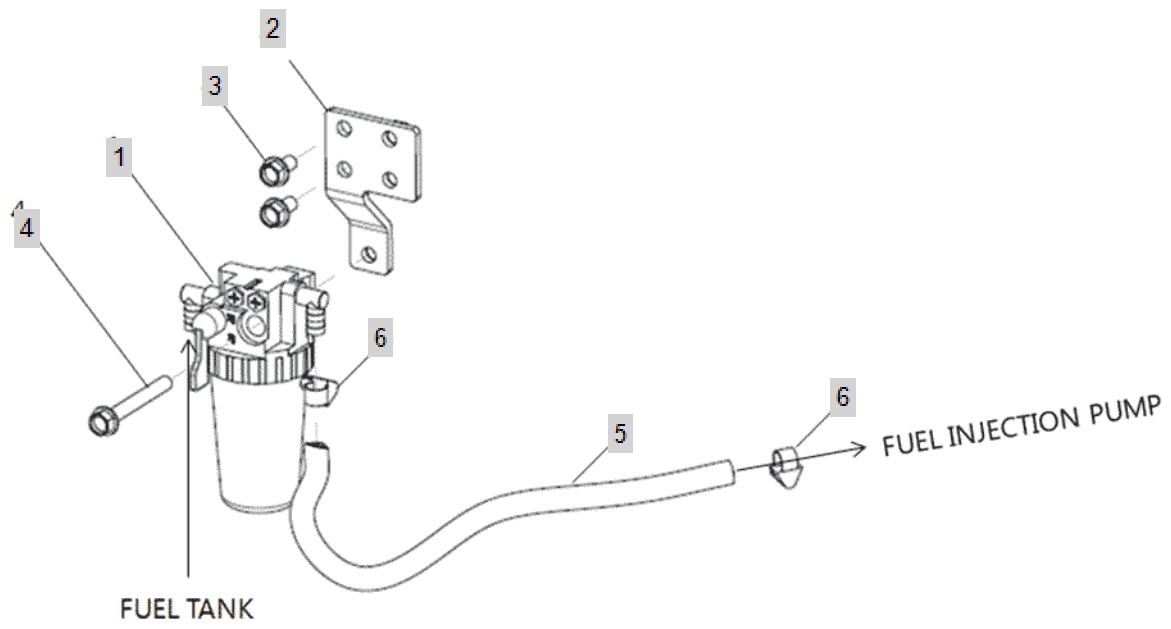






FIG E013-2

FUEL SYSTEM(2019.06~)

Year/Month

A1700N4-ETR

2020/02

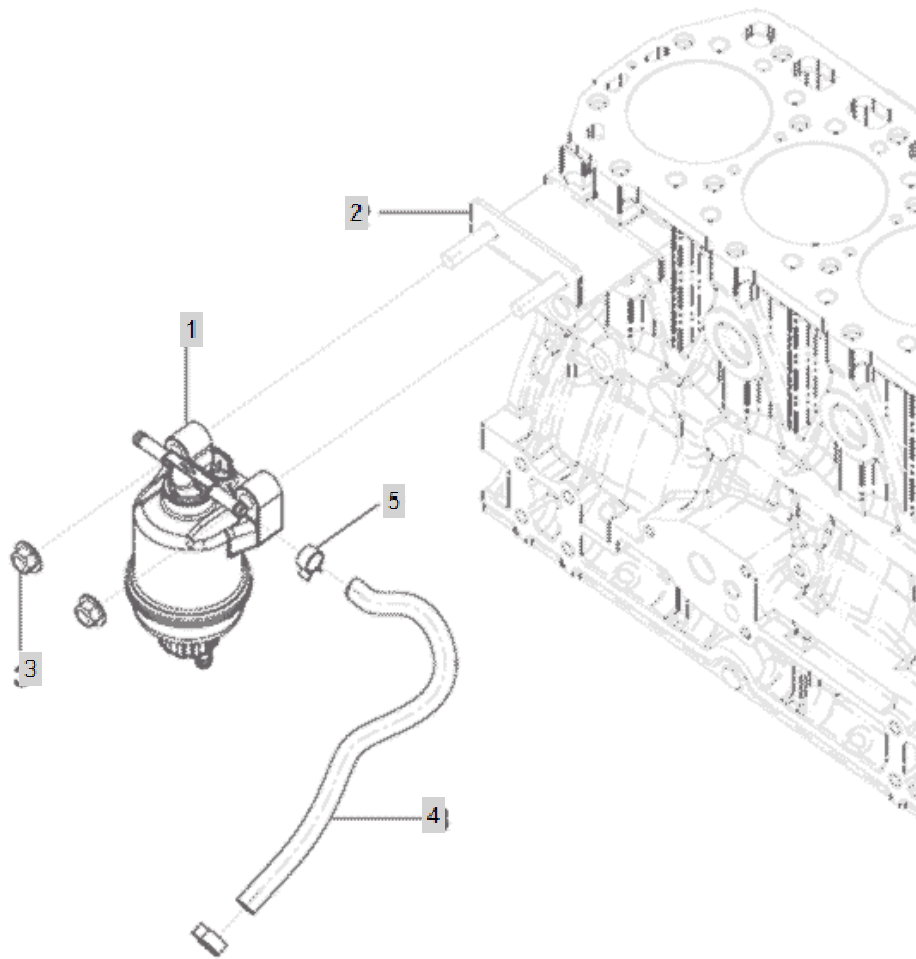




FIG E014-1

STARTING MOTOR

Year/Month

A1700N4-ETR

2020/02

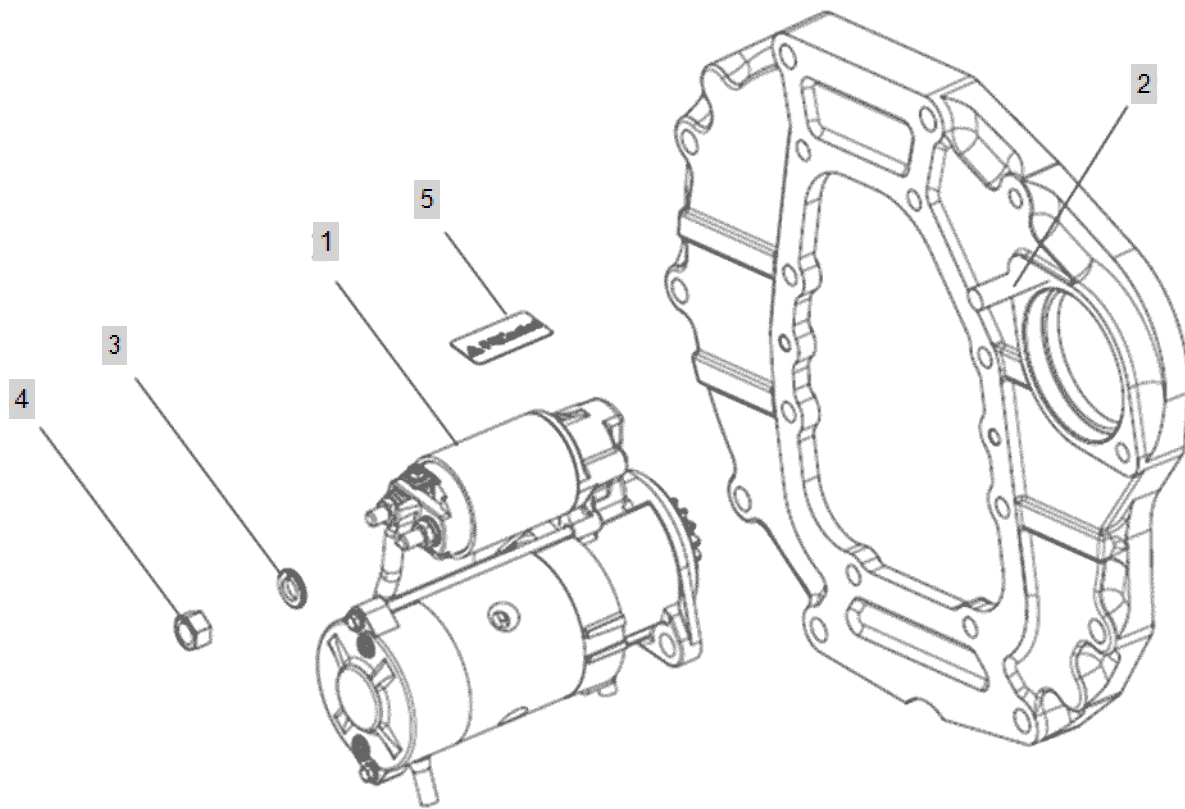




FIG E014-2

STARTING MOTOR(2019.06~)

Year/Month

A1700N4-ETR

2020/02

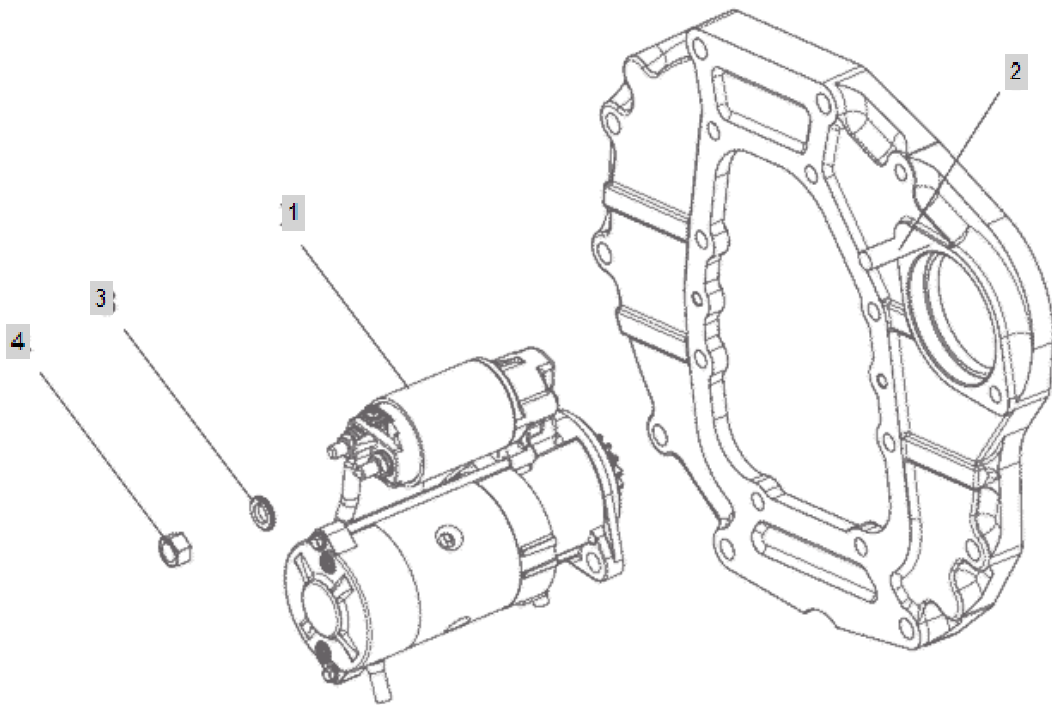




FIG E015A-1

GENERATOR & ELECTRIC DEVICE

Year/Month

2020/02

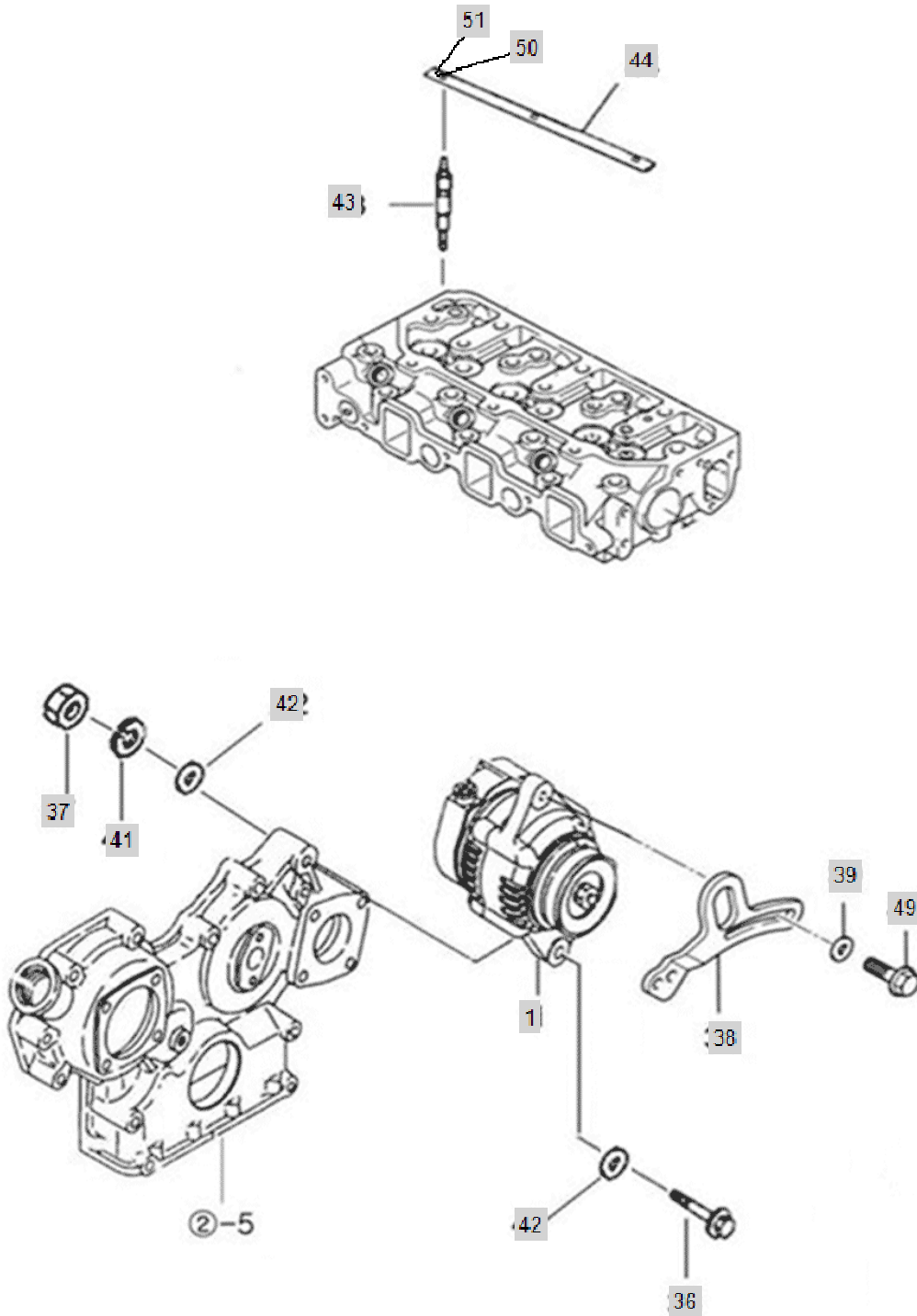






FIG E015A-2

GENERATOR & ELECTRIC DEVICE(2019.06~)

Year/Month

A1700N4-ETR

2020/02

