

KUKJE 4225C Branson Tractor

Parts Catalogue



BRANSON TRACTOR

CONTENTS

GROUP NO	GROUP NAME	PAGE
000	PR25C	6
00242_01	CYLINDER BLOCK)	8
00242_02	GEAR CASE	10
00242_03	FLYWHEEL HOUSING & OIL PAN	12
00242_04	CYLINDER HEAD & HEAD COVER	14
00242_05	INTAKE MANIFOLD	17
00242_06	BRACKET, COMPRESSOR	19
00242_07	EXHAUST MANIFOLD & SILENCER	21
00242_08	CAM SHAFT & DRIVING GEAR	23
00242_09	CRANK SHAFT & PISTON	25
00242_10	BALANCER	27
00242_11	LUB. OIL SYSTEM	29
00242_12	COOLING SYSTEM	31
00242_13	FUEL INJECTION PUMP	33
00242_14	FUEL INJECTION SYSTEM	35
00242_15-1	FUEL SYSTEM	37
00242_15-2	FUEL SYSTEM(2017.12)	39
00242_16	STARTING MOTOR	41
00242_17	GENERATOR & ELECTRIC DEVICE	43
00242_18	DPF & DPF APPLICATION SYSTEM	45
00242_19	DPF 'S SENSOR OPTION	47
00242_20	DATAPLATE	49
C001	LEVER ACCELERATOR	51
C002-1	STEERING COLUMN	53
C002-2	STEERING COLUMN	55
C003	SHUTTLE ASS'Y	57
C004	FRONT ALXE BRACKET	59
C009-1	CENTER PIN SUPPORTER	61
C009-2	CENTER PIN SUPPORTER(2018.12~)	63
C010	TIE ROD	65
C012-1	RING GEAR, DIFFERENTIAL GEAR	67
C012-2	RING GEAR, DIFFERENTIAL GEAR	69
C019-1	GEAR CASE, FRONT AXLE	71
C019-2	GEAR CASE, FRONT AXLE	73
C019-3	GEAR CASE, FRONT AXLE(2019.03~)	75

GROUP NO	GROUP NAME	PAGE
C020	SPACER	77
C023	COVER SHAFT	79
C032	P.S.T CYLINDER	81
C034	P.S.T PIPE	83
C036	CLUTCH HOUSING	85
C038	CLUTCH ASS'Y	87
C040-1	CLUTCH RELEASE	89
C040-2	CLUTCH RELEASE(2018.12~)	91
C041-1	TRANSMISSION CASE SHIFT	93
C041-2	TRANSMISSION CASE SHIFT	96
C042-1	MAIN REVERSER GEAR	99
C042-2	MAIN REVERSER GEAR	102
C043	FRONT DRIVE, RANGE SHIFT GEAR	105
C044	FRONT DRIVE&RANGE SHIFT LEVER	107
C045-1	GEAR,IND PTO SPEED CHANGE	109
C045-2	GEAR,IND PTO SPEED CHANGE	112
C046	REAR AXLE CASE, PTO SHIFT	115
C047	ROD ASSY, PTO & 4WD	117
C048-1	HOUSING, REAR AXLE	119
C048-2	HOUSING, REAR AXLE	121
C049	DRIVING PART, REAR AXLE	123
C050-1	BRAKE	125
C050-2	BRAKE	127
C051	DIFFERENTIAL PEDAL	129
C052	PTO & 전륜 레버 관계	131
C053	BRAKE, CLUTCH PEDAL	133
C054	LEVER ASSY, PTO & 4WD	135
C067	LEVER, MAIN SHIFT	137
C099	HYD PUMP	139
C101	CASE, HYD CYLINDER	141
C102-1	IND PTO SUPPPT	143
C102-2	IND PTO SUPPPT(2018.12~)	145
C104	PISTON ASS'Y	147
C108	SAFTY VALVE	149
C109	STOP VALVE	151

GROUP NO	GROUP NAME	PAGE
C111-1	HYD CONTROL-POSITON TYPE	153
C111-2	HYD CONTROL-POSITON TYPE	155
C111-3	HYD CONTROL-POSITON TYPE	157
C115	HYD PIPING	159
C118	HYD FILTER	161
C119-1	ELE'C WIRING	163
C119-2	ELE'C WIRING	165
C119-3	ELE'C WIRING	167
C124-1	BATTERY	169
C124-2	BATTERY	171
C125-1	SWITCH	173
C125-2	SWITCH	175
C131	HORN	177
C132	LAMP	179
C134-1	METER ASS'Y	181
C135-1	BONNET	183
C135-2	BONNET(201812~)	185
C136.1	BONNET SUPPORT	187
C136.2-1	BONNET SUPPORT	189
C136.2-1	BONNET SUPPORT	191
C136.2-2	BONNET SUPPORT(2019.03~)	193
C137	DASH BOARD	195
C139	FOOT REST ASS'Y	197
C141-1	FUEL TANK	199
C141-2	FUEL TANK	201
C144-2	NAME PLATE	203
C144-4225C	NAME PLATE	205
C146	TOP LINK, LIFT LINK	207
C150-1	LOWER LINK	209
C150-2	LOWER LINK	211
C152	DRAWBAR HITCH	213
C160	FRONT WEIGHT	215
C161-1	ENGINE SUB	217
C161-2	ENGINE SUB	219
C191-2	4PORT ASS'Y	221

FIG 000

PR25C

Year/Month

4225C

2020/01



PR25C



4225C ENGINE
3725C ENGINE

FIG 00242_01

CYLINDER BLOCK)

Year/Month

4225C

2020/01

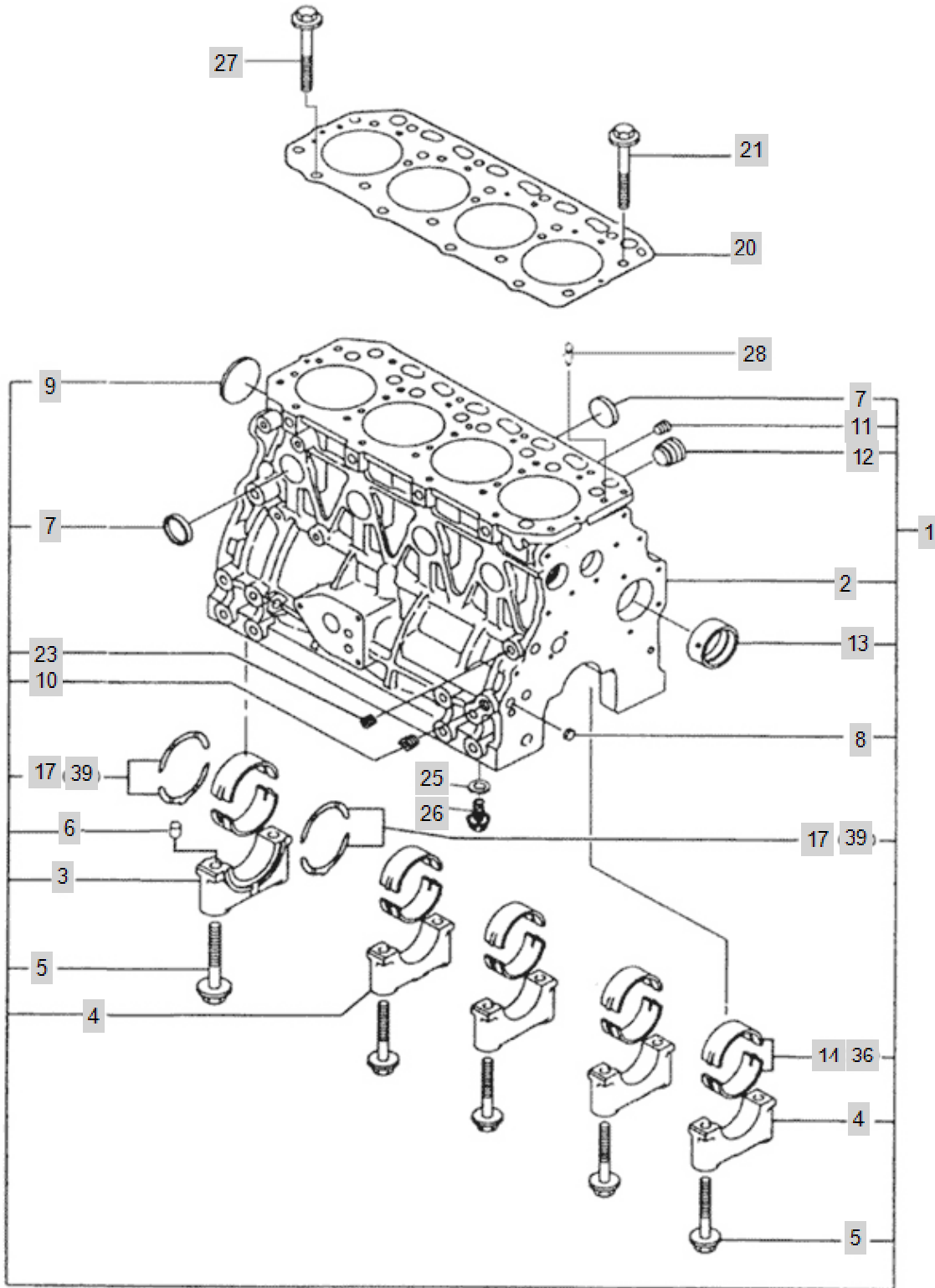


FIG 00242_02

GEAR CASE

Year/Month

4225C

2020/01

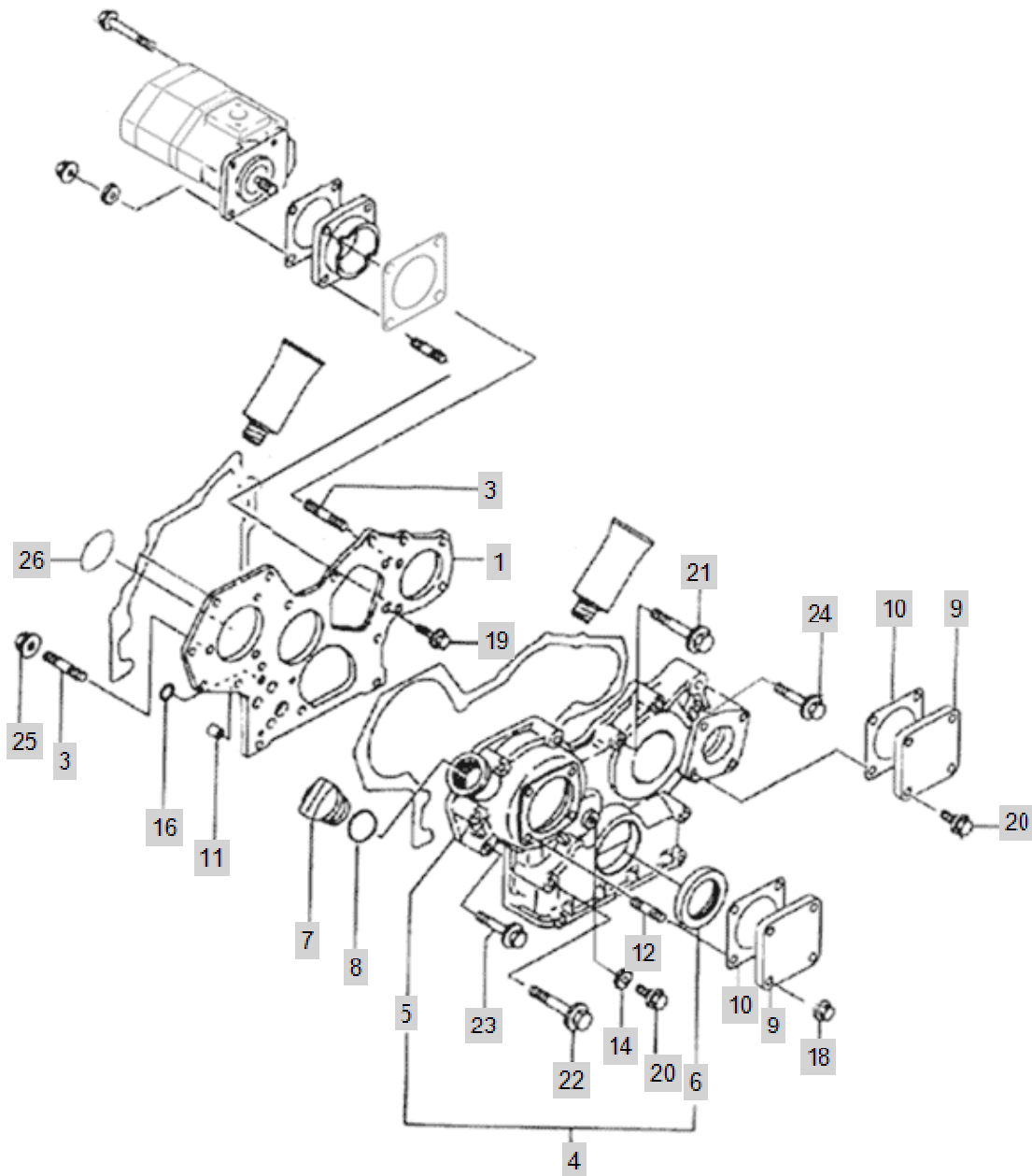


FIG 00242_03

FLYWHEEL HOUSING & OIL PAN

Year/Month

4225C

2020/01

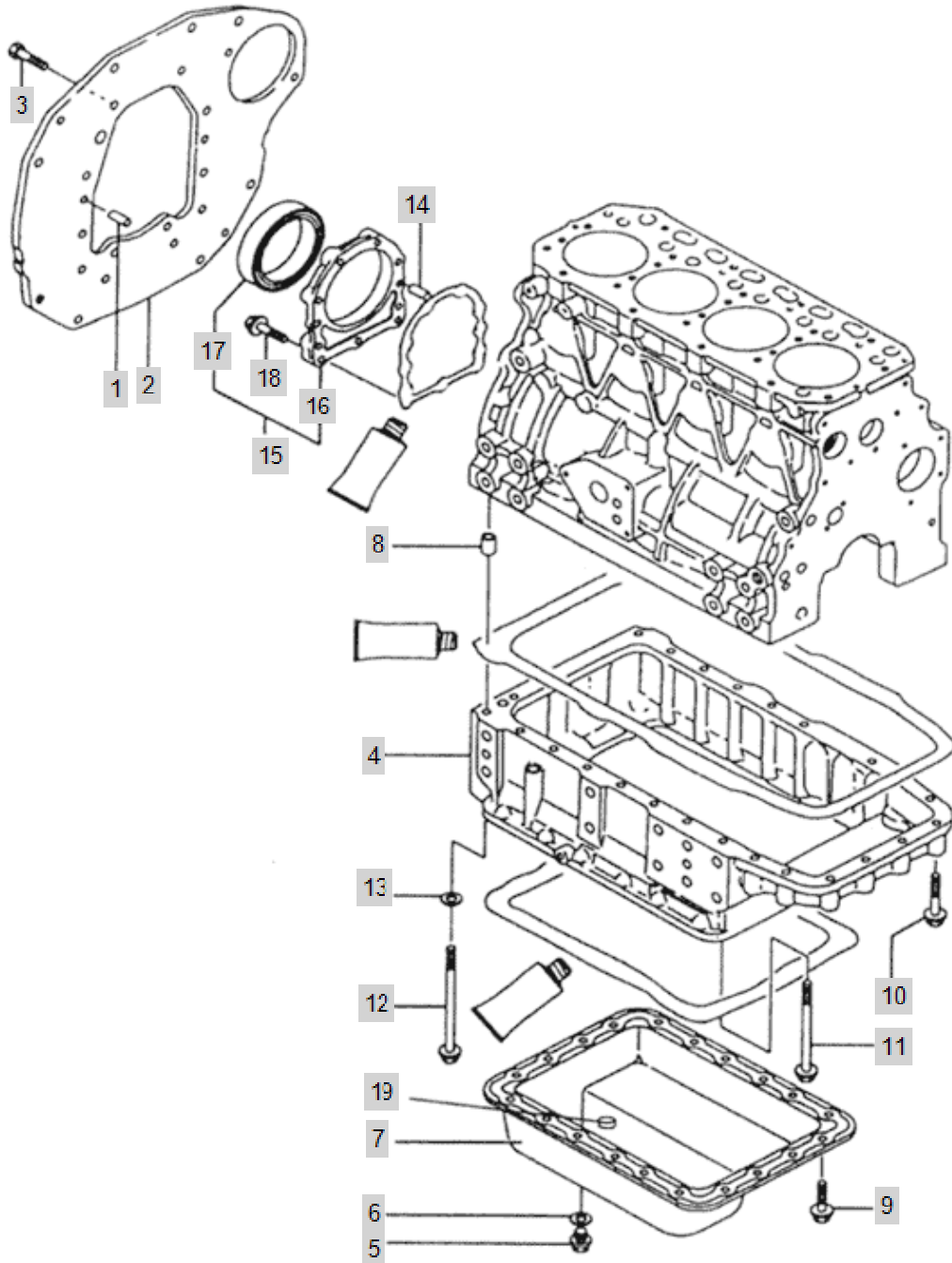


FIG 00242_04

CYLINDER HEAD & HEAD COVER

Year/Month

4225C

2020/01

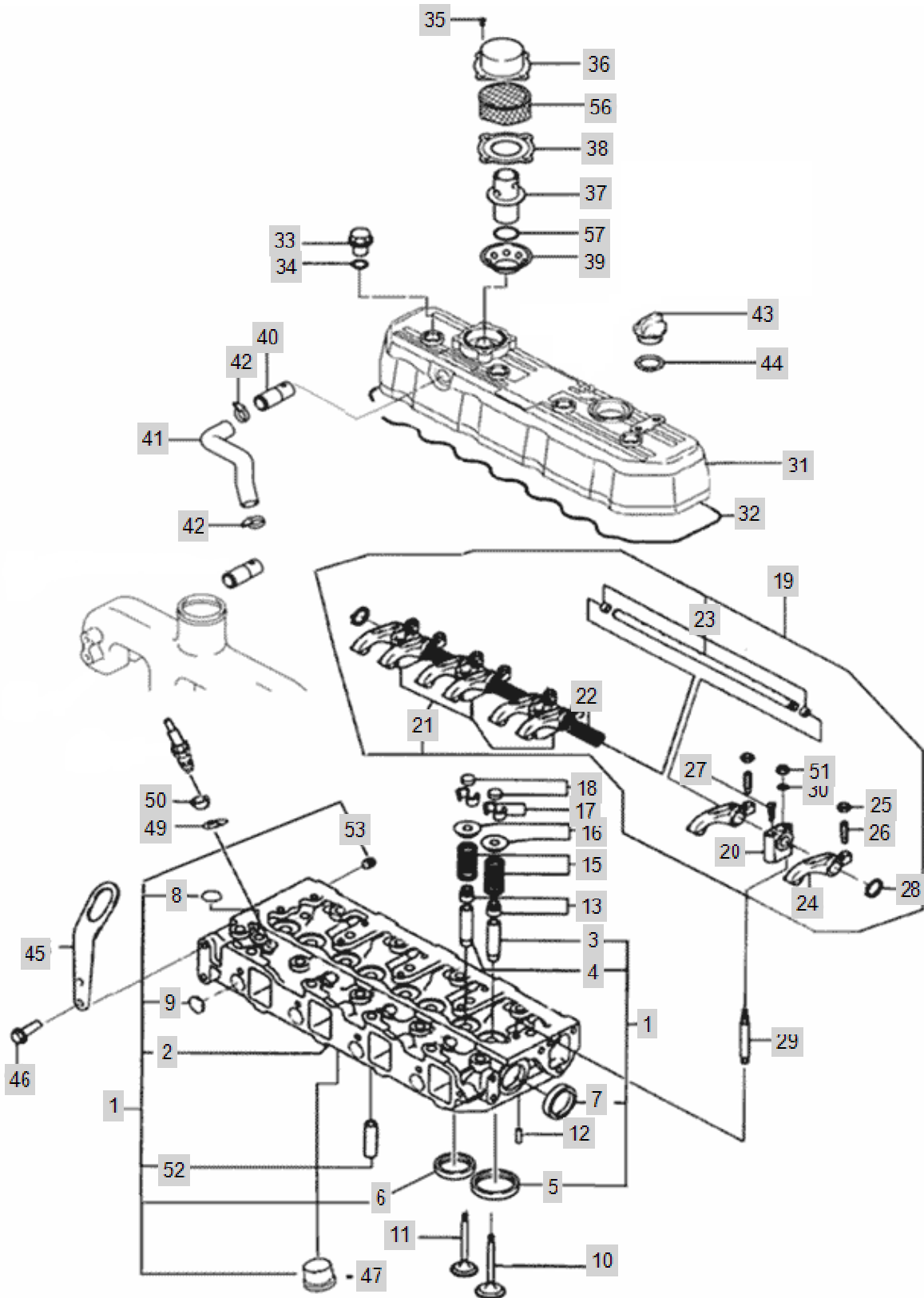


FIG 00242_04		CYLINDER HEAD & HEAD COVER			Year/Month
4225C					2020/01
KeyNo.	Part Number	Part Name	Quantity	Other	
1	EA00003239A	CYLINDER HAED ASSY	1		
2	EA00003238A	DATA PLATE	1		
3	HRA0400102B4	GUIDE,VALVESTEM	4		
4	HRA0400103B4	GUIDE,VALVESTEM	4		
5	HRA0400104B4	SEAT,ENGINEINTAKEVALVE	4		
6	HRA0400105B4	SEAT,ENGINE EXHAUST VALVE	4		
7	27241-400000	PLUG (D40)	2		
8	27241-220000	PLUG,EXPANSION	4		
9	27241-220000	PLUG,EXPANSION	4		
10	HRA0400200A4	VALVE,INTAKE	4		
11	HRA0400300A4	VALVE,EXHAUST	4		
12	22312-040100	PIN, DOWEL (4-10)	2		
13	HA03070000A4	SEAL,VALVESTEM	8		
15	HRA0400700A4	SPRING,VALVE	8		
16	HRA0400800A4	RETAINER,VALVESPRING	8		
17	HRA0400900A4	COTTER,VALVE	16		
18	HK03680000B4	CAP,VALVE	8		
19	HRA0401100B2	LEVER,ROCKER	1		
20	HRA0401200A4	SUPPORT,ROCKERLEVER	1		
21	HRA0401300A4	SUPPORT,ROCKERLEVER	3		
22	HRA0401400A4	SPRING,COMPRESSION	3		
23	HRA0401500A2	SHAFT,ROCKERLEVER	1		
24	HRA0401600A4	LEVER,ROCKER	8		
25	AF02110000E4	SCREW,RKRLEVERADJUSTING	8		
26	HH05280000A4	NUT,VALVEADJUSTING	8		
27	26921-080102	SCREW,SLOTTEDSET	1		
28	22242-000190	SNAP RING, SHAFT (Φ 19)	2		
29	HRA0401800A4	STUD	4		
30	22117-120000	WASHER, PLAIN (Φ 12)	4		
31	HRA0402300C0	COVER, VALVE	1		
32	HRA0402400B3	GASKET,VALVECOVER	1		
33	HA03520000B4	NUT,HEXAGONCAP	4		
34	24311-000140	O-RING, DYNAMIC (Φ14)	4		
35	26587-040102	SCREW,FILLISTERHEADCAP	4		
36	HRA0403600A4	COVER,BREATHER	1		
37	HRA0403700A4	Valve, Pressure Relief	1		
38	HRA0403800A4	GASKET,BREATHER	1		
39	HRA0403900A4	PLATE,BREATHERADJUSTING	1		
40	HRA0404000A4	TUBE,BREATHER	1		
41	HRA0404100C3	HOSE, BREATHER	1		
42	23080-021000	CLAMP,VBAND	2		
43	HC03470000B4	CAP,FILTER	1		
44	24311-000320	O-RING, DYNAMIC (Φ32)	1		
45	HK03530000A4	BRACKET,LIFTING	1		
46	26106-080162	SCREW,HEXFLANGEHEADCAP	2		

FIG 00242_05

INTAKE MANIFOLD

Year/Month

4225C

2020/01

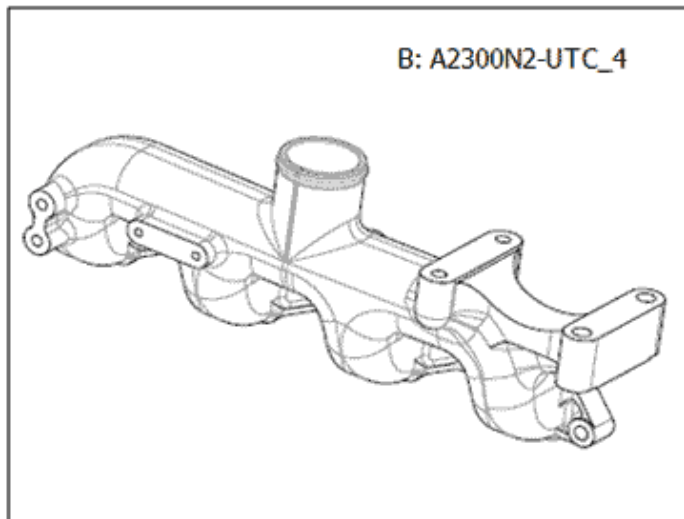
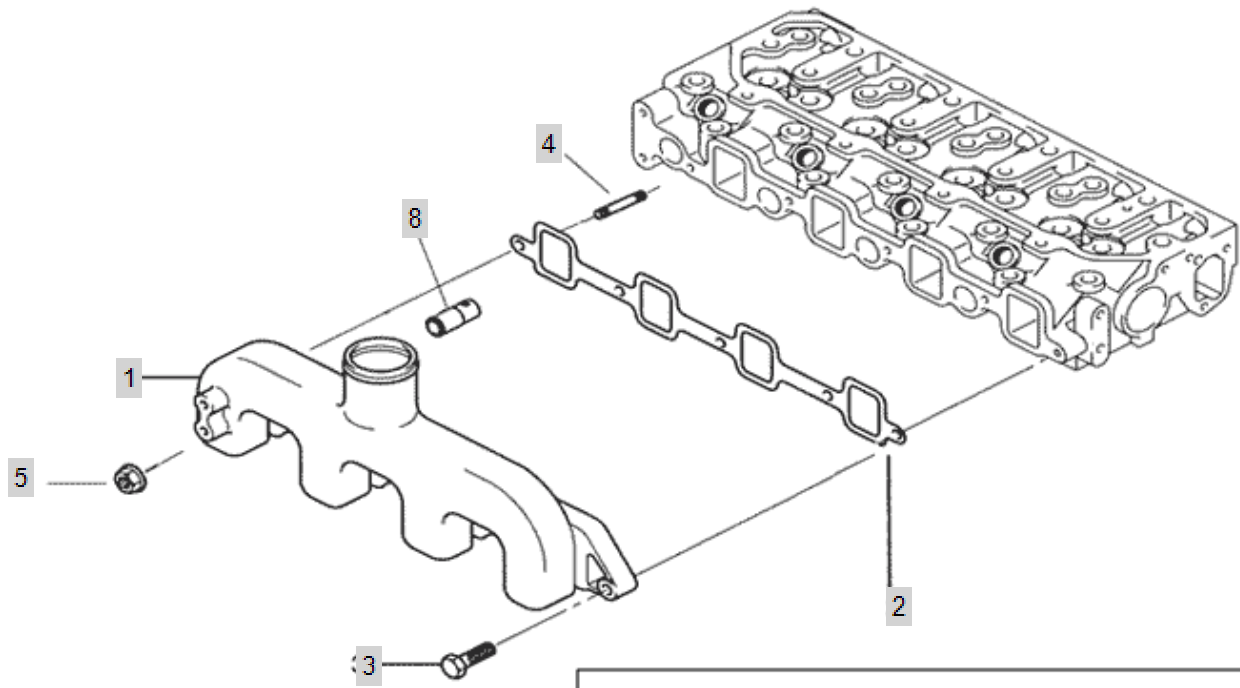


FIG 00242_06

BRAKET, COMPRESSOR

Year/Month

4225C

2020/01

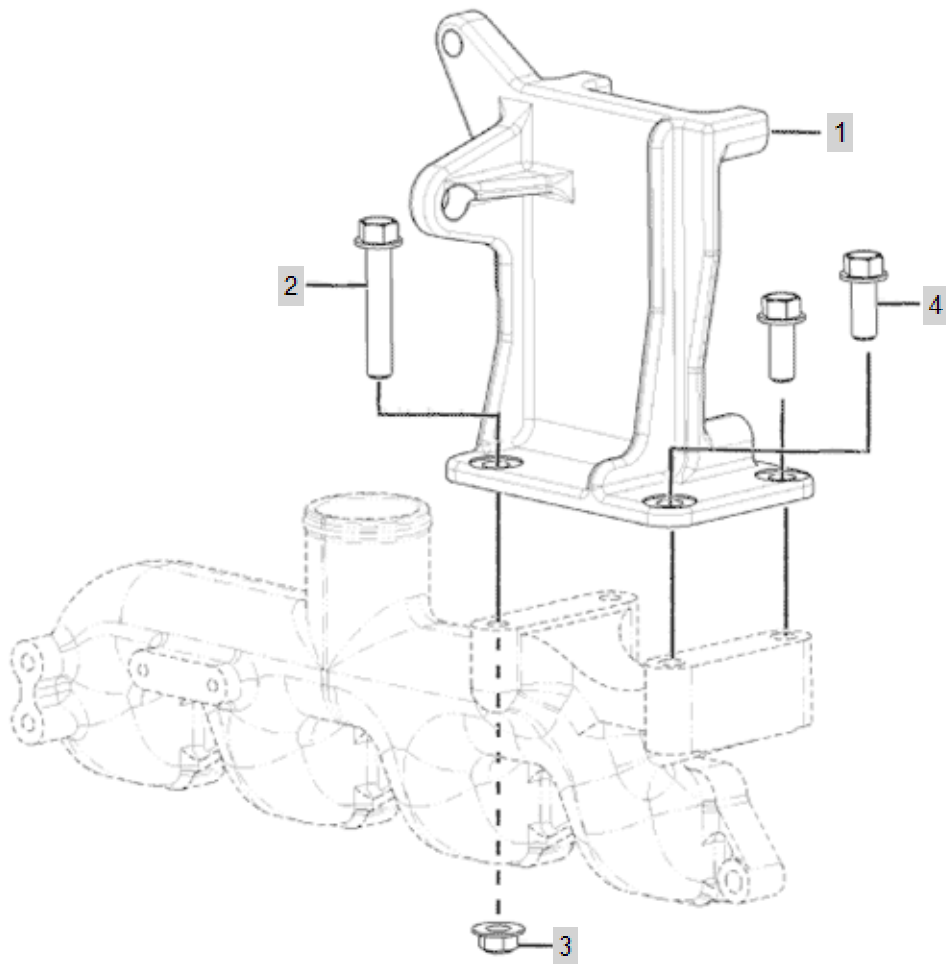


FIG 00242_07

EXHAUST MANIFOLD & SILENCER

Year/Month

4225C

2020/01

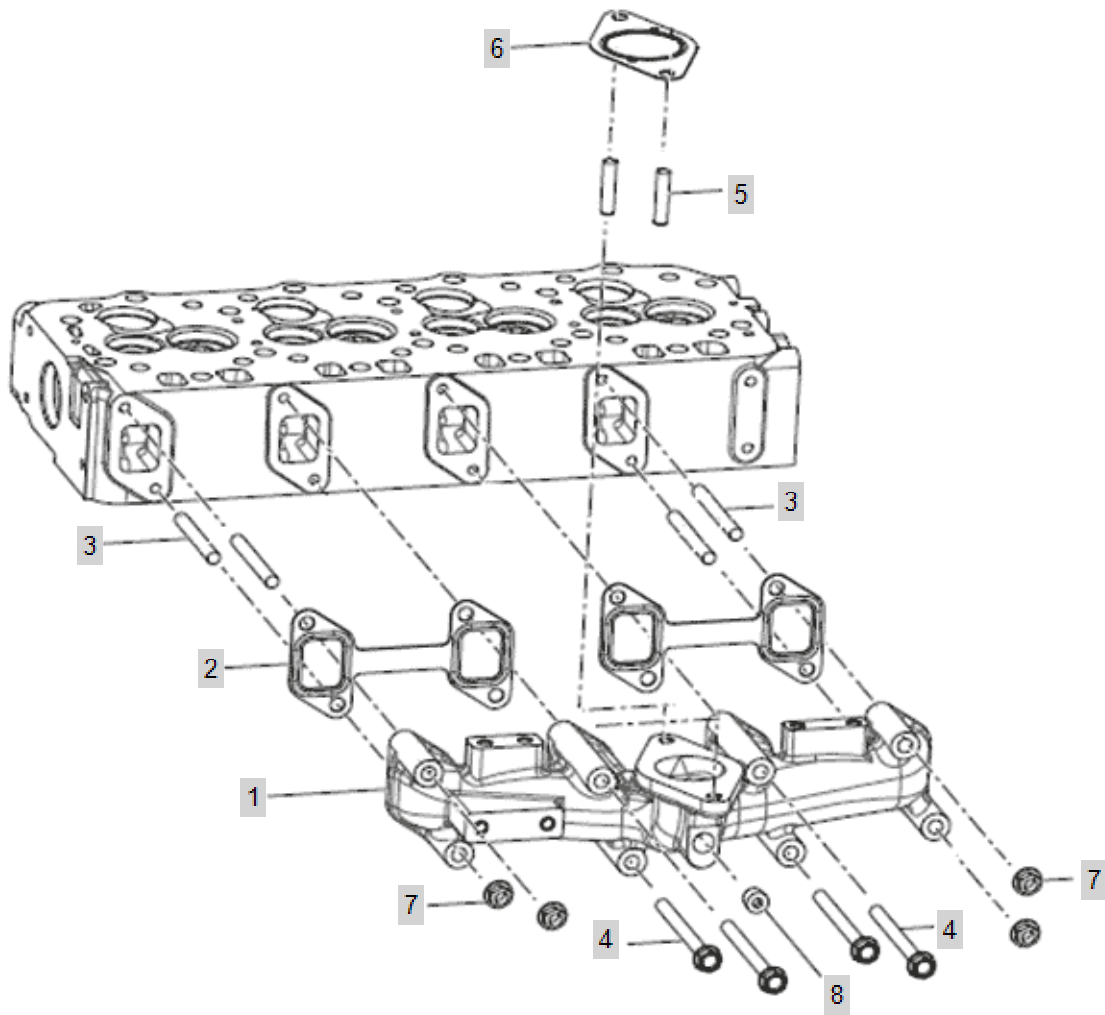


FIG 00242_08

CAM SHAFT & DRIVING GEAR

Year/Month

4225C

2020/01

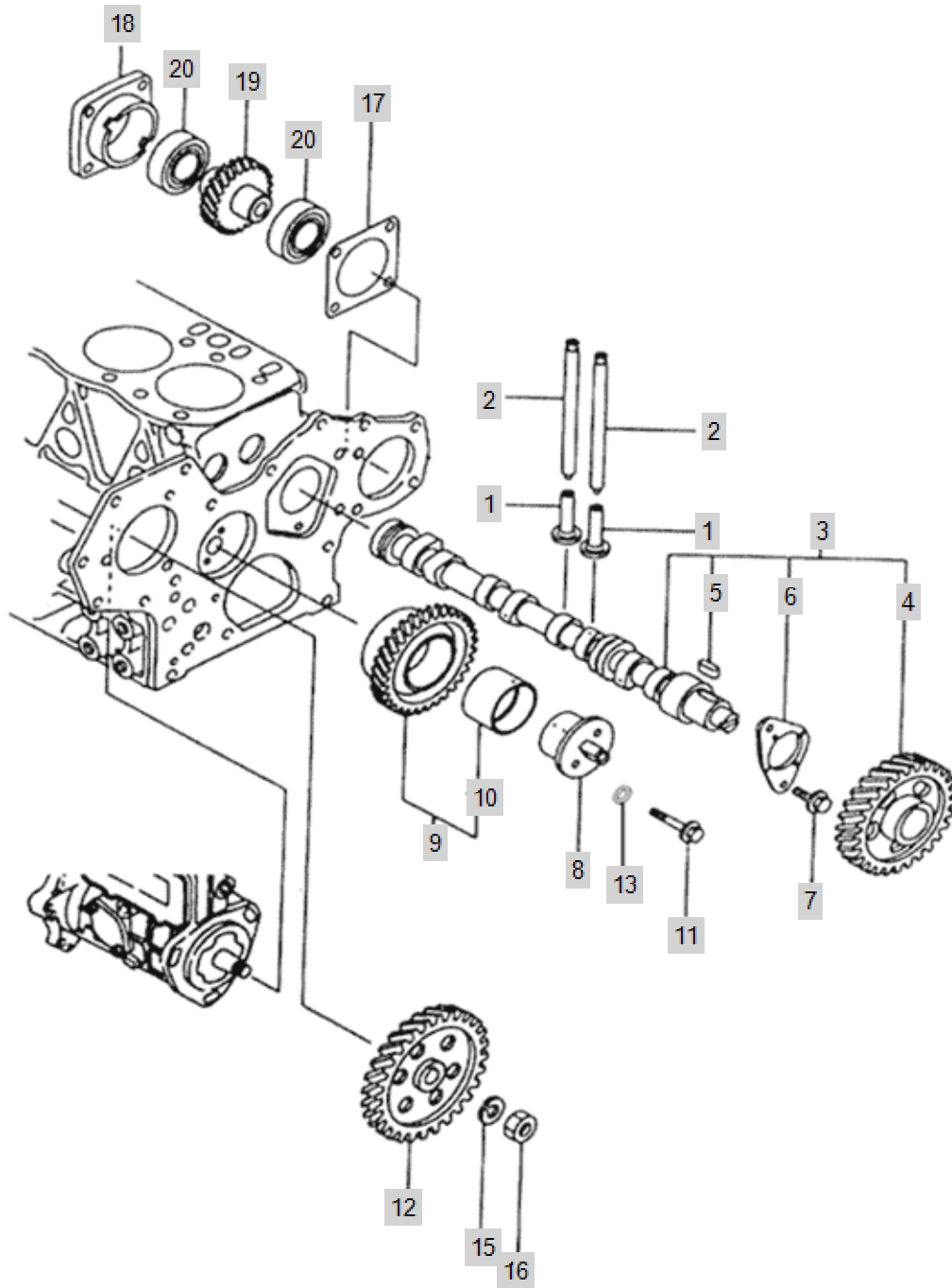


FIG 00242_09

CRANK SHAFT & PISTON

Year/Month

4225C

2020/01

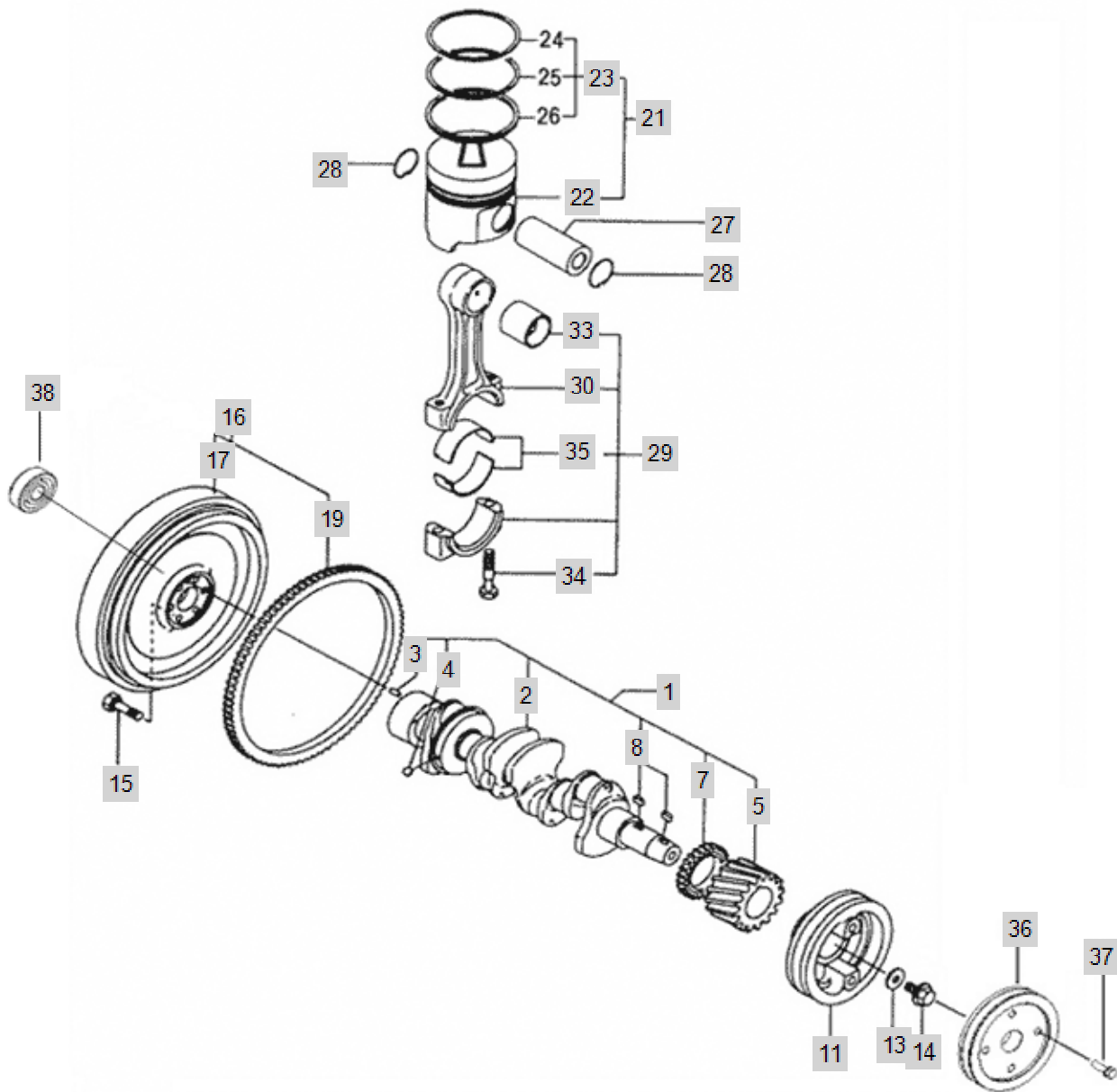


FIG 00242_10

BALANCER

Year/Month

4225C

2020/01

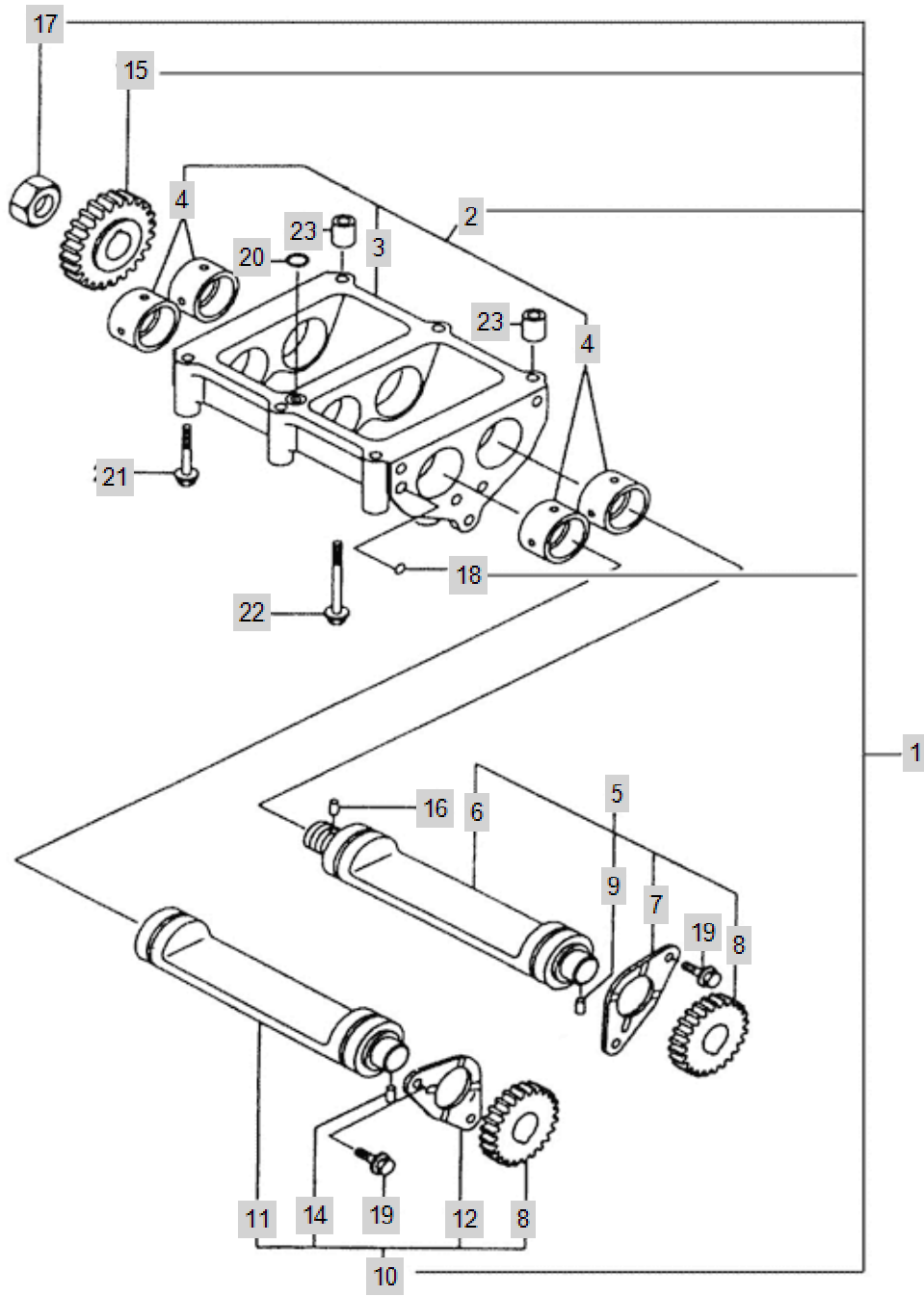


FIG 00242_11

LUB. OIL SYSTEM

Year/Month

4225C

2020/01

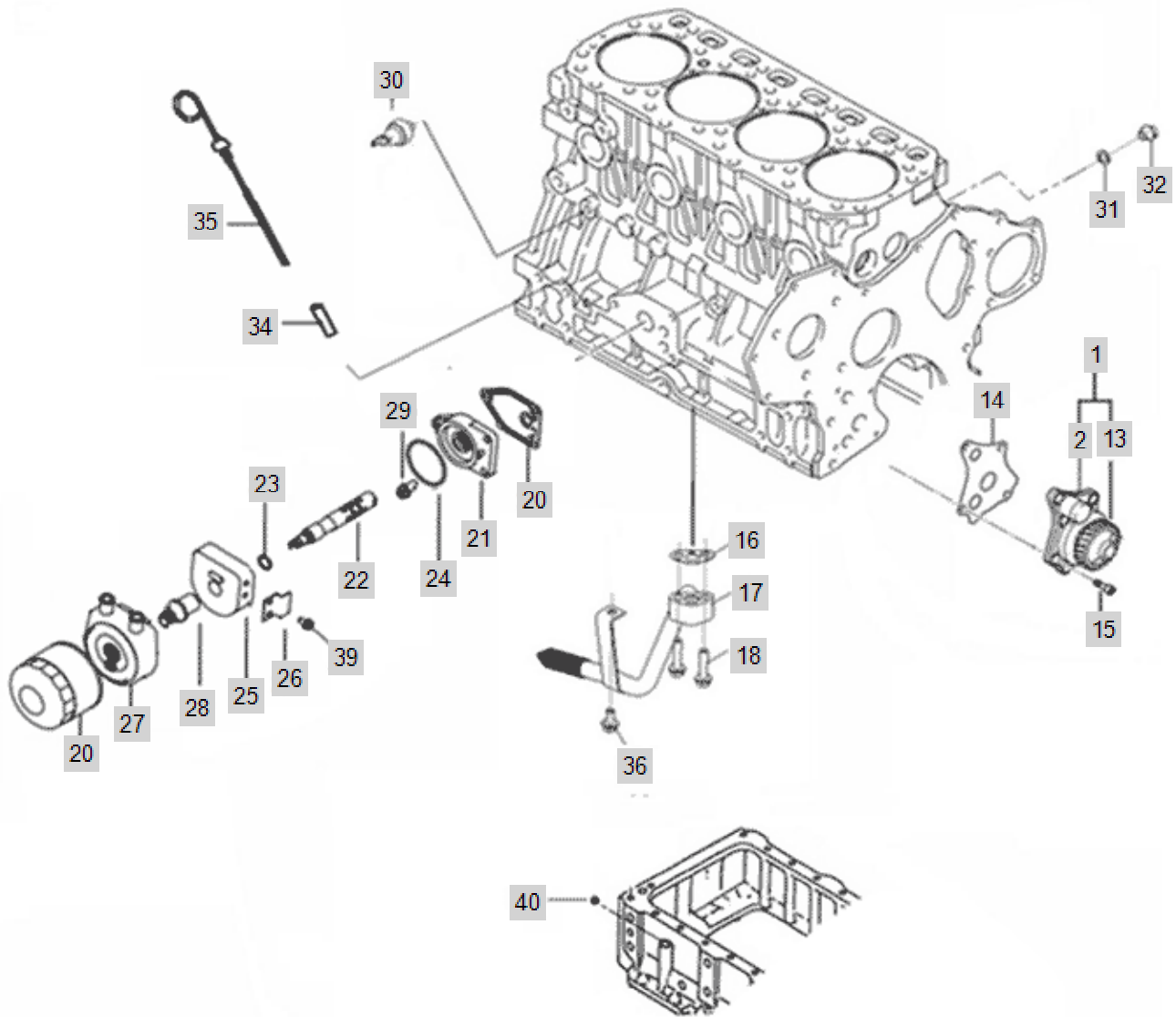


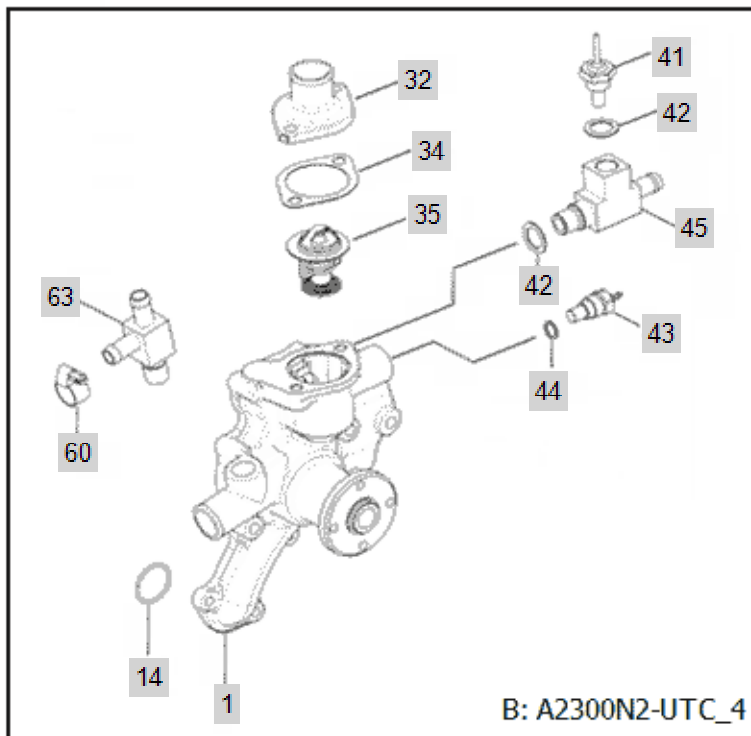
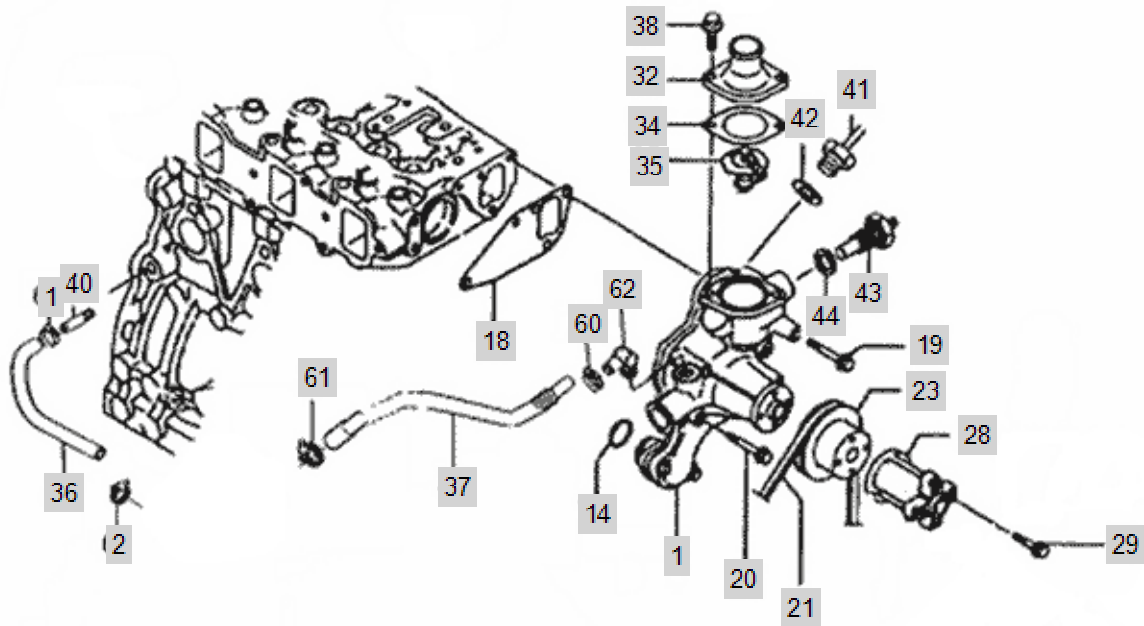
FIG 00242_12

COOLING SYSTEM

Year/Month

4225C

2020/01



B: A2300N2-UTC_4

FIG 00242_13

FUEL INJECTION PUMP

Year/Month

4225C

2020/01

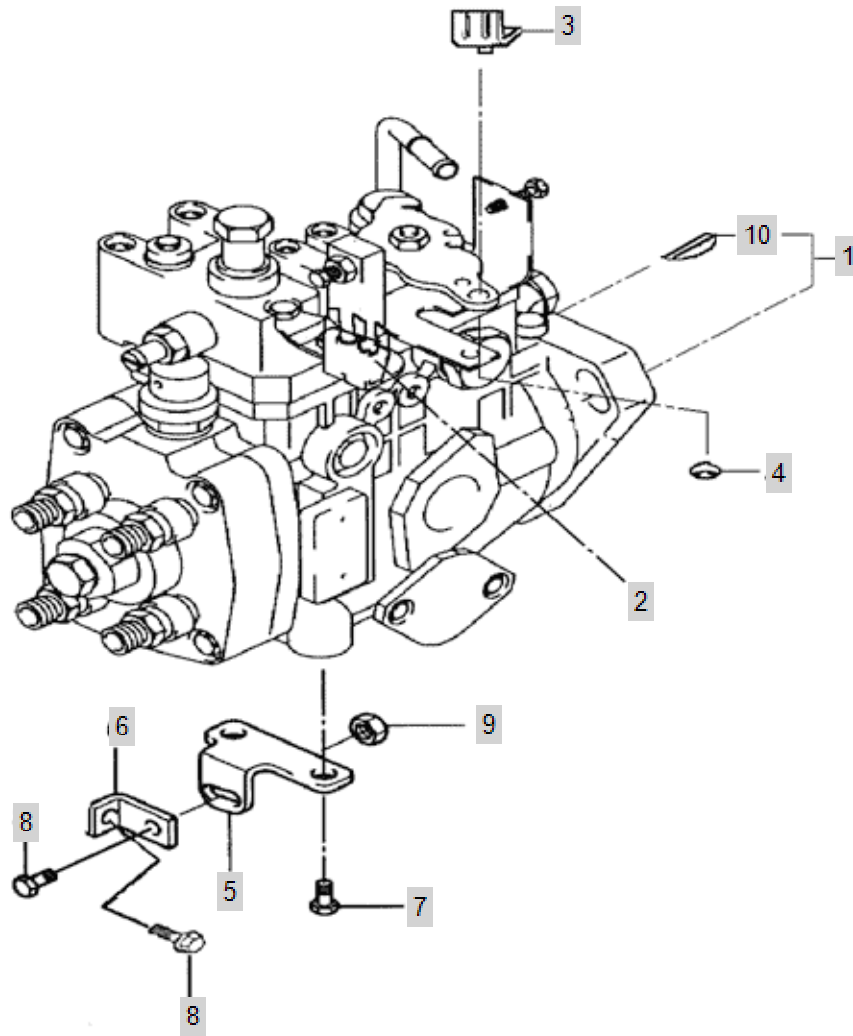


FIG 00242_14

FUEL INJECTION SYSTEM

Year/Month

4225C

2020/01

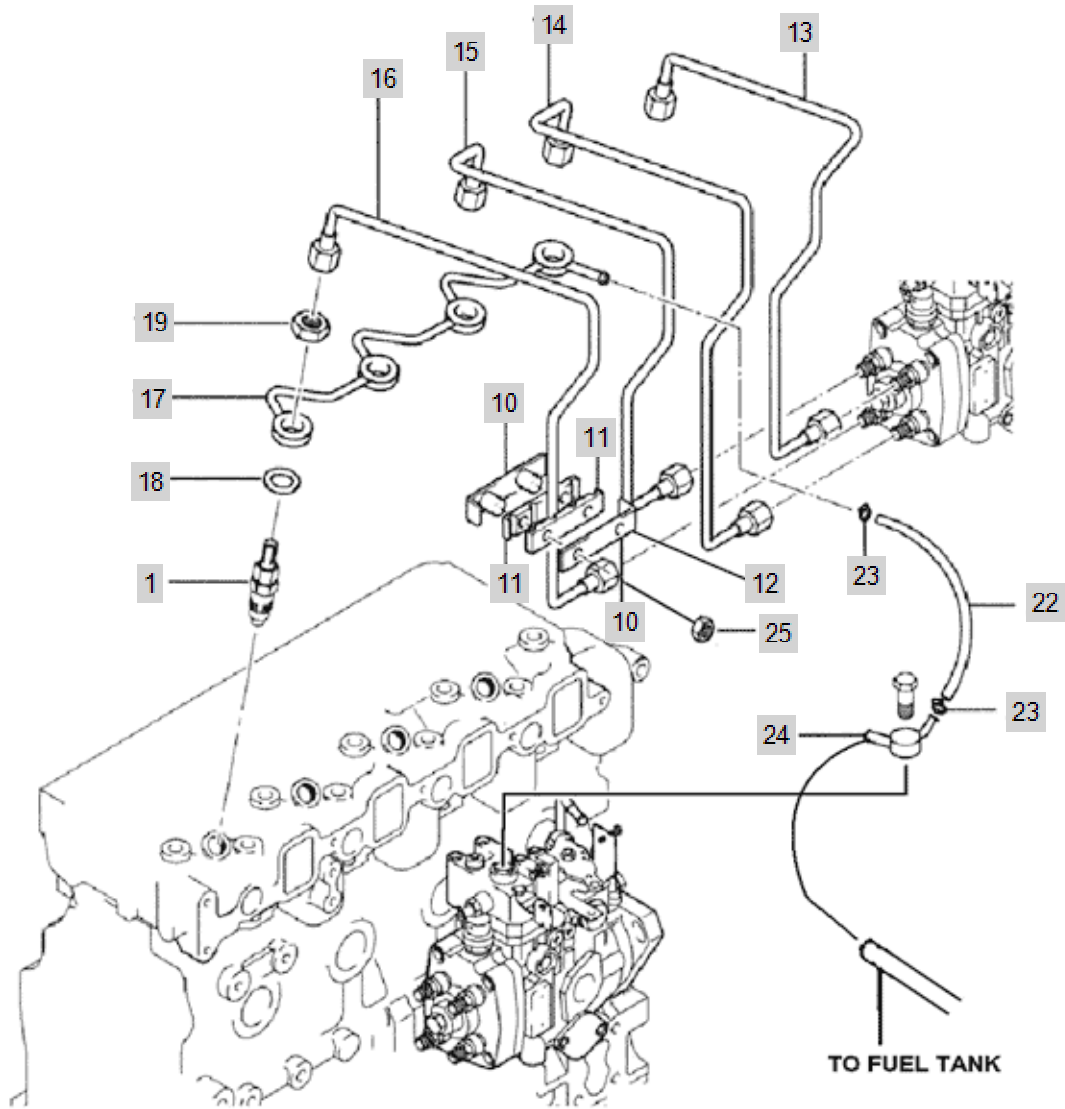


FIG 00242_15-
1
4225C

FUEL SYSTEM

Year/Month

2020/01

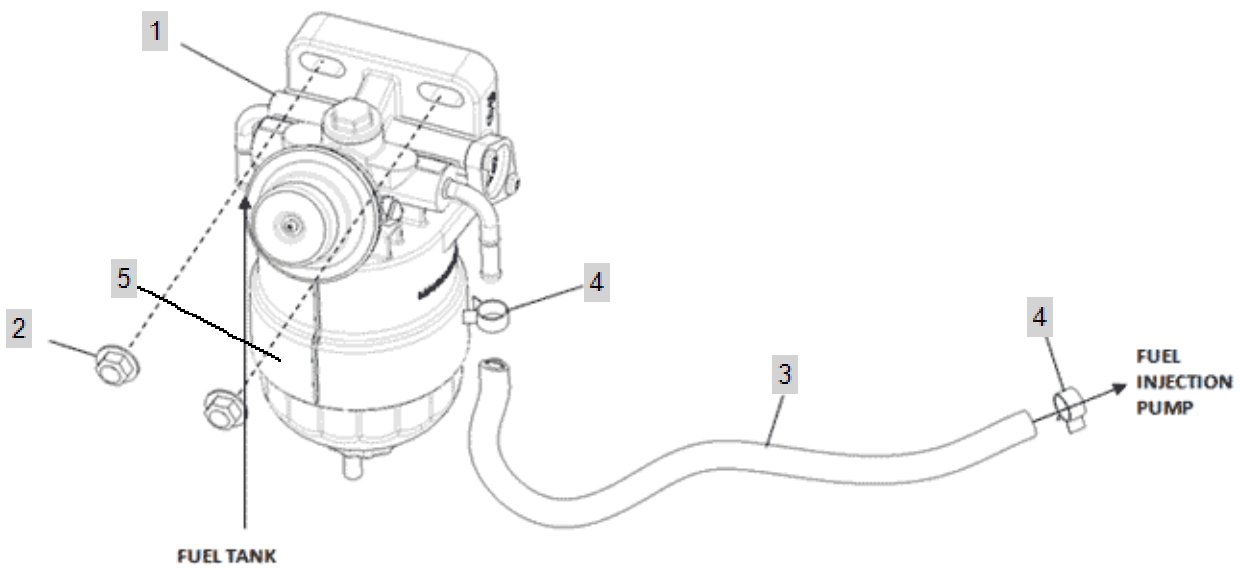


FIG 00242_15-
2
4225C

FUEL SYSTEM(2017.12)

Year/Month

2020/01

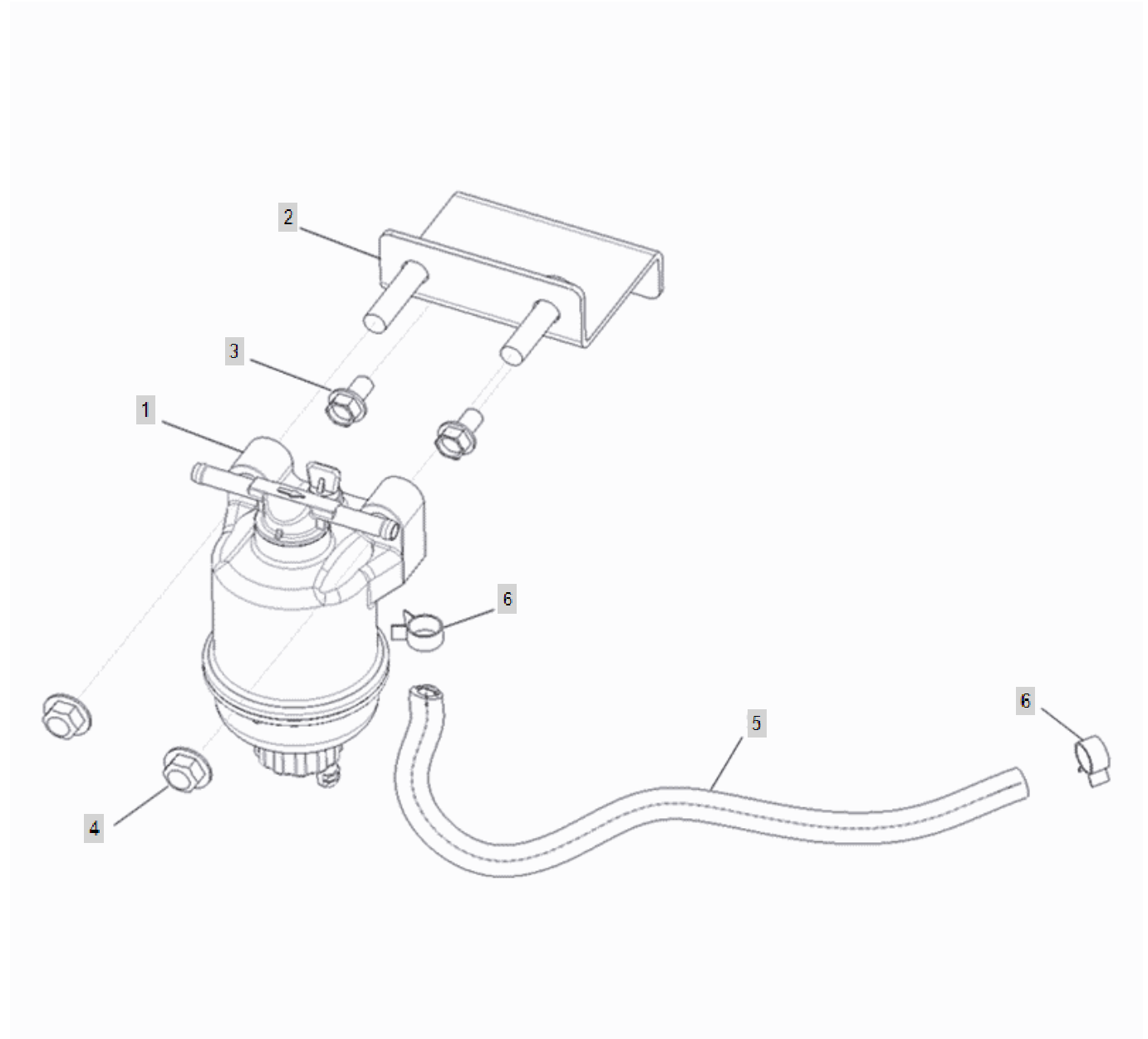


FIG 00242_16

STARTING MOTOR

Year/Month

4225C

2020/01

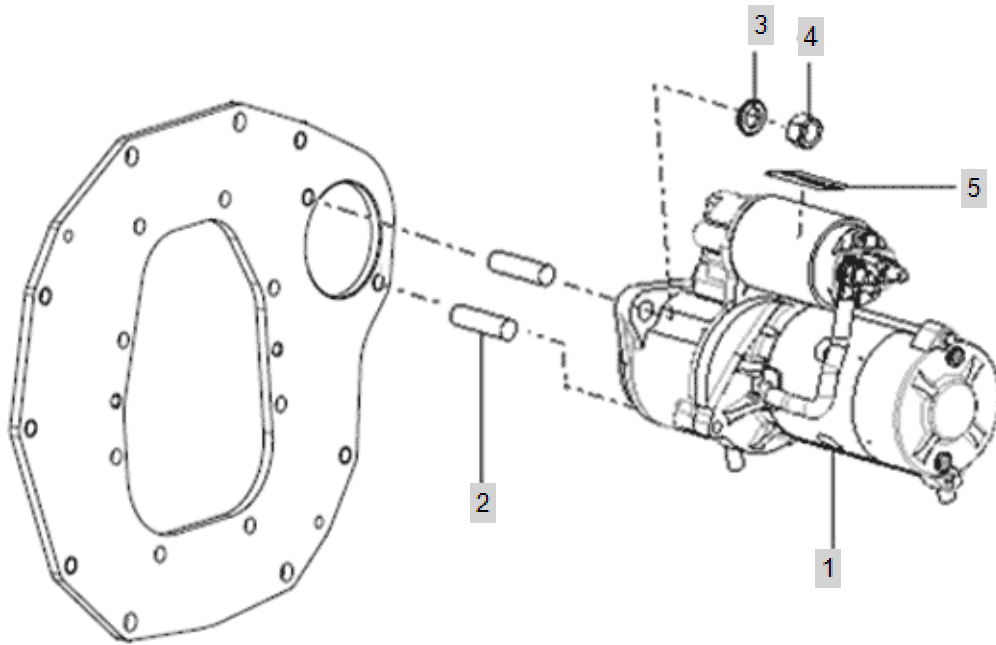


FIG 00242_17

GENERATOR & ELECTRIC DEVICE

Year/Month

4225C

2020/01

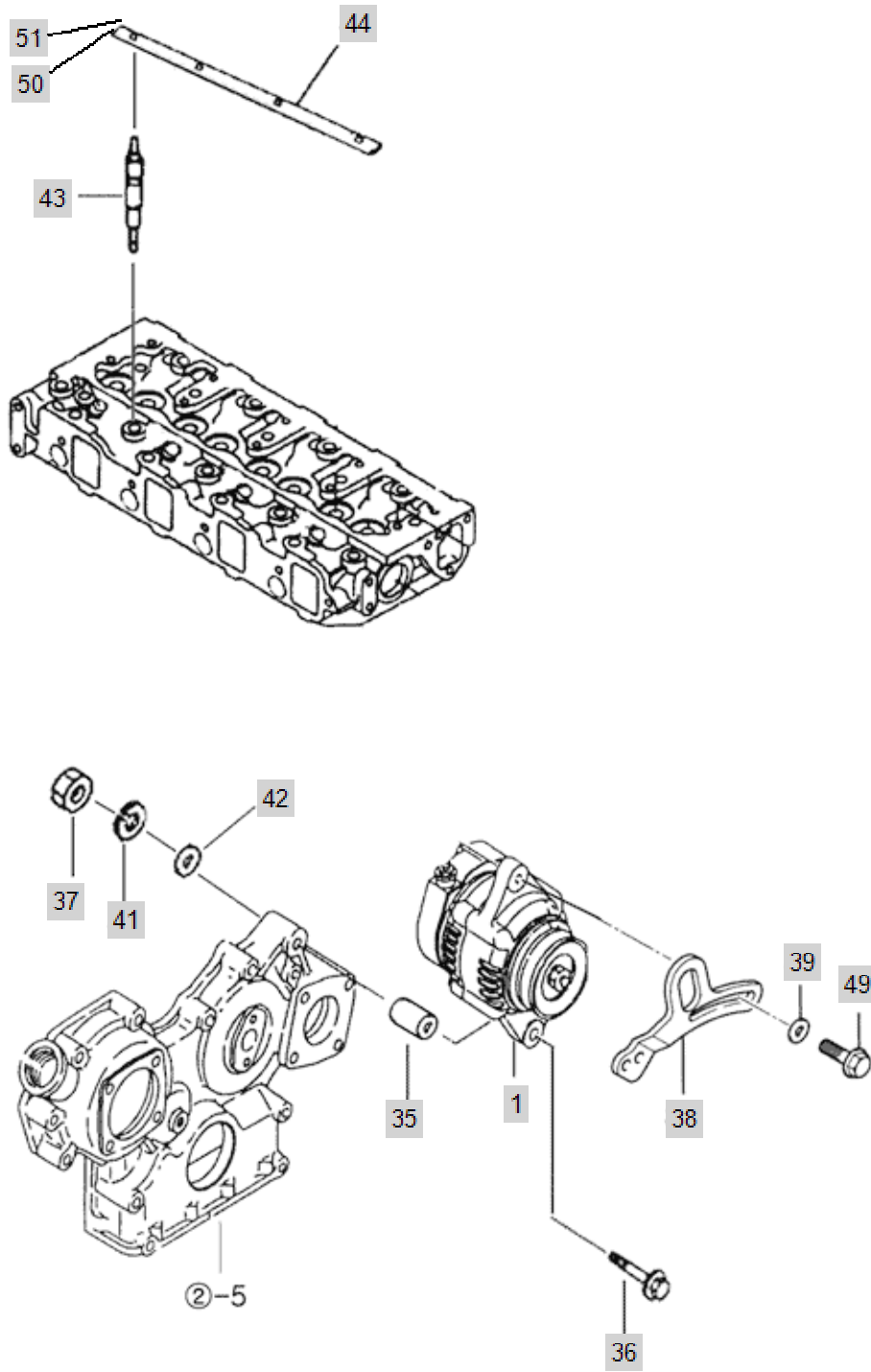


FIG 00242_18

DPF & DPF APPLICATION SYSTEM

Year/Month

4225C

2020/01

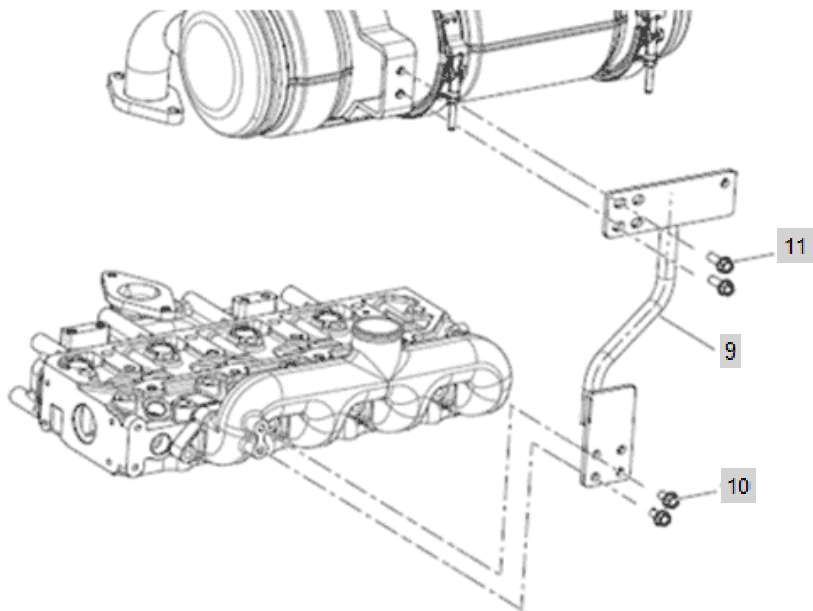
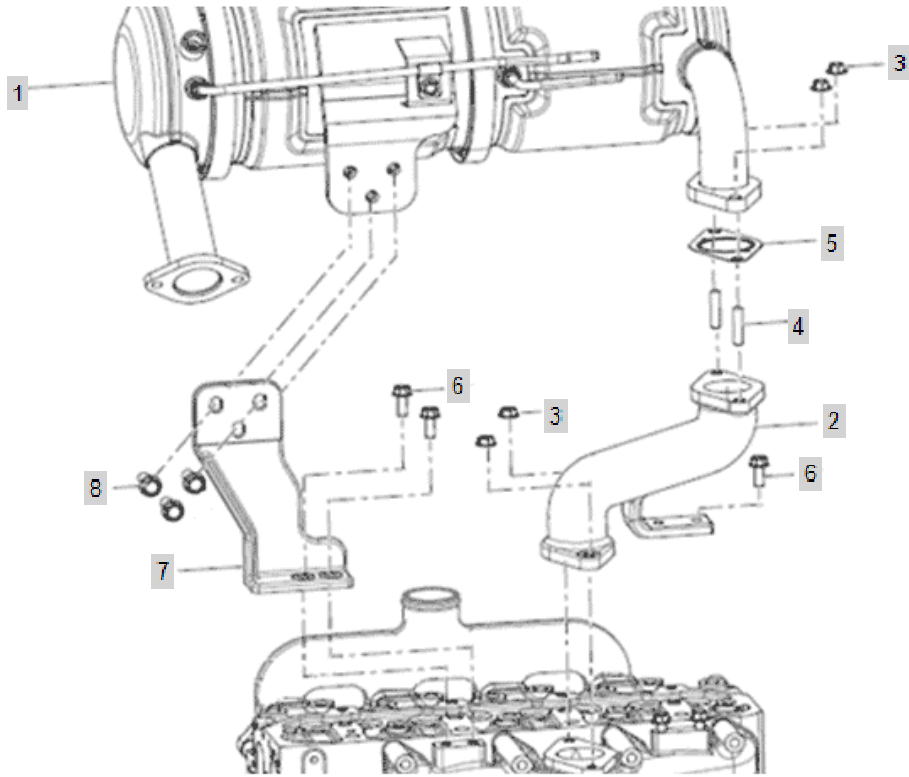


FIG 00242_19

DPF 'S SENSOR OPTION

Year/Month

4225C

2020/01

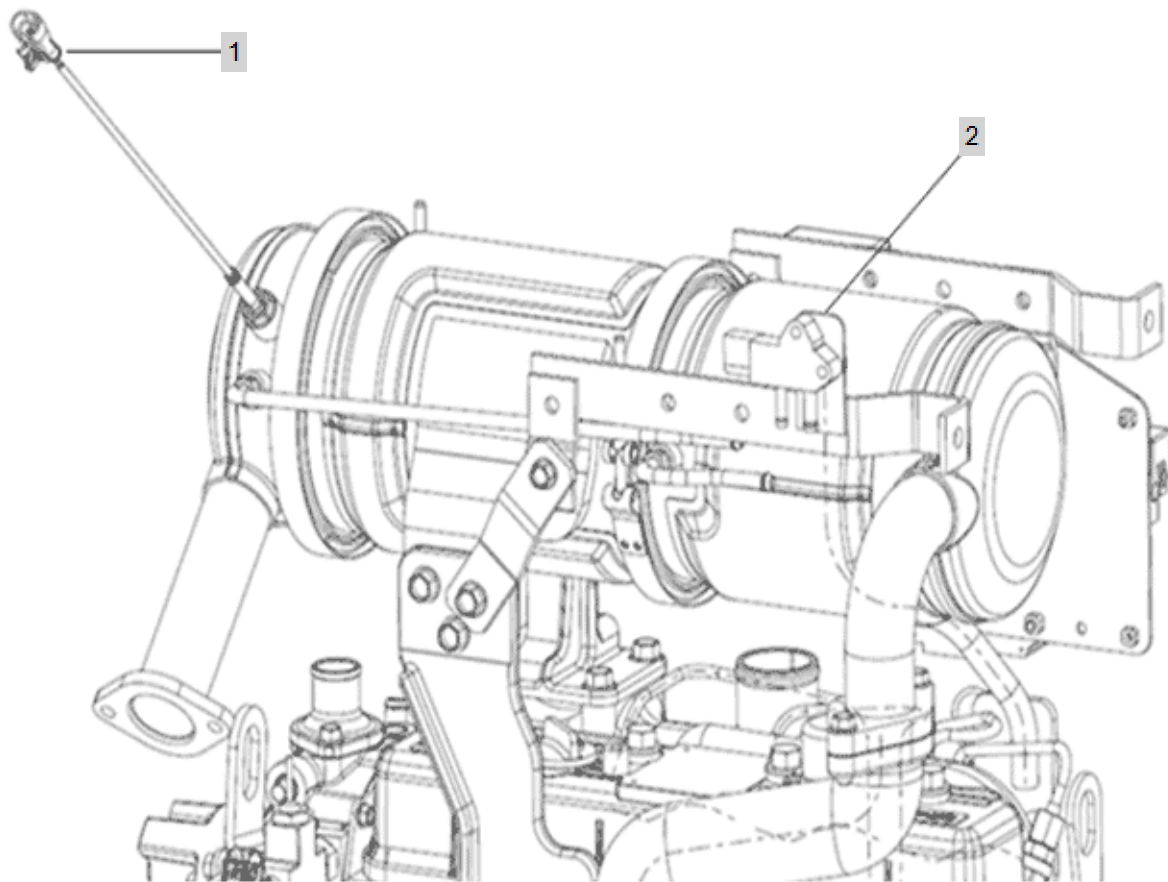


FIG 00242_20

DATAPLATE

Year/Month

4225C

2020/01

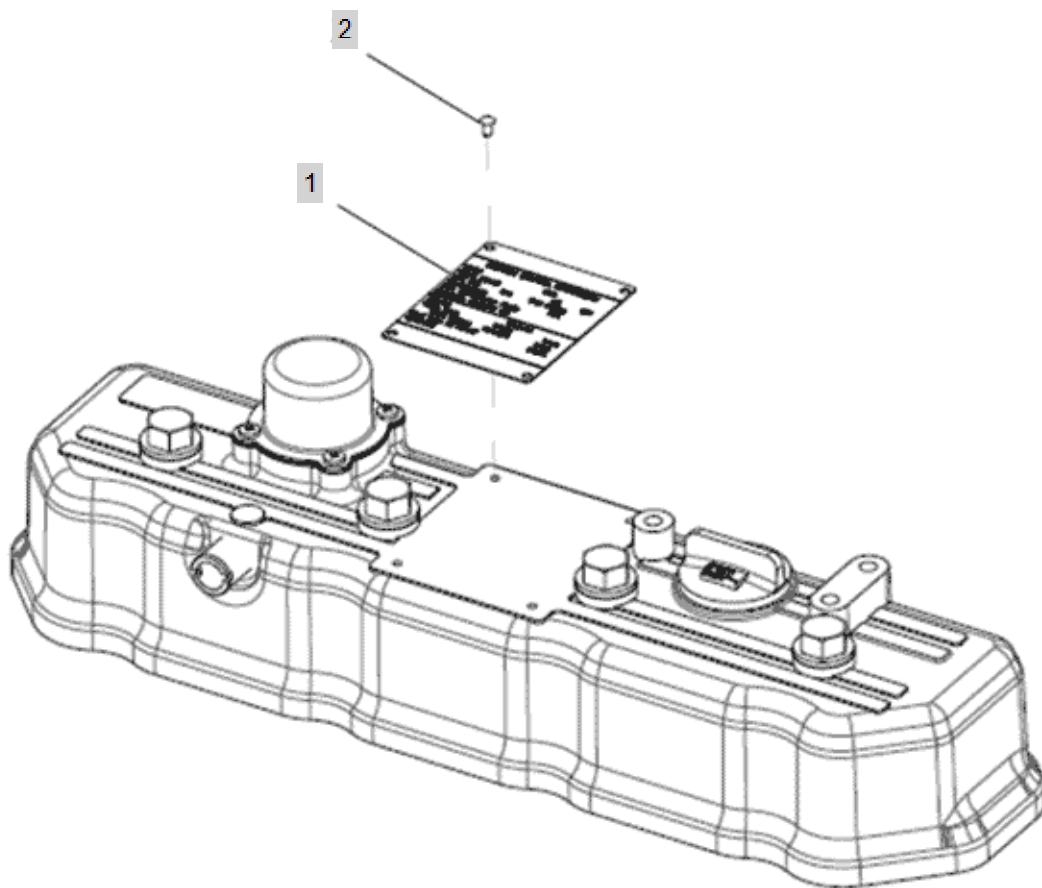


FIG C001

LEVER ACCELERATOR

Year/Month

4225C

2020/01

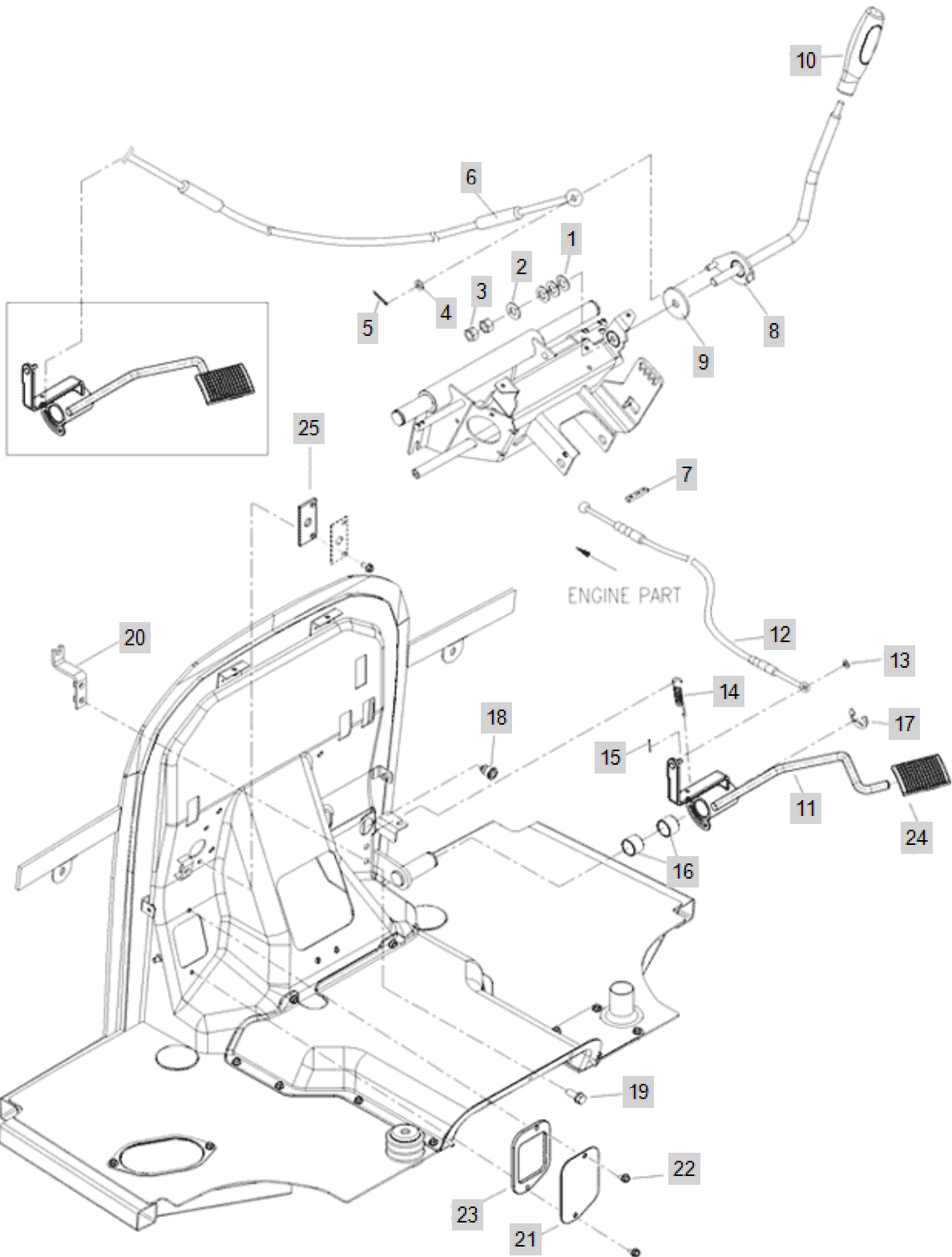


FIG C002-1

STEERING COLUMN

Year/Month

4225C

2020/01

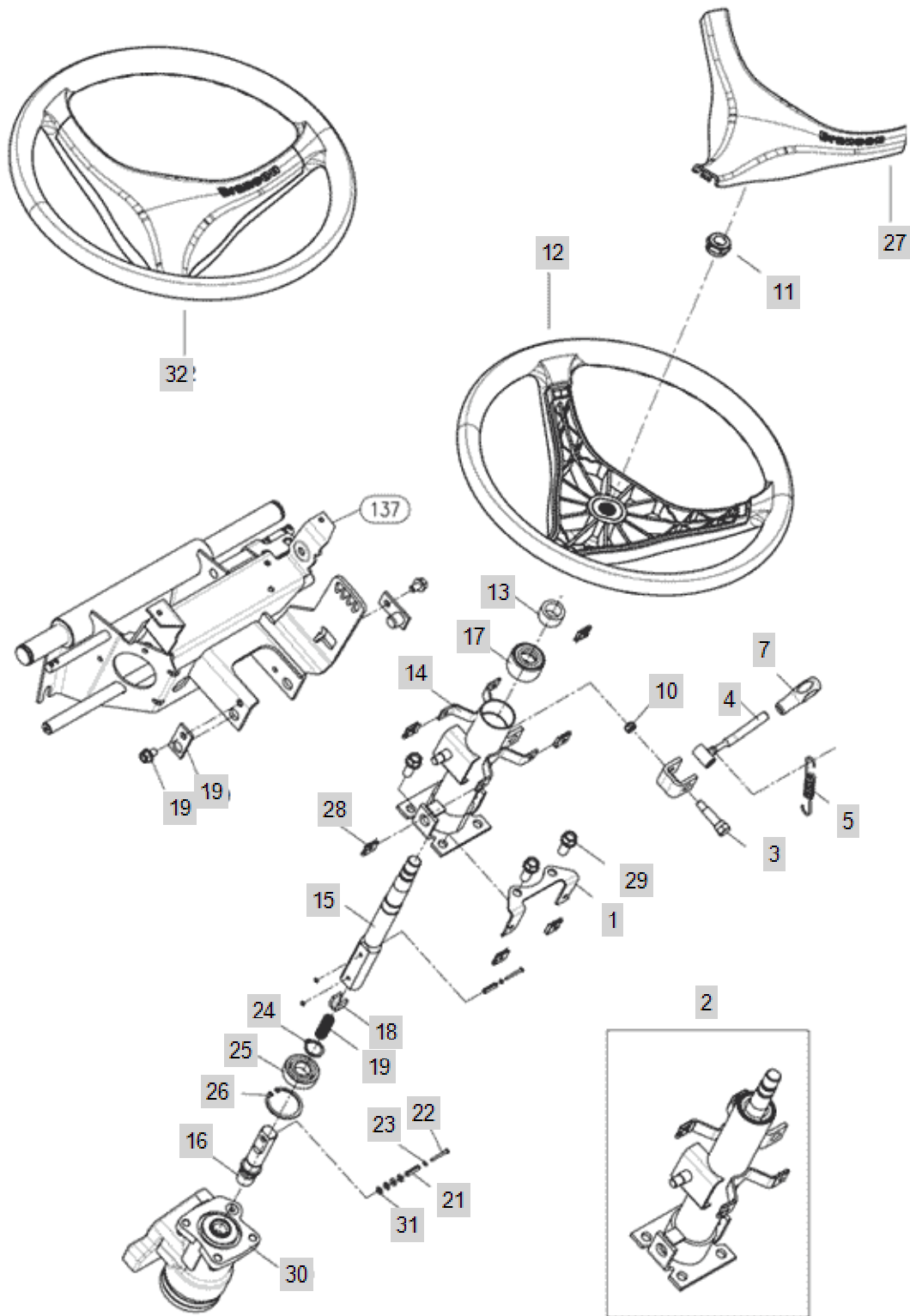


FIG C002-2

STEERING COLUMN

Year/Month

4225C

2020/01

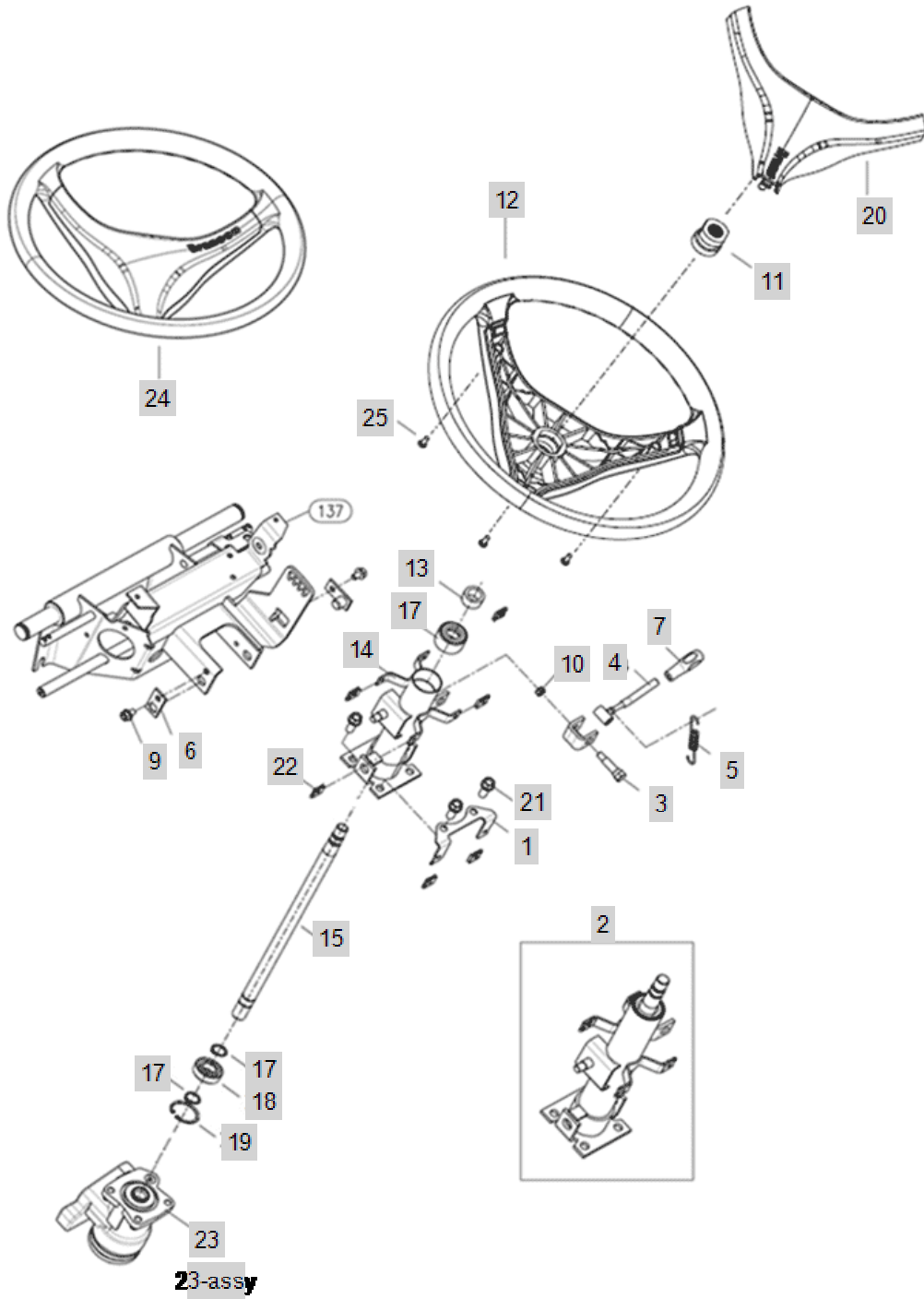


FIG C003

SHUTTLE ASS'Y

Year/Month

4225C

2020/01

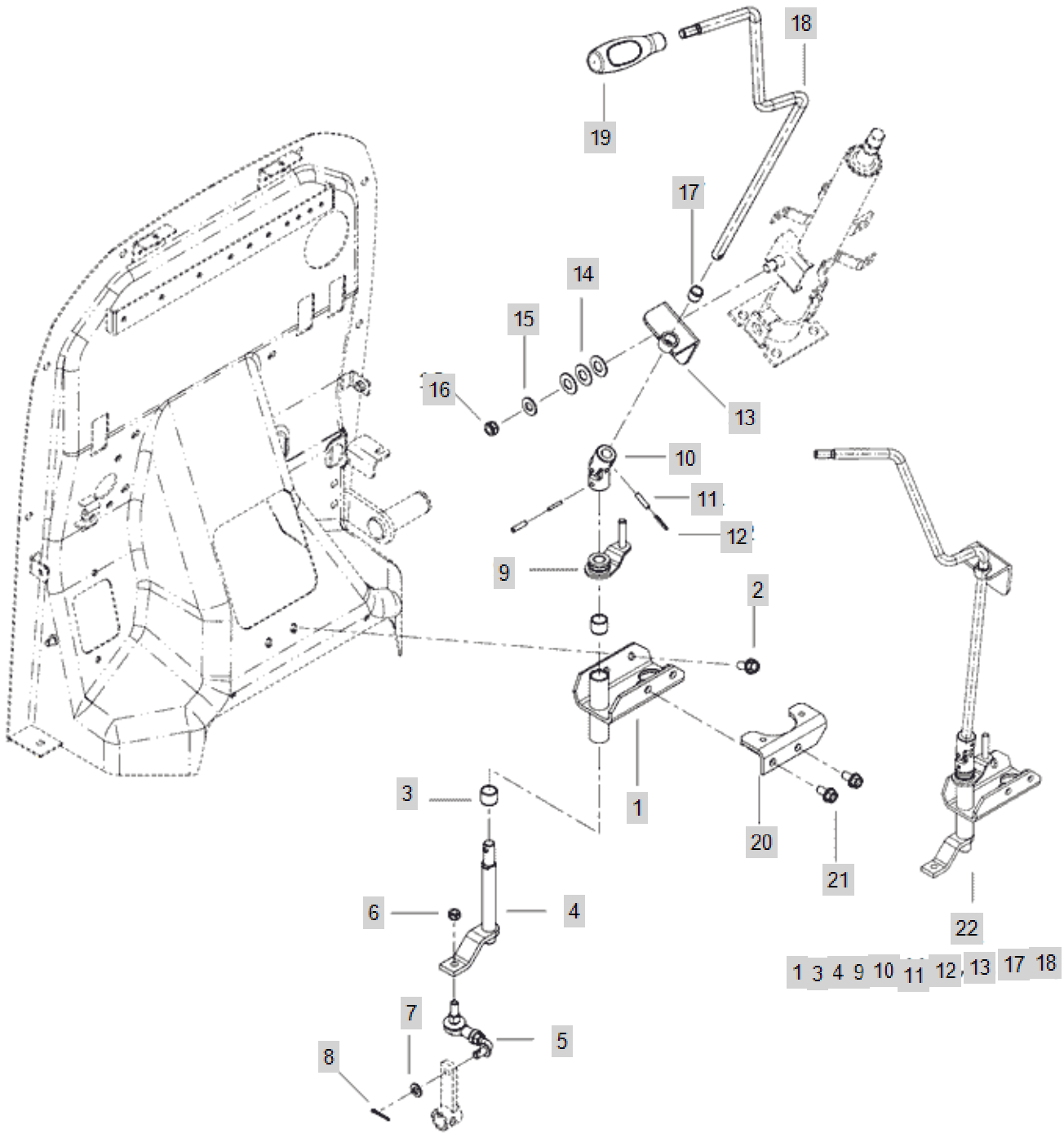


FIG C004

FRONT ALXE BRACKET

Year/Month

4225C

2020/01

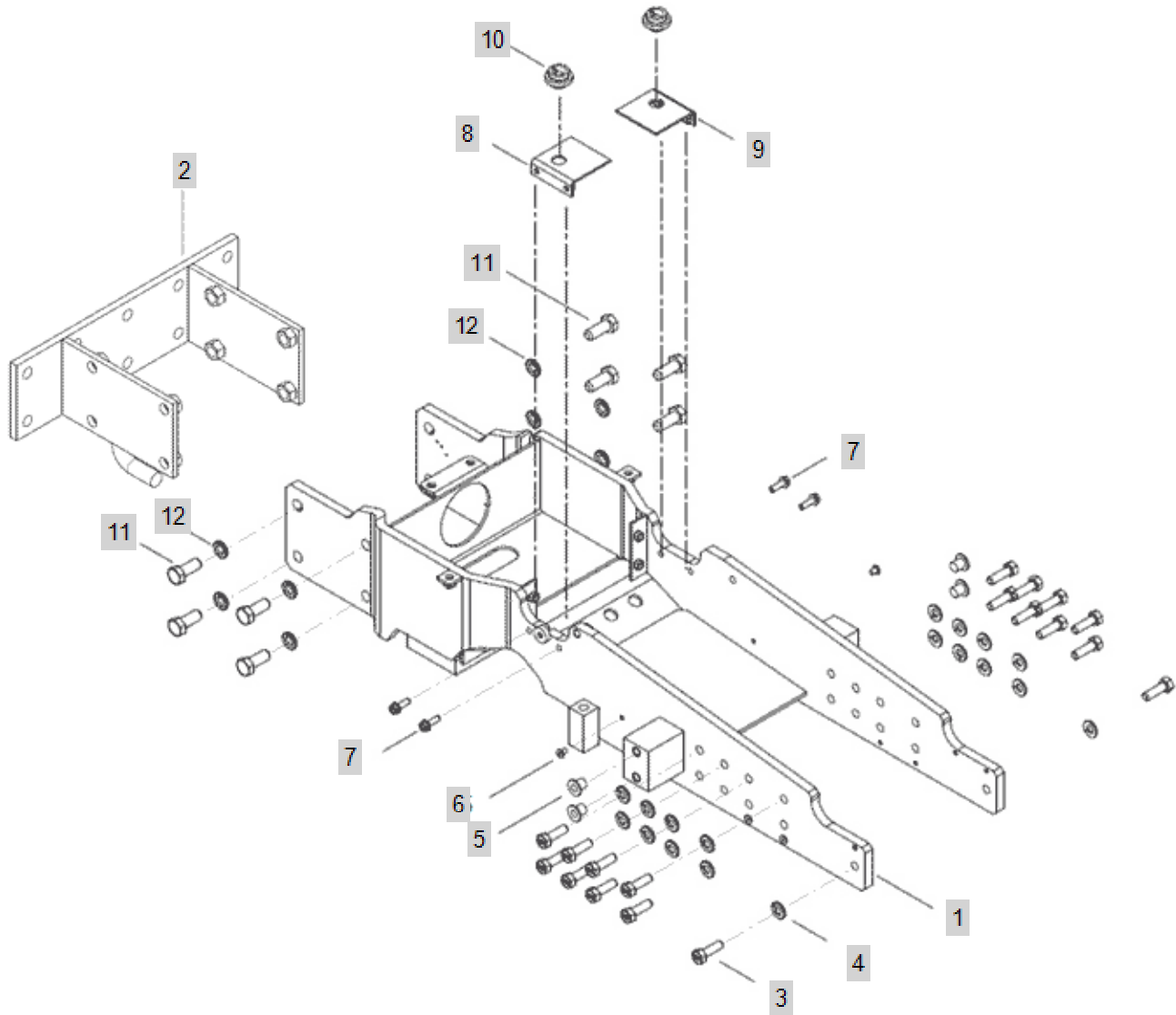


FIG C009-1

CENTER PIN SUPPORTER

Year/Month

4225C

2020/01

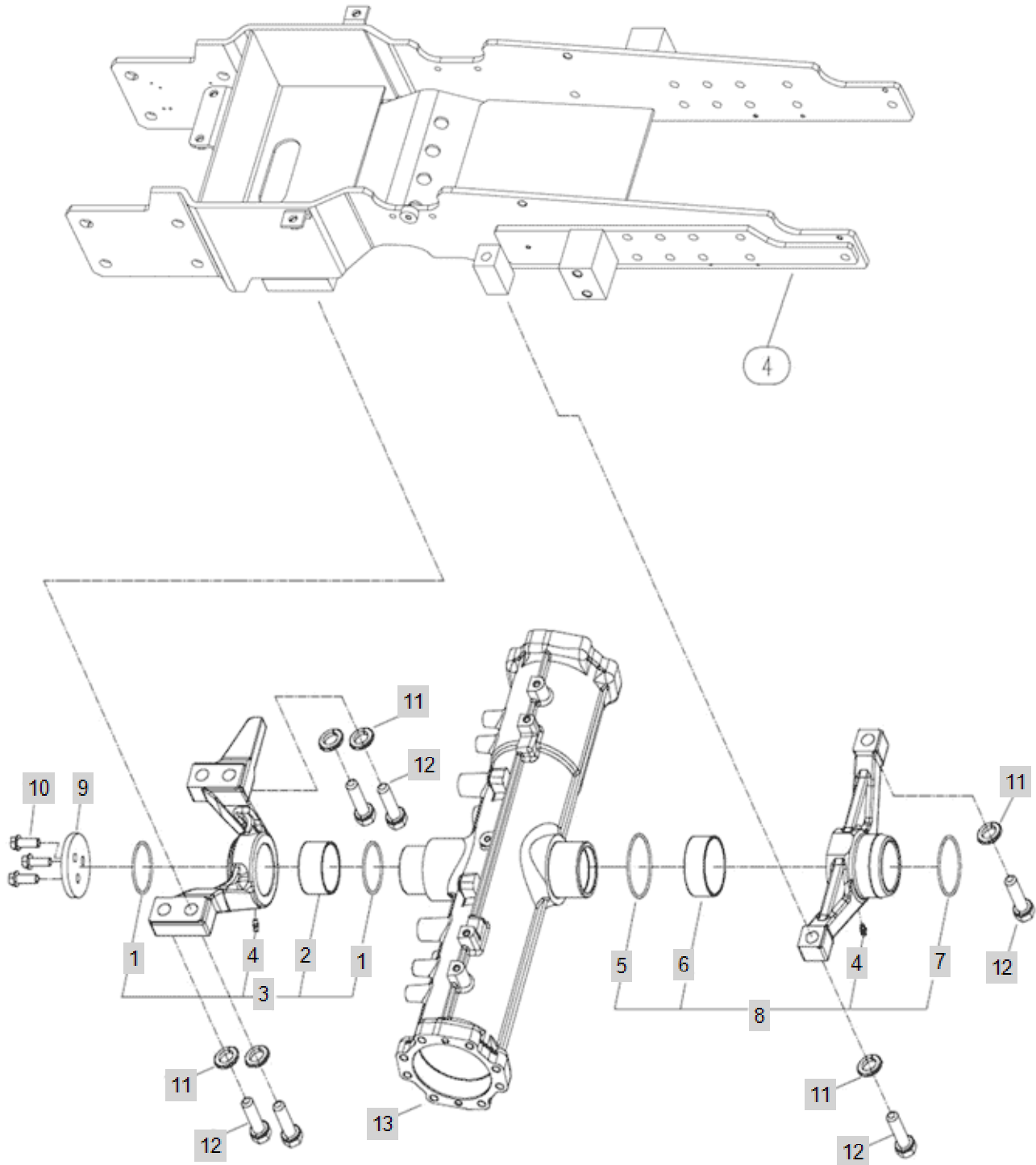


FIG C009-2

CENTER PIN SUPPORTER(2018.12~)

Year/Month

4225C

2020/01

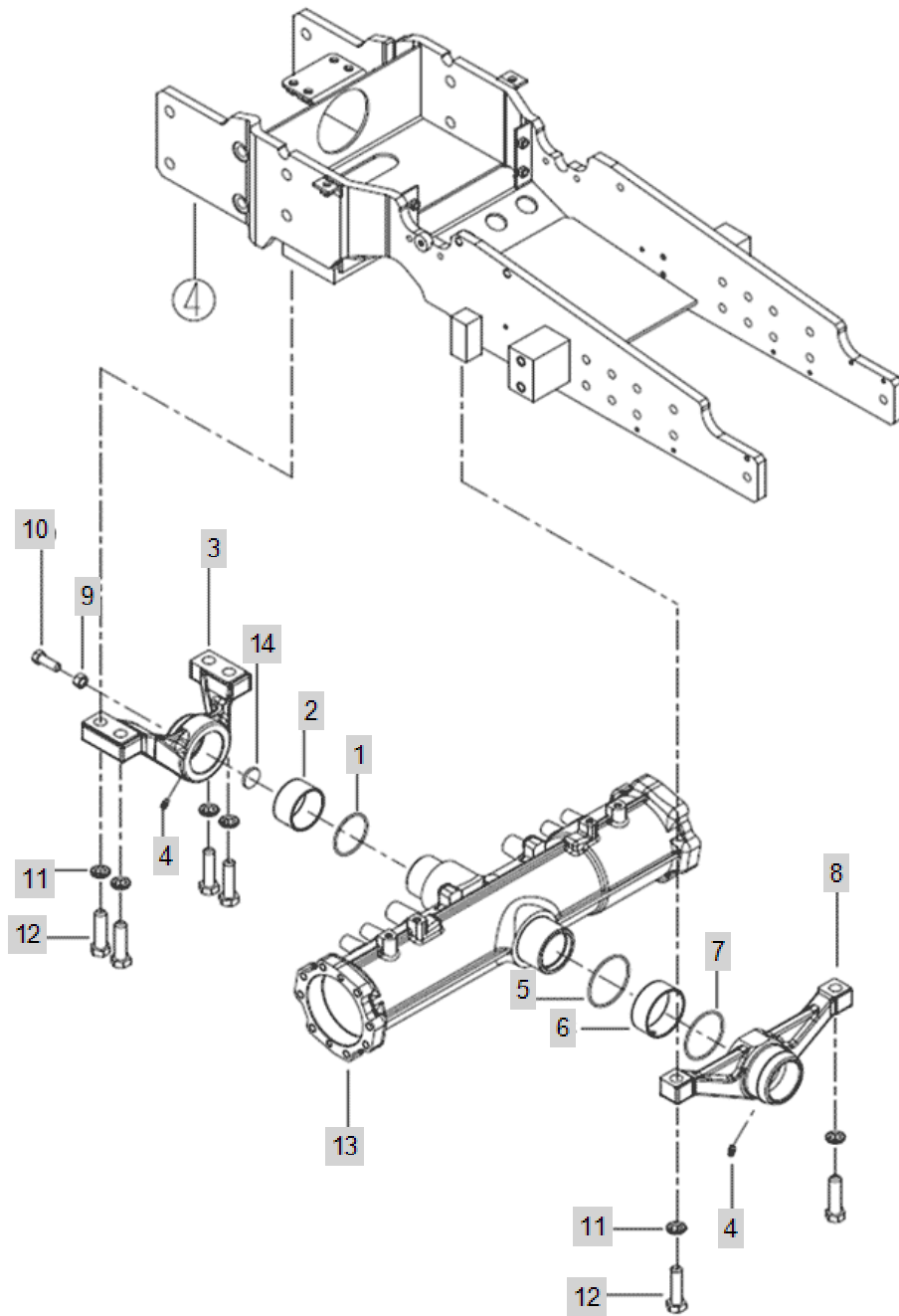


FIG C010

TIE ROD

Year/Month

4225C

2020/01

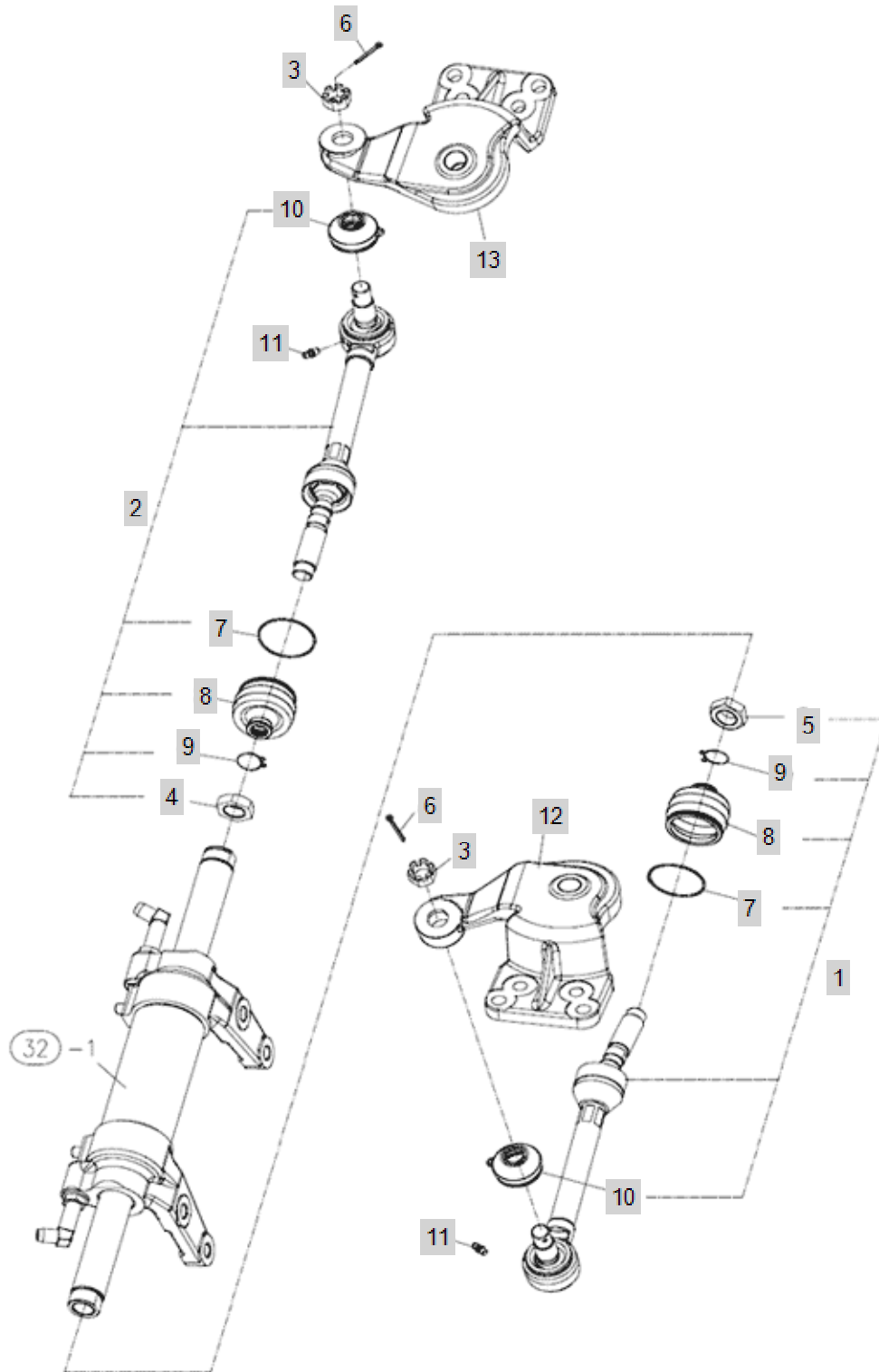


FIG C012-1

RING GEAR, DIFFERENTIAL GEAR

Year/Month

4225C

2020/01

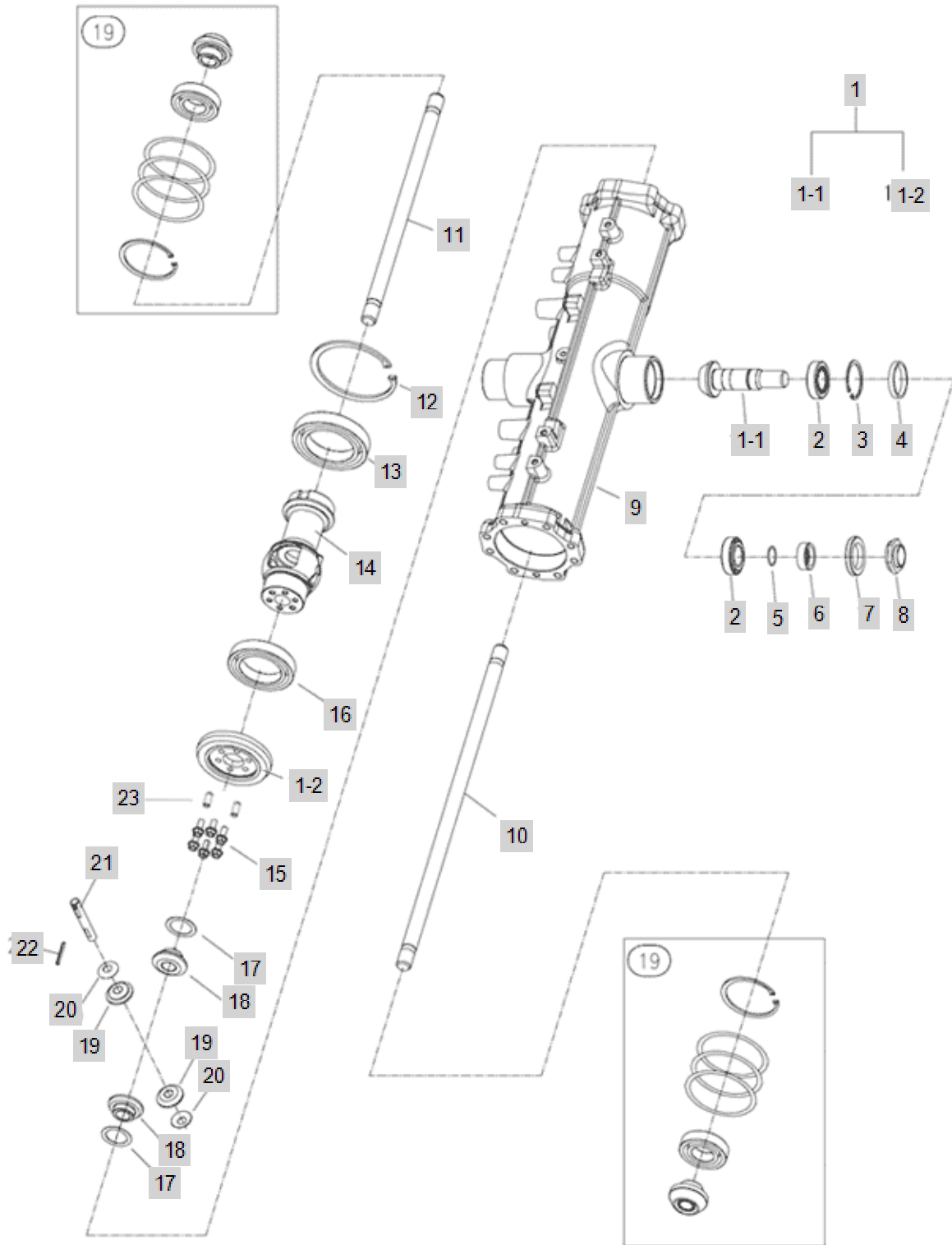


FIG C012-2

RING GEAR, DIFFERENTIAL GEAR

Year/Month

4225C

2020/01

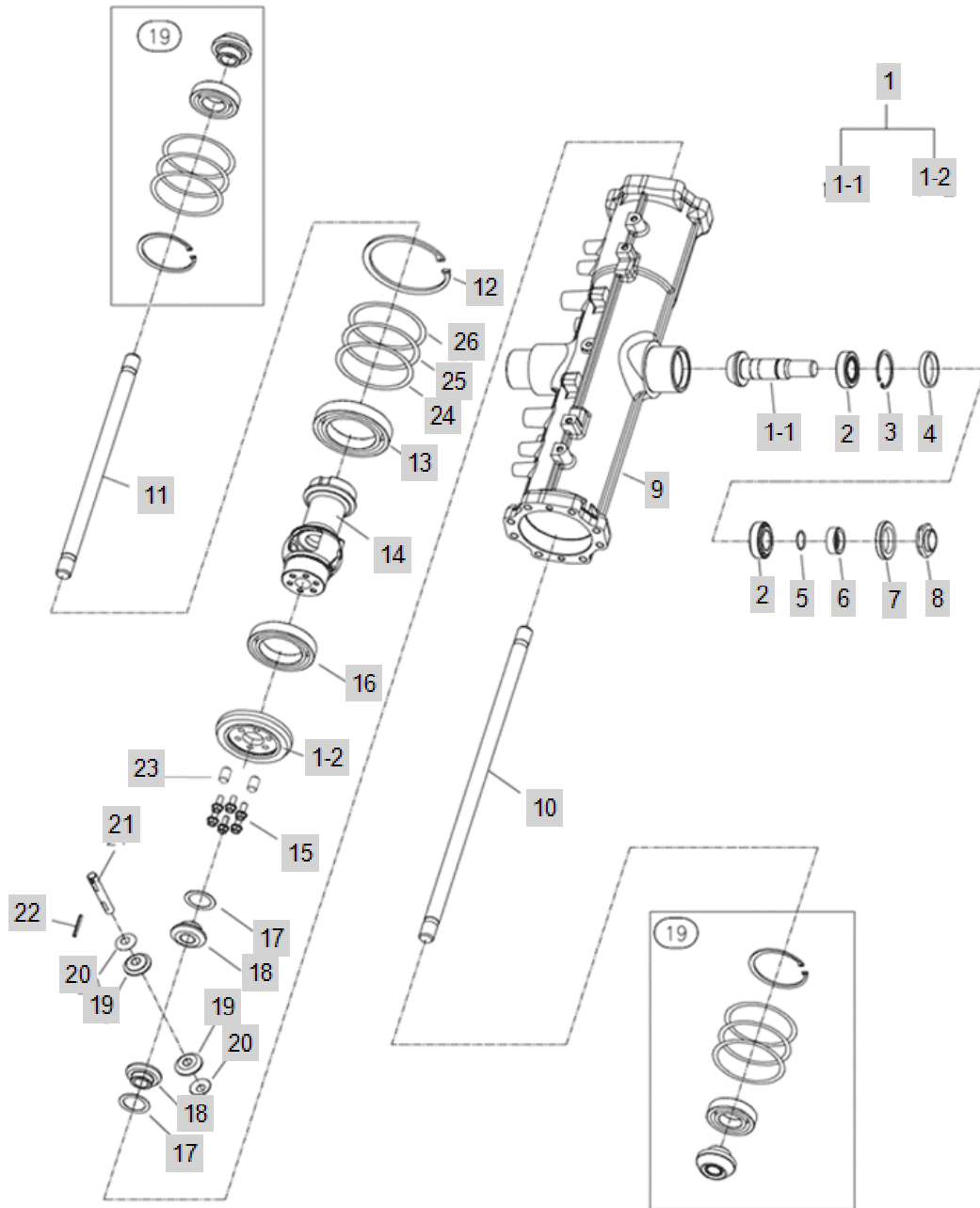


FIG C019-1

GEAR CASE, FRONT AXLE

Year/Month

4225C

2020/01

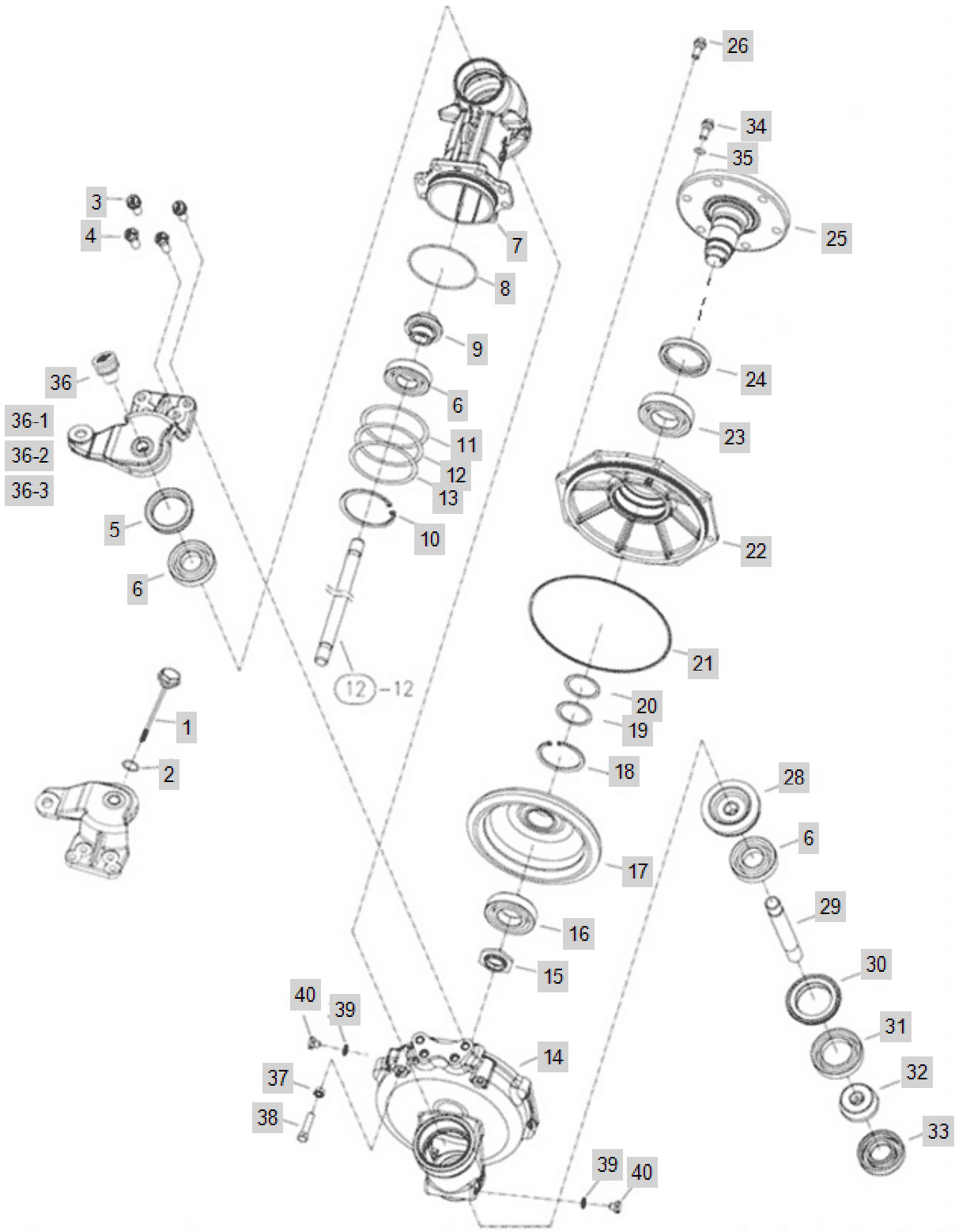


FIG C019-1		GEAR CASE, FRONT AXLE			Year/Month
4225C					2020/01
KeyNo.	Part Number	Part Name	Quantity	Other	
1	TA00033805A	OIL GUAGE	1		
2	24311-000220	O-RING, DYNAMIC (Φ22)	2		
3	TA00033468A	BOLT W/ WASHER	4		
4	TA00033475A	RIMER BOLT	4		
5	FE78010000A	SEAL,OIL -> FE78010000B	2		
6	24101-062074	BALL BEARING (#6207)	6		
7	TA00033457C	CASE, FRONT GEAR	2		
8	24321-001050	O-RING	2		
9	TA00033461A	PINION, FRONT 1ST SHAFT	2		
10	22252-000720	RING, CIRCLIP (Φ 72)	2		
11	TA00033489A	SHIM 0.2T	2		
12	TA00033488A	SHIM 0.3T	2		
13	TA00033487A	SHIM 0.5T	2		
14	TA00033458B	GEAR BOX, FRONT	2		
15	TA00033481A	LOCK NUT	2		
16	24101-062084	Bearing, Ball (#6208)	2		
17	TA00033474A	GEAR, BEVEL 49T	2		
18	22252-000850	RING, CIRCLIP (Φ 85)	2		
19	TA00033486A	SHIM 0.2T	1		
20	TA00033485A	SHIM 0.5T	1		
21	TA00033939A	O RING	2		
22	TA00033459B	BEARING CASE, FRONT	1		
23	24101-062094	BALL BEARING (#6209)	2		
24	TA00041352A	OILSEAL (AO26 TYPE)	2		
26	TA00033460A	SPINDLE, FRONT	2		
27	TA00033469A	BOLT W/ WASHER	16		
28	TA00033463A	FRONT 2ND AXLE LH	2		
29	TA00033464A	FRONT 2ND SHAFT	2		
30	TC60110000A3	SEAL	2		
31	24101-060104	Bearing, Ball (#6010)	2		
32	TA00033473A	GEAR, BEVEL 11T	2		
33	TC60340000A4	BEARING(TM207C3)	2		
34	TD23120000A4	BOLT	12		
35	22217-140000	WASHER, SPRING (Φ 14)	12		
36	TC60790000B	CAP ASS'Y,OIL	1		
36-1	TA00049842A	AIR BREATHER	1		
36-2	TA00049843A	ADAPHTER	1		
36-3	24311-000220	O-RING, DYNAMIC (Φ22)	1		
37	26112-100452	BOLT	2		
38	26716-100001	NUT	2		
39	22190-100000	WASHER	4		
40	23887-100002	SCREW,HEXAGONHEADCAP	4		

FIG C019-2

GEAR CASE, FRONT AXLE

Year/Month

4225C

2020/01

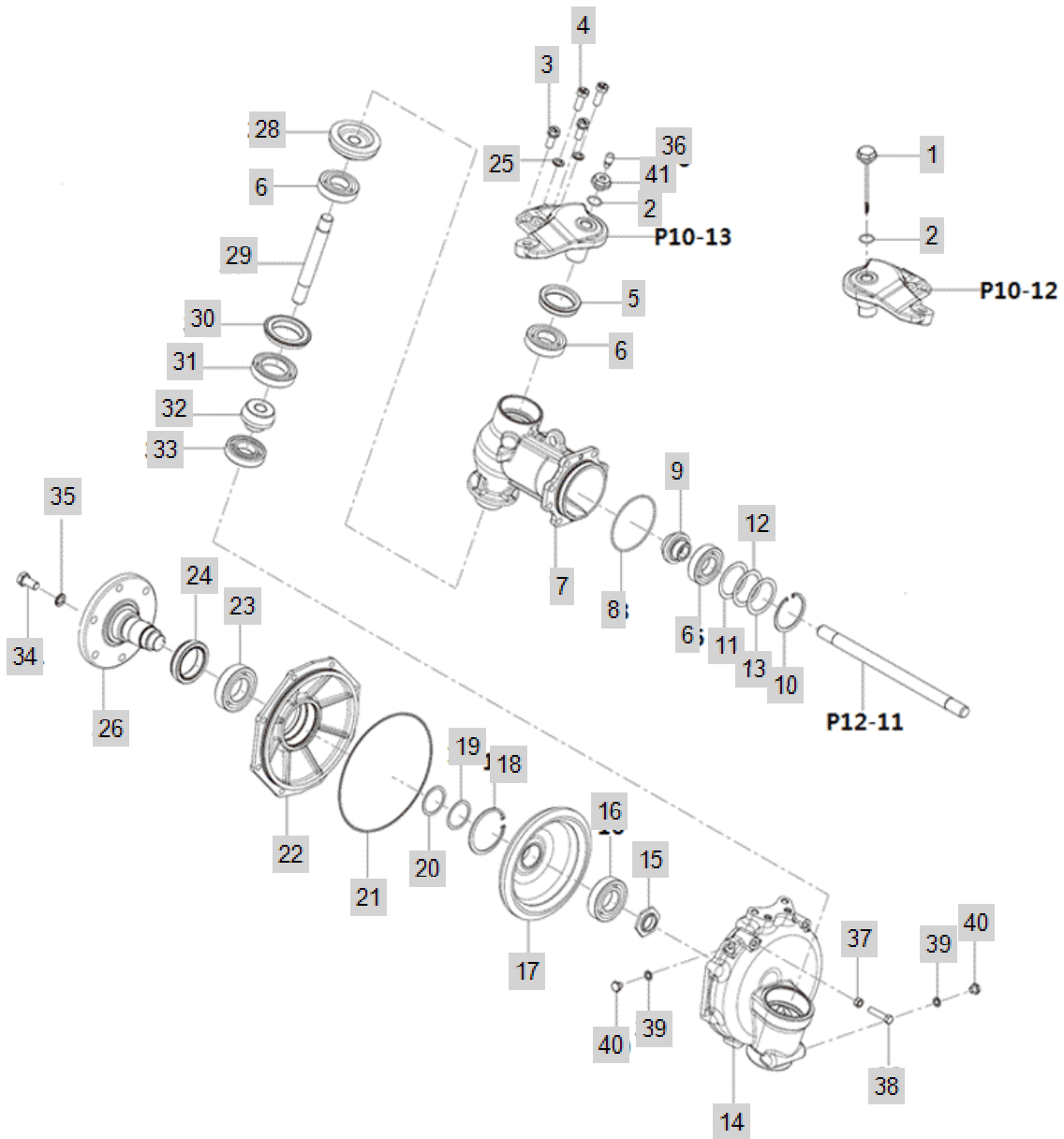


FIG C019-2		GEAR CASE, FRONT AXLE			Year/Month
4225C					2020/01
KeyNo.	Part Number	Part Name	Quantity	Other	
1	TA00033805A	OIL GUAGE	1		
2	24311-000220	O-RING, DYNAMIC (Φ22)	2		
3	TA00033468A	BOLT W/ WASHER	4		
4	TA00033475A	RIMER BOLT	4		
5	FE78010000A	SEAL,OIL -> FE78010000B	2		
6	24101-062074	BALL BEARING (#6207)	6		
7	TA00033457C	CASE, FRONT GEAR	2		
8	24321-001050	O-RING	2		
9	TA00033461A	PINION, FRONT 1ST SHAFT	2		
10	22252-000720	RING, CIRCLIP (Φ 72)	2		
11	TA00033489A	SHIM 0.2T	2		
12	TA00033488A	SHIM 0.3T	2		
13	TA00033487A	SHIM 0.5T	2		
14	TA00033458B	GEAR BOX, FRONT	2		
15	TA00033481A	LOCK NUT	2		
16	24101-062084	Bearing, Ball (#6208)	2		
17	TA00033474A	GEAR, BEVEL 49T	2		
18	22252-000850	RING, CIRCLIP (Φ 85)	2		
19	TA00033486A	SHIM 0.2T	1		
20	TA00033485A	SHIM 0.5T	1		
21	TA00033939A	O RING	2		
22	TA00033459B	BEARING CASE, FRONT	1		
23	24101-062094	BALL BEARING (#6209)	2		
24	TA00041359A	OILSEAL	2		
25	22217-120000	WASHER, SPRING (Φ 12)	2		
26	TA00033460A	SPINDLE, FRONT	2		
27	TA00033469A	BOLT W/ WASHER	16		
28	TA00033463A	FRONT 2ND AXLE LH	2		
29	TA00033464A	FRONT 2ND SHAFT	2		
30	TC60110000A3	SEAL	2		
31	24101-060104	Bearing, Ball (#6010)	2		
32	TA00033473A	GEAR, BEVEL 11T	2		
33	TC60340000A4	BEARING(TM207C3)	2		
34	TD23120000A4	BOLT	12		
35	22217-140000	WASHER, SPRING (Φ 14)	12		
36	TA00049842A	AIR BREATHER	1		
37	26716-100001	NUT	2		
38	26112-100452	BOLT	2		
39	22190-100000	WASHER	4		
40	23887-100002	SCREW,HEXAGONHEADCAP	1		
41	TA00049843A	ADAPTHER	4		

FIG C019-3

GEAR CASE, FRONT AXLE(2019.03~)

Year/Month

4225C

2020/01

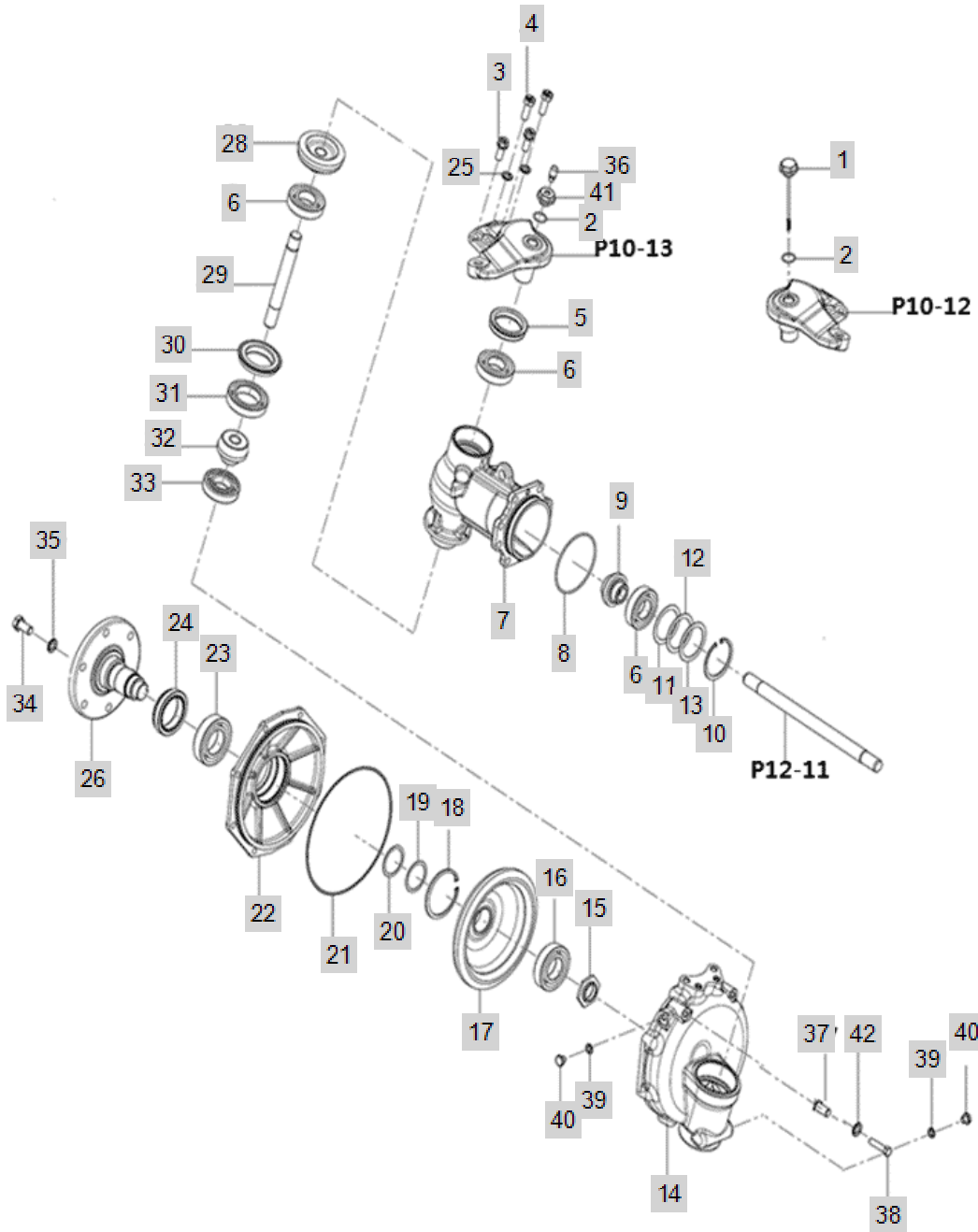


FIG C019-3		GEAR CASE, FRONT AXLE(2019.03~)			Year/Month
4225C					2020/01
KeyNo.	Part Number	Part Name	Quantity	Other	
1	TA00033805A	OIL GUAGE	1		
2	24311-000220	O-RING, DYNAMIC (Φ22)	2		
3	TA00033468A	BOLT W/ WASHER	4		
4	TA00033475A	RIMER BOLT	4		
5	FE78010000A	SEAL,OIL -> FE78010000B	2		
6	24101-062074	BALL BEARING (#6207)	6		
7	TA00033457C	CASE, FRONT GEAR	2		
8	24321-001050	O-RING	2		
9	TA00033461A	PINION, FRONT 1ST SHAFT	2		
10	22252-000720	RING, CIRCLIP (Φ 72)	2		
11	TA00033489A	SHIM 0.2T	2		
12	TA00033488A	SHIM 0.3T	2		
13	TA00033487A	SHIM 0.5T	2		
14	TA00033458B	GEAR BOX, FRONT	2		
15	TA00033481A	LOCK NUT	2		
16	24101-062084	Bearing, Ball (#6208)	2		
17	TA00033474A	GEAR, BEVEL 49T	2		
18	22252-000850	RING, CIRCLIP (Φ 85)	2		
19	TA00033486A	SHIM 0.2T	1		
20	TA00033485A	SHIM 0.5T	1		
21	TA00033939A	O RING	2		
22	TA00033459B	BEARING CASE, FRONT	1		
23	24101-062094	BALL BEARING (#6209)	2		
24	TA00041359A	OILSEAL	2		
25	22217-120000	WASHER, SPRING (Φ 12)	2		
26	TA00033460A	SPINDLE, FRONT	2		
27	TA00033469A	BOLT W/ WASHER	16		
28	TA00033463A	FRONT 2ND AXLE LH	2		
29	TA00033464A	FRONT 2ND SHAFT	2		
30	TC60110000A3	SEAL	2		
31	24101-060104	Bearing, Ball (#6010)	2		
32	TA00033473A	GEAR, BEVEL 11T	2		
33	TC60340000A4	BEARING(TM207C3)	2		
34	TD23120000A4	BOLT	12		
35	22217-140000	WASHER, SPRING (Φ 14)	12		
36	TA00049842A	AIR BREATHER	1		
37	TA00058614A	STOPER	2		
38	26112-100502		2		
39	22190-100000	WASHER	4		
40	23887-100002	SCREW,HEXAGONHEADCAP	4		
41	TA00049843A	ADAPHER	1		
42	22217-100000	WASHER, SPRING (Φ 10)	2		

FIG C020

SPACER

Year/Month

4225C

2020/01

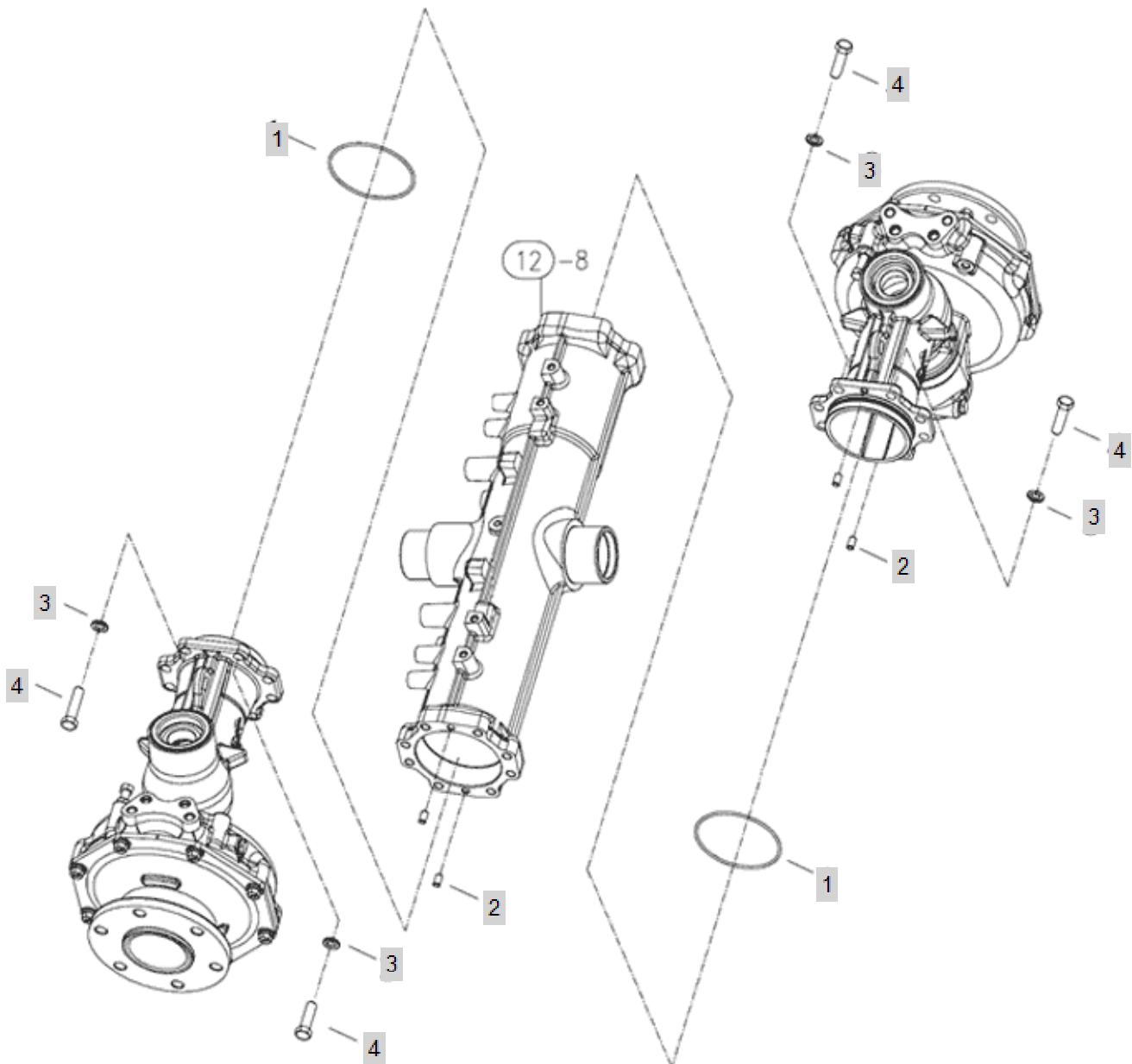


FIG C023

COVER SHAFT

Year/Month

4225C

2020/01

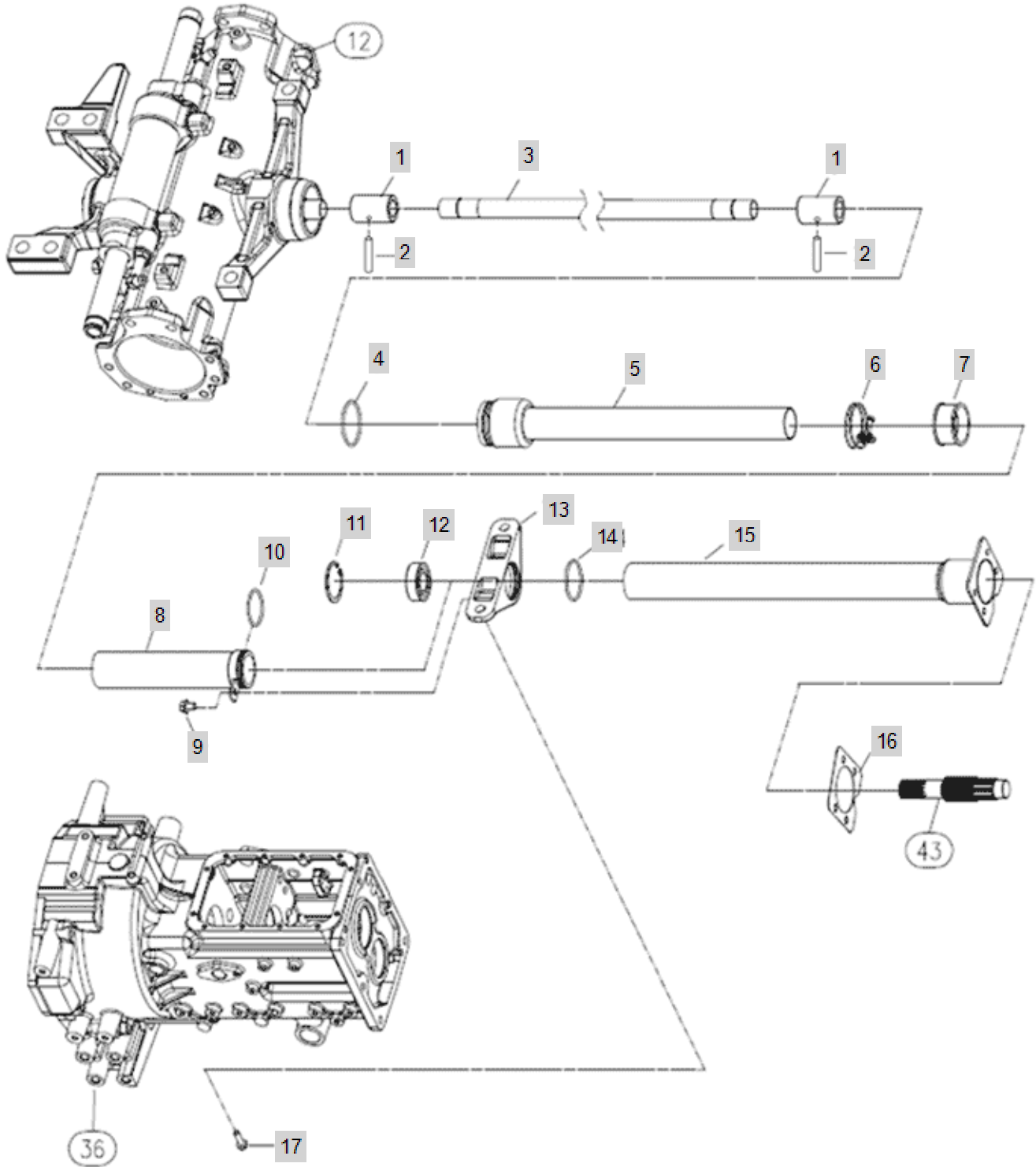


FIG C032

P.S.T CYLINDER

Year/Month

4225C

2020/01

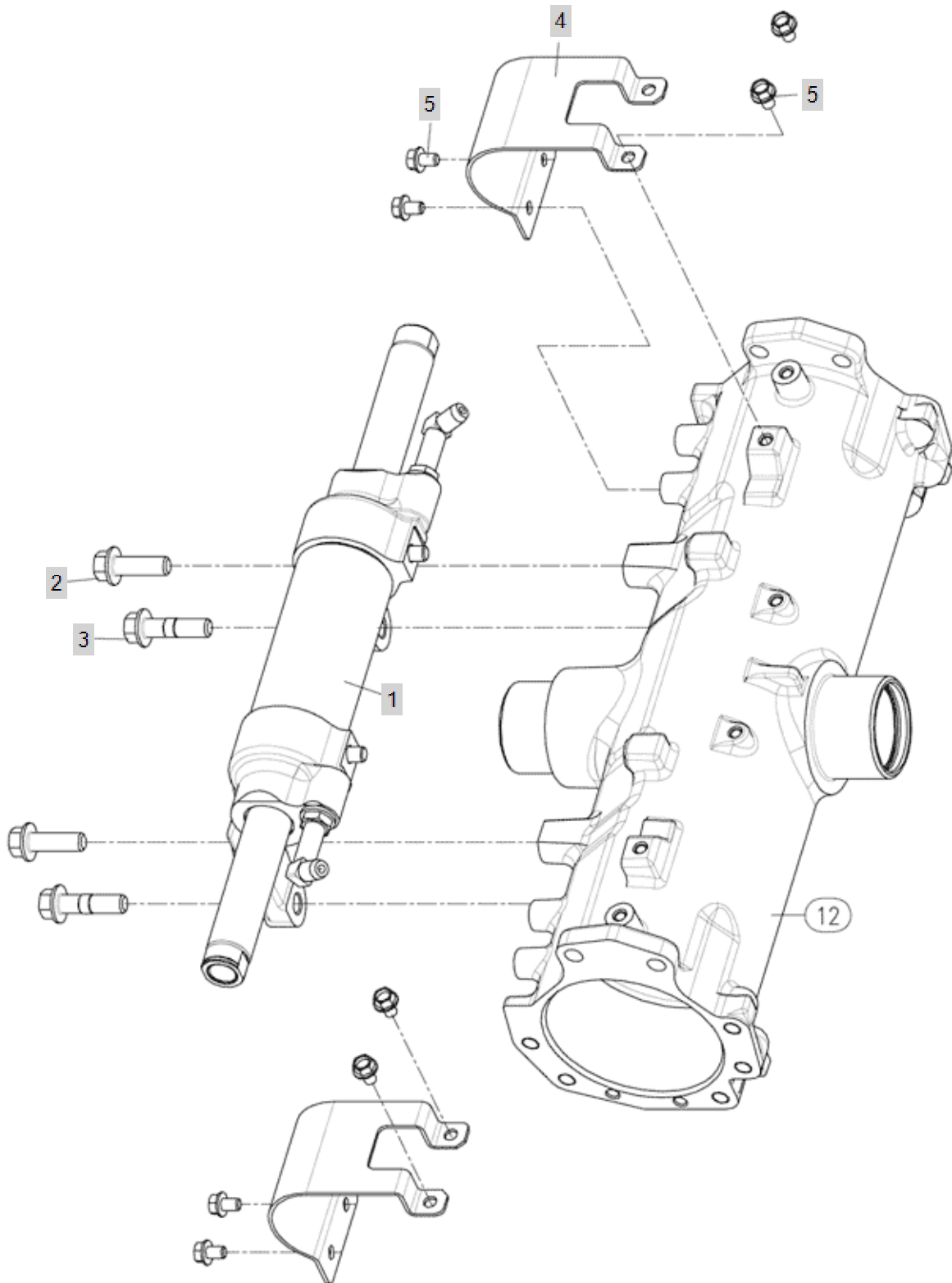


FIG C034

P.S.T PIPE

Year/Month

4225C

2020/01

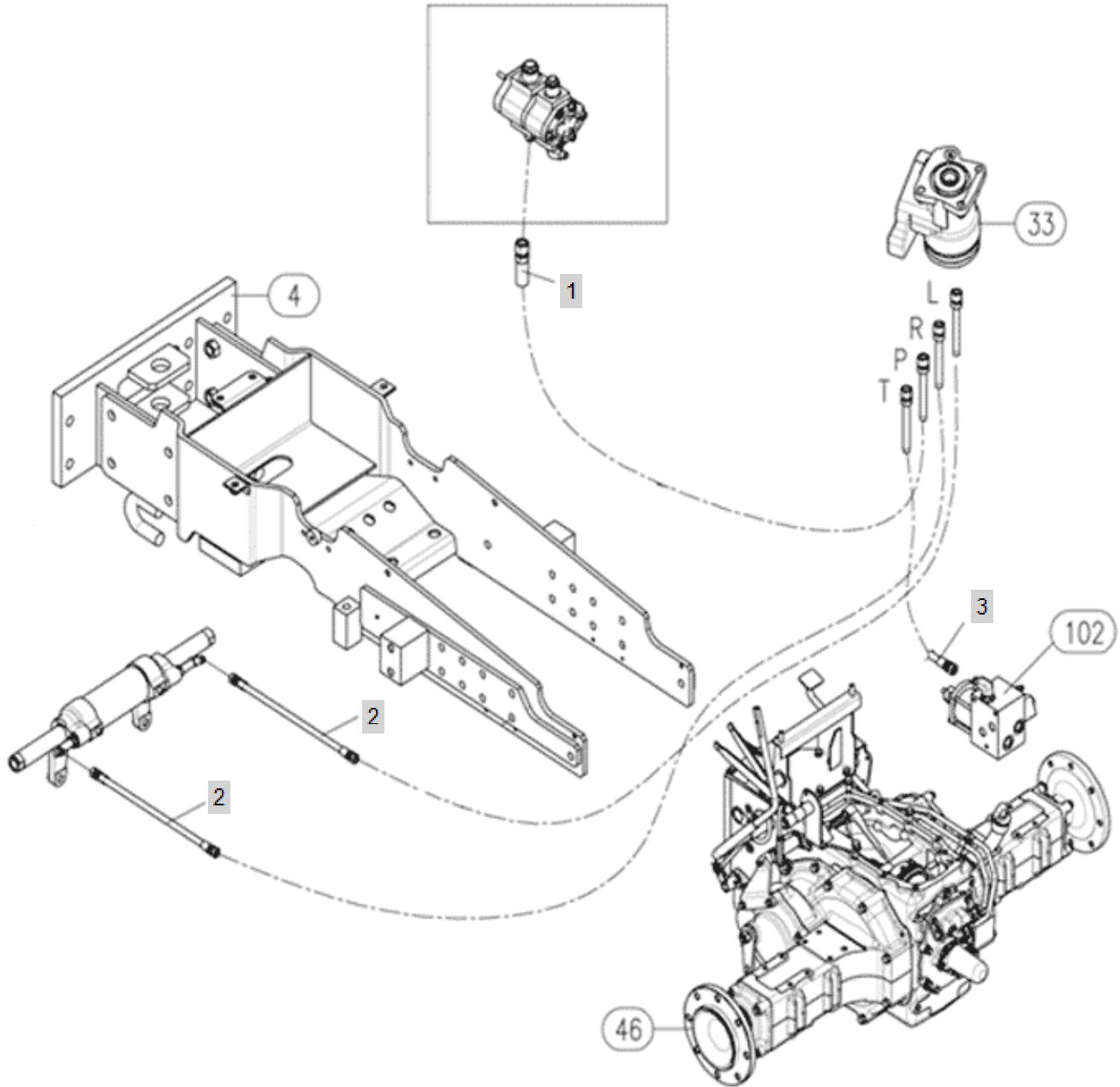


FIG C036

CLUTCH HOUSING

Year/Month

4225C

2020/01

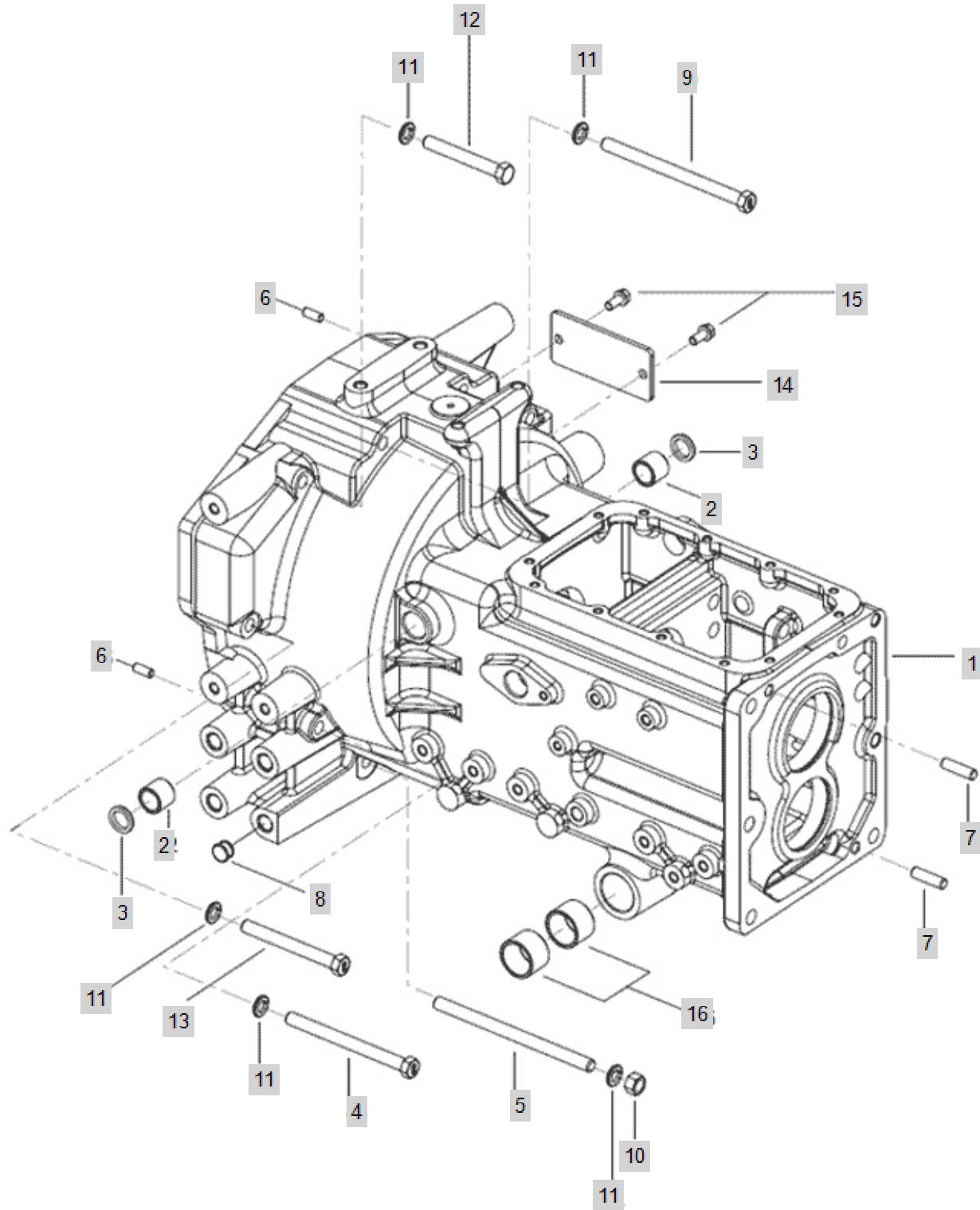


FIG C038

CLUTCH ASS'Y

Year/Month

4225C

2020/01

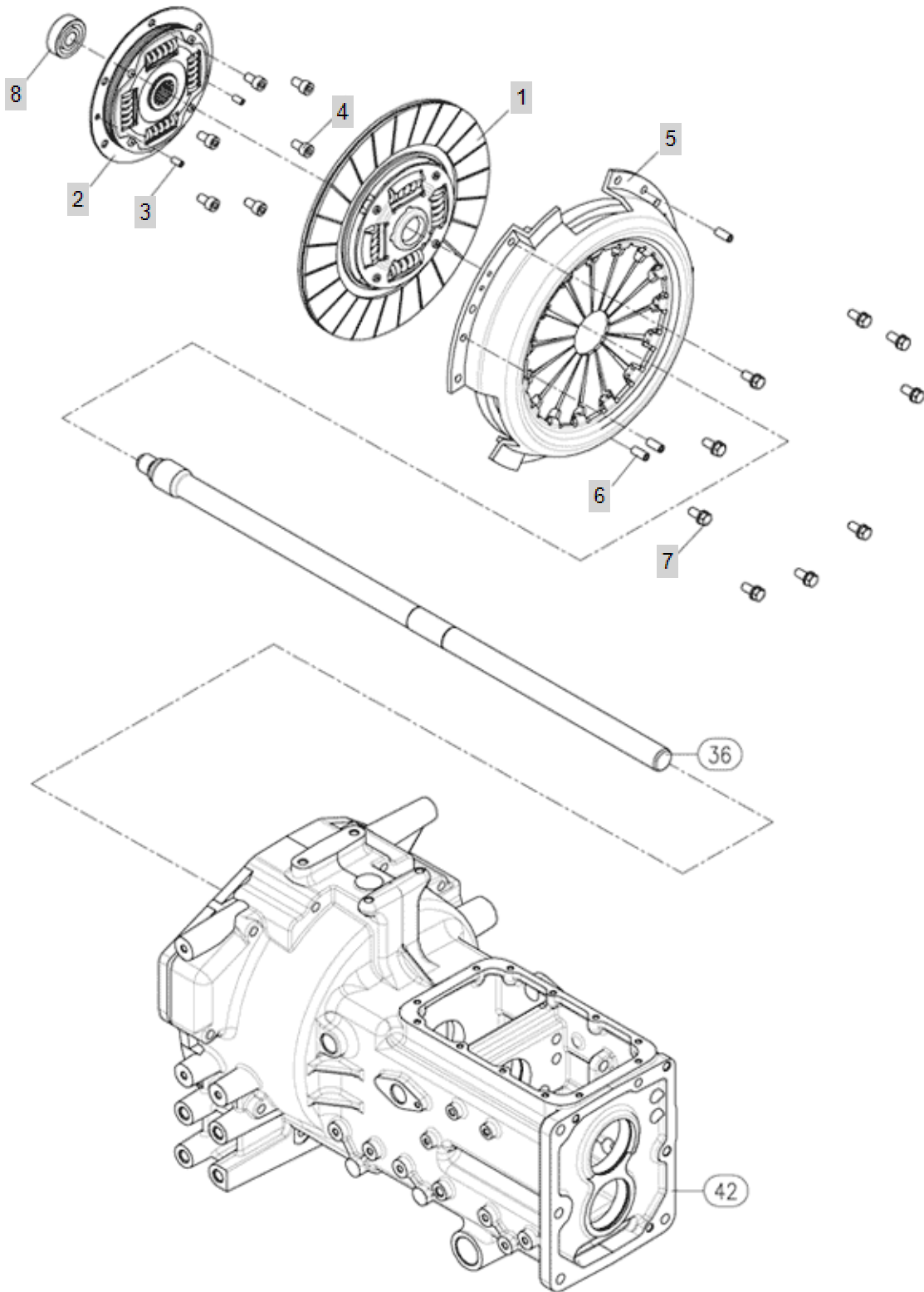


FIG C040-1

CLUTCH RELEASE

Year/Month

4225C

2020/01

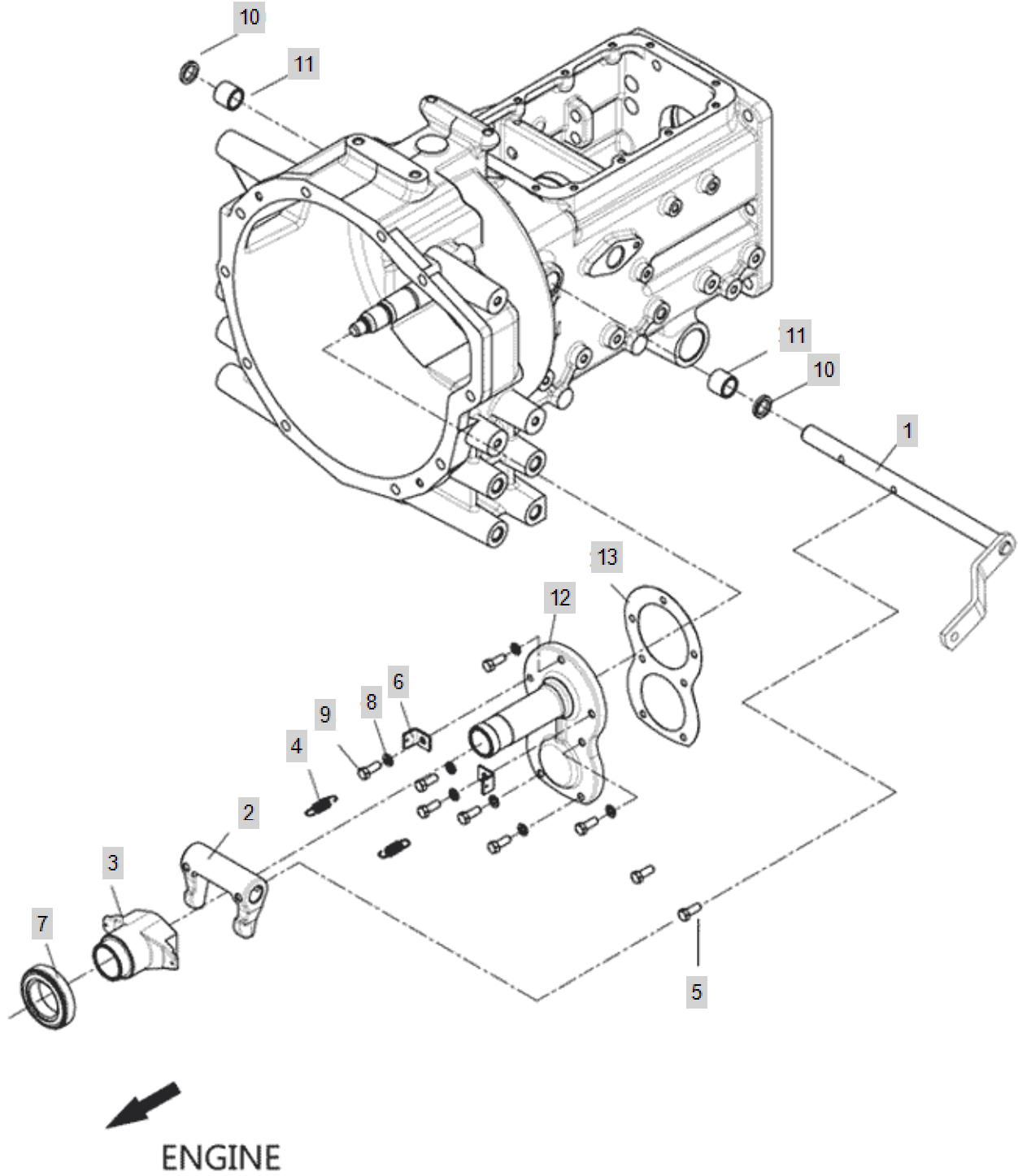


FIG C040-2

CLUTCH RELEASE(2018.12~)

Year/Month

4225C

2020/01

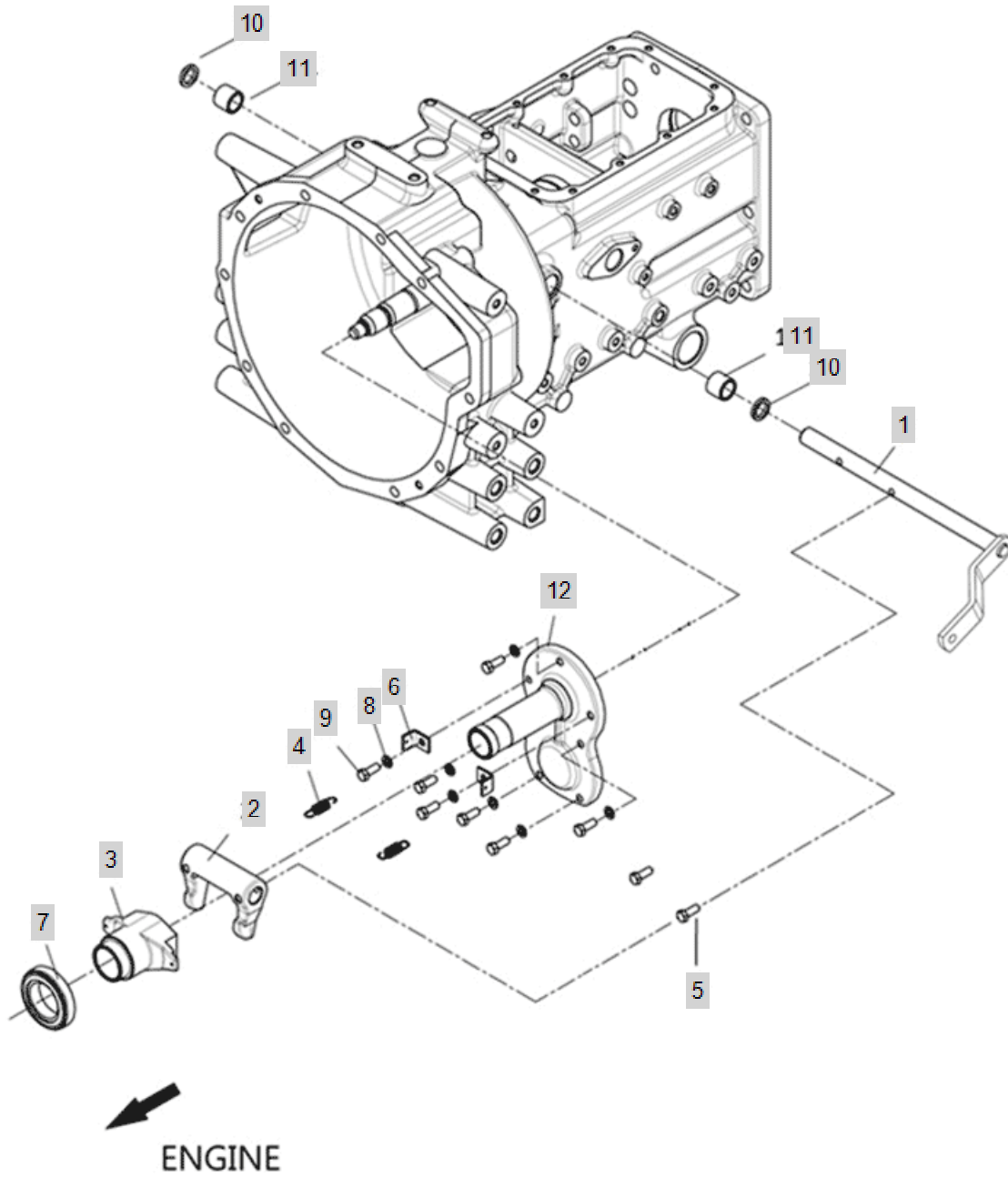


FIG C041-1

TRANSMISSION CASE SHIFT

Year/Month

4225C

2020/01

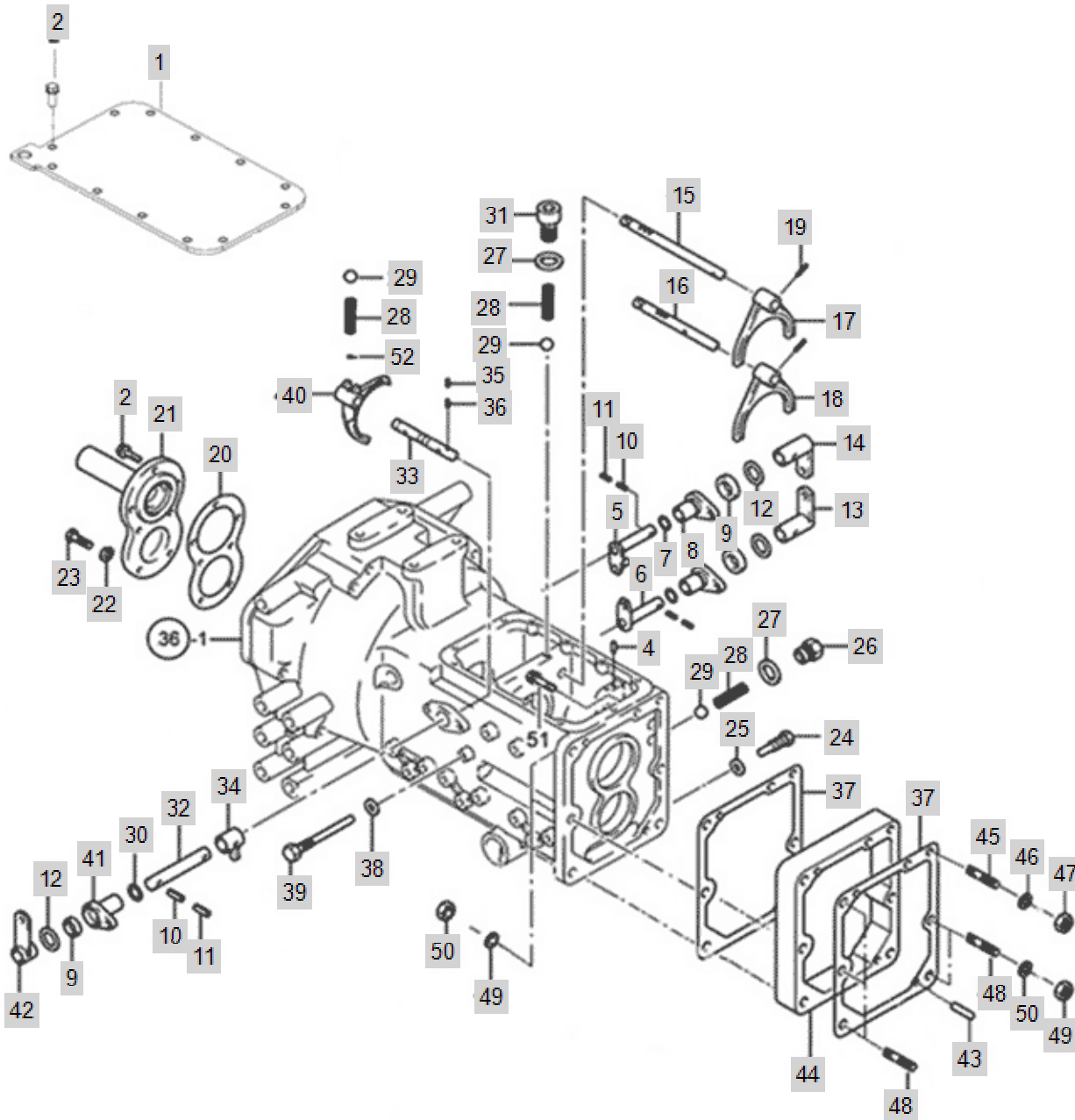


FIG C041-1		TRANSMISSION CASE SHIFT			Year/Month
4225C					2020/01
KeyNo.	Part Number	Part Name	Quantity	Other	
1	TA00047638A	MISSION COVER	1		
2	26013-080252	Bolt, Hexa (8-25)	19		
4	TN41070000A4	PIN	1		
5	NT41080000A4	LEVER3-4	1		
6	NT41600000A4	LEVER[1ST-2ND],MAINSHIFT	1		
7	24311-000210	O-RING, DYNAMIC (Φ21)	3		
8	TN41100000A4	HOLDERMAINSHIFT	2		
9	24421-173007	Seal, Oil (#17-30-07)	3		
10	22351-080028	PIN, SPRING (8-28)	2		
11	22351-050028	PIN, SPRING (5-02)	2		
12	TT65120000A4	COLLARB	3		
13	NT41130000B4	ARM(3-4), MAIN SHIFT	1		
14	NT41140000A4	ARM(1-2),MAINSHIFT	1		
15	NT41150000A3	FORKSHAFT[3-4],MAINSHIFT	1		
16	NT41160000A3	FORKSHAFT(1-2),MAINAHIFT	1		
17	TN41170000C3	FORK1ST~2ND,MAINSHIFT	1		
18	TN41180000C3	FORK3-4MAINSHAFT	1		
19	22351-060030	PIN, SPRING (6-30)	2		
20	TZ41200000A3	PACKING	1		
21	NT41580000A2	oil seal case	1		
22	22217-080000	WASHER, SPRING (Φ 08)	5		
23	26116-080222	BOLT7T(8X22)	5		
24	TN41250000A4	FIXINGBOLT	1		
25	23414-100000	PLAIN WASHER (D10)	1		
26	NT41270000A4	CAPBOLT	1		
27	23414-160000	WASHER,SEALING	2		
28	TT42020000A4	SPRING	3		
29	24190-100001	Ball, Steel (5/16)	3		
30	24311-000110	O-RING, DYNAMIC (Φ11)	1		
31	23871-010000	PLUG	1		
32	NT41350000A4	SHAFTSHUTTLECHANGE	1		
33	TA00047196A	SHAFT,SHUTTLE FORK	1		
34	NT41380000A4	LEVERSHUTTLESHAFT	1		
35	22351-060025	PIN, SPRING (6-25)	2		
36	22351-080028	PIN, SPRING (8-28)	1		
37	TZ41440000B4	PACKING	2		
38	23414-080000	WASHER, PLAIN (Φ8)	1		
39	NT41460000A4	BOLT	1		
40	TN41490000B3	FORK, SHUTTLE SHIFT	1		
41	NT41540000A4	HOLDER,SHUTTLESHIFT	1		
42	NT41550000C4	LINKC,SHUTTLE	1		
43	NT41430000A4	PARALLEL PIN	2		
44	NT36200000C	SPACE(TRANSMISSION)	1		
45	26216-120952	BOLT	1		
46	22217-120000	WASHER, SPRING (Φ 12)	1		

FIG C041-2

TRANSMISSION CASE SHIFT

Year/Month

4225C

2020/01

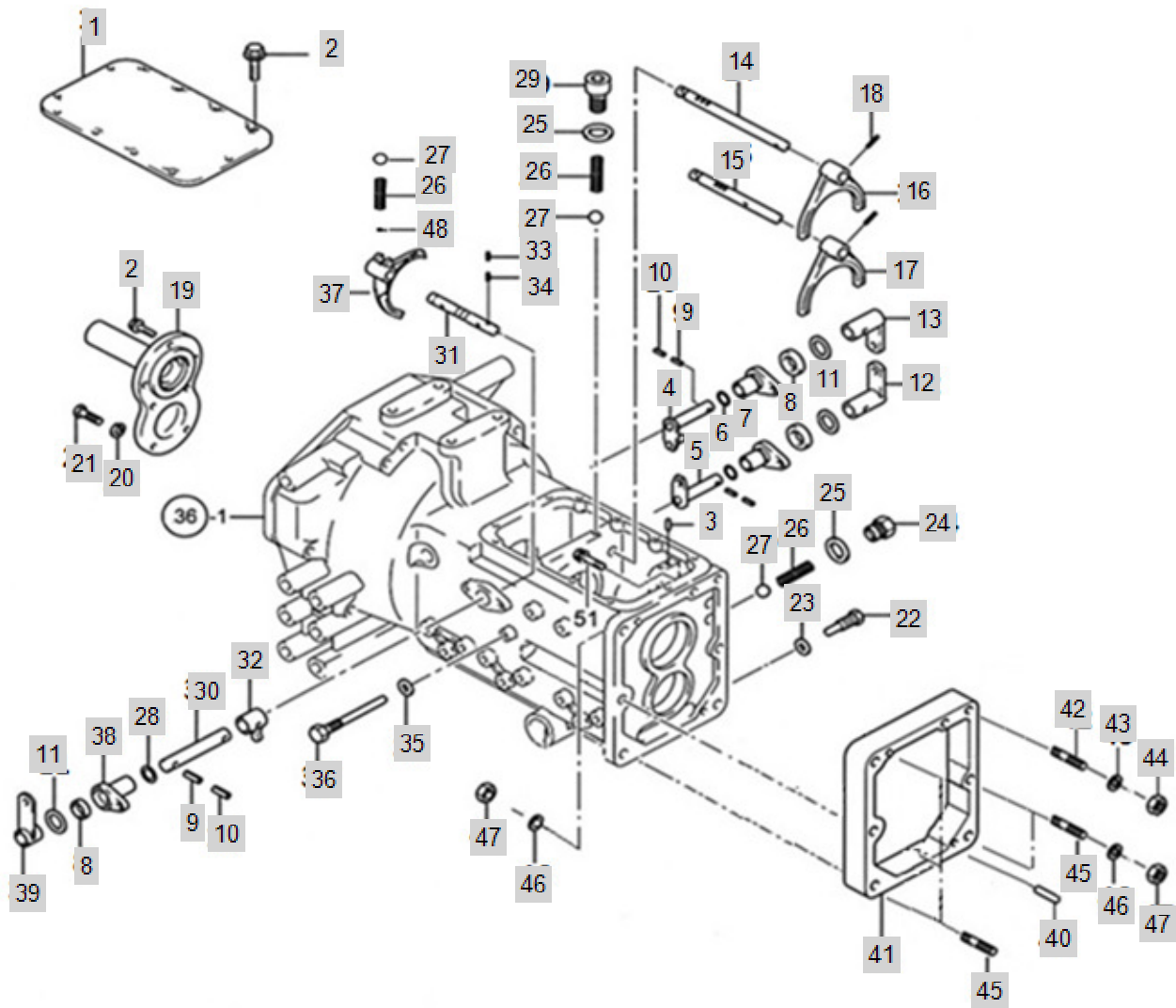


FIG C041-2		TRANSMISSION CASE SHIFT			Year/Month
4225C					2020/01
KeyNo.	Part Number	Part Name	Quantity	Other	
1	NT41010000C3	UPPERCOVER,T/M	1		
2	26013-080252	Bolt, Hexa (8-25)	19		
3	TN41070000A4	PIN	1		
4	NT41080000A4	LEVER3-4	1		
5	NT41600000A4	LEVER[1ST-2ND],MAINSHIFT	1		
6	24311-000210	O-RING, DYNAMIC (Φ21)	3		
7	TN41100000A4	HOLDERMAINSHIFT	2		
8	24421-173007	Seal, Oil (#17-30-07)	3		
9	22351-080028	PIN, SPRING (8-28)	2		
10	22351-050028	PIN, SPRING (5-02)	2		
11	TT65120000A4	COLLARB	3		
12	NT41130000B4	ARM(3-4), MAIN SHIFT	1		
13	NT41140000A4	ARM(1-2),MAINSHIFT	1		
14	NT41150000A3	FORKSHAFT[3-4],MAINSHIFT	1		
15	NT41160000A3	FORKSHAFT(1-2),MAINAHIFT	1		
16	TN41170000C3	FORK1ST~2ND,MAINSHIFT	1		
17	TN41180000C3	FORK3-4MAINSHAFT	1		
18	22351-060030	PIN, SPRING (6-30)	2		
19	NT41580000A2	oil seal case	1		
20	22217-080000	WASHER, SPRING (Φ 08)	5		
21	26116-080222	BOLT7T(8X22)	5		
22	TN41250000A4	FIXINGBOLT	1		
23	23414-100000	PLAIN WASHER (D10)	1		
24	NT41270000A4	CAPBOLT	1		
25	23414-160000	WASHER,SEALING	2		
26	TT42020000A4	SPRING	3		
27	24190-100001	Ball, Steel (5/16)	3		
28	24311-000110	O-RING, DYNAMIC (Φ11)	1		
29	23871-010000	PLUG	1		
30	NT41350000A4	SHAFTSHUTTLECHANGE	1		
31	TA00047196A	SHAFT,SHUTTLE FORK	1		
32	NT41380000A4	LEVERSHUTTLESHAFT	1		
33	22351-060025	PIN, SPRING (6-25)	2		
34	22351-080028	PIN, SPRING (8-28)	1		
35	23414-080000	WASHER, PLAIN (Φ8)	1		
36	NT41460000A4	BOLT	1		
37	TN41490000C3	FORK,SHUTTLE	1		
38	NT41540000A4	HOLDER,SHUTTLESHIFT	1		
39	NT41550000C4	LINKC,SHUTTLE	1		
40	NT41430000A4	PARALLEL PIN	2		
41	NT36200000E3		1		
42	26216-120952	BOLT	1		
43	22217-120000	WASHER, SPRING (Φ 12)	1		
44	26716-120002	BOLT,CYLINDER HEAD(B)	1		
45	26216-140952	STUD BOLT	5		

FIG C042-1

MAIN REVERSER GEAR

Year/Month

4225C

2020/01

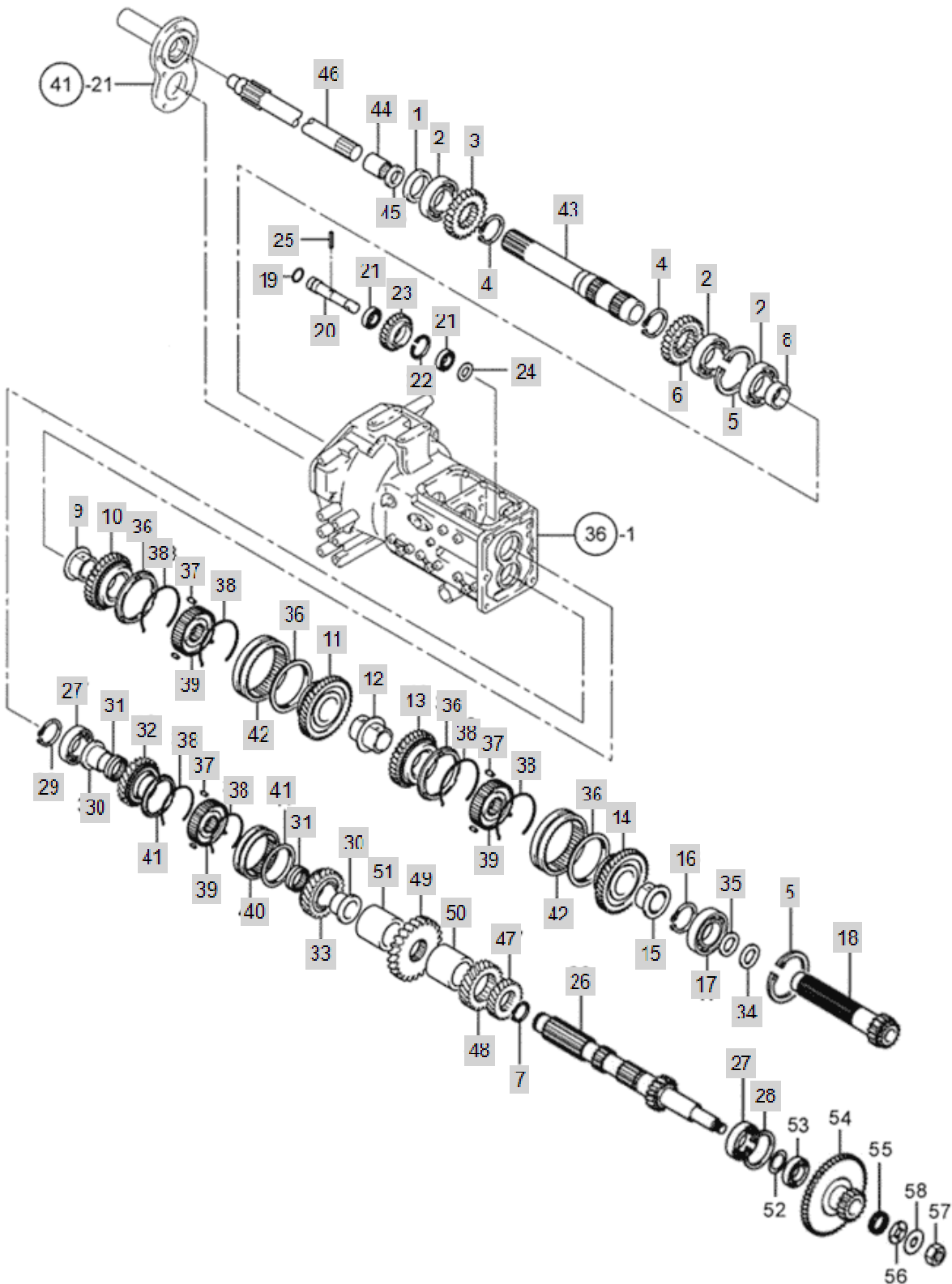


FIG C042-1		MAIN REVERSER GEAR			Year/Month
4225C					2020/01
KeyNo.	Part Number	Part Name	Quantity	Other	
1	NT42010000A4	OILSEAL	1		
2	24101-062084	Bearing, Ball (#6208)	3		
3	TN42030000A3	GEARREVERSER26T	1		
4	22242-000450	SNAP RING, SHAFT (Φ 45)	2		
5	22252-000800	RING, CIRCLIP (Φ 80)	2		
6	TN42060000A3	GEAR, FORWARD	1		
7	22242-000350	SNAP RING, SHAFT (Φ 35)	1		
8	TN42090000B4	BUSH	1		
9	TN42100000B4	BUSHA, GUIDE	1		
10	TN42950000A3	4SHIFT_GEAR(32T)	1		
11	TN42960000A3	3RDGEAR37T	1		
12	TN42180000B4	HUSHB, GUIDE	1		
13	TN42970000A3	GEAR 41T	1		
14	TN42980000A3	GEAR 1ST.43T	1		
15	TN42210000B4	BUSHC	1		
16	22292-000350	RING, CIRCLIP (Φ 35)	1		
17	24101-063074	Bearing, Ball (#6307)	1		
18	TA00055279A	MAIN GEAR SHAFT	1		
18-1	TN42240000C2	GUIDE SHAFT, MAINSHIFT GEAR	1	DELETE	
19	24311-000200	O-RING, DYNAMIC (Φ20)	1		
20	TN42260000B3	IDLE SHAFT, REVERSE	1		
21	24101-060044	Bearing, Ball (#6004)	2		
22	22252-000420	RING, CIRCLIP (Φ 42)	1		
23	TN42300000A3	REVERSERGEARIDLE	1		
24	TN42310000B4	COLLAR	1		
25	22351-060030	PIN, SPRING (6-30)	1		
26	NT42350000A2	COUNTERSHAFTA'SSY	1		
27	24101-063064	Bearing, Ball (#6306)	2		
28	22252-000720	RING, CIRCLIP (Φ 72)	1		
29	22242-000300	SNAP RING, SHAFT (Φ 30)	1		
30	TN42480000A4	BUSH D, GUIDE	2		
31	24161-404527	NEEDLEBEARING	2		
32	TN42500000E3	REVERSE GEAR 30T	1		
33	TN42510000E3	GEAR, FORWARD 32T	1		
34	TT18050000A4	SHIMA	1		
35	TT18060000A4	SHIMB	1		
36	TN42640000A2	RING, SYNCHRO.	4		
37	TN42650000A9	PIECE	9		
38	TN42660000A9	SPRING	6		
39	TN42670000A3	HUB	3		
40	TN42680000A9	SLEEVE	1		
41	TN42690000A9	SYNCHRO.RINGASS'Y	2		
42	TN42700000B2	SLEEVE	2		
43	NT42830000A3	main shaft(outer)	1		
44	24550-020120	DRYBUSH	1		

FIG C042-2

MAIN REVERSER GEAR

Year/Month

4225C

2020/01

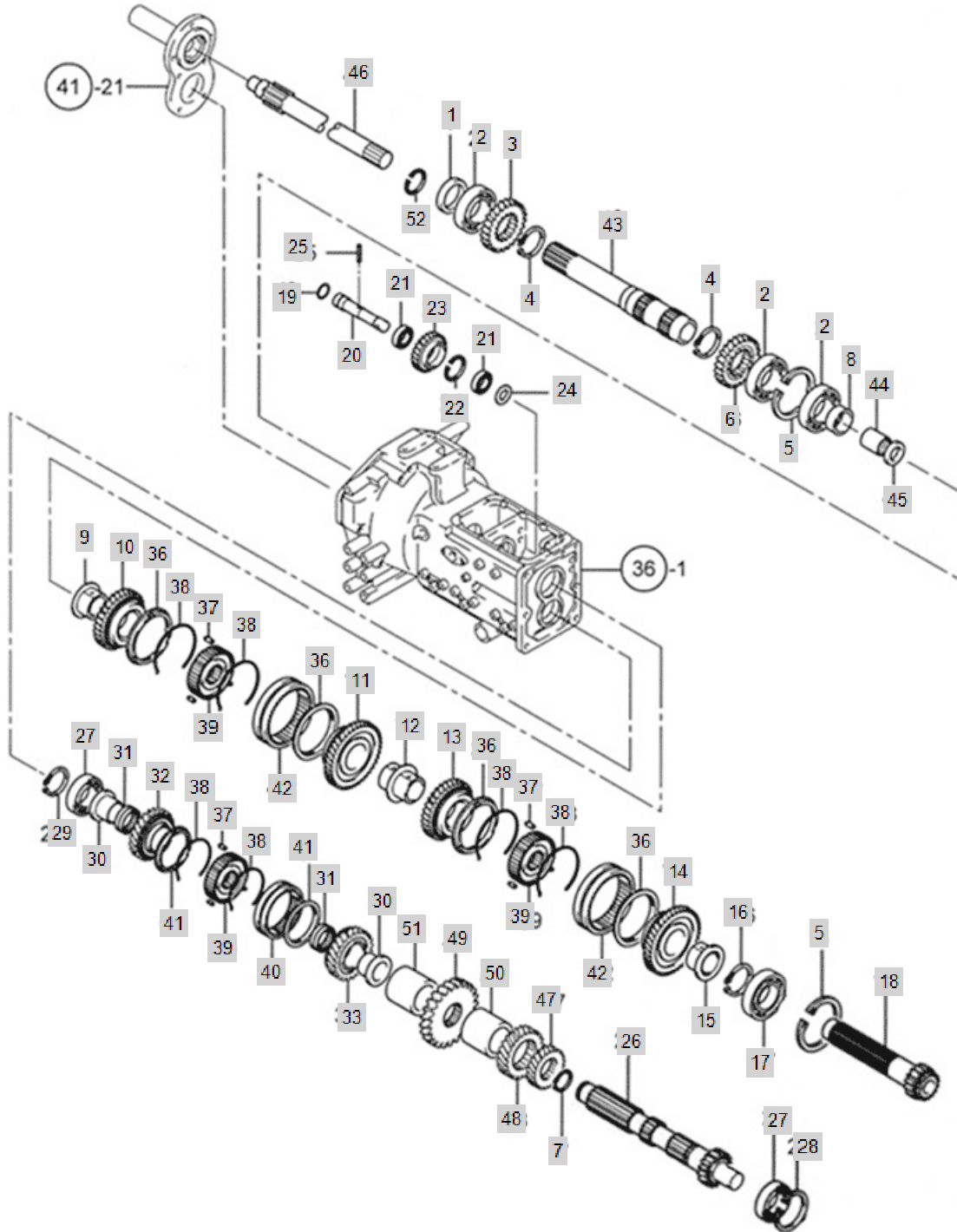


FIG C042-2		MAIN REVERSER GEAR			Year/Month
4225C					2020/01
KeyNo.	Part Number	Part Name	Quantity	Other	
1	NT42010000A4	OILSEAL	1		
2	24101-062084	Bearing, Ball (#6208)	3		
3	TN42030000A3	GEARREVERSER26T	1		
4	22242-000450	SNAP RING, SHAFT (Φ 45)	2		
5	22252-000800	RING, CIRCLIP (Φ 80)	2		
6	TN42060000A3	GEAR, FORWARD	1		
7	22242-000350	SNAP RING, SHAFT (Φ 35)	1		
8	TN42090000B4	BUSH	1		
9	TN42100000B4	BUSHA, GUIDE	1		
10	TN42950000A3	4SHIFT_GEAR(32T)	1		
11	TN42960000A3	3RDGEAR37T	1		
12	TN42180000B4	HUSHB, GUIDE	1		
13	TN42970000A3	GEAR 41T	1		
14	TN42980000A3	GEAR 1ST.43T	1		
15	TN42210000B4	BUSHC	1		
16	22292-000350	RING, CIRCLIP (Φ 35)	1		
17	24101-063074	Bearing, Ball (#6307)	1		
18	TA00055279A	MAIN GEAR SHAFT	1		
18-1	TN42240000C2	GUIDE SHAFT, MAINSHIFT GEAR	1	DELETE	
19	24311-000200	O-RING, DYNAMIC (Φ20)	1		
20	TN42260000B3	IDLE SHAFT, REVERSE	1		
21	24101-060044	Bearing, Ball (#6004)	2		
22	22252-000420	RING, CIRCLIP (Φ 42)	1		
23	TN42300000A3	REVERSERGEARIDLE	1		
24	TN42310000B4	COLLAR	1		
25	22351-060030	PIN, SPRING (6-30)	1		
26	NT42350000A2	COUNTERSHAFTA'SSY	1		
27	24101-063064	Bearing, Ball (#6306)	2		
28	22252-000720	RING, CIRCLIP (Φ 72)	1		
29	22242-000300	SNAP RING, SHAFT (Φ 30)	1		
30	TN42480000A4	BUSH D, GUIDE	2		
31	24161-404527	NEEDLEBEARING	2		
32	TN42500000E3	REVERSE GEAR 30T	1		
33	TN42510000E3	GEAR, FORWARD 32T	1		
34	TT18050000A4	SHIMA	1		
35	TT18060000A4	SHIMB	1		
36	TN42640000A2	RING, SYNCHRO.	4		
37	TN42650000A9	PIECE	9		
38	TN42660000A9	SPRING	6		
39	TN42670000A3	HUB	3		
40	TN42680000A9	SLEEVE	1		
41	TN42690000A9	SYNCHRO.RINGASS'Y	2		
42	TN42700000B2	SLEEVE	2		
43	NT42830000A3	main shaft(outer)	1		
44	24550-020120	DRYBUSH	1		

FIG C043

FRONT DRIVE, RANGE SHIFT GEAR

Year/Month

4225C

2020/01

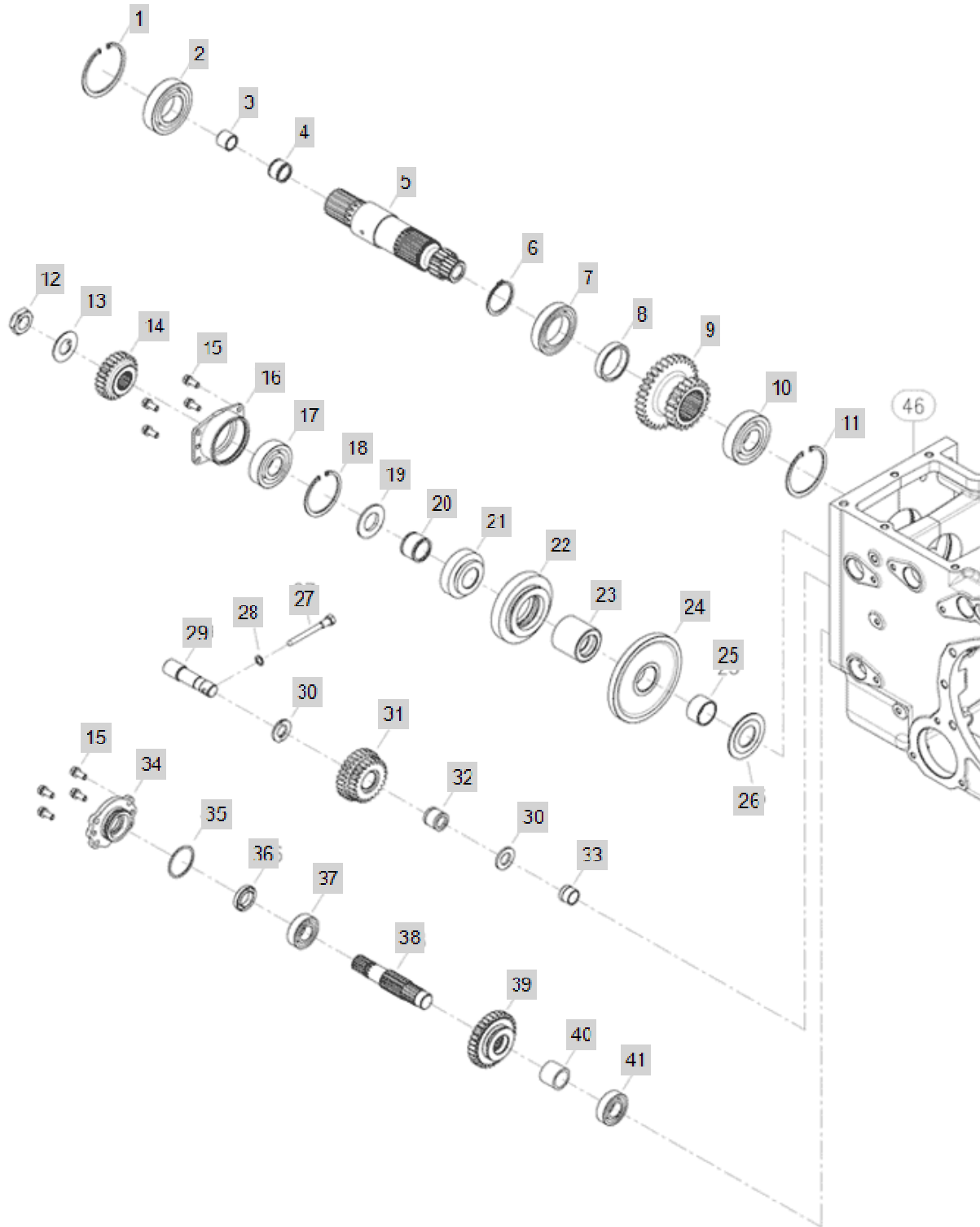


FIG C043		FRONT DRIVE, RANGE SHIFT GEAR			Year/Month
4225C					2020/01
KeyNo.	Part Number	Part Name	Quantity	Other	
1	22242-000500	SNAP RING, SHAFT (Φ50)	1		
2	24101-062094	BALL BEARING (#6209)	1		
3	TN45180000A4	BUSH,BEARING	1		
4	24161-253020	Bearing, Needle (#25-30-20)	1		
5	TN43040000A3	GEAR16RANGESHIFT	1		
6	22242-000500	SNAP RING, SHAFT (Φ50)	1		
7	24101-060104	Bearing, Ball (#6010)	1		
8	TN43060000A4	COLLAR	1		
9	TA00031461A	GEAR2ND3RDRANGESHIFT	1		
10	24101-063074	Bearing, Ball (#6307)	1		
11	22252-000800	RING, CIRCLIP (Φ 80)	1		
12	TN43110000A4	LOCKNUT	1		
13	TT57020000A4	WASHER	1		
14	TN43130000A3	GEAR25FRONTDRIVE	1		
15	26013-080202	Bolt, Hexa (8-20)	8		
16	TN43150000A3	CASEBEARING	1		
17	24101-063064	Bearing, Ball (#6306)	1		
18	22252-000720	RING, CIRCLIP (Φ 72)	1		
19	TN43190000A4	THRUSTWASHER	1		
20	24161-323827	Bearing, Needle (#32-38-27)	1		
21	TA00031460A	GEAR16,RANGE SHIFT 3RD	1		
22	TN43220000B3	GEAR 30T,RANGE SHIFT 2ND	1		
23	TN43230000B3	CALLAR	1		
24	TN43240000B3	GEAR 56T,SUB SHIFT 1ST	1		
25	TT57080000B4	BUSH	1		
26	TT57100000B4	WASHER,THRUST	1		
27	TN43330000A4	BOLT	1		
28	23414-100000	PLAIN WASHER (D10)	1		
29	TN43260000A4	SHAFT, FRONT DRIVE IDLE	1		
30	TN43270000A4	THRUSTWASHER	2		
31	TN43290000A3	GEARFRONTDRUVEIDLE	1		
32	24161-202825	NEEDLE BEARIN (#20-28-25)	1		
33	TN43300000A4	COLLAR	1		
34	TN43350000A3	CASEOILSEAL	1		
35	TN43360000A4	O-RING	2		
36	24421-254008	Seal, Oil (#25-40-08)	1		
37	24101-062054	Bearing, Ball (#6205)	1		
38	TN43390000A3	SHAFTFRONTDRIVELINE	1		
39	TN43400000A3	GEARFRONTDRIVE	1		
40	TN43450000A4	COLLAR	1		
41	24101-062054	Bearing, Ball (#6205)	1		

FIG C044

FRONT DRIVE&RANGE SHIFT LEVER

Year/Month

4225C

2020/01

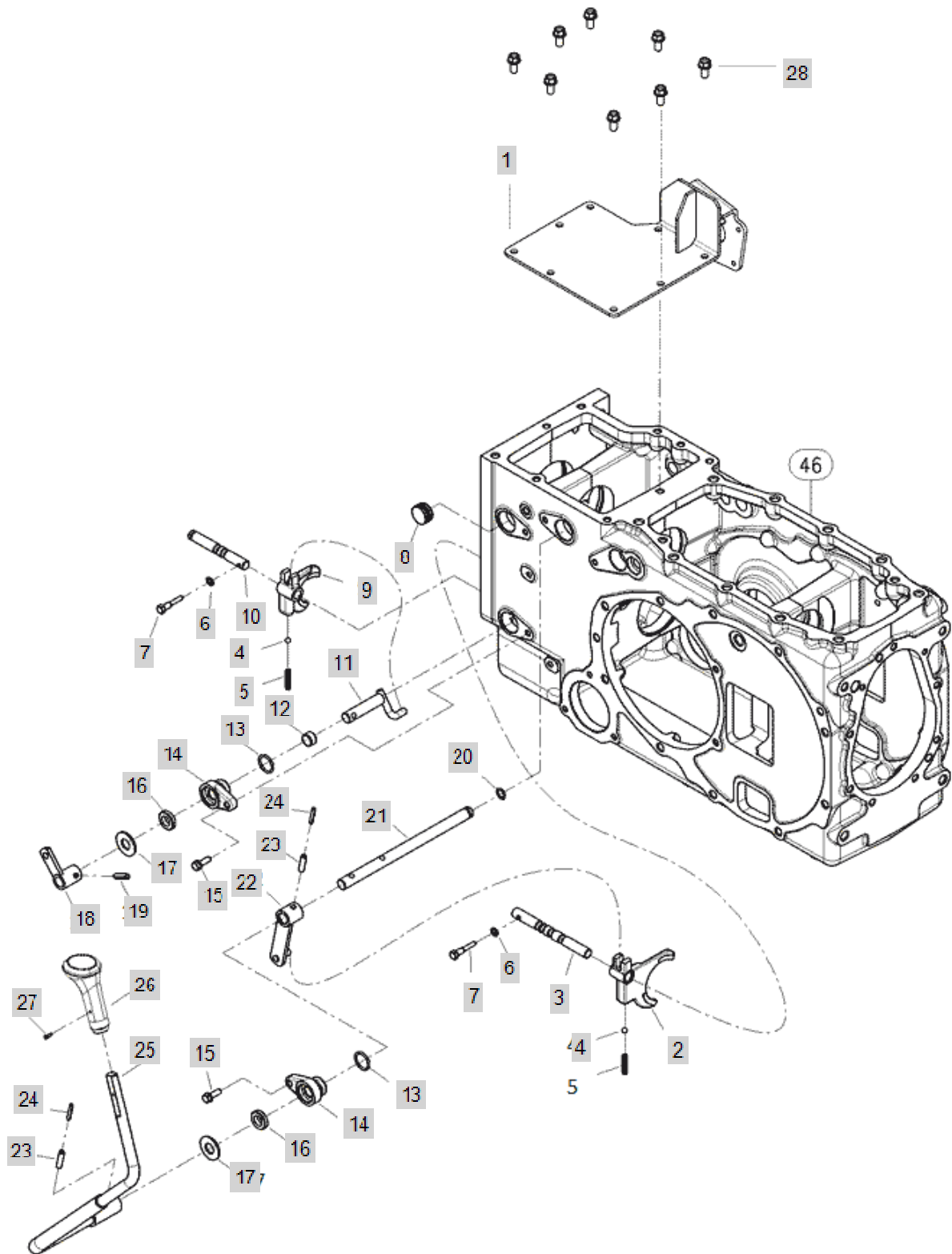


FIG C045-1

GEAR,IND PTO SPEED CHANGE

Year/Month

4225C

2020/01

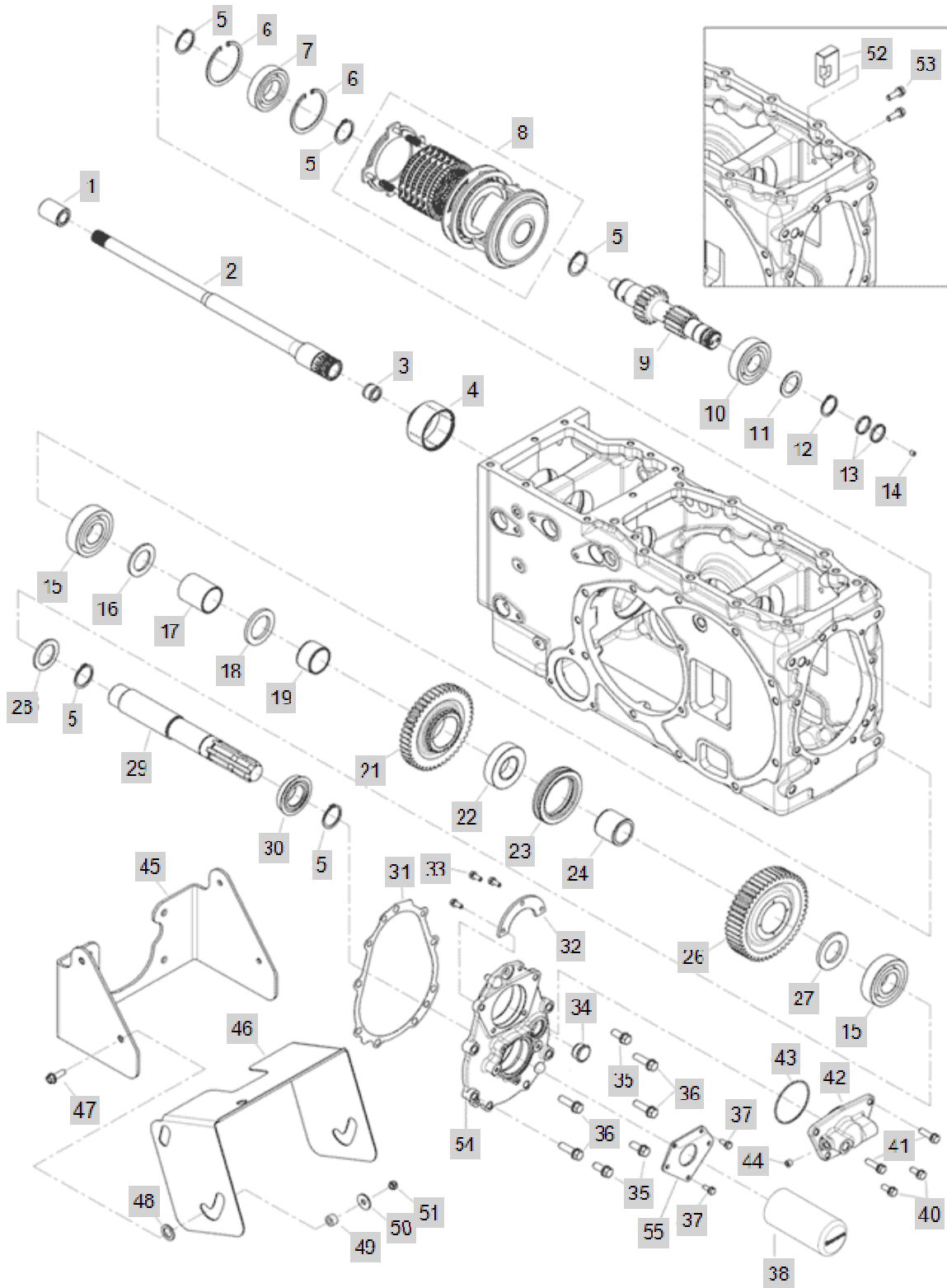


FIG C045-1		GEAR,IND PTO SPEED CHANGE			Year/Month
4225C					2020/01
KeyNo.	Part Number	Part Name	Quantity	Other	
1	TN4520000A4	JOINT	1		
2	TZ45220000C	SHAFT,P.T.O DRIVE	1		
3	24161-182417	Bearing, Needle (#18-24-17)	1		
4	NT45480000A3	PTO COUPLING	1		
5	22242-000350	SNAP RING, SHAFT (Φ 35)	5		
6	22252-000720	RING, CIRCLIP (Φ 72)	2		
7	24101-062074	BALL BEARING (#6207)	1		
8	TA00026514B	PTO CLUTCH PACK	1		
9	NT45920000A2	SHAFT, PTO SHIFT	1		
10	24101-063064	Bearing, Ball (#6306)	1		
11	TN45520000A4	COLLAR	1		
12	22242-000300	SNAP RING, SHAFT (Φ 30)	1		
13	TT64070000B4	SEAL RING	2		
14	TT64080000A4	RETAININGSCREWM7X1	1		
15	24101-063074	Bearing, Ball (#6307)	2		
16	NT45670000B4	THRUST WASHER	1		
17	NT45680000B4	SPACER	1		
18	NT45440000B4	COLLAR	1		
19	TA00033210A	NEEDLE BUSH D	2		
21	TA00033211A	GEAR 46T, PTO	1		
22	TZ45100000A3	HUB,P.T.O	2		
23	TZ45110000B4	SLEEVE,P.T.O	2		
24	TA00033209A	NEEDLE BUSH B	1		
26	TA00033212A	GEAR 49T, PTO	1		
27	TZ45140000A4	COLLAR	1		
28	TN45120000A4	WASHER	1		
29	NT45130000B3	shaft, PTO	1		
30	TT62040000A3	PTO OIL SEAL QLF35X60X19	1		
31	NT45740000A3	PACKING, PTO SHAFT HOUSING	1		
32	NT45640000A4	Bearing Cover	1		
33	26013-060162	Bolt, Hexa (6-16)	3		
34	TCA8130000A4	SIGHTGLASS -> NT45690000A4	1		
35	26013-100252	SCREW,CAPTIVEWASHERCAP	3		
36	26013-100352	Bolt, Hexa (10-35)	4		
37	26013-060162	Bolt, Hexa (6-16)	3		
38	TA00046868A	COVER, PTO	1		
40	26013-080202	Bolt, Hexa (8-20)	2		
41	26013-080302	HEX BOLT W/WASHER	2		
42	NT45620000A3	Seal Case	1		
43	24341-000700	O-RING, FIX (Φ70)	1		
44	23871-010000	PLUG	1		
45	TA00000738B	BRACKET, PTO SHAFT COVER	1		
46	TA00000739B	COVER, PTO SHAFT	1		
47	26106-080252	SCREW,HEXFLANGEHEADCAP	4		
48	FB80520000A4	RUBBER	8		

FIG C045-2

GEAR,IND PTO SPEED CHANGE

Year/Month

4225C

2020/01

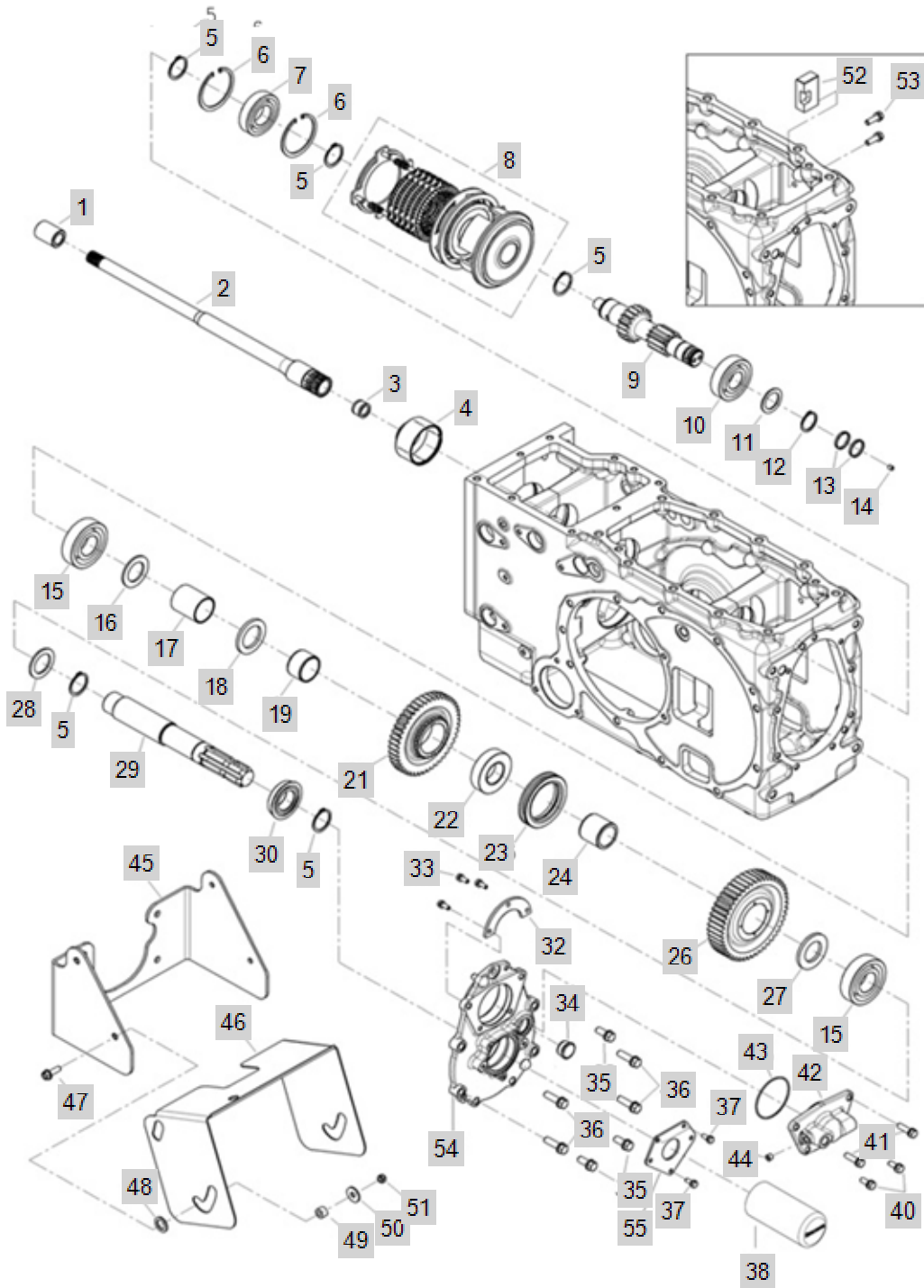


FIG C045-2		GEAR,IND PTO SPEED CHANGE			Year/Month
4225C					2020/01
KeyNo.	Part Number	Part Name	Quantity	Other	
1	TN4520000A4	JOINT	1		
2	TZ45220000C	SHAFT,P.T.O DRIVE	1		
3	24161-182417	Bearing, Needle (#18-24-17)	1		
4	NT45480000A3	PTO COUPLING	1		
5	22242-000350	SNAP RING, SHAFT (Φ 35)	5		
6	22252-000720	RING, CIRCLIP (Φ 72)	2		
7	24101-062074	BALL BEARING (#6207)	1		
8	TA00026514C	PTO CLUTCH PACK	1		
9	NT45920000A2	SHAFT, PTO SHIFT	1		
10	24101-063064	Bearing, Ball (#6306)	1		
11	TN45520000A4	COLLAR	1		
12	22242-000300	SNAP RING, SHAFT (Φ 30)	1		
13	TT64070000B4	SEAL RING	2		
14	TT64080000A4	RETAININGSCREWM7X1	1		
15	24101-063074	Bearing, Ball (#6307)	2		
16	NT45670000B4	THRUST WASHER	1		
17	NT45680000B4	SPACER	1		
18	NT45440000B4	COLLAR	1		
19	TA00033210A	NEEDLE BUSH D	2		
21	TA00033211A	GEAR 46T, PTO	1		
22	TZ45100000A3	HUB,P.T.O	2		
23	TZ45110000B4	SLEEVE,P.T.O	2		
24	TA00033209A	NEEDLE BUSH B	1		
26	TA00033212A	GEAR 49T, PTO	1		
27	TZ45140000A4	COLLAR	1		
28	TN45120000A4	WASHER	1		
29	NT45130000B3	shaft, PTO	1		
30	TT62040000A3	PTO OIL SEAL QLF35X60X19	1		
32	NT45640000A4	Bearing Cover	1		
33	26013-060162	Bolt, Hexa (6-16)	1		
34	TCA8130000A4	SIGHTGLASS -> NT45690000A4	1		
35	26013-100252	SCREW,CAPTIVEWASHERCAP	3		
36	26013-100352	Bolt, Hexa (10-35)	4		
37	26013-060162	Bolt, Hexa (6-16)	3		
38	TA00046868A	COVER, PTO	1		
40	26013-080202	Bolt, Hexa (8-20)	1		
41	26013-080302	HEX BOLT W/WASHER	2		
42	NT45620000A3	Seal Case	1		
43	24341-000700	O-RING, FIX (Φ70)	1		
44	23871-010000	PLUG	1		
45	TA00000738D	BRACKET, PTO SHAFT COVER	1		
46	TA00000739F	COVER, PTO SHAFT	1		
47	26106-080252	SCREW,HEXFLANGEHEADCAP	4		
48	FB80520000A4	RUBBER	8		
49	FB80550000A4	BUSH	4		

FIG C046

REAR AXLE CASE, PTO SHIFT

Year/Month

4225C

2020/01

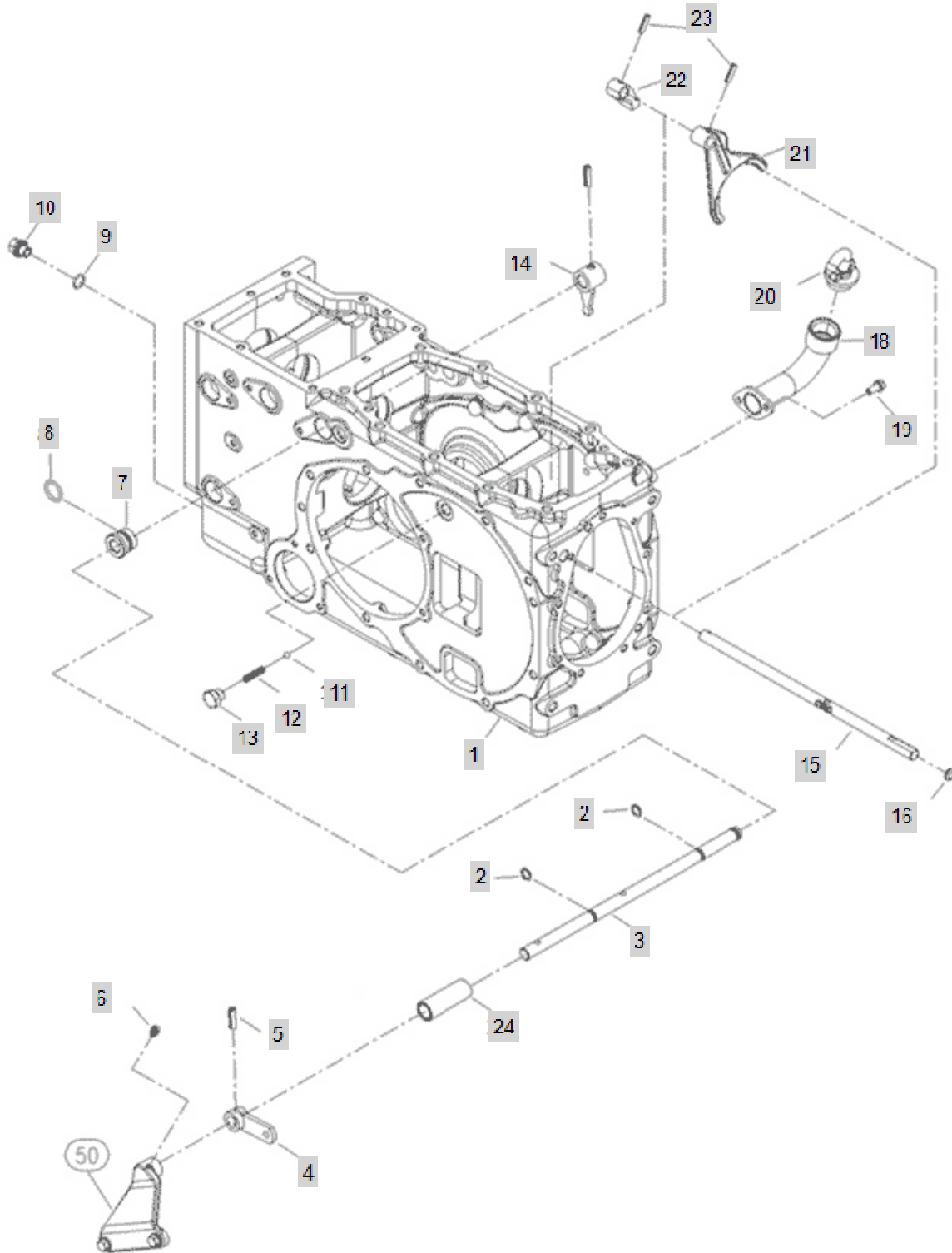


FIG C047

ROD ASSY, PTO & 4WD

Year/Month

4225C

2020/01

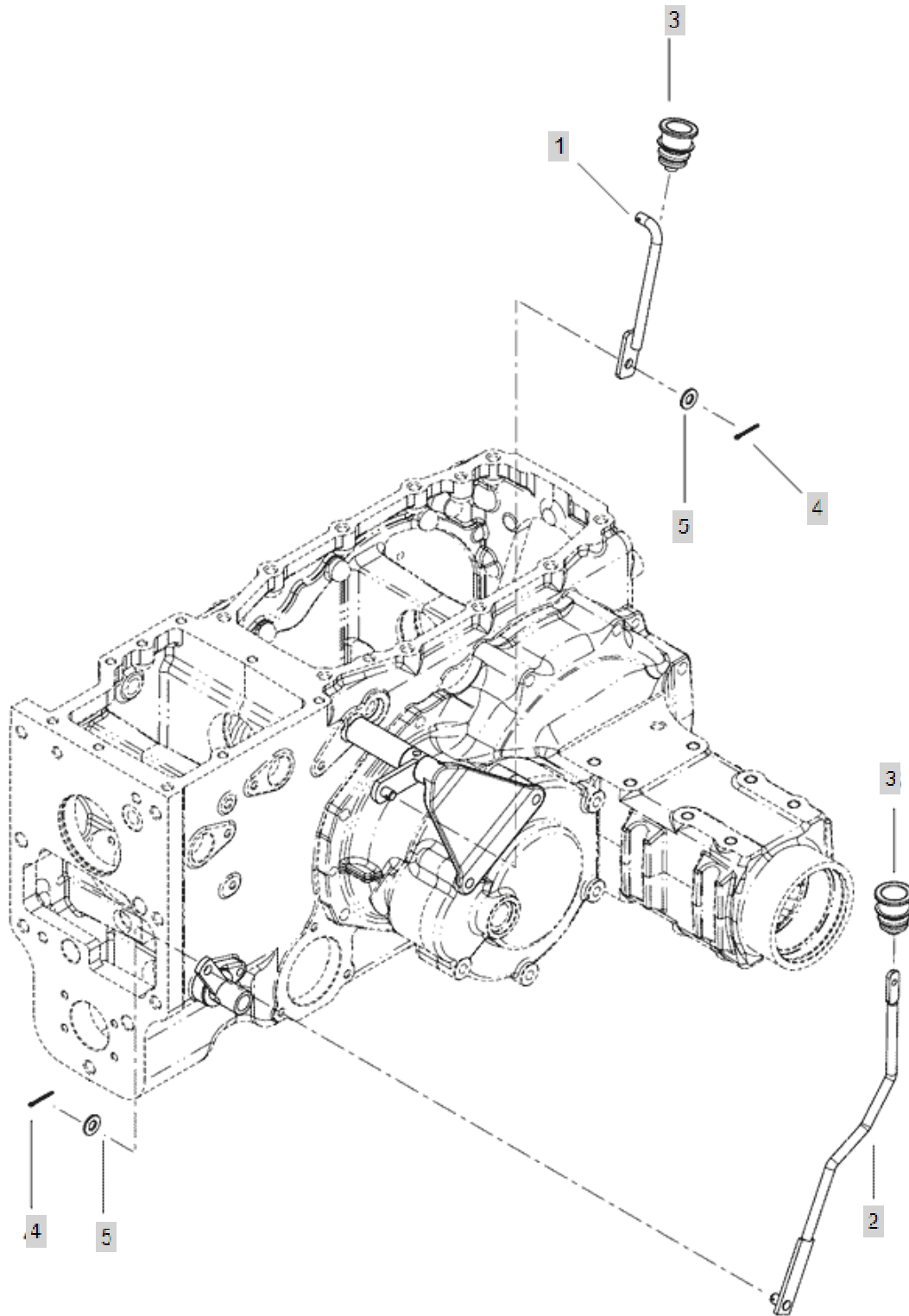


FIG C048-1

HOUSING, REAR AXLE

Year/Month

4225C

2020/01

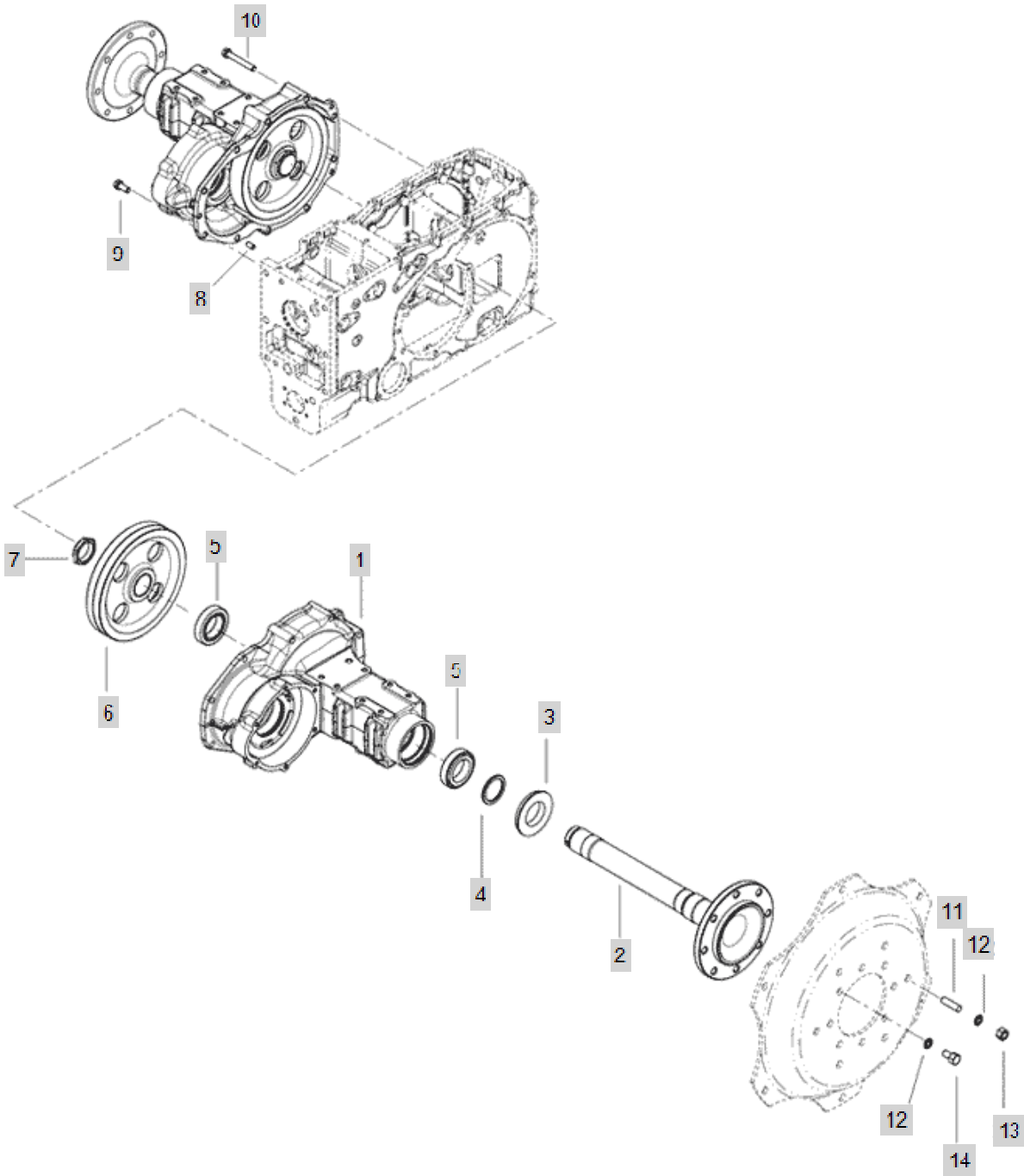


FIG C048-2

HOUSING, REAR AXLE

Year/Month

4225C

2020/01

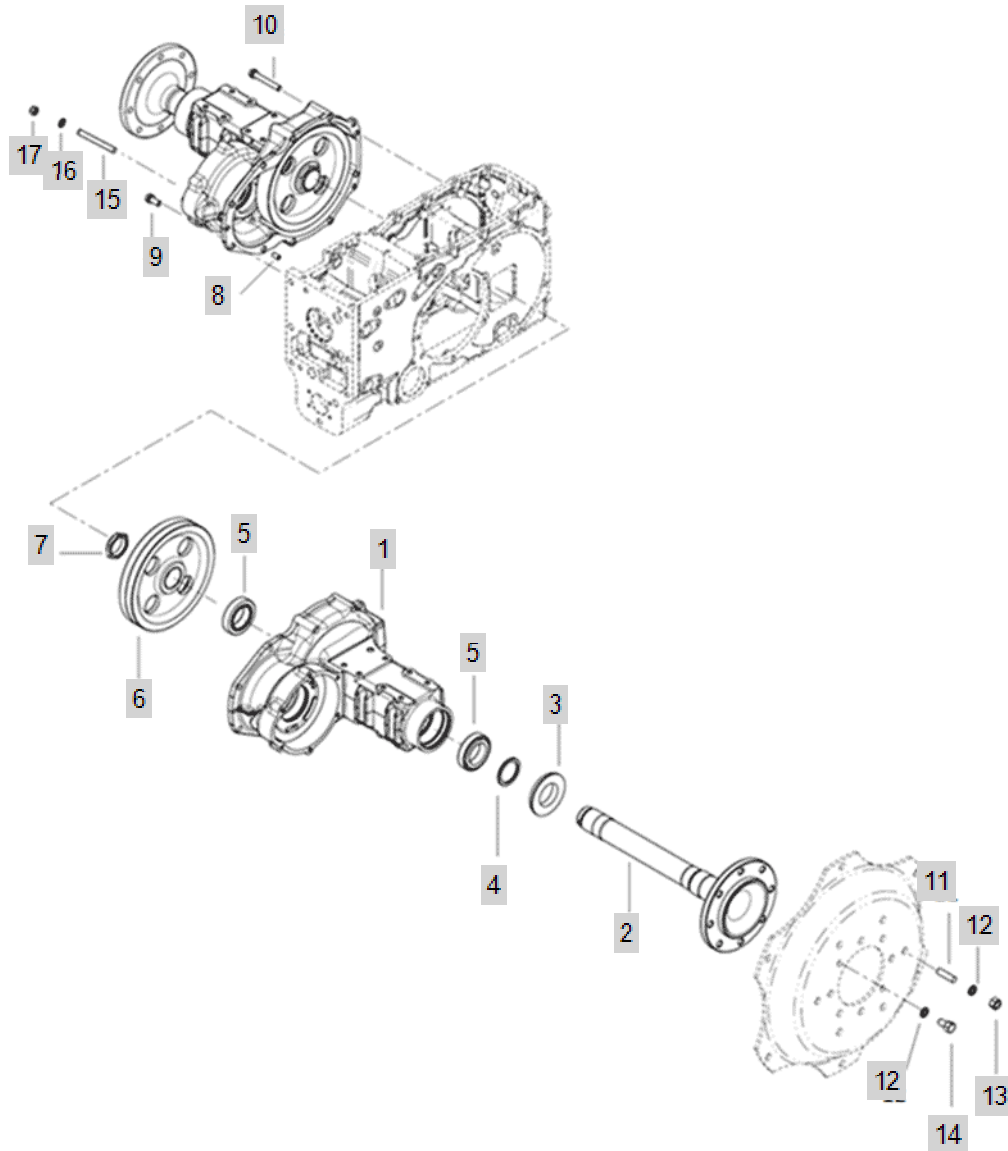


FIG C049

DRIVING PART, REAR AXLE

Year/Month

4225C

2020/01

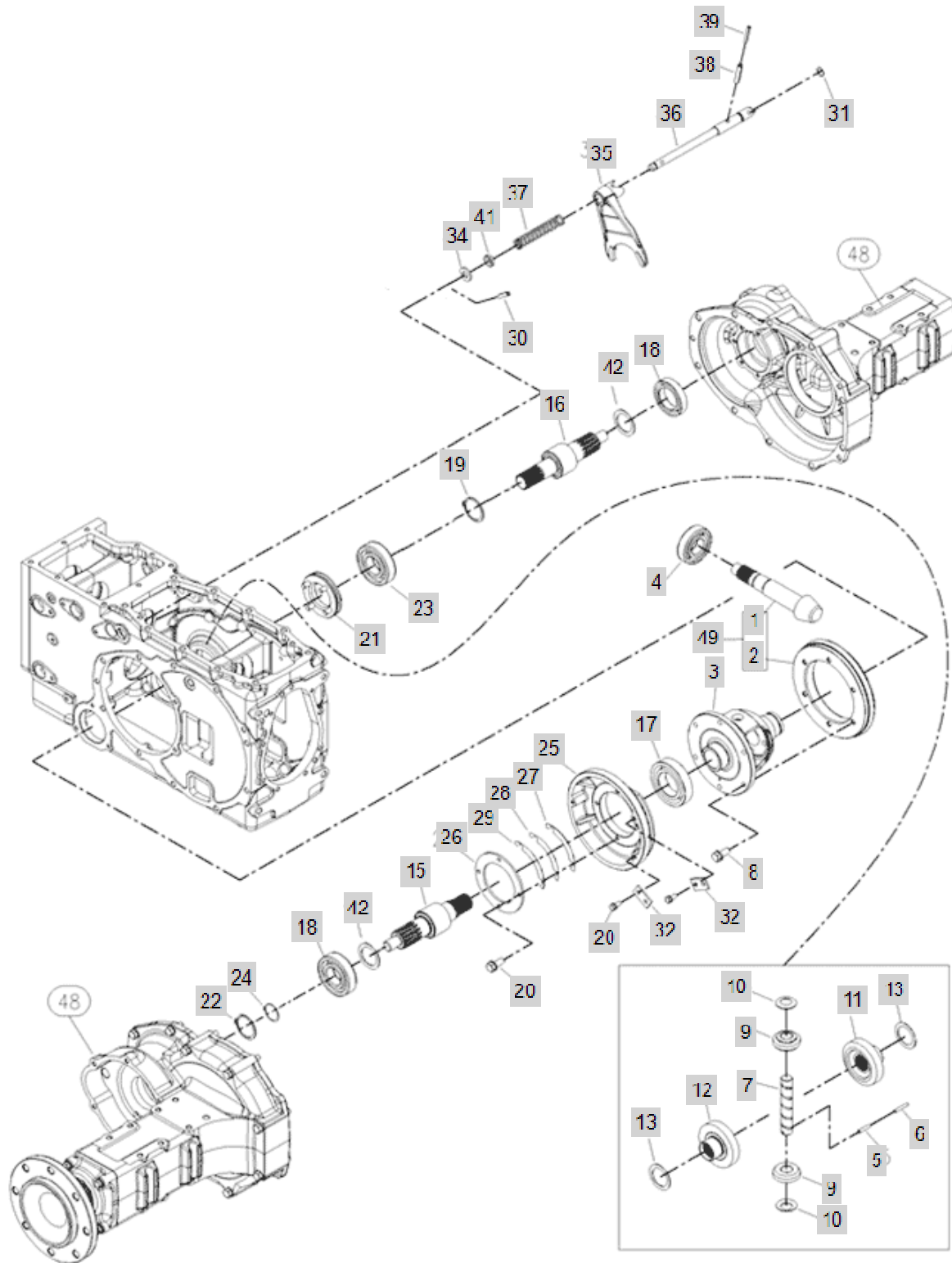


FIG C050-1

BRAKE

Year/Month

4225C

2020/01

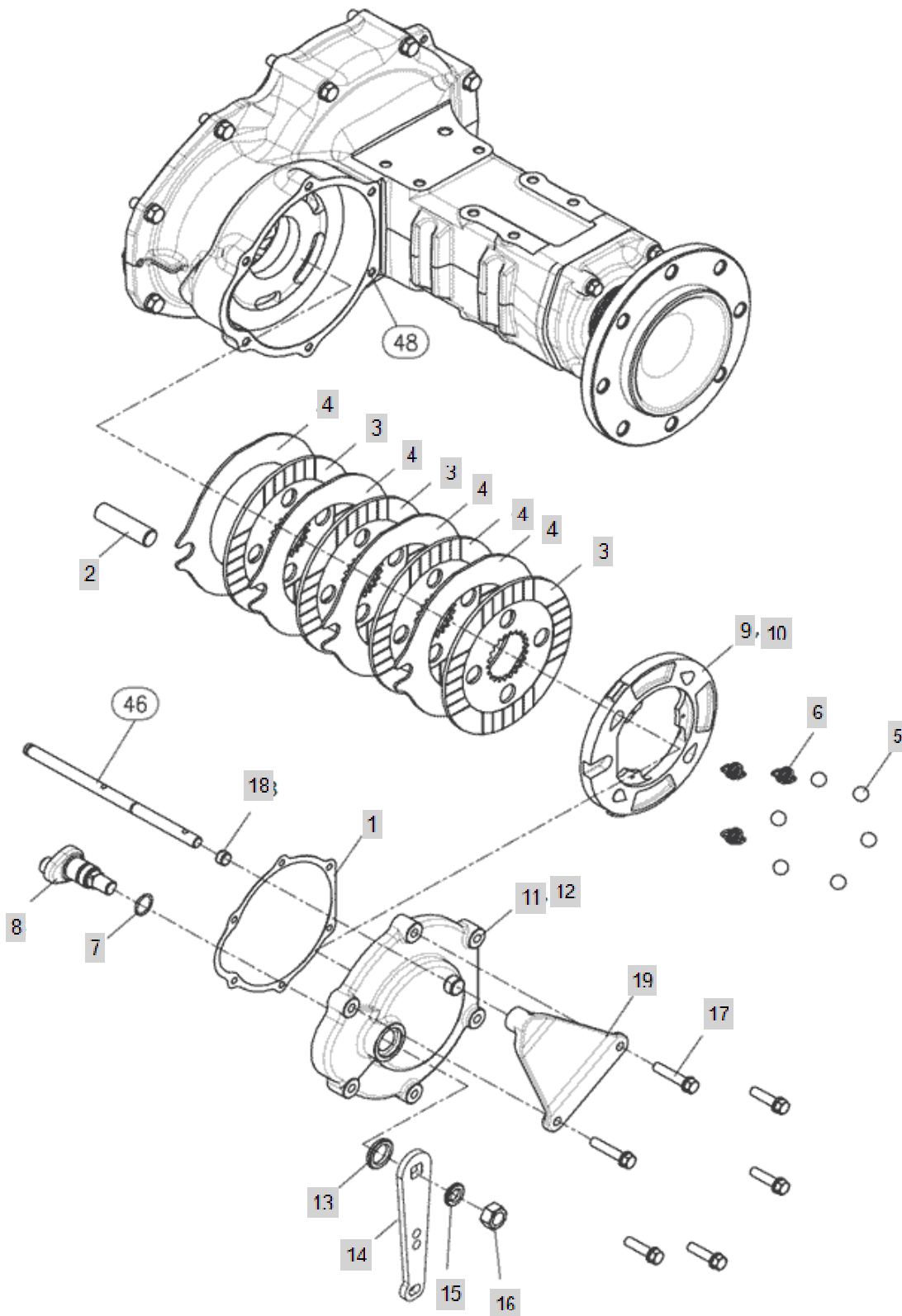


FIG C050-2

BRAKE

Year/Month

4225C

2020/01

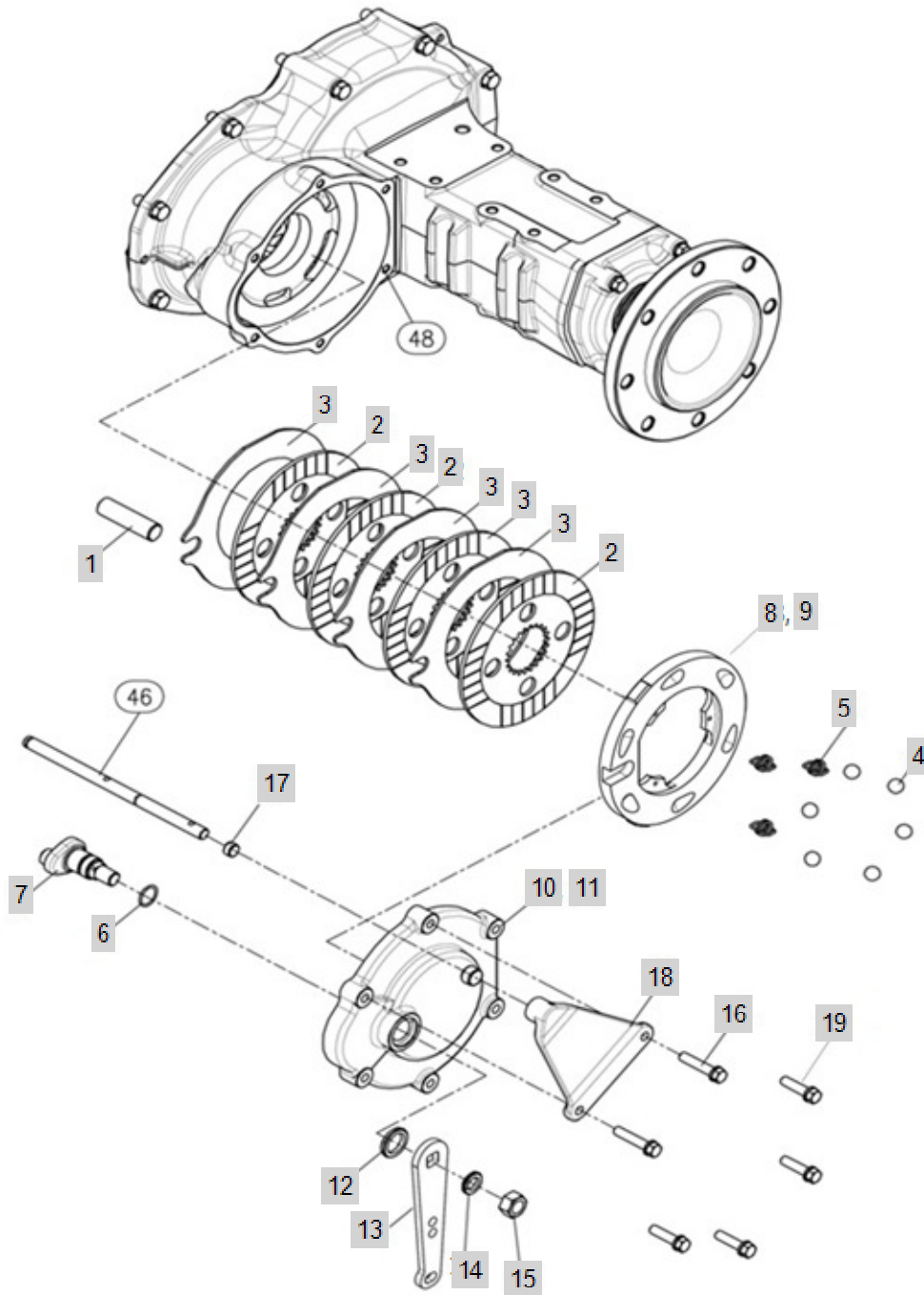


FIG C051

DIFFERENTIAL PEDAL

Year/Month

4225C

2020/01

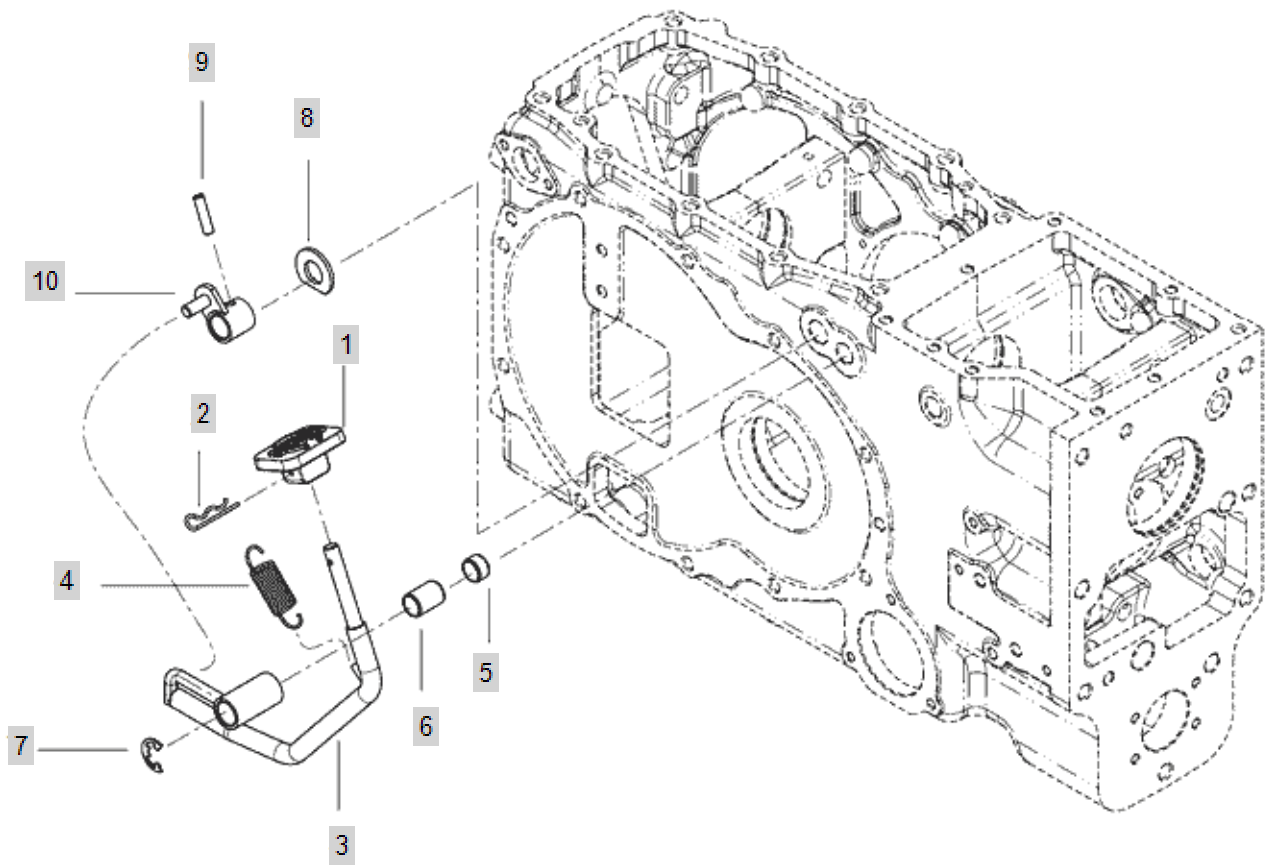


FIG C052

PTO & 전륜 레버 관계

Year/Month

4225C

2020/01

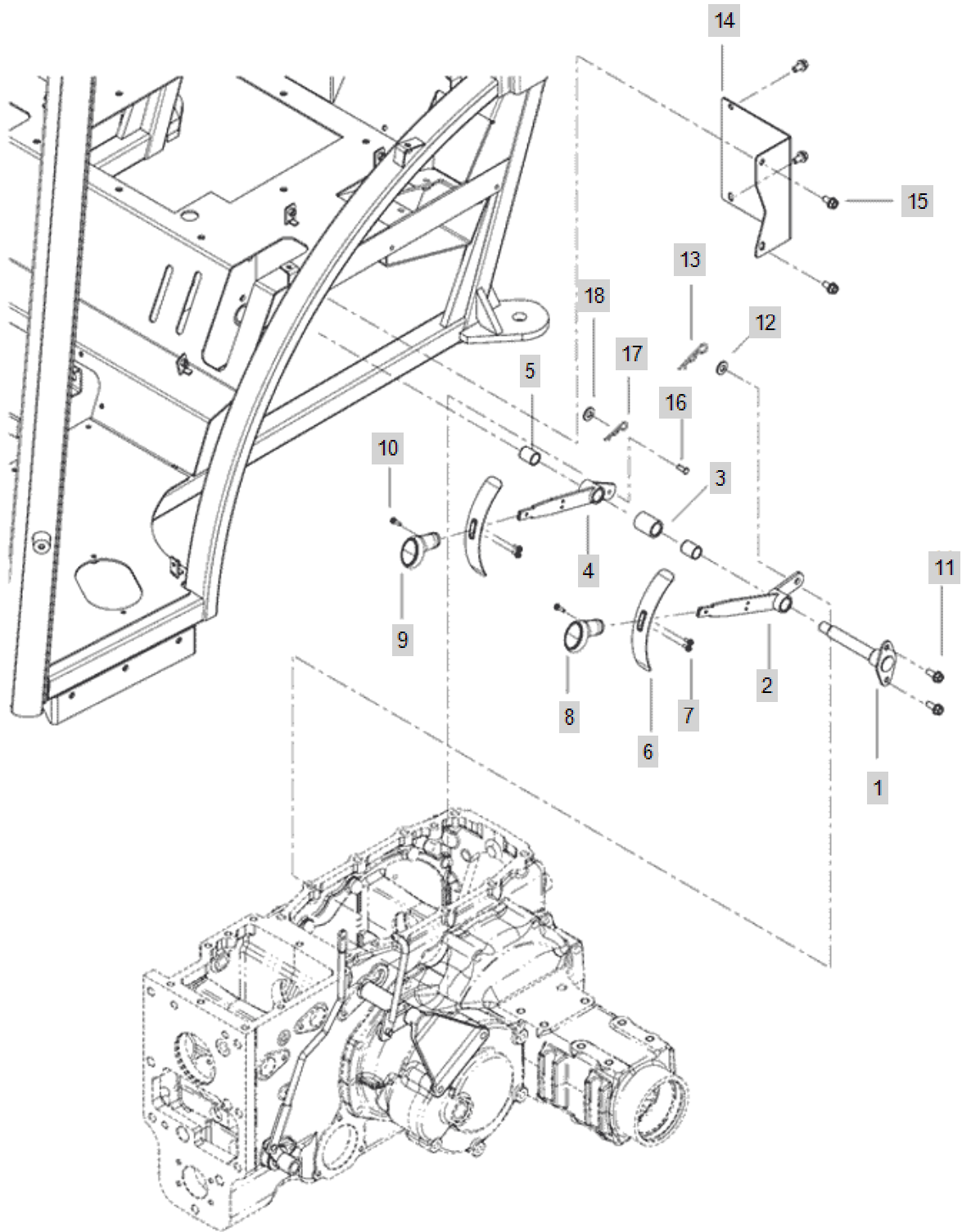


FIG C053

BRAKE, CLUTCH PEDAL

Year/Month

4225C

2020/01

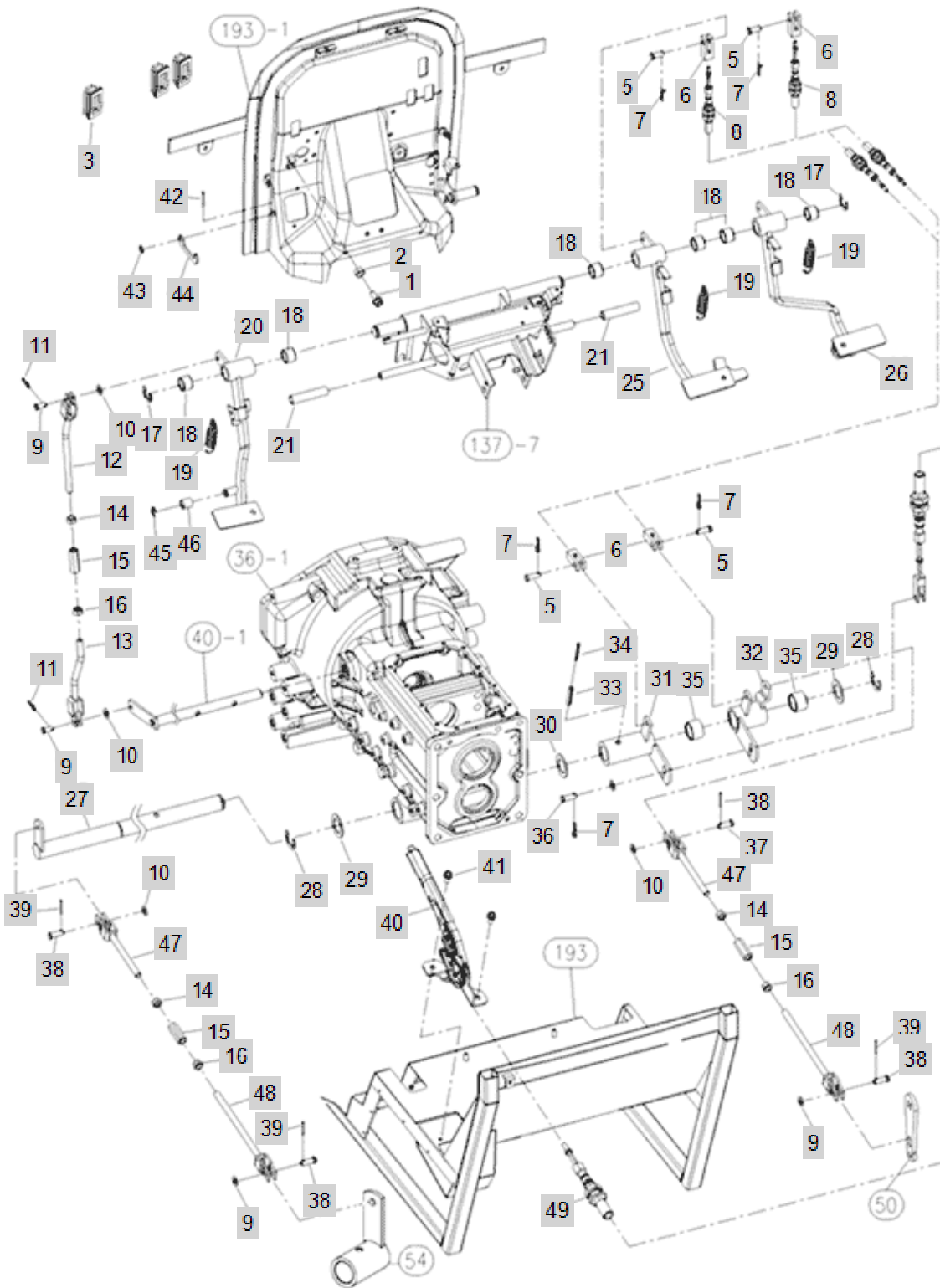


FIG C053		BRAKE, CLUTCH PEDAL			Year/Month
4225C					2020/01
KeyNo.	Part Number	Part Name	Quantity	Other	
1	26116-080252	BOLT7T(8X25)	1		
2	26716-080002	NUT,HEX (D8)	1		
3	TA00047203A	BRACKET B, WIRE	3		
5	22487-100200	PIN, HEAD (10-20)	4		
6	TW43030000A4	SUTTLE CLEVIS A	4		
7	RR51230000A4	SNAP PIN	5		
8	TA00002285A	BRAKE CABLE	2		
9	TT83010000A4	TURN BUCKLE, 10X70	2		
10	22137-100000	WASHER, PLAIN (Φ 10)	6		
11	RR64050000A4	Pin, Come-Off Snap (Φ8)	2		
12	TA00017497A	CLUTCH ROD UPPER	1		
13	TA00017498B	CLUTCH ROD LOWER	1		
14	TT67040000A4	NUT.LH	3		
15	TT67010000A4	TURN BUCKLE	3		
16	26716-120002	BOLT,CYLINDER HEAD(B)	3		
17	22272-000190	RING, CIRCLIP (Φ 19)	2		
18	TC73010200A4	BUSH25*28*20	6		
19	TC73090000A4	RETURN SPRING	3		
20	TA00002795B	CLUTCH PEDAL ASS'Y	1		
21	TCB6300000A3	PIPE	2		
25	TA00034535A	BRAKE PEDAL L ASS'Y	1		
26	TA00034536A	BRAKE PEDAL R ASS'Y	1		
27	TA00035982A	BRAKE SHAFT	1		
28	22272-000240	RING, CIRCLIP (Φ 24)	2		
29	TB35120000B4	WASHER B	2		
30	TB35110000B4	WASHER A	1		
31	TA00017352B	BRAKE LINE(L)REAR	1		
32	TA00017353C	BRAKE LINE(R)REAR	1		
33	22351-080050	PIN, SPRING (8-50)	1		
34	22351-050050	PIN, SPRING (5-05)	1		
35	TB26240000A4	BUSH	2		
36	22487-100260	PIN, HEAD (10-26)	1		
38	TT41090000A4	PIN10X23	4		
39	22417-200300	PIN , COTTER (2-30)	4		
40	TA00001403A	PARKING BRAKE	1		
41	26106-080202	SQR FLANGE BOLT	2		
42	22417-250300	PIN , COTTER (2-30)	1		
43	22137-080000	WASHER, PLAIN (Φ 08)	1		
44	TA00018293A	ROCK(CLUTCH PEDAL)	1		
45	22272-000120	RING, CIRCLIP (Φ 12)	1		
46	TA00002799A	PIPE	1		
47	TA00036183A	ROD ASSY L	2		
48	NT53250000B4		2		
49	TA00017354C	CABLE, PARKING BRAKE	1		

FIG C054

LEVER ASSY, PTO & 4WD

Year/Month

4225C

2020/01

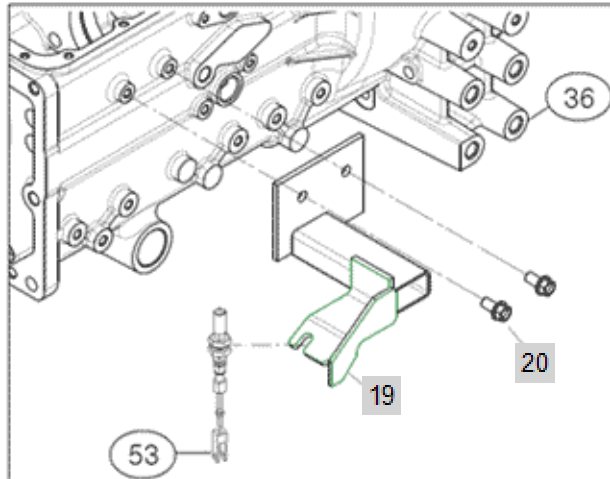
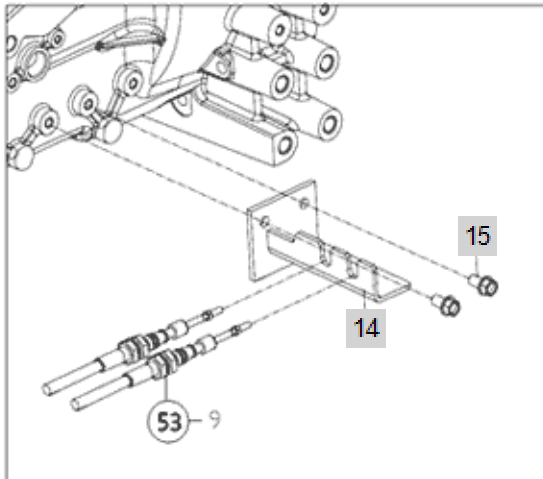
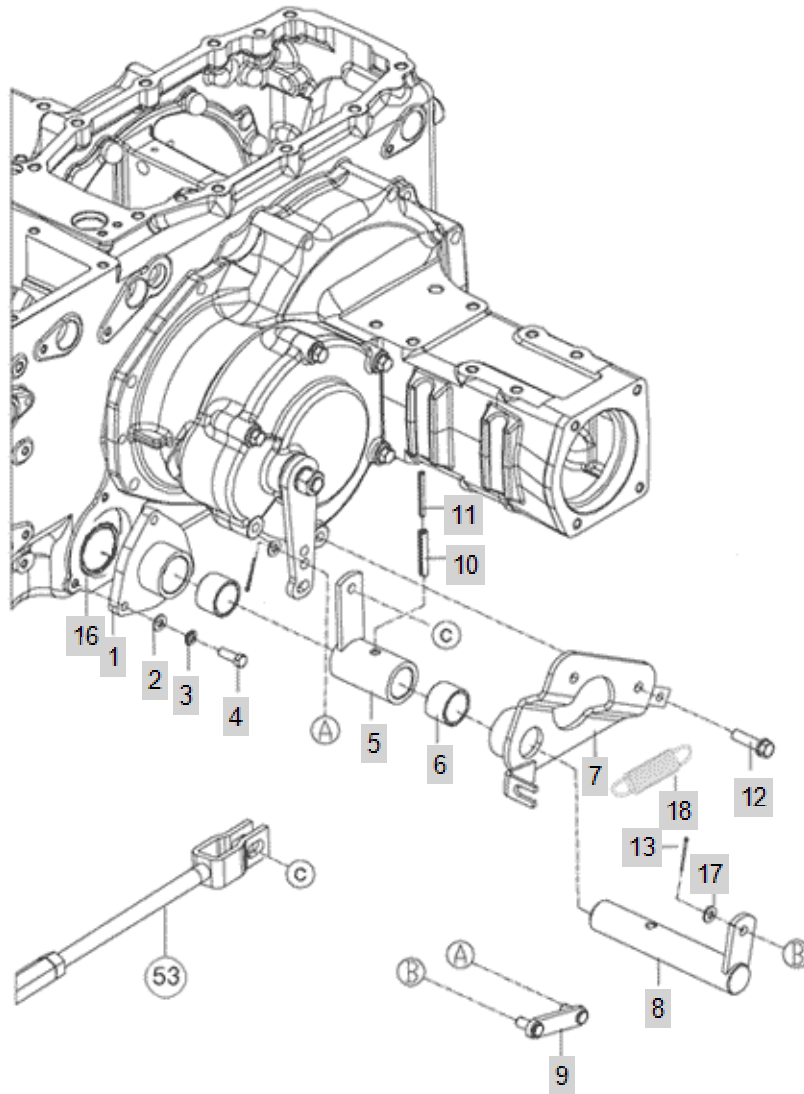


FIG C067

LEVER, MAIN SHIFT

Year/Month

4225C

2020/01

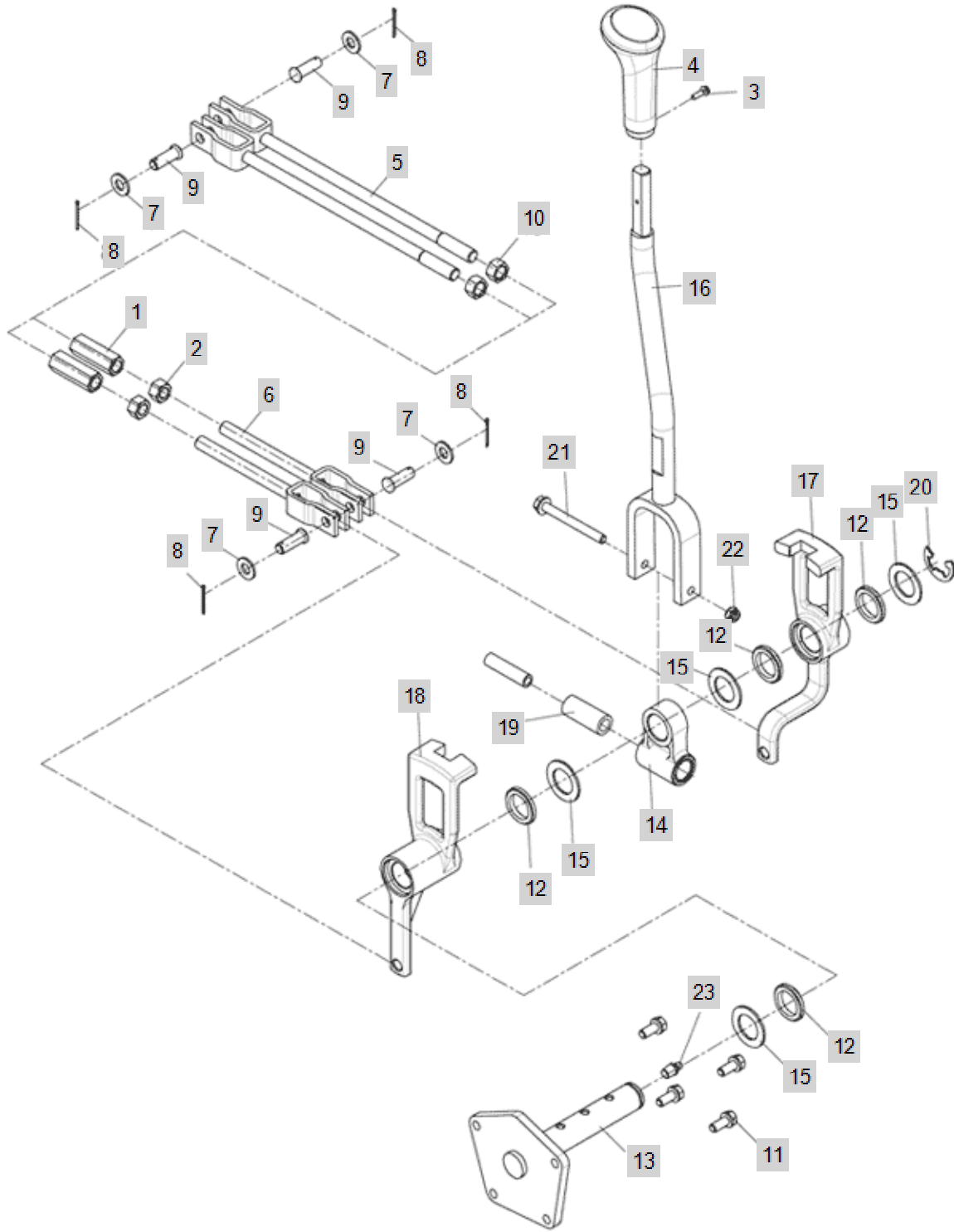


FIG C099

HYD PUMP

Year/Month

4225C

2020/01

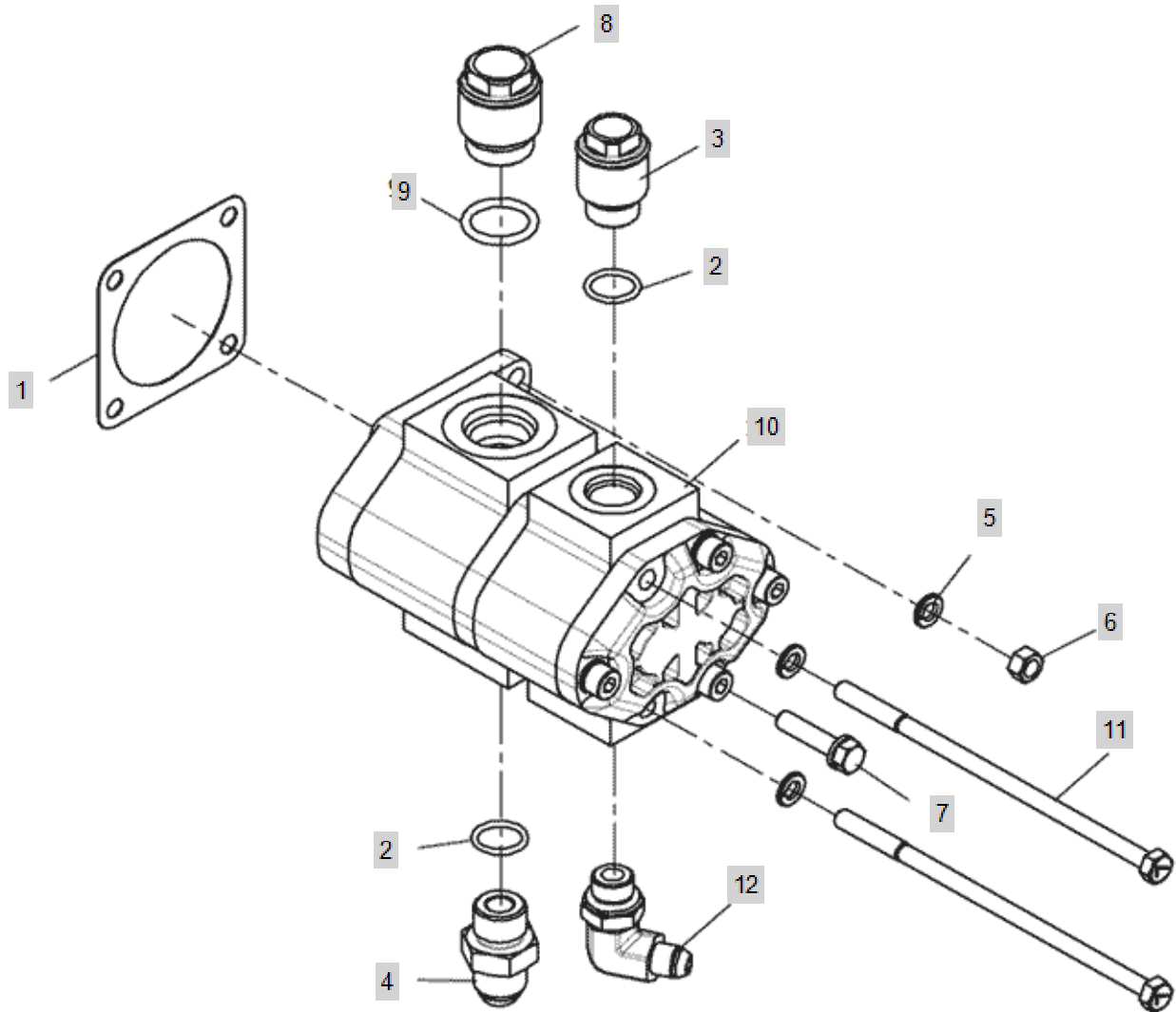


FIG C101

CASE, HYD CYLINDER

Year/Month

4225C

2020/01

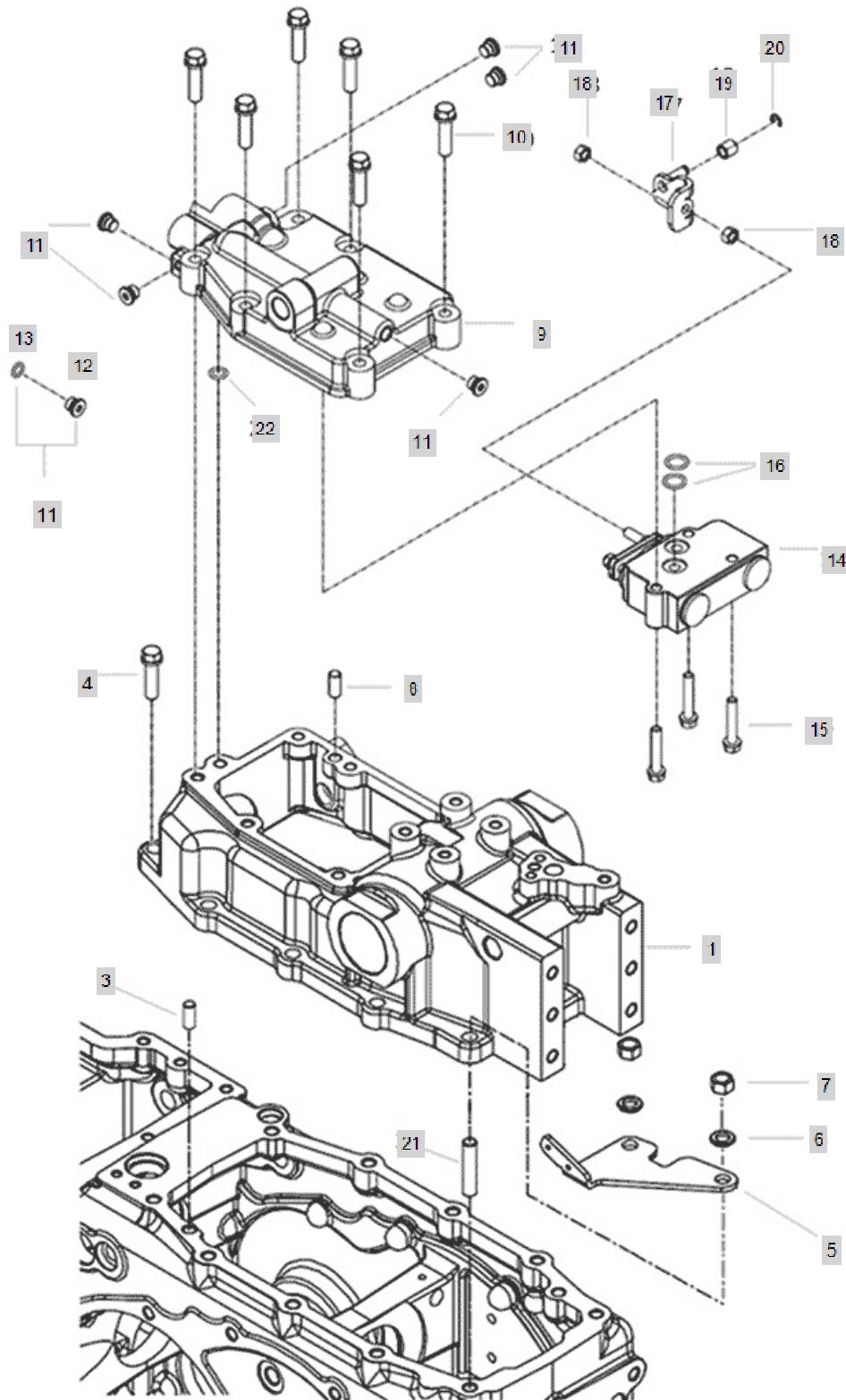


FIG C102-1

IND PTO SUPPPT

Year/Month

4225C

2020/01

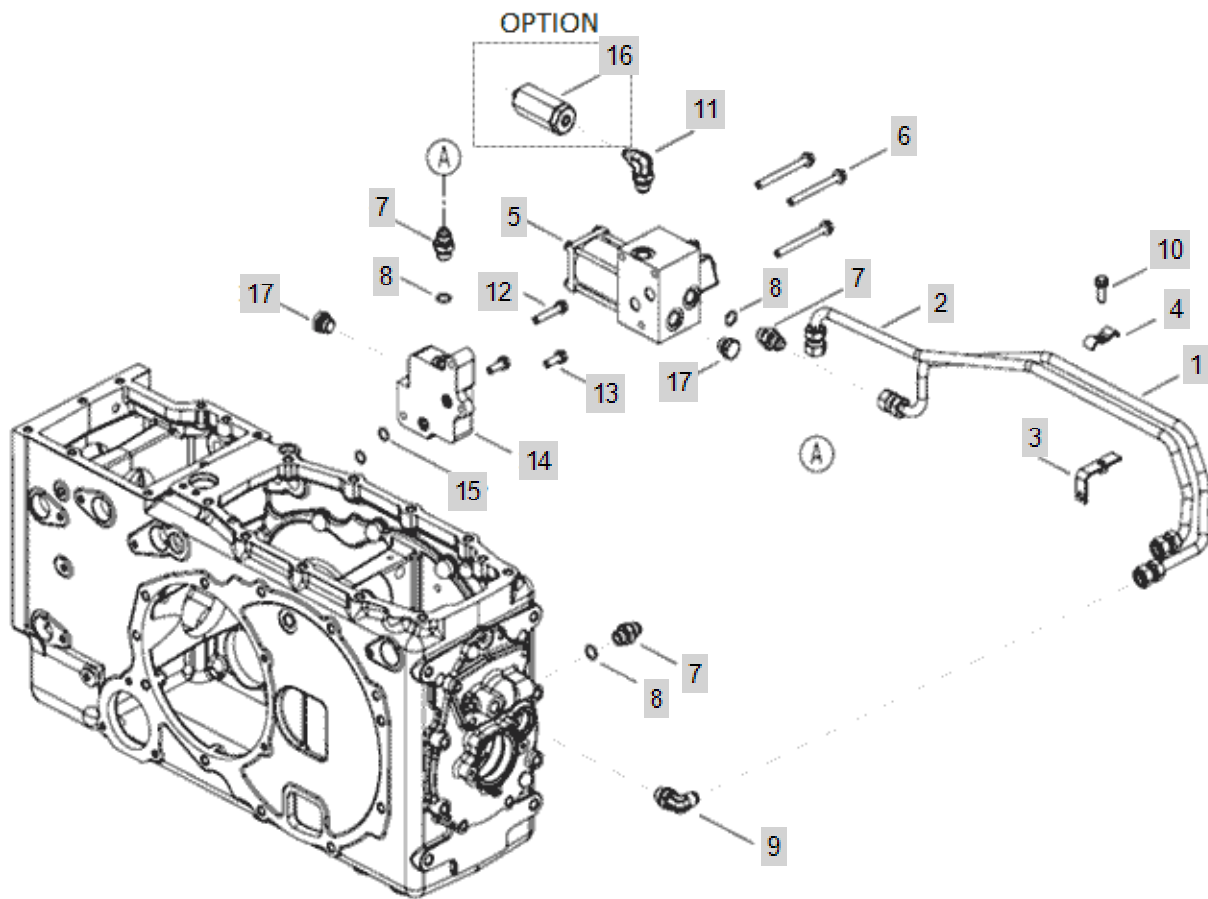


FIG C102-2

IND PTO SUPPPT(2018.12~)

Year/Month

4225C

2020/01

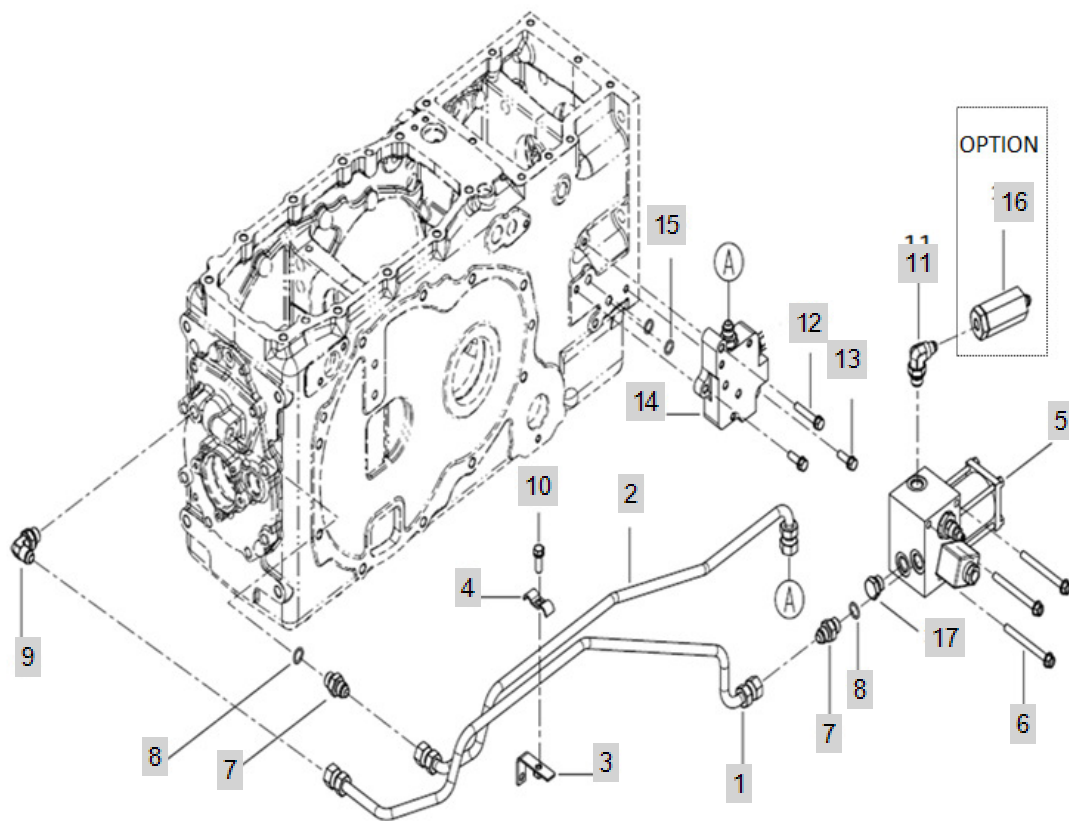


FIG C104

PISTON ASS'Y

Year/Month

4225C

2020/01

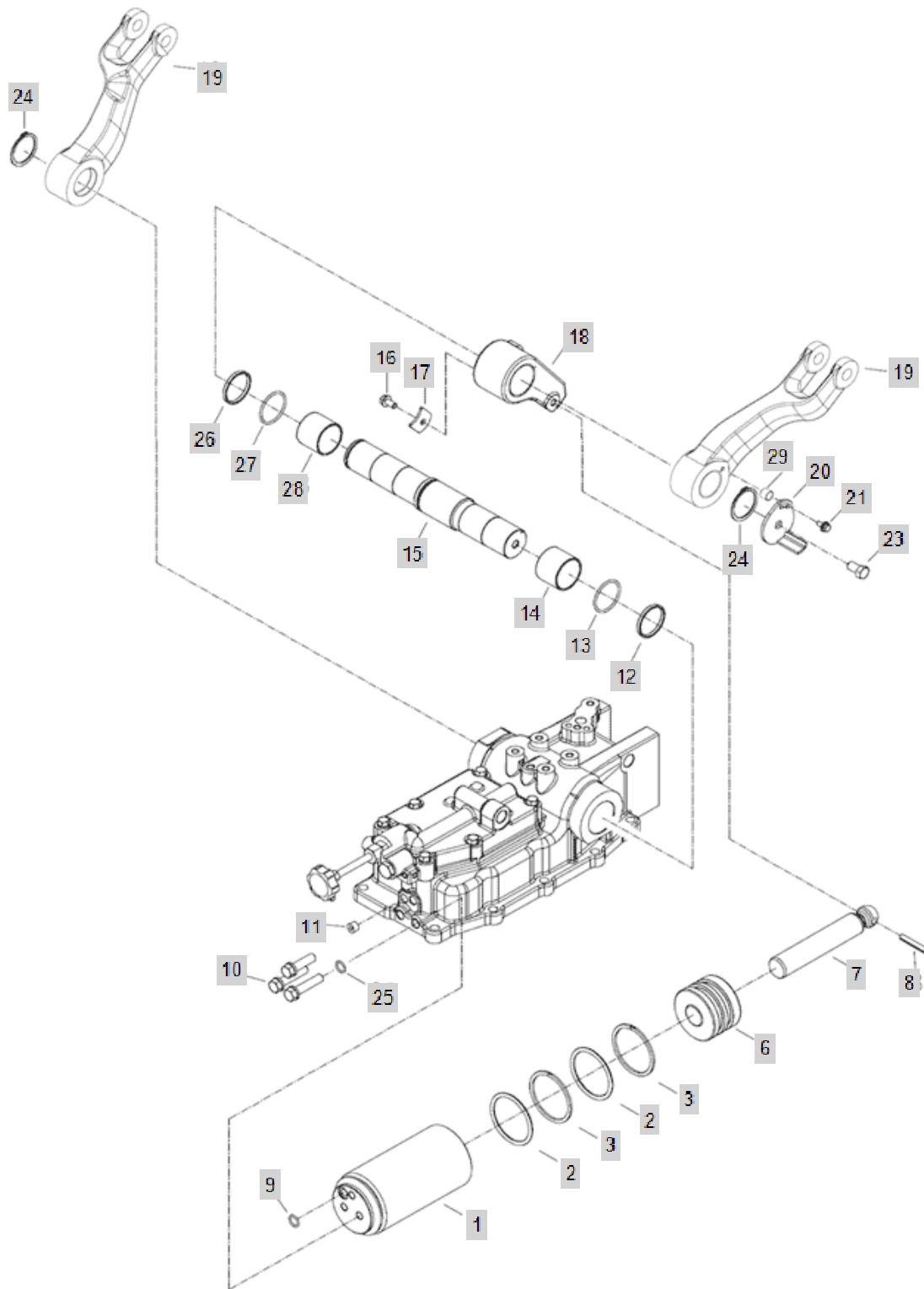


FIG C108

SAFTY VALVE

Year/Month

4225C

2020/01

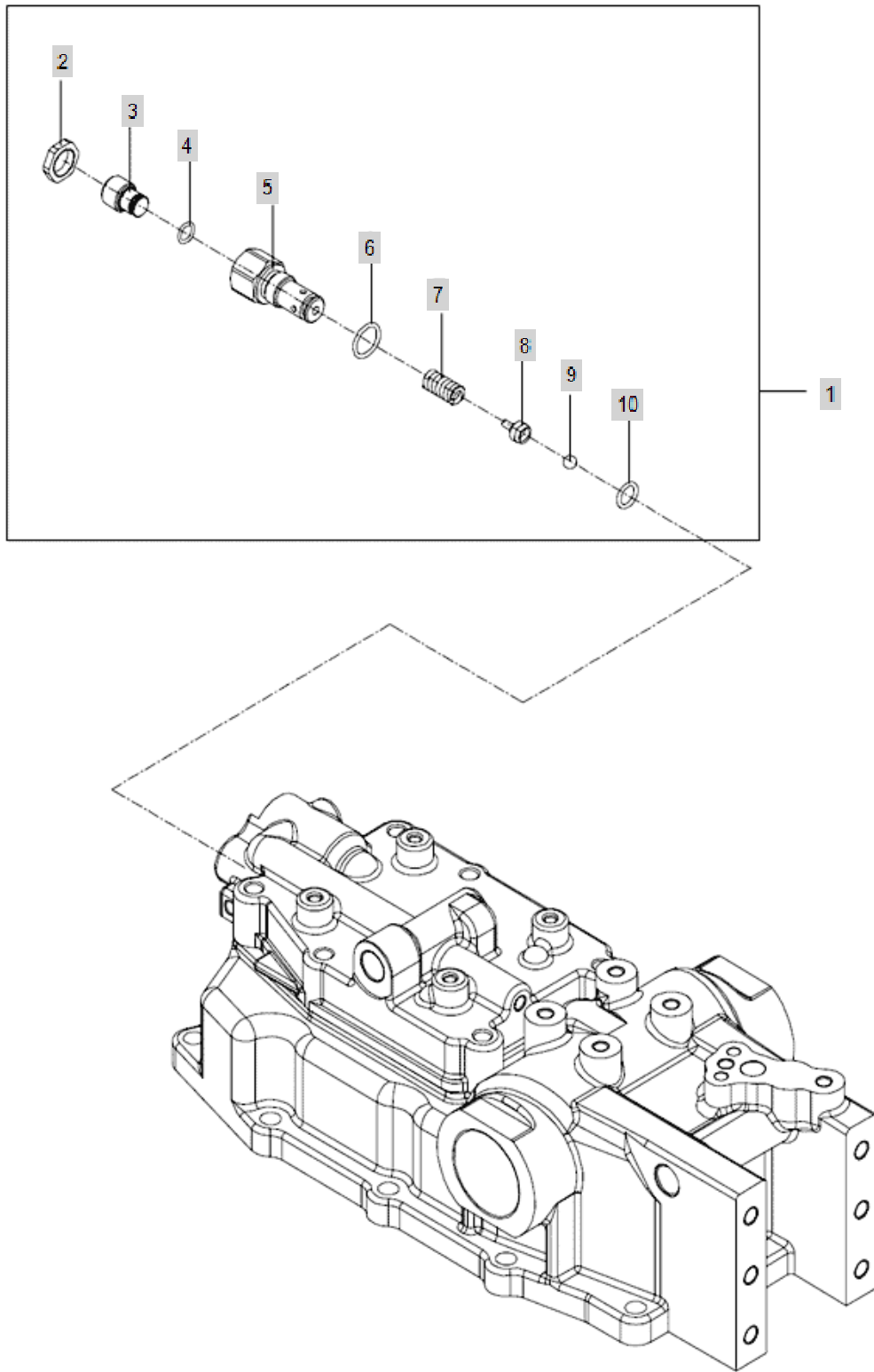


FIG C109

STOP VALVE

Year/Month

4225C

2020/01

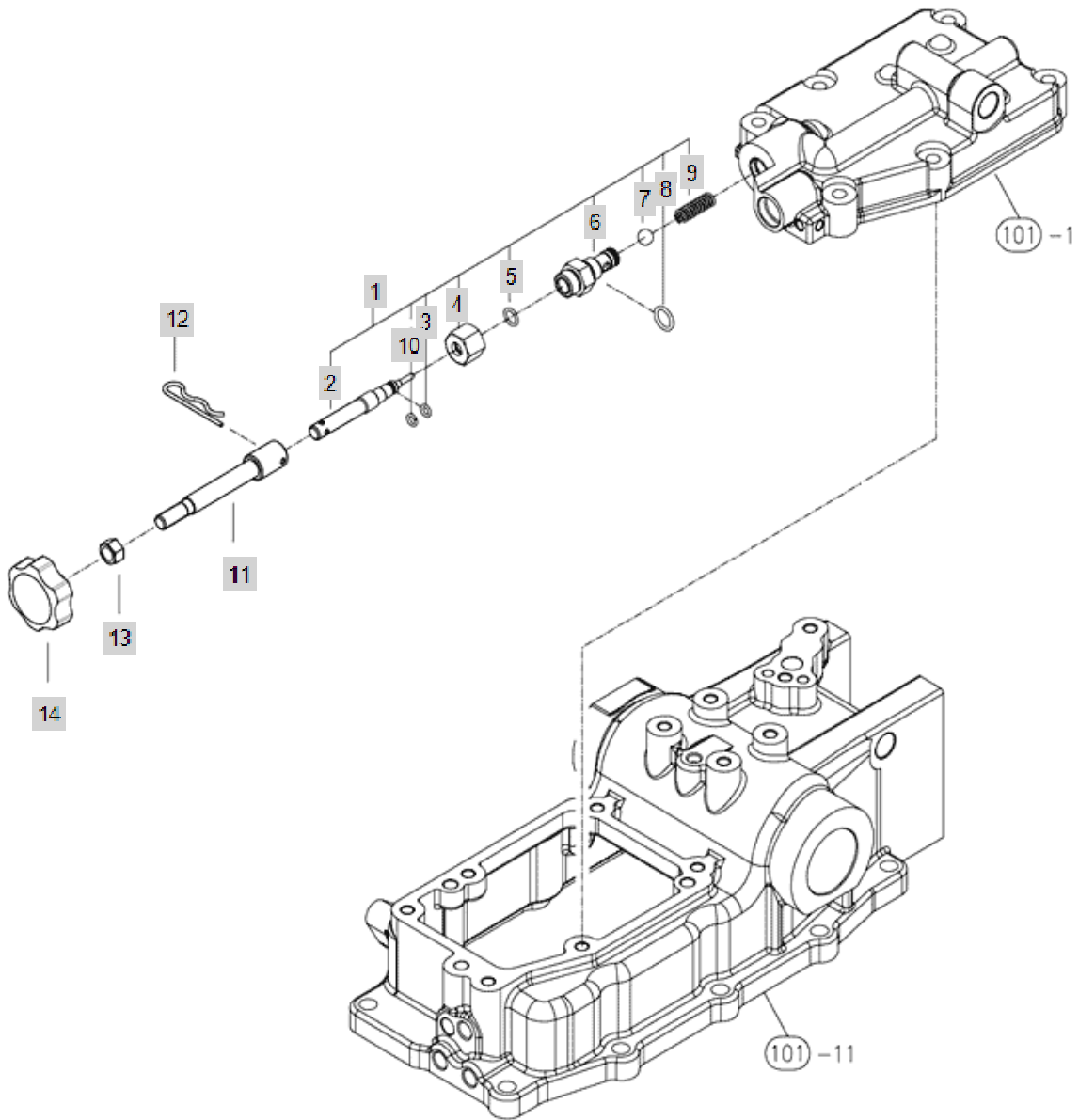


FIG C111-1

HYD CONTROL-POSITON TYPE

Year/Month

4225C

2020/01

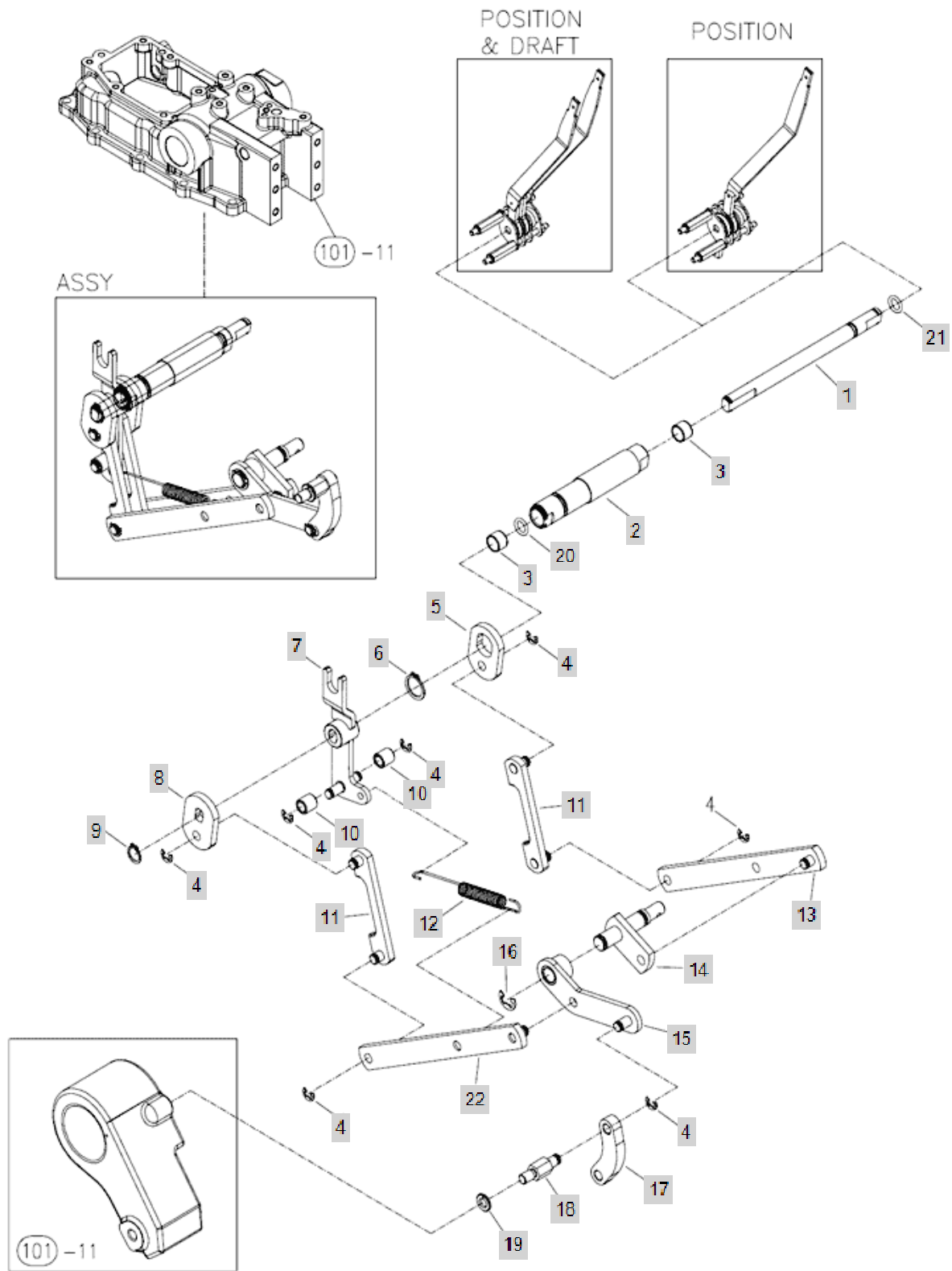


FIG C111-2

HYD CONTROL-POSITON TYPE

Year/Month

4225C

2020/01

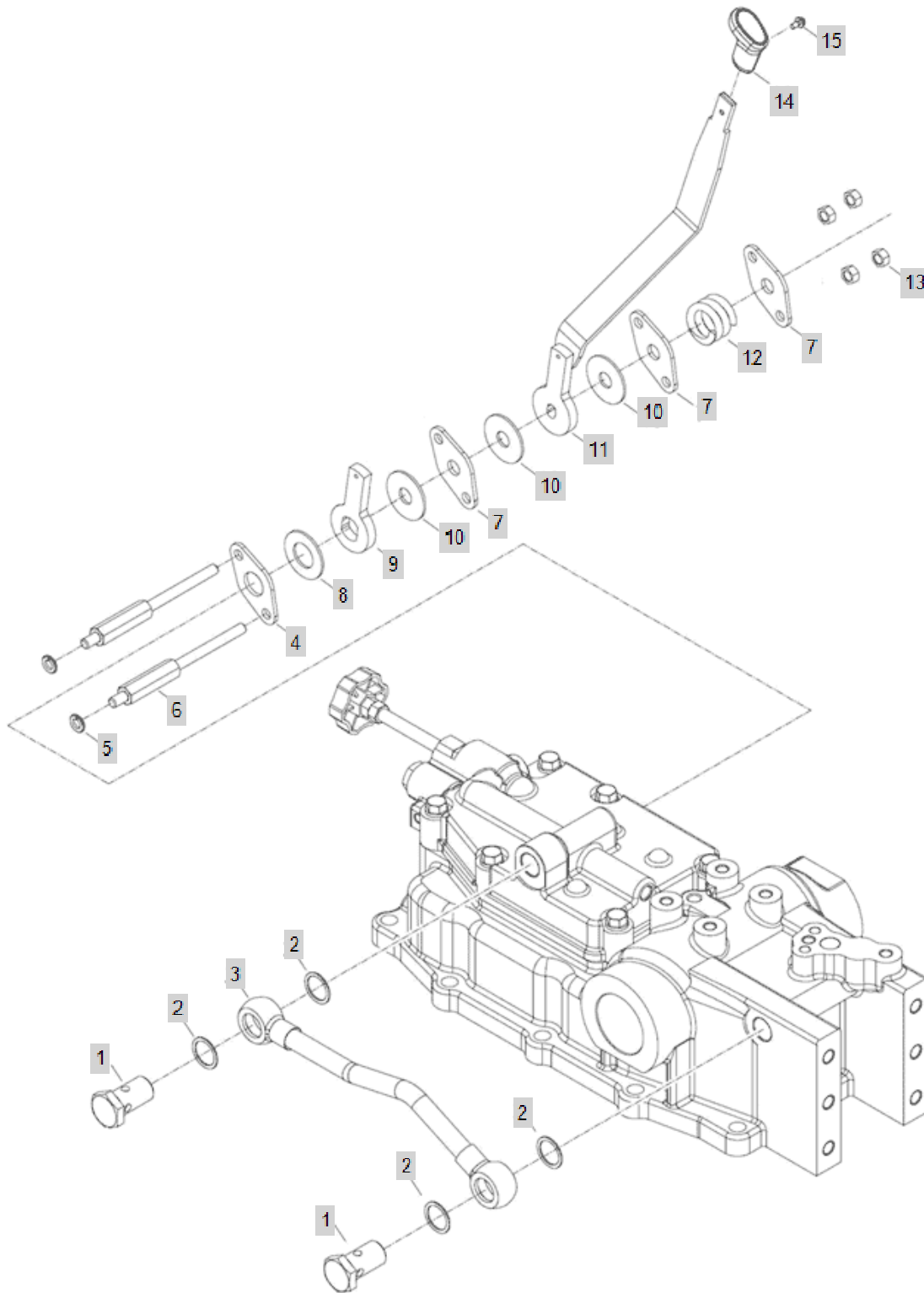


FIG C111-3

HYD CONTROL-POSITON TYPE

Year/Month

4225C

2020/01

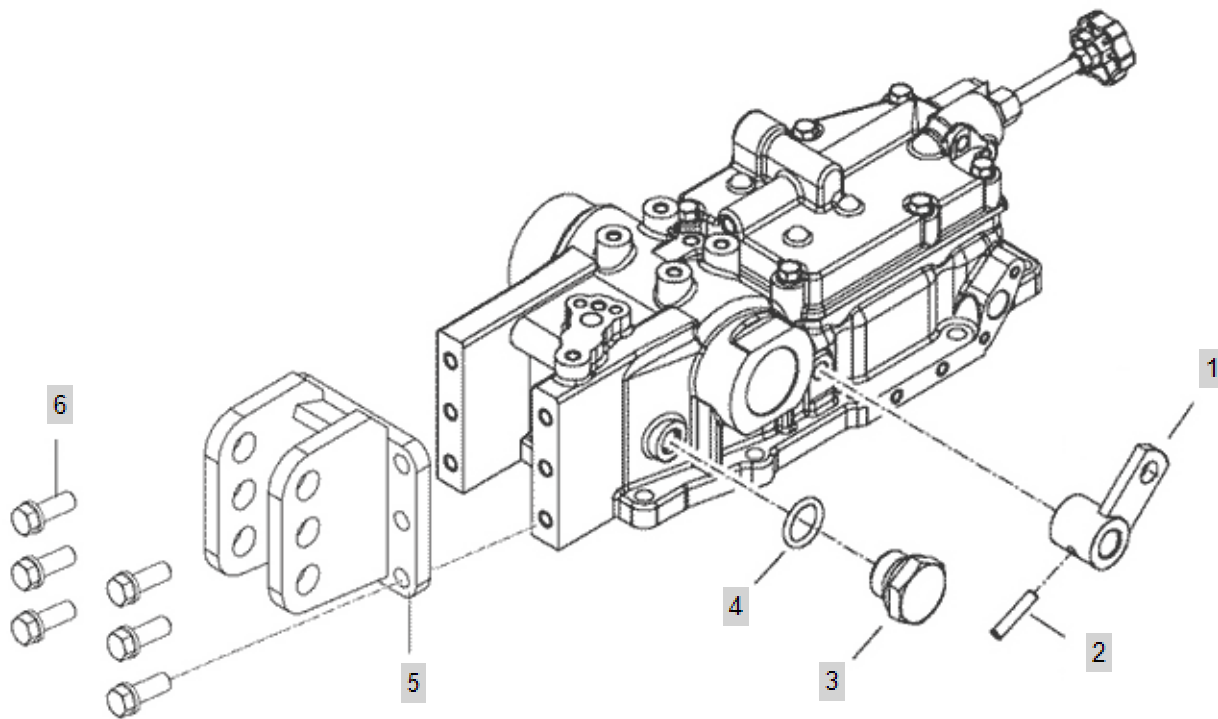


FIG C115

HYD PIPING

Year/Month

4225C

2020/01

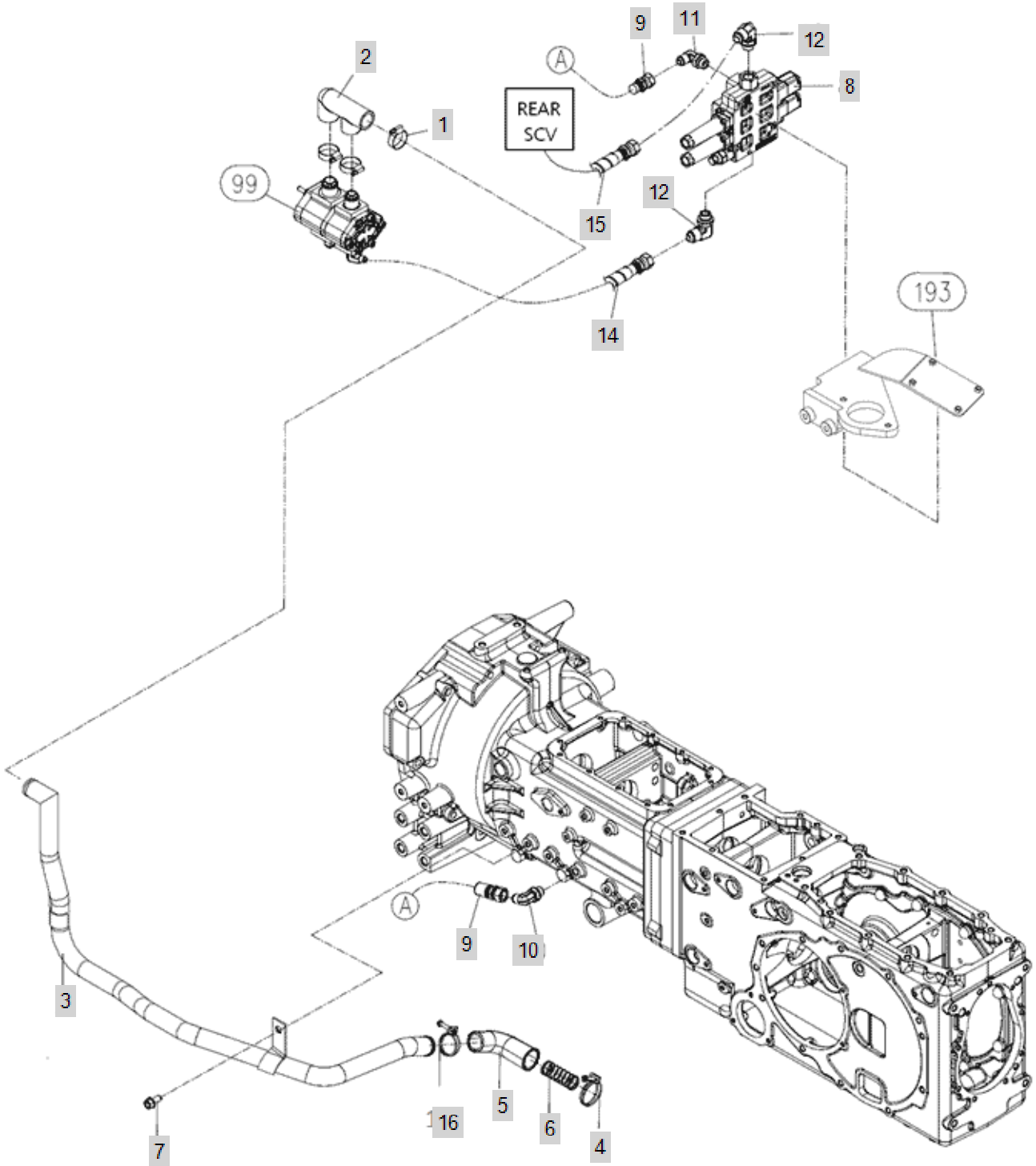


FIG C118

HYD FILTER

Year/Month

4225C

2020/01

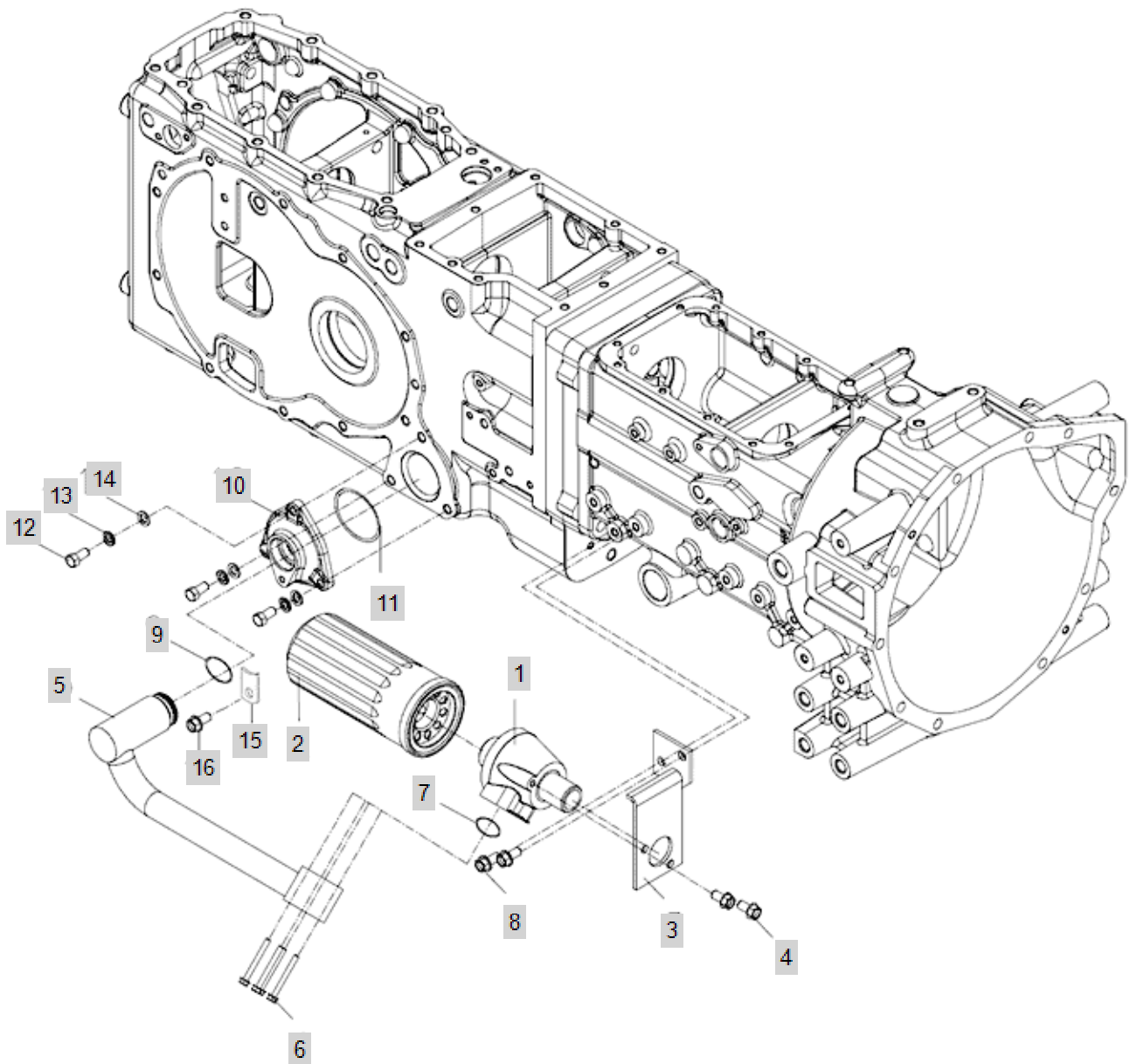


FIG C119-1

ELE'C WIRING

Year/Month

4225C

2020/01

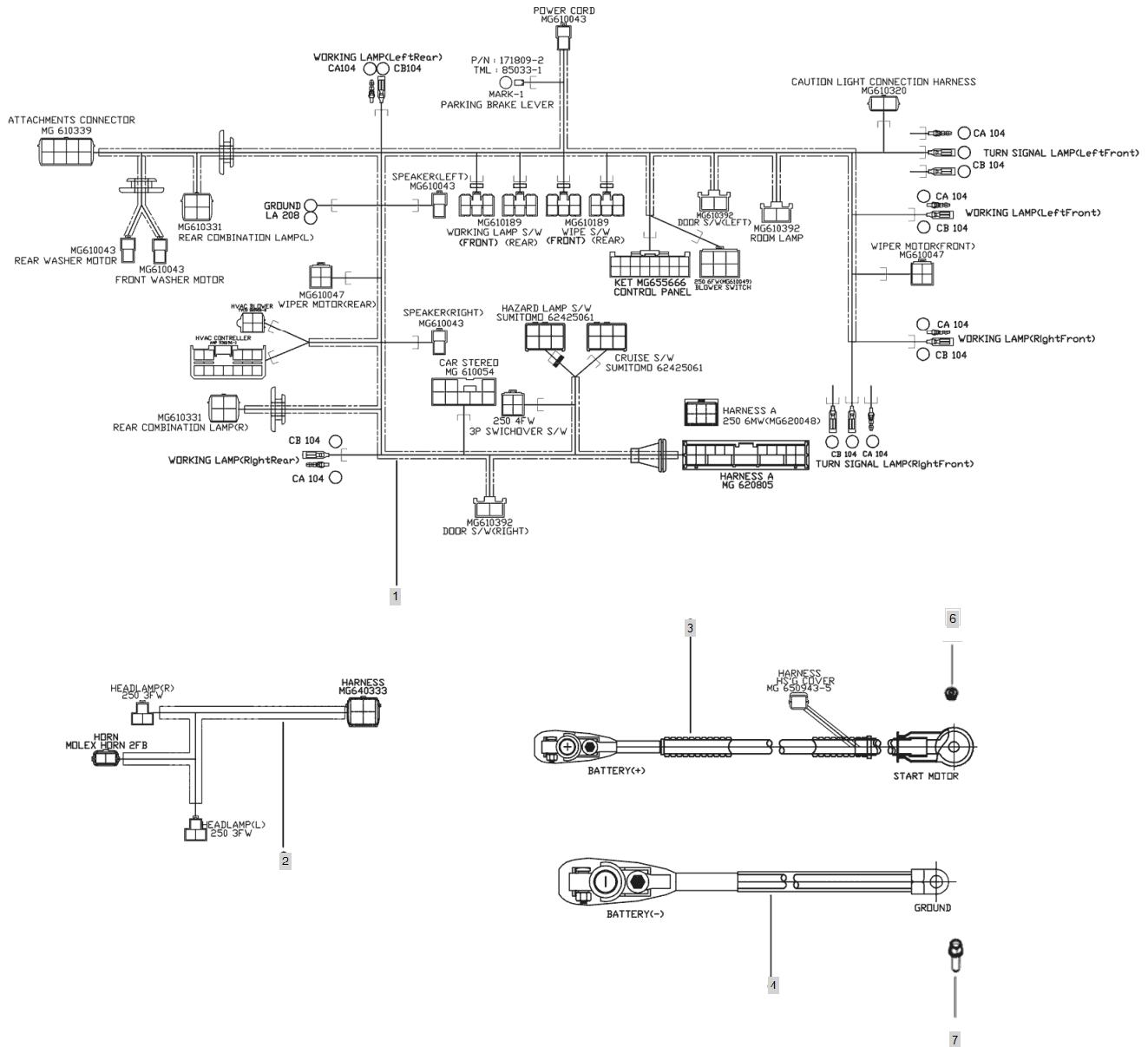


FIG C119-2

ELE'C WIRING

Year/Month

4225C

2020/01

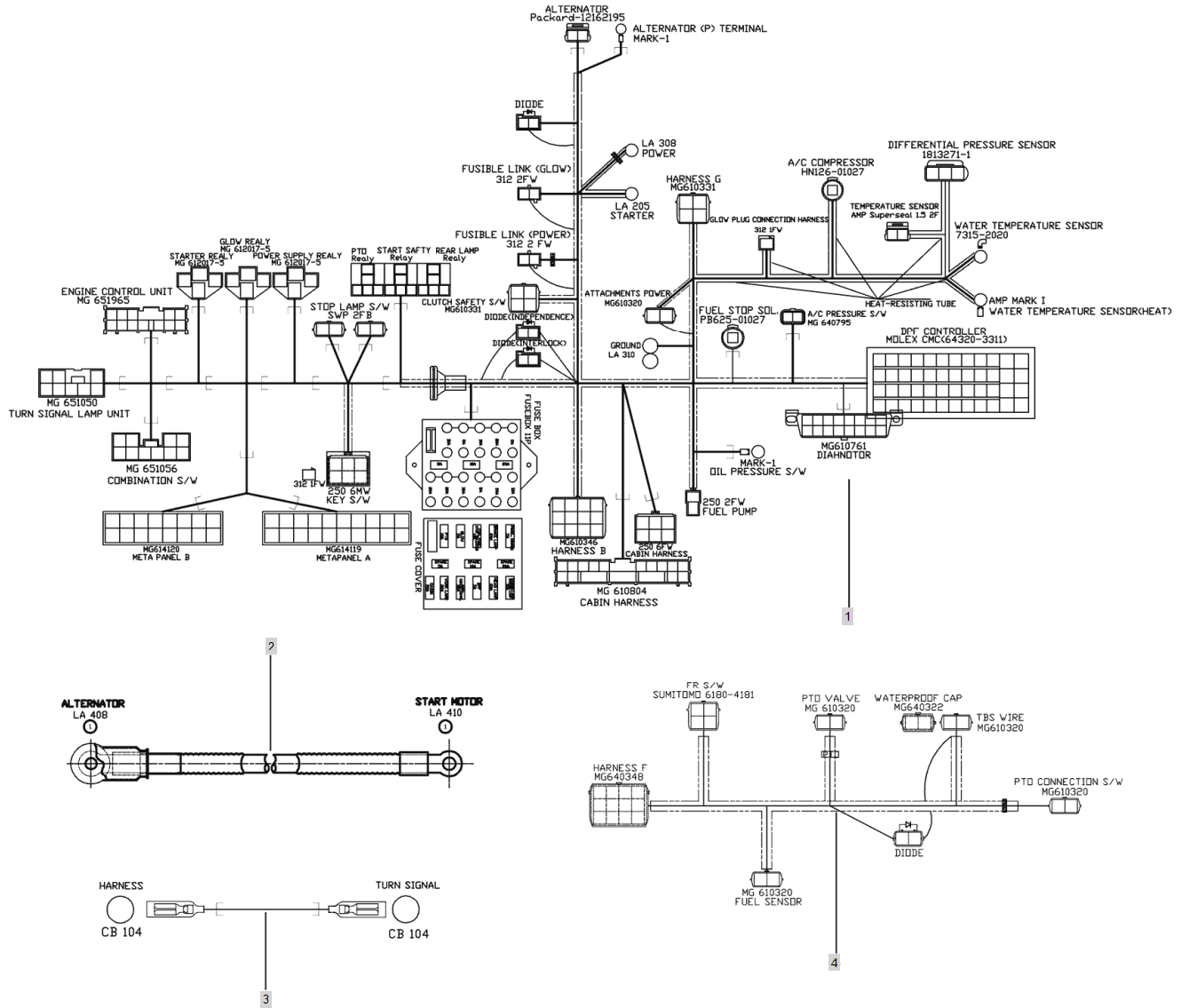


FIG C119-3

ELE'C WIRING

Year/Month

4225C

2020/01

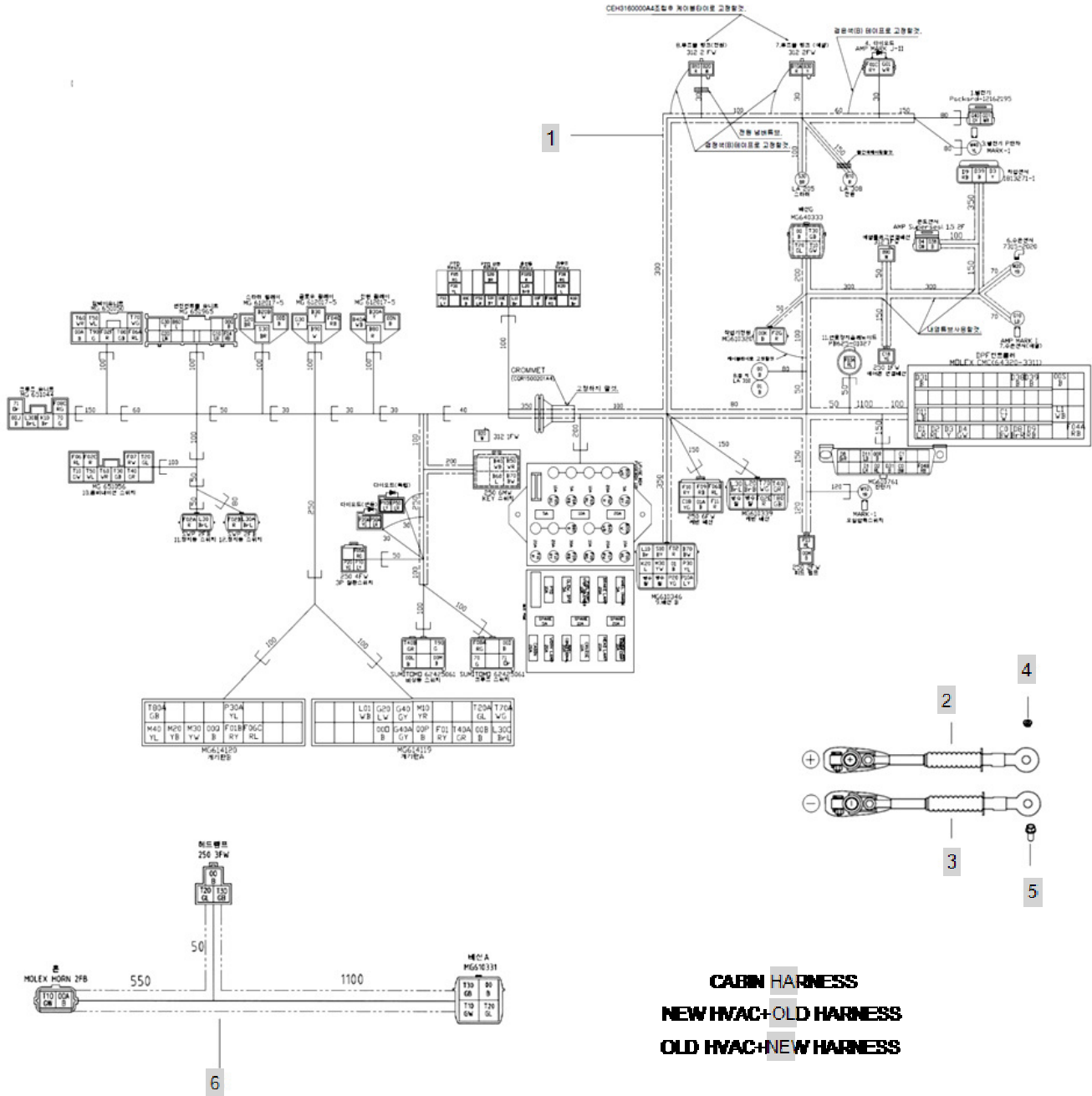


FIG C124-1

BATTERY

Year/Month

4225C

2020/01

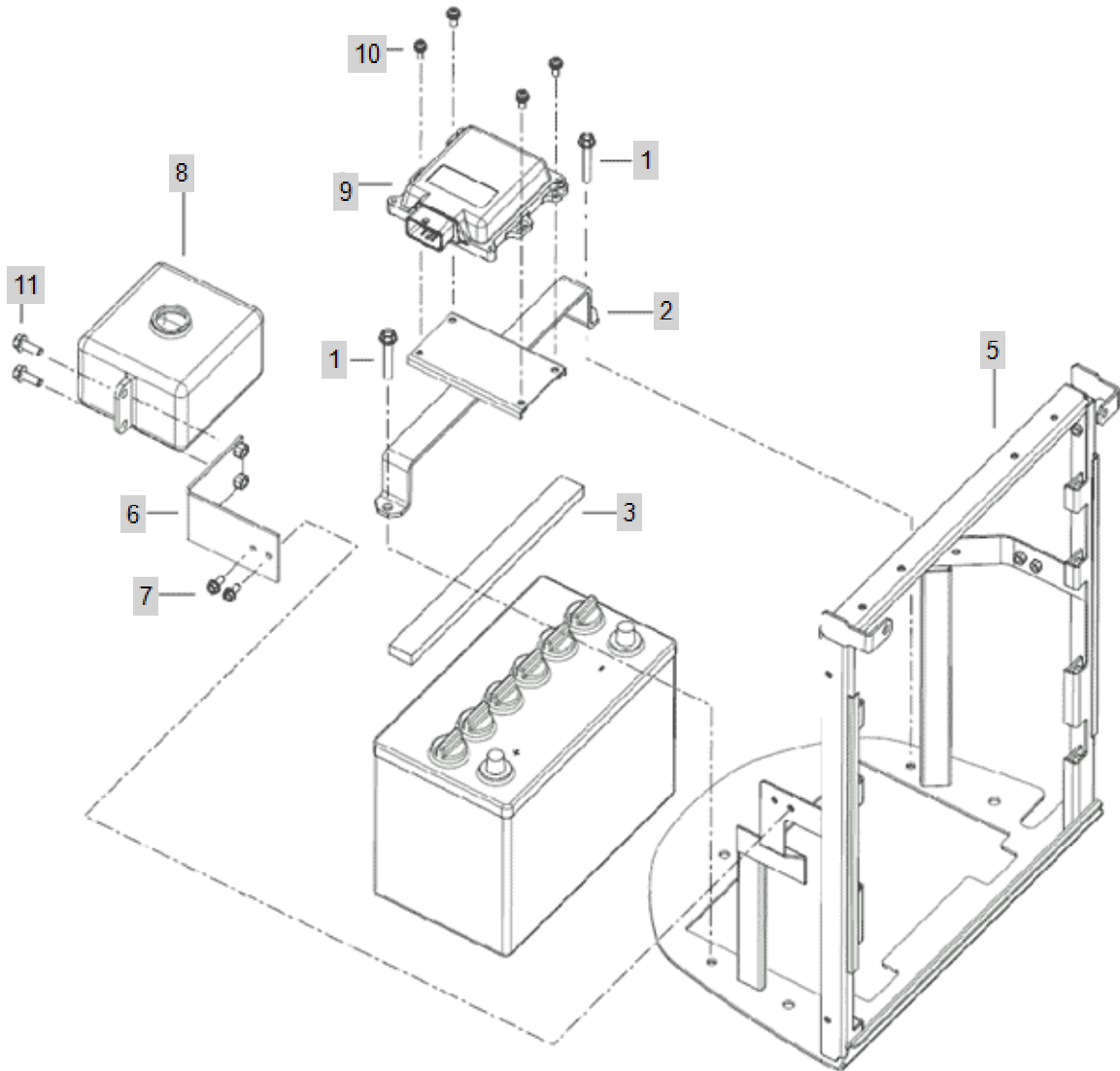


FIG C124-2

BATTERY

Year/Month

4225C

2020/01

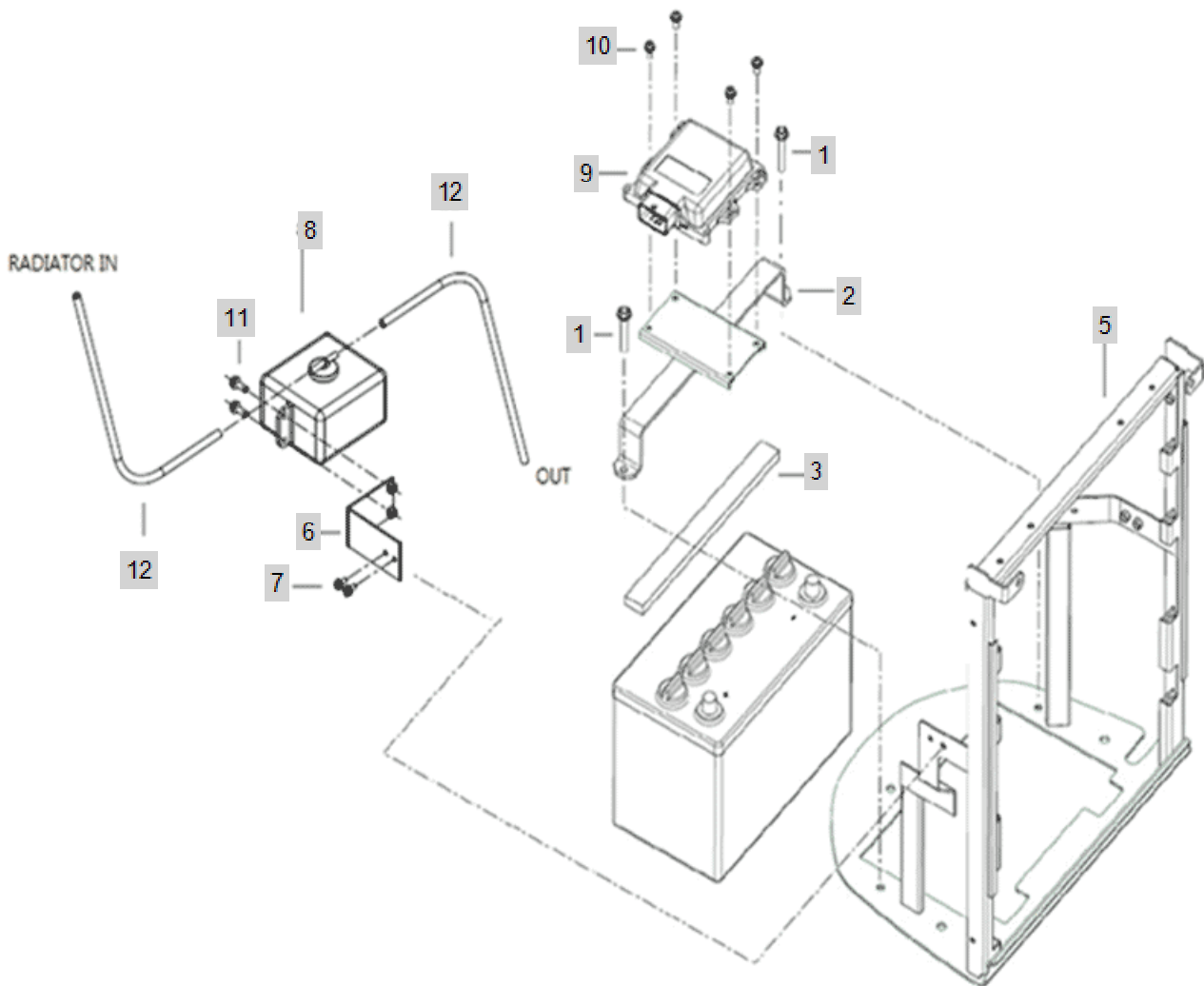


FIG C125-1

SWITCH

Year/Month

4225C

2020/01

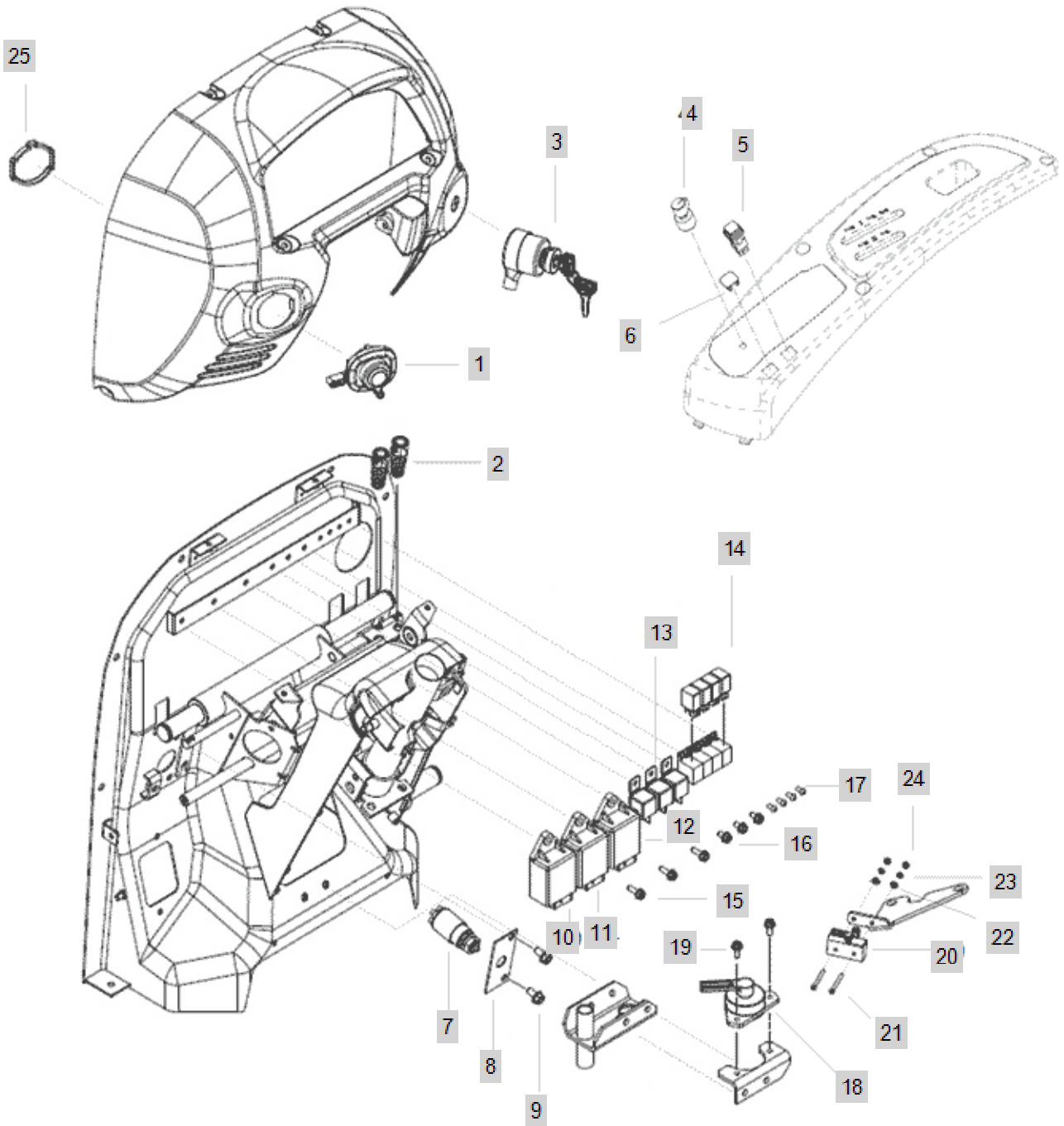


FIG C125-2

SWITCH

Year/Month

4225C

2020/01

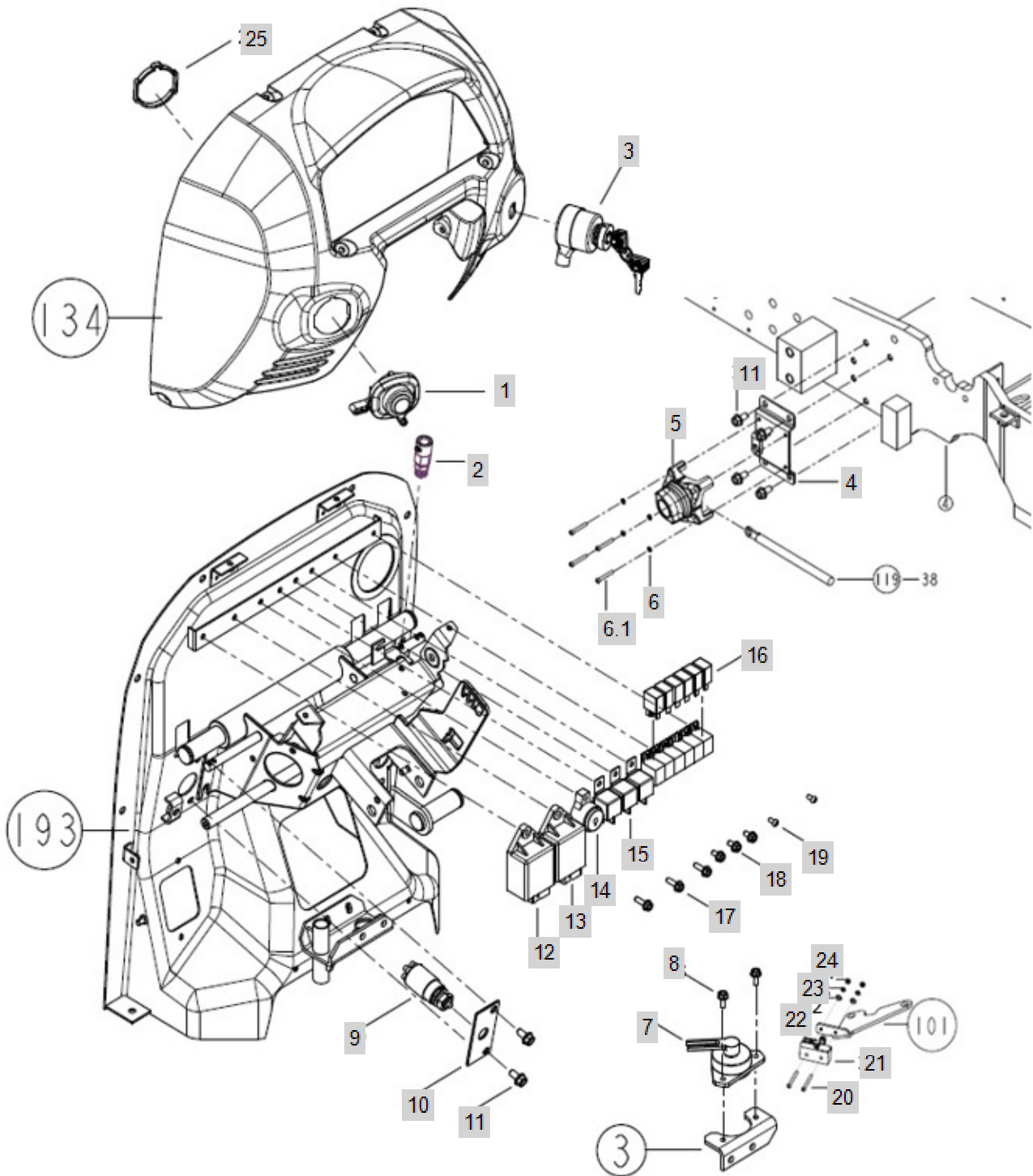


FIG C131

HORN

Year/Month

4225C

2020/01

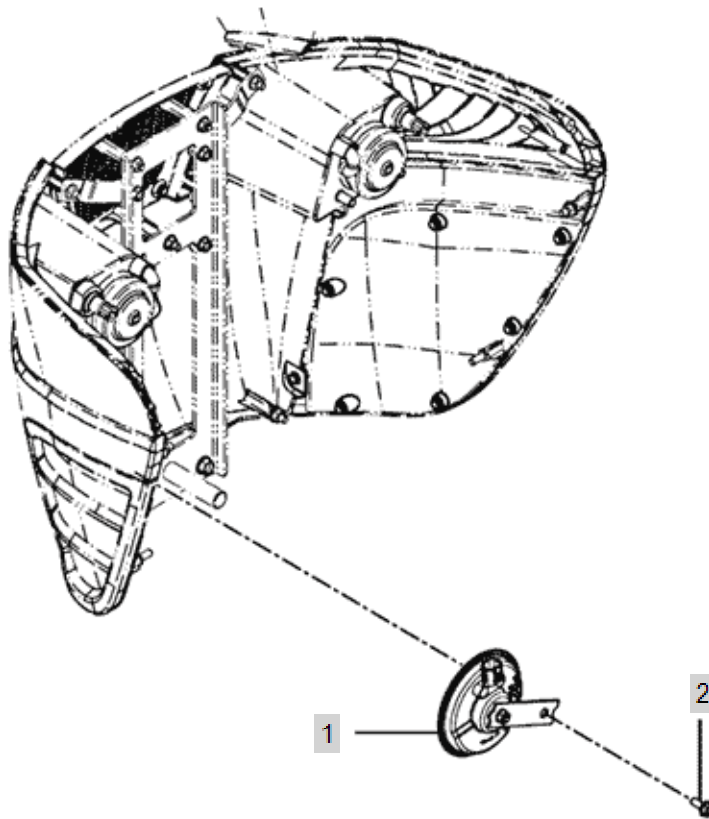


FIG C132

LAMP

Year/Month

4225C

2020/01

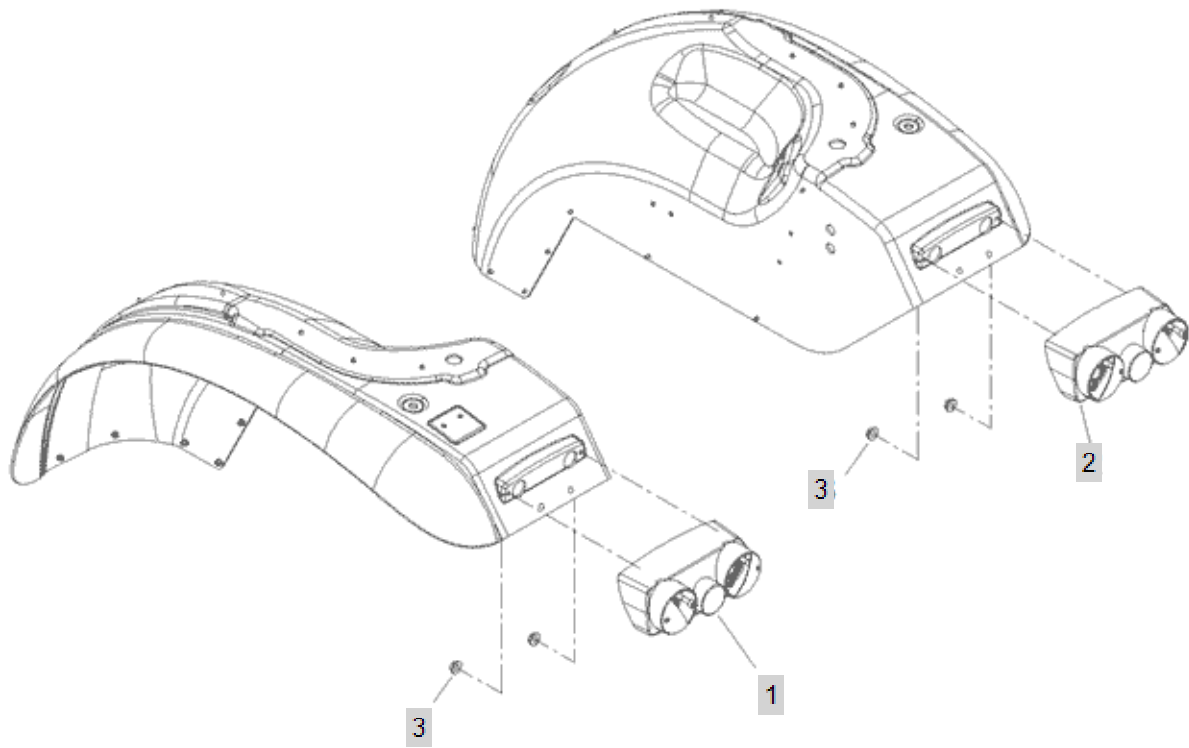


FIG C134-1

METER ASS'Y

Year/Month

4225C

2020/01

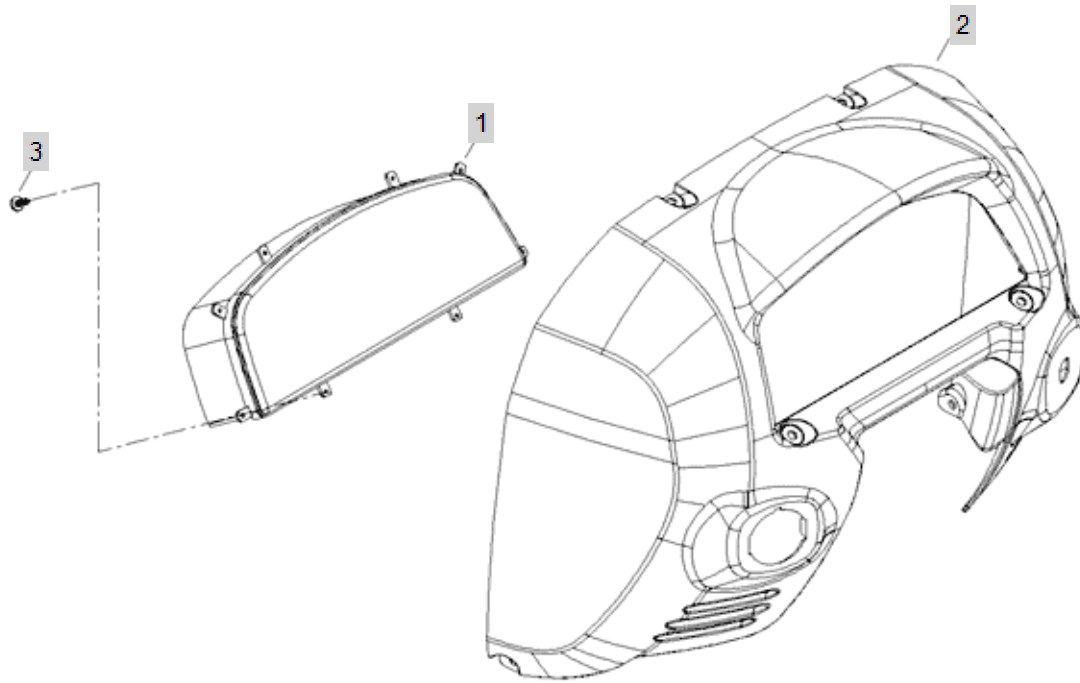


FIG C135-1

BONNET

Year/Month

4225C

2020/01

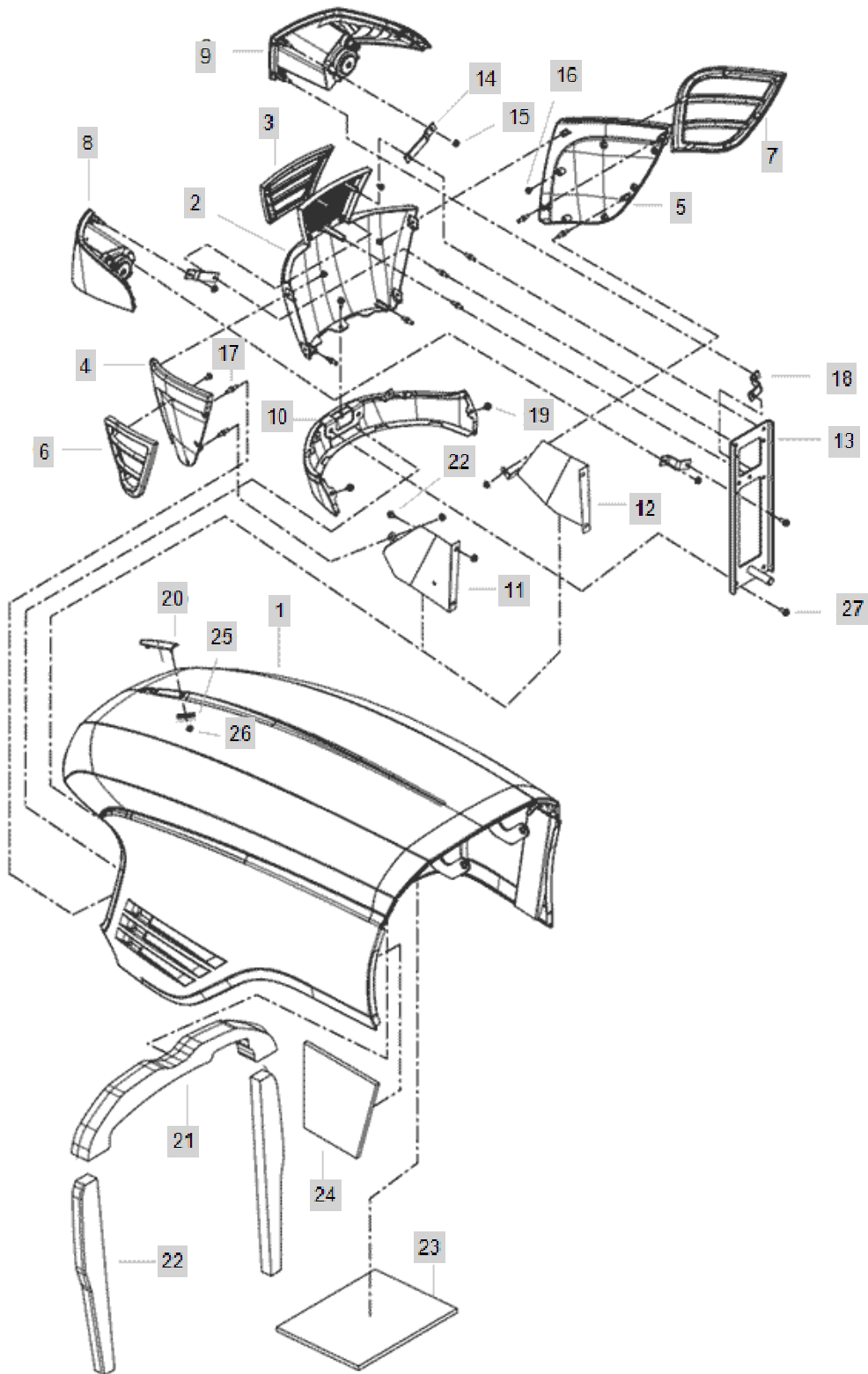


FIG C135-2

BONNET(201812~)

Year/Month

4225C

2020/01

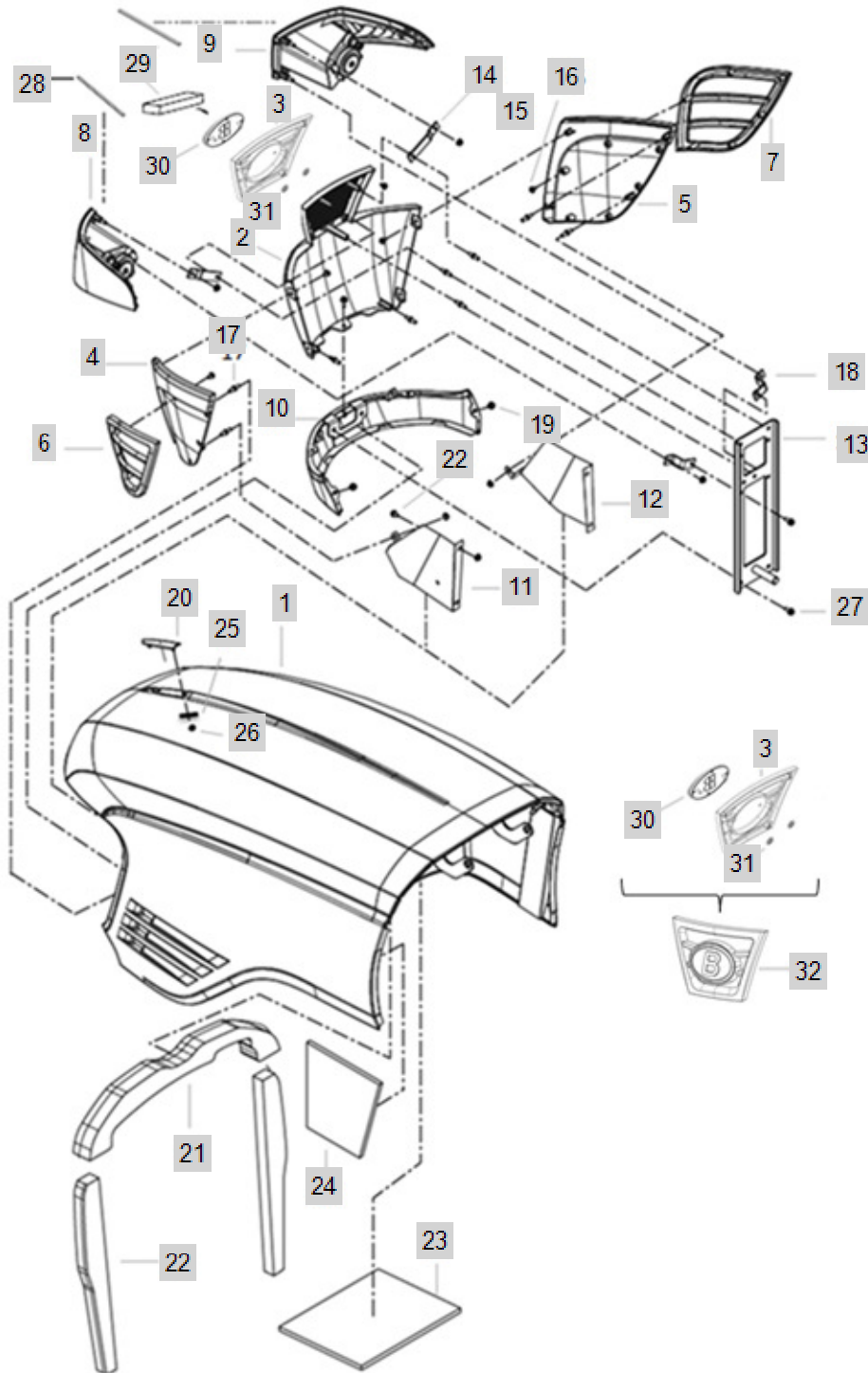


FIG C136.1

BONNET SUPPORT

Year/Month

4225C

2020/01

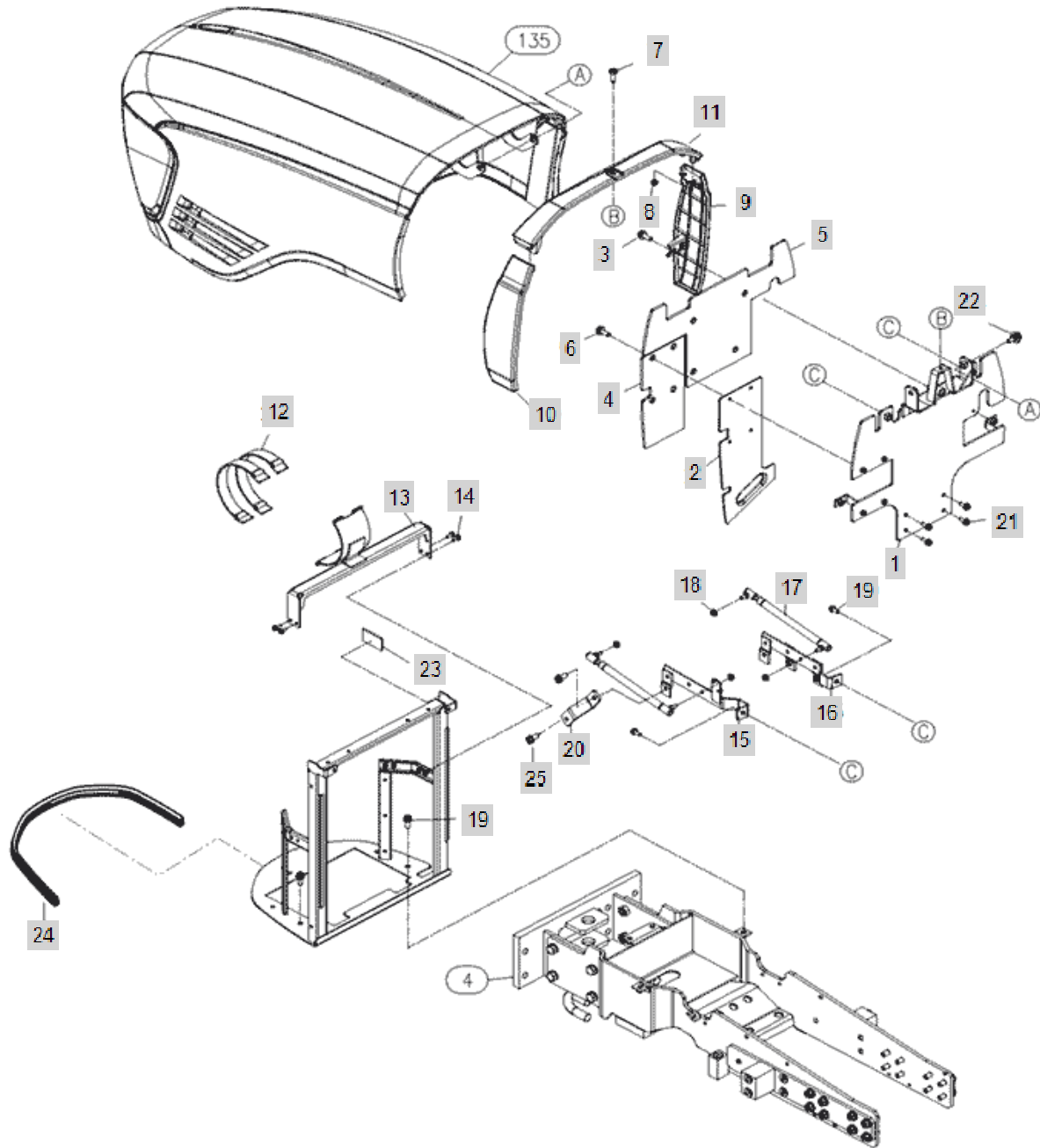


FIG C136.2-1

BONNET SUPPORT

Year/Month

4225C

2020/01

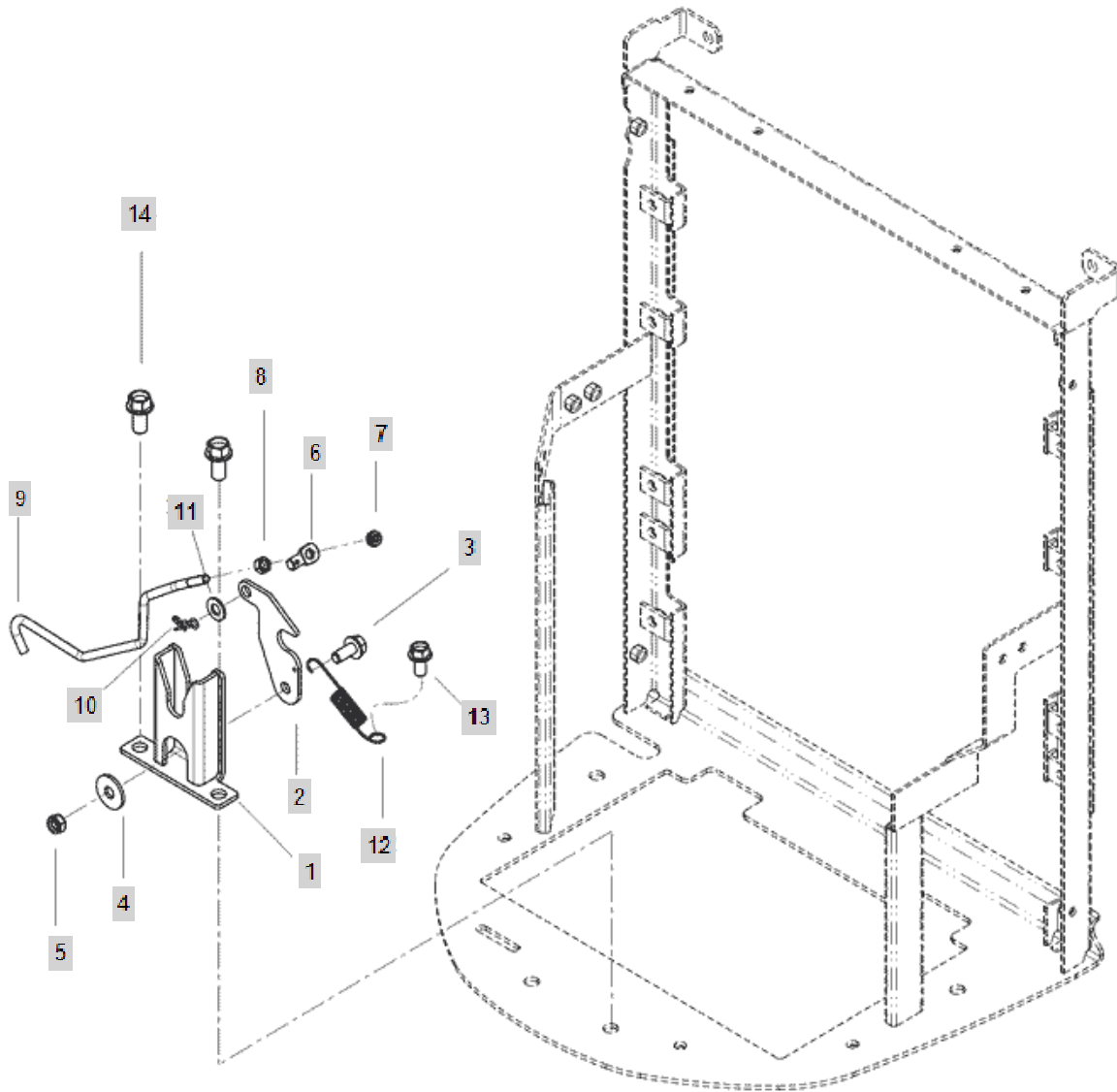


FIG C136.2-1

BONNET SUPPORT

Year/Month

4225C

2020/01

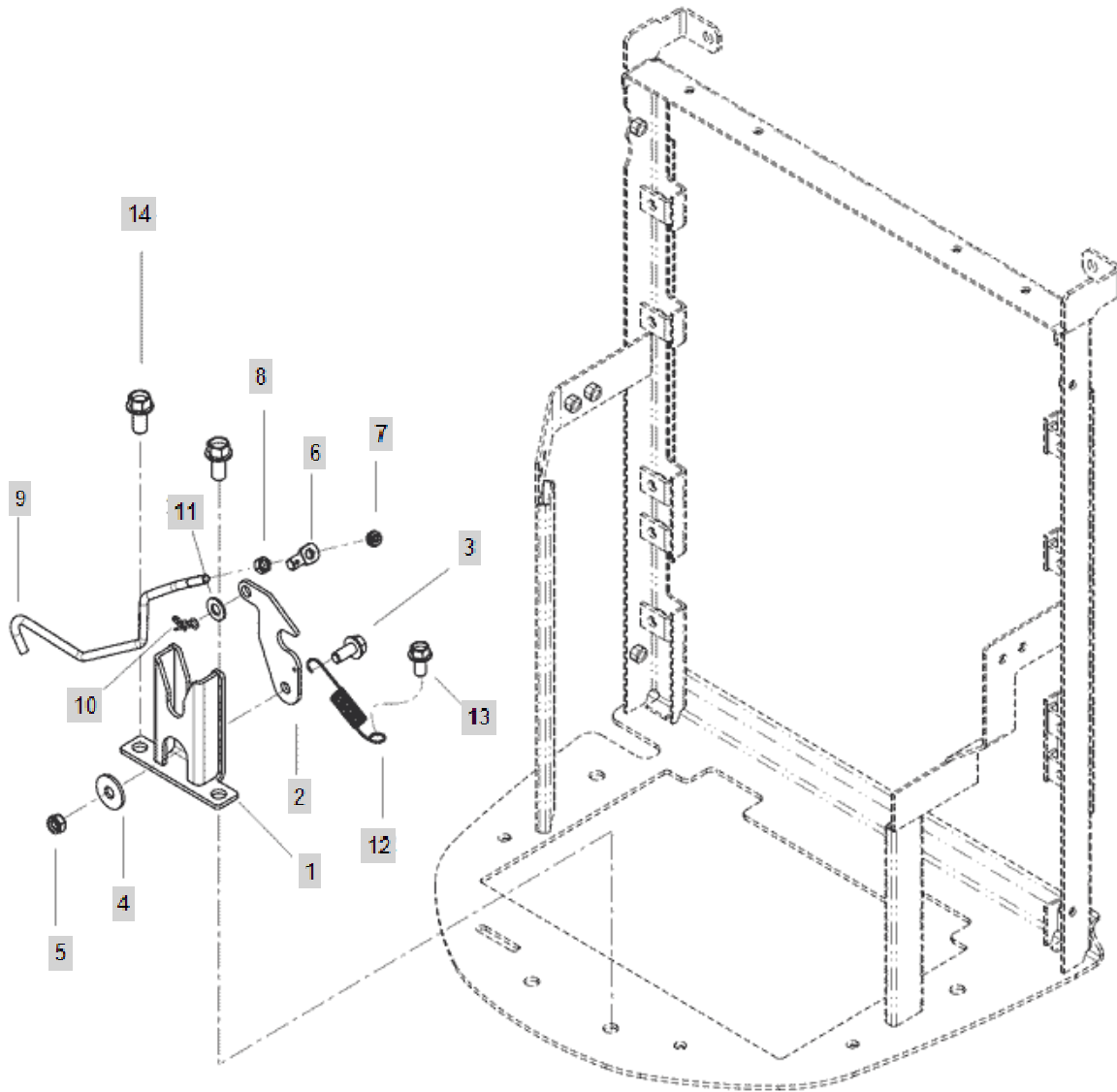


FIG C136.2-2

BONNET SUPPORT(2019.03~)

Year/Month

4225C

2020/01

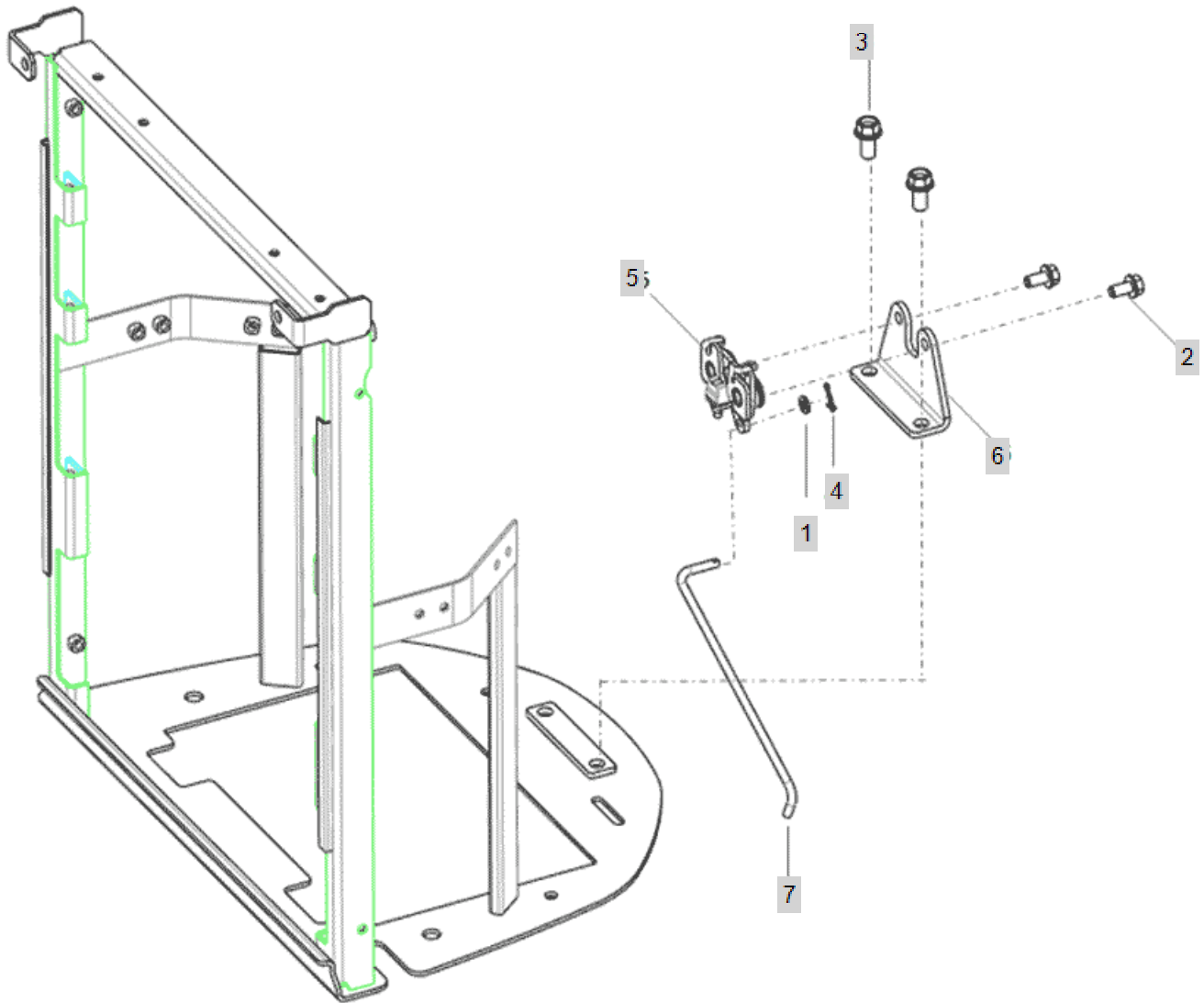


FIG C137

DASH BOARD

Year/Month

4225C

2020/01

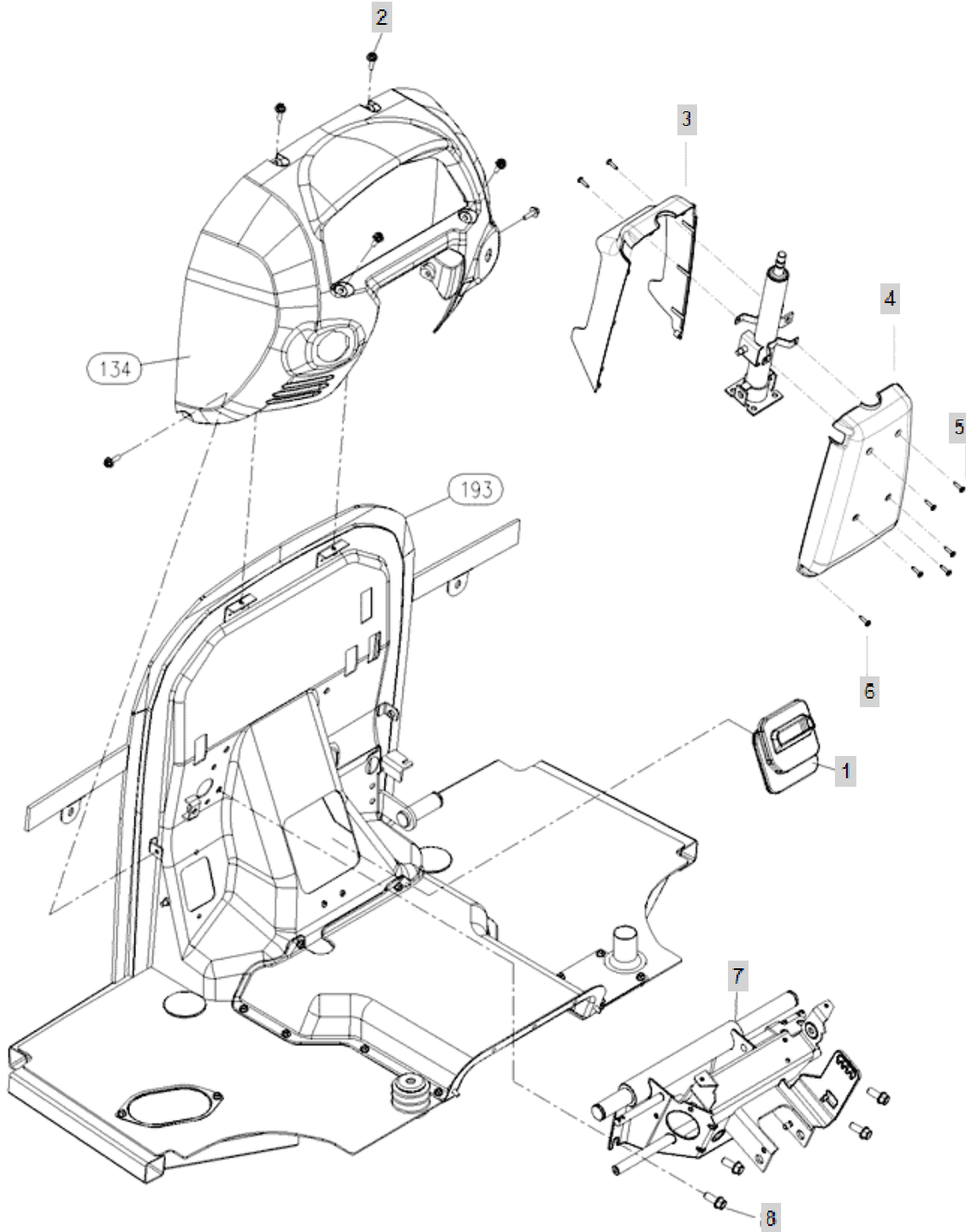


FIG C139

FOOT REST ASS'Y

Year/Month

4225C

2020/01

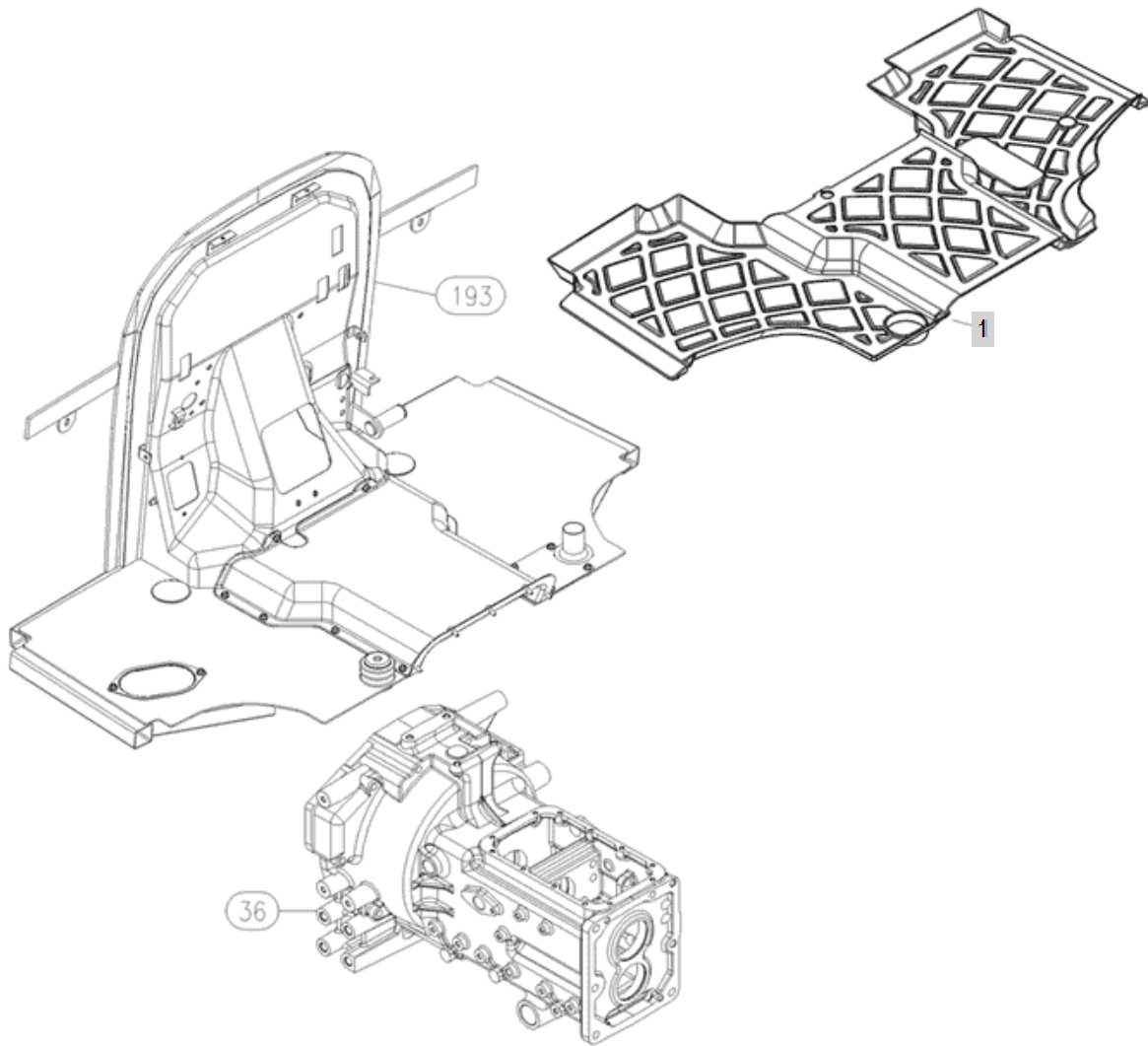


FIG C141-1

FUEL TANK

Year/Month

4225C

2020/01

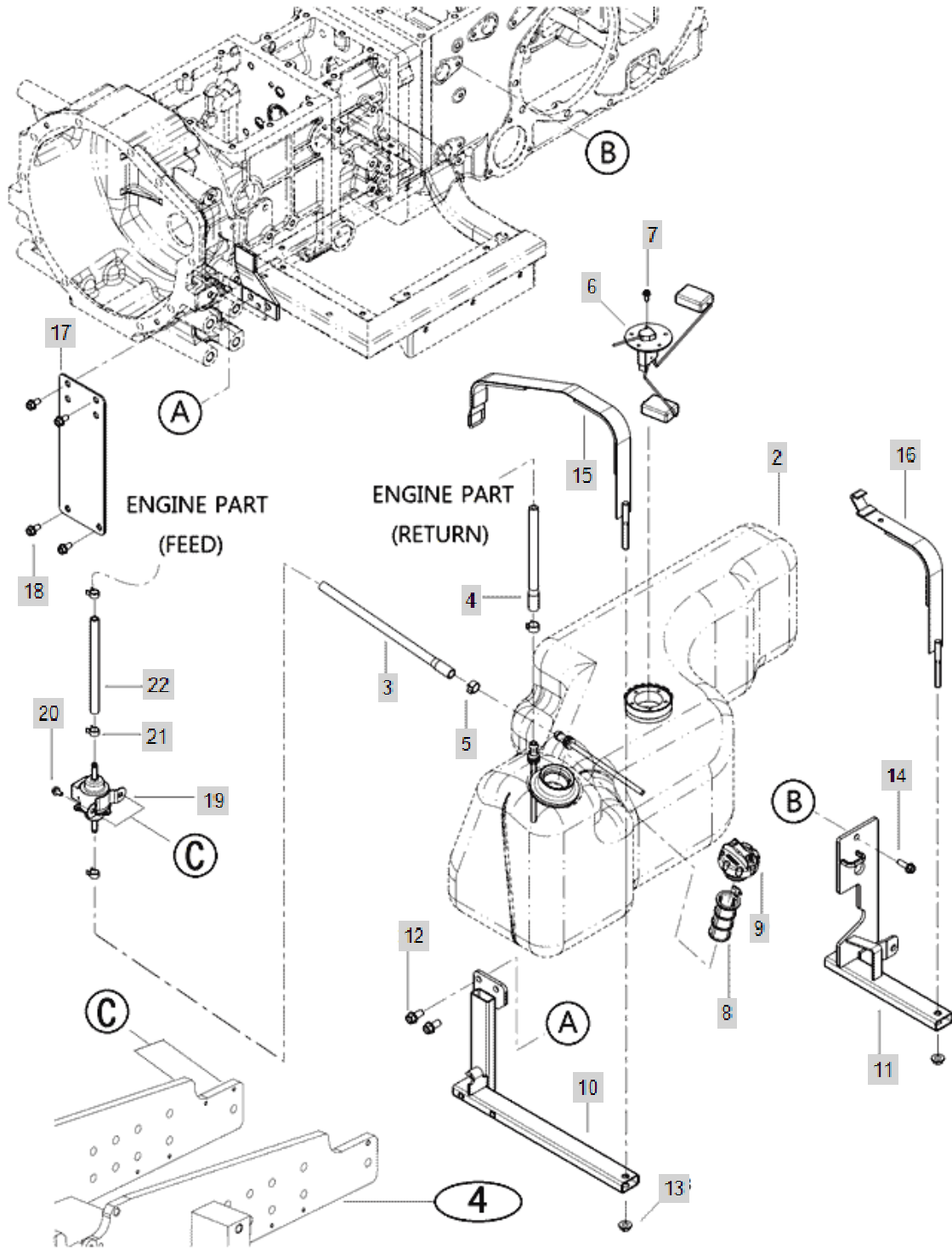


FIG C141-2

FUEL TANK

Year/Month

4225C

2020/01

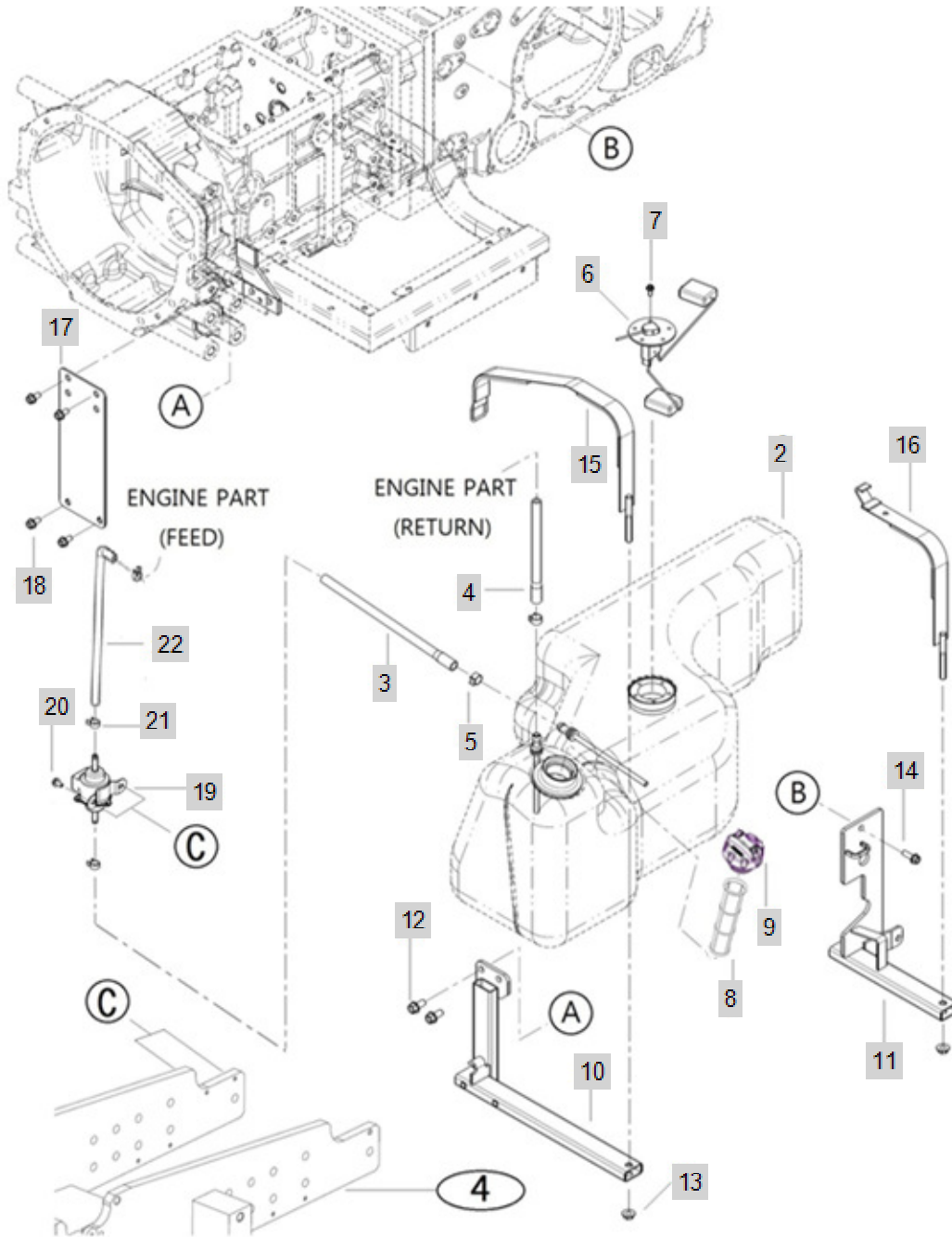


FIG C144-2

NAME PLATE

Year/Month

4225C

2020/01

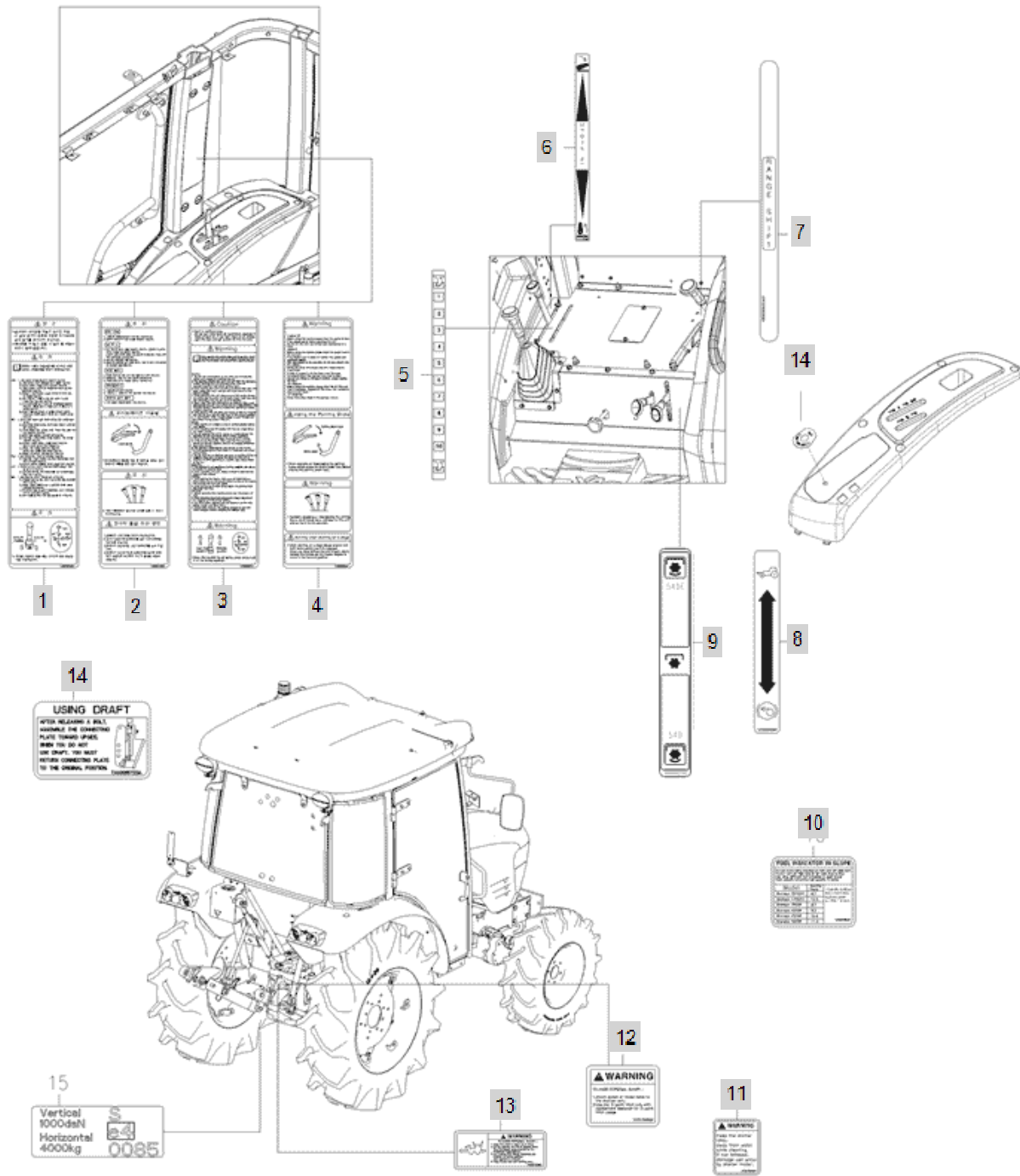


FIG C144-
4225C

NAME PLATE

Year/Month

4225C

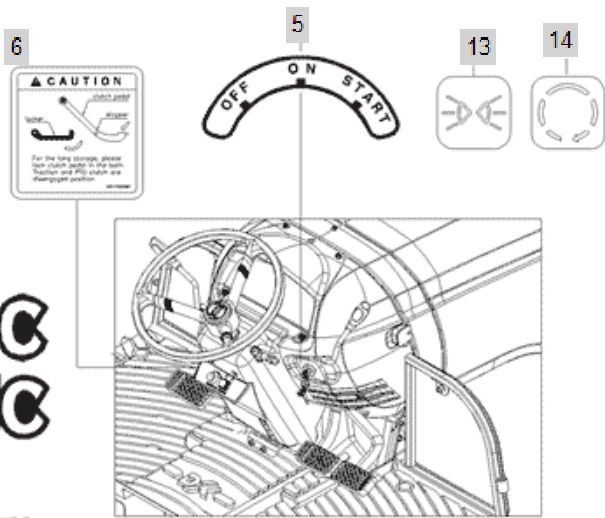
2020/01

Branson 3725C Branson 4225C

2

Premium

21



ECLAIR WAGNETT Co. Ltd 2020C, 4225C	
TYPE 298 EC No. #4200320052	
IDENTIFICATION No.	
MAX. LOADS (WEIGHT)	2000 kg
POSSIBLE FRONT AXLE LOAD	800 kg
POSSIBLE REAR AXLE LOAD	1000 kg
POSSIBLE TOWABLE WEIGHT	1000 kg
UNPAID TO TOWABLE WEIGHT	1000 kg
4-WHEEL DRIVE - DRIVEN	4000 kg
4-WHEEL DRIVE - DRIVEN	4000 kg
4-WHEEL DRIVE - DRIVEN	4000 kg

21, 22



1



12



20



19



15



18



11



10



7



8



9

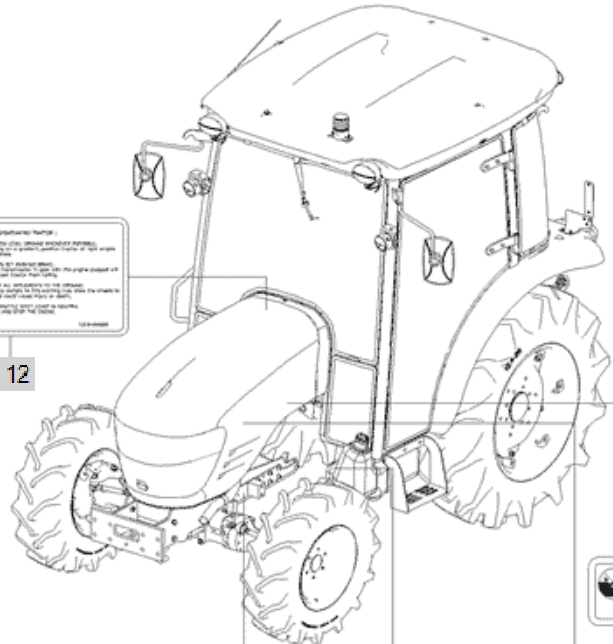


FIG C146

TOP LINK, LIFT LINK

Year/Month

4225C

2020/01

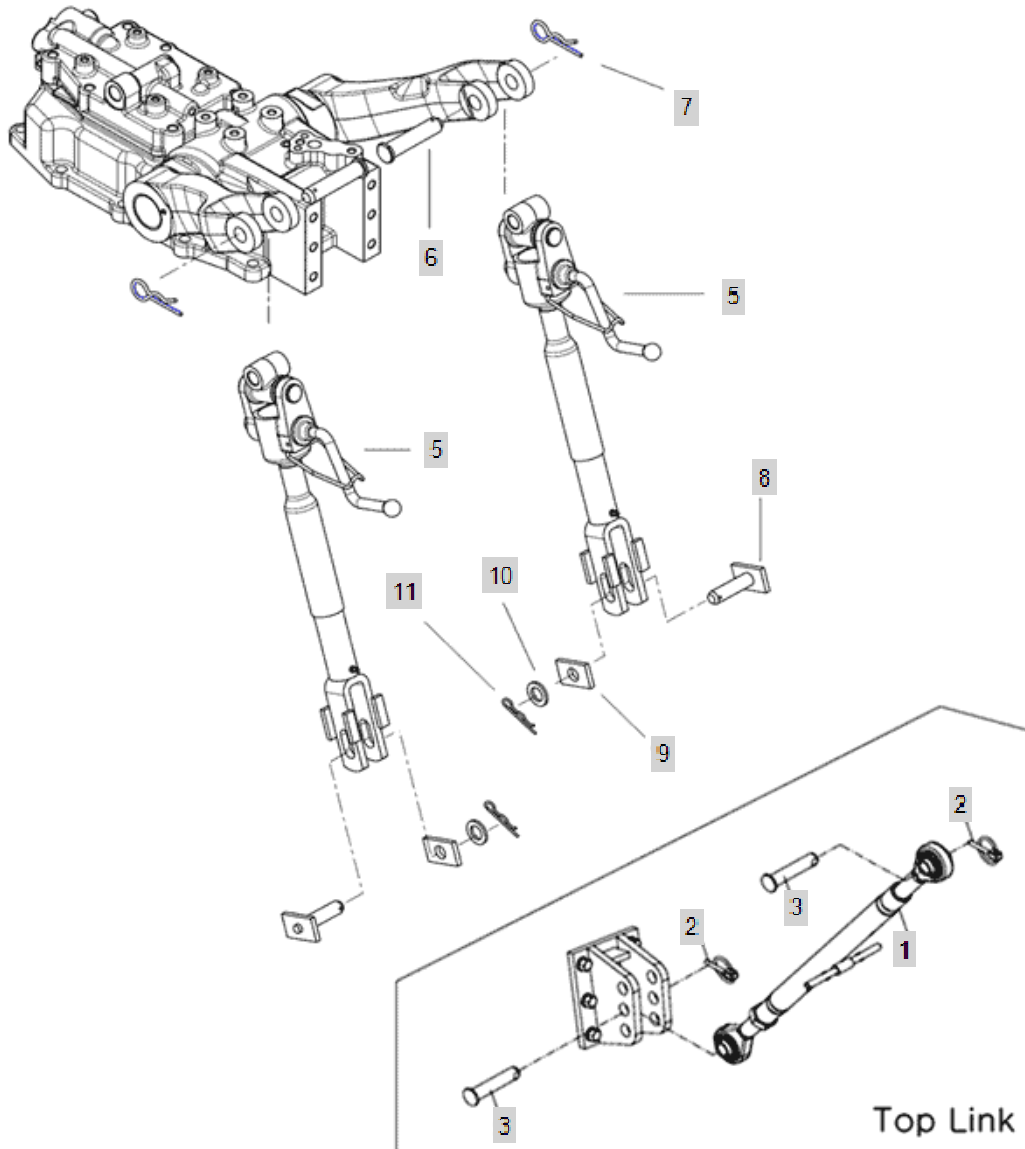
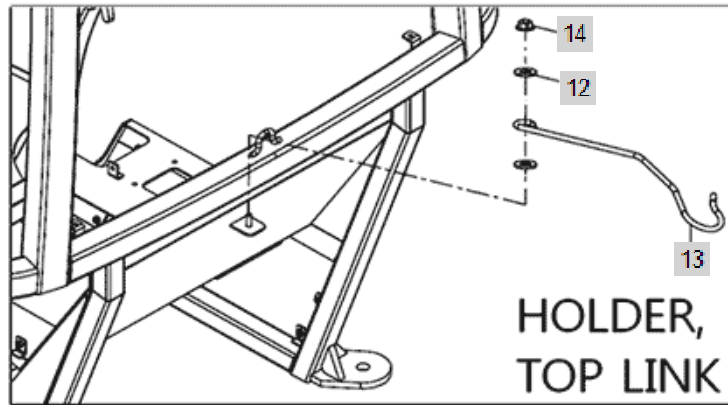


FIG C150-1

LOWER LINK

Year/Month

4225C

2020/01

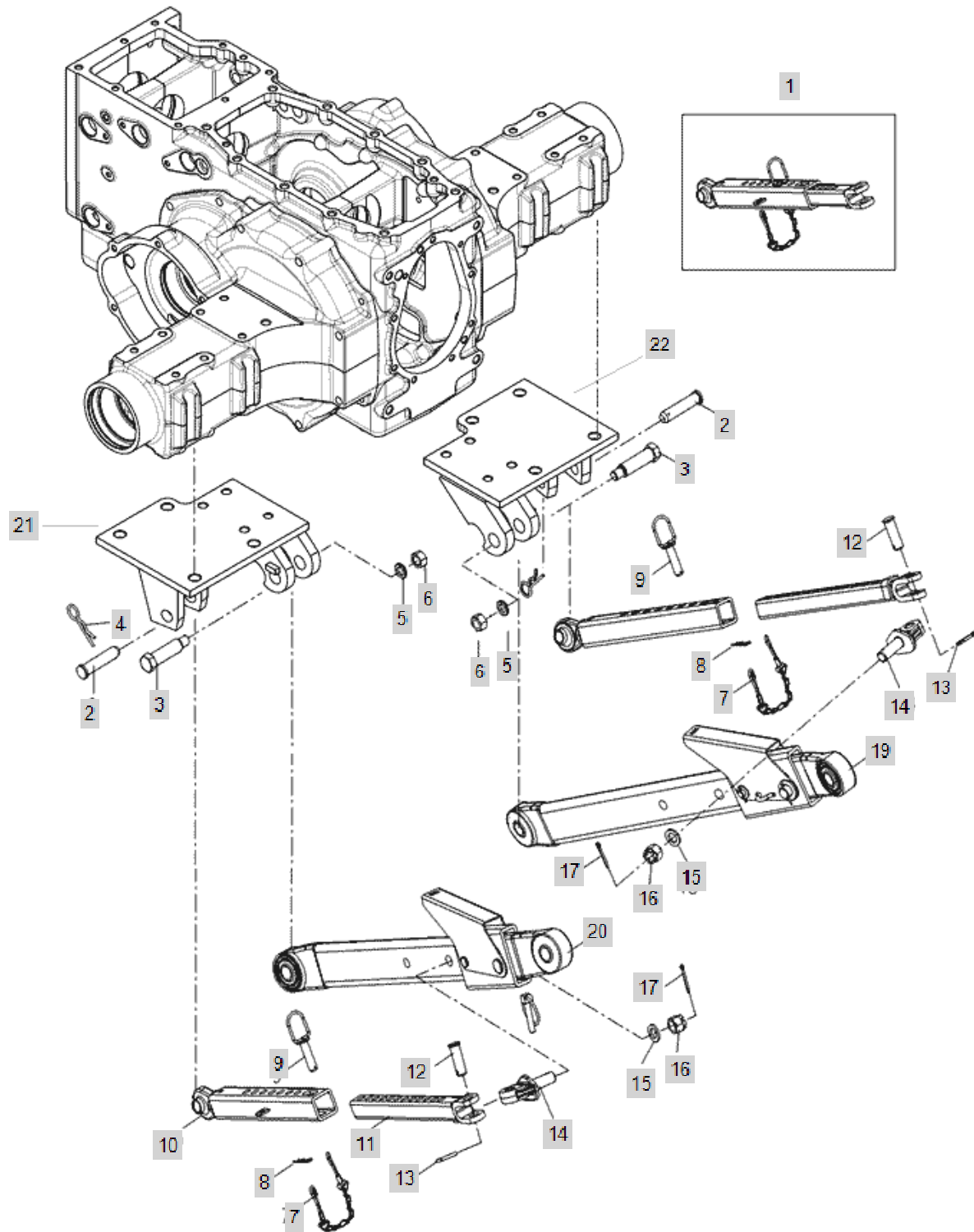


FIG C150-2

LOWER LINK

Year/Month

4225C

2020/01

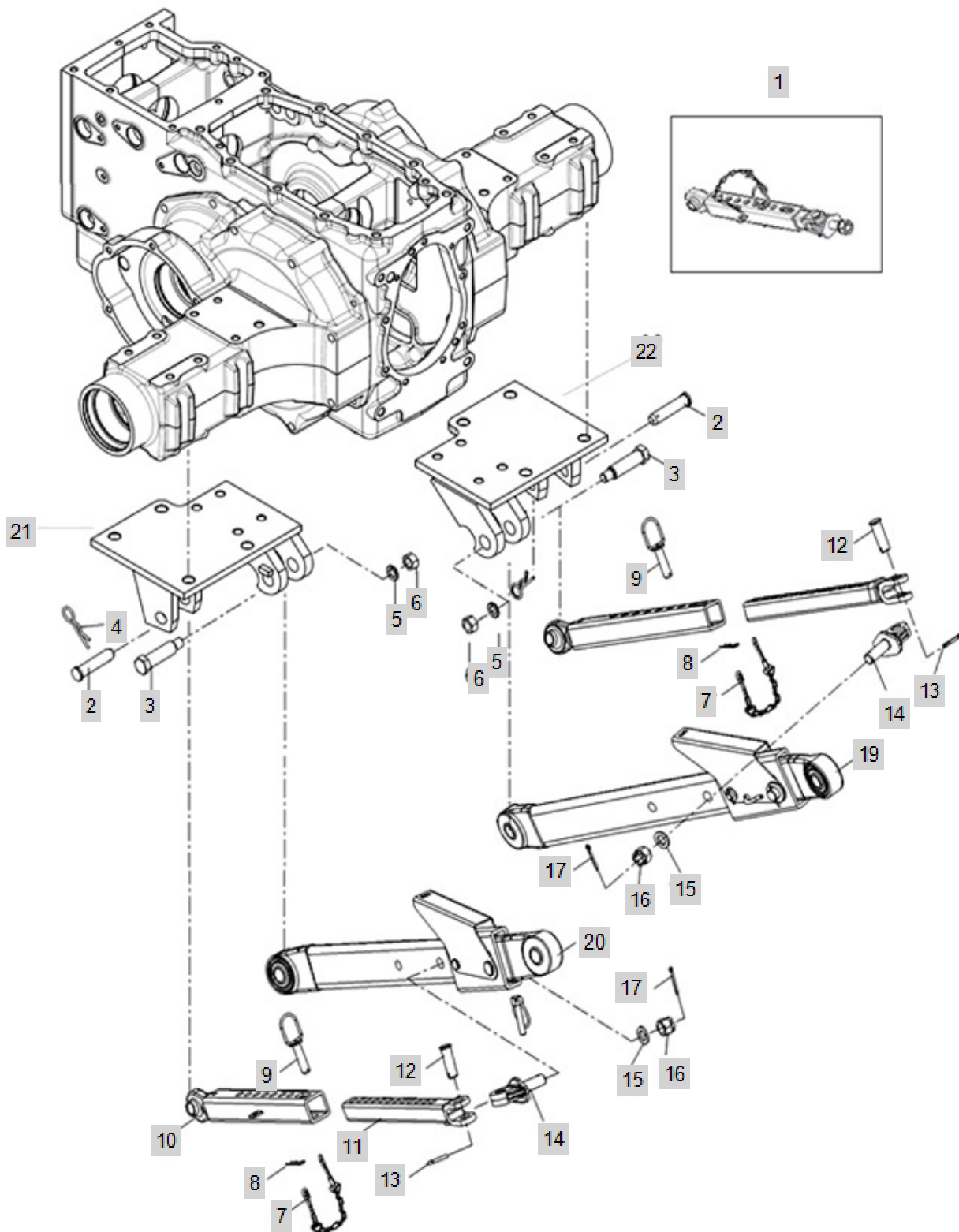


FIG C152

DRAWBAR HITCH

Year/Month

4225C

2020/01

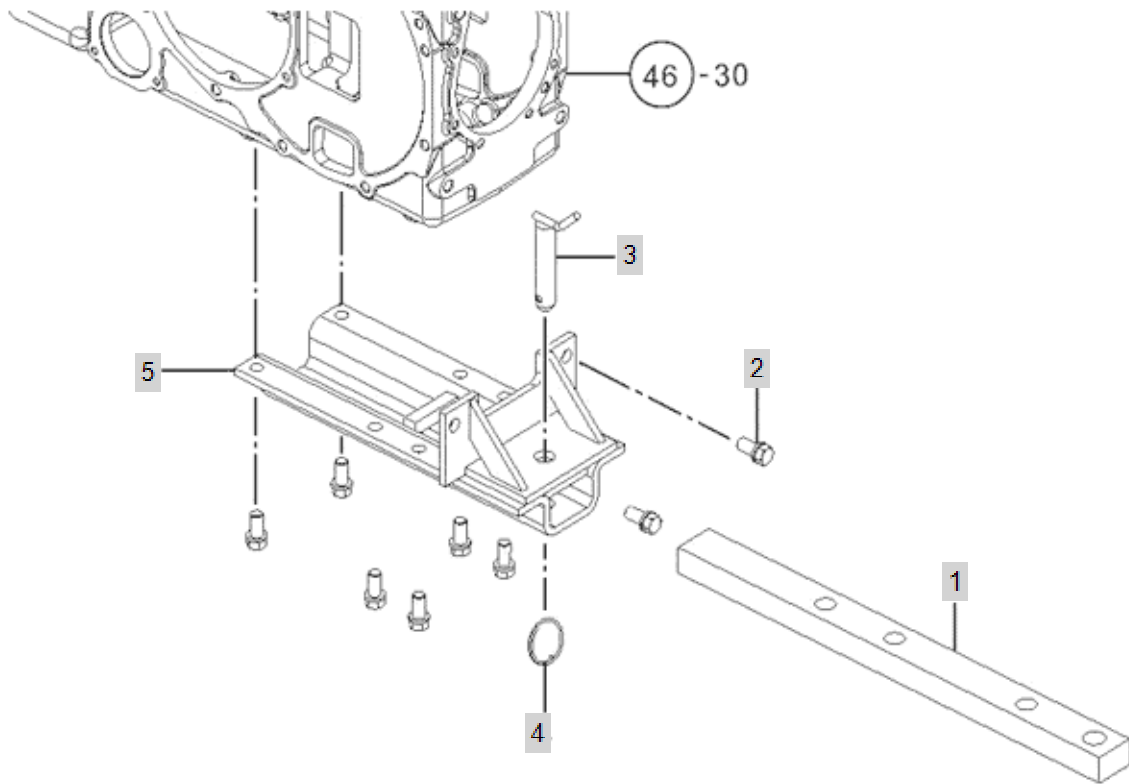


FIG C160

FRONT WEIGHT

Year/Month

4225C

2020/01

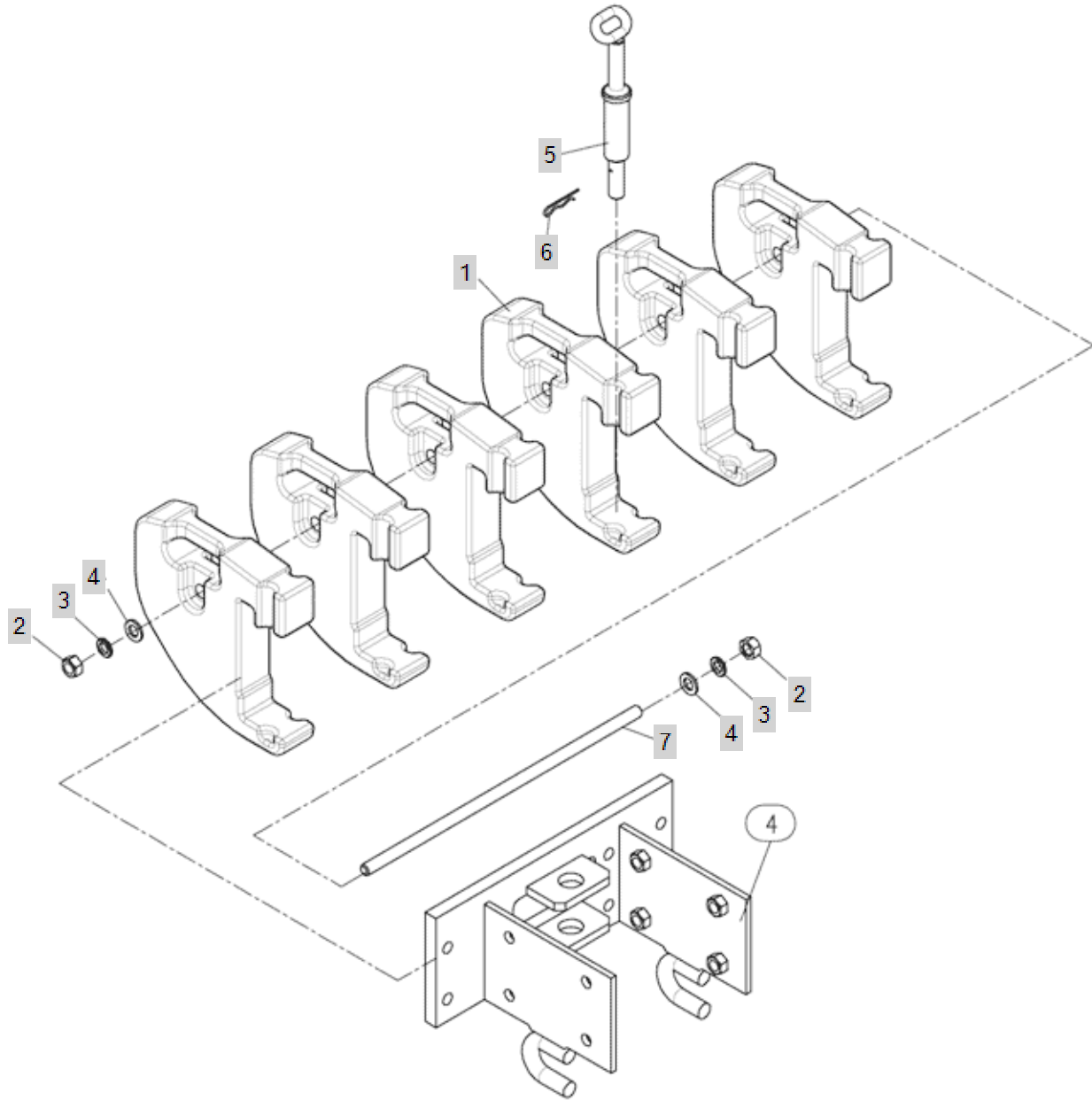


FIG C161-2

ENGINE SUB

Year/Month

4225C

2020/01

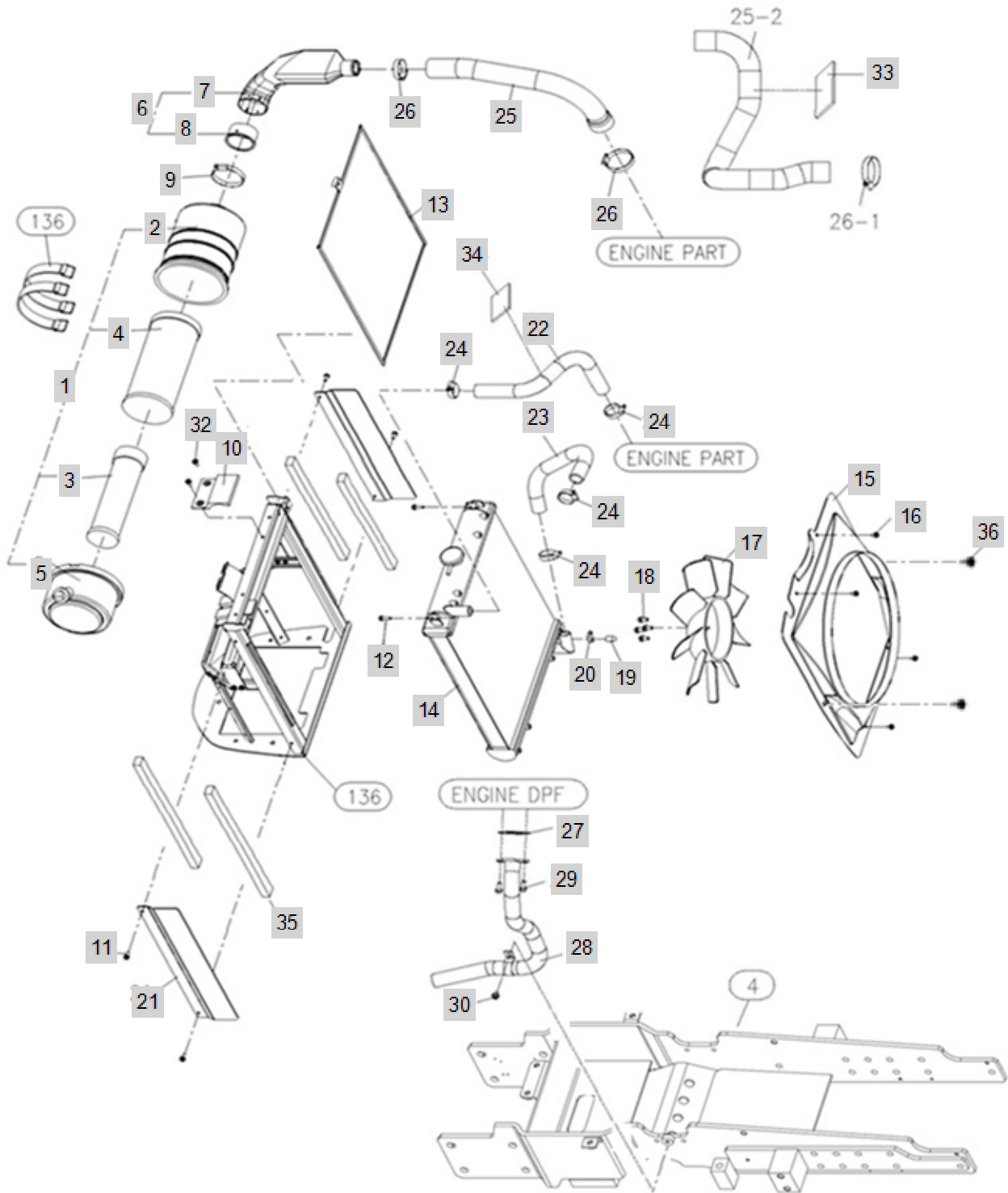


FIG C191-2

4PORT ASS'Y

Year/Month

4225C

2020/01

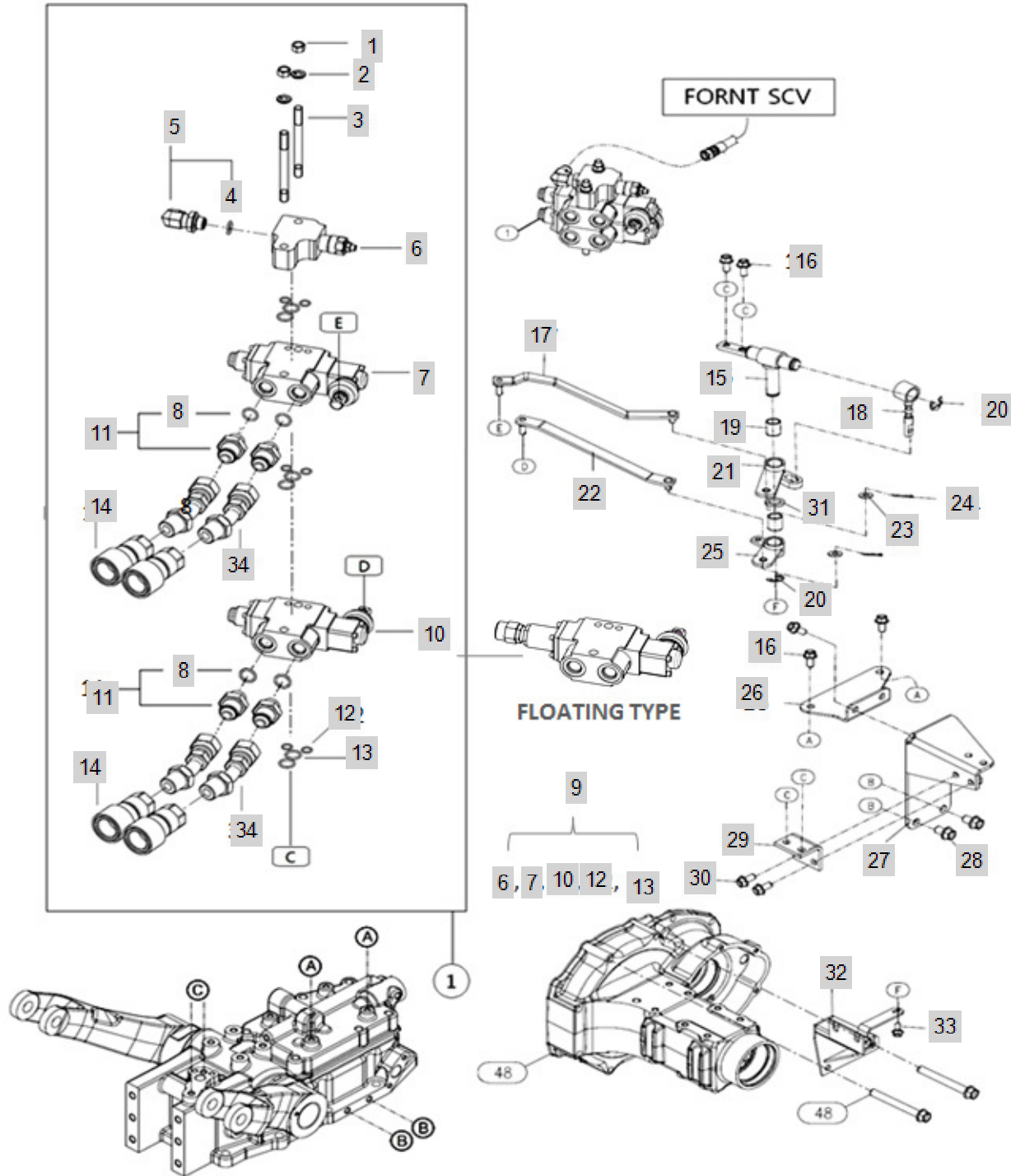


FIG C192

WASHER TANK

Year/Month

4225C

2020/01

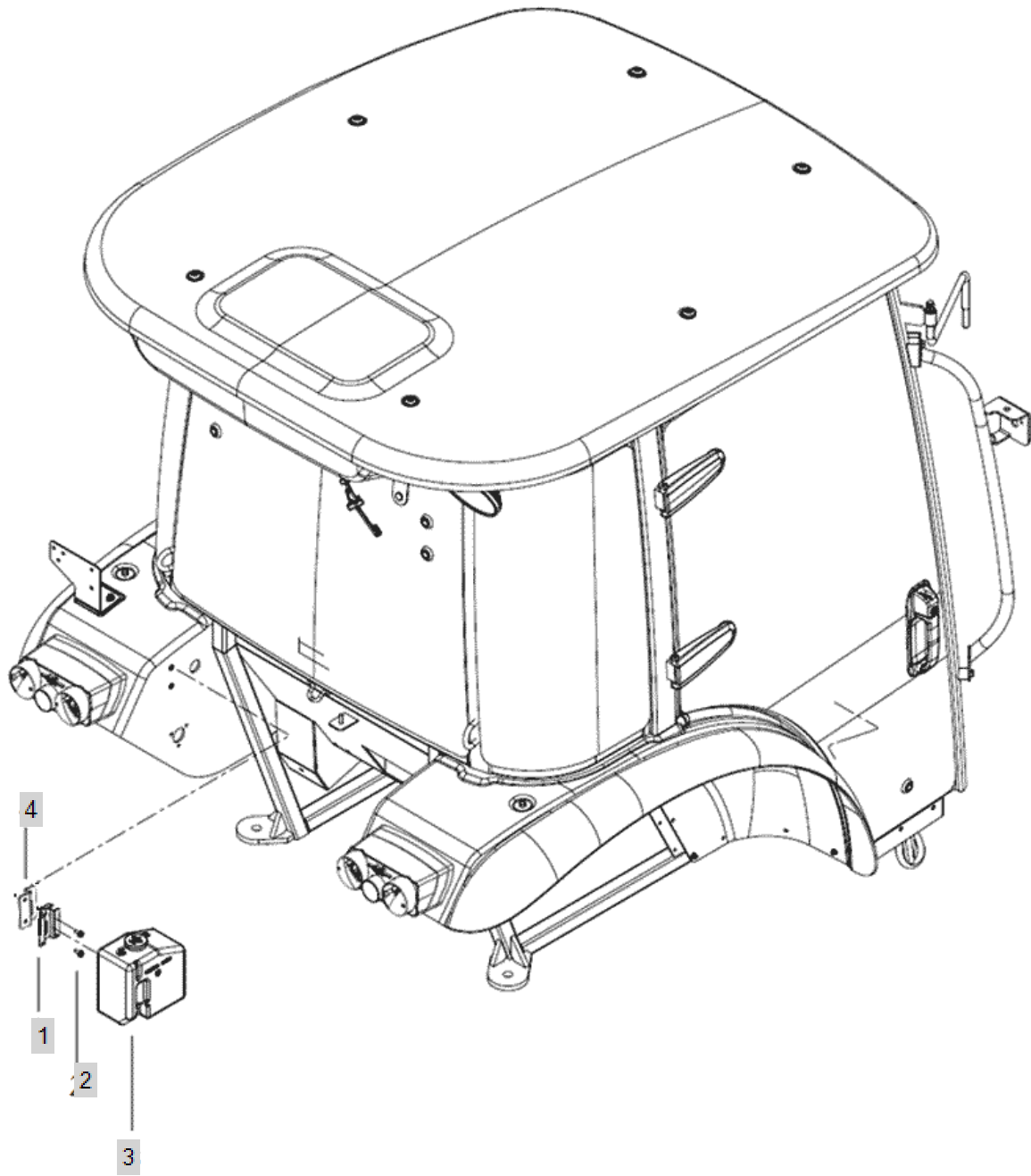


FIG C193

CABIN FREAM ASS'Y

Year/Month

4225C

2020/01

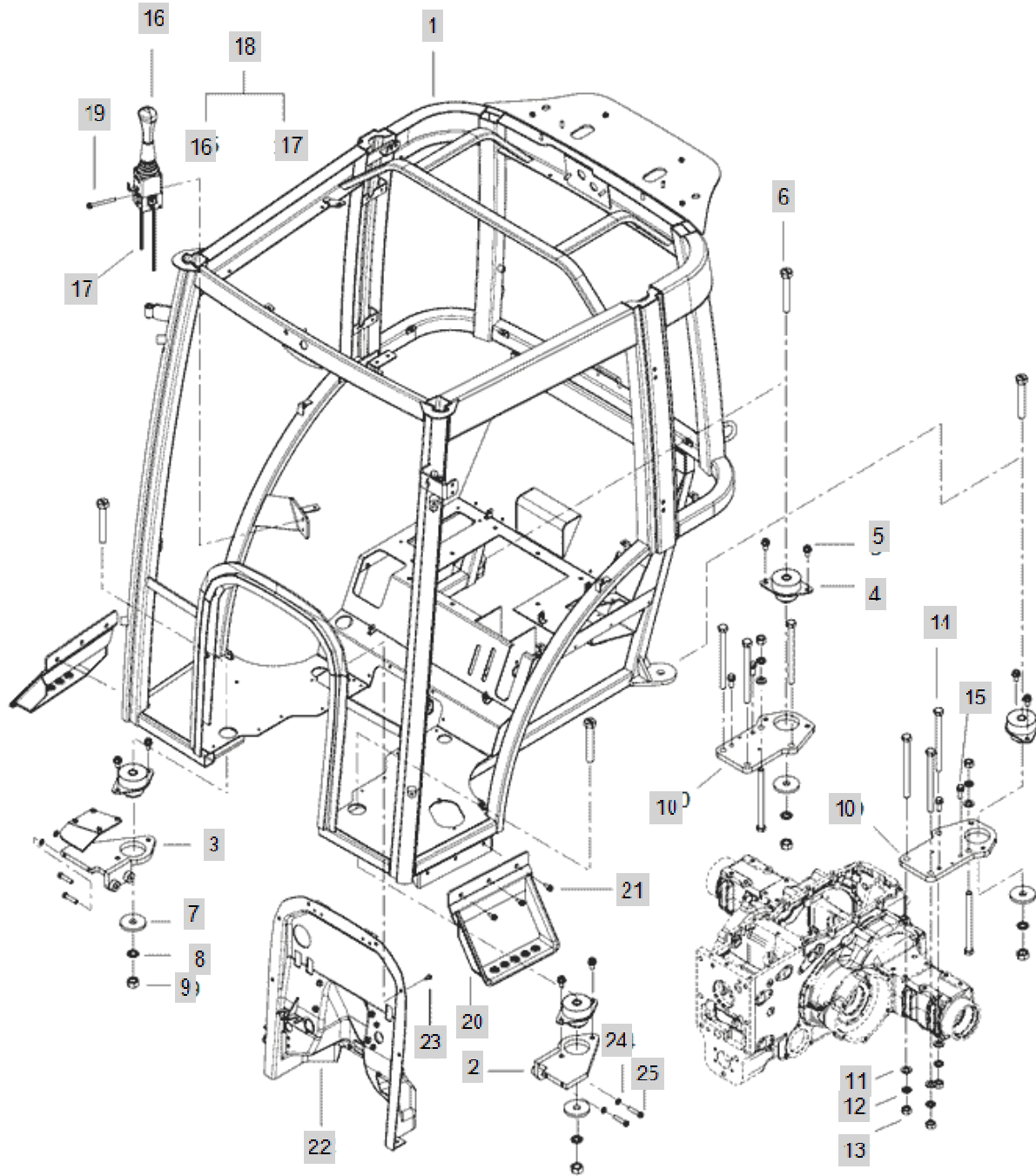


FIG C194-1

FENDER ASS'Y

Year/Month

4225C

2020/01

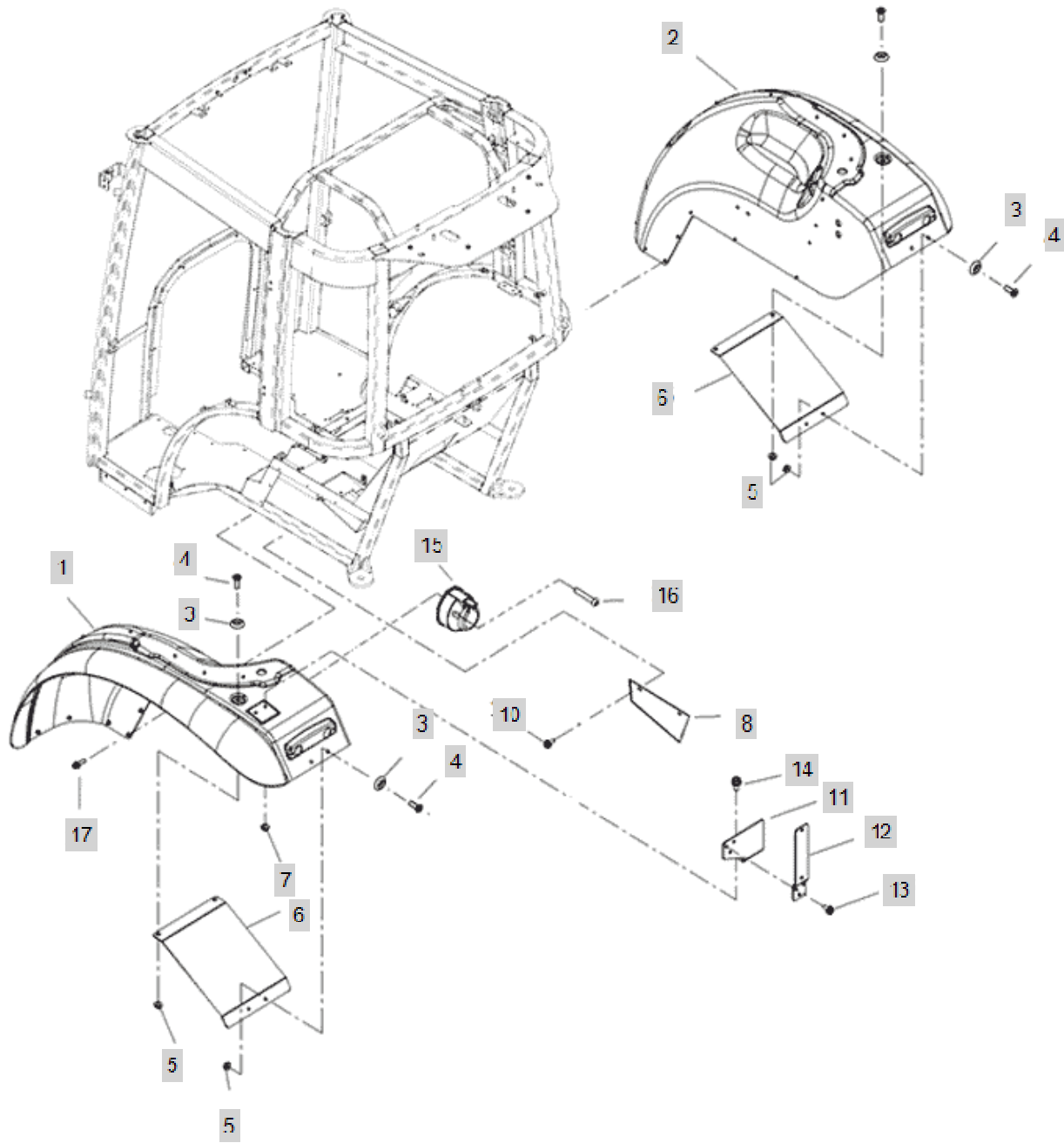


FIG C194-2

FENDER ASS'Y

Year/Month

4225C

2020/01

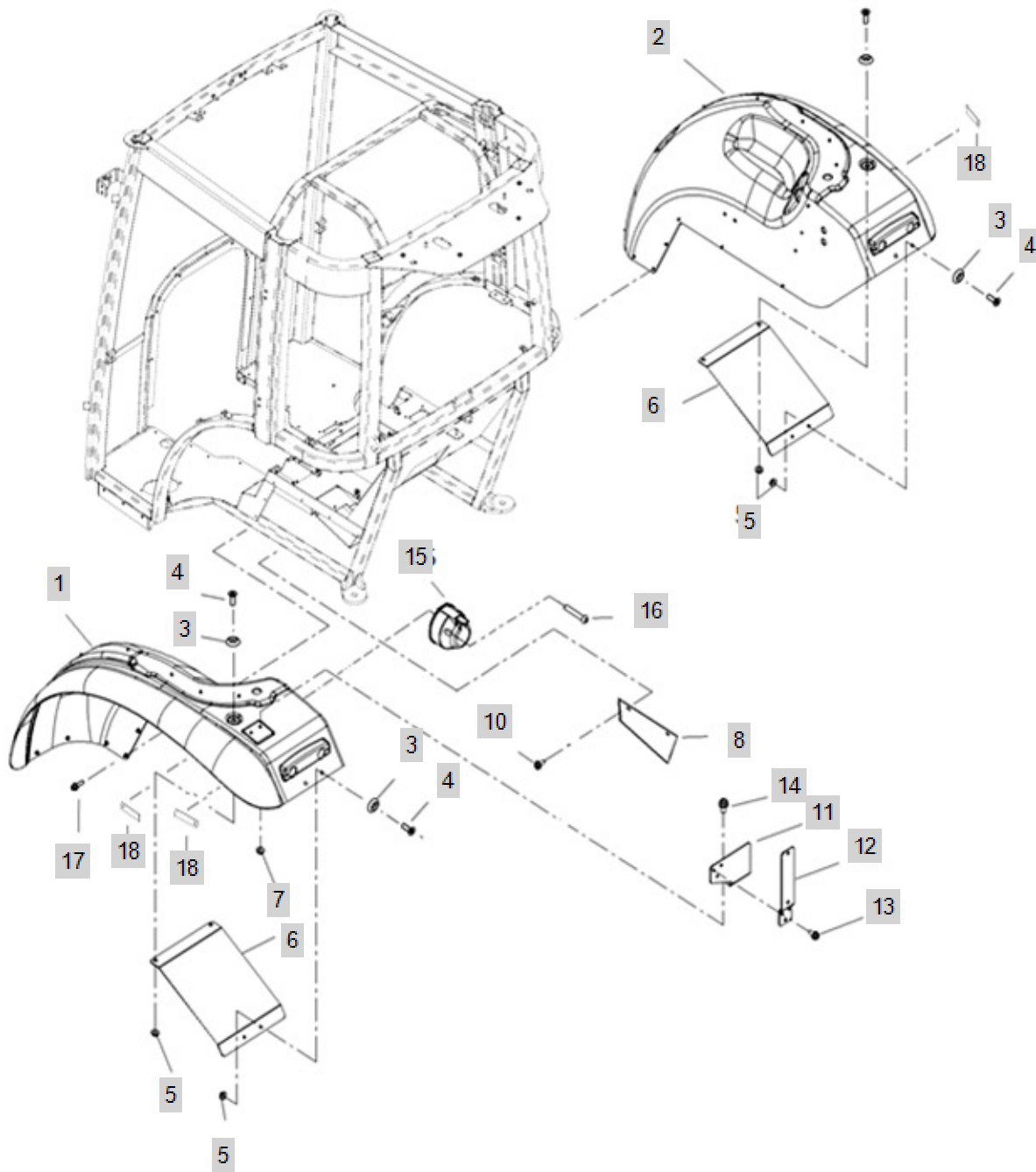


FIG C194-3

FENDER ASS'Y

Year/Month

4225C

2020/01

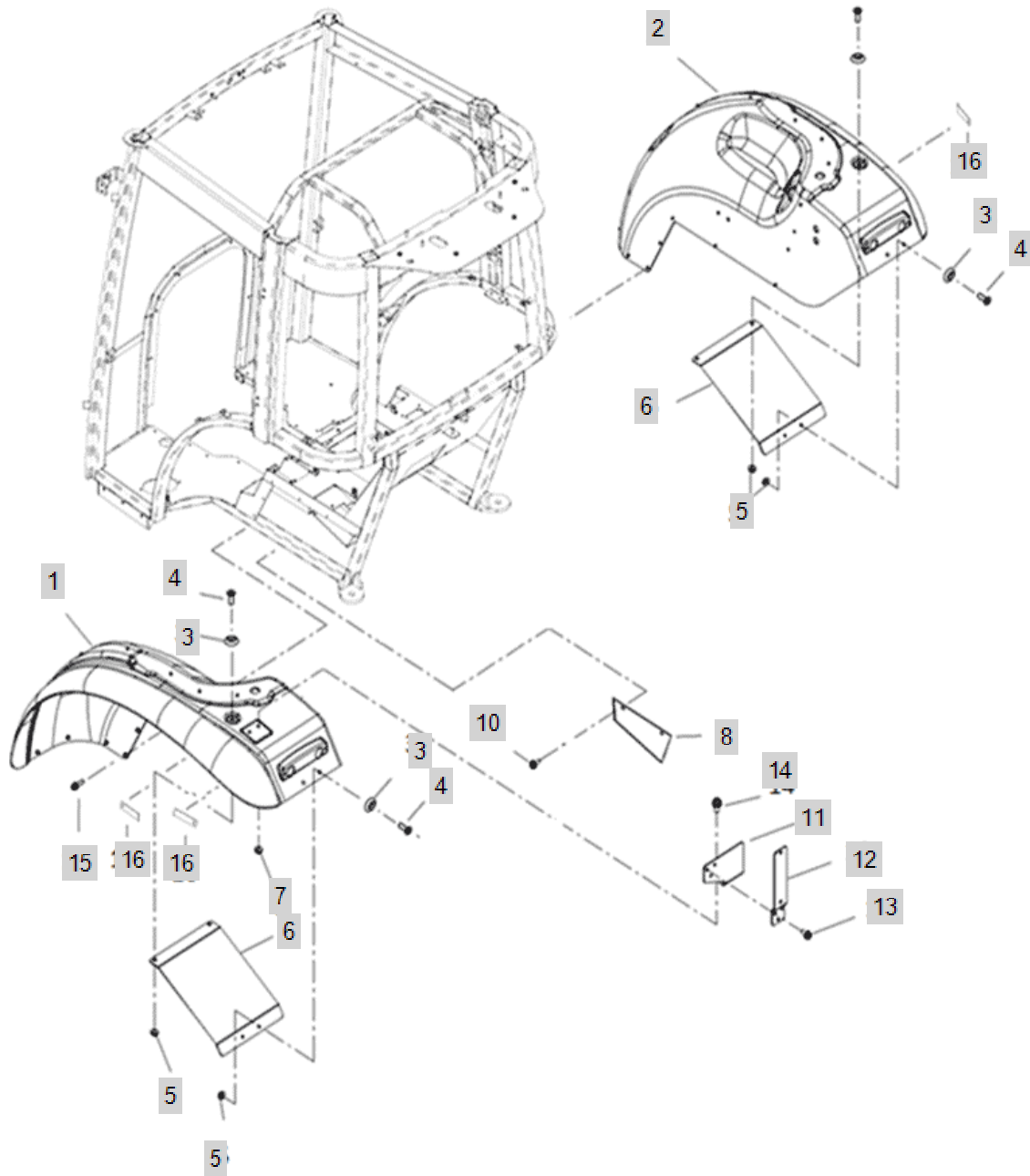


FIG C195

PILLAR COVER ASS'Y

Year/Month

4225C

2020/01

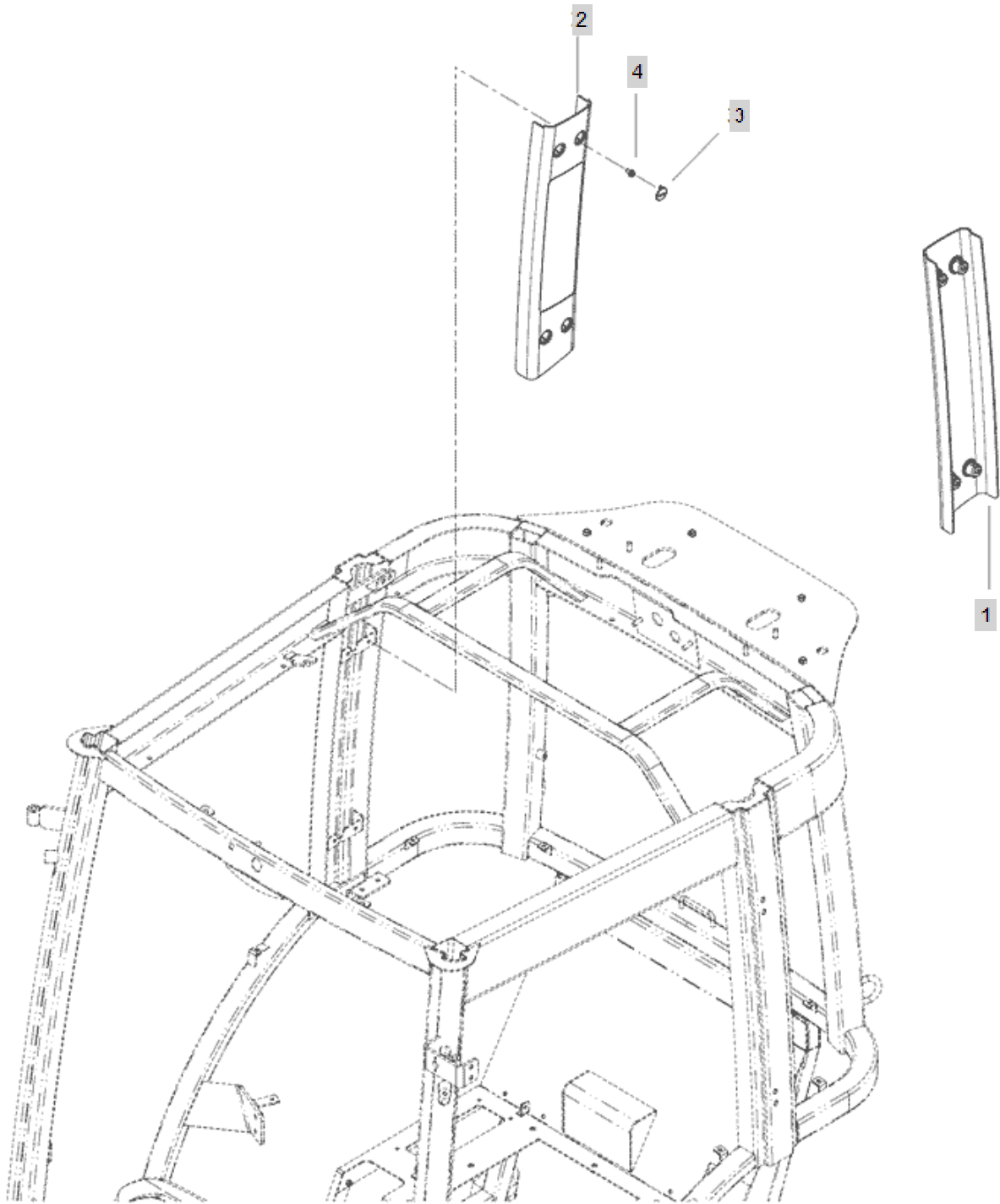


FIG C196-1

FRONT WINDOWS ASS'Y

Year/Month

4225C

2020/01

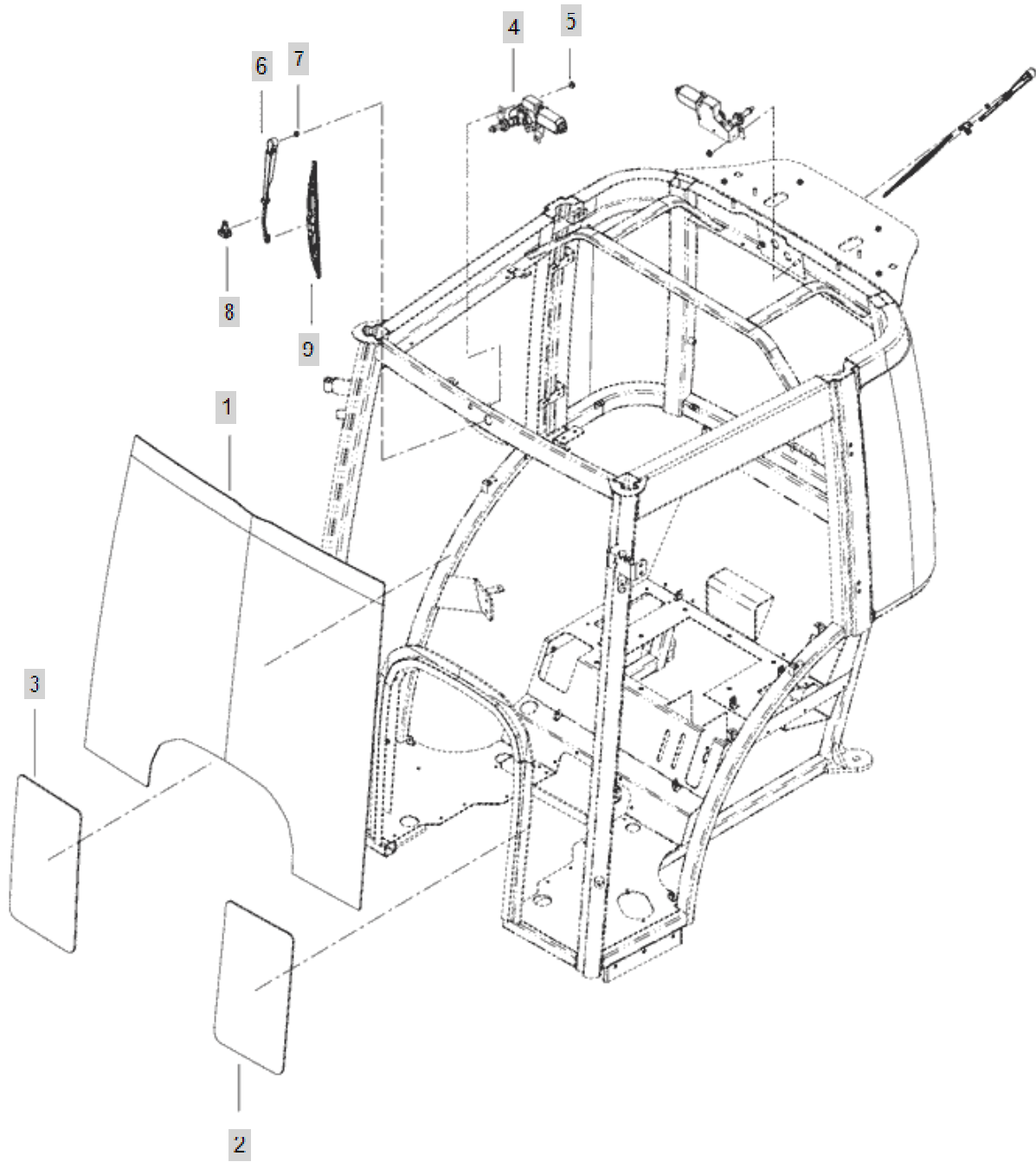


FIG C196-1

FRONT WINDOWS ASS'Y

Year/Month

4225C

2020/01

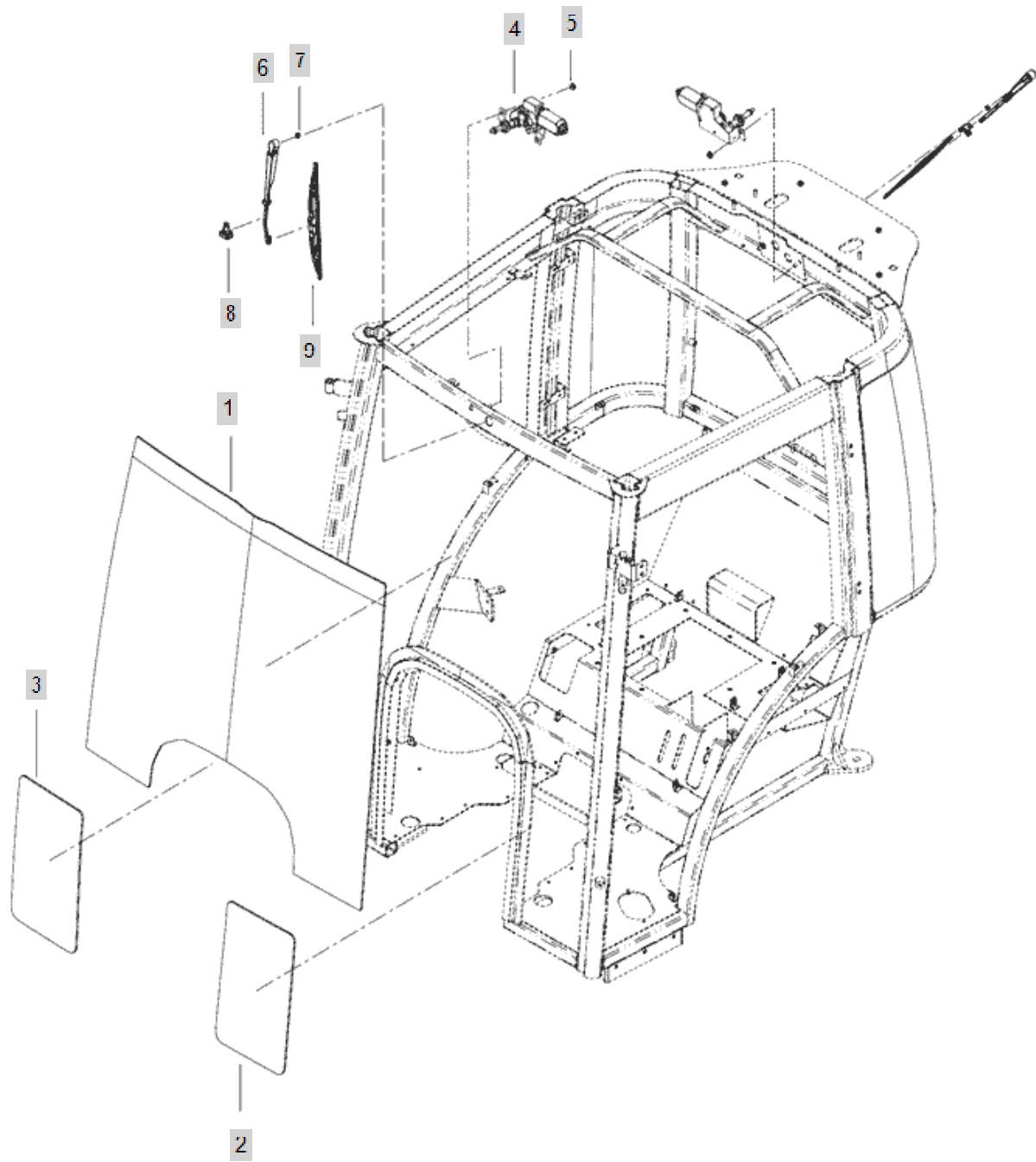


FIG C196-2

FRONT WINDOWS ASS'Y

Year/Month

4225C

2020/01

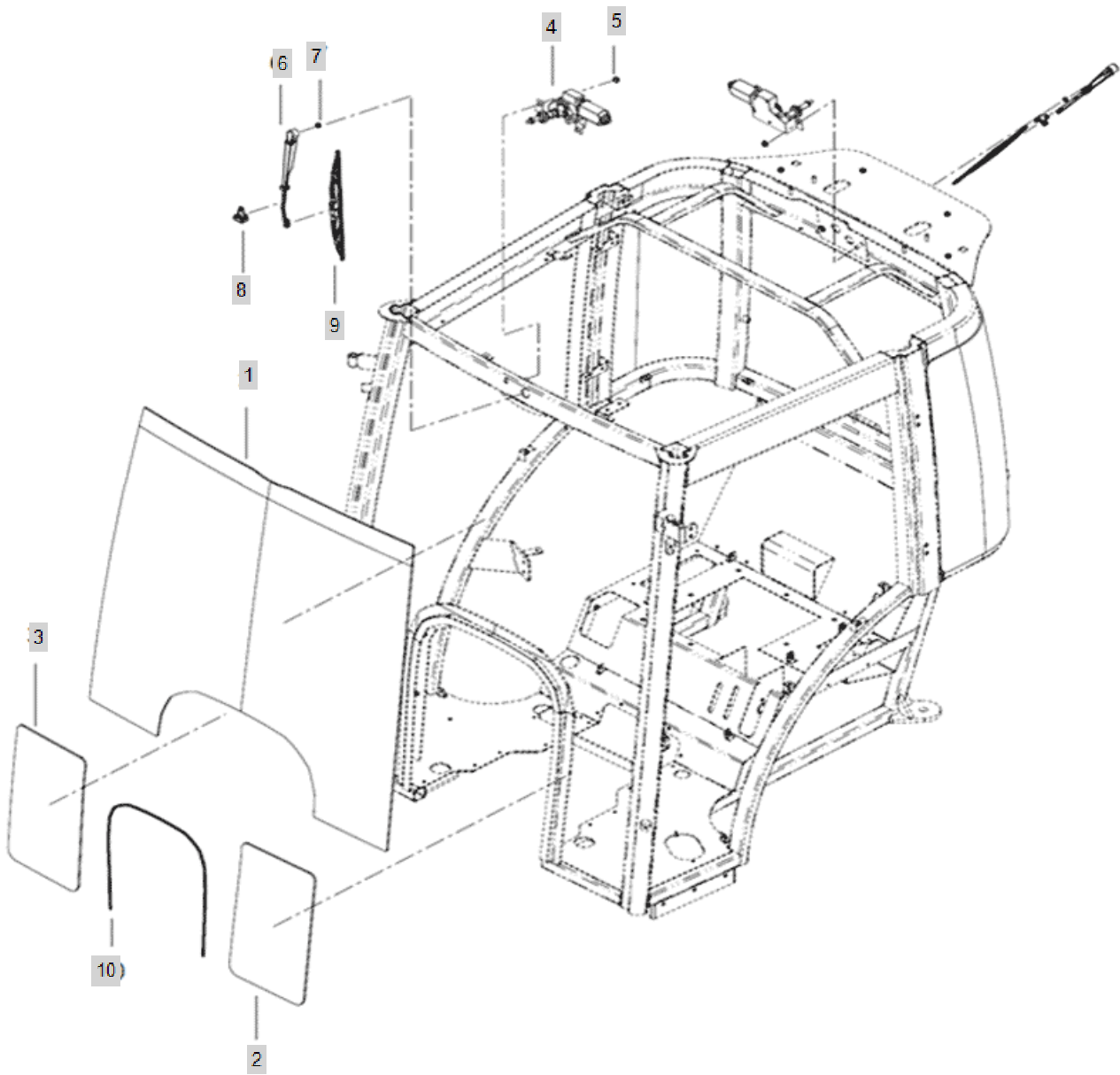


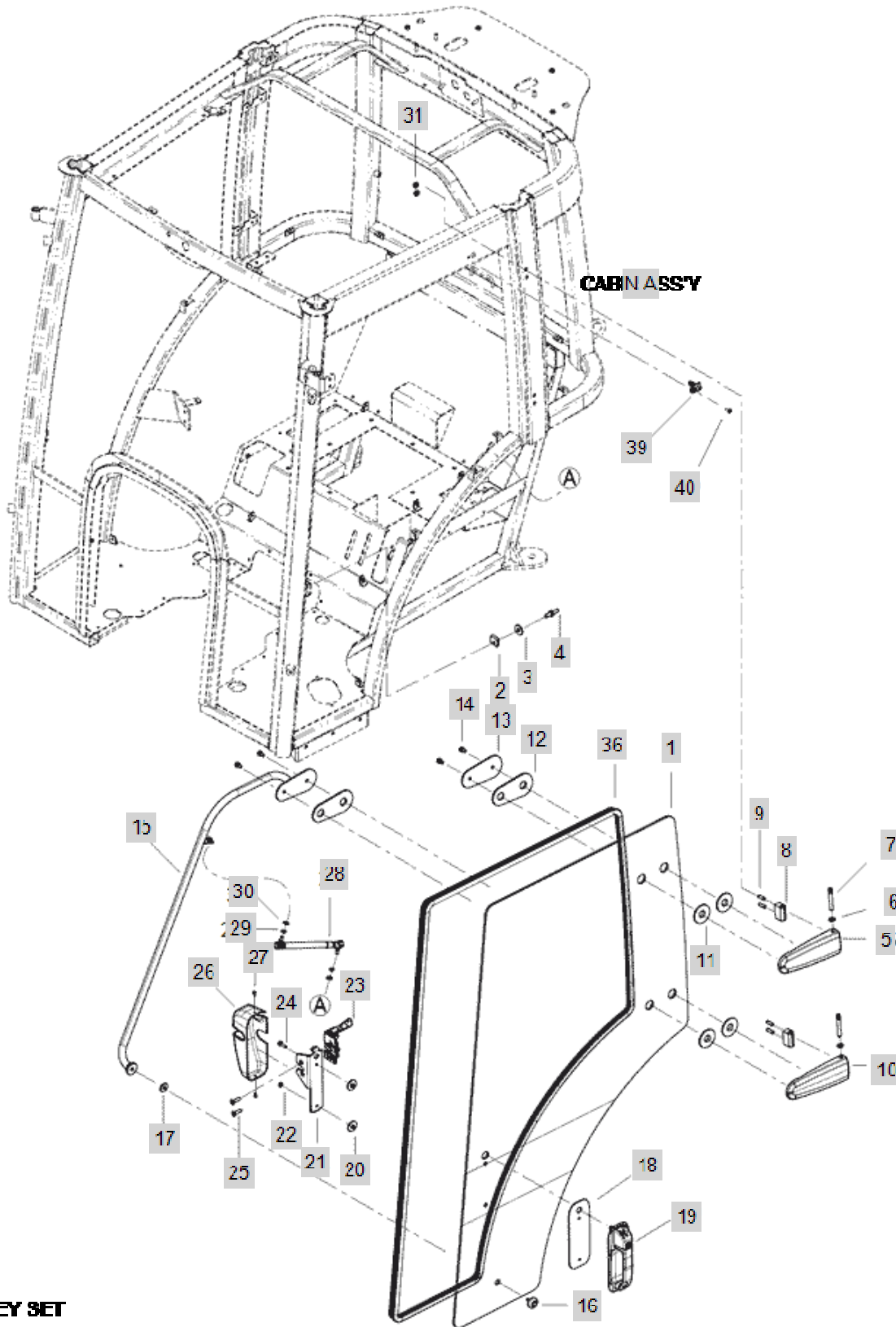
FIG C197

DOOR ASS'Y

Year/Month

4225C

2020/01



KEY SET

FIG C197		DOOR ASS'Y			Year/Month
4225C					2020/01
KeyNo.	Part Number	Part Name	Quantity	Other	
CABIN ASS'Y	TA00045966I	25 CABIN ASS'Y	1		
1	TA00046117A	DOOR GLASS	1		
1	TA00046119A	DOOR GLASS	1		
2	TA00020155A	NUT	2		
3	TA00020156A	WASHER	2		
4	TA00020157A	BOLT	2		
5	TA00046256A	HINGE	2		
6	TA00046257A	BUSH	4		
7	TA00046258A	PIN	4		
8	TA00046263A	SUPPORT	4		
9	TA00046259A	BOLT	8		
10	TA00047044A	HINGE B	2		
11	TA00046260A	PACKING A, RUBBER	8		
12	TA00046261A	PACKING B, RUBBER	4		
13	TA00046262A	PLATE	2		
14	26022-080162	SCREW AND WASHER ASSEMBLY	8		
15	TA00046120A	INNER DOOR HANDLE (LH)	1		
15	TA00046129A	INNER DOOR HANDLE (RH)	1		
16	TA00020714A	CUSHION BOLT -> THA4903000A9	2		
17	THA4904000A9	PACKING 1	2		
18	TA00044197A	HANDLE PACKING	2		
19	TA00044198A	HANDLE	2		
20	TA00029055A	PACKING A	2		
21	TA00046820A	BRACKET L	1		
21	TA00046821A	BRACKET R	1		
22	26367-060002	Nut, Hexa (Φ6)	2		
23	TA00044195A	DOOR LATCH(L)	1		
23	TA00044196A	DOOR LATCH(R)	1		
24	26106-060252	Screw, (6-25)	2		
25	26577-080302	(+)SCREW	4		
26	TA00046854A	COVER L	1		
26	TA00046855A	COVER R	1		
27	26023-040122	SCREW 4X12	4		
28	TA00026423A	GAS SPRING(DOOR)	2		
29	22217-080000	WASHER, SPRING (Φ 08)	4		
30	22127-080000	WASHER, PLAIN (D80)	4		
31	26367-080002	HEX FLANGE NUT (Φ8)	8		
32	TA00046254A	HINGE ASSY, DOOR	1		
33	TA00046289A	ASS'Y, HINGE	1		
34	TA00046290A	ASS'Y, HINGE	1		
35	TA00046255A	HINGE ASSY, DOOR	1		
36	TA00046643A	DOOR PACKING	2		
37	TA00046116A	DOOR ASS'Y	1		
38	TA00046118A	DOOR ASS'Y	1		
39	HA00001249A	DOOR SWITCH	2		

FIG C198

REAR WINDOWS ASS'Y

Year/Month

4225C

2020/01

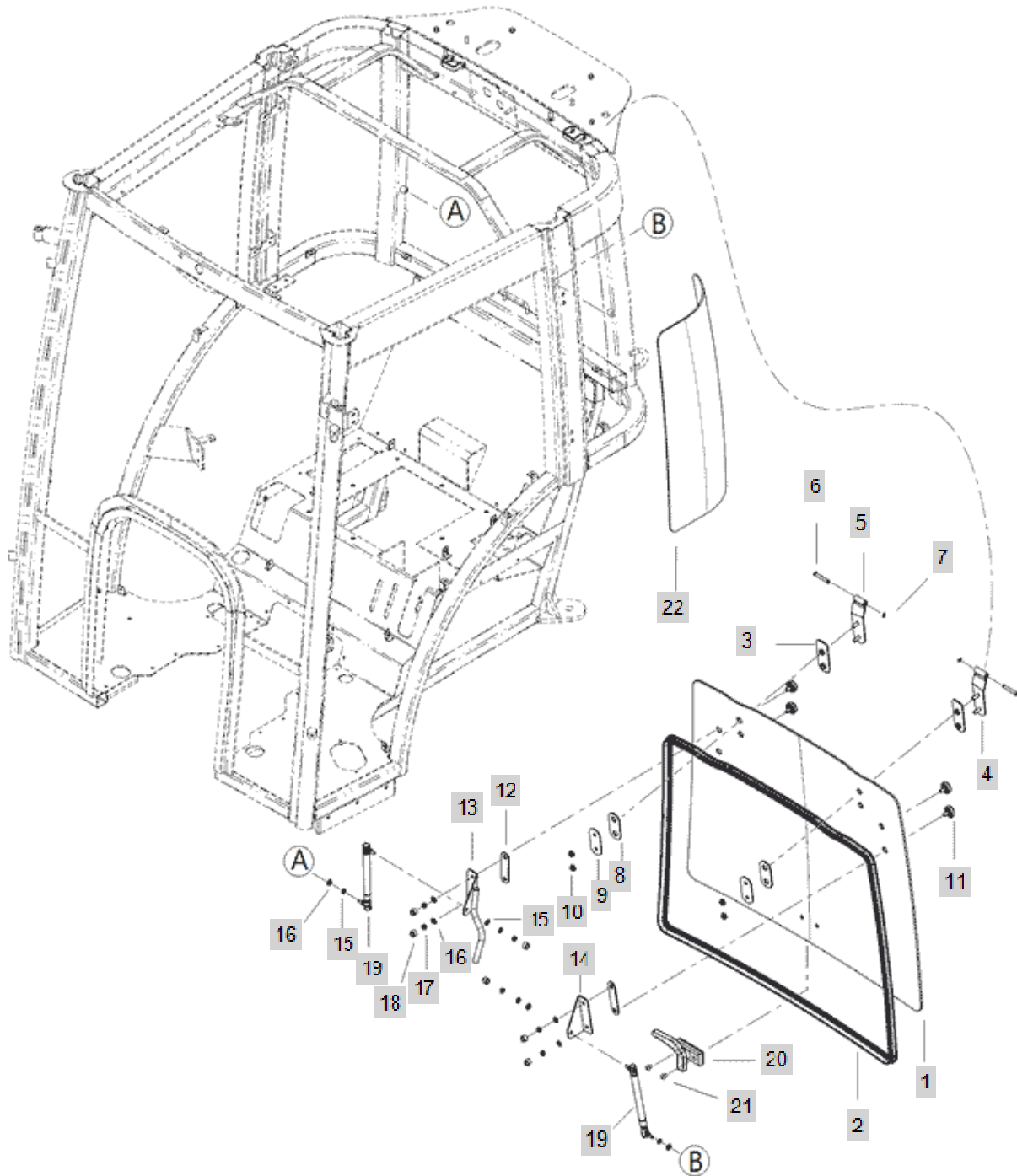


FIG C199

SIDE MIRROR ASS'Y

Year/Month

4225C

2020/01

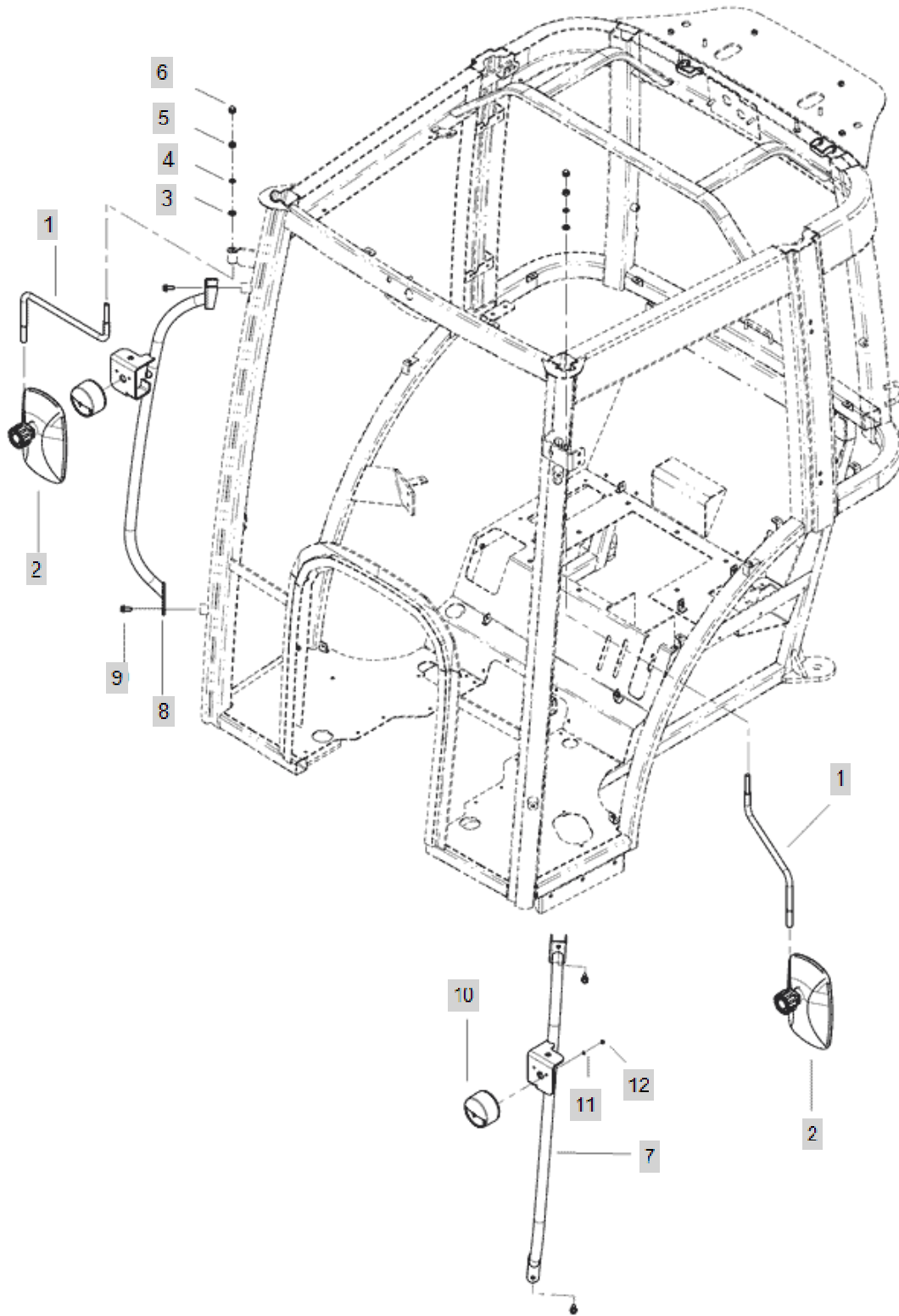


FIG C200

ROOF ASS'Y

Year/Month

4225C

2020/01

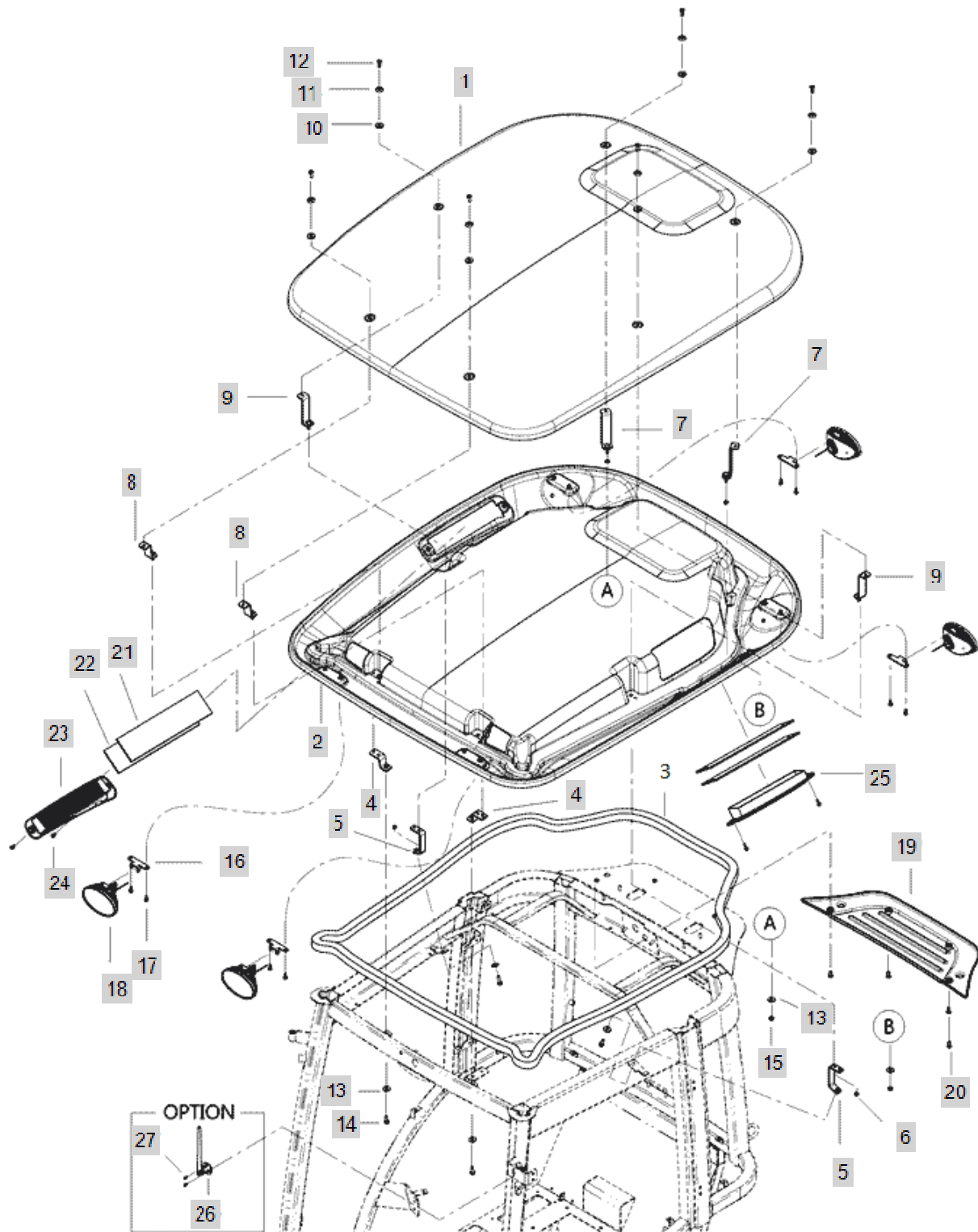


FIG C201-1

CEILING ASS'Y

Year/Month

4225C

2020/01

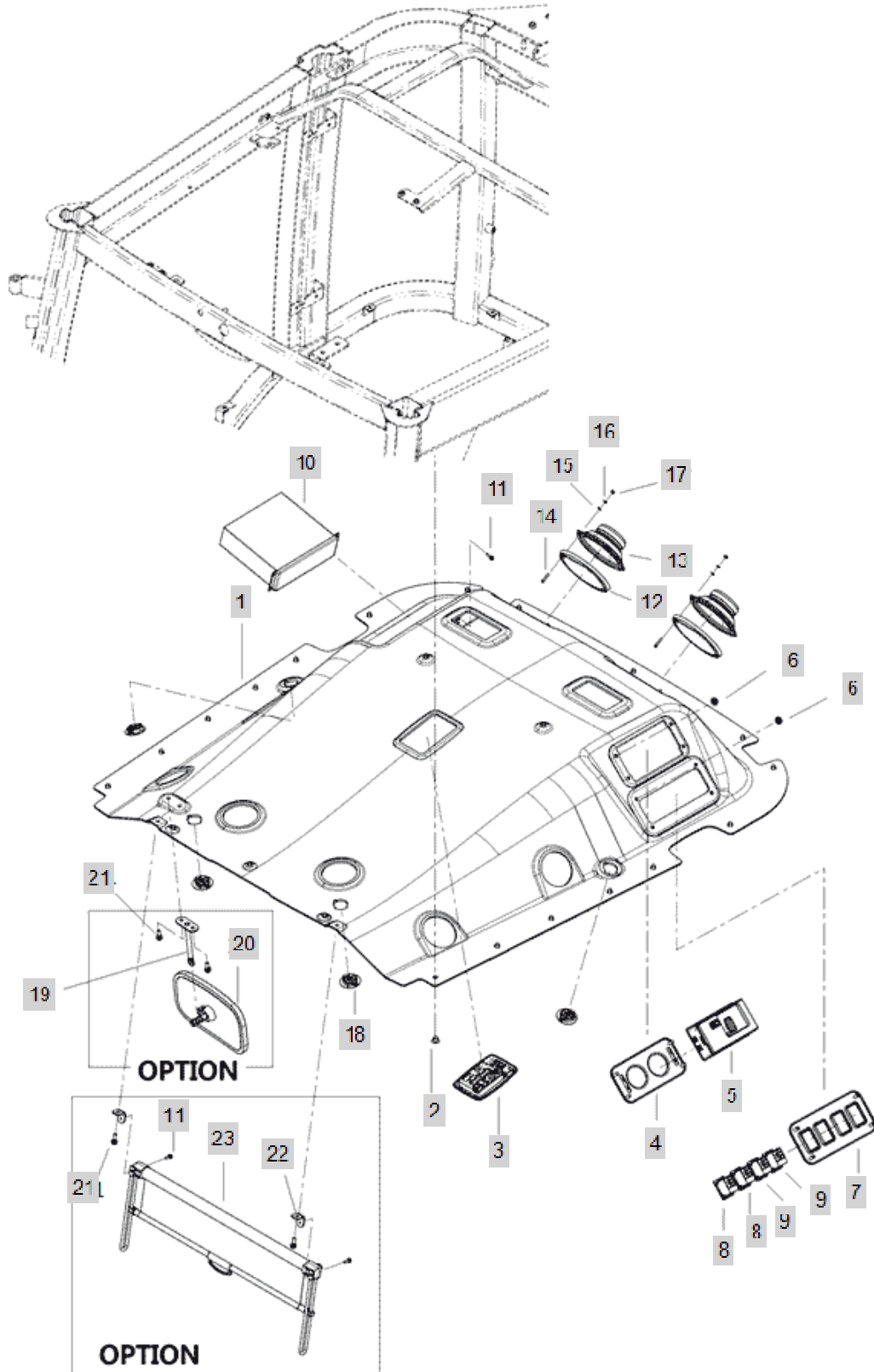


FIG C201-2

CEILING ASS'Y

Year/Month

4225C

2020/01

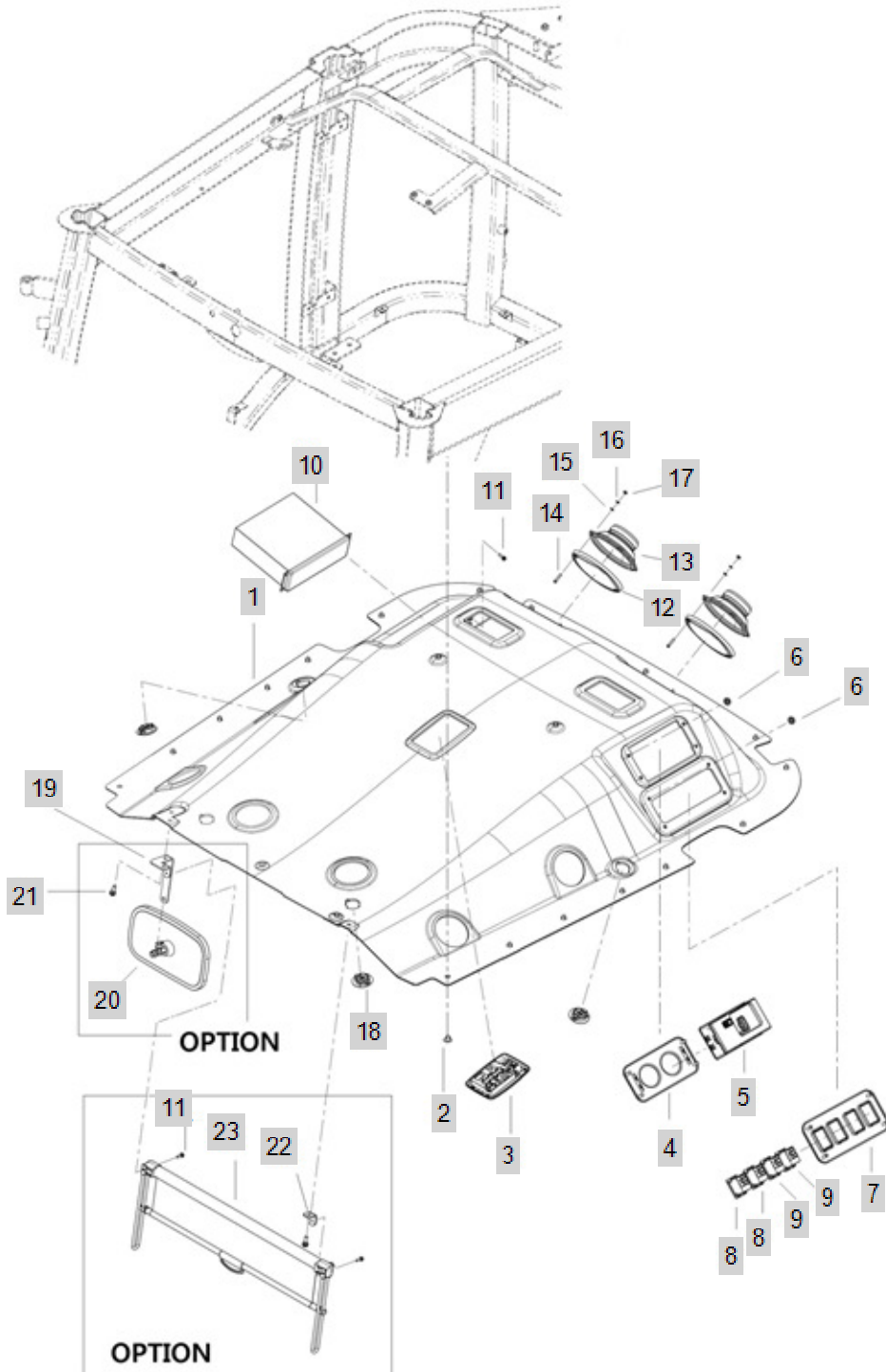


FIG C202

A/C DUCT ASS'Y

Year/Month

4225C

2020/01

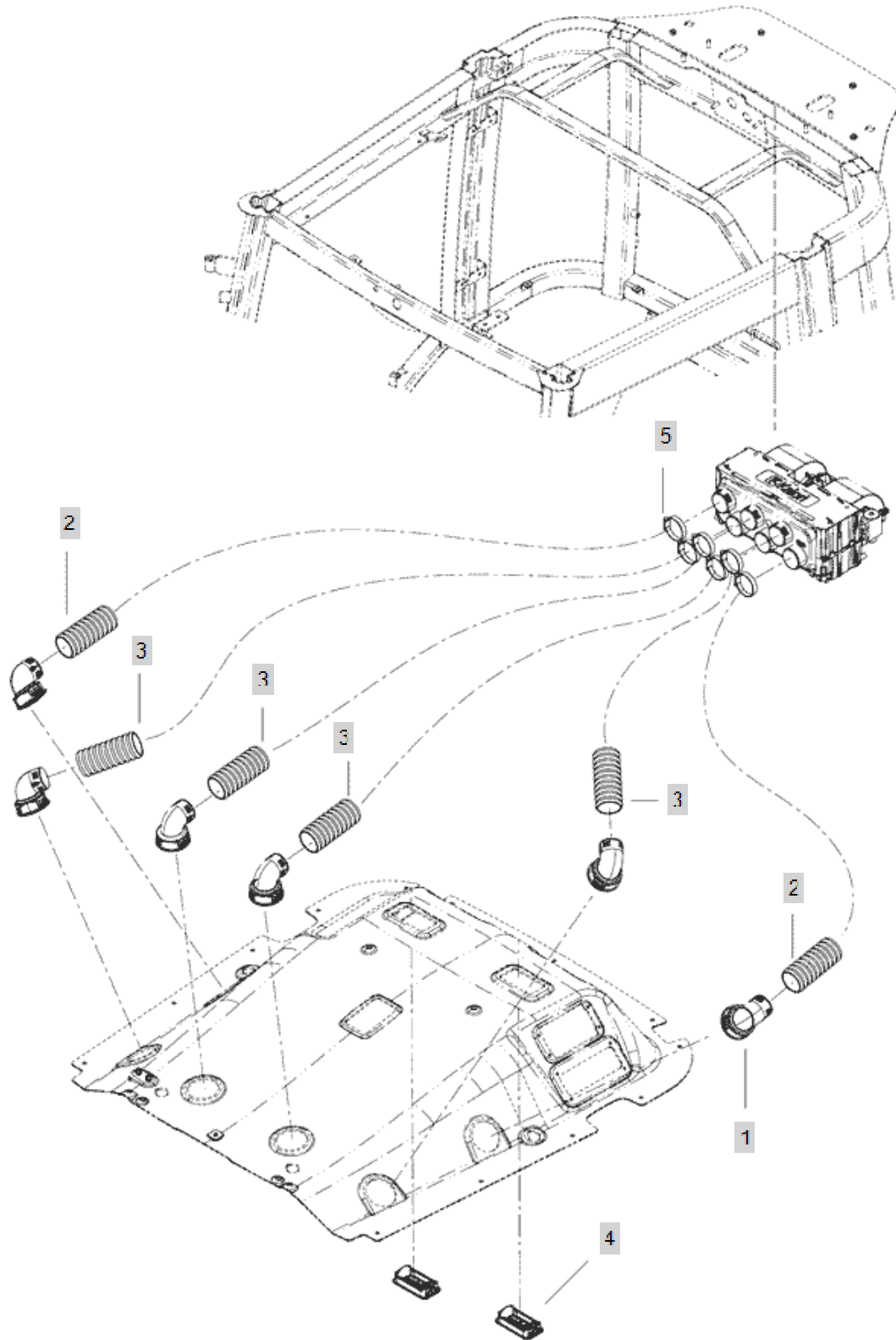


FIG C203-1

A/C ASS'Y ,CABIN

Year/Month

4225C

2020/01

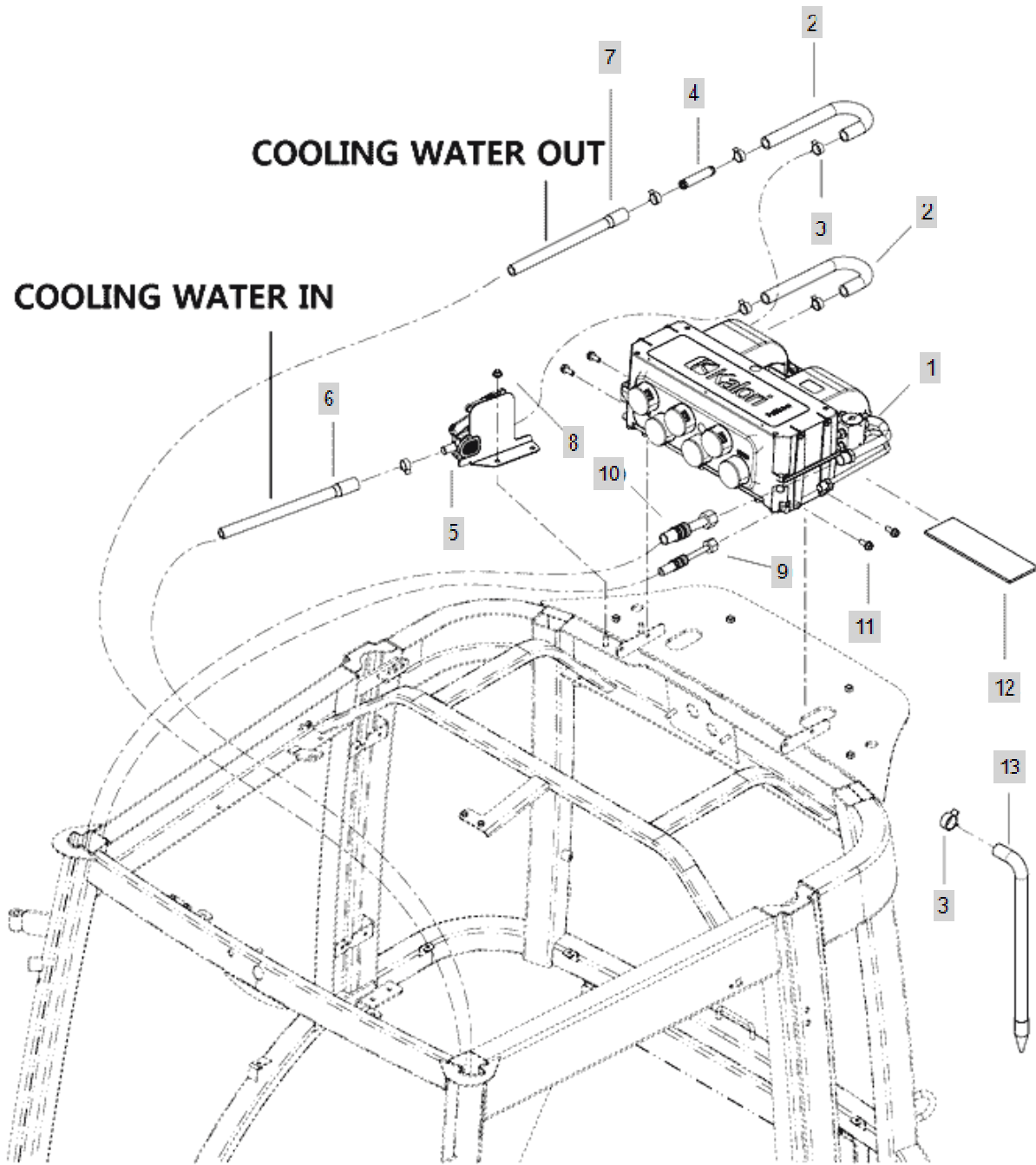


FIG C203-2

A/C ASS'Y ,CABIN

Year/Month

4225C

2020/01

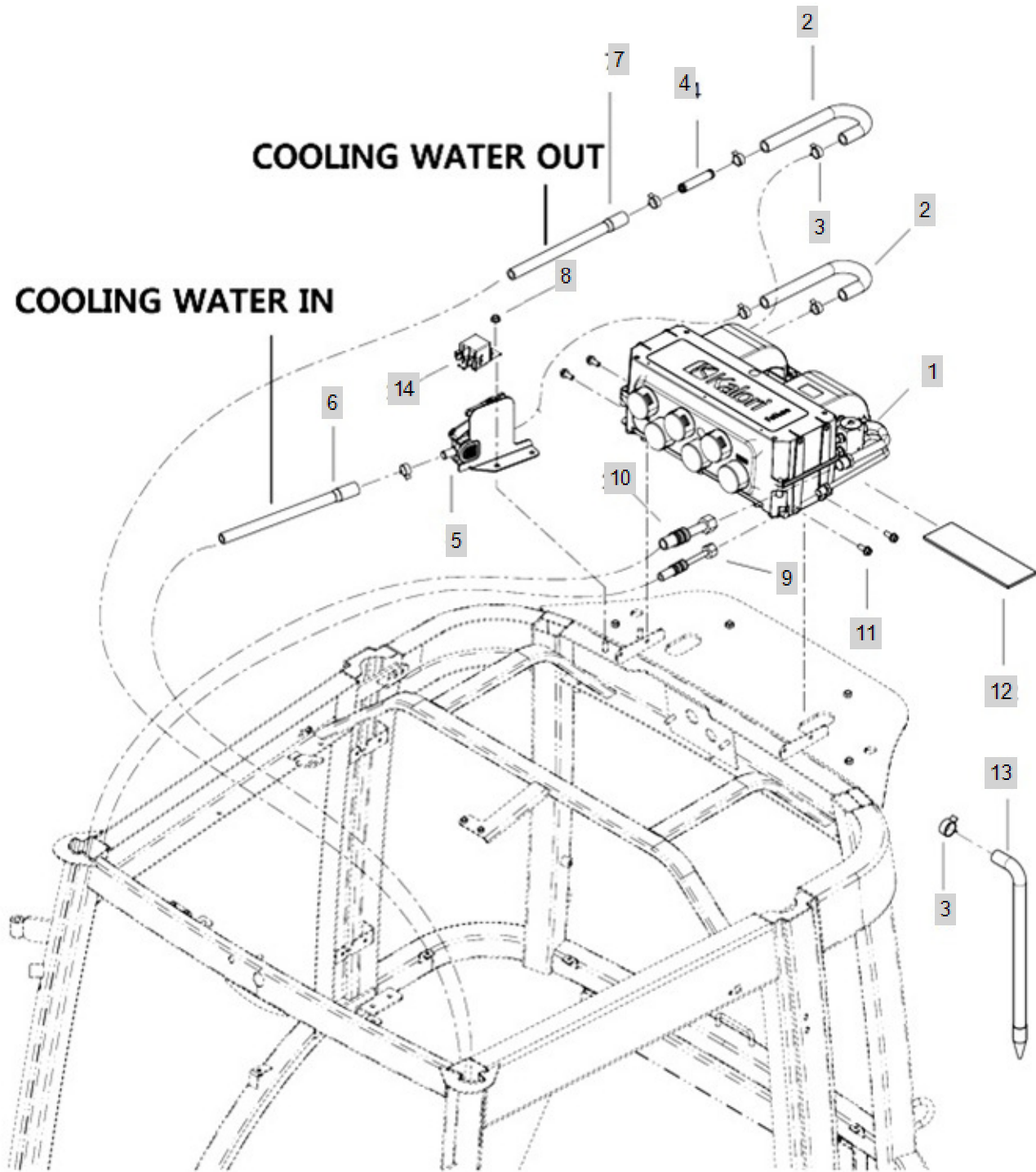


FIG C203-3

A/C ASS'Y ,CABIN

Year/Month

4225C

2020/01

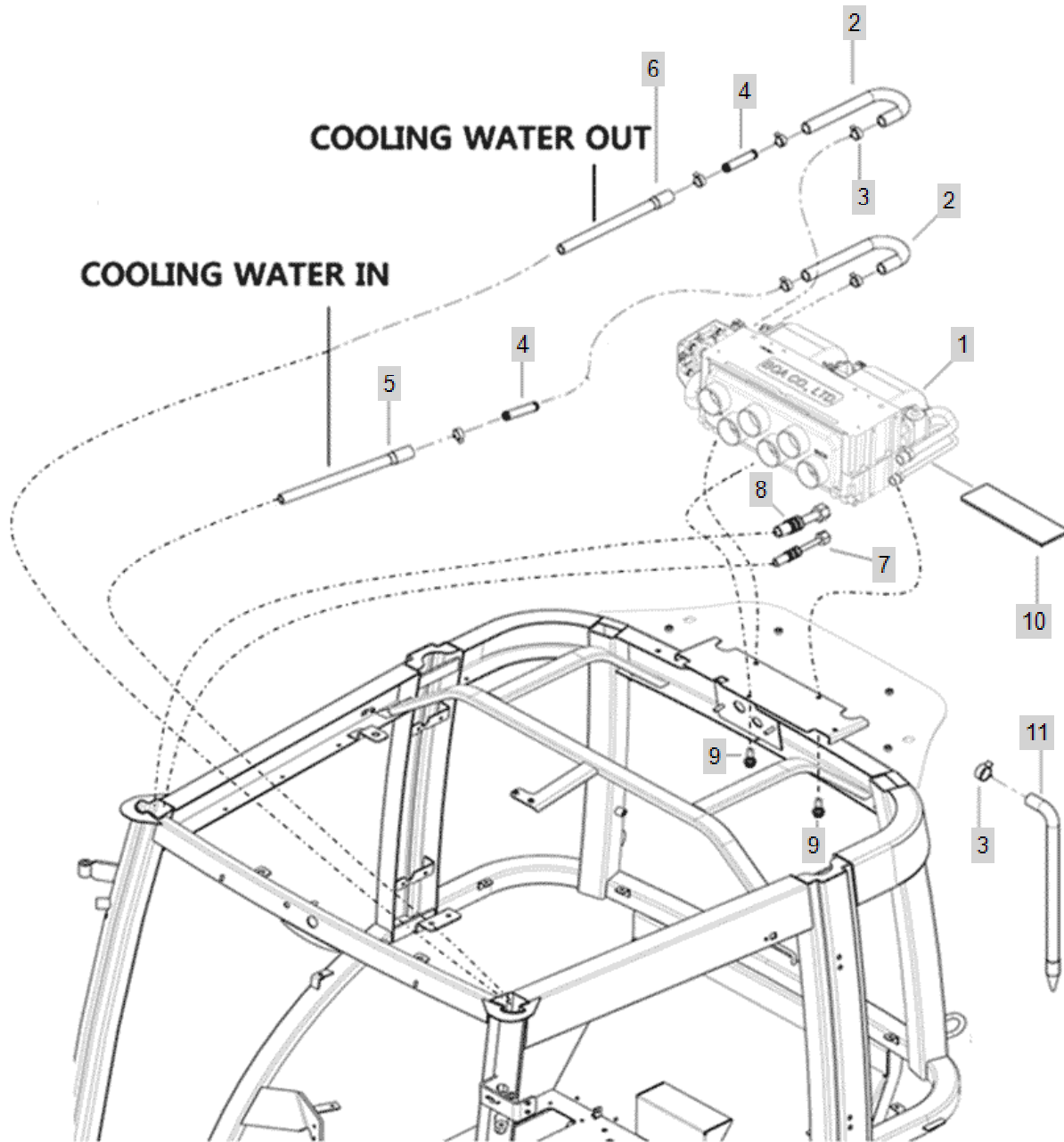


FIG C204-1

A/C ASSEMBLY

Year/Month

4225C

2020/01

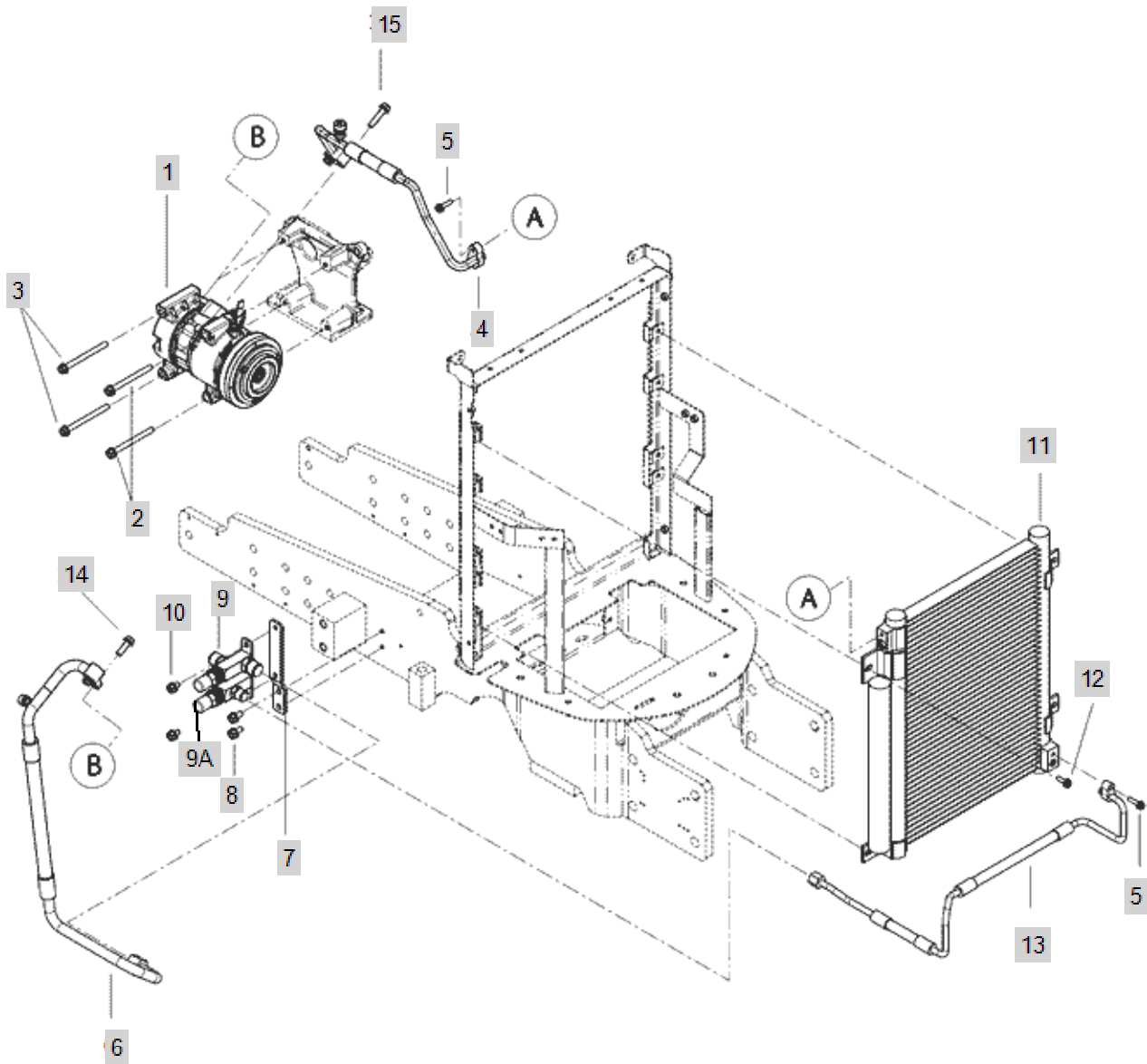


FIG C204-2

AIR CONDITIONER ASSEMBLY(2017.10.20)

Year/Month

4225C

2020/01

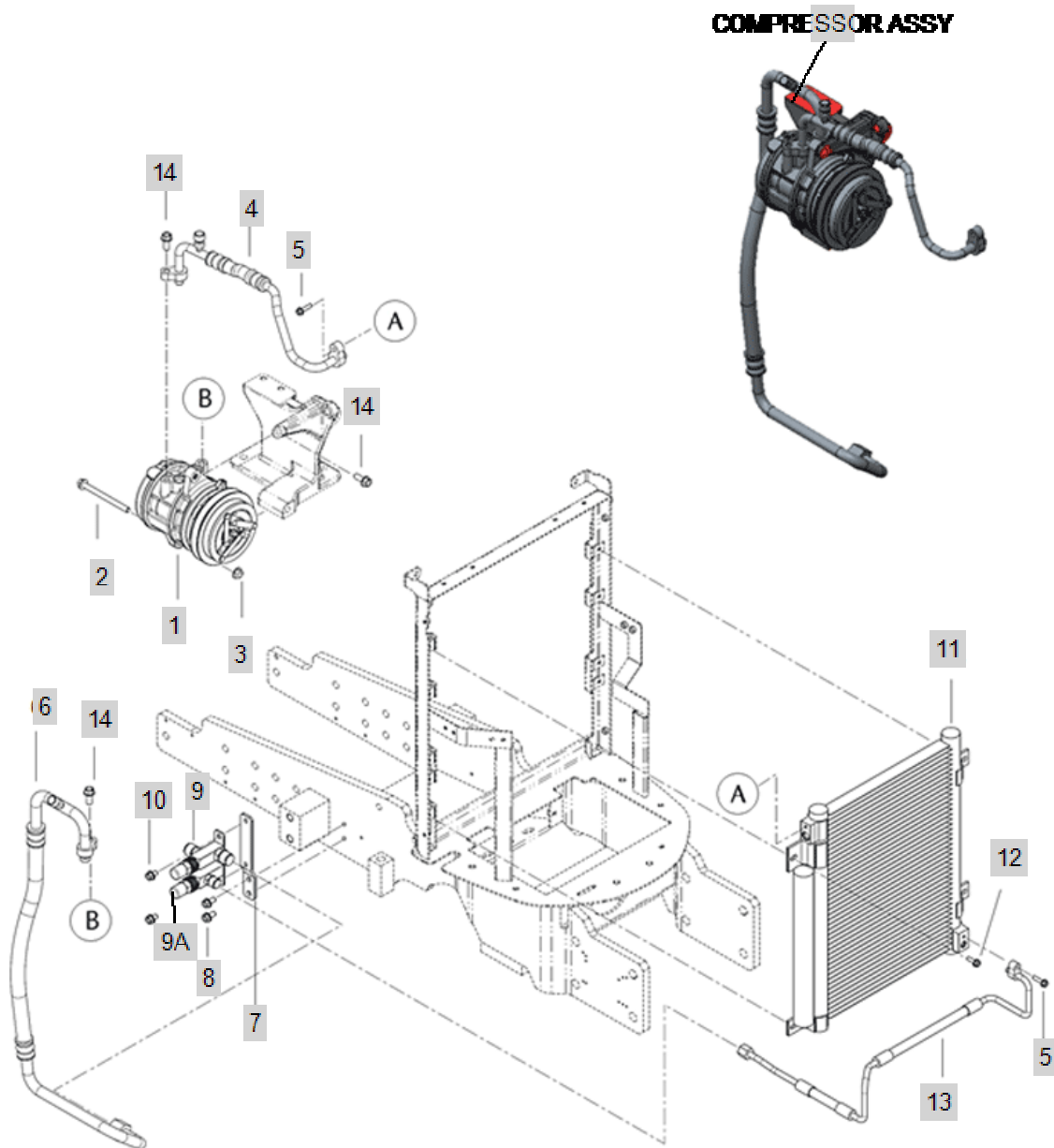


FIG C205

COMPRESSOR

Year/Month

4225C

2020/01

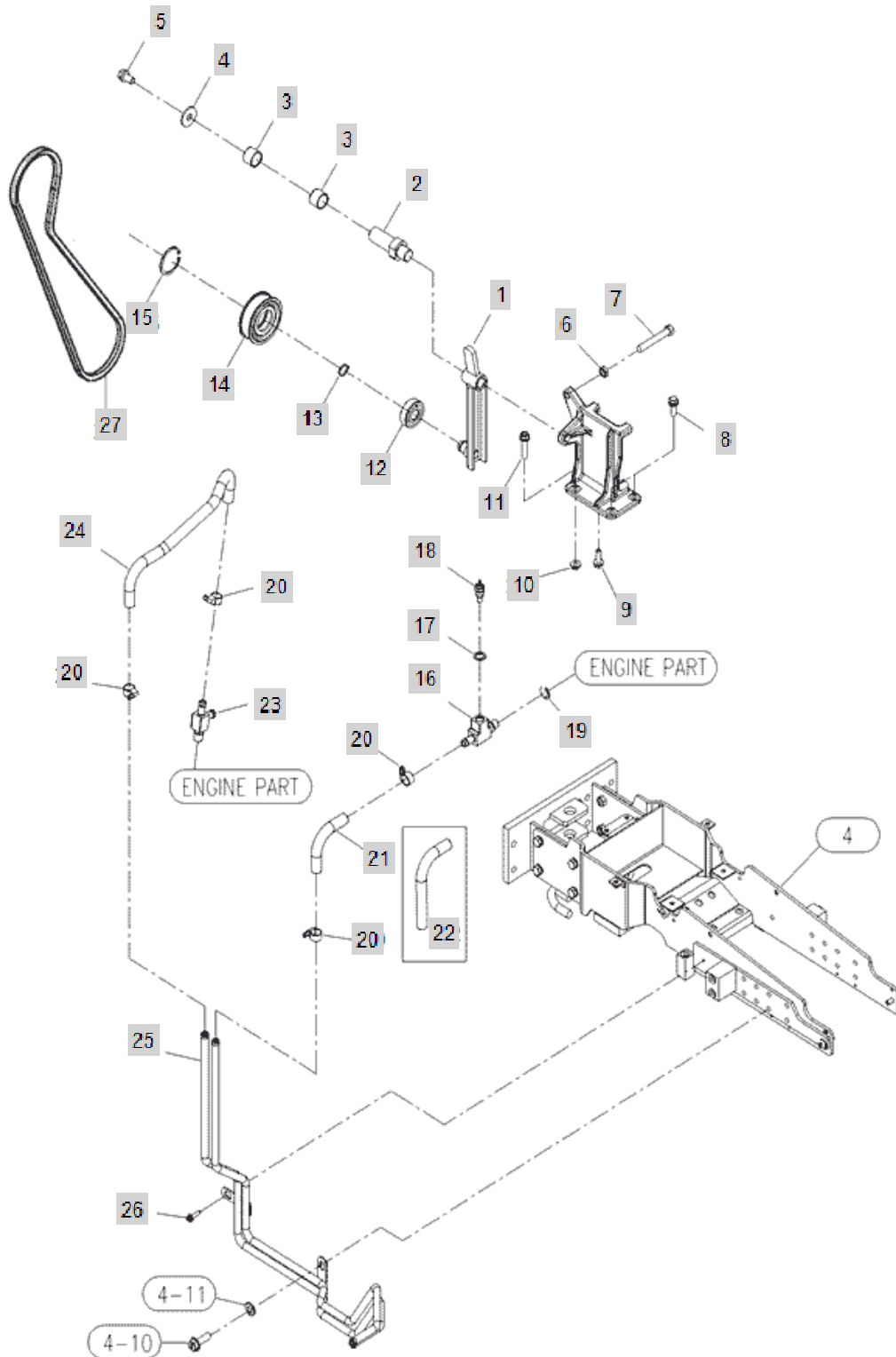


FIG C206

SEAT

Year/Month

4225C

2020/01

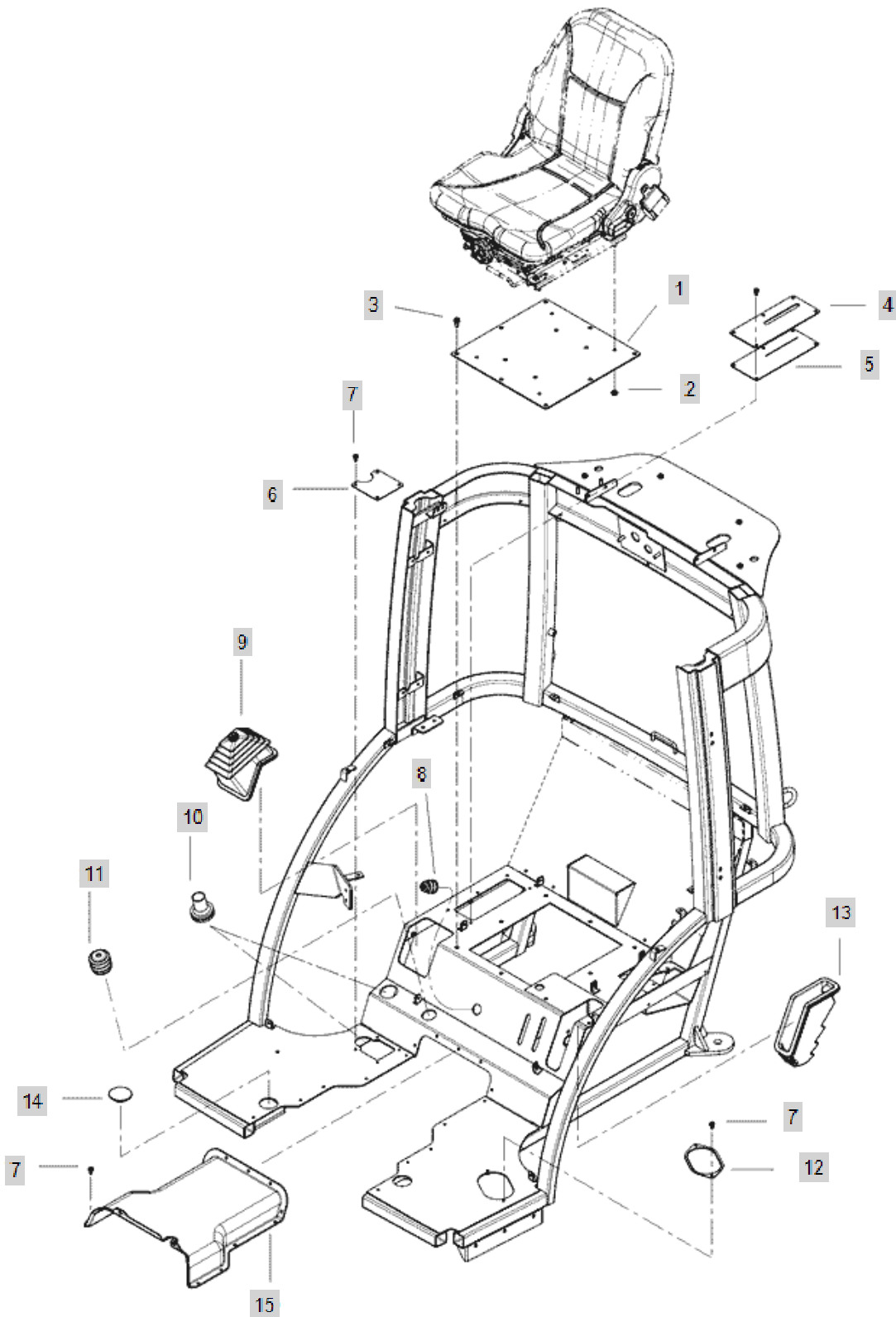


FIG C207 4225C	LEFT LEVER COVER	Year/Month
		2020/01

FIG C208-1

RIGHT LEVER COVER

Year/Month

4225C

2020/01

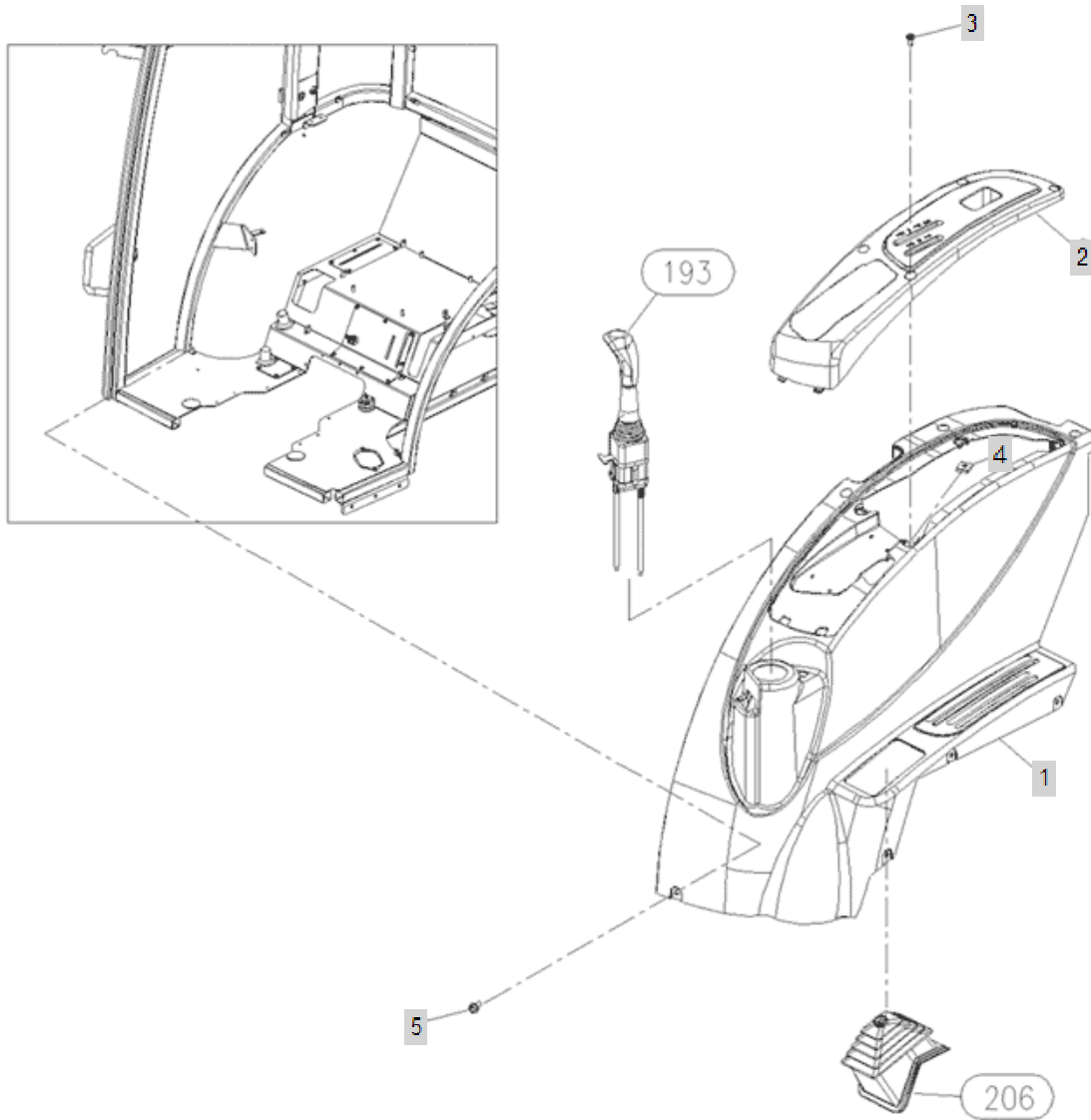


FIG C208-2

RIGHT LEVER COVER

Year/Month

4225C

2020/01

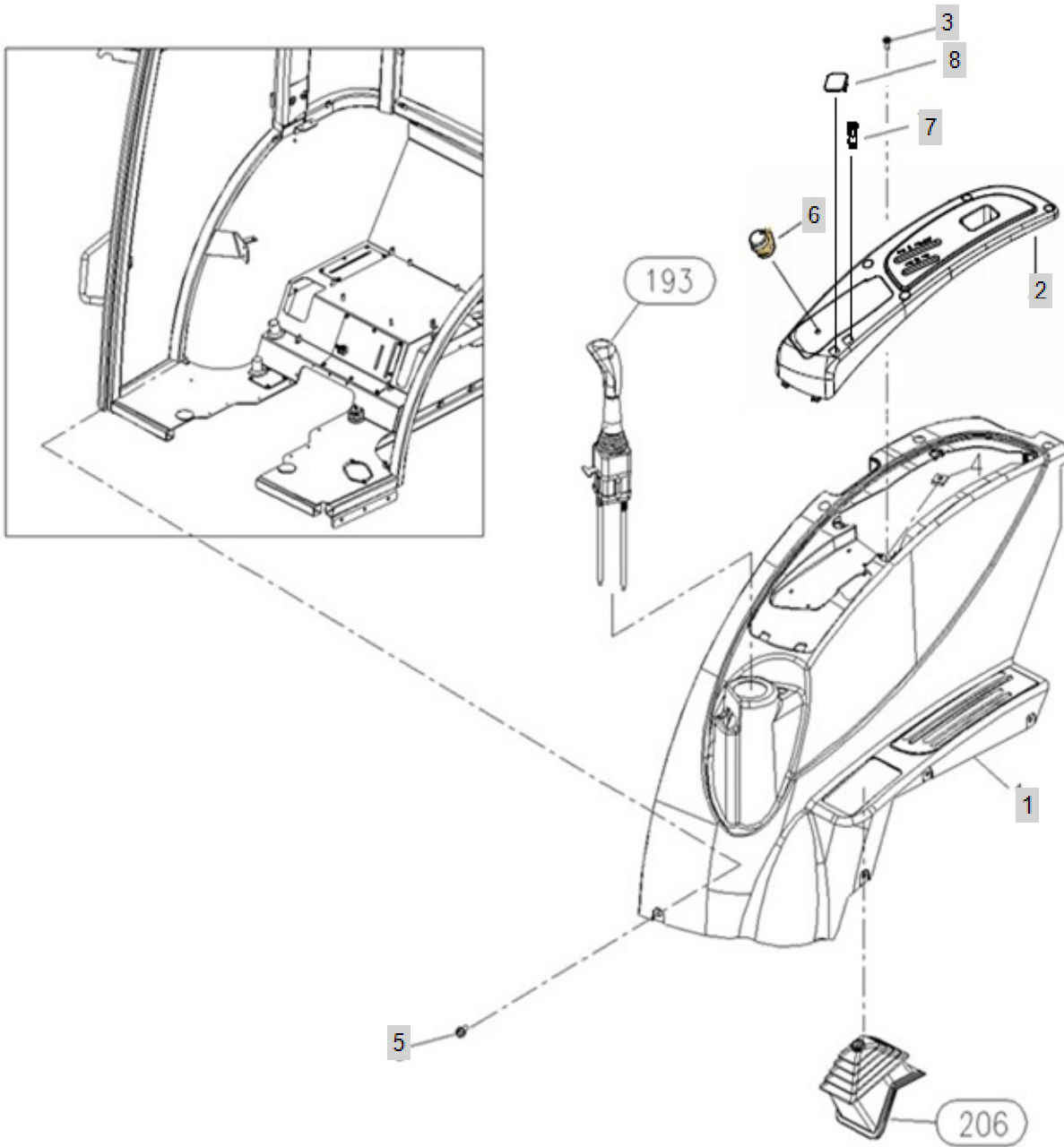


FIG C209

SCV LEVER

Year/Month

4225C

2020/01

