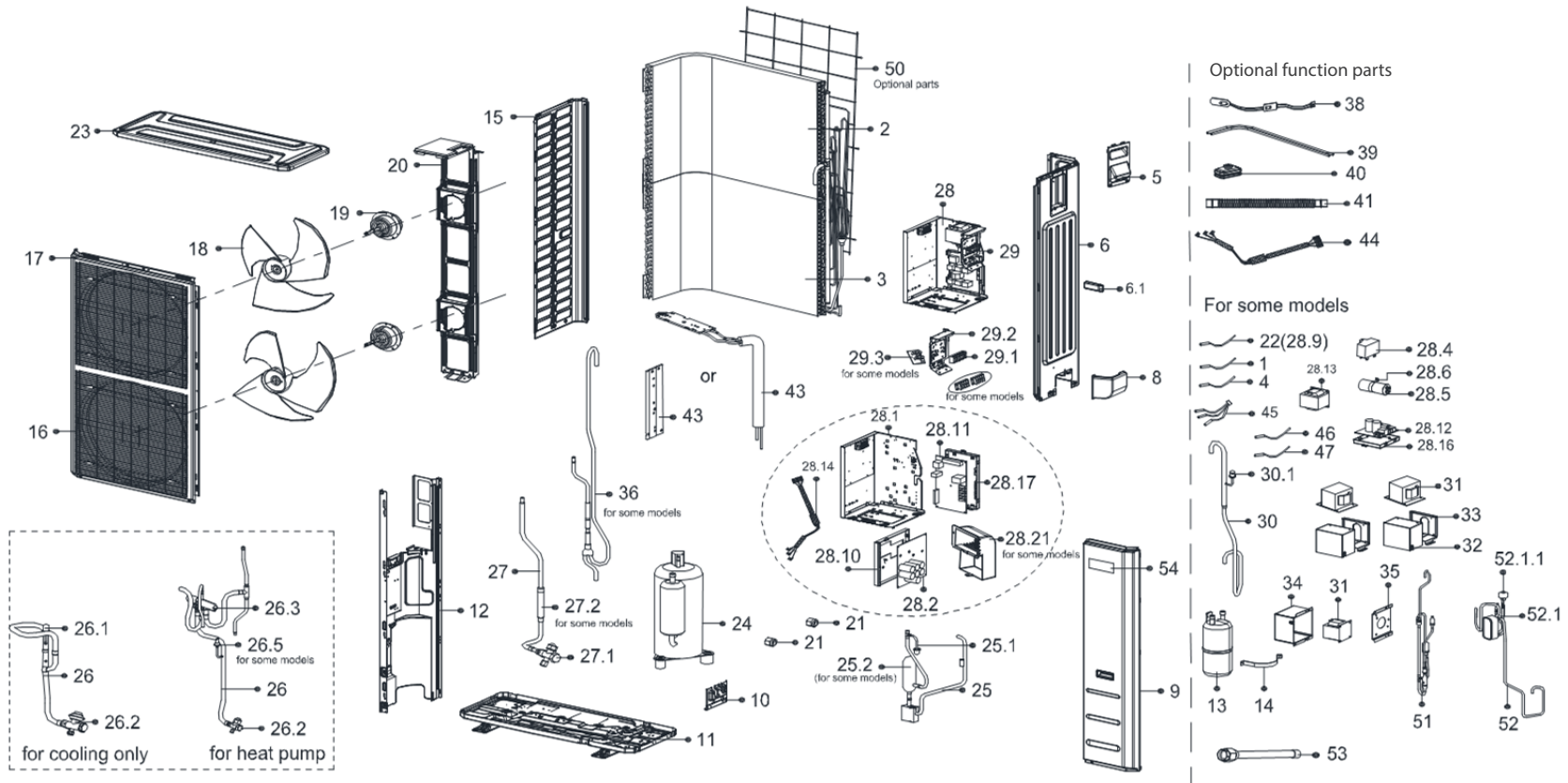


FACTORY CODE: 22023116000281

**BZ33-INV60OUT2-J**

.3592667





# INVERTER REPLACEMENT PARTS GUIDE

## BZ33-INV60OUT2-J

.3592667

| Part # | Replacement Part | Part Name                                   | Qty |
|--------|------------------|---|-----|
| 1      | 11201007003425   | Ambient temperature sensor subassembly      | 1.0 |
| 2      | 15822000015087   | Condenser assembly                          | 1.0 |
| 2      | 15822000013007   | Condenser assembly                          | 1.0 |
| 3      | 15822000015087   | Condenser assembly                          | 1.0 |
| 4      | 11201007003441   | Outdoor pipe temperature sensor subassembly | 1.0 |
| 5      | 12222000013365   | Handle assembly                             | 1.0 |
| 6      | 12222000012373   | Rear right side plate assembly              | 1.0 |
| 6.1    | 12100702000038   | Handle                                      | 1.0 |
| 8      | 12122000014023   | Water collector                             | 1.0 |
| 9      | 12222000006287   | Front clapboard assembly                    | 1.0 |
| 10     | 12222200002361   | Valve plate                                 | 1.0 |
| 11     | 12222000013910   | Fixing plate on chassis                     | 1.0 |
| 12     | 12222000017025   | Partition board subassembly                 | 1.0 |
| 13     | 15500508001475   | Accumulator cylinder                        | 1.0 |
| 15     | 12222200002363   | Left supporter                              | 1.0 |
| 16     | 12222000014845   | Air outlet grille                           | 2.0 |
| 17     | 12222000007564   | Front panel                                 | 1.0 |
| 18     | 12100105000022   | Axial flow fan                              | 2.0 |
| 19     | 11002015009825   | Outdoor fan motor                           | 2.0 |
| 20     | 12222000016092   | Motor bracket assembly                      | 1.0 |
| 21     | 15500406000010   | Copper nut                                  | 1.0 |
| 22     | 11201007003124   | Discharge temperature sensor assembly       | 1.0 |
| 23     | 12222200002359   | Top cover assembly                          | 1.0 |
| 24     | 11103020006399   | Compressor                                  | 1.0 |
| 25     | 15122000031463   | Compressor discharge pipe subassembly       | 1.0 |
| 25.1   | 17400516000851   | Pressure switch                             | 1.0 |
| 26     | 15422000022895   | 4-Ways valve or gas valve assembly          | 1.0 |
| 26.2   | 15500204000027   | Gas valve                                   | 1.0 |
| 26.3   | 15500216000681   | 4-Way valve                                 | 1.0 |

| Part # | Replacement Part | Part Name                                      | Qty |
|--------|------------------|--|-----|
| 26.5   | 112010080000773  | Pressure sensor                                | 1.0 |
| 27     | 15422000022896   | High pressure valve subassembly                | 1.0 |
| 27.1   | 155002040000021  | High pressure valve                            | 1.0 |
| 28     | 17222000040226   | Electronic control box subassembly             | 1.0 |
| 28.1   | 12222000012372   | Electrical installation plate assembly         | 1.0 |
| 28.2   | 17122000062196   | Inverter module subassembly                    | 1.0 |
| 28.10  | 12122000020943   | Electronic installing box                      | 1.0 |
| 28.11  | 17122000062383   | Outdoor main control board subassembly         | 1.0 |
| 28.14  | 17401203022090   | Compressor connection cable                    | 1.0 |
| 28.17  | 12122000014342   | Electronic installing box                      | 1.0 |
| 29     | 17222000040206   | Electronic control box terminal board assembly | 1.0 |
| 29.1   | 17400401003456   | Terminal block                                 | 1.0 |
| 29.2   | 12222000015266   | Terminal board assembly                        | 1.0 |
| 29.3   | 17122000062415   | Inverter module subassembly                    | 1.0 |
| 30     | 15122000031459   | Compressor suction pipe subassembly            | 1.0 |
| 30.1   | 17400516000009   | Pressure switch                                | 1.0 |
| 38     | 17402001000602   | Compressor electric heater                     | 1.0 |
| 39     | 17402002000466   | Electric heater of chassis                     | 1.0 |
| 43     | 15122000031462   | Radiator                                       | 1.0 |
| 46     | 11201007000136   | Outdoor pipe temperature sensor subassembly    | 1.0 |
| 47     | 11201007003445   | Outdoor pipe temperature sensor subassembly    | 1.0 |
| 50     | 12222000007944   | Rear grille                                    | 1.0 |
| 51     | 15422000022897   | Electronic expansion valve subassembly         | 1.0 |
| 52     | 15700101001416   | Heat exchanger assembly                        | 1.0 |
| 52.1   | 15422000022915   | Electronic expansion valve subassembly         | 1.0 |
| 52.1.1 | 15500213000865   | Electronic expansion valve                     | 1.0 |
| 53     | 15123100000608   | Evaporator connecting pipe subassembly         | 1.0 |
| 53     | 15123000012948   | Evaporator connecting pipe subassembly         | 1.0 |