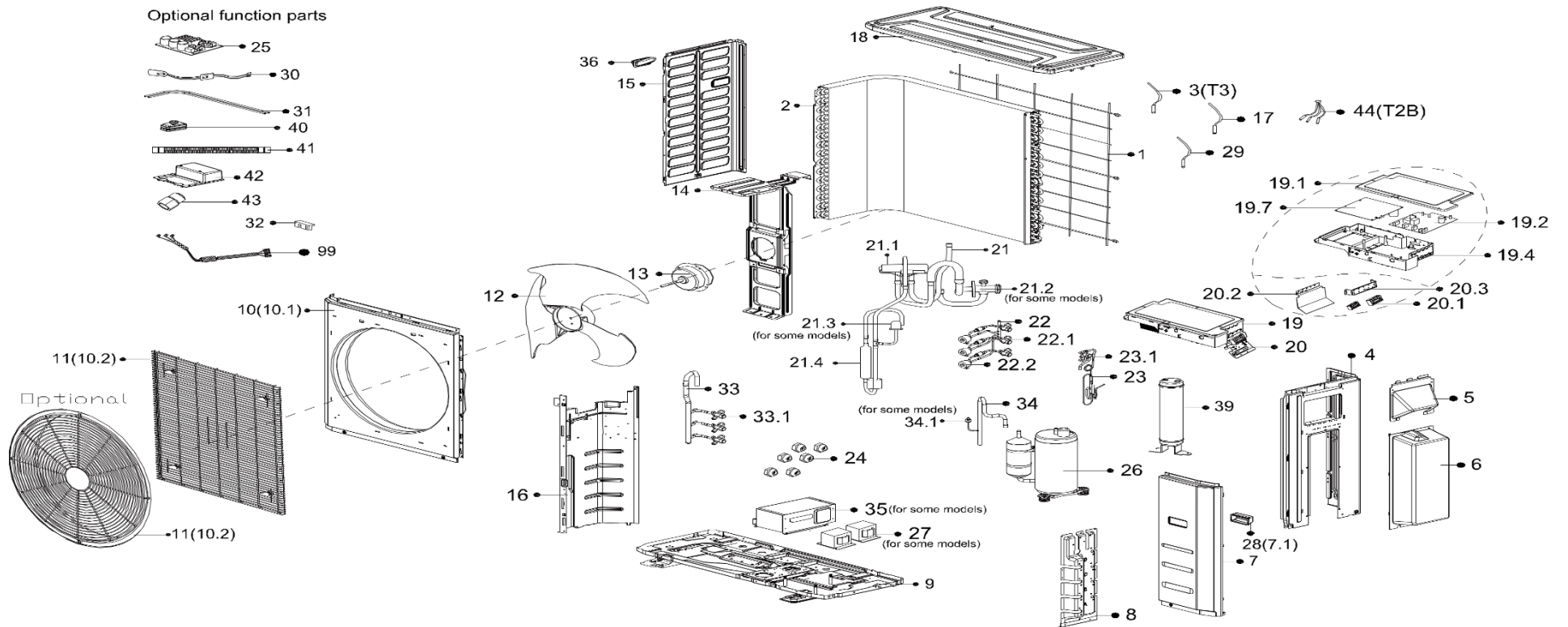


FACTORY CODE: 22022316001306

**BZ33-HYP273Z2-G2-P**

ID# .3547993



**PREMIER SERIES**



# MINI SPLIT REPLACEMENT PARTS GUIDE

## BZ33-HYP273Z2-G2-P

ID# .3547993

Part #	Replacement Part	Part Name	Qty
1	1222200006604	Rear net	1
2	15822000009578	Condenser assembly	1
3	11201007003442	Pipe temperature sensor	1
4	12222000012226	Rear right clapboard assembly	1
5	12222000011085	Big handle assembly	1
6	12122300000110	Water collector	1
7	12222500A00135	Front right clapboard assembly	1
7.1	12100702000038	Handle	1
8	12222000005282	Valve plate	1
9	12222000005267	Chassis assembly	1
10	12222000A01431	Front panel	1
10.1	12222000016109	Front panel	1
11	12222000014845	Air outlet grille	1
12	12100105000084	Axial flow fan	1
13	11002015000247	Brushless DC motor	1
14	12222500000547	Supporter subassembly of fan motor	1
15	12222000006665	Left side plate assembly of cabinet	1
15.1	12100701000033	Small handle	1
16	12222200001156	Partition board assembly	1
17	11201007003448	Room temperature sensor	1
18	12222500000587	Top cover assembly	1
19	17222300002649	Electronic control box subassembly	1
19.1	12122000006905	Cover of electronic control box	1
19.2	17122300003977	Main control board subassembly	1
19.4	12122300000170	Electronic installing box	1
19.7	17122000052007	Inverter module subassembly	1
20	17222300000729	Terminal board subassembly	1
20.1	17400401000135	Terminal	2

Part #	Replacement Part	Part Name	Qty
20.2	12222300000033	Terminal board	1
20.3	12222300000032	Terminal board	1
21	15422000019432	4-Way valve assembly	1
21.1	15500216000361	4-Way valve	1
21.2	15500204000049	Gas valve	1
21.3	17400516000851	Pressure switch	1
21.4	15122000027837	Muffler subassembly	1
22	15422300000404	Liquid valve assembly	1
22.1	15500208000028	Liquid valve	3
22.2	15500213000046	Electronic expansion valve subassembly	3
23	15422000016293	Liquid valve assembly	1
23.1	15500208000047	Liquid valve	1
24	15500406000010	Copper nut	2
24	15500406000012	Copper nut	3
24	15500406000016	Copper nut	3
26	11103020000719	DC inverter rotary compressor	1
27	17400306000058	Reactor	1
29	11201007003124	Discharge temperature sensor	1
30	17402002000466	Electric heating tube	1
31	17402001000601	Crankcase electric heater	1
33	15422000A01486	Gas valve assembly	1
33.1	15500204000058	Gas valve	1
33.1	15500204000021	Gas valve	2
34	15122300001024	Suction pipe assembly	1
34.1	17400516000848	Pressure switch	1
39	15500508000315	Accumulator cylinder	1
44	11201007000044	Pipe temperature sensor	1
99	174012030000939	Compressor wire subassembly	1