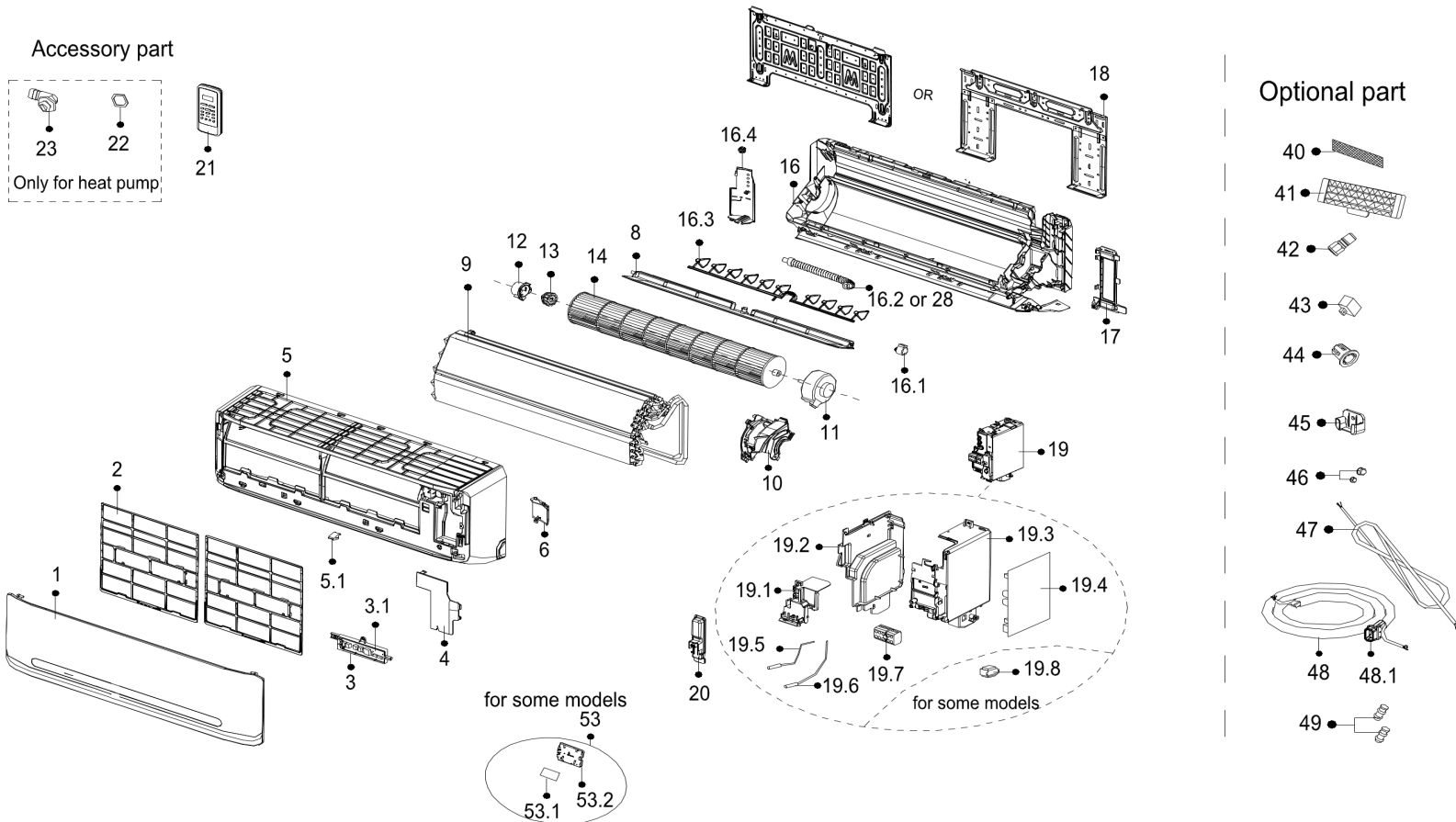


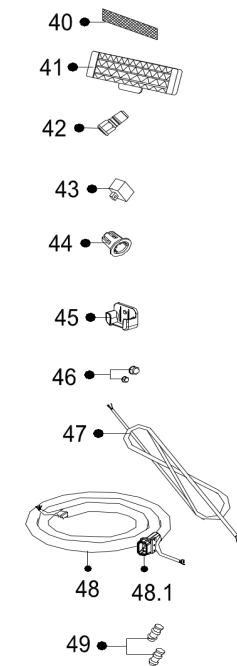
FACTORY CODE: 22022011013660

BZ33-HP09WALL1-C

ID# .3473331



Optional part



COMFORT SERIES



MINI SPLIT REPLACEMENT PARTS GUIDE

BZ33-HP09WALL1-C

ID# .3473331

Part #	Replacement Part	Part Name	Qty
1	12122000A74812	Panel assembly	1
2	12100204000479	Air filter	2
3	17222000A07664	Display box subassembly	1
3.1	17122000A08523	Display board subassembly	1
4	12122000006755	Cover of electrical equipment	1
5	12122000001894	Panel frame assembly	1
5.1	12122000008242	Screw cap	1
6	12122000004587	Front cover of chassis (right)	1
8	12122000008055	Horizontal louver assembly	1
9	15822000A16941	Evaporator assembly	1
10	12122000005540	Fan motor cover	1
11	11002015006201	Brushless DC motor	1
12	12122000000350	Bearing sleeve	1
13	12622000000006	Beating base	1
14	12100102000070	Cross flow fan	1
16	12122000012359	Chassis assembly	1
16.1	11002010000143	Stepper motor	1
16.3	12122000000039	Louver assembly	1
16.4	12122000010098	Front cover of chassis (left)	1
17	12122000012943	Pipe clamp board	1
18	12222000A00811	Installation plate	1
19	17222000028235	Electronic control box subassembly (mid-and low-end)	1
19.1	12122000004577	Electronic control box	1

Part #	Replacement Part	Part Name	Qty
19.2	12122000004639	Electronic control box cover (left)	1
19.3	12122000004632	Electronic control box cover (right)	1
19.4	17122000044765	Main control board subassembly	1
19.5	11201007003425	Room temperature sensor	1
19.6	11201007003447	Pipe temperature sensor	1
19.7	17400401000006	Terminal	1
20	12122000005020	Electronic control box cover	1
21	17317000A54961	Remote controller	1
22	12600701000039	Seal	1
23	12100509000061	Extend water pipe	1
28	12100501000032	Drain hose	1
40	121002040000685	Air fresh filter	1
42	15500209000001	Check valve	1
45	12117000002114	Remote controller bracket	1
46	15500406000010	Copper nut	1
46	15500406000016	Copper nut	1