



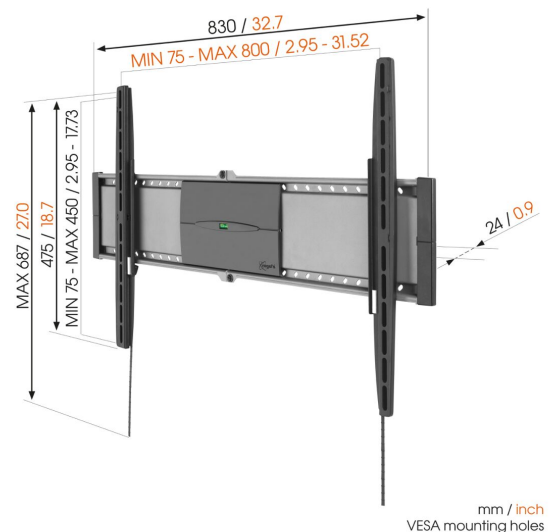
## EFW 8305 Fixed TV Wall Mount

### Key Benefits

- Integrated spirit level
- Lock your TV securely in place
- Only 2 cm / 0.8 inch from the wall
- Ultra strong - built for heavy TVs

### For TVs up to 80 inch (203 cm)

You've spent good money on a great TV. So when it comes to putting it pride of place, you don't want to risk mounting it with just any wall mount. For you, only the best will do. EFW 8305 L is a strong, solid wall mount that is suitable for 40 to 80 inch (102 to 203 cm) TVs weighing up to 70 kg (154 lbs).





## EFW 8305 Fixed TV Wall Mount

# Specifications

Article number (SKU)	8383050
Colour	Grey
EAN single box	8712285315527
Product size	XL
TÜV certified	Yes
Guarantee	Lifetime
Min. screen size (inch)	40
Max. screen size (inch)	80
Max. weight load (kg/Lbs)	70 / 154.32
Min. hole pattern	75mm x 75mm
Max. hole pattern	800mm x 450mm
Max. bolt size	M8
Max. height of interface (mm)	475
Max. width of interface (mm)	830
Certifications	TÜV
Max. horizontal hole pattern (mm)	800
Max. vertical hole pattern (mm)	450
Min. distance to the wall (mm / inch)	24 / 0.94
Spirit level included	Yes
Universal or fixed hole pattern	Universal

VOGEL'S HOLDING BV (©)

All rights reserved.  
Subject to printing errors,  
technical and price  
amendments.

Date: 2023-01-13



**Vogel's.** For Sure.