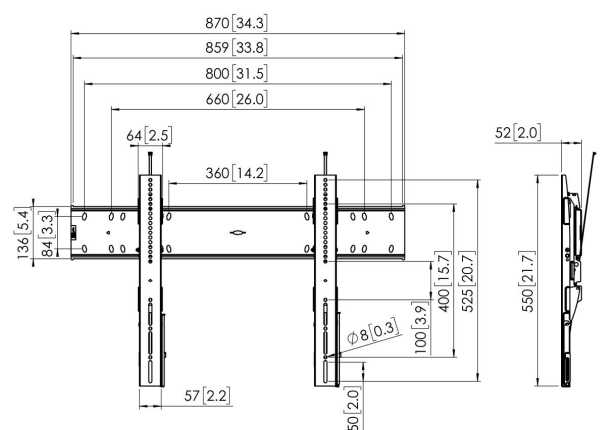


PFW 6810 Display Wall Mount tilt

The PFW 6810 is a sturdy and at the same time elegant tilt wall mount. It features an aesthetically integrated lock on top of the ability to tilt up to 15°. The mount can hold displays from 55 to 80 inch, weighing up to 75 kg





PFW 6810 Display Wall Mount tilt

Specifications

Article number (SKU)	7368100
Colour	Black
EAN single box	8712285334184
Product size	L
TÜV certified	Yes
Tilt	Tilt up to 15°
Guarantee	5 years
Min. screen size (inch)	55
Max. screen size (inch)	80
Max. weight load (kg/Lbs)	75 / 165.35
Min. hole pattern	75mm x 75mm
Max. hole pattern	800mm x 400mm
Max. bolt size	M8
Max. height of interface (mm)	550
Max. width of interface (mm)	870
Fischer inside	Yes
Levelling function	Post-installation horizontal levelling
Lock options	Lock included / integrated
Max. horizontal hole pattern (mm)	800
Max. screen size (inch)	80
Max. vertical hole pattern (mm)	400
Min. distance to the wall (mm / inch)	52 / 2.05
Min. horizontal hole pattern (mm)	75
Min. screen size (inch)	55
Min. vertical hole pattern (mm)	75
Orientation	Landscape
Service position	Yes
Universal or fixed hole pattern	Universal

VOGEL'S HOLDING BV (©)

All rights reserved.
Subject to printing errors,
technical and price
amendments.

Date: 2023-01-30



Vogel's. For Sure.