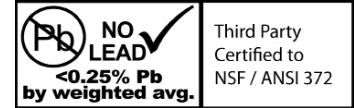


# 082CP(ND)NL SERIES NO LEAD BRASS BALL VALVE WITH/ WITHOUT DRAIN (COMPRESSION)

## SPECIFICATION:

- Compression connections conform to SAE J512
- Max Pressure Rating: 200 PSI
- 200 PSI WOG Non-Shock - WOG pressure rating based on ambient temperature
- Max Temperature Rating: 300°F (150°C)
- Two piece forged brass body
- Integral drain port to allow system draining
- Blow-out proof stem
- Zinc plated handle with blue plastic sleeve

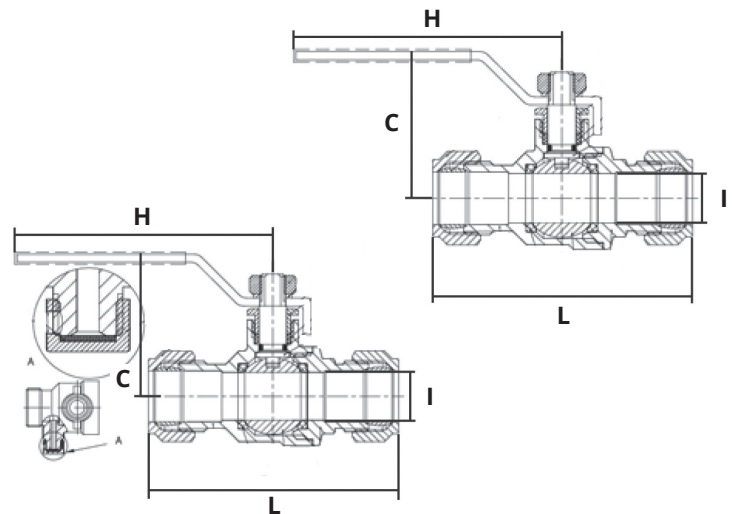


## CERTIFICATION:

- NSF/ANSI Standard 61 & 372 Certified



MATERIAL LIST	
Part Name	Material
Body	Forged No Lead Brass
Seat Seal	PTFE
Ball	Chrome plated No Lead Brass
Bonnet	Forged No Lead Brass
Stem	No Lead Brass
O-ring	EPDM
Gland Packing	PTFE
Gland Nut	No Lead Brass
Handle + Sleeve	Steel + PVC
Washer	Steel
Nut	Steel
Compression Nut	No Lead Brass
Sleeve	No Lead Brass
Drain Cap	No Lead Brass
Drain Washer	EPDM



DIMENSIONS										
Part No.	Description	I		H		C		L		Weight grams
		inches	mm	inches	mm	inches	mm	inches	mm	
082CP-05NL	1/2" CPxCP	0.59	14.99	1.78	45.19	2.34	59.50	3.74	95.00	266
082CP-07NL	3/4" CPxCP	0.79	19.99	1.94	49.19	2.72	69.00	3.74	95.00	394
082CP-10NL	1" CPxCP	0.98	24.99	2.33	59.30	3.32	84.30	3.94	100.00	590
082CPND-05NL	1/2" CPxCP	0.59	14.99	1.78	45.19	2.22	56.50	3.74	95.00	252
082CPND-07NL	3/4" CPxCP	0.79	19.99	1.94	49.19	2.65	67.30	3.74	95.00	380
082CPND-10NL	1" CPxCP	0.98	24.99	2.33	59.30	3.18	80.80	3.94	100.00	575



25 Whaley Avenue, PO Box 310, Milverton, ON CANADA N0K 1M0  
Tel: 800-561-3164

[boshart.com](http://boshart.com) ♦ [blog.boshart.com](http://blog.boshart.com)