



THE PRO'S CHOICE

HEATING 2015-2016

RESIDENTIAL, COMMERCIAL
AND INDUSTRIAL HEATING

FLOOR HEATING SYSTEMS

THERMOSTATS

ELECTRIC FURNACES



A WORD FROM THE PRESIDENT



In 1981, my father John Chabot founded Chalais Elektrik, the company recognized today as °STELPRO. °STELPRO prides itself on its commitment to designing, developing and manufacturing products in Canada. One of the things I credit to °STELPRO's exponential growth over the past generation is our commitment to offering an unparalleled level of service, which has been key in positioning °STELPRO as a leading brand in the market today. No task is neither too big nor too small when it comes to satisfying the needs of our customer, no matter which walk of life that customer comes from. It is not uncommon to see a °STELPRO representative supporting an electrician on a construction site, for example, or assisting an engineer in designing his/her project, or even calling on the residence of an end-user in order to assure 100% customer satisfaction.

Today, °STELPRO employs over 500 people in both its Saint-Bruno-de-Montarville and Grand-Mère manufacturing facilities. °STELPRO's motto is and has always been, "Get it right the first time, every time!" a principle that is an integral part of the °STELPRO culture and one which is embodied every day by our employees. It is just one of the many core values that assure our business partners and their clients the confidence and peace of mind of knowing that they are supporting quality, Canadian-made products, manufactured to the highest of standards.

The relationship that we pride ourselves on sharing with our business partners, employees, suppliers, as well as our community is one based on mutual respect, a spirit of collaboration, a commitment to hard work, the pursuit of excellence, as well as a passion for creativity and innovation. The health and safety of our employees is always the highest priority, as it is these employees who are the driving force behind °STELPRO's success.

Assuring comfort for the end-user is what we strive for; be it from our offer of heating equipment, ventilation products, floor heating systems, or electronic controls, ensuring the combination of optimal performance, safety, innovation and unique design are all contributory to overall comfort and deliver on our promise of the global comfort solution: 360 comfort!





YVES CHABOT
PRESIDENT

TABLE OF CONTENTS





HEATING








	B SERIES ELECTRIC BASEBOARD	10		SPDH SERIES MINI PATIO DOOR HEATER	52
	SBB SERIES - COMPACT MULTIPURPOSE BASEBOARD	14		PDH SERIES PATIO DOOR HEATER	54
	SHC SERIES ELECTRONIC CONVECTOR	16		ALC1B SERIES MINI ARCHITECTURAL BASEBOARD	56
	SHCB SERIES BATHROOM FAN HEATER	18		DBI SERIES ALUMINUM DRAFT BARRIER	58
	BA SERIES / BELLA™ HIGH-END BASEBOARD	20		DB SERIES ALUMINUM DRAFT BARRIER	60
	SIL SERIES / SILHOUETTE™ ELECTRONIC CONVECTOR	24		SCA SERIES ARCHITECTURAL BASEBOARD	62
	SILVC SERIES / SILHOUETTE™ ELECTRONIC BATHROOM CONVECTOR	26		SCAS SERIES - SLOPED ARCHITECTURAL BASEBOARD	64
	SIL2030 SERIES / SILHOUETTE™ BATHROOM FAN HEATER	28		CBB SERIES SLOPED COMMERCIAL BASEBOARD	66
	SCR SERIES / RADIANCE™ COVE HEATER	30		CBF SERIES COMMERCIAL BASEBOARD	68
	CT SERIES HEATING CABLE	32		ALC3A SERIES ARCHITECTURAL BASEBOARD	72
	SFM SERIES / PERSIA™ HEATING CABLE MAT	34		CW750 SERIES ARCHITECTURAL CABINET	74
	RWF SERIES / PULSAIR™ WALL FAN HEATER	38		CWS750 SERIES SLOPED ARCHITECTURAL CABINET	76
	SKS SERIES KICK SPACE HEATER	40		CW1000 SERIES ARCHITECTURAL CABINET	78
	FI SERIES FLOOR INSERT CONVECTOR	42		CWS1000 SERIES SLOPED ARCHITECTURAL CABINET	80
	FFI SERIES FLOOR INSERT FAN HEATER	44		WFA SERIES ALUMINUM WALL FAN HEATER	82
	SK SERIES / AIR CURTAIN™ CEILING FAN HEATER	46		WF SERIES WALL FAN HEATER	86
	SCH SERIES - MULTIPURPOSE PORTABLE HEATER	48		CBH SERIES CABINET HEATER	89
	SPDHA SERIES - ALUMINUM MINI PATIO DOOR HEATER	50		SGH SERIES / SPIDER™ CEILING FAN HEATER	92

	DR SERIES / DRAGON™ CEILING FAN HEATER	94
	CF SERIES CEILING FAN HEATER	98
	SDC SERIES COMMERCIAL AIR CURTAIN	102
	RUH SERIES - COMMERCIAL & RESIDENTIAL UNIT HEATER	104
	FUHGX SERIES AGRICULTURAL UNIT HEATER	106
	SHU SERIES - COMMERCIAL & INDUSTRIAL UNIT HEATER	108

	VUH SERIES VERTICAL UNIT HEATER	112
	SIRH SERIES / ZENITH™ INFRARED RADIANT HEATER	116
	X-PRO SERIES - EU MODEL EXPLOSION-PROOF UNIT HEATER	118
	X-PRO SERIES - EC MODEL EXPLOSION-PROOF CONVECTOR	121

THERMOSTATS

ELECTRONIC		
	STE252NP SERIES - 2500 W SINGLE PROGRAMMING	128
	STE302NP SERIES - 3000 W SINGLE PROGRAMMING	130
	STE302P SERIES - 3000 W MULTIPLE PROGRAMMING	131
	STE402NP SERIES - 4000 W SINGLE PROGRAMMING	132
	STE402P SERIES - 4000 W MULTIPLE PROGRAMMING	133
	STE302R2+ SERIES - DOUBLE POLE, SINGLE PROGRAMMING	136
ELECTRONIC - FLOOR HEATING		
	STCNP SERIES - 3840 W SINGLE PROGRAMMING	134
	STCP SERIES - 3840 W MULTIPLE PROGRAMMING	135

LOW VOLTAGE / 24 V		
	STE241 SERIES - 24 V, ELECTRONIC, SINGLE PROGRAMMING	137
	T822K1034 SERIES - 24 V	138
	T87K1015 SERIES - 24 V	138
	D010 SERIES - 24 V, ELECTRONIC	139
	ET180 SERIES - 24 V, ELECTRONIC	139
MECHANICAL		
	SWT SERIES LINE VOLTAGE THERMOSTAT	140
	RJ32 SERIES LINE VOLTAGE THERMOSTAT	141
RELAYS		141
ACCESSORIES		144

ELECTRIC FURNACES

	SFE SERIES - MODULATING ELECTRIC FURNACE WITH ELECTRONIC CONTROLS	146
--	--	-----

	SFECM SERIES - MODULATING ELECTRIC FURNACE WITH ELECTRONIC CONTROLS	150
---	--	-----

HISTORY

STELPRO



John Chabot, an entrepreneur with remarkable flair, founded Chalair Électrik Inc. in 1981. With the support of his youngest brother, Mike Chabot, the Chabot's attacked the Quebec market with drive and passion, manufacturing top-performing heating products and backing them with a superior service-level that helped launch their family-owned business forward.

In 1994, Chalair Électrik acquired Stelpro Heating Inc., a competitor based out of Richmond Hill, Ontario, an acquisition which would overnight secure John Chabot a national footprint across Canada. The acquisition would see John offer a complete line of products and allow him to delve into markets previously uncharted.

The year 2000 was a landmark year for Stelpro as not only did it see the second generation of Chabots, brothers Yves and Eric, become shareholders but it also saw the launch of an ambitious relocation project to Saint-Bruno-de-Montarville, on the south shore of Montreal. Nearly one year later, the company inaugurated a 118,000 square foot newly constructed manufacturing facility and celebrated its 20-year anniversary as a local Quebec success story.

Under the new corporate identity of Stelpro Design Inc., the company invested massively in sophisticated machinery and equipment and installed an in-house automated powder paint shop. The organization grew at lightning speed, rapidly taking market share and becoming recognized as a leader in Canada's electrical heating industry. In 2004, the company diversified its portfolio with the addition of floor heating cables. The company's 25th anniversary in 2006 marked a turning point seeing John Chabot succeed the company to the next generation, Yves and Eric who would proceed to share co-ownership and presidency. That same year, Stelpro invested in the construction of a highly sophisticated research and development laboratory within their facility, the Refrigerator House as it is known by all those who visit – a house built inside of a giant refrigerator – allowing Stelpro to test their products under real-life climatic conditions.

“ °STELPRO IS THE STORY OF A FAMILY BUSINESS THAT HAS RAPIDLY BECOME ONE OF QUEBEC'S MOST SUCCESSFUL ENTREPRENEURIAL VENTURES. ”

In 2010, Stelpro closed the original Richmond Hill, Ontario facility and relocated all manufacturing activities to the Saint-Bruno-de-Montarville location, which then featured a newly constructed mezzanine, offering a total of 216,000 square footage. Saint-Bruno became what it is known as today, the head office and manufacturing facility for Stelpro, housing numerous advanced technological systems and equipment, including but not limited



to, automated cutting-edge stamping and bending. In addition, the 'Refrigerator House' received CSA C828-6 performance standard recognition and certification. Stelpro became the sole owner of its sister company, Synapse Électronique, positioning itself in the electronic controls sector.

The company's 30th anniversary in 2011 saw Eric Chabot retire from the company, leaving Yves Chabot as sole owner and President of Stelpro Design. Yves' remarkable vision quickly allowed him to take the necessary steps to rally his forces to navigate Stelpro through an increasingly competitive marketplace.

Shortly thereafter, Stelpro redefined their corporate identity to one which would speak more closely to the nature and position of its offer. The °STELPRO 360 Comfort corporate identity was launched shortly thereafter, streamlining its identity and revamping the brand visually. The new °STELPRO logo would properly reflect and communicate a 360 degree global comfort solution speaking to all aspects of the °STELPRO offer.

In 2014, °STELPRO made its grand entrance into the accomplished list of the 50 Best Managed Companies of Canada. Backed by a history of stellar financial performances combined with a business plan focused on growth, quality and continuous improvement, °STELPRO succeeded in standing out in an industry where the challenges are palpable and the global competition as fierce as ever.

°STELPRO IS...

- **PROUDLY CANADIAN**
A FAMILY-OWNED AND OPERATED BUSINESS SINCE 1981

- **UNPARALLELED CUSTOMER SERVICE AND SALES TEAMS**
PROFESSIONAL, KNOWLEDGEABLE AND RESPONSIVE

- **PRODUCT SHIPMENT WITHIN 48 HOURS**
100% FILL-RATE

- **UNRIVALLED QUALITY ASSURANCE**
VERTICAL INTEGRATION ENSURES OPTIMIZED PRODUCTION PROCESSES

- **THE BEST WARRANTY IN THE INDUSTRY**
BUY WITH CONFIDENCE!

- **RESEARCH AND DEVELOPMENT**
REACHING NEW HEIGHTS IN PRODUCT INNOVATION AND IMPROVEMENT

- **MARKETING AND ADVERTISING**
STRONG BRAND RECOGNITION AND MARKET PRESENCE

- **OFFERING PRODUCT TRAINING SERVICES FOR OUR PARTNERS**
INDUSTRY-LEADING AND SOPHISTICATED TRAINING FACILITY

- **BRILLIANT AND UNIQUE DESIGNS**
APPEALS TO NOVICE AND SOPHISTICATED USERS ALIKE

- **THE MOST COMPLETE PRODUCT SELECTION IN THE INDUSTRY**
CHOOSE FROM OVER 50 DIFFERENT PRODUCT LINES

- **THE PROFESSIONAL'S CHOICE**
A BRAND YOU CAN RELY ON



COLOUR CHART

°STELPRO is proud to offer the largest range of colours to its clients. Below is a large choice of colours to best meet your needs, enabling greater flexibility. °STELPRO has the colour you're looking for!

Corrosion and heat resistant, our paint is of a very high quality and is easily washable, retaining its original appearance for years to come. For all other colour options, please contact your representative. °STELPRO always exceeds your needs.



The colours above are only reproduced for information, they may differ from the real colours. Some of them are metallic, but it is not possible to reproduce this aspect in a printed catalogue. Optional colours are available at an additional cost. Returns are not accepted for orders of products with optional colours.

WARRANTY POLICY

°STELPRO WARRANTS ITS PRODUCTS AGAINST DEFECTS IN MATERIAL & WORKMANSHIP FOR A MINIMUM PERIOD OF ONE YEAR FOLLOWING THE DATE OF PURCHASE.

This warranty does not apply to damages resulting from misuse, abuse, improper installation, field alteration, or accidents of any kind. °STELPRO will not guarantee nor be held responsible, for damages resulting from products that have been modified. °STELPRO's responsibility is limited to the repair and/or replacement of parts deemed to be defective. Additional installation and/or transportation costs are not covered under the terms of this warranty. For individual extended warranties, please refer to the catalogue.

HEATING



COMFORT
TO WEATHER
ANY STORM



ELECTRIC BASEBOARD

B SERIES

THE REFERENCE ON THE MARKET

The reputation of the B baseboard is well established, it is simply the most recognized and the most appreciated on the market. It stands out with its modern look and rounded corners, along with its unique one-piece construction without end caps, making it the most solid and the most durable baseboard available. The B baseboard assures you better air distribution and is ideal for every room in the house.



QUIET CONVECTION HEATING

THE MOST SOLID BASEBOARD ON THE MARKET ONE-PIECE CONSTRUCTION

ROUNDED CORNERS

BETTER AIR DIFFUSION

IDEAL FOR EVERY ROOM IN YOUR HOME

MAY BE CONTROLLED BY A BUILT-IN OR WALL THERMOSTAT (NOT INCLUDED) ELECTRONIC THERMOSTAT RECOMMENDED

IDEAL FOR:

KITCHEN, LIVING ROOM, BEDROOM, OFFICE, BASEMENT,
BUSINESS

COLOURS

- standard: white, silica white
- optional: almond, black, textured charcoal, silver, clear anodized (paint), nickel, champagne, light bronze, dark brown (10% surcharge)

FINISH

epoxy-polyester powdercoat

MANUFACTURING

- 22-gauge steel casing able to support 75 kg (165 lb) in its center
- 16-gauge steel connection boxes at each end
- full-length thermal protection with automatic reset
- diffuser located above the element in order to ensure good air diffusion
- full-length wireway
- steel end caps with soft, rounded corners

ELEMENT

single tubular, stainless steel sheathed element with boxed aluminum fins for improved heat dissipation; the element is securely fastened at its center, floating in nylon sleeves at each end, eliminating expansion and contraction noises

CONTROL

- built-in thermostat installed in the left or right junction box (optional)
- single pole electronic thermostat installed in the right junction box only (optional)
- wall thermostat (not included) – the use of an electronic thermostat is strongly recommended
- low voltage relay kit installed in the left junction box only (optional)

INSTALLATION

- surface mounted
- knockouts for the BX and clamps for the NMD cables located at each end
- mounting holes spaced at 1-inch intervals along the top and the bottom of the unit



THERMAL PROTECTION HIDDEN
INSIDE THE JUNCTION BOX



ULTRA-PRECISE ELECTRONIC
THERMOSTAT (OPTIONAL)



TECHNICAL SPECIFICATIONS

250 W PER LINEAR FOOT		BUILT-IN ELECTRONIC THERMOSTAT		POWER	VOLTAGE	LENGTH		WEIGHT	
CODE	PRICE	CODE	PRICE	WATTS	VOLTS	MM	IN.	KG	LB
B0301**	40.25	---	---	300	120	505	19 7/8	2.0	5
B0308**	33.00	---	---	300	208	505	19 7/8	2.0	5
B0302**	33.00	B0302ERW*	74.00	300/225	240/208	505	19 7/8	2.0	5
---	---	---	---	300	277/240/208	505	19 7/8	2.0	5
---	---	---	---	300	347	505	19 7/8	2.0	5
---	---	---	---	300	480	505	19 7/8	2.0	5
---	---	---	---	300	600	505	19 7/8	2.0	5
B0501**	42.75	---	---	500	120	708	27 7/8	3.0	7
B0508**	35.50	---	---	500	208	708	27 7/8	3.0	7
B0502**	35.50	B0502ERW*	76.75	500/375	240/208	708	27 7/8	3.0	7
B0507**	35.50	---	---	500/375/280	277/240/208	708	27 7/8	3.0	7
B0503*	42.75	---	---	500	347	708	27 7/8	3.0	7
---	---	---	---	500	480	708	27 7/8	3.0	7
---	---	---	---	500	600	708	27 7/8	3.0	7
B0751**	49.50	---	---	750	120	956	37 5/8	4.1	9
B0758**	40.50	---	---	750	208	956	37 5/8	4.1	9
B0752**	40.50	B0752ERW*	81.50	750/560	240/208	956	37 5/8	4.1	9
B0757**	40.50	---	---	750/560/425	277/240/208	956	37 5/8	4.1	9
B0753*	49.50	---	---	750	347	956	37 5/8	4.1	9
B0755*	49.50	---	---	750	480	956	37 5/8	4.1	9
B0756*	49.50	---	---	750	600	956	37 5/8	4.1	9
B1001**	59.00	---	---	1000	120	1207	47 1/2	5.1	11
B1008**	47.50	---	---	1000	208	1207	47 1/2	5.1	11
B1002**	47.50	B1002ERW*	88.25	1000/750	240/208	1207	47 1/2	5.1	11
B1007**	47.50	---	---	1000/750/565	277/240/208	1207	47 1/2	5.1	11
B1003*	59.00	---	---	1000	347	1207	47 1/2	5.1	11
B1005*	59.00	---	---	1000	480	1207	47 1/2	5.1	11
B1006*	59.00	---	---	1000	600	1207	47 1/2	5.1	11
B1251**	69.75	---	---	1250	120	1454	57 1/4	6.2	14
B1258**	55.75	---	---	1250	208	1454	57 1/4	6.2	14
B1252**	55.75	B1252ERW*	96.25	1250/940	240/208	1454	57 1/4	6.2	14
B1257**	55.75	---	---	1250/940/705	277/240/208	1454	57 1/4	6.2	14
B1253*	69.75	---	---	1250	347	1454	57 1/4	6.2	14
B1255*	69.75	---	---	1250	480	1454	57 1/4	6.2	14
B1256*	69.75	---	---	1250	600	1454	57 1/4	6.2	14
B1501**	76.75	---	---	1500	120	1683	66 1/4	7.2	16
B1508**	61.50	---	---	1500	208	1683	66 1/4	7.2	16
B1502**	61.50	B1502ERW*	102.00	1500/1125	240/208	1683	66 1/4	7.2	16
B1507**	61.50	---	---	1500/1125/845	277/240/208	1683	66 1/4	7.2	16
B1503*	76.75	---	---	1500	347	1683	66 1/4	7.2	16
B1505*	76.75	---	---	1500	480	1683	66 1/4	7.2	16
B1506*	76.75	---	---	1500	600	1683	66 1/4	7.2	16
---	---	---	---	1750	120	1930	76	8.2	18
B1758**	72.00	---	---	1750	208	1930	76	8.2	18
B1752**	72.00	B1752ERW*	113.00	1750/1315	240/208	1930	76	8.2	18
B1757**	72.00	---	---	1750/1300/985	277/240/208	1930	76	8.2	18
B1753*	92.00	---	---	1750	347	1930	76	8.2	18
B1755*	92.00	---	---	1750	480	1930	76	8.2	18
B1756*	92.00	---	---	1750	600	1930	76	8.2	18
---	---	---	---	2000	120	2130	83 7/8	9.1	20
B2008**	79.00	---	---	2000	208	2130	83 7/8	9.1	20
B2002**	79.00	B2002ERW*	119.00	2000/1500	240/208	2130	83 7/8	9.1	20
B2007**	79.00	---	---	2000/1500/1125	277/240/208	2130	83 7/8	9.1	20
B2003*	101.00	---	---	2000	347	2130	83 7/8	9.1	20
B2005*	101.00	---	---	2000	480	2130	83 7/8	9.1	20
B2006*	101.00	---	---	2000	600	2130	83 7/8	9.1	20
---	---	---	---	2250	120	2381	93 3/4	10.2	22
B2258**	87.25	---	---	2250	208	2381	93 3/4	10.2	22
B2252**	87.25	B2252ERW*	127.00	2250/1690	240/208	2381	93 3/4	10.2	22
B2257**	87.25	---	---	2250/1690/1265	277/240/208	2381	93 3/4	10.2	22
B2253*	105.00	---	---	2250	347	2381	93 3/4	10.2	22
B2255*	105.00	---	---	2250	480	2381	93 3/4	10.2	22
B2256*	105.00	---	---	2250	600	2381	93 3/4	10.2	22
---	---	---	---	2500	120	2607	102 5/8	11.1	24
B2508**	95.25	---	---	2500	208	2607	102 5/8	11.1	24
B2502**	95.25	B2502ERW*	135.00	2500/1875	240/208	2607	102 5/8	11.1	24
B2507**	95.25	---	---	2500/1875/1405	277/240/208	2607	102 5/8	11.1	24
B2503*	114.00	---	---	2500	347	2607	102 5/8	11.1	24
B2505*	114.00	---	---	2500	480	2607	102 5/8	11.1	24
B2506*	114.00	---	---	2500	600	2607	102 5/8	11.1	24

Please note that the width of the units may vary by more or less 1/16 in. (0.15 cm)
 * Add W for white or SW for silica white (see page 8 for optional colours and contact your *STELPRO representative for all other colours)
 * Add HA for the high altitude version
 * Available only for 240 V white models installed at the right end only
 --- not available



ACCESSORIES

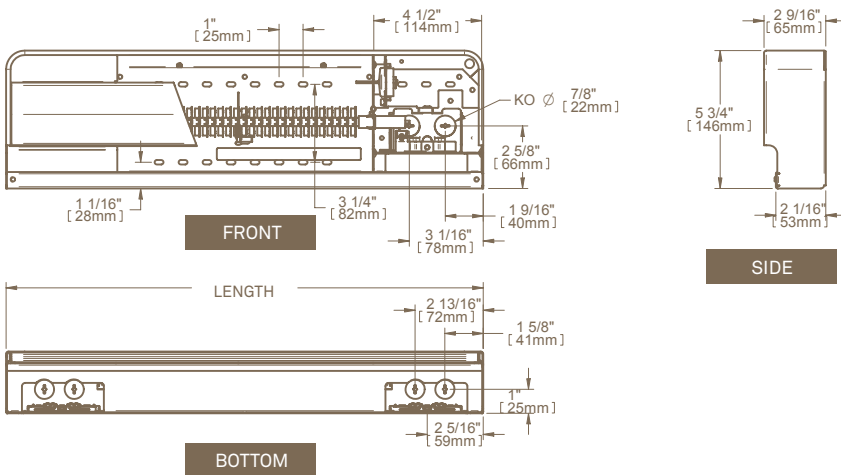
PRODUCT	DESCRIPTION	PRICE
B1T1ER*	built-in electronic thermostat (right side installation only) [120 V-347 V / max 2500 W (12.5 A)]. Can be factory installed. For 240 V white models installed at the right end, add ER to product code (ex: B0302ERW).	41.25
B1T1*	built-in single pole thermostat [120 V-600 V]	21.00
B2T1*	built-in double pole thermostat [120 V-600 V]	24.25
B2T1TP*	built-in tamper-proof double pole thermostat [120 V-600 V]	34.75
BRE153*	built-in electronic low voltage relay [15 A @ 120 V-347 V]	39.75
BRE156*	built-in electronic low voltage relay [6 A @ 600 V]	70.50
BRE153T*	built-in electronic low voltage relay c/w transformer 24 V [15 A @ 208 V-347 V]	54.25
BP*	spray paint white or silica white	29.00

Electronic relays can receive a PWM (pulsed width modulation) or digital (on/off) signal.

* Add W for white or SW for silica white

* Factory installation only

TECHNICAL DRAWINGS





COMPACT MULTIPURPOSE BASEBOARD

SBB SERIES

A BREAKTHROUGH IN PERFORMANCE & DESIGN

Looking for the sleekest and newest baseboard ever to heat a living room, kitchen, bedroom or even an office, without taking up too much wall space? The compact multipurpose SBB baseboard fits the bill perfectly with three densities available. On top of being quick and easy to install, the SBB can be up to 30% shorter than conventional baseboards without sacrificing power and security.



UP TO 30% SHORTER THAN CONVENTIONAL BASEBOARDS

FREEING UP PRECIOUS WALL SPACE

OPTIMAL PERFORMANCE AND SAFETY COMBINED WITH EASE OF INSTALLATION

OFFERED IN THREE DIFFERENT WATT DENSITIES

TO MEET THE NEEDS OF ANY PROJECT IN THE HOME AND OFFICE

IDEAL FOR:

KITCHEN, LIVING ROOM, BEDROOM, BASEMENT, OFFICE

COLOURS

- standard: white, silica white
- optional: almond, black, clear anodized (paint), textured charcoal, silver, nickel, champagne, light bronze, dark brown (10% surcharge)

FINISH

epoxy-polyester powdercoat

MANUFACTURING

- 22-gauge steel cabinet and 18-gauge steel one-piece front able to support up to 110 kg (242 lb) in its center
- full-length thermal protection with automatic reset
- discrete air inlet and top air discharge to maximize air flow
- full-length wireway
- steel end caps with soft, rounded corners

ELEMENT

single tubular, stainless steel sheathed element with boxed aluminum fins for improved heat dissipation securely fastened at its center, floating in nylon sleeves at each end, eliminating expansion and contraction noises

CONTROL

- wall thermostat (not included) – the use of an electronic thermostat is strongly recommended
- built-in single or double pole mechanical thermostat installed in the left or right junction box (optional)
- built-in tamper-proof single or double pole mechanical thermostat installed in the left or right junction box (optional)
- low voltage relay kit installed in the right junction box only (optional)

INSTALLATION

- floor mounted
- wiring compartment at both ends of unit

ACCESSORIES

PRODUCT	DESCRIPTION	PRICE
SBBT1*	built-in single pole thermostat [120 V-600 V]	21.00
SBBT2*	built-in double pole thermostat [120 V-600 V]	24.25
SBBT1TP**	built-in tamper-proof single pole thermostat [120 V-600 V]	31.25
SBBT2TP**	built-in tamper-proof double pole thermostat [120 V-600 V]	34.75
SBBRE153*	built-in electronic low voltage relay [15 A @ 120 V-347 V]	39.75
SBBRE156*	built-in electronic low voltage relay [6 A @ 600 V]	70.50
SBBRE153T*	built-in electronic low voltage relay c/w transformer 24 V [15 A @ 208 V-347 V]	54.25
SBBR841C1151*	built-in mechanical low voltage relay with transformer 24 V [6000 W @ 600 V]	112.00
SBBR841D1036*	built-in mechanical low voltage relay w/o transformer 24 V [6000 W @ 120 V-600 V]	98.75

Electronic relays can receive a PWM (pulsed width modulation) or digital (on/off) signal.
 * Add W for white or BK for black (white unit supplied with a white knob and silica white or optional colored units supplied with a black knob)
 * Factory installed * Factory installation is strongly recommended

PART OF THE SHC FAMILY OF PRODUCTS

NEED A CONVECTOR?
SEE PAGE 16



TECHNICAL SPECIFICATIONS

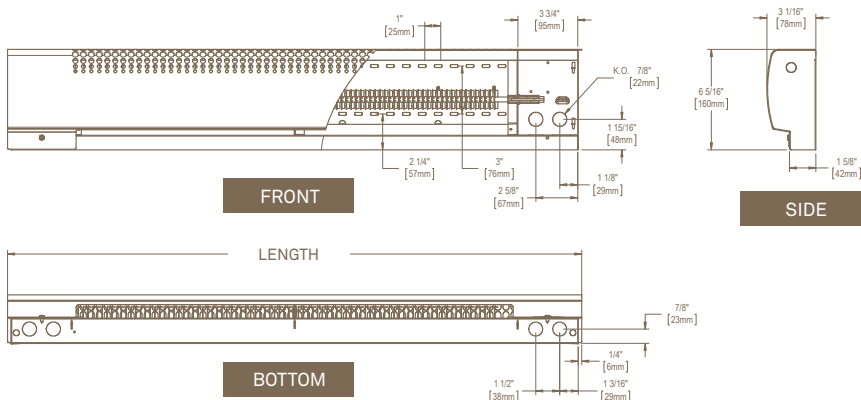
STANDARD DENSITY 350 W PER LINEAR FOOT *		MEDIUM DENSITY 275 W PER LINEAR FOOT *		LOW DENSITY 200 W PER LINEAR FOOT *		VOLTAGE	LENGTH		WEIGHT		PRICE
CODE	WATTS	CODE	WATTS	CODE	WATTS	VOLTS	MM	IN.	KG	LB	
SBB240501	500	SBB240401	400	SBB240301	300	120	609	24	2.6	5.7	42.50
SBB240508	500	SBB240408	400	SBB240308	300	208	609	24	2.6	5.7	34.50
SBB240502	500/375	SBB240402	400/300	SBB240302	300/225	240/208	609	24	2.6	5.7	34.50
SBB240507	500/375/280	SBB240407	400/300/225	---	---	277/240/208	609	24	2.6	5.7	34.50
SBB240503	500	---	---	---	---	347	609	24	2.6	5.7	42.50
SBB300751	750	SBB300601	600	SBB300451	450	120	762	30	3	6.7	52.25
SBB300758	750	SBB300608	600	SBB300458	450	208	762	30	3	6.7	42.50
SBB300752	750/560	SBB300602	600/450	SBB300452	450/340	240/208	762	30	3	6.7	42.50
SBB300757	750/560/420	SBB300607	600/450/340	SBB300457	450/340/255	277/240/208	762	30	3	6.7	42.50
SBB300753	750	SBB300603	600	SBB300453	450	347	762	30	3	6.7	52.25
SBB300755	750	---	---	---	---	480	762	30	3	6.7	52.25
SBB361001	1000	SBB360801	800	SBB360601	600	120	914	36	3.5	7.7	56.50
SBB361008	1000	SBB360808	800	SBB360608	600	208	914	36	3.5	7.7	46.00
SBB361002	1000/750	SBB360802	800/600	SBB360602	600/450	240/208	914	36	3.5	7.7	46.00
SBB361007	1000/750/560	SBB360807	800/600/450	SBB360607	600/450/340	277/240/208	914	36	3.5	7.7	46.00
SBB361003	1000	SBB360803	800	SBB360603	600	347	914	36	3.5	7.7	56.50
SBB361005	1000	SBB360805	800	SBB360605	600	480	914	36	3.5	7.7	56.50
SBB361006	1000	---	800	---	600	600	914	36	3.5	7.7	56.50
SBB421251	1250	SBB421001	1000	SBB420751	750	120	1066	42	4	8.7	70.50
SBB421258	1250	SBB421008	1000	SBB420758	750	208	1066	42	4	8.7	57.25
SBB421252	1250/940	SBB421002	1000/750	SBB420752	750/560	240/208	1066	42	4	8.7	57.25
SBB421257	1250/940/705	SBB421007	1000/750/560	SBB420757	750/560/420	277/240/208	1066	42	4	8.7	57.25
SBB421253	1250	SBB421003	1000	SBB420753	750	347	1066	42	4	8.7	70.50
SBB421255	1250	SBB421005	1000	SBB420755	750	480	1066	42	4	8.7	70.50
SBB421256	1250	SBB421006	1000	---	750	600	1066	42	4	8.7	70.50
SBB481501	1500	SBB481201	1200	SBB480901	900	120	1219	48	4.4	9.7	74.75
SBB481508	1500	SBB481208	1200	SBB480908	900	208	1219	48	4.4	9.7	61.00
SBB481502	1500/1125	SBB481202	1200/900	SBB480902	900/675	240/208	1219	48	4.4	9.7	61.00
SBB481507	1500/1125/845	SBB481207	1200/900/675	SBB480907	900/675/510	277/240/208	1219	48	4.4	9.7	61.00
SBB481503	1500	SBB481203	1200	SBB480903	900	347	1219	48	4.4	9.7	74.75
SBB481505	1500	SBB481205	1200	SBB480905	900	480	1219	48	4.4	9.7	74.75
SBB481506	1500	SBB481206	1200	SBB480906	900	600	1219	48	4.4	9.7	74.75
---	---	SBB541401	1400	SBB541051	1050	120	1371	54	4.9	10.7	88.50
SBB541758	1750	SBB541408	1400	SBB541058	1050	208	1371	54	4.9	10.7	72.00
SBB541752	1750/1310	SBB541402	1400/1050	SBB541052	1050/790	240/208	1371	54	4.9	10.7	72.00
SBB541757	1750/1310/985	SBB541407	1400/1050/790	SBB541057	1050/790/590	277/240/208	1371	54	4.9	10.7	72.00
SBB541753	1750	SBB541403	1400	SBB541053	1050	347	1371	54	4.9	10.7	88.50
SBB541755	1750	SBB541405	1400	SBB541055	1050	480	1371	54	4.9	10.7	88.50
SBB541756	1750	SBB541406	1400	SBB541056	1050	600	1371	54	4.9	10.7	88.50
---	---	SBB601601	1600	SBB601201	1200	120	1524	60	5.3	11.7	93.00
SBB602008	2000	SBB601608	1600	SBB601208	1200	208	1524	60	5.3	11.7	75.75
SBB602002	2000/1500	SBB601602	1600/1200	SBB601202	1200/900	240/208	1524	60	5.3	11.7	75.75
SBB602007	2000/1500/1125	SBB601607	1600/1200/900	SBB601207	1200/900/675	277/240/208	1524	60	5.3	11.7	75.75
SBB602003	2000	SBB601603	1600	SBB601203	1200	347	1524	60	5.3	11.7	93.00
SBB602005	2000	SBB601605	1600	SBB601205	1200	480	1524	60	5.3	11.7	93.00
SBB602006	2000	SBB601606	1600	SBB601206	1200	600	1524	60	5.3	11.7	93.00
---	---	---	---	SBB661351	1350	120	1676	66	5.8	12.7	108.00
SBB662258	2250	SBB661808	1800	SBB661358	1350	208	1676	66	5.8	12.7	87.25
SBB662252	2250/1690	SBB661802	1800/1350	SBB661352	1350/1010	240/208	1676	66	5.8	12.7	87.25
SBB662257	2250/1690/1265	SBB661807	1800/1350/1010	SBB661357	1350/1010/760	277/240/208	1676	66	5.8	12.7	87.25
SBB662253	2250	SBB661803	1800	SBB661353	1350	347	1676	66	5.8	12.7	108.00
SBB662255	2250	SBB661805	1800	SBB661355	1350	480	1676	66	5.8	12.7	108.00
SBB662256	2250	SBB661806	1800	SBB661356	1350	600	1676	66	5.8	12.7	108.00
---	---	---	---	SBB721501	1500	120	1828	72	6.2	13.7	112.00
SBB722508	2500	SBB722008	2000	SBB721508	1500	208	1828	72	6.2	13.7	90.75
SBB722502	2500/1875	SBB722002	2000/1500	SBB721502	1500/1125	240/208	1828	72	6.2	13.7	90.75
SBB722507	2500/1875/1410	SBB722007	2000/1500/1125	SBB721507	1500/1125/845	277/240/208	1828	72	6.2	13.7	90.75
SBB722503	2500	SBB722003	2000	SBB721503	1500	347	1828	72	6.2	13.7	112.00
SBB722505	2500	SBB722005	2000	SBB721505	1500	480	1828	72	6.2	13.7	112.00
SBB722506	2500	SBB722006	2000	SBB721506	1500	600	1828	72	6.2	13.7	112.00

Add W for white or SW for silica white (see page 8 for optional colours and contact your °STELPRO representative for all other colours).

* Average densities shown.

--- not available

TECHNICAL DRAWINGS



ELECTRONIC CONVECTOR

SHC SERIES

HEATING NEVER LOOKED SO GOOD

Our SHC convector has rounded sides and beautiful modern lines that are sure to please you. It is available either with an ultra-accurate built-in electronic thermostat or without, leaving you the option to control it the way you want. This unit is good-looking, available in different colours and is offered in all voltages making it adaptable to both commercial and residential applications. A real gem!



5 YEAR*
WARRANTY

EXCELLENT VALUE

AND BLENDS IN WITH ALL DECORS

INNOVATIVE LOOK

ROUNDED EDGES AND MODERN LINES

TOTALLY QUIET

BUILT-IN ELECTRONIC THERMOSTAT

WITH A BACKLIGHT THAT CAN SERVE AS A NIGHTLIGHT (120 V TO 240 V MODELS)

ADAPTS TO MULTIPLE MARKETS

MANY VOLTAGES AVAILABLE: 120 V, 208 V, 240 V, 277 V, 347 V, 480 V AND 600 V

IDEAL FOR:

KITCHEN, LIVING ROOM, BEDROOM, OFFICE, BASEMENT, COMMERCIAL BUILDING

COLOURS

- standard: white, silica white
- luxurious finish: stainless steel (see price list)
- optional: almond, black, textured charcoal, silver, clear anodized (paint), nickel, champagne, light bronze, dark brown (10% surcharge)

FINISH

epoxy-polyester powdercoat or stainless steel

MANUFACTURING

- 22-gauge steel cabinet and 20-gauge steel front
- the cabinet height improves the chimney effect
- bottom air intake and front air discharge

ELEMENTS

two stainless steel tubular sheathed elements isolated with nylon sleeves reducing expansion and contraction noises

CONTROL

electronic thermostat required: built-in electronic thermostat with LCD screen (optional) or electronic wall thermostat (not included)

INSTALLATION

- surface mounted only
- wall mounted at least 4 in. from the floor
- concealed mounting bracket (included)
- back entry plate with cable clamps (included)



PART OF THE SHC FAMILY OF PRODUCTS

NEED A FAN HEATER FOR YOUR BATHROOM?
SEE PAGE 18



AVAILABLE SOON : SEMI-PERMANENT INSTALLATION MODEL

QUICK PLUG-IN INTO RESIDENTIAL 120 V OUTLET

TECHNICAL SPECIFICATIONS

BUILT-IN THERMOSTAT			WITHOUT THERMOSTAT			POWER	VOLTAGE	HEIGHT		LENGTH		WEIGHT	
CODE	W OR SW	SS	CODE	W OR SW	SS			WATTS	VOLTS	MM	IN.	MM	IN.
SHC0501	171.00	231.00	SHC0501WC	131.00	191.00	500	120	446	17 9/16	440	17 5/16	5.1	11.2
SHC0508	171.00	231.00	SHC0508WC	131.00	191.00	500	208	446	17 9/16	440	17 5/16	5.1	11.2
SHC0502	147.00	207.00	SHC0502WC	107.00	167.00	500/375	240/208	446	17 9/16	440	17 5/16	5.1	11.2
---	---	---	SHC0507WC	131.00	191.00	500	277	446	17 9/16	440	17 5/16	5.1	11.2
---	---	---	SHC0503WC	180.00	239.00	500	347	446	17 9/16	440	17 5/16	5.1	11.2
SHC1001	183.00	243.00	SHC1001WC	143.00	204.00	1000	120	446	17 9/16	581	22 7/8	6.0	13.3
SHC1008	183.00	243.00	SHC1008WC	143.00	204.00	1000	208	446	17 9/16	581	22 7/8	6.0	13.3
SHC1002	159.00	219.00	SHC1002WC	119.00	180.00	1000/750	240/208	446	17 9/16	581	22 7/8	6.0	13.3
---	---	---	SHC1007WC	143.00	204.00	1000	277	446	17 9/16	581	22 7/8	6.0	13.3
---	---	---	SHC1003WC	191.00	251.00	1000	347	446	17 9/16	581	22 7/8	6.0	13.3
---	---	---	SHC1005WC	191.00	251.00	1000	480	446	17 9/16	581	22 7/8	6.0	13.3
---	---	---	SHC1006WC	191.00	251.00	1000	600	446	17 9/16	581	22 7/8	6.0	13.3
SHC1501	195.00	255.00	SHC1501WC	155.00	215.00	1500	120	446	17 9/16	727	28 5/8	7.1	15.7
SHC1508	195.00	255.00	SHC1508WC	155.00	215.00	1500	208	446	17 9/16	727	28 5/8	7.1	15.7
SHC1502	171.00	231.00	SHC1502WC	131.00	191.00	1500/1125	240/208	446	17 9/16	727	28 5/8	7.1	15.7
---	---	---	SHC1507WC	155.00	215.00	1500	277	446	17 9/16	727	28 5/8	7.1	15.7
---	---	---	SHC1503WC	204.00	263.00	1500	347	446	17 9/16	727	28 5/8	7.1	15.7
---	---	---	SHC1505WC	204.00	263.00	1500	480	446	17 9/16	727	28 5/8	7.1	15.7
---	---	---	SHC1506WC	204.00	263.00	1500	600	446	17 9/16	727	28 5/8	7.1	15.7
SHC2008	207.00	267.00	SHC2008WC	167.00	227.00	2000	208	446	17 9/16	889	35	8.6	18.9
SHC2002	183.00	243.00	SHC2002WC	143.00	204.00	2000/1500	240/208	446	17 9/16	889	35	8.6	18.9
---	---	---	SHC2007WC	167.00	227.00	2000	277	446	17 9/16	889	35	8.6	18.9
---	---	---	SHC2003WC	215.00	275.00	2000	347	446	17 9/16	889	35	8.6	18.9
---	---	---	SHC2005WC	215.00	275.00	2000	480	446	17 9/16	889	35	8.6	18.9
---	---	---	SHC2006WC	215.00	275.00	2000	600	446	17 9/16	889	35	8.6	18.9

Add W for white, SW for silica white or SS for stainless steel (see page 8 for optional colours and contact your °STELPRO representative for all other colours).
Mechanical wall thermostats are not compatible with the without thermostat model (WC) – electronic thermostat is required.
--- not available

ACCESSORIES

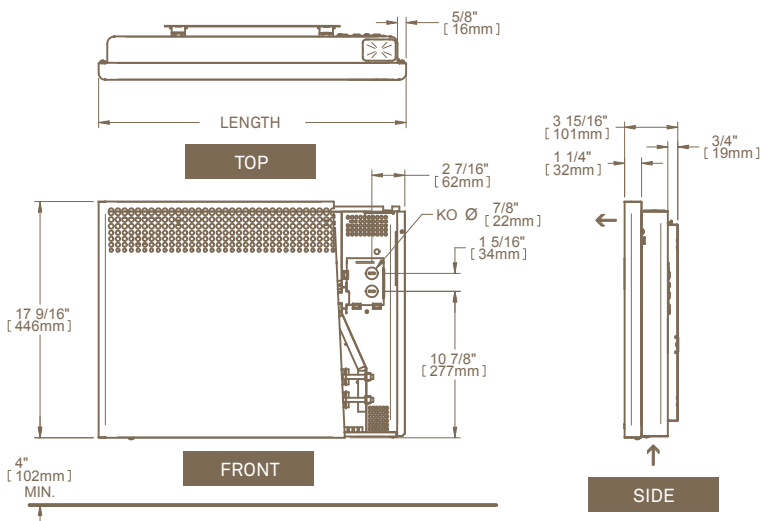
PRODUCT	DESCRIPTION	PRICE
SHCRE153*	built-in electronic low voltage relay [15 A @ 120 V-347 V]	52.50
SHCRE156*	built-in electronic low voltage relay [6 A @ 600 V]	93.00
SHCRE153T*	built-in electronic low voltage relay c/w transformer 24 V [15 A @ 208 V-347 V]	71.50

Electronic relays can receive a PWM (pulsed width modulation) or digital (on/off) signal.
* Factory installed



BUILT-IN ELECTRONIC THERMOSTAT
AVAILABLE FOR THE 120 V TO 240 V MODELS

TECHNICAL DRAWINGS



INNOVATIVE LOOK
ROUNDED EDGES AND MODERN LINES



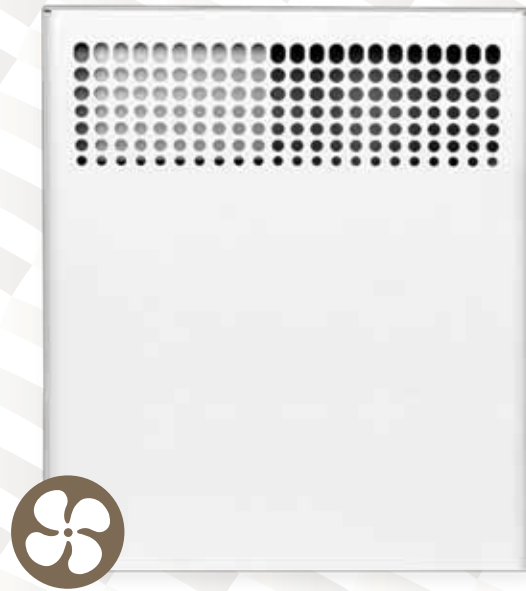
STAINLESS STEEL MODEL (SS) WITH BLACK CABINET

FAN HEATER

FOR BATHROOMS - SHCB SERIES

WARMTH... FROM "TOE TO HEAD"!

The SHC family now offers not only convection but also forced-air, making it the most versatile family of heaters for the home and office. The cold air enters through the front of this heater and warm air shoots out of the bottom to first warm the cold floor and then rise up to heat the whole room, just like our PULSAIR™, heating you from your toes to your head. This all new heater does not compromise on performance, offering dual wattages and classic controls which include a built-in thermostat and booster option. °STELPRO is not just measuring comfort on performance, but also by how satisfied you will be by having one uniform look for the whole house! That's a 360 solution!



INSTANTANEOUS HEAT

OPTIMUM HEAT OUTPUT

2000 W OF POWER WITH TIMER

NEW MEMBER OF THE SHC FAMILY

COMPACT AND EFFICIENT

THE PERFECT CHOICE FOR BATHROOMS

IDEAL FOR:

BATHROOM

COLOUR

white

FINISH

epoxy-polyester powdercoat

MANUFACTURING

- 22-gauge steel cabinet and front
- centrifugal fan ensuring a quiet and efficient airflow
- thermal protection with automatic reset
- front air intake and bottom air discharge
- rounded sides for safety

ELEMENT

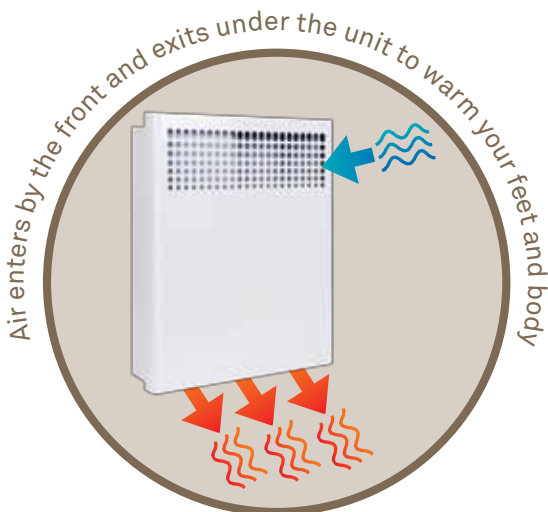
high quality nichrome element producing instant heat

CONTROL

- built-in thermostat ensuring a regular 1000 W forced-air heating (included)
- 30-minute built-in timer for rapid 2000 W forced-air heating (included)

INSTALLATION

- surface mounted
- wall mounted at least 10 in. from the floor



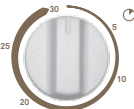
BUILT-IN
THERMOSTAT

1000 W



30-MINUTE
TIMER

2000 W



PART OF THE SHC FAMILY
OF PRODUCTS

NEED A BASEBOARD?
SEE PAGE 14

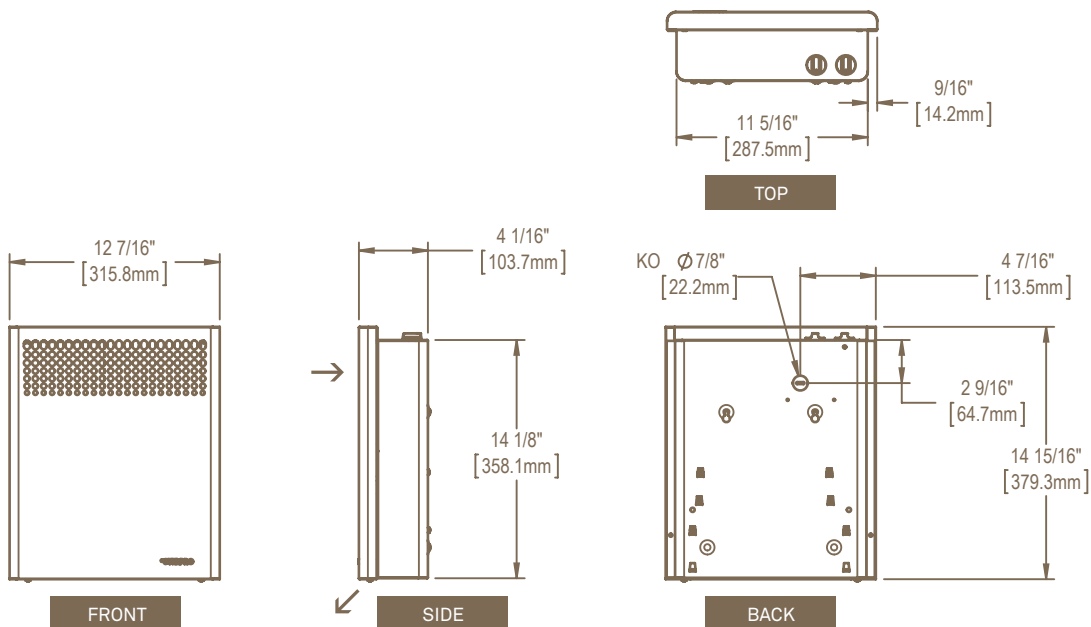




TECHNICAL SPECIFICATIONS

PRODUCT	THERMOSTAT HEATING	TIMER HEATING	VOLTAGE	HEIGHT		LENGTH		WEIGHT		PRICE
CODE	WATTS	WATTS	VOLTS	MM	IN.	MM	IN.	KG	LB	
SHCB2002W	1000/750	2000/1500	240/208	380	14 5/16	316	12 7/16	3.6	7.9	222.00

TECHNICAL DRAWINGS



HIGH-END BASEBOARD

BA SERIES

bella™

THE DOLCE VITA WITH BELLA

The high-end BELLA™ baseboard is undoubtedly the most beautiful offered on the market. Its breathtaking design and sturdy facade made of an aluminum extrusion make it the ideal choice for residential and commercial locations. The BELLA™ is available in a choice of two densities: 150 W or 250 W per linear foot.



**EXTRUDED ALUMINUM FRONT COVER
WITH STRIKING END CAPS**

EXTREMELY SOLID, IMPACT AND RUST RESISTANT

**IDEAL FOR ANY ROOM IN YOUR HOME
AND MANY COMMERCIAL APPLICATIONS**

IDEAL FOR:

KITCHEN, LIVING ROOM, BEDROOM, BASEMENT, BUSINESS,
OFFICE

COLOURS

- standard: white
- optional: silica white, graphite, almond, black, clear anodized (paint), textured charcoal, nickel, champagne, light bronze, dark brown (10% surcharge)

FINISH

epoxy-polyester powdercoat

MANUFACTURING

- 22-gauge steel cabinet
- extruded aluminum front cover with a thickness equivalent to 11 gauge with molded and curved end-caps
- discrete air inlet: air enters through the front of the unit and exits from the top
- thermal protection with automatic reset
- full-length wireway

ELEMENT

single tubular, stainless steel sheathed element with boxed aluminum fins for improved heat dissipation; the element is securely fastened at its center, floating in nylon sleeves at each end, eliminating expansion and contraction noises

CONTROL

- wall thermostat (not included) – the use of an electronic thermostat is strongly recommended
- built-in mechanical single pole or double pole thermostat, installed in the left or right junction box (optional)
- low voltage relay kit installed in the left or right junction box (optional)
- disconnect switch (optional)

INSTALLATION

- floor mounted
- wiring compartment at both ends of unit

ACCESSORIES

PRODUCT	DESCRIPTION	PRICE
BA1T1W*	built-in single pole thermostat [120 V-600 V]	24.75
BA2T1W*	built-in double pole thermostat [120 V-600 V]	29.00
BARE153*	built-in electronic low voltage relay [15 A @ 120-347 V]	44.25
BARE156*	built-in electronic low voltage relay [6 A @ 600 V]	78.50
BARE153T*	built-in electronic low voltage relay c/w transformer 24 V [15 A @ 208-347 V]	60.50
BADIS*	disconnect switch [120-480 V]	83.75
BADIS6*	disconnect switch [600 V]	125.00

Electronic relays can receive a PWM (pulsed width modulation) or digital (on/off) signal.

* Factory installed

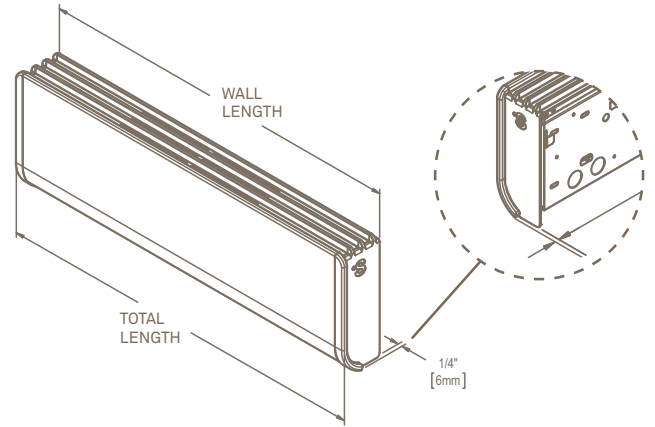
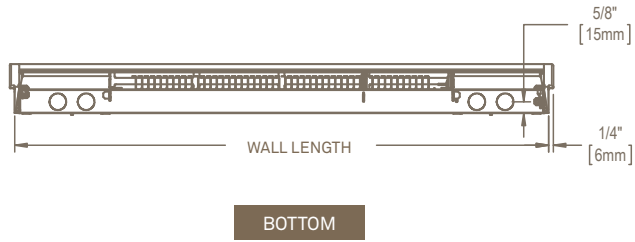
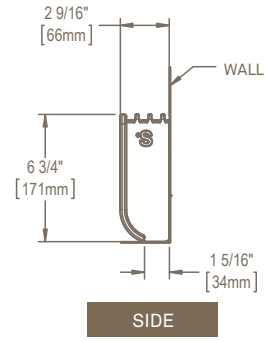
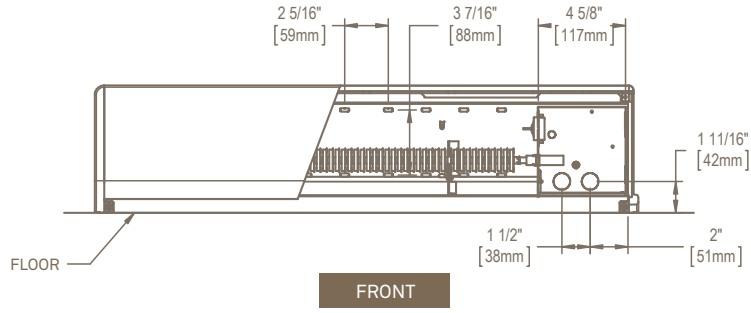
* Factory installation is strongly recommended

TECHNICAL SPECIFICATIONS

STANDARD DENSITY 250 W PER LINEAR FOOT			LOW DENSITY 150 W PER LINEAR FOOT			VOLTAGE	TOTAL LENGTH*		WEIGHT	
CODE	WATTS	PRICE	CODE	WATTS	PRICE	VOLTS	MM	IN.	KG	LB
BA0301W	300	122.00	---	---	---	120	529	20 13/16	2.3	5.1
BA0308W	300	99.75	---	---	---	208	529	20 13/16	2.3	5.1
BA0302W	300/225	99.75	---	---	---	240/208	529	20 13/16	2.3	5.1
---	300	---	---	---	---	277	529	20 13/16	2.3	5.1
---	300	---	---	---	---	347	529	20 13/16	2.3	5.1
---	300	---	---	---	---	480	529	20 13/16	2.3	5.1
---	300	---	---	---	---	600	529	20 13/16	2.3	5.1
BA0501W	500	128.00	BAL0301W	300	128.00	120	732	28 13/16	3.0	6.5
BA0508W	500	105.00	BAL0308W	300	105.00	208	732	28 13/16	3.0	6.5
BA0502W	500/375	105.00	BAL0302W	300/225	105.00	240/208	732	28 13/16	3.0	6.5
BA0507W	500	121.00	---	300	---	277	732	28 13/16	3.0	6.5
BA0503W	500	121.00	---	300	---	347	732	28 13/16	3.0	6.5
---	500	---	---	300	---	480	732	28 13/16	3.0	6.5
---	500	---	---	300	---	600	732	28 13/16	3.0	6.5
BA0751W	750	149.00	BAL0451W	450	149.00	120	978	38 1/2	3.6	8.0
BA0758W	750	122.00	BAL0458W	450	122.00	208	978	38 1/2	3.6	8.0
BA0752W	750/560	122.00	BAL0452W	450/340	122.00	240/208	978	38 1/2	3.6	8.0
BA0757W	750	142.00	BAL0457W	450	142.00	277	978	38 1/2	3.6	8.0
BA0753W	750	142.00	BAL0453W	450	142.00	347	978	38 1/2	3.6	8.0
BA0755W	750	142.00	---	450	---	480	978	38 1/2	3.6	8.0
BA0756W	750	142.00	---	450	---	600	978	38 1/2	3.6	8.0
BA1001W	1000	174.00	BAL0601W	600	169.00	120	1229	48 3/8	4.4	9.7
BA1008W	1000	143.00	BAL0608W	600	138.00	208	1229	48 3/8	4.4	9.7
BA1002W	1000/750	143.00	BAL0602W	600/450	138.00	240/208	1229	48 3/8	4.4	9.7
BA1007W	1000	168.00	BAL0607W	600	161.00	277	1229	48 3/8	4.4	9.7
BA1003W	1000	168.00	BAL0603W	600	161.00	347	1229	48 3/8	4.4	9.7
BA1005W	1000	168.00	---	600	---	480	1229	48 3/8	4.4	9.7
BA1006W	1000	168.00	---	600	---	600	1229	48 3/8	4.4	9.7
BA1251W	1250	212.00	BAL0751W	750	174.00	120	1478	58 3/16	5.2	11.4
BA1258W	1250	170.00	BAL0758W	750	143.00	208	1478	58 3/16	5.2	11.4
BA1252W	1250/940	170.00	BAL0752W	750/560	143.00	240/208	1478	58 3/16	5.2	11.4
BA1257W	1250	201.00	BAL0757W	750	168.00	277	1478	58 3/16	5.2	11.4
BA1253W	1250	201.00	BAL0753W	750	168.00	347	1478	58 3/16	5.2	11.4
BA1255W	1250	201.00	BAL0755W	750	168.00	480	1478	58 3/16	5.2	11.4
BA1256W	1250	201.00	BAL0756W	750	168.00	600	1478	58 3/16	5.2	11.4
BA1501W	1500	223.00	BAL0901W	900	193.00	120	1707	67 3/16	6.0	13.2
BA1508W	1500	182.00	BAL0908W	900	160.00	208	1707	67 3/16	6.0	13.2
BA1502W	1500/1125	182.00	BAL0902W	900/675	160.00	240/208	1707	67 3/16	6.0	13.2
BA1507W	1500	216.00	BAL0907W	900	186.00	277	1707	67 3/16	6.0	13.2
BA1503W	1500	216.00	BAL0903W	900	186.00	347	1707	67 3/16	6.0	13.2
BA1505W	1500	216.00	BAL0905W	900	186.00	480	1707	67 3/16	6.0	13.2
BA1506W	1500	216.00	BAL0906W	900	186.00	600	1707	67 3/16	6.0	13.2
---	1750	---	BAL1051W	1050	212.00	120	1953	76 7/8	6.8	15.0
BA1758W	1750	218.00	BAL1058W	1050	170.00	208	1953	76 7/8	6.8	15.0
BA1752W	1750/1310	218.00	BAL1052W	1050/790	170.00	240/208	1953	76 7/8	6.8	15.0
BA1757W	1750	261.00	BAL1057W	1050	201.00	277	1953	76 7/8	6.8	15.0
BA1753W	1750	261.00	BAL1053W	1050	201.00	347	1953	76 7/8	6.8	15.0
BA1755W	1750	261.00	BAL1055W	1050	201.00	480	1953	76 7/8	6.8	15.0
BA1756W	1750	261.00	BAL1056W	1050	201.00	600	1953	76 7/8	6.8	15.0
---	2000	---	BAL1201W	1200	223.00	120	2154	84 13/16	7.7	16.9
BA2008W	2000	238.00	BAL1208W	1200	182.00	208	2154	84 13/16	7.7	16.9
BA2002W	2000/1500	238.00	BAL1202W	1200/900	182.00	240/208	2154	84 13/16	7.7	16.9
BA2007W	2000	277.00	BAL1207W	1200	216.00	277	2154	84 13/16	7.7	16.9
BA2003W	2000	277.00	BAL1203W	1200	216.00	347	2154	84 13/16	7.7	16.9
BA2005W	2000	277.00	BAL1205W	1200	216.00	480	2154	84 13/16	7.7	16.9
BA2006W	2000	277.00	BAL1206W	1200	216.00	600	2154	84 13/16	7.7	16.9
---	2250	---	---	1350	---	120	2405	94 11/16	8.6	18.8
BA2258W	2250	264.00	BAL1358W	1350	218.00	208	2405	94 11/16	8.6	18.8
BA2252W	2250/1690	264.00	BAL1352W	1350/1010	218.00	240/208	2405	94 11/16	8.6	18.8
BA2257W	2250	308.00	BAL1357W	1350	260.00	277	2405	94 11/16	8.6	18.8
BA2253W	2250	308.00	BAL1353W	1350	260.00	347	2405	94 11/16	8.6	18.8
BA2255W	2250	308.00	BAL1355W	1350	260.00	480	2405	94 11/16	8.6	18.8
BA2256W	2250	308.00	BAL1356W	1350	260.00	600	2405	94 11/16	8.6	18.8
---	2500	---	---	1500	---	120	2629	103 1/2	9.4	20.7
BA2508W	2500	283.00	BAL1508W	1500	238.00	208	2629	103 1/2	9.4	20.7
BA2502W	2500/1875	283.00	BAL1502W	1500/1125	238.00	240/208	2629	103 1/2	9.4	20.7
BA2507W	2500	329.00	BAL1507W	1500	277.00	277	2629	103 1/2	9.4	20.7
BA2503W	2500	329.00	BAL1503W	1500	277.00	347	2629	103 1/2	9.4	20.7
BA2505W	2500	329.00	BAL1505W	1500	277.00	480	2629	103 1/2	9.4	20.7
BA2506W	2500	329.00	BAL1506W	1500	277.00	600	2629	103 1/2	9.4	20.7

* For the wall length, subtract 1/2 in. (13 mm) from the total length.
 --- not available

TECHNICAL DRAWINGS





ELECTRONIC CONVECTOR

SIL SERIES

UPGRADE YOUR COMFORT

The stylish SILHOUETTE™ generates warmth and comfort wherever it's installed. Its unique unobtrusive design blends in with every decor. Its front-panel grille points downward and its rounded corners make the SILHOUETTE™ an elegant, yet efficient convector choice. What's more, it features a built-in electronic thermostat with a backlit screen that can be used as a night light. The SILHOUETTE™ comes in a wide variety of models and colours to suit every taste. For home, office or business, the SILHOUETTE™ convector offers the utmost in aesthetics and functionality.

Silhouette™



5 YEAR*
WARRANTY

THE CHOICE OF EXPERTS

MAXIMUM POWER AND TOTALLY QUIET
THANKS TO ITS X-SHAPED ELEMENT

LARGE CHOICE OF MODELS AND COLOURS

AVAILABLE WITH A BUILT-IN ELECTRONIC
THERMOSTAT
WITH BACKLIT SCREEN

IDEAL FOR:

KITCHEN, LIVING ROOM, BEDROOM, OFFICE, BASEMENT,
COMMERCIAL BUILDING

COLOURS

- standard: white
- luxurious finish: stainless steel (see price list)
- optional: silica white, almond, black, textured charcoal, silver, clear anodized (paint), nickel, champagne, light bronze, dark brown (10% surcharge)

FINISH

epoxy-polyester powdercoat or stainless steel

MANUFACTURING

- 20-gauge steel cabinet and front
- bottom air intake and front air discharge
- the cabinet height improves the chimney effect
- safe, rounded corners
- easy access to controls
- thermal protection with automatic reset

ELEMENT

aluminum extrusion, X-shaped one-piece to generate maximum heat

CONTROL

- electronic thermostat required: built-in with LCD display (SIL series), wall single programming (TE series) or wall multiple programming (PT series)
- automatic temperature lowering at night (Automatic mode)
- lock option at a maximum temperature set point (Security mode)

INSTALLATION

- surface mounted only
- wall mounted at least 4 in. from the floor
- concealed wall mounting bracket (included)

STAINLESS STEEL MODEL (SS)



PART OF THE SILHOUETTE™ FAMILY OF PRODUCTS

NEED A CONVECTOR OR A FAN
HEATER FOR YOUR BATHROOM?
SEE PAGES 26 AND 28



TECHNICAL SPECIFICATIONS

SIL SERIES BUILT-IN THERMOSTAT		TE SERIES* WALL THERMOSTAT		PT SERIES* WALL THERMOSTAT		WITHOUT THERMOSTAT		PRICE	POWER	VOLTAGE	LENGTH	WEIGHT			
CODE	CODE	W	SS	CODE	W	SS	CODE	W	SS	WATTS	VOLTS	MM	IN.	KG	LB
HIGH MODEL - height of 25 1/2 in. (648 mm)															
SILH07	SILH07TE	393.00	---	SILH07PT	409.00	---	SILH07WC	365.00	---	750/560	240/208	419	16 1/2	7.4	16.3
SILH10	SILH10TE	404.00	550.00	SILH10PT	420.00	567.00	SILH10WC	376.00	523.00	1000/750	240/208	457	18	7.9	17.5
SILH12	SILH12TE	415.00	---	SILH12PT	432.00	---	SILH12WC	387.00	---	1250/940	240/208	559	22	9.4	20.8
SILH15	SILH15TE	426.00	573.00	SILH15PT	443.00	589.00	SILH15WC	398.00	545.00	1500/1125	240/208	673	26 1/2	11.0	24.3
SILH17	SILH17TE	437.00	---	SILH17PT	454.00	---	SILH17WC	409.00	---	1750/1315	240/208	743	29 1/4	12.0	26.5
SILH20	SILH20TE	448.00	595.00	SILH20PT	465.00	612.00	SILH20WC	420.00	567.00	2000/1500	240/208	819	32 1/4	13.2	29.2
SILH25	SILH25TE	472.00	---	SILH25PT	488.00	---	SILH25WC	444.00	---	2500/1875	240/208	978	38 1/2	16.7	36.8
SILH30	SILH30TE	483.00	---	SILH30PT	499.00	---	SILH30WC	455.00	---	3000/2250	240/208	1143	45	20.0	44
LOW MODEL - height of 13 in. (330 mm)															
SILL07	SILL07TE	393.00	---	SILL07PT	409.00	---	SILL07WC	365.00	---	750/560	240/208	654	25 3/4	7.3	16.0
SILL10	SILL10TE	404.00	550.00	SILL10PT	420.00	567.00	SILL10WC	376.00	523.00	1000/750	240/208	724	28 1/2	8.2	18.0
SILL12	SILL12TE	415.00	---	SILL12PT	432.00	---	SILL12WC	387.00	---	1250/940	240/208	800	31 1/2	9.1	20.0
SILL15	SILL15TE	426.00	573.00	SILL15PT	443.00	589.00	SILL15WC	398.00	545.00	1500/1125	240/208	940	37	9.6	21.2
SILL17	SILL17TE	437.00	---	SILL17PT	454.00	---	SILL17WC	409.00	---	1750/1315	240/208	997	39 1/4	10.5	23.0
SILL20	SILL20TE	448.00	595.00	SILL20PT	465.00	612.00	SILL20WC	420.00	567.00	2000/1500	240/208	1086	42 3/4	11.2	24.7
SILL25	SILL25TE	472.00	---	SILL25PT	488.00	---	SILL25WC	444.00	---	2500/1875	240/208	1245	49	15.5	34.0
SILL30	SILL30TE	483.00	---	SILL30PT	499.00	---	SILL30WC	455.00	---	3000/2250	240/208	1410	55 1/2	17.5	38.6
STANDARD MODEL - height of 17 3/8 in. (440 mm)															
SIL05	SIL05TE	347.00	---	SIL05PT	364.00	---	SIL05WC	319.00	---	500/375	240/208	457	18	6.1	13.5
SIL07	SIL07TE	358.00	---	SIL07PT	375.00	---	SIL07WC	330.00	---	750/560	240/208	527	20 3/4	6.9	15.2
SIL10	SIL10TE	369.00	517.00	SIL10PT	386.00	534.00	SIL10WC	342.00	489.00	1000/750	240/208	597	23 1/2	7.8	17.1
SIL12	SIL12TE	382.00	---	SIL12PT	398.00	---	SIL12WC	354.00	---	1250/940	240/208	673	26 1/2	8.6	19.0
SIL15	SIL15TE	394.00	544.00	SIL15PT	410.00	560.00	SIL15WC	366.00	516.00	1500/1125	240/208	743	29 1/4	9.4	20.7
SIL17	SIL17TE	405.00	---	SIL17PT	422.00	---	SIL17WC	377.00	---	1750/1315	240/208	819	32 1/4	10.3	22.6
SIL20	SIL20TE	415.00	562.00	SIL20PT	432.00	578.00	SIL20WC	387.00	534.00	2000/1500	240/208	895	35 1/4	11.3	24.8
SIL25	SIL25TE	437.00	---	SIL25PT	454.00	---	SIL25WC	409.00	---	2500/1875	240/208	1054	41 1/2	15.3	33.7
SIL30	SIL30TE	460.00	---	SIL30PT	477.00	---	SIL30WC	433.00	---	3000/2250	240/208	1257	49 1/2	16.9	37.2

Add W for white or SS for stainless steel (1000 W, 1500 W and 2000 W models only) (see page 8 for optional colours and contact your *STELPRO representative for all other colours).
 Thermostat included except WC = without control. Mechanical wall thermostats are not compatible with the without thermostat model (WC) – electronic thermostat is required.
 * TE series - single programming / * PT series - multiple programming
 --- not available

CONTROLS

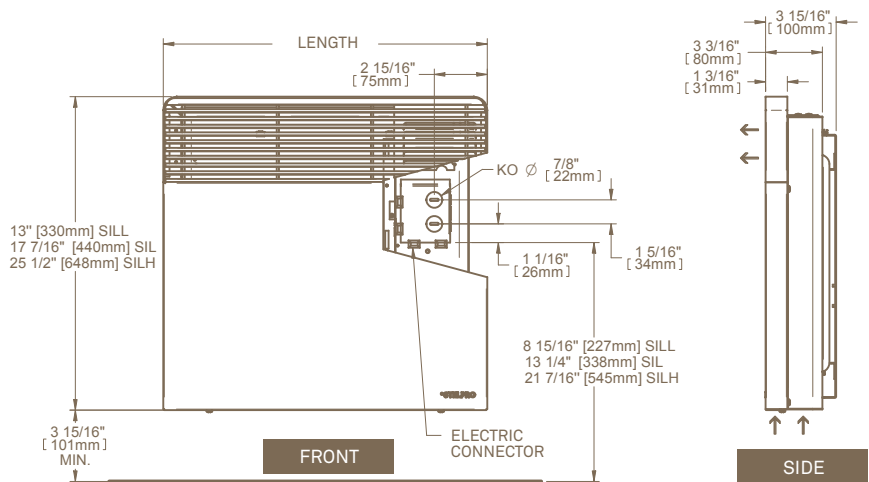


**BUILT-IN ELECTRONIC THERMOSTAT
SIL SERIES**



**ELECTRONIC WALL THERMOSTATS
(TE SERIES - SINGLE PROGRAMMING AND
PT SERIES- MULTIPLE PROGRAMMING)
STE402NP AND STE402P SERIES - MORE
DETAILS ON PAGES 132-133**

TECHNICAL DRAWINGS



ELECTRONIC CONVECTOR

FOR BATHROOMS - SILVC SERIES

SAY GOODBYE TO BATHROOM SHIVERS!

Never before has a bathroom convector felt more at home! Made for bathroom installation, the °STELPRO SILVC holds the key to uniform air flow at your fingertips. Its own electronic thermostat with built-in timer ensures a perfect heat wave in your bathroom. The SILVC can be used in either convector mode or forced-air mode. In convection mode (500 W or 750 W, depending on the model) it's completely silent, and with forced-air heating (1500 W or 2000 W, depending on the model), you won't even know it's there.

Silhouette™



5 YEAR*
WARRANTY

ULTRA-QUIET: ZERO DECIBELS

BUILT-IN ELECTRONIC THERMOSTAT

60-MINUTE TIMER

FOR OPTIMAL OUTPUT

IDEAL FOR:

BATHROOM

COLOURS

- standard: white
- luxurious finish: stainless steel (see price list)
- optional: silica white, almond, black, textured charcoal, silver, clear anodized (paint), nickel, champagne, light bronze, dark brown (10% surcharge)

FINISH

epoxy-polyester powdercoat or stainless steel

MANUFACTURING

20-gauge steel cabinet and front

ELEMENT

nichrome element produces instant heat

CONTROL

- built-in electronic thermostat for regular 500 W heating (included with SILVC1560) and 750 W (included with SILVC2060)
- 60-minute built-in timer for rapid 1500 W (included with SILVC1560) and 2000 W (included with SILVC2060) forced-air heating

INSTALLATION

- surface mounted
- recessed into the wall (opening: 11 1/4 in. x 18 1/4 in. for SILVC1560 and 14 3/4 in. x 18 1/4 in. for SILVC2060)
- wall mounted at least 4 in. from the floor



**PART OF THE SILHOUETTE™
FAMILY OF PRODUCTS**

NEED A CONVECTOR?
SEE PAGE 24



TECHNICAL SPECIFICATIONS

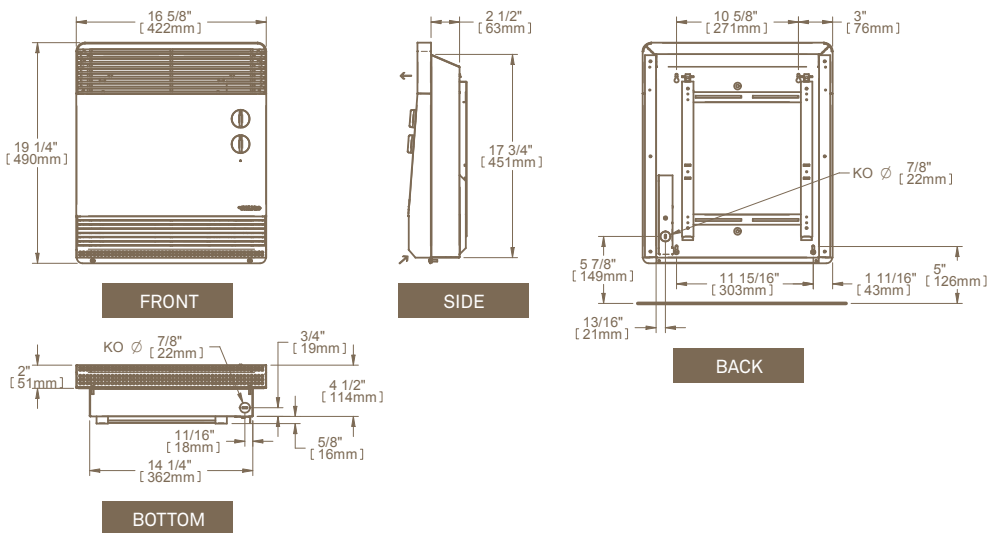
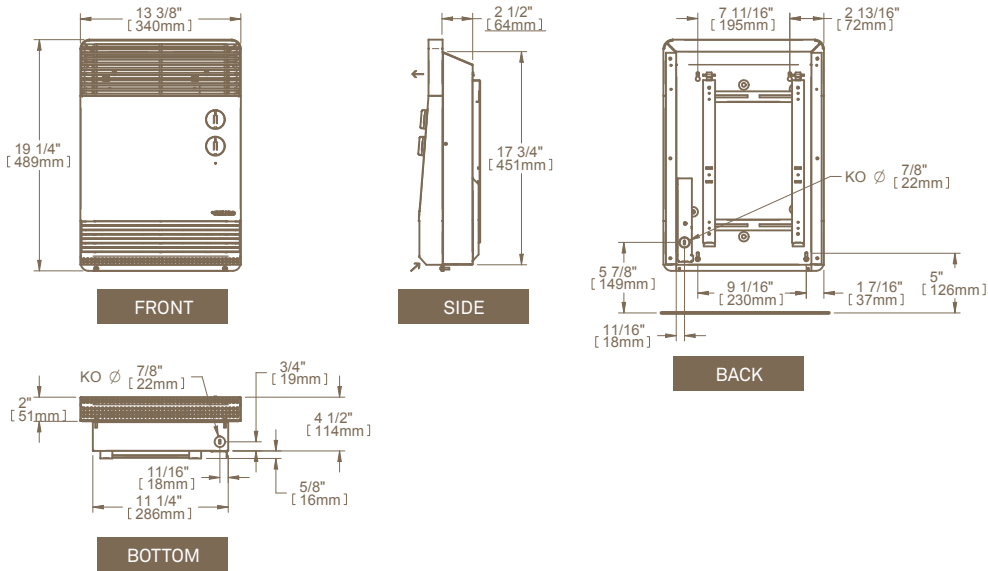
PRODUCT	CONVECTION	FORCED-AIR	VOLTAGE	HEIGHT	WIDTH	WEIGHT	PRICE
CODE	WATTS	WATTS	VOLTS	MM	IN.	KG	LB
SILVC1560	500/375	1500/1125	240/208	489	19 1/4	8.2	18
SILVC2060	750/560	2000/1500	240/208	489	19 1/4	11.2	24.5

Add W for white or SS for stainless steel (see page 8 for optional colours and contact your °STELPRO representative for all other colours)

THROW DISTANCE AND HEAT RISE

UNITS	THROW DISTANCE		HEAT RISE	
KW	M	FT.	°C	°F
1.5	1.2	4	72	130
2	1.1	3'9"	63	113

TECHNICAL DRAWINGS



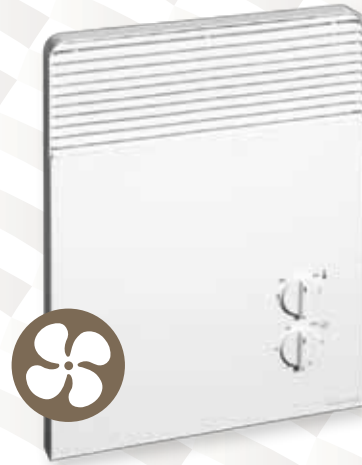
FAN HEATER

FOR BATHROOMS - SIL2030 SERIES

FOR THOSE WHO LIKE IT HOT!

The SIL2030 has everything going for it! From the design of its components and its fast temperature rise, to its elegant and streamlined look. The SIL2030 has a power of 1000 W, increasing to 2000 W when used in timer mode. This bathroom fan heater can be recessed or surface mounted. It boasts fine lines with rounded corners, yet it's extremely rugged. Out with the cold, in with the heat!

Silhouette™



BIG POWER IN A COMPACT UNIT

FAST TEMPERATURE RISE

BUILT-IN THERMOSTAT WITH FORCED-AIR OUTPUT OF 1000 W

30-MINUTE TIMER

IDEAL FOR:

BATHROOM

COLOURS

- standard: white
- luxurious finish: stainless steel (see price list)
- optional: silica white, almond, black, textured charcoal, silver, clear anodized (paint), nickel, champagne, light bronze, dark brown (10% surcharge)

FINISH

epoxy-polyester powdercoat or stainless steel

MANUFACTURING

- 20-gauge steel cabinet and front
- centrifugal fan ensures a quiet and efficient airflow
- thermal protection with automatic reset
- bottom air intake and front air discharge
- safe rounded corners

ELEMENT

nichrome element produces instant heat

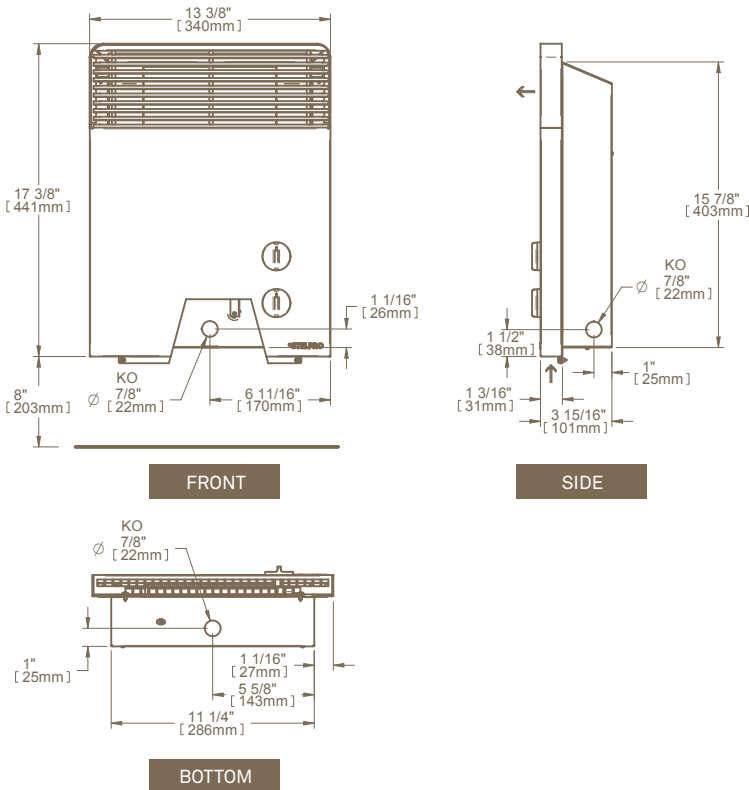
CONTROL

- built-in thermostat ensuring a regular 1000 W forced-air heating (included)
- 30-minute built-in timer for rapid 2000 W forced-air heating (included)

INSTALLATION

- surface mounted or recessed
- wall mounted at least 8 in. from the floor

TECHNICAL DRAWINGS



PART OF THE SILHOUETTE™ FAMILY OF PRODUCTS

NEED A CONVECTOR?
SEE PAGE 24





TECHNICAL SPECIFICATIONS

PRODUCT		THERMOSTAT HEATING	TIMER HEATING	VOLTAGE		HEIGHT		WIDTH		WEIGHT		PRICE	
CODE	WATTS	WATTS	WATTS	VOLTS	MM	IN.	MM	IN.	KG	LB	W	SS	
SIL2030	1000/750	2000/1500	2000/1500	240/208	441	17 3/8	340	13 3/8	4.9	12.1	388.00	539.00	

Add W for white or SS for stainless steel (see page 8 for optional colours and contact your °STELPRO representative for all other colours)

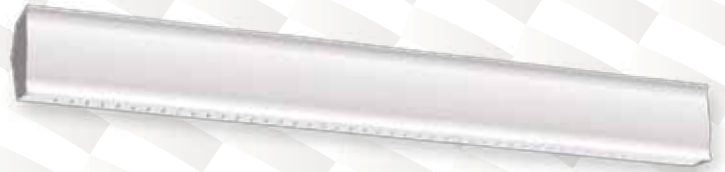
THROW DISTANCE AND HEAT RISE

UNITS			HEAT RISE		
KW	M	FT.	°C	°F	
1	1.2	4	48	87	
2	1.2	4	105	188	

COVE HEATER

SCR SERIES

PATENTS PENDING



INNOVATION AT THE HEIGHT OF YOUR EXPECTATIONS

The RADIANCE™ cove heater is one of the most efficient heating systems available today. Mounted near the ceiling, the RADIANCE™ directs heat downward across the room, without being blocked by furniture and other objects. Radiant heat warms people directly, creating comfortable conditions similar to that of the sun. It also radiates on all inanimate objects in its path; these objects absorb the heat and in turn act as a “heat reserve”, initiating a convection-type flow of heated air that further adds to the maintenance of a desired room temperature.

15% GREATER ENERGY PERFORMANCE COMPARED TO OTHER RADIANT HEATERS

WALL MOUNTED 2.5 IN. FROM THE CEILING

OUT OF REACH OF CHILDREN AND FREES UP SPACE FOR FURNITURE AND WALL DECORATIONS

NO FORCED-AIR MOVEMENT OR COMBUSTION

IDEAL FOR PEOPLE SUFFERING FROM ALLERGIES

COMPACT, LIGHTWEIGHT AND EASY TO INSTALL

IDEAL FOR BOTH NEW CONSTRUCTION AND RETROFIT

INSTANTANEOUS HEAT

IDEAL FOR:

MAIN HEAT SOURCE FOR ANY ROOM, ABOVE A WINDOW OR PATIO DOOR, LIVING ROOM, BEDROOM, KITCHEN, DINING ROOM, DAY CARE CENTRE, SCHOOL, PLAY ROOM, LOCKER ROOM, SPA

COLOUR

matte off-white

FINISH

- front panel: high temperature, high emissivity paint coating for maximum thermal efficiency
- other parts: hybrid epoxy-polyester powder paint

MANUFACTURING

- aluminum front panel
- 18-gauge steel cabinet and back box
- aluminum end covers
- 24-gauge stainless steel reflector
- full-length wireway
- designed and assembled for reduced noise from the expansion and contraction of metal during heating cycles

ELEMENT

tubular; stainless steel

CONTROL

- wall thermostat (not included) – the use of an electronic thermostat is strongly recommended
- built-in single pole bimetal thermostat installed in the left or right junction box (optional)

INSTALLATION

- wall mounted at a distance of 2.5 in. or more from the ceiling
- all flammable material must be 6 in. or more from the front of the unit

ACCESSORIES

PRODUCT	DESCRIPTION	PRICE
SCRSPW	splice plate kit (for installing two units side by side)	25.75
SCRBTRW	single pole bimetal thermostat with right side end cover	54.75
SCRBTLW	single pole bimetal thermostat with left side end cover	54.75

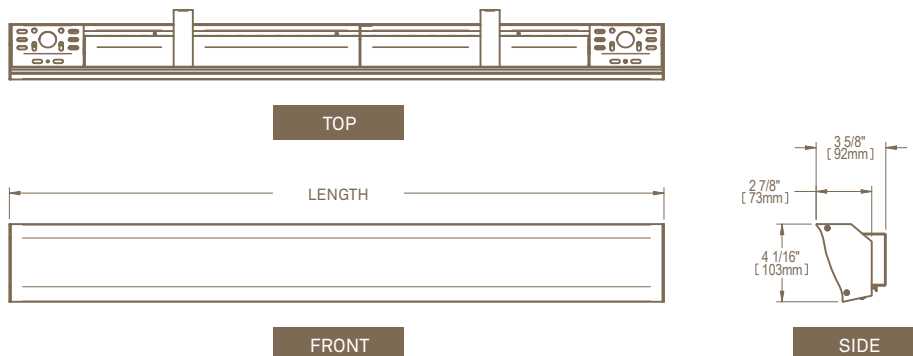


TECHNICAL SPECIFICATIONS

PRODUCT		POWER	VOLTAGE	LENGTH		WEIGHT		PRICE
CODE	WATTS	VOLTS	MM	IN.	KG	LB		
SCR0451W	450	120	860	34	2.9	6.4		163.00
SCR0458W	450	208*	860	34	2.9	6.4		163.00
SCR0452W	450/338	240/208	860	34	2.9	6.4		163.00
SCR0457W	450	277*	860	34	2.9	6.4		163.00
SCR0453W	450	347*	860	34	2.9	6.4		198.00
SCR0601W	600	120	1190	47	4.0	8.9		219.00
SCR0608W	600	208*	1190	47	4.0	8.9		219.00
SCR0602W	600/450	240/208	1190	47	4.0	8.9		219.00
SCR0607W	600	277*	1190	47	4.0	8.9		219.00
SCR0603W	600	347*	1190	47	4.0	8.9		254.00
SCR0751W	750	120	1500	59	5.0	11.1		256.00
SCR0758W	750	208*	1500	59	5.0	11.1		256.00
SCR0752W	750/563	240/208	1500	59	5.0	11.1		256.00
SCR0757W	750	277*	1500	59	5.0	11.1		256.00
SCR0753W	750	347*	1500	59	5.0	11.1		291.00
SCR0755W	750	480*	1500	59	5.0	11.1		291.00
SCR0756W	750	600*	1500	59	5.0	11.1		291.00
SCR0901W	900	120	1800	71	5.9	13.0		282.00
SCR0908W	900	208*	1800	71	5.9	13.0		282.00
SCR0902W	900/675	240/208	1800	71	5.9	13.0		282.00
SCR0907W	900	277*	1800	71	5.9	13.0		282.00
SCR0903W	900	347*	1800	71	5.9	13.0		317.00
SCR0905W	900	480*	1800	71	5.9	13.0		317.00
SCR0906W	900	600*	1800	71	5.9	13.0		317.00
SCR1051W	1050	120	2110	83	7.1	15.7		307.00
SCR1058W	1050	208*	2110	83	7.1	15.7		307.00
SCR1052W	1050/788	240/208	2110	83	7.1	15.7		307.00
SCR1057W	1050	277*	2110	83	7.1	15.7		307.00
SCR1053W	1050	347*	2110	83	7.1	15.7		342.00
SCR1055W	1050	480*	2110	83	7.1	15.7		342.00
SCR1056W	1050	600*	2110	83	7.1	15.7		342.00
SCR1201W	1200	120	2390	94	8.1	17.8		349.00
SCR1208W	1200	208*	2390	94	8.1	17.8		349.00
SCR1202W	1200/900	240/208	2390	94	8.1	17.8		349.00
SCR1207W	1200	277*	2390	94	8.1	17.8		349.00
SCR1203W	1200	347*	2390	94	8.1	17.8		384.00
SCR1205W	1200	480*	2390	94	8.1	17.8		384.00
SCR1206W	1200	600*	2390	94	8.1	17.8		384.00
SCR1508W	1500	208*	2690	106	9.1	20.1		406.00
SCR1502W	1500/1125	240/208	2690	106	9.1	20.1		406.00
SCR1507W	1500	277*	2690	106	9.1	20.1		406.00
SCR1503W	1500	347*	2690	106	9.1	20.1		441.00
SCR1505W	1500	480*	2690	106	9.1	20.1		441.00
SCR1506W	1500	600*	2690	106	9.1	20.1		441.00

* 208, 277, 347, 480 or 600 voltage are available on demand only

TECHNICAL DRAWINGS



HEATING CABLE

TWISTED PAIR - CT SERIES

WARM FEET, OVERALL COMFORT

There is no greater sensation than having warm feet on a heated floor during the cold months of winter – just what °STELPRO CT heating cable provides. It can be installed under a variety of floor coverings and it has virtually no electromagnetic field. Its small diameter allows easy handling while minimizing the overall floor thickness once the floor covering is in place. It's ideal for any part of the house, including the hallway, bathroom, kitchen and basement. It's also great for day care centres. Whether in one room or the entire house, it provides the warmth of even heat over the entire floor covering surface. Efficiency and safety combined!



NO RETURN TO THERMOSTAT

VIRTUALLY NO ELECTROMAGNETIC FIELD

COMPLETE KIT INCLUDES CABLE, MOUNTING BRACKETS, HOT GLUE AND FLOOR SENSOR

FLEXIBLE, EASY TO HANDLE CABLE

WIDE VARIETY OF LENGTHS

IDEAL FOR:

BATHROOM, KITCHEN, LIVING ROOM, BASEMENT, BEDROOM, HALLWAY, DAY CARE CENTRE, LOCKER ROOM, SMALL SPACE

MANUFACTURING

- heating element covered with thermoplastic polymer
- return conductor covered with thermoplastic polymer
- small and highly flexible
- ultra-durable thermoplastic compound sheath

WATTAGE

- 9 W/sq.ft. (4 in. spacing)
- 12 W/sq.ft. (3 in. spacing)

CONTROL

electronic thermostat for heating cable (optional, floor sensor included with thermostat): 5 mA model mandatory in bathrooms and similar room types

INSTALLATION

- cement slab or plywood subflooring
- plastic snap gauges (included)
- can be installed under most types of floor coverings* (ceramic tiles, slate, marble, granite, floating floors, laminates, vinyl tiles, linoleum, carpet, etc.)

* For more information about the types of floor coverings under which you can safely install a heating cable, we strongly recommend that you contact a floor covering manufacturer.

ACCESSORIES

PRODUCT	DESCRIPTION	PRICE
STCNPW5*/ STCNPW15	single programming electronic thermostat	139.00
STCPW5*/ STCPW15	multiple programming electronic thermostat	175.00
TH115F12VDC	master thermostat for use with relay (120 V/240 V) in large areas [12 V]	167.00
CT230GB	relay for use with master thermostat in large areas [15 A @ 120 V-240 V, 50/60 Hz]	152.00
STSCC	thermostat sensor for heating cable	16.75
CTSTRP1	plastic mounting brackets (pack of 24 X 1 ft. – included)	19.00
CTRK	repair kit	33.50

* 5 mA models: mandatory in bathrooms and similar room types (details on pages 134-135)

FOR MAXIMUM EFFICIENCY

ELECTRONIC THERMOSTATS FOR HEATING CABLE

MORE DETAILS ON PAGES 134-135



TECHNICAL SPECIFICATIONS

PRODUCT	VOLTAGE	3 IN. SPACING	4 IN. SPACING	LENGTH	POWER	AMPERAGE	PRICE
CODE	VOLTS	SQ.FT.	SQ.FT.	FT.	WATTS	AMPERES	
120 VOLTS							
CT1W0120S012	120	12	16	40	120	1.0	144.00
CT1W0180S018	120	18	23	60	180	1.5	172.00
CT1W0240S023	120	23	30	80	240	2.0	207.00
CT1W0360S033	120	33	44	120	360	3.0	242.00
CT1W0480S044	120	44	58	160	480	4.0	275.00
CT1W0570S052	120	52	69	190	570	4.8	309.00
CT1W0720S065	120	65	85	240	720	6.0	344.00
CT1W0810S072	120	72	96	270	810	6.8	378.00
CT1W0930S083	120	83	109	310	930	7.8	413.00
CT1W1020S091	120	91	120	340	1020	8.5	438.00
CT1W1140S101	120	101	133	380	1140	9.5	465.00
CT1W1260S111	120	111	148	420	1260	10.5	494.00
CT1W1500S132	120	132	175	500	1500	12.5	522.00
240 VOLTS							
CT2W0120S012	240	12	16	40	120	0.5	144.00
CT2W0180S018	240	18	23	60	180	0.75	172.00
CT2W0240S023	240	23	30	80	240	1.0	207.00
CT2W0360S033	240	33	44	120	360	1.5	242.00
CT2W0480S044	240	44	58	160	480	2.0	275.00
CT2W0600S054	240	54	72	200	600	2.5	309.00
CT2W0720S065	240	65	85	240	720	3.0	344.00
CT2W0840S075	240	75	99	280	840	3.5	378.00
CT2W0960S085	240	85	113	320	960	4.0	413.00
CT2W1140S101	240	101	133	380	1140	4.8	465.00
CT2W1440S127	240	127	169	480	1440	6.0	522.00
CT2W1620S142	240	142	189	540	1620	6.8	566.00
CT2W1860S163	240	163	216	620	1860	7.8	613.00
CT2W2040S178	240	178	237	680	2040	8.5	683.00
CT2W2280S199	240	199	264	760	2280	9.5	722.00
CT2W2520S220	240	220	291	840	2520	10.5	774.00
CT2W3000S260	240	260	345	1 000	3000	12.5	899.00

INSTALLATION



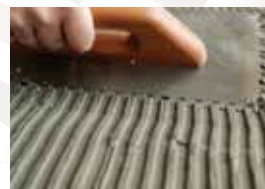
**UNIVERSAL GAUGE
INSTALLATION** (included)



**HEATING CABLE
INSTALLATION**



**SELF LEVELLING MORTAR
APPLICATION**

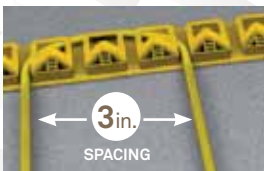


**THINSET MORTAR
APPLICATION**

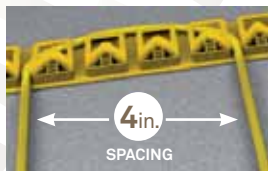


**FLOOR COVERING
INSTALLATION**

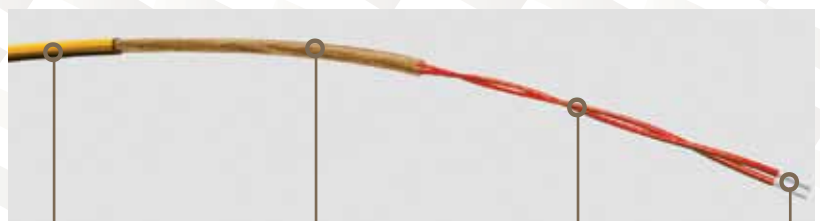
SPACING IN INCHES (UNIVERSAL)



FOR PRIMARY HEATING
12 W/sq.ft.



**FOR COMFORT HEATING
(FLOOR)**
9 W/sq.ft.



**THERMOPLASTIC
COMPOUND**

BRAIDED GROUND

**TWISTED
PAIR**

ELEMENT

HEATING CABLE MAT

SFM SERIES

PERSIA™

A HEATED FLOOR THAT GIVES YOU THE COMFORT OF WARM SAND

°STELPRO's new and innovative heating cable mat adds comfort and a touch of luxury to your home. The PERSIA™ mat has a host of advantages making it the ideal floor heating system for you: silent, efficient and unobtrusive. It can be installed with most types of floor coverings and a wide range of sizes are available. Furthermore, the electromagnetic fields are almost non-existent with the PERSIA™ heating cable mat, meaning it is safe for your crawling toddlers and the rest of your family. Unique to °STELPRO, the membrane is made from a durable, non-woven fabric, making it easy to install and at the same time protecting the cable from damage from tools during installation. This makes PERSIA™ incomparable to other heating mats on the market.



QUICK, SAFE AND EASY INSTALLATION

HEATING FROM THE GROUND UP, PROVIDING OPTIMAL COMFORT

PERFECT FOR PEOPLE SUFFERING FROM ALLERGIES: NO AIR MOVEMENT, NO DUST AND NO SMELL

WIDE RANGE OF SIZES AVAILABLE

IDEAL FOR:

BATHROOM, KITCHEN, LIVING ROOM, BEDROOM, BASEMENT, HALLWAY, DAY CARE CENTRE, LOCKER ROOM, SMALL SPACE

MANUFACTURING

- twin heating cables made from high quality thermoplastic polymers, covered and laminated on both sides with a durable non-woven fabric
- meets the following standards: CAN/CSA-C22.2 No. 130-03 for usage markings G, X and W; UL 1673; ANSI/IEEE 515.1 for type C
- very thin (less than 1/8 in. (3.2 mm) thickness)
- standard length of 10 feet (3 m) for the power lead wires (other lengths available under special orders)

WATTAGE

- 9 W/sq.ft. (at 208 V)
- 12 W/sq.ft. (at 120 V or 240 V)

CONTROL

- electronic thermostat for heating cable (optional, floor sensor included with thermostat)
- the branch circuit must be equipped with a circuit breaker having a current rating of no more than 15 amps; also, if more than one mat is used, the total current must not surpass 12 amps because the circuit breaker or fuse is limited to a maximum of 15 amps

INSTALLATION

- can be installed on either side, in any direction
- concrete slab or plywood subflooring
- compatible with all types of mortar, adhesive mortar, polymer-modified mortar (thinset) and self-levelling mortar usually used for floor coverings (see the installation guide)
- can be installed under most types of floor coverings* (ceramic tiles, slate, marble, granite, floating floors, laminates, vinyl tiles, linoleum, carpet, etc.)

* For more information about the types of floor coverings under which you can safely install a heating cable mat, we strongly recommend that you contact a floor covering manufacturer.

ACCESSORIES

PRODUCT	DESCRIPTION	PRICE
STCNPW5*/ STCNPW15	single programming electronic thermostat	139.00
STCPW5*/ STCPW15	multiple programming electronic thermostat	175.00
TH115F12VDC	master thermostat for use with relay (120 V/240 V) in large areas [12 V]	167.00
CT230GB	relay for use with master thermostat in large areas [15 A @ 120 V-240 V, 50/60 Hz]	152.00
STSCC	thermostat sensor for heating cable	16.75
SFMRK	repair kit	68.25

* 5 mA models: mandatory in bathrooms and similar room types (details on pages 134-135)

FOR MAXIMUM EFFICIENCY

ELECTRONIC THERMOSTATS FOR HEATING FLOORS

MORE DETAILS ON PAGES 134-135



TECHNICAL SPECIFICATIONS

PRODUCT	DIMENSIONS (IN.)		SURFACE AREA	POWER	AMPERAGE	WEIGHT*		PRICE
	CODE	LENGTH	WIDTH	SQ.FT.	WATTS	AMPERES	KG	LB
120 VOLTS								
SFM1W0095D042027	42	27	7.9	95	0.8	1.3	2.8	206.00
SFM1W0112D042032	42	32	9.3	112	0.9	1.3	2.9	214.00
SFM1W0147D042042	42	42	12.3	147	1.2	1.4	3.1	227.00
SFM1W0096D048024	48	24	8.0	96	0.8	1.4	3.1	209.00
SFM1W0120D048030	48	30	10.0	120	1.0	1.4	3.1	223.00
SFM1W0144D048036	48	36	12.0	144	1.2	1.4	3.1	234.00
SFM1W0168D048042	48	42	14.0	168	1.4	1.6	3.5	244.00
SFM1W0192D048048	48	48	16.0	192	1.6	1.8	4.0	279.00
SFM1W0120D060024	60	24	10.0	120	1.0	1.1	2.5	223.00
SFM1W0150D060030	60	30	12.5	150	1.3	1.4	3.0	239.00
SFM1W0180D060036	60	36	15.0	180	1.5	1.5	3.3	265.00
SFM1W0210D060042	60	42	17.5	210	1.8	1.7	3.8	286.00
SFM1W0240D060048	60	48	20.0	240	2.0	2.0	4.3	316.00
SFM1W0300D060060	60	60	25.0	300	2.5	2.3	5.1	366.00
SFM1W0144D072024	72	24	12.0	144	1.2	1.2	2.6	234.00
SFM1W0180D072030	72	30	15.0	180	1.5	1.5	3.2	265.00
SFM1W0216D072036	72	36	18.0	216	1.8	1.6	3.6	297.00
SFM1W0252D072042	72	42	21.0	252	2.1	1.9	4.1	331.00
SFM1W0288D072048	72	48	24.0	288	2.4	2.2	4.8	357.00
SFM1W0360D072060	72	60	30.0	360	3.0	2.6	5.7	406.00
SFM1W0432D072072	72	72	36.0	432	3.6	3.3	7.3	435.00
SFM1W0168D084024	84	24	14.0	168	1.4	1.4	3.0	248.00
SFM1W0210D084030	84	30	17.5	210	1.8	1.6	3.5	290.00
SFM1W0252D084036	84	36	21.0	252	2.1	1.8	3.9	331.00
SFM1W0294D084042	84	42	24.5	294	2.5	2.1	4.7	360.00
SFM1W0336D084048	84	48	28.0	336	2.8	2.5	5.5	392.00
SFM1W0420D084060	84	60	35.0	420	3.5	2.8	6.2	428.00
SFM1W0504D084072	84	72	42.0	504	4.2	3.2	7.1	491.00
SFM1W0588D084084	84	84	49.0	588	4.9	3.5	7.7	548.00
SFM1W0192D096024	96	24	16.0	192	1.6	1.3	2.9	282.00
SFM1W0240D096030	96	30	20.0	240	2.0	1.7	3.8	316.00
SFM1W0288D096036	96	36	24.0	288	2.4	2.0	4.5	357.00
SFM1W0336D096042	96	42	28.0	336	2.8	2.4	5.4	392.00
SFM1W0384D096048	96	48	32.0	384	3.2	2.4	5.4	408.00
SFM1W0480D096060	96	60	40.0	480	4.0	3.1	6.8	468.00
SFM1W0576D096072	96	72	48.0	576	4.8	3.8	8.3	538.00
SFM1W0672D096084	96	84	56.0	672	5.6	4.0	8.9	622.00
SFM1W0768D096096	96	96	64.0	768	6.4	4.1	9.0	667.00
SFM1W0240D120024	120	24	20.0	240	2.0	1.6	3.6	360.00
SFM1W0300D120030	120	30	25.0	300	2.5	2.0	4.3	360.00
SFM1W0360D120036	120	36	30.0	360	3.0	2.3	5.1	401.00
SFM1W0420D120042	120	42	35.0	420	3.5	2.6	5.8	422.00
SFM1W0480D120048	120	48	40.0	480	4.0	3.0	6.6	466.00
SFM1W0600D120060	120	60	50.0	600	5.0	3.6	7.9	548.00
SFM1W0720D120072	120	72	60.0	720	6.0	4.3	9.5	643.00
SFM1W0840D120084	120	84	70.0	840	7.0	4.4	9.8	697.00
SFM1W0960D120096	120	96	80.0	960	8.0	5.2	11.4	768.00

* With packaging

TECHNICAL SPECIFICATIONS

PRODUCT	DIMENSIONS (IN.)		SURFACE AREA	POWER (WATTS)		AMPERAGE (AMPERES)		WEIGHT*		PRICE
	CODE	LENGTH	WIDTH	SQ.FT.	240 V	208 V	240 V	208 V	KG	LB
240 VOLTS										
SFM2W0147D042042	42	42	12.3	147	110	0.6	0.5	3.3	7.3	269.00
SFM2W0144D048036	48	36	12.0	144	108	0.6	0.5	3.1	6.8	250.00
SFM2W0168D048042	48	42	14.0	168	126	0.7	0.6	3.3	7.3	288.00
SFM2W0192D048048	48	48	16.0	192	144	0.8	0.7	4.1	9	300.00
SFM2W0150D060030	60	30	12.5	150	113	0.6	0.5	2.9	6.4	250.00
SFM2W0180D060036	60	36	15.0	180	135	0.8	0.7	3.4	7.5	266.00
SFM2W0210D060042	60	42	17.5	210	158	0.9	0.8	3.9	8.6	287.00
SFM2W0240D060048	60	48	20.0	240	180	1.0	0.9	4.6	10.1	316.00
SFM2W0300D060060	60	60	25.0	300	225	1.3	1.1	5.1	11.2	366.00
SFM2W0180D072030	72	30	15.0	180	135	0.8	0.7	3.2	7.1	265.00
SFM2W0216D072036	72	36	18.0	216	162	0.9	0.8	3.7	8.2	297.00
SFM2W0252D072042	72	42	21.0	252	189	1.1	0.9	4.4	9.7	331.00
SFM2W0288D072048	72	48	24.0	288	216	1.2	1.0	4.5	9.9	356.00
SFM2W0360D072060	72	60	30.0	360	270	1.5	1.3	5.6	12.3	407.00
SFM2W0432D072072	72	72	36.0	432	324	1.8	1.6	7.3	16.1	435.00
SFM2W0168D084024	84	24	14.0	168	126	0.7	0.6	2.8	6.2	248.00
SFM2W0210D084030	84	30	17.5	210	158	0.9	0.8	3.5	7.7	291.00
SFM2W0252D084036	84	36	21.0	252	189	1.1	0.9	3.9	8.6	331.00
SFM2W0294D084042	84	42	24.5	294	221	1.2	1.1	4.7	10.4	360.00
SFM2W0336D084048	84	48	28.0	336	252	1.4	1.2	5.3	11.7	392.00
SFM2W0420D084060	84	60	35.0	420	315	1.8	1.5	6.1	13.4	428.00
SFM2W0504D084072	84	72	42.0	504	379	2.1	1.8	7.1	15.7	491.00
SFM2W0588D084084	84	84	49.0	588	442	2.5	2.1	7.6	16.8	549.00
SFM2W0192D096024	96	24	16.0	192	144	0.8	0.7	3	6.6	248.00
SFM2W0240D096030	96	30	20.0	240	180	1.0	0.9	3.7	8.2	316.00
SFM2W0288D096036	96	36	24.0	288	216	1.2	1.0	4.1	9	356.00
SFM2W0336D096042	96	42	28.0	336	252	1.4	1.2	5.2	11.5	392.00
SFM2W0384D096048	96	48	32.0	384	288	1.6	1.4	5.3	11.7	409.00
SFM2W0480D096060	96	60	40.0	480	361	2.0	1.7	6.8	15	468.00
SFM2W0576D096072	96	72	48.0	576	433	2.4	2.1	8.2	18.1	538.00
SFM2W0672D096084	96	84	56.0	672	505	2.8	2.4	9	19.8	622.00
SFM2W0768D096096	96	96	64.0	768	577	3.2	2.8	8.9	19.6	668.00
SFM2W0240D120024	120	24	20.0	240	180	1.0	0.9	3.6	7.9	312.00
SFM2W0300D120030	120	30	25.0	300	225	1.3	1.1	4.4	9.7	360.00
SFM2W0360D120036	120	36	30.0	360	270	1.5	1.3	5	11	400.00
SFM2W0420D120042	120	42	35.0	420	315	1.8	1.5	5.7	12.6	422.00
SFM2W0480D120048	120	48	40.0	480	361	2.0	1.7	6.5	14.3	466.00
SFM2W0600D120060	120	60	50.0	600	451	2.5	2.2	7.8	17.2	549.00
SFM2W0720D120072	120	72	60.0	720	541	3.0	2.6	9.5	20.9	643.00
SFM2W0840D120084	120	84	70.0	840	631	3.5	3.0	9.9	21.8	697.00
SFM2W0960D120096	120	96	80.0	960	721	4.0	3.5	11.3	24.9	768.00
SFM2W1200D120120	120	120	100.0	1200	901	5.0	4.3	13.8	30.4	906.00
SFM2W0432D144036	144	36	36.0	432	324	1.8	1.6	5.5	11.1	423.00
SFM2W0720D144060	144	60	60.0	720	541	3.0	2.6	9.1	20.1	569.00
SFM2W0864D144072	144	72	72.0	864	649	3.6	3.1	10.4	22.9	672.00
SFM2W1152D144096	144	96	96.0	1152	865	4.8	4.2	13.5	29.8	826.00
SFM2W1440D144120	144	120	120.0	1440	1082	6.0	5.2	16	35.3	941.00
SFM2W1728D144144	144	144	144.0	1728	1298	7.2	6.2	18.3	40.3	998.00

* With packaging



WALL FAN HEATER

RWF SERIES



THE GOLD STANDARD IN FAN HEATERS

You won't find anything better than this efficient, durable and noise-free forced-air heater. The PULSAIR™ is extremely popular for many reasons. First, it can be recessed or surface mounted with a surface adapter (optional). In addition, it can be mounted vertically or horizontally, directing the air flow upward or downward and to the right or to the left, respectively. Last, the slim-line PULSAIR™ can be recessed into a wall thickness of 2 in. to 3 in. While it's a winning heating solution for the hallway and bathroom, it can also be installed in other parts of the house, such as the office or in commercial buildings. Its nichrome element provides instant heat. Available from 500 W to 2000 W, and from 120 V to 347 V, the PULSAIR™ is recognized and recommended by those in the know.



THE QUIETEST WALL FAN HEATER ON THE MARKET

347 V MODEL AVAILABLE

NICHROME ELEMENT FOR INSTANT HEAT

MULTIPLE INSTALLATION OPTIONS

RECESSED, SURFACE MOUNTED, HORIZONTAL OR VERTICAL

THE MOST RESISTANT GRILLE ON THE MARKET

IDEAL FOR:

HALLWAY, BATHROOM, LOCKER ROOM, OFFICE

COLOURS

- standard: white, silica white, silver
- optional: almond, black, textured charcoal, clear anodized (paint), nickel, champagne, light bronze, dark brown (10% surcharge)

FINISH

epoxy-polyester powdercoat

MANUFACTURING

- 20-gauge steel cabinet and 18-gauge steel grille
- quiet fan - 40 CFM (500 W to 1000 W models) - 75 CFM (1250 W to 2000 W models)
- thermal protection with automatic reset

ELEMENT

nichrome element produces instant heat

CONTROL

- built-in thermostat (optional)
- wall thermostat (not included) - the use of an electronic thermostat is strongly recommended

INSTALLATION

- wall mounted
- recessed (wall must have a depth of 2 3/8 in. minimum)
- surface mounted with surface adapter (optional)
- four installation positions

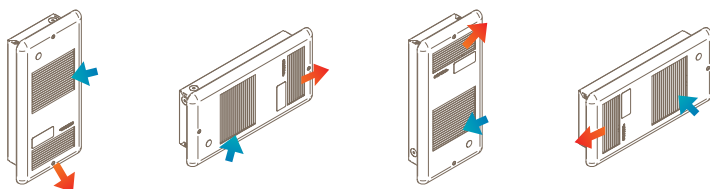
ACCESSORIES

PRODUCT	DESCRIPTION	PRICE
RWFT1*	built-in single pole thermostat [120 V-347 V]	28.00
RWFT2*	built-in double pole thermostat [120 V-347 V]	39.00
RWFSAW	surface adapter (white)	38.00
RWFSASW	surface adapter (silica white)	38.00
RWFSAS	surface adapter (silver)	38.00

* Add W for white, SW for silica white or BK for black

* Supplied with a white knob (with a white grille), a silica white knob (with a silica white grille) and a black knob (with a silver or any other colour grille)

FOUR INSTALLATION OPTIONS

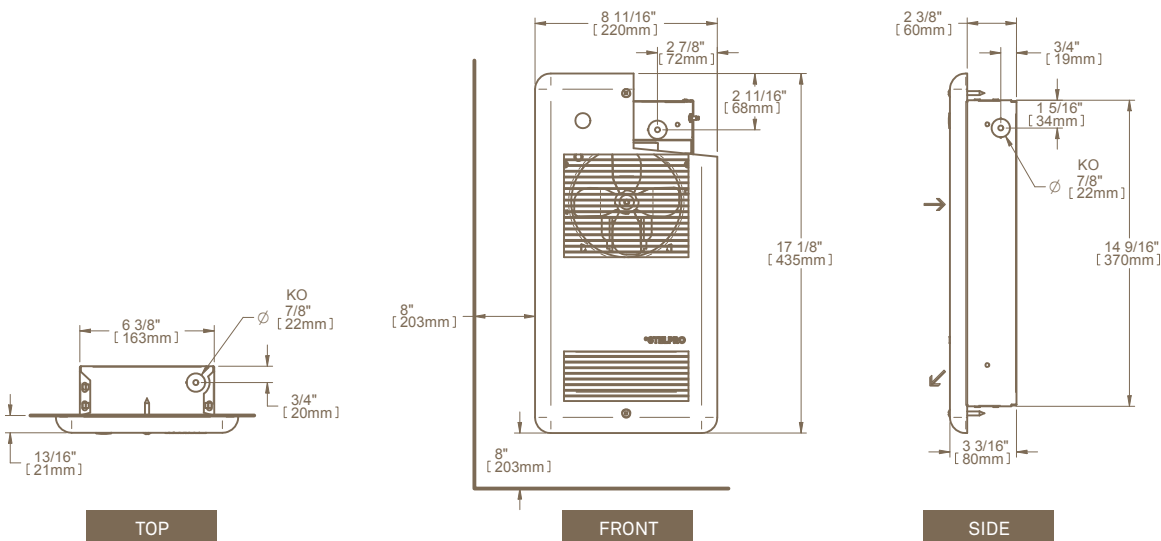


TECHNICAL SPECIFICATIONS

WITHOUT CONTROL		BUILT-IN THERMOSTAT		24 V CONTROL		POWER	VOLTAGE	FLOW	THROW DISTANCE		HEAT RISE		WEIGHT	
CODE	PRICE	CODE	PRICE	CODE	PRICE	WATTS	VOLTS	CFM	M	FT.	°C	°F	KG	LB
RWF0501	144.00	---	---	---	---	500	120	40	2	6'6"	30	54	2.7	6
RWF0508	144.00	---	---	---	---	500	208	40	2	6'6"	30	54	2.7	6
RWF0502	144.00	---	---	---	---	500/375	240/208	40	2	6'6"	30	54	2.7	6
RWF0507	144.00	---	---	---	---	500	277	40	2	6'6"	30	54	2.7	6
RWF0503	182.00	RWF0503T	210.00	RWF0503C24	222.00	500	347	40	2	6'6"	30	54	2.7	6
RWF0751	149.00	---	---	---	---	750	120	40	2	6'6"	67	121	2.7	6
RWF0758	149.00	---	---	---	---	750	208	40	2	6'6"	67	121	2.7	6
RWF0752	149.00	---	---	---	---	750/563	240/208	40	2	6'6"	67	121	2.7	6
RWF0757	149.00	---	---	---	---	750	277	40	2	6'6"	67	121	2.7	6
RWF0753	188.00	RWF0753T	216.00	RWF0753C24	227.00	750	347	40	2	6'6"	67	121	2.7	6
RWF1001	155.00	---	---	---	---	1000	120	40	2	6'6"	76	136	2.7	6
RWF1008	155.00	---	---	---	---	1000	208	40	2	6'6"	76	136	2.7	6
RWF1002	155.00	---	---	---	---	1000/750	240/208	40	2	6'6"	76	136	2.7	6
RWF1007	155.00	---	---	---	---	1000	277	40	2	6'6"	76	136	2.7	6
RWF1003	194.00	RWF1003T	222.00	RWF1003C24	233.00	1000	347	40	2	6'6"	76	136	2.7	6
RWF1251	160.00	---	---	---	---	1250	120	75	2.1	6'10"	65	117	2.7	6
RWF1258	160.00	---	---	---	---	1250	208	75	2.1	6'10"	65	117	2.7	6
RWF1252	160.00	---	---	---	---	1250/938	240/208	75	2.1	6'10"	65	117	2.7	6
RWF1257	160.00	---	---	---	---	1250	277	75	2.1	6'10"	65	117	2.7	6
RWF1253	199.00	RWF1253T	227.00	RWF1253C24	238.00	1250	347	75	2.1	6'10"	65	117	2.7	6
RWF1501	166.00	---	---	---	---	1500	120	75	2.1	6'10"	79	141	2.7	6
RWF1508	166.00	---	---	---	---	1500	208	75	2.1	6'10"	79	141	2.7	6
RWF1502	166.00	---	---	---	---	1500/1125	240/208	75	2.1	6'10"	79	141	2.7	6
RWF1507	166.00	---	---	---	---	1500	277	75	2.1	6'10"	79	141	2.7	6
RWF1503	205.00	RWF1503T	233.00	RWF1503C24	244.00	1500	347	75	2.1	6'10"	79	141	2.7	6
---	---	---	---	---	---	2000	120	75	2.1	6'10"	111	199	2.7	6
RWF2002	177.00	---	---	---	---	2000/1500	240/208	75	2.1	6'10"	111	199	2.7	6
RWF2008	177.00	---	---	---	---	2000	208	75	2.1	6'10"	111	199	2.7	6
RWF2007	177.00	---	---	---	---	2000	277	75	2.1	6'10"	111	199	2.7	6
RWF2003	216.00	RWF2003T	244.00	RWF2003C24	255.00	2000	347	75	2.1	6'10"	111	199	2.7	6

Add W for white, SW for silica white or S for silver (see page 8 for optional colours and contact your *STELPRO representative for all other colours)
 --- not available

TECHNICAL DRAWINGS



KICK SPACE HEATER

SKS SERIES

HIDE 'N HEAT

“Hide 'n heat” is what the SKS kick space heater by °STELPRO offers. Its redesigned and sleek grille is slimmer than ever, allowing easy installation in narrow spaces like under the kitchen or bathroom cabinets and even into stair risers. Enjoy comfortable forced-air heating from the most discreet fan heater on the market.



ALSO AVAILABLE IN BLACK, SILICA WHITE AND WHITE

5 YEAR*
WARRANTY

POWER SELECTOR SWITCH

500 W OR 1000 W

EASY INSTALLATION

AESTHETIC GRILLE

SINGLE PIECE, FRAMELESS

IDEAL FOR:

UNDER A KITCHEN OR BATHROOM CABINET, IN A STAIR RISER

COLOURS

- standard: white, silica white, black
- luxurious finish: stainless steel (see price list)
- optional: almond, textured charcoal, silver, clear anodized (paint), nickel, champagne, light bronze, dark brown (10% surcharge)

FINISH

epoxy-polyester powdercoat or stainless steel

MANUFACTURING

- 22-gauge steel cabinet and 16-gauge steel front
- quiet, 50 CFM capacity
- thermal protection with automatic reset
- added protection provided by a fuse-link (must be replaced once activated)

WATTAGE & VOLTAGE

power selector switch (500 W or 1000 W)

ELEMENT

tubular element sheathed with spiral-wound fins for improved heat dissipation

CONTROL

- wall thermostat (not included) – the use of an electronic thermostat is strongly recommended
- built-in thermostat (optional)

INSTALLATION

recessed

ACCESSORIES

PRODUCT	DESCRIPTION	PRICE
SKST1	built-in single pole thermostat	43.50
SKST2	built-in tamper-proof double pole thermostat	54.50
SKSR*	extended grille (23 5/8 in. x 3 3/4 in. - 600 mm x 95 mm) allows to cover gaps or imperfections for a renovation project	55.00
SKSRSS	extended stainless steel grille (23 5/8 in. x 3 3/4 in. - 600 mm x 95 mm) allows to cover gaps or imperfections for a renovation project	75.00

* Add W for white, SW for silica white or BK for black

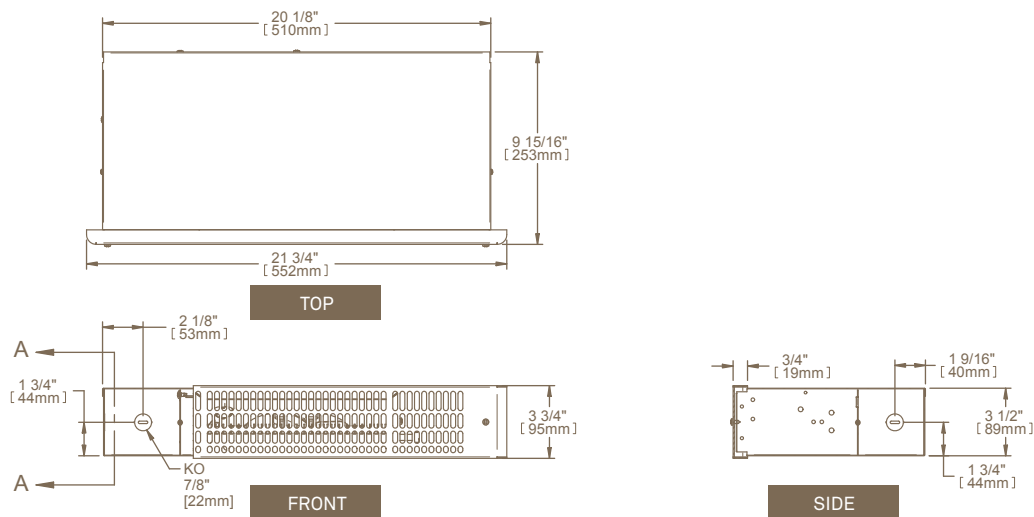
TECHNICAL SPECIFICATIONS

PRODUCT	POWER	VOLTAGE	THROW DISTANCE		HEAT RISE		WEIGHT		PRICE	
CODE	WATTS	VOLTS	M	FT.	°C	°F	KG	LB	W, SW OR BK	SS
SKS1001	500 OR 1000	120	1.2	4 (in front)	55	99	4.5	10	277.00	374.00
SKS1002	500 OR 1000	240	1.2	4 (in front)	55	99	4.5	10	277.00	374.00

Add W for white, SW for silica white, BK for black or SS for stainless steel (see page 8 for optional colours and contact your °STELPRO representative for all other colours)



TECHNICAL DRAWINGS



*STELPRO reserves the right to modify descriptions, manufacturing specifications or prices without prior notice. Returns are not accepted for orders of products with optional colours. For all the latest models and updated prices, please refer to our web site at www.stelpro.com.

FLOOR INSERT CONVECTOR

FI SERIES

A CONVECTOR LIKE NO OTHER!

Just like its name says, the FI floor insert convector recesses into the floor and dissipates heat quietly by means of natural convection, without any fan noise. It can be installed into different types of floors, including wood and concrete, freeing up precious wall and window space. An incredible alternative to conventional baseboards, this versatile floor heater acts as a draft barrier, and can be recessed in front of large windows, sliding doors, or serve as perimeter heating in continuous, end-to-end fashion.



SILENT OPERATION

FLOOR DROP-IN UNIT

AESTHETIC AND INDESTRUCTIBLE

9-GAUGE EXTRUDED ALUMINUM GRILLE WITH BORDER

TURN-KEY PROJECTS AVAILABLE

FOR PERIPHERIC HEATING WITH BLANK SECTIONS AND ADAPTABLE GRILLE(S) (OPTIONAL)

IDEAL FOR:

OFFICE, SCHOOL, HOSPITAL, BUSINESS, LARGE WINDOW

COLOURS

- standard: white, silica white, silver, black
- optional: almond, textured charcoal, clear anodized (paint), nickel, champagne, light bronze, dark brown (10% surcharge)

FINISH

epoxy-polyester powdercoat

MANUFACTURING

- 18-gauge galvanized steel cabinet and 9-gauge extruded aluminum grille
- thermal protection with manual reset
- protective wire mesh to prevent foreign objects from entering the interior of the unit

ELEMENT

single tubular, stainless steel sheathed element with boxed aluminum fins for improved heat dissipation; the element is securely fastened at its center, floating in nylon sleeves at each end, eliminating expansion and contraction noises

CONTROL

- wall thermostat (not included) – the use of an electronic thermostat is strongly recommended
- low voltage relay kit installed in the left or right junction box (optional)

INSTALLATION

- floor recessed
- parallel to floor joist

ACCESSORIES

PRODUCT	DESCRIPTION	PRICE
FIRE153*	built-in electronic low voltage relay [15 A @ 120 V-347 V]	51.50
FIRE156*	built-in electronic low voltage relay [6 A @ 600 V]	91.25
FIRE153T*	built-in electronic low voltage relay c/w transformer 24 V [15 A @ 208 V-347 V]	70.00

Electronic relays can receive a PWM (pulsed width modulation) or digital (on/off) signal.

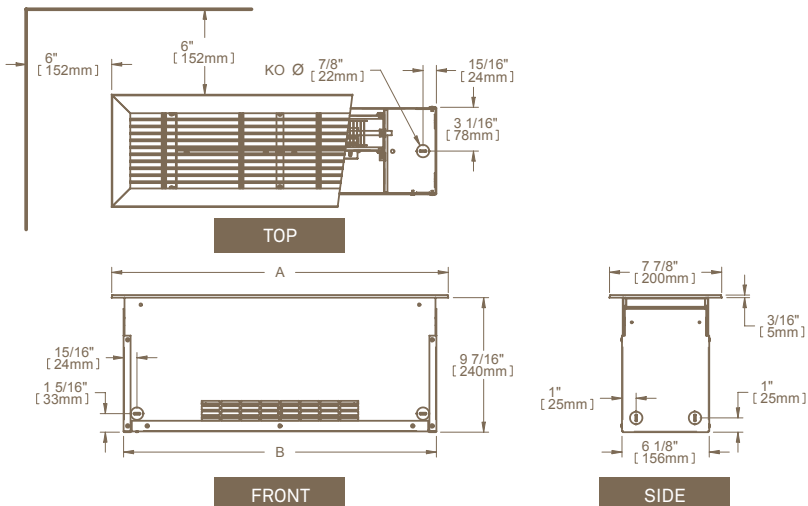
* Factory installed

TECHNICAL SPECIFICATIONS

STANDARD DENSITY 250 W PER LINEAR FOOT		MEDIUM DENSITY 200 W PER LINEAR FOOT		LOW DENSITY 150 W PER LINEAR FOOT		VOLTAGE	LENGTH A		LENGTH B		WEIGHT	PRICE	
CODE	WATTS	CODE	WATTS	CODE	WATTS	VOLTS	MM	IN.	MM	IN.	KG	LB	
FI6051	500	FI6041	400	FI6031	300	120	600	23 5/8	561	22 1/16	6.4	14	606.00
FI6058	500	FI6048	400	FI6038	300	208	600	23 5/8	561	22 1/16	6.4	14	606.00
FI6052	500	FI6042	400	FI6032	300	240	600	23 5/8	561	22 1/16	6.4	14	606.00
FI6057	500	---	400	---	300	277	600	23 5/8	561	22 1/16	6.4	14	606.00
FI6053	500	---	400	---	300	347	600	23 5/8	561	22 1/16	6.4	14	606.00
---	500	---	400	---	300	480	600	23 5/8	561	22 1/16	6.4	14	---
---	500	---	400	---	300	600	600	23 5/8	561	22 1/16	6.4	14	---
FI9071	750	FI9061	600	FI9041	450	120	900	35 7/16	861	33 7/8	10.0	22	691.00
FI9078	750	FI9068	600	FI9048	450	208	900	35 7/16	861	33 7/8	10.0	22	691.00
FI9072	750	FI9062	600	FI9042	450	240	900	35 7/16	861	33 7/8	10.0	22	691.00
FI9077	750	FI9067	600	FI9047	450	277	900	35 7/16	861	33 7/8	10.0	22	691.00
FI9073	750	FI9063	600	FI9043	450	347	900	35 7/16	861	33 7/8	10.0	22	691.00
FI9075	750	---	600	---	450	480	900	35 7/16	861	33 7/8	10.0	22	691.00
FI9076	750	---	600	---	450	600	900	35 7/16	861	33 7/8	10.0	22	691.00
FI12101	1000	FI12081	800	FI12061	600	120	1200	47 1/4	1161	45 11/16	13.6	30	779.00
FI12108	1000	FI12088	800	FI12068	600	208	1200	47 1/4	1161	45 11/16	13.6	30	779.00
FI12102	1000	FI12082	800	FI12062	600	240	1200	47 1/4	1161	45 11/16	13.6	30	779.00
FI12107	1000	FI12087	800	FI12067	600	277	1200	47 1/4	1161	45 11/16	13.6	30	779.00
FI12103	1000	FI12083	800	FI12063	600	347	1200	47 1/4	1161	45 11/16	13.6	30	779.00
FI12105	1000	FI12085	800	---	600	480	1200	47 1/4	1161	45 11/16	13.6	30	779.00
FI12106	1000	FI12086	800	---	600	600	1200	47 1/4	1161	45 11/16	13.6	30	779.00
FI15121	1250	FI15101	1000	FI15071	750	120	1500	59 1/16	1461	57 1/2	16.9	37	896.00
FI15128	1250	FI15108	1000	FI15078	750	208	1500	59 1/16	1461	57 1/2	16.9	37	896.00
FI15122	1250	FI15102	1000	FI15072	750	240	1500	59 1/16	1461	57 1/2	16.9	37	896.00
FI15127	1250	FI15107	1000	FI15077	750	277	1500	59 1/16	1461	57 1/2	16.9	37	896.00
FI15123	1250	FI15103	1000	FI15073	750	347	1500	59 1/16	1461	57 1/2	16.9	37	896.00
FI15125	1250	FI15105	1000	FI15075	750	480	1500	59 1/16	1461	57 1/2	16.9	37	896.00
FI15126	1250	FI15106	1000	FI15076	750	600	1500	59 1/16	1461	57 1/2	16.9	37	896.00
FI18151	1500	FI18121	1200	FI18091	900	120	1800	70 7/8	1757	69 3/16	20.0	44	1009.00
FI18158	1500	FI18128	1200	FI18098	900	208	1800	70 7/8	1757	69 3/16	20.0	44	1009.00
FI18152	1500	FI18122	1200	FI18092	900	240	1800	70 7/8	1757	69 3/16	20.0	44	1009.00
FI18157	1500	FI18127	1200	FI18097	900	277	1800	70 7/8	1757	69 3/16	20.0	44	1009.00
FI18153	1500	FI18123	1200	FI18093	900	347	1800	70 7/8	1757	69 3/16	20.0	44	1009.00
FI18155	1500	FI18125	1200	FI18095	900	480	1800	70 7/8	1757	69 3/16	20.0	44	1009.00
FI18156	1500	FI18126	1200	FI18096	900	600	1800	70 7/8	1757	69 3/16	20.0	44	1009.00
---	1750	FI21141	1400	FI21101	1050	120	2100	82 11/16	2061	81 1/8	23.7	52	1158.00
FI21178	1750	FI21148	1400	FI21108	1050	208	2100	82 11/16	2061	81 1/8	23.7	52	1158.00
FI21172	1750	FI21142	1400	FI21102	1050	240	2100	82 11/16	2061	81 1/8	23.7	52	1158.00
FI21177	1750	FI21147	1400	FI21107	1050	277	2100	82 11/16	2061	81 1/8	23.7	52	1158.00
FI21173	1750	FI21143	1400	FI21103	1050	347	2100	82 11/16	2061	81 1/8	23.7	52	1158.00
FI21175	1750	FI21145	1400	FI21105	1050	480	2100	82 11/16	2061	81 1/8	23.7	52	1158.00
FI21176	1750	FI21146	1400	FI21106	1050	600	2100	82 11/16	2061	81 1/8	23.7	52	1158.00
---	2000	---	1600	FI24121	1200	120	2400	94 1/2	2357	92 13/16	26.7	59	1306.00
FI24208	2000	FI24168	1600	FI24128	1200	208	2400	94 1/2	2357	92 13/16	26.7	59	1306.00
FI24202	2000	FI24162	1600	FI24122	1200	240	2400	94 1/2	2357	92 13/16	26.7	59	1306.00
FI24207	2000	FI24167	1600	FI24127	1200	277	2400	94 1/2	2357	92 13/16	26.7	59	1306.00
FI24203	2000	FI24163	1600	FI24123	1200	347	2400	94 1/2	2357	92 13/16	26.7	59	1306.00
FI24205	2000	FI24165	1600	FI24125	1200	480	2400	94 1/2	2357	92 13/16	26.7	59	1306.00
FI24206	2000	FI24166	1600	FI24126	1200	600	2400	94 1/2	2357	92 13/16	26.7	59	1306.00

Add W for white, SW for silica white, S for silver or BK for black (see page 8 for optional colours and contact your [®]STELPRO representative for all other colours)
 --- not available

TECHNICAL DRAWINGS

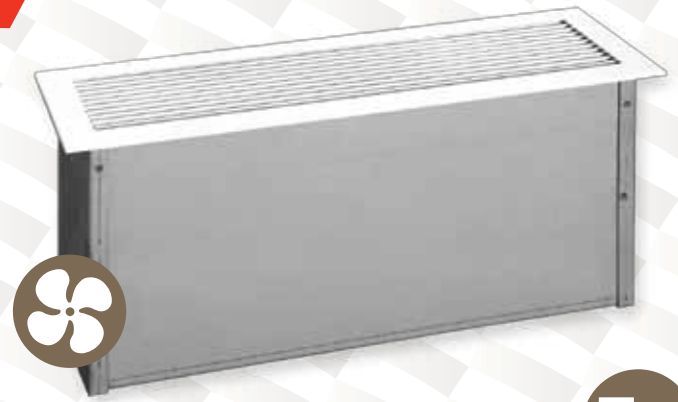


FLOOR INSERT FAN HEATER

FFI SERIES

HEAT FROM AN UNEXPECTED PLACE

The FFI is the perfect solution when there's no wall space available. Perfect for low windows, bay windows and patio doors. It's also a great fit for offices, narrow entryways and bathrooms. It can be recessed between floor joists. Its grille is solidly constructed of rigid aluminum to withstand foot traffic. Installation at construction sites is easy because of its compact design. This floor insert fan heater can also be recessed into concrete floors.



5 YEAR*
WARRANTY

DURABLE ALUMINUM GRILLE

EASILY CONCEALED

EASY INSTALLATION

QUIET

CAN BE RECESSED INTO CONCRETE FLOORS

IDEAL FOR:

IN FRONT OF A PATIO DOOR, OFFICE, NARROW ENTRYWAY,
BATHROOM

COLOURS

- standard: white, silica white, black
- optional: almond, textured charcoal, silver, clear anodized (paint), nickel, champagne, light bronze, dark brown (10% surcharge)

FINISH

epoxy-polyester powdercoat

MANUFACTURING

- durable 16-gauge steel cabinet and 9-gauge aluminum extruded grille
- protective wire mesh to prevent foreign objects from entering the interior of the unit
- 80 CFM capacity fan
- thermal protection with automatic reset

ELEMENT

tubular element sheathed with spiral-wound fins for improved heat dissipation

CONTROL

wall thermostat only (not included) – the use of an electronic thermostat is strongly recommended

INSTALLATION

- recessed between floor joists
- in a concrete floor without framing
- large wiring compartment

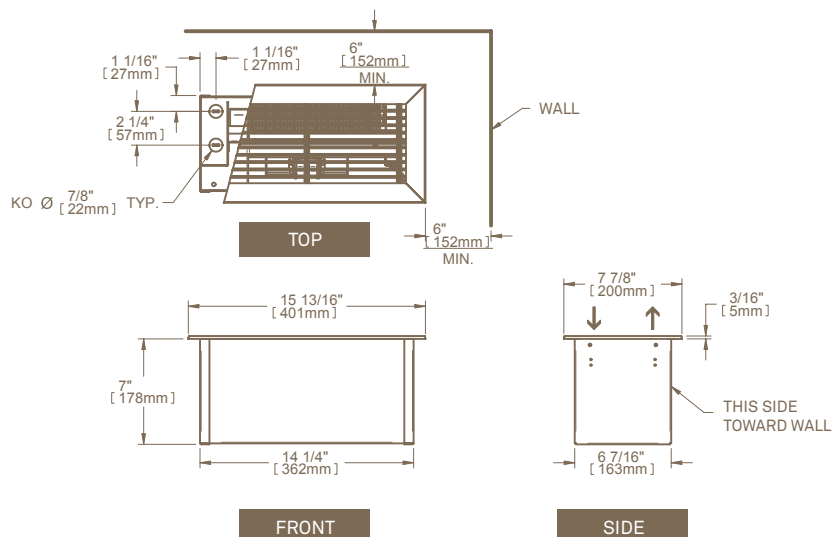


TECHNICAL SPECIFICATIONS

PRODUCT	POWER	VOLTAGE	THROW DISTANCE		HEAT RISE		WEIGHT		PRICE
CODE	WATTS	VOLTS	M	FT.	°C	°F	KG	LB	
FFI1002	1000/750	240/208	2	6'5"	60	108	8.1	18	342.00
FFI1502	1500/1125	240/208	2	6'5"	66	119	8.1	18	353.00

Add W for white, SW for silica white or BK for black (see page 8 for optional colours and contact your °STELPRO representative for all other colours)

TECHNICAL DRAWINGS



CEILING FAN HEATER

SK SERIES

AIR CURTAIN™

HEATED FROM ABOVE, SOOTHING BELOW

The AIR CURTAIN™ ceiling fan heater silently beams down heat from above. This unique model is ideal for rooms where wall space is limited. In bathrooms, the AIR CURTAIN™ can be installed just outside the shower or bathtub. With its ceiling-recessed casing, the AIR CURTAIN™ is an excellent way to provide discreet air circulation. The result: uniform heating and air movement, and reduction in mirror and window fog. By adding a wall timer, you can use it on demand.



5 YEAR WARRANTY

CEILING MOUNTED

IDEAL FOR ROOMS WITH LIMITED WALL SPACE

HEATING ON DEMAND

WALL TIMER (OPTIONAL)

COMPACT AND QUIET

347 V MODEL AVAILABLE

IDEAL FOR:

BATHROOM, ENTRYWAY, DAY CARE CENTRE, ROOM WITH LIMITED WALL SPACE

COLOURS

- standard: white, silica white
- optional: almond, black, textured charcoal, silver, clear anodized (paint), nickel, champagne, light bronze, dark brown (10% surcharge)

FINISH

epoxy-polyester powdercoat

MANUFACTURING

- 22-gauge steel cabinet and 20-gauge steel grille
- 1/4 in. (6.4 mm) deep front grille
- easy access for maintenance purposes (no screws)

THERMAL PROTECTION

thermal protection with automatic reset

ELEMENT

nichrome element produces instant heat

CONTROL

- built-in thermostat (optional)
- wall thermostat (not included) – the use of an electronic thermostat is strongly recommended
- 60-minute timer (optional)

INSTALLATION

- ceiling mounted (recommended height of 8 ft., maximum of 9 ft.)
- surface mounted with surface adapter (optional)
- recessed or surface mounted with adapter for suspended ceiling (optional)
- unit can be mounted parallel or perpendicular to ceiling beams
- approved to be recessed in mineral wool; for all other materials please verify with the manufacturer of the insulating product

ACCESSORIES

PRODUCT	DESCRIPTION	PRICE
SKT1*	tamper-proof built-in thermostat [120 V-347 V] (grille must be removed to access this type of thermostat)	57.75
SKTBA*	adapter for suspended ceiling (2 ft. x 2 ft.) (recessed or surface mounted)	80.50
SKSA*	surface adapter (SK model)	74.50
SKSAII*	surface adapter (SKII model)	86.25
FD60MCW70	60-minute wall timer [120 V-277 V]	50.50

* Add W for white or SW for silica white

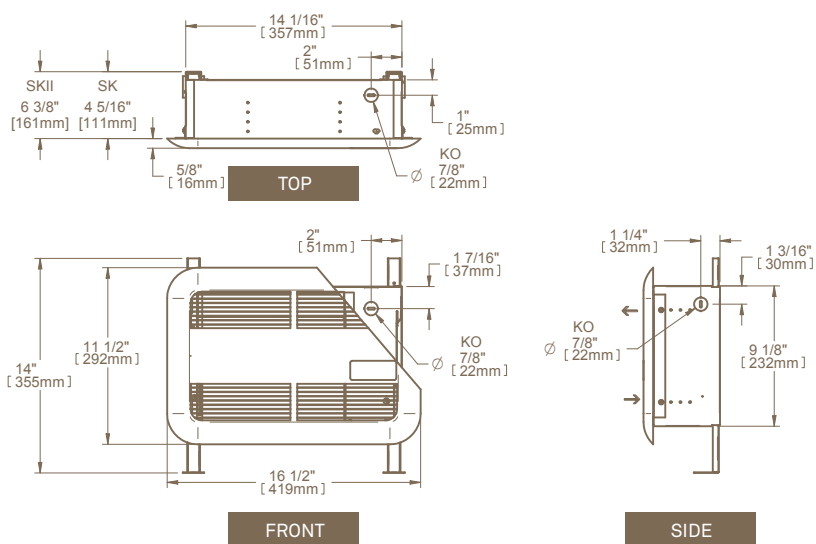
* Factory installed

TECHNICAL SPECIFICATIONS

WITHOUT CONTROL		BUILT-IN THERMOSTAT		24 V CONTROL		POWER	VOLTAGE	PHASE	FLOW	THROW DISTANCE		HEAT RISE		WEIGHT	
CODE	PRICE	CODE	PRICE	CODE	PRICE	WATTS	VOLTS	NB	CFM	M	FT.	°C	°F	KG	LB
SK0501	206.00	---	---	---	---	500	120	1	60	2.4	8	26	46	5	11
SK0508	206.00	---	---	---	---	500	208	1	60	2.4	8	26	46	5	11
SK0502	206.00	---	---	---	---	500/375	240/208	1	60	2.4	8	26	46	5	11
SKII0507	298.00	---	---	---	---	500	277	1	60	2.4	8	26	46	5	11
SKII0503	298.00	SKII0503T	356.00	SKII0503C24	298.00	500	347	1	60	2.4	8	26	46	5	11
SK0751	206.00	---	---	---	---	750	120	1	60	2.4	8	42	75	5	11
SK0758	206.00	---	---	---	---	750	208	1	60	2.4	8	42	75	5	11
SK0752	206.00	---	---	---	---	750/560	240/208	1	60	2.4	8	42	75	5	11
SKII0757	298.00	---	---	---	---	750	277	1	60	2.4	8	42	75	5	11
SKII0753	298.00	SKII0753T	356.00	SKII0753C24	298.00	750	347	1	60	2.4	8	42	75	5	11
SK1001	218.00	---	---	---	---	1000	120	1	60	2.4	8	54	97	5	11
SK1008	218.00	---	---	---	---	1000	208	1	60	2.4	8	54	97	5	11
SK1002	218.00	---	---	---	---	1000/750	240/208	1	60	2.4	8	54	97	5	11
SKII1007	309.00	---	---	---	---	1000	277	1	60	2.4	8	54	97	5	11
SKII1003	309.00	SKII1003T	367.00	SKII1003C24	309.00	1000	347	1	60	2.4	8	54	97	5	11
SK1251	229.00	---	---	---	---	1250	120	1	60	2.4	8	79	143	5	11
SK1258	229.00	---	---	---	---	1250	208	1	60	2.4	8	79	143	5	11
SK1252	229.00	---	---	---	---	1250/940	240/208	1	60	2.4	8	79	143	5	11
SKII1257	321.00	---	---	---	---	1250	277	1	60	2.4	8	79	143	5	11
SKII1253	321.00	SKII1253T	379.00	SKII1253C24	321.00	1250	347	1	60	2.4	8	79	143	5	11
SK1501	241.00	---	---	---	---	1500	120	1	60	2.4	8	102	184	5	11
SK1508	241.00	---	---	---	---	1500	208	1	60	2.4	8	102	184	5	11
SK1502	241.00	---	---	---	---	1500/1125	240/208	1	60	2.4	8	102	184	5	11
SKII1507	332.00	---	---	---	---	1500	277	1	60	2.4	8	102	184	5	11
SKII1503	332.00	SKII1503T	390.00	SKII1503C24	332.00	1500	347	1	60	2.4	8	102	184	5	11
---	---	---	---	---	---	2000	120	1	90	3.2	10'6"	109	196	5	11
---	---	---	---	---	---	2000	208	1	90	3.2	10'6"	109	196	5	11
SK2002	275.00	---	---	---	---	2000/1500	240/208	1	90	3.2	10'6"	109	196	5	11
SKII2007	367.00	---	---	---	---	2000	277	1	90	3.2	10'6"	109	196	5	11
SKII2003	367.00	SKII2003T	425.00	SKII2003C24	367.00	2000	347	1	90	3.2	10'6"	109	196	5	11

Add W for white or SW for silica white (see page 8 for optional colours and contact your °STELPRO representative for all other colours)
 --- not available

TECHNICAL DRAWINGS



PORTABLE HEATER

MULTIPURPOSE – SCH SERIES

EFFICIENT, SAFE AND VERSATILE

Any construction worker will tell you that the SCH is the fast-acting heating unit most often found on construction sites, resulting in the nick-name “the construction heater”. Housed in a 20-gauge steel casing, it features a rugged protective grille and nichrome element for instant heat at start-up. Despite its small size, this heating powerhouse boasts 4800 W. The SCH can be placed on the ground or against a wall, using a support bracket, available as an option. This heater is right at home on construction sites and in workshops and garages. The SCH: when you need rapid, reliable heat.



SAFE AND RUGGED (20-GAUGE STEEL)

4800 W HOUSED IN A SMALL UNIT

OPEN COIL GENERATES INSTANT HEAT

PERMANENTLY ENCLOSED LUBRICATED MOTOR (SCH4800T)

VERSATILE: PERMANENT OR TEMPORARY INSTALLATION

WITH OPTIONAL SUPPORT BRACKET

IDEAL FOR:

CONSTRUCTION SITE

COLOURS

red (SCH48T models), yellow (SCH4800T)

FINISH

epoxy-polyester powdercoat

MANUFACTURING

- 20-gauge steel cabinet
- sturdy handle for portability that also serves as cord rack and which adapts to the mounting bracket
- 6 ft. (2 m) 12 Awg. molded cable with 3-prong grounded, 30 A 250 V plug (except for SCH48TWBPL)
- 6 ft. (2 m) 12 Awg. molded cable for hard-wired connection (SCH48TWBPL)
- thermal protection with automatic reset

MOTOR

- 250 CFM fan (SCH48T models)
- permanently enclosed lubricated motor and 300 CFM fan (SCH4800T)

ELEMENT

- nichrome element ensuring increased comfort
- cone-shaped to concentrate the air around the element

CONTROL

built-in thermostat with control knob protector

INSTALLATION

- connects to a standard 30 A 250 V grounded receptacle (except for SCH48TWBPL)
- hard-wired into a wall junction box (SCH48TWBPL)
- mounting bracket that can rotate at 360° while preventing the unit from tipping

ACCESSORY

PRODUCT	DESCRIPTION	PRICE
SCH-WBB	mounting bracket	24.75



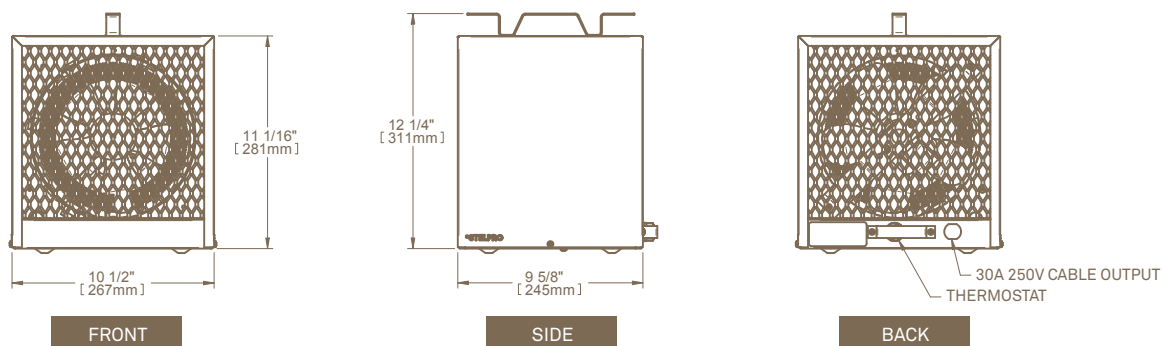
TECHNICAL SPECIFICATIONS

PRODUCT	POWER	VOLTAGE	POWER	CONNECTION	MOUNTING BRACKET	COLOUR	WEIGHT	PRICE	
CODE	WATTS	VOLTS	BTU/H				KG	LB	
SCH48T	4800/3600	240/208	16382/12285	30 A 250 V PLUG	NO	RED	5.9	13	101.00
SCH4800T	4800/3600	240/208	16382/12285	30 A 250 V PLUG	NO	YELLOW	5.9	13	146.00
SCH48TWB	4800/3600	240/208	16382/12285	30 A 250 V PLUG	YES	RED	5.9	13	124.00
SCH48TWBPL	4800/3600	240/208	16382/12285	HARD-WIRED	YES	RED	5.9	13	117.00

THROW DISTANCE AND HEAT RISE

MODEL	UNITS	THROW DISTANCE		HEAT RISE	
		M	FT.	°C	°F
SCH48T	4.8	5.9	19'4"	81	145
SCH4800T	4.8	6.4	21'	70	125

TECHNICAL DRAWINGS



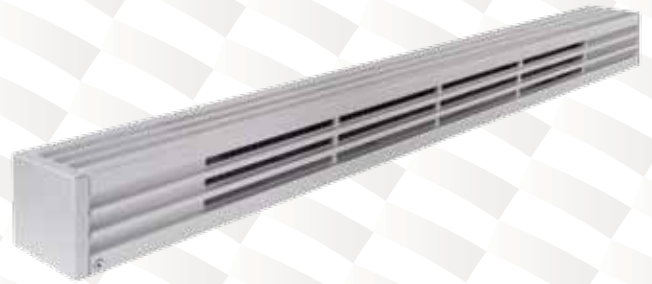
MINI PATIO DOOR HEATER

ALUMINUM - SPDHA SERIES



STYLE AND DURABILITY AT YOUR FEET

Here is a mini patio door heater you will not soon forget: the SPDHA from the ALUX™ series, designed to be installed below a patio door or a bay window. In addition to not cluttering the room, it controls cold air infiltration and condensation due to its ability to act as a hot air curtain. Its unique style and aluminum extrusion not only make it durable but also ensures it complements any room.



**EXTRUDED ALUMINUM FRONT COVER
WITH A UNIQUE AND LUXURIOUS DESIGN**

EXTREMELY SOLID, IMPACT AND RUST RESISTANT

COMPACT AND ROBUST PROFILE

DOES NOT CLUTTER THE ROOM (3 IN. X 3 IN.)

NO CONDENSATION BUILD-UP

ELIMINATES ANY CONDENSATION BUILD-UP FROM THE PATIO DOOR

BLANK SECTIONS AVAILABLE

FOR A CONTINUOUS EFFECT

IDEAL FOR:

BELOW A PATIO DOOR OR A WINDOW, KITCHEN, OFFICE, SOLARIUM

COLOURS

- standard: white, silica white
- luxurious finish: clear anodized (see price list)
- optional: almond, black, textured charcoal, silver, nickel, champagne, light bronze, dark brown (10% surcharge)

FINISH

epoxy-polyester powdercoat or clear anodized finish

MANUFACTURING

- 3 in. x 3 in. compact profile
- solid 20-gauge steel cabinet
- extremely resistant extruded aluminum front cover with a thickness equivalent to 10 gauge
- thermal protection with automatic reset
- full-length wireway

ELEMENT

single tubular, stainless steel sheathed element with boxed aluminum fins for improved heat dissipation; the element is securely fastened at its center, floating in nylon sleeves at each end, eliminating expansion and contraction noises

CONTROL

- wall thermostat (not included) – the use of an electronic thermostat is strongly recommended
- built-in thermostat accessible without removing front grille, installed in the left junction box only (optional)
- low voltage relay kit installed in the left junction box only (optional)

INSTALLATION

- surface mounted
- wall or floor mounted with pedestal kit (optional)
- wiring compartment at both ends of unit
- blank sections (custom lengths) and accessories are available for a continuous effect (optional)

ACCESSORIES

PRODUCT	DESCRIPTION	PRICE
SPDHAT12*	built-in tamper-proof single pole thermostat	94.50
SPDHARE153*	built-in electronic low voltage relay [15 A @ 120 V-347 V]	51.50
SPDHARE156*	built-in electronic low voltage relay [6 A @ 600 V]	91.25
SPDHARE153T*	built-in electronic low voltage relay c/w transformer 24 V [15 A @ 208 V-347 V]	70.00
PK1*	pedestal kit (kit of two)	105.00
PK1CAP	clear anodized (paint) pedestal kit (kit of two)	115.00
SPDHAJS*	joiner strip (2 in. – 51 mm)	70.25
SPDHAJSCAP	clear anodized (paint) joiner strip (2 in. – 51 mm)	80.00
SPDHAIC90*	inside corner (back measures 5 7/8 in. (149 mm) long on each side)	246.00
SPDHAIC90CA	clear anodized (finish) inside corner (back measures 5 7/8 in. (149 mm) long on each side)	277.00
SPDHAOC90*	outside corner (back measures 5 7/8 in. (149 mm) long on each side)	246.00
SPDHAOC90CA	clear anodized (finish) outside corner (back measures 5 7/8 in. (149 mm) long on each side)	277.00
SPDHACB**	clean back (fully finished, no mounting holes or knockouts)	106.00
SPDHACBCAP*	clear anodized (paint) clean back (fully finished, no mounting holes or knockouts)	119.00

Electronic relays can receive a PWM (pulsed width modulation) or digital (on/off) signal.

* Add W for white or SW for silica white

* Factory installed

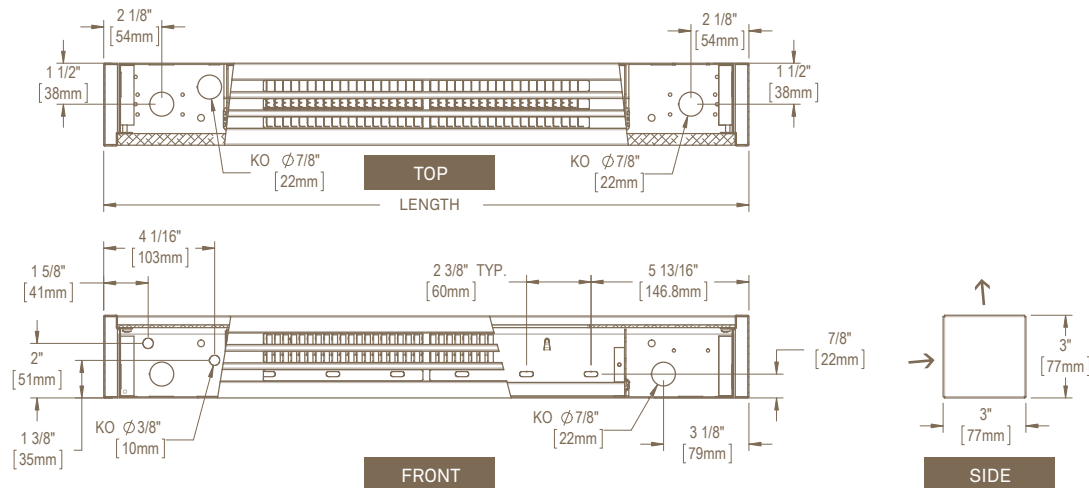
* Factory installation is strongly recommended

TECHNICAL SPECIFICATIONS

150 W PER LINEAR FOOT		VOLTAGE	LENGTH		WEIGHT		PRICE	
CODE	WATTS	VOLTS	MM	IN.	KG	LB	WOR SW	CA
SPDHA6031	300	120	600	23 5/8	2.4	5.2	243.00	288.00
SPDHA6038	300	208	600	23 5/8	2.4	5.2	243.00	288.00
SPDHA6032	300	240	600	23 5/8	2.4	5.2	243.00	288.00
---	300	277	600	23 5/8	2.4	5.2	---	---
---	300	347	600	23 5/8	2.4	5.2	---	---
---	300	480	600	23 5/8	2.4	5.2	---	---
---	300	600	600	23 5/8	2.4	5.2	---	---
SPDHA9041	450	120	900	35 7/16	3.5	7.8	279.00	324.00
SPDHA9048	450	208	900	35 7/16	3.5	7.8	279.00	324.00
SPDHA9042	450	240	900	35 7/16	3.5	7.8	279.00	324.00
SPDHA9047	450	277	900	35 7/16	3.5	7.8	279.00	324.00
SPDHA9043	450	347	900	35 7/16	3.5	7.8	279.00	324.00
---	450	480	900	35 7/16	3.5	7.8	---	---
---	450	600	900	35 7/16	3.5	7.8	---	---
SPDHA12061	600	120	1200	47 1/4	4.7	10.4	315.00	360.00
SPDHA12068	600	208	1200	47 1/4	4.7	10.4	315.00	360.00
SPDHA12062	600	240	1200	47 1/4	4.7	10.4	315.00	360.00
SPDHA12067	600	277	1200	47 1/4	4.7	10.4	315.00	360.00
SPDHA12063	600	347	1200	47 1/4	4.7	10.4	315.00	360.00
---	600	480	1200	47 1/4	4.7	10.4	---	---
---	600	600	1200	47 1/4	4.7	10.4	---	---
SPDHA15071	750	120	1500	59 1/16	5.9	13	351.00	396.00
SPDHA15078	750	208	1500	59 1/16	5.9	13	351.00	396.00
SPDHA15072	750	240	1500	59 1/16	5.9	13	351.00	396.00
SPDHA15077	750	277	1500	59 1/16	5.9	13	351.00	396.00
SPDHA15073	750	347	1500	59 1/16	5.9	13	351.00	396.00
SPDHA15075	750	480	1500	59 1/16	5.9	13	351.00	396.00
SPDHA15076	750	600	1500	59 1/16	5.9	13	351.00	396.00
SPDHA18091	900	120	1800	70 7/8	7.1	15.5	387.00	432.00
SPDHA18098	900	208	1800	70 7/8	7.1	15.5	387.00	432.00
SPDHA18092	900	240	1800	70 7/8	7.1	15.5	387.00	432.00
SPDHA18097	900	277	1800	70 7/8	7.1	15.5	387.00	432.00
SPDHA18093	900	347	1800	70 7/8	7.1	15.5	387.00	432.00
SPDHA18095	900	480	1800	70 7/8	7.1	15.5	387.00	432.00
SPDHA18096	900	600	1800	70 7/8	7.1	15.5	387.00	432.00
SPDHA21101	1050	120	2100	82 11/16	8.2	18.1	423.00	468.00
SPDHA21108	1050	208	2100	82 11/16	8.2	18.1	423.00	468.00
SPDHA21102	1050	240	2100	82 11/16	8.2	18.1	423.00	468.00
SPDHA21107	1050	277	2100	82 11/16	8.2	18.1	423.00	468.00
SPDHA21103	1050	347	2100	82 11/16	8.2	18.1	423.00	468.00
SPDHA21105	1050	480	2100	82 11/16	8.2	18.1	423.00	468.00
SPDHA21106	1050	600	2100	82 11/16	8.2	18.1	423.00	468.00
SPDHA24121	1200	120	2400	94 1/2	9.4	20.7	459.00	504.00
SPDHA24128	1200	208	2400	94 1/2	9.4	20.7	459.00	504.00
SPDHA24122	1200	240	2400	94 1/2	9.4	20.7	459.00	504.00
SPDHA24127	1200	277	2400	94 1/2	9.4	20.7	459.00	504.00
SPDHA24123	1200	347	2400	94 1/2	9.4	20.7	459.00	504.00
SPDHA24125	1200	480	2400	94 1/2	9.4	20.7	459.00	504.00
SPDHA24126	1200	600	2400	94 1/2	9.4	20.7	459.00	504.00
SPDHA27138	1350	208	2700	106 5/16	10.6	23.3	495.00	540.00
SPDHA27132	1350	240	2700	106 5/16	10.6	23.3	495.00	540.00
SPDHA27137	1350	277	2700	106 5/16	10.6	23.3	495.00	540.00
SPDHA27133	1350	347	2700	106 5/16	10.6	23.3	495.00	540.00
SPDHA27135	1350	480	2700	106 5/16	10.6	23.3	495.00	540.00
SPDHA27136	1350	600	2700	106 5/16	10.6	23.3	495.00	540.00

Add W for white, SW for silica white or CA for clear anodized (finish) (see page 8 for optional colours and contact your °STELPRO representative for all other colours)
 --- not available

TECHNICAL DRAWINGS



MINI PATIO DOOR HEATER

SPDH SERIES

STRENGTH AND SAFETY COMBINED

The SPDH model is the perfect example of a small electric baseboard heater that's a big hit in the world of heaters. The challenge: the patio door threshold. The accomplishment: traffic-resistant durability. At just 3 in. in both depth and height, the strength of the SPDH will surprise you. With its rounded front cover, this baseboard heater has a heat output of 150 W per linear foot.



COMPACT AND RUGGED (3 IN. X 3 IN.)

PERFECT UNDER PATIO DOORS AND LARGE WINDOWS

LOW DENSITY (150 W PER LINEAR FOOT)

BLANK SECTIONS AVAILABLE

FOR A CONTINUOUS EFFECT



ROUNDED CORNERS

IDEAL FOR:

BELOW A PATIO DOOR OR A WINDOW, SOLARIUM, KITCHEN, OFFICE

COLOURS

- standard: white, silica white
- optional: almond, black, textured charcoal, silver, clear anodized (paint), nickel, champagne, light bronze, dark brown (10% surcharge)

FINISH

epoxy-polyester powdercoat

MANUFACTURING

- 3 in. x 3 in. compact profile
- solid, 18-gauge steel cabinet and front that may be used as a step
- thermal protection with automatic reset
- full-length wireway
- pencil-proof openings less than 1/4 in. (6.4 mm) prevent foreign objects from entering the unit

ELEMENT

single tubular, stainless steel sheathed element with boxed aluminum fins for improved heat dissipation; the element is securely fastened at its center, floating in nylon sleeves at each end, eliminating expansion and contraction noises

CONTROL

- wall thermostat (not included) – the use of an electronic thermostat is strongly recommended
- built-in thermostat accessible without removing front grille, installed in the left junction box only (optional)
- low voltage relay kit installed in the left junction box only (optional)

INSTALLATION

- surface mounted
- wall or floor mounted with or without pedestal kit (optional)
- wiring compartment at both ends of unit
- blank sections (custom lengths) and accessories are available for a continuous effect (optional)

ACCESSORIES

PRODUCT	DESCRIPTION	PRICE
SPDHT12*	built-in tamper-proof single pole thermostat	91.75
SPDHRE153*	built-in electronic low voltage relay [15 A @ 120 V-347 V]	51.50
SPDHRE156*	built-in electronic low voltage relay [6 A @ 600 V]	91.25
SPDHRE153T*	built-in electronic low voltage relay c/w transformer 24 V [15 A @ 208 V-347 V]	70.00
PK1*	pedestal kit (kit of two)	105.00
SPDHJS*	joiner strip (2 in. – 51 mm)	48.75
SPDHIC90*	inside corner (back measures 5 7/8 in. (149 mm) long on each side)	122.00
SPDHOC90*	outside corner (back measures 5 7/8 in. (149 mm) long on each side)	122.00
SPDHCB**	clean back (fully finished, no mounting holes or knockouts)	73.00

Electronic relays can receive a PWM (pulsed width modulation) or digital (on/off) signal.

* Add W for white or SW for silica white

* Factory installed

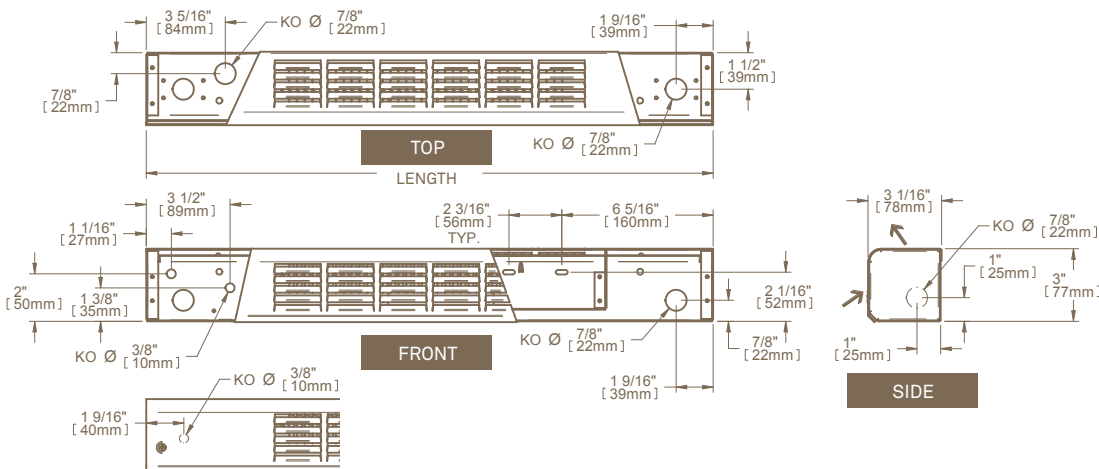
* Factory installation is strongly recommended

TECHNICAL SPECIFICATIONS

150 W PER LINEAR FOOT		VOLTAGE	LENGTH		WEIGHT	PRICE	
CODE	WATTS	VOLTS	MM	IN.	KG	LB	
SPDH6031	300	120	600	23 5/8	2.7	6	166.00
SPDH6038	300	208	600	23 5/8	2.7	6	166.00
SPDH6032	300	240	600	23 5/8	2.7	6	166.00
----	300	277	600	23 5/8	2.7	6	---
----	300	347	600	23 5/8	2.7	6	---
----	300	480	600	23 5/8	2.7	6	---
----	300	600	600	23 5/8	2.7	6	---
SPDH9041	450	120	900	35 7/16	3.6	8	192.00
SPDH9048	450	208	900	35 7/16	3.6	8	192.00
SPDH9042	450	240	900	35 7/16	3.6	8	192.00
SPDH9047	450	277	900	35 7/16	3.6	8	192.00
SPDH9043	450	347	900	35 7/16	3.6	8	192.00
----	450	480	900	35 7/16	3.6	8	---
----	450	600	900	35 7/16	3.6	8	---
SPDH12061	600	120	1200	47 1/4	4.5	10	218.00
SPDH12068	600	208	1200	47 1/4	4.5	10	218.00
SPDH12062	600	240	1200	47 1/4	4.5	10	218.00
SPDH12067	600	277	1200	47 1/4	4.5	10	218.00
SPDH12063	600	347	1200	47 1/4	4.5	10	218.00
----	600	480	1200	47 1/4	4.5	10	---
----	600	600	1200	47 1/4	4.5	10	---
SPDH15071	750	120	1500	59 1/16	5.4	12	244.00
SPDH15078	750	208	1500	59 1/16	5.4	12	244.00
SPDH15072	750	240	1500	59 1/16	5.4	12	244.00
SPDH15077	750	277	1500	59 1/16	5.4	12	244.00
SPDH15073	750	347	1500	59 1/16	5.4	12	244.00
SPDH15075	750	480	1500	59 1/16	5.4	12	244.00
SPDH15076	750	600	1500	59 1/16	5.4	12	244.00
SPDH18091	900	120	1800	70 7/8	6.8	15	269.00
SPDH18098	900	208	1800	70 7/8	6.8	15	269.00
SPDH18092	900	240	1800	70 7/8	6.8	15	269.00
SPDH18097	900	277	1800	70 7/8	6.8	15	269.00
SPDH18093	900	347	1800	70 7/8	6.8	15	269.00
SPDH18095	900	480	1800	70 7/8	6.8	15	269.00
SPDH18096	900	600	1800	70 7/8	6.8	15	269.00
SPDH21101	1050	120	2100	82 11/16	8.2	18	295.00
SPDH21108	1050	208	2100	82 11/16	8.2	18	295.00
SPDH21102	1050	240	2100	82 11/16	8.2	18	295.00
SPDH21107	1050	277	2100	82 11/16	8.2	18	295.00
SPDH21103	1050	347	2100	82 11/16	8.2	18	295.00
SPDH21105	1050	480	2100	82 11/16	8.2	18	295.00
SPDH21106	1050	600	2100	82 11/16	8.2	18	295.00
SPDH24121	1200	120	2400	94 1/2	9.5	21	326.00
SPDH24128	1200	208	2400	94 1/2	9.5	21	326.00
SPDH24122	1200	240	2400	94 1/2	9.5	21	326.00
SPDH24127	1200	277	2400	94 1/2	9.5	21	326.00
SPDH24123	1200	347	2400	94 1/2	9.5	21	326.00
SPDH24125	1200	480	2400	94 1/2	9.5	21	326.00
SPDH24126	1200	600	2400	94 1/2	9.5	21	326.00
SPDH27138	1350	208	2700	106 5/16	10.4	23	357.00
SPDH27132	1350	240	2700	106 5/16	10.4	23	357.00
SPDH27137	1350	277	2700	106 5/16	10.4	23	357.00
SPDH27133	1350	347	2700	106 5/16	10.4	23	357.00
SPDH27135	1350	480	2700	106 5/16	10.4	23	357.00
SPDH27136	1350	600	2700	106 5/16	10.4	23	357.00

Add W for white or SW for silica white (see page 8 for optional colours and contact your °STELPRO representative for all other colours)
 --- not available

TECHNICAL DRAWINGS

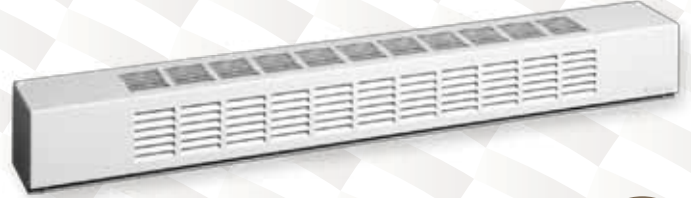


PATIO DOOR HEATER

PDH SERIES

SMALL IN SIZE, BIG ON HEAT

This baseboard heater was designed to provide a constant flow of heat near patio doors and bay windows. It creates a “curtain of air” that envelops the entire glass surface, preventing condensation build-up and the introduction of cold air. Rugged and compact (4 in. x 4 in.), the PDH can act as a step at the door sill. The PDH generates tremendous heat, from 375 W to 2000 W. It can also be used in the kitchen, living room, solarium and basement.



STURDY ENOUGH TO BE USED AS A STEP AT THE DOOR SILL

THANKS TO ITS SOLID CONSTRUCTION

DESIGNED SPECIFICALLY TO PREVENT COLD AIR ENTRY FROM PATIO DOORS

BLANK SECTIONS; PEDESTAL AND FINISHED BACKS AVAILABLE

FULL-LENGTH WIREWAY

IDEAL FOR:

BELOW A PATIO DOOR OR BAY WINDOW, KITCHEN, LIVING ROOM, SOLARIUM

COLOURS

- standard: white, silica white
- optional: almond, black, textured charcoal, silver, clear anodized (paint), nickel, champagne, light bronze, dark brown (10% surcharge)

FINISH

epoxy-polyester powdercoat

MANUFACTURING

- 4 in. x 4 in. compact profile
- solid, 18-gauge steel cabinet and front that may be used as a step
- thermal protection with automatic reset
- full-length wireway
- pencil-proof openings less than 1/4 in. (6.4 mm) prevent foreign objects from entering the unit

ELEMENT

single tubular, stainless steel sheathed element with boxed aluminum fins for improved heat dissipation securely fastened at its center, floating in nylon sleeves at each end, eliminating expansion and contraction noises

CONTROL

- wall thermostat (not included) – the use of an electronic thermostat is strongly recommended
- built-in thermostat accessible without removing front grille, installed in the left junction box only (optional)
- low voltage relay kit installed in the left or right junction box (optional)

INSTALLATION

- surface mounted
- wall or floor mounted with or without pedestal kit (optional)
- wiring compartment at both ends of unit
- blank sections (custom lengths) and accessories are available for a continuous effect (optional)

ACCESSORIES

PRODUCT	DESCRIPTION	PRICE
PDHT12*	built-in tamper-proof single pole thermostat	91.75
PDHT22*	built-in tamper-proof double pole thermostat	97.50
PDHRE153*	built-in electronic low voltage relay [15 A @ 120 V-347 V]	51.50
PDHRE156*	built-in electronic low voltage relay [6 A @ 600 V]	91.25
PDHRE153T*	built-in electronic low voltage relay c/w transformer 24 V [15 A @ 208 V-347 V]	70.00
PK2*	pedestal kit (kit of two)	105.00
PDHJS*	joiner strip (2 in. – 51 mm)	54.25
PDHIC90*	inside corner (back measures 7 7/8 in. (200 mm) on each side)	136.00
PDHOC90*	outside corner (back measures 7 7/8 in. (200 mm) on each side)	136.00
PDHCB**	clean back (fully finished, no mounting holes or knockouts)	81.50

Electronic relays can receive a PWM (pulsed width modulation) or digital (on/off) signal.

* Add W for white or SW for silica white

* Factory installed

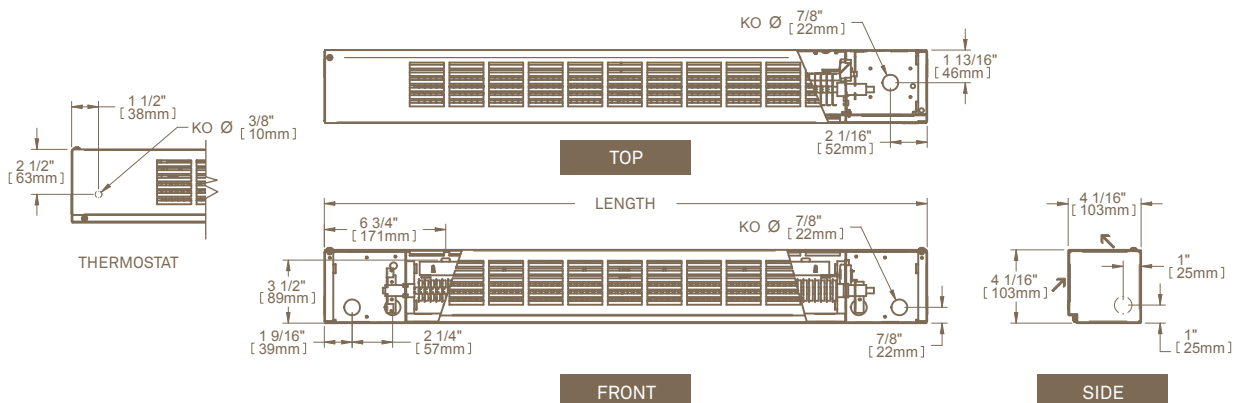
* Factory installation is strongly recommended

TECHNICAL SPECIFICATIONS

PRODUCT	POWER	VOLTAGE	LENGTH		WEIGHT		PRICE
			MM	IN.	KG	LB	
CODE	WATTS	VOLTS	MM	IN.	KG	LB	
PDH0508	500	208	851	33 1/2	5.9	13	220.00
PDH0502	500/375	240/208	851	33 1/2	5.9	13	220.00
PDH0507	500	277	851	33 1/2	5.9	13	220.00
PDH0503	500	347	851	33 1/2	5.9	13	220.00
---	500	480	851	33 1/2	5.9	13	---
---	500	600	851	33 1/2	5.9	13	---
PDH0758	750	208	1219	48	7.7	17	246.00
PDH0752	750/560	240/208	1219	48	7.7	17	246.00
PDH0757	750	277	1219	48	7.7	17	246.00
PDH0753	750	347	1219	48	7.7	17	246.00
PDH0755	750	480	1219	48	7.7	17	246.00
PDH0756	750	600	1219	48	7.7	17	246.00
PDH1008	1000	208	1524	60	9.0	20	271.00
PDH1002	1000/750	240/208	1524	60	9.0	20	271.00
PDH1007	1000	277	1524	60	9.0	20	271.00
PDH1003	1000	347	1524	60	9.0	20	271.00
PDH1005	1000	480	1524	60	9.0	20	271.00
PDH1006	1000	600	1524	60	9.0	20	271.00
PDH1258	1250	208	1829	72	11.0	25	297.00
PDH1252	1250/940	240/208	1829	72	11.0	25	297.00
PDH1257	1250	277	1829	72	11.0	25	297.00
PDH1253	1250	347	1829	72	11.0	25	297.00
PDH1255	1250	480	1829	72	11.0	25	297.00
PDH1256	1250	600	1829	72	11.0	25	297.00
PDH1508	1500	208	2204	86 7/8	14.1	31	323.00
PDH1502	1500/1125	240/208	2204	86 7/8	14.1	31	323.00
PDH1507	1500	277	2204	86 7/8	14.1	31	323.00
PDH1503	1500	347	2204	86 7/8	14.1	31	323.00
PDH1505	1500	480	2204	86 7/8	14.1	31	323.00
PDH1506	1500	600	2204	86 7/8	14.1	31	323.00
PDH1758	1750	208	2542	100 1/16	17.3	38	349.00
PDH1752	1750/1315	240/208	2542	100 1/16	17.3	38	349.00
PDH1757	1750	277	2542	100 1/16	17.3	38	349.00
PDH1753	1750	347	2542	100 1/16	17.3	38	349.00
PDH1755	1750	480	2542	100 1/16	17.3	38	349.00
PDH1756	1750	600	2542	100 1/16	17.3	38	349.00
PDH2008	2000	208	2879	113 3/8	18.6	41	374.00
PDH2002	2000/1500	240/208	2879	113 3/8	18.6	41	374.00
PDH2007	2000	277	2879	113 3/8	18.6	41	374.00
PDH2003	2000	347	2879	113 3/8	18.6	41	374.00
PDH2005	2000	480	2879	113 3/8	18.6	41	374.00
PDH2006	2000	600	2879	113 3/8	18.6	41	374.00

Add W for white or SW for silica white (see page 8 for optional colours and contact your °STELPRO representative for all other colours)
 --- not available

TECHNICAL DRAWINGS



MINI ARCHITECTURAL BASEBOARD

ALC1B SERIES

THE SMALLEST IN ITS CLASS

A mini baseboard that lives up to the great expectations of designers, architects and engineers alike. Only 4 1/2 in. high and 2 in. deep, the ALC1B can be installed in locations previously thought impossible. Discreetly blending into the decor, the ALC1B mini architectural baseboard heater is solid, powerful and elegant all at once. Even though it is compact in size, the ALC1B conforms to the strictest of norms.



VERY COMPACT

2 IN. WIDTH AND 4 1/2 IN. HEIGHT

VERSATILE

ADAPTS TO BUILDING'S ARCHITECTURE

PERFECT FOR PUBLIC PLACES

SHOPPING MALLS, HOSPITALS, ETC.

BLANK SECTIONS AVAILABLE

FOR A CONTINUOUS EFFECT

IDEAL FOR:

SHOPPING MALL, HOSPITAL, COMMERCIAL BUILDING, OFFICE, PRIVATE RESIDENCE

COLOURS

- standard: white, silica white
- optional: almond, black, textured charcoal, silver, clear anodized (paint), nickel, champagne, light bronze, dark brown (10% surcharge)

FINISH

epoxy-polyester powdercoat

MANUFACTURING

- solid 18-gauge steel cabinet and front
- bottom air intake and top air discharge
- thermal protection with automatic reset
- full-length wireway

ELEMENT

single tubular, stainless steel sheathed element with boxed aluminum fins for improved heat dissipation; the element is securely fastened at its center, floating in nylon sleeves at each end, eliminating expansion and contraction noises

CONTROL

- wall thermostat (not included) – the use of an electronic thermostat is strongly recommended
- built-in tamper-proof thermostat accessible without removing front grille, installed in the right junction box only (optional)
- low voltage relay kit installed in the left or right junction box (optional)

INSTALLATION

- surface mounted
- wall or floor mounted with or without pedestal kit (optional)
- at least 2 in. from the floor
- wiring compartment at both ends of unit
- blank sections (custom lengths) and accessories are available for a continuous effect (optional)

ACCESSORIES

PRODUCT	DESCRIPTION	PRICE
ALC1BT12*	built-in tamper-proof single pole thermostat	97.50
ALC1BRE153*	built-in electronic low voltage relay [15 A @ 120 V-347 V]	51.50
ALC1BRE156*	built-in electronic low voltage relay [6 A @ 600 V]	91.25
ALC1BRE153T*	built-in electronic low voltage relay c/w transformer 24 V [15 A @ 208 V-347 V]	70.00
PK1*	pedestal kit (kit of two)	105.00
ALC1BJS*	joiner strip (2 in. – 51 mm)	89.25
ALC1BIC90*	inside corner (back measures 5 7/8 in. (149 mm) long on each side)	313.00
ALC1BOC90*	outside corner (back measures 5 7/8 in. (149 mm) long on each side)	313.00
ALC1BCB**	clean back (fully finished, no mounting holes or knockouts)	134.00

Electronic relays can receive a PWM (pulsed width modulation) or digital (on/off) signal.

* Add W for white or SW for silica white

* Factory installed

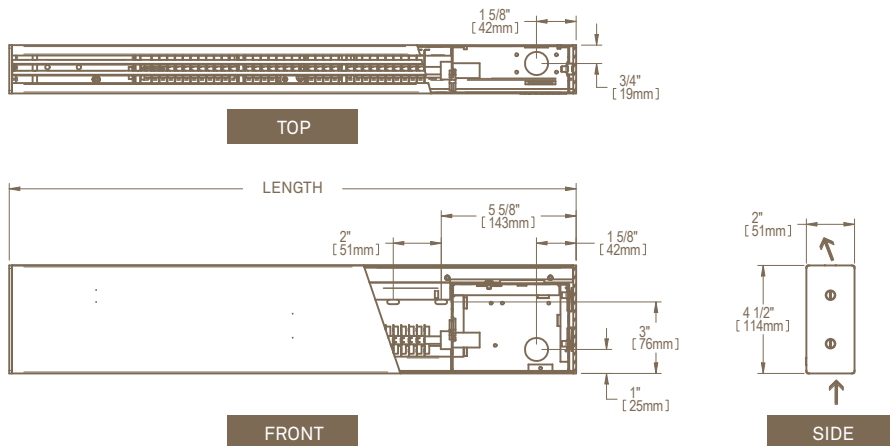
* Factory installation is strongly recommended

TECHNICAL SPECIFICATIONS

150 W PER LINEAR FOOT		VOLTAGE	LENGTH		WEIGHT		PRICE
CODE	WATTS	VOLTS	MM	IN.	KG	LB	
ALC1B6038	300	208	600	23 5/8	2.9	6.4	323.00
ALC1B6032	300/225	240/208	600	23 5/8	2.9	6.4	323.00
---	300	277	600	23 5/8	2.9	6.4	---
---	300	347	600	23 5/8	2.9	6.4	---
---	300	480	600	23 5/8	2.9	6.4	---
---	300	600	600	23 5/8	2.9	6.4	---
ALC1B9048	450	208	900	35 7/16	4.2	9.1	364.00
ALC1B9042	450/338	240/208	900	35 7/16	4.2	9.1	364.00
ALC1B9047	450	277	900	35 7/16	4.2	9.1	364.00
ALC1B9043	450	347	900	35 7/16	4.2	9.1	364.00
---	450	480	900	35 7/16	4.2	9.1	---
---	450	600	900	35 7/16	4.2	9.1	---
ALC1B12068	600	208	1200	47 1/4	6.2	13.6	405.00
ALC1B12062	600/450	240/208	1200	47 1/4	6.2	13.6	405.00
ALC1B12067	600	277	1200	47 1/4	6.2	13.6	405.00
ALC1B12063	600	347	1200	47 1/4	6.2	13.6	405.00
---	600	480	1200	47 1/4	6.2	13.6	---
---	600	600	1200	47 1/4	6.2	13.6	---
ALC1B15078	750	208	1500	59 1/16	7.7	16.8	446.00
ALC1B15072	750/563	240/208	1500	59 1/16	7.7	16.8	446.00
ALC1B15077	750	277	1500	59 1/16	7.7	16.8	446.00
ALC1B15073	750	347	1500	59 1/16	7.7	16.8	446.00
ALC1B15075	750	480	1500	59 1/16	7.7	16.8	446.00
ALC1B15076	750	600	1500	59 1/16	7.7	16.8	446.00
ALC1B18098	900	208	1800	70 7/8	9.1	20.0	488.00
ALC1B18092	900/675	240/208	1800	70 7/8	9.1	20.0	488.00
ALC1B18097	900	277	1800	70 7/8	9.1	20.0	488.00
ALC1B18093	900	347	1800	70 7/8	9.1	20.0	488.00
ALC1B18095	900	480	1800	70 7/8	9.1	20.0	488.00
ALC1B18096	900	600	1800	70 7/8	9.1	20.0	488.00
ALC1B21108	1050	208	2100	82 11/16	10.5	23.1	529.00
ALC1B21102	1050/788	240/208	2100	82 11/16	10.5	23.1	529.00
ALC1B21107	1050	277	2100	82 11/16	10.5	23.1	529.00
ALC1B21103	1050	347	2100	82 11/16	10.5	23.1	529.00
ALC1B21105	1050	480	2100	82 11/16	10.5	23.1	529.00
ALC1B21106	1050	600	2100	82 11/16	10.5	23.1	529.00
ALC1B24128	1200	208	2400	94 1/2	12.2	26.7	570.00
ALC1B24122	1200/900	240/208	2400	94 1/2	12.2	26.7	570.00
ALC1B24127	1200	277	2400	94 1/2	12.2	26.7	570.00
ALC1B24123	1200	347	2400	94 1/2	12.2	26.7	570.00
ALC1B24125	1200	480	2400	94 1/2	12.2	26.7	570.00
ALC1B24126	1200	600	2400	94 1/2	12.2	26.7	570.00
ALC1B27148	1350	208	2700	106 5/16	12.2	26.7	611.00
ALC1B27142	1350/1013	240/208	2700	106 5/16	12.2	26.7	611.00
ALC1B27147	1350	277	2700	106 5/16	12.2	26.7	611.00
ALC1B27143	1350	347	2700	106 5/16	12.2	26.7	611.00
ALC1B27145	1350	480	2700	106 5/16	12.2	26.7	611.00
ALC1B27146	1350	600	2700	106 5/16	12.2	26.7	611.00

Add W for white or SW for silica white (see page 8 for optional colours and contact your °STELPRO representative for all other colours)
 --- not available

TECHNICAL DRAWINGS



ALUMINUM DRAFT BARRIER

DBI SERIES

DESIGN AND FUNCTIONALITY COMBINED

Designers, architects and decor aficionados alike will appreciate this electric baseboard heater whose clean, unobtrusive lines make it a heating showpiece. It can be wall mounted, placed on the floor or installed on pedestals. Consider the DBI for use in offices, conference rooms, entryways, commercial buildings, schools or hospitals. Enjoy the benefits of heating efficiency without sacrificing aesthetics.



HIGH-QUALITY ALUMINUM

EXTRUDED ALUMINUM GRILLE WITH A THICKNESS EQUIVALENT TO 11 GAUGE

THREE WATT DENSITIES OFFERED

COMPACT SIZE, INNOVATIVE DESIGN

BLANK SECTIONS AVAILABLE

FOR A CONTINUOUS EFFECT

IDEAL FOR:

OFFICE, ENTRYWAY, BUSINESS, SCHOOL, HOSPITAL

COLOURS

- standard: white, silica white
- luxurious finish: clear anodized (see price list)
- optional: almond, black, textured charcoal, silver, nickel, champagne, light bronze, dark brown (10% surcharge)

FINISH

epoxy-polyester powdercoat or clear anodized finish

MANUFACTURING

- 18-gauge steel cabinet
- extruded aluminum front panel with a thickness equivalent to 11 gauge
- front air intake and top air discharge (bottom air intake available on demand [BT])
- thermal protection with automatic reset
- full-length wireway
- pencil-proof openings less than 1/4 in. (6.4 mm) prevent foreign objects from entering the unit

ELEMENT

single tubular, stainless steel sheathed element with boxed aluminum fins for improved heat dissipation; the element is securely fastened at its center, floating in nylon sleeves at each end, eliminating expansion and contraction noises

CONTROL

- wall thermostat (not included) – the use of an electronic thermostat is strongly recommended
- built-in tamper-proof thermostat accessible without removing front grille, installed in the left junction box only (optional)
- low voltage relay kit installed in the left or right junction box (optional)
- built-in thermostat with button installed in the left junction box only (optional)

INSTALLATION

- surface mounted
- wall or floor mounted with or without pedestal kit (optional)
- wiring compartments at both ends of unit
- blank sections (custom lengths) and accessories are available for a continuous effect (optional)

ACCESSORIES

PRODUCT	DESCRIPTION	PRICE
DBIT12*	built-in tamper-proof single pole thermostat	97.50
DBIT22*	built-in tamper-proof double pole thermostat	164.00
DBIT12-BOUTON*	built-in single pole thermostat with knob	97.50
DBIRE153*	built-in electronic low voltage relay [15 A @ 120 V-347 V]	51.50
DBIRE156*	built-in electronic low voltage relay [6 A @ 600 V]	91.25
DBIRE153T*	built-in electronic low voltage relay c/w transformer 24 V [15 A @ 208 V-347 V]	70.00
PK1*	pedestal kit (kit of two)	105.00
PK1CAP	clear anodized (paint) pedestal kit (kit of two)	115.00
DBIJS*	joiner strip (2 in. – 51 mm)	84.50
DBIJSCAP	clear anodized (paint) joiner strip (2 in. – 51 mm)	93.50
DBIIC90*	inside corner (back measures 5 7/8 in. (149 mm) long on each side)	296.00
DBIIC90CA	clear anodized (finish) inside corner (back measures 5 7/8" (149 mm) long on each side)	328.00
DBIOC90*	outside corner (back measures 5 7/8 in. (149 mm) long on each side)	296.00
DBIOC90CA	clear anodized (finish) outside corner (back measures 5 7/8 in. (149 mm) long on each side)	328.00
DBICB**	clean back (fully finished, no mounting holes or knockouts)	127.00
DBICBCAP *	clear anodized (paint) clean back (fully finished, no mounting holes or knockouts)	141.00
DBIBT*	bottom air intake/top air discharge	–

Electronic relays can receive a PWM (pulsed width modulation) or digital (on/off) signal.

* Add W for white or SW for silica white

* Factory installed

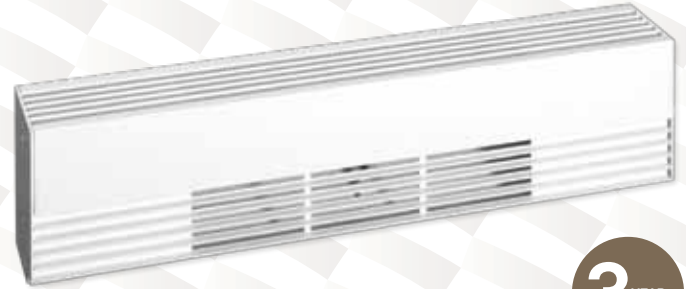
* Factory installation is strongly recommended

ALUMINUM DRAFT BARRIER

DB SERIES

THE CHOICE OF ARCHITECTS

When it comes to aesthetics, the DB is the heating unit of choice. The DB features a winning combination of style and functionality with its extruded aluminum finish and its choice of watt densities. The DB is practically indestructible due to the quality of construction of its aluminum front panel with a thickness equivalent to 11 gauge. What's more, it offers the option of adding blank sections for a seamless, uniform look. Offices, large windows and schools can all benefit from the special features of this baseboard heater.



INDESTRUCTIBLE

EXTRUDED ALUMINUM GRILLE WITH A THICKNESS EQUIVALENT TO 11 GAUGE

THREE WATT DENSITIES OFFERED

BLANK SECTIONS AVAILABLE FOR A CONTINUOUS EFFECT

IDEAL FOR:

OFFICE, SCHOOL, HOSPITAL, BUSINESS, LARGE WINDOW

COLOURS

- standard: white, silica white
- luxurious finish: clear anodized (see price list)
- optional: almond, black, textured charcoal, silver, nickel, champagne, light bronze, dark brown (10% surcharge)

FINISH

epoxy-polyester powdercoat or clear anodized finish

MANUFACTURING

- 18-gauge steel cabinet
- extruded aluminum front panel with a thickness equivalent to 11 gauge
- front air intake and top air discharge (bottom air intake available on demand [BT])
- thermal protection with automatic reset
- full-length wireway
- pencil-proof openings less than 1/4 in. (6.4 mm) prevent foreign objects from entering the unit

ELEMENT

single tubular, stainless steel sheathed element with boxed aluminum fins for improved heat dissipation; the element is securely fastened at its center, floating in nylon sleeves at each end, eliminating expansion and contraction noises

CONTROL

- wall thermostat (not included) – the use of an electronic thermostat is strongly recommended
- built-in tamper-proof thermostat accessible without removing front grille, installed in the left junction box only (optional)
- low voltage relay kit (optional – consult the accessories table for installation options)

INSTALLATION

- surface mounted
- wall or floor mounted with or without pedestal kit (optional)
- wiring compartments at both ends of unit
- blank sections (custom lengths) and accessories are available for a continuous effect (optional)

ACCESSORIES

PRODUCT	DESCRIPTION	PRICE
DBT12*	built-in tamper-proof single pole thermostat	97.50
DBT22*	built-in tamper-proof double pole thermostat	164.00
DBRE153*	built-in electronic low voltage relay [15 A @ 120 V-347 V], installed in the left or right junction box	51.50
DBRE156*	built-in electronic low voltage relay [6 A @ 600 V], installed in the left or right junction box	91.25
DBRE153T*	built-in electronic low voltage relay c/w transformer 24 V [15 A @ 208 V-347 V], installed in the left or right junction box	70.00
DBR841C1151*	built-in mechanical low voltage relay c/w transformer 24 V [6000 W @ 600 V], installed in the left junction box only	112.00
PK2*	pedestal kit (kit of two)	105.00
PK2CAP	clear anodized (paint) pedestal kit (kit of two)	115.00
DBJS*	joiner strip (2 in. – 51 mm)	106.00
DBJSCAP	clear anodized (paint) joiner strip (2 in. – 51 mm)	115.00
DBIC90*	inside corner (back measures 5 7/8 in. (149 mm) long on each side)	370.00
DBIC90CA	clear anodized (finish) inside corner (back measures 5 7/8 in. (149 mm) long on each side)	401.00
DBOC90*	outside corner (back measures 5 7/8 in. (149 mm) long on each side)	370.00
DBOC90CA	clear anodized (finish) outside corner (back measures 5 7/8 in. (149 mm) long on each side)	401.00
DBCBC**	clean back (fully finished, no mounting holes or knockouts)	159.00
DBCBCAP	clear anodized (paint) clean back (fully finished, no mounting holes or knockouts)	172.00
DBBT*	bottom air intake/top air discharge	–

Electronic relays can receive a PWM (pulsed width modulation) or digital (on/off) signal.

* Add W for white or SW for silica white

* Factory installed

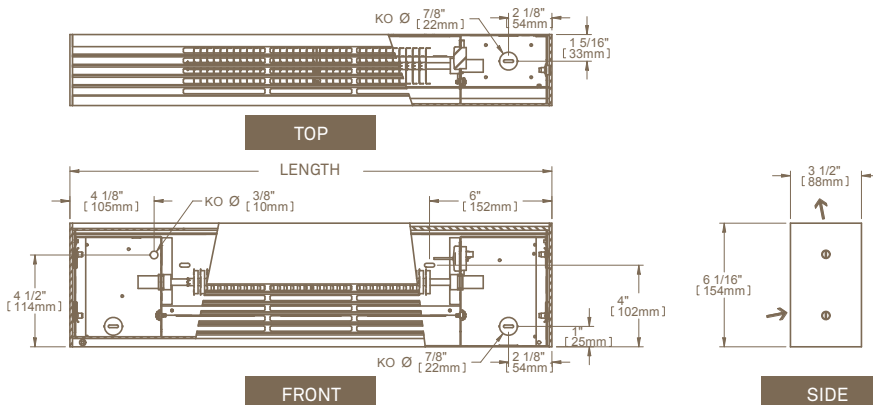
* Factory installation is strongly recommended

TECHNICAL SPECIFICATIONS

STANDARD DENSITY 250 W PER LINEAR FOOT		MEDIUM DENSITY 200 W PER LINEAR FOOT		LOW DENSITY 150 W PER LINEAR FOOT		VOLTAGE	LENGTH		WEIGHT		PRICE	
CODE	WATTS	CODE	WATTS	CODE	WATTS	VOLTS	MM	IN.	KG	LB	W OR SW	CA
DB6051	500	DB6041	400	DB6031	300	120	600	23 5/8	3.1	6.7	358.00	403.00
DB6058	500	DB6048	400	DB6038	300	208	600	23 5/8	3.1	6.7	358.00	403.00
DB6052	500	DB6042	400	DB6032	300	240	600	23 5/8	3.1	6.7	358.00	403.00
DB6057	500	---	400	---	300	277	600	23 5/8	3.1	6.7	358.00	403.00
DB6053	500	---	400	---	300	347	600	23 5/8	3.1	6.7	358.00	403.00
---	500	---	400	---	300	480	600	23 5/8	3.1	6.7	---	---
---	500	---	400	---	300	600	600	23 5/8	3.1	6.7	---	---
DB9071	750	DB9061	600	DB9041	450	120	900	35 7/16	4.6	10.1	415.00	460.00
DB9078	750	DB9068	600	DB9048	450	208	900	35 7/16	4.6	10.1	415.00	460.00
DB9072	750	DB9062	600	DB9042	450	240	900	35 7/16	4.6	10.1	415.00	460.00
DB9077	750	DB9067	600	DB9047	450	277	900	35 7/16	4.6	10.1	415.00	460.00
DB9073	750	DB9063	600	DB9043	450	347	900	35 7/16	4.6	10.1	415.00	460.00
DB9075	750	---	600	---	450	480	900	35 7/16	4.6	10.1	415.00	460.00
DB9076	750	---	600	---	450	600	900	35 7/16	4.6	10.1	415.00	460.00
DB12101	1000	DB12081	800	DB12061	600	120	1200	47 1/4	6.8	13.4	471.00	516.00
DB12108	1000	DB12088	800	DB12068	600	208	1200	47 1/4	6.8	13.4	471.00	516.00
DB12102	1000	DB12082	800	DB12062	600	240	1200	47 1/4	6.8	13.4	471.00	516.00
DB12107	1000	DB12087	800	DB12067	600	277	1200	47 1/4	6.8	13.4	471.00	516.00
DB12103	1000	DB12083	800	DB12063	600	347	1200	47 1/4	6.8	13.4	471.00	516.00
DB12105	1000	DB12085	800	---	600	480	1200	47 1/4	6.8	13.4	471.00	516.00
DB12106	1000	DB12086	800	---	600	600	1200	47 1/4	6.8	13.4	471.00	516.00
DB15121	1250	DB15101	1000	DB15071	750	120	1500	59 1/16	7.6	16.8	528.00	573.00
DB15128	1250	DB15108	1000	DB15078	750	208	1500	59 1/16	7.6	16.8	528.00	573.00
DB15122	1250	DB15102	1000	DB15072	750	240	1500	59 1/16	7.6	16.8	528.00	573.00
DB15127	1250	DB15107	1000	DB15077	750	277	1500	59 1/16	7.6	16.8	528.00	573.00
DB15123	1250	DB15103	1000	DB15073	750	347	1500	59 1/16	7.6	16.8	528.00	573.00
DB15125	1250	DB15105	1000	DB15075	750	480	1500	59 1/16	7.6	16.8	528.00	573.00
DB15126	1250	DB15106	1000	DB15076	750	600	1500	59 1/16	7.6	16.8	528.00	573.00
DB18151	1500	DB18121	1200	DB18091	900	120	1800	70 7/8	9.1	20.1	585.00	630.00
DB18158	1500	DB18128	1200	DB18098	900	208	1800	70 7/8	9.1	20.1	585.00	630.00
DB18152	1500	DB18122	1200	DB18092	900	240	1800	70 7/8	9.1	20.1	585.00	630.00
DB18157	1500	DB18127	1200	DB18097	900	277	1800	70 7/8	9.1	20.1	585.00	630.00
DB18153	1500	DB18123	1200	DB18093	900	347	1800	70 7/8	9.1	20.1	585.00	630.00
DB18155	1500	DB18125	1200	DB18095	900	480	1800	70 7/8	9.1	20.1	585.00	630.00
DB18156	1500	DB18126	1200	DB18096	900	600	1800	70 7/8	9.1	20.1	585.00	630.00
---	1750	DB21141	1400	DB21101	1050	120	2100	82 11/16	10.6	23.4	641.00	686.00
DB21178	1750	DB21148	1400	DB21108	1050	208	2100	82 11/16	10.6	23.4	641.00	686.00
DB21172	1750	DB21142	1400	DB21102	1050	240	2100	82 11/16	10.6	23.4	641.00	686.00
DB21177	1750	DB21147	1400	DB21107	1050	277	2100	82 11/16	10.6	23.4	641.00	686.00
DB21173	1750	DB21143	1400	DB21103	1050	347	2100	82 11/16	10.6	23.4	641.00	686.00
DB21175	1750	DB21145	1400	DB21105	1050	480	2100	82 11/16	10.6	23.4	641.00	686.00
DB21176	1750	DB21146	1400	DB21106	1050	600	2100	82 11/16	10.6	23.4	641.00	686.00
---	2000	---	1600	DB24121	1200	120	2400	94 1/2	12.2	26.8	698.00	743.00
DB24208	2000	DB24168	1600	DB24128	1200	208	2400	94 1/2	12.2	26.8	698.00	743.00
DB24202	2000	DB24162	1600	DB24122	1200	240	2400	94 1/2	12.2	26.8	698.00	743.00
DB24207	2000	DB24167	1600	DB24127	1200	277	2400	94 1/2	12.2	26.8	698.00	743.00
DB24203	2000	DB24163	1600	DB24123	1200	347	2400	94 1/2	12.2	26.8	698.00	743.00
DB24205	2000	DB24165	1600	DB24125	1200	480	2400	94 1/2	12.2	26.8	698.00	743.00
DB24206	2000	DB24166	1600	DB24126	1200	600	2400	94 1/2	12.2	26.8	698.00	743.00
---	2250	---	1800	---	1350	120	2700	106 5/16	13.6	30.1	---	---
DB27228	2250	DB27188	1800	DB27138	1350	208	2700	106 5/16	13.6	30.1	754.00	799.00
DB27222	2250	DB27182	1800	DB27132	1350	240	2700	106 5/16	13.6	30.1	754.00	799.00
DB27227	2250	DB27187	1800	DB27137	1350	277	2700	106 5/16	13.6	30.1	754.00	799.00
DB27223	2250	DB27183	1800	DB27133	1350	347	2700	106 5/16	13.6	30.1	754.00	799.00
DB27225	2250	DB27185	1800	DB27135	1350	480	2700	106 5/16	13.6	30.1	754.00	799.00
DB27226	2250	DB27186	1800	DB27136	1350	600	2700	106 5/16	13.6	30.1	754.00	799.00
---	2500	---	2000	---	1500	120	2700	106 5/16	13.6	30.1	---	---
DB27258	2500	DB27208	2000	DB27158	1500	208	2700	106 5/16	13.6	30.1	754.00	799.00
DB27252	2500	DB27202	2000	DB27152	1500	240	2700	106 5/16	13.6	30.1	754.00	799.00
DB27257	2500	DB27207	2000	DB27157	1500	277	2700	106 5/16	13.6	30.1	754.00	799.00
DB27253	2500	DB27203	2000	DB27153	1500	347	2700	106 5/16	13.6	30.1	754.00	799.00
DB27255	2500	DB27205	2000	DB27155	1500	480	2700	106 5/16	13.6	30.1	754.00	799.00
DB27256	2500	DB27206	2000	DB27156	1500	600	2700	106 5/16	13.6	30.1	754.00	799.00

Add W for white or SW for silica white or CA for clear anodized (finish) (see page 8 for optional colours and contact your *STELPRO representative for all other colours)
 --- not available

TECHNICAL DRAWINGS



ARCHITECTURAL BASEBOARD

SCA SERIES

PERIMETER HEATING WITH STYLE

Architectural in design, the SCA draft barrier is an excellent choice for complimentary, perimeter heating. Modern office buildings will appreciate what the SCA has to offer: a low-profile design capable of efficiently heating perimeter, glassed surfaces. The SCA offers a wide range of installation possibilities and is custom-made for office spaces and adaptable to their future arrangements. Available in white, almond and other colours upon request, the SCA can blend in anywhere.



THREE WATT DENSITIES OFFERED

PERFECT FOR PUBLIC PLACES

SCHOOLS, SHOPPING MALLS, HOSPITALS, ETC.

BLANK SECTIONS AVAILABLE

FOR A CONTINUOUS EFFECT

IDEAL FOR:

SCHOOL, SHOPPING MALL, HOSPITAL

COLOURS

- standard: white, silica white
- optional: almond, black, textured charcoal, silver, clear anodized (paint), nickel, champagne, light bronze, dark brown (10% surcharge)

FINISH

epoxy-polyester powdercoat

MANUFACTURING

- 18-gauge steel cabinet and 16-gauge steel front panel
- front air intake and top air discharge
- thermal protection with automatic reset
- full-length wireway

ELEMENT

single tubular, stainless steel sheathed element with boxed aluminum fins for improved heat dissipation; the element is securely fastened at its center, floating in nylon sleeves at each end, eliminating expansion and contraction noises

CONTROL

- wall thermostat (not included) – the use of an electronic thermostat is strongly recommended
- built-in tamper-proof thermostat accessible without removing front grille, installed in the left junction box only (optional)
- low voltage relay kit installed in the left or right junction box (optional)

INSTALLATION

- surface mounted
- wall or floor mounted with or without pedestal kit (optional)
- wiring compartments at both ends of unit
- blank sections (custom lengths) and accessories are available for a continuous effect (optional)

ACCESSORIES

PRODUCT	DESCRIPTION	PRICE
SCAT12*	built-in tamper-proof single pole thermostat	97.50
SCAT22*	built-in tamper-proof double pole thermostat	164.00
SCARE153*	built-in electronic low voltage relay [15 A @ 120 V-347 V]	51.50
SCARE156*	built-in electronic low voltage relay [6 A @ 600 V]	91.25
SCARE153T*	built-in electronic low voltage relay c/w transformer 24 V [15 A @ 208 V-347 V]	70.00
SCAR841C1151*	built-in mechanical low voltage relay c/w transformer 24 V [6000 W @ 600 V]	112.00
PK2*	pedestal kit (kit of two)	105.00
SCAJS*	joiner strip (2 in. – 51 mm)	68.00
SCAIC90*	inside corner (back measures 5 7/8 in. (149 mm) long on each side)	238.00
SCAOC90*	outside corner (back measures 5 7/8 in. (149 mm) long on each side)	238.00
SCACB**	clean back (fully finished, no mounting holes or knockouts)	102.00

Electronic relays can receive a PWM (pulsed width modulation) or digital (on/off) signal.

* Add W for white or SW for silica white

* Factory installed

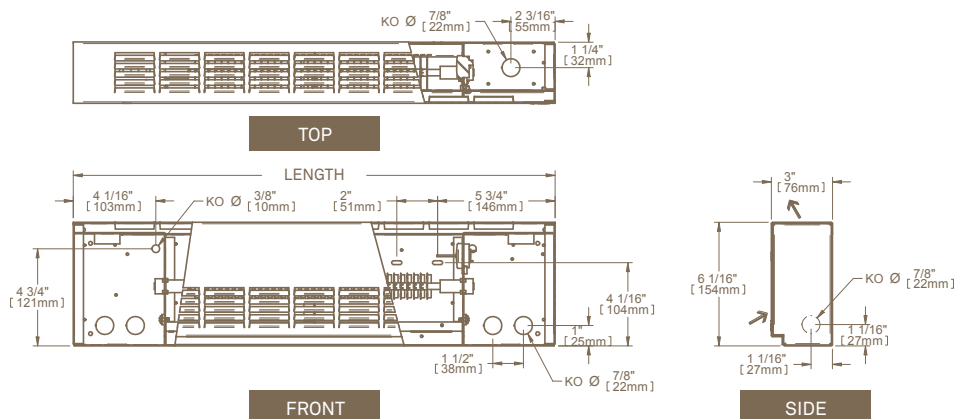
* Factory installation is strongly recommended

TECHNICAL SPECIFICATIONS

STANDARD DENSITY 250 W PER LINEAR FOOT		MEDIUM DENSITY 200 W PER LINEAR FOOT		LOW DENSITY 150 W PER LINEAR FOOT		VOLTAGE	LENGTH		WEIGHT	PRICE	
CODE	WATTS	CODE	WATTS	CODE	WATTS	VOLTS	MM	IN.	KG	LB	
SCA6051	500	SCA6041	400	SCA6031	300	120	600	23 5/8	4.1	9	232.00
SCA6058	500	SCA6048	400	SCA6038	300	208	600	23 5/8	4.1	9	232.00
SCA6052	500	SCA6042	400	SCA6032	300	240	600	23 5/8	4.1	9	232.00
SCA6057	500	---	400	---	300	277	600	23 5/8	4.1	9	232.00
SCA6053	500	---	400	---	300	347	600	23 5/8	4.1	9	232.00
---	500	---	400	---	300	480	600	23 5/8	4.1	9	---
---	500	---	400	---	300	600	600	23 5/8	4.1	9	---
SCA9071	750	SCA9061	600	SCA9041	450	120	900	35 7/16	9.1	13	268.00
SCA9078	750	SCA9068	600	SCA9048	450	208	900	35 7/16	9.1	13	268.00
SCA9072	750	SCA9062	600	SCA9042	450	240	900	35 7/16	9.1	13	268.00
SCA9077	750	SCA9067	600	SCA9047	450	277	900	35 7/16	9.1	13	268.00
SCA9073	750	SCA9063	600	SCA9043	450	347	900	35 7/16	9.1	13	268.00
SCA9075	750	---	600	---	450	480	900	35 7/16	9.1	13	268.00
SCA9076	750	---	600	---	450	600	900	35 7/16	9.1	13	268.00
SCA12101	1000	SCA12081	800	SCA12061	600	120	1200	47 1/4	8.0	17	304.00
SCA12108	1000	SCA12088	800	SCA12068	600	208	1200	47 1/4	8.0	17	304.00
SCA12102	1000	SCA12082	800	SCA12062	600	240	1200	47 1/4	8.0	17	304.00
SCA12107	1000	SCA12087	800	SCA12067	600	277	1200	47 1/4	8.0	17	304.00
SCA12103	1000	SCA12083	800	SCA12063	600	347	1200	47 1/4	8.0	17	304.00
SCA12105	1000	SCA12085	800	---	600	480	1200	47 1/4	8.0	17	304.00
SCA12106	1000	SCA12086	800	---	600	600	1200	47 1/4	8.0	17	304.00
SCA15121	1250	SCA15101	1000	SCA15071	750	120	1500	59 1/16	9.0	20	340.00
SCA15128	1250	SCA15108	1000	SCA15078	750	208	1500	59 1/16	9.0	20	340.00
SCA15122	1250	SCA15102	1000	SCA15072	750	240	1500	59 1/16	9.0	20	340.00
SCA15127	1250	SCA15107	1000	SCA15077	750	277	1500	59 1/16	9.0	20	340.00
SCA15123	1250	SCA15103	1000	SCA15073	750	347	1500	59 1/16	9.0	20	340.00
SCA15125	1250	SCA15105	1000	SCA15075	750	480	1500	59 1/16	9.0	20	340.00
SCA15126	1250	SCA15106	1000	SCA15076	750	600	1500	59 1/16	9.0	20	340.00
SCA18151	1500	SCA18121	1200	SCA18091	900	120	1800	70 7/8	11.0	25	376.00
SCA18158	1500	SCA18128	1200	SCA18098	900	208	1800	70 7/8	11.0	25	376.00
SCA18152	1500	SCA18122	1200	SCA18092	900	240	1800	70 7/8	11.0	25	376.00
SCA18157	1500	SCA18127	1200	SCA18097	900	277	1800	70 7/8	11.0	25	376.00
SCA18153	1500	SCA18123	1200	SCA18093	900	347	1800	70 7/8	11.0	25	376.00
SCA18155	1500	SCA18125	1200	SCA18095	900	480	1800	70 7/8	11.0	25	376.00
SCA18156	1500	SCA18126	1200	SCA18096	900	600	1800	70 7/8	11.0	25	376.00
---	1750	SCA21141	1400	SCA21101	1050	120	2100	82 11/16	13.0	29	412.00
SCA21178	1750	SCA21148	1400	SCA21108	1050	208	2100	82 11/16	13.0	29	412.00
SCA21172	1750	SCA21142	1400	SCA21102	1050	240	2100	82 11/16	13.0	29	412.00
SCA21177	1750	SCA21147	1400	SCA21107	1050	277	2100	82 11/16	13.0	29	412.00
SCA21173	1750	SCA21143	1400	SCA21103	1050	347	2100	82 11/16	13.0	29	412.00
SCA21175	1750	SCA21145	1400	SCA21105	1050	480	2100	82 11/16	13.0	29	412.00
SCA21176	1750	SCA21146	1400	SCA21106	1050	600	2100	82 11/16	13.0	29	412.00
---	2000	---	1600	SCA24121	1200	120	2400	94 1/2	16.0	34	449.00
SCA24208	2000	SCA24168	1600	SCA24128	1200	208	2400	94 1/2	16.0	34	449.00
SCA24202	2000	SCA24162	1600	SCA24122	1200	240	2400	94 1/2	16.0	34	449.00
SCA24207	2000	SCA24167	1600	SCA24127	1200	277	2400	94 1/2	16.0	34	449.00
SCA24203	2000	SCA24163	1600	SCA24123	1200	347	2400	94 1/2	16.0	34	449.00
SCA24205	2000	SCA24165	1600	SCA24125	1200	480	2400	94 1/2	16.0	34	449.00
SCA24206	2000	SCA24166	1600	SCA24126	1200	600	2400	94 1/2	16.0	34	449.00
---	2250	---	1800	---	1350	120	2700	106 5/16	17.0	37	---
SCA27228	2250	SCA27188	1800	SCA27138	1350	208	2700	106 5/16	17.0	37	485.00
SCA27222	2250	SCA27182	1800	SCA27132	1350	240	2700	106 5/16	17.0	37	485.00
SCA27227	2250	SCA27187	1800	SCA27137	1350	277	2700	106 5/16	17.0	37	485.00
SCA27223	2250	SCA27183	1800	SCA27133	1350	347	2700	106 5/16	17.0	37	485.00
SCA27225	2250	SCA27185	1800	SCA27135	1350	480	2700	106 5/16	17.0	37	485.00
SCA27226	2250	SCA27186	1800	SCA27136	1350	600	2700	106 5/16	17.0	37	485.00
---	2500	---	2000	---	1500	120	2700	106 5/16	17.0	37	---
SCA27258	2500	SCA27208	2000	SCA27158	1500	208	2700	106 5/16	17.0	37	485.00
SCA27252	2500	SCA27202	2000	SCA27152	1500	240	2700	106 5/16	17.0	37	485.00
SCA27257	2500	SCA27207	2000	SCA27157	1500	277	2700	106 5/16	17.0	37	485.00
SCA27253	2500	SCA27203	2000	SCA27153	1500	347	2700	106 5/16	17.0	37	485.00
SCA27255	2500	SCA27205	2000	SCA27155	1500	480	2700	106 5/16	17.0	37	485.00
SCA27256	2500	SCA27206	2000	SCA27156	1500	600	2700	106 5/16	17.0	37	485.00

Add W for white or SW for silica white (see page 8 for optional colours and contact your °STELPRO representative for all other colours)
 --- not available

TECHNICAL DRAWINGS



SLOPED ARCHITECTURAL BASEBOARD

SCAS SERIES

BE SURROUNDED BY HEAT!

The SCAS draft barrier is an excellent choice for complimentary, perimeter heating. Those modern office buildings will appreciate what the SCAS has to offer: a compact, sloped top design capable of efficiently heating perimeter, glassed surfaces. The SCAS offers a wide array of installation possibilities and is adaptable to all arrangements in office spaces. Thanks to its sloped top, it is less likely to be sat on, stepped on or used as a shelf.



SLOPED TOP

MAKING IT LESS LIKELY TO BE SAT ON OR USED AS A SHELF

THREE WATT DENSITIES OFFERED

PERFECT FOR DAYCARES

SAFE; INACCESSIBLE TO FINGERS, TOYS, PENCILS, ETC.

BLANK SECTIONS AVAILABLE

FOR A CONTINUOUS EFFECT

IDEAL FOR:

SCHOOL, SHOPPING MALL, HOSPITAL, DAY CARE CENTRE

COLOURS

- standard: white, silica white
- optional: almond, black, textured charcoal, silver, clear anodized (paint), nickel, champagne, light bronze, dark brown (10% surcharge)

FINISH

epoxy-polyester powdercoat

MANUFACTURING

- 18-gauge steel cabinet and 16-gauge steel front panel
- front air intake and top air discharge
- thermal protection with automatic reset
- full-length wireway
- pencil-proof openings less than 1/4 in. (6.4 mm) prevent foreign objects from entering the unit
- protective wire mesh available for front cover (optional)

ELEMENT

single tubular, stainless steel sheathed element with boxed aluminum fins for improved heat dissipation; the element is securely fastened at its center, floating in nylon sleeves at each end, eliminating expansion and contraction noises

CONTROL

- wall thermostat (not included) – the use of an electronic thermostat is strongly recommended
- built-in tamper-proof thermostat accessible without removing front grille, installed in the left junction box only (optional)
- low voltage relay kit installed in the left or right junction box (optional)

INSTALLATION

- surface mounted
- wall or floor mounted with or without pedestal kit (optional)
- wiring compartments at both ends of unit
- blank sections (custom lengths) and accessories are available for a continuous effect (optional)

ACCESSORIES

PRODUCT	DESCRIPTION	PRICE
SCAST12*	built-in tamper-proof single pole thermostat	97.50
SCAST22*	built-in tamper-proof double pole thermostat	164.00
SCASRE153*	built-in electronic low voltage relay [15 A @ 120 V-347 V]	51.50
SCASRE156*	built-in electronic low voltage relay [6 A @ 600 V]	91.25
SCASRE153T*	built-in electronic low voltage relay c/w transformer 24 V [15 A @ 208 V-347 V]	70.00
SCASR841C1151*	built-in mechanical low voltage relay c/w transformer 24 V [6000 W @ 600 V]	112.00
PK2*	pedestal kit (kit of two)	105.00
SCASJS*	joiner strip (2 in. – 51 mm)	68.00
SCASIC90*	inside corner (back measures 5 7/8 in. (149 mm) long on each side)	238.00
SCASOC90*	outside corner (back measures 5 7/8 in. (149 mm) long on each side)	238.00
SCASCB**	clean back (fully finished, no mounting holes or knockouts)	102.00
SCASWM*	protective wire mesh for front cover (units from 23 5/8 in. to 59 1/16 in. – 600 mm to 1500 mm)	45.00
SCASWM*	protective wire mesh for front cover (units from 70 7/8 in. to 106 5/16 in. – 1800 mm to 2700 mm)	65.00

Electronic relays can receive a PWM (pulsed width modulation) or digital (on/off) signal.

* Add W for white or SW for silica white

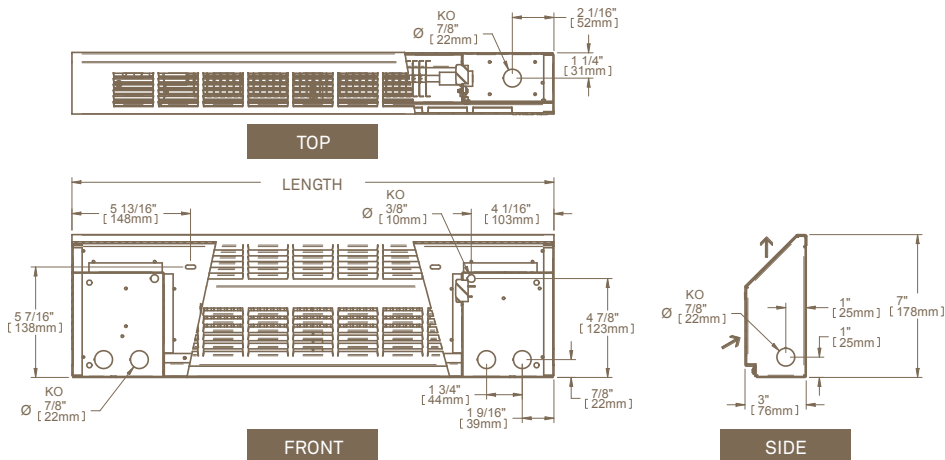
* Factory installed * Factory installation is strongly recommended

TECHNICAL SPECIFICATIONS

STANDARD DENSITY 250 W PER LINEAR FOOT		MEDIUM DENSITY 200 W PER LINEAR FOOT		LOW DENSITY 150 W PER LINEAR FOOT		VOLTAGE	LENGTH		WEIGHT	PRICE
CODE	WATTS	CODE	WATTS	CODE	WATTS	VOLTS	MM	IN.	KG	LB
SCAS6051	500	SCAS6041	400	SCAS6031	300	120	600	23 5/8	4.1	9
SCAS6058	500	SCAS6048	400	SCAS6038	300	208	600	23 5/8	4.1	9
SCAS6052	500	SCAS6042	400	SCAS6032	300	240	600	23 5/8	4.1	9
SCAS6057	500	---	400	---	300	277	600	23 5/8	4.1	9
SCAS6053	500	---	400	---	300	347	600	23 5/8	4.1	9
---	500	---	400	---	300	480	600	23 5/8	4.1	9
---	500	---	400	---	300	600	600	23 5/8	4.1	9
SCAS9071	750	SCAS9061	600	SCAS9041	450	120	900	35 7/16	5.9	13
SCAS9078	750	SCAS9068	600	SCAS9048	450	208	900	35 7/16	5.9	13
SCAS9072	750	SCAS9062	600	SCAS9042	450	240	900	35 7/16	5.9	13
SCAS9077	750	SCAS9067	600	SCAS9047	450	277	900	35 7/16	5.9	13
SCAS9073	750	SCAS9063	600	SCAS9043	450	347	900	35 7/16	5.9	13
SCAS9075	750	---	600	---	450	480	900	35 7/16	5.9	13
SCAS9076	750	---	600	---	450	600	900	35 7/16	5.9	13
SCAS12101	1000	SCAS12081	800	SCAS12061	600	120	1200	47 1/4	8.0	17
SCAS12108	1000	SCAS12088	800	SCAS12068	600	208	1200	47 1/4	8.0	17
SCAS12102	1000	SCAS12082	800	SCAS12062	600	240	1200	47 1/4	8.0	17
SCAS12107	1000	SCAS12087	800	SCAS12067	600	277	1200	47 1/4	8.0	17
SCAS12103	1000	SCAS12083	800	SCAS12063	600	347	1200	47 1/4	8.0	17
SCAS12105	1000	SCAS12085	800	---	600	480	1200	47 1/4	8.0	17
SCAS12106	1000	SCAS12086	800	---	600	600	1200	47 1/4	8.0	17
SCAS15121	1250	SCAS15101	1000	SCAS15071	750	120	1500	59 1/16	9.0	20
SCAS15128	1250	SCAS15108	1000	SCAS15078	750	208	1500	59 1/16	9.0	20
SCAS15122	1250	SCAS15102	1000	SCAS15072	750	240	1500	59 1/16	9.0	20
SCAS15127	1250	SCAS15107	1000	SCAS15077	750	277	1500	59 1/16	9.0	20
SCAS15123	1250	SCAS15103	1000	SCAS15073	750	347	1500	59 1/16	9.0	20
SCAS15125	1250	SCAS15105	1000	SCAS15075	750	480	1500	59 1/16	9.0	20
SCAS15126	1250	SCAS15106	1000	SCAS15076	750	600	1500	59 1/16	9.0	20
SCAS18151	1500	SCAS18121	1200	SCAS18091	900	120	1800	70 7/8	11.0	25
SCAS18158	1500	SCAS18128	1200	SCAS18098	900	208	1800	70 7/8	11.0	25
SCAS18152	1500	SCAS18122	1200	SCAS18092	900	240	1800	70 7/8	11.0	25
SCAS18157	1500	SCAS18127	1200	SCAS18097	900	277	1800	70 7/8	11.0	25
SCAS18153	1500	SCAS18123	1200	SCAS18093	900	347	1800	70 7/8	11.0	25
SCAS18155	1500	SCAS18125	1200	SCAS18095	900	480	1800	70 7/8	11.0	25
SCAS18156	1500	SCAS18126	1200	SCAS18096	900	600	1800	70 7/8	11.0	25
---	1750	SCAS21141	1400	SCAS21101	1050	120	2100	82 11/16	13.0	29
SCAS21178	1750	SCAS21148	1400	SCAS21108	1050	208	2100	82 11/16	13.0	29
SCAS21172	1750	SCAS21142	1400	SCAS21102	1050	240	2100	82 11/16	13.0	29
SCAS21177	1750	SCAS21147	1400	SCAS21107	1050	277	2100	82 11/16	13.0	29
SCAS21173	1750	SCAS21143	1400	SCAS21103	1050	347	2100	82 11/16	13.0	29
SCAS21175	1750	SCAS21145	1400	SCAS21105	1050	480	2100	82 11/16	13.0	29
SCAS21176	1750	SCAS21146	1400	SCAS21106	1050	600	2100	82 11/16	13.0	29
---	2000	---	1600	SCAS24121	1200	120	2400	94 1/2	16.0	34
SCAS24208	2000	SCAS24168	1600	SCAS24128	1200	208	2400	94 1/2	16.0	34
SCAS24202	2000	SCAS24162	1600	SCAS24122	1200	240	2400	94 1/2	16.0	34
SCAS24207	2000	SCAS24167	1600	SCAS24127	1200	277	2400	94 1/2	16.0	34
SCAS24203	2000	SCAS24163	1600	SCAS24123	1200	347	2400	94 1/2	16.0	34
SCAS24205	2000	SCAS24165	1600	SCAS24125	1200	480	2400	94 1/2	16.0	34
SCAS24206	2000	SCAS24166	1600	SCAS24126	1200	600	2400	94 1/2	16.0	34
---	2250	---	1800	---	1350	120	2700	106 5/16	17.0	37
SCAS27228	2250	SCAS27188	1800	SCAS27138	1350	208	2700	106 5/16	17.0	37
SCAS27222	2250	SCAS27182	1800	SCAS27132	1350	240	2700	106 5/16	17.0	37
SCAS27227	2250	SCAS27187	1800	SCAS27137	1350	277	2700	106 5/16	17.0	37
SCAS27223	2250	SCAS27183	1800	SCAS27133	1350	347	2700	106 5/16	17.0	37
SCAS27225	2250	SCAS27185	1800	SCAS27135	1350	480	2700	106 5/16	17.0	37
SCAS27226	2250	SCAS27186	1800	SCAS27136	1350	600	2700	106 5/16	17.0	37
---	2500	---	2000	---	1500	120	2700	106 5/16	17.0	37
SCAS27258	2500	SCAS27208	2000	SCAS27158	1500	208	2700	106 5/16	17.0	37
SCAS27252	2500	SCAS27202	2000	SCAS27152	1500	240	2700	106 5/16	17.0	37
SCAS27257	2500	SCAS27207	2000	SCAS27157	1500	277	2700	106 5/16	17.0	37
SCAS27253	2500	SCAS27203	2000	SCAS27153	1500	347	2700	106 5/16	17.0	37
SCAS27255	2500	SCAS27205	2000	SCAS27155	1500	480	2700	106 5/16	17.0	37
SCAS27256	2500	SCAS27206	2000	SCAS27156	1500	600	2700	106 5/16	17.0	37

Add W for white or SW for silica white (see page 8 for optional colours and contact your °STELPRO representative for all other colours)
 --- not available

TECHNICAL DRAWINGS



SLOPED COMMERCIAL BASEBOARD

CBB SERIES

TOP OF ITS CLASS

The CBB was designed to provide optimal heating output in public areas, such as shopping centres, schools, day care centres, and hospitals. This high profile baseboard heater is durable enough to meet the needs of schools and other densely-populated buildings. The CBB is available in several watt densities. Nothing warms you up like the CBB!



SLOPED TOP PREVENTS THE HEATER BEING USED AS A SHELF OR BENCH

THREE WATT DENSITIES OFFERED

RUGGED CASING SPECIALLY DESIGNED FOR HIGH-TRAFFIC AREAS

BLANK SECTIONS AVAILABLE FOR A CONTINUOUS EFFECT

IDEAL FOR:

SCHOOL, SHOPPING CENTRE, HOSPITAL, DAY CARE CENTRE

COLOURS

- standard: white, silica white
- optional: almond, black, textured charcoal, silver, clear anodized (paint), nickel, champagne, light bronze, dark brown (10% surcharge)

FINISH

epoxy-polyester powdercoat

MANUFACTURING

- 18-gauge steel cabinet and 16-gauge front panel
- thermal protection with automatic reset
- full-length wireway
- pencil-proof openings less than 1/4 in. (6.4 mm) prevent foreign objects from entering the unit
- protective wire mesh available for front cover (optional)

ELEMENT

single tubular, stainless steel sheathed element with boxed aluminum fins for improved heat dissipation; the element is securely fastened at its center, floating in nylon sleeves at each end, eliminating expansion and contraction noises

CONTROL

- wall thermostat (not included) – the use of an electronic thermostat is strongly recommended
- built-in tamper-proof thermostat accessible without removing front grille, installed in the left junction box only (optional)
- low voltage relay kit installed in the left or right junction box (optional)

INSTALLATION

- surface mounted
- wall or floor mounted with or without pedestal kit (optional)
- wiring compartments at both ends of unit
- blank sections (custom lengths) and accessories are available for a continuous effect (optional)

ACCESSORIES

PRODUCT	DESCRIPTION	PRICE
CBBT12*	built-in tamper-proof single pole thermostat	97.50
CBBT22*	built-in tamper-proof double pole thermostat	164.00
CBBRE153*	built-in electronic low voltage relay [15 A @ 120 V-347 V]	51.50
CBBRE156*	built-in electronic low voltage relay [6 A @ 600 V]	91.25
CBBRE153T*	built-in electronic low voltage relay c/w transformer 24 V [15 A @ 208 V-347 V]	70.00
CBBR841C1151*	built-in mechanical low voltage relay c/w transformer 24 V [6000 W @ 600 V]	112.00
PK2*	pedestal kit (kit of two)	105.00
CBBJS*	joiner strip (2 in. – 51 mm)	84.50
CBBIC90*	inside corner (back measures 5 7/8 in. (149 mm) long on each side)	296.00
CBBOC90*	outside corner (back measures 5 7/8 in. (149 mm) long on each side)	296.00
CBBCB**	clean back (fully finished, no mounting holes or knockouts)	127.00
CBBWM*	protective wire mesh for front cover (units from 23 5/8 in. to 59 1/16 in. – 600 mm to 1500 mm)	45.00
CBBWM*	protective wire mesh for front cover (units from 70 7/8 in. to 106 5/16 in. – 1800 mm to 2700 mm)	65.00

Electronic relays can receive a PWM (pulsed width modulation) or digital (on/off) signal.

* Add W for white or SW for silica white

* Factory installed

* Factory installation is strongly recommended

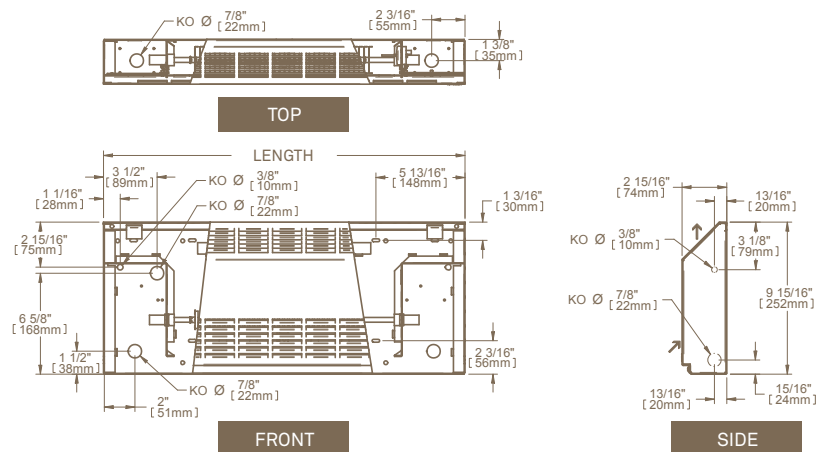
TECHNICAL SPECIFICATIONS

STANDARD DENSITY 250 W PER LINEAR FOOT		MEDIUM DENSITY 200 W PER LINEAR FOOT		LOW DENSITY 150 W PER LINEAR FOOT		VOLTAGE	LENGTH		WEIGHT		PRICE
CODE	WATTS	CODE	WATTS	CODE	WATTS	VOLTS	MM	IN.	KG	LB	
CBB6051	500	CBB6041	400	CBB6031	300	120	600	23 5/8	6.4	14	299.00
CBB6058	500	CBB6048	400	CBB6038	300	208	600	23 5/8	6.4	14	299.00
CBB6052	500	CBB6042	400	CBB6032	300	240	600	23 5/8	6.4	14	299.00
CBB6057	500	---	400	---	300	277	600	23 5/8	6.4	14	299.00
CBB6053	500	---	400	---	300	347	600	23 5/8	6.4	14	299.00
---	500	---	400	---	300	480	600	23 5/8	6.4	14	---
---	500	---	400	---	300	600	600	23 5/8	6.4	14	---
CBB9071	750	CBB9061	600	CBB9041	450	120	900	35 7/16	9.1	20	340.00
CBB9078	750	CBB9068	600	CBB9048	450	208	900	35 7/16	9.1	20	340.00
CBB9072	750	CBB9062	600	CBB9042	450	240	900	35 7/16	9.1	20	340.00
CBB9077	750	CBB9067	600	CBB9047	450	277	900	35 7/16	9.1	20	340.00
CBB9073	750	CBB9063	600	CBB9043	450	347	900	35 7/16	9.1	20	340.00
CBB9075	750	---	600	---	450	480	900	35 7/16	9.1	20	340.00
CBB9076	750	---	600	---	450	600	900	35 7/16	9.1	20	340.00
CBB12101	1000	CBB12081	800	CBB12061	600	120	1200	47 1/4	13.6	30	382.00
CBB12108	1000	CBB12088	800	CBB12068	600	208	1200	47 1/4	13.6	30	382.00
CBB12102	1000	CBB12082	800	CBB12062	600	240	1200	47 1/4	13.6	30	382.00
CBB12107	1000	CBB12087	800	CBB12067	600	277	1200	47 1/4	13.6	30	382.00
CBB12103	1000	CBB12083	800	CBB12063	600	347	1200	47 1/4	13.6	30	382.00
CBB12105	1000	CBB12085	800	---	600	480	1200	47 1/4	13.6	30	382.00
CBB12106	1000	CBB12086	800	---	600	600	1200	47 1/4	13.6	30	382.00
CBB15121	1250	CBB15101	1000	CBB15071	750	120	1500	59 1/16	16.8	37	423.00
CBB15128	1250	CBB15108	1000	CBB15078	750	208	1500	59 1/16	16.8	37	423.00
CBB15122	1250	CBB15102	1000	CBB15072	750	240	1500	59 1/16	16.8	37	423.00
CBB15127	1250	CBB15107	1000	CBB15077	750	277	1500	59 1/16	16.8	37	423.00
CBB15123	1250	CBB15103	1000	CBB15073	750	347	1500	59 1/16	16.8	37	423.00
CBB15125	1250	CBB15105	1000	CBB15075	750	480	1500	59 1/16	16.8	37	423.00
CBB15126	1250	CBB15106	1000	CBB15076	750	600	1500	59 1/16	16.8	37	423.00
CBB18151	1500	CBB18121	1200	CBB18091	900	120	1800	70 7/8	20.0	44	464.00
CBB18158	1500	CBB18128	1200	CBB18098	900	208	1800	70 7/8	20.0	44	464.00
CBB18152	1500	CBB18122	1200	CBB18092	900	240	1800	70 7/8	20.0	44	464.00
CBB18157	1500	CBB18127	1200	CBB18097	900	277	1800	70 7/8	20.0	44	464.00
CBB18153	1500	CBB18123	1200	CBB18093	900	347	1800	70 7/8	20.0	44	464.00
CBB18155	1500	CBB18125	1200	CBB18095	900	480	1800	70 7/8	20.0	44	464.00
CBB18156	1500	CBB18126	1200	CBB18096	900	600	1800	70 7/8	20.0	44	464.00
---	1750	CBB21141	1400	CBB21101	1050	120	2100	82 11/16	23.1	51	505.00
CBB21178	1750	CBB21148	1400	CBB21108	1050	208	2100	82 11/16	23.1	51	505.00
CBB21172	1750	CBB21142	1400	CBB21102	1050	240	2100	82 11/16	23.1	51	505.00
CBB21177	1750	CBB21147	1400	CBB21107	1050	277	2100	82 11/16	23.1	51	505.00
CBB21173	1750	CBB21143	1400	CBB21103	1050	347	2100	82 11/16	23.1	51	505.00
CBB21175	1750	CBB21145	1400	CBB21105	1050	480	2100	82 11/16	23.1	51	505.00
CBB21176	1750	CBB21146	1400	CBB21106	1050	600	2100	82 11/16	23.1	51	505.00
---	2000	---	1600	CBB24121	1200	120	2400	94 1/2	26.7	59	546.00
CBB24208	2000	CBB24168	1600	CBB24128	1200	208	2400	94 1/2	26.7	59	546.00
CBB24202	2000	CBB24162	1600	CBB24122	1200	240	2400	94 1/2	26.7	59	546.00
CBB24207	2000	CBB24167	1600	CBB24127	1200	277	2400	94 1/2	26.7	59	546.00
CBB24203	2000	CBB24163	1600	CBB24123	1200	347	2400	94 1/2	26.7	59	546.00
CBB24205	2000	CBB24165	1600	CBB24125	1200	480	2400	94 1/2	26.7	59	546.00
CBB24206	2000	CBB24166	1600	CBB24126	1200	600	2400	94 1/2	26.7	59	546.00
---	2250	---	1800	---	1350	120	2700	106 5/16	27.6	61	---
CBB27228	2250	CBB27188	1800	CBB27138	1350	208	2700	106 5/16	27.6	61	588.00
CBB27222	2250	CBB27182	1800	CBB27132	1350	240	2700	106 5/16	27.6	61	588.00
CBB27227	2250	CBB27187	1800	CBB27137	1350	277	2700	106 5/16	27.6	61	588.00
CBB27223	2250	CBB27183	1800	CBB27133	1350	347	2700	106 5/16	27.6	61	588.00
CBB27225	2250	CBB27185	1800	CBB27135	1350	480	2700	106 5/16	27.6	61	588.00
CBB27226	2250	CBB27186	1800	CBB27136	1350	600	2700	106 5/16	27.6	61	588.00
---	2500	---	2000	---	1500	120	2700	106 5/16	27.6	61	---
CBB27258	2500	CBB27208	2000	CBB27158	1500	208	2700	106 5/16	27.6	61	588.00
CBB27252	2500	CBB27202	2000	CBB27152	1500	240	2700	106 5/16	27.6	61	588.00
CBB27257	2500	CBB27207	2000	CBB27157	1500	277	2700	106 5/16	27.6	61	588.00
CBB27253	2500	CBB27203	2000	CBB27153	1500	347	2700	106 5/16	27.6	61	588.00
CBB27255	2500	CBB27205	2000	CBB27155	1500	480	2700	106 5/16	27.6	61	588.00
CBB27256	2500	CBB27206	2000	CBB27156	1500	600	2700	106 5/16	27.6	61	588.00

Add W for white or SW for silica white (see page 8 for optional colours and contact your °STELPRO representative for all other colours)

--- not available

TECHNICAL DRAWINGS



COMMERCIAL BASEBOARD

CBF SERIES

A STURDY BASEBOARD THAT CAN BE RECESSED

The CBF commercial baseboard heater is the suitable choice for commercial buildings, passageways and any other public establishment where wall space is precious and recessed installation is ideal. Surface mountable as well, this heater looks great on its own or installed one after the other in a continuous fashion around the perimeters of a room or corridor.



CAN BE RECESSED

DIRECTLY UNDER WINDOWS

THREE WATT DENSITIES OFFERED

BLANK SECTIONS AVAILABLE

FOR A CONTINUOUS EFFECT

IDEAL FOR:

SCHOOL, SHOPPING MALL, HOSPITAL

COLOURS

- standard: white, silica white
- optional: almond, black, textured charcoal, silver, clear anodized (paint), nickel, champagne, light bronze, dark brown (10% surcharge)

FINISH

epoxy-polyester powdercoat

MANUFACTURING

- 18-gauge steel cabinet and 16-gauge steel front panel
- thermal protection with automatic reset
- full-length wireway
- pencil-proof openings less than 1/4 in. (6.4 mm) prevent foreign objects from entering the unit

ELEMENT

single tubular, stainless steel sheathed element with boxed aluminum fins for improved heat dissipation; the element is securely fastened at its center, floating in nylon sleeves at each end, eliminating expansion and contraction noises

CONTROL

- wall thermostat (not included) – the use of an electronic thermostat is strongly recommended
- built-in tamper-proof thermostat accessible without removing front grille, installed in the left or right junction box (optional)
- low voltage relay kit installed in the left or right junction box (optional)

INSTALLATION

- surface mounted or wall recessed with 4-piece trim frame (optional)
- wall or floor mounted with or without pedestal kit (optional)
- wiring compartments at both ends of unit
- blank sections (custom lengths) and accessories are available for a continuous effect (optional)

ACCESSORIES

PRODUCT	DESCRIPTION	PRICE
CBFT12*	built-in tamper-proof single pole thermostat	97.50
CBFT22*	built-in tamper-proof double pole thermostat	164.00
CBFRE153*	built-in electronic low voltage relay [15 A @ 120 V-347 V]	51.50
CBFRE156*	built-in electronic low voltage relay [6 A @ 600 V]	91.25
CBFRE153T*	built-in electronic low voltage relay c/w transformer 24 V [15 A @ 208 V-347 V]	70.00
CBFR841C1151*	built-in mechanical low voltage relay c/w transformer 24 V [6000 W @ 600 V]	112.00
PK2*	pedestal kit (kit of two)	105.00
CBFJS*	joiner strip (2 in. – 51 mm)	84.50
CBFIC90*	inside corner (back measures 5 7/8 in. (149 mm) long on each side)	296.00
CBFOC90*	outside corner (back measures 5 7/8 in. (149 mm) long on each side)	296.00
CBFTB*	4-piece trim frame	90.00
CBFCB**	clean back (fully finished, no mounting holes or knockouts)	127.00

Electronic relays can receive a PWM (pulsed width modulation) or digital (on/off) signal.

* Add W for white or SW for silica white

* Factory installed

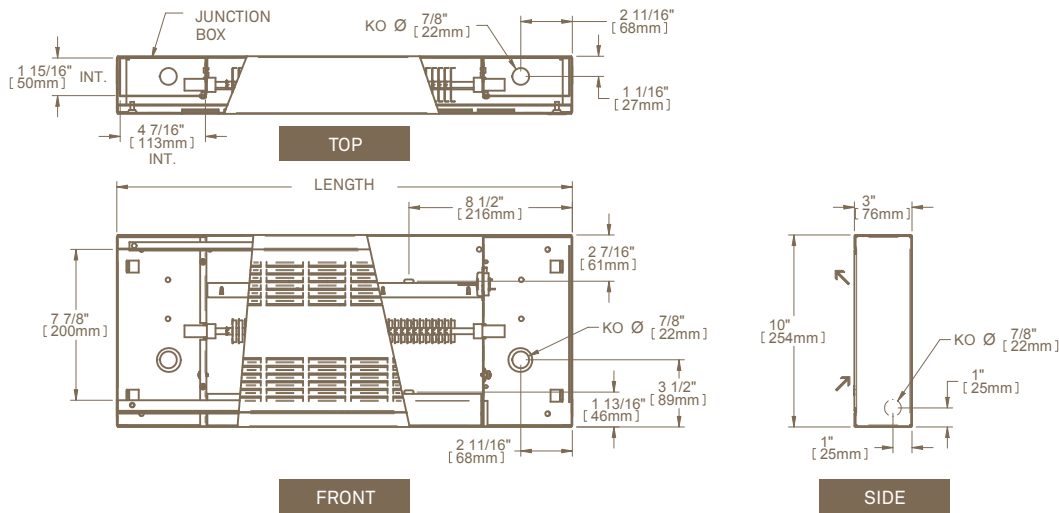
* Factory installation is strongly recommended

TECHNICAL SPECIFICATIONS

STANDARD DENSITY 250 W PER LINEAR FOOT		MEDIUM DENSITY 200 W PER LINEAR FOOT		LOW DENSITY 150 W PER LINEAR FOOT		VOLTAGE	LENGTH		WEIGHT		PRICE
CODE	WATTS	CODE	WATTS	CODE	WATTS	VOLTS	MM	IN.	KG	LB	
CBF6051	500	CBF6041	400	CBF6031	300	120	600	23 5/8	6.4	14	299.00
CBF6058	500	CBF6048	400	CBF6038	300	208	600	23 5/8	6.4	14	299.00
CBF6052	500	CBF6042	400	CBF6032	300	240	600	23 5/8	6.4	14	299.00
CBF6057	500	---	400	---	300	277	600	23 5/8	6.4	14	299.00
CBF6053	500	---	400	---	300	347	600	23 5/8	6.4	14	299.00
---	500	---	400	---	300	480	600	23 5/8	6.4	14	---
---	500	---	400	---	300	600	600	23 5/8	6.4	14	---
CBF9071	750	CBF9061	600	CBF9041	450	120	900	35 7/16	9.1	20	340.00
CBF9078	750	CBF9068	600	CBF9048	450	208	900	35 7/16	9.1	20	340.00
CBF9072	750	CBF9062	600	CBF9042	450	240	900	35 7/16	9.1	20	340.00
CBF9077	750	CBF9067	600	CBF9047	450	277	900	35 7/16	9.1	20	340.00
CBF9073	750	CBF9063	600	CBF9043	450	347	900	35 7/16	9.1	20	340.00
CBF9075	750	---	600	---	450	480	900	35 7/16	9.1	20	340.00
CBF9076	750	---	600	---	450	600	900	35 7/16	9.1	20	340.00
CBF12101	1000	CBF12081	800	CBF12061	600	120	1200	47 1/4	13.6	30	382.00
CBF12108	1000	CBF12088	800	CBF12068	600	208	1200	47 1/4	13.6	30	382.00
CBF12102	1000	CBF12082	800	CBF12062	600	240	1200	47 1/4	13.6	30	382.00
CBF12107	1000	CBF12087	800	CBF12067	600	277	1200	47 1/4	13.6	30	382.00
CBF12103	1000	CBF12083	800	CBF12063	600	347	1200	47 1/4	13.6	30	382.00
CBF12105	1000	CBF12085	800	---	600	480	1200	47 1/4	13.6	30	382.00
CBF12106	1000	CBF12086	800	---	600	600	1200	47 1/4	13.6	30	382.00
CBF15121	1250	CBF15101	1000	CBF15071	750	120	1500	59 1/16	16.8	37	423.00
CBF15128	1250	CBF15108	1000	CBF15078	750	208	1500	59 1/16	16.8	37	423.00
CBF15122	1250	CBF15102	1000	CBF15072	750	240	1500	59 1/16	16.8	37	423.00
CBF15127	1250	CBF15107	1000	CBF15077	750	277	1500	59 1/16	16.8	37	423.00
CBF15123	1250	CBF15103	1000	CBF15073	750	347	1500	59 1/16	16.8	37	423.00
CBF15125	1250	CBF15105	1000	CBF15075	750	480	1500	59 1/16	16.8	37	423.00
CBF15126	1250	CBF15106	1000	CBF15076	750	600	1500	59 1/16	16.8	37	423.00
CBF18151	1500	CBF18121	1200	CBF18091	900	120	1800	70 7/8	20.0	44	464.00
CBF18158	1500	CBF18128	1200	CBF18098	900	208	1800	70 7/8	20.0	44	464.00
CBF18152	1500	CBF18122	1200	CBF18092	900	240	1800	70 7/8	20.0	44	464.00
CBF18157	1500	CBF18127	1200	CBF18097	900	277	1800	70 7/8	20.0	44	464.00
CBF18153	1500	CBF18123	1200	CBF18093	900	347	1800	70 7/8	20.0	44	464.00
CBF18155	1500	CBF18125	1200	CBF18095	900	480	1800	70 7/8	20.0	44	464.00
CBF18156	1500	CBF18126	1200	CBF18096	900	600	1800	70 7/8	20.0	44	464.00
---	1750	CBF21141	1400	CBF21101	1050	120	2100	82 11/16	23.1	51	505.00
CBF21178	1750	CBF21148	1400	CBF21108	1050	208	2100	82 11/16	23.1	51	505.00
CBF21172	1750	CBF21142	1400	CBF21102	1050	240	2100	82 11/16	23.1	51	505.00
CBF21177	1750	CBF21147	1400	CBF21107	1050	277	2100	82 11/16	23.1	51	505.00
CBF21173	1750	CBF21143	1400	CBF21103	1050	347	2100	82 11/16	23.1	51	505.00
CBF21175	1750	CBF21145	1400	CBF21105	1050	480	2100	82 11/16	23.1	51	505.00
CBF21176	1750	CBF21146	1400	CBF21106	1050	600	2100	82 11/16	23.1	51	505.00
---	2000	---	1600	CBF24121	1200	120	2400	94 1/2	26.8	59	546.00
CBF24208	2000	CBF24168	1600	CBF24128	1200	208	2400	94 1/2	26.8	59	546.00
CBF24202	2000	CBF24162	1600	CBF24122	1200	240	2400	94 1/2	26.8	59	546.00
CBF24207	2000	CBF24167	1600	CBF24127	1200	277	2400	94 1/2	26.8	59	546.00
CBF24203	2000	CBF24163	1600	CBF24123	1200	347	2400	94 1/2	26.8	59	546.00
CBF24205	2000	CBF24165	1600	CBF24125	1200	480	2400	94 1/2	26.8	59	546.00
CBF24206	2000	CBF24166	1600	CBF24126	1200	600	2400	94 1/2	26.8	59	546.00
---	2250	---	1800	---	1350	120	2700	106 5/16	27.7	61	---
CBF27228	2250	CBF27188	1800	CBF27138	1350	208	2700	106 5/16	27.7	61	588.00
CBF27222	2250	CBF27182	1800	CBF27132	1350	240	2700	106 5/16	27.7	61	588.00
CBF27227	2250	CBF27187	1800	CBF27137	1350	277	2700	106 5/16	27.7	61	588.00
CBF27223	2250	CBF27183	1800	CBF27133	1350	347	2700	106 5/16	27.7	61	588.00
CBF27225	2250	CBF27185	1800	CBF27135	1350	480	2700	106 5/16	27.7	61	588.00
CBF27226	2250	CBF27186	1800	CBF27136	1350	600	2700	106 5/16	27.7	61	588.00
---	2500	---	2000	---	1500	120	2700	106 5/16	27.7	61	---
CBF27258	2500	CBF27208	2000	CBF27158	1500	208	2700	106 5/16	27.7	61	588.00
CBF27252	2500	CBF27202	2000	CBF27152	1500	240	2700	106 5/16	27.7	61	588.00
CBF27257	2500	CBF27207	2000	CBF27157	1500	277	2700	106 5/16	27.7	61	588.00
CBF27253	2500	CBF27203	2000	CBF27153	1500	347	2700	106 5/16	27.7	61	588.00
CBF27255	2500	CBF27205	2000	CBF27155	1500	480	2700	106 5/16	27.7	61	588.00
CBF27256	2500	CBF27206	2000	CBF27156	1500	600	2700	106 5/16	27.7	61	588.00

Add W for white or SW for silica white (see page 8 for optional colours and contact your °STELPRO representative for all other colours)
 --- not available

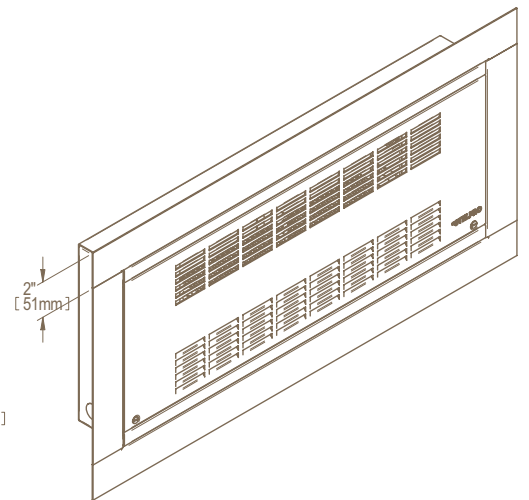
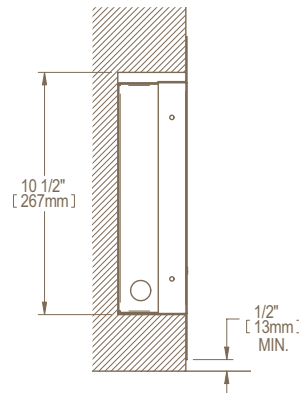
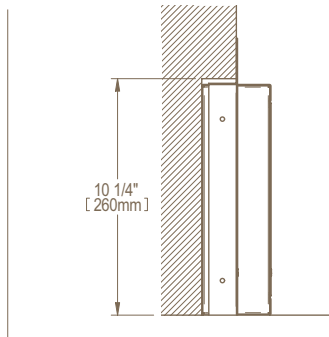
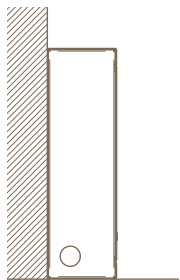
TECHNICAL DRAWINGS



INSTALLATION

SURFACE MOUNTED

RECESSED OR SEMI-RECESSED WITH 4-PIECE TRIM FRAME (OPTIONAL)



SURFACE MOUNTED

SEMI-RECESSED

RECESSED

TRIM FRAME



ARCHITECTURAL BASEBOARD

ALC3A SERIES

A HEATER WITH A LOT TO OFFER

The ALC3A is an impressive blend of contemporary design and superior performance. Its durable steel cabinet is decorated with an elegant aluminum grille and offers a remarkable heat density of 500 W per linear foot. Its unique airflow configuration compliments its appearance, as there is only one grille on the top of the unit. No stranger to perimeter installations, this draft barrier has become the leader in its class and a popular choice for professionals in the industry.



DESIGN AND POWER COMBINED

THREE WATT DENSITIES OFFERED

AESTHETIC EXTRUDED ALUMINUM GRILLE

PERFECT FOR PUBLIC PLACES

SHOPPING MALLS, HOSPITALS, ETC.

BLANK SECTIONS AVAILABLE

FOR A CONTINUOUS EFFECT

IDEAL FOR:

SHOPPING MALL, HOSPITAL, OFFICE

COLOURS

- standard: white, silica white
- optional: almond, black, textured charcoal, silver, clear anodized (paint), nickel, champagne, light bronze, dark brown (10% surcharge)

FINISH

epoxy-polyester powdercoat

MANUFACTURING

- solid 18-gauge steel cabinet
- extruded aluminum grille with a thickness equivalent to 13 gauge
- bottom air intake and top air discharge
- thermal protection with automatic reset
- full-length wireway
- pencil-proof openings less than 1/4 in. (6.4 mm) prevent foreign objects from entering the unit

ELEMENTS

double tubular elements, stainless steel sheathed with boxed aluminum fins for improved heat dissipation; the elements are securely fastened at their centers, floating in nylon sleeves at each end, eliminating expansion and contraction noises

CONTROL

- wall thermostat (not included) – the use of an electronic thermostat is strongly recommended
- built-in tamper-proof thermostat accessible without removing front grille, installed in the left or right junction box (optional)
- low voltage relay kit installed in the left or right junction box (optional)

INSTALLATION

- surface mounted
- wall or floor mounted with or without pedestal kit (optional)
- at least 3 in. from the floor
- wiring compartments at both ends of unit
- blank sections (custom lengths) and accessories are available for a continuous effect (optional)

ACCESSORIES

PRODUCT	DESCRIPTION	PRICE
ALC3AT12*	built-in tamper-proof single pole thermostat	97.50
ALC3AT22*	built-in tamper-proof double pole thermostat	164.00
ALC3ARE153*	built-in electronic low voltage relay [15 A @ 120V-347 V]	51.50
ALC3ARE156*	built-in electronic low voltage relay [6 A @ 600 V]	91.25
ALC3ARE153T*	built-in electronic low voltage relay c/w transformer 24 V [15 A @ 208 V-347 V]	70.00
ALC3AR841C1169*	built-in mechanical low voltage relay c/w transformer 24 V [5000 W @ 208 V / 6000 W @ 240 V]	112.00
ALC3AR841C1144*	built-in mechanical low voltage relay c/w transformer 24 V [6000 W @ 347 V]	112.00
ALC3AR841C1151*	built-in mechanical low voltage relay c/w transformer 24 V [6000 W @ 600 V]	112.00
ALC3AR841D1036*	built-in mechanical low voltage relay w/o transformer 24 V [6000 W @ 120 V-600 V]	98.75
PK3*	pedestal kit (kit of two)	105.00
ALC3AJS*	joiner strip (2 in. – 51 mm)	112.00
ALC3AIC90*	inside corner (back measures 9 13/16 in. (249 mm) long on each side)	391.00
ALC3AOC90*	outside corner (back measures 9 13/16 in. (249 mm) long on each side)	391.00
ALC3ACB**	clean back (fully finished, no mounting holes or knockouts)	168.00

Electronic relays can receive a PWM (pulsed width modulation) or digital (on/off) signal.

* Add W for white or SW for silica white

* Factory installed

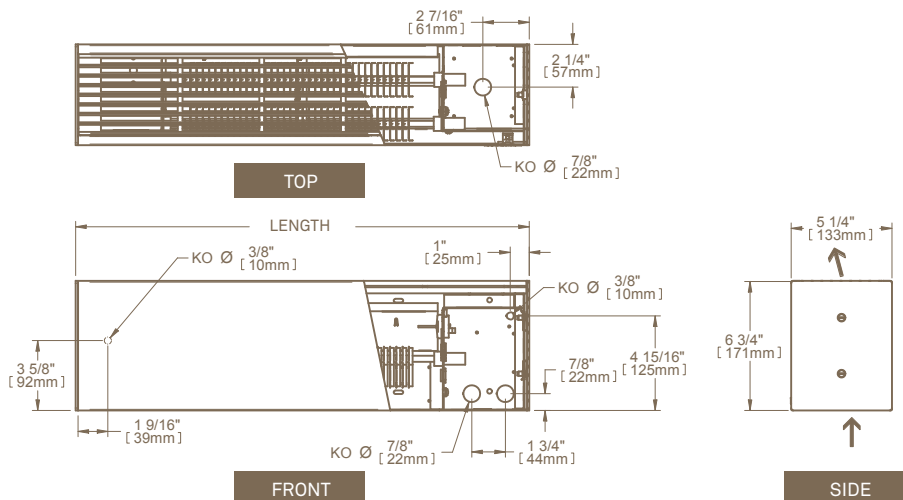
* Factory installation is strongly recommended

TECHNICAL SPECIFICATIONS

STANDARD DENSITY 500 W PER LINEAR FOOT		MEDIUM DENSITY 400 W PER LINEAR FOOT		LOW DENSITY 300 W PER LINEAR FOOT		VOLTAGE	LENGTH		WEIGHT		PRICE
CODE	WATTS	CODE	WATTS	CODE	WATTS	VOLTS	MM	IN.	KG	LB	
ALC3A6108	1000	ALC3A6088	800	ALC3A6068	600	208	600	23 5/8	4.1	9	388.00
ALC3A6102	1000	ALC3A6082	800	ALC3A6062	600	240	600	23 5/8	4.1	9	388.00
ALC3A6107	1000	ALC3A6087	800	ALC3A6067	600	277	600	23 5/8	4.1	9	388.00
ALC3A6103	1000	---	800	---	600	347	600	23 5/8	4.1	9	388.00
---	1000	---	800	---	600	480	600	23 5/8	4.1	9	---
---	1000	---	800	---	600	600	600	23 5/8	4.1	9	---
ALC3A9158	1500	ALC3A9128	1200	ALC3A9098	900	208	900	35 7/16	5.9	13	444.00
ALC3A9152	1500	ALC3A9122	1200	ALC3A9092	900	240	900	35 7/16	5.9	13	444.00
ALC3A9157	1500	ALC3A9127	1200	ALC3A9097	900	277	900	35 7/16	5.9	13	444.00
ALC3A9153	1500	ALC3A9123	1200	ALC3A9093	900	347	900	35 7/16	5.9	13	444.00
ALC3A9155	1500	---	1200	---	900	480	900	35 7/16	5.9	13	444.00
ALC3A9156	1500	---	1200	---	900	600	900	35 7/16	5.9	13	444.00
ALC3A12208	2000	ALC3A12168	1600	ALC3A12128	1200	208	1200	47 1/4	7.7	17	501.00
ALC3A12202	2000	ALC3A12162	1600	ALC3A12122	1200	240	1200	47 1/4	7.7	17	501.00
ALC3A12207	2000	ALC3A12167	1600	ALC3A12127	1200	277	1200	47 1/4	7.7	17	501.00
ALC3A12203	2000	ALC3A12163	1600	ALC3A12123	1200	347	1200	47 1/4	7.7	17	501.00
ALC3A12205	2000	ALC3A12165	1600	---	1200	480	1200	47 1/4	7.7	17	501.00
ALC3A12206	2000	ALC3A12166	1600	---	1200	600	1200	47 1/4	7.7	17	501.00
ALC3A15258	2500	ALC3A15208	2000	ALC3A15158	1500	208	1500	59 1/16	9.1	20	558.00
ALC3A15252	2500	ALC3A15202	2000	ALC3A15152	1500	240	1500	59 1/16	9.1	20	558.00
ALC3A15257	2500	ALC3A15207	2000	ALC3A15157	1500	277	1500	59 1/16	9.1	20	558.00
ALC3A15253	2500	ALC3A15203	2000	ALC3A15153	1500	347	1500	59 1/16	9.1	20	558.00
ALC3A15255	2500	ALC3A15205	2000	ALC3A15155	1500	480	1500	59 1/16	9.1	20	558.00
ALC3A15256	2500	ALC3A15206	2000	ALC3A15156	1500	600	1500	59 1/16	9.1	20	558.00
ALC3A18308	3000	ALC3A18248	2400	ALC3A18188	1800	208	1800	70 7/8	11.3	25	614.00
ALC3A18302	3000	ALC3A18242	2400	ALC3A18182	1800	240	1800	70 7/8	11.3	25	614.00
ALC3A18307	3000	ALC3A18247	2400	ALC3A18187	1800	277	1800	70 7/8	11.3	25	614.00
ALC3A18303	3000	ALC3A18243	2400	ALC3A18183	1800	347	1800	70 7/8	11.3	25	614.00
ALC3A18305	3000	ALC3A18245	2400	ALC3A18185	1800	480	1800	70 7/8	11.3	25	614.00
ALC3A18306	3000	ALC3A18246	2400	ALC3A18186	1800	600	1800	70 7/8	11.3	25	614.00
ALC3A21358	3500	ALC3A21288	2800	ALC3A21218	2100	208	2100	82 11/16	13.2	29	671.00
ALC3A21352	3500	ALC3A21282	2800	ALC3A21212	2100	240	2100	82 11/16	13.2	29	671.00
ALC3A21357	3500	ALC3A21287	2800	ALC3A21217	2100	277	2100	82 11/16	13.2	29	671.00
ALC3A21353	3500	ALC3A21283	2800	ALC3A21213	2100	347	2100	82 11/16	13.2	29	671.00
ALC3A21355	3500	ALC3A21285	2800	ALC3A21215	2100	480	2100	82 11/16	13.2	29	671.00
ALC3A21356	3500	ALC3A21286	2800	ALC3A21216	2100	600	2100	82 11/16	13.2	29	671.00
ALC3A24408	4000	ALC3A24328	3200	ALC3A24248	2400	208	2400	94 1/2	15.4	34	728.00
ALC3A24402	4000	ALC3A24322	3200	ALC3A24242	2400	240	2400	94 1/2	15.4	34	728.00
ALC3A24407	4000	ALC3A24327	3200	ALC3A24247	2400	277	2400	94 1/2	15.4	34	728.00
ALC3A24403	4000	ALC3A24323	3200	ALC3A24243	2400	347	2400	94 1/2	15.4	34	728.00
ALC3A24405	4000	ALC3A24325	3200	ALC3A24245	2400	480	2400	94 1/2	15.4	34	728.00
ALC3A24406	4000	ALC3A24326	3200	ALC3A24246	2400	600	2400	94 1/2	15.4	34	728.00

Add W for white or SW for silica white (see page 8 for optional colours and contact your °STELPRO representative for all other colours)
 --- not available

TECHNICAL DRAWINGS



ARCHITECTURAL CABINET

CW750 SERIES

PERFECT FOR LARGE SPACES

The CW750 architectural cabinet convector is the first in our collection of high watt-density heaters. With its contemporary style, this heater is a great option for locations requiring large heat capacities where a forced-air unit just won't do. Showrooms, museums and classrooms, are all examples of large areas generally requiring units offering larger heating capacities, and also areas intolerant to noise.



3 YEAR WARRANTY

INCREDIBLE HEAT DENSITY

UP TO 750 W PER LINEAR FOOT

AESTHETIC EXTRUDED ALUMINUM GRILLE

PERFECT FOR PUBLIC PLACES

BUSINESSES, PUBLIC INSTITUTIONS, ETC.

BLANK SECTIONS AVAILABLE

FOR A CONTINUOUS EFFECT

IDEAL FOR:

SHOPPING MALL, HOSPITAL, LOBBY, CORRIDOR

COLOURS

- standard: white, silica white
- optional: almond, black, textured charcoal, silver, clear anodized (paint), nickel, champagne, light bronze, dark brown (10% surcharge)

FINISH

epoxy-polyester powdercoat

MANUFACTURING

- 18-gauge steel cabinet, 16-gauge steel front panel and extruded aluminum grilles with a thickness equivalent to 13 gauge
- front air intake and top air discharge (front inlet and front outlet available*)
- thermal protection with automatic reset
- full-length wireway

ELEMENTS

three tubular elements, stainless steel sheathed with boxed aluminum fins for improved heat dissipation; the elements are securely fastened at their centers, floating in nylon sleeves at each end, eliminating expansion and contraction noises

CONTROL

- wall thermostat (not included) – the use of an electronic thermostat is strongly recommended
- built-in tamper-proof thermostat accessible without removing front grille, installed in the left or right junction box (optional)
- low voltage relay kit installed in the left or right junction box (optional)

INSTALLATION

- surface mounted or wall recessed* with 4-piece trim frame (optional)
- wall or floor mounted with or without pedestal kit (optional)
- wiring compartments at both ends of unit
- blank sections (custom lengths) and accessories are available for a continuous effect (optional)

* Front inlet and front outlet [FF] version is available only in 450 W and 600 W densities per linear foot (see the technical specifications table)

ACCESSORIES

PRODUCT	DESCRIPTION	PRICE
CW750T12*	built-in tamper-proof single pole thermostat	97.50
CW750T22*	built-in tamper-proof double pole thermostat	164.00
CW750T33*	built-in tamper-proof triple pole thermostat	206.00
CW750RE153*	built-in electronic low voltage relay [15 A @ 120 V-347 V]	51.50
CW750RE156*	built-in electronic low voltage relay [6 A @ 600 V]	91.25
CW750RE153T*	built-in electronic low voltage relay c/w transformer 24 V [15 A @ 208 V-347 V]	70.00
CW750R841C1169*	built-in mechanical low voltage relay c/w transformer 24 V [5000 W @ 208 V / 6000 W @ 240 V]	112.00
CW750R841C1144*	built-in mechanical low voltage relay c/w transformer 24 V [6000 W @ 347 V]	112.00
CW750R841C1151*	built-in mechanical low voltage relay c/w transformer 24 V [6000 W @ 600 V]	112.00
CW750R841D1036*	built-in mechanical low voltage relay w/o transformer 24 V [6000 W @ 120 V-600 V]	98.75
PK3*	pedestal kit (kit of two)	105.00
CW750JS*	joiner strip (2 in. – 51 mm)	105.00
CW750IC90*	inside corner (back measures 9 13/16 in. (249 mm) long on each side)	487.00
CW750OC90*	outside corner (back measures 9 13/16 in. (249 mm) long on each side)	487.00
CW750TB*	4-piece trim frame	105.00
CW750CB**	clean back (fully finished, no mounting holes or knockouts)	126.00

Electronic relays can receive a PWM (pulsed width modulation) or digital (on/off) signal.

* Add W for white or SW for silica white

* Factory installed

* Factory installation is strongly recommended



This unit is intended for commercial use. It can become very hot; domestic use is not recommended.

TECHNICAL SPECIFICATIONS

STANDARD DENSITY 750 W PER LINEAR FOOT		MEDIUM DENSITY 600 W PER LINEAR FOOT		LOW DENSITY 450 W PER LINEAR FOOT		VOLTAGE	LENGTH	WEIGHT	PRICE		
CODE	WATTS	CODE	WATTS	CODE	WATTS	VOLTS	MM	IN.	KG	LB	
---	1500	CW7506128*	1200	CW7506098*	900	208	600	23 5/8	12.7	28	510.00
---	1500	CW7506122	1200	CW7506092	900	240	600	23 5/8	12.7	28	510.00
---	1500	CW7506127	1200	CW7506097	900	277	600	23 5/8	12.7	28	510.00
---	1500	CW7506123	1200	CW7506093	900	347	600	23 5/8	12.7	28	510.00
---	1500	CW7506125	1200	CW7506095	900	480	600	23 5/8	12.7	28	510.00
---	1500	CW7506126	1200	CW7506096	900	600	600	23 5/8	12.7	28	510.00
---	2250	CW7509188*	1800	CW7509138*	1350	208	900	35 7/16	17.7	39	572.00
---	2250	CW7509182	1800	CW7509132	1350	240	900	35 7/16	17.7	39	572.00
---	2250	CW7509187	1800	CW7509137	1350	277	900	35 7/16	17.7	39	572.00
---	2250	CW7509183	1800	CW7509133	1350	347	900	35 7/16	17.7	39	572.00
---	2250	CW7509185	1800	CW7509135	1350	480	900	35 7/16	17.7	39	572.00
---	2250	CW7509186	1800	CW7509136	1350	600	900	35 7/16	17.7	39	572.00
---	3000	CW75012248*	2400	CW75012188*	1800	208	1200	47 1/4	24	53	634.00
---	3000	CW75012242	2400	CW75012182	1800	240	1200	47 1/4	24	53	634.00
---	3000	CW75012247	2400	CW75012187	1800	277	1200	47 1/4	24	53	634.00
---	3000	CW75012243	2400	CW75012183	1800	347	1200	47 1/4	24	53	634.00
---	3000	CW75012245*	2400	CW75012185	1800	480	1200	47 1/4	24	53	634.00
---	3000	CW75012246*	2400	CW75012186	1800	600	1200	47 1/4	24	53	634.00
CW75015378*	3750	CW75015308*	3000	CW75015228*	2250	208	1500	59 1/16	29	64	696.00
CW75015372	3750	CW75015302	3000	CW75015222	2250	240	1500	59 1/16	29	64	696.00
CW75015377	3750	CW75015307	3000	CW75015227	2250	277	1500	59 1/16	29	64	696.00
CW75015373	3750	CW75015303	3000	CW75015223	2250	347	1500	59 1/16	29	64	696.00
CW75015375*	3750	CW75015305*	3000	CW75015225*	2250	480	1500	59 1/16	29	64	696.00
CW75015376*	3750	CW75015306*	3000	CW75015226*	2250	600	1500	59 1/16	29	64	696.00
CW75018458*	4500	CW75018368*	3600	CW75018278*	2700	208	1800	70 7/8	33.6	74	758.00
CW75018452	4500	CW75018362	3600	CW75018272	2700	240	1800	70 7/8	33.6	74	758.00
CW75018457	4500	CW75018367	3600	CW75018277	2700	277	1800	70 7/8	33.6	74	758.00
CW75018453	4500	CW75018363	3600	CW75018273	2700	347	1800	70 7/8	33.6	74	758.00
CW75018455*	4500	CW75018365*	3600	CW75018275*	2700	480	1800	70 7/8	33.6	74	758.00
CW75018456*	4500	CW75018366*	3600	CW75018276*	2700	600	1800	70 7/8	33.6	74	758.00
CW75021528*	5250	CW75021428*	4200	CW75021318*	3150	208	2100	82 11/16	38.6	85	819.00
CW75021522	5250	CW75021422	4200	CW75021312	3150	240	2100	82 11/16	38.6	85	819.00
CW75021527	5250	CW75021427	4200	CW75021317	3150	277	2100	82 11/16	38.6	85	819.00
CW75021523	5250	CW75021423	4200	CW75021313	3150	347	2100	82 11/16	38.6	85	819.00
CW75021525*	5250	CW75021425*	4200	CW75021315*	3150	480	2100	82 11/16	38.6	85	819.00
CW75021526*	5250	CW75021426*	4200	CW75021316*	3150	600	2100	82 11/16	38.6	85	819.00
CW75024608*	6000	CW75024488*	4800	CW75024368*	3600	208	2400	94 1/2	43.5	96	881.00
CW75024602	6000	CW75024482	4800	CW75024362	3600	240	2400	94 1/2	43.5	96	881.00
CW75024607	6000	CW75024487	4800	CW75024367	3600	277	2400	94 1/2	43.5	96	881.00
CW75024603	6000	CW75024483	4800	CW75024363	3600	347	2400	94 1/2	43.5	96	881.00
CW75024605*	6000	CW75024485*	4800	CW75024365*	3600	480	2400	94 1/2	43.5	96	881.00
CW75024606*	6000	CW75024486*	4800	CW75024366*	3600	600	2400	94 1/2	43.5	96	881.00

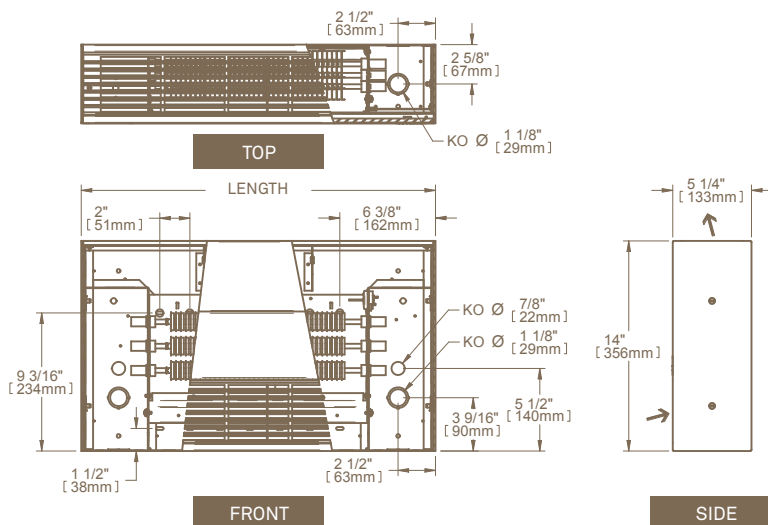
Add W for white or SW for silica white (see page 8 for optional colours and contact your °STELPRO representative for all other colours)

Add FF for front air outlet (available only in 450 W and 600 W densities per linear foot)

* Three-phase model available upon request

--- not available

TECHNICAL DRAWINGS



SLOPED ARCHITECTURAL CABINET

CWS750 SERIES

A PERFECT SLOPED TOP CABINET FOR LARGE SPACES

The CWS750 architectural cabinet, offering an incredible power capacity of 750 W per linear foot and a sloped top, is the perfect unit for public institutions or any other commercial application that requires a high heat output. Its high performance and durability (extruded aluminum grille) have earned it an outstanding reputation. Its sloped top decreases the chance of being sat on, stepped on or used as a shelf.



INCREDIBLE HEAT DENSITY

UP TO 750 W PER LINEAR FOOT

AESTHETIC EXTRUDED ALUMINUM GRILLE

SLOPED TOP

MAKING IT LESS LIKELY TO BE SAT ON OR USED AS A SHELF

PERFECT FOR PUBLIC PLACES

CORRIDORS, HOSPITALS, ETC.

BLANK SECTIONS AVAILABLE

FOR A CONTINUOUS EFFECT

IDEAL FOR:

SHOPPING MALL, HOSPITAL, LOBBY, CORRIDOR

COLOURS

- standard: white, silica white
- optional: almond, black, textured charcoal, silver, clear anodized (paint), nickel, champagne, light bronze, dark brown (10% surcharge)

FINISH

epoxy-polyester powdercoat

MANUFACTURING

- 18-gauge steel cabinet, 16-gauge steel front panel and extruded aluminum grilles with a thickness equivalent to 13 gauge
- front air intake and top air discharge
- thermal protection with automatic reset
- full-length wireway

ELEMENTS

three tubular elements, stainless steel sheathed with boxed aluminum fins for improved heat dissipation; the elements are securely fastened at their centers, floating in nylon sleeves at each end, eliminating expansion and contraction noises

CONTROL

- wall thermostat (not included) – the use of an electronic thermostat is strongly recommended
- built-in tamper-proof thermostat accessible without removing front grille, installed in the left or right junction box (optional)
- low voltage relay kit installed in the left or right junction box (optional)

INSTALLATION

- surface mounted
- wall or floor mounted with or without pedestal kit (optional)
- wiring compartments at both ends of unit
- blank sections (custom lengths) and accessories are available for a continuous effect (optional)



This unit is intended for commercial use. It can become very hot; domestic use is not recommended.

ACCESSORIES

PRODUCT	DESCRIPTION	PRICE
CWS750T12*	built-in tamper-proof single pole thermostat	97.50
CWS750T22*	built-in tamper-proof double pole thermostat	164.00
CWS750T33*	built-in tamper-proof triple pole thermostat	206.00
CWS750RE153*	built-in electronic low voltage relay [15 A @ 120 V-347 V]	51.50
CWS750RE156*	built-in electronic low voltage relay [6 A @ 600 V]	91.25
CWS750RE153T*	built-in electronic low voltage relay c/w transformer 24 V [15 A @ 208 V-347 V]	70.00
CWS750R841C1169*	built-in mechanical low voltage relay c/w transformer 24 V [5000 W @ 208 V / 6000 W @ 240 V]	112.00
CWS750R841C1144*	built-in mechanical low voltage relay c/w transformer 24 V [6000 W @ 347 V]	112.00
CWS750R841C1151*	built-in mechanical low voltage relay c/w transformer 24 V [6000 W @ 600 V]	112.00
CWS750R841D1036*	built-in mechanical low voltage relay w/o transformer 24 V [6000 W @ 120 V-600 V]	98.75
PK3*	pedestal kit (kit of two)	105.00
CWS750JS*	joiner strip (2 in. – 51 mm)	105.00
CWS750IC90*	inside corner (back measures 9 13/16 in. (249 mm) long on each side)	487.00
CWS750OC90*	outside corner (back measures 9 13/16 in. (249 mm) long on each side)	487.00
CWS750CB**	clean back (fully finished, no mounting holes or knockouts)	126.00

Electronic relays can receive a PWM (pulsed width modulation) or digital (on/off) signal.

* Add W for white or SW for silica white

* Factory installed * Factory installation is strongly recommended

TECHNICAL SPECIFICATIONS

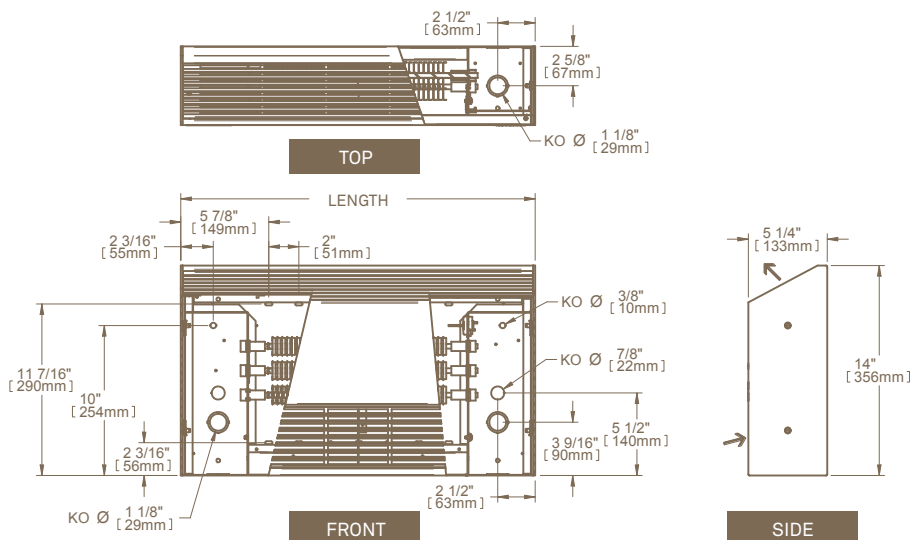
STANDARD DENSITY 750 W PER LINEAR FOOT		MEDIUM DENSITY 600 W PER LINEAR FOOT		LOW DENSITY 450 W PER LINEAR FOOT		VOLTAGE	LENGTH	WEIGHT	PRICE		
CODE	WATTS	CODE	WATTS	CODE	WATTS	VOLTS	MM	IN.	KG	LB	
---	1500	CWS7506128*	1200	CWS7506098*	900	208	600	23 5/8	12.7	28	510.00
---	1500	CWS7506122	1200	CWS7506092	900	240	600	23 5/8	12.7	28	510.00
---	1500	CWS7506127	1200	CWS7506097	900	277	600	23 5/8	12.7	28	510.00
---	1500	CWS7506123	1200	CWS7506093	900	347	600	23 5/8	12.7	28	510.00
---	1500	CWS7506125	1200	CWS7506095	900	480	600	23 5/8	12.7	28	510.00
---	1500	CWS7506126	1200	CWS7506096	900	600	600	23 5/8	12.7	28	510.00
---	2250	CWS7509188*	1800	CWS7509138*	1350	208	900	35 7/16	17.7	39	572.00
---	2250	CWS7509182	1800	CWS7509132	1350	240	900	35 7/16	17.7	39	572.00
---	2250	CWS7509187	1800	CWS7509137	1350	277	900	35 7/16	17.7	39	572.00
---	2250	CWS7509183	1800	CWS7509133	1350	347	900	35 7/16	17.7	39	572.00
---	2250	CWS7509185	1800	CWS7509135	1350	480	900	35 7/16	17.7	39	572.00
---	2250	CWS7509186	1800	CWS7509136	1350	600	900	35 7/16	17.7	39	572.00
---	3000	CWS75012248*	2400	CWS75012188*	1800	208	1200	47 1/4	24	53	634.00
---	3000	CWS75012242	2400	CWS75012182	1800	240	1200	47 1/4	24	53	634.00
---	3000	CWS75012247	2400	CWS75012187	1800	277	1200	47 1/4	24	53	634.00
---	3000	CWS75012243	2400	CWS75012183	1800	347	1200	47 1/4	24	53	634.00
---	3000	CWS75012245*	2400	CWS75012185	1800	480	1200	47 1/4	24	53	634.00
---	3000	CWS75012246*	2400	CWS75012186	1800	600	1200	47 1/4	24	53	634.00
CWS75015378*	3750	CWS75015308*	3000	CWS75015228*	2250	208	1500	59 1/16	29	64	696.00
CWS75015372	3750	CWS75015302	3000	CWS75015222	2250	240	1500	59 1/16	29	64	696.00
CWS75015377	3750	CWS75015307	3000	CWS75015227	2250	277	1500	59 1/16	29	64	696.00
CWS75015373	3750	CWS75015303	3000	CWS75015223	2250	347	1500	59 1/16	29	64	696.00
CWS75015375*	3750	CWS75015305*	3000	CWS75015225*	2250	480	1500	59 1/16	29	64	696.00
CWS75015376*	3750	CWS75015306*	3000	CWS75015226*	2250	600	1500	59 1/16	29	64	696.00
CWS75018458*	4500	CWS75018368*	3600	CWS75018278*	2700	208	1800	70 7/8	33.6	74	758.00
CWS75018452	4500	CWS75018362	3600	CWS75018272	2700	240	1800	70 7/8	33.6	74	758.00
CWS75018457	4500	CWS75018367	3600	CWS75018277	2700	277	1800	70 7/8	33.6	74	758.00
CWS75018453	4500	CWS75018363	3600	CWS75018273	2700	347	1800	70 7/8	33.6	74	758.00
CWS75018455*	4500	CWS75018365*	3600	CWS75018275*	2700	480	1800	70 7/8	33.6	74	758.00
CWS75018456*	4500	CWS75018366*	3600	CWS75018276*	2700	600	1800	70 7/8	33.6	74	758.00
CWS75021528*	5250	CWS75021428*	4200	CWS75021318*	3150	208	2100	82 11/16	38.6	85	819.00
CWS75021522	5250	CWS75021422	4200	CWS75021312	3150	240	2100	82 11/16	38.6	85	819.00
CWS75021527	5250	CWS75021427	4200	CWS75021317	3150	277	2100	82 11/16	38.6	85	819.00
CWS75021523	5250	CWS75021423	4200	CWS75021313	3150	347	2100	82 11/16	38.6	85	819.00
CWS75021525*	5250	CWS75021425*	4200	CWS75021315*	3150	480	2100	82 11/16	38.6	85	819.00
CWS75021526*	5250	CWS75021426*	4200	CWS75021316*	3150	600	2100	82 11/16	38.6	85	819.00
CWS75024608*	6000	CWS75024488*	4800	CWS75024368*	3600	208	2400	94 1/2	43.5	96	881.00
CWS75024602	6000	CWS75024482	4800	CWS75024362	3600	240	2400	94 1/2	43.5	96	881.00
CWS75024607	6000	CWS75024487	4800	CWS75024367	3600	277	2400	94 1/2	43.5	96	881.00
CWS75024603	6000	CWS75024483	4800	CWS75024363	3600	347	2400	94 1/2	43.5	96	881.00
CWS75024605*	6000	CWS75024485*	4800	CWS75024365*	3600	480	2400	94 1/2	43.5	96	881.00
CWS75024606*	6000	CWS75024486*	4800	CWS75024366*	3600	600	2400	94 1/2	43.5	96	881.00

Add W for white or SW for silica white (see page 8 for optional colours and contact your *STELPRO representative for all other colours)

* Three-phase model available upon request

--- not available

TECHNICAL DRAWINGS



ARCHITECTURAL CABINET

CW1000 SERIES

THE POWERHOUSE OF CABINET CONVECTORS

The CW1000 is a great option for heating large areas requiring higher than normal heat-loss recovery. With its high-density output of 1000 W per linear foot, engineers, architects and designers will no doubt appreciate this heater. It can heat large spaces that have little room to install heaters.



3 YEAR
WARRANTY

INCREDIBLE HEAT DENSITY

UP TO 1000 W PER LINEAR FOOT

AESTHETIC EXTRUDED ALUMINUM GRILLE

PERFECT FOR PUBLIC PLACES

LARGE LOBBIES, SHOPPING MALLS, ETC.

BLANK SECTIONS AVAILABLE

FOR A CONTINUOUS EFFECT



This unit is intended for commercial use. It can become very hot; domestic use is not recommended.

IDEAL FOR:

SHOPPING MALL, HOSPITAL, LOBBY, CORRIDOR

COLOURS

- standard: white, silica white
- optional: almond, black, textured charcoal, silver, clear anodized (paint), nickel, champagne, light bronze, dark brown (10% surcharge)

FINISH

epoxy-polyester powdercoat

MANUFACTURING

- 18-gauge steel cabinet, 16-gauge steel front panel and extruded aluminum grilles with a thickness equivalent to 13 gauge
- front air intake and top air discharge (front inlet and front outlet available*)
- thermal protection with automatic reset
- full-length wireway

ELEMENTS

four tubular elements, stainless steel sheathed with boxed aluminum fins for improved heat dissipation; the elements are securely fastened at their centers, floating in nylon sleeves at each end, eliminating expansion and contraction noises

CONTROL

- wall thermostat (not included) – the use of an electronic thermostat is strongly recommended
- built-in tamper-proof thermostat accessible without removing front grille, installed in the left or right junction box (optional)
- low voltage relay kit installed in the left or right junction box (optional)

INSTALLATION

- surface mounted or wall recessed* with 4-piece trim frame (optional)
- wall or floor mounted with or without pedestal kit (optional)
- wiring compartments at both ends of unit
- blank sections (custom lengths) and accessories are available for a continuous effect (optional)

* Front outlet [FF] for recessed installations available only in 600 W and 800 W densities per linear foot (see the technical specifications table)

TECHNICAL SPECIFICATIONS

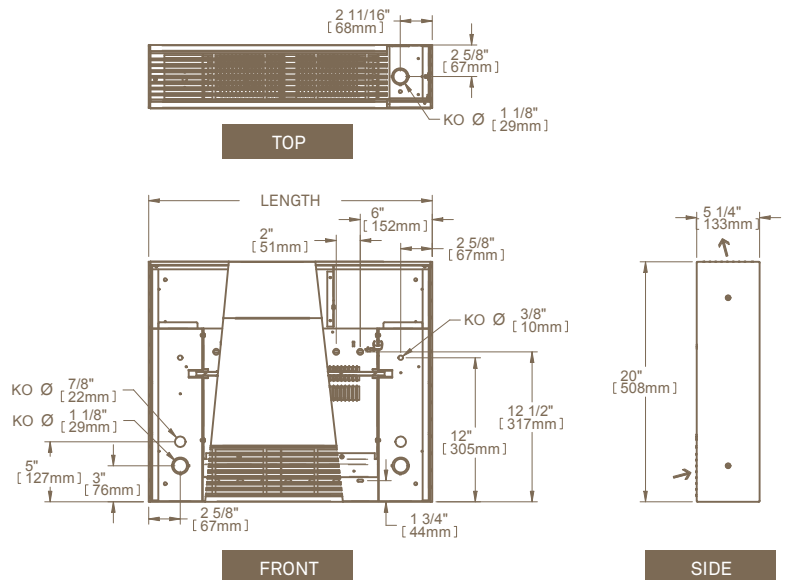
STANDARD DENSITY 1000 W PER LINEAR FOOT		MEDIUM DENSITY 800 W PER LINEAR FOOT		LOW DENSITY 600 W PER LINEAR FOOT		VOLTAGE	LENGTH	WEIGHT	PRICE		
CODE	WATTS	CODE	WATTS	CODE	WATTS	VOLTS	MM	IN.	KG	LB	
---	2000	---	1600	CW10006128	1200	208	600	23 5/8	15.8	35	624.00
---	2000	---	1600	CW10006122	1200	240	600	23 5/8	15.8	35	624.00
---	2000	---	1600	CW10006127	1200	277	600	23 5/8	15.8	35	624.00
---	2000	---	1600	CW10006123	1200	347	600	23 5/8	15.8	35	624.00
---	2000	---	1600	CW10006125	1200	480	600	23 5/8	15.8	35	624.00
---	2000	---	1600	CW10006126	1200	600	600	23 5/8	15.8	35	624.00
CW10009308	3000	CW10009248	2400	CW10009188	1800	208	900	35 7/16	24	53	706.00
CW10009302	3000	CW10009242	2400	CW10009182	1800	240	900	35 7/16	24	53	706.00
CW10009307	3000	CW10009247	2400	CW10009187	1800	277	900	35 7/16	24	53	706.00
CW10009303	3000	CW10009243	2400	CW10009183	1800	347	900	35 7/16	24	53	706.00
CW10009305	3000	CW10009245	2400	CW10009185	1800	480	900	35 7/16	24	53	706.00
CW10009306	3000	CW10009246	2400	CW10009186	1800	600	900	35 7/16	24	53	706.00
CW100012408	4000	CW100012328	3200	CW100012248	2400	208	1200	47 1/4	31.3	69	788.00
CW100012402	4000	CW100012322	3200	CW100012242	2400	240	1200	47 1/4	31.3	69	788.00
CW100012407	4000	CW100012327	3200	CW100012247	2400	277	1200	47 1/4	31.3	69	788.00
CW100012403	4000	CW100012323	3200	CW100012243	2400	347	1200	47 1/4	31.3	69	788.00
CW100012405	4000	CW100012325	3200	CW100012245	2400	480	1200	47 1/4	31.3	69	788.00
CW100012406	4000	CW100012326	3200	CW100012246	2400	600	1200	47 1/4	31.3	69	788.00
CW100015508	5000	CW100015408	4000	CW100015308	3000	208	1500	59 1/16	38.1	84	871.00
CW100015502	5000	CW100015402	4000	CW100015302	3000	240	1500	59 1/16	38.1	84	871.00
CW100015507	5000	CW100015407	4000	CW100015307	3000	277	1500	59 1/16	38.1	84	871.00
CW100015503	5000	CW100015403	4000	CW100015303	3000	347	1500	59 1/16	38.1	84	871.00
CW100015505	5000	CW100015405	4000	CW100015305	3000	480	1500	59 1/16	38.1	84	871.00
CW100015506	5000	CW100015406	4000	CW100015306	3000	600	1500	59 1/16	38.1	84	871.00
CW100018608	6000	CW100018488	4800	CW100018368	3600	208	1800	70 7/8	44.5	98	953.00
CW100018602	6000	CW100018482	4800	CW100018362	3600	240	1800	70 7/8	44.5	98	953.00
CW100018607	6000	CW100018487	4800	CW100018367	3600	277	1800	70 7/8	44.5	98	953.00
CW100018603	6000	CW100018483	4800	CW100018363	3600	347	1800	70 7/8	44.5	98	953.00
CW100018605	6000	CW100018485	4800	CW100018365	3600	480	1800	70 7/8	44.5	98	953.00
CW100018606	6000	CW100018486	4800	CW100018366	3600	600	1800	70 7/8	44.5	98	953.00

Add W for white or SW for silica white (see page 8 for optional colours and contact your °STELPRO representative for all other colours)

Add FF for front air outlet (available only in 600 W and 800 W densities per linear foot)

--- not available

TECHNICAL DRAWINGS



SLOPED ARCHITECTURAL CABINET

CWS1000 SERIES

A POWERFUL SLOPED TOP CABINET CONVECTOR

The CWS1000 is a great option for heating large areas requiring a higher than normal heat-loss recovery. It has a high power density of 1000 W per linear foot. Its sloped top adds dimension to an already dynamic design and limits the chances that it will be sat on, stepped on or used as a shelf. A powerful performer, the CWS1000 heats by natural convection, so you don't have to worry about noise.



INCREDIBLE HEAT DENSITY

UP TO 1000 W PER LINEAR FOOT

AESTHETIC EXTRUDED ALUMINUM GRILLE

SLOPED TOP

MAKING IT LESS LIKELY TO BE SAT ON OR USED AS A SHELF

PERFECT FOR PUBLIC PLACES

MUNICIPAL BUILDINGS, LOBBIES, ETC.

BLANK SECTIONS AVAILABLE

FOR A CONTINUOUS EFFECT

IDEAL FOR:

SHOPPING MALL, HOSPITAL, LOBBY, CORRIDOR

COLOURS

- standard: white, silica white
- optional: almond, black, textured charcoal, silver, clear anodized (paint), nickel, champagne, light bronze, dark brown (10% surcharge)

FINISH

epoxy-polyester powdercoat

MANUFACTURING

- 18-gauge steel cabinet, 16-gauge steel front panel and extruded aluminum grilles with a thickness equivalent to 13 gauge
- front air intake and top air discharge
- thermal protection with automatic reset
- full-length wireway

ELEMENTS

four tubular elements, stainless steel sheathed with boxed aluminum fins for improved heat dissipation; the elements are securely fastened at their centers, floating in nylon sleeves at each end, eliminating expansion and contraction noises

CONTROL

- wall thermostat (not included) – the use of an electronic thermostat is strongly recommended
- built-in tamper-proof thermostat accessible without removing front grille, installed in the left or right junction box (optional)
- low voltage relay kit installed in the left or right junction box (optional)

INSTALLATION

- surface mounted
- wall or floor mounted with or without pedestal kit (optional)
- wiring compartment at both ends of unit
- blank sections (custom lengths) and accessories are available for a continuous effect (optional)



This unit is intended for commercial use. It can become very hot; domestic use is not recommended.

TECHNICAL SPECIFICATIONS

STANDARD DENSITY 1000 W PER LINEAR FOOT		MEDIUM DENSITY 800 W PER LINEAR FOOT		LOW DENSITY 600 W PER LINEAR FOOT		VOLTAGE	LENGTH	WEIGHT	PRICE		
CODE	WATTS	CODE	WATTS	CODE	WATTS	VOLTS	MM	IN.	KG	LB	
----	2000	---	1600	CWS10006128	1200	208	600	23 5/8	15.9	35	624.00
----	2000	---	1600	CWS10006122	1200	240	600	23 5/8	15.9	35	624.00
----	2000	---	1600	CWS10006127	1200	277	600	23 5/8	15.9	35	624.00
----	2000	---	1600	CWS10006123	1200	347	600	23 5/8	15.9	35	624.00
----	2000	---	1600	CWS10006125	1200	480	600	23 5/8	15.9	35	624.00
----	2000	---	1600	CWS10006126	1200	600	600	23 5/8	15.9	35	624.00
CWS10009308	3000	CWS10009248	2400	CWS10009188	1800	208	900	35 7/16	24	53	706.00
CWS10009302	3000	CWS10009242	2400	CWS10009182	1800	240	900	35 7/16	24	53	706.00
CWS10009307	3000	CWS10009247	2400	CWS10009187	1800	277	900	35 7/16	24	53	706.00
CWS10009303	3000	CWS10009243	2400	CWS10009183	1800	347	900	35 7/16	24	53	706.00
CWS10009305	3000	CWS10009245	2400	CWS10009185	1800	480	900	35 7/16	24	53	706.00
CWS10009306	3000	CWS10009246	2400	CWS10009186	1800	600	900	35 7/16	24	53	706.00
CWS100012408	4000	CWS100012328	3200	CWS100012248	2400	208	1200	47 1/4	31.3	69	788.00
CWS100012402	4000	CWS100012322	3200	CWS100012242	2400	240	1200	47 1/4	31.3	69	788.00
CWS100012407	4000	CWS100012327	3200	CWS100012247	2400	277	1200	47 1/4	31.3	69	788.00
CWS100012403	4000	CWS100012323	3200	CWS100012243	2400	347	1200	47 1/4	31.3	69	788.00
CWS100012405	4000	CWS100012325	3200	CWS100012245	2400	480	1200	47 1/4	31.3	69	788.00
CWS100012406	4000	CWS100012326	3200	CWS100012246	2400	600	1200	47 1/4	31.3	69	788.00
CWS100015508	5000	CWS100015408	4000	CWS100015308	3000	208	1500	59 1/16	38.1	84	871.00
CWS100015502	5000	CWS100015402	4000	CWS100015302	3000	240	1500	59 1/16	38.1	84	871.00
CWS100015507	5000	CWS100015407	4000	CWS100015307	3000	277	1500	59 1/16	38.1	84	871.00
CWS100015503	5000	CWS100015403	4000	CWS100015303	3000	347	1500	59 1/16	38.1	84	871.00
CWS100015505	5000	CWS100015405	4000	CWS100015305	3000	480	1500	59 1/16	38.1	84	871.00
CWS100015506	5000	CWS100015406	4000	CWS100015306	3000	600	1500	59 1/16	38.1	84	871.00
CWS100018608	6000	CWS100018488	4800	CWS100018368	3600	208	1800	70 7/8	44.5	98	953.00
CWS100018602	6000	CWS100018482	4800	CWS100018362	3600	240	1800	70 7/8	44.5	98	953.00
CWS100018607	6000	CWS100018487	4800	CWS100018367	3600	277	1800	70 7/8	44.5	98	953.00
CWS100018603	6000	CWS100018483	4800	CWS100018363	3600	347	1800	70 7/8	44.5	98	953.00
CWS100018605	6000	CWS100018485	4800	CWS100018365	3600	480	1800	70 7/8	44.5	98	953.00
CWS100018606	6000	CWS100018486	4800	CWS100018366	3600	600	1800	70 7/8	44.5	98	953.00

Add W for white or SW for silica white (see page 8 for optional colours and contact your *STELPRO representative for all other colours)
 ---- not available

ACCESSORIES

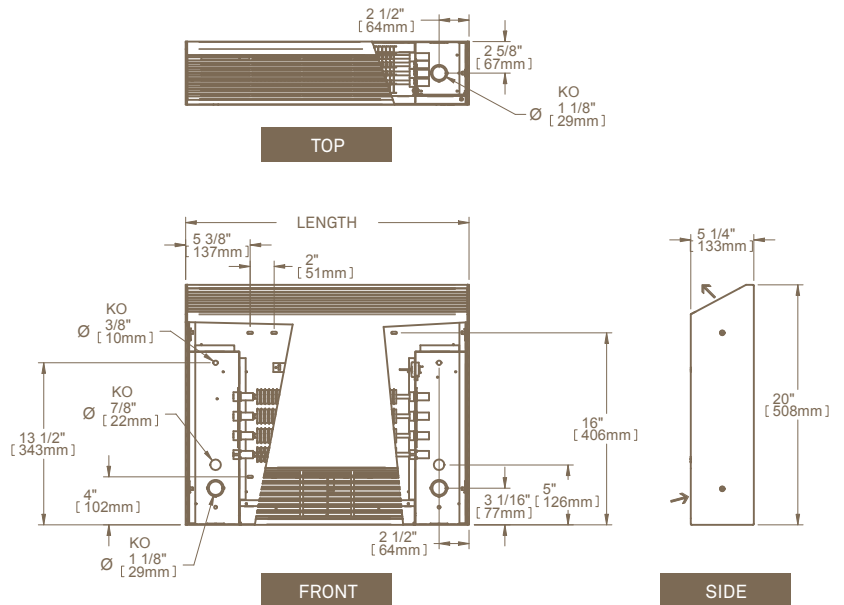
PRODUCT	DESCRIPTION	PRICE
CWS1000T12*	built-in tamper-proof single pole thermostat	97.50
CWS1000T22*	built-in tamper-proof double pole thermostat	164.00
CWS1000RE153*	built-in electronic low voltage relay [15 A @ 120 V-347 V]	51.50
CWS1000RE156*	built-in electronic low voltage relay [6 A @ 600 V]	91.25
CWS1000RE153T*	built-in electronic low voltage relay c/w transformer 24 V [15 A @ 208 V-347 V]	70.00
CWS1000R841C1169*	built-in mechanical low voltage relay c/w transformer 24 V [5000 W @ 208 V / 6000 W @ 240 V]	112.00
CWS1000R841C1144*	built-in mechanical low voltage relay c/w transformer 24 V [6000 W @ 347 V]	112.00
CWS1000R841C1151*	built-in mechanical low voltage relay c/w transformer 24 V [6000 W @ 600 V]	112.00
CWS1000R841D1036*	built-in mechanical low voltage relay w/o transformer 24 V [6000 W @ 120 V-600 V]	98.75
PK3*	pedestal kit (kit of two)	99.00
CWS1000JS*	joiner strip (2 in. - 51 mm)	131.00
CWS1000IC90*	inside corner (back measures 9 13/16 in. (249 mm) long on each side)	610.00
CWS1000OC90*	outside corner (back measures 9 13/16 in. (249 mm) long on each side)	610.00
CWS1000CB**	clean back (fully finished, no mounting holes or knockouts)	157.00

Electronic relays can receive a PWM (pulsed width modulation) or digital (on/off) signal.

* Add W for white or SW for silica white

* Factory installed * Factory installation is strongly recommended

TECHNICAL DRAWINGS



WALL FAN HEATER

ALUMINUM - WFA SERIES



WHEN DURABILITY AND PERFORMANCE MEET DESIGN

In need of a solid, stylish heater to warm your clients in the lobby or entrance of your business? The ALUX™ series wall fan heater (WFA) with its remarkable rush of warm air is the solution. It has an aluminum extrusion grille that is striking, modern and unbelievably resistant. Imagine no more dents or rust! The WFA can be installed recessed or surface mounted on the wall and is available in a large array of wattages to meet all your needs.



EXTRUDED ALUMINUM PROFILE WITH A UNIQUE AND LUXURIOUS DESIGN

EXTREMELY SOLID, IMPACT AND RUST RESISTANT

WIDE RANGE OF MODELS AND HEATING CAPACITIES INCLUDING A SINGLE UNIT OF 4800 W

SIGNATURE NICHROME ELEMENT OFFERING SUPERIOR PERFORMANCE AND IMMEDIATE HEAT!

IDEAL FOR:

LOBBY, ENTRANCE, CORRIDOR, FACTORY, WAREHOUSE, STAIRWELL

COLOURS

white, silica white, almond, silver, black, textured charcoal, nickel, champagne, light bronze, dark brown, clear anodized (paint)

FINISH

epoxy-polyester powdercoat

MANUFACTURING

- 22-gauge steel cabinet
- extruded aluminum grille with a thickness equivalent to 13 gauge
- top air intake with bottom air discharge
- quiet helicoidal fan: single unit 1 x 160 CFM - double unit 2 x 160 CFM - triple unit 3 x 160 CFM
- thermal protection with automatic reset
- totally enclosed, permanently lubricated motor

ELEMENT

high quality nichrome element producing instant heat

INSTALLATION

- wall mounted
- recessed or surface mounted with surface adapter (optional)

ACCESSORIES

PRODUCT	DESCRIPTION	PRICE
WFAT1	built-in single pole thermostat [120 V-347 V]	41.00
WFAT2	built-in double pole thermostat [120 V-347 V]	52.50
WFASA1*	surface adapter (single unit)	84.50
WFASA2*	surface adapter (double unit)	168.00
WFASA3*	surface adapter (triple unit)	252.00
WFADIS-30*	disconnect switch kit 600 V/30 A, 2 poles	108.00
WFADIS-40*	disconnect switch kit 600 V/40 A, 2 poles/3 poles	128.00
WFADIS-60*	disconnect switch kit 600 V/60 A, 2 poles/3 poles	155.00

* Add W for white, SW for silica white, A for almond, S for silver, BK for black, CHAR for textured charcoal, NIC for nickel, CHA for champagne, LB for light bronze, BR for dark brown or CAP for clear anodized (paint)

* Factory installation



TECHNICAL SPECIFICATIONS

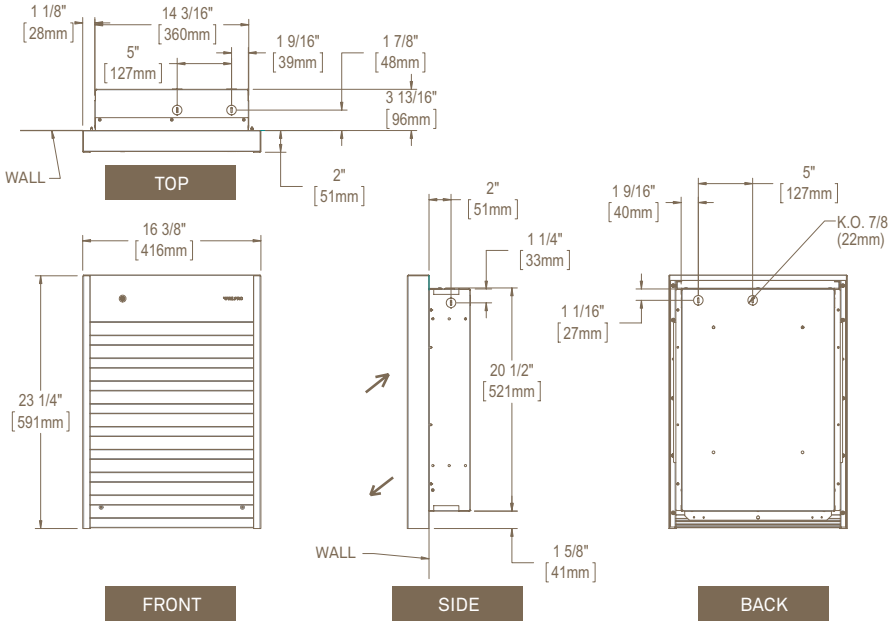
WITHOUT CONTROL		BUILT-IN THERMOSTAT		240 V CONTROL		24 V CONTROL		POWER	VOLTAGE	WEIGHT		MODEL
CODE	PRICE	CODE	PRICE	CODE	CODE	PRICE	WATTS	VOLTS	KG	LB	UNIT	
WFA1508	537.00	WFA1508T	577.00	WFA1508C	WFA1508C24	665.00	1500	208	9.1	20	SINGLE	
WFA1502	537.00	WFA1502T	577.00	WFA1502C	WFA1502C24	665.00	1500/1125	240/208	9.1	20	SINGLE	
WFA1507	776.00	WFA1507T	817.00	WFA1507C	WFA1507C24	905.00	1500	277	12	27	SINGLE	
WFA1503	776.00	WFA1503T	817.00	WFA1503C	WFA1503C24	905.00	1500	347	9.1	20	SINGLE	
---	---	WFA1505T	856.00	WFA1505C	WFA1505C24	943.00	1500	480	12	27	SINGLE	
---	---	WFA1506T	856.00	WFA1506C	WFA1506C24	943.00	1500	600	12	27	SINGLE	
WFA2008	537.00	WFA2008T	577.00	WFA2008C	WFA2008C24	665.00	2000	208	10.4	23	SINGLE	
WFA2002	537.00	WFA2002T	577.00	WFA2002C	WFA2002C24	665.00	2000/1500	240/208	10.4	23	SINGLE	
WFA2007	776.00	WFA2007T	817.00	WFA2007C	WFA2007C24	905.00	2000	277	12	27	SINGLE	
WFA2003	776.00	WFA2003T	817.00	WFA2003C	WFA2003C24	905.00	2000	347	10.4	23	SINGLE	
---	---	WFA2005T	856.00	WFA2005C	WFA2005C24	943.00	2000	480	12	27	SINGLE	
---	---	WFA2006T	856.00	WFA2006C	WFA2006C24	943.00	2000	600	12	27	SINGLE	
WFA3008	551.00	WFA3008T	592.00	WFA3008C	WFA3008C24	679.00	3000	208	10.4	23	SINGLE	
WFA3002	551.00	WFA3002T	592.00	WFA3002C	WFA3002C24	679.00	3000/2250	240/208	10.4	23	SINGLE	
WFA3007	803.00	WFA3007T	844.00	WFA3007C	WFA3007C24	932.00	3000	277	12	27	SINGLE	
WFA3003	803.00	WFA3003T	844.00	WFA3003C	WFA3003C24	932.00	3000	347	10.4	23	SINGLE	
---	---	WFA3005T	880.00	WFA3005C	WFA3005C24	968.00	3000	480	12	27	SINGLE	
---	---	WFA3006T	880.00	WFA3006C	WFA3006C24	968.00	3000	600	12	27	SINGLE	
WFA4008	589.00	WFA4008T	630.00	WFA4008C	WFA4008C24	717.00	4000	208	10.4	23	SINGLE	
WFA4002	589.00	WFA4002T	630.00	WFA4002C	WFA4002C24	717.00	4000/3000	240/208	10.4	23	SINGLE	
WFA4007	828.00	WFA4007T	869.00	WFA4007C	WFA4007C24	956.00	4000	277	12	27	SINGLE	
WFA4003	828.00	WFA4003T	869.00	WFA4003C	WFA4003C24	956.00	4000	347	10.4	23	SINGLE	
---	---	WFA4005T	908.00	WFA4005C	WFA4005C24	996.00	4000	480	12	27	SINGLE	
---	---	WFA4006T	908.00	WFA4006C	WFA4006C24	996.00	4000	600	12	27	SINGLE	
WFA4808	621.00	WFA4808T	662.00	WFA4808C	WFA4808C24	749.00	4800	208	10.4	23	SINGLE	
WFA4802	621.00	WFA4802T	662.00	WFA4802C	WFA4802C24	749.00	4800/3600	240/208	10.4	23	SINGLE	
WFA4807	875.00	WFA4807T	916.00	WFA4807C	WFA4807C24	1003.00	4800	277	12	27	SINGLE	
WFA4803	875.00	WFA4803T	916.00	WFA4803C	WFA4803C24	1003.00	4800	347	10.4	23	SINGLE	
---	---	WFA4805T	957.00	WFA4805C	WFA4805C24	1044.00	4800	480	12	27	SINGLE	
---	---	WFA4806T	957.00	WFA4806C	WFA4806C24	1044.00	4800	600	12	27	SINGLE	
---	---	WFA6008CT	1486.00	WFA6008C	WFA6008C24	1445.00	6000	208	20	44	DOUBLE	
---	---	WFA6002T	1357.00	WFA6002C	WFA6002C24	1445.00	6000/4500	240/208	20	44	DOUBLE	
---	---	WFA6007T	1761.00	WFA6007C	WFA6007C24	1848.00	6000	277	22	48	DOUBLE	
---	---	WFA6003T	1761.00	WFA6003C	WFA6003C24	1848.00	6000	347	20	44	DOUBLE	
---	---	WFA6005T	1763.00	WFA6005C	WFA6005C24	1851.00	6000	480	22	48	DOUBLE	
---	---	WFA6006T	1763.00	WFA6006C	WFA6006C24	1851.00	6000	600	22	48	DOUBLE	
---	---	WFA60083CT*	1486.00	WFA60083C*	WFA60083C24*	1445.00	6000	208	36	80	TRIPLE	
---	---	WFA60053CT*	1892.00	WFA60053C*	WFA60053C24*	1851.00	6000	480	36	80	TRIPLE	
---	---	WFA60063CT*	1892.00	WFA60063C*	WFA60063C24*	1851.00	6000	600	36	80	TRIPLE	
---	---	WFA8008CT	1452.00	WFA8008C	WFA8008C24	1411.00	8000	208	20	44	DOUBLE	
---	---	WFA8002CT	1452.00	WFA8002C	WFA8002C24	1411.00	8000/6000	240/208	20	44	DOUBLE	
---	---	WFA8007CT	2021.00	WFA8007C	WFA8007C24	1980.00	8000	277	22	48	DOUBLE	
---	---	WFA8003CT	2021.00	WFA8003C	WFA8003C24	1980.00	8000	347	20	44	DOUBLE	
---	---	WFA8005CT	2021.00	WFA8005C	WFA8005C24	1980.00	8000	480	22	48	DOUBLE	
---	---	WFA8006CT	2021.00	WFA8006C	WFA8006C24	1980.00	8000	600	22	48	DOUBLE	
---	---	WFA90083CT*	1910.00	WFA90083C*	WFA90083C24*	1869.00	9000	208	36	80	TRIPLE	
---	---	WFA90053CT*	2396.00	WFA90053C*	WFA90053C24*	2355.00	9000	480	36	80	TRIPLE	
---	---	WFA90063CT*	2396.00	WFA90063C*	WFA90063C24*	2355.00	9000	600	36	80	TRIPLE	
---	---	WFA12008CT	2373.00	WFA12008C	WFA12008C24	2333.00	12000	208	36	80	TRIPLE	
---	---	WFA12002CT	2373.00	WFA12002C	WFA12002C24	2333.00	12000/9000	240/208	36	80	TRIPLE	
---	---	WFA12007CT	2898.00	WFA12007C	WFA12007C24	2857.00	12000	277	36	80	TRIPLE	
---	---	WFA12003CT	2898.00	WFA12003C	WFA12003C24	2857.00	12000	347	36	80	TRIPLE	
---	---	WFA12005CT	2898.00	WFA12005C	WFA12005C24	2857.00	12000	480	36	80	TRIPLE	
---	---	WFA12006CT	2898.00	WFA12006C	WFA12006C24	2857.00	12000	600	36	80	TRIPLE	
---	---	WFA120083CT*	2373.00	WFA120083C*	WFA120083C24*	2333.00	12000	208	36	80	TRIPLE	
---	---	WFA120053CT*	2898.00	WFA120053C*	WFA120053C24*	2857.00	12000	480	36	80	TRIPLE	
---	---	WFA120063CT*	2898.00	WFA120063C*	WFA120063C24*	2857.00	12000	600	36	80	TRIPLE	

Add W for white, SW for silica white, A for almond, S for silver, BK for black, CHAR for textured charcoal, NIC for nickel, CHA for champagne, LB for light bronze, BR for dark brown or CAP for clear anodized (paint) (see page 8 for optional colours and contact your °STELPRO representative for all other colours)

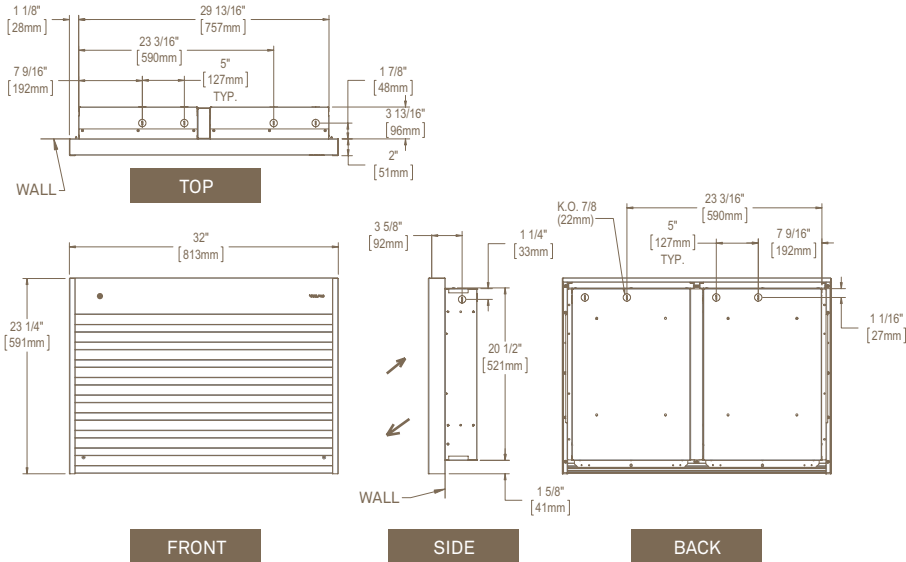
* Three-phase unit

--- not available

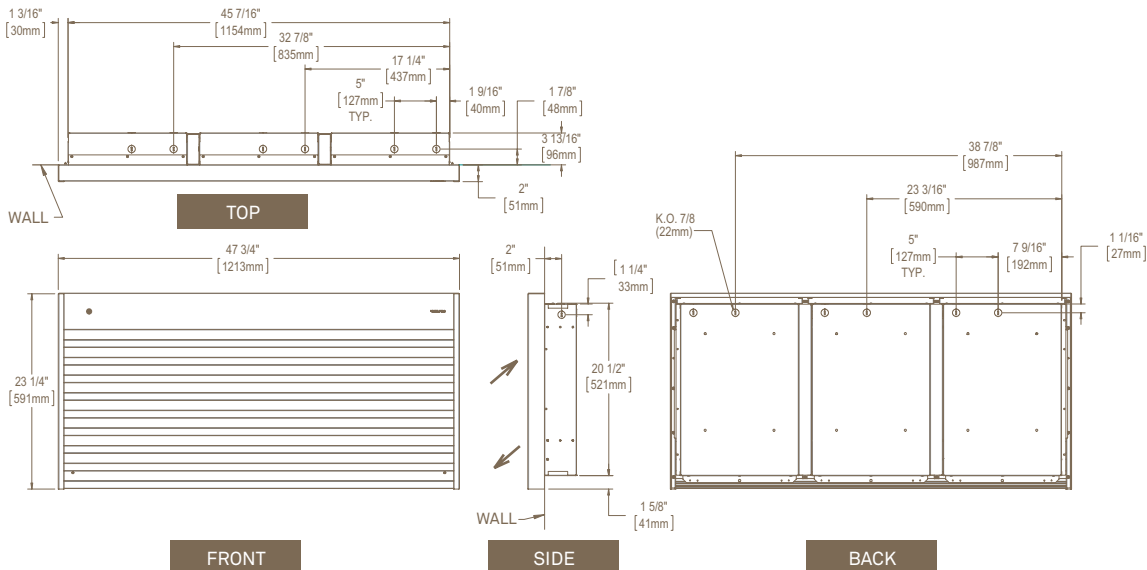
SINGLE UNIT



DOUBLE UNIT



TRIPLE UNIT





WALL FAN HEATER

WF SERIES

VERSATILITY IS THE NAME OF THE GAME!

The WF is a high-capacity fan heater that's ideal for building lobbies, long corridors, stairwells, workshops, factories, and warehouses. Its electrical element is made of high-quality nichrome assuring an immediate surge of hot air. The various modes of wall installation make the WF heater one of the most versatile fan heaters on the market: it can be surface mounted or recessed, with a variety of models and heating capacities to choose from.



NEW GRILLE WITH ROUNDED SIDES

DURABLE AND STYLISH

WIDE RANGE OF MODELS & HEATING CAPACITIES

INCLUDING A 4800 W SINGLE MODEL

NICHROME ELEMENT

ASSURING INSTANT HEAT

NEW DISCONNECT SWITCH

OPTIONAL

IDEAL FOR:

LOBBY, CORRIDOR, FACTORY, WAREHOUSE, STAIRWELL

COLOURS

- standard: white, silica white, silver
- luxurious finish: stainless steel (see price list)
- optional: black, textured charcoal, clear anodized (paint), nickel, champagne, light bronze, dark brown (10% surcharge)

FINISH

epoxy-polyester powdercoat or stainless steel

MANUFACTURING

- 20-gauge steel cabinet and 18-gauge steel grille
- top air intake with bottom air discharge
- quiet helicoidal fan: single unit 1 x 160 CFM - double unit 2 x 160 CFM - triple unit 3 x 160 CFM
- thermal protection with automatic reset
- totally enclosed, permanently lubricated motor

ELEMENT

high quality nichrome element producing instant heat

CONTROL

connection of multiple units to the same thermostat is possible with a relay kit without transformer (optional) and an external transformer (not provided)

INSTALLATION

- wall mounted
- recessed or surface mounted with surface adapter (optional)

ACCESSORIES

PRODUCT	DESCRIPTION	PRICE
WFT1	built-in single pole thermostat [120 V-600 V]	41.00
WFT2	built-in double pole thermostat [120 V-600 V]	52.50
WFA1*	surface adapter (single unit)	55.00
WFA2*	surface adapter (double unit)	112.00
WFA3*	surface adapter (triple unit)	167.00
WFA1SS	stainless steel surface adapter (single unit)	74.50
WFA2SS	stainless steel surface adapter (double unit)	151.00
WFA3SS	stainless steel surface adapter (triple unit)	226.00
WFDIS-30*	disconnect switch kit 600 V/30 A, 2 poles	108.00
WFDIS-40*	disconnect switch kit 600 V/40 A, 2 poles/3 poles	128.00
WFDIS-60*	disconnect switch kit 600 V/60 A, 2 poles/3 poles	155.00
WFC24RX*	relay kit without transformer 24 V	90.00

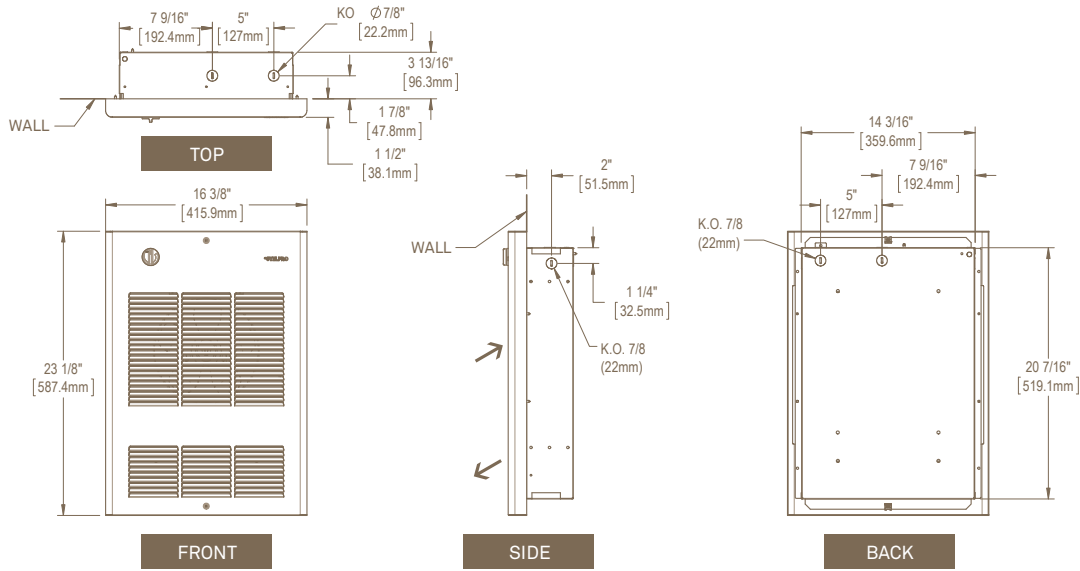
* Add W for white, SW for silica white or S for silver

* Factory installation

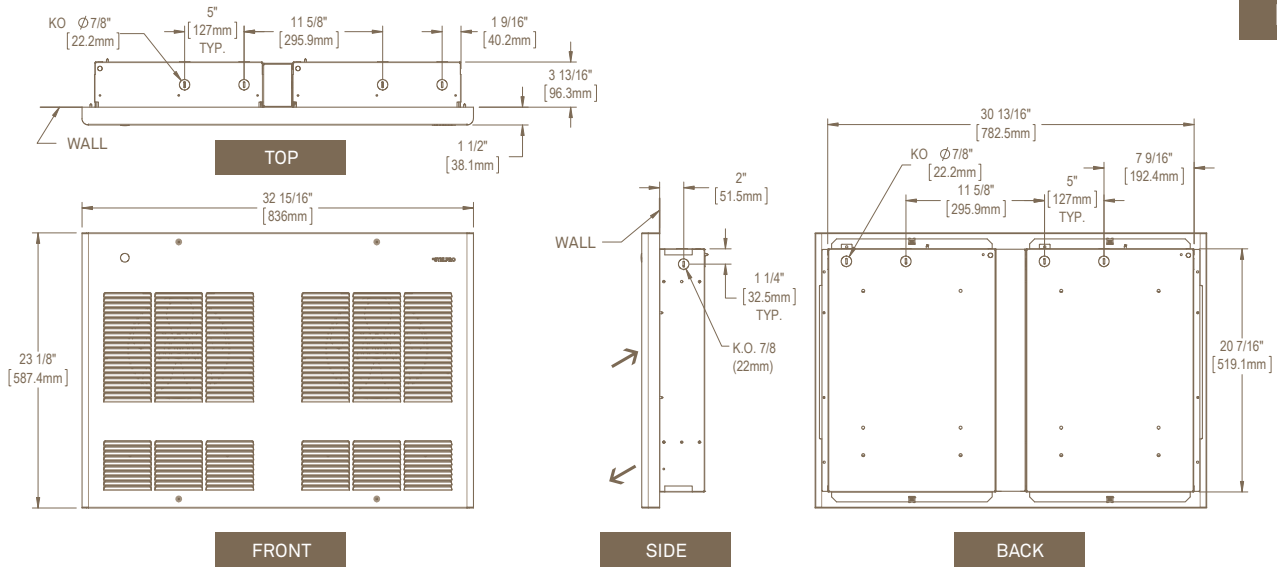


ROUNDED SIDES

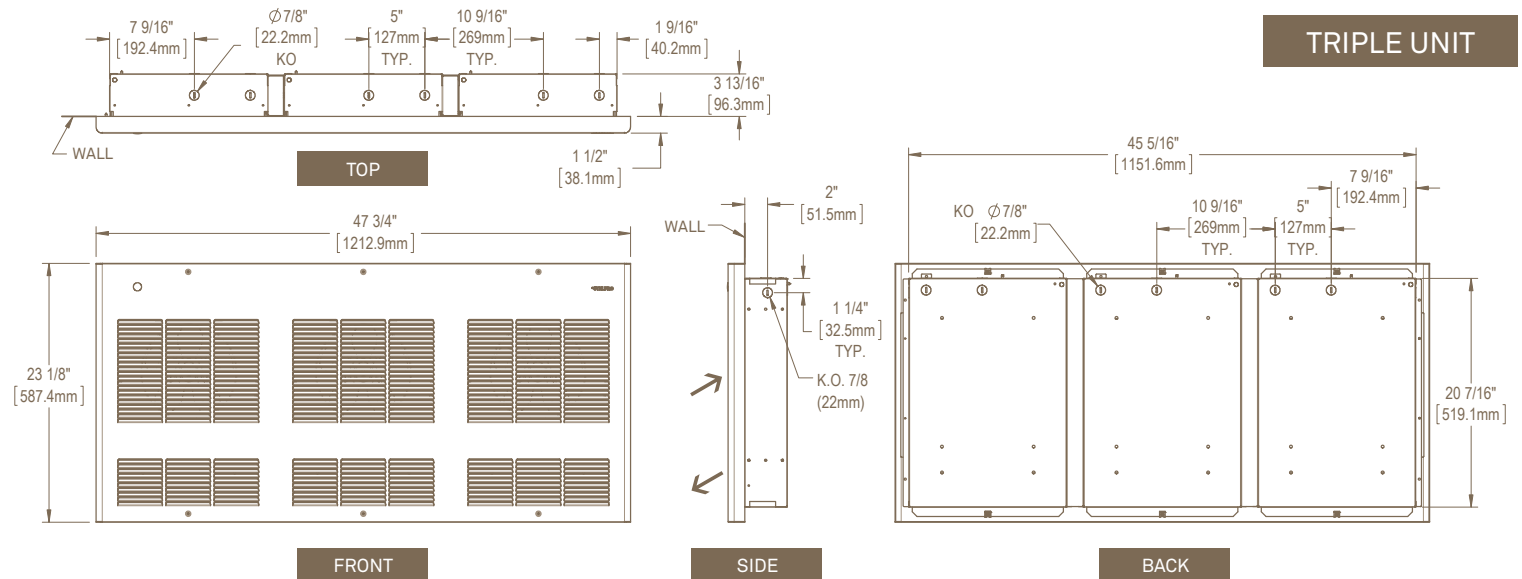
SINGLE UNIT



DOUBLE UNIT



TRIPLE UNIT



CABINET HEATER

CBH SERIES

POWERFUL HEATER, IMPRESSIVE RESULTS

When you need a lot of high-efficiency heating, the CBH is the right choice. Its resistant coating is well-suited to all types of commercial spaces and other high-traffic areas. This forced-air cabinet heater features unparalleled durability. It is also extremely versatile, with the option of recessed, semi-recessed or surface mounted installation, and its durable steel casing. The CBH unit can be ceiling mounted when wall mounting is not an option. The CBH ensures powerful, even air flow as the fan is coupled directly to the motor. The option of connecting it to a ventilation duct makes it even more adaptable. The CBH is your assurance of reliable heating for years to come.



POWERFUL WITH BIG AIRFLOW

MULTIPLE INSTALLATION OPTIONS

RECESSED, SEMI-RECESSED, SURFACE MOUNTED
TO THE CEILING OR WALL

DURABLE

IDEAL FOR:

COMMERCIAL AREA, HOSPITAL, SHOPPING CENTRE, SCHOOL,
SPORTS ARENA

COLOURS

- standard: white, silica white
- optional: almond, black, textured charcoal, silver, clear anodized (paint), nickel, champagne, light bronze, dark brown (10% surcharge)

FINISH

epoxy-polyester powdercoat

MANUFACTURING

- 18-gauge steel cabinet and 16-gauge steel front panel
- powerful motor with squirrel-cage blower and time-delay relay
- 1/15 hp (2 kW to 12 kW units); 1/5 hp (15 kW to 20 kW units)
- large variety of airflow configurations which are adaptable on the construction site
- thermal protection with automatic reset
- high intensity (factory setting)
- low intensity available when manufactured with hi/lo selection switch (optional)

ELEMENT

nichrome element producing instant heat

CONTROL

- high/low switch (heating and ventilation) (available from 4 kW)
- connection of multiple units to the same thermostat is possible with a relay kit without transformer (optional) and an external transformer (not provided)

INSTALLATION

- wall or ceiling mounted
- surface mounted
- recessed or semi-recessed with 4-piece trim frame (optional)

ACCESSORIES

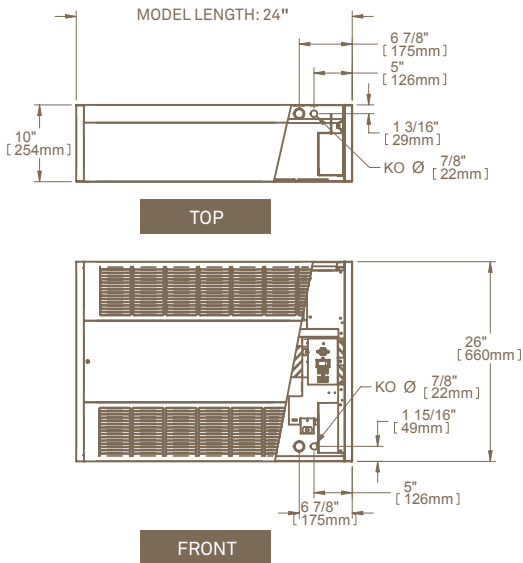
PRODUCT	DESCRIPTION	PRICE
CBHT1	built-in tamper-proof single pole thermostat	108.00
CBHFS*	fan switch	197.00
CBHMS*	on/off switch	123.00
CBHHL*	high/low switch (available from 4 kW)	216.00
CBHDC*	duct collar	401.00
CBHTB24*	4-piece trim frame (24 in. – 610 mm units)	121.00
CBHTB36*	4-piece trim frame (36 in. – 914 mm units)	127.00
CBHTB48*	4-piece trim frame (48 in. – 1219 mm units)	133.00
CBHSB24*	sub-base (24 in. – 610 mm units)	126.00
CBHSB36*	sub-base (36 in. – 914 mm units)	130.00
CBHSB48*	sub-base (48 in. – 1219 mm units)	135.00
CBHCB24**	clean back (fully finished, no mounting holes or knockouts) (24 in. – 610 mm units)	385.00
CBHCB36**	clean back (fully finished, no mounting holes or knockouts) (36 in. – 914 mm units)	413.00
CBHCB48**	clean back (fully finished, no mounting holes or knockouts) (48 in. – 1219 mm units)	442.00
CBHC24RX*	relay kit without transformer 24 V	90.00
CBHDIS 80A*	built-in disconnect switch [80 A]	142.50

* Add W for white or SW for silica white

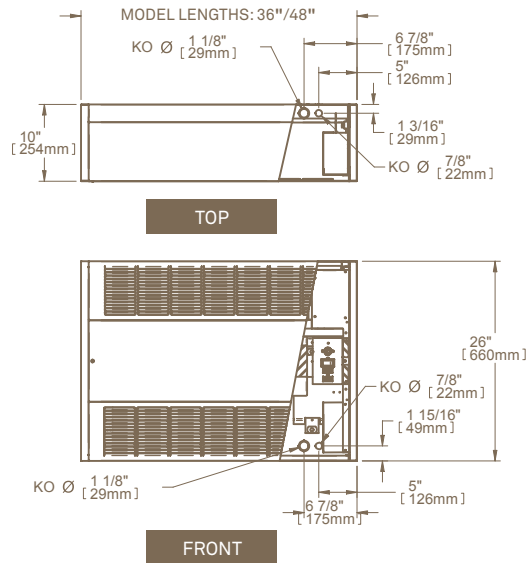
** Factory installed

TECHNICAL DRAWINGS

2 KW TO 6 KW UNITS

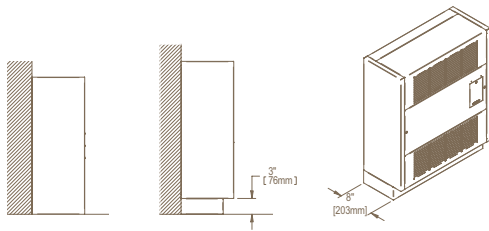


8 KW TO 20 KW UNITS



INSTALLATION

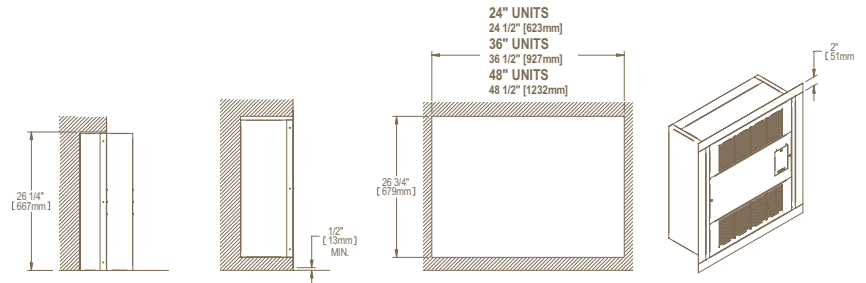
SURFACE MOUNTED



SURFACE MOUNTED

SUB-BASE MOUNTING

RECESSED OR SEMI-RECESSED WITH 4-PIECE TRIM FRAME (OPTIONAL)

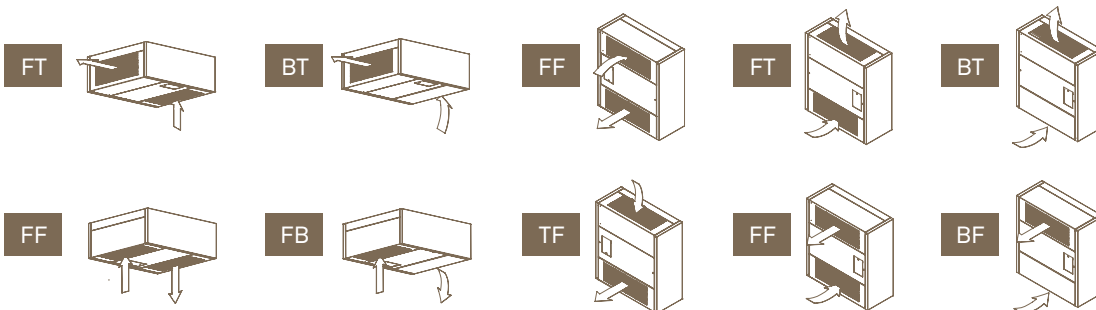


SEMI-RECESSED

RECESSED

WALL OPENING

TRIM FRAME



SEVERAL AIRFLOW CONFIGURATIONS ARE POSSIBLE AND ADAPTABLE ON CONSTRUCTION SITE
 F = FRONT, T = TOP, B = BOTTOM

CEILING FAN HEATER

SGH SERIES

GET CAUGHT UP IN ITS COMFORT!

This stylish ceiling fan heater will be the highlight of your garage! The SPIDER™ ceiling fan heater combines optimum performance, instant heat and a low noise level, all this in a distinctive design with a choice of striking colours.

SPIDER™



5 YEAR
WARRANTY

NEW DESIGN: INCREASED AIR FLOW

A REINVENTION OF GARAGE HEATING
INNOVATIVE AND UNIQUE DESIGN

DESIGNED SPECIFICALLY FOR RESIDENTIAL GARAGES

CEILING INSTALLATION
FREEING UP FLOOR AND WALL SPACE

CHOICE OF STRIKING COLOURS

IDEAL FOR:

GARAGE, WORKSHOP

COLOURS

- standard: red, yellow
- luxurious finish: stainless steel (see price list)

FINISH

polyester powdercoat or stainless steel

MANUFACTURING

- 22-gauge smooth steel housing
- quiet helicoidal fan
- thermal protection with automatic reset
- closed and permanently lubricated motor

ELEMENT

nichrome element producing instant heat

CONTROL

wall thermostat (not included) – the use of an electronic thermostat is strongly recommended

INSTALLATION

- ceiling surface mounted with bracket
- from adjacent walls at a minimum of: 12 in. (305 mm)
- from floor at a minimum of 8 ft. (2.4 m) and a maximum of 10 ft. (3 m)

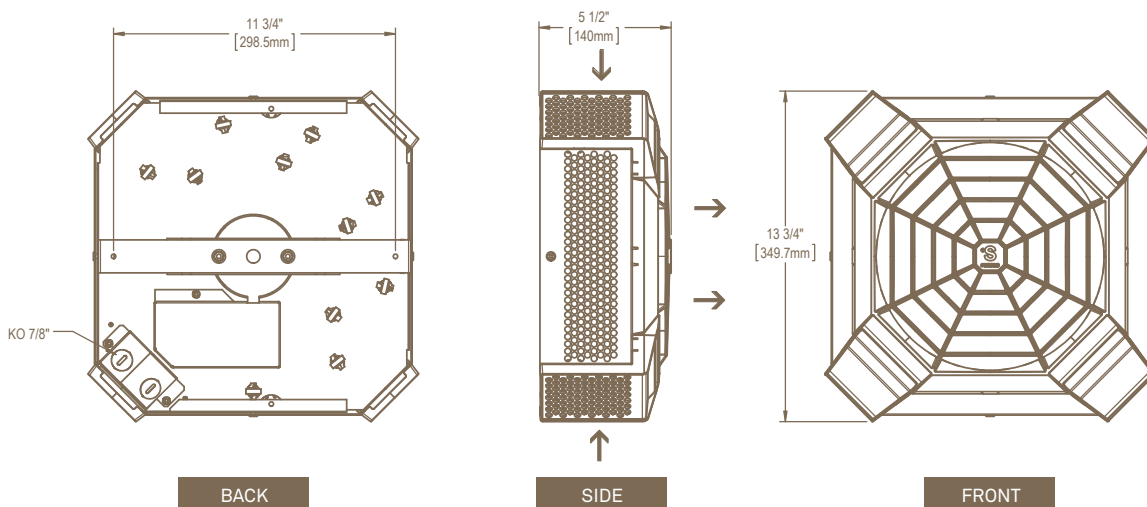




TECHNICAL SPECIFICATIONS

PRODUCT	POWER	VOLTAGE	COLOUR	HEAT RISE		WEIGHT		PRICE
CODE	WATTS	VOLTS		°C	°F	KG	LB	
SGH4002R	4000/3000	240/208	RED	46	83	4.5	10	312.00
SGH4002Y	4000/3000	240/208	YELLOW	46	83	4.5	10	312.00
SGH4002SS	4000/3000	240/208	STAINLESS STEEL	46	83	4.5	10	423.00

TECHNICAL DRAWINGS



CEILING FAN HEATER

DR SERIES



THE ONE AND ONLY DRAGON™!

The hallmark of the DRAGON™ is that it recycles residual warm air that has accumulated at the ceiling, mixing it with the cooler air below. The result? Uniform air temperature and energy savings. The DRAGON™ offers an output of 2000 W to 10 000 W, depending on the model, and offers voltage ranging from 208V to 600 V. This unit can be ceiling surface mounted or ceiling recessed, suspended at a minimum of 8 feet from the floor. The DRAGON™ is well-suited for building entryways, stairwells, warehouses, garages, workshops, and hallways. Nothing beats the power of the DRAGON™!



HIGH-EFFICIENCY AIR RECYCLING AND RECOVERY

CHOICE OF 2000 W TO 10 000 W

NICHROME ELEMENT

OFFERING STATE-OF-THE ART EFFICIENCY

SURFACE MOUNTED OR RECESSED INSTALLATION

OPTIONAL OFS MODEL TO CONTROL THE FAN-ONLY MODE WITH A WALL SWITCH

IDEAL FOR:

BUILDING ENTRYWAY, WAREHOUSE, STAIRWELL, GARAGE, WORKSHOP

COLOURS

- standard: white, silica white
- optional: almond, black, textured charcoal, silver, clear anodized (paint), nickel, champagne, light bronze, dark brown (10% surcharge)

FINISH

epoxy-polyester powdercoat

MANUFACTURING

- 20-gauge steel cabinet and 14-gauge steel grille
- quiet helicoidal fan
- thermal protection with automatic reset
- totally enclosed, permanently lubricated motor

ELEMENT

nichrome element produces instant heat

CONTROL

- wall thermostat (not included) – the use of an electronic thermostat is strongly recommended
- fan-only mode for continuous air circulation, controlled by built-in selection switch
- fan-only mode available for use with wall mounted switch (optional OFS model, wall switch not provided)
- heating-mode, confirmed by pilot light when in function
- connection of multiple units to the same thermostat is possible with a relay kit without transformer (optional) and an external transformer (not provided)

INSTALLATION

- ceiling recessed in a T-bar (DRR model)
- ceiling surface mounted with bracket to support unit during wiring (DRI & DRII models) (included)
- install at a minimum distance from adjacent or surrounding walls: 12 in. (DRR or DRI models); 24 in. (DRII models)
- mounting heights: 8 ft. (2 kW or 3 kW units); 10 ft. (4 kW or 5 kW units); 12 ft. (7.5 kW or 10 kW units)

ACCESSORIES

PRODUCT	DESCRIPTION	PRICE
DRT1	built-in tamper-proof single pole thermostat (DRR, DRI or DRII models)	46.00
DRITBA1*	T-bar adapter (DRI models)	94.25
DRIITBA1*	T-bar adapter (DRII models)	97.50
DRC24RX*	relay kit without transformer 24 V (DRII or DRR models)	90.00
DRIC24RX*	relay kit without transformer 24 V (DRI models)	90.00

* Add W for white or SW for silica white

* Factory installed



TECHNICAL SPECIFICATIONS (DRR MODELS)

WITHOUT CONTROL		BUILT-IN THERMOSTAT		240 V CONTROL		24 V CONTROL		POWER	VOLTAGE	FLOW	WEIGHT	
CODE	PRICE	CODE	PRICE	CODE	PRICE	CODE	PRICE	WATTS	VOLTS	CFM	KG	LB
DRR0281	693.00	DRR0281T	739.00	DRR0281C	750.00	DRR0281C24	785.00	2000	208	250	13.6	30
---	---	DRR0283CT*	956.00	DRR0283C*	911.00	DRR0283C24*	945.00	2000	208	250	13.6	30
DRR0221	693.00	DRR0221T	739.00	DRR0221C	750.00	DRR0221C24	785.00	2000	240	250	13.6	30
---	---	DRR0271CT	956.00	DRR0271C	911.00	DRR0271C24	945.00	2000	277	250	13.6	30
---	---	DRR0231CT	956.00	DRR0231C	911.00	DRR0231C24	945.00	2000	347	250	13.6	30
---	---	DRR0251CT	956.00	DRR0251C	911.00	DRR0251C24	945.00	2000	480	250	13.6	30
---	---	DRR0253CT*	956.00	DRR0253C*	911.00	DRR0253C24*	945.00	2000	480	250	13.6	30
---	---	DRR0261CT	956.00	DRR0261C	911.00	DRR0261C24	945.00	2000	600	250	13.6	30
---	---	DRR0263CT*	956.00	DRR0263C*	911.00	DRR0263C24*	945.00	2000	600	250	13.6	30
DRR0381	705.00	DRR0381T	750.00	DRR0381C	762.00	DRR0381C24	796.00	3000	208	250	14.7	32.5
---	---	DRR0383CT*	968.00	DRR0383C*	922.00	DRR0383C24*	956.00	3000	208	250	14.7	32.5
DRR0321	705.00	DRR0321T	750.00	DRR0321C	762.00	DRR0321C24	796.00	3000	240	250	14.7	32.5
---	---	DRR0371CT	968.00	DRR0371C	922.00	DRR0371C24	956.00	3000	277	250	14.7	32.5
---	---	DRR0331CT	968.00	DRR0331C	922.00	DRR0331C24	956.00	3000	347	250	14.7	32.5
---	---	DRR0351CT	968.00	DRR0351C	922.00	DRR0351C24	956.00	3000	480	250	14.7	32.5
---	---	DRR0353CT*	968.00	DRR0353C*	922.00	DRR0353C24*	956.00	3000	480	250	14.7	32.5
---	---	DRR0361CT	968.00	DRR0361C	922.00	DRR0361C24	956.00	3000	600	250	14.7	32.5
---	---	DRR0363CT*	968.00	DRR0363C*	922.00	DRR0363C24*	956.00	3000	600	250	14.7	32.5
DRR0481	716.00	DRR0481T	762.00	DRR0481C	773.00	DRR0481C24	808.00	4000	208	450	14.7	32.5
---	---	DRR0483CT*	979.00	DRR0483C*	933.00	DRR0483C24*	968.00	4000	208	450	14.7	32.5
DRR0421	716.00	DRR0421T	762.00	DRR0421C	773.00	DRR0421C24	808.00	4000	240	450	14.7	32.5
---	---	DRR0471CT	979.00	DRR0471C	933.00	DRR0471C24	968.00	4000	277	450	14.7	32.5
---	---	DRR0431CT	979.00	DRR0431C	933.00	DRR0431C24	968.00	4000	347	450	14.7	32.5
---	---	DRR0451CT	979.00	DRR0451C	933.00	DRR0451C24	968.00	4000	480	450	14.7	32.5
---	---	DRR0453CT*	979.00	DRR0453C*	933.00	DRR0453C24*	968.00	4000	480	450	14.7	32.5
---	---	DRR0461CT	979.00	DRR0461C	933.00	DRR0461C24	968.00	4000	600	450	14.7	32.5
---	---	DRR0463CT*	979.00	DRR0463C*	933.00	DRR0463C24*	968.00	4000	600	450	14.7	32.5
---	---	DRR0581T	773.00	DRR0581C	785.00	DRR0581C24	819.00	5000	208	450	15.4	34
---	---	DRR0583CT*	991.00	DRR0583C*	945.00	DRR0583C24*	979.00	5000	208	450	15.4	34
DRR0521	727.00	DRR0521T	773.00	DRR0521C	785.00	DRR0521C24	819.00	5000	240	450	15.4	34
---	---	DRR0571CT	991.00	DRR0571C	945.00	DRR0571C24	979.00	5000	277	450	15.4	34
---	---	DRR0531CT	991.00	DRR0531C	945.00	DRR0531C24	979.00	5000	347	450	15.4	34
---	---	DRR0551CT	991.00	DRR0551C	945.00	DRR0551C24	979.00	5000	480	450	15.4	34
---	---	DRR0553CT*	991.00	DRR0553C*	945.00	DRR0553C24*	979.00	5000	480	450	15.4	34
---	---	DRR0561CT	991.00	DRR0561C	945.00	DRR0561C24	979.00	5000	600	450	15.4	34
---	---	DRR0563CT*	991.00	DRR0563C*	945.00	DRR0563C24*	979.00	5000	600	450	15.4	34

Add W for white or SW for silica white (see page 8 for optional colours and contact your °STELPRO representative for all other colours).

Add OFS to control fan-only mode with a wall switch (not provided)

*Three-phase unit

--- not available



DRR MODEL (RECESSED)

A REVOLUTIONARY METHOD OF HEATING, ELIMINATING THE NECESSITY OF THE TRADITIONAL CEILING FAN. The Dragon recuperates the warm air that would otherwise accumulate at the ceiling and recirculates it throughout the room.



DRII MODEL (SURFACE MOUNTED)

(FOLLOWING PAGE)

A UNIQUE SOURCE OF HEAT OFFERING PERFORMANCE, STYLE, COMFORT AND ECONOMY! Ideal for garages, commercial entrances, factories and warehouses

TECHNICAL SPECIFICATIONS (DRI AND DRII MODELS)

WITHOUT CONTROL		BUILT-IN THERMOSTAT		240 V CONTROL		24 V CONTROL		POWER	VOLTAGE	FLOW	WEIGHT	
CODE	PRICE	CODE	PRICE	CODE	PRICE	CODE	PRICE	WATTS	VOLTS	CFM	KG	LB
DRI0281	405.00	DRI0281T	463.00	---	---	DRI0281C24	509.00	2000	208	250	7.2	16
DRI0221	405.00	DRI0221T	463.00	---	---	DRI0221C24	509.00	2000	240	250	7.2	16
DRI0381	422.00	DRI0381T	480.00	---	---	DRI0381C24	526.00	3000	208	250	7.2	16
DRI0321	422.00	DRI0321T	480.00	---	---	DRI0321C24	526.00	3000	240	250	7.2	16
DRI0481	438.00	DRI0481T	497.00	---	---	DRI0481C24	543.00	4000	208	450	7.2	16
DRI0421	438.00	DRI0421T	497.00	---	---	DRI0421C24	543.00	4000	240	450	7.2	16
---	---	DRI0581T	503.00	---	---	DRI0581C24	549.00	5000	208	450	7.2	16
---	---	DRI0521T	503.00	---	---	DRI0521C24	549.00	5000	240	450	7.2	16
---	---	DRII0281T	590.00	DRII0281C	602.00	DRII0281C24	636.00	2000	208	450	20.4	45
---	---	DRII0283CT*	813.00	DRII0283C*	767.00	DRII0283C24*	802.00	2000	208	450	20.4	45
---	---	DRII0221T	590.00	DRII0221C	602.00	DRII0221C24	636.00	2000	240	450	20.4	45
---	---	DRII0271CT	813.00	DRII0271C	767.00	DRII0271C24	802.00	2000	277	450	20.4	45
---	---	DRII0231CT	813.00	DRII0231C	767.00	DRII0231C24	802.00	2000	347	450	20.4	45
---	---	DRII0251CT	813.00	DRII0251C	767.00	DRII0251C24	802.00	2000	480	450	20.4	45
---	---	DRII0253CT*	813.00	DRII0253C*	767.00	DRII0253C24*	802.00	2000	480	450	20.4	45
---	---	DRII0261CT	813.00	DRII0261C	767.00	DRII0261C24	802.00	2000	600	450	20.4	45
---	---	DRII0263CT*	813.00	DRII0263C*	767.00	DRII0263C24*	802.00	2000	600	450	20.4	45
---	---	DRII0381T	599.00	DRII0381C	611.00	DRII0381C24	645.00	3000	208	450	20.4	45
---	---	DRII0383CT*	822.00	DRII0383C*	777.00	DRII0383C24*	811.00	3000	208	450	20.4	45
---	---	DRII0321T	599.00	DRII0321C	611.00	DRII0321C24	645.00	3000	240	450	20.4	45
---	---	DRII0371CT	822.00	DRII0371C	777.00	DRII0371C24	811.00	3000	277	450	20.4	45
---	---	DRII0331CT	822.00	DRII0331C	777.00	DRII0331C24	811.00	3000	347	450	20.4	45
---	---	DRII0351CT	822.00	DRII0351C	777.00	DRII0351C24	811.00	3000	480	450	20.4	45
---	---	DRII0353CT*	822.00	DRII0353C*	777.00	DRII0353C24*	811.00	3000	480	450	20.4	45
---	---	DRII0361CT	822.00	DRII0361C	777.00	DRII0361C24	811.00	3000	600	450	20.4	45
---	---	DRII0363CT*	822.00	DRII0363C*	777.00	DRII0363C24*	811.00	3000	600	450	20.4	45
---	---	DRII0481T	608.00	DRII0481C	620.00	DRII0481C24	654.00	4000	208	450	20.4	45
---	---	DRII0483CT*	831.00	DRII0483C*	786.00	DRII0483C24*	820.00	4000	208	450	20.4	45
---	---	DRII0421T	608.00	DRII0421C	620.00	DRII0421C24	654.00	4000	240	450	20.4	45
---	---	DRII0471CT	831.00	DRII0471C	786.00	DRII0471C24	820.00	4000	277	450	20.4	45
---	---	DRII0431CT	831.00	DRII0431C	786.00	DRII0431C24	820.00	4000	347	450	20.4	45
---	---	DRII0451CT	831.00	DRII0451C	786.00	DRII0451C24	820.00	4000	480	450	20.4	45
---	---	DRII0453CT*	831.00	DRII0453C*	786.00	DRII0453C24*	820.00	4000	480	450	20.4	45
---	---	DRII0461CT	831.00	DRII0461C	786.00	DRII0461C24	820.00	4000	600	450	20.4	45
---	---	DRII0463CT*	831.00	DRII0463C*	786.00	DRII0463C24*	820.00	4000	600	450	20.4	45
---	---	DRII0581T	620.00	DRII0581C	631.00	DRII0581C24	666.00	5000	208	450	20.4	45
---	---	DRII0583CT*	843.00	DRII0583C*	797.00	DRII0583C24*	831.00	5000	208	450	20.4	45
---	---	DRII0521T	620.00	DRII0521C	631.00	DRII0521C24	666.00	5000	240	450	20.4	45
---	---	DRII0571CT	843.00	DRII0571C	797.00	DRII0571C24	831.00	5000	277	450	20.4	45
---	---	DRII0531CT	843.00	DRII0531C	797.00	DRII0531C24	831.00	5000	347	450	20.4	45
---	---	DRII0551CT	843.00	DRII0551C	797.00	DRII0551C24	831.00	5000	480	450	20.4	45
---	---	DRII0553CT*	843.00	DRII0553C*	797.00	DRII0553C24*	831.00	5000	480	450	20.4	45
---	---	DRII0561CT	843.00	DRII0561C	797.00	DRII0561C24	831.00	5000	600	450	20.4	45
---	---	DRII0563CT*	843.00	DRII0563C*	797.00	DRII0563C24*	831.00	5000	600	450	20.4	45
---	---	DRII0781CT	1225.00	DRII0781C	1179.00	DRII0781C24	1214.00	7500	208	700	20.4	45
---	---	DRII0783CT*	1225.00	DRII0783C*	1179.00	DRII0783C24*	1214.00	7500	208	700	20.4	45
---	---	DRII0721CT	1225.00	DRII0721C	1179.00	DRII0721C24	1214.00	7500	240	700	20.4	45
---	---	DRII0771CT	1225.00	DRII0771C	1179.00	DRII0771C24	1214.00	7500	277	700	20.4	45
---	---	DRII0731CT	1225.00	DRII0731C	1179.00	DRII0731C24	1214.00	7500	347	700	20.4	45
---	---	DRII0751CT	1225.00	DRII0751C	1179.00	DRII0751C24	1214.00	7500	480	700	20.4	45
---	---	DRII0753CT*	1225.00	DRII0753C*	1179.00	DRII0753C24*	1214.00	7500	480	700	20.4	45
---	---	DRII0761CT	1225.00	DRII0761C	1179.00	DRII0761C24	1214.00	7500	600	700	20.4	45
---	---	DRII0763CT*	1225.00	DRII0763C*	1179.00	DRII0763C24*	1214.00	7500	600	700	20.4	45
---	---	DRII1081CT	1277.00	DRII1081C	1231.00	DRII1081C24	1265.00	10000	208	700	20.4	45
---	---	DRII1083CT*	1277.00	DRII1083C*	1231.00	DRII1083C24*	1265.00	10000	208	700	20.4	45
---	---	DRII1021CT	1277.00	DRII1021C	1231.00	DRII1021C24	1265.00	10000	240	700	20.4	45
---	---	DRII1071CT	1277.00	DRII1071C	1231.00	DRII1071C24	1265.00	10000	277	700	20.4	45
---	---	DRII1031CT	1277.00	DRII1031C	1231.00	DRII1031C24	1265.00	10000	347	700	20.4	45
---	---	DRII1051CT	1277.00	DRII1051C	1231.00	DRII1051C24	1265.00	10000	480	700	20.4	45
---	---	DRII1053CT*	1277.00	DRII1053C*	1231.00	DRII1053C24*	1265.00	10000	480	700	20.4	45
---	---	DRII1061CT	1277.00	DRII1061C	1231.00	DRII1061C24	1265.00	10000	600	700	20.4	45
---	---	DRII1063CT*	1277.00	DRII1063C*	1231.00	DRII1063C24*	1265.00	10000	600	700	20.4	45

Add W for white or SW for silica white (see page 8 for optional colours and contact your *STELPRO representative for all other colours).

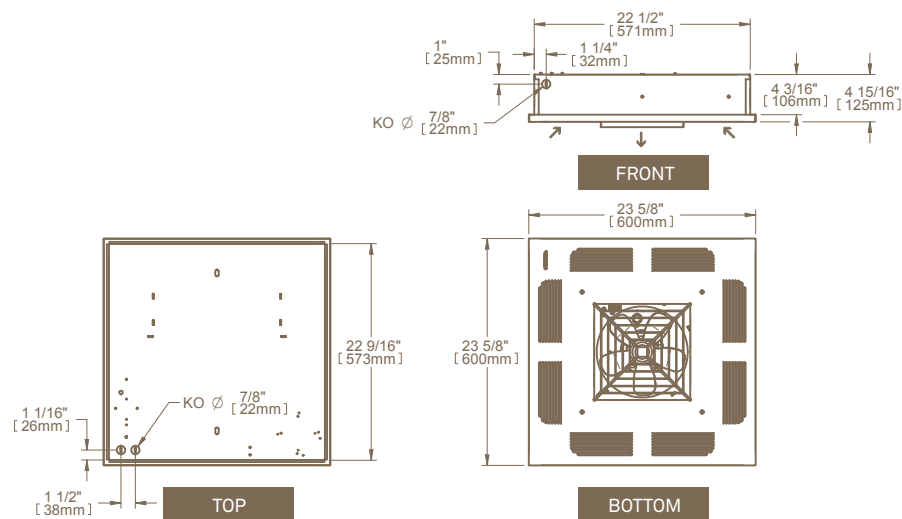
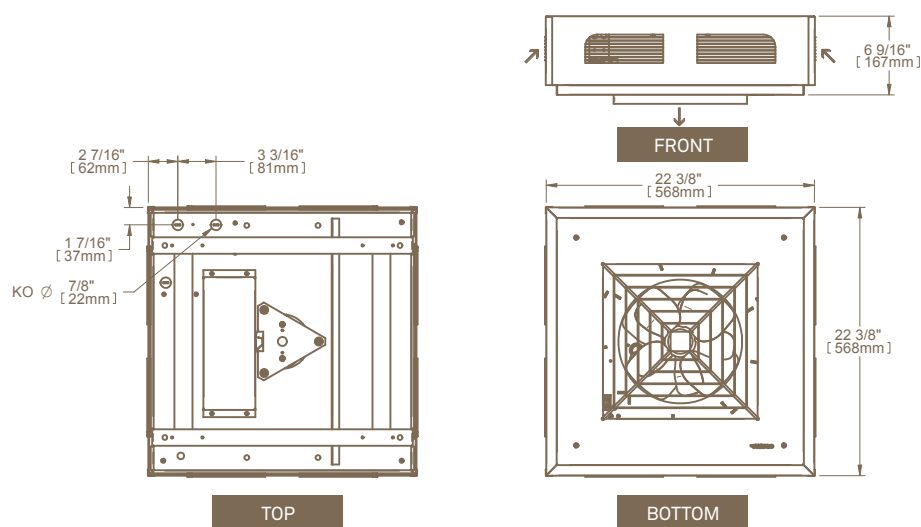
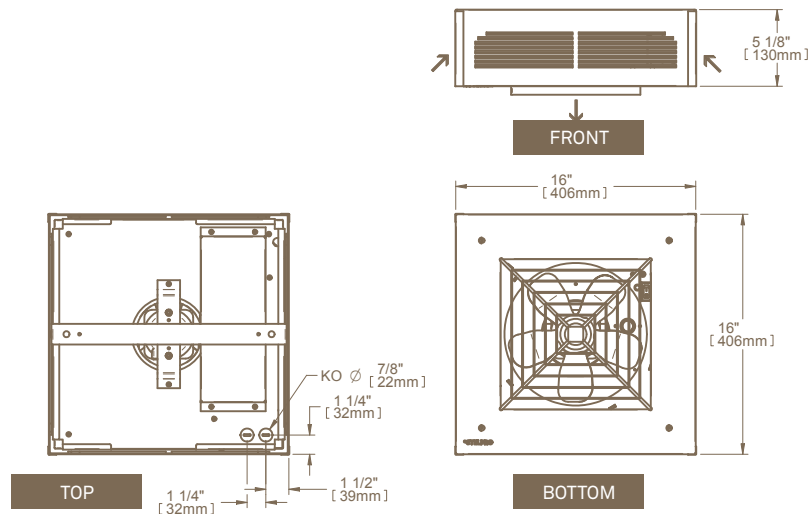
Add OFS to control fan-only mode with a wall switch (not provided)

*Three-phase unit

--- not available

THROW DISTANCE AND HEAT RISE

MODEL	UNITS		THROW DISTANCE		HEAT RISE	
	KW		M	FT.	°C	°F
DRI	2		7	23	22	40
DRI	3		7	23	25	45
DRI	4		7	23	33	60
DRI	5		7	23	40	72
DRII	2		7	23	21	38
DRII	3		7	23	31	56
DRII	4		7	23	41	74
DRII	5		7	23	44	79
DRII	7.5		9.1	30	42	76
DRII	10		9.1	30	59	106
DRR	2		7	23	16	29
DRR	3		7	23	18	32
DRR	4		7	23	30	53
DRR	5		7	23	38	68

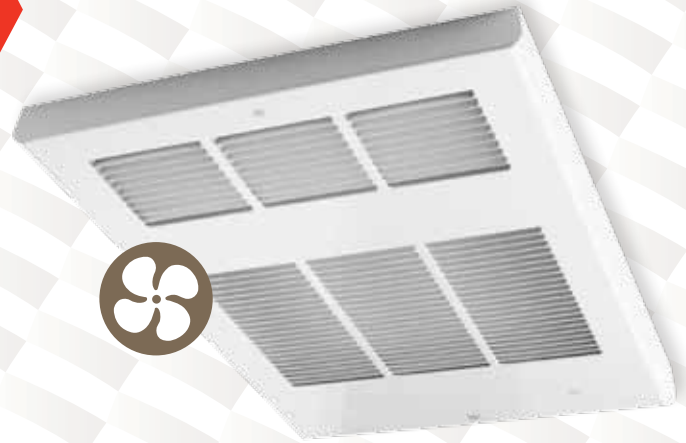


CEILING FAN HEATER

CF SERIES

THE SPACE-SAVER

°STELPRO has the space-saving solution for heating small entryways, hallways and lobbies: the sturdy, reliable CF ceiling fan heater. Built to last, the CF pushes heat downward, mixing with the cold air below. It can be surface mounted or recessed into conventional ceilings, or recessed in suspended ceilings. Whether installed in an entryway or hallway, the CF has all the heat you need in an enclosed space.



3 YEAR WARRANTY

NEW GRILLE WITH ROUNDED SIDES

DURABLE AND STYLISH

THE PERFECT SOLUTION FOR ENTRYWAYS AND HALLWAYS

CEILING MOUNTED, PREVENTING VANDALISM

MULTIPLE INSTALLATION OPTIONS

CAN BE SURFACE MOUNTED OR RECESSED - OR RECESSED IN A SUSPENDED CEILING

NEW DISCONNECT SWITCH

OPTIONAL

IDEAL FOR:

ENTRYWAY, HALLWAY, CORRIDOR, OFFICE BUILDING

COLOURS

- standard: white, silica white, silver
- luxurious finish: stainless steel (see price list)
- optional: almond, black, textured charcoal, clear anodized (paint), nickel, champagne, light bronze, dark brown (10% surcharge)

FINISH

epoxy-polyester powdercoat or stainless steel

MANUFACTURING

- 20-gauge steel cabinet and 18-gauge steel grille
- fan: 1 x 160 CFM (single unit) - 2 x 160 CFM (double unit)
- thermal protection with automatic reset

ELEMENT

nichrome element producing instant heat

CONTROL

connection of multiple units to the same thermostat is possible with a relay kit without transformer (optional) and an external transformer (not provided)

INSTALLATION

- ceiling
- recessed or surface mounted with surface adapter (optional)
- T-Bar adapter (optional)

ACCESSORIES

PRODUCT	DESCRIPTION	PRICE
WFT1	built-in single pole thermostat [120 V - 600 V]	41.00
WFT2	built-in double pole thermostat [120 V - 600 V]	52.50
WFSA1*	surface adapter (single unit)	55.00
WFSA2*	surface adapter (double unit)	112.00
WFSA1SS	stainless steel surface adapter (single unit)	74.50
WFSA2SS	stainless steel surface adapter (double unit)	151.00
WFDIS-30*	disconnect switch kit 600 V/30 A, 2 poles	108.00
WFDIS-40*	disconnect switch kit 600 V/40 A, 2 poles/3 poles	128.00
WFDIS-60*	disconnect switch kit 600 V/60 A, 2 poles/3 poles	155.00
CFTBA1*	T-Bar adapter (single unit)	56.75
CFTBA2*	T-Bar adapter (double unit)	113.00
CFTBA1SS	stainless steel T-Bar adapter (single unit)	76.75
CFTBA2SS	stainless steel T-Bar adapter (double unit)	152.00
WFC24RX*	relay kit without transformer 24 V	90.00

* Add W for white, SW for silica white or S for silver
* Factory installation



ROUNDED SIDES

TECHNICAL SPECIFICATIONS

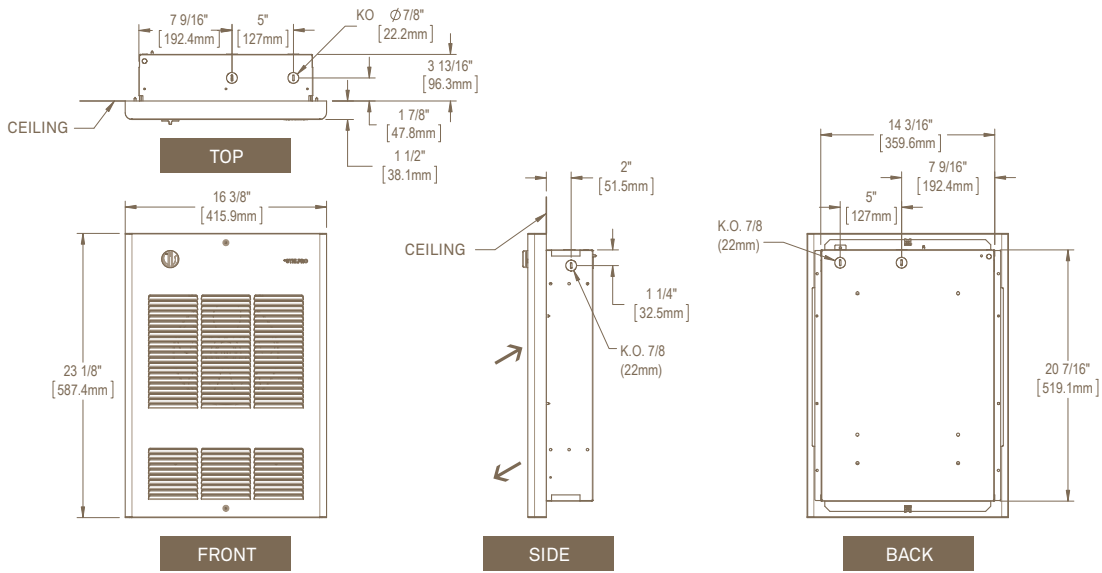
WITHOUT CONTROL			BUILT-IN THERMOSTAT			240 V CONTROL		24 V CONTROL		POWER		VOLTAGE	PHASE	WEIGHT		MODEL
CODE	PRICE W, SW OR S	PRICE SS	CODE	PRICE W, SW OR S	PRICE SS	CODE	CODE	PRICE W, SW OR S	PRICE SS	WATTS	BTU/H	VOLTS	NB	KG	LB	UNIT
CF1508	473.00	638.00	CF1508T	514.00	694.00	CF1508C	CF1508C24	601.00	812.00	1500	5120	208	1	9	20	SINGLE
CF1502	473.00	638.00	CF1502T	514.00	694.00	CF1502C	CF1502C24	601.00	812.00	1500/1125	5120	240/208	1	9	20	SINGLE
CF1507	712.00	962.00	CF1507T	753.00	1017.00	CF1507C	CF1507C24	840.00	1134.00	1500	5120	277	1	9	20	SINGLE
CF1503	677.00	914.00	CF1503T	718.00	969.00	CF1503C	CF1503C24	806.00	1088.00	1500	5120	347	1	9	20	SINGLE
---	---	---	CF1505T	753.00	1017.00	CF1505C	CF1505C24	840.00	1134.00	1500	5120	480	1	9	20	SINGLE
---	---	---	CF1506T	753.00	1017.00	CF1506C	CF1506C24	840.00	1134.00	1500	5120	600	1	10	22	SINGLE
CF2008	473.00	638.00	CF2008T	514.00	694.00	CF2008C	CF2008C24	601.00	812.00	2000	6826	208	1	9	20	SINGLE
CF2002	473.00	638.00	CF2002T	514.00	694.00	CF2002C	CF2002C24	601.00	812.00	2000/1500	6826	240/208	1	9	20	SINGLE
CF2007	712.00	962.00	CF2007T	753.00	1017.00	CF2007C	CF2007C24	840.00	1134.00	2000	6826	277	1	9	20	SINGLE
CF2003	677.00	914.00	CF2003T	718.00	969.00	CF2003C	CF2003C24	806.00	1088.00	2000	6826	347	1	9	20	SINGLE
---	---	---	CF2005T	753.00	1017.00	CF2005C	CF2005C24	840.00	1134.00	2000	6826	480	1	9	20	SINGLE
---	---	---	CF2006T	753.00	1017.00	CF2006C	CF2006C24	840.00	1134.00	2000	6826	600	1	10	22	SINGLE
CF3008	485.00	654.00	CF3008T	525.00	709.00	CF3008C	CF3008C24	613.00	828.00	3000	10239	208	1	9	20	SINGLE
CF3002	485.00	654.00	CF3002T	525.00	709.00	CF3002C	CF3002C24	613.00	828.00	3000/2250	10239	240/208	1	9	20	SINGLE
CF3007	724.00	977.00	CF3007T	765.00	1033.00	CF3007C	CF3007C24	852.00	1151.00	3000	10239	277	1	9	20	SINGLE
CF3003	689.00	930.00	CF3003T	730.00	985.00	CF3003C	CF3003C24	817.00	1104.00	3000	10239	347	1	9	20	SINGLE
---	---	---	CF3005T	765.00	1033.00	CF3005C	CF3005C24	852.00	1151.00	3000	10239	480	1	9	20	SINGLE
---	---	---	CF3006T	765.00	1033.00	CF3006C	CF3006C24	852.00	1151.00	3000	10239	600	1	10	22	SINGLE
CF4008	520.00	702.00	CF4008T	561.00	757.00	CF4008C	CF4008C24	648.00	875.00	4000	13652	208	1	9	20	SINGLE
CF4002	520.00	702.00	CF4002T	561.00	757.00	CF4002C	CF4002C24	648.00	875.00	4000/3000	13652	240/208	1	9	20	SINGLE
CF4007	759.00	1025.00	CF4007T	800.00	1080.00	CF4007C	CF4007C24	887.00	1198.00	4000	13652	277	1	9	20	SINGLE
CF4003	724.00	977.00	CF4003T	765.00	1013.00	CF4003C	CF4003C24	852.00	1151.00	4000	13652	347	1	9	20	SINGLE
---	---	---	CF4005T	800.00	1080.00	CF4005C	CF4005C24	887.00	1198.00	4000	13652	480	1	9	20	SINGLE
---	---	---	CF4006T	800.00	1080.00	CF4006C	CF4006C24	887.00	1198.00	4000	13652	600	1	10	22	SINGLE
---	---	---	CF6008CT	1296.00	1749.00	CF6008C	CF6008C24	1255.00	1694.00	6000	20478	208	1	18	40	DOUBLE
---	---	---	CF6002T	1167.00	1576.00	CF6002C	CF6002C24	1255.00	1694.00	6000/4500	20478	240/208	1	18	40	DOUBLE
---	---	---	CF6007T	1517.00	2048.00	CF6007C	CF6007C24	1605.00	2167.00	6000	20478	277	1	18	40	DOUBLE
---	---	---	CF6003T	1517.00	2048.00	CF6003C	CF6003C24	1605.00	2167.00	6000	20478	347	1	18	40	DOUBLE
---	---	---	CF6005T	1517.00	2048.00	CF6005C	CF6005C24	1605.00	2167.00	6000	20478	480	1	18	40	DOUBLE
---	---	---	CF6006T	1517.00	2048.00	CF6006C	CF6006C24	1605.00	2167.00	6000	20478	600	1	20	44	DOUBLE
---	---	---	CF8008CT	1377.00	1859.00	CF8008C	CF8008C24	1336.00	1804.00	8000	27304	208	1	18	40	DOUBLE
---	---	---	CF8002CT	1377.00	1859.00	CF8002C	CF8002C24	1336.00	1804.00	8000/6000	27304	240/208	1	18	40	DOUBLE
---	---	---	CF8007CT	1861.00	2513.00	CF8007C	CF8007C24	1821.00	2458.00	8000	27304	277	1	18	40	DOUBLE
---	---	---	CF8003CT	1861.00	2513.00	CF8003C	CF8003C24	1821.00	2458.00	8000	27304	347	1	18	40	DOUBLE
---	---	---	CF8005CT	1861.00	2513.00	CF8005C	CF8005C24	1821.00	2458.00	8000	27304	480	1	18	40	DOUBLE
---	---	---	CF8006CT	1861.00	2513.00	CF8006C	CF8006C24	1821.00	2458.00	8000	27304	600	1	20	44	DOUBLE

Add W for white, SW for silica white or SS for stainless steel (see page 8 for optional colours and contact your *STELPRO representative for all other colours)
 --- not available

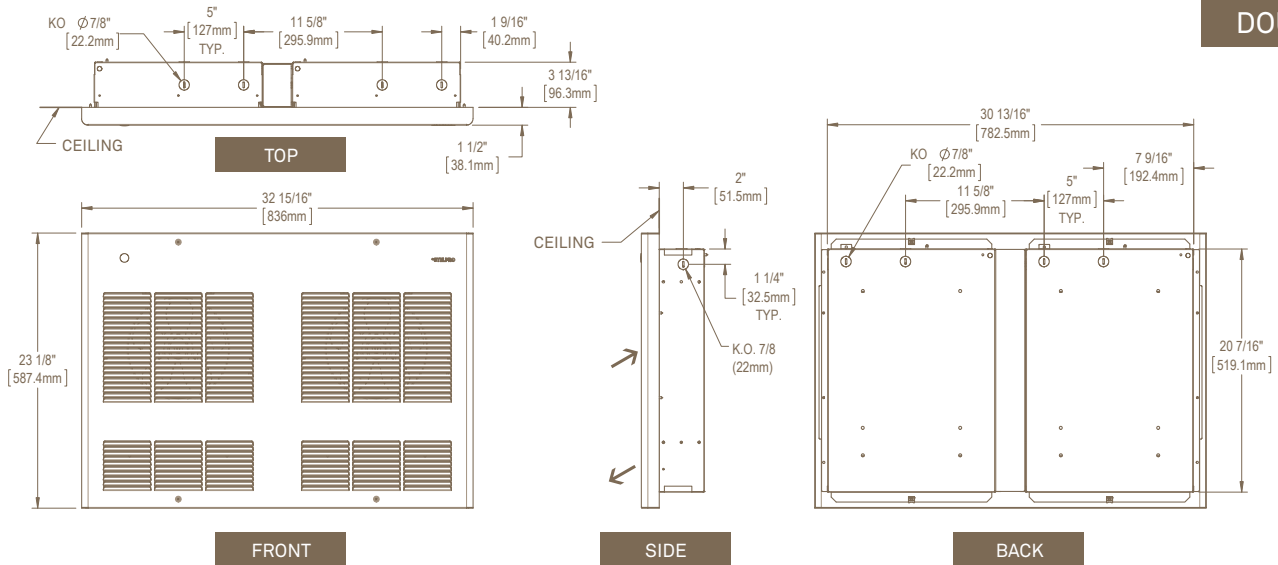
THROW DISTANCE AND HEAT RISE

UNITS	THROW DISTANCE		HEAT RISE	
	KW	M	FT.	°C
1.5	4.1	13'7"	30	53
2	4.1	13'7"	42	75
3	4.1	13'7"	61	110
4	4.1	13'7"	74	133
6	4.1	13'7"	61	110
8	4.1	13'7"	74	133

SINGLE UNIT



DOUBLE UNIT





COMMERCIAL AIR CURTAIN

SDC SERIES

BIG ON COMFORT, BIG ON LOOKS!

The SDC's "air curtain" has made this product a heater leader. Installed above sliding windows, it's the perfect solution for restaurant drive-throughs across Canada. The SDC puts instant heating control at your fingertips! It's ideal for commercial buildings and restaurant lobbies, and it's particularly suited for the special heating requirements of hospitals and schools. High-intensity heating capacity, even air flow and overall efficiency are its hallmark, with an output of 1500 LFM and powered by 5000 W. It's a heating powerhouse!



3 YEAR
WARRANTY

HIGH-CAPACITY (1500 LFM) YET SMALL

EASY MAINTENANCE

EASILY ACCESSIBLE CONTROLS

**"AIR CURTAIN" PREVENTS INTRODUCTION
OF COLD AIR**

IDEAL FOR:

RESTAURANT DRIVE-THROUGH, LOBBY, HOSPITAL,
COMMERCIAL BUILDING

COLOURS

- standard: white, silica white
- optional: almond, black, textured charcoal, silver, clear anodized (paint), nickel, champagne, light bronze, dark brown (10% surcharge)

FINISH

epoxy-polyester powdercoat

MANUFACTURING

- 18-gauge steel cabinet
- easy access to all components and easy maintenance via the front cover
- centrifugal fan
- thermal protection with automatic reset

ELEMENT

nichrome element producing instant heat

CONTROL

- high/low switch
- on/off switch
- fan/heat or fan only switch
- 24V circuit (included with the C24 series) can be used with an external low voltage door contact (not provided)
- built-in thermostat (included with CT series)

INSTALLATION

- wall mounted (mounting bracket included)
- suspended with four 3/8 in. (9.5 mm) threaded rods (not provided)



Periodic maintenance of air vents is highly recommended to ensure the maximum performance of the device.



3 SWITCHES
simplifying control options:
high/low, on/off and fan/heat
or fan only



FOR A CAPACITY OF MORE THAN 5 KW
multiple units may be installed
side-by-side



INCOMPARABLE AIR EXHAUST
a curtain of air blocking cold
air streams



TECHNICAL SPECIFICATIONS

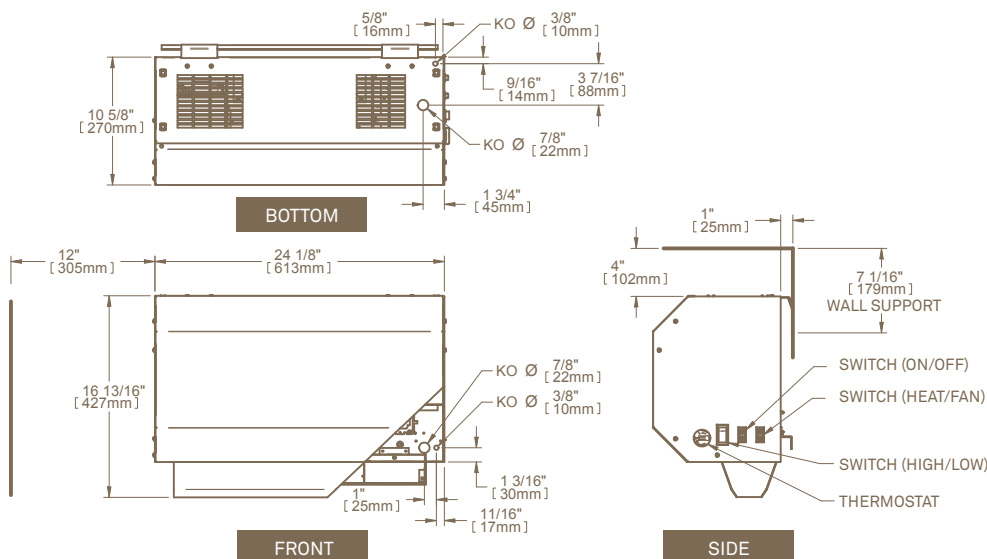
BUILT-IN THERMOSTAT		240 V CONTROL		24 V CONTROL		POWER HIGH/LOW	VOLTAGE	PHASE	POWER HIGH/LOW	LENGTH	WEIGHT	AIR SPEED		
CODE	PRICE	CODE	PRICE	CODE	PRICE	WATTS	VOLTS	NB	BTU/H	MM	IN.	KG	LB	LFM
SDC0581CT	2085.00	SDC0581C	1981.00	SDC0581C24	1981.00	5000/2500	208	1	17065/8533	613	24 1/8	23.6	52	1500
SDC0583CT	2085.00	SDC0583C	1981.00	SDC0583C24	1981.00	5000/2500	208	3	17065/8533	613	24 1/8	23.6	52	1500
SDC0521CT	2085.00	SDC0521C	1981.00	SDC0521C24	1981.00	5000/2500	240	1	17065/8533	613	24 1/8	23.6	52	1500
SDC0571CT	2085.00	SDC0571C	1981.00	SDC0571C24	1981.00	5000/2500	277	1	17065/8533	613	24 1/8	23.6	52	1500
SDC0531CT	2085.00	SDC0531C	1981.00	SDC0531C24	1981.00	5000/2500	347	1	17065/8533	613	24 1/8	23.6	52	1500
SDC0551CT	2085.00	SDC0551C	1981.00	SDC0551C24	1981.00	5000/2500	480	1	17065/8533	613	24 1/8	23.6	52	1500
SDC0553CT	2085.00	SDC0553C	1981.00	SDC0553C24	1981.00	5000/2500	480	3	17065/8533	613	24 1/8	23.6	52	1500
SDC0561CT	2085.00	SDC0561C	1981.00	SDC0561C24	1981.00	5000/2500	600	1	17065/8533	613	24 1/8	23.6	52	1500
SDC0563CT	2085.00	SDC0563C	1981.00	SDC0563C24	1981.00	5000/2500	600	3	17065/8533	613	24 1/8	23.6	52	1500

Add W for white or SW for silica white (see page 8 for optional colours and contact your *STELPRO representative for all other colours)

THROW DISTANCE AND HEAT RISE

UNITS	THROW DISTANCE		HEAT RISE	
KW	M	FT.	°C	°F
5	12.2	40	69	125

TECHNICAL DRAWINGS



COMMERCIAL & RESIDENTIAL UNIT HEATER

RUH SERIES

OXFORDTM
SERIES | SÉRIE

A VERSATILE WORKHORSE

The RUH unit heater is small on price and big on heat. These heavy-duty units are well suited to situations where large amounts of heat must be provided in wide open spaces such as garages, workshops, commercial warehouses and construction sites. This unit has a powerful output up to 5000 W with a voltage of 240/208. The RUH has adjustable louvers that allow you to direct heat right from the source. With or without a built-in thermostat, it provides instant heat. Quiet, lightweight and easy-to-install with a universal wall or ceiling mounting bracket, this unit heater is everything you expect for less. Guaranteed productivity!



INSTANT HEAT

ADJUSTABLE LOUVERS ALLOW YOU TO DIRECT HEAT

THERMAL PROTECTION

WALL OR CEILING INSTALLATION
SUPPORT BRACKET INCLUDED

ENCLOSED & PERMANENTLY LUBRICATED MOTOR

2 KW TO 5 KW MODELS AVAILABLE

IDEAL FOR:

CONSTRUCTION SITE, GARAGE, WORKSHOP, SMALL COMMERCIAL SPACE

COLOUR

textured charcoal

FINISH

epoxy-polyester powdercoat

MANUFACTURING

- 20-gauge steel cabinet
- totally enclosed and factory lubricated motor
- 350 CFM quiet helicoidal fan
- adjustable louvers
- thermal protection with automatic reset

ELEMENT

nichrome element produces instant heat

CONTROL

- built-in thermostat (included with T series)
- wall thermostat (not included)

INSTALLATION

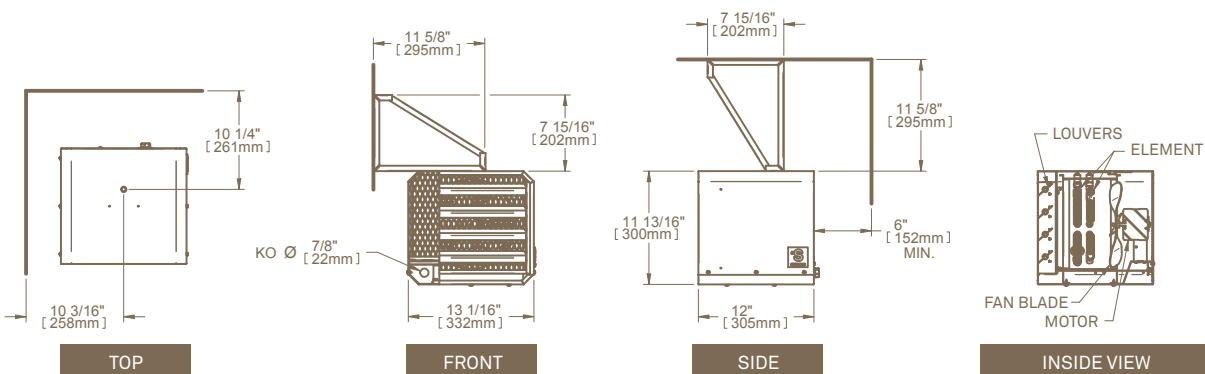
wall or ceiling mounted with universal mounting bracket (included with unit)



TECHNICAL SPECIFICATIONS

WITHOUT CONTROL		BUILT-IN THERMOSTAT		24 V CONTROL		POWER	VOLTAGE	PHASE	FLOW	POWER	THROW DISTANCE		HEAT RISE		WEIGHT	
CODE	PRICE	CODE	CODE	PRICE	WATTS	VOLTS	NB	CFM	BTU/H	M	FT.	°C	°F	KG	LB	
RUH2CHAR	326.00	RUH2TCHAR	RUH2C24CHAR	337.00	2000/1500	240/208	1	350	6826	3	10	27	48	9	20	
RUH3CHAR	331.00	RUH3TCHAR	RUH3C24CHAR	343.00	3000/2250	240/208	1	350	10239	3	10	34	60	9	20	
RUH4CHAR	337.00	RUH4TCHAR	RUH4C24CHAR	349.00	4000/3000	240/208	1	350	13652	3	10	46	82	9	20	
RUH5CHAR	343.00	RUH5TCHAR	RUH5C24CHAR	354.00	5000/3750	240/208	1	350	17065	3	10	64	114	9	20	

TECHNICAL DRAWINGS



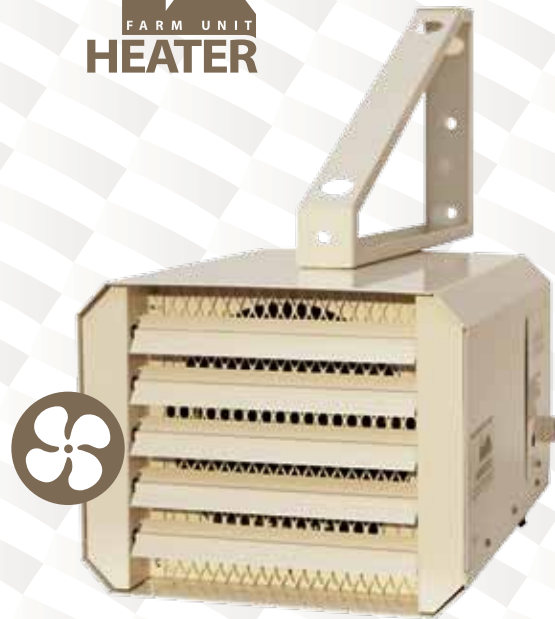
AGRICULTURAL UNIT HEATER

FUHGX SERIES

FARM UNIT
HEATER

THE PREMIER CHOICE FOR AGRICULTURE

The FUHGX is specially designed to meet the needs of agricultural buildings, such as henhouses, stables, barns and dairies. It's built to last thanks to its satincoat finish, resistant to humidity and corrosion. The FUHGX'S low density element assures heating power without over-heating. In addition, its motor is sealed and lubricated for life, making it maintenance-free. With manual thermal protection and a fan switch for fan use only, it's the ultimate in efficiency and safety for farms and other agricultural settings.



SPECIALLY DESIGNED TO MEET THE NEEDS OF AGRICULTURAL BUILDINGS

HUMIDITY AND CORROSION RESISTANT SATINCOAT FINISH CABINET

LOW DENSITY ELEMENT MAINTAINS A LOWER CABINET TEMPERATURE

BALL-BEARING MOTOR SEALED AND LUBRICATED FOR LIFE

MANUAL THERMAL PROTECTION WITH PILOT LIGHT

FAN SWITCH FOR FAN USE ONLY

COLOUR

almond

FINISH

satincoat steel cabinet, coated with a high-quality epoxy powder paint making it 10 times more resistant to corrosion

MANUFACTURING

- robust, 18-gauge satincoat steel cabinet
- five adjustable louvers and safety wire mesh
- accessible thermal protection with manual reset
- pilot light indicates when thermal protection has been activated
- easy access junction box
- holes on the bottom eliminate humidity accumulation inside the unit

MOTOR

lifetime lubricated and totally enclosed ball-bearing motor

FAN

- fan switch which permits the unit to operate as a fan only
- fan delay allows the unit to cool down before shutting off

ELEMENT

- nickel-plated and sealed with silicone to prevent corrosion
- low density element helps to keep cabinet temperature lower than that of a conventional heater

CONTROL

double pole built-in thermostat (included)

INSTALLATION

wall or ceiling with universal mounting bracket (included)

IDEAL FOR:

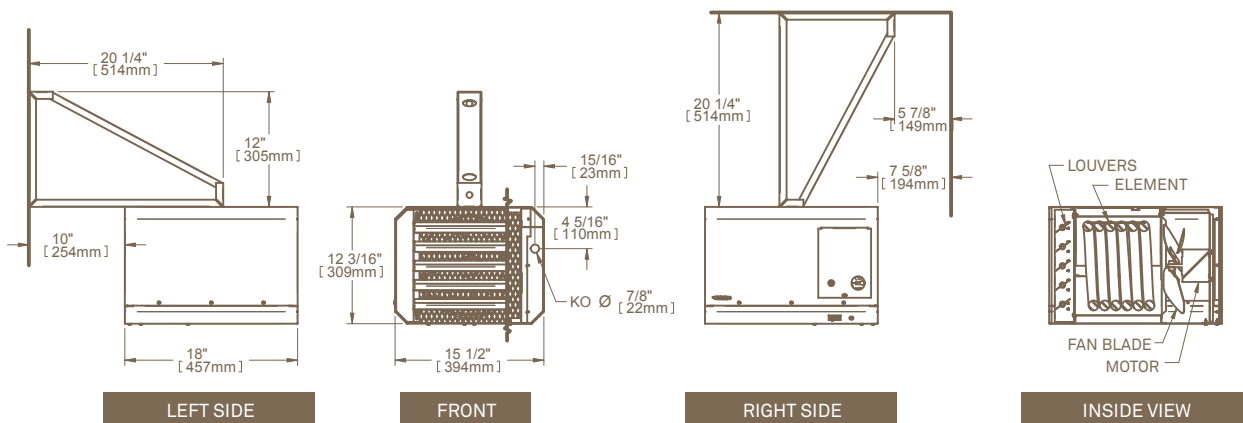
AGRICULTURAL BUILDING, DAIRY, BARN, COW SHED, STABLE, HENHOUSE, CATEGORY 1 & 2 SPACE (WHERE HAZARDOUS VAPORS, OR LIQUID OR EXCESSIVE HUMIDITY ARE PRESENT - ARTICLE 22-002 OF THE CANADIAN ELECTRICAL CODE)



TECHNICAL SPECIFICATIONS

PRODUCT	POWER	VOLTAGE	PHASE	POWER	THROW DISTANCE		HEAT RISE		WEIGHT		PRICE
CODE	WATTS	VOLTS	NB	BTU/H	M	FT.	°C	°F	KG	LB	
FUHGX5T	5000/3750	240/208	1	17065/12798	6.1	20	40	72	18	40	1145.00

TECHNICAL DRAWINGS

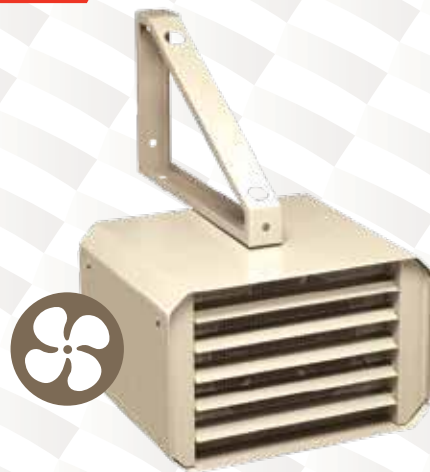


COMMERCIAL & INDUSTRIAL UNIT HEATER

SHU SERIES

THE POWER OF DISPERSION

°STELPRO designs heaters for all circumstances. Take the SHU, the large volume heater that is distinguished by its appealing appearance, its manufacturing and its sturdy composition. It is usually installed in large garages, but it is not uncommon for it to be seen in warehouses or any other kind of commercial construction site requiring a generous volume of heat. The SHU works with great ease and has an incredible power scale from 2 kW to 60 kW. What could be better!



INSTANT HEAT

PERMANENTLY LUBRICATED MOTOR

WIDE RANGE OF POWER: 2 KW TO 60 KW

THERMALLY PROTECTED

WALL OR CEILING INSTALLATION

BRACKET INCLUDED

IDEAL FOR:

WAREHOUSE, FACTORY, INDOOR PARKING GARAGE, LARGE INDUSTRIAL AND COMMERCIAL AREAS

COLOUR

almond

FINISH

epoxy-polyester powdercoat

MANUFACTURING

- heavy-duty, 18-gauge steel cabinet
- adjustable louvers and protective screen
- thermal protection with automatic reset

MOTOR

permanently enclosed lubricated ball bearing motor for long-lasting operation

ELEMENT

nichrome element produces instant heat

CONTROL

connection of multiple units to the same thermostat is possible with a relay kit without transformer (optional) and an external transformer (not provided)

INSTALLATION

- wall or ceiling mounted with universal mounting bracket (included)
- minimum distance from adjacent walls: 6 in. (2 kW to 30 kW units), 12 in. (40 kW to 60 kW units)
- maximum mounting heights: 8 ft. (2 kW to 10 kW units), 10 ft. (15 kW to 30 kW units), 15 ft. (40 kW to 60 kW units)

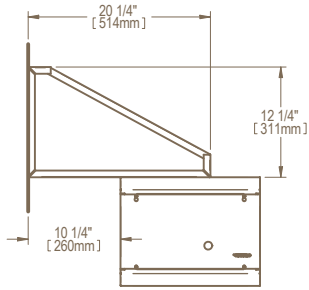
ACCESSORIES

PRODUCT	DESCRIPTION	PRICE
SHUT1	built-in single pole thermostat (capillary)	58.75
SHUT2	built-in double pole thermostat (capillary)	70.25
SHUFS*	fan switch	52.50
SHUDIS*	disconnect switch [80 A]	146.00
SHUC24RX*	relay kit without transformer 24 V	90.00
SHUFS-RCV	remote control circuit for ventilation mode 240 V	52.50

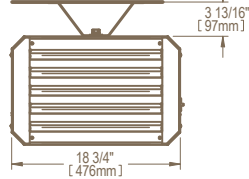
* Factory installed

2 KW TO 10 KW UNITS

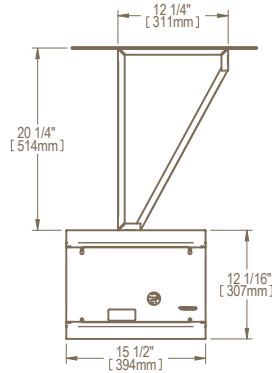
weight: approx. 40 lb (18 kg)



LEFT SIDE



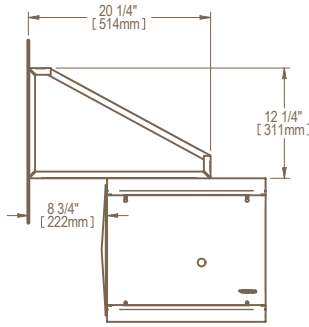
FRONT



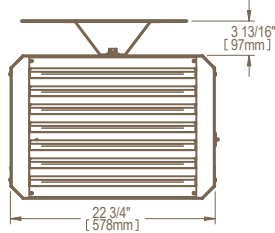
RIGHT SIDE

15 KW TO 30 KW UNITS

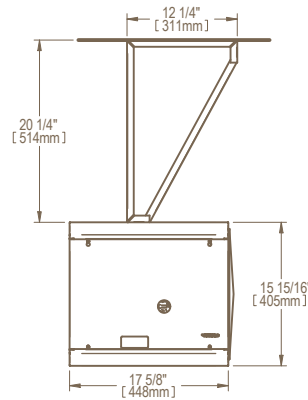
weight: approx. 67 lb (30 kg)



LEFT SIDE



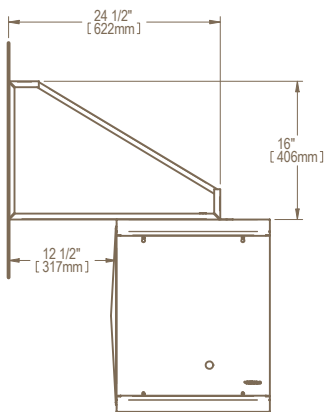
FRONT



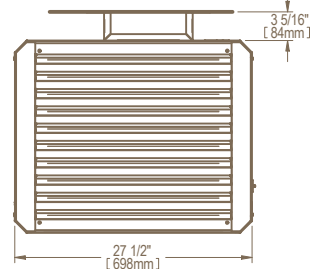
RIGHT SIDE

40 KW TO 60 KW UNITS

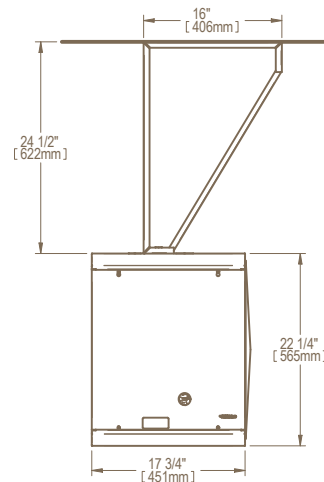
weight: approx. 100 lb (45 kg)



LEFT SIDE



FRONT



RIGHT SIDE



VERTICAL UNIT HEATER

VUH SERIES

THE MAMMOTH TO HEAT LARGE AREAS

The VUH not only impresses with its good looks but also its great, powerful, and uncompromising operation. The greatest strength of this unit is its mode of operation; it is designed to circulate air continuously. The unit is responsible for recirculating the warm air that is often trapped near the ceiling and masterfully redirects it down 360°. The VUH, available from 5 kW to 60 kW, is an excellent choice for heating large areas.



TRIPLE CONE UNIT (OPTIONAL CONE)

3 YEAR WARRANTY

HEAT RECYCLING SYSTEM

DRAWS IN THE WARM AIR AT THE CEILING AND REDIRECTS IT WHERE IT IS NEEDED MOST

CONE DIFFUSERS (OPTIONAL)

THREE SIZES AVAILABLE FOR BETTER AIR DISTRIBUTION

TOTALLY ENCLOSED MOTOR

WITH BALL BEARINGS

PERFECT FOR LARGE SPACES WITH HIGH CEILINGS

IDEAL FOR:

WAREHOUSE, FACTORY, INDOOR PARKING GARAGE, LARGE INDUSTRIAL AND COMMERCIAL AREAS

COLOUR

almond

FINISH

epoxy-polyester powdercoat

MANUFACTURING

- heavy-duty, 16-gauge steel cabinet
- three sizes of cone diffusers available for better air distribution
- thermal protection with automatic reset

MOTOR

totally enclosed with ball bearings

ELEMENT

tubular element sheathed with spiral-wound fins for improved heat dissipation

CONTROL

- 24 V, 120 V or 240 V control circuit
- terminal block for remote fan control
- all units have factory installed contactors
- connection of multiple units to the same thermostat is possible with a relay kit without transformer (optional) and an external transformer (not provided)

INSTALLATION

- four 1/2 in. (12.7 mm) mounting holes (5 kW to 10 kW units) for threaded rods (13-thread) (threaded rods not provided)
- four eyebolts for chain suspension (15 kW to 60 kW units)

ACCESSORIES

PRODUCT	DESCRIPTION	PRICE
VUHFS*	fan switch	52.50
VUHJC1	diffuser jet cone (5 kW to 10 kW units)	90.75
VUHJC2	diffuser jet cone (15 kW to 30 kW units)	119.00
VUHJC3	diffuser jet cone (40 kW to 60 kW units)	169.00
VUHC24RX*	relay kit without transformer 24 V	90.00
VUHDIS80*	disconnect switch [80 A]	291.00
VUHDIS100*	disconnect switch [100 A]	515.00
VUHDIS200*	disconnect switch [200 A]	972.00

* Factory installed



DIFFUSER JET CONE

TECHNICAL SPECIFICATIONS

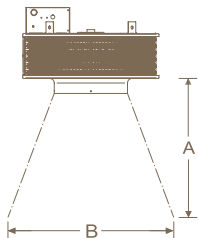
240 V CONTROL		24 V CONTROL		120 V CONTROL		POWER	VOLTAGE	PHASE	POWER	FLOW	MOTOR	HEAT RISE	WEIGHT	
CODE	PRICE	CODE	CODE	PRICE	KILOWATTS	VOLTS	NB.	BTU/H	CFM	HP	°C	°F	KG	LB
VUH0581C	2087.00	VUH0581C24	VUH0581C120	2221.00	5	208	1	17060	450	1/25	27	49	34	75
VUH0583C	2087.00	VUH0583C24	VUH0583C120	2221.00	5	208	3	17060	450	1/25	27	49	34	75
VUH0521C	2087.00	VUH0521C24	VUH0521C120	2221.00	5/3.75	240/208	1	17060	450	1/25	27	49	34	75
VUH0531C	2151.00	VUH0531C24	VUH0531C120	2285.00	5	347	1	17060	450	1/25	27	49	34	75
VUH0563C	2151.00	VUH0563C24	VUH0563C120	2285.00	5	600	3	17060	450	1/25	27	49	34	75
VUH0783C	2117.00	VUH0783C24	VUH0783C120	2251.00	7.5	208	3	25590	600	1/25	20	36	34	75
VUH0721C	2117.00	VUH0721C24	VUH0721C120	2251.00	7.5/5.63	240/208	1	25590	600	1/25	20	36	34	75
VUH0731C	2182.00	VUH0731C24	VUH0731C120	2317.00	7.5	347	1	25590	600	1/25	20	36	34	75
VUH0763C	2182.00	VUH0763C24	VUH0763C120	2317.00	7.5	600	3	25590	600	1/25	20	36	34	75
VUH1083C	2160.00	VUH1083C24	VUH1083C120	2294.00	10	208	3	34120	750	1/25	28	50	34	75
VUH1021C	2160.00	VUH1021C24	VUH1021C120	2294.00	10/7.5	240/208	1	34120	750	1/25	28	50	34	75
VUH1031C	2226.00	VUH1031C24	VUH1031C120	2361.00	10	347	1	34120	750	1/25	28	50	34	75
VUH1063C	2226.00	VUH1063C24	VUH1063C120	2361.00	10	600	3	34120	750	1/25	28	50	34	75
VUH1583C	3560.00	VUH1583C24	VUH1583C120	3694.00	15	208	3	51180	1200	1/8	18	32	47.6	105
VUH1521C	3560.00	VUH1521C24	VUH1521C120	3694.00	15/11.25	240/208	1	51180	1200	1/8	18	32	47.6	105
VUH1563C	3665.00	VUH1563C24	VUH1563C120	3799.00	15	600	3	51180	1200	1/8	18	32	47.6	105
VUH2083C	3681.00	VUH2083C24	VUH2083C120	3815.00	20	208	3	68240	1600	1/8	21	38	47.6	105
VUH2021C	3681.00	VUH2021C24	VUH2021C120	3815.00	20/15	240/208	1	68240	1600	1/8	21	38	47.6	105
VUH2063C	3793.00	VUH2063C24	VUH2063C120	3927.00	20	600	3	68240	1600	1/3	21	38	47.6	105
VUH2583C	3754.00	VUH2583C24	VUH2583C120	3888.00	25	208	3	85300	2000	1/8	29	53	47.6	105
VUH2521C	3754.00	VUH2521C24	VUH2521C120	3888.00	25/18.75	240/208	1	85300	2000	1/8	29	53	47.6	105
VUH2563C	3871.00	VUH2563C24	VUH2563C120	4005.00	25	600	3	85300	2000	1/3	29	53	47.6	105
VUH3083C	3822.00	VUH3083C24	VUH3083C120	3957.00	30	208	3	102300	2300	1/8	36	65	47.6	105
VUH3021C	3822.00	VUH3021C24	VUH3021C120	3957.00	30/22.5	240/208	1	102300	2300	1/8	36	65	47.6	105
VUH3063C	3939.00	VUH3063C24	VUH3063C120	4073.00	30	600	3	102300	2300	1/8	36	65	47.6	105
VUH4063C	5175.00	VUH4063C24	VUH4063C120	5309.00	40	600	3	136500	4000	3/4	28	50	90.7	200
VUH5063C	5798.00	VUH5063C24	VUH5063C120	5932.00	50	600	3	176050	4000	3/4	32	58	90.7	200
VUH6063C	6380.00	VUH6063C24	VUH6063C120	6514.00	60	600	3	204720	4800	3/4	33	59	90.7	200

The C24 code applies only to the thermostat. The fan remains energized at 240 V.

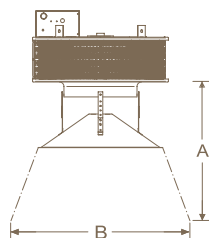
CONE DIFFUSERS & THROW DISTANCES

PRODUCT	NB	UNIT	WEIGHT		SURFACE A		SURFACE B		PRICE
CODE	CONE	KILOWATTS	KG	LB	M	FT.	M	FT.	
---	WITHOUT CONE	5-10	34.0	75	3.7	12	5.8	19	---
---	WITHOUT CONE	15-30	47.6	105	6.1	20	8.3	27	---
---	WITHOUT CONE	40-60	90.7	200	9.1	30	14.0	46	---
VUHSC1	SINGLE	5-10	34.0	75	3.1	10	6.9	22	457.00
VUHSC2	SINGLE	15-30	47.6	105	3.7	12	9.5	31	483.00
VUHSC3	SINGLE	40-60	90.7	200	4.9	16	10.0	33	761.00
VUH3C1	TRIPLE	5-10	34.0	75	3.1	10	9.5	31	611.00
VUH3C2	TRIPLE	15-30	47.6	105	4.2	15	14.0	46	768.00
VUH3C3	TRIPLE	40-60	90.7	200	6.1	20	15.0	49	1205.00
VUH4C1	QUADRUPLE	5-10	34.0	75	3.1	10	10.4	34	769.00
VUH4C2	QUADRUPLE	15-30	47.6	105	4.2	15	15.3	50	970.00
VUH4C3	QUADRUPLE	40-60	90.7	200	6.1	20	17.1	56	1527.00

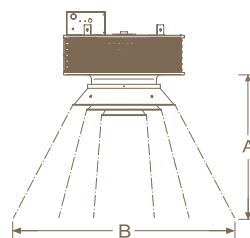
WITHOUT CONE



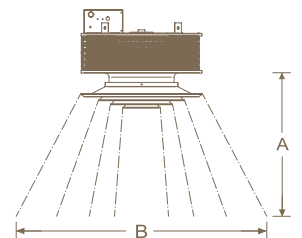
SINGLE CONE



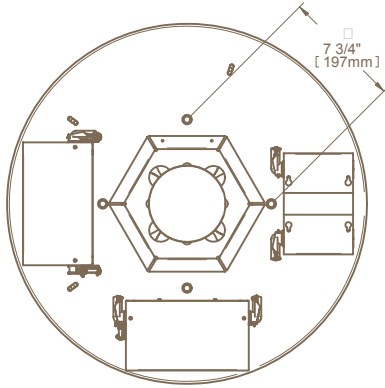
TRIPLE CONE



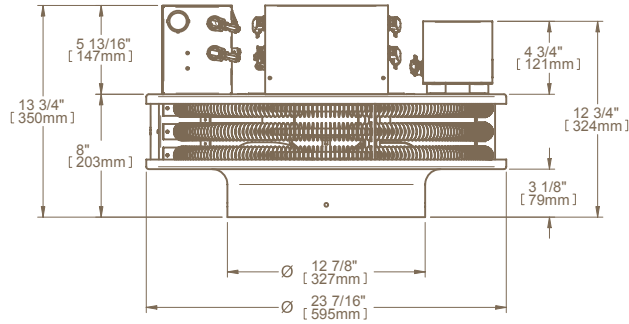
QUADRUPLE CONE



5 KW TO 10 KW UNITS

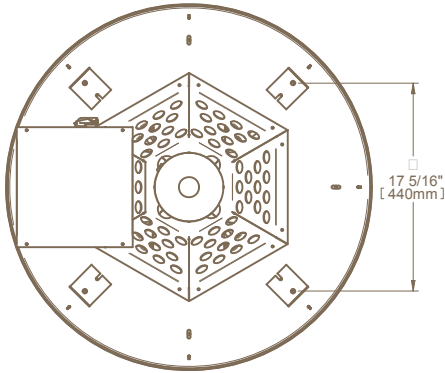


TOP

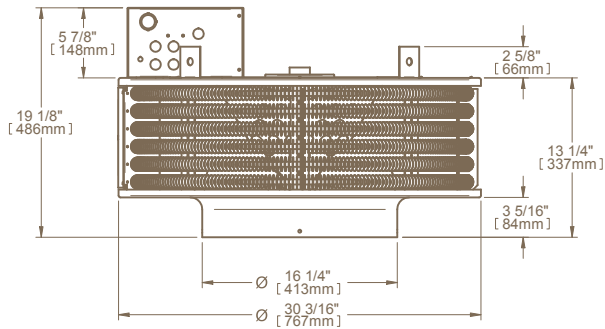


FRONT

15 KW TO 30 KW UNITS

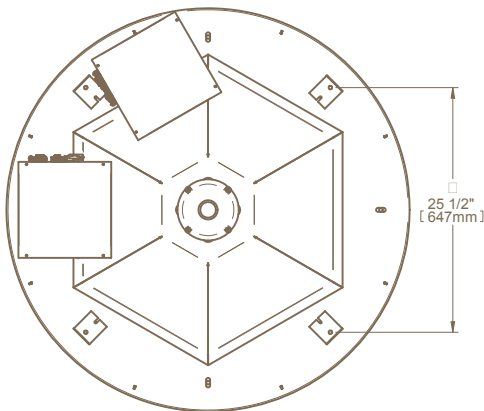


TOP

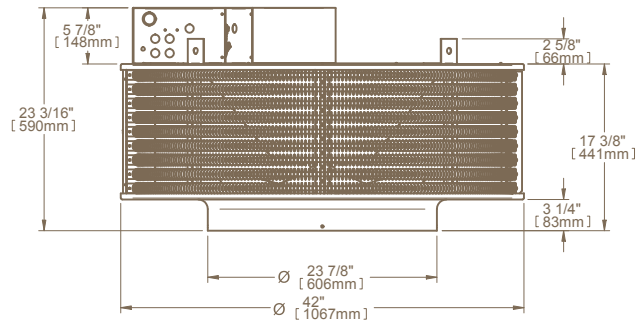


FRONT

40 KW TO 60 KW UNITS



TOP



FRONT

INFRARED RADIANT HEATER

SIRH SERIES

ZENITH™

RADIANT HEAT, WHEN AND WHERE YOU WANT IT

Warm up your summer nights and autumn days with our ZENITH™ infrared radiant heater. It's perfect for terraces, outdoor waiting areas, arenas, and spas. It can even be used in hard-to-heat areas such as factories. With its 14-gauge aluminum cabinet and stainless steel grille, the ZENITH™ is lightweight yet rugged. Now, you can create your own comfortable environment, any time of the year.



3 YEAR WARRANTY

GENERATES INSTANT HEAT

COMPACT, LIGHTWEIGHT, STURDY AND EASY TO INSTALL

CLEAN ELECTRICAL ENERGY WITH NO AIR DISPLACEMENT

WEATHER-RESISTANT MODELS AVAILABLE

347 V MODEL AVAILABLE

IDEAL FOR:

TERRACE, WAREHOUSE, FACTORY, OUTDOOR WAITING AREA, SPA

COLOUR

black

FINISH

super resistant polyester powdercoat

MANUFACTURING

- 14-gauge aluminum housing
- stainless steel grille
- specialized embossed aluminum reflectors which optimize radiant efficiency and reduce glare
- standard mounting bracket (included)

LAMP

- quartz lamp with glare-reducing filter, and tungsten filament produces short-wave infrared heat
- 80% radiant efficiency

CONTROL

electronic dimmer with timer (optional) (SIRHC402-1 or independant switch*)

INSTALLATION

on wall or ceiling with mounting bracket (included) or pole mounted (adaptor not provided), in accordance with clearances and installation heights as specified in the installation manual

* The power feeding the units can be reduced using controls that meet the following requirements: the controls must be able to handle inductive and resistant loads. They must also have circuits to regulate the start-up current, since this type of appliance generates a high start-up current.

ACCESSORIES

PRODUCT	DESCRIPTION	PRICE
KIT-ESIRH151	infrared replacement element 1500 W @ 120 V	69.75
KIT-ESIRH202	infrared replacement element 2000 W/1600 W @ 240 V/208 V	69.75
KIT-SIRH-SUP1	expandable support from 20 in. to 34 in. - 508 mm to 864 mm	216.00
SIRHC402-1	electronic dimmer with timer (silver), 4000 W/3300 W @ 240V/208 V max	142.00

FOR MAXIMUM EFFICIENCY

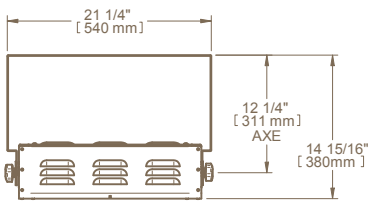
ELECTRONIC DIMMER WITH TIMER (OPTIONAL)
SIRHC402-1



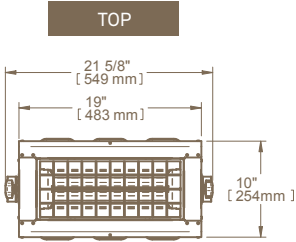
TECHNICAL SPECIFICATIONS

PRODUCT		WEATHER-RESISTANT		POWER	VOLTAGE	FREQUENCY	LENGTH		HEIGHT		DEPTH		WEIGHT	
CODE	PRICE	CODE	PRICE	WATTS	VOLTS	HZ	MM	IN.	MM	IN.	MM	IN.	KG	LB
SIRH2002W	556.00	SIRH2002WR	640.00	2000/1600	240/208	60	483	19	254	10	143	5 5/8	5	11
SIRH4002W	687.00	SIRH4002WR	772.00	4000/3200	240/208	60	483	19	403	15 7/8	143	5 5/8	6.25	13.8
SIRH4203W	838.00	SIRH4203WR	923.00	4180	347	60	483	19	554	21 13/16	143	5 5/8	7.4	16.3
SIRH6002W	894.00	SIRH6002WR	978.00	6000/4800	240/208	60	483	19	554	21 13/16	143	5 5/8	7.4	16.3

TECHNICAL DRAWINGS

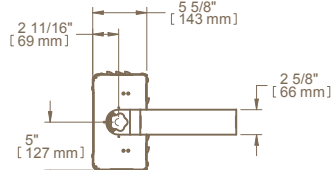


2000 W MODEL

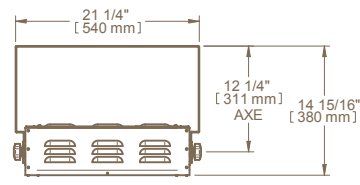


TOP

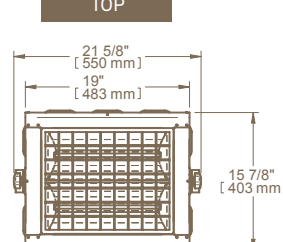
FRONT



SIDE

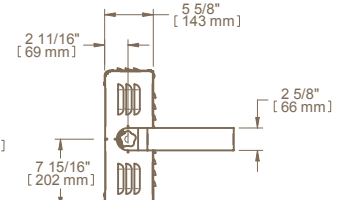


4000 W MODEL

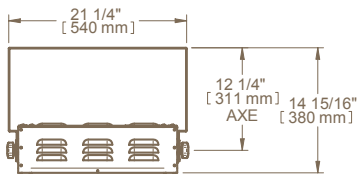


TOP

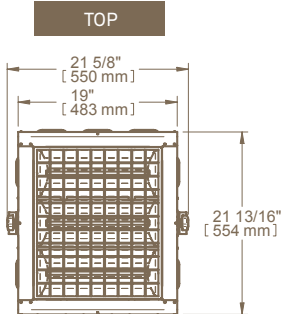
FRONT



SIDE

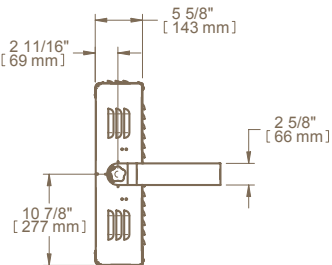


4180 W & 6000 W MODELS



TOP

FRONT



SIDE



EXPLOSION-PROOF UNIT HEATER

X-PRO SERIES - EU MODEL

X-PRO
SÉRIE/SERIES

A SAFE WAY TO HEAT

The explosion-proof unit heater from °STELPRO's X-PRO series, is the proven choice for hazardous locations at risk of fire or explosion due to the presence of flammable and hazardous substances. Available with an array of characteristics and options, this explosion-proof unit heater is designed with both safety and versatility in mind.



DESIGNED FOR HEATING LOCATIONS CONSIDERED HAZARDOUS

LOWEST IGNITION TEMPERATURE CODE RATING IN THE INDUSTRY: T3C, 160°C

NON-TOXIC, INHIBITED, PROPYLENE GLYCOL HEAT TRANSFER FLUID

LOW 70 PSIG PRESSURE RELIEF VALVE SETTING

**STAINLESS STEEL OPTION
CORROSION-RESISTANT**

VAST LINE OF POWER WATTAGES AVAILABLE

**IDEAL FOR
HAZARDOUS ENVIRONMENTS* SUCH AS:**

AIRCRAFT HANGARS / SERVICE AREAS

CHEMICAL STORAGE-HANDLING AREAS

COAL PREPARATION PLANTS

COMPRESSOR STATIONS

GRAIN ELEVATORS

OIL REFINERIES AND RIGS

PAINT STORAGE AREAS

PETROCHEMICAL PLANTS

SEWAGE PUMPING STATIONS / TREATMENT PLANTS

PAINT-SPRAYING BOOTHS

* Please consult your process engineer for proper class division, groups and temperature code needed for your application

COLOUR

beige

FINISH

powdercoat

MANUFACTURING

- robust, 14-gauge galvanized steel cabinet
- adjustable louvers (with minimum opening safety stops)
- thermal protection with automatic reset
- thermal protection with manual reset

MOTOR

- explosion-proof double-shielded permanently lubricated ball bearing motor (with automatic reset)
- aluminum fan blade

ELEMENTS

- elements immersed in non toxic, inhibited, propylene glycol heat transfer fluid
- low 70 PSIG pressure relief valve

CONTROL

- factory mounted
- housed in a NEMA 7, 9 cast aluminum enclosure
- automatic and manual reset overtemperature cutouts, controlling magnetic contactor and 24-volt control circuit transformer included with standard built-in controls

INSTALLATION

- wall, ceiling or pole installation using mounting brackets (not included but mandatory; see the accessories table)
- approved installation locations:
 - Class I, Divisions 1 and 2, Groups C and D
 - Class II, Divisions 1 and 2, Groups E (optional), F and G
 - Class I, Zones 1 and 2, Group IIB
 - Temperature code T3C, 160 °C (320 °F)

OPTIONS AND ACCESSORIES DESCRIPTION

CODE	DESCRIPTION
C1	316 STAINLESS STEEL CORROSION RESISTANT CONSTRUCTION (WATER WASTE TREATMENT PLANTS) 316 stainless steel heat exchanger with aluminum fins, 316 stainless steel cabinet; aluminum fan blade; cast aluminum NEMA 7, 9 control enclosure; corrosion resistant hardware; corrosion resistant protective coated motor, which has passed the ASTM B117 salt-spray test.
C2	DIRTY DUTY CORROSION RESISTANT CONSTRUCTION (CHEMICAL PLANTS) Heresite [®] coated heat exchanger, cabinet and fan blade; cast aluminum NEMA 7, 9 control enclosure; corrosion resistant hardware; corrosion resistant protective coated motor which has passed the ASTM B117 salt-spray test. To be installed in chemical treatment plants where chlorine is present.
D	DISCONNECT SWITCH Factory installed on the unit heater above the control switch located on the unit. Meets NEC/CEC requirements for a disconnect.
E	GROUP E (METAL DUST) CONSTRUCTION Class II, Group E (metal dust), construction temperature code T3C, 160 °C (320 °F).
K	"WARNING" PILOT LIGHT Indicates when the thermal cutouts have tripped and the unit heater needs servicing.
L	"HEATER ON" PILOT LIGHT Indicates when the electric heating elements are energized.
M	THERMAL PROTECTION WITH MANUAL RESET, WITH BACKUP CONTACTOR A pilot duty thermal protection with manual reset with a backup contactor is provided for independent secondary overtemperature protection. This option cannot be provided if option code S or V are also specified.
S	AUTO/FAN SELECTOR SWITCH A two-position switch wired to the control circuit for auto (automatic heat) and fan only control. This selector switch cannot be provided if option code M or V are also specified.
T	ADJUSTABLE THERMOSTAT Factory installed and prewired to the control enclosure. Thermostat is adjustable from 10 °C to 32 °C (50 °F to 90 °F) range.
V	120 VOLT CONTROL CIRCUIT, FUSED SECONDARY AND GROUNDED Can be provided when required for special external thermostat circuit. This option cannot be provided if option code S or M are also specified. Nor can both K and L be specified.

ACCESSORIES

PRODUCT	DESCRIPTION	PRICE
EU-C1	stainless steel construction - anti corrosion for waste water treatment plants	4225.00
EU-C2	dirty duty corrosion resistant for chemical plants	5547.00
EU-CMK	ceiling mounting kit - standard	202.00
EU-PMK	pole mounting kit - standard	364.00
EU-WMK	wall mounting kit - standard	364.00
EU-CMK-SS	corrosion resistant ceiling mounting kit (stainless steel - for C1 or C2 options)	829.00
EU-PMK-SS	corrosion resistant pole mounting kit (stainless steel - for C1 or C2 options)	829.00
EU-WMK-SS	corrosion resistant wall mounting kit (stainless steel - for C1 or C2 options)	829.00
EU-D15	disconnect switch fact. installed up to 480 V max 15 A (1 & 3 phases)	1553.00
EU-D30	disconnect switch fact. installed up to 277 V max 30 A (1 phase)	1553.00
EU-D60	disconnect switch fact. installed up to 600 V max 60 A (1 & 3 phases)	2275.00
EU-E	groupe E construction (metal dust)	965.00
EU-K	warning pilot light	965.00
EU-L	heater on pilot light	965.00
EU-M	secondary thermal protection with manual reset and backup contactor	369.00
EU-S	auto/fan selector switch	1059.00
EU-V	120 V control circuit, fused, secondary, grounded	276.00
ST-XPROEU	wall mounted 24 V thermostat [125 V-277 V @ 22 A]; Classes I & II, Divisions 1 & 2, Groups C, D, E, F & G; 10-32 °C	598.00

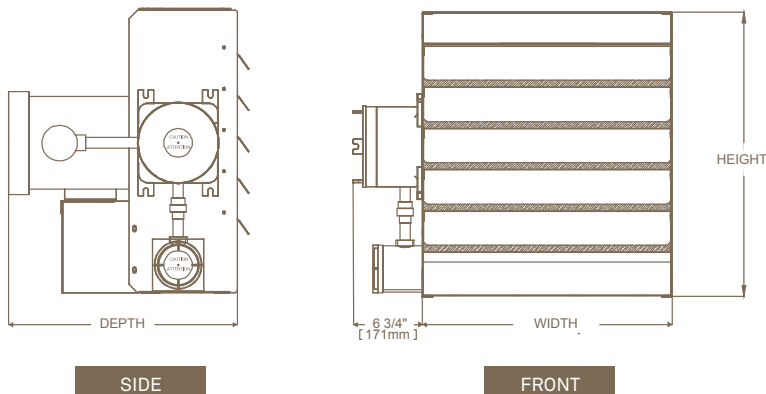
TECHNICAL SPECIFICATIONS

WITHOUT CONTROL		BUILT-IN THERMOSTAT		POWER	VOLTAGE	PHASE	AMPERAGE	AIR FLOW	THROW DISTANCE	MOTOR	FREQUENCY	APPROX. AIR TEMPERATURE RISE (ΔT)	
CODE	PRICE	CODE	PRICE	KILOWATTS	VOLTS	NB.	AMPERES	CFM	M	FT.	HP	HZ	°C (°F)
EU233-CA-0036C	5851.00	EU233-CA-0036C-T	6448.00	3	208	1	17	650	4.6	15	1/4	60	8 (15)
EU233-CA-0036J	5851.00	EU233-CA-0036J-T	6448.00	3	240	1	15	650	4.6	15	1/4	60	8 (15)
EU233-CA-0036D	5851.00	EU233-CA-0036D-T	6448.00	3	208	3	10	650	4.6	15	1/4	60	8 (15)
EU233-CA-0036K	5851.00	EU233-CA-0036K-T	6448.00	3	240	3	9	650	4.6	15	1/4	60	8 (15)
EU233-CA-0036U	5851.00	EU233-CA-0036U-T	6448.00	3	480	3	5	650	4.6	15	1/4	60	8 (15)
EU233-CA-0036Z	5851.00	EU233-CA-0036Z-T	6448.00	3	600	3	4	650	4.6	15	1/4	60	8 (15)
EU233-CA-0056C	6063.00	EU233-CA-0056C-T	6661.00	5	208	1	26	650	4.6	15	1/4	60	13 (25)
EU233-CA-0056J	6063.00	EU233-CA-0056J-T	6661.00	5	240	1	23	650	4.6	15	1/4	60	13 (25)
EU233-CA-0056D	6063.00	EU233-CA-0056D-T	6661.00	5	208	3	16	650	4.6	15	1/4	60	13 (25)
EU233-CA-0056K	6063.00	EU233-CA-0056K-T	6661.00	5	240	3	14	650	4.6	15	1/4	60	13 (25)
EU233-CA-0056U	6063.00	EU233-CA-0056U-T	6661.00	5	480	3	7	650	4.6	15	1/4	60	13 (25)
EU233-CA-0056Z	6063.00	EU233-CA-0056Z-T	6661.00	5	600	3	6	650	4.6	15	1/4	60	13 (25)
EU233-CA-0086C	6499.00	EU233-CA-0086C-T	7097.00	7.5	208	1	38	850	7.6	25	1/4	60	16 (28)
EU233-CA-0086J	6499.00	EU233-CA-0086J-T	7097.00	7.5	240	1	34	850	7.6	25	1/4	60	16 (28)
EU233-CA-0086D	6499.00	EU233-CA-0086D-T	7097.00	7.5	208	3	23	850	7.6	25	1/4	60	16 (28)
EU233-CA-0086K	6499.00	EU233-CA-0086K-T	7097.00	7.5	240	3	20	850	7.6	25	1/4	60	16 (28)
EU233-CA-0086U	6499.00	EU233-CA-0086U-T	7097.00	7.5	480	3	10	850	7.6	25	1/4	60	16 (28)
EU233-CA-0086Z	6499.00	EU233-CA-0086Z-T	7097.00	7.5	600	3	9	850	7.6	25	1/4	60	16 (28)
EU233-CA-0106J	6941.00	EU233-CA-0106J-T	7538.00	10	240	1	44	850	7.6	25	1/4	60	21 (38)
EU233-CA-0106D	6941.00	EU233-CA-0106D-T	7538.00	10	208	3	30	850	7.6	25	1/4	60	21 (38)
EU233-CA-0106K	6941.00	EU233-CA-0106K-T	7538.00	10	240	3	26	850	7.6	25	1/4	60	21 (38)
EU233-CA-0106U	6941.00	EU233-CA-0106U-T	7538.00	10	480	3	13	850	7.6	25	1/4	60	21 (38)
EU233-CA-0106Z	6941.00	EU233-CA-0106Z-T	7538.00	10	600	3	11	850	7.6	25	1/4	60	21 (38)
EU233-CB-0156D	7161.00	EU233-CB-0156D-T	7758.00	15	208	3	44	1800	13.7	45	1/4	60	15 (27)
EU233-CB-0156K	7161.00	EU233-CB-0156K-T	7758.00	15	240	3	38	1800	13.7	45	1/4	60	15 (27)
EU233-CB-0156U	7161.00	EU233-CB-0156U-T	7758.00	15	480	3	19	1800	13.7	45	1/4	60	15 (27)
EU233-CB-0156Z	7161.00	EU233-CB-0156Z-T	7758.00	15	600	3	16	1800	13.7	45	1/4	60	15 (27)
EU233-CB-0206U	7607.00	EU233-CB-0206U-T	8204.00	20	480	3	25	1800	13.7	45	1/4	60	19 (35)
EU233-CB-0206Z	7607.00	EU233-CB-0206Z-T	8204.00	20	600	3	21	1800	13.7	45	1/4	60	19 (35)
EU233-CC-0256U	8329.00	EU233-CC-0256U-T	8926.00	25	480	3	31	3110	19.8	65	1/2	60	14 (26)
EU233-CC-0256Z	8329.00	EU233-CC-0256Z-T	8926.00	25	600	3	25	3110	19.8	65	1/2	60	14 (26)
EU233-CC-0306U	8840.00	EU233-CC-0306U-T	9438.00	30	480	3	37	3850	22.9	75	1/2	60	13 (25)
EU233-CC-0306Z	8840.00	EU233-CC-0306Z-T	9438.00	30	600	3	30	3850	22.9	75	1/2	60	13 (25)

DIMENSIONS AND WEIGHT

UNITS OF	WIDTH		HEIGHT		DEPTH		WEIGHT		
	KILOWATTS	CM	IN.	CM	IN.	CM	IN.	KG	LB
3 to 10		40.8	16 1/16	49.2	19 3/8	55.2	21 3/4	49.9	110
15 to 20		51.3	20 3/16	59.4	23 3/8	55.2	21 3/4	68.0	150
25 to 30		61.4	24 3/16	69.5	27 3/8	53	20 7/8	86.2	190

TECHNICAL DRAWINGS



EXPLOSION-PROOF CONVECTOR

X-PRO SERIES - EC MODEL

X-PRO
SÉRIE/SERIES

YOUR ALLY IN HAZARDOUS LOCATIONS

°STELPRO's X-PRO series explosion-proof convector is the best suited unit for hazardous locations at risk of fire or explosion. Available in many different wattages (from 0.5 kW to 9.5 kW) and voltages (120 V to 600 V). With many controls and options available, this heavy-duty unit is designed to meet all your needs.



DESIGNED FOR HEATING LOCATIONS CONSIDERED HAZARDOUS

THREE CLASSIFICATIONS: TWO FOR DANGEROUS GASES AND VAPORS AND ONE FOR PARTICLES OF DUST

IRIDITE COATING TREATMENT FOR CABINET AVAILABLE

FOR NEMA3 WET LOCATIONS (OPTION EC-C1)

LARGE SELECTION OF MODELS

SEVERAL WATTAGES, VOLTAGES AND PHASES

SLOPED TOP

PREVENTING OBJECTS FROM FALLING INSIDE THE UNIT

IDEAL FOR HAZARDOUS ENVIRONMENTS* SUCH AS:

BATTERY STORAGE AREAS

CHEMICAL HANDLING/STORAGE AREAS

COAL PREPARATION PLANTS

DRY CLEANING PLANTS

GASOLINE STORAGE AREAS

GRAIN ELEVATORS

OIL REFINERIES

PAINT SPRAYING/STORAGE AREAS

PETROCHEMICAL PLANTS

* Please consult your process engineer for proper class division and groups needed for your application

COLOUR

beige

FINISH

powdercoat

MANUFACTURING

- 18-gauge robust galvanized steel cabinet
- corrosion resistant (EC-C1 and EC-C2 options)
- air enters at the bottom of the unit and exits at the top
- thermal protection with automatic reset
- sealed junction box

ELEMENTS

copper tube elements with large aluminum fins

CONTROL

- wall thermostat (optional)
- built-in contactor and transformer included with single-phase units of more than 277 V or more than 22 A and for three-phase units (optional for all other units, except size 1 units)

INSTALLATION

- wall (wall support included)
- minimum distance from floor: 6 in. (152 mm)
- approved locations:
 - Class I, Divisions 1 and 2, Groups B, C and D
 - Class II, Divisions 1 and 2, Groups E, F and G
 - Class I, Zones 1 and 2, Groupe IIB + H2

OPTIONS AND ACCESSORIES DESCRIPTION

CODE	DESCRIPTION
B2*	ELECTRIC CONTROL (WITHOUT THERMOSTAT) Class I and II, Groups B, C, E, D, F and G, includes a contactor and a transformer (according to specifications). Required for single-phase units of more than 22 A or 277 V and three-phase units.
B2/S1*	THERMOSTAT AND CONTROLS Class I and II, Groups C, D, E, F and G includes a thermostat, a contactor and a transformer (according to specifications).
B3*	THERMOSTAT AND CONTROLS (GROUP B) Class I and II, Groups B, C, D, E, F and G includes a thermostat, a contactor and a transformer (according to specifications). The thermostat has an internal set point.
S1*	THERMOSTAT ONLY Class I and II, Groups C, D, E, F and G for single-phase units from maximum 22 A to 120 V-277 V. Use the ST-XPROEC wall thermostat for size 1 units.
S2*	THERMOSTAT ONLY (GROUP B) Class I and II, Groups B, C, D, E, F and G for single-phase units from maximum 22 A to 120 V-277 V. The thermostat has an internal set point. Use the ST-XPROEC wall thermostat for size 1 units.
EC-C1*	G90 GALVANIZED STEEL UNIT RESISTANT TO WET AREAS (NEMA 3) G90 galvanized steel cabinet resistant to wet areas with a baked on powder coating. Elements have a chromate coating and unit has a gasketed terminal box cover (o ring). This option is not available for S1, B2/S1 and S2 thermostat options.
EC-C2*	STAINLESS STEEL UNIT RESISTANT TO WET AND CORROSIVE AREAS (NEMA 3) Stainless steel cabinet resistant to wet and corrosive areas with baked on powder coating. Elements have a chromate coating and unit has a gasketed terminal box cover (o ring). This option is not available for S1, B2/S1 and S2 thermostat options.

* These options are not available for size 1 units.

* Units ordered with these options require a longer delay in delivery.

ACCESSORIES

PRODUCT	DESCRIPTION	PRICE
EC-C1	G90 galvanized steel cabinet resistant to wet areas	1050.00
EC-C2	stainless steel unit resistant to wet and corrosive areas	1530.00
ST-XPROEC	wall mounted 24 V thermostat (with low voltage control option B2) 125-277 V @ 22 A (10-32°C) - groups C, D, E, F and G	1549.00
ST-XPROEC-1*	wall mounted 24 V thermostat (with low voltage control option B2) 120-240 V @ 25 A and 277 V @ 22 A (4-48°C) - groups B, C, D, E, F and G	1549.00
ST-XPROEC-2*	wall mounted 24 V thermostat resistant to corrosion (with low voltage control option B2) 120-240 V @ 25 A and 277 V @ 22 A (4-48 °C) - groups B, C, D, E, F and G	1549.00

* With bulb, capillary and internal set point adjustment

CLASS I, DIVISIONS 1 AND 2, GROUPS B, C AND D – CLASS I, ZONES 1 AND 2, GROUP IIB + H2 IGNITION TEMPERATURE CODE: T2A, 280 °C (536 °F)

TECHNICAL SPECIFICATIONS

PRODUCT	DIMENSION AND WEIGHT*	POWER	VOLTAGE	PHASE	CONTROL INCLUDED	AMPERAGE	PRICE
CODE		KILOWATTS	VOLTS	NB.		AMPERES	
EC254-C0310052B	1	0.5	120	1	---	4.2	2226.00
EC254-C0310052C	1	0.5	208	1	---	2.4	2226.00
EC254-C0310052J	1	0.5	240	1	---	2.1	2226.00
EC254-C0310102B	1	1	120	1	---	8.3	2597.00
EC254-C0310102C	1	1	208	1	---	4.8	2597.00
EC254-C0310102J	1	1	240	1	---	4.2	2597.00
EC254-C0320182B	2	1.8	120	1	---	15.0	2819.00
EC254-C0320182B-S2	2	1.8	120	1	S2	15.0	4377.00
EC254-C0320182C	2	1.8	208	1	---	8.7	2819.00
EC254-C0320182C-S2	2	1.8	208	1	S2	8.7	4377.00
EC254-C0320182J	2	1.8	240	1	---	7.5	2819.00
EC254-C0320182J-S2	2	1.8	240	1	S2	7.5	4377.00
EC254-C0320182I-B2	2	1.8	347	1	B2	5.2	6232.00
EC254-C0320182I-B3	2	1.8	347	1	B3	5.2	7789.00
EC254-C0320182U-B2	2	1.8	480	3	B2	2.2	6528.00
EC254-C0320182U-B3	2	1.8	480	3	B3	2.2	8085.00
EC254-C0320182Z-B2	2	1.8	600	3	B2	1.7	6528.00
EC254-C0320182Z-B3	2	1.8	600	3	B3	1.7	8085.00

* Consult the dimensions and weight table

TECHNICAL SPECIFICATIONS (CONT'D)

PRODUCT	DIMENSION AND WEIGHT*	POWER	VOLTAGE	PHASE	CONTROL INCLUDED	AMPERAGE	PRICE
CODE		KILOWATTS	VOLTS	NB.		AMPERES	
EC254-C0320252C	2	2.5	208	1	---	12.0	3286.00
EC254-C0320252C-S2	2	2.5	208	1	S2	12.0	4843.00
EC254-C0320252D-B2	2	2.5	208	3	B2	6.9	5440.00
EC254-C0320252D-B3	2	2.5	208	3	B3	6.9	6998.00
EC254-C0320252J	2	2.5	240	1	---	10.4	3286.00
EC254-C0320252J-S2	2	2.5	240	1	S2	10.4	4843.00
EC254-C0320252I-B2	2	2.5	347	1	B2	7.2	6528.00
EC254-C0320252I-B3	2	2.5	347	1	B3	7.2	8085.00
EC254-C0320252U-B2	2	2.5	480	3	B2	3.0	6528.00
EC254-C0320252U-B3	2	2.5	480	3	B3	3.0	8085.00
EC254-C0320252Z-B2	2	2.5	600	3	B2	2.4	6528.00
EC254-C0320252Z-B3	2	2.5	600	3	B3	2.4	8085.00
EC254-C0330362C	3	3.6	208	1	---	17.3	3665.00
EC254-C0330362C-S2	3	3.6	208	1	S2	17.3	6780.00
EC254-C0330362D-B2	3	3.6	208	3	B2	10.0	6528.00
EC254-C0330362D-B3	3	3.6	208	3	B3	10.0	8085.00
EC254-C0330362J	3	3.6	240	1	---	15.0	3665.00
EC254-C0330362J-S2	3	3.6	240	1	S2	15.0	6780.00
EC254-C0330362I-B2	3	3.6	347	1	B2	10.4	6528.00
EC254-C0330362I-B3	3	3.6	347	1	B3	10.4	8085.00
EC254-C0330362U-B2	3	3.6	480	3	B2	4.3	6528.00
EC254-C0330362U-B3	3	3.6	480	3	B3	4.3	8085.00
EC254-C0330362Z-B2	3	3.6	600	3	B2	3.5	6528.00
EC254-C0330362Z-B3	3	3.6	600	3	B3	3.5	8085.00
EC254-C0330442C	3	4.4	208	1	---	21.2	4451.00
EC254-C0330442C-S2	3	4.4	208	1	S2	21.2	7566.00
EC254-C0330442D-B2	3	4.4	208	3	B2	12.2	6677.00
EC254-C0330442D-B3	3	4.4	208	3	B3	12.2	8235.00
EC254-C0330442J	3	4.4	240	1	---	18.3	4451.00
EC254-C0330442J-S2	3	4.4	240	1	S2	18.3	7566.00
EC254-C0330442I-B2	3	4.4	347	1	B2	12.7	6677.00
EC254-C0330442I-B3	3	4.4	347	1	B3	12.7	8235.00
EC254-C0330442U-B2	3	4.4	480	3	B2	5.3	6677.00
EC254-C0330442U-B3	3	4.4	480	3	B3	5.3	8235.00
EC254-C0330442Z-B2	3	4.4	600	3	B2	4.2	6677.00
EC254-C0330442Z-B3	3	4.4	600	3	B3	4.2	8235.00
EC254-C0340652D-B2	4	6.5	208	3	B2	18.1	7791.00
EC254-C0340652D-B3	4	6.5	208	3	B3	18.1	9348.00
EC254-C0340652J-B2	4	6.5	240	1	B2	27.1	7791.00
EC254-C0340652J-B3	4	6.5	240	1	B3	27.1	9348.00
EC254-C0340652I-B2	4	6.5	347	1	B2	18.7	7791.00
EC254-C0340652I-B3	4	6.5	347	1	B3	18.7	9348.00
EC254-C0340652U-B2	4	6.5	480	3	B2	7.8	7791.00
EC254-C0340652U-B3	4	6.5	480	3	B3	7.8	9348.00
EC254-C0340652Z-B2	4	6.5	600	3	B2	6.3	7791.00
EC254-C0340652Z-B3	4	6.5	600	3	B3	6.3	9348.00
EC254-C0340752D-B2	4	7.5	208	3	B2	20.8	8161.00
EC254-C0340752D-B3	4	7.5	208	3	B3	20.8	9718.00
EC254-C0340752J-B2	4	7.5	240	1	B2	31.3	8161.00
EC254-C0340752J-B3	4	7.5	240	1	B3	31.3	9718.00
EC254-C0340752I-B2	4	7.5	347	1	B2	21.6	8161.00
EC254-C0340752I-B3	4	7.5	347	1	B3	21.6	9718.00
EC254-C0340752U-B2	4	7.5	480	3	B2	9.0	8161.00
EC254-C0340752U-B3	4	7.5	480	3	B3	9.0	9718.00
EC254-C0340752Z-B2	4	7.5	600	3	B2	7.2	8161.00
EC254-C0340752Z-B3	4	7.5	600	3	B3	7.2	9718.00
EC254-C0340952D-B2	4	9.5	208	3	B2	26.4	9169.00
EC254-C0340952D-B3	4	9.5	208	3	B3	26.4	10727.00
EC254-C0340952J-B2	4	9.5	240	1	B2	39.6	8666.00
EC254-C0340952J-B3	4	9.5	240	1	B3	39.6	10223.00
EC254-C0340952I-B2	4	9.5	347	1	B2	27.4	9365.00
EC254-C0340952I-B3	4	9.5	347	1	B3	27.4	10923.00
EC254-C0340952U-B2	4	9.5	480	3	B2	11.4	9169.00
EC254-C0340952U-B3	4	9.5	480	3	B3	11.4	10727.00
EC254-C0340952Z-B2	4	9.5	600	3	B2	9.2	9169.00
EC254-C0340952Z-B3	4	9.5	600	3	B3	9.2	10727.00

* Consult the dimensions and weight table

**CLASS I, DIVISIONS 1 AND 2, GROUPS B, C AND D – CLASS I, ZONES 1 AND 2, GROUP IIB + H2
IGNITION TEMPERATURE CODE: T3A, 180 °C (356 °F)**

TECHNICAL SPECIFICATIONS

PRODUCT	DIMENSION AND WEIGHT*	POWER	VOLTAGE	PHASE	CONTROL INCLUDED	AMPERAGE	PRICE
CODE		KILOWATTS	VOLTS	NB.		AMPERES	
EC254-C0610052B	1	0.5	120	1	---	4.2	2819.00
EC254-C0610052C	1	0.5	208	1	---	2.4	2819.00
EC254-C0610052J	1	0.5	240	1	---	2.1	2819.00
EC254-C0620142B	2	1.4	120	1	---	11.7	3710.00
EC254-C0620142B-S2	2	1.4	120	1	S2	11.7	5268.00
EC254-C0620142C	2	1.4	208	1	---	6.7	3710.00
EC254-C0620142C-S2	2	1.4	208	1	S2	6.7	5268.00
EC254-C0620142J	2	1.4	240	1	---	5.8	3710.00
EC254-C0620142J-S2	2	1.4	240	1	S2	5.8	5268.00
EC254-C0620142I	2	1.4	347	1	B2	4.0	5416.00
EC254-C0620142I-B3	2	1.4	347	1	B3	4.0	6974.00
EC254-C0630232B	3	2.3	120	1	---	19.2	4451.00
EC254-C0630232B-S2	3	2.3	120	1	S2	19.2	6008.00
EC254-C0630232C	3	2.3	208	1	---	11.1	4451.00
EC254-C0630232C-S2	3	2.3	208	1	S2	11.1	6008.00
EC254-C0630232D-B2	3	2.3	208	3	B2	6.4	6561.00
EC254-C0630232D-B3	3	2.3	208	3	B3	6.4	8118.00
EC254-C0630232J	3	2.3	240	1	---	9.6	5786.00
EC254-C0630232J-S2	3	2.3	240	1	S2	9.6	7344.00
EC254-C0630232I-B2	3	2.3	347	1	B2	6.6	5786.00
EC254-C0630232I-B3	3	2.3	347	1	B3	6.6	7344.00
EC254-C0630232U-B2	3	2.3	480	3	B2	2.8	6561.00
EC254-C0630232U-B3	3	2.3	480	3	B3	2.8	8118.00
EC254-C0630232Z-B2	3	2.3	600	3	B2	2.2	6561.00
EC254-C0630232Z-B3	3	2.3	600	3	B3	2.2	8118.00
EC254-C0640322C	4	3.2	208	1	---	15.4	5786.00
EC254-C0640322C-S2	4	3.2	208	1	S2	15.4	7344.00
EC254-C0640322D-B2	4	3.2	208	3	B2	8.9	7419.00
EC254-C0640322D-B3	4	3.2	208	3	B3	8.9	8976.00
EC254-C0640322J	4	3.2	240	1	---	13.3	5936.00
EC254-C0640322J-S2	4	3.2	240	1	S2	13.3	7493.00
EC254-C0640322I-B2	4	3.2	347	1	B2	9.2	7419.00
EC254-C0640322I-B3	4	3.2	347	1	B3	9.2	8976.00
EC254-C0640322U-B2	4	3.2	480	3	B2	3.9	7419.00
EC254-C0640322U-B3	4	3.2	480	3	B3	3.9	8976.00
EC254-C0640322Z-B2	4	3.2	600	3	B2	3.1	7419.00
EC254-C0640322Z-B3	4	3.2	600	3	B3	3.1	8976.00
EC254-C0640502D-B2	4	5	208	3	B2	13.9	8968.00
EC254-C0640502D-B3	4	5	208	3	B3	13.9	10525.00
EC254-C0640502J	4	5	240	1	---	20.8	6825.00
EC254-C0640502J-S2	4	5	240	1	S2	20.8	8383.00
EC254-C0640502I-B2	4	5	347	1	B2	14.4	8682.00
EC254-C0640502I-B3	4	5	347	1	B3	14.4	10239.00
EC254-C0640502U-B2	4	5	480	3	B2	6.0	8968.00
EC254-C0640502U-B3	4	5	480	3	B3	6.0	10525.00
EC254-C0640502Z-B2	4	5	600	3	B2	4.8	8968.00
EC254-C0640502Z-B3	4	5	600	3	B3	4.8	10525.00

* Consult the dimensions and weight table
--- not available

**CLASS II, DIVISIONS 1 AND 2, GROUPS E, F AND G
IGNITION TEMPERATURE CODE: T3C, 160 °C (320 °F)**

TECHNICAL SPECIFICATIONS

PRODUCT	DIMENSION AND WEIGHT*	POWER	VOLTAGE	PHASE	CONTROL INCLUDED	AMPERAGE	PRICE
CODE		KILOWATTS	VOLTS	NB.		AMPERES	
EC254-C0810054B	1	0.5	120	1	---	4.2	2895.00
EC254-C0810054C	1	0.5	208	1	---	2.4	2895.00
EC254-C0810054J	1	0.5	240	1	---	2.1	2895.00
EC254-C0820104B	2	1	120	1	---	8.3	3933.00
EC254-C0820104B-S2	2	1	120	1	S2	8.3	5490.00
EC254-C0820104C	2	1	208	1	---	4.8	3933.00
EC254-C0820104C-S2	2	1	208	1	S2	4.8	5490.00
EC254-C0820104J	2	1	240	1	---	4.2	3933.00
EC254-C0820104J-S2	2	1	240	1	S2	4.2	5490.00
EC254-C0820104I-B2	2	1	347	1	B2	2.9	6073.00
EC254-C0820104I-B3	2	1	347	1	B3	2.9	7630.00
EC254-C0830174B	3	1.7	120	1	---	14.2	4747.00
EC254-C0830174B-S2	3	1.7	120	1	S2	14.2	6305.00
EC254-C0830174C	3	1.7	208	1	---	8.2	4747.00
EC254-C0830174C-S2	3	1.7	208	1	S2	8.2	6305.00
EC254-C0830174J	3	1.7	240	1	---	7.1	4747.00
EC254-C0830174J-S2	3	1.7	240	1	S2	7.1	6305.00
EC254-C0830174I-B2	3	1.7	347	1	B2	4.9	6868.00
EC254-C0830174I-B3	3	1.7	347	1	B3	4.9	8425.00
EC254-C0830174U-B2	3	1.7	480	3	B2	2.0	6868.00
EC254-C0830174U-B3	3	1.7	480	3	B3	2.0	8425.00
EC254-C0830174Z-B2	3	1.7	600	3	B2	1.6	6868.00
EC254-C0830174Z-B3	3	1.7	600	3	B3	1.6	8425.00
EC254-C0840324C	4	3.2	208	1	---	15.4	6232.00
EC254-C0840324C-S2	4	3.2	208	1	S2	15.4	7789.00
EC254-C0840324D-B2	4	3.2	208	3	B2	8.9	7863.00
EC254-C0840324D-B3	4	3.2	208	3	B3	8.9	9421.00
EC254-C0840324J	4	3.2	240	1	---	13.3	6232.00
EC254-C0840324J-S2	4	3.2	240	1	S2	13.3	7789.00
EC254-C0840324I-B2	4	3.2	347	1	B2	9.2	7863.00
EC254-C0840324I-B3	4	3.2	347	1	B3	9.2	9421.00
EC254-C0840324U-B2	4	3.2	480	3	B2	3.9	7863.00
EC254-C0840324U-B3	4	3.2	480	3	B3	3.9	9421.00
EC254-C0840324Z-B2	4	3.2	600	3	B2	3.1	7863.00
EC254-C0840324Z-B3	4	3.2	600	3	B3	3.1	9421.00

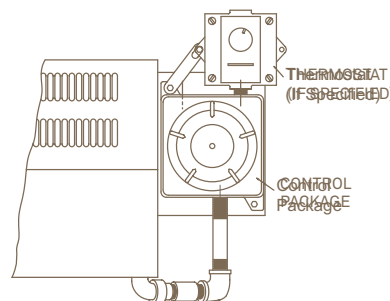
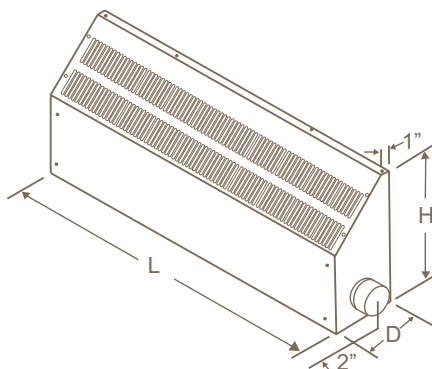
* Consult the dimensions and weight table
--- not available

DIMENSIONS AND WEIGHT

UNIT SIZE	LENGTH		HEIGHT		DEPTH		WEIGHT*	
	CM	IN.	CM	IN.	CM	IN.	LB	KG
1	66	26	15	6	11	4.5	13	5.9
2	66	26	41	16	20	8	27	12.2
3	99	39	41	16	20	8	36	16.3
4	171	67.5	41	16	20	8	60	27.2

* Without controls

TECHNICAL DRAWINGS





CLASSICAL COMFORT
AT YOUR FINGERTIPS



THERMOSTATS

ELECTRONIC THERMOSTAT

STE252NP SERIES

SMALL, PRACTICAL AND EFFICIENT!

The new °STELPRO STE252NP single programming electronic thermostat is the thermostat of choice if you don't need more than a 2500 W capacity. It can control electronic convectors, electric baseboards and other heating units (including forced-air units) with precision. Good for small and medium-sized rooms such as the livingroom, the kitchen, the bedroom and the bathroom.

1 SINGLE PROGRAMMING

2500 W



SIMPLE 4-STEP PROGRAMMING

LOWER THE TEMPERATURE AT NIGHT AND AUTOMATICALLY RETURN TO THE SELECTED TEMPERATURE DURING THE DAY



INCREASED SAVINGS AND COMFORT

INCOMPARABLE ACCURACY



BACKLIT SCREEN

MAY BE USED AS A NIGHTLIGHT



CONSUMPTION SAVINGS

ENERGY SAVINGS OF MORE THAN 30% WITH DAY/NIGHT TEMPERATURE REDUCTION OF 4.5 °C (8 °F)

COLOUR

white

FINISH

molded plastic

WATTAGE & VOLTAGE

150 W to 1250 W @ 120 V / 260 W to 2160 W @ 208 V / 300 W to 2500 W @ 240 V

CONTROL

- 2-wire connection
- acts like a programmable thermostat by automatically lowering the temperature once per 24-hour period (Single programming mode)
- compatible with forced-air units (Fan mode)
- frost-free warning
- lock option at a maximum temperature set point (Security mode)
- display in either Celsius or Fahrenheit

ACCURACY

accurate ambient temperature control of ± 0.1 °C (0.18 °F)

TEMPERATURE RANGE

between 3 and 30 °C (37 to 86 °F)

DESIGNED FOR



AND MORE...



WALL SUPPORT (INCLUDED)
INDISPENSABLE WHEN REPLACING A
MECHANICAL THERMOSTAT



BACKLIT SCREEN
CAN BE USED AS A NIGHTLIGHT

TECHNICAL SPECIFICATIONS

PRODUCT	WATTS		VOLTAGE	AMPERAGE	FREQUENCY	PACKAGING	UNIT PRICE
CODE	MINIMUM	MAXIMUM	VOLTS	AMPERES	HZ		
STE252NPWB+	150/260/300	1250/2160/2500	120/208/240	10.4	50/60	BOX	27.50

DIMENSIONS: width of 3 11/16 in. (94 mm), height of 4 7/8 in. (124 mm) and depth of 1 1/8 in. (29 mm)

ELECTRONIC THERMOSTAT

STE302NP SERIES

1

SINGLE PROGRAMMING

3000 W

INSTALLATION AT YOUR FINGERTIPS!

Thanks to its innovative wall support, the °STELPRO STE302NP thermostat is quick and easy to install. It can be used to control electric heating units with or without fans. It also allows you to lower the temperature at a specified time of the day to ensure absolute comfort, either during nighttime or business hours.



SIMPLE 4-STEP PROGRAMMING

LOWER THE TEMPERATURE AT NIGHT AND AUTOMATICALLY RETURN TO THE SELECTED TEMPERATURE DURING THE DAY



INCREASED SAVINGS AND COMFORT

INCOMPARABLE ACCURACY



BACKLIT SCREEN

MAY BE USED AS A NIGHTLIGHT



CONSUMPTION SAVINGS

ENERGY SAVINGS OF MORE THAN 30% WITH DAY/NIGHT TEMPERATURE REDUCTION OF 4.5 °C (8 °F)

COLOUR

white

FINISH

molded plastic

WATTAGE & VOLTAGE

150 W to 1500 W @ 120 V / 260 W to 2600 W @ 208 V / 300 W to 3000 W @ 240 V

CONTROL

- 2-wire connection
- acts like a programmable thermostat by automatically lowering the temperature once per 24-hour period (Single programming mode)
- compatible with forced-air units (Fan mode)
- frost-free warning
- lock option at a maximum temperature set point (Security mode)
- display in either Celsius or Fahrenheit

ACCURACY

accurate ambient temperature control of ± 0.1 °C (0.18 °F)

TEMPERATURE RANGE

between 3 and 30 °C (37 to 86 °F)

DESIGNED FOR



AND MORE...

TECHNICAL SPECIFICATIONS

PRODUCT	WATTS		VOLTAGE	AMPERAGE	FREQUENCY	PACKAGING	UNIT PRICE
CODE	MINIMUM	MAXIMUM	VOLTS	AMPERES	HZ		
STE302NPWB+	150/260/300	1500/2600/3000	120/208/240	12.5	50/60	BOX	29.50

DIMENSIONS: width of 4 7/8 in. (124 mm), height of 4 7/8 in. (124 mm) and depth of 1 1/8 in. (29 mm)

ELECTRONIC THERMOSTAT

STE302P SERIES

M MULTIPLE PROGRAMMING 3000 W

THE SMART, EFFICIENT AND ECOLOGICAL CHOICE

Cost-saving programming, that's what the STE302P thermostat has to offer. Life just got both simpler and more comfortable thanks to its Preprogrammed mode that allows you to easily and quickly program the desired temperature. Offering 18 predefined programs, the user can easily select among the most commonly used settings or program their own custom settings.



18

EASY PROGRAMMING

INCLUDES 18 PREPROGRAMMED PRESETS IN "PRE-PROG" MODE

± 0.1°C

INCREASED SAVINGS AND COMFORT

INCOMPARABLE ACCURACY



ANTICIPATED START

REACH THE SELECTED TEMPERATURE AT PRECISELY THE PROGRAMMED TIME

5-2

5-2 DAY PROGRAMMING



BACKLIT SCREEN

MAY BE USED AS A NIGHTLIGHT

MORE THAN 30%

CONSUMPTION SAVINGS

ENERGY SAVINGS OF MORE THAN 30% WITH DAY/NIGHT TEMPERATURE REDUCTION OF 4.5 °C (8 °F)

COLOUR

white

FINISH

molded plastic

WATTAGE & VOLTAGE

150 W to 1500 W @ 120 V / 260 W to 2600 W @ 208 V / 300 W to 3000 W @ 240 V

CONTROL

- 2-wire connection
- compatible with forced-air units (Fan mode)
- easily choose the desired preprogramming with one button
- able to program 4 periods a day during the week and 4 others per day during the weekend, for a maximum of 8/week
- anticipated start (the thermostat reaches the desired temperature at the requested hour)
- frost-free warning
- lock option at a minimum and maximum temperature set point (Security mode)
- protection against power failure (2 hours)
- the hour can be displayed in 12 or 24-hour mode
- display in either Celsius or Fahrenheit

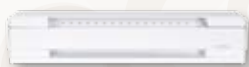
ACCURACY

accurate ambient temperature control of ± 0.1 °C (0.18 °F)

TEMPERATURE RANGE

between 3 and 30 °C (37 to 86 °F)

DESIGNED FOR



AND MORE...

TECHNICAL SPECIFICATIONS

PRODUCT	WATTS		VOLTAGE	AMPERAGE	FREQUENCY	PACKAGING	UNIT PRICE
CODE	MINIMUM	MAXIMUM	VOLTS	AMPERES	HZ		
STE302PWB+	150/260/300	1500/2600/3000	120/208/240	12.5	50/60	BOX	40.00

DIMENSIONS: width of 4 7/8 in. (124 mm), height of 4 7/8 in. (124 mm) and depth of 1 1/8 in. (29 mm)



*STELPRO reserves the right to modify descriptions, manufacturing specifications or prices without prior notice. Returns are not accepted for orders of products with optional colours. For all the latest models and updated prices, please refer to our web site at www.stelpro.com.

ELECTRONIC THERMOSTAT

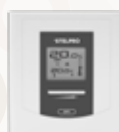
STE402NP/403NP SERIES

1 SINGLE PROGRAMMING

4000 W

HEAT LARGE ROOMS WITH EASE

The STE402NP electronic thermostat allows temperature control with a high degree of accuracy. It has a useful digital screen displaying the ambient temperature and the set point simultaneously. It has a Security mode which enables you to block the set point at a maximum temperature. It's simple and safe!



ALSO AVAILABLE
STE403NP - 347 V model



SIMPLE 4-STEP PROGRAMMING

LOWER THE TEMPERATURE AT NIGHT AND AUTOMATICALLY RETURN TO THE SELECTED TEMPERATURE DURING THE DAY



INCREASED SAVINGS AND COMFORT

INCOMPARABLE ACCURACY



BACKLIT SCREEN*

MAY BE USED AS A NIGHTLIGHT



CONSUMPTION SAVINGS

ENERGY SAVINGS OF MORE THAN 30% WITH DAY/NIGHT TEMPERATURE REDUCTION OF 4.5 °C (8 °F)

COLOUR

white (silica white is available only for the STE402NP model and packaged in a clamshell)

FINISH

molded plastic

WATTAGE & VOLTAGE

150 W to 2000 W @ 120 V / 260 W to 3475 W @ 208 V / 300 W to 4000 W @ 240 V / 350 W to 4600 W @ 277 V (STE403NP) / 400 W to 5750 W @ 347 V (STE403NP)

CONTROL

- 2-wire connection
- acts like a programmable thermostat by automatically lowering the temperature once per 24-hour period (Single programming mode)
- compatible with forced-air units (Fan mode)
- frost-free warning
- lock option at a maximum temperature set point (Security mode)
- display in either Celsius or Fahrenheit

ACCURACY

accurate ambient temperature control of ± 0.1 °C (0.18 °F)

TEMPERATURE RANGE

between 3 and 30 °C (37 to 86 °F)

DESIGNED FOR



AND MORE...

TECHNICAL SPECIFICATIONS

PRODUCT	WATTS		VOLTAGE	AMPERAGE	FREQUENCY	COLOUR	PACKAGING	UNIT PRICE
CODE	MINIMUM	MAXIMUM	VOLTS	AMPERES	HZ			
STE402NPWB+	150/260/300	2000/3475/4000	120/208/240	16.7	50/60	WHITE	BOX	35.00
STE402NPBW+	150/260/300	2000/3475/4000	120/208/240	16.7	50/60	SILICA WHITE	CLAMSHELL	39.50
STE403NPW24	150/260/300/350/400	2000/3475/4000/4600/5750	120/208/240/277/347	16.7	50/60	WHITE	BOX	92.25

DIMENSIONS: width of 4 7/8 in. (124 mm), height of 4 7/8 in. (124 mm) and depth of 1 3/8 in. (29 mm)
(STE403NP: width of 4 1/2 in. (114 mm), height of 4 7/8 in. (124 mm) and depth of 1 3/8 in. (35 mm))

* Except STE403NP model

ELECTRONIC THERMOSTAT

STE402P SERIES

M

MULTIPLE PROGRAMMING

4000 W

PROGRAMMING IS CHILD'S PLAY!

With the STE402P multiple programming electronic thermostat, you can finally relax as it takes care of everything! In fact, this efficient unit gives you the opportunity to easily choose between 18 preprogrammings. By pressing only one button, the temperature set point will automatically change according to your selection.



18

EASY PROGRAMMING

INCLUDES 18 PREPROGRAMMED PRESETS IN "PRE-PROG" MODE

± 0.1°C

INCREASED SAVINGS AND COMFORT

INCOMPARABLE ACCURACY



ANTICIPATED START

REACH THE SELECTED TEMPERATURE AT PRECISELY THE PROGRAMMED TIME

5-2

5-2 DAY PROGRAMMING



BACKLIT SCREEN

MAY BE USED AS A NIGHTLIGHT

COLOUR

white

FINISH

molded plastic

WATTAGE & VOLTAGE

150 W to 2000 W @ 120 V / 260 W to 3475 W @ 208 V / 300 W to 4000 W @ 240 V

CONTROL

- 2-wire connection
- compatible with forced-air units (Fan mode)
- easily choose the desired preprogramming with one button
- program 4 periods a day during the week and 4 others per day during the weekend, for a maximum of 8/week
- anticipated start (the thermostat reaches the desired temperature at the requested hour)
- frost-free warning
- lock option at a minimum and maximum temperature set point (Security mode)
- protection against power failure (2 hours)
- the hour can be displayed in 12 or 24-hour mode
- display in either Celsius or Fahrenheit

ACCURACY

accurate ambient temperature control of $\pm 0.1^\circ\text{C}$ (0.18°F)

TEMPERATURE RANGE

between 3 and 30 $^\circ\text{C}$ (37 to 86 $^\circ\text{F}$)

MORE THAN 30%

CONSUMPTION SAVINGS

ENERGY SAVINGS OF MORE THAN 30% WITH DAY/NIGHT TEMPERATURE REDUCTION OF 4.5 $^\circ\text{C}$ (8 $^\circ\text{F}$)

DESIGNED FOR



AND MORE...

TECHNICAL SPECIFICATIONS

PRODUCT	WATTS		VOLTAGE	AMPERAGE	FREQUENCY	PACKAGING	UNIT PRICE
CODE	MINIMUM	MAXIMUM	VOLTS	AMPERES	HZ		
STE402PWB+	150/260/300	2000/3475/4000	120/208/240	16.7	50/60	BOX	45.00

DIMENSIONS: width of 4 7/8 in. (124 mm), height of 4 7/8 in. (124 mm) and depth of 1 3/8 in. (29 mm)



*STELPRO reserves the right to modify descriptions, manufacturing specifications or prices without prior notice. Returns are not accepted for orders of products with optional colours. For all the latest models and updated prices, please refer to our web site at www.stelpro.com.

THERMOSTAT DESIGNED FOR HEATING FLOORS



ELECTRONIC THERMOSTAT

STCNP SERIES

1 SINGLE PROGRAMMING

3840 W

CONTROL YOU CAN DEPEND ON TO HEAT YOUR FLOORS

A thermostat for heated floors that can control the temperature of a room through either the floor or the ambient air. Pressing any one of the buttons will turn the backlight on. The thermostat can be locked to prevent it from exceeding the selected temperature.



SIMPLE 4-STEP PROGRAMMING

LOWER THE TEMPERATURE AT NIGHT AND AUTOMATICALLY RETURN TO THE SELECTED TEMPERATURE DURING THE DAY



0.1°C

INCREASED SAVINGS AND COMFORT

INCOMPARABLE ACCURACY



DOUBLE CONTROL: FLOOR OR AMBIENT TEMPERATURE (YOUR CHOICE)



BACKLIT SCREEN

COLOUR

white

FINISH

molded plastic

MANUFACTURING

- built-in GFCI and pilot light (test)
- four wires/DPST with bipolar tripping
- 13 ft. (4 m) floor sensor included*

WATTAGE & VOLTAGE

0 W to 1920 W @ 120 V / 0 W to 3330 W @ 208 V / 0 W to 3840 W @ 240 V

CONTROL

- acts like a programmable thermostat by automatically lowering the temperature once per 24-hour period (Single programming mode)
- advanced floor or ambient temperature control (your choice)
- protection against power failures (two hours)
- lock option at a maximum temperature set point (Security mode)
- display in either Celsius or Fahrenheit
- 5 mA model is mandatory in bathrooms and similar rooms

ACCURACY

accurate ambient temperature control of ± 0.15 °C (0.27 °F)

TEMPERATURE RANGE

- Ambient mode: between 3 and 35 °C (37 to 95 °F)
- Floor mode: between 3 and 28 °C (37 to 82 °F)

* The thermostat is compatible with floor sensors provided by certain other manufacturers

TECHNICAL SPECIFICATIONS

PRODUCT	WATTS	VOLTAGE	AMPERAGE	FREQUENCY	GFCI	PRICE
CODE	MAXIMUM	VOLTS	AMPERES	HZ	MA	
STCNPW5*	1920/3840	120/240	16	50/60	5	139.00
STCNPW15*	1920/3840	120/240	16	50/60	15	139.00

* 5 mA thermostats have an integral ground-fault circuit interrupter (GFCI) (mandatory in bathrooms and similar room types)

* 15 mA thermostats have an integral Equipment Ground Fault Protection Device (EGFPD)

Please refer to the electrical and building codes in effect in your region in order to choose the best thermostat to suit your needs.

DIMENSIONS: width of 3 3/8 in. (86 mm), height of 4 7/8 in. (124 mm) and depth of 1 in. (25 mm) (total depth: 2 3/16 in. (56 mm))

THERMOSTAT DESIGNED FOR HEATING FLOORS



ELECTRONIC THERMOSTAT

STCP SERIES

M MULTIPLE PROGRAMMING 3840 W

PROGRAMMING AT YOUR FEET

This thermostat, specifically designed for heated floor systems, allows the reading of the floor or ambient temperature. A booklet is provided containing more than 250 preprogrammings that can be set by simply pressing the front buttons. The STCP is like a small computer designed to provide maximum comfort.



252 **EASY PROGRAMMING**
INCLUDES 252 PREPROGRAMMED PRESETS
IN "PRE-PROG" MODE

± 0.1°C **INCREASED SAVINGS AND COMFORT**
INCOMPARABLE ACCURACY

ANTICIPATED START
REACH THE SELECTED TEMPERATURE
PRECISELY AT THE PROGRAMMED TIME

7 **7-DAY PROGRAMMING**

**DOUBLE CONTROL: FLOOR OR AMBIENT
TEMPERATURE (YOUR CHOICE)**

BACKLIT SCREEN

COLOUR

white

FINISH

molded plastic

MANUFACTURING

- built-in GFCI and pilot light (test)
- four wires/DPST with bipolar tripping
- 13 ft. (4 m) floor sensor included*

WATTAGE & VOLTAGE

0 W to 1920 W @ 120 V / 0 W to 3330 W @ 208 V / 0 W to 3840 W @ 240 V

CONTROL

- program up to 4 periods a day
- anticipated start (the thermostat reaches the desired temperature at the requested hour)
- advanced floor or ambient temperature control (your choice)
- protection against power failures (two hours)
- lock option at a maximum temperature set point (Security mode)
- display in either Celsius or Fahrenheit
- 5 mA model is mandatory in bathrooms and similar rooms

ACCURACY

accurate ambient temperature control of $\pm 0.15\text{ }^{\circ}\text{C}$ (0.27 $^{\circ}\text{F}$)

TEMPERATURE RANGE

- Ambient mode: between 3 and 35 $^{\circ}\text{C}$ (37 to 95 $^{\circ}\text{F}$)
- Floor mode: between 3 and 28 $^{\circ}\text{C}$ (37 to 82 $^{\circ}\text{F}$)

* The thermostat is compatible with floor sensors provided by certain other manufacturers

TECHNICAL SPECIFICATIONS

PRODUCT	WATTS	VOLTAGE	AMPERAGE	FREQUENCY	GFCI	COLOUR	PRICE
CODE	MAXIMUM	VOLTS	AMPERES	HZ	MA		
STCPW5*	1920/3840	120/240	16	50/60	5	WHITE	175.00
STCPW15*	1920/3840	120/240	16	50/60	15	WHITE	175.00

* 5 mA thermostats have an integral ground-fault circuit interrupter (GFCI) (mandatory in bathrooms and similar room types)

* 15 mA thermostats have an integral Equipment Ground Fault Protection Device (EGFPD)

Please refer to the electrical and building codes in effect in your region in order to choose the best thermostat to suit your needs.

DIMENSIONS: width of 3 3/8 in. (86 mm), height of 4 7/8 in. (124 mm) and depth of 1 in. (25 mm) (total depth: 2 3/16 in. (56 mm))



*STELPRO reserves the right to modify descriptions, manufacturing specifications or prices without prior notice. Returns are not accepted for orders of products with optional colours. For all the latest models and updated prices, please refer to our web site at www.stelpro.com.

ELECTRONIC THERMOSTAT

DOUBLE POLE - STE302R2+ SERIES

1

SINGLE PROGRAMMING

3000 W

COMFORT AND SAVINGS GUARANTEED

The STE302R2+ double-pole thermostat fits perfectly with any style. It has a useful backlit screen. Also, it can be used to control electric heating units, with or without fans. It allows you to lower the temperature at a specific time of the day.



SIMPLE 4-STEP PROGRAMMING

LOWER THE TEMPERATURE AT NIGHT AND AUTOMATICALLY RETURN TO THE SELECTED TEMPERATURE DURING THE DAY



INCREASED SAVINGS AND COMFORT

INCOMPARABLE ACCURACY



BACKLIT SCREEN



CONSUMPTION SAVINGS

ENERGY SAVINGS OF MORE THAN 30% WITH DAY/NIGHT TEMPERATURE REDUCTION OF 4.5 °C (8 °F)

COLOUR

white

FINISH

molded plastic

WATTAGE & VOLTAGE

150 W to 1500 W @ 120 V / 260 W to 2600 W @ 208 V / 300 W to 3000 W @ 240 V

CONTROL

- 4-wire connection
- acts like a programmable thermostat by automatically lowering the temperature once per 24-hour period (Single programming mode)
- compatible with forced-air units (Fan mode)
- frost-free warning
- lock option at a maximum temperature set point (Security mode)
- display in either Celsius or Fahrenheit

ACCURACY

accurate ambient temperature control ± 0.1 °C (0.18 °F)

TEMPERATURE RANGE

between 3 and 30 °C (37 to 86 °F)

DESIGNED FOR



AND MORE...

TECHNICAL SPECIFICATIONS

PRODUCT	WATTS		VOLTAGE	AMPERAGE	FREQUENCY	PACKAGING	PRICE
CODE	MINIMUM	MAXIMUM	VOLTS	AMPERES	HZ		
STE302R2W+	150/260/300	1500/2600/3000	120/208/240	12.5	50/60	BOX	49.50

DIMENSIONS: width of 3 3/8 in. (86 mm), height of 4 7/8 in. (124 mm) and depth of 1 in. (25 mm) (total depth: 2 3/16 in. (56 mm))

ELECTRONIC THERMOSTAT

LOW VOLTAGE / 24 V - STE241 SERIES

1 SINGLE PROGRAMMING

24 V

EFFICIENT RELAY CONTROL

The STE241 series low voltage (24 V) electronic thermostat is designed to control electric furnaces and °STELPRO “RE” series heating relays. It is compatible with either convection-mode or forced-air heating units as the cycles of this thermostat can be modified accordingly.



SIMPLE 4-STEP PROGRAMMING

LOWER THE TEMPERATURE AT NIGHT AND AUTOMATICALLY RETURN TO THE SELECTED TEMPERATURE DURING THE DAY



INCREASED SAVINGS AND COMFORT

INCOMPARABLE ACCURACY



BACKLIT SCREEN

MAY BE USED AS A NIGHTLIGHT



CONSUMPTION SAVINGS

ENERGY SAVINGS OF MORE THAN 30% WITH DAY/NIGHT TEMPERATURE REDUCTION OF 4.5 °C (8 °F)

COLOUR

white

FINISH

molded plastic

VOLTAGE

0.5 A @ 24 Vac

CONTROL

- 3-wire connection
- compatible with electric furnaces (R, C, W connections) and °STELPRO “RE” series heating relays (see pages 141-143). Adjustable cycles to accommodate both convection and forced-air heating modes. Attention: not compatible with solely inductive loads.
- acts like a programmable thermostat by automatically lowering the temperature once per 24-hour period (Single programming mode)
- frost-free warning
- lock option at a maximum temperature set point (Security mode)
- display in either Celsius or Fahrenheit

ACCURACY

accurate ambient temperature control ± 0.1 °C (0.18 °F)

TEMPERATURE RANGE

between 3 and 30 °C (37 to 86 °F)

DESIGNED FOR



AND MORE...

TECHNICAL SPECIFICATIONS

PRODUCT	VOLTAGE	FREQUENCY	PACKAGING	PRICE
CODE	VOLTS	HZ		
STE241WB+	24 VAC	50/60	BOX	36.00

DIMENSIONS : width of 3 1/4 in. (83 mm), height of 4 3/4 in. (121 mm) and surface depth of 1 in. (25 mm) (total depth: 1 3/8 in. - 35 mm)

THERMOSTAT

LOW VOLTAGE / 24 V - T822K1034 SERIES

COLOUR

white

DIMENSIONS

2.83 in. x 4.75 in. x 1.46 in. (71.9 mm x 120.7 mm x 37.1 mm)

VOLTAGE

1.2 A @ 24 Vac

CONTROL

- 2-wire connection
- all or nothing (on/off) @ 24 Vac
- compatible with all RE and R841 model relays (see selection on pages 141-143)
- temperature in degrees Celsius

TEMPERATURE RANGE

between 10 and 30 °C (50 and 86 °F)



PRODUCT	DESCRIPTION	COLOUR	PRICE
T822K1034	LOW VOLTAGE THERMOSTAT (24 V)	WHITE	29.00



THERMOSTAT

LOW VOLTAGE / 24 V - T87K1015 SERIES

COLOUR

white

DIMENSIONS

3 11/16 in. diameter x 1 3/4 in. (93.7 mm diameter x 44.5 mm)

VOLTAGE

1 A @ 24 Vac

CONTROL

- 2-wire connection
- all or nothing (on/off) @ 24 Vac
- compatible with all RE and R841 model relays (see selection on pages 141-143)
- temperature in degrees Celsius

TEMPERATURE RANGE

between 10 and 30 °C (50 and 86 °F)



PRODUCT	DESCRIPTION	COLOUR	PRICE
T87K1015	LOW VOLTAGE THERMOSTAT (24 V)	WHITE	51.50



ELECTRONIC THERMOSTAT

LOW VOLTAGE / 24 V - D010 SERIES

COLOUR

off-white

DIMENSIONS

3.54 in. x 3.54 in. x 1.57 in. (89.9 mm x 89.9 mm x 39.9 mm)

VOLTAGE

1 A @ 24 Vac

CONTROL

- 3-wire connection
- all or nothing @ 24 Vac
- compatible with all RE and R841D1036 model relays (see selection on pages 141-143)
- temperature in degrees Celsius

TEMPERATURE RANGE

between 10 and 30 °C (50 and 86 °F)

PRODUCT	DESCRIPTION	COLOUR	PRICE
D010	24 V THERMOSTAT	WHITE	26.25



ELECTRONIC THERMOSTAT

LOW VOLTAGE / 24 V - ET180 SERIES

COLOUR

off-white

DIMENSIONS

3.27 in. x 3.27 in. x 1.19 in. (83.1 mm x 83.1 mm x 30.2 mm)

VOLTAGE

- 1 A @ 24 Vac
- display powered by batteries (2 X AAA – not provided)

CONTROL

- 2-wire connection
- all or nothing (NO or NC)
- compatible with all RE and R841 model relays (see selection on pages 141-143)
- temperature in degrees Celsius

TEMPERATURE RANGE

between 10 and 32 °C (50 and 90 °F)

PRODUCT	DESCRIPTION	COLOUR	PRICE
ET180	24 V ELECTRONIC THERMOSTAT	WHITE	33.50



MECHANICAL THERMOSTAT

LINE VOLTAGE - SWT SERIES

SIMPLE AND INTUITIVE

The °STELPRO SWT series wall thermostat is easy to use and complements any decor. The SWT is compatible with most heating products, such as electric baseboards, wall fan heaters or commercial fan-forced heaters (with 120 to 277 Vac coil contactor). The SWT thermostat is available in two models: single or double pole.



SIMPLE ADJUSTMENT FOR THE DESIRED TEMPERATURE

EASY INSTALLATION AND INTUITIVE OPERATION

SLEEK APPEARANCE

COLOUR

white, silica white

FINISH

molded plastic

CONTROL

- 2-wire connection (single pole model) or 4-wire connection (double pole model)
- temperature in degrees Celsius
- off position (double pole model)

TEMPERATURE RANGE

between 10 and 30 °C (50 to 90 °F)

VOLTAGE

- 22 A @ 120-277 Vac
- 1/2 hp

DESIGNED FOR



AND MORE...

TECHNICAL SPECIFICATIONS

PRODUCT

DESCRIPTION

PRICE

CODE		
SWT1C	SINGLE POLE THERMOSTAT (CELSIUS)	11.50
SWT2C	DOUBLE POLE THERMOSTAT (CELSIUS)	18.75

Add SW for silica white

DIMENSIONS: width of 2 29/32 in. (74 mm), height of 4 37/64 in. (116 mm) and depth of 1 9/64 in. (29 mm)



THERMOSTAT

LINE VOLTAGE - RJ32 SERIES

COLOURS

white or beige

DIMENSIONS

4 1/2 in. x 2 3/4 in. x 2 1/4 in. (114.3 mm x 69.9 mm x 57.2 mm)

VOLTAGE

22 A @ 120, 208 or 240 Vac / 19 A @ 277 Vac

CONTROL

- 2-wire connection (single pole model) or 4-wire connection (double pole model)
- temperature in degrees Celsius

TEMPERATURE RANGE

between 5 and 32 °C (41 and 90 °F)



PRODUCT	DESCRIPTION	COLOUR	PRICE
RJ32W1	SINGLE POLE THERMOSTAT	WHITE	12.75
RJ32B1	SINGLE POLE THERMOSTAT	BEIGE	12.75
RJ32W2	DOUBLE POLE THERMOSTAT	WHITE	20.00



ELECTRONIC RELAY

LOW VOLTAGE | RE25 – RE30

DIMENSIONS

- RE253: 4.10 in. x 4.10 in. x 2.10 in. (104.1 mm x 104.1 mm x 53.3 mm)
- RE306C: 4.76 in. x 4.70 in. x 3 in. (120.9 mm x 119.4 mm x 76.2 mm)

CONTROL

- pulsed signal (PWM) or all or nothing (on/off) at 24 Vac, 3-32 Vdc signal
- with transformer (RE253T)
- compatible with STE241, T822K1034, T87K1015, D010 and ET180 thermostats
- two additional relays without transformers can be added to the same control circuit as a relay with transformer
- installation of more than 4 relays without transformers to the same thermostat is not recommended

INSTALLATION

the relay must be installed in an external junction box



RE253C



RE253T



RE306C

PRODUCT	DESCRIPTION	PRICE
RE253C	ELECTRONIC LOW VOLTAGE RELAY [25 A @ 120 V, 208 V, 277 V OR 347 V]	94.50
RE253T	ELECTRONIC LOW VOLTAGE RELAY [25 A @ 208 V, 277 V OR 347 V] (W/TRANSFO)	96.75
RE306C	ELECTRONIC LOW VOLTAGE RELAY [30 A @ 120 V-600 V]	129.00



ELECTRONIC RELAY

LOW VOLTAGE – SMALLER-SIZED | RE15

DIMENSIONS

- RE153 and RE156: 3.31 in. x 2.17 in. x 0.89 in. (84.1 mm x 55.1 mm x 22.6 mm)
- RE153T: 3.31 in. x 2.17 in. x 1.5 in. (84.1 mm x 55.1 mm x 38.1 mm)

CONTROL

- pulsed signal (PWM) or all or nothing (on/off) at 24 Vac, 3-32 Vdc signal
- with transformer (RE153T)
- compatible with STE241, T822K1034, T87K1015, D010 and ET180 thermostats
- two additional relays without transformers can be added to the same control circuit as a relay with transformer
- installation of more than 4 relays without transformers to the same thermostat is not recommended

INSTALLATION

the relays must be installed inside the junction box of the heating unit



RE153T



RE156



RE153

PRODUCT	DESCRIPTION	PRICE
RE153	ELECTRONIC LOW VOLTAGE RELAY [15 A @ 120 V-347 V]	40.25
RE156	ELECTRONIC LOW VOLTAGE RELAY [6 A @ 120 V-600 V]	78.00
RE153T	ELECTRONIC LOW VOLTAGE RELAY [15 A @ 208 V-347 V] (W/TRANSFO)	57.75



ELECTROMECHANICAL RELAY

LOW VOLTAGE | R841

DIMENSIONS

see the technical drawings

CONTROL

- all or nothing (on/off)
- with transformer 24 V (with exception of the R841D1036 w/o transformer)
- compatible with T822K1034, T87K1015 and ET180 thermostats (the R841D1036 w/o transformer is also compatible with the STE241 and D010 thermostats)
- installation of more than 4 relays without transformer to the same thermostat is not recommended (2 relays without transformer if connected to a STE241 thermostat)
- no additional relay can be connected to the same control circuit as a relay with transformer

INSTALLATION

These relays can be installed in an external junction box. These relays may or may not be installed in the junction box of the heating unit. (see the accessories table for the heating unit)

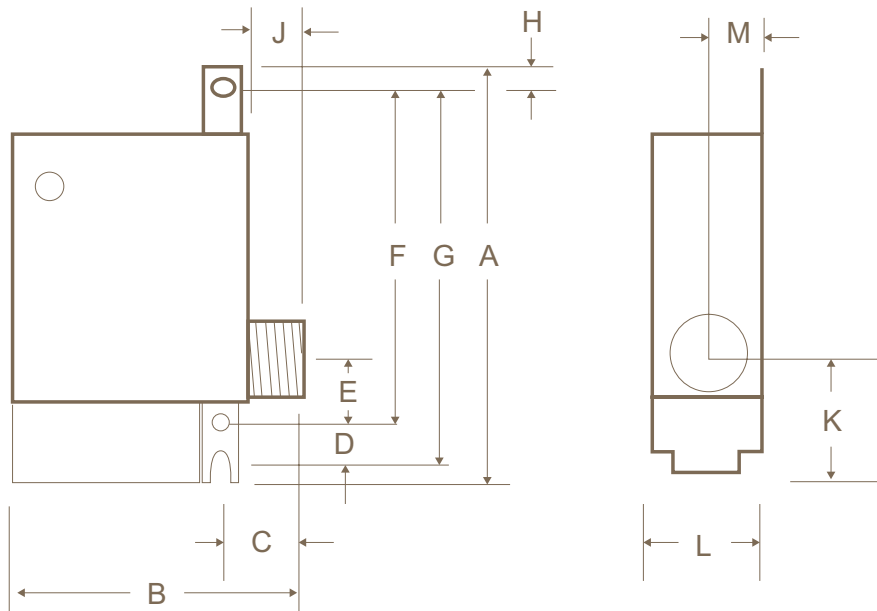


R841C1169



PRODUCT	DESCRIPTION	PRICE
R841C1169	ELECTRO. MECHA. RELAY C/W TRANSFORMER 24 V [6000 W @ 240 V AND 5200 W @ 208 V]	79.00
R841C1144	ELECTRO. MECHA. RELAY C/W TRANSFORMER 24 V [6000 W @ 347 V]	79.00
R841C1151	ELECTRO. MECHA. RELAY C/W TRANSFORMER 24 V [6000 W @ 600 V]	79.00
R841D1036	ELECTRO. MECHA. RELAY W/O TRANSFORMER 24 V [6000 W @ 120-600 V]	67.25

TECHNICAL DRAWINGS



DIMENSIONS												
KEY	A	B	C	D	E	F	G	H	J	K	L	M
MM (nominal)	95	65	20	10	20	75	85	5	10	35	40	15
IN.	3 1/4	2 3/8	3/4	15/32	3/4	2 29/32	3 3/8	1/4	7/16	1 15/32	1 1/2	5/8

UNIVERSAL THERMOSTAT GUARD

TG511A1000 SERIES

MANUFACTURING

- clear plastic
- compatible with all thermostats sold by °STELPRO
- features a tumbler lock (keys included)
- can be installed without removing the thermostat from the wall
- protection against vandalism, damage and unauthorized tampering of settings

INSIDE DIMENSIONS

6 1/16 in. x 5 1/16 in. x 2 15/16 in. (154 mm x 128.6 mm x 74.6 mm)

PRODUCT	DESCRIPTION	PRICE
TG511A1000	UNIVERSAL THERMOSTAT GUARD	33.50



KEYS (INCLUDED)

the ambient temperature can only be changed by the key owner



THERMOSTAT GUARD

F29 SERIES

MANUFACTURING

- clear plastic (F290143) or metal (F290193)
- compatible with STCNP, STCP, STE252NP, STE302R2+, STE241, T822K1034, T87K1015, D010 and ET180 thermostats
- features a tumbler lock (keys included)
- protection against vandalism, damage and unauthorized tampering of settings

INSIDE DIMENSIONS

- F290143: ring base of 3 1/2 in. x 6 3/8 in. x 3 1/4 in. (88.9 mm x 161.9 mm x 82.6 mm), solid base of 3 1/2 in. x 6 3/8 in. x 3 in. (88.9 mm x 161.9 mm x 76.2 mm)
- F290193: 3 13/16 in. x 6 in. x 3 1/8 in. (96.8 mm x 152.4 mm x 79.4 mm)

PRODUCT	DESCRIPTION	PRICE
F290143	CLEAR PLASTIC THERMOSTAT GUARD	30.00
F290193	METAL THERMOSTAT GUARD	38.00



F290143



F290193



KEYS (INCLUDED)

the ambient temperature can only be changed by the key owner



MECHANICAL TIMER

FD60M SERIES

COLOUR

white

DIMENSIONS

1.6 in. x 2.79 in. x 1.19 in. (40.6 mm x 70.9 mm x 30.2 mm)

VOLTAGE

20 A @ 120 Vac / 10 A @ 240 and 277 Vac

INSTALLATION

wall mounted with wall plate (not provided)

CONTROL

- 60-minute timer
- used to control fan forced units such as: SK, RWF, SKS



PRODUCT	DESCRIPTION	PRICE
FD60MCW70	60-MINUTE TIMER	50.50



ELECTRIC FURNACES

DREAMY
COMFORT



ELECTRIC FURNACE

MODULATING WITH ELECTRONIC CONTROLS
SFE SERIES

THE FURNACE... REINVENTED

At last, °STELPRO has designed an electric furnace that meets all your expectations. THE FURNACE is the only one on the market that comes equipped with a built-in temperature sensor, making installation much easier. You can say goodbye to undesirable variances in temperature thanks to its state-of-the-art electronic controls! This one of a kind furnace has everything going for it: easy installation and incomparable ease of use, a compact size along with many other outstanding features. You will see for yourself, THE FURNACE from °STELPRO has no equal!



BUILT-IN TEMPERATURE SENSOR

REDUCED SIZE

PRE-DRILLED PANELS SIMPLIFIES INSTALLATION
AND CONNECTION

UPDATED ELECTRONIC CONTROLS

ECO MODE FOR INCREASED SAVINGS

AVAILABLE WITH A 120 V MOTOR (UP TO 27 KW)

1 HP MOTOR ALSO AVAILABLE (STARTING FROM 20 KW)

FINISH

powdercoated (textured charcoal)

MANUFACTURING

- robust galvanized steel cabinet
- adjustable dampers (better control over static pressure, airflow, ΔT and noise)
- compartmentalized door providing easy access to all components
- disposable 20 in. x 20 in. air filter (included)
- 1 type of relay for all functions

ELEMENTS

modulating elements for increased comfort and separately framed allowing for quick and easy replacement

MOTOR

totally enclosed, permanently lubricated motor

CONTROL

- easy-to-use modes
- Continuous ventilation button (low or high speed)
- Continuous heating button (min or max)
- simplified connection system
- mechanical relays allowing for easy and low-cost maintenance

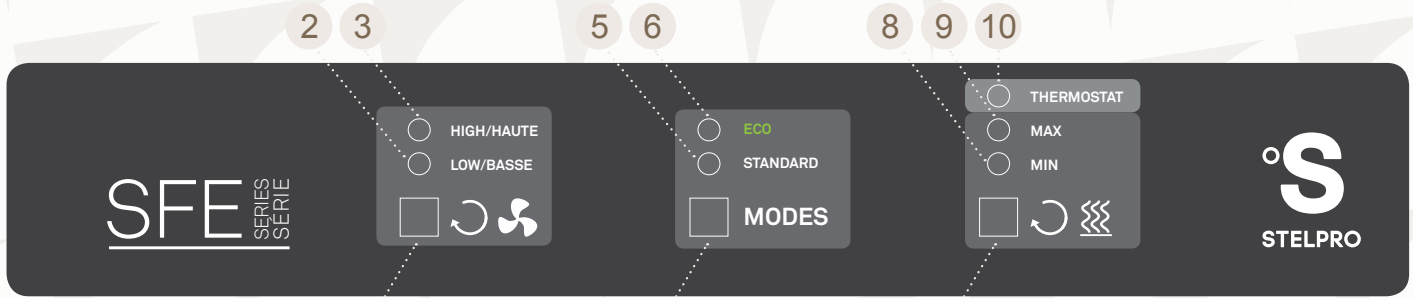
INSTALLATION

- three possible installation positions: upflow, downflow or horizontal
- installation directly against a wall ("zero inch" clearance)
- possible installation with 3 conductors

ACCESSORIES

PRODUCT	DESCRIPTION	PRICE
FSB2	DOWN FLOW ADAPTOR	104.00
SCOND	NEUTRAL TERMINAL FOR THIRD CONDUCTOR	30.50

ELECTRONIC CONTROLS



LEGEND


- 1** **CONTINUOUS VENTILATION** BUTTON
Allows the selection of the high or low speed continuous ventilation mode.
- 2** **LOW SPEED CONTINUOUS VENTILATION**
GREEN LED
Indicates that the low speed continuous ventilation mode is activated.
- 3** **HIGH SPEED CONTINUOUS VENTILATION**
GREEN LED
Indicates that the high speed continuous ventilation mode is activated.
- 4** **MODE** BUTTON
Allows the selection of the Standard or Eco mode.
- 5** **STANDARD MODE** GREEN LED
Indicates Standard mode is activated.
- 6** **ECO MODE** GREEN LED
Indicates that the Eco mode is activated.
- 7** **CONTINUOUS HEATING** BUTTON
Allows the selection of the maximum or minimum continuous heating mode.
- 8** **MIN CONTINUOUS HEATING** GREEN LED
Indicates that the minimum of heating capacity is activated.
- 9** **MAX CONTINUOUS HEATING** GREEN LED
Indicates that the maximum of continuous heating mode is activated.
- 10** **THERMOSTAT** YELLOW LED
Indicates that the furnace is receiving a heating demand from the thermostat.



TECHNICAL SPECIFICATIONS

PRODUCT	POWER AND VOLTAGE		MOTOR	AMPERAGE	POWER	WEIGHT	PRICE		
CODE	KILOWATTS	VOLTS	SPEED	VOLTS	AMPERES	HP	KG	LB	
STANDARD MODELS									
SFE1021	10/7.5	240/208	4	240/208	44/38	1/3	45	100	960.00
SFE1521	15/11.2	240/208	4	240/208	65/56	1/3	45	100	1008.00
SFE1821	17.5/13.2	240/208	4	240/208	75/66	1/3	45	100	1028.00
SFE2021	20/15	240/208	4	240/208	85/74	1/3	45	100	1028.00
SFE2321	22.5/16.9	240/208	4	240/208	96/84	1/3	45	100	1074.00
SFE2721	27.5/20.7	240/208	3	240/208	119/104	1	48	105	1413.00
SFE3021	30/22.5	240/208	3	240/208	130/113	1	48	105	1451.00
OPTIONAL MODELS									
SFE1021120	10/7.5	240/208	4	120	46/40	1/3	45	100	1022.00
SFE1521120	15/11.2	240/208	4	120	67/58	1/3	45	100	1070.00
SFE1821120	17.5/13.2	240/208	4	120	77/68	1/3	45	100	1090.00
SFE2021120	20/15	240/208	4	120	87/76	1/3	45	100	1090.00
SFE20211HP	20/15	240/208	3	240/208	88/77	1	48	105	1213.00
SFE20211HP120	20/15	240/208	3	120	95/84	1	48	105	1274.00
SFE2321120	22.5/16.9	240/208	4	120	98/86	1/3	45	100	1136.00
SFE23211HP	22.5/16.9	240/208	3	240/208	99/87	1	48	105	1258.00
SFE23211HP120	22.5/16.9	240/208	3	120	106/94	1	48	105	1320.00
SFE2721120	27.5/20.7	240/208	3	120	126/111	1	48	105	1475.00

SPEEDS AND DAMPERS

UNIT	ESP	DAMPER 1	DAMPER 2	L	ML	MH	H						
KW	IWC	DEGREES	DEGREES	CFM	ΔT (°F)	CFM	ΔT (°F)	CFM	ΔT (°F)	CFM	ΔT (°F)	KW (MIN)	KW (MAX)
10 KW TO 22.5 KW - 1/3 HP MOTOR													
10	0.2	15	15	810	39	900*	35*	930	34	960	33	2.5	2.5
15	0.2	45	45	862	55	1000*	48*	1130	42	1200	39	2.5	5
17.5	0.2	45	45	862	64	1000*	55*	1130	48	1200	46	2.5	5
20	0.2	60	45	900	70	1030	61	1150*	55*	1240	51	2.5	5
22.5	0.2	60	45	900	78	1030	69	1150*	62*	1240	57	2.5	5
10	0.5	15	15	685	46	750*	42*	790	40	850	37	2.5	2.5
15	0.5	45	45	790	60	890*	53*	990	48	1030	46	2.5	5
17.5	0.5	45	45	790	70	890*	62*	990	56	1030	54	2.5	5
20	0.5	60	45	815	78	910	70	1000*	63*	1050	60	2.5	5
22.5	0.5	60	45	815	87	910	79	1000*	71*	1050	67	2.5	5
20 KW TO 30 KW - 1 HP MOTOR													
20	0.2	60	45	1620	39	1820*	35*	2030	31	2030	31	2.5	5
22.5	0.2	60	45	1620	44	1820*	39*	2030	35	2030	35	2.5	5
27.5	0.2	60	45	1600	54	1790*	48*	2000	43	2000	43	2.5	7.5
30	0.2	60	45	1600	59	1790*	53*	2000	48	2000	48	5	10
20	0.5	60	45	1540	41	1700*	37*	1915	33	1915	33	2.5	5
22.5	0.5	60	45	1540	46	1700*	42*	1915	37	1915	37	2.5	5
27.5	0.5	60	45	1500	58	1660*	51*	1875	46	1875	46	2.5	7.5
30	0.5	60	45	1500	63	1660*	57*	1875	51	1875	51	5	10
20	0.75	60	45	1475	43	1625*	39*	1775	36	1775	36	2.5	5
22.5	0.75	60	45	1475	48	1625*	44*	1775	40	1775	40	2.5	5
27.5	0.75	60	45	1440	60	1600*	54*	1740	50	1740	50	2.5	7.5
30	0.75	60	45	1440	66	1600*	60*	1740	55	1740	55	5	10

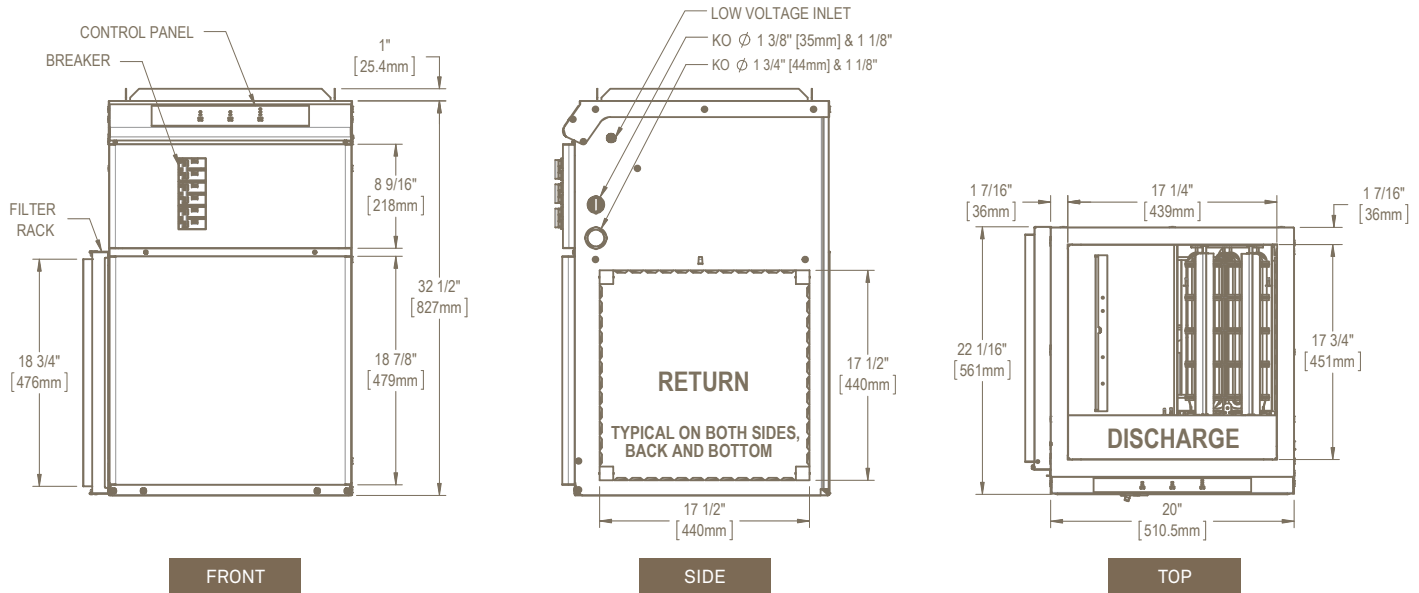
L = low; ML = medium/low; M = medium; MH = medium/high; H = high

Speeds and dampers are factory adjusted.

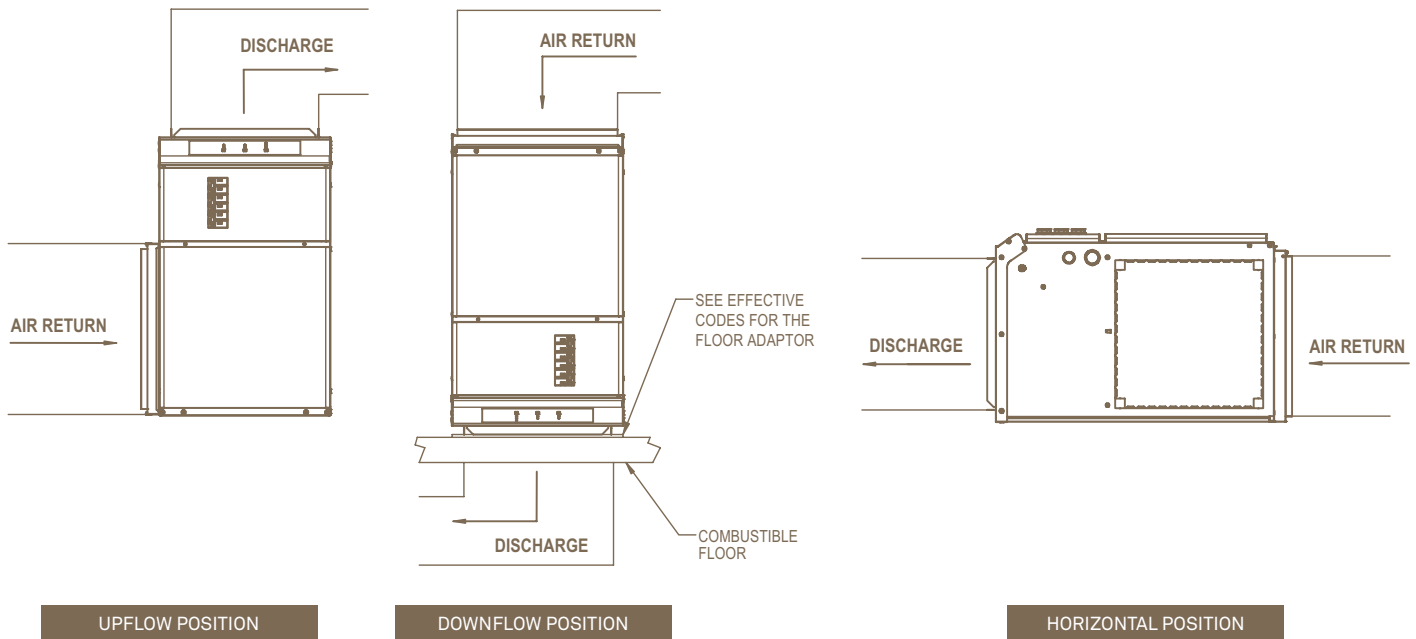
* recommended (factory pre-cabled)

  = CONTINUOUS HEATING

TECHNICAL DRAWINGS



INSTALLATION



ELECTRIC FURNACE

MODULATING WITH ELECTRONIC CONTROLS
SFECM SERIES

THE ALL-INCLUSIVE FURNACE

°STELPRO introduces a new standard in the electric furnace arena - THE FURNACE. Equipped with an ECM motor, THE FURNACE guarantees greater efficiency and constant airflow. On top of greater savings due to the use of the continuous ventilation mode, this motor makes the most of the humidifier and filtration systems. With THE FURNACE, you have access to top of the line controls for greater temperature management and a much simpler airflow adjustment. There you have it - the all-inclusive package: a quiet motor, compact size, built-in temperature sensor, easy installation and unparalleled ease of use. An electric furnace? You've never seen anything like THE FURNACE!

THE FURNACE



ECM MOTOR

GUARANTEES SAVINGS, CONSTANT AIRFLOW
AND GREATER EFFICIENCY

BUILT-IN TEMPERATURE SENSOR

REDUCED SIZE

PRE-DRILLED PANELS SIMPLIFIES INSTALLATION
AND CONNECTION

UPDATED ELECTRONIC CONTROLS

ECO MODE FOR INCREASED SAVINGS

AVAILABLE WITH A 120 V MOTOR (UP TO 27 KW)

1 HP MOTOR ALSO AVAILABLE (STARTING FROM 20 KW)

FINISH

powdercoated (textured charcoal)

MANUFACTURING

- robust galvanized steel cabinet
- compartmentalized door providing easy access to all components
- disposable 20 in. x 20 in. air filter (included)
- compatibility mechanism for an auxiliary unit (included)
- 1 type of relay for all functions

ELEMENTS

modulating elements for increased comfort and separately framed allowing for quick and easy replacement

MOTOR

ECM (electronically commutated motor)

CONTROL

- easy-to-use modes
- Continuous ventilation button (low or high speed)
- Continuous heating button (min or max)
- simplified connection system
- mechanical relays allowing for easy and low-cost maintenance

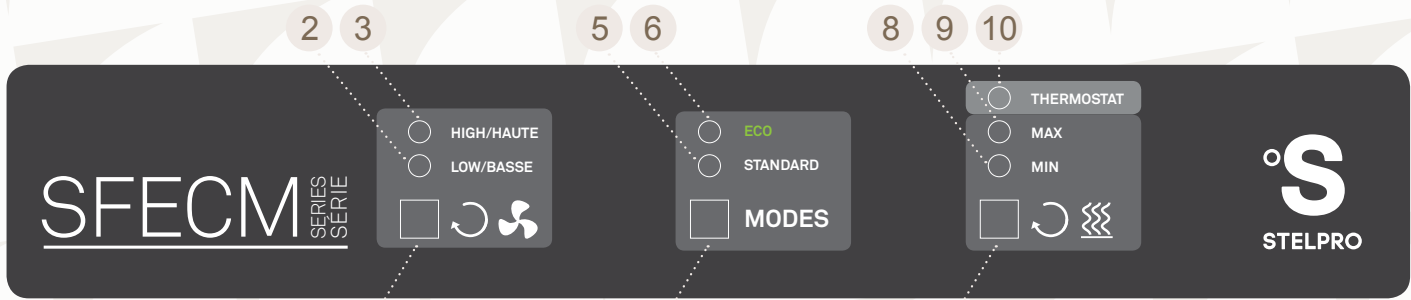
INSTALLATION

- three possible installation positions: upflow, downflow or horizontal
- installation directly against a wall ("zero inch" clearance)
- possible installation with 3 conductors

ACCESSORIES

PRODUCT	DESCRIPTION	PRICE
FSB2	DOWN FLOW ADAPTOR	104.00
SCOND	NEUTRAL TERMINAL FOR THIRD CONDUCTOR	30.50

ELECTRONIC CONTROLS



LEGEND

1

CONTINUOUS VENTILATION BUTTON
Allows the selection of the high or low speed continuous ventilation mode.

2

LOW SPEED CONTINUOUS VENTILATION GREEN LED
Indicates that the low speed continuous ventilation mode is activated.

3

HIGH SPEED CONTINUOUS VENTILATION GREEN LED
Indicates that the high speed continuous ventilation mode is activated.

4

MODE BUTTON
Allows the selection of the Standard or Eco mode.

5

STANDARD MODE GREEN LED
Indicates Standard mode is activated.

6

ECO MODE GREEN LED
Indicates that the Eco mode is activated.

7

CONTINUOUS HEATING BUTTON
Allows the selection of the maximum or minimum continuous heating mode.

8

MIN CONTINUOUS HEATING GREEN LED
Indicates that the minimum of heating capacity is activated.

9

MAX CONTINUOUS HEATING GREEN LED
Indicates that the maximum of continuous heating mode is activated.

10

THERMOSTAT YELLOW LED
Indicates that the furnace is receiving a heating demand from the thermostat.



TECHNICAL SPECIFICATIONS

PRODUCT	POWER AND VOLTAGE		MOTOR	AMPERAGE	POWER	WEIGHT	PRICE		
CODE	KILOWATTS	VOLTS	SPEED	VOLTS	AMPERES	HP	KG	LB	
STANDARD MODELS									
SFECM1021	10/7.5	240/208	MULTI	240/208	44/38	1/2	45	100	1462.00
SFECM1521	15/11.2	240/208	MULTI	240/208	65/56	1/2	45	100	1553.00
SFECM1821	17.5/13.2	240/208	MULTI	240/208	75/66	1/2	45	100	1590.00
SFECM2021	20/15	240/208	MULTI	240/208	85/74	1/2	45	100	1609.00
SFECM2321	22.5/16.9	240/208	MULTI	240/208	96/84	1/2	45	100	1699.00
SFECM2721	27.5/20.7	240/208	MULTI	240/208	119/104	1	48	105	2046.00
SFECM3021	30/22.5	240/208	MULTI	240/208	130/113	1	48	105	2102.00
OPTIONAL MODELS									
SFECM1021120	10/7.5	240/208	MULTI	120	46/40	1/2	45	100	1508.00
SFECM1521120	15/11.2	240/208	MULTI	120	67/58	1/2	45	100	1599.00
SFECM1821120	17.5/13.2	240/208	MULTI	120	77/68	1/2	45	100	1635.00
SFECM2021120	20/15	240/208	MULTI	120	87/76	1/2	45	100	1654.00
SFECM20211HP	20/15	240/208	MULTI	240/208	88/77	1	48	105	1897.00
SFECM20211HP120	20/15	240/208	MULTI	120	95/84	1	48	105	1943.00
SFECM2321120	22.5/16.9	240/208	MULTI	120	98/86	1/2	45	100	1745.00
SFECM23211HP	22.5/16.9	240/208	MULTI	240/208	99/87	1	48	105	1988.00
SFECM23211HP120	22.5/16.9	240/208	MULTI	120	106/94	1	48	105	2034.00
SFECM2721120	27.5/20.7	240/208	MULTI	120	126/111	1	48	105	2092.00

AIRFLOW SETTINGS

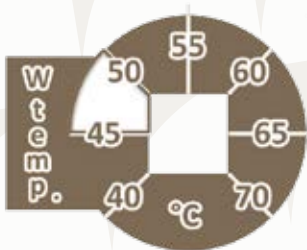
The SFECM furnace is equipped with an efficient ECM motor that can maintain constant airflow regardless of the static pressure variation in the ducts. It also ensures an easy setting of the airflows related to each operation mode of the furnace blower. The blower has four adjustments.

A potentiometer allowing to adjust the airflow corresponds to each of these four modes. The potentiometers are located on the furnace control card. The adjustment scales vary from one model to the other according to the capacity of the unit.

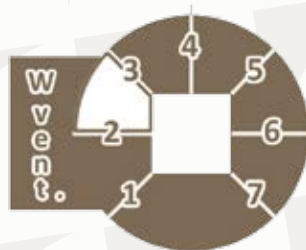
The airflows can be adjusted while the furnace is running. To adjust airflows, you must set the potentiometers to the desired values.

SETTING	CONTINUOUS VENTILATION		W VENTILATION		Y VENTILATION
	LOW	HIGH	W1	W2	
1	300	700	450	1150	800
2	366	766	615	1315	908
3	433	833	785	1450	1016
4	500	900	950	1450	1125
5	566	966	1115	1450	1234
6	633	1033	1285	1450	1342
7	700	1100	1450	1450	1450

■ Recommended



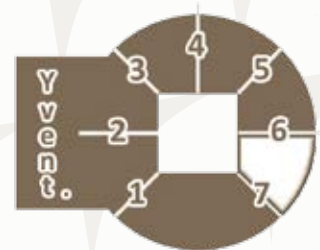
HEATING TEMPERATURE



HEATING VENTILATION



CONTINUOUS VENTILATION



Y VENTILATION

ECM MOTOR - ELECTRONICALLY COMMUTATED MOTOR

COMFORT, EFFICIENCY, RELIABILITY AND SECURITY ARE AT THE HEART OF THE ECM

COMFORT

Comfort level can be increased if a variable speed motor is installed. This level cannot be reached with any other method. It also allows the user to select the low speed with the desired airflow in recirculation.

EFFICIENCY

Since it combines electronic circuits and a BLDC motor, it is the most efficient motor on the HVAC market. It can reach up to twice the capacity of a PSC motor.

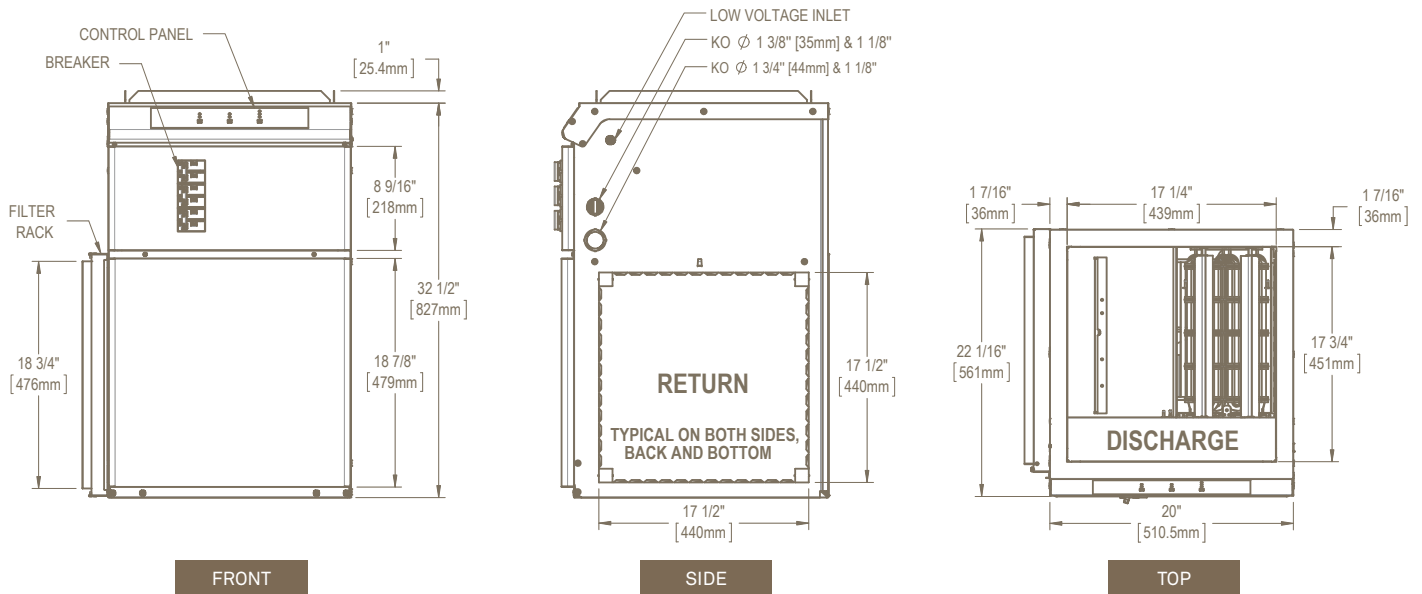
RELIABILITY

All its electronic circuits are protected against condensation. Thanks to its design and materials, like silicone elastomer, it is one of the most reliable motors on the market.

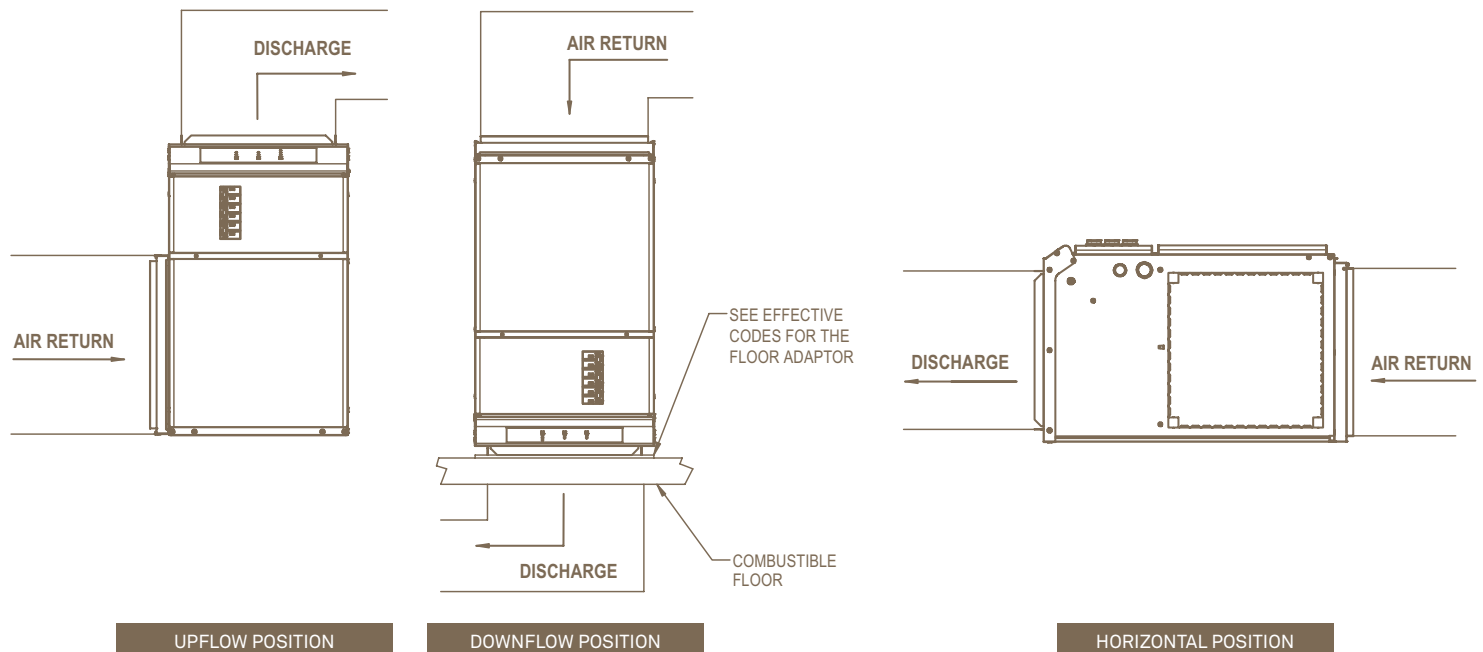
SECURITY

Its electronic system is protected by MOVs (metal oxide varistors) against lightning overvoltages.

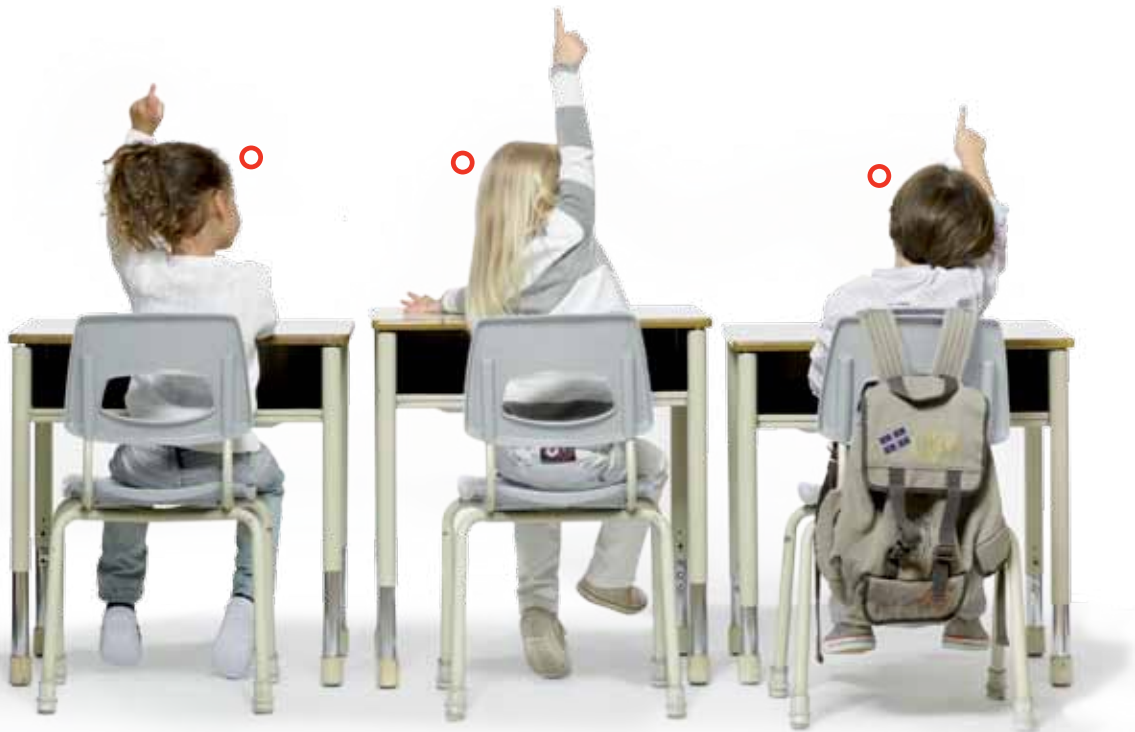
TECHNICAL DRAWINGS



INSTALLATION



THE ANSWER
TO YOUR COMFORT NEEDS



USEFUL
INFORMATION



CUSTOM MADE PROJECTS

(contact your °STELPRO representative for exact specifications)



COMPATIBILITY OF THERMOSTATS AND RELAYS

SUGGESTED THERMOSTATS AND RELAYS

MODEL	STE252NP	STE302NP STE302P	STE402NP STE402P	STE403NP	STE302R2+	STCNP STCP	STE241 W/ RELAYS RE OR R841D1036	ET180 W/ RELAYS * RE, R841, OR C24 CONTROL	TH115AF W/RELAYS CT230GB	SWT1C SWT1F	OTHER
CT						X			X		
SFM						X			X		
B	X	X	X	X	X		X	X		X	
SBB	X	X	X	X	X		X	X		X	
BA	X	X	X	X	X		X	X		X	
SHC	X	X	X	X			X	X			
SIL	X	X	X	X			X	X			
SK	X	X	X	X	X		X	X		X	
RWF	X	X	X	X	X		X	X		X	
SKS	X	X	X	X	X		X	X		X	
FFI	X	X	X	X	X		X	X		X	
SGH			X	X	X		X	X		X	
DR	X	X	X	X			X	X		X	
SCR	X	X	X	X	X		X	X		X	
SIRH											SIRHC402-1
CBH	X	X	X	X	X		X	X		X	
SDC								X		X	
WF	X	X	X	X	X		X	X		X	
WFA	X	X	X	X	X		X	X		X	
CF	X	X	X	X	X		X	X		X	
RUH	X	X	X	X	X		X	X		X	
SHU	X	X	X		X		X	X		X	
VUH							X	X		X	
SPDH	X	X	X	X	X		X	X		X	
SPDHA	X	X	X	X	X		X	X		X	
PDH	X	X	X	X	X		X	X		X	
CBB	X	X	X	X	X		X	X		X	
CBF	X	X	X	X	X		X	X		X	
SCA	X	X	X	X	X		X	X		X	
SCAS	X	X	X	X	X		X	X		X	
DBI	X	X	X	X	X		X	X		X	
DBI	X	X	X	X	X		X	X		X	
FI	X	X	X	X	X		X	X		X	
ALC1B	X	X	X	X	X		X	X		X	
ALC3A	X	X	X	X	X		X	X		X	
CW750	X	X	X	X	X		X	X		X	
CWS750	X	X	X	X	X		X	X		X	
CW1000	X	X	X	X	X		X	X		X	
CWS1000	X	X	X	X	X		X	X		X	
EU											ST-XPROEU
EC											ST-XPROEC

The suggested thermostats may not be compatible with certain voltages, power and control circuits. Consult the thermostat's user's guide for more information on compatibility.

* For SHU, VUH, CBH and SDC models, please consult customer service for the exceptions.

NOMENCLATURE

STANDARD MODELS

B	050	2	W
SERIES	POWER	CODE	VOLTAGE
B	500 W	050	120 V
BA	750 W	075	208 V
SHC	1000 W	100	240 V
RWF	1250 W	125	277 V
FFI	1500 W	150	347 V
SKS	1750 W	175	480 V
PDH	2000 W	200	600 V
SIRH	2250 W	225	
WF	2500 W	250	
CF			
			CODE
			1
			8
			2
			7
			3
			5
			6
			COLOUR
			W
			SW
			A
			BK
			CHAR
			S
			CAP
			NIC
			CHA
			LB
			BR

This nomenclature applies to the following series: B, BA, SHC, FFI, SKS, SIRH, PDH, RWF*, WF*, CF*, SK*

* See the exceptions in the technical specifications table of each product

COMMERCIAL/INDUSTRIAL MODELS

CBH	05	6	3	CT	W
SERIES	POWER (KW)	VOLTAGE	PHASE	CONTROL	COLOUR

This nomenclature applies to the following series: DR, CBH, SDC, SHU, VUH

ARCHITECTURAL MODELS

DBI	24	20	3	W
SERIES	LENGTH	POWER	VOLTAGE	COLOUR
	X 100 = MM	X 100 = W		

This nomenclature applies to the following series: SPDH, SPDHA, CBB, CBF, SCA, SCAS, DBI, DB, FI, ALC1B, ALC3A, CW750, CWS750, CW1000, CWS1000

CROSS-REFERENCE TABLE

SERIES	STELPRO	PAGE	OUELLET	DIMPLEX
B	electric baseboard	10	OFM	BN/BL
SBB	compact multipurpose baseboard	14	-	LC
SHC	electronic convector	16	OEC	PPC/DLX/DTX
SHCB	bathroom fan heater	18	OVE	EF
BA	high-end baseboard	20	ODL	-
SIL	electronic convector	24	OCE	PPC/DLX/DTX
SILVC	electronic bathroom convector	26	OHY	-
SIL2030	bathroom fan heater	28	OVE	EF
SCR	cove heater	30	ORC	-
CT	twisted pair heating cable	32	OTR/OWF-R	-
SFM	heating cable mat	34	OTM	-
RWF	wall fan heater	38	OVS/OVR	TWH
SKS	kick space heater	40	OCP	CKHA
FI	floor insert convector	42	-	-
FFI	floor insert fan heater	44	OFH	FFIH
SK	ceiling fan heater	46	WHFC	-
SCH	multipurpose portable heater	48	OCH/OCC	DCH/EMC/DGW
SPDHA	aluminum mini patio door heater	50	-	-
SPDH	mini patio door heater	52	OPPM	-
PDH	patio door heater	54	OPP	-
ALC1B	mini architectural baseboard	56	OMB	-
DBI	aluminum draft barrier	58	ODB/ODI	AF6
DB	aluminum draft barrier	60	OCB	-
SCA	architectural baseboard	62	ODBA	SAF6
SCAS	sloped architectural baseboard	64	ODIA	SAS8
CBB	sloped commercial baseboard	66	OPR	-
CBF	commercial baseboard	68	-	-
ALC3A	architectural baseboard	72	OHB	-
CW750	architectural cabinet	74	OPA	AF12
CWS750	sloped architectural cabinet	76	OPI	AS12
CW1000	architectural cabinet	78	OLA	AF20
CWS1000	sloped architectural cabinet	80	OLI	-
WFA	aluminum wall fan heater	82	OAWH	-
WF	wall fan heater	86	OAC	RFI/RFV/RFF/EWA
CBH	cabinet heater	89	OCA	CH
SGH	ceiling fan heater	92	-	-
DR	ceiling fan heater	94	ODS	CMH
CF	ceiling fan heater	98	OACP	RFI/RFV/RFF
SDC	commercial air curtain	102	-	-
RUH	commercial & residential unit heater	104	OAE	DGWH/CUH
FUHGX	agricultural unit heater	106	-	-
SHU	commercial & industrial unit heater	108	OAS	EU
VUH	vertical unit heater	112	OAV	VUB
SIRH	infrared radiant heater	116	UFO-I	-
EU	explosion-proof unit heater	118	OHX	DX-233
EC	explosion-proof convector	121	OPX	DX-254
RE253C	low voltage electronic relay	141	RT850	-
RE253T	low voltage electronic relay	141	RT850T	-
RE306C	low voltage electronic relay	141	-	-
RE153	low voltage – smaller-sized electronic relay	142	RC840	-
RE153T	low voltage – smaller-sized electronic relay	142	RC840T	-
RE156	low voltage – smaller-sized electronic relay	142	-	-
SFE	electric furnace modulating with electronic controls	146	OFO/OFE	-
SFECM	electric furnace modulating with electronic controls	150	OFR/OFE	-

CERTIFICATIONS

°STELPRO products are manufactured to meet all safety and performance standards required for CSA certification for sale and installation in Canada.

All products in this catalogue are approved by either CSA, UL or ETL certified laboratories, which certify products to applicable safety or performance standards.

Moreover, our products are manufactured to meet at least one of the two required standards for North America: UL for the United States and CSA for Canada. As a result, products are labelled cCSAus, cULus or cETLus for both Canada and USA, or CSA, cUL or cETL for Canada only.

SAFETY STANDARDS



CERTIFICATIONS



MERCHANDISE RETURNS

Authorization requests for merchandise returns must be done through our Customer Service Department at the following email address: rma@stelpro.com. The purchase order number and the reason of return must be included in the email. A return authorization number (RMA) will be sent to you. The authorization number must be inscribed and clearly visible on all packages of returned merchandise. Merchandise must be packaged properly so as to arrive to us in excellent condition. The sender is responsible for all shipping costs.

Charges apply on all returns. A product cannot be returned if it meets one or more of the following criteria: special color, custom product, assembly with low-demand options, etc.

CONTACT US

°STELPRO

1041 Parent Street
Saint-Bruno-de-Montarville
Quebec J3V 6L7
contact@stelpro.com

CUSTOMER SERVICE

MASTER ELECTRICIANS OR ELECTRICAL DISTRIBUTORS (CANADA):
Phone: 450-441-2629
Toll free: 1-800-343-1022
Fax: 450-441-9050

MASTER ELECTRICIANS OR ELECTRICAL DISTRIBUTORS (QUEBEC):
Phone: 450-441-0145
Toll free: 1-800-363-3414
Fax: 450-441-9145

CONSUMERS (RETAIL SALES):
Phone: 450-441-6020
Toll free: 1-866-766-6020
Fax: 450-441-1969

TECHNICAL SUPPORT:
Phone: 450-441-6265
Toll free: 1-866-628-5776

HVAC DIVISION
Email: proj_hvac@stelpro.com
Toll-free: 1-844-441-HVAC (4822)

REPRESENTATIVES

Visit our web site to find a °STELPRO representative in your area: www.stelpro.com/pro/contact



OTHER PRODUCT LINES



HAND DRYERS



HVAC



BATHROOM FANS









For more information on other °STELPRO product lines, contact your representative or visit our web site: www.stelpro.com/pro.



360 COMFORT

°STELPRO offers a unique portfolio of the most innovative products, designed and manufactured in Canada to meet the highest of standards. From heating and ventilation to electronic controls, °STELPRO is your global comfort solution to enhance your clients' living environment. Peak performance is complemented by optimal efficiency and striking designs, uniting all aspects of comfort.



QUEBEC (CANADA)	CANADA / USA
 450-441-0145	 450-441-2629
 450-441-9145	 450-441-9050
 1-800-363-3414	 1-800-343-1022



STELPRO.COM

1041 PARENT ST. | SAINT-BRUNO-DE-MONTARVILLE QC | J3V 6L7 | CANADA

