

PART NO.
56X4589

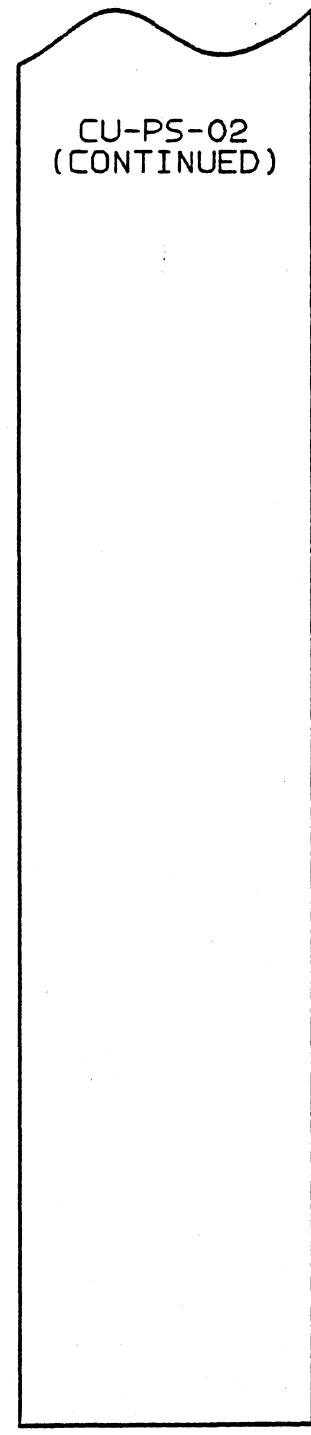
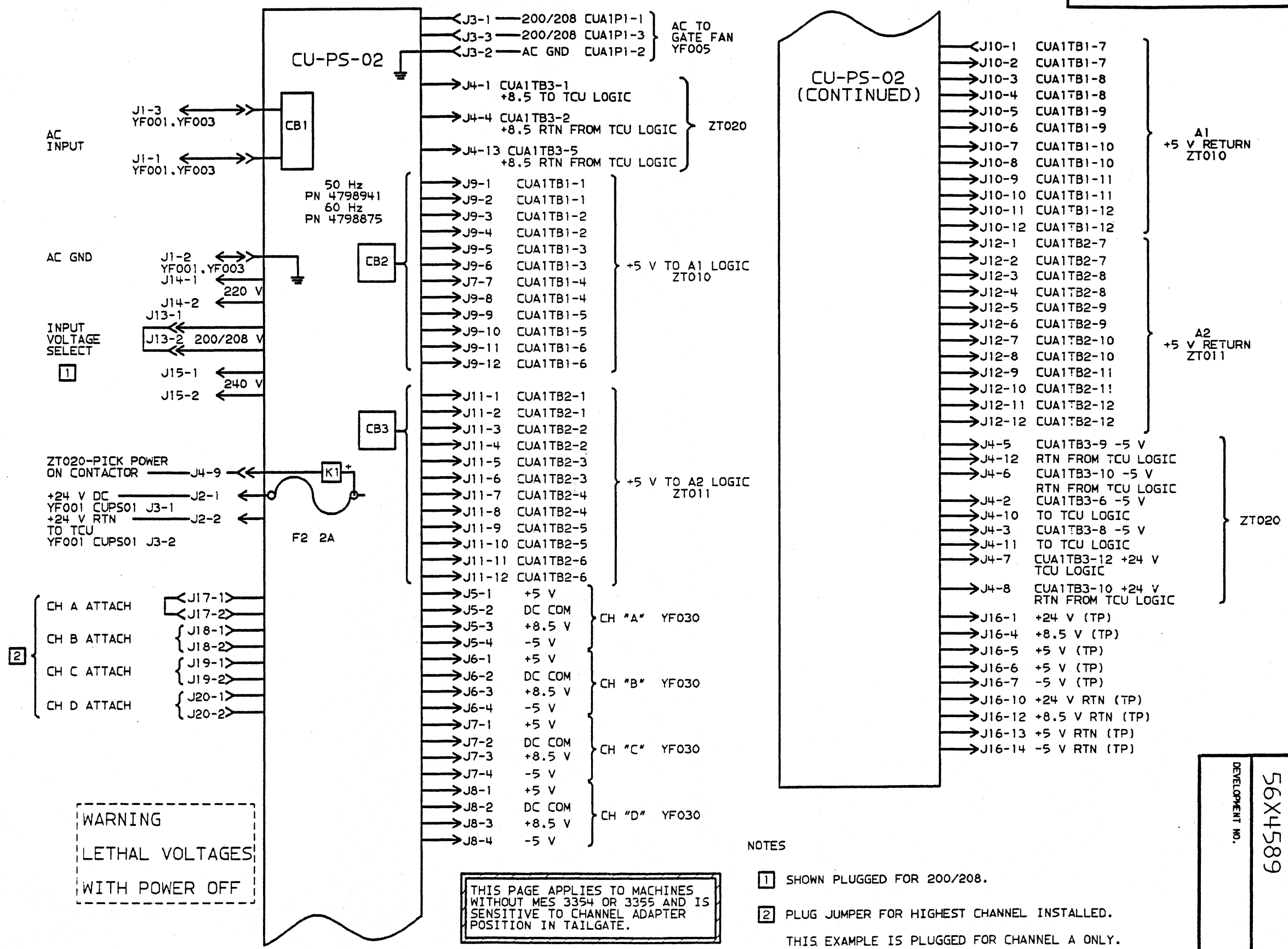
DESIGNER		JTJ	1DEC82
CHECKED		AHR	10DEC82
APPROVED		AHR	10DEC82
CLASS		DMD	8FEB84

IBM
THIS DOCUMENT IS THE PROPERTY OF IBM. ITS USE IS AUTHORIZED ONLY FOR THE ORIGINAL USER AND FOR THE REPRODUCTION OF WORK FOR IBM. ALL QUESTIONS MUST BE REFERRED TO THE IBM MARKETING DEPARTMENT.

TITLE	POWER SUPPLY 02-
DATE	22SEP87
EC NO.	A56005

SI A1
MUST CONFORM TO ENG. SPEC.

PART NO.	56X4589
DEVELOPMENT NO.	YF002
LOGIC PG NO.	YF002



PART NO.	56X4589
DEVELOPMENT NO.	



11
10
9
8
7
6
5
4
3
2

11
10
9
8
7
6
5
4
3
2

PART NO.
56X4598

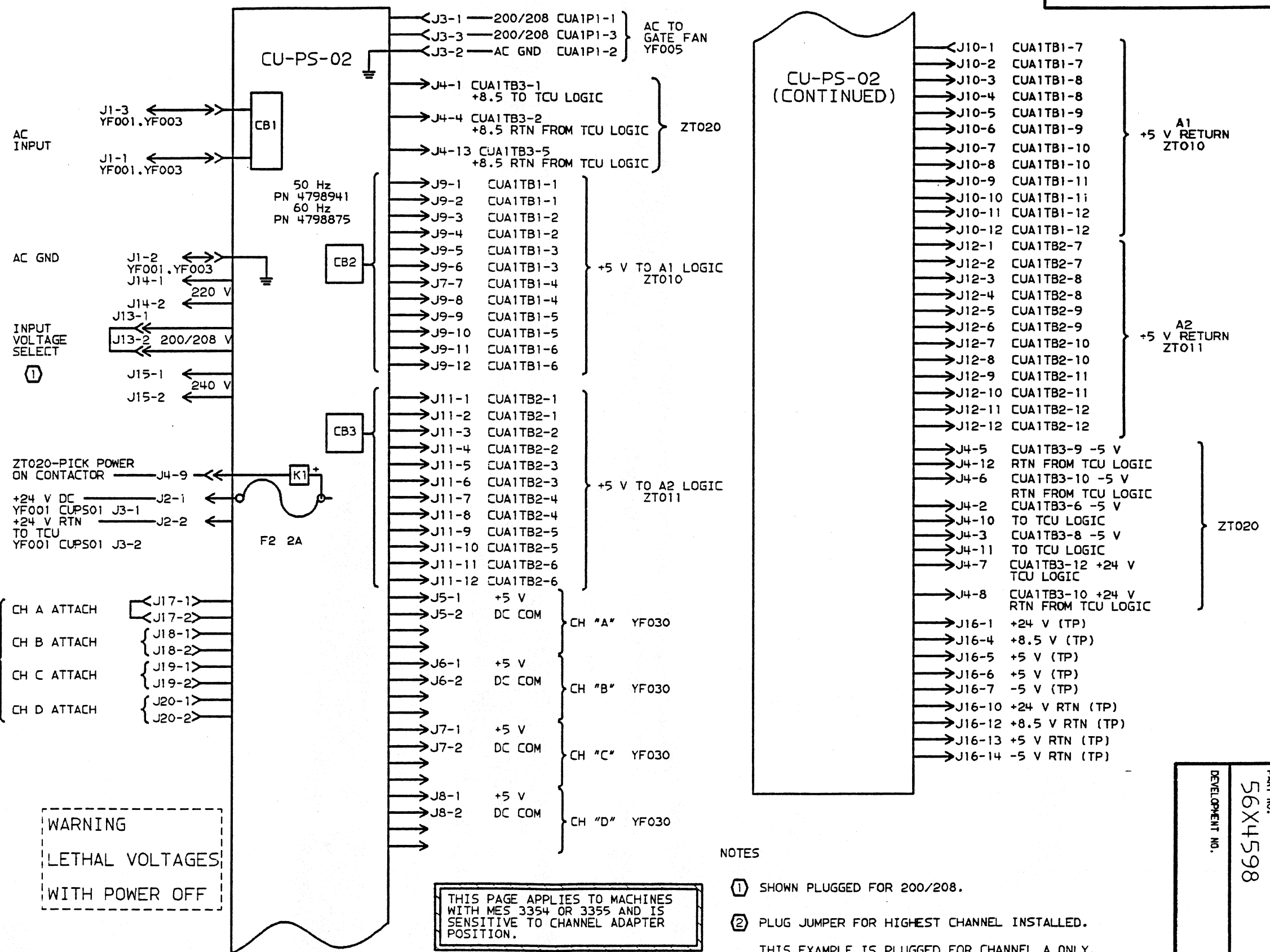
IBM
THIS DOCUMENT IS THE PROPERTY OF
IBM. IT IS LOANED TO YOUR ORGANIZATION
FOR YOUR USE ONLY. IT IS NOT TO BE
REPRODUCED OR TRANSMITTED IN ANY
FORM OR BY ANY MEANS, ELECTRONIC,
MECHANICAL, OR BY ANY INFORMATION
RETRIEVAL SYSTEM, WITHOUT THE
PRIOR WRITTEN PERMISSION OF THE
INTERNATIONAL BUSINESS MACHINES
CORPORATION.

DESIGNER	DB	22APR87
CHECKED		
APPROVED		
CLASS	DB	22APR87

DATE	22SEP87
EC NO.	A56005

SI A1
MUST CONFORM TO ENG. SPEC.

PART NO.	56X4598
DEVELOPMENT NO.	
LOGIC PG NO.	YF004



- NOTES
- ① SHOWN PLUGGED FOR 200/208.
 - ② PLUG JUMPER FOR HIGHEST CHANNEL INSTALLED. THIS EXAMPLE IS PLUGGED FOR CHANNEL A ONLY.

PART NO.	56X4598
DEVELOPMENT NO.	

11
10
9
8
7
6
5
4
3
2
1P5 23SEP87 ME-

11
10
9
8
7
6
5
4
3
2
1P5 23SEP87 ME-

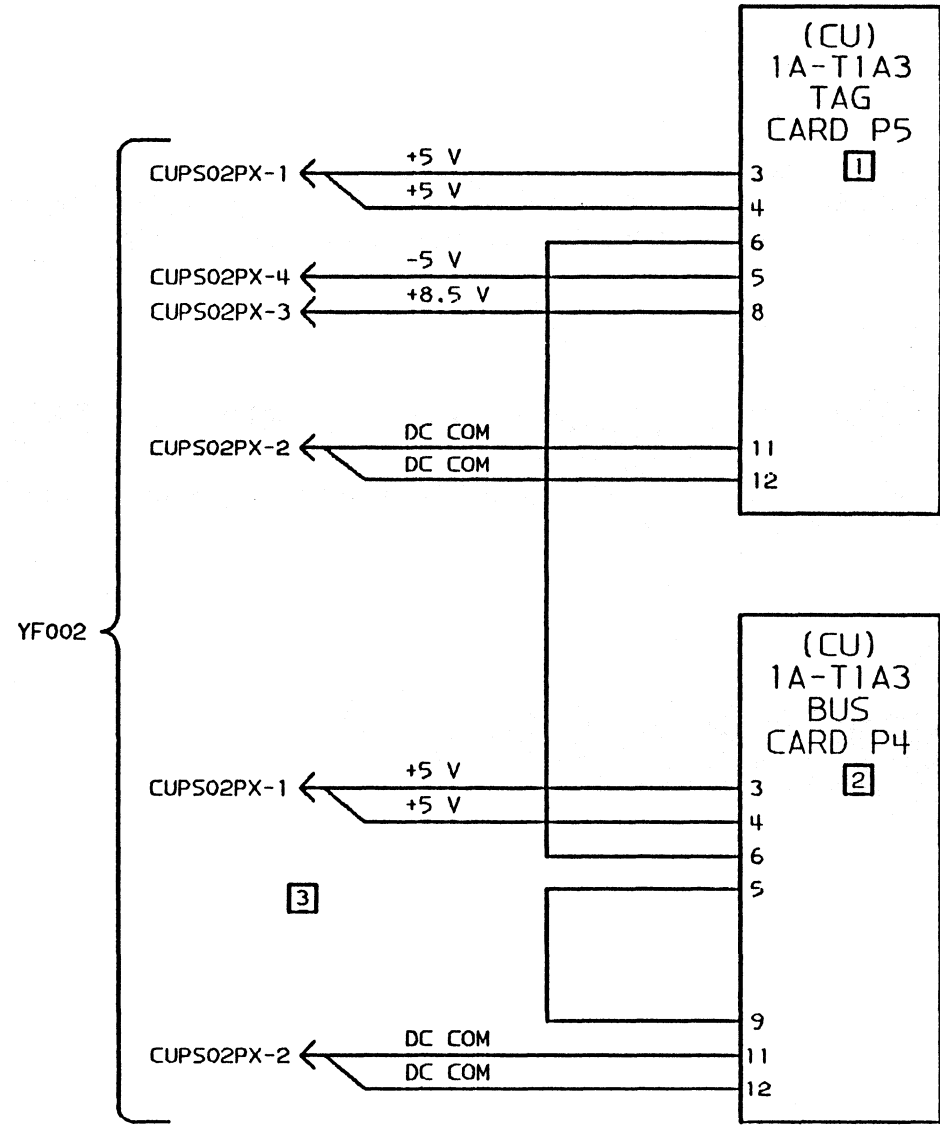


PART NO.
56X4590
DEVELOPMENT NO.

PART NO.
56X4590

NOTES

- 1 MULTI-PURPOSE PAGE: FOR "A" CHANNEL USE AS SHOWN.
FOR "B" CHANNEL USE AS LOCATION 1A-T1B3.
FOR "C" CHANNEL USE AS LOCATION 1A-T1C3.
FOR "D" CHANNEL USE AS LOCATION 1A-T1D3.
- 2 MULTI-USAGE PAGE: FOR "A" CHANNEL USE AS SHOWN.
FOR "B" CHANNEL USE AS LOCATION 1A-T1B3.
FOR "C" CHANNEL USE AS LOCATION 1A-T1C3.
FOR "D" CHANNEL USE AS LOCATION 1A-T1D3.
- 3 PLUG MARKED "PX" WILL PLUG TO J5 FOR "A" CHANNEL,
J6 FOR "B" CHANNEL, J7 FOR "C" CHANNEL, AND J8
FOR "D" CHANNEL.
- 4 CARDS ARE LOCATED BELOW CONTROL UNIT GATE AT THE
I/O CABLE ENTRY.



THIS PAGE APPLIES TO MACHINES WITHOUT MES 3354 OR 3355 AND IS SENSITIVE TO CHANNEL ADAPTER POSITION.

IBM THIS DOCUMENT IS THE PROPERTY OF IBM. ITS USE IS AUTHORIZED ONLY FOR RESPONDING TO A REQUEST FOR QUOTATION OR FOR THE PERFORMANCE OF WORK FOR IBM. ALL QUESTIONS MUST BE REFERRED TO THE IBM PURCHASING DEPARTMENT.

TITLE	DC DISTRIBUTION-TAG AND BUS	
DESIGNER	AHR	1DEC82
CHECKED	AHR	10DEC82
APPROVED	AHR	10DEC82
CLASS	DMO	8FEB84

DATE	22SEP87
EC NO.	A56005



MUST CONFORM TO ENG. SPEC.

PART NO.	56X4590	SHEET OF
DEVELOPMENT NO.		
LOGIC PG NO.	YF030	

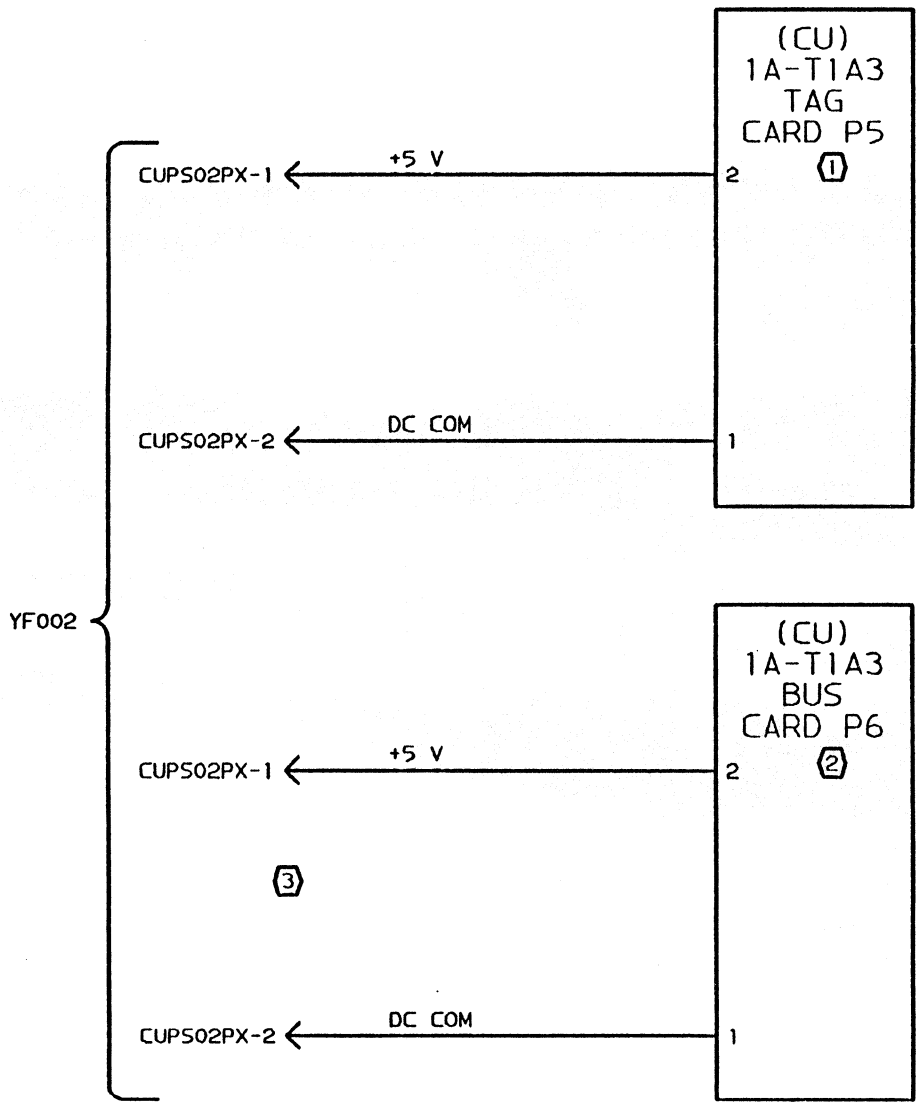


PART NO. 56X4599
DEVELOPMENT NO.

PART NO.
56X4599

NOTES

- ① MULTI-PURPOSE PAGE: FOR "A" CHANNEL USE AS SHOWN.
FOR "B" CHANNEL USE AS LOCATION 1A-TIB3.
FOR "C" CHANNEL USE AS LOCATION 1A-TIC3.
FOR "D" CHANNEL USE AS LOCATION 1A-TID3.
- ② MULTI-USAGE PAGE: FOR "A" CHANNEL USE AS SHOWN.
FOR "B" CHANNEL USE AS LOCATION 1A-TIB3.
FOR "C" CHANNEL USE AS LOCATION 1A-TIC3.
FOR "D" CHANNEL USE AS LOCATION 1A-TID3.
- ③ PLUG MARKED "PX" WILL PLUG TO J5 FOR "A" CHANNEL,
J6 FOR "B" CHANNEL, J7 FOR "C" CHANNEL, AND J8
FOR "D" CHANNEL.
- ④ CARDS ARE LOCATED BELOW CONTROL UNIT GATE AT THE
I/O CABLE ENTRY.



THIS PAGE APPLIES TO MACHINES WITH MES 3354 OR 3355 AND IS SENSITIVE TO CHANNEL ADAPTER POSITION.

IBM THIS DOCUMENT IS THE PROPERTY OF IBM. ITS USE IS AUTHORIZED ONLY FOR RESPONDING TO A REQUEST FOR QUOTATION OR FOR THE PERFORMANCE OF WORK FOR IBM. ALL QUESTIONS MUST BE REFERRED TO THE IBM PURCHASING DEPARTMENT.

TITLE	DC DISTRIBUTION--TAG AND BUS	
DESIGNER	DB	22APR87
CHECKED		
APPROVED		
CLASS	DB	22APR87

DATE	EC NO.
22SEP87	A56005



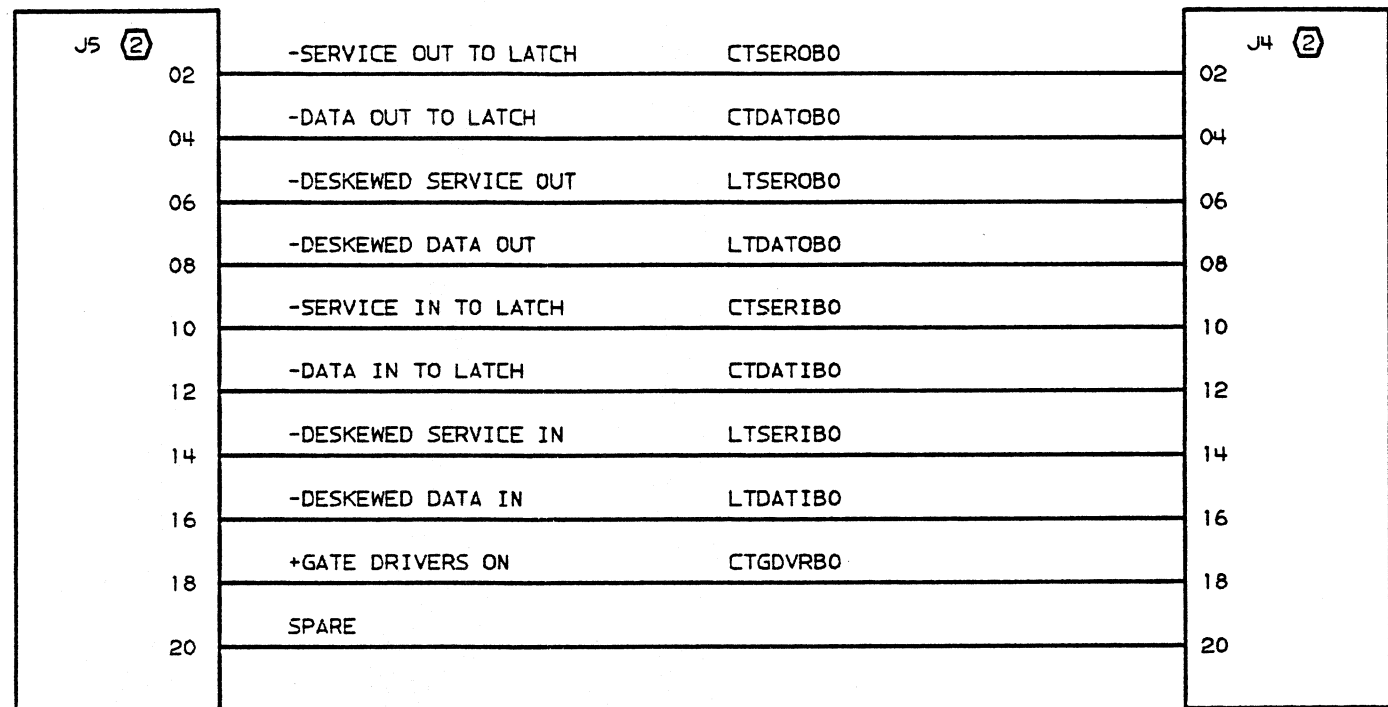
MUST CONFORM TO ENG. SPEC.

PART NO.	SHEET OF
56X4599	
DEVELOPMENT NO.	
LOGIC PG NO.	
YF031	

PART NO.
56X4583

CONNECTOR
BUS
1A-T1A1-J4 (1)

CONNECTOR
TAG
1A-T1A3-J5 (1)

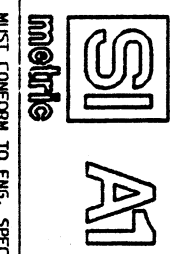


REFERENCE DRAWING

IBM
THIS DOCUMENT IS THE PROPERTY OF
IBM. ITS USE IS AUTHORIZED ONLY
FOR THE PERFORMANCE OF THE
SPECIFIC WORK FOR WHICH IT WAS
PREPARED. IT IS NOT TO BE
REPRODUCED OR TRANSMITTED IN
ANY FORM OR BY ANY MEANS
WITHOUT THE WRITTEN PERMISSION
OF THE IBM CORPORATION.

TITLE	SIGNAL DIAGRAM-	
INTERPOSER CABLE (REF)	RCB	10JUN87
DESIGNER	RKS	10JUN87
CHECKED		
APPROVED		
CLASS		

DATE	22SEP87
EC NO.	A56005



MUST CONFORM TO ENG. SPEC.

PART NO.	56X4583	SHEET 1 OF 1
DEVELOPMENT NO.		
LOGIC PG. NO.	YF045	

NOTES

- (1) MULTIUSAGE PAGE:
FOR "A" CHANNEL USE AS SHOWN.
FOR "B" CHANNEL USE LOCATION 1A-T1B3-J4 TO 1A-T1B1-J4.
FOR "C" CHANNEL USE LOCATION 1A-T1C3-J4 TO 1A-T1C1-J4.
FOR "D" CHANNEL USE LOCATION 1A-T1D3-J4 TO 1A-T1D1-J4.
- (2) GROUNDS: 01,03,05,07,09,11,13,15,17,19.

THIS PAGE APPLIES TO MACHINES
WITH MES 3354 OR 3355 AND IS
SENSITIVE TO CHANNEL ADAPTER
POSITION.

PART NO.	56X4583
DEVELOPMENT NO.	



11 10 9 8 7 6 5 4 3 2

11 10 9 8 7 6 5 4 3 2

A B C D E F G H I J K

A B C D E F G H I J K

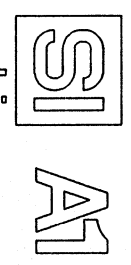
PART NO.
6464550

CABLE - MAINTENANCE DEVICE REFER TO LOGIC PAGE(S) - WX001		CABLE - TWO C.U. FEATURE REFER TO LOGIC PAGE(S) - WK003		CABLE - TWO C.U. FEATURE REFER TO LOGIC PAGE(S) - WK001		CABLE - REMOTE TAG/BUS (LO) REFER TO LOGIC PAGE(S) - WK005		CABLE - WRITE BUS LOCAL REFER TO LOGIC PAGE(S) - WT001		CABLE - WRITE BUS REMOTE REFER TO LOGIC PAGE(S) - WT003										
A	B	C	D	E	F	G	H	J	K	L	M	N	P	Q	R	S	T	U	V	
2 3 4 5	CARD - CONTROL STORE MEM. PLUG INFO. AA101 REF. PAGE - MS001/002	CARD - CONTROL STORE PLUG INFO. AA102 REF. PAGE - CS001, CS002	CARD - MICRO - PROCESSOR PLUG INFO. AA103 REF. PAGE - MP001, 2, 3	CARD - MAINT. ADAPTER PLUG INFO. AA104 REF. PAGE - MA001, 2, 3	CARD - ST. ST. FEATURE PLUG INFO. AA105 REF. PAGE - SM001, 002	CARD - STATUS STORE PLUG INFO. AA106 REF. PAGE - SS001, 002	SPARE	SPARE	CARD - BUFFER ADAPTER PLUG INFO. AA109 REF. PAGE - BA001, 2, 3	CARD - BUFFER CONTROL PLUG INFO. AA110 REF. PAGE - BC001, 2, 3	CARD - BUFFER MEMORY PLUG INFO. AA111 REF. PAGE - BM100	CARD - BUFFER MEMORY PLUG INFO. AA111 REF. PAGE - BM200	CARD - WRITE CONTROL PLUG INFO. AA113 REF. PAGE - DF001, 002	CARD - WRITE DEVICE CONTROL PLUG INFO. AA114 REF. PAGE - DI001, 002	CARD - READ ECC PLUG INFO. AA115 REF. PAGE - EC001, 002	CARD - READ, CLK., AND FORMAT PLUG INFO. AA116 REF. PAGE - RC001, 002	CARD - REGULATOR PLUG INFO. AA116 REF. PAGE - RG001	NOTE - SOCKET IS UNUSED DUE TO REGULATOR CARD SIZE		
		X-OVER PN-6819210		X-OVER PN-2399086	X-OVER PN-6819210				X-OVER PN-6819210											
	CABLE - IML DRIVE																			CABLE - LOCAL PORT
	REF. PAGES - WZ001/002	X-OVER PN-6819218			X-OVER PN-6819210				X-OVER PN-6819210						X-OVER PN-6819210					REF. PAGE - WC005/006
F	CABLE - TEST POINTS																			
	REF. PAGES - WX003	X-OVER PN-6819218			X-OVER PN-6819210				X-OVER PN-6819210				X-OVER PN-2399086		X-OVER PN-6819210					
S	CABLE - POWER DIST.																			CABLE - READ 4
	REF. PAGES - WZ001/002	X-OVER PN-6819210			X-OVER PN-6819210				X-OVER PN-6819210				X-OVER PN-6819210							REF. PAGE - WT109/110
CABLE - WRITE 1 REFER TO LOGIC PAGE(S) - WT101/102		CABLE - STATUS STORE INTERFACE REFER TO LOGIC PAGE(S) - WC001/002		CABLE - STATUS STORE INTERFACE REFER TO LOGIC PAGE(S) - WC003/004		CABLE - READ 1 REFER TO LOGIC PAGE(S) - WT103/104		CABLE - READ 2 REFER TO LOGIC PAGE(S) - WT105/106		CABLE - READ 3 REFER TO LOGIC PAGE(S) - WT107/108										

THIS DOCUMENT IS THE PROPERTY OF IBM CORPORATION. IT IS LOANED TO YOU FOR YOUR PERSONAL USE ONLY. IT IS NOT TO BE REPRODUCED OR TRANSMITTED IN ANY FORM OR BY ANY MEANS, ELECTRONIC OR MECHANICAL, INCLUDING PHOTOCOPYING, RECORDING, OR BY ANY INFORMATION STORAGE AND RETRIEVAL SYSTEM. FOR THE PERFORMANCE OF WORK FOR IBM, ALL QUESTIONS OF WORKING MATERIALS SHOULD BE REFERRED TO THE PURCHASING DEPARTMENT.

TITLE (SEE PAGE AA1100)	AI BOARD	DATE	14MAR83	EC NO.	333311
DESIGNER	JGR	5AUG83	7DEC83		333313
CHECKED	AHR	21MAR83	24FEB84		333302
APPROVED	AHR	21MAR83	28NOV84		AI15653
CLASS	JGR	1MAR83			

IBM CONFIDENTIAL UNTIL GENERAL AVAILABILITY

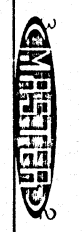


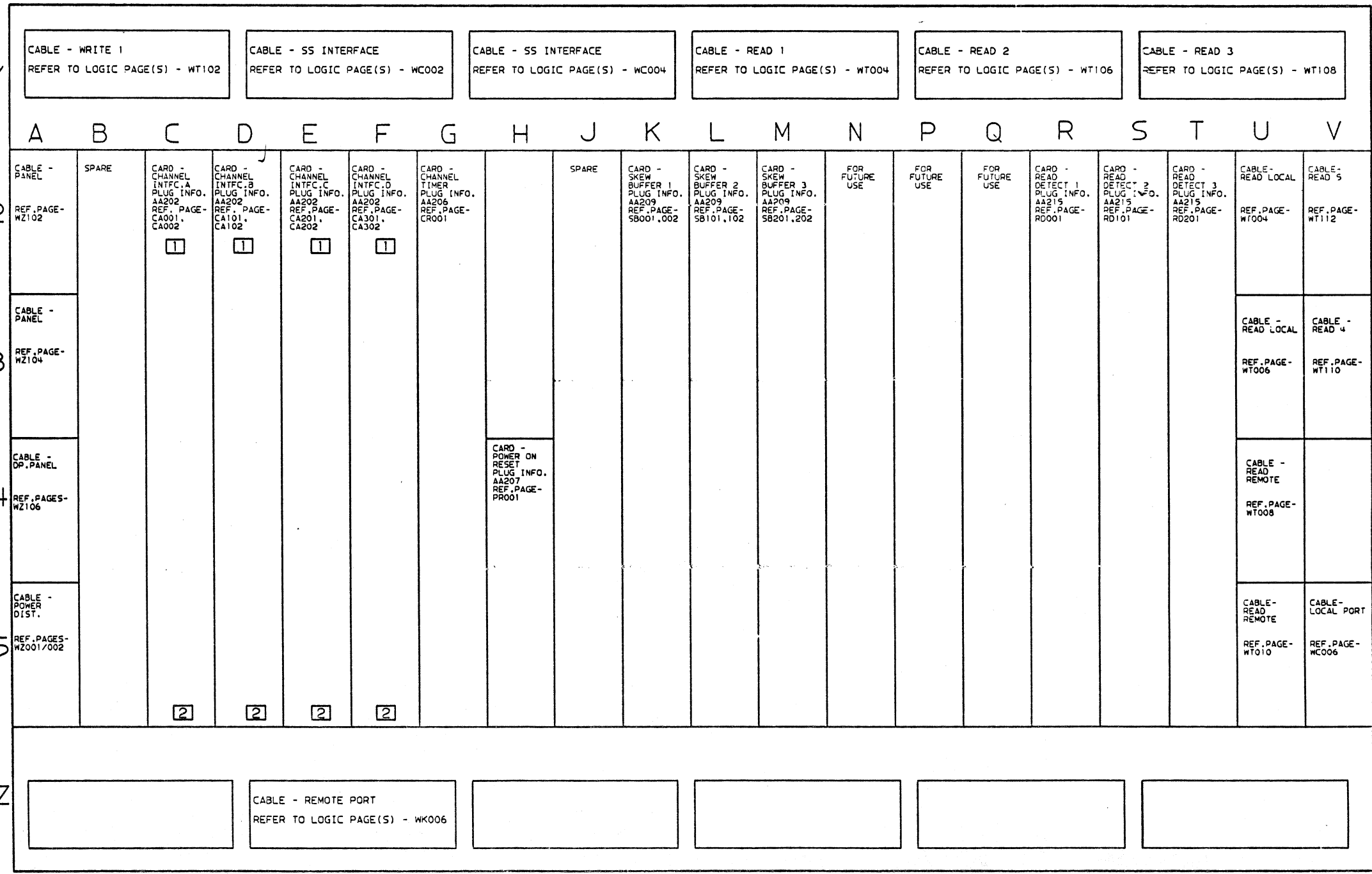
MUST CONFORM TO ENG. SPEC.

PART NO. 6464550
DEVELOPMENT NO. AA000

- NOTES:
- 1 CABLE - TEST POINTS (TCC), REF. PAGE - WX004.
 - 2 CABLE - TEST POINTS (TCC), REF. PAGE - WX005.
 - 3 CABLE - READ 5 (TCC), REF. PAGE - WT111/112.

PART NO. 6464550
DEVELOPMENT NO.



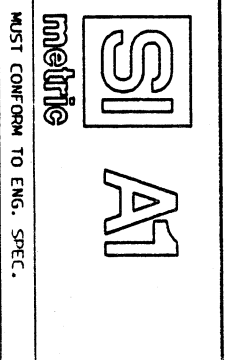


- NOTES
- 1 CABLE - CHANNEL ADAPTER TO CHANNEL TAG (TCC), REF. PAGE - WA006.
 - 2 CABLE - CHANNEL ADAPTER TO CHANNEL BUS (TCC), REF. PAGE - WA015.

THIS DOCUMENT IS THE PROPERTY OF IBM CORPORATION. IT IS LOANED TO YOUR COMPANY FOR RESPONSE TO A REQUEST FOR QUOTATION OR FOR THE PERFORMANCE OF WORK FOR IBM. ALL QUESTIONS CONCERNING THIS DOCUMENT SHOULD BE REFERRED TO THE IBM PURCHASING DEPARTMENT.

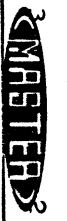
TITLE	A2 BOARD
DESIGNER	JGR
CHECKED	AHR
APPROVED	AHR
CLASS	JGR

DATE	14MAR83
DATE	24FEB84
DATE	22JAN85
EC NO.	333311
EC NO.	333302
EC NO.	A06018



PART NO.	6464551
DEVELOPMENT NO.	AA001
LOGIC PG. NO.	AA001

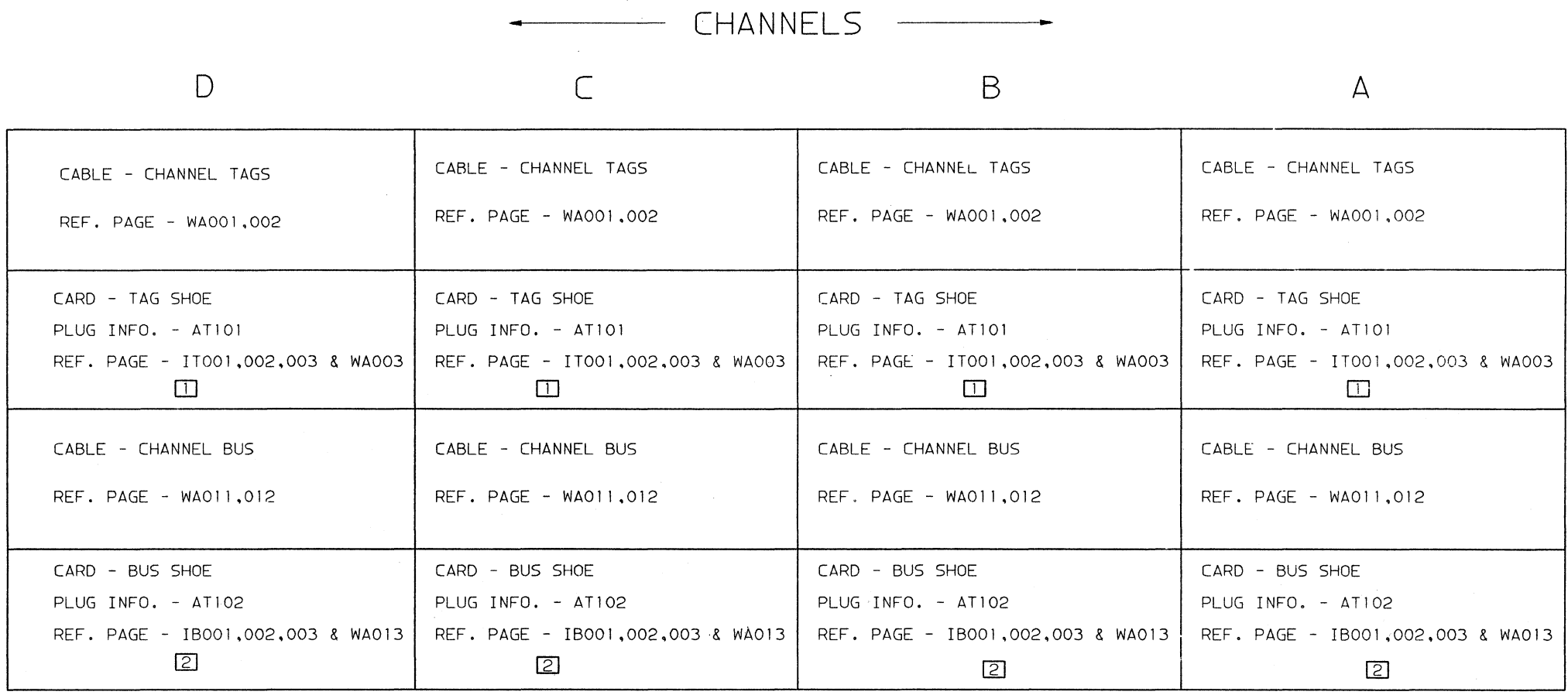
PART NO.	6464551
DEVELOPMENT NO.	



11
10
9
8
7
6
5
4
3
2

11
10
9
8
7
6
5
4
3
2

PART NO.
6464552



CARD SIDE VIEW

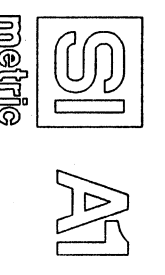
- NOTES
- ① CABLE - CHANNEL TAGS (MID CC), REF. PAGE - WA001,WA002
CABLE - CUSTOMER SET-UP PANEL (BERG CONNECTOR), REF. PAGE - WA004
CABLE - TAGS IN/OUT (TCC), REF. PAGE - WA005,WA006.
 - ② CABLE - CHANNEL BUS (MID CC), REF. PAGE - WA011,WA012
CABLE - DATA IN/OUT (TCC), REF. PAGE - WA014,WA015.

THIS DOCUMENT IS THE PROPERTY OF IBM AND IS LOANED TO YOU FOR INFORMATION ONLY. IT IS NOT TO BE REPRODUCED OR TRANSMITTED IN ANY FORM OR BY ANY MEANS, ELECTRONIC OR MECHANICAL, INCLUDING PHOTOCOPYING, RECORDING, OR BY ANY INFORMATION STORAGE AND RETRIEVAL SYSTEM. FOR RETURN TO THE PURCHASING DEPARTMENT.

TITLE	TAILGATE
(SEE PAGE AT100)	
DESIGNER	JGR 1MAR83
CHECKED	AHR 21MAR83
APPROVED	AHR 21MAR83
CLASS	JGR 1MAR83

IBM CONFIDENTIAL UNTIL GENERAL AVAILABILITY

DATE	14MAR83	EC NO.	333311
RED	24FEB84		333302
	28NOV84		A15653



MUST CONFORM TO ENG. SPEC.

PART NO.	6464552	SHEET	OF
DEVELOPMENT NO.			
LOGIC PG NO.	AA002		

PART NO.	6464552
DEVELOPMENT NO.	



CARD PLUG LIST

FUNCTION - A1 BOARD		
LOCATION - 1A-A1		
LOGIC SHEETS - AA000		
	PRIMARY	ALTERNATE
PNAME	KAA1	
PART NUMBER	6272321	
EC NUMBER	A06010	
REA NUMBER	12-15179	
COMMENTS -		
30E-AA		

12-15179

BOARD LOCATION CHART

PN# 6464553 EC# A06010
 LDC#1A-88
 USN 00005 PRI#05JUN85 1542
 PLK# SEC
 FFURM#KSEB NEXTBLK AB
 MACH#SAGU
 CID KAA1 JOB R544753B

CARD PLUG LIST

FUNCTION - CONTROL STORE MEMORY		
LOCATION - 1A-A1B2		
LOGIC SHEETS - MS001, MS002		
	PRIMARY	ALTERNATE
DNAME	NONE	
PART NUMBER	8282169	
EC NUMBER	997309	
REA NUMBER		
COMMENTS -		
30E-AA		

CARD LOCATION CHART

SHEET PA=6464554 / EC=006016
 LDC=1A-88
 USN 00001 PRI=09JAN85 0900
 ALC= SEC
 PFORM=KSEB NEXTBLK AB
 PACH=SAGU
 CID KAR1 JOB R776801L

A
A
1
0
1
0001

CARD PLUG LIST

FUNCTION - CONTROL STORE		
LOCATION - 1A-A1C2		
LOGIC SHEETS - CS401, CS402		
	PRIMARY	ALTERNATE
PNAME	KLFG	
PART NUMBER	13F1768	
EC NUMBER	A58287	
IEC NUMBER		
COMMENTS -		
30E-AA		

CARD LOCATION CHART

PN= 13F1746 EC= A58284
 LUC=1H-00
 USN 00001 PRI=24SEP88 1013
 HUC= SEC
 PRUM=KSHB NEX1BLK HB
 MACH=3480
 CIU KAR1 JOB D852308C

A
A
4
0
2
0001

THIS INFORMATION IS UNCLASSIFIED
 DATE 08/08/01 BY 60322/UC/STP

CARD PLUG LIST

FUNCTION - MICRO-PROCESSOR LOCATION - 1A-A1D2 LOGIC SHEETS - MP001, MP002, MP003		
	PRIMARY	ALTERNATE
PNAME	KUPR	
PART NUMBER	6390093	
EC NUMBER	333302	
REA NUMBER		
COMMENTS - 30E-AA		

CARD LOCATION CHART

PN= 6464556 EC= A15653
 LOC=1A-00
 USN 00003 PRI=30NDV84 1523
 AUC= SEC
 PFURN=KSHB NEXTBLK AB
 WACH=SAGU
 CID KAA1 JOB R544753A

*** IBM CONFIDENTIAL ***

0001 AA104

CARD PLUG LIST

FUNCTION - MAINTENANCE ADAPTER		
LOCATION - 1A-A1E2		
LOGIC SHEETS - MA001, MA002, MA003		
	PRIMARY	ALTERNATE
PNAME	KUMI	
PART NUMBER	6460300	
EC NUMBER	A06020	
REA NUMBER		
COMMENTS -		
30E-AA		

CARD LOCATION CHART

PN= 6464557 EC= A06020
LOC=1A-22
LSN 00001 PRI=300CT84 0737
ALC= SEC
PFURM=KSEB NEXBLK AB
MACH=SAGU
CID KAA1 JOB R776801B

A
A
1
0
4

0001

40-333
0001

CARD PLUG LIST

FUNCTION - STATUS STORE FEATURE		
LOCATION - 1A-A1F2		
USED WITH FEATURE NUMBER - 3201		
LOGIC SHEETS - SM001, SM002		
	PRIMARY	ALTERNATE
PNAME	KUSM	
PART NUMBER	6856444	
EC NUMBER	333314	
REA NUMBER		
COMMENTS - 30E-AA		

CARD LOCATION CHART

PN= 6464558 EC= A15653
 LOC=1A-00
 USN 00003 PRI=30NOV84 1523
 AUC= SEC
 PFORM=KSHB NEXTBLK AB
 MACH=SAGU
 CID KAA1 JUB R544753A

AA105
 0001

*** IBM CONFIDENTIAL ***

0001 AA106

CARD PLUG LIST

FUNCTION - STATUS STORE		
LOCATION - 1A-A1G2		
LOGIC SHEETS - SS001, SS002		
	PRIMARY	ALTERNATE
PNAME	KUST	
PART NUMBER	6460283	
EC NUMBER	A06020	
REA NUMBER		
COMMENTS -		
-30E-AA		

CARD LOCATION CHART

PN= 6464559 EC= A06020
LDC=1A-00
USN 00001 PRI=30OCT84 0737
AUC= SEC
PFORM=KSEB NEXTBLK AB
MACH=SAGU
CID KAR1 JOB R776801B

AA106
0001

AA106
0001

CARD PLUG LIST

FUNCTION - BUFFER ADAPTER		
LOCATION - 1A-R1K2		
LOGIC SHEETS - BA401, BA402, BA403		
	PRIMARY	ALTERNATE
PNAME	KGBB	
PART NUMBER	13F2194	
EC NUMBER	A57601	
REA NUMBER		
COMMENTS -		
30E-AA		

CARD LOCATION CHART

PN= 13F1749	EC= A57601
LOC=1A-00	
USN 00001	PK1=24SEP88 1013
PUC=	SEC
PFUKM=KSHB	NEXTBLK AB
MACH=3480	JUB D852308C
CID KAP1	

 P
A
P
0
9
0001

CARD PLUG LIST

FUNCTION - BUFFER CONTROL		
LOCATION - 1A-A1L2		
LOGIC SHEETS - BC001, BC002, BC003		
	PRIMARY	ALTERNATE
PNAME	KGBC	
PART NUMBER	6390118	
EC NUMBER	A06013A	
REA NUMBER	12-15178	
COMMENTS -		
30E-AA		

IEC 12-15178

CARD LOCATION CHART

SHEET PN=6464561 EC=A15653
 LOC=1A-23
 USN 00004 PRI=09APR85 1249
 AUC# PFURP=KSHB SEC
 MACH=3480 NEXTLK AB
 CID KAA1 JUB R544753P

A
 A
 1
 0
 0001

CARD PLUG LIST

FUNCTION - BUFFER MEMORY		
LOCATION - 1A-A1M2		
FOR USE ON 3480 MODEL A22		
LOGIC SHEETS - BM400		
	PRIMARY	ALTERNATE
PNAME	KFSA	
PART NUMBER	13F5671	
EC NUMBER	A46539	
IEC NUMBER		
COMMENTS -		
30E-AA		

* * * * *	
CARD PLUG LIST	
FOR USE ON 3480 MODEL A11	
LOCATION - 1A-A1M2	
LOGIC SHEETS - BM100	
* * * * *	
PNAME	NONE
PART NUMBER	6350057
EC NUMBER	A15664
* * * * *	
30T-WX	

CARD LOCATION CHART

SHEET PN=13F1753 EC=A58284
 LOC#1A-00
 USN 00001 PRI=24SEP88 1013
 HUC# SEC
 PFUR#KSHB# NEXIBLK WY
 MW#S48U
 CID KPA1 JOB D852308C

AA
 1
 1
 1
 10001

CARD PLUG LIST

FUNCTION - WRITE CONTROL LOCATION - 1A-A1P2 LOGIC SHEETS - DF001, DF002		
	PRIMARY	ALTERNATE
PNAME	KDWD	
PART NUMBER	6384580	
EC NUMBER	A29040	
TEC NUMBER		
COMMENTS - 30E-AA		

CARD LOCATION CHART

PN= 6464564 EC= A29040
 LOC=1A-28
 USN 00001 PRI=03FEB86 1627
 AUC= SEC
 PFORM=KSHB NEXTBLK AB
 MACH=SAGU
 CJD KAA1 JOB D852308A

A
1
1
3

CARD PLUG LIST

FUNCTION - DEVICE INTERFACE		
LOCATION - 1A-A1Q2		
LOGIC SHEETS - DI001, DI002		
	PRIMARY	ALTERNATE
PNAME	KUDI	
PART NUMBER	6856488	
EC NUMBER	333316	
REA NUMBER		
COMMENTS -		
30E-AA		

CARD LOCATION CHART

PN= 6464565 EC= A15653
LOC=1A-22
USN 00003 PRI=30NOV84 1523
AUC= SEC
PFORM=KSHB NEXTBLK AB
MACH=SAGLI
CID KAA1 JOB R544753A

A
1
1
4
0001

NON CONFIDENTIAL
 UNTIL GENERAL AVAILABILITY

CARD PLUG LIST

FUNCTION - READ ECC		
LOCATION - 1A-A1R2		
LOGIC SHEETS - EC001, EC002		
	PRIMARY	ALTERNATE
PNAME	KDEC	
PART NUMBER	6050647	
EC NUMBER	991718A	
REA NUMBER		
COMMENTS -		
30E-AA		

CARD LOCATION CHART

PN# 6464566 EC# A15653
 LUC#1A-00
 USN 00003 PRI#30NDV84 1523
 FUNC# SEC
 PFORM#KSHB NEXTBLK AB
 RACH#SAGU
 CID KAA1 JOB R544753A

CARD PLUG LIST

FUNCTION - READ CLOCK AND FORMAT
 LOCATION - 1A-A1S2

LOGIC SHEETS - RC001, RC002

	PRIMARY	ALTERNATE
PNAME	KDRC	
PART NUMBER	6460264	
EC NUMBER	A06021	
REA NUMBER		
COMMENTS - 30E-AA		

CARD LOCATION CHART

PN= 6464567 EC= A06021

LDC=1A-BB

USN 00004

AUC=
 PFUR=KSHB
 RACH=3480
 CID KAA1

PRI=09APR85 1249

SEC
 NEXTBLK AB

JOB R544753P

A
 A
 1
 6

0001

IBM CONFIDENTIAL
UNTIL GENERAL AVAILABILITY

CARD PLUG LIST

FUNCTION - VOLTAGE REGULATOR		
LOCATION - 1A-A1T2		
LOGIC SHEETS - RG001		
	PRIMARY	ALTERNATE
PNAME	KREG	
PART NUMBER	4780541	
EC NUMBER	336340	
REA NUMBER		
COMMENTS -		
30E-AA		

CARD LOCATION CHART

PN= 6464568 EC= A15653
 LOC=1A-BB
 USN 00003 PRI=30NOV84 1523
 AUC= SEC
 PFORM=KSHB NEXTBLK AB
 MACH=SAGU
 CID KAA1 JOB R544753A

A
1
1
7
0001

CARD PLUG LIST		
FUNCTION - A2 BOARD		
LOCATION - 1A-A2		
LOGIC SHEETS - AA001		
	PRIMARY	ALTERNATE
PNAME	KAA2	
PART NUMBER	6272322	
EC NUMBER	A06010	
REA NUMBER	12-13975	→ 12-15179
COMMENTS -		
30E-AA		

12-15179

BOARD LOCATION CHART	
PN= 6464569	EC= A06010
LUC=1A-00	
USN 00004	PRI=05JUN85 1542
AJC=	SEC
PFORP=KSEB	NEXTBLK AB
MACH=SACU	
CID KAA2	JOB R544753C

CARD PLUG LIST

FUNCTION - CHANNEL ADAPTER		
LOCATION - 1A-A2C2		
LOGIC SHEETS - CA001, CA002		
	PRIMARY	ALTERNATE
PNAME	KUCJ	
PART NUMBER	6272311	
EC NUMBER	A06010	
REA NUMBER	12-15179	
COMMENTS -		
30E-AA		

*** IMPORTANT NOTICE ***	
MULTI-USAGE PART: FOR BASE MACH. USE AS SHOWN	
ALSO USED WITH FEATURE # - 1511	
AT LOCATION - 1A-A2D2	
LOGIC SHEETS - CA101, CA102	
ALSO USED WITH FEATURE # - 1512	
AT LOCATION - 1A-A2E2	
LOGIC SHEETS - CA201, CA202	
ALSO USED WITH FEATURE # - 1513	
AT LOCATION - 1A-A2F2	
LOGIC SHEETS - CA301, CA302	
30T-WX	

12-15179

CARD LOCATION CHART

PN# 6464571	EC# A06010
LUC#1A-00	
USN 00004	PRI#05JUN85 1542
AUC#	SEC
PFUR#KSEB	NEXTBLK WY
MACH#SAGU	
CID KAR2	JUB R544753C

A
A
2
0
2

0001

CARD PLUG LIST

FUNCTION - CHANNEL TIMER		
LOCATION - 1A-A202		
LOGIC SHEETS - CR001		
	PRIMARY	ALTERNATE
PNAME	KIICR	
PART NUMBER	6390099	
EC NUMBER	333303	
REA NUMBER		
COMMENTS -		
30E-AA		

CARD LOCATION CHART

PN= 8576406 EC= A06018
 LOC=1A-30
 USN 00001 PRI=14DEC84 1546
 AUC= SEC
 PFORM=KSEB# NEXTBLK AB
 MACH=5AGU
 CID KAA2 JOB R776801G

206

0001

CARD PLUG LIST

FUNCTION - POWER ON RESET		
LOCATION - 1A-A2H4		
LOGIC SHEETS - PR001		
	PRIMARY	ALTERNATE
PN#	KRST	
PART NUMBER	8576411	
EC NUMBER	A06011	
REA NUMBER		
COMMENTS -		
30E-AA		

CARD LOCATION CHART

PN# 6464575 EC# A06011
 LOC#1A-00
 USN 00001 PRI#17SEP84 1620
 QUC#
 PF OR#KSEB# SEC
 MACH#SAGU NEXTBLK AB
 CID KFAZ JOB 6776801R

0001

CARD PLUG LIST

FUNCTION - SKEW BUFFER		
LOCATION - 1A-A2K2		
LOGIC SHEETS - SB001, SB002		
	PRIMARY	ALTERNATE
PNAM	KTSB	
PART NUMBER	8576523	4741714
EC NUMBER	A15655	991627A
REA NUMBER	12-15177	
COMMENTS -		
30E-AA		

```

D
*****
*          *** IMPORTANT NOTICE ***          *
*  MULTI-USAGE PART: FOR BASE MACH.  USE AS SHOWN  *
*  ALSO USED                                     *
*          AT LOCATION - 1A-A2L2                 *
*          LOGIC SHEETS - SB101, SB102           *
*  ALSO USED                                     *
*          AT LOCATION - 1A-A2M2                 *
*          LOGIC SHEETS - SB201, SB202           *
*****
30T-WX
    
```

CARD LOCATION CHART

6464576 EC=333303

LDC=1A-00

USN 00001 PRI=25FEB85 0818

AUC= SEC

PFURM=KSEB NEXTBLK WY

MACH=SAGU

CID KAR2 JOB R776801R

AR209

IBM CONFIDENTIAL
UNTIL GENERAL AVAILABILITY

CARD PLUG LIST

FUNCTION - READ DETECT		
LOCATION - 1A-A2R2		
USED WITH MODEL NUMBER - A22		
LOGIC SHEETS - RD001		
	PRIMARY	ALTERNATE
PNAME	ICDC	ICDC
PART NUMBER	6460314	6050706
EC NUMBER	A06019	991732
REA NUMBER		
COMMENTS -		
30E-AA		

```

*****
*                               *
*      *** IMPORTANT NOTICE *** *
*                               *
* MULTI-USAGE PART: FOR MODEL A22 - USE AS SHOWN *
*                               *
* ALSO USED WITH MODEL # - A22 *
*                               *
*       AT LOCATION - 1A-A2S2 *
*                               *
*       LOGIC SHEETS - RD101 *
*                               *
* ALSO USED WITH MODEL # - A22 *
*                               *
*       AT LOCATION - 1A-A2T2 *
*                               *
*       LOGIC SHEETS - RD201 *
*                               *
*****
30T-LIX
    
```

CARD LOCATION CHART

PN= 6464579 EC= A15653
 LOC=1A-2@
 USN 00001 PRI=12DEC84 1406
 AUC= SEC
 PFORM=KSEB NEXTBLK WY
 MACH=SAGU
 CID KAA2 JOB R776801E

CARD PLUG LIST

FUNCTION - LOAD RESISTOR CARD		
LOCATION - 1A-A2P2		
USED WITH MODEL NUMBER - A22		
LOGIC SHEETS - NONE		
	PRIMARY	ALTERNATE
PNAME	BLCR	
PART NUMBER	13F3739	
EC NUMBER	A46536	
IEC NUMBER	112-23038	
COMMENTS -		
30E-AP		

CARD LOCATION CHART

PN# 13F4249	EC# A46536
LDC#1A-BB	
USN 00001	PRI=24MAY68 1513
PK#	SEC
PT-UNPK#K5E8	NEXTBLK AB
PAC#3480	
CID KAP3	JOB P8523CAG

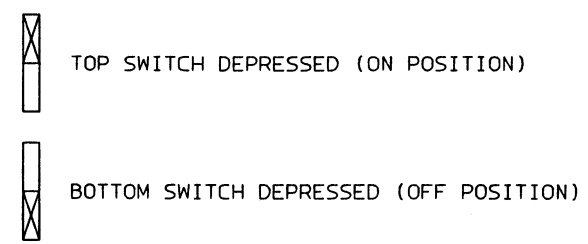
PART NO.
4746335

CONTROL UNIT DEVICE ADAPTER SWITCHES (DEFINES DEVICE SERIAL NUMBER, MODEL NUMBER, AND EC LEVEL)

ACRONYM DEFINITIONS:

- DSL - DEVICE SERIAL LOW
- DSH - DEVICE SERIAL HIGH
- DLR - DEVICE LEVEL REGISTER
- BCD - BINARY CODED DECIMAL

SWITCH LEGEND:



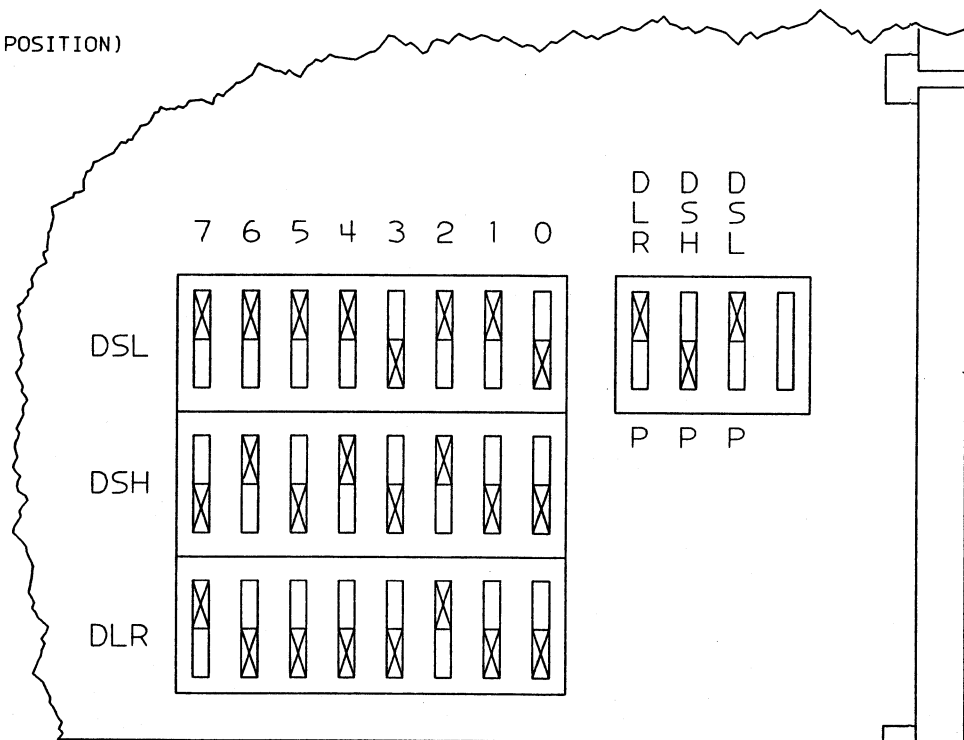
BIT DEFINITIONS:

- DSL -
BITS 4 THRU 7 - DIGIT 1 OF DEVICE SERIAL NO. IN BINARY
BITS 0 THRU 3 - DIGIT 2 OF DEVICE SERIAL NO. IN BINARY
BIT P - NINTH BIT ODD PARITY OF DSL REGISTER
- DSH -
BITS 4 THRU 7 - DIGIT 3 OF DEVICE SERIAL NO. IN BINARY
BITS 0 THRU 3 - DIGIT 4 OF DEVICE SERIAL NO. IN BINARY
BIT P - NINTH BIT ODD PARITY OF DSH REGISTER

- DLR -
BITS 5 THRU 7 - MESSAGE DISPLAY LANGUAGE SETTINGS

LANGUAGE	BITS		
	5	6	7
FRENCH	0	0	1
GERMAN	0	1	0
SPANISH	0	1	1
ENGLISH	1	0	0
ITALIAN	1	0	1
ENGLISH	1	1	0
ENGLISH	1	1	1
ENGLISH	0	0	0

- BIT 4 -
- BIT 3 - RESERVED
- BIT 2 - MODEL A22
- BITS 0 THRU 1 - EC LEVEL OF MACHINE (00 FOR BASE MACHINE)
- BIT P - NINTH BIT ODD PARITY OF DLR REGISTER



CUT-OUT VIEW OF TOP RIGHT CORNER OF KUDI CARD (1A-A1Q2)

EXAMPLE SHOWN DEPICTS THE FOLLOWING DEVICE DEFINITIONS:

- MODEL - A22
- DEVICE SERIAL - 10863
- EC LEVEL - BASE MACHINE

THIS DOCUMENT IS THE PROPERTY OF IBM. ITS USE IS AUTHORIZED ONLY FOR WORK FOR IBM. ALL QUESTIONS MUST BE REFERRED TO THE IBM PURCHASING DEPARTMENT.

TITLE	DESIGNER	CHECKED	APPROVED	CLASS
DEVICE SWITCHES	JGR	AHR	AHR	JGR
	1MAR83	21MAR83	21MAR83	1MAR83

DATE	EC NO.
14MAR83	333311
28NOV84	A15653

IBM CONFIDENTIAL UNTIL GENERAL AVAILABILITY

metriq

SI A1

MUST CONFORM TO ENG. SPEC.

PART NO. 4746335	SHEET OF
LOGIC PG NO. AA901	

PART NO. 4746335
DEVELOPMENT NO.



IBM CONFIDENTIAL
 UNTIL GENERAL AVAILABILITY

CARD PLUG LIST

FUNCTION - TAILGATE		
LOCATION - 1A-T1		
LOGIC SHEETS - AA002		
	PRIMARY	ALTERNATE
PNAME	N/A	
PART NUMBER	N/A	
EC NUMBER	N/A	
REA NUMBER		
COMMENTS -		
30E-AA		

TAILGATE LOCATION CHART

PN= 6464582 EC= A15653
 LOC=1A-22
 USN 00001 PRI=30NDV84 1335
 ALIC= SEC
 PFORM=KSEB NEXTBLK AB
 MACH=
 CID KTGT JOB R776801P

IBM CONFIDENTIAL
UNTIL GENERAL AVAILABILITY

CARD PLUG LIST

FUNCTION - TAG SHOE		
LOCATION - 1A-T1A3		
LOGIC SHEETS - IT001, IT002, IT003, WA003		
	PRIMARY	ALTERNATE
PNAME	KUCT	
PART NUMBER	6390159	
EC NUMBER	333305	
REA NUMBER		
COMMENTS - 30E-AA		

```

D
*****
*          *** IMPORTANT NOTICE ***          *
*  MULTI-USAGE PART: FOR BASE MACH. USE AS SHOWN  *
*  ALSO USED WITH FEATURE # - 1511              *
*          AT LOCATION - 1A-T1B3                *
*          LOGIC SHEETS - SAME AS BASE MACH.     *
*  ALSO USED WITH FEATURE # - 1512              *
*          AT LOCATION - 1A-T1C3                *
*          LOGIC SHEETS - SAME AS BASE MACH.     *
*  ALSO USED WITH FEATURE # - 1513              *
*          AT LOCATION - 1A-T1D3                *
*          LOGIC SHEETS - SAME AS BASE MACH.     *
*****
30T-WX
    
```

CARD LOCATION CHART

PN= 6464583 EC= A15653
 LOC=1A-8@
 USN 00001 PRI=30NDV84 1335
 AUC= SEC
 PFORM=KSEB NEXTBLK WY
 MACH=
 CTD KTGT JUB R776801P

AT101

IBM CONFIDENTIAL
UNTIL GENERAL AVAILABILITY

CARD PLUG LIST

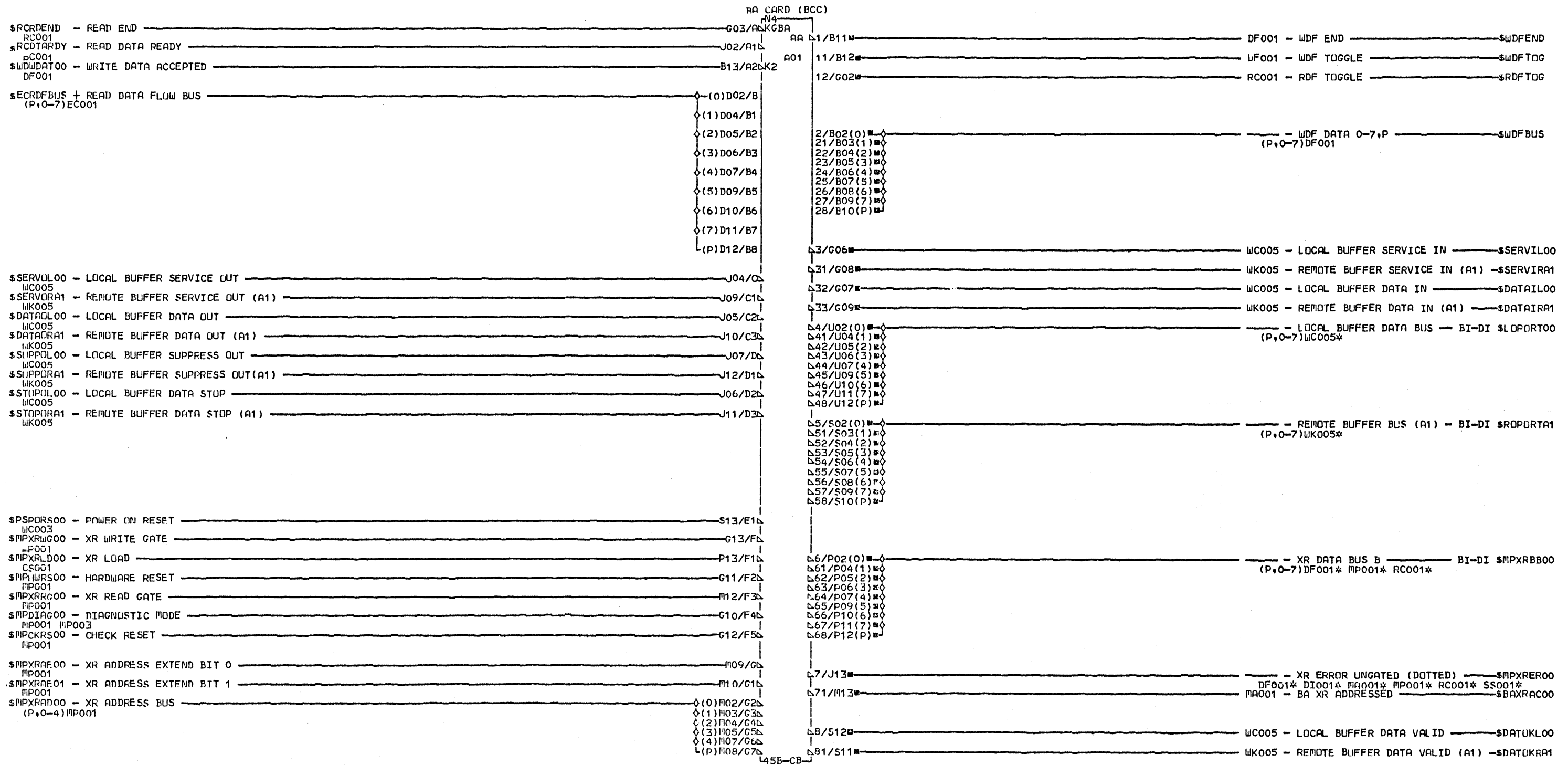
FUNCTION - BUS SHOE		
LOCATION - 1A-T1A1		
LOGIC SHEETS - IB001, IB002, IB003, WA013		
	PRIMARY	ALTERNATE
PNAME	KUCB	
PART NUMBER	4853968	
EC NUMBER	991701	
REA NUMBER		
COMMENTS - 30E-AA		

```

D
*****
*                               *
*   *** IMPORTANT NOTICE ***   *
*                               *
* MULTI-USAGE PART: FOR BASE MACH. USE AS SHOWN *
*                               *
* ALSO USED WITH FEATURE # - 1511 *
*                               *
*   AT LOCATION - 1A-T1B1       *
*                               *
*   LOGIC SHEETS - SAME AS BASE MACH. *
*                               *
* ALSO USED WITH FEATURE # - 1512 *
*                               *
*   AT LOCATION - 1A-T1C1       *
*                               *
*   LOGIC SHEETS - SAME AS BASE MACH. *
*                               *
* ALSO USED WITH FEATURE # - 1513 *
*                               *
*   AT LOCATION - 1A-T1D1       *
*                               *
*   LOGIC SHEETS - SAME AS BASE MACH. *
*                               *
*****
30T-WX
    
```

CARD LOCATION CHART

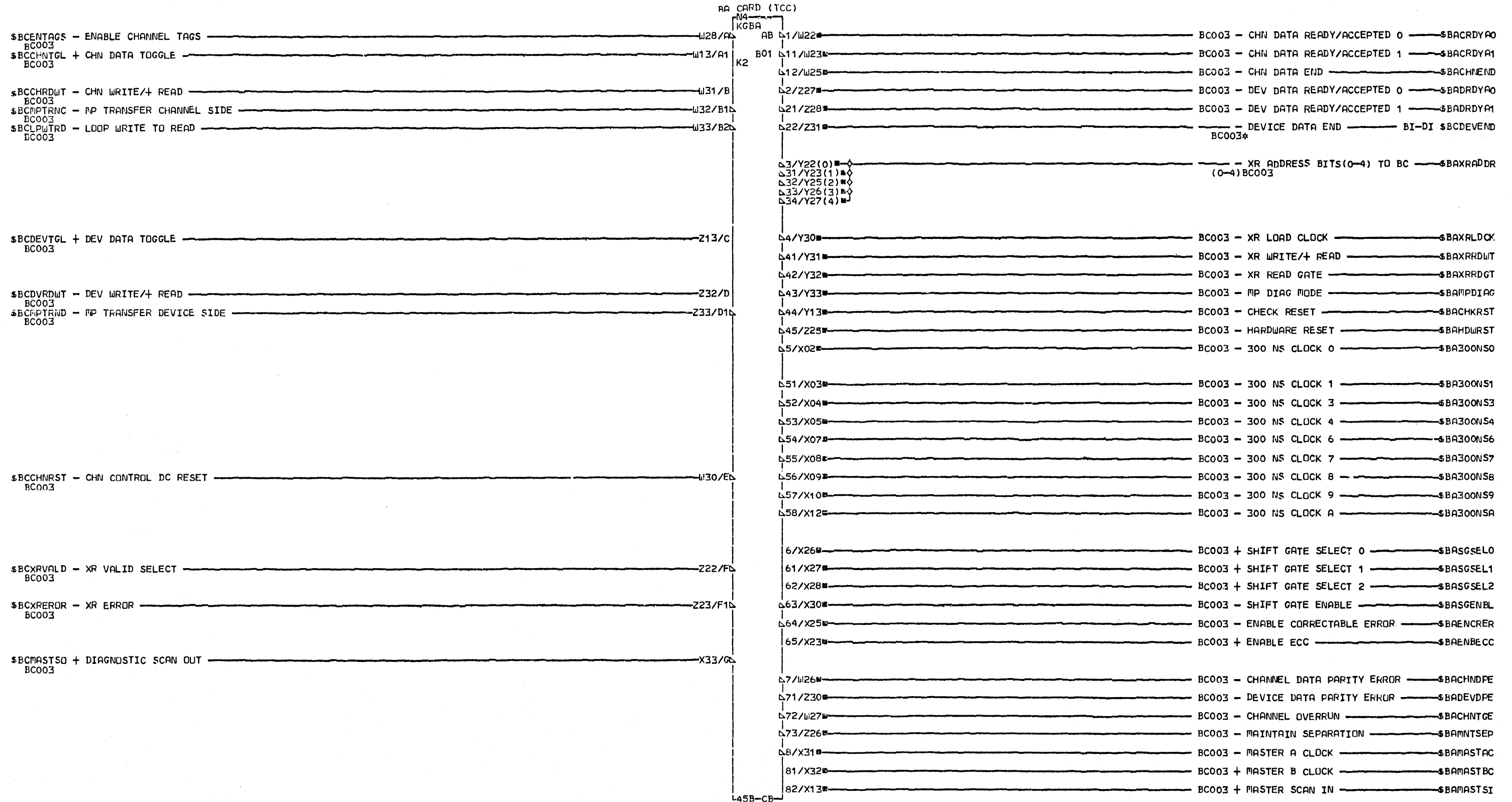
PN= 6464584 EC= A15653
 LOC=1A-@@
 USN 00001 PRI=30NOV84 1335
 AUC=
 PFURM=KSEB SEC
 MACH= NEXTBLK WY
 CID KTGT JOB R776801P



COMMENTS

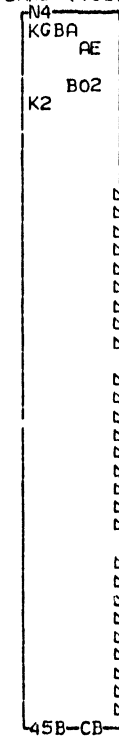
A1	***	VOLTAGE PINS	***
2	+5V	D03, J03, P03, U03	
3	GND	D08, J08, P08, U08	
4	GND	W06, W11, W24, W29	
5	GND	X06, X11, X24, X29	
6	GND	Y06, Y11, Y24, Y29	
7	GND	Z06, Z11, Z24, Z29	

CONTROL UNIT - A1 BOARD
BUFFER ADAPTOR (BCC)
PN= 4746245 EC= A15653
LOC=1A-A1K2
USN 00003 PRI=30NOV84 1523
ALIC= PFURN=KSHB MACH=SAGU CID KAA1
SEC NEXTBLK CC
JOB R544753A



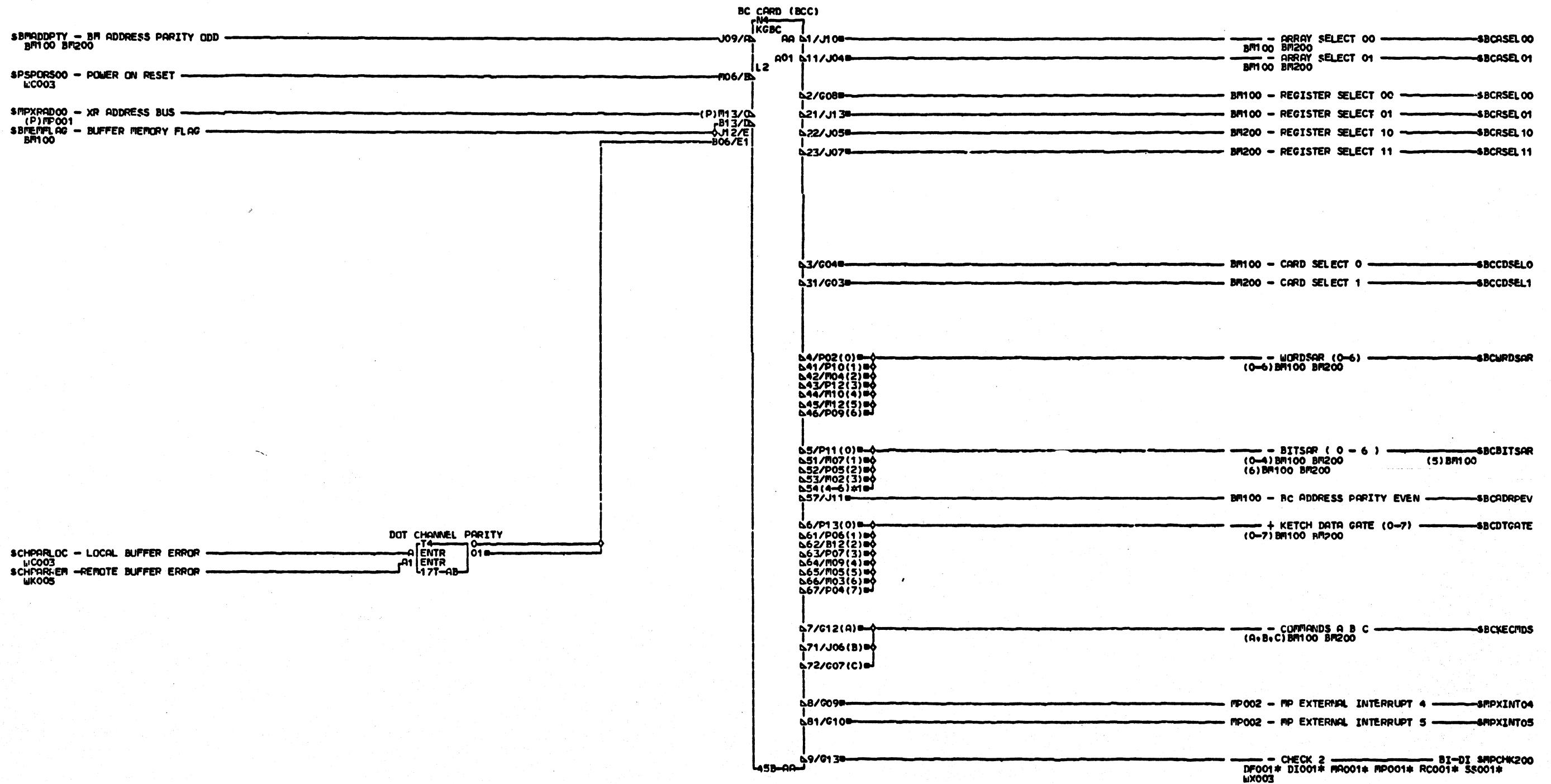
CONTROL UNIT - A1 BOARD
BUFFER ADAPTOR (TCC)
PN= 4746246 EC= A15653
LOC=1A-A1K2
USN 00003 PRI=30NOV84 1523
AUC= PFNRM=KSHB SEC
MACH=SAGU NEXTBLK CC
CID KAA1 JOB R544753A

BA CARD (TCC) CIN



- Δ1/W02(0) ◆◇ — CHANNEL DATA BITS (0-7,P) BI-DI \$BACHNDAT
(P,0-7)BC003*
- Δ11/W03(1) ◆◇
- Δ12/W04(2) ◆◇
- Δ13/W05(3) ◆◇
- Δ14/W07(4) ◆◇
- Δ15/W08(5) ◆◇
- Δ16/W09(6) ◆◇
- Δ17/W10(7) ◆◇
- Δ18/W12(P) ◆◇
- Δ2/Z02(0) ◆◇ — DEVICE DATA BITS (0-7,P) BI-DI \$BADEV DAT
(P,0-7)BC003*
- Δ21/Z03(1) ◆◇
- Δ22/Z04(2) ◆◇
- Δ23/Z05(3) ◆◇
- Δ24/Z07(4) ◆◇
- Δ25/Z08(5) ◆◇
- Δ26/Z09(6) ◆◇
- Δ27/Z10(7) ◆◇
- Δ28/Z12(P) ◆◇
- Δ3/Y02(0) ◆◇ — XR DATA BUS BITS (0-7,P) BI-DI \$BAXRDATA
(P,0-7)BC003*
- Δ31/Y03(1) ◆◇
- Δ32/Y04(2) ◆◇
- Δ33/Y05(3) ◆◇
- Δ34/Y07(4) ◆◇
- Δ35/Y08(5) ◆◇
- Δ36/Y09(6) ◆◇
- Δ37/Y10(7) ◆◇
- Δ38/Y12(P) ◆◇

CONTROL UNIT - A1 BOARD
BUFFER ADAPTOR (TCC)
PN= 4746247 EC= A15653
LUC=1A-A1K2
USN 00003 PRI=30NOV84 1523
PUC= SEC
PFORM=KSHB NEXTBLK CC
PACH=SAGU
CID KAA1 JDB R544753A



12-15179

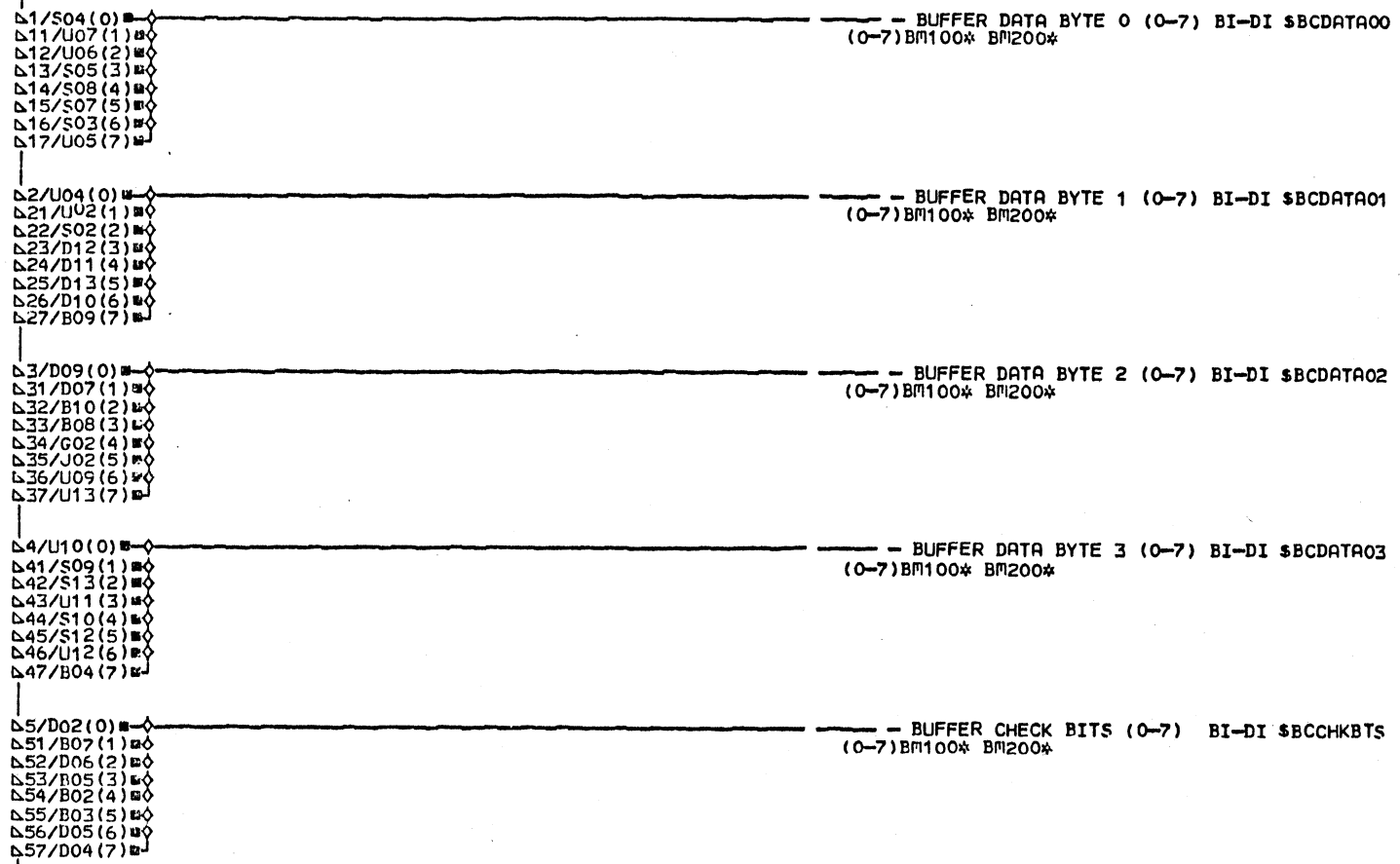
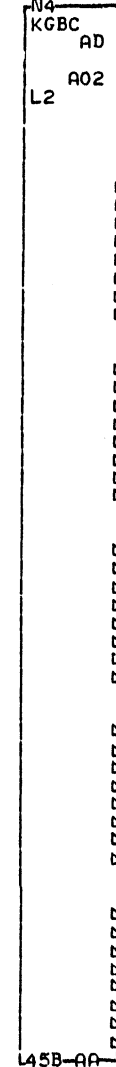
CONTENTS		PINS	
A1	*** VOLTAGE PINS ***	AA	54/M08
2	+1.7V R11, G11, M11, S11	55/G06	56/G05
3	+5V D03, J03, P03, U03		
4	GND D08, J08, P08, U08		
5	GND W06, W11, W24, W29		
6	GND X06, X11, X24, X29		
7	GND Y06, Y11, Y24, Y29		
8	GND Z06, Z11, Z24, Z29		
9	*****		

CONTROL UNIT - A1 BOARD
 BUFFER CONTROLS (BCC)
 SHEET PN=4746248 EC=A06010
 LOC=1A-A1L2
 USN 00005 PRI=05JUN85 1542
 AUC= SEC
 PFURN=KSEB NEXTBLK AC
 MACH=SAGU
 CID KAR1 JOB P544753B

0001

B
C
O
1
0001

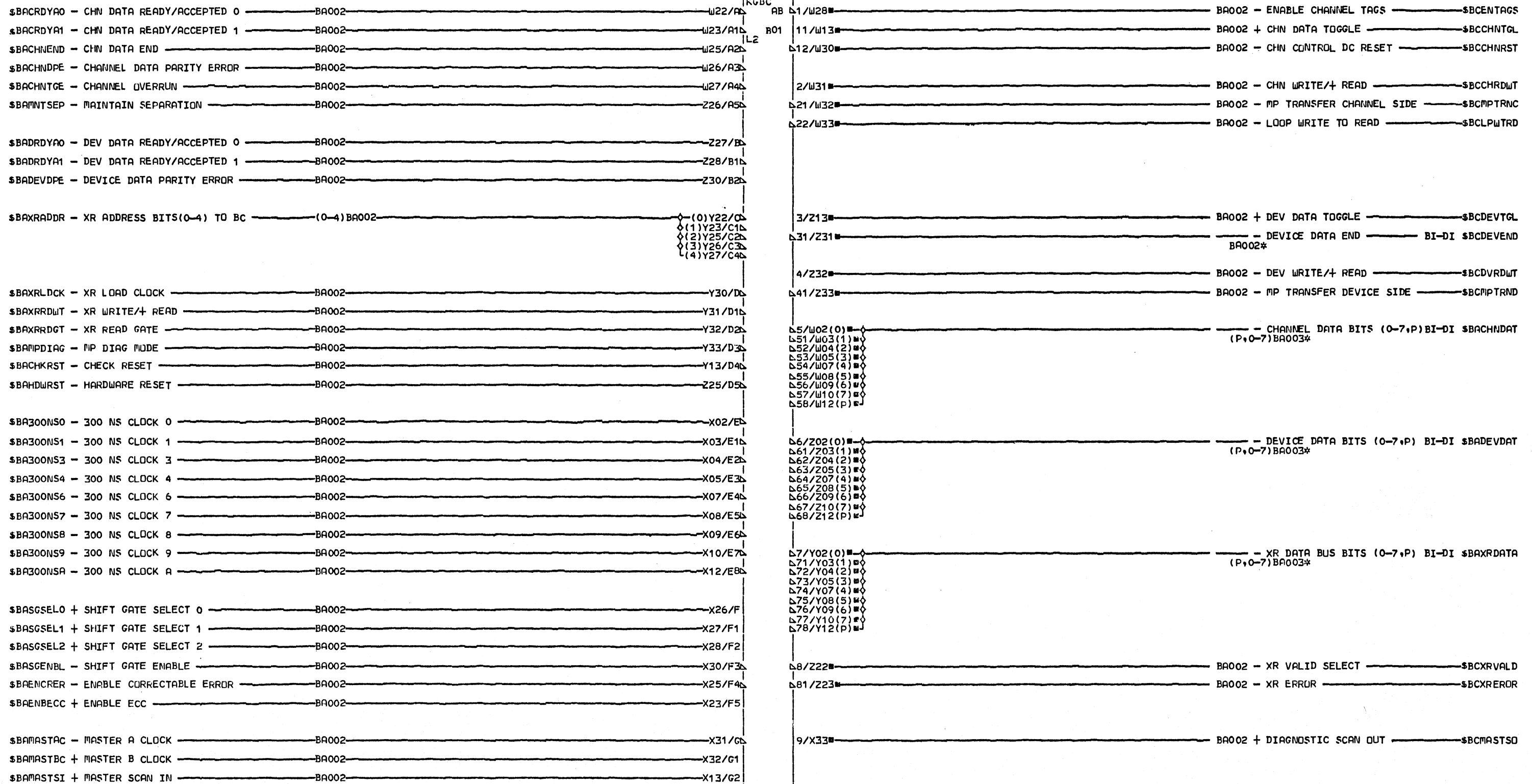
BC CARD (BCC)



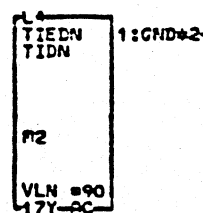
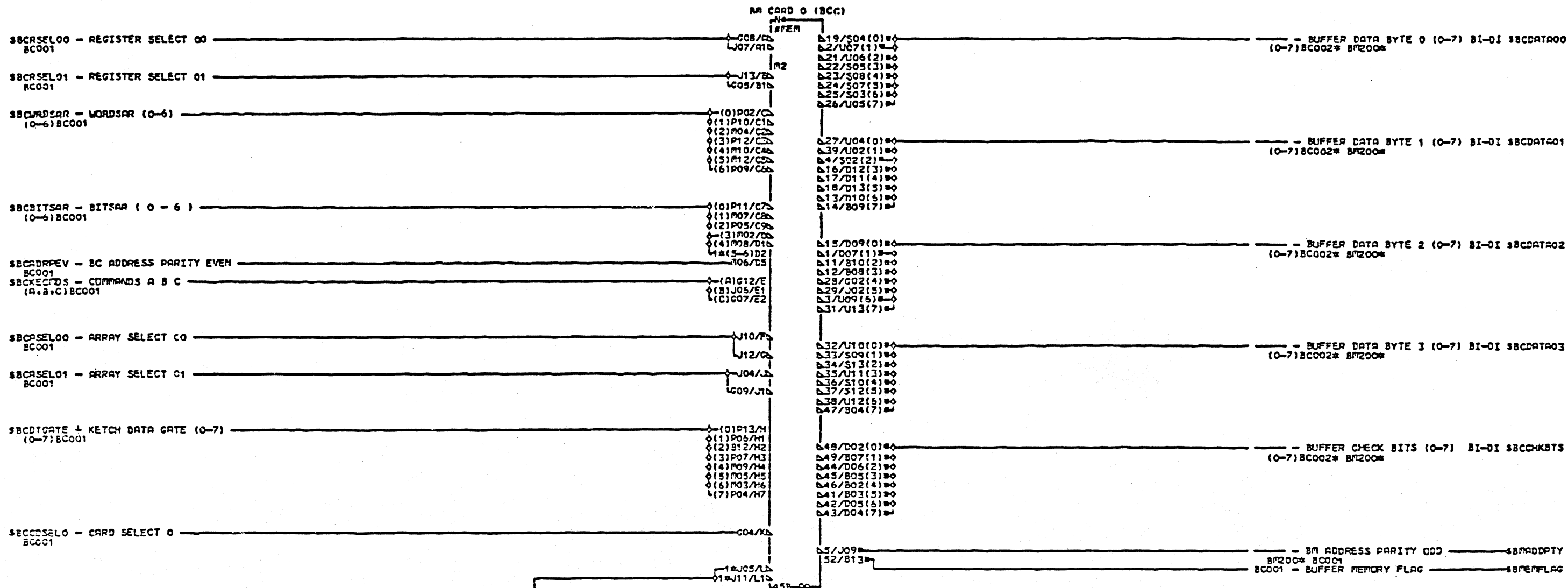
IBM CONFIDENTIAL
UNTIL GENERAL AVAILABILITY

0001 BC003

FC CARD (TCC)



CONTROL UNIT - A1 BOARD
BUFFER CONTROLS (TCC)
SHEET PN=4746250 EC=A15653
LUC=1A-A1L2
USN 00003 PRI=30NOV84 1523
AUC= PFURM=KSHB SEC NEXTBLK AB
MACH=SAGU CID KAA1 JOB R544753A



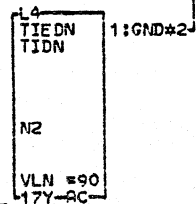
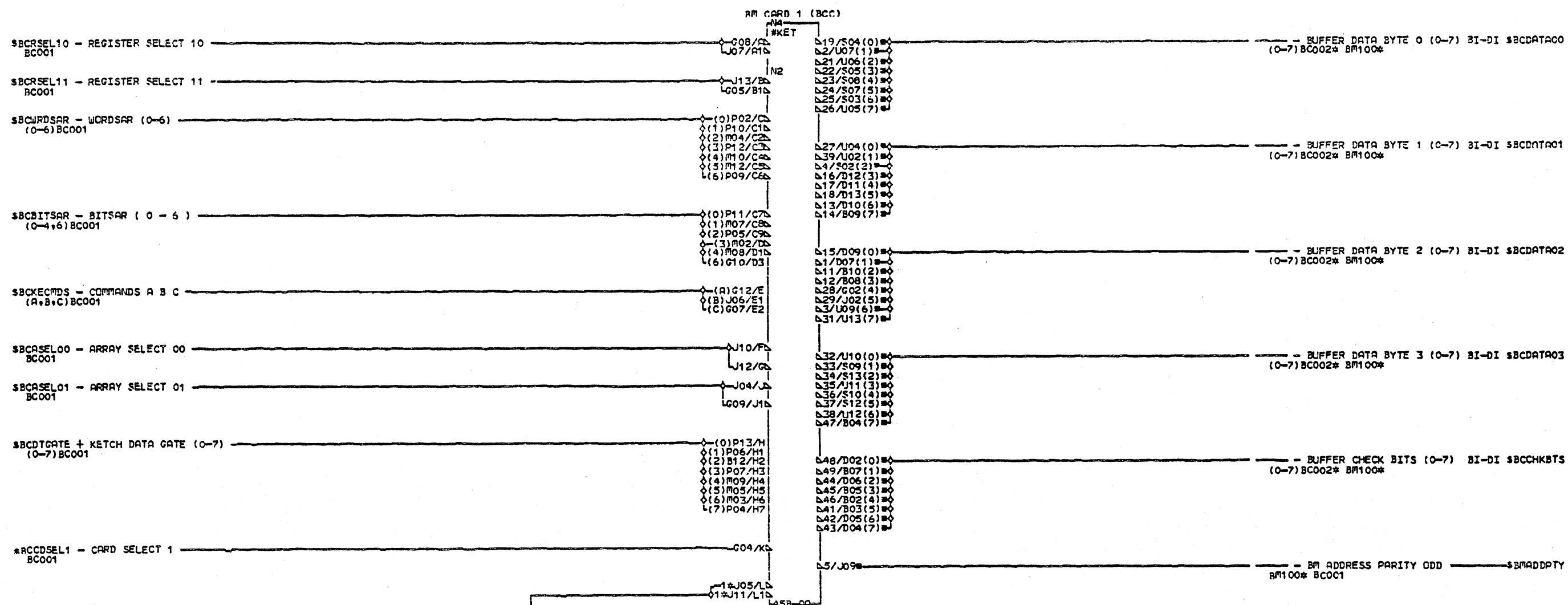
IEC 12-15178

CONTENTS		PINS	CONNECTORS
1	VOLTAGE PINS	AA	AC1
2	-5V B06, S06	D2/C06	000131A-1/R3D08
3	+5V B03, J03, F03, U03	D3/G10	•PV.VO
4	+2.5V B11, G11, M11, F11	L0	
5	GND B08, J08, P08, U08	•VGM0 L1 •VGM0	

CONTROL UNIT - A1 BOARD	
BUFFER MEMORY CARD 0	
SHEET PH=4746251 EC=A15653	
LOC=1A-A1A2	
USN 00004	PRI=09APR85 1249
AUC=	SEC
PFORP=KSHB	NEXTBLK AD
MOCH=3480	
CID KAA1	JOB R544753P

0001

0001



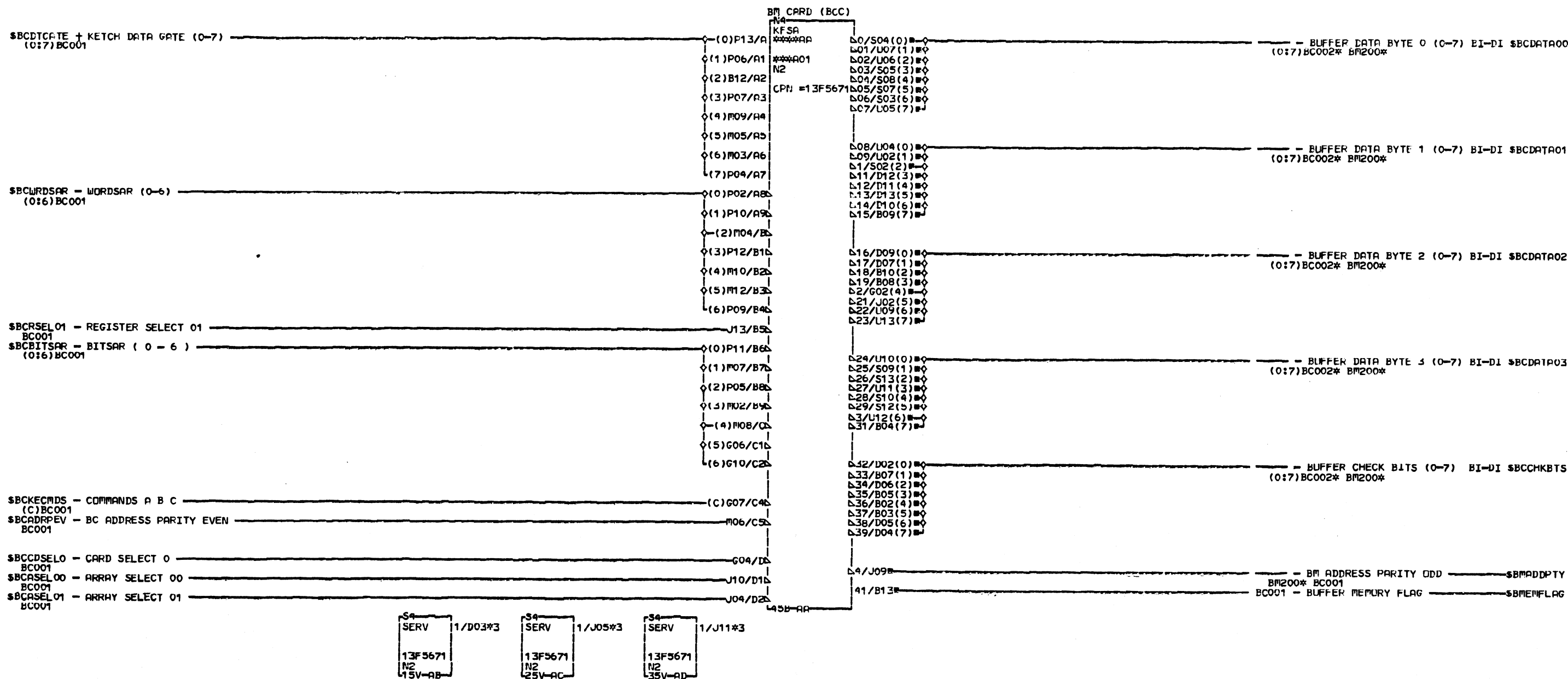
IEC 12-15178

	COMMENTS	PINS	CONNECTORS
A1	VOLTAGE PINS	AA	AC1
2	-5V B06, S06	LO	0003S1A-A1/N3D08
3	+5V D03, J03, P03, U03	VCND	*PV-V0
4	+8.5V B11, G11, P11, S11	L1	
5	GND D08, J08, P08, U08	VGND	

CONTROL UNIT - A1 BOARD
 BUFFER MEMORY CARD 1
 SHEET PN=4746252 EC=A15653
 LOC=1A-A1N2
 USN 00004 PRI=09APR85 1249
 ALIC= SEC
 PFORM=KSHB NEXTBLK AD
 MACH=3480
 CID KAA1 JOB R544753P

B
E
N
O
0001

B
E
N
O
0001

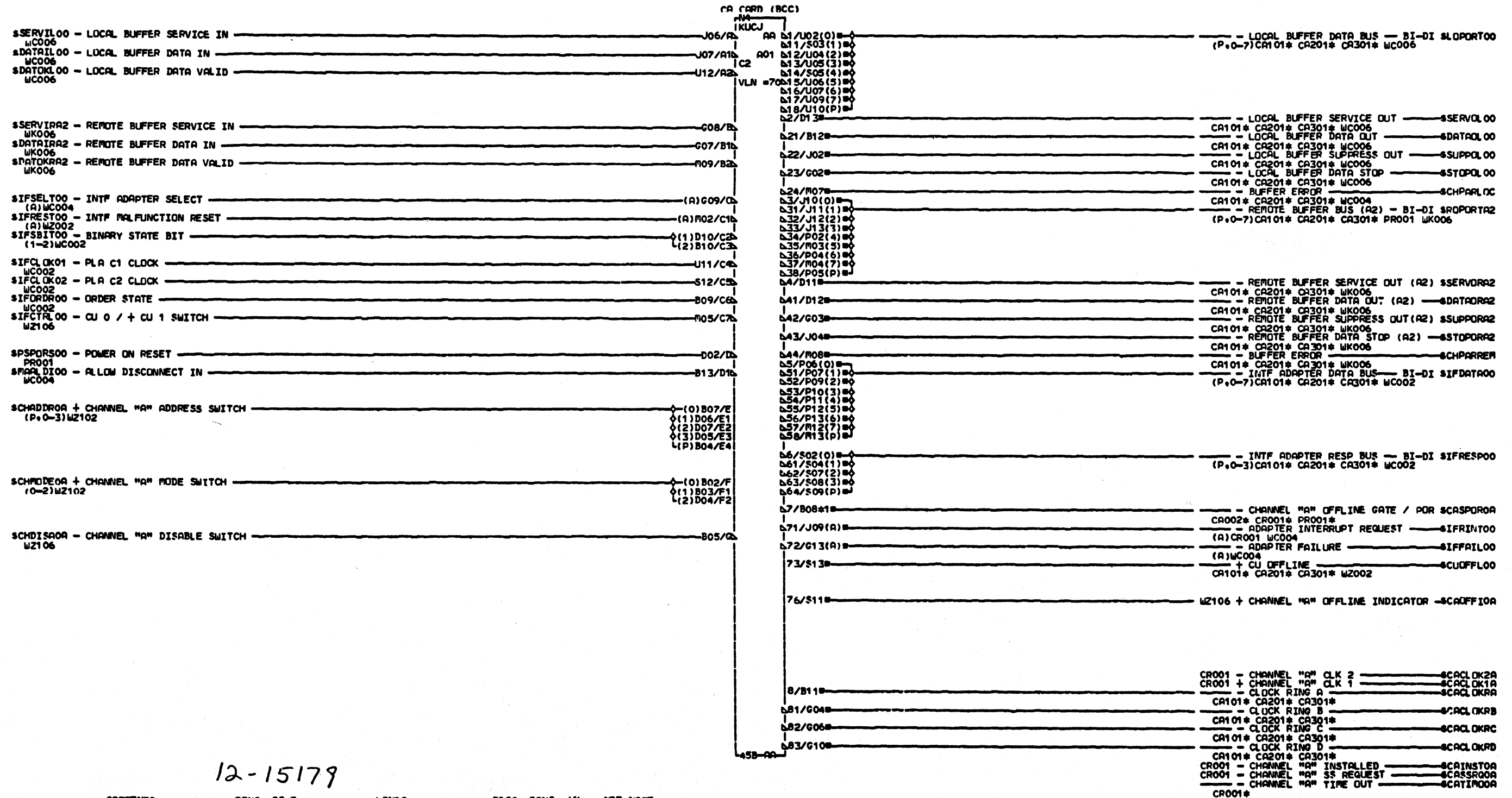


	COMMENTS	PINS	CONNECTORS
A1	*** VOLTAGE PINS ***	AB	AB1
2	+5V D03, J03, P03, U03	10	0001\$1A-A2/N2D03
3	GND D08, J08, P08, U08	•V+5	•PV•V5
4	GND J05, J11	HC	HC1
		10	0002\$1A-A2/N3D05
		•VU	•PV•VU
		HD	AD1
		10	0003\$1A-A2/N3U11
		•VU	•PV•VU

CONTROL UNIT - A2 BOARD
 BUFFER MEMORY CARD
 SHEET PN=13F1754 EC=A58284
 LUC=1A-H2N2
 USN 00007 PRI=0JUC188 11.31
 HLC= SEC
 PFUKP=KSHB NEXIBLK RE
 MHLM=3480
 CID KAA1 JUB D852308F

B
C
4
E
UUU1

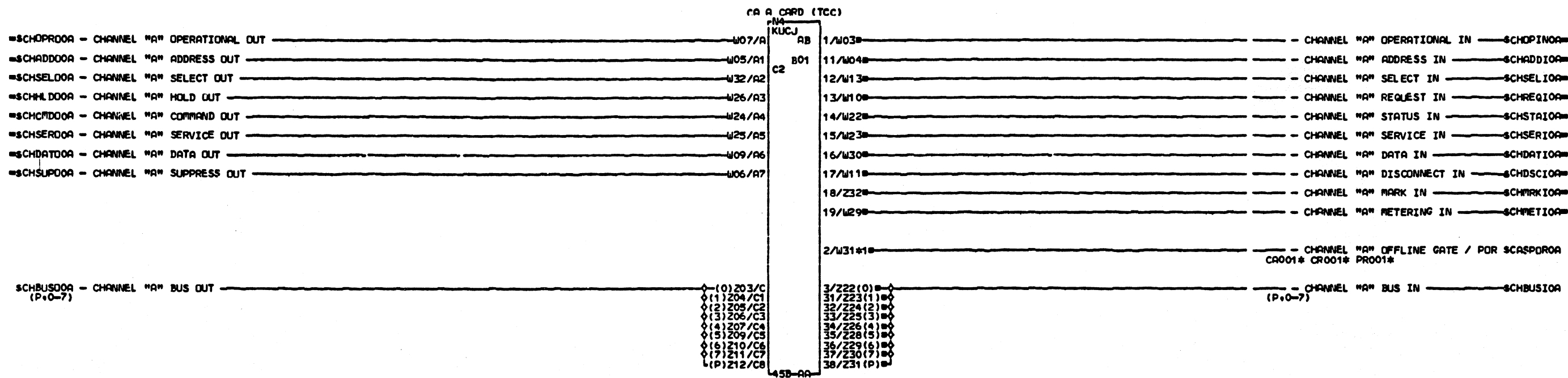
B
M
4
0
0
UUU1



12-15179

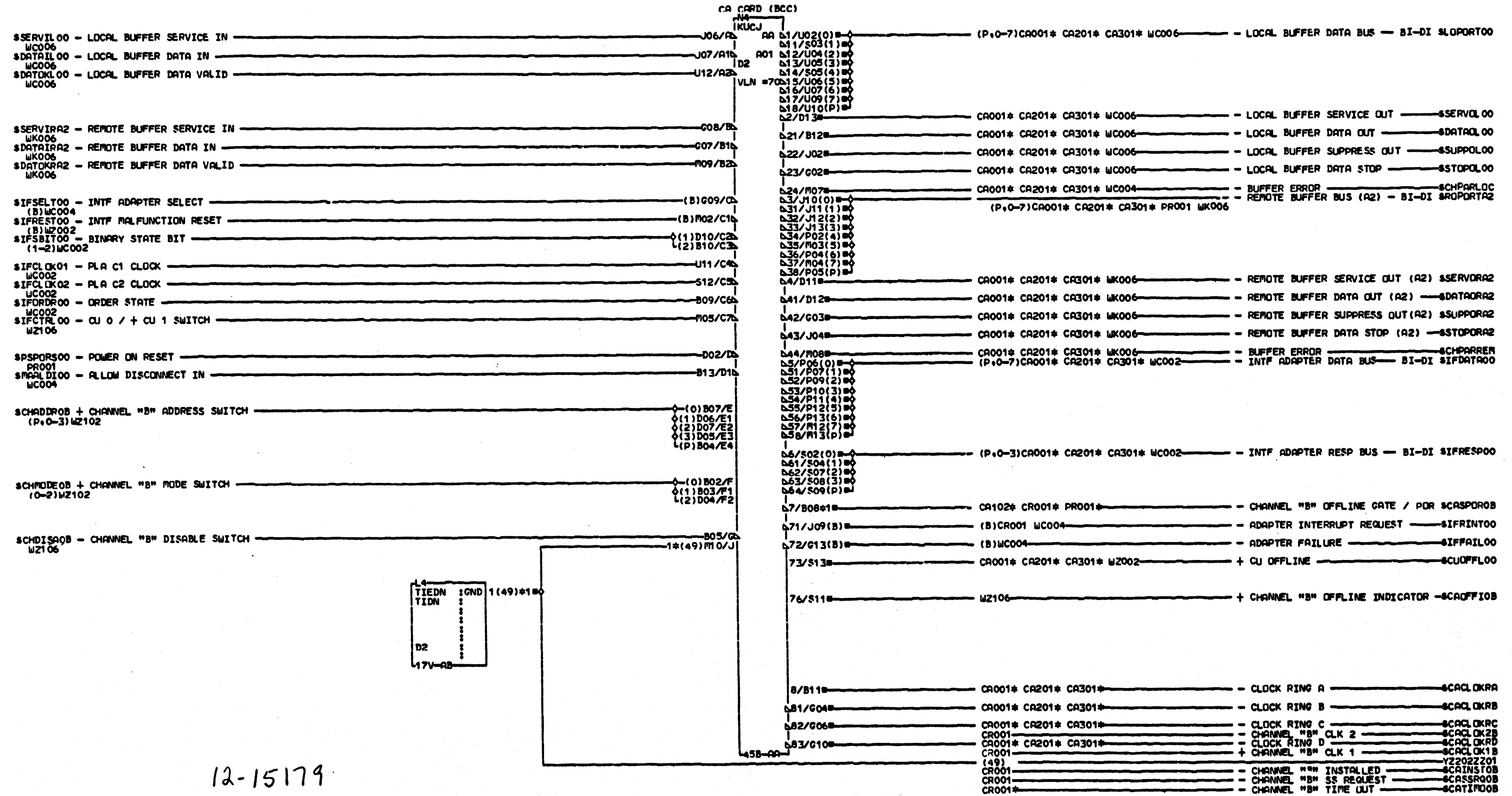
REF	COMMENTS	PINS	BS-T	LINE#	DESC	PINS #1	NET NAME
A1	VOLTAGE PINS	AA	AB S4		SERV...6272311.C2	10/B06 #1	Y2202220(0)
2	+5V D03, J03, P03, U03	70	AC S4		SERV...6272311.C2	10/S10	\$CATIM00A
3	+5V Y03, Y23	LA				20/G12	\$CASSR00A
4	GND D08, J08, P08, U08	AB				30/S06	\$CAINST0A
5	GND W02, W08, W27, W33	10				40/G05	\$CACLK1A
6	GND Y08, Y28	V+5				50/J05	\$CACLK2A
7	GND Z02, Z08, Z27, Z33						
8	UNUSED PINS						
9	-5V B06						
B1	+8.5 B11						
2	*****						

CONTROL UNIT - A2 BOARD
 CHANNEL ADAPTER A (BCC)
 PN= 4746253 EC= A06010
 LOC=1A-A2C2
 USN 00004 PRI=05JUN85 1542
 AUC= SEC
 PFURF=KSEB NEXTBLK AD
 PACH=SAGU
 CID KAA2 JOB R544752C



12-15179

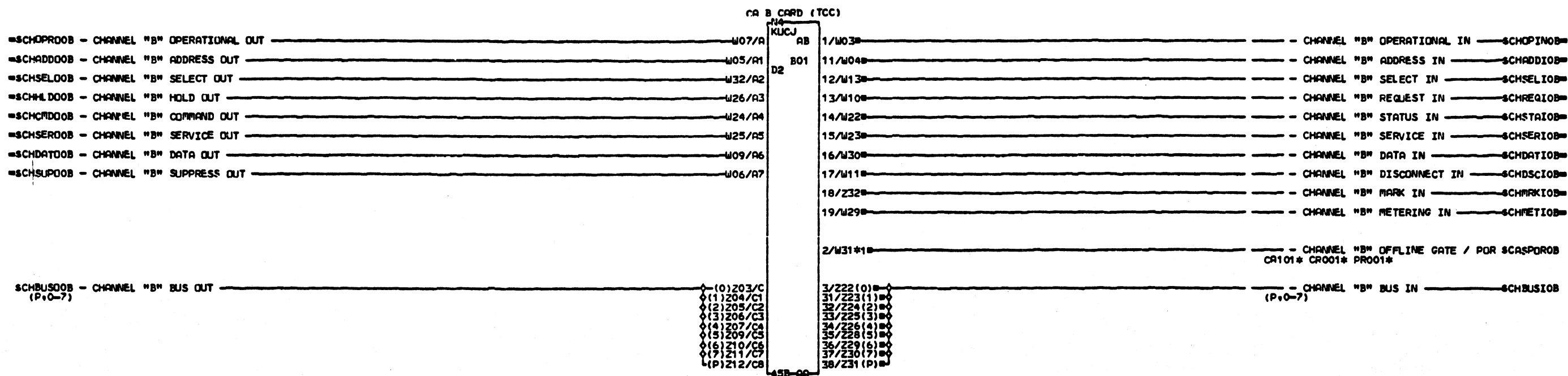
NO. 0001 20 LA	CONTROL UNIT - A2 BOARD CHANNEL ADAPTER A (TCC)		CA002
	SHEET PN=4746254 EC=A06010		
	LOC=1A-A2C2 USN 00004	PRI=05JUN85 1542 SEC NEXTBLK AB	
	R:Ca PFORM=KSEB RACH=SAGU CID KAR?	.JUB P544753C	



12-15179

COMMENTS	PINS	BS	T	LINES	DESC	PINS	NET NAME
A1 *** VOLTAGE PINS ***	AA	AC	S4	SERV...6272311.D2			
2 +5V D03, J03, P03, U03	JO				10/S10	\$CATIM00B	
3 +5V Y09, Y29	vVO				20/G12	\$CASSRQ0B	
4 GND D08, J08, P08, U08	70				30/S06	\$CAINST0B	
5 GND W02, W08, W27, W33	LA				40/G05	\$CACLK1B	
6 GND Y08, Y28	AB				50/J05	\$CACLK2B	
7 GND Z02, Z08, Z27, Z33	10						
8 *** UNUSED PINS ***	vVND						
9 -5V B06							
R1 +8.5 B11							
2 *****							

CONTROL UNIT - A2 BOARD
CHANNEL ADAPTER B (BCC)
PN= 4746255 EC= A06010
LOC=1A-A2D2
USN 00004 PRI=05JUN85 1542
AUC= SEC
PFORP=KSEB NEXTBLK AD
P.FICH=SAGU
CID KAR2 JOB R544753C



*** IMPORTANT NOTICE ***

THE CABLES THAT PLUG INTO POSITIONS W AND Z ARE
ARE REPRESENTED ON MULTI-USAGE PAGES WA006 AND
WA015 RESPECTIVELY. A NOTICE ON EACH PAGE
DESCRIBES THE NET NAMING CONVENTION USED.

30T-YY

12-15179

PINS
 AA
 20
 MA
 LA

 CA
 1
 0
 2
 0001

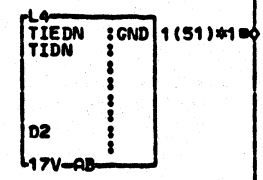
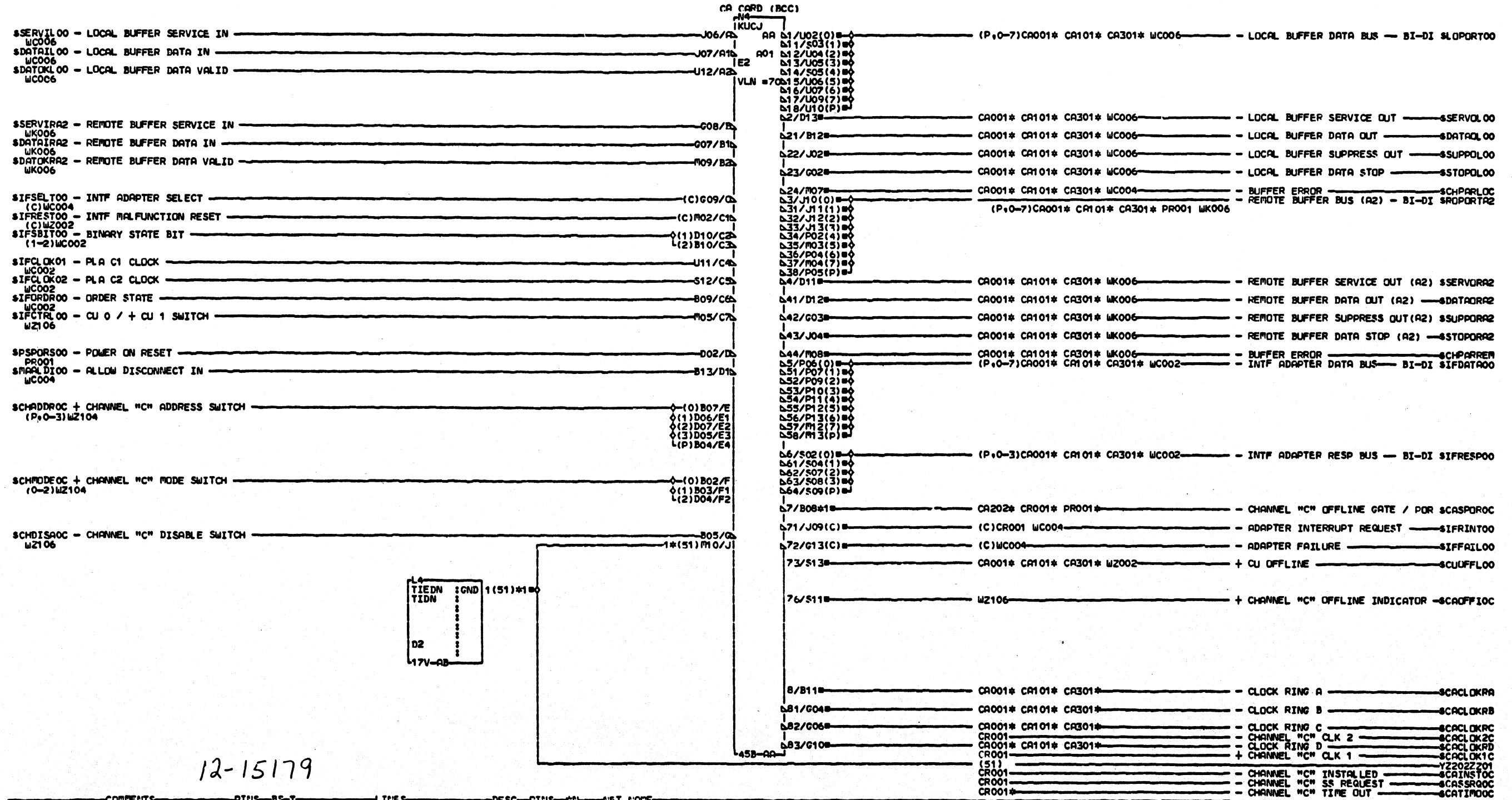
CONTROL UNIT - A2 BOARD
CHANNEL ADAPTER B (TCC)
SHEET PN=4746256 EC=A06010

LOC=1A-A2D2

USN 00004 PRI=05JUN85 1542

RUC= SEC
 PFUR=KSEB NEXTBLK Y2
 MACH=SAGU
 CID KAA2 JOB R544753C

CA
 1
 0
 2
 0001

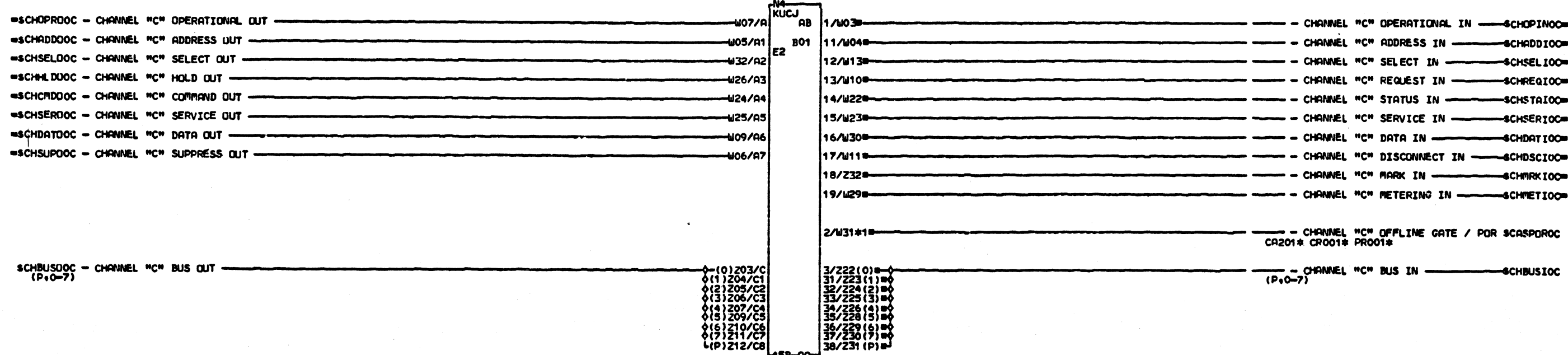


12-15179

COMMENTS	PINS	BS	T	LINE	DESC	PINS	NET NAME
A1 *** VOLTAGE PINS ***	AA	AC	34	SERV...6272311.E2	10/S10	SCATIN00C	
2 +5V D03, J03, P03, U03	J0				20/G12	SCASSR00C	
3 +5V Y09, Y29	Y0				30/S06	SCAINST0C	
4 GND D08, J08, P08, U08	70				40/G05	SCACLUK1C	
5 GND W02, W08, W27, W33	LA				50/J05	SCACLUK2C	
6 GND Y08, Y28	AB						
7 GND Z02, Z08, Z27, Z33	10						
8 *** UNUSED PINS ***	VGND						
9 -5V B06							
P1 +8.5 B11							
2 *****							

CONTROL UNIT - A2 BOARD	
CHANNEL ADAPTER C (BCC)	
PN# 4746257	EC# A06010
LUC#1A-A2E2	
USN 00004	PRI#05JUN85 1542
RUC#	SEC
PFORM#KSEB	NEXTBLK 4D
MACH#SAGU	JOB R544753C
CID KAA2	

CA C CARD (TCC)



 *** IMPORTANT NOTICE ***
 * THE CABLES THAT PLUG INTO POSITIONS W AND Z ARE *
 * ARE REPRESENTED ON MULTI-USAGE PAGES W0006 AND *
 * W0015 RESPECTIVELY. A NOTICE ON EACH PAGE *
 * DESCRIBES THE NET NAMING CONVENTION USED. *

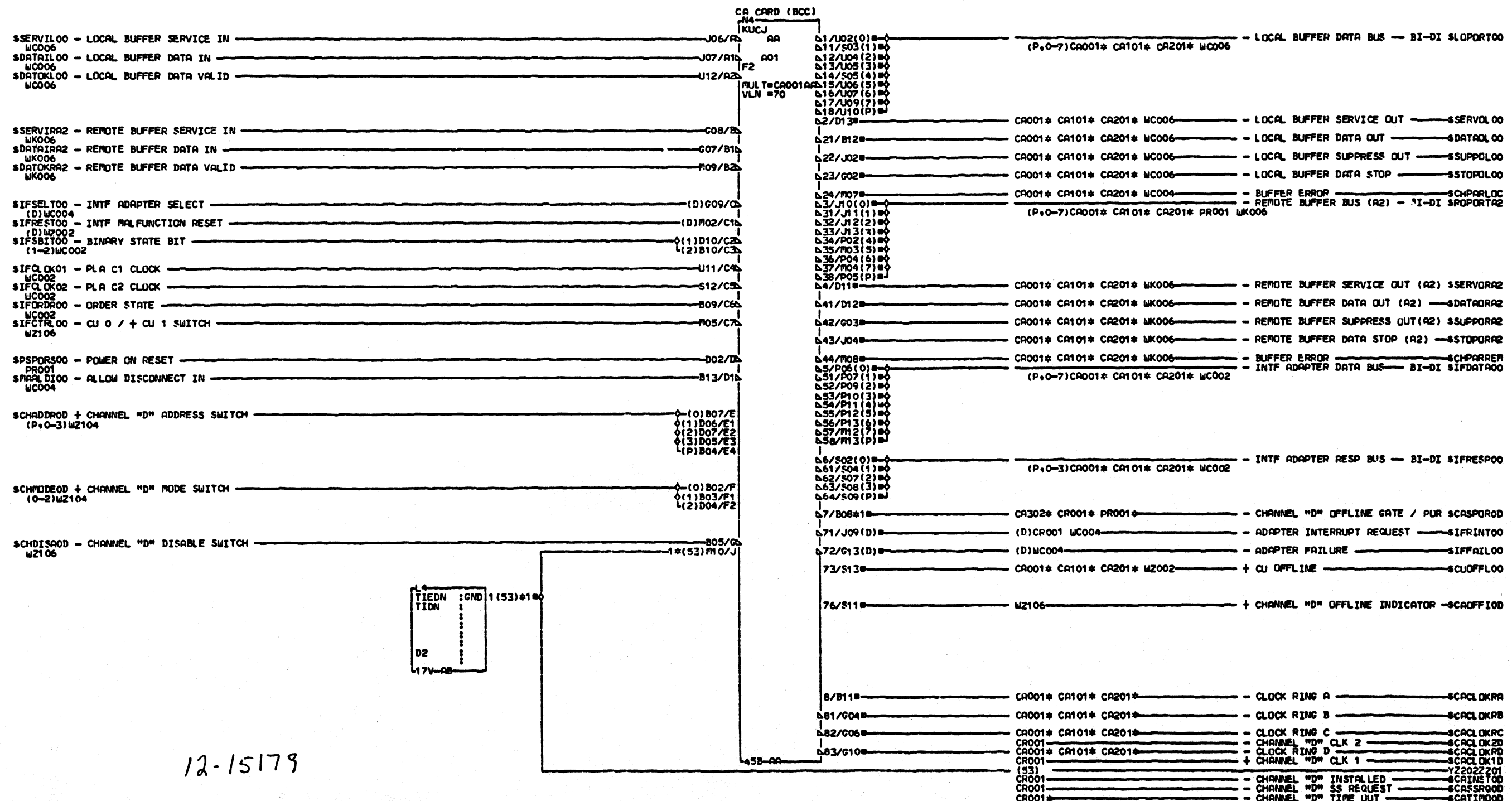
 30T-YY

12-15179

FINIS
 AA
 20
 HA
 LA
 C
 0001

CONTROL UNIT - A2 BOARD
 CHANNEL ADAPTER C (TCC)
 SHEET FN=4746258 EC=A06010
 LOC=1A-A2E2
 USN 00004 PRI=05JUN85 1542
 AJC= SEC
 PFURM=KSEB NEXTBLK YZ
 MACH=SAGU
 CIP KAA2 JUB R544753C

C
 A
 2
 0
 2
 0001

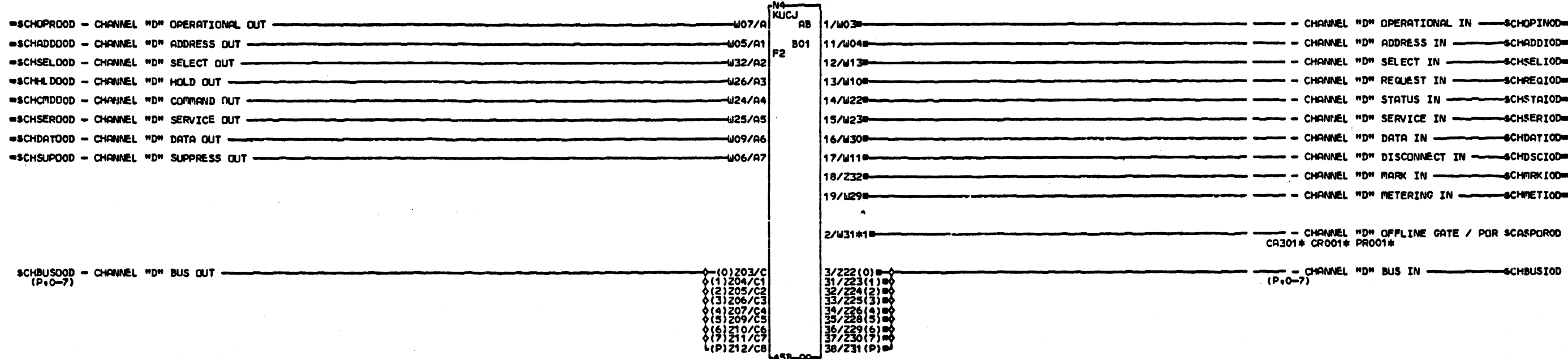


12-15179

COMMENTS	PINS	BS-T	LINE	DESC	PINS	NET NAME
A1 *** VOLTAGE PINS ***	AA	AC S4	SERV...6272311.F2	10/S10	SCATIM00D	
2 +5V D03, J03, P03, U03	JO			20/G12	SCASSR00D	
3 +5V Y09, Y29	VO			30/S06	SCAINST0D	
4 GND D08, J08, P08, U08	70			40/G05	SCACLOK1D	
5 GND W02, W08, W27, W33	LA			50/J05	SCACLOK2D	
6 GND Y08, Y28	AB					
7 GND Z02, Z08, Z27, Z33	10					
8 *** UNUSED PINS ***	VCND					
9 -5V B06						
B1 +8.5 B11						
2 *****						

CONTROL UNIT - A2 BOARD
 CHANNEL ADAPTER D (BCC)
 PN= 4746259 EC= A06010
 LOC=1A-A2F2
 USN 00004 PRI=05JUN85 1542
 FUC= SEC
 PFUR=KSEB NEXTBLK AD
 MACH=SAGU
 CID KAA2 JOB P544753C

CA D CARD (TCC)



 ** IMPORTANT NOTICE **
 * THE CABLES THAT PLUG INTO POSITIONS W AND Z ARE *
 * ARE REPRESENTED ON MULTI-USAGE PAGES W0006 AND *
 * W0015 RESPECTIVELY. A NOTICE ON EACH PAGE *
 * DESCRIBES THE NET NAMING CONVENTION USED. *

 30T-YY

12-15179

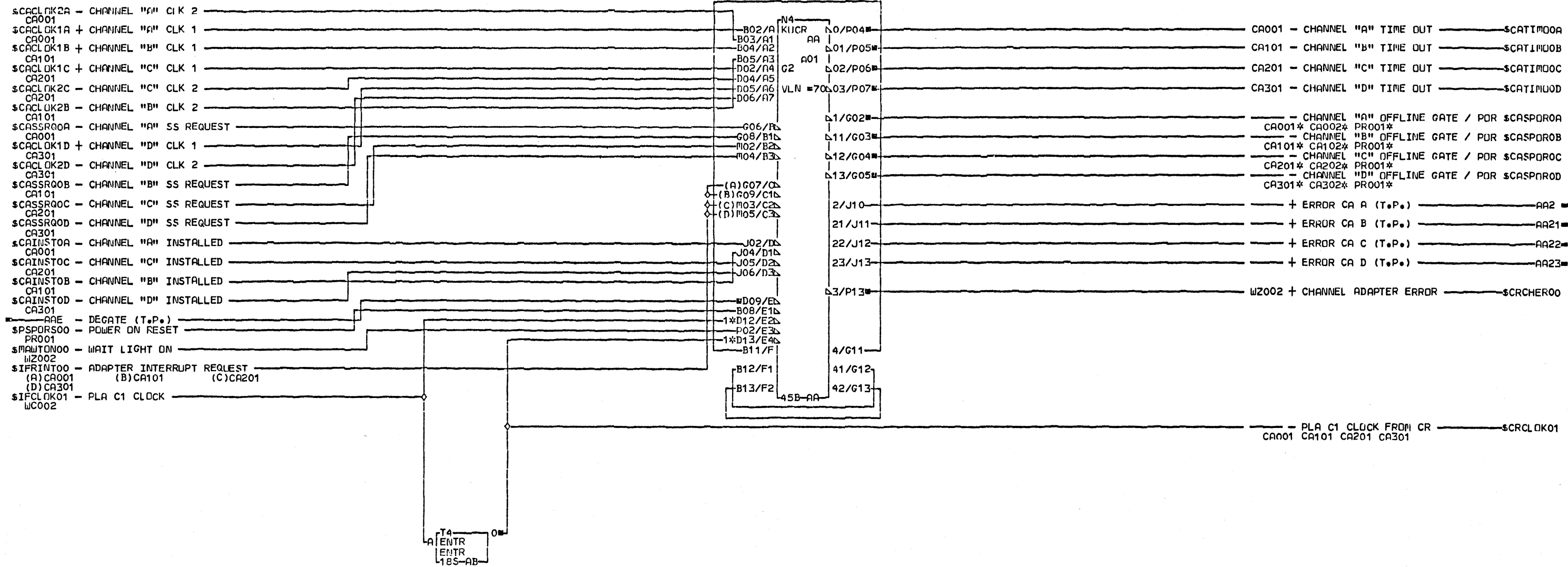
PINS
 RA
 20
 MA
 LA
 UTMON
 0001

CONTROL UNIT - A2 BOARD
 CHANNEL ADAPTER D (TCC)
 SHEET PN=4746260 EC=A06010
 LOC=1A-A2F2
 USN 00004 PRI=05JUN85 1542
 RUC= SEC
 PUPR=KSEB NEXTBLK YZ
 PACH=SRGU JUB R544753C
 CID KAR2

C
 A
 3
 0
 2
 0001

IBM CONFIDENTIAL
UNTIL GENERAL AVAILABILITY

0001 CR001

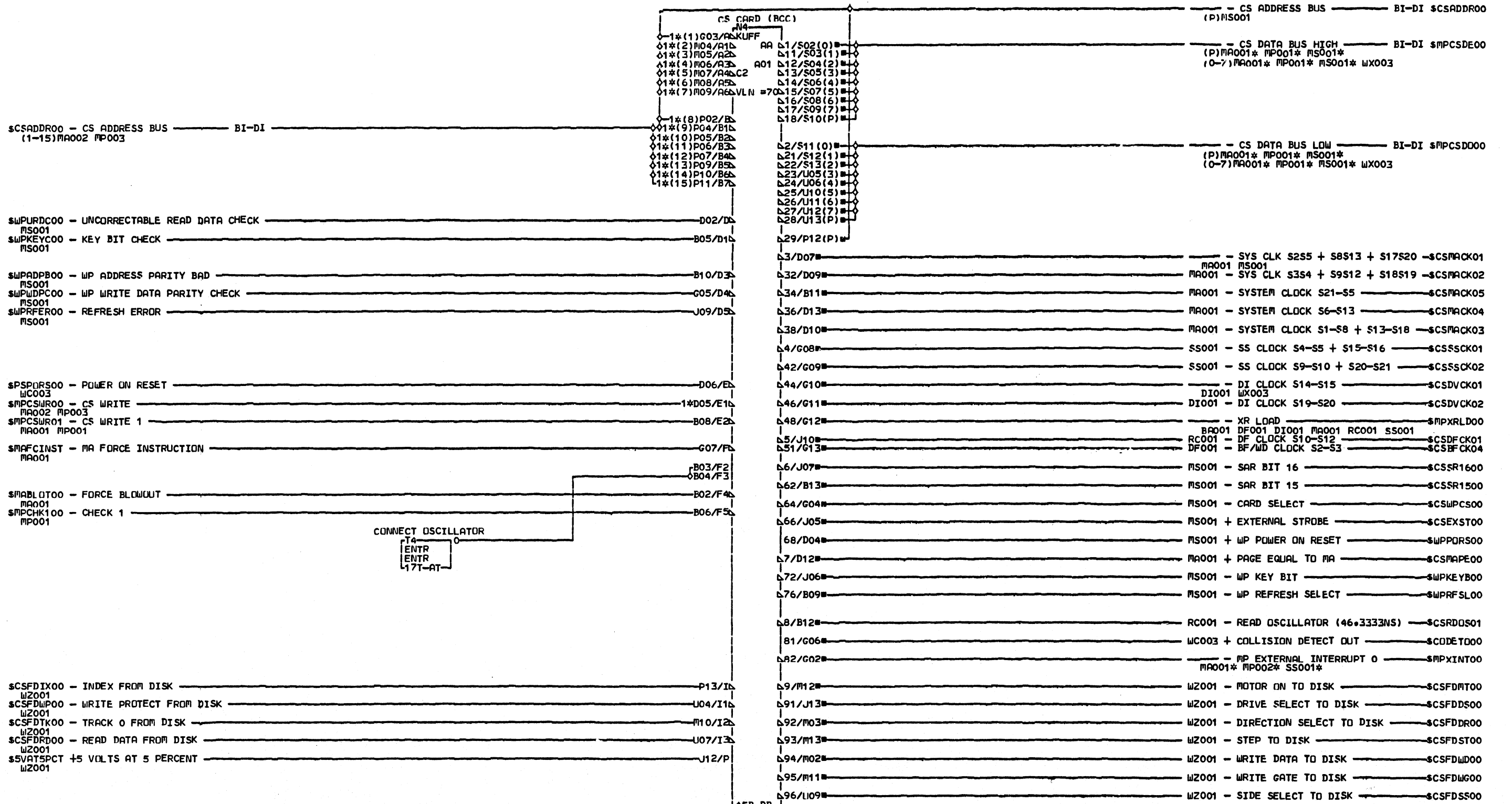


COMMENTS		PINS
A1	*** VOLTAGE PINS ***	AN
2	+5V D03, J03, P03, U03	E2
3	GND D08, J08, P08, U08	LA
4		E4
		HA
		LA

CONTROL UNIT - A2 BOARD
KICK CARD
PN= 8576408 EC= A15653
LDC=1A-A2G2
HSN 00003 PRI=30NOV84 1524
PUC= SEC
PFORM=KSHB NEXTBLK AC
MACH=SAGU
CID KAR2 JOB R544753B

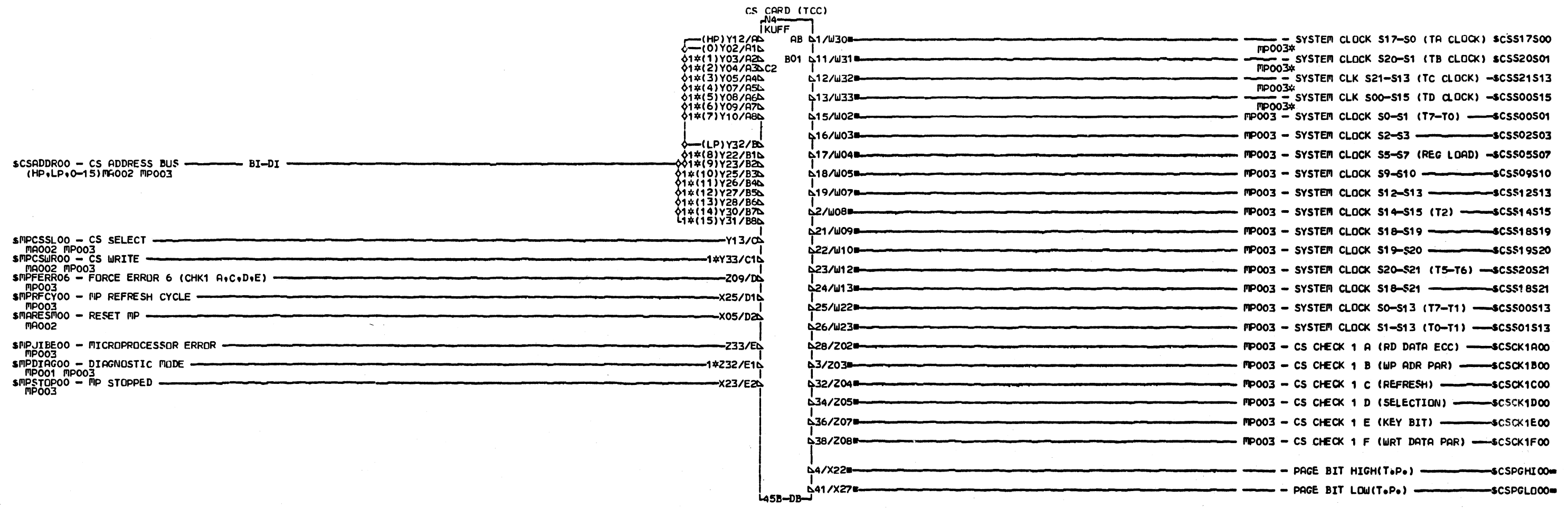
CR001

CR001



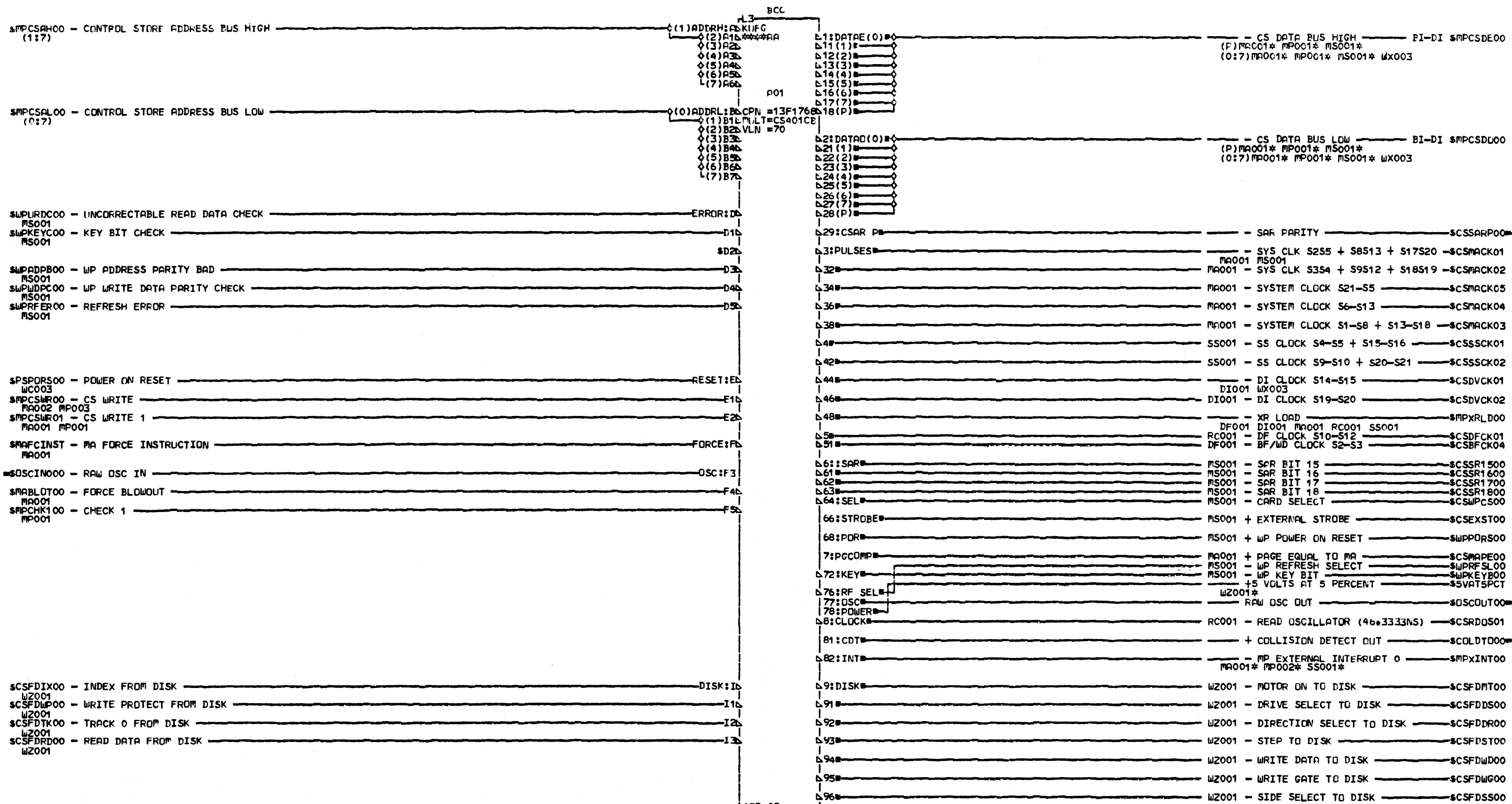
CS	SO	0	1	0001	COMMENTS	PINS	PINS	PINS	BUNDLES	BS-T	LINES	DESC	PINS	UNIT NAME
					*** VOLTAGE PINS ***	DB	LA	LA	AA10	SA	10/J11	AA10	SA	SA3A14
					2 +5V D03, J03, P03, U03	A0	A0	B7						
					3 GND D08, J08, P08, U08	LA	LA	LA						
					4 GND W06, W11, W24, W29	A1	B1	E1						
					5 GND X06, X11, X24, X29	LA	LA	LA						
					6 GND Y06, Y11, Y24, Y29	A2	B2	LA						
					7 GND Z06, Z11, Z24, Z29	LA	LA	LA						
					8-5V U02	A3	B3	LA						
						LA	LA	LA						
						A4	B4	LA						
						LA	LA	LA						
						A5	B5	LA						
						LA	LA	LA						
						A6	B6	LA						

CONTROL UNIT - A1 BOARD
 CS CARD - KUFF (BCC)
 PN= 4746261 EC= A06016
 LDC=1A-A1C2
 USN 00001 PRI=14DEC84 1601
 AUC= PFCRM=KSEB SEC NEXTBLK DC
 MACH=SAGU
 CID KAA1 JDB R776801H



	PINS	PINS	PINS	PINS
	DB	HA	B3	LA
	A2	LA	HA	B8
	HA	A7	LA	HA
	LA	HA	B4	LA
	A3	LA	HA	C1
	HA	A8	LA	HA
	LA	HA	B5	LA
	A4	LA	HA	E1
	HA	F1	LA	HA
	LA	HA	B6	
	A5	LA	HA	
	HA	B2	LA	
	LA	HA	B7	
	A6	LA	HA	

CONTROL UNIT - A1 BOARD
CS CARD - KUFF(TCC)
SHEET PN=4746262 EC=A06016
LDC=1A-A1C2
USN 00001 PRI=14DEC84 1601
AUC= PFORN=KSEB SEC NEXTLK DC
MACH=SAGU
CID KAA1 JOB P776801H



COMMENTS
 A0 ADD SRS 17 AND 18
 1 KVFD TO KVFE
 2 KVWP TO KVWQ

BUNDLES
 CBD2 \$MPCSEL00

CONTROL STORE & FLOPPY FILE
 PROTOTYPE BLOCK
 BOTTOM CARD CONNECTORS
 PN=13F1747 EC=A58284

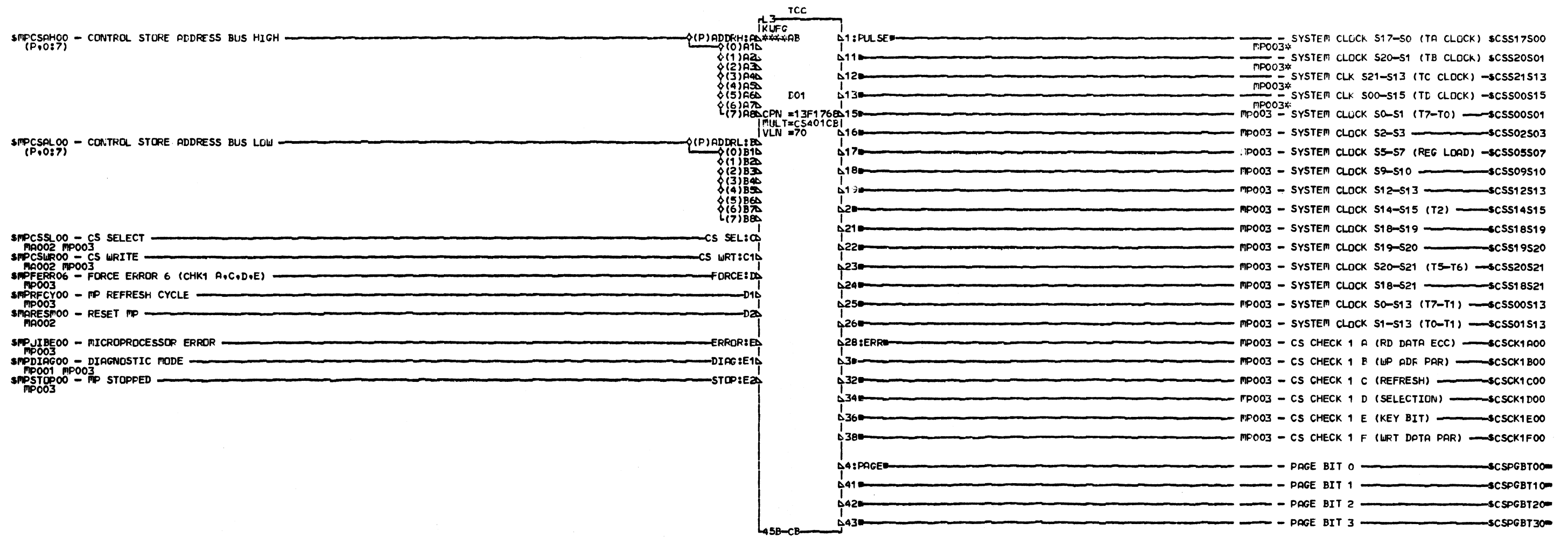
LDC=1A-A1C2

USN 00001 PRI=31AUG88 1307

AUC= SEC
 PFUR=KSHB NEXTBLK CC
 MACH=3480
 CID KAP1 JOB D852308B

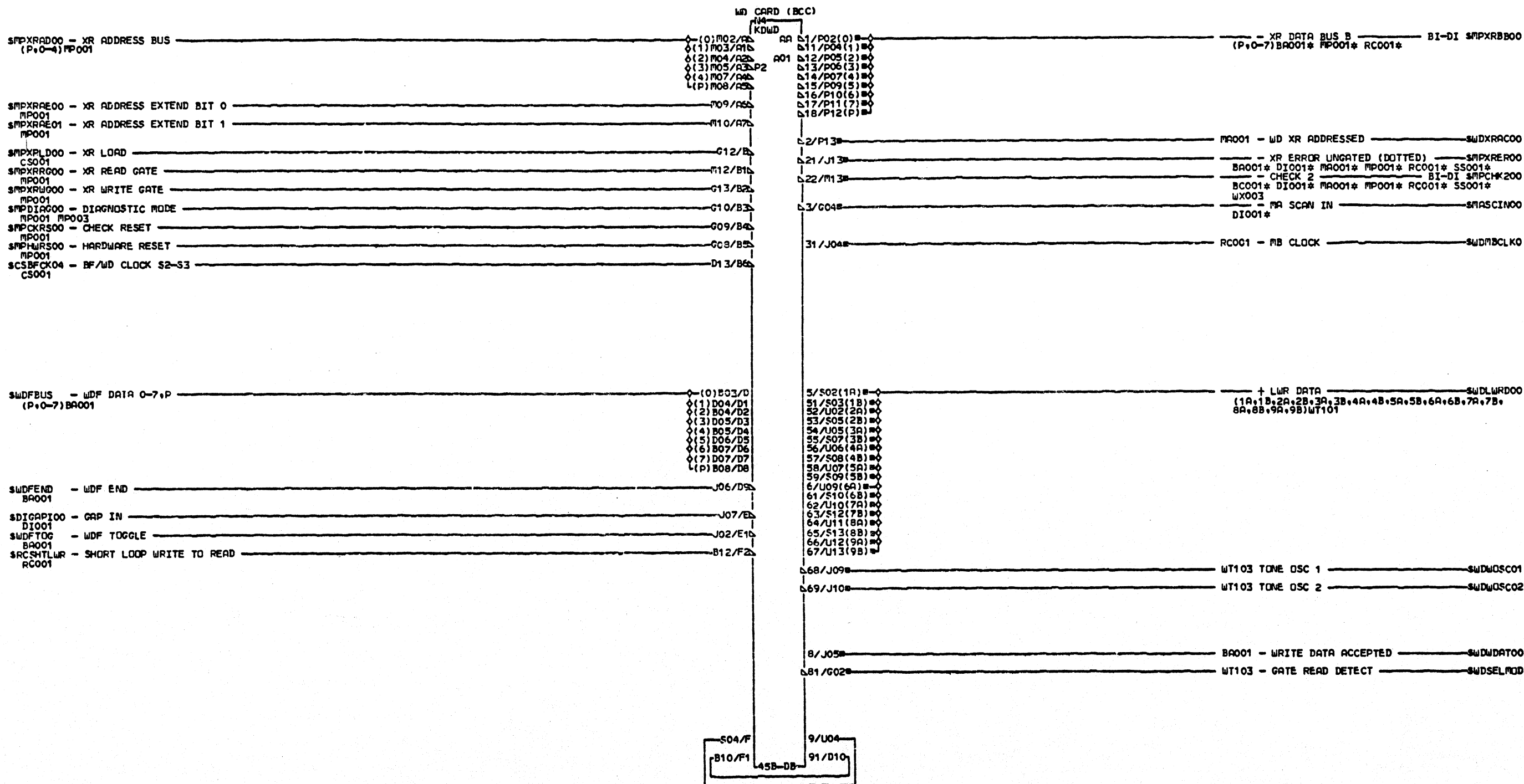
CS401
 0001

C
 S
 4
 0
 1
 0001



COMMENTS
 15AR PAGE HI TO BIT 2
 15AR PAGE LG TO BIT 3
 2ADD SAR PAGE BIT 0 & 1

CONTROL STORE & FLOPPY FILE
 PROTOTYPE BLOCK
 TOP CARD CONNECTORS
 PN=13F1748 EC=A58284
 LOC=1A-A1C2
 USN 00001 PRI=31AUG88 1307
 AUC= SFC
 PFORM=KSHB NEXTBLK CC
 MACH=3480
 CID KAR1 JOB 0852308B



12-15179

COMMENTS

A1	*** VOLTAGE PINS ***				
1	+5V	D03	J03	P03	U03
2	GND	D08	J08	P08	U08
3	GND	W06	W11	W24	W29
4	GND	X06	X11	X24	X29
5	GND	Y06	Y11	Y24	Y29
6	GND	Z06	Z11	Z24	Z29

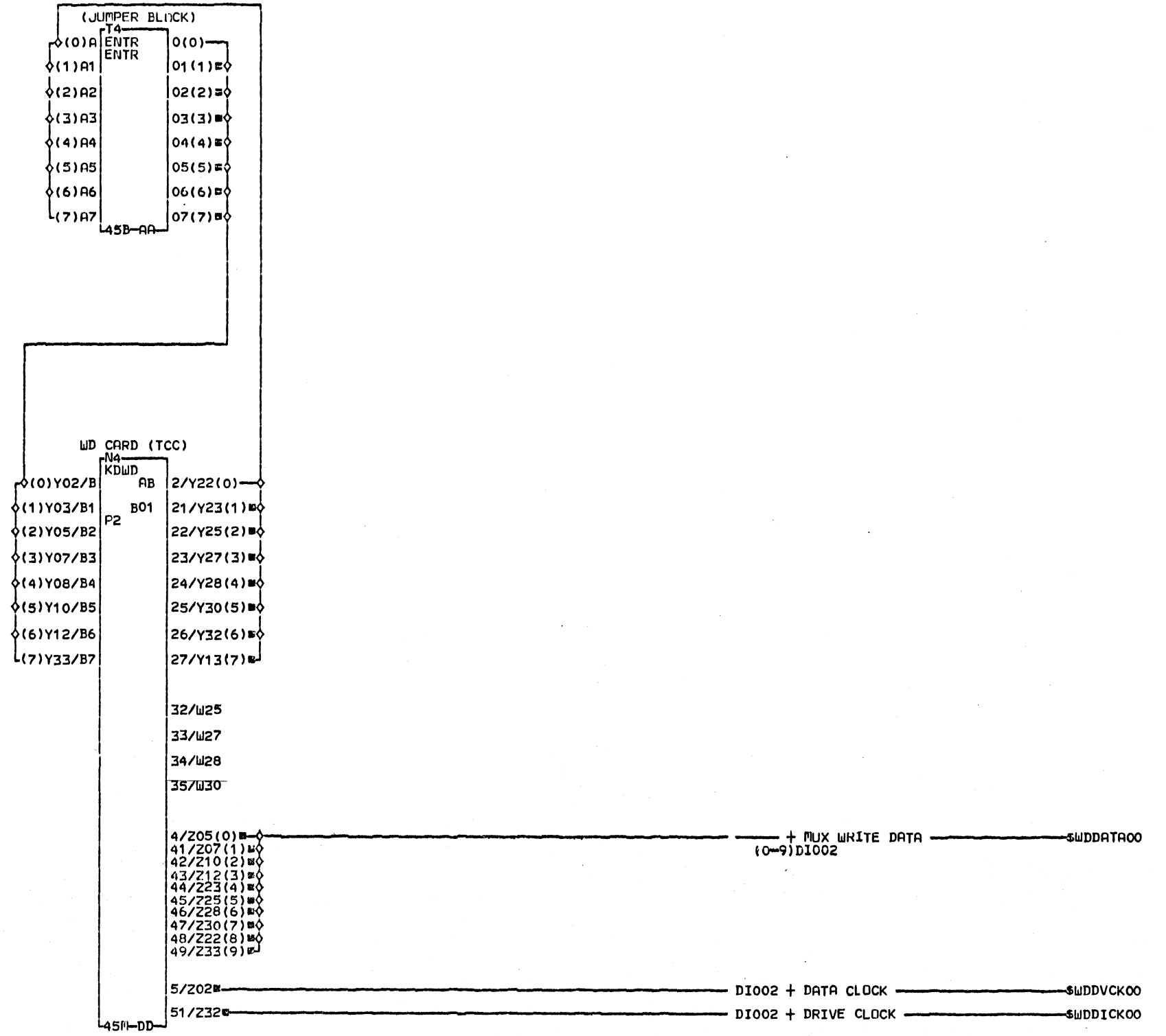
CONTROL UNIT - A1 BOARD
 WRITE DATA FLOW
 SHEET PN=4746263 EC=A06010
 LOC=1A-A1P2
 USN 00005 PRI=05JUN85 1542
 QUC= SEC
 PFUN=KSEB NEXTBLK DC
 MACH=SAGU
 CID KAA1 JOB R544753B

DF001

DF001

IBM CONFIDENTIAL
UNTIL GENERAL AVAILABILITY

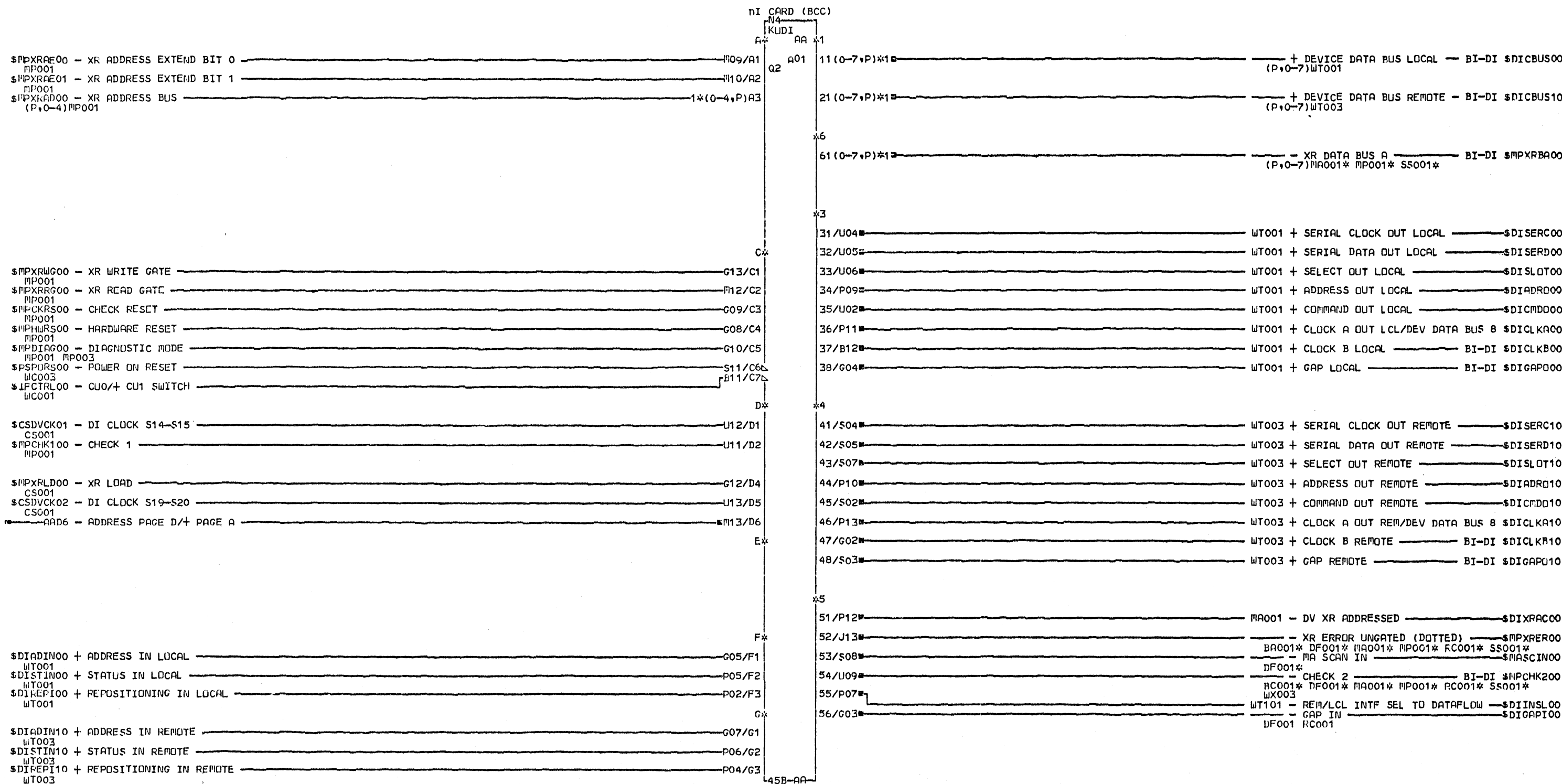
0001 DF002



0001

CONTROL UNIT - A1 BOARD
 WRITE DATA FLOW
 SHEET PN=4746264 EC=A15653
 LOC=1A-A1P2
 USN 00003 PRI=30NOV84 1523
 A/C= PFOR=KSHB SEC NEXTBLK DE
 MACH=SAGU
 CLD KAA1 JOB R544753A

DF002
0001



COMMENTS	PINS	PINS	PINS
A1 *** VOLTAGE PINS ***	AA	18/D12	64/J06
2 +5V D03, J03, P03, U03	A3/M02	19/D02	65/J07
3 GND D08, J08, P08, U08	A4/M03	21/B02	66/J09
4 GND B13, S13	A5/M04	22/B03	67/J10
5 GND U06, W11, W24, W29	A6/M05	23/B04	68/J11
6 GND X06, X11, X24, X29	A7/M07	24/B05	69/J12
7 GND Y06, Y11, Y24, Y29	A8/M08	25/B07	
8 GND Z06, Z11, Z24, Z29	11/D04	26/B08	
	12/D05	27/B09	
	13/D06	28/B10	
	14/D07	29/D13	
	15/D09	61/J02	
	16/D10	62/J04	
	17/D11	63/J05	

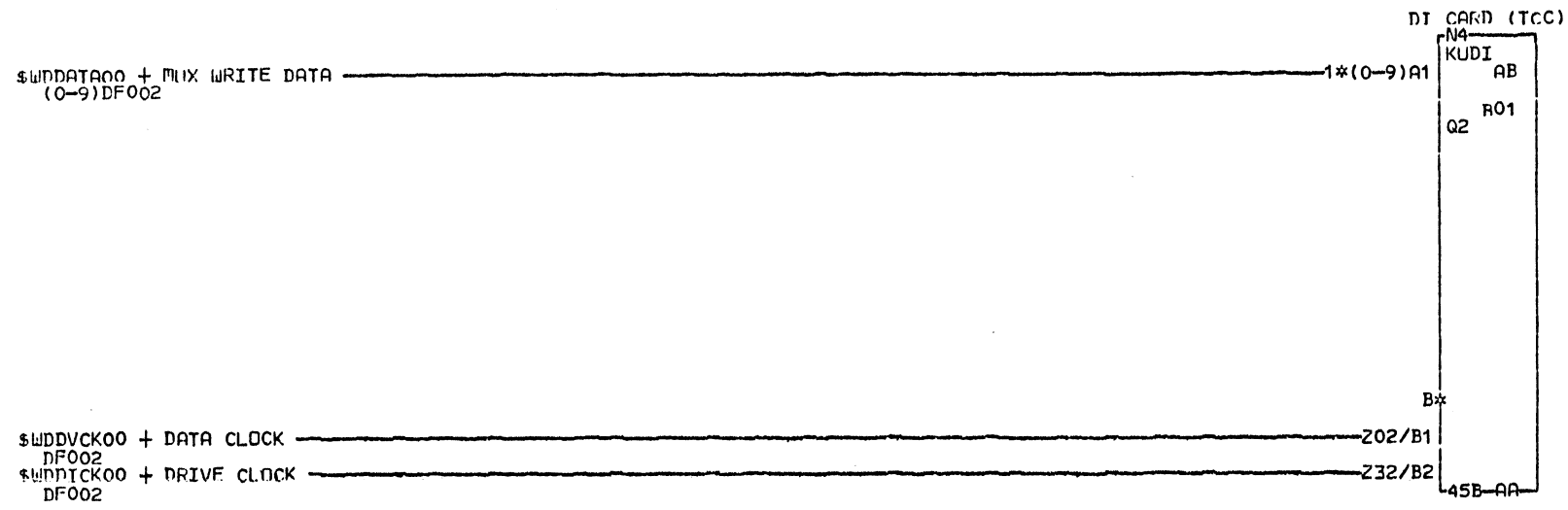
CONTROL UNIT - A1 BOARD
 BOTTOM CARD MACRO

PM= 4746265 EC= A15653

LOC=1A-A102

USN 00003 PRI=30NOV84 1523

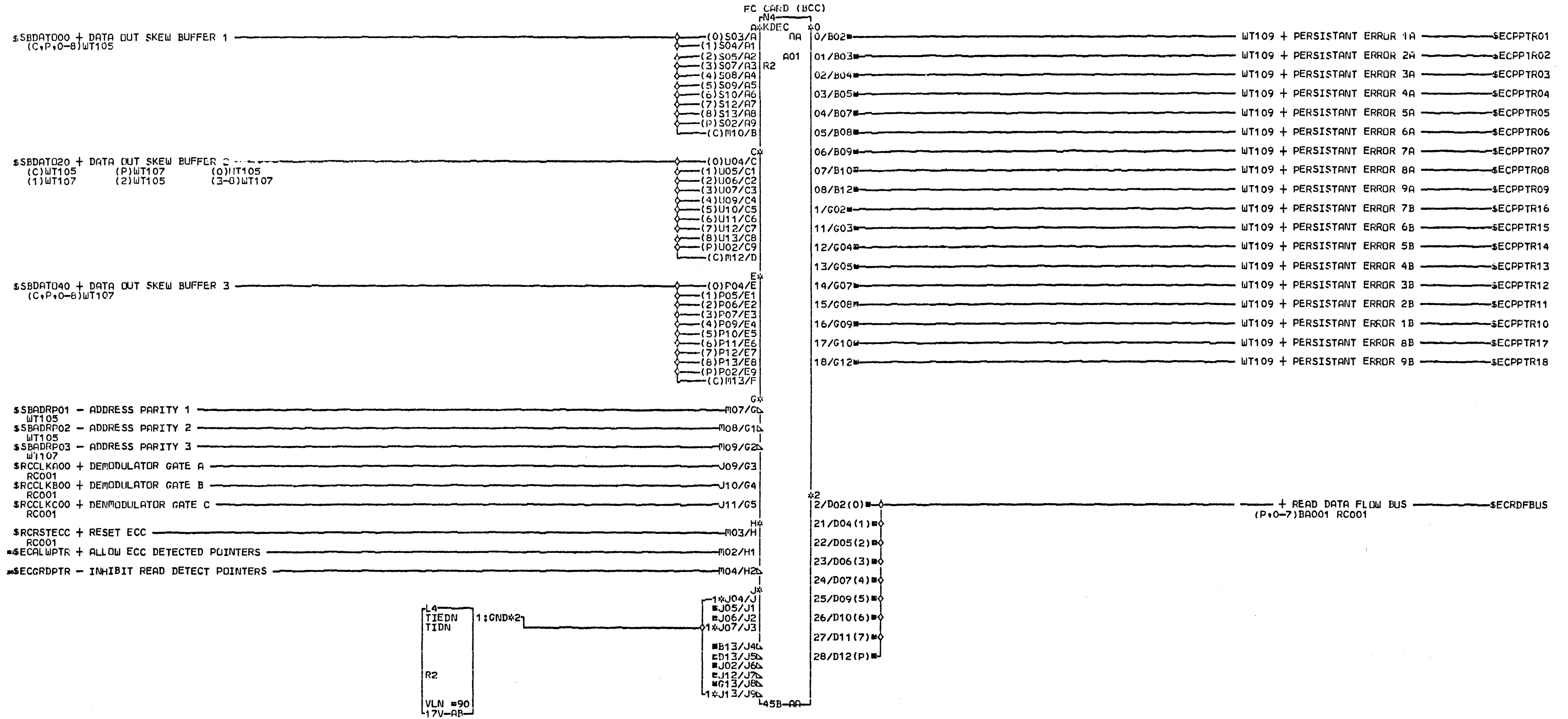
AUC= SEC
 PFDK=KSHB NEXTBLK AB
 MACH=SAGU
 CID KAA1 JOB R544753A



DIIS
AA
A1/Z05
A2/Z07
A3/Z10
A4/Z12
A5/Z23
A6/Z25
A7/Z28
A8/Z30
A9/Z22
A0/Z33
0001

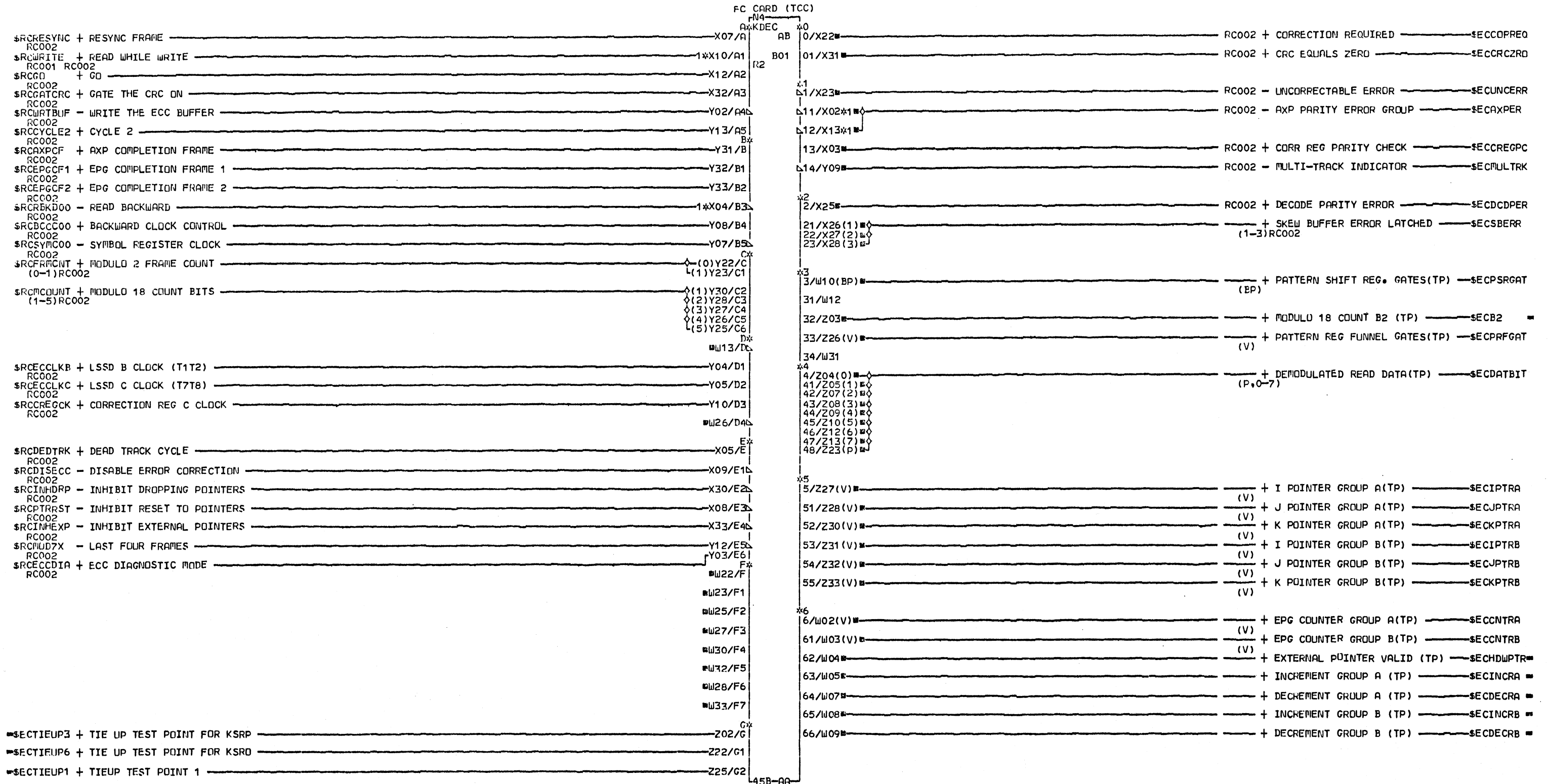
CONTROL UNIT - A1 BOARD
TOP CARD MACRO
PN= 4746266 EC= A15653
LUC=1A-A102
USN 00003 PRI=30NOV84 1523
PUC= SEC
PFORP=KSHB NEXTBLK AB
PACH=SAGU
CID KAA1 JOB R544753A

DI002
0001



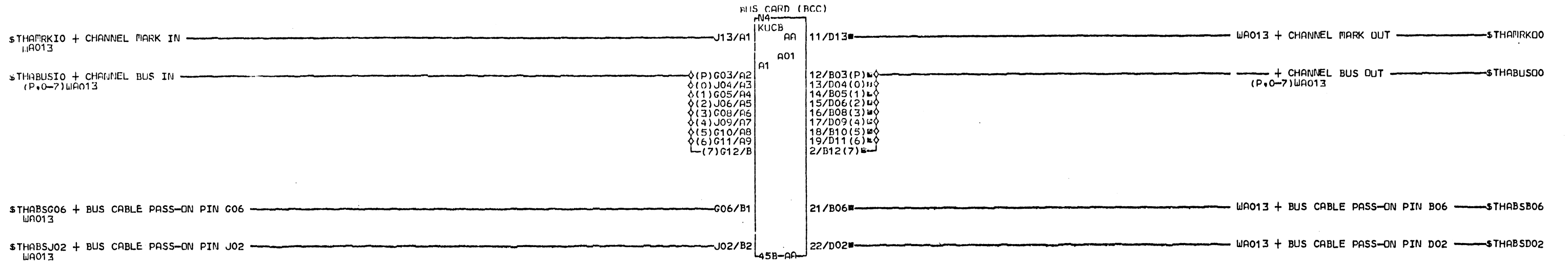
COMMENTS	PINS	CONNECTORS
R1	NA	NA1
2 +1.7V	B11, G11, M11, S11	0001\$1A-A1/R3D08
3 +5V	D03, J03, P03, U03	•PV•VO
4 GND	D08, J08, P08, U08	
5 GND	W06, W11, W24, W29	•VGND
6 GND	X06, X11, X24, X29	•VGND
7 GND	Y06, Y11, Y24, Y29	•VGND
8 GND	Z06, Z11, Z24, Z29	

CONTROL UNIT - A1 BOARD
ERROR CORRECTION (BCC)
SHEET PN=4746267 EC=A15653
LDC=1A-A1R2
USM 00003 PRI=30NDV84 1523
PJC= SEC
PFLRIP=KSHB NEXTBLK AC
MACH=SAGU
CID KAA1 JOB R544753A



PINS
AA
A1
•HA
B3
•HB
11
•HA
12
•HB
E
C
C
O
O
2
0001

CONTROL UNIT - A1 BOARD
ERROR CORRECTION (TCC)
SHEET PN=4746268 EC=A15653
LOC=1A-A1R2
USN 00003 PRI=30NOV84 1523
ALIC= SEC
PFORM=KSHB NEXTBLK AB
MACH=5AGU
CID KAR1 JOB R544753A
E
C
C
O
O
2
0001



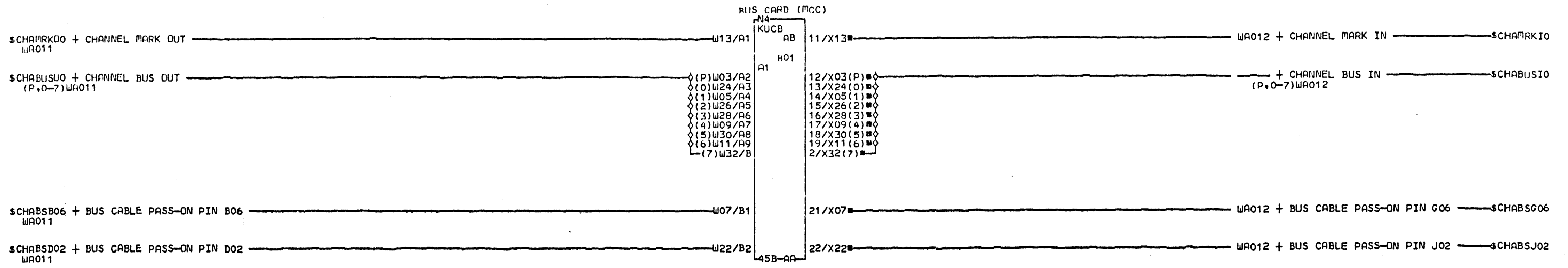
D

 *
 * *** IMPORTANT NOTICE ***
 *
 * MULT-USAGE PAGE: FOR "A" CHANNEL USE AS SHOWN *
 *
 * FOR "B" CHANNEL USE AS LOCATION 1A-T1B1 *
 *
 * FOR "C" CHANNEL USE AS LOCATION 1A-T1C1 *
 *
 * FOR "D" CHANNEL USE AS LOCATION 1A-T1D1 *
 *

 30T-WX

COMMENTS
 A1 *** VOLTAGE PINS ***
 2 +5V Y4-1, Y4-2
 3 GND Y4-7, Y4-8
 4 CABLE GNDS UN CABLE PAGES

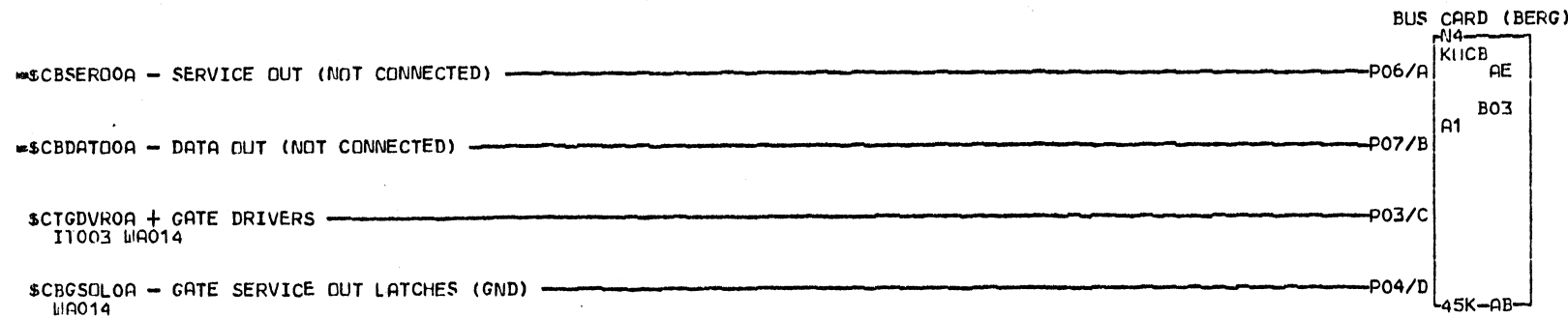
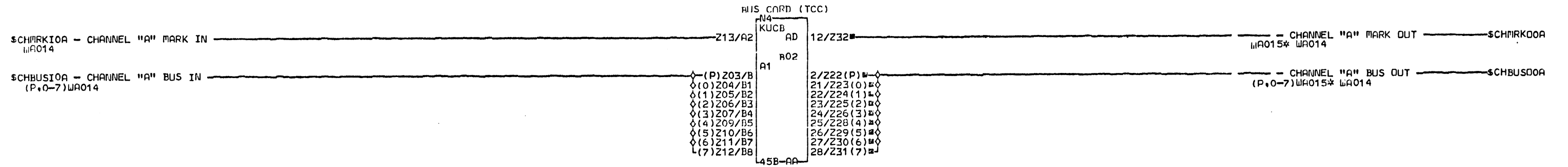
CONTROL UNIT - TAILGATE
 CARD KUICB (BCC)
 SHEET PN=4746269 EC=A15653
 LUC=1A-T1A1
 USN 00001 PRI=30NDV84 1335
 AUC= SEC
 PFURN=KSEB NEXBLK WY
 MACH= JOB R776801P
 CID KTGT



D

 * *** IMPORTANT NOTICE *** *
 * MULTI-USAGE PAGE: FOR "A" CHANNEL USE AS SHOWN *
 * FOR "B" CHANNEL USE AS LOCATION 1A-T1B1 *
 * FOR "C" CHANNEL USE AS LOCATION 1A-T1C1 *
 * FOR "D" CHANNEL USE AS LOCATION 1A-T1D1 *
 * *****
 30T-WX

CONTROL UNIT - TAILGATE
 CARD KUCB (MCC)
 SHEET PN#4746270 EC#A15653
 LOC#1A-T1A1
 USN 00001 PRI#30NOV84 1335
 AUC# SEC
 PFORM#KSEB NEXTBLK WY
 MPCH#
 CID KTGT JOB R776801P



```

D
*****
*                               *
*          *** IMPORTANT NOTICE ***          *
*                               *
* MULTI-USAGE PAGE: FOR "A" CHANNEL USE AS SHOWN *
* FOR "B" CHANNEL USE AS LOCATION 1A-T1B1      *
* FOR "C" CHANNEL USE AS LOCATION 1A-T1C1      *
* FOR "D" CHANNEL USE AS LOCATION 1A-T1D1      *
*                               *
*****
30T-WX
  
```

CONTRL UNIT - TAILGATE
 CARD KUCB (TCC)
 SHEET PN=4746271 EC=A15653
 LOC=1A-T1A1
 USN 00001 PRI=30NOV84 1335
 PUC= SFC
 PFORN=KSEB NEXTBLK WY
 MACH=
 CID KTGT JOB F776801P

TAG CARD (RCC)

IN SIGNAL	LOC	LOC	OUT SIGNAL
\$THAOPRIO + CHANNEL OPERATIONAL IN WA003	B03/A	1/J13	WA003 + CHANNEL OPERATIONAL OUT ——— \$THAOPROO
\$THAADDIO + CHANNEL ADDRESS IN WA003	B05/A1	11/B10	WA003 + CHANNEL ADDRESS OUT ——— \$THAADD00
\$THASELIO + CHANNEL SELECT IN WA003	B08/A2	12/D09	WA003 + CHANNEL SELECT OUT ——— \$THASEL00
\$THAREQIO + CHANNEL REQUEST IN WA003	J06/A3	13/G12	WA003 + CHANNEL HOLD OUT ——— \$THAHLDOO
\$THASTAIO + CHANNEL STATUS IN WA003	D04/A4	14/D11	WA003 + CHANNEL COMMAND OUT ——— \$THACMD00
\$THASERIO + CHANNEL SERVICE IN WA003	D06/A5	15/D13	WA003 + CHANNEL SERVICE OUT ——— \$THASER00
\$THADATIO + CHANNEL DATA IN WA003	G08/A6	16/G10	WA003 + CHANNEL DATA OUT ——— \$THADAT00
\$THADSCIO + CHANNEL DISCONNECT IN WA003	J11/A7	17/B12	WA003 + CHANNEL SUPPRESS OUT ——— \$THASUP00
\$THAMETIO + CHANNEL METERING IN WA003	G05/A8	18/J04	WA003 + CHANNEL METERING OUT ——— \$THAMET00
\$THASPECO + CHANNEL SPECIAL USE WA003	J09/A9	19/G03	WA003 + CHANNEL CLOCK OUT ——— \$THACLK00
\$THATGG06 + TAG CABLE PASS-ON PIN G06 WA003	G06/B	2/B06	WA003 + TAG CABLE PASS-ON PIN B06 ——— \$THATGB06
\$THATGJ02 + TAG CABLE PASS-ON PIN J02 WA003	J02/B1	21/D02	WA003 + TAG CABLE PASS-ON PIN D02 ——— \$THATGD02

D

*
* *** IMPORTANT NOTICE *** *
*
* MULT-USAGE PAGE: FOR "A" CHANNEL USE AS SHOWN *
* FOR "B" CHANNEL USE AS LOCATION 1A-T1B3 *
* FOR "C" CHANNEL USE AS LOCATION 1A-T1C3 *
* FOR "D" CHANNEL USE AS LOCATION 1A-T1D3 *
*

30T-WX

COMMENTS
A1 *** VOLTAGE PINS ***
2 -5V Y4-4
3 +5V Y4-7, Y4-8
4 +8.5V Y4-6
5 CND Y4-1, Y4-2
6 CABLE GNDS IN CABLE PAGES

CONTROL UNIT - TAILGATE
CARD KUCT (RCC)
SHEET PN=4746272 EC=A15653
LOC=1A-T1A3
USN 00001 PRI=30NOV84 1335
AUC= SFC
PFDFM=KSEB NEXTBLK WY
MACH= NEXTBLK WY
CID KTGT JOB R776801P

TAG CARD (MCC)

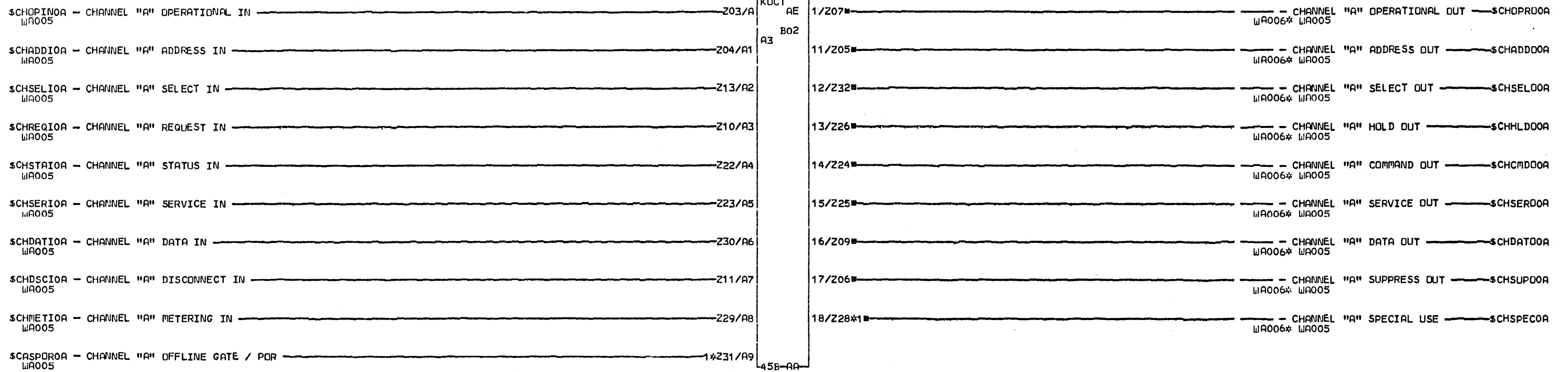
Channel Name	Location	Tag Card (MCC)	Channel Name	Location
\$CHADPROO + CHANNEL OPERATIONAL OUT WA002	X13/A	1/W03	WA001 + CHANNEL OPERATIONAL IN	\$CHADPROO
\$CHADDDUO + CHANNEL ADDRESS OUT WA001	W30/A1	11/W05	WA001 + CHANNEL ADDRESS IN	\$CHADDDIO
\$CHASELOO + CHANNEL SELECT OUT WA001	W09/A2	12/W28	WA001 + CHANNEL SELECT IN	\$CHASELIO
\$CHAHLDOO + CHANNEL HOLD OUT WA002	X32/A3	13/226	WA002 + CHANNEL REQUEST IN	\$CHAREGIO
\$CHACMDOO + CHANNEL COMMAND OUT WA001	W11/A4	14/W24	WA001 + CHANNEL STATUS IN	\$CHASTAIO
\$CHASEROO + CHANNEL SERVICE OUT WA001	W13/A5	15/W26	WA001 + CHANNEL SERVICE IN	\$CHASERIO
\$CHADATOO + CHANNEL DATA OUT WA002	X30/A6	16/X28	WA002 + CHANNEL DATA IN	\$CHADATIO
\$CHASUPDO + CHANNEL SUPPRESS OUT WA001	W32/A7	17/X11	WA002 + CHANNEL DISCONNECT IN	\$CHADSCIO
\$CHAMETOO + CHANNEL METERING OUT WA002	X24/A8	18/X05	WA002 + CHANNEL METERING IN	\$CHAMETIO
\$CHACLKOO + CHANNEL CLOCK OUT WA002	X03/A9	19/X09	WA002 + CHANNEL SPECIAL USE	\$CHASPECO
\$CHATGB06 + TAG CABLE PASS-ON PIN B06 WA001	W07/B	2/X07	WA002 + TAG CABLE PASS-ON PIN G06	\$CHATGG06
\$CHATGD02 + TAG CABLE PASS-ON PIN D02 WA001	W22/B1	21/X22	WA002 + TAG CABLE PASS-ON PIN J02	\$CHATGJ02

D

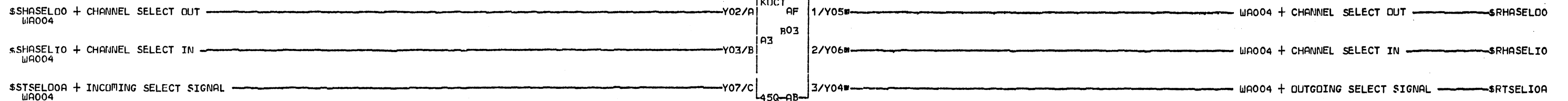
* *** IMPORTANT NOTICE *** *
* MULTI-USAGE PAGE: FOR "A" CHANNEL USE AS SHOWN *
* FOR "B" CHANNEL USE AS LOCATION 1A-T1B3 *
* FOR "C" CHANNEL USE AS LOCATION 1A-T1C3 *
* FOR "D" CHANNEL USE AS LOCATION 1A-T1D3 *
* *****
30T-WX

CONTROL UNIT - TAILGATE
CARD KUCT (MCC)
SHEET PN=4746273 EC=A15653
LOC=1A-T1A3
USN 0001 PRI=30NDV84 1335
AUC= SEC
PFORM=KSEB NEXTBLK WY
MACH=
CID KTGT JOB R776801P

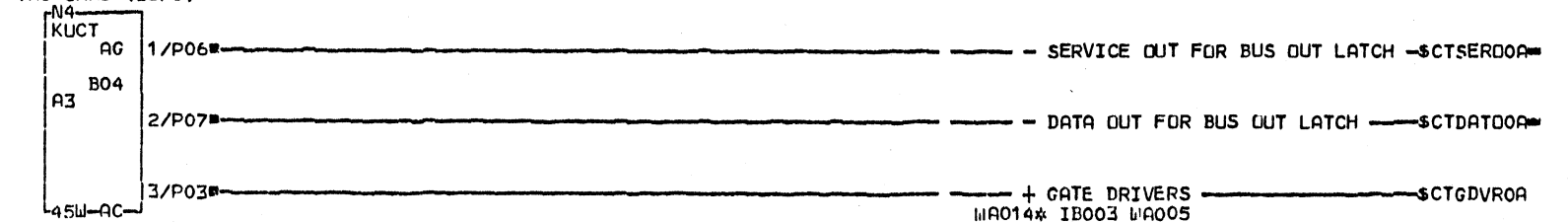
TAG CARD (TCC)



TAG CARD (BERG)



TAG CARD (BERG)



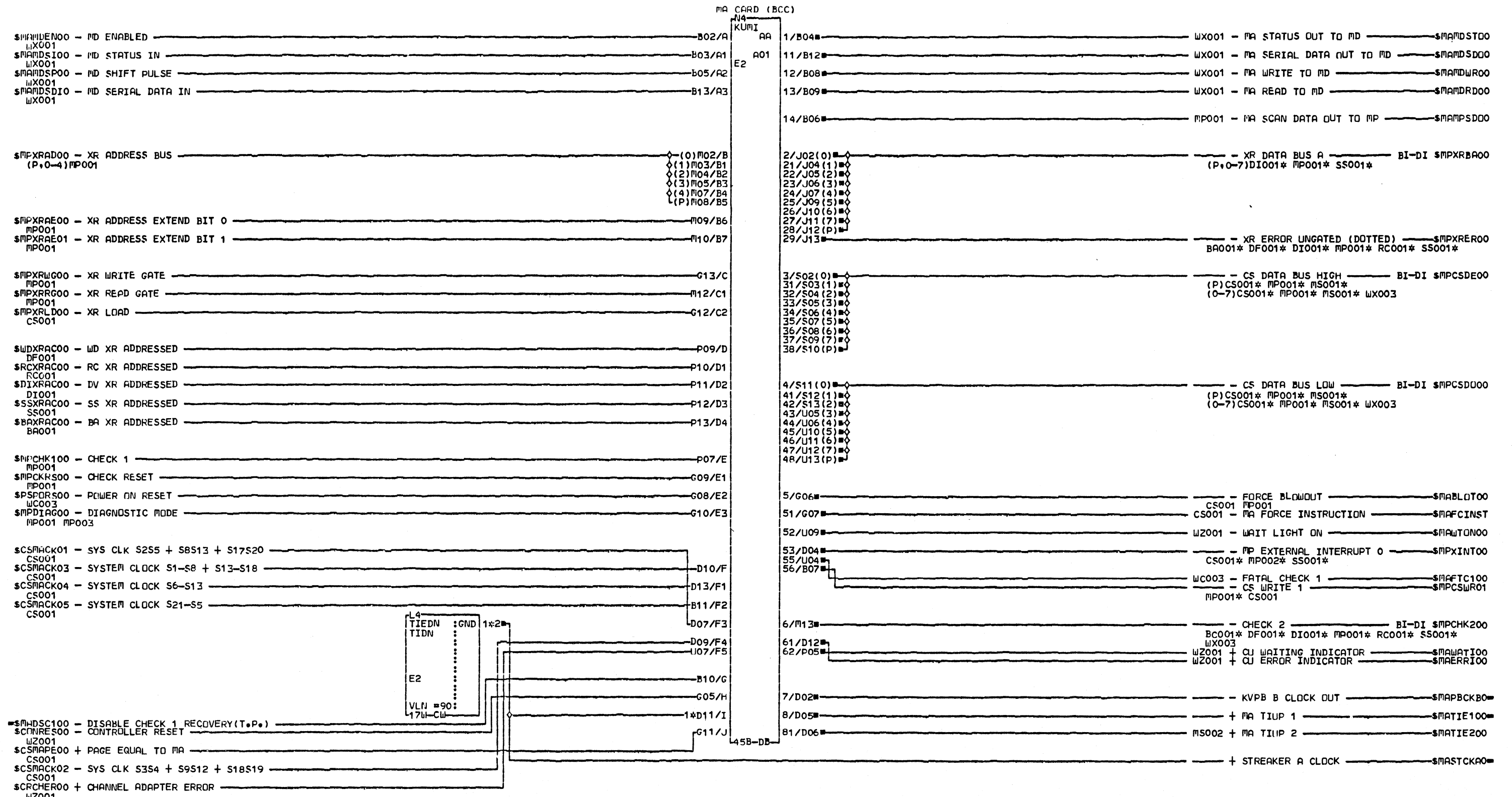
```

D
*****
*          *** IMPORTANT NOTICE ***          *
*  MULT-USAGE PAGE: FOR "A" CHANNEL USE AS SHOWN  *
*  FOR "B" CHANNEL USE AS LOCATION 1A-T1B3      *
*  FOR "C" CHANNEL USE AS LOCATION 1A-T1C3      *
*  FOR "D" CHANNEL USE AS LOCATION 1A-T1D3      *
*  *****                                       *
*  15X-WX                                       *
  
```

PINS
AA
A9
•FA
•LA
18
•FA
•LA
IT003
0001

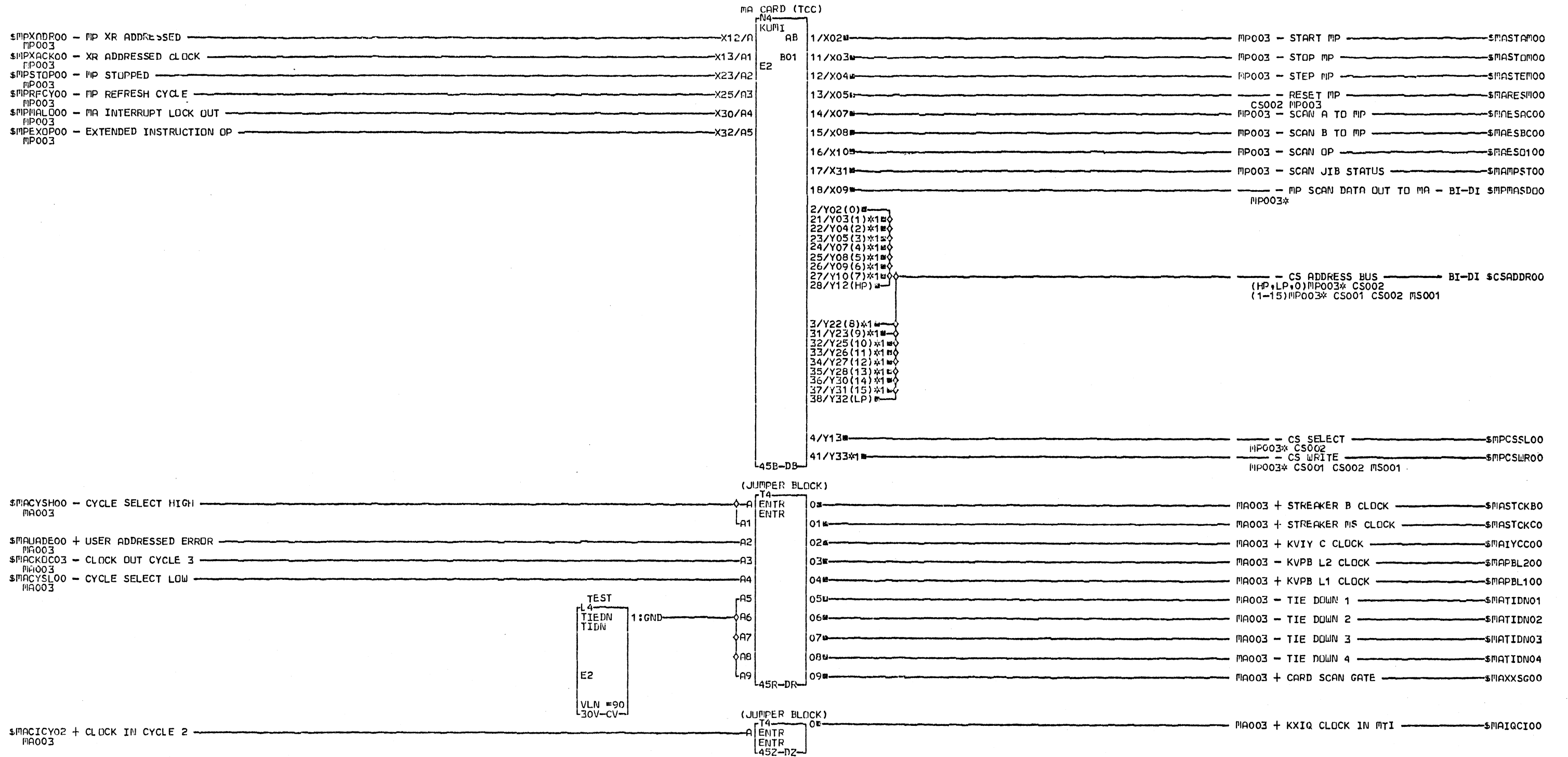
CONTROL UNIT - TAILGATE
CARD KUCT (TCC)
SHEET PN=4746274 EC=A15653
LDC=1A-T1A3
USN 00001 PRI=30NOV84 1335
ALIC= SEC
PFUR=KSEB NEXTBLK WY
MACH= JOB R776801P
CID KTGT

IT003
0001



MA001	COMMENTS	PINS	CONNECTORS
A1	*** VOLTAGE PINS ***	DB	\$MASTCKAO
2	-5V M06	IO	0001 \$1A-A1/E2D08
3	+5V D03, J03, P03, U03	•VGN	•PV•VO
4	+8.5V M11		
5	GND D08, J08, P08, U08		
6	GND W06, W11, W24, W29, W32		
7	GND X06, X11, X24, X29		
8	GND Y06, Y11, Y24, Y29		
9	GND Z06, Z11, Z24, Z29		

CONTROL UNIT - A1 BOARD		MA CARD - KUMI(BCC)	
PN= 4746275	EC= A06016		
LOC=1A-A1E2			
USN 00001	PRI=14DEC84 1601		
AUC=	SEC		
PFORM=KSEB	NEXTBLK DC		
MACH=SAGU			
CID KAA1	JDB R776801H		

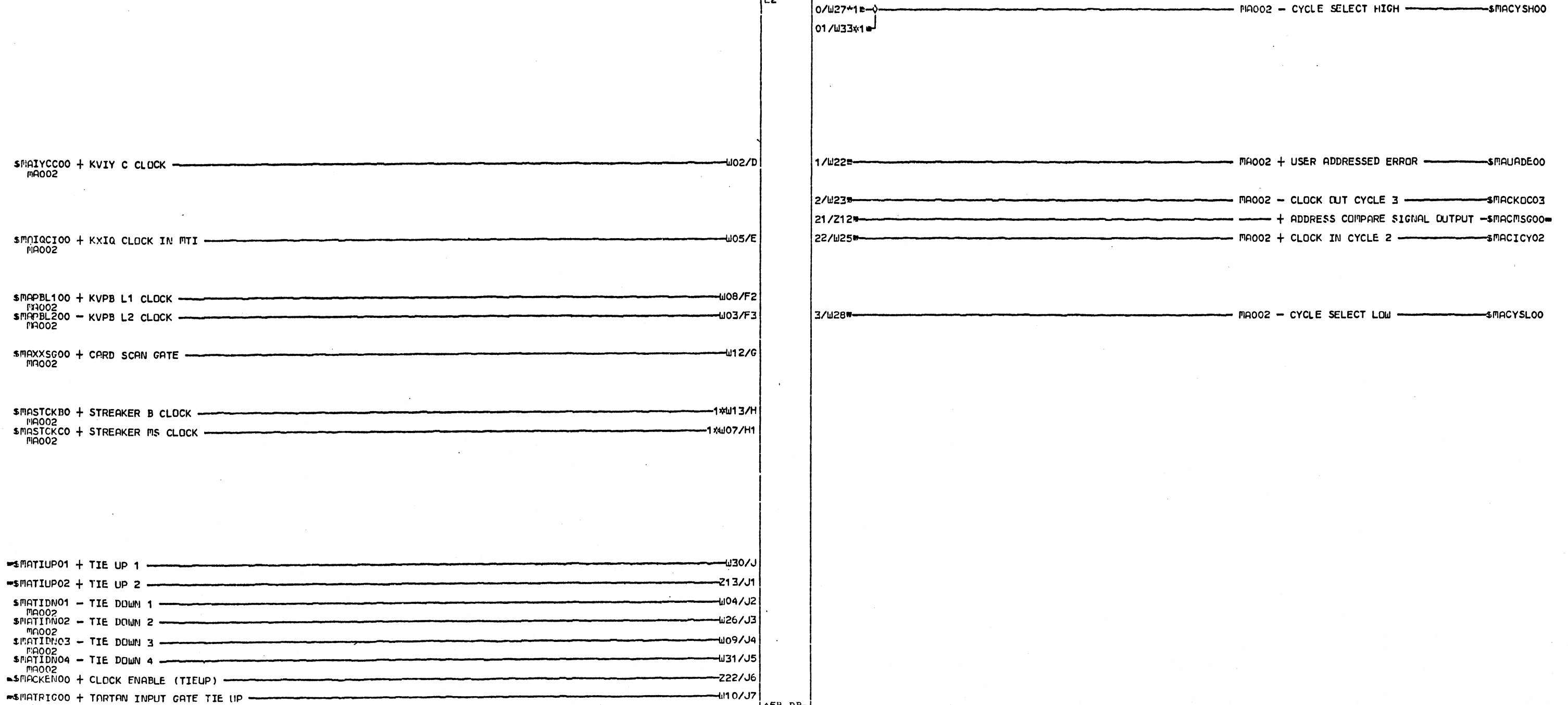


PINS	PINS	PINS
DB	HA	HA
21	30	37
HA	HA	HA
22	31	41
HA	HA	HA
23	32	
HA	HA	
24	33	
HA	HA	
25	34	
HA	HA	
26	35	
HA	HA	
27	36	

CONTROL UNIT - A1 BOARD
MA CARD - KUMI (TCC)
SHEET PN=4746276 EC=A15653
LOC=1A-A1E2
USM 00003 PRI=30NOV84 1523
CUC= SEC
PFUR=KSHB NEXTBLK DO
MACH=SACU
CID KAA1 JOB R544753A

MA CARD (TCC)

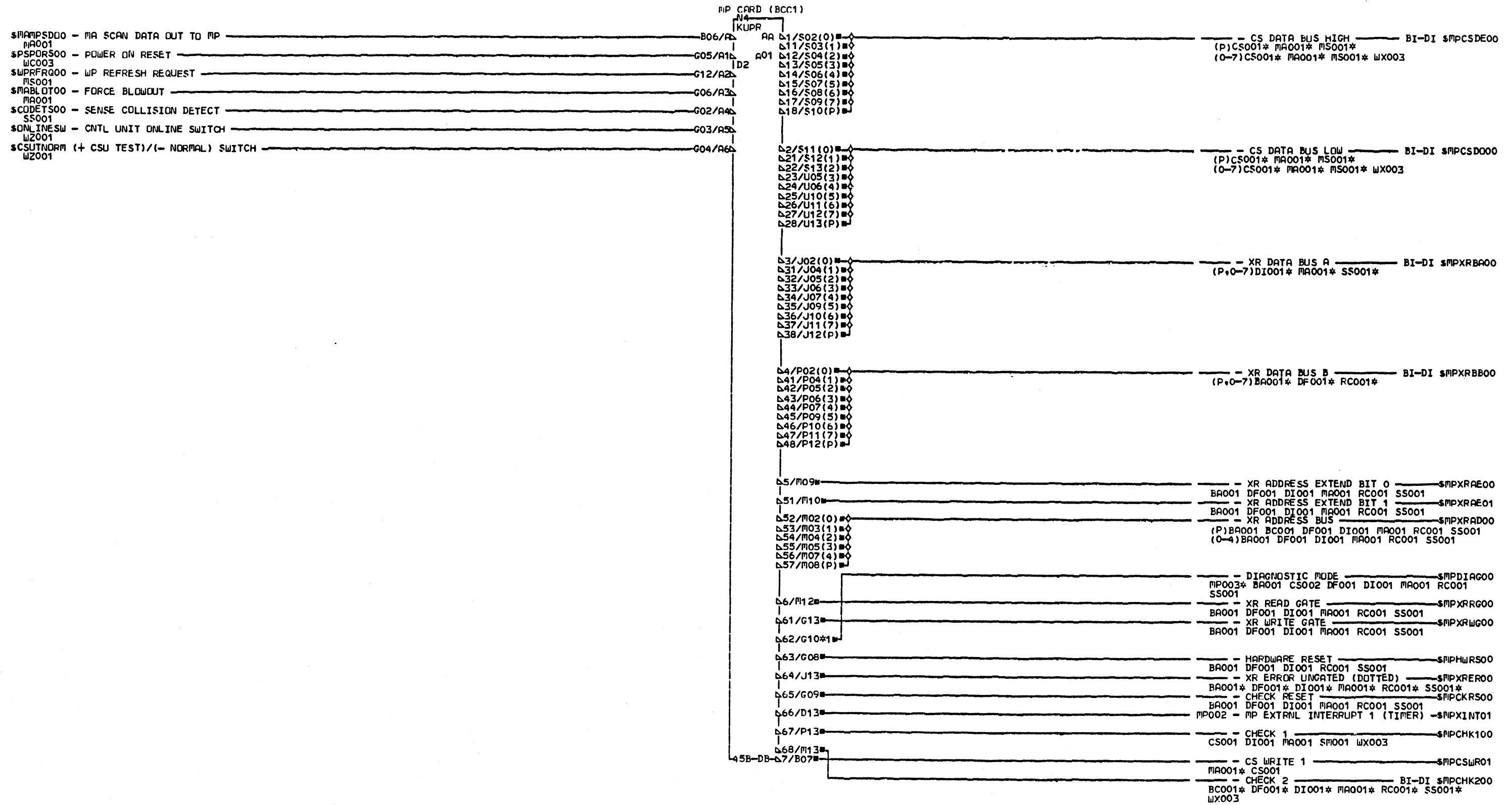
NA
KUPI
NE
BO2
E2



0001
M
A
O
O
3

CONTROL UNIT - A1 BOARD
MA CARD - KUPI(TCC)
SHEET PN=4746277 EC=A15653
LOC=1A-R1E2
USN 00003 PRI=30NOV84 1523
RUC# SEC
PFOR#KSHB NEXTBLK DC
MACH=SAGU JUB R544753A

M
A
O
O
3
0001



	COMMENTS	PINS
A1	*** VOLTAGE PINS ***	DB
2	+1.7V B11, G11	62
3	+5V D02, D03, J03, P03	.LA
4	+5V U02, U03, U04	
5	GND D07, D08, G07, J08	
6	GND P08, U07, U08, U09	
7	GND W06, W11, W24, W29	
8	GND X06, X11, X24, X29	
9	GND Y06, Y11, Y24, Y29	
B1	GND Z06, Z11, Z24, Z29	

MP001

CONTROL UNIT - A1 BOARD
MP CARD - KUPR(BCC)

PN# 4746278 EC# A06016

LOC=1A-A1D2

USN 00001 PRI=14DEC84 1601

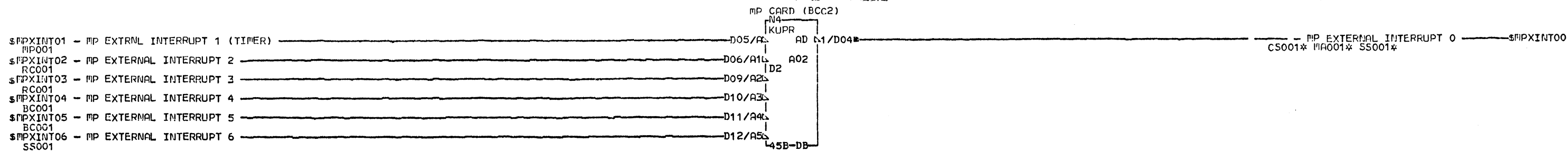
AUC= SEC

PFDRM=KSEB# NEXTBLK DC

MACH=SAGU

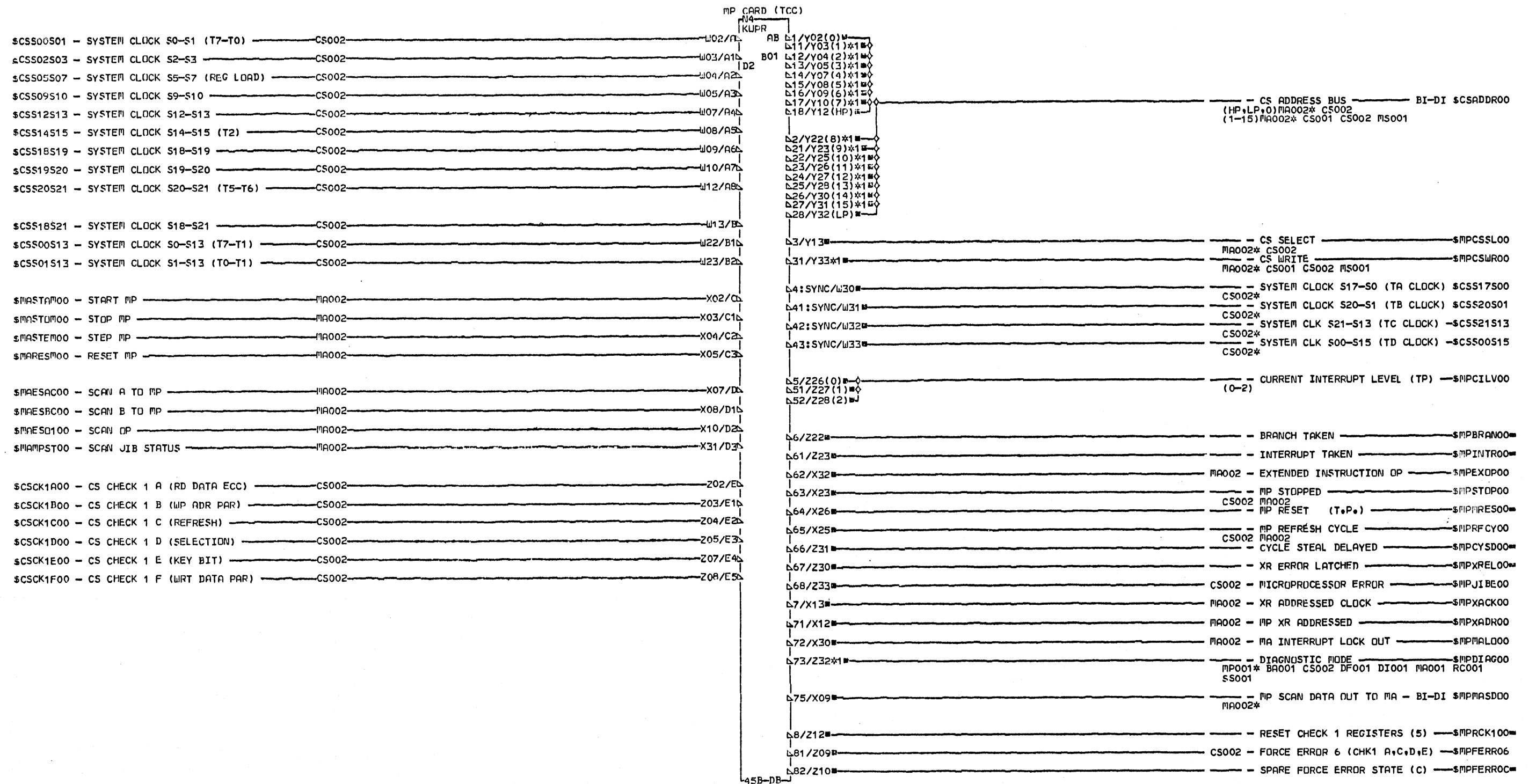
CID KAA1 JDB R776801H

MP001



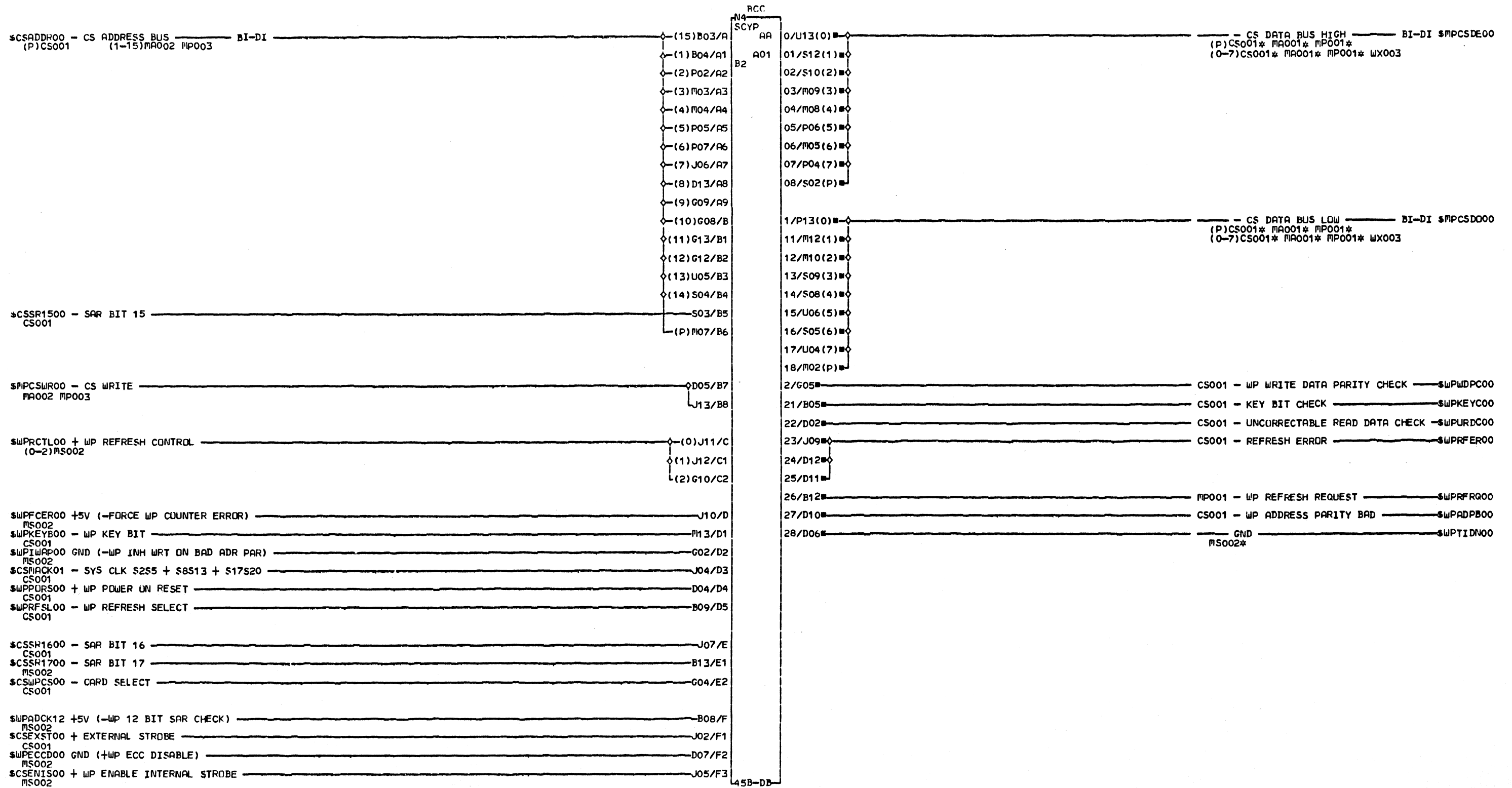
EXTERNAL INTERRUPT 0 IS ACTUALLY AN INPUT TO THE CARD BUT IS SHOWN AS AN OUTPUT BECAUSE EDS REQUIRES COMMON I/O TO BE ON THE RIGHT SIDE OF THE BLOCK

CONTROL UNIT - A1 BOARD
MP CARD - KUPR(BCC)
PN= 4746279 EC= A15653
LOC=1A-A1D2
USN 00003 PRI=30NDV84 1523
ALIC= SEC
PFURM=KSHB NEXTBLK DC
MACH=SACU
CID KAA1 JOB R544753A



PINS	PINS	PINS
DB	HA	HA
11	20	27
HA	HA	HA
12	21	31
HA	HA	HA
13	22	73
HA	HA	HA
14	23	LA
HA	HA	
15	24	
HA	HA	
16	25	
HA	HA	
17	26	

CONTROL UNIT - A1 BOARD		
MP CARD - KUPR(TCC)		
PN= 4746280	EC= A15653	
LOC=1A-A1D2		
USN 00003	PRI=30NOV84 1523	M P O O 3
AUC=	SEC	
PFDRM=KSHB	NEXTBLK DC	
MACH=SAGU	JOB R544753A	
CID KAA1		0001



COMMENTS

A1	*** VOLTAGE PINS ***
2	-5V B06, G06, H06, S06
3	+5V D03, J03, P03, U03
4	+12V B11, G11, H11, S11
5	GND D08, J08, P08, U08

CONTROL UNIT - A1 BOARD
CARD (BCC)

PN# 4746281 EC# A06016

LDC=1A-A1B2

USN 00001 PRI=14DEC84 1601

AUC= SEC

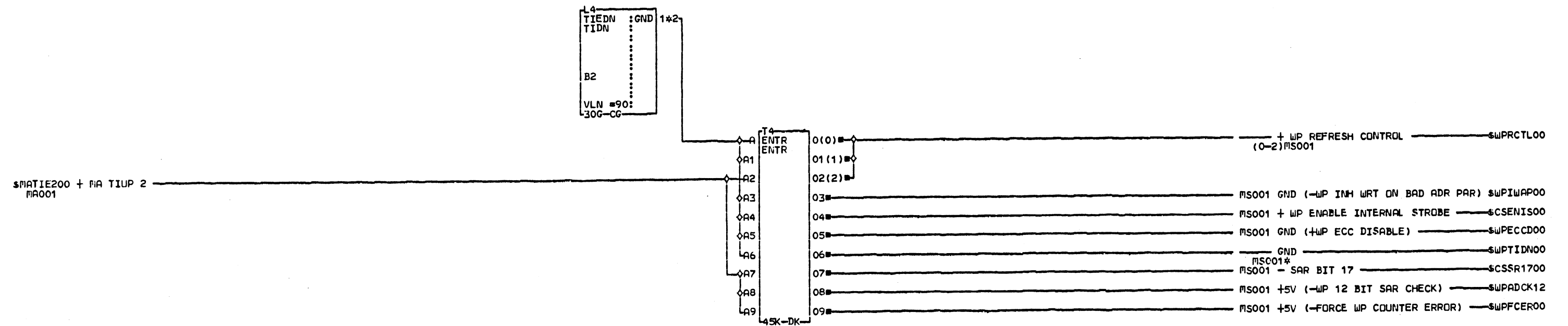
PFORM=KSEB# NEXTBLK DC

MACH=SAGU

CID KAA1 JOB R776801H

MS001

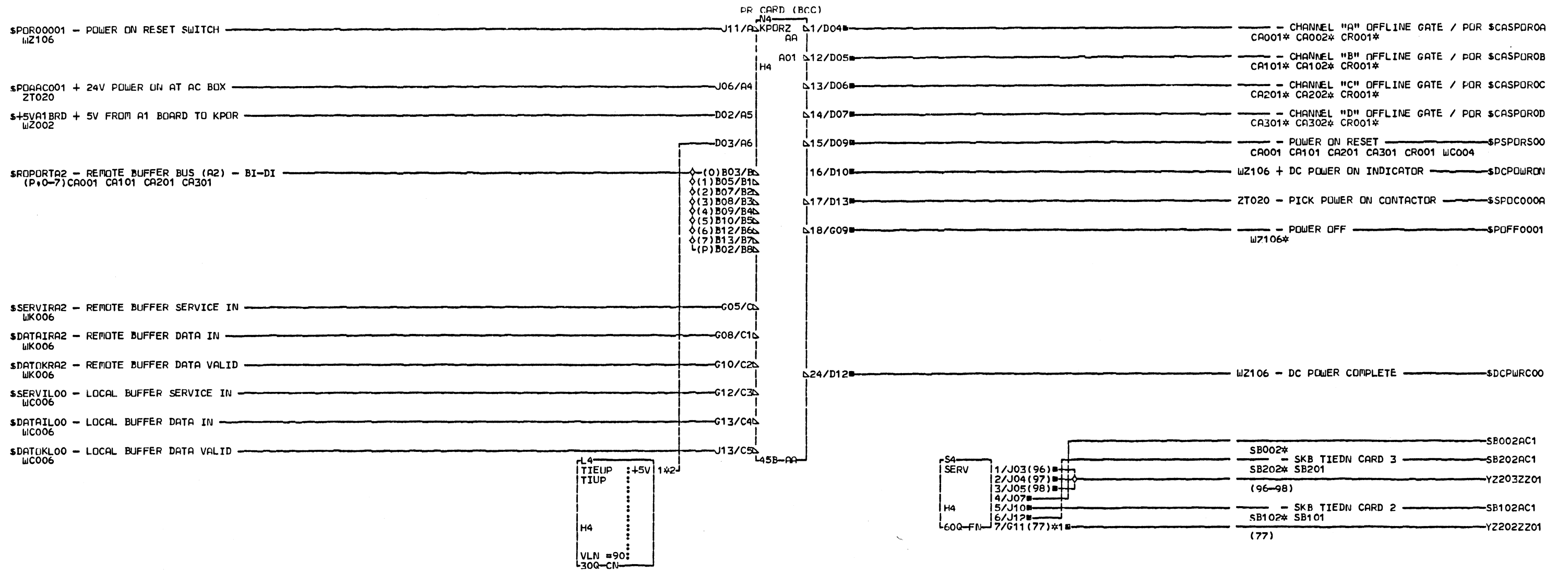
MS001



CONNECTORS
CG1
0001\$1A-A1/B2D08
•PV•V0

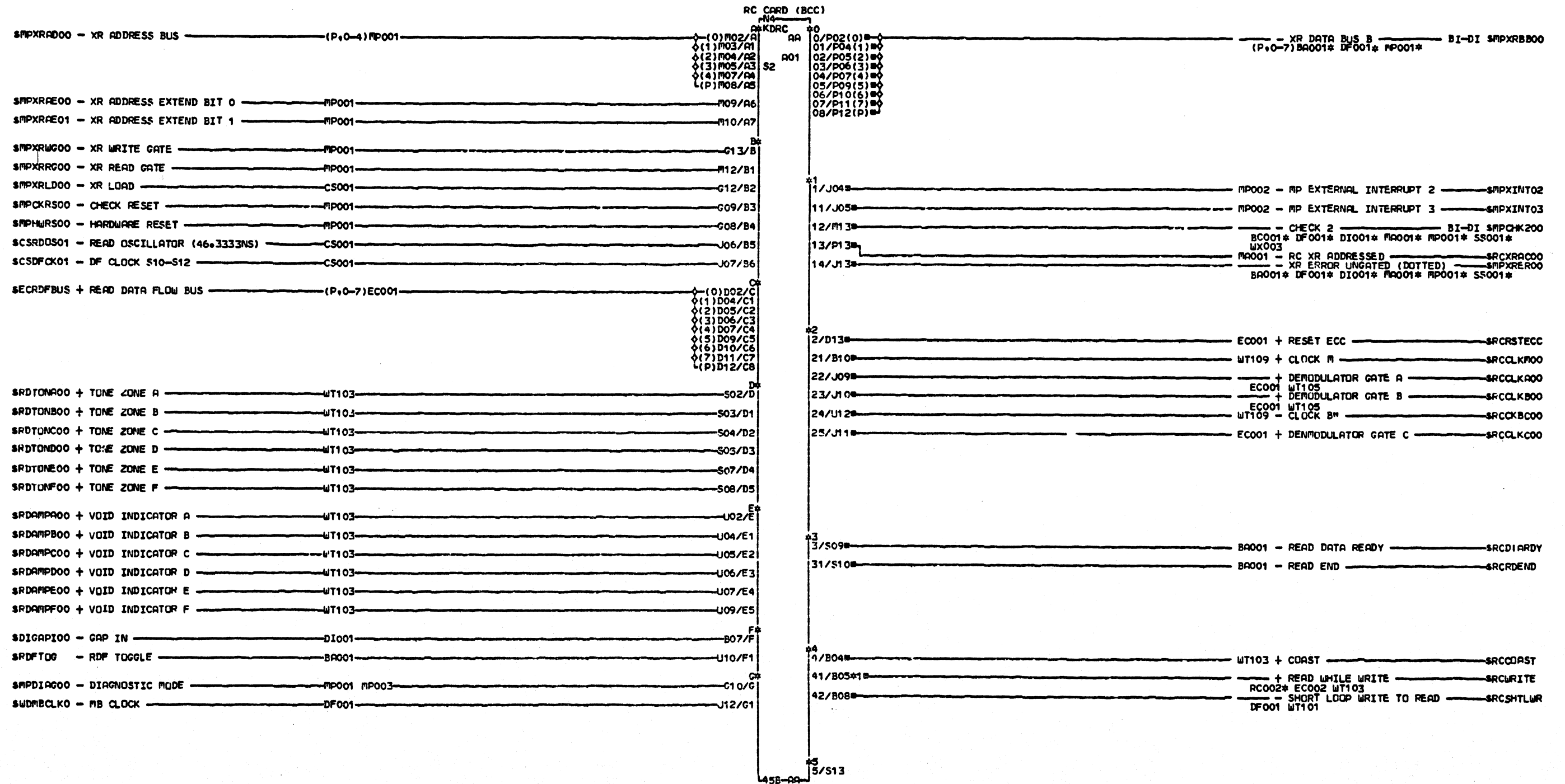
CONTROL UNIT - A1 BOARD
CARD
PN# 4746282 EC# A06016
LDC#1A-A1B2
USN 00001 PRI#14DEC84 1601
AUC# SEC
PFORM#KSEB# NEXTBLK DL
MACH#SAGU
CID KAA1 JUB R776801H

M
S
0
0
2
0001



D
 * * * * *
 * * * IMPORTANT NOTICE * * *
 * \$PDARCO01 + POWER ON AT AC BOX COMES FROM THE POWER SUPPLY *
 * \$SPDC000A - PICK POWER ON CONTACTOR GOES TO THE POWER SUPPLY *
 * \$DCPWRCO0 - DC POWER COMPLETE PICKS K3 IN AC BOX *
 * * * * *
 L35V-DT

COMMENTS	PINS	CONNECTORS	CONTROL UNIT - A2 BOARD
A1 *** VOLTAGE PINS ***	FN	CN1	POWER ON RESET
2 -5V R06	70	0003\$1A-A2/G4D03	PN= 4746283 EC= A06016
3 +5V J09	.V1.7	.PV.V5	LOC=1A-A2H4
4 +8.5V B11			USN 00001 PRI=14DEC84 1546
5 GND D08, J08			AUC= PFORM=KSEB SEC NEXTBLK FD
			MACH=SAGU CID KAA2 JOB R776801G



12-15179

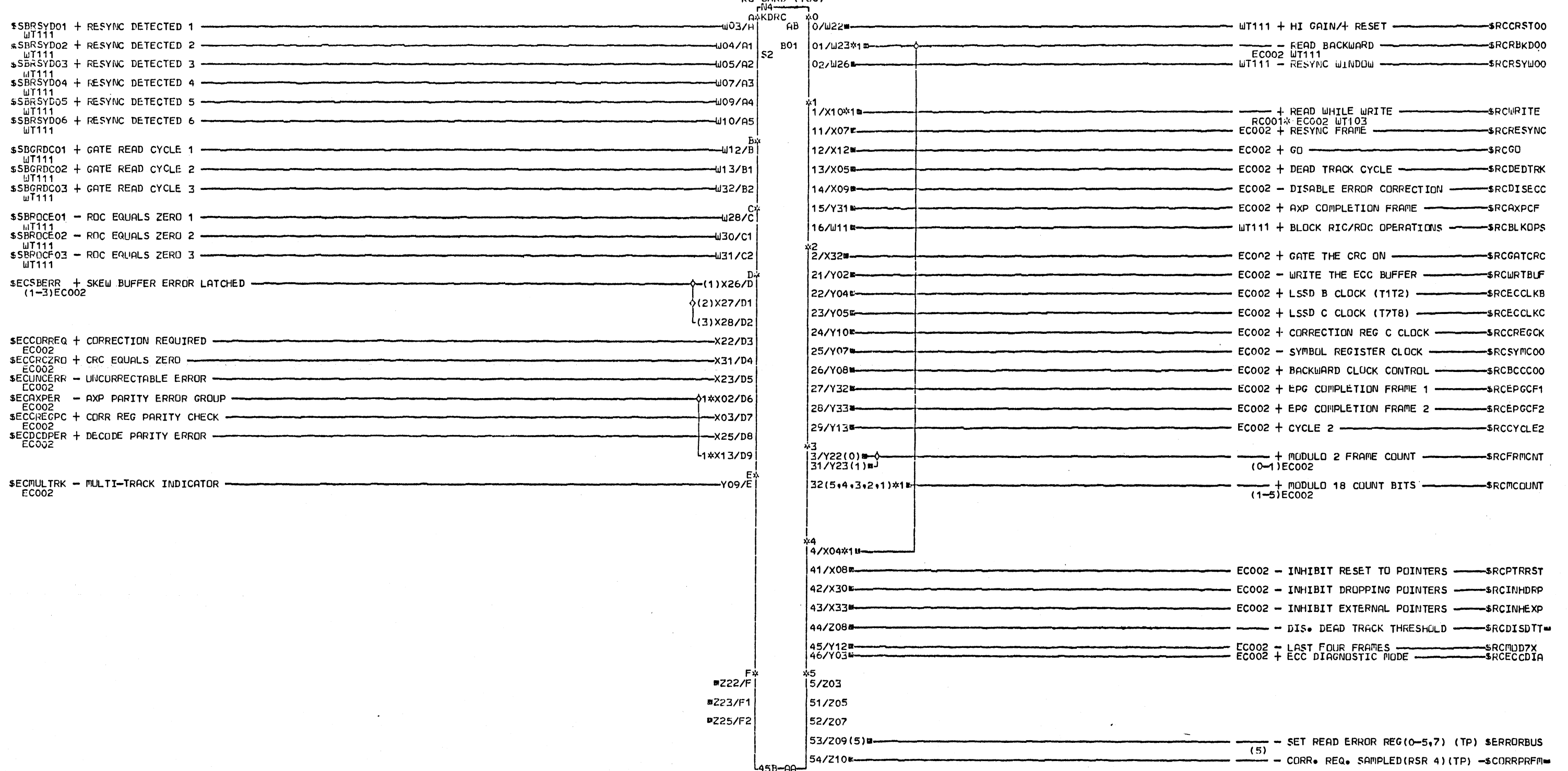
COMMENTS	PINS
A1 *** VOLTAGE PINS ***	AA
2 +1.7V M11, S11	LA
3 +2.75V Z12	
4 +5V D03, J03, P03, U03	
5 GND D08, J08, P08, U08	
6 GND W02, W08, W27, W33	
7 GND X06, X11, X24, X29	
8 GND Y06, Y11, Y24, Y29	
9 GND Z06, Z11, Z24, Z29	

RC001

CONTROL UNIT - A1 BOARD
 READ CLOCK & FORMAT (BCC)
 SHEET PN=4746285 EC=A06010
 LOC=1A-A1S2
 USN 00005 PRI=05JUN85 1542
 AUC= PFLRM=KSEB SEC NEXTBLK AB
 MAC= SAGU JOB R544753B
 CID KAR1

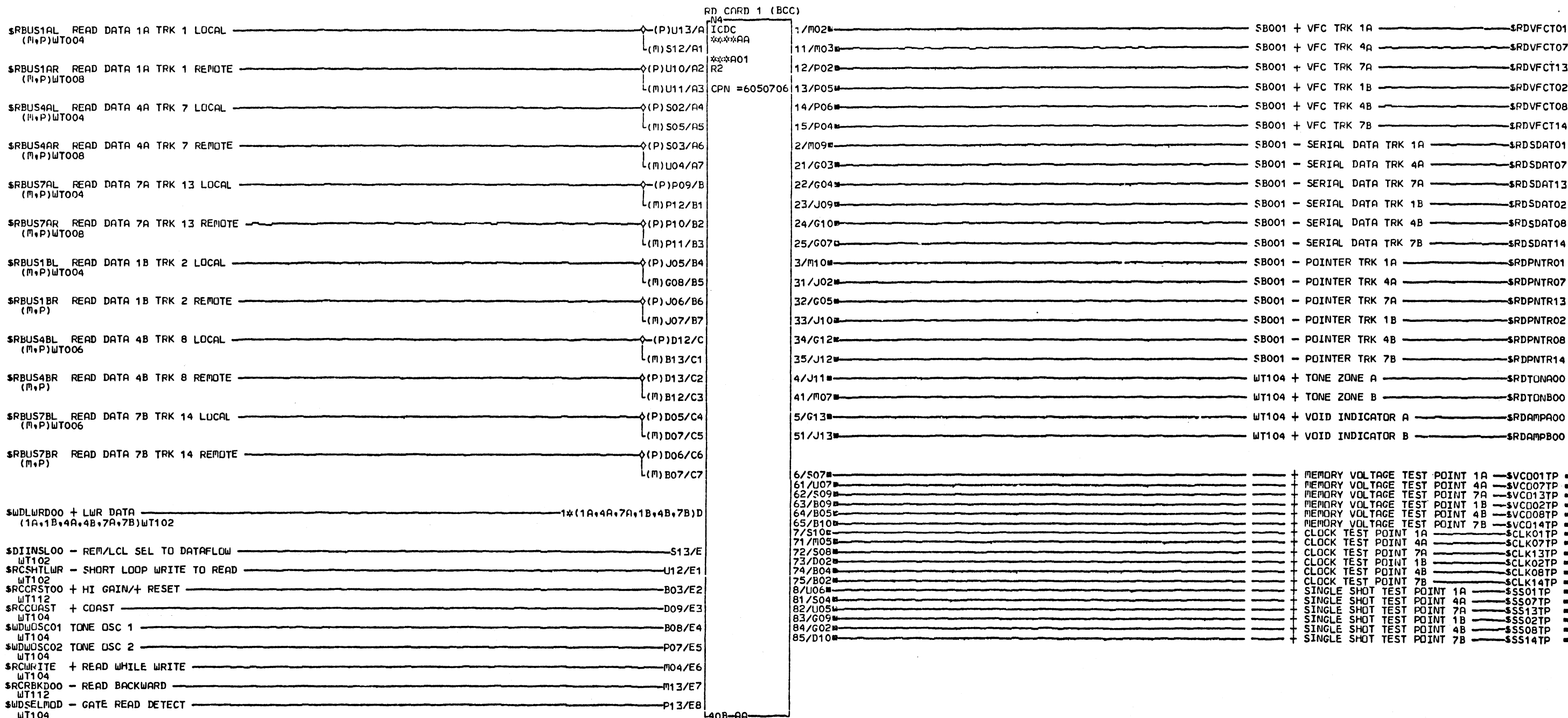
RC001

RC CARD (TCC)



PINS	PINS
AA	33/Y26
D6	34/Y27
•HA	35/Y28
•LC	36/Y30
D9	40
•HB	•HB
•LC	•LA
01	
•HA	
•LA	
10	
•HA	
•LA	
0001	32/Y25

CONTROL UNIT - A1 BOARD
READ CLOCK & FORMAT (TCC)
SHEET PN=4746286 EC=A15653
LUC=1A-A1S2
USN 00003 PRI=30NOV84 1523
ALIC= SEC
PFORM=KSHB NEXTBLK AB
MACH=SAGU
CID KAA1 JUB R544753A

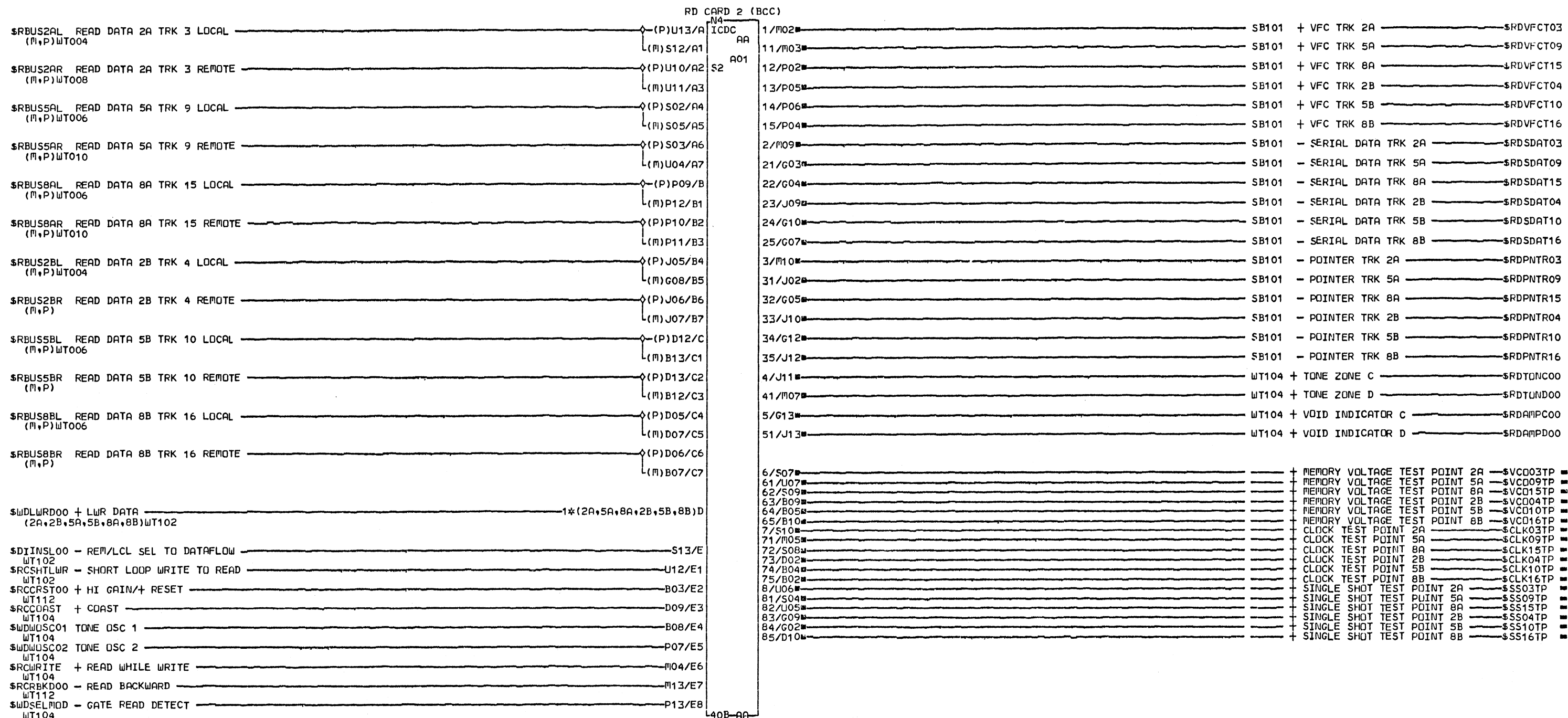


* THE READ DATA SIGNAL LEVELS ARE 1.2V TO *
* 2.0V PEAK-TO-PEAK MEASURED DIFFERENTIALLY *

20Z-BZ

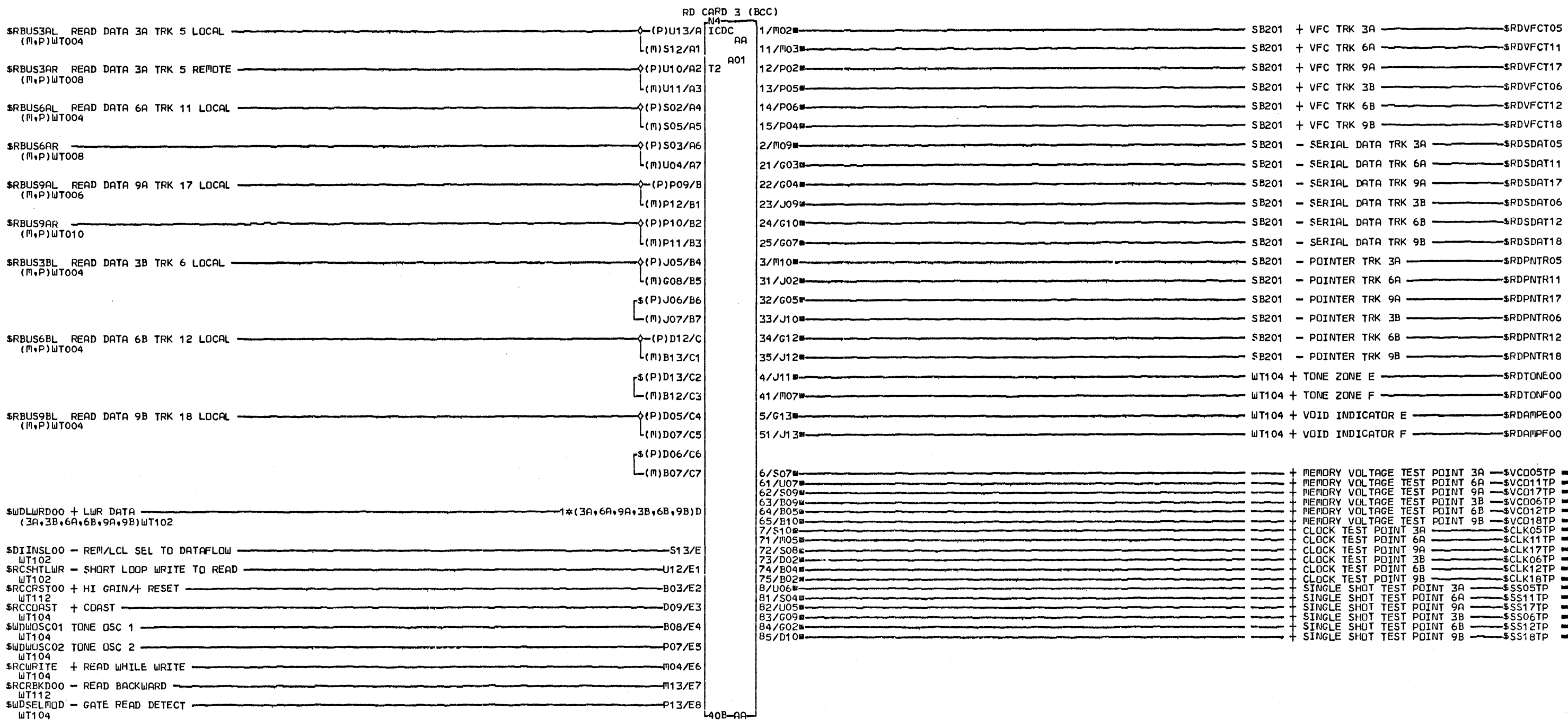
COMMENTS	PINS
A1*** VOLTAGE PINS ***	AA
2 -5V B06, G06, M06, S06	D0/U09
3 +1.7V M12	D1/U02
4 +5V D03, J03, P03, U03	D2/M08
5 +8.5V B11, M11	D3/J04
6 GND D08, J08, P08, U08	D4/D11
	D5/D04

CONTROL UNIT - A2 BOARD
READ DETECTION
PN= 4746287 EC= A15653
LOC=1A-A2R2
USN 00001 PRI=03DEC84 1538
ALIC= SEC
PFURM=KSEB# NEXTBLK B0
MACH=SAGU
CID KAA2 JOB R7768015



D
* * * * *
* THE READ DATA SIGNAL LEVELS ARE 1.2V TO *
* 2.0V PEAK-TO-PEAK MEASURED DIFFERENTIALLY *
* * * * *
20Z-BZ

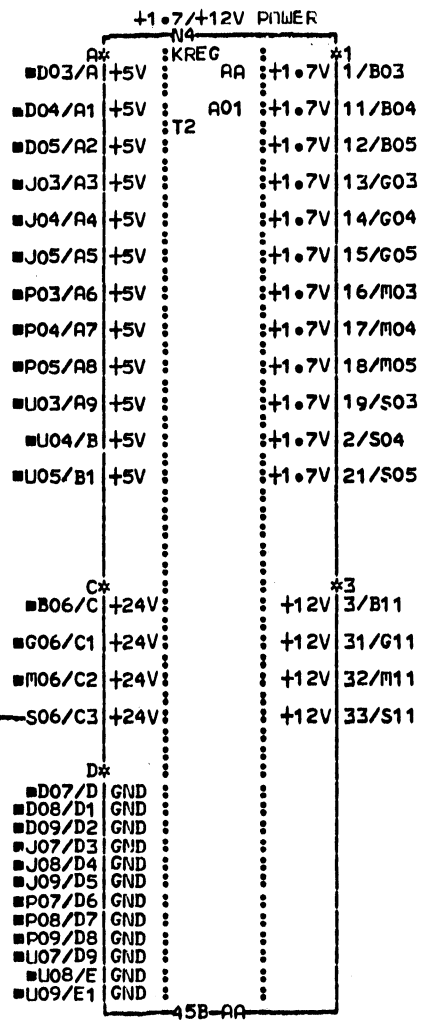
COMMENTS	PINS	CONTROL UNIT - A2 BOARD READ DETECTION
A1*** VOLTAGE PINS ***	AA	PN= 4746288 EC= A15653
2 -5V B06, G06, M06, S06	D0/U09	LOC=1A-A2S2
3 +1.7V M12	D1/U02	USN 00001 PRI=03DEC84 1538
4 +5V D03, J03, P03, U03	D2/M08	AUC=
5 +8.5V B11, M11	D3/J04	PFURM=KSEB# SEC
6 GND D08, J08, P08, U08	D4/D11	MACH=SAGU NEXTBLK B0
	D5/D04	CID KAA2 JUB R776801S



* THE READ DATA SIGNAL LEVELS ARE 1.2V TO *
* 2.0V PEAK-TO-PEAK MEASURED DIFFERENTIALLY *

20Z-BZ

COMMENTS	PINS	BUNDLES	CONTROL UNIT - A2 BOARD READ DETECTION
A1*** VOLTAGE PINS ***	AA	AA06 \$RBUS3BR	PN= 4746289 EC= A15653
2 -5V B06, G06, M06, S06	D0/U09	AA02 \$RBUS6BR	LDC=1A-A2T2
3 +1.7V M12	D1/U02	AA06 \$RBUS9BR	USN 00001 PRI=03DEC84 1538
4 +5V D03, J03, P03, U03	D2/M08		AUC= SFC
5 +8.5V B11, M11	D3/J04		PFURM=KSEB# NEXTBLK B0
6 GND D08, J08, P08, U08	D4/D11		WACH=SAGU
	D5/D04		CID KAA2 JUB R776801S



SPDACC001 + 24V POWER ON AT AC BOX
2T020

+24V ENTERS THIS CARD
VIA A SINGLE LINE CABLE FROM AC
BOX TO PIN S06, WHICH ALSO IS
CONNECTED TO THE KPDR CARD(SH PR001)
ON THE A2 BOARD
15R-AB

COMMENTS
A1 *** VOLTAGE PINS ***
2 <> SEE LOGIC BLOCK FOR <>
3 VOLTAGE PIN IDENTIFICATION

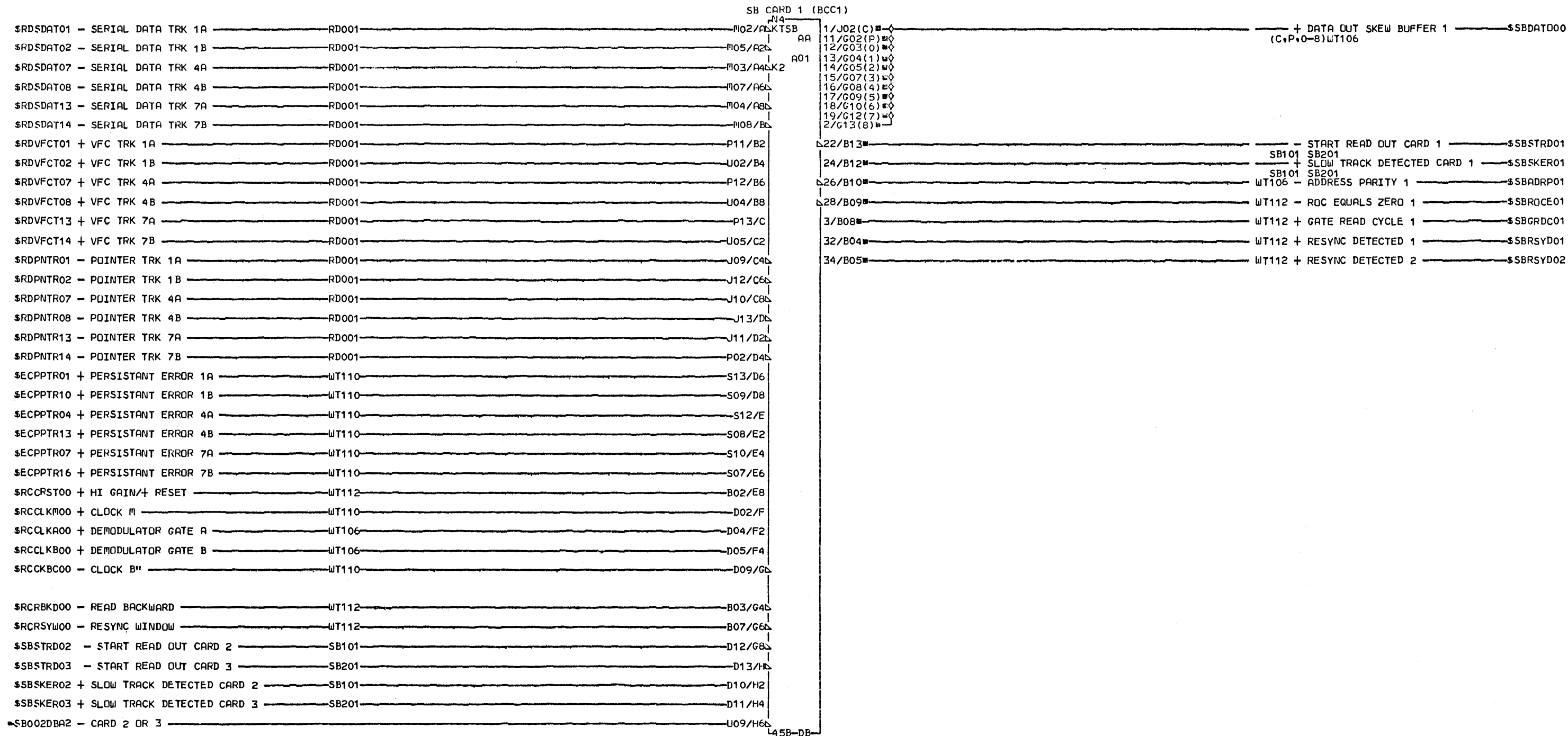
CONTROL UNIT - A1 BOARD
REGULATOR
PN= 4746290 EC= A06016
LOC=1A-A1T2
USN 00001 PRI=14DEC84 1601
AUC= SEC
PFUR=M=KSEB NEXTBLK AC
MACH=SAGI
CID KAA1 JOB R776801H

R
C
O
O
1

0001

R
C
O
O
1

0001



COMMENTS

A1 *** VOLTAGE PINS ***
2 +5V D03, J03, P03, U03
3 GND D08, J08, P08, U08

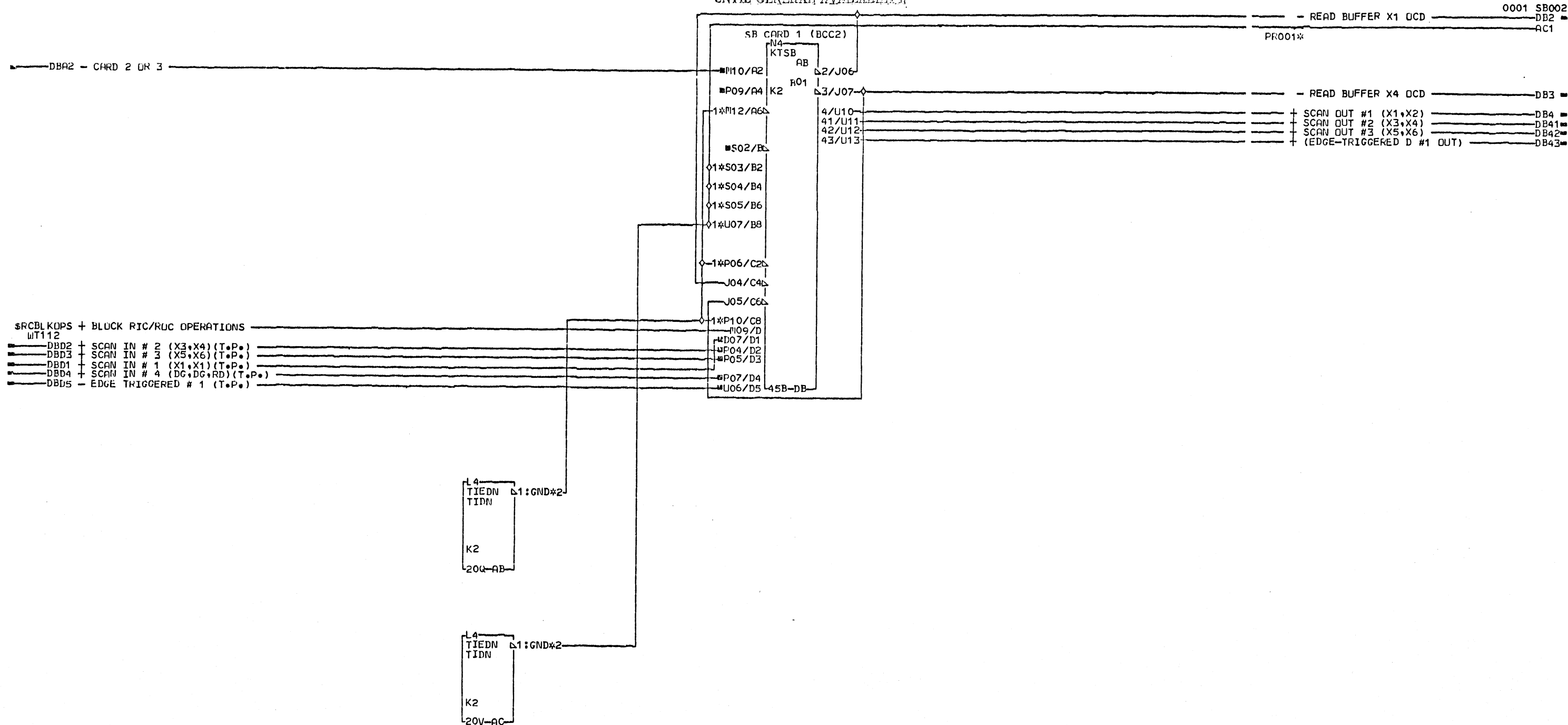
CONTROL UNIT - A2 BOARD
DESKEW CARD 1
SHEET PN=4746291 EC=A15653

LDC=1A-A2K2

USN 0001 PRI=03DEC84 1538
ALIC= SEC
PFDRI=KSEB NEXTBLK DC
MACH=SAGU
CID KAA2 JOB R7768015

S
B
0
0
1

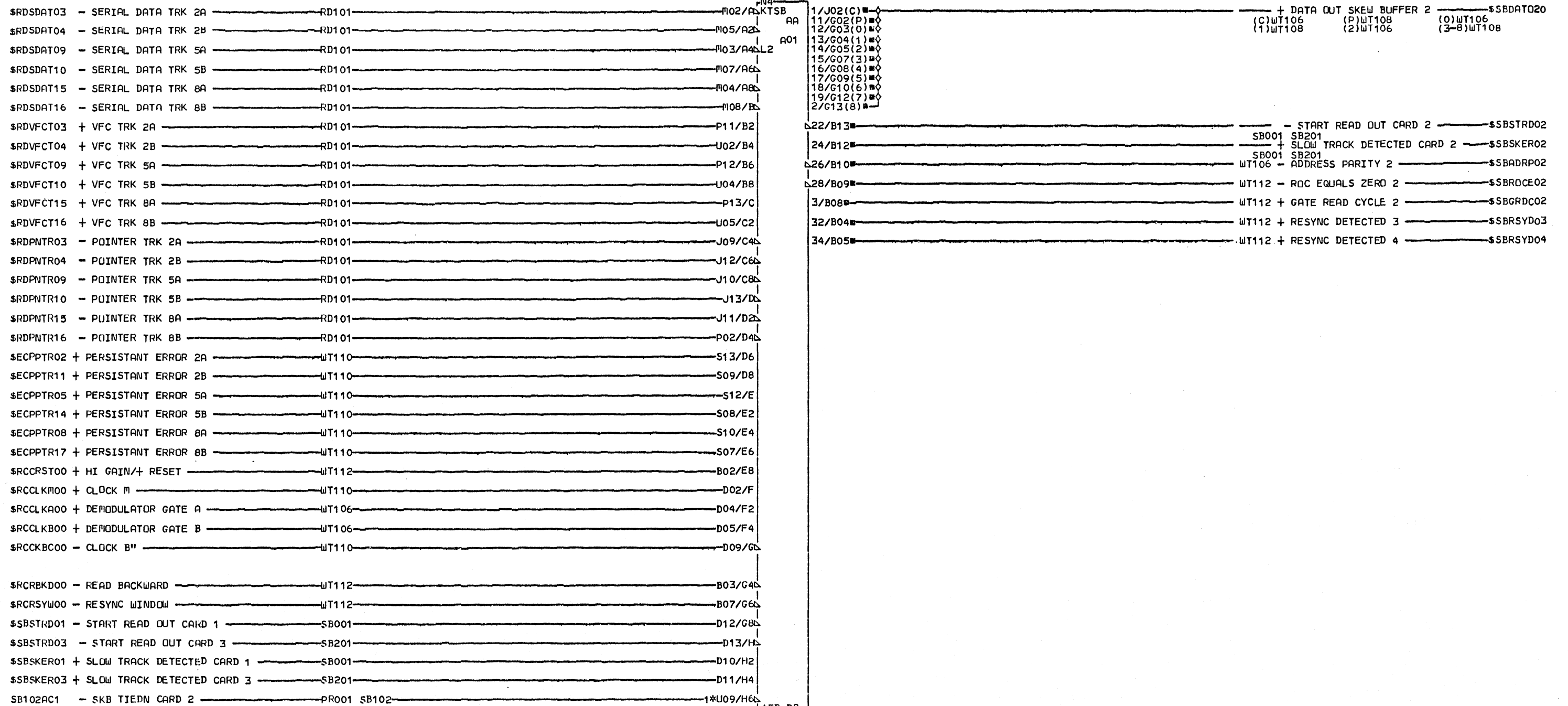
S
B
0
0
1



FINIS	FINIS	CONNECTORS
DB	•VGND	AB1
A6	•VGND	0002\$1A-A2/K4D08
B2	•VGND	•PV•VO
B4	•VGND	AC1
B6	•VGND	0003\$1A-A2/K5D08
B8	•VGND	•PV•VO
C2	•VGND	
CB	•VGND	

CONTROL UNIT - A2 BOARD
DESKEW CARD 1
SHEET PN=4746292 EC=A15653
LOC=1A-A2K2
USN 00003 PRI=30NOV84 1524
CNC= SEC
PFORM=KSHB NEXTBLK DC
MACH=SAGU
CID KAA2 JOB K544753B

SB CARD 2 (BCC1)



COMMENTS	PINS
A1 *** VOLTAGE PINS ***	DB
2 +5V D03, J03, P03, U03	H6
3 GND D08, J08, P08, U08	•VCND

S
B
1
0
1

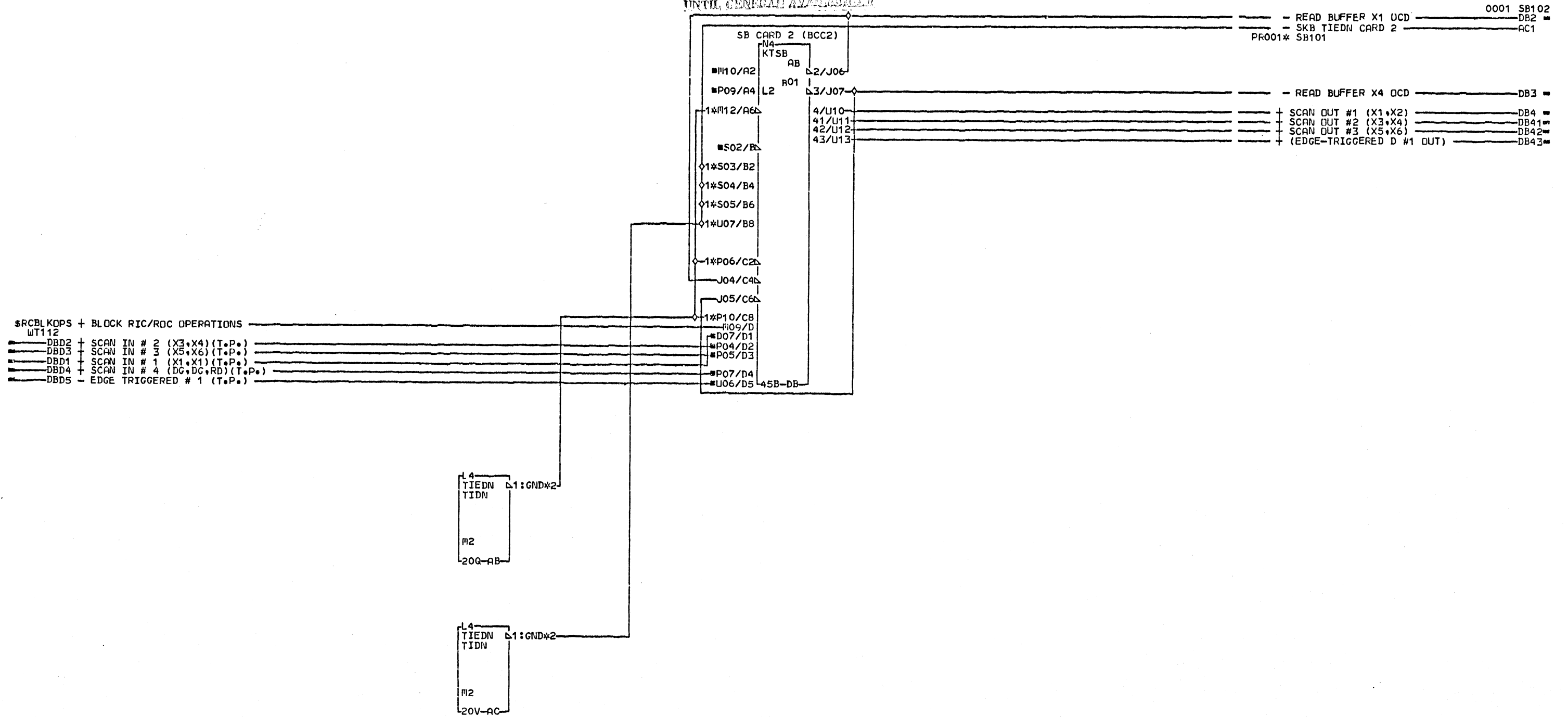
0001

CONTROL UNIT - A2 BOARD
DESKEW CARD 2
SHEET PN=4746293 EC=A15653
LDC=1A-A2L2
USN 00001 PRI=03DEC84 1538
AUC= PFORM=KSEB SEC NEXTBLK DC
MACH=SAGU JUB R7768015
CID KAR2

S
B
1
0
1

0001

IBM CONFIDENTIAL
 UNTIL GENERAL AVAILABILITY



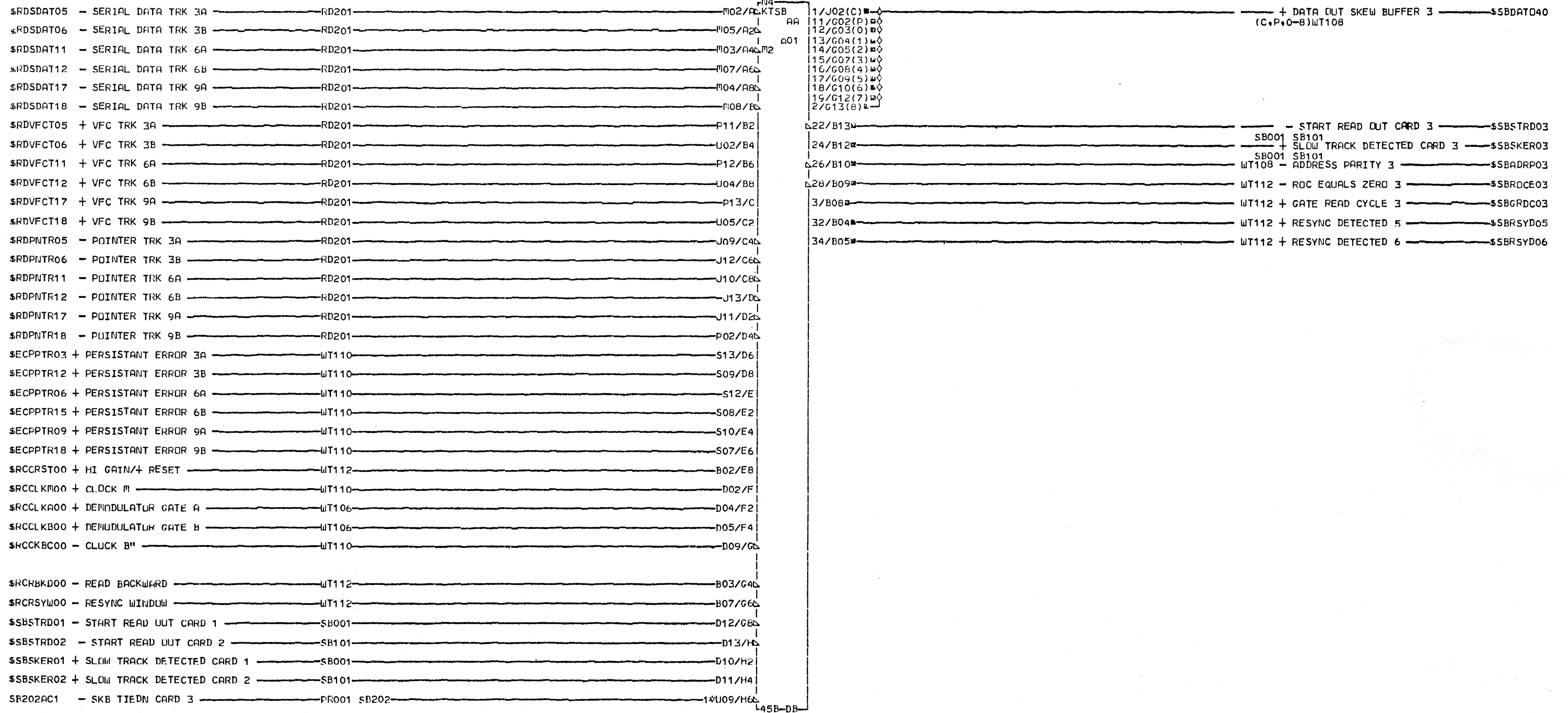
S	PINS	PINS	CONNECTORS
0001	DB	•VGND	AB1
	A6		0002*1A-A2/L4D08
	•VGND		•PV•V0
	B2		AC1
	•VGND		0003*1A-A2/L5D08
	B4		•PV•V0
	•VGND		
	B6		
	•VGND		
	B8		
	•VGND		
	C2		
	•VGND		
	C8		

CONTROL UNIT - A2 BOARD
 DESKEW CARD 2
 SHEET PN=4746294 EC=A15653
 LUC=1A-A2L2
 USM 00003 PRI=30NDV84 1524
 AUC= SEC
 PFURM=KSHB NEXTBLK DC
 MACH=SAGU
 CID KAA2 JOB R544753B

S
 B
 1
 0
 2
 0001

IBM CONFIDENTIAL
 UNTIL GENERAL AVAILABILITY
 SB CARD 3 (RCC1)

0001 SB201



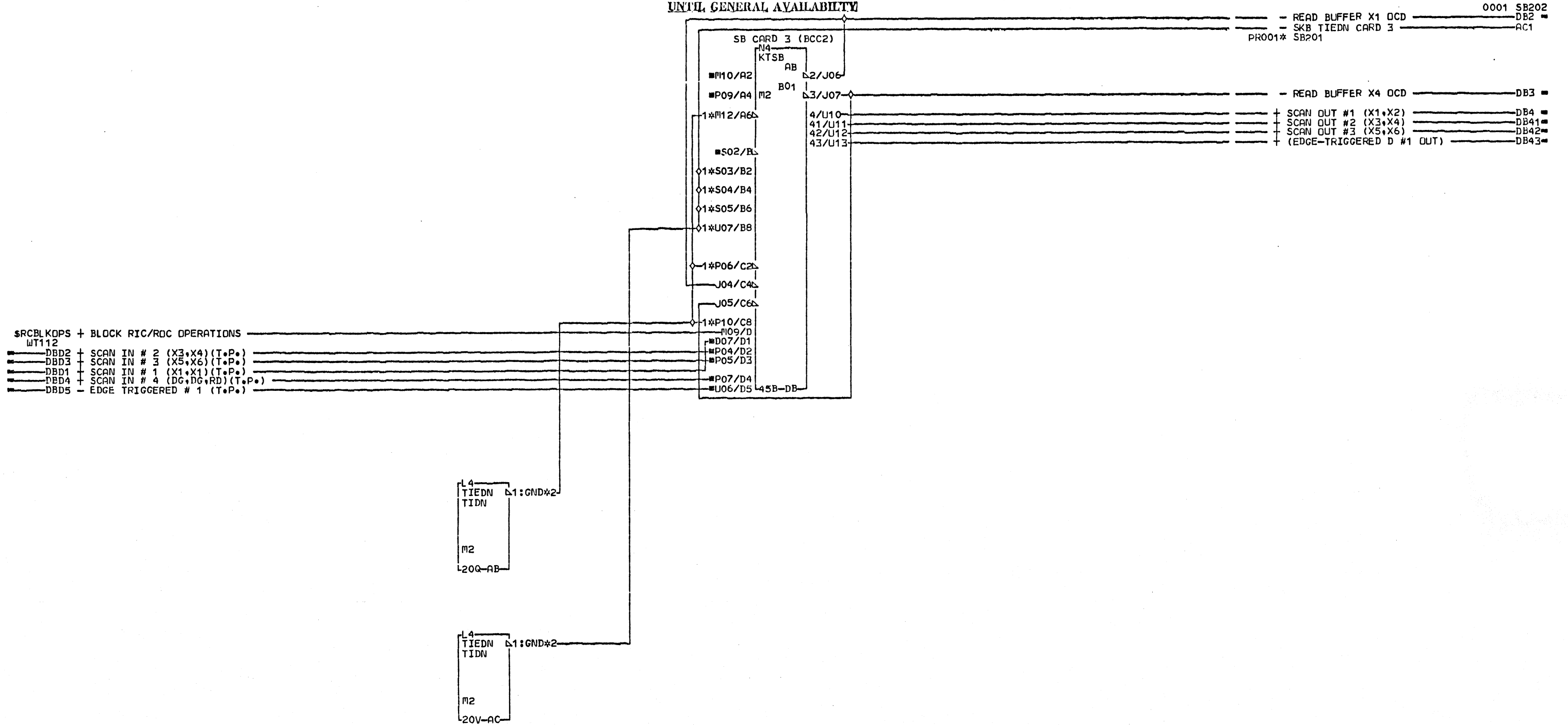
COMMENTS		PINS
A1	*** VOLTAGE PINS ***	DB
2	+5V D03, J03, P03, H03	H6
3	GND D08, J08, P08, U08	•VGND

CONTROL UNIT - A2 BOARD
 DESKEW CARD 3
 SHEET PN=4746295 EC=A15653
 LOC=1A-A2M2
 USM 00001 PRI=05DEC84 1600
 AUC= SEC
 PFORM=KSEB# NEXTBLK DC
 MACH=SAGU
 CID KAA2 JUB R776801A

SB201

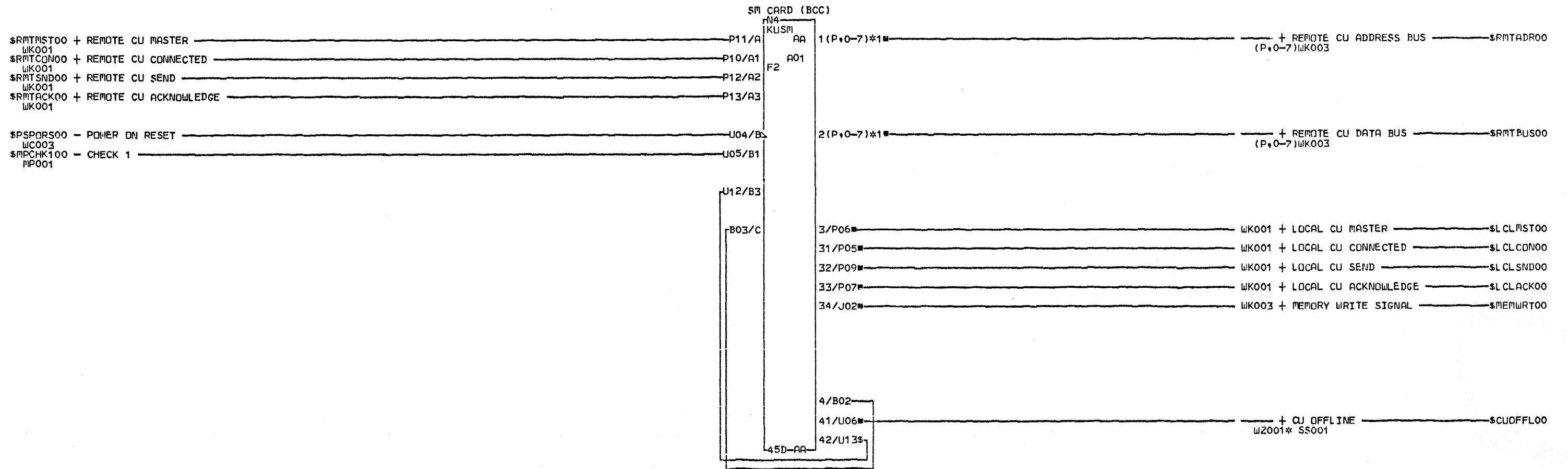
SB201

0001



PINS	PINS	CONNECTORS
DB	•VGND	AB1
A6	•VGND	000251A-A2/M4D08
B2	•VGND	•PV•V0
A4	•VGND	AC1
B6	•VGND	000311A-A2/M5D08
B4	•VGND	•PV•V0
C2	•VGND	
CB	•VGND	

CONTROL UNIT - A2 BOARD
DESKEW CARD 3
SHEET PN=4746296 EC=A15653
LDC=1A-A2M2
USN 00003 PRI=30NOV84 1524
ALIC= SEC
PFUR=KSHB NEXTBLK DC-
MACH=SGU
CID KAA2 JUB 1544753B



	COMMENTS	PINS	PINS	BUNDLES
A1	*** VOLTAGE PINS ***	AA	24/J07	AA42 \$RQSTIN00
2	+5V D03, J03, P03, U03	10/J13	25/J09	
3	GND D08, J08, P08, U08	11/G10	26/J10	
4	GND W06, W11, W24, W29	12/G12	27/J11	
5	GND X04, X06, X11, X24, X29	13/G13	28/J12	
6	GND Y06, Y11, Y24, Y29	14/M02		
7	GND Z06, Z11, Z24, Z29	15/M03		
		16/M04		
		17/P02		
		18/P04		
		20/D14		
		21/J04		
		22/J05		
		23/J06		

CONTROL UNIT - A1 BOARD
STATUS STORE FEATURE

PN= 4746297 EC= A15653

LDC=1A-A1F2

USN 00003 PRI=30NOV84 1523

AIC= SEC

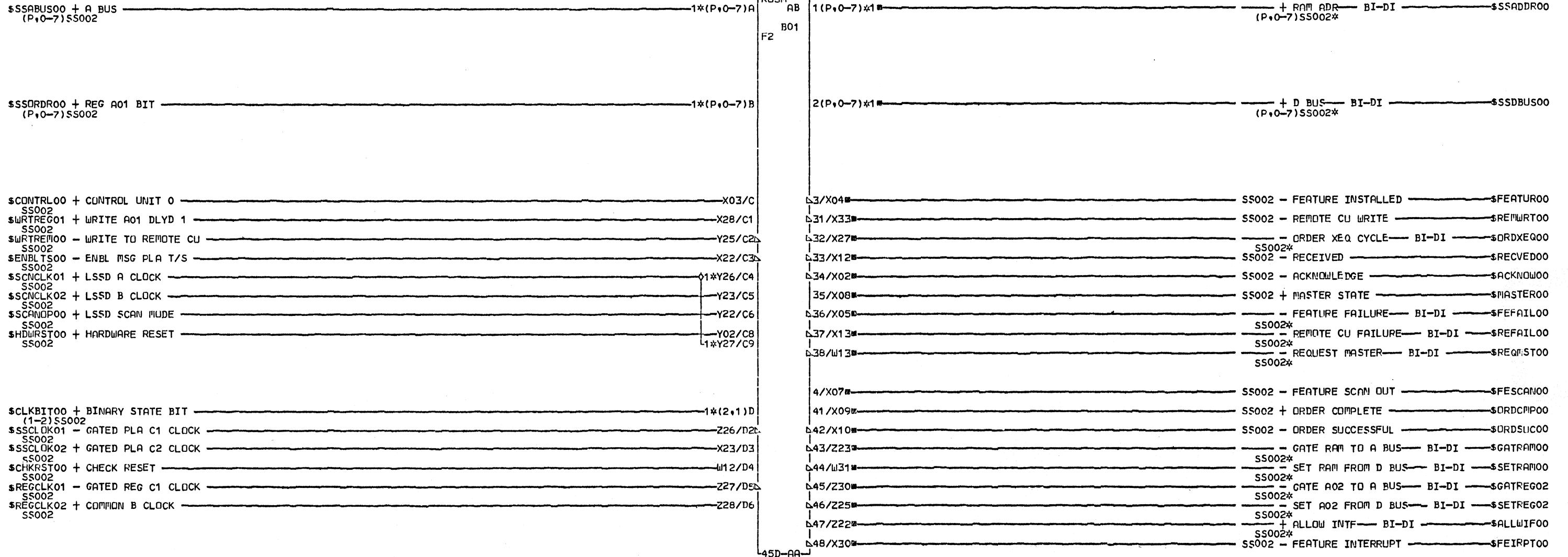
FFORM=KSHB NEXTBLK AB

WACH=SACU

CID KAA1 JOB R544753A

NOT CONFIDENTIAL
GENERAL AVAILABILITY

SM CARD (TCC)

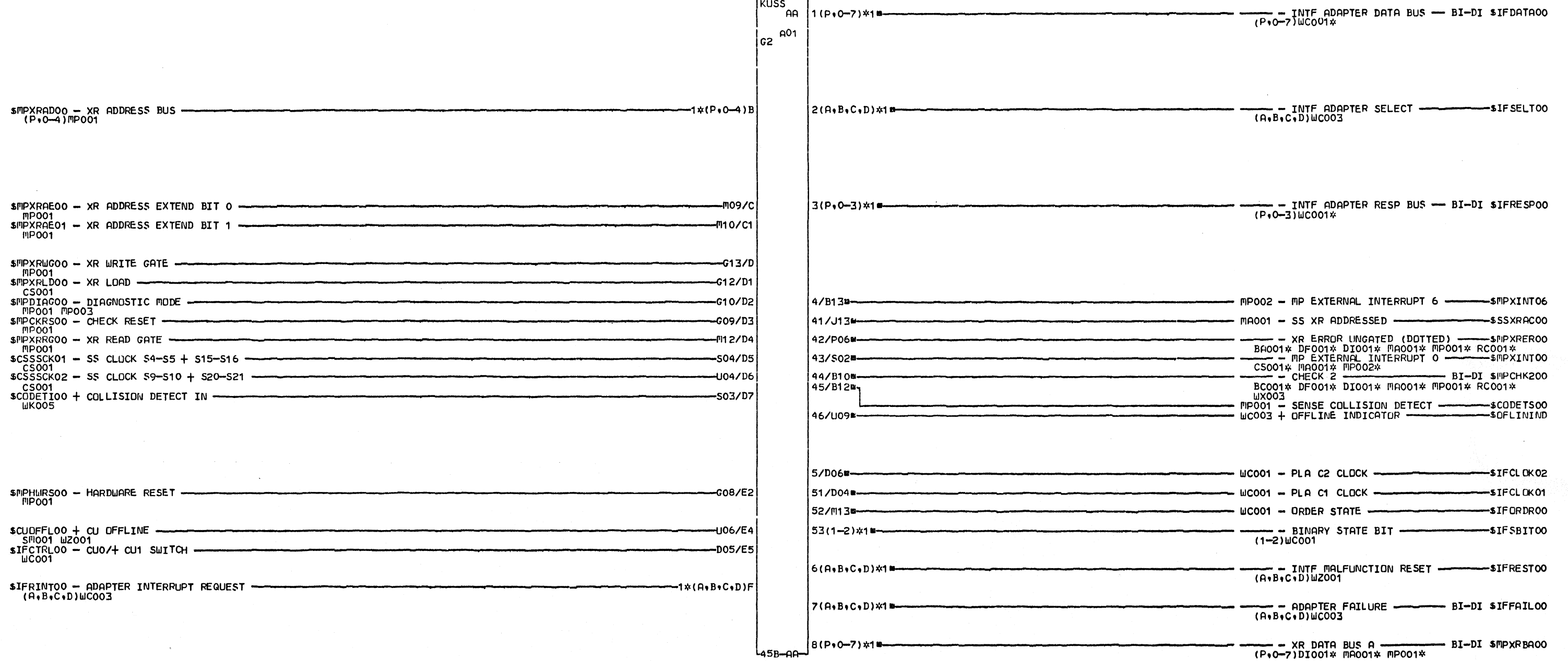
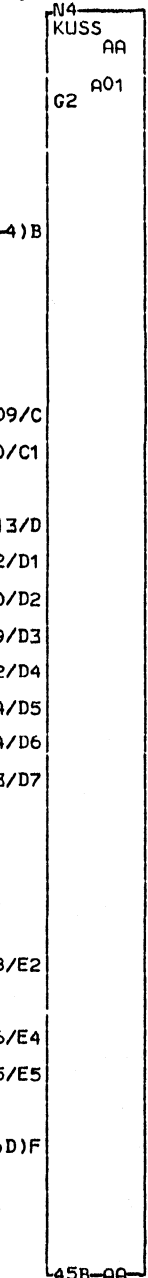


45D-AA

	PINS	PINS	PINS	PINS
	AA	B4/Z12	13/W09	28/W25
	A0/Y04	B5/Z07	14/W28	
	A1/Y05	B6/Z08	15/W08	
	A2/Y03	B7/Z09	16/W27	
	A3/Y07	B8/Z10	17/W22	
	A4/Y08	C4	18/W02	
	A5/Y09	HA	20/W04	
	A6/Y10	C9	21/W23	
	A7/Y13	HA	22/W03	
	A8/Y12	D0/X26	23/W05	
	B0/Z02	D1/X25	24/W32	
	B1/Z03	10/W30	25/X31	
	B2/Z04	11/W10	26/W26	
0001	B3/Z05	12/W33	27/W07	

CONTROL UNIT - A1 BOARD STATUS STORE FEATURE	
PN= 4746298	EC= A15653
LDC=1A-A1F2	
USN 00003	PRI=30NOV84 1523
AUC=	SEC
PFURM=KSHB	NEXTBLK AB
MACH=SAGU	
CID KAA1	JOB P544753A

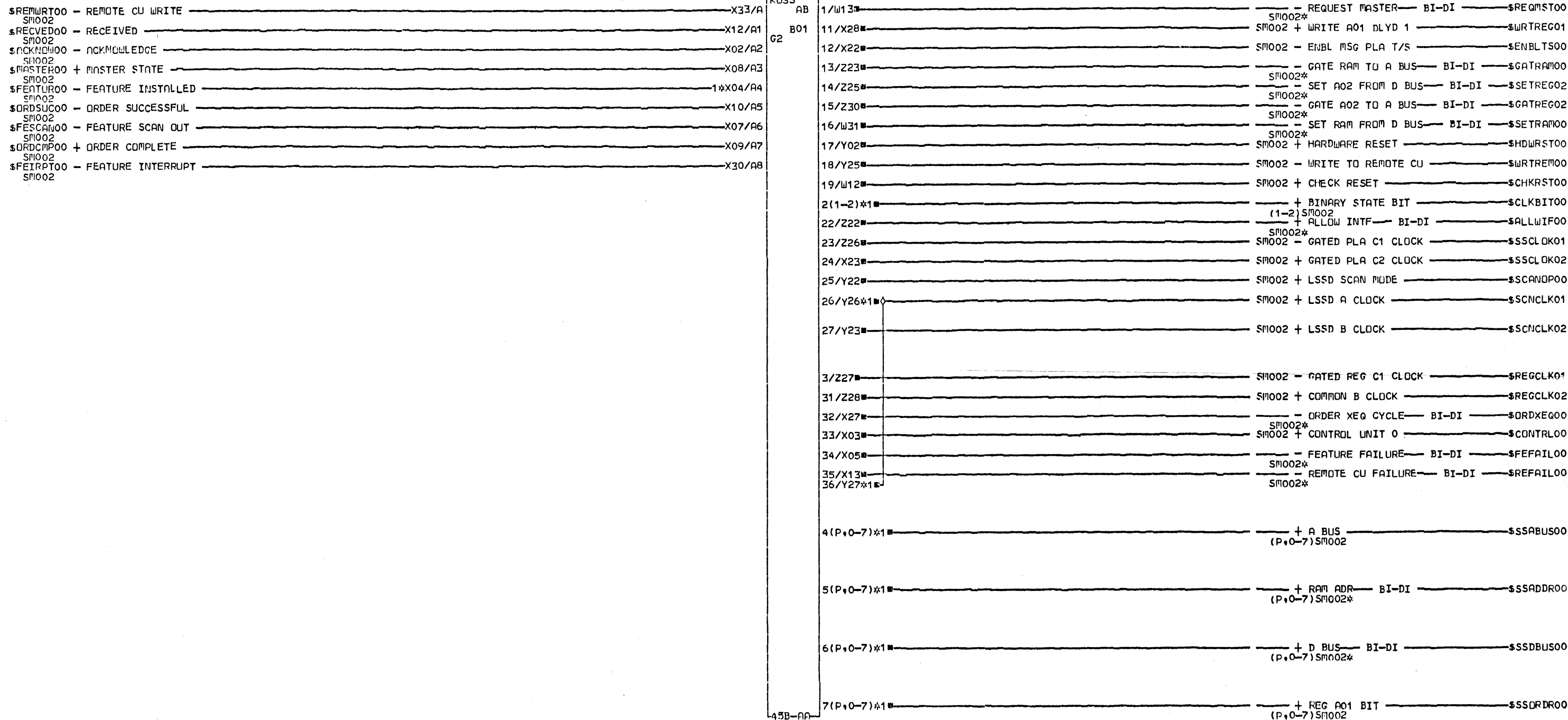
SS CARD (BCC)



COMMENTS	PINS	PINS	PINS	PINS
A1 *** VOLTAGE PINS ***	AA	13/P02	34/D11	83/J05
2 +5V D02, D03, J03, P03	B0/M08	14/P04	53/D12	84/J06
3 +5V U02, U03	B1/M02	15/P05	54/D13	85/J07
4 GND D07, D08, J08, P08	B2/M03	16/P07	60/B07	86/J09
5 GND U07, U08	B3/M04	17/P09	61/G02	87/J10
6 GND U06, U11, U24, U29	B4/M05	18/P10	62/G07	88/J11
7 GND X06, X11, X24, X29	B5/M07	20/B02	63/S07	
8 GND Y06, Y11, Y24, Y29	F0/S13	21/B03	70/U13	
9 GND Z06, Z11, Z24, Z29	F1/S12	22/B04	71/U12	
	F2/S10	23/B05	72/U11	
	F3/S09	30/P11	73/U10	
	10/G03	31/B08	80/J12	
	11/G04	32/D09	81/J02	
	12/G05	33/D10	82/J04	

CONTROL UNIT - A1 BOARD
STATUS STORE CARD
PN= 4746299 EC= A15653
LOC=1A-A1G2
USN 00003 PRI=04DEC84 1228
AUC= PFURM=KSEB SEC NEXTBLK AB
MACH=SAGU
CID KAA1 JOB R776801X

CS CARD (TCC)



PINS	PINS	PINS	PINS
AP	43/Y07	58/W02	74/Z12
A4	44/Y08	60/W04	75/Z07
VCND	45/Y09	61/W23	76/Z08
20/X25	46/Y10	62/W03	77/Z09
21/X26	47/Y11	63/W05	78/Z10
26	48/Y12	64/W32	
HA	50/W30	65/X31	
LA	51/W10	66/W26	
36	52/W33	67/W07	
HB	53/W09	68/W25	
LA	54/W28	70/Z02	
40/Y04	55/W08	71/Z03	
41/Y05	56/W27	72/Z04	
42/Y03	57/W22	73/Z05	

CONTROL UNIT - A1 BOARD
STATUS STORE CARD
SHEET PN=4746300 EC=A15653
LOC=1A-A1G2
USN 00003 PRI=30NOV84 1523
AUC=
PFORM=KSHB SEC
MACH=SAGLI NEXTBLK AB
CID KAA1 JOB R544753A



PART NO. 4746301
DEVELOPMENT NO.

PART NO.
4746301

NOTES FOR SHEET WA001/002

GROUPS

NOTES

- 1 W02,W23,W04,W25,W06,W27,W08,W29,W10,W31,W12,W33.
- 2 B02,D03,B04,D05,B07,D07,B09,D08,B11,D10,B13,D12.
- 3 X02,X23,X04,X25,X06,X27,X08,W29,X10,X31,X12,X33.
- 4 G02,J03,G04,J05,G07,J07,G09,J08,G11,J10,G13,J12.
- 5 MULTI-USAGE PAGE: FOR "A" CHANNEL USE AS SHOWN FOR "B" CHANNEL USE AS LOCATION 1A-T1B4 FOR "C" CHANNEL USE AS LOCATION 1A-T1C4 FOR "D" CHANNEL USE AS LOCATION 1A-T1D4.
- 6 MULTI USAGE PAGE: FOR "A" CHANNEL USE AS SHOWN FOR "B" CHANNEL USE CABLE ID: B'A'4 AND LOC: 1A-T1B4 FOR "C" CHANNEL USE CABLE ID: C'A'4 AND LOC: 1A-T1C4 FOR "D" CHANNEL USE CABLE ID: D'A'4 AND LOC: 1A-T1D4.
- 7 MULTI USAGE PAGE: FOR "A" CHANNEL USE AS SHOWN FOR "B" CHANNEL USE CABLE ID: B'B'4 AND LOC: 1A-T1B4 FOR "C" CHANNEL USE CABLE ID: C'B'4 AND LOC: 1A-T1C4 FOR "D" CHANNEL USE CABLE ID: D'B'4 AND LOC: 1A-T1D4.
- 8 MULTI USAGE PAGE: FOR "A" CHANNEL USE AS SHOWN FOR "B" CHANNEL USE CABLE ID: BTGJ'1' AND LOC: 1A-T1B3W FOR "C" CHANNEL USE CABLE ID: CTGJ'1' AND LOC: 1A-T1C3W FOR "D" CHANNEL USE CABLE ID: DTGJ'1' AND LOC: 1A-T1D3W.
- 9 MULTI USAGE PAGE: FOR "A" CHANNEL USE AS SHOWN FOR "B" CHANNEL USE CABLE ID: BTGJ'2' AND LOC: 1A-T1B3X FOR "C" CHANNEL USE CABLE ID: CTGJ'2' AND LOC: 1A-T1C3X FOR "D" CHANNEL USE CABLE ID: DTGJ'2' AND LOC: 1A-T1D3X.

IBM CONFIDENTIAL UNTIL GENERAL AVAILABILITY



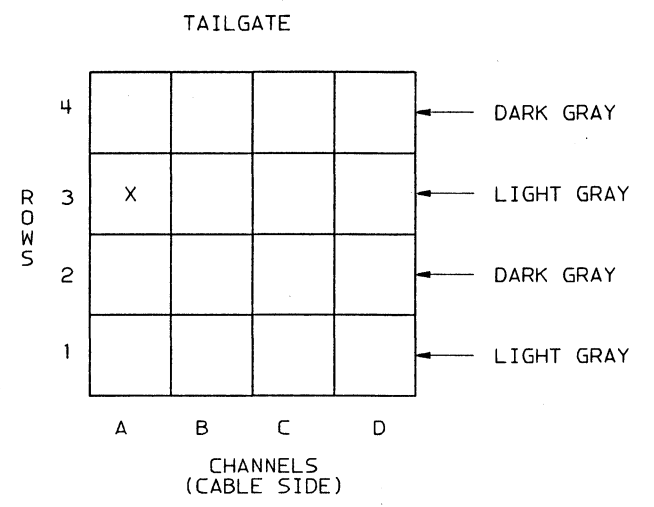
THIS DOCUMENT IS THE PROPERTY OF IBM. ITS USE IS AUTHORIZED ONLY FOR RESPONDING TO A REQUEST FOR QUOTATION OR FOR THE PERFORMANCE OF WORK FOR IBM. ALL QUESTIONS MUST BE REFERRED TO THE IBM PURCHASING DEPARTMENT.

TITLE	DESIGNER	CHECKED	APPROVED	CLASS	DATE	EC NO.
CU-TAILGATE	JGR	AHR	AHR	JGR	14MAR83	333311
CHANNEL TAG CARD					5AUG83	333313
					4OCT83	333316
					28NOV84	A15653



PART NO. SHEET 1 OF 2 4746301
DEVELOPMENT NO.
LOGIC PG NO. WA000

PART NO.
4746302



CHANNEL TAGS OUT LIGHT GRAY (CU) 1A-T1A3 CONNECTOR

FROM CONTROL UNIT TO NEXT CONTROL UNIT OR TERMINATOR

- B08 — + CHANNEL SELECT IN — \$THASELIO IT001
- J09 — + CHANNEL SPECIAL USE — \$THASPECO IT001
- B03 — + CHANNEL OPERATIONAL IN — \$THAOPRIO IT001
- J06 — + CHANNEL REQUEST IN — \$THAREQIO IT001
- B05 — + CHANNEL ADDRESS IN — \$THAADDIO IT001
- D04 — + CHANNEL STATUS IN — \$THASTAIO IT001
- D06 — + CHANNEL SERVICE IN — \$THASERIO IT001
- G08 — + CHANNEL DATA IN — \$THADATIO IT001
- J11 — + CHANNEL DISCONNECT IN — \$THADSCIO IT001
- G05 — + CHANNEL METERING IN — \$THAMETIO IT001
- G06 — + TAG CABLE PASS-ON PIN G06 — \$THATGG06 IT001
- J02 — + TAG CABLE PASS-ON PIN J02 — \$THATGJ02 IT001
- 3 — GROUND SHIELDS — \$SHIELDS1

- \$THASEL00 IT001 — + CHANNEL SELECT OUT — D09
- \$THACLK00 IT001 — + CHANNEL CLOCK OUT — G03
- \$THAOPRO0 IT001 — + CHANNEL OPERATIONAL OUT — J13
- \$THAHLDO0 IT001 — + CHANNEL HOLD OUT — G12
- \$THASUP00 IT001 — + CHANNEL SUPPRESS OUT — B12
- \$THAADD00 IT001 — + CHANNEL ADDRESS OUT — B10
- \$THACMD00 IT001 — + CHANNEL COMMAND OUT — D11
- \$THASERO0 IT001 — + CHANNEL SERVICE OUT — D13
- \$THADAT00 IT001 — + CHANNEL DATA OUT — G10
- \$THAMET00 IT001 — + CHANNEL METERING OUT — J04
- \$THATGB06 IT001 — + TAG CABLE PASS-ON PIN B06 — B06
- \$THATGD02 IT001 — + TAG CABLE PASS-ON PIN D02 — D02

FROM NEXT CONTROL UNIT OR TERMINATOR TO CONTROL UNIT

- NOTES
- 1 NEXT CONTROL UNIT CONNECTION OR TERMINATOR.
 - 2 MULTI-USAGE PAGE: FOR "A" CHANNEL USE AS SHOWN FOR "B" CHANNEL USE AS LOCATION 1A-T1B3 FOR "C" CHANNEL USE AS LOCATION 1A-T1C3 FOR "D" CHANNEL USE AS LOCATION 1A-T1D3
 - 3 GROUNDS- B02,B04,B07,B09,B11,B13,D03,D05, D07,D08,D10,D12,G02,G04,G07,G09,G11,G13,J03,J05, J07,J08,J10,J12.

TITLE		CU-TAILGATE	
DESIGNER	JGR	DATE	14MAR83
CHECKED	AHR	DATE	5AUG83
APPROVED	AHR	DATE	21MAR83
CLASS	JGR	DATE	14MAR83

EC NO.	333311
DATE	14MAR83
DATE	28NOV84
DATE	5AUG83
DATE	21MAR83
DATE	14MAR83

IBM CONFIDENTIAL UNTIL GENERAL AVAILABILITY

MUST CONFORM TO ENG. SPEC.

PART NO.	4746302
DEVELOPMENT NO.	WA003
LOGIC PG NO.	

PART NO.
4746302
DEVELOPMENT NO.

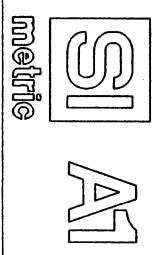


PART NO.
4746303

TITLE	CU-CH TAG CARD
HIGH/LOW PRIORITY JUMPER	
DESIGNER	JGR 1MAR83
CHECKED	AHR 21MAR83
APPROVED	AHR 21MAR83
CLASS	JGR 1MAR83

THIS DOCUMENT IS THE PROPERTY OF IBM. ITS USE IS AUTHORIZED ONLY FOR RESPONDING TO A REQUEST FOR INFORMATION OR FOR WORK FOR IBM. ALL QUESTIONS MUST BE REFERRED TO THE IBM PURCHASING DEPARTMENT.

DATE	14MAR83	EC NO.	333311
RED	5AUG83		333313
	28NOV84		A15653

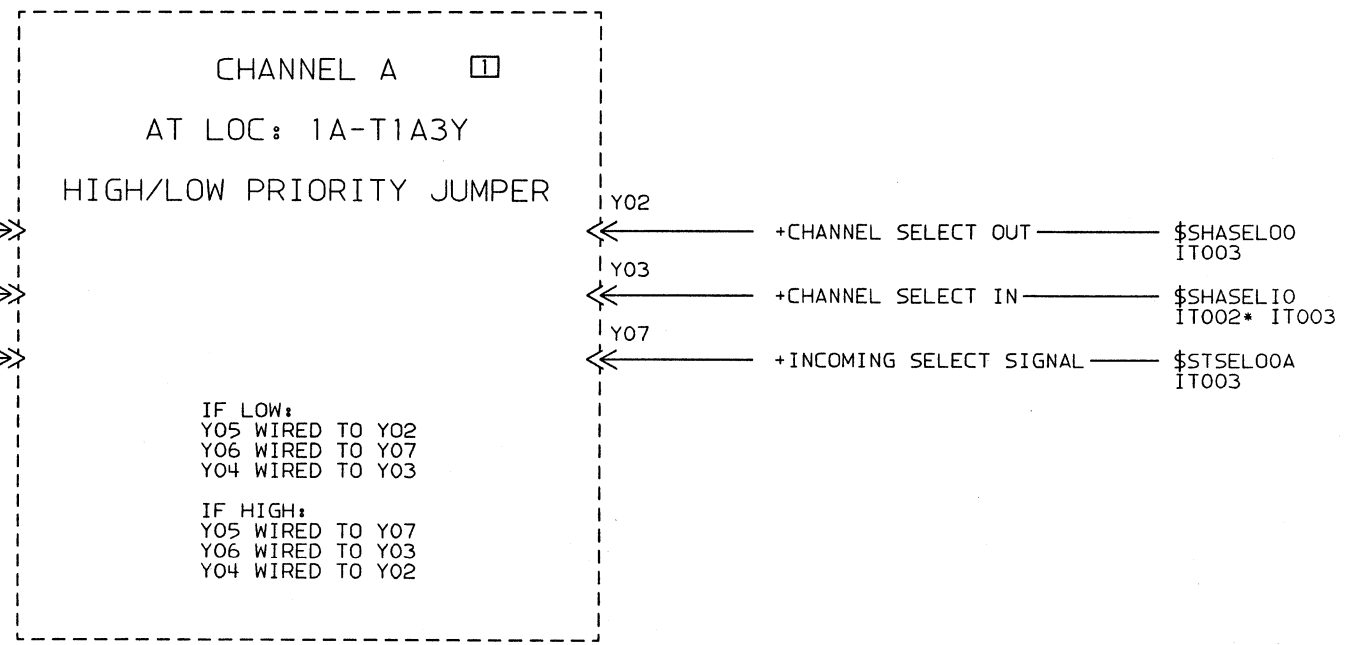


PART NO.	4746303	SHEET OF	
DEVELOPMENT NO.			
LOGIC PG NO.	WA004		

IBM CONFIDENTIAL UNTIL GENERAL AVAILABILITY

NOTES

- ☐ FOR MULTI-USAGE PAGE; FOR "A" CHANNEL USE AS SHOWN
- FOR "B" CHANNEL USE LOC: 1A-T1B3Y
- FOR "C" CHANNEL USE LOC: 1A-T1C3Y
- FOR "D" CHANNEL USE LOC: 1A-T1D3Y.

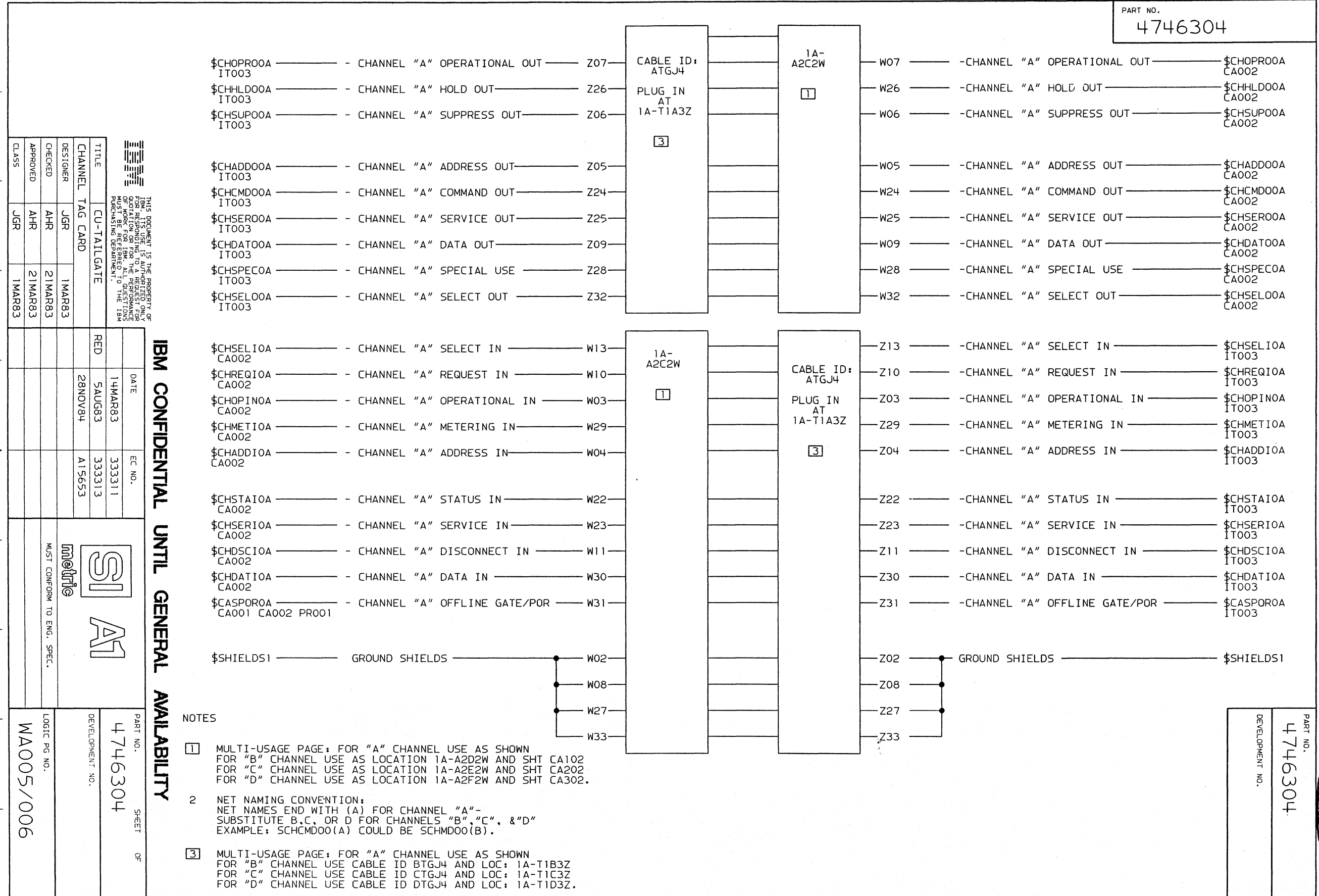


KUCT CARD - BERG CONNECTOR (Y)

PART NO.	4746303
DEVELOPMENT NO.	



PART NO.
4746304



THIS DOCUMENT IS THE PROPERTY OF INTERNATIONAL BUSINESS MACHINES CORPORATION AND IS LOANED TO YOUR ORGANIZATION FOR THE PERFORMANCE OF YOUR WORK. IT AND ITS CONTENTS MUST BE REFERRED TO THE IBM PURCHASING DEPARTMENT.

TITLE	CU-TAILGATE
DESIGNER	JGR 1MAR83
CHECKED	AHR 21MAR83
APPROVED	AHR 21MAR83
CLASS	JGR 1MAR83

IBM CONFIDENTIAL UNTIL GENERAL AVAILABILITY

DATE	14MAR83	EC NO.	333311
DATE	28NOV84	EC NO.	333313
DATE	5AUG83	EC NO.	A15653

SI A1
MUST CONFORM TO ENG. SPEC.

PART NO.	4746304	SHEET	OF
DEVELOPMENT NO.	4746304		
LOGIC PG NO.	WA005/006		

- NOTES
- 1 MULTI-USAGE PAGE: FOR "A" CHANNEL USE AS SHOWN FOR "B" CHANNEL USE AS LOCATION 1A-A2D2W AND SHT CA102 FOR "C" CHANNEL USE AS LOCATION 1A-A2E2W AND SHT CA202 FOR "D" CHANNEL USE AS LOCATION 1A-A2F2W AND SHT CA302.
 - 2 NET NAMING CONVENTION: NET NAMES END WITH (A) FOR CHANNEL "A"- SUBSTITUTE B,C, OR D FOR CHANNELS "B", "C", & "D" EXAMPLE: SCHCMD00(A) COULD BE SCHMD00(B).
 - 3 MULTI-USAGE PAGE: FOR "A" CHANNEL USE AS SHOWN FOR "B" CHANNEL USE CABLE ID BTGJ4 AND LOC: 1A-T1B3Z FOR "C" CHANNEL USE CABLE ID CTGJ4 AND LOC: 1A-T1C3Z FOR "D" CHANNEL USE CABLE ID DTGJ4 AND LOC: 1A-T1D3Z.



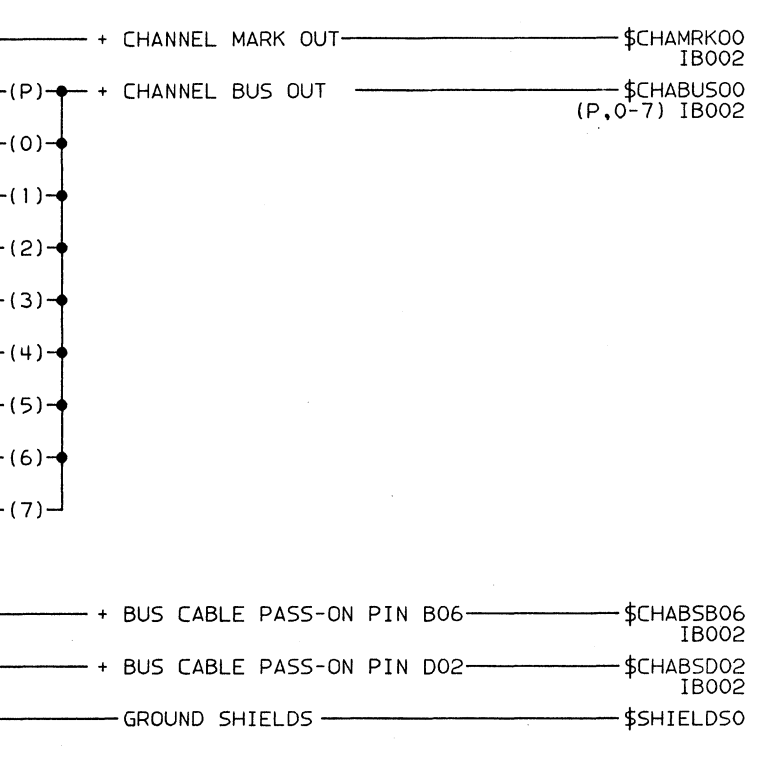
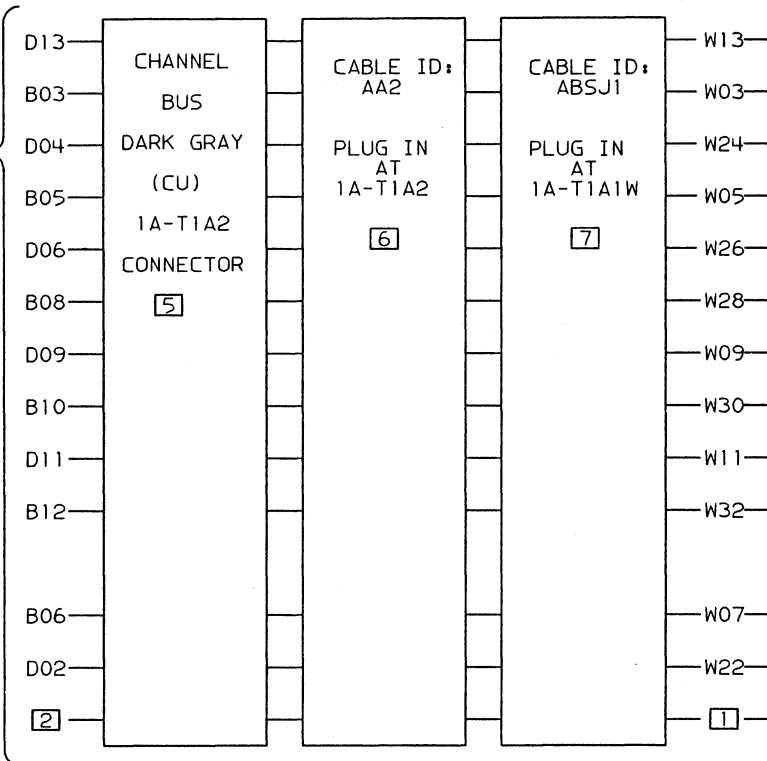
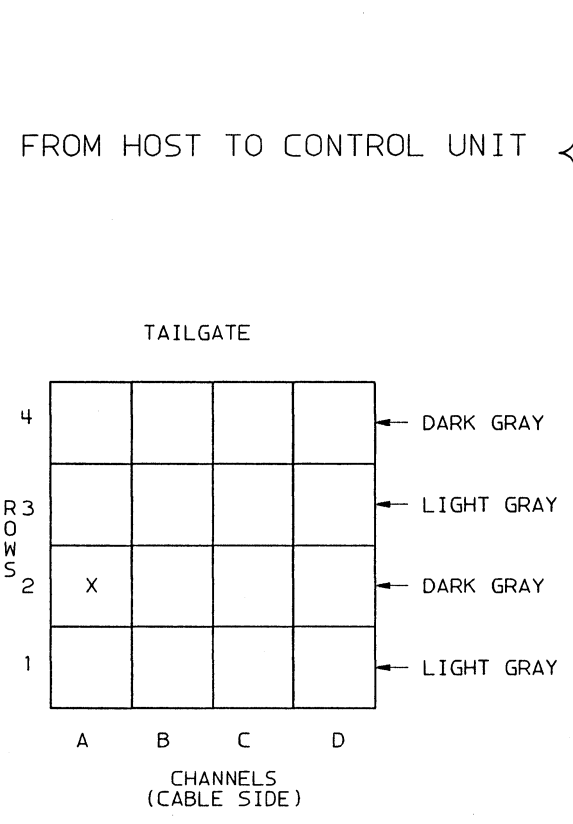
PART NO.
4746305

TITLE		DATE	EC NO.
CHANNEL BUS CARD		14MAR83	333311
DESIGNER	JGR	28NOV84	A15653
CHECKED	AHR		
APPROVED	AHR		
CLASS	JGR		

PART NO.		SHEET OF
4746305		
LOGIC PG NO.		
WA011/012		

IBM CONFIDENTIAL UNTIL GENERAL AVAILABILITY

THIS DOCUMENT IS THE PROPERTY OF IBM CORPORATION. IT IS LOANED TO YOU FOR YOUR PERSONAL USE ONLY. IT IS NOT TO BE REPRODUCED OR TRANSMITTED IN ANY FORM OR BY ANY MEANS, ELECTRONIC OR MECHANICAL, INCLUDING PHOTOCOPYING, RECORDING, OR BY ANY INFORMATION STORAGE AND RETRIEVAL SYSTEM. WITHOUT THE WRITTEN PERMISSION OF IBM CORPORATION, THIS DOCUMENT IS NOT TO BE DISTRIBUTED TO OTHERS.



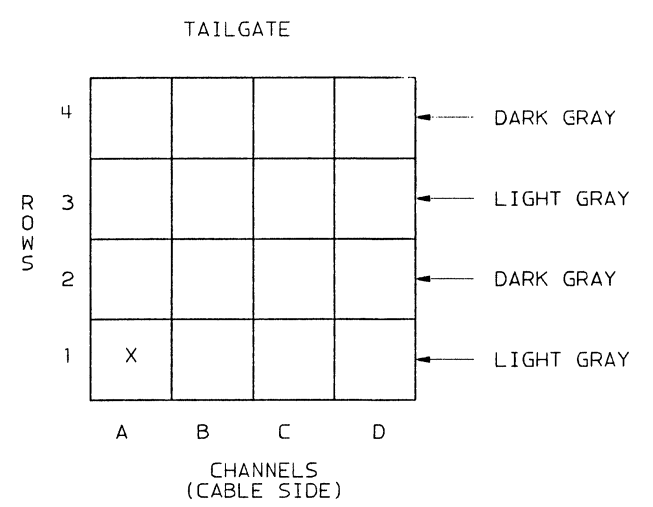
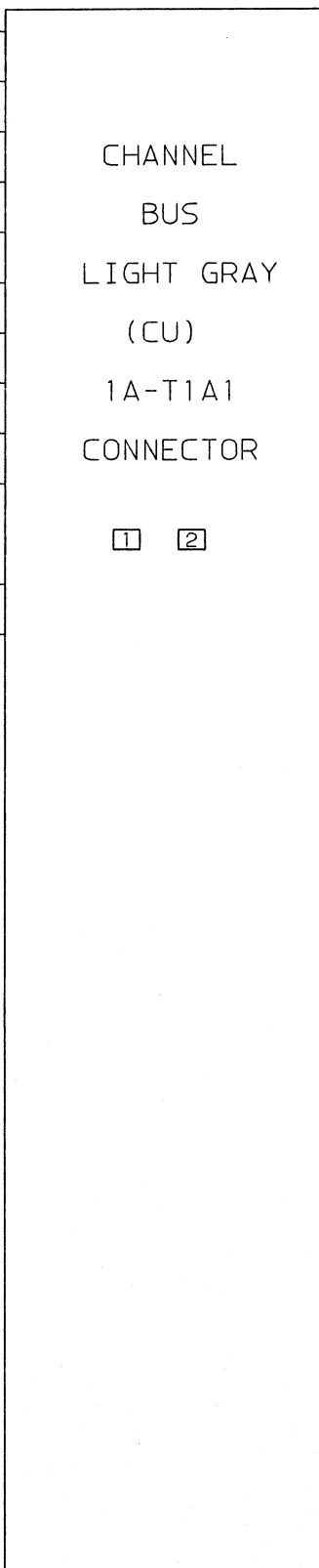
- FROM CONTROL UNIT TO HOST
- NOTES (NOTES 1 THRU 4 ARE GROUND PINS)
- 1 W02, W04, W06, W08, W10, W12, W23, W25, W27, W29
 - 2 B02, B04, B07, B09, B11, B13, D03, D05, D07, D08, D10, D12
 - 3 X02, X04, X06, X08, X10, X12, X23, X25, X27, X29
 - 4 G02, G04, G07, G09, G11, G13, J03, J05, J07, J08, J10, J12
 - 5 MULTI-USAGE PAGE; FOR "A" CHANNEL USE AS SHOWN FOR "B" CHANNEL USE AS LOCATION 1A-T1B2 FOR "C" CHANNEL USE AS LOCATION 1A-T1C2 FOR "D" CHANNEL USE AS LOCATION 1A-T1D2.
 - 6 MULTI-USAGE PAGE; FOR CHANNEL "A" USE AS SHOWN FOR "B" CHANNEL USE AS CABLE ID B'X'2 FOR "C" CHANNEL USE AS CABLE ID C'X'2 FOR "D" CHANNEL USE AS CABLE ID D'X'2.
 - 7 MULTI-USAGE PAGE; FOR "A" CHANNEL USE AS SHOWN FOR "B" CHANNEL USE AS LOCATION BBSJ'X' LOC: 1A-T1BW/X FOR "C" CHANNEL USE AS LOCATION CBSJ'X' LOC: 1A-T1CW/X FOR "D" CHANNEL USE AS LOCATION DBSJ'X' LOC: 1A-T1DW/X.

PART NO.
4746305

DEVELOPMENT NO.



PART NO.
4746306



TO NEXT CONTROL UNIT OR TERMINATOR

\$THAMRK00 + CHANNEL MARK OUT D13
IB001

\$THABUS00 + CHANNEL BUS OUT (P,0-7) IB001

- (P) B03
- (0) D04
- (1) B05
- (2) D06
- (3) B08
- (4) D09
- (5) B10
- (6) D11
- (7) B12

\$THABSB06 + BUS CABLE PASS-ON PIN B06 B06
IB001

\$THABSD02 + BUS CABLE PASS-ON PIN D02 D02
IB001

J13 + CHANNEL MARK IN \$THAMRK10 IB001

G03 + CHANNEL BUS IN \$THABUS10 (P,0-7) IB001

- J04
- G05
- J06
- G08
- J09
- G10
- J11
- G12

G06 + BUS CABLE PASS-ON PIN G06 \$THABSG06 IB001

J02 + BUS CABLE PASS-ON PIN J02 \$THABSJ02 IB001

3 GROUND SHIELDS \$SHIELDS0

FROM NEXT CONTROL UNIT OR TERMINATOR

NOTES

- 1 NEXT CONTROL UNIT CONNECTION OR TERMINATOR.
- 2 MULTI-USAGE PAGE: FOR "A" CHANNEL USE AS SHOWN FOR "B" CHANNEL USE AS LOCATION 1A-T1B1 FOR "C" CHANNEL USE AS LOCATION 1A-T1C1 FOR "D" CHANNEL USE AS LOCATION 1A-T1D1
- 3 GROUNDS: B02,B04,B07,B09,B11,B13,D03,D05,D07, D08,D10,D12,G02,G04,G07,G09,G11,G13,J03,J05, J07,J08,J10,J12.

THIS DOCUMENT IS THE PROPERTY OF IBM. ITS USE IS AUTHORIZED ONLY FOR THE PERFORMANCE OF THE WORK FOR WHICH IT WAS REQUESTED. IT IS NOT TO BE REPRODUCED OR TRANSMITTED IN ANY FORM OR BY ANY MEANS, ELECTRONIC OR MECHANICAL, INCLUDING PHOTOCOPYING, RECORDING, OR BY ANY INFORMATION STORAGE AND RETRIEVAL SYSTEM, WITHOUT PERMISSION IN WRITING FROM THE IBM RESEARCH DEVELOPMENT DEPARTMENT.

TITLE	CU-TAILGATE
DESIGNER	JGR 1MAR83
CHECKED	AHR 21MAR83
APPROVED	AHR 21MAR83
CLASS	JGR 1MAR83

DATE	14MAR83	EC NO.	333311
DATE	28NOV84	EC NO.	333313
DATE	5AUG83	EC NO.	A15653

SI A1

metrigo

MUST CONFORM TO ENG. SPEC.

PART NO.	4746306	SHEET	OF
DEVELOPMENT NO.	WA013	LOGIC PG NO.	

PART NO.	4746306
DEVELOPMENT NO.	



11 10 9 8 7 6 5 4 3 2

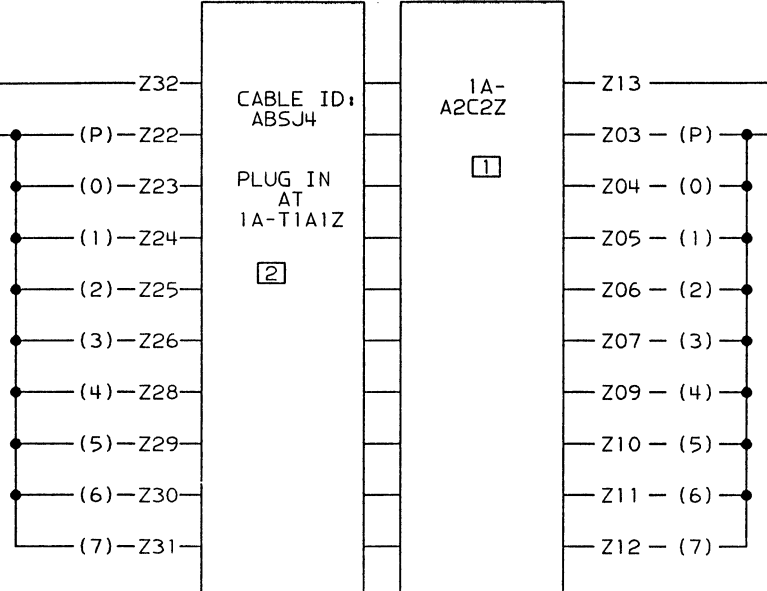
11 10 9 8 7 6 5 4 3 2

A B C D E F G H I J K

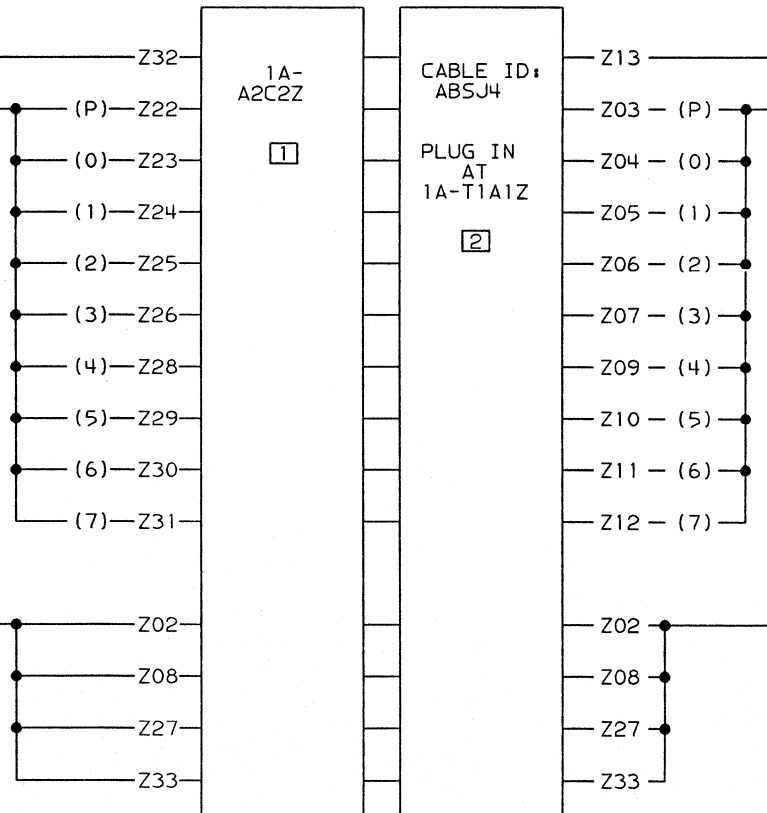
A B C D E F G H I J K

PART NO.
4746307

\$CHMRK00A — + CHANNEL "A" MARK OUT — Z32 — \$CHMRK00A CA002
 IB003
 \$CHBUS00A — - CHANNEL "A" BUS OUT — (P)-Z22 — \$CHBUS00A CA002
 (P,0-7) IB003 (P,0-7) CA002



\$CHMRK10A — - CHANNEL "A" MARK IN — Z32 — \$CHMRK10A IB003
 CA002
 \$CHBUS100A — - CHANNEL "A" BUS IN — (P)-Z22 — \$CHBUS100A IB003
 (P,0-7) CA002 (P,0-7) IB003



\$SHIELDSO — GROUND SHIELDS — Z02 — \$SHIELDSO
 Z08
 Z27
 Z33

NOTES

- 1 MULTI-USAGE PAGE; FOR "A" CHANNEL USE AS SHOWN FOR "B" CHANNEL USE AS LOCATION 1A-A2D2Z AND SHT CA102 FOR "C" CHANNEL USE AS LOCATION 1A-A2E2Z AND SHT CA202 FOR "D" CHANNEL USE AS LOCATION 1A-A2F2Z AND SHT CA302.
- 2 MULTI-USAGE PAGE; FOR "A" CHANNEL USE AS SHOWN FOR "B" CHANNEL USE AS LOCATION 1A-T1B1Z FOR "C" CHANNEL USE AS LOCATION 1A-T1C1Z FOR "D" CHANNEL USE AS LOCATION 1A-T1D1Z.

THIS DOCUMENT IS THE PROPERTY OF IBM. ITS USE IS AUTHORIZED ONLY FOR THE REPRODUCTION OF INFORMATION OF WORK FOR IBM. ALL QUESTIONS MUST BE REFERRED TO THE IBM PURCHASING DEPARTMENT.

TITLE	CU-A2 TO TLGT CBL
DESIGNER	JGR 1MAR83
CHECKED	AHR 21MAR83
APPROVED	AHR 21MAR83
CLASS	JGR 1MAR83

DATE	14MAR83	EC NO.	333311
DATE	28NOV84	EC NO.	333313
DATE		EC NO.	A15653

SI A1
 metlife
 MUST CONFORM TO ENG. SPEC.

PART NO. 4746307 SHEET OF
 DEVELOPMENT NO. WA014/015

IBM CONFIDENTIAL UNTIL GENERAL AVAILABILITY

PART NO. 4746307
 DEVELOPMENT NO.



11
10
9
8
7
6
5
4
3
2

11
10
9
8
7
6
5
4
3
2

20 A

A

B

C

D

E

F

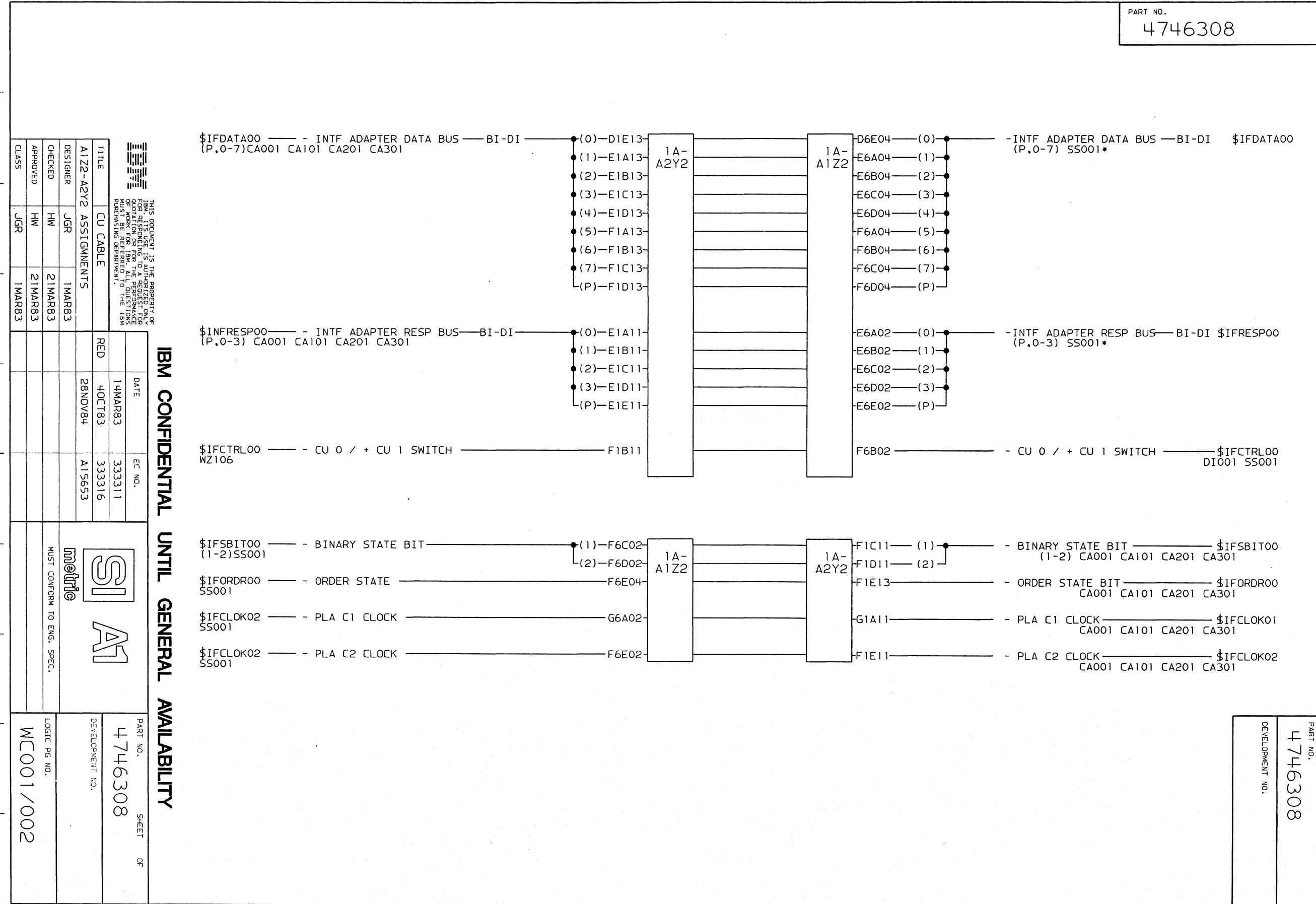
G

H

J

K

PART NO.
4746308



THIS DOCUMENT IS THE PROPERTY OF IBM. ITS USE IS AUTHORIZED ONLY FOR THE PERFORMANCE OF A REQUESTED SERVICE AND IS NOT TO BE REPRODUCED OR TRANSMITTED IN ANY FORM OR BY ANY MEANS, ELECTRONIC OR MECHANICAL, INCLUDING PHOTOCOPYING, RECORDING, OR BY ANY INFORMATION STORAGE AND RETRIEVAL SYSTEM. ALL QUESTIONS MUST BE REFERRED TO THE IBM PURCHASING DEPARTMENT.

TITLE	CU CABLE
DESIGNER	JGR 1MAR83
CHECKED	HW 21MAR83
APPROVED	HW 21MAR83
CLASS	JGR 1MAR83

DATE	14MAR83	EC NO.	333311
	4OCT83		333316
	28NOV84		A15653

IBM CONFIDENTIAL UNTIL GENERAL AVAILABILITY

SI A1

mett

MUST CONFORM TO ENG. SPEC.

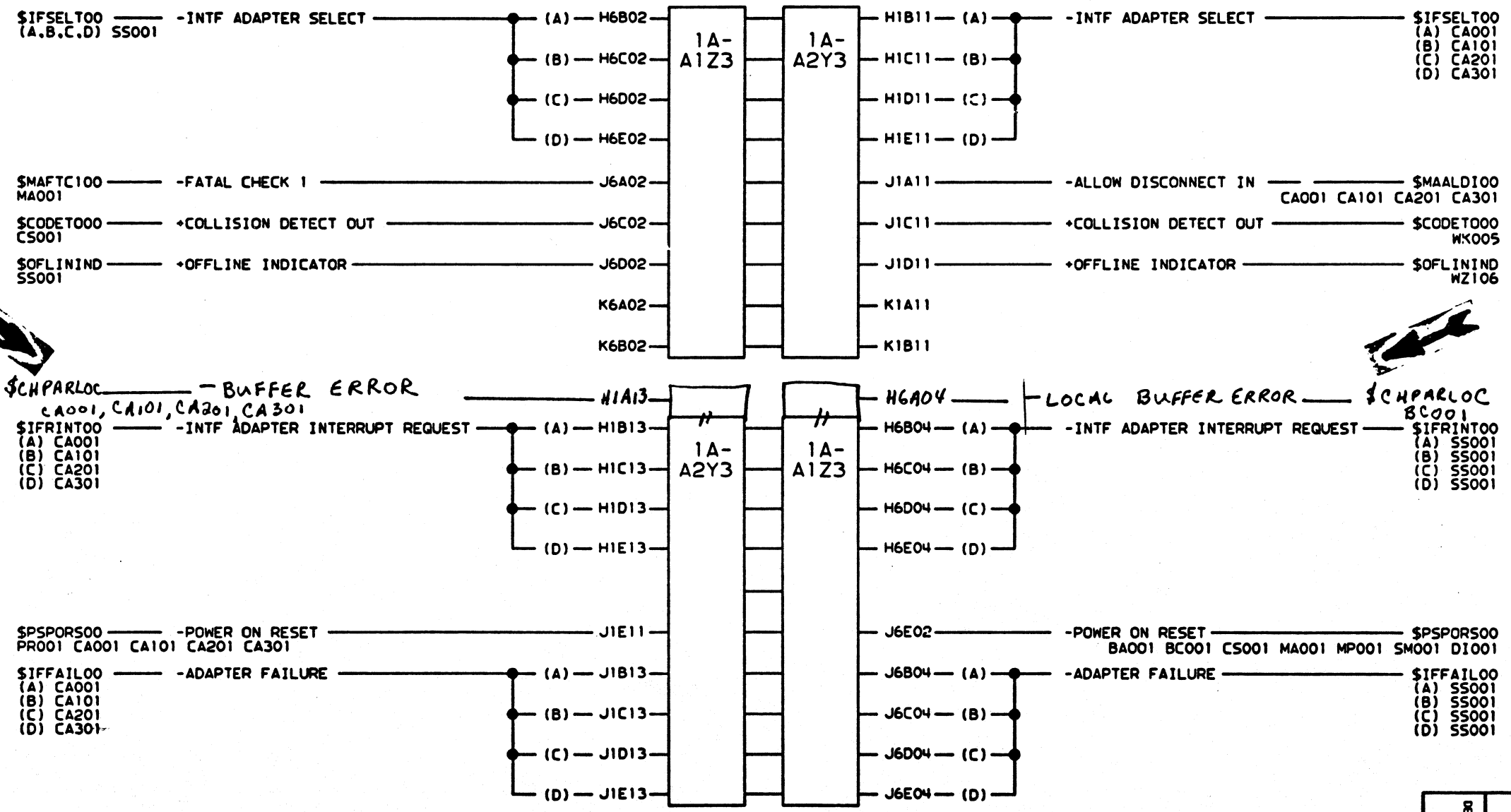
PART NO.	4746308	SHEET	OF
DEVELOPMENT NO.	4746308		
LOGIC PG NO.	WC001/002		

IBM CONFIDENTIAL

PART NO.
4746308

DEVELOPMENT NO.

PART NO.
4746309



THIS DOCUMENT IS THE PROPERTY OF
IBM. IT IS TO BE RETURNED TO THE
FROM WHICH IT WAS LOANED. IT IS TO BE
REPRODUCED OR TRANSMITTED IN ANY
FORM OR BY ANY MEANS, ELECTRONIC,
MECHANICAL, PHOTOCOPYING, RECORDING,
OR BY ANY INFORMATION STORAGE AND
RETRIEVAL SYSTEM, WITHOUT PERMISSION
IN WRITING FROM THE IBM
CORPORATION, ARMONK, N.Y.

IBM CONFIDENTIAL UNTIL GENERAL AVAILABILITY

TITLE	CU CABLE
A1Z3 TO A2Y3 ASSIGNMENTS	
DESIGNER	JGR
CHECKED	AHR
APPROVED	AHR
CLASS	JGR

DATE	EC NO.
14MAR83	333311
5AUG83	333313
4OCT83	333316
7DEC83	333317
28NOV84	A15653
	A6010

SI A1

MUST CONFORM TO ENG. SPEC.

PART NO. 4746309	SHEET 1
DEVELOPMENT NO. WC003/004	

NOTES
1
12-15179
SUITABLE FOR FILMING
IOC PRINT

PART NO. 4746309
DEVELOPMENT NO. WC003/004



PART NO.
4746310

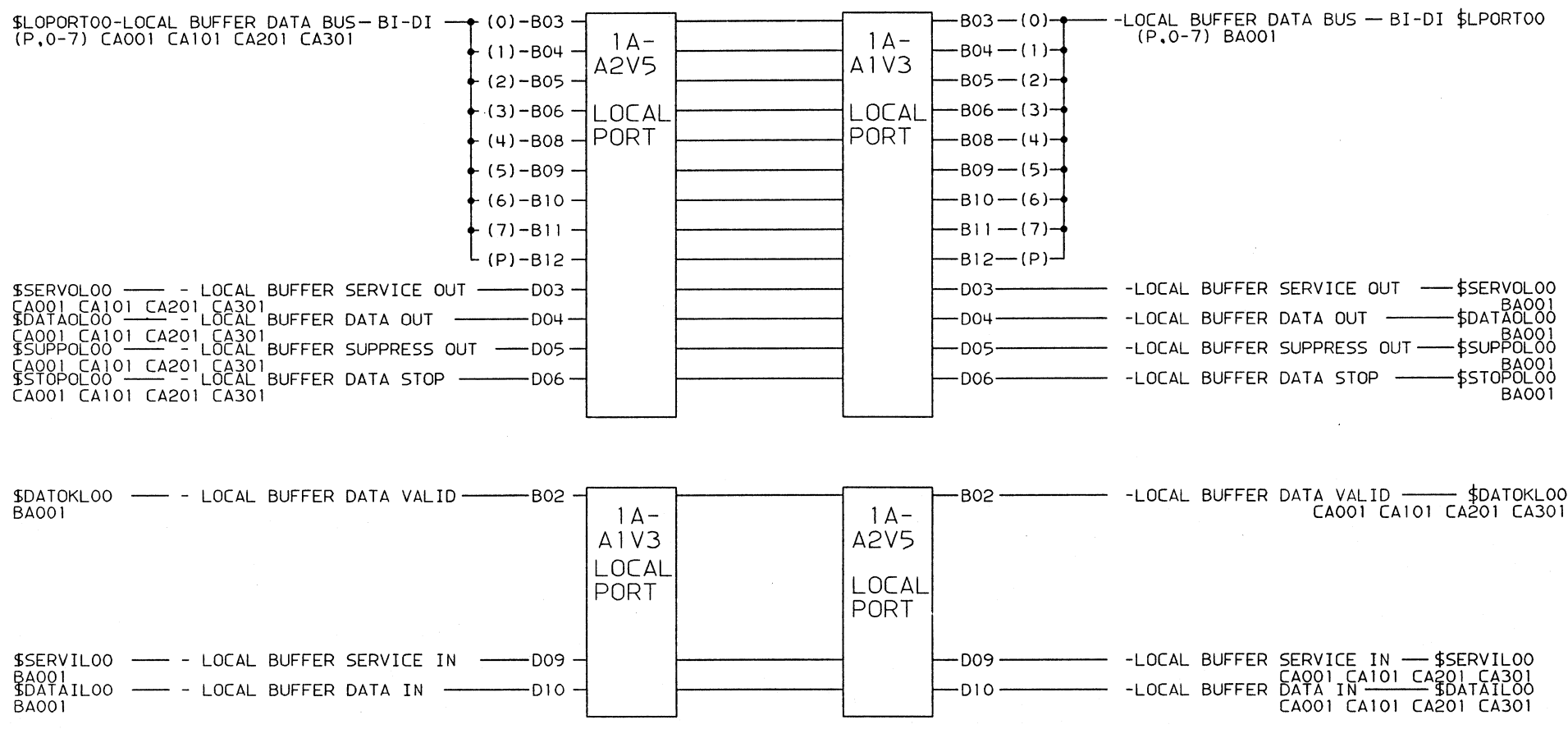
IBM - ITS USE IS AUTHORIZED ONLY FOR REPRODUCTION OF A REQUEST OR RESPONSE THROUGH THE MVS FACILITY. IT IS NOT TO BE REPRODUCED OR TRANSMITTED IN ANY FORM OR BY ANY MEANS, ELECTRONIC OR MECHANICAL, INCLUDING PHOTOCOPYING, RECORDING, OR BY ANY INFORMATION STORAGE AND RETRIEVAL SYSTEM. ALL QUESTIONS MUST BE REFERRED TO THE IBM PURCHASING DEPARTMENT.

TITLE	CU CABLE	DATE	EC NO.
A1V3 TO A2V5 ASSIGNMENTS		14MAR83	333311
DESIGNER	JGR	1MAR83	
CHECKED	AHR	21MAR83	
APPROVED	AHR	21MAR83	
CLASS	JGR	1MAR83	

SI A1
Mettig
MUST CONFORM TO ENG. SPEC.

PART NO. 4746310 SHEET OF
DEVELOPMENT NO.
LOGIC PG NO. WC005/006

IBM CONFIDENTIAL UNTIL GENERAL AVAILABILITY



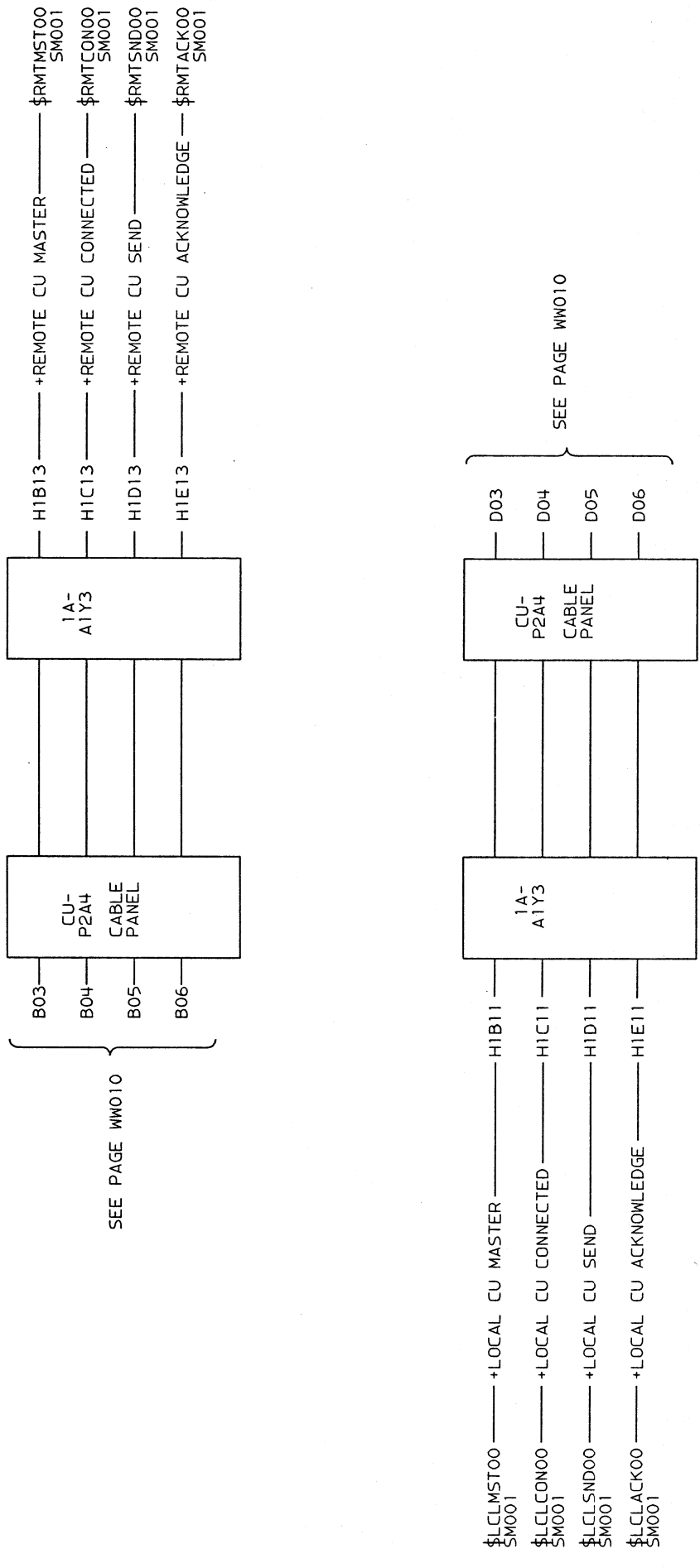
PART NO. 4746310
DEVELOPMENT NO.





PART NO.
4746311

PART NO.
4746311
DEVELOPMENT NO.



NOTE
1 LOCAL LINES CONNECT TO REMOTE LINES IN CU TO CU CONFIGURATION.

IBM CONFIDENTIAL UNTIL GENERAL AVAILABILITY

THIS DOCUMENT IS THE PROPERTY OF IBM. ITS USE IS AUTHORIZED ONLY FOR RESPONDING TO A REQUEST FOR QUOTATION OR FOR THE PERFORMANCE OF WORK FOR IBM. ALL QUESTIONS MUST BE REFERRED TO THE IBM PURCHASING DEPARTMENT.

TITLE	CU-A1 BOARD	RED	DATE	14MAR83	EC NO.	333311
	CABLE ASSIGNMENTS(Y3)			24FEB84		333302
				28NOV84		A15653
DESIGNER	JGR					1MAR83
CHECKED	AHR					21MAR83
APPROVED	AHR					21MAR83
CLASS	JGR					1MAR83



MUST CONFORM TO ENG. SPEC.

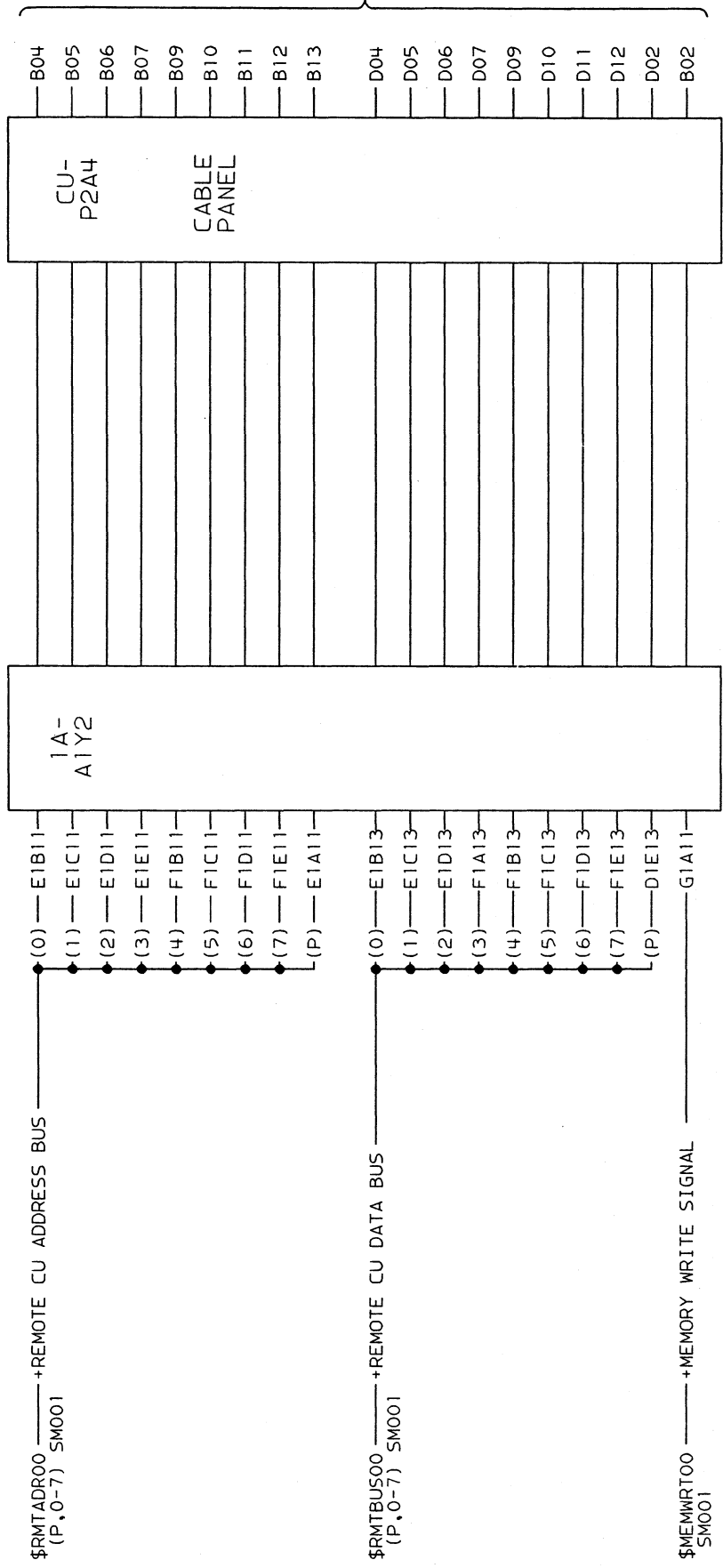
PART NO. SHEET OF
4746311
DEVELOPMENT NO.
LOGIC PG NO.
WK001



PART NO.
4746312

PART NO.
4746312
DEVELOPMENT NO.

SEE PAGE WW010



NOTES

- 1 LOCAL LINES CONNECT TO REMOTE LINES IN CU TO CU CONFIGURATION.

IBM CONFIDENTIAL UNTIL GENERAL AVAILABILITY

THIS DOCUMENT IS THE PROPERTY OF IBM. ITS USE IS AUTHORIZED ONLY FOR RESPONDING TO A REQUEST FOR QUOTATION OR FOR THE PERFORMANCE OF WORK FOR IBM. ALL QUESTIONS MUST BE REFERRED TO THE IBM PURCHASING DEPARTMENT.

TITLE	CU-A1 BOARD	DESIGNER	GMK	1MAR83
CABLE ASSIGNMENTS(Y2)		CHECKED	HW	21MAR83
		APPROVED	HW	21MAR83
		CLASS	JGR	1MAR83

DATE	14MAR83	EC NO.	333311
DATE	24FEB84	EC NO.	333302
DATE	28NOV84	EC NO.	A15653



MUST CONFORM TO ENG. SPEC.

PART NO.	4746312	SHEET OF	
DEVELOPMENT NO.			
LOGIC PG NO.			
WK003			

PART NO.
4746313

TITLE	CU-A1 BOARD
CABLE ASSIGNMENTS (Y4)	
DESIGNER	JGR
CHECKED	AHR
APPROVED	AHR
CLASS	JGR

THIS DRAWING IS THE PROPERTY OF IBM CORPORATION. IT IS TO BE USED FOR THE PURPOSES SPECIFIED IN THE ORDER. IT IS NOT TO BE REPRODUCED OR TRANSMITTED IN ANY FORM OR BY ANY MEANS, ELECTRONIC OR MECHANICAL, INCLUDING PHOTOCOPYING, RECORDING, OR BY ANY INFORMATION STORAGE AND RETRIEVAL SYSTEM, WITHOUT THE WRITTEN PERMISSION OF IBM CORPORATION.

DATE	14MAR83	EC NO.	333311
DATE	5AUG83	EC NO.	333313
DATE	4OCT83	EC NO.	333316
DATE	7DEC83	EC NO.	333317
DATE	24FEB84	EC NO.	333302
DATE	28NOV84	EC NO.	A15653
DATE		EC NO.	A06010

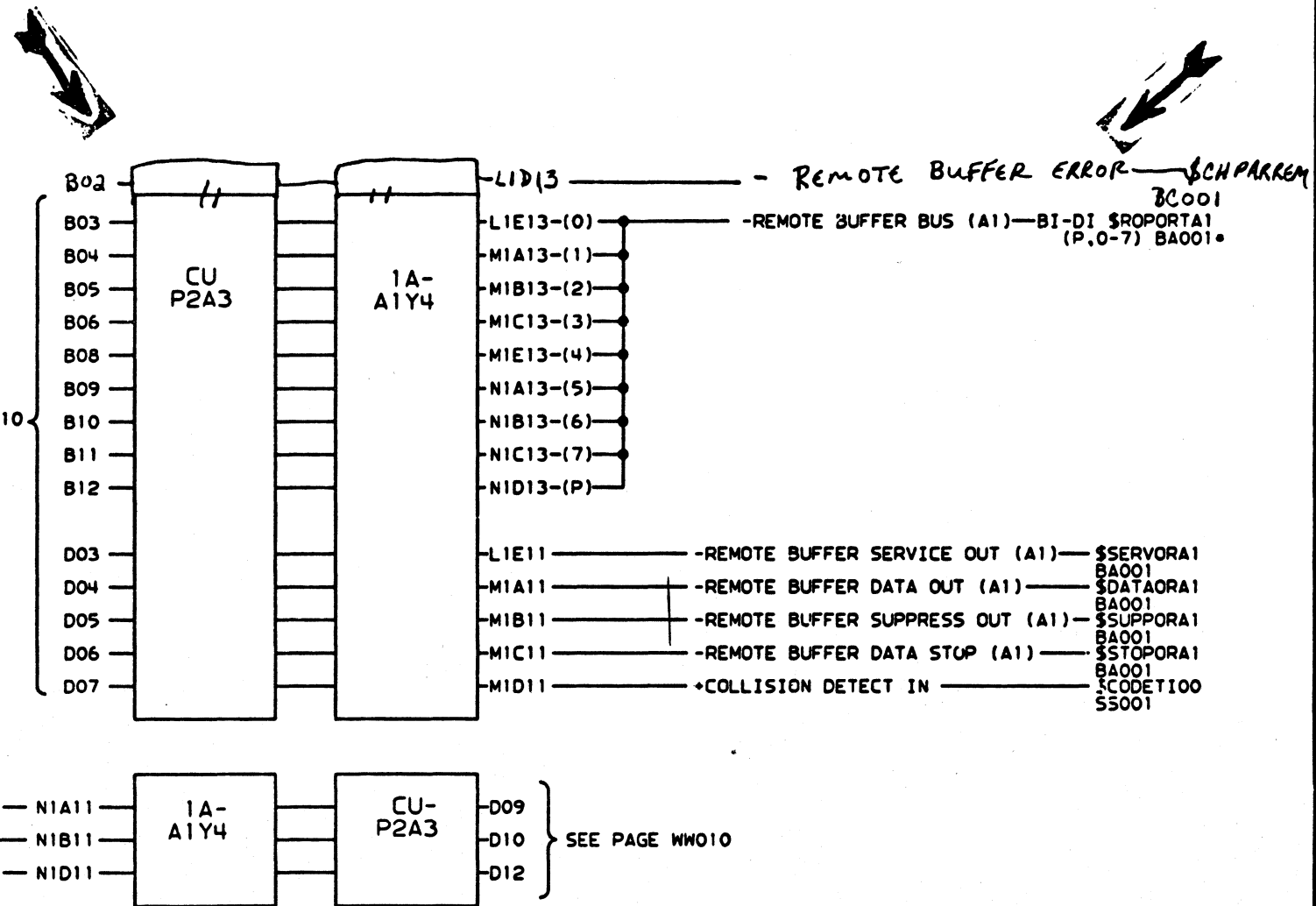
IBM CONFIDENTIAL UNTIL GENERAL AVAILABILITY



Must conform to Eng. Spec.

PART NO.	4746313
DEVELOPMENT NO.	
LOGIC PG. NO.	WK005

SUITABLE FOR FILMING 12-15179
IOC PRINT



PART NO.	4746313
DEVELOPMENT NO.	

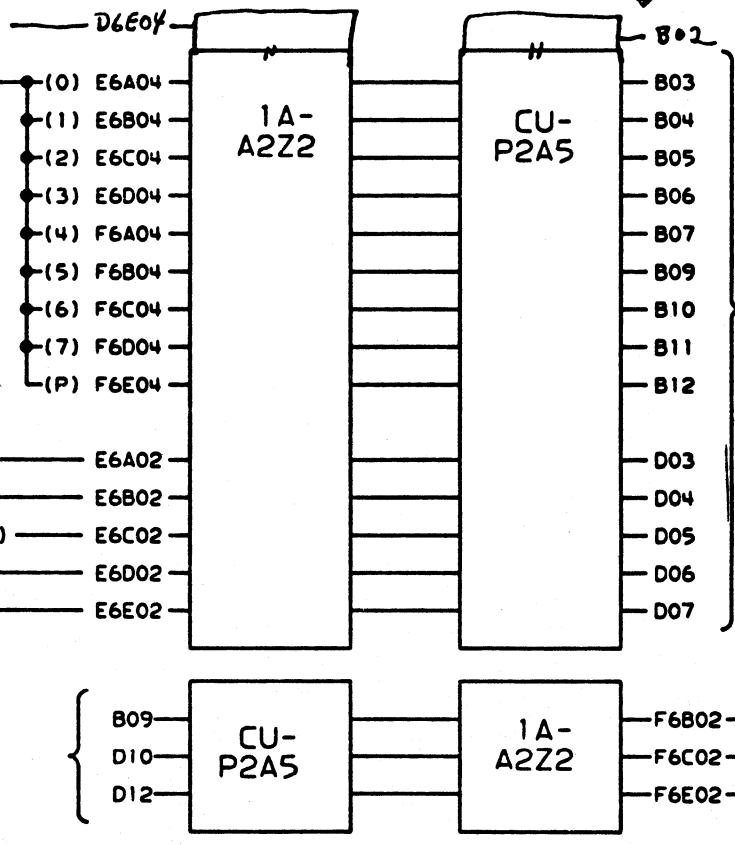


PART NO.
4746314

\$CHPARRM - BUFFER ERROR
CA001, CA101, CA201, CA301

\$RPORTA2 - REMOTE BUFFER BUS (A2) BI-DI
(P.0-7) CA001 CA101 CA201 CA301

\$SERVORA2 - REMOTE BUFFER SERVICE OUT (A2)
CA001 CA101 CA201 CA301
\$DATAORA2 - REMOTE BUFFER DATA OUT (A2)
CA001 CA101 CA201 CA301
\$SUPPORA2 - REMOTE BUFFER SUPPRESS OUT (A2)
CA001 CA101 CA201 CA301
\$STOPORA2 - REMOTE BUFFER DATA STOP (A2)
CA001 CA101 CA201 CA301
\$CODET000 - COLLISION DETECT OUT
WC004



SEE PAGE WW010

SEE PAGE WW010

TITLE	CU-A2 BOARD
DESIGNER	JGR
CHECKED	AHR
APPROVED	AHR
CLASS	JGR

THIS DOCUMENT IS THE PROPERTY OF IBM. IT IS LOANED TO YOU BY THE LIBRARY OF THE UNIVERSITY OF MICHIGAN. IT IS NOT TO BE REPRODUCED OR TRANSMITTED IN ANY FORM OR BY ANY MEANS, ELECTRONIC OR MECHANICAL, INCLUDING PHOTOCOPYING, RECORDING, OR BY ANY INFORMATION STORAGE AND RETRIEVAL SYSTEM, WITHOUT PERMISSION IN WRITING FROM THE LIBRARY OF THE UNIVERSITY OF MICHIGAN.

IBM CONFIDENTIAL UNTIL GENERAL AVAILABILITY

DATE	EC NO.
14MARB3	333311
5AUG63	333313
4OCT63	333316
7DEC63	333317
24FEB64	333302
28NOV64	A15653



NOTICE: CONFORM TO ENG. SPEC.

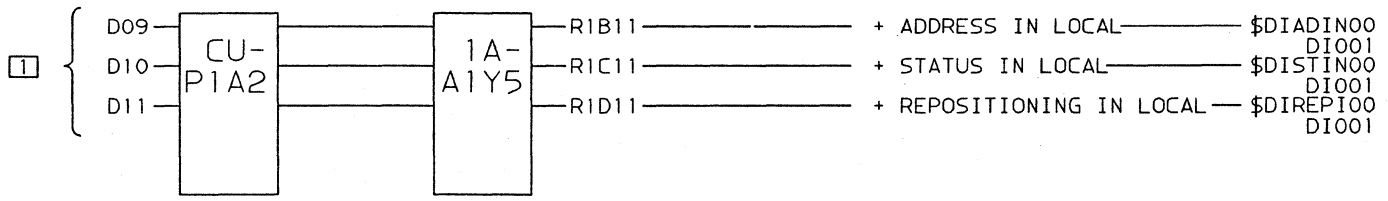
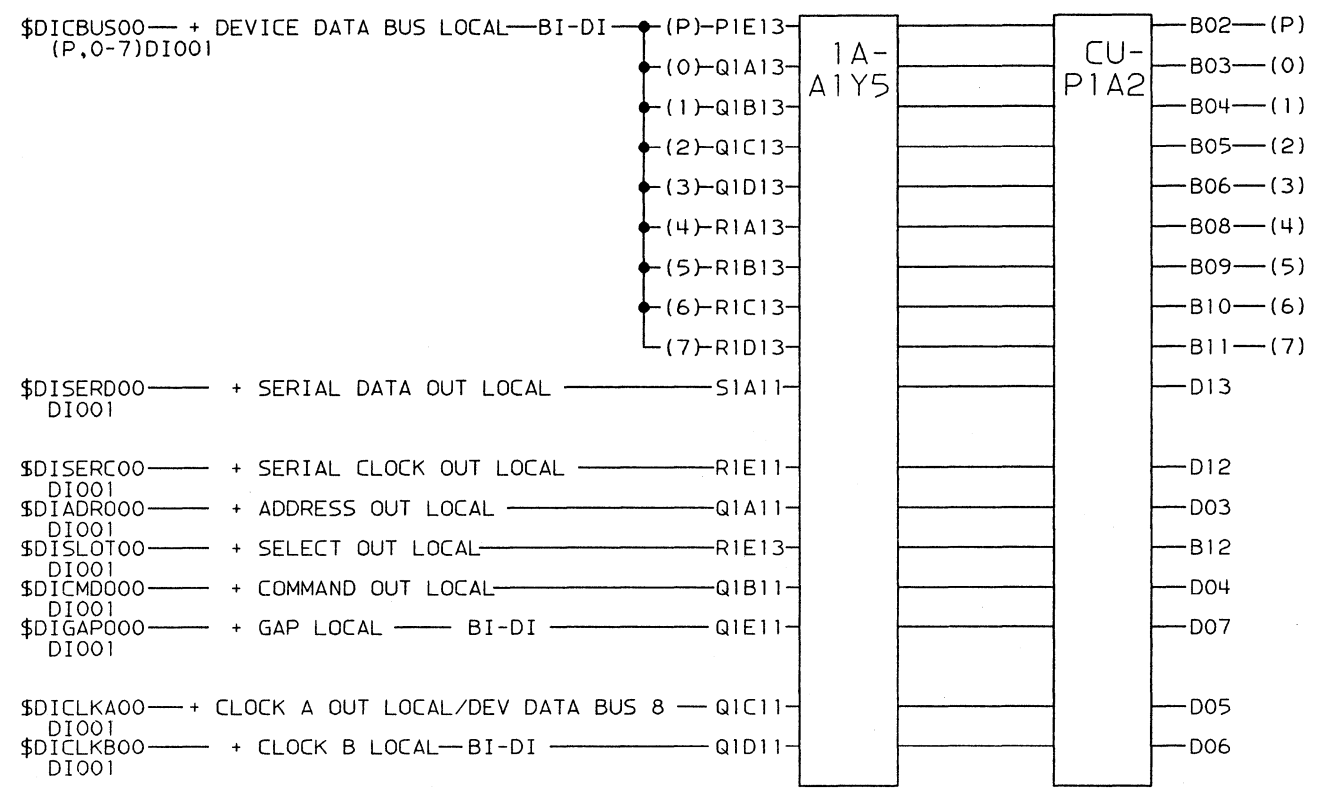
PART NO.	4746314
DEVELOPMENT NO.	WK006

SUITABLE FOR FILMING 12-15179
IOC PRINT

PART NO.	4746314
DEVELOPMENT NO.	WK006



PART NO.
4746315

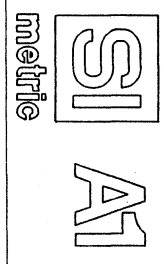


THIS DOCUMENT IS THE PROPERTY OF IBM CORPORATION. IT IS TO BE USED FOR THE PURPOSES SPECIFIED IN THE TITLE AND IS NOT TO BE REPRODUCED OR TRANSMITTED IN ANY FORM OR BY ANY MEANS, ELECTRONIC OR MECHANICAL, INCLUDING PHOTOCOPYING, RECORDING, OR BY ANY INFORMATION STORAGE AND RETRIEVAL SYSTEM, WITHOUT PERMISSION IN WRITING FROM THE PURCHASING DEPARTMENT.

TITLE	CU - A1 BOARD
CABLE ASSIGNMENTS (YS)	
DESIGNER	JGR 1MAR83
CHECKED	AHR 21MAR83
APPROVED	AHR 21MAR83
CLASS	JGR 1MAR83

IBM CONFIDENTIAL UNTIL GENERAL AVAILABILITY

DATE	14MAR83	EC NO.	333311
RED	4OCT83		333316
	24FEB84		333302
	28NOV84		A15653



MUST CONFORM TO ENG. SPEC.

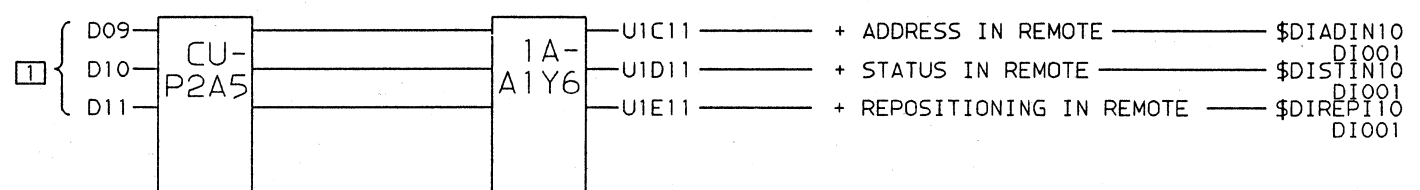
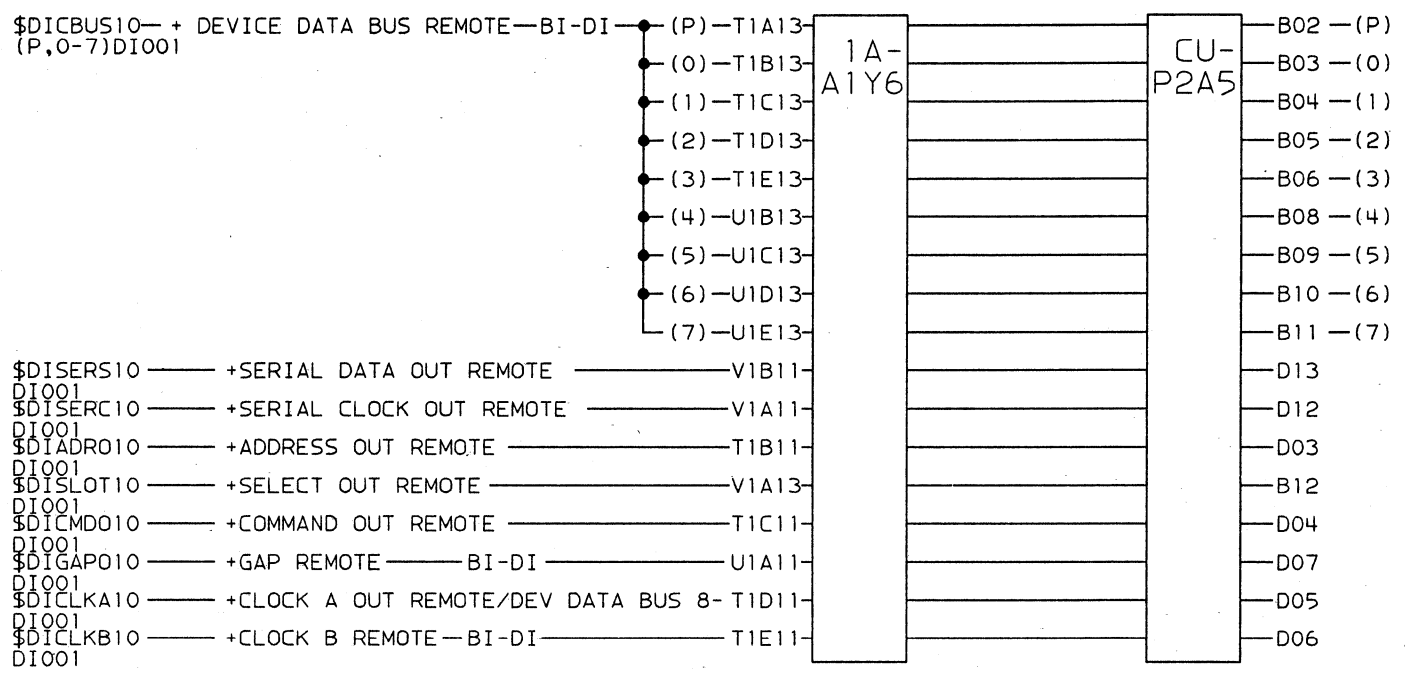
PART NO.	4746315	SHEET	OF
DEVELOPMENT NO.			
LOGIC PG NO.	WT001		

NOTES
 [1] SEE TU WW010 FOR WRITE BUS CABLING, LOCAL INTERFACE.

PART NO.	4746315
DEVELOPMENT NO.	



PART NO.
4746316



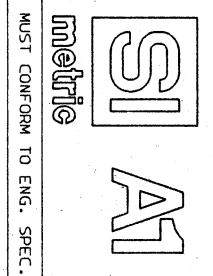
NOTES

1 SEE WW010 FOR WRITE BUS CABLING, REMOTE INTERFACE.

THIS DOCUMENT IS THE PROPERTY OF IBM. ITS USE IS AUTHORIZED ONLY FOR REPAIRING OR A REPAIRMAN OR OF WORK FOR IBM. ALL QUESTIONS MUST BE REFERRED TO THE IBM PURCHASING DEPARTMENT.

TITLE	CU CABLE		
DESIGNER	JGR	1MAR83	
CHECKED	AHR	21MAR83	
APPROVED	AHR	21MAR83	
CLASS	JGR	1MAR83	

DATE	14MAR83	EC NO.	333311
RED	4OCT83		333316
	24FEB84		333302
	28NOV84		A15653



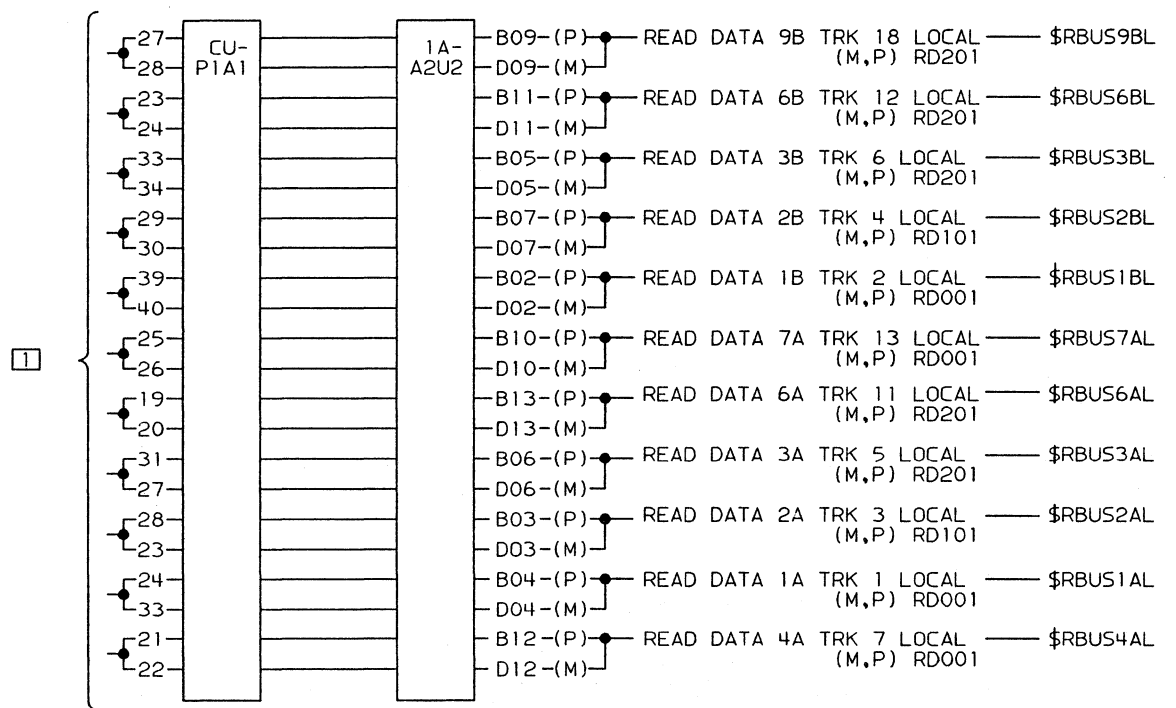
PART NO.	4746316	SHEET	OF
DEVELOPMENT NO.			
LOGIC PG NO.	WT003		

PART NO.	4746316
DEVELOPMENT NO.	



IBM CONFIDENTIAL UNTIL GENERAL AVAILABILITY

PART NO.
4746317



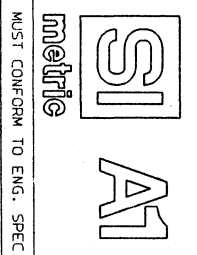
 * THE READ DATA SIGNAL LEVELS ARE 1.2 V TO *
 * 2.0 V PEAK-TO-PEAK MEASURED DIFFERENTIALLY. *

- NOTES
- 1 SEE WW020 FOR READ BUS CABLING, READ DATA LOCAL.
 - 2

THIS DOCUMENT IS THE PROPERTY OF
 IBM CORPORATION. IT IS AUTHORIZED ONLY
 FOR REPRODUCTION AND TRANSMISSION
 FOR THE PERSONNEL OF THE COMPANY OR
 FOR THE PERSONNEL OF A COMPANY OR
 ORGANIZATION FOR THE PERFORMANCE OF
 A SPECIFIC ASSIGNMENT. IT IS TO BE
 DESTROYED AND NOT REPRODUCED OR
 TRANSMITTED IN ANY FORM OR BY ANY
 MEANS, ELECTRONIC OR MECHANICAL,
 INCLUDING PHOTOCOPYING, RECORDING,
 OR BY ANY INFORMATION STORAGE AND
 RETRIEVAL SYSTEM, WITHOUT PERMISSION
 IN WRITING FROM THE IBM
 PURCHASING DEPARTMENT.

TITLE	CU - A2 BOARD
CABLE ASSIGNMENTS (Y2)	
DESIGNER	JGR 1MAR83
CHECKED	AHR 21MAR83
APPROVED	AHR 21MAR83
CLASS	JGR 1MAR83

DATE	EC NO.
14MAR83	333311
4OCT83	333316
24FEB84	333302
28NOV84	A15653



PART NO.	SHEET	OF
4746317		
DEVELOPMENT NO.		
LOGIC PG NO.	WT004	

IBM CONFIDENTIAL UNTIL GENERAL AVAILABILITY

PART NO.
4746317
DEVELOPMENT NO.



PART NO.
4746318

THIS DOCUMENT IS THE PROPERTY OF IBM. ITS USE IS AUTHORIZED ONLY FOR THE PERFORMANCE OF WORK FOR IBM. ALL QUESTIONS MUST BE REFERRED TO THE IBM PURCHASING DEPARTMENT.

TITLE	CU - A2 BOARD
DESIGNER	JGR
CHECKED	AHR
APPROVED	AHR
CLASS	JGR

DATE	14MAR83	EC NO.	333311
	24FEB84		333302
	28NOV84		A15653

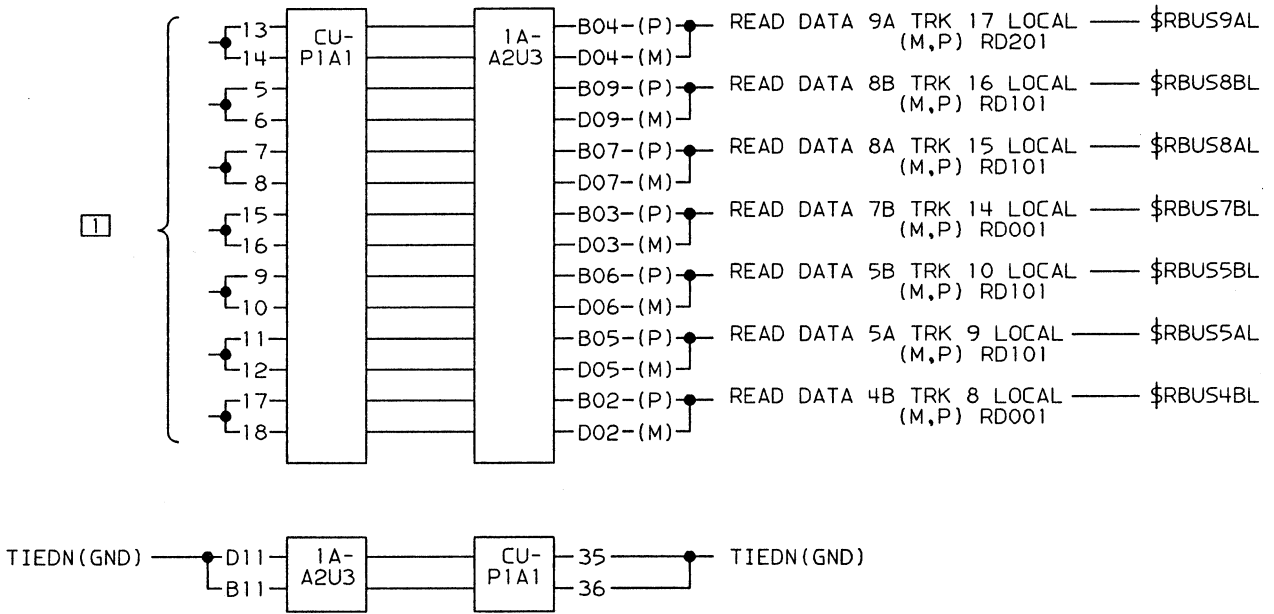
SI A1
metrisc
MUST CONFORM TO ENG. SPEC.

PART NO.	4746318	SHEET	OF
DEVELOPMENT NO.			
LOGIC PG NO.	WT006		

IBM CONFIDENTIAL UNTIL GENERAL AVAILABILITY

NOTES

- 1 SEE WW020 FOR READ BUS CABLING, READ DATA LOCAL.
- 2



* THE READ DATA SIGNAL LEVELS ARE 1.2 V TO *
* 2.0 V PEAK-TO-PEAK MEASURED DIFFERENTIALLY. *

PART NO.	4746318
DEVELOPMENT NO.	

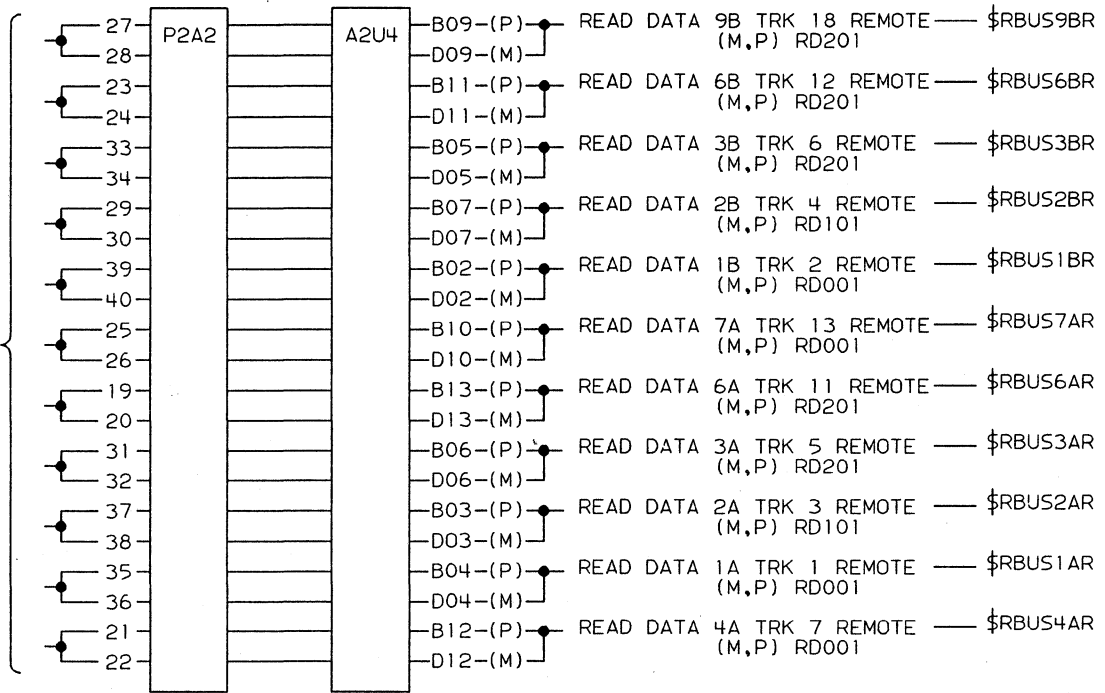


PART NO.
4746319



PART NO.
4746319
DEVELOPMENT NO.

* THE READ DATA SIGNAL LEVELS ARE 1.2 V TO *
* 2.0 V PEAK-TO-PEAK MEASURED DIFFERENTIALLY. *



□

NOTES

□ SEE TU WW020 FOR READ BUS CABLING, READ DATA REMOTE.

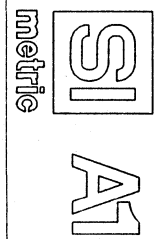
2

IBM CONFIDENTIAL UNTIL GENERAL AVAILABILITY

THIS DOCUMENT IS THE PROPERTY OF IBM. ITS USE IS AUTHORIZED ONLY FOR THE PERFORMANCE OF WORK FOR IBM. ALL QUESTIONS CONCERNING THIS DOCUMENT SHOULD BE REFERRED TO THE IBM PURCHASING DEPARTMENT.

TITLE	CU - A2 BOARD		
CABLE ASSIGNMENTS (U3)			
DESIGNER	JGR	1MAR83	
CHECKED	AHR	21MAR83	
APPROVED	AHR	21MAR83	
CLASS	JGR	1MAR83	

DATE	EC NO.
14MAR83	333311
4OCT83	333316
24FEB84	333302
28NOV84	A15653



MUST CONFORM TO ENG. SPEC.

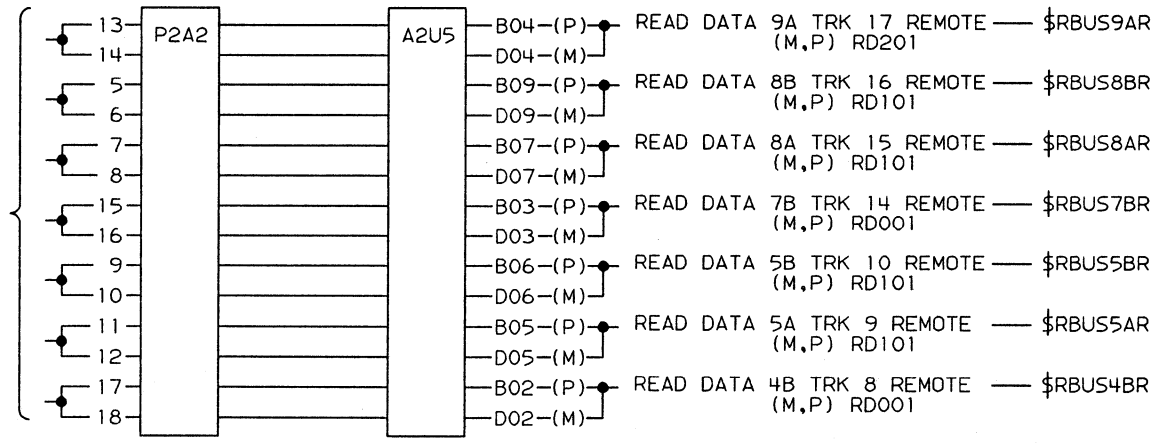
PART NO.	4746319	SHEET	OF
DEVELOPMENT NO.			
LOGIC PG NO.	WT008		

PART NO.
4746320

PART NO.
4746320
DEVELOPMENT NO.



* THE READ DATA SIGNAL LEVELS ARE 1.2 V TO *
* 2.0 V PEAK-TO-PEAK MEASURED DIFFERENTIALLY. *



□

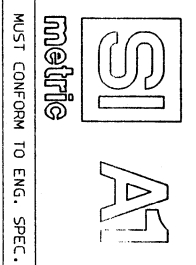
NOTES
 □ SEE WW020 FOR READ BUS CABLING, READ DATA REMOTE.
 2

IBM CONFIDENTIAL UNTIL GENERAL AVAILABILITY

THIS DOCUMENT IS THE PROPERTY OF IBM. ITS USE IS AUTHORIZED ONLY FOR RESPONDING TO A REQUEST FOR INFORMATION FOR THE PURPOSES OF WORK FOR IBM. ALL QUESTIONS MUST BE REFERRED TO THE IBM PURCHASING DEPARTMENT.

TITLE	CU - A2 BOARD
CABLE ASSIGNMENTS	
DESIGNER	JGR 1MAR83
CHECKED	AHR 21MAR83
APPROVED	AHR 21MAR83
CLASS	JGR 1MAR83

DATE	EC NO.
14MAR83	333311
24FEB84	333302
28NOV84	A15653



PART NO. 4746320 SHEET OF
 DEVELOPMENT NO.
 LOGIC PG NO. WTO10

11 10 9 8 7 6 5 4 3 2

11 10 9 8 7 6 5 4 3 2

A B C D E F G H I J K

PART NO.
4746321

+LWR DATA \$WDLWRD00
 (1A,1B) RD001
 (2A,2B) RD101
 (3A,3B) RD201
 (4A,4B) RD001
 (5A,5B) RD101
 (6A,6B) RD201
 (7A,7B) RD201
 (8A,8B) RD201
 (9A,9B) RD201

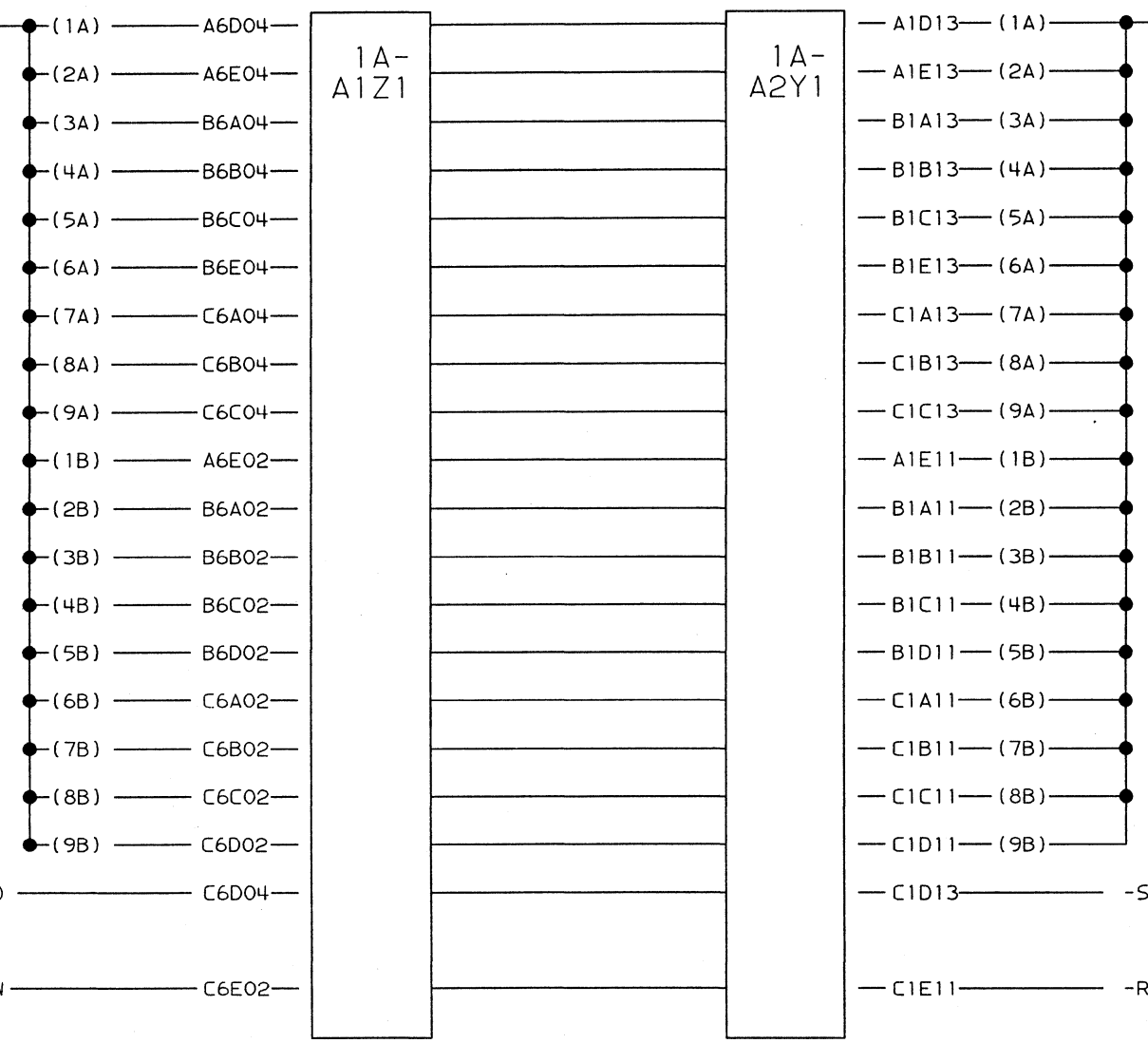
-SHORT LOOP WRITE TO READ \$RCSHTLWR
 DF001 RD001 RD101 RD201 RD301
 RD401 RD501

-REM/LCL SEL TO DATAFLOW \$DIINSL00
 RD001 RD101 RD201 RD301 RD401 RD501

\$WDLWRD00 + LWR DATA
 (1A,1B,2A,2B,3A,3B,4A,4B,5A,5B,6A,
 6B,7A,7B,8A,8B,9A,9B) DF001

\$RCSHTLWR - SHORT LOOP WRITE TO READ
 RC001

\$DIINSL00 - REM/LCL SEL TO DATA FLOW
 DI001

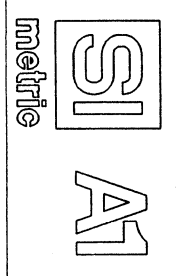


THIS DOCUMENT IS THE PROPERTY OF
 IBM AND IS LOANED TO YOUR ORGANIZATION
 FOR RESEARCH AND DEVELOPMENT PURPOSES
 ONLY. IT IS NOT TO BE REPRODUCED OR
 TRANSMITTED IN ANY FORM OR BY ANY
 MEANS, ELECTRONIC OR MECHANICAL,
 INCLUDING PHOTOCOPYING, RECORDING,
 OR BY ANY INFORMATION STORAGE AND
 RETRIEVAL SYSTEM, WITHOUT PERMISSION
 IN WRITING FROM THE IBM CORPORATION,
 PURCHASING DEPARTMENT.

IBM CONFIDENTIAL UNTIL GENERAL AVAILABILITY

TITLE	CU-A1Z1 TO A2Y1	
CABLE ASSIGNMENTS		
DESIGNER	JGR	1MAR83
CHECKED	AHR	21MAR83
APPROVED	AHR	21MAR83
CLASS	JGR	1MAR83

DATE	EC NO.
14MAR83	333311
4OCT83	333316
28NOV84	A15653



PART NO.	SHEET	OF
4746321		
DEVELOPMENT NO.		
WT101/102		

PART NO.	4746321
DEVELOPMENT NO.	



11
10
9
8
7
6
5
4
3
2

11
10
9
8
7
6
5
4
3
2

THIS DOCUMENT IS THE PROPERTY OF IBM. ITS USE IS AUTHORIZED ONLY FOR RESPONSE TO A REQUEST FOR COPIATION OR FOR THE PERFORMANCE OF SERVICE FOR THE PURCHASER. IT MUST BE REFERRED TO THE IBM PURCHASING DEPARTMENT.

TITLE	CU-CABLE
ASSIGNMENTS	A1Z4-A2Y4
DESIGNER	JGR 1MAR83
CHECKED	AHR 21MAR83
APPROVED	AHR 21MAR83
CLASS	JGR 1MAR83

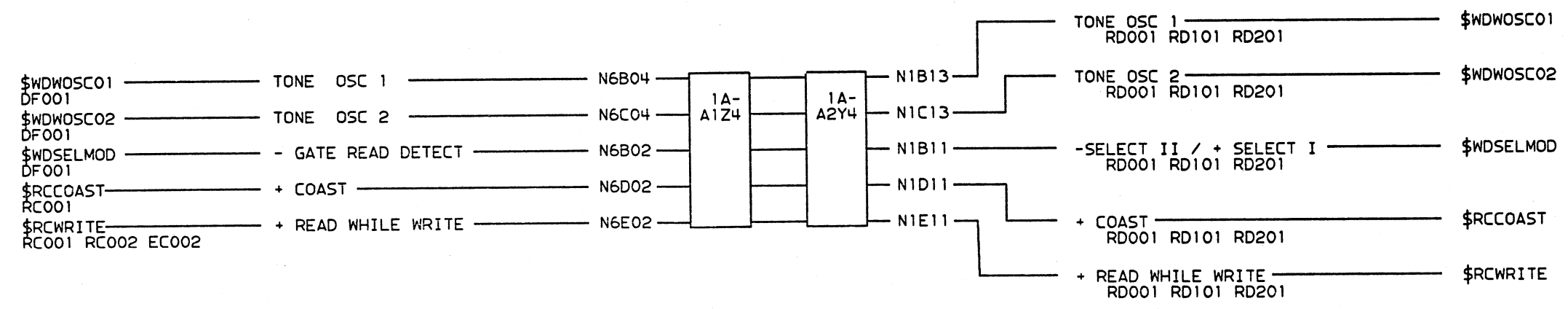
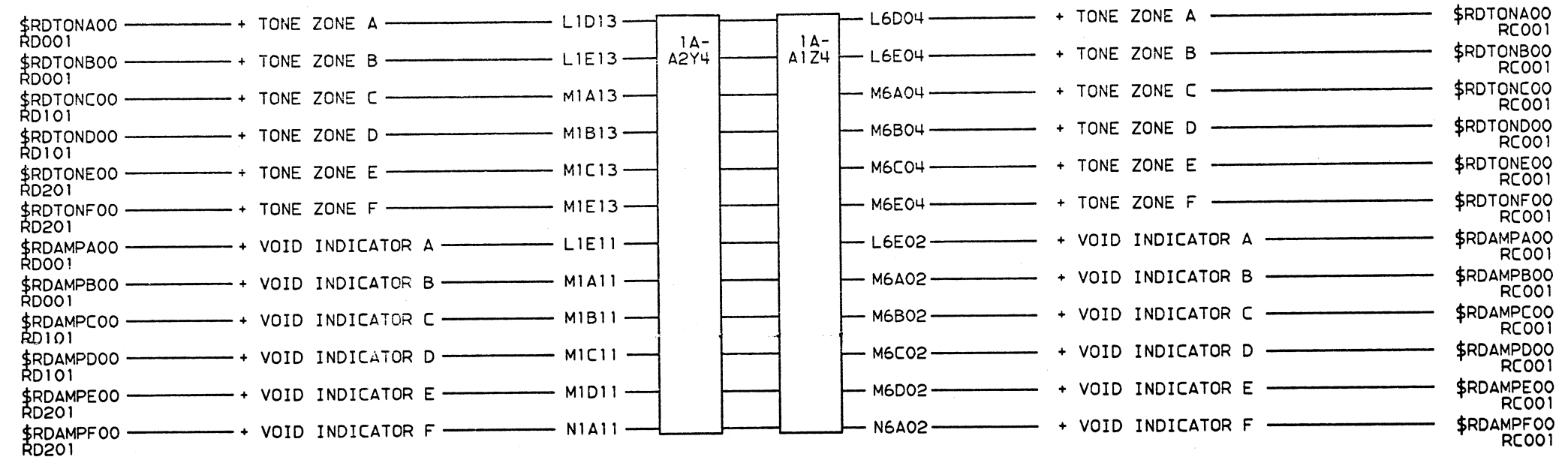
DATE	14MAR83	EC NO.	333311
	5AUG83		333313
	22JAN85		A06016

SI A1

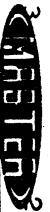
metrix

MUST CONFORM TO ENG. SPEC.

PART NO.	4746322	SHEET OF
DEVELOPMENT NO.		
LOGIC PG NO.	WT103/104	

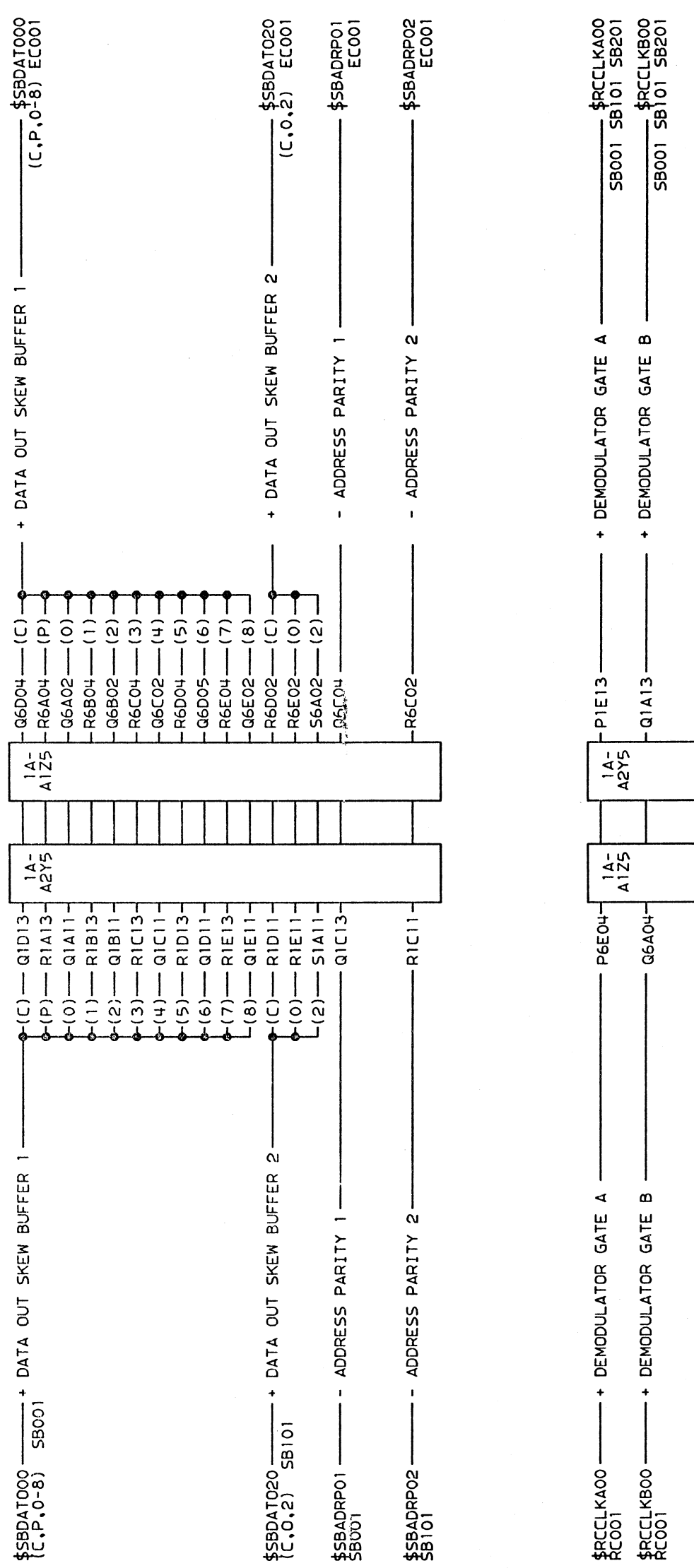


PART NO.	4746322
DEVELOPMENT NO.	



PART NO.
4746323
DEVELOPMENT NO.

PART NO.
4746323



THIS DOCUMENT IS THE PROPERTY OF IBM. ITS USE IS AUTHORIZED ONLY FOR RESPONDING TO A REQUEST FOR QUOTATION OR FOR THE PERFORMANCE OF WORK FOR IBM. ALL QUESTIONS MUST BE REFERRED TO THE IBM PURCHASING DEPARTMENT.

TITLE	CU-CABLE	RED	DATE	5AUG83	EC NO.	333313
	ASSIGNMENTS A2Y5-A1Z5			22JAN85		A06016
DESIGNER	JGR			1MAR83		
CHECKED	AHR			21MAR83		
APPROVED	AHR			21MAR83		
CLASS	JGR			1MAR83		



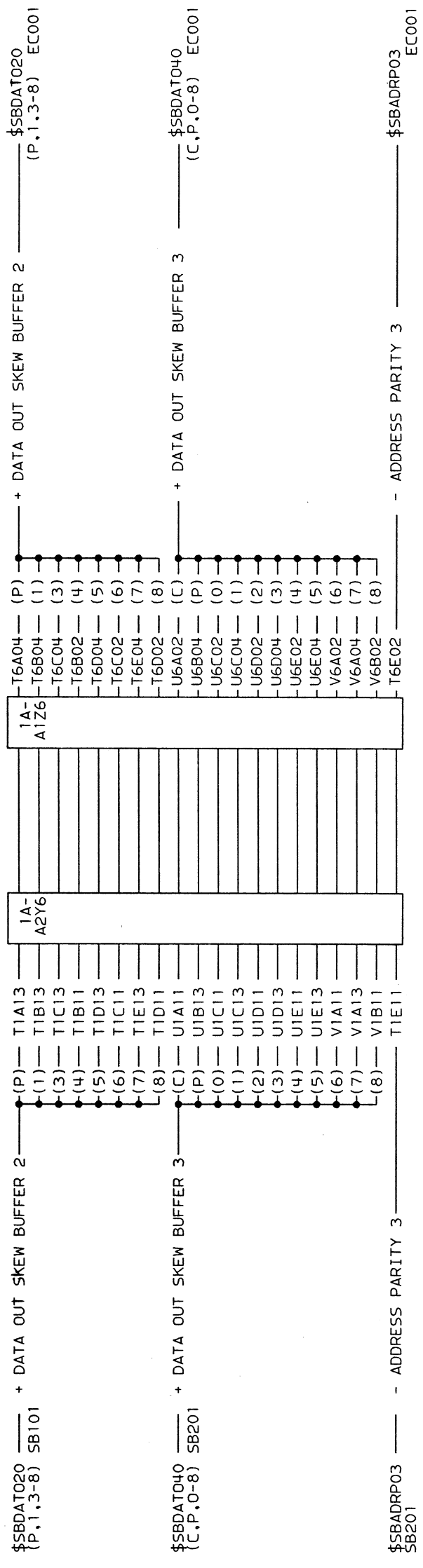
MUST CONFORM TO ENG. SPEC.

PART NO. SHEET OF
4746323
DEVELOPMENT NO.
LOGIC PG NO.
WT105/106



PART NO.
4746324

PART NO.
4746324
DEVELOPMENT NO.



IBM CONFIDENTIAL UNTIL GENERAL AVAILABILITY



THIS DOCUMENT IS THE PROPERTY OF IBM. ITS USE IS AUTHORIZED ONLY FOR RESPONDING TO A REQUEST FOR QUOTATION OR FOR THE PERFORMANCE OF WORK FOR IBM. ALL QUESTIONS MUST BE REFERRED TO THE IBM PURCHASING DEPARTMENT.

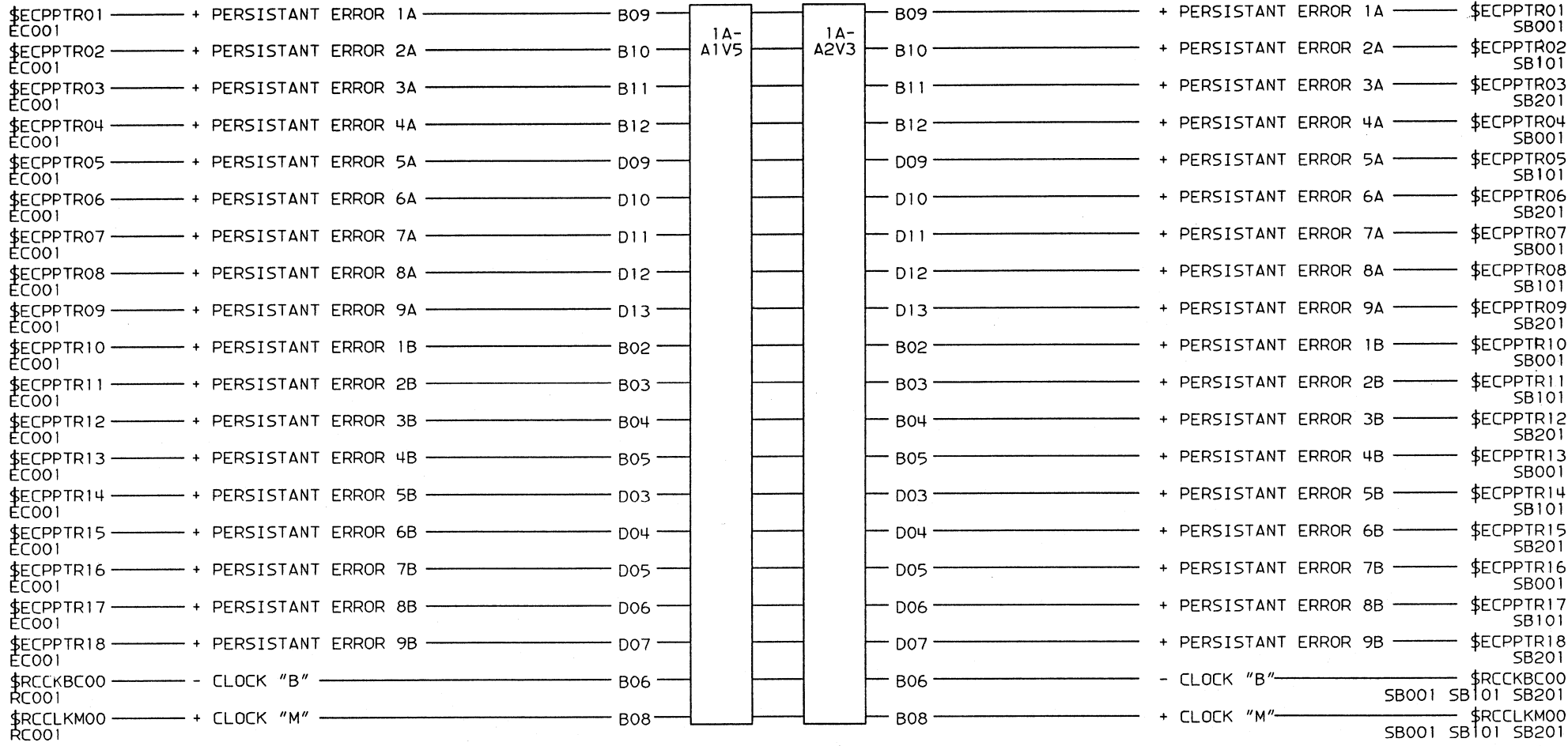
TITLE	CU CABLE	DATE	EC NO.
A1Z6 TO A2Y6 ASSIGNMENTS	RED	28NOV84	A15653
DESIGNER	JGR	1MAR83	
CHECKED	AHR	21MAR83	
APPROVED	AHR	21MAR83	
CLASS	JGR	1MAR83	



MUST CONFORM TO ENG. SPEC.

PART NO.	SHEET	OF
4746324		
DEVELOPMENT NO.		
LOGIC PG NO.		
WT107/108		

PART NO.
4746325



THIS DOCUMENT IS THE PROPERTY OF
IBM. ITS USE IS AUTHORIZED ONLY
FOR RESPONDING TO A REQUEST FOR
REPRODUCTION OF INFORMATION.
IT IS NOT TO BE REPRODUCED,
COPIED, OR TRANSMITTED IN ANY
MANNER WITHOUT THE WRITTEN
CONSENT OF THE IBM CORPORATION,
PUBLISHING DEPARTMENT.

TITLE	CU CABLE
A1V5-A2V3 ASSIGNMENTS	
DESIGNER	JGR 1MAR83
CHECKED	AHR 21MAR83
APPROVED	AHR 21MAR83
CLASS	JGR 1MAR83

DATE	14MAR83	EC NO.	333311
	28NOV84		A15653

SI A1
metrio
MUST CONFORM TO ENG. SPEC.

PART NO.	4746325	SHEET	OF
DEVELOPMENT NO.			
LOGIC PG NO.	WT108/109		

IBM CONFIDENTIAL UNTIL GENERAL AVAILABILITY



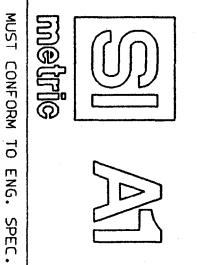
PART NO.	4746325
DEVELOPMENT NO.	

PART NO.
4746326

TITLE	CU CABLE		
DESIGNER	JGR	1MAR83	
CHECKED	AHR	21MAR83	
APPROVED	AHR	21MAR83	
CLASS	JGR	1MAR83	

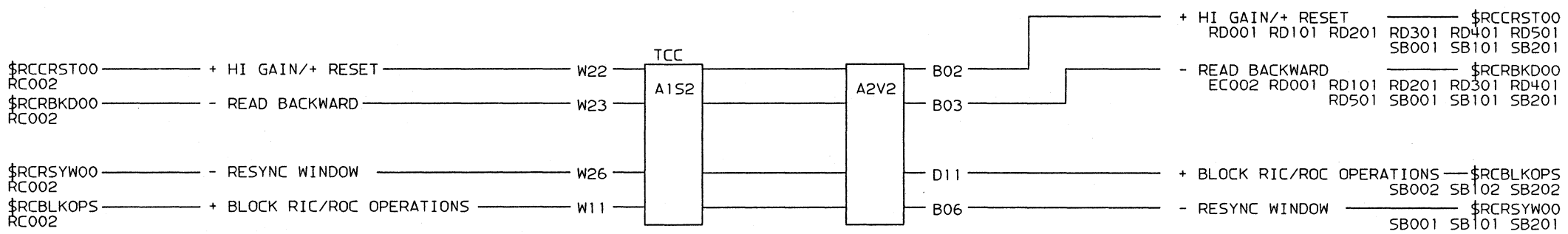
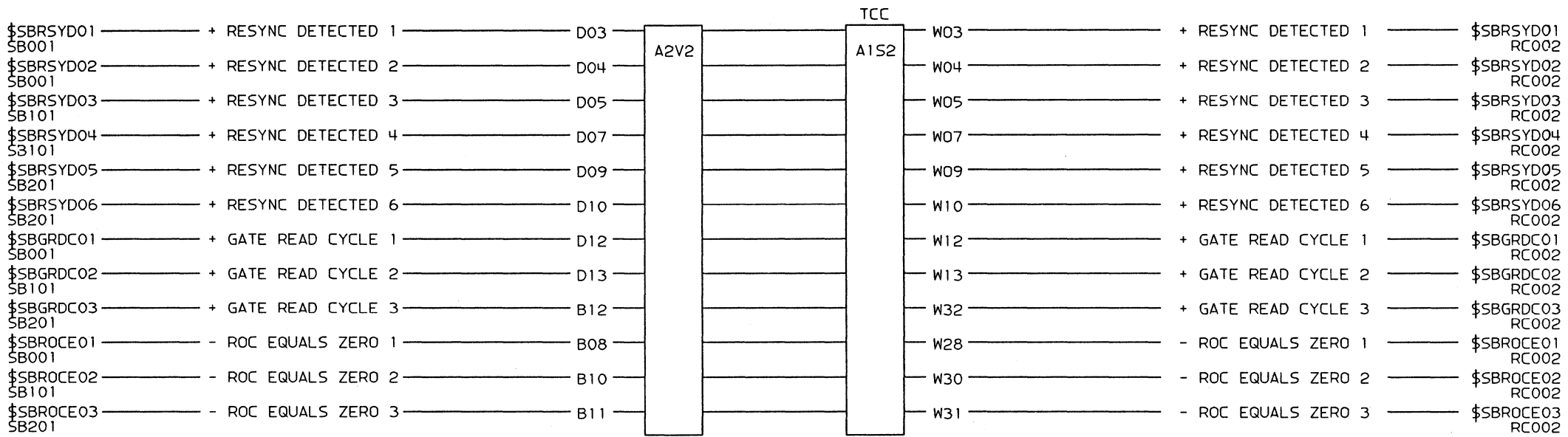
THIS DOCUMENT IS THE PROPERTY OF IBM CORPORATION. IT IS TO BE USED ONLY FOR THE PERFORMANCE OF WORK FOR WHICH IT WAS PURCHASED BY THE IBM PURCHASING DEPARTMENT.

DATE	14MAR83	EC NO.	333311
RED	28NOV84		A15653



PART NO.	4746326	SHEET	OF
DEVELOPMENT NO.	WT1111/112		

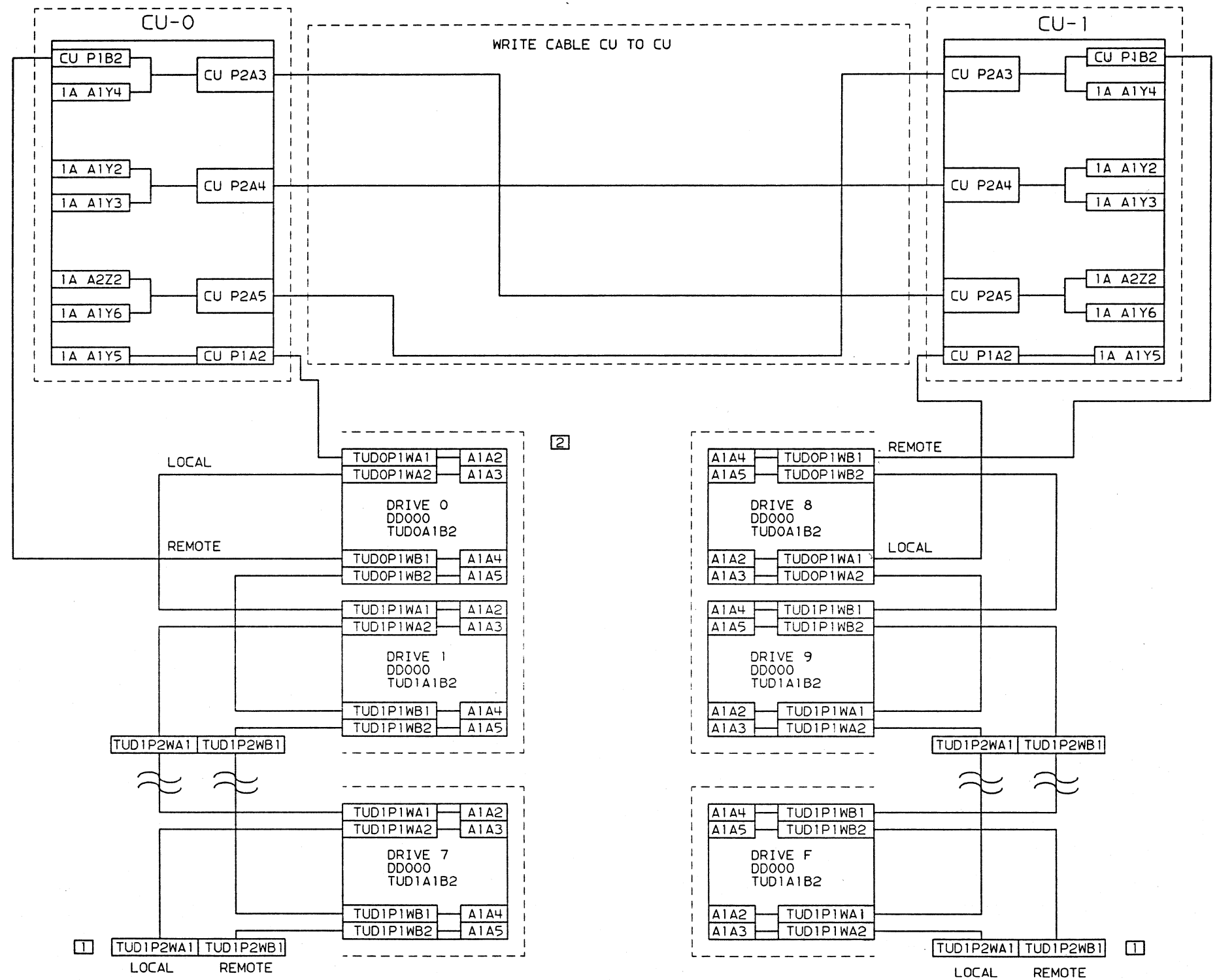
IBM CONFIDENTIAL UNTIL GENERAL AVAILABILITY



PART NO.	4746326
DEVELOPMENT NO.	



PART NO.
6390319



THIS DOCUMENT IS THE PROPERTY OF
MILITARY AERONAUTICAL SYSTEMS CENTER
FOR RESPONSIBILITY TO A REQUEST FOR
QUOTATION OR FOR THE PERFORMANCE
OF A CONTRACT. IT IS TO BE RETURNED
TO THE SOURCE OF ORIGIN UPON
COMPLETION OF THE WORK. IT IS TO BE
RECEIVED BY THE PURCHASING DEPARTMENT.

TITLE	WRITE CABLE CONN.
CU TO CU AND CU TO TU	
DESIGNER	JTJ
CHECKED	AHR
APPROVED	AHR
CLASS	DNO
DATE	4OCT82
DATE	8NOV82
DATE	8NOV82
DATE	8FEB84

DATE	7MAR84	EC NO.	A06052
DATE	3JUN85	EC NO.	A06069
DATE		EC NO.	
DATE		EC NO.	

MILITARY AERONAUTICAL SYSTEMS CENTER
MUST CONFORM TO ENG. SPEC.

SI
A1

PART NO.	6390319	SHEET	OF
DEVELOPMENT NO.			
LOGIC PG NO.	WW010		

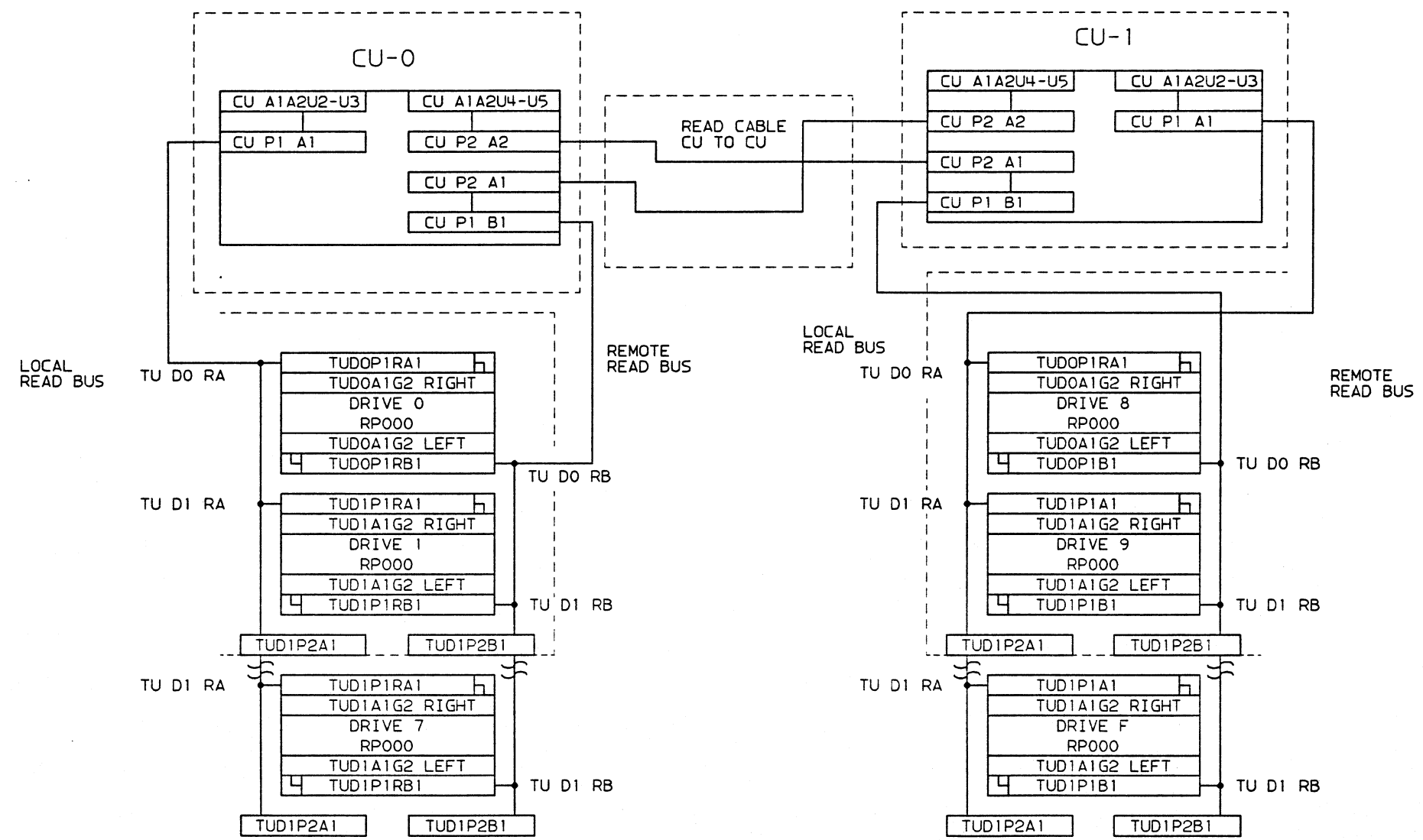
- NOTES
- 1 TERMINATOR PN 8576373 IN LAST DRIVE OF STRING.
 - 2 FOR CONNECTION FROM SLT CONNECTOR TO CARD LOGIC SEE FIELD WIRE NET LIST.
 - 3 FOR CONTROL UNIT/DRIVE UNIT INTERCONNECTION DETAILS REFER ALSO TO CU LOGIC VOLUME(S) PAGES.

WRITE CABLE CONNECTIONS
CU TO CU AND CU TO TU 3

PART NO.
6390319
DEVELOPMENT NO.



PART NO.
6390320



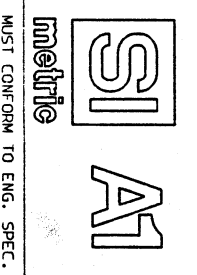
READ BUS CONNECTIONS
CU TO CU AND CU TO TU

NOTES
1 FOR CONTROL UNIT/DRIVE UNIT INTERCONNECTION DETAILS REFER ALSO TO CU LOGIC VOLUME(S) PAGES.

THIS DOCUMENT IS THE PROPERTY OF
FOR REVISIONS TO A REQUEST FOR
QUOTATION OR FOR THE PERFORMANCE
MUST BE REFERRED TO THE IBM
PURCHASING DEPARTMENT.

TITLE	READ BUS CONN.
DESIGNER	JTJ
CHECKED	AHR
APPROVED	AHR
CLASS	DMD

DATE	7MAR84
EC NO.	A06052



PART NO.	6390320
DEVELOPMENT NO.	MW020

PART NO.	6390320
DEVELOPMENT NO.	



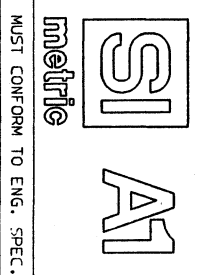
PART NO.
4746327

THIS DOCUMENT IS THE PROPERTY OF
IBM CORPORATION. IT IS TO BE USED
ONLY FOR THE PURPOSES SPECIFIED
HEREIN. IT IS TO BE RETURNED TO
IBM CORPORATION AT THE END OF
THE PROJECT OR AS SOON THEREAFTER
AS IS PRACTICABLE. IT IS NOT TO
BE REPRODUCED OR TRANSMITTED IN
ANY FORM OR BY ANY MEANS, ELECTRONIC
OR MECHANICAL, INCLUDING PHOTOCOPYING,
RECORDING, OR BY ANY INFORMATION
STORAGE AND RETRIEVAL SYSTEM, WITHOUT
THE WRITTEN PERMISSION OF IBM
CORPORATION.

TITLE	CU-MD CONNECTOR
DESIGNER	JGR 1MAR83
CHECKED	AHR 21MAR83
APPROVED	AHR 21MAR83
CLASS	JGR 1MAR83

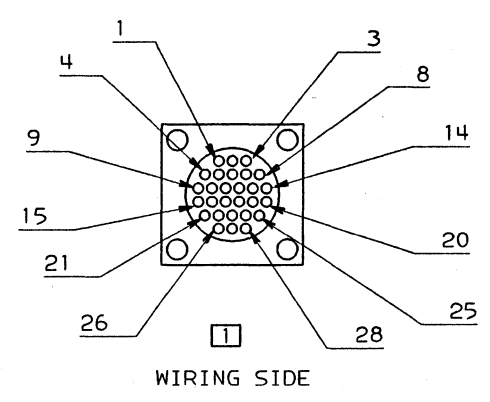
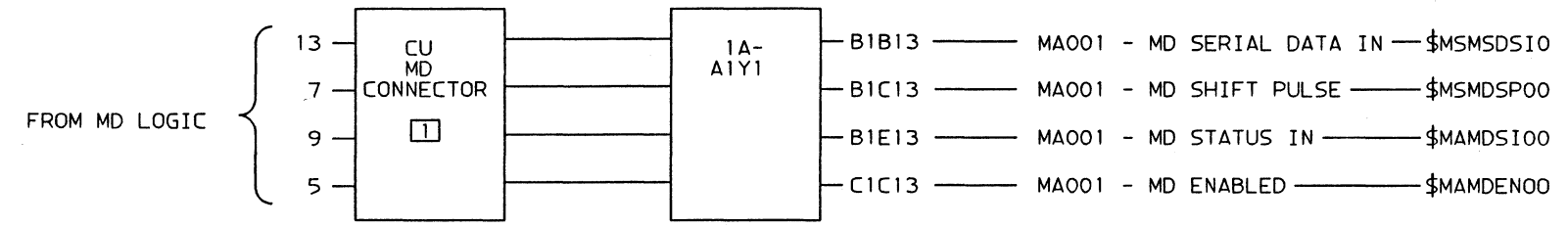
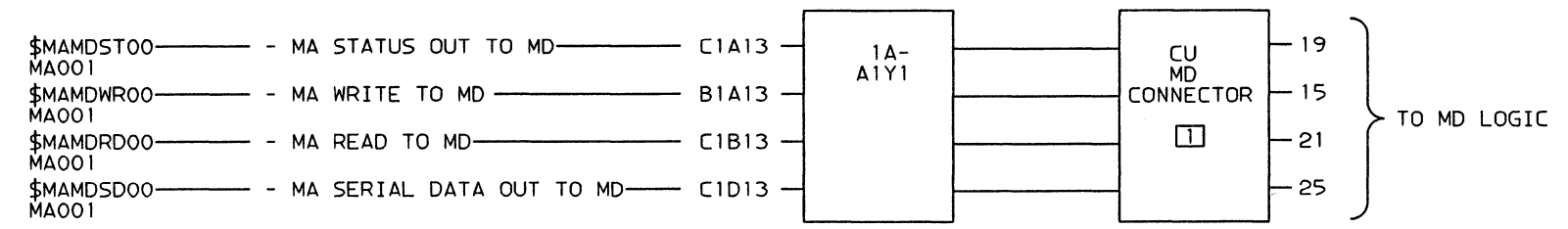
IBM CONFIDENTIAL UNTIL GENERAL AVAILABILITY

DATE	14MAR83	EC NO.	333311
DATE	24FEB84	EC NO.	333302
DATE	28NOV84	EC NO.	A15653



PART NO.	4746327	SHEET	OF
DEVELOPMENT NO.			
LOGIC PG NO.	WX001		

MD CONNECTOR



NOTES
□ GND=10, 11, 14, 16, 20 AND 27.

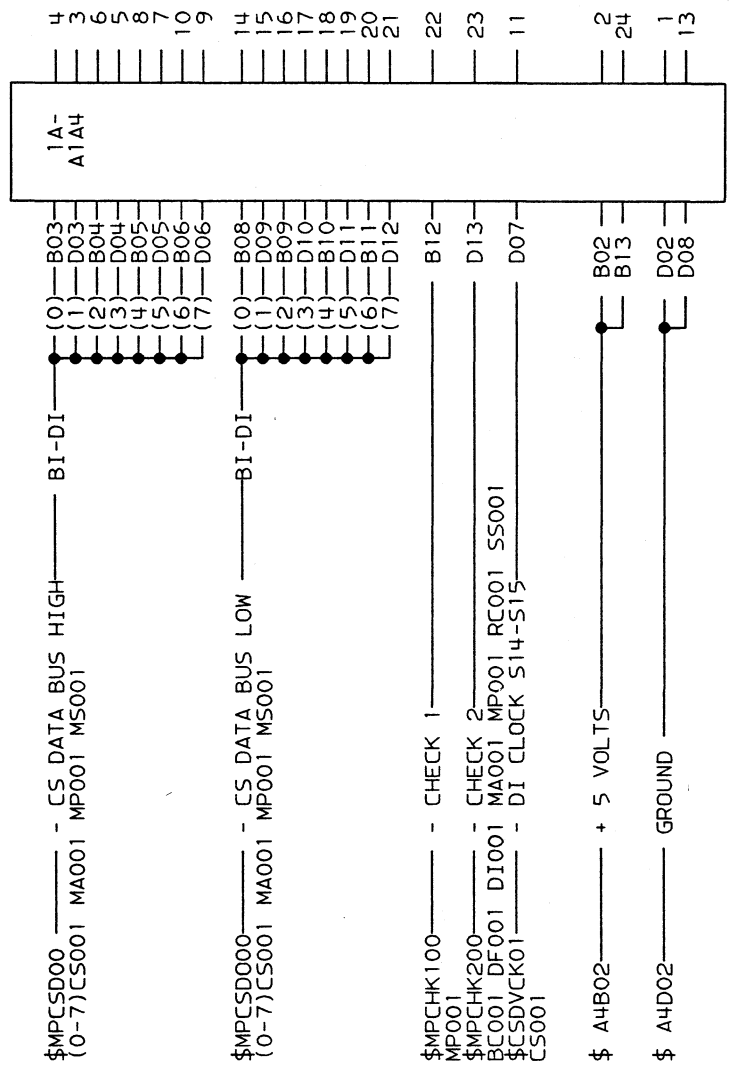
PART NO.
4746327
DEVELOPMENT NO.





PART NO.
4746328
DEVELOPMENT NO.

PART NO.
4746328



NOTES
 TEST POINTS

IBM CONFIDENTIAL UNTIL GENERAL AVAILABILITY

THIS DOCUMENT IS THE PROPERTY OF IBM. ITS USE IS AUTHORIZED ONLY FOR RESPONDING TO A REQUEST FOR QUOTATION OR FOR THE PERFORMANCE OF WORK FOR IBM. ALL QUESTIONS MUST BE REFERRED TO THE IBM PURCHASING DEPARTMENT.

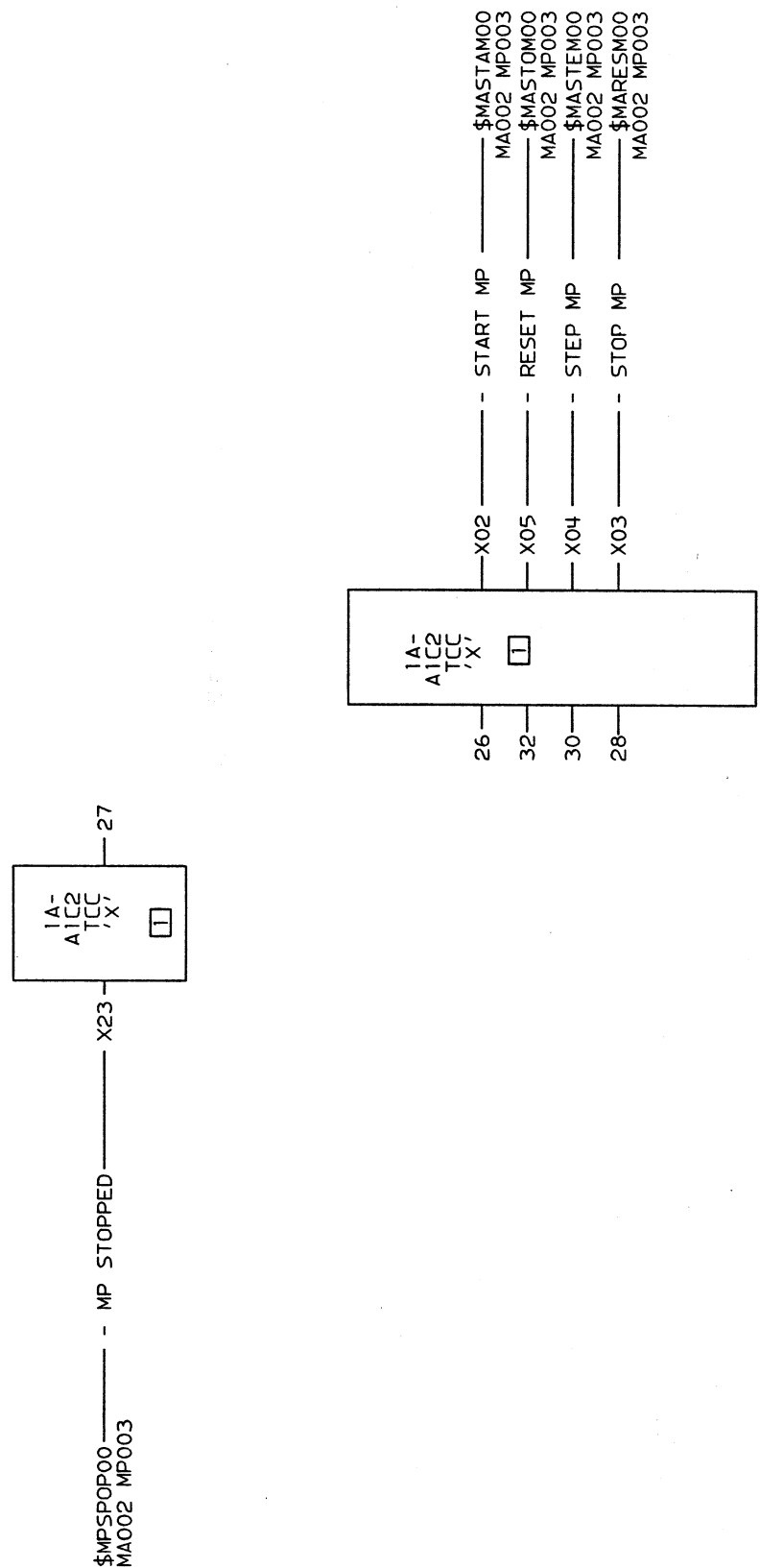
TITLE		CU-TEST POINTS	DATE	EC NO.		PART NO. SHEET OF
CABLE ASSIGNMENTS (A1A4)		RED	14MAR83	333311		4746328
DESIGNER	JGR	1MAR83				DEVELOPMENT NO.
CHECKED	AHR	21MAR83				
APPROVED	AHR	21MAR83				LOGIC PG NO.
CLASS	JGR	1MAR83				WX003



PART NO.
4746329

DEVELOPMENT NO.

PART NO.
4746329



NOTES

TEST POINTS

2 +DATA COMPARE GATED ON BNC (FRONT COVER).

IBM CONFIDENTIAL UNTIL GENERAL AVAILABILITY

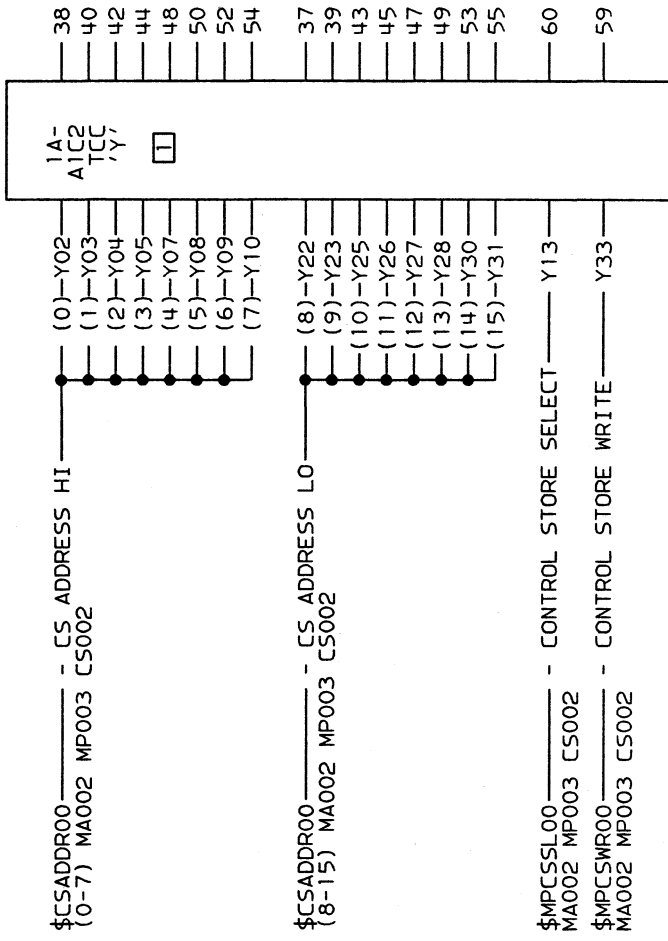
THIS DOCUMENT IS THE PROPERTY OF IBM. ITS USE IS AUTHORIZED ONLY FOR RESPONDING TO A REQUEST FOR QUOTATION OR FOR THE PERFORMANCE OF WORK FOR IBM. ALL QUESTIONS MUST BE REFERRED TO THE IBM PURCHASING DEPARTMENT.

TITLE			CU-TEST POINTS	DATE	14MAR83	EC NO.	333311		PART NO.	4746329	SHEET OF
CABLE ASSIGNMENTS (A1C2)			RED	28NOV84	A15653				DEVELOPMENT NO.		
DESIGNER	JGR	1MAR84							LOGIC PG NO.	WX004	
CHECKED	AHR	21MAR84									
APPROVED	AHR	21MAR84									
CLASS	JGR	1MAR84									



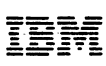
PART NO.
4746330

PART NO.
4746330
DEVELOPMENT NO.



NOTES
□ TEST POINTS

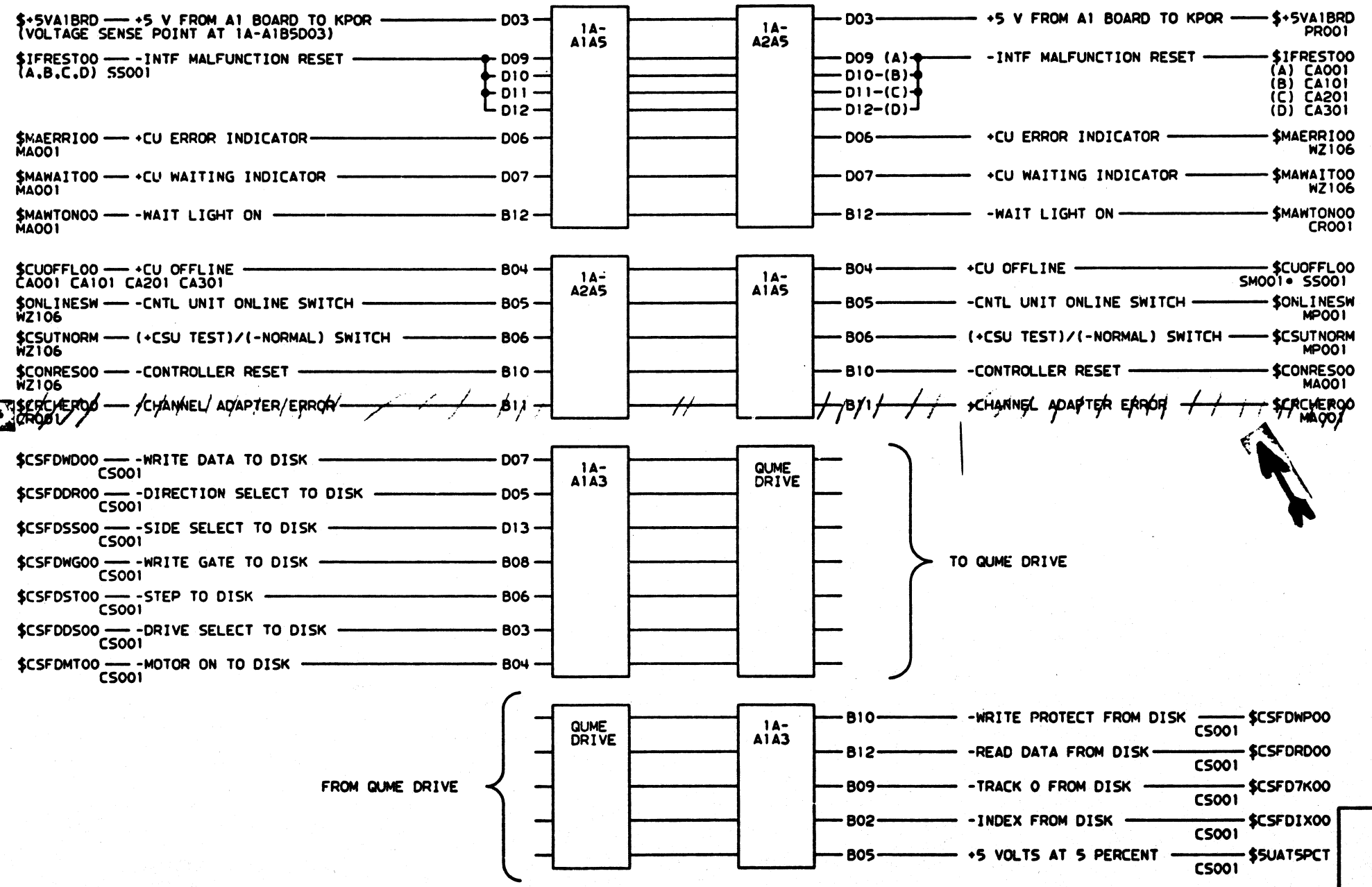
IBM CONFIDENTIAL UNTIL GENERAL AVAILABILITY



THIS DOCUMENT IS THE PROPERTY OF IBM. ITS USE IS AUTHORIZED ONLY FOR RESPONDING TO A REQUEST FOR QUOTATION OR FOR THE PERFORMANCE OF WORK FOR IBM. ALL QUESTIONS MUST BE REFERRED TO THE IBM PURCHASING DEPARTMENT.

TITLE		CU-TEST POINTS	DATE	14MAR83	EC NO.	333311	PART NO.	4746330	SHEET OF
CABLE ASSIGNMENTS (A1C2)		RED	28NOV84	A15653	SI A1 metric		DEVELOPMENT NO.		
DESIGNER	JGR	1MAR83			MUST CONFORM TO ENG. SPEC.		LOGIC PG NO.		
CHECKED	AHR	21MAR83					WX005		
APPROVED	AHR	21MAR83							
CLASS	JGR	1MAR83							

PART NO.
4746331



THIS DOCUMENT IS THE PROPERTY OF
SILICON VALLEY SYSTEMS, INC. IT IS TO BE
USED ONLY FOR THE PROJECT AND FOR
WHICH IT WAS PREPARED. IT IS NOT TO BE
REPRODUCED OR TRANSMITTED IN ANY
FORM OR BY ANY MEANS, ELECTRONIC,
MECHANICAL, OR BY ANY INFORMATION
STORAGE AND RETRIEVAL SYSTEM, WITHOUT
THE WRITTEN PERMISSION OF SILICON
VALLEY SYSTEMS, INC.

CLASS	DESIGNER	CHECKED	APPROVED	DATE	EC NO.
JGR	JGR	AHR	AHR	14MAR83	333311
JGR	JGR	AHR	AHR	21MAR83	333313
JGR	JGR	AHR	AHR	21MAR83	333317
JGR	JGR	AHR	AHR	22JAN85	333302
JGR	JGR	AHR	AHR	29MAY84	333303
JGR	JGR	AHR	AHR	22JAN85	A06016

SI
A1

mettler

MUST COMPLY TO ENG. SPEC.

PART NO. 4746331
DEVELOPMENT NO. WZ001/002

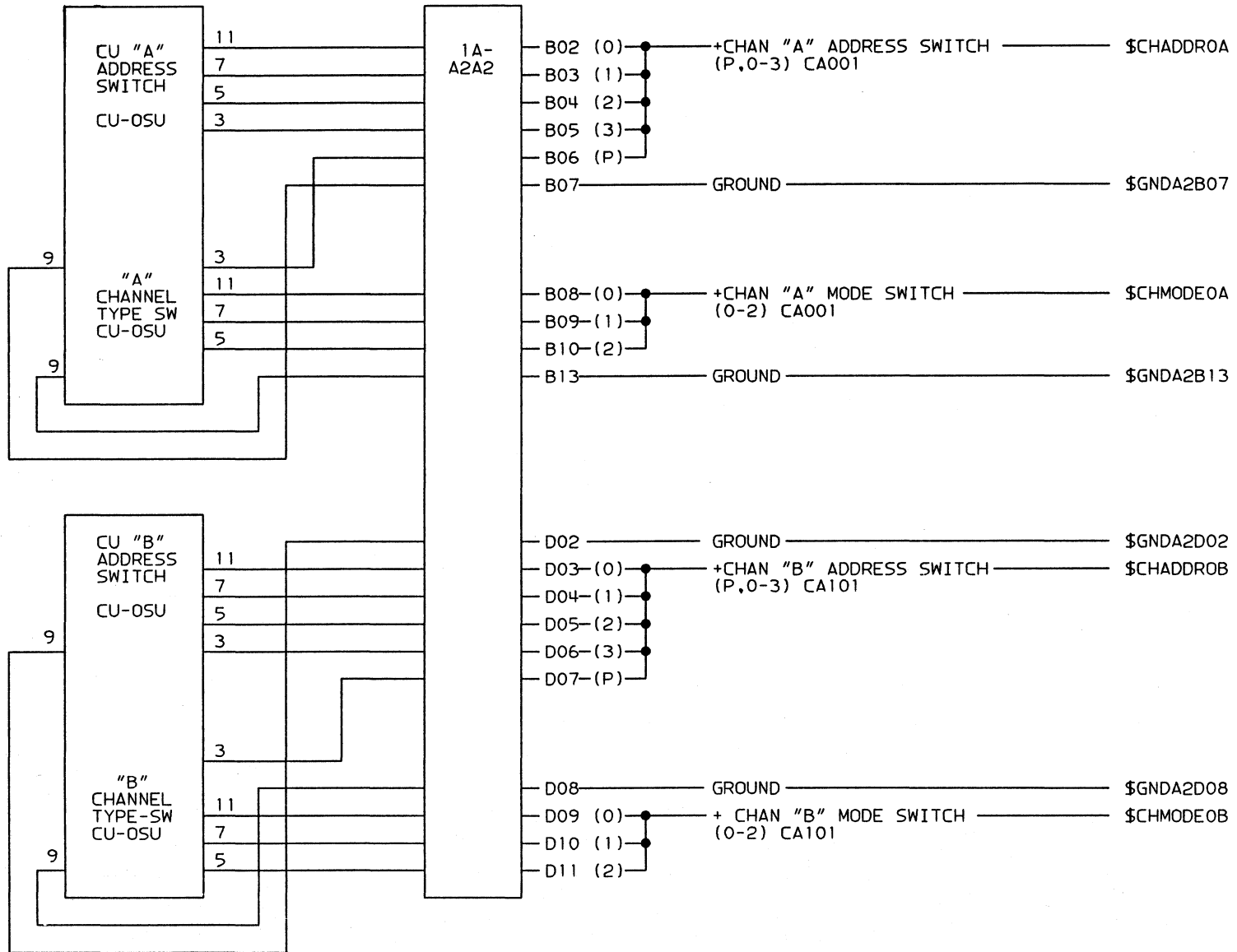
SUITABLE FOR FILMING
IOC PRINT

12-15179

PART NO. 4746331
DEVELOPMENT NO. WZ001/002



PART NO.
4746332



IBM
THIS DOCUMENT IS THE PROPERTY OF
IBM. ITS USE IS AUTHORIZED ONLY
FOR THE PERFORMANCE OF THE
WORK FOR WHICH IT WAS
PREPARED. ALL OTHER USES
WITHOUT THE WRITTEN PERMISSION
OF THE IBM CORPORATION ARE
PROHIBITED. ALL QUESTIONS
MUST BE REFERRED TO THE IBM
PURCHASING DEPARTMENT.

TITLE	CU - A2 BOARD	
CABLE ASSIGNMENTS (A2)	JGR	1MAR83
DESIGNER	AHR	21MAR83
CHECKED	AHR	21MAR83
APPROVED	JGR	1MAR83
CLASS		

IBM CONFIDENTIAL UNTIL GENERAL AVAILABILITY

DATE	14MAR83	EC NO.	333311
DATE	4OCT83	EC NO.	333316
DATE	28NOV84	EC NO.	A15653

SI A1
MUST CONFORM TO ENG. SPEC.

PART NO.	4746332	SHEET OF	
DEVELOPMENT NO.		LOGIC PG NO.	WZ102

PART NO.
4746332
DEVELOPMENT NO.



11 10 9 8 7 6 5 4 3 2

11 10 9 8 7 6 5 4 3 2

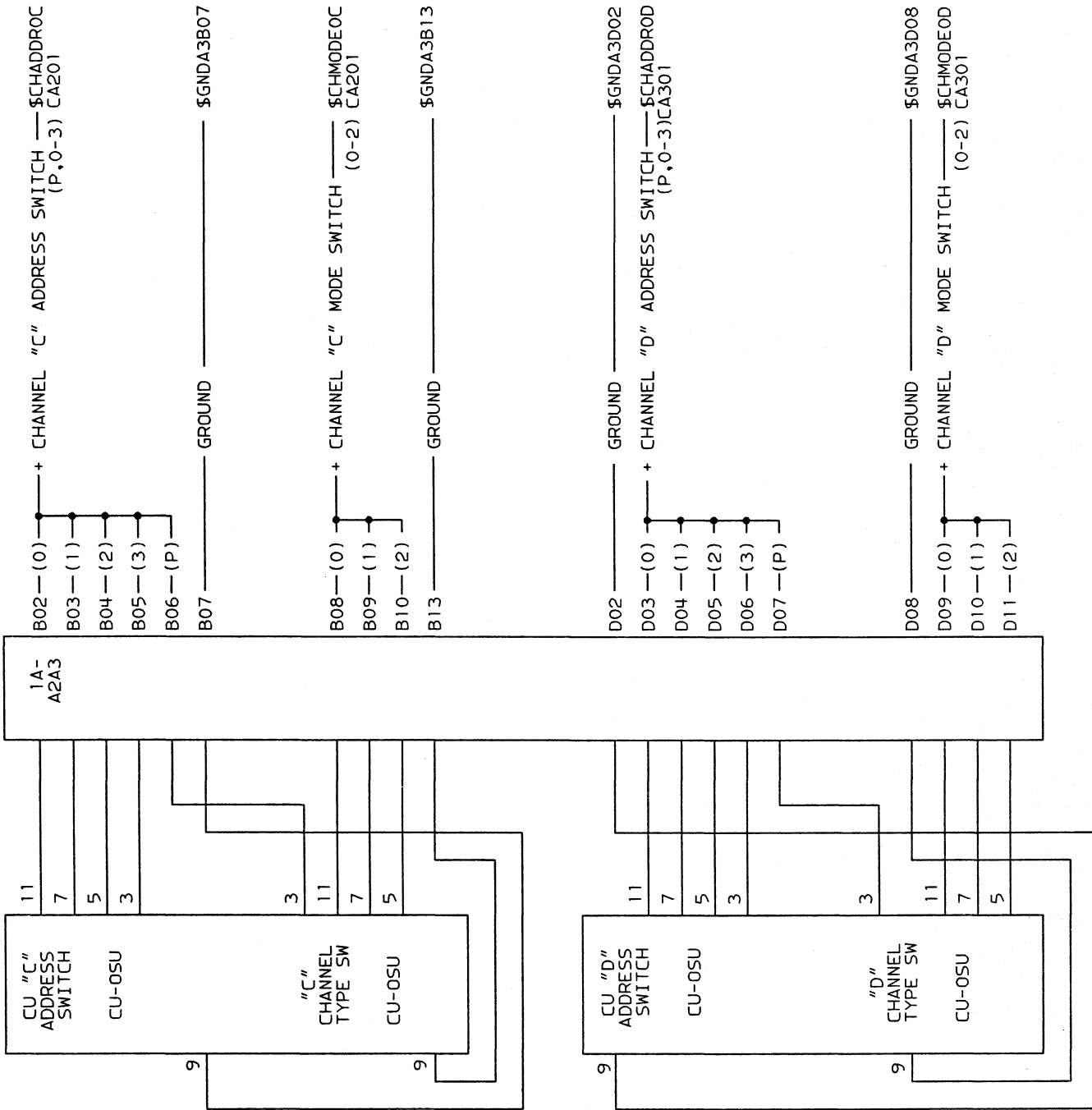
A B C D E F G H I J K

A B C D E F G H I J K



PART NO.
4746333
DEVELOPMENT NO.

PART NO.
4746333



IBM CONFIDENTIAL UNTIL GENERAL AVAILABILITY

THIS DOCUMENT IS THE PROPERTY OF IBM. ITS USE IS AUTHORIZED ONLY FOR RESPONDING TO A REQUEST FOR QUOTATION OR FOR THE PERFORMANCE OF WORK FOR IBM. ALL QUESTIONS MUST BE REFERRED TO THE IBM PURCHASING DEPARTMENT.

TITLE	CU - A2 BOARD	
CABLE ASSIGNMENTS (A2)		
DESIGNER	JGR	1MAR83
CHECKED	AHR	21MAR83
APPROVED	AHR	21MAR83
CLASS	JGR	1MAR83

DATE	EC NO.
14MAR83	333311
40CT83	333316
28NOV84	A15653



MUST CONFORM TO ENG. SPEC.

PART NO. SHEET OF
4746333

DEVELOPMENT NO.

LOGIC PG NO.
WZ104

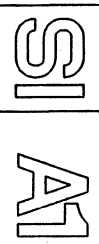

PART NO.
4746334

11 | 10 | 9 | 8 | 7 | 6 | 5 | 4 | 3 | 2

11 | 10 | 9 | 8 | 7 | 6 | 5 | 4 | 3 | 2

THIS DOCUMENT IS THE PROPERTY OF IBM. ITS USE IS AUTHORIZED ONLY FOR THE PERFORMANCE OF THE ORIGINAL WORK FOR WHICH IT WAS PURCHASED. ALL OTHER USES ARE PROHIBITED. FOR INFORMATION, ALL QUESTIONS MUST BE REFERRED TO THE IBM PURCHASING DEPARTMENT.

IBM CONFIDENTIAL UNTIL GENERAL AVAILABILITY

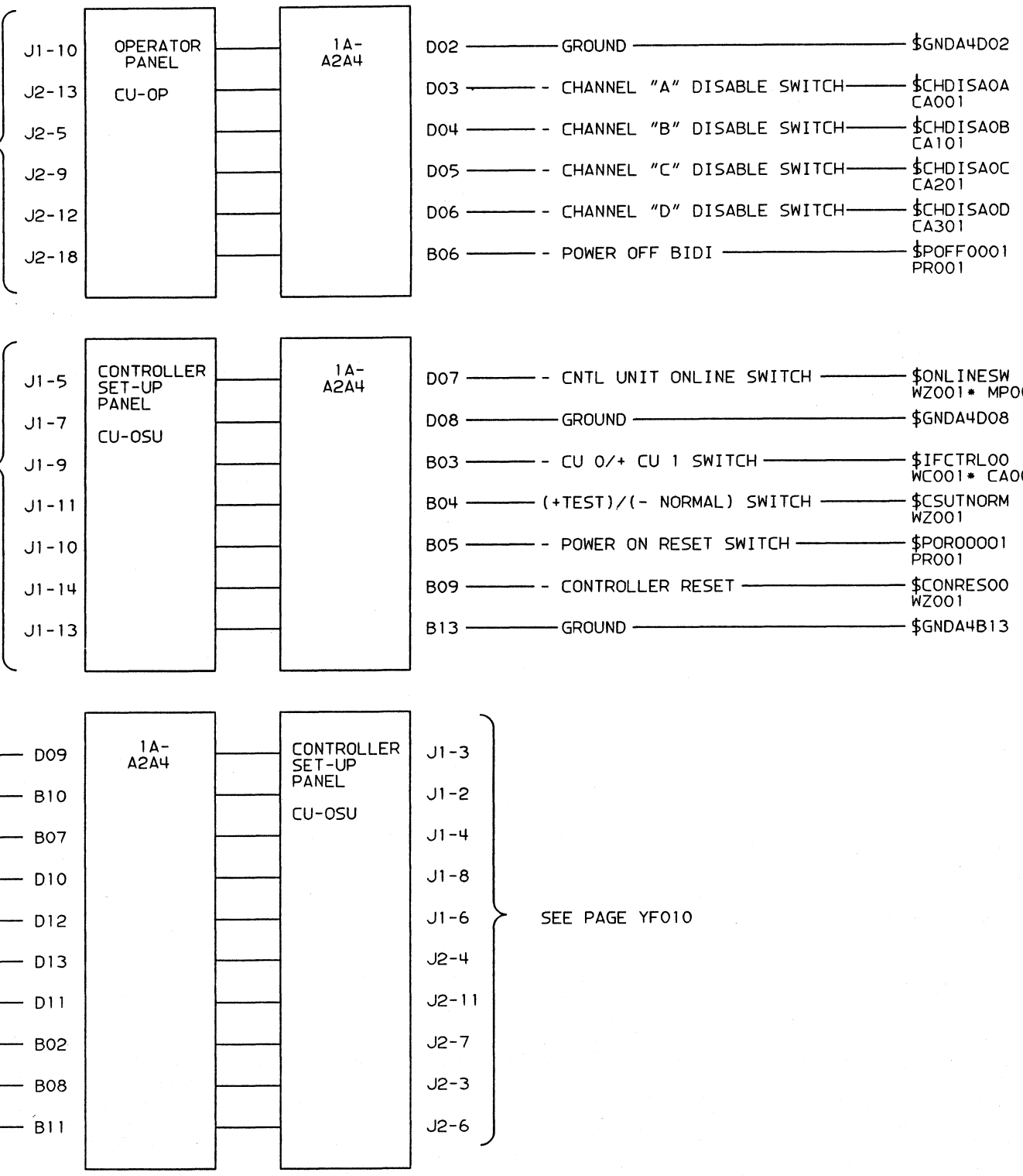
TITLE	CU-A2 BOARD	DATE	1-MAR83	EC NO.	333311		PART NO.	4746334	
CABLE ASSIGNMENTS (A4)	RED	5AUG83	333313	DEVELOPMENT NO.	4746334				
DESIGNER	JGR	1MAR83	333316	LOGIC PG NO.	WZ106				
CHECKED	AHR	21MAR83							
APPROVED	AHR	21MAR83							
CLASS	JGR	1MAR83							

- \$OFLININD — +OFFLINE INDICATOR — D09
- \$DCPOWRON — +DC POWER ON INDICATOR — B10
- \$GND4B07 — GROUND — B07
- \$MAERR100 — +CU ERROR INDICATOR — D10
- WZ001/002
- \$MAWAIT00 — +CU WAITING INDICATOR — D12
- WZ001/002
- \$DCPWRC00 — -DC POWER COMPLETE — D13
- PROO1
- \$CAOFFIOA — +CHANNEL A DISABLE IND — D11
- CA001
- \$CAOFFIOB — +CHANNEL B DISABLE IND — B02
- CA101
- \$CAOFFIOC — +CHANNEL C DISABLE IND — B08
- CA201
- \$CAOFFIOD — +CHANNEL D DISABLE IND — B11
- CA301

SEE PAGE YF020

SEE PAGE YF010

SEE PAGE YF010



PART NO.
4746334
DEVELOPMENT NO.



PART NO.
6390339

DEVELOPMENT NO.

PART NO.
6390339

INPUT VOLTAGE SELECT

200 VAC J9-1

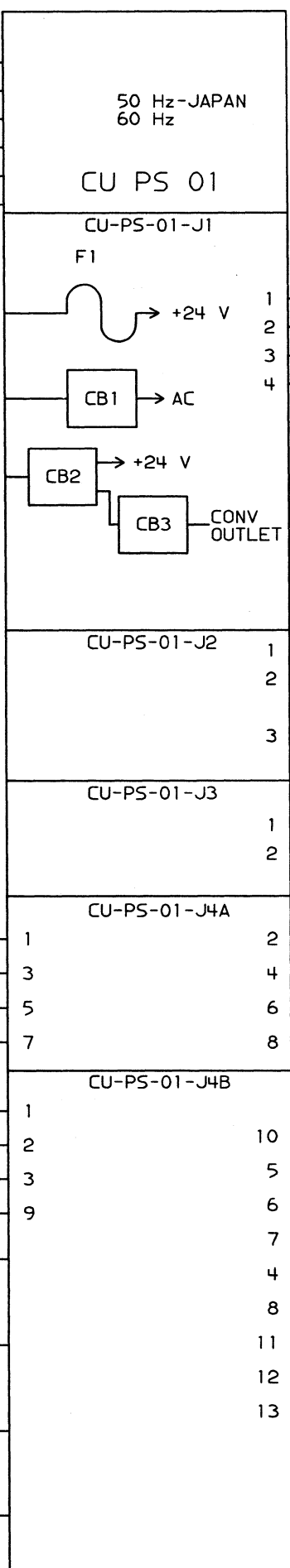
220 VAC J9-2

J10-1

J10-2

J11-1

230/240 VAC J11-2



NOTES

SHOWN JUMPED FOR 220 V.

2 FOR CPU EPO SEE YF000 J5, J6, J7, J8.

TO DRIVE POWER PLUG YF060

AC INPUT YF002

YF002

YF020

YF020

TO PRIMARY POWER

1 (BLACK)

2 (BLUE)

3 (RED)

GND (GREEN/YELLOW)

YF020

YF020

YF010

YF020

YF015

YF010

WARNING!

LETHAL VOLTAGES PRESENT WITH POWER OFF.

THIS DOCUMENT IS THE PROPERTY OF IBM. ITS USE IS AUTHORIZED ONLY FOR RESPONDING TO A REQUEST FOR QUOTATION OR FOR THE PERFORMANCE OF WORK FOR IBM. ALL QUESTIONS MUST BE REFERRED TO THE IBM PURCHASING DEPARTMENT.

TITLE	POWER SUPPLY 01-	RED	DATE	7MAR84	EC NO.	A06052
CU				3JUN85		A06069
DESIGNER	PJS	1DEC82				
CHECKED	AHR	10DEC82				
APPROVED	AHR	10DEC82				
CLASS	DMO	8FEB84				

DATE	7MAR84	EC NO.	A06052
	3JUN85		A06069



MUST CONFORM TO ENG. SPEC.

PART NO.	SHEET OF	6390339
DEVELOPMENT NO.		
LOGIC PG NO.		YF001

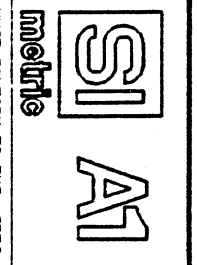
PART NO.
56X4589

11
10
9
8
7
6
5
4
3
2

DESIGNER	JTU	1DEC82
CHECKED	AHR	10DEC82
APPROVED	AHR	10DEC82
CLASS	DMD	8FEB84

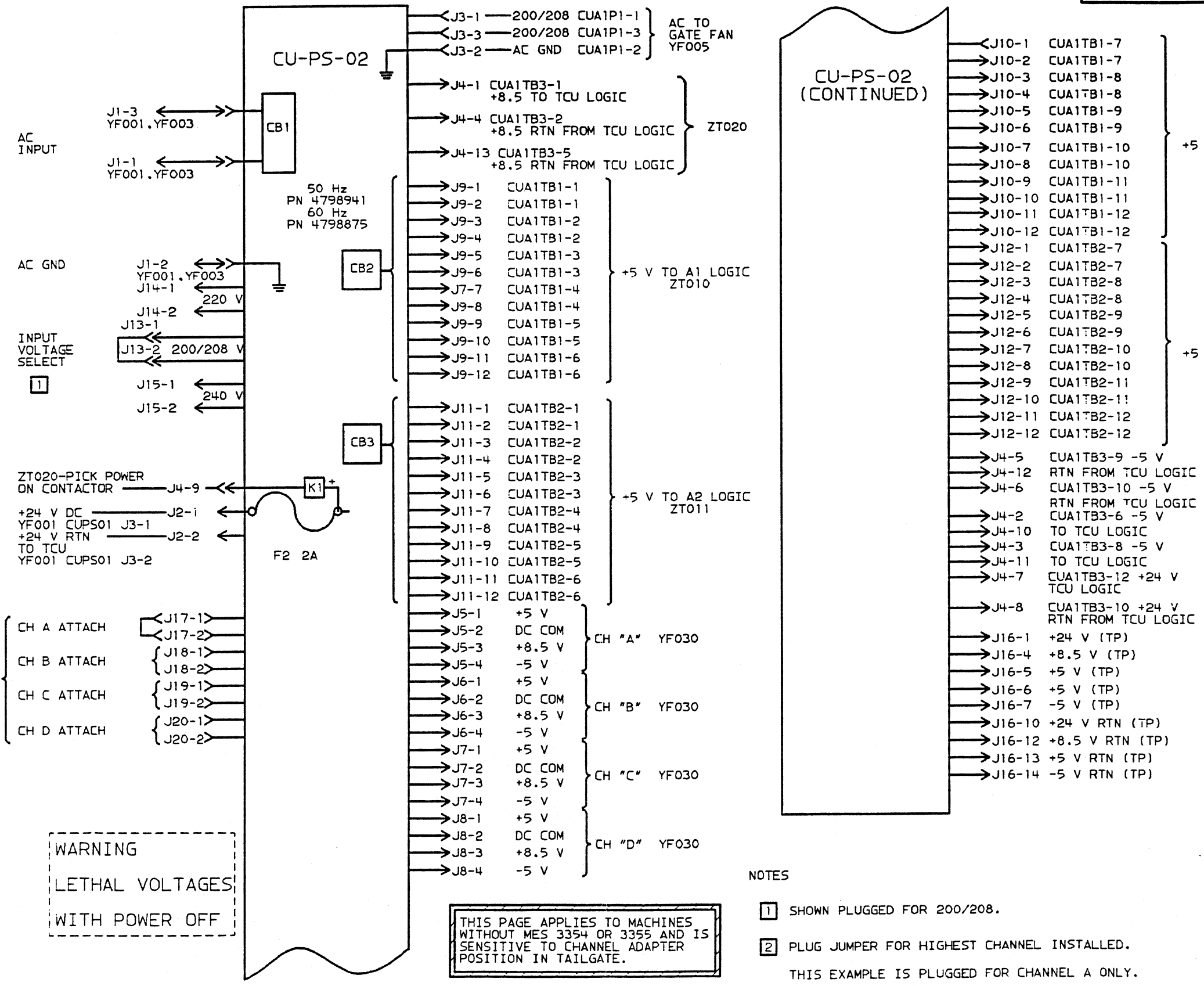
TITLE
POWER SUPPLY 02-

DATE	22SEP87
EC NO.	A56005



PART NO.	56X4589
DEVELOPMENT NO.	
LOGIC PG NO.	YF002
SHEET OF	

THIS DOCUMENT IS THE PROPERTY OF IBM. IT IS TO BE USED AS AUTHORIZED ONLY FOR RESPONSE TO A REQUEST FOR INFORMATION FROM THE PERSONNEL OF THE IBM RESEARCH AND DEVELOPMENT DEPARTMENT.



THIS PAGE APPLIES TO MACHINES WITHOUT MES 3354 OR 3355 AND IS SENSITIVE TO CHANNEL ADAPTER POSITION IN TAILGATE.

PART NO.
56X4589
DEVELOPMENT NO.



11
10
9
8
7
6
5
4
3
2

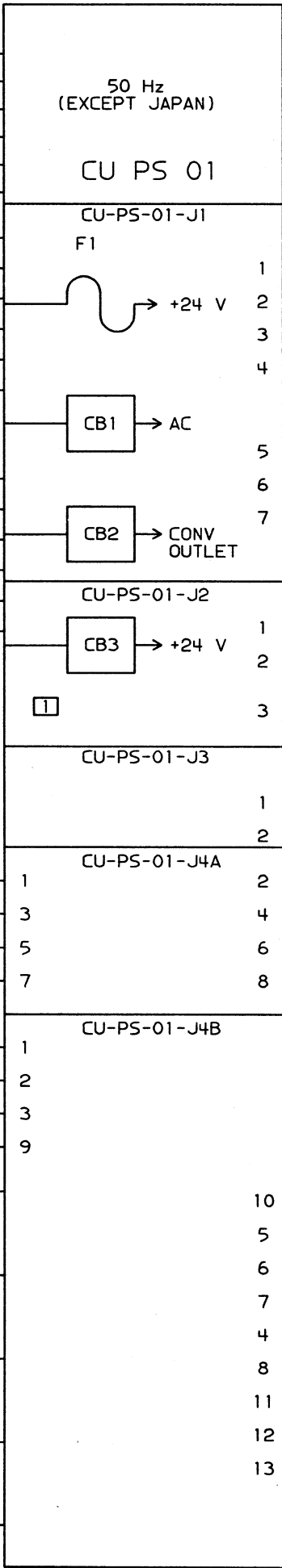
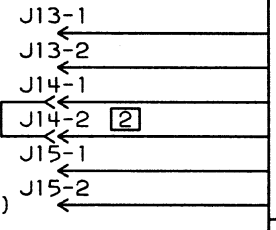


PART NO.
6390341

DEVELOPMENT NO.

PART NO.
6390341

INPUT VOLTAGE
SELECT JUMPER
200 VAC
220 VAC
(380 VAC LINE)
230/240 VAC
(400/415 VAC LINE)



NOTES

- [1] FOR CPU EPO SEE PAGE YF000 J5, J6, J7, J8.
- [2] SHOWN JUMPERED FOR 220 V.

J9
DELTA

J10
WYE

YF020

YF020

TO
PRIMARY
POWER

WARNING!
LETHAL VOLTAGES
PRESENT WITH
POWER OFF.

IBM
THIS DOCUMENT IS THE PROPERTY OF
IBM. ITS USE IS AUTHORIZED ONLY
FOR RESPONDING TO A REQUEST FOR
QUOTATION OR FOR THE PERFORMANCE
OF WORK FOR IBM. ALL QUESTIONS
MUST BE REFERRED TO THE IBM
PURCHASING DEPARTMENT.

TITLE	POWER SUPPLY 01-	RED	DATE	7MAR84	EC NO.	A06052
	50 Hz			3JUN85		A06069
DESIGNER	AHR	21JUN83				
CHECKED	AHR	21JUN83				
APPROVED	AHR	21JUN83				
CLASS	DMD	8FEB84				



MUST CONFORM TO ENG. SPEC.

PART NO. SHEET OF
6390341

DEVELOPMENT NO.

LOGIC PG NO.
YF003

PART NO.
56X4598

11
10
9
8
7
6
5
4
3
2
1P5 23SEP87 ME-

IBM

THIS DOCUMENT IS THE PROPERTY OF IBM. IT IS LOANED TO YOUR ORGANIZATION FOR YOUR USE ONLY. IT IS NOT TO BE REPRODUCED OR TRANSMITTED IN ANY FORM OR BY ANY MEANS, ELECTRONIC OR MECHANICAL, INCLUDING PHOTOCOPYING, RECORDING, OR BY ANY INFORMATION STORAGE AND RETRIEVAL SYSTEM, WITHOUT PERMISSION IN WRITING FROM THE INTERNATIONAL BUSINESS MACHINES CORPORATION.

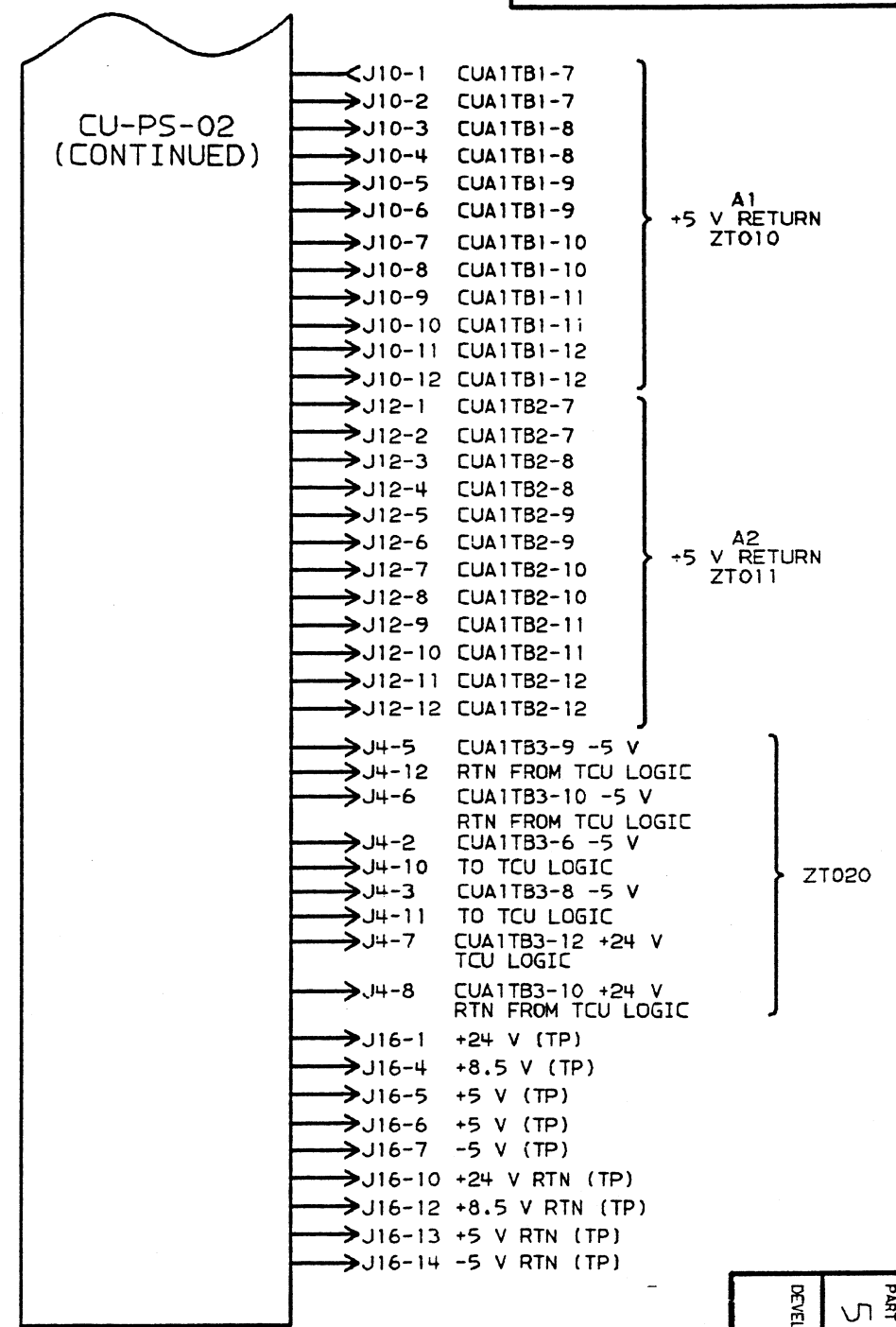
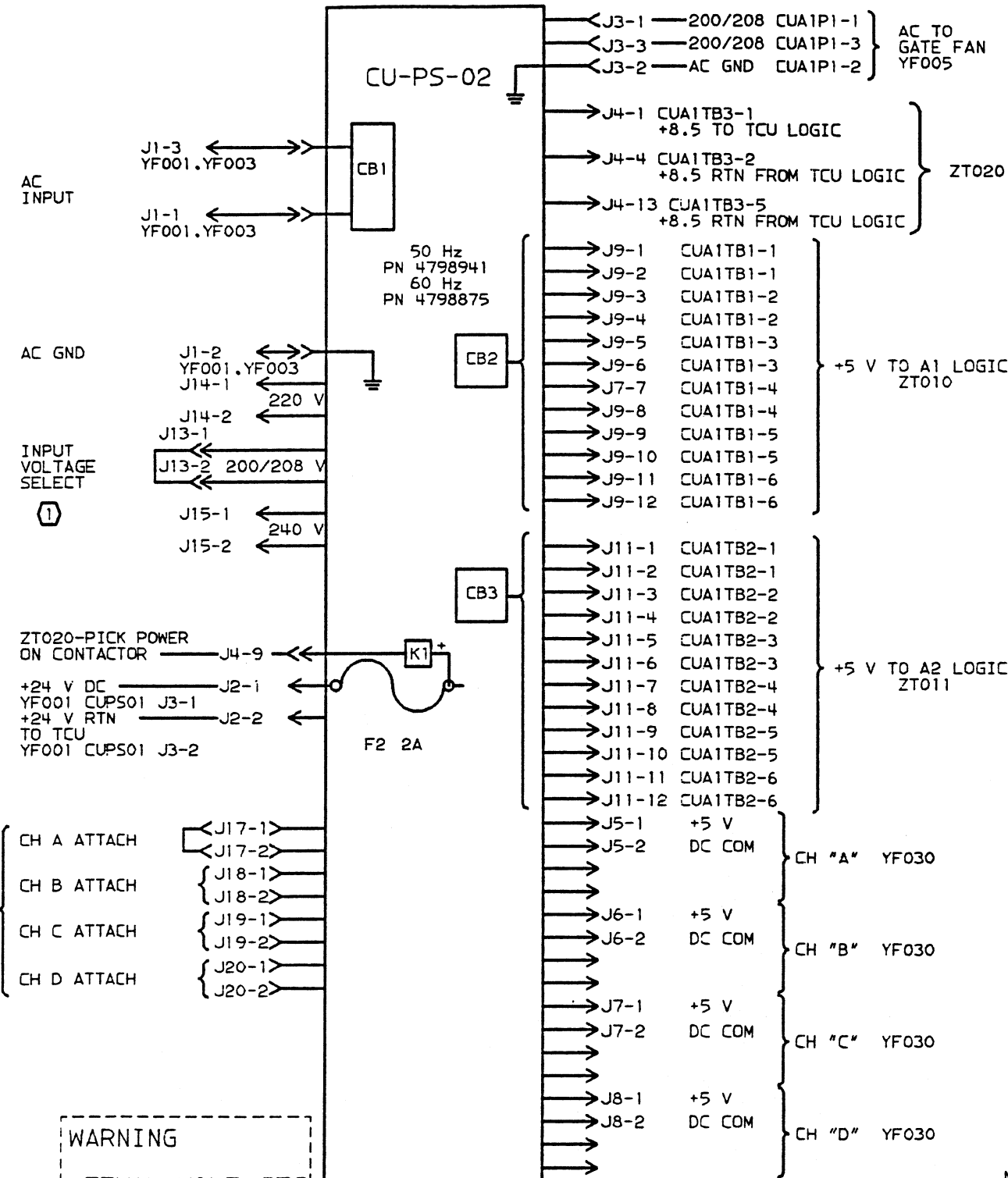
TITLE	POWER SUPPLY 02
DESIGNER	DB
CHECKED	DB
APPROVED	DB
CLASS	22APR87

DATE	22SEP87
EC NO.	A56005

MUST CONFORM TO ENG. SPEC.

SI A1

PART NO.	56X4598
DEVELOPMENT NO.	YF004
LOGIC PG NO.	



WARNING
LETHAL VOLTAGES
WITH POWER OFF

THIS PAGE APPLIES TO MACHINES WITH MES 3354 OR 3355 AND IS SENSITIVE TO CHANNEL ADAPTER POSITION.

- NOTES
- ① SHOWN PLUGGED FOR 200/208.
 - ② PLUG JUMPER FOR HIGHEST CHANNEL INSTALLED. THIS EXAMPLE IS PLUGGED FOR CHANNEL A ONLY.

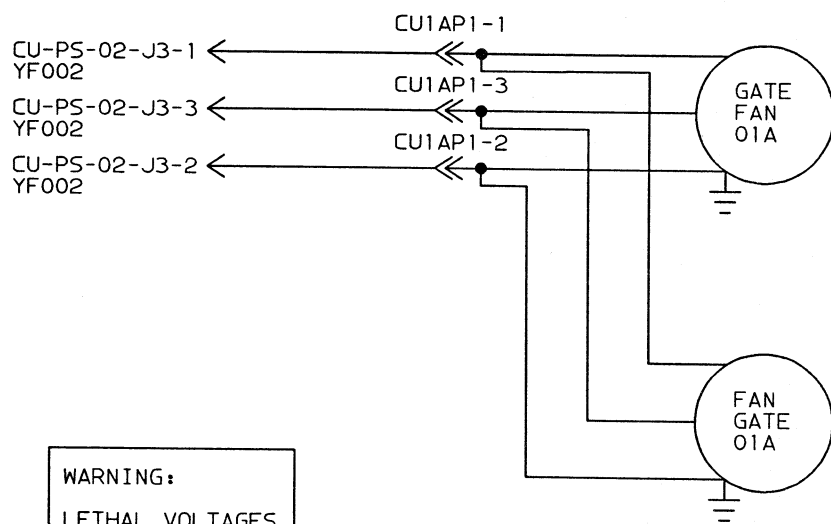
PART NO.	56X4598
DEVELOPMENT NO.	

11
10
9
8
7
6
5
4
3
2



PART NO. 6390342
DEVELOPMENT NO.

PART NO.
6390342



WARNING:
LETHAL VOLTAGES
PRESENT.

NOTES:

- 1 FANS ARE LOCATED ON BOTTOM OF CONTROL UNIT GATE AND AIR FLOW IS DOWN THROUGH GATE.

IBM THIS DOCUMENT IS THE PROPERTY OF IBM. ITS USE IS AUTHORIZED ONLY FOR RESPONDING TO A REQUEST FOR QUOTATION OR FOR THE PERFORMANCE OF WORK FOR IBM. ALL QUESTIONS MUST BE REFERRED TO THE IBM PURCHASING DEPARTMENT.

TITLE	GATE FANS	
DESIGNER	PJS	2DEC82
CHECKED	AHR	10DEC82
APPROVED	AHR	10DEC82
CLASS	DMO	8FEB84

DATE	EC NO.
7MAR84	A06052
3JUN85	A06069



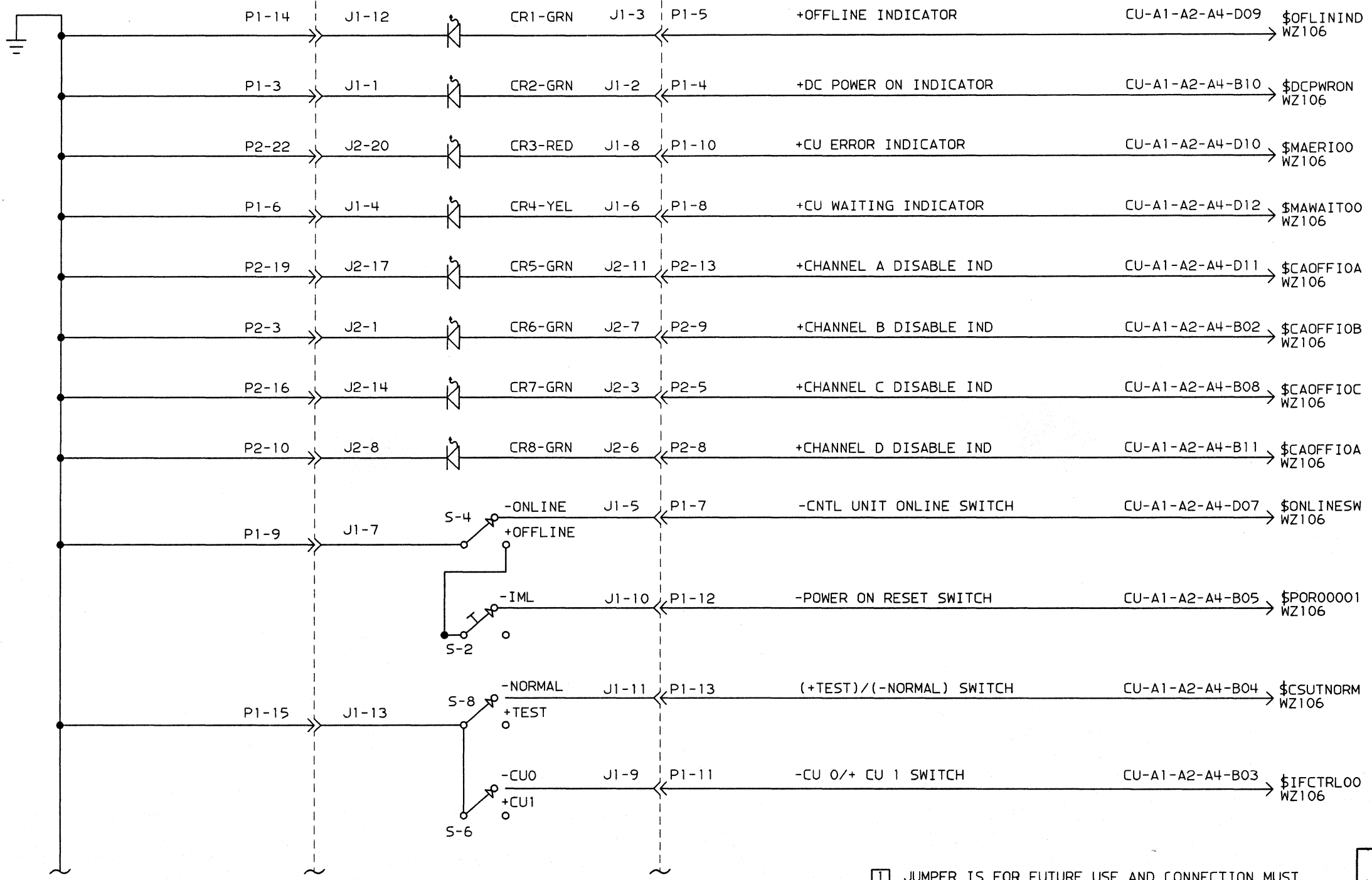
MUST CONFORM TO ENG. SPEC.

PART NO.	SHEET	OF
6390342		
DEVELOPMENT NO.		
LOGIC PG NO.		
YF005		

PART NO.
6390343

OPERATOR SET-UP
PANEL

LOGIC GND BUS
CU-A1-A2-A4-D02, D08, B07-B13
YZ003

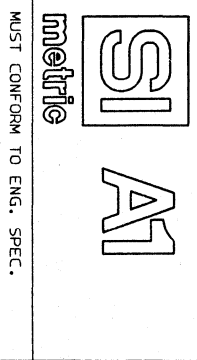


JUMPER IS FOR FUTURE USE AND CONNECTION MUST BE IN PLACE TO POWER ON SUBSYSTEM.

THIS DOCUMENT IS THE PROPERTY OF
MILITARY AERONAUTICAL SYSTEMS
DIVISION. IT IS TO BE KEPT IN A
SAFE PLACE AND NOT TO BE
REPRODUCED OR FOR THE PERFORMANCE
OF ANY CONTRACT. QUESTIONS
MUST BE REFERRED TO THE
PURCHASING DEPARTMENT.

DESIGNER	AHR	14SEP83
CHECKED		
APPROVED		
CLASS	DWO	8FEB84

TITLE	PANEL - OPERATOR
DATE	7MAR84
EC NO.	A06052
	A06069



PART NO.	6390343	SHEET 1 OF 2
DEVELOPMENT NO.		
LOGIC PG NO.	YF010	

PART NO.	6390343
DEVELOPMENT NO.	



PART NO.
6390343

FROM SHEET 1 OF 2

THIS DOCUMENT IS THE PROPERTY OF
IBM. ITS USE IS AUTHORIZED ONLY
FOR RESPONDING TO A REQUEST FOR
OF WORK FOR IBM. ALL QUESTIONS
MUST BE REFERRED TO THE IBM
PURCHASING DEPARTMENT.

IBM

TITLE

SET UP

DESIGNER

CHECKED

APPROVED

CLASS

DATE	7MAR84	EC NO.	A06052
DATE	3JUN85	EC NO.	A06069

MUST CONFORM TO ENG. SPEC.

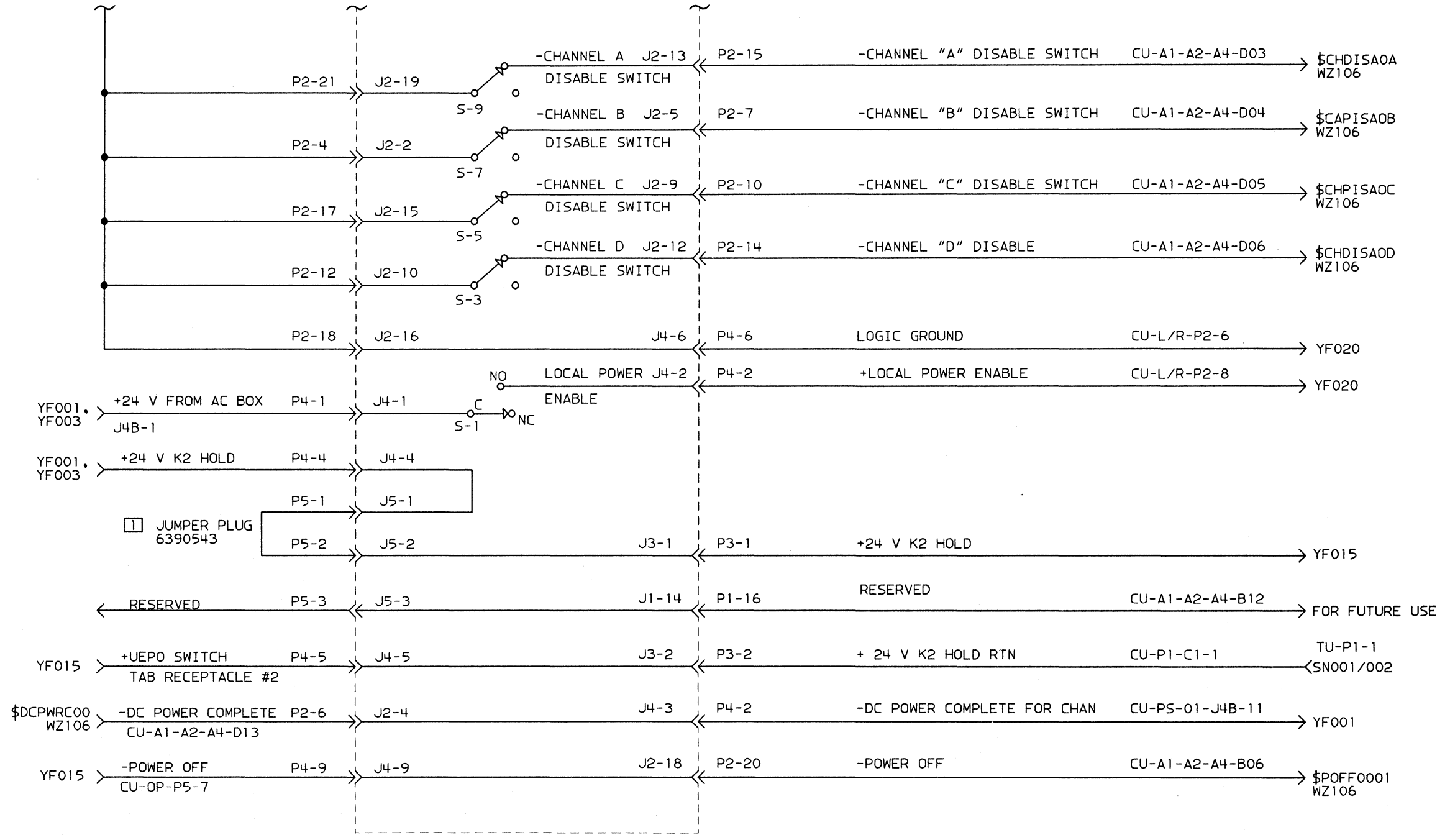
metlic

SI

A1

PART NO.
6390343
SHEET 2 OF 2

LOGIC PG NO.
YF010
DEVELOPMENT NO.



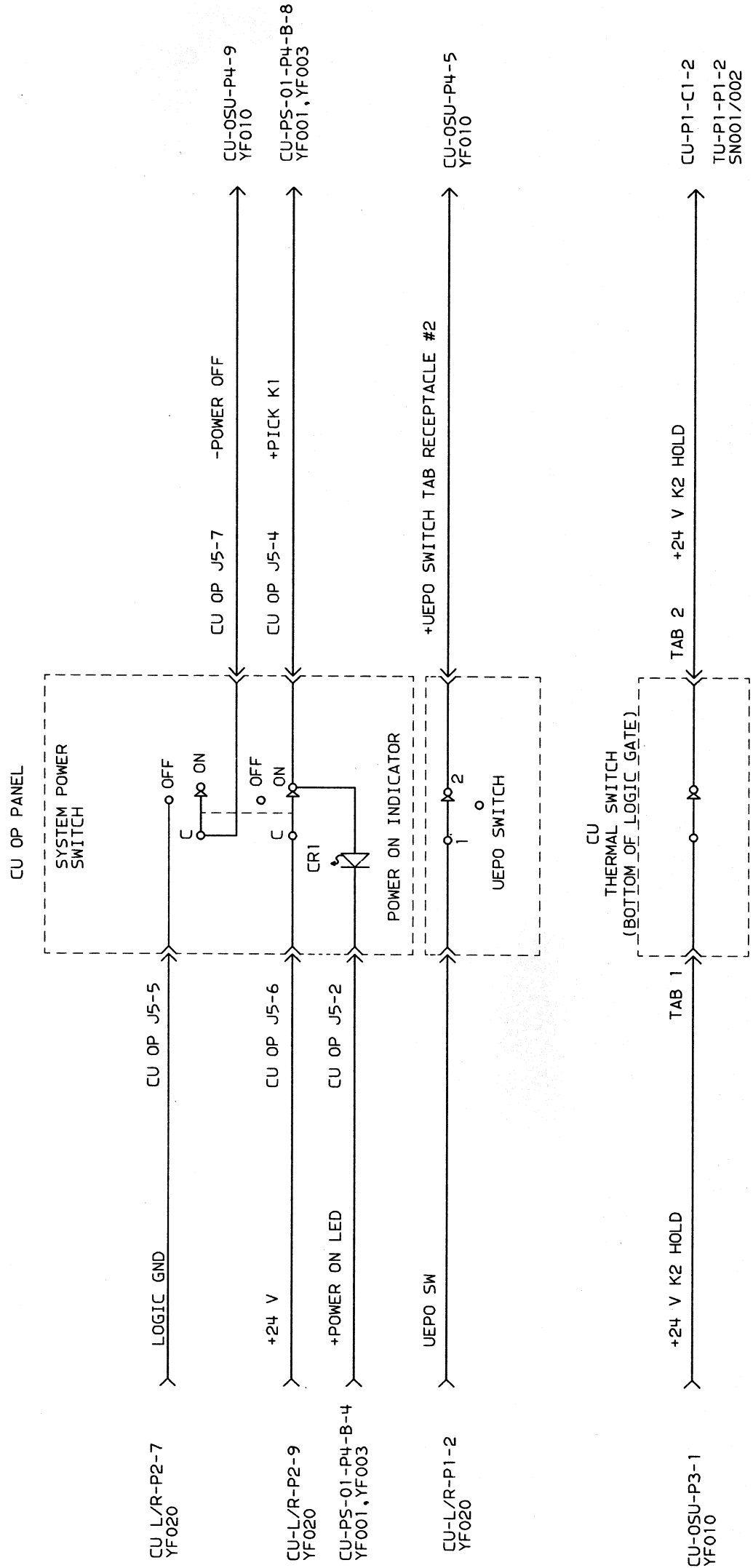
PART NO.
6390343
DEVELOPMENT NO.



PART NO.
6390344

DEVELOPMENT NO.

PART NO.
6390344



THIS DOCUMENT IS THE PROPERTY OF IBM. ITS USE IS AUTHORIZED ONLY FOR RESPONDING TO A REQUEST FOR QUOTATION OR FOR THE PERFORMANCE OF WORK FOR IBM. ALL QUESTIONS MUST BE REFERRED TO THE IBM PURCHASING DEPARTMENT.

TITLE	PANEL,		RED
CU OP			
DESIGNER	AR	14SEP83	
CHECKED			
APPROVED			
CLASS	DMO	8FEB84	

DATE	7MAR84	EC NO.	A06052
	3JUN85		A06069



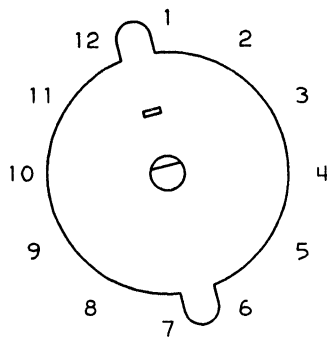
MUST CONFORM TO ENG. SPEC.

PART NO. SHEET OF
6390344

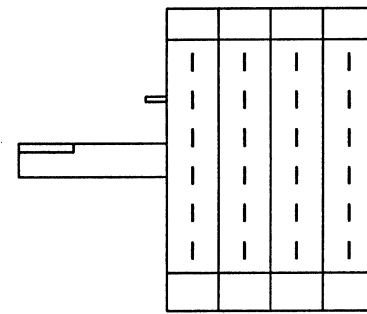
DEVELOPMENT NO.

LOGIC PG NO.
YF015

PART NO.
6390345



LOCAL / REMOTE SWITCH
(FRONT VIEW)



SWITCH SECTIONS
(SIDE VIEW)

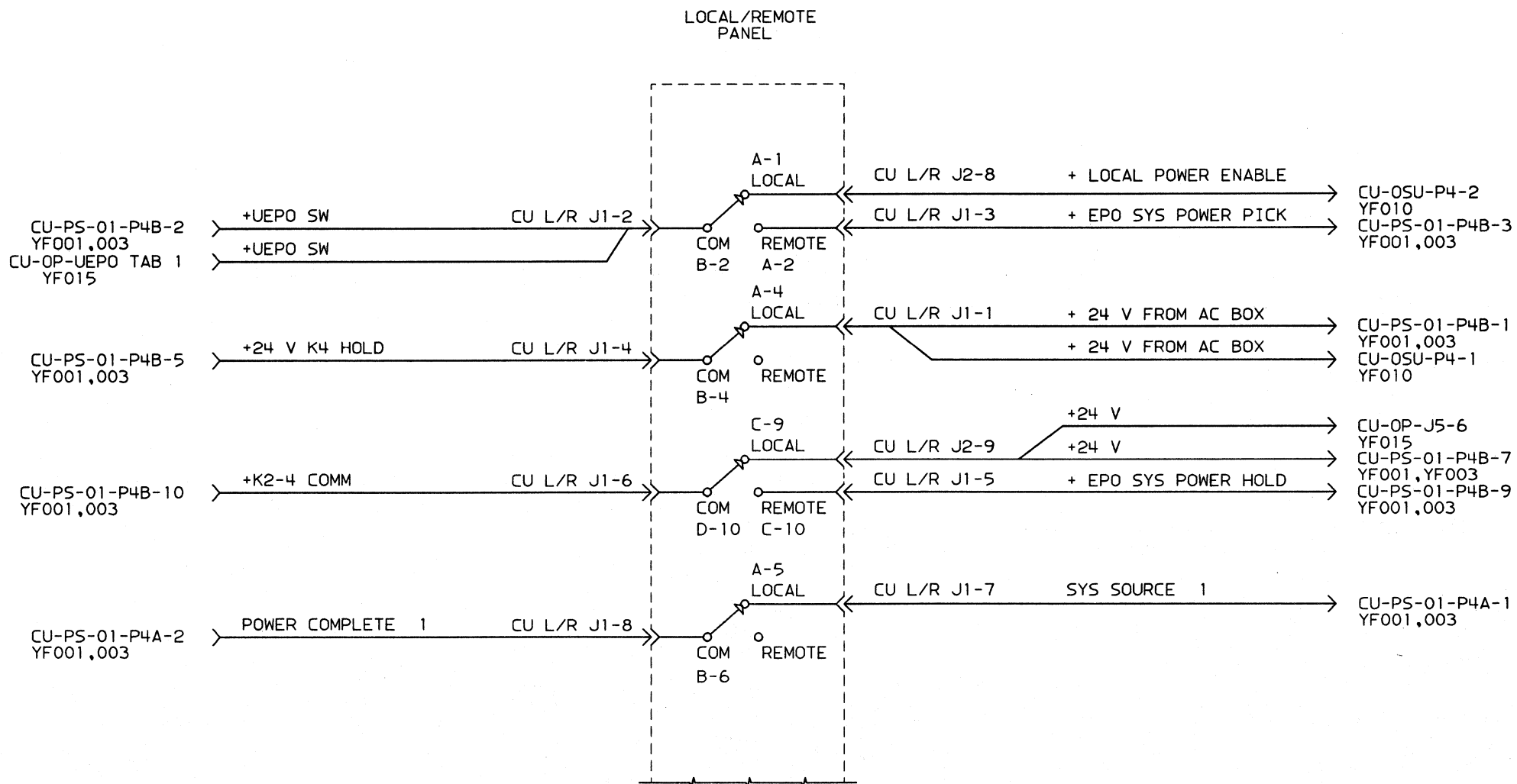
THIS DOCUMENT IS THE PROPERTY OF
IBM. ITS USE IS AUTHORIZED ONLY
FOR RESPONDING TO A REQUEST FOR
OPERATION OR FOR THE PERFORMANCE
OF MAINTENANCE. IT IS NOT TO BE
REPRODUCED OR REFERRED TO IN ANY
MANNER WITHOUT THE WRITTEN
APPROVAL OF THE IBM
PURCHASING DEPARTMENT.

TITLE	PANEL -
LOCAL/REMOTE	
DESIGNER	AR
CHECKED	
APPROVED	
CLASS	DMO
	8FEB84

DATE	7MAR84	EC NO.	A06052
	3JUN85		A06069
RED			

MUST CONFORM TO ENG. SPEC.

PART NO.	6390345	SHEET 1 OF 2
DEVELOPMENT NO.	YF020	



PART NO.	6390345
DEVELOPMENT NO.	





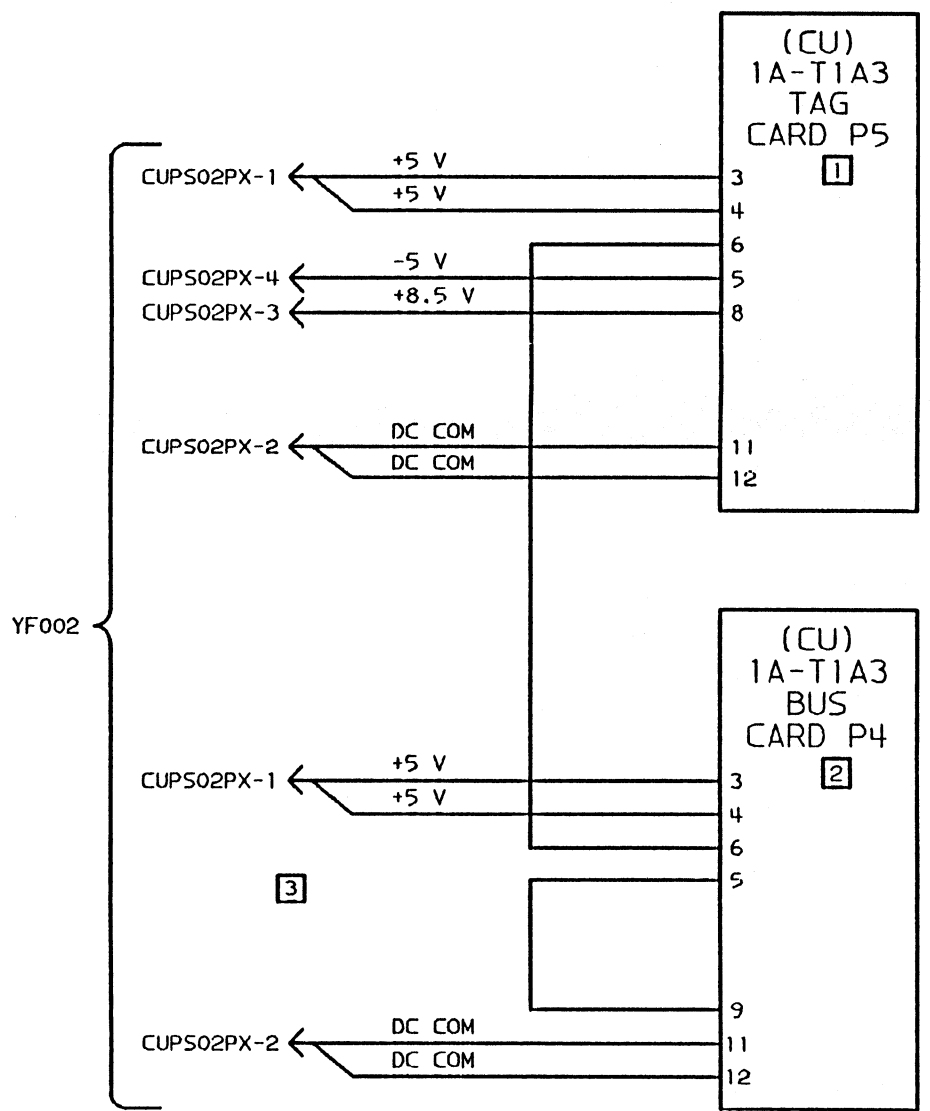
PART NO.
56X4590

DEVELOPMENT NO.

PART NO.
56X4590

NOTES

- 1 MULTI-PURPOSE PAGE: FOR "A" CHANNEL USE AS SHOWN.
FOR "B" CHANNEL USE AS LOCATION 1A-TIB3.
FOR "C" CHANNEL USE AS LOCATION 1A-TIC3.
FOR "D" CHANNEL USE AS LOCATION 1A-TID3.
- 2 MULTI-USAGE PAGE: FOR "A" CHANNEL USE AS SHOWN.
FOR "B" CHANNEL USE AS LOCATION 1A-TIB3.
FOR "C" CHANNEL USE AS LOCATION 1A-TIC3.
FOR "D" CHANNEL USE AS LOCATION 1A-TID3.
- 3 PLUG MARKED "PX" WILL PLUG TO J5 FOR "A" CHANNEL,
J6 FOR "B" CHANNEL, J7 FOR "C" CHANNEL, AND J8
FOR "D" CHANNEL.
- 4 CARDS ARE LOCATED BELOW CONTROL UNIT GATE AT THE
I/O CABLE ENTRY.



THIS PAGE APPLIES TO MACHINES WITHOUT MES 3354 OR 3355 AND IS SENSITIVE TO CHANNEL ADAPTER POSITION.

IBM THIS DOCUMENT IS THE PROPERTY OF IBM. ITS USE IS AUTHORIZED ONLY FOR RESPONDING TO A REQUEST FOR QUOTATION OR FOR THE PERFORMANCE OF WORK FOR IBM. ALL QUESTIONS MUST BE REFERRED TO THE IBM PURCHASING DEPARTMENT.

TITLE	DC DISTRIBUTION-TAG AND BUS	
DESIGNER	AHR	10DEC82
CHECKED	AHR	10DEC82
APPROVED	AHR	10DEC82
CLASS	DMD	8FEB84

DATE	EC NO.
22SEP87	A56005



MUST CONFORM TO ENG. SPEC.

PART NO. SHEET OF
56X4590

DEVELOPMENT NO.

LOGIC PG NO.
YF030

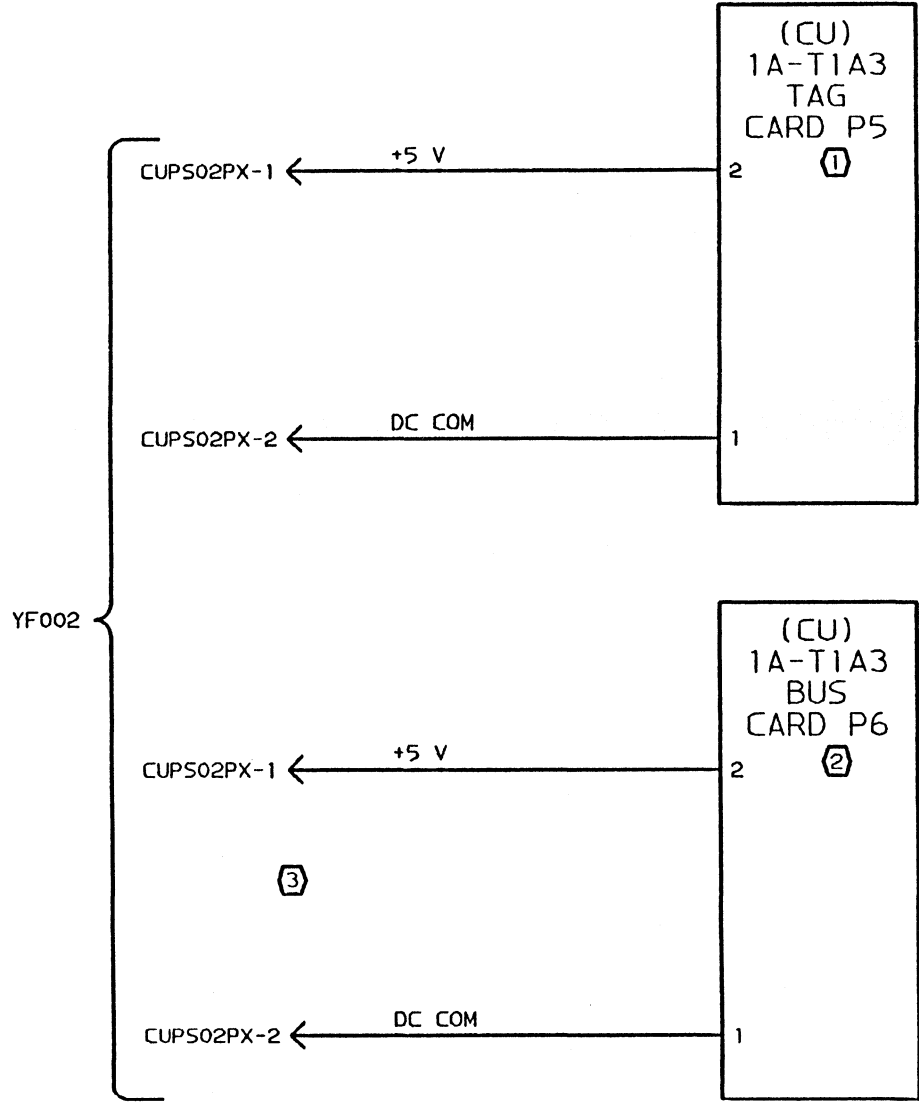


PART NO. 56X4599
DEVELOPMENT NO.

PART NO.
56X4599

NOTES

- ① MULTI-PURPOSE PAGE; FOR "A" CHANNEL USE AS SHOWN.
FOR "B" CHANNEL USE AS LOCATION 1A-T1B3.
FOR "C" CHANNEL USE AS LOCATION 1A-T1C3.
FOR "D" CHANNEL USE AS LOCATION 1A-T1D3.
- ② MULTI-USAGE PAGE; FOR "A" CHANNEL USE AS SHOWN.
FOR "B" CHANNEL USE AS LOCATION 1A-T1B3.
FOR "C" CHANNEL USE AS LOCATION 1A-T1C3.
FOR "D" CHANNEL USE AS LOCATION 1A-T1D3.
- ③ PLUG MARKED "PX" WILL PLUG TO J5 FOR "A" CHANNEL,
J6 FOR "B" CHANNEL, J7 FOR "C" CHANNEL, AND J8
FOR "D" CHANNEL.
- 4 CARDS ARE LOCATED BELOW CONTROL UNIT GATE AT THE
I/O CABLE ENTRY.



THIS PAGE APPLIES TO MACHINES WITH MES 3354 OR 3355 AND IS SENSITIVE TO CHANNEL ADAPTER POSITION.

IBM		
THIS DOCUMENT IS THE PROPERTY OF IBM. ITS USE IS AUTHORIZED ONLY FOR RESPONDING TO A REQUEST FOR QUOTATION OR FOR THE PERFORMANCE OF WORK FOR IBM. ALL QUESTIONS MUST BE REFERRED TO THE IBM PURCHASING DEPARTMENT.		
TITLE	DC DISTRIBUTION--	
TAG AND BUS		
DESIGNER	DB	22APR87
CHECKED		
APPROVED		
CLASS	DB	22APR87

DATE	EC NO.
22SEP87	A56005



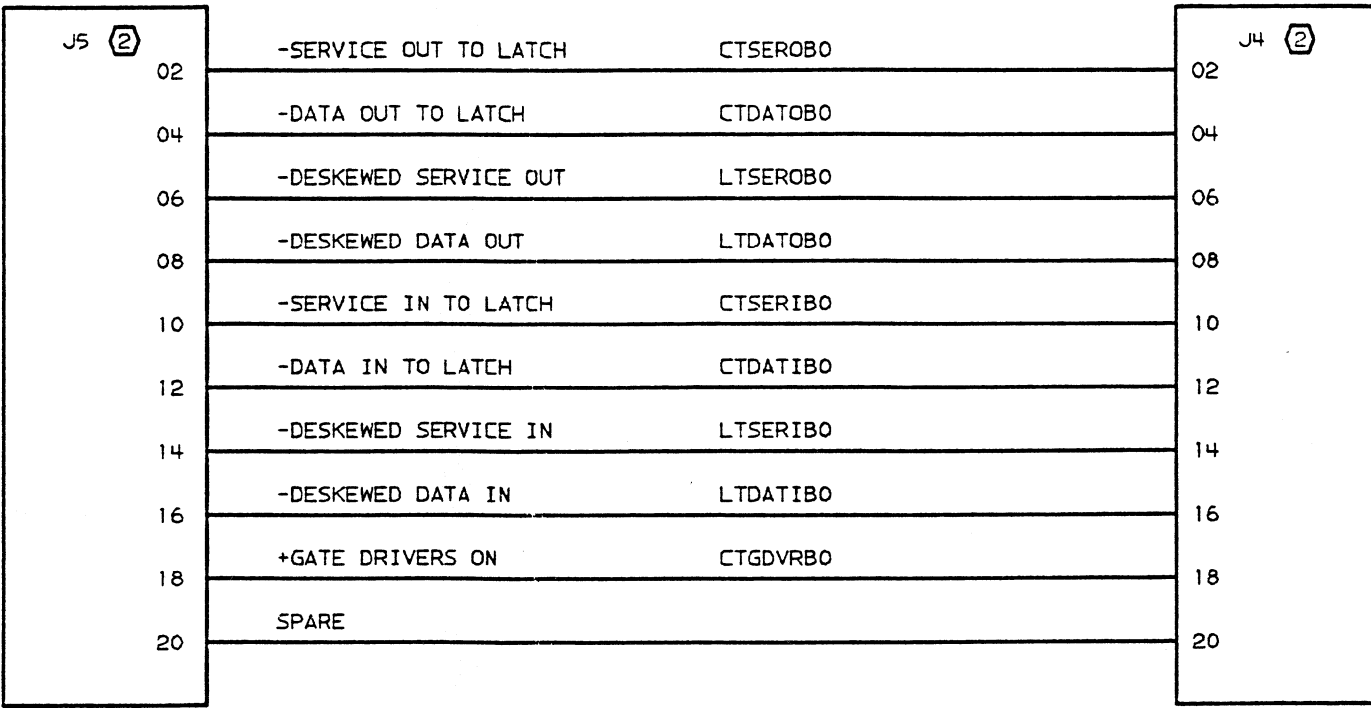
MUST CONFORM TO ENG. SPEC.

PART NO.	SHEET OF
56X4599	
DEVELOPMENT NO.	
LOGIC PG NO.	
YF031	

PART NO.
56X4583

CONNECTOR
BUS
1A-T1A1-J4 ①

CONNECTOR
TAG
1A-T1A3-J5 ①

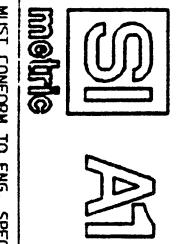


REFERENCE DRAWING

IBM
THIS DOCUMENT IS THE PROPERTY OF
IBM. ITS USE IS AUTHORIZED ONLY
FOR THE PERFORMANCE OF THE
WORK FOR WHICH IT WAS
PREPARED. IT IS TO BE
RETURNED TO THE IBM
BUSINESS CENTER.

TITLE	SIGNAL DIAGRAM-	
DESIGNER	RCB	10.JUN87
CHECKED		
APPROVED		
CLASS	RKS	10.JUN87

DATE	22SEP87
EC NO.	A56005



PART NO.	56X4583	SHEET 1 OF 1
DEVELOPMENT NO.		
LOGIC PG NO.	YF045	

NOTES

- ① MULTIUSAGE PAGE:
FOR "A" CHANNEL USE AS SHOWN.
FOR "B" CHANNEL USE LOCATION 1A-T1B3-J4 TO 1A-T1B1-J4.
FOR "C" CHANNEL USE LOCATION 1A-T1C3-J4 TO 1A-T1C1-J4.
FOR "D" CHANNEL USE LOCATION 1A-T1D3-J4 TO 1A-T1D1-J4.
- ② GROUNDS: 01,03,05,07,09,11,13,15,17,19.

THIS PAGE APPLIES TO MACHINES
WITH MES 3354 OR 3355 AND IS
SENSITIVE TO CHANNEL ADAPTER
POSITION.

PART NO.	56X4583
DEVELOPMENT NO.	



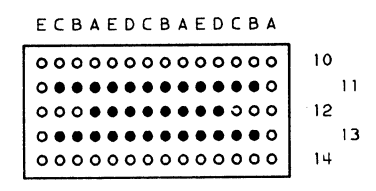
11 10 9 8 7 6 5 4 3 2

11 10 9 8 7 6 5 4 3 2

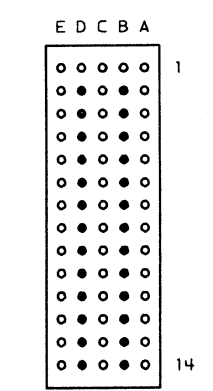
A B C D E F G H I J K

A B C D E F G H I J K

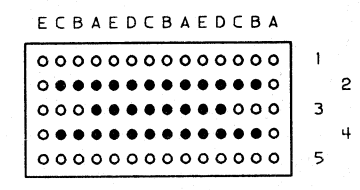
PART NO.
6390348



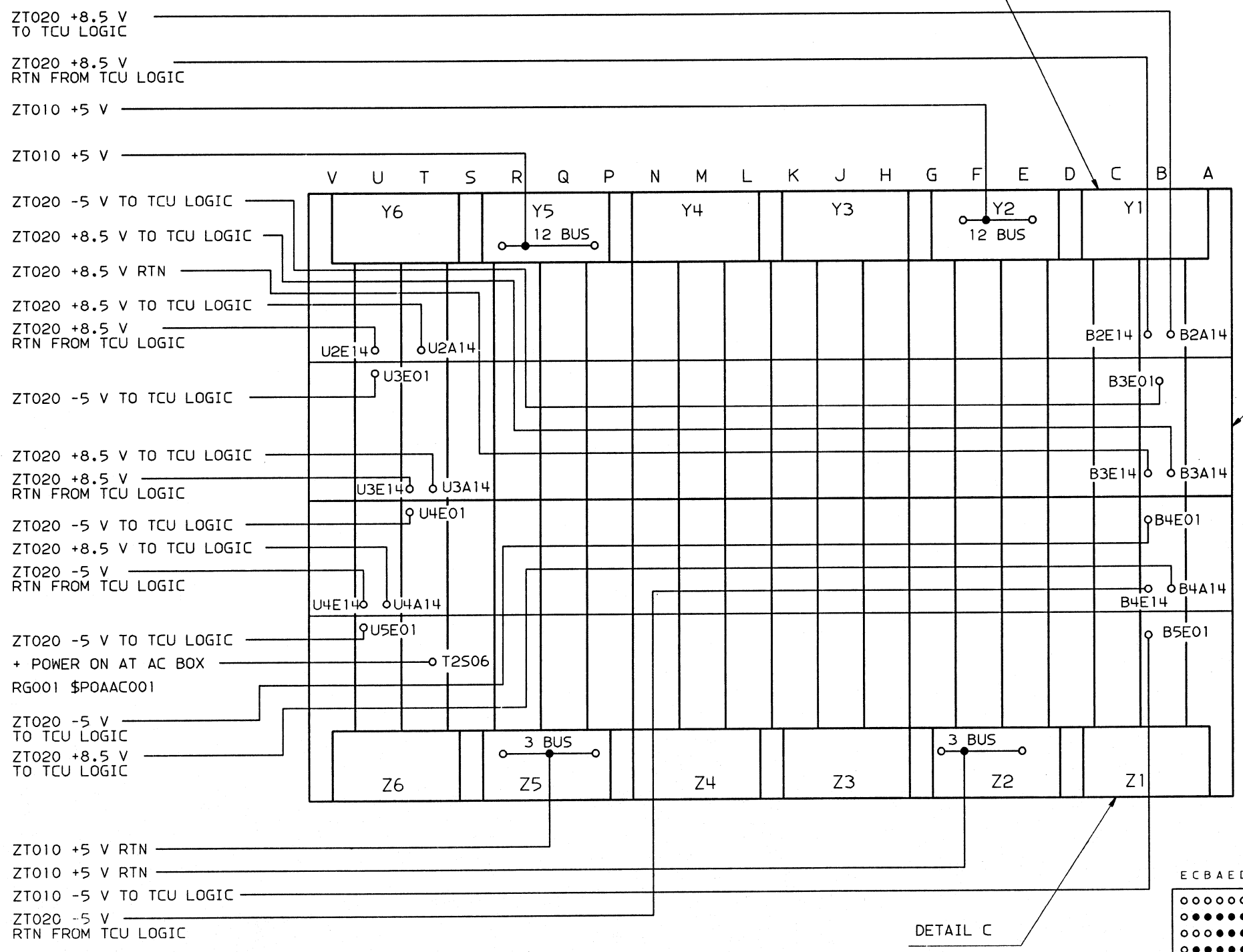
DETAIL A



DETAIL B



DETAIL C

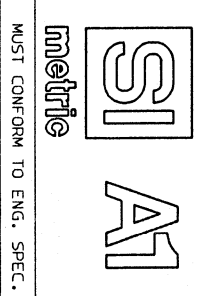


THIS DOCUMENT IS THE PROPERTY OF IBM. ITS USE IS AUTHORIZED ONLY FOR RESPONDING TO A REQUEST FOR QUOTATION OR FOR THE PERFORMANCE OF WORK UNDER A CONTRACT. IT MUST BE REFERRED TO THE IBM PURCHASING DEPARTMENT.

TITLE: A1 BOARD-

DESIGNER	AHR	8 JUN 83
CHECKED	AHR	21 JUN 83
APPROVED	AHR	21 JUN 83
CLASS	DWO	8 FEB 84

DATE	7 MAR 84
DATE	3 JUN 85
EC NO.	A06052
EC NO.	A06069

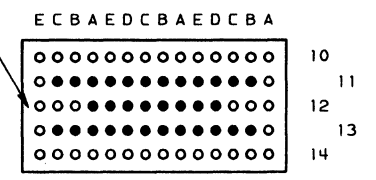


PART NO. 6390348
SHEET OF
DEVELOPMENT NO. YZ002

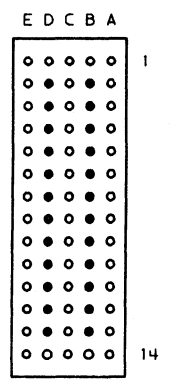
PART NO. 6390348
DEVELOPMENT NO.



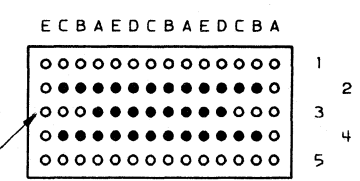
PART NO.
6390349



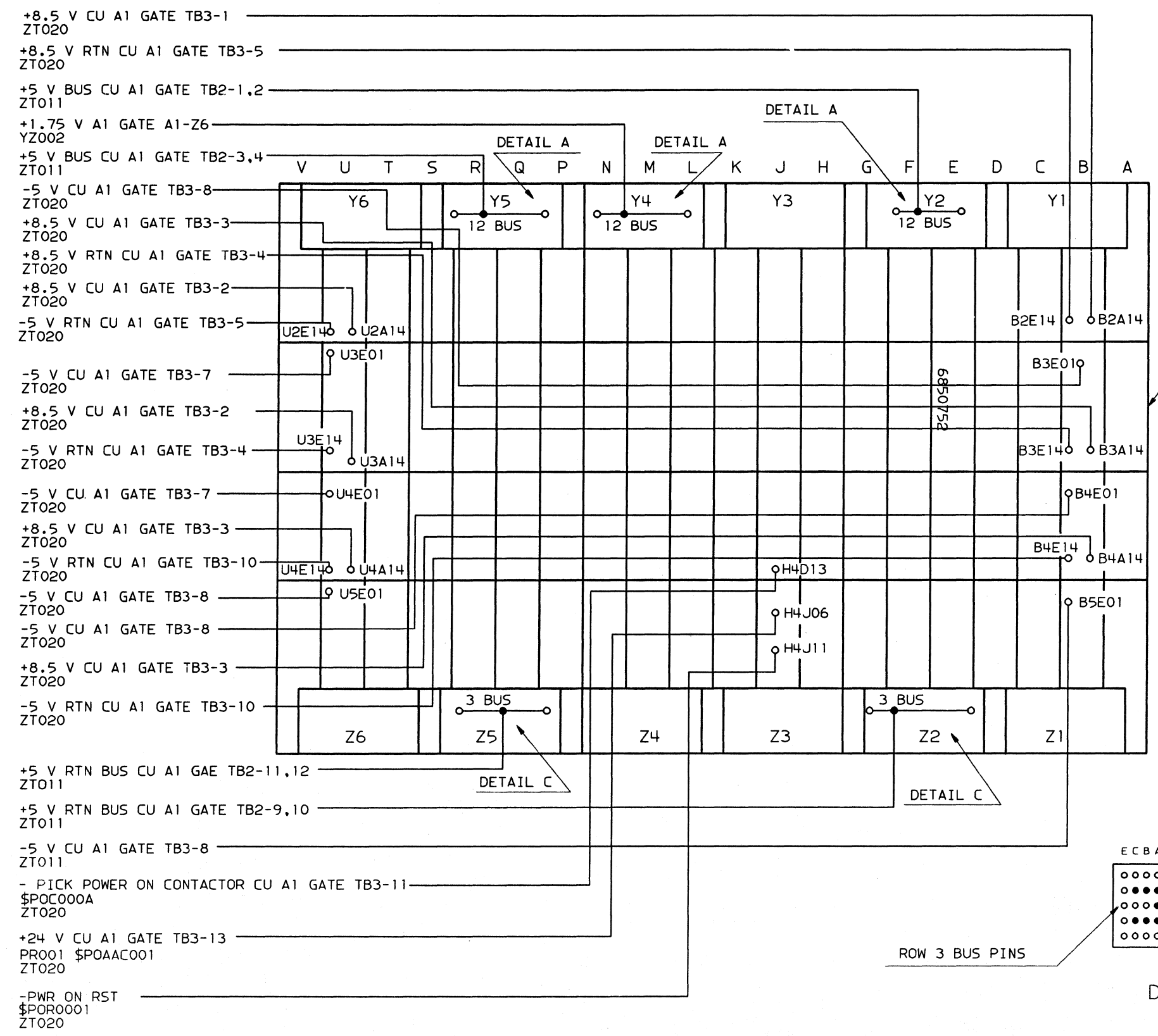
DETAIL A



DETAIL B



DETAIL C

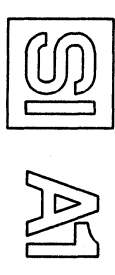


THIS DOCUMENT IS THE PROPERTY OF IBM. ITS USE IS AUTHORIZED ONLY FOR THE PERFORMANCE OF THE WORK FOR WHICH IT WAS PREPARED. IT IS TO BE RETURNED TO THE IBM PURCHASING DEPARTMENT.

TITLE
A2 BOARD

DESIGNER	AHR	8 JUN 83
CHECKED	AHR	21 JUN 83
APPROVED	AHR	21 JUN 83
CLASS	DMO	9 FEB 84

DATE	7 MAR 84
EC NO.	A06052



MUST CONFORM TO ENG. SPEC.

PART NO.	6390349
DEVELOPMENT NO.	
LOGIC PG NO.	YZ003

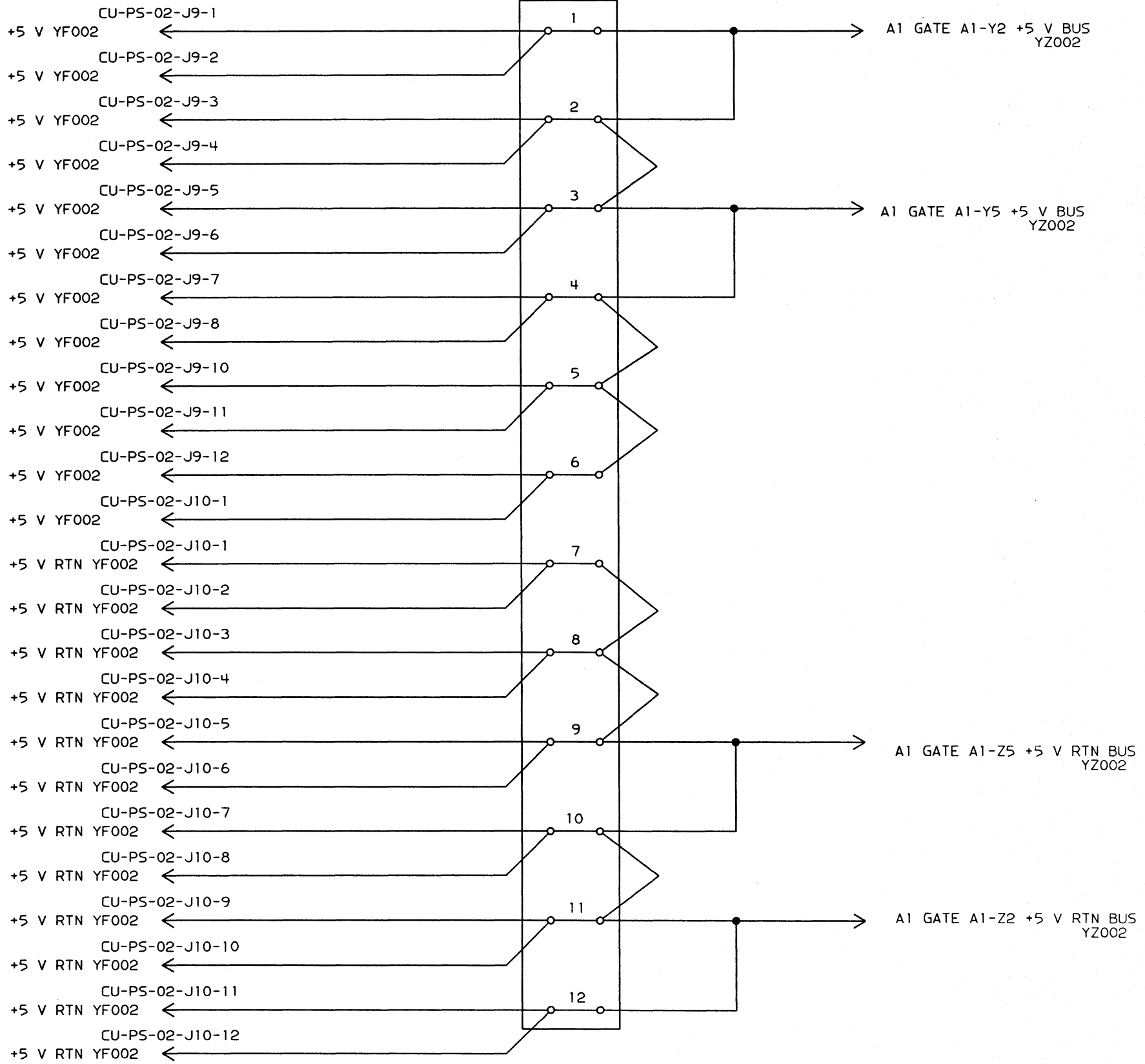
PART NO.	6390349
DEVELOPMENT NO.	



PART NO.
6390350
DEVELOPMENT NO.

PART NO.
6390350

CU-A1 GATE-TB1



THIS DOCUMENT IS THE PROPERTY OF IBM. ITS USE IS AUTHORIZED ONLY FOR RESPONDING TO A REQUEST FOR QUOTATION OR FOR THE PERFORMANCE OF WORK FOR IBM. ALL QUESTIONS MUST BE REFERRED TO THE IBM PURCHASING DEPARTMENT.

TITLE	DC POWER DIST-	RED
CONTROL UNIT TB-1		
DESIGNER	PJS	1DEC82
CHECKED	AHR	10DEC82
APPROVED	AHR	10DEC82
CLASS	DMD	8FEB84

DATE	7MAR84	EC NO.	A06052
DATE	3JUN85	EC NO.	A06069



MUST CONFORM TO ENG. SPEC.

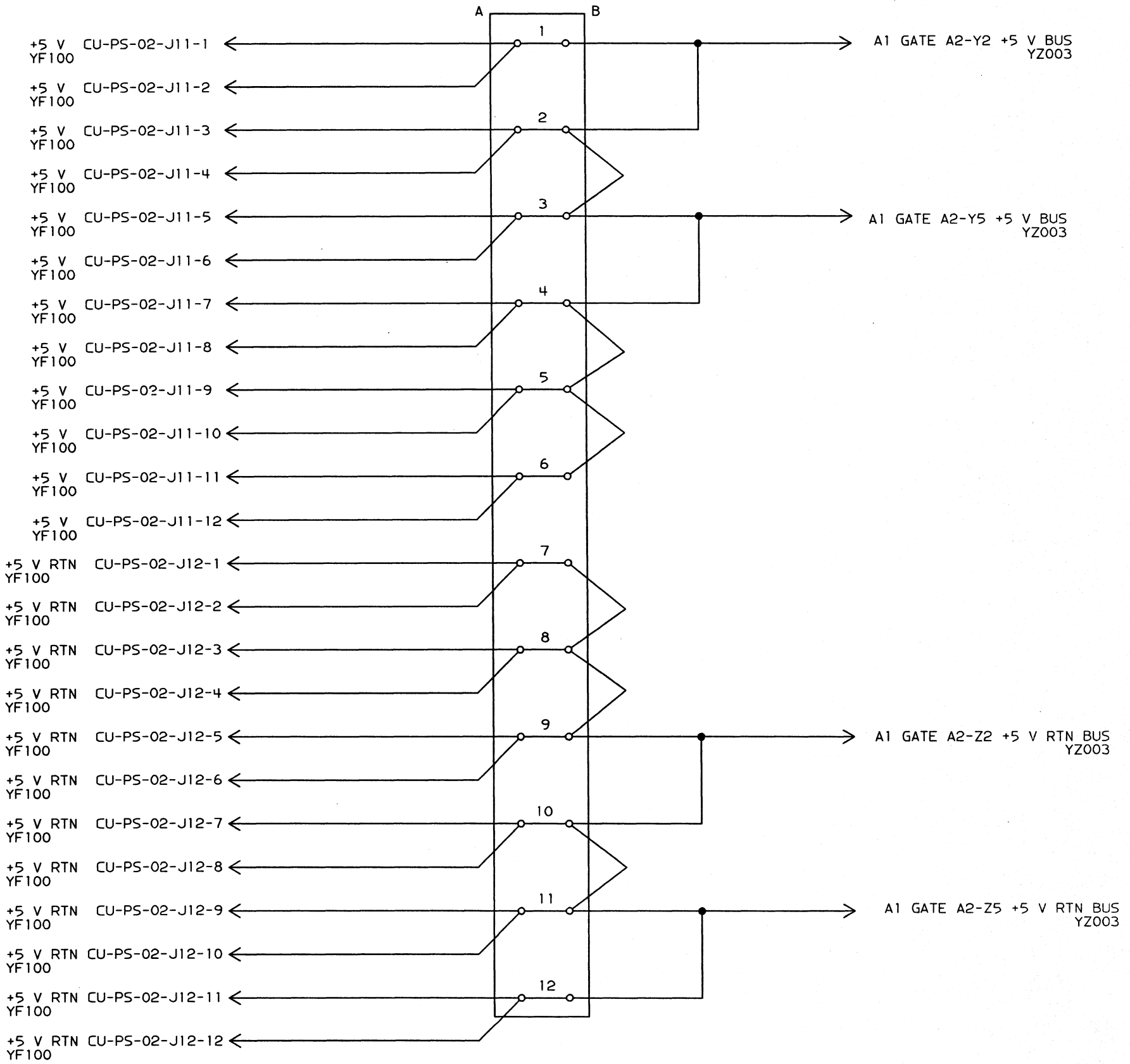
PART NO.	6390350	SHEET OF	
DEVELOPMENT NO.		LOGIC PG NO.	ZT010



PART NO.
6390351
DEVELOPMENT NO.

PART NO.
6390351

CU A1 GATE-TB2



THIS DOCUMENT IS THE PROPERTY OF IBM. ITS USE IS AUTHORIZED ONLY FOR RESPONDING TO A REQUEST FOR QUOTATION OR FOR THE PERFORMANCE OF WORK FOR IBM. ALL QUESTIONS MUST BE REFERRED TO THE IBM PURCHASING DEPARTMENT.

TITLE	DC POWER DIST	RED	DATE	7MAR84	EC NO.	A06052
CONTROL UNIT TB-2			3JUN85		A06069	
DESIGNER	PJS	1DEC82				
CHECKED	AHR	10DEC82				
APPROVED	AHR	10DEC82				
CLASS	DMO	8FEB84				

DATE	7MAR84	EC NO.	A06052
DATE	3JUN85	EC NO.	A06069



MUST CONFORM TO ENG. SPEC.

PART NO. SHEET OF
6390351
DEVELOPMENT NO.
LOGIC PG NO.
ZT011



PART NO.
6390352

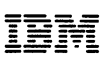
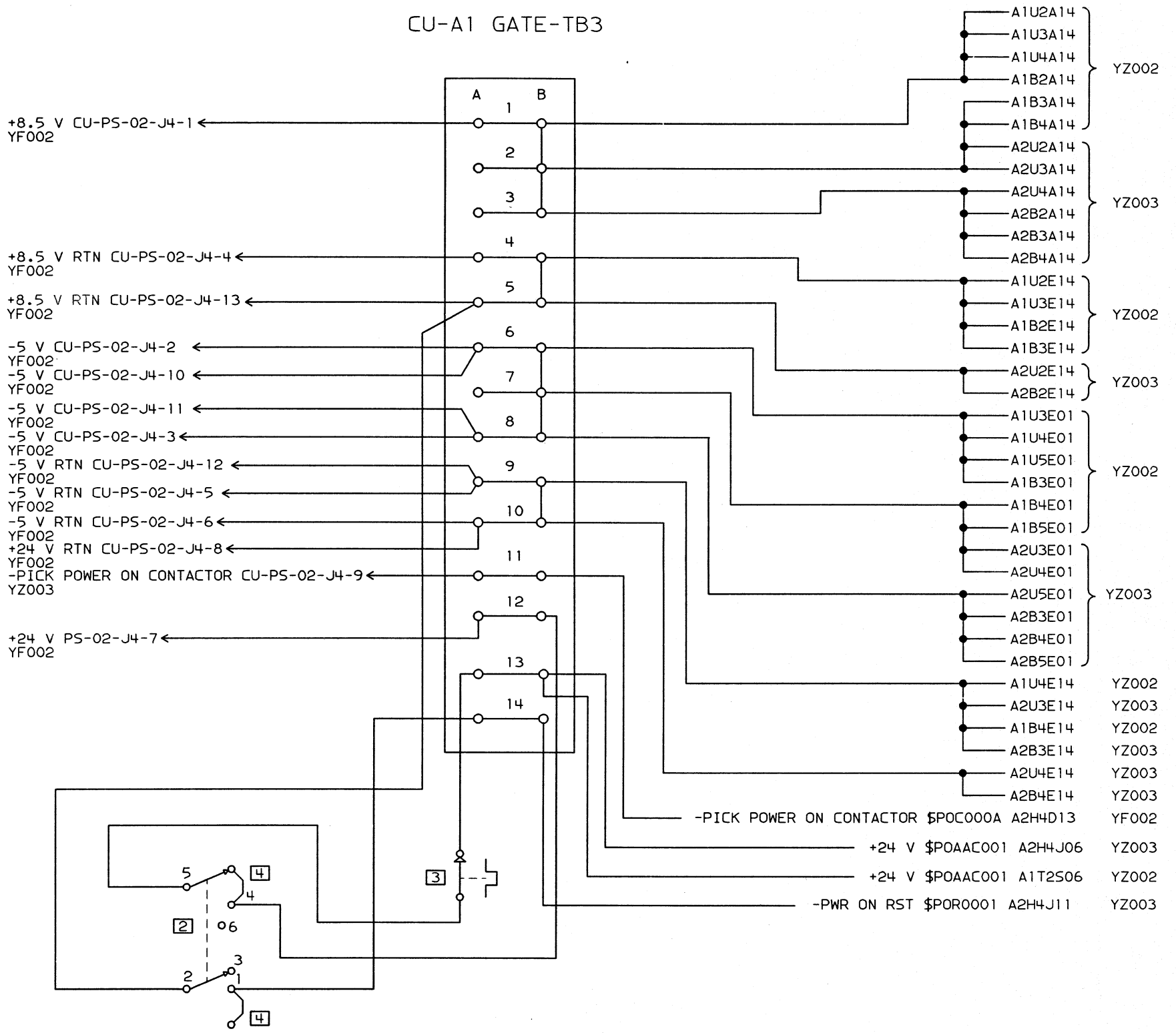
DEVELOPMENT NO.

PART NO.
6390352

NOTES

- 1 FOR BOARD DISTRIBUTION REFER TO FIELD WIRE NET LIST.
- 2 SERVICE SWITCH MOUNTED ON A1 GATE, CARD SIDE UPPER RIGHT HAND CORNER.
- 3 THERMAL SWITCH, LOCATED TOP OF CU-A1 GATE, INSIDE TOP SCREEN.
- 4 SWITCH JUMPERED INTERNALLY: DPDT 3-WAY, TOP POSITION = DC ON, CENTER POSITION = POR, BOTTOM POSITION = DC OFF.

CU-A1 GATE-TB3



THIS DOCUMENT IS THE PROPERTY OF IBM. ITS USE IS AUTHORIZED ONLY FOR RESPONDING TO A REQUEST FOR QUOTATION OR FOR THE PERFORMANCE OF WORK FOR IBM. ALL QUESTIONS MUST BE REFERRED TO THE IBM PURCHASING DEPARTMENT.

TITLE	DC POWER DIST- CONTROL UNIT TB-3	RED
DESIGNER	JTJ	1DEC82
CHECKED	AHR	10DEC82
APPROVED	AHR	10DEC82
CLASS	DMO	8FEB84

DATE	7MAR84	EC NO.	A06052
DATE	3JUN85	EC NO.	A06069



MUST CONFORM TO ENG. SPEC.

PART NO.	6390352	SHEET OF
DEVELOPMENT NO.		
LOGIC PG NO.	ZT020	

DATE - 06/10/85

- FIELD WIRE NET LIST -

PART NO. 0006272321
EC NO. 000A06010A (41)

LOCATION 1A-A1

DIMENSIONS ARE ENGLISH (IN)

ENG. NET NO.	FROM	TO	PL	MIR	LENGTH	NODE NAME	CROSS REFERENCE (NET-TO-PIN)	ENG. NET NO.	FROM	TO	PL	MIR	LENGTH
\$+5VA1BRD	A5D03-	B5D03-	01		00.734	\$BCCHKBTS01	L2B07- M2B07- 01 00.734		M5D02-	N5D02-	01		00.684
\$BAXRAC00	E4D13-	K4B13-	06		02.932	\$BCCHKBTS02	L2D06- M2D06- 01 00.734 M2D06- N2D06- 01 00.684	\$BCDATA0102	L5B02- M5B02- 01 00.684 M5B02- N5B02- 06 00.682				
\$BCADRPEV	L3D11- L3E11- 06 00.125 L3E11- L4E06- 07 01.234 L4E06- M4B06- 06 00.357					\$BCCHKBTS03	L2B05- M2B05- 01 00.734 M2B05- N2B05- 01 00.684	\$BCDATA0103	L2D12- M2D12- 01 00.734 M2D12- N2D12- 01 00.684				
\$BCASEL00	N3D10- N3D12- 02 00.307 N3D12- M3D12- 01 00.684 M3D12- M3D10- 02 00.307 M3D10- L3D10- 01 00.684					\$BCCHKBTS04	L2B02- M2B02- 01 00.684 M2B02- N2B02- 06 00.682	\$BCDATA0104	L2D11- M2D11- 01 00.734 M2D11- N2D11- 01 00.684				
\$BCASEL01	L3D04- M3D04- 01 00.734 M3D04- N3D04- 01 00.684 N3D04- N3C09- 02 00.750 N3C09- N3B09- 01 00.125 N3B09- M3B09- 01 00.684					\$BCCHKBTS05	L2B03- M2B03- 01 00.734 M2B03- N2B03- 01 00.684	\$BCDATA0105	L2D13- M2D13- 01 00.734 M2D13- N2D13- 01 00.684				
\$BCBITSAR00	L4D11- M4D11- 01 00.734 M4D11- N4D11- 01 00.684					\$BCCHKBTS06	N2D05- M2D05- 01 00.734 M2D05- L2D05- 06 00.682	\$BCDATA0106	L2D10- M2D10- 01 00.734 M2D10- N2D10- 01 00.684				
\$BCBITSAR01	L4B07- M4B07- 01 00.734 M4B07- N4B07- 01 00.684					\$BCCHKBTS07	N2D04- M2D04- 01 00.684 M2D04- L2D04- 01 00.734	\$BCDATA0107	L2B09- M2B09- 01 00.734 M2B09- N2B09- 01 00.684				
\$BCBITSAR02	L4D05- M4D05- 01 00.734 M4D05- N4D05- 01 00.684					\$BCDATA0000	L5B04- M5B04- 01 00.734 M5B04- N5B04- 01 00.684	\$BCDATA0200	N2D09- M2D09- 01 00.734 M2D09- L2D09- 06 00.682				
\$BCBITSAR03	L4B02- M4B02- 01 00.734 M4B02- N4B02- 01 00.684					\$BCDATA0001	L5D07- M5D07- 01 00.734 M5D07- N5D07- 01 00.684	\$BCDATA0201	L2D07- M2D07- 06 00.682 M2D07- N2D07- 01 00.734				
\$BCBITSAR04	L4B08- M4B08- 01 00.734 M4B08- N4B08- 01 00.684					\$BCDATA0002	L5D06- M5D06- 01 00.734 M5D06- N5D06- 01 00.684	\$BCDATA0202	L2B10- M2B10- 01 00.684 M2B10- N2B10- 06 00.682				
\$BCBITSAR05	L3B06- M3B06- 01 00.684					\$BCDATA0003	L5B05- M5B05- 01 00.734 M5B05- N5B05- 01 00.684	\$BCDATA0203	L2B08- M2B08- 01 00.734 M2B08- N2B08- 01 00.684				
\$BCBITSAR06	N3B10- M3B10- 01 00.734 M3B10- M3C10- 06 00.125 M3C10- M3C01- 07 01.234 M3C01- L3B01- 06 00.857 L3B01- L3B05- 07 00.559					\$BCDATA0004	L5B08- M5B08- 01 00.734 M5B08- N5B08- 01 00.684	\$BCDATA0204	L3B02- M3B02- 01 00.734 M3B02- N3B02- 01 00.684				
\$BCCDSELO	L3B04- M3B04- 01 00.684					\$BCDATA0005	L5B07- M5B07- 01 00.684 M5B07- N5B07- 06 00.682	\$BCDATA0205	N3D02- M3D02- 01 00.734 M3D02- L3D02- 06 00.682				
\$BCCDSEL1	L3B03- N3B04- 01 01.375					\$BCDATA0006	L5B03- M5B03- 01 00.734 M5B03- N5B03- 01 00.684	\$BCDATA0206	L5D09- M5D09- 01 00.734 M5D09- N5D09- 01 00.684				
\$BCCHKBTS00	L2D02- M2D02- 01 00.734 M2D02- N2D02- 01 00.684					\$BCDATA0007	N5D05- M5D05- 01 00.734 M5D05- L5D05- 06 00.682	\$BCDATA0207	L5D13- M5D13- 01 00.734 M5D13- N5D13- 01 00.684				
						\$BCDATA0100	L5D04- M5D04- 06 00.682 M5D04- N5D04- 01 00.734	\$BCDATA0300	L5D10- M5D10- 01 00.734 M5D10- N5D10- 01 00.684				
						\$BCDATA0101	L5D02- M5D02- 01 00.734	\$BCDATA0301	L5B09- M5B09- 01 00.684 M5B09- N5B09- 06 00.682				

DATE - 06/10/85

- FIELD WIRE NET LIST -

PART NO. 0006272321
EC NO. 000A06010A (41)

LOCATION 1A-A1

DIMENSIONS ARE ENGLISH (IN)

ENG. NET NO.	FROM	TO	PL	MIR	LENGTH	NODE NAME	CROSS REFERENCE (NET-TO-PIN)	ENG. NET NO.	FROM	TO	PL	MIR	LENGTH
\$BCDATA0302	N5B13-	M5B13-	06		00.682	\$BCRSEL00	M3B07- N3B07- 01 00.734 M3B08- L3B08- 01 00.684	\$CODETI00	G5B03- G1B11- 07 06.100 G1B11- M1D11- 06 03.482				
\$BCDATA0302	M5B13-	L5B13-	01		00.684	\$BCRSEL01	L3D13- M3D13- 01 00.684 M3D13- M3C13- 01 00.125 M3C13- M3B05- 02 01.125	\$CODET000	C3B06- J3C06- 06 03.975 J3C06- J6C02- 07 04.809				
\$BCDATA0303	L5D11- M5D11- 01 00.734 M5D11- N5D11- 01 00.684					\$BCRSEL10	L3D05- N3A05- 01 00.984 N3A05- N3B08- 02 00.500 N3B08- N3D07- 01 00.375	\$CODETS00	G2B12- D2C12- 06 01.857 D2C12- D3C02- 07 00.609 D3C02- D3B02- 06 00.125				
\$BCDATA0304	L5B10- M5B10- 01 00.684 M5B10- N5B10- 06 00.682					\$BCRSEL11	N3D13- N3C13- 01 00.125 N3C13- N3B05- 02 01.125 N3B05- L3E05- 01 00.934 L3E05- L3D07- 02 00.375	\$CONRES00	E3B05- B3A05- 01 02.150 B3A05- B5A10- 02 04.275 B5A10- A5B10- 01 00.559				
\$BCDATA0305	L5B12- M5B12- 01 00.734 M5B12- N5B12- 01 00.684					\$BCMRDSAR00	L4D02- M4D02- 06 00.682 M4D02- N4D02- 01 00.734	\$CRCHERO0	E5D07- E5E07- 06 00.125 E5E07- E5E11- 07 00.559 E5E11- A5B11- 06 02.975				
\$BCDATA0306	N5D12- M5D12- 01 00.734 M5D12- L5D12- 06 00.682					\$BCMRDSAR01	L4D10- M4D10- 01 00.734 M4D10- N4D10- 01 00.684	\$CSADDR00 P	B4B07- B4C12- 02 00.750 B4C12- C4D12- 01 00.809				
\$BCDATA0307	N2B04- M2B04- 06 00.682 M2B04- L2B04- 01 00.684					\$BCMRDSAR02	L4B04- M4B04- 01 00.684 M4B04- N4B04- 06 00.682	\$CSADDR0001	B2B04- B2E04- 06 00.432 B2E04- B3E03- 07 01.734 B3E03- C3B03- 06 00.357				
\$BCDTGATE00	L4D13- M4D13- 01 00.734 M4D13- N4D13- 01 00.684					\$BCMRDSAR03	L4D12- M4D12- 01 00.734 M4D12- N4D12- 01 00.684	\$CSADDR0002	C4B04- C4C02- 02 00.375 C4C02- B4D02- 01 00.559				
\$BCDTGATE01	L4D06- M4D06- 01 00.734 M4D06- N4D06- 01 00.684					\$BCMRDSAR04	L4B10- M4B10- 01 00.684 M4B10- N4B10- 06 00.682	\$CSADDR0003	C4B05- B4C05- 01 00.559 B4C05- B4B03- 02 00.375				
\$BCDTGATE02	L2B12- M2B12- 01 00.684 M2B12- N2B12- 06 00.682					\$BCMRDSAR05	M4B12- M4B12- 06 00.682 M4B12- L4B12- 01 00.684	\$CSADDR0004	B4B04- C4A04- 01 00.609 C4A04- C4A06- 02 00.307 C4A06- C4B06- 01 00.125				
\$BCDTGATE03	L4D07- M4D07- 06 00.682 M4D07- N4D07- 01 00.734					\$BCMRDSAR06	M4D09- M4D09- 01 00.734 M4D09- L4D09- 06 00.682	\$CSADDR0005	C4B07- B4E07- 01 00.309 B4E07- B4D05- 02 00.375				
\$BCDTGATE04	L4B09- M4B09- 01 00.734 M4B09- N4B09- 01 00.684					\$BMADPTY	L3D09- M3D09- 06 00.682 M3D09- N3D09- 01 00.734	\$CSADDR0006	B4D07- C4B08- 01 00.500				
\$BCDTGATE05	L4B05- M4B05- 01 00.684 M4B05- N4B05- 06 00.682					\$BMEMFLAG	M2B13- L2B13- 01 00.684 L2B13- L2C13- 01 00.125 L2C13- L3C12- 02 01.682 L3C12- L3D12- 01 00.125	\$CSADDR0007	C4B09- B4E09- 06 00.307 B4E09- B3D06- 07 02.250				
\$BCDTGATE06	L4B03- M4B03- 01 00.734 M4B03- N4B03- 01 00.684					\$B3A14	B3A14- C3D14- 06 01.057 V C3D14- C3D11- 07 00.434	\$CSADDR0008	B2D13- B2D14- 02 00.125 B2D14- C2D14- 01 00.734 C2D14- C4D02- 02 02.057				
\$BCDTGATE07	L4D04- M4D04- 01 00.734 M4D04- N4D04- 01 00.684							\$CSADDR0009	B3B09- C3C09- 01 00.859 C3C09- C4C04- 02 01.182				
\$BCKECHMS A	L3B12- M3B12- 01 00.684 M3B12- N3B12- 01 00.734												
\$BCKECHMS B	L3D06- M3D06- 01 00.734 M3D06- N3D06- 01 00.684												
\$BCKECHMS C	L3B07- M3B07- 01 00.684												

61151-21

DATE - 06/10/85

- FIELD WIRE NET LIST -

PAGE NO 0003

PART NO. 0006272321
EC NO. 000A06010A (41)

LOCATION 1A-A1

DIMENSIONS ARE ENGLISH (IN)

*****					NODE NAME CROSS REFERENCE (NET-TO-PIN)					*****				
ENG. NET NO.	FROM	TO	PL MIR TYP	LENGTH	ENG. NET NO.	FROM	TO	PL MIR TYP	LENGTH	ENG. NET NO.	FROM	TO	PL MIR TYP	LENGTH
	C4C04-	C4D04-	01	00.125	\$CSFDMT00	A3B04-	C3A04-	01	01.234	\$CSSR1500	C2B13-	B2C13-	06	00.557
\$CSADDR0010	B3B08-	C3E08-	06	01.057						\$CSSR1500	B2C13-	B5C03-	07	04.059
	C3E08-	C4D05-	07	01.500							B5C03-	B5B03-	06	00.125
\$CSADDR0011	C4D06-	C3E13-	02	01.000		C4A12-	C4B12-	01	00.125	\$CSSR1600	B3D07-	C3D07-	01	00.684
	C3E13-	B3B13-	01	01.059	\$CSFDRD00	A3B12-	D3A12-	06	01.807					
\$CSADDR0012	B3B12-	B4B01-	02	00.432		D3A12-	C5E07-	07	03.000	\$CSSSCK01	C3B08-	C4B01-	02	00.932
	B4B01-	C4D01-	01	00.934		C5E07-	C5D07-	06	00.125		C4B01-	G4B01-	01	02.609
	C4D01-	C4D07-	02	00.857	\$CSFDSS00	C5D09-	C3C13-	07	03.125		G4B01-	G5B04-	02	02.232
\$CSADDR0013	C4D09-	C5C05-	02	01.375		C3C13-	A3D13-	06	01.182	\$CSSSCK02	G5D04-	C5C04-	06	02.732
	C5C05-	B5D05-	01	00.559	\$CSFDST00	A3B06-	C3A06-	06	01.182		C5C04-	C3B09-	07	03.000
\$CSADDR0014	C4D10-	B4A10-	01	01.059		C3A06-	C4B13-	07	02.750	\$CSUTNORM	A5B06-	D5C06-	06	02.107
	B4A10-	B5B04-	02	01.125	\$CSFDTK00	A3B09-	A3E09-	06	00.432		D5C06-	D3B04-	02	03.875
\$CSADDR0015	B2B03-	A2E03-	06	00.307		A3E09-	A4E10-	07	01.934	\$CSMPCS00	B3B04-	C3B04-	01	00.684
	A2E03-	A4E11-	07	04.600		A4E10-	C4B10-	06	00.982					
	A4E11-	C4D11-	06	01.225	\$CSFDM000	C4B02-	A4D01-	06	01.125	\$CUOFFL00	G5D06-	F5D06-	01	00.684
\$CSBFCK04	P2D13-	P3D14-	07	01.984		A4D01-	A3D07-	07	01.059		F5D06-	F5C04-	07	00.375
	P3D14-	C3B14-	06	07.232	\$CSFDMG00	A3B08-	B3E08-	06	01.107		F5C04-	A5B04-	06	03.307
	C3B14-	C3B13-	02	00.125		B3E08-	B4E11-	07	02.184	\$DATAI000	K3B07-	K3C09-	02	00.375
\$CSDFCK01	S3D07-	S3E10-	02	00.500		B4E11-	C4B11-	06	00.307		K3C09-	V3D10-	01	06.500
	S3E10-	C3D10-	01	08.975	\$CSFDMP00	A3B10-	C3E10-	06	01.725	\$DATAIRAI	N1B11-	K1C11-	06	01.807
\$CSDVCK01	Q5D12-	Q4E08-	02	02.375		C3E10-	C5E04-	07	02.809		K1C11-	K3B09-	07	03.375
	Q4E08-	A4D07-	06	09.000		C5E04-	C5D04-	06	00.125	\$DATAOL00	V3D04-	K3D05-	01	06.375
	A4D07-	A3E10-	07	01.500	\$CSMACK01	B3D04-	B3E04-	06	00.125					
	A3E10-	C3B10-	06	00.932		B3E04-	B2E07-	07	01.434	\$DATAORAI	K3D10-	M3A10-	01	00.984
\$CSDVCK02	Q5D13-	Q3E12-	07	03.750		B2E07-	C2D07-	06	00.607		M3A10-	M1A11-	02	03.432
	Q3E12-	C3B11-	06	08.000		C2D07-	E2D07-	01	01.309	\$DATOKL00	V3B02-	K3E01-	01	06.000
\$CSEXT00	B3D02-	C3A02-	06	00.357	\$CSMACK02	C2D09-	E2D09-	01	01.309		K3E01-	K5E12-	02	04.975
	C3A02-	C3A05-	07	00.434							K5E12-	K5B12-	01	00.434
	C3A05-	C3D05-	06	00.482	\$CSMACK03	C2D10-	E2D10-	01	01.309	\$DATOKRAI	K5B11-	N5E11-	06	02.307
\$CSFDDR00	A3D05-	A4C03-	07	01.625		C2D13-	E2D13-	01	01.309		N5E11-	N1D11-	07	07.125
	A4C03-	C4B03-	06	01.182	\$CSMACK04	C2B11-	E2B11-	01	01.359	\$DIADIN00	Q3B05-	Q1B10-	02	02.982
\$CSFDDS00	A3B03-	B3C03-	06	00.857	\$CSMACK05	C2B11-	E2B11-	01	01.359		Q1B10-	R1B10-	01	00.684
	B3C03-	B3C13-	07	01.359	\$CSMAPE00	C2D12-	E2A12-	06	00.932		R1B10-	R1B11-	02	00.125
	B3C13-	C3D13-	06	00.857		E2A12-	E3A11-	07	01.684	\$DIADIN10	U1C11-	U3C07-	07	03.059
\$CSFDIX00	A3B02-	A4B14-	07	03.359		E3A11-	E3B11-	06	00.125		U3C07-	Q3B07-	06	02.732
	A4B14-	C4D13-	06	01.625	\$CSRDS01	S3D06-	S2E12-	02	01.125	\$DIADRO00	Q4D09-	Q4A09-	06	00.482
						S2E12-	C2B12-	01	09.275					

DATE - 06/10/85

- FIELD WIRE NET LIST -

PAGE NO 0004

PART NO. 0006272321
EC NO. 000A06010A (41)

LOCATION 1A-A1

DIMENSIONS ARE ENGLISH (IN)

*****					NODE NAME CROSS REFERENCE (NET-TO-PIN)					*****				
ENG. NET NO.	FROM	TO	PL MIR TYP	LENGTH	ENG. NET NO.	FROM	TO	PL MIR TYP	LENGTH	ENG. NET NO.	FROM	TO	PL MIR TYP	LENGTH
	Q4A09-	Q1A11-	02	05.107		U2C07-	U1B13-	02	01.125	\$DIREPI10	U1E11-	U4E04-	07	04.434
\$DIADRO10	T1B11-	T4C10-	02	05.250							U4E04-	Q4D04-	06	02.732
\$DICBUS00 P	P1E13-	P2E02-	02	00.432	\$DICBUS1005	U1C13-	U2C08-	02	01.182	\$DISERC00	R1E11-	R5E04-	02	06.182
	P2E02-	Q2D02-	01	00.559										
\$DICBUS0000	Q2D04-	Q2A04-	01	00.434	\$DICBUS1005	U2C08-	Q2B08-	01	02.734	\$DISERC10	Q5B04-	V5A04-	01	03.109
	Q2A04-	Q1A13-	02	00.682							V5A04-	V1A11-	07	06.234
\$DICBUS0001	Q1B13-	Q2C05-	02	00.875	\$DICBUS1006	U1D13-	U2E09-	02	01.375					
	Q2C05-	Q2D05-	01	00.125		U2E09-	Q2B09-	06	02.932	\$DISER000	S1A11-	S5A05-	02	06.307
\$DICBUS0002	Q1C13-	Q2D06-	02	01.000	\$DICBUS1007	U1E13-	U2E10-	02	01.432		S5A05-	Q5D05-	01	00.984
\$DICBUS0003	Q1D13-	Q2D07-	02	01.057		U2E10-	Q2B10-	01	02.984	\$DISERD10	V1B11-	V5B01-	02	05.857
\$DICBUS0004	R1A13-	R2A09-	02	01.307	\$DICKLA00	Q4D11-	Q4C11-	06	00.125		V5B01-	Q5B01-	06	03.182
	R2A09-	Q2D09-	01	00.309		Q4C11-	Q1C11-	07	05.359		Q5B01-	Q5B05-	02	00.557
\$DICBUS0005	R1B13-	R1B14-	02	00.125	\$DICKLA10	Q4D13-	T4D14-	06	02.000	\$DISLOT00	Q5D06-	R5E06-	06	00.857
	R1B14-	Q1D14-	01	00.434		T4D14-	T1D11-	02	05.682		R5E06-	R1E13-	07	06.184
	Q1D14-	Q2D10-	07	01.309	\$DICKLB00	Q2B12-	Q2C12-	06	00.125	\$DISLOT10	Q5B07-	Q3B01-	07	04.359
\$DICBUS0006	R1C13-	R2C11-	02	01.557		Q2C12-	Q1D11-	07	02.000		Q3B01-	V3A01-	06	03.107
	R2C11-	Q2D11-	01	00.559	\$DICKLB10	T1E11-	T3E02-	02	02.482		V3A01-	V1A13-	02	02.057
\$DICBUS0007	Q2D12-	R2E12-	01	00.859		T3E02-	Q3B02-	01	02.359	\$DISTRINO0	Q4D05-	R4C05-	06	00.607
	R2E12-	R1D13-	02	01.750	\$DICHMO10	T1C11-	T5C02-	07	05.934		R4C05-	R1C11-	07	04.559
\$DICBUS10 P	T1A13-	T2A13-	02	01.807		T5C02-	Q5B02-	06	02.057	\$DISTRIN10	Q4D06-	Q2D01-	07	04.234
	T2A13-	Q2D13-	01	01.609	\$DIGAPI00	S2B07-	S3C03-	02	01.375		Q2D01-	U2D01-	01	02.609
\$DICBUS1000	T1B13-	T2B01-	02	00.307		S3C03-	Q3B03-	01	01.434		U2D01-	U1D11-	02	00.607
	T2B01-	Q2B01-	01	01.934		Q3B03-	Q3C07-	02	00.625	\$DIXRAC00	E4D11-	Q4D12-	06	06.375
	Q2B01-	Q2B02-	02	00.125		Q3C07-	P3D07-	01	00.559	\$ECPPTR01	V5B09-	V2B01-	07	06.309
\$DICBUS1001	T1C13-	T2C03-	02	00.557	\$DIGAPO00	Q3B04-	Q3E04-	01	00.484		V2B01-	R2B01-	06	02.557
	T2C03-	Q2B03-	01	02.059		Q3E04-	Q1E11-	02	02.682		R2B01-	R2B02-	02	00.125
\$DICBUS1002	T1D13-	T1D14-	02	00.125	\$DIGAPO10	U1A11-	U5A03-	02	06.107	\$ECPPTR02	V5B10-	V2C03-	07	06.250
	T1D14-	Q1B14-	01	02.234		U5A03-	Q5B03-	01	02.484		V2C03-	R2B03-	06	02.682
	Q1B14-	Q2B04-	02	00.557	\$DIINSL00	C6E02-	C5E14-	02	00.307	\$ECPPTR03	R2B04-	V2C04-	01	02.734
\$DICBUS1003	T1E13-	T2E05-	02	00.807		C5E14-	Q5D14-	01	07.484		V2C04-	V5C11-	02	06.232
	T2E05-	Q2B05-	01	02.359		Q5D14-	Q4D07-	07	02.734		V5C11-	V5B11-	01	00.125
\$DICBUS1004	Q2B07-	U2C07-	01	02.734	\$DIREPI00	R1D11-	R4D01-	02	04.107	\$ECPPTR04	R2B05-	V2A05-	06	02.482
						R4D01-	Q4D01-	01	00.684		V2A05-	V5B12-	07	06.250
						Q4D01-	Q4D02-	02	00.125	\$ECPPTR05	V5D09-	V2E07-	07	05.625
											V2E07-	R2B07-	06	02.932

12-15179

DATE - 06/10/85

- FIELD WIRE NET LIST -

PAGE NO 0005

PART NO. 0006272321
EC NO. 000A06010A (41)

LOCATION 1A-A1

DIMENSIONS ARE ENGLISH (IN)

Table with columns: ENG. NET NO., FROM, TO, PL, MIR, LENGTH, TYP, NODE NAME, CROSS REFERENCE (NET-TO-PIN), ENG. NET NO., FROM, TO, PL, MIR, LENGTH, TYP, ENG. NET NO., FROM, TO, PL, MIR, LENGTH, TYP. Rows include entries like \$ECPPTR06, \$ECRDFBUS00, \$IFDATA0004, etc.

DATE - 06/10/85

- FIELD WIRE NET LIST -

PAGE NO 0006

PART NO. 0006272321
EC NO. 000A06010A (41)

LOCATION 1A-A1

DIMENSIONS ARE ENGLISH (IN)

Table with columns: ENG. NET NO., FROM, TO, PL, MIR, LENGTH, TYP, NODE NAME, CROSS REFERENCE (NET-TO-PIN), ENG. NET NO., FROM, TO, PL, MIR, LENGTH, TYP, ENG. NET NO., FROM, TO, PL, MIR, LENGTH, TYP. Rows include entries like \$IFREST00 B, \$LCLMST00, \$MAFTC100, etc.

12-15179

DATE - 06/10/85

- FIELD WIRE NET LIST -

PART NO. 0006272321 EC NO. 000A06010A (41) LOCATION 1A-A1 DIMENSIONS ARE ENGLISH (IN)

Table with columns: ENG. NET NO., FROM, TO, PL, MIR LENGTH, TYP, NODE NAME CROSS REFERENCE (NET-TO-PIN), ENG. NET NO., FROM, TO, PL, MIR LENGTH, TYP, ENG. NET NO., FROM, TO, PL, MIR LENGTH, TYP. Contains multiple entries for nodes like \$MPCCHK100, \$MPCCHK200, \$MPCRS00, \$MPCSE000, etc.

DATE - 06/10/85

- FIELD WIRE NET LIST -

PART NO. 0006272321 EC NO. 000A06010A (41) LOCATION 1A-A1 DIMENSIONS ARE ENGLISH (IN)

Table with columns: ENG. NET NO., FROM, TO, PL, MIR LENGTH, TYP, NODE NAME CROSS REFERENCE (NET-TO-PIN), ENG. NET NO., FROM, TO, PL, MIR LENGTH, TYP, ENG. NET NO., FROM, TO, PL, MIR LENGTH, TYP. Contains multiple entries for nodes like \$MPXINT01, \$MPXINT02, \$MPXINT03, \$MPXINT04, \$MPXINT05, \$MPXINT06, \$MPXRAD000, \$MPXRAD001, \$MPXRAD002, \$MPXRAD003, \$MPXRAD004.

12-15179

DATE - 06/10/85 - FIELD WIRE NET LIST -
 PART NO. 0006272321
 EC NO. 000A06010A (41) LOCATION 1A-A1 DIMENSIONS ARE ENGLISH (IN)

*****				NODE NAME CROSS REFERENCE (NET-TO-PIN)				*****			
ENG. NET NO.	FROM	TO	PL MIR LENGTH TYP	ENG. NET NO.	FROM	TO	PL MIR LENGTH TYP	ENG. NET NO.	FROM	TO	PL MIR LENGTH TYP
.	G3D07-	E3D07-	01 01.359	.	K4D11-	D4D11-	01 03.859	.	F5A04-	F5D04-	01 00.434
.	E3D07-	D3D07-	01 00.684	F5D04-	J5E04-	01 02.059
\$MPXRBA0005	D3D09-	E3D09-	01 00.734	\$MPXRER00	G4D06-	F4E06-	06 00.557	.	J5E04-	J6E02-	02 01.600
.	E3D09-	G3D09-	01 01.309	.	F4E06-	F3E13-	07 00.984	.	J6E02-	J5E13-	02 00.432
.	G3D09-	Q3D09-	06 05.107	.	F3E13-	D3D13-	06 01.525	.	J5E13-	K5B13-	01 00.309
\$MPXRBA0006	Q3D10-	G3D10-	06 05.107	.	D3D13-	E3D13-	01 00.684	.	K5B13-	L5A13-	01 00.559
\$MPXRBA0006	G3D10-	E3D10-	01 01.309	.	E3D13-	K3D13-	01 03.234	.	L5A13-	L4A06-	02 02.682
.	E3D10-	D3D10-	01 00.734	.	K3D13-	P3D13-	01 02.600	.	L4A06-	L4B06-	01 00.125
\$MPXRBA0007	D3D11-	E3D11-	01 00.684	\$MPXRER00	P3D13-	Q3D13-	01 00.684	\$PSPORS00	L4B06-	P4A06-	01 01.900
.	E3D11-	G3D11-	01 01.359	.	Q3D13-	S3D13-	01 01.309	.	P4A06-	P5A11-	02 02.482
.	G3D11-	Q3D11-	06 05.057	\$MPXRLD00	P5A11-	Q5B11-	01 00.859
\$MPXRBB00 P	S4D12-	P4D12-	06 01.932	.	S3B12-	Q3B12-	01 01.359	\$RCCKBC00	V5B06-	S5E06-	01 01.559
.	P4D12-	K4D12-	06 02.607	.	Q3B12-	P3B12-	01 00.684	.	S5E06-	S5D12-	02 00.875
.	K4D12-	D4D12-	06 03.807	.	P3B12-	P4C13-	02 02.000	\$RCCLKA00	P6E04-	P3E09-	02 04.682
\$MPXRBB0000	D4D02-	K4D02-	06 03.807	.	P4C13-	K4D13-	06 02.432	.	P3E09-	R3D09-	06 01.182
.	K4D02-	P4D02-	01 02.650	.	K4D13-	K4D14-	02 00.125	.	R3D09-	S3D09-	01 00.684
.	P4D02-	S4D02-	06 01.932	.	K4D14-	G4B14-	01 02.184	\$RCCLKB00	S3D10-	R3D10-	01 00.684
\$MPXRBB0001	D4D04-	K4D04-	06 03.807	.	G4B14-	G3B12-	02 02.057	.	R3D10-	Q3A10-	06 01.057
.	K4D04-	P4D04-	01 02.650	.	G3B12-	E3B12-	06 01.307	.	Q3A10-	Q6A04-	07 04.559
.	P4D04-	S4D04-	06 01.932	\$MPXRRG00	E3B12-	C3B12-	01 01.359	\$RCCLKC00	R3D11-	S3D11-	01 00.684
\$MPXRBB0002	D4D05-	K4D05-	06 03.807	.	D4B12-	E4B12-	01 00.684	.	S2B10-	S5C08-	07 05.125
.	K4D05-	P4D05-	01 02.650	.	E4B12-	G4B12-	01 01.359	.	S5C08-	V5B08-	06 01.807
.	P4D05-	S4D05-	06 01.932	.	G4B12-	K4B12-	01 01.934	\$RCCLKM00	S2B10-	S5C08-	07 05.125
\$MPXRBB0003	D4D06-	K4D06-	01 03.809	.	K4B12-	P4B12-	01 02.650	.	S5C08-	V5B08-	06 01.807
.	K4D06-	P4D06-	06 02.557	.	P4B12-	Q4B12-	01 00.684	\$RCCOAST	S2B04-	N2E04-	06 02.289
.	P4D06-	S4D06-	01 01.934	.	Q4B12-	S4B12-	01 01.359	.	N2E04-	N6D02-	02 06.875
\$MPXRBB0004	D4D07-	K4D07-	06 03.807	\$MPXRNG00	D3B13-	E3B13-	01 00.734	\$RCDTARDY	S5B09-	K5E09-	06 04.107
.	K4D07-	P4D07-	01 02.650	.	E3B13-	G3B13-	06 01.307	.	K5E09-	K3E02-	02 04.432
.	P4D07-	S4D07-	06 01.932	.	G3B13-	K3B13-	01 01.934	.	K3E02-	K3D02-	01 00.125
\$MPXRBB0005	S4D09-	P4D09-	06 01.932	.	K3B13-	P3B13-	06 02.557	\$RCRDEND	K3B03-	K3A03-	01 00.125
.	P4D09-	K4D09-	01 02.650	.	P3B13-	Q3B13-	01 00.734	.	K3A03-	K5A10-	02 04.482
.	K4D09-	D4D09-	06 03.807	.	Q3B13-	S3B13-	06 01.307	.	K5A10-	S5B10-	06 04.607
\$MPXRBB0006	D4D10-	K4D10-	06 03.850	\$OFLININD	J6D02-	G6D02-	06 01.307	\$RCRSTTECC	S2D13-	R2C13-	01 00.809
.	K4D10-	P4D10-	01 02.650	.	G6D02-	G5D09-	07 00.934	.	R2C13-	R4C03-	02 02.307
.	P4D10-	S4D10-	06 01.932	\$ONLINESM	A5B05-	A3A03-	07 03.875	.	R4C03-	R4B03-	01 00.125
\$MPXRBB0007	S4D11-	P4D11-	01 01.934	.	A3A03-	D3B03-	06 02.057	\$RCSHTLMR	S2B08-	P2C08-	01 01.809
.	P4D11-	K4D11-	06 02.557	\$PSPORS00	E3B08-	D3E08-	01 00.359	.	P2C08-	P2B12-	02 00.625
				.	D3E08-	D2E06-	02 02.107	.	P2B12-	P6B05-	07 06.234
				.	D2E06-	C2D06-	01 00.859	.	P6B05-	C6D05-	01 06.725
				.	C2D06-	D2A06-	01 00.309	.	C6D05-	C6D04-	02 00.125
				.	D2A06-	D3A05-	02 01.682				
				.	D3A05-	D3B05-	01 00.125				
				.	D3B05-	F3A05-	01 01.225				
				.	F3A05-	F5A04-	02 03.482				

DATE - 06/10/85 - FIELD WIRE NET LIST -
 PART NO. 0006272321
 EC NO. 000A06010A (41) LOCATION 1A-A1 DIMENSIONS ARE ENGLISH (IN)

*****				NODE NAME CROSS REFERENCE (NET-TO-PIN)				*****			
ENG. NET NO.	FROM	TO	PL MIR LENGTH TYP	ENG. NET NO.	FROM	TO	PL MIR LENGTH TYP	ENG. NET NO.	FROM	TO	PL MIR LENGTH TYP
\$RCMRITE	S2B05-	S6B02-	07 06.734	\$RMTACK00	F4D13-	H4E13-	01 01.484	\$RMTBUS0006	F1D13-	F3D11-	07 03.309
.	S6B02-	N6E02-	06 02.232	.	H4E13-	H1E13-	02 05.357	\$RMTBUS0007	F1E13-	F3D12-	02 03.500
\$RCXRAC00	E4D10-	E5D01-	07 00.684	\$RMTADROO P	E1A11-	E3A13-	02 03.807	\$RMTCON00	H1C13-	H4C10-	02 04.982
.	E5D01-	S5D01-	06 07.607	.	E3A13-	F3D13-	06 01.107	.	H4C10-	F4D10-	06 01.232
.	S5D01-	S4D13-	02 00.307	\$RMTADRO000	F3B10-	F1B10-	02 03.607	\$RMTMST00	F4D11-	H4A11-	06 00.932
\$RDAMPA00	L6E02-	L5E02-	02 01.857	\$RMTADRO000	F1B10-	E1B10-	01 00.684	\$RMTMST00	H4A11-	H1B13-	02 05.125
\$RDAMPA00	L5E02-	S5D02-	06 03.732	.	E1B10-	E1B11-	02 00.125	\$RMTSND00	H1D13-	H4C12-	02 05.250
\$RDAMPB00	S5D04-	M5A04-	06 03.607	\$RMTADRO001	F3B12-	E3C12-	06 00.607	.	H4C12-	F4D12-	06 01.232
.	M5A04-	M6A02-	02 01.557	.	E3C12-	E1C11-	07 03.684	\$ROPORTA1 P	N1D13-	N3D14-	07 03.684
\$RDAMPCC00	M6B02-	M6B01-	02 00.125	\$RMTADRO002	E1D11-	E3E13-	02 03.875	.	N3D14-	K3B14-	06 02.182
.	M6B01-	S6D01-	01 03.484	.	E3E13-	F3B13-	01 00.309	.	K3B14-	K5B10-	02 03.057
.	S6D01-	S5D05-	07 01.359	\$RMTADRO003	F4B02-	E4E02-	01 00.309	\$ROPORTA100	L1E13-	L5E01-	02 05.557
\$RDAMPD00	S5D06-	M5C06-	06 03.307	.	E4E02-	E1E11-	02 04.182	.	L5E01-	K5B01-	01 01.059
.	M5C06-	M6C02-	02 01.357	\$RMTADRO004	F1B11-	F4B03-	07 04.309	.	K5B01-	K5B02-	02 00.125
\$RDAMPPE00	S5D07-	S6C02-	02 01.250	\$RMTADRO005	F1C11-	F4B04-	07 04.500	\$ROPORTA101	M1A13-	M5A03-	02 05.857
.	S6C02-	M6D02-	01 03.109	\$RMTADRO006	F1D11-	F4D02-	07 04.234	.	M5A03-	K5B03-	01 01.184
\$RDAMPF00	N6A02-	S6D02-	01 02.934	\$RMTADRO007	F1E11-	F4D04-	07 04.500	\$ROPORTA102	M1B13-	M1B14-	02 00.125
.	S6D02-	S5D09-	02 00.982	\$RMTBUS00 P	D1E13-	D2E13-	02 01.807	.	M1B14-	K1B14-	06 01.307
\$RDFTOG	K3B02-	K3B01-	02 00.125	.	D2E13-	F2D13-	01 01.234	\$ROPORTA103	M1C13-	M5C05-	07 06.059
.	K3B01-	S3D01-	06 04.682	\$RMTBUS0000	E1B13-	E3C04-	02 02.500	.	M5C05-	K5B05-	01 01.525
.	S3D01-	S5D10-	07 04.684	.	E3C04-	F3D04-	06 00.807	\$ROPORTA104	M1E13-	M5E06-	02 06.182
\$RDTONA00	L6D04-	L5D01-	02 02.182	\$RMTBUS0001	F3D05-	E3C05-	06 00.807	.	M5E06-	K5B06-	06 01.732
.	L5D01-	S5B01-	01 03.609	.	E3C05-	E1C13-	02 02.557	\$ROPORTA105	N1A13-	N5A08-	07 06.434
.	S5B01-	S5B02-	02 00.125	\$RMTBUS0002	E1D13-	E1D14-	01 00.684	.	N5A08-	K5B07-	01 01.875
\$RDTONB00	L6E04-	L5E03-	02 01.932	.	F1D14-	F3D06-	02 02.557	\$ROPORTA106	N1B13-	K1C13-	06 01.807
.	L5E03-	S5B03-	06 03.432	\$RMTBUS0003	F3D07-	F3A07-	01 00.434	.	K1C13-	K5C08-	07 06.434
\$RDTONC00	S5B04-	S6B05-	02 01.982	.	F3A07-	F1A13-	02 02.807	.	K5C08-	K5B08-	06 00.125
.	S6B05-	M6A05-	01 03.359	\$RMTBUS0004	F1B13-	F3C09-	02 03.125	\$RQSTIN00	F5D12-	F5D13-	02 00.125
.	M6A05-	M6A04-	02 00.125	.	F3C09-	F3D09-	01 00.125	\$SBADRP01	Q6C04-	Q4C07-	07 03.184
\$RDTOND00	M6B04-	S6C04-	01 03.359	\$RMTBUS0005	F1C13-	F3D10-	02 03.250	.	Q4C07-	R4B07-	06 00.607
.	S6C04-	S5B05-	02 01.750								
\$RDTONE00	M6C04-	M5C07-	02 01.432								
.	M5C07-	S5B07-	06 03.107								
\$RDTONF00	S5B08-	S6B04-	02 01.307								
.	S6B04-	M6E04-	01 02.809								

12-15179

DATE - 06/10/85

- FIELD WIRE NET LIST -

PART NO. 0006272321

EC NO. 000A06010A (41)

LOCATION 1A-A1

DIMENSIONS ARE ENGLISH (IN)

ENG. NET NO.	FROM	TO	PL	MIR TYP	LENGTH	NODE NAME	CROSS REFERENCE (NET-TO-PIN)	ENG. NET NO.	FROM	TO	PL	MIR TYP	LENGTH
\$SBDRP02	R4B08-	R6C02-	02		02.875	\$SBDRP02	R5D06- S5A06- 01 S5A06- S6A02- 02	\$SBDRP02	R4D11-	V4A11-	01		02.234
\$SBDRP03	T6E02-	T4E09-	02		02.732	\$SBDRP03	R5D07- T5C07- 06 T5C07- T6C04- 07	\$SBDRP03	V4A11-	V6A02-	02		02.432
\$SBDRP03	T4E09-	R4B09-	01		01.684	\$SBDRP03		\$SBDRP03	V6A04-	V4A12-	02		02.607
\$SBDRP03	T4E09-	R4B09-	01		01.684	\$SBDRP03		\$SBDRP03	V4A12-	R4D12-	01		02.184
\$SBDRP03	T4E09-	R4B09-	01		01.684	\$SBDRP03		\$SBDRP03	R4D13-	R4D14-	02		00.125
\$SBDRP03	T4E09-	R4B09-	01		01.684	\$SBDRP03		\$SBDRP03	R4D14-	V4B14-	01		02.309
\$SBDRP03	T4E09-	R4B09-	01		01.684	\$SBDRP03		\$SBDRP03	V4B14-	V6B02-	02		02.057
\$SBDRP03	T4E09-	R4B09-	01		01.684	\$SBDRP03		\$SERVIL00	K3B06-	K3A09-	02		00.500
\$SBDRP03	T4E09-	R4B09-	01		01.684	\$SBDRP03		\$SERVIL00	K3A09-	V3D09-	01		06.775
\$SBDRP03	T4E09-	R4B09-	01		01.684	\$SBDRP03		\$SERVIRAI	N1A11-	N3A08-	02		03.232
\$SBDRP03	T4E09-	R4B09-	01		01.684	\$SBDRP03		\$SERVIRAI	N3A08-	K3B08-	06		01.807
\$SBDRP03	T4E09-	R4B09-	01		01.684	\$SBDRP03		\$SERVOL00	V3D03-	K3D04-	06		06.375
\$SBDRP03	T4E09-	R4B09-	01		01.684	\$SBDRP03		\$SERVORA1	K3D09-	K1D11-	02		03.307
\$SBDRP03	T4E09-	R4B09-	01		01.684	\$SBDRP03		\$SERVORA1	K1D11-	L1E11-	01		00.809
\$SBDRP03	T4E09-	R4B09-	01		01.684	\$SBDRP03		\$SSXRAC00	G3D13-	G3D14-	02		00.125
\$SBDRP03	T4E09-	R4B09-	01		01.684	\$SBDRP03		\$SSXRAC00	G3D14-	E3D14-	01		01.309
\$SBDRP03	T4E09-	R4B09-	01		01.684	\$SBDRP03		\$SSXRAC00	E3D14-	E4D12-	02		01.607
\$SBDRP03	T4E09-	R4B09-	01		01.684	\$SBDRP03		\$STOPOL00	K3D06-	V3D06-	01		06.350
\$SBDRP03	T4E09-	R4B09-	01		01.684	\$SBDRP03		\$STOPORA1	K3D11-	M3C11-	01		01.184
\$SBDRP03	T4E09-	R4B09-	01		01.684	\$SBDRP03		\$STOPORA1	M3C11-	M1C11-	02		03.557
\$SBDRP03	T4E09-	R4B09-	01		01.684	\$SBDRP03		\$SUPPOL00	K3D07-	K3C05-	02		00.375
\$SBDRP03	T4E09-	R4B09-	01		01.684	\$SBDRP03		\$SUPPOL00	K3C05-	V3D05-	06		06.482
\$SBDRP03	T4E09-	R4B09-	01		01.684	\$SBDRP03		\$SUPPORA1	K3D12-	K1E11-	02		03.750
\$SBDRP03	T4E09-	R4B09-	01		01.684	\$SBDRP03		\$SUPPORA1	K1E11-	M1B11-	01		00.984
\$SBDRP03	T4E09-	R4B09-	01		01.684	\$SBDRP03		\$MDFBUS P	K2B10-	K2C08-	02		00.375
\$SBDRP03	T4E09-	R4B09-	01		01.684	\$SBDRP03		\$MDFBUS P	K2C08-	P2B08-	06		02.432
\$SBDRP03	T4E09-	R4B09-	01		01.684	\$SBDRP03		\$MDFBUS 00	K2B02-	P2B03-	01		02.625
\$SBDRP03	T4E09-	R4B09-	01		01.684	\$SBDRP03		\$MDFBUS 01	K2B03-	P2D04-	01		02.875
\$SBDRP03	T4E09-	R4B09-	01		01.684	\$SBDRP03		\$MDFBUS 02	K2B04-	P2B04-	06		02.607
\$SBDRP03	T4E09-	R4B09-	01		01.684	\$SBDRP03		\$MDFBUS 03	K2B05-	P2D05-	06		02.857
\$SBDRP03	T4E09-	R4B09-	01		01.684	\$SBDRP03		\$MDFBUS 04	P2B05-	K2B06-	01		02.625

DATE - 06/10/85

- FIELD WIRE NET LIST -

PART NO. 0006272321

EC NO. 000A06010A (41)

LOCATION 1A-A1

DIMENSIONS ARE ENGLISH (IN)

ENG. NET NO.	FROM	TO	PL	MIR TYP	LENGTH	NODE NAME	CROSS REFERENCE (NET-TO-PIN)	ENG. NET NO.	FROM	TO	PL	MIR TYP	LENGTH
\$MDFBUS 05	P2D06-	K2B07-	01		02.875	\$MDFBUS 05	P6D01- B6E01- 06 B-E01- B6E04- 02	\$MDFBUS 05	C3D06-	C4D14-	07		02.859
\$MDFBUS 06	P2B07-	K2B08-	01		02.625	\$MDFBUS 06		\$MDFBUS 06	C4D14-	B4B14-	01		00.934
\$MDFBUS 07	P2D07-	P2E09-	02		00.375	\$MDFBUS 07		\$MDFBUS 07	B4B14-	B4B13-	02		00.125
\$MDFBUS 07	P2E09-	K2B09-	06		02.982	\$MDFBUS 07		\$MDFBUS 07	B2B05-	C2B05-	01		00.734
\$MDFBUS 07	P2E09-	K2B09-	06		02.982	\$MDFBUS 07		\$MDFBUS 07	B2D04-	C2D04-	01		00.684
\$MDFBUS 07	P2E09-	K2B09-	06		02.982	\$MDFBUS 07		\$MDFBUS 07	B3D10-	B3B10-	01		00.309
\$MDFBUS 07	P2E09-	K2B09-	06		02.982	\$MDFBUS 07		\$MDFBUS 07	B2B08-	B2B13-	07		00.684
\$MDFBUS 07	P2E09-	K2B09-	06		02.982	\$MDFBUS 07		\$MDFBUS 07	B2B13-	C2C13-	06		00.850
\$MDFBUS 07	P2E09-	K2B09-	06		02.982	\$MDFBUS 07		\$MDFBUS 07	C2C13-	C2C06-	07		00.934
\$MDFBUS 07	P2E09-	K2B09-	06		02.982	\$MDFBUS 07		\$MDFBUS 07	C2C06-	E2D06-	06		01.432
\$MDFBUS 07	P2E09-	K2B09-	06		02.982	\$MDFBUS 07		\$MDFBUS 07	B2D11-	B2D12-	07		00.125
\$MDFBUS 07	P2E09-	K2B09-	06		02.982	\$MDFBUS 07		\$MDFBUS 07	B2D12-	B3D09-	02		01.482
\$MDFBUS 07	P2E09-	K2B09-	06		02.982	\$MDFBUS 07		\$MDFBUS 07	B3D09-	C3D09-	01		00.684
\$MDFBUS 07	P2E09-	K2B09-	06		02.982	\$MDFBUS 07		\$MDFBUS 07	D3B12-	B3C12-	01		01.184
\$MDFBUS 07	P2E09-	K2B09-	06		02.982	\$MDFBUS 07		\$MDFBUS 07	B3C12-	B2B12-	02		01.875
\$MDFBUS 07	P2E09-	K2B09-	06		02.982	\$MDFBUS 07		\$MDFBUS 07	B2B09-	C2B09-	01		00.684
\$MDFBUS 07	P2E09-	K2B09-	06		02.982	\$MDFBUS 07		\$MDFBUS 07	B3D12-	B3D11-	02		00.125
\$MDFBUS 07	P2E09-	K2B09-	06		02.982	\$MDFBUS 07		\$MDFBUS 07	B3D11-	B3D05-	02		00.807
\$MDFBUS 07	P2E09-	K2B09-	06		02.982	\$MDFBUS 07		\$MDFBUS 07	B3D05-	A3C05-	06		00.857
\$MDFBUS 07	P2E09-	K2B09-	06		02.982	\$MDFBUS 07		\$MDFBUS 07	A3C05-	A3C02-	07		00.434
\$MDFBUS 07	P2E09-	K2B09-	06		02.982	\$MDFBUS 07		\$MDFBUS 07	A3C02-	B3B02-	06		00.607
\$MDFBUS 07	P2E09-	K2B09-	06		02.982	\$MDFBUS 07		\$MDFBUS 07	B3B02-	B3C02-	01		00.125
\$MDFBUS 07	P2E09-	K2B09-	06		02.982	\$MDFBUS 07		\$MDFBUS 07	B3C02-	B2D08-	02		01.125 V
\$MDFBUS 07	P2E09-	K2B09-	06		02.982	\$MDFBUS 07		\$MDFBUS 07	B2D08-	B2D07-	02		00.125 V
\$MDFBUS 07	P2E09-	K2B09-	06		02.982	\$MDFBUS 07		\$MDFBUS 07	B2D07-	B2D06-	07		00.125
\$MDFBUS 07	P2E09-	K2B09-	06		02.982	\$MDFBUS 07		\$MDFBUS 07	B2D02-	C2D02-	01		00.684
\$MDFBUS 07	P2E09-	K2B09-	06		02.982	\$MDFBUS 07		\$MDFBUS 07	B3B05-	C3B05-	01		00.734
\$MDFBUS 07	P2E09-	K2B09-	06		02.982	\$MDFBUS 07		\$MDFBUS 07	A3B05-	C3C05-	06		01.432
\$MDFBUS 07	P2E09-	K2B09-	06		02.982	\$MDFBUS 07		\$MDFBUS 07	C3C05-	C3C12-	07		00.934
\$MDFBUS 07	P2E09-	K2B09-	06		02.982	\$MDFBUS 07		\$MDFBUS 07	C3C12-	C3D12-	06		00.125
\$MDFBUS 07	P2E09-	K2B09-	06		02.982	\$MDFBUS 07		\$MDFBUS 07	L1D13-	L1B13-	06		00.357
\$MDFBUS 07	P2E09-	K2B09-	06		02.982	\$MDFBUS 07		\$MDFBUS 07	L1B13-	L2B06-	07		00.934
\$MDFBUS 07	P2E09-	K2B09-	06		02.982	\$MDFBUS 07		\$MDFBUS 07	L2B06-	L6B04-	07		06.850
\$MDFBUS 07	P2E09-	K2B09-	06		02.982	\$MDFBUS 07		\$MDFBUS 07	L6B04-	H6A04-	06		02.057
\$MDFBUS 07	P2E09-	K2B09-	06		02.982	\$MDFBUS 07		\$MDFBUS 07	M3D05-	M3D08-	02		00.432 V
\$MDFBUS 07	P2E09-	K2B09-	06		02.982	\$MDFBUS 07		\$MDFBUS 07	M3D08-	M3D11-	02		00.482 V

12-15179

DATE - 06/10/85

- FIELD WIRE NET LIST -

PAGE NO 0013

PART NO. 0006272321
EC NO. 000A06010A (41)

LOCATION 1A-A1

DIMENSIONS ARE ENGLISH (IN)

*****				NODE NAME CROSS REFERENCE (NET-TO-PIN)				*****				
ENG. NET NO.	FROM	TO	PL MIR LENGTH TYP	ENG. NET NO.	FROM	TO	PL MIR LENGTH TYP	ENG. NET NO.	FROM	TO	PL MIR LENGTH TYP	
BM200AC10	N3D05-	N3D08-	02									
	N3D08-	N3D11-	02									00.432 V
CS001AT00	C2B03-	C2B04-	02									
												00.125
DF001DB90	P5B04-	P5D04-	01								00.309	
DF001DB91	P2B10-	P2D10-	01								00.309	
EC001AB10	R3D04-	R3D07-	02									
	R3D07-	R3D08-	02									00.432
	R3D08-	R3D13-	02									00.125 V
											00.682 V	
SM001AA40	F2B02-	F2B03-	02								00.125	

DATE - 06/10/85

- FIELD WIRE NET LIST -

PAGE NO 0014

PART NO. 0006272321
EC NO. 000A06010A (41)

LOCATION 1A-A1

DIMENSIONS ARE ENGLISH (IN)

VOLTAGE DISTRIBUTION LIST																					
VOLT	PIN	PL	VOLT	PIN	PL	VOLT	PIN	PL	VOLT	PIN	PL	VOLT	PIN	PL	VOLT	PIN	PL	VOLT	PIN	PL	
+00000	A1D11	03	+00000	C6A03	03	+00000	H6A02	03	+00000	N6A03	03	+00000	T4D09	03	+01700	S4B11	03	+05000	E1B12	03	
.	A1D12	03	.	C6B03	03	.	H6A03	03	.	N6B03	03	.	T5D07	03	.	S5B11	03	.	E1C12	03	
.	A1E11	03	.	C6C03	03	.	H6C03	03	.	N6C03	03	.	T5D08	03	.	T2B03	03	.	E1D12	03	
.	A3B07	03	.	C6E04	03	.	H6D03	03	.	N6E04	03	.	T5D09	03	.	T2B04	03	.	E1E12	03	
.	A3B11	03	.	D1E11	03	.	H6E03	03	.	P1E11	03	.	T6A02	03	.	T2B05	03	.	E2D03	03	
.	A3B13	03	.	D1E12	03	.	J1A13	03	.	P1E12	03	.	T6A03	03	.	T3B03	03	.	E3D03	03	
.	A3D02	03	.	D2D07	03	.	J1B11	03	.	P2D08	03	.	U1A13	03	.	T3B04	03	.	E4D03	03	
.	A3D04	03	.	D2D08	03	.	J2D08	03	.	P3D08	03	.	U1B11	03	.	T3B05	03	.	E5D03	03	
.	A3D08	03	.	D3B07	03	.	J3D08	03	.	P4D08	03	.	U2E14	03	.	T4B03	03	.	F1A12	03	
.	A3D09	03	.	D3D08	03	.	J4D08	03	.	P5D08	03	.	U3A01	03	.	T4B04	03	.	F1B12	03	
.	A3D12	03	.	D4D08	03	.	J5D08	03	.	P6E02	03	.	U3E14	03	.	T4B05	03	.	F1C12	03	
.	A4D02	03	.	D5D07	03	.	J6A03	03	.	P6E03	03	.	U4A01	03	.	T5B03	03	.	F1D12	03	
.	A4D08	03	.	D5D08	03	.	J6A04	03	.	Q1E13	03	.	U4E14	03	.	T5B04	03	.	F2D03	03	
.	A5B07	03	.	D5D09	03	.	J6B02	03	.	Q2B13	03	.	U5A01	03	.	T5B05	03	.	F3D03	03	
.	A5B13	03	.	D6E02	03	.	J6B03	03	.	Q2D08	03	.	U6A04	03	.	T6C03	03	.	F4D03	03	
.	A5D02	03	.	D6E03	03	.	J6C03	03	.	Q3D08	03	.	U6B02	03	.	T6D03	03	.	F5D03	03	
.	A5D08	03	.	E1E13	03	.	J6D03	03	.	Q4D08	03	.	V1B13	03	.	T6E03	03	.	G2D02	03	
.	A6D02	03	.	E2D08	03	.	J6E03	03	.	Q5B13	03	.	V2B07	03	.	U6A03	03	.	G2D03	03	
.	A6D03	03	.	E3D08	03	.	K1B13	03	.	Q5D08	03	.	V2B13	03	.	U6B03	03	.	G3D03	03	
.	B1A11	03	.	E4D08	03	.	K2D08	03	.	Q6B03	03	.	V2D02	03	.	U6C03	03	.	G4D03	03	
.	B1B11	03	.	E5D08	03	.	K3D08	03	.	Q6C03	03	.	V2D08	03	.	U6D03	03	.	G5D02	03	
.	B1C11	03	.	E6B03	03	.	K4D08	03	.	Q6D03	03	.	V3B07	03	.	U6E03	03	.	G5D03	03	
.	B1D11	03	.	E6C03	03	.	K5D08	03	.	Q6E03	03	.	V3B13	03	.	+04000	M4B13	03	.	H1C12	03
.	B1E11	03	.	E6D03	03	.	K6B04	03	.	Q6E04	03	.	V3D02	03	.	+04000	N4B13	03	.	H1D12	03
.	B2D08	03	.	E6E03	03	.	L1D11	03	.	R1A11	03	.	V3D08	03	.	+05000	A3D03	03	.	H1E12	03
.	B2E14	03	.	E6E04	03	.	L1D12	03	.	R2D08	03	.	V4B07	03	.	.	A4B02	03	.	H2D03	03
.	B3A01	03	.	F1A11	03	.	L2D08	03	.	R3D08	03	.	V4B13	03	.	.	A4B13	03	.	H3D03	03
.	B3D08	03	.	F2D08	03	.	L3D08	03	.	R4D08	03	.	V4D02	03	.	.	B1A12	03	.	H4D03	03
.	B3E14	03	.	F3D08	03	.	L4D08	03	.	R5D08	03	.	V4D08	03	.	.	B1B12	03	.	H5D03	03
.	B4A01	03	.	F4D08	03	.	L5D08	03	.	R6A02	03	.	V5B07	03	.	.	B1C12	03	.	J1A12	03
.	B4D08	03	.	F5D08	03	.	L6D02	03	.	R6A03	03	.	V5B13	03	.	.	B1D12	03	.	J1B12	03
.	B4E14	03	.	F6A02	03	.	L6D03	03	.	R6B03	03	.	V5D02	03	.	.	B1E12	03	.	J1C12	03
.	B5A01	03	.	F6A03	03	.	M1D13	03	.	R6C03	03	.	V5D08	03	.	.	B2D03	03	.	J1D12	03
.	B5D08	03	.	F6B03	03	.	M1E11	03	.	R6D03	03	.	V6B04	03	.	.	B3D03	03	.	J1E12	03
.	B6A03	03	.	F6C03	03	.	M2D08	03	.	S1A13	03	.	+01700	D2B11	03	.	B4D03	03	.	J2D03	03
.	B6B03	03	.	F6D03	03	.	M3D08	03	.	S2D08	03	.	.	D3B11	03	.	B5D03	03	.	J3D03	03
.	B6C03	03	.	G1A13	03	.	M4D08	03	.	S3D08	03	.	.	L2B11	03	.	C1A12	03	.	J4D03	03
.	B6D03	03	.	G2D07	03	.	M5D08	03	.	S4D08	03	.	.	L3B11	03	.	C1B12	03	.	J5D03	03
.	B6D04	03	.	G2D08	03	.	M6A03	03	.	S5D08	03	.	.	L4B11	03	.	C1C12	03	.	K2D03	03
.	B6E02	03	.	G3D08	03	.	M6B03	03	.	S6A04	03	.	.	L5B11	03	.	C2D03	03	.	K3D03	03
.	B6E03	03	.	G4D08	03	.	M6C03	03	.	T1A11	03	.	.	P2B11	03	.	C3D03	03	.	K4D03	03
.	C1A11	03	.	G5D07	03	.	M6D03	03	.	T1A12	03	.	.	P3B11	03	.	C4D03	03	.	K5D03	03
.	C1B11	03	.	G5D08	03	.	M6D04	03	.	T2D07	03	.	.	P4B11	03	.	C5D03	03	.	L2D03	03
.	C1C11	03	.	G6A04	03	.	M6E02	03	.	T2D08	03	.	.	P5B11	03	.	D2D02	03	.	L3D03	03
.	C1D11	03	.	H1A11	03	.	M6E03	03	.	T2D09	03	.	.	R2B11	03	.	D2D03	03	.	L4D03	03
.	C1E11	03	.	H1A12	03	.	N1E13	03	.	T3D07	03	.	.	R3B11	03	.	D3D03	03	.	L5D03	03
.	C2D08	03	.	H2D08	03	.	N2D08	03	.	T3D08	03	.	.	R4B11	03	.	D4D03	03	.	M1A12	03
.	C3D08	03	.	H3D08	03	.	N3D08	03	.	T3D09	03	.	.	R5B11	03	.	D5D02	03	.	M1B12	03
.	C4D08	03	.	H4D08	03	.	N4D08	03	.	T4D07	03	.	.	S2B11	03	.	D5D03	03	.	M1C12	03
.	C5D08	03	.	H5D08	03	.	N5D08	03	.	T4D08	03	.	.	S3B11	03	.	D5D04	03	.	M1D12	03

12-15179

DATE - 06/10/85

- FIELD WIRE NET LIST -

PART NO. 0006272321
EC NO. 000A06010A (41)

LOCATION 1A-A1

DIMENSIONS ARE ENGLISH (IN)

VOLTAGE DISTRIBUTION LIST

VOLT	PIN	PL	VOLT	PIN	PL	VOLT	PIN	PL	VOLT	PIN	PL	VOLT	PIN	PL	VOLT	PIN	PL	VOLT	PIN	PL
+05000	M1E12	03	+05000	U1B12	03															
	M2D03	03		U1C12	03															
	M4D03	03		U1D12	03															
	M5D03	03		U1E12	03															
	N1A12	03	+08500	B3A14	03															
	N1B12	03		B4A14	03															
	N1C12	03		E4B11	03															
	N2D03	03		M2B11	03															
	N4D03	03		M3B11	03															
	N5D03	03		M4B11	03															
	P2D03	03		M5B11	03															
	P3D03	03		N2B11	03															
	P4D03	03		N3B11	03															
	P5D03	03		N4B11	03															
	Q1B12	03		N5B11	03															
	Q1C12	03		U2A14	03															
	Q1D12	03		U3A14	03															
	Q1E12	03		U4A14	03															
	Q2D03	03	+12000	A3D10	03															
	Q3D03	03		A3D11	03															
	Q4D03	03		B2B11	03															
	Q5D03	03		B3B11	03															
	R1A12	03		B4B11	03															
	R1B12	03		B5B11	03															
	R1C12	03		T2B11	03															
	R1D12	03		T3B11	03															
	R2D03	03		T4B11	03															
	R3D03	03		T5B11	03															
	R4D03	03	+24000	T2B06	03															
	R5D03	03		T3B06	03															
	S2D03	03		T4B06	03															
	S3D03	03		T5B06	03															
	S4D03	03	-02200	M3B13	03															
	S5D03	03	-02200	N3B13	03															
	T1C12	03	-05000	A3D06	03															
	T1D12	03		B2B06	03															
	T1E12	03		B3B06	03															
	T2D03	03		B3E01	03															
	T2D04	03		B4B06	03															
	T2D05	03		B4E01	03															
	T3D03	03		B5B06	03															
	T3D04	03		B5E01	03															
	T3D05	03		C5D02	03															
	T4D03	03		E4B06	03															
	T4D04	03		M2B06	03															
	T4D05	03		M5B06	03															
	T5D03	03		N2B06	03															
	T5D04	03		N5B06	03															
	T5D05	03																		
	U1A12	03																		

DATE - 06/10/85

- FIELD WIRE NET LIST -

PART NO. 0006272321
EC NO. 000A06010A (41)

LOCATION 1A-A1

DIMENSIONS ARE ENGLISH (IN)

NODE NAME CROSS REFERENCE (PIN-TO-NET)

PIN	NET	PIN	NET	PIN	NET	PIN	NET	PIN	NET
A2E03-	\$CSADDR0015	A5B05-	\$ONLINESM	B2D13-	\$CSADDR0008	B4D02-	\$CSADDR0002	C1A13-	\$HAMDSSTO0
A3A03-	\$ONLINESM	A5B06-	\$CSUTNORM	B2D14-	\$CSADDR0008	B4D04-	\$MPCSD00007	C1B13-	\$HAMDRD000
A3B02-	\$CSFDIX00	A5B10-	\$CONRES00	B2E13-	\$HAMDSSTO0	B4D05-	\$CSADDR0005	C1B14-	\$HAMDRD000
A3B03-	\$CSFDD000	A5B11-	\$CRCHERO0	B2E04-	\$CSADDR0001	B4D06-	\$MPCSD00005	C1C13-	\$HAMDEN000
A3B04-	\$CSFDMT00	A5B12-	\$HAMTON00	B2E07-	\$CSMACK01	B4D07-	\$CSADDR0006	C1D13-	\$HAMDS000
A3B05-	\$5VATSPT	A5C05-	\$MPCSD00006	B3A05-	\$CONRES00	B4D13-	\$MPCSD00000	C2A04-	\$HAMDSSTO0
A3B06-	\$CSFDST00	A5C06-	\$MPCSD00005	V B3A14-	\$B3A14	B4E04-	\$MPCSD00007	C2A07-	\$IFREST00 A
A3B08-	\$CSFDHG00	A5C12-	\$MPCSD00001	B3B02-	\$MPTIDN00	B4E07-	\$CSADDR0005	C2B01-	\$MPCXINT00
A3B09-	\$CSFDTK00	A5C13-	\$MPCSD00000	B3B04-	\$CSMPC000	B4E09-	\$CSADDR0007	C2B02-	\$HABLOT000
A3B10-	\$CSFDHP00	A5D01-	\$HDLNRD001A	B3B05-	\$MPCSD0000	B4E11-	\$CSFDHG00	C2B03-	\$CS001AT00
A3B12-	\$CSFDRD00	A5D03-	\$+5VA1BRD	B3B08-	\$CSADDR0010	B5A05-	\$HDLNRD002B	C2B04-	\$CS001AT00
A3C02-	\$MPTIDN00	A5D06-	\$HAERRI00	B3B09-	\$CSADDR0009	B5A08-	\$MPCSD00006	C2B05-	\$MPCKEY000
A3C05-	\$MPTIDN00	A5D07-	\$HAMATI00	B3B10-	\$MPCRTLO002	B5A09-	\$HAMTON00	C2B06-	\$MPCCHK100
A3D05-	\$CSFDDR00	A5D09-	\$IFREST00 A	B3B12-	\$CSADDR0012	B5A10-	\$CONRES00	C2B08-	\$MPCSMR01
A3D07-	\$CSFDND00	A5D10-	\$IFREST00 B	B3B13-	\$CSADDR0011	B5A12-	\$HAMTON00	C2B09-	\$MPCRFSL00
A3D13-	\$CSFDSS00	A5D11-	\$IFREST00 C	B3C02-	\$MPTIDN00	B5A13-	\$MPCSD00002	C2B10-	\$MPCADP000
A3E02-	\$IFREST00 B	A5D12-	\$IFREST00 D	B3C03-	\$CSFDD000	B5B01-	\$MPCSD000 P	C2B11-	\$CSMACK005
A3E09-	\$CSFDTK00	A5E03-	\$HDLNRD001B	B3C12-	\$MPCRF000	B5B02-	\$MPCSD000 P	C2B12-	\$CSRDOS01
A3E10-	\$CSDVCK01	A5E04-	\$MPCSD00007	B3C13-	\$CSFDD000	B5B03-	\$CSSR1500	C2B13-	\$CSSR1500
A4B03-	\$MPCSD00000	A5E07-	\$IFREST00 D	B3D02-	\$CSXST00	B5B04-	\$CSADDR0014	C2C02-	\$HAMDEN000
A4B04-	\$MPCSD00002	A5E09-	\$MPCSD00003	B3D04-	\$CSMACK01	B5B05-	\$MPCSD00006	C2C06-	\$MPCRTLO002
A4B05-	\$MPCSD00004	A5E10-	\$IFREST00 B	B3D05-	\$MPTIDN00	B5B08-	\$MPCSD00004	C2C13-	\$MPCRTLO002
A4B06-	\$MPCSD00006	A5E14-	\$HDLNRD002A	B3D06-	\$CSADDR0007	B5B09-	\$MPCSD00003	C2D01-	\$HAMDS000
A4B08-	\$MPCSD00000	A6D04-	\$HDLNRD001A	B3D07-	\$CSSR1600	B5B10-	\$MPCSD00002	C2D02-	\$MPCURD000
A4B09-	\$MPCSD00002	A6E02-	\$HDLNRD001B	B3D09-	\$MPCRF000	B5B12-	\$MPCSD00001	C2D04-	\$MPCPORS00
A4B10-	\$MPCSD00004	A6E04-	\$HDLNRD002A	B3D10-	\$MPCRTLO002	B5C03-	\$CSSR1500	C2D05-	\$MPCSMR00
A4B11-	\$MPCSD00006	B1A13-	\$HAMDMR00	B3D11-	\$MPTIDN00	B5C05-	\$MPCSD00006	C2D06-	\$MPCPORS00
A4B12-	\$MPCCHK100	B1B13-	\$HAMDS010	B3D12-	\$MPTIDN00	B5C06-	\$HDLNRD005A	C2D07-	\$CSMACK01
A4B14-	\$CSFDIX00	B1C13-	\$HAMDS010	B3D13-	\$MPCSMR00	B5C07-	\$MPCSD00005	C2D09-	\$CSMACK02
A4C03-	\$CSFDDR00	B1E13-	\$HAMDS100	B3E03-	\$CSADDR0001	B5C08-	\$HDLNRD004B	C2D10-	\$CSMACK03
A4C08-	\$MPCSD00004	B2A06-	\$MPCCHK100	B3E04-	\$CSMACK01	B5C11-	\$MPCSD00006	C2D12-	\$CSMAPE00
A4C09-	\$MPCSD00003	B2A08-	\$HAMDMR00	B3E08-	\$CSFDHG00	V B5D03-	\$+5VA1BRD	C2D13-	\$CSMACK04
A4C13-	\$MPCSD00000	B2B03-	\$CSADDR0015	B4A05-	\$MPCSD00006	B5D04-	\$MPCSD00007	C2D14-	\$CSADDR0008
A4D01-	\$CSFDND00	B2B04-	\$CSADDR0001	B4A10-	\$CSADDR0014	B5D05-	\$CSADDR0013	C2E07-	\$MPCSMR01
A4D03-	\$MPCSD00001	B2B05-	\$MPCKEY000	B4A12-	\$MPCCHK100	B5D06-	\$MPCSD00005	C2E08-	\$MPCSMR01
A4D04-	\$MPCSD00003	B2B08-	\$MPCRTLO002	B4B01-	\$CSADDR0012	B5D13-	\$MPCSD00000	C3A02-	\$CSSEXST00
A4D05-	\$MPCSD00005	B2B09-	\$MPCRFSL00	B4B02-	\$MPCSD000 P	B5D14-	\$MPCSD00000	C3A04-	\$CSFDMT00
A4D06-	\$MPCSD00007	B2B12-	\$MPCRF000	B4B03-	\$CSADDR0003	B5E09-	\$MPCSD00007	C3A05-	\$CSSEXST00
A4D07-	\$CSDVCK01	B2B13-	\$MPCRTLO002	B4B04-	\$CSADDR0004	B5E12-	\$MPCSD00007	C3A06-	\$CSFDST00
A4D09-	\$MPCSD00001	B2C05-	\$HAMDS010	B4B05-	\$MPCSD00006	B6A02-	\$HDLNRD002B	C3B01-	\$HABLOT000
A4D10-	\$MPCSD00003	B2C13-	\$CSSR1500	B4B07-	\$CSADDR00 P	B6A04-	\$HDLNRD003A	C3B02-	\$MPCXINT00
A4D11-	\$MPCSD00005	B2D02-	\$MPCURD000	B4B08-	\$MPCSD00004	B6B01-			

DATE - 06/10/85

- FIELD WIRE NET LIST -

PART NO. 0006272321 EC NO. 000A06010A (41) LOCATION 1A-A1 DIMENSIONS ARE ENGLISH (IN)

Table with columns: PIN, NET, NODE NAME, CROSS REFERENCE (PIN-TO-NET), PIN, NET, PIN, NET, PIN, NET. Lists various network nodes and their connections.

DATE - 06/10/85

- FIELD WIRE NET LIST -

PART NO. 0006272321 EC NO. 000A06010A (41) LOCATION 1A-A1 DIMENSIONS ARE ENGLISH (IN)

Table with columns: PIN, NET, NODE NAME, CROSS REFERENCE (PIN-TO-NET), PIN, NET, PIN, NET, PIN, NET. Lists various network nodes and their connections.

12-15179

DATE - 06/10/85

- FIELD WIRE NET LIST -

PART NO. 0006272321 EC NO. 000A06010A (41) LOCATION 1A-A1 DIMENSIONS ARE ENGLISH (IN)

Table with columns: PIN, NET, PIN, NET, NODE NAME, CROSS REFERENCE (PIN-TO-NET), PIN, NET, PIN, NET, PIN, NET. Contains multiple rows of node identifiers and their cross-references.

DATE - 06/10/85

- FIELD WIRE NET LIST -

PART NO. 0006272321 EC NO. 000A06010A (41) LOCATION 1A-A1 DIMENSIONS ARE ENGLISH (IN)

Table with columns: PIN, NET, PIN, NET, NODE NAME, CROSS REFERENCE (PIN-TO-NET), PIN, NET, PIN, NET, PIN, NET. Contains multiple rows of node identifiers and their cross-references.

12-15179

DATE - 06/10/85

- FIELD WIRE NET LIST -

PART NO. 0006272321 EC NO. 000A06010A (41) LOCATION 1A-A1 DIMENSIONS ARE ENGLISH (IN)

Table with columns: PIN, NET, PIN, NET, PIN, NET, PIN, NET, PIN, NET. Contains multiple rows of network node data.

DATE - 06/10/85

- FIELD WIRE NET LIST -

PART NO. 0006272321 EC NO. 000A06010A (41) LOCATION 1A-A1 DIMENSIONS ARE ENGLISH (IN)

Table with columns: PIN, NET, PIN, NET, PIN, NET, PIN, NET, PIN, NET. Contains multiple rows of network node data.

12-15179

DATE - 06/10/85

- FIELD MIRE NET LIST -

PART NO. 0006272321
EC NO. 000A06010A (41)

LOCATION 1A-A1

DIMENSIONS ARE ENGLISH (IN)

PIN		NET		NODE NAME CROSS REFERENCE (PIN-TO-NET)		PIN		NET	
V3D06-	\$STOPOL00								
V3D09-	\$SERVIL00								
V3D10-	\$DATAILO0								
V3E03-	\$ECPPTR15								
V4A11-	\$SBDATO4006								
V4A12-	\$SBDATO4007								
V4B14-	\$SBDATO4008								
V4D01-	\$ECPPTR06								
V5A04-	\$DISERC10								
V5B01-	\$DISERD10								
V5B02-	\$ECPPTR10								
V5B03-	\$ECPPTR11								
V5B04-	\$ECPPTR12								
V5B05-	\$ECPPTR13								
V5B06-	\$RCCKBC00								
V5B08-	\$RCCLKM00								
V5B09-	\$ECPPTR01								
V5B10-	\$ECPPTR02								
V5B11-	\$ECPPTR03								
V5B12-	\$ECPPTR04								
V5C05-	\$HDLMRD003A								
V5C11-	\$ECPPTR03								
V5C12-	\$LOPORT00 P								
V5D03-	\$ECPPTR14								
V5D04-	\$ECPPTR15								
V5D05-	\$ECPPTR16								
V5D06-	\$ECPPTR17								
V5D07-	\$ECPPTR18								
V5D09-	\$ECPPTR05								
V5D10-	\$ECPPTR06								
V5D11-	\$ECPPTR07								
V5D12-	\$ECPPTR08								
V5D13-	\$ECPPTR09								
V5E12-	\$ECPPTR08								
V6A02-	\$SBDATO4006								
V6A04-	\$SBDATO4007								
V6B02-	\$SBDATO4008								
V6C04-	\$HDLMRD003A								

12-15179

DATE - 06/10/85 - FIELD WIRE NET LIST -

PART NO. 0006272322
EC NO. 000A06010A (41)

LOCATION 1A-A2

DIMENSIONS ARE ENGLISH (IN)

ENG. NET NO.	FROM	TO	PL MIR TYP	LENGTH	NODE NAME ENG. NET NO.	CROSS REFERENCE FROM TO	PL MIR TYP	LENGTH	ENG. NET NO.	FROM	TO	PL MIR TYP	LENGTH
\$+SVA1BRD	A5D03- H5E03-	H5E03- H4D02-	06 07	04.607 02.000	\$CACLOK2D	G2D06- G2A06-	01	00.434	.	G3A04- G2A08-	07		01.359
\$CACLOKRA	F2B11- E2B11- D2B11-	E2B11- D2B11- C2B11-	06 06 06	00.682 00.682 00.682	\$CACLOK2D	G3A05- F3D05-	01	00.309	\$CASPOROC	G2A08- E2B08- E2B08- E4A06- E4A06- H4D06-	06 02 01		01.182 03.375 02.350
\$CACLOKRB	C3B04- D3B04- E3B04-	D3B04- E3B04- F3B04-	01 01 01	00.734 00.734 00.734	\$CAINSTOA	G3D02- C3E02- C3E02- C5E06- C5E06- C5B06-	01 02 01	02.525 04.107 00.484	\$CASPOROD	G3B05- F3A05- F3A05- F2A08- F2A08- F2B08- F2B08- H2C07- H2C07- H4D07-	06 06 06 01 02		00.807 01.434 00.125 01.500 03.732
\$CACLOKRC	C3B06- D3B06- E3B06-	D3B06- E3B06- F3B06-	06 06 06	00.732 00.732 00.732	\$CAINSTOB	G3D04- G4D14- G4D14- D4B14- D4B14- D5B06-	07 06 07	03.109 02.232 00.809	\$CASSRQQA	G3B06- C3C06- C3C06- C3C12- C3C12- C3B12-	01 02 01		02.475 00.857 00.125
\$CACLOKRD	F3B10- E3B10- D3C11- D3C10- D3B10-	E3B10- D3C11- D3C10- D3B10- C3B10-	06 01 02 01 01	00.732 00.625 00.125 00.125 00.734	\$CAINSTOC	G3D05- J3A05- J3A05- J5A06- J5A06- E5B06-	06 07 06	00.932 03.684 02.432	\$CASSRQOB	G3B08- D3C08- D3C08- D3C12- D3C12- D3B12-	01 02 01		01.850 00.557 00.125
\$CACLOK1A	G2B02- E2A02- E2A02- E3A05- E3A05-	E2A02- E3A05- E3A05- C3B05-	06 07 07 06	01.482 02.184 02.184 01.225	\$CAOFFIOA	A4D11- C4A11- C4A11- C5A11- C5A11- C5B11-	01 02 01	00.934 01.807 00.125	\$CASSRQOC	E3B12- E4B01- E4B01- G4B01- G4B01- G4B02-	02 01 02		00.432 01.350 00.125
\$CACLOK1B	G2B04- D2C04- D2C04- D3C05-	D2C04- D3C05- D3C05- D3B05-	06 07 07 06	01.857 01.934 01.934 00.125	\$CAOFFIOB	A4B02- D4A02- D4A02- D5A11- D5A11- D5B11-	06 07 06	01.807 02.934 00.125	\$CASSRQOD	F3B12- G3A12- G3A12- G4A04- G4A04- G4B04-	01 02 01		00.559 00.807 00.125
\$CACLOK1C	G2D02- E2E02- E2E02- E3E05- E3E05-	E2E02- E3E05- E3E05- E3B05-	06 07 07 06	01.182 02.184 02.184 00.432	\$CAOFFIOC	A4B08- A4B14- A4B14- E4B14- E4B14- E5B11-	07 06 07	00.859 02.557 01.434	\$CATIM00A	G4D04- G5D01- G5D01- C5B01- C5B01- C5B10-	07 06 07		01.434 02.807 01.234
\$CACLOK1D	G2D05- G2C05- G2C05- G3C05-	G2C05- G3C05- G3C05- F3B05-	01 02 02 01	00.125 01.807 01.807 00.850	\$CAOFFIOD	A4B11- F4A11- F4A11- F5A11- F5A11- F5B11-	06 07 06	03.107 01.859 00.125	\$CATIM00B	G4D05- D4C05- D4C05- D5C10- D5C10- D5B10-	06 07 06		02.100 02.434 00.125
\$CACLOK2A	G2B03- D2A03- D2A03- D3A05- D3A05-	D2A03- D3A05- D3A05- C3D05-	06 07 07 06	02.107 02.059 02.059 00.307	\$CASPOROA	C2B08- H2C08- H2C08- H4D04- H4D04- H4A04- H4A04- H3A02- H3A02- G3B02-	06 07 01 02 01	03.357 03.125 00.434 02.107 00.559	\$CATIM00C	G4D06- G4A06- G4A06- G5A10- G5A10- E5B10-	01 02 01		00.434 02.307 01.225
\$CACLOK2B	G2B05- D2E05- D2E05- D3E05-	D2E05- D3E05- D3E05- D3D05-	06 07 07 06	01.607 01.809 01.809 00.125	\$CASPOROB	D2B08- H2E08- H2E08- H4D05- H4D05- H4A05- H4A05- H3A03- H3A03- G3B03-	01 02 01 02 01	02.934 03.250 00.434 02.057 00.559	\$CHADDROA P	C2B04- C2C06- C2C06- A2B06-	02 01		00.375 01.434
\$CACLOK2C	G2D04- G3D01- G3D01- E3D01- E3D01-	G3D01- E3D01- E3D01- E3D05-	02 01 01 02	01.432 01.309 01.309 00.557	\$CHADDROA00	C2B07- C2B01- C2B01- A2B01- A2B01- A2B02-	02 01 02	00.857 01.309 00.125					

DATE - 06/10/85 - FIELD WIRE NET LIST -

PART NO. 0006272322
EC NO. 000A06010A (41)

LOCATION 1A-A2

DIMENSIONS ARE ENGLISH (IN)

ENG. NET NO.	FROM	TO	PL MIR TYP	LENGTH	NODE NAME ENG. NET NO.	CROSS REFERENCE FROM TO	PL MIR TYP	LENGTH	ENG. NET NO.	FROM	TO	PL MIR TYP	LENGTH
\$CHADDROA01	C2D06- C2E03-	C2E03- 02	02	00.500	\$CHADDROD02	A3D05- F3E05-	01	03.359	.	E3C10- E2D04-	07		02.625
\$CHADDROA02	C2D07- A2C07- A2C07- A2B04-	A2C07- A2B04- A2B04- 02	01 02	01.434 00.500	\$CHADDROD02	F3E05- F2D07-	02	01.625	\$CHMODE0D00	A3D09- F3A09-	06		02.807
\$CHADDROA03	A2B05- C2D05-	C2D05- 01	01	01.559	\$CHADDROD03	F2D05- A2C05- A2C05- A3C06- A3C06- A3D06-	01 02 01	03.359 01.932 00.125	.	F2A02- F2B02-	01		00.125
\$CHADDROB P	D2B04- A2E04- A2E04- A2D07-	A2E04- A2D07- A2D07- 02	01 02	01.559 00.500	\$CHDISA0A	C2B05- C3B01- C3B01- A3D01- A3D01- A4D03-	02 01 02	01.307 01.109 02.057	\$CHMODE0D01	F2B03- B2A03- B2A03- B3A10- B3A10- A3D10-	06 07 06		02.682 02.734 00.357
\$CHADDROB00	D2B07- D2C03- D2C03- A2D03-	D2C03- A2D03- A2D03- 01	02 01	00.625 01.859	\$CHDISA0B	D2B05- D4A05- D4A05- A4D04-	02 01	03.625 01.625	\$CHMODE0D02	F2D04- F3E11- F3E11- A3D11-	07 06		02.750 03.307
\$CHADDROB01	A2D04- D2E04- D2E04- D2D06-	D2E04- D2D06- D2D06- 02	01 02	02.109 00.375	\$CHDISA0C	E2B05- A2E05- A2E05- A4E05- A4E05- A4D05-	06 07 06	02.182 03.559 00.125	\$CHPARLOC	C4B07- D4B07- D4B07- E4B07- E4B07- F4B07- F4B07- H4A07- H4A07- H4A13-	06 06 06 01 02		00.732 00.732 00.732 01.234 04.600
\$CHADDROB02	A2D05- A2E07- A2E07- D2D07-	A2E07- D2D07- D2D07- 06	07 06	00.375 01.807	\$CHDISA0D	F2B05- F2A05- F2A05- F4A06- F4A06- A4D06-	06 07 06	00.125 03.734 02.857	\$CHPARREM	D6E04- D5E14- D5E14- C5B14- C5B14- C4B08- C4B08- D4B08- D4B08- E4B08- E4B08- F4B08-	07 06 07 06 06 06		00.609 01.057 02.650 00.732 00.732
\$CHADDROB03	D2D05- A2D06-	A2D06- 01	01	02.000	\$CHMODE0A00	A2B08- C2C08- C2C08- C2B02-	06 07	01.432 00.875	\$CHMODE0D02	F2D04- F3E11- F3E11- A3D11-	07 06		02.750 03.307
\$CHADDROA00	A3B06- E3A06- E3A06- E2B04-	E3A06- E2B04- E2B04- 02	06 02	02.432 02.125	\$CHMODE0A01	C2B03- C2A09- C2A09- A2B09-	07 06	00.875 01.182	\$CODET000	J1C11- E1E10- E1E10- E6E02-	06 07		02.375 07.850
\$CHADDROA01	E2B07- E3B01- E3B01- A3B01- A3B01-	E3B01- A3B01- A3B01- 02	02 01 02	01.057 02.559 02.559 00.125	\$CHMODE0A02	A2B10- C2C10- C2C10- C2D04-	01 02	01.434 00.875	\$CONRES00	A4B09- A5B10-	07		01.934
\$CHADDROA02	E2D06- A2A06- A2A06- A3B03-	A2A06- A3B03- A3B03- 02	06 02	02.932 01.500	\$CHMODE0B00	A2D09- A2D01- A2D01- D2B01- D2B01- D2B02-	02 01 02	01.107 01.734 00.125	\$CRCHERO0	G4D08- G4E08- G4E08- G4E13- G4E13- G4D13- G4D13- E4E13- E4E13- E5E11- E5E11- A5B11-	06 07 06 06 07 06		00.125 V 00.684 00.125 01.182 01.559 02.975
\$CHADDROA03	A3B05- E3C05- E3C05- E2D05-	E3C05- E2D05- E2D05- 02	01 02	02.684 01.875	\$CHMODE0B01	A2D10- D2A09- D2A09- D2B03-	06 02	01.625 00.875	\$CSUTNORM	A4B04- A5B06-	02		02.057
\$CHADDROD P	A3D07- A2D14- A2D14- F2B14- F2B14-	A2D14- F2B14- F2B14- 07	02 01 07	00.982 02.934 02.934 01.309	\$CHMODE0B02	D2D04- D2C11- D2C11- A2D11-	02 01	01.000 01.900	\$CUOFFL00	A5B04- A5A13- A5A13- C5B13- C5B13- D5B13- D5B13- E5B13- E5B13- F5B13-	02 01 01 01 01		01.250 01.484 00.684 00.734 00.684
\$CHADDROD00	A3D03- F3C03- F3C03- F2B07-	F3C03- F2B07- F2B07- 02	06 02	03.057 01.375	\$CHMODE0C00	A3B08- E3C08- E3C08- E2B02-	06 02	02.682 02.625	\$DATAILOO	V5D10- C5E10- C5E10- C3E07- C3E07- C3D07-	06 07 06		10.600 03.984 00.125
\$CHADDROD01	F2D06- A2E06- A2E06- A3E04- A3E04-	A2E06- A3E04- A3E04- 01	01 02	03.109 01.557 01.557 00.125	\$CHMODE0C01	E2B03- E3C09- E3C09- A3B09-	02 01	02.625 02.684					
\$CHADDROD02	F2D06- A2E06- A2E06- A3E04- A3E04-	A2E06- A3E04- A3E04- 01	01 02	03.109 01.557 01.557 00.125	\$CHMODE0C02	A3B10- E3C10-	06	02.682					

12-15179

PART NO. 0006272322
EC NO. 000A06010A (41)

LOCATION 1A-A2

DIMENSIONS ARE ENGLISH (IN)

ENG. NET NO.	FROM	TO	PL TYP	MIR	LENGTH	NODE NAME	CROSS REFERENCE (NET-TO-PIN)	ENG. NET NO.	FROM	TO	PL TYP	MIR	LENGTH
	C3D07-	D3D07-	01		00.684	\$DIINSL00	N5B13- N6B01- 07						
	D3D07-	E3D07-	01		00.734		N6B01- P6B02- 06	\$ECPPTR11	V3B03-	Q3C03-	06		03.057
	E3D07-	F3D07-	01		00.684		P6B02- P5B13- 07		Q3C03-	Q5C09-	02		04.307
\$DATAI00	F3D07-	H3A07-	06		00.932	\$DIINSL00	P5B13- P6B01- 07	\$ECPPTR11	Q5C09-	L5B09-	01		02.734
	H3A07-	H5B13-	07		04.375		P6B01- Q6B01- 06						
							Q6B01- Q5B13- 07	\$ECPPTR12	V3B04-	V3A04-	06		00.125
\$DATAIRA2	H5B08-	G5E08-	06		00.357		Q5B13- Q6C01- 07		V3A04-	V5A09-	07		04.234
	G5E08-	G3E07-	07		03.775		Q6C01- T6B01- 06		V5A09-	M5B09-	06		04.982
	G3E07-	F3B07-	06		01.107		T6B01- T5B13- 07						
	F3B07-	E3B07-	06		00.682		T5B13- S5B13- 01	\$ECPPTR13	V3B05-	K3A04-	01		06.500
	E3B07-	D3B07-	06		00.732		S5B13- R5B13- 01		K3A04-	K5B08-	02		04.275
	D3B07-	C3B07-	01		00.734		R5B13- C5E13- 06						
	C3B07-	C6B01-	07		04.559		C5E13- C1E11- 02	\$ECPPTR14	V3D03-	V3C03-	06		00.125
	C6B01-	F6C02-	06		02.125	\$ECPPTR01	K5B13- V5C13- 06		V3C03-	V5C08-	07		04.234
\$DATAOL00	C2B12-	D2B12-	01		00.684		V5C13- V3B09- 07		V5C08-	L5B08-	06		05.807
	D2B12-	E2B12-	01		00.734	\$ECPPTR02	V3B10- V5A13- 02	\$ECPPTR15	V3D04-	V3E04-	01		00.125
	E2B12-	F2B12-	01		00.684		V5A13- L5B13- 06		V3E04-	V5E08-	02		04.057
	F2B12-	F2E12-	06		00.432				V5E08-	M5B08-	01		05.484
	F2E12-	F5E04-	02		04.307	\$ECPPTR03	V3B11- V5B14- 02	\$ECPPTR16	K5B07-	K3A05-	02		03.982
	F5E04-	V5D04-	06		08.682		V5B14- M5B14- 01		K3A05-	V3D05-	01		06.725
\$DATAORA2	C2D12-	D2D12-	06		00.682		M5B14- M5B13- 02	\$ECPPTR17	L5B07-	V5E07-	06		06.107
	D2D12-	E2D12-	06		00.682	\$ECPPTR04	K5B12- K5B01- 02		V5E07-	V3D06-	07		03.750
	E2D12-	F2D12-	06		00.732		K5B01- V5B01- 06						
	F2D12-	F6D01-	02		05.775		V5B01- V3B12- 07	\$ECPPTR18	V3D07-	V5C07-	02		03.625
	F6D01-	E6B02-	01		01.000				V5C07-	M5B07-	01		05.234
\$DATOKL00	V5B02-	C5D01-	01		10.650	\$ECPPTR05	V3D09- V5D14- 07	\$IFCLOK01	C5D11-	D5D11-	01		00.684
	C5D01-	C5D12-	02		01.482		V5D14- L5B14- 01		D5D11-	E5D11-	01		00.734
	C5D12-	D5D12-	06		00.732		L5B14- L5B12- 02		E5D11-	F5D11-	01		00.684
	D5D12-	E5D12-	06		00.732	\$ECPPTR06	V3D10- Q3A10- 06		F5D11-	G5A11-	06		00.307
	E5D12-	F5D12-	06		00.732		Q3A10- Q5A12- 07		G5A11-	G2A13-	07		05.100
	F5D12-	H5D13-	01		01.375		Q5A12- M5B12- 06		G2A13-	G2D13-	06		00.482
\$DATOKRA2	F6E02-	G4A09-	07		02.750	\$ECPPTR07	V3D11- R3E11- 01		G2D13-	G2D12-	06		00.125
	G4A09-	C4B09-	06		02.475		R3E11- R5E10- 07		G2D12-	G2A12-	01		00.434
	C4B09-	D4B09-	06		00.682		R5E10- K5B10- 01		G2A12-	G1A11-	02		01.932
	D4B09-	E4B09-	06		00.682	\$ECPPTR08	V3D12- V5C10- 07	\$IFCLOK02	F1E11-	F5E12-	07		07.184
	E4B09-	F4B09-	06		00.682		V5C10- L5B10- 06		F5E12-	F5B12-	06		00.432
	F4B09-	F5C10-	02		02.000				F5B12-	E5B12-	01		00.684
	F5C10-	H5B10-	01		01.234	\$ECPPTR09	M5B10- V5E10- 01		E5B12-	D5B12-	01		00.734
\$DCPOMRON	A4B10-	H4D10-	01		04.725		V5E10- V3D13- 02		D5B12-	C5B12-	01		00.684
						\$ECPPTR10	V3B02- S3A02- 06	\$IFCTRL00	A4B03-	C4C03-	01		01.484
\$DCP. IRC00	H4D12-	A4E12-	06		04.400		S3A02- S5A09- 07		C4C03-	C4B05-	02		00.375
	A4E12-	A4E13-	07		00.125		S5A09- K5B09- 06		C4B05-	D4B05-	01		00.684
	A4E13-	A4D13-	06		00.125				D4B05-	E4B05-	01		00.734

PART NO. 0006272322
EC NO. 000A06010A (41)

LOCATION 1A-A2

DIMENSIONS ARE ENGLISH (IN)

ENG. NET NO.	FROM	TO	PL TYP	MIR	LENGTH	NODE NAME	CROSS REFERENCE (NET-TO-PIN)	ENG. NET NO.	FROM	TO	PL TYP	MIR	LENGTH
	E4B05-	F4B05-	01		00.684		E4D13- F4D13- 01	\$IFRESP002	C5B07-	D5B07-	01		00.684
	F4B05-	F1B11-	02		04.607		F4D13- F4C13- 06		D5B07-	E5B07-	01		00.734
\$IFDATA00 P	F1D13-	F4D14-	07		05.484		F4C13- F1B13- 07		E5B07-	F5B07-	01		00.684
						\$IFDATA0007	F1C13- F4C12- 02		F5B07-	F1A14-	02		06.250
									F1A14-	E1C14-	01		00.484
	F4B14-	F4B13-	02		00.125			\$IFRESP002	E1C14-	E1C11-	02		00.432
	F4B13-	E4B13-	01		00.684		F4B12- E4B12- 06						
	E4B13-	D4B13-	01		00.734		E4B12- D4B12- 06	\$IFRESP003	E1011-	E5E08-	02		06.807
	D4B13-	C4B13-	01		00.684		D4B12- C4B12- 01		E5E08-	F5B08-	01		00.359
\$IFDATA0000	F4D06-	E4D06-	01		00.684	\$IFFAIL00 A	J1B13- J3B14- 02		F5B08-	E5B08-	01		00.684
	E4D06-	D4D06-	01		00.734		J3B14- C3B14- 06		E5B08-	D5B08-	01		00.734
	D4D06-	C4D06-	01		00.684		C3B14- C3B13- 02		D5B08-	C5B08-	01		00.684
	C4D06-	D4E06-	06		00.807	\$IFFAIL00 B	J1C13- J3C13- 02	\$IFREST00 A	C4B02-	A4E02-	01		00.934
	D4E06-	D1E13-	02		04.432		J3C13- D3B13- 06		A4E02-	A5D09-	02		02.750
\$IFDATA0001	E1A13-	E4A07-	02		04.607								
	E4A07-	C4D07-	06		00.932	\$IFFAIL00 C	J1D13- J3D14- 02	\$IFREST00 B	D4B02-	D4B01-	02		00.125
	C4D07-	D4D07-	01		00.684		J3D14- E3B14- 01		D4B01-	A4D01-	01		01.684
	D4D07-	E4D07-	01		00.734		E3B14- E3B13- 02		A4D01-	A5D10-	07		02.934
	E4D07-	F4D07-	01		00.684	\$IFFAIL00 D	J1E13- J3E13- 02	\$IFREST00 C	A5D11-	E5C11-	06		02.432
\$IFDATA0002	C4D09-	D4D09-	01		00.684		J3E13- F3B13- 01		E5C11-	E4B02-	02		03.000
	D4D09-	E4D09-	01		00.734	\$IFORDR00	C2B09- D2B09- 01	\$IFREST00 D	F4B02-	F5A12-	07		03.125
	E4D09-	F4D09-	01		00.684		D2B09- E2B09- 01		F5A12-	A5D12-	06		02.807
	F4D09-	F2D14-	02		03.039		E2B09- F2B09- 01	\$IFRINT00 A	G3B07-	G3C07-	06		00.125
	F2D14-	E2B14-	06		00.932		F2B09- F2E09- 01		G3C07-	G3C09-	07		00.309
	E2B14-	E1B13-	07		01.984		F2E09- F1E13- 02		G3C09-	C3D09-	06		02.525
\$IFDATA0003	E1C13-	E4C10-	07		04.984	\$IFRESP00 P	E1E11- E5E10- 02		C3D09-	C1D14-	07		02.934
	E4C10-	F4D10-	06		00.807		E5E10- F5B09- 01		C1D14-	H1B14-	06		02.932
	F4D10-	E4D10-	01		00.684		F5B09- E5B09- 01		H1B14-	H1B13-	02		00.125
	E4D10-	D4D10-	01		00.734		E5B09- D5B09- 01	\$IFRINT00 B	H1C13-	H3C09-	02		03.057
	D4D10-	C4D10-	01		00.684		D5B09- C5B09- 06		H3C09-	D3D09-	01		02.484
\$IFDATA0004	C4D11-	D4D11-	01		00.684	\$IFRESP0000	C5B02- D5B02- 01		D3D09-	G3B09-	06		01.732
	D4D11-	E4D11-	01		00.734		D5B02- E5B02- 01	\$IFRINT00 C	G4B03-	E4E03-	01		00.984
	E4D11-	F4D11-	01		00.684		E5B02- F5B02- 01		E4E03-	E3E09-	02		01.107
	F4D11-	E4E11-	06		00.557		F5B02- E5A02- 06		E3E09-	E3D09-	01		00.125
	E4E11-	E1D13-	07		05.125		E5A02- E1A11- 07		E3D09-	E1D14-	07		02.934
\$IFDATA0005	F1A13-	F4A12-	02		05.232	\$IFRESP0001	E1B11- G1B11- 01		E1D14-	H1D14-	01		01.934
	F4A12-	F4D12-	01		00.484		G1B11- G5C04- 02		H1D14-	H1D13-	02		00.125
	F4D12-	E4D12-	01		00.684		G5C04- F5B04- 01	\$IFRINT00 D	H1E13-	H3E09-	02		03.057
	E4D12-	D4D12-	01		00.734		F5B04- E5B04- 01		H3E09-	F3D09-	01		01.434
	D4D12-	C4D12-	01		00.684		E5B04- D5B04- 01		F3D09-	G3A1C-	01		00.484
\$IFDATA0006	C4D13-	D4D13-	06		00.732		D5B04- C5B04- 01		G3A1C-	G4B05-	02		01.250
	D4D13-	E4D13-	06		00.682								

12-15179

DATE - 06/10/85 - FIELD WIRE NET LIST -

PART NO. 0006272322 EC NO. 000A06010A (41) LOCATION IA-A2 DIMENSIONS ARE ENGLISH (IN)

Table with columns: ENG. NET NO., FROM, TO, PL, WIR TYP, LENGTH, NODE NAME CROSS REFERENCE (NET-TO-PIN), ENG. NET NO., FROM, TO, PL, WIR TYP, LENGTH, ENG. NET NO., FROM, TO, PL, WIR TYP, LENGTH. Rows include various net types like \$IFSBIT0001, \$LOPORT0004, \$IFSELTOO A, etc.

DATE - 06/10/85 - FIELD WIRE NET LIST -

PART NO. 0006272322 EC NO. 000A06010A (41) LOCATION IA-A2 DIMENSIONS ARE ENGLISH (IN)

Table with columns: ENG. NET NO., FROM, TO, PL, WIR TYP, LENGTH, NODE NAME CROSS REFERENCE (NET-TO-PIN), ENG. NET NO., FROM, TO, PL, WIR TYP, LENGTH, ENG. NET NO., FROM, TO, PL, WIR TYP, LENGTH. Rows include various net types like \$RBUS1BL P, \$RBUS2BR M, \$RBUS3BR P, etc.

12-15179

PART NO. 0006272322 EC NO. 000A06010A (41) LOCATION 1A-A2 DIMENSIONS ARE ENGLISH (IN)

Table with columns: ENG. NET NO., FROM, TO, PL, WIR, LENGTH, TYP. Contains three columns of wire net data with various node names and dimensions.

PART NO. 0006272322 EC NO. 000A06010A (41) LOCATION 1A-A2 DIMENSIONS ARE ENGLISH (IN)

Table with columns: ENG. NET NO., FROM, TO, PL, WIR, LENGTH, TYP. Contains three columns of wire net data with various node names and dimensions.

12-15179

DATE - 06/10/85

- FIELD WIRE NET LIST -

PART NO. 0006272322 EC NO. 000A06010A (41) LOCATION 1A-A2 DIMENSIONS ARE ENGLISH (IN)

Table with columns: ENG. NET NO., FROM, TO, PL, MIR, LENGTH, TYP, NODE NAME, CROSS REFERENCE (NET-TO-PIN), ENG. NET NO., FROM, TO, PL, MIR, LENGTH, TYP, ENG. NET NO., FROM, TO, PL, MIR, LENGTH, TYP. Contains multiple rows of wire connection data.

DATE - 06/10/85

- FIELD WIRE NET LIST -

PART NO. 0006272322 EC NO. 000A06010A (41) LOCATION 1A-A2 DIMENSIONS ARE ENGLISH (IN)

Table with columns: ENG. NET NO., FROM, TO, PL, MIR, LENGTH, TYP, NODE NAME, CROSS REFERENCE (NET-TO-PIN), ENG. NET NO., FROM, TO, PL, MIR, LENGTH, TYP, ENG. NET NO., FROM, TO, PL, MIR, LENGTH, TYP. Contains multiple rows of wire connection data.

12-15179

PART NO. 0006272322
EC NO. 000A06010A (41)

LOCATION IA-A2

DIMENSIONS ARE ENGLISH (IN)

*****					NODE NAME CROSS REFERENCE (NET-TO-PIN)					*****				
ENG. NET NO.	FROM	TO	PL MIR TYP	LENGTH	ENG. NET NO.	FROM	TO	PL MIR TYP	LENGTH	ENG. NET NO.	FROM	TO	PL MIR TYP	LENGTH
	R4B03-	K4E03-	01	03.434							H3C13-	H4B08-	07	01.359
	K4E03-	K4D12-	02	01.250	\$RDVFCT17	Q4D02-	T4D02-	06	02.039	\$ROPORTA204	F6A04-	F4A02-	02	03.807
\$RDVFCT08	M4D06-	N5E07-	02	02.000		T4D02-	M4E01-	06	03.750		F4A02-	C4D02-	01	01.650
	N5E07-	R5C07-	01	01.684		M4E01-	M4E13-	07	01.559		C4D02-	D4D02-	01	00.684
	R5C07-	R4D06-	02	02.000		M4E13-	M4D13-	06	00.125		D4D02-	E4D02-	01	00.734
\$RDVFCT08	R4D06-	R5C04-	02	01.625	\$RDVFCT18	M5D05-	M4E04-	07	02.109		E4D02-	F4D02-	01	00.684
	R5C04-	K5D04-	01	03.684						\$ROPORTA204	F4D02-	H4A02-	06	00.982
\$RDVFCT09	P4B03-	S4B03-	06	02.025		T4D04-	Q4D04-	01	02.025		H4A02-	H4A09-	07	00.984
	S4B03-	L4E03-	01	03.525	\$ROPORTA2 P	H4B02-	G4A02-	06	00.807		H4A09-	H4B09-	06	00.125
	L4E03-	L4D12-	02	01.250		G4A02-	G4A05-	07	00.434	\$ROPORTA205	H4B10-	H4A10-	06	00.125
\$RDVFCT10	L5D04-	L4C06-	02	01.625		G4A05-	F4D05-	06	00.307		H4A10-	G4E03-	07	01.000
	L4C06-	S4D06-	01	03.934		F4D05-	E4D05-	01	00.734		G4E03-	F4B03-	06	01.107
	S4D06-	P4D06-	06	02.025		E4D05-	D4D05-	06	00.682		F4B03-	E4B03-	01	00.684
\$RDVFCT11	T4B03-	T4A12-	02	01.250		D4D05-	C4D05-	06	00.732		E4B03-	D4B03-	01	00.734
	T4A12-	M4D12-	01	03.652		C4D05-	C6D05-	07	03.559		D4B03-	C4B03-	01	00.684
	M4D12-	Q4A13-	01	01.625	\$ROPORTA200	C6D05-	F6E04-	06	02.125		C4B03-	G4C04-	06	02.750
	Q4A13-	Q4B03-	02	01.375		E6A04-	E3A10-	07	04.559		G4C04-	G6B04-	07	03.625
\$RDVFCT12	M5D04-	M4E06-	07	01.625		E3A10-	C3D10-	06	00.982		G6B04-	F6B04-	06	00.732
	M4E06-	T4D06-	06	03.682		C3D10-	D3D10-	01	00.684	\$ROPORTA206	F6C04-	F4C04-	07	03.559
	T4D06-	Q4D06-	01	01.984		D3D10-	E3D10-	01	00.734		F4C04-	C4D04-	06	01.900
\$RDVFCT13	K4D13-	R4C13-	01	03.684		E3D10-	F3D10-	01	00.684		C4D04-	D4D04-	01	00.684
	R4C13-	R4D02-	02	01.500	\$ROPORTA201	F3D10-	F4E03-	07	01.000		D4D04-	E4D04-	01	00.734
	R4D02-	R2D14-	02	02.057		F4E03-	H4B03-	06	00.932		E4D04-	F4D04-	01	00.684
	R2D14-	N2D14-	01	01.934		E6B04-	C6C05-	01	01.250		F4D04-	F4E12-	07	01.125
	N2D14-	N4D02-	02	02.057		C6C05-	C3D11-	02	04.625		F4E12-	H4B12-	06	00.932
\$RDVFCT14	N4D04-	R4D04-	01	01.975		C3D11-	D3D11-	01	00.684	\$ROPORTA207	F6D04-	F4C03-	07	03.750
	R4D04-	R5C05-	07	02.000		D3D11-	E3D11-	01	00.734		F4C03-	C4B04-	06	02.396
	R5C05-	K5D05-	06	03.682		E3D11-	F3D11-	01	00.684		C4B04-	D4B04-	01	00.734
\$RDVFCT15	P4D02-	P2C02-	07	03.625		F3D11-	F4E05-	07	01.125		D4B04-	E4B04-	06	00.732
	P2C02-	S2E03-	06	02.250		F4E05-	H4B05-	06	00.982		E4B04-	F4B04-	06	00.682
	S2E03-	S4D02-	07	03.500	\$ROPORTA202	E6C04-	E3C12-	07	04.309		F4B04-	H4C04-	06	01.432
	S4D02-	S4D14-	07	01.559		E3C12-	C3D12-	06	01.382		H4C04-	H4B13-	07	01.250
	S4D14-	L4D14-	06	03.807		C3D12-	D3D12-	06	00.732	\$SBADRP01	Q1C13-	Q2C10-	02	01.432
	L4D14-	L4D13-	02	00.125		D3D12-	E3D12-	06	00.682		Q2C10-	K2B10-	01	03.359
\$RDVFCT16	P4D04-	P6D05-	02	03.682		E3D12-	F3D12-	01	00.734		R1C11-	L1B11-	01	03.309
	P6D05-	S6D05-	01	01.984		F3D12-	F4E07-	07	01.250		L1B11-	L2B10-	02	01.682
	S6D05-	S4D04-	02	03.682	\$ROPORTA203	F4E07-	H4B07-	06	00.932		M2B10-	M1B10-	02	01.857
	S4D04-	S4E04-	01	00.125		E6D04-	C6E03-	06	01.250		M1B10-	T1E11-	01	04.250
	S4E04-	S5E05-	02	01.932		C6E03-	C3D13-	07	04.125					
	S5E05-	L5D05-	01	03.984		C3D13-	D3D13-	01	00.684	\$SBDAT000 C	Q1D13-	K1D13-	01	03.184
						D3D13-	E3D13-	01	00.684		K1D13-	K3D02-	02	02.232
						F3D13-	H3C13-	06	01.232					

PART NO. 0006272322
EC NO. 000A06010A (41)

LOCATION IA-A2

DIMENSIONS ARE ENGLISH (IN)

*****					NODE NAME CROSS REFERENCE (NET-TO-PIN)					*****				
ENG. NET NO.	FROM	TO	PL MIR TYP	LENGTH	ENG. NET NO.	FROM	TO	PL MIR TYP	LENGTH	ENG. NET NO.	FROM	TO	PL MIR TYP	LENGTH
\$SBDAT000 P	R1A13-	R3A02-	02	02.182	\$SBDAT02003	T1C13-	P1D13-	06	02.432	\$SBDAT04006	M3B10-	V3A10-	06	04.975
	R3A02-	K3B02-	06	03.682		P1D13-	P3E08-	07	03.000		V3A10-	V1A11-	02	03.432
\$SBDAT00000	K3B03-	Q3A03-	06	03.057		P3E08-	L3B07-	06	02.432	\$SBDAT04007	M3B12-	M3B01-	02	01.432
	Q3A03-	Q1A11-	02	02.607	\$SBDAT02004	T1B11-	T2A02-	02	00.750		M3B01-	V3A01-	06	04.982
\$SBDAT00001	R1B13-	R3C04-	02	02.500		T2A02-	L2C02-	01	04.225		V3A01-	V1A13-	07	02.059
	R3C04-	K3B04-	06	03.932		L2C02-	L3B08-	02	02.625	\$SBDAT04008	V1B11-	V3B01-	07	02.309
\$SBDAT00002	Q1B11-	K1C11-	01	03.109	\$SBDAT02005	T1D13-	T2D01-	07	00.309		M2B14-	M3B13-	07	01.684
	K1C11-	K3B05-	02	02.875		T2D01-	L2B01-	06	04.775	\$SBGRDC01	V2D12-	V2C08-	02	00.625
\$SBDAT00003	R1C13-	R3C07-	07	02.809		L2B01-	L3B09-	07	02.950		V2C08-	K2B08-	06	06.432
	R3C07-	K3B07-	06	03.982	\$SBDAT02006	L3B10-	L1C11-	07	03.500	\$SBGRDC02	V2D13-	V2D14-	02	00.125
\$SBDAT00004	K3B08-	Q3C08-	01	03.309		L1C11-	T1C11-	06	04.482		V2D14-	L2B14-	01	06.025
	Q3C08-	Q1C11-	02	03.232	\$SBDAT02007	L3B12-	T3E12-	06	04.900		L2B14-	L2B08-	07	00.809
\$SBDAT00005	K3B09-	K1B14-	07	02.934		T3E12-	T1E13-	07	03.434	\$SBGRDC03	M2B08-	M2C12-	07	00.625
	K1B14-	R1D13-	01	04.125	\$SBDAT02008	T1D11-	T3D14-	02	03.982		M2C12-	V2B12-	06	04.932
\$SBDAT00006	K3B10-	K1B10-	02	03.607		T3D14-	L3B13-	06	04.750	\$SBROCE01	V2B08-	K2B09-	01	06.375
	K1B10-	Q1D10-	01	03.484	\$SBDAT040 C	M3D02-	U3A02-	06	04.107		V2B09-	V2B10-	01	05.750
	Q1D10-	Q1D11-	02	00.125		U3A02-	U1A11-	02	02.432	\$SBROCE02	L2B09-	V2B10-	01	05.750
\$SBDAT00007	K3B12-	K1C13-	07	03.500	\$SBDAT040 P	U1B13-	U1B14-	02	00.125		V2B11-	M2C11-	01	05.025
	K1C13-	R1E13-	06	04.107		U1B14-	M1B14-	06	04.432		M2C11-	M2B09-	02	00.375
\$SBDAT00008	K3B13-	K2B01-	07	03.359		M1B14-	M3B02-	07	02.109	\$SBROCE03	V2B11-	M2C11-	01	05.025
	K2B01-	Q2E01-	01	03.559	\$SBDAT04000	M3B03-	M1A10-	02	02.750		M2C11-	M2B09-	02	00.375
	Q2E01-	Q1E11-	02	00.557		M1A10-	U1C10-	06	04.682	\$SBRSD01	V2D03-	K2B04-	01	06.625
\$SBDAT020 C	L3D02-	L3D01-	02	00.125		U1C10-	U1C11-	02	00.125	\$SBRSD02	V2D04-	K2B05-	06	06.625
	L3D01-	R3D01-	01	03.184	\$SBDAT04001	M3B04-	S3C04-	06	03.357	\$SBRSD03	L2B04-	V2D05-	01	06.000
	R3D01-	R1D11-	07	02.359		S3C04-	S1C13-	02	02.482	\$SBRSD04	L2B05-	L2C05-	01	00.125
\$SBDAT020 P	T1A13-	L1B13-	01	04.359		S1C13-	U1C13-	01	01.309		L2C05-	L2C07-	02	00.307
	L1B13-	L3B02-	02	02.232	\$SBDAT04002	U1D11-	S1E11-	01	01.184		L2C07-	V2D07-	06	05.850
\$SBDAT02000	R1E11-	R3E03-	07	02.559		S1E11-	S3E05-	02	02.807	\$SBRSD05	M2B04-	N2C04-	06	00.857
	R3E03-	L3B03-	06	03.650		S3E05-	M3B05-	06	03.607		N2C04-	N2C09-	07	00.684
\$SBDAT02001	L3B04-	L1B14-	07	02.359	\$SBDAT04003	U1D13-	S1E13-	06	01.232		N2C09-	V2D09-	06	04.600
	L1B14-	T1B14-	06	04.482		S1E13-	S3E07-	07	02.809	\$SBRSD06	M2B05-	V2E05-	06	05.482
	T1B14-	T1B13-	02	00.125		S3E07-	M3B07-	01	03.559		V2E05-	V2D10-	02	00.750
\$SBDAT02002	S1A11-	S3A05-	02	02.807	\$SBDAT04004	M3B08-	V3A08-	01	05.025	\$SBSKER01	M2D10-	L2D10-	01	00.684
	S3A05-	L3B05-	06	03.682		V3A08-	U1E11-	02	03.250		L2D10-	L2E12-	02	00.375
					\$SBDAT04005	U1E13-	U3E10-	02	03.182		L2E12-	K2B12-	01	01.109
				</										

DATE - 06/10/85 - FIELD WIRE NET LIST - PART NO. 0006272322 EC NO. 000A06010A (41) LOCATION 1A-A2 DIMENSIONS ARE ENGLISH (IN)

Table with columns: ENG. NET NO., FROM, TO, PL, MIR, LENGTH, TYP, NODE NAME, CROSS REFERENCE (NET-TO-PIN), ENG. NET NO., FROM, TO, PL, MIR, LENGTH, TYP, ENG. NET NO., FROM, TO, PL, MIR, LENGTH, TYP. Contains multiple rows of wire data.

DATE - 06/10/85 - FIELD WIRE NET LIST - PART NO. 0006272322 EC NO. 000A06010A (41) LOCATION 1A-A2 DIMENSIONS ARE ENGLISH (IN)

Table with columns: ENG. NET NO., FROM, TO, PL, MIR, LENGTH, TYP, NODE NAME, CROSS REFERENCE (NET-TO-PIN), ENG. NET NO., FROM, TO, PL, MIR, LENGTH, TYP, ENG. NET NO., FROM, TO, PL, MIR, LENGTH, TYP. Contains multiple rows of wire data.

12-15179

 PART NO. 0006272322
 EC NO. 000A06010A (41) LOCATION 1A-A2 DIMENSIONS ARE ENGLISH (IN)

ENGINEERING				NODE NAME CROSS REFERENCE (NET-TO-PIN)				ENGINEERING				
NET NO.	FROM	TO	PL MIR LENGTH TYP	ENG. NET NO.	FROM	TO	PL MIR LENGTH TYP	ENG. NET NO.	FROM	TO	PL MIR LENGTH TYP	
YZ202ZZ0153	F4D08-	F4A08-	06									
	F4A08-	F4A10-	07									
	F4A10-	F4B10-	06									
-----				-----				-----				
YZ202ZZ0177	H5B11-	H5C11-	06									
	H5C11-	H4C12-	07									
	H4C12-	N4B12-	06									

 PART NO. 0006272322
 EC NO. 000A06010A (41) LOCATION 1A-A2 DIMENSIONS ARE ENGLISH (IN)

VOLTAGE DISTRIBUTION LIST																				
VOLT	PIN	PL	VOLT	PIN	PL	VOLT	PIN	PL	VOLT	PIN	PL	VOLT	PIN	PL	VOLT	PIN	PL	VOLT	PIN	PL
+00000	A1D11	03	+00000	D6E02	03	+00000	K1B13	03	+00000	Q6C03	03	+00000	V1B13	03	+05000	B1E12	03	+05000	K5D03	03
.	A1D12	03	.	D6E03	03	.	K2D08	03	.	Q6D03	03	.	V2B07	03	.	C1A12	03	.	L2D03	03
.	A2B07	03	.	E1E13	03	.	K3D08	03	.	Q6E03	03	.	V2B13	03	.	C1B12	03	.	L3D03	03
.	A2B13	03	.	E2D08	03	.	K4D08	03	.	Q6E04	03	.	V2D02	03	.	C1C12	03	.	L4D03	03
.	A2D02	03	.	E3D08	03	.	K5D08	03	.	R1A11	03	.	V2D08	03	.	C2D03	03	.	L5D03	03
.	A2D08	03	.	E4D08	03	.	K6B04	03	.	R2D08	03	.	V3B07	03	.	C3D03	03	.	M2D03	03
.	A3B07	03	.	E5D08	03	.	L1D11	03	.	R3D08	03	.	V3B13	03	.	C4D03	03	.	M3D03	03
.	A3B13	03	.	E6B03	03	.	L1D12	03	.	R4D08	03	.	V3D02	03	.	C5D03	03	.	M4D03	03
.	A3D02	03	.	E6C03	03	.	L2D08	03	.	R5D08	03	.	V3D08	03	.	D2D03	03	.	M5D03	03
.	A3D08	03	.	E6D03	03	.	L3D08	03	.	R6A02	03	.	V4B07	03	.	D3D03	03	.	N2D03	03
.	A4B07	03	.	E6E03	03	.	L4D08	03	.	R6A03	03	.	V4B13	03	.	D4D03	03	.	N3D03	03
.	A4B13	03	.	E6E04	03	.	L5D08	03	.	R6B03	03	.	V4D02	03	.	D5D03	03	.	N4D03	03
.	A4D02	03	.	F1A11	03	.	L6D02	03	.	R6C03	03	.	V4D08	03	.	E1B12	03	.	N5D03	03
.	A4D08	03	.	F2D08	03	.	L6D03	03	.	R6D03	03	.	V5B07	03	.	E1C12	03	.	P2D03	03
.	A5B07	03	.	F3D08	03	.	M1D13	03	.	S1A13	03	.	V5B13	03	.	E1D12	03	.	P3D03	03
.	A5B13	03	.	F4D08	03	.	M1E11	03	.	S2D08	03	.	V5D02	03	.	E1E12	03	.	P4D03	03
.	A5D02	03	.	F5D08	03	.	M2D08	03	.	S3D08	03	.	V5D08	03	.	E2D03	03	.	P5D03	03
.	A5D08	03	.	F6A02	03	.	M3D08	03	.	S4D08	03	.	V6B04	03	.	E3D03	03	.	Q1B12	03
.	A6D02	03	.	F6A03	03	.	M4D08	03	.	S5D08	03	+01700	C3B11	03	.	E4D03	03	.	Q1C12	03
.	A6D03	03	.	F6B03	03	.	M5D08	03	.	S6A04	03	.	C4B11	03	.	E5D03	03	.	Q1D12	03
.	B1D13	03	.	F6C03	03	.	M6A03	03	.	T1A11	03	.	D3B11	03	.	F1A12	03	.	Q1E12	03
.	B1E11	03	.	F6D03	03	.	M6B03	03	.	T1A12	03	.	D4B11	03	.	F1B12	03	.	Q2D03	03
.	B2E14	03	.	G1A13	03	.	M6C03	03	.	T2D08	03	.	E3B11	03	.	F1C12	03	.	Q3D03	03
.	B3A01	03	.	G2D08	03	.	M6D03	03	.	T3D08	03	.	E4B11	03	.	F1D12	03	.	Q4D03	03
.	B3E14	03	.	G3D08	03	.	M6D04	03	.	T4D08	03	.	F3B11	03	.	F2D03	03	.	Q5D03	03
.	B4A01	03	.	G4D08	03	.	M6E02	03	.	T5D08	03	.	F4B11	03	.	F3D03	03	.	R1A12	03
.	B4E14	03	.	G5D08	03	.	M6E03	03	.	T6A02	03	.	K3B11	03	.	F4D03	03	.	R1B12	03
.	B5A01	03	.	G6A04	03	.	N1E13	03	.	T6A03	03	.	K4B11	03	.	F5D03	03	.	R1C12	03
.	B6A03	03	.	H1A11	03	.	N2D08	03	.	T6C03	03	.	L3B11	03	.	G2D03	03	.	R1D12	03
.	B6B03	03	.	H1A12	03	.	N3D08	03	.	T6D03	03	.	L4B11	03	.	G3D03	03	.	R2D03	03
.	B6C03	03	.	H4D08	03	.	N4D08	03	.	T6E03	03	.	M1A12	03	.	G4D03	03	.	R3D03	03
.	B6D03	03	.	H5D08	03	.	N5D08	03	.	U1A13	03	.	M1B12	03	.	G5D03	03	.	R4D03	03
.	B6D04	03	.	H6A02	03	.	N6A03	03	.	U1B11	03	.	M1C12	03	.	H1C12	03	.	R5D03	03
.	B6E02	03	.	H6A03	03	.	N6B03	03	.	U2D08	03	.	M1D12	03	.	H1D12	03	.	S2D03	03
.	B6E03	03	.	H6C03	03	.	N6C03	03	.	U2E14	03	.	M1E12	03	.	H1E12	03	.	S3D03	03
.	C1E13	03	.	H6D03	03	.	N6E04	03	.	U3A01	03	.	M3B11	03	.	H5D03	03	.	S4D03	03
.	C2D08	03	.	H6E03	03	.	P1E11	03	.	U3D08	03	.	M4B11	03	.	H5D04	03	.	S5D03	03
.	C3D08	03	.	J1A13	03	.	P1E12	03	.	U3E14	03	.	N1A12	03	.	H5D05	03	.	T1C12	03
.	C4D08	03	.	J1B11	03	.	P2D08	03	.	U4A01	03	.	N1B12	03	.	J1A12	03	.	T1D12	03
.	C5D08	03	.	J2D08	03	.	P3D08	03	.	U4D08	03	.	N1C12	03	.	J1B12	03	.	T1E12	03
.	C6A03	03	.	J3D08	03	.	P4D08	03	.	U4E14	03	.	N4B12	03	.	J1C12	03	.	T2D03	03
.	C6B03	03	.	J4D08	03	.	P5D08	03	.	U5A01	03	.	P4B12	03	.	J1D12	03	.	T3D03	03
.	C6C03	03	.	J5D08	03	.	P6E02	03	.	U5D08	03	.	Q4B12	03	.	J1E12	03	.	T4D03	03
.	C6E04	03	.	J6A03	03	.	P6E03	03	.	U6A03	03	.	R4B12	03	.	J2D03	03	.	T5D03	03
.	D1E11	03	.	J6A04	03	.	Q1E13	03	.	U6A04	03	.	S4B12	03	.	J3D03	03	.	U1A12	03
.	D1E12	03	.	J6B02	03	.	Q2D08	03	.	U6B02	03	.	T4B12	03	.	J4D03	03	.	U1B12	03
.	D2D08	03	.	J6B03	03	.	Q3D08	03	.	U6B03	03	+05000	B1A12	03	.	J5D03	03	.	U1C12	03
.	D3D08	03	.	J6C03	03	.	Q4D08	03	.	U6C03	03	.	B1B12	03	.	K2D03	03	.	U1D12	03
.	D4D08	03	.	J6D03	03	.	Q5D08	03	.	U6D03	03	.	B1C12	03	.	K3D03	03	.	U1E12	03
.	D5D08	03	.	J6E03	03	.	Q6B03	03	.	U6E03	03	.	B1D12	03	.	K4D03	03	+08500	H4B11	03

12-15179

PART NO. 0006272322
EC NO. 000A06010A (41)

LOCATION 1A-A2

DIMENSIONS ARE ENGLISH (IN)

VOLTAGE DISTRIBUTION LIST

VOLT	PIN	PL	VOLT	PIN	PL	VOLT	PIN	PL	VOLT	PIN	PL	VOLT	PIN	PL	VOLT	PIN	PL
+08500	N2B11	03	-05000	T2B06	03												
	N3B11	03		T3B06	03												
	N4B11	03		T4B06	03												
	N5B11	03		T5B06	03												
	P2B11	03		U3E01	03												
	P3B11	03		U4E01	03												
	P4B11	03		U5E01	03												
	P5B11	03															
	Q2B11	03															
	Q3B11	03															
	Q4B11	03															
	Q5B11	03															
	R2B11	03															
	R3B11	03															
	R4B11	03															
	R5B11	03															
	S2B11	03															
	S3B11	03															
	S4B11	03															
	S5B11	03															
	T2B11	03															
	T3B11	03															
	T4B11	03															
	T5B11	03															
	U2A14	03															
	U4A14	03															
-05000	B3E01	03															
	B4E01	03															
	B5E01	03															
	H4B06	03															
	N2B06	03															
	N3B06	03															
	N4B06	03															
	N5B06	03															
	P2B06	03															
	P3B06	03															
	P4B06	03															
	P5B06	03															
	Q2B06	03															
	Q3B06	03															
	Q4B06	03															
	Q5B06	03															
	R2B06	03															
	R3B06	03															
	R4B06	03															
	R5B06	03															
	S2B06	03															
	S3B06	03															
	S4B06	03															
	S5B06	03															

PART NO. 0006272322
EC NO. 000A06010A (41)

LOCATION 1A-A2

DIMENSIONS ARE ENGLISH (IN)

CROSS REFERENCE (PIN-TO-NET)

PIN	NET	PIN	NET	PIN	NET	PIN	NET	PIN	NET
A1C13-	\$MDLWRD001A	A3E04-	\$CHADDR001	B1C11-	\$MDLWRD004B	C2D06-	\$CHADDR0A01	C4D05-	\$ROPORTA2 P
A1D10-	\$OFLININD	A4B02-	\$CAOFFIOB	B1C13-	\$MDLWRD005A	C2D07-	\$CHADDR0A02	C4D06-	\$IFDATA0000
A1D13-	\$MDLWRD001A	A4B03-	\$IFCTRL00	B1D11-	\$MDLWRD005B	C2D10-	\$IFSBIT0001	C4D07-	\$IFDATA0001
A1E11-	\$MDLWRD001B	A4B04-	\$CSUTNORM	B1E13-	\$MDLWRD006A	C2D11-	\$SERVORA2	C4D09-	\$IFDATA0002
A1E13-	\$MDLWRD002A	A4B05-	\$POR00001	B2A03-	\$CHMODE0001	C2D12-	\$DATAORA2	C4D10-	\$IFDATA0003
A2A06-	\$CHADDR0C01	A4B06-	\$POFF0001	B2C11-	\$MDLWRD004B	C2D13-	\$SERV0L00	C4D11-	\$IFDATA0004
A2B01-	\$CHADDR0A00	A4B08-	\$CAOFFIOC	B3A04-	\$MDLWRD002B	C2E03-	\$CHADDR0A01	C4D12-	\$IFDATA0005
A2B02-	\$CHADDR0A00	A4B09-	\$CONRES00	B3A05-	\$MDLWRD001B	C3B01-	\$CHDISA0A	C4D13-	\$IFDATA0006
A2B03-	\$CHADDR0A01	A4B10-	\$DCPOMRON	B3A10-	\$CHMODE0001	C3B02-	\$STOP0L00	C5A11-	\$CAOFFIOA
A2B04-	\$CHADDR0A02	A4B11-	\$CAOFFIOD	B3C04-	\$MDLWRD003B	C3B03-	\$SUPPORA2	C5B01-	\$CATIM00A
A2B05-	\$CHADDR0A03	A4B14-	\$CAOFFIOC	B4A10-	\$MDLWRD003A	C3B04-	\$CACLOKRB	C5B02-	\$IFRESP0000
A2B06-	\$CHADDR0A P	A4C05-	\$POR00001	B4B14-	\$MDLWRD004A	C3B05-	\$CACLOK1A	C5B03-	\$LOPORT0001
A2B08-	\$CHMODE0A00	A4D01-	\$IFREST00 B	B5C02-	\$MDLWRD005A	C3B06-	\$CACLOKRC	C5B04-	\$IFRESP0001
A2B09-	\$CHMODE0A01	A4D03-	\$CHDISA0A	C1A11-	\$MDLWRD006B	C3B07-	\$DATAIRA2	C5B05-	\$LOPORT0004
A2B10-	\$CHMODE0A02	A4D04-	\$CHDISA0B	C1A13-	\$MDLWRD007A	C3B08-	\$SERVIRA2	C5B06-	\$CAINST0A
A2C05-	\$CHADDR0003	A4D05-	\$CHDISA0C	C1B11-	\$MDLWRD007B	C3B09-	\$IFSELTOO A	C5B07-	\$IFRESP0002
A2C07-	\$CHADDR0A02	A4D06-	\$CHDISA0D	C1B13-	\$MDLWRD008A	C3B10-	\$CACLOKRD	C5B08-	\$IFRESP0003
A2D01-	\$CHMODE0B00	A4D07-	\$ONLINESM	C1C11-	\$MDLWRD008B	C3B12-	\$CASSRQ0A	C5B09-	\$IFRESP00 P
A2D03-	\$CHADDR0B00	A4D09-	\$OFLININD	C1C13-	\$MDLWRD009A	C3B13-	\$IFFAIL00 A	C5B10-	\$CATIM00A
A2D04-	\$CHADDR0B01	A4D10-	\$MAERRI00	C1D10-	\$MDLWRD009B	C3B14-	\$IFFAIL00 A	C5B11-	\$CAOFFIOA
A2D05-	\$CHADDR0B02	A4D11-	\$CAOFFIOA	C1D11-	\$MDLWRD009B	C3C06-	\$CASSRQ0A	C5B12-	\$IFCLOK02
A2D06-	\$CHADDR0B03	A4D12-	\$MAMATIO0	C1D13-	\$RCSHTLMR	C3C12-	\$CASSRQ0A	C5B13-	\$CUOFFL00
A2D07-	\$CHADDR0B P	A4D13-	\$DCPHRC00	C1D14-	\$IFRINT00 A	C3D02-	\$SUPP0L00	C5B14-	\$CHPARREM
A2D09-	\$CHMODE0B00	A4E02-	\$IFREST00 A	C1E11-	\$DIINSL00	C3D04-	\$STOPORA2	C5D01-	\$DATOKL00
A2D10-	\$CHMODE0B01	A4E05-	\$CHDISA0C	C2A03-	YZ202ZZ0000	C3D05-	\$CACLOK2A	C5D02-	\$LOPORT0000
A2D11-	\$CHMODE0B02	A4E12-	\$DCPHRC00	C2A06-	YZ202ZZ0000	C3D06-	\$SERVIL00	C5D04-	\$LOPORT0002
A2D14-	\$CHADDR0D P	A4E13-	\$DCPHRC00	C2A09-	\$CHMODE0A01	C3D07-	\$DATAILOO	C5D05-	\$LOPORT0003
A2E04-	\$CHADDR0B P	A5A13-	\$CUOFFL00	C2A11-	\$MDLWRD006B	C3D09-	\$IFRINT00 A	C5D06-	\$LOPORT0005
A2E05-	\$CHDISA0C	A5B01-	\$POFF0001	C2B01-	\$CHADDR0A00	C3D10-	\$ROPORTA200	C5D07-	\$LOPORT0006
A2E06-	\$CHADDR0D01	A5B04-	\$CUOFFL00	C2B02-	\$CHMODE0A00	C3D11-	\$ROPORTA201	C5D09-	\$LOPORT0007
A2E07-	\$CHADDR0B02	A5B05-	\$ONLINESM	C2B03-	\$CHMODE0A01	C3D12-	\$ROPORTA202	C5D10-	\$LOPORT00 P
A3B01-	\$CHADDR0C00	A5B06-	\$CSUTNORM	C2B04-	\$CHADDR0A P	C3D13-	\$ROPORTA203	C5D11-	\$IFCLOK01
A3B02-	\$CHADDR0C00	A5B10-	\$CONRES00	C2B05-	\$CHDISA0A	C3E02-	\$CAINST0A	C5D12-	\$DATOKL00
A3B03-	\$CHADDR0C01	A5B11-	\$CRCHERO0	C2B06-	YZ202ZZ0000	C3E06-	\$SERVIL00	C5D14-	\$RCSHTLMR
A3B04-	\$CHADDR0C02	A5B12-	\$MAMTION0	C2B07-	\$CHADDR0A00	C3E07-	\$DATAILOO	C5E06-	\$CAINST0A
A3B05-	\$CHADDR0C03	A5C05-	\$ONLINESM	C2B08-	\$CASPOR0A	C4A08-	\$MDLWRD007A	C5E08-	\$SERVIL00
A3B06-	\$CHADDR0C P	A5C09-	\$MDLWRD001A	C2B09-	\$IFORDR00	C4A11-	\$CAOFFIOA	C5E10-	\$DATAILOO
A3B08-	\$CHMODE0C00	A5C11-	\$POR00001	C2B10-	\$IFSBIT0002	C4B02-	\$IFREST00 A	C5E13-	\$DIINSL00
A3B09-	\$CHMODE0C01	A5D03-	\$+5VA1BRD	C2B11-	\$CACLOKRA	C4B03-	\$ROPORTA205	C6A01-	\$SERVIRA2
A3B10-	\$CHMODE0C02	A5D06-	\$MAERRI00	C2B12-	\$DATAOLOO	C4B04-	\$ROPORTA207	C6B01-	\$DATAIRA2
A3C06-	\$CHADDR0D03	A5D07-	\$MAMATIO0	C2B13-	\$MAALDIOO	C4B05-	\$IFCTRL00	C6C05-	\$ROPORTA201
A3D01-	\$CHDISA0A	A5D09-	\$IFREST00 A	C2B14-	\$IFSELTOO A	C4B07-	\$CHPARLOC	C6D01-	\$SERVORA2
A3D03-	\$CHADDR0D00	A5D10-	\$IFREST00 B	C2C04-	\$MDLWRD007B	C4B08-	\$CHPARREM	C6D05-	\$ROPORTA2 P
A3D04-	\$CHADDR0D01	A5D11-	\$IFREST00 C	C2C06-	\$CHADDR0A P	C4B09-	\$DATOKRA2	C6E03-	\$ROPORTA203
A3D05-	\$CHADDR0D02	A5D12-	\$IFREST00 D	C2C08-	\$CHMODE0A00	C4B12-	\$IFDATA0007	D1B11-	\$IFSELTOO B
A3D06-	\$CHADDR0D03	A5E09-	\$MDLWRD002A	C2C10-	\$CHMODE0A02	C4B13-	\$IFDATA00 P	D1E13-	\$IFDATA0000
A3D07-	\$CHADDR0D P	B1A11-	\$MDLWRD002B	C2D02-	\$PSPORS00	C4C03-	\$IFCTRL00	D2A09-	\$CHMODE0B01
A3D09-	\$CHMODE0D00	B1A13-	\$MDLWRD003A	V C2D03-	YZ202ZZ0000	C4C09-	\$MDLWRD009A	D2B01-	\$CHMODE0B00
A3D10-	\$CHMODE0D01	B1B11-	\$MDLWRD003B	C2D04-	\$CHMODE0A02	C4D02-	\$ROPORTA204	D2B02-	\$CHMODE0B00
A3D11-	\$CHMODE0D02	B1B13-	\$MDLWRD004A	C2D05-	\$CHADDR0A03	C4D04-	\$ROPORTA206		

12-15179

DATE - 06/10/85

- FIELD WIRE NET LIST -

PART NO. 0006272322 EC NO. 000A06010A (41) LOCATION 1A-A2 DIMENSIONS ARE ENGLISH (IN)

Table with columns: PIN, NET, NODE NAME, CROSS REFERENCE (PIN-TO-NET), PIN, NET, PIN, NET, PIN, NET. Contains multiple rows of network node data.

DATE - 06/10/85

- FIELD WIRE NET LIST -

PART NO. 0006272322 EC NO. 000A06010A (41) LOCATION 1A-A2 DIMENSIONS ARE ENGLISH (IN)

Table with columns: PIN, NET, NODE NAME, CROSS REFERENCE (PIN-TO-NET), PIN, NET, PIN, NET, PIN, NET. Contains multiple rows of network node data.

12-15179

PART NO. 0006272322
EC NO. 000A06010A (41)

LOCATION 1A-A2

DIMENSIONS ARE ENGLISH (IN)

Table with columns: PIN, NET, PIN, NET, NODE NAME, CROSS REFERENCE (PIN-TO-NET), PIN, NET, PIN, NET. Lists various node identifiers and their cross-references.

PART NO. 0006272322
EC NO. 000A06010A (41)

LOCATION 1A-A2

DIMENSIONS ARE ENGLISH (IN)

Table with columns: PIN, NET, PIN, NET, NODE NAME, CROSS REFERENCE (PIN-TO-NET), PIN, NET, PIN, NET. Lists various node identifiers and their cross-references.

12-15179

PART NO. 0006272322
EC NO. 000A06010A (41)

LOCATION 1A-A2

DIMENSIONS ARE ENGLISH (IN)

NODE NAME CROSS REFERENCE (PIN-TO-NET)									
PIN	NET	PIN	NET	PIN	NET	PIN	NET	PIN	NET
P3A03-	\$RSDAT09	P5B02-	\$RBUS5AL P	Q2D07-	\$RBUS9BL M	Q4D05-	\$RDVFACT06	R2B08-	\$MDWOSC01
P3A08-	\$RSDAT16	P5B03-	\$RBUS5AR P	Q2D09-	\$RCCOAST	Q4D06-	\$RDVFACT12	R2B12-	\$RBUS4BR M
P3B03-	\$RSDAT09	P5B05-	\$RBUS5AL M	Q2D11-	\$MDLWRD006B	Q4D07-	\$MDWOSC02	R2B13-	\$RDAMPA00
P3B04-	\$RSDAT15	P5B12-	\$RBUS2AL M	Q2D12-	\$RBUS6BL P	Q4D09-	\$RBUS9AL P	R2C02-	\$RBUS7BL M
P3B05-	\$RDPNTR15	P5B13-	\$DIINSL00	Q2D13-	\$RBUS6BR P	Q4D10-	\$RBUS9AR P	R2C08-	\$RBUS7BL M
P3B07-	\$RSDAT16	P5C06-	\$RBUS5AL M	Q2D14-	\$MDLWRD003B	Q4D11-	\$RBUS9AR M	R2C09-	\$RDPNTR01
P3B08-	\$RBUS2BL M	P5C10-	\$RBUS2AR P	Q2E01-	\$SBDAT00008	Q4D12-	\$RBUS9AL M	R2C11-	\$RBUS7BL M
P3B10-	\$RSDAT10	P5C11-	\$RBUS2AR P	Q2E05-	\$RBUS3BL P	Q4D13-	\$MDSELMOD	R2C13-	\$RBUS4BL P
P3B12-	\$RDPNTR10	P5D02-	\$MDLWRD005A	Q3A03-	\$SBDAT00000	Q4E06-	\$MDWOSC02	R2D04-	\$MDLWRD007B
P3B13-	\$RDAMP00	P5D04-	\$RBUS5AR M	Q3A04-	\$RSDAT17	Q5A02-	\$RDPNTR05	R2D05-	\$RBUS7BL P
P3C04-	\$RSDAT15	P5D09-	\$MDLWRD002A	Q3A06-	\$RSDAT17	Q5A12-	\$ECPPTR06	R2D06-	\$RBUS7BR P
P3D02-	\$RDPNTR09	P5D10-	\$RBUS2AR P	Q3A08-	\$RSDAT18	Q5B02-	\$RBUS6AL P	R2D07-	\$RBUS7BL M
P3D04-	\$MDLWRD002B	P5D11-	\$RBUS2AR M	Q3A09-	\$RDPNTR17	Q5B03-	\$RBUS6AR P	R2D09-	\$RCCOAST
P3D05-	\$RBUS2BL P	P5D12-	\$RCSHTLMR	Q3A10-	\$ECPPTR06	Q5B05-	\$RBUS6AL M	R2D11-	\$MDLWRD004B
P3D06-	\$RBUS2BR P	P5D13-	\$RBUS2AL P	Q3B01-	\$RDAMPE00	Q5B12-	\$RBUS3AL M	R2D12-	\$RBUS4BL P
P3D07-	\$RBUS2BR M	P5E09-	\$MDLWRD002A	Q3B03-	\$RSDAT11	Q5B13-	\$DIINSL00	R2D13-	\$RBUS4BR P
P3D09-	\$RSDAT04	P5E12-	\$MDLWRD002A	Q3B04-	\$RSDAT17	Q5C02-	\$MDLWRD003A	R2D14-	\$RDVFACT13
P3D10-	\$RDPNTR04	P6A02-	\$MDLWRD008A	Q3B05-	\$RDPNTR17	Q5C09-	\$ECPPTR11	R2E02-	\$RBUS1BL P
P3D11-	\$RDTONC00	P6B01-	\$DIINSL00	Q3B07-	\$RSDAT18	Q5C11-	\$RBUS3AR P	R2E09-	\$MDLWRD001B
P3D12-	\$RDPNTR16	P6B02-	\$DIINSL00	Q3B08-	\$RBUS3BL M	Q5D02-	\$MDLWRD006A	R2E10-	\$MDLWRD004B
P3D13-	\$RDAMP00	P6B04-	\$RBUS5AL P	Q3B10-	\$RSDAT12	Q5D04-	\$RBUS6AR M	R2E11-	\$MDLWRD004B
P3D14-	\$RDAMP00	P6B05-	\$RDTOND00	Q3B12-	\$RDPNTR12	Q5D09-	\$MDLWRD003A	R3A02-	\$SBDAT000 P
P3E08-	\$SBDAT0203	P6C02-	\$RBUS2AL M	Q3B13-	\$RDPNTR00	Q5D10-	\$RBUS3AR P	R3B01-	\$RBUS4BL M
P4A03-	\$RSDAT09	P6D02-	\$RBUS2AL P	Q3C03-	\$ECPPTR11	Q5D11-	\$RBUS3AR M	R3B03-	\$RSDAT07
P4A04-	\$RSDAT10	P6D04-	\$RBUS5AR M	Q3C08-	\$SBDAT00004	Q5D12-	\$RCSHTLMR	R3B04-	\$RSDAT13
P4B02-	\$RDVFACT03	P6D05-	\$RDVFACT16	Q3D02-	\$RDPNTR11	Q5D13-	\$RBUS3AL P	R3B05-	\$RDPNTR13
P4B03-	\$RDVFACT09	Q1A11-	\$SBDAT00000	Q3D04-	\$MDLWRD003B	Q5E13-	\$RDPNTR18	R3B07-	\$RSDAT14
P4B04-	\$RCWRITE	Q1A13-	\$RCCLKB00	Q3D05-	\$RBUS3BL P	Q6B01-	\$DIINSL00	R3B08-	\$RBUS1BL M
P4B07-	\$RDTOND00	Q1B11-	\$SBDAT00002	Q3D06-	\$RBUS3BR P	Q6B05-	\$RBUS3AL M	R3B10-	\$RSDAT08
P4B08-	\$MDLWRD008A	Q1C11-	\$SBDAT00004	Q3D07-	\$RBUS3BR M	Q6C01-	\$DIINSL00	R3B12-	\$RDPNTR08
P4B09-	\$RSDAT03	Q1C13-	\$SBADRP01	Q3D09-	\$RSDAT06	Q6D01-	\$RBUS3AL P	R3B13-	\$RDAMPA00
P4B10-	\$RDPNTR03	Q1D10-	\$SBDAT00006	Q3D10-	\$RDPNTR06	R1A13-	\$SBDAT000 P	R3B14-	\$RDTONB00
P4B13-	\$RCRBK00	Q1D11-	\$SBDAT00006	Q3D11-	\$RDTONC00	R1B13-	\$SBDAT00001	R3C04-	\$SBDAT00001
P4C03-	\$RCWRITE	Q1D13-	\$SBDAT000 C	Q3D12-	\$RDPNTR18	R1B14-	\$MDWOSC01	R3C07-	\$SBDAT00003
P4C04-	\$RSDAT15	Q1E11-	\$SBDAT00008	Q3D13-	\$RDAMPF00	R1C11-	\$SBADRP02	R3C09-	\$RDPNTR01
P4C05-	\$RCWRITE	Q2A05-	\$RCCLKB00	Q4A13-	\$RDVFACT11	R1C13-	\$SBDAT00003	R3C12-	\$RDPNTR02
P4C06-	\$MDWOSC02	Q2A13-	\$RBUS6BR M	Q4B01-	\$RDVFACT05	R1D10-	\$RCCOAST	R3D01-	\$SBDAT020 C
P4C12-	\$RBUS8AR M	Q2B03-	\$RCCRST00	Q4B02-	\$RDVFACT05	R1D11-	\$SBDAT020 C	R3D02-	\$RDPNTR07
P4D01-	\$RDPNTR04	Q2B07-	\$RBUS9BR M	Q4B03-	\$RDVFACT11	R1D13-	\$SBDAT00005	R3D04-	\$MDLWRD001B
P4D02-	\$RDVFACT15	Q2B08-	\$MDWOSC01	Q4B04-	\$RCWRITE	R1E10-	\$RDTONA00	R3D05-	\$RBUS1BL P
P4D04-	\$RDVFACT16	Q2B12-	\$RBUS6BR M	Q4B07-	\$RDTONF00	R1E11-	\$SBDAT02000	R3D06-	\$RBUS1BR P
P4D05-	\$RDVFACT04	Q2B13-	\$RBUS6BL M	Q4B08-	\$MDLWRD009A	R1E13-	\$SBDAT00007	R3D07-	\$RBUS1BR M
P4D06-	\$RDVFACT10	Q2C08-	\$RBUS9BR M	Q4B09-	\$RSDAT05	R2A02-	\$RCCRST00	R3D09-	\$RSDAT02
P4D07-	\$MDWOSC02	Q2C10-	\$SBADRP01	Q4L10-	\$RDPNTR05	R2A03-	\$RCCRST00	R3D10-	\$RDPNTR02
P4D09-	\$RBUS8AL P	Q2C11-	\$RSDAT11	Q4B13-	\$RCRBK00	R2A07-	\$RBUS7BR M	R3D11-	\$RDTONA00
P4D10-	\$RBUS8AR P	Q2C12-	\$RDPNTR12	Q4C03-	\$RCWRITE	R2A08-	\$RBUS7BR M	R3D12-	\$RDPNTR14
P4D11-	\$RBUS8AR M	Q2C13-	\$MDWOSC02	Q4C11-	\$RBUS9AR P	R2A10-	\$RBUS7AL P	R3D13-	\$RDAMP800
P4D12-	\$RBUS8AL M	Q2D04-	\$MDLWRD009B	Q4C13-	\$MDLWRD009A	R2B01-	\$RBUS1BL M	R3D14-	\$RDAMP800
P4D13-	\$MDSELMOD	Q2D05-	\$RBUS9BL P	Q4D02-	\$RDVFACT17	R2B03-	\$RCCRST00	R3E02-	\$RBUS4BL P
P4E06-	\$MDWOSC02	Q2D06-	\$RBUS9BR P	Q4D04-	\$RDVFACT18	R2B07-	\$RBUS7BR M	R3E03-	\$SBDAT02000

PART NO. 0006272322
EC NO. 000A06010A (41)

LOCATION 1A-A2

DIMENSIONS ARE ENGLISH (IN)

NODE NAME CROSS REFERENCE (PIN-TO-NET)									
PIN	NET	PIN	NET	PIN	NET	PIN	NET	PIN	NET
R3E05-	\$RBUS1BL P	R5D02-	\$MDLWRD004A	S2E08-	\$RBUS8BL P	S4B08-	\$MDLWRD008A	S6D04-	\$RBUS5AR M
R3E06-	\$RBUS1BR P	R5D04-	\$RBUS4AR M	S2E10-	\$RDTONC00	S4B09-	\$RSDAT03	S6D05-	\$RDVFACT16
R3E11-	\$ECPPTR07	R5D09-	\$MDLWRD001A	S2E13-	\$RBUS4BR P	S4B10-	\$RDPNTR03	T1A13-	\$SBDAT020 P
R4A04-	\$RSDAT10	R5D10-	\$RBUS1AR P	S3A01-	\$RBUS4BR M	S4B13-	\$RCRBK00	T1B11-	\$SBDAT02004
R4A08-	\$RSDAT08	R5D11-	\$RBUS1AR M	S3A02-	\$ECPPTR10	S4C02-	\$RSDAT03	T1B13-	\$SBDAT02001
R4A09-	\$RBUS7AL P	R5D12-	\$RCSHTLMR	S3A04-	\$RBUS5AL P	S4C03-	\$RBUS1BR M	T1B14-	\$SBDAT02001
R4A11-	\$RDVFACT01	R5D13-	\$RBUS1AL P	S3A05-	\$SBDAT02002	S4C05-	\$RSDAT04	T1C11-	\$SBDAT02006
R4A12-	\$MDLWRD007A	R5D14-	\$RCSHTLMR	S3A10-	\$RSDAT10	S4D01-	\$RDPNTR16	T1C13-	\$SBDAT02003
R4B01-	\$RSDAT01	R5E01-	\$MDLWRD004A	S3A12-	\$RDPNTR18	S4D02-	\$RDVFACT15	T1D10-	\$MDLWRD009B
R4B02-	\$RDVFACT01	R5E04-	\$RBUS4AR M	S3B03-	\$RSDAT09	S4D04-	\$RDVFACT16	T1D11-	\$SBDAT02008
R4B03-	\$RDVFACT07	R5E10-	\$ECPPTR07	S3B04-	\$RSDAT15	S4D05-	\$RDVFACT04	T1D13-	\$SBDAT02005
R4B04-	\$RCWRITE	R5E11-	\$RBUS1AR P	S3B05-	\$RDPNTR15	S4D06-	\$RDVFACT10	T1D14-	\$MDLWRD006A
R4B07-	\$RDTONB00	R6B01-	\$RSDAT01	S3B07-	\$RSDAT16	S4D07-	\$MDWOSC02	T1E11-	\$SBADRP03
R4B08-	\$MDLWRD007A	R6D01-	\$MDLWRD001A	S3B08-	\$RBUS2BL M	S4D09-	\$RBUS8AL P	T1E13-	\$SBDAT02007
R4B09-	\$RSDAT01	R6D05-	\$RBUS1AL P	S3B10-	\$RSDAT10	S4D10-	\$RBUS8AR P	T2A02-	\$SBDAT02004
R4B10-	\$RDPNTR01	S1A11-	\$SBDAT02002	S3B12-	\$RDPNTR10	S4D11-	\$RBUS8AR M	T2A03-	\$RBUS2AL P
R4B13-	\$RCRBK00	S1B11-	\$RDAMP00	S3B13-	\$RDAMP00	S4D12-	\$RBUS8AL M	T2A06-	\$RBUS7BL P
R4B14-	\$RBUS1AL M	S1B13-	\$RDVFACT03	S3C01-	\$RBUS5BR P	S4D13-	\$MDSELMOD	T2A07-	\$RDTONC00
R4C02-	\$RDPNTR14	S1B14-	\$RDAMP00	S3C02-	\$RDPNTR09	S4D14-	\$RDVFACT15	T2A11-	\$RBUS6BL M
R4C05-	\$RSDAT02	S1C13-	\$SBDAT04001	S3C03-	\$RBUS5AL M	S4E04-	\$RDVFACT16	T2A13-	\$RBUS5BL M
R4C07-	\$RSDAT14	S1D11-	\$MDLWRD005B	S3C04-	\$SBDAT04001	S5A03-	\$RBUS7BR P	T2B03-	\$RCCRST00
R4C11-	\$RBUS4AL P	S1D12-	\$MDLWRD008B	S3C06-	\$RBUS2BR M	S5A09-	\$ECPPTR10	T2B07-	\$RBUS9BR M
R4C13-	\$RDVFACT13	S1E11-	\$SBDAT04002	S3C07-	\$RBUS1BR M	S5A12-	\$RBUS2AL M	T2B08-	\$MDWOSC01
R4D02-	\$RDVFACT13	S1E13-	\$SBDAT04003	S3C08-	\$RDPNTR09	S5B02-	\$RBUS5AL P	T2B12-	\$RBUS6BR M
R4D04-	\$RDVFACT14	S2A02-	\$RBUS2AL M	S3C09-	\$RBUS8BL M	S5B03-	\$RBUS5AR P	T2B13-	\$RBUS6BL M
R4D05-	\$RDVFACT02	S2A06-	\$RBUS7BR P	S3C14-	\$RDAMPD00	S5B05-	\$RBUS5AL M	T2B14-	\$RDAMP00
R4D06-	\$RDVFACT08	S2A12-	\$RBUS4BR M	S3D02-	\$RDPNTR09	S5B12-	\$RBUS2AL M	T2C06-	\$RBUS8BR P
R4D07-	\$MDWOSC02	S2B01-	\$RDTOND00	S3D04-	\$MDLWRD002B	S5B13-	\$DIINSL00	T2C07-	\$RBUS9BR M
R4D09-	\$RBUS7AL P	S2B03-	\$RCCRST00	S3D05-	\$RBUS2BL P	S5C01-	\$RBUS8AR P	T2C08-	\$RBUS9BR M
R4D10-	\$RBUS7AR P	S2B07-	\$RBUS8BR M	S3D06-	\$RBUS2BR P	S5C02-	\$RDVFACT04	T2C13-	\$RBUS6BR M
R4D11-	\$RBUS7AR M	S2B08-	\$MDWOSC01	S3D07-	\$RBUS2BR M	S5C05-	\$RBUS5AR M	T2D01-	\$SBDAT02005
R4D12-	\$RBUS7AL M	S2B12-	\$RBUS5BR M	S3D09-	\$RSDAT04	S5C06-	\$RBUS5AL M	T2D04-	\$MDLWRD009B
R4D13-	\$MDSELMOD	S2B13-	\$RBUS5BL M	S3D10-	\$RDPNTR04	S5C07-	\$RBUS8AR M	T2D05-	\$RBUS9BL P
R4D14-	\$MDLWRD004A	S2B14-	\$RBUS5BL M	S3D11-	\$RDTONC00	S5C09-	\$MDLWRD002A	T2D06-	\$RBUS9BR P
R4E02-	\$RBUS1BR P	S2C09-	\$MDLWRD002B	S3D12-	\$RDPNTR16	S5C11-	\$MDLWRD002A	T2D07-	\$RBUS9BL M
R4E05-	\$RBUS7AR M	S2C10-	\$MDLWRD005B	S3D13-	\$RDAMPD00	S5D01-	\$RBUS8AL M	T2D09-	\$RCCOAST
R4E12-	\$RBUS4AR M	S2C11-	\$MDLWRD005B	S3D14-	\$RDAMPD00	S5D02-	\$MDLWRD005A	T2D11-	\$MDLWRD006B
R4E13-	\$RBUS7AL M	S2C13-	\$RBUS5BR P	S3E04-	\$RSDAT17	S5D04-	\$RBUS5AR M	T2D12-	\$RBUS6BL P
R4E14-	\$RBUS1AR P	S2D04-	\$MDLWRD008B	S3E05-	\$SBDAT04002	S5D09-	\$MDLWRD002A	T2D13-	\$RBUS6BR P
R5B02-	\$RBUS4AL P	S2D05-	\$RBUS8BL P	S3E06-	\$RSDAT17	S5D10-	\$RBUS2AR P	T2D14-	\$MDWOSC02
R5B03-	\$RBUS4AR P	S2D06-	\$RBUS8BR P	S3E07-	\$SBDAT04003	S5D11-	\$RBUS2AR M	T2E09-	\$RBUS9BL M
R5B05-	\$RBUS4AL M	S2D07-	\$RBUS8BL M	S3E08-	\$RDPNTR09	S5D12-	\$RCSHTLMR	T2E12-	\$RBUS4AL M
R5B12-	\$RBUS1AL M	S2D09-	\$RCCOAST	S3E10-	\$RDPNTR09	S5D13-	\$RBUS2AL P	T2E14-	\$MDLWRD003B
R5B13-	\$DIINSL00	S2D11-	\$MDLWRD005B	S4A02-	\$RDPNTR18	S5E02-	\$RBUS4BR P	T3A03-	\$RBUS7BL P
R5C03-	\$RBUS4AL P	S2D12-	\$RBUS5BL P	S4A07-	\$RSDAT10	S5E05-	\$RDVFACT16	T3A05-	\$RBUS3BL M
R5C04-	\$RDVFACT08	S2D13-	\$RBUS5BR P	S4A11-	\$RDVFACT03	S6B01-	\$MDLWRD008A	T3A06-	\$RBUS5BL M
R5C05-	\$RDVFACT14	S2D14-	\$RBUS5BR P	S4B02-	\$RDVFACT03	S6B02-	\$RBUS2AL M	T3A11-	\$RDPNTR17
R5C06-	\$RBUS4AL M	S2E03-	\$RDVFACT15	S4B03-	\$RDVFACT09	S6B04-	\$RBUS5AL P	T3A12-	\$RDTONC00
R5C07-	\$RDVFACT08	S2E05-	\$RBUS8BL P	S4B04-	\$RCWRITE	S6B05-	\$RDTOND00	T3B01-	\$RBUS5BR P
R5D01-	\$RDVFACT02	S2E06-	\$RBUS8BL P	S4B07-	\$RDTOND00	S6D02-	\$RBUS2AL P	T3B03-	\$RSDAT11

12-15179

DATE - 06/10/85 - FIELD MIRE NET LIST -

 PART NO. 0006272322
 EC NO. 000A06010A (41) LOCATION 1A-A2 DIMENSIONS ARE ENGLISH (IN)

PIN		NET		PIN		NET		PIN		NET	
T3B04-	\$RDSOAT17	T4D04-	\$RDVFCT18	U2A07-	\$RBUS8BR M	U3C03-	\$RBUS7BL M	U4E11-	\$RBUS9AR M		
T3B05-	\$RDPNTR17	T4D05-	\$RDVFCT06	U2A09-	\$RBUS9BL P	U3C05-	\$RBUS3BL P	U5A03-	\$RBUS4AR P		
T3B07-	\$RDSOAT18	T4D06-	\$RDVFCT12	U2A10-	\$RBUS7AL M	U3C06-	\$RBUS3BL M	U5A04-	\$RBUS9AR P		
T3B08-	\$RBUS3BL M	T4D07-	\$MDMOSCO2	U2A13-	\$RBUS6AL M	U3C07-	\$RBUS3BR M	U5A05-	\$RBUS6AL M		
T3B10-	\$RDSOAT12	T4D09-	\$RBUS9AL P	U2B02-	\$RBUS1BL P	U3C08-	\$RBUS2BL M	U5A09-	\$RBUS8BR M		
T3B12-	\$RDPNTR12	T4D10-	\$RBUS9AR P	U2B03-	\$RBUS2AL P	U3C09-	\$RBUS8BL P	U5A10-	\$RBUS2AR P		
T3B13-	\$RDAMPE00	T4D11-	\$RBUS9AR M	U2B04-	\$RBUS1AL P	U3D01-	\$RBUS6BR M	U5A13-	\$RBUS3AL P		
T3B14-	\$RDSOAT18	T4D12-	\$RBUS9AL M	U2B05-	\$RBUS3BL P	U3D02-	\$RBUS4BL M	U5B01-	\$RBUS8AR P		
T3C01-	\$RBUS6BR M	T4D13-	\$NDSELMO0	U2B06-	\$RBUS3AL P	U3D03-	\$RBUS7BL M	U5B02-	\$RBUS4BR P		
T3C03-	\$RDSOAT11	T4D14-	\$RDVFCT06	U2B07-	\$RBUS2BL P	U3D04-	\$RBUS9AL M	U5B03-	\$RBUS7BR P		
T3C06-	\$RBUS2BR P	T4E05-	\$RBUS3BR P	U2B09-	\$RBUS9BL P	U3D05-	\$RBUS5AL M	U5B04-	\$RBUS9AR P		
T3C07-	\$RDSOAT18	T4E06-	\$RBUS3AR P	U2B10-	\$RBUS7AL P	U3D06-	\$RBUS5BL M	U5B05-	\$RBUS5AR P		
T3C08-	\$RDSOAT18	T4E10-	\$MDLMRD003A	U2B11-	\$RBUS6BL P	U3D07-	\$RBUS8AL M	U5B06-	\$RBUS5BR P		
T3C09-	\$RDPNTR05	T5A11-	\$RBUS2AR M	U2B12-	\$RBUS4AL P	V U3D08-	NT006AB10	U5B07-	\$RBUS8AR P		
T3D01-	\$RDPNTR11	T5A13-	\$RBUS2AL P	U2B13-	\$RBUS6AL P	U3D09-	\$RBUS8BL M	U5B09-	\$RBUS8BR P		
T3D02-	\$RDPNTR11	T5B02-	\$RBUS6AL P	U2B14-	\$RBUS6BR P	U3D11-	NT006AB10	U5C02-	\$RBUS4BR M		
T3D04-	\$MDLMRD003B	T5B03-	\$RBUS6AR P	U2C05-	\$RBUS3BL P	U3E03-	\$RBUS5AL M	U5C04-	\$RBUS6AR M		
T3D05-	\$RBUS3BL P	T5B05-	\$RBUS6AL M	U2C06-	\$RBUS9BR P	U3E07-	\$RBUS2BR M	U5C06-	\$RBUS5BR P		
T3D06-	\$RBUS3BR P	T5B12-	\$RBUS3AL M	U2C07-	\$RBUS2BL M	U3E10-	\$SBDAT04005	U5C10-	\$RBUS1AR P		
T3D07-	\$RBUS3BR M	T5B13-	\$DIINSL00	U2C08-	\$RBUS8BL P	U4A08-	\$RBUS8AL P	U5C11-	\$RBUS3AR M		
T3D09-	\$RDSOAT06	T5C02-	\$RDPNTR05	U2C11-	\$RBUS7BL M	U4A09-	\$RBUS9AL P	U5C12-	\$RBUS3AL M		
T3D10-	\$RDPNTR06	T5C03-	\$MDLMRD003A	U2C12-	\$RBUS5BL P	U4A10-	\$RBUS9AR P	U5C13-	\$RBUS1AL P		
T3D11-	\$RDONE00	T5C09-	\$RBUS8BR P	U2D02-	\$RBUS1BL M	U4A11-	\$RBUS4AL P	U5D01-	\$RBUS8AL M		
T3D12-	\$RDPNTR18	T5C11-	\$RBUS1AR M	U2D03-	\$RBUS2AL M	U4A12-	\$RBUS7AL M	U5D02-	\$RBUS4BR M		
T3D13-	\$RDAMPF00	T5D02-	\$MDLMRD006A	U2D04-	\$RBUS1AL M	U4B02-	\$RBUS1BR P	U5D03-	\$RBUS7BR M		
T3D14-	\$SBDAT02008	T5D04-	\$RBUS6AR M	U2D05-	\$RBUS3BL M	U4B03-	\$RBUS2AR P	U5D04-	\$RBUS9AR M		
T3E04-	\$RBUS9AL M	T5D09-	\$MDLMRD003A	U2D06-	\$RBUS3AL M	U4B04-	\$RBUS1AR P	U5D05-	\$RBUS5AR M		
T3E06-	\$RBUS3BR P	T5D10-	\$RBUS3AR P	U2D07-	\$RBUS2BL M	U4B05-	\$RBUS3BR P	U5D06-	\$RBUS5BR M		
T3E12-	\$SBDAT02007	T5D11-	\$RBUS3AR M	U2D09-	\$RBUS9BL M	U4B06-	\$RBUS3AR P	U5D07-	\$RBUS8AR M		
T4A03-	\$RBUS2AR M	T5D12-	\$RCSHTLMR	U2D10-	\$RBUS7AL M	U4B07-	\$RBUS2BR P	U5D09-	\$RBUS8BR M		
T4A07-	\$RDSOAT12	T5D13-	\$RBUS3AL P	U2D11-	\$RBUS6BL M	U4B09-	\$RBUS9BR P	U5E03-	\$RBUS7BR M		
T4A12-	\$RDVFCT11	T5E05-	\$RBUS4AL M	U2D12-	\$RBUS4AL M	U4B10-	\$RBUS7AR P	U5E06-	\$RBUS5BR M		
T4A13-	\$MDLMRD009A	T5E10-	\$RBUS3AR P	U2D13-	\$RBUS6AL M	U4B11-	\$RBUS6BR P	U5E12-	\$RBUS1AL M		
T4A14-	\$RBUS6AR P	T5E11-	\$RBUS3AR P	U2E04-	\$MDLMRD008B	U4B12-	\$RBUS4AR P	U6B01-	\$RBUS6AL P		
T4B01-	\$RDSOAT05	T5E13-	\$RDPNTR18	U2E07-	\$RBUS7BR M	U4B13-	\$RBUS6AR P	V1A11-	\$SBDAT04006		
T4B02-	\$RDVFCT05	T6B01-	\$DIINSL00	U3A02-	\$SBDAT04000	U4C04-	\$RBUS1AR P	V1A13-	\$SBDAT04007		
T4B03-	\$RDVFCT11	T6B05-	\$RBUS3AL M	U3A04-	\$RBUS9AL P	U4C12-	\$RBUS5BR P	V1B11-	\$SBDAT04008		
T4B04-	\$RCMRITE	T6C01-	\$RBUS6AL P	U3A05-	\$RBUS2BL P	U4C13-	\$RBUS6AR M	V2A04-	\$MDLMRD0088		
T4B07-	\$RDTONF00	T6D01-	\$RBUS3AL P	U3A07-	\$RBUS8AL P	U4D02-	\$RBUS1BR M	V2A12-	\$RBUS5BR M		
T4B08-	\$MDLMRD009A	U1A11-	\$SBDAT04000	U3B01-	\$RBUS5BL P	U4D03-	\$RBUS2AR M	V2B01-	\$RCCLKM00		
T4B09-	\$RDSOAT05	U1B13-	\$SBDAT04000	U3B02-	\$RBUS4BL P	U4D04-	\$RBUS1AR M	V2B02-	\$RCRST00		
T4B10-	\$RDPNTR05	U1B14-	\$SBDAT04000	U3B03-	\$RBUS7BL P	U4D05-	\$RBUS3BR M	V2B03-	\$RCRCKD00		
T4B13-	\$RCRBK000	U1C10-	\$SBDAT04000	U3B04-	\$RBUS9AL P	U4D06-	\$RBUS3AR M	V2B06-	\$RCRSYM00		
T4B14-	\$RCRBK000	U1C11-	\$SBDAT04000	U3B05-	\$RBUS5AL P	U4D07-	\$RBUS2BR M	V2B08-	\$SBROCE01		
T4C03-	\$RDSOAT11	U1C13-	\$SBDAT04001	U3B06-	\$RBUS5BL P	U4D09-	\$RBUS9BR M	V2B10-	\$SBROCE02		
T4C04-	\$RBUS1AR M	U1D11-	\$SBDAT04002	U3B07-	\$RBUS8AL P	U4D10-	\$RBUS7AR M	V2B11-	\$SBROCE03		
T4C07-	\$RBUS2BR P	U1D13-	\$SBDAT04003	U3B09-	\$RBUS8BL P	U4D11-	\$RBUS6BR M	V2B12-	\$SBGRDC03		
T4C09-	\$RBUS9BR M	U1E11-	\$SBDAT04004	U3B11-	NT006AB10	U4D12-	\$RBUS4AR M	V2C08-	\$SBGRDC01		
T4C13-	\$RBUS5BR P	U1E13-	\$SBDAT04005	U3C01-	\$RBUS5BL P	U4D13-	\$RBUS6AR M	V2D03-	\$SBSYD001		
T4D02-	\$RDVFCT17	U2A05-	\$RBUS9BL P	U3C02-	\$RBUS4BR M	U4E05-	\$RBUS7AR M	V2D04-	\$SBSYD002		

DATE - 06/10/85 - FIELD MIRE NET LIST -

 PART NO. 0006272322
 EC NO. 000A06010A (41) LOCATION 1A-A2 DIMENSIONS ARE ENGLISH (IN)

PIN		NET		PIN		NET		PIN		NET	
V2D05-	\$SBSYD03	V5B08-	\$LOPORT0004								
V2D07-	\$SBSYD04	V5B09-	\$LOPORT0005								
V2D09-	\$SBSYD05	V5B10-	\$LOPORT0006								
V2D10-	\$SBSYD06	V5B11-	\$LOPORT0007								
V2D11-	\$RCBLKOPS	V5B12-	\$LOPORT000 P								
V2D12-	\$SBGRDC01	V5B14-	\$ECPPTR03								
V2D13-	\$SBGRDC02	V5C06-	\$LOPORT0005								
V2D14-	\$SBGRDC02	V5C07-	\$ECPPTR18								
V2E05-	\$SBSYD06	V5C08-	\$ECPPTR14								
V3A01-	\$SBDAT04007	V5C09-	\$LOPORT0007								
V3A04-	\$ECPPTR12	V5C10-	\$ECPPTR08								
V3A08-	\$SBDAT04004	V5C13-	\$ECPPTR01								
V3A10-	\$SBDAT04006	V5D03-	\$SERVOL00								
V3B01-	\$SBDAT04008	V5D04-	\$DATA0L00								
V3B02-	\$ECPPTR10	V5D05-	\$SUPPOL00								
V3B03-	\$ECPPTR11	V5D06-	\$STOPOL00								
V3B04-	\$ECPPTR12	V5D09-	\$SERVIL00								
V3B05-	\$ECPPTR13	V5D10-	\$DATAI00								
V3B06-	\$RCCKBC00	V5D14-	\$ECPPTR05								
V3B08-	\$RCCLKM00	V5E07-	\$ECPPTR17								
V3B09-	\$ECPPTR01	V5E08-	\$ECPPTR15								
V3B10-	\$ECPPTR02	V5E10-	\$ECPPTR09								
V3B11-	\$ECPPTR03										
V3B12-	\$ECPPTR04										
V3C03-	\$ECPPTR14										
V3D01-	\$SUPPOL00										
V3D03-	\$ECPPTR14										
V3D04-	\$ECPPTR15										
V3D05-	\$ECPPTR16										
V3D06-	\$ECPPTR17										
V3D07-	\$ECPPTR18										
V3D09-	\$ECPPTR05										
V3D10-	\$ECPPTR06										
V3D11-	\$ECPPTR07										
V3D12-	\$ECPPTR08										
V3D13-	\$ECPPTR09										
V3E04-	\$ECPPTR15										
V4B14-	\$RCRBK000										
V5A03-	\$RBUS5AR P										
V5A05-	\$RBUS5AR P										
V5A07-	\$LOPORT0006										
V5A09-	\$ECPPTR12										
V5A10-	\$LOPORT00 P										
V5A13-	\$ECPPTR02										
V5B01-	\$ECPPTR04										
V5B02-	\$DATOKL00										
V5B03-	\$LOPORT0000										
V5B04-	\$LOPORT0001										
V5B05-	\$LOPORT0002										
V5B06-	\$LOPORT0003										

12-15179

