



13-10-525  
Version: 03  
May 4, 2018

**ELECTRA-SAVER  
STATIONARY BASE-MOUNTED  
COMPRESSOR**

**AirSmart™ CONTROLS**

**MODELS**

**EAY99J -- 350, 400, 500 HP**

**PARTS LIST**



**MAINTAIN COMPRESSOR RELIABILITY AND PERFORMANCE WITH  
GENUINE GARDNER DENVER® COMPRESSOR PARTS AND SUPPORT SERVICES**

Gardner Denver® Compressor genuine parts, manufactured to design tolerances, are developed for optimum dependability – specifically for Gardner Denver compressor systems. Design and material innovations are the result of years of experience with hundreds of different compressor applications. Reliability in materials and quality assurance is incorporated in our genuine replacement parts.

Your authorized Gardner Denver Compressor distributor offers all the backup you'll need. A worldwide network of authorized distributors provides the finest product support in the air compressor industry.

Your authorized distributor can support your Gardner Denver air compressor with these services:

1. Trained parts specialists to assist you in selecting the correct replacement parts.
2. Factory warranted new and remanufactured rotary screw airends. Most popular model remanufactured airends are maintained in stock at the factory, for purchase on an exchange basis with liberal core credit available for the replacement unit.
3. A full line of factory tested AEON™ compressor lubricants specifically formulated for use in Gardner Denver compressors.
4. Repair and maintenance kits designed with the necessary parts to simplify servicing your compressor.

Authorized distributor service technicians are factory trained and skilled in compressor maintenance and repair. They are ready to respond and assist you by providing fast, expert maintenance and repair services.

**To Contact Gardner Denver or locate your local distributor:**

visit: [www.contactgd.com/compressors](http://www.contactgd.com/compressors)

or

call: (217)222-5400

**INSTRUCTIONS FOR ORDERING REPAIR PARTS**

When ordering parts, specify Compressor MODEL, Method of Cooling, HORSEPOWER and SERIAL NUMBER (see nameplate on unit). The Airend Serial Number is also stamped on top of the discharge bearing carrier casting.

All orders for Parts should be placed with the nearest authorized distributor.

Where NOT specified, quantity of parts required per compressor or unit is one (1); where more than one is required per unit, quantity is indicated in parenthesis. SPECIFY EXACTLY THE NUMBER OF PARTS REQUIRED.

DO NOT ORDER BY SETS OR GROUPS.

To determine the Right-Hand and Left-Hand side of a compressor, stand at the motor end and look toward the compressor. Right-Hand and Left- Hand are indicated in parenthesis following the part name, i.e. (RH) and (LH), when appropriate.

## **TOTAL PRODUCT SUPPORT – GARDNER DENVER’S CONTINUING COMMITMENT TO YOUR AIR COMPRESSOR PERFORMANCE**

Commitment to total product support continues long after the purchase of your quality Gardner Denver rotary screw compressor.

Gardner Denver original parts incorporate years of experience and improvements in design, materials and quality assurance. Maintaining your compressor investment with Gardner Denver parts will insure protection for the air compressor unit and long, dependable service life.

Your authorized Gardner Denver compressor distributor maintains a complete stock of all common maintenance parts, factory approved AEON lubricants, and Gardner Denver factory warranted exchange airends. In addition, authorized distributor technicians are factory trained, and can provide complete diagnostic, compressor maintenance and repair services.

This manual is designed to assist you in maintaining high performance and receiving many years of dependable service you expect from your Gardner Denver compressor.

### **REMANUFACTURED AIRENDS**

Whenever an airend requires replacement or repair, Gardner Denver offers an industry unique, factory remanufactured airend exchange program. From its modern factory, Gardner Denver is committed to supplying you with the highest quality, factory remanufactured airends that are guaranteed to save you time, and money.

#### **Immediately Available**

Repair downtime costs you money, which is why the most popular models are in inventory at all times.

#### **Skilled Craftsmen**

Our Remanufacturing assembly technicians average over 20 years experience with air compression products.

#### **Precision Remanufacturing**

All potentially usable parts are thoroughly cleaned, inspected and analyzed. Only those parts that can be brought back to original factory specifications are remanufactured. Every remanufactured airend receives a new overhaul kit: bearings, gears, seals, sleeves and gaskets.

#### **Extensive Testing**

Gardner Denver performs testing that repair houses just don't do. Magnaflux and ultrasonic inspection spot cracked or stressed castings, monochromatic light analysis exposes oil leaks, and coordinate measurement machine inspects to +/- .0001", insuring that all remanufactured airends meet factory performance specifications.

#### **Warranty**

Gardner Denver backs up every remanufactured airend with a new warranty...27 months from purchase, 24 months from service.

Gardner Denver remanufactured airends deliver *quality without question...year in and year out.*

Call Gardner Denver for information on the airend exchange program and the name of your authorized distributor.

Phone Number: (217) 222-5400 or  
Fax: (217) 224-7814

## TABLE OF CONTENTS

Maintain Compressor Reliability And Performance With Genuine Gardner Denver Compressor Parts And Support Services .....	1
Instructions For Ordering Repair Parts .....	1
Total Product Support – Gardner Denver’s Continuing Commitment To Your Air Compressor Performance.....	2
Remanufactured Airends .....	2
Airend Selection And Repair Kits - (60 HZ).....	4
Airend Selection And Repair Kits - (50 HZ).....	5
Bare Compressor .....	6, 7
Oil Seal Detail .....	8
Compressor Tubing Group.....	9
Turn Valve Actuator And Mounting Group .....	11
Inlet Valve Assembly.....	12
Dual Inlet Valve.....	13
Oil Reservoir .....	14, 15
Oil Separator.....	16
Minimum Pressure Valve .....	17
Oil Filter Piping.....	18, 19
Air Discharge Manifold.....	20
Oil Filter And Mixing Valves (Component Parts) .....	21
Thermal Valve.....	22
Manifold Support.....	23
Water Cooled Cooler - 350, 400 & 500 HP .....	24, 25
Aftercooler Group.....	26, 27
Selective Items – Water Cooled Units (Fresh Water).....	28
Selective Items – Water Cooled Units (Seacoast) .....	29
Air Cooled Cooler Group.....	30, 31
Air Cooled Cooler Selectives .....	32
Discharge Piping Water Cooled.....	33
Discharge Piping Air Cooled .....	34
Adaptor .....	35
Remote Cooler Fittings .....	36
Turn Valve Actuator .....	37
Compressor Fittings.....	38
Frame Group.....	39
Enclosure Group - Panels.....	40
Air Filter.....	41
Enclosure Group .....	42, 43
Control Mounting.....	45
Control Tubing .....	46, 47
Controller Assembly – Less Starter, 230, 380 & 460 Volt .....	48, 49
Controller Assembly – Less Starter, 575 Volt.....	50, 51
Identification And Instruction Group .....	52, 51
Base And Mounting.....	52
Motor Mounting Group.....	53
Compressor And Motor Mounting .....	54
Motor Selectives .....	55
Overload Relay Heater Conversion Listing .....	55
Repair Kits .....	58-59

**For Operating and Service Instructions, see:**

<b>Service Manual .....</b>	<b>13-10-617</b>
<b>AirSmart Controller Manual. ....</b>	<b>13-17-600</b>
<b>Communication Module.....</b>	<b>13-17-604</b>

**AIREND SELECTION AND REPAIR KITS  
(60 HZ)**

<b>Model</b>	<b>HP</b>	<b>PSI</b>	<b>Airend w/Inlet Valve</b>	<b>Reman Airend w/Inlet Valve</b>	<b>Bearing Kit *</b>	<b>Gasket Kit</b>	<b>Inlet Valve Kit</b>	<b>Drive Shaft Seal Kit</b>	<b>Drive Shaft Wear Sleeve Removal &amp; Installation Kit</b>	<b>Turn Valve Kit</b>
EAY	350	100	SSYAAD01	SSYAAD01X	302SSY6013	320SSY6013	322SSY6013	201SSY6013	200SSY4017	321SSY6013
		125	SSYAAD04	SSYAAD04X	302SSY6013	320SSY6013	322SSY6013	201SSY6013	200SSY4017	321SSY6013
		150	SSYAAD04	SSYAAD04X	302SSY6013	320SSY6013	322SSY6013	201SSY6013	200SSY4017	321SSY6013
EAY	400	100	SSYAAD02	SSYAAD02X	302SSY6013	320SSY6013	322SSY6013	201SSY6013	200SSY4017	321SSY6013
		125	SSYAAD01	SSYAAD01X	302SSY6013	320SSY6013	322SSY6013	201SSY6013	200SSY4017	321SSY6013
		150	SSYAAD04	SSYAAD04X	302SSY6013	320SSY6013	322SSY6013	201SSY6013	200SSY4017	321SSY6013
EAY	500	100	SSYAAD03	SSYAAD03X	302SSY6013	320SSY6013	322SSY6013	201SSY6013	200SSY4017	321SSY6013
		125	SSYAAD06	SSYAAD06X	302SSY6013	320SSY6013	322SSY6013	201SSY6013	200SSY4017	321SSY6013
		150	SSYAAD01	SSYAAD01X	302SSY6013	320SSY6013	322SSY6013	201SSY6013	200SSY4017	321SSY6013

\* When ordering Bearing Kits, also order Gasket Kit and Drive Shaft Seal Kit.

For listing of Repair Parts included in Kit numbers above, see Repair Kit Section, page 57-59.

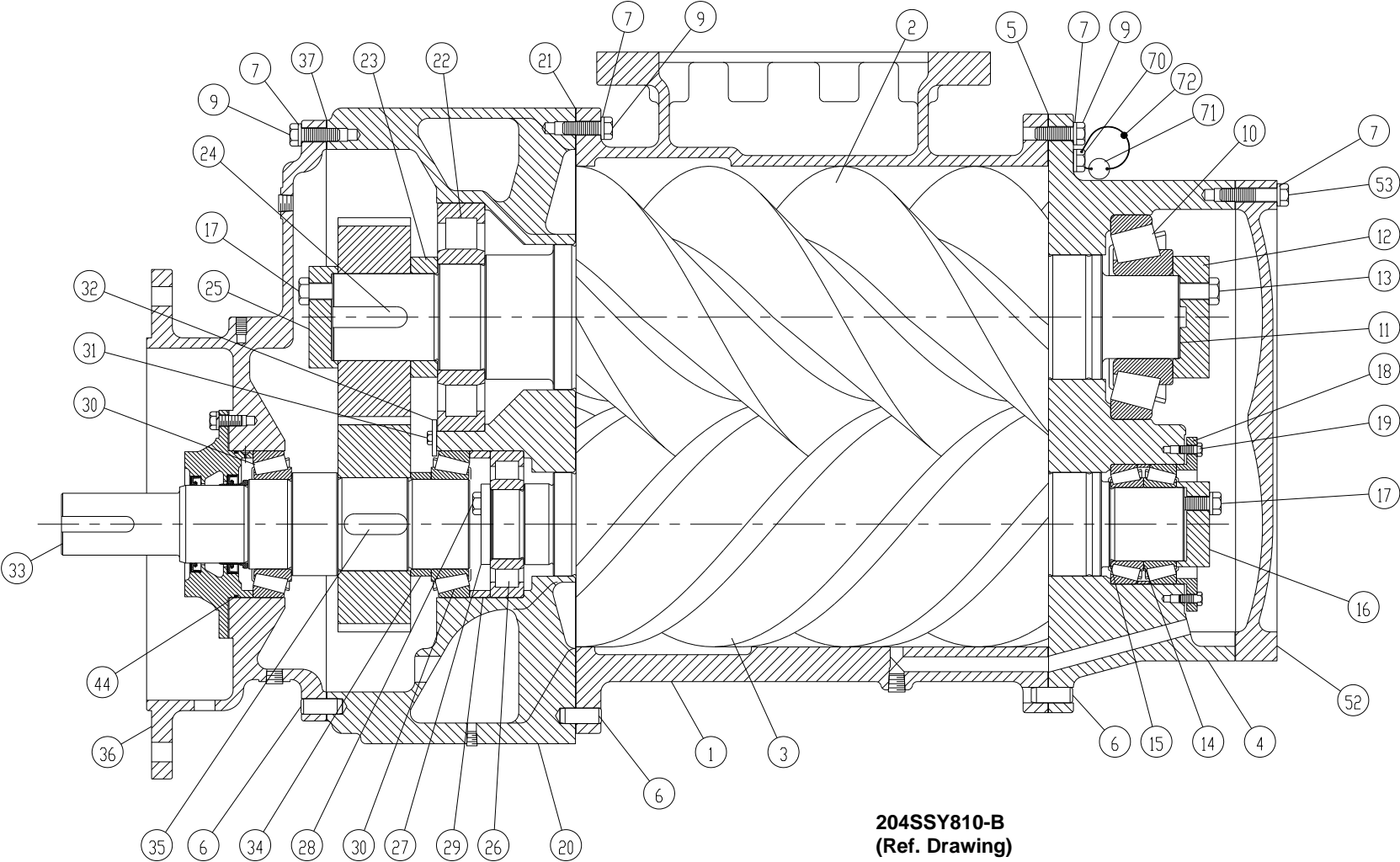
**AIREND SELECTION AND REPAIR KITS  
(50 HZ)**

<b>Model</b>	<b>HP</b>	<b>PSI</b>	<b>Airend w/Inlet Valve</b>	<b>Reman Airend w/Inlet Valve</b>	<b>Bearing Kit *</b>	<b>Gasket Kit</b>	<b>Inlet Valve Kit</b>	<b>Drive Shaft Seal Kit</b>	<b>Drive Shaft Wear Sleeve Removal &amp; Installation Kit</b>	<b>Turn Valve Kit</b>
EAY	350	100	SSYAAD07	SSYAAD07X	302SSY6013	320SSY6013	322SSY6013	201SSY6013	200SSY4017	321SSY6013
		125	SSYAAD01	SSYAAD01X	302SSY6013	320SSY6013	322SSY6013	201SSY6013	200SSY4017	321SSY6013
		150	SSYAAD04	SSYAAD04X	302SSY6013	320SSY6013	322SSY6013	201SSY6013	200SSY4017	321SSY6013
EAY	400	100	SSYAAD08	SSYAAD08X	302SSY6013	320SSY6013	322SSY6013	201SSY6013	200SSY4017	321SSY6013
		125	SSYAAD02	SSYAAD02X	302SSY6013	320SSY6013	322SSY6013	201SSY6013	200SSY4017	321SSY6013
		150	SSYAAD01	SSYAAD01X	302SSY6013	320SSY6013	322SSY6013	201SSY6013	200SSY4017	321SSY6013
EAY	500	100	SSYAAD09	SSYAAD09X	302SSY6013	320SSY6013	322SSY6013	201SSY6013	200SSY4017	321SSY6013
		125	SSYAAD03	SSYAAD03X	302SSY6013	320SSY6013	322SSY6013	201SSY6013	200SSY4017	321SSY6013
		150	SSYAAD06	SSYAAD06X	302SSY6013	320SSY6013	322SSY6013	201SSY6013	200SSY4017	321SSY6013

\* When ordering Bearing Kits, also order Gasket Kit and Drive Shaft Seal Kit.

For listing of Repair Parts included in Kit numbers above, see Repair Kit Section, page 57-59.

**BARE COMPRESSOR**



**204SSY810-B  
(Ref. Drawing)**



Order by Part Number and Description. Reference Numbers are for your convenience only.

**BARE COMPRESSOR**

**B/M: 202SSY4000**

Ref. No.	Name of Part	Qty.	Part No.	Ref. No.	Name of Part	Qty.	Part No.
1	CYLINDER.....	1	**	23	SPACER-SHAFT .....	1	**
2	ROTOR-MAIN.....	1	**	* 24	KEY.....	1	35L20
3	ROTOR.....	1	**	25	PLATE-BEARING RETAINER .....	1	**
4	HOUSING-BEARING.....	1	**	* 26	BEARING.....	1	12BA47
+ 5	GASKET .....	1	208SSY715N	27	PLATE-BEARING RETAINER .....	1	**
6	PIN.....	6	**	28	SCREW.....	3	**
7	LOCKWASHER .....	106	**	29	SPACER .....	1	**
+ 8	GASKET (not shown).....	5	25F13	* 30	ROLLER BEARING .....	2	12BA37
9	SCREW .....	81	**	31	SCREW.....	2	**
* 10	BEARING.....	1	12BA109	32	LOCKWASHER .....	2	**
+ 11	SHIM.....	1	77H21	33	SHAFT .....	1	**
12	PLATE-BEARING RETAINER	1	**	34	SPACER-SHAFT .....	1	**
13	SCREW .....	3		* 35	KEY.....	1	35L14
* 14	BEARING.....	1	12BA107	36	HOUSING-GEAR.....	1	**
+ 15	SHIM.....	1	77H65	+ 37	GASKET .....	1	200SSY715N
16	PLATE-BEARING RETAINER	1	**	Δ+44	O-RING.....	1	25BC109
17	SCREW .....	6	**	52	COVER .....	1	**
18	RETAINER.....	1	**	53	SCREW.....	23	**
19	SCREW .....	1	**	69	NUT (not shown).....	1	**
20	HOUSING-BEARING.....	1	**	70	SCREW.....	2	**
+ 21	GASKET .....	1	201SSY715N	71	TAG-INSTRUCTION.....	1	**
* 22	ROLLER BEARING .....	1	12BA159	72	SEAL.....	1	**

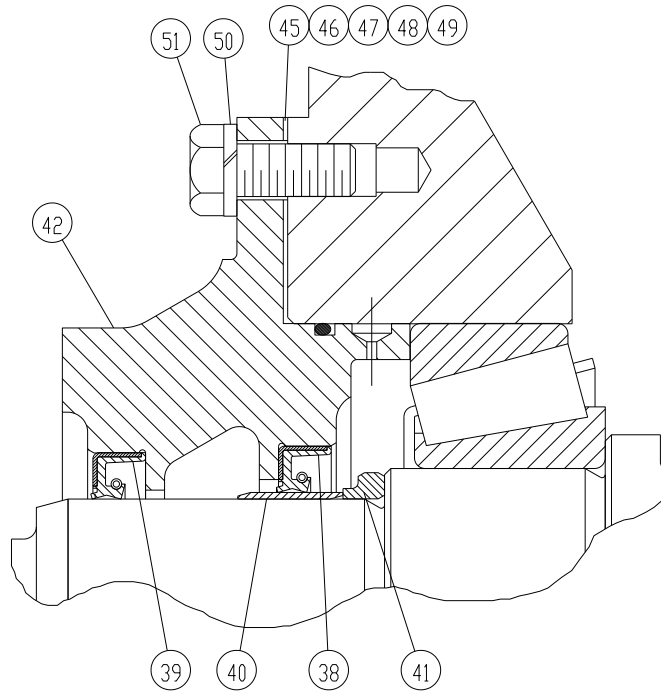
\* Parts included in Bearing Kit Part Number 302SSY6013. Refer to page 56.

+ Parts included in Gasket Kit Part Number 320SSY6013. Refer to page 57.

\*\* Shown for Reference only.

Δ Part included in Oil Seal Kit Part Number 201SSY6013. Refer to page 56.

Order by Part Number and Description. Reference Numbers are for your convenience only.



204SSY810-B  
(Ref. Drawing)

**OIL SEAL DETAIL**

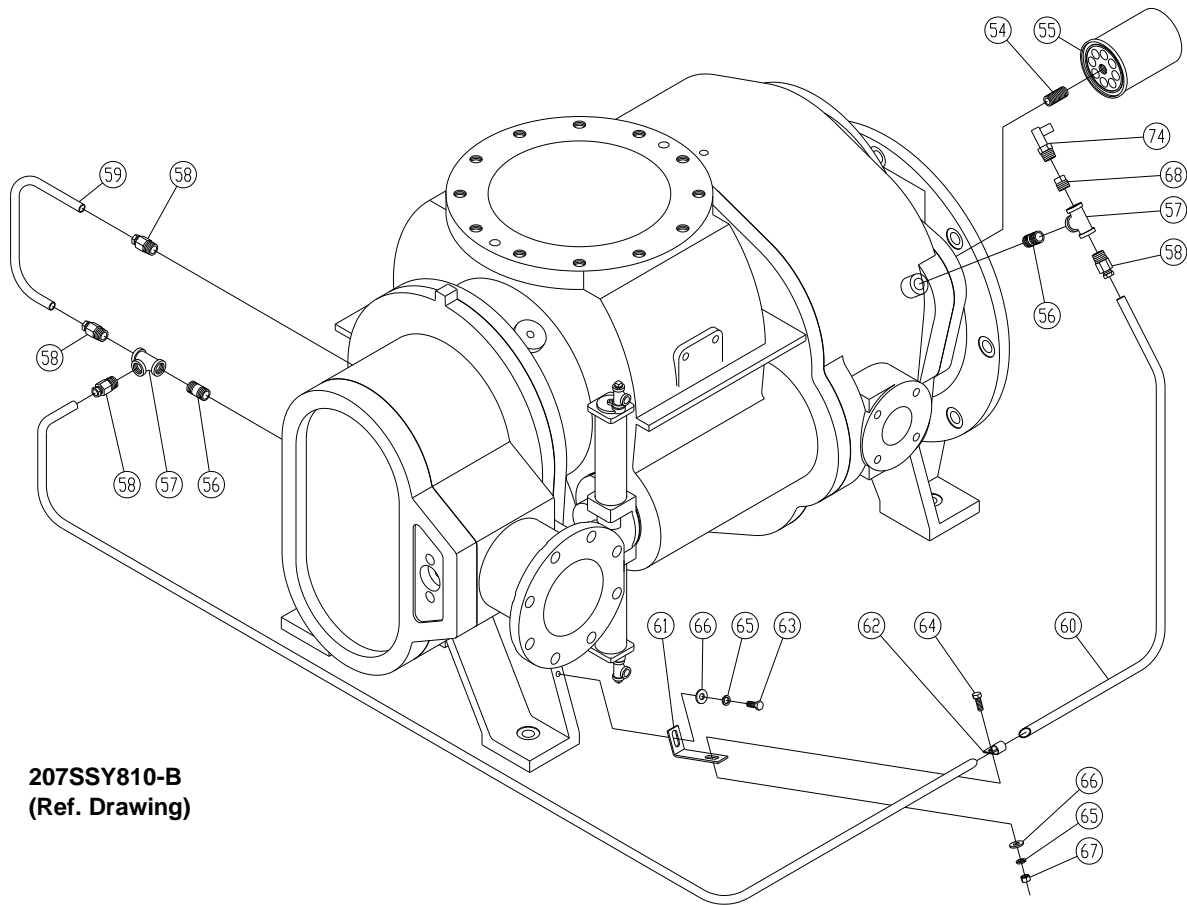
**B/M: 202SSY4000**

Ref. No.	Name of Part	Qty.	Part No.
* 38	SEAL .....	1	60DD695
* 39	SEAL .....	1	60DD694
* 40	SLEEVE-WEAR.....	1	80M41
41	SPACER-SHAFT.....	1	203SSY600
42	HOUSING-SEAL .....	1	203SSY362
* 45	SHIM .....	8	203SSY732
* 46	SHIM .....	16	204SSY732
* 47	SHIM .....	16	205SSY732
* 48	SHIM .....	8	207SSY732
* 49	SHIM .....	8	208SSY732
50	LOCKWASHER .....	8	95B5
51	SCREW .....	8	655EE050
*	CHECK VALVE (not shown).....	1	90AR923

\* Parts included in Oil Seal Kit Part Number 201SSY6013. Refer to page 56.

Wear Sleeve Installation & Removal Kit Part Number 200SSY4017 (includes Wear Sleeve Puller & Installation Tool).

Order by Part Number and Description. Reference Numbers are for your convenience only.



207SSY810-B  
(Ref. Drawing)

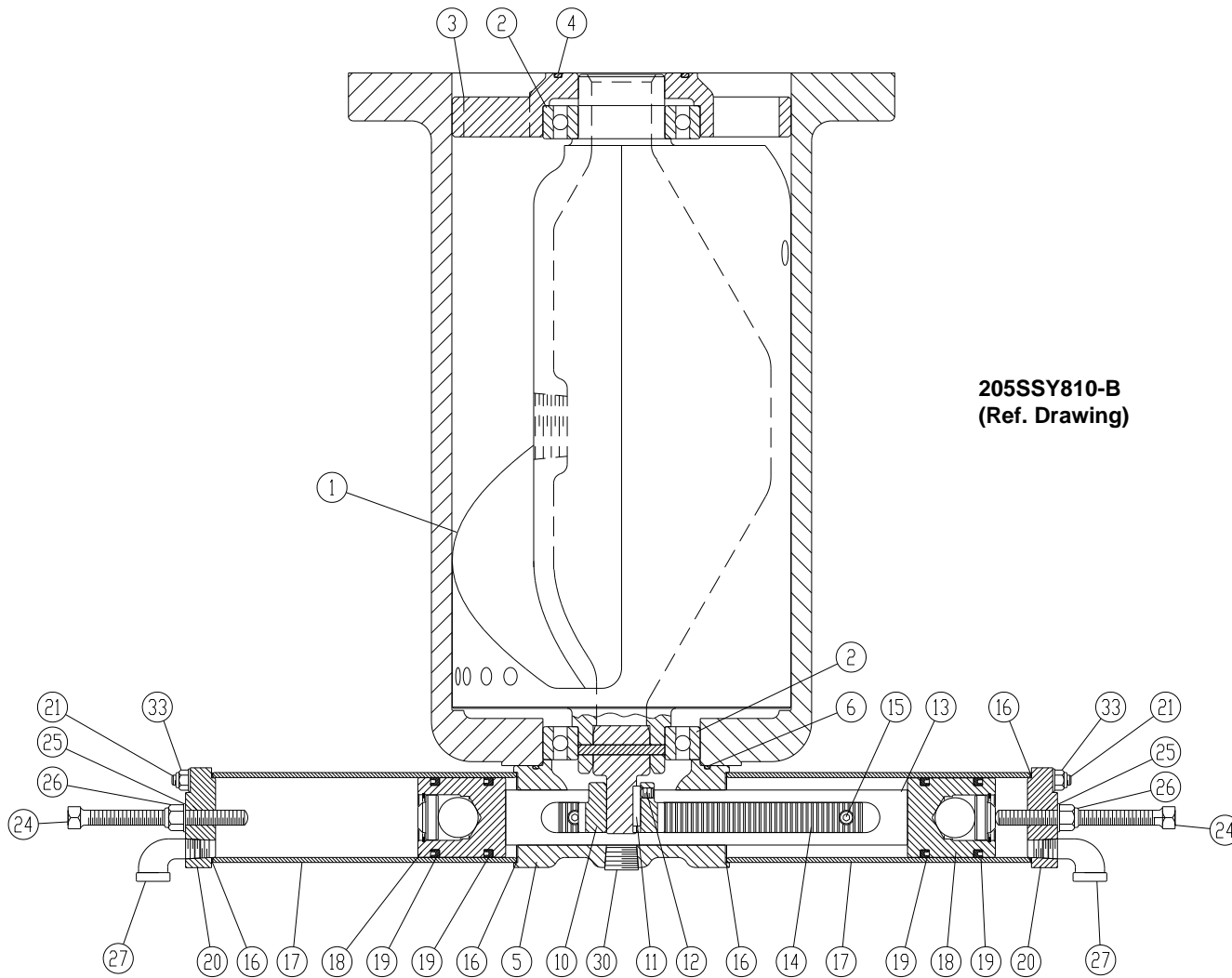
**COMPRESSOR TUBING GROUP**

**B/M: 202SSY4000**

Ref. No.	Name of Part	Qty.	Part No.
54	ADAPTOR-FILTER.....	1	200SSY070
*55	FILTER-OIL.....	1	26A43
56	NIPPLE.....	2	63U8X14G
57	TEE-PIPE.....	2	64G6G
58	TUBE FITTING.....	4	86E216
59	TUBE.....	1	201SSY857
60	TUBE.....	1	202SSY857
61	BRACKET.....	1	CC1038463
62	CLAMP.....	1	98H13
63	SCREW.....	1	655ED030
64	SCREW.....	1	655ED040
65	LOCKWASHER.....	2	95B3
66	WASHER.....	2	95A3
67	NUT.....	1	50B3
68	BUSHING-PIPE.....	1	64E2G
74	VALVE-OIL SAMPLING.....	1	86N345

\* Part included in Routine Maintenance Kit Part Number EAY68417, Refer to Page 57

# TURN VALVE ACTUATOR AND MOUNTING GROUP



Order by Part Number and Description. Reference Numbers are for your convenience only.

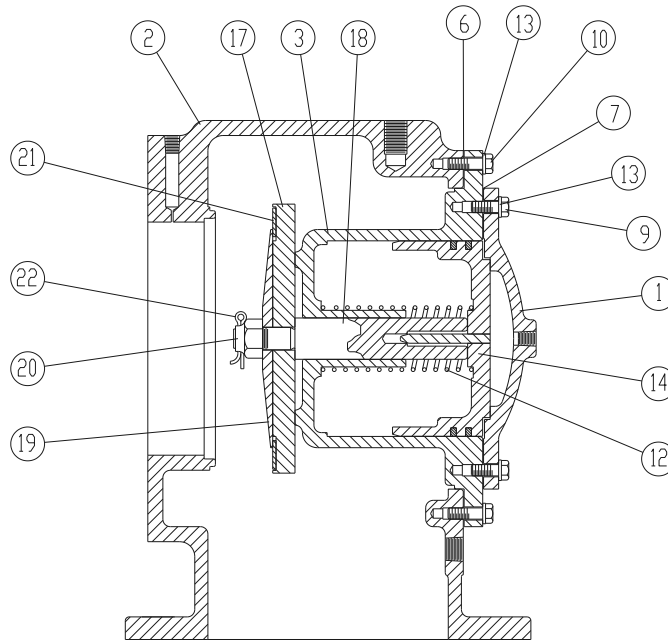
TURN VALVE ACTUATOR AND MOUNTING GROUP

B/M: 203SSY4000

Ref. No.	Name of Part	Qty.	Part No.	Ref. No.	Name of Part	Qty.	Part No.
1	VALVE.....	1	302SSY238	18	ASSEMBLY CONTROL PISTON ..	2	300SSU4056
* 2	BEARING .....	2	12J43		PISTON-CONTROL .....	1	201SSY084
3	HOUSING-BEARING .....	1	210SSY006	*	BUMPER .....	1	32E15
* 4	O-RING .....	1	54C210	*	PLATE-RETAINER.....	1	300SSU168
5	HOUSING-ACTUATOR.....	1	200SSY180	*	RETAINING RING.....	1	74D49
* 6	O-RING .....	1	25BC114	* 19	PACKING-RING.....	4	60AM46
7	SCREW (not shown) .....	2	655ED040	20	HEAD-CONTROL CYLINDER .....	2	302SSY083
8	SCREW (not shown) .....	1	655ED110	21	STUD .....	8	79AL5
9	WASHER (not shown).....	3	95U3	24	SCREW .....	2	76D49
10	GEAR-AUXILIARY .....	1	200SSU031	* 25	SEAL .....	2	60DD801
* 11	KEY .....	1	35C114	26	NUT .....	2	50AW38
12	SCREW .....	1	76G21P	27	ELBOW .....	2	64D2G
13	SHAFT-CONTROL.....	1	200SSU081	30	PLUG .....	6	64AC4
14	RACK .....	1	200SSU360	31	PLUG (not shown).....	2	64AC3
15	SCREW .....	2	75P11N	32	PLUG (not shown).....	9	64AC2
* 16	GASKET.....	4	25BC138N	33	NUT.....	8	50AW24
17	CYLINDER-CONTROL .....	2	200SSU082				

\* Parts included in Turn Valve Kit Part Number 321SSY6013. Refer to page 58.

Order by Part Number and Description. Reference Numbers are for your convenience only.



310EAY810  
(Ref. Drawing)

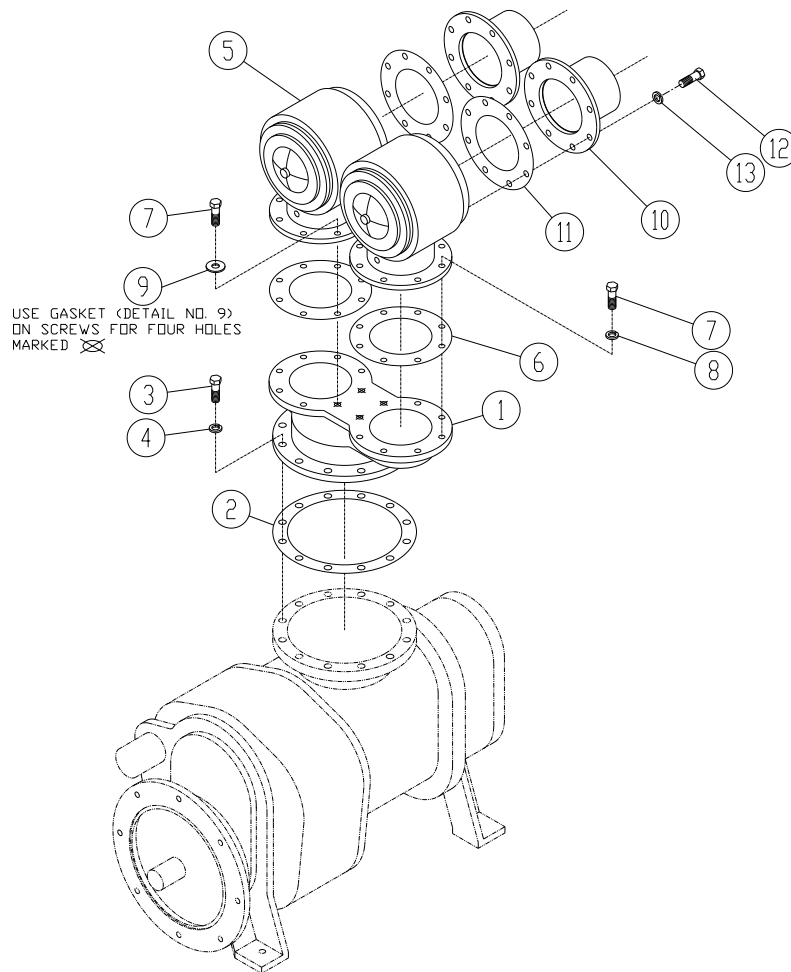
**INLET VALVE ASSEMBLY**

**B/M: S11541D**

Ref. No.	Name of Part	Qty.	Part No.
1	CAP .....	1	S115274
2	HOUSING-INLET .....	1	S11541
3	CYLINDER-INLET/VALVE.....	1	S11542
* 6	GASKET .....	1	203SSU715N
* 7	GASKET .....	1	25C2683N
8	PIN (not shown).....	1	62R101
9	SCREW .....	6	655ED040
10	SCREW .....	8	655ED050
* 12	SPRING.....	1	78A366
13	LOCKWASHER .....	14	95B3
14	ASM INLET VALVE PISTON.....	1	S11543D
	PISTON-INLET VALVE .....	1	S11543C
* 14	PISTON RING .....	2	65A319
17	VALVE-INLET.....	1	200SSW044
18	GUIDE-VALVE .....	1	200SSW483
19	CLAMP-DISC .....	1	200SSW338
20	NUT .....	1	50E9
* 21	DISC-VALVE .....	1	200SSW067
* 22	PIN.....	1	62E30

\* Parts included in Inlet Valve Maintenance Kit Part Number 322SSY6013. Refer to page 56.

Order by Part Number and Description. Reference Numbers are for your convenience only.



327EAY810-A  
(Ref. Drawing)

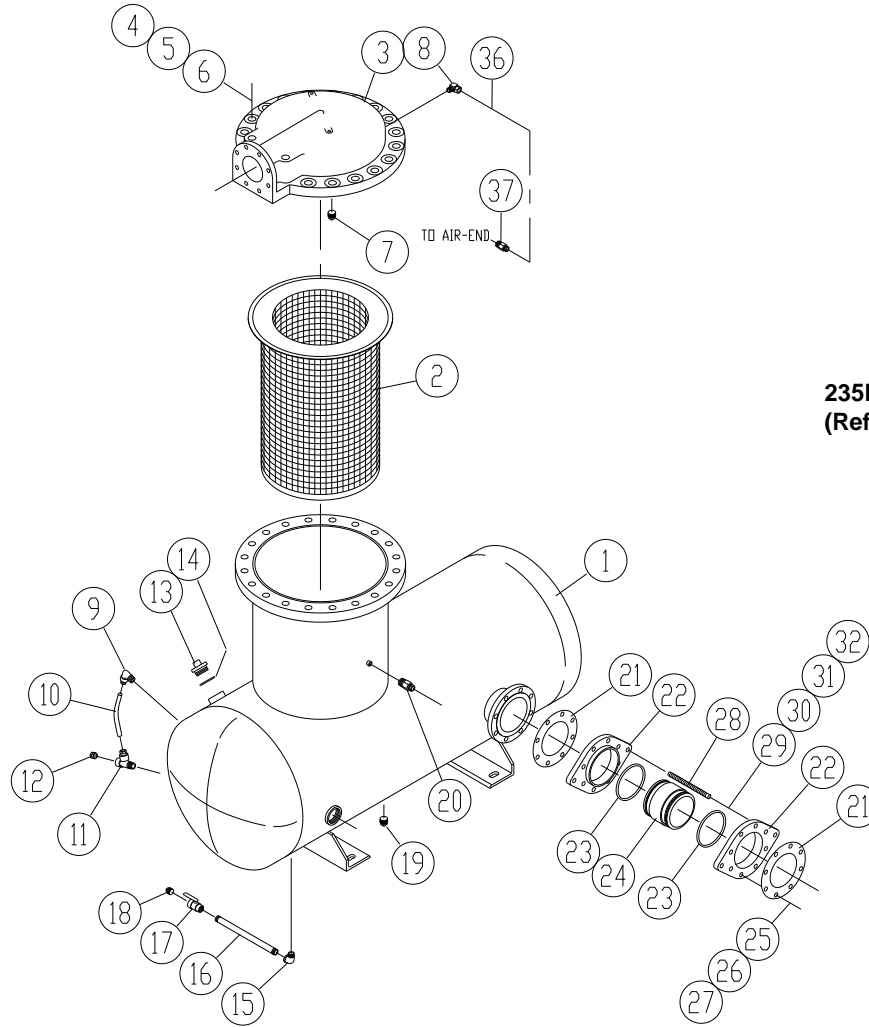
**DUAL INLET VALVE**

**B/M: 302EAY4030**

Ref. No.	Name of Part	Qty.	Part No.
1	MANIFOLD-INLET .....	1	200SSY690
* 2	GASKET .....	1	25C1996
3	SCREW .....	12	75A52
4	LOCKWASHER .....	12	95B9
5	ASSEMBLY INLET HOUSING (See page 12).....	2	S11541D
* 6	GASKET .....	2	25C730
7	SCREW .....	16	655EG070
8	LOCKWASHER.....	12	95B8
9	GASKET .....	4	25F28
10	MANIFOLD-INLET .....	2	200ESV690
* 11	GASKET .....	2	25C730
12	SCREW .....	16	655EG060
13	LOCKWASHER.....	16	95B8

\* Parts included in Inlet Valve Maintenance Kit Part Number 322SSY6013. Refer to page 56.

# OIL RESERVOIR



**235EAY810-B**  
**(Ref. Drawing)**



Order by Part Number and Description. Reference Numbers are for your convenience only.

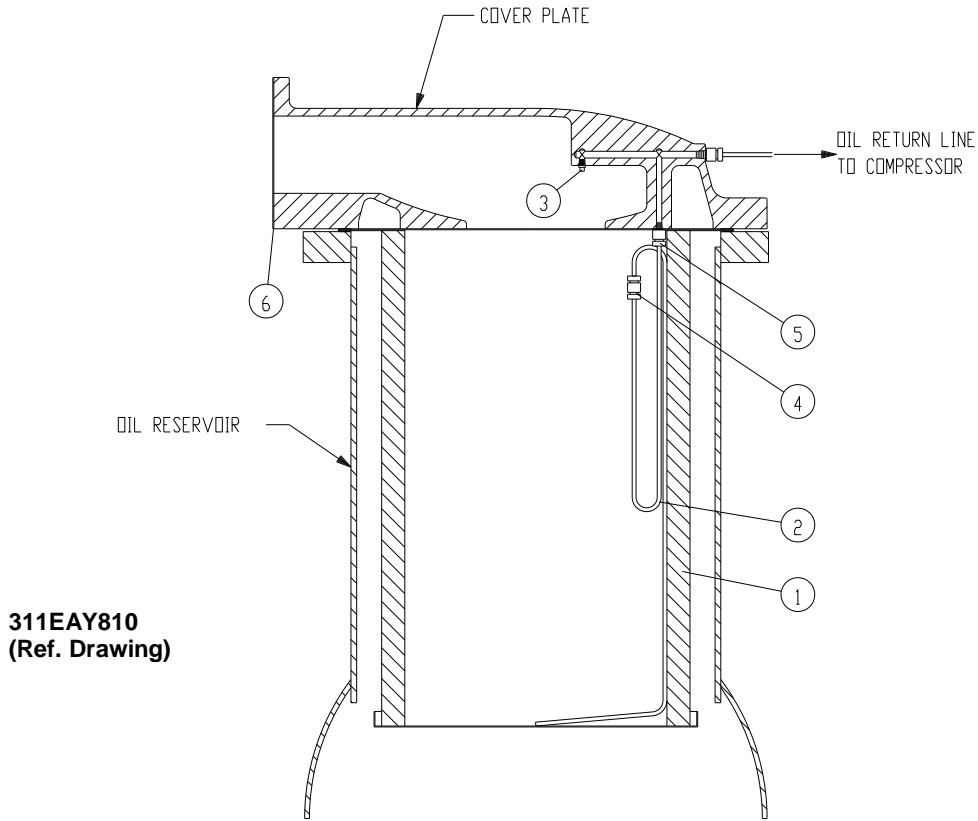
OIL RESERVOIR

B/M: 201EAY4017

Ref. No.	Name of Part	Qty.	Part No.	Ref. No.	Name of Part	Qty.	Part No.
1	RESERVOIR-OIL.....	1	200ESV037	20	TUBE FITTING .....	1	86E210
* 2	SEPARATOR OIL .....	1	55B30	21	GASKET .....	2	25C2720N
3	FLANGE.....	1	200ESV073	22	FLANGE .....	2	201ESV073
4	SCREW.....	2	655EJ340	23	O-RING.....	2	25BC115
5	SCREW.....	17	655EJ160	24	COUPLING .....	1	200ESV064
6	LOCKWASHER .....	19	95B12	25	SCREW .....	16	655EG130
* 7	PLUG .....	1	64AA6	26	LOCKWASHER .....	16	95B8
8	TUBE FITTING .....	1	86E212	27	NUT .....	16	50B8
9	ELBOW-TUBE .....	1	86E220	28	STUD.....	2	200ESV110
10	TUBE (IN FEET) .....	1	85G3	29	ISOLATOR-VIBRATION .....	4	200ESV365
11	TUBE FITTING .....	1	86E236	30	WASHER.....	4	95A8
12	PLUG .....	1	86N411	31	NUT .....	4	50AW9
13	COVER-FILLER.....	1	200SPF156	32	NUT .....	4	50B8
14	O-RING.....	1	25BC900	* 33	TUBE FITTING (not shown).....	1	86E244
15	ELBOW .....	1	64D6G	* 34	TUBE (IN FEET) (not shown) .....	3	85G3
16	NIPPLE .....	1	63G42G	* 35	TUBE FITTING (not shown).....	1	86E209
17	VALVE-BALL .....	1	90AR361	36	TUBE (IN FEET).....	6	85K5
18	PLUG .....	1	64AA3	37	TUBE FITTING .....	1	86E212
19	PLUG.....	1	64AA3				

\* Parts included in Separator Kit Part Number EAY80129. Refer to page 16 & 57.

Order by Part Number and Description. Reference Numbers are for your convenience only.



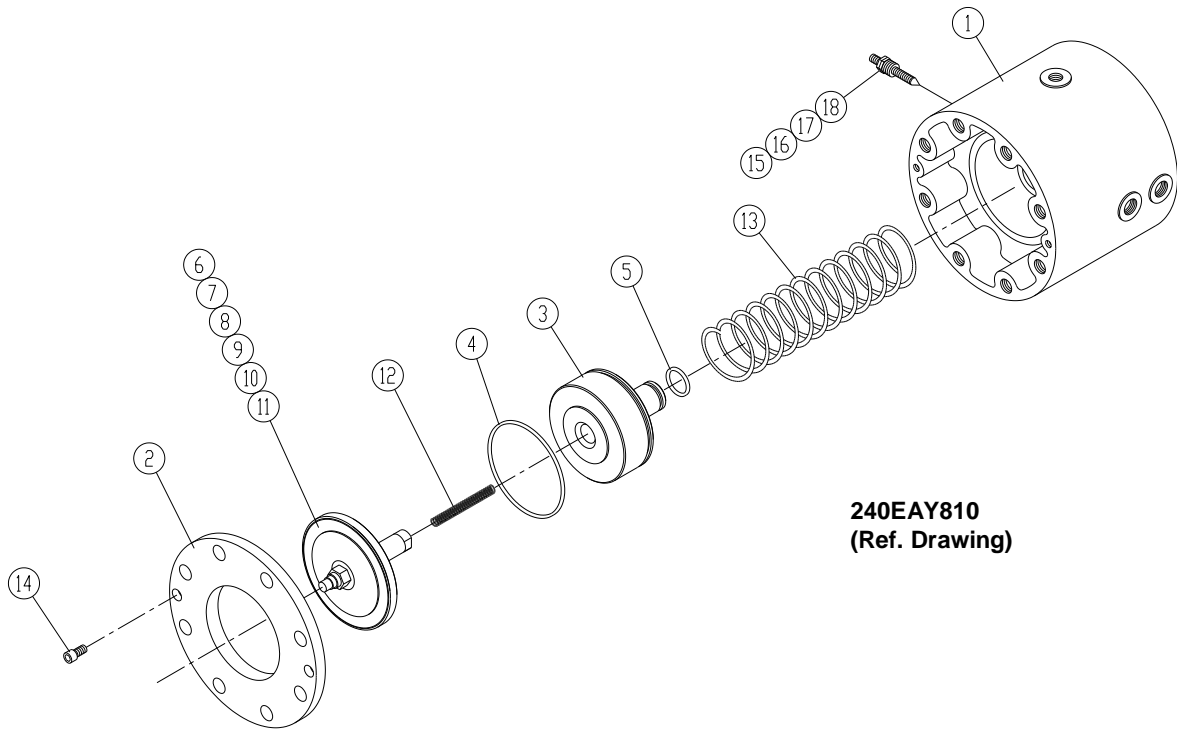
**OIL SEPARATOR.**

**B/M: EAY80129**

Ref. No.	Name of Part	Qty.	Part No.
* 1	OIL SEPARATOR .....	1	55B30
* 2	TUBE (IN FEET) .....	3	85G3
* 3	PLUG .....	1	64AA6
* 4	TUBE FITTING.....	1	86E244
* 5	TUBE FITTING.....	1	86E209
* 6	GASKET.....	1	25C2719N

\* Parts included in Separator Kit number EAY80129. Refer to page 57

Order by Part Number and Description. Reference Numbers are for your convenience only.



**MINIMUM PRESSURE VALVE**

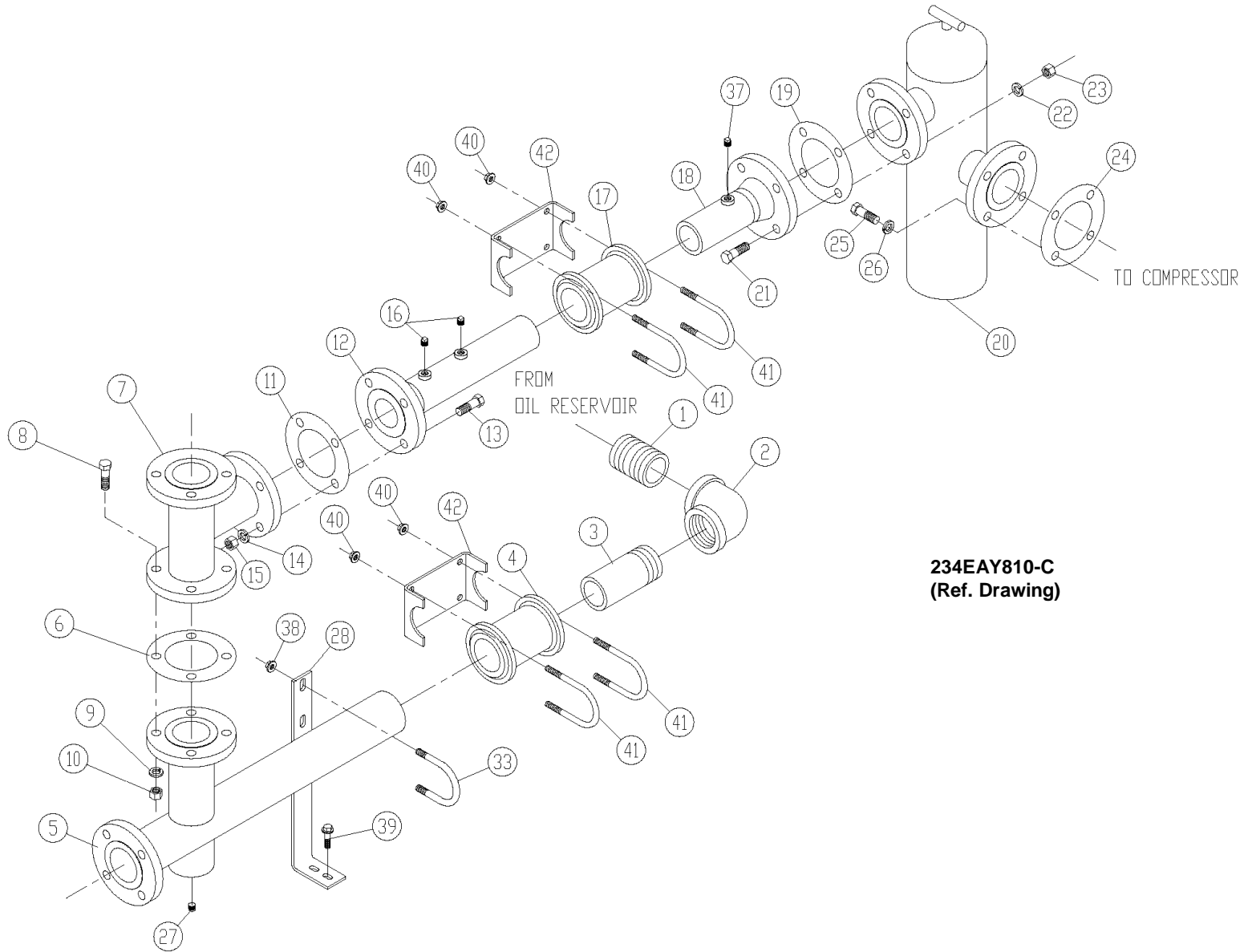
**240EAY810  
(Ref. Drawing)**

**B/M: 200ESV527A**

Ref. No.	Name of Part	Qty.	Part No.
1	HOUSING-VALVE.....	1	300EAY182
2	SEAT.....	1	200ESV256
3	VALVE-MINIMUM/PRESSURE .....	1	201EAY527
* 4	O-RING .....	1	25BC150
* 5	O-RING .....	1	25BC118
6	VALVE-INLET .....	1	200SSK044
7	CALMP-DISC.....	1	200SSK338
8	GUIDE-VALVE .....	1	200SSK483
* 9	DISC-VALVE.....	1	200SSY067
10	NUT.....	1	50E7
* 11	PIN.....	1	62E30
* 12	SPRING .....	1	78A365
* 13	SPRING .....	1	78W9
14	SCREW.....	2	75P6
15	ADAPTOR.....	1	200ESM170
16	SCREW.....	1	200ESV176
* 17	GASKET RING .....	1	25F39
* 18	NUT.....	1	50AW17

\* Parts included in Minimum Pressure Valve Kit Part Number 308EAY6013. Refer to page 58.

# OIL FILTER PIPING



**234EAY810-C**  
**(Ref. Drawing)**

Order by Part Number and Description. Reference Numbers are for your convenience only.

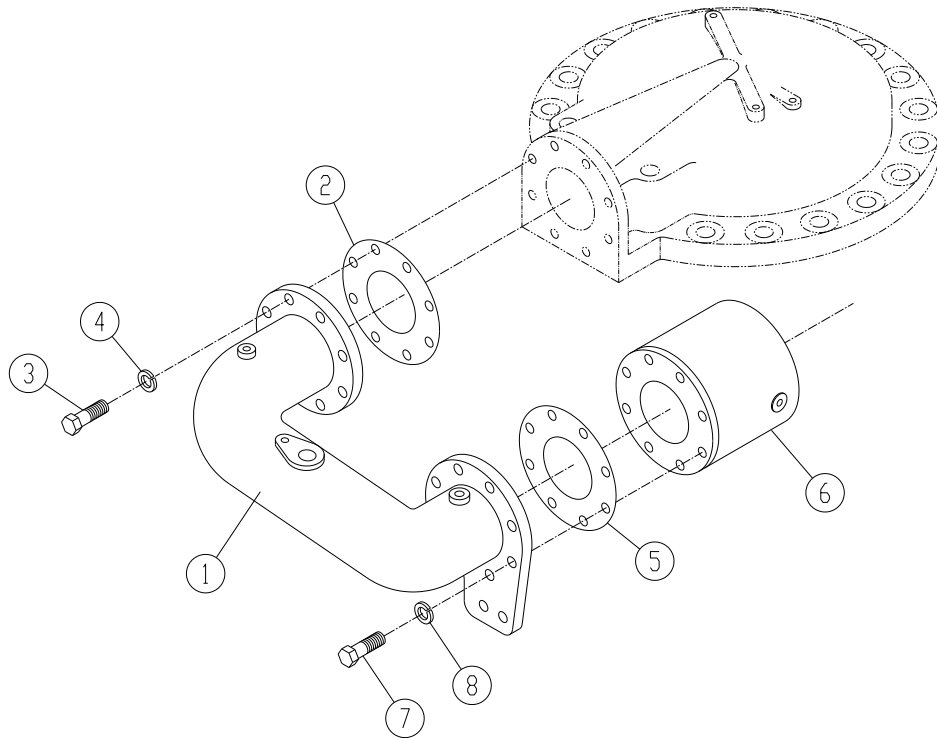
OIL FILTER PIPING

B/M: 200EAY4019;  
300 & 301EAY4013

Ref. No.	Name of Part	Qty.	Part No.	Ref. No.	Name of Part	Qty.	Part No.
1	NIPPLE .....	1	63M3G	18	MANIFOLD OIL .....	1	203EAY116
2	ELBOW .....	1	64C14G	19	GASKET .....	1	25C2722N
3	NIPPLE .....	1	63AJ40X50G	20	FILTER-OIL (See page 21) .....	1	200ESV369
4	COUPLING-FLEXIBLE .....	1	64EB802	21	SCREW .....	4	655EF120
5	MANIFOLD-OIL .....	1	200EAY116	22	LOCKWASHER .....	4	95B7
6	GASKET .....	1	25C2722N	23	NUT .....	4	50B7
7	THERMAL VALVE (See page 22)			24	GASKET .....	24	25C2722N
	140° F .....	1	90AR969	25	SCREW .....	4	655EF080
	180° F .....	1	90AR1120	26	LOCKWASHER .....	4	95B7
8	SCREW .....	4	655EF100	27	PLUG .....	1	64AA7
9	LOCKWASHER .....	4	95B7	28	BRACKET-PIPE .....	1	200EAY108
10	NUT .....	4	50B7	33	U-BOLT .....	3	15U88
11	GASKET .....	1	25C2722N	37	PLUG .....	1	64AA5
12	MANIFOLD .....	1	201EAY116	38	NUT .....	6	50AW35
13	SCREW .....	4	655EF120	39	SCREW .....	2	75K48
14	LOCKWASHER .....	4	95B7	40	NUT .....	8	50AW5
15	NUT .....	4	50B7	41	U-BOLT .....	4	15U57
16	PLUG .....	2	64AA5	42	BRACKET-PIPE .....	2	300EAY108
* 17	COUPLING-FLEXIBLE .....	1	64EB802				

\* For Repair – (2) each Part Number 2117160 Gasket are required.

Order by Part Number and Description. Reference Numbers are for your convenience only.



326EAY810-A  
(Ref. Drawing)

**AIR DISCHARGE MANIFOLD**

B/M: 301EAY4022

Ref. No.	Name of Part	Qty.	Part No.
1	MANIFOLD-DISCHARGE .....	1	200ESV071
** 2	GASKET .....	1	25C2719N
3	SCREW .....	8	655EG080
4	LOCKWASHER .....	8	95B8
* 5	GASKET .....	1	25C2719N
6	ASSEMBLY MINIMUM/PRESSURE VALVE (See page 17).....	1	200ESV527A
7	SCREW .....	8	655EG110
8	LOCKWASHER .....	8	95B8

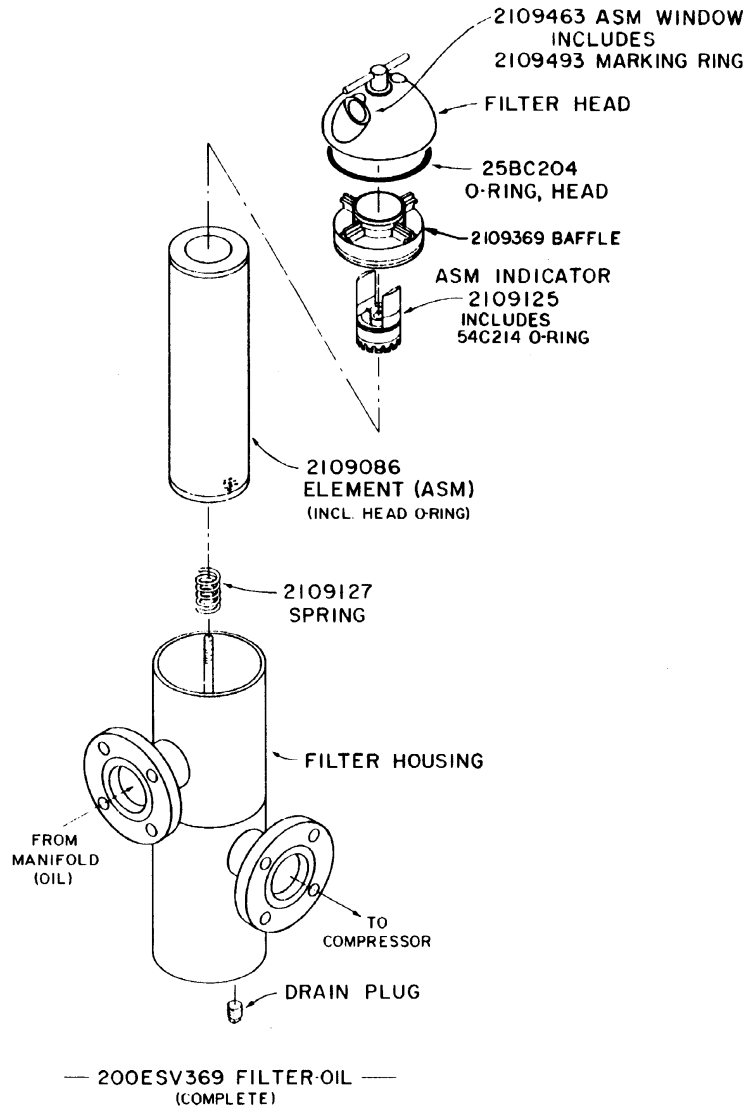
\* Part included in Minimum Pressure Valve Kit Part Number 308EAY6013. Refer to page 58.

\*\* Part included in Separator Kit Part Number EAY81029, Refer to Page 58

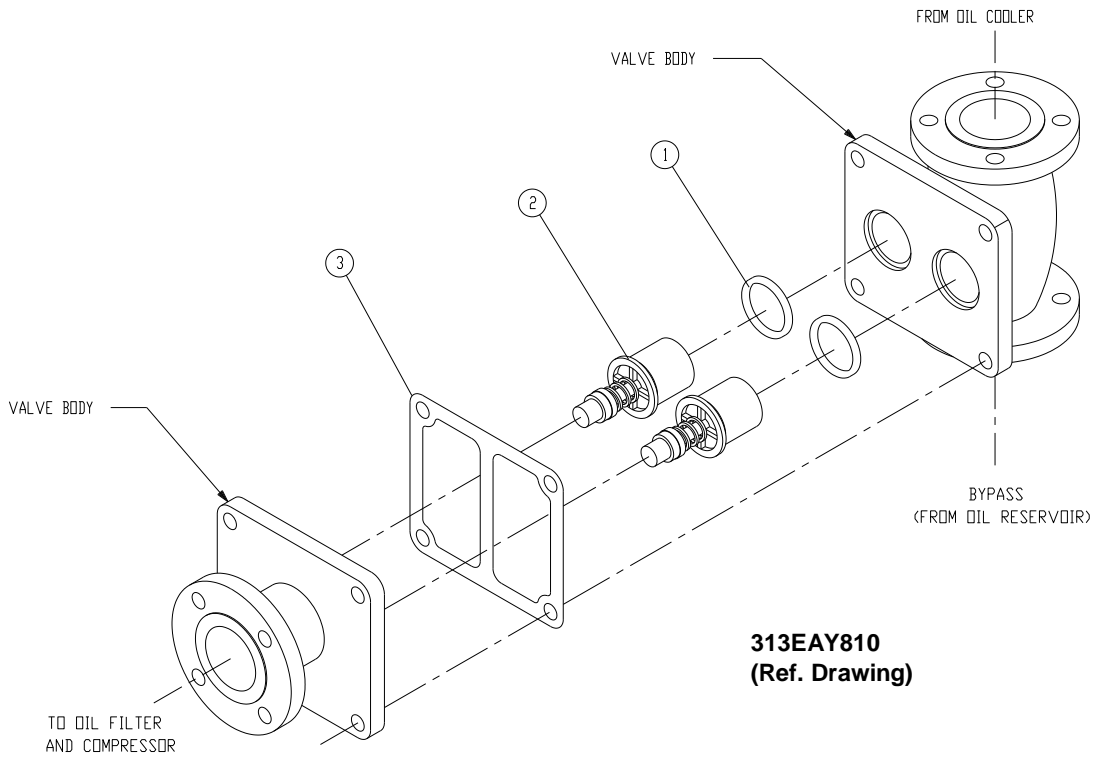
**RELIEF VALVE SELECTION**

Name of Part	350, 400 & 500 HP
Valve-Relief (Set 125 lbs.)	90AR110
Valve-Relief (Set 150 lbs.)	90AR111
Valve-Relief (Set 175 lbs.)	90AR264

# OIL FILTER AND MIXING VALVES (Component Parts)



Order by Part Number and Description. Reference Numbers are for your convenience only.



**THERMAL VALVE**

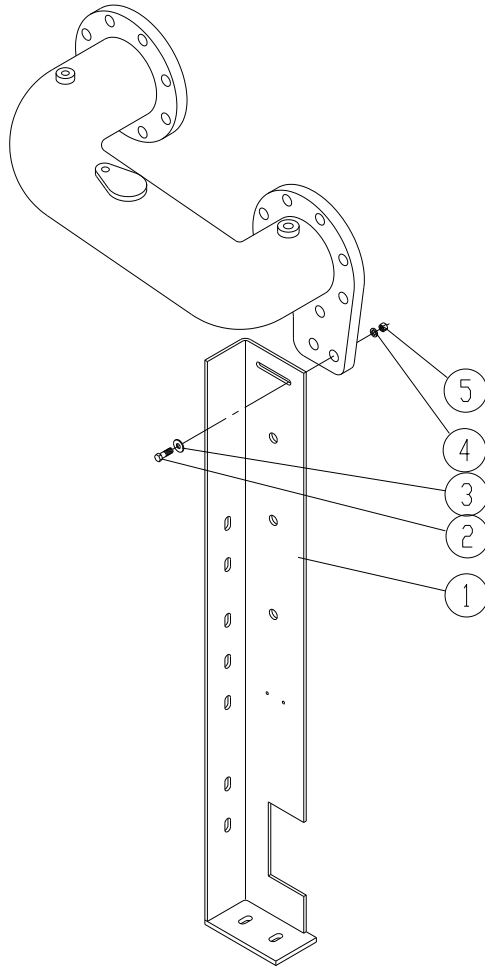
**B/M: 301EAY4030**

Ref. No.	Name of Part	Qty.	Part No.
1	SEAL.....	1	2117168
2	ELEMENT		
	140° F (Standard).....	2	2117169
	150° F (Optional).....	2	2117751
	160° F (Optional).....	2	2117750
	180° F (Optional).....	2	2117752
3	GASKET .....	1	2117167



Order by Part Number and Description. Reference Numbers are for your convenience only.

266EAY810  
(Ref. Drawing)

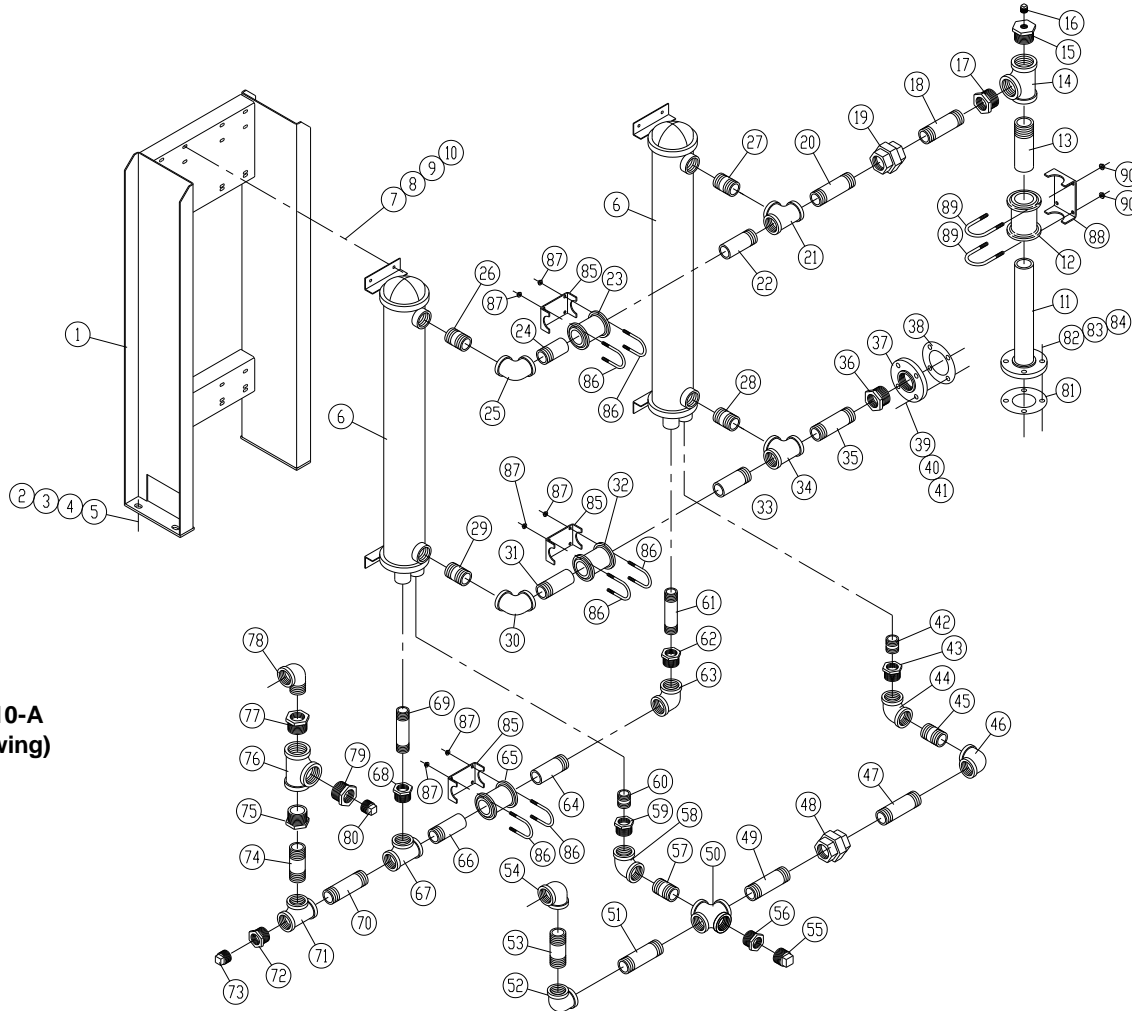


**MANIFOLD SUPPORT**

**B/M: 212EAY4017**

<b>Ref. No.</b>	<b>Name of Part</b>	<b>Qty.</b>	<b>Standard Part No.</b>
1	BRACKET .....	1	200EAY118
2	SCREW.....	2	655EG110
3	WASHER .....	2	95A8
4	LOCKWASHER.....	2	95B8
5	NUT.....	2	50B8

WATER COOLED COOLER - 350, 400 & 500 HP



239EAY810-A  
(Ref. Drawing)

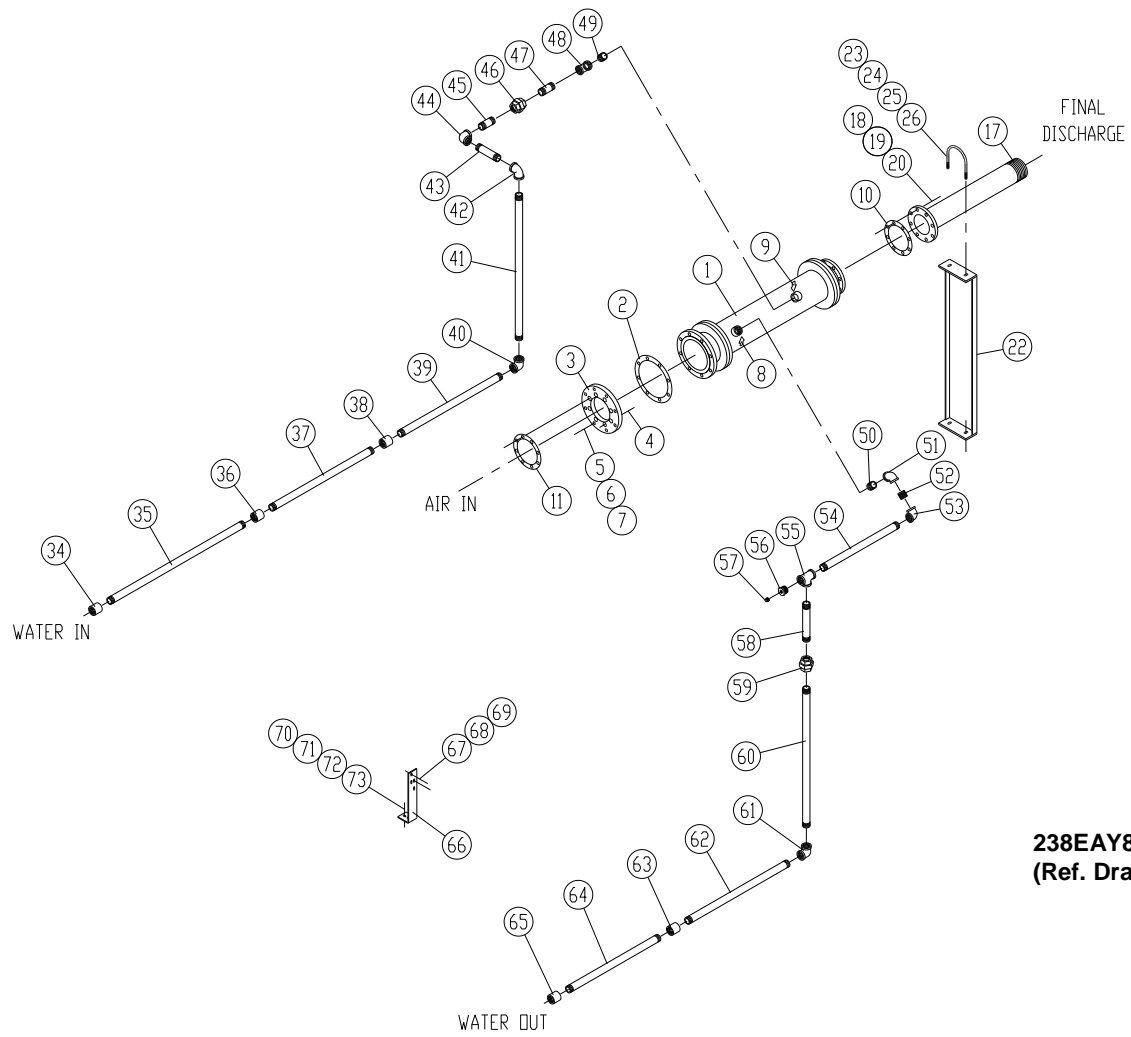
**WATER COOLED COOLER - 350, 400 & 500 HP**

**B/M: 200 thru 204EAY4003**

Ref. No.	Name of Part	Qty.	Part No.	Ref. No.	Name of Part	Qty.	Part No.
1	SUPPORT .....	1	201ESV165	45	NIPPLE .....	1	63L15G
2	SCREW .....	4	655EG080	46	ELBOW .....	1	64C9G
3	WASHER .....	4	95A8	47	NIPPLE .....	1	63L20G
4	LOCKWASHER .....	4	95B8	48	UNION .....	1	64Z2
5	NUT .....	4	50B8	49	NIPPLE .....	1	63L18G
6	HEAT EXCHANGER .....	2	*	50	CROSS .....	1	64K21G
7	SCREW .....	8	655ED040	51	NIPPLE .....	1	63L22G
8	WASHER .....	16	95A3	52	ELBOW .....	1	64C9G
9	WASHER-LOCK .....	8	95B3	53	NIPPLE .....	1	63L21G
10	NUT .....	8	50B3	54	ELBOW .....	1	64C9G
11	MANIFOLD-OIL			55	PLUG .....	1	64A27
	350 & 400 HP .....	1	202EAY116	56	BUSHING-PIPE .....	1	64EB304
	500 HP .....	1	201EAY116	57	NIPPLE .....	1	63L15G
+ 12	COUPLING-FLEXIBLE .....	1	64EB802	58	ELBOW .....	1	64C9G
13	NIPPLE			59	BUSHING-PIPE .....	1	64E12
	350 & 400 HP .....	1	63AJ40X52G	60	NIPPLE .....	1	63K18G
	500 HP .....	1	63AJ40X66G	61	NIPPLE .....	1	63K5G
14	TEE .....	1	64G22G	62	BUSHING-PIPE .....	1	64EB304
15	BUSHING-PIPE .....	1	64E58	63	ELBOW .....	1	64C9G
16	PLUG .....	1	64AA3	64	NIPPLE .....	1	63AJ32X46G
17	BUSHING-PIPE .....	1	64E25	++ 65	COUPLING-FLEXIBLE .....	1	64EB801
18	NIPPLE .....	1	63L22G	66	NIPPLE .....	1	63AJ32X46G
19	UNION .....	1	64Z2	67	TEE .....	1	64G1G
20	NIPPLE .....	1	63L5G	68	BUSHING-PIPE .....	1	64EB304
21	TEE .....	1	64G1G	69	NIPPLE .....	1	63K5G
22	NIPPLE .....	1	63AJ32X46G	70	NIPPLE .....	1	63L24G
++ 23	COUPLING-FLEXIBLE .....	1	64EB801	71	TEE .....	1	64G1G
24	NIPPLE .....	1	63AJ32X46G	72	BUSHING-PIPE .....	1	64EB304
25	ELBOW .....	1	64C9G	73	PLUG .....	1	64A27
26	NIPPLE .....	1	63L14G	74	NIPPLE		
27	NIPPLE .....	1	63L14G		350 & 400 HP .....	1	63L4G
28	NIPPLE .....	1	63L14G		500 HP .....	1	63L22G
29	NIPPLE .....	1	63L14G	75	BUSHING-PIPE .....	1	64E25
30	ELBOW .....	1	64C9G	76	TEE .....	1	64G22G
31	NIPPLE .....	1	63AJ32X46G	77	BUSHING-PIPE .....	1	64E25
++ 32	COUPLING-FLEXIBLE .....	1	64EB801	78	ELBOW .....	1	64D9G
33	NIPPLE .....	1	63AJ32X46G	79	BUSHING-PIPE .....	1	64E85
34	TEE .....	1	64G1G	80	PLUG .....	1	64A27
35	NIPPLE .....	1	63L25G	81	GASKET .....	1	25C2722N
36	BUSHING-PIPE .....	1	64E25	82	SCREW .....	4	655EF120
37	FLANGE .....	1	64CA8	83	LOCKWASHER .....	4	95B7
38	GASKET .....	1	25C2722N	84	NUT .....	4	50B7
39	SCREW .....	4	655EF120	85	BRACKET-PIPE .....	3	200EAP108
40	LOCKWASHER .....	4	95B7	86	U-BOLT .....	6	15U53
41	NUT .....	4	50B7	87	NUT .....	12	50AW5
42	NIPPLE .....	1	63K18G	88	BRACKET-PIPE .....	1	301EAY108
43	BUSHING-PIPE .....	1	64EB304	89	U-BOLT .....	2	15U57
44	ELBOW .....	1	64C9G	90	NUT .....	4	50AW5

\* Selective Item. See pages 28 & 29.  
+ For Repair Gasket: Order (2) Part Number 2117160.  
++ For Repair Gasket: Order (2) Part Number 2117159.

# AFTERCOOLER GROUP



238EAY810-C  
(Ref. Drawing)

Order by Part Number and Description. Reference Numbers are for your convenience only.

**AFTERCOOLER GROUP**

B/M: 200EAY4033

Ref. No.	Name of Part	Qty.	Part No.	Ref. No.	Name of Part	Qty.	Part No.
* 1	AFTERCOOLER .....	1	48Z64	46	UNION .....	1	64Z1
2	GASKET .....	1	25C2721N	47	NIPPLE .....	1	63K15G
3	ADAPTOR .....	1	200ESV170	48	ELBOW .....	1	64C8G
4	SCREW .....	8	75P199N	49	NIPPLE .....	1	63K2G
5	SCREW .....	8	655EG130	50	NIPPLE .....	1	63K18G
6	LOCKWASHER .....	8	95B8	51	ELBOW .....	1	64C8G
7	NUT .....	8	50B8	52	NIPPLE .....	1	63K18G
8	DECAL, HEAT EXCHANGE "OUT" .....	1	201ESP077	53	ELBOW .....	1	64C8G
9	DECAL, HEAT EXCHANGE "IN" .....	1	200ESP077	54	NIPPLE .....	1	63N24X233G
10	GASKET .....	1	25C2719N	55	TEE .....	1	64G11G
**11	GASKET .....	1	25C2719N	56	BUSHING-PIPE .....	1	64E8
17	MANIFOLD-DISCHARGE .....	1	203EAY071	57	PLUG .....	1	64AA3
18	SCREW .....	8	655EG120	58	NIPPLE .....	1	63K16G
19	LOCKWASHER .....	8	95B8	59	UNION .....	1	64Z1
20	NUT .....	8	50B8	60	NIPPLE .....	1	63N24X357G
22	BRACKET-PIPE .....	1	201ESV108	61	ELBOW .....	1	64C8G
23	U-BOLT .....	1	15U48	62	NIPPLE .....	1	63N24X300G
24	WASHER .....	2	95A5	63	COUPLING .....	1	64BK8
25	LOCKWASHER .....	2	95B5	64	NIPPLE .....	1	63N24X270G
26	NUT .....	2	50B5	65	COUPLING .....	1	64BK8
33	PLUG (not shown) .....	2	64AA7	66	BRACKET-PIPE .....	1	201EAY108
34	COUPLING .....	1	64BK8	67	U-BOLT .....	2	15U58
35	NIPPLE .....	1	63N24X400G	68	WASHER .....	4	95A3
36	COUPLING .....	1	64BK8	69	NUT .....	4	50B3
37	NIPPLE .....	1	63N24X300G	70	SCREW .....	2	655ED070
38	COUPLING .....	1	64BK8	71	WASHER .....	4	95A3
39	NIPPLE .....	1	63N24X300G	72	LOCKWASHER .....	2	95B3
40	ELBOW .....	1	64C8G	73	NUT .....	2	50B3
41	NIPPLE .....	1	63N24X374G	78	GROUP-MISC PARTS (not shown) .....	1	201EAY4013
42	ELBOW .....	1	64C8G		SEPARATOR-MOISTURE .....	1	83C7
43	NIPPLE .....	1	63K5G		TRAP .....	1	83C41
44	ELBOW .....	1	64C8G		FLANGE .....	1	64DD23
45	NIPPLE .....	1	63K15G				

\* See page 28 for Repair Parts.

\*\* Part included in Minimum Pressure Valve Kit number 308EAY6013. Refer to page 58.

**SELECTIVE ITEMS – WATER COOLED UNITS  
(Fresh Water Service)**

<b>Name of Part</b>	<b>350 Horsepower</b>	<b>400 Horsepower</b>	<b>500 Horsepower</b>
Heat Exchanger (2).....	204ESS349	205ESP349	202ESV349
Bonnet, Inlet-Outlet (2).....	2109065	2109065	2109065
Gasket, Inlet-Outlet (2).....	2109063	2109063	2109063
Bonnet, Return (2).....	2109066	2109066	2109061
Gasket, Return (2).....	2109064	2109064	2109064
Anode-Zinc (4).....	2109068	2109068	2109057
Regulator-Temperature (Trefice).....	90AR152	90AR152	90AR152
* Assembly Stem Packing.....	2109051	2109051	2109051
* Thermal System Kit.....	2109490	2109490	2109490
Valve-Solenoid, Magnetic Water (Nema 1).....	91B170	91B170	91B170
Aftercooler.....	48Z64	48Z64	48Z64
Gasket (2).....	2109145	2109145	2109145
Ring-Packing (2).....	2109146	2109146	2109146
Ring-Lantern (Nylon).....	2109147	2109147	2109147
Separator, Moisture.....	83C7	83C7	83C7
Trap, Separator.....	83C41	83C41	83C41
Gasket, Cap.....	2109518	2109518	2109518
Gasket, Retainer.....	2109519	2109519	2109519
Screen, Strainer.....	2109520	2109520	2109520

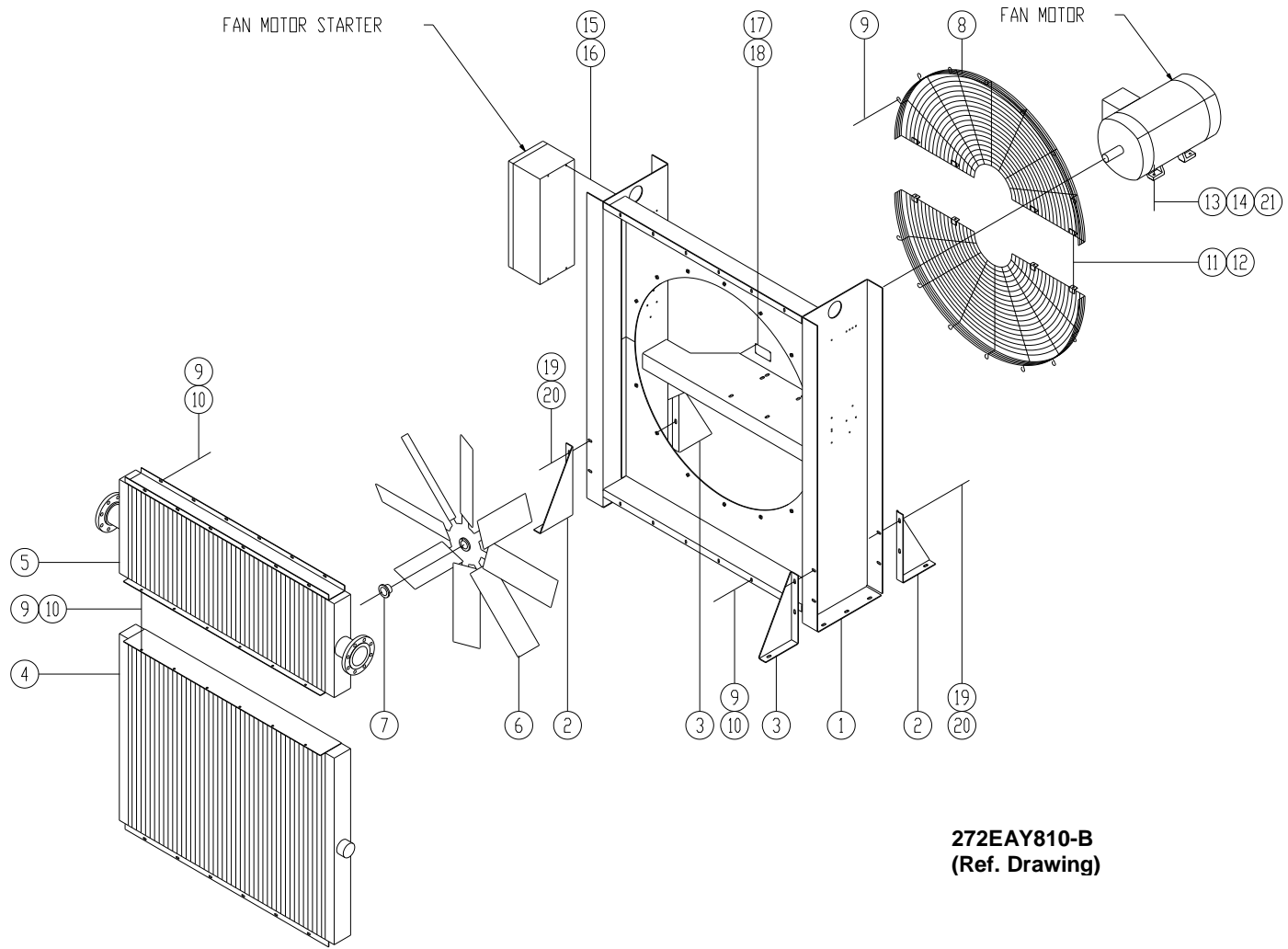
\* Furnish as required for repair of complete Temperature Regulator (Kit consists of remote bulb, capillary tube and bellows).

**SELECTIVE ITEMS – WATER COOLED UNITS  
(Seacoast Service)  
(Not Available for 500 HP Service)**

Name of Part	350 Horsepower	400 Horsepower
Heat Exchanger (2) .....	203ESS349	204ESP349
Bracket, Mounting (2) .....	2109067	2109067
Gasket, Inlet-Outlet.....	2109063	2109063
Bonnet, Inlet-Outlet.....	2109077	2109077
Gasket, Return .....	2109064	2109064
Bonnet, Return .....	2109076	2109076
Anode-Zinc (2).....	2109068	2109068
Regulator-Temperature .....	90AR152	90AR152
* Thermal System Kit.....	2109490	2109490

\* Furnish as required for repair of complete Temperature Regulator (Kit consists of remote bulb, capillary tube and bellows).

# AIR COOLED COOLER GROUP



272EAY810-B  
(Ref. Drawing)



**AIR COOLED COOLER GROUP**

**B/M: 230EAY4003;  
235 thru 237EAY4003**

Ref. No.	Name of Part	Qty.	Part No.
1	SUPPORT .....	1	204EAY165
2	SUPPORT .....	2	205EAY165
3	SUPPORT .....	2	206EAY165
4	COOLER-OIL-AIR		
	Fresh Water .....	1	200EAY201
	Seacoast .....	1	201EAY201
5	AFTERCoolER		
	Fresh Water .....	1	200EAY292
	Seacoast .....	1	201EAY292
6	FAN		
	60 HZ .....	1	200EAY701
	50 HZ .....	1	201EAY701
7	BUSHING-SHEAVE .....	1	2009277
8	GUARD-FAN .....	1	200EAY393
9	SCREW .....	32	75LM51
10	NUT .....	18	50AW5
11	SCREW .....	4	75LM50
12	NUT .....	4	50AW4
13	SCREW .....	4	655EE060
14	NUT .....	4	50AW35
15	SCREW .....	4	75LM53
16	NUT .....	4	50AW3
19	SCREW .....	8	75LM135
20	NUT .....	8	50AW35
21	WASHER .....	4	95W15

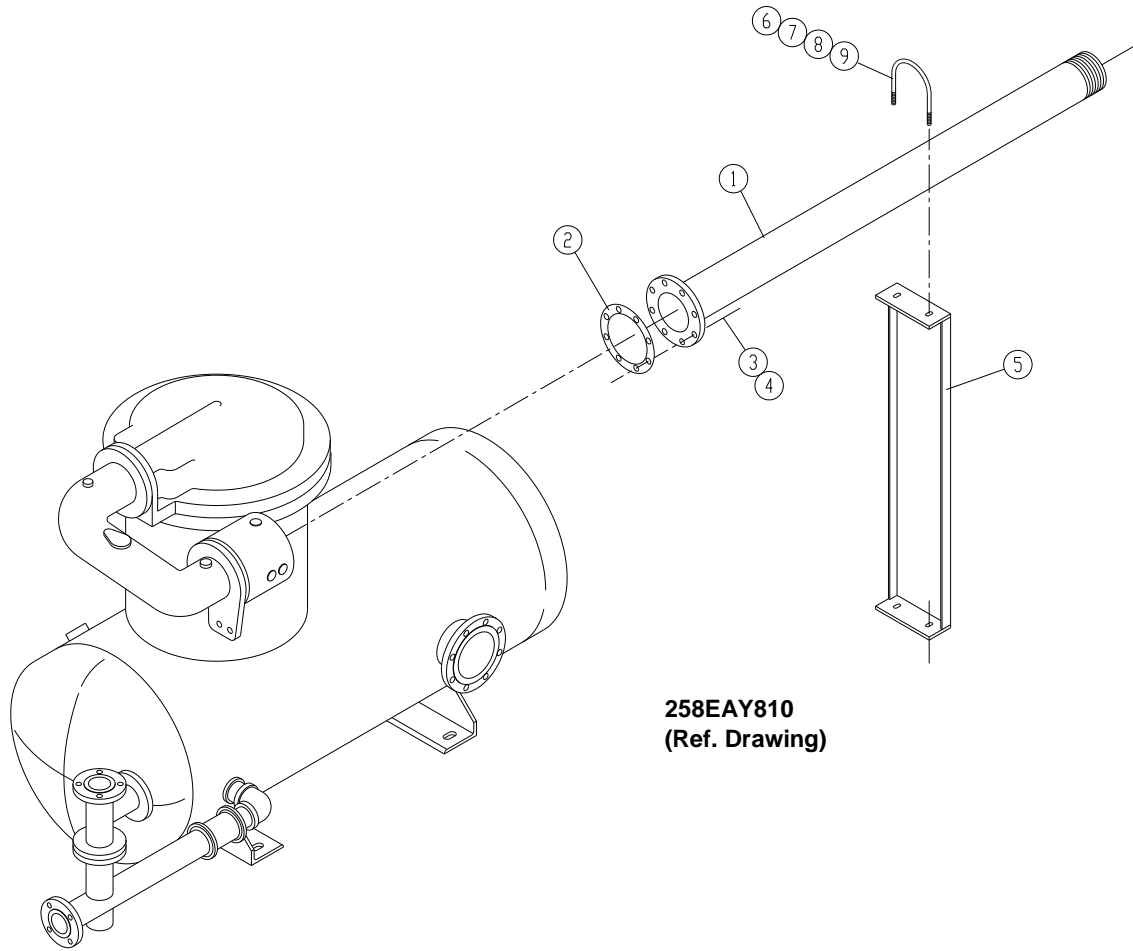
For Fan Motor part number see page 32.

**AIR COOLED COOLER SELECTIVES  
(With Aftercooler Only) (50/60 HZ)**

<b>Cooling Group</b>	<b>H.P.</b>	<b>Volt</b>	<b>UL</b>	<b>Fan Motor Starter</b>	<b>Fan Motor</b>	<b>O.L. Heaters (3)</b>	<b>Fuse (3)</b>
303EAY4007	350/400/500	230	4	24CA6840	<b>24CA7945</b>	24CA3684	<b>684020331</b>
304EAY4007	350/400/500	380	4	24CA6841	24CA4206	24CA642	24CA4323
305EAY4007	350/400/500	460	4	<b>24CA8044</b>	<b>24CA7945</b>	24CA640	24CA4322
306EAY4007	350/400/500	575	4	24CA6843	<b>24CA7946</b>	24CA636	24CA4322

Note: (1) each 83C7 Separator and 83C41 Trap shipped loose with module.

Order by Part Number and Description. Reference Numbers are for your convenience only.



258EAY810  
(Ref. Drawing)

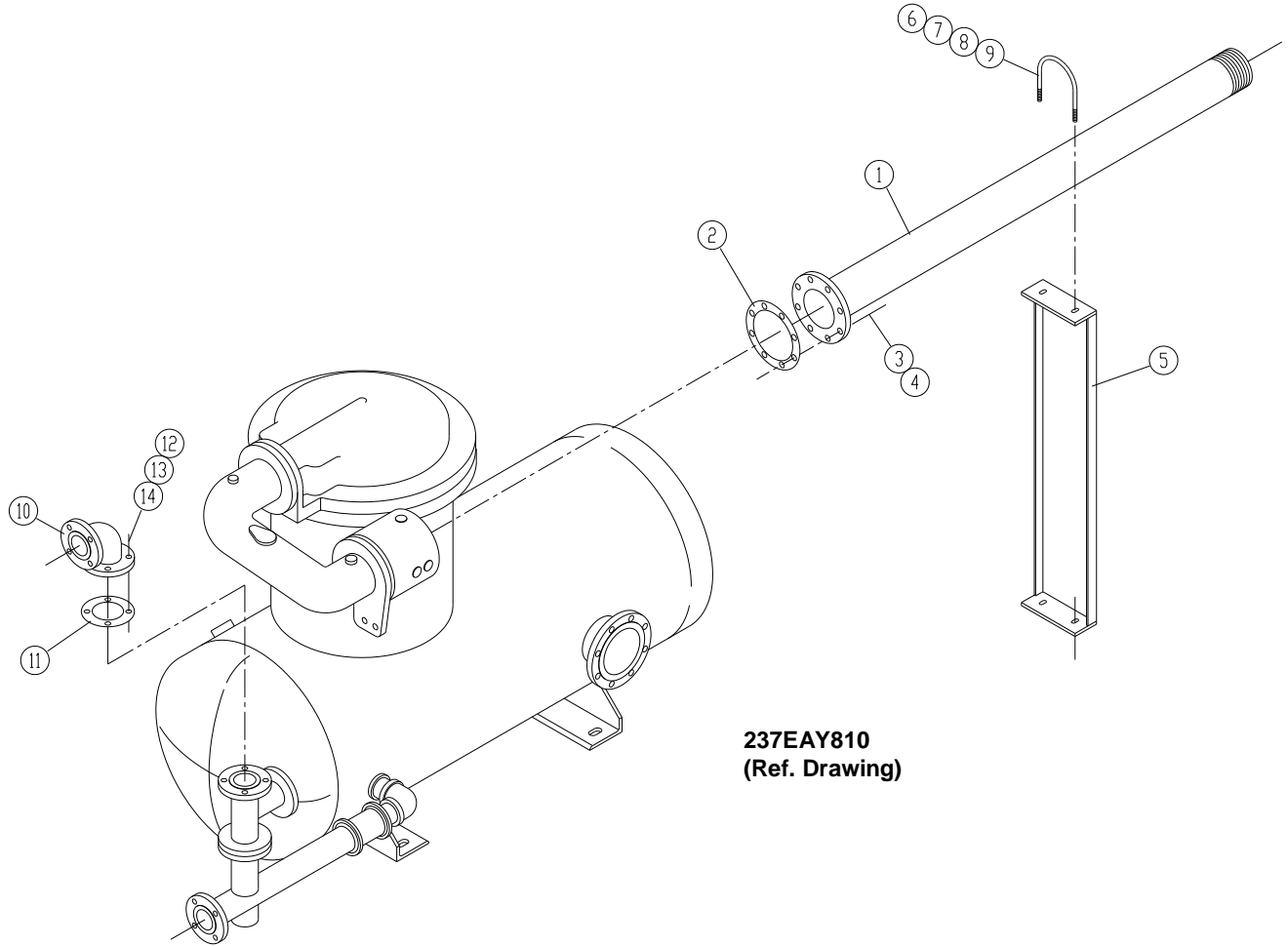
**DISCHARGE PIPING WATER COOLED  
(Without Aftercooler)**

B/M: 202EAY4019

Ref. No.	Name of Part	Qty.	Part No.
1	MANIFOLD-DISCHARGE .....	1	200EAY071
* 2	GASKET .....	1	25C2719N
3	SCREW .....	8	655EG070
4	LOCKWASHER .....	8	95B8
5	BRACKET-PIPE .....	1	201ESV108
6	U-BOLT .....	1	15U48
7	WASHER.....	2	95A5
8	LOCKWASHER .....	2	95B5
9	NUT .....	2	50B5

\* Part included in Minimum Pressure Valve Kit number 308EAY6013. Refer to page 58.

Order by Part Number and Description. Reference Numbers are for your convenience only.



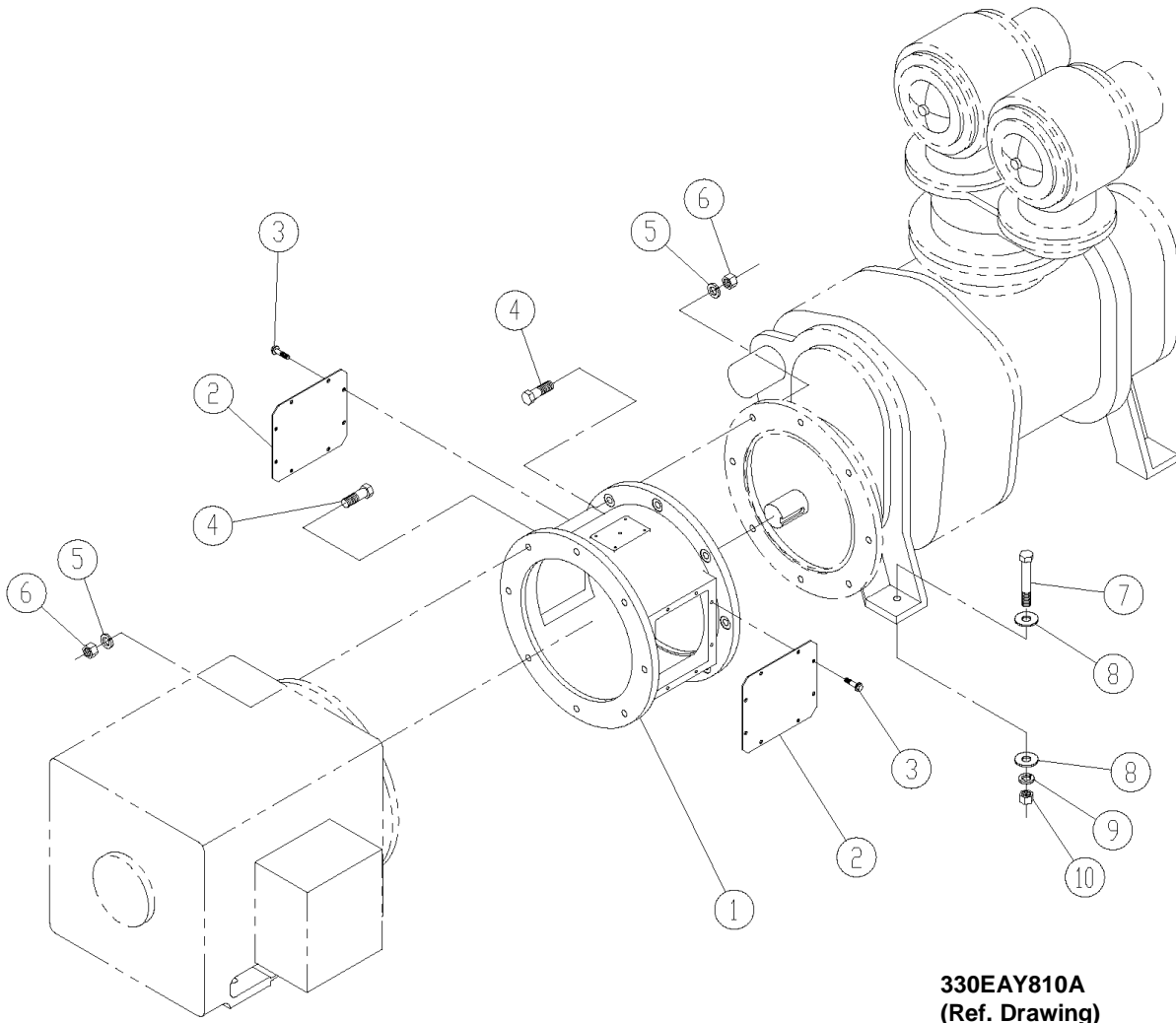
237EAY810  
(Ref. Drawing)

**DISCHARGE PIPING AIR COOLED  
(Without Aftercooler)**

**B/M: 201EAY4019**

Ref. No.	Name of Part	Qty.	Part No.
1	MANIFOLD-DISCHARGE .....	1	200EAY071
2	GASKET .....	1	25C2719N
3	SCREW .....	8	655EG070
4	LOCKWASHER .....	8	95B8
5	BRACKET-PIPE .....	1	201ESV108
6	U-BOLT .....	1	15U48
7	WASHER .....	2	95A5
8	LOCKWASHER .....	2	95B5
9	NUT .....	2	50B5
10	MANIFOLD-OIL .....	1	202ESV116
11	GASKET .....	1	25C2722N
12	SCREW .....	4	655EF100
13	LOCKWASHER .....	4	95B7
14	NUT .....	4	50B7

Order by Part Number and Description. Reference Numbers are for your convenience only.



**330EAY810A  
(Ref. Drawing)**

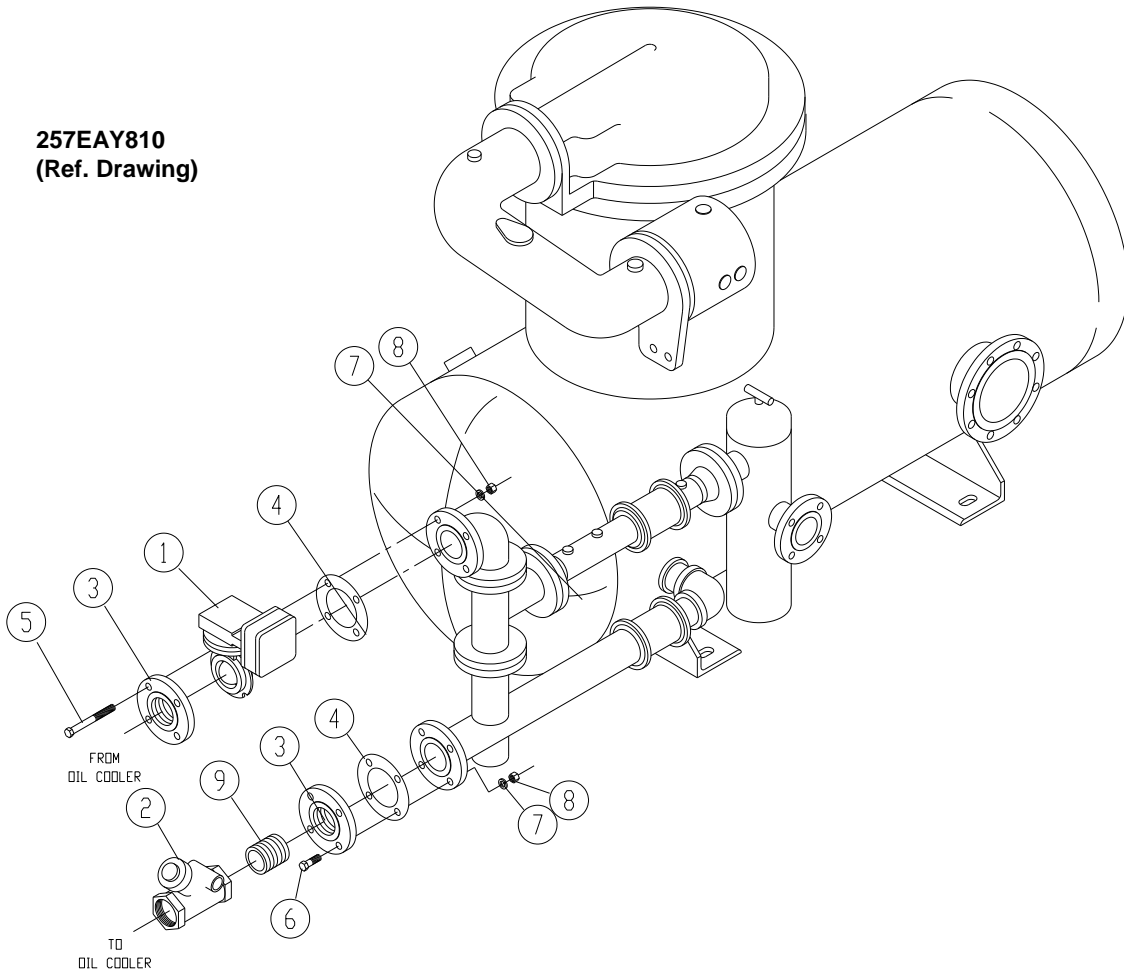
**ADAPTOR**

**B/M: 319EAY4017**

Ref. No.	Name of Part	Qty.	Part No.
1	ADAPTOR .....	1	200SSW170
2	PLATE .....	2	201SSW247
3	SCREW .....	16	75LM51
4	SCREW .....	16	655EG130
5	LOCKWASHER .....	16	95B8
6	NUT .....	16	50B8
7	SCREW .....	4	655EG220
8	WASHER .....	8	95A8
9	LOCKWASHER .....	4	95B8
10	NUT .....	4	50B8

Order by Part Number and Description. Reference Numbers are for your convenience only.

257EAY810  
(Ref. Drawing)

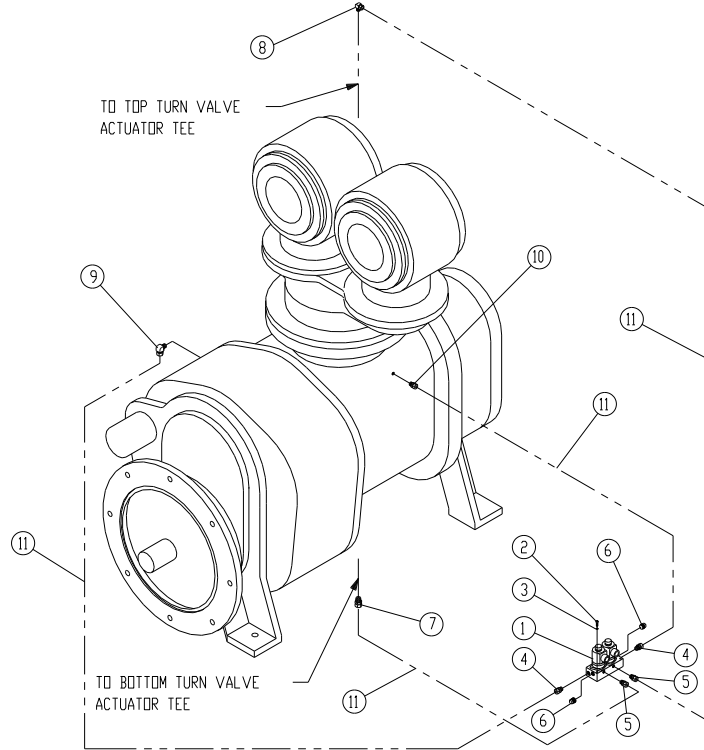


**REMOTE COOLER FITTINGS**

**B/M: 204EAY4030**

Ref. No.	Name of Part	Qty.	Part No.
1	VALVE-BUTTERFLY .....	1	90AR68
2	VALVE-CHECK .....	1	90J132
3	FLANGE .....	2	64CA8
4	GASKET .....	2	25C2722N
5	SCREW .....	4	655EF200
6	SCREW .....	4	655EF120
7	LOCKWASHER .....	8	95B7
8	NUT .....	8	50B7
9	NIPPLE.....	1	63M2G
10	ELBOW-TUBE (not shown) .....	2	86E60
11	TUBE (IN FEET) (not shown) .....	9	85G3

Order by Part Number and Description. Reference Numbers are for your convenience only.



260EAY810-B  
(Ref. Drawing)

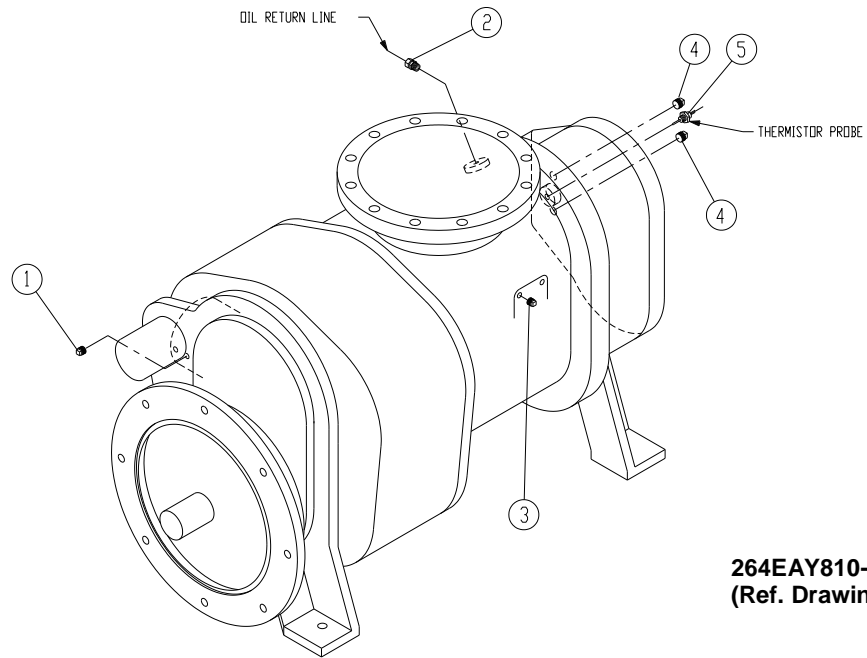
**TURN VALVE ACTUATOR**

**B/M: 307EAY4052**

Ref. No.	Name of Part	Qty.	Part No.
* 1	VALVE-SOLENOID .....	1	VP1021223
2	SCREW .....	2	75P26
3	LOCKWASHER .....	2	95B1
4	TUBE FITTING .....	2	86E213
5	TUBE FITTING .....	2	86E212
6	PLUG.....	2	64AC3
7	TUBE FITTING .....	1	86E212
8	TUBE FITTING .....	1	86E222
9	TUBE FITTING .....	1	86E222
10	TUBE FITTING .....	1	86E213
11	TUBE (IN FEET).....	18	85K5
12	FITTING-CONDUIT (not shown).....	1	24A341
13	FITTING-CONDUIT (not shown).....	1	24A379
14	COUPLING (not shown) .....	1	24CA709
15	COVER (not shown) .....	1	24A343
16	GASKET (not shown) .....	1	24A342
17	CONNECTOR (not shown).....	4	24CA2068
18	WIRE (IN FEET) (not shown).....	13	97H2G
19	WIRE (IN FEET) (not shown).....	13	97H2W

\* Parts included in Electrical Control Kit Part Number 312EAY6013. Refer to page 57.

Order by Part Number and Description. Reference Numbers are for your convenience only.



**COMPRESSOR FITTINGS**

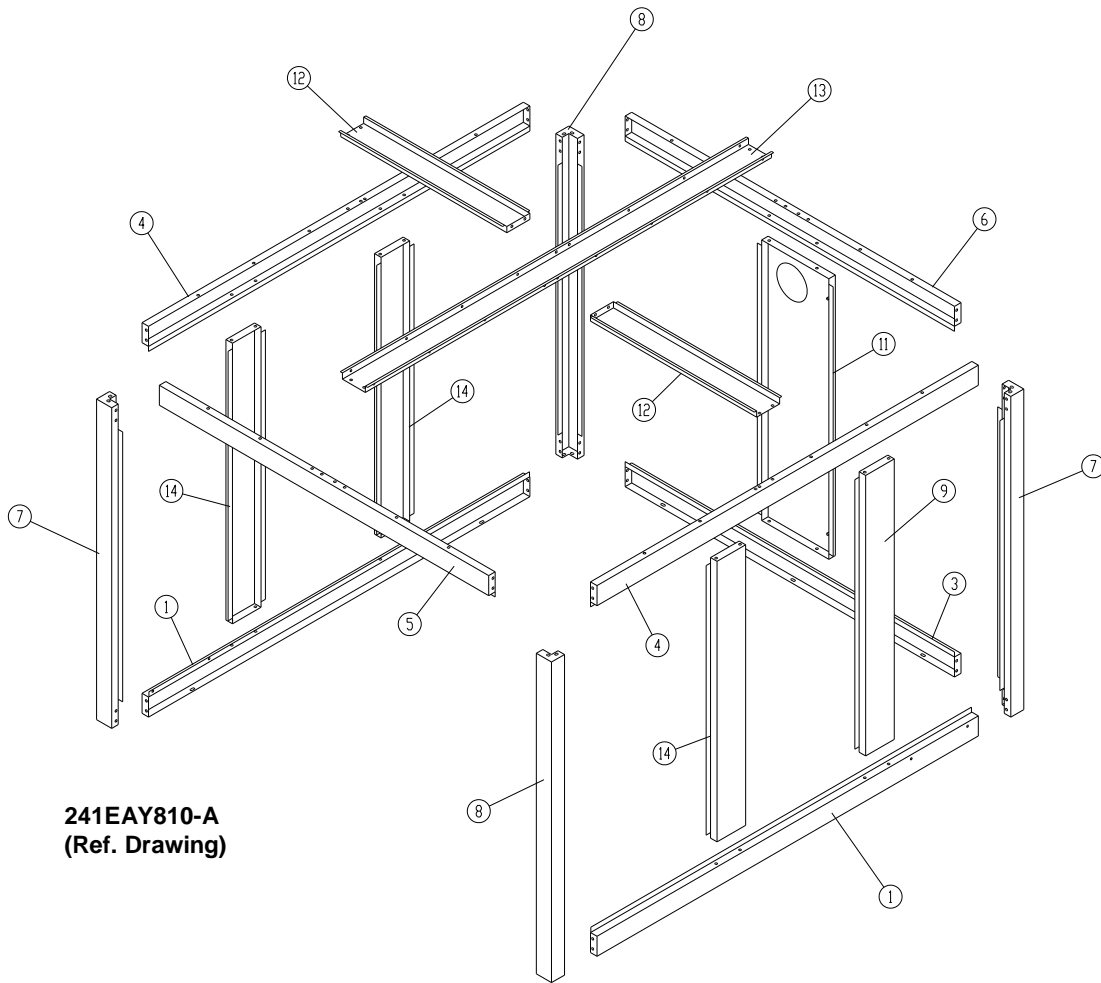
**B/M: 210EAY4017**

Ref. No.	Name of Part	Qty.	Part No.
1	PLUG.....	1	64AA5
2	TUBE FITTING.....	1	86E212
3	PLUG.....	1	64AC3
4	PLUG.....	2	64AA7
* 5	ELECTRICAL PROBE.....	1	21D264

\* Part included in Electrical Control Kit number 312EAY6013. Refer to page 57.



Order by Part Number and Description. Reference Numbers are for your convenience only.



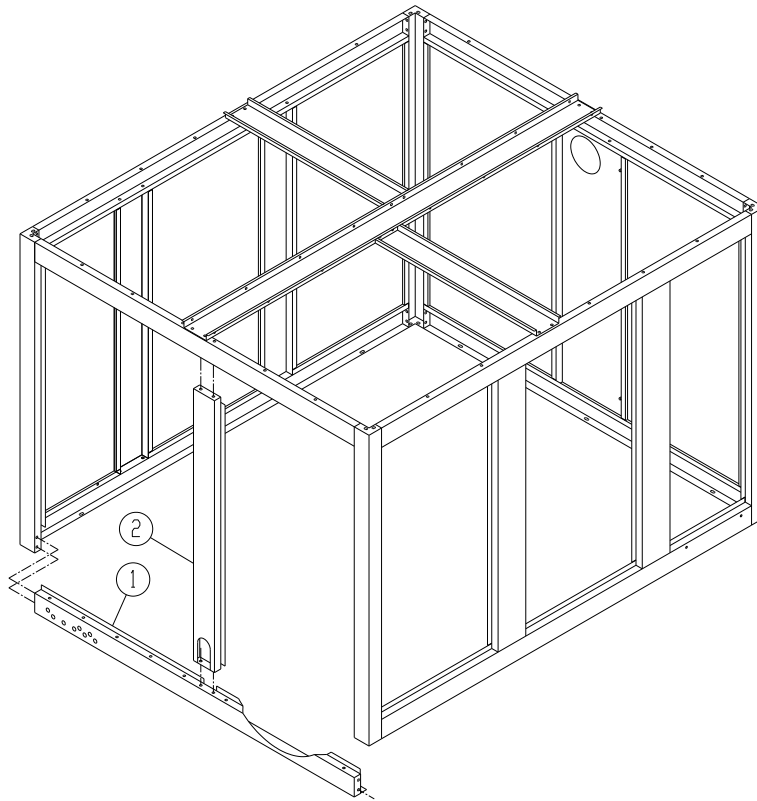
241EAY810-A  
(Ref. Drawing)

**FRAME GROUP**

**B/M: 300EAY4023**

Ref. No.	Name of Part	Qty.	Part No.
1	FRAME .....	2	200EAY314
3	FRAME .....	1	203EAY314
4	FRAME .....	2	204EAY314
5	FRAME .....	1	205EAY314
6	FRAME .....	1	206EAY314
7	POST .....	2	CC1047710
8	POST .....	2	CC1047711
9	BRACE .....	1	200EAY326
11	BRACE .....	1	202EAY326
12	BRACE .....	1	203EAY326
13	BRACE-CHANNEL	1	204EAY326
14	BRACE .....	3	205EAY326

Order by Part Number and Description. Reference Numbers are for your convenience only.



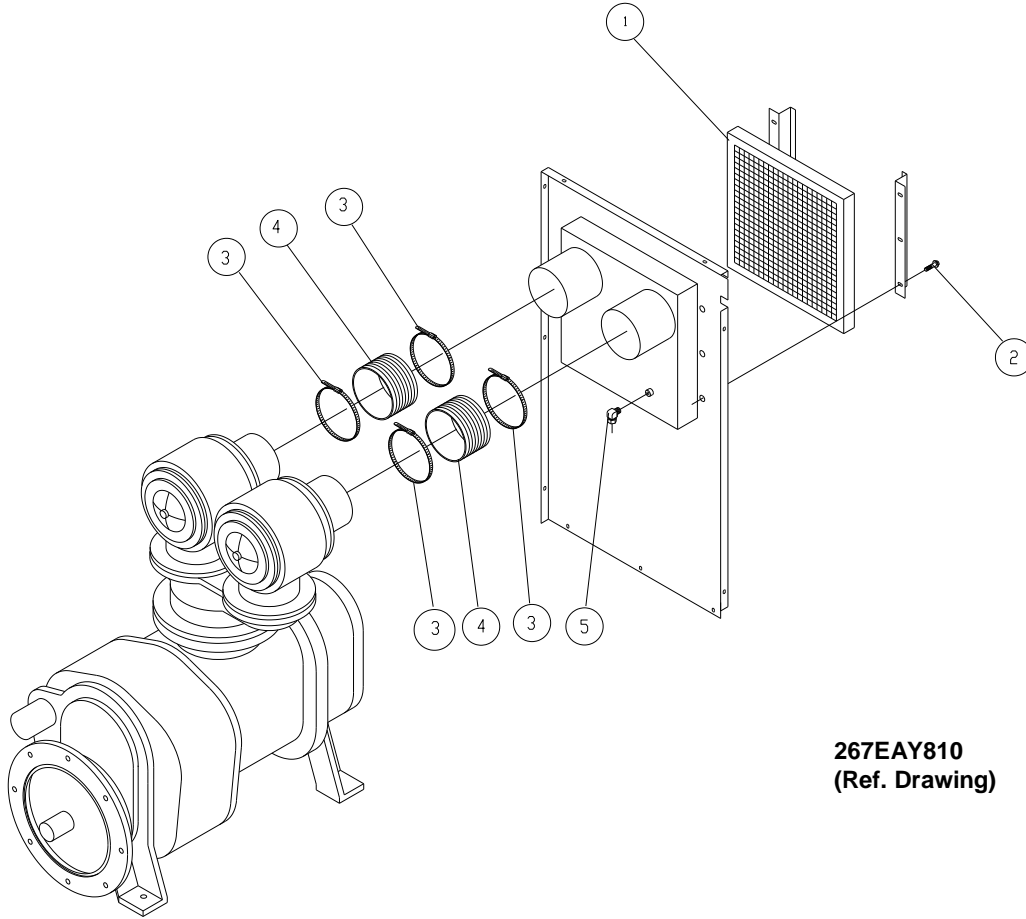
271EAY810-A  
(Ref. Drawing)

**ENCLOSURE GROUP - PANELS**

B/M: 214EAY4017

Ref. No.	Name of Part	Qty.	Part No.
1	FRAME .....	1	202EAY314
2	BRACE .....	1	201EAY326

Order by Part Number and Description. Reference Numbers are for your convenience only.



267EAY810  
(Ref. Drawing)

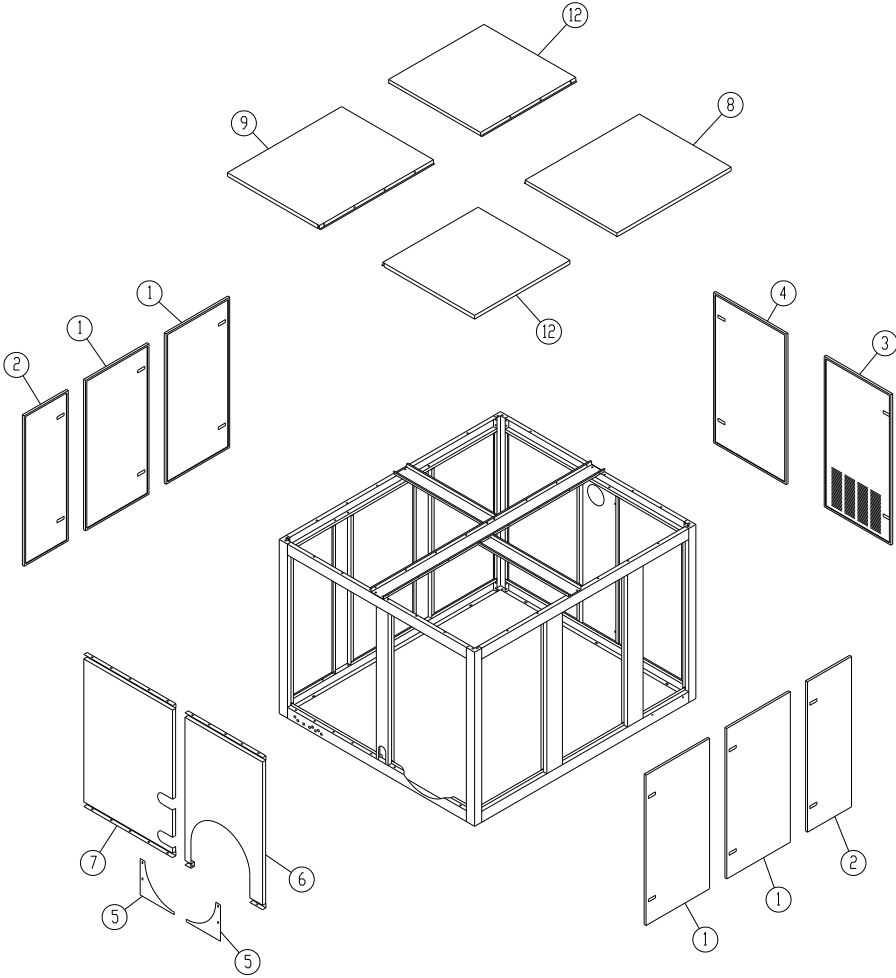
**AIR FILTER**

**B/M: 201EAY4054**

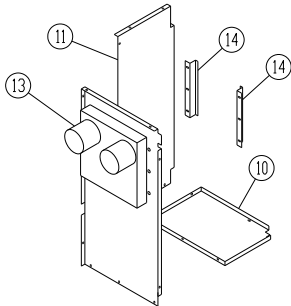
Ref. No.	Name of Part	Qty.	Part No.
*1	FILTER-AIR .....	1	2009590
2	SCREW.....	6	75LM150
3	CLAMP.....	4	29Z16
4	HOSE.....	2	29Z180
5	TUBE FITTING .....	1	86E219

\* Part Included in Routine Maintenance Kit Part Number EAY68417. Refer to Page 57

ENCLOSURE GROUP



242EAY810-B  
(Ref. Drawing)



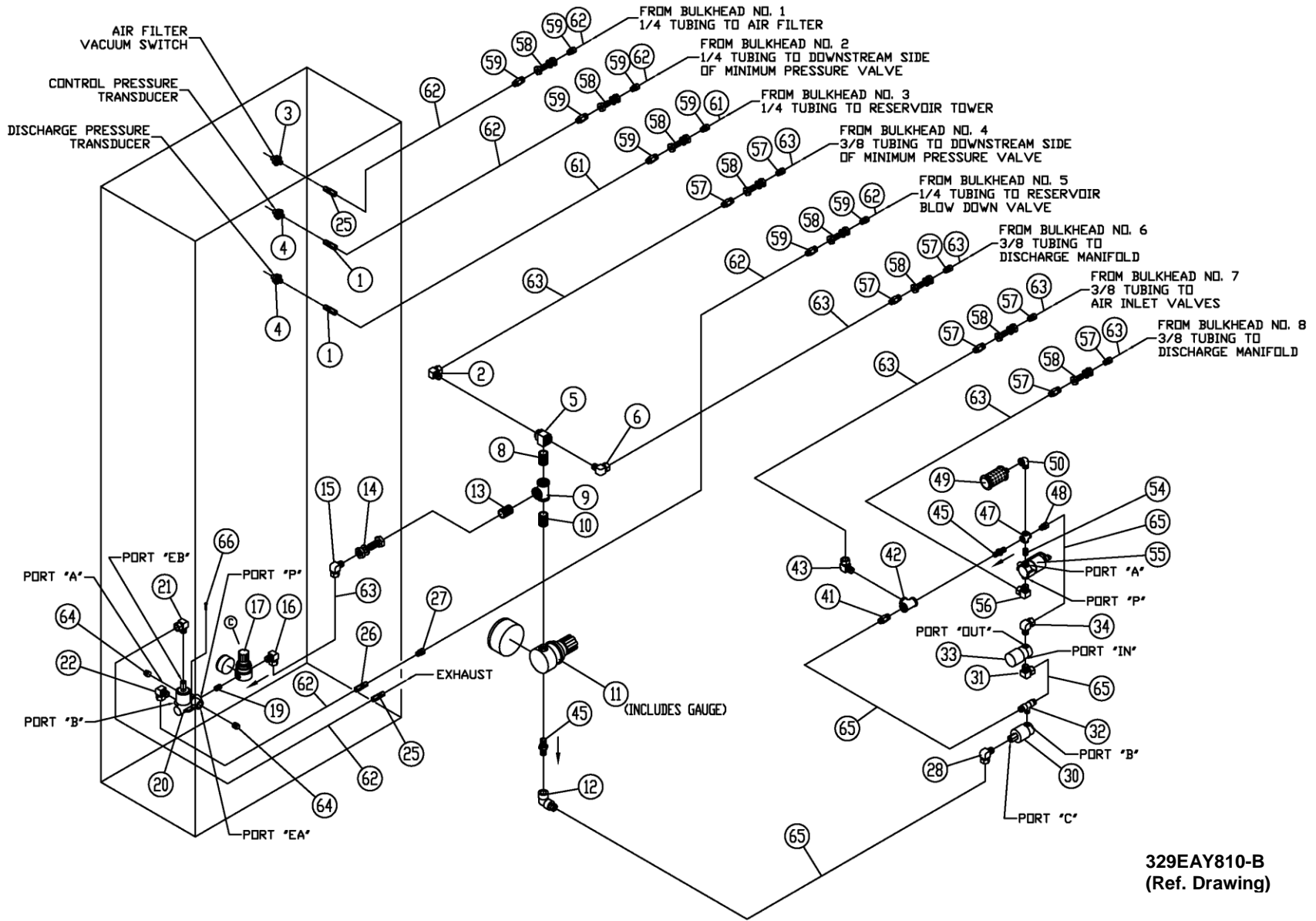
Order by Part Number and Description. Reference Numbers are for your convenience only.

ENCLOSURE GROUP

B/M: 203EAY4017

Ref. No.	Name of Part	Qty.	Part No.
1	DOOR.....	4	CC1018478
2	DOOR.....	2	CC1018477
3	DOOR.....	1	CC1018476
4	DOOR.....	1	CC1018475
5	PANEL.....	2	200EAY216
6	PANEL.....	1	202EAY216
7	PANEL.....	1	203EAY216
8	PANEL.....	1	204EAY216
9	PANEL.....	1	205EAY216
10	PANEL.....	1	206EAY216
11	PANEL.....	1	207EAY216
12	PANEL ENCLOSURE.....	2	212EAY216
13	DUCT.....	1	200EAY856
14	BRACKET.....	2	203ESV141
15	STRIP FOAM (IN FEET) (not shown).....	10	00800736
	SCREW (not shown).....	12	655EE050
	WASHER (not shown).....	12	95A5
	LOCKWASHER (not shown).....	12	95B5
	NUT (not shown).....	12	50B5
	FOAM STRIP (IN FEET) (not shown).....	6	00800736
	SEAL (IN FEET) (not shown).....	100	32E12
	LATCH (not shown).....	16	31D68
	SCREW (not shown).....	133	75LM51
	NUT (not shown).....	145	50AW5
	WASHER (not shown).....	6	95C1
	KEY (not shown).....	2	VP1049035

# CONTROL MOUNTING



329EAY810-B  
(Ref. Drawing)

Order by Part Number and Description. Reference Numbers are for your convenience only.

**CONTROL MOUNTING**

**B/M: 303EAY4002**

Ref. No.	Name of Part	Qty.	Part No.	Ref. No.	Name of Part	Qty.	Part No.
1	CONNECTOR-TUBE.....	2	86N316	31	TUBE FITTING .....	1	86E222
2	TUBE FITTING .....	1	86E222	32	TUBE FITTING .....	1	86N346
+ 3	VACUUM SWITCH.....	1	88H195	+ 33	VALVE-SOLENOID.....	1	91B249
+ 4	PRESSURE TRANSDUCER.....	2	88H365	34	TUBE FITTING .....	1	86E222
++ 5	VALVE-CONTROL .....	1	90AR1006	41	TUBE FITTING .....	1	86E212
6	TUBE FITTING .....	1	86E222	42	TEE .....	1	64G3G
8	NIPPLE.....	1	63D1G	43	TUBE FITTING .....	1	86E222
9	TEE.....	1	64G3G	++ 45	VALVE-CHECK.....	2	90AR261
10	NIPPLE.....	1	63D1G	47	CROSS .....	1	64K1G
++∇11	REGULATOR-PRESSURE W/GAUGE ...	1	88H367	48	TUBE FITTING .....	1	86E212
12	TUBE FITTING .....	1	86E231	49	MUFFLER .....	1	43E4
13	NIPPLE.....	1	63D1G	50	ELBOW .....	1	64D2G
14	NIPPLE.....	4	24CA4641	54	NIPPLE .....	1	63D1G
15	O-RING.....	4	24A383	* + 55	VALVE-SOLENOID.....	1	91B250
16	LOCKNUT CONDUIT .....	4	24A77	56	TUBE FITTING .....	1	86E222
++∇17	REGULATOR-PRESSURE W/GAUGE ...	1	88H367	57	CONNECTOR-TUBE .....	8	86E212
19	NIPPLE.....	1	63D1G	58	COUPLING-PIPE .....	8	64EB368
+ 20	VALVE-SOLENOID .....	1	91B251	59	TUBE FITTING .....	8	86E210
22	TUBE FITTING .....	1	86E220	61	TUBE (IN FEET) .....	16	85K3
25	CONNECTOR-TUBE.....	1	86N287	62	TUBE (IN FEET) .....	52	85G3
28	TUBE FITTING .....	1	86E222	63	TUBE (IN FEET) .....	62	85G5
+ 30	VALVE-SOLDNOID .....	1	91B243	64	PLUG .....	2	64AC2
				65	TUBE (IN FEET) .....	15	85K5

13-10-525 Page 45

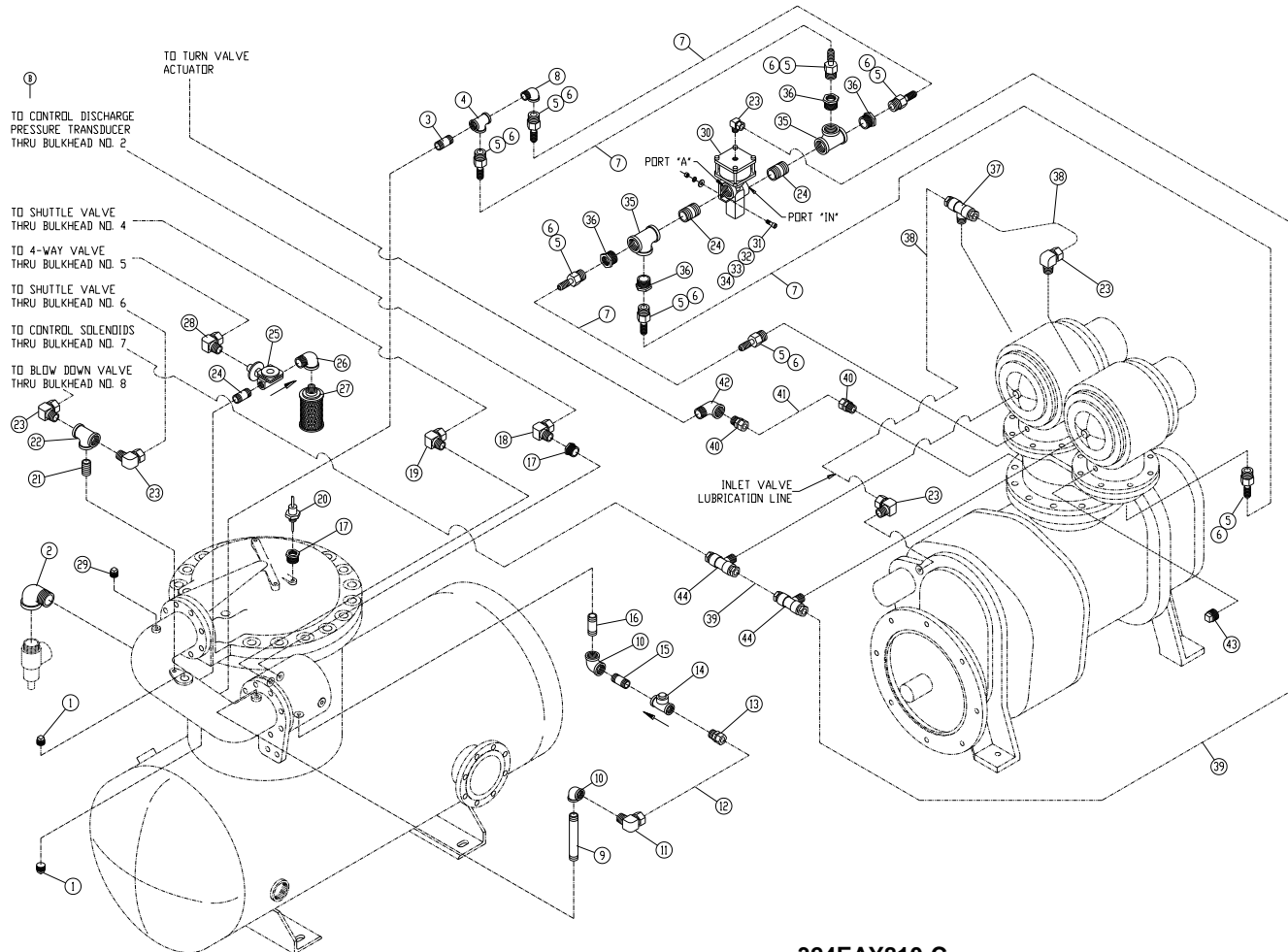
∇ For Replacement Gauge, order 2118767.

+ Parts included in Electrical Control Kit Part Number 312EAY6013. Refer to page 57.

++ Parts included in Pneumatic Control Kit Part Number 309EAY6013. Refer to page 57.

\* For Repair Kit (includes Spring, Seals, Piston Assembly, Plunger Assembly, Nut & O-Ring), order Part Number 2116077 or for Coil, order Part Number 2116078.

# CONTROL TUBING



**324EAY810-C**  
**(Ref. Drawing)**



## CONTROL TUBING

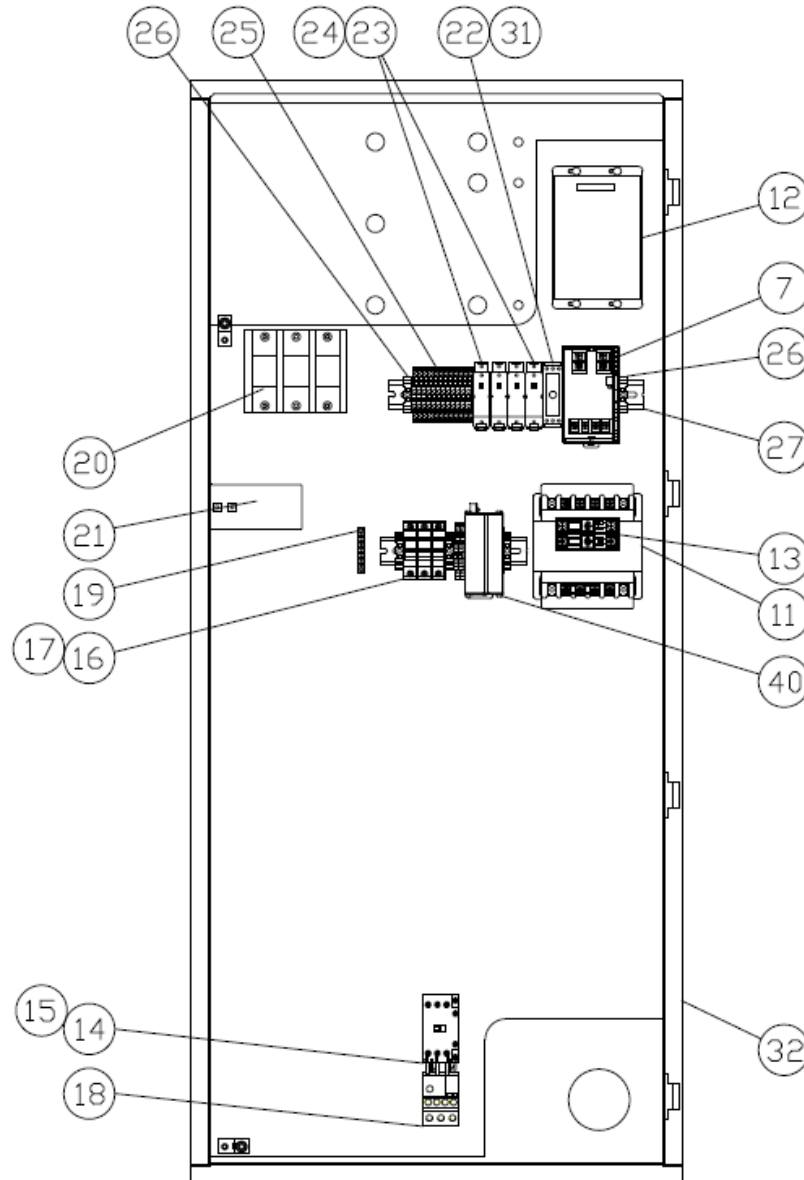
**B/M:  
301EAY4002**

Ref. No.	Name of Part	Qty.	Part No.	Ref. No.	Name of Part	Qty.	Part No.
1	PLUG .....	2	64A27	23	TUBE FITTING .....	5	86E222
2	ELBOW .....	1	64D9G	24	NIPPLE .....	3	63H1G
3	NIPPLE .....	1	63F2G	++25	VALVE AIR CONTROL.....	1	90AR114
4	TEE .....	1	64G6G	26	ELBOW.....	1	64D10G
5	NIPPLE .....	8	29C26	27	MUFFLER.....	1	43E2
6	CLAMP .....	8	29B35	28	TUBE FITTING .....	1	86E219
7	HOSE-OIL (IN FEET).....	22	R14E	29	PLUG.....	1	64AA5
8	ELBOW .....	1	64D5G	++30	VALVE-CONTROL .....	1	90AR262
9	NIPPLE .....	1	63E10G	31	SCREW .....	2	75P42
10	ELBOW-PIPE.....	2	64S2G	32	WASHER.....	2	95A2
11	TUBE FITTING.....	1	86E227	33	LOCKWASHER .....	2	95B2
12	TUBE (IN FEET) .....	2	85E8A	34	NUT .....	2	50B2
13	TUBE FITTING.....	1	86E215	35	TEE.....	2	64G8G
14	VALVE-CHECK.....	1	90J121	36	BUSHING-PIPE .....	4	64E14
15	NIPPLE .....	1	63F21G	37	TUBE FITTING .....	1	86E252
16	NIPPLE .....	1	63E1G	38	TUBE (IN FEET).....	2	85K5
17	BUSHING-PIPE .....	2	64E2G	39	TUBE (IN FEET).....	2	85G5
18	TUBE FITTING.....	1	86E220	40	CONNECTOR-TUBE.....	2	86N155
19	TUBE FITTING.....	1	86N383	41	TUBE (IN FEET).....	4	85E10C
+ 20	PROBE-ELECTRICAL .....	1	21D264	42	ELBOW.....	1	64D5G
21	NIPPLE .....	1	63D1G	43	PLUG.....	1	64AA7
22	TEE .....	1	64G3G	44	FITTING.....	2	86N347

+ Parts included in Electrical Control Kit Part Number 312EAY6013. Refer to page 57.

++ Parts included in Pneumatic Control Kit Part Number 309EAY6013. Refer to page 57.

**CONTROLLER ASSEMBLY – LESS STARTER, 230, 380 & 460 VOLT**



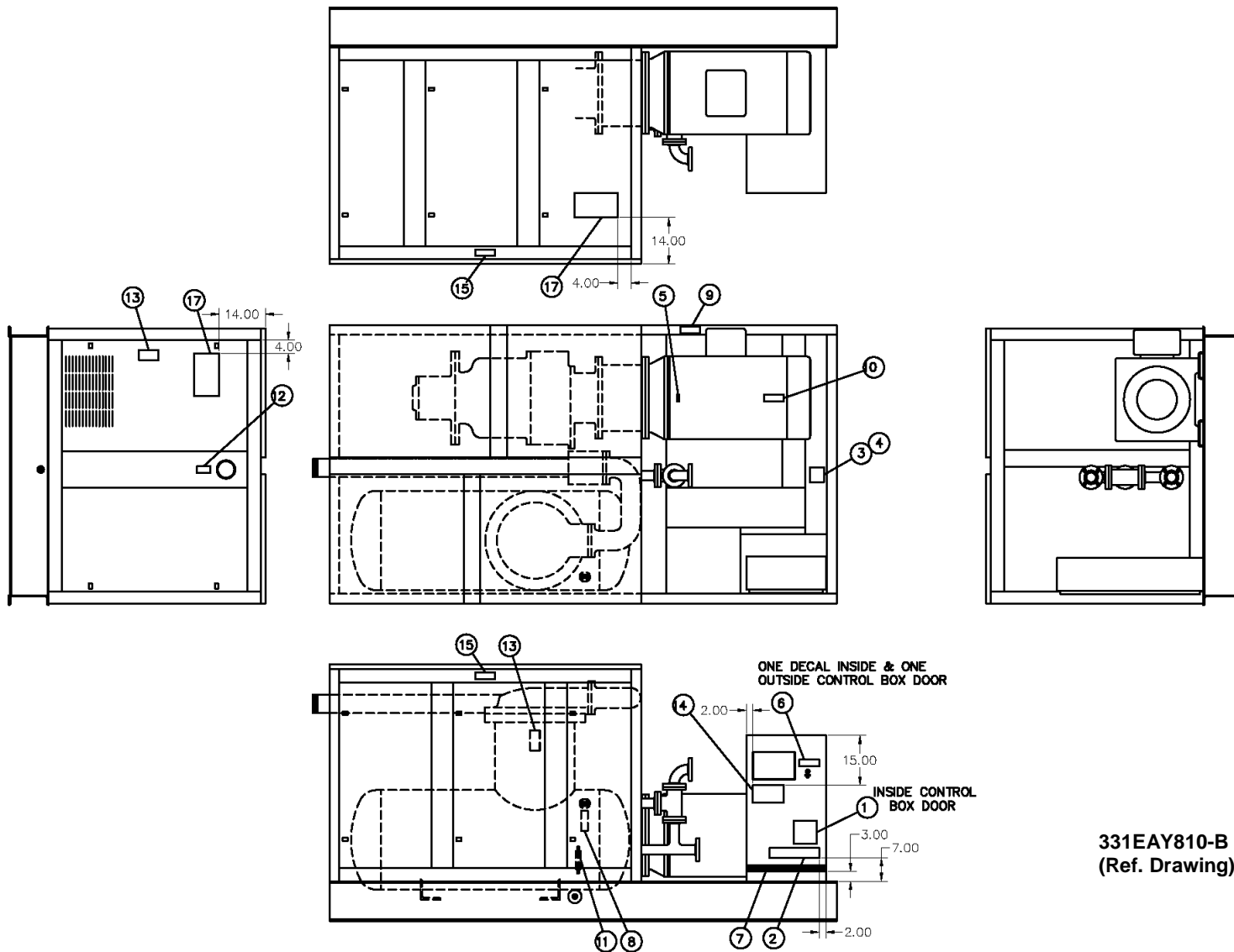
**330EAQ810-A  
(Ref. Drawing)**

**CONTROLLER ASSEMBLY – LESS STARTER, 200, 230,380, 460 & 575 VOLT**

	Qty.	200V	230V	380V	460V	575V
ASSEMBLED PANEL – AirSmart. UL 4, With Current .....	1	473EAQ466	474EAQ466	475EAQ466	476EAQ466	477EAQ466
1 AIRSMART CONTROLLER'S DISPLAY MODULE .....	1	300ETK375	300ETK375	300ETK375	300ETK375	300ETK375
2 GASKET .....	1	VP1033867	VP1033867	VP1033867	VP1033867	VP1033867
3 PUSH/PULL,ENGRAVED"EMERGENCY STOP .....	1	24CA7110	24CA7110	24CA7110	24CA7110	24CA7110
4 CONTACT BLOCK FOR 22mm OPERATOR .....	2	24CA7111	24CA7111	24CA7111	24CA7111	24CA7111
5 DOOR LATCH –SLOTTED .....	5	24CA7129	24CA7129	24CA7129	24CA7129	24CA7129
6 DOOR LATCH .....	1	24CA7130	24CA7130	24CA7130	24CA7130	24CA7130
7 POWER SUPPLY .....	1	24CA6168	24CA6168	24CA6168	24CA6168	24CA6168
11 TRANSFORMER 500VA 380/420PRI 110SEC 50H .....	1	2118366	2118244	2118244	2118244	2118245
12 AirSmart Controller w/LTUS & MT- EAQ/EBQ .....	1	300ETK1173F	300ETK1173F	300ETK1173F	300ETK1173F	300ETK1173F
13 FUSE 003.50A 600V FNQ-R (295AUX077) .....	2	24CA2786	24CA2785	24CA2783	24CA2783	24CA3722
14 CONTACTOR .....	1	24CA6992	24CA6992	24CA6992	24CA6992	24CA6992
15 COIL .....	1	TEN011427	TEN011427	TEN011427	TEN011427	TEN011427
16 FUSE HOLDER CLASS CC .....	1	24CA7528	24CA7528	24CA7528	24CA7528	24CA7528
17 FUSE 015.00A 600V LP-CC (314AUX077) .....	3	24CA4321	24CA4097	24CA4096	24CA4096	24CA4096
18 RELAY .....	2	24CA7344	24CA7344	24CA7344	24CA7344	300ETK375
19 BAR-GROUND, (5 POINT) .....	1	24CA7142	24CA7142	24CA7142	24CA7142	24CA7344
20 POWER DISTRIBUTION BLOCK .....	1	TEN001117	TEN001117	TEN001117	TEN001117	24CA7142
21 TRANSFORMER CURRENT .....	1	24CA4242	24CA4242	24CA4242	24CA4242	TEN001117
22 TRANSDUCER 0-5A AC IN .....	1	24CA6095	24CA6095	24CA6095	24CA6095	24CA4242
23 RELAY-24VDC SPDT .....	4	TEN000670	TEN000670	TEN000670	TEN000670	24CA6095
24 D1 RELAY SOCKET .....	4	TEN000671	TEN000671	TEN000671	TEN000671	TEN000670
25 TERMINAL BLOCK .....	14	24CA5984	24CA5984	24CA5984	24CA5984	TEN000671
26 TERMINAL BLOCK .....	5	24CA5987	24CA5987	24CA5987	24CA5987	24CA5984
27 DIN RAIL .....	1	24CA5991	24CA5991	24CA5991	24CA5991	24CA5987
31 RESISTOR .....	1	24CA6096	24CA6096	24CA6096	24CA6096	24CA5991
32 CONTROL BOX, NEMA 4, AIRSMART CONTROLLER ...	1	301EDM179	301EDM179	301EDM179	301EDM179	24CA6096
40 ICONN MODEM .....	1	251167531	251167531	251167531	251167531	251167531

\* Note: Items 24 and 25 are used With Current Monitoring Units Only

IDENTIFICATION AND INSTRUCTION GROUP



331EAY810-B  
(Ref. Drawing)

Order by Part Number and Description. Reference Numbers are for your convenience only.

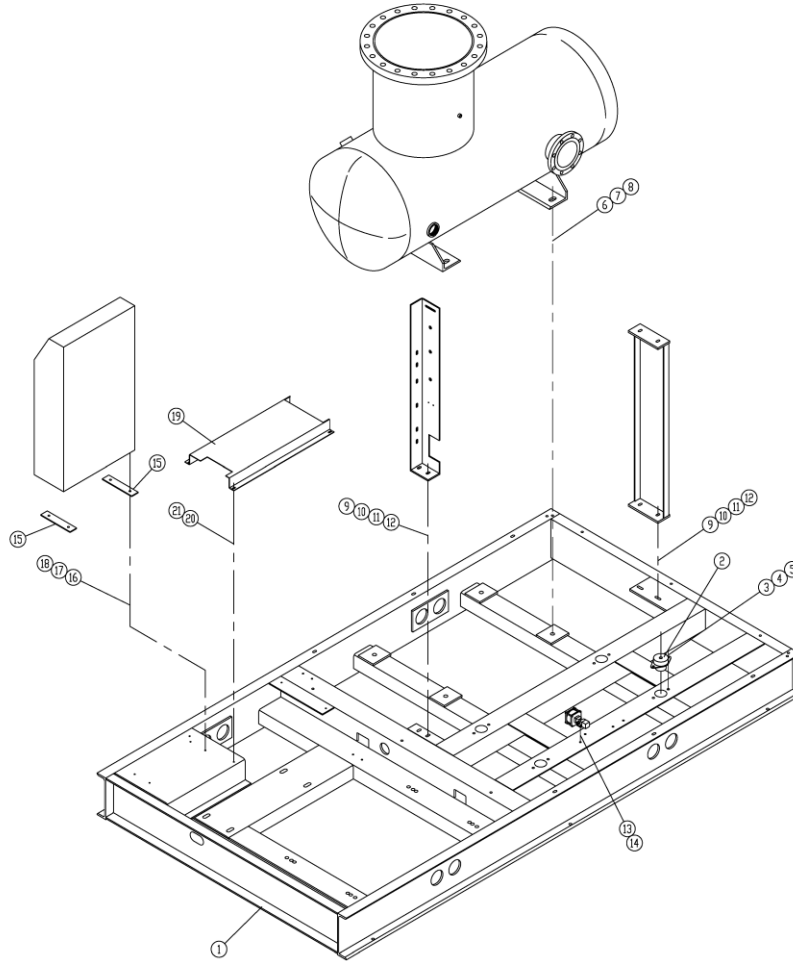
**IDENTIFICATION AND INSTRUCTION GROUP**

Ref. No.	Name of Part	QTY.	B/M: 309EAY4011
2	DECAL, ELECTRA SAVER (LARGE).....	3	VP1051547
* 5	DECAL, ROTATION ARROW.....	1	304EFC077
* 6	DECAL, ISO WARNING –CONTROL BOX .....	2	VP1009371
* 7	DECAL, STRIPE (LARGE) .....	1	VP1051552
* 8	DECAL, ISO WARNING – SEPARATOR TANK.....	1	VP1009376
* 9	DECAL, ISO WARNING – FAN/COOLER HOUSING.....	2	VP1009582
* 10	DECAL, ISO WARNING – MOTOR .....	1	VP1009374
11	DECAL, OIL LEVEL DATA PLATE .....	1	200ESG454
* 12	DECAL, ISO WARNING – PACKAGE DISCHARGE AIR .....	1	VP1009623
* 13	DECAL, NOTICE (USE GENUINE GD PARTS) .....	3	CC1009474
14	DECAL, GD LOGO (SMALL) .....	1	VP1051555
15	DECAL, ISO WARNING (SIDES ABOVE DOORS).....	2	VP1009372
17	DECAL, GARDNER DENVER PRODUCT LOGO .....	2	VP1042952

\* For Replacement Decals Order Part Number CC1010403 Decal Group Sheet

Order by Part Number and Description. Reference Numbers are for your convenience only.

265EAY810-E  
(Ref. Drawing)

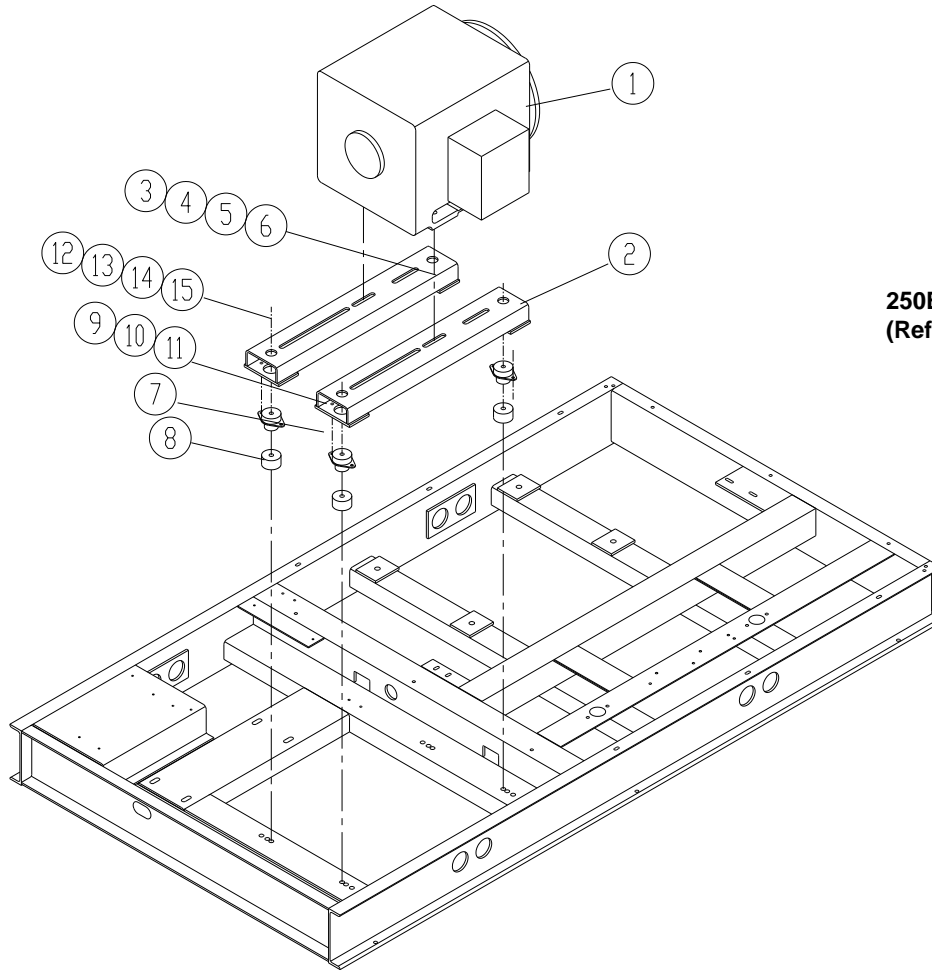


**BASE AND MOUNTING**

B/M: 211EAY4017

Ref. No.	Name of Part	Qty.	Part No.
1	BASE .....	1	204EAY285
2	ISOLATOR-VIBRATION .....	4	49C48
3	SCREW .....	8	655EE060
4	LOCKWASHER .....	8	95B5
5	NUT .....	8	50B5
6	SCREW .....	4	655EH080
7	WASHER .....	4	95A10
8	LOCKWASHER .....	4	95B10
9	SCREW .....	4	655EE080
10	WASHER .....	8	95A5
11	LOCKWASHER .....	4	95B5
12	NUT .....	4	50B5
13	SCREW .....	2	75P42
14	NUT .....	2	50AW4
15	SPACER .....	2	301EAY144
16	WASHER .....	4	95A3Z
17	SCREW .....	4	75LM51
19	COVER .....	1	204EAY225
20	SCREW .....	4	75LM97
21	NUT .....	4	50AW4

Order by Part Number and Description. Reference Numbers are for your convenience only.



250EAY810  
(Ref. Drawing)

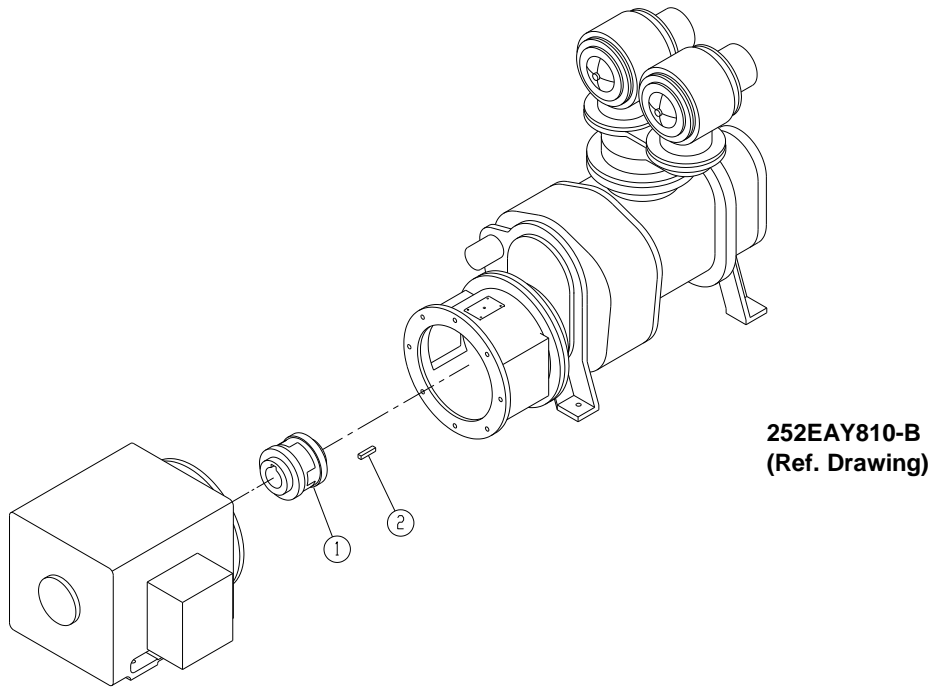
**MOTOR MOUNTING GROUP**

B/M: 314 thru 316EAY4015

Ref. No.	Name of Part	Qty.	Part No.
1	MOTOR.....	1	*
2	RAIL.....	2	201EAY095
3	SCREW.....	4	655EG140
4	WASHER.....	8	95A8
5	LOCKWASHER.....	4	95B8
6	NUT.....	4	50B8
7	ISOLATOR-VIBRATION.....	4	49C48
8	SPACER.....	4	200ESV144
9	SCREW.....	8	655EE040
10	LOCKWASHER.....	8	95B5
11	NUT.....	8	50B5
12	SCREW.....	4	655EG260
13	WASHER.....	8	95A8
14	LOCKWASHER.....	4	95B8
15	NUT.....	4	50B8

\* Selective item. See page 55.

Order by Part Number and Description. Reference Numbers are for your convenience only.



**COMPRESSOR AND MOTOR MOUNTING**

**B/M: 315EAY4017 B/M: 206EAY4017**

<b>Ref. No.</b>	<b>Name of Part</b>	<b>Qty.</b>	<b>350 HP Part No.</b>	<b>400 &amp; 500 HP Part No.</b>
1	COUPLING-FLEXIBLE.....	1	51L225 *	51L229 **
2	KEY .....	1	35L28	35L28

\* For repair Element, order 2118275.

\*\* For repair Element, order 2118277



## EISA – MOTOR SELECTIVES

314EAY4015	350 HP, 460 Volt, ODP, 60 HZ.....	24CA6461
315EAY4015	400 HP, 460 Volt, ODP, 60 HZ.....	24CA6463
316EAY4015	500 HP, 460 Volt, ODP, 60 HZ.....	24CA6465

### OVERLOAD RELAY HEATER CONVERSION LISTING

Refer to Motor Nameplate “Amperage” and Decal in Control  
Panel for Selection of Overload Relay Heater Packs

CUTLER-HAMMER PART NUMBER	GARDNER DENVER PART NUMBER
H2002B .....	24CA4101
H2003B .....	24CA4102
H2004B .....	24CA4103
H2005B .....	24CA4104
H2006B .....	24CA4105
H2007B .....	24CA4106
H2008B .....	24CA4107
H2009B .....	24CA4108
H2010B .....	24CA4109
H2011B .....	24CA4110
H2012B .....	24CA4111
H2013B .....	24CA4112
H2014B .....	24CA4113
H2015B .....	24CA4114
H2016B .....	24CA4115
H2017B .....	24CA4116
H2018 .....	24CA2924
H2019 .....	24CA2925
H2020 .....	24CA2926
H2021 .....	24CA2927
H2022 .....	24CA2893
H2023 .....	24CA2894
H2024 .....	24CA2928

## REPAIR KITS

Your Gardner Denver rotary screw compressor is designed and manufactured for many years of reliable operation. All components are engineered to exacting specifications, which will function together as a system to provide maximum efficiency. To insure the continuing integrity of compressor operation, use only original quality genuine Gardner Denver replacement parts and accessories.

Name of Part	Qty.	Part No.
ROUTINE MAINTENANCE KIT (3000 HOURS) .....		EAY68417
ELEMENT, AIR FILTER.....	2	2009590
ELEMENT, OIL FILTER.....	3	2109086
INDICATOR .....	1	2109125
O-RING.....	1	25BC140
FILTER-OIL/SPIN ON.....	3	26A43
 INLET VALVE MAINTENANCE KIT		322SSY6013
GASKET .....	1	25C1996
GASKET .....	4	25C730
GASKET .....	2	203SSU715N
GASKET .....	2	25C2683N
SPRING .....	2	78A366
DISC-VALVE.....	2	200SSW067
PIN.....	2	62E30
RING-PISTON .....	4	65A319
 BEARING (Periodic Overhaul)		302SSY6013
BEARING.....	1	12BA109
BEARING.....	1	12BA107
BEARING.....	1	12BA159
ROLLER BEARING .....	1	12BA47
KEY.....	1	35L20
ROLLER BEARING .....	2	12BA37
KEY.....	1	35L14
 OIL SEAL KIT		201SSY6013
SEAL-OIL.....	1	60DD695
SEAL-OIL.....	1	60DD694
O-RING.....	1	25BC109
SHIM.....	8	203SSY732
SHIM.....	16	204SSY732
SHIM.....	16	205SSY732
SHIM.....	8	207SSY732
SHIM.....	8	208SSY732
VALVE-CHECK.....	1	90AR923
SLEEVE.....	1	80M41

## REPAIR KITS (Continued)

Name of Part	Qty.	Part No.
<b>WEAR SLEEVE INSTALLATION AND REMOVAL KIT</b>		
WEAR SLEEVE INSTALLATION AND REMOVAL KIT		200SSY4017
PULLER .....	1	200SSY219
PLATE-PULLER .....	1	300SSY340
SCREW .....	1	655EE030
SCREW .....	1	655EE120A
SCREW .....	2	75D179
GUIDE .....	1	200SSY450
TOOL.....	1	200SSY074
<b>SEPARATOR KIT</b>		
SEPARATOR KIT		EAY80129
OIL SEPARATOR .....	1	55B30
TUBE (IN FEET) .....	3	85G3
PLUG .....	1	64AA6
TUBE FITTING .....	1	86E244
TUBE FITTING .....	1	86E209
GASKET .....	1	25C2719N
<b>PNEUMATIC CONTROL &amp; GAUGES</b>		
PNEUMATIC CONTROL & GAUGES		309EAY6013
VALVE-CONTROL .....	1	90AR1006
REGULATOR-PRESSURE W/GAUGE .....	2	88H367
GAUGE .....	1	2118767
VALVE-CHECK .....	1	90AR261
VALVE AIR CONTROL .....	1	90AR114
VALVE-CONTROL .....	1	90AR262
<b>ELECTRICAL CONTROL KIT</b>		
ELECTRICAL CONTROL KIT		312EAY6013
VALVE-SOLENOID .....	1	91B251
VALVE-SOLENOID .....	1	91B243
VALVE-SOLENOID .....	1	91B249
VALVE-SOLENOID .....	1	91B250
PROBE-ELECTRICAL.....	2	21D264
VALVE-SOLENOID .....	1	VP1021223
TRANSDUCER.....	2	88H365
SWITCH-VACUUM.....	1	88H195
<b>GASKET KIT</b>		
GASKET KIT		320SSY6013
GASKET .....	1	208SSY715N
GASKET .....	5	25F13
SHIM .....	1	77H21
SHIM .....	1	77H65
GASKET .....	1	201SSY715N
GASKET .....	1	200SSY715N
O-RING .....	1	25BC109

## REPAIR KITS (Continued)

Name of Part	Qty.	Part No.
TURN VALVE KIT		321SSY6013
BEARING .....	2	12J43
O-RING .....	1	54C210
O-RING .....	1	25BC114
KEY .....	1	35C114
GASKET .....	4	25BC138N
PACKING-RING .....	4	60AM46
BUMPER .....	1	32E15
PLATE-RETAINER .....	1	300SSU168
RETAINING RING .....	1	74D49
SEAL .....	2	60DD801
MIINIMUM PRESSURE VALVE KIT		308EAY6013
SPRING .....	1	78A365
O-RING .....	1	25BC118
O-RING .....	1	25BC150
SPRING .....	1	78W9
DISC-VALVE .....	1	200SSY067
PIN .....	1	62E30
GASKET RING .....	1	25F39
NUT .....	1	50AW17
GASKET .....	2	25C2719N
TURNVALVE ACTUATOR SOLENOID VALVE KIT		307EAQ6013
O-RING .....	2	25BC738
O-RING .....	2	25BC37
O-RING .....	2	25BC35
O-RING .....	2	2009224
O-RING .....	2	25BC118
TOUCH UP PAINT		
5 GALLON PAIL .....	1	28H76
1 GALLON CAN .....	1	28H84
1 QUART CAN .....	1	28H83
WATER TEMPERATURE REGULATOR (Optional) .....		90AR152
MAGNETIC WATER SHUTOFF VALVE NEMA 4 (Optional) .....		91B170

**REPAIR KITS (Continued)**

Name of Part	Qty.	Part No.
LUBRICANT (AEON 9000SP)-STANDARD		
5-GALLON PAIL .....	1	28H109
55-GALLON DRUM .....	1	28H110
LUBRICANT (AEON 9000TH)		
5-GALLON PAIL .....	1	28H286
55-GALLON DRUM .....	1	28H270
LUBRICANT (AEON 6000FG)		
5-GALLON PAIL .....	1	28H99
55-GALLON DRUM .....	1	28H100
LUBRICANT (AEON 6000FG-68)		
5-GALLON PAIL .....	1	28H314
55-GALLON DRUM .....	1	28H315
LUBRICANT (AEON BIO)		
5-GALLON PAIL .....	1	28H102
55-GALLON DRUM .....	1	28H103





# Gardner Denver®

For additional information, contact your local representative or visit:  
[www.contactgd.com/compressors](http://www.contactgd.com/compressors)

©2018 Gardner Denver, Inc. Printed in U.S.A.



Please recycle after use.