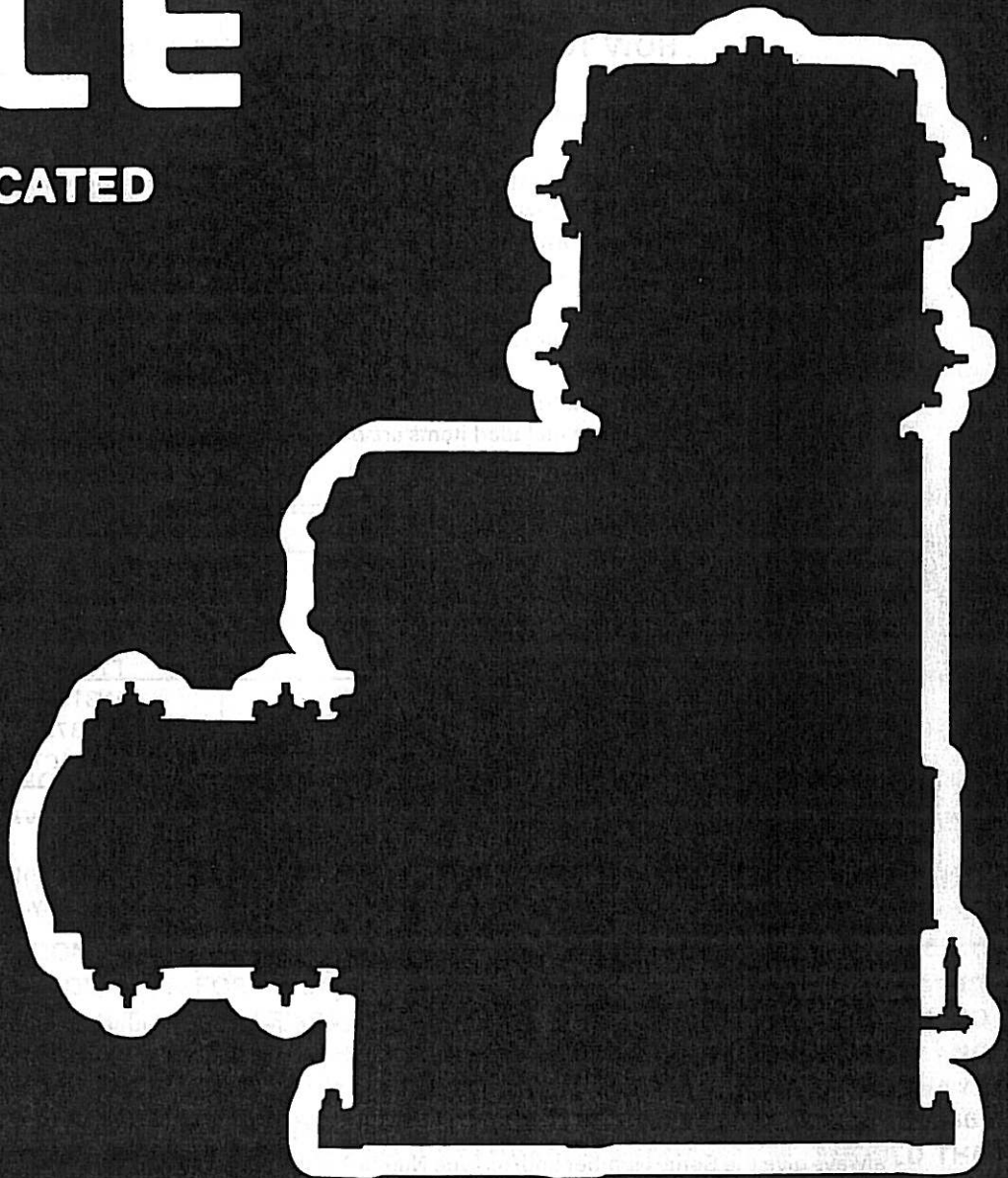


# Parts List

# XLE

LUBRICATED



**INGERSOLL-RAND**

**AIR COMPRESSORS**

Form AP-0447-B  
June 1981  
Supersedes September 1979

# ORDERING INSTRUCTIONS

BY GIVING COMPLETE INFORMATION, YOU WILL ENABLE US TO FILL YOUR ORDER CORRECTLY AND AVOID UNNECESSARY DELAYS.

## HOW TO ORDER REPLACEMENT PARTS

When ordering replacement parts, please specify:

1. The SERIAL NUMBER as stamped on Compressor Nameplate.
2. The QUANTITY.
3. The PART NUMBER, ILLUSTRATION NUMBER and NAME OF PART exactly as listed.

The Serial Number for the unit will be found on the Nameplate.

A special feature of this parts list is the system of identifying parts which are included with an assembly or other part. These included items are denoted by being indented from the previous line. Example:

ILL NBR	NAME OF PART	PART NUMBER
62	CROSSHEAD COMPLETE	W86868
63	Crosshead	F6666P1
64	Dowel-Piston Rod	X1007T1
65	Shoe-Crosshead	F10273
66	Shim	W31596
67	Stud	W33798
68	Nut	68A4C7

When ordering a part having an indented line or lines following the part, the indented items are always included with the part. Indented items may also be ordered separately.

Explanation of symbols: N.S.S.—NOT SOLD SEPARATELY  
X—NOT ILLUSTRATED

All parts in which studs are normally set always include such studs with nuts. If studs only are required, specify the diameter of the stud, the length of projection and the part number of the piece into which the stud is to be set.

When ordering parts for accessory equipment not manufactured by Ingersoll-Rand Company, always give the Serial Number and/or Type Number of the part as well as the Compressor Serial Number.

Do not use such terms as "Complete" and "Sets" unless these words appear specifically in the parts list. State exactly what is wanted and give the exact number of parts required. If returning parts for inspection or repair, be sure to include the serial number of the compressor from which the parts were removed.

Refer all communications to the nearest Ingersoll-Rand Company Branch.

# CONTENTS

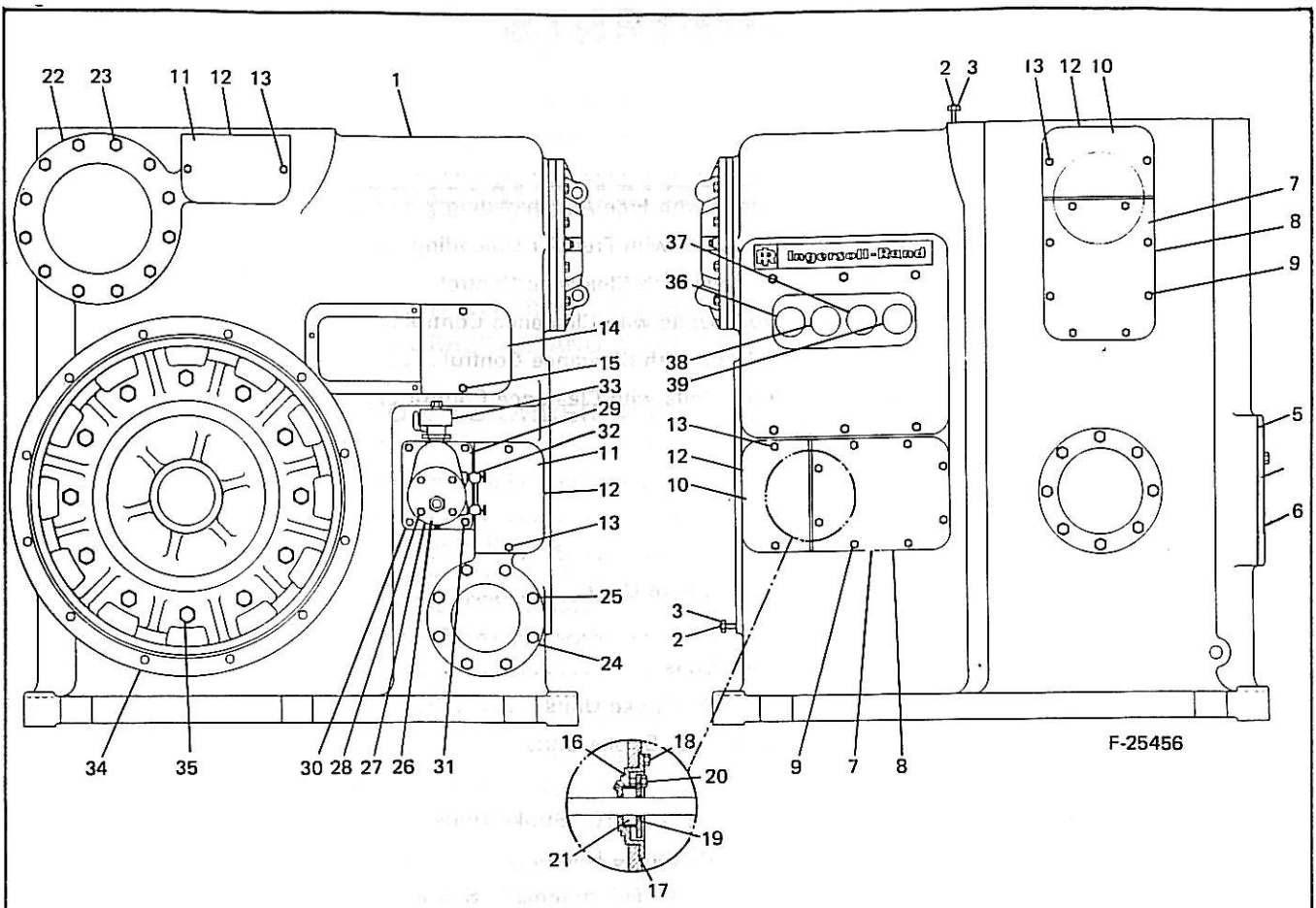
Frame and Cover Parts.....	5
Crankshaft and Main Bearing Parts.....	6
Connecting Rod and Crosshead Parts.....	7
L.P. Vertical Cylinder Parts - 7" Stroke Units with Free Air Unloading.....	9
H.P. Horizontal Cylinder Parts - 7" Stroke Units with Free Air Unloading.....	11
L.P. Vertical Cylinder Parts - 8½" Stroke Units with Clearance Control.....	13
H.P. Horizontal Cylinder Parts - 8½" Stroke Units with Clearance Control.....	15
L.P. Vertical Cylinder Parts - 10" Stroke Units with Clearance Control.....	17
H.P. Horizontal Cylinder Parts - 10" Stroke Units with Clearance Control.....	19
Type "C" Oil Pump and Lubricator Parts.....	21
Intercooler Parts.....	22
Moisture Trap Drain Valve Parts.....	23
Free Air Unloader Parts - 7" Stroke Units.....	25
UL-31C Clearance Valve Parts - 8½" & 10" Stroke Units.....	25
Type "A" Channel Valve Parts.....	26,27
UFD-3 Free Air Regulator Parts - 7" Stroke Units.....	29
UCD-5 Clearance Control Regulator Parts -8½" Stroke Units.....	29
UCDA-5 Clearance Control Regulator Parts - 10" Stroke Units.....	32,33
Lubricator Parts.....	36,37
L.P. Cylinder Automatic By-Pass Valve Parts - 8½" & 10" Stroke Units.....	38
UL-32 Cylinder Relief Valve Parts - 8½" & 10" Stroke Units.....	38
UL-48 Three-Way Valve Parts - 8½" & 10" Stroke Full Automatic Starting Units.....	39
Miscellaneous Parts & Tools.....	39
Recommended Spare Parts.....	40-47

## CAUTION

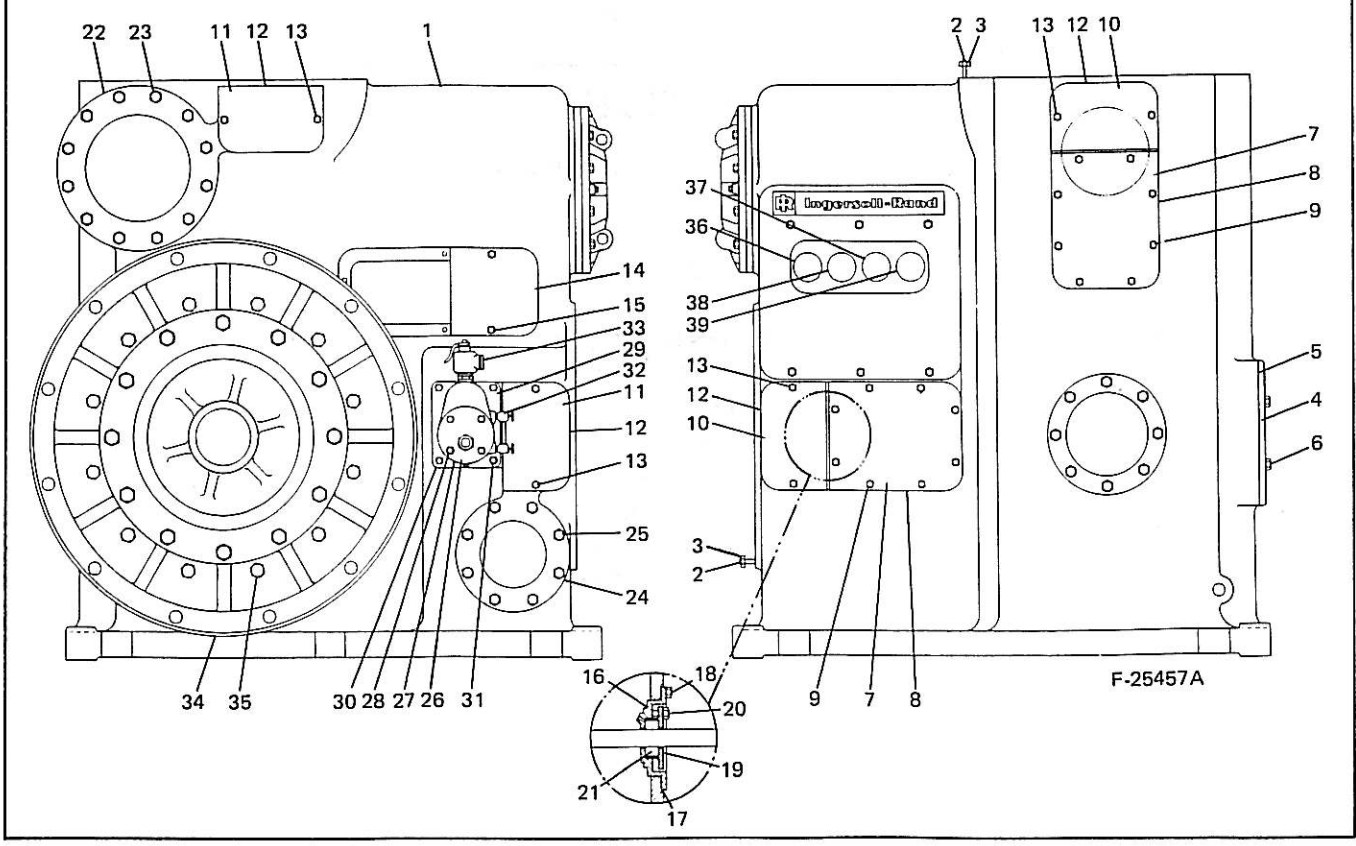
### STATEMENT CONCERNING THE USE OF THIS EQUIPMENT FOR BREATHING AIR AND/OR AQUA LUNG SERVICE

IF THE MODEL NUMBER ON THIS AIR COMPRESSOR CONTAINS THE LETTERS "BAP", THE COMPRESSOR IS SUITABLE FOR USE IN BREATHING AIR SERVICES. IN THE ABSENCE OF SUCH A DESIGNATION THE COMPRESSOR IS **NOT** CONSIDERED AS CAPABLE OF PRODUCING AIR OF BREATHING QUALITY. FOR A COMPRESSOR TO BE CAPABLE OF USE IN BREATHING AIR SERVICES, IT MUST BE FITTED WITH ADDITIONAL SPECIALIZED EQUIPMENT TO PROPERLY FILTER AND/OR PURIFY THE AIR TO MEET ALL APPLICABLE FEDERAL, STATE AND LOCAL LAWS, RULES, REGULATIONS AND CODES, SUCH AS, BUT NOT LIMITED TO, OSHA 29 CFR 1910.134, COMPRESSED GAS ASSOCIATION COMMODITY SPECIFICATION G-7.1-1966, GRADE D BREATHING AIR, AND/OR CANADIAN STANDARDS ASSOCIATION. SHOULD THE PURCHASER AND/OR USER FAIL TO ADD SUCH SPECIALIZED EQUIPMENT AND PROCEEDS TO USE THE COMPRESSOR FOR BREATHING AIR SERVICE, THE PURCHASER/USER ASSUMES ALL LIABILITY RESULTING THEREFROM WITHOUT ANY RESPONSIBILITY OR LIABILITY BEING ASSUMED BY INGERSOLL-RAND COMPANY.

THE PURCHASER IS URGED TO INCLUDE THE ABOVE PROVISION IN ANY AGREEMENT FOR ANY RESALE OF THIS COMPRESSOR.



F-25456



F-25457A

FRAME AND COVER

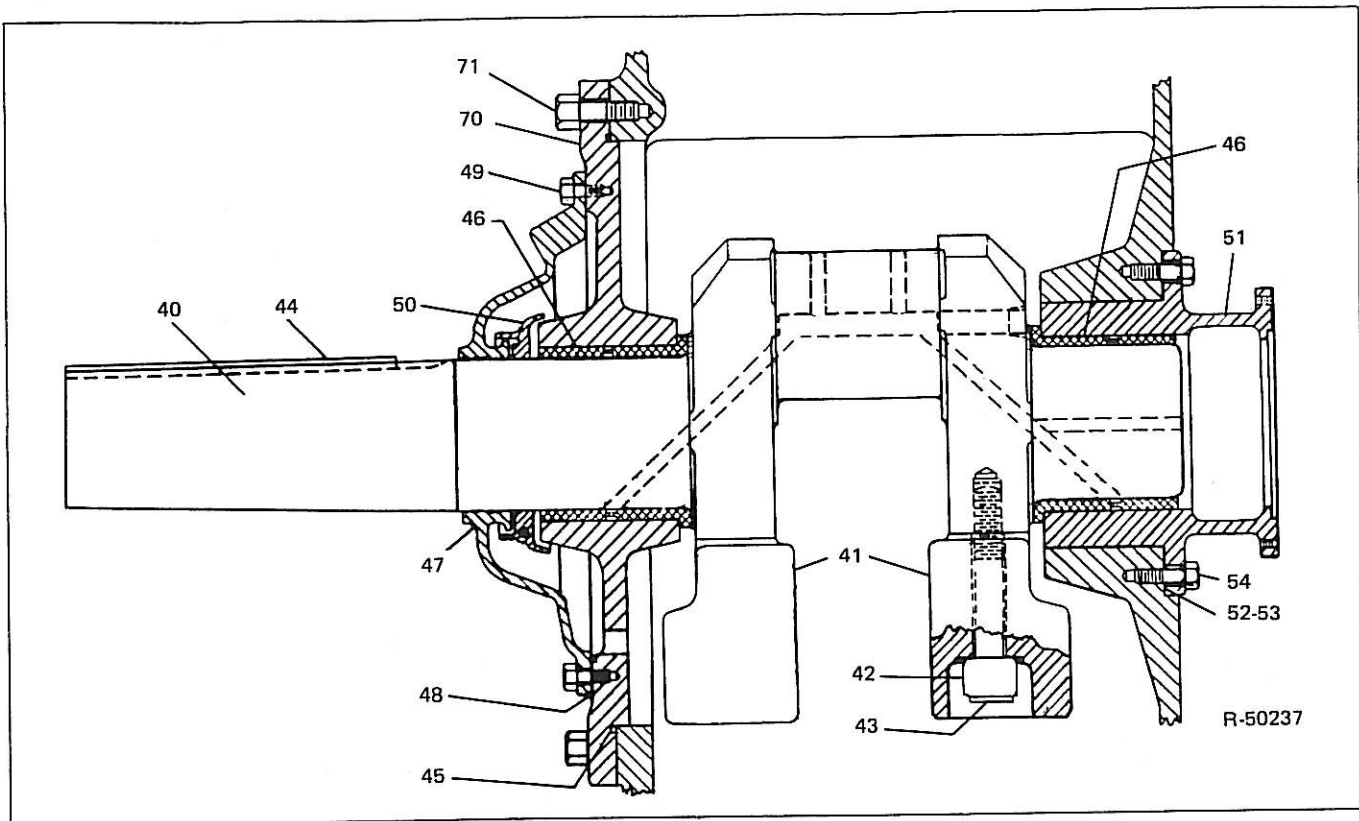


## FRAME AND COVER PARTS

III. No.	Name of Part Parts Indented After an Item are Included with the Item	7" Stroke Part No.	Qty.	8½" Stroke Part No.	Qty.	10" Stroke Part No.	Qty.
1	Frame Complete .....	G259DT		G380BT		G340HT	
1	● Frame Assembly .....	G259D	1	G380B	1	G340H	1
x	● ● Cover-Boring Hole .....	—	1	—	1	W838	1
x	● ● Gasket-Hole Cover .....	—	1	—	1	W27888	1
x	● ● Capscrew-Cover .....	—	6	—	6	44A2C378	6
x	● ● Washer-Capscrew .....	—	6	—	6	X1026T7	6
2	● ● Stud-Cyl Flange .....	X1264T615	20	X1264T616	24	X1264T718	26
4	● Cover-Frame Lower .....	W25312	1	W28434	1	W27890	1
5	● ● Gasket-Lower Cover .....	W27714	1	W29062	1	W27889	1
6	● Capscrew-Cover .....	35A2C219	8	35A2C219	12	35A2C219	12
7	● Cover-Crosshead .....	W25304	2	W28435	2	W27892	2
8	Gasket-Crosshead Cover .....	W27715	2	W29063	2	W27891	2
9	● Capscrew-Crosshead Cover .....	35A2C219	16	35A2C219	20	35A2C219	16
10	● Cover-OPS Frame Yoke .....	W25305	2	W27894	2	W27894	2
11	● Cover-DS Frame Yoke .....	W25305P1	2	W27894P1	2	W27894P1	2
12	● Gasket-Yoke Cover .....	W27716	4	W27893	4	W27893	4
13	● Capscrew-Yoke Cover .....	35A2C219	8	35A2C219	8	35A2C219	8
14	● Cover-Frame Back .....	W25499CP1	1	W25499BP1	1	W25499AP1	1
15	● Capscrew-Back Cover .....	35A2C219	2	35A2C219	2	35A2C219	2
16	● Stuffer-Frame Head .....	W8141	2	W8164	2	W27905P1	2
17	● Gasket-Stuffer .....	W25446	2	W25645	2	W27921	2
18	● Capscrew-Stuffer .....	35A2C219	8	35A2C219	8	35A2C323	8
19	● Gland-Oil Scraper .....	4840D1T1	2	4840D1T2	2	4840D1T3	2
20	● Capscrew-Gland .....	35A2C222	4	35A2C222	4	35A2C323	4
21	● Ring-Scraper .....	28A11G22B	6	28A11G28B	6	28A11G32B	6
22	Gasket-Inlet Flange .....	31A11C14P1	1	31A11C15P1	1	31A11C16P1	1
23	Capscrew-Inlet Flange .....	35A2C429	12	35A2C429	12	35A2C479	12
24	Gasket-Disch Flange .....	31A11C12P1	1	31A11C12P1	1	31A11C13P1	1
25	Capscrew-Disch Flange .....	35A2C378	8	35A2C378	8	35A2C379	8
26	Float Valve-Moisture Trap .....	R5785-270	1	R5785-270	1	R5785-270	1
27	Gasket-Float Valve .....	W25089	1	W25089	1	W25089	1
28	Capscrew-Float Valve .....	35A2C164	4	35A2C164	4	35A2C164	4
29	Body-Float Valve .....	H11898A	1	H11898A	1	H11898A	1
30	Gasket-Valve Body .....	W31470	1	W31470	1	W31470	1
31	Capscrew .....	35A2C219	4	35A2C219	4	35A2C219	4
32	Water Gauge .....	H20XPV367A	1	H20XPV367A	1	H20XPV367A	1
33	Safety Valve .....	X1396T7-37	1	X1396T7-37	1	X1396T57-37	1
34	● Bracket-Motor .....	H9341CP4	1	H10467DP7	1	F19963	1
35	Capscrew-Frame .....	35A2C378	12	35A2C429	12	35A2C430	12
x	Capscrew-Motor .....	35A2C328	12	35A2C381	12	35A2C432	12
36	Gauge-Oil Pressure .....	40509911	1	40509911	1	40509911	1
37	Gauge-Intercooler Pressure .....	40509929	1	40509929	1	40509929	1
38	Gauge-Discharge Pressure .....	40509937	1	40509937	1	40509937	1
39	Indicator-Load .....	40509952	1	40509986	1	40509986	1

x Not Illustrated.

Always Give the Serial Number of Your Compressor.



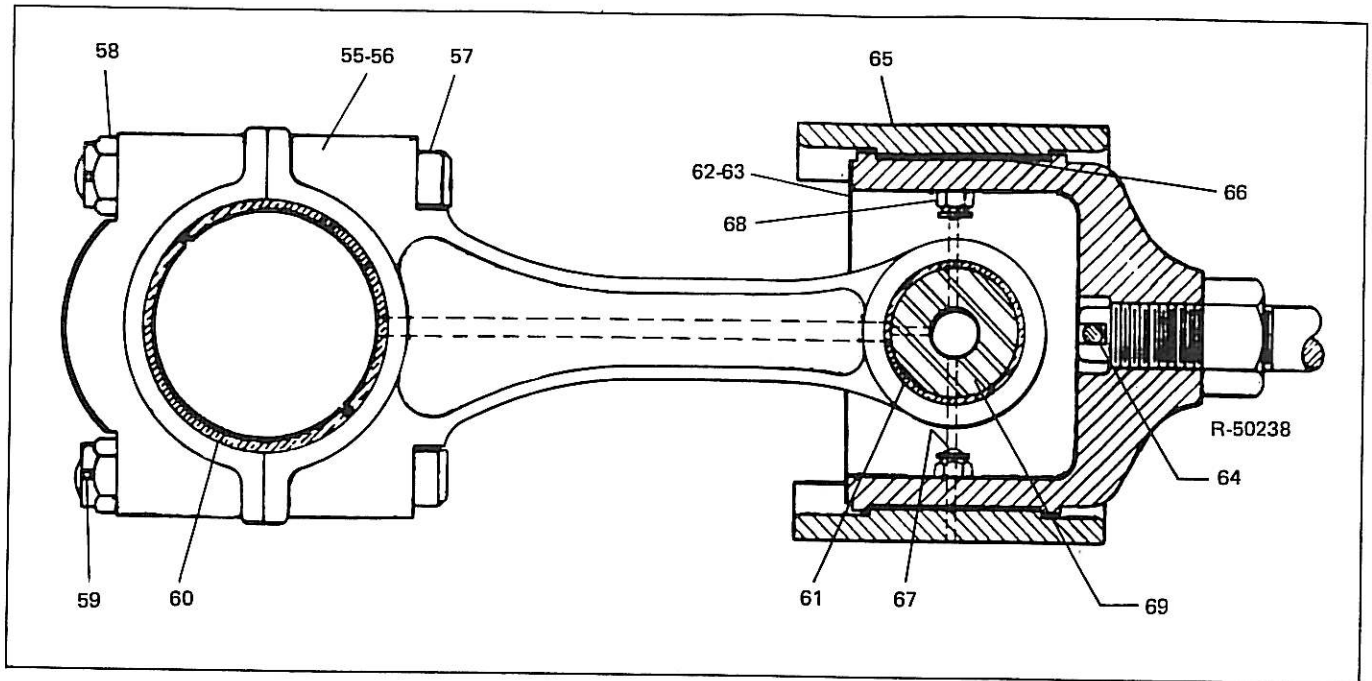
### CRANKSHAFT AND MAIN BEARING PARTS

III. No.	Name of Part Parts Indented After an Item are included with the Item	7" Stroke Part No.	Qty.	8½" Stroke Part No.	Qty.	10" Stroke Part No.	Qty.
40	Crankshaft-Complete .....	W86862		W86863		W86864C	
40	● Crankshaft .....	NSS	1	NSS	1	NSS	1
x	● ● Pipe Plug-Co Sunk .....	NSS	1	NSS	1	NSS	1
41	● Counterweight .....	NSS	2	NSS	2	NSS	2
x	● Key-CoWeight .....	NSS	2	NSS	2	NSS	2
x	● Drive Pin .....	NSS	2	NSS	2	NSS	2
42	● Bolt-CoWeight .....	NSS	4	NSS	4	NSS	4
43	● Lock-Bolt .....	NSS	2	NSS	2	NSS	2
44	Key-Rotor .....	14A9C535	1	11A9C691	1	11A9C691	1
x	Lockwasher .....	14A5C183	1	14A5C183	1	14A5C183	1
70	Housing-Drive End Bearing .....	—		—		H13210AP3	
45	Gasket Housing .....	W87458	1	W87459	1	W87460	1
71	Capscrew-Frame .....	—		—		35A2C430	12
46	Bushing-Main Bearing .....	R16430	2	R17685	2	R18194	2
47	Housing-Oil Ring .....	R20166	1	R20194	1	R20221	1
48	Gasket-Housing .....	W36290	1	W36340	1	W36493	1
49	Capscrew-Housing .....	35A2C111	8	35A2C219	8	35A2C325	8
x	Groovepin .....	27A13F164	2	27A13F164	2	27A13F164	2
50	Oil Ring .....	H13365	1	H13366	1	H14488	1
x	● Capscrew-Oil Ring .....	91A2A153	1	91A2A184	1	91A2A211	1
51	Housing-Outer End .....	H11905AP3	1	H11980BP3	1	H13182P2	1
52	Gasket-Housing .....	W31423P1	2	W31655P1	2	W33019P1	2
53	Gasket-Housing .....	W31423	1	W31655	1	W33019	1
54	Capscrew-Housing .....	35A2C324	8	35A2C377	8	35A2C378	8

x Not Illustrated.

N.S.S.—Not sold separately.

Always Give the Serial Number of Your Compressor.



### CONNECTING ROD AND CROSSHEAD PARTS

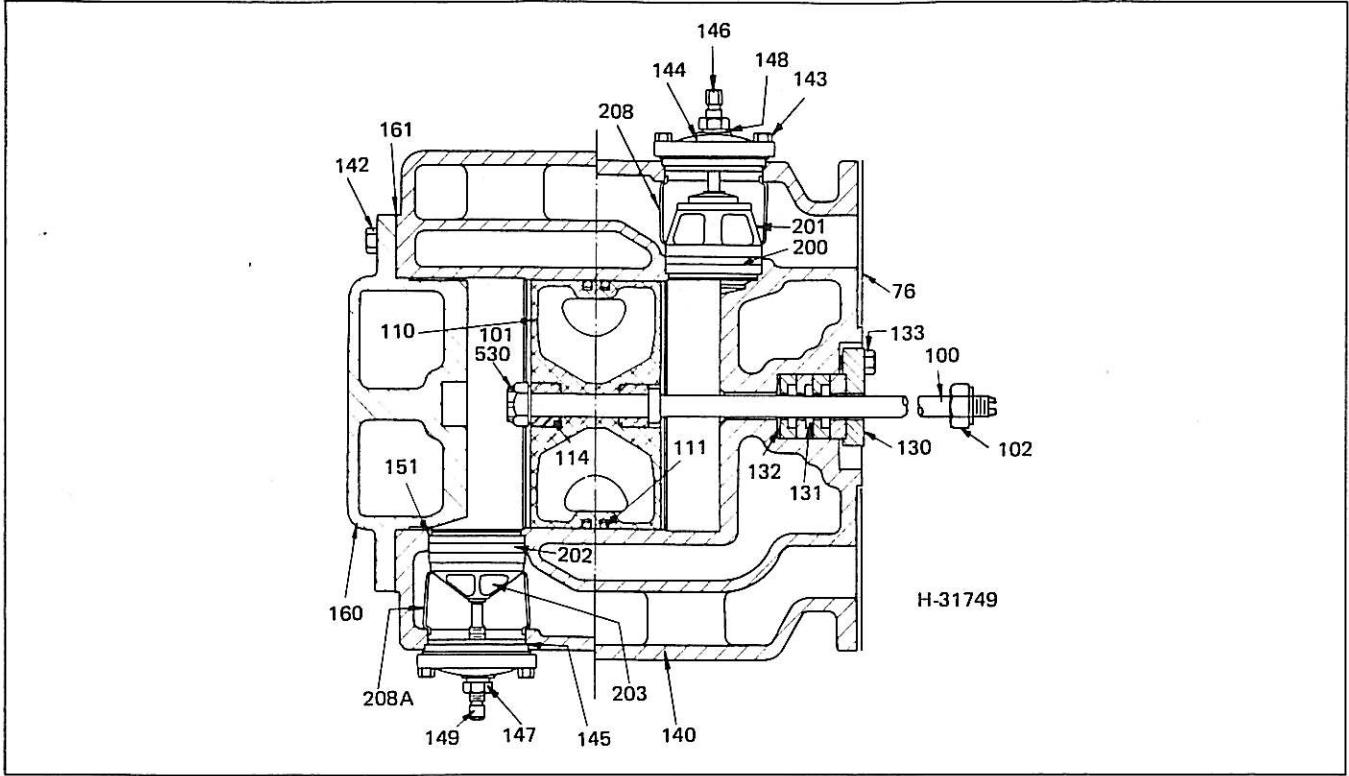
III. No.	Name of Part Parts Indented After an Item are Included with the Item	7" Stroke Part No.	Qty.	8½" Stroke Part No.	Qty.	10" Stroke Part No.	Qty.
55	Conn Rod Complete.....	W86865		W86866		W86867	
56	● Rod-Conn .....	F6522	2	F6699	2	F6988	2
57	● Bolt-Conn Rod .....	W30312	4	R17684	4	R18186	4
58	● Nut-Conn Rod Bolt.....	W87473	4	W87474	4	W87475	4
59	● Cotter Pin .....	11A13C26H	4	11A13C71H	4	11A13C71H	4
60	● Bushing-Crank Pin .....	R16428	2	R17687	2	R18188	2
61	● Bushing-Crosshead Pin .....	W45460	2	W45461	2	W45462	2
62	Crosshead Complete .....	W86868		W86869		W86870	
63	● Crosshead .....	F6666P1	2	F6706A	2	F6929P1	2
64	● Dowel-Piston Rod.....	X1007T1	2	X1007T3	2	XC1007T66	2
65	● Shoe-Crosshead .....	F10273 †	4	F6716	4	F6930	4
66	● ● Shim-Crosshead Shoe .....	W31596	12	W31613	12	W32453	12
67	● ● Stud-Crosshead Shoe.....	W33798	4	W33796	4	W44827	8
68	● ● Nut-Shoe Stud .....	68A4C7	4	68A4C7	4	68A4C7	8
69	● Pin-Crosshead.....	R13946P2	2	W29074	2	R15695P1	2
x	● Cap-Crosshead Pin.....	W31473A	4	W29077A	4	W29026P1	4
x	● Capscrew.....	35A2C217E	16	35A2C323E	16	35A2C323E	16
x	● Inches of Wire .....	X1636T041	84	X1636T041	84	X1636T041	84

† Same as Part No. R17653.

x Not Illustrated.

Always Give the Serial Number of Your Compressor.

7" STROKE UNITS WITH FREE AIR UNLOADING



L.P. AIR CYLINDER-VERTICAL



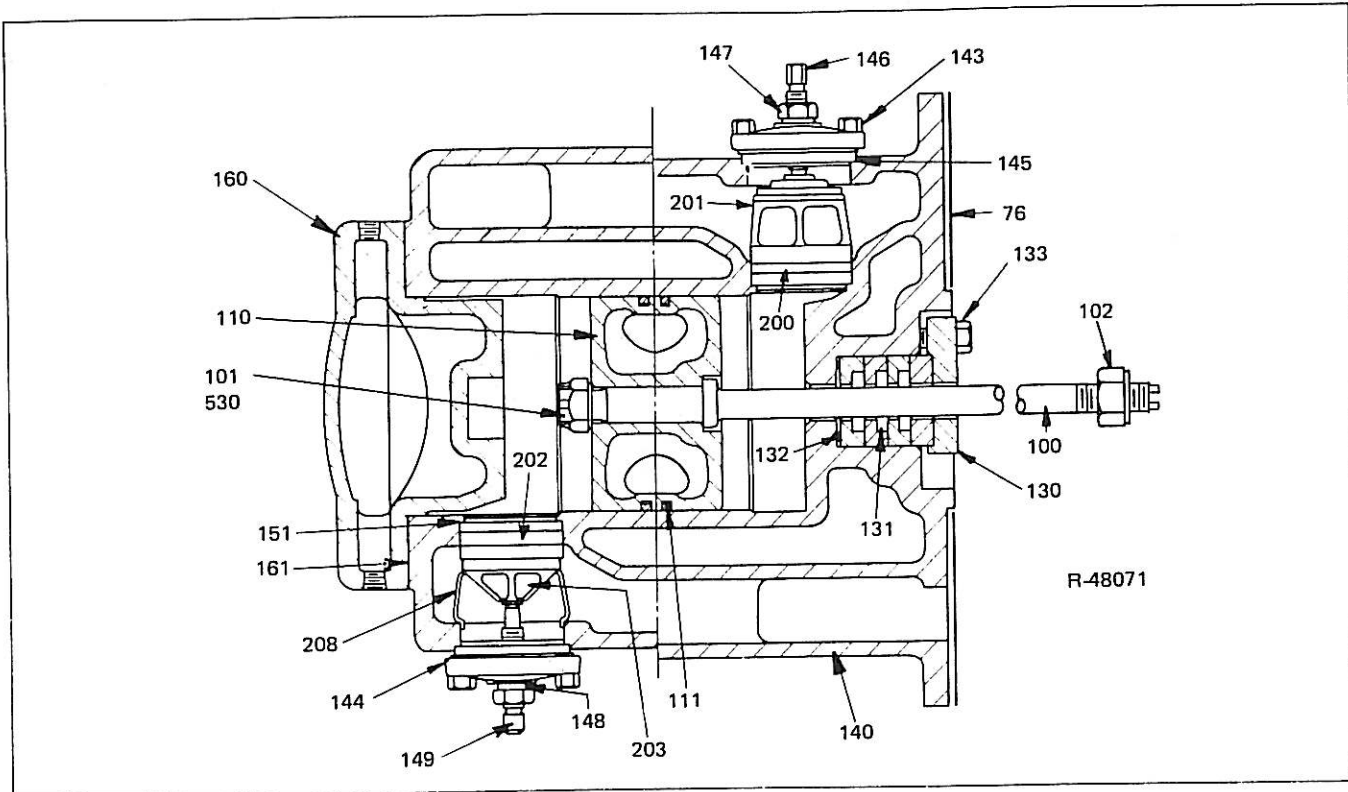
**AIR CYLINDER PARTS  
(7" Stroke Units)**

III. No.	Name of Part Parts Indented After an Item are Included with the Item	14½"		16"		17"	
		L.P. Cyl. Part No.	Qty.	L.P. Cyl. Part No.	Qty.	L.P. Cyl. Part No.	Qty.
	Parts-Cyl END & Valve Complete.....	XL1701400		XL1701607		XL1701705	
	● Cylinder Complete .....	F5303H		F6535LP2		F6535MP2	
140	● ● Cylinder-Bare.....	NSS	1	NSS	1	NSS	1
x	● ● Pipeplug .....	NSS	1	NSS	1	NSS	1
76	● Gasket-Cyl to Frame.....	W31365	1	W31365	1	W31365	1
x	● Cover-HH.....	W12825	2	W12825	2	W12825	2
x	● Gasket-Cover.....	W23840	2	W23840	2	W23840	2
x	● Capscrew-Cover .....	35A2C325	8	35A2C325	8	35A2C325	8
x	● Cover-HH.....	R36853P1	2	R36853P1	2	R36853P1	2
x	● Gasket-Cover.....	R43816	2	R43816	2	R43816	2
x	● Capscrew-Cover .....	35A2C326	12	35A2C326	12	35A2C326	12
144	● Cover-Valve .....	F401	12	W31258	12	W31258	12
145	● Gasket-Valve Cover .....	X1014T60-57	12	X1014T72-68	12	X1014T72-68	12
143	● Capscrew-Valve Cover .....	35A2D378	48	35A2D379	48	35A2D379	48
146	● Setscrew-Inlet.....	X1069T740	6	X1069T848	6	X1069T846	6
147	● Nut-Setscrew .....	X1060T4	6	X1060T5	6	X1060T5	6
148	● Gasket-Nut .....	X1131T2	6	X1131T3	6	X1131T3	6
149	● Setscrew-Discharge .....	X1001T748	6	X1001T856	6	X1001T852	6
147	● Nut-Setscrew .....	X1060T4	6	X1060T5	6	X1060T5	6
148	● Gasket-Nut .....	X1131T2	6	X1131T3	6	X1131T3	6
200	● Valve-Inlet.....	A48C1	6	A60C1	6	A60C1	6
151	● Gasket-Valve Seat .....	X1014T56-51	6	X1014T68-63	6	X1014T68-63	6
201	● Unloader-Inlet FAU.....	X1334TA48	6	X1334TA60	6	X1334TA60	6
202	● Valve-Discharge .....	A48C2AB	6	A60C2AE	6	A60C2AE	6
151	● Gasket-Valve Seat .....	X1014T56-51	6	X1014T68-63	6	X1014T68-63	6
203	● Crab-Disch Valve .....	48C20	6	60C20	6	60C20	6
x	● Machinescrew.....	87A2S150	24	87A2S150	24	87A2S150	24
x	● Lockwasher.....	14A5S55	24	14A5S55	24	14A5S55	24
208	● Retainer-Inlet Valve .....	X1053T205	12	X1053T235	12	X1053T208	12
208A	● Retainer-Disch Valve .....	X1053T231	12	X1053T208	12	X1053T206	12
	● Packing Rod Complete.....	LIST38501T1		LIST38501T1		LIST38501T1	
130	● ● Case-Packing .....	F12352T1	1	F12352T1	1	F12352T1	1
132	● ● Gasket-Case .....	X1498T1	1	X1498T1	1	X1498T1	1
131	● ● Set-Packing Ring & Spring .....	PAK-30G22S	1	PAK-30G22S	1	PAK-30G22S	1
x	● ● ● Ring .....	NSS	3	NSS	3	NSS	3
133	● ● Capscrew.....	35A2C380	2	35A2C380	2	35A2C380	2
x	● ● Pipeplug-Lubricator .....	34A7A3	1	34A7A3	1	34A7A3	1
	● Piston & Ring Complete .....	XL1701400T1		XL1701600T1		XL1701700T1	
110	● ● Piston-Complete.....	R13905A	1	H11867	1	H13278	1
114	● ● Collar-Piston .....	W27840	2	W31352	2	W31352	2
111	● ● Ring-Piston .....	12A18CB1006	2	12A18CB1012	2	12A18CB1016	2
	● Rod-Piston Complete.....	R14787		R17310		R17310	
100	● ● Rod-Bare .....	NSS	1	NSS	1	NSS	1
101	● ● Nut-Piston .....	31A4C13	1	31A4C13	1	31A4C13	1
530	● ● Cotterpin .....	11A13C86E	1	11A13C86E	1	11A13C86E	1
102	● ● Nut-Crosshead Lock.....	X1010T5	1	X1010T5	1	X1010T5	1
	● Head-Outer .....	H9325A		H11846CP7		H11846BP4	
160	● ● Head-Outer-Bare.....	NSS	1	NSS	1	NSS	1
x	● ● Pipe .....	26A7W004X	1	26A7W004X	1	26A7W004X	1
		0080RP		0080RP		0080RP	
161	● ● Gasket-Head.....	W25414	1	W31366	1	W33155	1
x	● Jackbolt.....	X1001T526	2	X1001T526	2	X1001T526	2
142	● Capscrew-Outer Head to Cyl.....	35A2C378	12	35A2C378	12	35A2C378	12
x	● Capscrew-Frame to Cyl .....	35A2C378	8	35A2C378	8	35A2C378	8

x Not Illustrated.

Always Give the Serial Number of Your Compressor.

# 7" STROKE UNITS WITH FREE AIR UNLOADING



H.P. AIR CYLINDER-HORIZONTAL

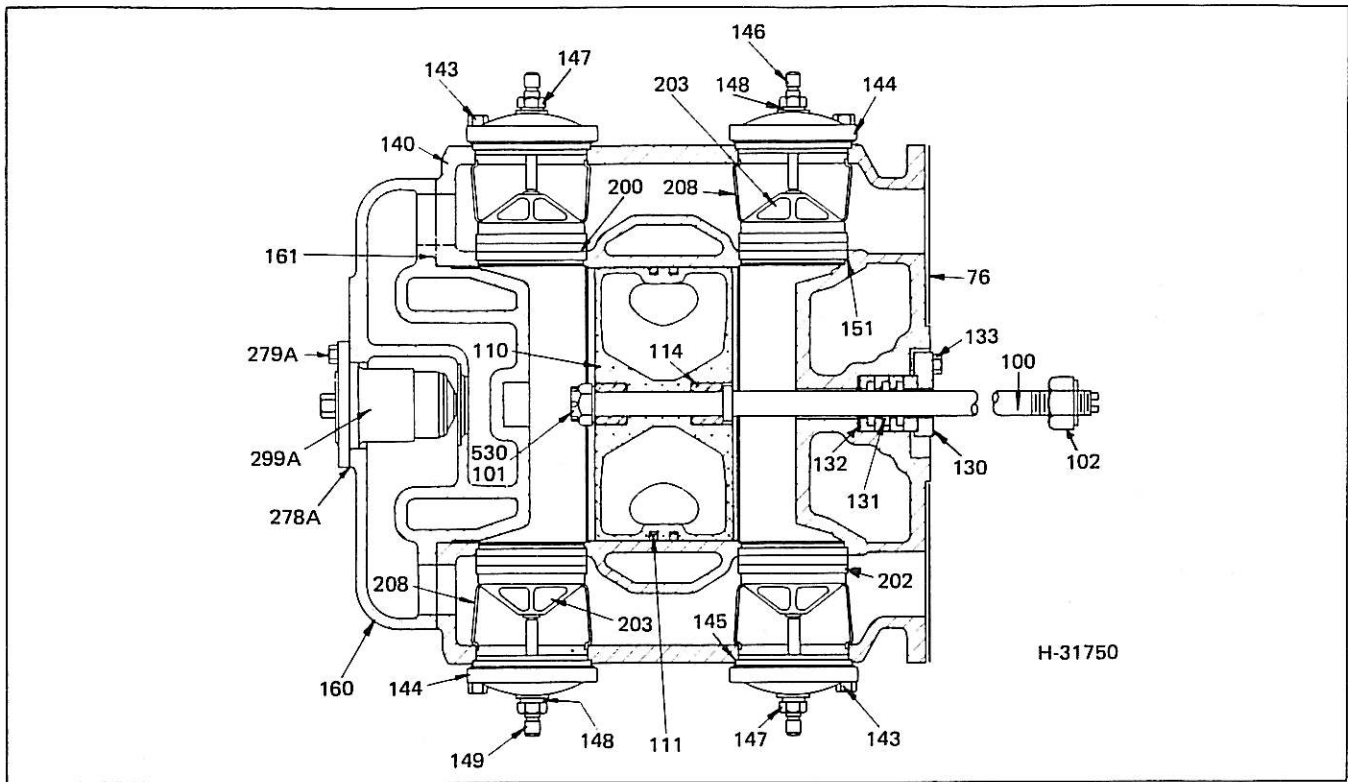
**AIR CYLINDER PARTS**  
**(7" Stroke Units)**

III. No.	Name of Part Parts Indented After an Item are Included with the Item	9" H.P. Cyl. Part No.	Qty.	10" H.P. Cyl. Part No.	Qty.
	Parts-Cyl END & Valve Complete .....	XL1 700900		XL1 7001000	
	● Cylinder Compl. ....	F5316B		F6544A	
140	● ● Cylinder-Bare. ....	NSS	1	NSS	1
x	● ● Pipeplug .....	NSS	1	NSS	1
76	● Gasket-Cyl to Frame. ....	W27698	1	W26798	1
x	● Cover-HH. ....	W12825	2	W12825	2
x	● Gasket-Cover. ....	W23840	2	W23840	2
x	● Capscrew-Cover .....	35A2C325	8	35A2C325	8
144	● Cover-Valve. ....	R14005	8	W174	8
145	● Gasket-VLV Cover. ....	X1014T47-44	8	X1014T56-52	8
143	● Capscrew-VLV Cover .....	35A2D326	32	35A2D326	32
146	● Setscrew-Inlet. ....	X1069T728	4	X1069T732	4
147	● Nut-Setscrew .....	X106054	4	X106054	4
148	● Gasket-Nut .....	X1131T2	4	X1131T2	4
149	● Setscrew-Discharge .....	X1001T736	4	X1001T740	4
147	● Nut-Setscrew .....	X1060T4	4	X1060T4	4
148	● Gasket-Nut .....	X1131T2	4	X1131T2	4
200	● Valve-Inlet. ....	A36C1	4	A43C1	4
151	● Gasket-Valve Seat .....	X1014T43-39	4	X1014T52-46	4
201	● Unloader-Inlet FAU. ....	X1334TA36	4	X1334TA43	4
202	● Valve-Discharge .....	A36C2AB	4	A43C2AC	4
151	● Gasket-Valve Seat .....	X1014T43-39	4	X1014T52-46	4
203	● Crab-Discharge Valve. ....	36C20	4	43C20	4
x	● Machinescrew. ....	87A2S150	8	87A2S150	8
x	● Lockwasher. ....	14A5S55	8	14A5S55	8
208	● Retainer-Discharge Valve. ....	X1053T217	8	X1053T238	8
	● Packing Rod Complete. ....	LIST38501T1		LIST38501T1	
130	● ● Case-Packing .....	F12352T1	1	F12352T1	1
132	● ● Gasket-Case .....	X1498T1	1	X1498T1	1
131	● ● Set-Packing Ring & Spring .....	PAK-30G22S	1	PAK-30G22S	1
x	● ● ● Ring. ....	NSS	3	NSS	3
133	● ● Capscrew. ....	35A2C380	2	35A2C380	2
x	● ● Pipeplug-Lubricator .....	34A7A3	1	34A7A3	1
	● Piston & Ring Complete .....	XL1 700900T1	1	XL1 701000T1	1
110	● ● Piston Complete. ....	R13906P1	1	R17307	1
111	● ● Ring-Piston .....	12A18CB814	2	12A18CB822	2
	● Rod-Piston Complete. ....	R13941P1		R17278	
100	● ● Rod-Bare .....	NSS	1	NSS	1
101	● ● Nut-Piston .....	31A4C13	1	31A4C13	1
530	● ● Cotterpin .....	11A13C86E	1	11A13C86E	1
102	● ● Nut-Crosshead Lock. ....	X1010T5	1	X1010T5	1
	● Head-Outer .....	R14019		R17284	
160	● ● Head-Outer-Bare. ....	NSS	1	NSS	1
161	● ● Gasket-Head .....	W25415	1	W31367	1
x	● Jackbolt. ....	X1001T526	2	X1001T526	2
x	● Capscrew-Outer Head to Cyl. ....	35A2C385	4	35A2C385	4
x	● Capscrew-Outerhead to Cyl. ....	35A2C378	4	35A2C378	4
x	● Capscrew-Frame to Cyl .....	35A2C378	12	35A2C378	12

x Not Illustrated.

Always Give the Serial Number of Your Compressor.

8½" STROKE UNITS WITH CLEARANCE CONTROL



L.P. AIR CYLINDER-VERTICAL

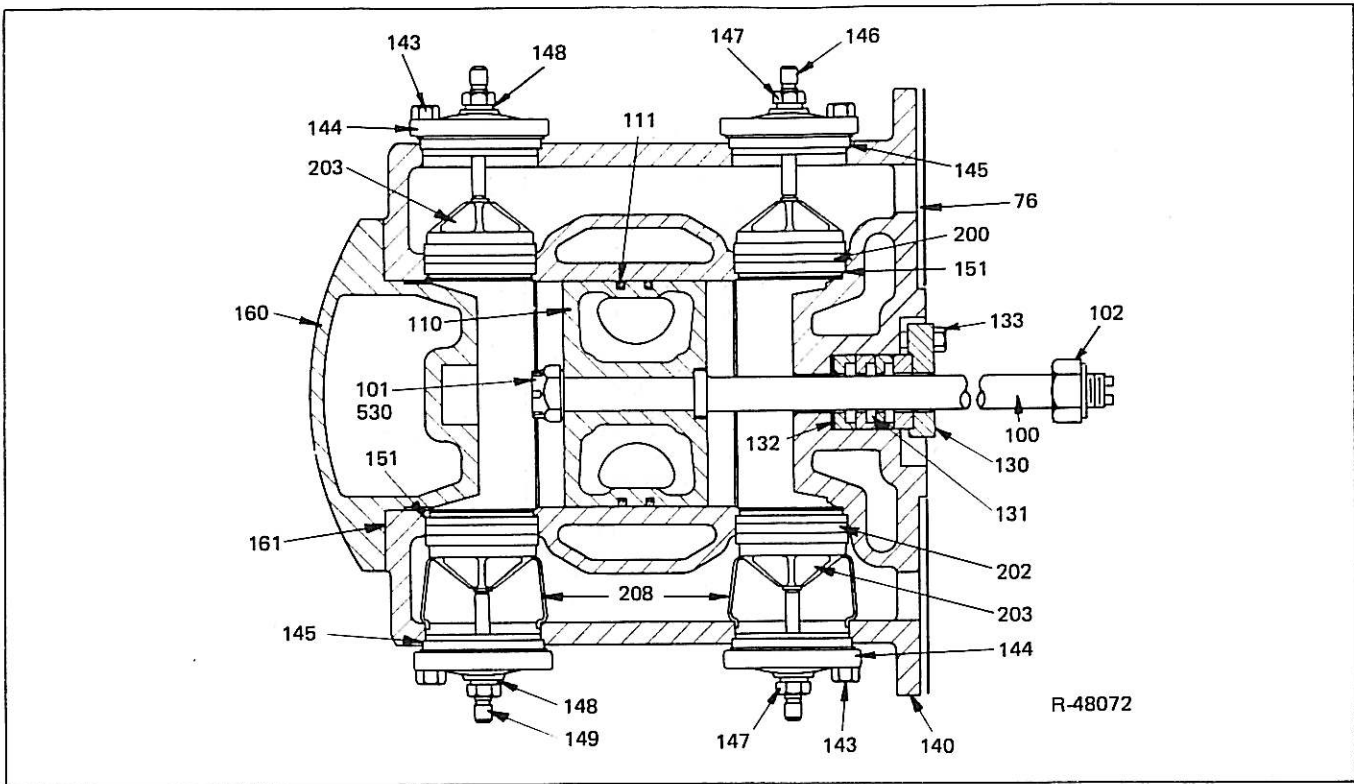


## AIR CYLINDER PARTS (8½" Stroke Units)

III. No.	NAME OF PART Parts Indented After an Item are Included with the Item	18½" L.P. Cyl. Part No.	Qty.	19" L.P. Cyl. Part No.	Qty.	20½" L.P. Cyl. Part No.	Qty.	21½" L.P. Cyl. Part No.	Qty.
	Parts-Cyl END & Valve Compl.....	XL1801800		XL1801910		X1802000		XL1802100	
	● Cylinder-Compl.....	1F5860W		F5860AF		F6682D		F6682E	
140	● ● Cylinder-Bare .....	NSS	1	NSS	1	NSS	1	NSS	1
x	● ● Pipeplug .....	NSS	1	NSS	1	NSS	1	NSS	1
x	● ● Dowel-Qtr Head Locate.....	25A13C326	1	25A13C326	1	25A13C326	1	25A13C326	1
76	● Gasket-Cyl to Frame.....	W31623	1	W31623	1	W31623	1	W31623	1
x	● Cover-HH.....	W12825	2	W12825	2	W12825	2	W12825	2
x	● Gasket-Cover .....	W23840	2	W23840	2	W23840	2	W23840	2
x	● Capscrew-Cover .....	35A2C325	8	35A2C325	8	35A2C325	8	35A2C325	8
x	● Cover-HH.....	W84273	2	W84273	2				
x	● Gasket-Cover .....	W84274	2	W84274	2				
x	● Capscrew-Cover .....	35A2C325	8	35A2C325	8				
144	● Cover-Valve.....	W3601	12	W3601	12	W1776P2	12	W1776P2	12
145	● Gasket-Valve Cover .....	X1014T80-76	12	X1014T80-76	12	X1014T89-86	12	X1014T89-86	12
143	● Capscrew-Valve Cover.....	35A2D379	48	35A2D379	48	35A2J328	72	35A2J328	72
146	● Setscrew-Inlet.....	X1001T856	6	X1001T856	6	X1001T970	6	X1001T970	6
147	● Nut-Setscrew .....	X1060T5	6	X1060T5	6	X1060T6	6	X1060T6	6
148	● Gasket-Nut .....	X1131T3	6	X1131T3	6	X1131T4	6	X1131T4	6
149	● Setscrew-Discharge.....	X1001T856	6	X1001T856	6	X1001T970	6	X1001T970	6
147	● Nut-Setscrew .....	X1060T5	6	X1060T5	6	X1060T6	6	X1060T6	6
148	● Gasket-Nut .....	X1131T3	6	X1131T3	6	X1131T4	6	X1131T4	6
200	● Valve-Inlet.....	A67C1	6	A67C1	6	A75C1	6	A75C1	6
151	● Gasket-Valve Seat .....	X1014T76-72	6	X1014T76-72	6	X1014T85-81	6	X1014T85-81	6
202	● Valve-Disch.....	A67C2B	6	A67C2B	6	A75C2C	6	A75C2C	6
151	● Gasket-Valve Seat .....	X1014T76-72	6	X1014T76-72	6	X1014T85-81	6	X1014T85-81	6
203	● Crab-Valve.....	67C20	12	67C20	12	75C20	12	75C20	12
x	● Machinescrew.....	87A2S152	24	87A2S152	24	87A2S152	24	87A2S152	24
x	● Lockwasher.....	14A5S55	24	14A5S55	24	14A5S55	24	14A5S55	24
208	● Retainer.....	X1050T208	24	X1053T227	24	X1053T237	24	X1053T232	24
x	● Valve-UL-31 Clear .....	4-¼SUL31CE	4	4-¼SUL31CE	4	5-¼UL31CE	4	5-¼UL31CE	4
x	● Gasket-CL Valve .....	W27010	4	W27010	4	W27025	4	W27025	4
x	● Capscrew.....	35A2C325	16	35A2C325	16	35A2C325	16	35A2C325	16
x	● Nipple .....	18A7W44	6	18A7W44	6	18A7W44	6	18A7W44	6
x	● Valve-Globe.....	30A17B4	6	30A17B4	6	30A17B4	6	30A17B4	6
	● Packing Rod Complete .....	LIST38181T1		LIST38181T1		LIST38181T1		LIST38381T1	
130	● ● Case.....	F12352T2	1	F12352T2	1	F12352T2	1	F12352T2	1
132	● ● Gasket.....	X1498T2	1	X1498T2	1	X1498T2	1	X1498T2	1
131	● ● Set-Packing Ring & Spring.....	PAK-30G28S	1	PAK-30G28S	1	PAK-30G28S	1	PAK-30G28S	1
x	● ● ● Ring.....	NSS	3	NSS	3	NSS	3	NSS	3
133	● ● Capscrew.....	35A2C430	2	35A2C430	2	35A2C430	2	35A2C430	2
x	● ● Pipeplug-Lubricator .....	34A7A3	1	34A7A3	1	34A7A3	1	34A7A3	1
	● Piston & Ring Complete .....	XL1801800T1		XL1801907T1		XL1802000T1		XL1802100T1	
110	● ● Piston-Complete.....	H10462P1	1	H13367B	1	H11972	1	H13306	1
114	● ● Collar-Piston .....	W31677	2	W31677	2	W31624	2	W31624	2
111	● ● Ring-Piston.....	12A18CB1190	2	12A18CB1192	2	12A18CB1198	2	12A18CB1202	2
	● Rod-Piston Complete.....	R17693	1	R17693	1	R17699	1	R17699	1
100	● ● Rod-Bare.....	NSS	1	NSS	1	NSS	1	NSS	1
101	● ● Nut-Piston.....	X1009T1	1	X1009T1	1	X1009T1	1	X1009T1	1
530	● ● Cotterpin.....	11A13C88E	1	11A13C88E	1	11A13C88E	1	11A13C88E	1
102	● ● Nut-Crosshead Lock.....	X1010T8	1	X1010T8	1	X1010T8	1	X1010T8	1
	● Head-Outer Complete .....	XL1801800T2		XL1801907T2		XL1802000T2		XL1802100T2	
160	● ● Head-Outer-Bare.....	NSS	1	NSS	1	NSS	1	NSS	1
x	● ● Pipe.....	26A7W004X	1	26A7W04X	1	26A7W004X	1	26A7W004X	1
		00080RP		00080RP		00080RP		00080RP	
161	● ● Gasket-Head.....	R18299	1	R18464	1	R18329	1	R18470	1
x	● Jackbolt.....	X1001T628	2	X1001T628	2	X1001T628	2	X1001628	2
x	● Capscrew-Outer Head to Cyl.....	35A2C378	14	35A2C380	14	35A2C378	14	35A2C378	14
x	● Capscrew-Outer Head to Cyl.....	18A2C393	8	18A2C394	8	18A2C393	8	18A2C393	8
x	● Cover-Clean Out.....	W9002P2	1	W9002P2	1	W9002P2	1	W9002P2	1
x	● Gasket-Cover .....	W25712	1	W25712	1	W25712	1	W25712	1
x	● Capscrew.....	35A2C109	4	35A2C109	4	35A2C109	4	35A2C109	4
299A	● Valve-UL31 Clear .....	3-¾SUL31CC	1	3-¾SUL31CC	1	4-¼SUL31CE	1	4-¼SUL31CE	1
278A	● Gasket-Clear Valve.....	W27010	1	W27010	1	W27010	1	W27010	1
279A	● ● Capscrew.....	35A2C325	4	35A2C325	4	35A2C325	4	35A2C325	4
x	● ● Pipeplug .....	NSS	1	NSS	1	NSS	1	NSS	1
x	● ● Pipeplug .....	NSS	1	NSS	1				
x	● ● Capscrew-Frame to Cyl.....	35A2C378	14	35A2C378	14	35A2C378	14	35A2C378	14
x	● ● Ring-Filler.....	R42459	1		1				
x	● ● Gasket-Filler Ring.....	R18464	1	R18464	1				

x Not Illustrated.  
Always Give the Serial Number of Your Compressor.

# 8½" STROKE UNITS WITH CLEARANCE CONTROL



H.P. AIR CYLINDER-HORIZONTAL

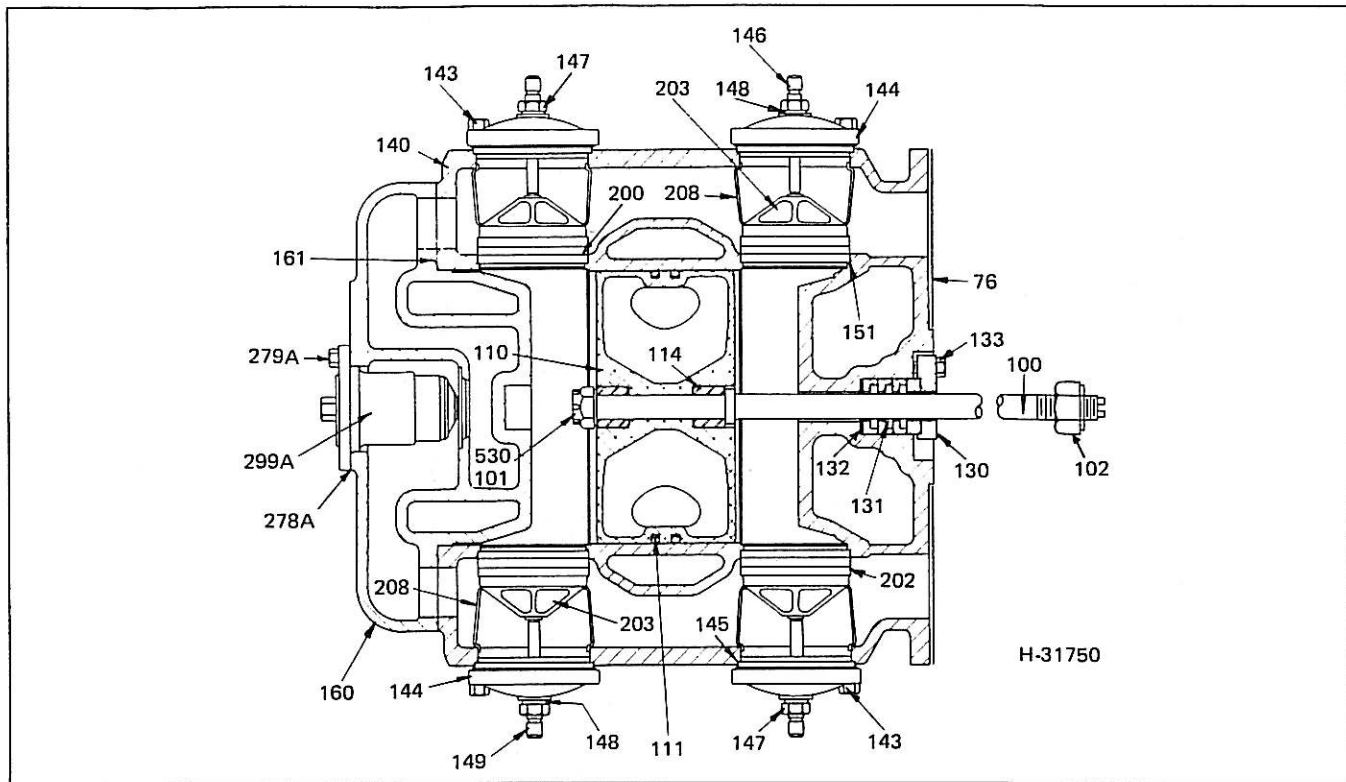
**AIR CYLINDER PARTS**  
(8½" Stroke Units)

III. No.	Name of Part Parts Indented After an Item are Included with Item	11½" H.P. Cyl. Part No.	Qty.	12½" H.P. Cyl. Part No.	Qty.
	Parts-Cyl END & Valve Compl. ....	XL1801100		XL1801200	
	● Cylinder-Complete .....	F5861E		F6646A	
140	● ● Cylinder-Bare. ....	NSS	1	NSS	1
x	● ● Pipeplug .....	NSS	2	NSS	2
76	● Gasket-Cyl to Frame. ....	R16680	1	R16680	1
x	● Cover-HH. ....	W12825	2	W12825	2
x	● Gasket-Cover. ....	W23840	2	W23840	2
x	● Capscrew-Cover .....	35A2C325	8	35A2C325	8
144	● Cover-Valve .....	F401	8	W29252P1	8
145	● Gasket-Valve Cover .....	X1014T60-57	8	X1014T65-61	8
143	● Capscrew-Valve Cover .....	35A2D378	32	35A2D379	32
146	● Setscrew-Inlet .....	X1001T746	4	X1001T846	4
147	● Nut-Setscrew .....	X1060T4	4	X1060T5	4
148	● Gasket-Nut .....	X1131T2	4	X1131T3	4
149	● Setscrew-Discharge .....	X1001T746	4	X1001T846	4
147	● Nut-Setscrew .....	X1060T4	4	X1060T5	4
148	● Gasket-Nut .....	X1131T2	4	X1131T3	4
200	● Valve-Inlet .....	A48C1	4	A54C1	4
151	● Gasket-Valve Seat .....	X1014T56-51	4	X1014T61-57	4
202	● Valve-Discharge .....	A48C2AB	4	A54C2AB	4
151	● Gasket-Valve Seat .....	X1014T56-51	4	X1014T61-57	4
203	● Crab-Valve. ....	48C20	8	54C20	8
x	● Machinescrew. ....	87A2S150	16	87A2S150	16
x	● Lockwasher. ....	14A5S55	16	14A5S55	16
208	● Retainer. ....	X1053T231	8	X1053T202	8
x	● Valve-UL31 Clear (motor side) .....	2-¾UL31C	2	2-¾UL31C	2
x	● Valve-UL31 Clear .....	2-¾UL31CE	2	2-¾UL31CE	2
x	● Gasket-CL Valve .....	27008	4	W27008	4
x	● Capscrew. ....	35A2C325	16	35A2C325	16
x	● Nipple .....	18A7W44	4	18A7W44	4
x	● Valve-Globe. ....	30A17B4	4	30A17B4	4
	● Packing Rod Complete. ....	LIST38181T1		LIST38181T1	
130	● ● Case-Packing .....	F12352T2	1	F12352T2	1
132	● ● Gasket-Case .....	X1498T2	1	X1498T2	1
131	● ● Set-Packing Ring & Spring .....	PAK-30G28S	1	PAK30G28S	1
x	● ● Ring .....	NSS	3	NSS	3
133	● ● Capscrew. ....	35A2C430	2	35A2C430	2
x	● ● Pipeplug-Lubr .....	34A7A3	1	34A7A3	1
	● Piston & Ring Complete .....	XL1801100T1		XL1801200T1	
110	● ● Piston Compl .....	R15673P1	1	R17671	1
111	● ● Ring-Piston .....	12A18CB834	2	12A18CB998	2
	● Rod-Piston Complete .....	R17712		R17624	
100	● ● Rod-Bare .....	NSS	1	NSS	1
101	● ● Nut-Piston .....	X1009T1	1	X1009T1	1
530	● ● Cotterpin .....	11A13C88E	1	11A13C88E	1
102	● ● Nut-Crosshead Lock. ....	X1010T8	1	X1010T8	1
	● Head-Outer Complete. ....	H10468		H11974	
160	● ● Head-Outer-Bare. ....	NSS	1	NSS	1
161	● ● Gasket-Head .....	W29081	1	W31663	1
x	● Jackbolt. ....	X1001T526	2	X1001T526	2
x	● Capscrew-Outer Head to Cyl. ....	35A2C386	4	35A2C386	4
x	● Capscrew-Outer Head to Cyl. ....	35A2C378	8	35A2C378	8
x	● Capscrew-Frame to Cyl .....	35A2C378	14	35A2C378	14

x Not Illustrated.

Always Give the Serial Number of Your Compressor.

10" STROKE UNITS WITH CLEARANCE CONTROL



L.P. AIR CYLINDER-VERTICAL



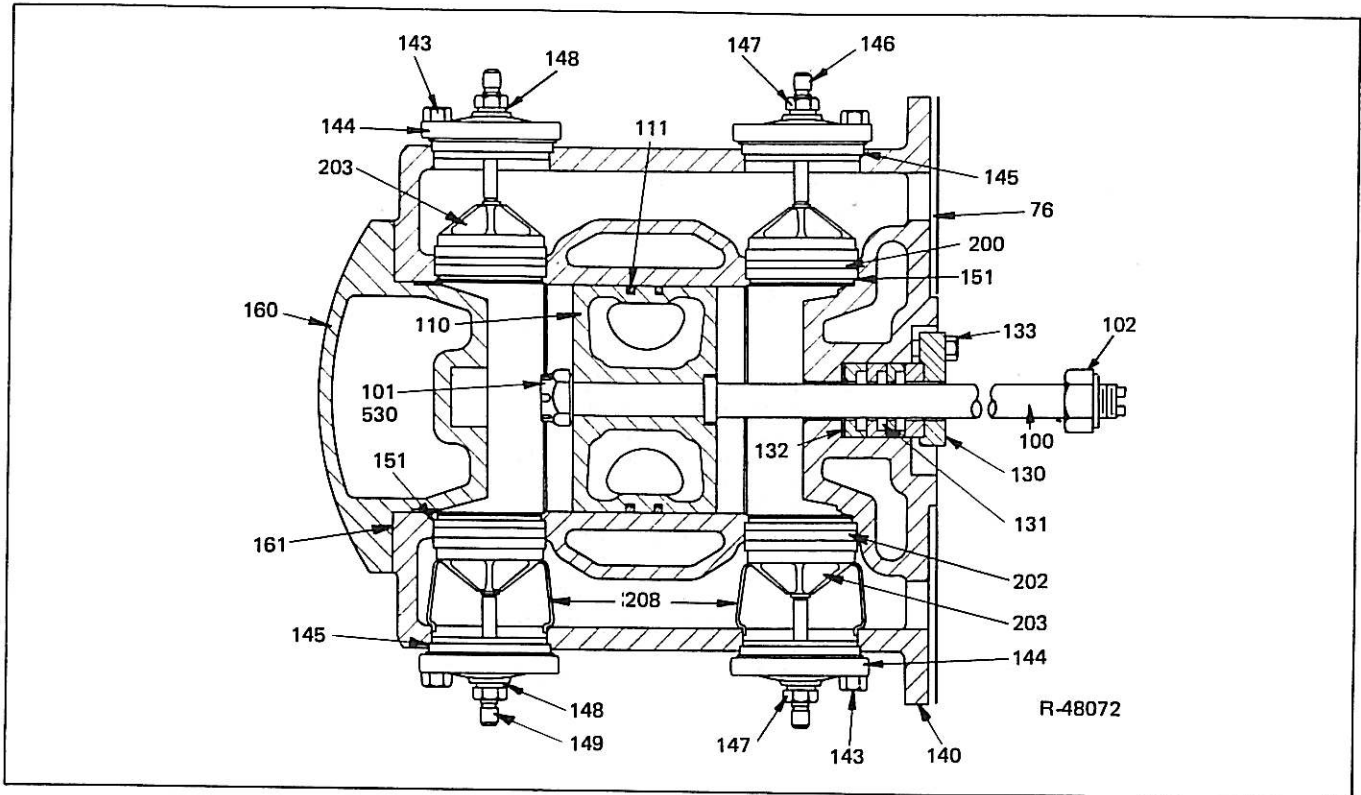
**AIR CYLINDER PARTS**  
**(10" Stroke Units)**

III. No.	Name of Part Parts Indented After an Item are Included with the Item	22" L.P. Cyl. Part No.	Qty.	24 1/4" L.P. Cyl. Part No.	Qty.	25" L.P. Cyl. Part No.	Qty.	26" L.P. Cyl. Part No.	Qty.	28" L.P. Cyl. Part No.	Qty.
	Parts-Cyl END & Valve Complete.....	XL10102201		XL1002413		XL1002500		XL1002602		XL1002800	
140	● Cylinder Complete.....	F5695D		F6854E		F6854F		G1308A		G1308B	
x	● ● Cylinder-Bare.....	NSS	1	NSS	1	NSS	1	NSS	1	NSS	1
x	● ● Pipeplug.....	NSS	2							NSS	1
x	● ● Pipeplug.....	NSS	1							NSS	4
76	● Gasket-Cyl to Frame.....	R17854	1	R17854	1	R17854	1	R17854	1	R17854	1
x	● Cover-HH.....	W12825	2	R36853P1	4	R36853P1	4	W12825	4	W12825	4
x	● Gasket-Cover.....	W23840	2	R43816	4	R43816	4	W23840	4	W23840	4
x	● Capscrew-Cover.....	35A2C325	8	35A2C326	24	35A2C326	24	35A2C325	16	35A2C325	16
144	● Cover-Valve-bare.....	W1776P2	12	W27190P2	12	W27190P2	12	W2554	12	W2554	12
145	● Gasket-Valve Cover.....	X1014T89-86	12	X1014T95-92	12	X1014T95-92	12	X1014T108-105	12	X1014T108-105	12
143	● Capscrew-Valve Cover.....	35A2D327	72	35A2D327	72	35A2D327	72	35A2D379	72	35A2D379	72
146	● Setscrew-Inlet.....	X1001T966	6	X1001T968	6	X1001T964	6	X1001T1084A	6	X1001T1077	6
147	● Nut-Setscrew.....	X1060T6	6	X1060T6	6	X1060T6	6	X1060T7	6	X1060T7	6
148	● Gasket-Nut.....	X1131T4	6	X1131T4	6	X1131T4	6	X1131T5	6	X1131T5	6
149	● Setscrew-Discharge.....	X1001T966	6	X1001T968	6	X1001T964	6	X1001T1084A	6	X1001T1077	6
147	● Nut-Setscrew.....	X1060T6	6	X1060T6	6	X1060T6	6	X1060T7	6	X1060T7	6
148	● Gasket-Nut.....	X1131T4	6	X1131T4	6	X1131T4	6	X1131T5	6	X1131T5	6
200	● Valve-Inlet.....	A75C1	6	AB1C1	6	AB1C1	6	A92C1	6	A92C1	6
151	● Gasket-Valve Seat.....	X1014T85-81	6	X1014T90-85	6	X1014T90-85	6	X1014T103-99	6	X1014T103-99	6
202	● Valve-Discharge.....	A75C2C	6	AB1C2D	6	AB1C2D	6	A92C2AB	6	A92C2AB	6
151	● Gasket-Valve Seat.....	X1014T85-81	6	X1014T90-85	6	X1014T103-99	6	X1014T103-99	12	X1014T103-99	6
203	● Crab-Valve.....	75C20	12	81C20	12	81C20	12	92C20	12	92C20	12
x	● Machinescrew.....	87A2S152	24	87A2S153	24	87A2S153	24	87A2S153	24	87A2S153	24
x	● Lockwasher.....	14A5S55	24	14A5S55	24	14A5S55	24	14A5S55	24	14A5S55	24
208	● Retainer.....	X1053T232	24	X1053T242	24	X1053T258	24	W42231	24	W42231P1	24
x	● Locking Clamp.....							W30875	24	W39875	24
x	● Lock Nut.....							16A4C3	24	16A4C3	24
x	● Valve-UL-31 Clear.....	5-1/4UL31CE	4	5-3/4SUL31CE	4	5-3/4SUL31CE	4	5-1/4UL31CB	4	5-1/4UL31CB	4
x	● Gasket-CL Valve.....	W27025	4	W25357	4	W25357	4	W25357	4	W25357	4
x	● Capscrew.....	35A2C325	16	35A2C325	24	35A2C325	16	35A2C325	16	35A2C325	24
x	● Nipple.....	18A7W44	6	18A7W44	6	18A7W44	6	18A7W44	6	18A7W44	6
x	● Valve-Globe.....	30A17B4	6	30A17B4	6	30A17B4	6	30A17B4	6	30A17B4	6
	● Packing Rod Complete.....	LIST28827T1		LIST28827T1		LIST28827T1		LIST28827T1		LIST28827T1	
130	● ● Case-Packing.....	F12352T3	1	F12352T3	1	F12352T3	1	F12352T3	1	F12352T3	1
132	● ● Gasket-Case.....	X1498T3	1	X1498T3	1	X1498T3	1	X1498T3	1	X1498T3	1
131	● ● Set-Pkg Ring & Spr.....	PAK-30G32S	1	PAK-30G32S	1	PAK-30G32S	1	PAK-30G32S	1	PAK-30G32S	1
x	● ● Ring.....	NSS	3	NSS	3	NSS	3	NSS	3	NSS	3
133	● ● Capscrew.....	35A2C430	2	35A2C430	2	35A2C430	2	35A2C430	2	35A2C430	2
x	● ● Pipeplug-Lubricator.....	34A7A3	1	34A7A3	1	34A7A3	1	34A7A3	1	34A7A3	1
	● Piston & Ring Complete.....	XL1002200T1		XL1002400T1		XL1002500T1		XL1002600T1		XL1002800T1	
110	● ● Piston-Complete.....	H13236	1	H13207	1	H13434	1	H16649	1	H40019	1
114	● ● Collar-Piston.....	W33075	2	W32452	2	W32452	2	W42182	2	W42182	2
111	● ● Ring Piston.....	12A18CB1204	2	12A18CB1213	2	12A18CB1216	2	12A18CB1220	2	12A18CB1347	2
	● Rod-Piston Complete.....	R18243		R18204		R18204		R23318		R23318	
100	● ● Rod-Bare.....	NSS	1	NSS	1	NSS	1	NSS	1	NSS	1
101	● Nut-Piston.....	X1009T3	1	X1009T3	1	X1009T3	1	X1009T3	1	X1009T3	1
530	● ● Cotterpin.....	11A13C105E	1	11A13C105E	1	11A13C105E	1	11A13C105E	1	11A13C105E	1
102	● ● Nut-Crosshead Lock.....	X1010T9	1	X1010T9	1	X1010T9	1	X1010T9	1	X1010T9	1
	● Head-Outer-Complete.....	XL1002201T2		XL1002413T2		XL1002600T2		XL1002600T2		XL1002800T2	
160	● ● Head-Outer-Bare.....	NSS	1	NSS	1	NSS	1	NSS	1	NSS	1
x	● ● Pipe.....	26A7W004X	1	26A7W004X	1	26A7W004X	1	26A7W004X	1	26A7W004X	1
	● ● Gasket-Outer Head.....	0008ORP		0008ORP		0008ORP		0008ORP		0008ORP	
161	● ● Jackbolt.....	R18263	1	R17855	1	R19302	1	R23308	1	R60434	1
x	● Capscrew-Ohd to Cyl.....	X1001T628	2	X1001T628	2	X1001T628	2	X1001T628	2	X1001T628	2
x	● Capscrew-Ohd to Cyl.....	35A2C378	16	35A2C378	16	35A2C378	16	35A2C379	16	35A2C379	16
x	● Cover-Cleanout.....	18A2C393	8	18A2C394	8	18A2C394	8	18A2C396	8	18A2C396	8
x	● Gasket-Cover.....	W9002P2	1	W9002P2	1	W9002P2	1	W9002P2	1	W9002P2	1
x	● Capscrew.....	W25712	1	W25712	1	W25712	1	W25712	1	W25712	1
x	● Valve-UL31 Clear.....	35A2C109	4	35A2C109	4	35A2C109	4	35A2C109	4	35A2C109	4
299A	● Gasket-Clear Valve.....	4-1/4SUL31CE	1	4-1/4SUL31CE	1	4-1/4SUL31CE	1	5-1/4UL31CB	1	5-1/4UL31CB	1
278A	● Capscrew.....	W27010	1	W27010	1	W27010	1	W27025	1	W27025	1
279A	● Pipeplug.....	35A2C325	4	35A2C325	4	35A2C325	4	35A2C325	4	35A2C325	4
x	● Capscrew-Frame to Cyl.....	NSS	1	NSS	1	NSS	1	NSS	1	NSS	1
x	● Capscrew-Frame to Cyl.....	35A2C430	14	35A2C430	14	35A2C430	14	35A2C430	14	35A2C430	14

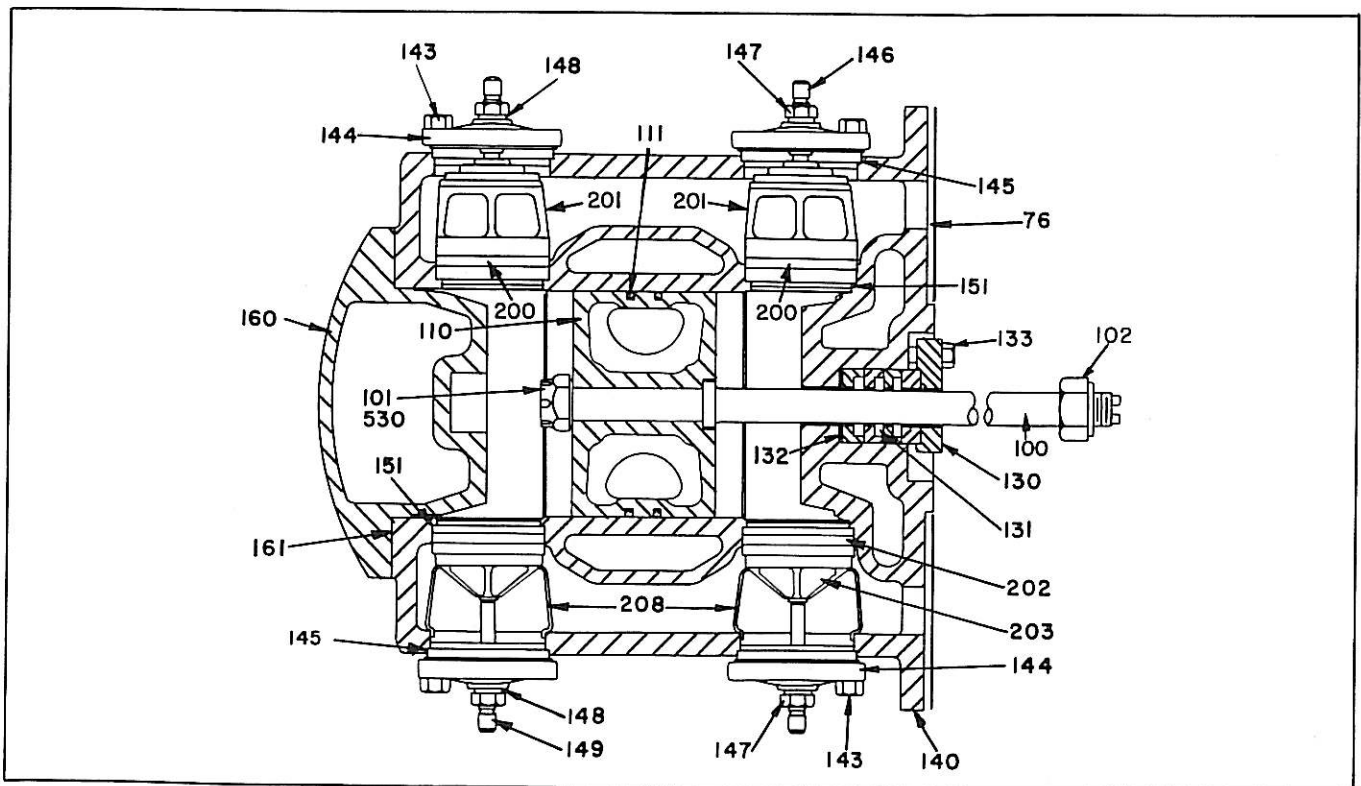
x Not Illustrated.

Always Give the Serial Number of Your Compressor.

10" STROKE UNITS WITH CLEARANCE CONTROL



13½" & 14½" H. P. AIR CYLINDER — HORIZONTAL



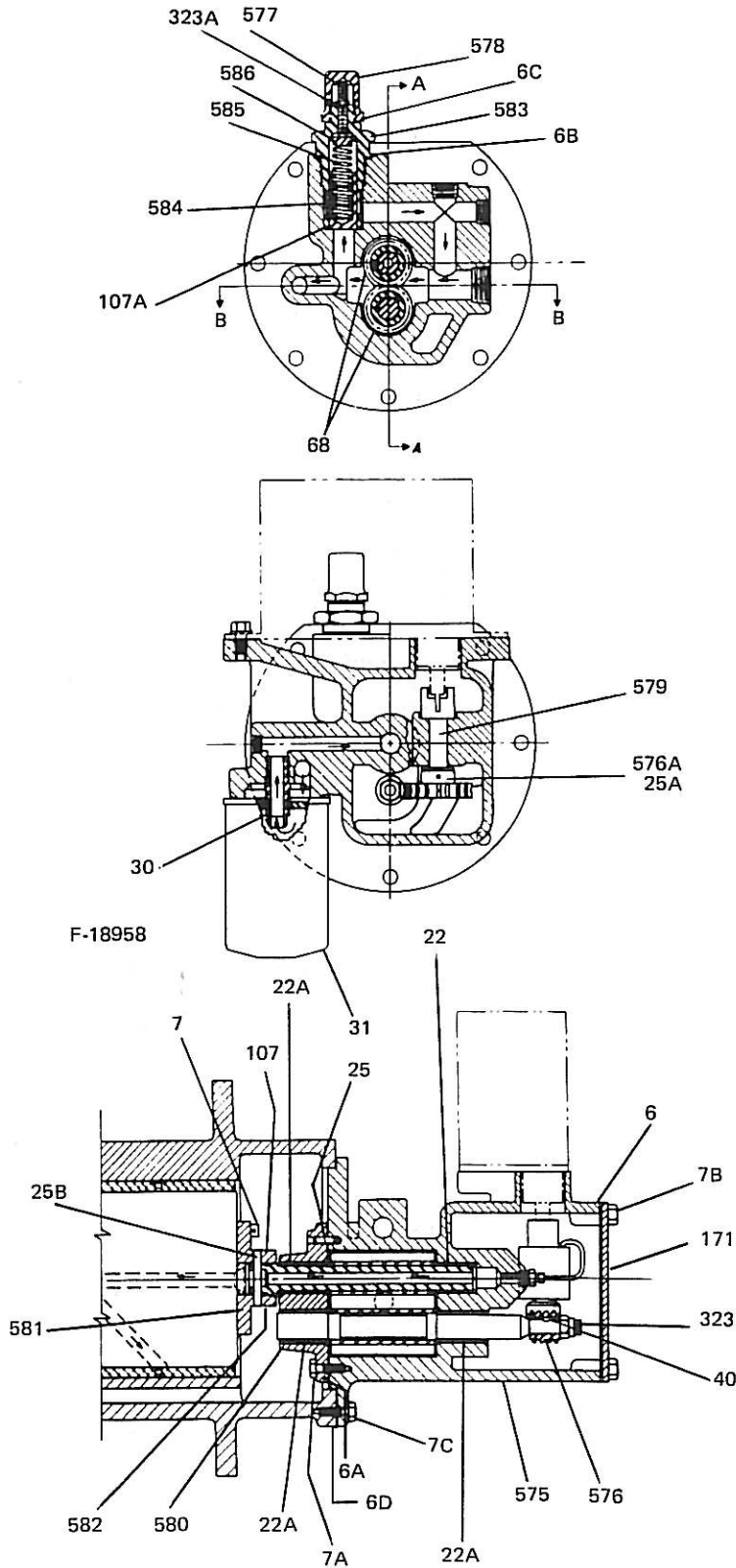
16" H. P. AIR CYLINDER — HORIZONTAL

## AIR CYLINDER PARTS (10" Stroke Units)

III. No.	Name of Part Parts Indented After an Item are Included with the Item	13½" H.P. Cyl. Part No.	Qty.	14½" H.P. Cyl. Part No.	Qty.	16" H.P. Cyl. Part No.	Qty.
	Parts-Cyl END & VALVE COMPLETE.....	XL1001300		XL1001400		XL1001600	
	● Cylinder Complete .....	F5697H		F5697F		G1309A	
140	● ● Cylinder-Bare .....	NSS	1	NSS	1	NSS	1
x	● ● Pipeplug .....	NSS	1	NSS	1	NSS	2
76	● Gasket-Cyl to Frame .....	W27918	1	W27918	1	W27918	1
x	● Cover-HH .....	W84273	2	W84273	2	W12825	2
x	● Gasket-Cover .....	W84274	2	W84274	2	W23840	2
x	● Capscrew-Cover .....	35A2C325	8	35A2C325	8	35A2C325	8
x	● Cover-HH .....	R36853P1	2	R36853P1	2		
x	● Gasket-Cover .....	R43816	2	R43816	2		
x	● Capscrew-Cover .....	35A2C326	12	35A2C326	12		
144	● Cover-Valve-Bare .....	W1092	8	W1092	8	W1776	8
145	● Gasket-Valve Cover .....	X1014T72-68	8	X1014T72-68	8	X1014T89-86	8
143	● Capscrew-Valve Cover .....	35A2D327	48	35A2D327	48	35A2D379	48
146	● Setscrew-Inlet .....	X1001T868	4	X1001T864	4	X1001T966	4
147	● Nut-Setscrew .....	X1060T5	4	X1060T5	4	X1060T6	4
148	● Gasket-Nut .....	X1131T3	4	X1131T3	4	X1131T4	4
149	● Setscrew-Discharge .....	X1001T868	4	X1001T864	4	X1001T966	4
147	● Nut-Setscrew .....	X1060T5	4	X1060T5	4	X1060T6	4
148	● Gasket-Nut .....	X1131T3	4	X1131T3	4	X1131T4	4
200	● Valve-Inlet .....	A60C1	4	A60C1	4	A75C1	4
151	● Gasket-Valve Seat .....	X1014T68-63	4	X1014T68-63	4	X1014T85-81	4
202	● Valve-Discharge .....	A60C2AE	4	A60C2AE	4	A75C2C	4
151	● Gasket-Valve Seat .....	X1014T68-63	4	X1014T68-63	4	X1014T85-81	4
203	● Crab-Valve .....	60C20	8	60C20	8	75C20	8
x	● Machinescrew .....	87A2S150	16	87A2S150	16	87A2S152	16
x	● Lockwasher .....	14A5S55	16	14A5S55	16	14A5S55	16
208	● Retainer .....	X1053T240	8	X1053T229	8	X1053T244	8
x	● Valve-UL-31 Clearance (motor side) .....	3-¾LUL31C	2	3-¾LUL31C	2	4-¼LUL31C	2
x	● Valve-UL-31 Clearance .....	3-¾LUL31 CE	2	3-¾LUL31 CE	2	4-¼LUL31 CB	2
x	● Gasket-Clearance Valve .....	W25546	4	W25546	4	W27010	4
x	● Capscrew .....	35A2C325	16	35A2C325	16	35A2C325	16
x	● Nipple .....	18A7W44	4	18A7W44	4	18A7W44	4
x	● Valve-Globe .....	30A17B4	4	30A17B4	4	30A17-B4	4
	● Packing Rod Complete .....	LIST28827T1		LIST28827T1		LIST28827T1	
130	● ● Case-Packing .....	F12352T3	1	F12352T3	1	F12352T3	1
132	● ● Gasket-Case .....	X1498T3	1	X1498T3	1	X1498T3	1
131	● ● Set-Package Ring & Spring .....	PAK-30G32S	1	PAK-30G32S	1	PAK-30G32S	1
x	● ● ● Ring .....	NSS	3	NSS	3	NSS	3
133	● ● Capscrew .....	35A2C430	2	35A2C430	2	35A2C430	2
x	● ● Pipeplug-Lubricator .....	34A7A3	1	34A7A3	1	34A7A3	1
x	● Piston & Ring Complete .....	XL1001300T1		XL1001400T1		XL1001600T1	
110	● ● Piston Complete .....	R18234	1	R18132	1	H40020	1
111	● ● Ring-Piston .....	12A18CB1002	2	12A18CB1006	2	12A18CB1012	2
	● Rod-Piston Complete .....	R18205		R18205		R23312	
100	● ● Rod-Bare .....	NSS	1	NSS	1	NSS	1
101	● ● Nut-Piston .....	X1009T3	1	X1009T3	1	X1009T3	1
530	● ● Cotterpin .....	11A13C105E	1	11A13C105E	1	11A13C105E	1
102	● ● Nut-Crosshead Lock .....	X1010T9	1	X1010T9	1	X1010T9	1
	● Head-Outer Complete .....	H10266B		H10266A		XL1001600T2	
160	● ● Head-Outer-Bare .....	NSS	1	NSS	1	NSS	1
161	● ● Gasket-Outer Head .....	W33078	1	W32455	1	W123390	1
x	● Jackbolt .....	X1001T526	7	X1001T526	7	X1001T526	2
x	● Capscrew-Outerhead to Cylinder .....	35A2C429	8	35A2C429	8	35A2C478	8
x	● Capscrew-Outerhead to Cylinder .....	35A2C436	4	35A2C436	4	35A2C485	4
x	● Capscrew-Frame to Cylinder .....	35A2C430	14	35A2C430	14	35A2C430	14

x Not Illustrated.

Always Give the Serial Number of Your Compressor.



TYPE "C" OIL PUMP AND LUBRICATOR



**TYPE "C" OIL PUMP AND LUBRICATOR DRIVE PARTS**

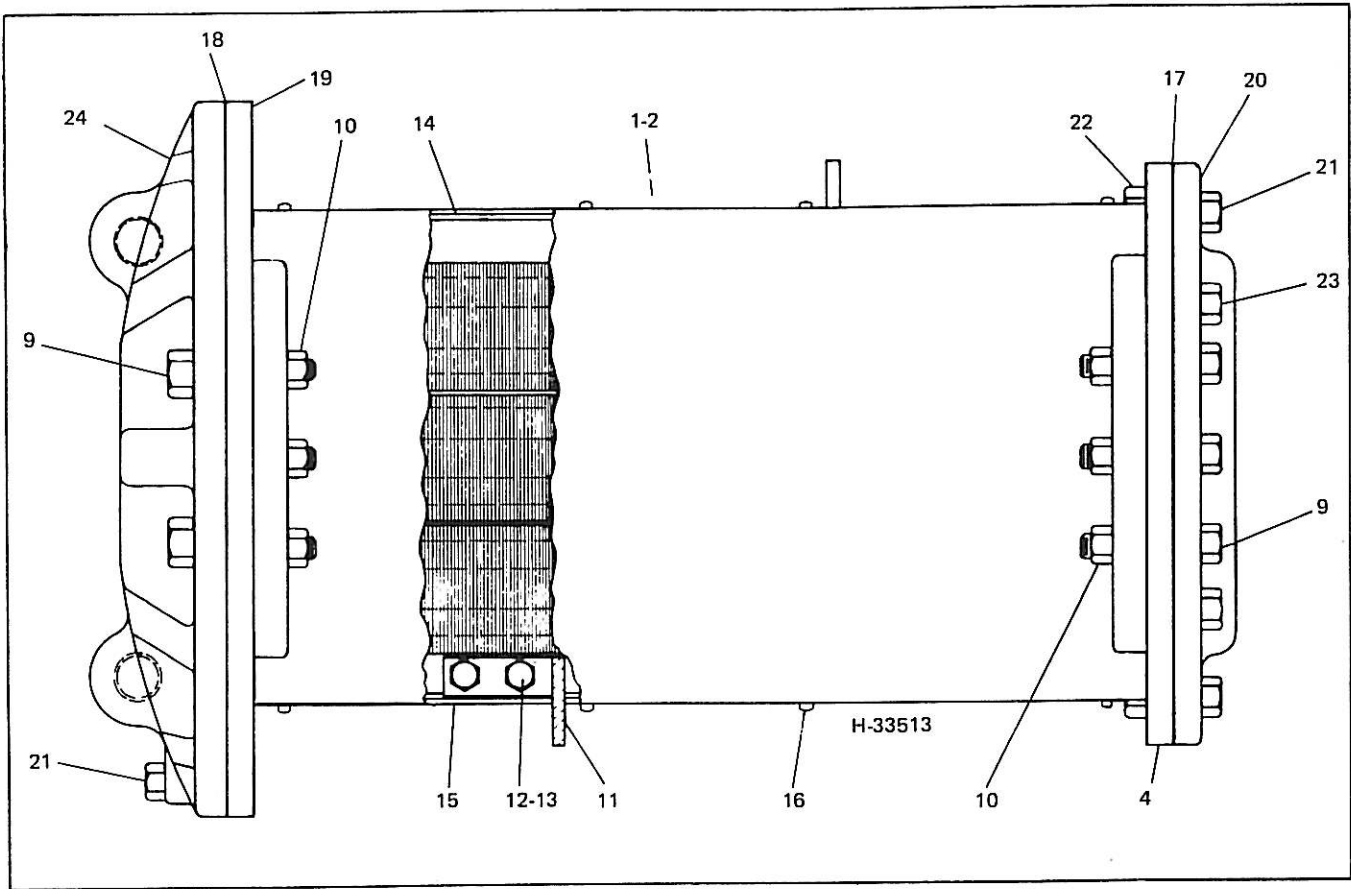
III. No.	Name of Part Parts Indented After an Item are Included with the Item	Part No.	Qty.
	OIL PUMP COMPLETE LESS FILTER.....	W87418	
	● Assembly-Oil Pump Housing.....	W87414	
575	● ● Housing-Oil Pump.....	NSS	1
22	● ● Bushing-1-5/16 LG.....	X1336T9	1
22A	● ● Bushing-1-13/16 LG.....	X1336T11	1
x	● ● Pipe Plug.....	31A7S4	2
x	● ● Pipe Plug.....	31A7S5	2
6D	● ● Gasket-Housing.....	W31430P1	1
68	● Assembly-Shaft & Gear.....	W87415	1
x	● ● Gear-Oil.....	NSS	2
x	● ● Shaft-Gear Drive.....	NSS	1
x	● ● Shaft-Gear Driven.....	NSS	1
x	● ● ● Key-Oil Gear.....	NSS	2
	● Assembly-Drive End Head.....	W87416	
580	● ● Head-Drive End.....	NSS	1
22A	● ● Bushing-1-13/16 LG.....	X1336T11	2
25	● ● Rollpin.....	25A13C249	2
6A	● ● Gasket.....	W29721P1	1
7A	● Capscrew-Drive End Head.....	35A2C111	6
171	● Cover-Pump Housing.....	R45407	1
6	● ● Gasket-Cover.....	W87288	1
7B	● Capscrew-Cover.....	35A2C109	4
	● Assembly-Lubricator Drive.....	W87417	
576	● ● Gear-Worm.....	W40129A	1
576A	● ● Gear-Lubricator Drive.....	W46287	1
579	● ● Shaft-Lubricator Driver.....	NSS	1
40	● ● ● Key.....	23A9C404	1
25A	● ● Roll-Pin.....	25A13C172	1
323	● ● Nut.....	80A4C5	1
x	● Connector Tube.....	242A10B1	1
x	● Nut-Tube.....	241A10B1	1
x	● Tube-Oil.....	X1617T1X6	1
	● Assembly-Relief Valve.....	W86930A	
583	● ● Body-Relief Valve.....	R19753	1
584	● ● Piston-Relief Valve.....	W35577P2	1
585	● ● Spring-Relief.....	PP881	1
586	● ● Seat-Spring.....	W35578	1
577	● Screw-Adjusting.....	109A2A56	1
323A	● ● Nut-Adjusting Screw Jam.....	40A4C3	1
57B	● ● Cap-Valve Body.....	W30243	1
6B	● ● Gasket-Valve Body.....	X1214T15	1
107A	● ● O-Ring-Valve Body.....	20A11CM217	1
6C	● ● Gasket-Body Cap.....	X1013T8B	1
107	● O-Ring Pump Shaft.....	20A11CM214	1
582	● Ring-Non Extrusion.....	W50061	1
31	● Filter-Oil.....	6458B1	1
30	● Stud-Filter Adapter.....	4765B1	1
7C	● Capscrew-Oil Pump.....	35A2C111	7
581	● Driver-Oil Pump.....	W25416	1
25B	● Pin-Oil Pump Driver.....	W36649	1
7	● Capscrew-Driver.....	91A2A198E	4

x Not Illustrated.

NSS—Not Sold Separately.

NOTE 1 THE ABOVE OIL PUMP COMPLETE WITH OIL FILTER & ADAPTER STUD WILL INTERCHANGE WITH TYPE A & B PUMPS COMPLETE

NOTE 2 TO CONVERT TYPE B OIL PUMP WITH CARTRIDGE FILTER TO EASY CHANGE FULL FLOW FILTER ORDER CONVERSION KITW122584 PLUS FILTER ILL. NO 32 ABOVE



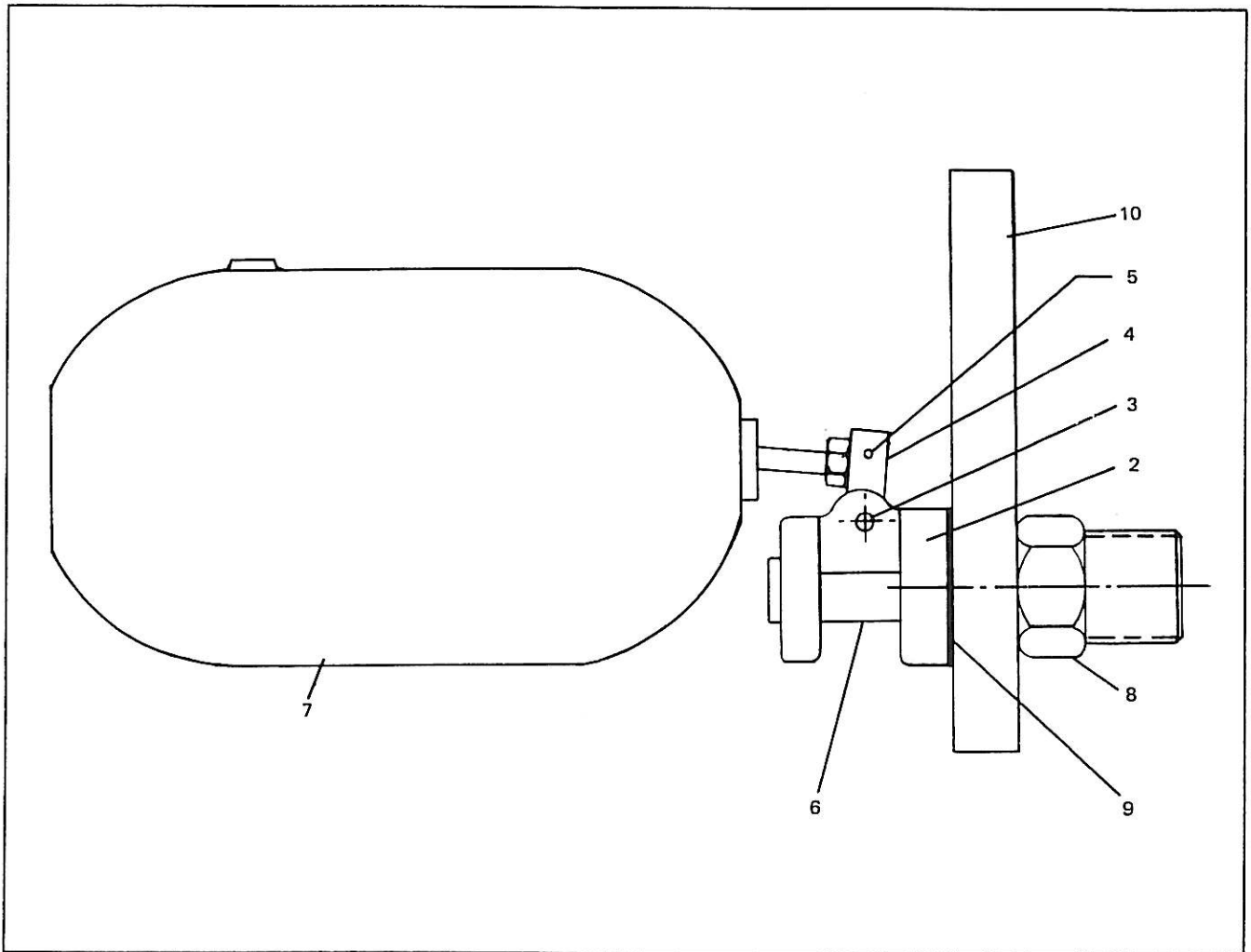
### INTERCOOLER PARTS

III. No.	Name of Part Parts Indented After an Item are Included with the Item	7" Stroke	Qty.	8½" Stroke	Qty.	10" Stroke	Qty.
1	Intercooler-Complete .....	W86871A		W86872A		W124933	
2	● Intercooler-Bare .....	W44868B		W44869A		W124934	
9	● ● Capscrew .....	35A2C225	6	35A2C225	6	35A2C228	8
10	● ● Nut .....	16A4C5	6	16A4C5	6	16A4C5	8
11	● ● Baffle .....	R23600	2	H16848	2	H16847	2
12	● ● Capscrew .....	35A2C108	8	35A2C108	8	35A2C108	8
13	● ● Lockwasher .....	14A5C76	8	14A5C76	8	14A5C76	8
14	● ● Seal-Air .....	R21363	4	R23664	4	R60437	4
15	● ● Strip-Reinforcing .....	R21366	4	R23665	4	R23628	4
16	● ● Screw-Self Tapping .....	123A2S51D	16	123A2S51D	16	W123391	16
17	● ● Gasket-Inside Water Head .....	W43286	1	R23660	1	R23659	1
18	● ● Gasket-Outside Water Head .....	R23599	1	R23661	1	H16846	1
19	● ● Gasket-Frame to Top Plate .....	W36432	1	W36431	1	W27898	1
20	● Head-Inside Water .....	R23598	1	R23627	1	R60438	1
21	● Capscrew .....	35A2C222	8	35A2C222	8	35A2C225	8
22	● Nut .....	16A4C5	8	16A4C5	8	16A4C5	8
23	● Capscrew .....	35A2C219	4	35A2C219	8	35A2C222	8
24	● Head-Outside Water Head .....	H16809	1	H16835	1	F9729P1	1
x	● Capscrew .....	35A2C327	12	35A2C327	12	35A2C380	12

x Not Illustrated.

NSS—Not Sold Separately.

Always Give the Serial Number of Your Compressor.



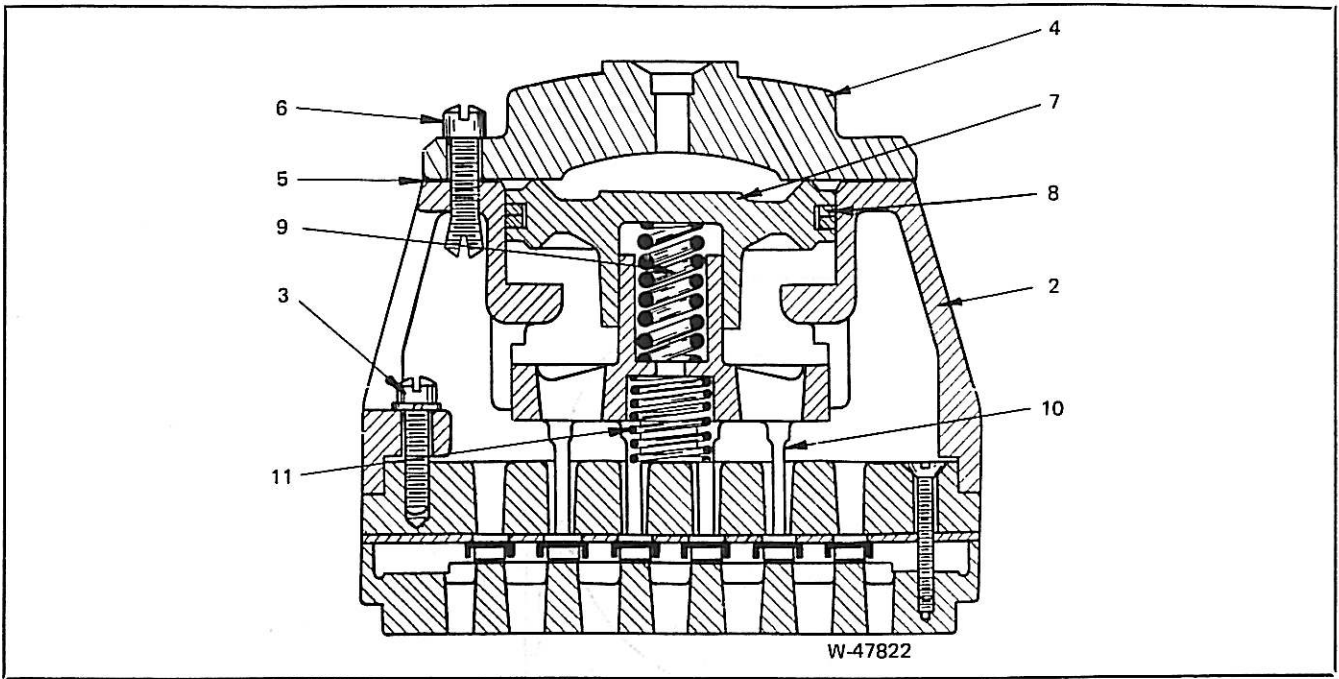
### MOISTURE TRAP DRAIN VALVE PARTS

III. No.	Name of Part Parts Indented After an Item are Included with the Item	Part No.	Qty.
	Float-Valve-Moisture Trap Complete. . . . .	R5785-270	1
1	● ● Float and Valve Assembly . . . . .	R5785-280	1
2	● ● ● Cage-Valve. . . . .	NSS	1
3	● ● ● Pin-Lever . . . . .	NSS	1
4	● ● ● Lever-Valve . . . . .	NSS	1
5	● ● ● Pin-Lock. . . . .	NSS	1
6	● ● ● Valve-Bare . . . . .	NSS	1
7	● ● ● Float-Bare . . . . .	NSS	1
8	● ● ● Nut-Valve Cage. . . . .	NSS	1
9	● ● ● Gasket-Valve Cage . . . . .	R5785-274	1
10	Cover-Valve and Float. . . . .	R5785-278	1

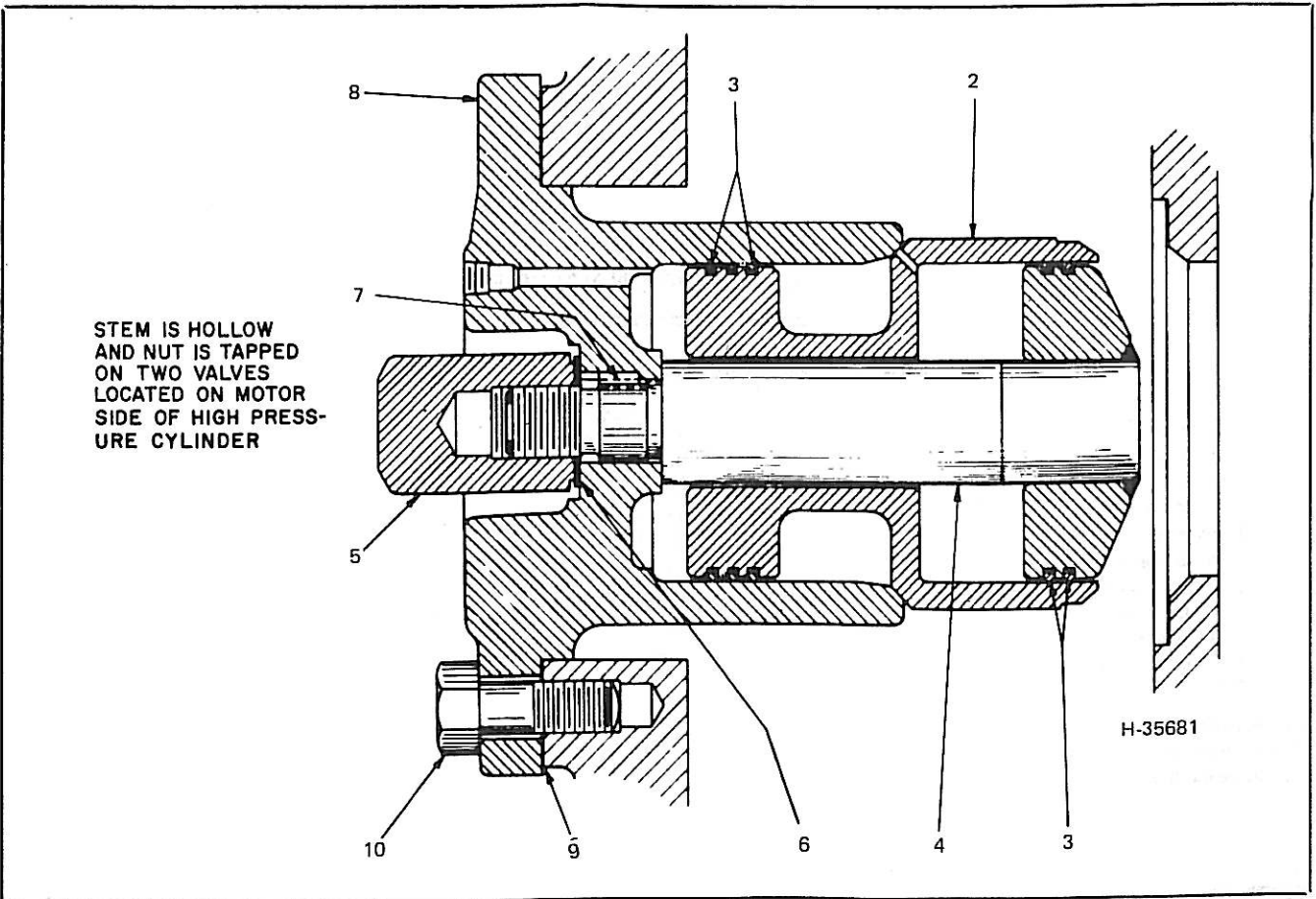
x Not Illustrated.

NSS—Not Sold Separately.

Always Give the Serial Number of Your Compressor.



**FREE AIR UNLOADER  
7" STROKE UNITS**



**UL-31C CLEARANCE VALVE  
8 1/2", 10" STROKE UNITS**

**FREE AIR UNLOADER PARTS  
(7" & 10" Stroke Units)**

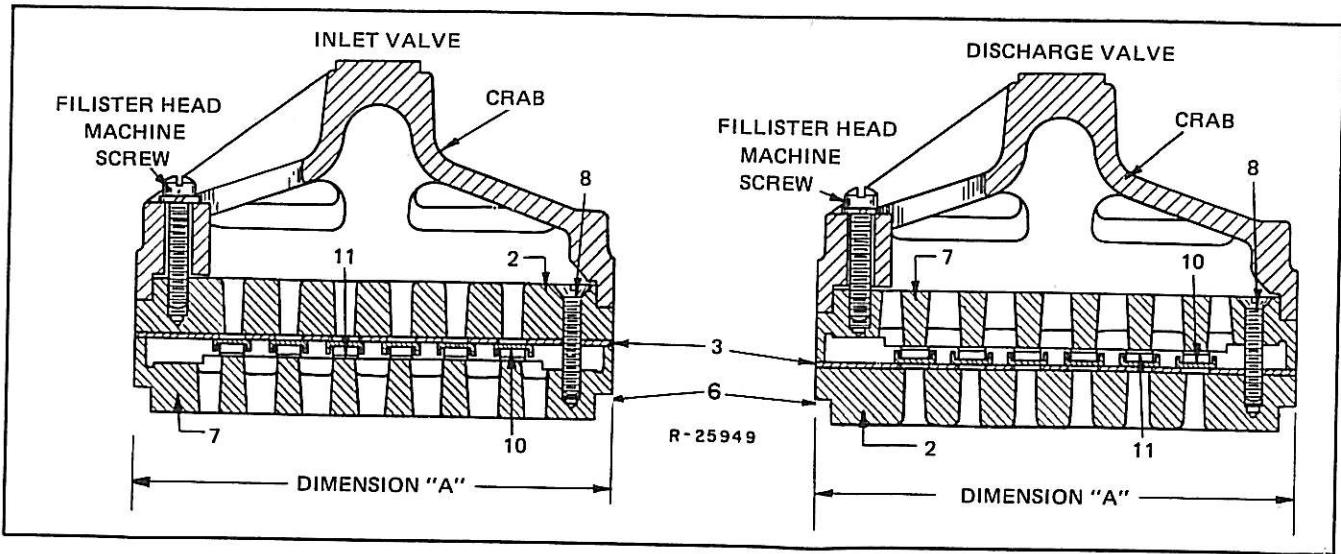
III. No.	Name of Part Parts Indented After an Item are Included with the Item	Qty	PART NUMBERS—8 1/2" STROKE				
			A-48 L.P. Cyl.	A-36 H.P. Cyl.	A-60 L.P. Cyl.	A-43 H.P. Cyl.	A-75 H.P. Cyl.
	Free Air Unloader Complete . . . . .	1	X1334TA48	X1334TA36	X1334TA60	X1334TA43	X1334TA75
2	● Unloader Cage . . . . .	1	R15253	W26138	H9917	R15252	H9919
3	● Fillister Hd. Machine Screw . . . . .	2	87A2S147	87A2S147	87A2S148	87A2S147	87A2S149
x	● Lockwasher . . . . .	2	14A5S55	14A5S55	14A5S55	14A5S55	14A5S55
4	● Unloader Cover . . . . .	1	W1163	W1599	W1169	W1163	W1172
5	● Unloader Cover Gasket . . . . .	1	W26133	W26019	W26020	W26133	W26134
6	● Fillister Hd. Machine Screw . . . . .	2	87A2S149R	87A2S149R	87A2S149R	87A2S149R	87A2S150R
7	● Unloader Piston . . . . .	1	W26141AP1	W26139C	W26144A	W26141AP1	R15257AP2
8	● Unloader Piston Ring . . . . .	2	X1244T3	X1244T2-3/4	X1244T4	X1244T3	X1244T5
9	● Unloader Piston Spring . . . . .	1	PP391	PP483	PP393	PP391	PP400
10	● Unloader Plunger . . . . .	1	W26143A	W26140A	R15256A	W26142A	R15260A
11	● Unloader Plunger Spring . . . . .	1	PP579	PP579	PP394	PP579	PP401

**UL-31C CLEARANCE VALVE PARTS  
(8 1/2" & 10" Stroke Units)**

III No.	Name of Part Parts Indented After An Item are Included with the Item	PART NUMBERS—8 1/2" STROKE							
		18 1/2" & 19" L.P. Cyl.	Qty.	20 1/2" & 21 1/2" L.P. Cyl.	Qty.	(motor side) 11 1/2" & 12 1/2" H.P. Cyl.	Qty.	11 1/2" & 12 1/2" H.P. Cyl.	Qty.
	Complete . . . . .	4 3/4SUL31CE	1	5 1/4UL31CE	1	2 3/4UL31C	1	2 3/4UL31CE	1
2	● Bare . . . . .	4 3/4UL31C1	1	5 1/4UL31C1	1	2 3/4UL31C1	1	2 3/4UL31C1	1
3	● Ring . . . . .	X1244T4 3/4	3	X1244T5 3/4	3	X1244T2 3/4	3	X1244T2 3/4	3
4	● Guide . . . . .	4 3/4UL31C3E	1	5 1/4UL31C3E	1	2 3/4UL31C3	1	2 3/4UL31C3E	1
3	● Guide Ring . . . . .	X1244T4 3/4	2	X1244T5 3/4	2	X1244T2 3/4	2	X1244T2 3/4	2
5	● Guide Nut . . . . .	3 3/4UL31CP15	1	5 1/4UL31C15E	1	2 3/4UL31C15	1	3 3/4UL31CP15	1
6	● Guide Nut Washer . . . . .	X1026T11	1	X1026T11	1	X1026T11	1	X1026T11	1
7	● Guide Key . . . . .	11A9C2	1	11A9C2	1	11A9C2	1	11A9C2	1
8	● Cover . . . . .	4 3/4SUL31C22	1	5 1/4UL31C22	1	2 3/4UL31C22	1	2 3/4UL31C22	1
9	● Cover Gasket . . . . .	W27010	1	W27025	1	W27008	1	W27008	1
10	● Cover Cap Screw . . . . .	35A2C325	4	35A2C325	4	35A2C325	4	35A2C325	4

III No.	Name of Part Parts Indented After an Item are Included with the Item	PART NUMBERS - 10" STROKE									
		22" L.P. Cyl.	Qty	24 1/4" & 25" L.P. Cyl.	Qty	26" & 28" L.P. Cyl.	Qty	13 1/2" & 14 1/2" H.P. Cyl.	Qty	16" & 17" H.P. Cyl.	Qty
	Complete . . . . .	5 1/4UL31CE	1	5 3/4SUL31CE	1	5 1/4UL31CB	1	3 3/4LUL31CE †	1	4 1/4LUL31CB †	1
2	● Bare . . . . .	5 1/4UL31C1	1	5 3/4UL31C1	1	5 1/4UL31C1	1	3 3/4UL31C1	1	4 1/4LUL31C1	1
3	● Ring . . . . .	X1244T5 3/4	3	X1244T5 3/4	3	X1244T5 3/4	3	X1244T3 3/4	3	X1244T3 3/4	3
4	● Guide . . . . .	5 1/4UL31C3E	1	5 3/4UL31C3E	1	5 1/4UL31C3E	1	3 3/4UL31C3E † †	1	4 1/4UL31C3E † †	1
3	● Guide Ring . . . . .	X1244T5 3/4	2	X1244T5 3/4	2	X1244T5 3/4	2	X1244T3 3/4	2	X1244T3 3/4	2
5	● Guide Nut . . . . .	5 1/4UL31C15E	1	5 3/4UL31C15E	1	5 1/4UL31C15B	1	3 3/4LUL31C15E † † †	1	4 1/4LUL31C15B † † †	1
6	● Guide Nut Washer . . . . .	X1026T11	1	X1026T11	1	X1026T11	1	X1026T11	1	X1026T11	1
7	● Guide Key . . . . .	11A9C2	1	11A9C2	1	11A9C2	1	11A9C2	1	11A9C2	1
8	● Cover . . . . .	5 1/4UL31C22	1	5 3/4SUL31C22	1	5 1/4UL31C22	1	3 3/4LUL31C22	1	4 1/4LUL31C22	1
9	● Cover Gasket . . . . .	W27025	1	W25357	1	W25357	1	W25546	1	W27010	1
10	● Cover Cap Screw . . . . .	35A2C325	4	35A2C325	4	35A2C325	4	35A2C325	4	35A2C325	4

† On Motor Side Use 3 3/4LUL31C                      † On Motor Side Use 4 1/4LUL31C  
 †† On Motor Side Use 3 3/4UL31C3                    †† On Motor Side Use 4 1/4UL31C3  
 ††† On Motor Side Use 3 3/4LUL31C15                ††† On Motor Side Use 4 1/4LUL31C15



**TYPE "A" CHANNEL VALVE PARTS**

III. No.	Name of Part Parts Indented After an Item are Included with the Item	A-36		A-43		A-48		A-54	
			Qty.		Qty.		Qty.		Qty.
	INLET VALVE COMPLETE .....	A36C1	1	A43C1	1	A48C1	1	A54C1	1
2	● Valve Seat .....	A36C3	1	A43C3	1	A48C3	1	A54C3	1
3	● ● Valve Seat Plate .....	A36C18	1	A43C18	1	A48C18	1	A54C18	1
x	● ● Valve Guide .....	A36C16	2	A43C16	2	A48C16	2	A54C16	2
x	● ● Valve Guide Dowel .....	X1725T3	4	X1725T3	4	X1725T3	4	X1725T3	4
7	● Valve Stop Plate .....	A36C5	1	A43C5	1	A48C5	1	A54C5	1
8	● Flat Head Machine Screw .....	77A2S100	2	77A2S101	2	77A2S101	2	77A2S101	2
10,11	● PACKAGED SET OF CHANNELS AND SPRINGS FOR ONE VALVE .....	A36C33	1	A43C33	1	A48C33	1	A54C33	1
	DISCHARGE VALVE COMPLETE .....	A36C2AB	1	A43C2AC	1	A48C2AB	1	A54C2AB	1
2	● Valve Seat .....	A36C4	1	A43C4	1	A48C4	1	A54C4	1
3	● ● Valve Seat Plate .....	A36C18	1	A43C18	1	A48C18	1	A54C18	1
x	● ● Valve Guide .....	A36C16	2	A43C16	2	A48C16	2	A54C16	2
x	● ● Valve Guide Dowel .....	X1725T3	4	X1725T3	4	X1725T3	4	X1725T3	4
7	● Valve Stop Plate .....	A36C6A	1	A43C6AB	1	A48C6A	1	A54C6AB	1
8	● Flat Head Machine Screw .....	77A2S99	2	77A2S100	2	77A2S101	2	77A2S101	2
10,11	● PACKAGED SET OF CHANNELS AND SPRINGS FOR ONE VALVE .....	A36C33	1	A43C33	1	A48C33	1	A54C33	1

x Not Illustrated.

Always Give the Serial Number of Your Compressor.

Quantities Are For One Valve.



## TYPE "A" CHANNEL VALVE COMPLEMENT

Standard Sizes			Low Pressure Cylinder				High Pressure Cylinder				Valve No.	Dimension "A"
L.P. Cyl. Bore (Std.)	H.P. Cyl. Bore	Stroke	Inlet	Qty.	Dis-charge	Qty.	Inlet	Qty.	Dis-charge	Qty.	See Page 26	
14½"	9"	7"	A-48	6	A-48	6	A-36	4	A-36	4	A-36	4-11/32"
16"	10"	7"	A-60	6	A-60	6	A-43	4	A-43	4	A-43	57/32"
17"	10"	7"	A-60	6	A-60	6	A-43	4	A-43	4	A-48	5¾"
18½"	11½"	8½"	A-67	6	A-67	6	A-48	4	A-48	4	A-54	6-3/32"
19"	11½"	8½"	A-67	6	A-67	6	A-48	4	A-48	4	A-60	6-25/32"
20½"	12½"	8½"	A-75	6	A-75	6	A-54	4	A-54	4	A-67	7-19/32"
21½"	12½"	8½"	A-75	6	A-75	6	A-54	4	A-54	4	A-75	8-15/32"
22"	13½"	10"	A-75	6	A-75	6	A-60	4	A-60	4	A-81	9-1/32"
24½"	14½"	10"	A-81	6	A-81	6	A-60	4	A-60	4	A-92	10-11/32"
25"	14½"	10"	A-81	6	A-81	6	A-60	4	A-60	4		
26"	14½"	10"	A-92	6	A-92	6	A-60	4	A-60	4		
28"	16"	10"	A-92	6	A-92	6	A-75	4	A-75	4		

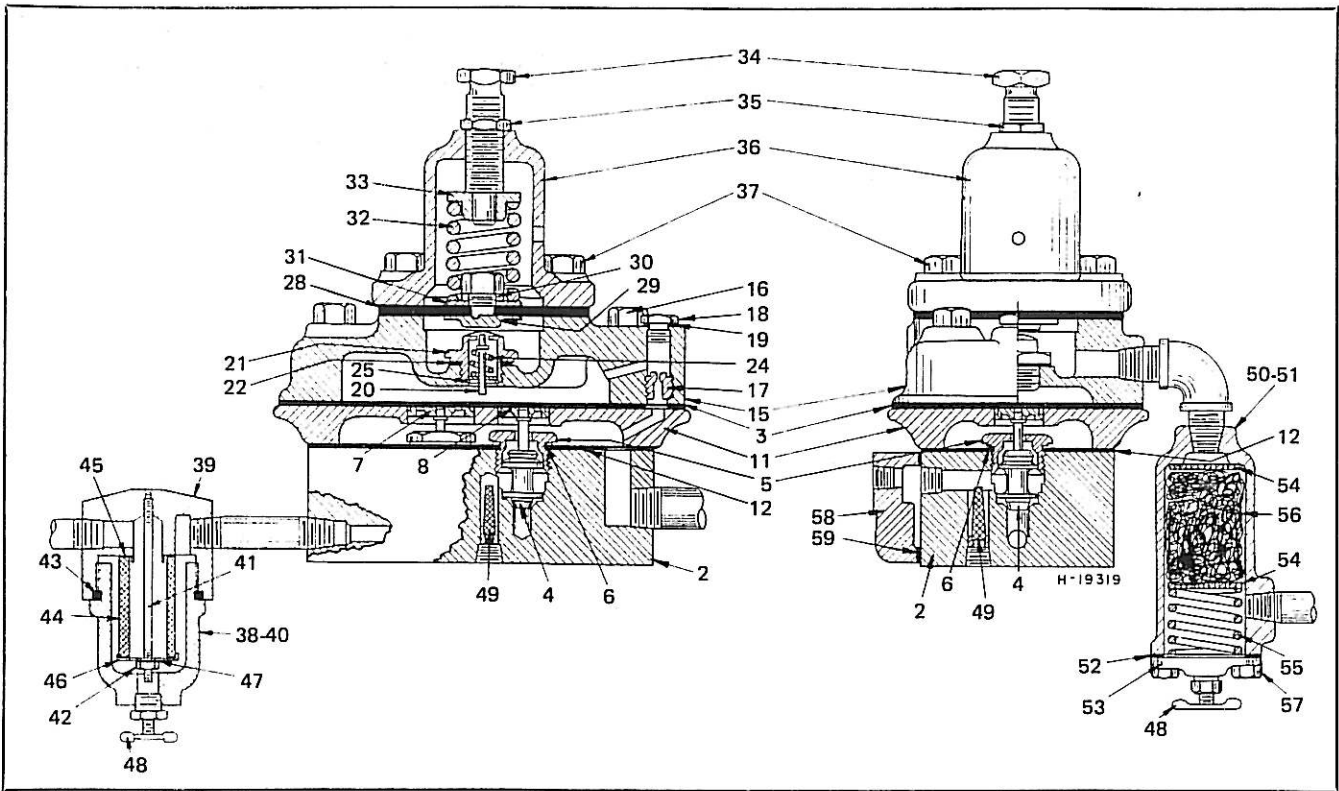
## TYPE "A" CHANNEL VALVE PARTS

III. No.	Name of Part Parts Indented After an Item are Included with the Item	PART NUMBERS							
		A-60	Qty.	A-67	Qty.	A-75	Qty.	A-81	Qty.
	INLET VALVE COMPLETE .....	A60C1	1	A67C1	1	A75C1	1	A81C1	1
2	● Valve Seat .....	A60C3	1	A67C3	1	A75C3	1	A81C3	1
3	● ● Valve Seat Plate .....	A60C18	1	A67C18	1	A75C18	1	A81C18	1
x	● ● Valve Guide .....	A60C16	2	A67C16	2	A75C16	2	A81C16	2
x	● ● Valve Guide Dowel .....	X1725T3	4	X1725T16	4	X1725T16	4	X1725T16	4
7	● Valve Stop Plate .....	A60C5	1	A67C5	1	A75C5	1	A81C5	1
8	● Flat Head Machine Screw .....	77A2S103	2	77A2S152	2	77A2S153	2	77A2S153	2
10,11	● PACKAGED SET OF CHANNELS AND SPRINGS FOR ONE VALVE .....	A60C33	1	A67C33	1	A75C33	1	A81C33	1
	DISCHARGE VALVE COMPLETE .....	A60C2AE	1	A67C2B	1	A75C2C	1	A81C2D	1
2	● Valve Seat .....	A60C4	1	A67C4	1	A75C4	1	A81C4	1
3	● ● Valve Seat Plate .....	A60C18	1	A67C18	1	A75C18	1	A81C18	1
x	● ● Valve Guide .....	A60C16	2	A67C16	2	A75C16	2	A81C16	2
x	● ● Valve Guide Dowel .....	X1725T3	4	X1725T16	4	X1725T16	4	X1725T16	4
7	● Valve Stop Plate .....	A60C6A	1	A67C6G	1	A75C6A	1	A81C6D	1
8	● Flat Head Machine Screw .....	77A2S101	2	77A2S150	2	77A2S151	2	77A2S152	2
10,11	● PACKAGED SET OF CHANNELS AND SPRINGS FOR ONE VALVE .....	A60C33	1	A67C33	1	A75C33	1	A81C33	1

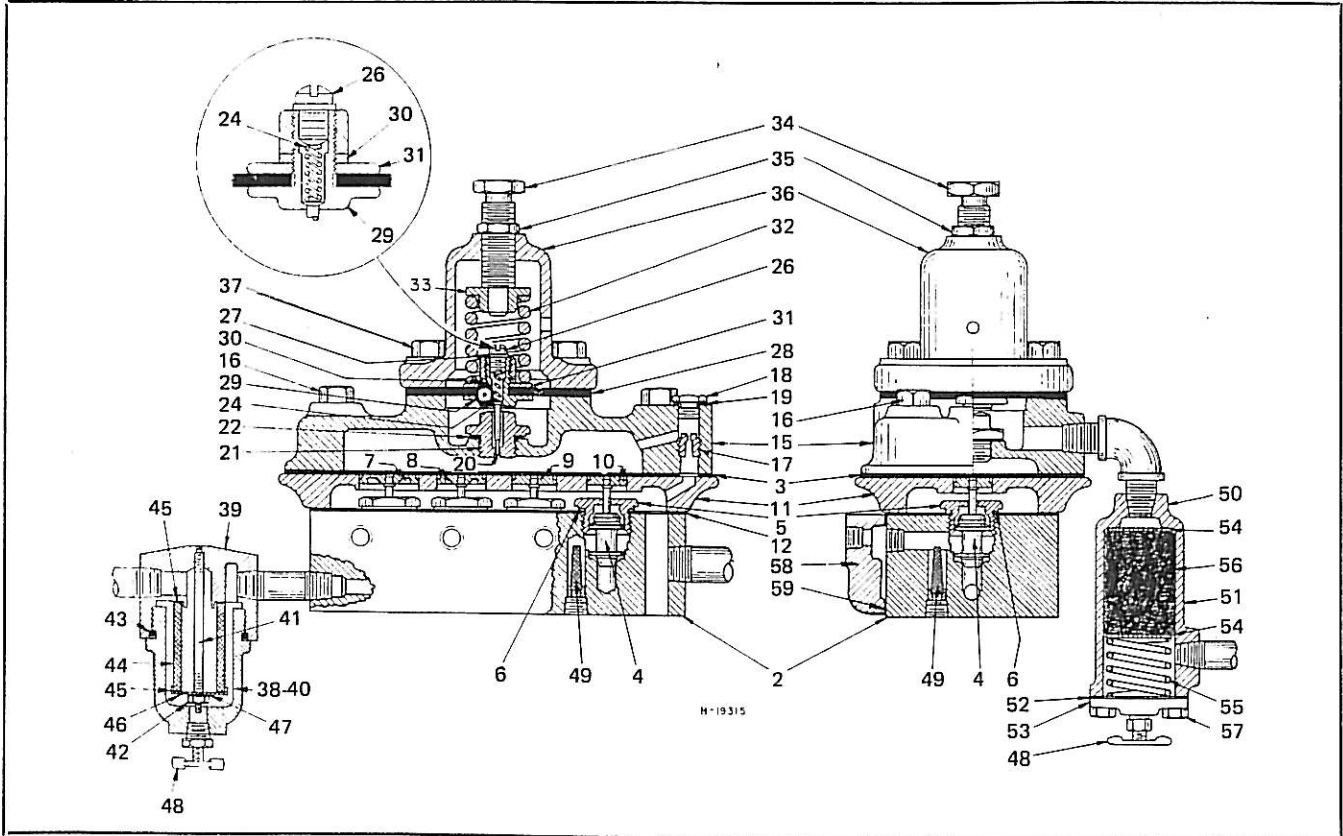
x Not Illustrated.

Always Give the Serial Number of Your Compressor  
Quantities are for one valve.

III. No.	Name of Part Parts Indented After an Item are Included with the Item	A-92	
		A-92	Qty.
	INLET VALVE COMPLETE .....	A92C1	1
2	● Valve Seat .....	A92C3	1
3	● ● Valve Seat Plate .....	A92C18	1
x	● ● Valve Guide-Outer .....	D92C16	2
x	● ● Valve Guide-Center .....	D92C15	1
x	● ● Dowel .....	X1725T20	10
7	● Valve Stop Plate .....	A92C5	1
8	● Flat Head Machine Screw .....	77A2S154	2
10,11	● PACKAGED SET OF CHANNELS AND SPRINGS FOR ONE VALVE .....	D92C33	1
	DISCHARGE VALVE COMPLETE .....	A92C2AB	1
2	● Valve Seat .....	A92C4	1
3	● ● Valve Seat Plate .....	A92C18	1
x	● ● Valve Guide-Outer .....	D92C16	2
x	● ● Valve Guide-Center .....	D92C15	1
x	● ● Dowel .....	X1725T20	10
7	● Valve Stop Plate .....	A92C6AB	1
8	● Flat Head Machine Screw .....	77A2S154	2
10,11	● PACKAGED SET OF CHANNELS AND SPRINGS FOR ONE VALVE .....	D92C33	1



**TYPE UFD-3 FREE AIR REGULATOR PARTS  
7" STROKE UNITS**



**TYPE UCD-5 CLEARANCE CONTROL REGULATOR PARTS  
8½" STROKE UNITS**

**REGULATOR PARTS**  
**(7" and 8½" Stroke Units)**

III. No.	Name of Part  Parts Indented After an Item are Included with the Item	PART NUMBER			
		UFD-3 7" Stroke	Qty.	UCD-5 8½" Stroke	Qty.
	REGULATOR COMPLETE .....	X1359T6	1	X1359T42	1
2	● Regulator Valve Body .....	H11150P2	1	H10658P2	1
3	● Regulator Valve Body Diaphragm-Lower .....	W1593	1	W1616	1
4	● Regulator Valve-Bare .....	W6514P1	2	W6514P1	4
5	● Regulator Valve Top Seat .....	UD5-5A	2	UD5-5A	4
6	● Valve Top Seat Shims .....	UF1-6	24	UF1-6	48
7	● Control Plunger No. 1 with Stem .....	UF1-7A	1	UF1-7A	1
8	● Control Plunger No. 2 with Stem .....	UF5-8A	1	UF5-8A	1
9	● Control Plunger No. 3 with Stem .....	—	—	UF3-9A	1
10	● Control Plunger No. 4 with Stem .....	—	—	UF5-10A	1
11	● Valve Plunger Guide .....	W1590P1	1	W1592P1	1
12	● Valve Plunger Guide Gasket .....	UF4-15	1	UF5-15A	1
x	● Valve Plunger Guide Fillister Head Screw .....	87A2S96	2	87A2S96	2
x	● Valve Plunger Guide Dowel .....	25A13C166	2	25A13C166	2
15	● Regulator Top Cover .....	R943P1	1	R944P1	1
16	● Regulator Top Cover Cap Screw .....	35A2C173	4	35A2C173	4
17	● Regulator Top Cover Orifice .....	X1080T34	1	X1080T34	1
18	● Orifice Cover Plug .....	UF3-36	1	UF3-36	1
19	● Orifice Cover Plug Gasket .....	UF3-37	1	UF3-37	1
20	● Pilot Control Valve Metering Pin .....	UF3-28	1	UR1-28	1
21	● Metering Pin Seat .....	UF1-29	1	UR1-29	1
22	● Metering Pin Seat Gasket .....	W90674	1	W90674	1
x	● Metering Pin Guide .....	UF3-30	1	—	—
24	● Metering Pin Spring .....	PP398	1	PP398	1
25	● Metering Pin Retainer Ring .....	161A13S50	1	—	—
26	● Fillister Head Screw .....	—	—	W41812	1
27	● Fillister Head Screw Gasket .....	—	—	W68194	1
28	● Pilot Valve Diaphragm .....	W1594	1	W1594	1
29	● Pilot Valve Diaphragm Bolt .....	W1595	1	W1618	1
x	● Pilot Valve Diaphragm Bolt Nut .....	W76835	1	W76835	1
30	● Pilot Valve Diaphragm Bolt Lock Washer .....	W80859	1	W80859	1
31	● Pilot Valve Diaphragm Washer .....	W1619	1	W1619	1
32	● Pilot Valve Pressure Spring .....	PP362	1	PP362	1
33	● Pilot Valve Pressure Spring Seat .....	UF1-38	1	UF1-38	1
34	● Pilot Valve Adjusting Screw .....	W1596	1	W1596	1
35	● Pilot Valve Adjusting Screw Lock Nut .....	XX15L	1	XX15L	1
36	● Pilot Valve Cover .....	W1597	1	W1597	1
37	● Pilot Valve Cover Cap Screw .....	35A2C166	4	35A2C166	4
38	● Air Filter Complete .....	W47701	1	W47701	1
39	● ● Filter Cap .....	R25062	1	R25062	1
40	● ● Filter Bowl .....	W47621	1	W47621	1
41	● ● ● Filter Element Stud .....	W47623	1	W47623	1
42	● ● ● Stud Nut-Brass .....	21A4B6	1	21A4B6	1
43	● ● Filter Cap "O" Ring .....	20A11CM223	1	20A11CM223	1
44	● ● Filter Element .....	40001406	1	40001406	1
45	● ● Filter Element Gasket .....	W47699	2	W47699	2
46	● ● Filter Element Cap .....	W56490	1	W56490	1
47	● ● Filter Fiber Washer .....	X1108T23	1	X1108T23	1
48	● ● Filter Drain Cock .....	320A17B2	1	320A17B2	1
49	● Operating Air Filter Screen .....	W90707	2	W90707	4
50	● Pilot Air Filter Complete .....	W26702T	1	W26702T	1
51	● ● Pilot Air Filter Body .....	W26698	1	W26698	1
52	● ● Pilot Air Filter Cover Gasket .....	W26700	1	W26700	1
53	● ● Pilot Air Filter Cover .....	W26699	1	W26699	1
52	● ● Pilot Air Filter Cover Gasket .....	W26700	1	W26700	1
54	● ● Pilot Air Filter Screen .....	W26701	2	W26701	2
55	● ● Pilot Air Filter Spring .....	PP394	1	PP394	1
56	● ● Pilot Air Filter Packing .....	Wool Pkg. 1 oz.	1	Wool Pkg 1 oz.	1
57	● ● Pilot Air Filter Cap Screw .....	35A2C3	4	35A2C3	4
48	● ● Pilot Air Filter Drain Cock .....	X1086T39	1	X1086T39	1

x Not Illustrated.

Always Give the Serial Number of Your Compressor.

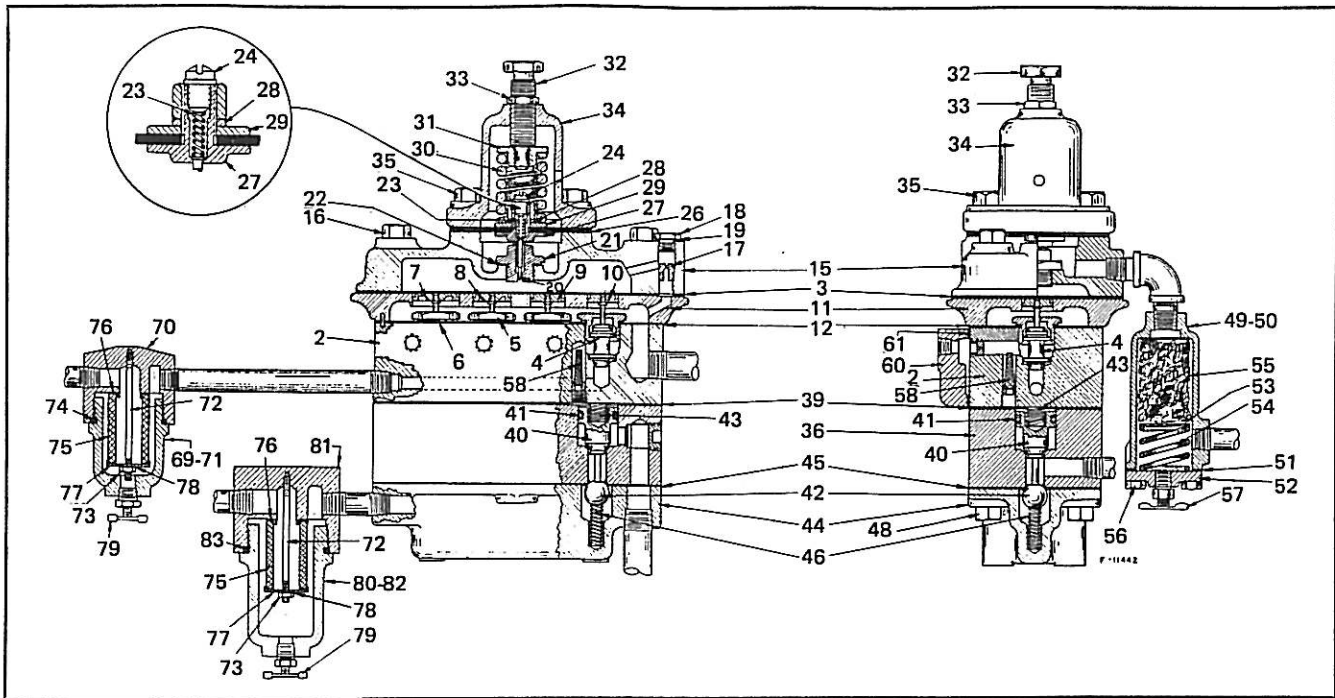
**REGULATOR PARTS (Cont.)**  
**(7" and 8½" Stroke Units)**

III. No.	Name of Part  Parts Indented After an Item are Included with the Item	PART NUMBER			
		UFD-3 7" Stroke	Qty.	UCD-5 8½" Stroke	Qty.
x	● Load Indicator Gauge .....	40509952	1	40509986	1
58	● Load Indicator Gauge Manifold .....	R18852	1	R18793	1
59	● Gauge Manifold Gasket .....	W34929	1	W34804	1
x	● Gauge Manifold Cap Screw .....	35A2C166	2	35A2C166	2
x	● Gauge Manifold Cap Screw Dyna-Seal .....	W100589	2	W100589	2
x	● Gauge Manifold Orifice-No 1 Step .....	X1080T34	1	—	—
x	● Gauge Manifold Orifice-No. 2 Step .....	X1080T32	1	—	—
x	● Orifice Adjusting Screw-No. 1 Step .....	—	—	W34934	1
x	● Adjusting Screw O-Ring-No. 1 Step .....	—	—	20A11CM008	1
x	● Orifice-No. 2 and No. 3 Step .....	—	—	X1080T32	2
x	● Orifice-No. 4 Step .....	—	—	X1080T33	1
x	● Name Plate with Drive Screw .....	W80782	1	W80782	1
x	● Nipple (Brass) .....	18A7B38	2	18A7B38	2

x Not Illustrated.

Always Give the Serial Number of Your Compressor.

**NOTES**



**TYPE UCDA-5 CLEARANCE CONTROL REGULATOR PARTS-8½" & 10" STROKE UNITS**

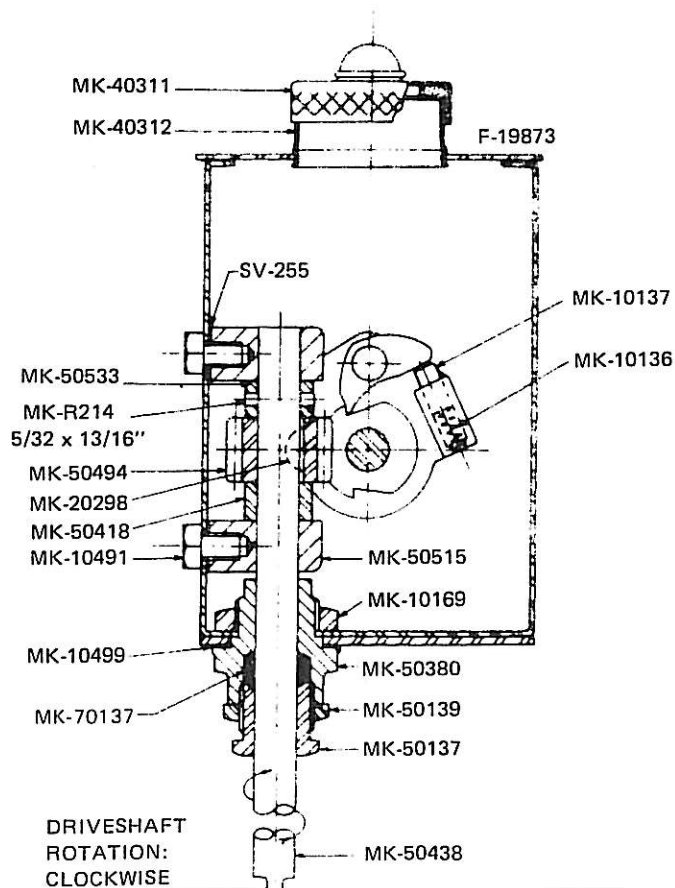
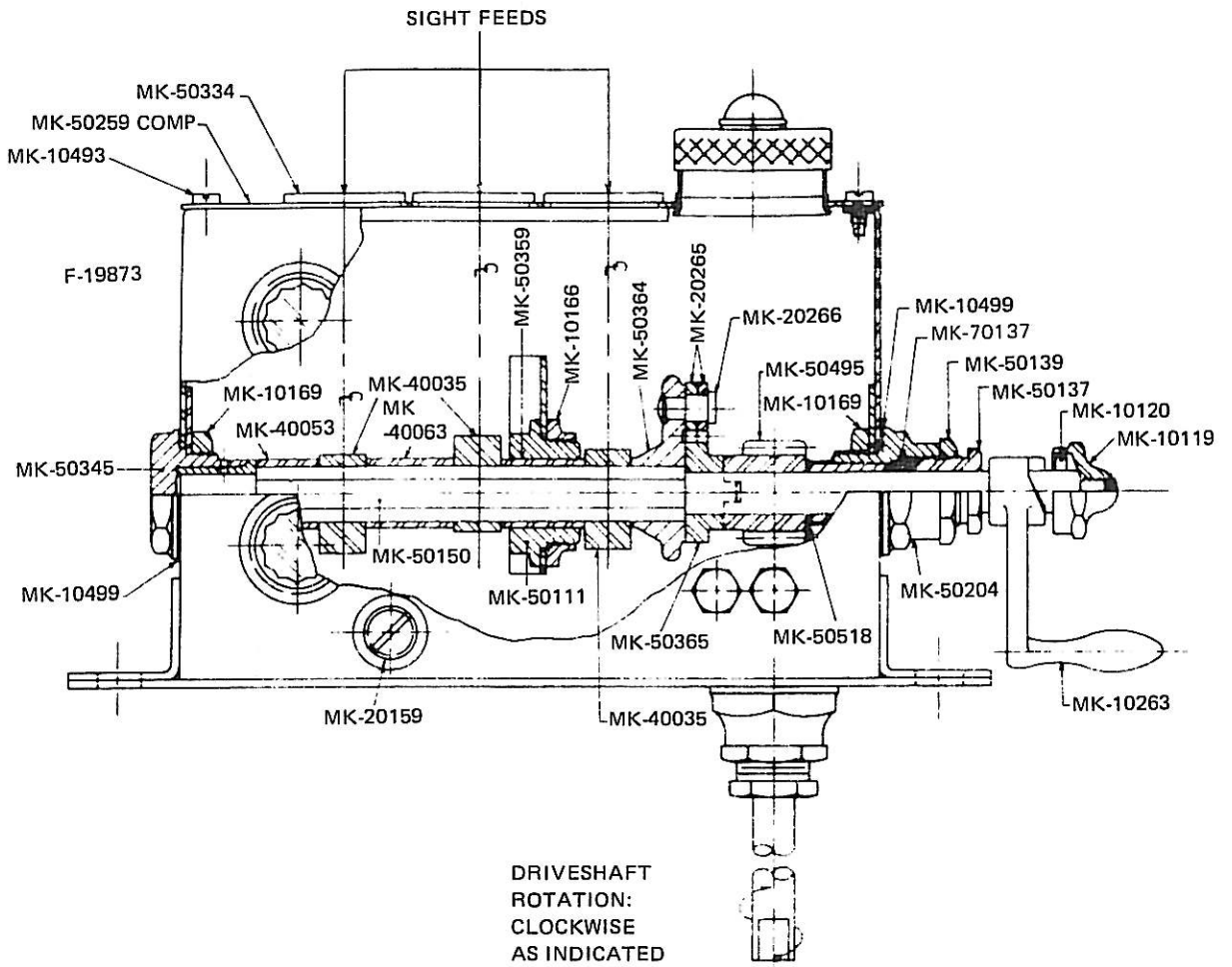
III. No.	Name of Part Parts Indented After an Item are Included with the Item	Part No.	Qty.	III. No.	Name of Part Parts Indented After an Item are Included with the Item	Part No.	Qty.
	UCDA-5 REGULATOR COMPLETE .....	X1359T48	1	29	● Pilot Valve Diaphragm Washer .....	W1619	1
2	● Regulator Valve Body .....	H10658P2	1	30	● Pilot Valve Pressure Spring .....	PP362	1
3	● Regulator Valve Body Diaphragm— Lower .....	W1616	1	31	● Pilot Valve Pressure Spring Seat .....	UF1-38	1
4	● Regulator Valve-Bare .....	W6514P1	4	32	● Pilot Valve Adjusting Screw .....	W1596	1
5	● Regulator Valve Top Seat .....	UD5-5A	4	33	● Pilot Valve Adj Screw Lock Nut .....	XX15L	1
6	● Valve Top Seat Shims .....	UF1-6	48	34	● ● Pilot Valve Cover .....	W1597	1
7	● Control Plunger No. 1 with Stem .....	UF1-7A	1	35	● Pilot Valve Cover Cap Screw .....	35A2C166	4
8	● Control Plunger No. 2 with Stem .....	UF5-8A	1	36	● Relay Valve Body .....	H10659	1
9	● Control Plunger No. 3 with Stem .....	UF3-9A	1	x	● ● Body Pipe Plug-Countersunk .....	31A7B3	4
10	● Control Plunger No. 4 with Stem .....	UF5-10A	1	x	● ● Body Pipe Plug-Countersunk .....	31A7B4	1
11	● Valve Plunger Guide .....	W1592P1	1	39	● Relay Valve Body Gasket .....	W26674	1
12	● Valve Plunger Guide Gasket .....	UF5-15A	1	40	● Relay Valve Plunger .....	R14419	4
x	● Valve Plunger Guide Fill.Hd.Screw .....	87A2C96	2	41	● Relay Valve O-Ring .....	20A11CM210	4
x	● Valve Plunger Guide Dowel .....	25A13C166	2	42	● Relay Valve Ball .....	299A17S20	4
15	● Regulator Top Cover .....	R944P1	1	43	● Relay Valve Plunger Spring .....	PP507	4
16	● Regulator Top Cover Cap Screw .....	35A2C173	4	44	● Relay Valve Cover .....	H10660	1
17	● Regulator Top Cover Orifice .....	X1080T34	1	45	● Relay Valve Cover Gasket .....	W26675	1
18	● Orifice Cover Plug .....	UF3-36	1	46	● Relay Valve Spring .....	PP427	4
19	● Orifice Cover Plug Gasket .....	UF3-37	1	x	● Relay Valve Cover Cap Screw-Long .....	35A2C175	4
20	● Pilot Control Valve Metering Pin .....	UR1-28	1	48	● Relay Valve Cover Cap Screw-Short .....	35A2C164	2
21	● Metering Pin Seat .....	UR1-29	1	49	● Pilot Air Filter Complete .....	W26702T	1
22	● Metering Pin Seat Gasket .....	W90674	1	50	● ● Pilot Air Filter Body .....	W26698	1
23	● Metering Pin Spring .....	PP398	1	51	● ● Pilot Air Filter Cover Gasket .....	W26700	1
24	● Fillister Head Screw .....	W41812	1	52	● ● Pilot Air Filter Cover .....	W26699	1
x	● Fillister Head Screw Gasket .....	W68914	1	51	● ● Pilot Air Filter Cover Gasket .....	W26700	1
26	● Pilot Valve Diaphragm .....	W1594	1	53	● ● Pilot Air Filter Screen .....	W26701	2
27	● Pilot Valve Diaphragm Bolt .....	W1618	1	54	● ● Pilot Air Filter Spring .....	PP394	1
x	● Pilot Valve Diaphragm Bolt Nut .....	W76835	1	55	● ● Pilot Air Filter Packing .....	Wool Pkg 1 oz.	1
28	● Pilot Valve Diaphragm Bolt Lock Washer .....	W80859	1	56	● ● Pilot Air Filter Cap Screw .....	35A2C3	4
				57	● ● Pilot Air Filter Drain Cock .....	X1086T39	1



**TYPE UCDA-5 CLEARANCE CONTROL REGULATOR PARTS-8½" & 10" STROKE UNITS**

III. No.	Name of Part Parts Indented After an Item are Included with the Item	Part No.	Qty.	III. No.	Name of Part Parts Indented After an Item are Included with the Item	Part No.	Qty.
58	Operating Air Filter Screen .....	2W90707	4	76	● Filter Element Gasket.....	W47699	2
x	Load Indicator Gauge.....	40509986	1	77	● Filter Element Cap.....	W56490	1
60	Load Indicator Gauge Manifold.....	R18793	1	78	● Filter Fiber Washer.....	X1108T23	1
61	Gauge Manifold Gasket.....	W34804	1	79	● Filter Drain Cock.....	320A17B2	1
x	Gauge Manifold Cap Screw.....	35A2C166	2	80	Air Filter Complete.....	W47705	1
x	Gauge Manifold Cap Screw Dyna-			81	● Filter Cap.....	R25063	1
x	Seal.....	W100589	2	82	● Filter Bowl.....	W47622	1
x	Orifice Adjusting Screw No. 1 Step.....	W34934	1	72	● ● Filter Element Stud.....	W47623	1
x	Adjusting Screw O-Ring No. 1 Step.....	20A11CM008	1	73	● ● Stud Nut-Brass.....	21A4B6	1
x	Orifice-No 2 and No. 3 Step.....	X1080T32	2	83	● Filter Cap O-Ring.....	20A11CM225	1
x	Orifice-No. 4 Step.....	X1080T33	1	75	● Filter Element.....	40001406	1
x	Name Plate with Drive Screws.....	W80782	1	76	● Filter Element Gasket.....	W47699	2
69	Air Filter Complete.....	W47701	1	77	● Filter Element Cap.....	W56490	1
70	● Filter Cap.....	R25062	1	78	● Filter Fiber Washer.....	X1108T23	1
71	● Filter Bowl.....	W47621	1	79	● Filter Drain Cock.....	X1086T129	1
72	● ● Filter Element Stud.....	W47623	1	x	● Nipple(Brass).....	18A7B38	3
73	● ● Stud Nut-Brass.....	21A4B6	1	x	● Nipple.....	18A7B39	1
74	● Filter Cap O-Ring.....	20A11CM223	1				
75	● Filter Element.....	40001406	1				





TYPE SVH  
REPLACEMENT LUBRICATOR PARTS  
(DRWGS. F-19873 & H-31717)

RECOMMENDED  
SPARES CLASS

1	2	3	DESCRIPTION	PART NO.
			SHIELD-HAND CRANK PIN	MK-10119
			PIN-HAND CRANK	MK-10120
1	1	1	SPRING-PAWL PLUNGER	MK-10136
1	1	1	PLUNGER-PAWL	MK-10137
			LOCK NUT BEARINGS	MK-10166
			LOCK NUT-BEARING GLAND	MK-10169
1	1	1	CRANK-HAND-L.H. ROTATION	MK-10263
			CAP SCREW-HEX HD.	MK-10491
			SCREW-COVER	MK-10493
3	3	3	GASKET	MK-10499
			PLUG-DRAIN	MK-20159
2	2	2	PAWL-DRIVING	MK-20265
1	1	1	STUD-DRIVING PAWL	MK-20266
			KEY-WOODRUFF	MK-20298
		1	CAM	MK-40035
1	1	1	NUT-UNION	MK-40038
1	1	1	TAILPIECE ASSEMBLY-OUTLINE-COMP.	MK-40040
			SIGHT FEED-TAILPIECE	MK-40041
			SCREW-VENT	MK-40047
			COLLAR-SPACING-LGTH 3/8"	MK-40053
			COLLAR-SPACING LGTH 15/16"	MK-40063
			RETAINER SPRING	MK-40135
			GASKET-GLASS	MK-40168
			GASKET-GLASS	MK-40171
3	3	3	GASKET-OUTLET-1" O.D. x 3/4 I.D.	MK-40172
3	3	3	GASKET	MK-40173
			RETAINER-UNIT BALL	MK-40178
			SPRING-PLUNGER	MK-40179
			BALL-STEEL-1/4" DIA.	MK-40222
			BALL-STEEL-3/8" DIA.	MK-40223
1	1	1	VALVE-TERMINAL CHECK	30549471
			BODY-VALVE	MK-40241
			TAIL PIECE ASSEMBLY	MK-40245
1	1	1	CAP-FILLER WITH GASKET	MK-40311
			CAP-FILLER	MK-40312
			PUMPING UNIT-PARTIAL ASSEMBLY	MK-50012
		1	PUMPING UNIT ASSEMBLY-COMPLETE	MK-50022
1	1	1	NOZZLE BODY ASSEMBLY-COMPLETE	MK-50091
1	1	1	GLASS-SITE-WHITEBACK	MK-50101
		1	BEARING-INTERMEDIATE	MK-50111
			HOLDER-GAUGE GLASS WITH REFLECTOR	MK-50115
			CLAMP SCREW-GAUGE GLASS	MK-50117
			DISC-GAUGE GLASS	MK-50119

CLASS 1 MINIMUM MAINTENANCE SPARES—These are suggested as the minimum quantity of parts a customer should stock in domestic service. These are usually the first items that require renewal.

CLASS 11 MINIMUM INSURANCE SPARES—These are suggested as the minimum insurance spares a customer should stock for continuous operation. These parts include those which possibly would need renewal in an overhaul. In export service this is suggested as minimum.

CLASS 111 MAXIMUM INSURANCE SPARES—These are suggested as the maximum insurance short of a spare unit for continuous operation. These include parts for major maintenance.

TYPE SVH  
REPLACEMENT LUBRICATOR PARTS  
(DRWGS. F-19873 & H-31717)

RECOMMENDED  
SPARES CLASS

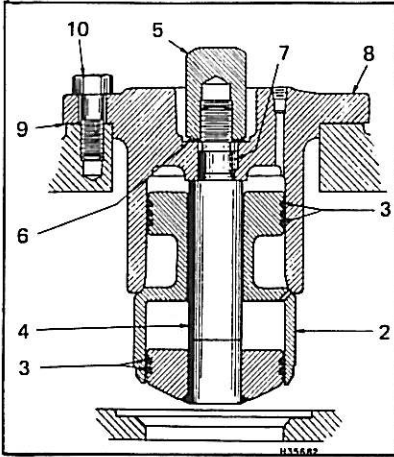
1	2	3	DESCRIPTION	PART NO.
			GLAND-BEARING	MK-50137
			CHECK NUT-GLAND	MK-50139
		1	CAM SHAFT	MK-50150
1	1	1	BEARING-HAND CRANK	MK-50204
			BODY-OUTLET	MK-50214
1	1	1	VALVE ASSEMBLY-OUTLET COMPLETE	MK-50216
			NUT-ADJUSTING SPINDLE	MK-50232
3	3	3	RETAINER-ADJUSTING NUT	MK-50234
		1	SPINDLE-ADJUSTING	MK-50235
			SCREW-SPINDLE KEY	MK-50239
			PLATE-UNIT	MK-50332
			PLATE-UNIT-BLANK	MK-50334
		2	BEARING-BLIND	MK-50345
		1	SPACER-INTERMEDIATE	MK-50359
		1	CLUTCH-DRIVER	MK-50364
		1	CLUTCH	MK-50365
1	1	1	BEARING-DRIVE	MK-50380
			BODY-SIGHT FEED ONLY	MK-50399
1	1	1	SIGHT FEED ASSEMBLY	MK-50402
			PLUG-STRAIGHT CONNECTOR	MK-50405
			NUT-UNION SCREW	MK-50408
6	6	6	GASKET-1-11/64" O.D. x 23/32" I.D.	MK-50410
		3	GUIDE-OIL	MK-50412
			COLLAR-SPACING-LOWER	MK-50418
1	1	1	SHAFT-DRIVE	MK-50438
		1	HELICAL GEAR-DRIVE 10 TEETH	MK-50494
		1	HELICAL GEAR-DRIVEN 25 TEETH	MK-50495
			HOUSING-DRIVE SHAFTS	MK-50515
		1	WASHER-THRUST	MK-50518
			SPACER-COLLAR-UPPER	MK-50533
3	3	3	GASKET-PUMPING UNIT	MK-50556
1	1	1	VALVE ASSEMBLY-SUCTION-COMPLETE	MK-50588
			SCREW-ROD. RD. HD. MACHINE	MK-R20
			ROLL PIN	MK-R-214
2	2	2	PACKING-STUFFING BOX	MK-70137
			GASKET-HOUSING	MK-SV-255
			GASKET-COVER	MK-60026
			RESERVOIR-COMPLETE-3 FEED	MK-L-90
			COVER-RESERVOIR COMPLETE	MK-50259
			WITH 40311 & 40312	

CLASS 1 MINIMUM MAINTENANCE SPARES—These are suggested as the minimum quantity of parts a customer should stock in domestic service. These are usually the first items that require renewal.

CLASS 11 MINIMUM INSURANCE SPARES—These are suggested as the minimum insurance spares a customer should stock for continuous operation. These parts include those which possibly would need renewal in an overhaul. In export service this is suggested as minimum.

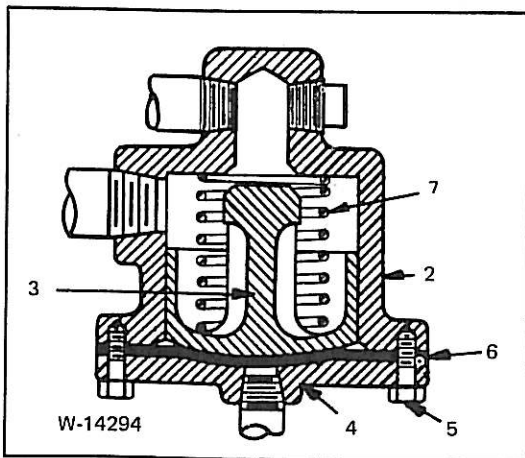
CLASS 111 MAXIMUM INSURANCE SPARES—These are suggested as the maximum insurance short of a spare unit for continuous operation. These include parts for major maintenance.

**L.P. CYLINDER AUTOMATIC BY-PASS VALVE PARTS  
8½" AND 10" STROKE UNITS**



III. No.	Name of Part Parts Indented After an Item are Included with an Item	PART NUMBER			
		18½" & 19" L.P. Cyl.	Qty.	20½", 21½", 22" & 24½", 25" L.P. Cyl.	Qty.
	<b>AUTOMATIC BY-PASS VALVE COMPLETE</b> .....	3-¾SUL31CC	1	4-¼SUL31CE	1
2	● By-Pass Valve-Bare .....	3-¾UL31C1	1	4-¼UL31C1	1
3	● By-Pass Valve Ring .....	X1244T3-¾	3	X1244T4-¼	3
4	● By-Pass Valve Guide .....	3-¾UL31C3CC	1	4-¼UL31C3E	1
3	● By-Pass Valve Guide Ring .....	X1244T3-¾	2	X1244T4-¼	2
5	● By-Pass Valve Guide Nut .....	3-¾UL31CP15	1	3-¾UL31CP15	1
6	● By-Pass Valve Guide Nut .....				
	● Washer .....	X1026T11	1	X1026T11	1
7	● By-Pass Valve Guide Key .....	11A9C2	1	11A9C2	1
8	● By-Pass Valve Cover .....	3-¾SUL31C22	1	4-¼SUL31C22	1
9	● By-Pass Valve .....				
	Cover Gasket .....	W27010	1	W27010	1
10	By-Pass Valve Cover .....				
	Capscrew .....	35A2C325	4	35A2C325	4

III. No.	Name of Part Parts Indented After an Item are Included with the Item	PART NO.	
		26" L.P. Cyl.	Qty.
	<b>AUTOMATIC BY-PASS VALVE COMPLETE</b> .....	5-¼UL31CB	1
2	● By-Pass Valve-Bare .....	5-¼UL31C1	1
3	● By-Pass Valve Ring .....	X1244T5-¼	3
4	● By-Pass Valve Guide .....	5-¼UL31C3	1
3	● By-Pass Valve Guide Ring .....	X1244T5-¼	2
5	● By-Pass Valve Guide Nut .....	2-¾UL31C15	1
6	● By-Pass Valve Guide Nut .....		
	● Washer .....	X1026T11	1
7	● By-Pass Valve Guide Key .....	11A9C2	1
8	● By-Pass Valve Cover .....	5-¼UL31C22B	1
9	● By-Pass Valve .....		
	Cover Gasket .....	W27025	1
10	By-Pass Valve Cover .....		
	Capscrew .....	35A2C325	4

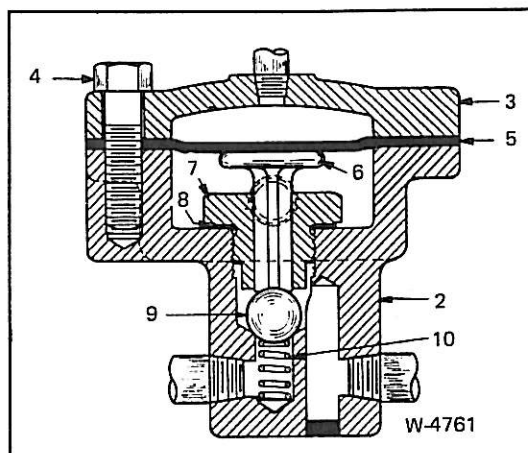


**UL-32 CYLINDER RELIEF VALVE PARTS  
8½" AND 10" STROKE UNITS**

III. No.	Name of Part Parts Indented after an Item are Included with the Item	Part No.	Qty.
	<b>UL-32 CYLINDER RELIEF VALVE COMPLETE</b> .....	UL32-1A	1
2	● Relief Valve Body .....	UL32-2A	1
3	● Relief Valve Plunger .....	UL32-3	1
4	● Relief Valve Cover .....	UL32-4	1
5	● Relief Valve Cover Cap Screw .....	35A2C3	6
6	● Relief Valve Diaphragm .....	UL32-6	1
7	● Relief Valve Spring .....	PP321	1



## UL-48 THREE-WAY VALVE PARTS 8½" AND 10" STROKE FULL AUTOMATIC STARTING UNITS



III. No.	Name of Part Parts Indented After an Item are Included with the Item	Part No.	Qty.
	UL-48 THREE-WAY VALVE COMPLETE .....	UL48-1	1
2	● Valve Body .....	UL48-2	1
3	● Valve Body Cover .....	UL48-3	1
4	● Valve Body Cover Cap Screw .....	35A2C168	4
5	● Valve Diaphragm .....	UL48-5	1
6	● Valve Plunger .....	UL48-6	1
7	● Valve Plunger Seat .....	UL48-7	1
8	● Valve Plunger Seat Gasket .....	X1108T15	1
9	● Valve Steel Ball .....	299A17S20	1
10	● Valve Steel Ball String .....	PP427	1
x	● Pipeplug-Countersunk .....	31A7M3	1

x Not Illustrated.

Quantities are ONE unless otherwise indicated.

Always give the serial number of your compressor.

### MISCELLANEOUS PARTS AND TOOLS

Name of Part	7" Stroke	Qty.	8½" Stroke	Qty.	10" Stroke	Qty.
Bracket-Gauge .....	R17877P2	1	R17877P2	1	R17877P2	1
Orifice-Discharge Gauge .....	X1080T3A	1	X1080T3A	1	X1080T3A	1
Orifice-Intercooler Gauge .....	X1080T1A	1	X1080T1A	1	X1080T1A	1
Orifice-Oil Gauge .....	X1080T29A	1	X1080T29A	1	X1080T29A	1
Connector .....	71A10B8	1	71A10B8	1	71A10B8	1
Screen Motor .....	H15395	1	H15405	1	—	—
Gauge-Bayonet .....	W121503T1	1	W121503T2	1	W121503T3	1
Valve-Solenoid Three Way .....	See	1	See	1	See	1
	Machine Report		Machine Record		Machine Record	
Switch-Oil Pressure .....	X1535T30	1	X1535T30	1	X1535T30	1
Lubricator .....	X1385T1	1	X1385T1	1	X1385T2	1
Gaugeboard .....	H9356B	1	H9356B	1	H9356B	1
Bracket-Regulator .....	H13158A	1	H13171	1	H14084	1
Wrench-Crosshead Lock Nut .....	R25965	1	R25964	1	R14875	1
Socket-Piston Nut .....	—	—	X1084T2	1	X1084T3	1
Handle-Socket .....	—	—	W82852	1	W82852	1
Barring-Device-Complete .....	W87476	1	W87476	1	W87476	1

### HOW TO SELECT RECOMMENDED SPARES

This catalog contains a listing of the parts which are included in each of the following classes of recommended spares.

**CLASS I** — MINIMUM-Suggested for Domestic Service where interruptions in service are not important.

**CLASS II** — AVERAGE-Suggested for Domestic Service where some interruptions in continuity of service are not objectionable.

**CLASS III** — MAXIMUM-Suggested for Export or for Domestic Service where interruptions in service are objectionable.

When ordering recommended spares, please follow the procedure as outlined for compressor parts.

**RECOMMENDED SPARE PARTS**  
**14½"-9" x 7", 16"-9" x 7", 16"-10" x 7", 17"-10" x 7"**

Class			III. No.	Description	Part Number	Qty.
1	2	3				
<b>7" STROKE FRAME AND RUNNING GEAR</b>						
		2	61	Crosshead Pin Bushing.....	W45460	2
		2	46	Main Bearing Bushing.....	R16430	2
		4	60	Crankpin Bushing.....	R16428	2
		1		Oil Pump Assembly.....	W87418	1
1	2	4	31	Oil Filter.....	6458B1	1
6	6	6	21	Scraper Renewal Rings and Springs (3 Rings per set).....	28A11G22B	6
		1	2	Intercooler Bare.....	W44868B	1
<b>14½" LOW PRESSURE VERTICAL CYLINDER</b>						
		1	76	Cylinder to Frame Gasket.....	W31365	1
		2	161	Outer Head Gasket.....	W25414	1
		1	110	Piston.....	R13905A	1
		2	111	Piston Ring.....	12A18CB1006	2
		1	100	Piston Rod.....	R14787	1
1	1	2	131	Packing Renewal Rings-Set †.....	PAK-30G22S	1
24	24	36	145	Valve Cover Gasket.....	X1014T60-57	12
6	6	12	148	Cover Set Screw Nut Gasket.....	X1131T2	12
		3	208	Valve Retainer-Inlet.....	X1053T205	6
		3	108A	Valve Retainer-Discharge.....	X1053T231	6
24	24	36	151	Valve Seat Gasket.....	X1014T56-51	12
		2	203	Valve Crab.....	48C20	6
3	3	12	x	Crab Fillister Head Machine Screw.....	87A2S150	12
3	3	12	x	Crab Screw Lock Washer.....	14A5S55	12
1	6	12	200	Inlet Valve Complete.....	A48C1	6
1	6	12	202	Discharge Valve Complete.....	A48C2AB	6
12	12	24	10,11	Packaged Set of Channels and Springs for one valve.....	A48C33	12
12	12	24	3	Valve Seat Plate.....	A48C18	12
<b>16" or 17" LOW PRESSURE VERTICAL CYLINDER</b>						
		1	76	Cylinder to Frame Gasket.....	W31365	1
		2	161	Outer Head Gasket-16" Cylinder.....	W31366	1
		2	161	Outer Head Gasket-17" Cylinder.....	W33155	1
		1	110	Piston-16" Cylinder.....	H11867	1
		1	110	Piston-17" Cylinder.....	H13278	1
		2	111	Piston Ring-16" Cylinder.....	12A18CB1012	2
		2	111	Piston Ring-17" Cylinder.....	12A18CB1016	2
		1	100	Piston Rod.....	R17310	1
1	1	2	131	Packing Renewal Rings-Set †.....	PAK-30G22S	1
24	24	36	145	Valve Cover Gasket.....	X1014T72-68	12
6	6	12	148	Cover Set Screw Nut Gasket.....	X1131T3	12
		3	208	Valve Retainer-Inlet 17" Cylinder.....	X1053T208	12
		3	208	Valve Retainer-Inlet 16" Cylinder.....	X1053T235	12
		3	208A	Valve Retainer-Discharge 17" Cylinder.....	X1053T206	12
		3	208A	Valve Retainer-Discharge 16" Cylinder.....	X1053T208	12
24	24	36	151	Valve Seat Gasket.....	X1014T68-63	12
		2	203	Valve Crab.....	60C20	6
3	3	12	x	Crab Fillister Head Machine Screw.....	87A2S150	12
3	3	12	x	Crab Screw Lock Washer.....	14A5S55	12
1	6	12	200	Inlet Valve Complete.....	A60C1	6
1	6	12	202	Discharge Valve Complete.....	A60C2AE	6
12	12	24	10,11	Packaged Set of Channels and springs for one valve.....	A60C33	12
12	12	24	3	Valve seat Plate.....	A60C18	12
<b>9" HIGH PRESSURE HORIZONTAL CYLINDER</b>						
		1	76	Cylinder to Frame Gasket.....	W27698	1
		2	161	Outer Head Gasket.....	W25415	1
		1	110	Piston.....	R13906P1	1
		2	111	Piston Ring.....	12A18CB814	2
		1	100	Piston Rod.....	R13941P1	1
1	1	2	131	Packing Renewal Rings-Set †.....	PAK-30G22S	1
16	16	24	145	Valve Cover Gasket.....	X1014T47-44	8
4	4	8	148	Cover Set Screw Nut Gasket.....	X1131T2	8
		3	208	Valve Retainer-Discharge.....	X1053T217	8
16	16	24	151	Valve Seat Gasket.....	X1014T43-39	8
		2	203	Valve Crab.....	36C20	4
2	2	8	x	Crab Fillister Head Machine Screw.....	87A2S150	8
2	2	8	x	Crab Screw Lock Washer.....	14A5S555	8
1	1	4	200	Inlet Valve Complete.....	A36C1	4
1	4	4	202	Discharge Valve Complete.....	A36C2AB	4
8	8	16	10,11	Packaged Set of Channels and Springs for one valve.....	A36C33	8
8	8	16	3	Valve Seat Plate.....	A36C18	8

x Not Illustrated.

† These Parts will interchange on Low and High Pressure Cylinders

Always Give the Serial Number of Your Compressor.

**RECOMMENDED SPARE PARTS (Cont.)**

Class			III. No.	Description	Part Number	Qty.
1	2	3				
<b>10" HIGH PRESSURE HORIZONTAL CYLINDER</b>						
		1	76	Cylinder to Frame Gasket	W27698	1
		2	161	Outer Head Gasket	W31367	1
		1	110	Piston	R17307	1
		2	111	Piston Ring	12A18CB822	2
		1	100	Piston Rod	R17287	1
1	1	2	131	Packing Renewal Rings-Set †	PAK-30G22S	1
16	16	24	145	Valve Cover Gasket	X1014T56-52	8
4	4	8	148	Cover Set Screw Nut Gasket	X1131T1	8
		3	208	Valve Retainer-Discharge	X1053T238	8
16	16	24	151	Valve Seat Gasket	X1014T52-46	8
		2	203	Valve Crab	43C20	4
2	2	8	x	Crab Fillister Head Machine Screw	87A2S150	8
2	2	8	x	Crab Screw Lock Washer	14A5S55	8
1	4	4	200	Inlet Valve Complete	A43C1	4
1	4	4	202	Discharge Valve Complete	A43C2AC	4
8	8	16	10,11	Packaged Set of Channels and Springs for one valve	A43C33	8
8	8	16	3	Valve Seat Plate	A43C18	8
<b>FREE AIR UNLOADERS 14½" CYLINDER</b>						
1	3	6		Free Air Unloader Complete	X1334TA48	6
6	6	12	5	Unloader Cover Gasket	W26133	6
12	12	24	8	Piston Ring	12A18CA131	12
1	1	2	10	Unloader Plunger	W26143A	6
<b>16" OR 17" CYLINDER</b>						
1	3	6		Free Air Unloader Complete	X1334TA60	6
6	6	12	5	Unloader Cover Gasket	W26020	6
12	12	24		Piston Ring	12A18CC147	12
1	1	2	10	Unloader Plunger	R15256A	6
<b>9" CYLINDER</b>						
1	2	4		Free Air Unloader Complete	X1334TA36	4
6	6	12	5	Unloader Cover Gasket	W26019	4
12	12	24	8	Piston Ring	12A18CB119	8
1	1	2	10	Unloader Plunger	W26140A	4
<b>10" CYLINDER</b>						
1	2	4		Free Air Unloader Complete	X1334TA43	4
6	6	12	5	Unloader Cover Gasket	W26133	4
12	12	24	8	Piston Ring	12A18CA131	8
1	1	2	10	Unloader Plunger	W26142A	4
<b>REGULATION (ALL 7" SIZES)</b>						
		1		Regulator Complete	X1359T6	1
1	1	2	3	Regulator Valve Body Diaphragm-Lower	W1593	1
2	2	4	4	Regulator Valve-Bare	W6514P1	2
2	2	4	5	Regulator Valve Top Seat	UD5-5A	2
1	1	2	12	Valve Plunger Guide Gasket	UF4-15	1
		1	17	Regulator Top Cover Orifice	X1080T34	1
1	1	1	20	Pilot Control Valve Metering Pin	UF3-28	1
1	1	1	21	Metering Pin Seat	UF1-29	1
1	1	1	22	Metering Pin Seat Gasket	W90674	1
1	1	1	24	Metering Pin Spring	PP398	1
1	1	1	25	Metering Pin Retainer Ring	161A13S50	1
1	1	2	28	Pilot Valve Diaphragm	W1594	1
		1	38	Air Filter Complete	W47701	1
1	1	2	44	Air Filter Element	40001406	1
1	1	2	50	Pilot Air Filter Complete	W26702T	1
1	1	2	x	Load Indicator Gauge	40509952	1
1	1	2	59	Gauge Manifold Gasket	W34929	1
3	3	4	x	Gauge Manifold Cap Screw Dyna-Seal	W100589	2
<b>MADISON-KIPP LUBRICATOR</b>						
1	1	2	—	Sight Feed Assembly	MK-50402	2
1	1	2	—	Pump Assembly	MK-50022	2
2	2	4	—	Sight Glass	MK-50101	2
1	1	2	—	Check Valve	30549471	2
		1	60	Worm Gear	W40129A	1
		1	61	Driven Shaft-Assembly	W87417	1
4	4	8	—	Sight Glass Gasket	MK-50410	4
		1	—	Drive Gear	W46287	1
<b>8½" STROKE FRAME AND RUNNING GEAR</b>						
		2	61	Crosshead Pin Bushing	W45461	2
		2	46	Main Bearing Bushing	R17685	2
		4	60	Crankpin Bushing	R17687	2
		1		Oil Pump Assembly	W87418	11
1	2	4	31	Oil Filter	6458B1	1
6	6	6	21	Scraper Renewal Rings and Springs-(3 Rings Per Set)	28A11G28B	6

x Not Illustrated.

† These parts will interchange on Low and High Pressure Cylinders.

Always Give the Serial Number of Your Compressor.

**RECOMMENDED SPARE PARTS**  
**18½"-11½" x 8½", 19"-11½" x 8½"**  
**20½"-11½" x 8½", 20½"-12½" x 8½", 21½"-12½" x 8½"**

Class			III. No.	Description	Part Number	Qty.
1	2	3				
				<b>INTERCOOLER</b>		
	1	1	2	Intercooler Bare.....	W44869A	1
				<b>18½" OR 19" LOW PRESSURE VERTICAL CYLINDER</b>		
		2	76	Cylinder to Frame Gasket.....	W31623	1
		2	161	Outer Head Gasket-18½" Cylinder.....	R18299	1
		2	161	Outer Head Gasket-19" Cylinder.....	R18464	1
		1	110	Piston-18½" Cylinder.....	H10462P1	1
		1	110	Piston-19" Cylinder.....	H13367P9	1
		2	111	Piston Ring-18½" Cylinder.....	12A18CB1190	2
		2	111	Piston Ring-19" Cylinder.....	12A18CB1192	2
		1	100	Piston Rod.....	R17693	1
1	1	2	131	Packing Renewal Rings-Set †.....	PAK-30G28S	1
24	24	36	145	Valve Cover Gasket.....	X1014T80-76	12
6	6	12	148	Cover Set Screw Nut Gasket.....	X1131T3	12
		6	208	Valve Retainer-18½" Cylinder.....	X1053T208	24
		6	208	Valve Retainer-19" Cylinder.....	X1053T227	24
24	24	36	151	Valve Seat Gasket.....	X1014T76-72	12
1	1	2	203	Valve Crab.....	67C20	12
3	3	12	x	Crab Fillister Head Machine Screw.....	87A2S152	24
3	3	12	x	Crab Screw Lock Washer.....	14A5S55	24
1	6	6	200	Inlet Valve Complete.....	A67C1	6
1	6	6	202	Discharge Valve Complete.....	A67C2B	6
12	12	24	10,11	Package Set of Channels and Springs for one valve.....	A67C33	12
12	12	24	3	Valve Seat Plate.....	A67C18	12
				<b>20½" OR 21½" LOW PRESSURE VERTICAL CYLINDER</b>		
		1	76	Cylinder to Frame Gasket.....	W31623	1
		2	161	Outer Head Gasket-20½" Cylinder.....	R18329	1
		2	161	Outer Head Gasket-21½" Cylinder.....	R18470	1
		1	110	Piston-20½" Cylinder.....	H11972	1
		1	110	Piston-21½" Cylinder.....	H13306	1
		2	111	Piston Ring-20½" Cylinder.....	12A18CB1198	2
		2	111	Piston Ring-21½" Cylinder.....	12A18CB1202	2
		1	100	Piston Rod.....	R17669	1
1	1	2	131	Packing Renewal Rings-Set †.....	PAK-30G28S	1
24	24	36	145	Valve Cover Gasket.....	X1014T89-86	12
12	12	24	148	Cover Set Screw Nut Gasket.....	X1131T4	12
3	6	12	208	Valve Retainer-20½" Cylinder.....	X1053T237	24
3	6	12	208	Valve Retainer-21½" Cylinder.....	X1053T232	24
24	24	36	151	Valve Seat Gasket.....	X1014T85-81	12
1	1	2	203	Valve Crab.....	75C20	12
3	6	12	x	Crab Fillister Head Machine Screw.....	87A2S152	24
3	6	12	x	Crab Screw Lock Washer.....	14A5S55	24
6	6	12	200	Inlet Valve Complete.....	A75C1	6
6	6	12	202	Discharge Valve Complete.....	A75C2C	6
12	12	24	10,11	Packaged Set of Channels and Springs for one valve.....	A75C33	12
12	12	24	3	Valve Seat Plate.....	A75C18	12
				<b>11½" HIGH PRESSURE HORIZONTAL CYLINDER</b>		
		1	76	Cylinder to Frame Gasket.....	R16680	1
		2	161	Outer Head Gasket.....	W29081	1
		1	110	Piston.....	R15673P1	1
		2	111	Piston Ring.....	12A18CB834	2
		1	100	Piston Rod.....	R17712	1
1	1	2	131	Packing Renewal Rings-Set †.....	PAK-30G28S	1
16	16	24	145	Valve Cover Gasket.....	X1014T60-57	8
4	4	8	148	Cover Set Screw Nut Gasket.....	X1131T2	8
		3	208	Valve Retainer.....	X1053T231	8
16	16	24	151	Valve Seat Gasket.....	X1014T56-51	8
		2	203	Valve Crab.....	48C20	8
2	2	8	x	Crab Fillister Head Machine Screw.....	87A2S152	16
2	2	8	x	Crab Screw Lock Washer.....	14A5S55	16
1	4	4	200	Inlet Valve Complete.....	A48C1	4
1	4	4	202	Discharge Valve Complete.....	A48C2AB	4
8	8	16	10,11	Packaged Set of Channels and Springs for one valve.....	A48C33	8
8	8	16	3	Valve Seat Plate.....	A48C18	8
				<b>12½" HIGH PRESSURE HORIZONTAL CYLINDER</b>		
		1	76	Cylinder to Frame Gasket.....	R16680	1
		2	161	Outer Head Gasket.....	W31663	1
		1	110	Piston.....	R17671	1
		2	111	Piston Ring.....	12A18CB998	2
		1	100	Piston Rod.....	R17624	1
1	1	2	131	Packing Renewal Rings-Set †.....	PAK-30G28S	1
16	16	24	145	Valve Cover Gasket.....	X1014T65-61	8
4	4	8	148	Cover Set Screw Nut Gasket.....	X1131T3	8

x Not Illustrated.

† These parts will interchange on Low and High Pressure Cylinders.  
 Always Give the Serial Number of Your Compressor.

**RECOMMENDED SPARE PARTS (Cont.)**

**18½"-11½" x 8½", 19"-11½" x 8½"  
20½"-11½" x 8½", 20½"-12½" x 8½", 21½"-12½" x 8½"**

Class			III. No.	Description	Part Number	Qty.
1	2	3				
		3	208	Valve Retainer.....	X1053T202	8
16	16	24	151	Valve Seat Gasket.....	X1014T61-57	8
		2	203	Valve Crab.....	54C20	8
2	2	8	x	Crab Fillister Head Machine Screw.....	87A2S150	16
2	2	8	x	Crab Screw Lock Washer.....	14A5S55	16
1	4	4	200	Inlet Valve Complete.....	A54C1	4
1	4	4	202	Discharge Valve Complete.....	A54C2AB	4
8	8	16	10,11	Packaged Set of Channels and Springs for one valve.....	A54C33	8
8	8	16	3	Valve Seat Plate.....	A54C18	8
		2		<b>CLEARANCE VALVES 18½" OR 19" CYLINDER</b>		
		20	3	Clearance Valve Complete-LP Cylinder.....	4-¼SUL31CE	4
4	4	4	9	Clearance Valve Ring, Guide Ring-LP Cylinder.....	X1244T4-¼	20
		4	9	Clearance Valve Cover Gasket-LP Cylinder.....	W27010	4
		2		<b>20½" OR 21½" CYLINDER</b>		
		20	3	Clearance Valve Complete-LP Cylinder.....	5-¼UL31CE	4
4	4	4	9	Clearance Valve Ring, Guide Ring-LP Cylinder.....	X1244T5-¼	20
		4	9	Clearance Valve Cover Gasket-LP Cylinder.....	W27025	4
		1		<b>11½" OR 12½" CYLINDER</b>		
		10	3	Clearance Valve Complete-HP Cylinder.....	2-¾UL31CE	2
4	4	4	9	Clearance Valve Ring, Guide Ring-HP Cylinder.....	2-¾UL31C	2
		4	9	Clearance Valve Cover Gasket-HP Cylinder.....	X1244T2-¾	20
		1		<b>REGULATION-ALL 8½" STROKE SIZES</b>		
1	1	2	3	Regulator Complete.....	W27008	4
4	4	8	4	Regulator Valve Body Diaphragm-Lower.....	X1359T42	1
4	4	8	5	Regulator Valve-Bare.....	W1616	1
1	1	2	12	Regulator Valve Top Seat.....	W6514P1	4
1	1	1	17	Regulator Valve Plunger Guide Gasket.....	UD5-5A	4
1	1	1	20	Regulator Top Cover Orifice.....	UF5-15A	1
1	1	1	21	Pilot Control Valve Metering Pin.....	X1080T34	1
1	1	1	22	Metering Pin Seat.....	UR1-28	1
1	1	1	24	Metering Pin Seat Gasket.....	UR1-29	1
1	1	1	26	Metering Pin Spring.....	W90674	1
1	1	1	27	Fillister Head Screw.....	PP398	1
1	1	1	28	Fillister Head Screw Gasket.....	W41812	1
1	1	2	38	Pilot Valve Diaphragm.....	W68194	1
1	1	2	44	Air Filter Complete.....	W1594	1
1	1	2	50	Air Filter Element.....	W47701	1
1	1	2	x	Pilot Air Filter Complete.....	4001406	1
1	1	2	59	Load Indicator Gauge.....	W26702T	1
3	3	4	x	Gauge Manifold Gasket.....	40509986	1
1	1	2	x	Gauge Manifold Cap Screw Dyna-Seal.....	W34804	1
1	1	2	5	Orifice Adjusting Screw "O" Ring.....	W100589	2
1	1	2	5	UL-48 Three-Way Valve Diaphragm-Full Automatic Starting Units Only.....	20A11 CM008	1
				<b>MADISON-KIPP LUBRICATOR</b>		
1	1	2	—	Sight Feed Assembly.....	UL48-5	1
1	1	2	—	Pump Assembly.....	MK-50402	2
2	2	4	—	Sight Glass.....	MK-50022	2
1	1	2	—	Check Valve.....	MK-50101	2
		1	60	Worm Gear.....	30549471	2
		1	61	Driven Shaft Assembly.....	W40129A	1
4	4	8	—	Sight Glass Gasket.....	W87417	1
		1	—	Drive Gear.....	MK-50410	4
					W46287	1

x Not Illustrated.  
Always Give the Serial Number of Your Compressor.



**RECOMMENDED SPARE PARTS**

**22"-13½" x 10", 24¼"-13½" x 10", 28"-16" x 10" XLE2  
24¼"-14½" x 10", 25"-14½" x 10", 26"-14½" x 10" XLE2**

Class			III. No.	Description	Part Number	Qty.
1	2	3				
<b>10" STROKE FRAME AND RUNNING GEAR</b>						
		2	61	Crosshead Pin Bushing.....	W45462	2
		2	46	Main Bearing Bushing.....	R18194	2
		4	60	Crankpin Bushing.....	R18188	2
		1		Oil Pump Assembly.....	W87418	1
1	2	4	31	Oil Filter.....	6458B1	1
6	6	6	21	Scraper Renewal Rings and Springs (3 Rings per set).....	28A11G32B	6
<b>INTERCOOLER</b>						
	1	1	2	Intercooler Bare.....	W124934	1
<b>22" LOW PRESSURE VERTICAL CYLINDER</b>						
		1	76	Cylinder to Frame Gasket.....	R17854	1
		2	161	Outer Head Gasket.....	R18263	1
		1	110	Piston.....	H132236	1
		2	111	Piston Ring.....	12A18CB1204	2
		1	100	Piston Rod.....	R18243	1
1	1	2	131	Packing Renewal Rings-Set †.....	PAK-30G32S	1
24	24	36	145	Valve Cover Gasket.....	X1014T89-86	12
6	6	12	148	Cover Set Screw Nut Gasket.....	X1131T4	12
		6	208	Valve Retainer.....	X1053T232	24
24	24	36	151	Valve Seat Gasket.....	X1014T85-81	12
1	1	2	203	Valve Crab.....	75C20	12
3	3	12	x	Crab Fillister Head Machine Screw.....	87A2S152	24
3	3	12	x	Crab Screw Lock Washer.....	14A5S55	24
1	6	6	200	Inlet Valve Complete.....	A75C1	6
1	6	6	202	Discharge Valve Complete.....	A75C2C	6
12	12	24	10,11	Packaged Set of Channels and Springs for one valve.....	A75C33	12
12	12	24	3	Valve Seat Plate.....	A75C18	12
<b>24¼" OR 25" LOW PRESSURE VERTICAL CYLINDER</b>						
		1	76	Cylinder to Frame Gasket.....	R17854	1
		2	161	Outer Head Gasket-24¼" Cylinder.....	R17855	1
		2	161	Outer Head Gasket-25" Cylinder.....	R19302	1
		1	110	Piston-24¼" Cylinder.....	H13207	1
		1	110	Piston-25" Cylinder.....	H13434	1
		2	111	Piston Ring-24¼" Cylinder.....	12A18CB1213	2
		2	111	Piston Ring-25" Cylinder.....	12A18CB1216	2
		1	100	Piston Rod.....	R18204	1
1	1	2	131	Packing Renewal Rings-Set †.....	PAK-30G32S	1
24	24	36	145	Valve Cover Gasket.....	X1014T95-92	12
6	6	12	148	Cover Set Screw Nut Gasket.....	X1131T4	12
		12	208	Valve Retainer-24¼" Cylinder.....	X1053T242	24
		12	208	Valve Retainer-25" Cylinder.....	X1053T258	24
24	24	36	151	Valve Seat Gasket.....	X1014T90-85	12
		2	203	Valve Crab.....	81C20	12
3	3	12	x	Crab Fillister Head Machine Screw.....	87A2S153	24
3	3	12	x	Crab Screw Lock Washer.....	14A5S55	24
1	6	6	200	Inlet Valve Complete.....	AB1C1	6
1	6	6	202	Discharge Valve Complete.....	AB1C2D	6
12	12	24	10,11	Packaged Set of Channels and Springs for one valve.....	AB1C33	12
12	12	24	3	Valve Seat Plate.....	AB1C18	12
<b>26" LOW PRESSURE VERTICAL CYLINDER</b>						
		1	76	Cylinder to Frame Gasket.....	R17854	1
		2	161	Outer Head Gasket.....	R23308	1
		1	110	Piston.....	H16649	1
		2	111	Piston Ring.....	12A18CB1220	2
		1	100	Piston Rod.....	R23318	1
1	1	2	131	Packing Renewal Rings-Set †.....	PAK-30G32S	1
24	24	36	145	Valve Cover Gasket.....	X1014T108-105	12
6	6	12	148	Cover Set Screw Nut Gasket.....	X1131T5	12
		6	208	Valve Retainer.....	W42231	24
24	24	36	151	Valve Seat Gasket.....	X1014T103-99	12

x Not Illustrated.

† These parts will interchange on Low and High Pressure Cylinders.

Always Give the Serial Number of Your Compressor.



**RECOMMENDED SPARE PARTS (Cont.)**  
**22"-13½" x 10", 24¼"-13½" x 10", 24¼"-14½" x 10"**  
**25"-14½" x 10", 26"-14½" x 10", 28"-16" x 10" XLE2**

Class			III. No.	Description	Part Number	Qty.
1	2	3				
		2	203	Valve Crab . . . . .	92C20	12
3	3	12	x	Crab Fillister Head Machine Screw . . . . .	87A2S153	24
3	3	12	x	Crab Screw Lock Washer . . . . .	14A5S55	24
1	6	6	200	Inlet Valve Complete . . . . .	A92C1	6
1	6	6	202	Discharge Valve Complete . . . . .	A92C2AB	6
12	12	24	10,11	Packaged Set of Channels and Springs for one valve . . . . .	D92C33	12
12	12	24	3	Valve Seat Plate . . . . .	A92C18	12
<b>28" LOW PRESSURE VERTICAL CYLINDER</b>						
		1	76	Cylinder to Frame Gasket . . . . .	R17854	1
		2	161	Outer Head Gasket . . . . .	R60434	1
		1	110	Piston . . . . .	H40019	1
		2	111	Piston Ring . . . . .	12A18CB1347	2
		1	100	Piston Rod . . . . .	R23318	1
1	1	2	131	Packing Renewal Rings-Set † . . . . .	PAK-30G32S	1
24	24	36	145	Valve Cover Gasket . . . . .	X1014T108-105	12
6	6	12	148	Cover Set Screw Nut Gasket . . . . .	X1131T5	12
		6	208	Valve Retainer . . . . .	W42231P1	24
24	24	36	151	Valve Seat Gasket . . . . .	X1014T103-99	12
		2	203	Valve Crab . . . . .	92C20	12
3	3	12	x	Crab Fillister Head Machine Screw . . . . .	87A2S153	24
3	3	12	x	Crab Screw Lock Washer . . . . .	14A5S55	24
1	6	6	200	Inlet Valve Complete . . . . .	A92C1	6
1	6	6	202	Discharge Valve Complete . . . . .	A92C2AB	6
12	12	24	10,11	Packaged Set of Channels and Springs for one valve . . . . .	D92C33	12
12	12	24	3	Valve Seat Plate . . . . .	A92C18	12
<b>13½" HIGH PRESSURE HORIZONTAL CYLINDER</b>						
		1	76	Cylinder to Frame Gasket . . . . .	W27918	1
		2	161	Outer Head Gasket . . . . .	W33078	1
		1	110	Piston . . . . .	R18234	1
		2	111	Piston Ring . . . . .	12A18CB1002	2
		1	100	Piston Rod . . . . .	R18205	1
1	1	2	131	Packing Renewal Rings-Set † . . . . .	PAK-30G32S	1
16	16	24	145	Valve Cover Gasket . . . . .	X1014T72-68	8
4	4	8	148	Cover Set Screw Nut Gasket . . . . .	X1131T3	8
		3	208	Valve Retainer . . . . .	X1053T240	8
16	16	24	151	Valve Seat Gasket . . . . .	X1014T68-63	8
		2	203	Valve Crab . . . . .	60C20	8
2	2	8	x	Crab Fillister Head Machine Screw . . . . .	87A5S150	16
2	2	8	x	Crab Screw Lock Washer . . . . .	14A5S55	16
1	4	4	200	Inlet Valve Complete . . . . .	A60C2AE	4
1	4	4	202	Discharge Valve Complete . . . . .	A60C33	8
8	8	16	10,11	Packaged Set of Channels and Springs for one valve . . . . .	A60C18	8
8	8	16	3	Valve Seat Plate . . . . .	A60C18	8
<b>14½" HIGH PRESSURE HORIZONTAL CYLINDER</b>						
		1	76	Cylinder to Frame Gasket . . . . .	W27918	1
		2	161	Outer Head Gasket . . . . .	W32455	1
		1	110	Piston . . . . .	R18132	1
		2	111	Piston Ring . . . . .	12A18CB1006	2
		1	100	Piston Rod . . . . .	R18205	1
1	1	2	131	Packing Renewal Rings-Set † . . . . .	PAK-30G32S	1
16	16	24	145	Valve Cover Gasket . . . . .	X1014T72-68	8
4	4	8	148	Cover Set Screw Nut Gasket . . . . .	X1131T3	8
		3	208	Valve Retainer . . . . .	X1053T229	8
16	16	24	151	Valve Seat Gasket . . . . .	X1014T68-63	8
		2	203	Valve Crab . . . . .	60C20	8
2	2	8	x	Crab Fillister Head Machine Screw . . . . .	87A2S150	16
2	2	8	x	Crab Screw Lock Washer . . . . .	14A5S55	16
1	4	4	200	Inlet Valve Complete . . . . .	A60C1	4
1	4	4	202	Discharge Valve Complete . . . . .	A60C2AE	4
8	8	16	10,11	Packaged Set of Channels and Springs for one valve . . . . .	A60C33	8
8	8	16	3	Valve Seat Plate . . . . .	A60C18	8

x Not Illustrated.

† These parts will interchange on Low and High Pressure Cylinders.

Always Give the Serial Number of Your Compressor.

**RECOMMENDED SPARE PARTS**

**22"-13½" x 10", 24¼"-13½" x 10", 24¼"-14½" x 10"  
25"-14½" x 10", 26"-14½" x 10", 28"-16" x 10" XLE2**

Class			III. No.	Description	Part Number	Qty.
1	2	3				
<b>REGULATION (ALL 10" SIZES)</b>						
		1		Regulator Complete .....	X1359T48	1
1	1	2	3	Regulator Valve Body Diaphragm-Lower .....	W1616	1
4	4	8	4	Regulator Valve-Bare .....	W6514P1	4
4	4	8	5	Regulator Valve Top Seat .....	UD5-5A	4
1	1	2	12	Valve Plunger Guide Gasket .....	UF5-15A	1
	1	1	17	Regulator Top Cover Orifice .....	X1080T34	1
1	1	1	20	Pilot Control Valve Metering Pin .....	UR1-28	1
1	1	1	21	Metering Pin Seat .....	UR1-29	1
1	1	1	22	Metering Pin Seat Gasket .....	W90674	1
1	1	1	23	Metering Pin Spring .....	PP398	1
1	1	1	24	Fillister Head Screw .....	W41812	1
1	1	1	x	Fillister Head Screw Gasket .....	W68194	1
1	1	2	26	Pilot Valve Diaphragm .....	W1594	1
		1	69	Air Filter Complete .....	W47701	1
2	2	4	75	Air Filter Element .....	40001406	2
1	1	2	49	Pilot Air Filter Complete .....	W26702T	1
1	1	2	x	Load Indicator Gauge .....	40509986	1
1	1	2	61	Gauge Manifold Gasket .....	W34804	1
3	1	4	x	Gauge Manifold Cap Screw Dyna-Seal .....	W100589	2
1	1	2	x	Orifice Adjusting Screw "O" Ring .....	20A11CM008	1
1	1	2	5	UL-48 Three-Way Valve Diaphragm-Full Automatic Starting Units Only .....	UL48-5	1
<b>MADISON-KIPP LUBRICATOR</b>						
2	2	3	—	Sight Feed Assembly .....	MK-50402	3
2	2	3	—	Pump Assembly .....	MK-50022	3
3	3	6	—	Sight Glass .....	MK-50101	3
2	2	3	—	Check Valve .....	30549471	3
		1	60	Worm Gear .....	W40129A	1
		1	61	Driven Shaft Assembly .....	W87417	1
6	6	12	—	Sight Glass Gasket .....	MK-50410	6
		—	—	Drive Gear .....	W46287	1

x Not Illustrated.

Always Give the Serial Number of Your Compressor.

**RECOMMENDED SPARE PARTS**  
**22"-13½" x 10", 24¼"-13½" x 10", 28"-16" x 10" XLE2**  
**24¼"-14½" x 10", 25"-14½" x 10", 26-14½" x 10" XLE2**

Class			Illus. No.	Description	Part Number	Qty.
1	2	3				
				<b>16" HIGH PRESSURE HORIZONTAL CYLINDER</b>		
		1	76	Cylinder to Frame Gasket .....	W27918	1
		2	161	Outer Head Gasket .....	W123390	1
		1	110	Piston .....	H40020	1
		2	111	Piston Ring .....	12A18CB1012	2
		1	100	Piston Rod .....	R23312	1
1	1	2	131	Packing Renewal Rings-Set † .....	PAK-30G32S	1
16	16	24	145	Valve Cover Gasket .....	X1014T89-86	8
4	4	8	148	Cover Set Screw Nut Gasket .....	X1131T3	4
		3	208	Valve Retainer .....	X1053T244	8
16	16	24	151	Valve Seat Gasket .....	X1014T85-81	4
		2	203	Valve Crab .....	75C20	8
2	2	8	x	Crab Fillister Head Machine Screw .....	87A2S152	16
2	2	8	x	Crab Screw Lock Washer .....	14A5S55	16
1	4	4	200	Inlet Valve Complete .....	A75C1	4
1	4	4	202	Discharge Valve Complete .....	A75C2C	4
8	8	16	10,11	Packaged Set of Channels and Springs for one valve .....	A75C33	8
8	8	16	3	Valve Seat Plate .....	A75C18	8
				<b>FREE AIR UNLOADERS</b>		
				<b>16" CYLINDER</b>		
1	2	4		Free Air Unloader Complete .....	X1334TA75	4
6	6	12	5	Unloader Cover Gasket .....	W26134	4
12	12	24	8	Piston Ring .....	X1244T5	8
1	1	2	10	Unloader Plunger .....	R15260A	4
				<b>CLEARANCE VALVES</b>		
				<b>22" CYLINDER</b>		
		2		Clearance Valve Complete-LP Cylinder .....	5-¾LUL31CE	4
	10	20	3	Clearance Valve Ring, Guide Ring-LP Cylinder .....	X1244T5-¼	20
4	4	4	9	Clearance Valve Cover Gasket-LP Cylinder .....	W25357	4
				<b>24¼" OR 24" CYLINDER</b>		
		2		Clearance Valve Complete-LP Cylinder .....	5-¾SUL31CE	4
	10	20	3	Clearance Valve Ring, Guide Ring-LP Cylinder .....	X1244T5-¾	20
4	4	4	9	Clearance Valve Cover Gasket-LP Cylinder .....	W25357	4
				<b>26" OR 28" CYLINDER</b>		
		2		Clearance Valve Complete-LP Cylinder .....	5-¾LUL31CB	4
	10	20	3	Clearance Valve Ring, Guide Ring-LP Cylinder .....	X1244T5-¾	20
4	4	4	9	Clearance Valve Cover Gasket-LP Cylinder .....	W25357	4
				<b>13½" OR 14½" CYLINDER</b>		
		1		Clearance Valve Complete-HP Cylinder .....	3-¾LUL31CE	2
		1		Clearance Valve Complete-HP Cylinder .....	3-¾LUL31C	2
	10	10	3	Clearance Valve Ring, Guide Ring-HP Cylinder .....	X1244T3-¾	20
4	4	4	9	Clearance Valve Cover Gasket-HP Cylinder .....	W25546	4
				<b>16" OR 17" CYLINDER</b>		
		1		Clearance Valve Complete-HP Cylinder .....	4-¾LUL31CB	2
		1		Clearance Valve Complete-HP Cylinder .....	4-¾LUL31C	2
	10	10	3	Clearance Valve Ring, Guide Ring-HP Cylinder .....	X1244T4-¼	20
4	4	4	9	Clearance Valve Cover Gasket-HP Cylinder .....	W27010	4

† These parts will interchange on Low and High Pressure Cylinders.

x Not Illustrated.

Always Give the Serial Number of Your Compressor.