

BCD228 SERVER USER GUIDE



This document is for the person who installs, administers, and troubleshoots servers and storage systems. BCDVIDEO assumes you are qualified in the servicing of computer equipment and trained in recognizing hazards in products with hazardous energy levels.

© Copyright 2015, 2016 Hewlett Packard Enterprise Development LP

The information contained herein is subject to change without notice. The only warranties for Hewlett Packard Enterprise products and services are set forth in the express warranty statements accompanying such products and services. Nothing herein should be construed as constituting an additional warranty. Hewlett Packard Enterprise shall not be liable for technical or editorial errors or omissions contained herein.

Links to third-party websites take you outside the Hewlett Packard Enterprise website. Hewlett Packard Enterprise has no control over and is not responsible for information outside the Hewlett Packard Enterprise website.

Linux® is the registered trademark of Linus Torvalds in the U.S. and other countries.

Microsoft® and Windows® are either registered or trademarks of the Microsoft Corporation in the United States and/or other countries.

microSD is a trademark or a registered trademark of SD-3C in the United States, other countries or both.

Red Hat® is a registered trademark of Red Hat, Inc. in the United States and other countries.

VMware® is a registered trademark or trademark of VMware, Inc. in the United States and/or other jurisdictions.

Contents

Component identification	7
Front panel components.....	7
Front panel LEDs and buttons.....	7
Power fault LEDs.....	8
Front drive thermal LED	9
Rear panel components	9
Rear panel LEDs	11
System board components.....	12
DIMM slot locations	13
System maintenance switch	13
NMI functionality	14
Drive numbering	15
Drive LEDs	16
LFF drive LED definitions	16
SFF drive LED definitions.....	17
Fan locations	18
Operations	19
Power up the server	19
Power down the server.....	19
Remove the security bezel.....	19
Extend the front drive cages out of the chassis.....	20
Slide the front drive cages into the chassis.....	22
Remove a drive from the front drive cages	22
Remove a drive from the rear drive cage	23
Remove a power input module.....	24
Remove the server from the rack	28
Remove the access panel	29
Install the access panel	30
Remove the air baffle	30
Install the air baffle	32
Open the cable management holder	32
Close the cable management holder.....	34
Remove the PCI riser cage	34
Install the PCI riser cage	36
Remove a rear drive cage	37
Setup	39
Optional services.....	39
Optimum environment	39
Space and airflow requirements.....	39
Temperature requirements.....	40
Power requirements	40
Electrical grounding requirements	41
Connecting a DC power cable to a DC power source	41
Server warnings and caution.....	42
Rack warnings and caution	43
Identifying the contents of the server shipping carton	43
Removing the shipping screws from the front drive cages.....	44
Installing hardware options.....	45
Installing the server into the rack.....	45
Install the server into the rack.....	45
Installing the operating system.....	49
Powering on and selecting boot options in UEFI Boot Mode	49
Registering the server	50

Hardware options installation.....	51
Introduction.....	51
Security bezel option	51
Drive options	51
Drive installation guidelines	52
Installing a hot-plug drive in the front drive cage 1	52
Installing a hot-plug drive in front drive cage 2	54
Installing a hot-plug drive in the rear drive cage.....	56
Drive cage options.....	58
Drive cage installation cautions.....	58
Four-bay LFF hot-plug rear drive cage option.....	58
Two-bay SFF hot-plug rear drive cage and two-slot PCI riser cage options	62
Six-bay SFF hot-plug rear drive cage option	66
Drive cable options	77
H240 Smart HBA Mini-SAS cable option for rear drive cage	77
Smart Array P440 Controller Mini-SAS Y-cable option for rear drive cage	84
Storage controller options	91
Storage controller option population guidelines	92
Installing the storage controller and FBWC module options.....	92
Installing the Smart Storage Battery.....	95
M.2 SSD enablement board option	96
Installing the M.2 SSD enablement board.....	96
Installing an SSD module on the M.2 SSD enablement board.....	101
Processor option	103
Processor installation cautions.....	103
Install the processor option	103
Redundant fan option	110
Fan population guidelines.....	110
Install the fan option	111
Memory options.....	112
Memory-processor compatibility information	112
SmartMemory.....	114
Memory subsystem architecture.....	114
Single-, dual-, and quad-rank DIMMs.....	114
DIMM identification.....	115
Memory configurations	115
General DIMM slot population guidelines.....	116
Identifying the processor type.....	117
Installing a DIMM.....	117
Expansion board options.....	118
FlexibleLOM adapter option	120
Dedicated iLO management module option	122
Enabling the dedicated iLO management module.....	123
Dual 8Gb microSD Enterprise Midline USB device.....	124
Redundant power supply option.....	124
Installing a hot-plug AC power input module	125
Installing a hot-plug DC power input module.....	126
HP Trusted Platform Module option	132
HP Trusted Platform Module installation guidelines	133
HP Trusted Platform Module requirements	134
Installing the Trusted Platform Module board.....	134
Retaining the recovery key/password.....	136
Enabling the Trusted Platform Module	136
Cabling.....	138
Cabling overview	138
Storage cabling	138
24-bay LFF hot-plug SAS/SATA front drive cabling	138
48-bay SFF hot-plug SAS/SATA front drive cabling.....	139
Four-bay LFF hot-plug SAS/SATA rear drive cabling.....	140
Two-bay SFF hot-plug SAS/SATA rear drive cabling.....	143

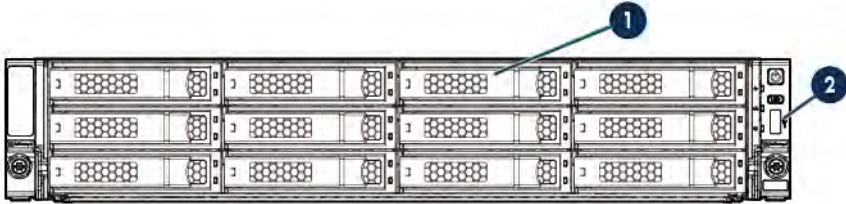
Six-bay SFF hot-plug SAS/SATA rear drive cabling.....	147
M.2 SSD cabling.....	150
FBWC module backup power cabling.....	151
Smart Storage Battery cabling.....	152
Fan assembly cabling.....	153
Ambient temperature sensor cabling.....	153
Front panel cabling.....	154
Software and configuration utilities.....	155
Server mode.....	155
Product QuickSpecs.....	155
HPE iLO.....	155
Active Health System.....	156
RESTful API support for iLO.....	157
Integrated Management Log.....	157
Intelligent Provisioning.....	157
HPE Insight Diagnostics.....	158
HPE Insight Diagnostics survey functionality.....	158
Erase Utility.....	158
Scripting Toolkit for Windows and Linux.....	159
Service Pack for.....	159
HP Smart Update Manager.....	159
HPE UEFI System Utilities.....	159
Using UEFI System Utilities.....	160
Flexible boot control.....	160
Restoring and customizing configuration settings.....	161
Secure Boot configuration.....	161
Embedded UEFI shell.....	161
Embedded Diagnostics option.....	162
RESTful API support for UEFI.....	162
Re-entering the server serial number and product ID.....	162
Utilities and features.....	162
HPE Smart Storage Administrator.....	162
Automatic Server Recovery.....	163
USB support.....	163
Redundant ROM support.....	164
Keeping the system current.....	164
Access to Hewlett Packard Enterprise Support Materials.....	164
Updating firmware or System ROM.....	164
Drivers.....	166
Software and firmware.....	166
Operating System Version Support.....	167
Version control.....	167
Operating systems and virtualization software support for servers.....	167
HPE Technology Service Portfolio.....	167
Change control and proactive notification.....	167
Troubleshooting.....	168
Troubleshooting resources.....	168
System battery replacement.....	169
System battery information.....	169
Replace the system battery.....	169
Warranty and regulatory information.....	171
Warranty information.....	171
Regulatory information.....	171
Safety and regulatory compliance.....	171
Belarus Kazakhstan Russia marking.....	171
Turkey RoHS material content declaration.....	172
Ukraine RoHS material content declaration.....	172

Electrostatic discharge.....	173
Preventing electrostatic discharge	173
Grounding methods to prevent electrostatic discharge	173
Specifications.....	174
Environmental specifications.....	174
Mechanical specifications.....	174
Power supply specifications	175
Hot-plug power supply calculations.....	175
Support and other resources	176
Accessing Hewlett Packard Enterprise Support.....	176
Information to collect	176
Accessing updates	176
Websites.....	176
Customer Self Repair	177
Remote support.....	184
Acronyms and abbreviations.....	185
Documentation feedback	189
Index	190

Component identification

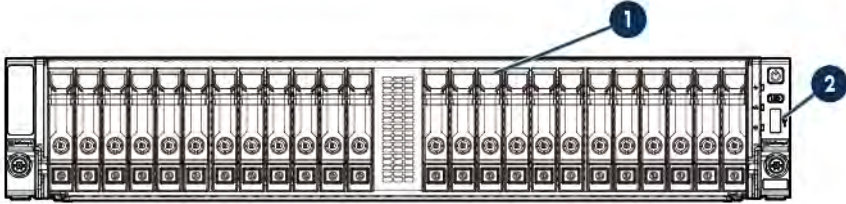
Front panel components

- LFF chassis



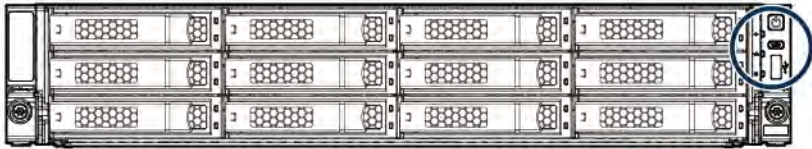
Item	Description
1	LFF hot-plug drives
2	USB 2.0 connector

- SFF chassis



Item	Description
1	SFF hot-plug drives
2	USB 2.0 connector

Front panel LEDs and buttons



Item	Description	Status
1	Health LED ¹	Solid green = Normal Flashing green (1 flash per sec) = iLO is rebooting Flashing amber = System degraded ² Flashing red (1 flash per sec) = System critical ²
2	NIC status LED ¹	Solid green = Link to network Flashing green (1 flash per second) = Network active Off = No network activity
3	Front drive health/thermal LED	Solid green = Drives supported by the SAS expander are functional. ³ Solid amber = Failure or predictive failure of one or more drives supported by the SAS expander. ³ Flashing amber (1 flash per sec) = The temperature sensor in one or more front drives is about to reach the thermal threshold. Immediately slide the front drive cages back into the chassis and keep them there until the LED turns green. ⁴ Off = No power present ⁵
4	Power On/Standby button and system power LED ¹	Solid green = System on Flashing green (1 flash per second) = Performing power on sequence Solid amber = System in standby Off = No power present ⁵
5	UID button/LED ¹	Solid blue = Activated Flashing blue: <ul style="list-style-type: none"> • 1 flash per second = Remote management or firmware upgrade in progress • 4 flashes per second = iLO manual reboot sequence initiated • 8 flashes per second = iLO manual reboot sequence in progress Off = Deactivated

¹ When these four LEDs flash simultaneously, a power fault has occurred. For more information, see "Power fault LEDs (on page 8)."

² If the health LED indicates a degraded or critical state, review the system IML or use iLO to review the system health status.

³ This LED behavior applies to all front drives, as well as to the rear drives connected to the front drive cage 2 backplane.

⁴ This LED behavior depends on the iLO *08-HD Max* sensor reading. For more information, see "Front drive thermal LED (on page 9)."

⁵ Facility power is not present, power cord is not attached, no power supplies are installed, power supply failure has occurred, or the front I/O cable is disconnected.

Power fault LEDs

The following table provides a list of power fault LEDs, and the subsystems that are affected. Not all power faults are used by all servers.

Subsystem	LED behavior
System board	1 flash
Processor	2 flashes
Memory	3 flashes
Riser board PCIe slots	4 flashes
FlexibleLOM	5 flashes
Removable HPE Flexible Smart Array controller/Smart SAS HBA controller	6 flashes
System board PCIe slots	7 flashes
Power backplane or storage backplane	8 flashes
Power supply	9 flashes

Front drive thermal LED

The thermal warning function of the front drive health/thermal LED depends on the iLO *08-HD Max* sensor reading. This function is disabled under these conditions:

- There are no drives in the front drive cages 1 and 2.
- The temperature sensor in one or more front drives has failed.

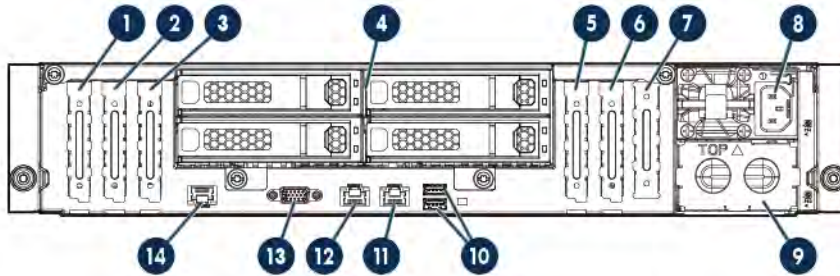
Under these conditions, iLO shows the *08-HD Max* sensor reading as *N/A*. To view temperature sensor data, log in to iLO 4 web interface and navigate to the Information → System Information → Temperatures page.

If the *08-HD Max* sensor reading shows *N/A*, observe the following when extending the front drive cage:

- Do not keep the drive cages out of the chassis for more than 140 sec.
- Keep the drive cages inside the chassis for at least 300 sec before extending them out again.

Rear panel components

- Rear panel with the four-bay LFF hot-plug rear drive cage option

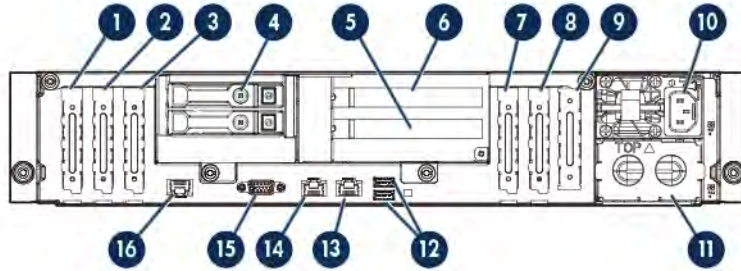


Item	Description
1	PCIe3 x16 (16, 8, 4, 1) slot 7 for low-profile, standup expansion board ¹
2	PCIe3 x8 (8, 4, 1) slot 6 for low-profile, standup expansion board ¹
3	PCIe3 x16 (16, 8, 4, 1) slot 5 for low-profile, standup expansion board ¹
4	LFF hot-plug drives
5	PCIe3 x16 (16, 8, 4, 1) slot 2 for low-profile, standup expansion board or riser cage options ²
6	PCIe3 x8 (8, 4, 1) slot 1 for low-profile, standup expansion board ²
7	FlexibleLOM slot ²
8	Hot-plug power supply bay 1
9	Hot-plug power supply bay 2
10	USB 3.0 connectors
11	NIC 1/shared iLO connector
12	NIC connector 2
13	Video connector
14	Dedicated iLO management connector (optional)

¹ The PCIe expansion slots 5-7 are associated with processor 2.

² The PCIe expansion slots 1-4 and the FlexibleLOM slot are associated with processor 1.

- Rear panel with the two-bay SFF hot-plug rear drive cage and two-slot PCI riser cage options

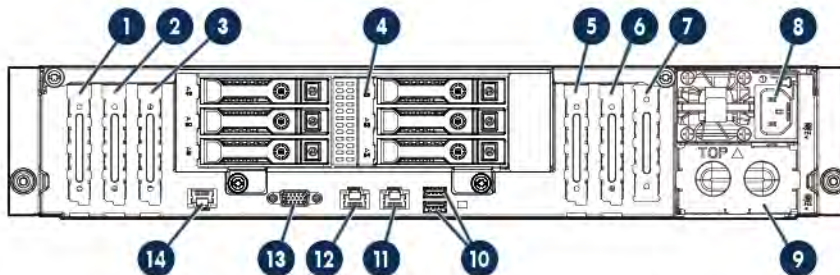


Item	Description
1	PCIe3 x16 (16, 8, 4, 1) slot 7 for low-profile, standup expansion board ¹
2	PCIe3 x8 (8, 4, 1) slot 6 for low-profile, standup expansion board ¹
3	PCIe3 x16 (16, 8, 4, 1) slot 5 for low-profile, standup expansion board ¹
4	SFF hot-plug drives
5	PCIe3 x8 (8, 4, 1) riser slot 4 for full-height, half-length expansion board ²
6	PCIe3 x8 (8, 4, 1) riser slot 3 for full-height, half-length expansion board ²
7	PCIe3 x16 (16, 8, 4, 1) slot 2 for low-profile, standup expansion board or riser cage options ²
8	PCIe3 x8 (8, 4, 1) slot 1 for low-profile, standup expansion board ²
9	FlexibleLOM slot ²
10	Hot-plug power supply bay 1
11	Hot-plug power supply bay 2
12	USB 3.0 connectors
13	NIC 1/shared iLO connector
14	NIC connector 2
15	Video connector
16	Dedicated iLO management connector (optional)

¹ The PCIe expansion slots 5-7 are associated with processor 2.

² The PCIe expansion slots 1-4 and the FlexibleLOM slot are associated with processor 1.

- Rear panel with the six-bay SFF hot-plug rear drive cage option



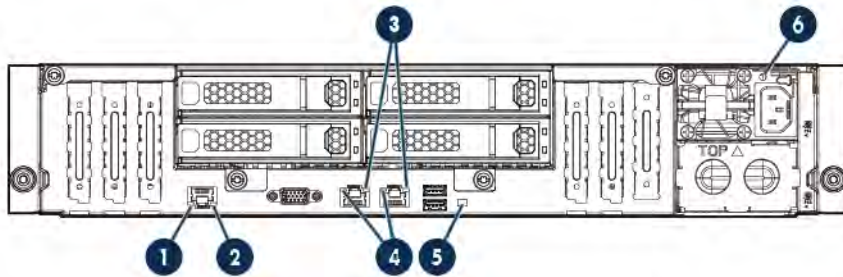
Item	Description
1	PCIe3 x16 (16, 8, 4, 1) slot 7 for low-profile, standup expansion board ¹
2	PCIe3 x8 (8, 4, 1) slot 6 for low-profile, standup expansion board ¹

Item	Description
3	PCIe3 x16 (16, 8, 4, 1) slot 5 for low-profile, standup expansion board ¹
4	SFF hot-plug drives
5	PCIe3 x16 (16, 8, 4, 1) slot 2 for low-profile, standup expansion board or riser cage options ²
6	PCIe3 x8 (8, 4, 1) slot 1 for low-profile, standup expansion board ²
7	FlexibleLOM slot ²
8	Hot-plug power supply bay 1
9	Hot-plug power supply bay 2
10	USB 3.0 connectors
11	NIC 1/shared iLO connector
12	NIC connector 2
13	Video connector
14	Dedicated iLO management connector (optional)

¹ The PCIe expansion slots 5-7 are associated with processor 2.

² The PCIe expansion slots 1-4 and the FlexibleLOM slot are associated with processor 1.

Rear panel LEDs

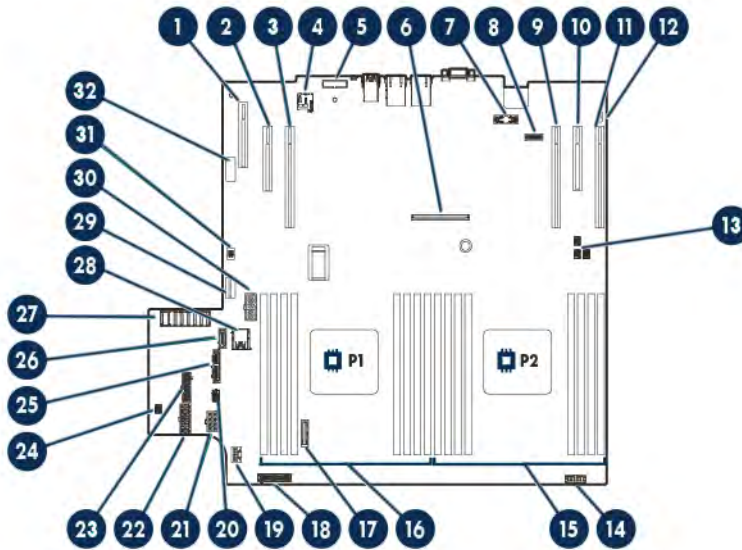


Item	Description	Status
1	Dedicated iLO activity LED	Solid green = Link to network Flashing green = Network active Off = No network activity
2	Dedicated iLO link LED	Green = Network link Off = No network link
3	NIC activity LED	Solid green = Link to network Flashing green = Network active Off = No network activity
4	NIC link LED	Green = Network link Off = No network link
5	UID LED	Solid blue = Activated Flashing blue: <ul style="list-style-type: none"> • 1 flash per second = Remote management or firmware upgrade in progress • 4 flashes per second = iLO manual reboot sequence initiated • 8 flashes per second = iLO manual reboot sequence in progress Off = Deactivated

Item	Description	Status
6	Power supply LED	Solid green = Normal Off = One or more of the following conditions exists: <ul style="list-style-type: none"> • Power is unavailable • Power supply failed • Power supply is in standby mode • Power supply error

System board components

The components shown in this section are associated with the Server system board.



Item	Description
1	FlexibleLOM slot ¹
2	PCIe3 x8 (8, 4, 1) slot 1 for low-profile, standup expansion board ¹
3	PCIe3 x16 (16, 8, 4, 1) slot 2 for low-profile, standup expansion board or riser cage options ¹
4	microSD card slot
5	TPM connector
6	Flexible Smart Array Controller slot
7	Dedicated iLO management module connector
8	System maintenance switch
9	PCIe3 x16 (16, 8, 4, 1) slot 5 for low-profile, standup expansion board ²
10	PCIe3 x8 (8, 4, 1) slot 6 for low-profile, standup expansion board ²
11	PCIe3 x16 (16, 8, 4, 1) slot 7 for low-profile, standup expansion board ²
12	NMI header
13	Storage backup power connectors for expansion slots 3–7
14	Front I/O connector

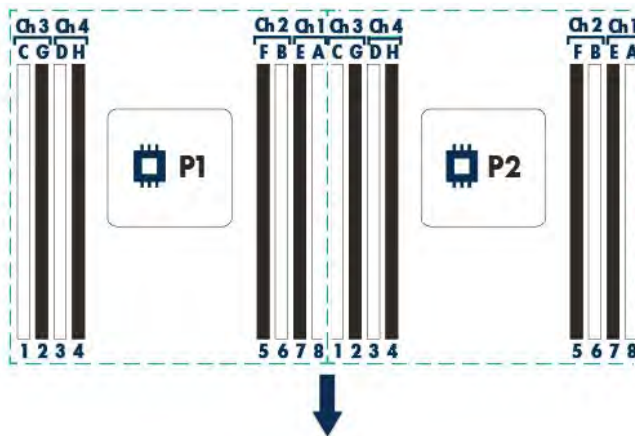
Item	Description
15	Processor 2 DIMM slots
16	Processor 1 DIMM slots
17	System battery
18	Fan signal connector
19	Smart Storage Battery connector
20	Rear SFF drive backplane detection connector
21	Fan power connector
22	Front drive cage 2 backplane power connector
23	Front drive cage 1 backplane power connector
24	Storage backup power connector for expansion slots 1–2
25	SATA 6Gb/s connector 4
26	SATA 6Gb/s connector 5
27	Power pass-through board connector
28	Internal USB 3.0 connector
29	SATA x4 connector 1
30	Rear drive cage backplane power connector
31	Front USB 2.0 connector
32	6 SFF backplane sideband connector

¹ The PCIe expansion slots 1-4 and the FlexibleLOM slot are associated with processor 1.

² The PCIe expansion slots 5-7 are associated with processor 2.

DIMM slot locations

DIMM slots are numbered sequentially (1 through 8) for each processor. The supported AMP modes use the letter assignments for population guidelines.



The arrow points to the front of the server.

System maintenance switch

Position	Default	Function
S1	Off	Off = iLO 4 security is enabled. On = iLO 4 security is disabled.
S2	Off	Off = System configuration can be changed. On = System configuration is locked.

Position	Default	Function
S3	Off	Reserved
S4	Off	Reserved
S5	Off	Off = Power-on password is enabled. On = Power-on password is disabled.
S6	Off	Off = No function On = ROM reads system configuration as invalid.
S7	Off	Off = Set default boot mode to UEFI. On = Set default boot mode to legacy.
S8	—	Reserved
S9	—	Reserved
S10	—	Reserved
S11	—	Reserved
S12	—	Reserved

To access the redundant ROM, set S1, S5, and S6 to On.

When the system maintenance S6 switch is set to the On position, the system will erase all system configuration settings from both CMOS and NVRAM on the next reboot.



CAUTION: Clearing CMOS and/or NVRAM deletes configuration information. Be sure to properly configure the server or data loss could occur.

Before using the S7 switch to change the boot mode to Legacy BIOS Mode, you must first disable the Dynamic Smart Array B140i Controller.

To disable the Dynamic Smart Array B140i Controller:

1. Reboot the server.
The server restarts and the POST screen appears.
2. Press **F9**.
The System Utilities screen appears.
3. Select **System Configuration** → **BIOS/Platform Configuration (RBSU)** → **System Options** → **SATA Controller Options** → **Embedded SATA Configuration**, and then press **Enter**.
4. Select **Enable SATA AHCI Support**, and then press **Enter**.
5. Press **F10** to save the selection.
6. Press **Y** to save the changes.
The `Change saved confirmation` prompt appears.
7. Select **Exit and resume system boot**, and press **Enter**.
The server continues the normal boot process.

NMI functionality

An NMI crash dump creates a crash dump log before resetting a system which is not responding.

Crash dump log analysis is an essential part of diagnosing reliability problems, such as failures of operating systems, device drivers, and applications. Many crashes freeze a system, and the only available action for administrators is to restart the system. Resetting the system erases any information which could support problem analysis, but the NMI feature preserves that information by performing a memory dump before a system reset.

To force the system to invoke the NMI handler and generate a crash dump log, do one of the following:

- Use the iLO Virtual NMI feature.

- Short the NMI header ("System board components" on page 12).

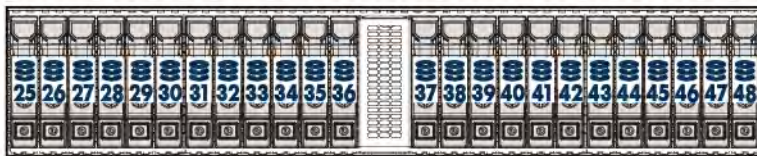
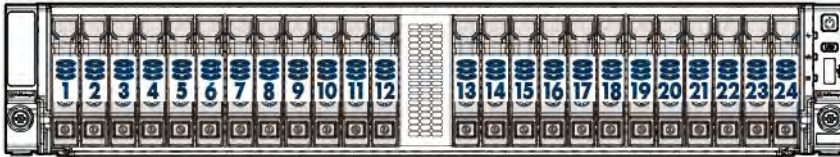
For more information, see the Hewlett Packard Enterprise website (<http://www.hpe.com/support/NMI-CrashDump>).

Drive numbering

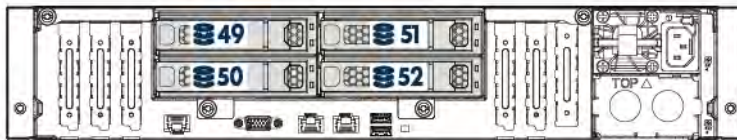
- 24-bay LFF hot-plug front drive numbering



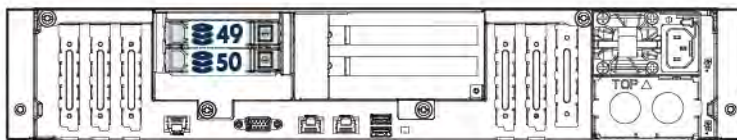
- 48-bay SFF hot-plug front drive numbering



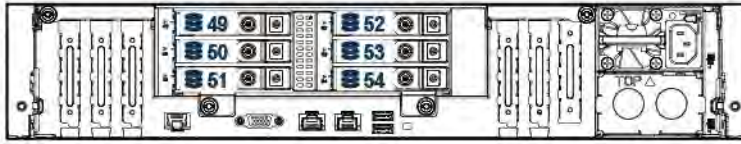
- Four-bay LFF hot-plug rear drive numbering



- Two-bay SFF hot-plug rear drive numbering



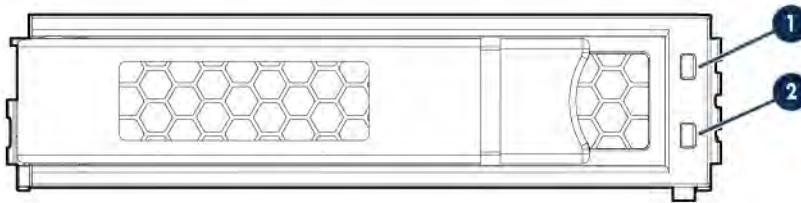
- Six-bay SFF hot-plug rear drive numbering



Drive LEDs

LFF and SFF drives have different sets of LEDs to reflect the drive status.

LFF drive LED definitions

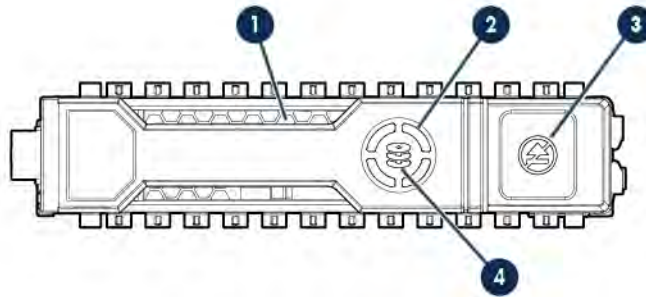


Item	Definition
1	Fault/UID (amber/blue)
2	Online/Activity (green)

Online/Activity LED (green)	Fault/UID LED (amber/blue)	Definition
On, off, or flashing	Alternating amber and blue	One or more of the following conditions exist: <ul style="list-style-type: none"> • The drive has failed. • A predictive failure alert has been received for this drive. • The drive has been selected by a management application.
On, off, or flashing	Solid blue	One or both of the following conditions exist: <ul style="list-style-type: none"> • The drive is operating normally. • The drive has been selected by a management application.
On	Flashing amber	A predictive failure alert has been received for this drive. Replace the drive as soon as possible.
On	Off	The drive is online but is not currently active.
1 flash per second	Flashing amber	Do not remove the drive. Removing the drive might terminate the current operation and cause data loss. The drive is part of an array that is undergoing capacity expansion or stripe migration, but a predictive failure alert has been received for this drive. To minimize the risk of data loss, do not remove the drive until the expansion or migration is complete.
1 flash per second	Off	Do not remove the drive. Removing the drive might terminate the current operation and cause data loss. The drive is rebuilding, erasing, or is part of an array that is undergoing capacity expansion or stripe migration.
4 flashes per second	Flashing amber	The drive is active but a predictive failure alert has been received for this drive. Replace the drive as soon as possible.

Online/Activity LED (green)	Fault/UID LED (amber/blue)	Definition
4 flashes per second	Off	The drive is active and is operating normally.
Off	Solid amber	A critical fault condition has been identified for this drive and the controller has placed it offline. Replace the drive as soon as possible.
Off	Flashing amber	A predictive failure alert has been received for this drive. Replace the drive as soon as possible.
Off	Off	The drive is offline, a spare, or not configured as part of an array.

SFF drive LED definitions



Item	LED	Status	Definition
1	Locate	Solid blue	The drive is being identified by a host application.
		Flashing blue	The drive carrier firmware is being updated or requires an update.
2	Activity ring	Rotating green	Drive activity
		Off	No drive activity
3	Do not remove	Solid white	Do not remove the drive. Removing the drive causes one or more of the logical drives to fail.
		Off	Removing the drive does not cause a logical drive to fail.
4	Drive status	Solid green	The drive is a member of one or more logical drives.
		Flashing green	The drive is rebuilding or performing a RAID migration, strip size migration, capacity expansion, or logical drive extension, or is erasing.
		Flashing amber/green	The drive is a member of one or more logical drives and predicts the drive will fail.
		Flashing amber	The drive is not configured and predicts the drive will fail.
		Solid amber	The drive has failed.
	Off	The drive is not configured by a RAID controller.	

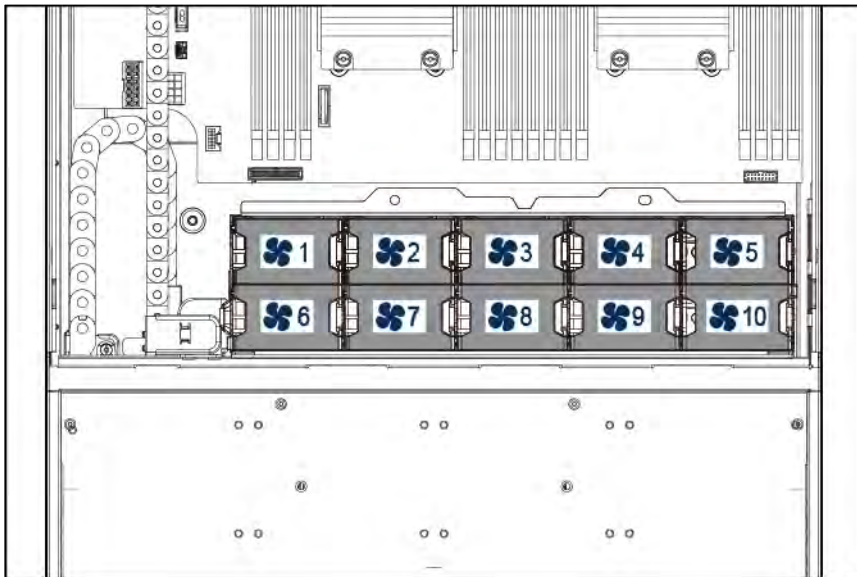
The blue Locate LED is behind the release lever and is visible when illuminated.



IMPORTANT: The Dynamic Smart Array B140i Controller is only available in UEFI Boot Mode. It cannot be enabled in Legacy BIOS Boot Mode. If the B140i controller is disabled, drives connected to the system board Mini-SAS connectors operate in AHCI or Legacy mode. Under this condition:

- The drives cannot be a part of a hardware RAID or a logical drive.
 - The Locate, Drive status, and Do not remove LEDs of the affected drives are disabled.
- Use BIOS/Platform Configuration (RBSU) in the UEFI System Utilities ("[HPE UEFI System Utilities](#)" on page 159) to enable or disable the B140i controller (System Configuration → BIOS/Platform Configuration (RBSU) → System Options → SATA Controller Options → Embedded SATA Configuration).

Fan locations



Operations

Power up the server

To power up the server, press the Power On/Standby button.

Power down the server

Before powering down the server for any upgrade or maintenance procedures, perform a backup of critical server data and programs.



IMPORTANT: When the server is in standby mode, auxiliary power is still being provided to the system.

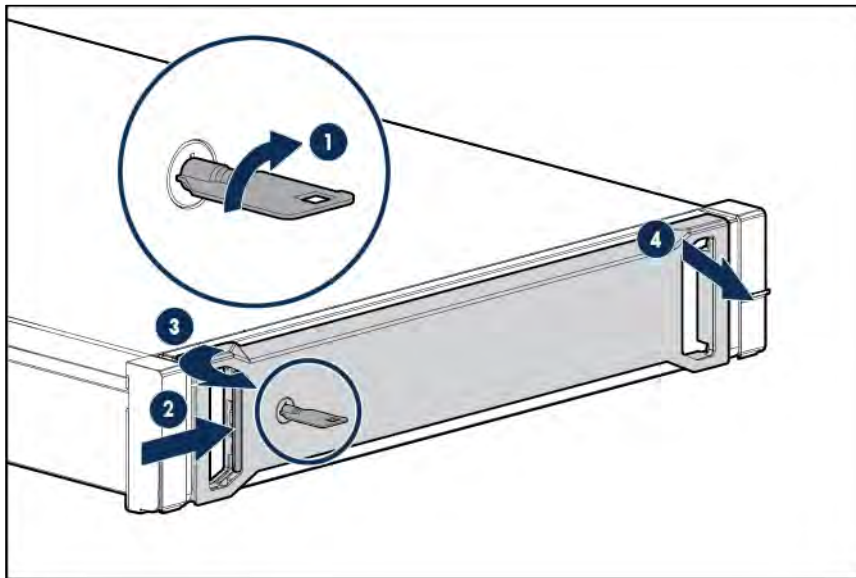
To power down the server, use one of the following methods:

- Press and release the Power On/Standby button.
This method initiates a controlled shutdown of applications and the OS before the server enters standby mode.
- Press and hold the Power On/Standby button for more than 4 seconds to force the server to enter standby mode.
This method forces the server to enter standby mode without properly exiting applications and the OS. If an application stops responding, you can use this method to force a shutdown.
- Use a virtual power button selection through iLO 4.
This method initiates a controlled remote shutdown of applications and the OS before the server enters standby mode.

Before proceeding, verify the server is in standby mode by observing that the system power LED is amber.

Remove the security bezel

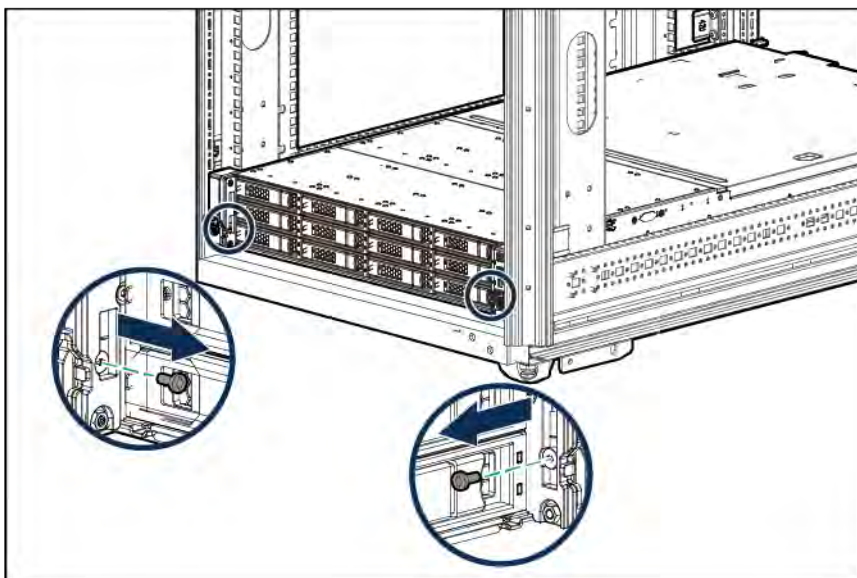
To access the front panel components, unlock and then remove the security bezel.



Extend the front drive cages out of the chassis

The front drive cages are secured to the chassis by shipping screws upon product delivery. The location and number of these shipping screws depend on how the server was shipped during product delivery. Remove these shipping screws before extending the front drive cages for the first time.

- For a server that was already mounted on a rack during product delivery, there are two screws located on the rack ears. Do the following to remove these screws:
 - a. If installed, remove the security bezel (on page 19).
 - b. Remove the shipping screws on the rack ears.



- For a server that was delivered in a shipping carton, the shipping screws should have been removed before the server was first installed in the rack. See "Removing the shipping screws from the front drive cages (on page 44)."



WARNING: To reduce the risk of personal injury or damage to the equipment, adequately stabilize the rack before extending a component outside the rack. Extend only one component at a time. A rack may become unstable if more than one component is extended.

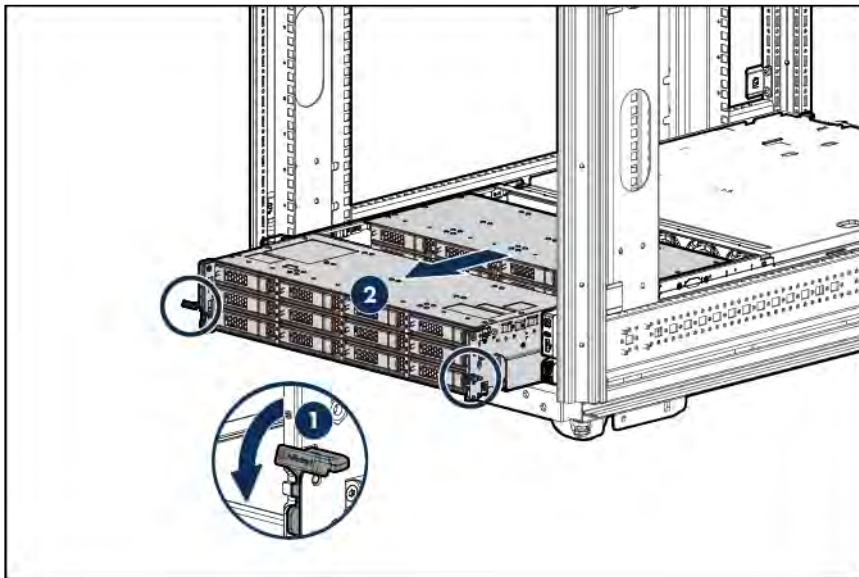


CAUTION: Do not operate the server for long periods with the front drive cages extended. When the front drive cages are extended while the server is powered on, do one of the following:

- If the iLO *08-HD Max* sensor reading is reporting a temperature value, monitor the status of the front drive health/thermal LED ("[Front panel LEDs and buttons](#)" on page 7). When this LED starts flashing amber, immediately slide the drive cages back into the chassis and keep them there until the LED turns green.
- If the iLO *08-HD Max* sensor reading is reporting an *N/A* value, monitor how long the drive cages have been out of the chassis. Before reaching the 140 sec mark, slide the drive cages back into the chassis and keep them there for at least 300 sec before extending them out again.

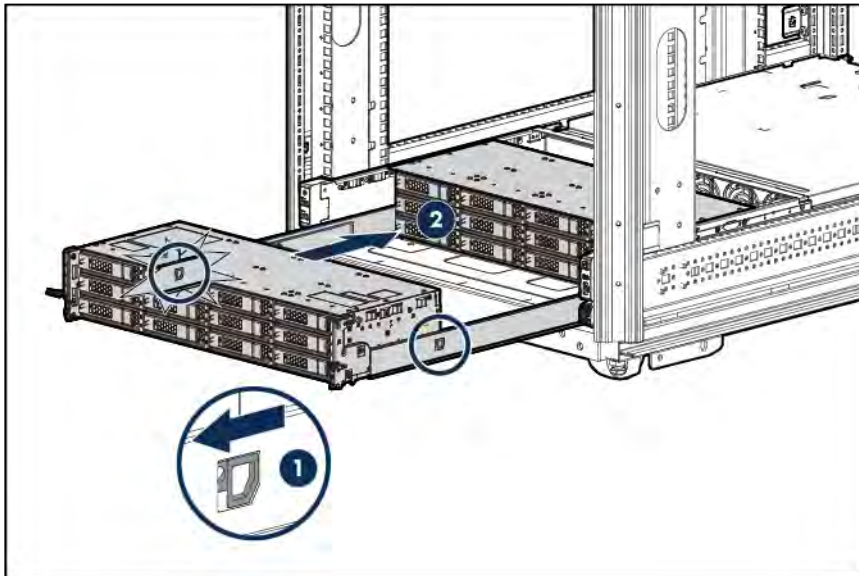
Failure to observe this caution will result in improper airflow and insufficient cooling that can lead to thermal damage.

To extend the front drive cages, pull down the front drive cage release latches and use them to extend the drive cages out of the chassis.



Slide the front drive cages into the chassis

After performing the installation or maintenance procedure, pull and hold the front drive cage rail release latches, and then slide the drive cages back into the chassis.



Remove a drive from the front drive cages

WARNING: To reduce the risk of personal injury or equipment damage, be sure that the rack is adequately stabilized before extending a component from the rack.

WARNING: To reduce the risk of personal injury from hot surfaces, allow the drives, power input modules, and the internal system components to cool before touching them.

CAUTION: Do not operate the server for long periods with the front drive cages extended. When the front drive cages are extended while the server is powered on, do one of the following:

- If the iLO 08-HD Max sensor reading is reporting a temperature value, monitor the status of the front drive health/thermal LED ("[Front panel LEDs and buttons](#)" on page 7). When this LED starts flashing amber, immediately slide the drive cages back into the chassis and keep them there until the LED turns green.
- If the iLO 08-HD Max sensor reading is reporting an *N/A* value, monitor how long the drive cages have been out of the chassis. Before reaching the 140 sec mark, slide the drive cages back into the chassis and keep them there for at least 300 sec before extending them out again.

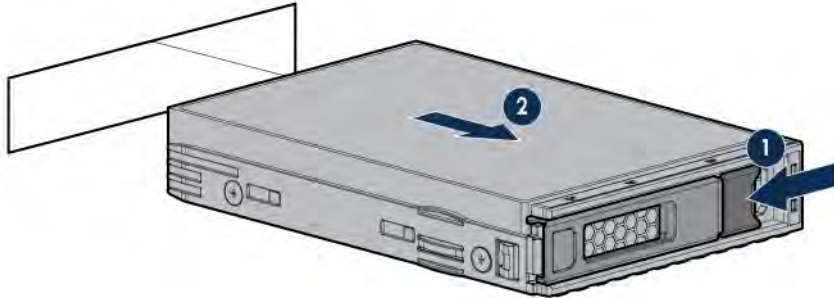
Failure to observe this caution will result in improper airflow and insufficient cooling that can lead to thermal damage.

CAUTION: Do not operate the server with any of the front drive cage 1 bays empty. To maintain proper airflow and sufficient cooling in the front drive cage 1, all drive bays in this cage should have a drive or a drive blank.

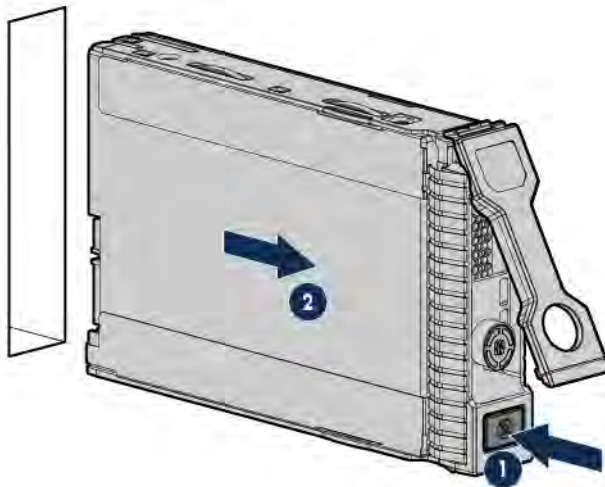
To remove the component:

1. Back up all server data.
2. Do one of the following:

- o If you intend to remove a drive from the front drive cage 1 and the security bezel is installed, remove the bezel ("[Remove the security bezel](#)" on page 19).
 - o If you intend to remove a drive from the front drive cage 2, extend the front drive cages out of the chassis (on page 20).
3. To remove an LFF drive:
- a. Determine the status of the drive from the drive LED definitions ("[Drive LEDs](#)" on page 16).
 - b. Wait until the Online/Activity LED stops flashing.
 - c. Press the latch to open the release lever.
 - d. Pull the release lever to disengage the drive from the backplane, and then slide the drive out of the bay.



4. To remove an SFF drive:
- a. Determine the status of the drive from the drive LED definitions ("[Drive LEDs](#)" on page 16).
 - b. Wait until the icon in the Do Not Remove button stops flashing and is no longer illuminated.
 - c. Press the Do Not Remove button to open the release lever.
 - d. Pull the release lever to disengage the drive from the backplane, and then slide the drive out of the bay.



Remove a drive from the rear drive cage

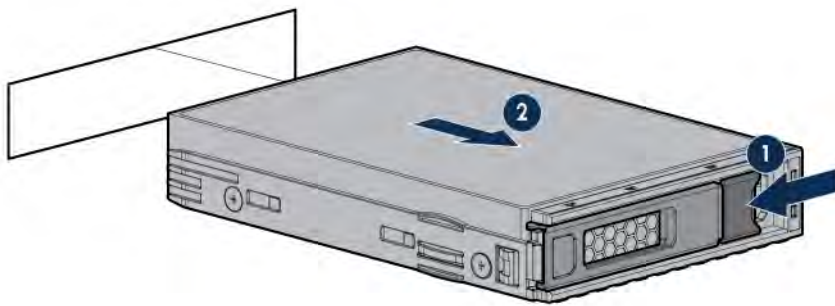


WARNING: To reduce the risk of personal injury from hot surfaces, allow the drives, power input modules, and the internal system components to cool before touching them.

CAUTION: Do not operate the server with any of the rear drive bays empty. To maintain proper airflow and sufficient cooling in the rear drive cage, all drive bays in this cage should have a drive or a drive blank. Hewlett Packard Enterprise recommends installing at least one drive in the rear drive cage before operating the server.

To remove the component:

1. Back up all server data.
2. Access the product rear panel.
3. To remove an LFF drive:
 - a. Determine the status of the drive from the drive LED definitions ("Drive LEDs" on page 16).
 - b. Wait until the Online/Activity LED stops flashing.
 - c. Press the latch to open the release lever.
 - d. Pull the release lever to disengage the drive from the backplane, and then slide the drive out of the bay.



4. To remove an SFF drive:
 - a. Determine the status of the drive from the drive LED definitions ("Drive LEDs" on page 16).
 - b. Wait until the icon in the Do Not Remove button stops flashing and is no longer illuminated.
 - c. Press the Do Not Remove button to open the release lever.
 - d. Pull the release lever to disengage the drive from the backplane, and then slide the drive out of the bay.

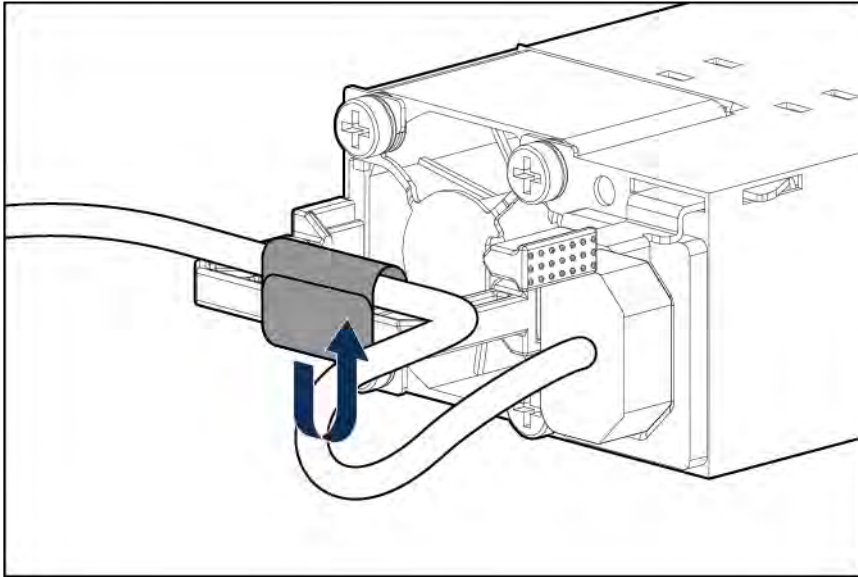


Remove a power input module

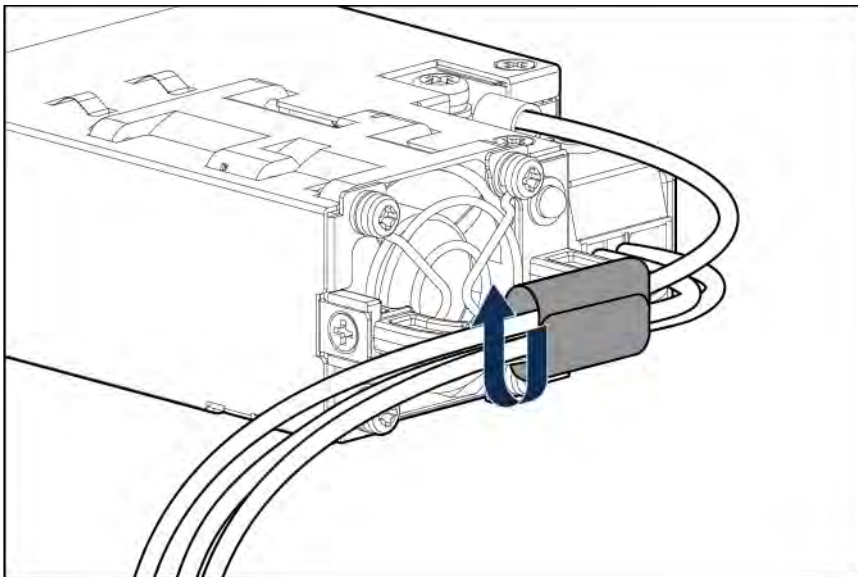
WARNING: To reduce the risk of personal injury from hot surfaces, allow the drives, power input modules, and the internal system components to cool before touching them.

To remove the component:

1. If the server is using a single power input module only, remove all power from the server:
 - a. Back up all server data.
 - b. Power down the server (on page 19).
 - c. Disconnect all peripheral cables from the server.
2. Release the power cords from the strain relief straps.
 - o AC power input module

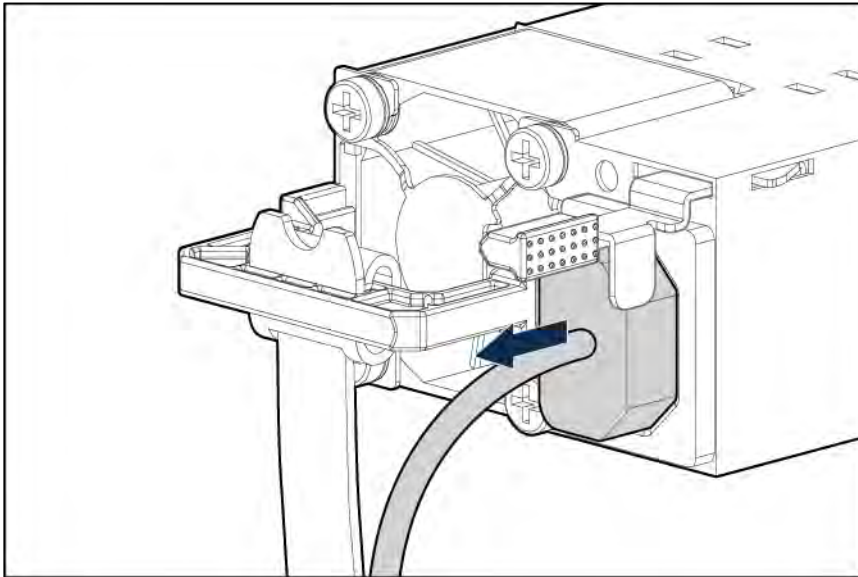


- o DC power input module

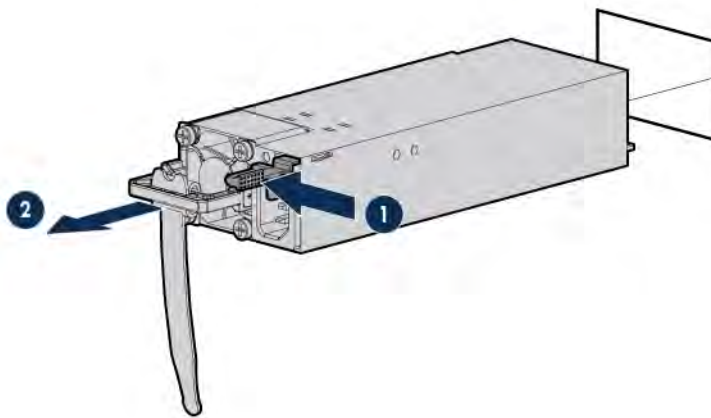


3. For an AC power input module, do the following:

- a. Disconnect the power cord from the power input module.

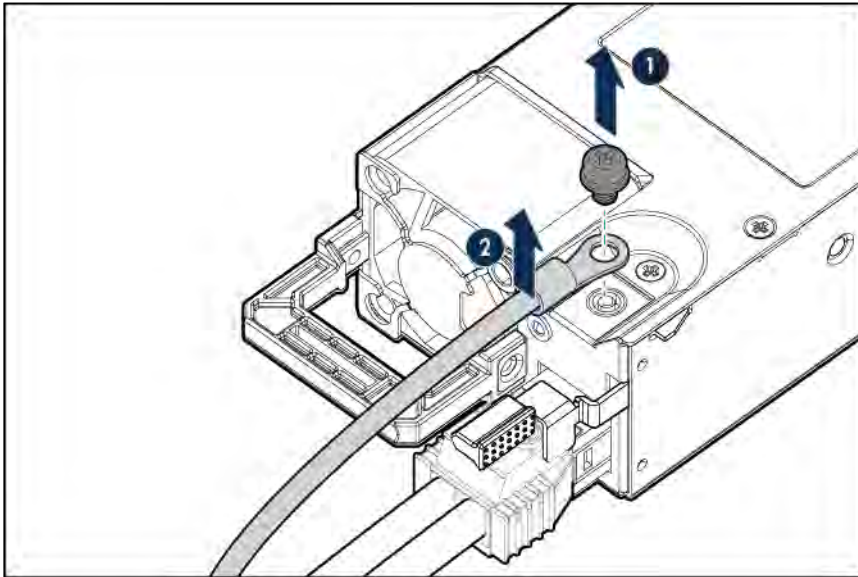


- b. Remove the power input module.

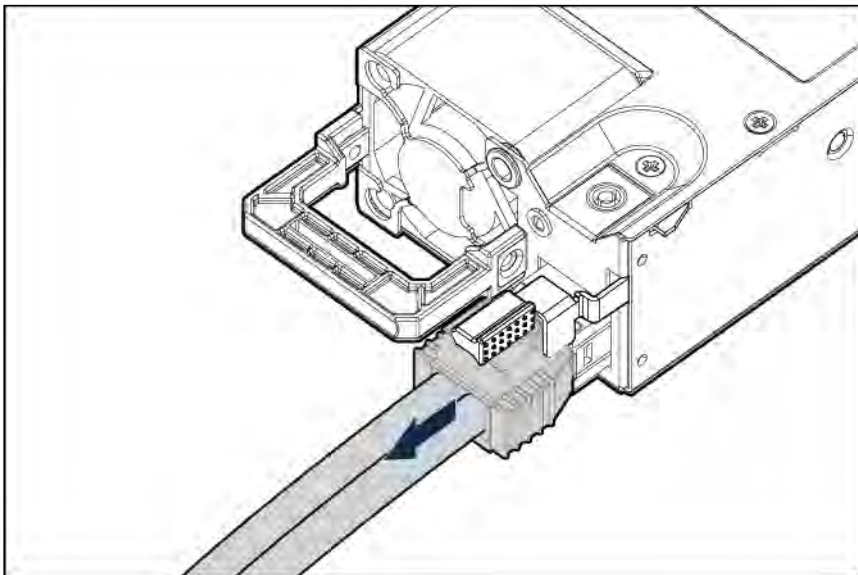


4. For a DC power input module, do the following:
 - a. Slide the power input module out of the bay just enough to access the ground cable screw.

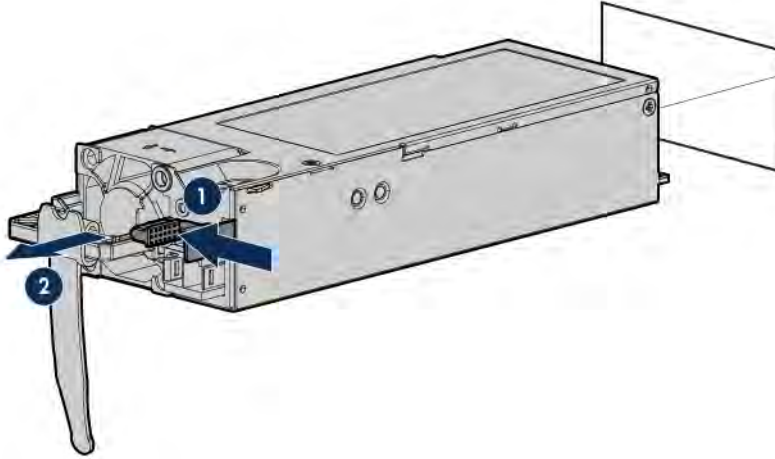
b. Detach the ground (earthed) cable from the power input module.



c. Remove the terminal block connector from the power input module.



- d. Remove the power input module.



Remove the server from the rack



WARNING: To reduce the risk of personal injury from hot surfaces, allow the drives, power input modules, and the internal system components to cool before touching them.



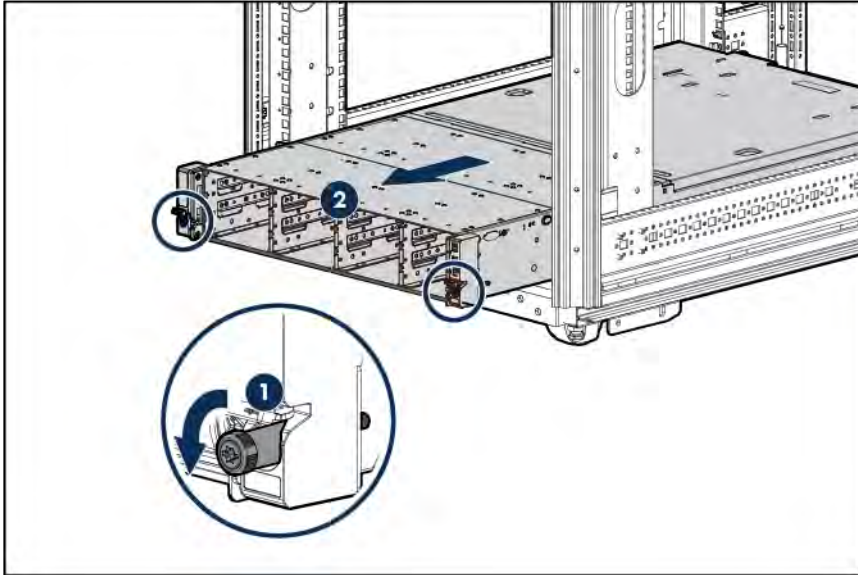
WARNING: This server is very heavy. To reduce the risk of personal injury or damage to the equipment:

- Observe local occupational health and safety requirements and guidelines for manual handling.
- Reduce the weight of the server by removing the drives and power input modules before installing or removing the server from the rack.
- Obtain adequate assistance to lift and stabilize the server during installation or removal. Hewlett Packard Enterprise recommends that a minimum of two people are required for installing or removing the server from the rack. A third person might be required to help align the server if the server is installed higher than chest level.
- Use caution when installing or removing the server from the rack; it is unstable when not fastened to the rails.

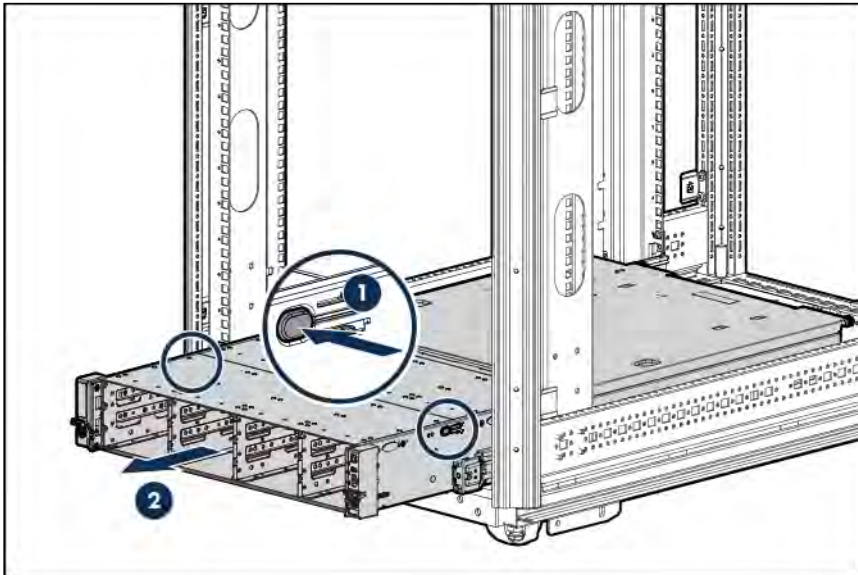
To remove the server from a Hewlett Packard Enterprise, Compaq-branded, Telco, or a third-party rack:

1. Back up all server data.
2. Power down the server (on page 19).
3. Remove all power:
 - a. Disconnect each power cord from the power source.
 - b. Disconnect each power cord from the server.
4. Disconnect all peripheral cables from the server.
5. Remove all installed power input modules.
6. If a rear drive cage option is installed, remove all rear drives ("[Remove a drive from the rear drive cage](#)" on page 23).
7. Remove all the drives installed in the front drive cages 1 and 2 ("[Remove a drive from the front drive cages](#)" on page 22).
8. Remove the server from the rack:
 - a. Loosen the rack ear thumbscrews.

- b. Pull the thumbscrews to extend the server out of the rack until the rack rail lock is engaged.



- c. Press the server release latches, and then slide the server out of the rack.



9. Place the server on a sturdy, level surface.

Remove the access panel

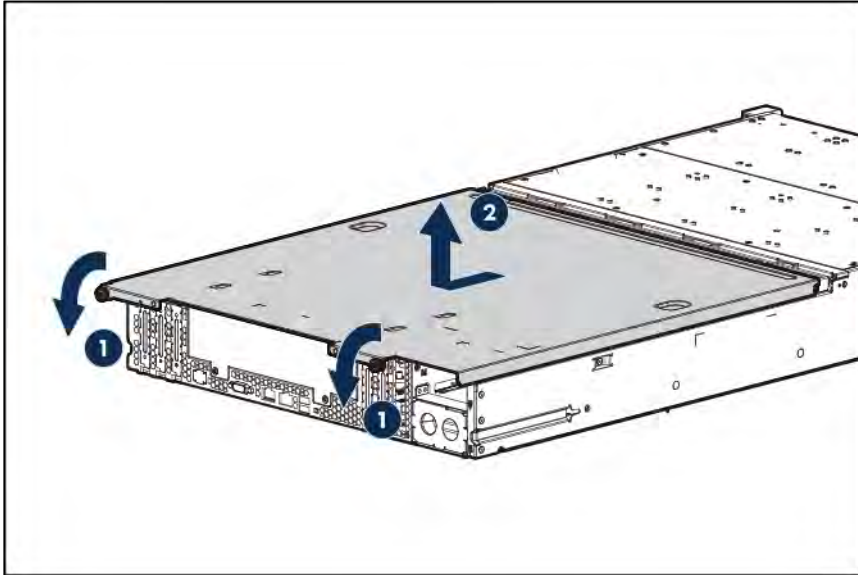


WARNING: To reduce the risk of personal injury from hot surfaces, allow the internal system components to cool before touching them.

To remove the component:

1. Power down the server (on page 19).
2. Remove the server from the rack (on page 28).
3. Use a screwdriver to loosen the access panel screws.

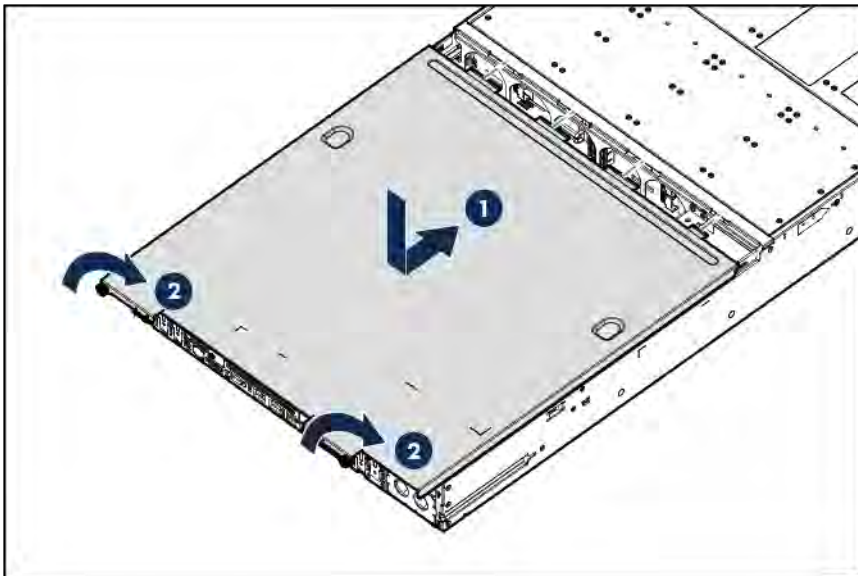
4. Slide the access panel toward the rear of the server, then lift it from the server.



Turn the access panel over to locate the BCD228 Server hood label. This label provides convenient access to component identification, LED status indicators, and system maintenance switch settings information.

Install the access panel

1. Place the access panel on top of the chassis, and then insert the tabs into the corresponding slots on the chassis.
2. Use a screwdriver to tighten the access panel screws.

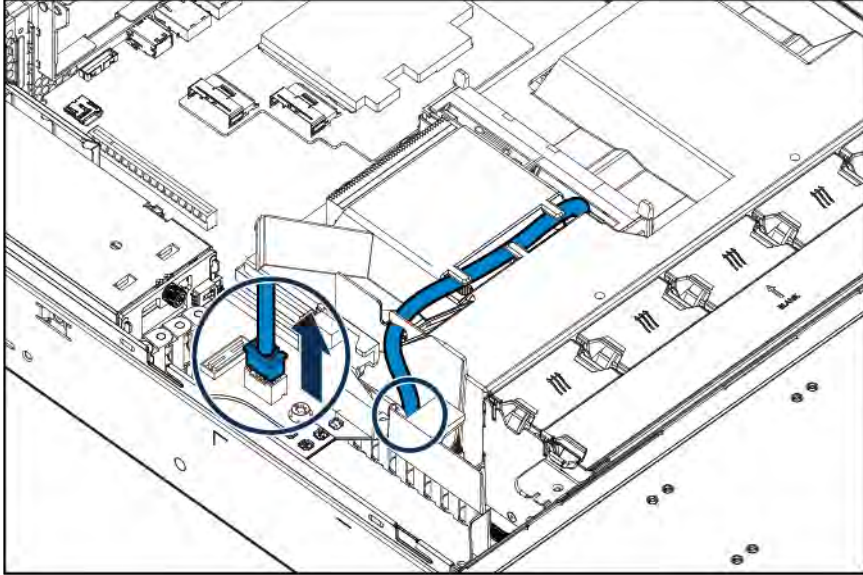


Remove the air baffle

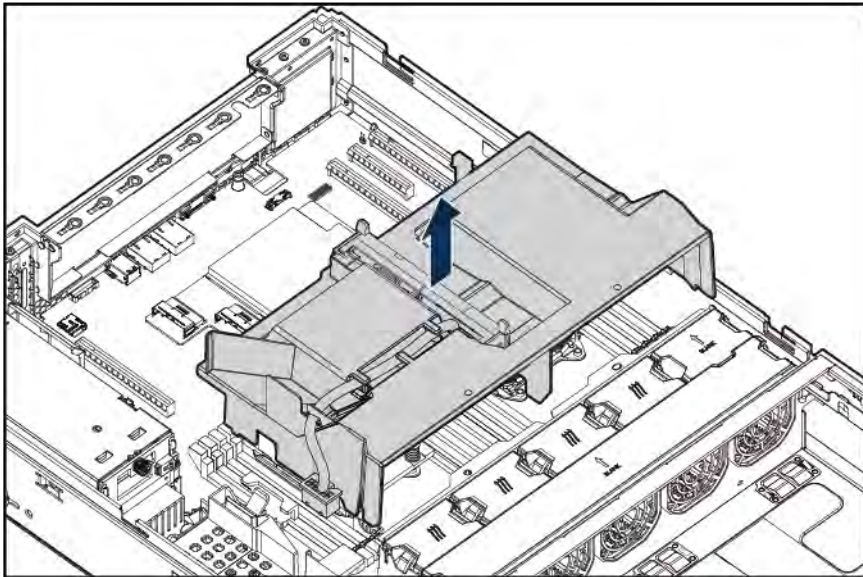
To remove the component:

1. Power down the server (on page 19).
2. Remove the server from the rack (on page 28).

3. Remove the access panel (on page 29).
4. Remove the air baffle:
 - a. If a Smart Storage Battery is installed on the air baffle, disconnect the battery cable.

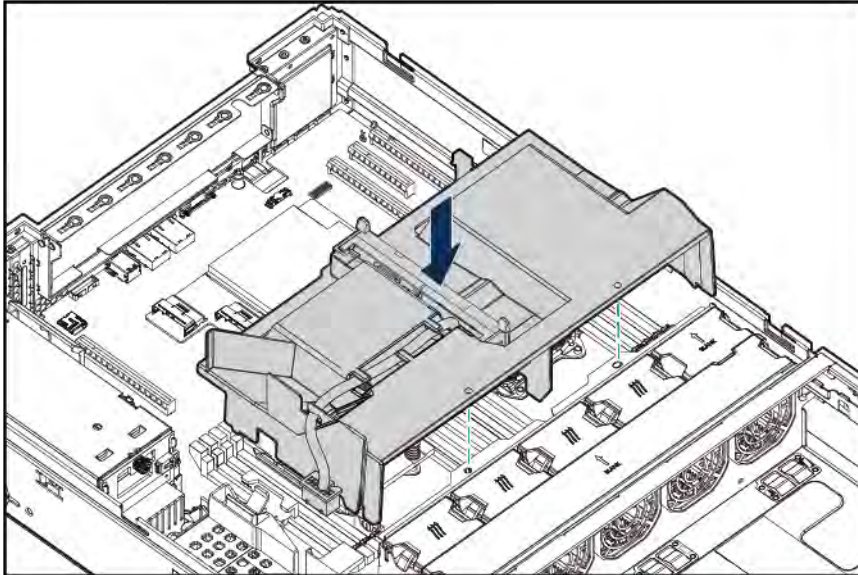


- b. Remove the air baffle.

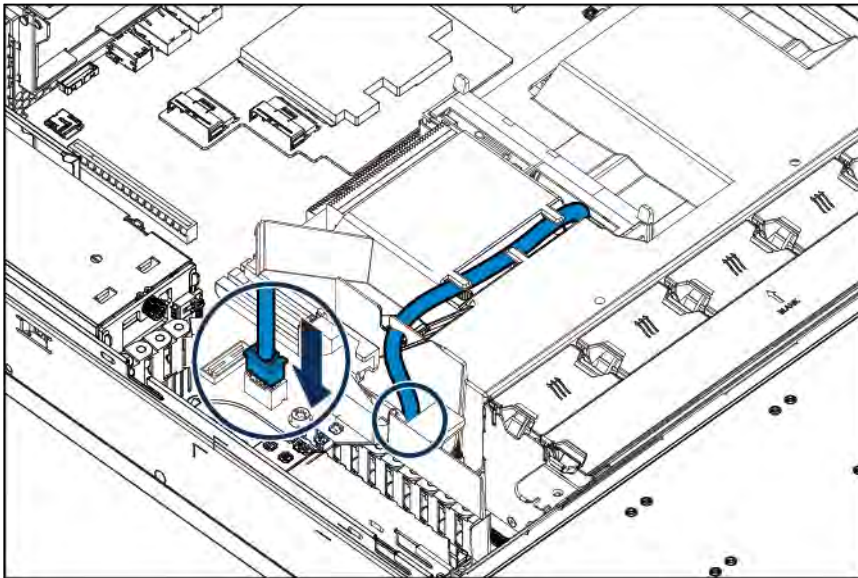


Install the air baffle

1. Insert the guide pins on the front edge of the air baffle in the holes located on the rear edge of the fan cage.



2. If disconnected, connect the Smart Storage Battery cable.

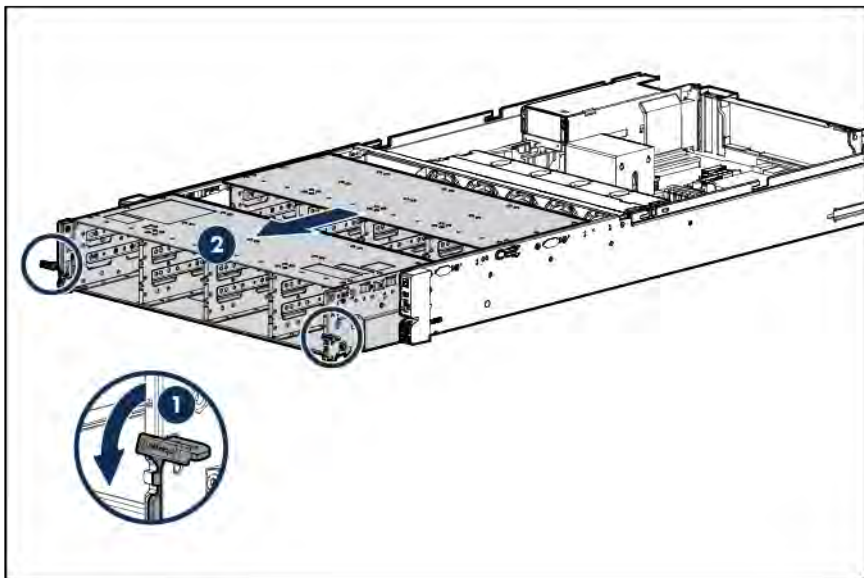


3. Install the access panel (on page 30).
4. Install the server into the rack (on page 45).
5. Power up the server (on page 19).

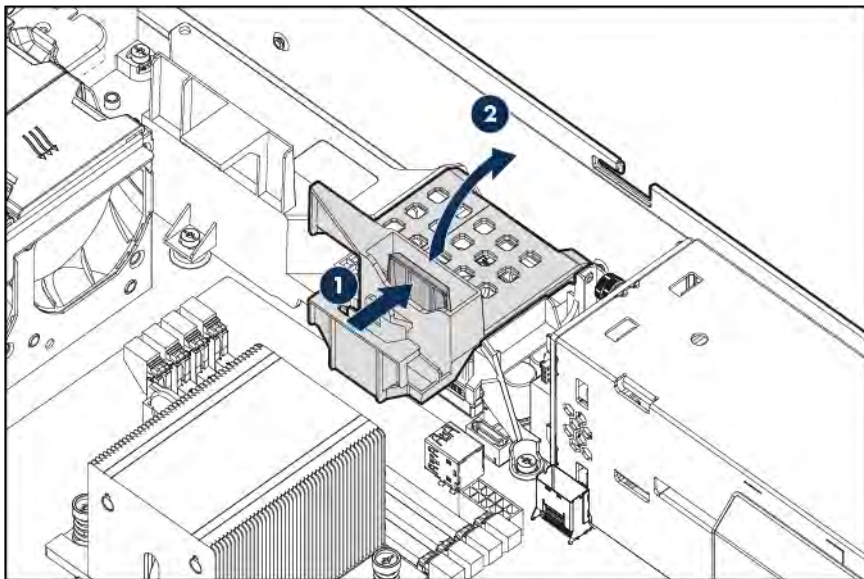
Open the cable management holder

1. Power down the server (on page 19).
2. Remove the server from the rack (on page 28).
3. Remove the access panel (on page 29).
4. Remove the air baffle (on page 30).

5. Pull down the front drive cage release latches and use them to completely extend the drive cages out of the chassis.

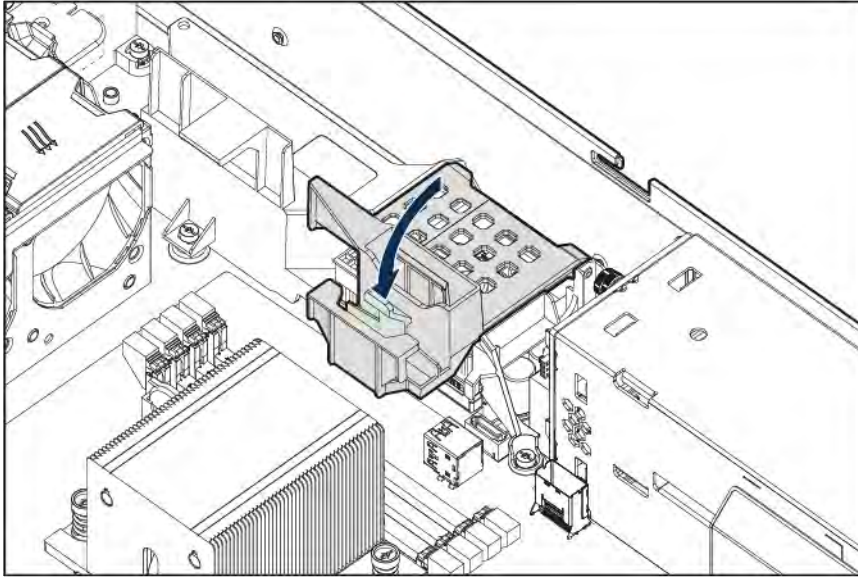


6. Disconnect all system cables secured in the cable management holder from the system board or controller board, and then release them from the holder.
7. Press and hold the cable management holder release latch, and then move the holder up.

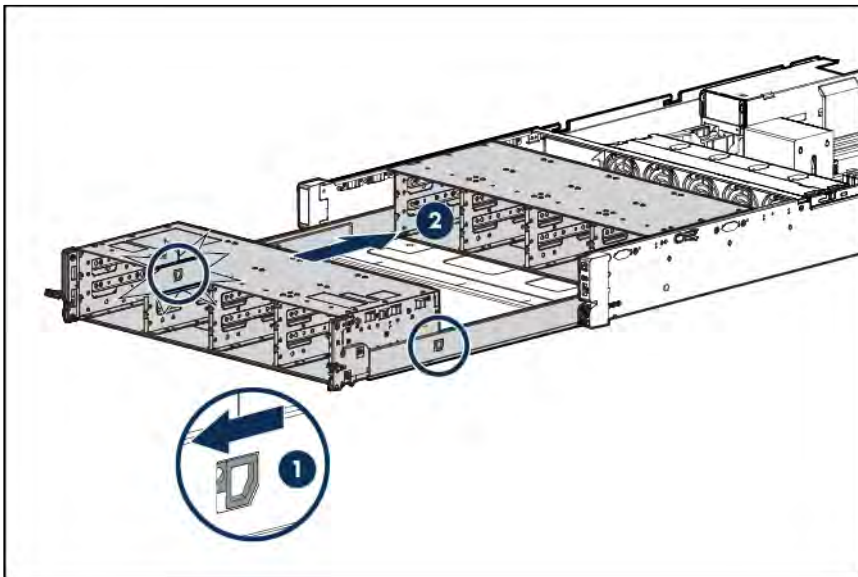


Close the cable management holder

1. Return the cable management holder to its original position.



2. Secure all disconnected system cables in the cable management holder, and then connect them to the system board and/or controller board.
3. Pull and hold the drive cage rail release latches, and then slide the drive cages back into the chassis.



4. Install the air baffle (on page 32).

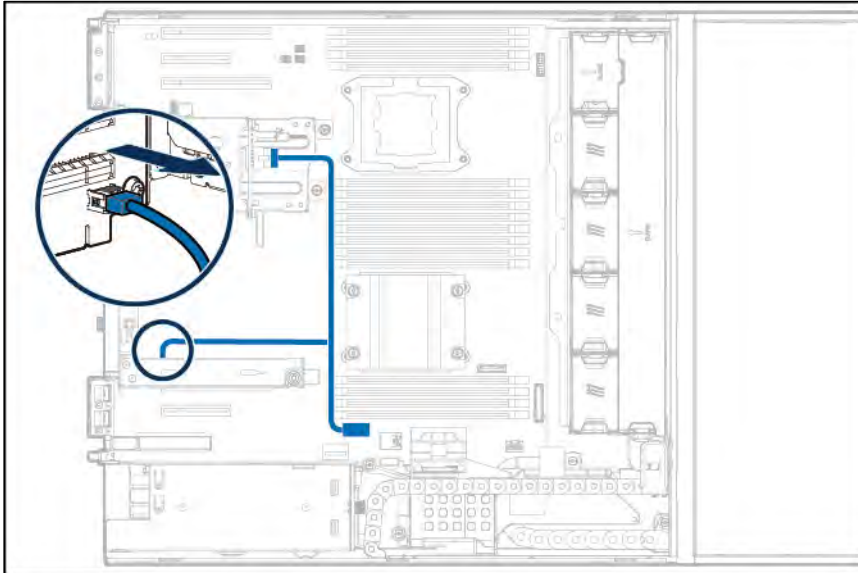
Remove the PCI riser cage

⚠ WARNING: To reduce the risk of personal injury from hot surfaces, allow the internal system components to cool before touching them.

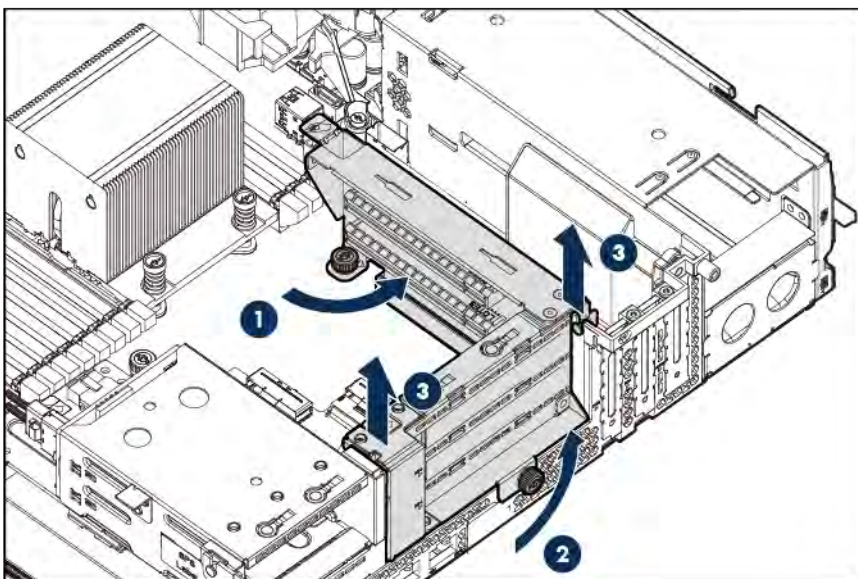
⚠ CAUTION: To prevent damage to electrical components, take the appropriate anti-static precautions before beginning any installation, removal, or replacement procedure. Improper grounding can cause electrostatic discharge.

To remove the component:

1. Power down the server (on page 19).
2. Remove all power:
 - a. Disconnect each power cord from the power source.
 - b. Disconnect each power cord from the server.
3. Remove the server from the rack (on page 28).
4. Remove the access panel (on page 29).
5. If expansion boards with internal cabling are installed on the PCI riser cage, disconnect all internal cables from the expansion boards to completely remove the cage from the server.
6. Disconnect the power cable from the riser board.



7. Remove the PCI riser cage:
 - a. Loosen the captive screw on the front end of the PCI riser cage.
 - b. Loosen the thumbscrew on the rear end of the PCI riser cage.
 - c. Grasp the PCI riser cage at the touch points and lift it out of the chassis.

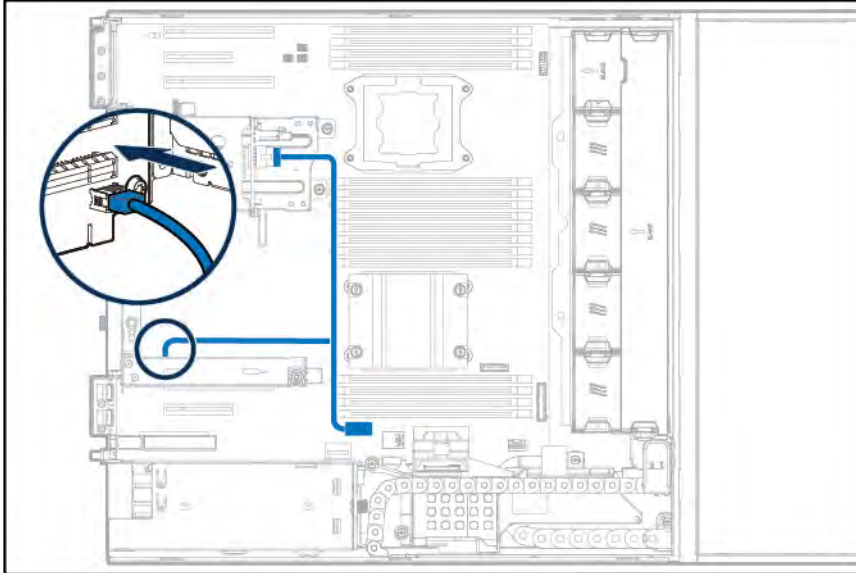


Install the PCI riser cage

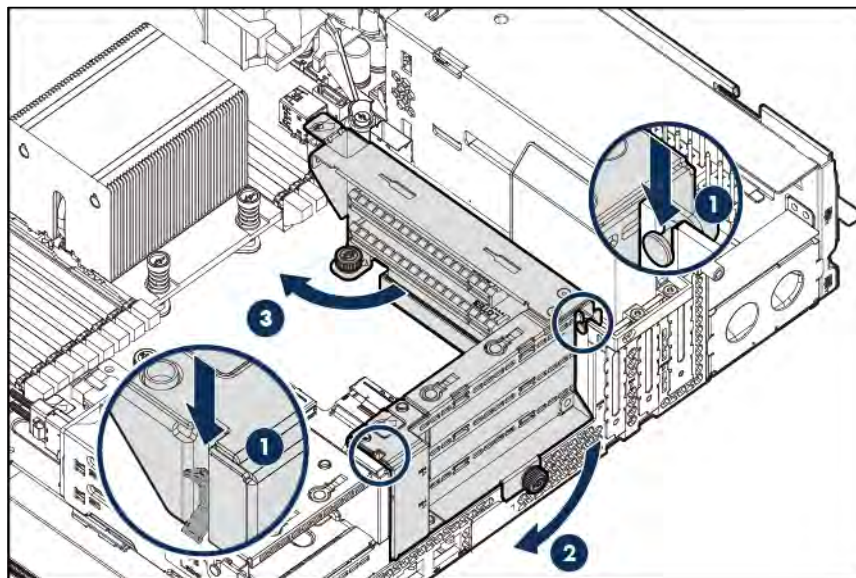
CAUTION: To prevent damage to electrical components, properly ground the server before beginning any installation procedure. Improper grounding can cause electrostatic discharge.

To install the component:

1. Connect the power cable to the riser board.



2. Install the PCI riser cage:
 - a. On the right side of the PCI riser cage, align the small tab on the drive cage with the notch on PCI riser cage.
On the left side of the PCI riser cage, align the pin with the notch on the rear panel.
 - b. Tighten the thumbscrew to secure the PCI riser cage to the rear panel.
 - c. Tighten the captive screw to secure the PCI riser cage to the system board.



3. If cabled expansion boards are installed on the PCI riser cage, connect all necessary internal cabling to the expansion boards.

For more information on these cabling requirements, see the documentation that ships with the option.

4. Install the access panel (on page 30).
5. Install the server into the rack (on page 45).
6. Power up the server (on page 19).

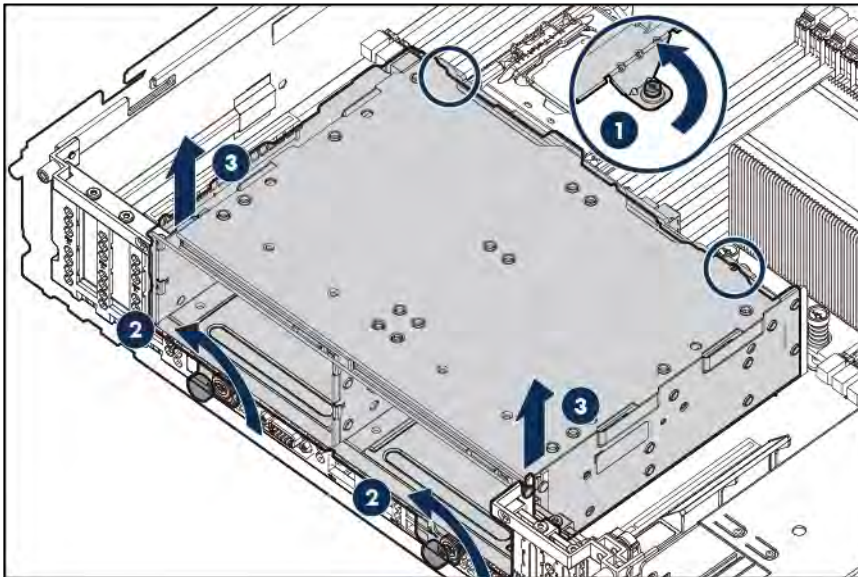
Remove a rear drive cage

WARNING: To reduce the risk of personal injury from hot surfaces, allow the internal system components to cool before touching them.

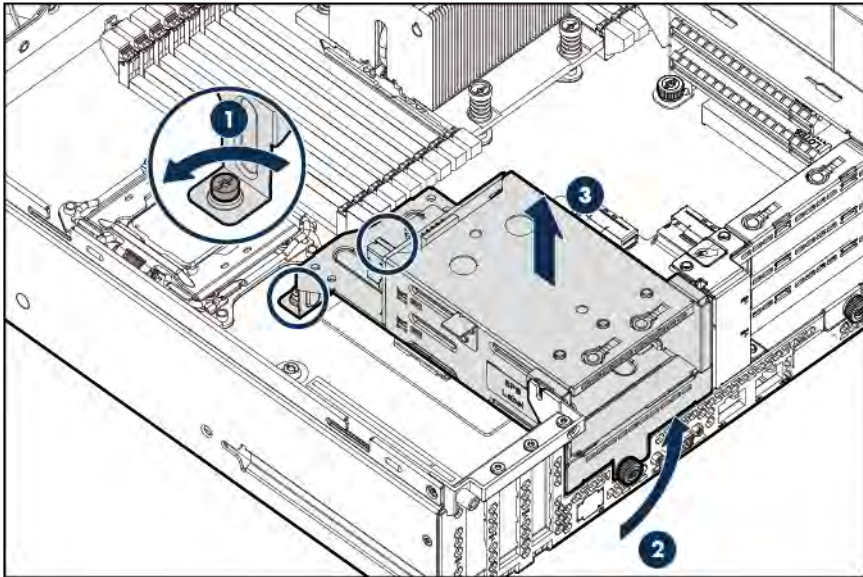
CAUTION: To prevent damage to electrical components, take the appropriate anti-static precautions before beginning any installation, removal, or replacement procedure. Improper grounding can cause electrostatic discharge.

To remove the component:

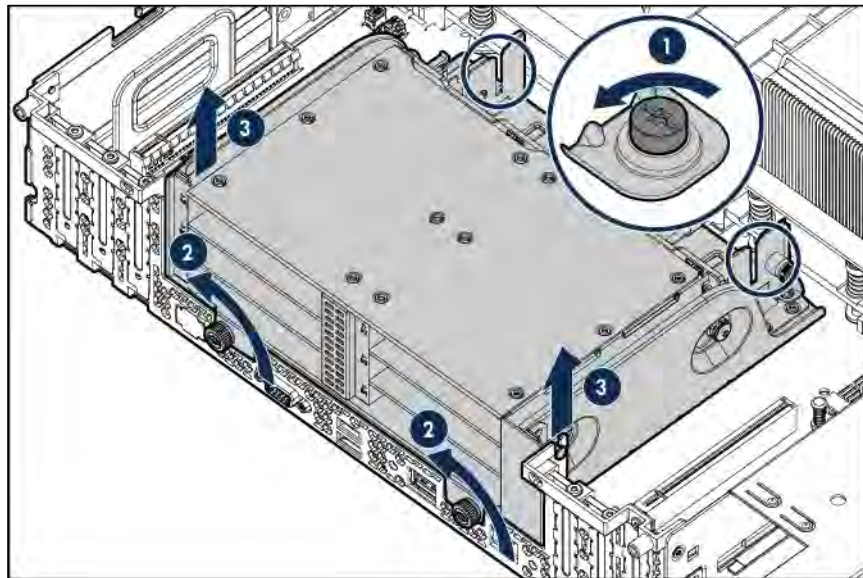
1. Power down the server (on page 19).
2. Remove all power:
 - a. Disconnect each power cord from the power source.
 - b. Disconnect each power cord from the server.
3. Remove the server from the rack (on page 28).
4. Remove the access panel (on page 29).
5. Disconnect all cables from the drive backplane.
6. Remove the rear drive cage:
 - o Four-bay LFF hot-plug rear drive cage removal



- o Two-bay SFF hot-plug rear drive cage removal



- o Six-bay SFF hot-plug rear drive cage removal



Setup

Optional services

Delivered by experienced, certified engineers, HPE support services help you keep your servers up and running with support packages tailored specifically. HPE support services let you integrate both hardware and software support into a single package. A number of service level options are available to meet your business and IT needs.

HPE support services offer upgraded service levels to expand the standard product warranty with easy-to-buy, easy-to-use support packages that will help you make the most of your server investments. Some of the HPE support services for hardware, software or both are:

- Foundation Care – Keep systems running.
 - 6-Hour Call-to-Repair
 - 4-Hour 24x7
 - Next Business Day
- Proactive Care – Help prevent service incidents and get you to technical experts when there is one.
 - 6-Hour Call-to-Repair
 - 4-Hour 24x7
 - Next Business Day
- Startup and implementation services for both hardware and software
- HPE Education Services – Help train your IT staff.

For more information on HPE support services, see the Hewlett Packard Enterprise website (<http://www.hpe.com/services>).

Optimum environment


When installing the server in a rack, select a location that meets the environmental standards described in this section.

Space and airflow requirements


To allow for servicing and adequate airflow, observe the following space and airflow requirements when deciding where to install a rack:

- Leave a minimum clearance of 63.5 cm (25 in) in front of the rack.
- Leave a minimum clearance of 76.2 cm (30 in) behind the rack.
- Leave a minimum clearance of 121.9 cm (48 in) from the back of the rack to the back of another rack or row of racks.



Hewlett Packard Enterprise servers draw in cool air through the front door and expel warm air through the rear door. Therefore, the front and rear rack doors must be adequately ventilated to allow ambient room air to enter the cabinet, and the rear door must be adequately ventilated to allow the warm air to escape from the cabinet.

-
-  **CAUTION:** To prevent improper cooling and damage to the equipment, do not block the ventilation openings.
-

When vertical space in the rack is not filled by a server or rack component, the gaps between the components cause changes in airflow through the rack and across the servers. Cover all gaps with blanking panels to maintain proper airflow.

-  **CAUTION:** Always use blanking panels to fill empty vertical spaces in the rack. This arrangement ensures proper airflow. Using a rack without blanking panels results in improper cooling that can lead to thermal damage.
-


The 9000 and 10000 Series Racks provide proper server cooling from flow-through perforations in the front and rear doors that provide 64 percent open area for ventilation.

-  **CAUTION:** When using a Compaq branded 7000 series rack, install the high airflow rack door insert (PN 327281-B21 for 42U rack, PN 157847-B21 for 22U rack) to provide proper front-to-back airflow and cooling.
-
-  **CAUTION:** If a third-party rack is used, observe the following additional requirements to ensure adequate airflow and to prevent damage to the equipment:
- Front and rear doors—If the 42U rack includes closing front and rear doors, you must allow 5,350 sq cm (830 sq in) of holes evenly distributed from top to bottom to permit adequate airflow (equivalent to the required 64 percent open area for ventilation).
 - Side—The clearance between the installed rack component and the side panels of the rack must be a minimum of 7 cm (2.75 in).
-

Temperature requirements



To ensure continued safe and reliable equipment operation, install or position the system in a well-ventilated, climate-controlled environment.

The maximum recommended ambient operating temperature (TMRA) for most server products is 35°C (95°F). The temperature in the room where the rack is located must not exceed 35°C (95°F).

-  **CAUTION:** To reduce the risk of damage to the equipment when installing third-party options:
- Do not permit optional equipment to impede airflow around the server or to increase the internal rack temperature beyond the maximum allowable limits.
 - Do not exceed the manufacturer's TMRA.
-

Power requirements

Installation of this equipment must comply with local and regional electrical regulations governing the installation of information technology equipment by licensed electricians. This equipment is designed to operate in installations covered by NFPA 70, 1999 Edition (National Electric Code) and NFPA-75, 1992 (code for Protection of Electronic Computer/Data Processing Equipment). For electrical power ratings on options, refer to the product rating label or the user documentation supplied with that option.

-  **WARNING:** To reduce the risk of personal injury, fire, or damage to the equipment, do not overload the AC supply branch circuit that provides power to the rack. Consult the electrical authority having jurisdiction over wiring and installation requirements of your facility.
-
-  **CAUTION:** Protect the server from power fluctuations and temporary interruptions with a regulating uninterruptible power supply. This device protects the hardware from damage caused by power surges and voltage spikes and keeps the system in operation during a power failure.
-

When installing more than one server, you might need to use additional power distribution devices to safely provide power to all devices. Observe the following guidelines:

- Balance the server power load between available AC supply branch circuits.
- Do not allow the overall system AC current load to exceed 80% of the branch circuit AC current rating.
- Do not use common power outlet strips for this equipment.
- Provide a separate electrical circuit for the server.

For more information on the hot-plug power supply and calculators to determine server power consumption in various system configurations, see the Hewlett Packard Enterprise Power Advisor website (<http://www.hpe.com/info/poweradvisor/online>).

Electrical grounding requirements

The server must be grounded properly for proper operation and safety. In the United States, you must install the equipment in accordance with NFPA 70, 1999 Edition (National Electric Code), Article 250, as well as any local and regional building codes. In Canada, you must install the equipment in accordance with Canadian Standards Association, CSA C22.1, Canadian Electrical Code. In all other countries, you must install the equipment in accordance with any regional or national electrical wiring codes, such as the International Electrotechnical Commission (IEC) Code 364, parts 1 through 7. Furthermore, you must be sure that all power distribution devices used in the installation, such as branch wiring and receptacles, are listed or certified grounding-type devices.

Because of the high ground-leakage currents associated with multiple servers connected to the same power source, Hewlett Packard Enterprise recommends the use of a PDU that is either permanently wired to the building's branch circuit or includes a nondetachable cord that is wired to an industrial-style plug. NEMA locking-style plugs or those complying with IEC 60309 are considered suitable for this purpose. Using common power outlet strips for the server is not recommended.

Connecting a DC power cable to a DC power source



WARNING: To reduce the risk of electric shock or energy hazards:

- This equipment must be installed by trained service personnel, as defined by the NEC and IEC 60950-1, Second Edition, the standard for Safety of Information Technology Equipment.
 - Connect the equipment to a reliably grounded Secondary circuit source. A Secondary circuit has no direct connection to a Primary circuit and derives its power from a transformer, converter, or equivalent isolation device.
 - The branch circuit overcurrent protection must be rated 27 A.
-



WARNING: When installing a DC power supply, the ground wire must be connected before the positive or negative leads.



WARNING: Remove power from the power supply before performing any installation steps or maintenance on the power supply.



CAUTION: The server equipment connects the earthed conductor of the DC supply circuit to the earthing conductor at the equipment. For more information, see the documentation that ships with the power supply.



CAUTION: If the DC connection exists between the earthed conductor of the DC supply circuit and the earthing conductor at the server equipment, the following conditions must be met:

- This equipment must be connected directly to the DC supply system earthing electrode conductor or to a bonding jumper from an earthing terminal bar or bus to which the DC supply system earthing electrode conductor is connected.
 - This equipment should be located in the same immediate area (such as adjacent cabinets) as any other equipment that has a connection between the earthed conductor of the same DC supply circuit and the earthing conductor, and also the point of earthing of the DC system. The DC system should be earthed elsewhere.
 - The DC supply source is to be located within the same premises as the equipment.
 - Switching or disconnecting devices should not be in the earthed circuit conductor between the DC source and the point of connection of the earthing electrode conductor.
-

To connect a DC power cable to a DC power source:

1. Cut the DC power cord ends no shorter than 150 cm (59.06 in).
2. If the power source requires ring tongues, use a crimping tool to install the ring tongues on the power cord wires.



IMPORTANT: The ring terminals must be UL approved and accommodate 12 gauge wires.



IMPORTANT: The minimum nominal thread diameter of a pillar or stud type terminal must be 3.5 mm (0.138 in); the diameter of a screw type terminal must be 4.0 mm (0.157 in).

3. Stack each same-colored pair of wires and then attach them to the same power source. The power cord consists of three wires (black, red, and green).

For more information, see the documentation that ships with the power supply.

Server warnings and caution



WARNING: This server is very heavy. To reduce the risk of personal injury or damage to the equipment:


- Observe local occupational health and safety requirements and guidelines for manual handling.
 - Reduce the weight of the server by removing the drives and power input modules before installing or removing the server from the rack.
 - Obtain adequate assistance to lift and stabilize the server during installation or removal. Hewlett Packard Enterprise recommends that a minimum of two people are required for installing or removing the server from the rack. A third person might be required to help align the server if the server is installed higher than chest level.
 - Use caution when installing or removing the server from the rack; it is unstable when not fastened to the rails.
-








WARNING: To reduce the risk of personal injury from hot surfaces, allow the drives, power input modules, and the internal system components to cool before touching them.



WARNING: To reduce the risk of personal injury, electric shock, or damage to the equipment, remove the power cord to remove power from the server. The front panel Power On/Standby button does not completely shut off system power. Portions of the power supply and some internal circuitry remain active until AC power is removed.

-
-  **CAUTION:** Protect the server from power fluctuations and temporary interruptions with a regulating uninterruptible power supply. This device protects the hardware from damage caused by power surges and voltage spikes and keeps the system in operation during a power failure.
-

Rack warnings and caution

-
-  **WARNING:** To reduce the risk of personal injury or damage to the equipment, be sure that:
- The leveling jacks are extended to the floor.
 - The full weight of the rack rests on the leveling jacks.
 - The stabilizing feet are attached to the rack if it is a single-rack installation.
 - The racks are coupled together in multiple-rack installations.
 - Only one component is extended at a time. A rack may become unstable if more than one component is extended for any reason.
-
-  **WARNING:** To reduce the risk of personal injury or equipment damage when unloading a rack:
- At least two people are needed to safely unload the rack from the pallet. An empty 42U rack can weigh as much as 115 kg (253 lb), can stand more than 2.1 m (7 ft) tall, and might become unstable when being moved on its casters.
 - Never stand in front of the rack when it is rolling down the ramp from the pallet. Always handle the rack from both sides.
-
-  **WARNING:** To reduce the risk of personal injury or damage to the equipment, adequately stabilize the rack before extending a component outside the rack. Extend only one component at a time. A rack may become unstable if more than one component is extended.
-
-  **WARNING:** When installing a server in a telco rack, be sure that the rack frame is adequately secured at the top and bottom to the building structure.
-
-  **CAUTION:** Do not operate the server for long periods with the front drive cages extended. When the front drive cages are extended while the server is powered on, do one of the following:
- If the iLO *08-HD Max* sensor reading is reporting a temperature value, monitor the status of the front drive health/thermal LED ("[Front panel LEDs and buttons](#)" on page 7). When this LED starts flashing amber, immediately slide the drive cages back into the chassis and keep them there until the LED turns green.
 - If the iLO *08-HD Max* sensor reading is reporting an *N/A* value, monitor how long the drive cages have been out of the chassis. Before reaching the 140 sec mark, slide the drive cages back into the chassis and keep them there for at least 300 sec before extending them out again.
- Failure to observe this caution will result in improper airflow and insufficient cooling that can lead to thermal damage.
-

Identifying the contents of the server shipping carton

Unpack the server shipping carton and locate the materials and documentation necessary for installing the server. All the rack mounting hardware necessary for installing the server into the rack is included with the rack or the server.

The contents of the server shipping carton include:

- Server

- Power cord
- Rack mounting hardware kit
- Printed setup documentation

In addition to the supplied items, you might need:

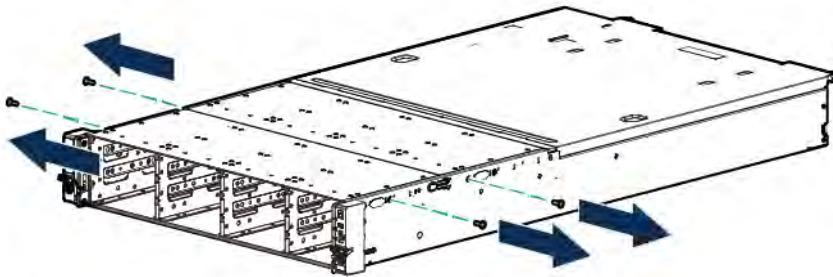
- T-10/T-15 Torx screwdriver
- T-25 Torx screwdriver
- Hardware options

Removing the shipping screws from the front drive cages

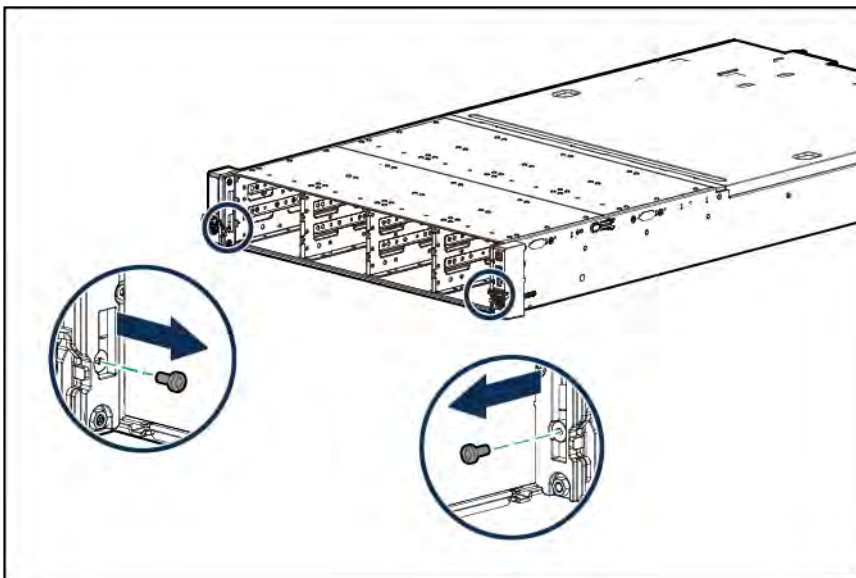
The front drive cages are secured to the chassis by shipping screws upon product delivery. The location and number of these shipping screws depend on how the server was shipped during product delivery. Remove these shipping screws before the first time installation of the server into the rack. This will allow the front drive cages to be extended out of the chassis.

Do one or both of the following steps to remove the shipping screws securing the front drive cages:

1. Remove the shipping screws on the sides of the chassis.



2. Remove the shipping screws on the rack ears:
 - a. If installed, remove the security bezel (on page 19).
 - b. Remove the shipping screws on the rack ears.



Installing hardware options

Install any internal hardware options before installing the server in the rack. External hardware components—drives and power input modules—are installed after the server is installed in the rack.

Install any hardware options before initializing the server. For options installation information, refer to the option documentation. For server-specific information, refer to "Hardware options installation (on page 51)."

Installing the server into the rack

To install the server into a rack with square, round, or threaded holes, refer to the instructions that ship with the rack hardware kit.

If you are installing the server into a telco rack, order the appropriate option kit at the RackSolutions website (<http://www.racksolutions.com/>). Follow the server-specific instructions on the website to install the rack brackets.

Use the following information when connecting peripheral cables and power cords to the server.



WARNING: This server is very heavy. To reduce the risk of personal injury or damage to the equipment:

- Observe local occupational health and safety requirements and guidelines for manual handling.
- Reduce the weight of the server by removing the drives and power input modules before installing or removing the server from the rack.
- Obtain adequate assistance to lift and stabilize the server during installation or removal. Hewlett Packard Enterprise recommends that a minimum of two people are required for installing or removing the server from the rack. A third person might be required to help align the server if the server is installed higher than chest level.
- Use caution when installing or removing the server from the rack; it is unstable when not fastened to the rails.



CAUTION: Always plan the rack installation so that the heaviest item is on the bottom of the rack. Install the heaviest item first, and continue to populate the rack from the bottom to the top.

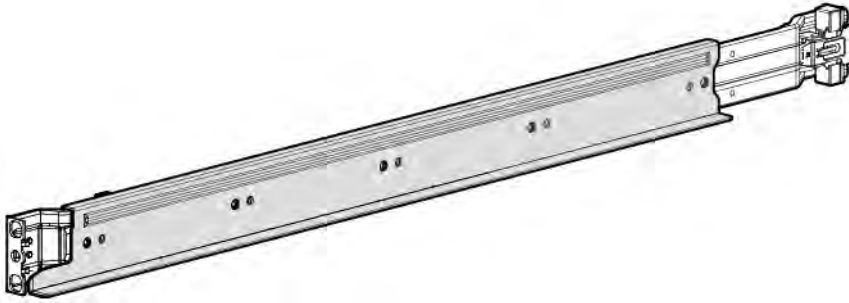
Install the server into the rack

Steps 1 and 2 in this section only apply to the first time installation of the server into the rack.

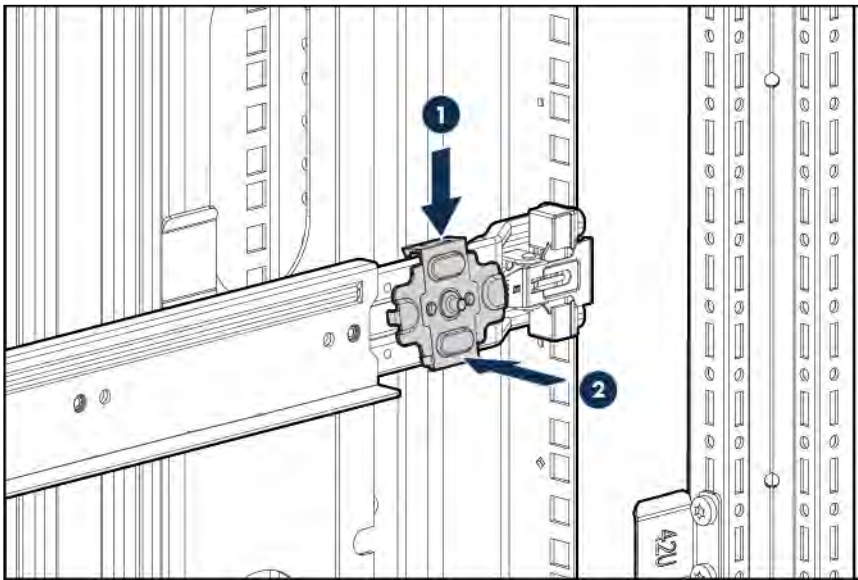
To install the server in a Hewlett Packard Enterprise, Compaq-branded, Telco, or a third-party rack:

1. Install the server rack rail in the rack. See the documentation that ships with the HPE 2U Shelf-Mount Adjustable Rail Kit.
2. The chassis retention brackets help to stabilize the server when the front drive cages are extended.

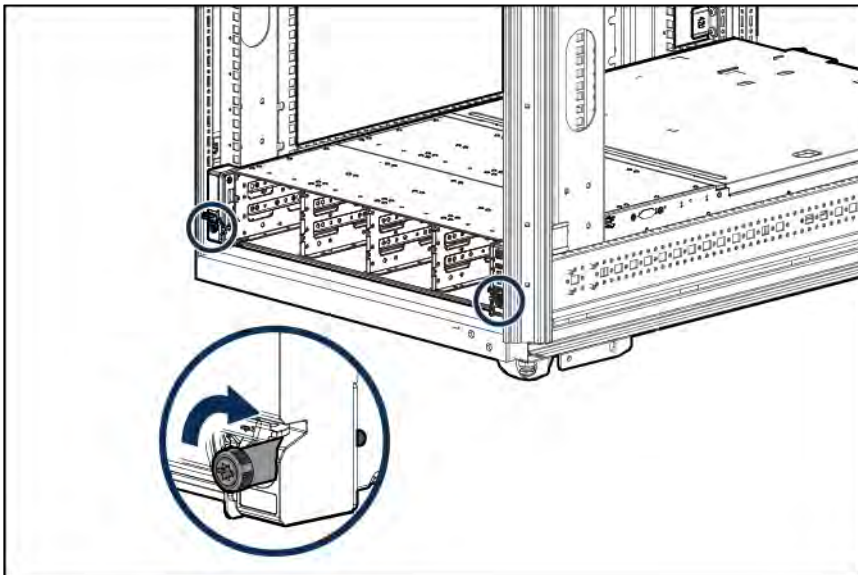
The illustration below shows the rack rail with the shelf portion highlighted in gray.



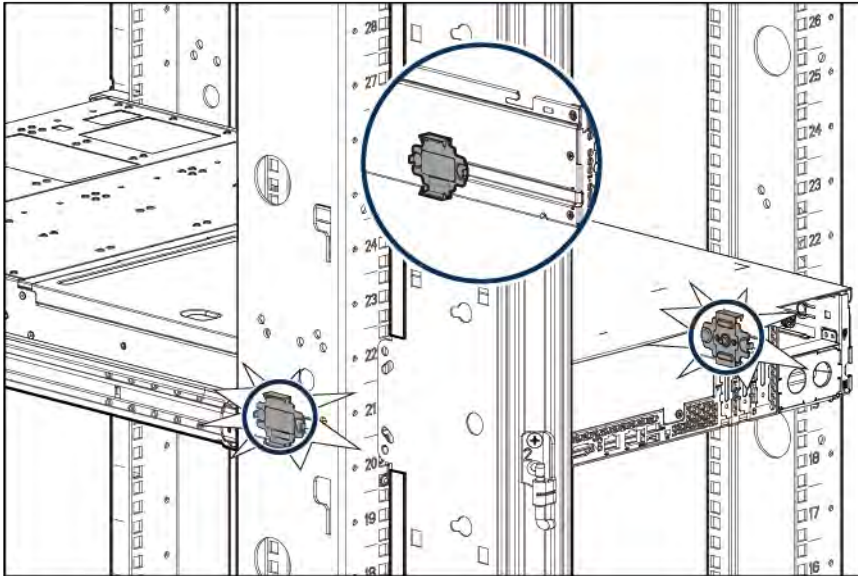
Install the chassis retention brackets on the non-shelf portion of the rack rail.



3. Install the server into the rack.
4. Tighten the rack ear thumbscrews.



5. Make sure the pins on the chassis retention brackets slot into the notches located on both sides of the chassis.



6. Install the drives in the front drive cages ("[Installing a hot-plug drive in front drive cage 2](#)" on page 54, "[Installing a hot-plug drive in the front drive cage 1](#)" on page 52).
7. Optional: Install the security bezel ("[Security bezel option](#)" on page 51).
8. Optional: Install the drives in the rear drive cage.



WARNING: To reduce the risk of electric shock, fire, or damage to the equipment, do not plug telephone or telecommunications connectors into RJ-45 connectors.

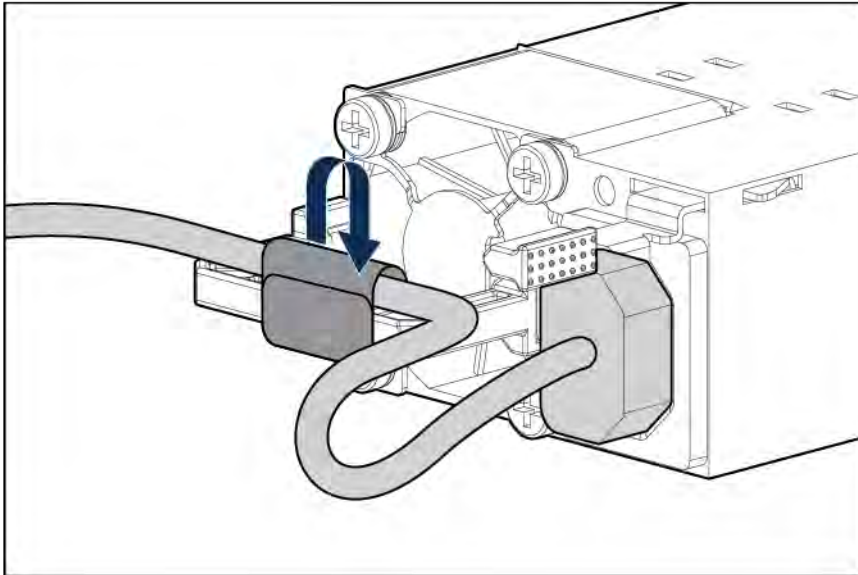
9. Connect peripheral devices to the server. For information on identifying connectors, see "Rear panel components (on page 9)."
10. Install the power input module ("[Installing a hot-plug DC power input module](#)" on page 126, "[Installing a hot-plug AC power input module](#)" on page 125).
11. To prevent accidental power cord disconnection when sliding the server in and out of the rack, secure the power cord in the strain relief strap attached to the power input module handle:
 - a. Unwrap the strain relief strap from the power input module handle.



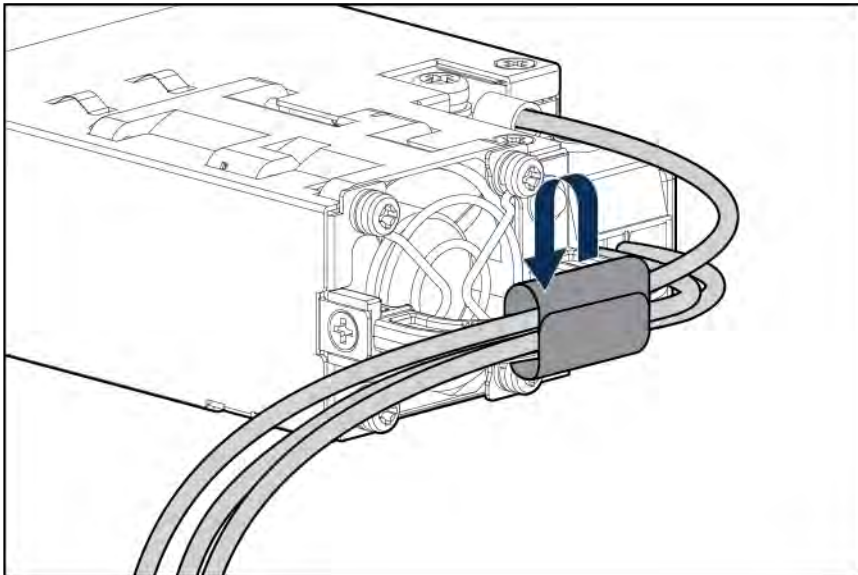
CAUTION: To prevent possible server overheating, always populate each processor socket with a processor socket cover and a processor blank, or a processor and a heatsink.

- b. Secure the power cord with the strain relief strap. Roll the extra length of the strap around the power input module handle.

— AC power input module



— DC power input module



12. Employ best practices to route and manage the power cords and other cables in the server rear panel.
13. Connect the power cord to the power source.



WARNING: To reduce the risk of electric shock or damage to the equipment:

- Do not disable the power cord grounding plug. The grounding plug is an important safety feature.
- Plug the power cord into a grounded (earthed) electrical outlet that is easily accessible at all times.
- Unplug the power cord from the power supply to disconnect power to the equipment.
- Do not route the power cord where it can be walked on or pinched by items placed against it. Pay particular attention to the plug, electrical outlet, and the point where the cord extends from the server.

Installing the operating system

This server does not ship with provisioning media. Everything needed to manage and install the system software and firmware is preloaded on the server.

To operate properly, the server must have a supported operating system. Attempting to run an unsupported operating system can cause serious and unpredictable results. For the latest information on operating system support, see the Hewlett Packard Enterprise website (<http://www.hpe.com/info/supportos>).

Failure to observe UEFI requirements for servers can result in errors installing the operating system, failure to recognize boot media, and other boot failures. For more information on these requirements, see the *HPE UEFI Requirements* on the Hewlett Packard Enterprise website (<http://www.hpe.com/info/ProLiantUEFI/docs>).

To install an operating system on the server, use one of the following methods:

- Intelligent Provisioning—For single-server deployment, updating, and provisioning capabilities.
To install an operating system on the server with Intelligent Provisioning (local or remote):
 - a. Connect the Ethernet cable between the network connector on the server and a network jack.
 - b. Press the Power On/Standby button.
 - c. During server POST, press **F10**.
 - d. Complete the initial Preferences and Registration portion of Intelligent Provisioning (on page 157).
 - e. At the 1 Start screen, click **Configure and Install**.
 - f. To finish the installation, follow the onscreen prompts. An Internet connection is required to update the firmware and systems software.
- Insight Control server provisioning—For multi-server remote OS deployment, use Insight Control server provisioning for an automated solution. For more information, see the Insight Control documentation on the Hewlett Packard Enterprise website (<http://www.hpe.com/info/insightcontrol/docs>).

For additional system software and firmware updates, download the Service Pack from the Hewlett Packard Enterprise website (<http://www.hpe.com/servers/spp/download>). Software and firmware must be updated before using the server for the first time, unless any installed software or components require an older version.

For more information, see "Keeping the system current (on page 164)."

For more information on using these installation methods, see the Hewlett Packard Enterprise website (<http://www.hpe.com/info/ilo>).

Powering on and selecting boot options in UEFI Boot Mode

On servers operating in UEFI Boot Mode, the boot controller and boot order are set automatically.

1. Press the Power On/Standby button.
2. During the initial boot:
 - To modify the server configuration ROM default settings, press the **F9** key in the POST screen to enter the UEFI System Utilities screen. By default, the System Utilities menus are in the English language.
 - If you do not need to modify the server configuration and are ready to install the system software, press the **F10** key to access Intelligent Provisioning.

For more information on automatic configuration, see the UEFI documentation on the Hewlett Packard Enterprise website (<http://www.hpe.com/info/ProLiantUEFI/docs>).

Registering the server

To experience quicker service and more efficient support, register the product at the Hewlett Packard Enterprise Product Registration website (<http://www.hpe.com/info/register>).

Hardware options installation

Introduction

If more than one option is being installed, read the installation instructions for all the hardware options and identify similar steps to streamline the installation process.



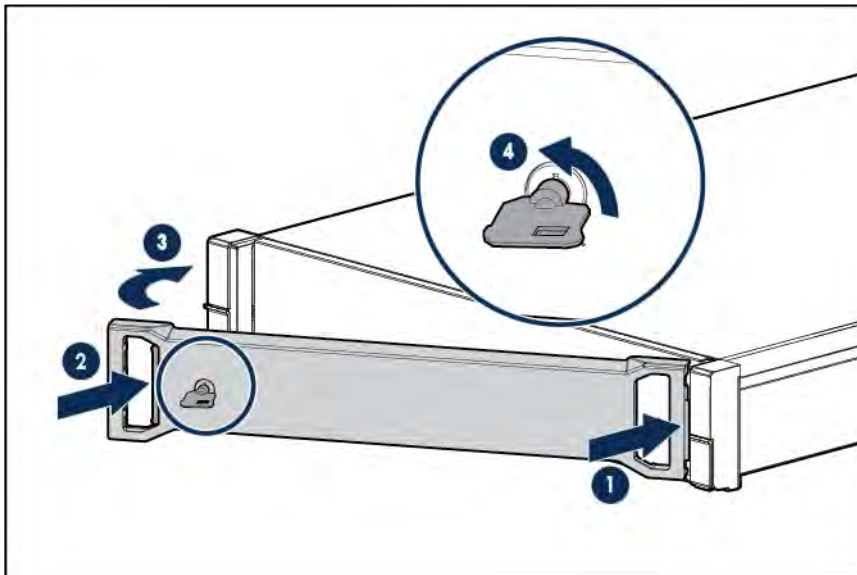
WARNING: To reduce the risk of personal injury from hot surfaces, allow the drives, power input modules, and the internal system components to cool before touching them.



CAUTION: To prevent damage to electrical components, properly ground the server before beginning any installation procedure. Improper grounding can cause electrostatic discharge.

Security bezel option

The security bezel helps prevent unauthorized physical access to the front panel components. Install the security bezel and then lock it with the key provided with the kit.



Drive options

For a list of drive configurations supported in this server, see "Drive numbering (on page 15)."

The embedded Dynamic Smart Array B140i Controller supports SATA drive installation. For SAS support, connect the drive to the onboard Flexible Smart Array P840ar Controller or to a Smart HBA or a Smart Array Controller option.

For more information about product features, specifications, options, configurations, and compatibility, see the product QuickSpecs on the Hewlett Packard Enterprise website (<http://www.hpe.com/info/qs>).

Drive installation guidelines

When adding drives to the server, observe the following general guidelines:

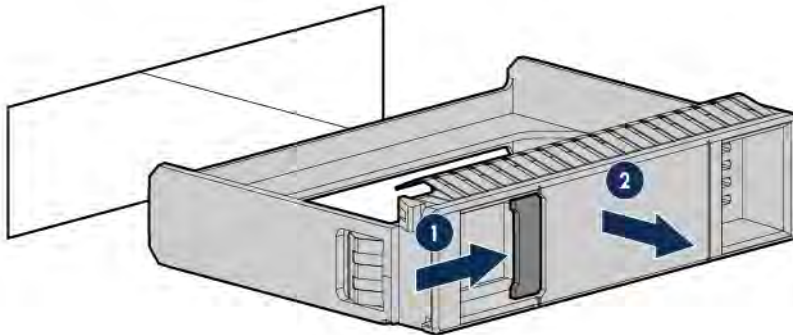
- The system automatically sets all device numbers.
- Populate drive bays, based on the drive numbering sequence. Start from the drive bay with the lowest device number ("Drive numbering" on page 15).
- All drives grouped into the same drive array must meet the following criteria:
 - They must be either all SAS or all SATA.
 - They must be either all hard drives or all solid state drives.
 - Drives should be the same capacity to provide the greatest storage space efficiency when drives are grouped together into the same drive array.

Installing a hot-plug drive in the front drive cage 1

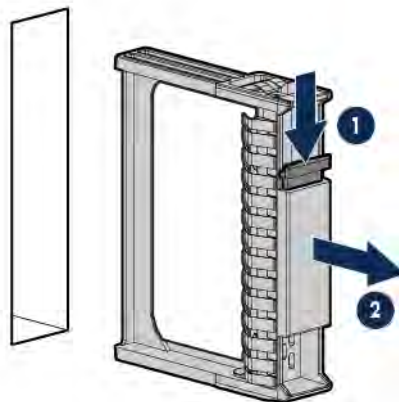
CAUTION: Do not operate the server with any of the front drive cage 1 bays empty. To maintain proper airflow and sufficient cooling in the front drive cage 1, all drive bays in this cage should have a drive or a drive blank.

To install the component:

1. If installed, remove the security bezel (on page 19).
2. Remove the drive blank:
 - LFF drive blank

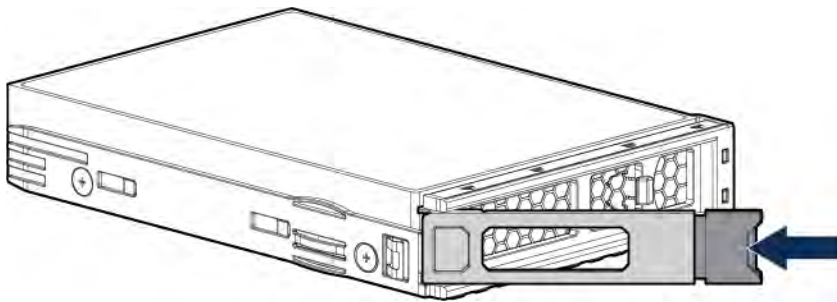


- SFF drive blank

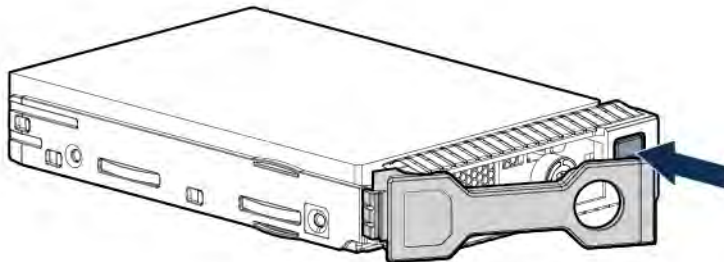


3. Open the drive release lever:

- LFF drive: Press the latch to open the release lever.

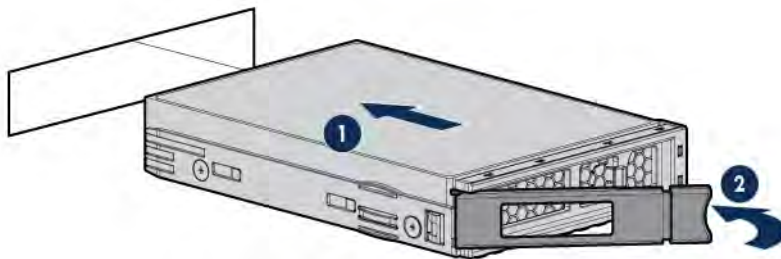


- SFF drive: Press the Do Not Remove button to open the release lever.

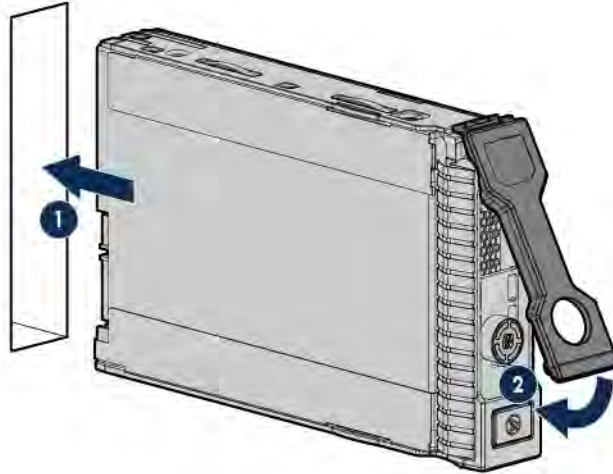


4. Install the drive:

- LFF drive



- SFF drive



5. Determine the status of the drive from the drive LED definitions ("[Drive LEDs](#)" on page 16).
6. If removed, install the security bezel ("[Security bezel option](#)" on page 51).

To configure arrays, see the *HPE Smart Storage Administrator User Guide* on the Hewlett Packard Enterprise website (<http://www.hpe.com/info/smartstorage/docs>).

Installing a hot-plug drive in front drive cage 2



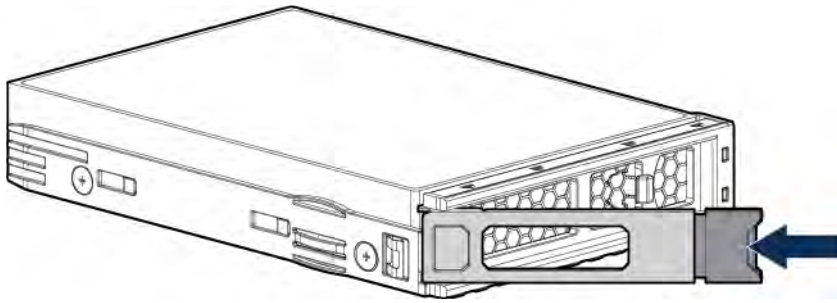
CAUTION: Do not operate the server for long periods with the front drive cages extended. When the front drive cages are extended while the server is powered on, do one of the following:

- If the iLO *08-HD Max* sensor reading is reporting a temperature value, monitor the status of the front drive health/thermal LED ("[Front panel LEDs and buttons](#)" on page 7). When this LED starts flashing amber, immediately slide the drive cages back into the chassis and keep them there until the LED turns green.
- If the iLO *08-HD Max* sensor reading is reporting an *N/A* value, monitor how long the drive cages have been out of the chassis. Before reaching the 140 sec mark, slide the drive cages back into the chassis and keep them there for at least 300 sec before extending them out again.

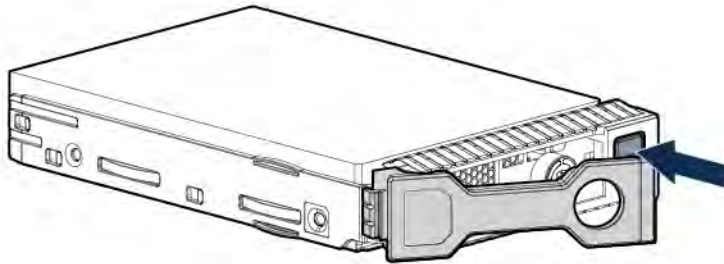
Failure to observe this caution will result in improper airflow and insufficient cooling that can lead to thermal damage.

To install the component:

1. Extend the front drive cages out of the chassis (on page 20).
2. Open the drive release lever:
 - LFF drive: Press the latch to open the release lever.

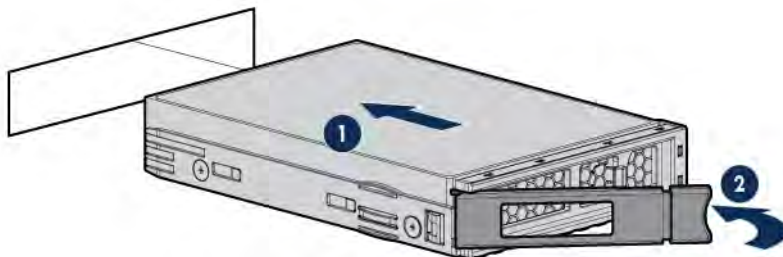


- SFF drive: Press the Do Not Remove button to open the release lever.

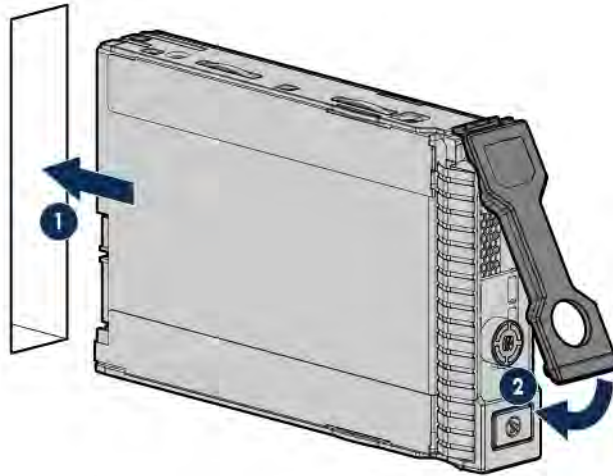


3. Install the drive:

- LFF drive



- SFF drive



4. Determine the status of the drive from the drive LED definitions ("[Drive LEDs](#)" on page 16).
5. Slide the front drive cages into the chassis (on page 22).

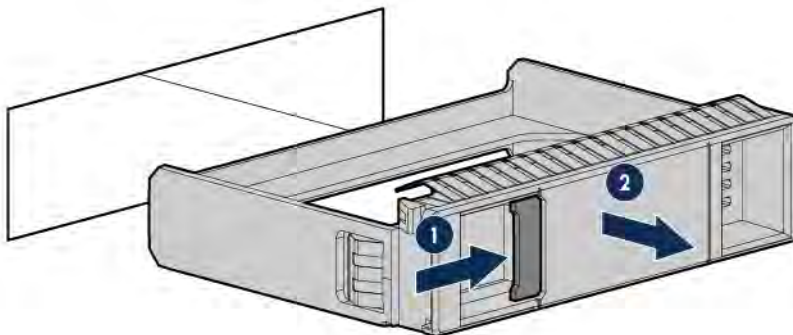
To configure arrays, see the *HPE Smart Storage Administrator User Guide* on the Hewlett Packard Enterprise website (<http://www.hpe.com/info/smartstorage/docs>).

Installing a hot-plug drive in the rear drive cage

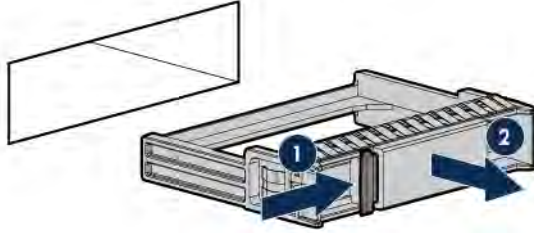
CAUTION: Do not operate the server with any of the rear drive bays empty. To maintain proper airflow and sufficient cooling in the rear drive cage, all drive bays in this cage should have a drive or a drive blank. Hewlett Packard Enterprise recommends installing at least one drive in the rear drive cage before operating the server.

To install the component:

1. Access the product rear panel.
2. Remove the drive blank:
 - LFF drive blank

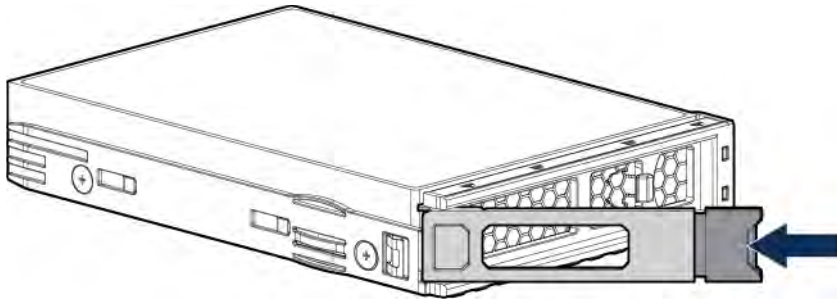


- o SFF drive blank

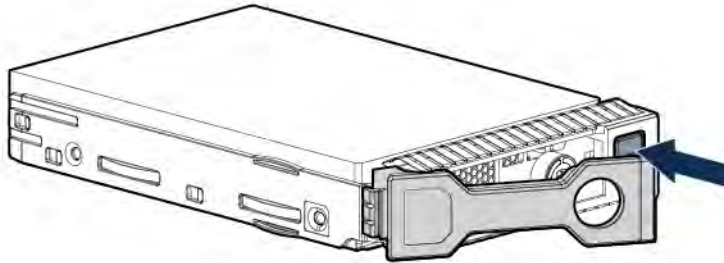


3. Open the drive release lever:

- o LFF drive: Press the latch to open the release lever.

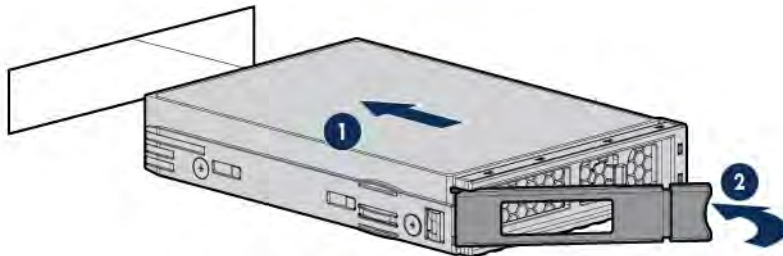


- o SFF drive: Press the Do Not Remove button to open the release lever.

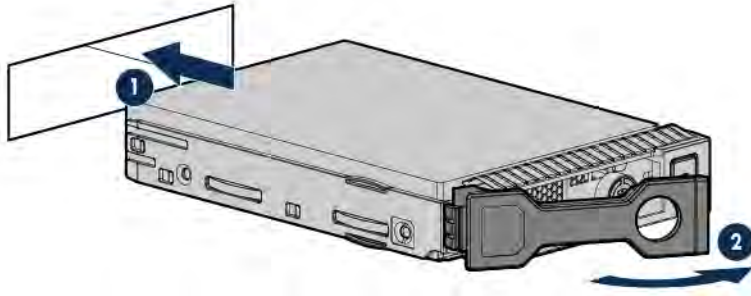


4. Install the drive:

- o LFF drive



- o SFF drive



5. Determine the status of the drive from the drive LED definitions ("Drive LEDs" on page 16).

To configure arrays, see the *HPE Smart Storage Administrator User Guide* on the Hewlett Packard Enterprise website (<http://www.hpe.com/info/smartstorage/docs>).

Drive cage options

Drive cage installation cautions

-
- ⚠ **CAUTION:** To prevent damage to electrical components, properly ground the server before beginning any installation procedure. Improper grounding can cause ESD.
-
- ⚠ **CAUTION:** Do not operate the server with any of the rear drive bays empty. To maintain proper airflow and sufficient cooling in the rear drive cage, all drive bays in this cage should have a drive or a drive blank. Hewlett Packard Enterprise recommends installing at least one drive in the rear drive cage before operating the server.
-
- 📌 **IMPORTANT:** The 3x2 connector of the power Y-cable is reserved for PCI riser cage installation. When installing the four-bay LFF hot-plug rear drive cage or six-bay SFF hot-plug rear drive cage, do not remove the cable tie that secure the split ends of the power Y-cable together.
-

Four-bay LFF hot-plug rear drive cage option

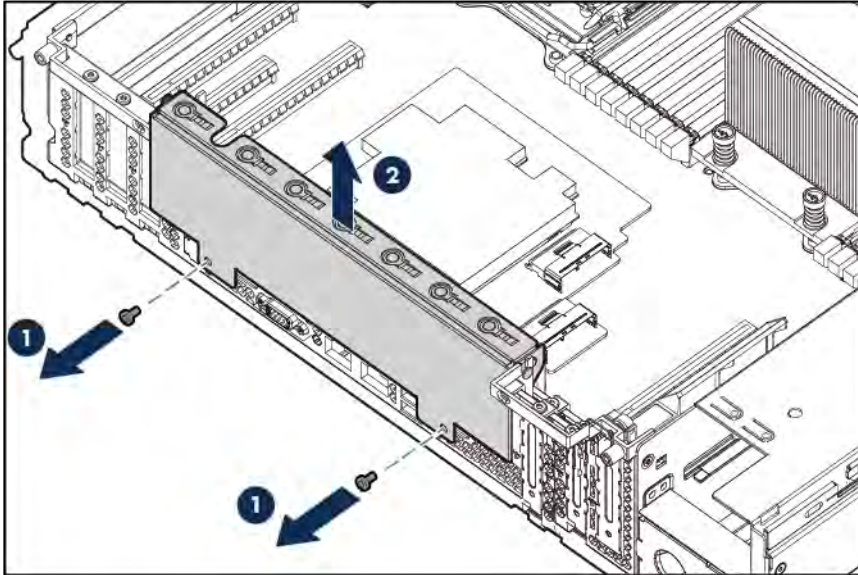
This rear drive cage option supports low-profile LFF SAS and SATA drives. These drives are assigned the drive numbers 49–52.

For more information about product features, specifications, options, configurations, and compatibility, see the product QuickSpecs on the Hewlett Packard Enterprise website (<http://www.hpe.com/info/qs>).

Install the four-bay LFF hot-plug rear drive cage

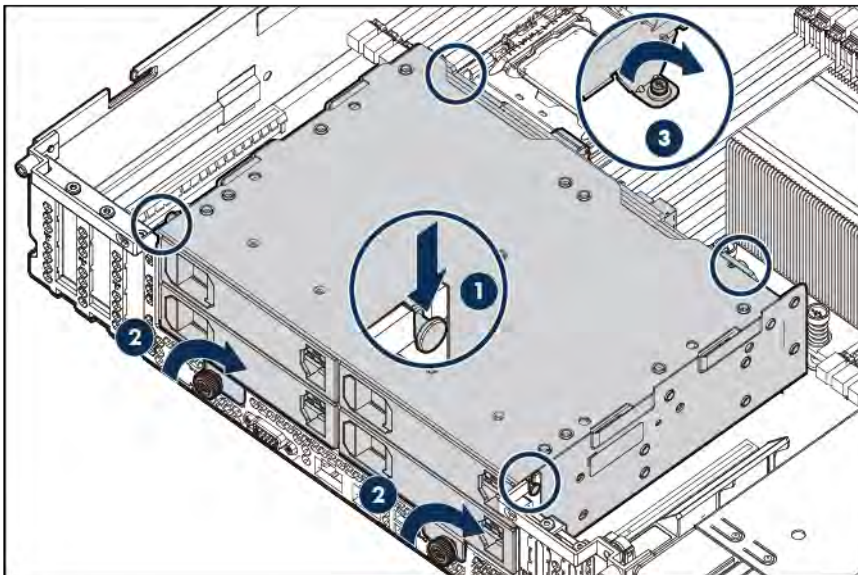
1. Power down the server (on page 19).
2. Remove all power:
 - a. Disconnect each power cord from the power source.
 - b. Disconnect each power cord from the server.
3. Remove the server from the rack (on page 28).
4. Remove the access panel (on page 29).
5. Remove the air baffle (on page 30).

6. Remove the rear option blank.



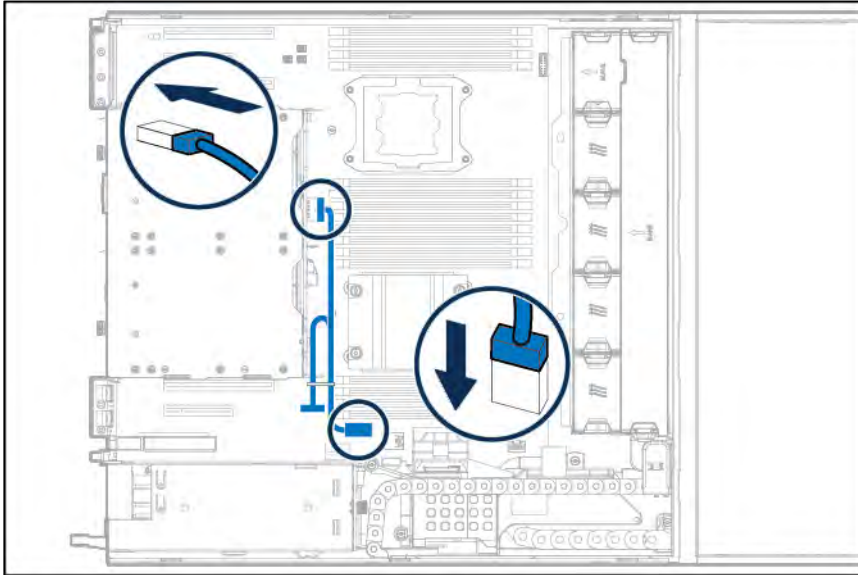
Retain the blank for future use.

7. Install the four-bay LFF hot-plug rear drive cage:
 - a. Align the pins on the drive cage with the notches on the rear panel.
 - b. Tighten the thumbscrews to secure the drive cage to the rear panel.
 - c. Tighten the captive screws to secure the drive cage to the system board.

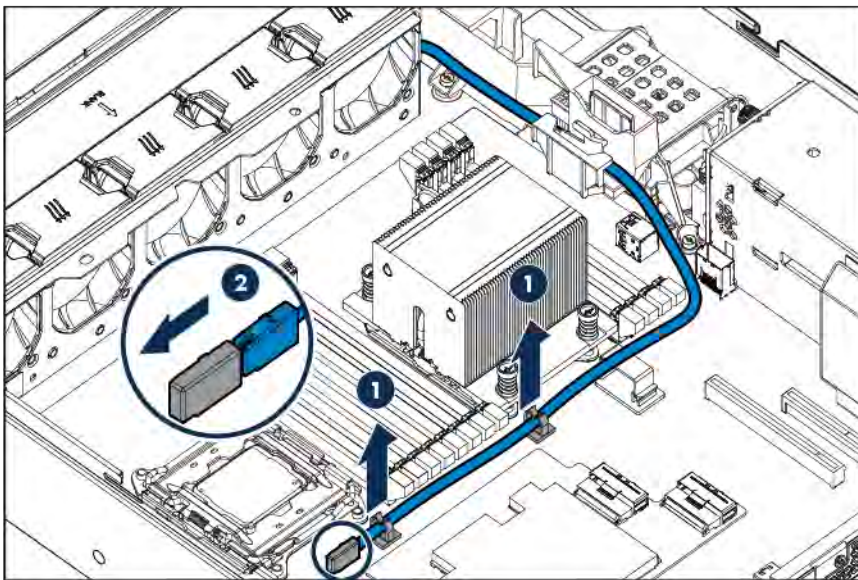


8. Connect the power Y-cable:
 - a. Connect the common 5x2 connector to the system board.

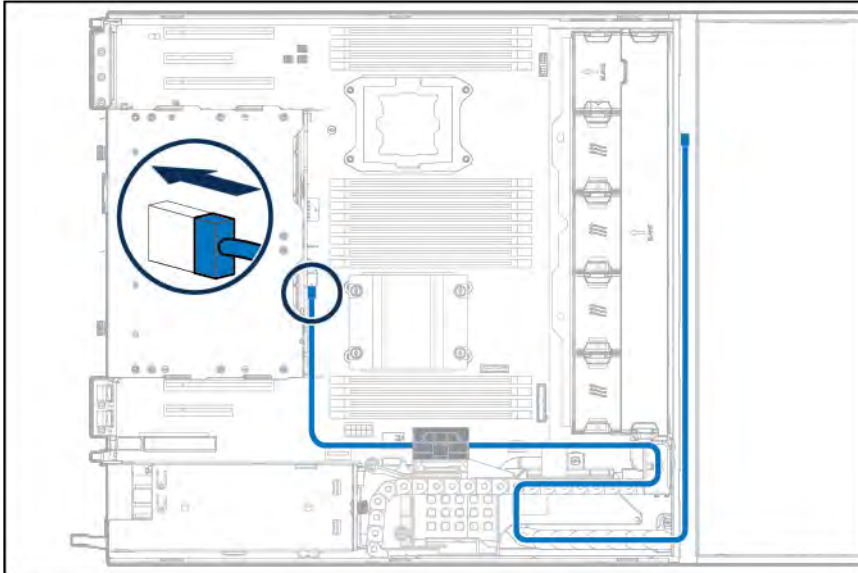
- b. Connect the smaller 5x2 connector to the drive backplane.



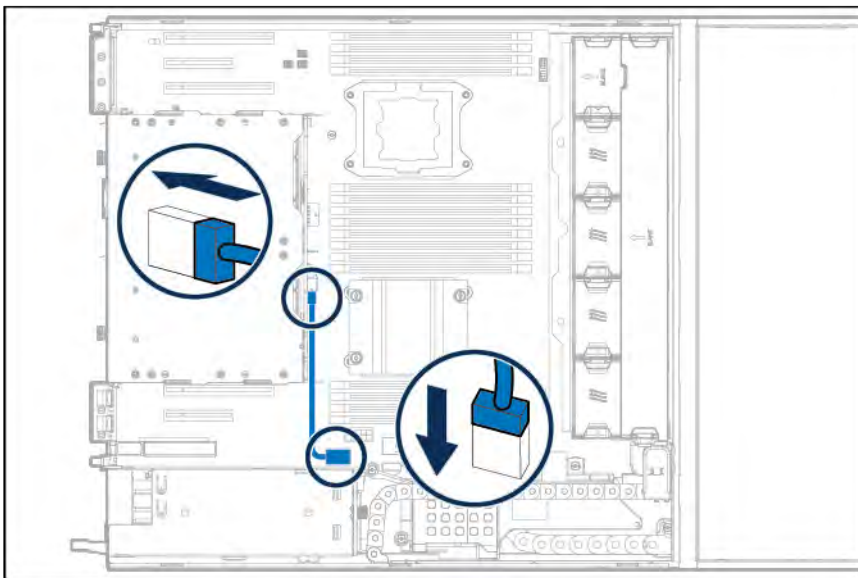
- 9. If you plan to use the Flexible Smart Array P840ar Controller to manage the rear LFF drives, connect the rear drive cage to the front drive cage 2 backplane:
 - a. Release the preinstalled Mini-SAS x4 cable from the system board cable clips.
 - b. Remove the plastic cover from the released Mini-SAS x4 cable.



- c. Connect the released Mini-SAS x4 cable to the four-bay hot-plug LFF rear drive backplane.



10. If you plan to use the Dynamic Smart Array B140i Controller to manage the rear LFF drives, connect the rear drive cage to the system board:
 - a. Connect the Mini-SAS x4 cable included in this option kit to the drive backplane.
 - b. Connect the other end of the cable to the system board Mini-SAS connector.



11. Install the air baffle (on page 32).
12. Install the access panel (on page 30).
13. Install the server into the rack (on page 45).
14. Hewlett Packard Enterprise recommends installing at least one drive in the rear drive cage ("[Drive cage options](#)" on page 58).
Populate drive bays based on the drive numbering sequence. Start from the drive bay with the lowest device number.
15. Power up the server (on page 19).

Two-bay SFF hot-plug rear drive cage and two-slot PCI riser cage options

CAUTION: To prevent improper cooling and thermal damage, do not operate the server unless all expansion slots have either an expansion slot cover or an expansion board installed.

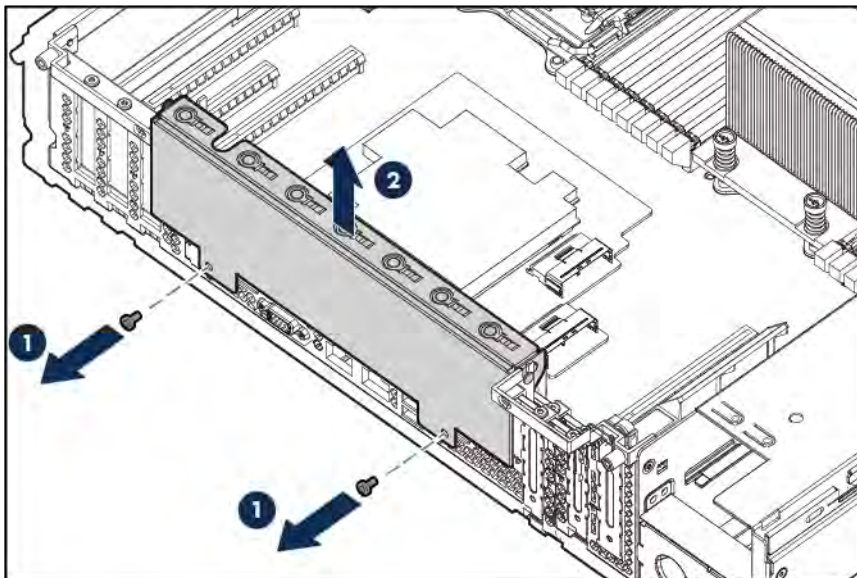
This drive cage option supports SFF SAS and SATA HPE SmartDrives. These drives are assigned the drive numbers 49–50.

The PCI riser cage option has two PCIe3 x8 (8, 4, 1) full-height, half-length slots.

For more information about product features, specifications, options, configurations, and compatibility, see the product QuickSpecs on the Hewlett Packard Enterprise website (<http://www.hpe.com/info/qs>).

Installing two-bay SFF hot-plug rear drive cage and two-slot PCI riser cage options

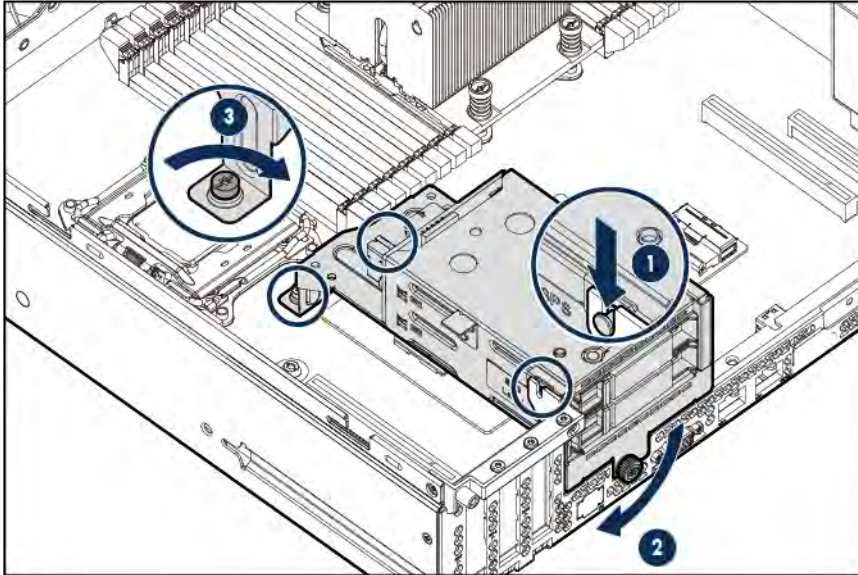
1. Power down the server (on page 19).
2. Remove all power:
 - a. Disconnect each power cord from the power source.
 - b. Disconnect each power cord from the server.
3. Remove the server from the rack (on page 28).
4. Remove the access panel (on page 29).
5. Remove the air baffle (on page 30).
6. Remove the rear option blank.



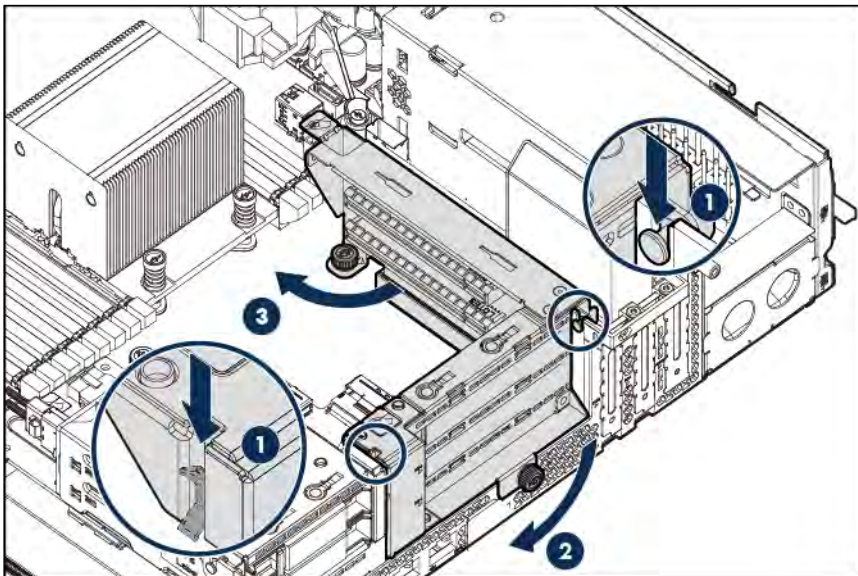
Retain the blank for future use.

7. Install the two-bay SFF rear drive cage:
 - a. Align the pin on the drive cage with the notch on the rear panel.
 - b. Tighten the thumbscrew to secure the drive cage to the rear panel.

- c. Tighten the captive screws to secure the drive cage to the system board.

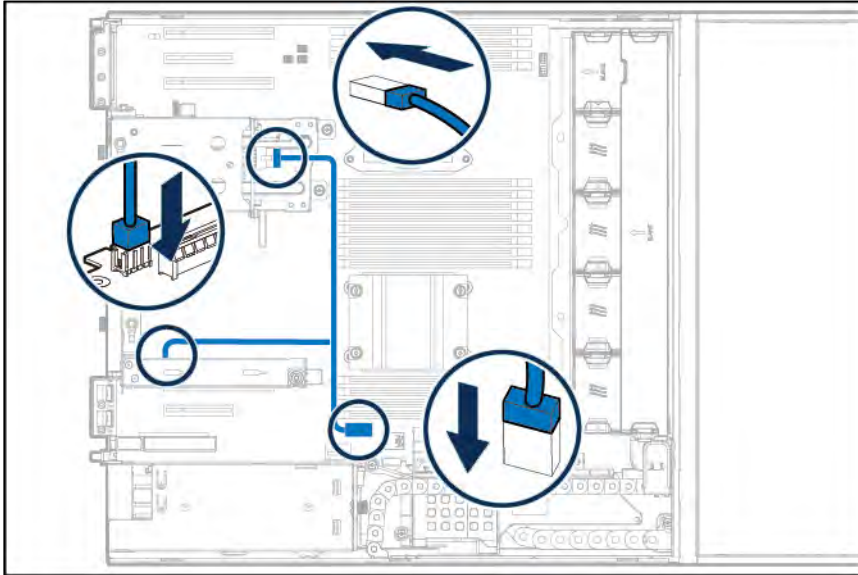


- 8. Install the two-slot PCI riser cage:
 - a. On the right side of the PCI riser cage, align the small tab on the drive cage with the notch on PCI riser cage.
On the left side of the PCI riser cage, align the pin with the notch on the rear panel.
 - b. Tighten the thumbscrew to secure the PCI riser cage to the rear panel.
 - c. Tighten the captive screw to secure the PCI riser cage to the system board.

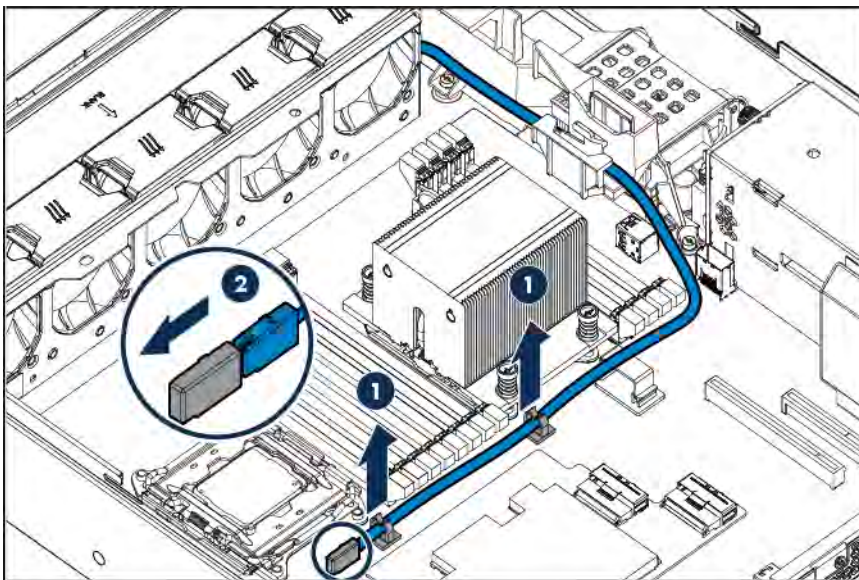


- 9. Remove the cable tie securing the split ends of the power Y-cable.
- 10. Connect the power Y-cable:
 - a. Connect the common 5x2 connector to the system board.
 - b. Connect the smaller 5x2 connector to the drive backplane.

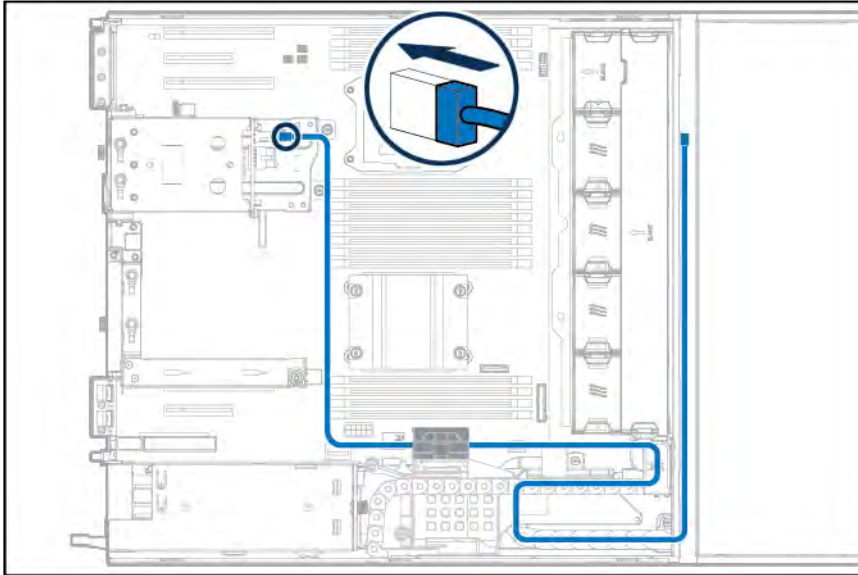
- c. Connect the 3x2 connector to the riser board.



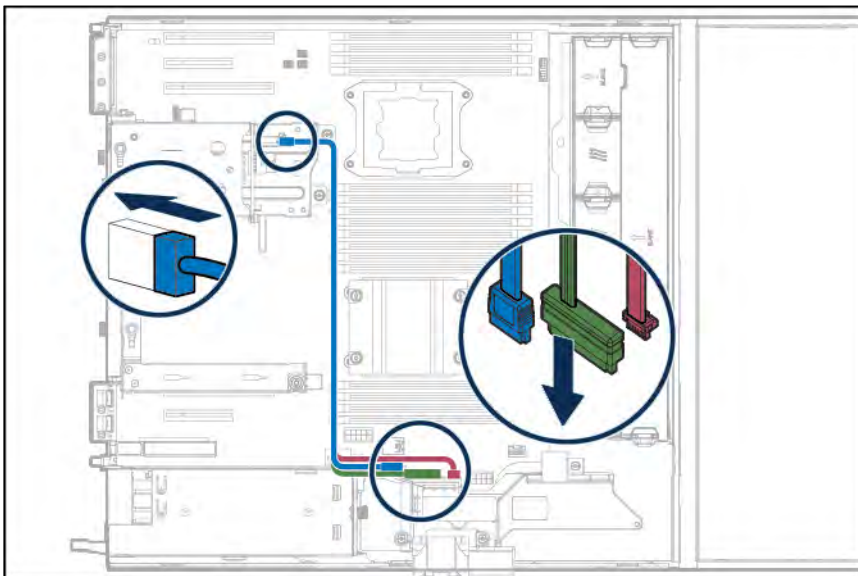
11. If you plan to use the Flexible Smart Array P840ar Controller to manage the rear SFF drives, connect the rear drive cage to the front drive cage 2 backplane:
- Release the preinstalled Mini-SAS x4 cable from the system board cable clips.
 - Remove the plastic cover from the released Mini-SAS x4 cable.



- c. Connect the released Mini-SAS x4 cable to the two-bay SFF hot-plug rear drive backplane.



12. If you plan to use the Dynamic Smart Array B140i Controller to manage the rear SFF drives, connect the rear drive cage to the system board:
 - a. Open the cable management holder (on page 32).
 - b. Connect the common end of the multiconnector drive signal cable to the rear drive backplane.
 - c. Connect the split ends of the multiconnector drive signal cable to the system board.



- d. Close the cable management holder (on page 34).
13. If you are installing an expansion board in the PCI riser cage, install it now ("[Expansion board options](#)" on page 118).
14. Install the air baffle (on page 32).
15. Install the access panel (on page 30).
16. Install the server into the rack (on page 45).
17. Hewlett Packard Enterprise recommends installing at least one drive in the rear drive cage ("[Drive cage options](#)" on page 58).

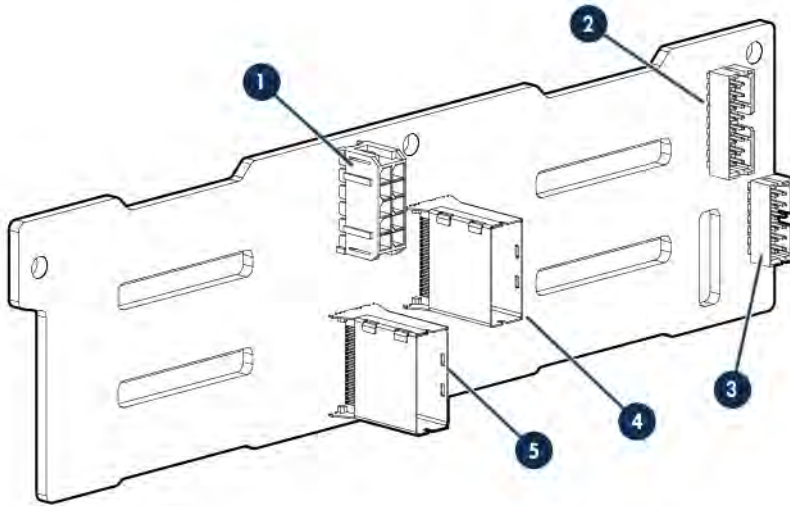
Populate drive bays based on the drive numbering sequence. Start from the drive bay with the lowest device number.

18. Power up the server (on page 19).

Six-bay SFF hot-plug rear drive cage option

This drive cage option supports SFF SAS and SATA HPE SmartDrives. These drives are assigned the drive numbers 49–54.

The six-bay SFF rear drive backplane has the following cable connectors:



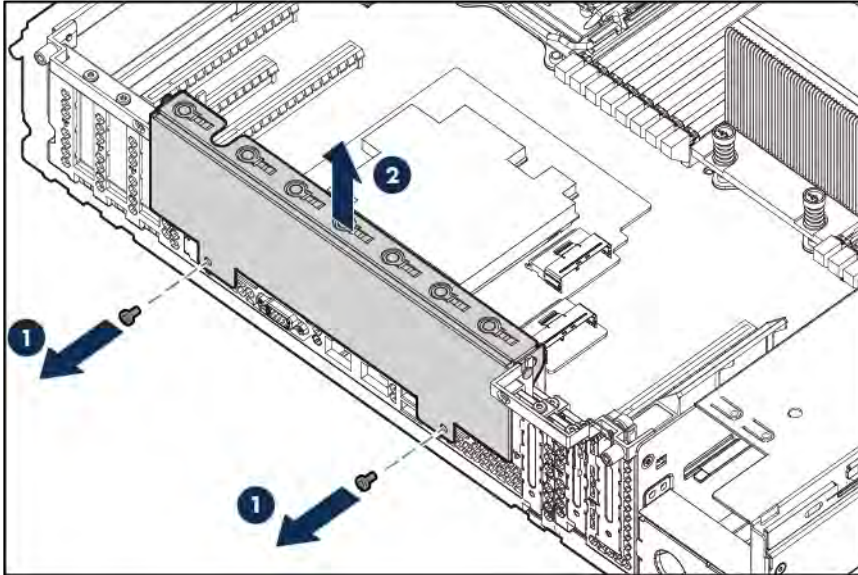
Item	Description
1	Power Y-cable connector
2	Reserved
3	Backplane sideband cable connector
4	Port 1 connector (for drives 49-52)
5	Port 2 connector (for drives 53-54)

For more information about product features, specifications, options, configurations, and compatibility, see the product QuickSpecs on the Hewlett Packard Enterprise website (<http://www.hpe.com/info/qs>).

Install the six-bay SFF hot-plug rear drive cage option

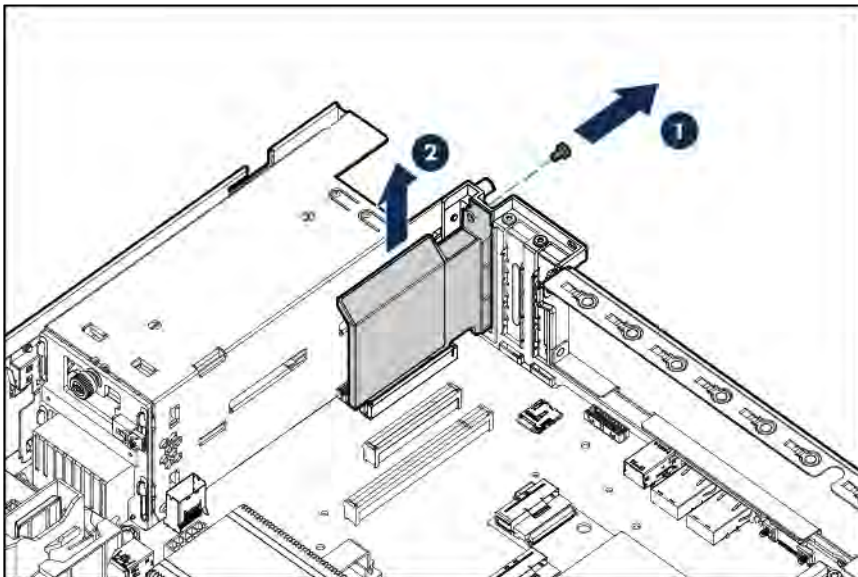
1. Power down the server (on page 19).
2. Remove all power:
 - a. Disconnect each power cord from the power source.
 - b. Disconnect each power cord from the server.
3. Remove the server from the rack (on page 28).
4. Remove the access panel (on page 29).
5. Remove the air baffle (on page 30).

6. Remove the rear option blank.

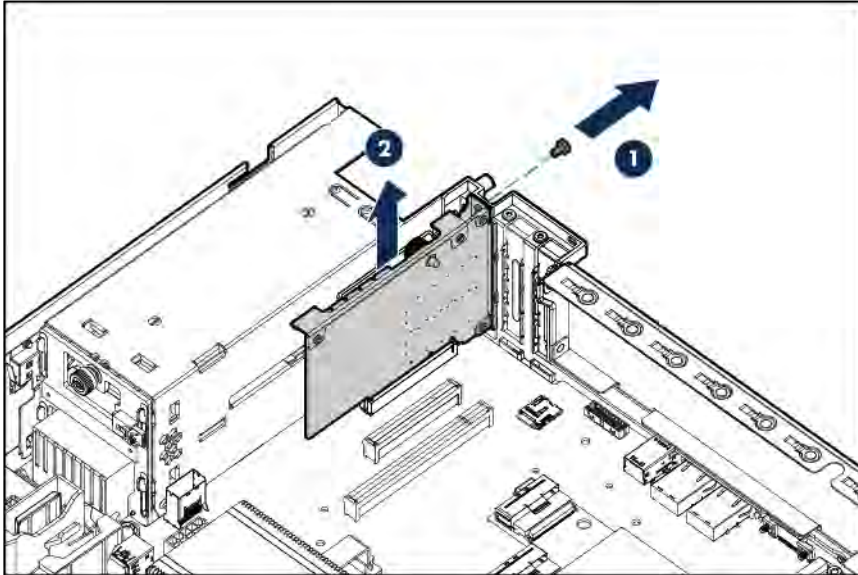


Retain the blank for future use.

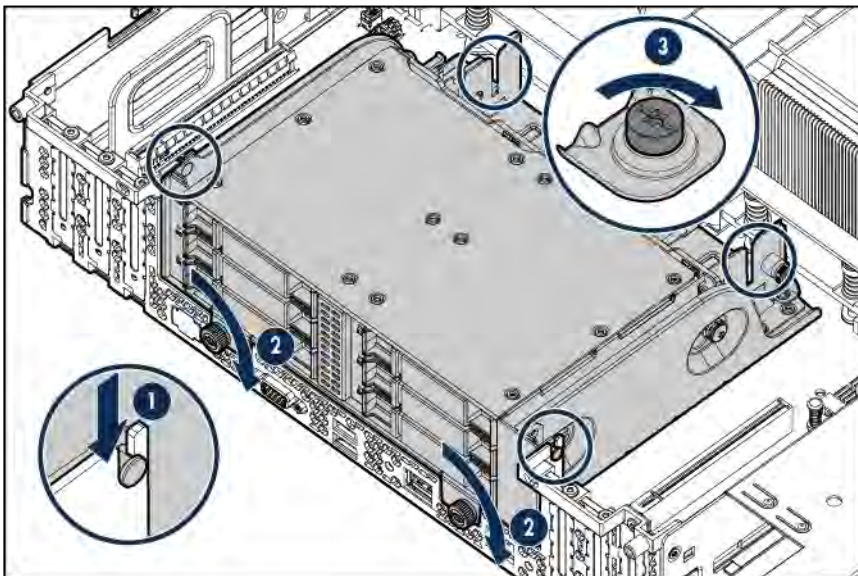
7. Do one of the following:
- o Remove the FlexibleLOM blank.



- o If installed, remove the FlexibleLOM adapter.

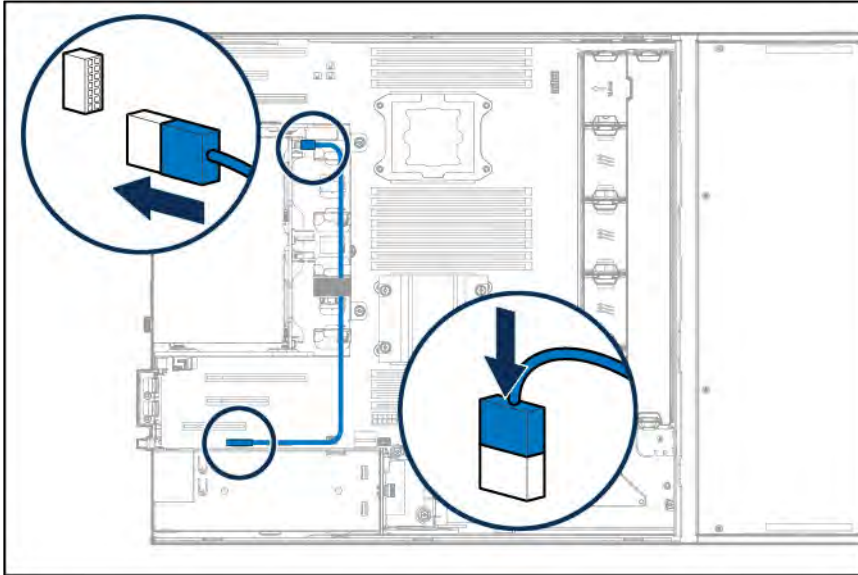


8. If you are **NOT** installing an H240 HBA or a P440 controller for the six-bay SFF rear drive cage, open the cable management holder (on page 32).
9. Align the pins on the drive cage with the notches on the rear panel.
10. Tighten the thumbscrews to secure the drive cage to the rear panel.
11. Tighten the captive screws to secure the drive cage to the system board.

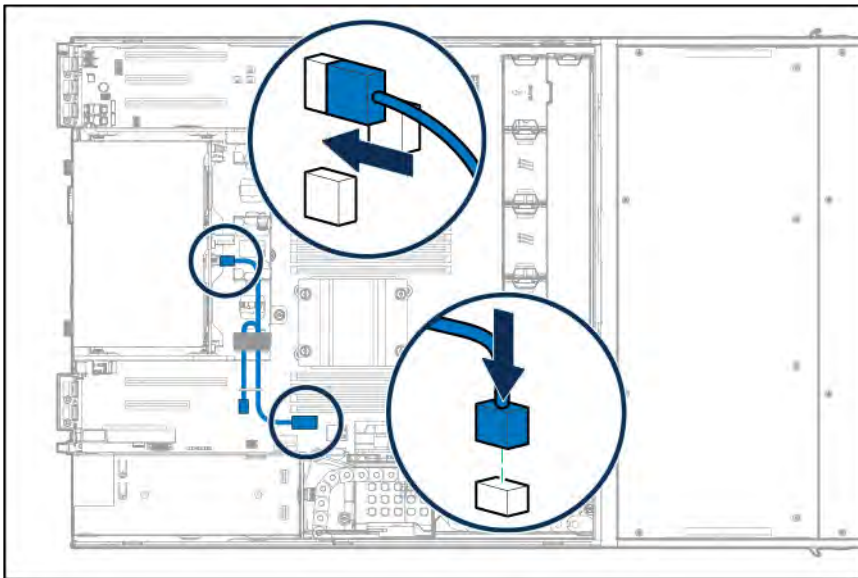


12. Connect the backplane sideband cable to the rear drive backplane and the system board.

- Secure the cable in the rear drive cage cable clip.

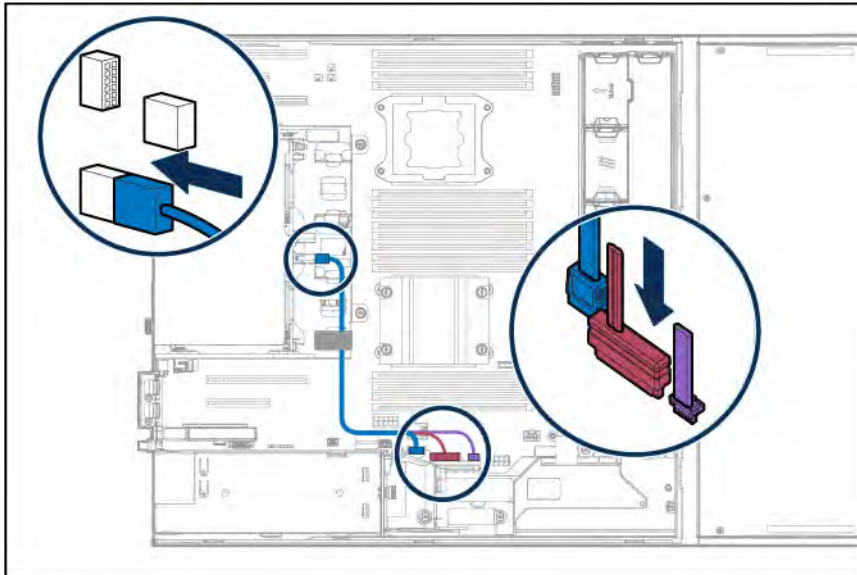


- Do one of the following:
 - Install the FlexibleLOM blank.
 - If removed, install the FlexibleLOM adapter.
- Connect the common 5x2 connector of the power Y-cable to the system board.
- Connect the smaller 5x2 connector of the power Y-cable to the drive backplane.
- Secure the cable in the rear drive cage cable clip.



- If you are **NOT** installing an H240 HBA or a P440 controller for the six-bay SFF rear drive cage, connect the multiconnector drive signal cable:
 - Connect the common end of the multiconnector drive signal cable to port 2 of the rear drive backplane.
 - Connect the split ends of the multiconnector drive signal cable to the system board.

- c. Secure the cable in the rear drive cage cable clip.



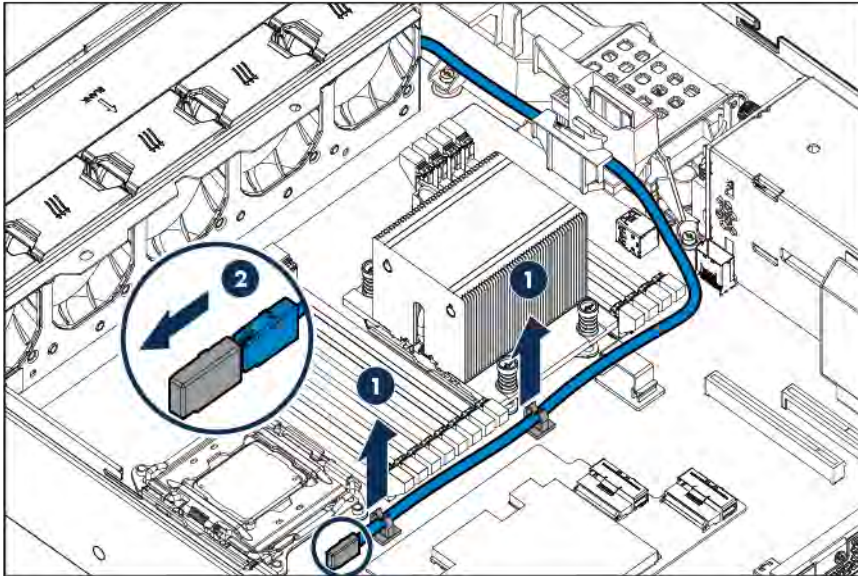
- d. Close the cable management holder (on page 34).
19. Depending on which storage controller you prefer to use for managing the rear drives, perform one of the succeeding storage cabling option procedures.
 - o Connect the preinstalled Mini-SAS x4 cable (on page 70).
 - o Connect the Mini-SAS x4 cable marked as *MLB* (on page 71).
 - o Install the H240 HBA and its Mini-SAS x4 cables (on page 72).
 - o Install the P440 controller and its Mini-SAS Y-cable (on page 74).
 20. Install the air baffle (on page 32).
 21. Install the access panel (on page 30).
 22. Install the server into the rack (on page 45).
 23. Hewlett Packard Enterprise recommends installing at least one drive in the rear drive cage ("[Drive cage options](#)" on page 58).
Populate drive bays based on the drive numbering sequence. Start from the drive bay with the lowest device number.
 24. Power up the server (on page 19).

Connect the preinstalled Mini-SAS x4 cable

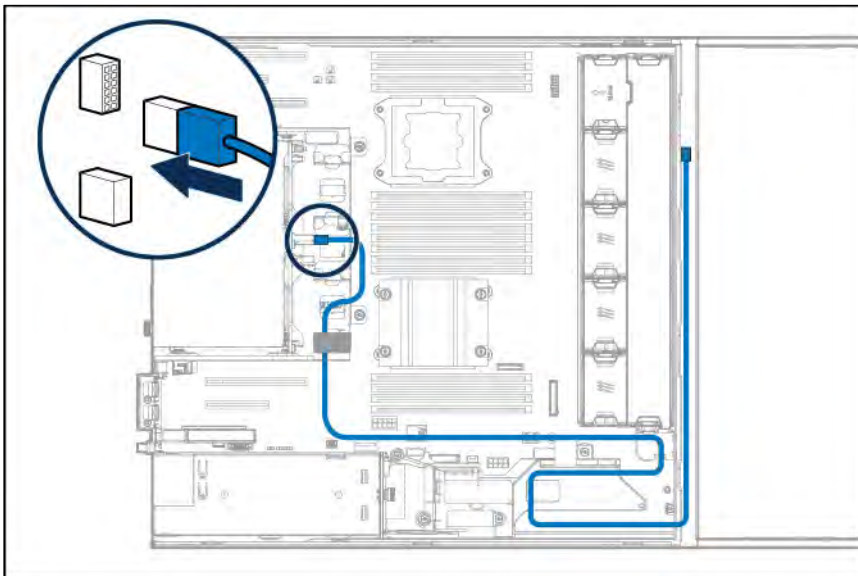
In this storage cabling option, the rear SFF drives 49-52 are managed by the Flexible Smart Array P840ar Controller, while drives 53-54 are managed by the onboard Dynamic Smart Array B140i Controller. Both the multiconnector drive signal cable and the preinstalled Mini-SAS x4 cable from the front drive cage 2 backplane will be in use.

1. Release the preinstalled Mini-SAS x4 cable from the system board cable clips.
2. Remove the plastic cover from the released Mini-SAS x4 cable.

To show the location of preinstalled Mini-SAS x4 cable clearly, the six-bay SFF drive cage image is not shown in following illustration.



3. Connect the released Mini-SAS x4 cable to port 1 of the rear drive backplane.
4. Secure the cable in the rear drive cage cable clip.

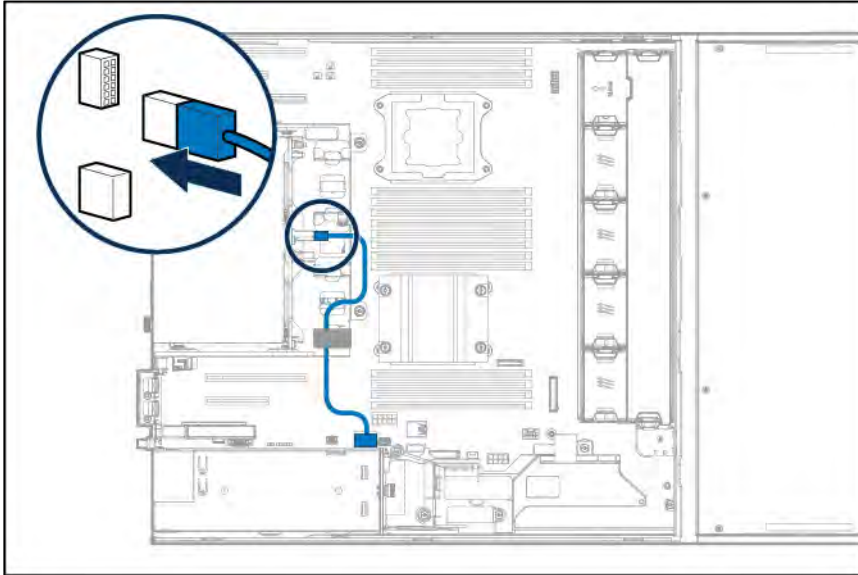


Connect the Mini-SAS x4 cable marked as MLB

In this storage cabling option, the rear SFF drives are managed by the onboard Dynamic Smart Array B140i Controller. Both the multiconnector drive signal cable and the Mini-SAS x4 cable below will be in use.

1. Remove the plastic connector covers from the Mini-SAS x4 cable.
2. Connect the Mini-SAS x4 cable to port 1 of the rear drive backplane.
3. Connect the other end of the cable to the system board.

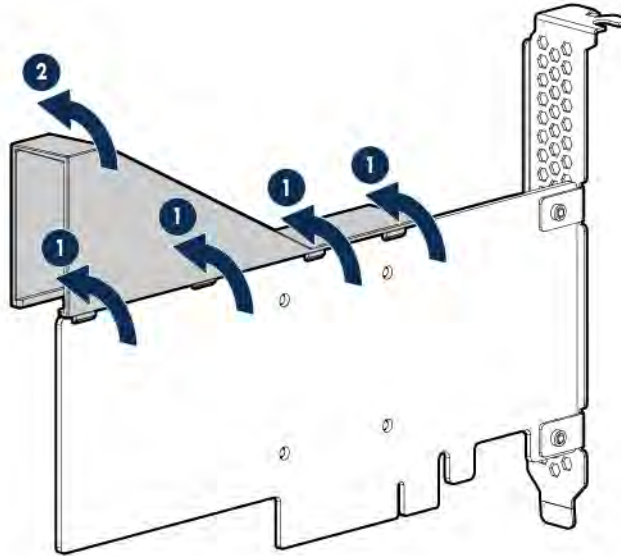
4. Secure the cable in the rear drive cage cable clip.



Install the H240 HBA and its Mini-SAS x4 cables

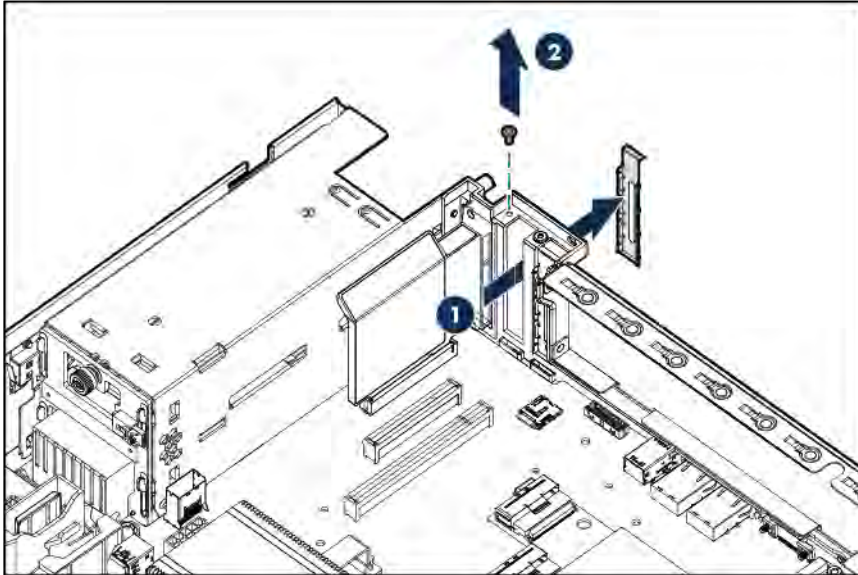
In the six-bay SFF rear drive configuration, the H240 HBA is supported in the low-profile PCIe expansion slots 1, 2, 5, 6, and 7.

1. Remove the air scoop from the HBA.

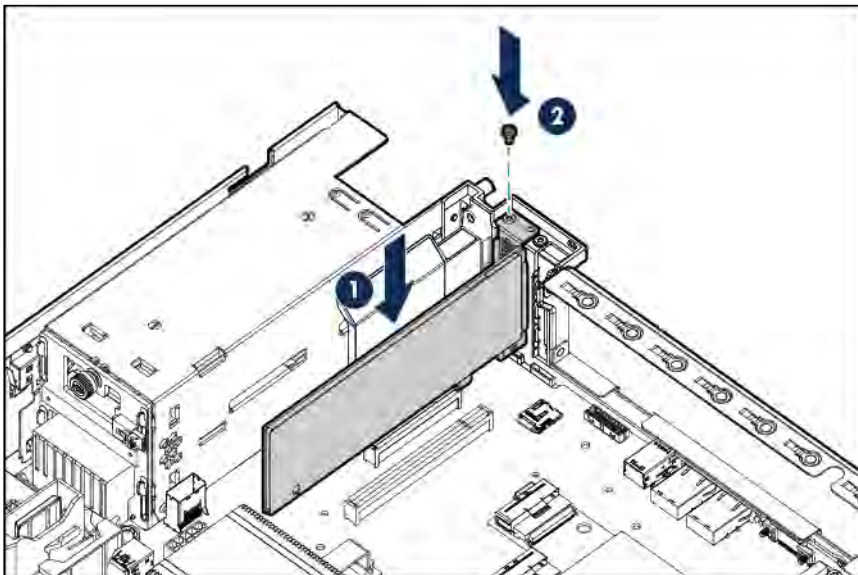


2. Remove the full-height bracket from the HBA, and attach the low-profile bracket.
For more information, see the documentation that ships with the option.

3. Remove the onboard PCI expansion slot cover.

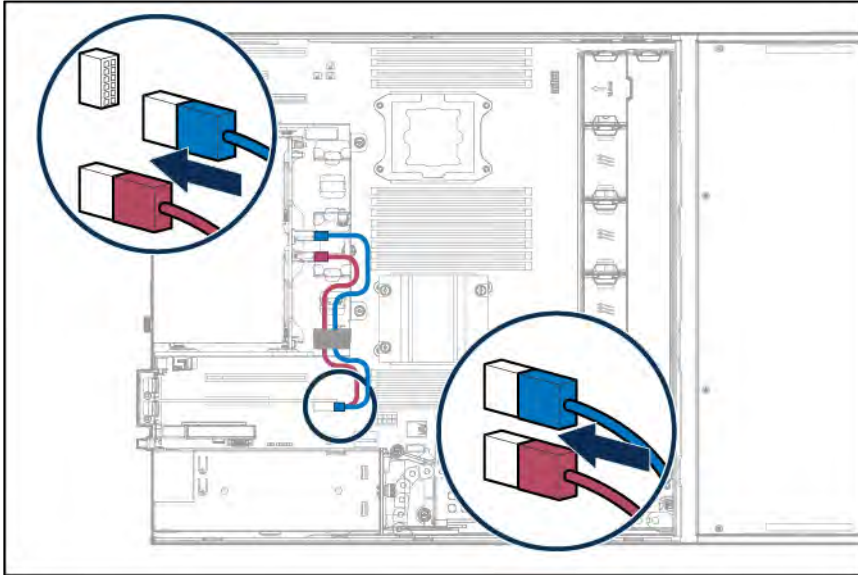


4. Install the HBA.

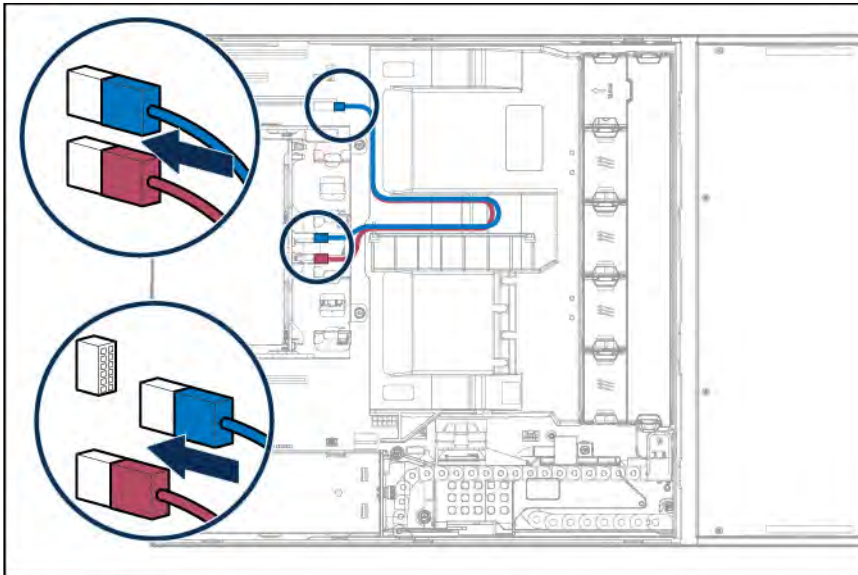


5. Remove the plastic connector covers from the Mini-SAS x4 cable.
6. Connect the two Mini-SAS x4 cables to the ports 1 and 2 of the drive backplane.
7. Connect the other end of the Mini-SAS x4 cables to the HBA.
8. Depending on the location of the HBA, secure the Mini-SAS cables in the rear drive cage cable clip or position them on top of the air baffle.

- o H240 HBA Mini-SAS cable connections from the PCIe expansion slot 1 or 2



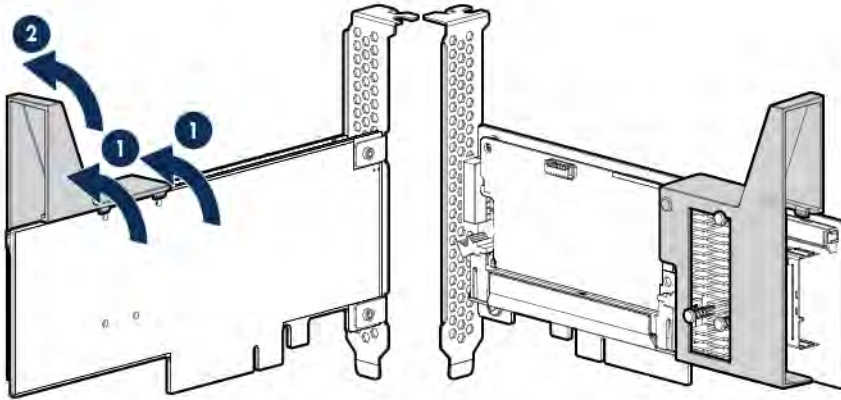
- o H240 HBA Mini-SAS cable connections from the PCIe expansion slot 5, 6 or 7



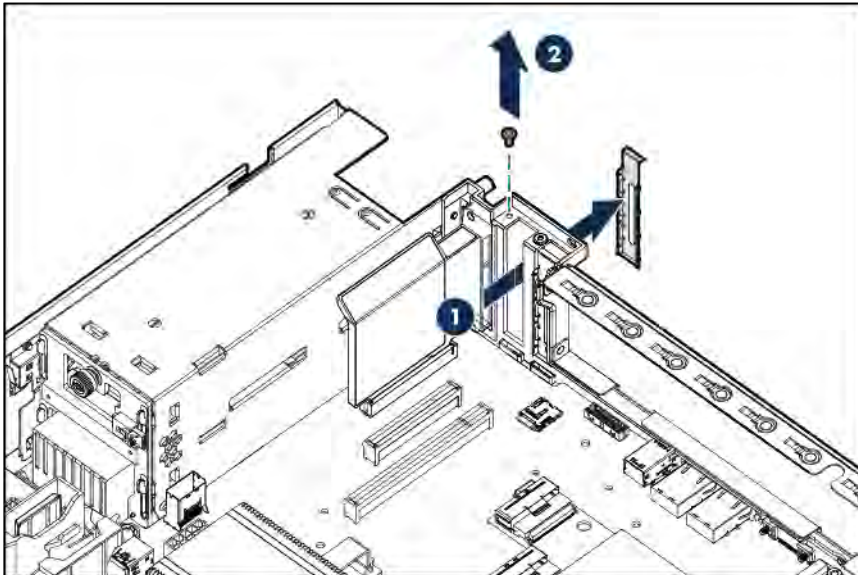
Install the P440 controller and its Mini-SAS Y-cable

In the six-bay SFF rear drive configuration, the P440 controller is supported in the low-profile PCIe expansion slots 1, 2, 5, 6, and 7.

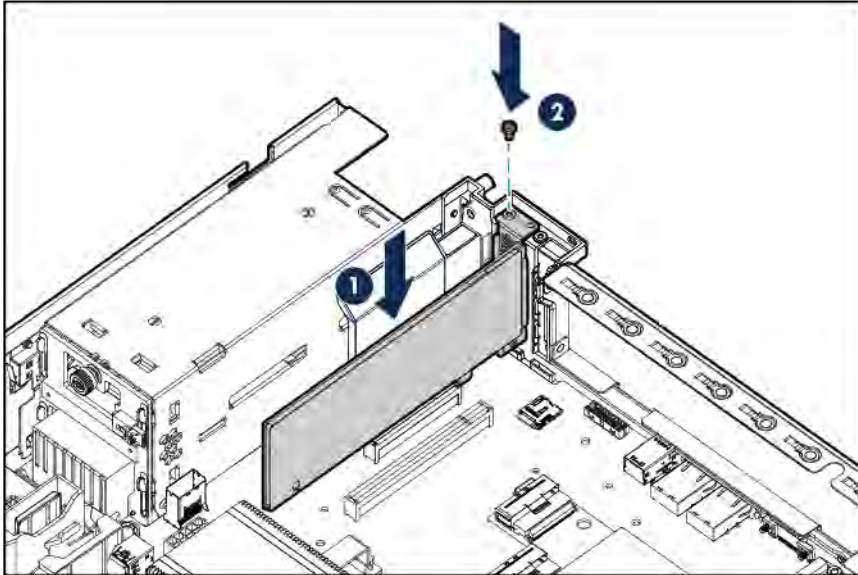
1. Remove the air scoop from the storage controller.



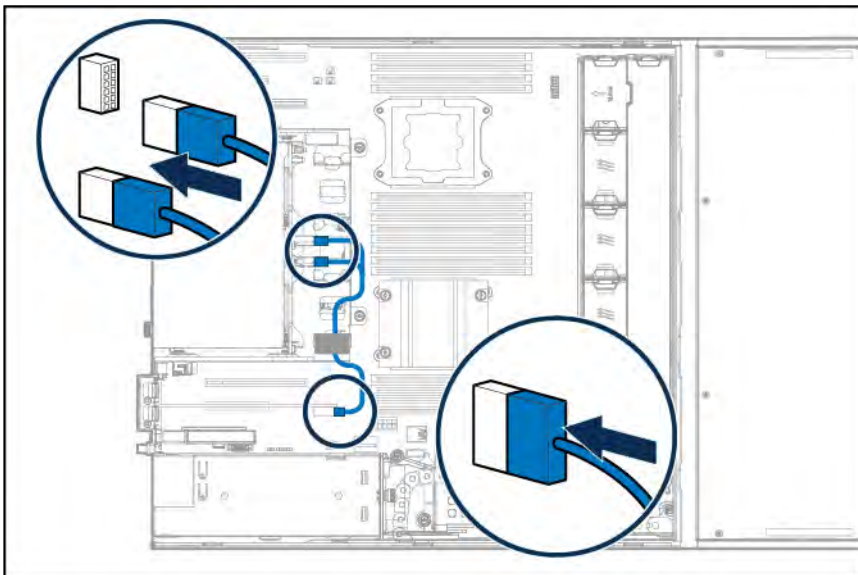
2. Remove the full-height bracket from the storage controller and attach the low-profile bracket. For more information, see the documentation that ships with the option.
3. If you intend to use an FBWC module, install the module on the storage controller ("[Installing the storage controller and FBWC module options](#)" on page 92).
4. Remove the onboard PCI expansion slot cover.



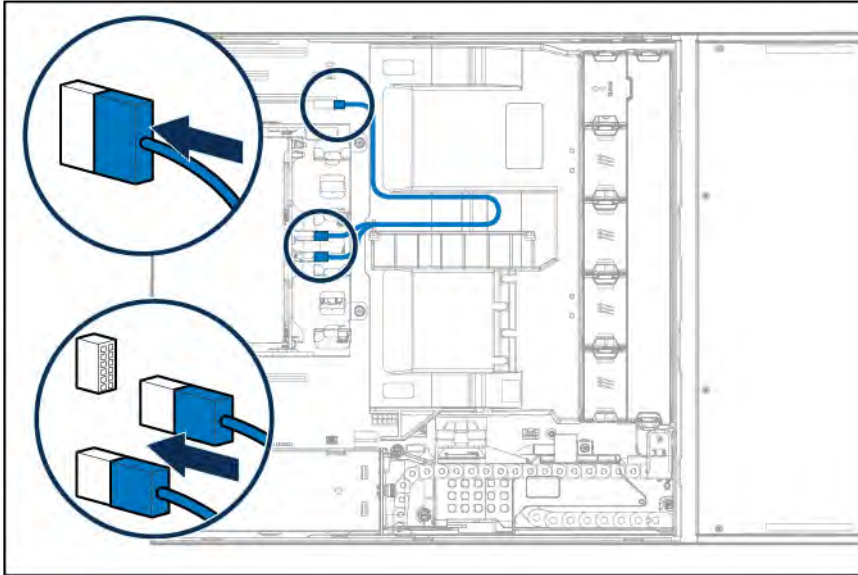
5. Install the storage controller.



6. Remove the plastic connector covers from the Mini-SAS Y-cable.
7. Remove the cable tie securing the split ends of the Mini-SAS Y-cable.
8. Connect the split ends of the Mini-SAS Y-cable to ports 1 and 2 of the rear drive backplane.
The connector marked as P1 must be connected to port 1 and the connector marked as P2 must be connected to port 2.
9. Connect the common end of the Mini-SAS Y-cable to the storage controller.
10. Depending on the location of the storage controller, secure the Mini-SAS Y-cable in the rear drive cage cable clip or position it on top of the air baffle.
 - o P440 controller Mini-SAS Y-cable connections from the PCIe expansion slot 1 or 2



- o P440 controller Mini-SAS Y-cable connections from the PCIe expansion slot 5, 6 or 7



Drive cable options

Use these drive cable options to install a Host Bus Adapter or a Smart Array Controller board option.

For more information about product features, specifications, options, configurations, and compatibility, see the product QuickSpecs on the Hewlett Packard Enterprise website (<http://www.hpe.com/info/qs>).

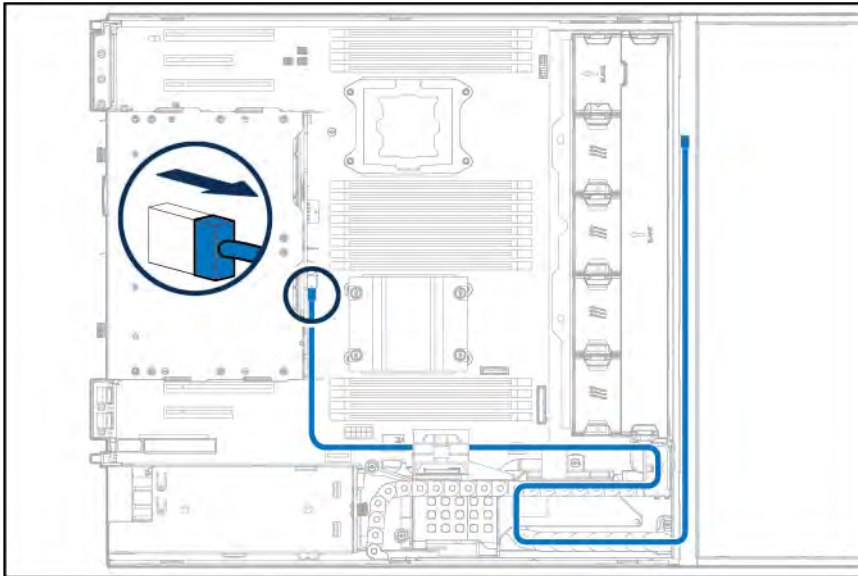
H240 Smart HBA Mini-SAS cable option for rear drive cage

This section describes how to connect an existing four-bay LFF or two-bay SFF hot-plug rear drive cage to an H240 Smart HBA using this Mini-SAS x4 cable option.

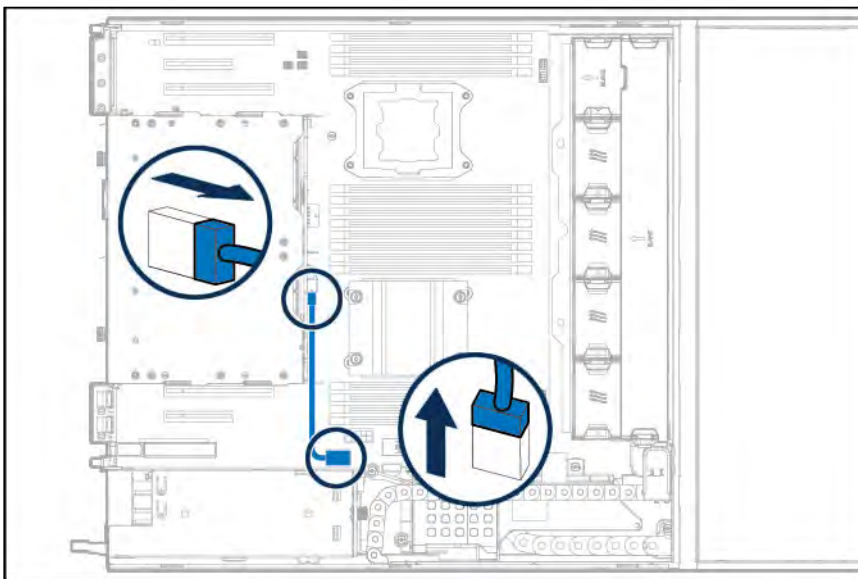
Install the H240 Smart HBA Mini-SAS cable for a rear drive cage option

1. Power down the server (on page 19).
2. Remove all power:
 - a. Disconnect each power cord from the power source.
 - b. Disconnect each power cord from the server.
3. Remove the server from the rack (on page 28).
4. Remove the access panel (on page 29).
5. Remove the air baffle (on page 30).
6. If you are installing the H240 HBA for the four-bay LFF hot-plug rear drive cage, do one of the following:

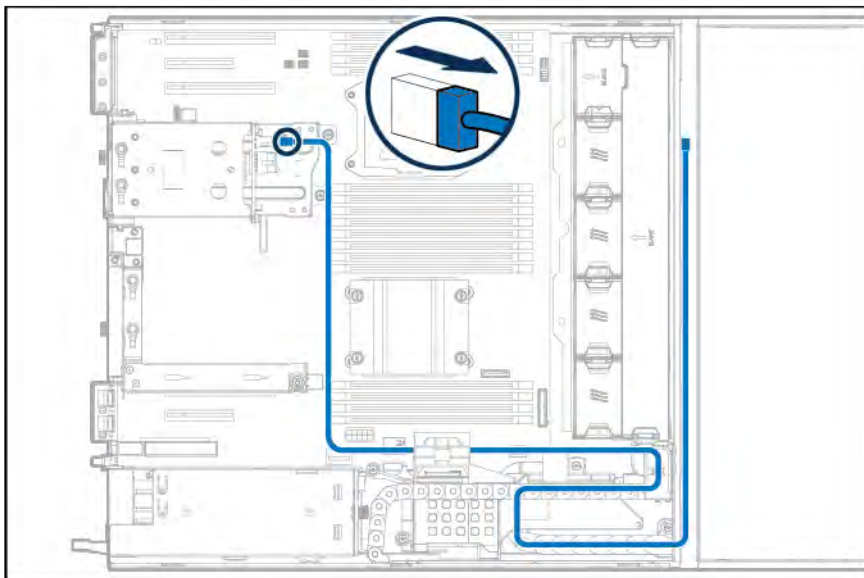
- Disconnect the Mini-SAS cable connected to the front drive cage 2 backplane from the rear drive backplane.



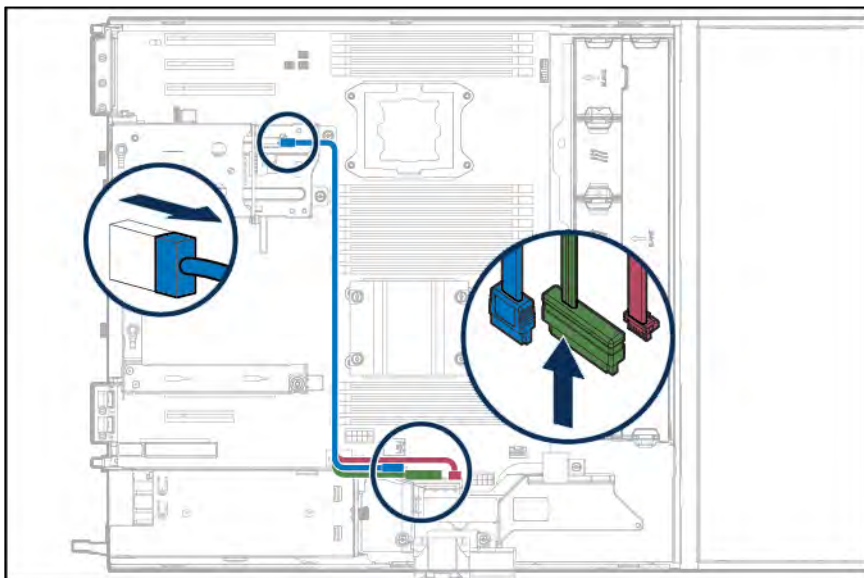
- Disconnect the Mini-SAS cable from the rear drive backplane and from the system board.



7. If you are installing the H240 HBA for a two-bay SFF hot-plug rear drive cage that is connected to the front drive cage 2 backplane, disconnect the Mini-SAS cable from the rear drive backplane.

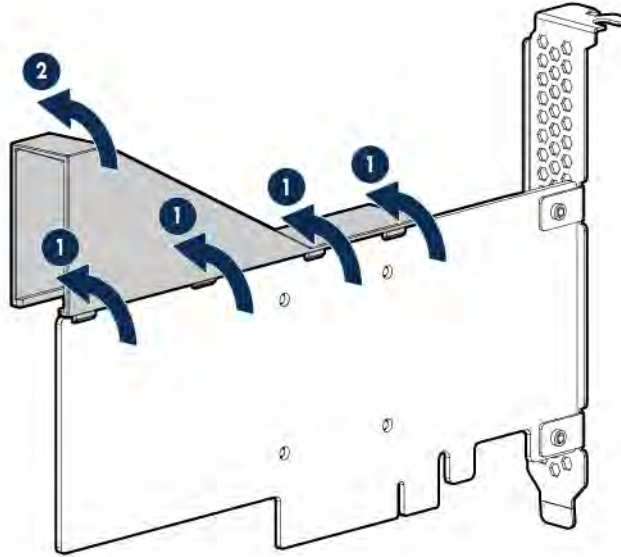


8. If you are installing the H240 HBA for a two-bay SFF hot-plug rear drive cage that is connected to the system board, disconnect the multiconnector drive signal cable:
 - a. Open the cable management holder (on page 32).
 - b. Disconnect the multiconnector drive signal cable from the rear drive backplane and from the system board.

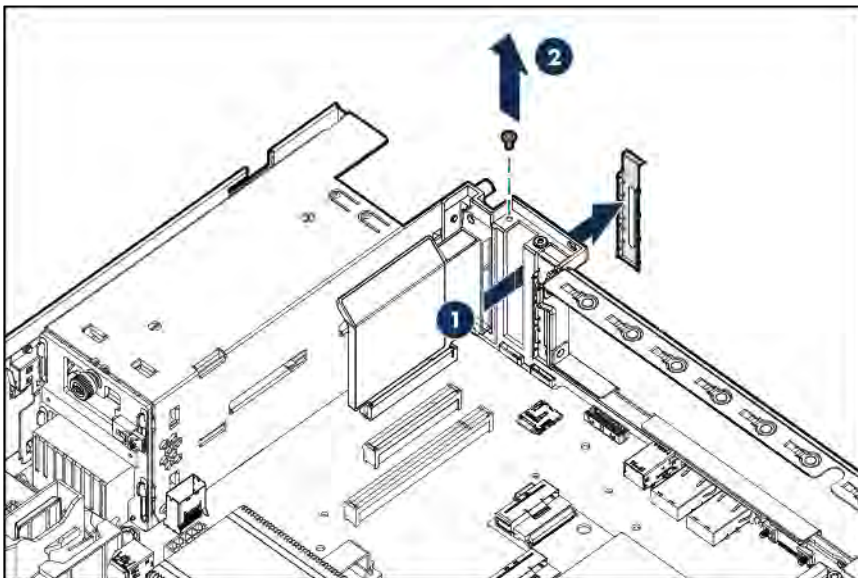


- c. Close the cable management holder (on page 34).

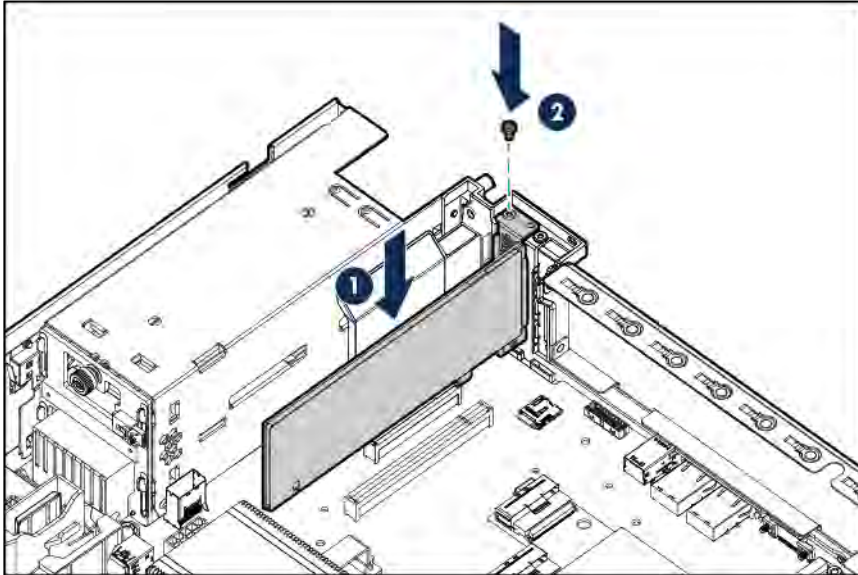
9. Remove the air scoop from the HBA.



10. If you intend to install the H240 HBA in any of the system board low-profile PCIe expansion slots 1, 2, 5, or 6, do the following:
 - a. Remove the full-height bracket from the HBA, and attach the low-profile bracket.
For more information, see the documentation that ships with the option.
 - b. Remove the onboard PCI expansion slot cover.



c. Install the HBA.

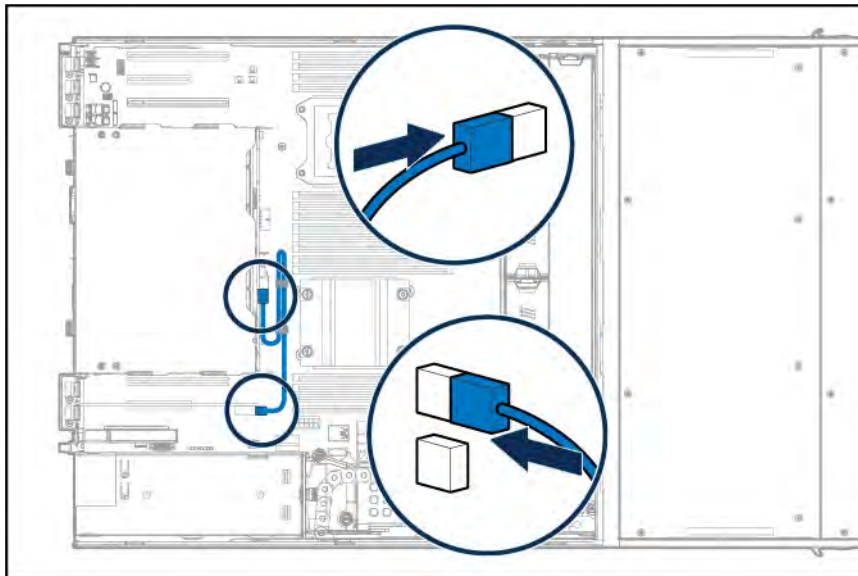


d. Connect the Mini-SAS cable to the rear drive backplane and the HBA.

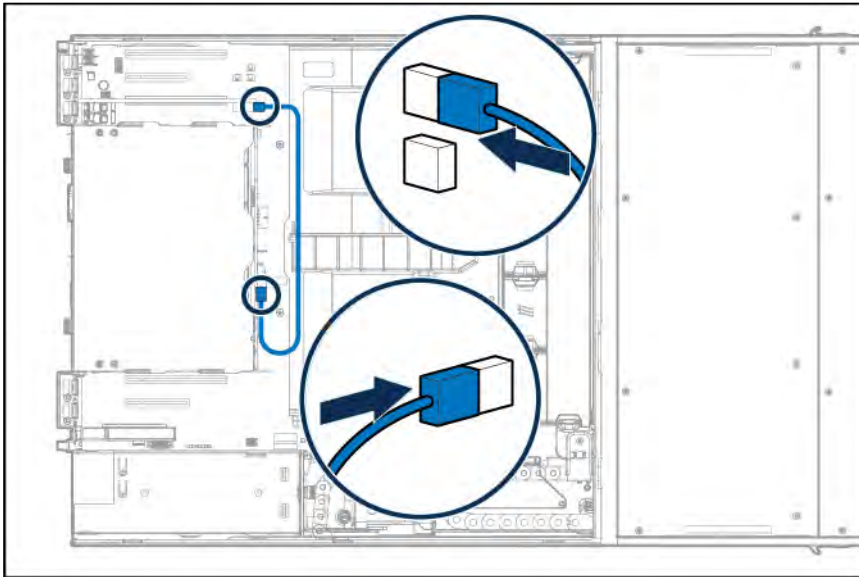
e. For Mini-SAS cabling from the PCIe expansion slots 1 and 2, secure the Mini-SAS cable in the system board cable clips.

For Mini-SAS cabling from the PCIe expansion slots 5 and 6, position the Mini-SAS cable on top of the air baffle.

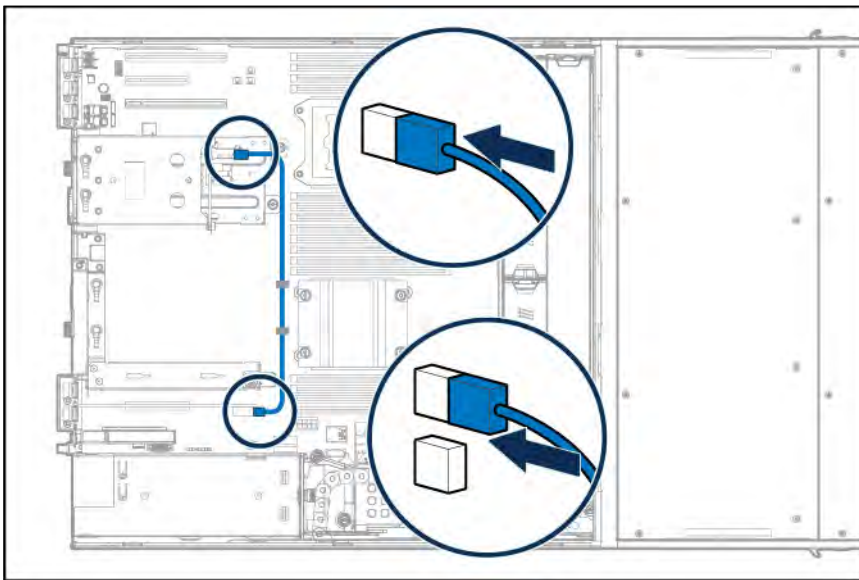
— Four-bay LFF rear drive cage – H240 HBA Mini-SAS cabling from the PCIe expansion slot 1 or 2



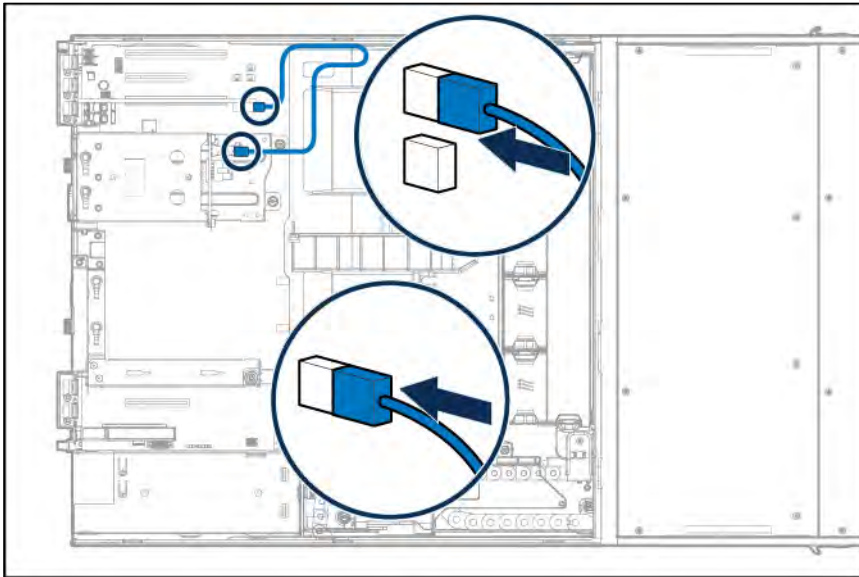
- Four-bay LFF rear drive cage – H240 HBA Mini-SAS cabling from the PCIe expansion slot 5 or 6



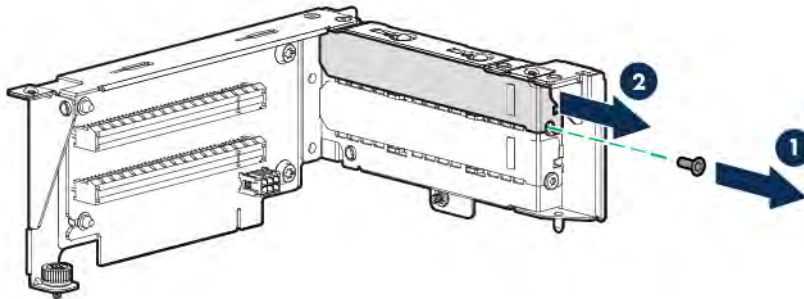
- Two-bay SFF rear drive cage – H240 HBA Mini-SAS cabling from the PCIe expansion slot 1



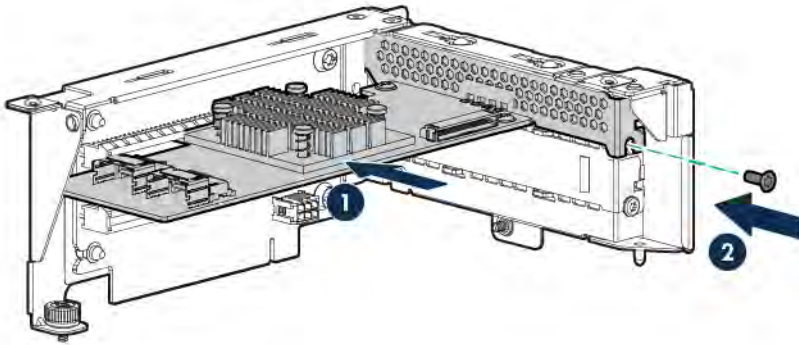
- Two-bay SFF rear drive cage – H240 HBA Mini-SAS cabling from the PCIe expansion slot 5 or 6



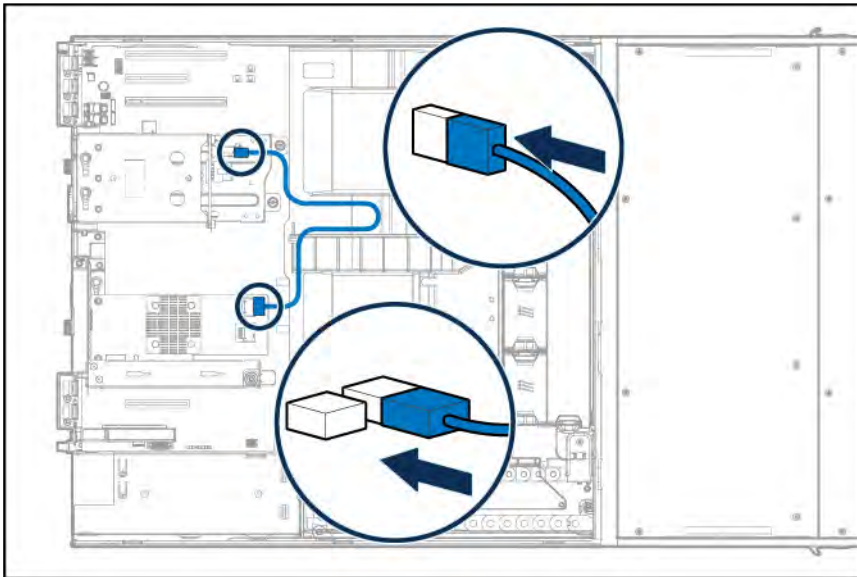
11. For the two-bay SFF rear drive cage only – If you intend to install the H240 HBA in the PCIe riser slot 3 or 4, do the following:
 - a. Remove the PCI riser cage (on page 34).
 - b. Remove the riser slot cover.



- c. Install the HBA.



- d. Install the PCI riser cage (on page 36).
- e. Connect the Mini-SAS cable to the rear drive backplane and the HBA.
- f. Position the Mini-SAS cable on top of the air baffle.



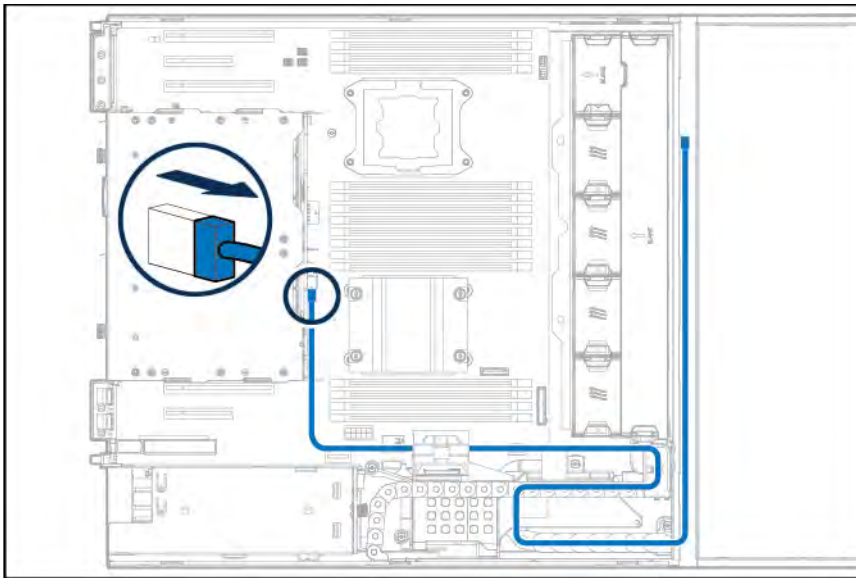
- 12. Install the access panel (on page 30).
- 13. Install the server into the rack (on page 45).
- 14. Power up the server (on page 19).

Smart Array P440 Controller Mini-SAS Y-cable option for rear drive cage

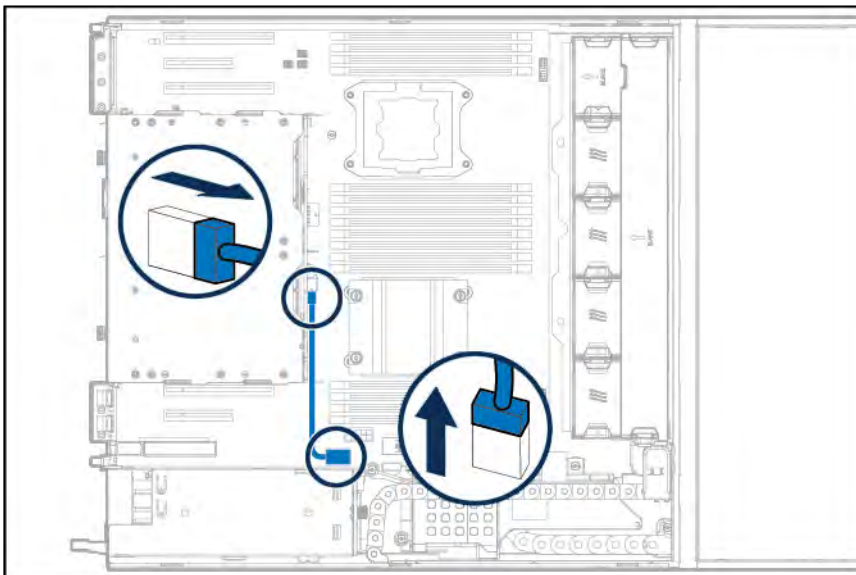
This section describes how to connect an existing four-bay LFF or two-bay SFF hot-plug rear drive cage to a Smart Array P440 controller using this Mini-SAS Y-cable option.

Install the Smart Array P440 Controller Mini-SAS Y-cable for a rear drive cage option

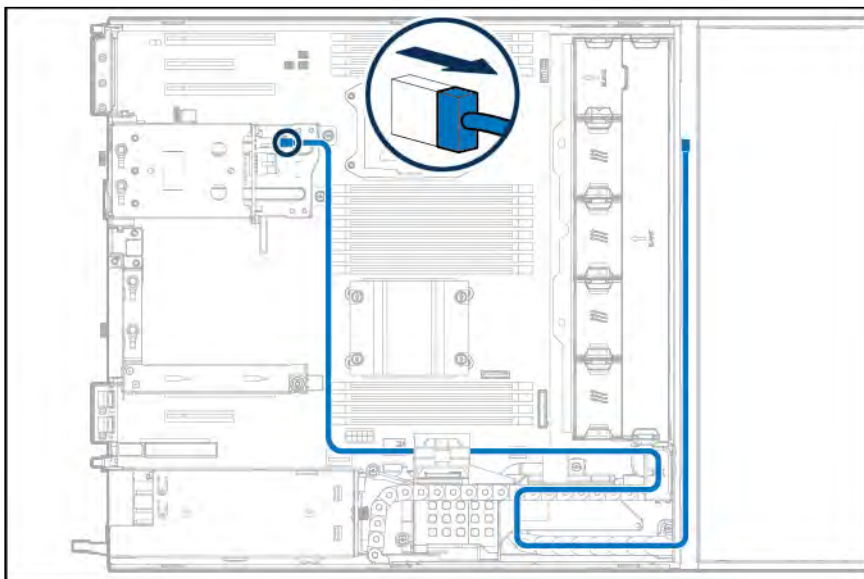
1. Power down the server (on page 19).
2. Remove all power:
 - a. Disconnect each power cord from the power source.
 - b. Disconnect each power cord from the server.
3. Remove the server from the rack (on page 28).
4. Remove the access panel (on page 29).
5. Remove the air baffle (on page 30).
6. If you are installing the P440 controller for the four-bay LFF hot-plug rear drive cage, do one of the following:
 - o Disconnect the Mini-SAS cable connected to the front drive cage 2 backplane from the rear drive backplane.



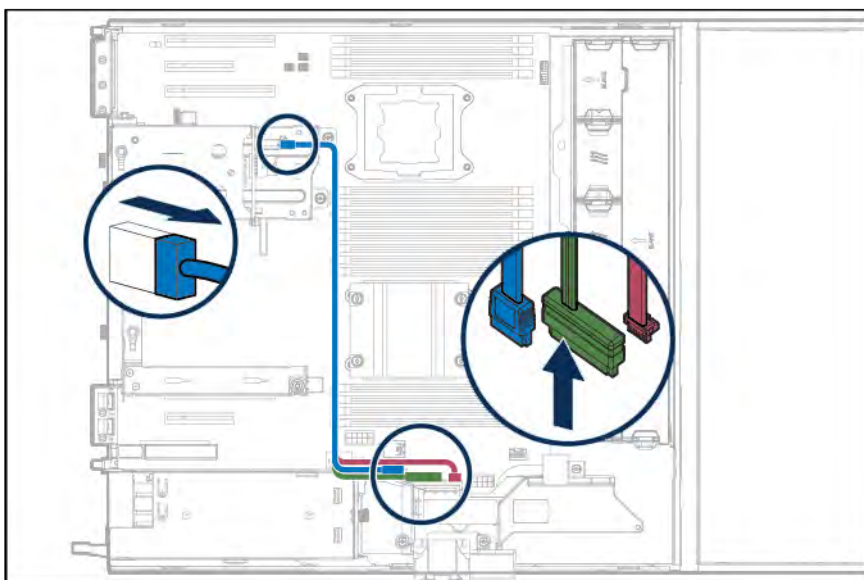
- o Disconnect the Mini-SAS cable from the rear drive backplane and from the system board.



7. If you are installing the P440 controller for a two-bay SFF hot-plug rear drive cage that is connected to the front drive cage 2 backplane, disconnect the preinstalled Mini-SAS x4 cable from the two-bay SFF rear drive backplane.

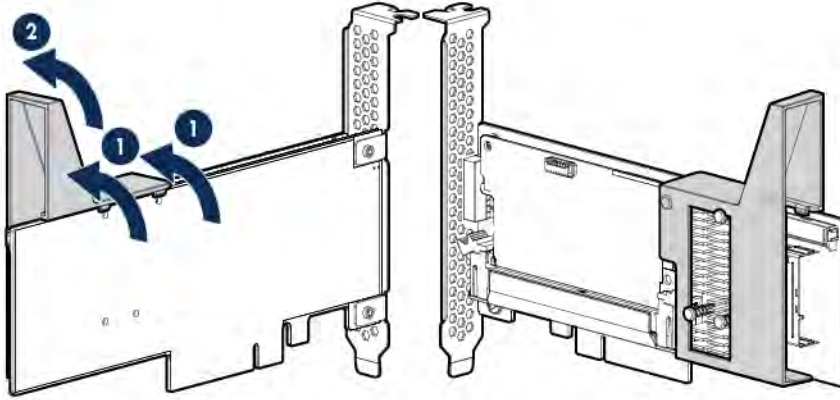


8. If you are installing the P440 controller for a two-bay SFF hot-plug rear drive cage that is connected to the system board, disconnect the multiconnector drive signal cable:
 - a. Open the cable management holder (on page 32).
 - b. Disconnect the multiconnector drive signal cable from the rear drive backplane and from the system board.

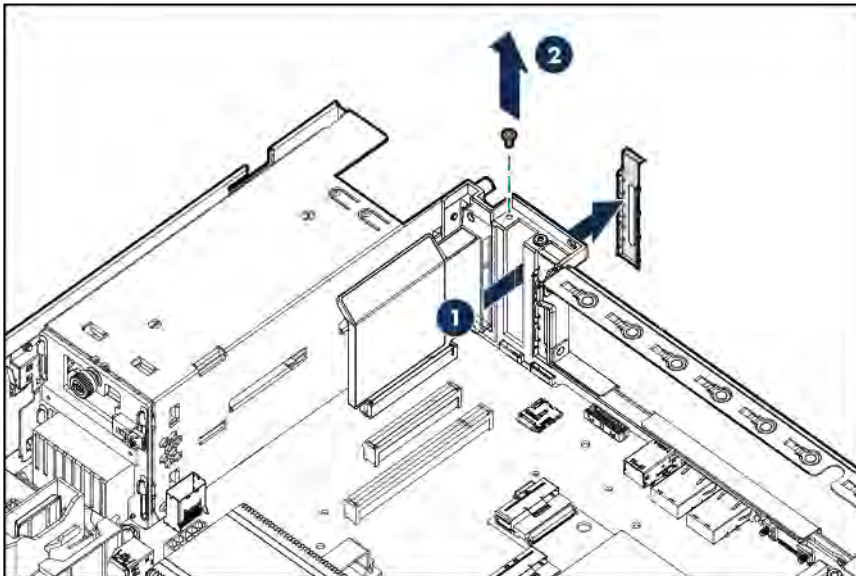


- c. Close the cable management holder (on page 34).

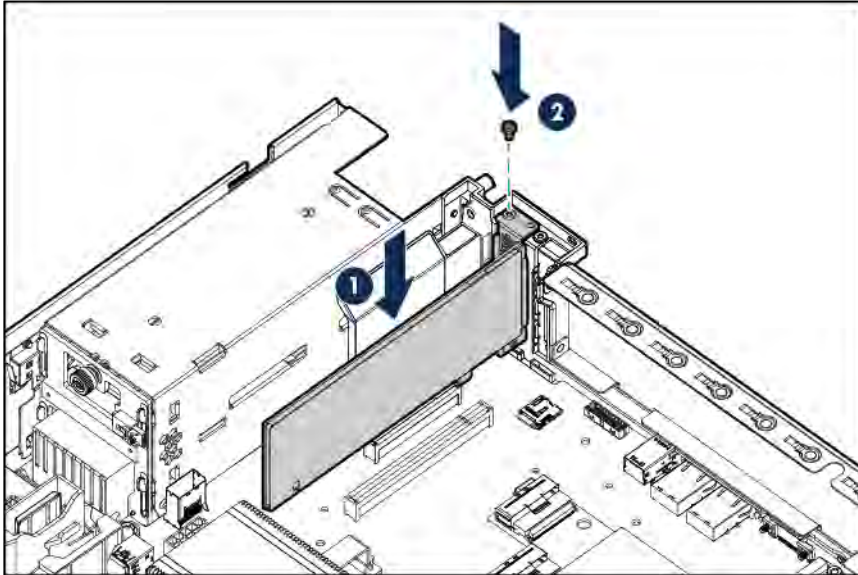
9. Remove the air scoop from the storage controller.



10. If you intend to use an FBWC module, install the module on the storage controller ("[Installing the storage controller and FBWC module options](#)" on page 92).
11. For the four-bay LFF rear drive cage – Install the P440 controller in the low-profile PCIe expansion slots 1, 2, 5, 6 or 7:
For the two-bay SFF rear drive cage – Install the P440 controller in the low-profile PCIe expansion slots 1, 5, 6 or 7:
 - a. Remove the full-height bracket from the storage controller and attach the low-profile bracket.
For more information, see the documentation that ships with the option.
 - b. Remove the onboard PCI expansion slot cover.



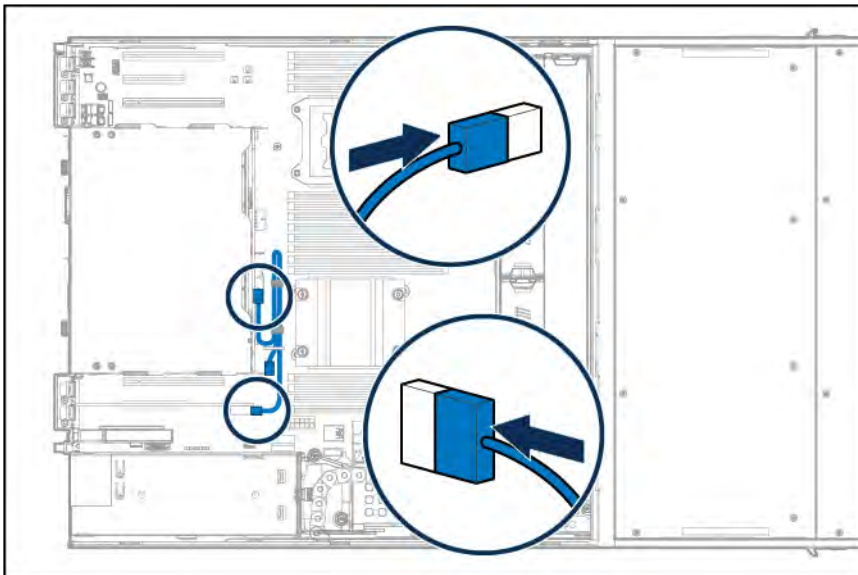
c. Install the storage controller.



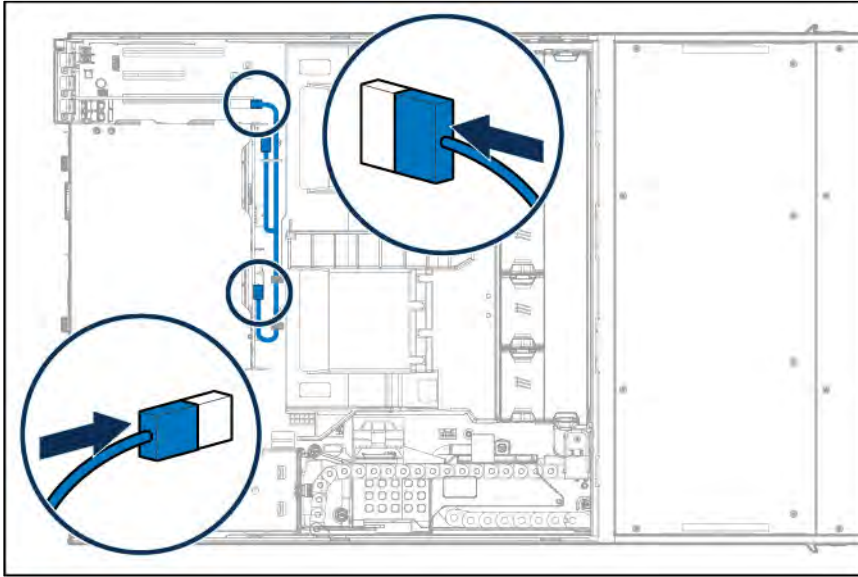
d. Connect the Mini-SAS Y-cable to the rear drive backplane and the storage controller.

e. Depending on the drive configuration type and the location of the controller board, secure the Mini-SAS Y-cable in the system board clips or position it on top of the air baffle.

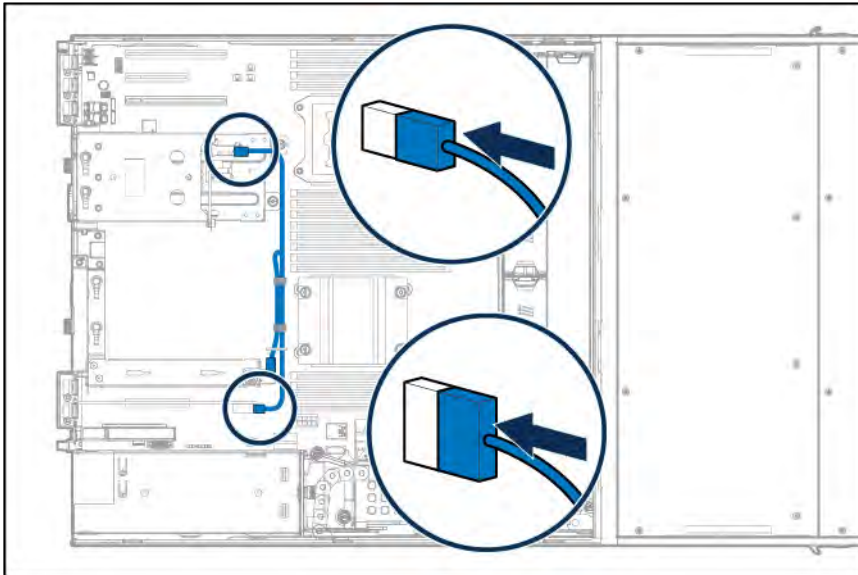
- Four-bay LFF rear drive cage – P440 controller Mini-SAS Y-cable connection from the PCIe expansion slot 1 or 2



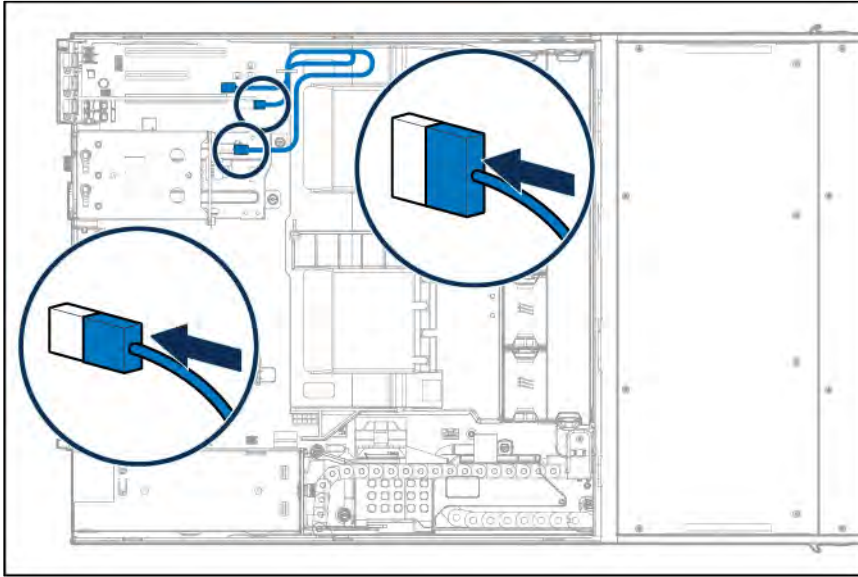
- Four-bay LFF rear drive cage – P440 controller Mini-SAS Y-cable connection from the PCIe expansion slot 5, 6 or 7



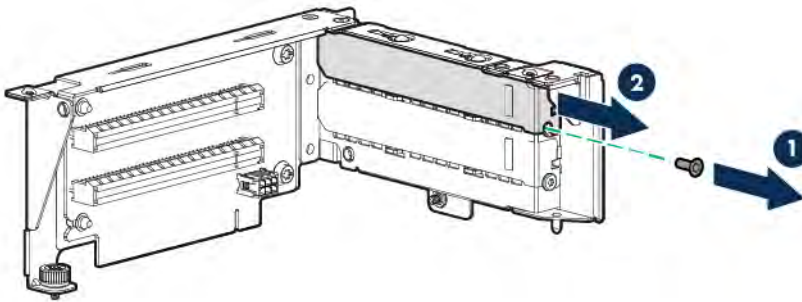
- Two-bay SFF rear drive cage – P440 controller Mini-SAS Y-cable connection from the PCIe expansion slot 1



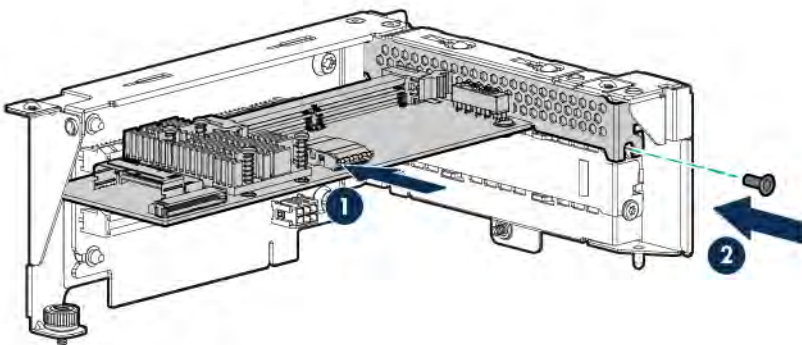
- Two-bay SFF rear drive cage – P440 controller Mini-SAS Y-cable connection from the PCIe expansion slot 5, 6 or 7



12. For the two-bay SFF rear drive cage only – Install the P440 controller in the riser board slot 3 or 4:
 - a. Remove the PCI riser cage (on page 34).
 - b. Remove the riser slot cover.

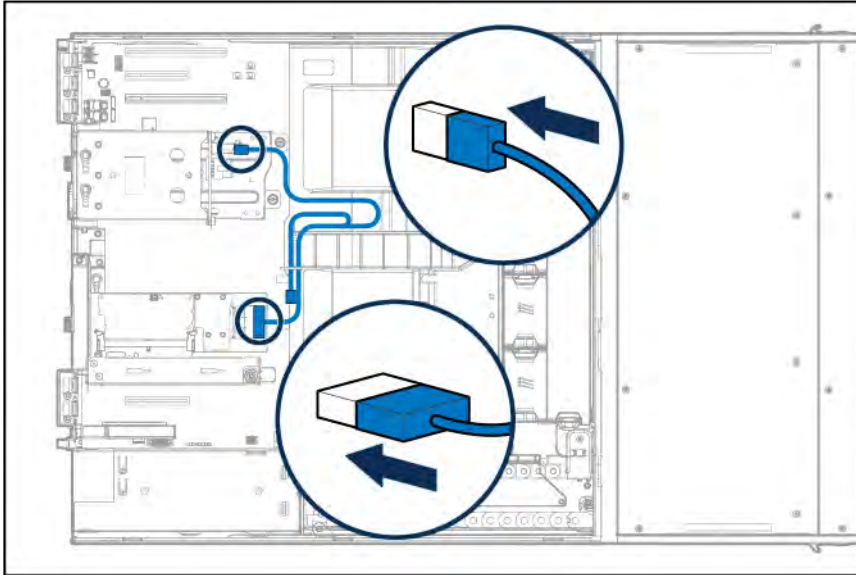


- c. Install the storage controller.



- d. Install the PCI riser cage (on page 36).
 - e. Connect the Mini-SAS Y-cable to the rear drive backplane and the storage controller.

- f. Position the Mini-SAS Y-cable on top of the air baffle.



13. Install the access panel (on page 30).
14. Install the server into the rack (on page 45).
15. Power up the server (on page 19).

Storage controller options

The server ships with an embedded Dynamic Smart Array B140i Controller. This embedded controller is supported in UEFI Boot Mode only. For more information about the controller and its features, see the *HPE Dynamic Smart Array B140i RAID Controller User Guide* on the Hewlett Packard Enterprise website (<http://www.hpe.com/info/smartstorage/docs>).

Upgrade options exist for an integrated array controller. For a list of supported options, see the product QuickSpecs on the Hewlett Packard Enterprise website (<http://www.hpe.com/info/qs>).

To configure arrays, see the *HPE Smart Storage Administrator User Guide* on the Hewlett Packard Enterprise website (<http://www.hpe.com/info/smartstorage/docs>).

The server supports FBWC. FBWC consists of a cache module and a Smart Storage Battery Pack. The DDR cache module buffers and stores data being written by an integrated Gen9 P-series Smart Array Controller.

This server supports the 96-W Smart Storage Battery Pack. This battery pack can support up to 24 devices. Devices in this context refer to the Smart Array Controller or NVDIMM associated with the cache module.

The battery pack might have a low charge when installed. If the battery does have low charge, a POST error message appears when the server is powered up, indicating that the battery pack is temporarily disabled. No action is necessary. The internal circuitry automatically recharges the batteries and enables the battery pack. When the system is powered on this process might take approximately 2 hours.

If a system power failure occurs, a fully charged battery pack provides power for up to 150 seconds. During that interval, the controller transfers the cached data from DDR memory to flash memory, where the data remains indefinitely or until a controller retrieves the data. The data protection and the time limit also apply if a power outage occurs. When power is restored to the system, an initialization process writes the preserved data to the storage drives.

-
- △ **CAUTION:** The cache module connector does not use the industry-standard DDR3 mini-DIMMs. Do not use the controller with cache modules designed for other controller models, because the controller can malfunction and you can lose data. Also, do not transfer this cache module to an unsupported controller model, because you can lose data.

 - △ **CAUTION:** To prevent a server malfunction or damage to the equipment, do not add or remove the battery pack while an array capacity expansion, RAID level migration, or stripe size migration is in progress.

 - △ **CAUTION:** After the server is powered down, wait for 30 seconds, and then check the amber LED before unplugging the cable from the cache module. If the amber LED flashes after 30 seconds, do not remove the cable from the cache module. The cache module is backing up data. Data will be lost if the cable is detached when the amber LED is still flashing.
-

Storage controller option population guidelines

To maintain optimal thermal conditions when installing a P-series Smart Array Controller or a Smart HBA option, Hewlett Packard Enterprise recommends the following population guidelines:

Expansion slot	H240	H241	P440	P441	P841
Slot 1 PCIe3 x8 (8, 4, 1) low-profile, standup	Yes	Yes	Yes	Yes	—
Slot 2 PCIe3 x16 (16, 8, 4, 1) low-profile, standup	Yes	Yes	Yes	Yes	—
Riser slot 3 PCIe3 x8 (8, 4, 1) full-height, half-length	Yes	Yes	Yes	Yes	Yes
Riser slot 4 PCIe3 x8 (8, 4, 1) full-height, half-length	Yes	Yes	Yes	Yes	Yes
Slot 5 PCIe3 x16 (16, 8, 4, 1) low-profile, standup	Yes*	Yes	Yes*	Yes	—
Slot 6 PCIe3 x8 (8, 4, 1) low-profile, standup	Yes*	Yes	Yes*	Yes	—
Slot 7 PCIe3 x16 (16, 8, 4, 1) low-profile, standup	Yes*	Yes	Yes*	Yes	—

* When an H240 HBA or a P440 Smart Array Controller is installed in PCIe3 expansion slot 5, 6 or 7, a rear drive cage must be installed ("[Drive cage options](#)" on page 58).

Installing the storage controller and FBWC module options

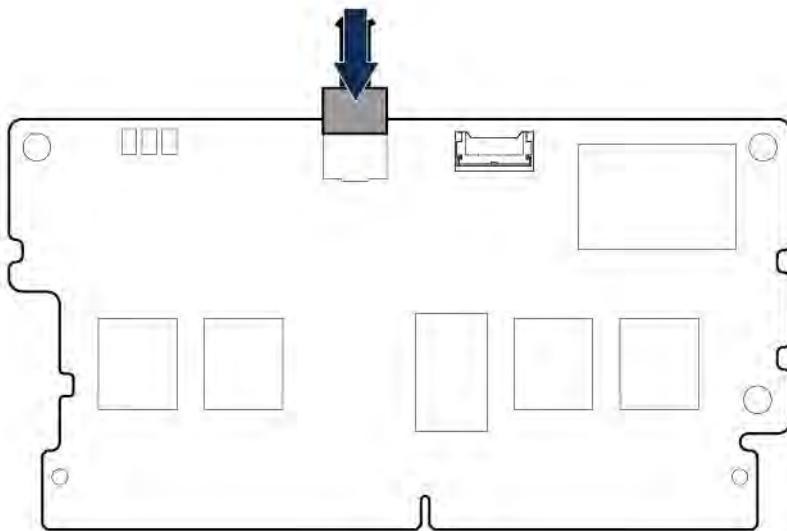
This section only covers the installation of a storage controller board option for the front drive cage 2. The front drive cage 1 is always connected to port 2 of the onboard Flexible Smart Array P840ar Controller.

In this server, Smart HBA option installation is only for external connectivity to tape drives, shared storage, and external JBODs. See the option documentation for external storage cabling information.

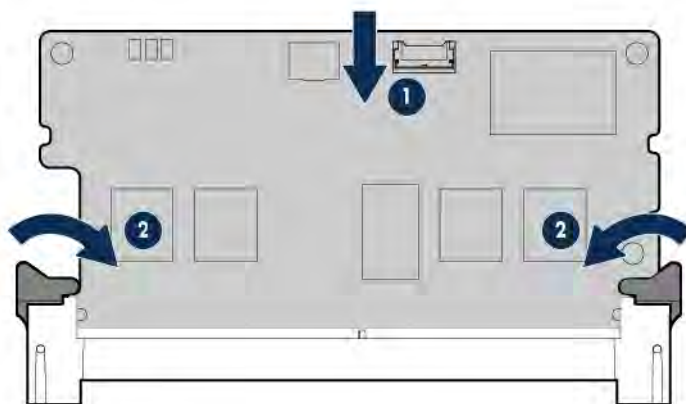
To install the component:

1. Power down the server (on page 19).
2. Remove all power:
 - a. Disconnect each power cord from the power source.
 - b. Disconnect each power cord from the server.
3. Remove the server from the rack (on page 28).
4. Remove the access panel (on page 29).
5. Remove the air baffle (on page 30).
6. If installed, remove the air scoop from the storage controller/HBA. For more information, see the documentation that ships with the option.

7. If you intend to use an FBWC module, install the module on the storage controller. Depending on the controller model, the cable connector on the cache module might be facing up or down when the module is installed on the controller board.
 - a. Connect the cache module backup power cable to the module.

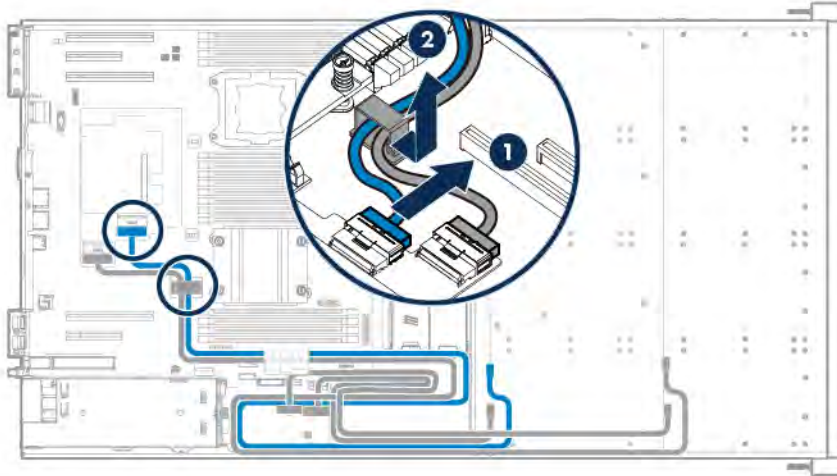


- b. Install the cache module on the storage controller.

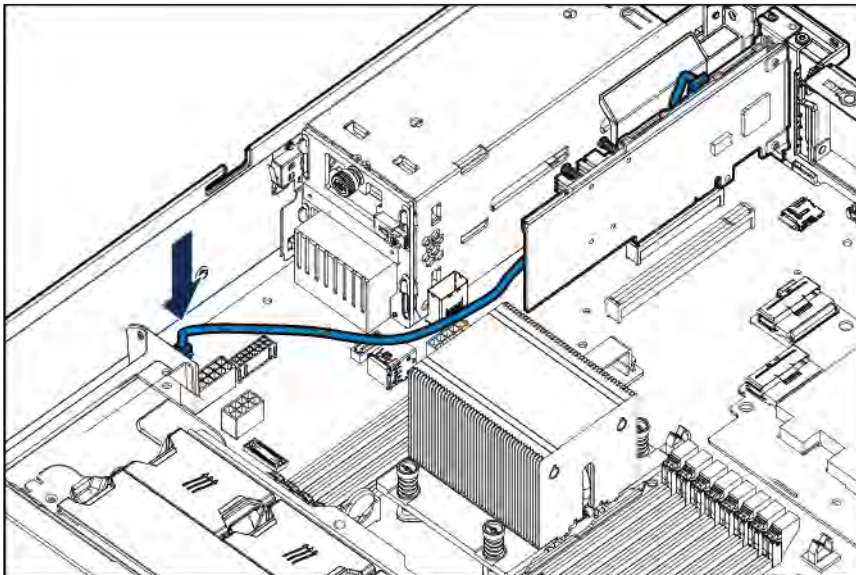


8. If installed, remove the rear drive cage ("[Remove a rear drive cage](#)" on page 37).
9. If installed, remove the six-bay SFF rear drive cage ("[Remove a rear drive cage](#)" on page 37).
10. If an expansion board is installed on the PCI riser cage, remove the PCI riser cage (on page 34).

11. Disconnect the Mini-SAS Y-cable from the Flexible Smart Array P840ar Controller port 1, and then release it from the cable clip.

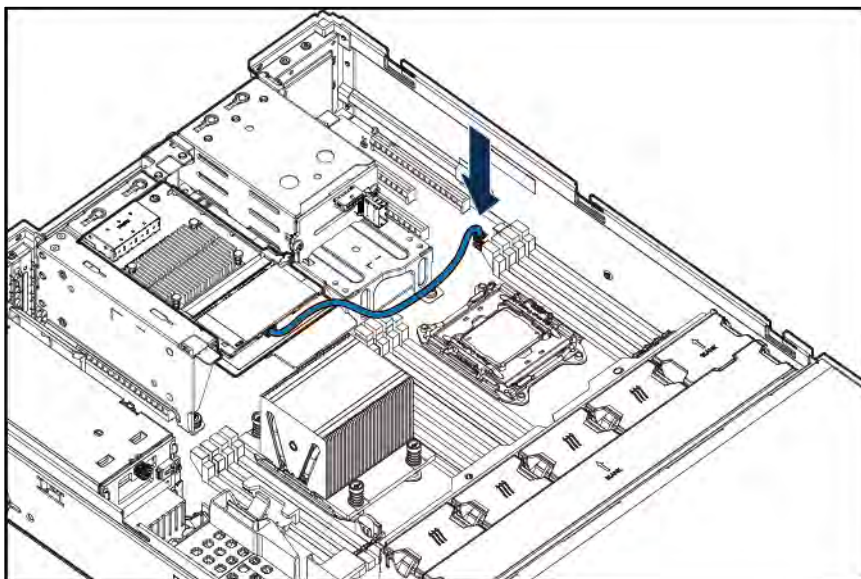


12. Install the storage controller ("Expansion board options" on page 118).
13. Connect all necessary internal cables to the storage controller. For internal drive cabling information, see "Storage cabling (on page 138)."
14. If a cache module is installed on a storage controller located in the onboard PCIe expansion slots 1 or 2, do the following:
 - a. Open the cable management holder (on page 32).
 - b. Connect the cache module backup power cable to the system board.



- c. Close the cable management holder (on page 34).

15. If a cache module is installed on a storage controller located in the PCI riser cage, connect the cache module backup power cable to any of the storage backup power connectors located in front of the onboard PCIe expansion slot 7.



16. If you are planning to install the Smart Storage Battery Pack, install it now ("[Installing the Smart Storage Battery](#)" on page 95).
17. Install the air baffle (on page 32).
18. Install the access panel (on page 30).
19. Install the server into the rack (on page 45).
20. Power up the server (on page 19).

For more information about the integrated storage controller and its features, select the relevant user documentation on the Hewlett Packard Enterprise website (<http://www.hpe.com/info/smartstorage/docs>).

To configure arrays, see the *HPE Smart Storage Administrator User Guide* on the Hewlett Packard Enterprise website (<http://www.hpe.com/info/smartstorage/docs>).

Installing the Smart Storage Battery

For more information about product features, specifications, options, configurations, and compatibility, see the product QuickSpecs on the Hewlett Packard Enterprise website (<http://www.hpe.com/info/gs>).

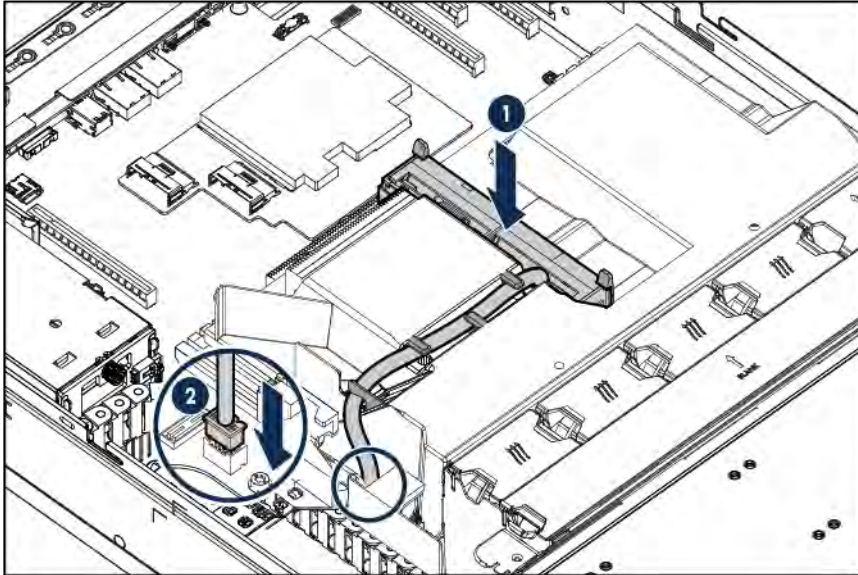


CAUTION: In systems that use external data storage, be sure that the server is the first unit to be powered down and the last to be powered back up. Taking this precaution ensures that the system does not erroneously mark the external drives as failed when the server is powered up.

To install the component:

1. Power down the server (on page 19).
2. Remove all power:
 - a. Disconnect each power cord from the power source.
 - b. Disconnect each power cord from the server.
3. Remove the server from the rack (on page 28).
4. Remove the access panel (on page 29).
5. Install the Smart Storage Battery on the air baffle.

6. Secure the battery cable on the air baffle clips, and then connect the cable to the system board.



7. Install the access panel (on page 30).
8. Install the server into the rack (on page 45).
9. Power up the server (on page 19).

M.2 SSD enablement board option

The M.2 SSD enablement board is supported in the following expansion slots:

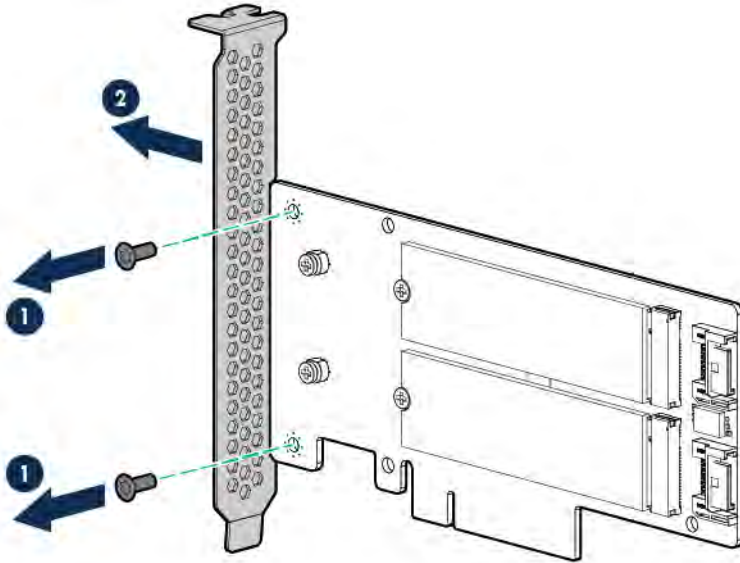
- For standup installation: PCIe3 x8 expansion slot 1, PCIe3 x16 expansion slot 2
- For horizontal installation (two-slot PCI riser cage option required): PCIe3 x8 riser board slots 3 and 4

For more information about product features, specifications, options, configurations, and compatibility, see the product QuickSpecs on the Hewlett Packard Enterprise website (<http://www.hpe.com/info/qs>).

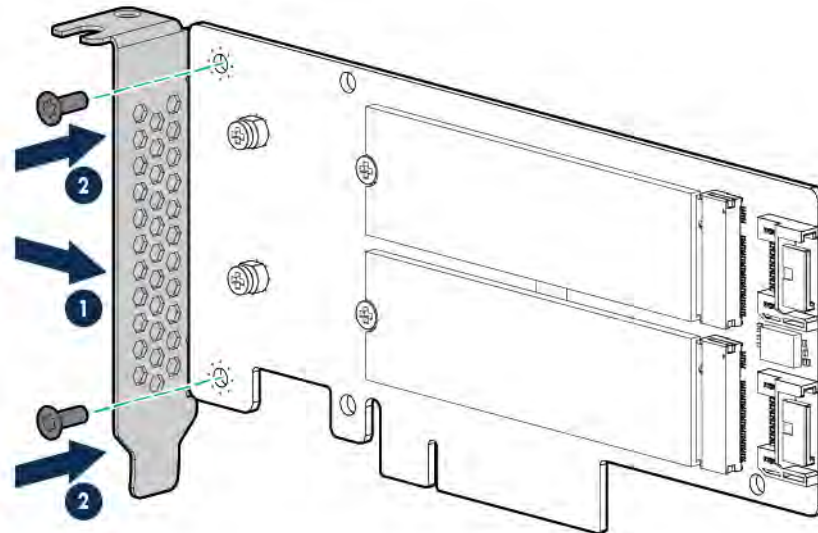
Installing the M.2 SSD enablement board

1. Power down the server (on page 19).
2. Remove all power:
 - a. Disconnect each power cord from the power source.
 - b. Disconnect each power cord from the server.
3. Remove the server from the rack (on page 28).
4. Remove the access panel (on page 29).
5. Remove the air baffle (on page 30).
6. To install the M.2 SSD enablement board in the onboard expansion slots, do the following:

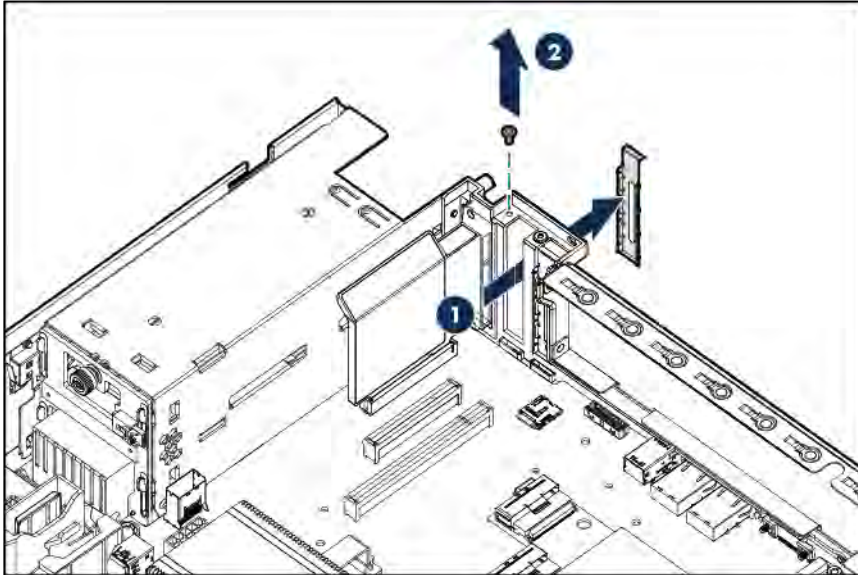
- a. Remove the full-height bracket from the M.2 SSD enablement board.



- b. Install the low-profile bracket on the M.2 SSD enablement board.

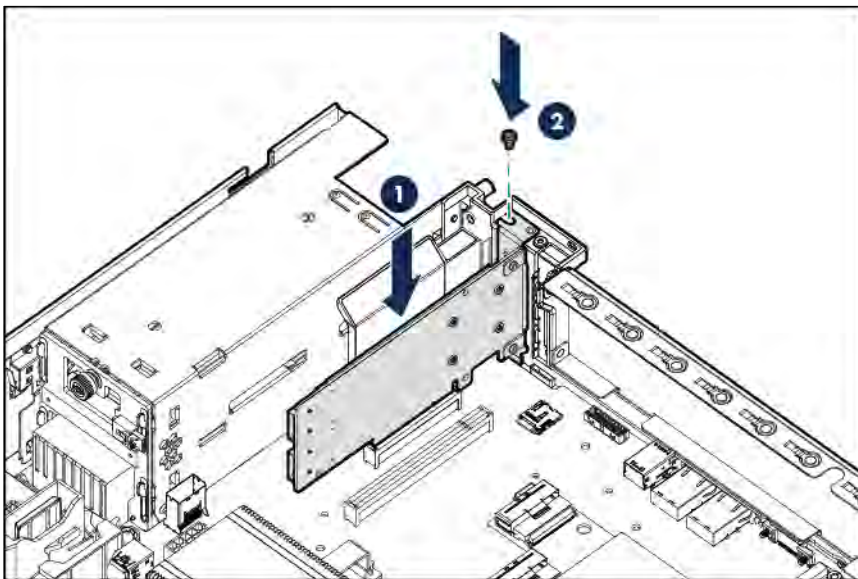


c. Remove the onboard PCI expansion slot cover.

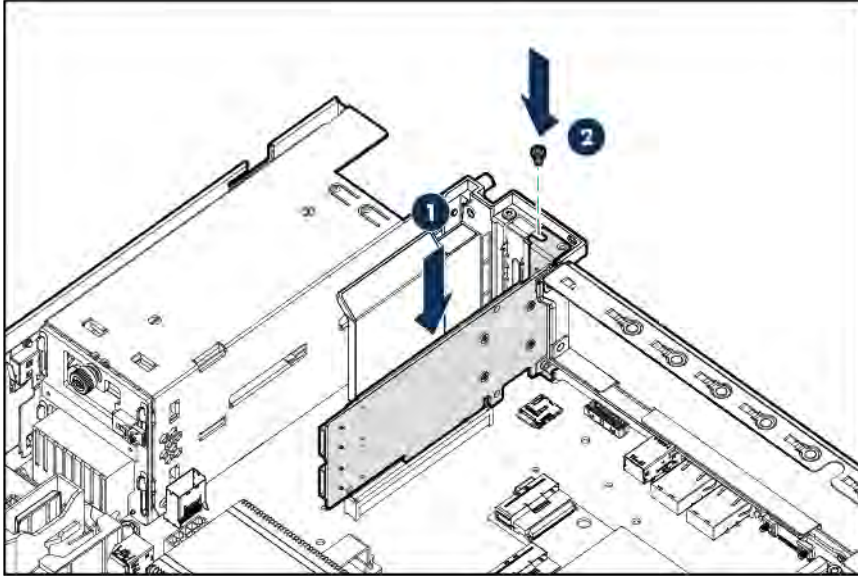


d. Install the M.2 SSD enablement board. Verify that the board is firmly seated in the slot.

— M.2 SSD enablement board installed in the onboard PCIe3 x8 expansion slot 1



— M.2 SSD enablement board installed in the onboard PCIe3 x16 expansion slot 2



- e. Open the cable management holder (on page 32).
- f. Connect the SATA cables to the M.2 SSD enablement board and the system board.
- g. Close the cable management holder (on page 34).
- h. Secure the extra length of the SATA cables in the cable management holder.

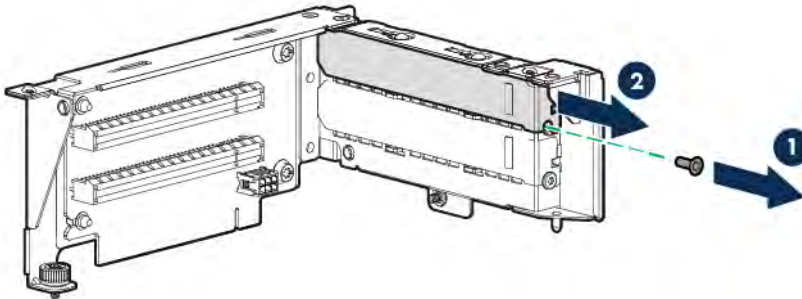
— M.2 SSD cabling from the onboard PCIe3 x8 expansion slot 1



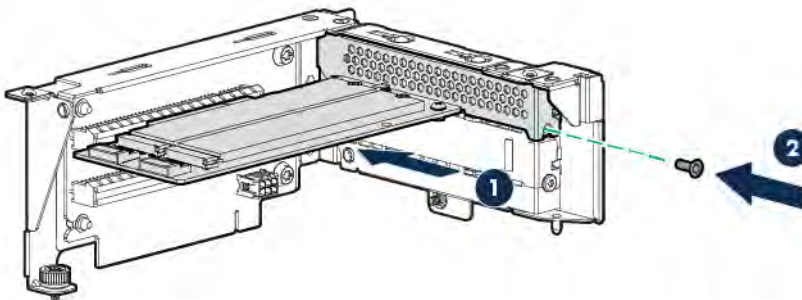
— M.2 SSD cabling from the onboard PCIe3 x16 expansion slot 2



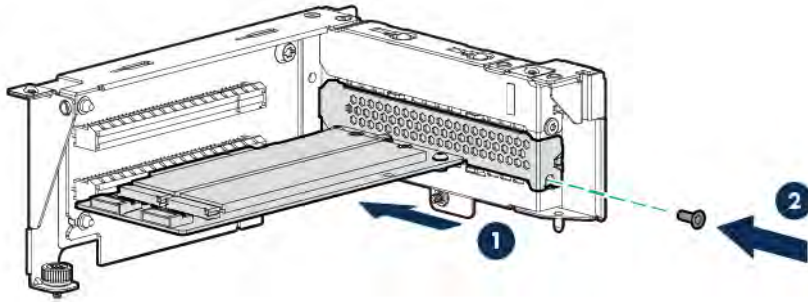
7. To install the M.2 SSD enablement board in the PCI riser cage, do the following:
 - a. Remove the PCI riser cage (on page 34).
 - b. Remove the riser slot cover.



- c. Install the M.2 SSD enablement board. Verify that the board is firmly seated in the slot.
 - M.2 SSD enablement board installed in the PCIe3 x8 riser board slot 3



— M.2 SSD enablement board installed in the PCIe3 x8 riser board slot 4



- d. Install the PCI riser cage (on page 36).
- e. Open the cable management holder (on page 32).
- f. Connect the SATA cables to the M.2 SSD enablement board and the system board.
- g. Close the cable management holder (on page 34).
- h. Secure the extra length of the SATA cables in the cable management holder.



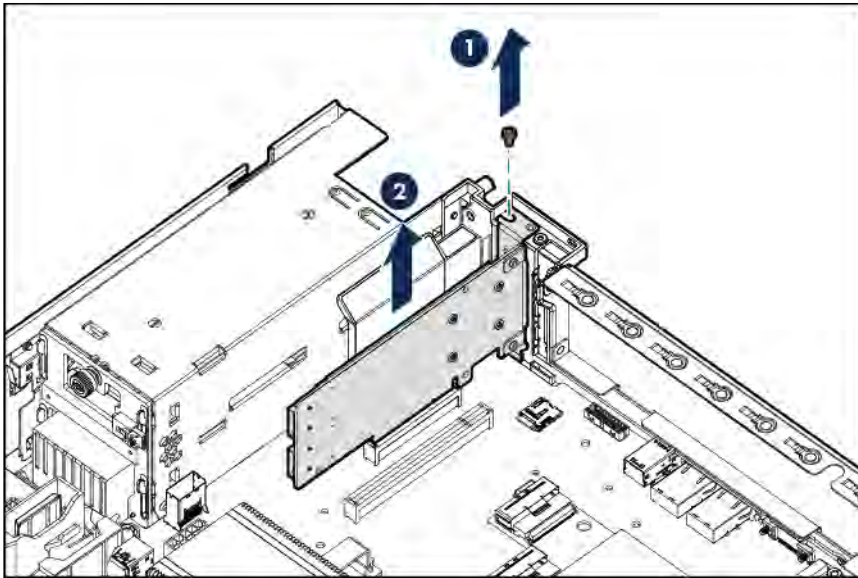
8. Install the air baffle (on page 32).
9. Install the access panel (on page 30).
10. Install the server into the rack (on page 45).
11. Power up the server (on page 19).

To manage and monitor the SSD modules, use Smart Storage Administrator (<http://www.hpe.com/servers/ssa>).

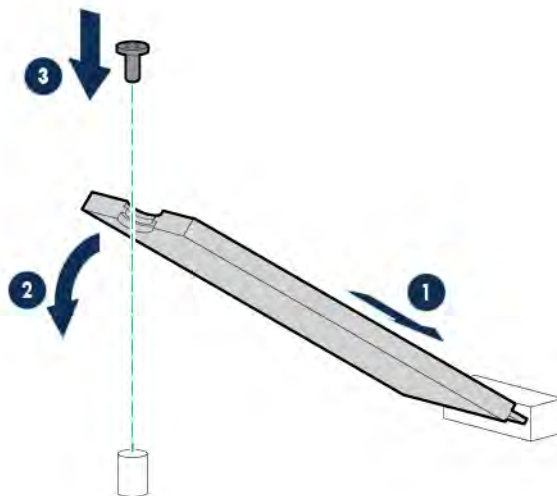
Installing an SSD module on the M.2 SSD enablement board

1. Power down the server (on page 19).
2. Remove all power:
 - a. Disconnect each power cord from the power source.
 - b. Disconnect each power cord from the server.

3. Remove the server from the rack (on page 28).
4. Remove the access panel (on page 29).
5. Remove the air baffle (on page 30).
6. Do one of the following:
 - o If you intend to install the SSD module in an M.2 SSD enablement board located in the PCI riser cage, make sure the board surface is accessible. Remove the PCI riser cage as needed ("[Remove the PCI riser cage](#)" on page 34).
 - o If you intend to install the SSD module in an M.2 SSD enablement board located in an onboard expansion slot, disconnect the existing M.2 SSD SATA cable from the enablement board, and then remove the enablement board.



7. Install the SSD module on the M.2 SSD enablement board.



8. Do one of the following:
 - o If removed, install the PCI riser cage (on page 36).
 - o If removed, install the M.2 SSD enablement board ("[Installing the M.2 SSD enablement board](#)" on page 96).
9. Install the air baffle (on page 32).
10. Install the access panel (on page 30).

11. Install the server into the rack (on page 45).
12. Power up the server (on page 19).


Processor option


The server supports single-processor and dual-processor operations.


For more information about product features, specifications, options, configurations, and compatibility, see the product QuickSpecs on the Hewlett Packard Enterprise website (<http://www.hpe.com/info/qs>).


Processor installation cautions


The server supports single-processor and dual-processor operations.

 **CAUTION:** To avoid damage to the processor and system board, only authorized personnel should attempt to replace or install the processor in this server.

 **CAUTION:** To prevent possible server overheating, always populate each processor socket with a processor socket cover and a processor blank, or a processor and a heatsink.

 **CAUTION:** To prevent possible server malfunction and damage to the equipment, multiprocessor configurations must contain processors with the same part number.

 **IMPORTANT:** If installing a processor with a faster speed, update the system ROM before installing the processor.

 **IMPORTANT:** Processor socket 1 must be populated at all times or the server does not function.

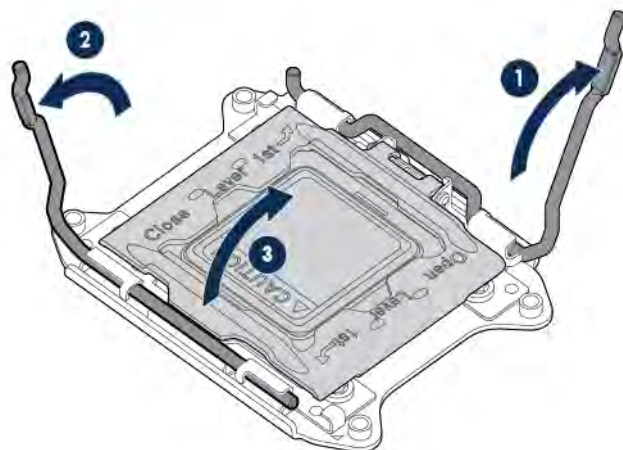
For optimum performance, Hewlett Packard Enterprise recommends:

- Use DIMMs that match the speed of the processor installed in the server. Intel Xeon E5-2600 v4 processors are optimized to work with 2400 MHz DIMMs.
- In a multiprocessor configuration, balance the total capacity of the DIMMs across the processors.

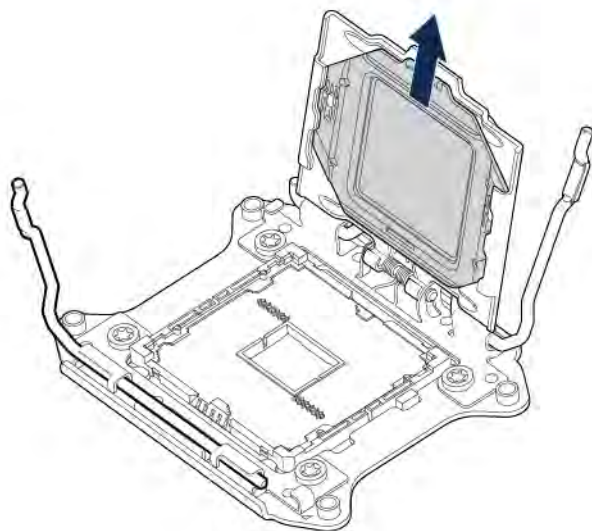
Install the processor option

1. Power down the server (on page 19).
2. Remove all power:
 - a. Disconnect each power cord from the power source.
 - b. Disconnect each power cord from the server.
3. Remove the server from the rack (on page 28).
4. Remove the access panel (on page 29).
5. Remove the air baffle (on page 30).

6. Open each of the processor locking levers in the order indicated in the following illustration, and then open the processor retaining bracket.

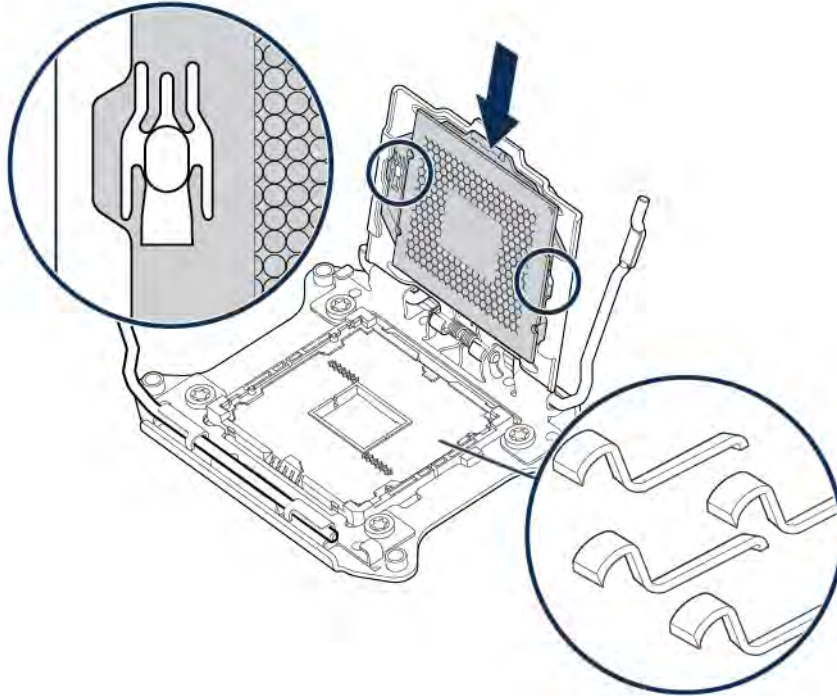


7. Remove the clear processor socket cover. Retain the processor socket cover for future use.



CAUTION: THE PINS ON THE SYSTEM BOARD ARE VERY FRAGILE AND EASILY DAMAGED. To avoid damage to the system board, do not touch the processor or the processor socket contacts.

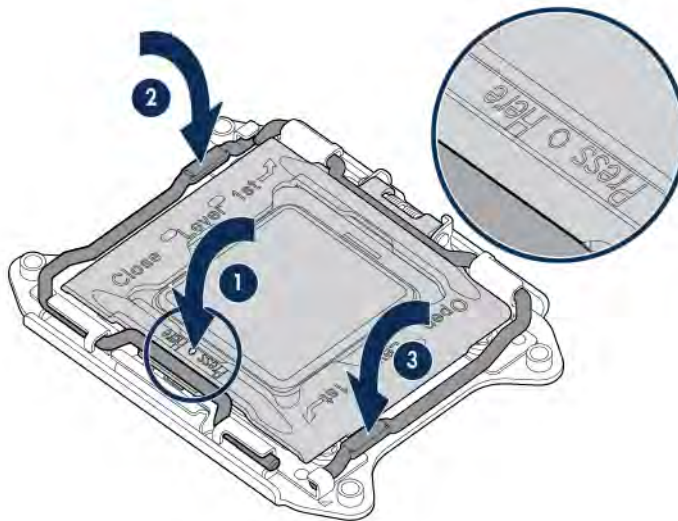
8. Install the processor. Verify that the processor is fully seated in the processor retaining bracket by visually inspecting the processor installation guides on either side of the processor. **THE PINS ON THE SYSTEM BOARD ARE VERY FRAGILE AND EASILY DAMAGED.**



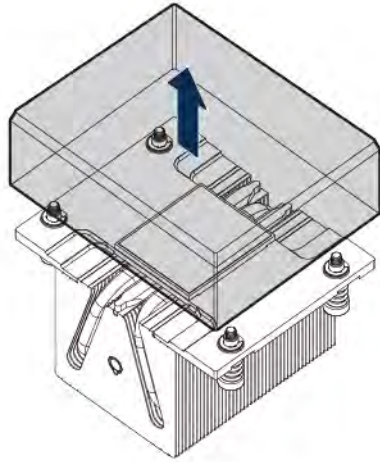
9. Close the processor retaining bracket. When the processor is installed properly inside the processor retaining bracket, the processor retaining bracket clears the flange on the front of the socket.

CAUTION: Do not press down on the processor. Pressing down on the processor may cause damage to the processor socket and the system board. Press only in the area indicated on the processor retaining bracket.

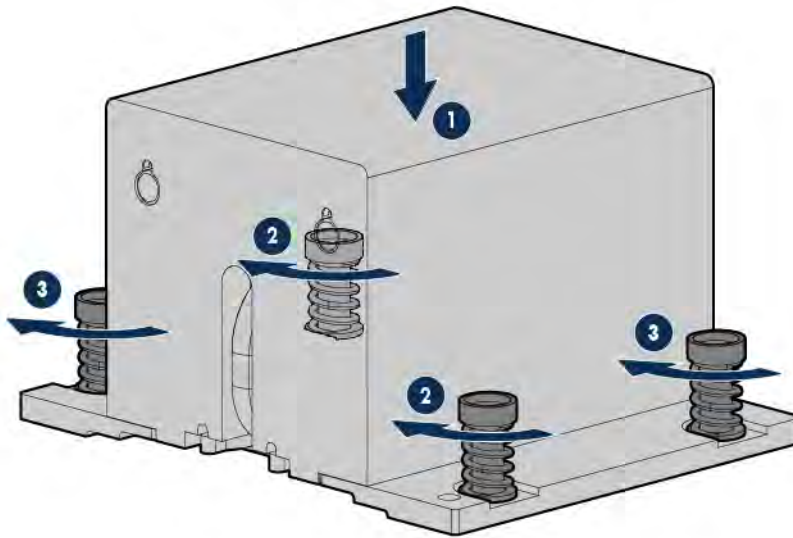
10. Press and hold the processor retaining bracket in place, and then close each processor locking lever. Press only in the area indicated on the processor retaining bracket.



11. Remove the thermal interface protective cover from the heatsink.

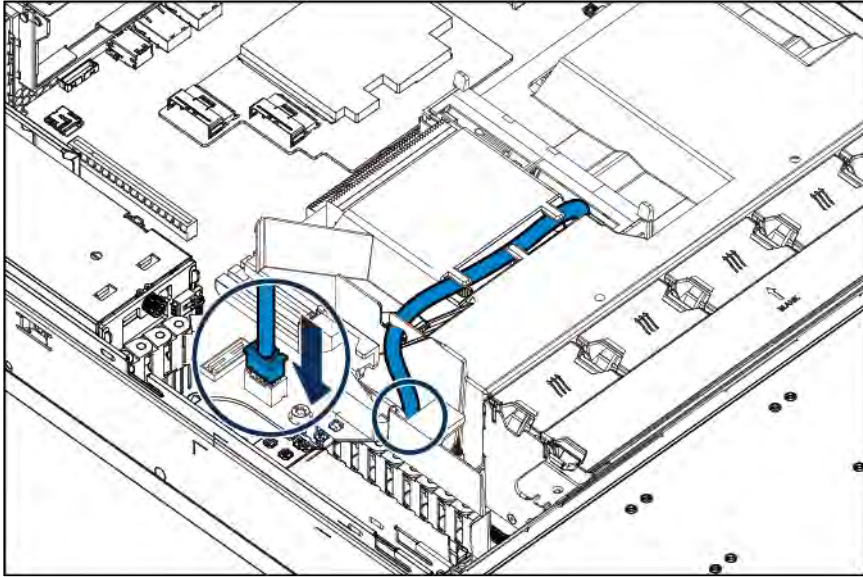


12. Install the heatsink:
 - a. Position the heatsink on the processor backplate.
 - b. Tighten one pair of diagonally opposite screws halfway, and then tighten the other pair of screws.
 - c. Finish the installation by completely tightening the screws in the same sequence.

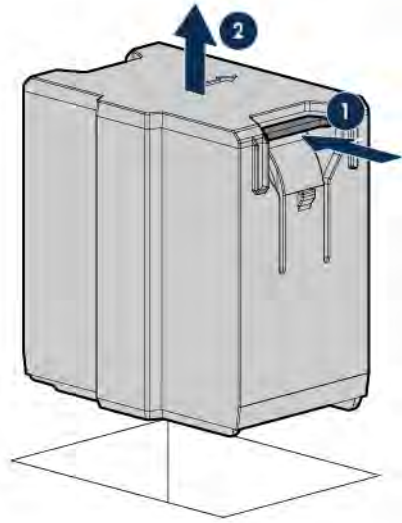


13. Install the air baffle (on page 32).

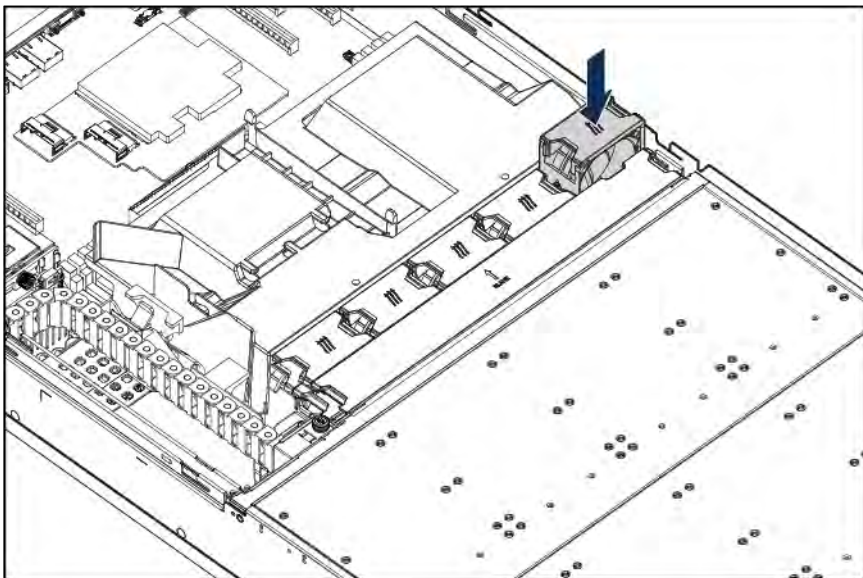
14. If disconnected, connect the Smart Storage Battery cable.



15. If the server is being upgraded from a single processor, nonredundant fan configuration to a dual-processor, nonredundant fan configuration, install the fan included in this processor option kit:
- a. Remove the fan blank from fan bay 5.

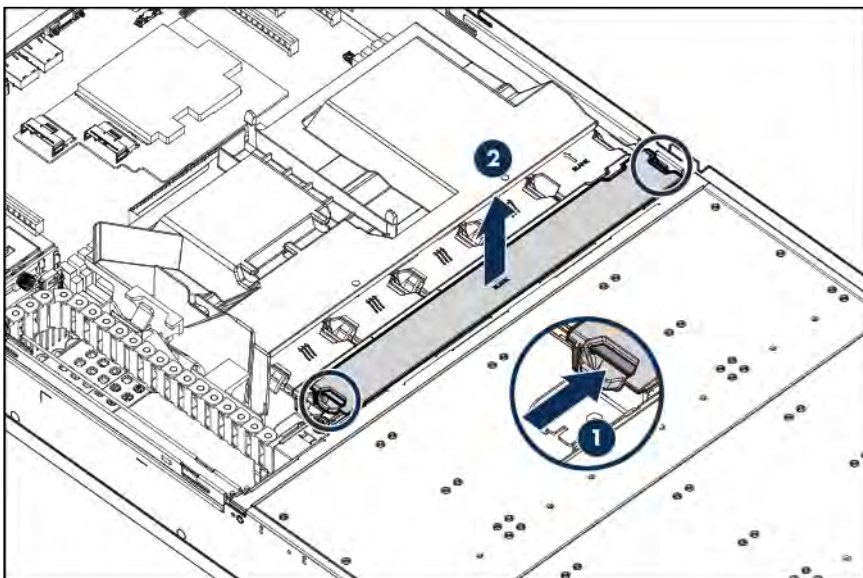


- b. Install the fan in fan bay 5.

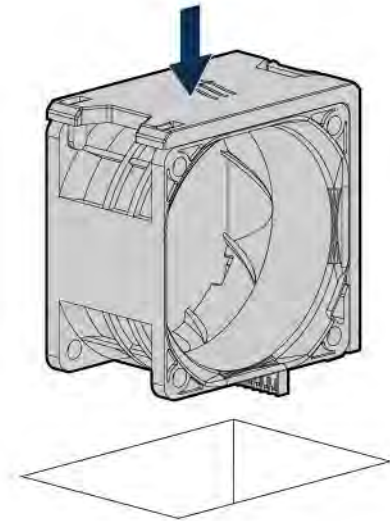


16. To enable fan redundancy in a dual-processor configuration, all 10 fan bays should be populated. Obtain a Redundant Fan Option Kit (PN 806562-B21) and install five more fans in fan bays 6–10:

- a. Remove the fan cage cover.

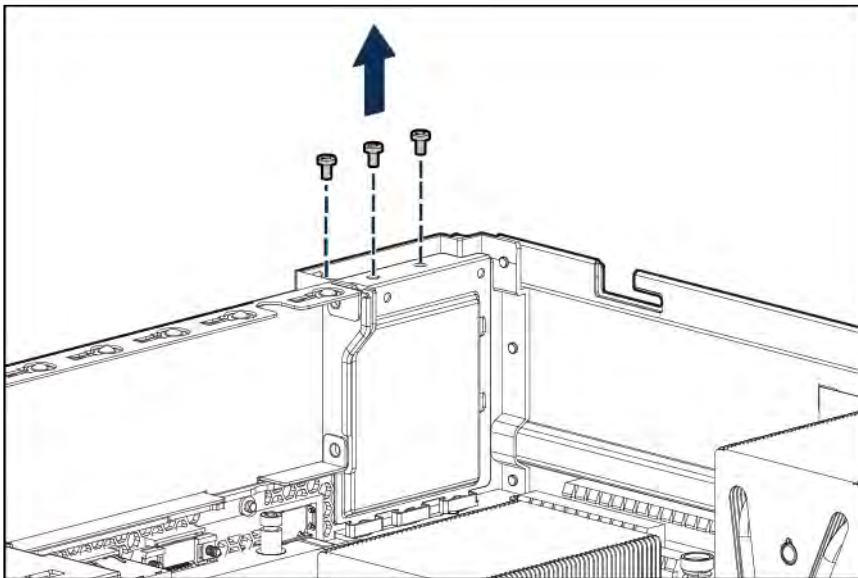


- b. Install the fans in fan bays 6–10.

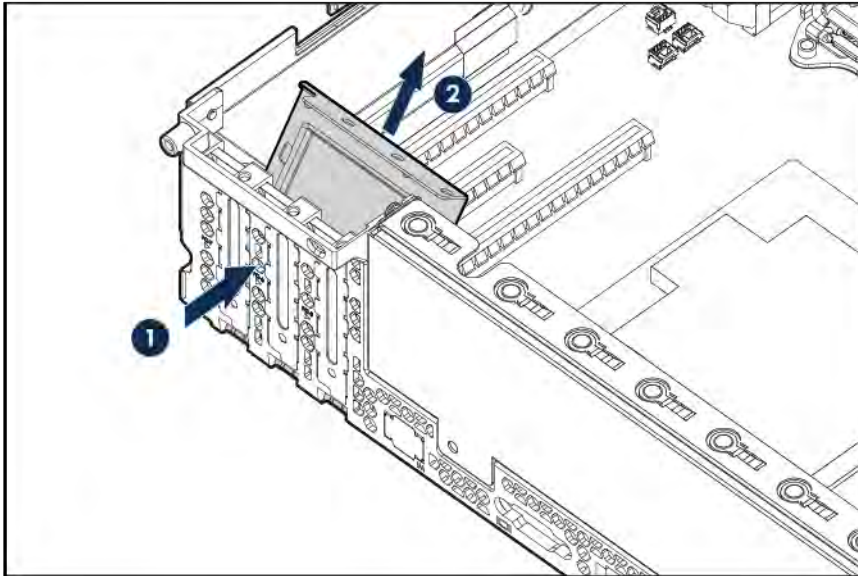


17. The PCIe expansion slots 5–7 are associated with processor 2. To enable expansion board installation in these now active slots, remove the slot cover air blocker.

- a. Remove the air blocker screws.



- b. Insert a pen or a small screwdriver into one of the slot cover hole to push the air blocker down, and then remove the air blocker from the chassis.



Retain the air blocker for future use.

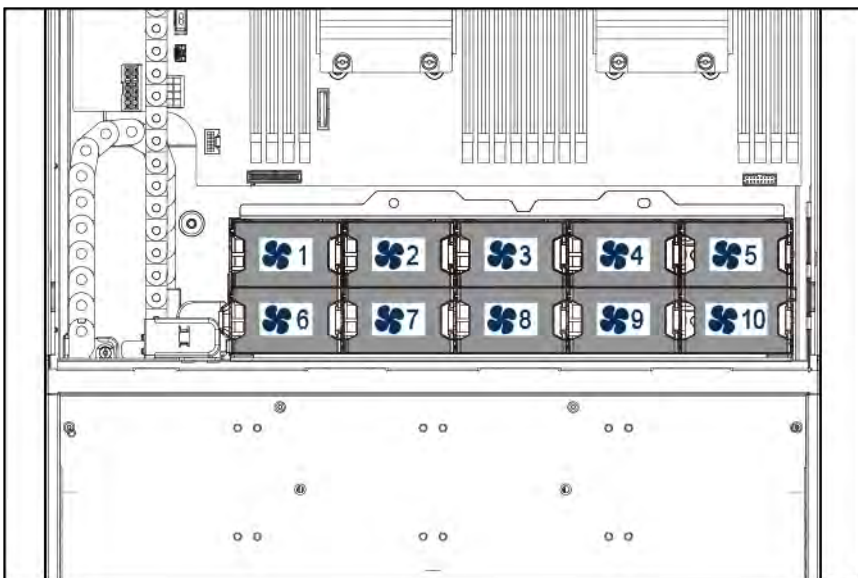
18. Install the access panel (on page 30).
19. Install the server into the rack (on page 45).
20. Power up the server (on page 19).

Redundant fan option

To provide sufficient airflow to the system if a fan fails, the server supports redundant fans.

For more information about product features, specifications, options, configurations, and compatibility, see the product QuickSpecs on the Hewlett Packard Enterprise website (<http://www.hpe.com/info/qs>).

Fan population guidelines



- Single processor, non-redundant configuration:

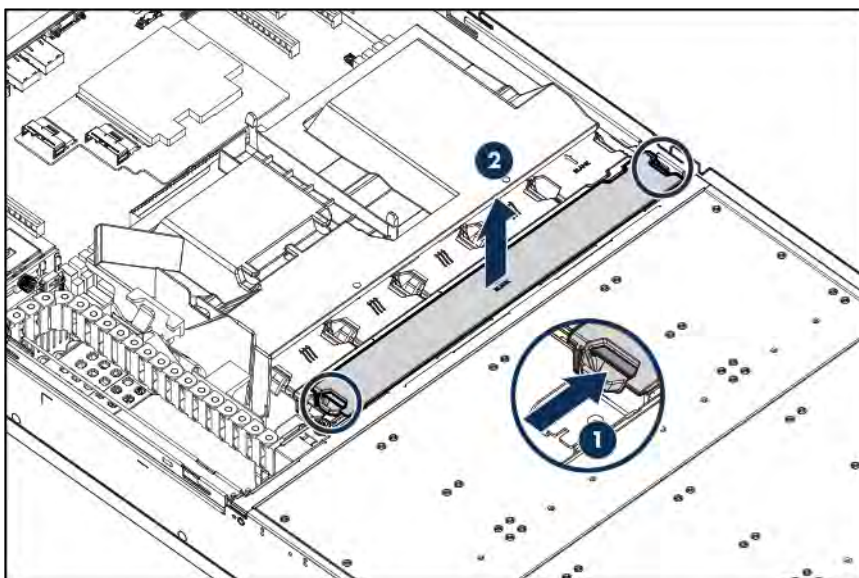
- Fans are required in fan bays 1–4.
- Fan blank is required in fan bay 5.
- Fan bays 6–10 have a single fan cage cover.
- Single processor, redundant configuration:
 - Fans are required in fan bays 1–4 and 6–9.
 - Fan blank is required in fan bay 5.
 - Fan bay 10 is empty.
- Dual processor, non-redundant configuration:
 - Fans are required in fan bays 1–5.
 - Fan bays 6–10 have a single fan cage cover.
- Dual processor, redundant configuration—Fans are required in all 10 fan bays.

Install the fan option

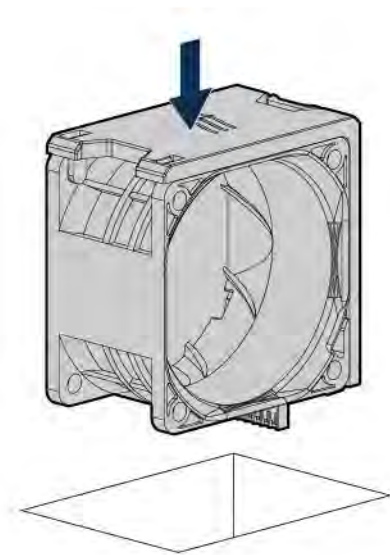
⚠ WARNING: To reduce the risk of personal injury from hot surfaces, allow the internal system components to cool before touching them.

To install the component:

1. Power down the server (on page 19).
2. Remove all power:
 - a. Disconnect each power cord from the power source.
 - b. Disconnect each power cord from the server.
3. Remove the server from the rack (on page 28).
4. Remove the access panel (on page 29).
5. Remove the fan cage cover.



6. Install the fans.



Store any unused fans as spares.

7. Install the access panel (on page 30).
8. Install the server into the rack (on page 45).
9. Power up the server (on page 19).

Memory options



IMPORTANT: This server does not support mixing LRDIMMs and RDIMMs. Attempting to mix any combination of these DIMMs can cause the server to halt during BIOS initialization.

The memory subsystem in this server can support LRDIMMs or RDIMMs:

- RDIMMs offer address parity protection.
- LRDIMMs support higher densities than single-rank and dual-rank RDIMMs. This support enables you to install higher capacity DIMMs, resulting in higher system capacities and higher bandwidth.

All types are referred to as DIMMs when the information applies to all types. When specified as LRDIMM or RDIMM, the information applies to that type only. All memory installed in the server must be of the same type.

Memory-processor compatibility information

For the latest memory configuration information, see the product QuickSpecs on the Hewlett Packard Enterprise website (<http://www.hpe.com/info/gs>).

DIMM type

- Intel Xeon E5-2600 v3 processors are optimized for:
 - Single-rank and dual-rank PC4-2133 (DDR4-2133) RDIMMs operating at up to 2133 MT/s
 - Dual-rank and quad-rank PC4-2133 (DDR4-2133) LRDIMMs operating at up to 2133 MT/s
- Intel Xeon E5-2600 v4 processors are optimized for:
 - Single-rank and dual-rank PC4-2400T (DDR4-2400) RDIMMs operating at up to 2400 MT/s
 - Dual-rank PC4-2400T (DDR4-2400) LRDIMMs operating at up to 2400 MT/s

DIMM specifications

DIMM specifications – Intel Xeon E5-2600 v3 processor installed

Type	Rank	Capacity (GB)	Native speed (MT/s)	Voltage
RDIMM	Single	4	2133	STD
RDIMM	Single	8	2133	STD
RDIMM	Dual	8	2133	STD
RDIMM	Dual	16	2133	STD
RDIMM	Dual	32	2133	STD
LRDIMM	Dual	16	2133	STD
LRDIMM	Quad	32	2133	STD

DIMM specifications – Intel Xeon E5-2600 v4 processor installed

Type	Rank	Capacity (GB)	Native speed (MT/s)	Voltage
RDIMM	Single	8	2400	STD
RDIMM	Single	16	2400	STD
RDIMM	Dual	16	2400	STD
RDIMM	Dual	32	2400	STD
LRDIMM	Dual	32	2400	STD
LRDIMM	Dual	64	2400	STD

Populated DIMM speed (MT/s)

Operating memory speed is a function of rated DIMM speed, the number of DIMMs installed per channel, processor model, and the speed selected in the BIOS/Platform Configuration (RBSU) of the UEFI System Utilities ("[HPE UEFI System Utilities](#)" on page 159).

Populated DIMM speed – Intel Xeon E5-2600 v3 processor installed

Type	Rank	1 DIMM per channel (MT/s)
RDIMM	Single	2133
RDIMM	Dual	2133
LRDIMM	Dual	2133
LRDIMM	Quad	2133

Populated DIMM speed – Intel Xeon E5-2600 v4 processor installed

Type	Rank	1 DIMM per channel (MT/s)
RDIMM	Single	2400
RDIMM	Dual	2400
LRDIMM	Dual	2400

Maximum memory capacity

Maximum memory capacity is a function of DIMM capacity, number of installed DIMMs, memory type, and number of installed processors.

Maximum memory capacity – Intel Xeon E5-2600 v3 processor installed

DIMM type	DIMM rank	Capacity (GB)	Maximum capacity for one processor (GB)	Maximum capacity for two processors (GB)
RDIMM	Single-rank	4	32	64
RDIMM	Single-rank	8	64	128

DIMM type	DIMM rank	Capacity (GB)	Maximum capacity for one processor (GB)	Maximum capacity for two processors (GB)
RDIMM	Dual-rank	8	64	128
RDIMM	Dual-rank	16	128	256
LRDIMM	Dual-rank	16	128	256
RDIMM	Dual-rank	32	256	512
LRDIMM	Quad-rank	32	128	256

Maximum memory capacity – Intel Xeon E5-2600 v4 processor installed

DIMM type	DIMM rank	Capacity (GB)	Maximum capacity for one processor (GB)	Maximum capacity for two processors (GB)
RDIMM	Single-rank	8	64	128
RDIMM	Single-rank	16	128	256
RDIMM	Dual-rank	16	128	256
RDIMM	Dual-rank	32	256	512
LRDIMM	Dual-rank	32	256	512
LRDIMM	Dual-rank	64	512	1024

SmartMemory

SmartMemory authenticates and unlocks certain features available only on Qualified memory and verifies whether installed memory has passed Hewlett Packard Enterprise qualification and test processes. Qualified memory is performance-tuned and provides future enhanced support through Active Health and manageability software.

Memory subsystem architecture

The memory subsystem in this server is divided into channels. Each processor supports four channels, and each channel supports one DIMM slot.

Channel	Population order	Slot number
1	A	1
2	B	2
3	C	4
4	D	3

DIMM slots are identified by number and by letter. Letters identify the population order. Slot numbers are reported by ROM messages during boot and are used for error reporting. For the DIMM slot locations, see "DIMM slot locations (on page 13)."

Single-, dual-, and quad-rank DIMMs

To understand and configure memory protection modes properly, an understanding of single-, dual-, and quad-rank DIMMs is helpful. Some DIMM configuration requirements are based on these classifications.

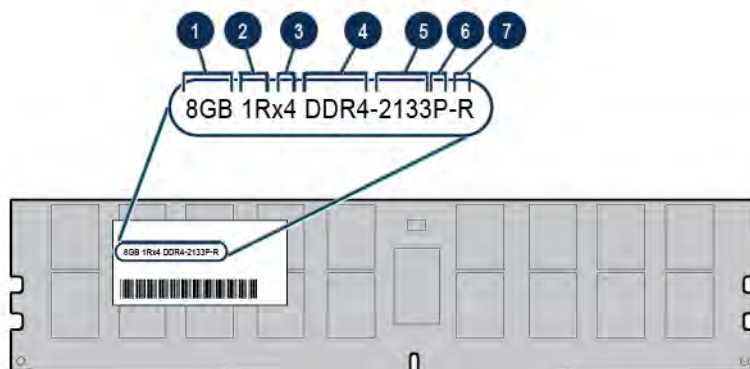
A single-rank DIMM has one set of memory chips that is accessed while writing to or reading from the memory. A dual-rank DIMM is similar to having two single-rank DIMMs on the same module, with only one rank accessible at a time. A quad-rank DIMM is, effectively, two dual-rank DIMMs on the same module. Only one rank is accessible at a time. The server memory control subsystem selects the proper rank within the DIMM when writing to or reading from the DIMM.

Dual- and quad-rank DIMMs provide the greatest capacity with the existing memory technology. For example, if current DRAM technology supports 8-GB single-rank DIMMs, a dual-rank DIMM would be 16 GB, and a quad-rank DIMM would be 32 GB.

LRDIMMs are labeled as quad-rank DIMMs. There are four ranks of DRAM on the DIMM, but the LRDIMM buffer creates an abstraction that allows the DIMM to appear as a dual-rank DIMM to the system. The LRDIMM buffer isolates the electrical loading of the DRAM from the system to allow for faster operation. This allows higher memory operating speed compared to quad-rank RDIMMs.

DIMM identification

To determine DIMM characteristics, see the label attached to the DIMM and refer to the following illustration and table.



Item	Description	Definition
1	Capacity	8 GB 16 GB 32 GB 64 GB
2	Rank	1R = Single-rank 2R = Dual-rank 4R = Quad-rank
3	Data width on DRAM	x4 = 4-bit x8 = 8-bit
4	Memory generation	DDR4
5	Maximum memory speed	2133 MT/s 2400 MT/s
6	CAS latency	P=15 T=17
7	DIMM type	R = RDIMM (registered) L = LRDIMM (load reduced)

For more information about product features, specifications, options, configurations, and compatibility, see the product QuickSpecs on the Hewlett Packard Enterprise website (<http://www.hpe.com/info/qs>).

Memory configurations

To optimize server availability, the server supports the following AMP modes:

- Advanced ECC—Provides up to 4-bit error correction. This mode is the default option for this server.
- Online spare memory—Provides protection against failing or degraded DIMMs. Certain memory is reserved as spare, and automatic failover to spare memory occurs when the system detects a DIMM

that is degrading. This allows DIMMs that have a higher probability of receiving an uncorrectable memory error (which would result in system downtime) to be removed from operation.

- Mirrored memory—Provides maximum protection against failed DIMMs. Uncorrectable errors in one channel are corrected by the mirror channel.

Advanced Memory Protection options are configured in the BIOS/Platform Configuration (RBSU). If the requested AMP mode is not supported by the installed DIMM configuration, the server boots in Advanced ECC mode. For more information, see the *HPE UEFI System Utilities User Guide for Servers* on the Hewlett Packard Enterprise website (<http://www.hpe.com/info/ProLiantUEFI/docs>).

Advanced ECC memory configuration

Advanced ECC memory is the default memory protection mode for this server. Standard ECC can correct single-bit memory errors and detect multi-bit memory errors. When multi-bit errors are detected using Standard ECC, the error is signaled to the server and causes the server to halt.

Advanced ECC protects the server against some multi-bit memory errors. Advanced ECC can correct both single-bit memory errors and 4-bit memory errors if all failed bits are on the same DRAM device on the DIMM.

Advanced ECC provides additional protection over Standard ECC because it is possible to correct certain memory errors that would otherwise be uncorrected and result in a server failure. Using HPE Advanced Memory Error Detection technology, the server provides notification when a DIMM is degrading and has a higher probability of uncorrectable memory error.

Online Spare memory configuration

Online spare memory provides protection against degraded DIMMs by reducing the likelihood of uncorrected memory errors. This protection is available without any operating system support.

Online spare memory protection dedicates one rank of each memory channel for use as spare memory. The remaining ranks are available for OS and application use. If correctable memory errors occur at a rate higher than a specific threshold on any of the non-spare ranks, the server automatically copies the memory contents of the degraded rank to the online spare rank. The server then deactivates the failing rank and automatically switches over to the online spare rank.

Mirrored memory configuration

Mirroring provides protection against uncorrected memory errors that would otherwise result in server downtime. Mirroring is performed at the channel level to one memory channel pair that can be either:

- Channel 1 data being mirrored in channel 2
- Channel 3 data being mirrored in channel 4

If an uncorrectable error is detected in the active memory channel, data is retrieved from the mirror channel. This channel becomes the new active channel, and the system disables the channel with the failed DIMM.

General DIMM slot population guidelines

Observe the following guidelines for all AMP modes:

- Install DIMMs that are optimized for the installed processor.
To identify the processor type installed in the server, use the BIOS/Platform Configuration (RBSU) of the UEFI System Utilities ("[Identifying the processor type](#)" on page 117).
- Install DIMMs only if the corresponding processor is installed.
- Do not mix LRDIMMs and RDIMMs.

- When only one processor is installed, install DIMMs in sequential alphabetic order: Ch 1-A, Ch 2-B, Ch 3-C, Ch 4-D.
- When two processors are installed, install the DIMMs in sequential alphabetical order balanced between the two processors: P1-A, P2-A, P1-B, P2-B, P1-C, P2-C, P1-D, P2-D.

For more information about server memory, see the Hewlett Packard Enterprise website (<http://www.hpe.com/info/memory>).

Advanced ECC population guidelines

For Advanced ECC mode configurations, observe the following guidelines:

- Observe the general DIMM slot population guidelines.
- DIMMs may be installed individually.

Online spare population guidelines

For Online Spare memory mode configurations, observe the following guidelines:

- Observe the general DIMM slot population guidelines.
- Each channel must have a valid online spare configuration.
- Each channel can have a different valid online spare configuration.
- Each populated channel must have a spare rank. A single dual-rank DIMM is not a valid configuration.

Mirrored Memory population guidelines

For Mirrored Memory mode configurations, observe the following guidelines:

- Observe the general DIMM slot population guidelines.
- Install DIMMs in either channel 1 and channel 2, or channel 3 and channel 4. Installed DIMMs must be identical in terms of size and organization.
- In multi-processor configurations, each processor must have a valid Mirrored Memory configuration.

Identifying the processor type

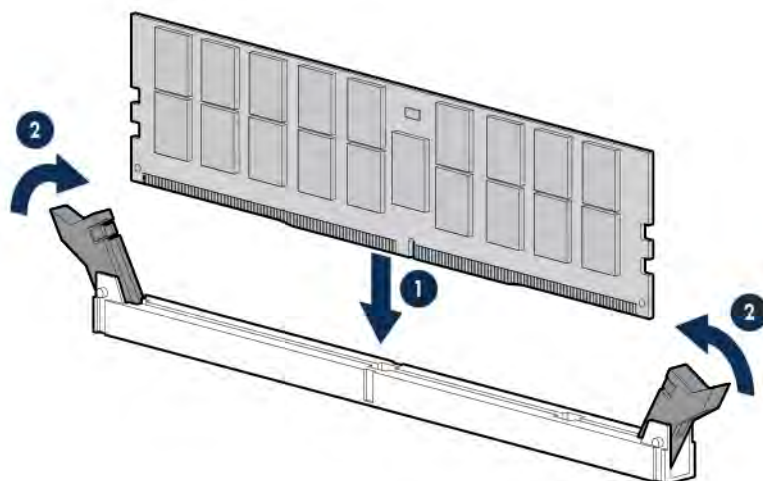
The processor type installed in the server is briefly displayed during POST. To view this information and additional processor specifications, do the following:

1. Reboot the server.
The server restarts and the POST screen appears.
2. Press **F9**.
The System Utilities screen appears.
3. Select **System Information | Processor Information**.
The Processor Information screen shows detailed information about the processors installed in the server.
4. Press **Esc** until the main menu is displayed.
5. Select **Reboot the System** to exit the utility and resume the boot process.

Installing a DIMM

1. Power down the server (on page 19).

2. Remove all power:
 - a. Disconnect each power cord from the power source.
 - b. Disconnect each power cord from the server.
3. Remove the server from the rack (on page 28).
4. Remove the access panel (on page 29).
5. Remove the air baffle (on page 30).
6. Open the DIMM slot latches.
7. Install the DIMM.



8. Install the air baffle (on page 32).
9. Install the access panel (on page 30).
10. Install the server into the rack (on page 45).
11. Power up the server (on page 19).

After installing the DIMMs, use BIOS/Platform Configuration (RBSU) in the UEFI System Utilities ("HPE UEFI System Utilities" on page 159) to configure the memory protection mode.

Expansion board options

For more information about product features, specifications, options, configurations, and compatibility, see the product QuickSpecs on the Hewlett Packard Enterprise website (<http://www.hpe.com/info/qs>).

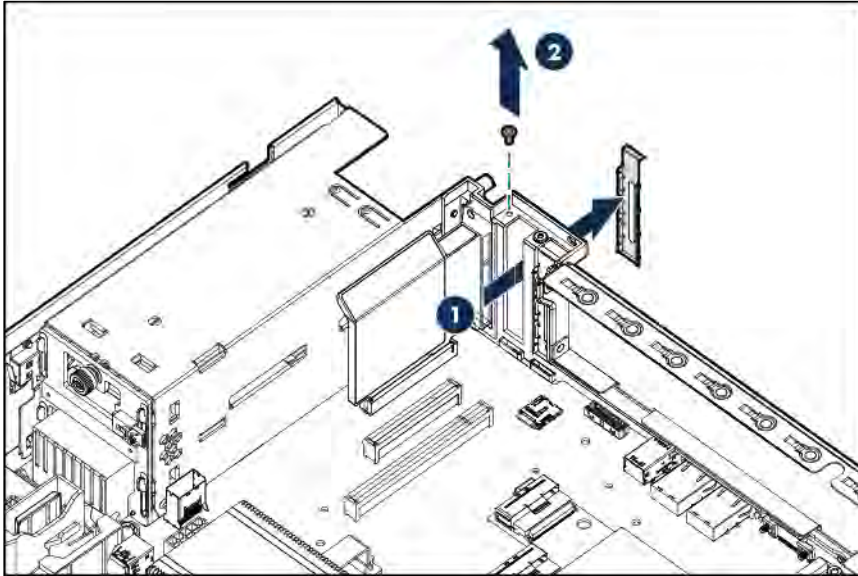
CAUTION: To prevent damage to electrical components, properly ground the server before beginning any installation procedure. Improper grounding can cause ESD.

CAUTION: To prevent improper cooling and thermal damage, do not operate the server unless all expansion slots have either an expansion slot cover or an expansion board installed.

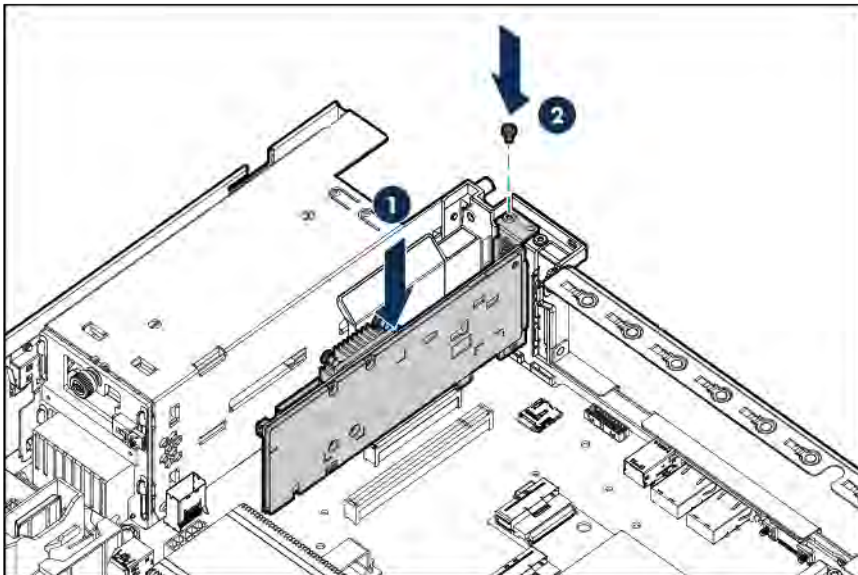
To install the component:

1. Power down the server (on page 19).
2. Remove all power:
 - a. Disconnect each power cord from the power source.
 - b. Disconnect each power cord from the server.
3. Remove the server from the rack (on page 28).
4. Remove the access panel (on page 29).

5. To install a low-profile, standup expansion board on the system board, do the following:
 - a. If the expansion board option ships with a full-height bracket, remove that bracket and attach a low-profile one. For more information, see the documentation that ships with the option.
 - b. Remove the onboard PCI expansion slot cover.

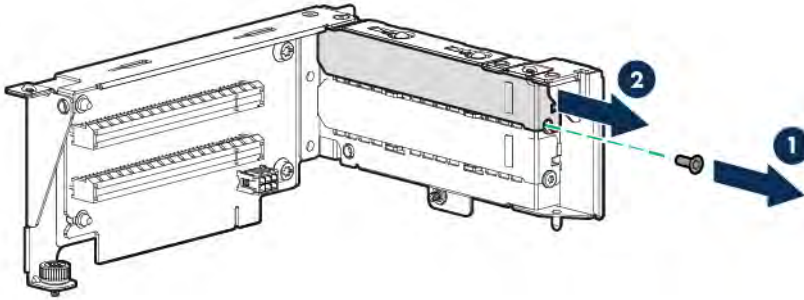


- c. Verify that any switches or jumpers on the expansion board are set properly. For more information, see the documentation that ships with the option.
 - d. Install the expansion board. Verify that the board is firmly seated in the slot.

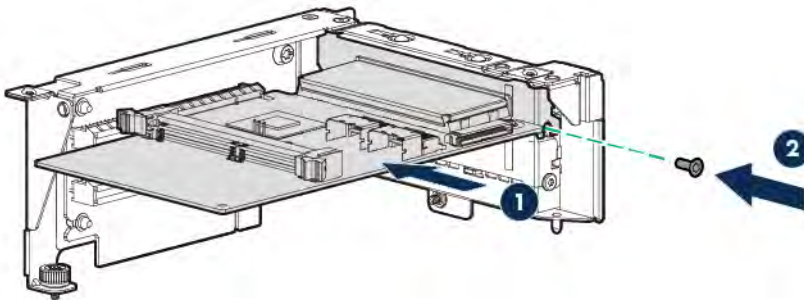


6. To install a full-height, half-length PCIe x8 expansion board, the two-slot PCI riser cage option is required ("[Installing two-bay SFF hot-plug rear drive cage and two-slot PCI riser cage options](#)" on page 62). To install an expansion board in this riser cage, do the following:
 - a. Remove the PCI riser cage (on page 34).

- b. Remove the riser slot cover.



- c. Verify that any switches or jumpers on the expansion board are set properly. For more information, see the documentation that ships with the option.
- d. Install the expansion board. Verify that the board is firmly seated in the slot.



- e. Install the PCI riser cage (on page 36).
7. If the installed expansion board requires internal cabling to connectors covered by the air baffle, remove the air baffle (on page 30).
 8. Connect all necessary internal cabling to the expansion board. For more information on these cabling requirements, see the documentation that ships with the option.
 9. If removed, install the air baffle (on page 32).
 10. Install the access panel (on page 30).
 11. Install the server into the rack (on page 45).
 12. Connect all necessary external cabling to the expansion board. For more information on these cabling requirements, see the documentation that ships with the option.
 13. Power up the server (on page 19).

FlexibleLOM adapter option

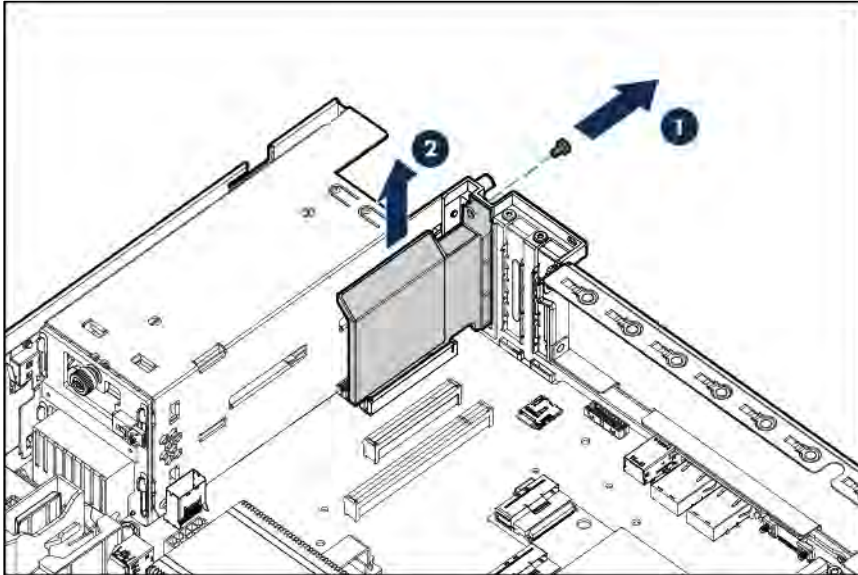
For more information about product features, specifications, options, configurations, and compatibility, see the product QuickSpecs on the Hewlett Packard Enterprise website (<http://www.hpe.com/info/qs>).

⚠ **CAUTION:** To prevent damage to electrical components, properly ground the server before beginning any installation procedure. Improper grounding can cause ESD.

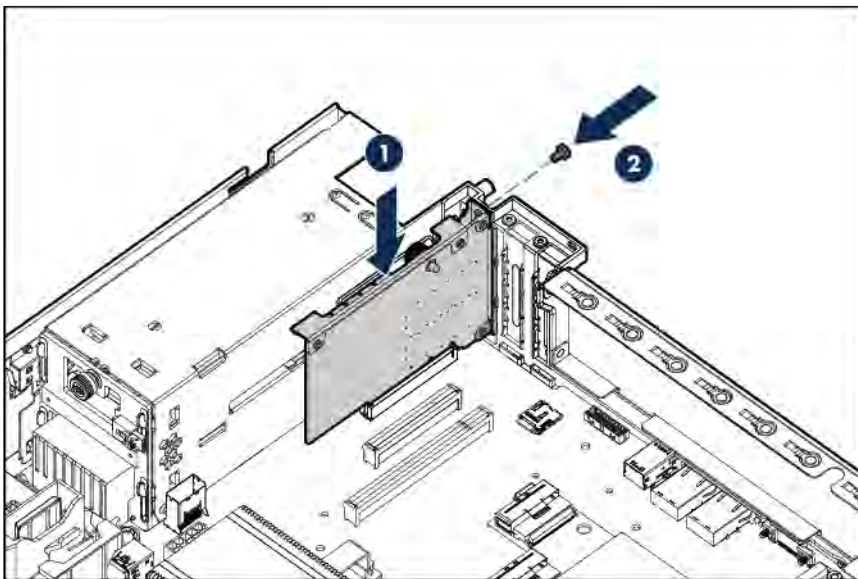
⚠ **CAUTION:** To prevent improper cooling and thermal damage, do not operate the server unless all expansion slots have either an expansion slot cover or an expansion board installed.

To install the component:

1. Power down the server (on page 19).
2. Remove all power:
 - a. Disconnect each power cord from the power source.
 - b. Disconnect each power cord from the server.
3. Remove the server from the rack (on page 28).
4. Remove the access panel (on page 29).
5. Remove the FlexibleLOM blank.



6. Install the FlexibleLOM adapter.



7. Install the access panel (on page 30).
8. Install the server into the rack (on page 45).
9. Connect the LAN segment cables.
10. Power up the server (on page 19).

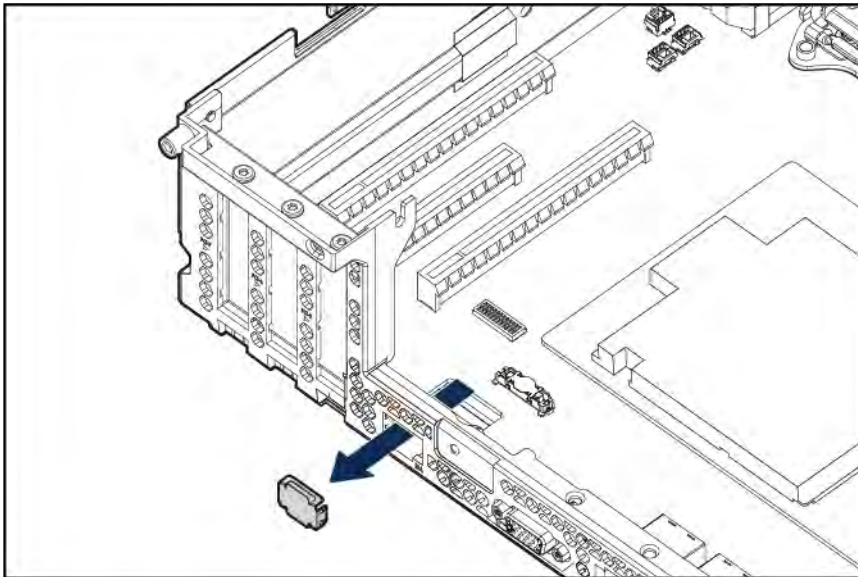
Dedicated iLO management module option

For more information about product features, specifications, options, configurations, and compatibility, see the product QuickSpecs on the Hewlett Packard Enterprise website (<http://www.hpe.com/info/qs>).

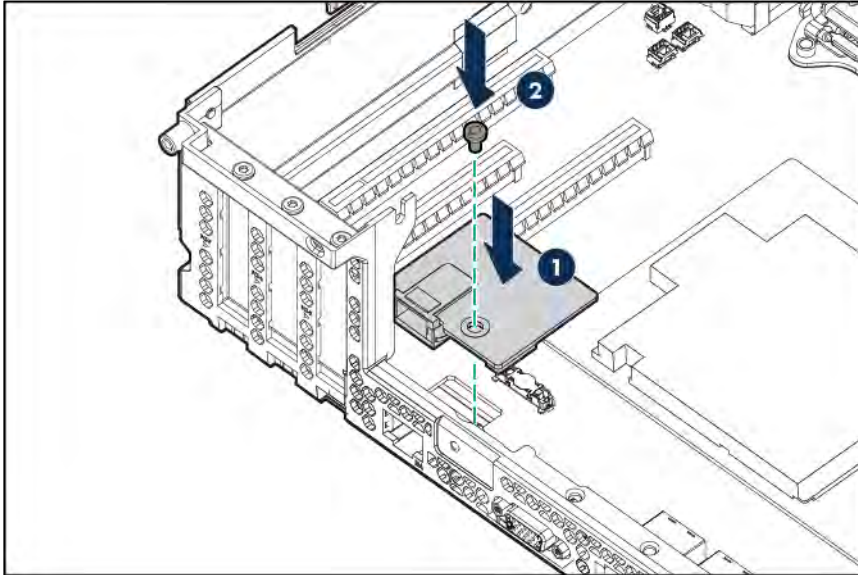
⚠ CAUTION: To prevent damage to electrical components, properly ground the server before beginning any installation procedure. Improper grounding can cause ESD.

To install the component:

1. Power down the server (on page 19).
2. Remove all power:
 - a. Disconnect each power cord from the power source.
 - b. Disconnect each power cord from the server.
3. Remove the server from the rack (on page 28).
4. Remove the access panel (on page 29).
5. If installed, remove the rear drive cage ("Remove a rear drive cage" on page 37).
6. Push the dedicated iLO management module blank out of the rear panel.



7. Install the dedicated iLO management module.



8. If removed, install the rear drive cage and connect the drive backplane cables ("Drive cage options" on page 58).
9. Install the access panel (on page 30).
10. Install the server into the rack (on page 45).
11. Power up the server (on page 19).
12. Enable the dedicated iLO connector ("Enabling the dedicated iLO management module" on page 123).

Enabling the dedicated iLO management module

The onboard NIC 1/shared iLO connector is set as the default system iLO connector. To enable the dedicated iLO management module, use the iLO 4 Configuration Utility accessible within the HPE UEFI System Utilities.

For more information on the UEFI System Utilities, see the UEFI documentation on the Hewlett Packard Enterprise website (<http://www.hpe.com/info/ProLiantUEFI/docs>).



IMPORTANT: If the iLO configuration settings are reset to the default values, remote access to the machine will be lost. Access the physical machine and repeat the procedure described in this section to re-enable the dedicated iLO management connector.

To enable the dedicated iLO management module:

1. During the server startup sequence after installing the module, press **F9** in the POST screen.
The System Utilities screen appears.
2. Select **System Configuration | iLO 4 Configuration Utility**.
The iLO 4 Configuration Utility screen appears.
3. Select **Network Options**, and then press **Enter**.
The Network Options screen appears.
4. Set the **Network Interface Adapter** field to **ON**, and then press **Enter**.
5. Press **F10** to save your changes.
A message prompt to confirm the iLO settings reset appears.
6. Press **Enter** to reboot the iLO settings.

7. Press **Esc** until the main menu is displayed.
8. Select **Reboot the System** to exit the utility and resume the boot process.
The IP address of the enabled dedicated iLO connector appears on the POST screen on the subsequent boot-up. Access the Network Options screen again to view this IP address for later reference.

Dual 8Gb microSD Enterprise Midline USB device







This server supports the installation of the Dual 8Gb microSD Enterprise Midline USB device on the server internal USB connector.

This USB storage device contains a dual-SD card module that supports up to two SD, SDHC, or SDXC storage cards providing data redundancy through a mirrored RAID-1 configuration. This USB storage device connects to an internal USB connector and is configured upon boot.

To locate the internal USB connector, see "System board components (on page 12)." For more information, see the Dual 8Gb microSD EM USB storage device documentation on the Hewlett Packard Enterprise website (<http://www.hpe.com/support/8GBDualMicrosd Ug en>).

Redundant power supply option

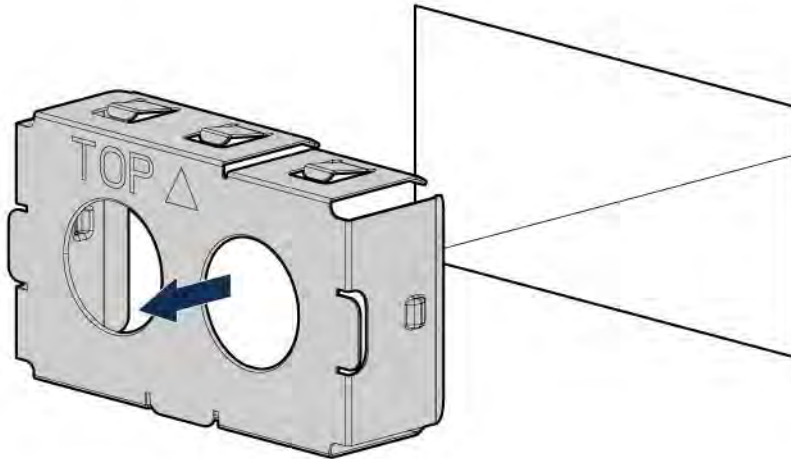
Install a second power input module to improve power efficiency and enable power redundancy.

-
-  **WARNING:** To reduce the risk of electric shock or damage to the equipment:
- Do not disable the power cord grounding plug. The grounding plug is an important safety feature.
 - Plug the power cord into a grounded (earthed) electrical outlet that is easily accessible at all times.
 - Unplug the power cord from the power supply to disconnect power to the equipment.
 - Do not route the power cord where it can be walked on or pinched by items placed against it. Pay particular attention to the plug, electrical outlet, and the point where the cord extends from the equipment.
-
-  **WARNING:** To reduce the risk of injury from electric shock hazards, do not open power supplies. Refer all maintenance, upgrades, and servicing to qualified personnel.
-
-  **WARNING:** To reduce the risk of personal injury from hot surfaces, allow the drives, power input modules, and the internal system components to cool before touching them.
-
-  **CAUTION:** To prevent damage to electrical components, properly ground the server before beginning any installation procedure. Improper grounding can cause ESD.
-
-  **CAUTION:** Always install a power input module or a power supply blank into each bay to maintain proper airflow and cooling in the power enclosure. Improper airflow can lead to thermal damage.
-
-  **IMPORTANT:** Mixing different types of power input modules in the same server might limit or disable some power supply features including support for power redundancy. To ensure access to all available features, all power input modules in the same server should have the same output and efficiency ratings.
-

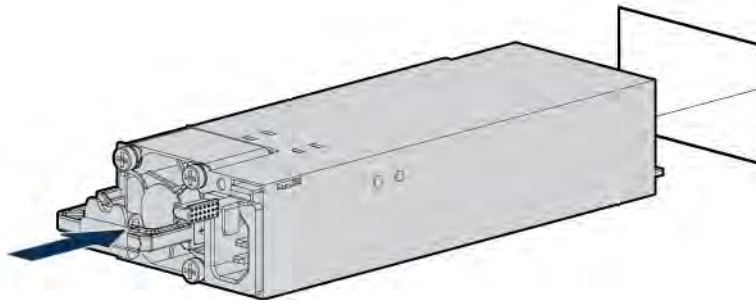
For more information about product features, specifications, options, configurations, and compatibility, see the product QuickSpecs on the Hewlett Packard Enterprise website (<http://www.hpe.com/info/qs>).

Installing a hot-plug AC power input module

1. Access the product rear panel.
2. Remove the power supply blank.



3. Slide the power input module into the bay until it clicks into place.



4. Connect the power cord to the power supply.
5. To prevent accidental power cord disconnection when sliding the server in and out of the rack, secure the power cord in the strain relief strap attached to the power input module handle:
 - a. Unwrap the strain relief strap from the power input module handle.

CAUTION: Avoid tight bend radii to prevent damaging the internal wires of a power cord or a server cable. Never bend power cords and server cables tight enough to cause a crease in the sheathing.

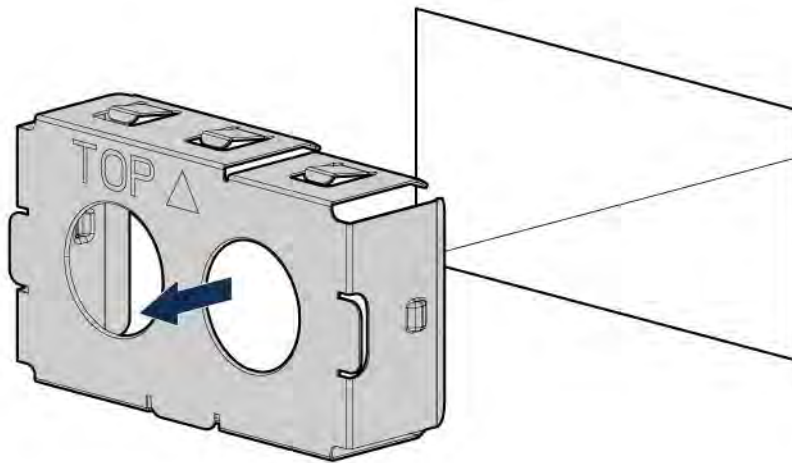


WARNING: To reduce the risk of electric shock, fire, and damage to the equipment, you must install this product in accordance with the following guidelines:

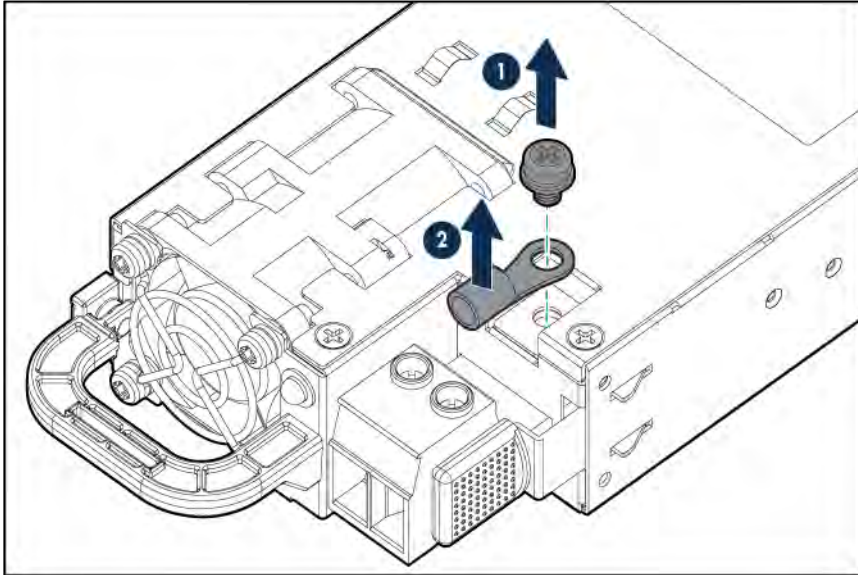
- This power supply is intended only for installation in Hewlett Packard Enterprise servers located in a restricted access location.
- This power supply is not intended for direct connection to the DC supply branch circuit. Only connect this power supply to a power distribution unit (PDU) that provides an independent overcurrent-protected output for each DC power supply. Each output overcurrent-protected device in the PDU must be suitable for interrupting fault current available from the DC power source and must be rated no more than 40A.
- The PDU output must have a shut-off switch or a circuit breaker to disconnect power for each power supply. To completely remove power from the power supply, disconnect power at the PDU. The end product may have multiple power supplies. To remove all power from the product, disconnect the power for each power supply.
- In accordance with applicable national requirements for Information Technology Equipment and Telecommunications Equipment, this power supply only connects to DC power sources that are classified as SELV or TNV. Generally, these requirements are based on the International Standard for Information Technology Equipment, IEC 60950-1. In accordance with local and regional electric codes and regulations, the DC source must have one pole (Neutral/Return) reliably connected to earth ground.
- You must connect the power supply ground screw located on the front of the power supply to a suitable ground (earth) terminal. In accordance with local and regional electric codes and regulations, this terminal must be connected to a suitable building ground (earth) terminal. Do not rely on the rack or cabinet chassis to provide adequate ground (earth) continuity.

To install the component:

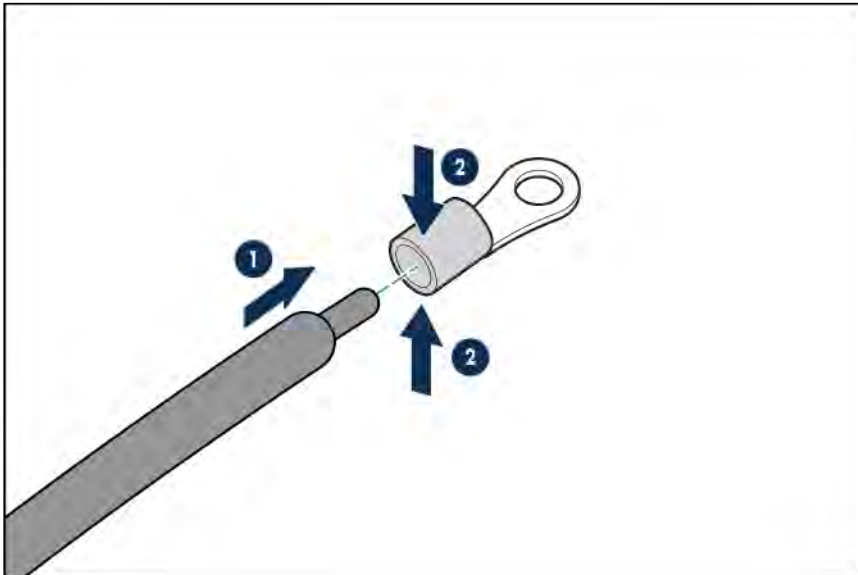
1. Access the product rear panel.
2. Remove the power supply blank.



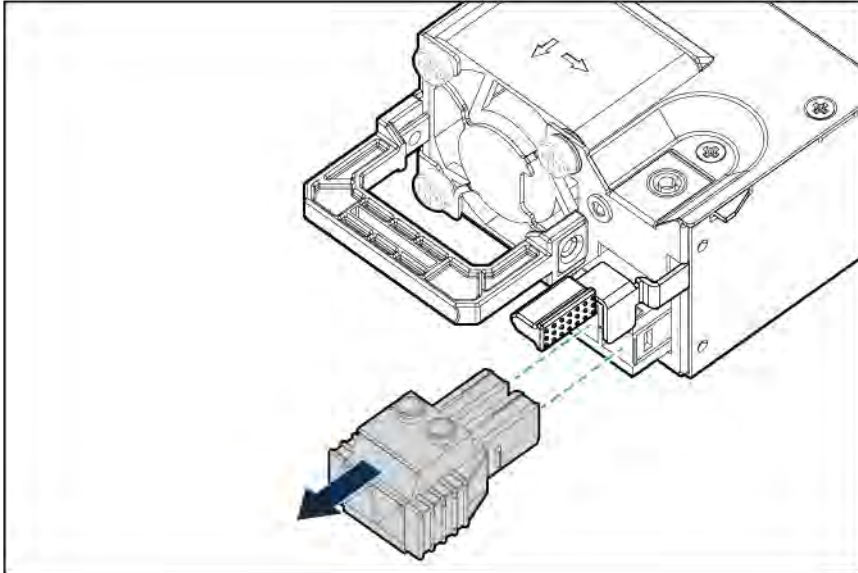
3. Remove the ring tongue.



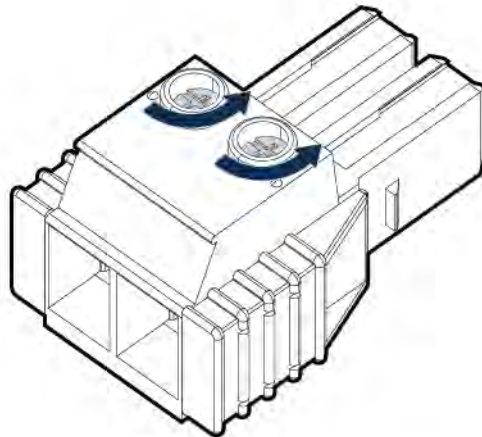
4. Crimp the ring tongue to the ground cable from the -48 V DC power source.



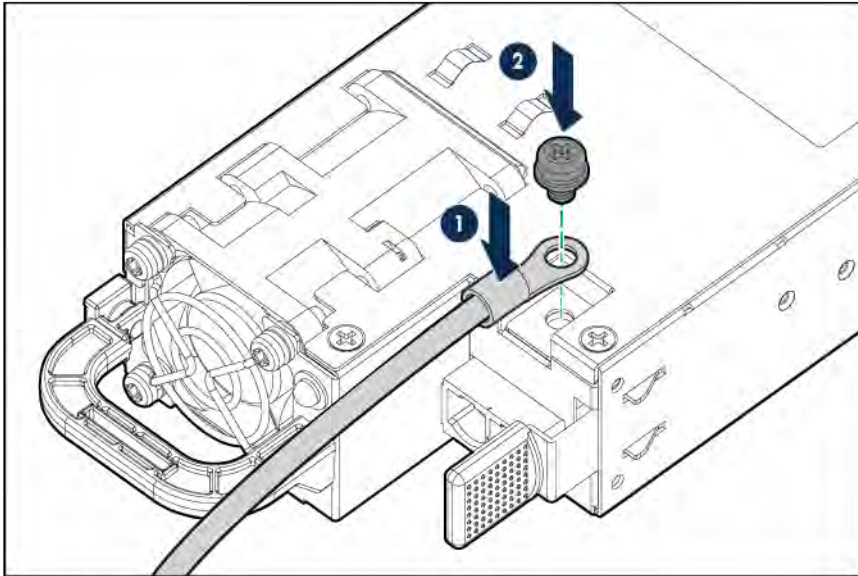
5. Remove the terminal block connector.



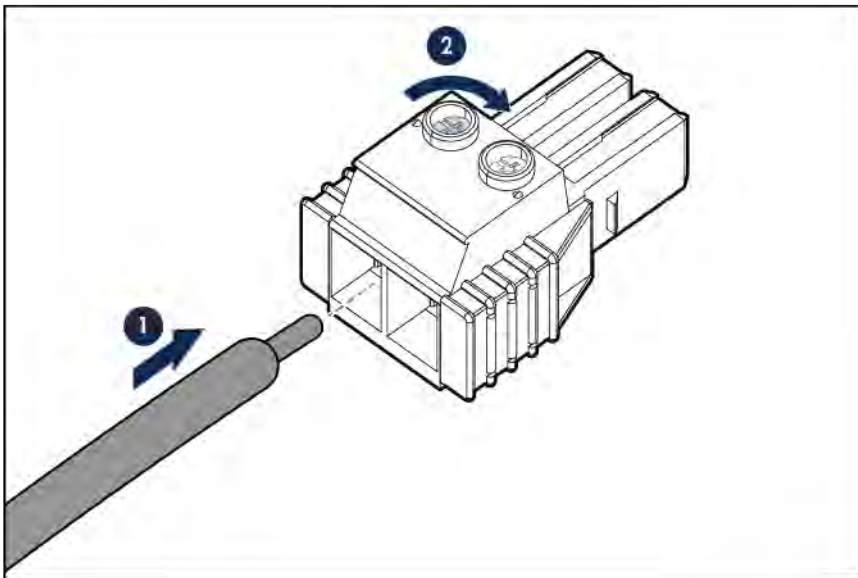
6. Loosen the screws on the terminal block connector.



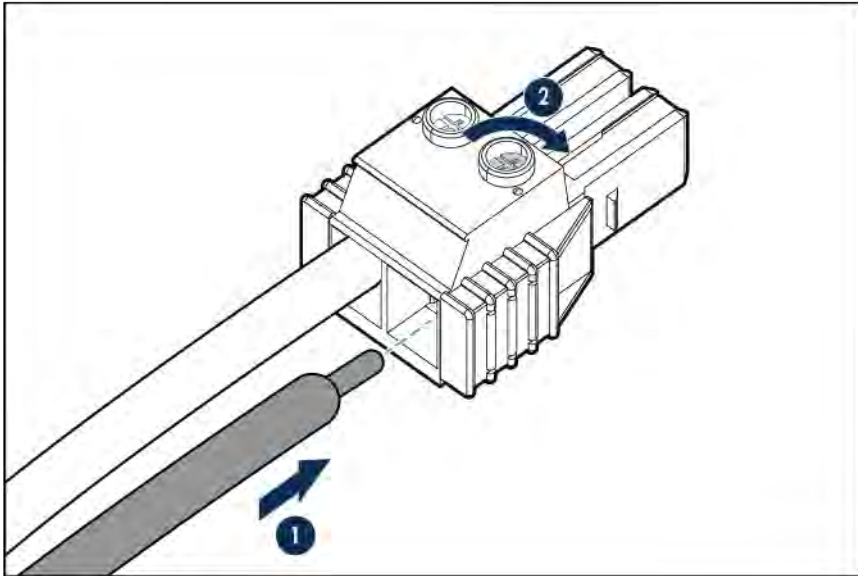
7. Attach the ground (earthed) wire to the ground screw and washer and tighten to 1.47 N m (13 lb-in) of torque. The ground wire must be connected before the -48 V wire and the return wire.



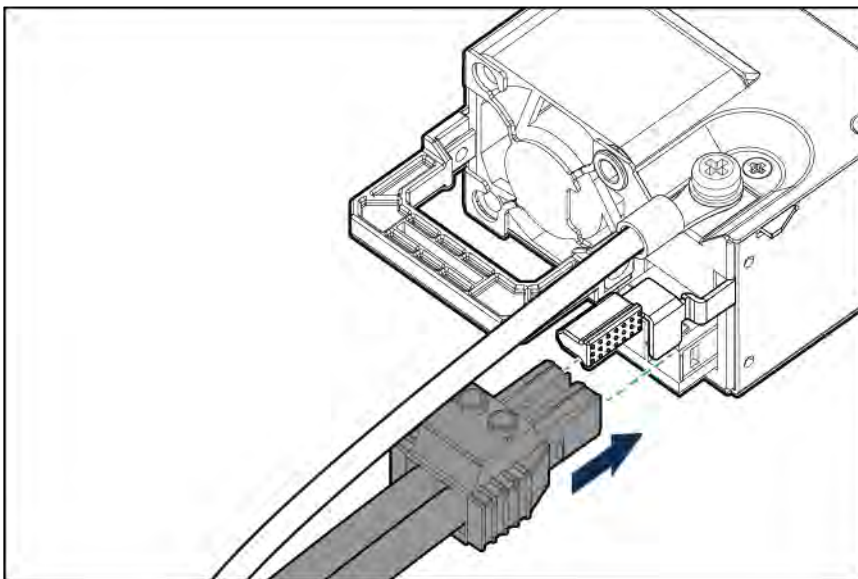
8. Insert the -48 V wire into the left side of the terminal block connector, and then tighten the screw to 1.3 N m (10 lb-in) of torque.



9. Insert the return wire into the right side of the connector, and then tighten the screw to 1.3 N m (10 lb-in) of torque.



10. Install the terminal block connector in the power input module.

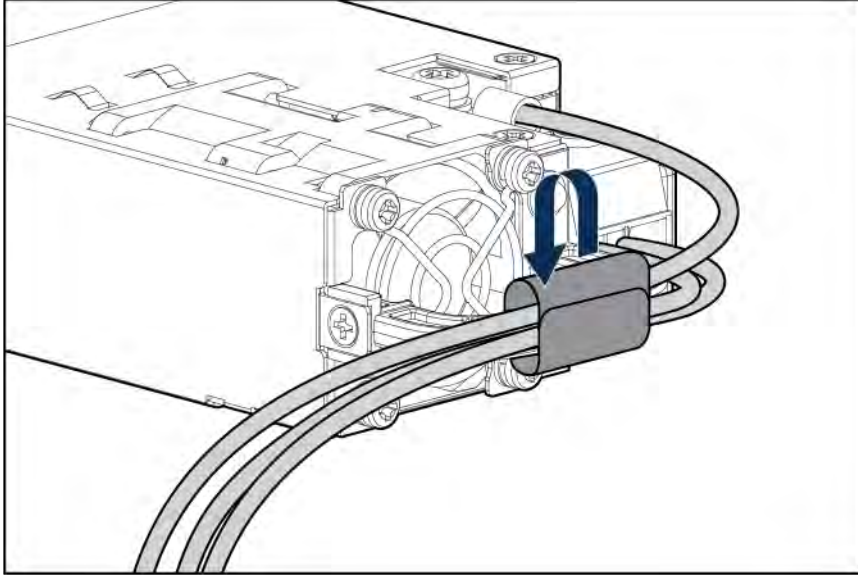


11. To prevent accidental power cord disconnection when sliding the server in and out of the rack, secure the power cord, wires, and/or cables in the strain relief strap attached to the power input module handle:
 - a. Unwrap the strain relief strap from the power input module handle.

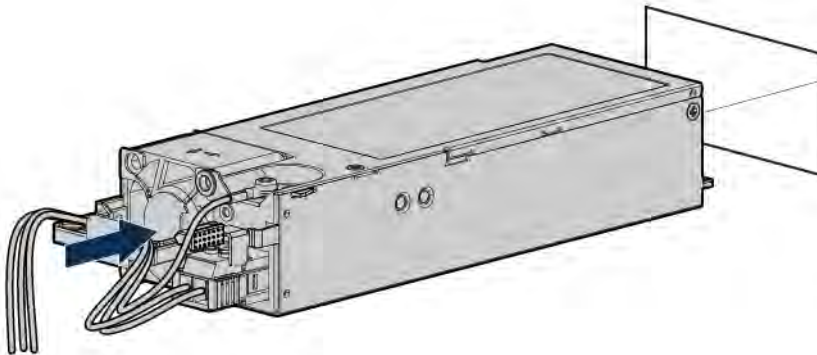


CAUTION: Avoid tight bend radii to prevent damaging the internal wires of a power cord or a server cable. Never bend power cords and server cables tight enough to cause a crease in the sheathing.

- b. Secure the wires and cables with the strain relief strap. Roll the extra length of the strap around the power input module handle.



12. Slide the power input module into the bay until it clicks into place.



13. Make sure the -48 V DC power source is off or the PDU breaker is in the off position, and then connect the power cord to the -48 V DC power source or PDU.
14. Turn on the -48 V power source or switch the PDU breaker to the on position to supply -48 V to the power supply.
15. Be sure that the power supply LED is green.

HP Trusted Platform Module option

Trusted Platform Module (TPM) Notice

HP Special Reminder: Before enabling Trusted Platform Module (TPM) functionality on this system, you must ensure that your intended use of TPM complies with relevant local laws, regulations and policies, and approvals or licenses must be obtained if applicable.

For any compliance issues arising from your operation/usage of TPM which violates the above mentioned requirement, you shall bear all the liabilities wholly and solely. HP will not be responsible for any related liabilities.

简体中文

可信任平台模块 (Trusted Platform Module, TPM) 声明

惠普特别提醒：在您在系统中启用 TPM 功能前，请您务必确认，您将要对 TPM 的使用遵守相关的当地法律、法规及政策，并已获得所需的一切事先批准及许可（如适用）。

若因您未获得相应的操作/使用许可而发生的合规问题，皆由您自行承担全部责任，与惠普无涉。

For more information about product features, specifications, options, configurations, and compatibility, see the product QuickSpecs on the Hewlett Packard Enterprise website (<http://www.hpe.com/info/qs>).

Use these instructions to install and enable a TPM on a supported server. This procedure includes three sections:

1. Installing the Trusted Platform Module board (on page 134).
2. Retaining the recovery key/password (on page 136).
3. Enabling the Trusted Platform Module (on page 136).

Enabling the TPM requires accessing BIOS/Platform Configuration (RBSU) in UEFI System Utilities ("HPE UEFI System Utilities" on page 159).

HP Trusted Platform Module installation guidelines



CAUTION: Always observe the guidelines in this document. Failure to follow these guidelines can cause hardware damage or halt data access.

When installing or replacing a TPM, observe the following guidelines:

- Do not remove an installed TPM. Once installed, the TPM becomes a permanent part of the system board.
- When installing or replacing hardware, Hewlett Packard Enterprise service providers cannot enable the TPM or the encryption technology. For security reasons, only the customer can enable these features.
- When returning a system board for service replacement, do not remove the TPM from the system board. When requested, Hewlett Packard Enterprise Service provides a TPM with the spare system board.
- Any attempt to remove an installed TPM from the system board breaks or disfigures the TPM security rivet. Upon locating a broken or disfigured rivet on an installed TPM, administrators should consider the system compromised and take appropriate measures to ensure the integrity of the system data.
- When using BitLocker, always retain the recovery key/password. The recovery key/password is required to enter Recovery Mode after BitLocker detects a possible compromise of system integrity.
- Hewlett Packard Enterprise is not liable for blocked data access caused by improper TPM use. For operating instructions, see the encryption technology feature documentation provided by the operating system.

HP Trusted Platform Module requirements

TPM installation requires the use of drive encryption technology, such as the Microsoft Windows BitLocker Drive Encryption feature. For more information on BitLocker, see the Microsoft website (<http://www.microsoft.com>).

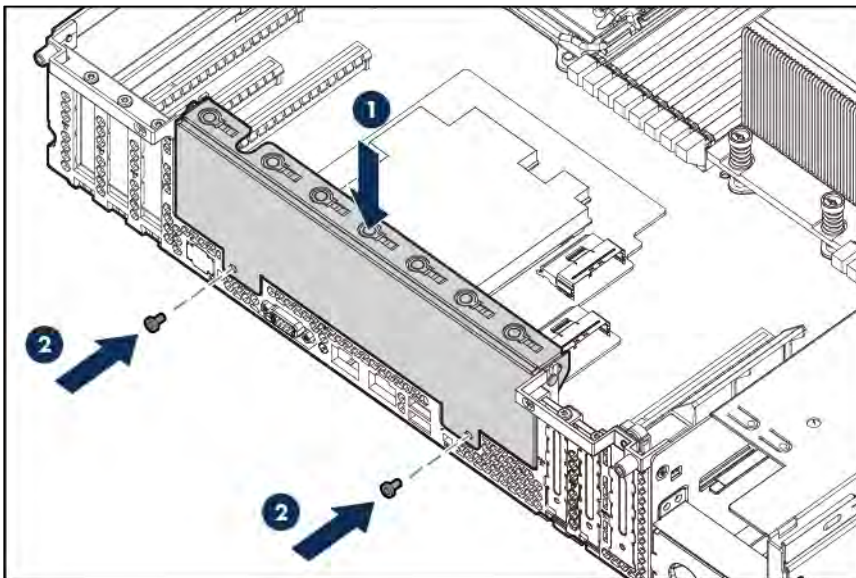
The TPM 2.0 requires a server with the latest BIOS operating in UEFI mode. The TPM 2.0 option also requires a supported operating system such as Microsoft Windows Server 2012 or later.

Installing the Trusted Platform Module board

WARNING: To reduce the risk of personal injury from hot surfaces, allow the internal system components to cool before touching them.

CAUTION: To prevent damage to electrical components, properly ground the server before beginning any installation procedure. Improper grounding can cause ESD.

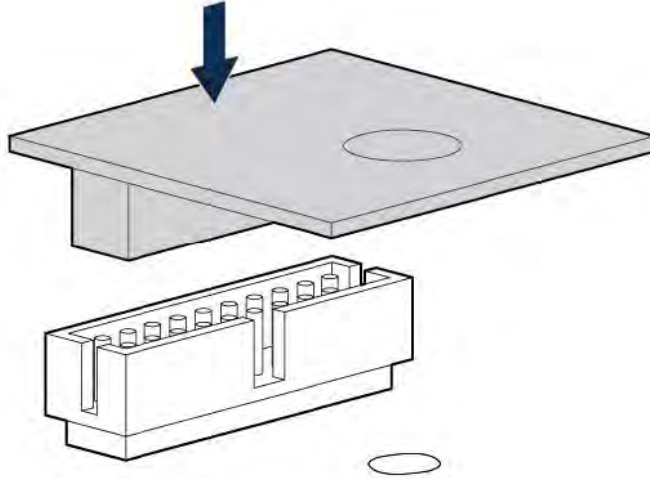
1. Power down the server (on page 19).
2. Remove all power:
 - a. Disconnect each power cord from the power source.
 - b. Disconnect each power cord from the server.
3. Remove the server from the rack (on page 28).
4. Remove the access panel (on page 29).
5. Do one of the following:
 - o Remove the rear option blank.



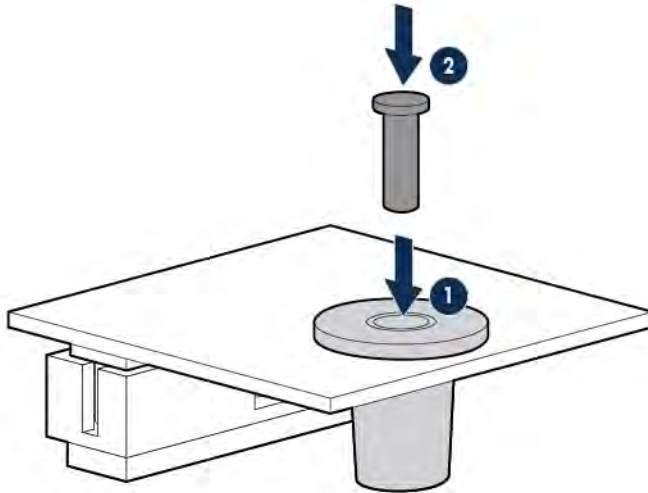
- o If installed, remove the four-bay LFF or the six-bay SFF rear drive cage ("[Remove a rear drive cage](#)" on page 37).
 - o If installed, remove the PCI riser cage (on page 34).
6. Locate the TPM connector ("[System board components](#)" on page 12).

△ CAUTION: Any attempt to remove an installed TPM from the system board breaks or disfigures the TPM security rivet. Upon locating a broken or disfigured rivet on an installed TPM, administrators should consider the system compromised and take appropriate measures to ensure the integrity of the system data.

7. Install the TPM board. Press down on the connector to seat the board ("[System board components](#)" on page 12).

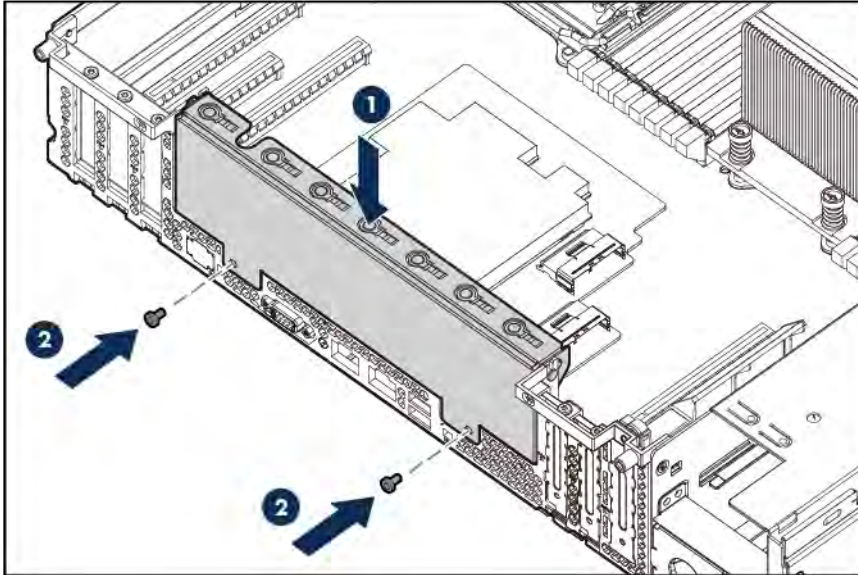


8. Install the TPM security rivet by pressing the rivet firmly into the system board.



9. Do one of the following:

- If removed, install the rear option blank.



- If removed, install the four-bay LFF rear drive cage ("[Install the four-bay LFF hot-plug rear drive cage](#)" on page 58).
 - If removed, install the six-bay SFF rear drive cage ("[Install the six-bay SFF hot-plug rear drive cage option](#)" on page 66).
 - If removed, install the PCI riser cage (on page 36).
10. Install the access panel (on page 30).
 11. Install the server into the rack (on page 45).
 12. Power up the server (on page 19).

Retaining the recovery key/password

The recovery key/password is generated during BitLocker setup, and can be saved and printed after BitLocker is enabled. When using BitLocker, always retain the recovery key/password. The recovery key/password is required to enter Recovery Mode after BitLocker detects a possible compromise of system integrity.

To help ensure maximum security, observe the following guidelines when retaining the recovery key/password:

- Always store the recovery key/password in multiple locations.
- Always store copies of the recovery key/password away from the server.
- Do not save the recovery key/password on the encrypted hard drive.

Enabling the Trusted Platform Module



CAUTION: When a TPM is installed and enabled on the server, data access is locked if you fail to follow the proper procedures for updating the system or option firmware, replacing the system board, replacing a hard drive, or modifying OS application TPM settings.

1. During the server startup sequence, press the **F9** key to access System Utilities.
2. From the System Utilities screen, select **System Configuration > BIOS/Platform Configuration (RBSU) > Server Security**.
3. Select **Trusted Platform Module Options**, and press the **Enter** key.

4. To set the TPM operational state:
 - o If TPM 1.2 is installed, then select **No Action, Enable, Disable, or Clear**.
 - o If TPM 2.0 is installed, then select **No Action** or **Clear**.
5. Select **Visible** to set the TPM Visibility, if necessary.
6. Press the **F10** key to save your selection.
7. When prompted to save the change in System Utilities, press the **Y** key.
8. Press the **ESC** key to exit System Utilities. Then, press the **Enter** key when prompted to reboot the server.

The server then reboots a second time without user input. During this reboot, the TPM setting becomes effective.
9. Enable TPM functionality in the OS, such as Microsoft Windows BitLocker or measured boot.

For more information on adjusting TPM usage in BitLocker, see the Microsoft website (<http://support.microsoft.com/>).

For more information on UEFI System Utilities, see the *UEFI System Utilities User Guide* in the UEFI Information Library (<http://www.hpe.com/info/ProLiantUEFI/docs>).

Cabling

Cabling overview

This section provides guidelines that help you make informed decisions about cabling the server and hardware options to optimize performance.

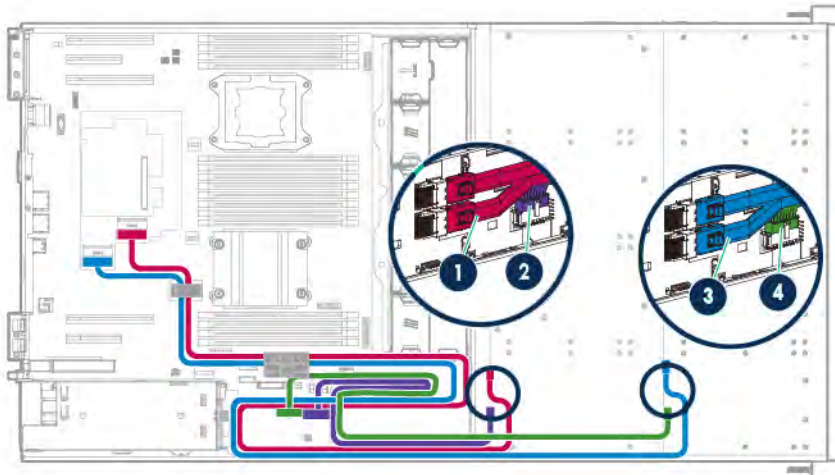


CAUTION: When routing cables, always be sure that the cables are not in a position where they can be pinched or crimped.

Storage cabling

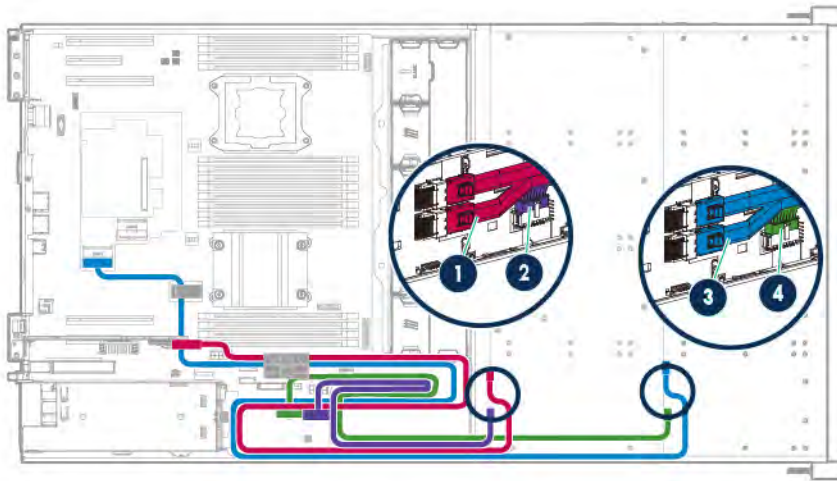
24-bay LFF hot-plug SAS/SATA front drive cabling

- Cabling for when both the front LFF drive cages 1 and 2 are connected to the Flexible Smart Array P840ar Controller



Item	Description
1	Front LFF drive cage 2 Mini-SAS Y-cable
2	Front LFF drive cage 2 power cable
3	Front LFF drive cage 1 Mini-SAS Y-cable
4	Front LFF drive cage 1 power cable

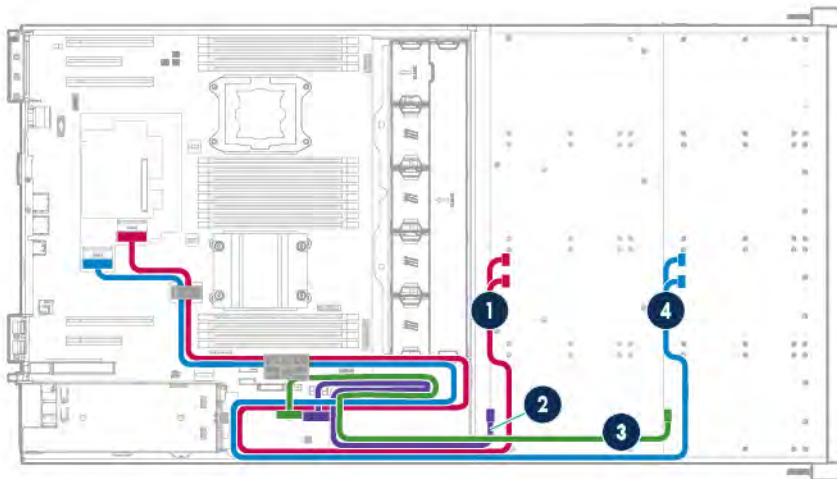
- Cabling for when the front LFF drive cage 1 is connected to the Flexible Smart Array P840ar Controller and the front LFF drive cage 2 is connected to the Smart Array P440 Controller option



Item	Description
1	LFF front drive cage 2 Mini-SAS Y-cable
2	LFF front drive cage 2 power cable
3	LFF front drive cage 1 Mini-SAS Y-cable
4	LFF front drive cage 1 power cable

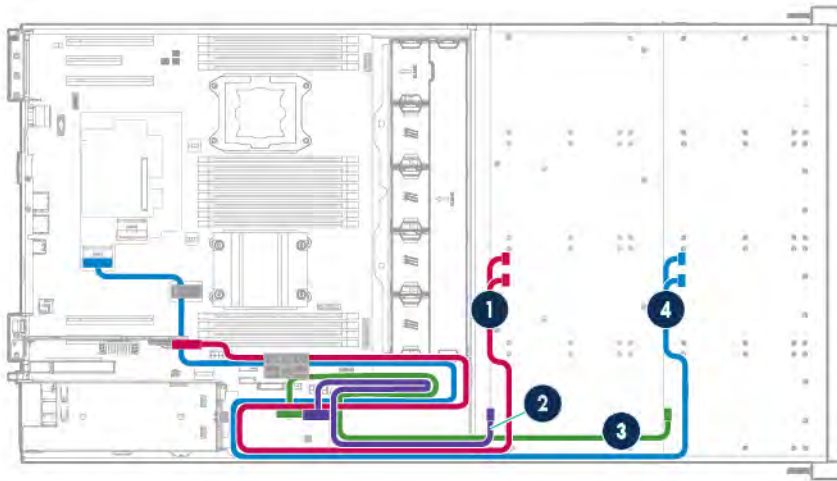
48-bay SFF hot-plug SAS/SATA front drive cabling

- Cabling for when both the front SFF drive cages 1 and 2 are connected to the Flexible Smart Array P840ar Controller



Item	Description
1	Front SFF drive cage 2 Mini-SAS Y-cable
2	Front SFF drive cage 2 power cable
3	Front SFF drive cage 1 power cable
4	Front SFF drive cage 1 Mini-SAS Y-cable

- Cabling for when the front SFF drive cage 1 is connected to the Flexible Smart Array P840ar Controller and the front SFF drive cage 2 is connected to the Smart Array P440 Controller option



Item	Description
1	Front SFF drive cage 2 Mini-SAS Y-cable
2	Front SFF drive cage 2 power cable
3	Front SFF drive cage 1 power cable
4	Front SFF drive cage 1 Mini-SAS Y-cable

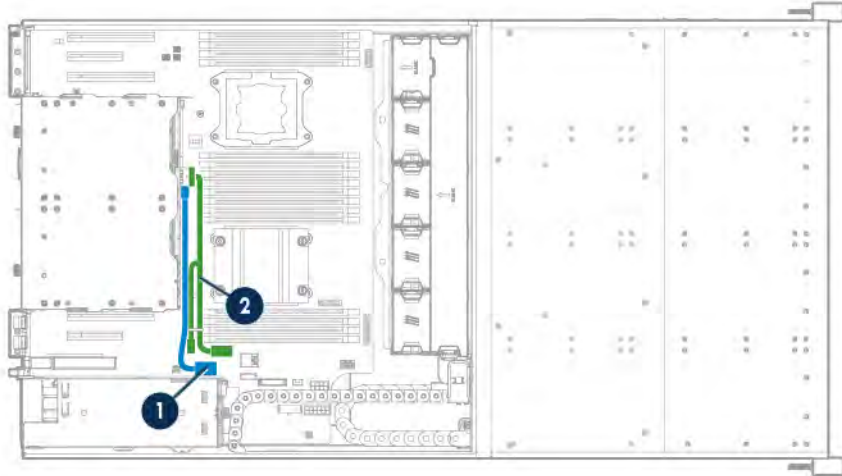
Four-bay LFF hot-plug SAS/SATA rear drive cabling

- Four-bay LFF hot-plug SAS/SATA rear drive cabling to the front drive cage 2 backplane



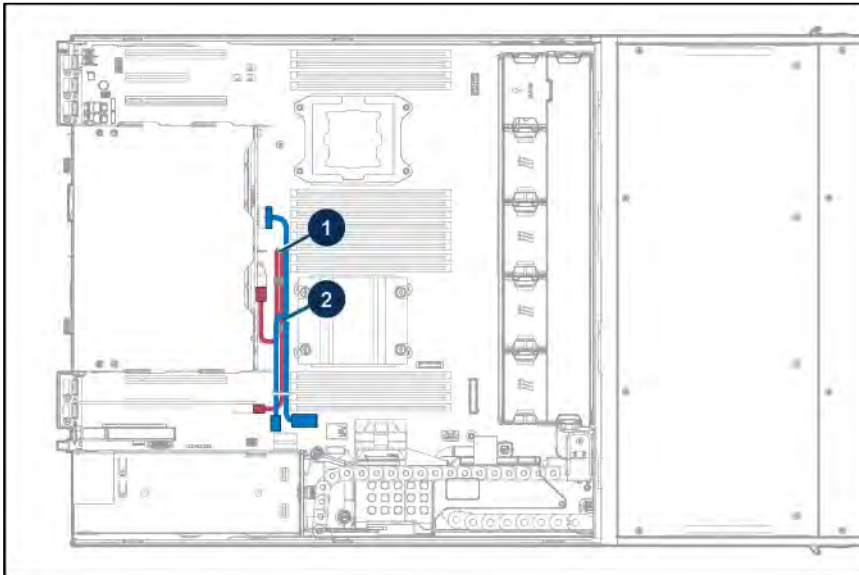
Item	Description
1	Rear LFF drive cage power cable
2	Rear LFF drive cage Mini-SAS cable

- Four-bay LFF hot-plug SATA rear drive cabling to the onboard SATA connector 1



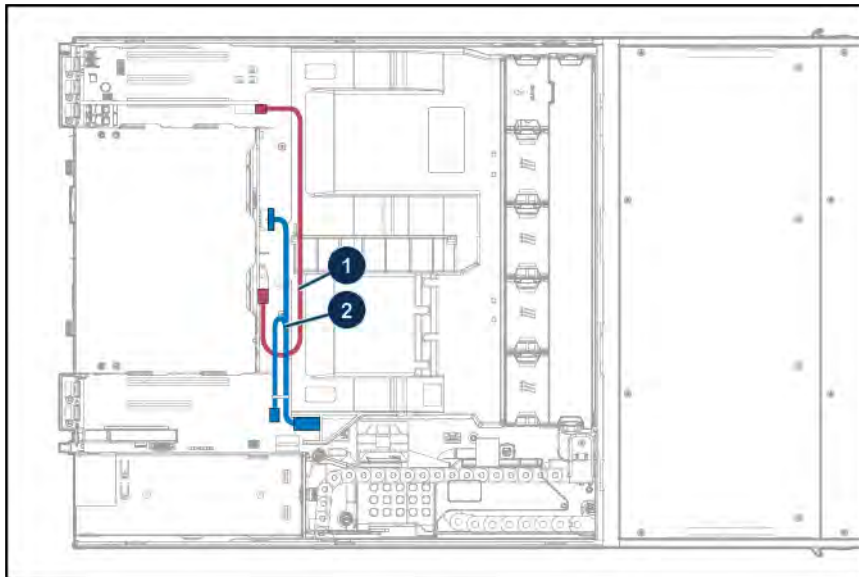
Item	Description
1	Rear LFF drive cage Mini-SAS x4 cable
2	Rear LFF drive cage power cable

- Four-bay LFF hot-plug SAS/SATA rear drive cabling to the H240 HBA installed in the PCIe expansion slot 1 or 2



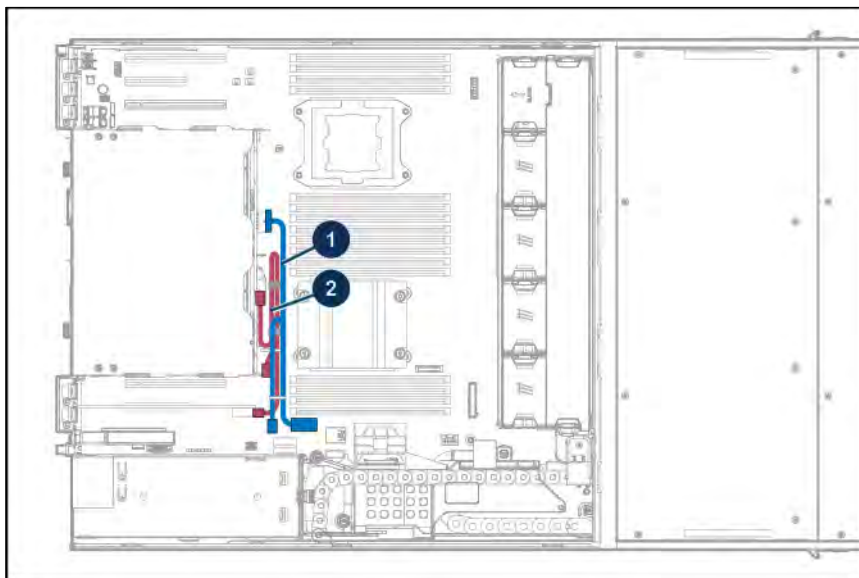
Item	Description
1	Rear LFF drive cage Mini-SAS x4 cable
2	Rear LFF drive cage power cable

- Four-bay LFF hot-plug SAS/SATA rear drive cabling to the H240 HBA installed in the PCIe expansion slot 5 or 6



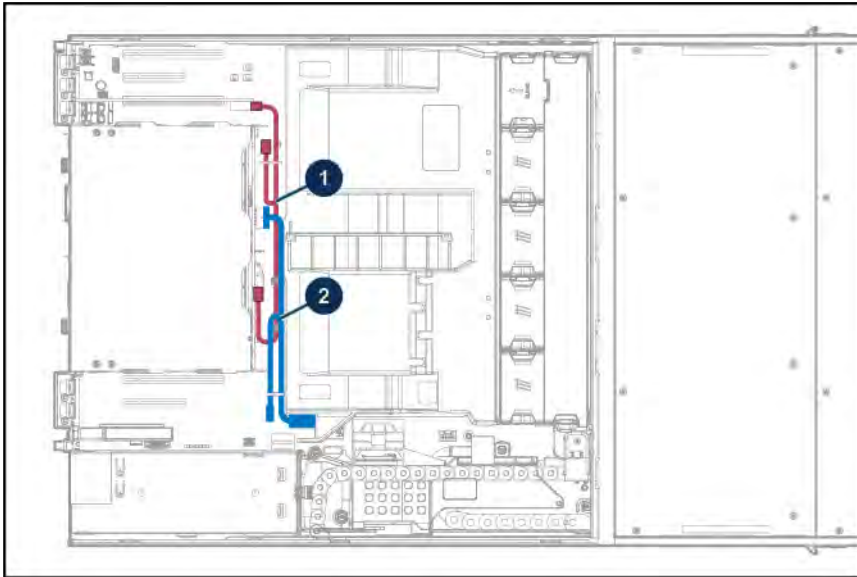
Item	Description
1	Rear LFF drive cage Mini-SAS x4 cable
2	Rear LFF drive cage power cable

- Four-bay LFF hot-plug SAS/SATA rear drive cabling to the P440 Smart Array Controller installed in the PCIe expansion slot 1 or 2



Item	Description
1	Rear LFF drive cage power cable
2	Rear LFF drive cage Mini-SAS Y-cable

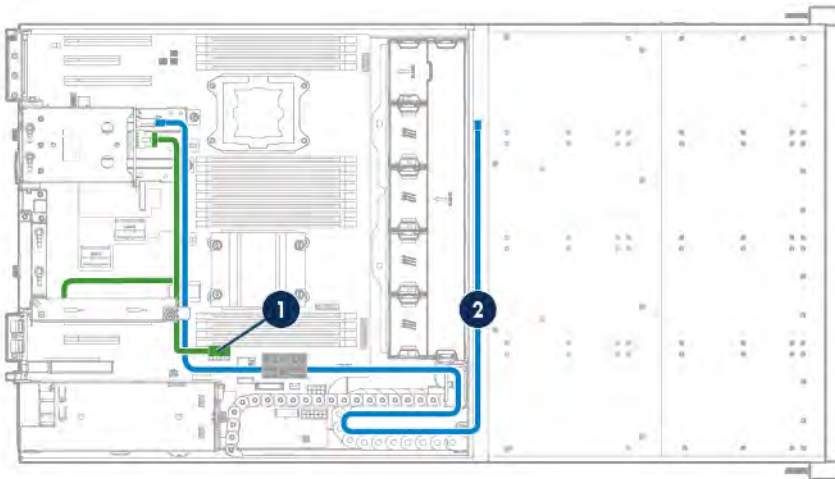
- Four-bay LFF hot-plug SAS/SATA rear drive cabling to the P440 Smart Array Controller installed in the PCIe expansion slot 5, 6 or 7



Item	Description
1	Rear LFF drive cage Mini-SAS Y-cable
2	Rear LFF drive cage power cable

Two-bay SFF hot-plug SAS/SATA rear drive cabling

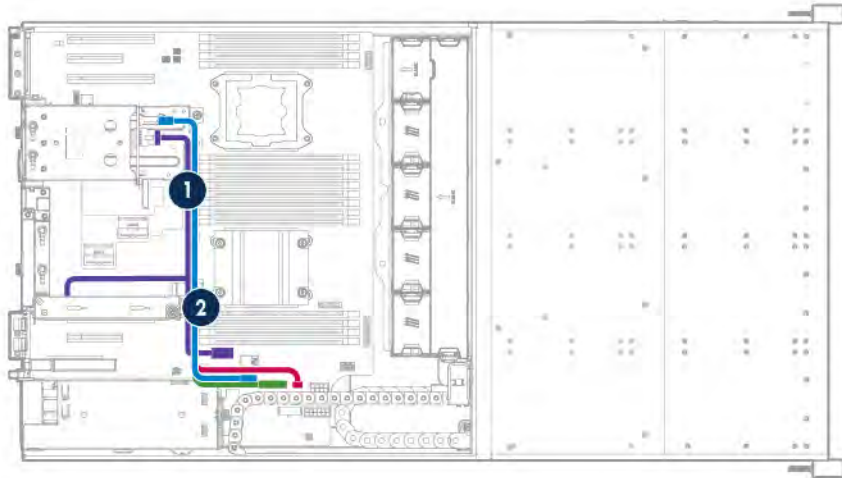
- Two-bay SFF hot-plug SAS/SATA rear drive cabling to the front drive cage 2 backplane



Item	Description
1	Rear SFF drive cage and two-slot PCI riser board power Y-cable
2	Rear SFF drive cage Mini-SAS cable

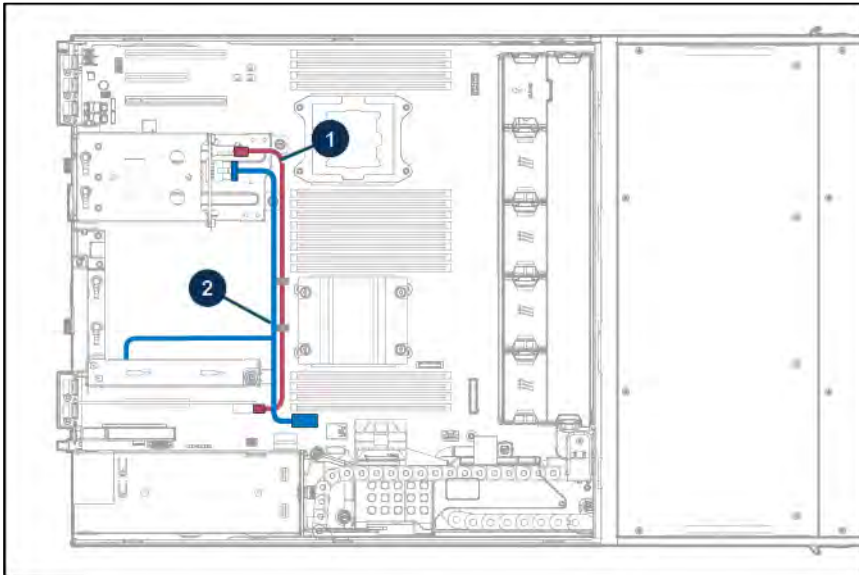
- Two-bay SFF hot-plug SATA rear drive cabling to the onboard SATA connectors 4 and 5

For clarity of the multiconnector signal cable connections, the cable management holder image is removed from the illustration below.



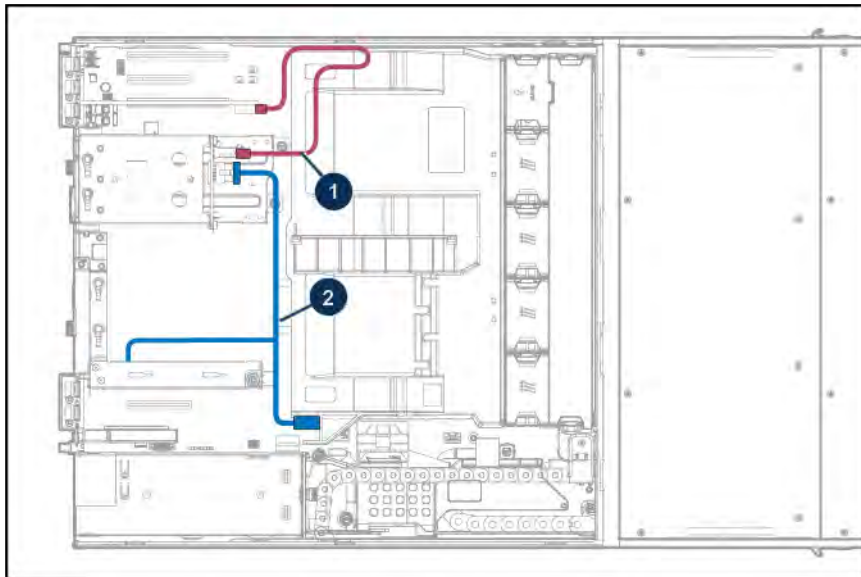
Item	Description
1	Rear SFF drive cage and two-slot PCI riser board power Y-cable
2	Rear SFF drive cage multiconnector signal cable

- Two-bay SFF hot-plug SAS/SATA rear drive cabling to the H240 HBA installed in the PCIe expansion slot 1



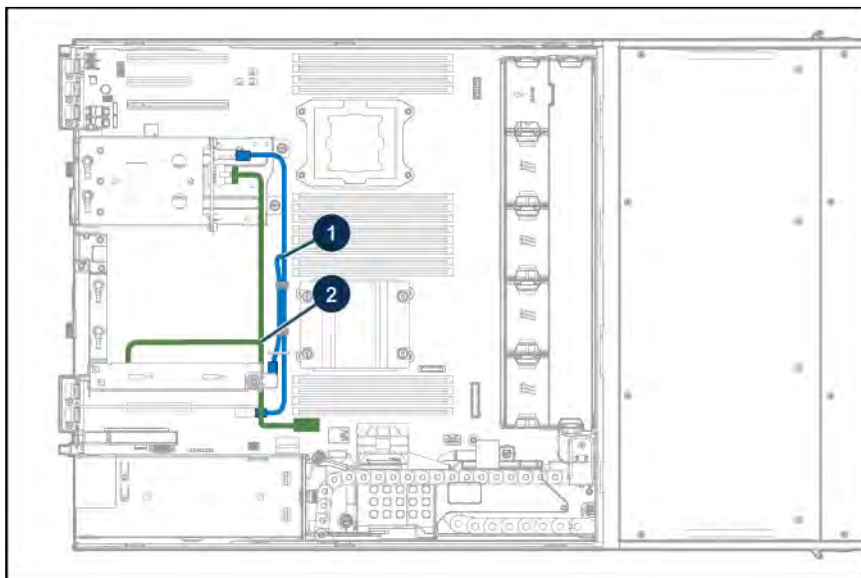
Item	Description
1	Rear SFF drive cage Mini-SAS cable
2	Rear SFF drive cage and two-slot PCI riser board power Y-cable

- Two-bay SFF hot-plug SAS/SATA rear drive cabling to the H240 HBA installed in the PCIe expansion slot 5 or 6



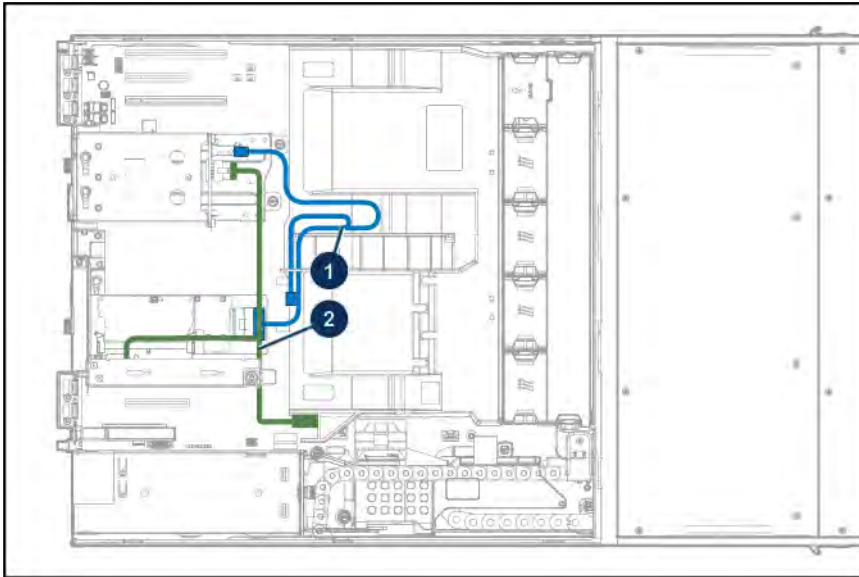
Item	Description
1	Rear SFF drive cage Mini-SAS cable
2	Rear SFF drive cage and two-slot PCI riser board power Y-cable

- Two-bay SFF hot-plug SAS/SATA rear drive cabling to the P440 Smart Array Controller installed in the PCIe expansion slot 1



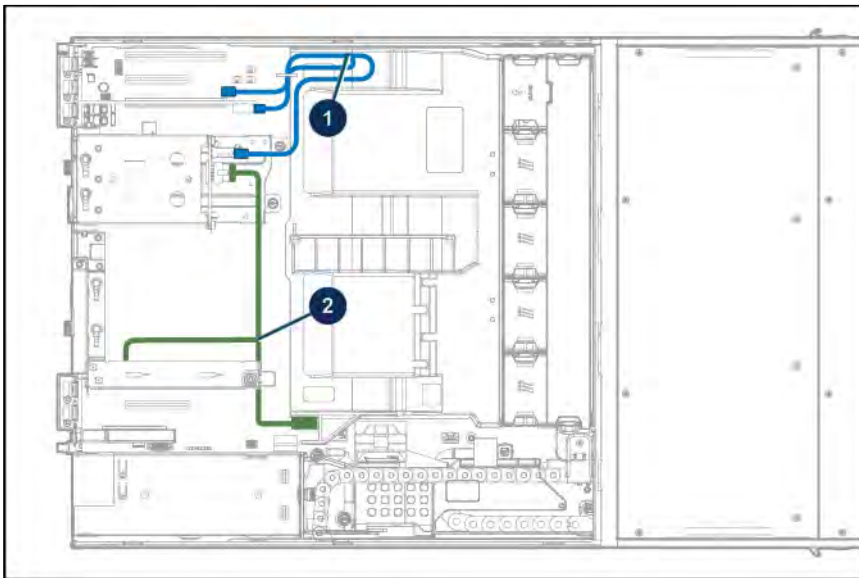
Item	Description
1	Rear SFF drive cage Mini-SAS Y-cable
2	Rear SFF drive cage and two-slot PCI riser board power Y-cable

- Two-bay SFF hot-plug SAS/SATA rear drive cabling to the P440 Smart Array Controller installed in the PCIe riser slot 3 or 4



Item	Description
1	Rear SFF drive cage Mini-SAS Y-cable
2	Rear SFF drive cage and two-slot PCI riser board power Y-cable

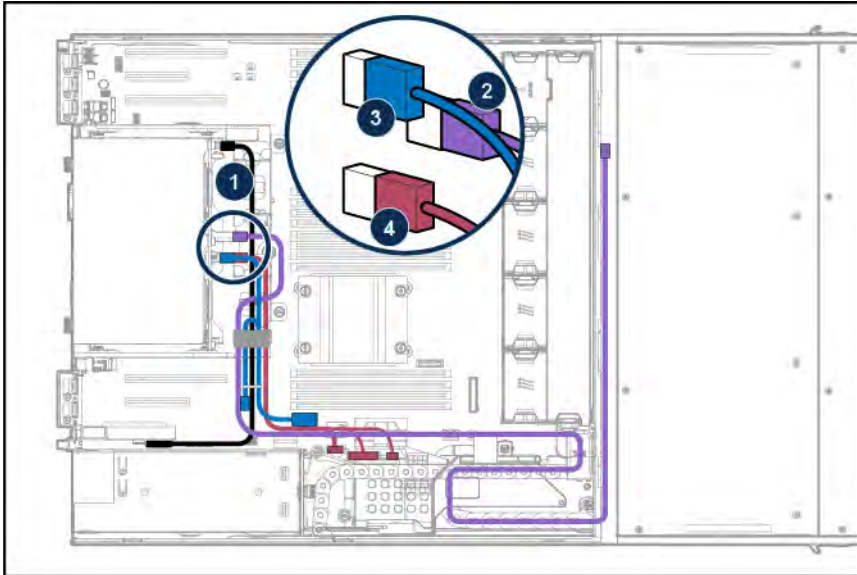
- Two-bay SFF hot-plug SAS/SATA rear drive cabling to the P440 Smart Array Controller installed in the PCIe expansion slot 5, 6, or 7



Item	Description
1	Rear SFF drive cage Mini-SAS Y-cable
2	Rear SFF drive cage and two-slot PCI riser board power Y-cable

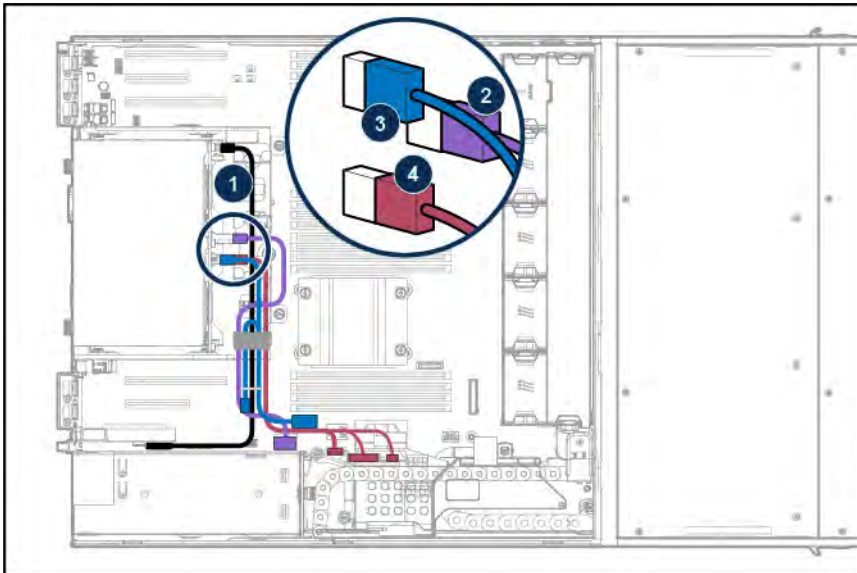
Six-bay SFF hot-plug SAS/SATA rear drive cabling

- Six-bay LFF hot-plug SAS/SATA rear drive cabling to the front drive cage 2 backplane and the onboard SATA connectors



Item	Description
1	Rear SFF backplane sideband cable
2	Rear SFF drive cage preinstalled Mini-SAS x4 cable
3	Rear SFF drive cage power cable
4	Rear SFF drive cage multiconnector signal cable

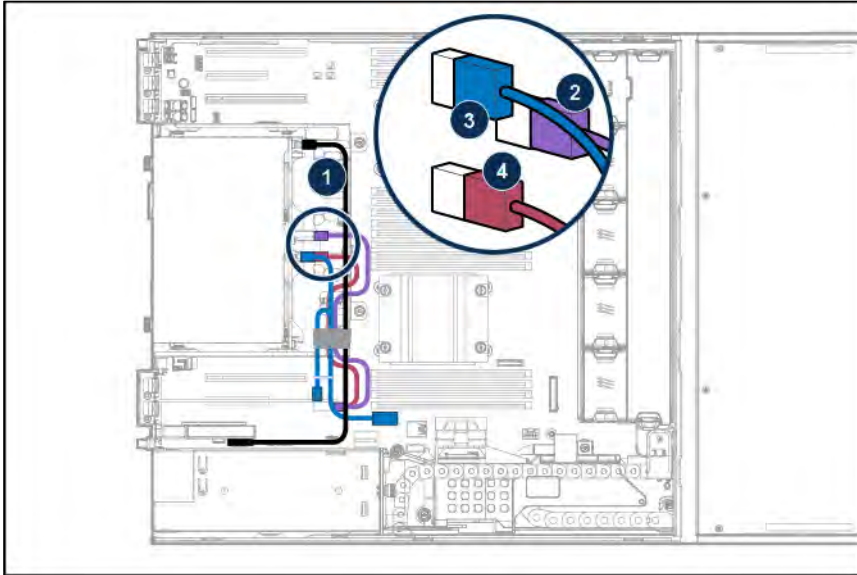
- Six-bay LFF hot-plug SATA rear drive cabling to the onboard Mini-SAS and SATA connectors



Item	Description
1	Rear SFF backplane sideband cable
2	Mini-SAS x4 cable

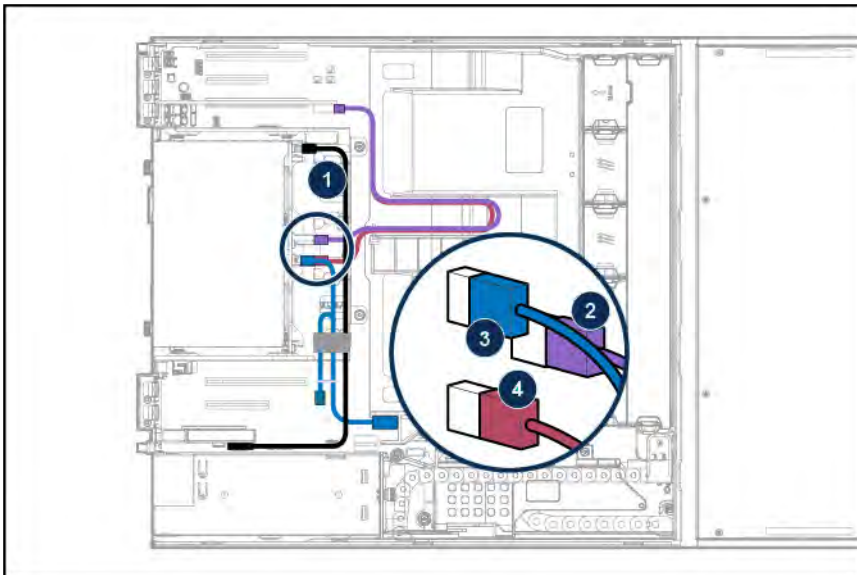
Item	Description
3	Rear SFF drive cage power cable
4	Rear SFF drive cage multiconnector signal cable

- Six-bay LFF hot-plug SAS/SATA rear drive cabling to the H240 HBA installed in the PCIe expansion slot 1 or 2



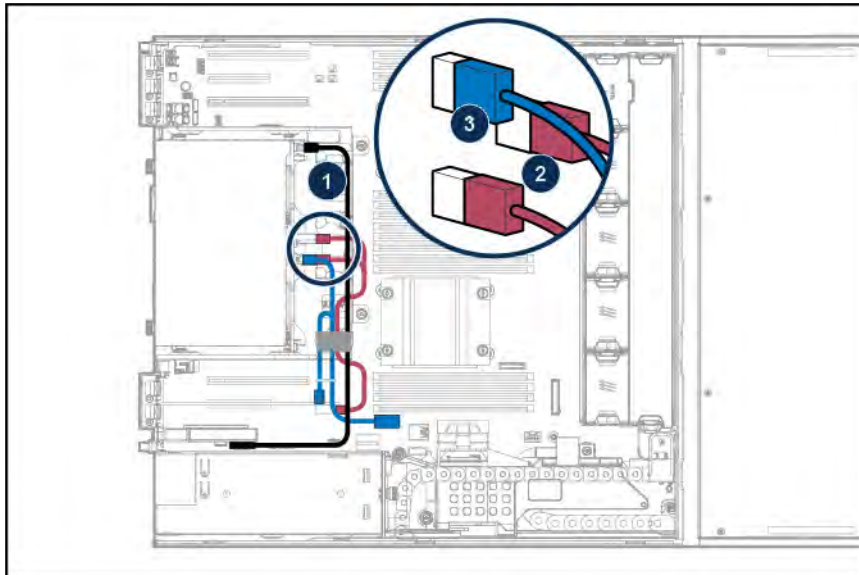
Item	Description
1	Rear SFF backplane sideband cable
2	Mini-SAS x4 cable
3	Rear SFF drive cage power cable
4	Mini-SAS x4 cable

- Six-bay LFF hot-plug SAS/SATA rear drive cabling to the H240 HBA installed in the PCIe expansion slot 5, 6 or 7



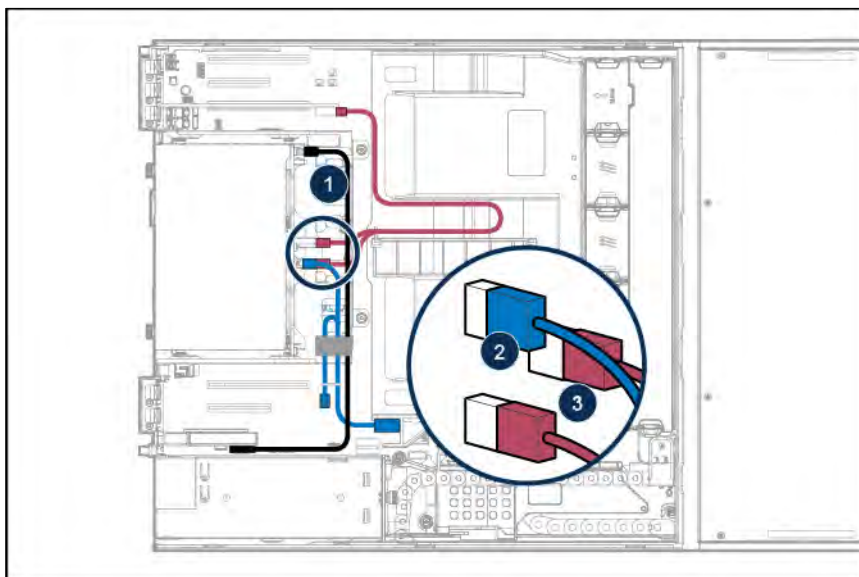
Item	Description
1	Rear SFF backplane sideband cable
2	Mini-SAS x4 cable
3	Rear SFF drive cage power cable
4	Mini-SAS x4 cable

- Six-bay LFF hot-plug SAS/SATA rear drive cabling to the P440 Smart Array Controller installed in the PCIe expansion slot 1 or 2



Item	Description
1	Rear SFF backplane sideband cable
2	Mini-SAS Y-cable
3	Rear SFF drive cage power cable

- Six-bay LFF hot-plug SAS/SATA rear drive cabling to the P440 Smart Array Controller installed in the PCIe expansion slot 5, 6, or 7

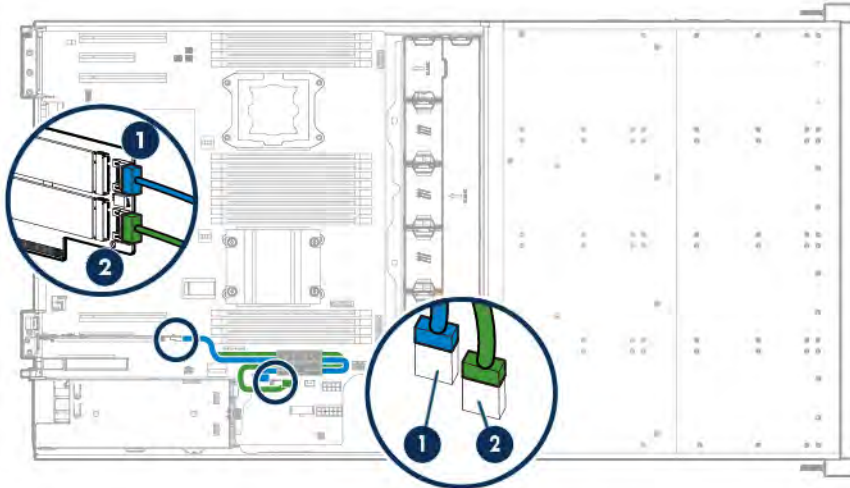


Item	Description
1	Rear SFF backplane sideband cable
2	Rear SFF drive cage power cable
3	Mini-SAS Y-cable

M.2 SSD cabling

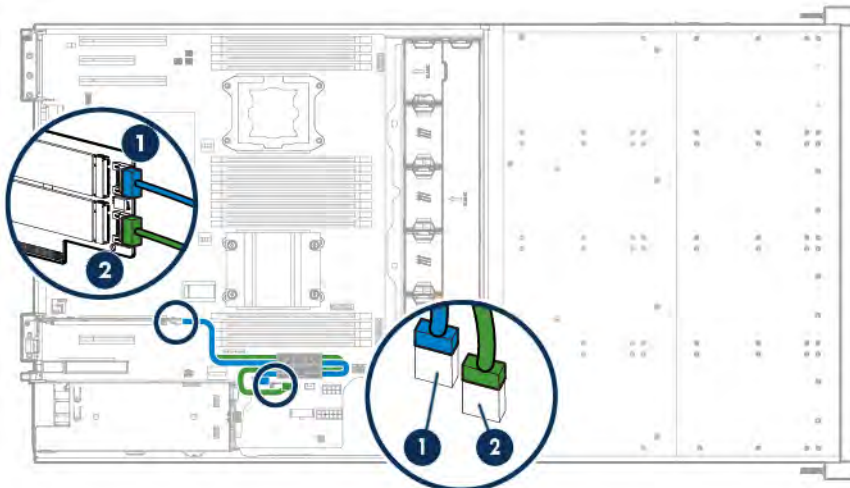
For clarity of the SATA cable connections, part of the cable management holder image is removed from this section's illustrations.

- M.2 SSD cabling from the onboard PCIe3 x8 expansion slot 1



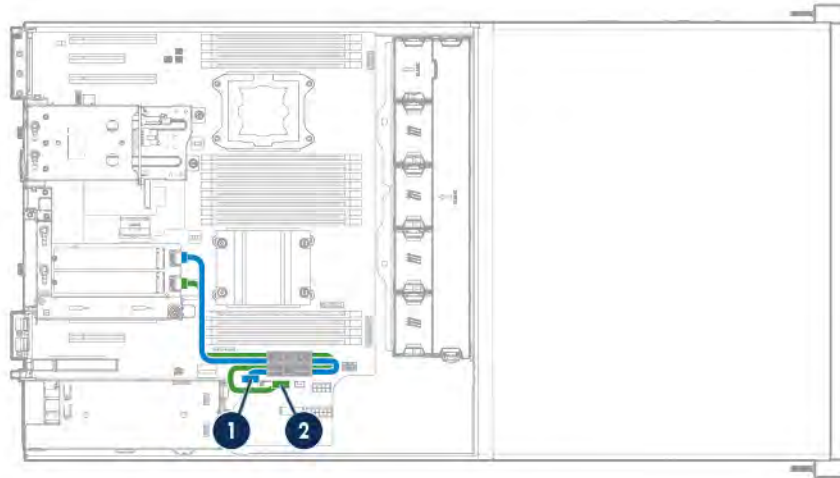
Item	Description
1	M.2 SSD 1 SATA cable
2	M.2 SSD 2 SATA cable

- M.2 SSD cabling from the onboard PCIe3 x16 expansion slot 2



Item	Description
1	M.2 SSD 1 SATA cable
2	M.2 SSD 2 SATA cable

- M.2 SSD cabling from the PCI riser cage



Item	Description
1	M.2 SSD 1 SATA cable
2	M.2 SSD 2 SATA cable

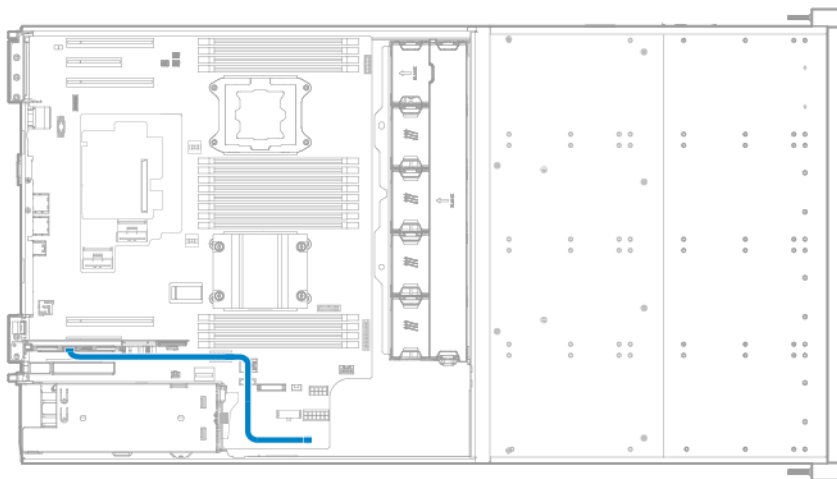
FBWC module backup power cabling

The FBWC solution is a separately purchased option. This server only supports FBWC module installation ("[Installing the storage controller and FBWC module options](#)" on page 92) when a Smart Array P-Series controller is installed.

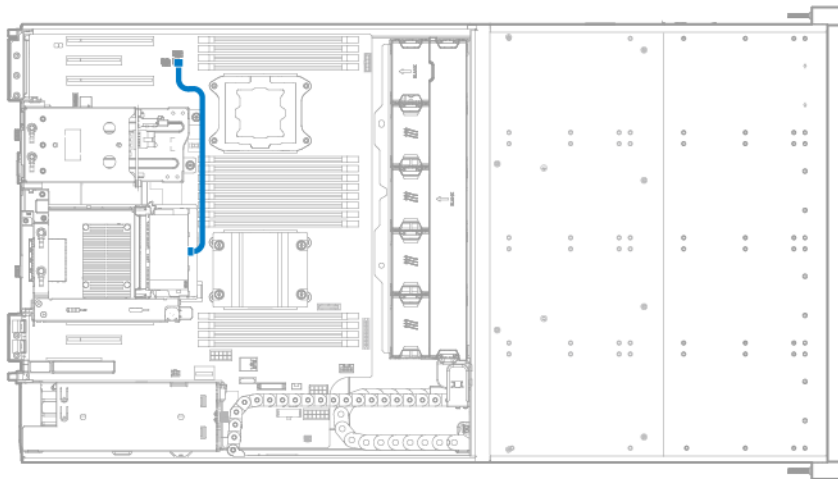
Depending on the controller option installed, the actual storage controller connectors might look different from what is shown in this section.

- FBWC module backup power cabling from a standup, Smart Array P44x Controller installed in the onboard PCIe3 x8 expansion slot 1

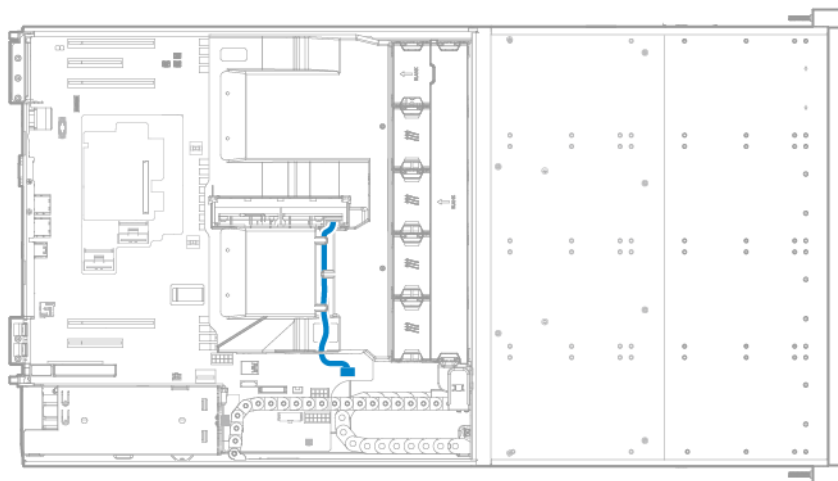
For clarity of the FBWC module backup power cabling connection, the cable management holder image is removed from the illustration below.



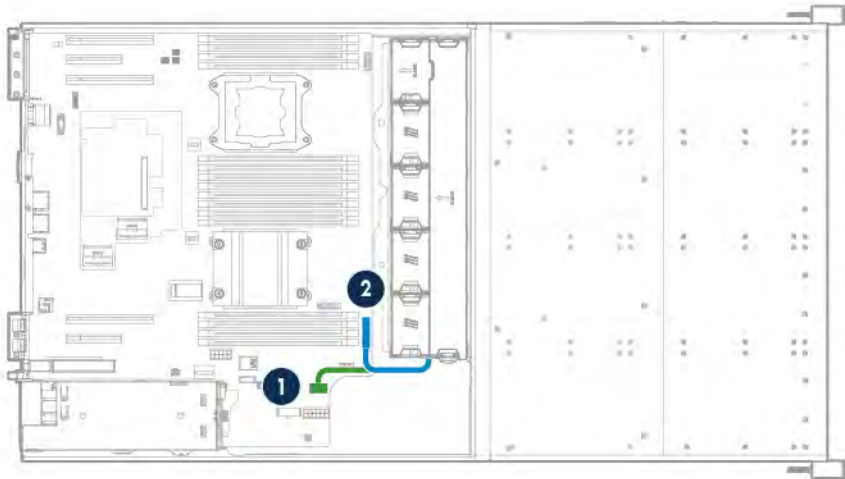
- FBWC module backup power cabling from an Smart Array P841 Controller installed in the PCI riser cage



Smart Storage Battery cabling



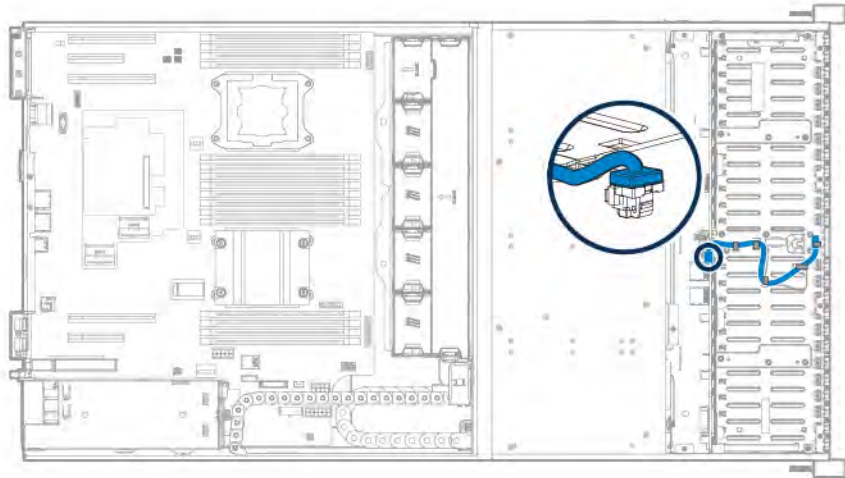
Fan assembly cabling



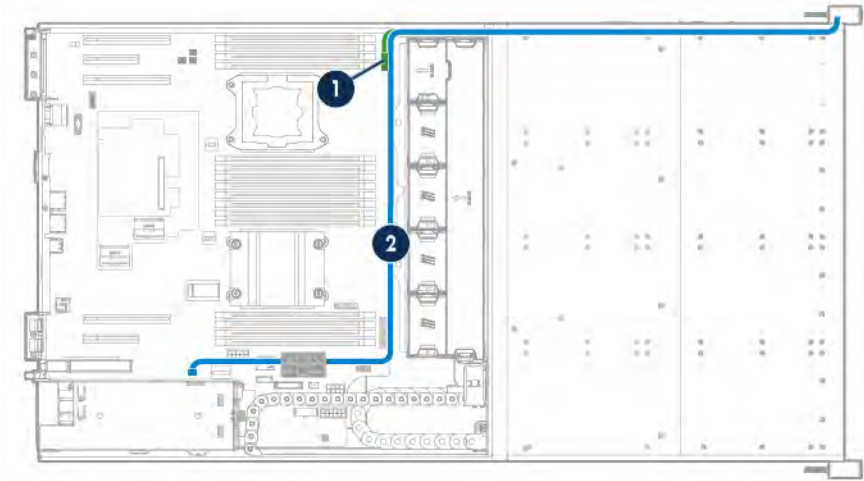
Item	Description
1	Fan assembly power cable
2	Fan assembly signal cable

Ambient temperature sensor cabling

This cable is present in SFF drive configurations only; the ambient temperature sensor function in LFF drive configurations is integrated in the front LFF drive cage 1 backplane.



Front panel cabling



Item	Description
1	Front I/O cable
2	Front USB 2.0 cable

Software and configuration utilities

Server mode

The software and configuration utilities presented in this section operate in online mode, offline mode, or in both modes.

Software or configuration utility	Server mode
HPE iLO (on page 155)	Online and Offline
Active Health System (on page 156)	Online and Offline
RESTful API support for iLO (on page 157)	Online and Offline
Integrated Management Log (on page 157)	Online and Offline
Intelligent Provisioning (on page 157)	Offline
HPE Insight Diagnostics (on page 158)	Online and Offline
Erase Utility (on page 158)	Offline
Scripting Toolkit for Windows and Linux (on page 159)	Online
Service Pack (on page 159)	Online and Offline
HP Smart Update Manager (on page 159)	Online and Offline
HPE UEFI System Utilities (on page 159)	Offline
HPE Smart Storage Administrator (on page 162)	Online and Offline
FWUPDATE utility (on page 164)	Offline

Product QuickSpecs

For more information about product features, specifications, options, configurations, and compatibility, see the product QuickSpecs on the Hewlett Packard Enterprise website (<http://www.hpe.com/info/qs>).

HPE iLO

The iLO 4 subsystem is a standard component of servers that simplifies initial server setup, server health monitoring, power and thermal optimization, and remote server administration. The iLO 4 subsystem includes an intelligent microprocessor, secure memory, and a dedicated network interface. This design makes iLO 4 independent of the host server and its operating system.

iLO 4 enables and manages the Active Health System (on page 156) and also features Agentless Management. All key internal subsystems are monitored by iLO 4. If enabled, SNMP alerts are sent directly by iLO 4 regardless of the host operating system or even if no host operating system is installed.

Using iLO 4, you can do the following:

- Access a high-performance and secure Integrated Remote Console to the server from anywhere in the world if you have a network connection to the server.
- Use the shared .NET Integrated Remote Console to collaborate with up to four server administrators.
- Remotely mount high-performance Virtual Media devices to the server.
- Securely and remotely control the power state of the managed server.

- Implement true Agentless Management with SNMP alerts from iLO, regardless of the state of the host server.
- Download the Active Health System log.
- Register for HPE remote support.
- Use iLO Federation to manage multiple servers from one system running the iLO web interface.
- Use Virtual Power and Virtual Media from the GUI, the CLI, or the iLO scripting toolkit for many tasks, including the automation of deployment and provisioning.
- Control iLO 4 by using a remote management tool.

For more information about iLO 4 features, see the iLO 4 documentation on the Hewlett Packard Enterprise website (<http://www.hpe.com/info/ilo/docs>).

The iLO 4 hardware and firmware features and functionality, such as NAND size and embedded user partition, vary depending on the server model. For a complete list of supported features and functionality, see the iLO 4 QuickSpecs on the Hewlett Packard Enterprise website (<http://www.hpe.com/info/Quickspecs-iLO>).

Active Health System

The HPE Active Health System provides the following features:

- Combined diagnostics tools/scanners
- Always on, continuous monitoring for increased stability and shorter downtimes
- Rich configuration history
- Health and service alerts
- Easy export and upload to Service and Support

The Active Health System monitors and records changes in the server hardware and system configuration. The Active Health System assists in diagnosing problems and delivering rapid resolution if server failures occur.

The Active Health System collects the following types of data:

- Server model
- Serial number
- Processor model and speed
- Storage capacity and speed
- Memory capacity and speed
- Firmware/BIOS

Active Health System does not collect information about Active Health System users' operations, finances, customers, employees, partners, or data center, such as IP addresses, host names, user names, and passwords. Active Health System does not parse or change operating system data from third-party error event log activities, such as content created or passed through by the operating system.

The data that is collected is managed according to the Hewlett Packard Enterprise Data Privacy policy. For more information see the Hewlett Packard Enterprise website (<http://www.hpe.com/info/privacy>).

The Active Health System, in conjunction with the system monitoring provided by Agentless Management or SNMP Pass-thru, provides continuous monitoring of hardware and configuration changes, system status, and service alerts for various server components.

The Agentless Management Service is available in the SPP, which can be downloaded from the Hewlett Packard Enterprise website (<http://www.hpe.com/servers/spp/download>). The Active Health System

log can be downloaded manually from iLO 4 or HPE Intelligent Provisioning and sent to Hewlett Packard Enterprise.

For more information, see the following documents:

- *iLO User Guide* on the Hewlett Packard Enterprise website (<http://www.hpe.com/info/ilo/docs>)
- *Intelligent Provisioning User Guide* on the Hewlett Packard Enterprise website (<http://www.hpe.com/info/intelligentprovisioning/docs>)

RESTful API support for iLO

HPE iLO 4 firmware version 2.00 and later includes the RESTful API. The RESTful API is a management interface that server management tools can use to perform configuration, inventory, and monitoring of the server via iLO. The RESTful API uses basic HTTPS operations (GET, PUT, POST, DELETE, and PATCH) to submit or return JSON-formatted data with iLO web server.

HPE iLO 4 2.30 and later is Redfish 1.0-conformant while remaining backward compatible with the existing RESTful API.

HPE iLO 4 supports the RESTful API with servers. For more information about the RESTful API, see the Hewlett Packard Enterprise website (<http://www.hpe.com/info/restfulinterface/docs>).

Integrated Management Log

The IML records hundreds of events and stores them in an easy-to-view form. The IML timestamps each event with 1-minute granularity.

You can view recorded events in the IML in several ways, including the following:

- From within HPE SIM
- From within UEFI System Utilities ("[HPE UEFI System Utilities](#)" on page 159)
- From within the Embedded UEFI shell (on page 161)
- From within operating system-specific IML viewers:
 - For Windows: IML Viewer
 - For Linux: IML Viewer Application
- From within the iLO web interface
- From within Insight Diagnostics ("[HPE Insight Diagnostics](#)" on page 158)

Intelligent Provisioning

Intelligent Provisioning is a single-server deployment tool embedded in servers that simplifies server setup, providing a reliable and consistent way to deploy server configurations:

- Intelligent Provisioning assists with the OS installation process by preparing the system for installing "off-the-shelf" and Hewlett Packard Enterprise branded versions of operating system software and integrating optimized server support software.
- Intelligent Provisioning provides maintenance-related tasks using the Perform Maintenance window.
- Intelligent Provisioning provides installation help for Microsoft Windows, Red Hat and SUSE Linux, and VMware operating systems. For specific OS support, see the *Intelligent Provisioning Release Notes* on the Hewlett Packard Enterprise website (<http://www.hpe.com/info/intelligentprovisioning/docs>).

For more information about Intelligent Provisioning software, see the Hewlett Packard Enterprise website (<http://www.hpe.com/servers/intelligentprovisioning>). For Intelligent Provisioning recovery media downloads, see the Resources tab on the Hewlett Packard Enterprise website (<http://www.hpe.com/servers/intelligentprovisioning>). For consolidated drive and firmware update packages, see the Smart Update: Server Firmware and Driver Updates page on the Hewlett Packard Enterprise website (<http://www.hpe.com/info/SmartUpdate>).

HPE Insight Diagnostics

The Insight Diagnostics is a proactive server management tool, available in both offline and online versions, that provides diagnostics and troubleshooting capabilities to assist IT administrators who verify server installations, troubleshoot problems, and perform repair validation.

The Insight Diagnostics Offline Edition performs various in-depth system and component testing while the OS is not running. To run this utility, boot the server using Intelligent Provisioning (on page 157).

The Insight Diagnostics Online Edition is a web-based application that captures system configuration and other related data needed for effective server management. Available in Microsoft Windows and Linux versions, the utility helps to ensure proper system operation.

For more information or to download the utility, see the Hewlett Packard Enterprise website (<http://www.hpe.com/info/InsightDiagnostics>). The Insight Diagnostics Online Edition is also available in the SPP ("Service Pack" on page 159).

HPE Insight Diagnostics survey functionality

HPE Insight Diagnostics (on page 158) provides survey functionality that gathers critical hardware and software information on servers.

This functionality supports operating systems that are supported by the server. For operating systems supported by the server, see the Hewlett Packard Enterprise website (<http://www.hpe.com/info/supportos>).

If a significant change occurs between data-gathering intervals, the survey function marks the previous information and overwrites the survey data files to reflect the latest changes in the configuration.

Survey functionality is installed with every Intelligent Provisioning-assisted Insight Diagnostics installation, or it can be installed through the SPP ("Service Pack" on page 159).

Erase Utility



CAUTION: Perform a backup before running the Erase Utility. The utility sets the system to its original factory state, deletes the current hardware configuration information, including array setup and disk partitioning, and erases all connected hard drives completely. Before using this utility, see the instructions in the *Intelligent Provisioning User Guide*.

Use the Erase Utility to erase drives and Active Health System logs, and to reset UEFI System Utilities settings. Run the Erase Utility if you must erase the system for the following reasons:

- You want to install a new operating system on a server with an existing operating system.
- You encounter an error when completing the steps of a factory-installed operating system installation.

To access the Erase Utility, click the Perform Maintenance icon from the Intelligent Provisioning home screen, and then select **Erase**.

For more information about the Erase Utility, see the *Intelligent Provisioning User Guide* on the Hewlett Packard Enterprise website (<http://www.hpe.com/info/intelligentprovisioning/docs>).

Scripting Toolkit for Windows and Linux

The STK for Windows and Linux is a server deployment product that delivers an unattended automated installation for high-volume server deployments. The STK is designed to support servers. The toolkit includes a modular set of utilities and important documentation that describes how to apply these tools to build an automated server deployment process.

The STK provides a flexible way to create standard server configuration scripts. These scripts are used to automate many of the manual steps in the server configuration process. This automated server configuration process cuts time from each deployment, making it possible to scale rapid, high-volume server deployments.

For more information or to download the STK, see the Hewlett Packard Enterprise website (<http://www.hpe.com/servers/proliant/stk>).

Service Pack

The SPP is a comprehensive systems software (drivers and firmware) solution delivered as a single package with major server releases. This solution uses HP SUM as the deployment tool and is tested on all supported servers.

SPP can be used in an online mode on a Windows or Linux hosted operating system, or in an offline mode where the server is booted to an operating system included on the ISO file so that the server can be updated automatically with no user interaction or updated in interactive mode.

For more information or to download SPP, see one of the following pages on the Hewlett Packard Enterprise website:

- Service Pack download page (<http://www.hpe.com/servers/spp/download>)
- Smart Update: Server Firmware and Driver Updates page (<http://www.hpe.com/info/SmartUpdate>)

HP Smart Update Manager

HP SUM is a product used to install and update firmware, drivers, and systems software on servers. The HP SUM provides a GUI and a command-line scriptable interface for deployment of systems software for single or one-to-many servers and network-based targets, such as iLOs, OAs, and VC Ethernet and Fibre Channel modules.

For more information about HP SUM, see the product page on the Hewlett Packard Enterprise website (<http://www.hpe.com/servers/hpsum>).

To download HP SUM, see the Hewlett Packard Enterprise website (<http://www.hpe.com/servers/hpsum/download>).

To access the *HP Smart Update Manager User Guide*, see the HP SUM Information Library (<http://www.hpe.com/info/hpsum/documentation>).

HPE UEFI System Utilities

The UEFI System Utilities is embedded in the system ROM. The UEFI System Utilities enable you to perform a wide range of configuration activities, including:

- Configuring system devices and installed options
- Enabling and disabling system features
- Displaying system information
- Selecting the primary boot controller

- Configuring memory options
- Selecting a language
- Launching other pre-boot environments such as the Embedded UEFI Shell and Intelligent Provisioning

For more information on the UEFI System Utilities, see the *HPE UEFI System Utilities User Guide for Servers* on the Hewlett Packard Enterprise website (<http://www.hpe.com/info/uefi/docs>).

Scan the QR code located at the bottom of the screen to access mobile-ready online help for the UEFI System Utilities and UEFI Shell. For on-screen help, press **F1**.

Using UEFI System Utilities

To use the UEFI System Utilities, use the following keys.

Action	Key
Access System Utilities	F9 during server POST
Navigate menus	Up and Down arrows
Select items	Enter
Save selections	F10
Access Help for a highlighted configuration option*	F1

*Scan the QR code on the screen to access online help for the UEFI System Utilities and UEFI Shell.

Default configuration settings are applied to the server at one of the following times:

- Upon the first system power-up
- After defaults have been restored

Default configuration settings are sufficient for typical server operations; however, you can modify configuration settings as needed. The system prompts you for access to the UEFI System Utilities each time the system is powered up.

Flexible boot control

This feature enables you to do the following:

- Add Boot Options
 - Browse all FAT16 and FAT32 file systems.
 - Select an X64 UEFI application with an .EFI extension to add as a new UEFI boot option, such as an OS boot loader or other UEFI application.

The new boot option is appended to the boot order list. When you select a file, you are prompted to enter the boot option description (which is then displayed in the Boot menu), as well as any optional data to be passed to an .EFI application.
- Boot to System Utilities

After pre-POST, the boot options screen appears. During this time, you can access the UEFI System Utilities by pressing the **F9** key.
- Choose between supported modes: Legacy BIOS Boot Mode or UEFI Boot Mode



IMPORTANT: If the default boot mode settings are different than the user defined settings, the system may not boot the OS installation if the defaults are restored. To avoid this issue, use the User Defined Defaults feature in UEFI System Utilities to override the factory default settings.

For more information, see the *HPE UEFI System Utilities User Guide for Servers* on the Hewlett Packard Enterprise website (<http://www.hpe.com/info/uefi/docs>).

Restoring and customizing configuration settings

You can reset all configuration settings to the factory default settings, or you can restore system default configuration settings, which are used instead of the factory default settings.

You can also configure default settings as necessary, and then save the configuration as the custom default configuration. When the system loads the default settings, it uses the custom default settings instead of the factory defaults.

Secure Boot configuration

Secure Boot is integrated in the UEFI specification on which the Hewlett Packard Enterprise implementation of UEFI is based. Secure Boot is completely implemented in the BIOS and does not require special hardware. It ensures that each component launched during the boot process is digitally signed and that the signature is validated against a set of trusted certificates embedded in the UEFI BIOS. Secure Boot validates the software identity of the following components in the boot process:

- UEFI drivers loaded from PCIe cards
- UEFI drivers loaded from mass storage devices
- Pre-boot UEFI shell applications
- OS UEFI boot loaders

Once enabled, only firmware components and operating systems with boot loaders that have an appropriate digital signature can execute during the boot process. Only operating systems that support Secure Boot and have an EFI boot loader signed with one of the authorized keys can boot when Secure Boot is enabled. For more information about supported operating systems, see the *HPE UEFI System Utilities and Shell Release Notes for Servers* on the Hewlett Packard Enterprise website (<http://www.hpe.com/info/uefi/docs>).

A physically present user can customize the certificates embedded in the UEFI BIOS by adding/removing their own certificates.

When Secure Boot is enabled, the System Maintenance Switch does not restore all manufacturing defaults when set to the ON position. For security reasons, the following are not restored to defaults when the System Maintenance Switch is in the ON position:

- Secure Boot is not disabled and remains enabled.
- The Boot Mode remains in UEFI Boot Mode even if the default boot mode is Legacy Boot Mode.
- The Secure Boot Database is not restored to its default state.
- iSCSI Software Initiator configuration settings are not restored to defaults.

Embedded UEFI shell

The system BIOS in all servers includes an Embedded UEFI Shell in the ROM. The UEFI Shell environment provides an API, a command line prompt, and a set of CLIs that allow scripting, file manipulation, and system information. These features enhance the capabilities of the UEFI System Utilities.

For more information, see the following documents:

- *HPE UEFI Shell User Guide for Servers* on the Hewlett Packard Enterprise website (<http://www.hpe.com/info/uefi/docs>)
- *UEFI Shell Specification* on the UEFI website (<http://www.uefi.org/specifications>)

Embedded Diagnostics option

The system BIOS in all servers includes an Embedded Diagnostics option in the ROM. The Embedded Diagnostics option can run comprehensive diagnostics of the server hardware, including processors, memory, drives, and other server components.

For more information on the Embedded Diagnostics option, see the *HPE UEFI System Utilities User Guide for Servers* on the Hewlett Packard Enterprise website (<http://www.hpe.com/info/uefi/docs>).

RESTful API support for UEFI

The servers include support for a UEFI compliant System BIOS, along with UEFI System Utilities and Embedded UEFI Shell pre-boot environments. Servers also support configuring the UEFI BIOS settings using the RESTful API, a management interface that server management tools can use to perform configuration, inventory, and monitoring of a server. The RESTful API uses basic HTTPS operations (GET, PUT, POST, DELETE, and PATCH) to submit or return JSON-formatted data with iLO web server.

For more information about the RESTful API and the RESTful Interface Tool, see the Hewlett Packard Enterprise website (<http://www.hpe.com/info/restfulinterface/docs>).

Re-entering the server serial number and product ID

After you replace the system board, you must re-enter the server serial number and the product ID.

1. During the server startup sequence, press the **F9** key to access UEFI System Utilities.
2. Select the **System Configuration > BIOS/Platform Configuration (RBSU) > Advanced Options > Advanced System ROM Options > Serial Number**, and then press the **Enter** key.
3. Enter the serial number and press the **Enter** key. The following message appears:

```
The serial number should only be modified by qualified service personnel.
This value should always match the serial number located on the chassis.
```
4. Press the **Enter** key to clear the warning.
5. Enter the serial number and press the **Enter** key.
6. Select **Product ID**. The following warning appears:

```
Warning: The Product ID should ONLY be modified by qualified service
personnel. This value should always match the Product ID located on the
chassis.
```
7. Enter the product ID and press the **Enter** key.
8. Press the **F10** key to confirm exiting System Utilities. The server automatically reboots.

Utilities and features

HPE Smart Storage Administrator

The HPE SSA is a configuration and management tool for HPE Smart Array controllers. Starting with servers, HPE SSA replaces ACU with an enhanced GUI and additional configuration features.

The HPE SSA exists in three interface formats: the HPE SSA GUI, the HPE SSA CLI, and HPE SSA Scripting. Although all formats provide support for configuration tasks, some of the advanced tasks are available in only one format.

Some HPE SSA features include the following:

- Supports online array capacity expansion, logical drive extension, assignment of online spares, and RAID or stripe size migration
- Provides diagnostic and SmartSSD Wear Gauge functionality on the Diagnostics tab
- For supported controllers, provides access to additional features.

For more information about HPE SSA, see the Hewlett Packard Enterprise website (<http://www.hpe.com/servers/ssa>).

Automatic Server Recovery

ASR is a feature that causes the system to restart when a catastrophic operating system error occurs, such as a blue screen, ABEND, or panic. A system fail-safe timer, the ASR timer, starts when the System Management driver, also known as the Health Driver, is loaded. When the operating system is functioning properly, the system periodically resets the timer. However, when the operating system fails, the timer expires and restarts the server.

ASR increases server availability by restarting the server within a specified time after a system hang. You can disable ASR from the System Management Homepage or through UEFI System Utilities.

USB support

Hewlett Packard Enterprise servers support both USB 2.0 ports and USB 3.0 ports. Both types of ports support installing all types of USB devices (USB 1.0, USB 2.0, and USB 3.0), but may run at lower speeds in specific situations:

- USB 3.0 capable devices operate at USB 2.0 speeds when installed in a USB 2.0 port.
- When the server is configured for UEFI Boot Mode, Hewlett Packard Enterprise provides legacy USB support in the pre-boot environment prior to the operating system loading for USB 1.0, USB 2.0, and USB 3.0 speeds.
- When the server is configured for Legacy BIOS Boot Mode, Hewlett Packard Enterprise provides legacy USB support in the pre-boot environment prior to the operating system loading for USB 1.0 and USB 2.0 speeds. While USB 3.0 ports can be used with all devices in Legacy BIOS Boot Mode, they are not available at USB 3.0 speeds in the pre-boot environment. Standard USB support (USB support from within the operating system) is provided by the OS through the appropriate USB device drivers. Support for USB 3.0 varies by operating system.

For maximum compatibility of USB 3.0 devices with all operating systems, Hewlett Packard Enterprise provides a configuration setting for USB 3.0 Mode. Auto is the default setting. This setting impacts USB 3.0 devices when connected to USB 3.0 ports in the following manner:

- **Auto (default)**—If configured in Auto Mode, USB 3.0 capable devices operate at USB 2.0 speeds in the pre-boot environment and during boot. When a USB 3.0 capable OS USB driver loads, USB 3.0 devices transition to USB 3.0 speeds. This mode provides compatibility with operating systems that do not support USB 3.0 while still allowing USB 3.0 devices to operate at USB 3.0 speeds with state-of-the-art operating systems.
- **Enabled**—If Enabled, USB 3.0 capable devices operate at USB 3.0 speeds at all times (including the pre-boot environment) when in UEFI Boot Mode. This mode should not be used with operating systems that do not support USB 3.0. If operating in Legacy Boot BIOS Mode, the USB 3.0 ports cannot function in the pre-boot environment and are not bootable.
- **Disabled**—If configured for Disabled, USB 3.0 capable devices function at USB 2.0 speeds at all times.

The pre-OS behavior of the USB ports is configurable in the UEFI System Utilities, so that the user can change the default operation of the USB ports. For more information, see the *HPE UEFI System Utilities User Guide for Servers* on the Hewlett Packard Enterprise website (<http://www.hpe.com/info/uefi/docs>).

External USB functionality

Hewlett Packard Enterprise provides external USB support to enable local connection of USB devices for server administration, configuration, and diagnostic procedures.

For additional security, external USB functionality can be disabled through USB options in UEFI System Utilities.

Redundant ROM support

The server enables you to upgrade or configure the ROM safely with redundant ROM support. The server has a single ROM that acts as two separate ROM images. In the standard implementation, one side of the ROM contains the current ROM program version, while the other side of the ROM contains a backup version.

NOTE: The server ships with the same version programmed on each side of the ROM.

Safety and security benefits

When you flash the system ROM, the flashing mechanism writes over the backup ROM and saves the current ROM as a backup, enabling you to switch easily to the alternate ROM version if the new ROM becomes corrupted for any reason. This feature protects the existing ROM version, even if you experience a power failure while flashing the ROM.

Keeping the system current

Access to Hewlett Packard Enterprise Support Materials

Access to some updates for Servers may require product entitlement when accessed through the Hewlett Packard Enterprise Support Center support portal. Hewlett Packard Enterprise recommends that you have an HP Passport set up with relevant entitlements. For more information, see the Hewlett Packard Enterprise website (<http://www.hpe.com/support/AccessToSupportMaterials>).

Updating firmware or System ROM

Multiple methods exist to update the firmware or System ROM:

- Service Pack (on page 159)
- FWUPDATE utility (on page 164)
- FWUpdate command from within the Embedded UEFI shell (on page 165)
- Firmware Update application in UEFI System Utilities ("Firmware Update application in the UEFI System Utilities" on page 165)
- Online Flash components (on page 166)

Product entitlement is required to perform updates. For more information, see "Accessing updates (on page 176, "Access to Hewlett Packard Enterprise Support Materials" on page 164)."

FWUPDATE utility

The FWUPDATE utility enables you to upgrade the system firmware (BIOS).

To use the utility to upgrade the firmware:

1. Download the FWUPDATE flash component from the Hewlett Packard Enterprise Support Center website (<http://www.hpe.com/support/hpesc>).
2. Save the FWUPDATE flash components to a USB key.
3. Set the boot order so the USB key will boot first using one of the following options:
 - o Configure the boot order so the USB key is the first bootable device.
 - o Press **F11** (Boot Menu) when prompted during system boot to access the **One-Time Boot Menu**. This menu allows you to select the boot device for a specific boot and does not modify the boot order configuration settings.
4. Insert the USB key into an available USB port.
5. Boot the system.

The FWUPDATE utility checks the system and provides a choice (if more than one exists) of available firmware revisions.

To download the flash components, see the Hewlett Packard Enterprise Support Center website (<http://www.hpe.com/support/hpesc>).

For more information about the One-Time Boot Menu, see the *HPE UEFI System Utilities User Guide for Servers* on the Hewlett Packard Enterprise website (<http://www.hpe.com/info/uefi/docs>).

FWUpdate command from within the Embedded UEFI Shell

For systems configured in either boot mode, update the firmware:

1. Access the System ROM Flash Binary component for your server from the Hewlett Packard Enterprise Support Center website (<http://www.hpe.com/support/hpesc>). When searching for the component, always select **OS Independent** to locate the binary file.
2. Copy the binary file to a USB media or iLO virtual media.
3. Attach the media to the server.
4. Boot to Embedded Shell.
5. To obtain the assigned file system volume for the USB key, enter `Map -r`. For more information about accessing a file system from the shell, see the *HPE UEFI Shell User Guide for Servers* on the Hewlett Packard Enterprise website (<http://www.hpe.com/info/uefi/docs>).
6. Change to the file system that contains the System ROM Flash Binary component for your server. Enter one of the fsx file systems available, such as `fs0` or `fs1`, and press **Enter**.
7. Use the `cd` command to change from the current directory to the directory that contains the binary file.
8. Enter `fwupdate -d BIOS -f <filename>` to flash the system ROM.

For help on the FWUPDATE command, enter the command:

```
help fwupdate -b
```
9. Reboot the server. A reboot is required after the firmware update for the updates to take effect and for hardware stability to be maintained.

For more information about the commands used in this procedure, see the *HPE UEFI Shell User Guide for Servers* on the Hewlett Packard Enterprise website (<http://www.hpe.com/info/uefi/docs>).

Firmware Update application in the UEFI System Utilities

For systems configured in either boot mode, update the firmware:

1. Access the System ROM Flash Binary component for your server from the Hewlett Packard Enterprise Support Center website (<http://www.hpe.com/support/hpesc>). When searching for the component, always select **OS Independent** to find the component.

2. Copy the binary file to a USB media or iLO virtual media.
3. Attach the media to the server.
4. During POST, press **F9** to enter System Utilities.
5. Select **Embedded Applications** → **Firmware Update** → **System ROM** → **Select Firmware File**.
6. Select the device containing the flash file.
7. Select the flash file. This step may take a few moments to complete.
8. Select **Start firmware update** and allow the process to complete.
9. Reboot the server. A reboot is required after the firmware update for the updates to take effect and for hardware stability to be maintained.

Online Flash components

This component provides updated system firmware that can be installed directly on supported operating systems. Additionally, when used in conjunction with the HP SUM ("HP Smart Update Manager" on page 159), this Smart Component allows the user to update firmware on remote servers from a central location. This remote deployment capability eliminates the need for the user to be physically present at the server to perform a firmware update.

Drivers



IMPORTANT: Always perform a backup before installing or updating device drivers.

The server includes new hardware that may not have driver support on all OS installation media.

If you are installing an Intelligent Provisioning-supported OS, use Intelligent Provisioning (on page 157) and its Configure and Install feature to install the OS and latest supported drivers.

If you do not use Intelligent Provisioning to install an OS, drivers for some of the new hardware are required. These drivers, as well as other option drivers, ROM images, and value-add software can be downloaded as part of an SPP.

If you are installing drivers from SPP, be sure that you are using the latest SPP version that your server supports. To verify that your server is using the latest supported version and for more information about SPP, see the Hewlett Packard Enterprise website (<http://www.hpe.com/servers/spp/download>).

To locate the drivers for a particular server, go to the Hewlett Packard Enterprise Support Center website (<http://www.hpe.com/support/hpesc>). Under **Select your HPE product**, enter the product name or number and click **Go**.

Software and firmware

Software and firmware should be updated before using the server for the first time, unless any installed software or components require an older version.

For system software and firmware updates, use one of the following sources:

- Download the SPP ("Service Pack" on page 159) from the Hewlett Packard Enterprise website (<http://www.hpe.com/servers/spp/download>).
- Download individual drivers, firmware, or other systems software components from the server product page in the Hewlett Packard Enterprise Support Center website (<http://www.hpe.com/support/hpesc>).

Operating System Version Support

For information about specific versions of a supported operating system, refer to the operating system support matrix (<http://www.hpe.com/info/ossupport>).

Version control

The VCRM and VCA are web-enabled Insight Management Agents tools that SIM uses to schedule software update tasks to the entire enterprise.

- VCRM manages the repository for SPP. Administrators can view the SPP contents or configure VCRM to automatically update the repository with internet downloads of the latest software and firmware from Hewlett Packard Enterprise.
- VCA compares installed software versions on the node with updates available in the VCRM managed repository. Administrators configure VCA to point to a repository managed by VCRM.

For more information about version control tools, see the *Systems Insight Manager User Guide*, the *Version Control Agent User Guide*, and the *Version Control Repository Manager User Guide* on the Hewlett Packard Enterprise website (<http://www.hpe.com/info/enterprise/docs>).

1. Select **HP Insight Management** from the available options in Products and Solutions.
2. Select **HP Version Control** from the available options in Insight Management.
3. Download the latest document.

Operating systems and virtualization software support for servers

For information about specific versions of a supported operating system, see the Hewlett Packard Enterprise website (<http://www.hpe.com/info/ossupport>).

HPE Technology Service Portfolio

Connect to Hewlett Packard Enterprise for assistance on the journey to the new style of IT. The Hewlett Packard Enterprise Technology Services delivers confidence and reduces risk to help you realize agility and stability in your IT infrastructure.

Utilize our consulting expertise in the areas of private or hybrid cloud computing, big data and mobility requirements, improving data center infrastructure and better use of today's server, storage and networking technology. For more information, see the Hewlett Packard Enterprise website (<http://www.hpe.com/services/consulting>).

Our support portfolio covers services for server, storage and networking hardware and software plus the leading industry standard operating systems. Let us work proactively with you to prevent problems. Our flexible choices of hardware and software support coverage windows and response times help resolve problems faster, reduce unplanned outages and free your staff for more important tasks. For more information, see the Hewlett Packard Enterprise website (<http://www.hpe.com/services/support>).

Tap into our knowledge, expertise, innovation and world-class services to achieve better results. Access and apply technology in new ways to optimize your operations and you'll be positioned for success.

Change control and proactive notification

Hewlett Packard Enterprise offers Change Control and Proactive Notification to notify customers 30 to 60 days in advance of upcoming hardware and software changes on Hewlett Packard Enterprise commercial products.

For more information, see the Hewlett Packard Enterprise website (<http://www.hpe.com/info/pcn>).

Troubleshooting

Troubleshooting resources

The *Troubleshooting Guide, Volume I: Troubleshooting* provides procedures for resolving common problems and comprehensive courses of action for fault isolation and identification, issue resolution, and software maintenance on servers and server blades. To view the guide, select a language:

- English (http://www.hpe.com/support/Gen9_TSG_en)
- French (http://www.hpe.com/support/Gen9_TSG_fr)
- Spanish (http://www.hpe.com/support/Gen9_TSG_es)
- German (http://www.hpe.com/support/Gen9_TSG_de)
- Japanese (http://www.hpe.com/support/Gen9_TSG_ja)
- Simplified Chinese (http://www.hpe.com/support/Gen9_TSG_zh_cn)

The *Troubleshooting Guide, Volume II: Error Messages* provides a list of error messages and information to assist with interpreting and resolving error messages on servers and server blades. To view the guide, select a language:

- English (http://www.hpe.com/support/Gen9_EMG_en)
- French (http://www.hpe.com/support/Gen9_EMG_fr)
- Spanish (http://www.hpe.com/support/Gen9_EMG_es)
- German (http://www.hpe.com/support/Gen9_EMG_de)
- Japanese (http://www.hpe.com/support/Gen9_EMG_ja)
- Simplified Chinese (http://www.hpe.com/support/Gen9_EMG_zh_cn)

System battery replacement

System battery information

If the server no longer automatically displays the correct date and time, then replace the battery that provides power to the real-time clock. Under normal use, battery life is 5 to 10 years.

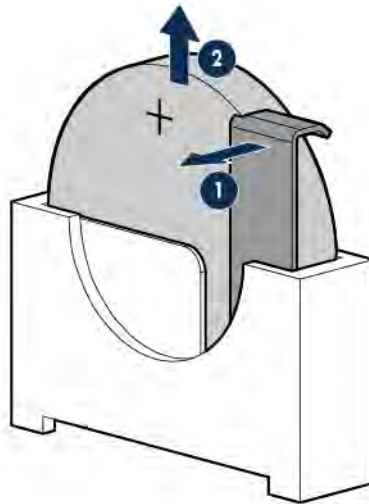


WARNING: The computer contains an internal lithium manganese dioxide, a vanadium pentoxide, or an alkaline battery pack. A risk of fire and burns exists if the battery pack is not properly handled. To reduce the risk of personal injury:

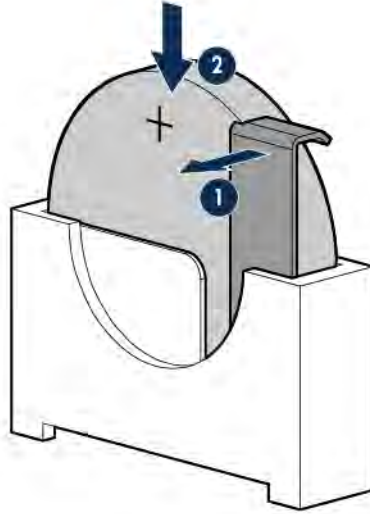
- Do not attempt to recharge the battery.
- Do not expose the battery to temperatures higher than 60°C (140°F).
- Do not disassemble, crush, puncture, short external contacts, or dispose of in fire or water.
- Replace only with the spare designated for this product.

Replace the system battery

1. Locate the battery on the system board ("[System board components](#)" on page 12).
2. Slightly push the metal tab, then use the small flat-nose pliers to remove the system battery from its socket.



3. Slightly push the metal tab, then install the system battery in the socket.



For more information about battery replacement or proper disposal, contact an authorized reseller or an authorized service provider.

Warranty and regulatory information

Warranty information

Servers and Options

(<http://www.hpe.com/support/ProLiantServers-Warranties>)

HPE Enterprise Servers (<http://www.hpe.com/support/EnterpriseServers-Warranties>)

HPE Storage Products (<http://www.hpe.com/support/Storage-Warranties>)

HPE Networking Products (<http://www.hpe.com/support/Networking-Warranties>)

Regulatory information

Safety and regulatory compliance

For important safety, environmental, and regulatory information, see *Safety and Compliance Information for Server, Storage, Power, Networking, and Rack Products*, available at the Hewlett Packard Enterprise website (<http://www.hpe.com/support/Safety-Compliance-EnterpriseProducts>).

Belarus Kazakhstan Russia marking



Manufacturer and Local Representative Information

Manufacturer information:

Hewlett Packard Enterprise Company, 3000 Hanover Street, Palo Alto, CA 94304 U.S.

Local representative information Russian:

- **Russia:**

ООО «Хьюлетт Паккард Энтерпрайз», Российская Федерация, 125171, г. Москва, Ленинградское шоссе, 16А, стр.3, Телефон/факс: +7 495 797 35 00

- **Belarus:**

ИООО «Хьюлетт-Паккард Бел», Республика Беларусь, 220030, г. Минск, ул. Интернациональная, 36-1, Телефон/факс: +375 17 392 28 20

- **Kazakhstan:**

ТОО «Хьюлетт-Паккард (К)», Республика Казахстан, 050040, г. Алматы, Бостандыкский район, проспект Аль-Фараби, 77/7, Телефон/факс: + 7 727 355 35 52

Local representative information Kazakh:

- **Russia:**

ЖШС "Хьюлетт Паккард Энтерпрайз", Ресей Федерациясы, 125171,
Мәскеу, Ленинград тас жолы, 16А блок 3, Телефон/факс: +7 495 797 35 00

- **Belarus:**

«HEWLETT-PACKARD Bel» ЖШС, Беларусь Республикасы, 220030, Минск қ.,
Интернациональная көшесі, 36/1, Телефон/факс: +375 17 392 28 20

- **Kazakhstan:**

ЖШС «Хьюлетт-Паккард (К)», Қазақстан Республикасы, 050040, Алматы қ.,
Бостандық ауданы, Әл-Фараби даңғылы, 77/7, Телефон/факс: +7 727 355 35 52

Manufacturing date:

The manufacturing date is defined by the serial number.

CCSYWWZZZZ (serial number format for this product)

Valid date formats include:

- YWW, where Y indicates the year counting from within each new decade, with 2000 as the starting point; for example, 238: 2 for 2002 and 38 for the week of September 9. In addition, 2010 is indicated by 0, 2011 by 1, 2012 by 2, 2013 by 3, and so forth.
- YYWW, where YY indicates the year, using a base year of 2000; for example, 0238: 02 for 2002 and 38 for the week of September 9.

Turkey RoHS material content declaration

Türkiye Cumhuriyeti: EEE Yönetmeliğine Uygundur

Ukraine RoHS material content declaration

Обладнання відповідає вимогам Технічного регламенту щодо обмеження використання деяких небезпечних речовин в електричному та електронному обладнанні, затвердженого постановою Кабінету Міністрів України від 3 грудня 2008 № 1057

Electrostatic discharge

Preventing electrostatic discharge

To prevent damaging the system, be aware of the precautions you need to follow when setting up the system or handling parts. A discharge of static electricity from a finger or other conductor may damage system boards or other static-sensitive devices. This type of damage may reduce the life expectancy of the device.

To prevent electrostatic damage:

- Avoid hand contact by transporting and storing products in static-safe containers.
- Keep electrostatic-sensitive parts in their containers until they arrive at static-free workstations.
- Place parts on a grounded surface before removing them from their containers.
- Avoid touching pins, leads, or circuitry.
- Always be properly grounded when touching a static-sensitive component or assembly.

Grounding methods to prevent electrostatic discharge

Several methods are used for grounding. Use one or more of the following methods when handling or installing electrostatic-sensitive parts:

- Use a wrist strap connected by a ground cord to a grounded workstation or computer chassis. Wrist straps are flexible straps with a minimum of 1 megohm \pm 10 percent resistance in the ground cords. To provide proper ground, wear the strap snug against the skin.
- Use heel straps, toe straps, or boot straps at standing workstations. Wear the straps on both feet when standing on conductive floors or dissipating floor mats.
- Use conductive field service tools.
- Use a portable field service kit with a folding static-dissipating work mat.

If you do not have any of the suggested equipment for proper grounding, have an authorized reseller install the part.

For more information on static electricity or assistance with product installation, contact an authorized reseller.

Specifications

Environmental specifications

Specification	Value
Temperature range*	—
Operating	10°C to 35°C (50°F to 95°F)
Nonoperating	-30°C to 60°C (-22°F to 140°F)
Relative humidity (noncondensing)	—
Operating	Minimum to be the higher (more moisture) of -12°C (10.4°F) dew point or 8% relative humidity Maximum to be 24°C (75.2°F) dew point or 90% relative humidity
Nonoperating	5% to 95% 38.7°C (101.7°F), maximum wet bulb temperature

* All temperature ratings shown are for sea level. An altitude derating of 1.0°C per 304.8 m (1.8°F per 1000 ft) to 3048 m (10,000 ft) is applicable. No direct sunlight allowed. Maximum rate of change is 20°C per hour (36°F per hour). The upper limit and rate of change might be limited by the type and number of options installed.

For certain approved hardware configurations, the supported system inlet temperature range is extended:

- 5°C to 10°C (41°F to 50°F) and 35°C to 40°C (95°F to 104°F) at sea level with an altitude derating of 1.0°C per every 175 m (1.8°F per every 574 ft) above 900 m (2953 ft) to a maximum of 3048 m (10,000 ft).
- 40°C to 45°C (104°F to 113°F) at sea level with an altitude derating of 1.0°C per every 125 m (1.8°F per every 410 ft) above 900 m (2953 ft) to a maximum of 3048 m (10,000 ft).

The approved hardware configurations for this system are listed on the Hewlett Packard Enterprise website (<http://www.hpe.com/servers/ASHRAE>).

Mechanical specifications

Dimension	Value
Height	812.8 mm (32.00 in)
Depth	87.5 mm (3.44 in)
Width	448 mm (17.63 in)
Weight (approximate values)	—
<i>24-bay LFF drive models</i>	—
Without the four-bay rear LFF drive cage option, minimum	22.34 kg (49.25 lb)
Without the four-bay rear LFF drive cage option, maximum	39.74 kg (87.63 lb)
With the four-bay LFF rear drive cage option, minimum	23.20 kg (51.15 lb)

Dimension	Value
With the four-bay LFF rear drive cage option, maximum	40.60 kg (89.51 lb)
<i>48-bay SFF drive models</i>	—
Without the two- or six-bay rear SFF drive cage option, minimum	23.40 kg (51.59 lb)
Without the two- or six-bay rear SFF drive cage option, maximum	34.72 kg (76.54 lb)
With the two-bay SFF rear drive cage option, minimum	23.68 kg (52.21 lb)
With the two-bay SFF rear drive cage option, maximum	35.00 kg (77.16 lb)
With the six-bay SFF rear drive cage option, minimum	24.89 kg (54.87 lb)
With the six-bay SFF rear drive cage option, maximum	36.87 kg (81.28 lb)

Power supply specifications

Depending on the installed options and/or the regional location where the server was purchased, the server is configured with one of the following power input modules:

- HPE 1400 W Flex Slot Platinum Plus Hot-plug Power Supply (PN 720620-B21)
- HPE 800 W Flex Slot Platinum Hot-plug Power Supply (PN 720479-B21)
- HPE 800 W Flex Slot Titanium Hot-plug Power Supply (PN 720482-B21)
- HPE 800 W Flex Slot -48 V DC Hot-plug Power Supply (PN 720480-B21)
- HPE 800 W Flex Slot Universal Hot-plug Power Supply (PN 720484-B21)

These are HPE Flexible Slot Power Supply products for servers. For more information about the power supply features, specifications, and compatibility, see the Hewlett Packard Enterprise website (<http://www.hpe.com/servers/powersupplies>).



CAUTION: Check the system and power supply input ratings before powering up the server.



IMPORTANT: Mixing different types of power input modules in the same server might limit or disable some power supply features including support for power redundancy. To ensure access to all available features, all power input modules in the same server should have the same output and efficiency ratings.

Hot-plug power supply calculations

For hot-plug power supply specifications and calculators to determine electrical and heat loading for the server, see the Hewlett Packard Enterprise Power Advisor website (<http://www.hpe.com/info/poweradvisor/online>).

Support and other resources

Accessing Hewlett Packard Enterprise Support

- For live assistance, go to the Contact Hewlett Packard Enterprise Worldwide website (<http://www.hpe.com/assistance>).
- To access documentation and support services, go to the Hewlett Packard Enterprise Support Center website (<http://www.hpe.com/support/hpesc>).

Information to collect

- Technical support registration number (if applicable)
- Product name, model or version, and serial number
- Operating system name and version
- Firmware version
- Error messages
- Product-specific reports and logs
- Add-on products or components
- Third-party products or components

Accessing updates

- Some software products provide a mechanism for accessing software updates through the product interface. Review your product documentation to identify the recommended software update method.
- To download product updates, go to either of the following:
 - Hewlett Packard Enterprise Support Center **Get connected with updates** page (<http://www.hpe.com/support/e-updates>)
 - Software Depot website (<http://www.hpe.com/support/softwaredepot>)
- To view and update your entitlements, and to link your contracts and warranties with your profile, go to the Hewlett Packard Enterprise Support Center **More Information on Access to Support Materials** page (<http://www.hpe.com/support/AccessToSupportMaterials>).



IMPORTANT: Access to some updates might require product entitlement when accessed through the Hewlett Packard Enterprise Support Center. You must have an HP Passport set up with relevant entitlements.

Websites

- Hewlett Packard Enterprise Information Library (<http://www.hpe.com/info/enterprise/docs>)
- Hewlett Packard Enterprise Support Center (<http://www.hpe.com/support/hpesc>)
- Contact Hewlett Packard Enterprise Worldwide (<http://www.hpe.com/assistance>)

- Subscription Service/Support Alerts (<http://www.hpe.com/support/e-updates>)
- Software Depot (<http://www.hpe.com/support/softwaredepot>)
- Customer Self Repair (<http://www.hpe.com/support/selfrepair>)
- Insight Remote Support (<http://www.hpe.com/info/insightremotesupport/docs>)
- Serviceguard Solutions for HP-UX (<http://www.hpe.com/info/hpux-serviceguard-docs>)
- Single Point of Connectivity Knowledge (SPOCK) Storage compatibility matrix (<http://www.hpe.com/storage/spock>)
- Storage white papers and analyst reports (<http://www.hpe.com/storage/whitepapers>)

Customer Self Repair

Hewlett Packard Enterprise products are designed with many Customer Self Repair (CSR) parts to minimize repair time and allow for greater flexibility in performing defective parts replacement. If during the diagnosis period Hewlett Packard Enterprise (or Hewlett Packard Enterprise service providers or service partners) identifies that the repair can be accomplished by the use of a CSR part, Hewlett Packard Enterprise will ship that part directly to you for replacement. There are two categories of CSR parts:

- **Mandatory**—Parts for which customer self repair is mandatory. If you request Hewlett Packard Enterprise to replace these parts, you will be charged for the travel and labor costs of this service.
- **Optional**—Parts for which customer self repair is optional. These parts are also designed for customer self repair. If, however, you require that Hewlett Packard Enterprise replace them for you, there may or may not be additional charges, depending on the type of warranty service designated for your product.

NOTE: Some Hewlett Packard Enterprise parts are not designed for customer self repair. In order to satisfy the customer warranty, Hewlett Packard Enterprise requires that an authorized service provider replace the part. These parts are identified as "No" in the Illustrated Parts Catalog.

Based on availability and where geography permits, CSR parts will be shipped for next business day delivery. Same day or four-hour delivery may be offered at an additional charge where geography permits. If assistance is required, you can call the Hewlett Packard Enterprise Support Center and a technician will help you over the telephone. Hewlett Packard Enterprise specifies in the materials shipped with a replacement CSR part whether a defective part must be returned to Hewlett Packard Enterprise. In cases where it is required to return the defective part to Hewlett Packard Enterprise, you must ship the defective part back to Hewlett Packard Enterprise within a defined period of time, normally five (5) business days. The defective part must be returned with the associated documentation in the provided shipping material. Failure to return the defective part may result in Hewlett Packard Enterprise billing you for the replacement. With a customer self repair, Hewlett Packard Enterprise will pay all shipping and part return costs and determine the courier/carrier to be used.

For more information about the Hewlett Packard Enterprise CSR program, contact your local service provider. For the North American program, go to the Hewlett Packard Enterprise CSR website (<http://www.hpe.com/support/selfrepair>).

Réparation par le client (CSR)

Les produits Hewlett Packard Enterprise comportent de nombreuses pièces CSR (Customer Self Repair = réparation par le client) afin de minimiser les délais de réparation et faciliter le remplacement des pièces défectueuses. Si pendant la période de diagnostic, Hewlett Packard Enterprise (ou ses partenaires ou mainteneurs agréés) détermine que la réparation peut être effectuée à l'aide d'une pièce CSR, Hewlett Packard Enterprise vous l'envoie directement. Il existe deux catégories de pièces CSR :

- **Obligatoire**—Pièces pour lesquelles la réparation par le client est obligatoire. Si vous demandez à Hewlett Packard Enterprise de remplacer ces pièces, les coûts de déplacement et main d'œuvre du service vous seront facturés.
- **Facultatif**—Pièces pour lesquelles la réparation par le client est facultative. Ces pièces sont également conçues pour permettre au client d'effectuer lui-même la réparation. Toutefois, si vous demandez à Hewlett Packard Enterprise de remplacer ces pièces, l'intervention peut ou non vous être facturée, selon le type de garantie applicable à votre produit.

REMARQUE: Certaines pièces Hewlett Packard Enterprise ne sont pas conçues pour permettre au client d'effectuer lui-même la réparation. Pour que la garantie puisse s'appliquer, Hewlett Packard Enterprise exige que le remplacement de la pièce soit effectué par un Mainteneur Agréé. Ces pièces sont identifiées par la mention "Non" dans le Catalogue illustré.

Les pièces CSR sont livrées le jour ouvré suivant, dans la limite des stocks disponibles et selon votre situation géographique. Si votre situation géographique le permet et que vous demandez une livraison le jour même ou dans les 4 heures, celle-ci vous sera facturée. Pour toute assistance, appelez le Centre d'assistance Hewlett Packard Enterprise pour qu'un technicien vous aide au téléphone. Dans les documents envoyés avec la pièce de rechange CSR, Hewlett Packard Enterprise précise s'il est nécessaire de lui retourner la pièce défectueuse. Si c'est le cas, vous devez le faire dans le délai indiqué, généralement cinq (5) jours ouvrés. La pièce et sa documentation doivent être retournées dans l'emballage fourni. Si vous ne retournez pas la pièce défectueuse, Hewlett Packard Enterprise se réserve le droit de vous facturer les coûts de remplacement. Dans le cas d'une pièce CSR, Hewlett Packard Enterprise supporte l'ensemble des frais d'expédition et de retour, et détermine la société de courses ou le transporteur à utiliser.

Pour plus d'informations sur le programme CSR de Hewlett Packard Enterprise, contactez votre Mainteneur Agréé local. Pour plus d'informations sur ce programme en Amérique du Nord, consultez le site Web Hewlett Packard Enterprise (<http://www.hpe.com/support/selfrepair>).

Riparazione da parte del cliente

Per abbreviare i tempi di riparazione e garantire una maggiore flessibilità nella sostituzione di parti difettose, i prodotti Hewlett Packard Enterprise sono realizzati con numerosi componenti che possono essere riparati direttamente dal cliente (CSR, Customer Self Repair). Se in fase di diagnostica Hewlett Packard Enterprise (o un centro di servizi o di assistenza Hewlett Packard Enterprise) identifica il guasto come riparabile mediante un ricambio CSR, Hewlett Packard Enterprise lo spedisce direttamente al cliente per la sostituzione. Vi sono due categorie di parti CSR:

- **Obbligatorie**—Parti che devono essere necessariamente riparate dal cliente. Se il cliente ne affida la riparazione ad Hewlett Packard Enterprise, deve sostenere le spese di spedizione e di manodopera per il servizio.
- **Opzionali**—Parti la cui riparazione da parte del cliente è facoltativa. Si tratta comunque di componenti progettati per questo scopo. Se tuttavia il cliente ne richiede la sostituzione ad Hewlett Packard Enterprise, potrebbe dover sostenere spese aggiuntive a seconda del tipo di garanzia previsto per il prodotto.

NOTA: alcuni componenti Hewlett Packard Enterprise non sono progettati per la riparazione da parte del cliente. Per rispettare la garanzia, Hewlett Packard Enterprise richiede che queste parti siano sostituite da un centro di assistenza autorizzato. Tali parti sono identificate da un "No" nel Catalogo illustrato dei componenti.

In base alla disponibilità e alla località geografica, le parti CSR vengono spedite con consegna entro il giorno lavorativo seguente. La consegna nel giorno stesso o entro quattro ore è offerta con un supplemento di costo solo in alcune zone. In caso di necessità si può richiedere l'assistenza telefonica di un addetto del centro di supporto tecnico Hewlett Packard Enterprise. Nel materiale fornito con una parte di ricambio CSR, Hewlett Packard Enterprise specifica se il cliente deve restituire dei componenti. Qualora sia richiesta la resa ad Hewlett Packard Enterprise del componente difettoso, lo si deve spedire ad Hewlett Packard Enterprise entro un determinato periodo di tempo, generalmente cinque (5) giorni lavorativi. Il componente difettoso deve essere restituito con la documentazione associata nell'imballo di

spedizione fornito. La mancata restituzione del componente può comportare la fatturazione del ricambio da parte di Hewlett Packard Enterprise. Nel caso di riparazione da parte del cliente, Hewlett Packard Enterprise sostiene tutte le spese di spedizione e resa e sceglie il corriere/vettore da utilizzare.

Per ulteriori informazioni sul programma CSR di Hewlett Packard Enterprise, contattare il centro di assistenza di zona. Per il programma in Nord America fare riferimento al sito Web (<http://www.hpe.com/support/selfrepair>).

Customer Self Repair

Hewlett Packard Enterprise Produkte enthalten viele CSR-Teile (Customer Self Repair), um Reparaturzeiten zu minimieren und höhere Flexibilität beim Austausch defekter Bauteile zu ermöglichen. Wenn Hewlett Packard Enterprise (oder ein Hewlett Packard Enterprise Servicepartner) bei der Diagnose feststellt, dass das Produkt mithilfe eines CSR-Teils repariert werden kann, sendet Ihnen Hewlett Packard Enterprise dieses Bauteil zum Austausch direkt zu. CSR-Teile werden in zwei Kategorien unterteilt:

- **Zwingend**—Teile, für die das Customer Self Repair-Verfahren zwingend vorgegeben ist. Wenn Sie den Austausch dieser Teile von Hewlett Packard Enterprise vornehmen lassen, werden Ihnen die Anfahrt- und Arbeitskosten für diesen Service berechnet.
- **Optional**—Teile, für die das Customer Self Repair-Verfahren optional ist. Diese Teile sind auch für Customer Self Repair ausgelegt. Wenn Sie jedoch den Austausch dieser Teile von Hewlett Packard Enterprise vornehmen lassen möchten, können bei diesem Service je nach den für Ihr Produkt vorgesehenen Garantiebedingungen zusätzliche Kosten anfallen.

HINWEIS: Einige Hewlett Packard Enterprise Teile sind nicht für Customer Self Repair ausgelegt. Um den Garantieanspruch des Kunden zu erfüllen, muss das Teil von einem Hewlett Packard Enterprise Servicepartner ersetzt werden. Im illustrierten Teilekatalog sind diese Teile mit „No“ bzw. „Nein“ gekennzeichnet.

CSR-Teile werden abhängig von der Verfügbarkeit und vom Lieferziel am folgenden Geschäftstag geliefert. Für bestimmte Standorte ist eine Lieferung am selben Tag oder innerhalb von vier Stunden gegen einen Aufpreis verfügbar. Wenn Sie Hilfe benötigen, können Sie das Hewlett Packard Enterprise Support Center anrufen und sich von einem Mitarbeiter per Telefon helfen lassen. Den Materialien von Hewlett Packard Enterprise, die mit einem CSR-Ersatzteil geliefert werden, können Sie entnehmen, ob das defekte Teil an Hewlett Packard Enterprise zurückgeschickt werden muss. Wenn es erforderlich ist, das defekte Teil an Hewlett Packard Enterprise zurückzuschicken, müssen Sie dies innerhalb eines vorgegebenen Zeitraums tun, in der Regel innerhalb von fünf (5) Geschäftstagen. Das defekte Teil muss mit der zugehörigen Dokumentation in der Verpackung zurückgeschickt werden, die im Lieferumfang enthalten ist. Wenn Sie das defekte Teil nicht zurückschicken, kann Hewlett Packard Enterprise Ihnen das Ersatzteil in Rechnung stellen. Im Falle von Customer Self Repair kommt Hewlett Packard Enterprise für alle Kosten für die Lieferung und Rücksendung auf und bestimmt den Kurier-/Frachtdienst.

Weitere Informationen über das Hewlett Packard Enterprise Customer Self Repair Programm erhalten Sie von Ihrem Servicepartner vor Ort. Informationen über das CSR-Programm in Nordamerika finden Sie auf der Hewlett Packard Enterprise Website unter (<http://www.hpe.com/support/selfrepair>).

Reparaciones del propio cliente

Los productos de Hewlett Packard Enterprise incluyen muchos componentes que el propio usuario puede reemplazar (Customer Self Repair, CSR) para minimizar el tiempo de reparación y ofrecer una mayor flexibilidad a la hora de realizar sustituciones de componentes defectuosos. Si, durante la fase de diagnóstico, Hewlett Packard Enterprise (o los proveedores o socios de servicio de Hewlett Packard Enterprise) identifica que una reparación puede llevarse a cabo mediante el uso de un componente CSR, Hewlett Packard Enterprise le enviará dicho componente directamente para que realice su sustitución. Los componentes CSR se clasifican en dos categorías:

- **Obligatorio**—componentes cuya reparación por parte del usuario es obligatoria. Si solicita a Hewlett Packard Enterprise que realice la sustitución de estos componentes, tendrá que hacerse cargo de los gastos de desplazamiento y de mano de obra de dicho servicio.
- **Opcional**—componentes cuya reparación por parte del usuario es opcional. Estos componentes también están diseñados para que puedan ser reparados por el usuario. Sin embargo, si precisa que Hewlett Packard Enterprise realice su sustitución, puede o no conllevar costes adicionales, dependiendo del tipo de servicio de garantía correspondiente al producto.

NOTA: Algunos componentes de Hewlett Packard Enterprise no están diseñados para que puedan ser reparados por el usuario. Para que el usuario haga valer su garantía, Hewlett Packard Enterprise pone como condición que un proveedor de servicios autorizado realice la sustitución de estos componentes. Dichos componentes se identifican con la palabra "No" en el catálogo ilustrado de componentes.

Según la disponibilidad y la situación geográfica, los componentes CSR se enviarán para que lleguen a su destino al siguiente día laborable. Si la situación geográfica lo permite, se puede solicitar la entrega en el mismo día o en cuatro horas con un coste adicional. Si precisa asistencia técnica, puede llamar al Centro de asistencia técnica de Hewlett Packard Enterprise y recibirá ayuda telefónica por parte de un técnico. Con el envío de materiales para la sustitución de componentes CSR, Hewlett Packard Enterprise especificará si los componentes defectuosos deberán devolverse a Hewlett Packard Enterprise. En aquellos casos en los que sea necesario devolver algún componente a Hewlett Packard Enterprise, deberá hacerlo en el periodo de tiempo especificado, normalmente cinco días laborables. Los componentes defectuosos deberán devolverse con toda la documentación relacionada y con el embalaje de envío. Si no enviara el componente defectuoso requerido, Hewlett Packard Enterprise podrá cobrarle por el de sustitución. En el caso de todas sustituciones que lleve a cabo el cliente, Hewlett Packard Enterprise se hará cargo de todos los gastos de envío y devolución de componentes y escogerá la empresa de transporte que se utilice para dicho servicio.

Para obtener más información acerca del programa de Reparaciones del propio cliente de Hewlett Packard Enterprise, póngase en contacto con su proveedor de servicios local. Si está interesado en el programa para Norteamérica, visite la página web de Hewlett Packard Enterprise CSR (<http://www.hpe.com/support/selfrepair>).

Customer Self Repair

Veel onderdelen in Hewlett Packard Enterprise producten zijn door de klant zelf te repareren, waardoor de reparatieduur tot een minimum beperkt kan blijven en de flexibiliteit in het vervangen van defecte onderdelen groter is. Deze onderdelen worden CSR-onderdelen (Customer Self Repair) genoemd. Als Hewlett Packard Enterprise (of een Hewlett Packard Enterprise Service Partner) bij de diagnose vaststelt dat de reparatie kan worden uitgevoerd met een CSR-onderdeel, verzendt Hewlett Packard Enterprise dat onderdeel rechtstreeks naar u, zodat u het defecte onderdeel daarmee kunt vervangen. Er zijn twee categorieën CSR-onderdelen:

- **Verplicht**—Onderdelen waarvoor reparatie door de klant verplicht is. Als u Hewlett Packard Enterprise verzoekt deze onderdelen voor u te vervangen, worden u voor deze service reiskosten en arbeidsloon in rekening gebracht.
- **Optioneel**—Onderdelen waarvoor reparatie door de klant optioneel is. Ook deze onderdelen zijn ontworpen voor reparatie door de klant. Als u echter Hewlett Packard Enterprise verzoekt deze onderdelen voor u te vervangen, kunnen daarvoor extra kosten in rekening worden gebracht, afhankelijk van het type garantieservice voor het product.

OPMERKING: Sommige Hewlett Packard Enterprise onderdelen zijn niet ontwikkeld voor reparatie door de klant. In verband met de garanti voorwaarden moet het onderdeel door een geautoriseerde Service Partner worden vervangen. Deze onderdelen worden in de geïllustreerde onderdelencatalogus aangemerkt met "Nee".

Afhankelijk van de leverbaarheid en de locatie worden CSR-onderdelen verzonden voor levering op de eerstvolgende werkdag. Levering op dezelfde dag of binnen vier uur kan tegen meerkosten worden aangeboden, indien dit mogelijk is gezien de locatie. Indien assistentie is gewenst, belt u het Hewlett Packard Enterprise Support Center om via de telefoon ondersteuning van een technicus te ontvangen.

Hewlett Packard Enterprise vermeldt in de documentatie bij het vervangende CSR-onderdeel of het defecte onderdeel aan Hewlett Packard Enterprise moet worden geretourneerd. Als het defecte onderdeel aan Hewlett Packard Enterprise moet worden teruggezonden, moet u het defecte onderdeel binnen een bepaalde periode, gewoonlijk vijf (5) werkdagen, retourneren aan Hewlett Packard Enterprise. Het defecte onderdeel moet met de bijbehorende documentatie worden geretourneerd in het meegeleverde verpakkingsmateriaal. Als u het defecte onderdeel niet terugzendt, kan Hewlett Packard Enterprise u voor het vervangende onderdeel kosten in rekening brengen. Bij reparatie door de klant betaalt Hewlett Packard Enterprise alle verzendkosten voor het vervangende en geretourneerde onderdeel en kiest Hewlett Packard Enterprise zelf welke koerier/transportonderneming hiervoor wordt gebruikt.

Neem contact op met een Service Partner voor meer informatie over het Customer Self Repair programma van Hewlett Packard Enterprise. Informatie over Service Partners vindt u op de Hewlett Packard Enterprise website (<http://www.hpe.com/support/selfrepair>).

Reparo feito pelo cliente

Os produtos da Hewlett Packard Enterprise são projetados com muitas peças para reparo feito pelo cliente (CSR) de modo a minimizar o tempo de reparo e permitir maior flexibilidade na substituição de peças com defeito. Se, durante o período de diagnóstico, a Hewlett Packard Enterprise (ou fornecedores/parceiros da Hewlett Packard Enterprise) concluir que o reparo pode ser efetuado pelo uso de uma peça CSR, a Hewlett Packard Enterprise enviará a peça diretamente ao cliente. Há duas categorias de peças CSR:

- **Obrigatória**—Peças cujo reparo feito pelo cliente é obrigatório. Se desejar que a Hewlett Packard Enterprise substitua essas peças, serão cobradas as despesas de transporte e mão-de-obra do serviço.
- **Opcional**—Peças cujo reparo feito pelo cliente é opcional. Essas peças também são projetadas para o reparo feito pelo cliente. No entanto, se desejar que a Hewlett Packard Enterprise as substitua, pode haver ou não a cobrança de taxa adicional, dependendo do tipo de serviço de garantia destinado ao produto.

OBSERVAÇÃO: Algumas peças da Hewlett Packard Enterprise não são projetadas para o reparo feito pelo cliente. A fim de cumprir a garantia do cliente, a Hewlett Packard Enterprise exige que um técnico autorizado substitua a peça. Essas peças estão identificadas com a marca "No" (Não), no catálogo de peças ilustrado.

Conforme a disponibilidade e o local geográfico, as peças CSR serão enviadas no primeiro dia útil após o pedido. Onde as condições geográficas permitirem, a entrega no mesmo dia ou em quatro horas pode ser feita mediante uma taxa adicional. Se precisar de auxílio, entre em contato com o Centro de suporte técnico da Hewlett Packard Enterprise para que um técnico o ajude por telefone. A Hewlett Packard Enterprise especifica nos materiais fornecidos com a peça CSR de reposição se a peça com defeito deve ser devolvida à Hewlett Packard Enterprise. Nos casos em que isso for necessário, é preciso enviar a peça com defeito à Hewlett Packard Enterprise, você deverá enviar a peça com defeito de volta para a Hewlett Packard Enterprise dentro do período de tempo definido, normalmente em 5 (cinco) dias úteis. A peça com defeito deve ser enviada com a documentação correspondente no material de transporte fornecido. Caso não o faça, a Hewlett Packard Enterprise poderá cobrar a reposição. Para as peças de reparo feito pelo cliente, a Hewlett Packard Enterprise paga todas as despesas de transporte e de devolução da peça e determina a transportadora/serviço postal a ser utilizado.

Para obter mais informações sobre o programa de reparo feito pelo cliente da Hewlett Packard Enterprise, entre em contato com o fornecedor de serviços local. Para o programa norte-americano, visite o site da Hewlett Packard Enterprise (<http://www.hpe.com/support/selfrepair>).

カスタマーセルフリペア

修理時間を短縮し、故障部品の交換における高い柔軟性を確保するために、Hewlett Packard Enterprise製品には多数のカスタマーセルフリペア（CSR）部品があります。診断の際に、CSR部品を使用すれば修理ができるとHewlett Packard Enterprise（Hewlett Packard EnterpriseまたはHewlett Packard Enterprise正規保守代理店）が判断した場合、Hewlett Packard Enterpriseはその部品を直接、お客様に発送し、お客様に交換していただきます。CSR部品には以下の2種類があります。

- **必須** - カスタマーセルフリペアが必須の部品。当該部品について、もしもお客様がHewlett Packard Enterpriseに交換作業を依頼される場合には、その修理サービスに関する交通費および人件費がお客様に請求されます。
- **任意** - カスタマーセルフリペアが任意である部品。この部品もカスタマーセルフリペア用です。当該部品について、もしもお客様がHewlett Packard Enterpriseに交換作業を依頼される場合には、お買い上げの製品に適用される保証サービス内容の範囲内においては、別途費用を負担していただくことなく保証サービスを受けることができます。

注： Hewlett Packard Enterprise製品の一部の部品は、カスタマーセルフリペアの対象外です。製品の保証を継続するためには、Hewlett Packard EnterpriseまたはHewlett Packard Enterprise正規保守代理店による交換作業が必須となります。部品カタログには、当該部品がカスタマーセルフリペア除外品である旨が記載されています。

部品供給が可能な場合、地域によっては、CSR部品を翌営業日に届くように発送します。また、地域によっては、追加費用を負担いただくことにより同日または4時間以内に届くように発送することも可能な場合があります。サポートが必要なときは、Hewlett Packard Enterpriseの修理受付窓口に電話していただければ、技術者が電話でアドバイスします。交換用のCSR部品または同梱物には、故障部品をHewlett Packard Enterpriseに返送する必要があるかどうかが表示されています。故障部品をHewlett Packard Enterpriseに返送する必要がある場合は、指定期限内（通常は5営業日以内）に故障部品をHewlett Packard Enterpriseに返送してください。故障部品を返送する場合は、届いた時の梱包箱に関連書類とともに入れてください。故障部品を返送しない場合、Hewlett Packard Enterpriseから部品費用が請求されます。カスタマーセルフリペアの際には、Hewlett Packard Enterpriseは送料および部品返送費を全額負担し、使用する宅配便会社や運送会社を指定します。

客户自行维修

Hewlett Packard Enterprise 产品提供许多客户自行维修 (CSR) 部件，以尽可能缩短维修时间和在更换缺陷部件方面提供更大的灵活性。如果在诊断期间 Hewlett Packard Enterprise (或 Hewlett Packard Enterprise 服务提供商或服务合作伙伴) 确定可以通过使用 CSR 部件完成维修，Hewlett Packard Enterprise 将直接把该部件发送给您进行更换。有两类 CSR 部件：

- **强制性的** — 要求客户必须自行维修的部件。如果您请求 Hewlett Packard Enterprise 更换这些部件，则必须为该服务支付差旅费和人工费用。
- **可选的** — 客户可以选择是否自行维修的部件。这些部件也是为客户自行维修设计的。不过，如果您要求 Hewlett Packard Enterprise 为您更换这些部件，则根据您的产品指定的保修服务类型，Hewlett Packard Enterprise 可能收取或不再收取任何附加费用。

注：某些 Hewlett Packard Enterprise 部件的设计并未考虑客户自行维修。为了满足客户保修的需要，Hewlett Packard Enterprise 要求授权服务提供商更换相关部件。这些部件在部件图解目录中标记为“否”。

CSR 部件将在下一个工作日发运（取决于备货情况和允许的地理范围）。在允许的地理范围内，可在当天或四小时内发运，但要收取额外费用。如果需要帮助，您可以致电 Hewlett Packard Enterprise 技术支持中心，将会有技术人员通过电话为您提供帮助。Hewlett Packard Enterprise 会在随更换的 CSR 部件发运的材料中指明是否必须将有缺陷的部件返还给 Hewlett Packard Enterprise。如果要求您将有缺陷的部件返还给 Hewlett Packard Enterprise，那么您必须在规定的期限内（通常是五 (5) 个工作日）将缺陷部件发给 Hewlett Packard Enterprise。有缺陷的部件必须随所提供的发运材料中的相关文件一起返还。如果未能送还有缺陷的部件，Hewlett Packard Enterprise 可能会要求您支付更换费用。客户自行维修时，Hewlett Packard Enterprise 将承担所有相关运输和部件返回费用，并指定快递商/承运商。

有关 Hewlett Packard Enterprise 客户自行维修计划的详细信息，请与您当地的服务提供商联系。有关北美地区的计划，请访问 Hewlett Packard Enterprise 网站 (<http://www.hpe.com/support/selfrepair>)。

客户自行维修

Hewlett Packard Enterprise 產品設計了許多「客戶自行維修」(CSR) 的零件以減少維修時間，並且使得更換瑕疵零件時能有更大的彈性。如果在診斷期間，Hewlett Packard Enterprise (或 Hewlett Packard Enterprise 服務供應商或維修夥伴) 辨認出此項維修工作可以藉由使用 CSR 零件來完成，則 Hewlett Packard Enterprise 將直接寄送該零件給您作更換。CSR 零件分為兩種類別：

- **強制的** — 客戶自行維修所使用的零件是強制的。如果您要求 Hewlett Packard Enterprise 更換這些零件，Hewlett Packard Enterprise 將會向您收取此服務所需的外出費用與勞動成本。
- **選購的** — 客戶自行維修所使用的零件是選購的。這些零件也設計用於客戶自行維修之用。不過，如果您要求 Hewlett Packard Enterprise 為您更換，則可能需要也可能不需要負擔額外的費用，端視針對此產品指定的保固服務類型而定。

備註：某些 Hewlett Packard Enterprise 零件沒有消費者可自行維修的設計。為符合客戶保固，Hewlett Packard Enterprise 需要授權的服務供應商更換零件。這些零件在圖示的零件目錄中，被標示為「否」。

基於材料取得及環境允許的情況下，CSR 零件將於下一個工作日以快遞寄送。在環境的允許下當天或四小時內送達，則可能需要額外的費用。若您需要協助，可致電 Hewlett Packard Enterprise 支援中心，會有一位技術人員透過電話來協助您。不論損壞的零件是否必須退回，Hewlett Packard Enterprise 皆會在與 CSR 替換零件一起運送的材料中註明。若要將損壞的零件退回 Hewlett Packard Enterprise，您必須在指定的一段時間內（通常為五 (5) 個工作天），將損壞的零件寄回 Hewlett Packard Enterprise。損壞的零件必須與寄送資料中隨附的相關技術文件一併退還。如果無法退還損壞的零件，Hewlett Packard Enterprise 可能要向您收取替換費用。針對客戶自行維修情形，Hewlett Packard Enterprise 將負責所有運費及零件退還費用，並指定使用何家快遞/貨運公司。

如需 Hewlett Packard Enterprise 的 CSR 方案詳細資訊，請連絡您當地的服務供應商。至於北美方案，請參閱 Hewlett Packard Enterprise 的 CSR 網站 [selfrepair](http://www.hpe.com/support/selfrepair) (<http://www.hpe.com/support/selfrepair>)。

고객 셀프 수리

Hewlett Packard Enterprise 제품은 수리 시간을 최소화하고 결함이 있는 부품 교체 시 더욱 용동성을 발휘할 수 있도록 하기 위해 고객 셀프 수리(CSR) 부품을 다량 사용하여 설계되었습니다. 진단 기간 동안 Hewlett Packard Enterprise(또는 Hewlett Packard Enterprise 서비스 공급업체 또는 서비스 협력업체)에서 CSR 부품을 사용하여 수리가 가능하다고 판단되면 Hewlett Packard Enterprise는 해당 부품을 바로 사용자에게 보내어 사용자가 교체할 수 있도록 합니다. CSR 부품에는 두 가지 종류가 있습니다.

- 필수 - 고객 셀프 수리가 의무 사항인 필수 부품. 사용자가 Hewlett Packard Enterprise에 이 부품의 교체를 요청할 경우 이 서비스에 대한 출장비 및 작업비가 청구됩니다.
- 선택 사항 - 고객 셀프 수리가 선택 사항인 부품. 이 부품들도 고객 셀프 수리가 가능하도록 설계되었습니다. 하지만 사용자가 Hewlett Packard Enterprise에 이 부품의 교체를 요청할 경우 사용자가 구입한 제품에 해당하는 보증 서비스 유형에 따라 추가 비용 없이 교체가 가능할 수 있습니다.

참고: 일부 Hewlett Packard Enterprise 부품은 고객 셀프 수리가 불가능하도록 설계되었습니다. Hewlett Packard Enterprise는 만족스러운 고객 보증을 위해 공인 서비스 제공업체를 통해 부품을 교체하도록 하고 있습니다. 이러한 부품들은 Illustrated Parts Catalog에 “No”라고 표시되어 있습니다.

CSR 부품은 재고 상태와 지리적 조건이 허용하는 경우 다음 영업일 납품이 가능하도록 배송이 이루어집니다. 지리적 조건이 허용하는 경우 추가 비용이 청구되는 조건으로 당일 또는 4시간 배송이 가능할 수도 있습니다. 도움이 필요하시면 Hewlett Packard Enterprise Support Center로 전화하십시오. 전문 기술자가 전화로 도움을 줄 것입니다. Hewlett Packard Enterprise는 결함이 발생한 부품을 Hewlett Packard Enterprise로 반환해야 하는지 여부를 CSR 교체 부품과 함께 배송된 자료에 지정합니다. 결함이 발생한 부품을 Hewlett Packard Enterprise로 반환해야 하는 경우에는 지정된 기간 내(통상 영업일 기준 5일)에 Hewlett Packard Enterprise로 반환해야 합니다. 이때 결함이 발생한 부품은 제공된 포장 재료에 넣어 관련 설명서와 함께 반환해야 합니다. 결함이 발생한 부품을 반환하지 않는 경우 Hewlett Packard Enterprise가 교체 부품에 대해 비용을 청구할 수 있습니다. 고객 셀프 수리의 경우, Hewlett Packard Enterprise는 모든 운송 및 부품 반환 비용을 부담하며 이용할 운송업체 및 택배 서비스를 결정합니다.

Hewlett Packard Enterprise CSR 프로그램에 대한 자세한 내용은 가까운 서비스 제공업체에 문의하십시오. 북미 지역의 프로그램에 대해서는 Hewlett Packard Enterprise CSR 웹 사이트(<http://www.hpe.com/support/selfrepair>)를 참조하십시오.

Remote support

Remote support is available with supported devices as part of your warranty or contractual support agreement. It provides intelligent event diagnosis, and automatic, secure submission of hardware event notifications to Hewlett Packard Enterprise, which will initiate a fast and accurate resolution based on your product's service level. Hewlett Packard Enterprise strongly recommends that you register your device for remote support.

For more information and device support details, go to the Insight Remote Support website (<http://www.hpe.com/info/insightremotesupport/docs>).

Acronyms and abbreviations

ABEND

abnormal end

ACU

Array Configuration Utility

AMP

Advanced Memory Protection

API

application program interface

ASHRAE

American Society of Heating, Refrigerating and Air-Conditioning Engineers

ASR

Automatic Server Recovery

AWG

American wire gauge

CAS

column address strobe

CSA

Canadian Standards Association

CSR

Customer Self Repair

DDR3

double data rate-3

DDR4

double data rate-4

FAT

file allocation table

FBWC

flash-backed write cache

HBA

host bus adapter

HPE SIM

HPE Systems Insight Manager

HPE SSA

HPE Smart Storage Administrator

IEC

International Electrotechnical Commission

iLO

Integrated Lights-Out

IML

Integrated Management Log

ISO

International Organization for Standardization

JBOD

just a bunch of disks

JSON

JavaScript Object Notation

LFF

large form factor

LOM

Lights-Out Management

LRDIMM

load reduced dual in-line memory module

NAND

Not AND

NMI

nonmaskable interrupt

NVDIMM

non-volatile dual in-line memory module

NVRAM

nonvolatile memory

OA

Onboard Administrator

PCIe

Peripheral Component Interconnect Express

PDU

power distribution unit

POST

Power-On Self Test

QR code

quick response code

RBSU

ROM-Based Setup Utility

RDIMM

registered dual in-line memory module

REST

representational state transfer

RoHS

Restriction of Hazardous Substances

SAS

serial attached SCSI

SATA

serial ATA

SD

Secure Digital

SELV

separated extra low voltage

SFF

small form factor

SPP

Service Pack

SSD

solid state device

STD

standard (DIMM voltage)

TMRA

recommended ambient operating temperature

TNV

telephone network voltage

TPM

Trusted Platform Module

UEFI

Unified Extensible Firmware Interface

UID

unit identification

VC

Virtual Connect

VCA

Version Control Agent

VCRM

Version Control Repository Manager

Documentation feedback

Hewlett Packard Enterprise is committed to providing documentation that meets your needs. To help us improve the documentation, send any errors, suggestions, or comments to Documentation Feedback (<mailto:docsfeedback@hpe.com>). When submitting your feedback, include the document title, part number, edition, and publication date located on the front cover of the document. For online help content, include the product name, product version, help edition, and publication date located on the legal notices page.

Index

A

- AC power supply 125
- access panel, installing 30
- access panel, removing 29
- Active Health System 155, 156
- ACU (Array Configuration Utility) 162
- Advanced ECC memory 115, 116, 117
- Advanced ECC population guidelines 117
- Advanced ECC support 116
- air baffle, installing 32
- air baffle, removing 30
- air scoop 92
- airflow requirements 39, 40
- ambient temperature 40, 174
- ambient temperature sensor cable 153
- ASR (Automatic Server Recovery) 163
- authorized reseller 173, 176

B

- battery pack, installing 95
- Belarus Kazakhstan Russia marking 171
- BIOS (Basic Input/Output System) 155
- BIOS upgrade 155
- boot options 49, 159, 160, 162
- buttons, front panel 7

C

- cable management holder, closing 34
- cable management holder, opening 32
- cabling, ambient temperature sensor 153
- cabling, battery pack 152
- cabling, drive 138
- cabling, fan assembly 153
- cabling, FBWC 151
- cabling, front I/O 154
- cabling, M.2 SSD 150
- cabling, SATA solid state drive 150
- cabling, Smart Storage Battery 152
- cache module battery pack 95
- cache module installation 92
- cautions 42, 173
- change control and proactive notification 167
- chassis retention brackets 45
- clearing NVRAM 13
- CMOS 13
- components, front panel 7
- components, identification 7
- components, rear panel 9

- components, system board 12
- configuration of system 155
- configuration settings 161
- contacting HPE 176
- crash dump analysis 14
- CSR (customer self repair) 177

D

- DC power supply 41, 126
- Declaration of Conformity 171, 172
- dedicated iLO management module option 122
- dedicated iLO management module, enabling 123
- default settings 116
- diagnosing problems 168
- diagnostic tools 155, 158, 160, 162, 163
- dimensions and weight 174
- DIMM identification 115
- DIMM installation guidelines 114, 115
- DIMM slot locations 13
- DIMMs, installing 117
- DIMMs, single- and dual-rank 114
- documentation feedback 189
- drive cabling 77, 138
- drive cage options 58
- drive cage, extending 20
- drive cage, removing 37
- drive cage, shipping screws 44
- drive health LED 16
- drive LEDs 16
- drive numbering 15
- drive overtemperature LED 9
- drive thermal LED 9
- drivers 166
- drives, determining status of 14, 16
- drives, installation guidelines 52
- drives, installing 54
- drives, removing 22, 23

E

- electrical grounding requirements 41
- electrostatic discharge 173
- embedded UEFI diagnostics 162
- embedded UEFI shell 161
- enabling the Trusted Platform Module 132, 136
- environmental requirements 39
- environmental specifications 174
- Erase Utility 155, 158
- error messages 168
- EuroAsian Economic Commission 171
- expansion board options 91, 118

external USB functionality 164

F

fan assembly cabling 153
fan connectors 12
fan location 18
fan population guidelines 110
FBWC cabling 138
FBWC module 92
firmware update 159, 164, 165, 166
firmware update application, System Utilities 164, 165
firmware update tools 164, 166
flash ROM 166
flexible boot control 160
FlexibleLOM adapter 120
Foundation Care Services 167
front I/O cabling 154
front panel buttons 7
front panel cabling 154
front panel components 7
front panel LED power fault codes 8
front panel LEDs 7
fwupdate command, embedded UEFI shell 164, 165
fwupdate utility 155, 164, 165

G

grounding methods 173
grounding requirements 41, 173

H

hardware options installation 45, 51
health driver 163
health LED 7
heatsink, installing 103
help resources 176
Hewlett Packard Enterprise contact information 176
Hewlett Packard Enterprise Support Center 167
Hewlett Packard Enterprise Support Materials 164
Hewlett Packard Enterprise Technical Support 167, 176, 184
Hewlett Packard Enterprise website 176
hot-plug drive, installing 54
hot-plug drive, removing 22
hot-plug power supply 124, 125, 126
hot-plug power supply calculations 175
HP Smart Update Manager overview 155, 159
HP Trusted Platform Module option 132
HPE Collaborative Support 167
HPE Dual 8Gb microSD USB device 124
HPE Insight Diagnostics 157, 158
HPE Insight Diagnostics survey functionality 158
HPE Insight Remote Support software 167
HPE Proactive Care 167
HPE SmartDrive LED definitions 16
HPE SmartMemory 114

HPE SSA (HPE Smart Storage Administrator) 155, 162
HPE support services 39, 167, 176
HPE Systems Insight Manager (SIM) 157, 158
HPE UEFI System Utilities 159, 160
humidity 174

I

identifying the server shipping carton contents 43
iLO connector 9
Insight Diagnostics 158, 164
installation services 39
installing hardware 51
integrated array controller 77
Integrated Lights-Out (iLO) 155, 157
Integrated Management Log (IML) 157
Intelligent Provisioning 155, 157, 158, 159, 160
internal USB connector 163

L

LED, drive health 16
LED, drive temperature 9
LED, health 8
LED, system power 7
LED, unit identification (UID) 7, 11
LEDs, drive 16
LEDs, front panel 7
LEDs, NIC 7
LEDs, power fault 8
LEDs, power supply 8
LEDs, rear panel 11
legacy USB support 163

M

M.2 SSD cabling 150
M.2 SSD enablement option 96
maintenance guidelines 164
mechanical specifications 174
memory 112, 114, 115, 116
memory configurations 115, 116
memory dump 14
memory options 112
memory subsystem architecture 114
memory, Advanced ECC 116
memory, configuration requirements 115, 117
memory, configuring 115, 116
memory, mirrored 116, 117
memory, online spare 116, 117
microSD card 124
microSD card slot 12
mirrored memory 116, 117

N

NIC activity LED 7
NIC connectors 7

NIC link LED 7
NMI functionality 14
NMI header 14
notification actions 167

O

online flash components 164, 166
online spare memory 116, 117
online spare population guidelines 116, 117
operating environment, recommended 39
operating system crash 14, 163
operating system installation 167
operating system version support 167
operating systems supported 158, 167
optimum environment 39
options installation 45, 51, 58

P

PCI riser cage, installing 36
PCI riser cage, removing 34
population guidelines, Advanced ECC 117
population guidelines, drive 15
population guidelines, fan 110
population guidelines, memory 116
population guidelines, mirrored memory 117
population guidelines, online spare 117
population guidelines, storage controller 92
POST error messages 168
power calculator 40, 175
power distribution unit (PDU) 41
power fault 8
power input module, installing 125, 126
power input module, removing 24
power input module, specifications 175
Power On/Standby button 49
power requirements 40
power supply 175
power supply LEDs 8
power supply specifications 175
power supply, hot-plug 125, 126, 175
powering down 19
powering up 19
power-on password 13
proactive notification 167
problem diagnosis 168
processor information 117
Product ID 162
PXE (preboot execution environment) 159

Q

QuickSpecs 77, 91, 115, 155

R

rack warnings 43
RAID configuration 162

rear panel components 9
rear panel LEDs 11
recommended ambient operating temperature (TMRA) 40
recovery key 136
redundant fan 110
redundant power supply 124
redundant ROM 164
re-entering the server serial number 162
registering the server 50
regulatory compliance information 171
requirements, airflow 39
requirements, electrical grounding 41
requirements, environmental 39, 174
requirements, power 40
requirements, site 40
requirements, space 39
requirements, temperature 40
RESTful API 157, 162
RoHS 172
ROM legacy USB support 163
ROM redundancy 164
ROM-Based Setup Utility (RBSU) 159

S

safety considerations 171, 173
safety information 164, 171
scripted installation 159
scripting toolkit 155, 159
secure boot configuration 161
security bezel, installing 51
security bezel, removing 19
serial number 162
Server mode 155
server options, installing 45, 51
server setup 39, 50, 164
server shipping carton contents 43
server specifications 174
server warnings and cautions 42
server, installing in rack 45
server, powering down 19
server, powering up 19
server, removing from rack 28
Service Pack 158, 159 Service Packs 159
shipping screws 44
site requirements 40
Smart Storage Battery 95
Smart Storage Battery cabling 152 software
upgrades 166
solid state device 150
space and airflow requirements 39
specifications, environmental 174
specifications, mechanical 174
specifications, power supply 175
specifications, server 174
SPP 158, 159

- static electricity 173
- storage cabling 138
- storage controller 91
- supported operating systems 167
- system board battery 12, 169
- system board components 12
- system configuration settings 12, 13, 164
- System Erase Utility 158
- system maintenance switch 13
- system ROM 164, 166
- system, keeping current 164

T

- technical support 167, 176
- technology services 167
- temperature requirements 40, 174
- TMRA (recommended ambient operating temperature) 40
- TPM (Trusted Platform Module) 132, 136
- TPM, connector 12
- troubleshooting resources 168
- Turkey RoHS material content declaration 172
- two-slot PCI riser cage 62

U

- UID (unit identification) 7
- UID button 8
- UID LED 7
- Ukraine RoHS material content declaration 172
- updating the firmware 164, 166
- updating the system ROM 164, 166
- UPS (uninterruptible power supply) 40
- USB connector 12
- USB devices 124
- USB support 163
- utilities 155, 159, 160, 162
- utilities, deployment 155, 159

V

- VCA (Version Control Agent) 167
- VCRM (Version Control Repository Manager) 167
- ventilation 39
- video connector 9
- Virtualization option 167

W

- warnings 42
- warranty information 171
- website, Hewlett Packard Enterprise 176
- weight 174