



*Indoor Comfort Products Brought To You
By The Manufactured Home Experts!*

14 SEER Heat Pump AccuCharge® Split Systems



New Corner-Post Design with louvered panels are easily removed for service, while protecting the coils from yard debris and extreme weather.

Improved Composite Drain Pan design has more drainage holes for condensation evacuation and molded steps to prevent coil shifting, all in standardized footprints.

Corner-Post Packaging creates a gap around the entire unit, minimizing pressure on the unit structure and contact with the carton, so your unit arrives safely to the customer.

Micro-Channel Coils provide high efficiency while reducing cost and refrigerant volume.

AccuCharge® Systems consist of pre-charged quick-connect equipment and line sets; significantly reducing the time and skill-set necessary to install a system.

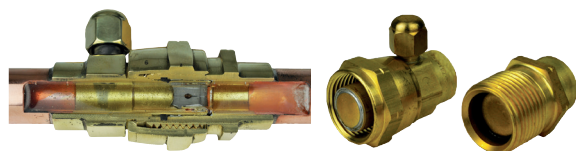
Dependable Warranty handled directly by Style Crest®; including 1st-Year Labor coverage and 5-Years of Parts coverage.



Micro-Channel Coil



Line Set with FitRight® Fittings



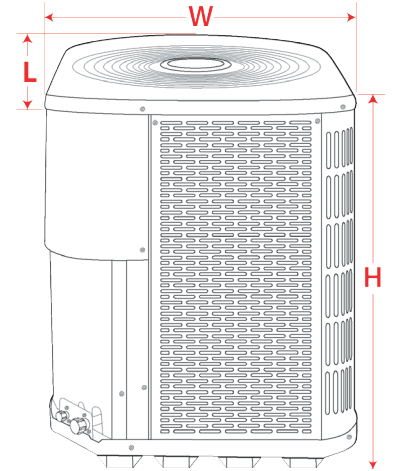
Cutaway of FitRight® Fitting

14 SEER Heat Pump AccuCharge® Split Systems



Nominal Tons ¹	Old SKU	Old AHRI Model	New SKU	New AHRI Model	Item Wt. (lbs)	Ship Wt. (lbs)	Sound (dB)
2	RSH1424	RT4QE-024KA	RSHQ244	RSH1QE4M1SP24K	168	175	75
2.5	RSH1430	RT4QE-030KA	RSHQ304	RSH1QE4M1SP30K	189	195	75
3	RSH1436	RT4QE-036KA	RSHQ364	RSH1QE4M1SP36K	198	205	76
3.5	RSH1442	RT4QE-042KA	RSHQ424	RSH1QE4M1SP42K	234	240	79
4	RSH1448	RT4QE-048KA	RSHQ484	RSH1QE4M1SP48K	234	240	79

1) Refer to AHRI listings for actual applications and capacities



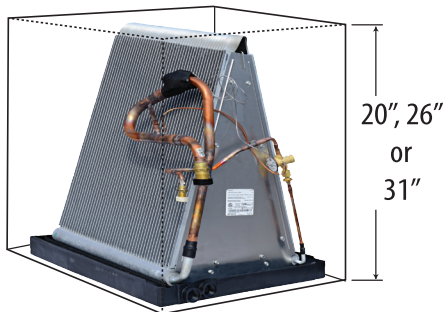
New SKU	Ship L (in)	Ship W (in)	Ship H (in)	Suction Line Ø	Liquid Line Ø	Item L (in)	Item W (in)	Item H (in)	Min. Pad Size (in)
RSHQ244	35.5	35.5	35	3/4"	3/8"	31.75	31.75	32.5	32 x 32
RSHQ304	35.5	35.5	43	3/4"	3/8"	31.75	31.75	41.25	32 x 32
RSHQ364	35.5	35.5	47	7/8"	3/8"	31.75	31.75	45.25	32 x 32
RSHQ424	35.5	35.5	47	7/8"	3/8"	31.75	31.75	45.25	32 x 32
RSHQ484	35.5	35.5	47	7/8"	3/8"	31.75	31.75	45.25	32 x 32

Micro-Channel Indoor (Evaporator) A-Coil Matches - TXV

Nominal Tons ¹	Condenser SKU	Coil SKU	AHRI Cert #	Coil H (in)	Min. Cab H (in)
2	RSHQ244	C8QAMX24U-B	10615839	18	20
2.5	RSHQ304	C8QAMX30U-B	10615840	18	20
3	RSHQ364	C8QAMX36U-B	10615841	18	20
3.5	RSHQ424	C8QAMX42U-B	10615842	25	26
4	RSHQ484	C8QAMX49U-B	10615843	29	31

AccuCharge® Line Sets

Line Set SKU	Line L (ft)	Liquid Line Ø (in)	Suction Line Ø (in)	Suction Insul. (in)
4463Q1531	15	3/8	3/4	3/8
4463Q2031	20	3/8	3/4	3/8
4463Q2531	25	3/8	3/4	3/8
4463Q3031	30	3/8	3/4	3/8
4463Q4031	40	3/8	3/4	3/8
4463Q5031	50	3/8	3/4	3/8
4473Q1531	15	3/8	7/8	3/8
4473Q2031	20	3/8	7/8	3/8
4473Q2531	25	3/8	7/8	3/8
4473Q3031	30	3/8	7/8	3/8
4473Q4031	40	3/8	7/8	3/8
4473Q5031	50	3/8	7/8	3/8
4473Q7031	70	3/8	7/8	3/8



Micro-Channel Coil



Micro-Channel Coil Kit



Line Set with FitRight® Fittings

Note: A furnace blower upgrade and/or TDR may also be required to achieve the desired output performance.