

Leonardo A109C, A109E, A119 and AW119MKII Certified Sealed Lead Acid Battery Installation



RG-407, 27Ah

FAA STC SR09360RC
Brazil STC 2012S02-14
Canada STC SH10-18

Main Battery Upgrade –

Saft 2778-1 (24V, 27Ah) is replaced with RG-407 (24V, 27Ah).

- Lower cost of acquisition
- Reduced cost per flight hour
- No deep cycling requirement
- No water replenishment
- No replacement of parts
- Hazmat Exempt
- Fully recyclable – the green solution

Made in the U.S.A.

Specifics:

STC provides for the installation of Concorde valve regulated sealed lead acid (VRSLA) battery in place of the original equipment 27 ampere hour nickel cadmium battery. Aircraft that do not have the 27 Ah configuration must be upgraded to the 27 Ah standard mounting configuration before implementing the STC. Lead acid batteries do not require a temperature sensor therefore the existing over temperature system is stowed.

Main Battery:

- 1) Remove existing Main battery from the aircraft using the removal procedure in the Agusta Maintenance Manual.
 - 2) Install the RG-407 battery using the installation procedures specified in the Agusta Maintenance Manual. Disregard the instructions to reconnect the battery overheating detector connector and cable harness.
 - 3) Install the warning placard, P/N 6228, on the aircraft's instrument panel in clear view of the pilot.
 - 4) Place the Rotorcraft Flight Manual Supplement, 5-0146, in the aircraft's Rotorcraft Flight Manual.
- STC includes placard part no. 6228 and Flight Manual Supplement 5-0146.

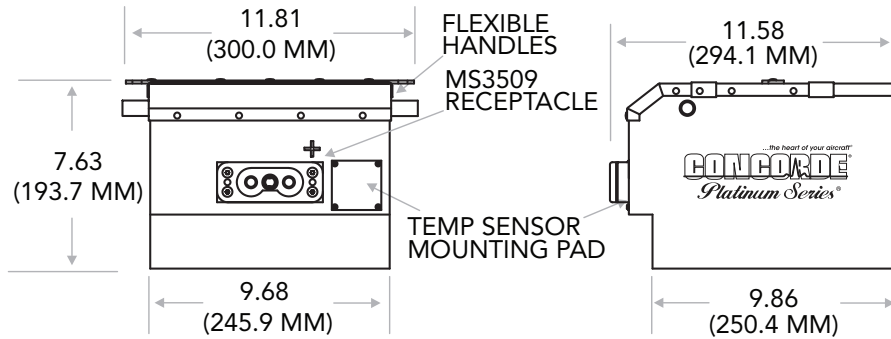
CONCORDE BATTERY CORPORATION

2009 San Bernardino Road | West Covina, CA 91790 USA
626-813-1234 | Fax 626-813-1235 | www.ConcordeBattery.com
ISO 9001 + AS9100 | Crafted for Quality in the U.S.A.

...the heart of your aircraft®
CONCORDE
LEONARDO A109C, A109E, A119, AW119MKII STC

FAA STC SR09360RC
Brazil STC 2012S02-14
Canada STC SH10-18

Main Battery Upgrade –
 RG-407, 27Ah



Part Number	Rated Capacity C1 in Ah	23°C / 74°F		-18°C / 0°F		-30°C / -22°F		Maximum Weight
		IPP	IPR	IPP	IPR	IPP	IPR	
RG-407	27Ah	1225	900	1000	825	800	650	62.0 LB / 28.2 KG

CONCORDE BATTERY CORPORATION

2009 San Bernardino Road | West Covina, CA 91790 USA
 626-813-1234 | Fax 626-813-1235 | www.ConcordeBattery.com
 ISO 9001 + AS9100 | Crafted for Quality in the U.S.A.

