



FIXED HEIGHT MOBILE STAND

FPS1/FH/GG



Take control of creative, presentation and collaboration work spaces. Salamander's beautiful and highly functional FPS Series Mobile Stands offer superior ergonomics complimenting any display with improved productivity, unrivaled flexibility and lifetime value.

A stylish, sleek and compact design moves easily between spaces. A thoughtful range of accessories provides even more utility and an improved user experience.

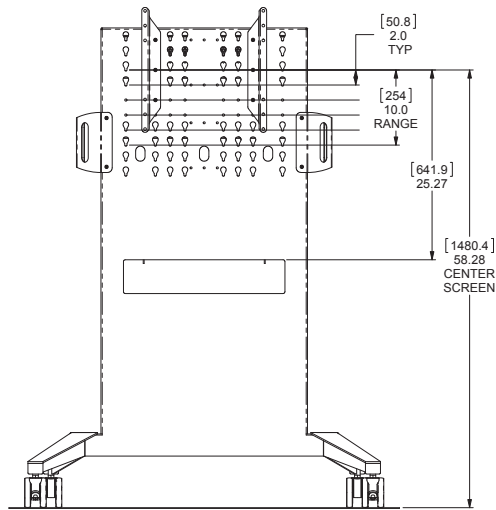
- Mobile stand for interactive display / touchscreen panel
- Supports most VESA compliant display up to 175 lb (80 kg) including Microsoft 55" Surface Hub
- Ergonomic design. Adjustable height positioning (during set-up) provides best possible ergonomics and viewing
- ADA compliant design
- Superior mobility. High quality commercial grade locking casters and integrated handles provide easy maneuverability and transport
- Fully concealed cable management allows clean, secure and uncluttered installation
- Range of travel, Center of screen : Min- 48.28" (1226 mm) and Max 58.28 (1480 mm)
- Internal storage for rack mounted (2RU) electronic components, peripherals and accessories
- Durable construction. Made in USA of powder coated steel
- Options available for peripheral equipment mounting, retractable cable reel, keyboard tray and more
- Limited Lifetime Warranty



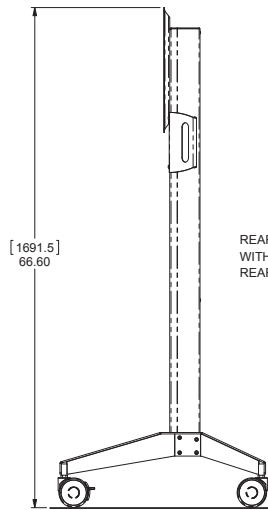


FIXED HEIGHT MOBILE STAND

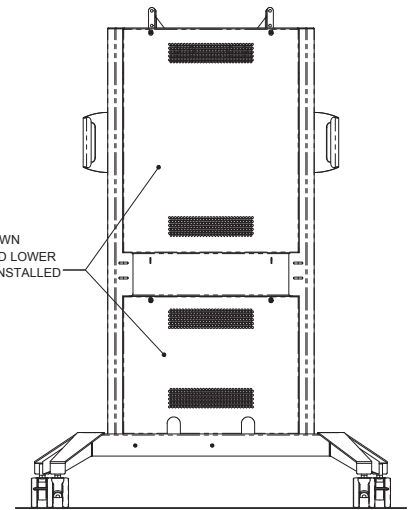
FPS1/FH/GG



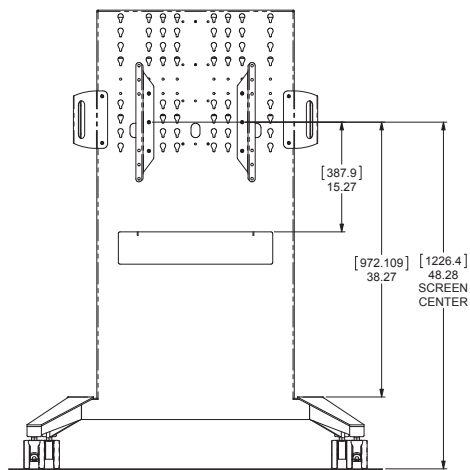
FRONT VIEW



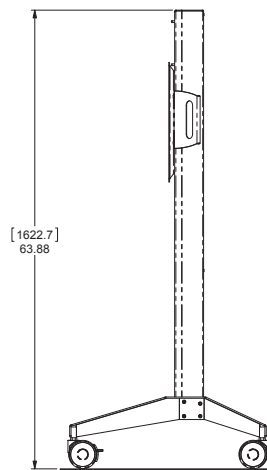
SIDE VIEW



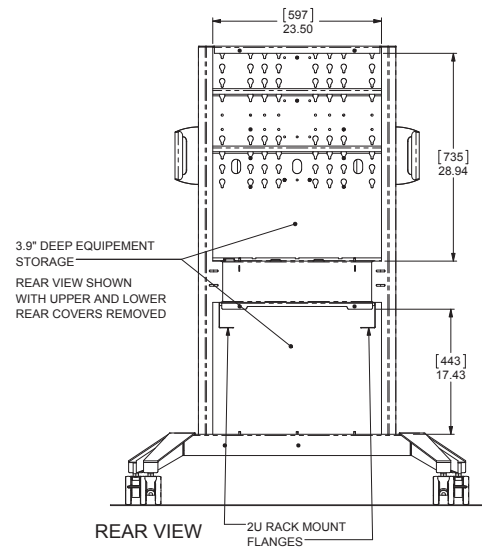
REAR VIEW



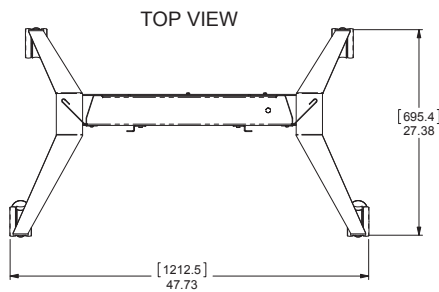
FRONT VIEW



SIDE VIEW



REAR VIEW



TOP VIEW



FIXED HEIGHT MOBILE STAND

FPS1/FH/GG

PRODUCT SPECIFICATIONS	Metric (mm)		US/Imperial Inches		SHIPPING DIMENSIONS	
	Length	1215.2	47.84	1,575 mm	62 inch	
Overall Height Range	1146.6 - 1796.6	45.14 - 70.7	927 mm	36.5 inch		
Center of Screen Range of Travel	935.83 - 1585.5	36.83 - 62.42				
Depth	695.4	27.38	406 mm	16 inch		
Weight	61.23 kg	135 lbs	64 kg	140 lbs		
Max Load Capacity	79.38 kg	175 lbs				
UPC Number	634878400145					

VESA COMPLIANT MOUNT PATTERN

Horizontal - 200mm, 300mm, 400mm, 600mm

Vertical - 200mm, 300mm, 400mm

Display Mounting - M4, M5, M6 Screws

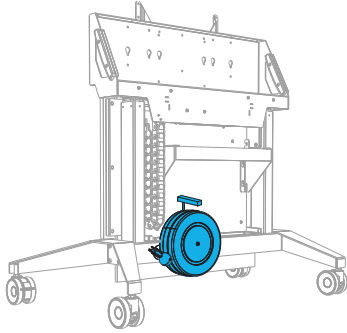
CASTER WHEELS

4" (100mm) HD, non marking, brakes on two

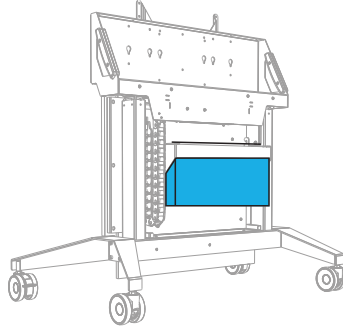


FIXED HEIGHT MOBILE STAND

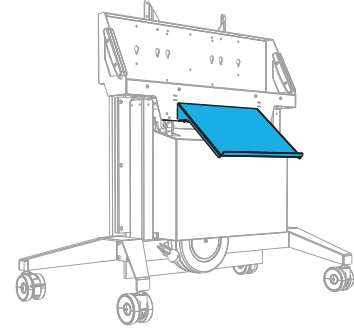
FPS1/FH/GG



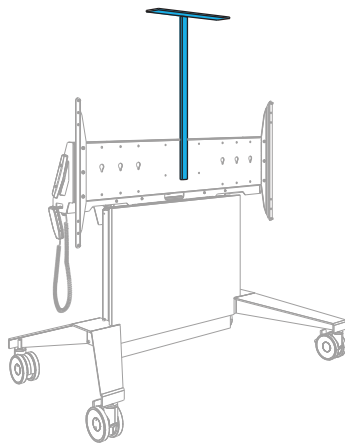
Cable Reel 30' Payout, 24"
Tri-Tap Female End
FPSA/CR



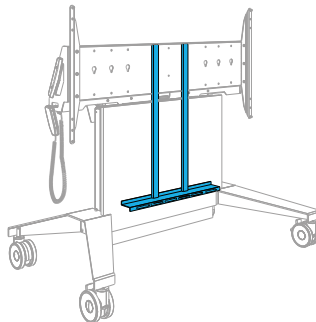
Power Distribution Unit
SA/RM/PDU



Keyboard Storage Shelf- Graphite
FPSA/KS/GT



Camera Mount Shelf
FPSA/CS



Speaker Bracket Kit
FPSA/SBK