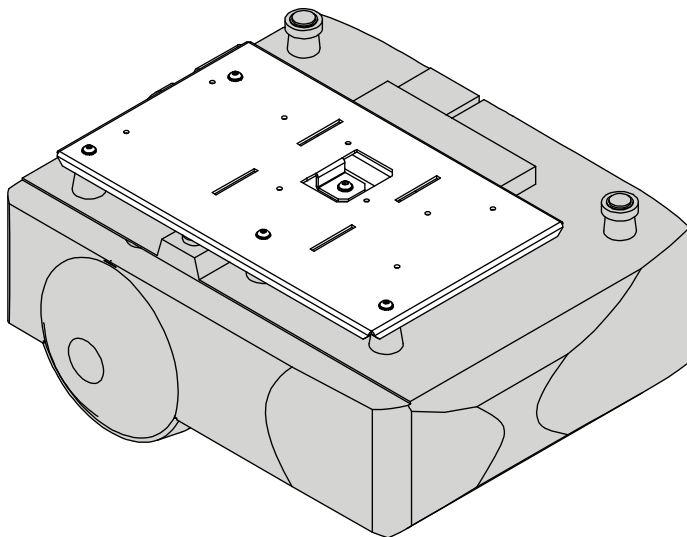
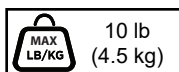


ACC978



ENG Compatible model/series:

Adaptor for Epson PowerLite
Projectors: 420/425W/430/
435W/520/520W/525W/530
/535W & 536Wi fitted to 3M
SCP716, PROMETHEAN
PRM-20 or SMART MOUNT
UF55/65 projector arms



⚠ WARNING

ENG - Before installing make sure the supporting surface will support the combined load of the equipment and hardware. Screws must be tightly secured. Do not overtighten screws or damage can occur and product may fail. Never exceed the Maximum Load Capacity. Always use an assistant or mechanical lifting equipment to safely lift and position equipment. This product is intended for indoor use only. Use of this product outdoors could lead to product failure or personal injury. Be careful not to pinch fingers when operating the mount. For support please call customer care at 1-800-865-2112.

ENG Symbols

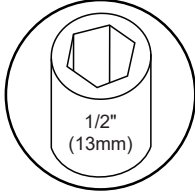
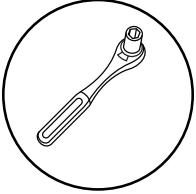


ENG WARNING

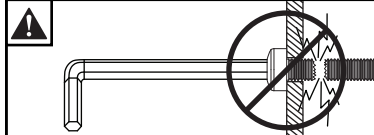


ENG Skip to step.

ENG Tools Needed for Assembly.



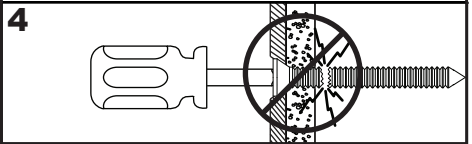
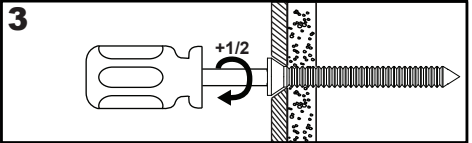
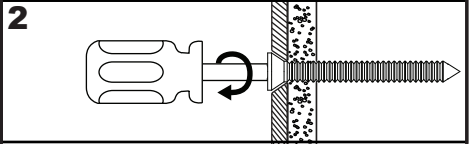
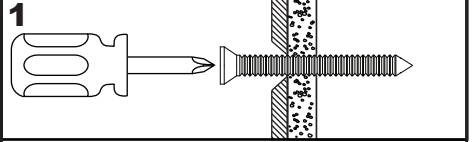
ENG Screws must get at least three full turns and fit snug.



ENG Do not overtighten screws.



ENG To properly tighten screws: Tighten until screw head makes contact, then tighten another 1/2 turn. Do not overtighten screws.



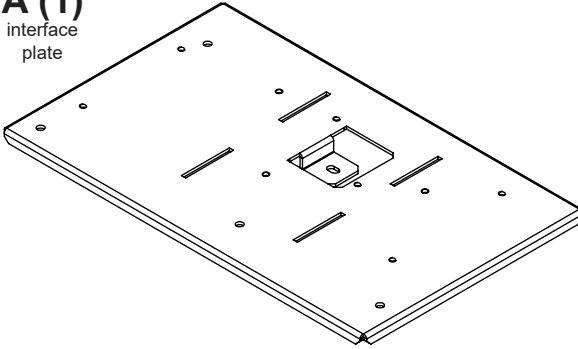
ENG This page intentionally left blank.

ENG Parts (Before beginning, make sure you have all parts shown below).

Parts List		
Description	Qty	Part #
A interface plate	1	056-2344
B retaining spacer	4	590-2020
C M4 x 20mm	4	510-1061
D M4 x 6mm	3	510-1059
E M4 x 25mm	2	510-1082
F #8 SAE flat washer	3	540-1001
G M4 x 16mm	3	520-1087
H 4mm allen wrench	1	560-9646

A (1)

interface
plate



D (3)

M4 x 6mm



G (3)

M4 x 16mm



C (4)

M4 x 20mm



E (2)

M4 x 25mm



B (4)

retaining
spacer



F (3)

8 washer



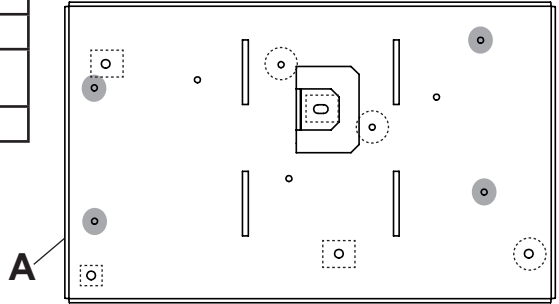
H (1)

4mm allen
wrench

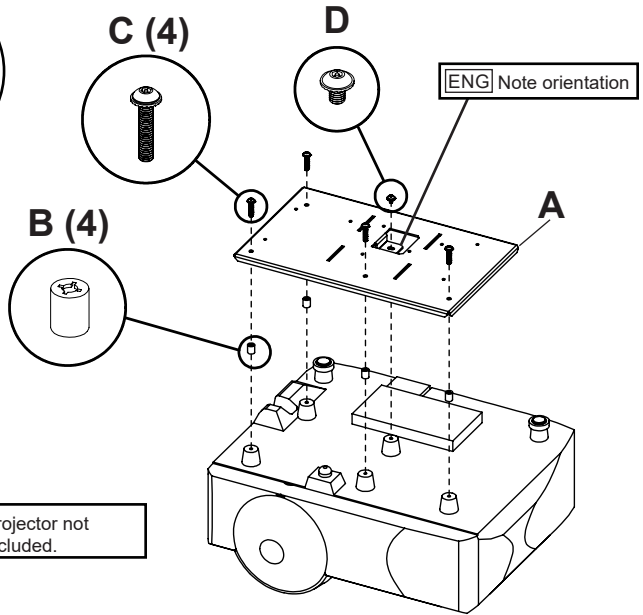
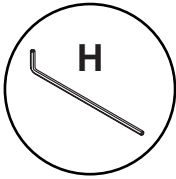


PROJECTOR HOLE PATTERN	
fitted to 3M SCP716	
fitted to SMART MOUNT UF55/65 projector arms	
fitted to PROMETHEAN PRM-20	

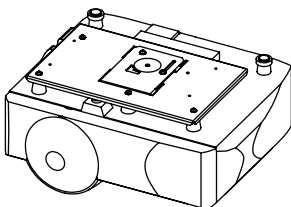
TOPVIEW



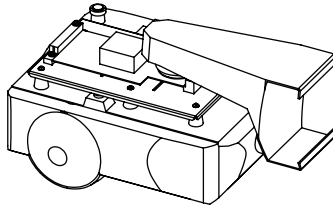
1



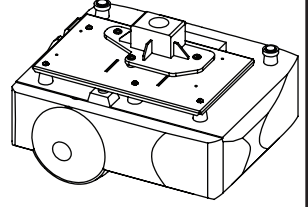
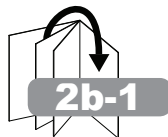
2



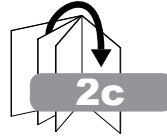
SMART mount UF55/65



PROMETHEAN PRM-20



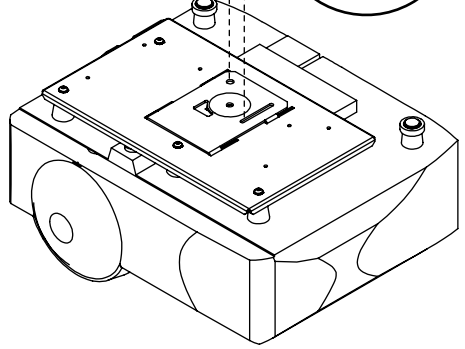
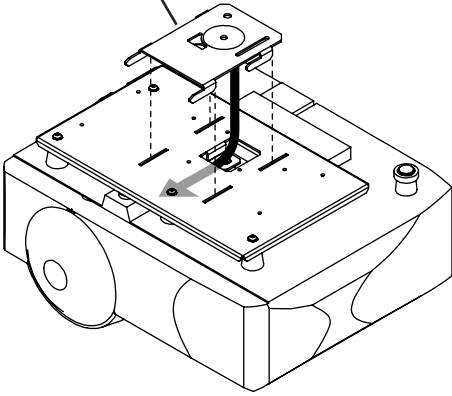
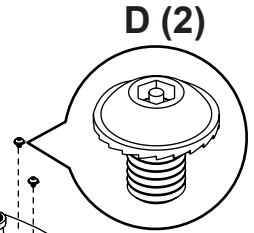
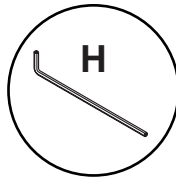
3M SCP716



2a

SMART mount UF55/65

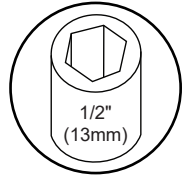
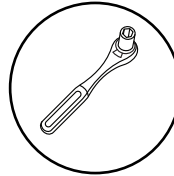
ENG Projector assembly not included.



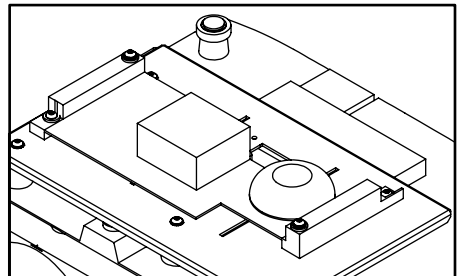
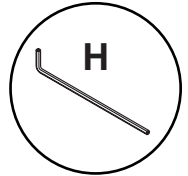
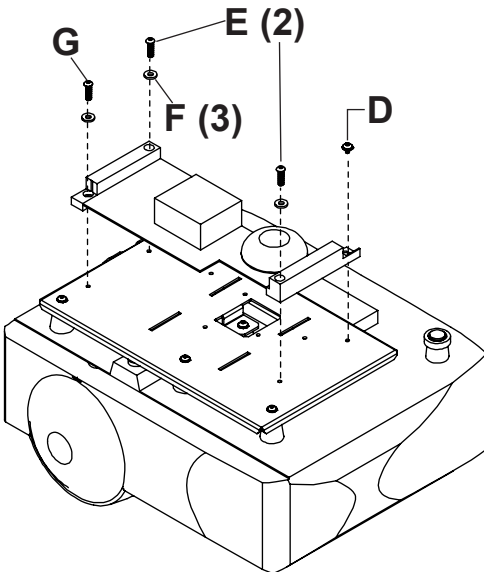
2b-1

PROMETHEAN PRM-20

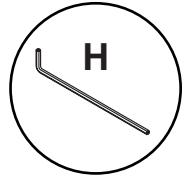
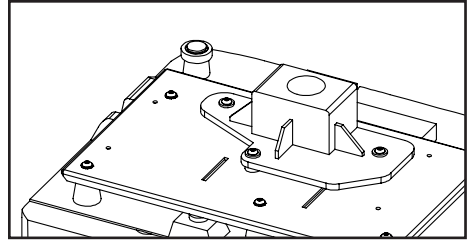
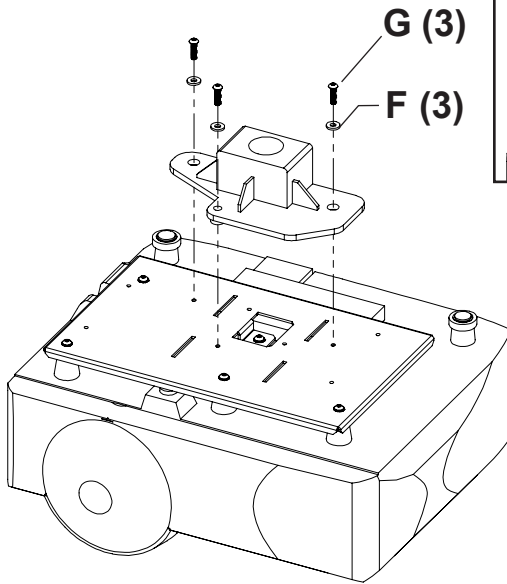
ENG Loosen Promethean plate from mount to allow access to all mounting holes.



2b-2



ENG Projector assembly not included



ENG Projector assembly
not included.

ENG Follow instructions provided with projector
arm for further assembly details.

LIMITED FIVE-YEAR WARRANTY

Peerless Industries, Inc. ("Peerless-AV") warrants to original end-users that each Peerless-AV® mounting product will be free from defects in material and workmanship, under normal use, for the applicable warranty period (from date of the original installation of the product). At its option, Peerless-AV will repair or replace, or refund the purchase price of, any product which fails to conform with this warranty.

Any implied warranty of merchantability or fitness for a particular purpose shall be limited to the period of the express warranty set forth below.

In no event shall Peerless-AV be liable for incidental or consequential damages, whether or not secured by a security device which may be included with the product.

Some states do not allow limitations on how long an implied warranty lasts, or the exclusion of incidental or consequential damages, so the above limitation and/or the above exclusion may not apply to you.

This warranty does not cover damage caused by incorrect selection, installation or the failure to follow Peerless-AV instructions or warnings when installing, using or storing the product.

This warranty gives specific legal rights, and you may also have other rights which vary from state to state. To make a warranty claim in North America, contact Peerless-AV customer care at 1-800-865-2112. See complete global warranty information for regions outside North America at www.peerless-av.com/en-uk/customer-care/warranties-returns.

The logo for Peerless-AV features the word "peerless" in a bold, lowercase, red sans-serif font. To its right, the letters "AV" are rendered in a red outline font, with a registered trademark symbol (®) to the upper right of the "V".

Peerless-AV

2300 White Oak Circle
Aurora, IL 60502
Email: tech@peerlessmounts.com
Ph: (800) 865-2112
Fax: (800) 359-6500
www.peerless-av.com

© 2019, Peerless Industries, Inc.

Peerless-AV Europe

Unit 3 Watford Interchange,
Colonial Way, Watford, Herts,
WD24 4WP, United Kingdom
Customer Care
44 (0) 1923 200 100
www.peerless-av.com

© 2019, Peerless Industries, Inc.

Peerless-AV de Mexico

Ave de las Industrias 413
Parque Industrial Escobedo
Escobedo N.L Mexico 66062
Servicio al Cliente
01-800-849-65-77
www.peerless-av.com

© 2019, Peerless Industries, Inc.