

## HIGH BAY ECO

Our naturaLED® low-profile Highbay is uniquely designed to be an optimal replacement for fluorescent fixtures. Our fixtures are designed to hang from ceiling using chain method. The Highbay Eco has an array of applications ranging from workshops, factories, warehouses, and sport facilities. It's lightweight and thermal design optimizes all the beneficial characteristics of LED light, in a high-performance fixtures. With energy savings of up to 60%, a rated lifetime of 50,000 hours, and its high efficiency of 130lm/w, the Highbay Eco is an effective replacement for linear fluorescent fixtures.



### Features & Benefits

- ▶ DLC Premium
- ▶ For Damp Location
- ▶ Excellent thermal design
- ▶ Minimum glare lens
- ▶ Select binning for consistent color
- ▶ Chains included for hanging fixture from ceiling

### Specifications



- ▶ Input line voltage: 120-277
- ▶ Powerfactor >0.9
- ▶ CRI >80
- ▶ Beam Angle: 110°
- ▶ Voltage Frequency: 50/60 Hz
- ▶ 0-10V Dimming
- ▶ Operating temperature: -40°F ~ 122°F
- ▶ Available in 13"x24" and 17"x24" configurations
- ▶ Finish: Epoxy Powder Coat
- ▶ Surge 2.5KV

### Applications

- ▶ Warehouses
- ▶ Sport Facilities
- ▶ Factories
- ▶ Hospitals
- ▶ Hotels

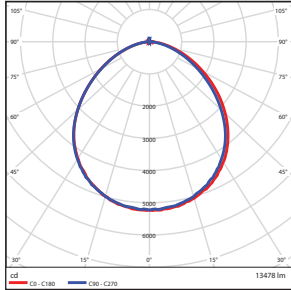
Ordering Information

\*P= DLC Premium / S = Standard DLC

Code	Description	CCT	Watt	Lumen	Equiv Wattage	Equiv Lamp Fixture	Size	Efficacy (lm/w)		
7771	LED-FXHBE110/24FR/850	5000K	110	13,741	400	4 lamp T5 fixture	24"x13"	130	•	P
7772	LED-FXHBE162/24FR/850	5000K	162	20,852	400-575	6 lamp T5 fixture	24"x17"	130	•	P

Photometric Data

110 Watt-24"x13"



Zonal Lumen Summary

Zone	Lumens	% Luminaire
0-30	4060.74	30.10
0-40	6607.74	49.00
0-60	11178.95	82.90
60-80	2087.78	15.50
70-80	699.44	5.20
90-120	16.64	0.10
90-180	45.41	0.30
0-180	13478.42	100.00

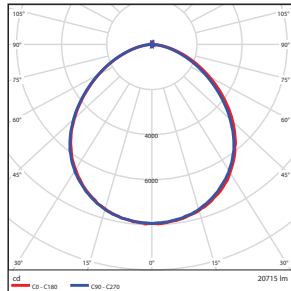
Total Luminaire Efficiency = 100.00%

Illuminance at a Distance

Distance	Center Beam fc		Beam Width	
	Center Beam fc	Beam Width	Beam Width	Beam Width
5.0ft	209 fc	12.9 ft	12.4 ft	
10.0ft	52.3 fc	25.8 ft	24.8 ft	
15.0ft	23.2 fc	38.7 ft	37.3 ft	
20.0ft	13.1 fc	51.6 ft	49.7 ft	
25.0ft	8.36 fc	64.5 ft	62.1 ft	
30.0ft	5.81 fc	77.5 ft	74.5 ft	

■ Vert. Spread: 104.5°  
■ Horiz. Spread: 102.3°

162 Watt-24"x17"



Zonal Lumen Summary

Zone	Lumens	% Luminaire
0-30	6174.54	29.80
0-40	10066.11	48.60
0-60	17123.32	82.70
60-80	3271.38	15.80
70-80	1101.8	5.30
90-120	18.62	0.10
90-180	52.91	0.30
0-180	20716.53	100.00

Total Luminaire Efficiency = 100.00%

Illuminance at a Distance

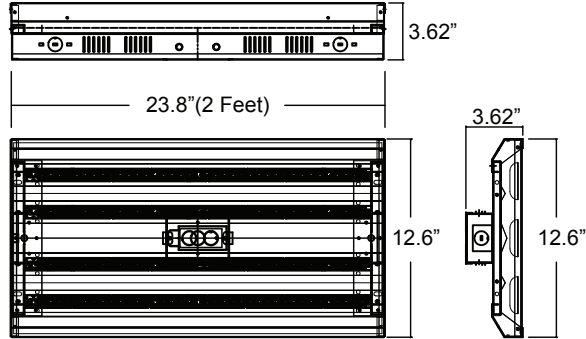
Distance	Center Beam fc		Beam Width	
	Center Beam fc	Beam Width	Beam Width	Beam Width
5.0ft	318 fc	13.0 ft	12.8 ft	
10.0ft	79.4 fc	26.0 ft	25.5 ft	
15.0ft	35.3 fc	39.0 ft	38.3 ft	
20.0ft	19.9 fc	52.0 ft	51.0 ft	
25.0ft	12.7 fc	65.0 ft	63.8 ft	
30.0ft	8.82 fc	78.0 ft	76.5 ft	

■ Vert. Spread: 104.9°  
■ Horiz. Spread: 103.8°

Product Dimensions

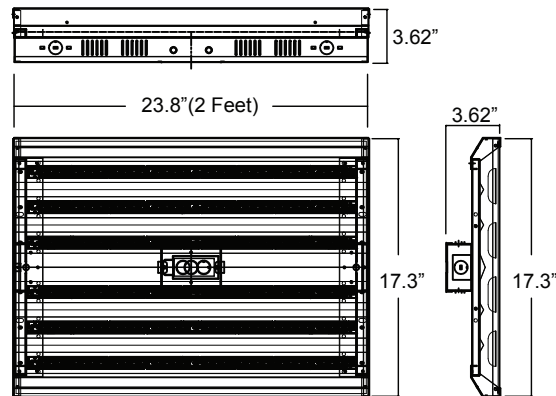
24"x13"

Weight: 9.65-lbs



24"x17"

Weight: 12.2-lbs



Package

