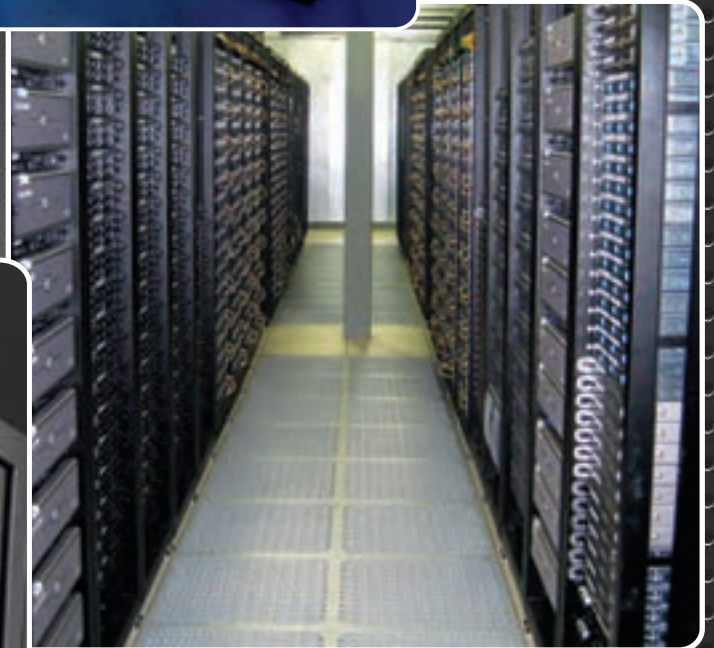
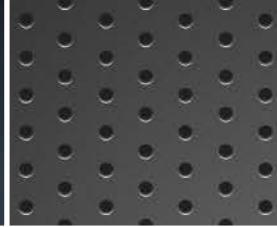


DAMAC

PREMIUM DATACENTER PRODUCTS

IT / Data Center Solutions



MADE IN U.S.A.

Innovative Custom Solutions

- SEISMIC PRODUCTS
- NEMA12 ENCLOSURES
- WIRELESS ENCLOSURES
- CUSTOM SERVER RACKS
- JOB SPECIFIC PRODUCTS
- POWER DISTRIBUTION
- AISLE CONTAINMENT



We provide a fast a smooth process for designing, quoting and delivery of all your unique data center needs. From unique cabinets and wall boxes to aisle containment systems and powerstrips, we have your next challenge solved.

1. Identify your needs
2. Engineer preliminary drawing, 48 hours
3. Generate quote pending approval, 24 hours
4. Prototype fabricated and shipped, 4 weeks
5. Final product ships, 4-6 weeks

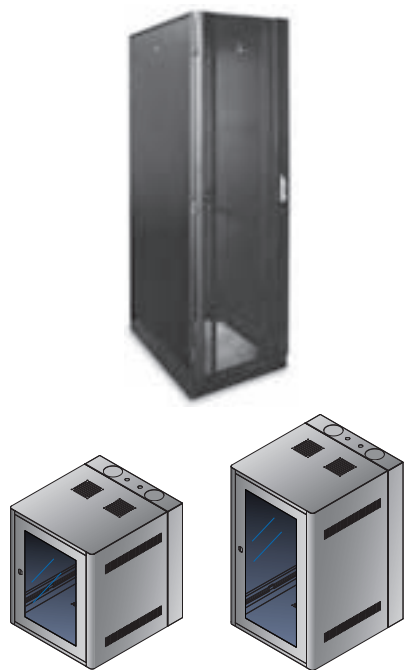
Custom products to your door in 6 weeks.
That's not amazing, That's DAMAC!



Corporate Headquarters
14489 Industry Circle, La Mirada, CA 90638
TEL: 888.949.2289 FAX: 714.739.1883
www.damac.com

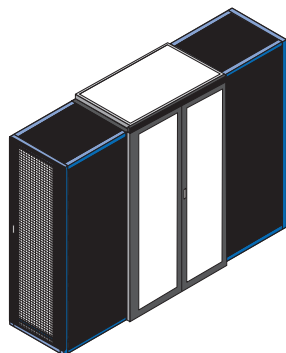


Table of Contents



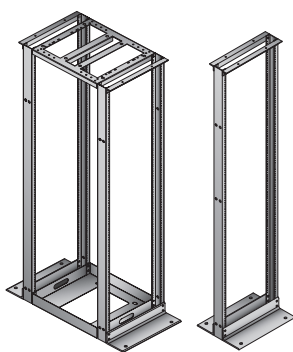
Server Rack Systems 2-27

Axis™ 42/45/48U Server Rack	2-5
Axis™ 42/45U Standard Rack	6
AxisMini™ 24U Rack	7
Fastrak Server Rack	8-9
CoLocation 2&3 Compartment Rack	10-13
CableAxis™ 45U Network / Switch Rack	14-15
Seismic 38/45U Server / GP Rack	16-19
Triplet Rack	20
Cable Management	21
Rack Doors and Sides	22
FloTrac™ Hot / Cold Air Enhancement	23
Exhaust Duct Options	24
Mounting Rails	25
Rack Accessories	26
Seismic NEBS Certified Floor Mounting Kit	27



Wall Mount Systems 28-33

Safety Edge Wall Mount Rack Dual-Swing	28-29
HD Safety Edge Wall Mount Rack Dual-Swing	30-31
TransIT Box Hub / Patching Enclosure	32-33



Rack Systems 34-43

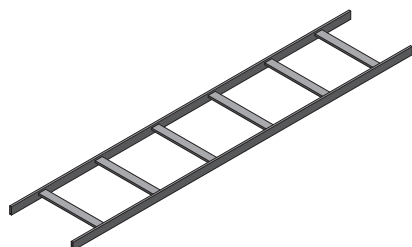
Swing-Out Wall Rack	34-35
Tandem Rack 45/51U Server / Networking / Open / Frames	36-37
Seismic Two Post Rack	38
Rack Accessories	39
Vertical Cable Manager	40-41
Rack Shelves	42-43

Aisle Containment System 44-45

Hot / Cold Aisle Containment Systems	44-45
--------------------------------------	-------

Cable Runway 46-56

Ladder Style Cable Runway	46-56
---------------------------	-------



Power Distribution 54-55, CV3

Powerstrips	54-55
Server Technology (Strategic Partnership)	CV3

Axis™ 42/45/48U

Axis™ Series Rack Systems

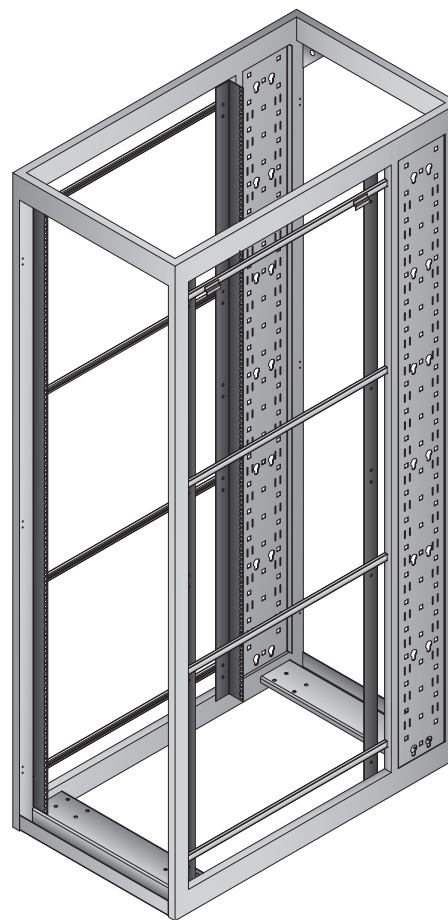
The new Axis Series is an enhanced, high value enclosure system designed to compete with today's most popular rack configurations. Featuring a redesigned chassis and a unique PDU/cabling cavity in the cabinet rear. This Damac patented feature includes universal PDU button mounting and flexible fiber and copper management rings and straps integrated into the cabinet frame. PDU's and cabling are recessed into the frame allowing unobstructed front to back airflow and total access to the

Application: Replaces: APC, Dell, HP
Data Center
Server/Networking
CoLocation
Retail/Schools

Model Sizes: Height: 78"/42U, 84"/45U, 88"/48U
Width: 24"
Depth: 42", 48"
Rails: M6 Cage Nut

Specifications:

- Fully welded tubular steel construction
- Static weight capacity: 3000 lbs
- Seismic rated per ASCE 7-05 & CABC 2010 @ 2000 lbs. gravity load
- Two sets of adjustable mounting rails w/ EIA spacing
- 19" rack-mount equipment, 42U, 45U, 48U
- Fully adjustable mounting rails include RMU markings
- Reinforced doors, removable/reversible, w/ locks and security hinges
- Doors exceed active equipment req. for air-flow, 80%+ airflow
- Removable flush side panels with slam latches
- Flush top panels w/ cable knock-outs in the front and rear
- Open bottom for raised floor access and ventilation
- Fully welded seismic floor mounting channel
- Floor leveling and mounting provision, accessible when fully populated
- Aisle containment provisions, containment panels sold separately
- Recessed rear cabling and PDU mounting cavity.
- Four PDU mounting provisions included, two per side
- Included cable tie down lances
- Additional tool-less mounted d-ring/velcro loop cabling provisions
- Special rear cavity allows 100% access to mounted equipment
- Unobstructed front-to-back airflow increasing cooling efficiencies.
- Grounding stud
- Caster kit included
- Textured epoxy powder-coat finish
- Cabinet ships fully assembled
- Custom configurations are available
- Fits multiple vendor environments
- UL Listed



Server Rack Features:



Top Panel



FloTrac Ready Rear Door



Floor Mounting Channel



Side Panel

Server Rack

Use the part matrix below to build a Axis Server Rack to your specific requirements.

Choose the Height, Width/Rail Style, Depth, Front Door, Hinge Location, Lock, Rear Door, Side Panel, Top and Color.

Pre-Configured Rack options shown with ordering codes. Sample Part #: CCP84EQB1SBAS3

FRAME				DOORS				SIDES	TOP	COLO
TYPE	HEIGHT/U	WIDTH/RA	DEPTH	FRONT DOOR	R. DOOR HIN	KEY/LATC	REAR DOOR			
CCP	78	B	Q	B	1	C	B	A	S	1
Axis	78" / 42U	24" Wide 19" Rackable 10-32 Rail	42"	Mesh	Front: right Rear: right	Key and Combo	Mesh	Solid, pair w/ lock	Solid	Putty
	84	E	S	A	2*	S	A	B	V	2
	84" / 45U	24" Wide 19" Rackable Cage Nut Rail	48"	Split-Mesh 2pc Door	Front: right Rear: left	Alike	Split-Mesh 2pc Door	Solid, 1 only w/ lock	Vented	Blue
	88	T		H	3*		H	0	0	3
	88" / 48U	28" Wide 19"-23" Rackable Cage Nut Rail		Mesh w/ Fans	Front: left Rear: right		Mesh w/ Fans	None	None	Black
* special order				V	4*		V			4
				0	Front: left Rear: left		0			Gray
							0			5
							0			White
							0			6
							0			Dark Gray

78"/42U Popular Pre-Configured Models

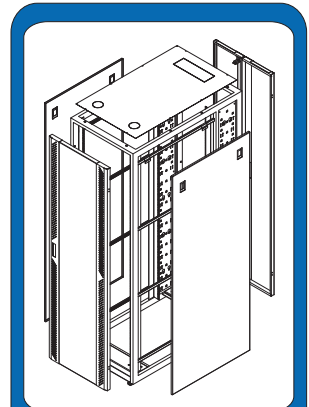
Part #	H x W x D	Mnt. Rail	F.Door	R.Door	Sides	Top	Color	Wt.
CCP78EQB1SBBS-3	78 x 24 x 42	19"/Cage-Nut	Single Mesh	Single Mesh	(1) Solid	Solid	Black	225
CCP78EQB1SBAS-3	78 x 24 x 42	19"/Cage-Nut	Single Mesh	Single Mesh	(2) Solid	Solid	Black	255
CCP78EQB1SABS-3	78 x 24 x 42	19"/Cage-Nut	Single Mesh	Split Mesh	(1) Solid	Solid	Black	225
CCP78EQB1SAAS-3	78 x 24 x 42	19"/Cage-Nut	Single Mesh	Split Mesh	(2) Solid	Solid	Black	255

84"/45U Popular Pre-Configured Models

Part #	H x W x D	Mnt. Rail	F.Door	R.Door	Sides	Top	Color	Wt.
CCP84EQB1SBBS-3	84 x 24 x 42	19"/Cage-Nut	Single Mesh	Single Mesh	(1) Solid	Solid	Black	255
CCP84EQB1SBAS-3	84 x 24 x 42	19"/Cage-Nut	Single Mesh	Single Mesh	(2) Solid	Solid	Black	285
CCP84EQB1SABS-3	84 x 24 x 42	19"/Cage-Nut	Single Mesh	Split Mesh	(1) Solid	Solid	Black	255
CCP84EQB1SAAS-3	84 x 24 x 42	19"/Cage-Nut	Single Mesh	Split Mesh	(2) Solid	Solid	Black	285

88"/48U Popular Pre-Configured Models

Part #	H x W x D	Mnt. Rail	F.Door	R.Door	Sides	Top	Color	Wt.
CCP88EQB1SBBS-3	88 x 24 x 42	19"/Cage-Nut	Single Mesh	Single Mesh	(1) Solid	Solid	Black	265
CCP88EQB1SBAS-3	88 x 24 x 42	19"/Cage-Nut	Single Mesh	Single Mesh	(2) Solid	Solid	Black	295
CCP88EQB1SABS-3	88 x 24 x 42	19"/Cage-Nut	Single Mesh	Split Mesh	(1) Solid	Solid	Black	265
CCP88EQB1SAAS-3	88 x 24 x 42	19"/Cage-Nut	Single Mesh	Split Mesh	(2) Solid	Solid	Black	295



Rack Includes:

- (1) fully welded four-post frame
- (4) mounting rails, M6 cage-nut
- (2) solid side panel (optional)
- (1) locking mesh front door (optional)
- (1) locking mesh rear door (optional)
- (1) solid top panel (optional)
- (4) leveling feet and casters
- (4) PDU mounting provisions
- (1) bag of 30pc mounting hardware



Rear Cable / PDU Cavity



PDU Mounting

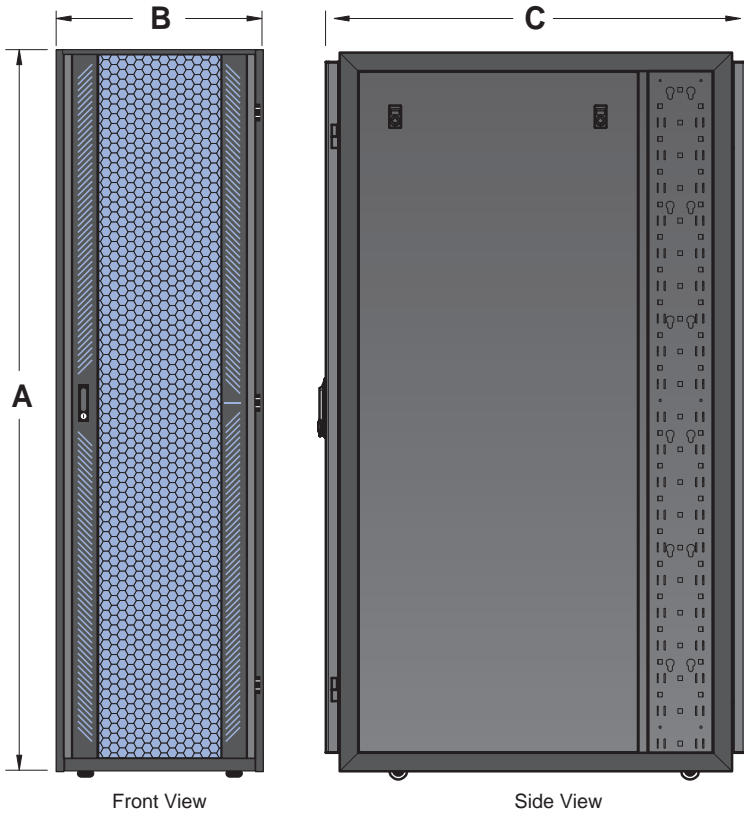


Color Option:

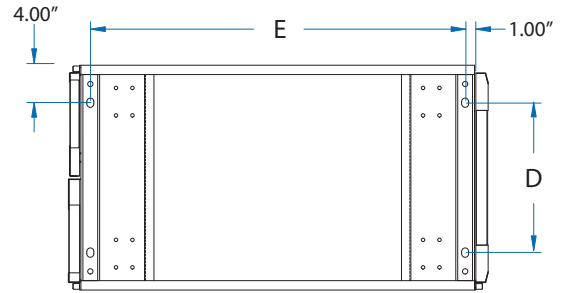
Replace (3) in part# with alternative color choice: (1) Putty, (2) Blue, (4) Gray, (5) White, (6) Dark Gray

Axis™ 42/45/48U Server Rack

Axis™ Series Technical Specifications



Floor Mounting Dimensions



BOTTOM VIEW

Mounting Dims - CENTER TO CENTER

Cabinet Dim.	D	E
24.0"W x 42.0"D	16.00"	40.00"
24.0"W x 48.0"D	16.00"	46.00"

Rack Dimensions: see drawing for A, B, and C

Rack dimensions include doors, sides, top and casters. Usable dimensions are maximum rail-to-rail settings.

A - Height

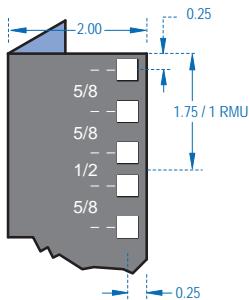
Rack		Frame		RMU
in	mm	in	mm	
78.0	1981	77.0	1956	42u
83.0	2108	82.0	2083	45u
88.4	2245	87.5	2223	48u

B - Width

Rack		Frame	
in	mm	in	mm
24.0	610	24.0	610

C - Depth

Rack		Frame		Usable	
in	mm	in	mm	in	mm
45.0	1143	42.0	1066	31.0	787
51.0	1295	48.0	1219	37.0	940



Mounting Rail Detail

Mounting rails support 19" rack mount equipment. Meet EIA-310-D industry standard hole spacing. Feature M6 cage-nut (square) mounting holes. Finished in black powder-coat. Rails are fully adjustable to meet equipment requirements.

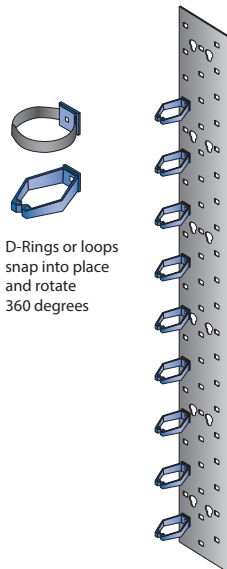
PDU Mounting Detail

Up to (4) PDU units can be mounted in the Axis rack. PDU's mount via manufacturer provided button mount feature. Cabinet mounting provisions support most popular PDU brands.

Axis™ Series Accessories

Tool-Less Cable Management

The Axis Rack features built-in provisions for the addition of d-rings or Velcro™ loops. These optional cable management products snap into place on the included rack rear PDU/cabling plate. You can create up to 3 separate vertical cable pathways on the left or right side of the rack. Both d-rings and loops rotate 360 degrees for custom cable routing.



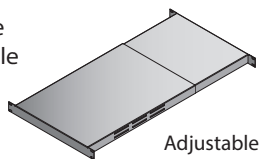
D-Rings or loops snap into place and rotate 360 degrees

Part#	Description	Weight
APCBUR10	D-Rings, 10pc	1 lb
APCBUV10	Velcro™ Loops, 10pc	1 lb

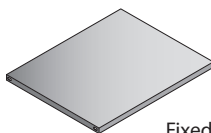
Equipment Shelves

For equipment that does not support rack-mounted brackets, equipment shelves are an ideal solution. Available in fixed or adjustable depth.

- Available in fixed or adjustable depth.
- Includes mounting hardware



Adjustable



Fixed

Part#	Description	Weight
SHA1924S-3	Solid, adjustable 24"-36"	12 lb
SH1924S-3	Solid, fixed 24"	12 lb
SH1929S-3	Solid, fixed 29"	14 lb

Rack Side Panel

A cost effective practice is to never install racks next to each other with two side panels installed on each rack. Only one side panel should be included per rack if you select to create a barrier between coupled cabinets. Use an additional side panel to cap the end of a bayed rack row.



Part#	Description	Weight
SCP7842A-3	42u/42"D Rack Side, Black	30 lb
SCP8442A-3	45u/42"D Rack Side, Black	32 lb
SCP8842A-3	48u/42"D Rack Side, Black	34 lb
SCP7848A-3	42u/48"D Rack Side, Black	32 lb
SCP8448A-3	45u/48"D Rack Side, Black	34 lb
SCP8848A-3	48u/48"D Rack Side, Black	36 lb

Rear Rack Coffin Cover

An optional rack coffin cover can be added to cap the end of a bayed rack row. This cover matches the rack side panel and covers the PDU and cable management provisions included in the rear of an Axis Rack. Cover attached with 4 locking push pins.

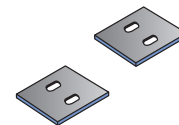


Part#	Description	Weight
AFCC7407-3	42u Rack Coffin Cover, Black	3 lb
AFCC8007-3	45u Rack Coffin Cover, Black	3 lb
AFCC8407-3	48u Rack Coffin Cover, Black	3 lb

*replace (-3) with alternate color choice to match rack:
(-1) putty, (-2) blue, (-4) gray, (-5) white, (-6) dark gray

Rack Coupling Kit

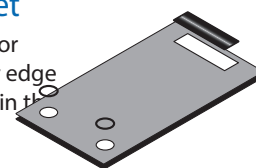
Joins two racks side by side. Racks must be the same height. Mounts to the two coupling holes found in the top of the cabinet frame. Mounting hardware included.



Part#	Description	Weight
ATMCK2-3	Rack Coupling Kit, black	5 lb

Top Panel Brush Kit and Grommet

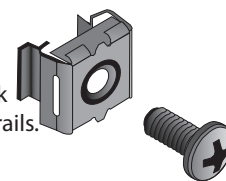
Add a rectangular brush kit to the rack rear for sealed cable access into the cabinet. Circular edge grommets can be added to the 2 cable k/o's in the front of the rack if needed.



Part#	Description	Weight
ATCBK412	(1) Cable Brush Kit, 4"x12"	1 lb
ACAG3D	(2) Circular Cable Grommet	1 lb

Mounting Hardware

Additional mounting hardware packs for rack mounting equipment to the rack mounting rails.



Part#	Description	Weight
AHPF1032-30	30pc, 10-32 screw	1 lb
AHPF1032CN-30	30pc, 10-32 cage-nut	1 lb
AHPFM6-30	30pc, M6 screw	1 lb
AHPFM6CN-30	30pc, M6 cage-nut	1 lb
AHPFCN-30	30pc, M6 screw w/ cage-nut	2 lb
AHPFCN-100	100pc, M6 screw w/ cage-nut	6 lb

Axis™ 42/45U Standard Rack

Axis™ Series Standard Rack Systems

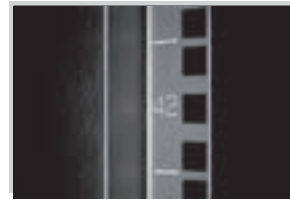
The Axis Rack is designed for medium density, high value installs where space conscious customers need to secure 42u to 45u of equipment. The slim design provides a space saving solution for installing servers, switches and storage devices. Available in several configurations, the Axis Series embraces superior strength and reliability in a high value equipment-ready design.

Application: AV/Security
Retail/Schools
Contractors
Space Saver

Model Sizes: Height: 78"/42U, 84"/45U
Width: 24"
Depth: 32"
Rails: M6 Cage Nut

Specifications:

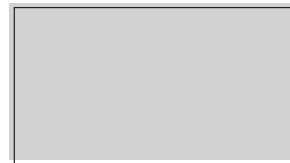
- Fully welded tubular steel construction
- Static weight capacity: 2000 lbs
- Two sets of adjustable mounting rails w/ EIA spacing
- 19" rack-mount equipment, 42U, 45U
- Fully adjustable mounting rails include RMU markings
- Reinforced doors, removable/reversible, w/ locks
- Doors exceed equipment req. for air-flow, 80%+ airflow
- Removable flush side panels with slam latches
- Flush top panels w/ cable knock-outs
- Open bottom for raised floor access and ventilation
- Fully welded seismic floor mounting channel
- Floor leveling/mounting provision, accessible when fully populated
- Grounding stud
- Caster kit included
- Textured epoxy powder-coat finish
- Rack ships fully assembled
- Custom configurations are available
- Fits multiple vendor environments
- UL Listed



(2) sets, 19" EIA-310-D compliant mounting rails w/ RMU markings. Rails are fully adjustable.



80%+ open door perforation pattern. Exceeds equipment requirements for air flow.



Fully welded seismic floor mounting channel allows rack to be leveled/mounted when fully populated.

78"/42U Popular Pre-Configured Models

Part #	H x W x D	Mnt. Rail	F.Door	R.Door	Sides	Top	Color	Wt.
CCP78EFB1SBSV-3	78 x 24 x 32	19"/Cage-Nut	Mesh	Mesh	(2) Solid	Vented	Black	215
CCP78EFB1SBCV-3	78 x 24 x 32	19"/Cage-Nut	Mesh	Mesh	(1) Solid	Vented	Black	190

84"/45U Popular Pre-Configured Models

Part #	H x W x D	Mnt. Rail	F.Door	R.Door	Sides	Top	Color	Wt.
CCP84EFB1SBSV-3	84 x 24 x 32	19"/Cage-Nut	Mesh	Mesh	(2) Solid	Vented	Black	230
CCP84EFB1SBCV-3	84 x 24 x 32	19"/Cage-Nut	Mesh	Mesh	(1) Solid	Vented	Black	205

Door Option: replace (B) in part# with alternate door style: (V) Plexiglass

Color Option: replace (3) in part# with alternative color choice: (1) Putty, (2) Blue, (4) Gray, (5) White, (6) Dark Gray

AxisMini™ 24U Rack

AxisMini™ Series Mini Rack

The AxisMini Series is a high value rack system designed for compact and low density equipment installs. The built-in security features make the AxisMini an ideal solution for storing security, AV and other sensitive equipment in a secure, compact 24U cabinet solution. The attractive design and optional casters also make the AxisMini an ideal solution for retail, schools and display installations where the rack will be visible to client/customer traffic and can be rolled to multiple locations.

Application: Audio Visual
Security
Displays
Retail/Schools

Model Sizes: Height: 48"/24U
Width: 24"
Depth: 36"
Rails: M6 Cage Nut

Specifications:

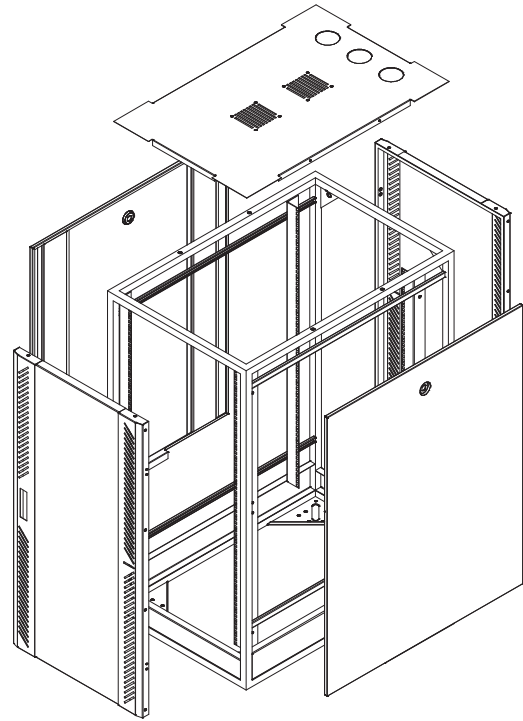
- Fully welded tubular steel construction
- Static weight capacity: 1000 lbs
- Two sets of adjustable mounting rails w/ EIA spacing
- 19" rack-mount equipment, 24U
- Fully adjustable mounting rails
- Reinforced doors w/ locks and security hinges
- Doors exceed equipment req. for air-flow, 80%+ airflow
- Removable flush side panels
- Flush top panels w/ cable knock-outs
- Open bottom for raised floor access and ventilation
- Fully welded seismic floor mounting channel
- Floor leveling and mounting provision
- Caster kit optional
- Textured epoxy powder-coat finish
- Rack ships fully assembled
- UL Listed

48"/24U Popular Pre-Configured Models

Part #	H x W x D	Mnt. Rail	F.Door	R.Door	Sides	Top	Color	Wt.
CC048EDB1SBSV-3	48 x 24 x 36	19"/Cage-Nut	Mesh	Mesh	(2) Solid	Vented	Black	125
CC048EDV1SBSV-3	48 x 24 x 36	19"/Cage-Nut	Plexiglass	Mesh	(2) Solid	Vented	Black	125
CC048EDV1SVSV-3	48 x 24 x 36	19"/Cage-Nut	Plexiglass	Plexiglass	(2) Solid	Vented	Black	125
CC048EDV1SVSF-3	48 x 24 x 36	19"/Cage-Nut	Plexiglass	Plexiglass	(2) Solid	2 Fan	Black	125

Color Option:

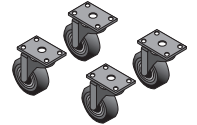
Replace (3) in part# with alternative color choice: (1) Putty, (2) Blue, (4) Gray, (5) White, (6) Dark Gray



Popular Accessories:

Caster Kits

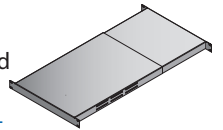
Caster kits bolt directly to the cabinets weld-in seismic floor mounting gussets.



Part#	Description	Weight
AFCHD25	500 lb cap, low-profile	6 lb

Equipment Shelves

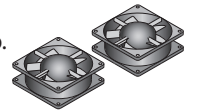
For equipment that does not support rack-mounted brackets, equipment shelves are an ideal solution.



Part#	Description	Weight
SHA1924S-3	Solid, adjustable 24"-36"	12 lb

Fan Kits

Fan kits can be added to any size vented cabinet top. Kits include mounting hardware.



Part#	Description	Weight
ATFK2	(2) Fans, 120 VAC	8 lb
ATFK2L	(2) Low noise fans, 120 VAC	10 lb

FasTrak Server Rack

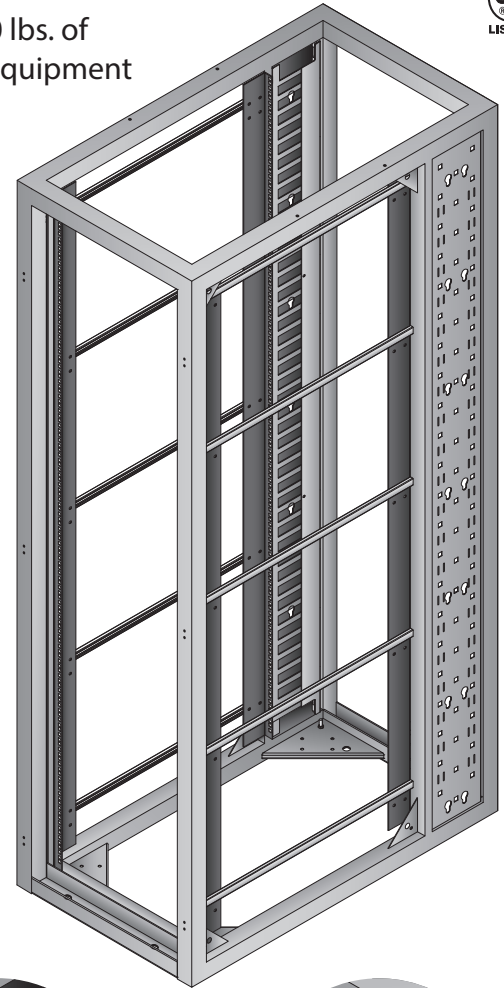
FasTrak Series HD Server Rack

Get your server rack deployments on the fast track by shipping fully populated racks from your off-site integrator directly to your data center.

The specially designed frame can safely transport up to 3500 lbs of equipment from one-site to another. An ideal solution for those customers utilizing an off site integrator for a complete plug and play solution. Simply roll the fully populated cabinet into place and switch



Safely ship 3000 lbs. of rack-mounted equipment

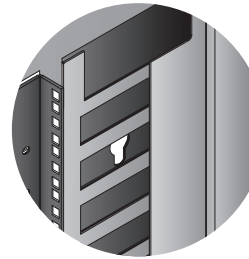


Application: Off-Site Systems Integration
Shippable
Dell™ & HP™ Approved Design

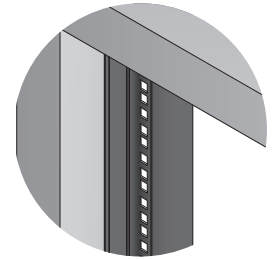
Model Sizes: Height: 84"
Width: 24"
Depth: 42", 48"
Rails: Cage Nut

Specifications:

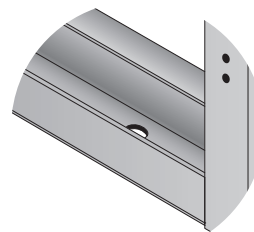
- Fully welded tubular steel construction
- Weight capacity: 3500 lb. static / 3000 lb. rolling
- Seismic rated design: ASCE 7-05 and CABC 2010 specification
- 19" EIA equipment width
- (2) Sets of adjustable mounting rails w/ RMU markings
- Rail attaches to cabinet frame at (5) locations
- EIA-310-D Standard Universal 5/8 x 5/8 x 1/2 hole spacing
- M6 Cage-Nut (square) mounting holes
- Reinforced doors, removable w/ locks and security hinges
- Doors exceed active equipment req. for air-flow, 80%+ airflow
- Removable flush side panels w/ slam latch
- Flush top panels w/ cable knock-outs, removable
- Open bottom for raised floor access and ventilation
- HD caster kit and floor levelers
- Fully welded seismic floor mounting channel
- Level and floor mount when the cabinet is fully loaded
- Zero clearance coupling, 24"W model, width of standard floor tile
- Integrated cable management and (4) PDU mounting provisions
- Cable finger manager is field reversible for left or right sided installs
- Recessed cabling and PDU mounting provides unobstructed airflow and equipment access
- Textured epoxy powder-coat finish
- Rack ships fully assembled
- Rack configurations are available
- Fits multiple vendor environments
- UL Listed



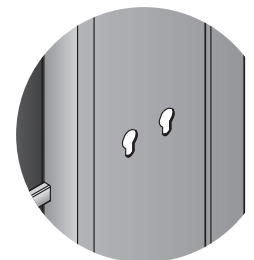
Vertical cable manager w/ locking cover. Routes cables to each RMU location. Unit is field reversible.



Full front perimeter air dam. This eliminates air mixing and increases cooling efficiencies.



Fully welded seismic floor mounting channel allows rack anchoring and leveling when fully populated.



Patented rear PDU/cabling cavity recesses PDU's and cabling into the frame for unobstructed airflow and access.

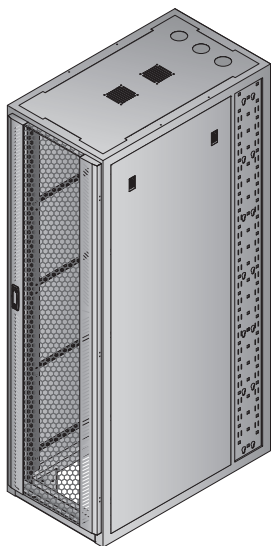
Server Rack

Use the part matrix below to build a FasTrak Rack to your specific requirements.

Choose the Height, Width/Rail Style, Depth, Front Door, Hinge Location, Rear Door, Side Panel, Top and Color.

Pre-Configured Rack options shown with ordering codes. Sample Part #: **CZP84EQB1BAS-3**

FRAME				DOORS			SIDES	TOP	COLOR
TYPE	HEIGHT/U#	WIDTH/RAILS	DEPTH	FRONT DOOR	DOOR HINGE	REAR DOOR			
CZP FasTrak Series	84 84" / 45U	E 24" Wide 19" Rackable Cage Nut Rail	Q 42" S 48"	B Mesh	1 Front: right Rear: right	B Mesh	A Solid, pair w/ lock	S Solid	1 Putty
				H Mesh w/ Fans		H Mesh w/ Fans	B Solid, 1 only w/ lock	0 None	3 Black
				V Vent Plex		V Vent Plex	0 None		4 Gray
				0 None		0 None			5 White
									6 Dark Gray



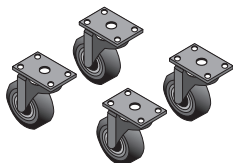
84"/45U Popular Pre-Configured Models

Part #	H x W x D	Mnt. Rail	F.Door	R.Door	Sides	Top	Color	Wt.
CZP84EQ0100S-3	84 x 24 x 42	19"/Cage-Nut	None	None	None	Solid	Black	190
CZP84EQB1BBS-3	84 x 24 x 42	19"/Cage-Nut	Mesh	Mesh	(1) Solid	Solid	Black	265
CZP84EQB1BAS-3	84 x 24 x 42	19"/Cage-Nut	Mesh	Mesh	(2) Solid	Solid	Black	295
CZP84ES0100S-3	84 x 24 x 48	19"/Cage-Nut	None	None	None	Solid	Black	200
CZP84ESB1BBS-3	84 x 24 x 48	19"/Cage-Nut	Mesh	Mesh	(1) Solid	Solid	Black	275
CZP84ESB1BAS-3	84 x 24 x 48	19"/Cage-Nut	Mesh	Mesh	(2) Solid	Solid	Black	305

Rack Dimensions

Rack dimensions include doors, sides, top and casters. Usable dimensions are maximum rail-to-rail settings.

Height					Width				Depth					
Rack		Frame		RMU	Rack		Frame		Rack		Frame		Usable	
in	mm	in	mm		in	mm	in	mm	in	mm	in	mm	in	mm
87.0	2210	84.0	2134		45u	24.0	610	24.0	610	45.0	1143	42.0	1066	31.0
									51.0	1295	48.0	1219	37.0	940



Heavy duty castor kit included.
Larger wheel for smooth rolling.

CoLocation 2&3 Compartment Rack

CoLocation Series Rack Systems

The CoLocation Rack is available in a two or three secure compartment configuration. The rack doors feature a combination lock with a master key over-ride.

Each compartment includes two independent sets 19" rackable mounting rails. The mounting rails are adjustable allowing for compartment specific mounting depths.

A secure cable channel separates compartment specific cable runs. This unique channel ensures no tampering with neighboring compartment data and power cables.

Application: CoLocation
Web Hosting
ISP, Internet Service Provider
Secure/Multi-Compartment

Model Sizes: Height: 84"
Width: 24"
Depth: 42"
Rails: Cage Nut (square hole)

Specifications:

- Fully Welded Construction: 2000 lb. static wt.
- 19" EIA width
- (2) Sets of adjustable mounting rails per compartment
- EIA-310-D Standard Universal 5/8 x 5/8 x 1/2 hole spacing
- M6 Cage-Nut (square) mounting holes
- Two or three secure equipment compartments
- Pre-drilled for field compartment changes
- Secure, isolated data and power cable channels, top or bottom entry
- Reinforced doors, removable w/ combo locks and security hinges
- Doors exceed active equipment req. for air-flow, hot/cold aisle ready
- Locking/removable flush side panels
- Flush top panels w/ cable knock-outs, removable
- Open bottom for raised floor access and ventilation
- Seismic floor mounting plates w/ levelers, casters optional
- Zero clearance coupling, 24"W model, width of standard floor tile
- Integrated unistrut for rail free mounting of accessories and power
- Textured epoxy powder-coat finish
- Rack ships fully assembled
- Custom configurations are available



Rack Features:



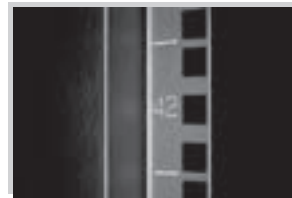
82% open door perforation pattern. Exceeds equipment requirements for air flow.



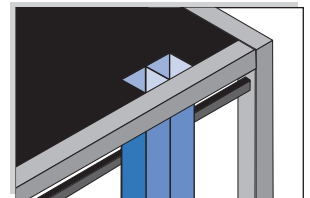
NEW

Standard Feature

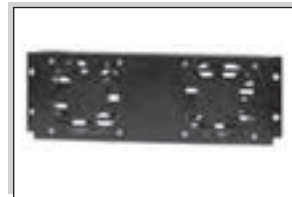
Combination locks are standard for all mesh doors. User sets the combination code. Also includes a keyed lock for combination over-ride. Key is included.



(2) sets of adjustable mounting rails per compartment.



Secure, isolated data and power cable channels, top or bottom entry



Optional FloTrac™ fan kit adds compartment specific cooling. Mounts to mesh doors and is adjustable (top-bottom)



Fully welded seismic floor mounting gussets included. Accepts optional caster kits or a

Server Rack

Use the part matrix below to build a CoLocation Rack to your specific requirements. Choose the Height, Width/Rail Style, Depth, Front Door, Door Hinge Location, Lock, Rear Door, Side Panel, Top and Color.

Pre-Configured Rack options shown with ordering codes. Sample Part #: CC284EQB1CBSS3

FRAME				DOORS				SIDES	TOP	COLOR
TYPE	HEIGHT/U#	WIDTH/RAIL	DEPTH	FRONT	DOOR	KEY/LATC	REAR			
CC2 2 Compartment	84 84"	E 24" Wide 19" Rackable Cage Nut Rail	Q 42"	B Mesh	1 Front: right Rear: right	C Key and Combo	B Mesh	A Solid, pair w/lock	S Solid	1 Putty
CC3 3 Compartment				H Mesh w/ FloTrac	2* Front: right Rear: left		H Mesh w/ FloTrac	B Solid, 1 only w/lock		2 Blue
				O Mesh FloTrac Ready	3* Front: left Rear: right		O Mesh FloTrac Ready	0 None		3 Black
				V Vent Plex	4* Front: left Rear: left		V Vent Plex			4 Gray
				0 None			0 None			5 White
										6 Dark Gray

84" - (2) Compartment Rack

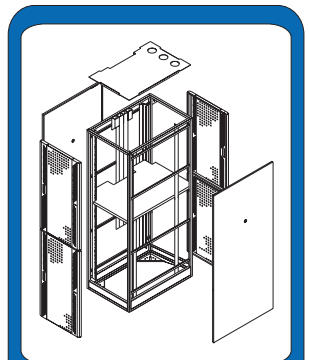
22U per compartment

Part #	H x W x D	Mnt. Rail	F.Door	R.Door	Sides	Top	Color	Wt.
CC284EQB1CBAS3	84 x 24 x 42	19"/Cage-Nut	Mesh	Mesh	Solid	Solid	Black	250
CC284EQV1CBAS3	84 x 24 x 42	19"/Cage-Nut	Vent Plexi	Mesh	Solid	Solid	Black	250

84" - (3) Compartment Rack

14U per compartment

Part #	H x W x D	Mnt. Rail	F.Door	R.Door	Sides	Top	Color	Wt.
CC384EQB1CBAS3	84 x 24 x 42	19"/Cage-Nut	Mesh	Mesh	Solid	Solid	Black	265
CC384EQV1CBAS3	84 x 24 x 42	19"/Cage-Nut	Vent Plexi	Mesh	Solid	Solid	Black	265



Rack Includes:

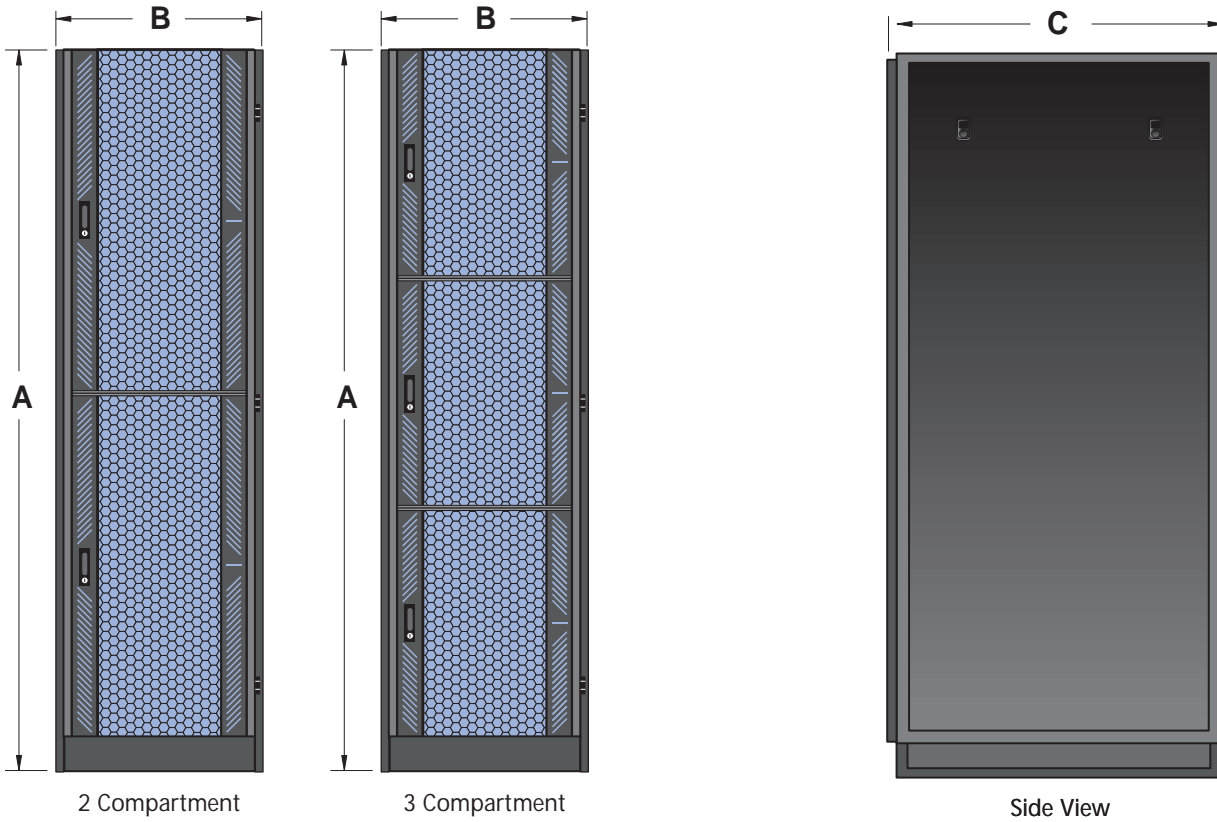
- (1) fully welded four-post frame
- 19" cage-nut mounting rails.
- (2) locking solid side panel (optional)
- locking mesh front door
- locking mesh rear door
- combo lock w/ master key per door
- (1) solid top panel
- (1) secure cable channel
- (4) leveling feet
- (4) seismic floor mounting gussets
- (1) bag of 30pc mounting hardware

Color Option:

Replace (3) in part# with alternative color choice: (1) Putty, (2) Blue, (4) Gray, (5) White, (6) Dark Gray

CoLocation 2&3 Compartment Rack

CoLocation Series Technical Specifications



Rack Dimensions: see drawing for A, B, and C

Rack dimensions include doors, sides & top. Usable dimensions are maximum usable interior dimensions.

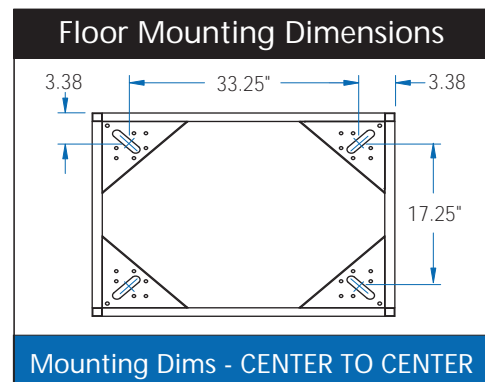
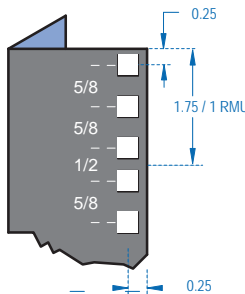
A - Height					
Cabinet		Frame		RMU per compartment	
in	mm	in	mm	2	3
84.0	2133	84.0	2133	22u	14u

B - Width			
Cabinet		Frame	
in	mm	in	mm
24.0	610	24.0	610

C - Depth					
Cabinet		Frame		Usable	
in	mm	in	mm	in	mm
45.0	1143	42.0	1066	36.0	914

Mounting Rail Detail

Mounting rails support 19" rack mount equipment. Meet EIA-310-D industry standard hole spacing. Feature M6 cage-nut (square) mounting holes. Finished in black powder-coat.



CoLocation Series Accessories

FloTrac™ Fan Kits

Increases front to back air flow by 20%. Kits mount to the inside of mesh doors that are ordered FloTrac ready: ("O" as the door designation symbol in the cabinet part#). Kits can be installed at any vertical position on the door. Multiple kits can be installed.

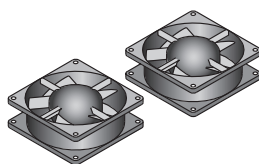


- Increases air flow by 20%
- available for fan ready mesh doors only

Part#	Description	Weight
AD2FTK24	FloTrac Unit, 120VAC	3 lb

Fan Kits

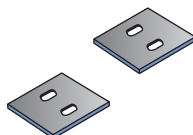
Fan kits can be added to any size vented cabinet top. Kits include mounting hardware.



Part#	Description	Weight
ATFK2	(2) Fans, 120 VAC	8 lb
ATFK2L	(2) Low Noise Fans, 120 VAC	10 lb
ATFK2-220	(2) Fans, 220 VAC	6 lb

Cabinet Coupling Kit

Joins two racks side by side. Racks must be the same height. Mounts to the two coupling holes found in the top of the cabinet frame. Mounting hardware included.

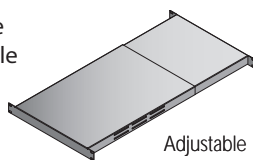


Part#	Description	Weight
ATMCK2-3	Rack Coupling Kit, black	5 lb

Equipment Shelves

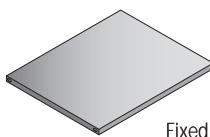
For equipment that does not support rack-mounted brackets, equipment shelves are an ideal solution. Available in fixed or adjustable depth.

- Available in fixed or adjustable depth.
- Includes mounting hardware



Adjustable

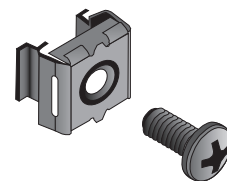
Part#	Description	Weight
SHA1924S-3	Solid, adjustable 24"-36"	12 lb
SH1924S-3	Solid, fixed 24"	12 lb
SH1929S-3	Solid, fixed 29"	14 lb



Fixed

Mounting Hardware

Additional M6 mounting hardware packs for rack mounting equipment to the cabinet mounting rails.



Part#	Description	Weight
AHPFM6-30	30pc, M6 screw	1 lb
AHPFM6CN-30	30pc, M6 cage-nut	1 lb
AHPFCN-30	30pc, M6 screw w/ cage-nut	2 lb
AHPFCN-100	100pc, M6 screw w/ cage-nut	6 lb

CableAxis™ 45U Network/Switch Rack

CableAxis™ Network Rack Systems

The CableAxis Rack provides the additional needs of high density cabling applications for switches within the data center environment. Featuring specific enhancements to manage network switches, aggressive cable management and optional side-to-side airflow while maintaining a hot/cold aisle layout.

The unique rack design adds additional internal rack clearance to the sides of the mounting rails. This additional rack area provides improved cabling and air management. Install an optional air baffle to manage side to side air flow produced by some types of network switches. Vertical cable fingers are included in the front of the mounting rails and align with corresponding rack spaces. Two universal PDU/cabling plates are install in the cabinet rear for PDU mounting and additional cable management.

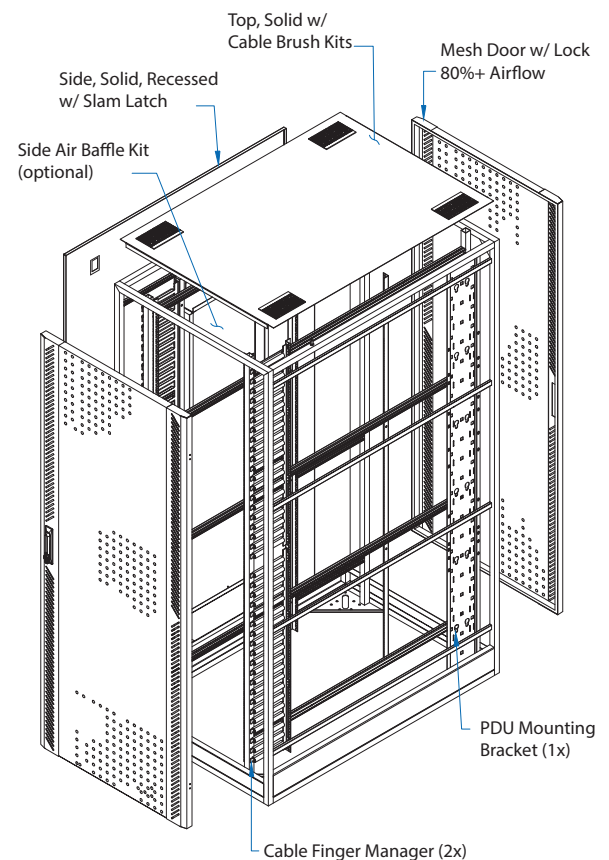
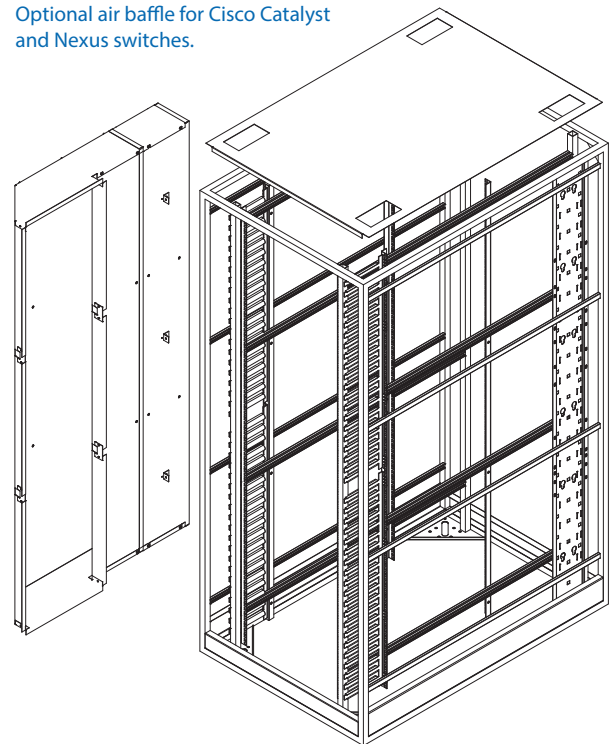
Application: Network Switches
Side-to-Side Air Flow
Cisco Catalyst or Nexus switches

Model Sizes: Height: 82"
Width: 32"
Depth: 40", 48"
Rails: Cage Nut or Tapped

Specifications:

- Fully Welded Construction: 2000 lb. static wt.
- 19" EIA width, 45 RMU
- (2) Sets of adjustable mounting rails per compartment
- EIA-310-D Standard Universal 5/8 x 5/8 x 1/2 hole spacing
- M6 cage-nut (square) or 10-32 tapped mounting holes
- Dedicated cable management section
- Two cable fingers managers, align with rack spaces
- Network switch side-to-side air baffle available
- Grounding lug included in the cabinet bottom
- Reinforced mesh doors w/ key locks and security hinges, 80%+ airflow
- Doors exceed active equipment req. for air-flow, hot/cold aisle ready
- Solid side panels w/ slam latch
- Flush top panels w/ brush cable openings in all four corners
- Open bottom for raised floor access and ventilation
- Seismic floor mounting plates w/ levelers
- Zero clearance coupling, 24"W model, width of standard floor tile
- PDU mounting, install two PDU's via button mounting provisions
- Textured epoxy powder-coat finish
- Rack ships fully assembled

Optional air baffle for Cisco Catalyst and Nexus switches.



Network/Switch Rack

Use the part matrix below to build a CableAxis Network Rack to your specific requirements.

Choose: Height, Width/Rail, Depth, Front Door, Hinge Location, Lock, Rear Door, Side Panel, Top, Color, Optional Air Baffle.

Pre-Configured Rack options shown with ordering codes. Sample Part #: CCD84NQB1SBSS-3AD

FRAME				DOORS				SIDES	TOP	COLOR	AIR BAFFLE
TYPE	HEIGHT/U#	WIDTH/RAILS	DEPTH	FRONT	DOOR	KEY/LATCH	REAR				
CCD CableAxis Cabinet	84 82"/45U	N 32" Wide Cage Nut Rail	Q 42" S 48" 32" Wide Tapped Rail, 10-32	B Mesh	1 Front: right Rear: right	C Key and Combo S Alike	B Mesh H Mesh w/ FloTrac Fan System 0 None	S Solid, pair C Solid, 1 only A Solid, pair w/ lock B Solid, 1 only w/ lock 0 None	S Solid V Vented 0 None	1 Putty 3 Black 4 Gray 5 White 6 Dark Gray	AD Side-to-Side Air Baffle



82"/45U - Includes: (2) Cable Fingers, (1) PDU Bracket, Solid Top w/ Brush Kit

Part Number	H x W x D	Mnt. Rail	F.Door	R.Door	Sides	Top	Color	Wt.
CCD84NQ01S00S3	82 x 32 x 42	19"/Cage-Nut	None	None	None	Solid	Black	220
CCD84NQ01S0CS3	82 x 32 x 42	19"/Cage-Nut	None	None	(1) Solid	Solid	Black	240
CCD84NQB1SBCS3	82 x 32 x 42	19"/Cage-Nut	Mesh	Mesh	(1) Solid	Solid	Black	310
CCD84NQB1SBSS3	82 x 32 x 42	19"/Cage-Nut	Mesh	Mesh	(2) Solid	Solid	Black	330
CCD84NS01S00S3	82 x 32 x 48	19"/Cage-Nut	None	None	None	Solid	Black	240
CCD84NS01S0CS3	82 x 32 x 48	19"/Cage-Nut	None	None	(1) Solid	Solid	Black	260
CCD84NSB1SBCS3	82 x 32 x 48	19"/Cage-Nut	Mesh	Mesh	(1) Solid	Solid	Black	320
CCD84NSB1SBSS3	82 x 32 x 48	19"/Cage-Nut	Mesh	Mesh	(2) Solid	Solid	Black	340



82"/45U w/ Air Baffle - Includes: (2) Cable Fingers, (1) PDU Bracket, Solid Top w/ Brush Kit

Part Number	H x W x D	Mnt. Rail	F.Door	R.Door	Sides	Top	Color	Wt.
CCD84NQ01S0CS3AD	82 x 32 x 42	19"/Cage-Nut	None	None	(1) Solid	Solid	Black	245
CCD84NQB1SBCS3AD	82 x 32 x 42	19"/Cage-Nut	Mesh	Mesh	(1) Solid	Solid	Black	315
CCD84NQB1SBSS3AD	82 x 32 x 42	19"/Cage-Nut	Mesh	Mesh	(2) Solid	Solid	Black	335
CCD84NS01S0CS3AD	82 x 32 x 48	19"/Cage-Nut	None	None	(1) Solid	Solid	Black	265
CCD84NSB1SBCS3AD	82 x 32 x 48	19"/Cage-Nut	Mesh	Mesh	(1) Solid	Solid	Black	325
CCD84NSB1SBSS3AD	82 x 32 x 48	19"/Cage-Nut	Mesh	Mesh	(2) Solid	Solid	Black	345

In-Rack Air Baffle

The air baffle redirects hot exhaust air from the side of a switch to the rear of the rack. This increases cooling efficiencies by eliminating air flow restrictions, air mixing and establishes front to back air flow within the rack. Ideal solution for supporting hot and cold aisle ways in a data center.

Color Option:

Replace (3) in part# with alternative color choice:
 (1) Putty, (2) Blue, (4) Gray, (5) White,
 (6) Dark Gray

Seismic 38/45U Server/GP Rack

Seismic Series Rack Systems

The Seismic Series Rack has been designed to withstand the forces produced by seismic events while ensuring the rack-mounted equipment within remains unharmed and operational.

The enhanced structural design of the Seismic Series exceeds the performance standard for Seismic Zone 4 set forth by Network Equipment Building Systems (NEBS), Bellcore test criteria.

Application: Government
Military
Seismic Prone Locations
Mission Critical Services
Off-Site Systems Integration

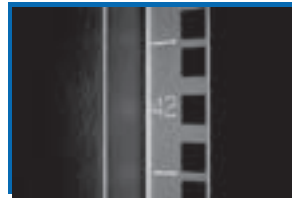
Model Sizes: Height: 72", 84"
Width: 24", 30"
Depth: 30", 36", 40", 42", 48"
Rails: 10-32, Cage Nut

Specifications:

- Tested/certified to NEBS™-Telcordia GR-63-CORE standard
- Weight capacity: 3500 lb. static
- Fully welded tubular steel construction
- 19" EIA width
- (2) sets of adjustable mounting rails per compartment
- EIA-310-D Standard Universal 5/8 x 5/8 x 1/2 hole spacing
- M6 Cage-Nut (square) or 10-32 tapped mounting holes
- Tubular steel reinforced doors, removable w/ locks and security hinges
- Mesh doors exceed active equipment req. for air-flow, 80%+ airflow
- Locking/removable flush side panels
- Flush top panels w/ cable knock-outs, removable
- Open bottom for raised floor access and ventilation
- HD Seismic floor mounting plates w/ levelers, casters optional
- Zero clearance coupling, 24"W model, width of standard floor tile
- Integrated unistrut for rail free mounting of accessories and power
- Textured epoxy powder-coat finish
- Rack ships fully assembled
- Custom configurations are available
- Fits multiple vendor environments
- UL Listed



Rack Features:



(2) sets, 19" EIA-310-D compliant mounting rails w/ RMU markings. Rails are fully adjustable. No air gap around the front rails, no air mixing.



82% open door perforation pattern. Exceeds equipment requirements for air flow. Door's are reinforced and include a keyed or combination lock.



Optional universal cable management bracket w/ PDU button mounting provisions. Install up to two PDU's or three columns of D-Rings or Velcro™ loops. *sold separately, #APCBU



Fully welded seismic floor mounting gussets included. Accepts optional caster kits or a grounding lug. Supports up to 2500 lbs on casters.

Server Rack

Use the part matrix below to build a Seismic Rack to your specific requirements. Choose the Height, Width/Rail Style, Depth, Front Door, Door Hinge Location, Lock, Rear Door, Side Panel, Top and Color.

Pre-Configured Rack options shown with ordering codes. Sample Part #: CS84EPB1BSV3

FRAME				DOORS			SIDES	TOP	COLOR
TYPE	HEIGHT/U#	WIDTH/RAILS	DEPTH	FRONT DOOR	DOOR HINGE	REAR DOOR			
CS Seismic GR-63-CORE Certified	72 72" / 38U	B 24" Wide 19" Rackable 10-32 Rail	B 30"	B Mesh	1 Front: right Rear: right	B Mesh	S Solid, pair	F 2 Fan	1 Putty
	84 84" / 45U	E 24" Wide 19" Rackable Cage Nut Rail	D 36"	H Mesh w/ Fans	2* Front: right Rear: left	H Mesh w/ Fans	C Solid, 1 only	R 4 Fan	2 Blue
		P 24" Wide 19" Rackable Cage Nut Rail	P 40"	V Vent Plex	3* Front: left Rear: right	V Vent Plex	0 None	S Solid	3 Black
		J* 30" Wide 23" Rackable 10-32 Rail	Q 42"	0 None	4* Front: left Rear: left	0 None	V Vented	4 Gray	4 Gray
		S 30" Wide 23" Rackable Cage Nut Rail	S 48"				0 None	5 White	5 White
		P* 30" Wide 23" Rackable Cage Nut Rail					6 Dark Gray	6 Dark Gray	6 Dark Gray

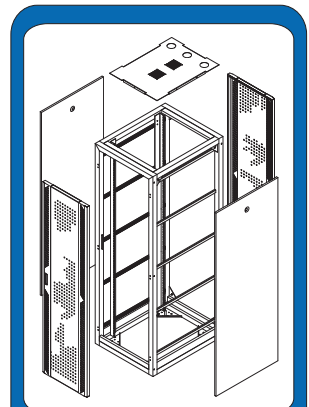
* Special Order Item

84"/45U Popular Pre-Configured Models

Part #	Rating	HxWxD	Mnt. Rail	F.Door	R.Door	Sides	Top	Color	Wt
CS84ED0100S3	NEBS	84x24x36	19"/Cage-Nut	None	None	None	Solid	Black	150
CS84EDB1B0S3	NEBS	84x24x36	19"/Cage-Nut	Mesh	Mesh	None	Solid	Black	200
CS84EDB1BCS3	NEBS	84x24x36	19"/Cage-Nut	Mesh	Mesh	(1) Solid	Solid	Black	225
CS84EDB1BSS3	NEBS	84x24x36	19"/Cage-Nut	Mesh	Mesh	(2) Solid	Solid	Black	275
CS84EP0100S3	NEBS	84x24x40	19"/Cage-Nut	None	None	None	Solid	Black	155
CS84EPB1BCS3	NEBS	84x24x40	19"/Cage-Nut	Mesh	Mesh	None	Solid	Black	205
CS84EPB1BSS3	NEBS	84x24x40	19"/Cage-Nut	Mesh	Mesh	(1) Solid	Solid	Black	230
CS84EPB1BSS3	NEBS	84x24x40	19"/Cage-Nut	Mesh	Mesh	(2) Solid	Solid	Black	280

72"/38U Popular Pre-Configured Models

Part #	Rating	HxWxD	Mnt. Rail	F.Door	R.Door	Sides	Top	Color	Wt
CS72ED0100S3	NEBS	72x24x36	19"/Cage-Nut	None	None	None	Solid	Black	140
CS72EDB1B0S3	NEBS	72x24x36	19"/Cage-Nut	Mesh	Mesh	None	Solid	Black	190
CS72EDB1BCS3	NEBS	72x24x36	19"/Cage-Nut	Mesh	Mesh	(1) Solid	Solid	Black	215
CS72EDB1BSS3	NEBS	72x24x36	19"/Cage-Nut	Mesh	Mesh	(2) Solid	Solid	Black	265
CS72EP0100S3	NEBS	72x24x40	19"/Cage-Nut	None	None	None	Solid	Black	145
CS72EPB1BCS3	NEBS	72x24x40	19"/Cage-Nut	Mesh	Mesh	None	Solid	Black	195
CS72EPB1BSS3	NEBS	72x24x40	19"/Cage-Nut	Mesh	Mesh	(1) Solid	Solid	Black	220
CS72EPB1BSS3	NEBS	72x24x40	19"/Cage-Nut	Mesh	Mesh	(2) Solid	Solid	Black	270



Rack Includes:

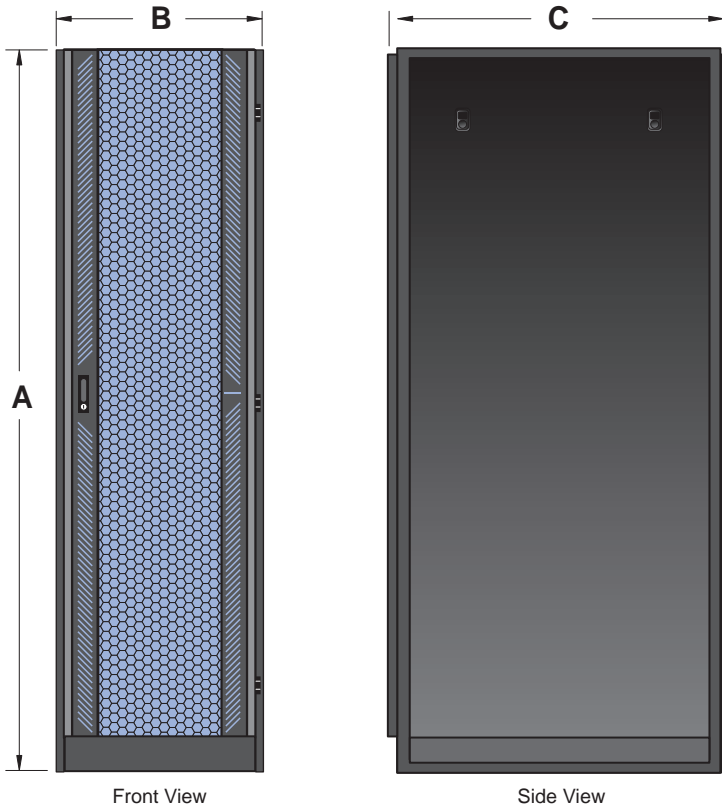
- (1) fully welded four-post frame
- (4) mounting rails, tapped or cage-nut
- (2) locking solid side panel (optional)
- (1) locking mesh front door (optional)
- (1) locking mesh rear door (optional)
- (1) vented top panel (optional)
- (4) leveling feet
- (4) seismic floor mounting gussets
- (1) bag of 30pc mounting hardware

Color Option:

Replace (3) in part# with alternative color choice: (1) Putty, (2) Blue, (4) Gray, (5) White, (6) Dark Gray

Seismic 38/45U Server/GP Rack

Seismic Series Technical Specifications



Floor Mounting Dimensions

BOTTOM VIEW

Mounting Dims - CENTER TO CENTER		
Cabinet Dim.	D	E
24.0"W x 30.0"D	15.25"	21.25"
24.0"W x 36.0"D	15.25"	27.25"
24.0"W x 40.0"D	15.25"	31.25"
24.0"W x 42.0"D	15.25"	33.25"
24.0"W x 48.0"D	15.25"	39.25"
30.0"W x 30.0"D	21.25"	21.25"
30.0"W x 36.0"D	21.25"	27.25"
30.0"W x 40.0"D	21.25"	31.25"
30.0"W x 42.0"D	21.25"	33.25"
30.0"W x 48.0"D	21.25"	39.25"

Rack Dimensions: see drawing for A, B, and C

Rack dimensions include doors, sides & top. Usable dimensions are maximum usable interior dimensions.

A - Height

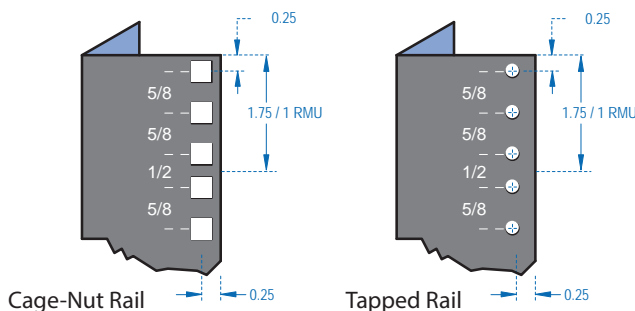
Rack		Frame		RMU
in	mm	in	mm	
72.0	1828	72.0	1828	38u
84.0	2133	84.0	2133	45u

B - Width

Rack		Frame	
in	mm	in	mm
24.0	610	24.0	610
30.0	762	30.0	762

C - Depth

Rack		Frame		Usable	
in	mm	in	mm	in	mm
33.0	838	30.0	762	26.0	660
39.0	990	36.0	914	32.0	813
43.0	1092	40.0	1016	36.0	914
45.0	1143	42.0	1066	38.0	965
51.0	1295	48.0	1219	44.0	1117



Mounting Rail Detail

Mounting rails support 19" rack mount equipment. Meet EIA-310-D industry standard hole spacing. Feature M6 cage-nut (square) or 10-32 tapped (round) mounting holes. Finished in black powder-coat. Rails are fully adjustable to meet any equipment requirement. Multiple rail sets can be added to all Damac racks for multiple applications.

Seismic Series Accessories

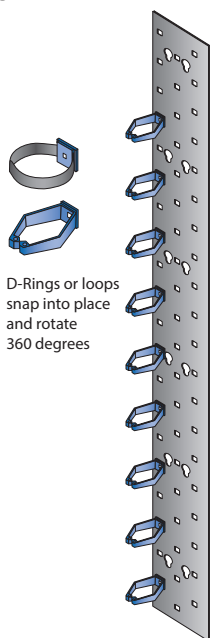
Universal Cable/PDU Bracket

Creates a vertical pathway for cable routing or PDU mounting. Installs to the racks horizontal unistrut. Requires 6.75" of usable depth. PDU mounting requires button style mounting provisions. Three vertical rows of squares receptacle holes included for installation of cable

D-Rings or Velcro™ loops.

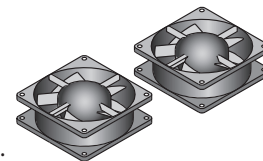
- Dims: 71.75"H x 6.75"W
- PDU button mounting spaces @ 12.25" centers

Part#	Description	Weight
APCBU	Cable/PDU Bracket	3 lb
APCBUR10	D-Rings, 10pc	1 lb
APCBUV10	Velcro™ Loops, 10pc	1 lb



Fan Kits

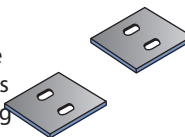
Fan kits can be added to any size vented rack top. Kits include mounting hardware.



Part#	Description	Weight
ATFK2	(2) Fans, 120 VAC	8 lb
ATFK2L	(2) Low Noise Fans, 120 VAC	10 lb
ATFK2-220	(2) Fans, 220 VAC	6 lb

Cabinet Coupling Kit

Joins two racks side by side. Racks must be the same height. Mounts to the two coupling holes found in the top of the cabinet frame. Mounting hardware included.



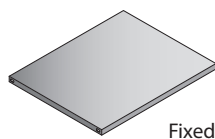
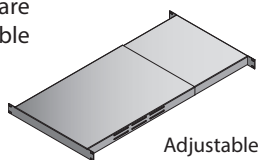
Part#	Description	Weight
ATMCK2-3	Rack Coupling Kit, black	5 lb

Equipment Shelves

For equipment that does not support rack-mounted brackets, equipment shelves are an ideal solution. Available in fixed or adjustable depth.

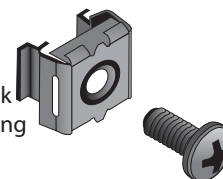
- Available in fixed or adjustable depth.
- Includes mounting hardware

Part#	Description	Weight
SHA1924S-3	Solid, adjustable 24"-36"	12 lb
SH1924S-3	Solid, fixed 24"	12 lb
SH1929S-3	Solid, fixed 29"	14 lb



Mounting Hardware

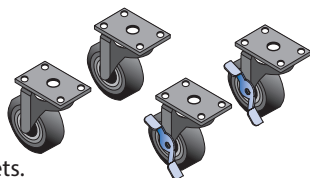
Additional mounting hardware packs for rack mounting equipment to the cabinet mounting rails.



Part#	Description	Weight
AHPF1032-30	30pc, 10-32 screw	1 lb
AHPF1032CN-30	30pc, 10-32 cage-nut	1 lb
AHPFM6-30	30pc, M6 screw	1 lb
AHPFM6CN-30	30pc, M6 cage-nut	1 lb
AHPFCN-30	30pc, M6 screw w/ cage-nut	2 lb
AHPFCN-100	100pc, M6 screw w/ cage-nut	6 lb

Caster Kits

Caster kits bolt directly to the racks weld-in seismic floor mounting gussets.



Part#	Description	Height	Weight
AFCHD	2000 lb cap. (2) w/ brake	4.5 in	8 lb
AFCYO	1600 lb cap. no brake	4.5 in	8 lb
AFCHL	2500 lb cap, low-profile	2.8 in	6 lb

* add caster height to cabinet for total unit height

Additional Accessories

See the rack accessories section for additional items.



Triplet Rack

Triplet Rack Series OCP Rack System

The Triplet Rack System combines 3 traditional server racks into one triple wide (triplet) rack system. This unique design saves floor space and provides a three rack cluster system for building out specific equipment configurations. The Triplet Rack is ideal for shipping fully populated cabinets to and from an off site integration facility.

The rack system features a fully welded tubular steel frame that incorporates our seismic design and construction. Ideal solution for extreme equipment densities with a rolling weight capacity of 4500 lbs.

Application: 19" Rack-Mount Equipment
White Box/Custom Servers
None Rack-Mount Servers

Model Sizes:

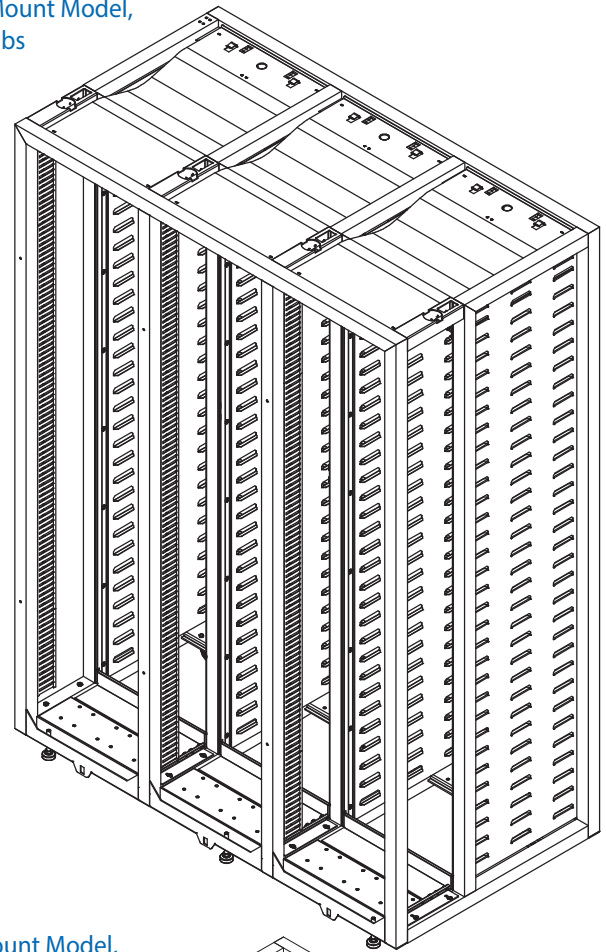
Height:	95.00"
RMU:	150u
Server Chassis:	93 (non-rackable)
Width:	67.50"
Depth:	36", 42"

Specifications:

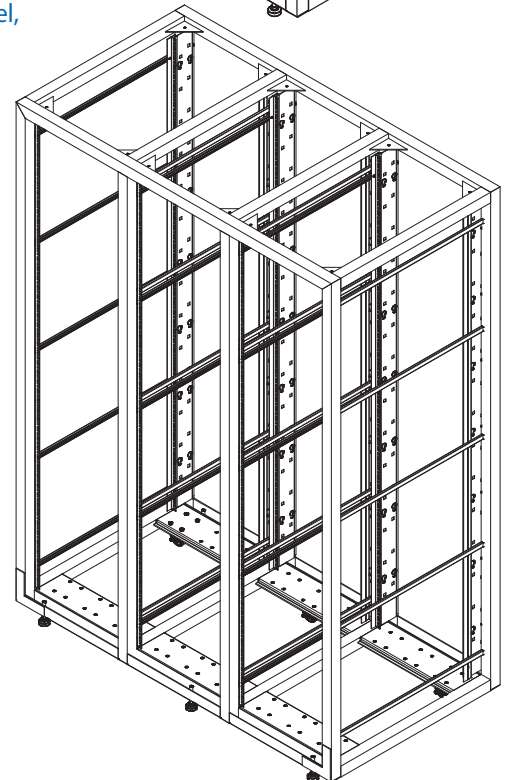
- Fully welded tubular steel construction
- Rolling weight capacity: 4500 lbs
- Seismic rated design
- White box server ready, non-rackmount, 93 units max
- Non-Rackmount servers use a tab panel with locking pins
- Optional adjustable mounting rails w/ EIA spacing and RMU markings
- 19" rack-mount equipment model: 150 RMU
- Open bottom for raised floor access and ventilation
- Fully welded seismic floor mounting channel
- Floor leveling and mounting provision, accessible when fully populated
- Recessed rear cabling and PDU mounting cavity
- (3) Vertical cable managers w/ covers
- Special rear cavity allows 100% access to mounted equipment
- Unobstructed front-to-back airflow increasing cooling efficiencies.
- Grounding stud
- HD Caster kit included, 6 per rack
- Textured epoxy powder-coat finish
- Rack ships fully assembled
- Custom configurations are available
- Fits multiple vendor environments

The Triplet Rack can be customized for specific equipment and mounting provisions.

Non-Rack-Mount Model,
96 Server Tabs



19" Rack-Mount Model,
150 RMU



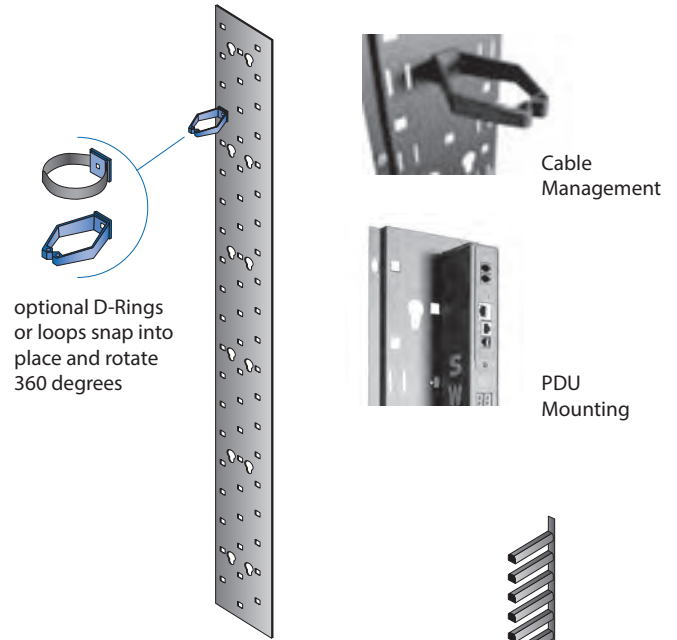
Cable Management

Rack PDU/Cable Bracket

Creates a vertical pathway for cable routing or PDU mounting. Installs to the cabinets horizontal unistrut. Requires 6.75" of usable depth. PDU mounting requires button style mounting provisions. Three vertical rows of squares receptacle holes included for installation of cable D-Rings or Velcro™ loops.

- PDU button mounting spaces @ 12.25" centers
- Add D-Rings or Velcro™ loops, sold separately

Part#	Description	Weight
APCBU	Cable/PDU Bracket, 78"-84"H racks	3 lb.
APCBU96	Cable/PDU Bracket, 102"H racks	6 lb.
ABCBUR10	D-Rings, 10pc	1 lb
ABCBUV10	Velcro™ Loops, 10pc	1 lb

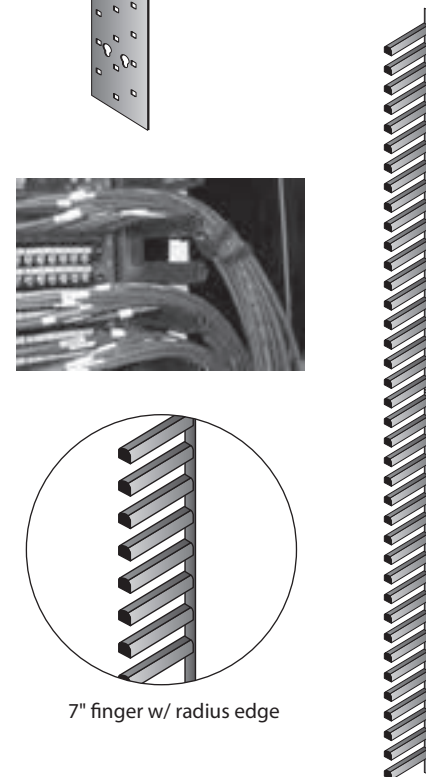


Rack Cable Finger Manager

The Cable Finger Manager promotes superior cable management, maintains proper bend radius and organizes your data cables, patch cords and power cables. Cables can be routed through the vertical cable routing fingers for optimal organization and patching. Cable fingers are evenly spaced at 1U increments allowing cables to transition smoothly to rack mounted equipment. Each cable finger is rounded

- Cable routing finger can only be installed in 84"H/45U cabinets
- Mounts to the vertical mounting rails in (4) locations

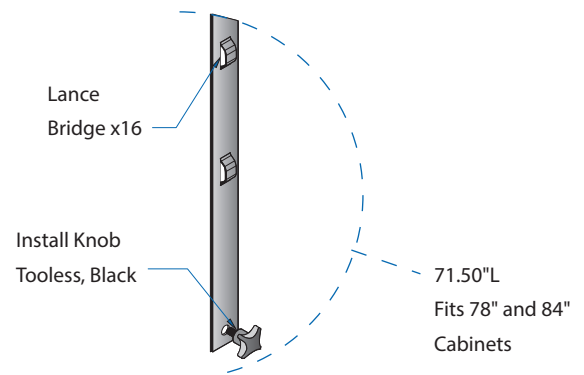
Part#	Description	Weight
ACCF684	Vertical Cable Fingers, 78"H x 7"D	10 lb



Rack Lacing Bar

The Vertical Lacing Bar provides 16 lance bridges for securing cable ties or Velcro straps to organize cables within the cabinet. Includes Tool-less mounting and installs to the side of a 78" or 84" height Damac rack.

Part#	Description	Weight
ACLB78	Vertical Lacing Bar, 1.0" wide	2 lb.



Rack Doors & Sides

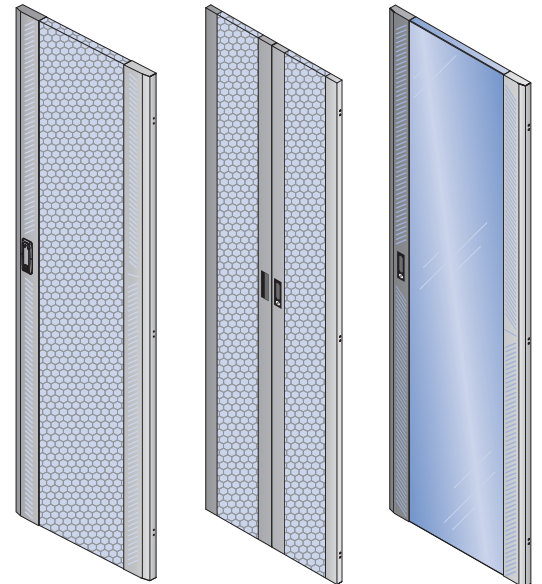
Rack Doors

A variety of rackdoor options are available. Each rack door includes a standard latch with key lock, hinge assembly, lock catch plate and mounting hardware.

Mesh doors feature 80%+ open door airflow. Exceeds equipment requirements for air flow.

Use the part matrix below to select the desired door type to match a specific Damac rack series
 Door options shown with ordering codes. Sample Part #: [DP8424B3](#)

DP	84	24	B	3	
Rack Series	Height	Width	Door Type	Color	
DP Axis/AxisPlus Rack Part# CCPxxxx	72 72"H Rack	24 24"W Rack	B Mesh	1 Putty	
Cable Axis Rack Part# CCD84xx	78 78"H Rack	28 28"W Rack	A Split-Mesh 2pc Door	3 Black	
DZP FasTrack Rack Part# CZP84xx	84 84"H Rack	30 30"W Rack	H Mesh w/ FloTrac	4 Gray	
DS Seismic Rack Part# CSxxxx	88 88"H Rack	32 32"W Rack	V Vent Plex	5 White	
				6 Dark Gray	



Single Mesh Split Mesh Vented Plexiglass

* match door with rack height, width and color.

Rack Side Panel

Rack side panels are solid and include slam latches. The recessed design of the side panel allows for installation without adding any additional space requirement beyond the rack frame. This creates zero clearance rack-to-rack coupling. Optional locking slam latch is available.

Use the part matrix below to select the desired side panel type to match a specific Damac rack series
 Side panel options shown with ordering codes. Sample Part #: [SP8442A3](#)

SP	84	42	A	3	
Cabinet Series	Height	Depth	Panel Type	Color	
SP Axis/AxisPlus Rack Part# CCPxxxx	72 72"H Rack	32 32"D Rack	A Solid, pair w/lock	1 Putty	
SCD Cable Axis Rack Part# CCD84xx	78 78"H Rack	36 36"D Rack	B Solid w/ lock	3 Black	
SZP FasTrack Rack Part# CZP84xx	84 84"H Rack	42 42"D Rack		4 Gray	
SS Seismic Rack Part# CSxxxx	88 88"H Rack	48 48"D Rack		5 White	
				6 Dark Gray	



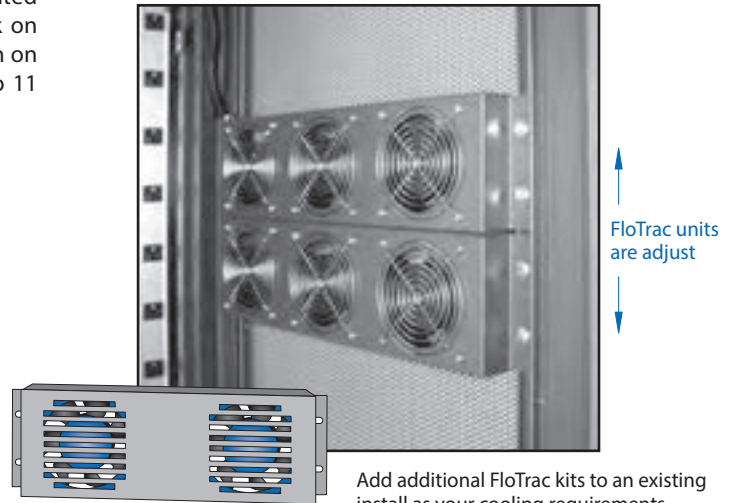
* match side panel with rack height, depth and color

FloTrac™ Hot/Cold Air Enhancement

FloTrac™ Rack Fan Door

The FloTrac system promotes front-to-back air flow in a hot and cold aisle environment. This unique system amplifies the effectiveness of your cold aisle inlet and exhaust air outlet (hot aisle). This additional air-flow amplification provides increased efficiencies and performance of the rack mounted equipments internal cooling fans. FloTrac units mount to a vertical track on the inside of a mesh rack door. Fan units can be positioned at any location on the internal vertical door area. Doors include one FloTrac fan unit. Up to 11 additional units can be installed.

Part #	Type	Rack	Size HxW	Color	Ship Wt.
DP7824H-3	FloTrac	AxisPlus	78"H x 24"W	Black	38 lb.
DP8424H-3	FloTrac	AxisPlus	84"H x 24"W	Black	43 lb.
DZP8424H-3	FloTrac	FasTrack	84"H x 24"W	Black	43 lb.
DS8424H-3	FloTrac	Seismic	84"H x 24"W	Black	43 lb.
DP8824H-3	FloTrac	AxisPlus	88"H x 24"W	Black	46 lb.



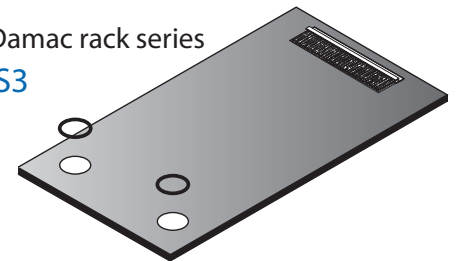
Add additional FloTrac kits to an existing install as your cooling requirements change.

Rack Top Panel

Rack top panels are solid w/ two 3" cable knock-outs in the front and one 4"x12" rectangular cable knock-out in the rear. Top panels mount flush to the rack and are removable. Optional brush cable kits and grommets are available and snap into the provided knock-outs if removed.

Use the part matrix below to select the desired top panel type to match a specific Damac rack series

Top panel options shown with ordering codes. Sample Part #: TP2442S3



*shown w/ knock-outs removed and optional brush kit and circular grommets

Rack Series	Width	Depth	Panel Type	Color
TP AxisPlus Rack Part# CCPxxxx	24 24"W Rack	32 32"D Rack	S Solid	1 Putty
TCD Cable Axis Rack Part# CCD84xx	28 28"W Rack	36 36"D Rack		3 Black
TZP FasTrack Rack Part# CZP84xx	30 30"W Rack	42 42"D Rack		4 Gray
TS Seismic Rack Part# CSxxxx	32 32"W Rack	48 48"D Rack		5 White
				6 Dark Gray

Top Panel Brush Kit and Grommet

Add a rectangular brush kit to the rack rear for sealed cable access into the rack. Circular edge grommets can be added to the (2) cable k/o's in the front of the rack if needed.

Part#	Description	Weight
ATCBK412	(1) Cable Brush Kit, 4"x12"	1 lb
ACAG3D	(2) Circular Cable Grommet	1 lb

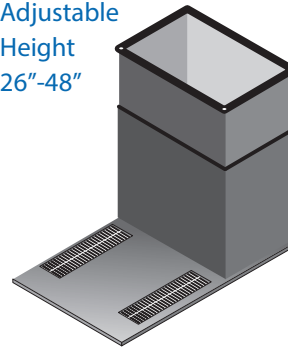
Exhaust Duct Options

Rack Exhaust Duct

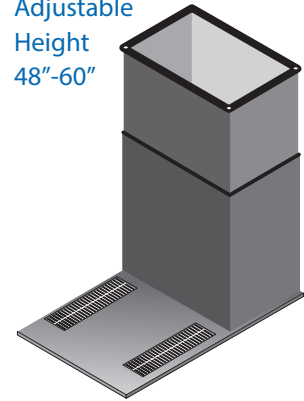
Adding a Rack Air Exhaust directs the internal equipments hot exhaust air vertically out of the rack and directly into the rooms return air supply. This eliminates air mixing and creates negative pressure, accelerating the dispersion of hot air without the assistance of fans.

- Fits AxisPlus, FasTrack and Seismic Series racks/enclosures
- 42" and 48" depth racks/enclosures only
- Adjustable to meet ceiling height
- Bolt-On design, easy to retrofit
- (2) brush sealed cable openings

Adjustable Height
26"-48"



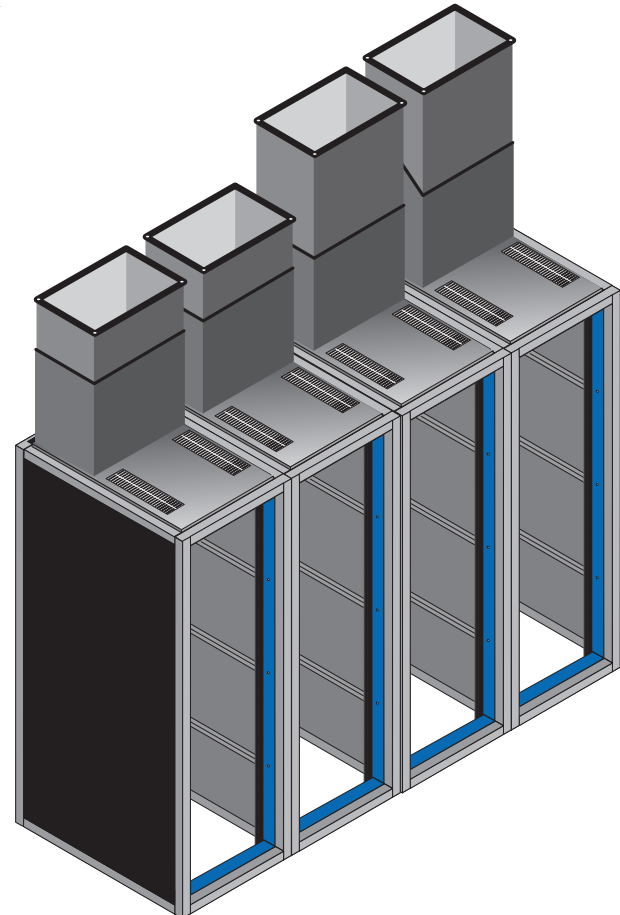
Adjustable Height
48"-60"



Use the part matrix below to select the desired air duct type to match a specific Damac rack series

Air duct options shown with ordering codes. Sample Part #: [TP2442E483](#)

Cabinet Series	Width	Depth	Panel Type	Color
TP AxisPlus Rack Part# CCPxxxx	24 24"W Rack	42 42"D Rack	3 Adj. Height 26"-48"	1 Putty
TZP FasTrack Rack Part# CZP84xx	28 28"W Rack	48 48"D Rack	E60 Adj. Height 48"-60"	3 Black
TS Seismic Rack Part# CSxxxx	30 30"W Rack			4 Gray
				5 White
				6 Dark Gray



Rack Accessories

Rack Shelves, Adjustable

Adjustable Depth Equipment Shelf: 24"-36"D

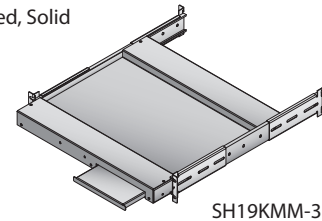
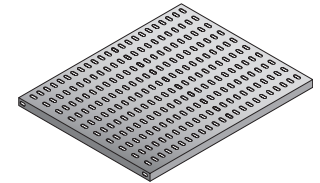
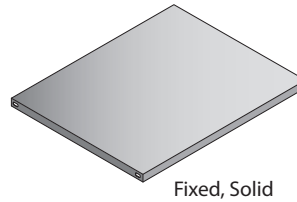
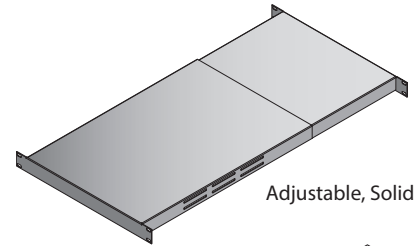
Part #	Type	Width	Depth	Wt. Cap.	Color	Ship Wt.
SHA1924S-3	Solid	19"	24"-36"	125 lb.	Black	12 lb.
SHA1924P-3	Perf	19"	24"-36"	125 lb.	Black	12 lb.

Fixed Depth Equipment Shelf

Part #	Type	Width	Depth	Wt. Cap.	Color	Ship Wt.
SH1924S-3	Solid	19"	24"	125 lb.	Black	12 lb.
SH1924P-3	Perf	19"	24"	125 lb.	Black	12 lb.
SH1929S-3	Solid	19"	29"	125 lb.	Black	14 lb.
SH1929P-3	Perf	19"	29"	125 lb.	Black	14 lb.

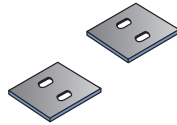
Roll-Out Equipment Shelves and Keyboard Trays

Part #	Type	Width	Depth	Wt. Cap.	Color	Ship Wt.
SH19KMM-3	KeyBrd	19"	18"	100 lb.	Black	13 lb.
SH1924R-3	Solid	19"	24"	100 lb.	Black	14 lb.
SH1929R-3	Solid	19"	29"	100 lb.	Black	15 lb.
SH19KMM29-3	KeyBrd	19"	29"	100 lb.	Black	15 lb.



Rack Coupling Kit

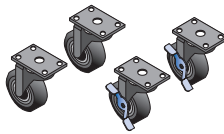
Joins two cabinets side by side. Racks must be the same height. Mounts to the two coupling holes found in the top of the rack frame. Mounting hardware included.



Part#	Description	Weight
ATMCK2-3	Rack Coupling Kit, black	5 lb.

Casters and Levelers

Casters and levelers bolt directly to the racks weld-in seismic floor mounting gussets.



Part#	Description	Height	Weight
AFCHD	2000 lb cap. (2) w/ brake	4.5 in	8 lb.
AFCYO	1600 lb cap. no brake	4.5 in	8 lb.
AFCHL	2000 lb cap, low-profile	2.8 in	6 lb.
AFLG	Nylon Leveling Feet (4)	3.0 in	2 lb.
C130	Leveling Feet Extension (4)	3.0 in	2 lb.

Grounding

Add a cabinet Isolation Kit to isolate a rack electrically from a concrete floor. Grounding bars and straps are also available

Part#	Description	Weight
AFIK2430	Isolation Kit, Rack: 24" x 30"	6 lb.
AFIK2436	Isolation Kit, Rack: 24" x 36"	7 lb.
AFIK2440	Isolation Kit, Rack: 24" x 40"	8 lb.
AFGB	8" Copper Grounding Bar	2 lb.
AFGS	3' Mesh Grounding Strap	1 lb.

Door Locks

Rack door locks are available in keyed alike, unalike or combination configurations.

Part#	Description	Weight
ADL-1SCH751	Keyed Alike, 1 Unit	2 lb.
ADL-2SCH751	Keyed Alike, 2 Units	4 lb.
ADL-2A	Keyed Unalike, Master Key Rdy, 2 Units	4 lb.
ADL-MK	Master Key	1 lb.
ADL-1ECL	Combo w/ Key Override, 1 Unit	2 lb.
ADL-2ECL	Combo w/ Key Override, 2 Units	3 lb.



Filler Panels

Install to empty rack locations to block cold and hot air mixing in a rack.

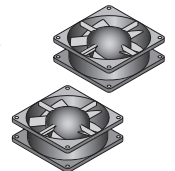


Part#	Description	Weight
FPB191-3	1U, 19" Rackmount, Black	1 lb.
FPB192-3	2U, 19" Rackmount, Black	2 lb.
FPB193-3	3U, 19" Rackmount, Black	2 lb.
FPB194-3	4U, 19" Rackmount, Black	3 lb.

Fan and Filter Kits

Fan kits can be added to vented rack top. Add a filter kit to keep dust and other particles out of the cabinet.

Part#	Description	Weight
ATFK2	(2) Fans, 120 VAC	8 lb.
ATFK2L	(2) Low Noise Fans, 120 VAC	10 lb.
ATFK2-220	(2) Fans, 220 VAC	6 lb.
ATFF	(1) NEMA Fan Filter	1 lb.



Seismic NEBS Certified Floor Mounting Kit

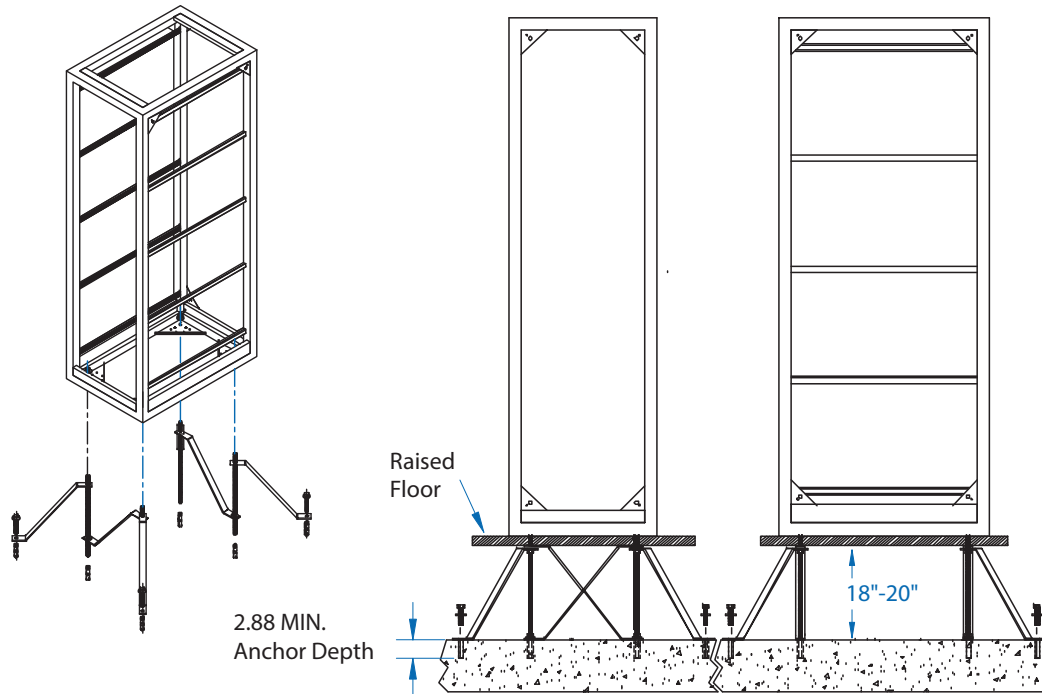
Seismic Raised Floor Rack/Enclosure Mounting Kit NEBS-Telcordia GR-63 CORE Zone 4 Certified

This kit has been rigorously test and certified to exceed NEBS-Telcordia GR-63-CORE Seismic Zone 4 specifications. Each kit includes all the necessary hardware and eight sub-floor seismic brackets. Floor height:

Part#	Description	Weight
AFSB18	Seismic Raised Floor Kit, 18"-20"H, 3/4" Hrdwr	35 lb.



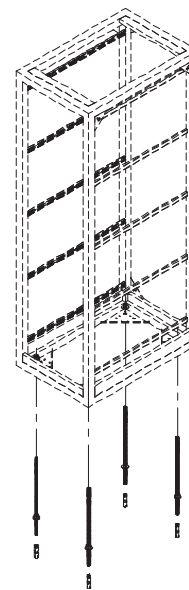
Seismic testing of the Raised Floor Kit.
PART# AFSB18, cabinet sold separately



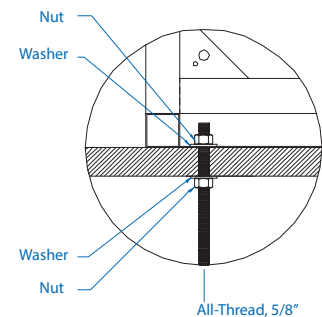
Rack/Enclosure Floor Mounting Kit

Use to securely anchor the rack/enclosure to a raised floor or concrete

Part#	Description	Weight
ARRFCK-58	Concrete Floor Kit, 5/8" Hrdwr	3 lb.
ACRFK18	Raised Floor Kit, 20"H max, 5/8" Hrdwr	3 lb.



Part# ACRFK18



Safety Edge Wall Mount Rack

Safety Edge Dual-Swing Wall Mount Rack

The Safety Edge wall mount rack is an ideal solution for wall-mounted applications in high traffic areas. The rack exterior has rounded edges and corners for optimal safety. This enhanced safety feature is ideal for schools and retail locations where exposed sharp corners are a liability.

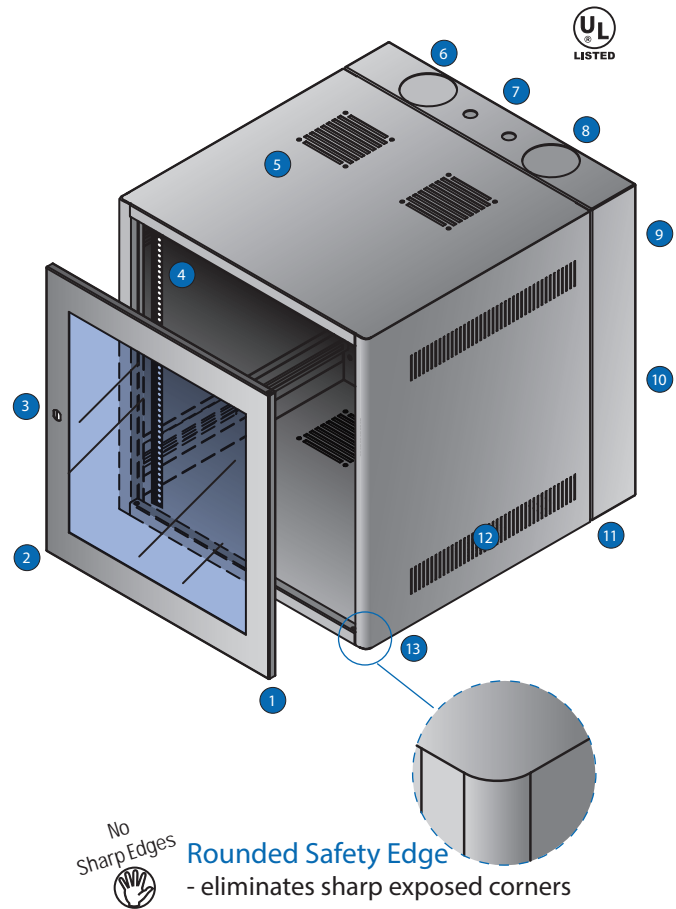
The enclosure features swing-out capabilities, providing front and rear equipment access. Cable knock-outs in the top and bottom providing flexibility for specific cable and conduit configurations. The rear sub-panel is lockable. Solid side panels minimize internal dust collection and reduce the noise produced by the equipment housed within. The vented top and bottom panels promote proper cooling and accept fan kits and

Application: High Traffic Areas
Retail/Schools
Space Limited Areas
Warehouse
Security Systems

Model Sizes: Height: 24", 36", 48"
Width: 23.50"
Depth: 24"
Rails: 10-32 Tapped

Specifications:

- Fully Welded Construction: 125 lbs. weight capacity
- Rounded Safety Edge - minimizes risk of exposure to sharp edges
- 19" EIA width, 12U - 26U
- (2) sets of adjustable mounting rails
- EIA-310-D Standard Universal 5/8 x 5/8 x 1/2 hole spacing
- 10-32 tapped mounting holes
- Continuous hinge, promotes "no sag"
- Locking sub-panel w/ top & bottom cable access knock-outs
- Right or left hinge locations, box can be flipped for L or R swing-out
- Locking door and rear compartments, keyed alike
- Removable and reversible door with quick release pin
- Vented side panels
- Flush top panels: solid, vented or w/ fans
- Textured epoxy powder-coat finish
- Rack ships fully assembled
- NEMA and custom configurations are available



Wall Mount Rack Features:

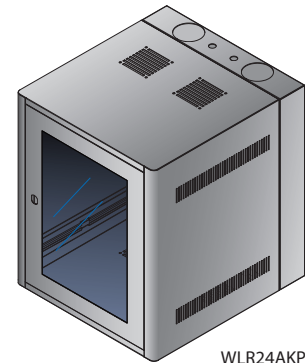
- 1 Front door is removable/reversible
- 2 Recessed front door eliminates bump-in's and snags
- 3 Locking front door available in plex or solid
- 4 (1) set of 19" EIA 10-32 tapped rails, adjustable "front to back"
- 5 Solid, vented or (2) fan top panels w/ optional NEMA fan fillers
- 6 Sub-panel has keyed lock, key matches door lock
- 7 Open rear for wall access, optional filler plate available
- 8 Cable k/o's in the top and bottom: (2) @ 3.0", (2) @ 0.88"
- 9 4.0" deep sub-panel with four sets of wall mounting slots @ 12" and 16" centers
- 10 Interior lances for cable management
- 11 Continuous hinge and steel guiding pins, "no sag"
- 12 Vented side panels
- 13 Rounded safety edge, no hazardous exposed sharp corners

Wall Mount Rack

24"/12U Safety Edge Wall Mount Rack, 19" EIA 10-32 Tapped Rails

Part Number	H x W x D	Door	Sides	Top	Bottom	Cable Entry	Color	WT
WLR24AKP1VVV-3	24" x 23.25" x 24"	Plexi	Vent	Vent	Vent	Knock Outs	Black	50 lb.
WLR24AKP1VVFV-3	24" x 23.25" x 24"	Plexi	Vent	(2) Fan	Vent	Knock Outs	Black	52 lb.
WLR24AKS1VVV-3	24" x 23.25" x 24"	Solid	Vent	Vent	Vent	Knock Outs	Black	50 lb.
WLR24AKS1VVFV-3	24" x 23.25" x 24"	Solid	Vent	(2) Fan	Vent	Knock Outs	Black	52 lb.

Color Option: replace (-3) in part# with alternative color choice: (-1) Putty, (-2) Blue, (-4) Gray, (-5) White, (-6) Dark Gray

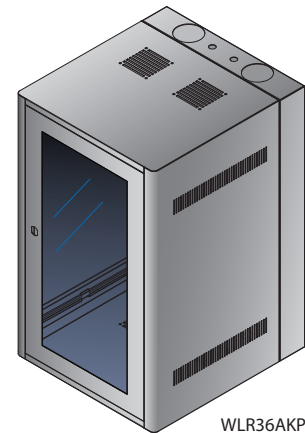


WLR24AKP1VVV-3

36"/18U Safety Edge Wall Mount Rack, 19" EIA 10-32 Tapped Rails

Part Number	H x W x D	Door	Sides	Top	Bottom	Cable Entry	Color	WT
WLR36AKP1VVV-3	36" x 23.25" x 24"	Plexi	Vent	Vent	Vent	Knock Outs	Black	60 lb.
WLR36AKP1VVFV-3	36" x 23.25" x 24"	Plexi	Vent	(2) Fan	Vent	Knock Outs	Black	62 lb.
WLR36AKS1VVV-3	36" x 23.25" x 24"	Solid	Vent	Vent	Vent	Knock Outs	Black	60 lb.
WLR36AKS1VVFV-3	36" x 23.25" x 24"	Solid	Vent	(2) Fan	Vent	Knock Outs	Black	62 lb.

Color Option: replace (-3) in part# with alternative color choice: (-1) Putty, (-2) Blue, (-4) Gray, (-5) White, (-6) Dark Gray



WLR36AKP1VVV-3

48"/26U Safety Edge Wall Mount Rack, 19" EIA 10-32 Tapped Rails

Part Number	H x W x D	Door	Sides	Top	Bottom	Cable Entry	Color	WT
WLR48AKP1VVV-3	48" x 23.25" x 24"	Plexi	Vent	Vent	Vent	Knock Outs	Black	70 lb.
WLR48AKP1VVFV-3	48" x 23.25" x 24"	Plexi	Vent	(2) Fan	Vent	Knock Outs	Black	72 lb.
WLR48AKS1VVV-3	48" x 23.25" x 24"	Solid	Vent	Vent	Vent	Knock Outs	Black	70 lb.
WLR48AKS1VVFV-3	48" x 23.25" x 24"	Solid	Vent	(2) Fan	Vent	Knock Outs	Black	72 lb.

Color Option: replace (-3) in part# with alternative color choice: (-1) Putty, (-2) Blue, (-4) Gray, (-5) White, (-6) Dark Gray



WLR48AKP1VVV-3

Mounting Rails and Hardware

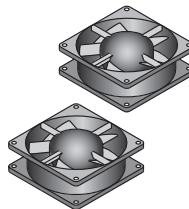
Additional wall mount rack 10-32 tapped rail sets and mounting hardware packs.



Part#	Description	Weight
ARW24A	24"H Rack, Pair:10-32 Mnt. Rail	6 lb.
ARW36A	36"H Rack, Pair:10-32 Mnt. Rail	9 lb.
ARW48A	48"H Rack, Pair:10-32 Mnt. Rail	12 lb.
AHPF1032-30	30pc, 10-32 screw	1 lb.

Fan and Filter Kits

Fan kits can be added to vented cabinet top. Add a filter kit to keep dust and other particles out of the rack.



Part#	Description	Weight
ATFK2	(2) Fans, 120 VAC	8 lb.
ATFK2L	(2) Low Noise Fans, 120 VAC	10 lb.
ATFK2-220	(2) Fans, 220 VAC	6 lb.
ATFF	(1) NEMA Fan Filter	1 lb.

Thermostat Fan Control Module

Electronic Thermostat Module activates the cooling fans only when the user specified internal rack temperature is reached. Saves energy and reduces



Part#	Description	Weight
ATFPAT	Thermostat Fan Module, 120 VAC	1 lb.

HD Safety Edge Wall Mount Rack

HD Safety Edge Dual-Swing Wallmount Rack

Designed for wall-mounted applications requiring larger load capacities, up to 300 lbs. The safety edge design is an ideal solution for installations in high traffic areas. The rack exterior has rounded edges and corners for optimal safety. This enhanced safety feature is ideal for schools and retail locations where exposed sharp corners are a liability.

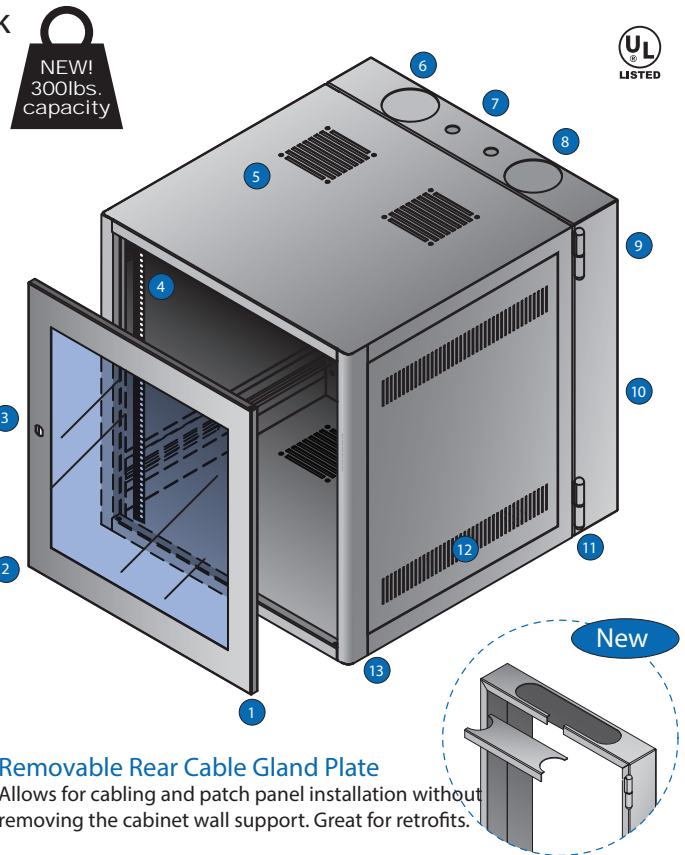
The enclosure features swing-out capabilities, providing front and rear equipment access. Cable knock-outs in the top and bottom providing flexibility for specific cable and conduit configurations. The lockable rear sub-panel is removable and can be wall mounted prior to hanging the enclosure body. The vented top and bottom panels promote proper cooling and accept fan kits and filters. The locking rack door is removable and reversible and is available in a plexiglass or solid configuration.

Application: Retail/Schools
Space Limited Areas
Warehouse
Security Systems

Model Sizes: Height: 24", 36", 48"
Width: 22"
Depth: 24", 30"
Rails: 10-32 Tapped

Specifications:

- Fully Welded Construction: 300 lbs. weight capacity
- 19" EIA width, 12U - 26U
- (2) sets of adjustable mounting rails
- EIA-310-D Standard Universal 5/8 x 5/8 x 1/2 hole spacing
- 10-32 tapped mounting holes
- Right or left hinge locations available, R-side standard
- HD bullet hinge and steel guiding pins promotes "no sag"
- Locking sub-panel w/ top & bottom cable access knock-outs
- Rear sub-panel is removable for easy installations
- Locking door and rear compartments, keyed alike
- Removable and reversible door with quick release pin
- Vented side panels
- Flush top panels: solid, vented or w/ fans
- Textured epoxy powder-coat finish
- Rack ships fully assembled
- NEMA and custom configurations are available
- UL Listed



Wall Mount Rack Features:

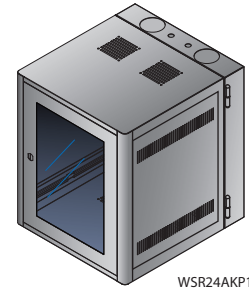
- 1 Front door is removable/reversible
- 2 Recessed front door eliminates bump-in's and snags
- 3 Locking front door available in plex or solid
- 4 (1) set of 19" EIA 10-32 tapped rails, adjustable "front to back"
- 5 Solid, vented or (2) fan top panels w/ optional NEMA fan fillers
- 6 Sub-panel has keyed lock, key matches door lock
- 7 Open rear for wall access, optional filler plate available
- 8 Cable k/o's in the top and bottom: (2) @ 3.0", (2) @0.88"
- Removable cable gland plate version available.
- 9 Removable 4" deep sub-panel with four sets of wall mounting slots @ 12" and 16" centers
- 10 Interior lances for cable management
- 11 Welded bullet hinges and steel guiding pins
- 12 Vented side panels
- 13 Fully welded tubular steel frame

Wall Mount Rack

24"/12U HD Wall Mount Rack, 19" EIA 10-32 Tapped Rails

Part Number	H x W x D	Door	Sides	Top	Bottom	Cable Entry	Color	WT
WSR24AKP1VVV-3	24 x 22 x 24	Plexi	Vent	Vent	Vent	Knock Outs	Black	60 lb.
WSR24AKP1VVV-3GP	24 x 22 x 24	Plexi	Vent	Vent	Vent	Gland Plate	Black	60 lb.
WSR24AKP1VVFV-3	24 x 22 x 24	Plexi	Vent	(2) Fan	Vent	Knock Outs	Black	62 lb.
WSR24AKP1VVFV-3GP	24 x 22 x 24	Plexi	Vent	(2) Fan	Vent	Gland Plate	Black	62 lb.
WSR24ABP1VVV-3	24 x 22 x 30	Plexi	Vent	Vent	Vent	Knock Outs	Black	70 lb.
WSR24ABP1VVV-3GP	24 x 22 x 30	Plexi	Vent	Vent	Vent	Gland Plate	Black	70 lb.
WSR24ABP1VVFV-3	24 x 22 x 30	Plexi	Vent	(2) Fan	Vent	Knock Outs	Black	72 lb.
WSR24ABP1VVFV-3GP	24 x 22 x 30	Plexi	Vent	(2) Fan	Vent	Gland Plate	Black	72 lb.

Replace (P) in part# w/ (S) for a solid metal front door w/ lock.

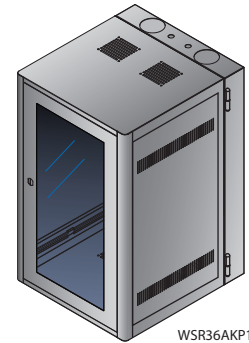


WSR24AKP1VVV-3

36"/18U HD Wall Mount Rack, 19" EIA 10-32 Tapped Rails

Part Number	H x W x D	Door	Sides	Top	Bottom	Cable Entry	Color	WT
WSR36AKP1VVV-3	36 x 22 x 24	Plexi	Vent	Vent	Vent	Knock Outs	Black	70 lb.
WSR36AKP1VVV-3GP	36 x 22 x 24	Plexi	Vent	Vent	Vent	Gland Plate	Black	70 lb.
WSR36AKP1VVFV-3	36 x 22 x 24	Plexi	Vent	(2) Fan	Vent	Knock Outs	Black	72 lb.
WSR36AKP1VVFV-3GP	36 x 22 x 24	Plexi	Vent	(2) Fan	Vent	Gland Plate	Black	72 lb.
WSR36ABP1VVV-3	36 x 22 x 30	Plexi	Vent	Vent	Vent	Knock Outs	Black	80 lb.
WSR36ABP1VVV-3GP	36 x 22 x 30	Plexi	Vent	Vent	Vent	Gland Plate	Black	80 lb.
WSR36ABP1VVFV-3	36 x 22 x 30	Plexi	Vent	(2) Fan	Vent	Knock Outs	Black	82 lb.
WSR36ABP1VVFV-3GP	36 x 22 x 30	Plexi	Vent	(2) Fan	Vent	Gland Plate	Black	82 lb.

Replace (P) in part# w/ (S) for a solid metal front door w/ lock.



WSR36AKP1VVV-3

48"/26U HD Wall Mount Rack, 19" EIA 10-32 Tapped Rails

Part Number	H x W x D	Door	Sides	Top	Bottom	Cable Entry	Color	WT
WSR48AKP1VVV-3	48 x 22 x 24	Plexi	Vent	Vent	Vent	Knock Outs	Black	80 lb.
WSR48AKP1VVV-3GP	48 x 22 x 24	Plexi	Vent	Vent	Vent	Gland Plate	Black	80 lb.
WSR48AKP1VVFV-3	48 x 22 x 24	Plexi	Vent	(2) Fan	Vent	Knock Outs	Black	82 lb.
WSR48AKP1VVFV-3GP	48 x 22 x 24	Plexi	Vent	(2) Fan	Vent	Gland Plate	Black	82 lb.
WSR48ABP1VVV-3	48 x 22 x 30	Plexi	Vent	Vent	Vent	Knock Outs	Black	90 lb.
WSR48ABP1VVV-3GP	48 x 22 x 30	Plexi	Vent	Vent	Vent	Gland Plate	Black	90 lb.
WSR48ABP1VVFV-3	48 x 22 x 30	Plexi	Vent	(2) Fan	Vent	Knock Outs	Black	92 lb.
WSR48ABP1VVFV-3GP	48 x 22 x 30	Plexi	Vent	(2) Fan	Vent	Gland Plate	Black	92 lb.

Replace (P) in part# w/ (S) for a solid metal front door w/ lock.

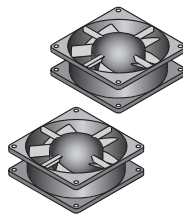


WSR48AKP1VVV-3

Fan and Filter Kits

Fan kits can be added to vented rack top. Add a filter kit to keep dust and other particles out of the rack.

Part#	Description	Weight
ATFK2	(2) Fans, 120 VAC	8 lb.
ATFK2L	(2) Low Noise Fans, 120 VAC	10 lb.
ATFK2-220	(2) Fans, 220 VAC	6 lb.
ATFF	(1) NEMA Fan Filter	1 lb.



Color Option:

Replace (3) in part# with alternative color choice:
(1) Putty, (2) Blue, (4) Gray, (5) White, (6) Dark Gray

Thermostat Fan Control Module

Electronic Thermostat Module activates the cooling fans only when the user specified internal cabinet temperature is reached. Saves energy and reduces

Part#	Description	Weight
ATFPAT	Thermostat Fan Module, 120 VAC	1 lb.



Mounting Rails and Hardware

Additional wall mount rack 10-32 tapped rail sets and mounting hardware packs.

Part#	Description	Weight
ARW24A	24"H Rack, Pair:10-32 Mnt. Rail	6 lb.
ARW36A	36"H Rack, Pair:10-32 Mnt. Rail	9 lb.
ARW48A	48"H Rack, Pair:10-32 Mnt. Rail	12 lb.
AHPF1032-30	30pc, 10-32 screw	1 lb.



TransIT Box Hub/Patching

TransIT Box Wall Mount Enclosure

The TransIT™ Box Wall Mount Enclosure is a cost saving solution for securely storing 19" rack-mount equipment such as patch panels and network equipment. The low-profile, wall-mounted design is ideal for installation in classrooms, retail stores and other high traffic areas. The non-intrusive design will not interfere in space restrictive areas.

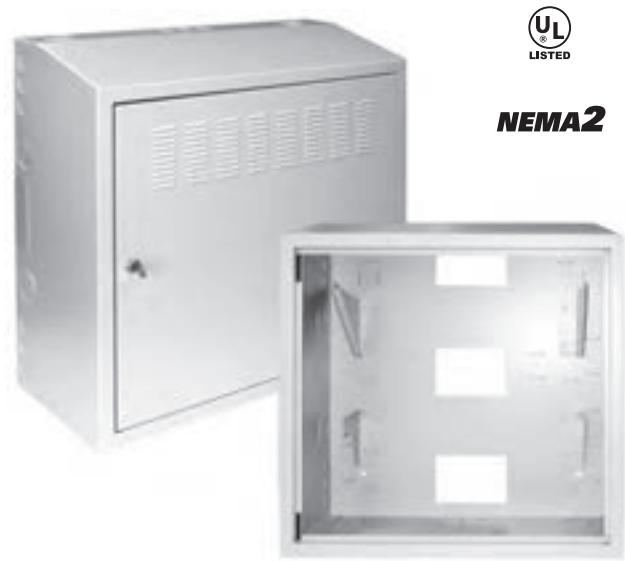
The TransIT Box maximizes interior space with a unique mounting system. Included in each box are two sets of 19" mounting rails. One set features a swivel down hinge for easy access to the rear of installed equipment. An additional set of fixed rails is also included. Rail sets can be positioned anywhere in the enclosure allowing equipment and cabling flexibility. The TransIT box is an

Application: High Traffic Areas
Retail/Schools
Space Limited Areas
Warehouse
Security Systems

Model Sizes: Height: 24", 32", 42"
Width: 24.00"
Depth: 10"
Rails: 12-24 Tapped

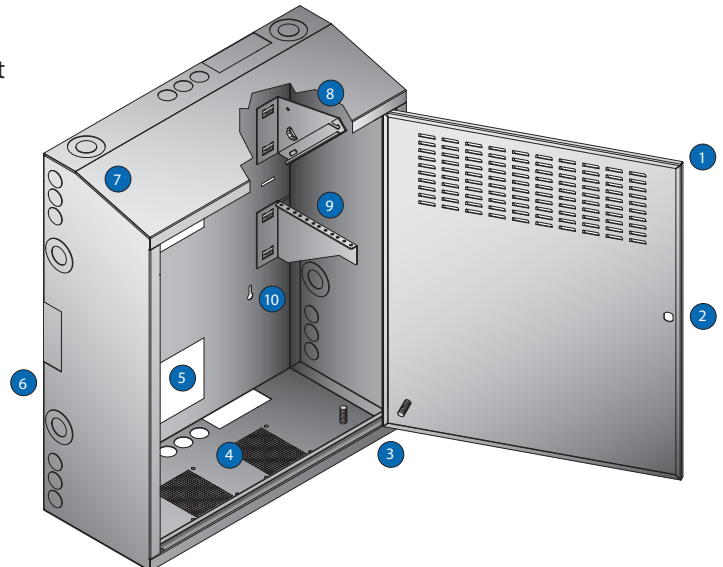
Specifications:

- Fully welded steel construction: 100 lb. weight capacity
- (1) Pair of angled patch panel rails, 19" EIA 12-24 tapped
- Mounting rails swivel for accessing the rear of mounted equipment
- 10"D model: one 19"/4U hub mounting bracket, EIA 12-24 tapped
- Multiple lances for mounting of brackets and cable management
- Vented/fan ready bottom with a tamper resistant ventilation pattern
- Multiple conduit entrances on the top, bottom and sides
- 5" Wiremold™ knock-out on side for protective cable ducts
- Recessed and removable door w/ tamper resistant ventilation pattern
- Slanted top - eliminates flat area for unwanted items to rest on
- Three J-box cut-outs in rear
- Meets NEMA2 Specification
- Key lock standard, other lock option's available
- Textured epoxy powder-coat finish
- NEMA and custom configurations are available



Wall Mount Enclosure Features:

- 1 Front door fits flush and is removable with spring hinge
- 2 pins
- 3 Door lock included, tamper proof lock options available
- 4 Ground stud on the door and cabinet body
- 5 Tamper resistant ventilation pattern, fan ready
- 6 (2) Cable openings on back with multiple tie-down lances
- 7 Multiple cable and raceway k/o's on top, bottom and sides
- 8 Slanted top eliminates potential hazardous material resting place
- 9 place
- 10 Patch panel mounting bracket, 4 RMU, rotates downward
12-24 tapped hub mounting bracket: 4 RMU

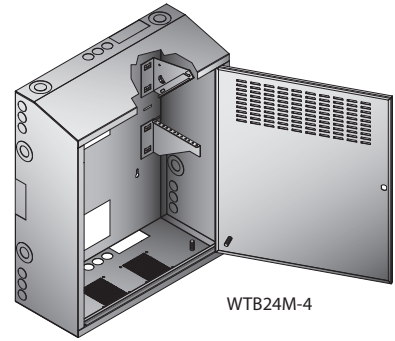


Wall Mount Enclosures

24" TransIT Wall Mount Enclosure

Part Number	Height	Width	Depth	Door Hinge	Color	Ship Wt.
WTB24M-4	24.0"	24.0"	10.0"	Right	Gray	42 lb.

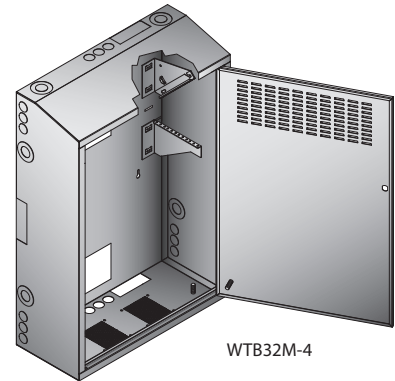
Color Option: replace (-4) in part# with alternative color choice: (-1) Putty, (-2) Blue, (-3) Black, (-5) White, (-6) Dark Gray



32" TransIT Wall Mount Enclosure

Part Number	Height	Width	Depth	Door Hinge	Color	Ship Wt.
WTB32M-4	32.0"	24.0"	10.0"	Right	Gray	47 lb.

Color Option: replace (-4) in part# with alternative color choice: (-1) Putty, (-2) Blue, (-3) Black, (-5) White, (-6) Dark Gray



42" TransIT Wall Mount Enclosure

Part Number	Height	Width	Depth	Door Hinge	Color	Ship Wt.
WTB42M-4	42.0"	24.0"	10.0"	Right	Gray	42 lb.

Color Option: replace (-4) in part# with alternative color choice: (-1) Putty, (-2) Blue, (-3) Black, (-5) White, (-6) Dark Gray

Fan and Filter Kits

Fan kits can be added to vented enclosure top. Add a filter kit to keep dust and other particles out of the enclosure.

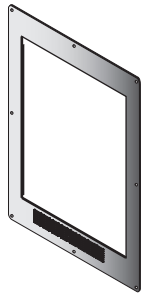
Part#	Description	Weight
ATFK1	(1) Fans, 120 VAC	4 lb.
ATFK1L	(1) Low Noise Fans, 120 VAC	4 lb.
ATFK2	(2) Fans, 120 VAC	8 lb.
ATFK2L	(2) Low Noise Fans, 120 VAC	8 lb.
ATFF	(1) NEMA Fan Filter	1 lb.



Recessed Mounting Trim Kit

Use when recessing a TransIT Box into a wall. This kit covers the gap between the enclosure and wall surface. Includes air vents for directing air into the enclosure air inlet.

Part#	Description	Weight
WTB24MTK-4	24"H TransIT Box Trim Kit	1 lb.
WTB32MTK-4	32"H TransIT Box Trim Kit	2 lb.
WTB42MTK-4	42"H TransIT Box Trim Kit	3 lb.



Thermostat Fan Control Module

Electronic Thermostat Module activates the cooling fans only when the user specified internal enclosure temperature is reached. Saves energy and reduces

Part#	Description	Weight
ATFPAT	Thermostat Fan Module, 120 VAC	1 lb.



12-24 Mounting Hardware

Additional wallmount enclosure 12-24 hardware packs.

Part#	Description	Weight
AHPF1224-30	30pc, 12-24 screws	1 lb.



Grounding Strap

Includes a braided grounding strap and mounting hardware for grounding the door to the enclosure body

Part#	Description	Weight
AFGS	Grounding Kit, TransIT Box	1 lb.



Tamper Resistant Door Locks

Special door lock for installations requiring additional security and lock resistance to potential tampering and vandalism.

Part#	Description	Weight
ADL-CAT60	#60 Corbin™ Lock, (2) keys	1 lb.
ADL-CAT70	#70 Corbin™ Lock, (2) keys	1 lb.
ADL-CAT80	#80 Corbin™ Lock, (2) keys	1 lb.



Swing-Out Wall Rack

Swing-Out Wall Rack

For those installations where floor space is a premium, the Damac Swing-Out Wall Rack is a cost effective solution. Ideal application for an equipment or telecommunications room for supporting security equipment, patch panels, routers, switches and other 19 in. equipment. The swing-out mounting rail allows access to the rear of the mounted equipment without interrupting the equipments functionality.

Application: Retail/School
Equipment Rooms
Telecommunications

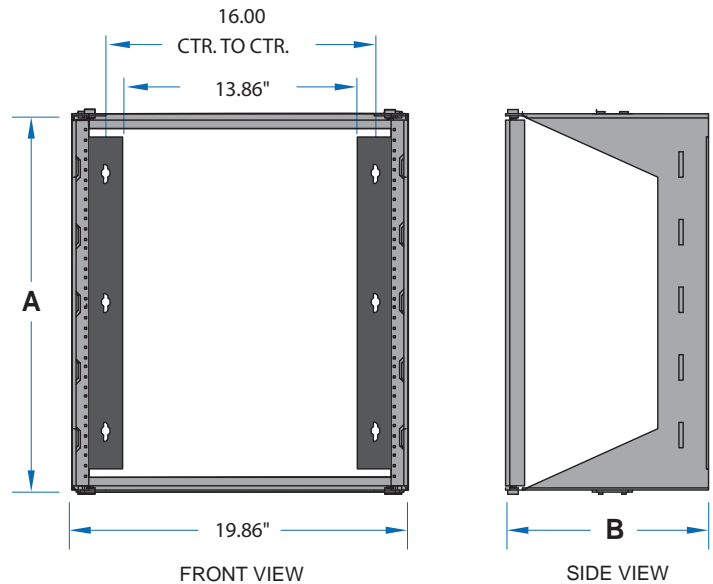
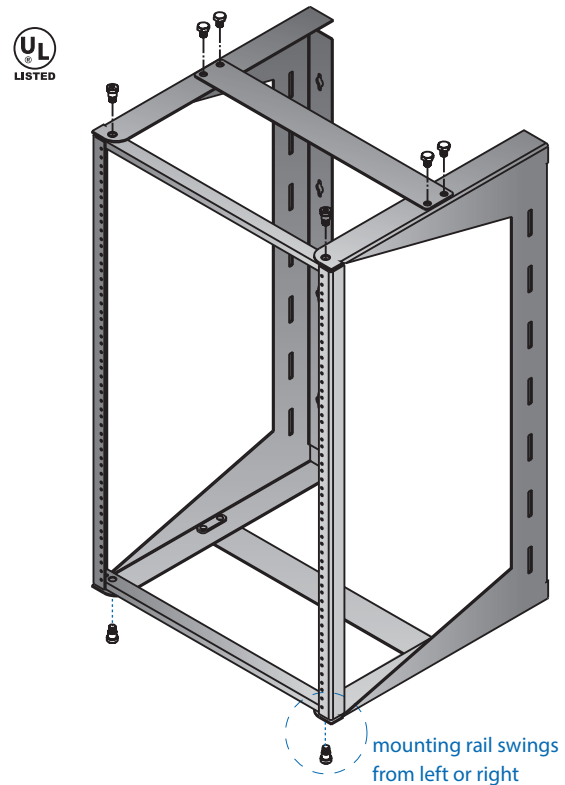
Model Sizes: Height: 12u, 18u, 24u
Width: 19.86"
Depth: 12", 18"
Rails: 12-24 Tapped*
*Replaces (formerly 10-32)

Specifications:

- Weight capacity 100 lbs.
- Heights: 2 ft./12U, 3 ft./18U and 4 ft./24U
- Depths: 12 in. and 18 in.
- 19" rack-mount width
- Threaded rack-mounting provisions, 12-24 UNC
- EIA universal hole pattern: 5/8"-5/8"-1/2"
- Opens right or left, 180 degrees
- Keyhole wall mounting slots @ 16 in. centers
- Lances in the rear for cable ties and straps
- UL™ Listed
- UPS or FedEx shippable, one container
- Easily assembled, hardware included
- Black epoxy powder-coat finish
- Includes 30 pc. 12-24 screw pack

Wall Rack Part Numbers

PART #	Rail Type	A-Height	RMU	B-Depth	Color	Ship Wt.
WR24C12-3	12-24 Tap	22.25"	12U	12 in	Black	25 lb.
WR24C-3	12-24 Tap	22.25"	12U	18 in	Black	27 lb.
WR36C12-3	12-24 Tap	32.75"	18U	12 in	Black	30 lb.
WR36C-3	12-24 Tap	32.75"	18U	18 in	Black	32 lb.
WR48C12-3	12-24 Tap	43.25"	24U	12 in	Black	35 lb.
WR48C-3	12-24 Tap	43.25"	24U	18 in	Black	37 lb.



Wall Bracket

Wall Bracket Hinged Rails

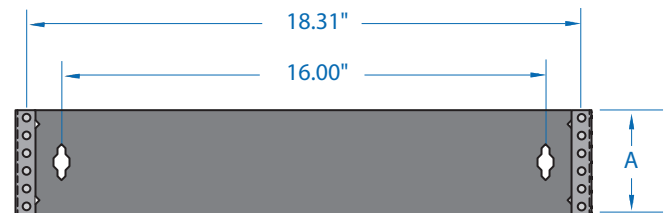
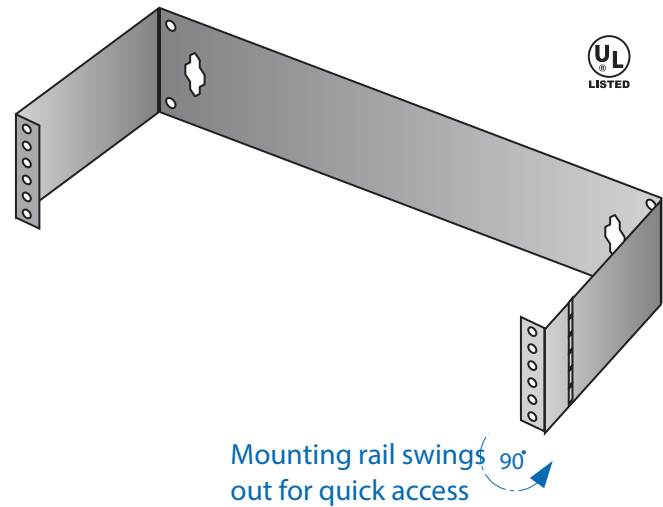
Save rack space or better organize your telco closet with a Hinged Wallmount Bracket. Mounts easily to any wall surface and features wall mounting holes set at 16" on center for wall studs. The hinged rail easily swings open for quick and easy access to equipment cables. The EIA 19" mounting rails are 10-32 tapped. An ideal solution for mounting patch panels, routers and switches. All brackets come 19" rackable and are finished in durable, black epoxy powder coat.

Application: Retail/School
Equipment Rooms
Telecommunications

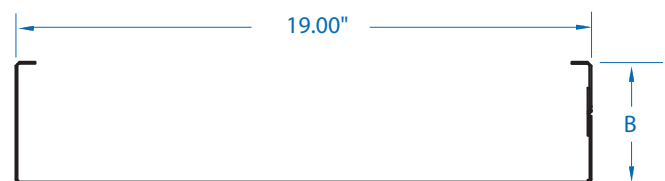
Model Size: Height: 2U, 4U
Width: 19" Rackable
Depth: 06"
Rails: 12-24 Tapped

Specifications:

- 16 GA cold rolled steel construction
- 25 LBS load rating
- 19" rackable
- EIA 12-24 tapped mounting rails
- Mounts to all wall surfaces: 16" center mnt. holes
- 2U to 4U models available
- One hinged side for easy access and installation
- Left or right hinge location
- Ideal solution for patch panels, routers and switch
- Durable black epoxy powder-coat finish



FRONT



TOP

Wall Bracket Part Numbers

PART #	Rail Type	A-Height	RMU	B-Depth	Color	Ship Wt.
WPB19026	12-24 Tap	3.50"	2U	6 in	Black	2 lb.
WPB19046	12-24 Tap	8.00"	4U	6 in	Black	3 lb.

Tandem Rack 45/51U

Tandem™ Series Dual Equipment Rack

The Tandem Rack provides the superior strength and mounting flexibility in a cabinet, but in an open frame design. The unique dual-rack uprights are an ideal solution for rack mounting 19 in. equipment such as servers, switches and other equipment where a two post rack can not accommodate adequate mounting support. The open frame design enhances airflow, cabling and equipment mounting. Product ships unassembled and individually

Application: General Purpose
Server/Networking
Structured Cabling

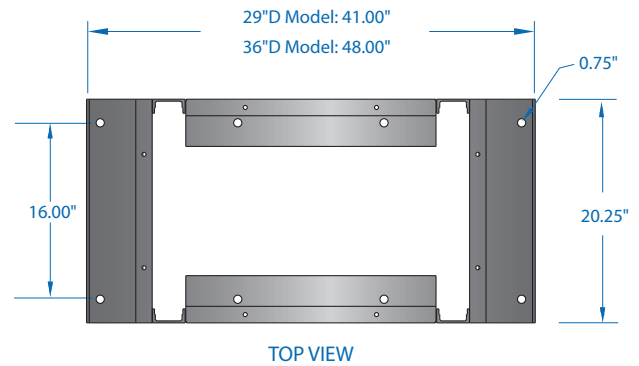
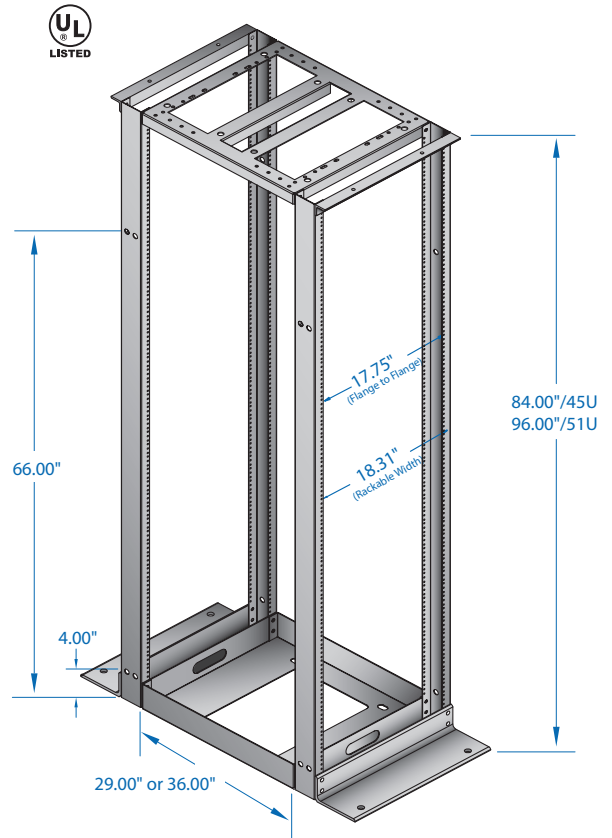
Model Sizes: Height: 84", 96"
Width: 24"
Depth: 29", 36"
Rails: 12-24, M6 Cage Nut

Specifications:

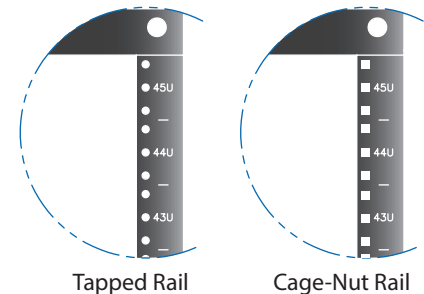
- Weight capacity 2000 lbs.
- 12-24 Tapped Model: 6061-T6 aluminum extrusion
- M6 Cage-Nut Model: 14 gauge steel
- 19" rack-mount width
- Two sets of mounting rails w/ EIA spacing: 5/8 x 5/8 x 1/2
- 12-24 threaded or cage-nut mounting provisions
- Mounting rails are tapped on both sides
- Double sided RMU markings on both sides of mounting rails
- Side channels include cable manager mounting holes
- UL™ Listed
- UPS or FedEx shippable, one container
- Easily assembled, hardware included
- Black epoxy powder-coat finish

Tandem Rack Part Numbers

PART #	Rail Type	Height	RMU	Depth	Color	Ship Wt.
R4A19084B-3MU	12-24 Tap	84"	45u	29	Black	100 lb.
R4A19084D-3MU	12-24 Tap	84"	45u	36	Black	110 lb.
R4A19096B-3MU	12-24 Tap	96"	51u	29	Black	114 lb.
R4A19096D-3MU	12-24 Tap	96"	51u	36	Black	124 lb.
R4S19084CNCB-3MU	Cage Nut	84"	45u	29	Black	100 lb.
R4S19084CND-3MU	Cage Nut	84"	45u	36	Black	110 lb.
R4S19096CNCB-3MU	Cage Nut	96"	51u	29	Black	114 lb.
R4S19096CND-3MU	Cage Nut	96"	51u	36	Black	124 lb.



Double Sided RMU Marked Rail



Server/Networking/Open/Frames

Two Post Equipment Rack

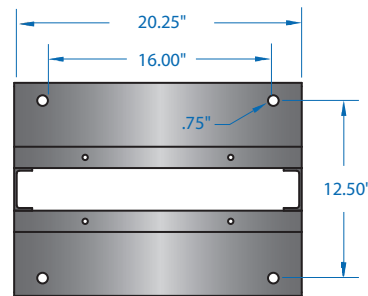
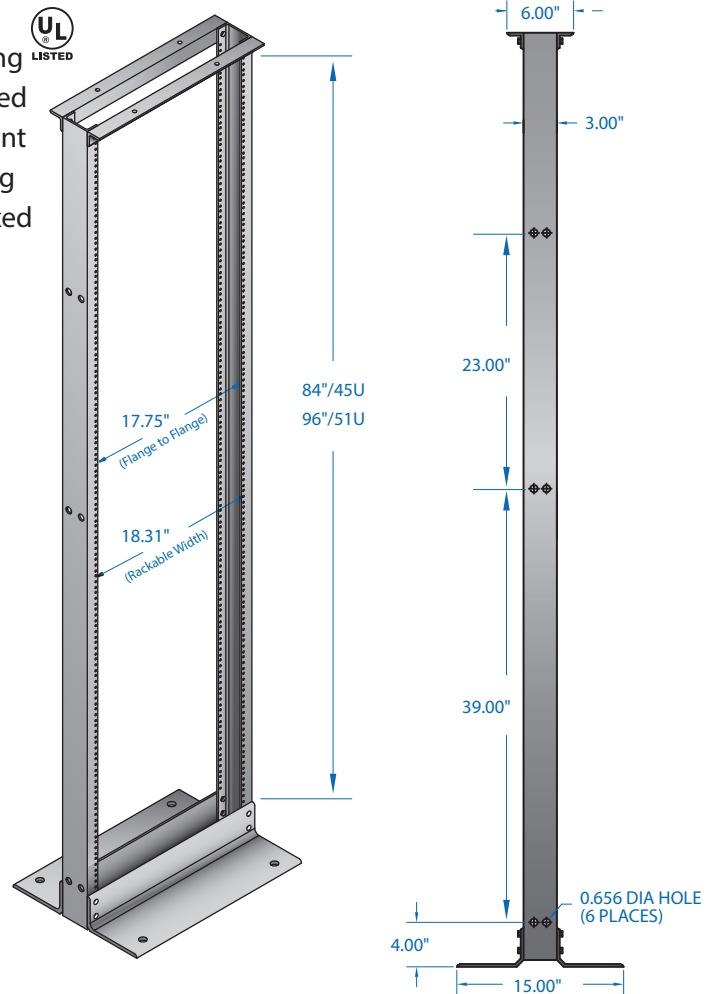
Two Post Rack's are a vital component to any structured cabling installation. This durable equipment rack provides unsurpassed strength and stability for supporting 19" rackable equipment such as patch panels, servers, switches and other networking equipment. Product ships unassembled and individually boxed for quick and convenient shipping and job-site handling.

Application: General Purpose
Networking
Structured Cabling

Model Sizes: Height: 84", 96"
Width: 24"
Rails: 12-24, M6 Cage Nut

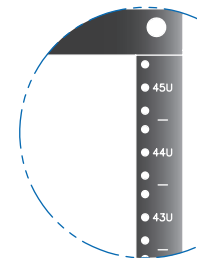
Specifications:

- Weight capacity: RRA @1000 lbs. / REA @ 1500 lbs.
- 12-24 Tapped Model: 6061-T6 aluminum extrusion
- 19" rack-mount width
- Upright channel widths: 3.00" and 6.00"
- Two sets of mounting rails w/ EIA spacing: 5/8 x 5/8 x 1/2
- 12-24 threaded or cage-nut mounting provisions
- Mounting rails are tapped on both sides
- Double sided RMU markings on both sides of mounting rails
- Side channels include cable manager mounting holes
- UL™ Listed
- UPS or FedEx shippable, one container
- Easily assembled, hardware included
- Black epoxy powder-coat finish
- Clear finish, milled aluminum *special order



BOTTOM

Double Sided RMU Marked Rail



Tapped Rail

Two Post Rack Part Numbers

PART #	Channel	Height	RMU	Rail Type	Color	Ship Wt.
RRA19084-3MU	3.00" Deep	84"	45u	12-24 Tap	Black	35 lb.
REA19084-3MU	3.00" Deep	84"	45u	12-24 Tap	Black	35 lb.
RRA19096-3MU	3.00" Deep	96"	51u	12-24 Tap	Black	40 lb.
RA619084-3MU	6.00" Deep	84"	45u	12-24 Tap	Black	40 lb.
RA619096-3MU	6.00" Deep	96"	51u	12-24 Tap	Black	45 lb.

Color Option: remove (-3MU) in part# to designate "clear" finish

Seismic Two Post Rack

Seismic Two Post Equipment Rack

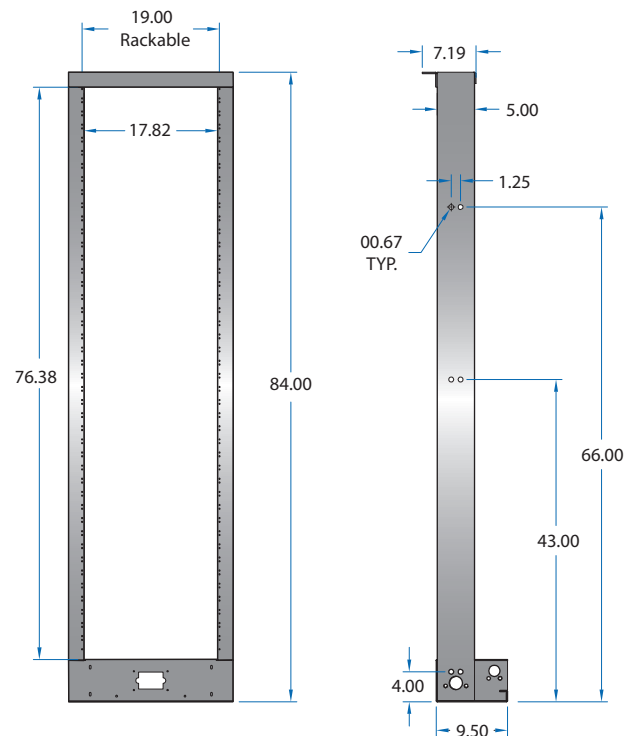
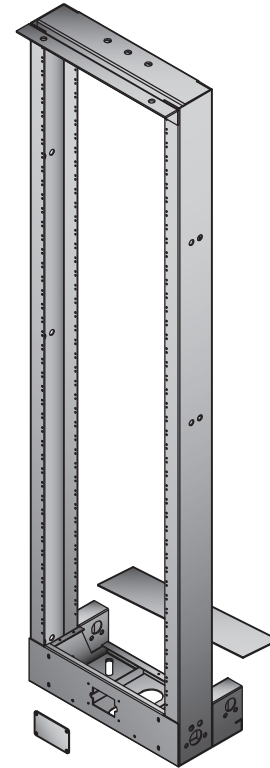
Damac's Seismic Rack is designed to support networking equipment in seismic prone areas. The enhanced rack construction features a fully welded 11 gauge steel design, able to withstand the motion created during a seismic event. Installing a seismic rack ensures no down-time to the mounted equipment due to seismic vulnerability. Supports 19 in. EIA-310-D rack mounted equipment.

Application: Government
 Military
 Seismic Prone Locations
 Mission Critical Services
 Telecommunications

Model Size: Height: 84"
 Width: 24"
 Depth: 06"
 Rails: 12-24 Tapped

Specifications:

- Meets Seismic Requirements
- Weight capacity 1000 lbs.
- Fully welded 11 GA steel construction
- 19" EIA width
- Rack uprights are tapped on both sides
- 12-24 UNC threaded mounting provisions
- EIA universal hole pattern: 5/8"-5/8"-1/2"
- EIA-310-D Compliant
- Side channels include cable manager mounting holes
- Black epoxy powder-coat finish
- Full line of shelves and accessories available



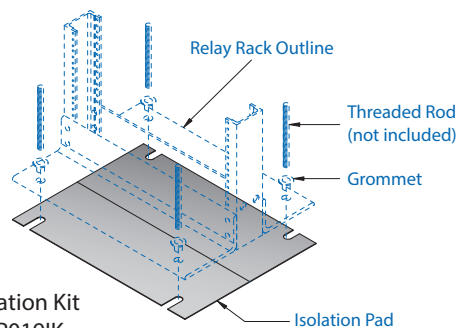
Seismic Two Post Rack Part Number

PART #	Channel	Height	RMU	Rail Type	Color	Ship Wt.
RSS19084-3	6.00" Deep	84"	45U	12-24 Tap	Black	85 lb.

Rack Grounding

Use a bus bar to ground and isolate electrical currents of rack-mounted equipment.

Part#	Description	Ship Wt.
ARR019IK	19" Relay Rack Isolation Kit	3 lb.
ARRGB	Relay Rack Grounding Block	1 lb.
ARRGS	Relay Rack Grounding Strap	1 lb.
AGRB019	19" Rackmount Grounding Bar	2 lb.
AGRB023	23" Rackmount Grounding Bar	3 lb.
AGWB010	10" x 4" Wallmount Bus Bar Kit	5 lb.
AGWB020	20" x 4" Wallmount Bus Bar Kit	10 lb.

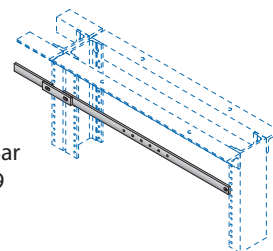


Rack Isolation Kit
Part# ARR019IK

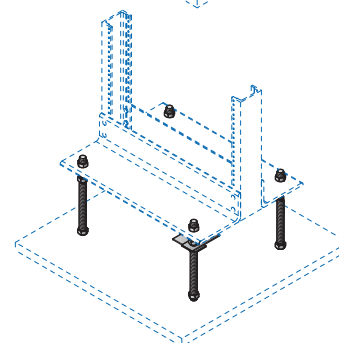
Rack Bracing and Mounting

Several kits available to floor mount and brace free standing Two Post and Tandem Racks.

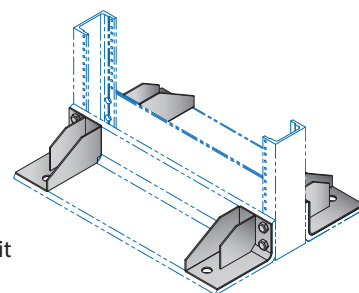
Part#	Description	Ship Wt.
ARRCP3	Relay Rack Coupler Kit w/ 3" Spacer	2 lb.
ARREK	Relay Rack Seismic Bracing Kit (rod not incld.)	3 lb.
ARRSK-3	Relay Rack Seismic Gusset Kit, 4 PC	12 lb.
ARRFCK-58	Concrete Floor Mounting Kit w/ 5/8" Hardware	3 lb.
ARRFRK-18	Raised Floor Mounting Kit w/ 5/8" Hardware	6 lb.
PLB12RS-3	12"W Ladder to Rack Mounting Kit, J-Bolts Incl.	3 lb.
PLB18RS-3	18"W Ladder to Rack Mounting Kit, J-Bolts Incl.	4 lb.



Rack Ground Bar
Part# AGRB019



Raised Floor Kit
Part# ARRFRK-18



Seismic Gusset Kit
Part# ARRSK

Mounting Hardware

Additional M6 mounting hardware packs for rack mounting equipment to the cabinet mounting rails.

Part#	Description	Weight
AHPF1032-30	30pc, 10-32 screw	1 lb.
AHPF1032CN-30	30pc, 10-32 cage-nut	1 lb.
AHPFM6-30	30pc, M6 screw	1 lb.
AHPFM6CN-30	30pc, M6 cage-nut	1 lb.
AHPFCN-30	30pc, M6 screw w/ cage-nut	2 lb.
AHPFCN-100	100pc, M6 screw w/ cage-nut	6 lb.

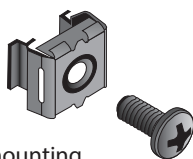


FIG. 1

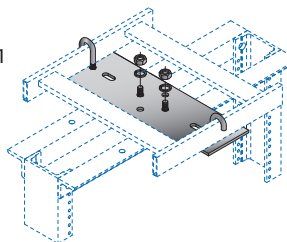
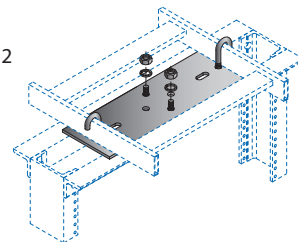


FIG. 2



Runway/Rack Mounting Kit

Vertical Cable Manager

Vertical Cable Manager Rack Systems

Vertical cable managers provide structured vertical cable management. Managers mount to the sides or between Two Post Racks or Tandem Racks. Promotes a clean and organized cable system for patch cords and general cabling.

The vertical cable channel includes snap-shut metal swing gates. The swing gates are set 12 in. apart for clear viewing and maintaining bend radius. Molded plastic edge protectors along the aluminum frame protect cable jackets.

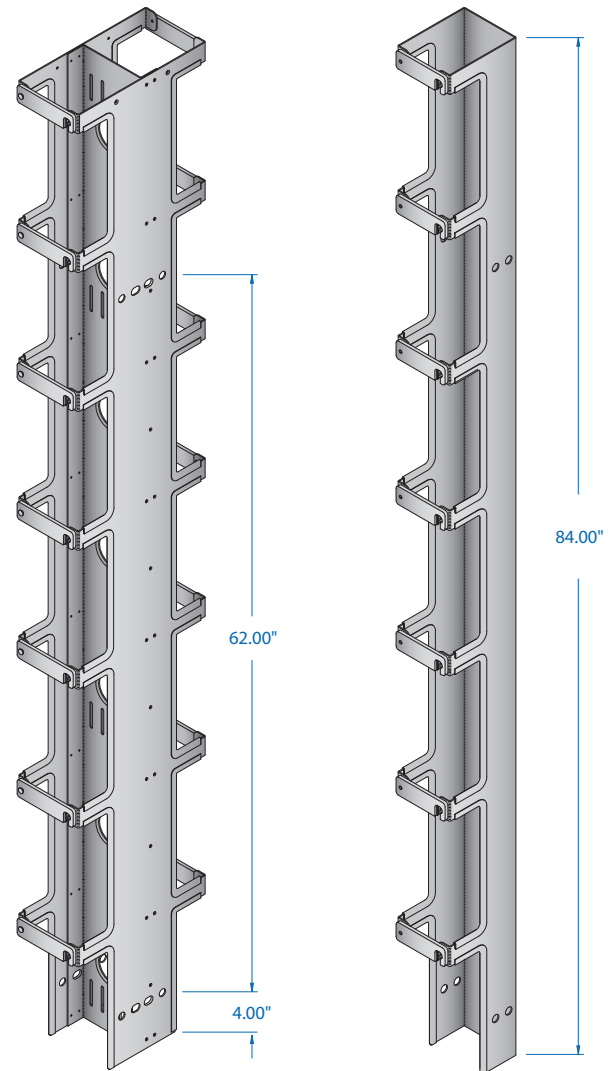
Application: Networking
Structured Cabling
Two Post and Tandem Racks

Model Sizes: Height: 84.00"
Width: 3.65", 6.00"
Depth: 6.38", 12.75"

Specifications:

- Provides easy rack cable management
- Constructed of strong, light-weight aluminum
- Single or double-sided sections available
- Narrow or wide channel models
- Molded plastic edge protectors throughout
- Metal snap-shut swing gates
- Convenient cable pass-through ports
- Integrated lances throughout for cable tie-down
- Metal removable cover, optional
- Clear or black finishes standard
- Shipped fully assembled in one box
- Mounts to other popular vendor racks

Use with Two Post or Tandem Racks.
Fits multi-vendor racks.

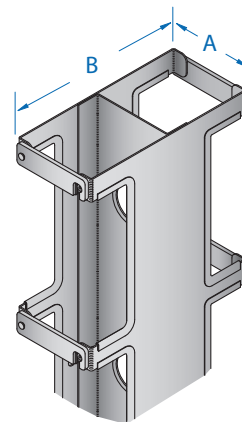


Vertical Manager Part Numbers

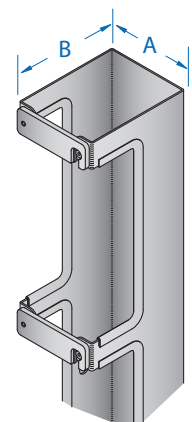
PART #	Height	Sided	A-width	B-depth	Color	Ship Wt.
MRS084N	84.00"	Single	3.65"	6.38"	Clear	15 lb.
MRS084N-3	84.00"	Single	3.65"	6.38"	Black	15 lb.
MRS084W	84.00"	Single	6.00"	6.38"	Clear	16 lb.
MRS084W-3	84.00"	Single	6.00"	6.38"	Black	16 lb.
MRD084N	84.00"	Double	3.65"	12.75"	Clear	18 lb.
MRD084N-3	84.00"	Double	3.65"	12.75"	Black	18 lb.
MRD084W	84.00"	Double	6.00"	12.75"	Clear	19 lb.
MRD084W-3	84.00"	Double	6.00"	12.75"	Black	19 lb.

Cover Metal lift-off covers

PART #	Fits Manager#	Color	Ship Wt.
MRC084N-3	MRD084N, MRS084N	Black	8 lb.
MRC084W-3	MRD084W, MRS084W	Black	8 lb.



Double: Model MRD



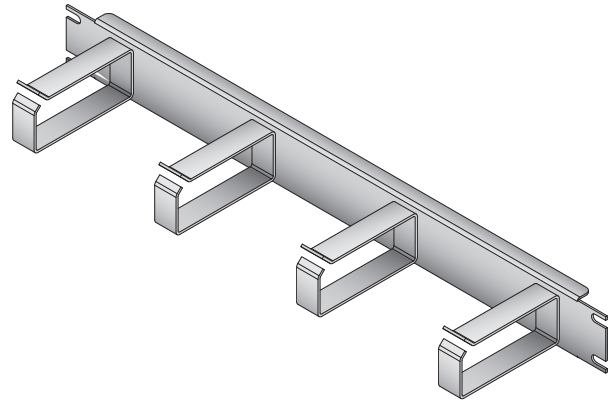
Single: Model MRS

19" Horizontal Manager

Organize your horizontal cable runs with this cost effective solution. Constructed of 16 GA sheet metal, promotes durability compared to cheap plastic versions. The manager features a smooth radius edge that adds vital protection to the cables. Easy to install in any 19" EIA rack or cabinet. An optional snap on metal cover is available. Finished in durable epoxy powder-coat.

Part #	Height	Width	Depth	Color	Ship Wt.
F533-1901	1U	19"	3.50"	Black	2.5 lb.
F533-1902	2U	19"	3.50"	Black	2.5 lb.

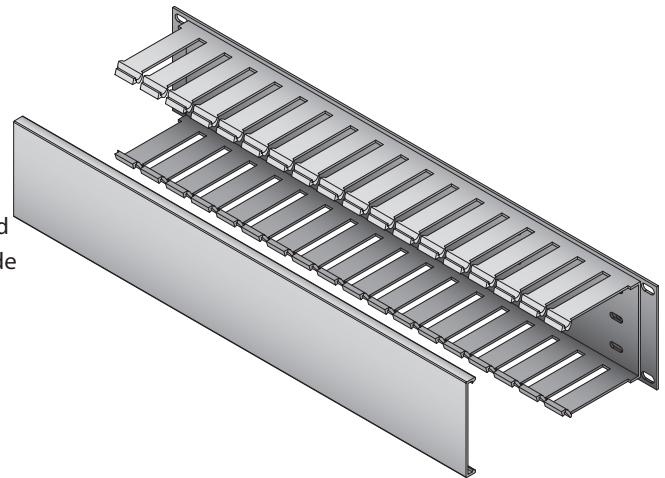
MCC1901 Cover for Part: F533-1901
 MCC1902 Cover for Part: F533-1902



19" Cable Management Panels

Panels are 19" rackable and are perfect for managing Coax, Fiber Optic and multimedia cables. The versatile cable channel maintains proper cable bend radius, and is available in depths of 3" or a compact 2" depth. All panels include a snap on cover.

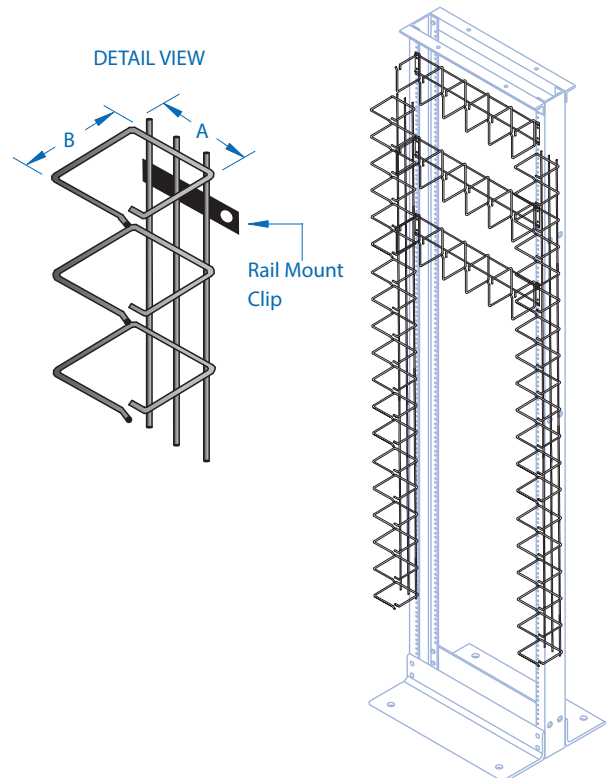
Part #	Height	Width	Depth	Color	Ship Wt.
F533-P1932	2U	19"	2.25"	Black	2.5 lb.
F533-P1933	2U	19"	3.25"	Black	2.5 lb.



CableControl™ Rack Systems

CableControl is a cost effective vertical cable management solution. Utilizing a patented wire-form design, makes organizing and bundling of cables simple. The top and bottom are open for overhead or raised floor cable runs. The full length D-Ring channel is constructed of rolled steel promoting proper bend radius and a smooth protective surface. Attaches to the mounting rails surface via a universal mounting bracket. Finished in

Part #	Height	A-width	B-depth	Type	Color	Ship Wt.
F533-001-8	18.80"	2.50"	2.50"	19" Rackable	Black	2 lb.
F533-002-8	18.80"	3.50"	3.50"	19" Rackable	Black	2 lb.
F533-003-8	18.80"	4.75"	4.75"	19" Rackable	Black	3 lb.
F533-004-8	18.80"	4.75"	5.50"	19" Rackable	Black	3 lb.
F533-015-8	68.00"	2.50"	2.50"	Vertical Mnt.	Black	5 lb.
F533-012-8	68.00"	3.50"	3.50"	Vertical Mnt.	Black	6 lb.
F533-014-8	68.00"	4.75"	5.50"	Vertical Mnt.	Black	7 lb.



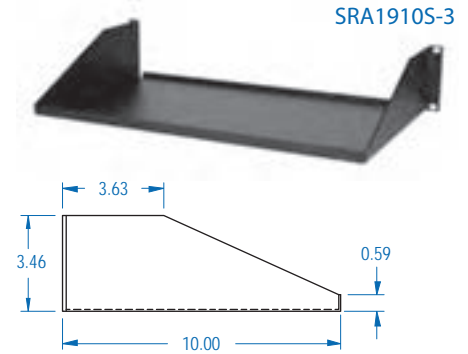
Rack Shelves

Rack-Mount Shelves Rack Systems

A variety of rack shelf options are available in 19" rack mount configurations. Shelves are universal and will fit third party racks.

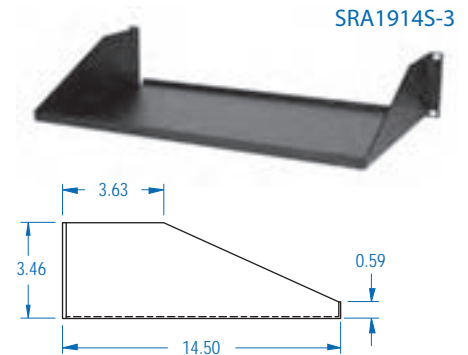
10" Deep Single Sided Shelves

Part #	Rackable	HxWxD	Type	Color	Ship Wt.
SRA1910S	19"	2U x 19 x 10	Aluminum, Solid, 50LB Cap.	Clear	5 lb.
SRS1910S-3	19"	2U x 19 x 10	Steel, Solid, 100LB Cap.	Black	6 lb.
SRA1910P	19"	2U x 19 x 10	Aluminum, Perf, 50LB Cap.	Clear	5 lb.
SRA1910P-3	19"	2U x 19 x 10	Aluminum, Perf, 50LB Cap.	Black	5 lb.



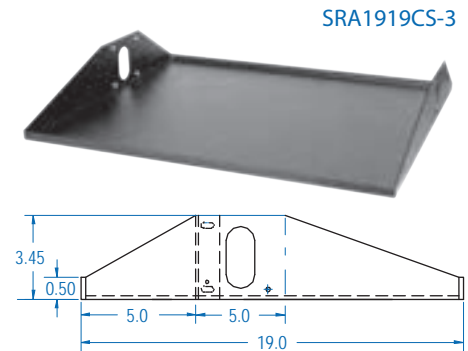
14" Deep Single Sided Shelves

Part #	Rackable	HxWxD	Type	Color	Ship Wt.
SRA1914S	19"	2U x 19 x 14.5	Aluminum, Solid, 50LB Cap.	Clear	7 lb.
SRS1914S-3	19"	2U x 19 x 14.5	Steel, Solid, 100LB Cap.	Black	8 lb.
SRA1914P	19"	2U x 19 x 14.5	Aluminum, Perf, 50LB Cap.	Clear	7 lb.
SRS1914P-3	19"	2U x 19 x 14.5	Steel, Perf, 100LB Cap.	Black	8 lb.



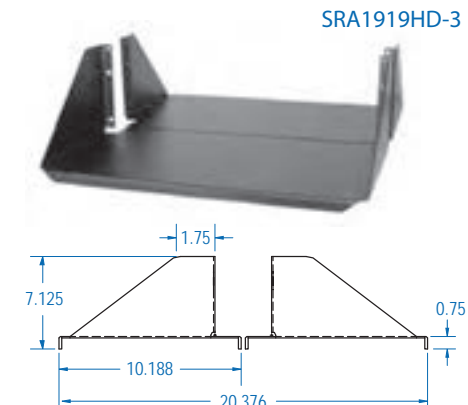
19" Deep Double Sided Shelves, 1pc

Part #	Rackable	HxWxD	Type	Color	Ship Wt.
SRA1919CS	19"	2U x 19 x 19	Aluminum, Solid, 50LB Cap.	Clear	10 lb.
SRA1919CS-3	19"	2U x 19 x 19	Aluminum, Solid, 50LB Cap.	Black	10 lb.
SRS1919CS-3	19"	2U x 19 x 19	Steel, Solid, 150LB Cap.	Black	11 lb.
SRA1919CP	19"	2U x 19 x 19	Aluminum, Perf, 50LB Cap.	Clear	10 lb.
SRA1919CP-3	19"	2U x 19 x 19	Aluminum, Perf, 50LB Cap.	Black	10 lb.



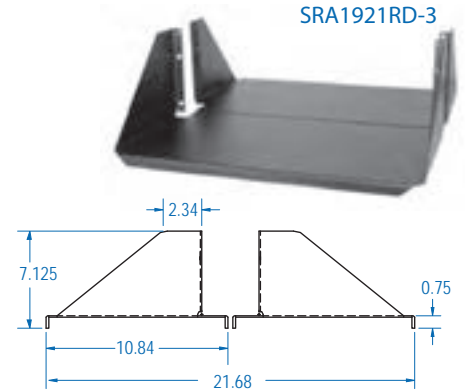
19" Deep HD Double Sided Shelves, 2pc

Part #	Rackable	HxWxD	Type	Color	Ship Wt.
SRA1919HD	19"	4U x 19 x 19	Aluminum, Solid, 200LB Cap.	Clear	12 lb.
SRA1919HD-3	19"	4U x 19 x 19	Aluminum, Solid, 200LB Cap.	Black	12 lb.



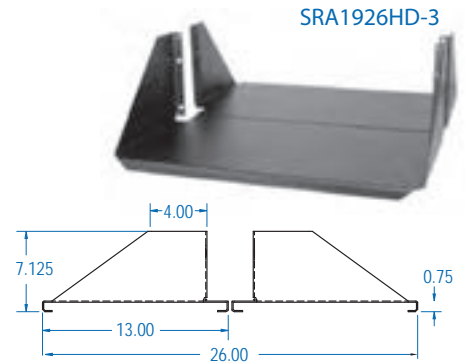
21" Deep Double Sided Shelves, 2pc

Part #	Rackable	HxWxD	Type	Color	Ship Wt.
SRA1921RD	19"	4U x 19 x 21	Aluminum, Solid, 100LB Cap.	Clear	11 lb.
SRA1921RD-3	19"	4U x 19 x 21	Aluminum, Solid, 100LB Cap.	Black	11 lb.
SRA1921RDP	19"	4U x 19 x 21	Aluminum, Perf, 100LB Cap.	Clear	11 lb.



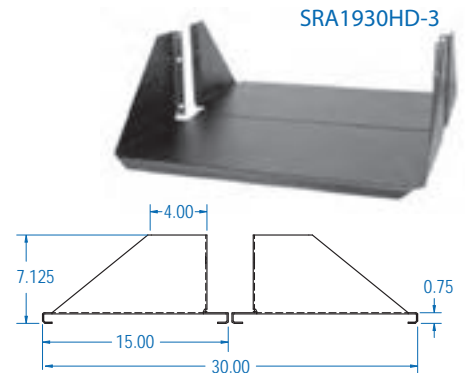
26" Deep HD Double Sided Shelves, 2pc

Part #	Rackable	HxWxD	Type	Color	Ship Wt.
SRA1926HD	19"	4U x 19 x 26	Aluminum, Solid, 200LB Cap.	Clear	13 lb.
SRA1926HD-3	19"	4U x 19 x 26	Aluminum, Solid, 200LB Cap.	Black	13 lb.



30" Deep HD Double Sided Shelves, 2pc

Part #	Rackable	HxWxD	Type	Color	Ship Wt.
SRA1930HD	19"	4U x 19 x 30	Aluminum, Solid, 200LB Cap.	Clear	14 lb.
SRA1930HD-3	19"	4U x 19 x 30	Aluminum, Solid, 200LB Cap.	Black	14 lb.



Fixed & Roll-Out Keyboard Trays

Part #	Rackable	HxWxD	Type	Color	Ship Wt.
SRS19KF-3	19"	2U x 19 x 8.5	Fixed Keyboard	Black	7 lb.
SRA19KS	19"	2U x 19 x 8	Roll-Out Keyboard	Clear	7 lb.
SRA19KS-3	19"	2U x 19 x 8	Roll-Out Keyboard	Black	7 lb.
SRA19KSM	19"	2U x 19 x 8	Roll-Out Keybrd w/ Mouse	Clear	8 lb.
SRA19KSM-3	19"	2U x 19 x 8	Roll-Out Keybrd w/ Mouse	Black	8 lb.



Hot/Cold Aisle Containment Systems

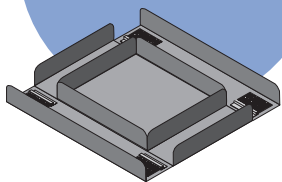
Aisle Containment Hot / Cold Rack Aisles

DAMAC Products new Aisle Containment Structure is designed to increase cooling and airflow efficiencies while reducing operational costs. Isolating hot and cold air not only reduces operational cost associated with cooling, but also allows for greater equipment densities. The unique design of this system incorporates the flexibility to quickly install to any Damac rack and can also be used with any 24" wide third party rack.

Application: Data Center
High Density Applications
Energy Rebate Programs

Specifications:

- Hot or cold aisle containment
- Fits standard aisle widths: 36" and 48"
- Improves airflow and energy savings
- Panel framing constructed of light aluminum extrusion
- Clear panel inserts are 8mm polycarbonate structured sheeting
- Twin wall design is an excellent air insulator
- Panels mount horizontally across a 24"W cabinet
- Optional fuse-link panel attachment for fire safety
- Allows sprinkler access to the aisle way
- Modular design promotes quick assembly
- Easily customized to meet specific requirements
- Qualifies for some energy rebate programs
- NFPA Fire Rated materials



Aisle Containment with Cable Routing

Achieve aisle containment and a structured over-head cable routing system with the addition of a cable-routing top panel. Let Damac design the perfect system for you.



Cold Aisle

Create isolated cold aisle ways with Damac aisle top panels and end door kits. Panels horizontally attach to cabinet. Door kits bolt to the raised floor or slab.

If the aisle only has one row of racks, use additional



Hot Aisle

Isolate the hot aisle with vertical panels. This solution directs the equipments hot exhaust air directly into the hot air return or into a drop-down ceiling grid.

This system includes user specified vertical panels, cabinet brackets and end-of-row door kits.

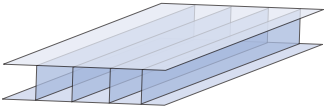
Contact us for your specific requirements.

Aisle Top Panel

- 36"-48" aisle widths
- clear polycarbonate structured sheet
- aluminum extrusion framing
- individual 24"W panels, removable

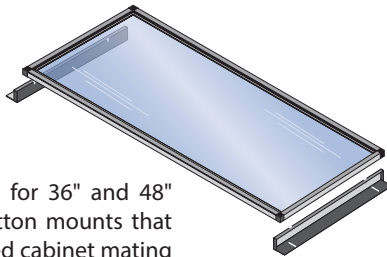
Panel-to-Rack Bracket

- fits 24"W racks
- adds 2" of height
- 6" mounting slot for panel adjustment



Panel Material

- polycarbonate structured sheet
- clear for light penetration
- light weight material
- twin wall design promotes insulation
- self extinguishing material
- meets Class A parameters of the NFPA Safety Code 101, Section 6-5.3



Aisle Top Panels

Rigid aisle panels are available for 36" and 48" aisle widths. Panels include button mounts that lock into keyholes in the included cabinet mating brackets. Brackets allow for up to 6 inches of panel adjustability for centering over the aisle way. Optional fuse-link mating model available for added fire safety. Fuse-links separate at 135 F, dropping the panel for sprinkler access to the aisle way.

Part#	Description	Weight
ACCTK2436-3	36" Aisle Top Panel, standard mounting	8 lb.
ACCTK2448-3	48" Aisle Top Panel, standard mounting	11 lb.
ACCTK2436F-3	36" Aisle Top Panel, fuse-link mounting	8 lb.
ACCTK2448F-3	48" Aisle Top Panel, fuse-link mounting	11 lb.

Aisle Door

- single or dual doors w/ slam latch and handles
- swing-out or sliding
- manual or automatic closing
- clear polycarbonate insert
- tubular steel support frame, floor mount
- brush kit bottom, no air leakage
- no bottom door threshold, eliminates potential tripping hazard
- gasket perimeter ensures proper seal

Aisle Door Kit

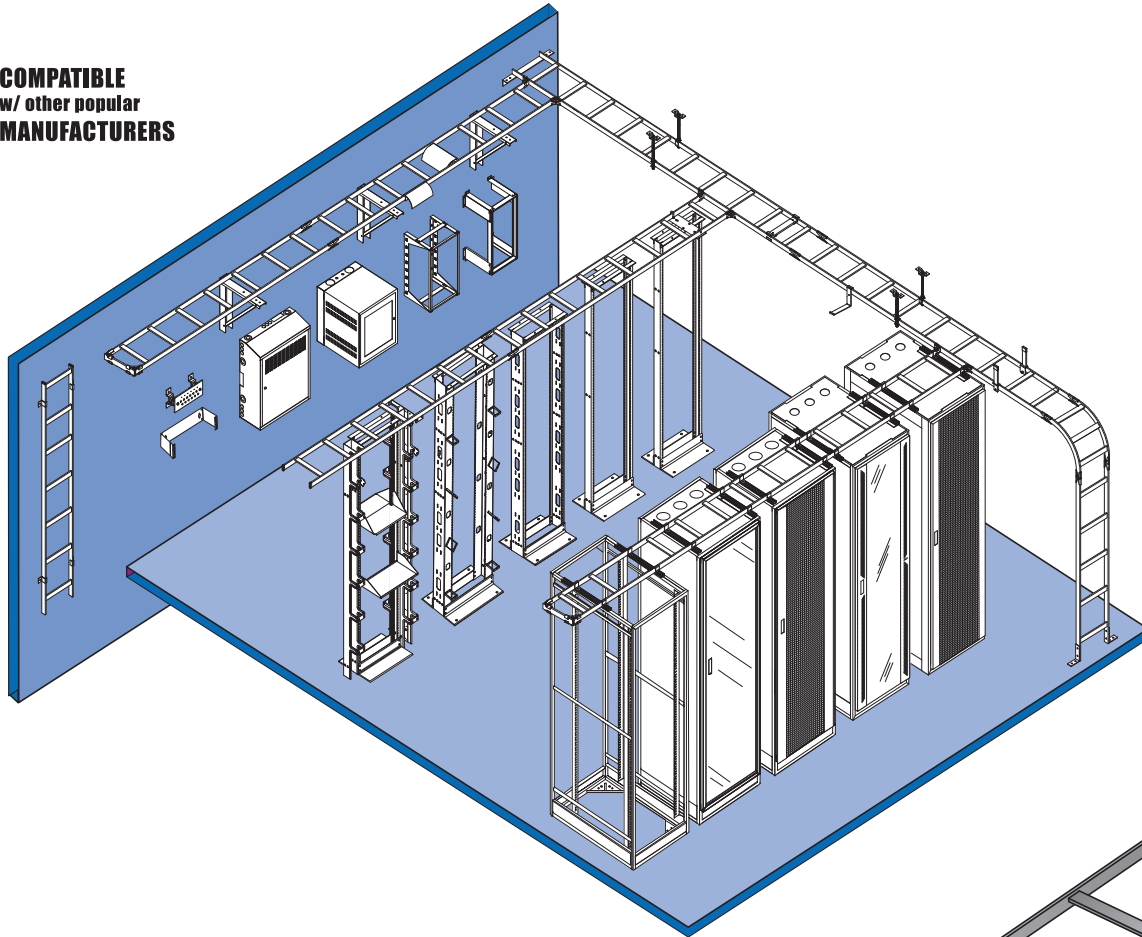
Door kits fit aisle widths of 36" - 48". Kit includes double doors with clear inserts, door latch and bottom brush kit. The double doors are supported by a floor mounted support structure.

Part#	Description
ACERK8436SD-3	Single, 36"W x 84"H, sliding door
ACERK8448-3	Dual, 48"W x 84"H, swing-out door
ACERK8448DSC-3	Dual, 48"W x 84"H, self closing door



Ladder Style Cable Runway

COMPATIBLE
w/ other popular
MANUFACTURERS

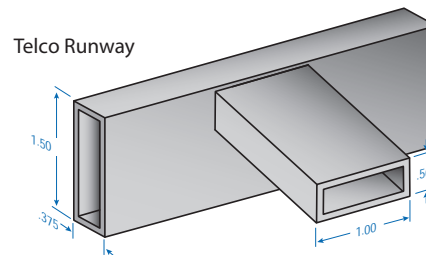
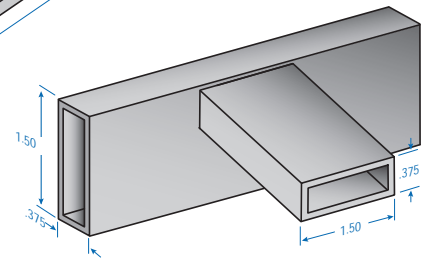
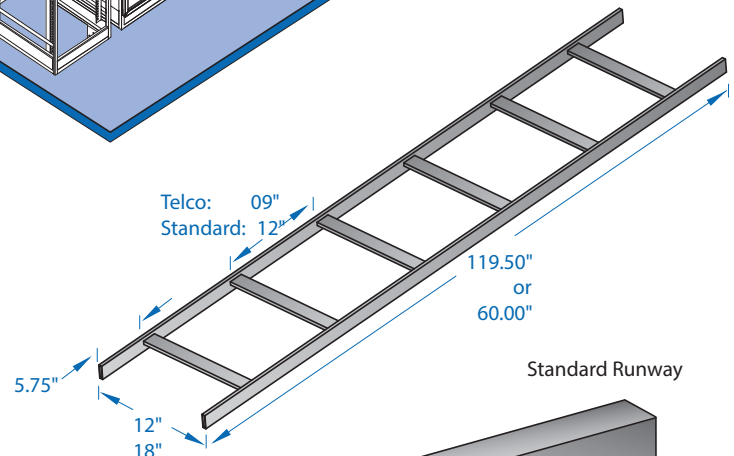


Cable Runway

Cable runway is constructed of tubular steel, providing superior strength and less weight. Each stick of cable runway is individually boxed for easy shipment. Available in standard or Telco versions. Completely compatible with other cable runway systems. Save up to 20% of the cost compared to similar runway systems. Available in black or gray epoxy powder-coat finish.

Specifications:

- Construction: 16 GA, 3/8" x 1-1/2" x .065" tubular steel
- Standard length: 9' 11-1/2"
- Standard: cross members positioned on 12" centers
- Telco: cross members positioned on 9" centers
- Compatible with other tubular cable runway systems
- Full line of hardware and accessories available
- Individually boxed for easy shipment
- Epoxy powder-coat finish: black or gray



Cable Runway

Part #	H x W x L	Type	Color	Wt.
PLR1205-3	1.5" x 12" x 60.00"	12" Runway	Black	10 lb.
PLR1210-3	1.5" x 12" x 119.50"	12" Runway	Black	20 lb.
PLR1805-3	1.5" x 18" x 60.00"	18" Runway	Black	15 lb.
PLR1810-3	1.5" x 18" x 119.50"	18" Runway	Black	30 lb.
PLR1210T-3	1.5" x 12" x 116.50"	12" Telco Runway	Black	20 lb.

* replace (-3) in part# with (-4F) for Gray Color, (-5F) White Color

90 Degree Radius E-Bends

Provides a gradual bend for cable runway, maintains min. cable bend radius

Part #	Description	Color	Wt.
PLR12RE-3	12" Runway, 90 Degree Horizontal Radius	Black	8 lb.
PLR18RE-3	18" Runway, 90 Degree Horizontal Radius	Black	11 lb.

* replace (-3) in part# with (-4F) for Gray Color, (-5F) White Color

Radius Bends: Inside

Inside bend for cascading cables, maintains min. cable bend radius

Part #	Description	Color	Wt.
PLR12RI-3	12" Runway, Inside Radius Bend	Black	8 lb.
PLR18RI-3	18" Runway, Inside Radius Bend	Black	11 lb.

* replace (-3) in part# with (-4F) for Gray Color, (-5F) White Color

Radius Bends: Outside

Outside bend for cascading cables, maintains min. cable bend radius

Part #	Description	Color	Wt.
PLR12RO-3	12" Runway, Outside Radius Bend	Black	8 lb.
PLR18RO-3	18" Runway, Outside Radius Bend	Black	11 lb.

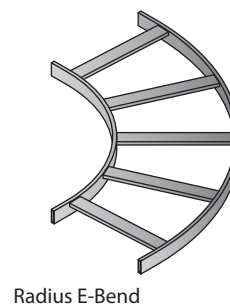
* replace (-3) in part# with (-4F) for Gray Color, (-5F) White Color

Radius Drop

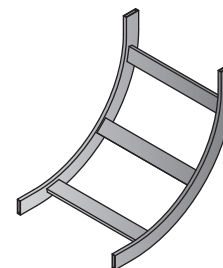
Maintains cable bend radius for center cascading cables. Attaches to cable runway stringer over cross-bar. Fits 12" and 18" cable runway.

Part #	Description	Color	Wt.
PLBDS-3	Runway Side Drop	Black	2 lb.
PLBDST-3	Telco Runway Side Drop	Black	2 lb.
PLA12DC-3	12" Runway, Center Drop	Black	2 lb.
PLA18DC-3	18" Runway, Center Drop	Black	3 lb.

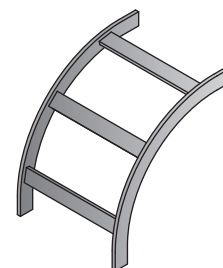
* replace (-3) in part# with (-4F) for Gray Color, (-5F) White Color



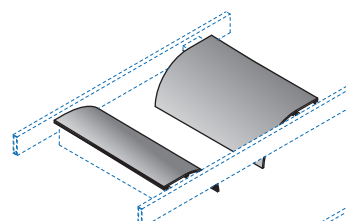
Radius E-Bend



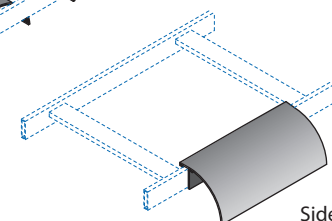
Inside Radius Bend



Outside Radius Bend



Center Drop



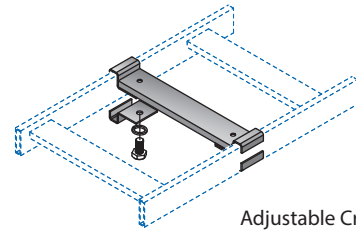
Side Drop

Ladder Style Cable Runway

Adjustable Cross Member

Facilitates the cascading of cables between runway cross-members. Kit includes cross-member w/ hardware.

Part #	Description	Color	Wt.
PLA12CM-3	12" Adjustable Cross Member	Black	2 lb.
PLA12CM-4F	12" Adjustable Cross Member	Gray	2 lb.
PLA18CM-3	18" Adjustable Cross Member	Black	2 lb.
PLA18CM-4F	18" Adjustable Cross Member	Gray	2 lb.

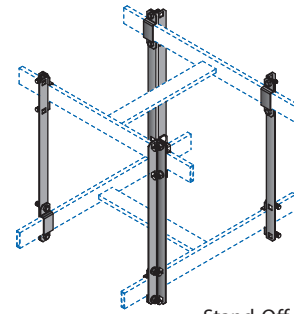


Adjustable Cross Member

Stand-Off Support Bracket

Add an additional cable runway system directly above, perpendicular or parallel, to an existing runway system. Kit includes four support brackets, two steel 12" angled stand-off beams and all required hardware.

Part #	Description	Color	Wt.
PLB12SK-3	12" Stand-Off Support Bracket	Black	2 lb.
PLB12SK-4F	12" Stand-Off Support Bracket	Gray	2 lb.

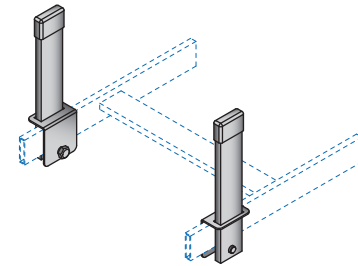


Stand-Off Bracket

Retaining Post

Adds additional depth to cable runway for dense cabling. Kit includes one 6", 8" or 10" retaining post, mounting bracket, protective end caps and all required hardware.

Part #	Description	Color	Wt.
PLB06RP-3	06" Retaining Post	Black	2 lb.
PLB06RP-4F	06" Retaining Post	Gray	2 lb.
PLB08RP-3	08" Retaining Post	Black	2 lb.
PLB08RP-4F	08" Retaining Post	Gray	2 lb.
PLB10RP-3	10" Retaining Post	Black	3 lb.
PLB10RP-4F	10" Retaining Post	Gray	3 lb.

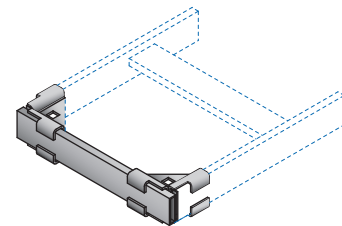


Retaining Post

Termination Kits

Termination kits close an un-spliced end of cable runway. Kits feature two junction "T" brackets, one piece of 1 1/2" tube at a length equal to the un-spliced cable runway and all needed hardware.

Part #	Description	Color	Wt.
PLBTK12-3	12" Runway, Termination	Black	3 lb.
PLBTK12-4F	12" Runway, Termination	Gray	3 lb.
PLBTK18-3	18" Runway, Termination	Black	5 lb.
PLBTK18-4F	18" Runway, Termination	Gray	5 lb.

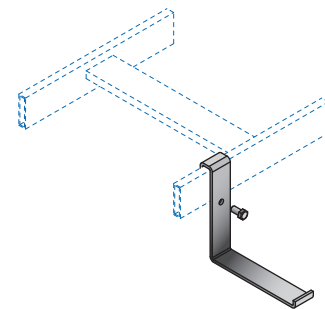


Termination Kit

L Bracket

Ideal for physically separating required cables. By adding the "L" bracket, an alternative runway is created for separating harmful power cables from data cables. Kit includes "L" bracket and hardware.

Part #	Description	Color	Wt.
PLA5LB-3	"L" Bracket Cable Runway	Black	1 lb.
PLA5LB-4F	"L" Bracket Cable Runway	Gray	1 lb.

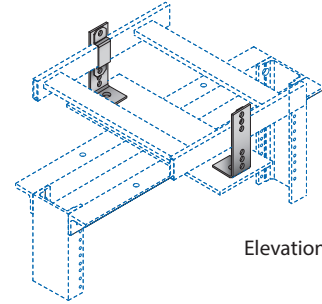


"L" Bracket

Rack-To-Runway Elevation Kit

Support runway above racks with added top spacing for cable transitions. Mounts to rack-to-runway mounting plate (PLBXXRS-3) and to side stringer of runway with elevation adjustments from 2"-3" and 4"-6" high. Kit includes two elevation brackets w/ hardware. Top plate sold separately.

Part #	Description	Color	Wt.
PLBSC06-3	Rack-Runway Elevation Kit, 4" - 6" High	Black	8 lb.
PLBSC03-3	Rack-Runway Elevation Kit, 2" - 3" High	Black	8 lb.



Elevation Kit

Runway-To-Rack Mounting Kit

Securely attaches cable runway to the top angles of standard 3" channel relay racks. Allows mounting runway either parallel or perpendicular to the rack. Kit includes one steel, pre-drilled mounting plate and two 5/16-18 x 3" J-bolts w/ hardware.

Part #	Description	Color	Wt.
PLB12RS-3	12"W Runway to Two Post Rack	Black	2 lb.
PLB12RS-4F	12"W Runway to Two Post Rack	Gray	2 lb.
PLB18RS-3	18"W Runway to Two Post Rack	Black	3 lb.
PLB18RS-4F	18"W Runway to Two Post Rack	Gray	3 lb.

FIG. 1

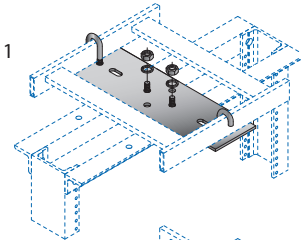
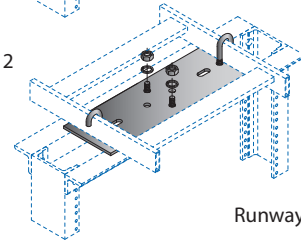


FIG. 2

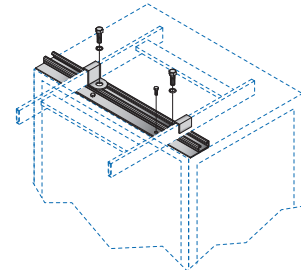


Runway/Rack Mounting Kit

Runway-To-Cabinet Mounting Kit

Securely attaches runway to the top of cabinets. Kit includes mounting plate that allows you to adjust runway into the desired position.

Part #	Description	Color	Wt.
PLB24CS-3	12"-18"W Runway to 24"-30"D Cabinet Kit	Black	7 lb.
PLB24CS-4F	12"-18"W Runway to 24"-30"D Cabinet Kit	Gray	7 lb.
PLB28CS-3	12"-18"W Runway to 28"-40"D Cabinet Kit	Black	7 lb.
PLB28CS-4F	12"-18"W Runway to 28"-40"D Cabinet Kit	Gray	7 lb.

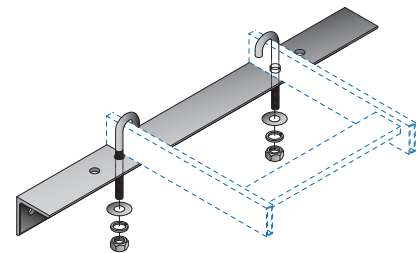


Runway/Cabinet Mounting Kit

Wall Angle Support Kit

Wall angles function as a wall support and seismic bracing for cable runway. Kit includes a pre-drilled, steel wall angle plate and a two 5/16-18 x 3" J-bolts and all needed hardware.

Part #	Description	Color	Wt.
PLBWA12-3	12" Runway Wall Angle Bracket	Black	4 lb.
PLBWA12-4F	12" Runway Wall Angle Bracket	Gray	4 lb.
PLBWA18-3	18" Runway Wall Angle Bracket	Black	5 lb.
PLBWA18-4F	18" Runway Wall Angle Bracket	Gray	5 lb.

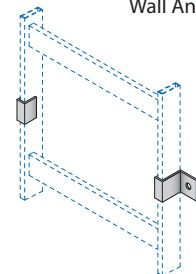


Wall Angle Support Kit

Wall Mounting Clamps

Wall clamps are a quick and easy solution for attaching cable runway to wall surfaces. Kit includes two mounting clamps and all needed hardware.

Part #	Description	Color	Wt.
PLBWHC2-3	Wall Mounting Hold Down Brackets (2)	Black	1 lb.
PLBWHC2-4F	Wall Mounting Hold Down Brackets (2)	Gray	1 lb.



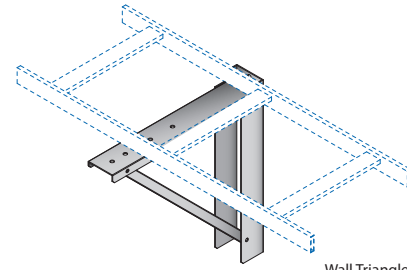
Wall Mounting Clamps

Ladder Style Cable Runway

Wall Triangle Support Kit

The steel triangle wall support bracket provides wall support for cable runway. Kit features a pre-drilled, triangle bracket, two 5/16-18 x 3" J-bolts and hardware.

Part #	Description	Color	Wt.
PLBWT12-3	12" Runway Triangle Sup. Bracket	Black	5 lb.
PLBWT12-4F	12" Runway Triangle Sup. Bracket	Gray	5 lb.
PLBWT18-3	18" Runway Triangle Sup. Bracket	Black	8 lb.
PLBWT18-4F	18" Runway Triangle Sup. Bracket	Gray	8 lb.

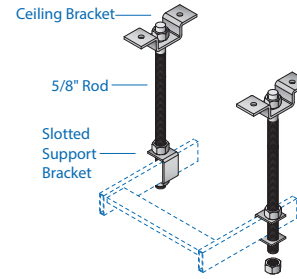


Wall Triangle Support Kit

Ceiling Support Kits

Suspend runway from the ceiling. Kit includes one rack support bracket, one ceiling support bracket and one 6' piece of 5/8" threaded rod w/ all needed 5/8" hardware. Note: two kits are req. for standard configuration.

Part #	Description	Color	Wt.
PLBCRK58-3	5/8" Ceiling Support Kit w/ rod	Black	5 lb.
PLBC58-3	5/8" Ceiling Bracket, 1 only	Black	1 lb.
PLBSS58-3	5/8" Slotted Support Bracket, 1 only	Black	1 lb.
PLA58072TR	5/8" Threaded Rod, 6 ft. Piece, 1 only	Zinc	5 lb.



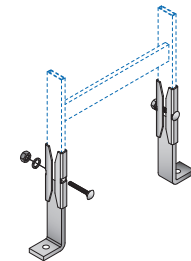
Runway Ceiling Support Kit

Floor Mounting Kits

The floor mounting kit includes two butt splice brackets, floor angles and all needed hardware.

Part #	Description	Color	Wt.
PLBFS-3	Floor Mounting Kit (2)	Black	6 lb.

* replace (-3) in part# with (-4F) for Gray finish



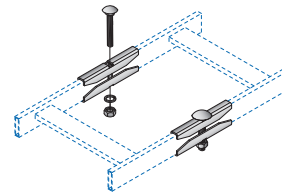
Runway Floor Mounting Kit's

Butt Splice Kit

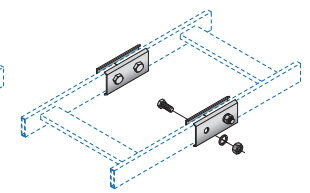
Use to splice cable runway. Kit includes two brackets w/ hardware. The HD model requires drilling.

Part #	Description	Color	Wt.
PLBE00-3	Bracket, Butt Splice Kit (2)	Black	2 lb.
PLBE00HD-3	Bracket, HD Butt Splice Kit (2)	Black	2 lb.

* replace (-3) in part# with (-4F) for Gray finish



Butt Splice



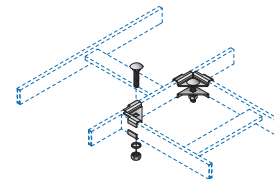
HD Butt Splice

Junction-T Kit

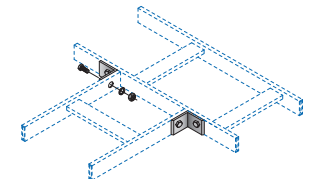
Create a 90 degree junction splice. Kit includes two brackets w/ hardware. HD model requires drilling.

Part #	Description	Color	Wt.
PLBJT-3	Bracket, Junction T Kit (2)	Black	2 lb.
PLBJTHD-3	HD Bracket, Junction T Kit (2)	Black	3 lb.

* replace (-3) in part# with (-4F) for Gray finish



Junction T



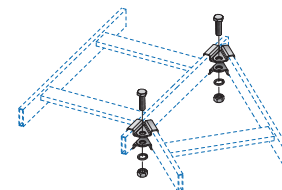
HD Junction T

30-90 Adjustable Junction Kit

Form virtually any adjustable angle for splicing to cable runway. Bracket attaches to side stringer of runway and easily slides between cross-bars. Kit includes two adjustable junction brackets w/ hardware.

Part #	Description	Color	Wt.
PLBJ3090-3	Bracket, 30-90 Adj. Junction Kit (2)	Black	5 lb.

* replace (-3) in part# with (-4F) for Gray finish



30-90 Junction Kit

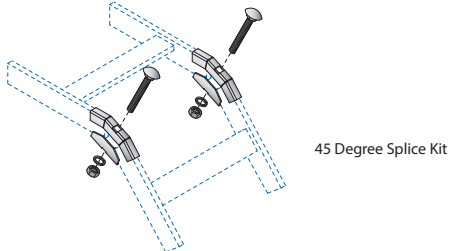
Cable Runway

45 Degree Splice Kit

Use to splice cable runway at a 45 degree angle. Kit includes two 45 degree splice brackets w/ hardware.

Part #	Description	Color	Wt.
PLBE45-3	Bracket, 45 Degree Splice Kit (2)	Black	2 lb.

* replace (-3) in part# with (-4F) for Gray finish



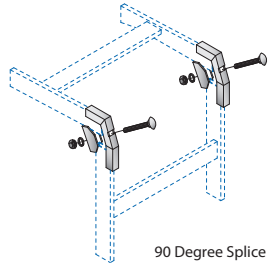
45 Degree Splice Kit

90 Degree Splice Kit

Use to splice cable runway at a 90 degree angle. Kit includes two 90 degree splice brackets w/ hardware.

Part #	Description	Color	Wt.
PLBE90-3	Bracket, 90 Degree Splice Kit (2)	Black	2 lb.

* replace (-3) in part# with (-4F) for Gray finish



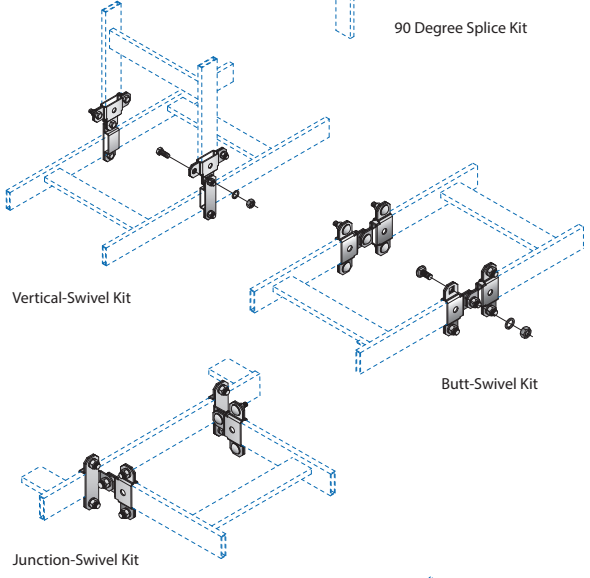
90 Degree Splice Kit

Swivel Splice Kit

Butt splices cable runway horizontally, vertically or perpendicularly. Adjusts to virtually any angle making it easy to install runway around existing obstacles. Kit includes two swivel splice brackets w/ hardware.

Part #	Description	Color	Wt.
PLBSE-3	Bracket, Butt-Swivel Splice Kit (2)	Black	2 lb.
PLBSJ-3	Bracket, Junction-Swivel Splice Kit (2)	Black	2 lb.
PLBSV-3	Bracket, Vertical-Swivel Splice Kit (2)	Black	2 lb.

* replace (-3) in part# with (-4F) for Gray finish



Vertical-Swivel Kit

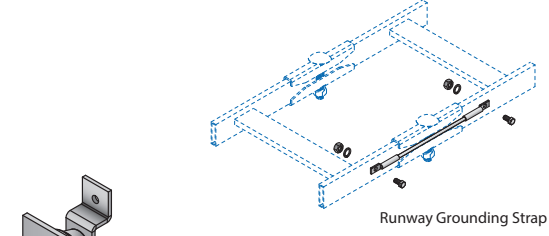
Butt-Swivel Kit

Junction-Swivel Kit

Grounding Strap

Creates a common ground between spliced ladder rack sections. Kit includes one braided copper ground strap and all needed hardware. Installation requires drilling of two holes for mounting.

Part #	Description	Color	Wt.
PLA12GK	12" Grounding Strap w/ Hardware	Zinc	1 lb.

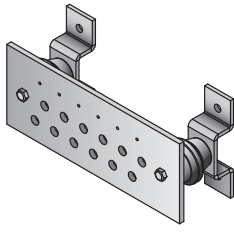


Runway Grounding Strap

Wall Mounted Copper Bus Bar

Wall mounted bus bar includes a 10" x 4" or 20" x 4" copper grounding bar and all needed mounting hardware

Part #	Description	Color	Wt.
AGWB010	10" x 4" Wall Mount Bus Bar Kit	Copper	5 lb.
AGWB020	20" x 4" Wall Mount Bus Bar Kit	Copper	9 lb.

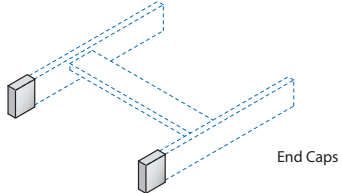


Wall Mounted Copper Bus Bar

Protective End Caps

Rubberized end caps for exposed ends of cable runway. Helps protect workers and equipment from exposed areas. Sold in pairs.

Part #	Description	Color	Wt.
PLAEC	Runway Rubberized End Caps (2)	Black	1 lb.

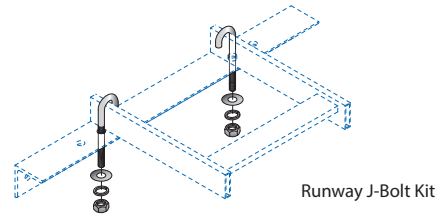


End Caps

Ladder Style Cable Runway

J-Bolt Kits

Used to attach ladder rack to framing, channels, etc. J bolts come in 5/16-18 and are available in lengths of 2.25" or 3.00". Finished in gold zinc, kits include two J-bolts, washers and hex nuts.



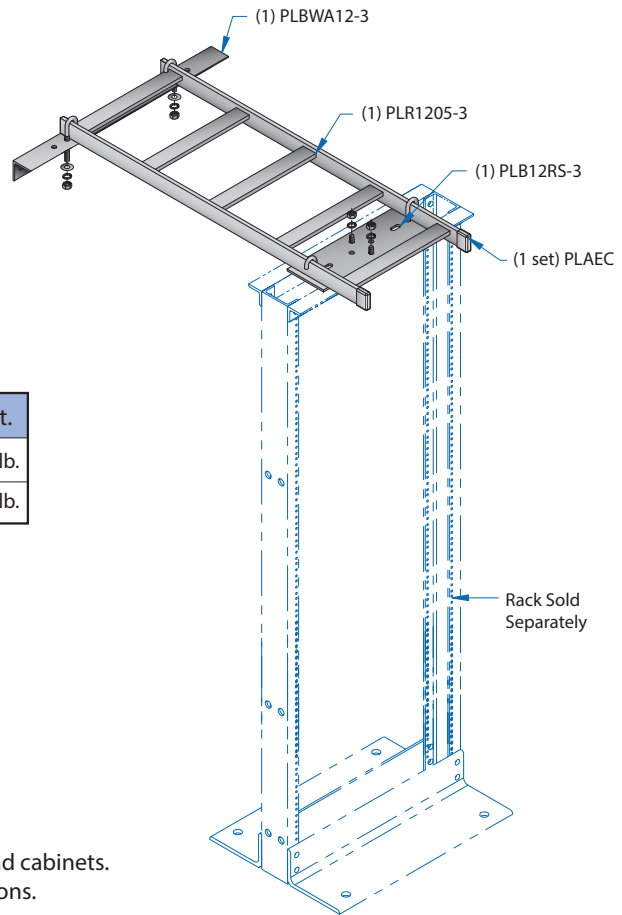
Part #	Description	Color	Wt.
PLA300JK	5/16" x 3" J Bolts w/ Hardware	Zinc	1 lb.

Wall-to-Rack Bundle Kit

The all-in-one solution for supporting cable from the wall to a two post equipment rack. This time saving and cost effective solution comes in one single box and is UPS shippable.

Kit includes:

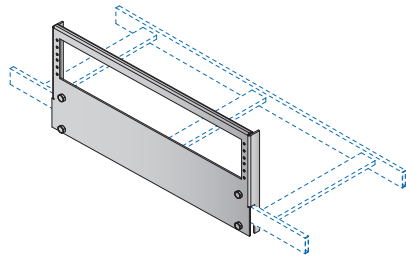
- (1) 60" long 12"W cable runway section
- (1) Wall angle support bracket w/ J-bolts
- (1) Rack-to-runway mounting kit w/ J-bolt
- (1) Pair of runway end caps



Part #	Description	Color	Wt.
PLA12Z21090-3	(1) 60" Runway, (1) Wall angle, (1) Rack Kit, (2) Caps	Black	18 lb.
RRA19084-3MU	Two Post Rack, 84"H/45U, 19" 12-24 tap rails	Black	35 lb.

Patch Panel Bracket

Used to install patch panels or other connection equipment above racks and cabinets. Installs to the side stringer of ladder rack in either above or below orientations. Available in 2U or 4U configurations.



Part #	Description	Color	Wt.
PLA1902PV-3	2U Patch Panel Bracket w/ Mnt. Brackets	Black	1 lb.
PLA1902PV-4F	2U Patch Panel Bracket w/ Mnt. Brackets	Gray	1 lb.
PLA1904PV-3	4U Patch Panel Bracket w/ Mnt. Brackets	Black	1 lb.
PLA1904PV-4F	4U Patch Panel Bracket w/ Mnt. Brackets	Gray	1 lb.

SEISMIC PRODUCTS

NEMA12 ENCLOSURES

WIRELESS ENCLOSURES

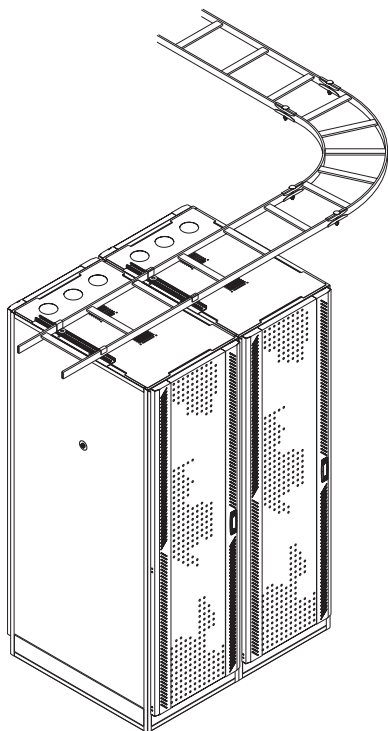
CUSTOM SERVER RACKS

JOB SPECIFIC PRODUCTS

POWER DISTRIBUTION



DAMAC provides a fast and smooth process from designing and quoting to deliver all your unique data center needs. From unique server racks and wall mount racks to wireless access point enclosures and powerstrips, we have your next challenge solved.



1. Identify your needs
2. Engineer preliminary drawing, 48 hours
3. Generate quote pending approval, 24 hours
4. Prototype fabricated and shipped, 4 weeks
5. Final product ships, 4-6 weeks

Custom products to your door in 6 weeks.
That's not amazing, That's DAMAC!

Power Distribution

Powerstrips Vertical and Rack-Mount

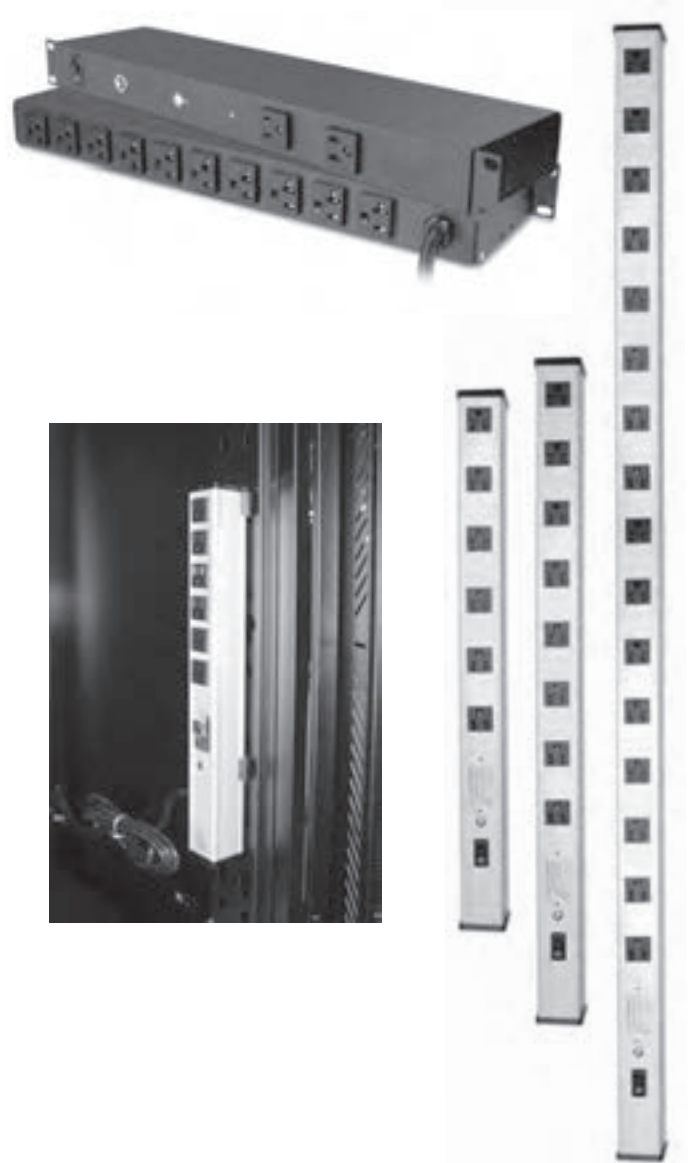
Powerstrips by DAMAC provide a safe and cost effective solution for power distribution for rack applications. The vertical powerstrip offers a large numbers of power outlets for dense equipment installs without occupying valuable rack space. All vertical powerstrips easily install to racks via a universal mounting bracket. Rack-mount PDU units can be mounted in any rack with standard EIA 19" mounting rails. Available in a large variety of configurations. Damac also offers custom built power solutions. If you have a unique project, Damac can build a custom solution for

Application: Data Racks
Relay Rack
Audio/Visual Racks
Telecom Racks
Process Control Systems
Office, Retail Store




Model Sizes: AMP: 15amp, 20amp
Length: 17", 19", 28", 40", 66"
Receptacle: 5-15R, 5-20R
Plug: Blade, Twist-Lock
Volt: 125V

Specifications:



- UL™ listed components
- 125 Volts
- Amp: 15amp and 20amp
- 19" EIA rack-mount or vertical mounting
- Compact 1U size rack-mount models
- Available in 6 - 24 outlet variations
- Optional circuit break and surge protection
- Optional on/off switch
- LED power indicator light
- Transformer spaced receptacles
- Standard and twist-lock plug's
- Black or Silver Finish
- Universal mounting clip included
- Install in racks



Plug

15 AMP	
STANDARD 125V, NEMA 5-15P	
20 AMP	
STANDARD 125V, NEMA 5-20P	
TWIST-LOCK 125V/250V, NEMA L5-20P	

Receptacles

15 AMP	
STANDARD 125V, NEMA 5-15R	
20 AMP	
STANDARD 125V, NEMA 5-20R	

Rack Accessories



Standard Vertical Powerstrip / 125 Volts / Silver Finish

Part #	Amp	Outlet	Dims	Plug	Cord	Surge	Volt	Ship Wt.
P0617AC201	15amp	06 / 5-15R	17"x1.75"x1.75"	NEMA 5-15P	10 Ft		125 V	2 lb
P0617BC201	15amp	06 / 5-15R	17"x1.75"x1.75"	NEMA 5-15P	10 Ft	Yes	125 V	2 lb
P0828AC201	15amp	08 / 5-15R	28"x1.75"x1.75"	NEMA 5-15P	10 Ft		125 V	3 lb
P0828BC201	15amp	08 / 5-15R	28"x1.75"x1.75"	NEMA 5-15P	10 Ft	Yes	125 V	3 lb
P0840AC201	15amp	08 / 5-15R	40"x1.75"x1.75"	NEMA 5-15P	10 Ft		125 V	5 lb
P0840BC201	15amp	08 / 5-15R	40"x1.75"x1.75"	NEMA 5-15P	10 Ft	Yes	125 V	5 lb
P1666AC201	15amp	16 / 5-15R	66"x1.75"x1.75"	NEMA 5-15P	10 Ft		125 V	8 lb
P1666BC201	15amp	16 / 5-15R	66"x1.75"x1.75"	NEMA 5-15P	10 Ft	Yes	125 V	8 lb
P0828FM201	20amp	08 / 5-20R	28"x1.75"x1.75"	NEMA 5-20P	10 Ft		125 V	3 lb
P0828GM201	20amp	08 / 5-20R	28"x1.75"x1.75"	NEMA 5-20P	10 Ft	Yes	125 V	3 lb
P0840FM201	20amp	08 / 5-20R	40"x1.75"x1.75"	NEMA 5-20P	10 Ft		125 V	5 lb
P0840GM201	20amp	08 / 5-20R	40"x1.75"x1.75"	NEMA 5-20P	10 Ft	Yes	125 V	5 lb
P1666FM201	20amp	16 / 5-20R	66"x1.75"x1.75"	NEMA 5-20P	10 Ft		125 V	8 lb
P1666GM201	20amp	16 / 5-20R	66"x1.75"x1.75"	NEMA 5-20P	10 Ft	Yes	125 V	8 lb

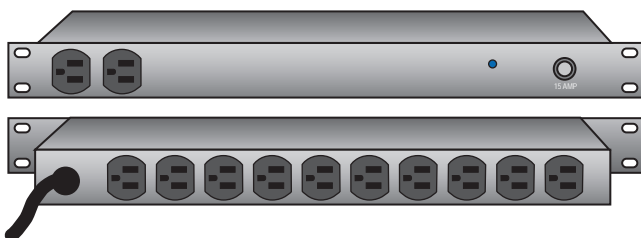
Standard 19" Rack-Mount PDU w/ LED Light

Part #	Amp	Outlet	Dims	Plug	Cord	Surge	Volt	Ship Wt.
P0619AC103	15amp	06 / 5-15R	19" x 1.72" x 1.75"	NEMA 5-15P	10 Ft		125 V	2 lb
P0619BC103	15amp	06 / 5-15R	19" x 1.72" x 1.75"	NEMA 5-15P	10 Ft	Yes	125 V	2 lb
PD1219AC101	15amp	12 / 5-15R	19" x 1.72" x 4.50"	NEMA 5-15P	10 Ft		125 V	4 lb
PD1219BC101	15amp	12 / 5-15R	19" x 1.72" x 4.50"	NEMA 5-15P	10 Ft	Yes	125 V	4 lb
PD1219FM101	20amp	12 / 5-20R	19" x 1.72" x 4.50"	NEMA 5-20P	10 Ft		125 V	4 lb
PD1219GM101	20amp	12 / 5-20R	19" x 1.72" x 4.50"	NEMA 5-20P	10 Ft	Yes	125 V	4 lb
PD1219FN101	20amp	12 / 5-20R	19" x 1.72" x 4.50"	NEMA L5-20P	10 Ft		125 V	4 lb
PD1219GN101	20amp	12 / 5-20R	19" x 1.72" x 4.50"	NEMA L5-20P	10 Ft	Yes	125 V	4 lb

Transformer Spacing 19" Rack-Mount PDU w/ LED Light

Part #	Amp	Outlet	Dims	Plug	Cord	Surge	Volt	Ship Wt.
PD4419AC101T	15amp	08 / 5-15R	19" x 1.72" x 4.50"	NEMA 5-15P	10 Ft		125 V	4 lb
PD4419BC101T	15amp	08 / 5-15R	19" x 1.72" x 4.50"	NEMA 5-15P	10 Ft	Yes	125 V	4 lb
PD4419FM101T	20amp	08 / 5-20R	19" x 1.72" x 4.50"	NEMA 5-20P	10 Ft		125 V	4 lb
PD4419GM101T	20amp	08 / 5-20R	19" x 1.72" x 4.50"	NEMA 5-20P	10 Ft	Yes	125 V	4 lb

Standard PDU

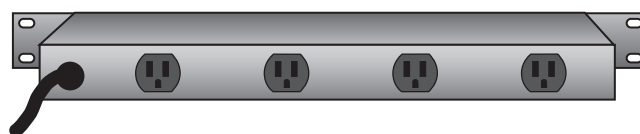


Transformer Spaced PDU

FRONT



BACK



Terms/Conditions

Building For The Future

Founded in 1983, DAMAC Products has grown to become a leading provider of products designed to store and organize equipment for the data communications industry. For the past thirty years DAMAC has committed itself to building the strongest and most durable line of products available. Using the finest material and state of the art manufacturing processes ensures the highest quality and craftsmanship. As the technology used in the Datacom and Telecom industries change, DAMAC is in step to provide accurate solutions. Not all solutions are achieved with standard catalog products. Some projects require specialized applications. For those unique and specialized needs, DAMAC has been one of the few manufacturers with the ability to custom build product to your exact specifications. DAMAC's commitment to facilitating the needs of our customers is at the core of every product we build.

Manufacturing & Engineering

DAMAC produces over 2,500 standard products and 2,000 accessory items that are manufactured in our 120,000 square foot manufacturing facility. Our state-of-the-art metal processing, automated powder coating system and in-line assembly process is essential to maintaining the highest quality standards and on time delivery of goods. Our Engineering and Marketing departments have the capacity to produce full CAD designs, production implementation, R&D, product literature and market communications. All of our products meet rigorous standards of quality control, EIA specifications and are backed by a solid 10-Year Warranty.

Conditions, Exceptions and Warranties

Damac Products, Inc. warrants all products free from defects in material or workmanship and to be in conformity with Damac's specifications or any specification provided by the customer and expressly agreed to in writing by Damac for a period of (10) ten years from date of shipment. Damac warrants all other goods sold hereunder free from defects in material or workmanship and to be in conformity with Damac's specifications or any specification provided by the customer for a period of (1) one-year from the date of shipment. Claims of breach of this warranty will be valid only upon written notice within a reasonable amount of time of discovery of the defect to Damac Products, Inc. and within the ten-year or the one-year period, as applicable. Within that period, if the customer determines the product to be defective in material or workmanship, the product shall be repaired or replaced at the discretion of Damac Products. Under no circumstances will Damac be held responsible for any amount beyond the price of the product. This warranty does not cover the ordinary wear and tear, abuse, improper use (including attempts to make repairs by or on behalf of the customer), alterations or products which have not been installed, operated or maintained in accordance with Damac Products' written instructions. The repair or replacement of such defective product fulfills the liability to Damac Products. Only the original purchaser may make any claims under this warranty policy.

Damac Products, Inc. will not be liable for any incidental, consequential or special damages, or for any loss, damage or expense arising from the sale, use or installation of the products or for any other cause whatsoever, whether based on any warranty expressed or implied, regardless of any advise or representations not in writing by Damac concerning the sale, use or installation of the products

Pricing

Prices are subject to change without notice. Prices are exclusive of federal, state and local taxes. Wherever applicable,

Terms/Conditions

Quotes

Quotations are good for 30 days from issue date, unless otherwise specified. Quotations are made exclusive of any freight charges and are given F.O.B. La Mirada, CA

Order Confirmation

Damac must receive written confirmation of all orders. Purchase orders may be sent via email, fax or mailed.

Lead Time

While we keep a substantial inventory at our factory and regional warehouses, an estimated shipping date is based on production time at the time of quote generation. The lead-time is confirmed with an order acknowledgement after receipt of order. However, unforeseen circumstances can arise and Damac will not be held responsible for missed dates when this occurs. In the event it is necessary to revise the design, specifications or conditions of the sale, the shipping date shall be adjusted by the period of time required by the revision.

Return Procedure

Product being returned for repair or replacement must have prior approval and an authorized RMA number. The RMA number must appear on all packages and paperwork and must be shipped prepaid to:

Damac Products
14489 Industry Circle
La Mirada, CA 90638
RMA: _____

Products being returned for reasons other than repair or replacement are subject to a restocking charge of \$20.00 or 25% of the invoice (whichever is greater). If the product was purchased over six months ago, the restock charge is 30%. The restocking charge does not release the customer's responsibility to properly package, and return the product in reusable condition. Product not eligible for return: 1) Custom "Z" number items, 2) Special order products, 3) Products over one year old from initial purchase date. The issuance of an RMA is not an authorization for credit. RMA's will not show a value, only a list of products eligible for return. Credit will be issued after the product is received and inspected by Damac and deemed in good/resalable condition. Approval in writing must be obtained from the customer on any custom or special product. Upon approval and receipt of custom product, no return of such product is permitted except for repair of damages or modifications.

Canceled Orders

Canceled orders may be subject to a cancellation fee, up to the total purchase price of the product.

Payment Terms

Accounts will only be opened after approval of credit. Approved account terms are as follows: 2% discount 10 days, net 30 days. Past due accounts are subject to a 1.5% late charge for each 30 days that the outstanding balance remains unpaid. Past due accounts beyond 60 days are subject to credit hold.

Terms/Conditions

Freight Policy and Options

Damac will provide freight quotes upon request. Damac is not liable for accuracy of these estimates. Transit times, and product weight is approximate. Estimates should be treated as such, as there are variables involved in freight costs. Examples of variables are inside delivery, lift gate, beyond metropolitan area, union delivery charges.

All freight is F.O.B. Damac Products, La Mirada, CA. Types of freight service available are Regular 3 - 5 day, 2 day or overnight service. Billing methods for these options are as follows:

Third Party Billing: Customer specifies the carrier on the purchase order. Freight is billed to a party other than Damac. The customer must supply a third party account number and third party address.

Freight Collect: Customer specifies the carrier on Purchase order. The freight account number is supplied or freight charges are paid at destination upon delivery.

Prepay and Add: Damac Products, Inc specifies the carrier and adds freight charges to the product invoice. Damac offers this service provided the customer agrees to the following conditions:

1. Based on agreements with selected carriers to minimize freight costs the carrier is specified by Damac Products, Inc.
2. Payment will not be withheld due to "proof of delivery".
3. Customer agrees to pay all freight charges that appear on product invoices without requesting additional freight documentation.
4. Customer agrees to pay freight charges associated with a shipment but not included on original product invoice. Damac Products will provide a separate invoice for these charges. An example of additional cost may be inside delivery not specified on the purchase order but required at the delivery point by the end user or lift-gate service.
5. Customer agrees to these conditions when specifying prepaid freight when placing purchase order with Damac Products.
6. Prepaid freight option is a service for our customers but may be withdrawn at any time.

Accessorial Charges

Additional freight charges often back-charged by the freight carrier after delivery based on unforeseen cost scenarios

1. **Inside delivery:** A single driver moves product from the receiving area to a specified room or office. A loading dock or freight elevator and an unobstructed path to the location must be provided. Drivers not permitted to unpack or remove cartons or packaging.

2. **Liftgate Service:** A liftgate is located at the rear of specified delivery trucks which is used to lower heavy equipment when a loading dock is not available. A liftgate must be requested at time of ordering. Liftgate service only delivers product to the ground level inside the customer's door. All delivery trucks are not equipped with a liftgate. This is not the same as an inside delivery charge.
3. **Reconsignment:** Changes to the original destination after product has left the shippers dock will result in a reconsignment charge. The reconsignment charge may be equal to the original freight charge.
4. **Redeliver:** When an attempt is made to deliver product and the carrier is unable to complete the delivery (for reasons that are no fault of the carriers) and a redeliver is required the carrier will charge an additional cost.
5. **AM Delivery:** Should a customer require that product be delivered at a specified time prior to noon there is an additional AM Delivery charge by the carrier.
6. **Beyond Metropolitan Area:** Carriers deliver to locations within most metropolitan areas. However, if the delivery destination is outside the carrier area an additional charge will be incurred.
7. **Waiting or Appointment:** Anytime a carrier is required to call ahead and make an appointment for delivery, or is required to wait at the destination, the carrier will charge a fee.

Damaged Product

Freight damaged product is the responsibility of the customer and freight company. However, to expedite a replacement Damac Products will handle the freight claim for damaged product based on the conditions below:

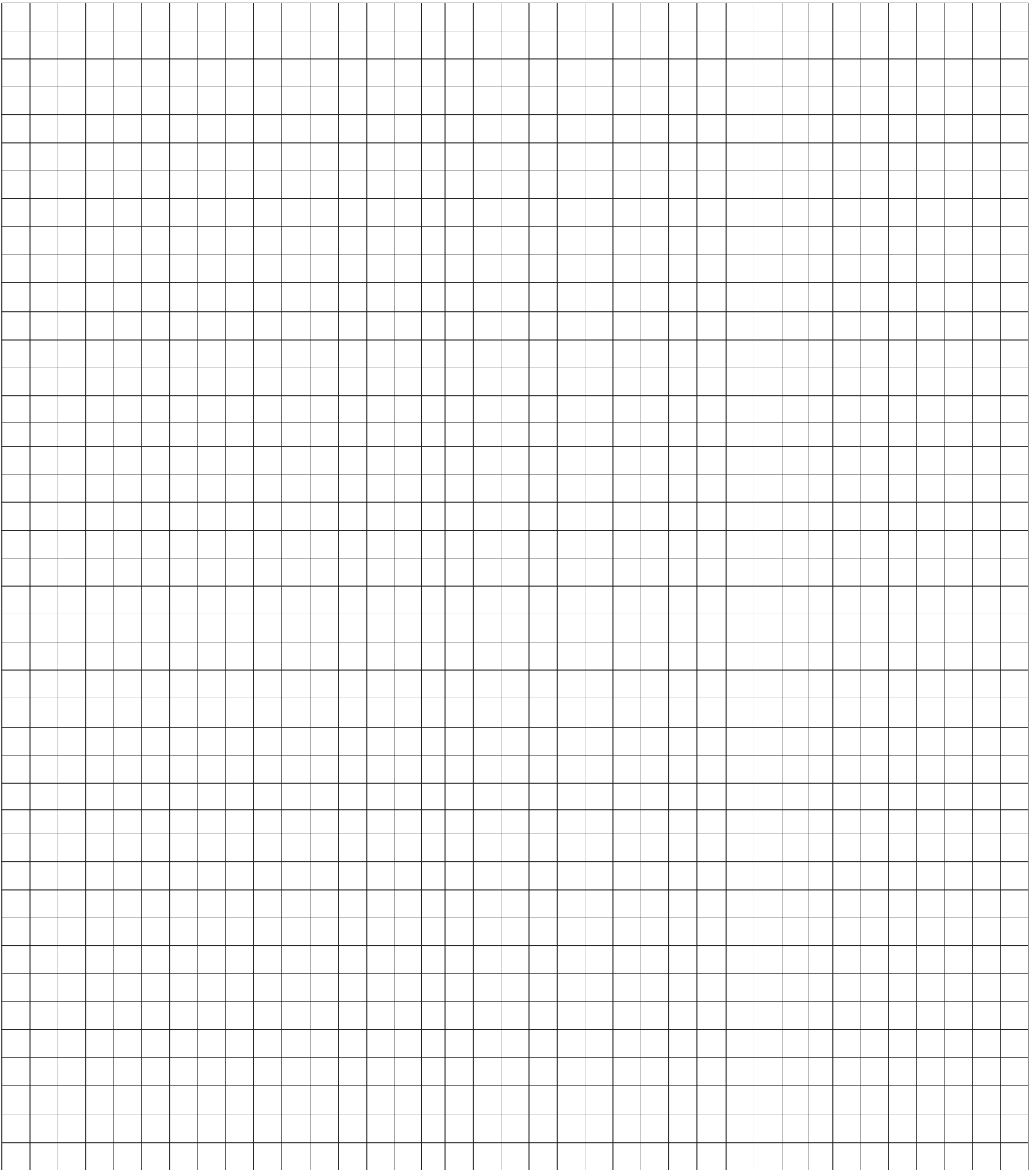
1. If a customer chooses 3rd party billing of freight, then it is the sole responsibility of the customer to file the necessary freight claim with the freight company.
2. Customer must notify Damac Products of damage (visible or concealed) within 24 hours after receipt of product. Claims made after this period will not be the responsibility of Damac Products.
3. Note any damage to the packaging on the bill of lading upon receipt of shipment to aid in freight claims for concealed damage.
4. A replacement order may be placed, however credit will not be issued on the original shipment until settlement of the freight claim.
5. Replacement order can only be placed with a new purchase order and/or will be invoiced at original value with credit given upon return and inspection of damaged product.
6. Product that has been determined by the carrier as damaged may be: sent back to Damac Products, shipped to the

Part Index

ABCBUR10	21	APCBU	21	CCP78EQB1SBBS-3	3	MCC1901	41
ABCBUV10	21	APCBU96	21	CCP84EFB1SBCV-3	6	MCC1902	41
ACCF684	21	ARP78B	25	CCP84EFB1SBSV-3	6	MRC084N-3	40
ACCTK2436-3	45	ARP78E	25	CCP84EQB1SAAS-3	3	MRC084W-3	40
ACCTK2436F-3	45	ARP84B	25	CCP84EQB1SABS-3	3	MRD084N	40
ACCTK2448-3	45	ARP84E	25	CCP84EQB1SBAS-3	3	MRD084N-3	40
ACCTK2448F-3	45	ARP84T	25	CCP84EQB1SBBS-3	3	MRD084W	40
ACERK8436SD-3	45	ARP88B	25	CCP88EQB1SAAS-3	3	MRD084W-3	40
ACERK8448-3	45	ARP88E	25	CCP88EQB1SABS-3	3	MRS084N	40
ACERK8448DSC-3	45	ARR019IK	39	CCP88EQB1SBAS-3	3	MRS084N-3	40
ACLB78	21	ARRCP3	39	CCP88EQB1SBBS-3	3	MRS084W	40
ACRFK18	27	ARREK	39	CS72ED0100S3	17	MRS084W-3	40
ADL-1ECL	26	ARRFCK-58	27	CS72EDB1B0S3	17	P0617AC201	55
ADL-1SCH751	26	ARRFCK-58	39	CS72EDB1BCS3	17	P0617BC201	55
ADL-2A	26	ARRFRK-18	39	CS72EDB1BSS3	17	P0619AC103	55
ADL-2ECL	26	ARRGB	39	CS72EP0100S3	17	P0619BC103	55
ADL-2SCH751	26	ARRGS	39	CS72EPB1BCS3	17	P0828AC201	55
ADL-CAT60	33	ARRSK-3	39	CS72EPB1BCS3	17	P0828BC201	55
ADL-CAT70	33	ARS72B	25	CS72EPB1BSS3	17	P0828FM201	55
ADL-CAT80	33	ARS72E	25	CS84ED0100S3	17	P0828GM201	55
ADL-MK	26	ARS84B	25	CS84EDB1B0S3	17	P0840AC201	55
AFCC7407-3	5	ARS84E	25	CS84EDB1BCS3	17	P0840BC201	55
AFCC8007-3	5	ARW24A	29	CS84EDB1BSS3	17	P0840FM201	55
AFCC8407-3	5	ARW36A	29	CS84EP0100S3	17	P0840GM201	55
AFCHD	26	ARW48A	29	CS84EPB1BCS3	17	P1666AC201	55
AFCHL	26	ATFF	26	CS84EPB1BCS3	17	P1666BC201	55
AFCYO	26	ATFK2	26	CS84EPB1BSS3	17	P1666FM201	55
AFGB	26	ATFK2-220	26	CZP84EQ0100S-3	9	P1666GM201	55
AFGS	26	ATFK2L	26	CZP84EQB1BCS-3	9	PD1219AC101	55
AFGS	33	ATFPAT	29	CZP84EQB1BSS-3	9	PD1219BC101	55
AFIK2430	26	ATMCK2-3	26	CZP84ES0100S-3	9	PD1219FM101	55
AFIK2436	26	C130	26	CZP84ESB1BCS-3	9	PD1219FN101	55
AFIK2440	26	CC048EDB1SBSV-3	7	CZP84ESB1BSS-3	9	PD1219GM101	55
AFLG	26	CC048EDV1SBSV-3	7	DP7824H-3	23	PD1219GN101	55
AFRA2319S-1	25	CC048EDV1SVSF-3	7	DP78xxx-3	22	PD4419AC101T	55
AFRA2319S-2	25	CC048EDV1SVSV-3	7	DP8424H-3	23	PD4419BC101T	55
AFRA2319S-3	25	CC284EQB1CBAS3	11	DP84xxx-3	22	PD4419FM101T	55
AFRA2319S-4	25	CC284EQV1CBAS3	11	DP8824H-3	23	PD4419GM101T	55
AFRA2319S-5	25	CC384EQB1CBAS3	11	DP88xxx-3	22	PLA12CM-3	48
AFSB18	27	CC384EQV1CBAS3	11	DS72xxx-3	22	PLA12CM-4F	48
AGRB019	39	CCD84NQ01S00S3	15	DS8424H-3	23	PLA12DC-3	47
AGRB023	39	CCD84NQ01S0CS3	15	DS84xxx-3	22	PLA12GK	51
AGWB010	39	CCD84NQ01S0CS3AD	15	DZP8424H-3	23	PLA12Z21090-3	52
AGWB010	51	CCD84NQB1SBCS3	15	F533-001-8	41	PLA18CM-3	48
AGWB020	39	CCD84NQB1SBCS3AD	15	F533-002-8	41	PLA18CM-4F	48
AGWB020	51	CCD84NQB1SBSS3	15	F533-003-8	41	PLA18DC-3	47
AHPF1032-30	25	CCD84NQB1SBSS3AD	15	F533-004-8	41	PLA1902PV-3	52
AHPF1032-30	29	CCD84NS01S00S3	15	F533-012-8	41	PLA1902PV-4F	52
AHPF1032-30	39	CCD84NS01S0CS3	15	F533-014-8	41	PLA1904PV-3	52
AHPF1032CN-30	25	CCD84NS01S0CS3AD	15	F533-015-8	41	PLA1904PV-4F	52
AHPF1032CN-30	39	CCD84NSB1SBCS3	15	F533-1901	41	PLA300JK	52
AHPFCN-100	25	CCD84NSB1SBCS3AD	15	F533-1902	41	PLA58072TR	50
AHPFCN-100	39	CCD84NSB1SBSS3	15	F533-P1932	41	PLA5LB-3	48
AHPFCN-30	25	CCD84NSB1SBSS3AD	15	F533-P1933	41	PLA5LB-4F	48
AHPFCN-30	39	CCP78EFB1SBCV-3	6	FPB191-3	26	PLAEC	51
AHPFM6-30	25	CCP78EFB1SBSV-3	6	FPB192-3	26	PLB06RP-3	48
AHPFM6-30	39	CCP78EQB1SAAS-3	3	FPB193-3	26	PLB06RP-4F	48
AHPFM6CN-30	25	CCP78EQB1SABS-3	3	FPB194-3	26	PLB08RP-3	48
AHPFM6CN-30	39	CCP78EQB1SBAS-3	3			PLB08RP-4F	48

Part Index

PLB10RP-3	48	R4A19096B-3MU	36	SS72xxx-3	22	WTB24MTK-4	33
PLB10RP-4F	48	R4A19096D-3MU	36	SS84xxx-3	22	WTB32M-4	33
PLB12RS-3	39	R4S19084CNB-3MU	36	SZP84xxx-3	22	WTB32MTK-4	33
PLB12RS-3	49	R4S19084CND-3MU	36	TCD32xxx-3	23	WTB42M-4	33
PLB12RS-4F	49	R4S19096CNB-3MU	36	TP24xxx-3	23	WTB42MTK-4	33
PLB12SK-3	48	R4S19096CND-3MU	36	TP24xxxx-3	24		
PLB12SK-4F	48	RA619084-3MU	37	TP28xxx-3	23		
PLB18RS-3	39	RA619096-3MU	37	TP28xxxx-3	24		
PLB18RS-3	49	REA19084-3MU	37	TS24xxx-3	23		
PLB18RS-4F	49	RRA19084-3MU	37	TS24xxxx-3	24		
PLB24CS-3	49	RRA19084-3MU	52	TS30xxx-3	23		
PLB24CS-4F	49	RRA19096-3MU	37	TS30xxxx-3	24		
PLB28CS-3	49	RSS19084-3	38	TZP24xxx-3	23		
PLB28CS-4F	49	SCP7842S-3	5	TZP24xxxx-3	24		
PLBC58-3	50	SCP7848S-3	5	WLR24AKP1VVFV-3	29		
PLBCRK58-3	50	SCP8442S-3	5	WLR24AKP1VVV-3	29		
PLBDS-3	47	SCP8448S-3	5	WLR24AKS1VVFV-3	29		
PLBDST-3	47	SCP8842S-3	5	WLR24AKS1VVV-3	29		
PLBE00-3	50	SCP8848S-3	5	WLR36AKP1VVFV-3	29		
PLBE00HD-3	50	SH1924P-3	26	WLR36AKP1VVV-3	29		
PLBE45-3	51	SH1924R-3	26	WLR36AKS1VVFV-3	29		
PLBE90-3	51	SH1924S-3	26	WLR36AKS1VVV-3	29		
PLBFS-3	50	SH1929P-3	26	WLR48AKP1VVFV-3	29		
PLBJ3090-3	50	SH1929R-3	26	WLR48AKP1VVV-3	29		
PLBJT-3	50	SH1929S-3	26	WLR48AKS1VVFV-3	29		
PLBJTHD-3	50	SH19KMM29-3	26	WLR48AKS1VVV-3	29		
PLBSC03-3	49	SH19KMM-3	26	WPB19026	34		
PLBSC06-3	49	SHA1924P-3	26	WPB19046	34		
PLBSE-3	51	SHA1924S-3	26	WR24C12-3	34		
PLBSJ-3	51	SP78xxx-3	22	WR24C-3	34		
PLBSS58-3	50	SP84xxx-3	22	WR36C12-3	34		
PLBSV-3	51	SP88xxx-3	22	WR36C-3	34		
PLBTK12-3	48	SRA1910P	42	WR48C12-3	34		
PLBTK12-4F	48	SRA1910P-3	42	WR48C-3	34		
PLBTK18-3	48	SRA1910S	42	WSR24ABP1VVFV-3	31		
PLBTK18-4F	48	SRA1914P	42	WSR24ABP1VVFV-3GP	31		
PLBWA12-3	49	SRA1914S	42	WSR24ABP1VVV-3	31		
PLBWA12-4F	49	SRA1919CP	42	WSR24ABP1VVV-3GP	31		
PLBWA18-3	49	SRA1919CP-3	42	WSR24AKP1VVFV-3	31		
PLBWA18-4F	49	SRA1919CS	42	WSR24AKP1VVFV-3GP	31		
PLBWHC2-3	49	SRA1919CS-3	42	WSR24AKP1VVV-3	31		
PLBWHC2-4F	49	SRA1919HD	42	WSR24AKP1VVV-3GP	31		
PLBWT12-3	50	SRA1919HD-3	42	WSR36ABP1VVFV-3	31		
PLBWT12-4F	50	SRA1921RD	43	WSR36ABP1VVFV-3GP	31		
PLBWT18-3	50	SRA1921RD-3	43	WSR36ABP1VVV-3	31		
PLBWT18-4F	50	SRA1921RDP	43	WSR36ABP1VVV-3GP	31		
PLR1205-3	47	SRA1926HD	43	WSR36AKP1VVFV-3	31		
PLR1210-3	47	SRA1926HD-3	43	WSR36AKP1VVFV-3GP	31		
PLR1210T-3	47	SRA1930HD	43	WSR36AKP1VVV-3	31		
PLR12RE-3	47	SRA1930HD-3	43	WSR36AKP1VVV-3GP	31		
PLR12RI-3	47	SRA19KS	43	WSR48ABP1VVFV-3	31		
PLR12RO-3	47	SRA19KS-3	43	WSR48ABP1VVFV-3GP	31		
PLR1805-3	47	SRA19KSM	43	WSR48ABP1VVV-3	31		
PLR1810-3	47	SRA19KSM-3	43	WSR48ABP1VVV-3GP	31		
PLR18RE-3	47	SRS1910S-3	42	WSR48AKP1VVFV-3	31		
PLR18RI-3	47	SRS1914P-3	42	WSR48AKP1VVFV-3GP	31		
PLR18RO-3	47	SRS1914S-3	42	WSR48AKP1VVV-3	31		
R4A19084B-3MU	36	SRS1919CS-3	42	WSR48AKP1VVV-3GP	31		
R4A19084D-3MU	36	SRS19KF-3	43	WTB24M-4	33		



US Locations

Custom Support.



Current Location:
14489 Industry Circle
La Mirada, CA 90638

Future Locations:
Dallas, TX
Cincinnati, OH