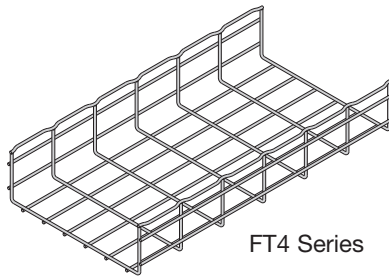
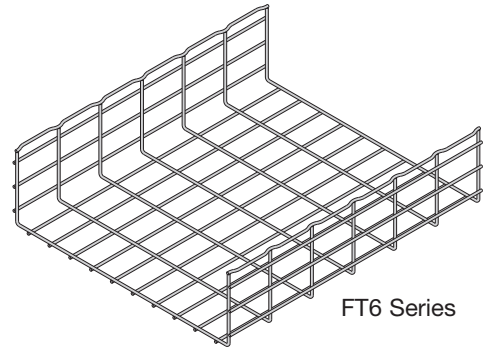


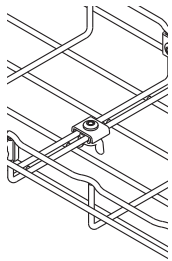
FT2 Series



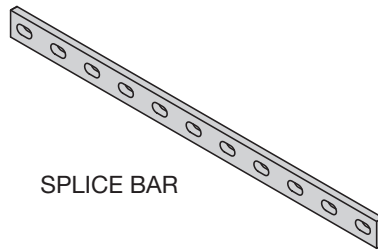
FT4 Series



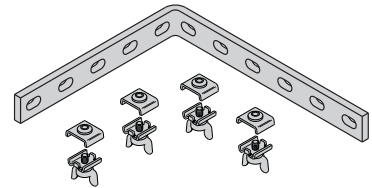
FT6 Series



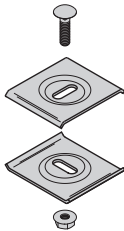
WASHER SPLICE KIT



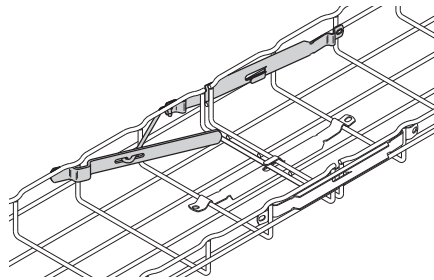
SPLICE BAR



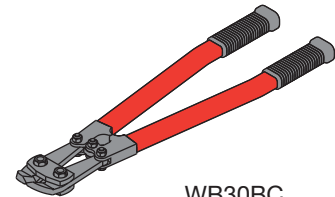
90 DEGREE KIT



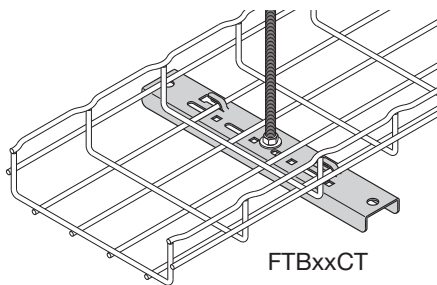
FTSHAK



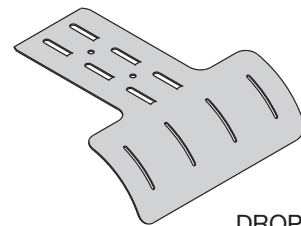
SPRING SPL



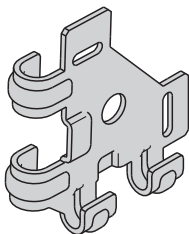
WB30BC



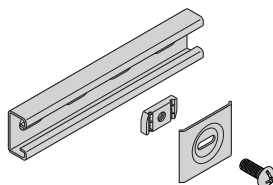
FTBxxCT



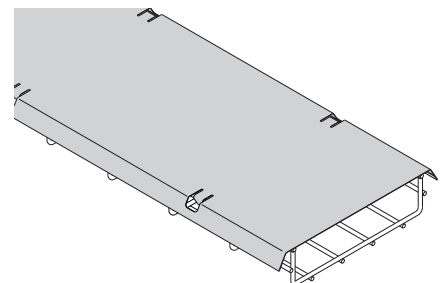
DROP OUT



WB46H



WB48WMK



COVER

Cooper B-Line is proud to offer a comprehensive wire mesh cable support system! Save time and money managing your cables with FLEXTRAY™ cable tray and the F.A.S.T.™ System.

FLEXTRAY™

FLEXTRAY is a flexible, field-adaptable way to manage cables throughout your project. The tray itself can be cut and bent to the needs of the installer on the jobsite, allowing cable runs to be adjusted as needed. The wide range of sizes offered by Cooper B-Line makes FLEXTRAY a great choice for everything from a small cable drop to a large trunk of cables. Our tray has the market-preferred "T" weld safety edge, protecting both the cable and the installer during cable installation. FLEXTRAY is also UL Classified as an equipment grounding conductor.



The F.A.S.T. System is Foldable, Adjustable, Stackable, and Tool-less, providing many options to manage cables inside your raised floor space. With only a few parts, you can create everything from a basic single layer installation to a cantilevered, multiple-tier cable run. Make the most of your raised floor space and your time with the F.A.S.T. System!

<u>Material:</u>	<u>Type</u>	<u>Thickness</u>	<u>Specifications</u>
	Standard Materials		
	Steel Wire		ASTM A510
	Steel Strip	10 Gauge (3.4mm) - 14 Gauge (1.9mm)	ASTM A569/A570
	Other Available Materials		
	Stainless Steel		AISI Type 304

Finishes: See page 168

Table of Contents

Finish Information	168
Load & Fill Chart	169
FLEXTRAY Sections	172 - 173
Washer Splice Kits	175
Splice Hardware Components	175
Connecting Hardware	176
Wing Splice™	176
Splice Plate	177
FLEXMATE™ Splice System	177
Tab-Loc Connector	178
Splice Bars	179 - 180
90 Degree Kit & Horizontal Adjustable Kit	181
Hold Down Plate	181, 186, 192
Splice Plate Kits for 2", 4", & 6" Deep Flextray	183
Flip Clip™	185
Trapeze Support	185
2" Center Hanger	186
Mounting Bracket	187
Center Hung Clip	187
Threaded Rod Protector	187
Center Trapeze Hanger	188
KwikWire™ Clamps & Wire Rope	189
Shelf Brackets (Straight & L)	191, 201
Z Bracket	192
Attachment Clips	193
Mounting Brackets	193
Wall Supports	193
Wall Termination & Wall Mount Kits	194
C Brackets	195
F.A.S.T.™ System FLEXTRAY	197
F.A.S.T. System Stands	198
F.A.S.T. System Cantilever Kits & Accessories	199
F.A.S.T. System Hold-Down Clip, Pedestal Clip, Cantilever Foot	200
F.A.S.T. Under Floor Stand	200
Pedestal Clamp	201
Under Floor Support Bracket & U-Bolts	202
Grounding Bolts	203, 211
Adhesive & Stand Foot	203
Floor Stand (Plastic)	203
Covers & Dividers	205
Solid Bottom Inserts & Blind Ends	206
Cable Roller	207
Toolless Clip	207
Strut Mounting Clip	207
Drop-Out	208
Cable Drop-Out	208
Conduit Connector	209
Rack Clamp	209
Adaptor Kit	209
Rubber Cap, Touch-Up Paint, & Radius Shields	210
Label Clip	211
Ground Wire Support	211
Assorted Hardware	212 - 213
CLEANSHEAR™ (FLEXTRAY Cutters & Bender)	215 - 216
Angular Bolt Cutter (FLEXTRAY Cutters)	217

Finish Information

FLEXTRAY Cable Tray and Accessories are available in a wide variety of finishes to meet the environmental or aesthetic requirements of customer installations. Available product finishes will be listed on individual pages throughout the catalog. Use the list below to find the finish and suffix that will meet your needs.

Finish codes shown in bold type are the standard for that product.

- EG** Electroplated Zinc Galvanized Finish applied after fabrication
(ZN) Recommended applications: Controlled interior
UL/CSA Classified as an equipment ground conductor when spliced as recommended
ASTM B633 - Average thickness of 0.3 mils (8 microns)
- GS** Pre-Galvanized Zinc Finish applied before fabrication
(GLV) Recommended applications: Limited industrial & interior
UL/CSA Classified as an equipment ground conductor when spliced as recommended
ASTM A641
- BLE** Black Powder Coat Finish applied after fabrication
(FB) Recommended applications: Controlled interior
UL/CSA Classified as an equipment ground conductor when coating has been removed at splice contact points
Average paint thickness of 1.2 mils (30 microns) to 3.0 mils (75 microns)
- BLO** Black Oxide Finish
Recommended applications: Controlled interior
ASTM D769
- HD** Hot Dip Galvanized Finish applied after fabrication
(HDG) Recommended applications: Exterior, corrosive
UL/CSA Classified as an equipment ground conductor when spliced as recommended
ASTM A123 - Average thickness of 2.4 mils (60 microns) to 3.2 mils (80 microns)
- 304S** 304L Stainless Steel
(SS4) Recommended applications: Food preparation, wash-down areas
ASTM A580
- 316S** 316L Stainless Steel
(SS6) Recommended applications: Highly corrosive applications & marine environments
ASTM A580
- Custom Powder Coat Finish applied after fabrication
Recommended applications: Controlled interior
UL/CSA Classified as an equipment ground conductor when coating has been removed at splice contact points
No Specification

Grounding Information

Statement for all UL Classified products:



This product is classified by Underwriters Laboratories, Inc. as to its suitability as an equipment grounding conductor only. 556E



Most sizes of FLEXTRAY are UL Classified to serve as an Equipment Ground Conductor. The ground path can be achieved in one of two ways listed on page 169:

Grounding Information (cont.)

1. Use the recommended quantity of UL Classified splices to connect sections and at places where the tray is cut.
2. Run an appropriately sized ground wire alongside the tray and attach it to each tray section and on both sides of a cut in the tray. (This method is recommended by NEMA VE-2 Installation Manual.)

Load & Fill Chart

Flextray Series Part Number	Size height x width	Support Span / Loading Capacity*				Cable Fill (50% fill)**		
		5'-0"	6'-0"	7'-0"	8'-0"	Actual Area Inside Tray (in ²)	Number of CAT 5e Cables***	Number of CAT 6 Cables***
FT1.5X12	1 1/2" x 12"	29	17	14	11	12.2	176	124
FT2X2	2" x 2"	34	28	24	20	4.3	61	43
FT2X4	2" x 4"	52	43	35	27	8.2	118	83
FT2X6	2" x 6"	66	47	35	27	12.1	175	123
FT2X8	2" x 8"	66	47	35	27	16.1	231	163
FT2X12	2" x 12"	68	47	35	27	23.9	345	243
FT2X16	2" x 16"	68	47	35	27	31.8	459	324
FT2X18	2" x 18"	68	47	35	27	35.8	516	364
FT2X20	2" x 20"	68	47	35	27	39.7	573	404
FT2X24	2" x 24"	68	47	35	27	47.5	686	484
FT2X30	2" x 30"	68	47	35	27	59.8	862	608
FT2X32	2" x 32"	77	53	39	30	63.3	914	645
FT4X4	4" x 4"	58	49	42	36	15.8	227	160
FT4X6	4" x 6"	93	77	60	46	23.6	341	240
FT4X8	4" x 8"	94	78	61	47	31.5	454	321
FT4X12	4" x 12"	119	83	61	47	47.5	686	484
FT4X16	4" x 16"	119	83	61	47	63.5	917	647
FT4X18	4" x 18"	119	83	61	47	71.5	1032	728
FT4X20	4" x 20"	119	83	61	47	79.5	1148	810
FT4X24	4" x 24"	128	89	65	50	95.5	1379	973
FT4X30	4" x 30"	128	89	65	50	119.5	1725	1217
FT6X8	6" x 8"	111	77	57	43	47.3	682	481
FT6X12	6" x 12"	124	86	63	48	71.6	1034	729
FT6X16	6" x 16"	128	89	65	50	95.3	1375	970
FT6X18	6" x 18"	128	89	65	50	107.3	1549	1092
FT6X20	6" x 20"	141	98	72	55	118.9	1716	1211
FT6X24	6" x 24"	154	107	78	60	143.3	2068	1459

* Published load chart has not been tested with Flexmate splice. Please consult the factory for load information when using the Flexmate option.

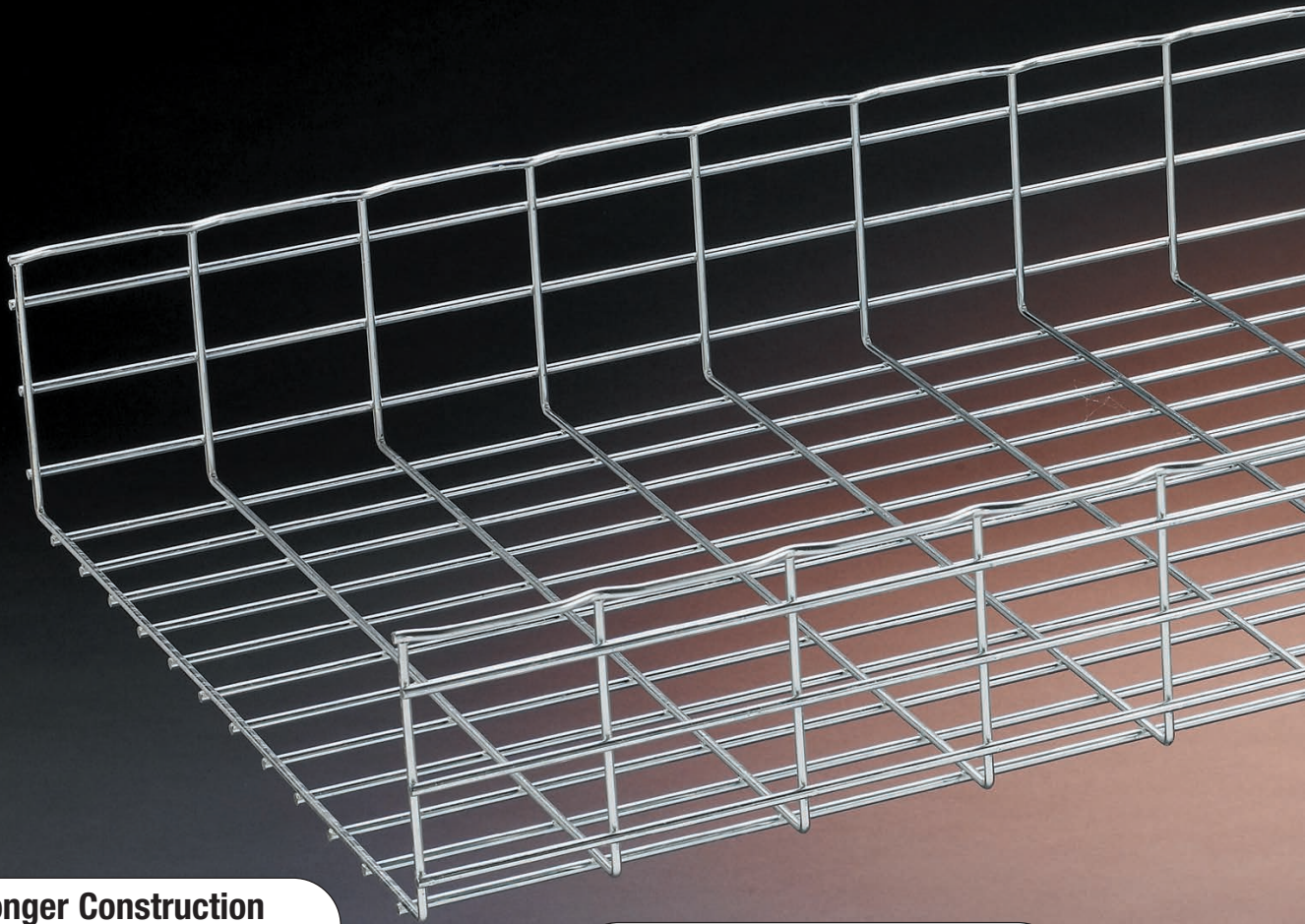
** Flextray fill capacity is based on NEC allowable fill of 50%. The NEC rule requires that the cable cross-sectional areas together may not exceed 50% of the tray area (width x depth = fill). Cables will nearly completely fill the cable tray when reaching the 50% cable fill, due to empty space between the surface of the cables. TIA recommends 40% fill ratio. Flextray loads shown in the loading chart will not be exceeded at 50% fill.

*** CAT 5e 4-pr non-plenum approximated at .21 in. diameter, CAT 6 4-pr non-plenum approximated at .25 in. diameter. Actual diameters vary by cable manufacturer.

FLEXTRAY design offers you more

Safety Edge

FLEXTRAY offers the “T” weld safety edge, which protects both the cable and the installer while installing cables.



Stronger Construction

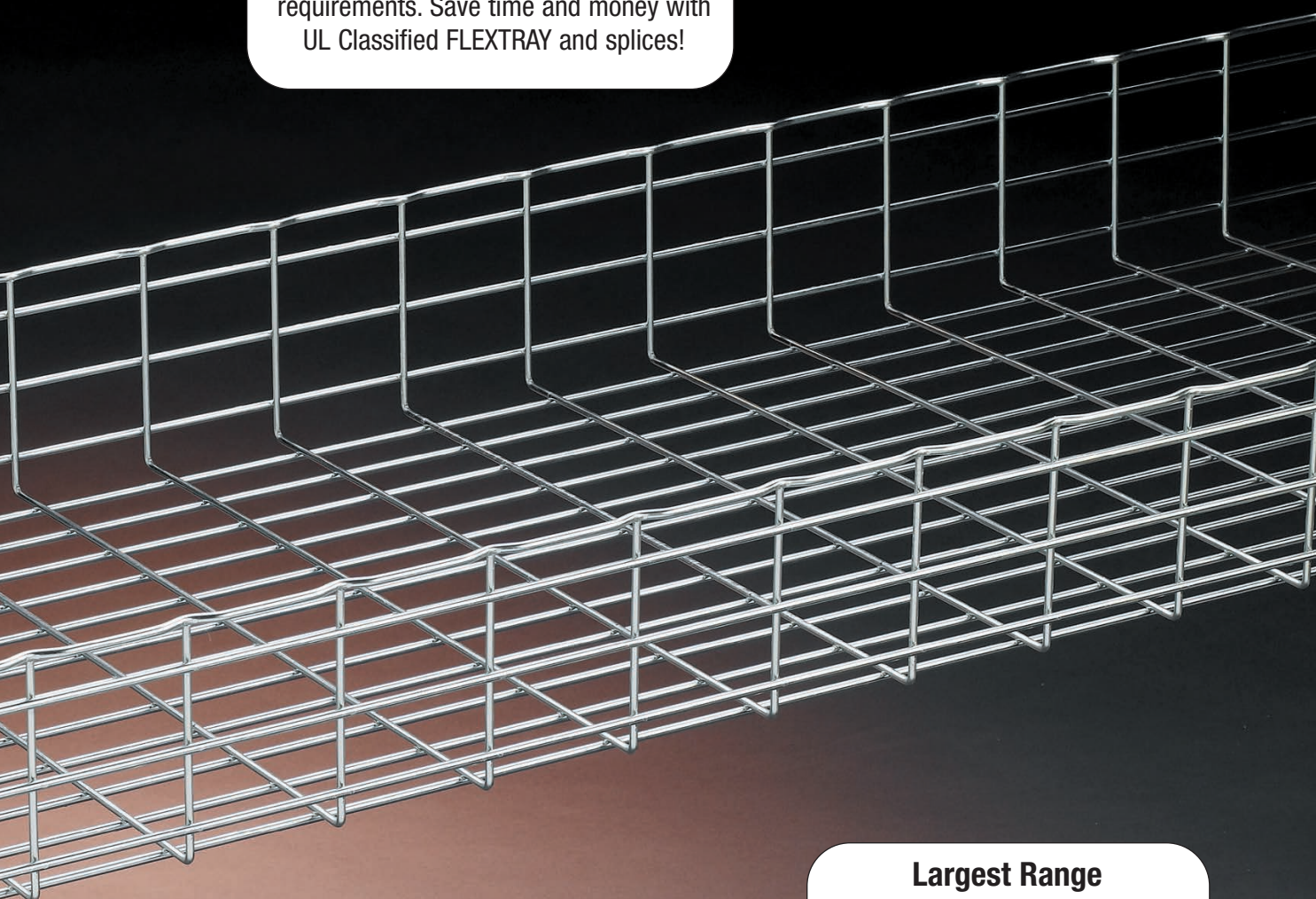
FLEXTRAY utilizes the largest gauge steel in the industry .196” (5mm) diameter minimum. Tray strength is governed by wire size and stronger material means stronger trays.

Clean Smooth Cuts

Only FLEXTRAY delivers the patented CLEANSHEAR™ cutting tool providing smooth edges and protecting your cable investment.

Most UL Classified Tray Sizes

FLEXTRAY meets UL grounding requirements. Save time and money with UL Classified FLEXTRAY and splices!



Largest Range Of Sizes Available

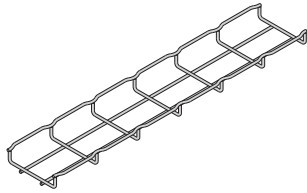
FLEXTRAY offers depths of 1½" (38mm) to 6" (152mm) and widths up to 32" (813mm).

Union Made In The USA

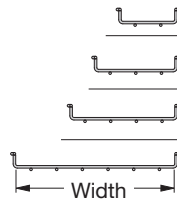
FLEXTRAY is Union made in the U.S.A.

FLEXTRAY™ Cable Support Systems

1.5" Deep FLEXTRAY



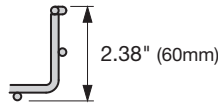
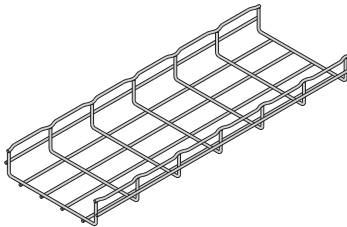
- Height: 1.38" (35mm)
- Length: 118.312" (3meter)
- Wire Dia. Minimum: .196" (5.0mm)
- Finish: Zinc Plated or Black Powder Coat (BLE)



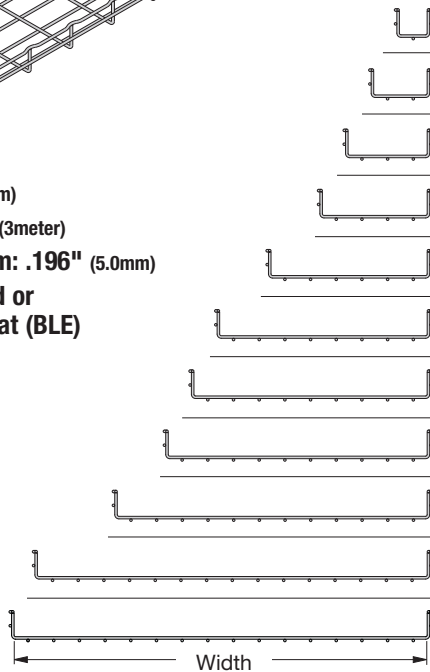
Part Number	Width		Wt. Per Pc.	
	in.	mm	lbs.	kg
FT1.5X4X10	4"	100	5.8	2.63
FT1.5X6X10	6"	150	7.4	3.35
FT1.5X8X10	8"	200	9.0	4.08
FT1.5X12X10	12"	300	12.1	5.49

Only FT1.5X12 (12" wide) is UL Classified

2" Deep FLEXTRAY



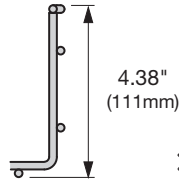
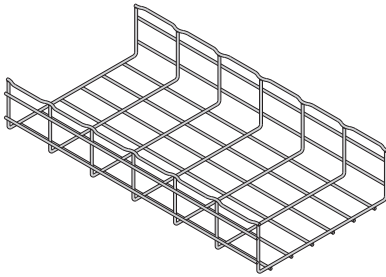
- Height: 2.38" (60mm)
- Length: 118.312" (3meter)
- Wire Dia. Minimum: .196" (5.0mm)
- Finish: Zinc Plated or Black Powder Coat (BLE)



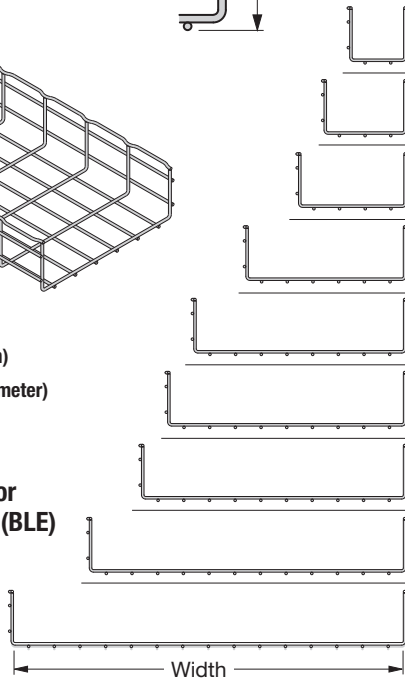
Part Number	Width		Wt. Per Pc.	
	in.	mm	lbs.	kg
FT2X2X10	2"	50	6.6	2.99
FT2X4X10	4"	100	8.2	3.72
FT2X6X10	6"	150	9.7	4.40
FT2X8X10	8"	200	11.2	5.08
FT2X12X10	12"	300	14.3	6.48
FT2X16X10	16"	400	17.4	7.89
FT2X18X10	18"	450	18.9	8.57
FT2X20X10	20"	500	20.4	9.25
FT2X24X10	24"	600	23.5	10.66
FT2X30X10	30"	750	28.1	12.74
FT2X32X10	32"	800	29.7	13.47

FT2X6 (6" wide) through FT2X32 (32" wide) are UL Classified

4" Deep FLEXTRAY



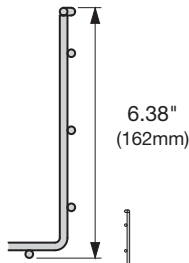
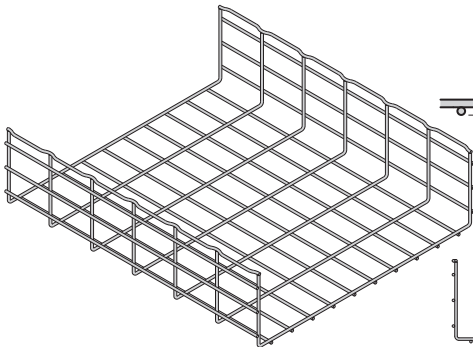
- Height: 4.38" (111mm)
- Length: 118.312" (3meter)
- Wire Dia. Minimum: .196" (5.0mm)
- Finish: Zinc Plated or Black Powder Coat (BLE)



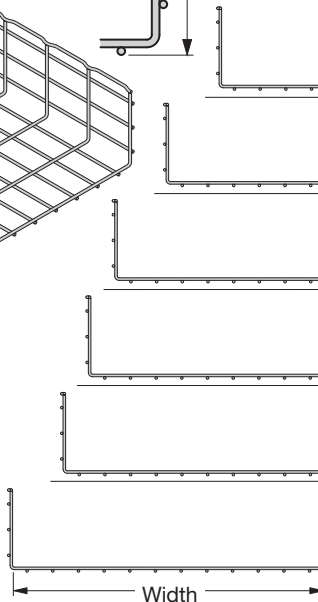
Part Number	Width		Wt. Per Pc.	
	in.	mm	lbs.	kg
FT4X4X10	4"	100	11.25	5.10
FT4X6X10	6"	150	12.79	5.80
FT4X8X10	8"	200	14.32	6.49
FT4X12X10	12"	300	17.39	7.89
FT4X16X10	16"	400	20.45	9.27
FT4X18X10	18"	450	21.99	9.97
FT4X20X10	20"	500	23.52	10.67
FT4X24X10	24"	600	26.59	12.06
FT4X30X10	30"	750	31.19	14.15

All 4" deep Flextrays are UL Classified

6" Deep FLEXTRAY



- Height: 6.38" (162mm)
- Length: 118.312" (3meter)
- Wire Dia. Minimum: .196" (5.0mm)
- Finish: Zinc Plated or Black Powder Coat (BLE)

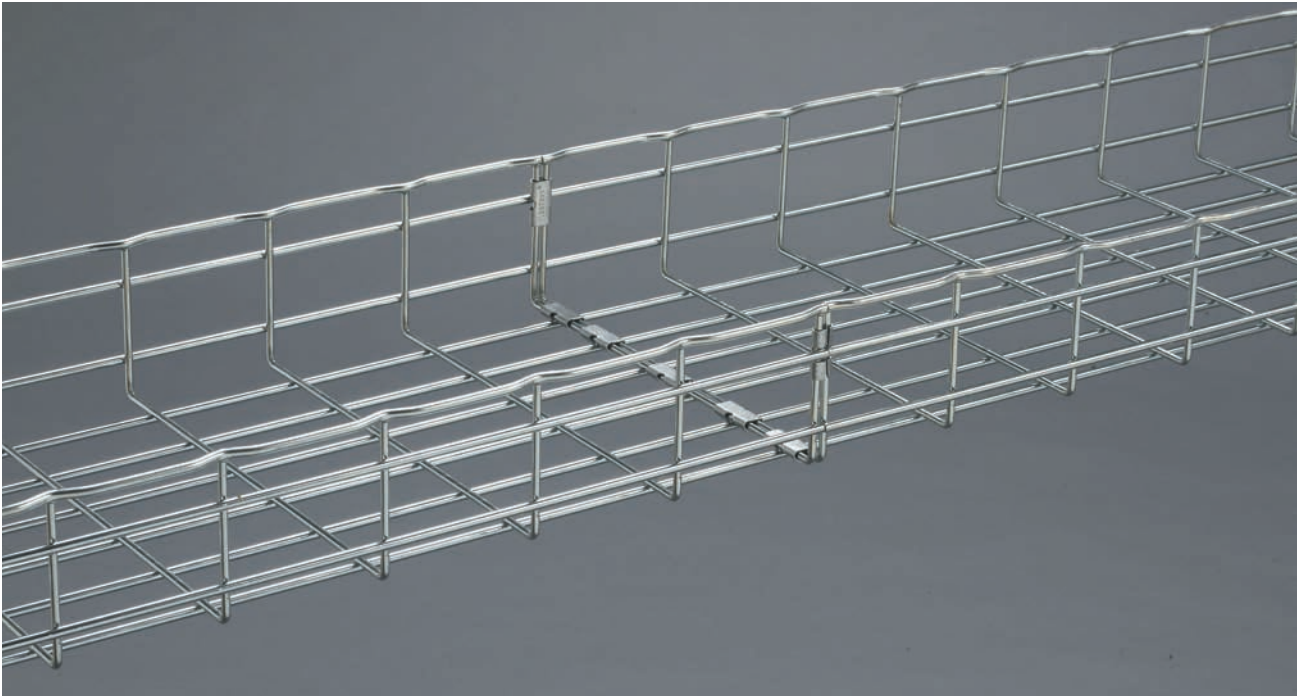


Part Number	Width		Wt. Per Pc.	
	in.	mm	lbs.	kg
FT6X8X10	8"	200	17.39	7.89
FT6X12X10	12"	300	20.45	9.27
FT6X16X10	16"	400	23.52	10.67
FT6X18X10	18"	450	25.06	11.37
FT6X20X10	20"	500	26.59	12.06
FT6X24X10	24"	600	29.66	13.45

All 6" deep Flextrays are UL Classified

See page 168 for finish information

FLEXTRAY™ Cable Support Systems



FLEXTRAY
& ACCESSORIES

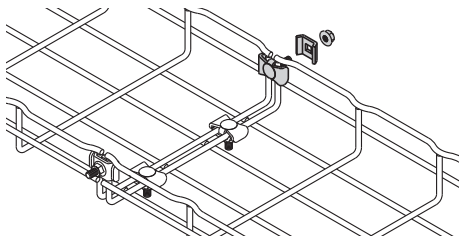
Washer Splice Kit

- Washer is staked to bolt, holding part stationary during installation
- Fewer parts to handle
- For use with all tray widths and sizes
- Finishes __: EG, BLE

BLE suffix indicates black zinc finish for this part only



Part Number	Description	Qty./Box	Wt./Box	
			lbs.	kg
WASHER SPL KIT__	Assembly of Staked Washer Stud/Washer & Finned Nut	50	4.5	2.04



Splicing Chart (number of splices required for UL Classification)

Tray Height	Tray Width - number of splices								
	2" (50mm)	4" (100mm)	6" (150mm)	8" (200mm)	12" (300mm)	16" (400mm)	18" (450mm)	20" (500mm)	24" (600mm)
2"	NC	NC	4	4	4	4	4	5	5
4"	NM	4	5	6	6	7	7	7	8
6"	NM	NM	NM	6	6	7	7	7	8

NC = Not UL Classified in this size NM = Flextray is not manufactured in this size

Splice Hardware Components

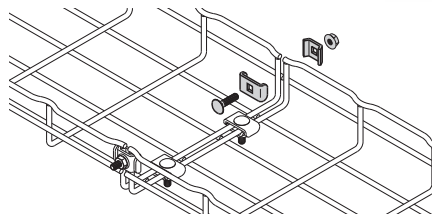
- Works with all splicing needs
- For use with all tray widths and sizes
- Components are sold separately
- Finishes __: EG, BLE-BLO, 304S, 316S

FTHDWE 1/4 not available in **BLE**.

TOP WASHER & BTM WASHER not available in **BLO**.



Part Number	Description	Qty./Box	Wt./Box	
			lbs.	kg
FTHDWE 1/4__	1/4" x 1" Carriage Bolt & Finned nut	50	1.2	0.54
TOP WASHER__	1" Square Splice Washer	50	1.4	0.63
BTM WASHER__	1 3/16" Square Splice Washer	50	2.0	0.91



BTM WASHER



FTHDWE1/4



TOP WASHER

FLEXTRAY & ACCESSORIES

Splicing Chart (number of splices required for UL Classification)

Tray Height	Tray Width - number of splices								
	2" (50mm)	4" (100mm)	6" (150mm)	8" (200mm)	12" (300mm)	16" (400mm)	18" (450mm)	20" (500mm)	24" (600mm)
2"	NC	NC	4	4	4	4	4	5	5
4"	NM	4	5	6	6	7	7	7	8
6"	NM	NM	NM	6	6	7	7	7	8

NC = Not UL Classified in this size NM = Flextray is not manufactured in this size

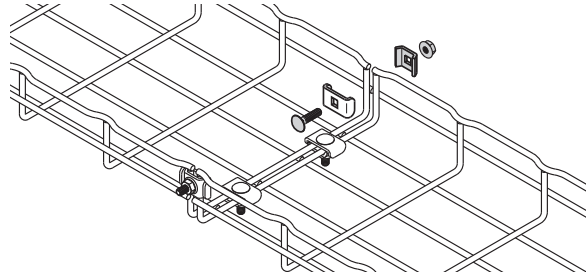
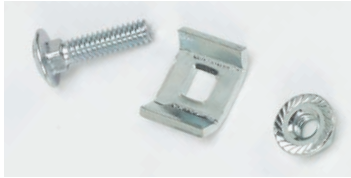
See page 168 for finish and grounding information

FLEXTRAY™ Cable Support Systems

Connecting Hardware

- Adaptable and designed for use with splice plate (FTS3SP), SPLICE BAR, and long splice bar (FTS36SB).
- Finishes __: EG, BLE-BLO, 304S, 316S

Part Number	Description	Qty./Box	Wt./Box	
			lbs.	kg
FTSCH__	Connecting Hardware	50	2.0	0.91



Splicing Chart (number of splices required for UL Classification)

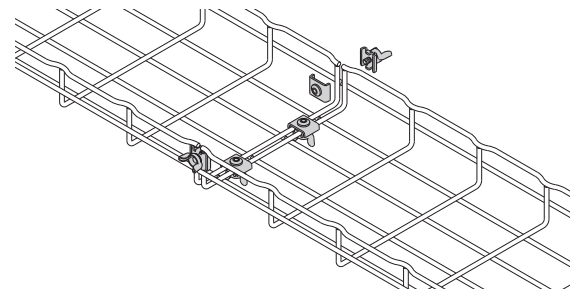
Tray Height	Tray Width - number of splices								
	2" (50mm)	4" (100mm)	6" (150mm)	8" (200mm)	12" (300mm)	16" (400mm)	18" (450mm)	20" (500mm)	24" (600mm)
2"	NC	NC	4	4	4	4	4	5	5
4"	NM	4	5	6	6	7	7	7	8
6"	NM	NM	NM	6	6	7	7	7	8

NC = Not UL Classified in this size NM = Flextray is not manufactured in this size

Wing Splice™

- Two piece design for easy handling
- Tool-less installation
- Reduces installation time, especially when used on fittings and bends
- Finish __: ZN

Part Number	Description	Qty./Box	Wt./Box	
			lbs.	kg
FTSWN__	Wing Splice	50	3.0	1.38



Splicing Chart (number of splices required for UL Classification)

Tray Height	Tray Width - number of splices								
	2" (50mm)	4" (100mm)	6" (150mm)	8" (200mm)	12" (300mm)	16" (400mm)	18" (450mm)	20" (500mm)	24" (600mm)
2"	NC	NC	4	4	4	4	4	5	5
4"	NM	4	5	6	6	7	7	7	8
6"	NM	NM	NM	6	6	7	7	7	8

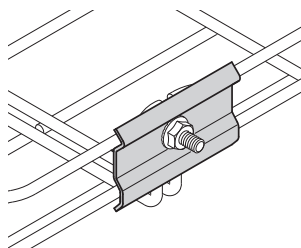
NC = Not UL Classified in this size NM = Flextray is not manufactured in this size

See page 168 for finish and grounding information

Splice Plate (only)

Part Number	Description	Length	Height	Hole Diameter	Qty./Box	Wt./Box	
						lbs.	kg
FTS3SP__	Splice Plate	2.7"	1.6"	0.27"	50	6.1	2.76

- Splice plate is designed for use with connecting hardware (FTSCH) to provide added stability of splice connections
- Hardware sold separately
- Finish__: ZN, SS6

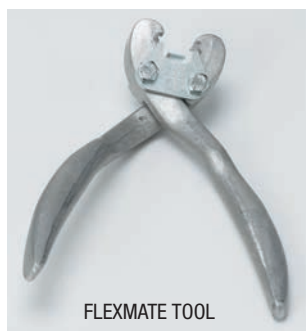


FLEXMATE™ Splice System

- Fastest splice connection method available in the industry
- For use with 4" (100mm) to 12" (300mm) wide tray
- FLEXMATE clips and tool sold separately
- Finishes __: GS, BLE

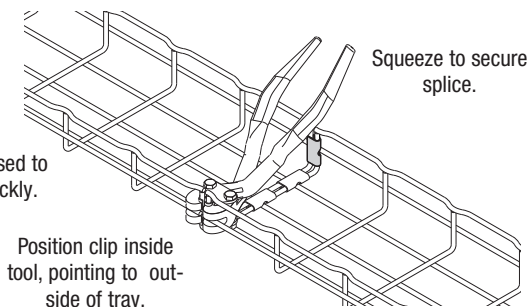
Note: Please contact Cooper B-Line when using FLEXMATE on tray widths larger than 12" (300mm) for specific requirements. Cooper B-Line recommends that splice/supports comply with NEMA VE-2 installation requirements

Part Number	Description	Qty./Box	Wt./Box	
			lbs.	kg
FLEXMATE2__	Flexmate Splice Clips	50	1.0	0.45
FLEXMATE TOOL	Flexmate Splice Tool	1	0.7	0.32



FLEXMATE TOOL

Flexmate Tool is used to install splices quickly.



Position clip inside tool, pointing to outside of tray.

Splicing Chart (number of splices required for UL Classification)

Tray Height	Tray Width - number of splices				
	2" (50mm)	4" (100mm)	6" (150mm)	8" (200mm)	12" (300mm)
2"	NC	NC	5	5	5
4"	NM	4	6	7	7
6"	NM	NM	NM	7	7

NC = Not UL Classified in this size

NM = Flextray is not manufactured in this size

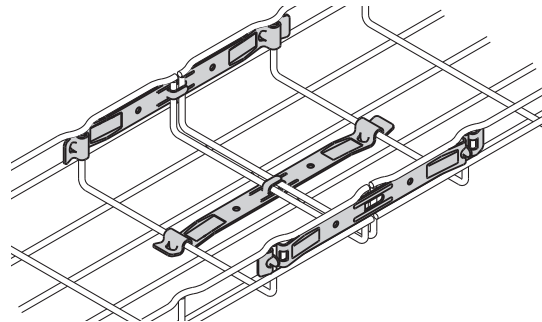
See page 168 for finish and grounding information

Tab-Loc Connector

Part Number	Description	Length	Qty./Box	Wt./Box	
				lbs.	kg
FTSTLC__	Tab-Loc Connectors	9.29"	50	7.2	3.26



- Fast splice for straight runs of tray
- For use with 2" (50mm) to 32" (800mm) wide tray to connect straight sections only
- Finishes __: ZN, SS6



Application Requirements

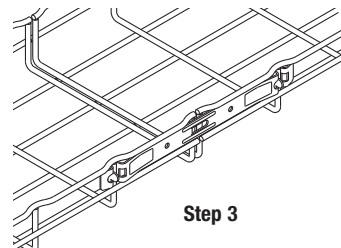
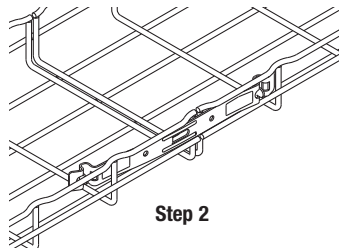
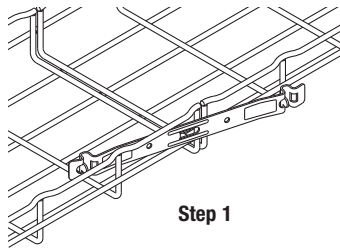
The recommendations listed are equal for all depths (except as noted).

Splicing Chart (number of splices required for UL Classification)

Tray Height	Tray Width - number of splices								
	2" (50mm)	4" (100mm)	6" (150mm)	8" (200mm)	12" (300mm)	16" (400mm)	18" (450mm)	20" (500mm)	24" (600mm)
2"	NC	NC	4	4	4	4	4	5	5
4"	NM	4	5	6	6	7	7	7	8
6"	NM	NM	NM	6	6	7	7	7	8

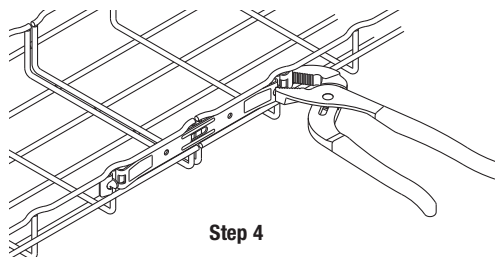
NC = Not UL Classified in this size NM = Flextray is not manufactured in this size

Installation



Tab-Loc security without special tools.

Screwdriver can also be used to bend tab-locs (hold connector ends while bending).

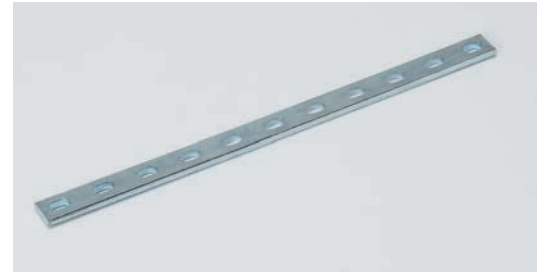
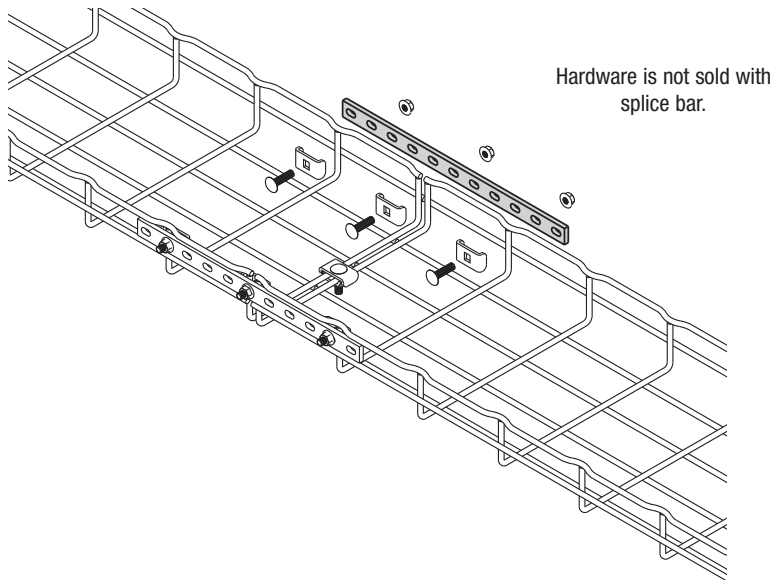


See page 168 for finish and grounding information

Splice Bar

- Adds rigidity to washer splice methods
- Used on side rails only (not for use in tray bottom)
- For use on trays when using splice hardware FTSCHE
- Hardware sold separately
- Finishes __: EG, BLE, HD, 316S

Part Number	Description	Qty./Box	Wt./Box	
			lbs.	kg
SPLICE BAR__	10 ^{13/16} " Long Bar	50	14.0	6.35



Each splice bar requires three (3) each of Hardware Splice Components - TOP WASHER, and FTHDWE 1/4 to complete connection. These items must be ordered separately.

Washer Splice Kits (WASHER SPL KIT) are required for connections on bottom of tray.

Splicing Chart (number of splices required for UL Classification)

Tray Height	Tray Width - number of splices								
	2" (50mm)	4" (100mm)	6" (150mm)	8" (200mm)	12" (300mm)	16" (400mm)	18" (450mm)	20" (500mm)	24" (600mm)
2"	NC	NC	2	2	2	2	2	2	2
4"	NM	4	4	4	4	4	4	4	4
6"	NM	NM	NM	4	4	4	4	4	4

NC = Not UL Classified in this size NM = Flextray is not manufactured in this size

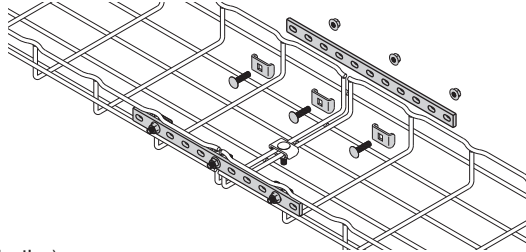
See page 168 for finish and grounding information

FLEXTRAY™ Cable Support Systems

Splice Bar Kit

Part Number	Description	Qty./Box	Wt./Box	
			lbs.	kg
FTSBK__	12" Long	5 Sets	6.4	2.90

- Adds rigidity
- Includes two (2) SPLICE BAR and hardware
- Finishes __: ZN, FB, SS6



Splicing Chart (number of splices required for UL Classification)

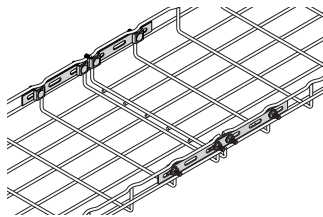
Tray Height	Tray Width - number of splices								
	2" (50mm)	4" (100mm)	6" (150mm)	8" (200mm)	12" (300mm)	16" (400mm)	18" (450mm)	20" (500mm)	24" (600mm)
2"	NC	NC	2	2	2	2	2	2	2
4"	NM	4	4	4	4	4	4	4	4
6"	NM	NM	NM	4	4	4	4	4	4

NC = Not UL Classified in this size NM = Flextray is not manufactured in this size

Expansion Splice Kit

Part Number	Description	Qty./Box	Wt./Box	
			lbs.	kg
FTS12ESK__	12" Long Expansion Splice Kit	1 Kit	0.45	0.20

- Allows 1³/₄" (44mm) of expansion between two pieces of Flextray at expansion joints.
- To install, tighten nylon loc-nut until nut comes into contact with splice bar, then loosen approximately 1/4 turn.
- Includes two (2) splice bars and eight (8) sets of hardware
- Finishes __: ZN



Long Splice Bar (only)

Part Number	Description	Qty./Box	Wt./Box	
			lbs.	kg
FTS12SB__	12" Long - 6 Slots	1	0.13	0.06
FTS36SB__	36" Long - 18 Slots	1	0.40	0.18

- FTS36SB long splice bar is used for assembly of large radius horizontal bends or field cut into short splice bars
- Splice Bars are designed for use with connecting hardware (FTSCH)
- Hardware sold separately
- Finishes __: ZN, FB, SS6



FTS12SB



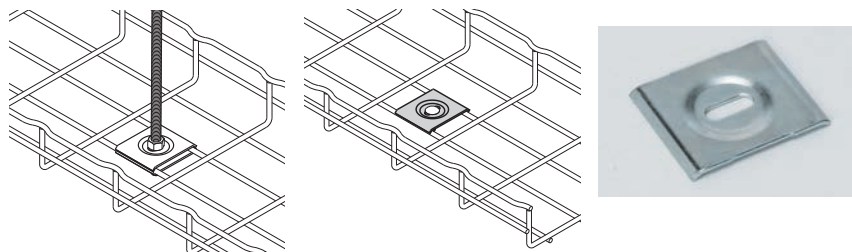
FTS36SB

See page 168 for finish and grounding information

Hold Down Plate

- Easy way to mount 4" (100mm) wide tray for raceway run.
- Use 1/4" screws to attach SUPT WASHER to your specific wall/stud application (hardware sold separately).
- FTA6HD can be used in pairs to create a center-hung support using 3/8" rod.
- To protect cables use threaded rod protector (page 187).
- To complete 3/8" center hanger assembly use:
2 - FTA6HD
2 - HN 3/8"-16 hex nuts
- Finish: ZN, SS6

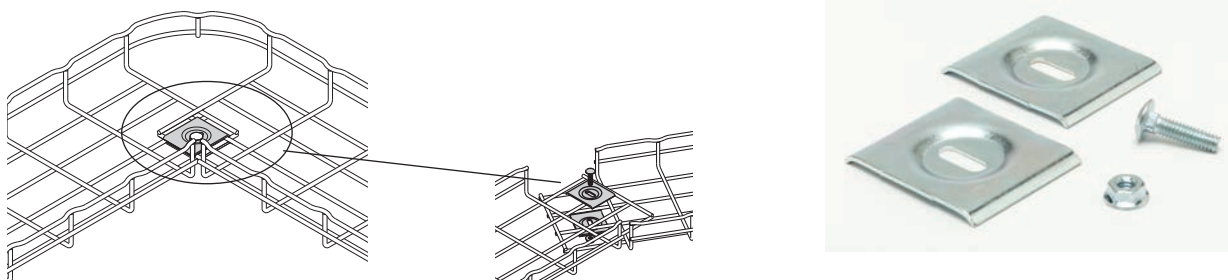
Part Number	Slot Size	Qty./Box	Wt./Box	
			lbs.	kg
SUPT WASHER__	.28" x .70"	50	4.7	2.13
FTA6HD__	.40" x .70"	50	3.5	1.59



Horizontal Adjustable Kit

- Horizontal adjustable kit can be used to create horizontal angles from prepared Flextray straight sections
- Conveniently poly-bagged
- Finishes __: EG, BLE, 316S

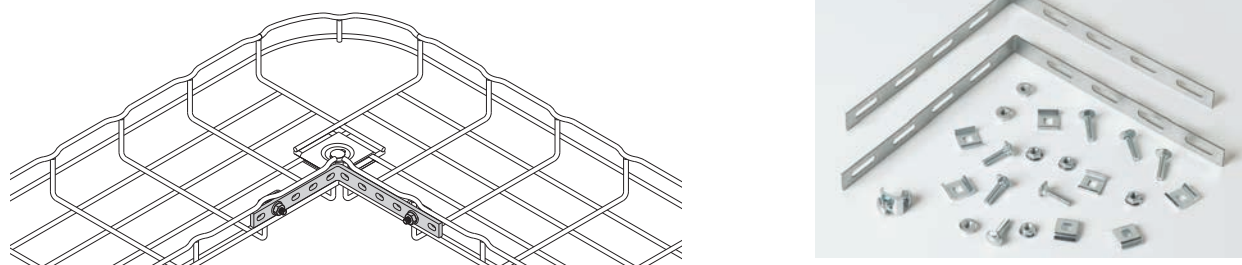
Part Number	Description	Qty./Box	Wt./Box	
			lbs.	kg
FTSHAK__	Horizontal Adjustable Kit	10	2.4	1.09



90 Degree Kit

- For fast assembly of 90° turns and tee fittings
- For use with all tray widths and sizes
- One kit will make two 90° turns or one tee fitting
- 90 DEGREE KIT: includes: two (2) 90° splice bars and eight (8) FTSCH
- Finishes __: EG, BLE, 316S

Part Number	Description	Qty./Box	Wt./Box	
			lbs.	kg
90 DEGREE KIT__	90 degree splice bar & hardware	1	1.3	0.59



See page 168 for finish and grounding information

FLEXTRAY™ Cable Support Systems

Components Required to Connect Two Sections of FLEXTRAY

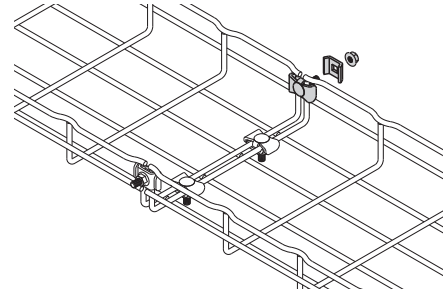
System Part Number	System Width in. mm	Connector Assembly WASHER SPL KIT	Connecting Hardware FTSCH	Splice Plate FTS3SP	Splice Bar SPLICE BAR
--------------------	------------------------	--------------------------------------	------------------------------	------------------------	--------------------------



(*) 4 for 4" Deep Flextray
6 for 6" Deep Flextray

FT2X2	2"	50	2	-	-	-
FT2X4	4"	100	2	-	-	-
FT2X6	6"	150	4 ¹	-	-	-
FT2X8	8"	200	4 ¹	-	-	-
FT2X12	12"	300	4 ¹	-	-	-
FT2X16	16"	400	4 ¹	-	-	-
FT2X18	18"	450	4 ¹	-	-	-
FT2X20	20"	500	5 ¹	-	-	-
FT2X24	24"	600	5 ¹	-	-	-
FT2X30	30"	750	7 ¹	-	-	-
FT2X32	32"	800	7 ¹	-	-	-
FT4X4	4"	100	4 ¹	-	-	-
FT4X6	6"	150	5 ¹	-	-	-
FT4X8	8"	200	6 ²	-	-	-
FT(*)X12	12"	300	6 ²	-	-	-
FT(*)X16	16"	400	7 ²	-	-	-
FT(*)X18	18"	450	7 ²	-	-	-
FT(*)X20	20"	500	7 ²	-	-	-
FT(*)X24	24"	600	7 ²	-	-	-
FT(*)X30	30"	750	8 ²	-	-	-

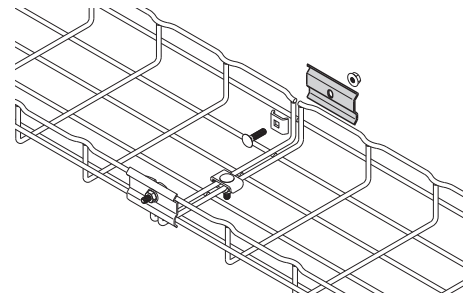
Washer Splice Kits



- 1 Install one kit on each side and remaining kit(s) on bottom.
- 2 Install two kits on each side and remaining kits on bottom.

FT2X2	2"	50	-	2	2	-
FT2X4	4"	100	-	2	2	-
FT2X6	6"	150	1	2	2	-
FT2X8	8"	200	1	2	2	-
FT2X12	12"	300	2	2	2	-
FT2X16	16"	400	2	2	2	-
FT2X18	18"	450	2	2	2	-
FT2X20	20"	500	2	2	2	-
FT2X24	24"	600	2	2	2	-
FT2X30	30"	750	4	2	2	-
FT2X32	32"	800	4	2	2	-
FT4X4	4"	100	1	2	2	-
FT4X6	6"	150	2	2	2	-
FT4X8	8"	200	2	2	2	-
FT(*)X12	12"	300	3	2	2	-
FT(*)X16	16"	400	4	2	2	-
FT(*)X18	18"	450	4	2	2	-
FT(*)X20	20"	500	4	2	2	-
FT(*)X24	24"	600	4	2	2	-
FT(*)X30	30"	750	5	2	2	-

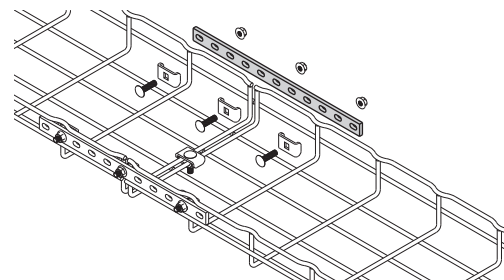
Splice Plates



Install splice plates on sides and
WASHER SPL KIT on bottom.

FT2X2	2"	50	-	2	-	2
FT2X4	4"	100	-	2	-	2
FT2X6	6"	150	1	2	-	2
FT2X8	8"	200	1	2	-	2
FT2X12	12"	300	2	2	-	2
FT2X16	16"	400	2	2	-	2
FT2X18	18"	450	2	2	-	2
FT2X20	21"	500	2	2	-	2
FT2X24	24"	600	2	2	-	2
FT2X30	30"	750	3	6	-	2
FT2X32	32"	800	3	6	-	2
FT4X4	4"	100	1	2	-	2
FT4X6	6"	150	2	2	-	2
FT4X8	8"	200	2	6	-	2
FT(*)X12	12"	300	2	6	-	2
FT(*)X16	16"	400	3	6	-	2
FT(*)X18	18"	450	3	6	-	2
FT(*)X20	20"	500	3	6	-	2
FT(*)X24	24"	600	3	6	-	2
FT(*)X30	30"	750	4	6	-	2

Splice Bars



Install splice bars on sides and
WASHER SPL KIT on bottom.

Splice Plate Kits for 2" Deep FLEXTRAY

Part Number	System Width		Weight Per 100		Box Quantity	Conveniently poly-bagged for use with 2" Deep FLEXTRAY
	in.	mm	lbs.	kg		
FTS20SK	2"	50	2.91	1.32	10	
	4"	100				
FTS21SK	6"	150	3.63	1.64	10	
	8"	200				
FTS22SK	12"	300	4.35	1.97	10	
	18"	450				
	20"	500				
	24"	600				

Splice Plate Kits for 4" & 6" Deep FLEXTRAY

Part Number	System Width		Weight Per 100		Box Quantity	Conveniently poly-bagged for use with 4" & 6" Deep FLEXTRAY
	in.	mm	lbs.	kg		
FTS23SK	4"	100	5.07	2.30	10	
	6"	150				
	8"	200				
	12"	300				
FTS24SK	18"	450	5.79	2.62	10	
	20"	500				
	24"	600				

FLEXTRAY™ Cable Support Systems



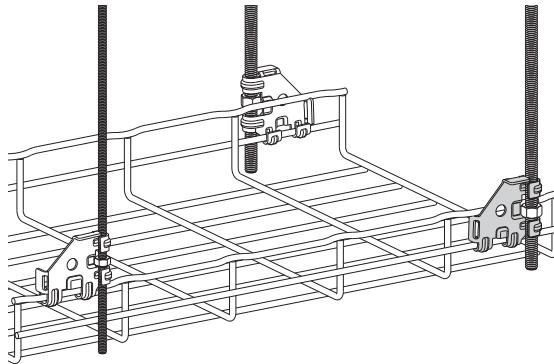
FLEXTRAY
& ACCESSORIES

Flip Clip™

- Accommodates 1/4" and 3/8" rod sizes
- Installs quickly with a screwdriver or pliers thus reducing installation time
- Requires only one hex nut (not included) to hang and level the Flextray
- Retainer tabs can be bent over to lock-in the threaded rod and wire basket
- Finishes __: ZN, FB, SS6

Part Number	Description	Qty./Box	Wt./Box	
			lbs.	kg
WB46H__	Flip Clip	50	5.2	2.36

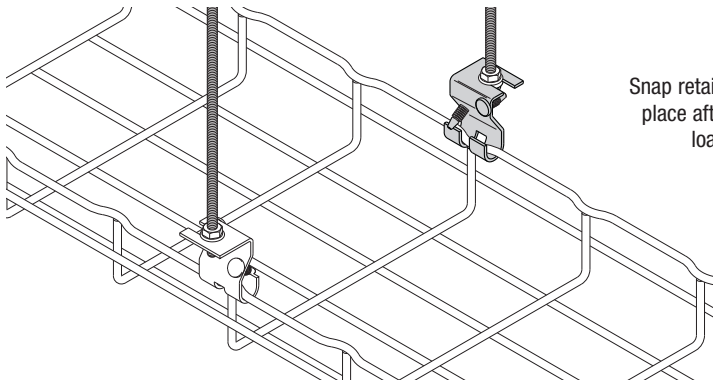
Snap retainer stops in place after cable is loaded.



Trapeze Support

- Trapeze Clip installs fast
- For use with trays up to 4" (100mm) deep, 12" (300mm) wide, and spans up to 8'-0" (2.44m)
- Tray can be released from support to allow side cable loading
- Accepts 1/4" and 3/8" threaded rod sizes
- Finishes __: GS, BLE

Part Number	Description	Qty./Box	Wt./Box	
			lbs.	kg
TRAPEZE SUPT2__	Trapeze Support Clip	50 trapeze clips 100 retainer stops	7.0	3.17



Snap retainer stops in place after cable is loaded.



See page 168 for finish information

FLEXTRAY™ Cable Support Systems

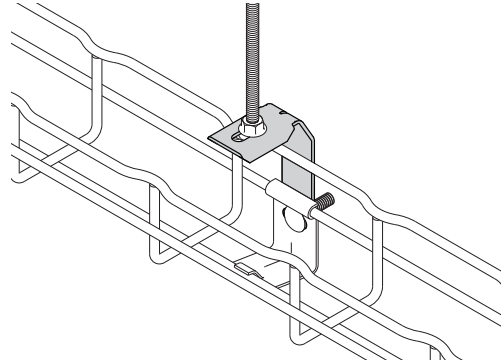
2" Center Hanger

Part Number	Description	Qty./Box	Wt./Box	
			lbs.	kg
2 IN CTR SUPT__	Center Support Hanger for FT2x2	50	5.0	2.27

- For use with 2" (50mm) tray widths only
- Accepts 1/4" threaded rod
- Hardware sold separately
- Finishes __: GS, BLE



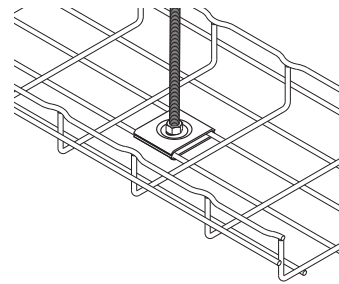
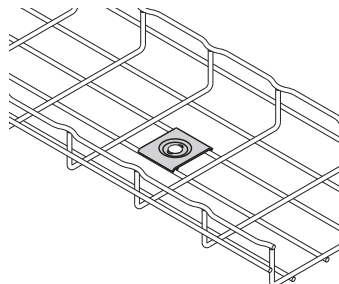
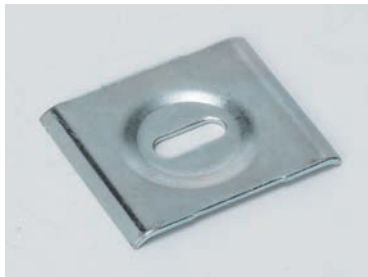
Assemble with ATTACHMENT CLP & FTHDWE 1/4 hardware.



Hold Down Plate

Part Number	Slot Size	Qty./Box	Wt./Box	
			lbs.	kg
SUPT WASHER__	.28" x .70"	50	4.7	2.13
FTA6HD__	.40" x .70"	50	3.5	1.59

- Easy way to mount 4" (100mm) wide tray for raceway run.
- Use 1/4" screws to attach SUPT WASHER to your specific wall/stud application (hardware sold separately).
- FTA6HD can be used in pairs to create a center-hung support using 3/8" rod.
- To protect cables use threaded rod protector (page 187).
- To complete 3/8" center hanger assembly use:
2 - FTA6HD
2 - HN 3/8"-16 hex nuts
- Finish: ZN, SS6

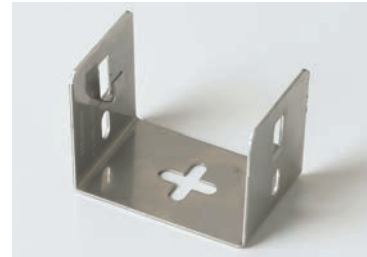
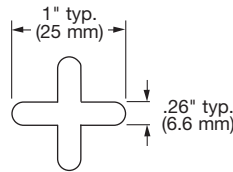
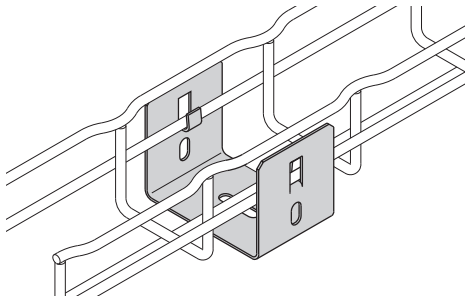


See page 168 for finish information

Mounting Bracket

- Designed to support FT2X2X10 Flextray
- Click tabs for Flextray attachment
- Use 1/4" hardware and washer (not included) to mount bracket
- Finishes __: SS6

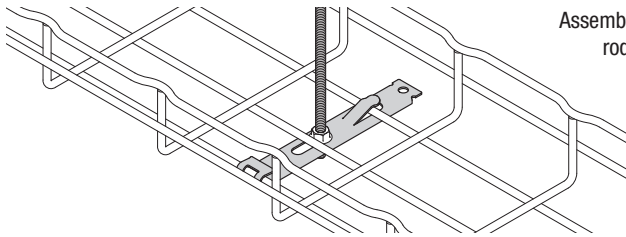
Part Number	Description	Qty./Box	Wt./Box	
			lbs.	kg
FTB2UB__	Light Duty Wall/Rack Bracket	10	2.1	0.95



Center Hung Clip

- Use for light duty cabling applications
- For use with 1 1/2" (38mm) & 2" (51mm) deep tray with 4" (100mm) and 6" (150mm) widths
- Built-in hold down tab
- Accepts 1/4" threaded rod
- Threaded rod and nuts sold separately
- Finishes __: GS, BLE

Part Number	Description	Qty./Box	Wt./Box	
			lbs.	kg
CTR HUNG CLP__	Light Duty Center Hanger	50	4.0	1.81



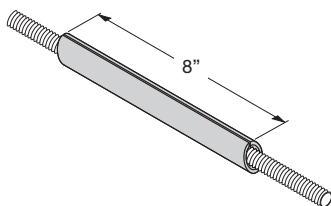
Assemble with 1/4" threaded rod and finned nut



Threaded Rod Protector

- Use to protect cables from 1/4" to 1/2" threaded rod
- PVC UL94V-0 material
- Color: Gray

Part Number	Description	Qty./Box	Wt./Box	
			lbs.	kg
SB301-1/2x8__	Rod Protector	1	0.01	0.004

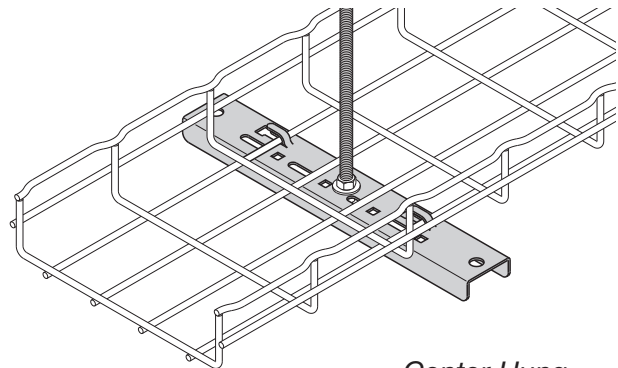


See page 168 for finish information

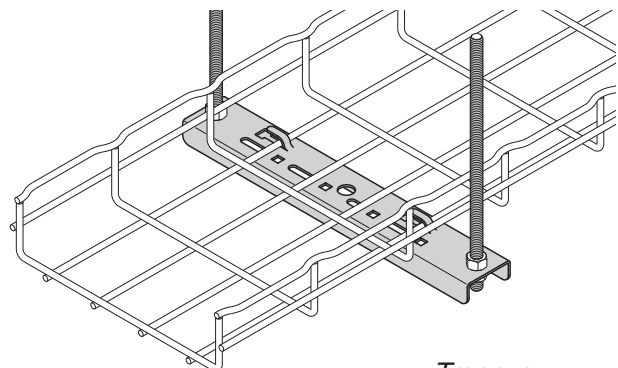
Center Trapeze Hanger

Part Number	Maximum Tray Width		Actual Length		Wt./Pc.	
	in.	mm	in.	mm	lbs.	kg
FTB06CT	6"	150	9.78"	248	0.61	0.27
FTB08CT	8"	200	11.75"	298	0.74	0.33
FTB12CT	12"	300	15.69"	398	0.98	0.44
FTB16CT	16"	400	19.63"	498	1.61	0.73
FTB18CT	18"	450	21.59"	548	1.77	0.80
FTB20CT	20"	500	23.56"	598	1.93	0.87
FTB24CT	24"	600	27.50"	698	2.25	1.02

- Can be installed as center-hung or traditional trapeze hanger
- Multiple options to secure Flextray to hanger
 - Built in hold down tabs (use screwdriver to bend down tab)
 - Compatible with TOOLLESS CLIP with snap-in locking pin
 - Compatible with WBUHD hold down clip when tray crosswire is aligned over top of hanger
 - Slots and holes for optional hardware attachment
- Corrosion resistant pre-galvanized zinc finish (other finishes available upon request)
- Center hole for up to 1/2" rod
- Hole on each end for up to 3/8" rod
- Threaded rod protector available (SB301-1/2 x 8)



Center Hung



Trapeze

See page 168 for finish information

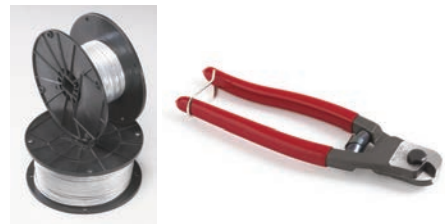
KwikWire™ Clamps & Wire Rope

- KwikWire system replaces jack chain or ATR to support lighting, ductwork, and Flextray.
- Can be quickly installed around beams - No drilling required.
- Ideal for sloped ceilings - can hang objects at up to 60° angles.
- Simple height adjustments are made by releasing locking tab, no tools required.
- Spools of wire can be cut to length in field, reducing waste and up front planning.

Part Number	Clamp Description For Use With Rope Diameter	Qty./Box
BKC100	1/32", 1/16" & 3/32"	100
BKC200	3/32", 1/8" & 3/16"	50



Part Number	Rope Diameter - Working Load	Qty./Spool
BKW063 (1)	1/16" - 96 lbs.	500 ft.
BKW094 (1)	3/32" - 184 lbs.	500 ft.
BKW125 (1)	1/8" - 340 lbs.	500 ft.
BKW188 (2)	3/16" - 840 lbs.	250 ft.
BKCC	Wire Rope Cutter	1



Wire Rope Construction



(1) 7 x 7



(2) 7 x 19

KwikWire Clamp Working Loads*

Clamp Part No.	Wire Rope Dia.	Lbs. Safety Factor 5
BKC100	1/32"	0-22
BKC100	1/16"	0-75
BKC100	3/32"	25-150
BKC200	3/32"	25-150
BKC200	1/8"	25-250
BKC200	3/16"	50-640

* Working loads shown are for hanging vertically. For suspending at 15°, 30°, 45° or 60° angles from vertical, use the following percentage of the working loads from the chart:

15° = 96%
 30° = 86%
 45° = 70%
 60° = 50%

See pages 258 - 266 for additional KwikWire accessories and information

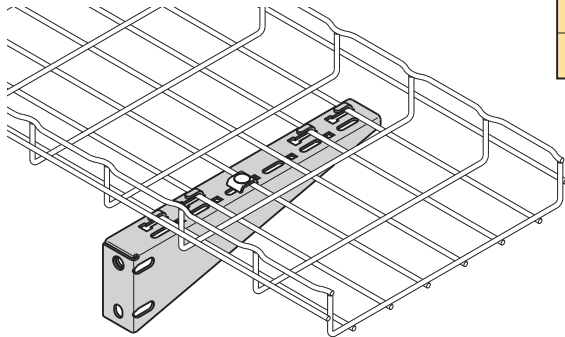
FLEXTRAY™ Cable Support Systems



FLEXTRAY
& ACCESSORIES

Shelf Brackets

- Heavy-duty support bracket
- For use with 6" (150mm) to 24" (600mm) wide trays
- Built-in tab for hold down
- Optional hardware sold separately
- Finishes __: GLV, HDG, SS6



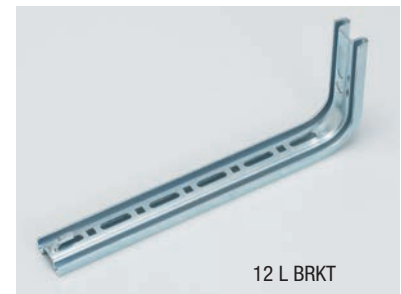
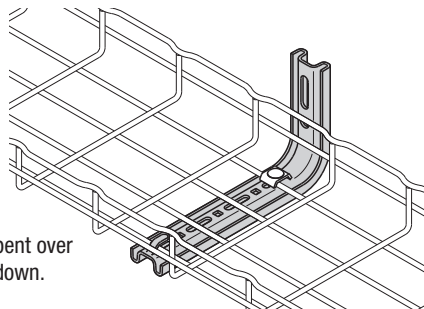
Part Number	Use With Tray Width	Qty./Box	Wt./Box	
			lbs.	kg
FTB06CS__	6" (150mm)	1	0.5	0.22
FTB08CS__	8" (200mm)	1	0.6	0.27
FTB12CS__	12" (300mm)	1	1.2	0.54
FTB16CS__	16" (400mm)	1	1.7	0.77
FTB18CS__	18" (450mm)	1	1.9	0.86
FTB20CS__	20" (500mm)	1	2.6	1.18
FTB24CS__	24" (600mm)	1	3.2	1.45



L Brackets

- Installs tray to wall cleanly
- Built-in tab for hold down (not available in stainless steel)
- For use with 4" (100mm) to 24" (600mm) wide trays
- Use with pedestal clamp in raised floor applications
- Hardware sold separately
- Finishes __: EG, HD, BLE, 316S

Part Number	Use With Tray Width	Qty./Box	Wt./Box	
			lbs.	kg
4 L BRKT__	4" (100mm)	1	0.6	0.27
8 L BRKT__	6" (150mm) & 8" (200mm)	1	0.8	0.36
12 L BRKT__	12" (300mm)	1	1.3	0.59
16 L BRKT__	16" (400mm)	1	1.4	0.63
20 L BRKT__	18" & 24" (450 & 500mm)	1	2.0	0.91
24 L BRKT__	24" (600mm)	1	2.3	1.04

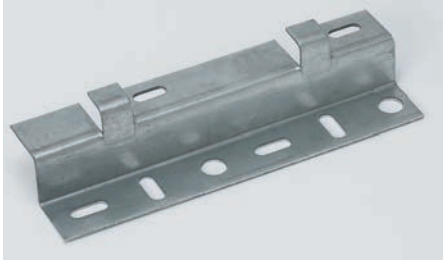


See page 168 for finish information

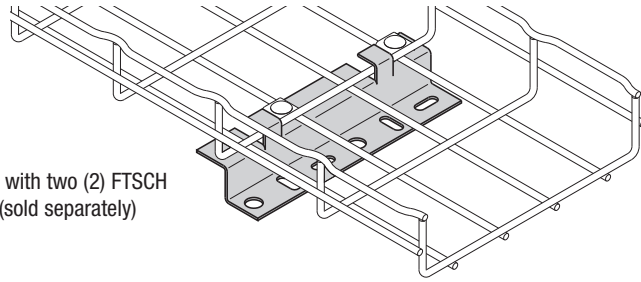
FLEXTRAY™ Cable Support Systems

Z Brackets

Part Number	Description	Qty./Box	Wt./Box	
			lbs.	kg
Z BRKT__	Z Bracket	1	0.6	0.27



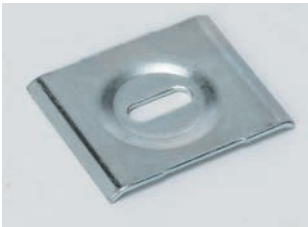
- Used for horizontal and/or vertical mounting
8" (200mm) wide bracket for use with 4" (100mm) to 32" (800mm) wide trays
- Can be used to offset trays from floor
- Can be used to terminate tray run at wall
- Multiple brackets can be used for wider tray widths
- Finishes __: GS, BLE



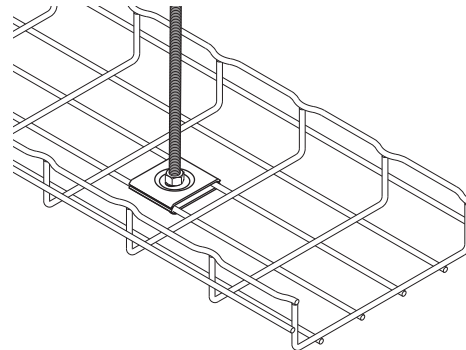
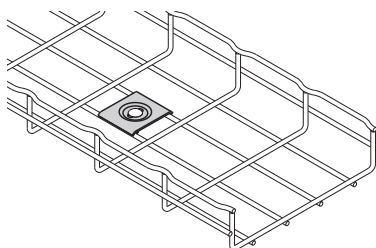
Use with two (2) FTSCH
(sold separately)

Hold Down Plate

Part Number	Slot Size	Qty./Box	Wt./Box	
			lbs.	kg
SUPT WASHER__	.28" x .70"	50	4.7	2.13
FTA6HD__	.40" x .70"	50	3.5	1.59



- Easy way to mount 4" (100mm) wide tray for raceway run.
- Use 1/4" screws to attach SUPT WASHER to your specific wall/stud application (hardware sold separately).
- FTA6HD can be used in pairs to create a center-hung support using 3/8" rod.
- To protect cables use threaded rod protector (page 187).
- To complete 3/8" center hanger assembly use:
2 - FTA6HD
2 - HN 3/8"-16 hex nuts
- Finish: ZN, SS6

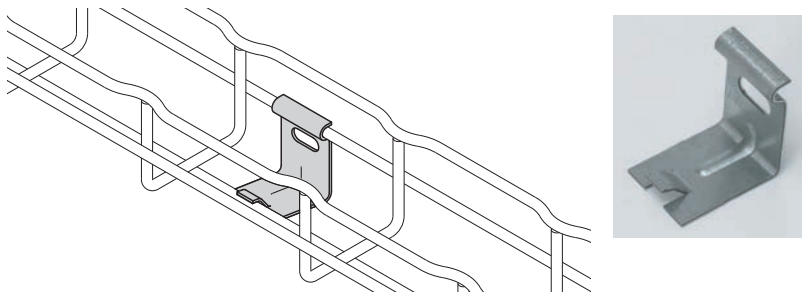


See page 168 for finish information

Attachment Clips

- Wall attachment for 2" (50mm) wide tray only (FT2X2X10)
- Low-profile appearance
- Built-in tab to hold down tray
- Can also be used with 2" (50mm) Center Hanger (see page 186)
- Hardware sold separately
- Finishes __: GS, BLE

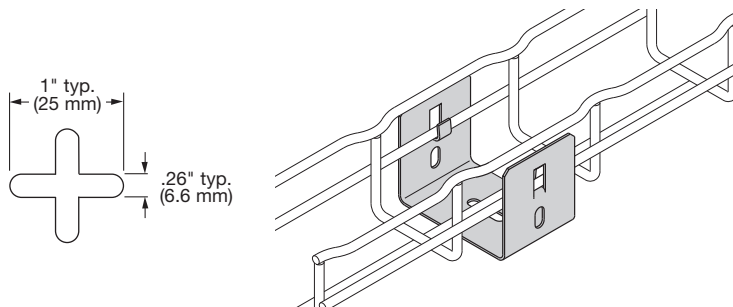
Part Number	Description	Qty./Box	Wt./Box	
			lbs.	kg
ATTACHMENT CLP__	Attachment Clip Support for FT2x2x10	50	3.4	1.54



Mounting Bracket

- Designed to support FT2X2X10 FLEXTRAY
- Click tabs for Flextray attachment
- Use 1/4" hardware and washer (not included) to mount bracket
- Finishes __: SS6

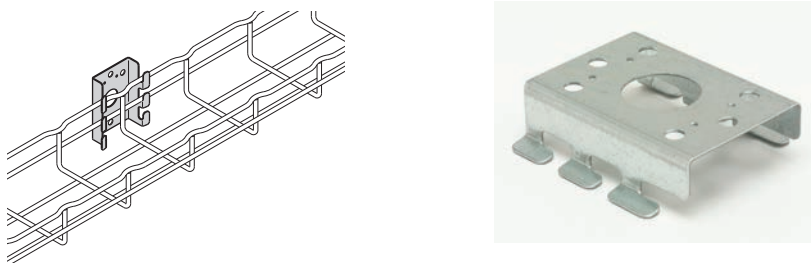
Part Number	Description	Qty./Box	Wt./Box	
			lbs.	kg
FTB2UB__	Light Duty Wall/Rack Bracket	10	2.1	0.95



Wall Supports

- Use to attach 2" (50mm) or 4" (100mm) trays to walls, struts or cabinets
- Use for raceway mounting
- Mount to metal framing for vertical support
- Tabs are built in for tray hold down
- Mount to side rail for electrical box connection
- Finishes __: GLV

Part Number	Description	Qty./Box	Wt./Box	
			lbs.	kg
FTA050CC__	Wall Support Bracket	1	0.8	0.36



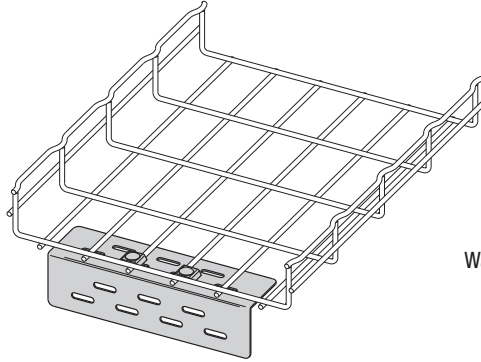
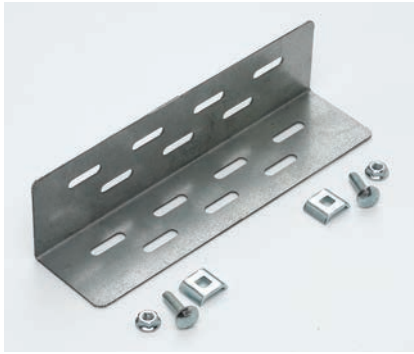
See page 168 for finish information

FLEXTRAY™ Cable Support Systems

Wall Termination Kit

Part Number	Length	Qty./Box	Wt./Box	
			lbs.	kg
FTA9WTK__	9"	1	1.3	0.59

- Kit includes all hardware necessary to support Flextray when terminated at a wall
- Mount slotted angle to wall with up to 3/8" hardware (not included)
- Finishes __: ZN, FB, SS6



Wall Termination Kit includes:
 1 - Angle with Slots
 2 - FTSCH

Wall Mount Kit

Part Number	Length	Qty./Box	Wt./Box	
			lbs.	kg
WB48WMK__	8"	1	0.76	0.35
WB1224WMK__	12"	1	1.22	0.55

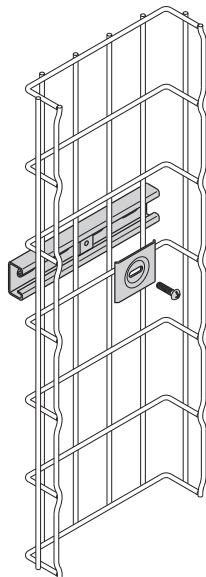
- Kit includes all components necessary to mount Flextray to a wall horizontally or vertically
- Mount strut to wall with up to 1/2" hardware (not included)
- Finish: Channel - GLV
Hardware - ZN
Available in SS6



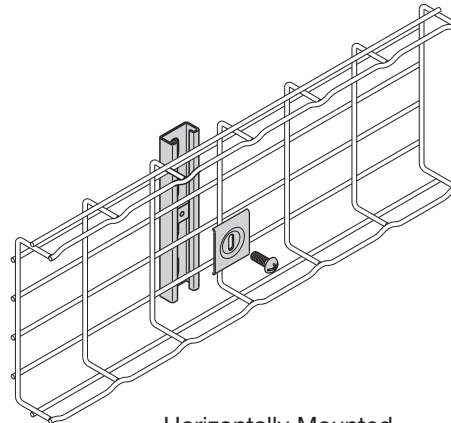
WB1224WMK shown

Wall Mount Kit includes:

WB48WMK	WB1224WMK	
1	1	B54SH Strut
1	2	SUPT WASHER Hold Downs
1	2	1/4"-20 x 1" Slotted Head Screw
1	2	N224WO Channel Nut



Vertically Mounted



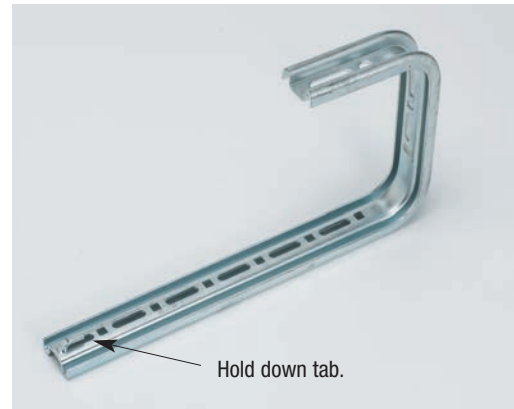
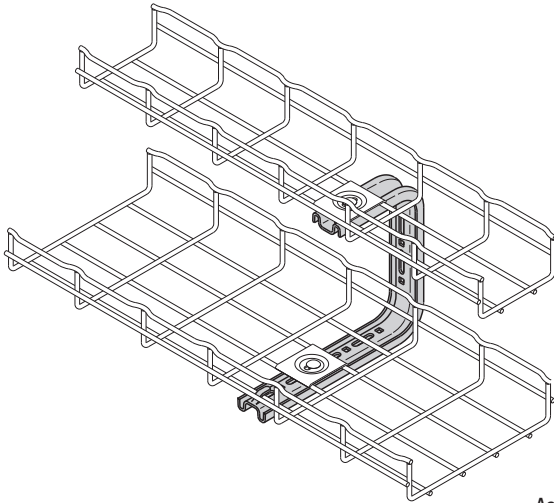
Horizontally Mounted

See page 168 for finish information

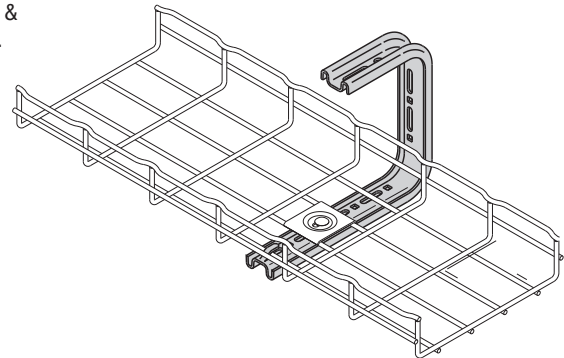
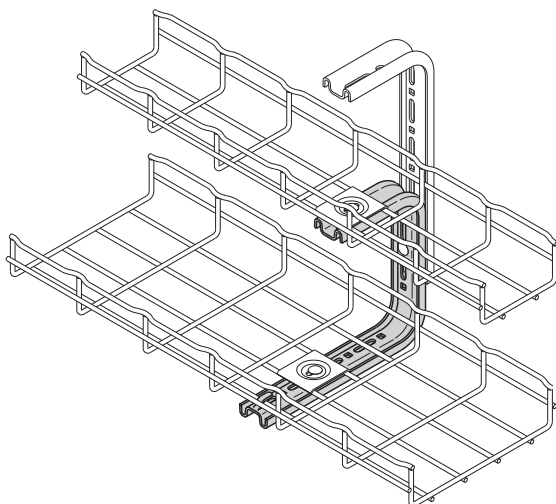
C Brackets

- Tab can be used for hold down (stainless steel will not have these tabs)
- For use with 4" (100mm) to 12" (300mm) wide trays
- C Bracket attaches to hard ceiling types
- All brackets are 7⁷/₈" (200mm) tall
- Cables can be side loaded
- L Brackets (page 191) and C Brackets can be combined for layered tray runs
- Finishes __: EG, BLE, HD

Part Number	Description	Qty./Box	Wt./Box	
			lbs.	kg
4 C BRKT__	4" (100mm) C Bracket	1	1.2	0.54
8 C BRKT__	8" (200mm) C Bracket	1	1.4	0.63
12 C BRKT__	12" (300mm) C Bracket	1	1.9	0.86



Assemble with
SUPT WASHER &
FTHDWE 1/4.



See page 168 for finish information

FLEXTRAY™ Cable Support Systems

The F.A.S.T.™ System is an innovative and flexible way to support and manage cables in raised floor applications. This Foldable, Adjustable, Stackable, Tool-less System uses FLEXTRAY, stands, and accessories to provide a variety of options for your project and the fastest installation time on the market. Best of all, it does not attach to the raised floor structure and can be installed either before or after floor is in place.



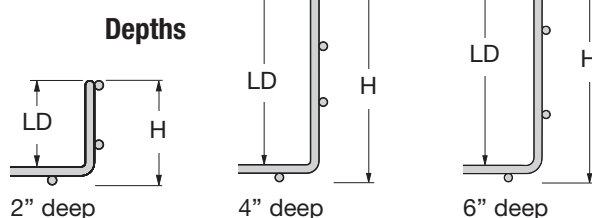
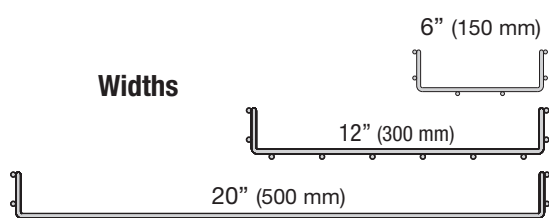
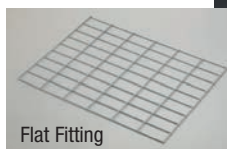
FLEXTRAY
& ACCESSORIES



F.A.S.T.™ System FLEXTRAY

- Rounded ends on all wires
- UL Classified (see technical data for details)
- Depths: 2", 4", & 6" nominal
- Lengths: 24", 48", & 118"
- Use flat fitting (WBUFLT) for turns
- Wire Diameter: 0.191" (4.9mm)
- Standard finishes: GLV

Consult customer service for other available finishes

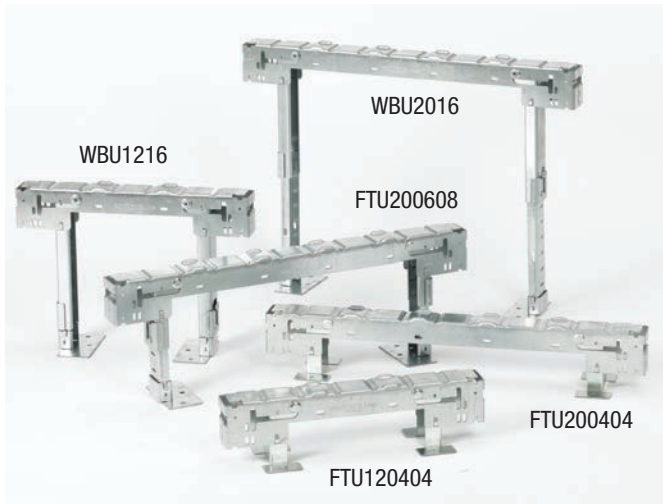


	Part Number	Width		Length		LD		H		Wt. Per Pc.	
		in.	mm	in.	mm	in.	mm	in.	mm	lbs.	kg
2" (50mm) deep	FTU2X6X2	6	150	23.9	603	1.63	41	2.02	51	2.03	0.92
	FTU2X6X4	6	150	47.5	1206	1.63	41	2.02	51	3.95	1.79
	FTU2X6X10	6	150	118.4	3008	1.63	41	2.02	51	9.72	4.41
	FTU2X12X2	12	300	23.9	603	1.63	41	2.02	51	2.99	1.36
	FTU2X12X4	12	300	47.5	1206	1.63	41	2.02	51	5.82	2.64
	FTU2X12X10	12	300	118.4	3008	1.63	41	2.02	51	14.32	6.50
	FTU2X20X2	20	500	23.9	603	1.63	41	2.02	51	4.28	1.94
	FTU2X20X4	20	500	47.5	1206	1.63	41	2.02	51	8.33	3.78
	FTU2X20X10	20	500	118.4	3008	1.63	41	2.02	51	20.45	9.28
4" (100mm) deep	FTU4X6X2	6	150	23.9	603	4.38	111	4.77	121	2.67	1.21
	FTU4X6X4	6	150	47.5	1206	4.38	111	4.77	121	5.20	2.36
	FTU4X6X10	6	150	118.4	3008	4.38	111	4.77	121	12.79	5.80
	FTU4X12X2	12	300	23.9	603	4.38	111	4.77	121	3.64	1.65
	FTU4X12X4	12	300	47.5	1206	4.38	111	4.77	121	7.08	3.21
	FTU4X12X10	12	300	118.4	3008	4.38	111	4.77	121	17.39	7.89
	FTU4X20X2	20	500	23.9	603	4.38	111	4.77	121	4.93	2.24
	FTU4X20X4	20	500	47.5	1206	4.38	111	4.77	121	9.58	4.35
	FTU4X20X10	20	500	118.4	3008	4.38	111	4.77	121	23.52	10.67
6" (150mm) deep	FTU6X6X2	6	150	23.9	603	6.38	162	6.77	172	3.32	1.51
	FTU6X6X4	6	150	47.5	1206	6.38	162	6.77	172	6.45	2.93
	FTU6X6X10	6	150	118.4	3008	6.38	162	6.77	172	15.85	7.19
	FTU6X12X2	12	300	23.9	603	6.38	162	6.77	172	4.28	1.94
	FTU6X12X4	12	300	47.5	1206	6.38	162	6.77	172	8.33	3.78
	FTU6X12X10	12	300	118.4	3008	6.38	162	6.77	172	20.45	9.28
	FTU6X20X2	20	500	23.9	603	6.38	162	6.77	172	5.57	2.53
	FTU6X20X4	20	500	47.5	1206	6.38	162	6.77	172	10.83	4.91
	FTU6X20X10	20	500	118.4	3008	6.38	162	6.77	172	26.59	12.06
Flats	WBUFLT	20	500	24	604	-	-	-	-	2.96	1.34
	WBUFLT-12	12	250	24	604	-	-	-	-	1.50	0.68
	WBUFLT-06	6	150	24	604	-	-	-	-	1.00	0.45

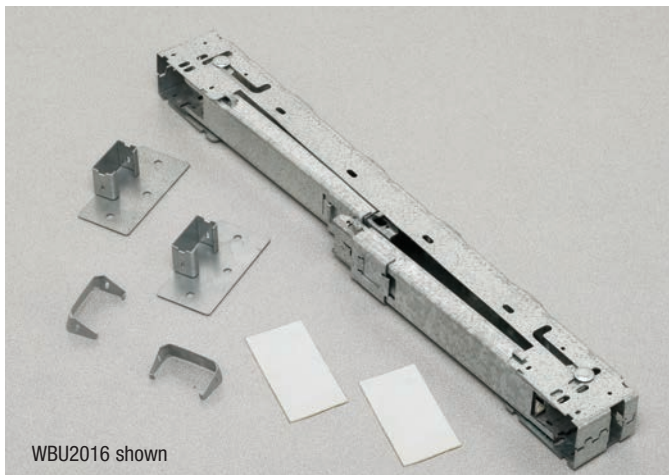
See page 168 for finish information

FLEXTRAY™ Cable Support Systems

Stands

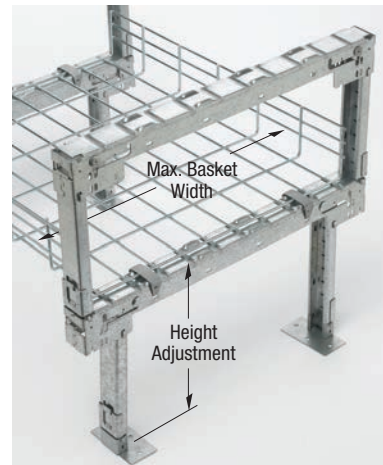


- No tools required for installation
- Formed top surface free of protrusions or sharp edges
- Up to 6" height adjustment
- Inside and outside leg positioning
- Folded and boxed for ease in shipping
- Patent Pending
- Stand part number includes:
 - one (1) stand
 - two (2) feet
 - two (2) adhesive pads
 - two (2) hold down clips
- Standard finish: Pre-Galvanized



WBU2016 shown

WBU2016 stands shown in double tier application.
Feet and adhesive pads not required for second tier assembly.



FLEXTRAY & ACCESSORIES

Part Number	Max. Basket Width		Height Adjustment		Stands Per Box	Wt. Per Box	
	in.	mm	in.	mm		lbs.	kg
FTU120404	12	300	4	101	2	1.82	0.82
FTU120608	12	300	6-8	152-203	2	2.79	1.26
WBU1216	12	300	10-16	254-406	2	7.44	3.37
WBU1224 *	12	300	18-24	457-609	2	9.06	4.11
WBU1231 *	12	300	25-31	635-787	2	10.52	4.77
FTU200404	20	500	4	101	2	2.34	1.06
FTU200608	20	500	6-8	152-203	2	3.36	1.52
WBU2016	20	500	10-16	254-406	2	8.56	3.88
WBU2024	20	500	18-24	457-609	2	10.20	4.62
WBU2031 *	20	500	25-31	635-787	2	11.64	5.28

* Legs are packed separately in box and not inserted in stand.

See page 168 for finish information

Cantilever Kits & Accessories



- No tools required for installation
- Simple design for tiered applications
- Available in kits or individual parts
- Adjustable shelf height
- Formed top surface has no sharp edges
- Can be installed independent of raised floor
- Standard finish: Pre-Galvanized



Adjustability of shelf brackets

WBUCK812 Double Tier Cantilever Kit Shown with WBU2016 Stand



- WBUCK12 - Single Tier Cantilever Kit**
Includes
- (1) WBUCK12
 - (1) WBUL16
 - (1) WBUCKF
 - (2) WBUHD



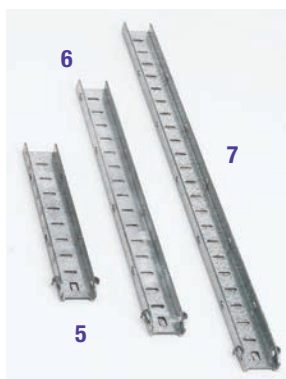
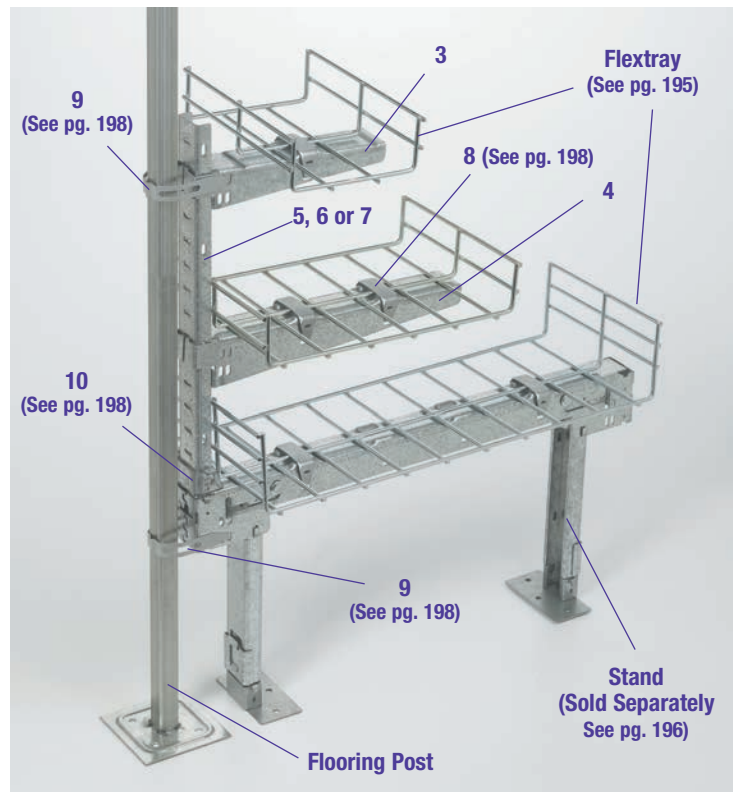
- WBUCK812 - Double Tier Cantilever Kit**
Includes
- (1) WBUCK8
 - (1) WBUCK12
 - (1) WBUL24
 - (1) WBUCKF
 - (3) WBUHD



WBUCK8



WBUCK12



Part Number	Item #	Description	Max Height †		Box Qty.	Wt. Per Box	
			in.	mm		lbs.	kg
WBUCK12 *	1 ^Δ	Cantilever Kit - Single Tier with 12" Bracket	7.30	185	10	15.62	7.08
WBUCK812	2 ^Δ	Cantilever Kit - Double Tier with 8" & 12" Brackets	15.25	387	10	25.40	11.52
WBUCK8	3	8" Cantilever Bracket for 6" Flextray	-	-	10	5.51	2.50
WBUCK12	4	12" Cantilever Bracket for up to 12" Flextray	-	-	10	9.16	4.15
WBUL16	5	Short Vertical Support	7.30	185	10	4.37	1.98
WBUL24	6	Medium Vertical Support	15.25	387	10	8.45	3.83
WBUL31	7	Tall Vertical Support	22.25	565	10	12.07	5.47

* For use with 2" and 4" deep Flextray on the lower level. † Height - from top of stand ^Δ Stand not included

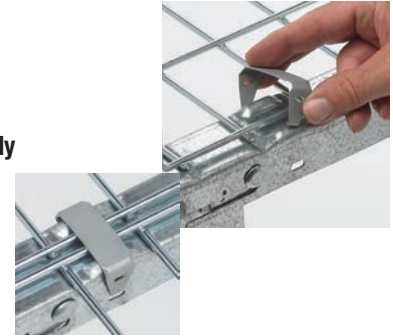
See page 168 for finish information

FLEXTRAY™ Cable Support Systems

Hold Down Clip



- Spring steel clip to attach FLEXTRAY to stands
- No tools required for installation
- Holds both continuous and spliced wire sections securely
- Works with stands and cantilever brackets



Part Number	Item #	Description	Box Qty.	Wt. Per Box	
				lbs.	kg
WBUHD	8	Basket Clip	50	1.10	0.50

Pedestal Clip



- Optional spring steel clip to give added rigidity to system
- Works with stands and cantilever brackets



Part Number	Item #	Description	Box Qty.	Wt. Per Box	
				lbs.	kg
WBUPC	9	Pedestal Clip	50	1.65	0.75

Cantilever Foot

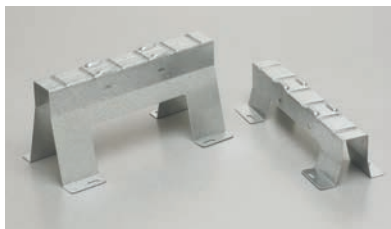


- Secures vertical support into stand top
- Only required when stand legs are in the inner position

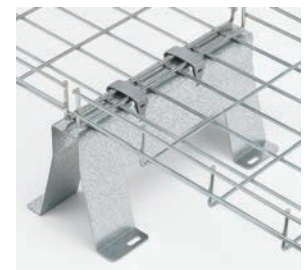


Part Number	Item #	Description	Box Qty.	Wt. Per Box	
				lbs.	kg
WBUCF	10	Cantilever Foot	50	8.65	3.92

Under Floor Stand



- Heights of 3" (76mm), 4" (101mm), 5" (127mm) or 6" (152mm)
- Leg cutout allows for airflow
- No tools required to mount FLEXTRAY to stand
- Use WBUHD hold down clips to secure basket
- Stand width is 12" (305mm)
- Fasten to floor for maximum stability
- Floor mounting slot size: .313" (7.9mm) x .813" (20.6mm) for 1/4" hardware

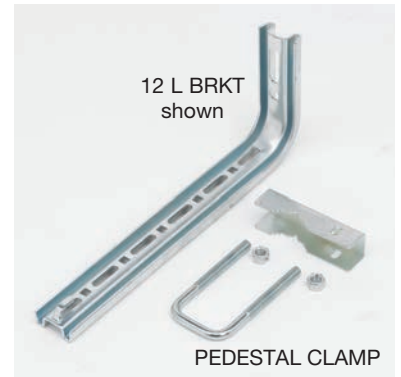


Part Number	Overall Height		Wt. Per Each	
	in.	mm	lbs.	kg
WBU1203	3	76	1.32	0.60
WBU1204	4	101	1.60	0.72
WBU1205	5	127	1.88	0.85
WBU1206	6	152	2.17	0.98

See page 168 for finish information

L Bracket & Toolless Clip

- For use when access to ground floor is limited
- Use with round post sizes 0.9" (25mm) through 1.2" (30mm)
- Use with square posts
- Order clamps and brackets separately
- Built-in tab for hold down
- Tool-less Clip (plenum-rated material) - Snap-in locking pin securely holds basket to bracket



Part Number	Description	Qty.	Wt. Per Box	
			lbs.	kg
TOOLLESS CLIP	Tool-less Hold-Down Clip	50/Box	1.00	0.45

Brackets (Zinc Plated)

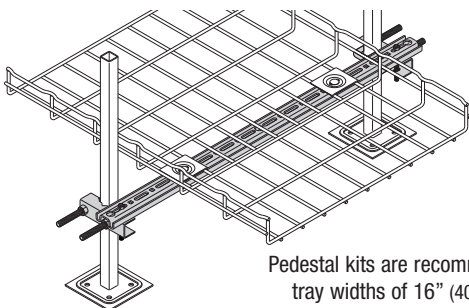
Part Number	System Width		Length		Box Qty.	Wt. Per Box	
	in.	mm	in.	mm		lbs.	kg
8 L BRKT	6-8	150-200	8	200	1	0.80	0.36
12 L BRKT	12	300	12	300	1	1.30	0.59

Pedestal Clamp & Kit

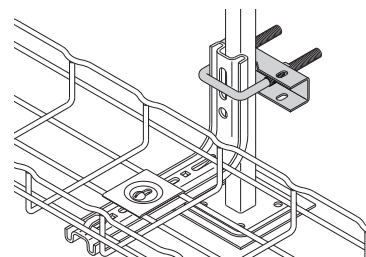
- Clamps to existing raised-access floor stanchion
- Use L BRKT (shown above) or full pedestal kit to support trays under the raised access floor (sold separately)
- For tray widths 2" (50mm) to 20" (500mm)
- *Pedestal Clamp Kit includes two (2) pedestal clamps, 28" (711mm) profile section, bolts & nuts
- Kits include hardware
- Finishes __: EG



Part Number	Description	Qty./Box	Wt./Box	
			lbs.	kg
PEDESTAL CLAMP__	Pedestal Clamp	1	0.6	0.27
PEDESTAL KIT__	Pedestal Clamp Kit	1*	3.3	1.49

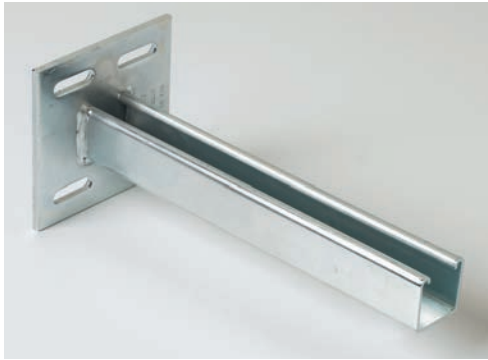


Pedestal kits are recommended for tray widths of 16" (400mm) or greater

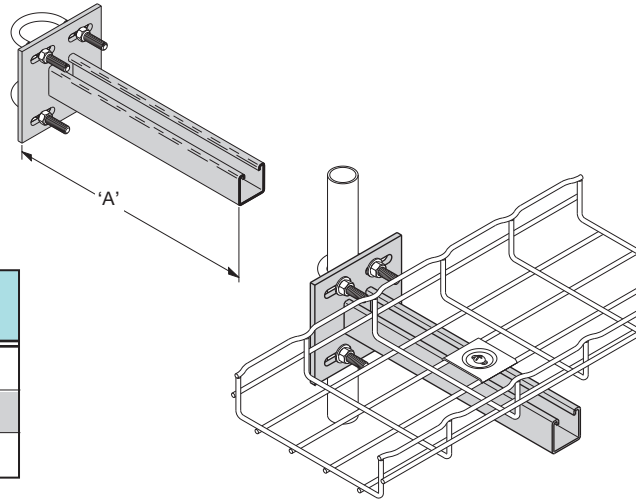


See page 168 for finish information

Under Floor Support Bracket



- Under Floor Support Bracket provides rugged support for Flextray System from access floor post.
- To complete the installation, the following hardware must be ordered separately.
 - (2) - B501 U-Bolts
 - (1) - SUPT WASHER Hold Down
 - (1) - 1/4"-20 x 1" Slotted Head Screw
 - (1) - N224WO Channel Nut
- Finish: ZN

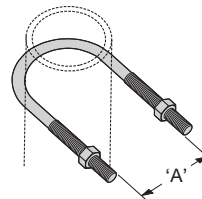


Part Number	'A'		Box Quantity	Wt. Per Box	
	in.	mm		lbs.	kg
B409UF-12	12"	300	1	3.6	1.63
B409UF-18	18"	450	1	4.5	2.04
B409UF-21	21"	533	1	5.4	2.45

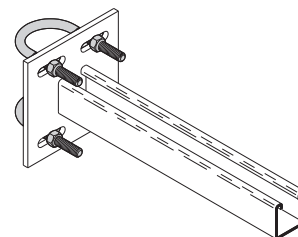
U-Bolts



- Designed for attachment of Under Floor Support Brackets to access floor post. Each U-Bolt includes two (2) hex nuts.
- Finish: ZN



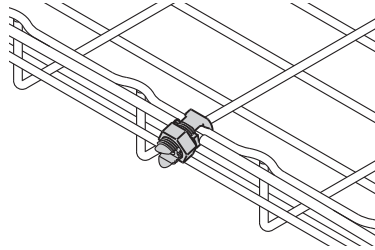
Part Number	'A'		Thread Size	Box Quantity	Wt. Per Box	
	in.	mm			lbs.	kg
B501-1	1 3/8"	30	5/16"-18	50	7.0	3.17
B501-1 1/2	2"	50	5/16"-18	50	8.0	3.63
B501-2	2 7/16"	62	3/8"-16	20	5.4	2.45
B501-2 1/2	2 15/16"	75	3/8"-16	25	8.0	3.63



See page 168 for finish information

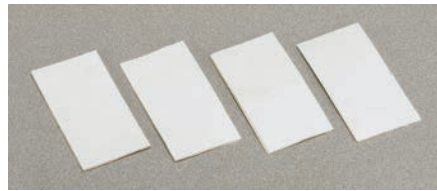
Ground Bolt

- Attaches up to #1 ground wire to each tray section when separate ground wire is required
- Used for UL grounding compliance.
- When using color powder coated finish or paint, coating must be removed at the points of contact.
- Finish: Copper Plated



Part Number	Description	Qty./Box	Wt./Box	
			lbs.	kg
GROUND BOLT	Ground Bolt	1	0.11	0.05

Adhesive & Feet

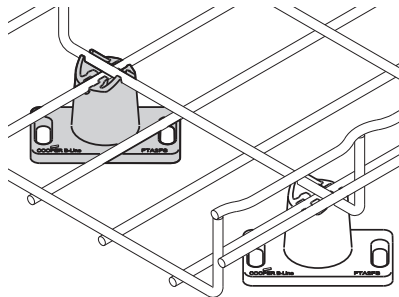


- WBUFA - Adhesive to secure stand to floor
- WBUTAPE - Double-sided adhesive pads for temporary positioning of floor stands
Pad Size: 2" (50mm) x 4" (100mm)

Part Number	Description	Box Qty.	Wt. Per Box	
			lbs.	kg
WBUF	Stand Foot	10	2.36	1.07
WBUTAPE	Double-Sided Tape	50	2.50	1.13
WBUFA	Floor Adhesive	1 Gallon	10.78	4.89

Floor Stand

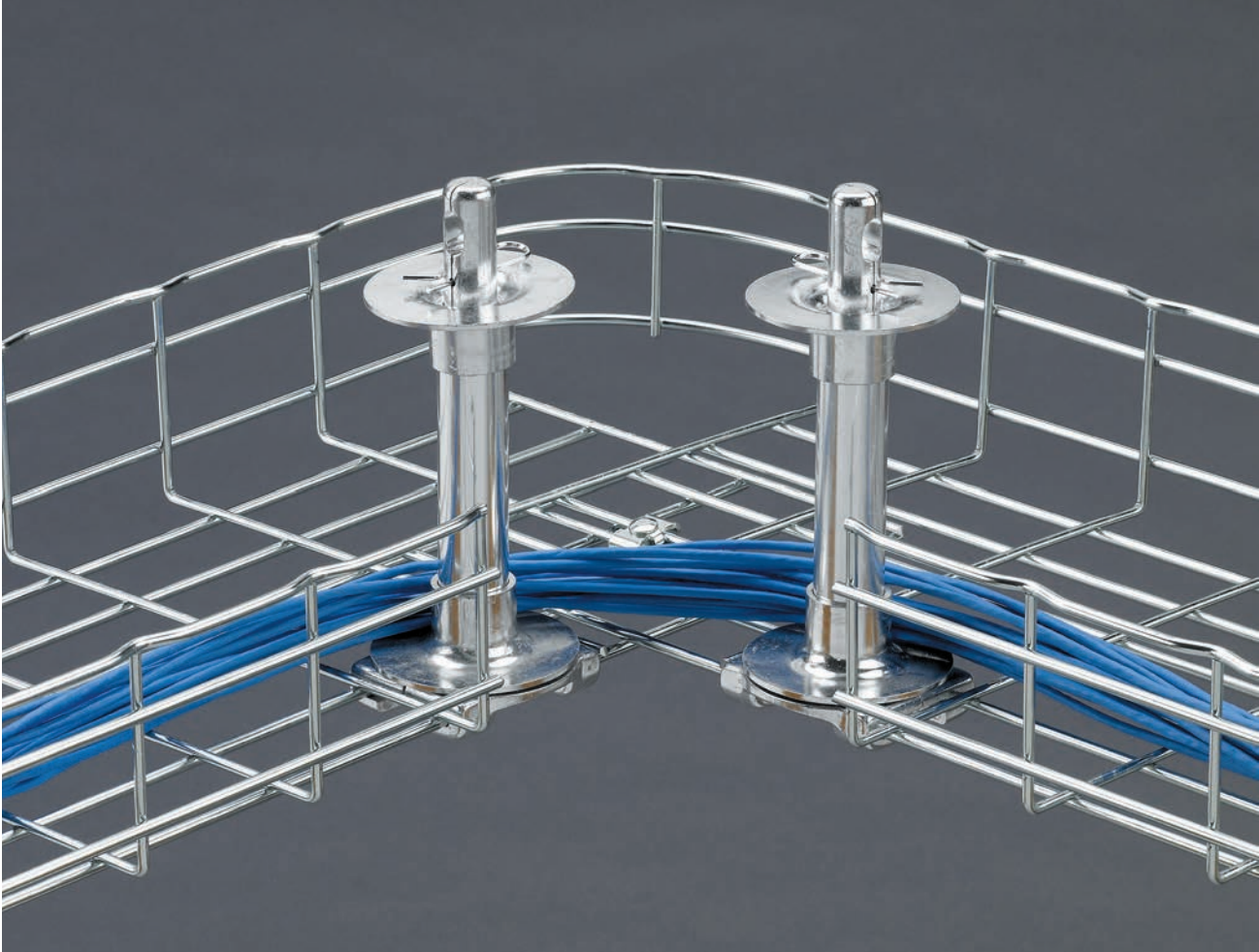
- Non-metallic snap lock floor stand is designed for use under access floors.
- Floor stand elevates FLEXTRAY System 1⁵/₈" (41.3mm) above the floor.
- To attach floor stand, use Liquid Nails™ or anchors.
- Elevation increments of 1³/₈" (35mm) can be obtained by stacking floor stands.
- Sized for 1/4" hardware (order separately).
- Material: Black Plenum-rated Plastic



Part Number	Wt. Per Pc.		Box Quantity
	lbs.	kg	
FTA2FS	0.44	0.20	10

See page 168 for finish information

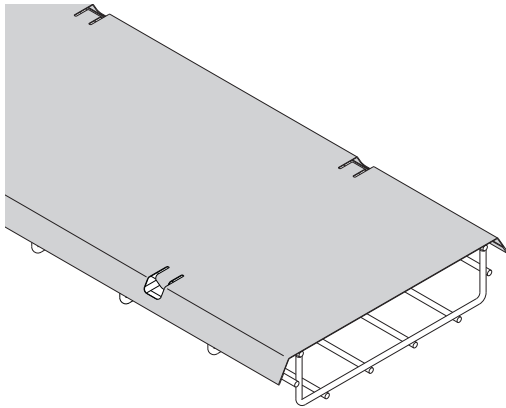
FLEXTRAY™ Cable Support Systems



FLEXTRAY
& ACCESSORIES

Covers

- Protects cable from debris and dust
- Adds security to cable installation
- Easy bend-over tabs secure cover to trays
- Available for 2" (50mm) to 24" (600mm) wide trays
- Comes in 118" (2997mm) length
- Finishes __: GS, BLE, 304S, 316S

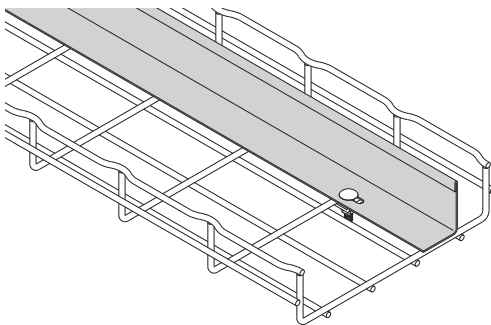


Part Number	Use With Tray Width	Qty./Box	Wt./Box	
			lbs.	kg
2 IN COVER__	2" (50mm)	1	3.8	1.72
4 IN COVER__	4" (100mm)	1	5.7	2.58
6 IN COVER__	6" (150mm)	1	6.7	3.04
8 IN COVER__	8" (200mm)	1	8.7	3.94
12 IN COVER__	12" (300mm)	1	11.6	5.26
16 IN COVER__	16" (400mm)	1	15.6	7.07
18 IN COVER__	18" (450mm)	1	17.0	7.71
20 IN COVER__	20" (500mm)	1	18.5	8.39
24 IN COVER__	24" (600mm)	1	22.0	9.98

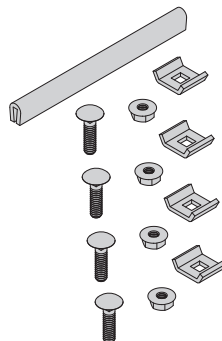


Dividers

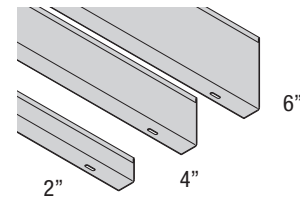
- Allows cable separation within a single tray
- Hemmed/rounded edge provides cable jacket safety
- Hardware included
- Field miter for bends and turns
- Dual slots every 24" (609mm) for field cutting
- Available in 2" (50mm), 4" (100mm) and 6" (150mm) heights
- Comes in 118.125" (3000mm) length
- Finishes __: GS, BLE, 304S, 316S



Dividers include hardware shown below



Part Number	Use With Tray Depth	Qty./Box	Wt./Box	
			lbs.	kg
2 IN DIVIDER__	2" (50mm) Deep	1	3.5	1.59
4 IN DIVIDER__	4" (100mm) Deep	1	9.6	4.35
6 IN DIVIDER__	6" (150mm) Deep	1	14.5	6.58



See page 168 for finish information

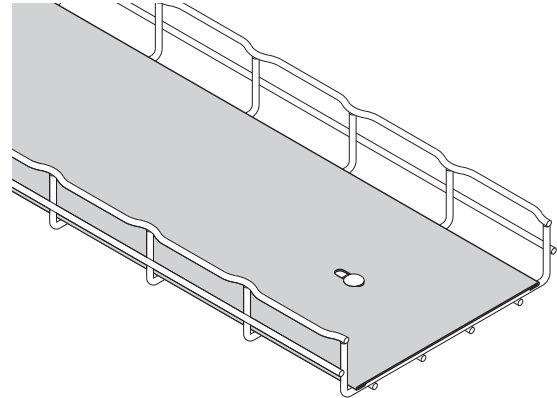
FLEXTRAY™ Cable Support Systems

Solid Bottom Inserts

Part Number	Use With Tray Width	Qty./Box	Wt./Box	
			lbs.	kg
INSERT 4X118	4" (100mm)	1	6.8	3.08
INSERT 6X118	6" (150mm)	1	9.8	4.44
INSERT 8X118	8" (200mm)	1	13.3	6.03
INSERT 12X118	12" (300mm)	1	21.6	9.80
INSERT 16X118	16" (400mm)	1	26.4	11.97
INSERT 18X118	18" (450mm)	1	32.4	14.69
INSERT 20X118	20" (500mm)	1	32.9	14.92
INSERT 24X118	24" (600mm)	1	39.3	17.82

- Continuous support for sensitive cables
- Security of cable in high-traffic areas
- Hardware included
- Available for 2" (50mm) to 24" (600mm) wide trays
- Comes in 118" (2997mm) length
- Finishes __: GS, BLE, 304S, 316S

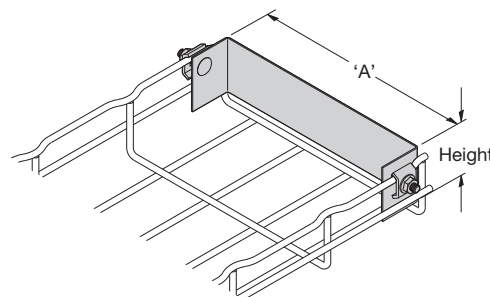
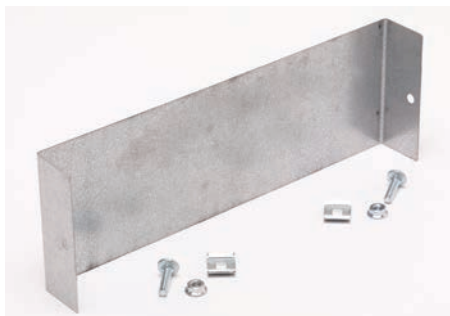
Attach with
FTHDWE 1/4" &
Top Washer



Blind Ends

Part Number	'A'		Height		Box Quantity
	in.	mm	in.	mm	
FT BE 2X2	2"	50	2"	50	1
FT BE (*)X4	4"	100	(*)	(*)	1
FT BE (*)X6	6"	150	(*)	(*)	1
FT BE (***)X8	8"	200	(*)	(*)	1
FT BE (***)X12	12"	300	(**)	(**)	1
FT BE (***)X16	16"	400	(**)	(**)	1
FT BE (***)X18	18"	450	(**)	(**)	1
FT BE (***)X20	20"	500	(**)	(**)	1
FT BE (***)X24	24"	600	(**)	(**)	1

- Forms a closure for a dead-end FLEXTRAY
 - Hardware included
 - Finish: GLV, SS6
- (*) Insert: 2 = 2" (50 mm), 4 = 4" (100 mm) for height
 (***) Insert: 2 = 2" (50 mm), 4 = 4" (100 mm),
 6 = 6" (150 mm) for height

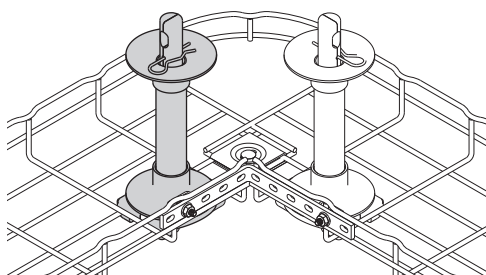


See page 168 for finish information

Cable Roller

- Protects and maintains recommended cable radii for Cat 5, Cat 5E, Cat 6, Cat 6A, Fiber, etc.
- Height of roller can be adjusted to tray depth
- Installs in seconds with no tools
- Reduces cable installation time
- Prevents migration of cables
- For use with 4" (100mm) to 32" (800mm) tray widths
- Finish: Cast Aluminum

Part Number	Description	Qty./Box	Wt./Box	
			lbs.	kg
CABLE ROLLER	Cable Roller	1	1.0	0.45

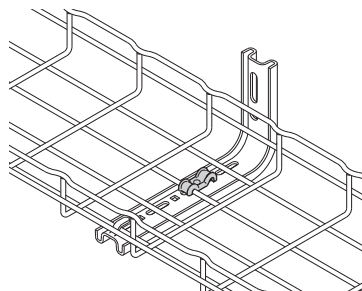


Quick, snap-together design

Toolless Clip

- Securely holds tray to support
- Snap-in locking pin
- No tools or fastening required
- Fastest hold-down method available
- For use with the following:
 - FTB_CS (see pg. 191)
 - L BRKT (see pg. 191)
 - C BRKT (see pg. 195)
- Finish: Plenum rated resin (black)

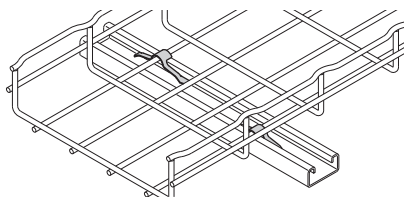
Part Number	Description	Qty./Box	Wt./Box	
			lbs.	kg
TOOLLESS CLIP	Toolless Hold-Down Clip	50	1.0	0.45



Strut Mounting Clip

- Use to secure FLEXTRAY to horizontal strut support
- Designed for use as shown in drawing (no load rating)
- Finish: Black Zinc Phosphate

Part Number	Description	Qty./Box	Wt./Box	
			lbs.	kg
BW4	Strut Mounting Clip	100	0.9	0.41



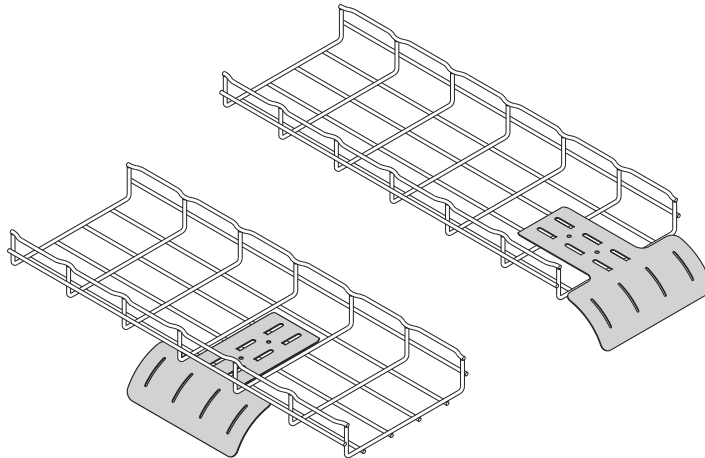
See page 168 for finish information

FLEXTRAY™ Cable Support Systems

Drop Out Fitting

Part Number	Description	Qty./Box	Wt./Box	
			lbs.	kg
DROP OUT__	Drop Out Fitting	1	0.5	0.22

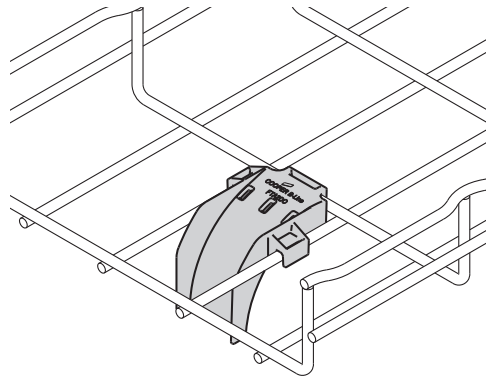
- Keeps cable radius secure at drop point
- For use with 4" (100mm) to 32" (800mm) wide trays
- Attaches to tray without hardware
- Drop outs can be attached at bottom, side or ends of tray
- Hold down tabs on bottom of drop out to secure tray (tabs not available on stainless steel drop out)
- Finishes __: EG, BLE



Cable Drop Out

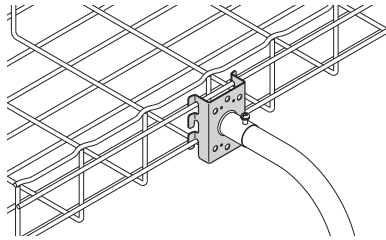
Part Number	Description	Qty./Box	Wt./Box	
			lbs.	kg
FTA2D0	Cable Drop Out	10	0.17	0.08

- Non-metallic 2" (50mm) radius Cable Drop-Out snap locks into mesh bottom and protects cables from sharp bend
- Material: Black Plenum-rated Plastic



Conduit Connector

- Conduit connector is designed to connect conduit to the side or bottom of FLEXTRAY
- Conduit bushing will remain outside of tray to keep cable pathway clear
- Bend tabs to secure connector to tray
- No hardware included
- Finishes __: GLV

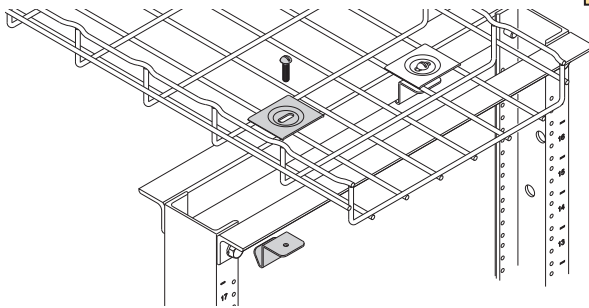


Part Number	Description	Qty./Box	Wt./Box	
			lbs.	kg
FTA050CC__	1/2" (15mm) Conduit Clip	4	0.8	0.36
FTA075CC__	3/4" (20mm) Conduit Clip	4	1.0	0.45
FTA100CC__	1" (25mm) Conduit Clip	4	1.9	0.86
FTA125CC__	1 1/4" (32mm) Conduit Clip	4	2.6	1.18



Rack Clamp

- Securely holds tray down to rack
- Installs without drilling
- Black-painted finish to match rack
- Finish __: BLE

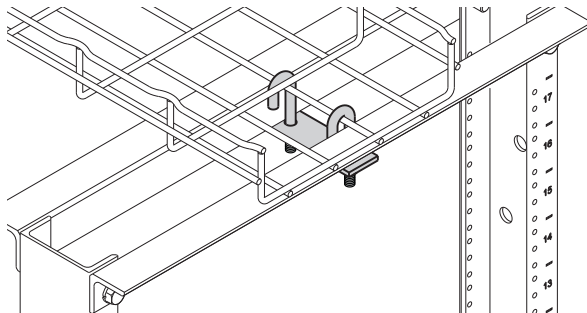


Part Number	Description	Qty./Box	Wt./Box	
			lbs.	kg
RACK CLAMP__	Rack Clamp	4	4.7	2.13



Adaptor Kit

- Adaptor kit includes all hardware necessary to connect FLEXTRAY system to top of relay rack at right angle or parallel position
- Finish __: YZN (Yellow Zinc Chromate)



Part Number	Description	Qty./Box	Wt./Box	
			lbs.	kg
SB2204__	Adaptor Kit	1	0.37	0.17

Adaptor Kit includes:

- (1) - Mounting Plate
- (2) - 5/16"-18 x 2" "J"-Bolts
- (2) - HN 5/16"-18 Hex Nuts
- (2) - LW 5/16" Lock Washers



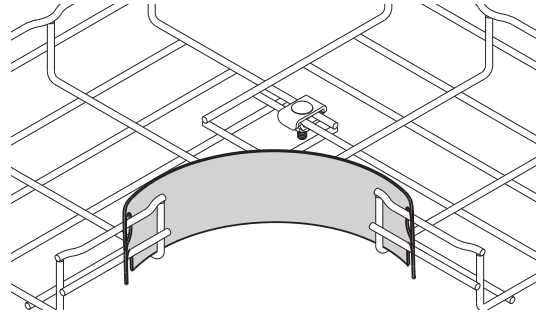
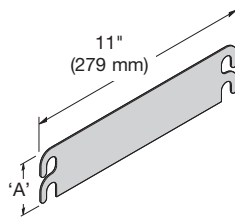
See page 168 for finish information

FLEXTRAY™ Cable Support Systems

Radius Shield

Part Number	Description		Qty./Box	Wt./Box	
	in.	mm		lbs.	kg
FTA2RS	2.5	63	20	7.2	3.2
FTA4RS	4.3	110	20	12.3	5.5
FTA6RS	5.9	150	20	21.6	9.8

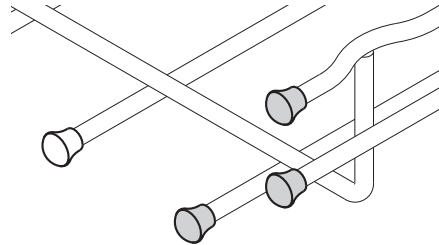
- Provides a smooth inside radius surface.
- No tools or fasteners needed to install.
- Sizes for 2", 4" & 6" deep FLEXTRAY; 90° horizontal bends, tees, and crosses.
- Installs in seconds. Simply hold in place and bend back tabs.
- Slick surface to reduce cable friction.
- Material: Black Polycarbonate



Rubber Cap

Part Number	Box Quantity	Wt. Per 100	
		lbs.	kg
B719EB	100	0.20	0.10

- Install on wire ends if required. Fits all wire diameters



Touch-Up Paint

Part Number	Color	Box Quantity	Wt. Per Pc.	
			lbs.	kg
SB420ATG	Gray Lacquer	1	0.9	0.41
SB420AFB	Flat Black Lacquer	1	0.9	0.41
SB420ACW	Computer White Lacquer	1	0.9	0.41
B999	Silver Zinc-Rich Paint	1	0.9	0.41

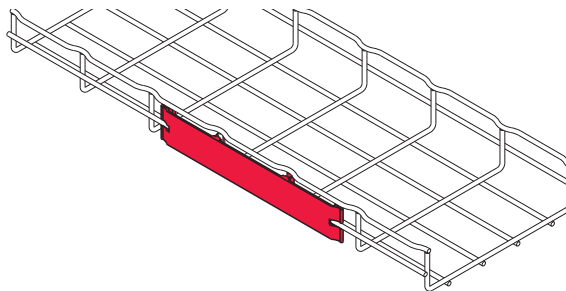
- Size: 12 ounce aerosol can
- Cannot ship air freight

See page 168 for finish information

Label Clip

- Clips easily into trays
- Use for identifying your cable pathways
- Can be used on all tray sizes
- Will not fit on side of 1 1/2" deep FLEXTRAY
- Finish: Non-plenum-rated resins

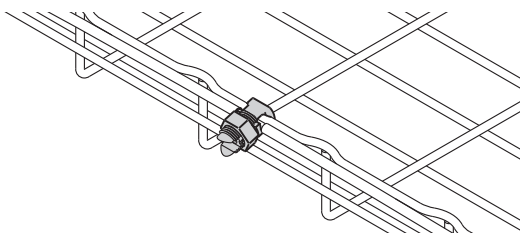
Part Number	Description	Qty./Box	Wt./Box	
			lbs.	kg
LABEL CLIP	10 1/2" (267mm) Long	10	0.6	0.27



Ground Bolt

- Attaches up to #1 ground wire to each tray section when separate ground wire is required
- Used for UL grounding compliance.
- When using color powder coated finish or paint, coating must be removed at the points of contact.
- Finish: Copper Plated

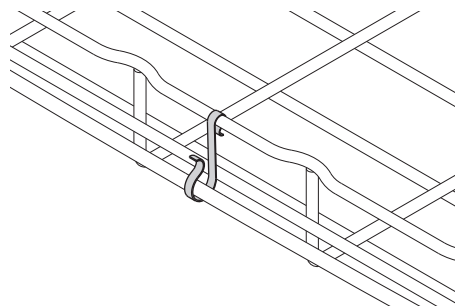
Part Number	Description	Qty./Box	Wt./Box	
			lbs.	kg
GROUND BOLT	Ground Bolt	1	0.11	0.05



Ground Wire Supports

- Supports ground wire along side of tray
- Can be used on all trays
- Finish __: Zinc Plated

Part Number	Description	Qty./Box	Wt./Box	
			lbs.	kg
GROUND SUPT GL	Ground Wire Support	100	0.6	0.27



See page 168 for finish information

FLEXTRAY™ Cable Support Systems

- Complete source of hardware for ceiling connections
- Available in stock
- Strut can be purchased in pre-cut lengths and various colors
- All hardware is zinc plated

Threaded Rod



Part Number	Size	Qty.	Wt./Qty.	
			lbs.	kg
ATR1/4x72	1/4" x 72" (1828mm)	1	0.7	0.31
ATR1/4x120	1/4" x 120" (3048mm)	1	1.2	0.54
ATR1/4x144	1/4" x 144" (3657mm)	1	1.4	0.63
ATR3/8x72	3/8" x 72" (1828mm)	1	1.7	0.77
ATR3/8x120	3/8" x 120" (3048mm)	1	2.9	1.31
ATR3/8x144	3/8" x 144" (3657mm)	1	3.5	1.58
ATR1/2x72	1/2" x 72" (1828mm)	1	3.2	1.45
ATR1/2x120	1/2" x 120" (3048mm)	1	5.4	2.45
ATR1/2x144	1/2" x 144" (3657mm)	1	6.5	2.95

Lock Washers



Part Number	Size	Qty.	Wt./Qty.	
			lbs.	kg
1/4LW	1/4"	200	0.6	0.27
3/8LW	3/8"	200	1.6	0.72
1/2LW	1/2"	200	2.0	0.91

Flat Washers



Part Number	Size	Qty.	Wt./Qty.	
			lbs.	kg
1/4FW	1/4"	200	1.2	0.54
3/8FW	3/8"	200	3.0	1.36
1/2FW	1/2"	200	6.6	2.99

Rod Couplings



Part Number	Size	Qty.	Wt./Qty.	
			lbs.	kg
B655-1/4	1/4"-20	50	2.0	0.91
B655-3/8	3/8"-16	50	5.5	2.49
B655-1/2	1/2"-13	50	6.0	2.72

Square Washers



Part Number	Hole Size	Qty.	Wt./Qty.	
			lbs.	kg
B201	7/16"	50	6.0	2.72
B202	9/16"	50	7.0	3.17

Hex Nuts



Part Number	Size	Qty.	Wt./Qty.	
			lbs.	kg
1/4HN	1/4"-20	100	0.6	0.27
3/8HN	3/8"-16	100	1.6	0.72
1/2HN	1/2"-13	100	4.3	1.95

Beam Clamps



Part Number	Size	Qty.	Wt./Qty.	
			lbs.	kg
B3036L-3/8	3/8"-16	100	60.0	27.2
B3036L-1/2	1/2"-13	100	140.0	63.5

See page 168 for finish information

Beam Clamps



Part Number	Size	Qty.	Wt./Qty.	
			lbs.	kg
B444-1/4	1/4"-20	100	160	72.5
B444-3/8	3/8"-16	100	430	195.0
B444-1/2	1/2"-13	100	430	195.0

U-Bolt Clamps



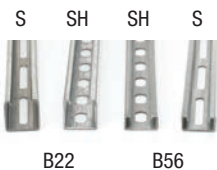
Part Number	Size	Qty.	Wt./Qty.	
			lbs.	kg
B441-22	3/8"-16 x 3 3/8" long	100	160	72.5

Spring Nuts



Part Number	Thread Size	Qty.	Wt./Qty.	
			lbs.	kg
N224	1/4"-20	100	6.5	2.95
N228	3/8"-16	100	9.3	4.22
N225	1/2"-13	100	11.3	5.12

Bolted Framing



Part Number	Channel Size	Qty.	Wt./Qty.	
			lbs.	kg
B22SGALV120	1 5/8" x 120" - 12 ga.	1	6.0	2.72
B22SHGALV120	1 5/8" x 120" - 12 ga.	1	6.0	2.72
B56SGALV120	1 3/16" x 120" - 15 ga.	1	7.0	3.17
B56SHGALV120	1 3/16" x 120" - 15 ga.	1	6.0	2.72

Concrete Rapid Rod Hanger



Part Number	Rod Size	Shank Size	Qty.	Wt./Qty.	
				lbs.	kg
ARC-37-150	3/8"	1/4" x 1 1/2"	100	3.4	1.54

Wood Rapid Rod Hanger



Part Number	Rod Size	Shank Size	Qty.	Wt./Qty.	
				lbs.	kg
ARW-37-200	3/8"	1/4" x 2"	100	3.4	1.54
ARW-37-200SW	3/8"	1/4" x 2"	100	3.4	1.54

SW = Side Mount

Steel Rapid Rod Hanger



Part Number	Rod Size	Shank Size	Qty.	Wt./Qty.	
				lbs.	kg
ARS-37-150	3/8"	1/4" x 1 1/2"	100	3.4	1.54
ARS-37-150SW	3/8"	1/4" x 1"	100	3.4	1.54

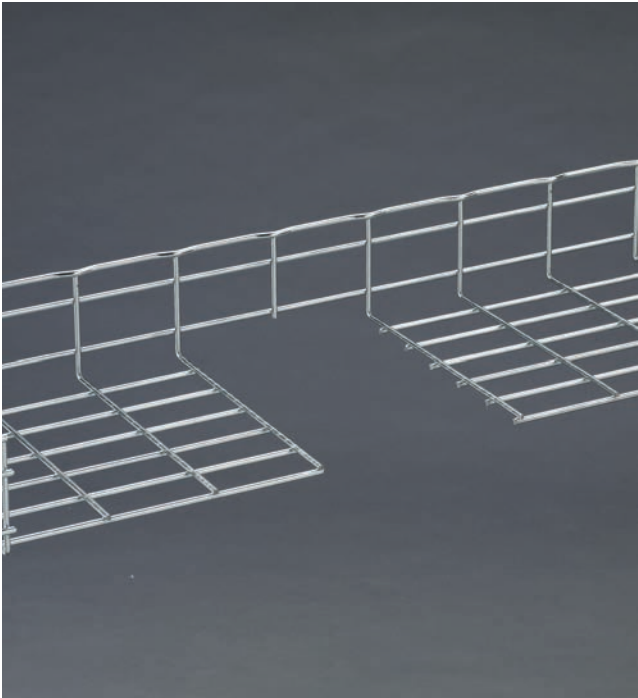
SW = Side Mount

Sockets for Rapid Rod Hangers

Part Number	Hole Size	Qty.	Wt./Qty.	
			lbs.	kg
7187	Universal Steel & Wood Socket	1	4.5	2.04
7197	3/8" Concrete Socket	1	4.5	2.04

See page 168 for finish information

FLEXTRAY™ Cable Support Systems



FLEXTRAY
& ACCESSORIES

FLEXTRAY Cutters



Patented

Part Number	Description	Qty./Box	Wt./Box	
			lbs.	kg
CLEANSHEAR	CLEANSHEAR™ Cutting Tool	1	4.3	1.95

- Exclusive, patented **CLEANSHEAR** cuts tray fast
- No sharp edges
- Designed specifically for cutting **FLEXTRAY**
- Safely cut and bend **FLEXTRAY** into any configuration



1 Face tray up. Slide cutter next to vertical wire and cut.



2 Turn tray to the side with open side facing you. Repeat step 1 to cut wire.



3 Finish cutting all side wires.



4 Turn tray open-side down and cut wires from bottom of tray.



5 Finish cutting by moving to other side of tray to cut remaining wires,

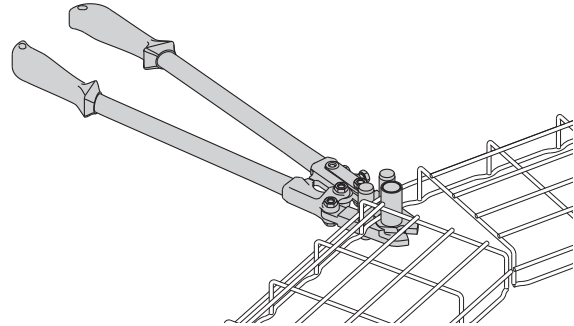
FLEXTRAY Bender

Part Number	Description	Qty./Box	Wt./Box	
			lbs.	kg
CLEANSHEAR BEND	Cleanshear Cutting Tool With Bender Attachment	1	5.4	2.45

- **CLEANSHEAR™ Bender** has our exclusive bending attachment
- **Makes bending larger trays easy**
- **Recommended for bending tray widths of 16" (400mm) or greater**



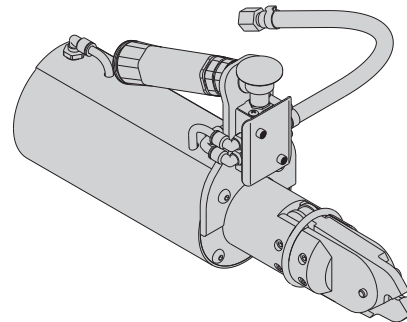
Patented



Airshear Cutter

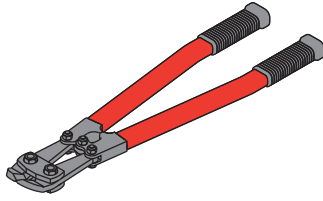
Part Number	Description	Qty./Box	Wt./Box	
			lbs.	kg
AIRSHEAR	Pneumatic Cleanshear Cutting Tool	1	9.0	4.08

- **Fastest wire mesh cutter available**
- **57% time savings over regular Cleanshear™**
- **Airshear is available when you have a large project to install. Call us for details.**

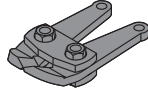


Patented

Angular Bolt Cutter



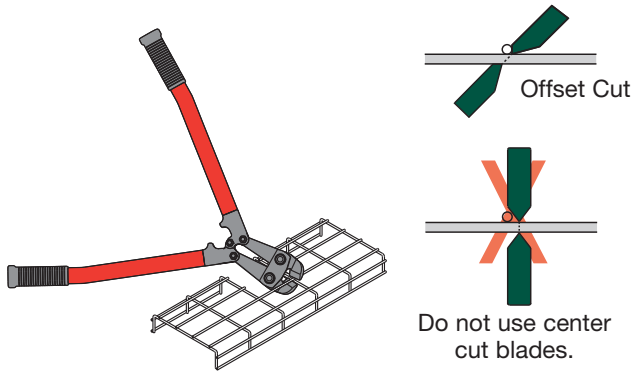
WB30BC
Angular Bolt Cutter



WB30RB
Replacement Blade

Part Number	Description	Qty./Box	Wt./Box	
			lbs.	kg
WB30BC	Bolt Cutter	1	6.8	3.1
WB30RB	Replacement Blade	1	1.3	0.6

Completely adaptable, Cooper B-Line's FLEXTRAY is designed to accommodate jobsite changes. Cut wires with Cooper B-Line's Angular Bolt Cutter, bend to create a bend, tee, or reducer.



For the best results, use a WB30BC Angular Blade Offset Bolt Cutter with 24" (600 mm) long handles. The Offset Blade Cutter produces a clean cut. Position bolt cutter blades near the cross wire and perpendicular to wire to be cut (see illustration above). Proper cut will make the assembly faster, easier and safer while minimizing grinding.

Cut and remove each wire as illustrated below. Follow cutting pattern and blade positioning. Placing FLEXTRAY open side down provides the optimum cutting angle.

Cutting Order

