

APPPLIED
ENGINEERING
PRODUCTS

**UNDERGROUND
ENCLOSURES**

F O R

Electrical, CATV

Telecommunications

and

Irrigation Applications

14325 Monte Vista • P.O. Box 926
Chino, CA 91710
(909) 393-9800 Fax (909) 606-5445

INTRODUCTION

Applied Engineering Products (AEP) provides commercial grade irrigation valve boxes, turf irrigation valve boxes and utility underground enclosures that will meet your specific needs. We have a complete line of valve boxes designed to perform under a variety of outdoor conditions.

Unique combinations of strength in design and understanding of customer's needs are foremost in our minds. Knowing that "THE CUSTOMER DOES COME FIRST" is AEP's philosophy.

Applied Engineering offers the following key reasons why you should select our plastic underground enclosures over existing competitive products.

- **Lightweight** - Yet provides higher load and environment resistance qualities over current products in plastic or concrete.
- **Reduced Side Angle** - Provides easier readjustments to grade, while inside areas remain the same.
- **Increased Break Resistant** - Structural foamed plastic parts have a lower density than straight injection products. This allows a part to still provide high flexibility thru proper design, while it continues to be more resistant to impact and bowing when installed.
- **Non-Conductive or Sparking** - Offers good qualities for uses in electrical or phone connection junction boxes.

APPLIED ENGINEERING PRODUCTS

(909) 393-9800 • Fax (909) 606-5445

14325 Monte Vista • P.O. Box 926
Chino, CA 91710

www.aepvalvebox.com

E-mail: VALVEBOX@AEPVALVEBOX.COM

PRODUCT QUICK REFERENCE



Part Number: 575 1B2G
Description: 6" RD. EMITTER BOX
Weight: 1.22 LBS/.55 KG
Size: 5.74"x8" • 256 PER PALLET



Part Number: 608 1B2G
Description: 6" RD. "ECONO" BOX
Weight: 1.24 LBS/.56 KG
Size: 6"x8" • 256 PER PALLET



Part Number: 610 1G2G
Description: 6" RD. HD BOX
Weight: 1.32 LBS./60 KG
Size: 6"x9" • 256 PER PALLET



Part Number: 910L 1G2G
Description: 9" RD. HD BOX
Weight: 3.84 LBS/1.74 KG
Size: 9"x10" • 90 PER PALLET



Part Number: 1015 1G2G HD
Description: 12" HIGH HD BOX
Weight: 10 LBS/4.54 KG
(AVAILABLE IN "T", DROP-IN or WATER METER)
Size: 10"x15"x12" 60 PER PALLET



Part Number: 1015 1G4G
Description: 12" HIGH HD BOX
W/HINGED COVER
Weight: 10.5 LBS/4.8 KG
Size: 10"x15"x12" • 60 PER PALLET



Part Number: 1015 6G2G
Description: 6" HIGH HD BOX
Weight: 6.42 LBS/2.91 KG
Size: 10"x15"x6" • 60 PER PALLET



Part Number: 1015 XG
Description: 6" HIGH HD TOP EXT.
Weight: 3.68 LBS./3.09 KG
Size: 10"x15"x6" • 48 PER PALLET



Part Number: 1320 6G2G
Description: 6" HIGH HD BOX
Weight: 8.5 LBS/3.86 KG
Size: 13"x20"x6" • 48 PER PALLET



Part Number: 1320 XG
Description: 6" HIGH JUMBO
TOP EXT.
Weight: 5.03 LBS./2.28 KG
Size: 13"x20"x6" • 32 PER PALLET



Part Number: 1320 1G2G
Description: 12" HIGH JUMBO BOX
Weight: 13 LBS/5.9 KG
Size: 13"x20"x12" • 40 PER PALLET



Part Number: 1324-12P2P
Description: 12" HIGH Utility Box
Weight: 22 LBS/9.80 KG
Size: 13"x24"x12" • 16 PER PALLET



Part Number: 1324-15P2P
Description: 15" HIGH Utility Box
Weight: 25 LBS/11.34 KG
Size: 13"x24"x15" • 16 PER PALLET



Part Number: 1730-15P2P
Description: 15" HIGH Utility Box
Weight: 31 LBS/14.06 KG
Size: 17"x30"x15" • 16 PER PALLET



Part Number: 1730-18P2P
Description: 18" HIGH Utility Box
Weight: 39.0 LBS/17.7 KG
Size: 17"x30"x18" • 16 PER PALLET



Part Number: 1730-XG
Description: 8" HIGH HD
BOTTOM EXT.
Weight: 12 LBS/5.44 KG
Size: 17"x30"x8" • 22 PER PALLET

AVAILABLE COVER MARKINGS
IRRIGATION CONTROL VALVE, WATER, SEWER, CATV, ELECTRIC, TELEPHONE, RECLAIMED WATER, CUSTOM
AVAILABLE COLORS: GREEN, GRAY, BLACK, TAN, LAVENDER

General Specification InformationPage 1

Series 575 (Sub Terrain Emitter Box & Cover)Page 2

Series 608 (6" Round Econo)Page 3

Series 610 (6" Round)Page 4-7

Series 910 L (10" Round)Page 8-12

Series 1015 (6" High) BodyPage 13

Series 1015XG (6" High) Extension BodyPage 14

Series 1015 (12" High) Valve BoxPage 15-19

Series 1320 (6" High) Nestable BodyPage 20

Series 1320XG (6" High) Extension BodyPage 21

Series 1320 (12" High) Jumbo Valve BoxPage 22-26

Series 1324-12" Utility BoxPage 27-29

Series 1324-15" Utility BoxPage 30-34

Series 1730-15" Utility BoxPage 35-38

Series 1730-18" Utility BoxPage 39-43

Series 1730-XG (8" Extension)Page 44

General Specification Information

SPECIFICATIONS

- Enclosures shall be structural foam molded polyofin plastic with ultra-violet additives ASTM-D-V1248
- Box shall have adequate soil surface to prevent settling in firm soil
- Box to have molded in nylon nut for bolt
- Cover marking shall be molded into cover
- Product shall comply to ASTM-D-635 or UL-94 (Flammability of Plastic Articles)
- Cover to have anti-skid surface

ORDERING

- Specify: Part #, Body and Cover, Color (example)
- Cover markings
- "Ship to" and "Bill to" location

P/N	Body	Color	Cover	Color
1015	1	G	2	G

FREIGHT

Freight Definitions	"Plastic Articles Expanded"*	NMFC	157320
	"Plastic Articles"	NMFC	156600

*As products vary greatly in size and density, freight is quoted at time of order.
Generally products will ship class 92 - (10-12# per cu/ft.); or class 85 (12-15# per cu/ft.)

PHYSICAL & CHEMICAL PROPERTIES

DESCRIPTION	ASTM	VALUES
Polyethylene	D-1248	- - -
Impact Strength (12 lb. wt, "C" tup)	D-1244	38 ft/lbs
Effect of Acids and Alkalies	D-543	Very Resistant
Tensile Strength	D-638	4415 PSI
Deflection Temp. @ 66 PSI	D-648	159°F
Flexural Modulus	D-790	191,000 PSI
Flammability (Horizontal cm/min)	D-635	1.59 cm/min
Resistance To Ultra-Violet Light	G-26-92	7-9 Years**
Xenon-Arc >35w/m ² /NM Bend @ 340 NM		

- Special product load data available on website.

** Surface Discoloration Varies With Area Condition, AATCC Test Method 16E 1976

SERIES 575 (SUB TERRAIN EMITTER BOX) Black Body W/Green Cover

■ 256 PER PALLET

■ BODY & COVER

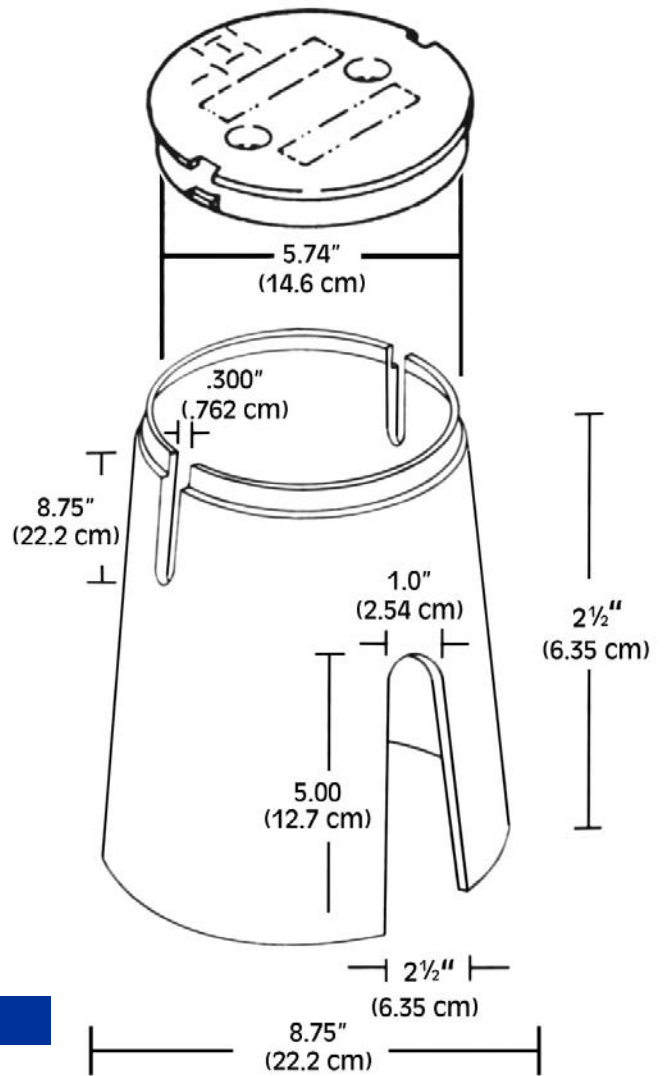
575-1B2G 1.25 LBS. .56 KG

■ BODY

575-1B 1.00 LBS. .45 KG

■ COVER

575-2G .25 LBS. .11 KG



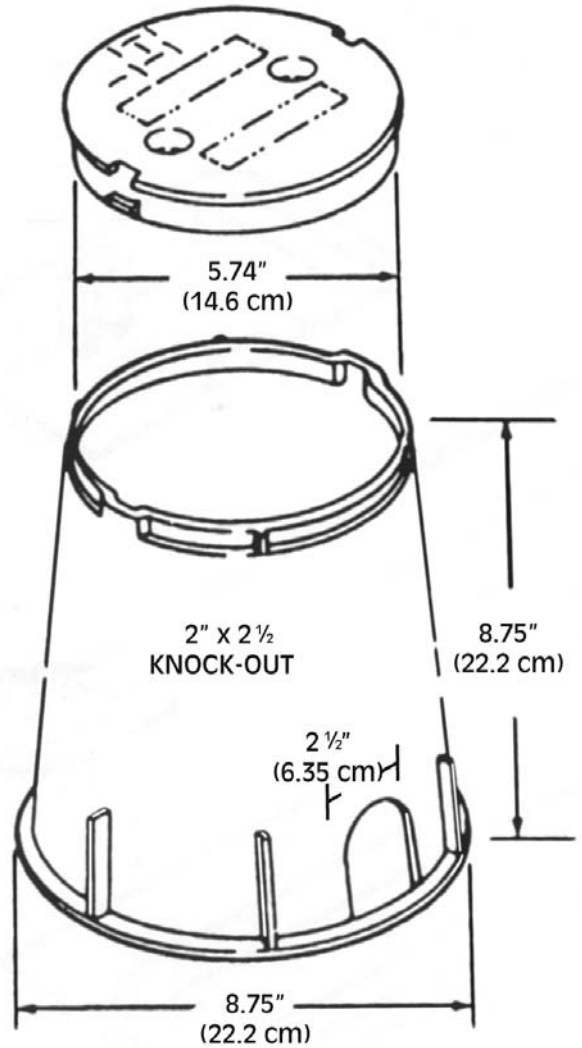
SPECIAL FEATURES

- TWIST LOCK COVER
- GROOVE TO HOLD DRIPLINE SECURE
- HIGH TOP LOAD STRENGTH
- LIGHT-WEIGHT CONSTRUCTION
- UV INHIBITORS TO PREVENT DISCOLORATION & CRACKING

STANDARD MARKING AVAILABLE (BLANK)

SERIES 608 (6" ROUND ECONO) BLACK BODY W/GREEN COVER

■ 256 PER PALLET				
■ BODY & COVER	608-1B2G	1.25 LBS.	.56 KG	
■ BODY	608-1B	1.00 LBS.	.45 KG	
■ COVER	610-2G	.25 LBS.	.11 KG	



SPECIAL FEATURES

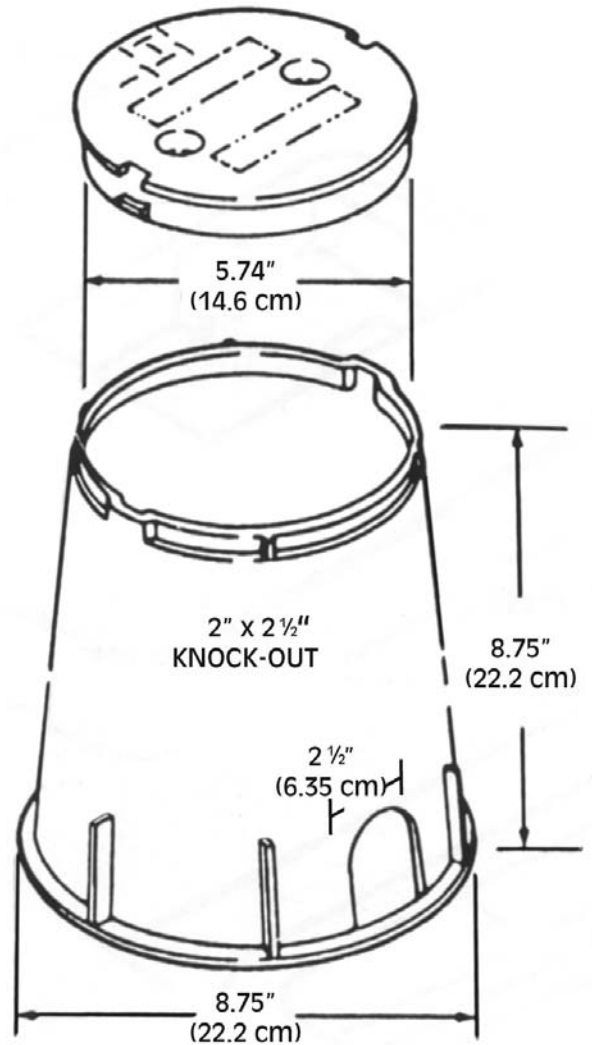
- TWIST LOCK COVER
- HIGH TOP LOAD STRENGTH
- LIGHT-WEIGHT CONSTRUCTION
- UV INHIBITORS TO PREVENT DISCOLORATION & CRACKING

STANDARD MARKING AVAILABLE (BLANK • CATV • ELECTRIC)

SERIES 610 (6" ROUND) GREEN

- 256 PER PALLET
- BODY & COVER
- BODY
- COVER

610-1G2G	1.32 LBS.	.60 KG
610-1G	1.07 LBS.	.49 KG
610-2G	.25 LBS.	.11 KG



SPECIAL FEATURES

- TWIST LOCK COVER
- STRONGER LOAD STRENGTH
- UV INHIBITORS TO PREVENT DISCOLORATION & CRACKING
- NO PORT AVAILABLE

OTHER STOCK COLORS AVAILABLE
TO SEE COLOR
CLICK ON COLOR

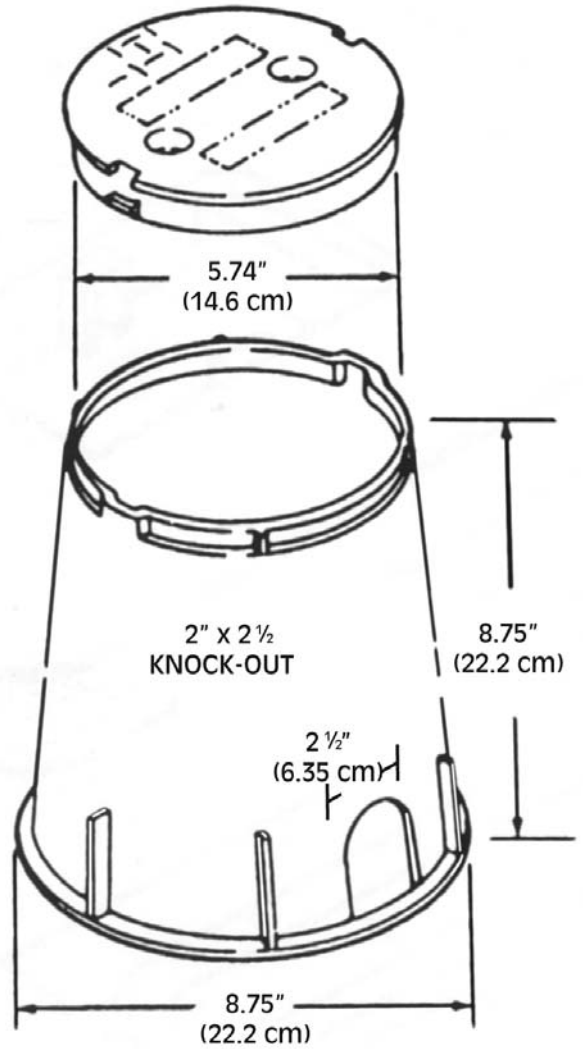
- TAN
- BLACK
- LAVENDER

STANDARD MARKINGS AVAILABLE (BLANK • ELECTRIC • CATV)

SERIES 610 (6" ROUND) TAN

■ 256 PER PALLET

■ BODY & COVER	610-1T2T	1.32 LBS.	.60 KG
■ BODY	610-1T	1.07 LBS.	.49 KG
■ COVER	610-2T	.25 LBS.	.11 KG



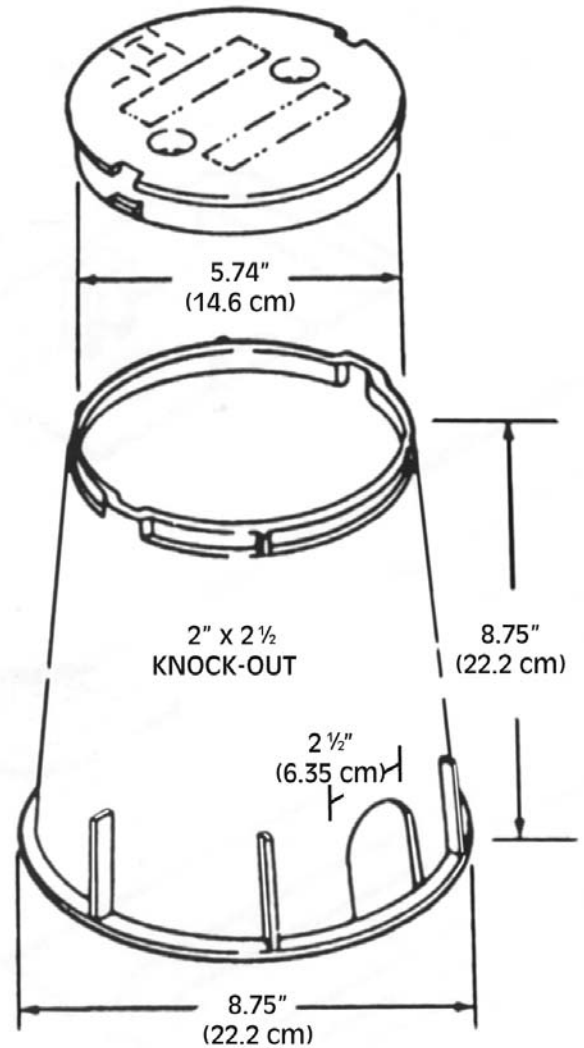
SPECIAL FEATURES

- TWIST LOCK COVER
- STRONGER LOAD STRENGTH
- UV INHIBITORS TO PREVENT DISCOLORATION & CRACKING

STANDARD MARKINGS AVAILABLE (BLANK)

SERIES 610 (6" ROUND) BLACK

■ 256 PER PALLET				
■ BODY & COVER	610-1B2B	1.32 LBS.	.60 KG	
■ BODY	610-1B	1.07 LBS.	.49 KG	
■ COVER	610-2B	.25 LBS.	.11 KG	



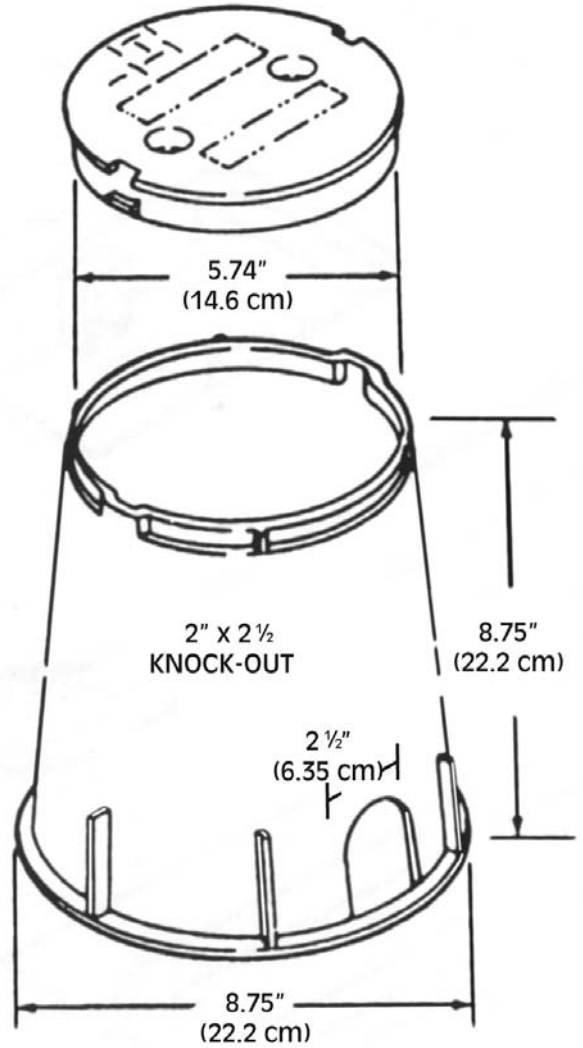
SPECIAL FEATURES

- TWIST LOCK COVER
- STRONGER LOAD STRENGTH
- UV INHIBITORS TO PREVENT DISCOLORATION & CRACKING

STANDARD MARKINGS AVAILABLE (BLANK)

SERIES 610 (6" ROUND) LAVENDER

■ 256 PER PALLET				
■ BODY & COVER	610-1L2L	1.32 LBS.	.60 KG	
■ BODY	610-1L	1.07 LBS.	.49 KG	
■ COVER	610-2L	.25 LBS.	.11 KG	



SPECIAL FEATURES

- TWIST LOCK COVER
- STRONGER LOAD STRENGTH
- UV INHIBITORS TO PREVENT DISCOLORATION & CRACKING

STANDARD MARKINGS AVAILABLE (BLANK)

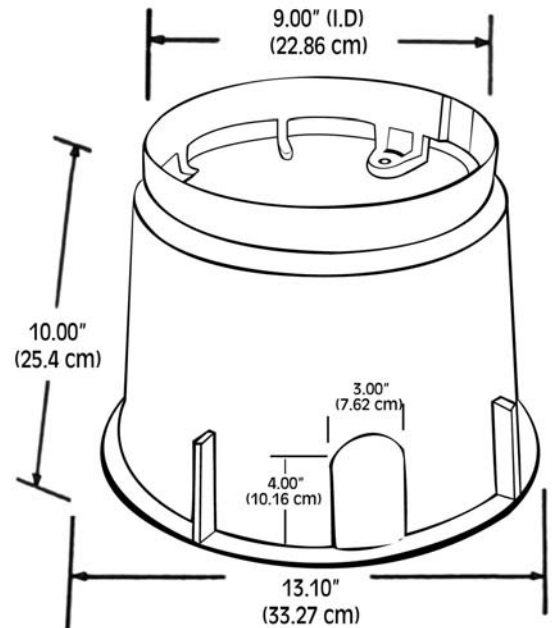
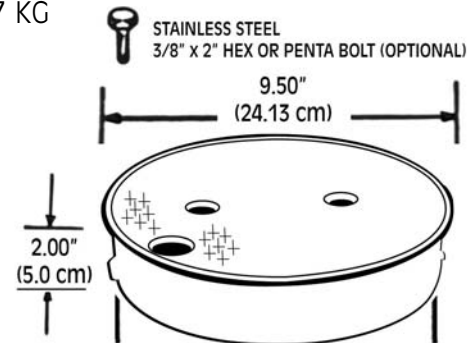
SERIES 910L (10" ROUND) GREEN

■ 90 PER PALLET

■ BODY & COVER 910L-1G2G 3.84 LBS. 1.74 KG

■ BODY 910L-1G 2.59 LBS. 1.17 KG

■ COVER 910L-2G 1.25 LBS. 57 KG



SPECIAL FEATURES

- TWIST LOCK COVER
- STRONGER LOAD STRENGTH
- UV INHIBITORS TO PREVENT DISCOLORATION & CRACKING
- MOLDED IN NYLON NUT FOR BOLT
- HEAVY DUTY CONSTRUCTION

OTHER STOCK COLORS AVAILABLE

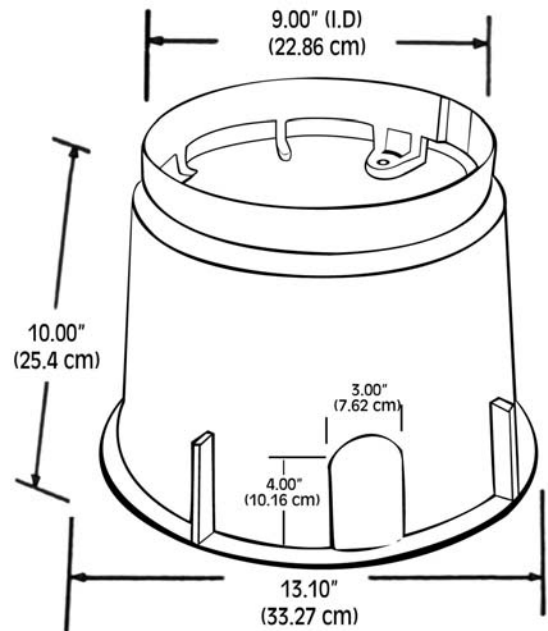
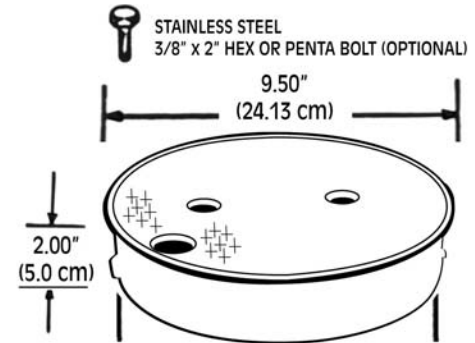
TO SEE COLOR
CLICK ON COLOR

- TAN
- BLACK
- GRAY
- LAVENDER

STANDARD MARKINGS AVAILABLE (IRRIGATION CONTROL • CATV • WATER • SEWER • TELEPHONE • ELECTRIC • BLANK • RECLAIMED WATER)

SERIES 910L (10" ROUND) TAN

■ 90 PER PALLET				
■ BODY & COVER	910L-1T2T	3.84 LBS.	1.74 KG	
■ BODY	910L-1T	2.59 LBS.	1.17 KG	
■ COVER	910L-2T	1.25 LBS.	.57 KG	



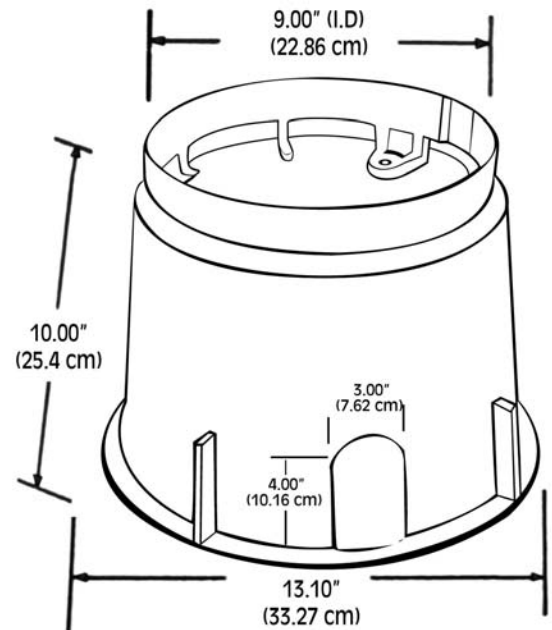
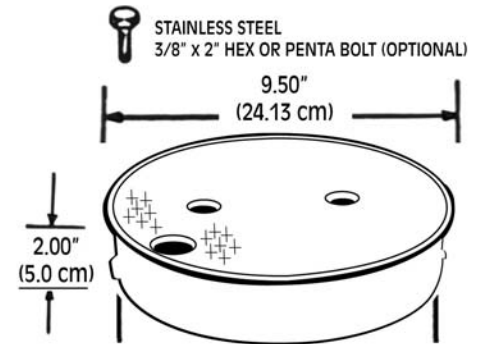
SPECIAL FEATURES

- TWIST LOCK COVER
- STRONGER LOAD STRENGTH
- UV INHIBITORS TO PREVENT DISCOLORATION & CRACKING
- MOLDED IN NYLON NUT FOR BOLT
- HEAVY DUTY CONSTRUCTION

STANDARD MARKINGS AVAILABLE (IRRIGATION CONTROL VALVE)

SERIES 910L (10" ROUND) BLACK

■ 90 PER PALLET				
■ BODY & COVER	910L-1B2B	3.84 LBS.	1.74 KG	
■ BODY	910L-1B	2.59 LBS.	1.17 KG	
■ COVER	910L-2B	1.25 LBS.	.57 KG	



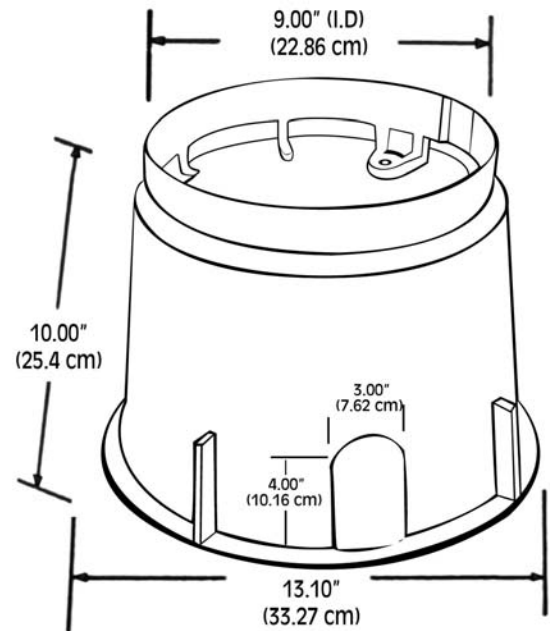
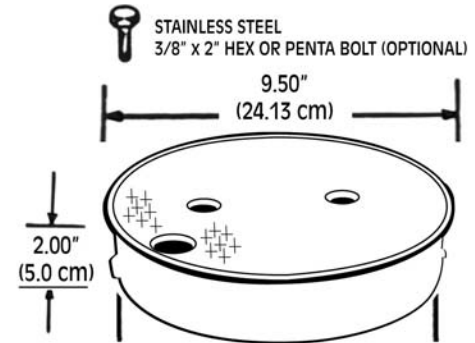
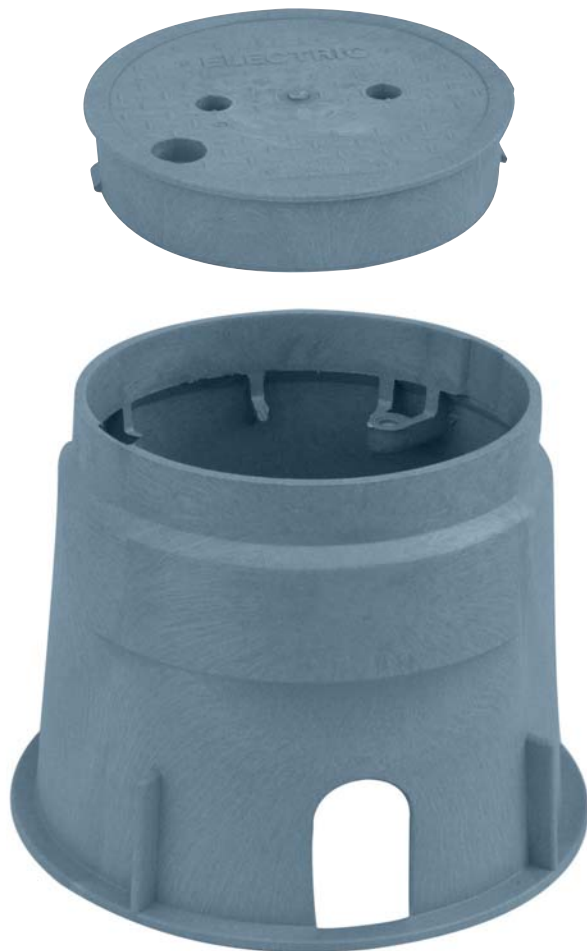
SPECIAL FEATURES

- TWIST LOCK COVER
- STRONGER LOAD STRENGTH
- UV INHIBITORS TO PREVENT DISCOLORATION & CRACKING
- MOLDED IN NYLON NUT FOR BOLT
- HEAVY DUTY CONSTRUCTION

**STANDARD MARKINGS AVAILABLE
(IRRIGATION CONTROL VALVE (ICV) • ELECTRIC)**

SERIES 910L (10" ROUND) GRAY

■ 90 PER PALLET				
■ BODY & COVER	910L-1GY2GY	3.84 LBS.	1.74 KG	
■ BODY	910L-1GY	2.59 LBS.	1.17 KG	
■ COVER	910L-2GY	1.25 LBS.	.57 KG	



SPECIAL FEATURES

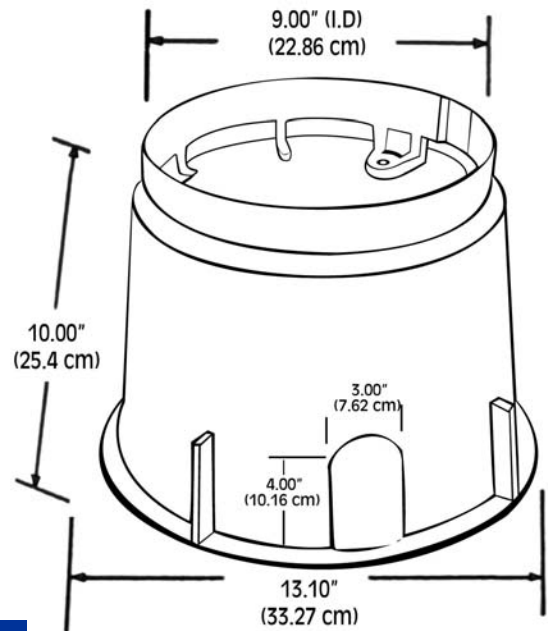
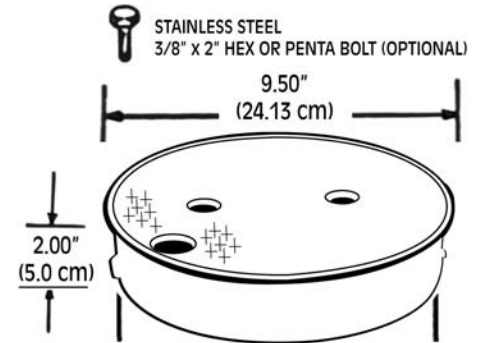
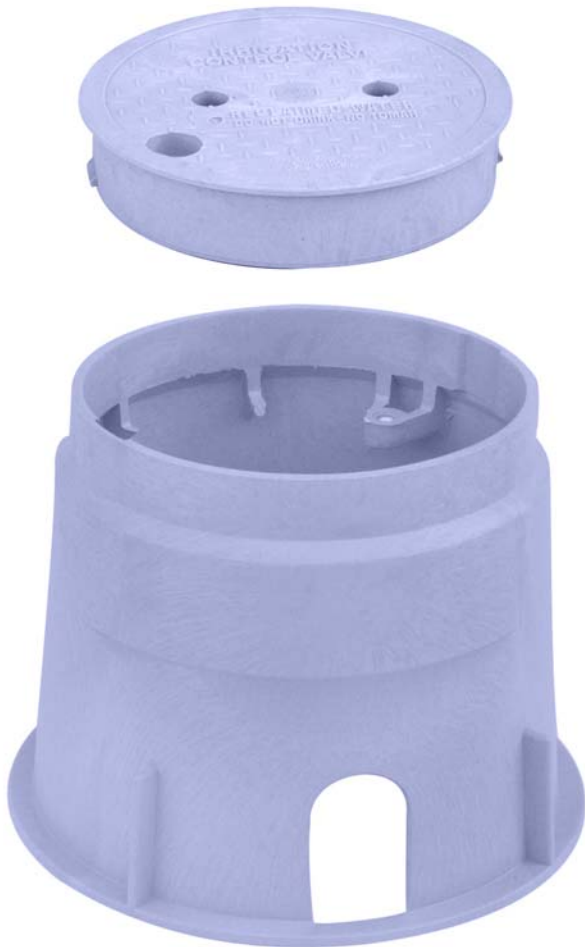
- TWIST LOCK COVER
- STRONGER LOAD STRENGTH
- UV INHIBITORS TO PREVENT DISCOLORATION & CRACKING
- MOLDED IN NYLON NUT FOR BOLT
- HEAVY DUTY CONSTRUCTION

STANDARD MARKINGS AVAILABLE (ELECTRIC)

SERIES 910L (10" ROUND) LAVENDER

■ 90 PER PALLET

■ BODY & COVER	910L-1L2L	3.84 LBS.	1.74 KG
■ BODY	910L-1L	2.59 LBS.	1.17 KG
■ COVER	910L-2L	1.25 LBS.	.57 KG



SPECIAL FEATURES

- TWIST LOCK COVER
- STRONGER LOAD STRENGTH
- UV INHIBITORS TO PREVENT DISCOLORATION & CRACKING
- MOLDED IN NYLON NUT FOR BOLT
- HEAVY DUTY CONSTRUCTION

**STANDARD MARKINGS AVAILABLE
(RECLAIMED WATER • IRRIGATION CONTROL VALVE)**

SERIES 1015 (6" HIGH) BODY GREEN

■ 60 PER PALLET

■ BODY & COVER

1015-6G2G 6.42 LBS. 2.91 KG

■ BODY

1015-6G 4.15 LBS. 1.88 KG

■ STANDARD DROP-IN COVER

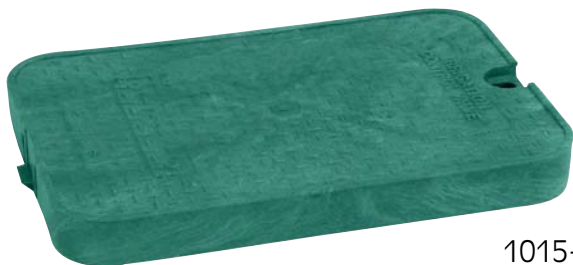
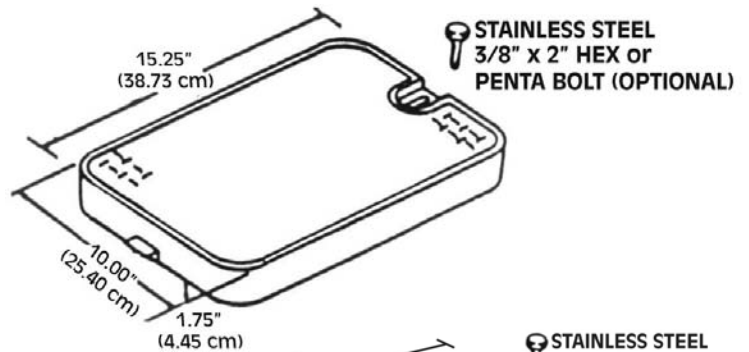
1015-2G 2.27 LBS. 1.03 KG

■ "T" COVER

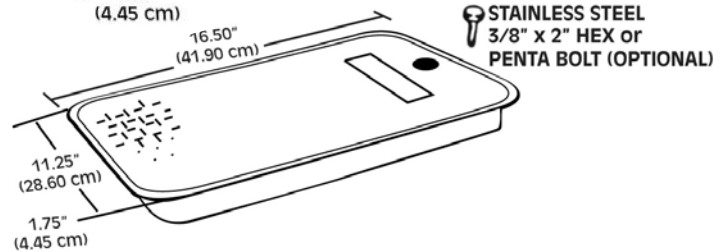
1015T-2G 2.24 LBS. 1.02 KG



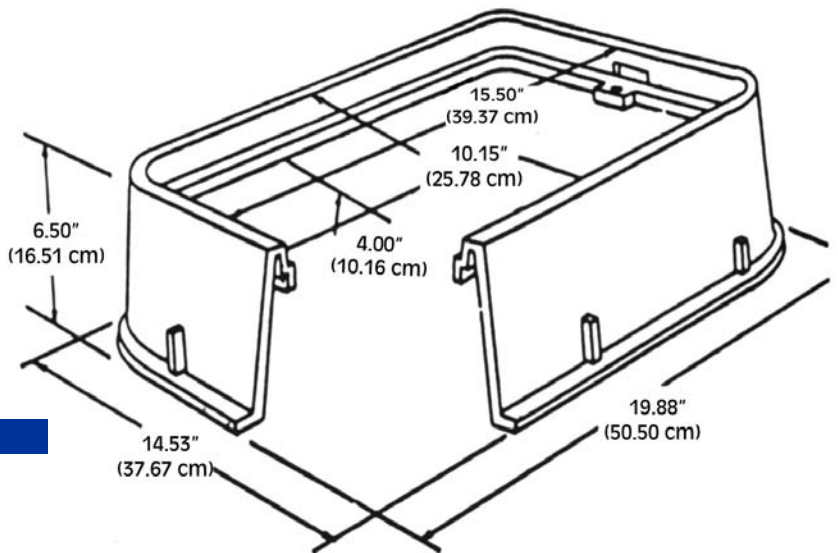
1015-6G



1015-2G



1015T-2G



SPECIAL FEATURES

- FOR USE WITH SHALLOW PIPE INSTALLATION
- NESTABLE FOR STORAGE OR SHIPPING
- HEAVY DUTY CONSTRUCTION
- MOLDED IN NYLON NUT FOR BOLT
- UV INHIBITORS TO PREVENT DISCOLORATION & CRACKING

**STANDARD MARKINGS AVAILABLE (IRRIGATION CONTROL VALVE (ICV)
• ELECTRIC • SEWER • WATER • BLANK (NO COVER MARKINGS)**

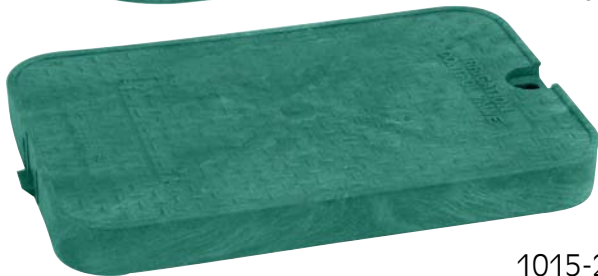
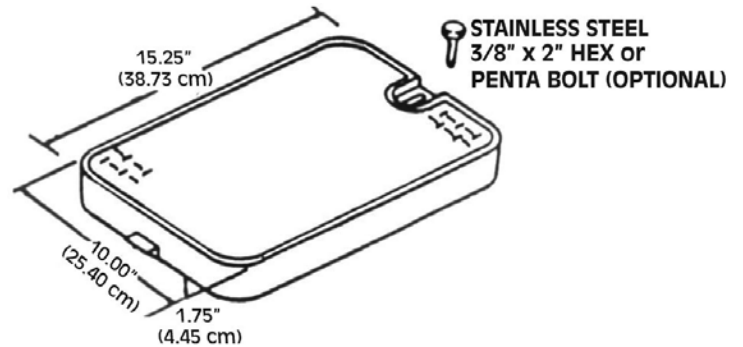
SERIES 1015-XG (6" High) Top EXTENSION GREEN

■ 48 PER PALLET

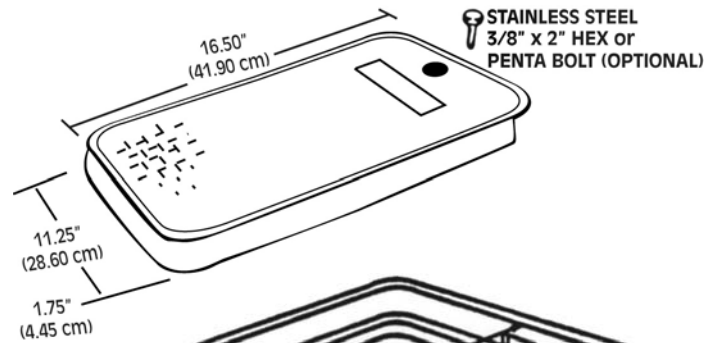
■ BODY & COVER	1015-XG2G	6.42 LBS.	2.91 KG
■ BODY	1015-XG	4.15 LBS.	1.88 KG
■ COVER	1015-2G	2.27 LBS.	1.03 KG
■ "T" COVER	1015-T2G	2.24 LBS.	1.02 KG



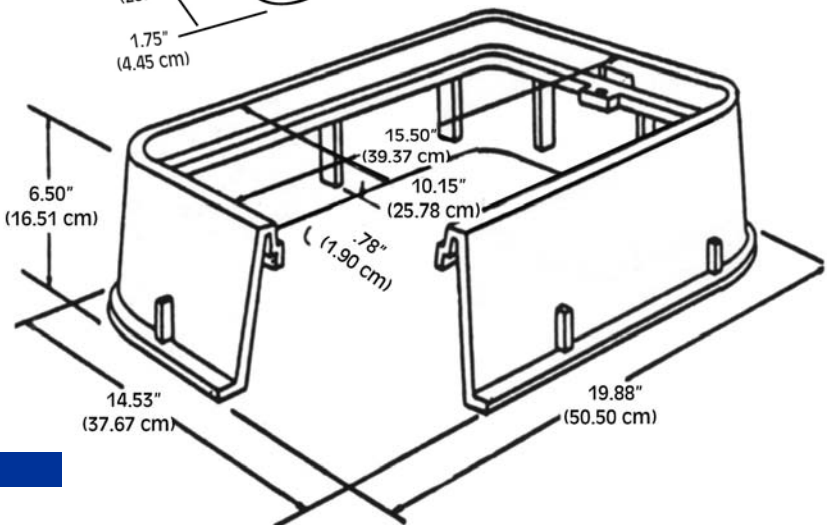
1015-XG



1015-2G



1015T-2G



SPECIAL FEATURES

- FOR USE WITH SHALLOW PIPE INSTALLATION
- NESTABLE FOR STORAGE OR SHIPPING
- HEAVY DUTY CONSTRUCTION
- MOLDED IN NYLON NUT FOR BOLT
- UV INHIBITORS TO PREVENT DISCOLORATION & CRACKING

**STANDARD MARKINGS AVAILABLE (IRRIGATION CONTROL VALVE (ICV)
• ELECTRIC • SEWER • WATER • BLANK (NO COVER MARKINGS)**

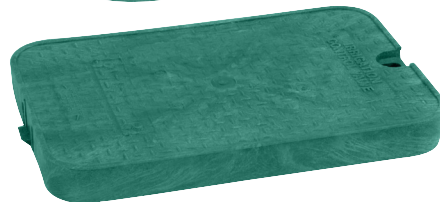
SERIES 1015 (12" HIGH) HEAVY DUTY VALVE BOX GREEN

60 PER PALLET

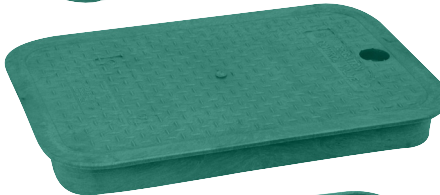
■ BODY WITH STD. DROP-IN COVER	1015-1G2G	10.00 LBS.	4.53 KG
■ BODY WITH "T" COVER	1015T-1G2G	9.97 LBS.	4.52 KG
■ BODY W/METER READER COVER	1015-1G3G	10.13 LBS.	4.49 KG
■ BODY W/CAPTIVE HINGED COVER	1015-1G4G	10.50 LBS.	4.76 KG
■ BODY	1015-1G	7.73 LBS.	3.50 KG
■ 1. STD. DROP-IN COVER	1015-2G	2.27 LBS.	1.03 KG
■ 2. "T" COVER	1015T-2G	2.24 LBS.	1.02 KG
■ 3. COVER WITH METER DOOR	1015-3G	2.18 LBS.	.99 KG
■ 4. CAPTIVE HINGED COVER	1015-4G	2.77 LBS.	1.26 KG



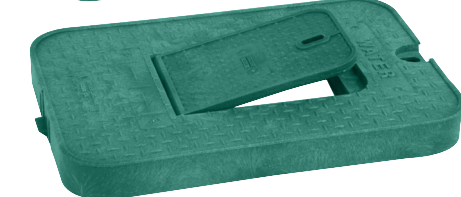
1015-1G
BODY



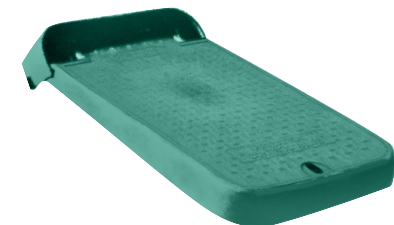
1.
1015-2G
STD DROP-IN
COVER



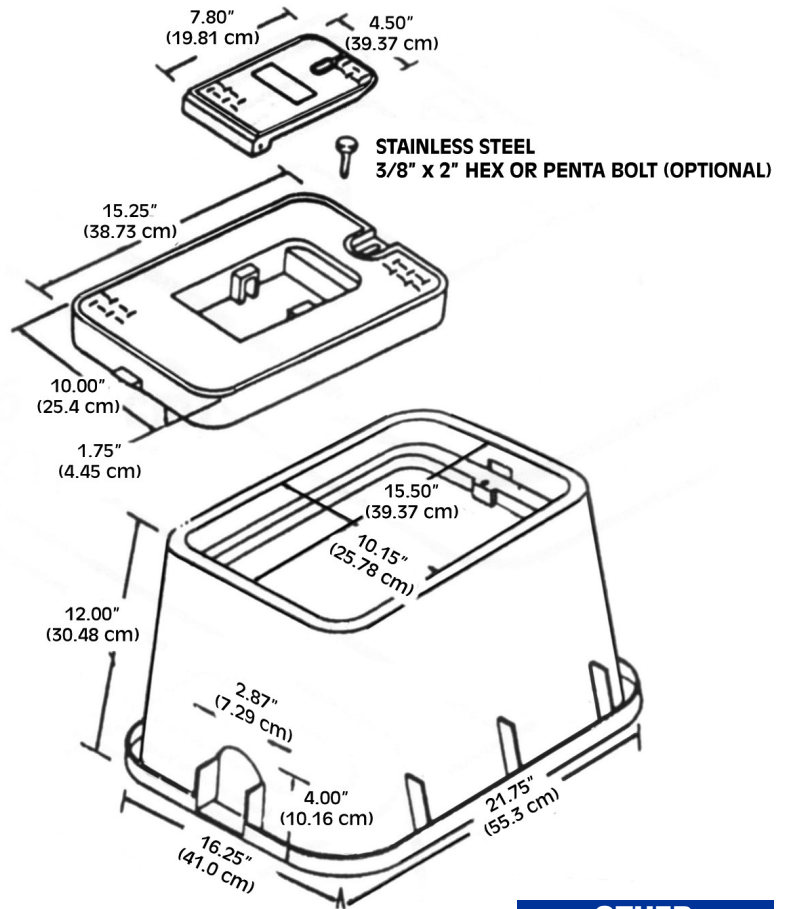
2.
1015T-2G



3.
1015-3G
COVER
WITH
METER
DOOR



4.
1015-4G



SPECIAL FEATURES

- HEAVY DUTY CONSTRUCTION
- MOLDED IN NYLON NUT FOR BOLT
- UV INHIBITOR TO PREVENT DISCOLORING & CRACKING
- NESTABLE FOR STORAGE OR SHIPPING

OTHER STOCK COLORS AVAILABLE

TO SEE COLOR
CLICK ON COLOR

- BLACK
- GRAY
- LAVENDER
- TAN

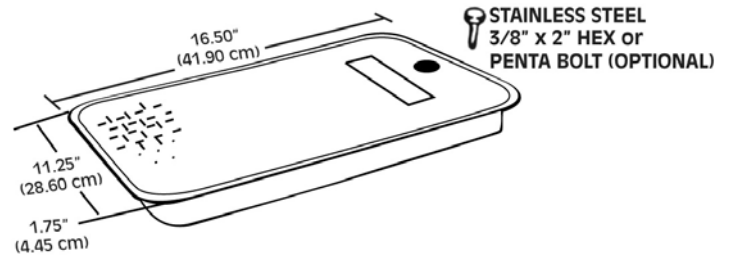
STANDARD MARKINGS AVAILABLE (IRRIGATION CONTROL VALVE • WATER (SOLID OR METER DOOR) • SEWER • ELECTRIC • RECLAIMED WATER • CATV • TELEPHONE • BLANK)

SERIES 1015 (12" HIGH) HEAVY DUTY VALVE BOX BLACK

■ 60 PER PALLET			
■ BODY WITH DROP-IN COVER	1015-1B2B	10.00 LBS.	4.53 KG
■ BODY WITH "T" COVER	1015T-1B2B	9.97 LBS.	4.52 KG
■ BODY WITH METER READER COVER	1015-1B3B	10.13 LBS.	4.49 KG
■ BODY	1015-1B	7.73 LBS.	3.50 KG
■ 1. DROP-IN COVER	1015-2B	2.27 LBS.	1.03 KG
■ 2. "T" COVER	1015T-2B	2.24 LBS.	1.02 KG
■ 3. COVER WITH METER DOOR	1015-3B	2.18 LBS.	.99KG



1015-1B



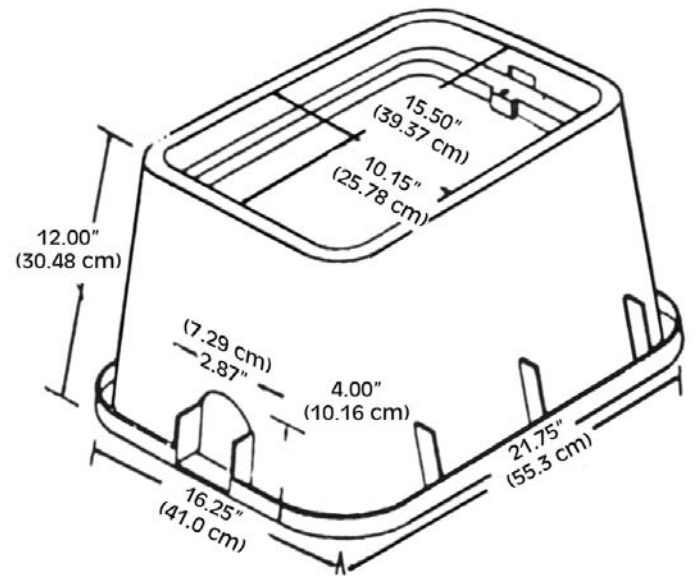
1.
1015-2B



2.
1015T-2B



3
1015-3B



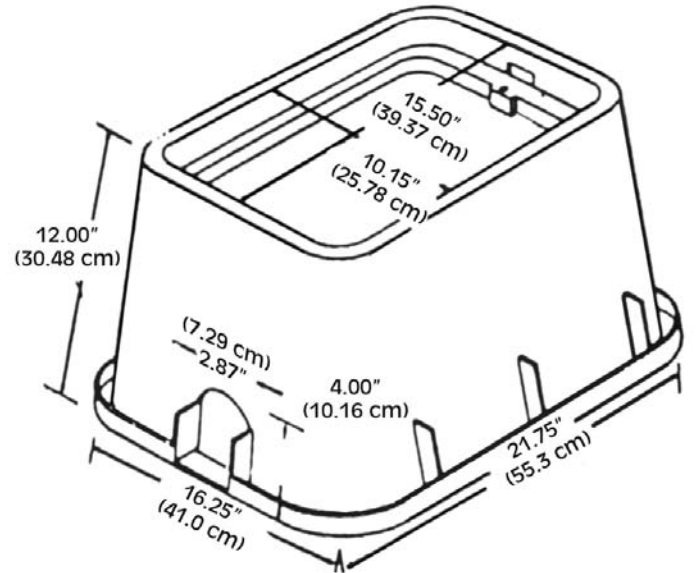
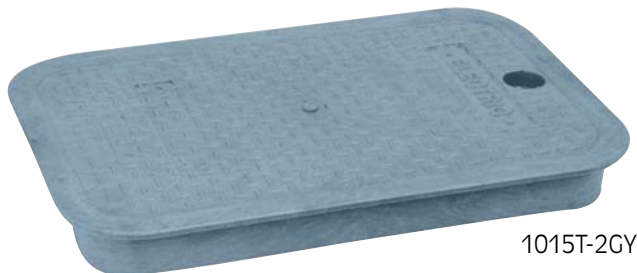
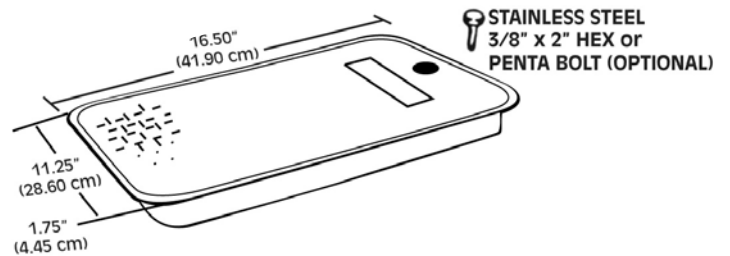
SPECIAL FEATURES

- HEAVY DUTY CONSTRUCTION
- MOLDED IN NYLON NUT FOR BOLT
- SINGLE OR NO PORT
- UV INHIBITOR TO PREVENT DISCOLORING & CRACKING
- NESTABLE FOR STORAGE OR SHIPPING

**STANDARD MARKINGS AVAILABLE (IRRIGATION CONTROL VALVE
• WATER (SOLID OR METER DOOR) • ELECTRIC • WATER)**

SERIES 1015 (12" HIGH) HEAVY DUTY VALVE BOX GRAY

- 60 PER PALLET
- BODY WITH "T" COVER 1015T-1GY2GY 9.97 LBS. 4.52 KG
- "T" COVER 1015T-2GY 2.24 LBS. 1.02 KG
- BODY 1015T-1GY 7.73 LBS. 3.50 KG



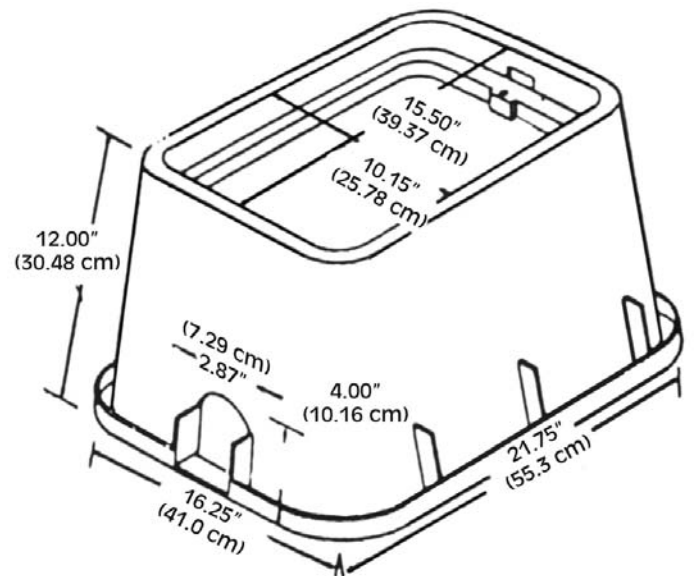
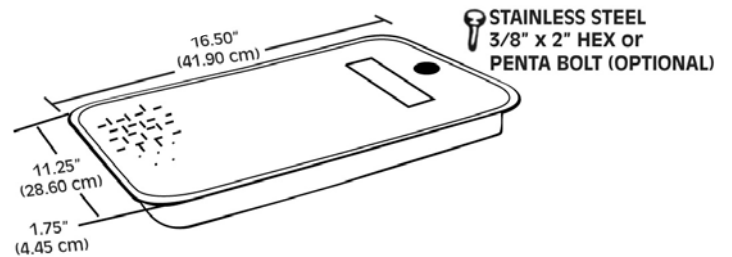
**SPECIAL
FEATURES**

- HEAVY DUTY CONSTRUCTION
- SINGLE OR NO PORT
- NESTABLE FOR STORAGE OR SHIPPING
- UV INHIBITOR TO PREVENT DISCOLORING & CRACKING
- MOLDED IN NYLON NUT FOR BOLT

STANDARD MARKINGS AVAILABLE (ELECTRIC)

SERIES 1015 (12" HIGH) HEAVY DUTY VALVE BOX LAVENDER

■ 60 PER PALLET				
■ BODY WITH "T" COVER	1015T-1L2L	9.97 LBS.	4.52 KG	
■ "T" COVER	1015T-2L	2.24 LBS.	1.02 KG	
■ BODY	1015-1L	7.73 LBS.	3.50 KG	



**SPECIAL
FEATURES**

- HEAVY DUTY CONSTRUCTION
- MOLDED IN NYLON NUT FOR BOLT
- SINGLE OR NO PORT
- UV INHIBITOR TO PREVENT DISCOLORING & CRACKING
- NESTABLE FOR STORAGE OR SHIPPING

STANDARD MARKINGS AVAILABLE (RECLAIMED WATER • ICV)

SERIES 1015 (12" HIGH) HEAVY DUTY VALVE BOX TAN

■ 60 PER PALLET

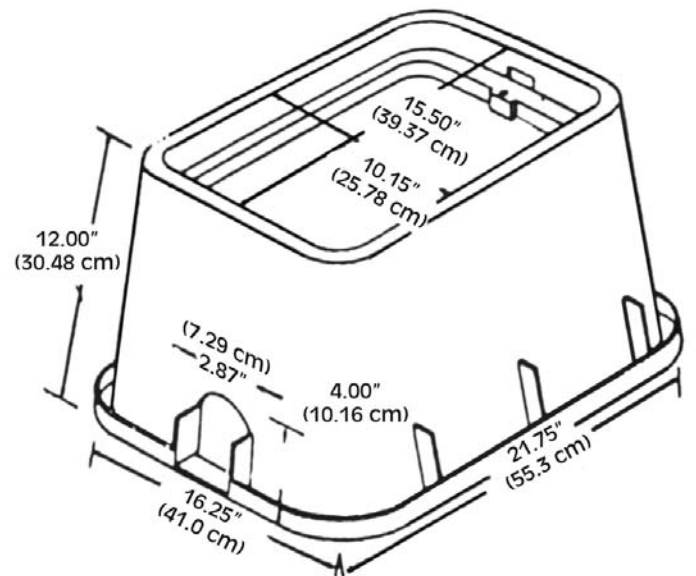
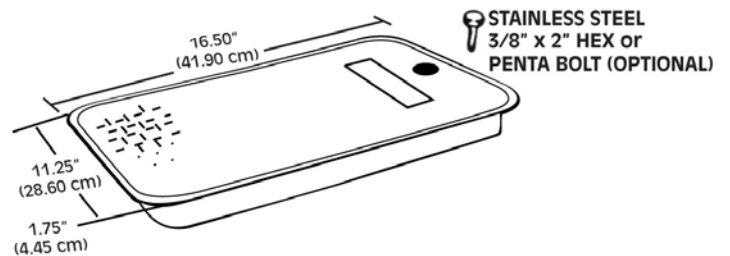
■ BODY WITH "T" COVER	1015T-1T2T	9.97 LBS.	4.52 KG
■ "T" COVER	1015T-2T	2.24 LBS.	1.02 KG
■ BODY	1015T-T	7.73 LBS.	3.50 KG



1015-1T



1015T-2T



**SPECIAL
FEATURES**

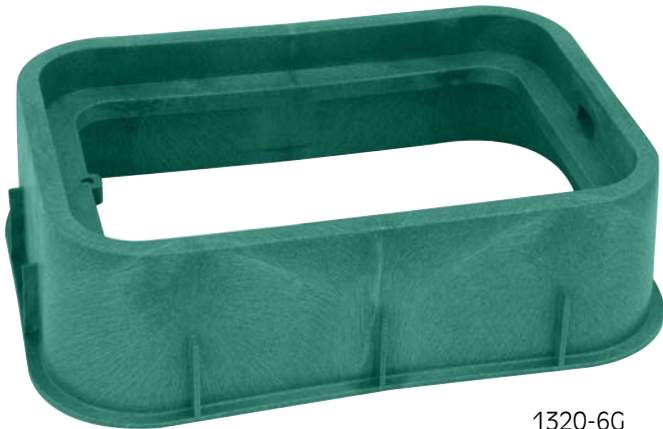
- HEAVY DUTY CONSTRUCTION
- SINGLE OR NO PORT
- MOLDED IN NYLON NUT FOR BOLT
- NESTABLE FOR STORAGE OR SHIPPING
- UV INHIBITOR TO PREVENT DISCOLORING & CRACKING

STANDARD MARKINGS AVAILABLE (IRRIGATION CONTROL VALVE)

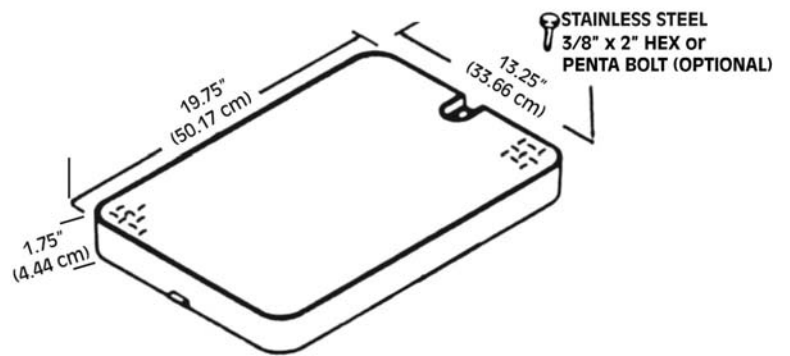
SERIES 1320-6G (6" HIGH) BODY GREEN

- 6" HIGH RECTANGULAR
- 48 PER PALLET
- BODY & COVER
- BODY
- COVER

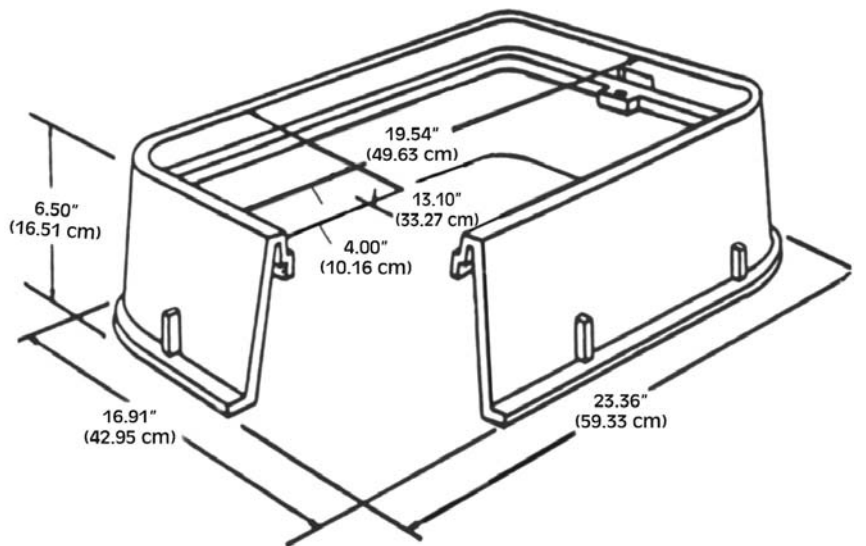
1320-6G2G	8.54 LBS.	3.87 KG
1320-6G	4.99 LBS.	2.27 KG
1320-2G	3.55 LBS.	1.60 KG



1320-6G



1320-2G



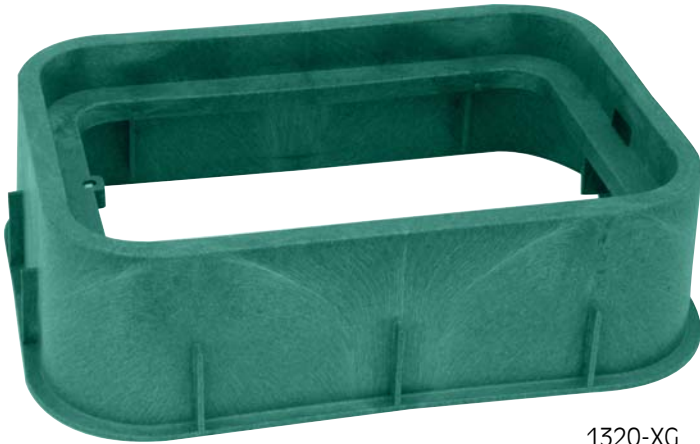
**SPECIAL
FEATURES**

- FOR USE WITH SHALLOW PIPE INSTALLATION
- NESTABLE FOR STORAGE OR SHIPPING
- HEAVY DUTY CONSTRUCTION
- MOLDED IN NYLON NUT FOR BOLT

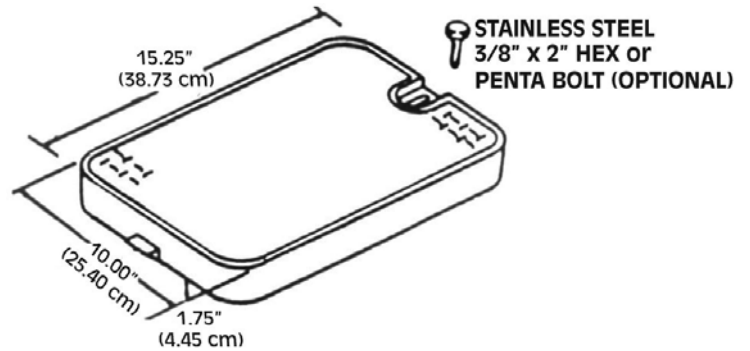
STANDARD MARKINGS AVAILABLE (IRRIGATION CONTROL VALVE • WATER (SOLID OR METER READER) • SEWER • ELECTRIC (GREEN) • CATV • TELEPHONE • BLANK)

SERIES 1320-XG (6" HIGH) EXTENSION BODY GREEN

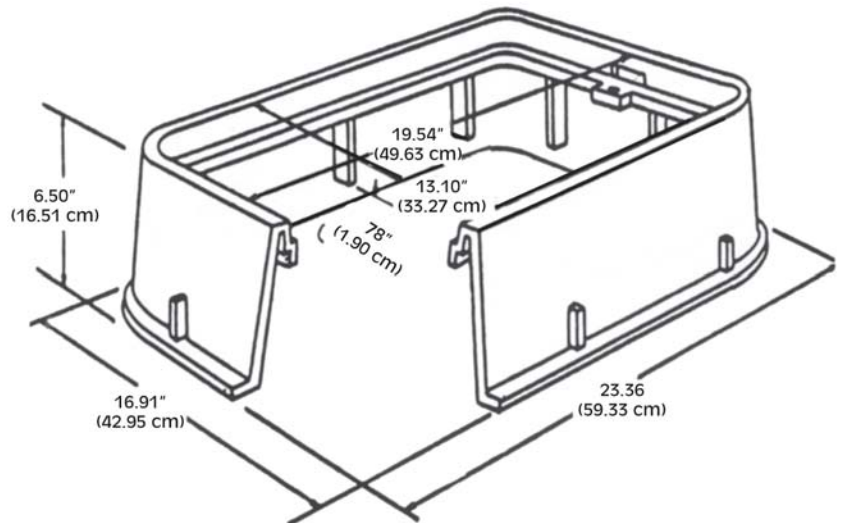
■ 32 PER PALLET			
■ BODY & COVER	1320-XG2G	8.55 LBS.	3.88 KG
■ BODY	1320-XG	5.00 LBS.	2.28 KG
■ COVER	1320-2G	3.55 LBS.	1.60 KG



1320-XG



1320-2G STD



■ FOR USE IN NON-VEHICLE TRAFFIC AREA

SPECIAL FEATURES

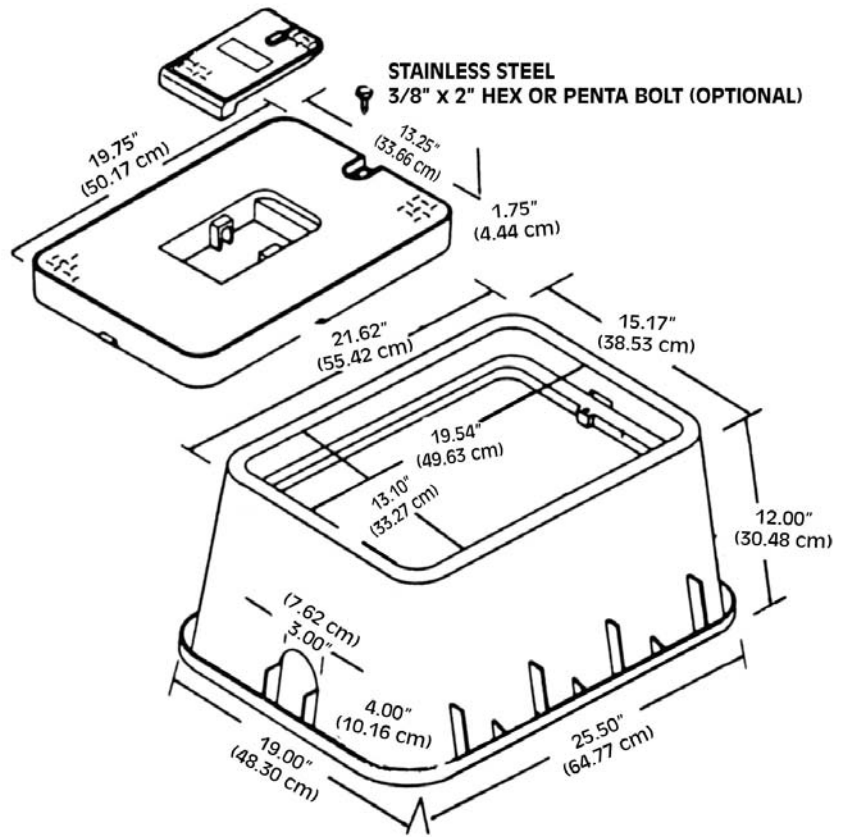
- 6" EXTENSION FOR 1320 BODY
- HEAVY DUTY CONSTRUCTION
- U.V. INHIBITOR TO PREVENT DISCOLORATION & CRACKING
- MOLDED IN NYLON NUT FOR BOLT

STANDARD MARKING AVAILABLE (IRRIGATION CONTROL VALVE • RECLAIMED WATER (GREEN) • WATER (SOLID OR METER READER) • SEWER • ELECTRIC • CATV • TELEPHONE • BLANK)

SERIES 1320 "JUMBO" (12" HIGH) VALVE BOX GREEN

■ 40 PER PALLET

■ BODY & SOLID COVER	1320-1G2G	13.13 LBS.	5.96 KG
■ BODY METER READER COVER	1320-1G3G	13.33 LBS.	6.05 KG
■ BODY	1320-1G	9.58 LBS.	4.36 KG
■ COVER	1320-2G	3.55 LBS.	1.60 KG
■ COVER WITH METER DOOR	1320-3G	3.75 LBS.	1.70 KG



■ FOR USE IN NON-VEHICLE TRAFFIC AREA

SPECIAL FEATURES

- HEAVY DUTY CONSTRUCTION
- MOLDED IN NYLON NUT FOR BOLT
- UV INHIBITOR TO PREVENT DISCOLORING & CRACKING
- CAST IRON OR POLY METER READER COVER

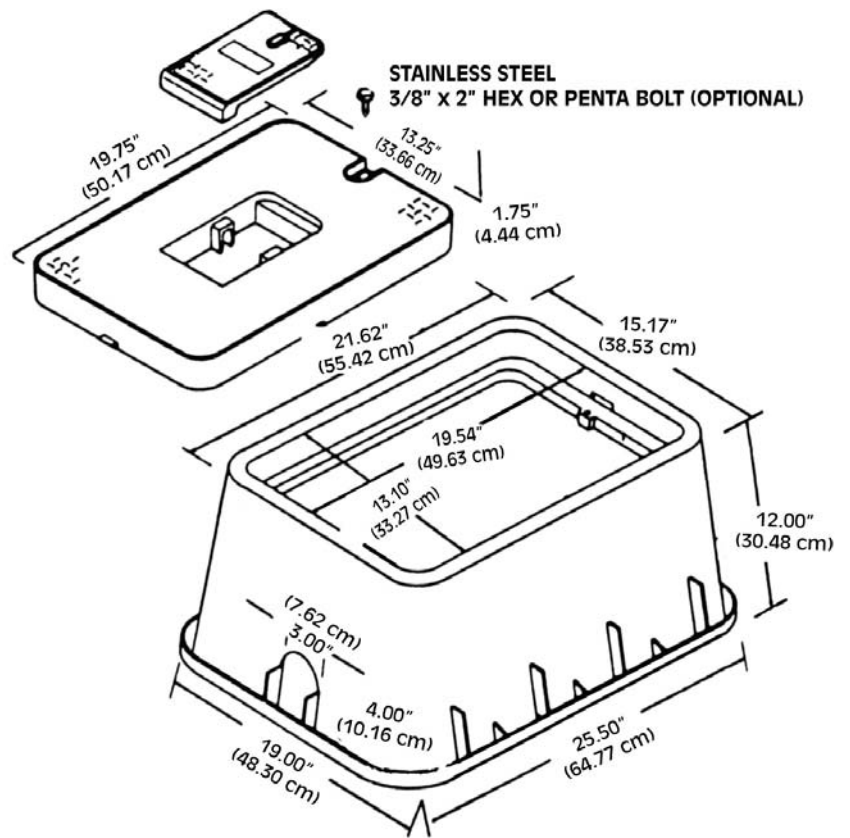
OTHER STOCK COLORS AVAILABLE
TO SEE COLOR
CLICK ON COLOR

- BLACK
- LAVENDER
- GRAY
- TAN

STANDARD MARKINGS AVAILABLE (IRRIGATION CONTROL VALVE • WATER (SOLID OR METER READER) • SEWER • ELECTRIC (GREEN) • CATV • TELEPHONE • BLANK (NO COVER MARKING)

SERIES 1320 "JUMBO" (12" HIGH) VALVE BOX BLACK

■ 40 PER PALLET			
■ BODY & SOLID COVER	1320-1B2B	13.13 LBS.	5.96 KG
■ BODY WITH METER READER COVER	1320-1B3B	13.33 LBS.	6.05 KG
■ BODY	1320-1B	9.58 LBS.	4.36 KG
■ COVER	1320-2B	3.55 LBS.	1.60 KG
■ COVER WITH METER DOOR	1320-3B	3.75 LBS.	1.69 KG



■ FOR USE IN NON-VEHICLE TRAFFIC AREA

**SPECIAL
FEATURES**

- HEAVY DUTY CONSTRUCTION
- MOLDED IN NYLON NUT FOR BOLT
- UV INHIBITOR TO PREVENT DISCOLORING & CRACKING
- CAST IRON OR POLY METER READER COVER

**STANDARD MARKINGS AVAILABLE
(IRRIGATION CONTROL VALVE • WATER (SOLID OR METER READER) • ELECTRIC • TELEPHONE)**

SERIES 1320 "JUMBO" (12" HIGH) VALVE BOX LAVENDER

■ 40 PER PALLET

■ BODY & SOLID COVER

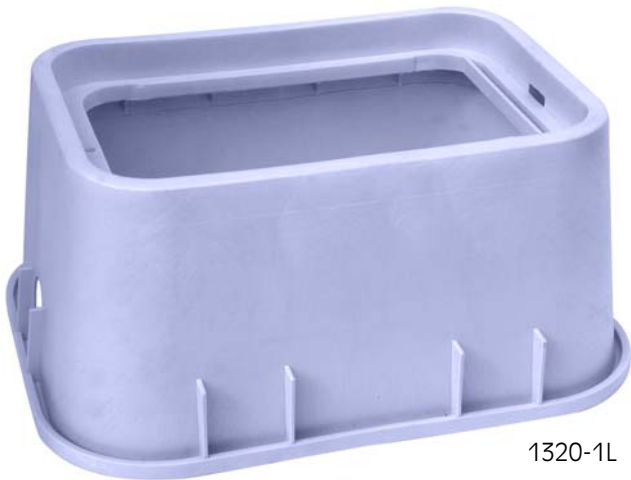
1320-1L2L 13.13 LBS. 5.96 KG

■ BODY

1320-1L 9.58 LBS. 4.36 KG

■ COVER

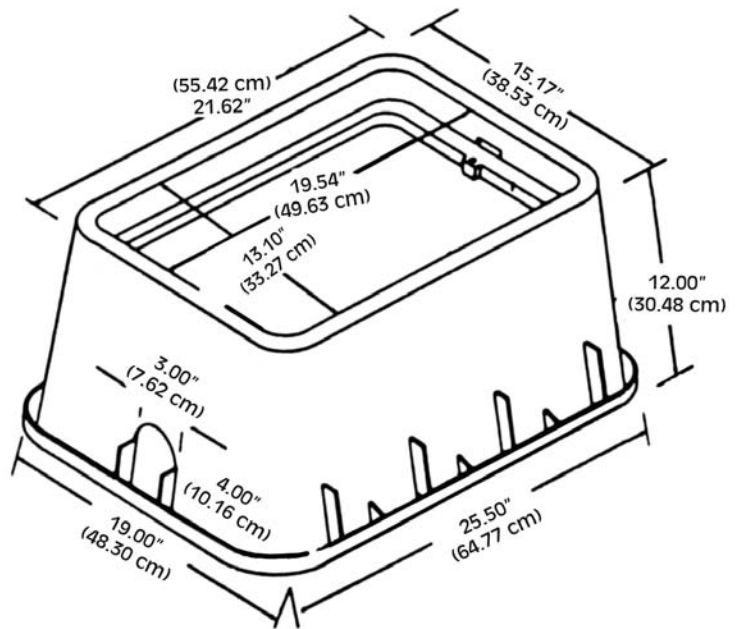
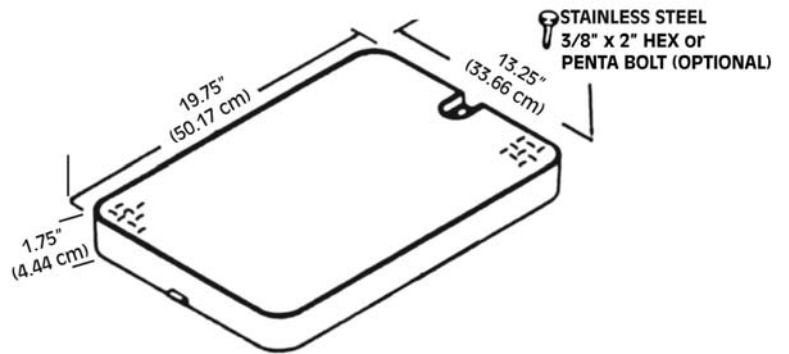
1320-2L 3.55 LBS. 1.60 KG



1320-1L



1320-2L



■ FOR USE IN NON-VEHICLE TRAFFIC AREA

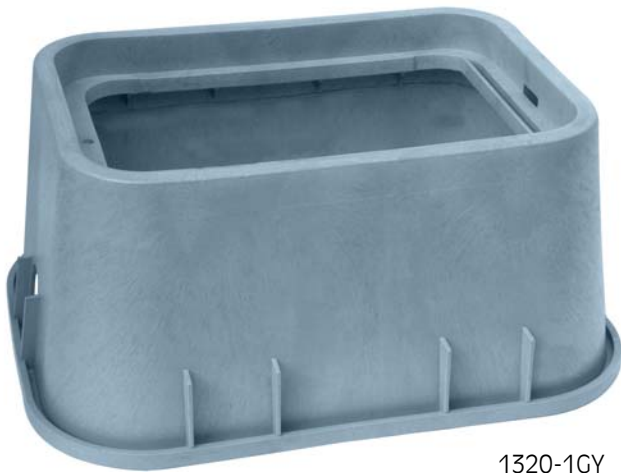
**SPECIAL
FEATURES**

- HEAVY DUTY CONSTRUCTION
- MOLDED IN NYLON NUT FOR BOLT
- UV INHIBITOR TO PREVENT DISCOLORING & CRACKING

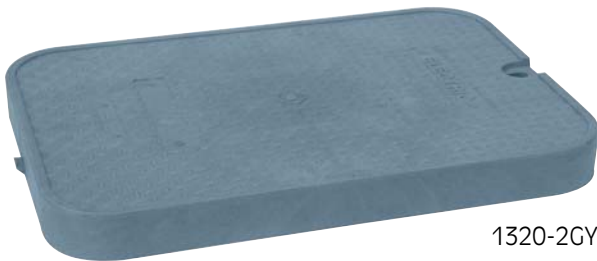
STANDARD MARKINGS AVAILABLE (RECLAIMED WATER)

SERIES 1320 "JUMBO" (12" HIGH) VALVE BOX GRAY

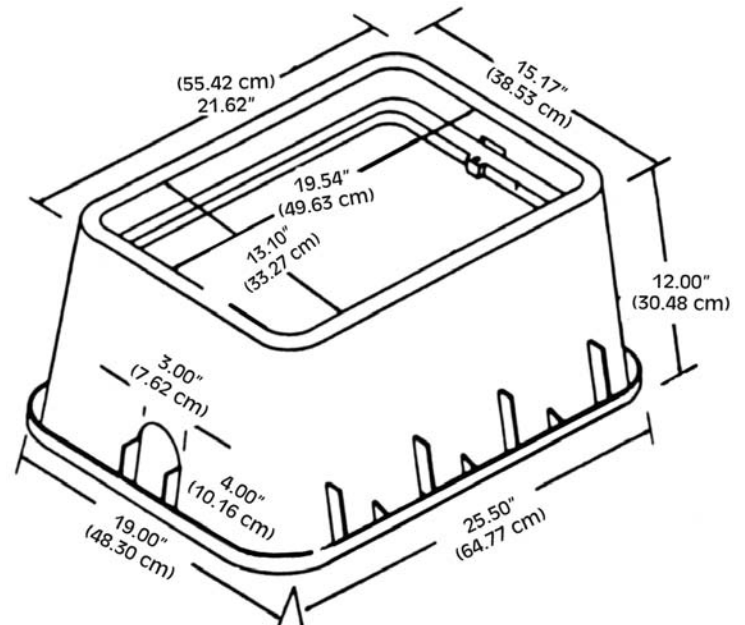
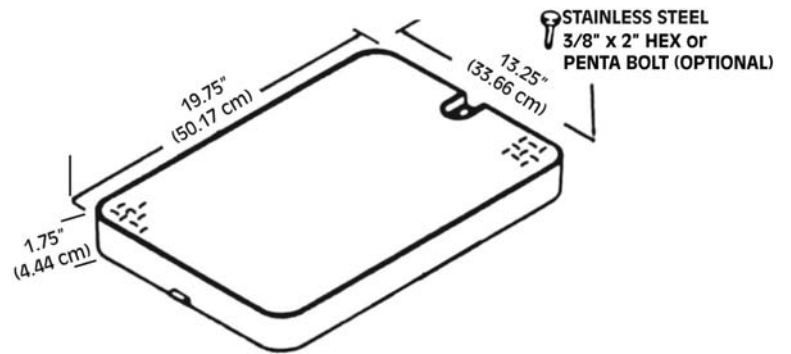
■ 40 PER PALLET				
■ BODY & SOLID COVER	1320-1GY2GY	13.13 LBS.	5.96 KG	
■ BODY	1320-1GY	9.58 LBS.	4.36 KG	
■ COVER	1320-2GY	3.55 LBS.	1.60 KG	



1320-1GY



1320-2GY



■ FOR USE IN NON-VEHICLE TRAFFIC AREA

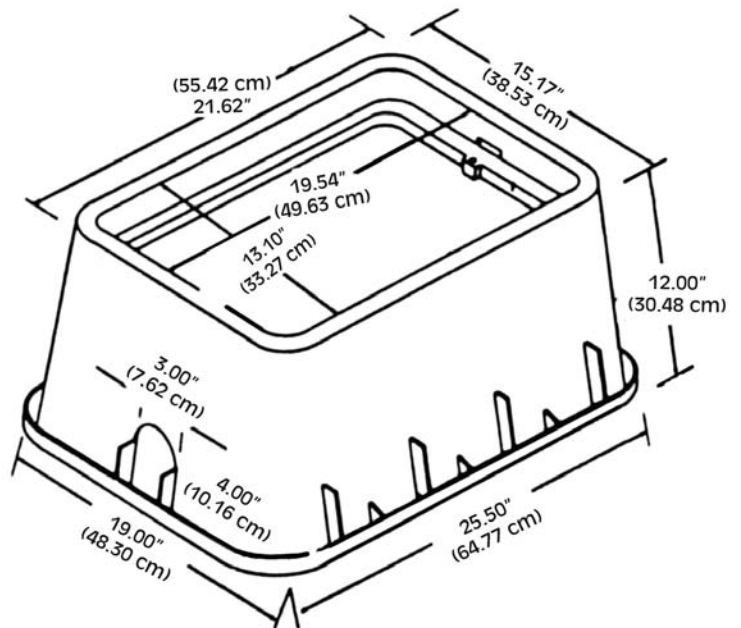
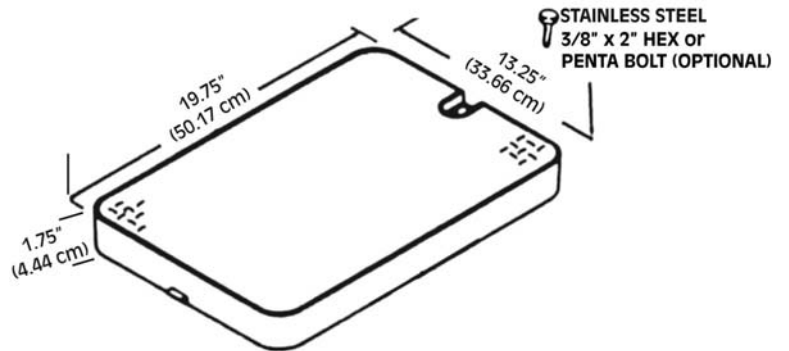
SPECIAL FEATURES

- HEAVY DUTY COMMERCIAL CONSTRUCTION
- MOLDED IN NYLON NUT FOR BOLT
- UV INHIBITOR TO PREVENT DISCOLORING & CRACKING

STANDARD MARKINGS AVAILABLE (ELECTRIC • TELEPHONE)

SERIES 1320 "JUMBO" (12" HIGH) VALVE BOX TAN

■ 40 PER PALLET				
■ BODY & SOLID COVER	1320-1T2T	13.13 LBS.	5.96 KG	
■ BODY	1320-1T	9.58 LBS.	4.36 KG	
■ COVER	1320-2T	3.55 LBS.	1.60 KG	



■ FOR USE IN NON-VEHICLE TRAFFIC AREA

SPECIAL FEATURES

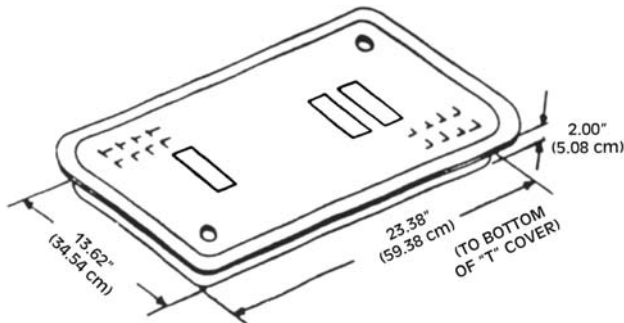
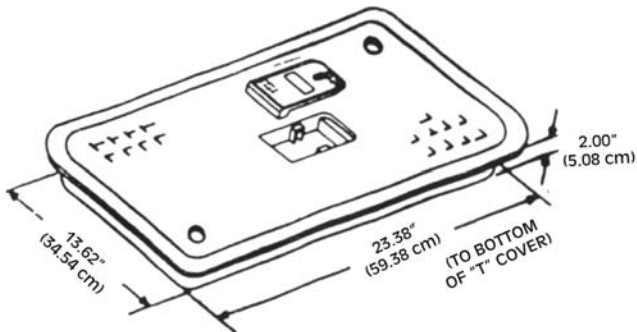
- HEAVY DUTY CONSTRUCTION
- MOLDED IN NYLON NUT FOR BOLT
- UV INHIBITOR TO PREVENT DISCOLORING & CRACKING

STANDARD MARKINGS AVAILABLE (IRRIGATION CONTROL VALVE)

SERIES 1324 (12" HIGH) UTILITY BOX GREEN

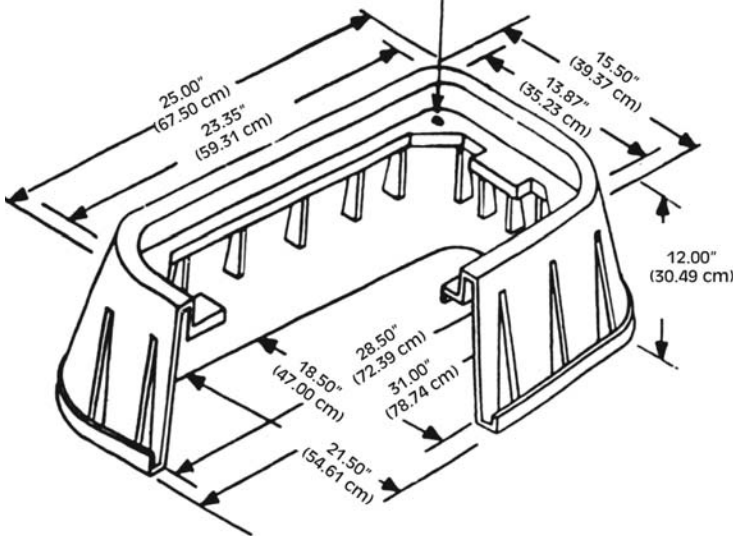
■ 16 PER PALLET

■ BODY & COVER	1324-12P2P	22.00 LBS.	9.98 KG
■ BODY WITH METER READER COVER	1324-12P3P	22.80 LBS.	10.34 KG
■ BODY	1324-12P	15.00 LBS.	6.80 KG
■ COVER	1324-2P	7.00 LBS.	3.18 KG
■ COVER WITH METER READER DOOR	1324-3P	7.80 LBS.	3.54 KG



BOLTS - 3/8" x 2 1/2" STAINLESS STEEL

DIAGONAL BOLT DOWN PATTERN



■ FOR USE IN NON-VEHICLE TRAFFIC AREA



1324-3P



1324-2P



1324-12P

SPECIAL FEATURES

- UV INHIBITOR ADDED TO PREVENT DISCOLORING & CRACKING
- HEAVY DUTY COMMERCIAL CONSTRUCTION
- CAST IRON OR POLY METER READER COVER
- DIAGONAL BOLT DOWN PATTERN
- MOLDED IN NYLON NUT FOR BOLT

OTHER STOCK COLORS AVAILABLE
TO SEE COLOR
CLICK ON COLOR

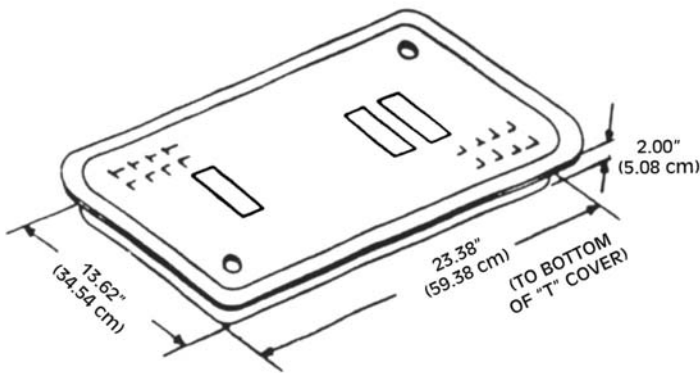
- BLACK
- GRAY

STANDARD MARKINGS AVAILABLE (IRRIGATION CONTROL VALVE • WATER (SOLID OR WITH METER READER) • ELECTRIC • BLANK • TELEPHONE • CATV • RECLAIMED WATER • SEWER)

SERIES 1324 (12" HIGH) UTILITY BOX GRAY

■ 16 PER PALLET

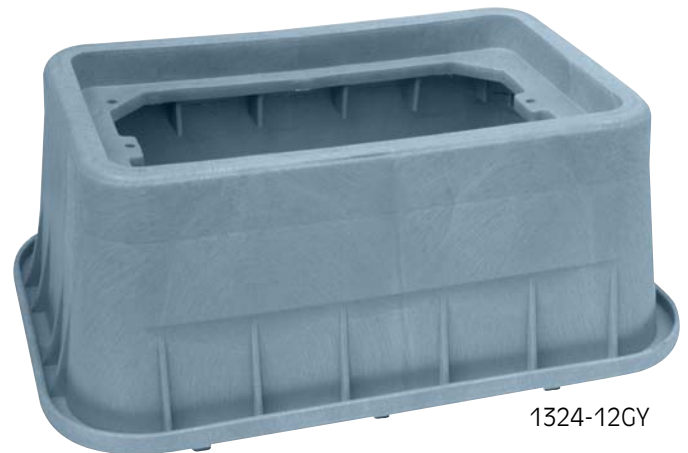
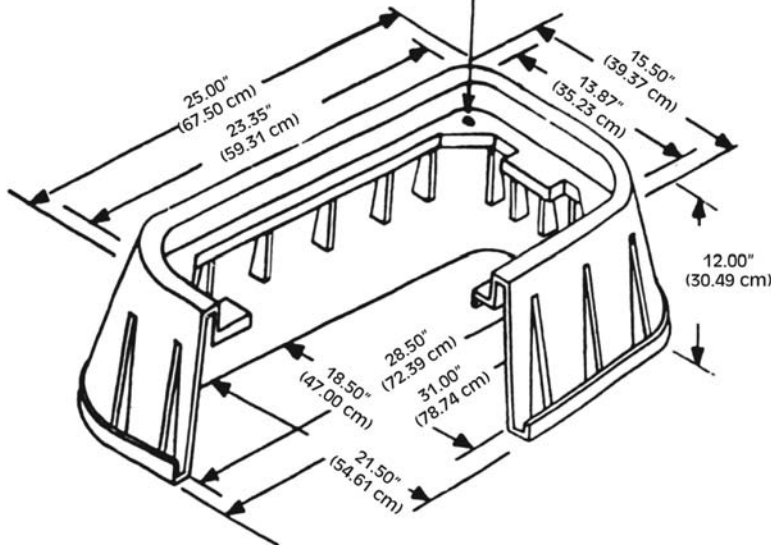
■ BODY & COVER	1324-12GY2GY	22.00 LBS.	9.98 KG
■ BODY	1324-12GY	15.00 LBS.	6.80 KG
■ COVER	1324-2GY	7.00 LBS.	3.18 KG



1324-2GY

BOLTS - 3/8" x 2 1/2" STAINLESS STEEL

DIAGONAL BOLT DOWN PATTERN



1324-12GY

■ FOR USE IN NON-VEHICLE TRAFFIC AREA

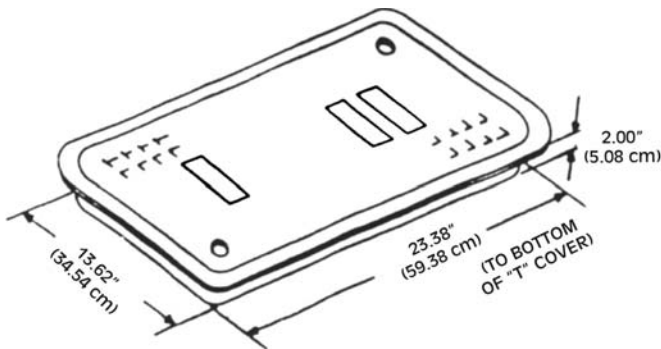
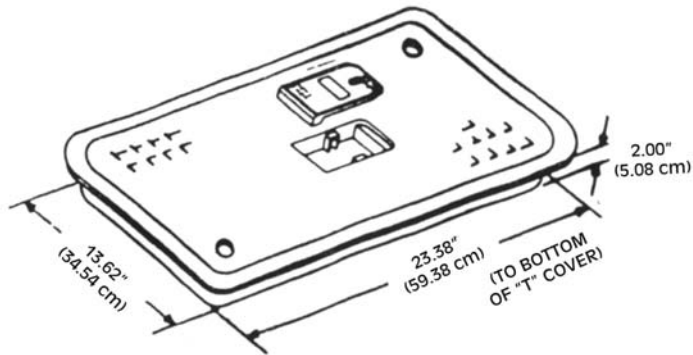
SPECIAL FEATURES

- UV INHIBITOR ADDED TO PREVENT DISCOLORING & CRACKING
- HEAVY DUTY COMMERCIAL CONSTRUCTION
- DIAGONAL BOLT DOWN PATTERN
- MOLDED IN NYLON NUT FOR BOLT

STANDARD MARKINGS AVAILABLE (ELECTRIC)

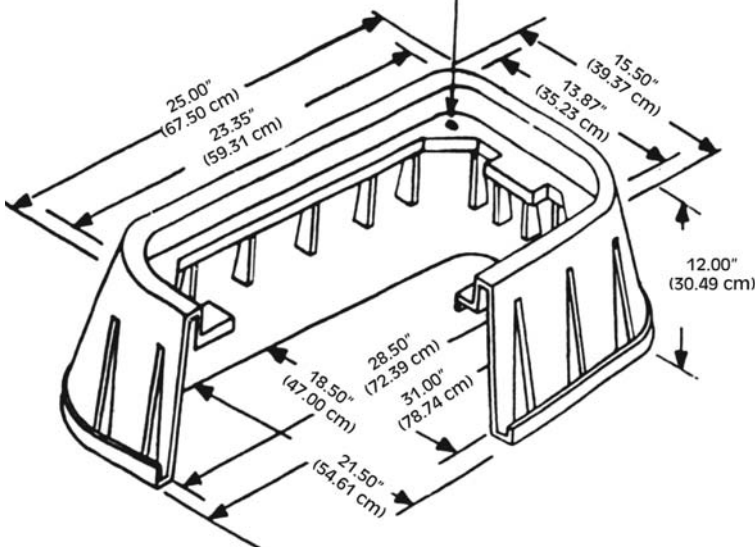
SERIES 1324 (12" HIGH) UTILITY BOX BLACK

■ 16 PER PALLET			
■ BODY & COVER	1324-12B2B	22.00 LBS.	9.98 KG
■ BODY WITH METER READER COVER	1324-12B3B	22.80 LBS.	10.34 KG
■ BODY	1324-12B	15.00 LBS.	6.80 KG
■ COVER	1324-2B	7.00 LBS.	3.18 KG
■ COVER WITH METER READER DOOR	1324-3B	7.80 LBS.	3.54 KG



BOLTS - 3/8" x 2 1/2" STAINLESS STEEL

DIAGONAL BOLT DOWN PATTERN



■ FOR USE IN NON-VEHICLE TRAFFIC AREA



1324-3B



1324-2B



1324-12B

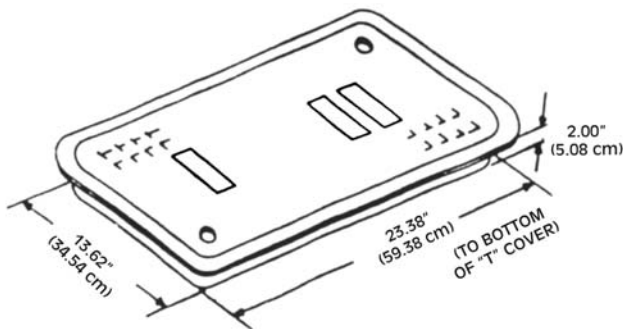
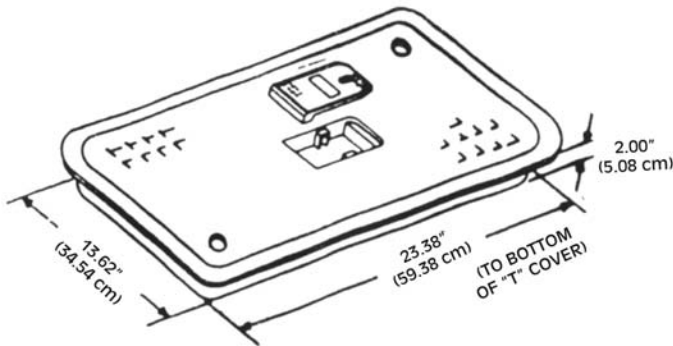
SPECIAL FEATURES

- UV INHIBITOR ADDED TO PREVENT DISCOLORING & CRACKING
- HEAVY DUTY COMMERCIAL CONSTRUCTION
- CAST IRON OR POLY METER READER COVER
- DIAGONAL BOLT DOWN PATTERN
- MOLDED IN NYLON NUT FOR BOLT

STANDARD MARKINGS AVAILABLE (WATER SOLID OR WITH METER READER • ICV)

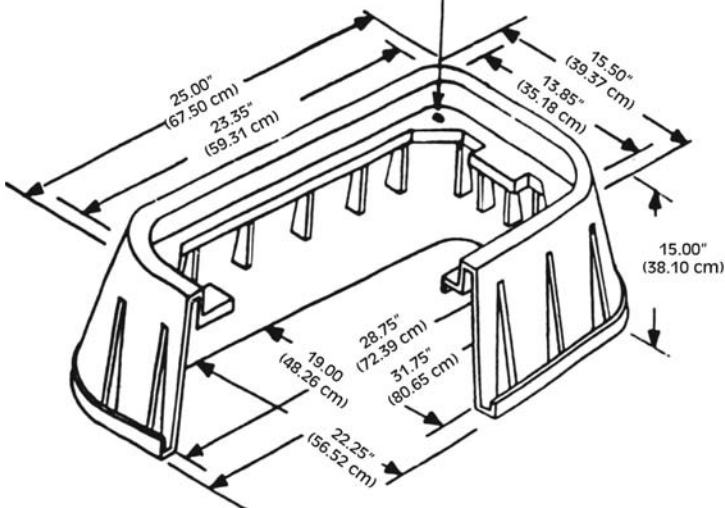
SERIES 1324 (15" HIGH) UTILITY BOX GREEN

■ 16 PER PALLET			
■ BODY & COVER	1324-15P2P	27.00 LBS.	12.25 KG
■ BODY WITH METER READER COVER	1324-15P3P	27.80 LBS.	12.61 KG
■ BODY	1324-15P	20.00 LBS.	9.07 KG
■ COVER	1324-2P	7.00 LBS.	3.18 KG
■ COVER WITH METER READER DOOR	1324-3P	7.80 LBS.	3.54 KG



BOLTS - 3/8" X 2 1/2" STAINLESS STEEL

DIAGONAL BOLT DOWN PATTERN



■ FOR USE IN NON-VEHICLE TRAFFIC AREA



1324-3P



1324-2P



1324-15P

SPECIAL FEATURES

- UV INHIBITOR ADDED TO PREVENT DISCOLORING & CRACKING
- HEAVY DUTY COMMERCIAL CONSTRUCTION
- CAST IRON OR POLY METER READER COVER
- DIAGONAL BOLT DOWN PATTERN
- MOLDED IN NYLON NUT FOR BOLT

OTHER STOCK COLORS AVAILABLE

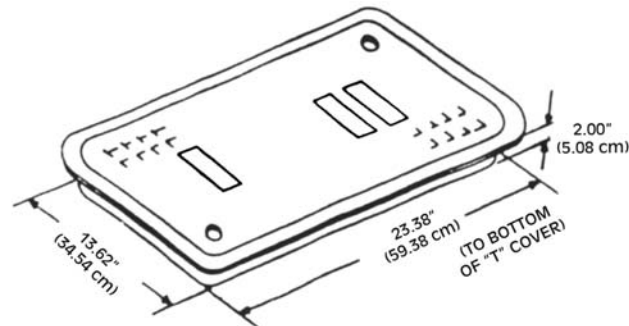
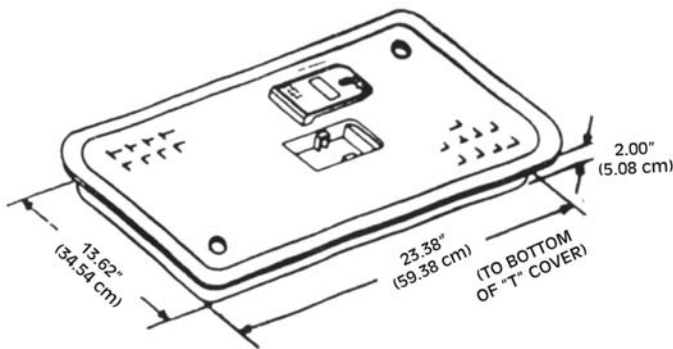
TO SEE COLOR
CLICK ON COLOR

- BLACK
- GRAY
- TAN
- LAVENDER

STANDARD MARKINGS AVAILABLE (IRRIGATION CONTROL VALVE • WATER (SOLID OR WITH METER READER) • RECLAIMED WATER • ELECTRIC • TELEPHONE • SEWER)

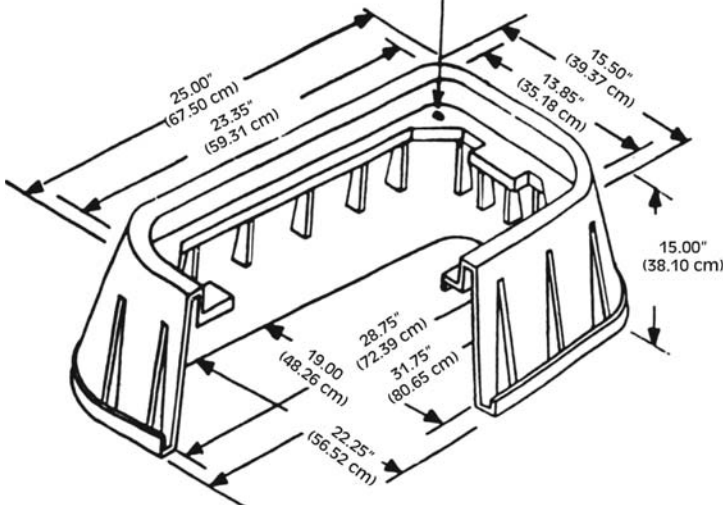
SERIES 1324 (15" HIGH) UTILITY BOX BLACK

■ 16 PER PALLET			
■ BODY & COVER	1324-15B2B	27.00 LBS.	12.25 KG
■ BODY & METER READER COVER	1324-15P3B	27.80 LBS.	12.61 KG
■ BODY	1324-15B	20.00 LBS.	9.07 KG
■ COVER	1324-2B	7.00 LBS.	3.18 KG
■ COVER WITH METER DOOR	1324-3B	7.80 LBS.	3.54 KG



BOLTS - 3/8" X 2 1/2" STAINLESS STEEL

DIAGONAL BOLT DOWN PATTERN



■ FOR USE IN NON-VEHICLE TRAFFIC AREA



1324-3B



1324-2B



1324-15B

SPECIAL FEATURES

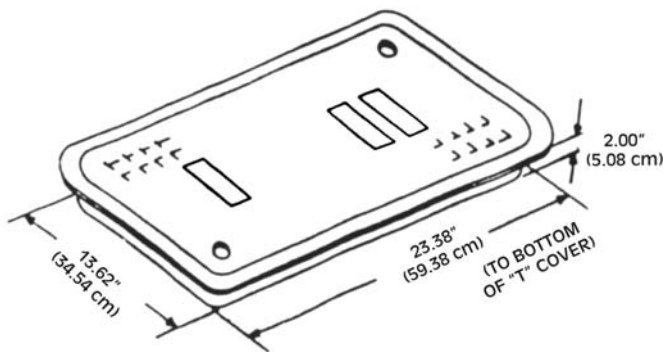
- UV INHIBITOR ADDED TO PREVENT DISCOLORING & CRACKING
- HEAVY DUTY COMMERCIAL CONSTRUCTION
- CAST IRON OR POLY METER READER COVER
- DIAGONAL BOLT DOWN PATTERN
- MOLDED IN NYLON NUT FOR BOLT

STANDARD MARKINGS AVAILABLE (WATER (SOLID OR WITH METER READER) ICV • ELECTRIC)

SERIES 1324 (15" HIGH) UTILITY BOX GRAY

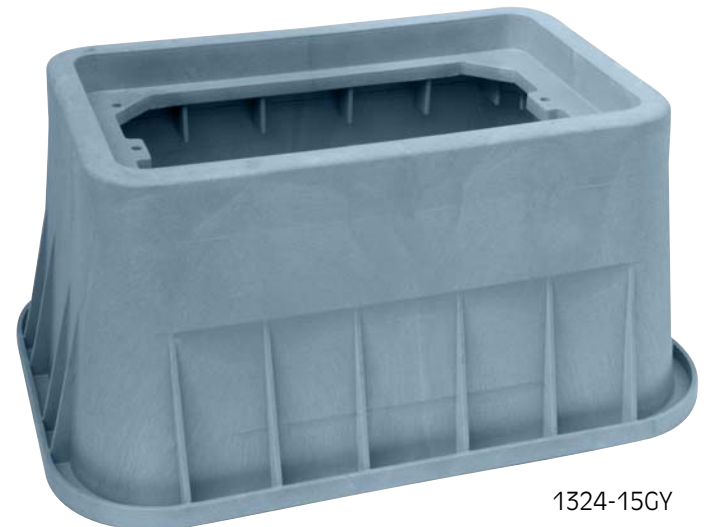
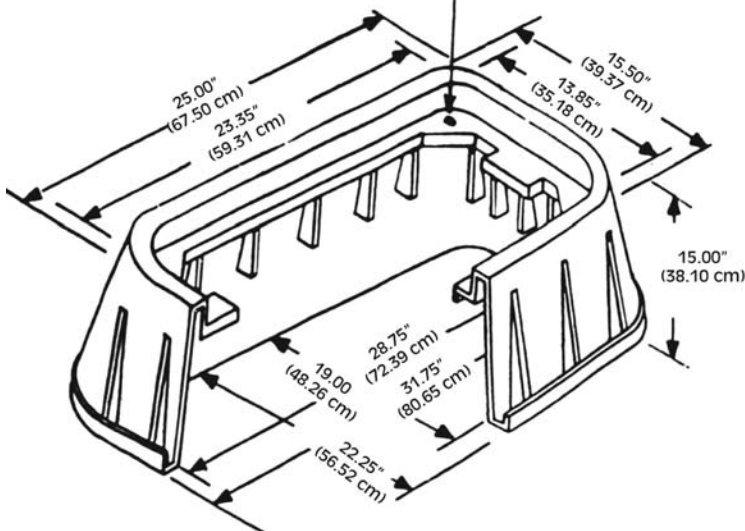
■ 16 PER PALLET

■ BODY & COVER	1324-15GY2GY	27.00 LBS.	12.25 KG
■ BODY	1324-15GY	20.00 LBS.	9.07 KG
■ COVER	1324-2GY	7.00 LBS.	3.18 KG



BOLTS - 3/8" x 2 1/2" STAINLESS STEEL

DIAGONAL BOLT DOWN PATTERN



■ FOR USE IN NON-VEHICLE TRAFFIC AREA

SPECIAL FEATURES

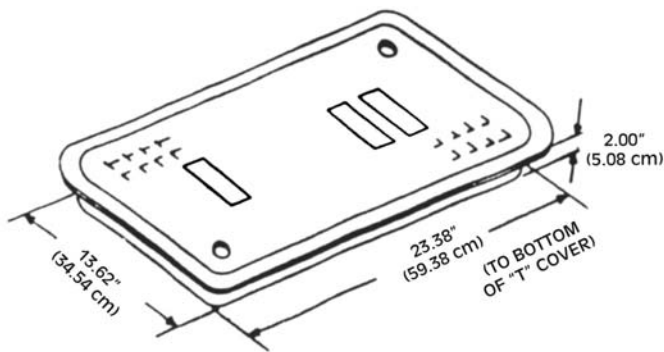
- UV INHIBITOR ADDED TO PREVENT DISCOLORING & CRACKING
- HEAVY DUTY COMMERCIAL CONSTRUCTION
- DIAGONAL BOLT DOWN PATTERN
- MOLDED IN NYLON NUT FOR BOLT

STANDARD MARKINGS AVAILABLE (ELECTRIC)

SERIES 1324 (15" HIGH) UTILITY BOX TAN

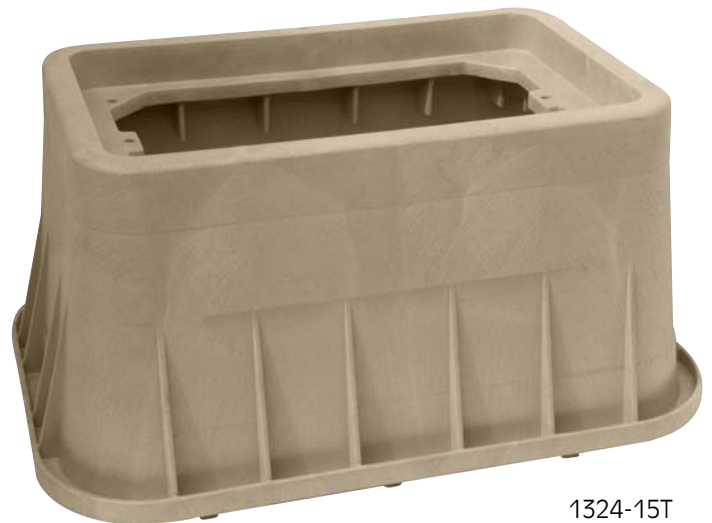
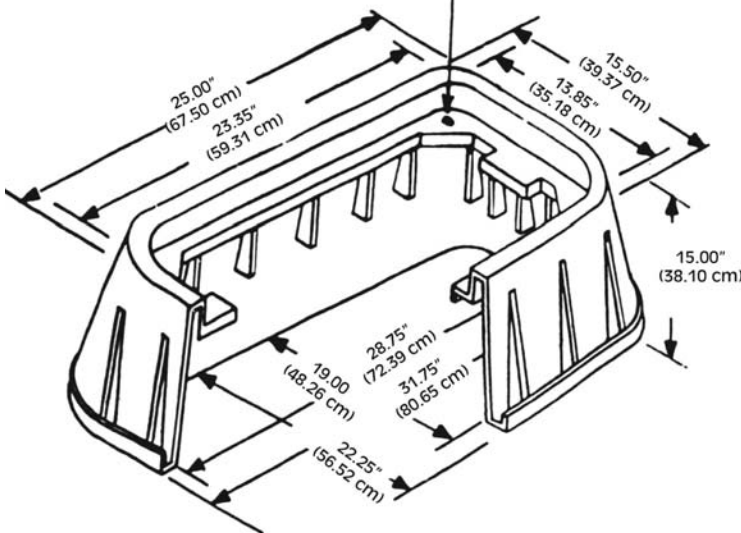
■ 16 PER PALLET

■ BODY & COVER	1324-15T2T	27.00 LBS.	12.25 KG
■ BODY	1324-15T	20.00 LBS.	9.07 KG
■ COVER	1324-2T	7.00 LBS.	3.18 KG



1324-2T

BOLTS - 3/8" x 2 1/2" STAINLESS STEEL
DIAGONAL BOLT DOWN PATTERN



1324-15T

■ FOR USE IN NON-VEHICLE TRAFFIC AREA

SPECIAL FEATURES

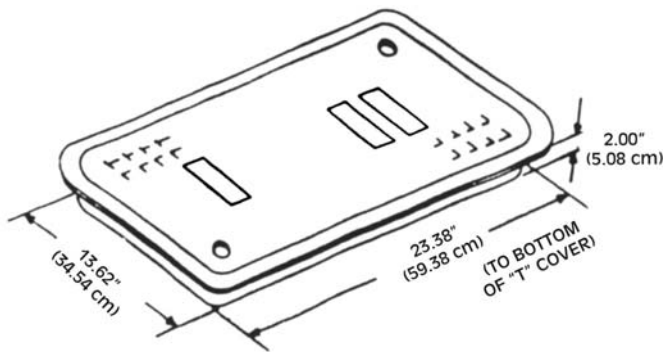
- UV INHIBITOR ADDED TO PREVENT DISCOLORING & CRACKING
- HEAVY DUTY COMMERCIAL CONSTRUCTION
- DIAGONAL BOLT DOWN PATTERN
- MOLDED IN NYLON NUT FOR BOLT

STANDARD MARKINGS AVAILABLE (IRRIGATION CONTROL VALVE)

SERIES 1324 (15" HIGH) UTILITY BOX LAVENDER

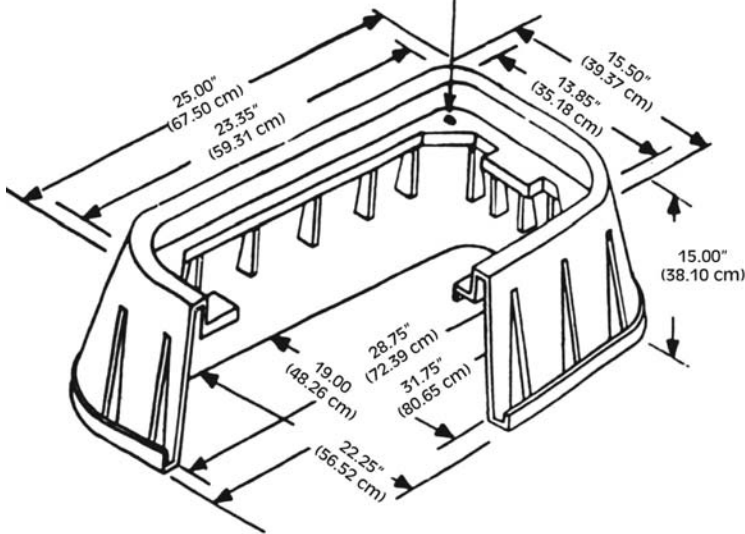
■ 16 PER PALLET

■ BODY & COVER	1324-15L2L	27.00 LBS.	12.25KG
■ BODY	1324-15L	20.00 LBS.	9.07 KG
■ COVER	1324-2L	7.00 LBS.	3.18 KG



BOLTS - 3/8" x 2 1/2" STAINLESS STEEL

DIAGONAL BOLT DOWN PATTERN



■ FOR USE IN NON-VEHICLE TRAFFIC AREA

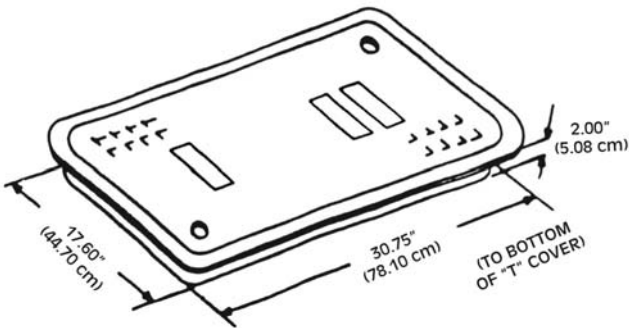
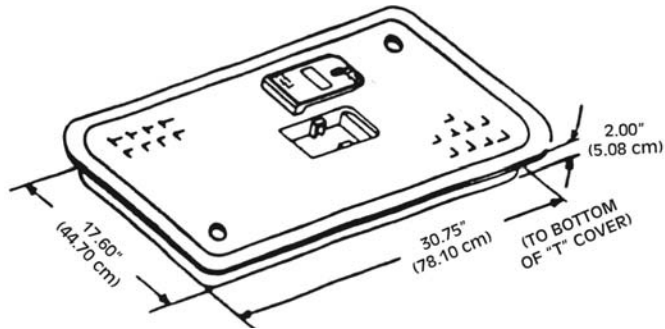
SPECIAL FEATURES

- UV INHIBITOR ADDED TO PREVENT DISCOLORING & CRACKING
- HEAVY DUTY COMMERCIAL CONSTRUCTION
- DIAGONAL BOLT DOWN PATTERN
- MOLDED IN NYLON NUT FOR BOLT

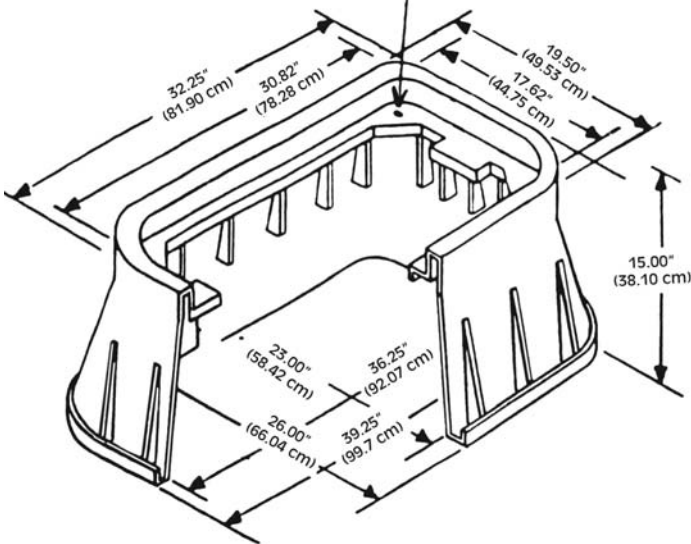
STANDARD MARKINGS AVAILABLE (RECLAIMED WATER)

SERIES 1730 (15" HIGH) UTILITY BOX GREEN

■ 16 PER PALLET			
■ BODY & COVER	1730-15P2P	31.00 LBS.	14.06 KG
■ BODY WITH METER READER COVER	1730-15P3P	31.30 LBS.	14.20 KG
■ BODY	1730-15P	18.00 LBS.	8.16 KG
■ COVER	1730-2P	13.00 LBS.	5.90 KG
■ COVER WITH METER DOOR	1730-3P	13.30 LBS.	6.04 KG



BOLTS - 3/8" x 2 1/2" STAINLESS STEEL
DIAGONAL BOLT DOWN PATTERN



■ FOR USE IN NON-VEHICLE TRAFFIC AREA



1730-3P



1730-2P



1730-15P

SPECIAL FEATURES

- UV INHIBITOR ADDED TO PREVENT DISCOLORING & CRACKING
- HEAVY DUTY COMMERCIAL CONSTRUCTION
- CAST IRON OR POLY METER READER COVER
- DIAGONAL BOLT DOWN PATTERN
- MOLDED IN NYLON NUT FOR BOLT

OTHER STOCK COLORS AVAILABLE
TO SEE COLOR
CLICK ON COLOR

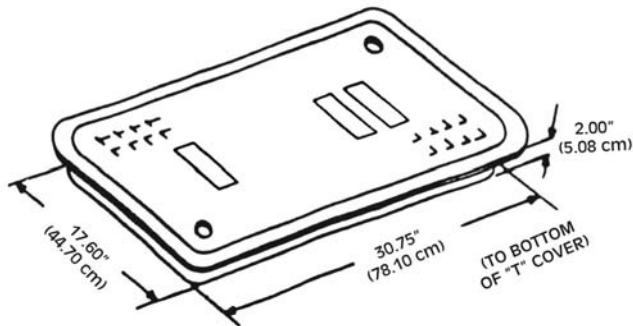
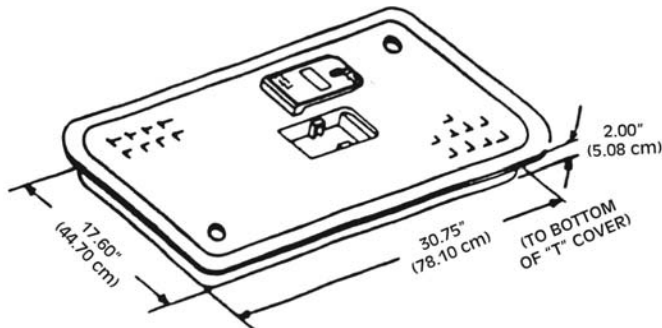
- BLACK
- GRAY
- LAVENDER

STANDARD MARKINGS AVAILABLE (IRRIGATION CONTROL VALVE

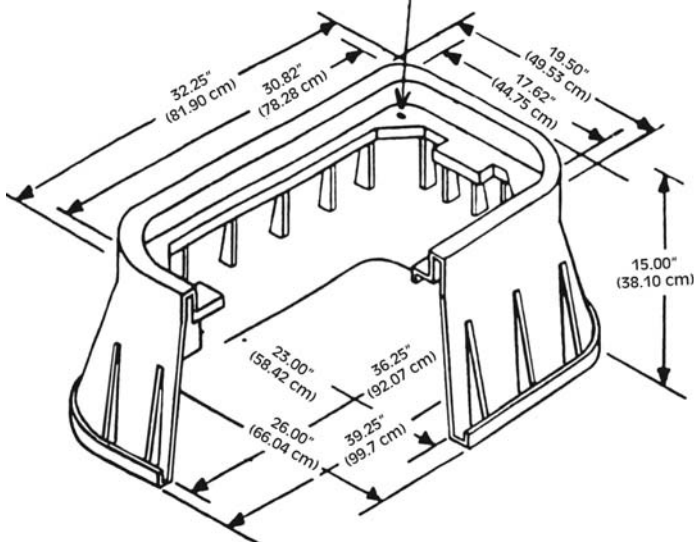
• WATER (SOLID OR WITH METER READER) • ELECTRIC • BLANK • TELEPHONE • SEWER • CATV)

SERIES 1730 (15" HIGH) UTILITY BOX BLACK

■ 16 PER PALLET			
■ BODY & COVER	1730-15B2B	31.00 LBS.	14.06 KG
■ BODY WITH METER COVER	1730-15B3B	31.30 LBS.	14.20 KG
■ BODY	1730-15B	18.00 LBS.	8.16 KG
■ COVER	1730-2B	13.00 LBS.	5.90 KG
■ COVER WITH METER DOOR	1730-3B	13.30 LBS.	6.04 KG



BOLTS - 3/8" x 2 1/2" STAINLESS STEEL
DIAGONAL BOLT DOWN PATTERN



■ FOR USE IN NON-VEHICLE TRAFFIC AREA



1730-3B



1730-2B



1730-15B

SPECIAL FEATURES

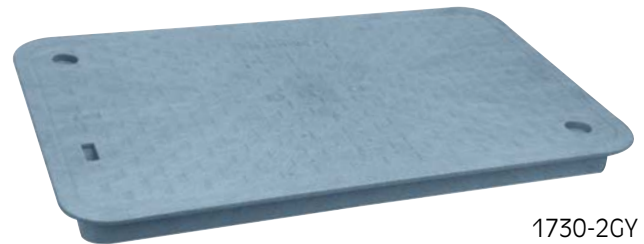
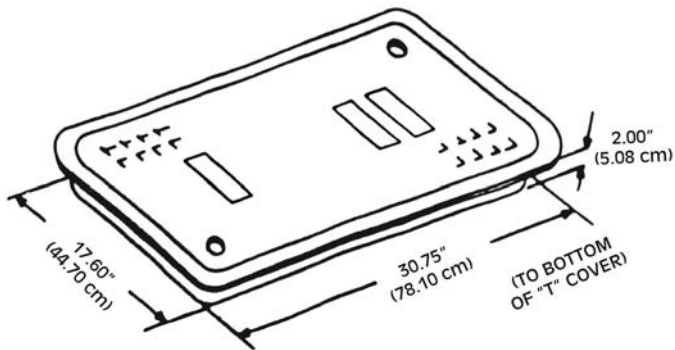
- UV INHIBITOR ADDED TO PREVENT DISCOLORING & CRACKING
- HEAVY DUTY COMMERCIAL CONSTRUCTION
- CAST IRON OR POLY METER READER COVER
- DIAGONAL BOLT DOWN PATTERN
- MOLDED IN NYLON NUT FOR BOLT

**STANDARD MARKINGS AVAILABLE
(IRRIGATION CONTROL VALVE • WATER -SOLID OR WITH METER READER)**

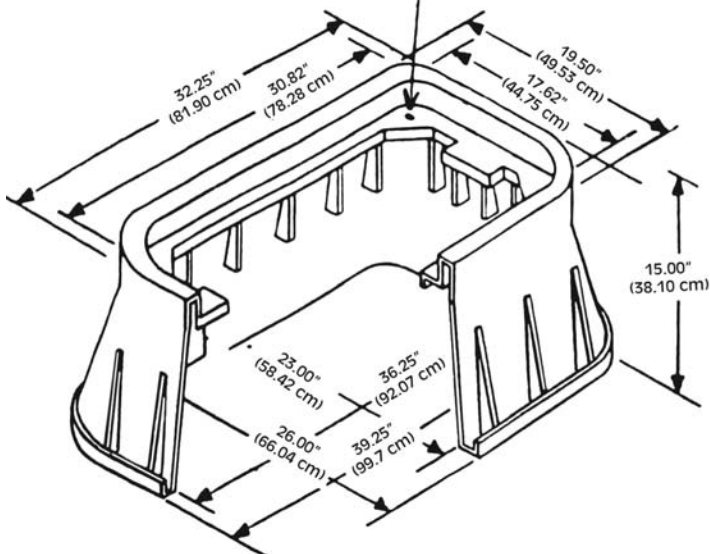
SERIES 1730 (15" HIGH) UTILITY BOX GRAY

■ 16 PER PALLET

■ BODY & COVER	1730-15GY2GY	31.00 LBS.	14.06 KG
■ BODY	1730-15GY	18.00 LBS.	8.16 KG
■ COVER	1730-2GY	13.00 LBS.	5.90 KG



BOLTS - 3/8" x 2 1/2" STAINLESS STEEL
DIAGONAL BOLT DOWN PATTERN



■ FOR USE IN NON-VEHICLE TRAFFIC AREA

SPECIAL FEATURES

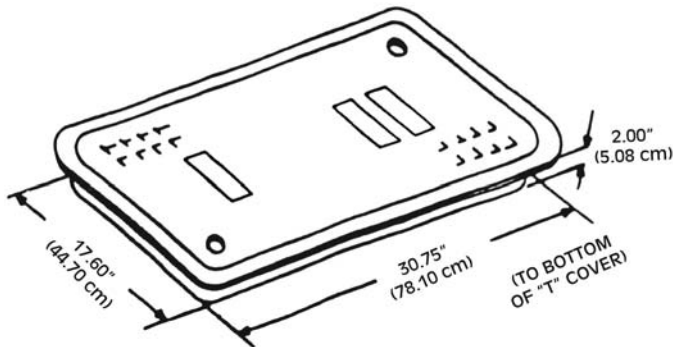
- UV INHIBITOR ADDED TO PREVENT DISCOLORING & CRACKING
- HEAVY DUTY COMMERCIAL CONSTRUCTION
- DIAGONAL BOLT DOWN PATTERN
- MOLDED IN NYLON NUT FOR BOLT

STANDARD MARKINGS AVAILABLE (ELECTRIC • TELEPHONE)

SERIES 1730 (15" HIGH) UTILITY BOX LAVENDER

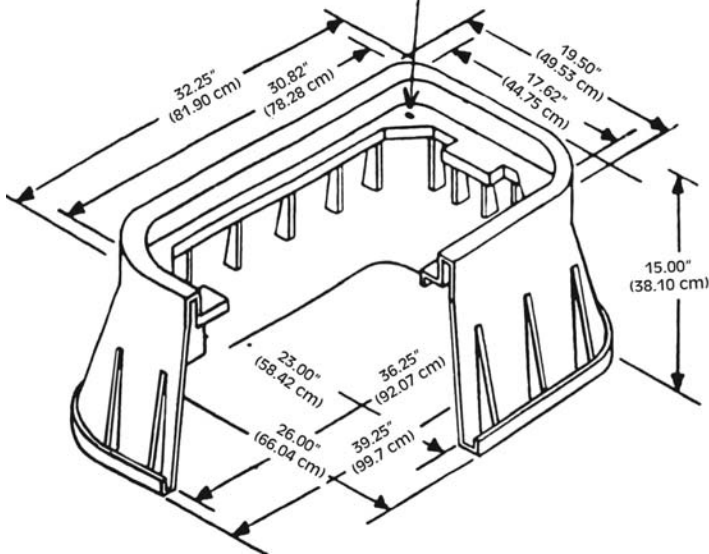
■ 16 PER PALLET

■ BODY & COVER	1730-15L2L	31.00 LBS.	14.06 KG
■ BODY	1730-15L	18.00 LBS.	8.16 KG
■ COVER	1730-2L	13.00 LBS.	5.90 KG



1730-2L

BOLTS - 3/8" x 2 1/2" STAINLESS STEEL
DIAGONAL BOLT DOWN PATTERN



1730-15L

■ FOR USE IN NON-VEHICLE TRAFFIC AREA

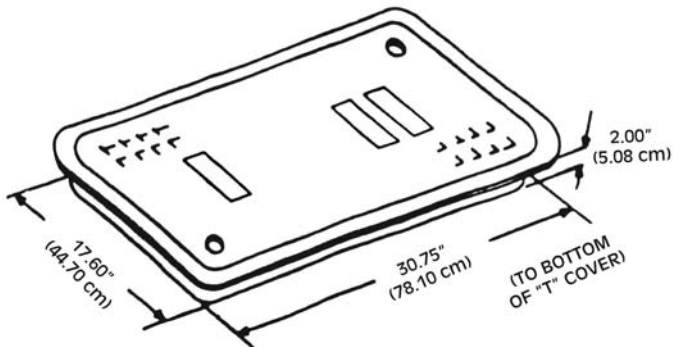
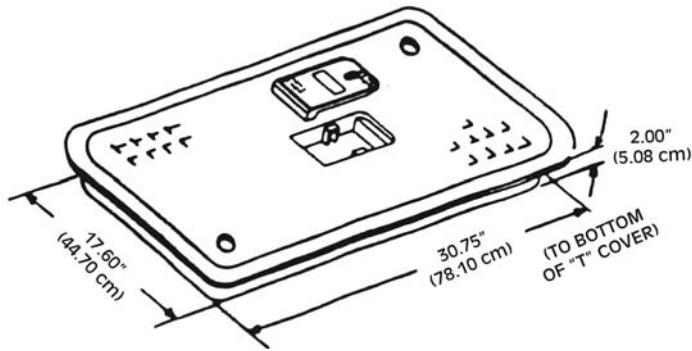
SPECIAL FEATURES

- UV INHIBITOR ADDED TO PREVENT DISCOLORING & CRACKING
- HEAVY DUTY COMMERCIAL CONSTRUCTION
- DIAGONAL BOLT DOWN PATTERN
- MOLDED IN NYLON NUT FOR BOLT

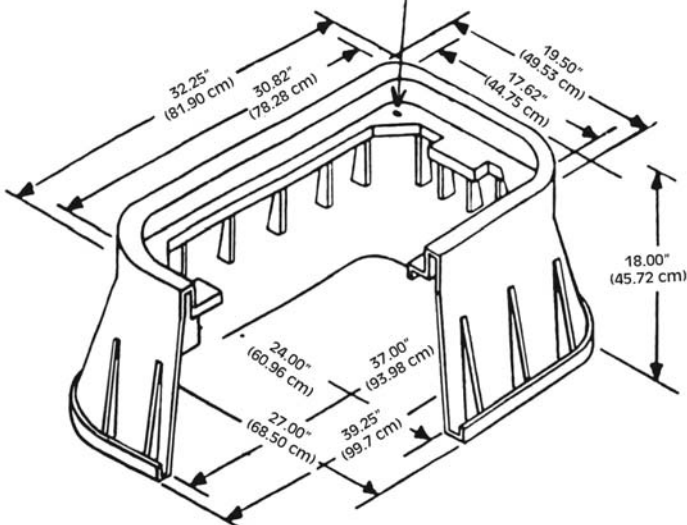
STANDARD MARKINGS AVAILABLE (RECLAIMED WATER)

SERIES 1730 (18" HIGH) UTILITY BOX GREEN

■ 16 PER PALLET			
■ BODY & COVER	1730-18P2P	42.00 LBS.	19.05 KG
■ BODY WITH METER COVER	1730-18P3P	42.30 LBS.	19.18 KG
■ BODY	1730-18P	29.00 LBS.	13.15 KG
■ COVER	1730-2P	13.00 LBS.	5.90 KG
■ COVER WITH METER DOOR	1730-3P	13.30 LBS.	6.03 KG



BOLTS - 3/8" x 2 1/2" STAINLESS STEEL
DIAGONAL BOLT DOWN PATTERN



■ FOR USE IN NON-VEHICLE TRAFFIC AREA



1730-3P



1730-2P



1730-18P

SPECIAL FEATURES

- UV INHIBITOR ADDED TO PREVENT DISCOLORING & CRACKING
- HEAVY DUTY COMMERCIAL CONSTRUCTION
- CAST IRON OR POLY METER READER COVER
- DIAGONAL BOLT DOWN PATTERN
- MOLDED IN NYLON NUT FOR BOLTS

OTHER STOCK COLORS AVAILABLE

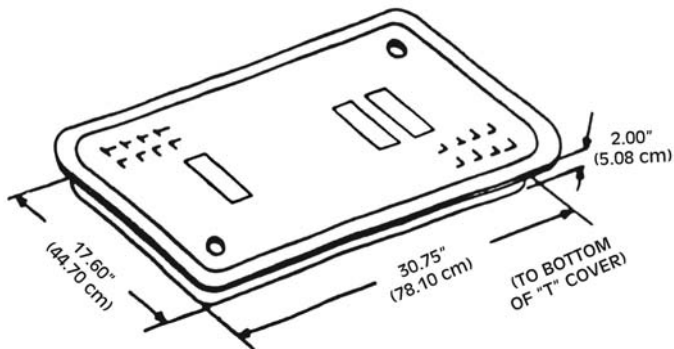
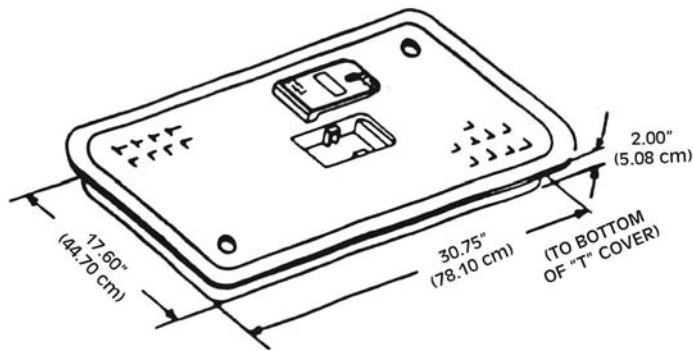
TO SEE COLOR
CLICK ON COLOR

- BLACK
- GRAY
- LAVENDER
- TAN

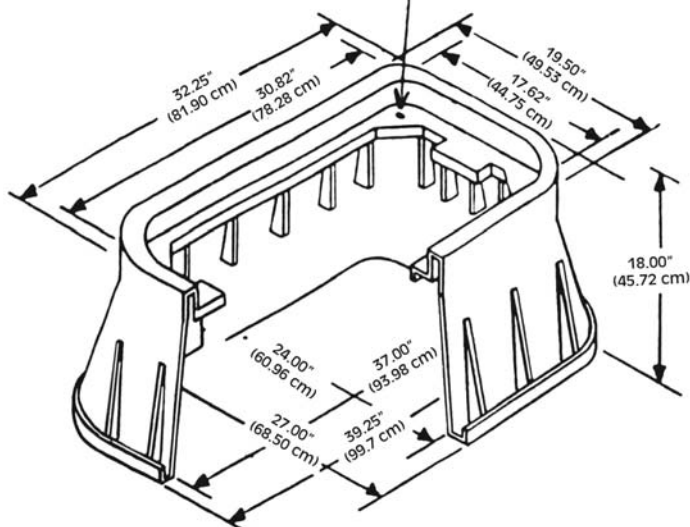
**STANDARD MARKINGS (IRRIGATION CONTROL VALVE (ICV) • TELEPHONE • CATV • ELECTRIC
• WATER (SOLID OR WITH METER READER) • BLANK • SEWER • RECLAIMED WATER)**

SERIES 1730 (18" HIGH) UTILITY BOX BLACK

■ 16 PER PALLET			
■ BODY & COVER	1730-18B2B	42.00 LBS.	19.05 KG
■ BODY WITH METER COVER	1730-18B3B	42.30 LBS.	19.18 KG
■ BODY	1730-18B	29.00 LBS.	13.15 KG
■ COVER	1730-2B	13.00 LBS.	5.90 KG
■ COVER WITH METER DOOR	1730-3B	13.30 LBS.	6.03 KG



BOLTS - 3/8" x 2 1/2" STAINLESS STEEL
DIAGONAL BOLT DOWN PATTERN



■ FOR USE IN NON-VEHICLE TRAFFIC AREA



1730-3B



1730-2B



1730-18B

SPECIAL FEATURES

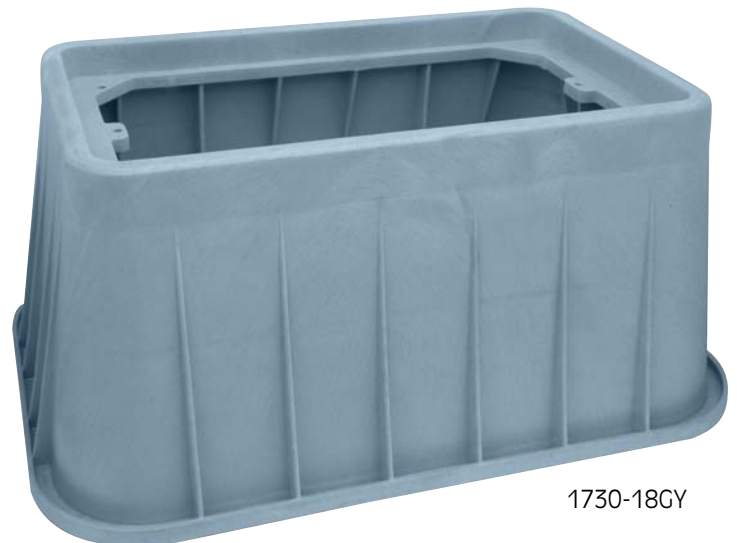
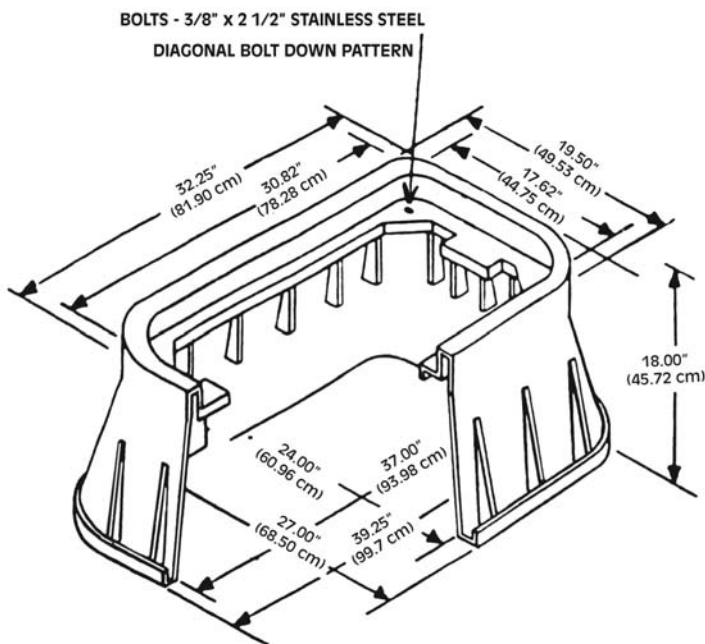
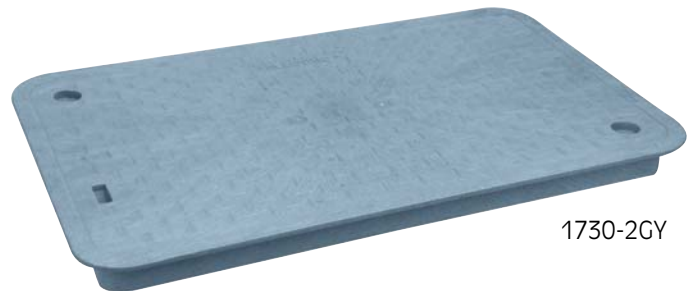
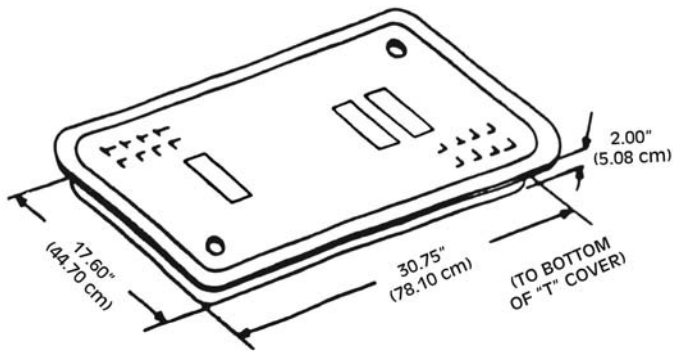
- UV INHIBITOR ADDED TO PREVENT DISCOLORING & CRACKING
- HEAVY DUTY COMMERCIAL CONSTRUCTION
- CAST IRON OR POLY METER READER COVER
- DIAGONAL BOLT DOWN PATTERN
- MOLDED IN NYLON NUT FOR BOLTS

**STANDARD MARKINGS (IRRIGATION CONTROL VALVE (ICV) • ELECTRIC
• WATER (SOLID OR WITH METER READER) • BLANK)**

SERIES 1730 (18" HIGH) UTILITY BOX GRAY

■ 16 PER PALLET

■ BODY & COVER	1730-18GY2GY	42.00 LBS.	19.05 KG
■ BODY	1730-18GY	29.00 LBS.	13.15 KG
■ COVER	1730-2GY	13.00 LBS.	5.90 KG



■ FOR USE IN NON-VEHICLE TRAFFIC AREA

SPECIAL FEATURES

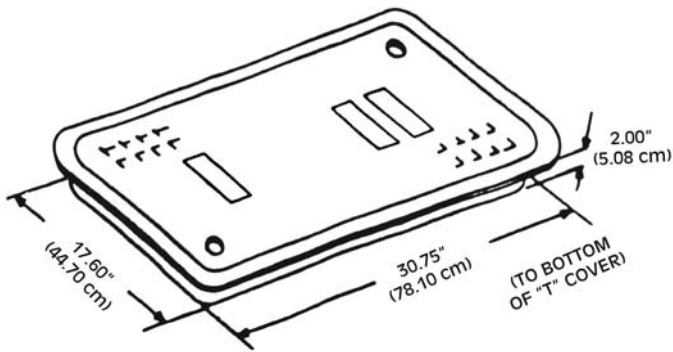
- UV INHIBITOR ADDED TO PREVENT DISCOLORING & CRACKING
- HEAVY DUTY COMMERCIAL CONSTRUCTION
- DIAGONAL BOLT DOWN PATTERN
- MOLDED IN NYLON NUT FOR BOLTS

STANDARD MARKINGS (TELEPHONE • ELECTRIC)

SERIES 1730 (18" HIGH) UTILITY BOX LAVENDER

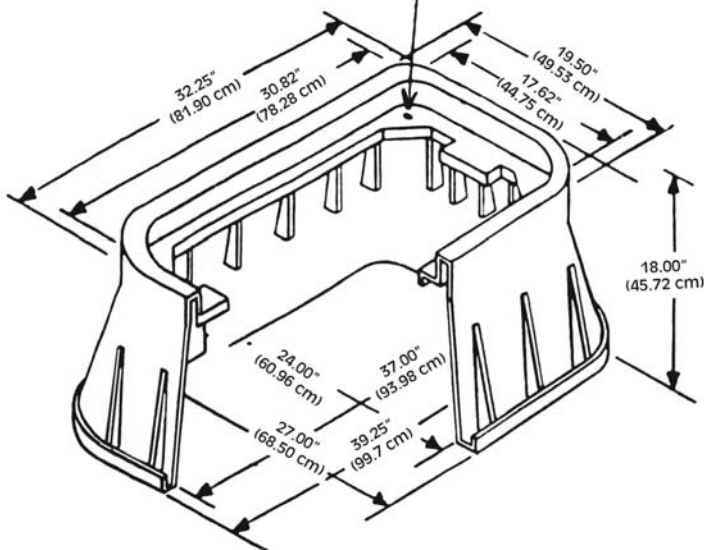
■ 16 PER PALLET

■ BODY & COVER	1730-18L2L	42.00 LBS.	19.05 KG
■ BODY	1730-18L	29.00 LBS.	13.15 KG
■ COVER	1730-2L	13.00 LBS.	5.90 KG



1730-2L

BOLTS - 3/8" x 2 1/2" STAINLESS STEEL
DIAGONAL BOLT DOWN PATTERN



1730-18L

■ FOR USE IN NON-VEHICLE TRAFFIC AREA

SPECIAL FEATURES

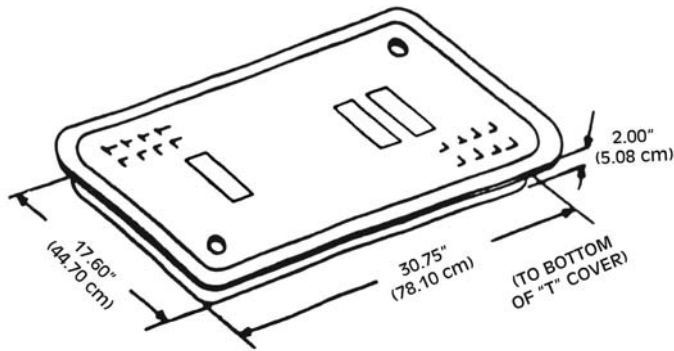
- UV INHIBITOR ADDED TO PREVENT DISCOLORING & CRACKING
- HEAVY DUTY COMMERCIAL CONSTRUCTION
- DIAGONAL BOLT DOWN PATTERN
- MOLDED IN NYLON NUT FOR BOLTS

STANDARD MARKINGS AVAILABLE (RECLAIMED WATER • ICV)

SERIES 1730 (18" HIGH) UTILITY BOX TAN

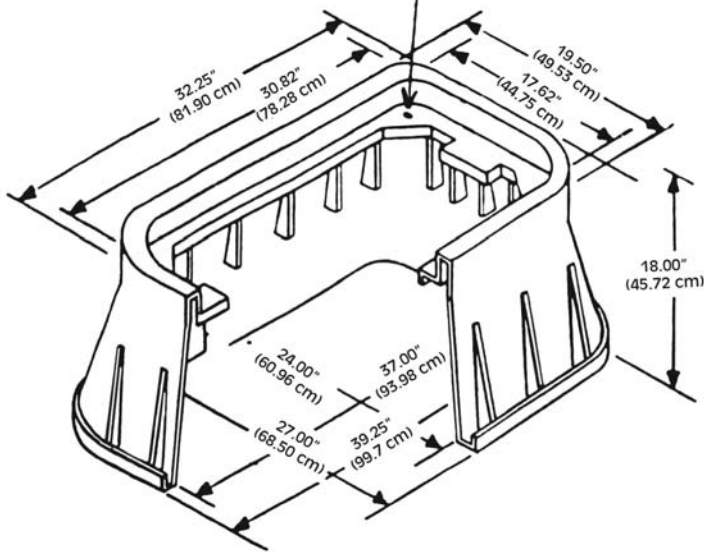
■ 16 PER PALLET

■ BODY & COVER	1730-18T2T	42.00 LBS.	19.05 KG
■ BODY	1730-18T	29.00 LBS.	13.15 KG
■ COVER	1730-2T	13.00 LBS.	5.90 KG



1730-2T

BOLTS - 3/8" x 2 1/2" STAINLESS STEEL
DIAGONAL BOLT DOWN PATTERN



1730-18T

■ FOR USE IN NON-VEHICLE TRAFFIC AREA

**SPECIAL
FEATURES**

- UV INHIBITOR ADDED TO PREVENT DISCOLORING & CRACKING
- HEAVY DUTY COMMERCIAL CONSTRUCTION
- DIAGONAL BOLT DOWN PATTERN
- MOLDED IN NYLON NUT FOR BOLTS

STANDARD MARKINGS (IRRIGATION CONTROL VALVE)

SERIES 1730-XG (8" HIGH) EXTENSION GREEN

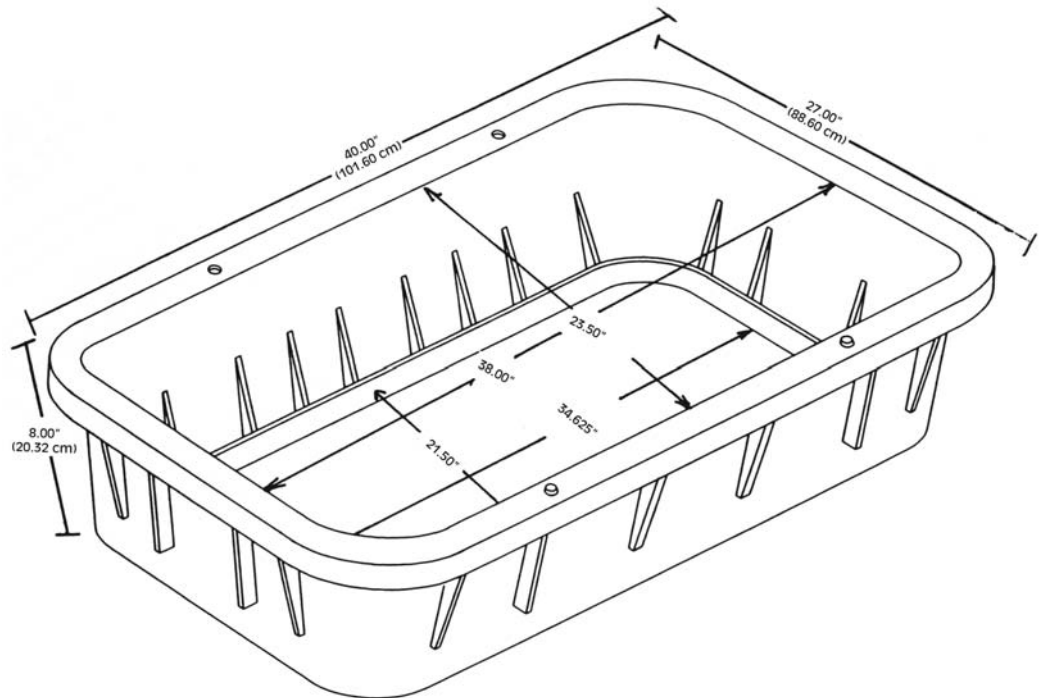
■ 22 PER PALLET

■ BOTTOM EXTENSION

1730 XG

12.00 LBS.

5.44 KG



**SPECIAL
FEATURES**

■ HEAVY DUTY CONSTRUCTION

■ 6 LOCATION HOLES & PINS
FOR EASY ASSEMBLY

■ PARTS WILL INTERLOCK TOP TO TOP OR
BOTTOM TO BOTTOM TO INCREASE
BOX DEPTH