



M & W ELECTRIC

986 Salem, Parkway
Salem, OH 44460
Phone: 800-926-9456 or 330-332-9553
Fax: 330-332-9430
www.mwelectricmfg.com



Quality



Electrical Fittings



Since 1933



M & W Electric Manufacturing Co LLC

986 Salem Parkway

Salem, OH 44460

Phone: 330-332-9553 Fax: 330-332-4681

www.mwelectricmfg.com

info@mwelectricmfg.com

Table of Contents

<i>Service Entrance.....1-7</i>			
Watertight connectors	1 -2	Non-Watertight Connectors	2
Sill Plates	2	Cable Heads	3
Cable Straps	3	Mast Heads	4-5
Roof Flashings	5-6	Conduit Supports	6
Insulator Brackets/Wireholders	7	Offset Bottom Reducers	7
Wedge Clamps	7		
<i>Kits.....8-9</i>			
Service Mast Kits	8	Service Entrance Cable Kits	9
<i>Conduit Bodies.....10-20</i>			
Rigid Bodies	10 -12	Covers	12
Gaskets	13	E.M.T. Bodies	13 - 15
Combo EMT/Rigid	15 - 17	Malleable Iron	18-20
Mogul	20		
<i>Rigid Conduit Fittings.....21-29</i>			
Entrance Ells	21	90° Pull Ells	21
Offset Nipples	21	Beam Clamps	22
Knockout Seals	22	Three-Piece Couplings	22
Steel Conduit Hangers	22 - 23	Conduit Bushings	23
Watertight Hubs	24	Conduit Nipples	24
Grounding Bushing	25	Steel Conduit Locknuts	25 - 26
Pipe Straps	26-27	Parallel Beam Clamps	26
Clamp Backs	27	Floor Flange Plates	27
Reducing Washers	28	Right Angle Clamps	29
Reducer Bushings	29		
<i>Thinwall Fittings.....30-34</i>			
E.M.T. Compression Connector	30	E.M.T. Compression Coupling	30
E.M.T. Set Screw Connector	31	E.M.T. Set Screw Coupling	31
E.M.T. Compression Connector Ins.	32	E.M.T. Set Screw Connector Insulated	32
90° Pull Ells	33	E.M.T. to Flex Connector	33
Inside Corner Elbow	33	E.M.T. Set Screw Offset Connector	33
E.M.T. Straps	34	E.M.T. Nail Straps	34
<i>Liquid Tight Fittings.....35-37</i>			
Straight Liquid Tight	35	Straight Liquid Tight Malleable Iron	36
90° Liquid Tight	35	90° Liquid Tight Malleable Iron	36
NM Liquid Tight Straight, 90°, 45°	37		
<i>Grounding Devices.....38-39</i>			
Bonding Bridge	38		
Ground Clamps	38	Acorn Ground Clamps	39
Ground Clamps with Lay-In Lugs	39	Kenny Clamps Electrode Grounding	39

<i>BX-Romex Connectors.....40-42</i>			
Metallic Romex Connector	40	Combination BX-Romex Connector	40
Armored Cable (BX) Set Screw Conn.	40	Strap Type BX & Greenfield Conn.	40
Two Piece Steel Romex Connector	40	Saddle Clamp Connector	40
Duplex Connector	40	90° BX & Greenfield Connector	41
Straight Squeeze Connector	41	Screw-In Connectors & Couplings	42
One Hole Strap	42		
<i>Miscellaneous.....43-47</i>			
Anti-Short Bushings	43	Snap-In Bushing	43
Universal Snap-In Bushing	43	NM Snap-In Connectors	43
Green Grounding Screws & Clips	44	Green Grounding Pigtails	44
#12 Jack Chain	44	#12 "S" Hooks	44
Roof Tie Bracket	44	E.M.T. Insulating Bushing	44
Duct Seal – Caulking Sealer	44	Switch Box Supports	44
Blue Concrete Screws	44		
Anchor Kits	45	PVC Conduit Two Hole Straps	45
Pole Straps	45	Nail Plates	45
Electrical Tape	45	Duct Tape	46
Direct Burial Tapes	46	Caution Tapes	46
Service Entrance Staples	46	Co-Ax Staples	46
Stacking Staples	47	Two-Nail Staples	47
Twist-On Wire Connectors	47	Twist-On Wing Wire Connectors	47
Wire Dispenser	47		
<i>Poleline Hardware.....48-55</i>			
Wireholders with Lag Screw	48	House Brackets & Insulators	48
Porcelain Spools	48	Secondary Racks	48
Clevis Insulators	48	Cross Arm Clevis	48
Insulated Swinging Clevis	49	Lag Screws	49
Machine Bolts	49	Forged Oval Eye Bolts	50
Oval & Thimble Eye Nuts	50	Eyelets	50
Expanding Anchor	50	Double Arming Bolts	51
Carriage Bolts	51	Drive Hook	51
Forged Thimble Eye Bolts	52	Spool Bolts	52
Flat Square Washer	52	Curved Square Washer	52
Round Flat Washer	53	Square Nuts	53
MF Type Lock Nuts	53	Forged Anchor Rods	53
No Wrench Screw Anchor	53	Guy Clamps	54
Cable Suspension Clamps	54	Crossarm Brace	54
Guy Attachment	54	Low Voltage Steel Pins	54
High Voltage Steel Pins	55	Pole Top Pins	55
<i>Vapor Tight Lighting.....56-58</i>			
<i>Strut Accessories.....59-64</i>			
Universal Pipe Clamps	59	I.P.Pipe Clamp	59
EMT Conduit Clamps	60	Beam Clamps	60
Square Washer	60	Strut Nut with Spring	61
Flat Plate Fittings	61-62	Post Bases	63-64

HEX-NUT WATERTIGHT CONNECTORS - ALUMINUM DIE CAST CHROME PLATED

For Oval Service Entrance Cables UL Listed



Discontinued see WTC-22
 Discontinued see WTC-22
 Discontinued see WTC-23
 Discontinued see WTC-23



Catalog No.	UPC #	Hub Size	Oval SEU				
			Bushing Opening	Cable Size	Ctn. Qty	Std. Pkg	Wgt/ 100
HN-3	01056	1"	.58 x .91	3 No. 4	20	100	20
HN-23	01072	1 1/4"	.55 x .78	3 No. 2	10	50	26
HN-23B	01073	1 1/4"	.61 x .98	3 No. 2	10	50	26
HN-33	01070	1 1/4"	.58 x .91	3 No.3	10	50	26
HN-33B	01071	1 1/4"	.66 x 1.06	3 No. 4-3	10	50	26
HN-34B	01069	1 1/4"	.62 x 1.03	3 No. 6-4	10	50	26
HN-211	01085	1 1/2"	.77 X 1.25	3 No. 1	5	25	66
HN-1/0R	01089	1 1/2"	.83 X 1.34	3 No. 1/0	5	25	64
HN-2/0R	01090	1 1/2"	.94 X 1.47	3 No. 2/0	5	25	62
HN-2/0RB	01091	1 1/2"	.85 x 1.39	3 No. 2/0	5	25	63
HN-1/0RS	01095	2"	.94 x 1.47	3 No. 1/0	5	25	55
HN-2/0RSB	01097	2"	.85 x 1.39	3 No. 2/0	5	25	55
HN-2/0RS	01096	2"	.94 x 1.47	3 No. 2/0	5	25	52
HN-3/0R	01098	2"	.97 x 1.56	3 No. 3/0	5	25	52
HN-4/0R	01099	2"	1.16 x 1.72	3 No. 4/0	5	25	52
HN-4/0RB	01100	2"	.98 x 1.63	3 No. 4/0	5	25	52
HN-200		2"	.50 x 1.71		5	25	52

HEX-NUT STRAIN RELIEF WATERTIGHT CONNECTORS -Zinc

For Round Service Cable - Portable Cords



Catalog No.	UPC #	Hub Size	Oval SEU				
			Bushing Opening	Cable Size	Ctn. Qty	Std. Pkg	Wgt/ 100
HR-51	01250	1/2"	.19 - .26	---	20	100	10
HR-52	01251	1/2"	.26 - .375	---	20	100	10
HR-53	01252	1/2"	.375 - .500	---	20	100	10
HR-54	01253	1/2"	.38 - .44	Discontinued			
HR-71	01260	3/4"	.375 - .500	---	20	100	11
HR-72	01261	3/4"	.50 - .625	---	20	100	11
HR-73	01262	3/4"	.625 - .750	---	20	100	11
HR-74	01263	3/4"	.56 - .63	Discontinued			

HEX-NUT WATERTIGHT CONNECTORS - Zinc

For Oval Service Entrance Cables * Zinc Die Cast UL Listed



Catalog No.	UPC #	Hub Size	Oval SEU				
			Bushing Opening	Cable Size	Ctn. Qty	Std. Pkg	Wgt/ 100
WTC-1	01036	1"	.410 x .65	3 No. 8	10	100	34
WTC-2	01037	1"	.460 x .715	3 No. 6	10	100	34
WTC-3	01038	1"	.530 x .850	3 No.4	10	100	34
WTC-11	01039	1 1/4"	.550 x .910	3 No. 3	10	100	52
WTC-12	01040	1 1/4"	.580 x .960	3 No. 2	10	100	52
WTC-13	01041	1 1/4"	.660 x 1.12	3 No. 1	10	100	52
WTC-22	01042	1 1/2"	.705 x 1.195	3 No. 1/0	5	50	65
WTC-23	01043	1 1/2"	.740 x 1.235	3 No. 2/0	5	50	65
WTC-31	01044	2"	.700 x 1.195	3 No. 1/0	5	50	87
WTC-32	01045	2"	.8125 x 1.25	3 No. 2/0	5	50	87
WTC-33	01046	2"	.75 x 1.38	3 No. 3/0	5	50	87
WTC-34	01047	2"	.875 x 1.44	3 No. 4/0	5	50	87
WTC-35	01048	2"	.995 x 1.580	3 No. 4/0	5	50	87

TWO-SCREW TYPE S.E. CABLE CONNECTOR - SAND CAST ALUMINUM

UL Listed



Catalog No.	UPC #	Hub Size	Bushing Opening	Oval SEU		Std. Pkg	Wgt/ 100
				Cable Size	Ctn. Qty		
033R	01135	1 1/4"	.61 x .98	3 No. 3	10	50	31
032R	01137	1 1/4"	.66 x 1.06	3 No. 2	10	50	31
032RB	01138	1 1/4"	.62 x 1.03	3 No. 2	10	50	32
1/0R	01154	1 1/2"	.83 x 1.34	3 No. 1/0	5	25	63
2/0R	01155	1 1/2"	.94 x 1.47	3 No. 2/0	5	25	59
2/0RB	01156	1 1/2"	.85 x 1.39	3 No. 2/0	5	25	63
1/0RS	01159	2"	.83 x 1.34	3 No. 1/0	5	25	61
2/0RS	01160	2"	.94 x 1.47	3 No. 2/0	5	25	65
2/0RSB	01161	2"	.85 x 1.39	3 No. 2/0	5	25	61
3/0R	01162	2"	.97 x 1.56	3 No. 3/0	5	25	60
4/0R	01163	2"	1.16 x 1.72	3 No. 4/0	5	25	56
4/0RB	01164	2"	.98 x 1.63	3 No. 4/0	5	25	59

*NOTE: Connectors should be selected with reference to bushing opening size and actual physical dimensions of cable being used. The letter (B) in the Cat. No. indicates connectors recommended for Plastic Jacketed Cable

NON-WATERTIGHT CONNECTORS - ZINC - PRESSURE CAST

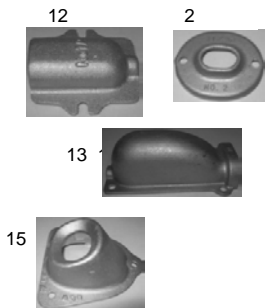
UL Listed



Catalog No.	UPC #	KO Size	Cable Size	Ctn. Qty	Std. Pkg	Wgt/ 100
474	07000	1/2"	3/8" Trade Size	100	1000	5
475	07001	1/2"	3/8" Trade Size	100	1000	6
55	01315	3/4"	3 No. 6-4 Oval-Round	25	250	9
56	01316	1"	3 No. 6-4-2 Oval-Rd	40	200	16
57	01317	1 1/4"	3 No. 6-4-2 Oval	20	100	25
58	01318	1 1/2"	3 No. 1/0-2/0 Oval	10	100	37
59	01319	2"	3 No. 3/0-4/0 Oval	10	50	50
57R	01304	1 1/4"	6 No. 6-4-2 Round	20	100	25
58R	01314	1 1/2"	3 No. 1/0-2/0 Round	10	100	37
59R	01320	2"	3 No. 3/0-4/0 Round	10	50	51

SERVICE CABLE SILL PLATES - CAST ALUMINUM

(With Compound and Screws)



Catalog No.	UPC #	Cable Size	Ctn. Qty	Std. Pkg	Wgt/ 100
12	01461	3 No. 4-2	20	100	19
2	01462	3 No. 4-2	20	100	18
13	01463	3 No. 1/0-2/0	-	10	63
14	01464	3 No. 3/0-4/0	-	10	85
15	01466	3 No. 3/0-4/0	-	10	85

NON-METALLIC SERVICE ENTRANCE CABLE HEADS



Catalog No.	UPC #	Cable Size	Ctn. Qty	Std. Pkg	Wgt/ 100
24	01351	3 No. 3-1	-	20	42
256	01353	3 No.2/0-4/0	-	20	54

PVC SERVICE ENTRANCE CABLE HEAD WITH GALVANIZED STEEL MOUNTING STRAP



Catalog No.	UPC #	Cable Size	Ctn. Qty	Std. Pkg	Wgt/ 100
355	01354	3 No. 3-2	10	50	26
357	01356	3 No.2/0-4/0	-	10	53

SERVICE ENTRANCE CABLE HEADS - CAST ALUMINUM



Catalog No.	UPC #	Cable Size	Ctn. Qty	Std. Pkg	Wgt/ 100
255	01363	3 No. 3-2	5	50	31
258	01364	3 No.1/0-2/0	-	20	70
257	01365	3 No.3/0-4/0	-	20	93

SERVICE ENTRANCE CABLE HEADS - DIE CAST



Catalog No.	UPC #	Cable Size	Ctn. Qty	Std. Pkg	Wgt/ 100
255DC	20015	3 No. 8-1	5	50	40
257DC	20016	3 No.1/0-4/0	-	20	110

SERVICE CABLE STRAP - STAMPED ALUMINUM (2 HOLE)



Catalog No.	UPC #	Cable Size	Ctn. Qty	Std. Pkg	Wgt/ 100
THC2A	01426	3 No. 3-2	100	1000	2.8
THC2/0A	20005	3 No. 1/0-2/0	50	500	5
THC4/0A	20006	3 No. 3/0-4/0	50	500	5

SERVICE CABLE STRAP - STEEL (2 HOLE)



Catalog No.	UPC #	Cable Size	Ctn. Qty	Std. Pkg	Wgt/ 100
THC6	20003	3 No. 8-2	100	1000	2.6
THC2	20004	3 No. 3-2	100	1000	2.8
THC2/0	01427	3 No. 1/0-2/0	50	500	5
THC4/0	01428	3 No. 3/0-4/0	50	500	5

SERVICE CABLE STRAP - EXTRUDED ALUMINUM (1 HOLE)




Catalog No.	UPC #	Cable Size	Ctn. Qty	Std. Pkg	Wgt/ 100
230-X	01418	3 No. 8-2	100	1000	1.3
232-X	01419	3 No. 3-2	100	1000	2.3
282-X	01420	3 No. 1/0-2/0	50	500	4.5
*282-XB	01421	3 No. 1/0-2/0	50	500	4.5
284-X	01422	3 No. 3/0-4/0	50	500	5
*284-XB	01423	3 No. 3/0-4/0	50	500	5

*For Plastic Jacketed Cable

Heat treated aluminum alloy for greater strength malleability and corrosion resistance. The offset leg provides the necessary leverage for fastening cable with varying outside dimensions.


SERVICE MAST HEADS - COMBINATION SLIPFITTER - ALUMINUM



Catalog No.	UPC #	Pipe Size	Cap Size	Ctn. Qty	Std. Pkg	Wgt/ 100
2400	02000	2"	1 1/4"	10	10	81
2600	02002	2 1/2"	1 1/4"	10	10	93
2550	02001	2"	1 1/2"	10	10	96
2650HC	02003	2 1/2"	2"	10	10	145
3650	20286	3"	2"	1	1	165


SERVICE MAST HEADS - COMBINATION SLIPFITTER - ALUMINUM

Split Insulators for Three Wire Service - Residential




Catalog No.	UPC #	Pipe Size	Cap Size	Ctn. Qty	Std. Pkg	Wgt/ 100
2425	02005	2"	1 1/4"	10	10	60
2625	00047	2 1/2"	1 1/4"	10	10	80
2825	02009	2 1/2"	2"	10	10	130

SERVICE MAST HEADS - CLAMP-ON TYPE - 1/2" - 2" DIE CAST ALUMINUM *2" - 4" SAND CAST




Catalog No.	UPC #	Pipe Size	Insulator Hole Sizes	No. of Holes	Ctn. Qty	Std. Pkg	Wgt/ 100
240DC	20009	1/2"	19/64	4	50	50	25
241DC	20010	3/4"	3/8,13/32	2 / 3	25	25	33
242DC	20011	1"	7/16, 1/2	2 / 3	25	25	50
243DC	20012	1 1/4"	27/64, 5/8	2 / 3	10	10	53
244DC	20013	1 1/2"	19/32, 7/16, 3/4	2 / 1 / 3	10	10	75
245DC	20014	2"	17/32, 3/4, 1	1 / 2 / 3	10	10	85
Made in USA *245RHC	03035	2"	17/32, 3/4, 1	1 / 2 / 3	10	10	132
*246R	03036	2 1/2"	7/8, 1, 1-1/8, 5/16	3 / 1 / 3	1	1	440
*247R	03037	3"	7/8, 1, 1-1/8, 5/16	3 / 1 / 3	1	1	440
*248R	03038	3 1/2"	1-1/8, 1-3/4	4 / 3	1	1	800
*249R	03039	4"	1-1/8, 1-3/4	4 / 3	1	1	850

SERVICE MAST HEADS - SLIPFITTER - 1/2" - 1 1/2" DIE CAST ALUMINUM *2" - 4" SAND CAST




Catalog No.	UPC #	Pipe Size	Insulator Hole Sizes	No. of Holes	Ctn. Qty	Std. Pkg	Wgt/ 100
290DC	20023	1/2"	19/64	4	50	50	25
291DC	20024	3/4"	3/8,13/32	2 / 3	25	25	33
292DC	20025	1"	7/16, 1/2	2 / 3	25	25	50
293DC	20026	1 1/4"	27/64, 5/8	2 / 3	10	10	53
294DC	20027	1 1/2"	19/32, 7/16, 3/4	2 / 1 / 3	10	10	75
*295HC	03015	2"	17/32, 3/4, 1	1 / 2 / 3	10	10	130
*296	03016	2 1/2"	7/8, 1, 1-1/8, 5/16	3 / 1 / 3	1	1	430
*297	03017	3"	7/8, 1, 1-1/8, 5/16	3 / 1 / 3	1	1	427
*298	03018	3 1/2"	1-1/8, 1-3/4	4 / 3	1	1	790
*299	03019	4"	1-1/8, 1-3/4	2 / 4	1	1	810


SERVICE MAST HEADS - THREADED - 1/2" - 2" DIE CAST ALUMINUM *2 1/2" - 4" SAND CAST




Catalog No.	UPC #	Pipe Size	Insulator Hole Sizes	No. of Holes	Ctn. Qty	Std. Pkg	Wgt/ 100
260DC	20017	1/2"	19/64	4	50	50	25
261DC	20018	3/4"	3/8, 13/32	2 / 3	25	25	33
262DC	20019	1"	7/16, 1/2	2 / 3	25	25	50
263DC	20020	1 1/4"	27/64, 5/8	2 / 3	10	10	53
264DC	20021	1 1/2"	19/32, 7/16, 3/4	2 / 1 / 3	10	10	75
Made in USA	264HC	1 1/2"	19/32, 7/16, 3/4	2 / 1 / 3	10	10	
	265DC	2"	17/32, 3/4, 1	1 / 2 / 3	10	10	85
Made in USA	265HC	2"	17/32, 3/4, 1	1 / 2 / 3	10	10	
	*266	2 1/2"	7/8, 1, 1-1/8, 5/16	3 / 1 / 3	1	1	413
	*267	3"	7/8, 1, 1-1/8, 5/16	3 / 1 / 3	1	1	413
	*268	3 1/2"	1-1/8, 1-3/4	4 / 3	1	1	825
	*269	4"	1-1/8, 1-3/4	2 / 4	1	1	840
	*269-A	5"	1-1/8, 1-3/4	2 / 4	1	1	880
	*269-B	6"	1-1/8, 1-3/4	2 / 4	1	1	875




GALVANIZED ROOF FLASHING WITH NEOPRENE COLLAR




Catalog No.	UPC #	Pipe Size	Base Size	Std. Pkg	Wgt/ 100
2890	02112	1 1/4" - 1 1/2"	8 3/4 x 12 1/2	25	103
2900	02114	2"	10 3/4 x 14 1/2	25	141
3000	02115	2 1/2"	10 3/4 x 14 1/2	12	146
3100	02116	3" - 3 1/2"	10 3/4 x 14 1/2	12	146
3300	02118	4"	12 x 16	12	189




GALVANIZED ROOF FLASHING WITH NEOPRENE COLLAR



Catalog No.	UPC #	Pipe Size	Base Size	Std. Pkg	Wgt/ 100
2890N	02130	1 1/4" - 1 1/2"	9 x 11 1/2	12	53
2900N	02132	2"	9 x 11 1/2	12	53
3000N	02133	2 1/2"	9 x 11 1/2	12	47
3100N	02134	3" - 3 1/2"	10 x 14	12	71





COMBINATION ROOF FLASHINGS & SUPPORTS - CAST ALUMINUM with Compound & Screws





Catalog No.	UPC #	Pipe Size	Base Size	Std. Pkg	Wgt/ 100
RP125	02100	1 1/4"	7 5/8 x 9 5/8	10	145
RP150	02101	1 1/2"	7 5/8 x 9 5/8	10	211
RP200	02102	2"	10 x 12	10	210
RP250	20001	2 1/2"	10 x 12	10	215
ORP200*	02107	1 1/4" - 2"	8 x 10	10	212

*(ORP200 for use when mast is carried outside of rain gutter)


CONDUIT SUPPORT - LAG SCREW TYPE - EXTRUDED ALUMINUM

 	Catalog No.	UPC #	Pipe Size	Std. Pkg	Wgt/ 100
	2350LA	02068	2"	25	31
2850LA	02069	2 1/2"	25	36	


CONDUIT SUPPORT - EXTRUDED ALUMINUM with 1/2" x 10" Bolt, Nut & Washer

 	Catalog No.	UPC #	Pipe Size	Std. Pkg	Wgt/ 100
	2125-A	02065	1 1/4"	25	67
2350-A	02066	2"	25	77	
2850-A	02067	2 1/2"	25	78	


CONDUIT SUPPORT - LAG SCREW TYPE - MALLEABLE IRON

	Catalog No.	UPC #	Pipe Size	Std. Pkg	Wgt/ 100
	2350L	02060	2"	25	31
2850L	02061	2 1/2"	25	36	



CONDUIT SUPPORT - MALLEABLE IRON with 1/2" x 10" Bolt, Nut & Washer

	Catalog No.	UPC #	Pipe Size	Std. Pkg	Wgt/ 100
	2350	02054	2"	25	77
2850	02055	2 1/2"	25	78	



CONDUIT SUPPORT - MALLEABLE IRON with 5/8" x 14" Bolt, Nut & Washer

	Catalog No.	UPC #	Pipe Size	Std. Pkg	Wgt/ 100
	2950	02065	3"	10	250
3050	02066	3 1/2"	10	279	
3150	02067	4"	10	284	



ADJUSTABLE CONDUIT SUPPORT - STAMPED STEEL with 1/2" x 10" Bolt, Nut & Washer

 	Catalog No.	UPC #	Pipe Size	Std. Pkg	Wgt/ 100
	2125	02050	1 1/4" - 3"	20	78


ADJUSTABLE CONDUIT SUPPORT - STAMPED STEEL with LAG SCREW

 	Catalog No.	UPC #	Pipe Size	Std. Pkg	Wgt/ 100
	2125L	00037	1 1/4" - 3"	20	78

SERVICE MAST INSULATOR BRACKETS (2 1/4" SPOOL) Non-Adjustable Type - Steel


 	Catalog No.	UPC #	Pipe Size	Std. Pkg	Wgt/ 100
	4000	02152	2"	10	152
4050	02153	2 1/2"	10	152	
4400	02154	3"	10	240	
4500	02155	3 1/2"	10	260	
4600	02156	4"	10	260	

SERVICE MAST INSULATOR BRACKETS (3" SPOOL) Heavy-Duty Non-Adjustable Type - Steel




Catalog No.	UPC #	Pipe Size	Std. Pkg	Wgt/ 100
4400H	02162	3"	5	443
4500H	02163	3 1/2"	5	458
4600H	02164	4"	5	458

CONDUIT HANGER INSULATOR BRACKET




Catalog No.	UPC #	Pipe Size	Std. Pkg	Wgt/ 100
4000CH	00066	2"	20	160

SERVICE MAST INSULATOR BRACKETS (2 1/4" SPOOL) Adjustable Type - Steel



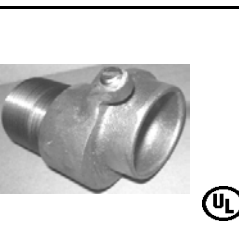
Catalog No.	UPC #	Pipe Size	Std. Pkg	Wgt/ 100
4900	02150	1 1/4" - 2 1/2"	20	160

ADJUSTABLE WIREHOLDER - STAMPED STEEL




Catalog No.	UPC #	Pipe Size	Std. Pkg	Wgt/ 100
4200	02151	1 1/4" - 3"	20	160

OFFSET BOTTOM REDUCERS - SLIPFITTER - CAST ALUMINUM



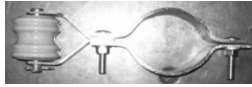
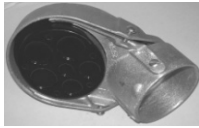
Catalog No.	UPC #	Pipe Size	Hub Size	Std. Pkg	Wgt/ 100
2200X	02152	2"	1 1/4"	50	152
2700X	02153	2 1/2"	1 1/4"	25	152
2750	02154	2 1/2"	1 1/2"	25	240
3600	02155	2 1/2"	2"	25	260
3700	02156	3"	2"	10	260

WEDGE GRIP CLAMPS - ALUMINUM WITH SOLID STAINLESS STEEL BAIL



Catalog No.	UPC #	Size	Std. Pkg	Wgt/ 100
WC2ACSR	00691	6 ACSR - 2 ACSR	50	
WC1/0ACSR	00690	4 ACSR - 1/0 ACSR	25	
WC4/0ACSR	00692	2/0 ACSR - 4/0 ACSR	25	

CUSTOM KITS ARE AVAILABLE UPON REQUEST



2" SERVICE MAST KITS - 100 AMPERE SERVICE OR LESS

Catalog No.	UPC #	Service Head	Insulator Bracket	Roof Flashing	Conduit Support	Reducer	Std. Pkg	Wgt/ 100
SM202SF	02336	2425	-	2900	2) PS-7L	2200X	5	368
SM200SF	02302	2400	-	2900	2) PS-7L	2200X	5	382
SM200SF1	02303	2400	1) 4000	2900	2) PS-7L	2200X	5	528
SM202BF	02337	2425	-	2900	2) 2350A	2200X	5	518
SM200BF	02308	2400	-	2900	2) 2350A	2200X	5	536
SM200BF1	02310	2400	1) 4000	2900	2) 2350A	2200X	5	679
SM200BFL	20288	2400	-	2900	2) 2350LA	2200X	5	
SM200BFML	00627	2400	1) 4200	2900	2) 2350L	2200X	1	
5000	02350	2400	-	2900	1) 2350A	2200X	5	500
5010	02351	2400	1) 4000	RP200	1) 2350A	2200X	5	650

2" SERVICE MAST KITS - 125-150-200 AMPERE SERVICE

Catalog No.	UPC #	Service Head	Insulator Bracket	Roof Flashing	Conduit Support	Reducer	Std. Pkg	Wgt/ 100
SM202ASF	02338	245RHC	-	2900	2) PS-7L	-	1	430
SM200ASF	02325	295HC	-	2900	2) PS-7L	-	1	400
SM200ASF1	02325	295HC	1) 4000	2900	2) PS-7L	-	1	600
SM200ABF	02328	295HC	-	2900	2) 2350A	-	1	600
SM200ABF1	02329	295HC	1) 4000	2900	2) 2350A	-	1	700
SM200SPS	00629	245DC	1) 4200	2900	2) PS-7L	-	1	
5010A	02357	295HC	1) 4000	RP200	1) 2350A	-	1	700

2 1/2" SERVICE MAST KITS - 100 AMPERE SERVICE OR LESS

Catalog No.	UPC #	Service Head	Insulator Bracket	Roof Flashing	Conduit Support	Reducer	Std. Pkg	Wgt/ 100
SM250SF	02382	2600	-	3000	2) PS-8L	2700X	5	430
SM250BF1	02389	2600	1) 4050	3000	2) 2850A	2700X	5	720
7010	02411	2600	1) 4050	RP250	1) 2850A	2700X	5	725

2 1/2" SERVICE MAST KITS - 125-150-200 AMPERE SERVICE

Catalog No.	UPC #	Service Head	Insulator Bracket	Roof Flashing	Conduit Support	Reducer	Std. Pkg	Wgt/ 100
SM250ASF	02395	2650HC	-	3000	2) PS-8L	3600	1	600
SM250ASF1	02396	2650HC	1) 4050	3000	2) PS-8L	3600	1	700
SM250ABF	02398	2650HC	-	3000	2) 2850A	3600	1	695
SM250ABF1	02399	2650HC	1) 4050	3000	2) 2850A	3600	1	900
SM250SPS	00632	2650HC	1) 4200	3000	2) PS-8L	3600	1	
7010A	02417	2650HC	1) 4050	RP250	1) 2850A	3600	1	805

3" SERVICE MAST KITS - 125-150-300 AMPERE SERVICE

Catalog No.	UPC #	Service Head	Insulator Bracket	Roof Flashing	Conduit Support	Reducer	Std. Pkg	Wgt/ 100
SM300ABF1	02454	3650	1) 44000	3100	2) 2950	3700	1	1180

4" SERVICE MAST KITS

Catalog No.	UPC #	Service Head	Insulator Bracket	Roof Flashing	Conduit Support	Reducer	Std. Pkg	Wgt/ 100
SM400ABF1	20002	249-R	1) 4600	3300	2) 3150	-	1	



CUSTOM KITS ARE AVAILABLE UPON REQUEST



SERVICE ENTRANCE CABLE KITS

Catalog No.	UPC #	Hub Size	AMP	Cable Size	SEC Head	W.T. Conn.	Non W.T. Conn	Wall Flange	Cable Straps	Std. Pkg	Wgt/ 100
0320W032R	01532	1 1/4"	100	3 No. 2	1) 24	032R	2) 57	1) 2	12) 232-X	1 / 10	
0320/WTC-12	20289	1 1/4"	100	3 No. 2	1) 24	WTC-12	2) 57	1) 2	12) 232-X	1 / 10	
0320W57	00008	1 1/4"	100	3 No. 2	1) 24	WTC-12	2) 57	-	12) 232-X	1 / 10	
0420W256	01508	1 1/2"	150	3 No. 2/0	1) 256	2/OR	2) 58	1) 13	12) 282-X	1 / 5	
0420/WTC-23	20290	1 1/2"	150	3 No. 2/0	1) 256	WTC-23	2) 58	1) 13	12) 282-X	1 / 5	
0420W58	00010	1 1/2"	150	3 No. 2/0	1) 256	WTC-23	2) 58	-	12) 282-X	1 / 5	
0520W256	01509	2"	150	3 No. 2/0	1) 256	2/OR	2) 58	1) 13	12) 282-X	1 / 5	
0520/WTC-32	20291	2"	150	3 No. 2/0	1) 256	WTC-32	2) 58	1) 13	12) 282-X	1 / 5	
0520W211S	70011	2"	150	3 No. 2/0	1) 256	211S	2) 58	1) 13	12) 282-X	1 / 5	
0620W256	01510	2"	200	3 No. 4/0	1) 256	4/OR	2) 59	1) 14	12) 284-X	1 / 5	
0620/WTC-34	20292	2"	200	3 No. 4/0	1) 256	WTC-34	2) 59	1) 14	12) 284-X	1 / 5	
0620W59	00015	2"	200	3 No. 4/0	1) 256	WTC-34	2) 59	-	12) 284-X	1 / 5	



SERVICE ENTRANCE CABLE KITS

Catalog No.	Cable Size	Hub Size	AMP	SEC Head	W.T. Conn.	Non W.T. Conn	Acorn Ground Clamps	Ground Clamps	Cable Straps	Std. Pkg	Wgt/ 100
0255W1051	3 No. 2	1 1/4"	100	1) 255DC	WTC-12	2) 57	2) 1051	3) 21M	10) 232-X	1 / 10	
0258W1051	3 No. 2/0	1 1/2"	150	1) 258	WTC-22	2) 58	2) 1051	3) 21M	10) 282-XB	1 / 10	
0257W1051	3 No. 4/0	2"	200	1) 257DC	WTC-35	2) 59	2) 1051	3) 21M	10) 284-XB	1 / 10	



One Box does it all!

THREADED CONDUIT BODIES - TYPE LB UL LISTED



Catalog No.	UPC #	Size	Ctn. Qty	Std. Pkg	Wgt/100
LB-50	03701	1/2"	10	100	26
LB-75	03702	3/4"	10	50	40
LB-100	03703	1"	5	25	52
LB-125	03704	1 1/4"	2	10	110
LB-150	03705	1 1/2"	2	10	129
LB-200	03706	2"	1	5	230
LB-250	000325	2 1/2"	-	1	440
LB-300	000328	3"	-	1	480
LB-350	00329	3 1/2"	-	1	900
LB-400	00330	4"	-	1	810

THREADED CONDUIT BODIES WITH COVER AND GASKET - TYPE LB UL LISTED



Catalog No.	UPC #	Size	Ctn. Qty	Std. Pkg	Wgt/100
LB-50CG	00331	1/2"	10	100	26
LB-75CG	00332	3/4"	10	50	40
LB-100CG	00314	1"	5	25	52
LB-125CG	00316	1 1/4"	2	10	110
LB-150CG	00320	1 1/2"	2	10	129
LB-200CG	00322	2"	1	5	230
LB-250CG	03707	2 1/2"	-	1	440
LB-300CG	03708	3"	-	1	480
LB-350CG	03709	3 1/2"	-	1	900
LB-400CG	03710	4"	-	1	810

THREADED CONDUIT BODIES - TYPE LR UL LISTED



Catalog No.	UPC #	Size	Ctn. Qty	Std. Pkg	Wgt/100
LR-50	03713	1/2"	10	100	26
LR-75	03714	3/4"	10	50	40
LR-100	03715	1"	5	25	52
LR-125	03716	1 1/4"	2	10	110
LR-150	03717	1 1/2"	2	10	129
LR-200	03718	2"	1	5	230
LR-250	00407	2 1/2"	-	1	440
LR-300		3"	-	1	480
LR-350		3 1/2"	-	1	900
LR-400	00408	4"	-	1	810

THREADED CONDUIT BODIES WITH COVER AND GASKET - TYPE LR UL LISTED



Catalog No.	UPC #	Size	Ctn. Qty	Std. Pkg	Wgt/100
LR-50CG	00405	1/2"	10	100	26
LR-75CG	00406	3/4"	10	50	40
LR-100CG	00399	1"	5	25	52
LR-125CG	00400	1 1/4"	2	10	110
LR-150CG	00401	1 1/2"	2	10	129
LR-200CG	00402	2"	1	5	230
LR-250CG	00403	2 1/2"	-	1	440
LR-300CG	00928	3"	-	1	480
LR-350CG	00929	3 1/2"	-	1	900
LR-400CG	00404	4"	-	1	810

THREADED CONDUIT BODIES - TYPE LL UL LISTED



Catalog No.	UPC #	Size	Ctn. Qty	Std. Pkg	Wgt/100
LL-50	03725	1/2"	10	100	26
LL-75	03726	3/4"	10	50	40
LL-100	03727	1"	5	25	52
LL-125	03728	1 1/4"	2	10	110
LL-150	03729	1 1/2"	2	10	129
LL-200	03730	2"	1	5	230
LL-250	00384	2 1/2"	-	1	440
LL-300		3"	-	1	480
LL-350		3 1/2"	-	1	900
LL-400		4"	-	1	810

THREADED CONDUIT BODIES WITH COVER AND GASKET - TYPE LL UL LISTED



Catalog No.	UPC #	Size	Ctn. Qty	Std. Pkg	Wgt/100
LL-50CG	00386	1/2"	10	100	26
LL-75CG	00387	3/4"	10	50	40
LL-100CG	00380	1"	5	25	52
LL-125CG	00381	1 1/4"	2	10	110
LL-150CG	00382	1 1/2"	2	10	129
LL-200CG	00383	2"	1	5	230
LL-250CG	00385	2 1/2"	-	1	440
LL-300CG	00925	3"	-	1	480
LL-350CG	00926	3 1/2"	-	1	900
LL-400CG	00927	4"	-	1	810

THREADED CONDUIT BODIES - TYPE C UL LISTED




Catalog No.	UPC #	Size	Ctn. Qty	Std. Pkg	Wgt/100
LC-50	03736	1/2"	10	100	26
LC-75	03737	3/4"	10	50	40
LC-100	03738	1"	5	25	52
LC-125	03739	1 1/4"	2	10	110
LC-150	03740	1 1/2"	2	10	129
LC-200	03741	2"	1	5	230
LC-250		2 1/2"	-	1	440
LC-300		3"	-	1	480
LC-350		3 1/2"	-	1	900
LC-400		4"	-	1	810

THREADED CONDUIT BODIES WITH COVER AND GASKET - TYPE C UL LISTED




Catalog No.	UPC #	Size	Ctn. Qty	Std. Pkg	Wgt/100
LC-50CG	00368	1/2"	10	100	26
LC-75CG	00369	3/4"	10	50	40
LC-100CG	00360	1"	5	25	52
LC-125CG	00361	1 1/4"	2	10	110
LC-150CG	00362	1 1/2"	2	10	129
LC-200CG	00363	2"	1	5	230
LC-250CG	00364	2 1/2"	-	1	440
LC-300CG	00365	3"	-	1	480
LC-350CG	00366	3 1/2"	-	1	900
LC-400CG	00367	4"	-	1	810

THREADED CONDUIT BODIES - TYPE T UL LISTED




Catalog No.	UPC #	Size	Ctn. Qty	Std. Pkg	Wgt/100
TC-50	03746	1/2"	10	100	32
TC-75	03747	3/4"	10	50	50
TC-100	03748	1"	5	25	66
TC-125	03749	1 1/4"	2	10	179
TC-150	03750	1 1/2"	2	10	158
TC-200	03751	2"	1	5	266
TC-250	00640	2 1/2"	-	1	440
TC-300	00642	3"	-	1	480
TC-350	00644	3 1/2"	-	1	900
TC-400	00646	4"	-	1	810

THREADED CONDUIT BODIES WITH COVER AND GASKET - TYPE T UL LISTED




Catalog No.	UPC #	Size	Ctn. Qty	Std. Pkg	Wgt/100
TC-50CG	00648	1/2"	10	100	26
TC-75CG	00649	3/4"	10	50	40
TC-100CG	00636	1"	5	25	52
TC-125CG	00637	1 1/4"	2	10	110
TC-150CG	00638	1 1/2"	2	10	129
TC-200CG	00639	2"	1	5	230
TC-250CG	00641	2 1/2"	-	1	440
TC-300CG	00643	3"	-	1	480
TC-350CG	00645	3 1/2"	-	1	900
TC-400CG	00647	4"	-	1	810

ALUMINUM COVERS FOR CONDUIT BODIES UL LISTED



Catalog No.	UPC #	Size	Ctn. Qty	Std. Pkg	Wgt/100
CC-50	03756	1/2"	50	500	6
CC-75	03757	3/4"	50	500	9
CC-100	03758	1"	50	250	14
CC-125	03759	1 1/4" - 1 1/2"	-	50	26
CC-200	03761	2"	-	25	44
CC-250	03762	2 1/2" - 3"	-	10	91
CC-350	03763	3 1/2" - 4"	-	5	144

STEEL COVERS FOR CONDUIT BODIES UL LISTED



Catalog No.	UPC #	Size	Ctn. Qty	Std. Pkg	Wgt/100
CC-50S	00218	1/2"	50	500	8
CC-75S	00219	3/4"	50	500	11
CC-100S	00213	1"	50	250	16
CC-125S	00214	1 1/4" - 1 1/2"	-	50	28
CC-200S	00215	2"	-	25	46
CC-250S	00216	2 1/2" - 3"	-	10	93
CC-350S	00217	3 1/2" - 4"	-	5	149

FIBER GASKETS



Catalog No.	UPC #	Size	Ctn. Qty	Std. Pkg	Wgt/100
FG-50	03766	1/2"	10	100	0.6
FG-75	03767	3/4"	10	50	0.8
FG-100	03768	1"	5	25	1.1
FG-125	03769	1 1/4" - 1 1/2"	2	10	3
FG-200	03771	2"	2	10	4
FG-250	03772	2 1/2" - 3"	1	5	14
FG-350	03774	3 1/2" - 4"	-	1	24

NEOPRENE GASKETS



Catalog No.	UPC #	Size	Ctn. Qty	Std. Pkg	Wgt/100
NG-50	00531	1/2"	10	100	1.5
NG-75	00532	3/4"	10	50	2.5
NG-100	00526	1"	5	25	4
NG-125	00527	1 1/4" - 1 1/2"	2	10	6
NG-200	00528	2"	2	10	10
NG-250	00529	2 1/2" - 3"	1	5	15
NG-350	00530	3 1/2" - 4"	-	1	20

E.M.T. CONDUIT BODIES - TYPE T UL LISTED



Catalog No.	UPC #	Size	Ctn. Qty	Std. Pkg	Wgt/100
TCSS-50	03746	1/2"	10	100	26
TCSS-75	03747	3/4"	10	50	40
TCSS-100	03748	1"	5	25	52
TCSS-125	03749	1 1/4"	2	10	110
TCSS-150	03750	1 1/2"	2	10	129
TCSS-200	03751	2"	1	5	230
TCSS-250	00654	2 1/2"	-	1	440
TCSS-300	00655	3"	-	1	480
TCSS-350	00656	3 1/2"	-	1	900
TCSS-400	00657	4"	-	1	810

E.M.T. CONDUIT BODIES WITH COVER AND GASKET - TYPE T UL LISTED



Catalog No.	UPC #	Size	Ctn. Qty	Std. Pkg	Wgt/100
TCSS-50CG	00659	1/2"	10	100	26
TCSS-75CG	00649	3/4"	10	50	40
TCSS-100CG		1"	5	25	52
TCSS-125CG		1 1/4"	2	10	110
TCSS-150CG		1 1/2"	2	10	129
TCSS-200CG		2"	1	5	230
TCSS-250CG		2 1/2"	-	1	440
TCSS-300CG		3"	-	1	480
TCSS-350CG		3 1/2"	-	1	900
TCSS-400CG		4"	-	1	810

E.M.T. CONDUIT BODIES - TYPE LB UL LISTED



Catalog No.	UPC #	Size	Ctn. Qty	Std. Pkg	Wgt/100
LBSS-50	00356	1/2"	10	100	26
LBSS-75	00358	3/4"	10	50	40
LBSS-100	00343	1"	5	25	52
LBSS-125	00345	1 1/4"	2	10	110
LBSS-150	00347	1 1/2"	2	10	129
LBSS-200	00349	2"	1	5	230
LBSS-250	00351	2 1/2"	-	1	440
LBSS-300	00353	3"	-	1	480
LBSS-350	00354	3 1/2"	-	1	900
LBSS-400	00355	4"	-	1	810

E.M.T. CONDUIT BODIES WITH COVER AND GASKET - TYPE LB UL LISTED



Catalog No.	UPC #	Size	Ctn. Qty	Std. Pkg	Wgt/100
LBSS-50CG	00357	1/2"	10	100	26
LBSS-75CG	00359	3/4"	10	50	40
LBSS-100CG	00344	1"	5	25	52
LBSS-125CG	00346	1 1/4"	2	10	110
LBSS-150CG	00348	1 1/2"	2	10	129
LBSS-200CG	00350	2"	1	5	230
LBSS-250CG	00352	2 1/2"	-	1	440
LBSS-300CG		3"	-	1	480
LBSS-350CG		3 1/2"	-	1	900
LBSS-400CG		4"	-	1	810

E.M.T. CONDUIT BODIES - TYPE LR UL LISTED



Catalog No.	UPC #	Size	Ctn. Qty	Std. Pkg	Wgt/100
LRSS-50		1/2"	10	100	26
LRSS-75	00417	3/4"	10	50	40
LRSS-100	00409	1"	5	25	52
LRSS-125		1 1/4"	2	10	110
LRSS-150	00410	1 1/2"	2	10	129
LRSS-200	00412	2"	1	5	230
LRSS-250	00413	2 1/2"	-	1	440
LRSS-300	00414	3"	-	1	480
LRSS-350	00415	3 1/2"	-	1	900
LRSS-400	00416	4"	-	1	810

E.M.T. CONDUIT BODIES WITH COVER AND GASKET - TYPE LR UL LISTED



Catalog No.	UPC #	Size	Ctn. Qty	Std. Pkg	Wgt/100
LRSS-50CG		1/2"	10	100	26
LRSS-75CG		3/4"	10	50	40
LRSS-100CG		1"	5	25	52
LRSS-125CG		1 1/4"	2	10	110
LRSS-150CG	00411	1 1/2"	2	10	129
LRSS-200CG		2"	1	5	230
LRSS-250CG		2 1/2"	-	1	440
LRSS-300CG		3"	-	1	480
LRSS-350CG		3 1/2"	-	1	900
LRSS-400CG		4"	-	1	810

E.M.T. CONDUIT BODIES - TYPE LL UL LISTED



Catalog No.	UPC #	Size	Ctn. Qty	Std. Pkg	Wgt/100
LLSS-50		1/2"	10	100	26
LLSS-75	00394	3/4"	10	50	40
LLSS-100	00388	1"	5	25	52
LLSS-125	00389	1 1/4"	2	10	110
LLSS-150		1 1/2"	2	10	129
LLSS-200	00391	2"	1	5	230
LLSS-250	00392	2 1/2"	-	1	440
LLSS-300		3"	-	1	480
LLSS-350		3 1/2"	-	1	900
LLSS-400	00393	4"	-	1	810

E.M.T. CONDUIT BODIES WITH COVER AND GASKET - TYPE LL UL LISTED



Catalog No.	UPC #	Size	Ctn. Qty	Std. Pkg	Wgt/100
LLSS-50CG		1/2"	10	100	26
LLSS-75CG		3/4"	10	50	40
LLSS-100CG		1"	5	25	52
LLSS-125CG		1 1/4"	2	10	110
LLSS-150CG	00390	1 1/2"	2	10	129
LLSS-200CG		2"	1	5	230
LLSS-250CG		2 1/2"	-	1	440
LLSS-300CG		3"	-	1	480
LLSS-350CG		3 1/2"	-	1	900
LLSS-400CG		4"	-	1	810

E.M.T. CONDUIT BODIES - TYPE C UL LISTED



Catalog No.	UPC #	Size	Ctn. Qty	Std. Pkg	Wgt/100
LCSS-50		1/2"	10	100	26
LCSS-75	00378	3/4"	10	50	40
LCSS-100	00370	1"	5	25	52
LCSS-125	00372	1 1/4"	2	10	110
LCSS-150	00373	1 1/2"	2	10	129
LCSS-200	00375	2"	1	5	230
LCSS-250		2 1/2"	-	1	440
LCSS-300	00377	3"	-	1	480
LCSS-350		3 1/2"	-	1	900
LCSS-400		4"	-	1	810

E.M.T. CONDUIT BODIES WITH COVER AND GASKET - TYPE C UL LISTED



Catalog No.	UPC #	Size	Ctn. Qty	Std. Pkg	Wgt/100
LCSS-50CG		1/2"	10	100	26
LCSS-75CG	00379	3/4"	10	50	40
LCSS-100CG	00371	1"	5	25	52
LCSS-125CG		1 1/4"	2	10	110
LCSS-150CG	00374	1 1/2"	2	10	129
LCSS-200CG	00376	2"	1	5	230
LCSS-250CG		2 1/2"	-	1	440
LCSS-300CG		3"	-	1	480
LCSS-350CG		3 1/2"	-	1	900
LCSS-400CG		4"	-	1	810

E.M.T./RIGID CONDUIT BODIES - TYPE LB UL LISTED



Catalog No.	UPC #	Size	Ctn. Qty	Std. Pkg	Wgt/100
LB-50ER		1/2"	10	100	26
LB-75ER		3/4"	10	50	40
LB-100ER		1"	5	25	52
LB-125ER		1 1/4"	2	10	110
LB-150ER		1 1/2"	2	10	129
LB-200ER	00333	2"	1	5	230

E.M.T./RIGID CONDUIT BODIES WITH COVER AND GASKET - TYPE LB UL LISTED



Catalog No.	UPC #	Size	Ctn. Qty	Std. Pkg	Wgt/100
LB-50ERCG		1/2"	10	100	26
LB-75ERCG		3/4"	10	50	40
LB-100ERCG		1"	5	25	52
LB-125ERCG		1 1/4"	2	10	110
LB-150ERCG		1 1/2"	2	10	129
LB-200ERCG		2"	1	5	230

E.M.T./RIGID CONDUIT BODIES - TYPE LR UL LISTED



Catalog No.	UPC #	Size	Ctn. Qty	Std. Pkg	Wgt/100
LR-50ER		1/2"	10	100	26
LR-75ER		3/4"	10	50	40
LR-100ER		1"	5	25	52
LR-125ER		1 1/4"	2	10	110
LR-150ER		1 1/2"	2	10	129
LR-200ER		2"	1	5	230

E.M.T./RIGID CONDUIT BODIES WITH COVER AND GASKET - TYPE LR UL LISTED



Catalog No.	UPC #	Size	Ctn. Qty	Std. Pkg	Wgt/100
LR-50ERCG		1/2"	10	100	26
LR-75ERCG		3/4"	10	50	40
LR-100ERCG		1"	5	25	52
LR-125ERCG		1 1/4"	2	10	110
LR-150ERCG		1 1/2"	2	10	129
LR-200ERCG		2"	1	5	230

E.M.T./RIGID CONDUIT BODIES - TYPE LL UL LISTED



Catalog No.	UPC #	Size	Ctn. Qty	Std. Pkg	Wgt/100
LL-50ER		1/2"	10	100	26
LL-75ER		3/4"	10	50	40
LL-100ER		1"	5	25	52
LL-125ER		1 1/4"	2	10	110
LL-150ER		1 1/2"	2	10	129
LL-200ER		2"	1	5	230

E.M.T./RIGID CONDUIT BODIES WITH COVER AND GASKET - TYPE LL UL LISTED



Catalog No.	UPC #	Size	Ctn. Qty	Std. Pkg	Wgt/100
LL-50ERCG		1/2"	10	100	26
LL-75ERCG		3/4"	10	50	40
LL-100ERCG		1"	5	25	52
LL-125ERCG		1 1/4"	2	10	110
LL-150ERCG		1 1/2"	2	10	129
LL-200ERCG		2"	1	5	230

E.M.T./RIGID CONDUIT BODIES - TYPE C UL LISTED



Catalog No.	UPC #	Size	Ctn. Qty	Std. Pkg	Wgt/100
LC-50ER		1/2"	10	100	26
LC-75ER		3/4"	10	50	40
LC-100ER		1"	5	25	52
LC-125ER		1 1/4"	2	10	110
LC-150ER		1 1/2"	2	10	129
LC-200ER		2"	1	5	230

E.M.T./RIGID CONDUIT BODIES WITH COVER AND GASKET - TYPE C UL LISTED



Catalog No.	UPC #	Size	Ctn. Qty	Std. Pkg	Wgt/100
LC-50ERCG		1/2"	10	100	26
LC-75ERCG		3/4"	10	50	40
LC-100ERCG		1"	5	25	52
LC-125ERCG		1 1/4"	2	10	110
LC-150ERCG		1 1/2"	2	10	129
LC-200ERCG		2"	1	5	230

E.M.T./RIGID CONDUIT BODIES - TYPE T UL LISTED



Catalog No.	UPC #	Size	Ctn. Qty	Std. Pkg	Wgt/100
TC-50ER		1/2"	10	100	26
TC-75ER		3/4"	10	50	40
TC-100ER		1"	5	25	52
TC-125ER		1 1/4"	2	10	110
TC-150ER		1 1/2"	2	10	129
TC-200ER		2"	1	5	230

E.M.T./RIGID CONDUIT BODIES WITH COVER AND GASKET - TYPE T UL LISTED



Catalog No.	UPC #	Size	Ctn. Qty	Std. Pkg	Wgt/100
TC-50ERCG		1/2"	10	100	26
TC-75ERCG		3/4"	10	50	40
TC-100ERCG		1"	5	25	52
TC-125ERCG		1 1/4"	2	10	110
TC-150ERCG		1 1/2"	2	10	129
TC-200ERCG		2"	1	5	230

MALLEABLE IRON THREADED CONDUIT BODIES - TYPE LB UL LISTED



Catalog No.	UPC #	Size	Ctn. Qty	Std. Pkg	Wgt/100
MLB-50	00464	1/2"	10	100	26
MLB-75	00466	3/4"	10	50	40
MLB-100	00448	1"	5	25	52
MLB-125	00450	1 1/4"	2	10	110
MLB-150	00452	1 1/2"	2	10	129
MLB-200	00454	2"	1	5	230
MLB-250	00456	2 1/2"	-	1	440
MLB-300	00458	3"	-	1	480
MLB-350	00460	3 1/2"	-	1	900
MLB-400	00462	4"	-	1	810

MALLEABLE IRON THREADED CONDUIT BODIES WITH COVER & GASKET - TYPE LB UL LISTED



Catalog No.	UPC #	Size	Ctn. Qty	Std. Pkg	Wgt/100
MLB-50CG	00465	1/2"	10	100	26
MLB-75CG	00467	3/4"	10	50	40
MLB-100CG	00449	1"	5	25	52
MLB-125CG	00451	1 1/4"	2	10	110
MLB-150CG	00453	1 1/2"	2	10	129
MLB-200CG	00455	2"	1	5	230
MLB-250CG	00457	2 1/2"	-	1	440
MLB-300CG	00459	3"	-	1	480
MLB-350CG	00461	3 1/2"	-	1	900
MLB-400CG	00463	4"	-	1	810

MALLEABLE IRON THREADED CONDUIT BODIES - TYPE LR UL LISTED



Catalog No.	UPC #	Size	Ctn. Qty	Std. Pkg	Wgt/100
MLR-50		1/2"	10	100	26
MLR-75	00495	3/4"	10	50	40
MLR-100	00490	1"	5	25	52
MLR-125		1 1/4"	2	10	110
MLR-150	00492	1 1/2"	2	10	129
MLR-200		2"	1	5	230
MLR-250		2 1/2"	-	1	440
MLR-300		3"	-	1	480
MLR-350		3 1/2"	-	1	900
MLR-400		4"	-	1	810

MALLEABLE IRON THREADED CONDUIT BODIES WITH COVER & GASKET - TYPE LR UL LISTED



Catalog No.	UPC #	Size	Ctn. Qty	Std. Pkg	Wgt/100
MLR-50CG		1/2"	10	100	26
MLR-75CG	00496	3/4"	10	50	40
MLR-100CG	00491	1"	5	25	52
MLR-125CG		1 1/4"	2	10	110
MLR-150CG	00493	1 1/2"	2	10	129
MLR-200CG		2"	1	5	230
MLR-250CG		2 1/2"	-	1	440
MLR-300CG	00494	3"	-	1	480
MLR-350CG		3 1/2"	-	1	900
MLR-400CG		4"	-	1	810

MALLEABLE IRON THREADED CONDUIT BODIES - TYPE LL UL LISTED



Catalog No.	UPC #	Size	Ctn. Qty	Std. Pkg	Wgt/100
MLL-50	00486	1/2"	10	100	26
MLL-75	00488	3/4"	10	50	40
MLL-100	00480	1"	5	25	52
MLL-125	00482	1 1/4"	2	10	110
MLL-150		1 1/2"	2	10	129
MLL-200	00484	2"	1	5	230
MLL-250		2 1/2"	-	1	440
MLL-300		3"	-	1	480
MLL-350		3 1/2"	-	1	900
MLL-400		4"	-	1	810

MALLEABLE IRON THREADED CONDUIT BODIES WITH COVER & GASKET- TYPE LL UL LISTED



Catalog No.	UPC #	Size	Ctn. Qty	Std. Pkg	Wgt/100
MLL-50CG	00487	1/2"	10	100	26
MLL-75CG	00489	3/4"	10	50	40
MLL-100CG	00481	1"	5	25	52
MLL-125CG	00483	1 1/4"	2	10	110
MLL-150CG		1 1/2"	2	10	129
MLL-200CG	00485	2"	1	5	230
MLL-250CG		2 1/2"	-	1	440
MLL-300CG		3"	-	1	480
MLL-350CG		3 1/2"	-	1	900
MLL-400CG		4"	-	1	810

MALLEABLE IRON THREADED CONDUIT BODIES - TYPE C UL LISTED



Catalog No.	UPC #	Size	Ctn. Qty	Std. Pkg	Wgt/100
MLC-50	00479	1/2"	10	100	26
MLC-75	00478	3/4"	10	50	40
MLC-100	00468	1"	5	25	52
MLC-125	00470	1 1/4"	2	10	110
MLC-150		1 1/2"	2	10	129
MLC-200	00472	2"	1	5	230
MLC-250		2 1/2"	-	1	440
MLC-300		3"	-	1	480
MLC-350	00474	3 1/2"	-	1	900
MLC-400		4"	-	1	810

MALLEABLE IRON THREADED CONDUIT BODIES WITH COVER & GASKET- TYPE C UL LISTED



Catalog No.	UPC #	Size	Ctn. Qty	Std. Pkg	Wgt/100
MLC-50CG	00477	1/2"	10	100	26
MLC-75CG	00479	3/4"	10	50	40
MLC-100CG	00469	1"	5	25	52
MLC-125CG	00471	1 1/4"	2	10	110
MLC-150CG	00897	1 1/2"	2	10	129
MLC-200CG	00473	2"	1	5	230
MLC-250CG	00896	2 1/2"	-	1	440
MLC-300CG		3"	-	1	480
MLC-350CG	00475	3 1/2"	-	1	900
MLC-400CG		4"	-	1	810

MALLEABLE IRON THREADED CONDUIT BODIES - TYPE T UL LISTED



Catalog No.	UPC #	Size	Ctn. Qty	Std. Pkg	Wgt/100
MTC-50	00510	1/2"	10	100	32
MTC-75	00512	3/4"	10	50	50
MTC-100	00501	1"	5	25	66
MTC-125	00503	1 1/4"	2	10	179
MTC-150		1 1/2"	2	10	158
MTC-200	00505	2"	1	5	266
MTC-250		2 1/2"	-	1	440
MTC-300		3"	-	1	480
MTC-350		3 1/2"	-	1	900
MTC-400	00508	4"	-	1	810

MALLEABLE IRON THREADED CONDUIT BODIES WITH COVER & GASKET- TYPE T UL LISTED



Catalog No.	UPC #	Size	Ctn. Qty	Std. Pkg	Wgt/100
MTC-50CG	00511	1/2"	10	100	26
MTC-75CG	00513	3/4"	10	50	40
MTC-100CG	00502	1"	5	25	52
MTC-125CG	00504	1 1/4"	2	10	110
MTC-150CG		1 1/2"	2	10	129
MTC-200CG	00506	2"	1	5	230
MTC-250CG		2 1/2"	-	1	440
MTC-300CG	00507	3"	-	1	480
MTC-350CG		3 1/2"	-	1	900
MTC-400CG	00509	4"	-	1	810

MOGUL CONDUIT BODIES WITH COVER & GASKET - TYPE LB



Catalog No.	UPC #	Size	Ctn. Qty	Std. Pkg	Wgt/100
MOLB-100CG		1"	-	2	
MOLB-125CG	00498	1 1/4"	-	2	
MOLB-150CG		1 1/2"	-	1	
MOLB-200CG	00499	2"	-	1	
MOLB-250CG	00900	2 1/2"	-	1	
MOLB-300CG	00901	3"	-	1	
MOLB-350CG	00902	3 1/2"	-	1	
MOLB-400CG	00903	4"	-	1	

ALUMINUM CONDUIT ENTRANCE ELLS



Catalog No.	UPC #	Size	Ctn. Qty	Std. Pkg	Wgt/100
270	03050	1/2"	10	100	25
271	03051	3/4"	10	50	31
272	03052	1"	5	25	52
273	03053	1 1/4"	2	10	84
274	03054	1 1/2"	1	5	118
275	03055	2"	1	5	192

90° PULL ELLS - RIGID CONDUIT TO BOX

"G" Suffix indicates Gasket Installed



Catalog No.	UPC #	Size	Ctn. Qty	Std. Pkg	Wgt/100
170	03065	1/2"	10	100	31
190	03069	3/4"	5	50	37
1901		1"	5	50	42
1902		1 1/4"	5	50	45
170G	03067	1/2"	10	100	31
190G	03071	3/4"	5	50	37
1901G		1"	5	50	42
1902G		1 1/4"	5	50	45

90° PULL ELLS - RIGID CONDUIT TO RIGID CONDUIT

"G" Suffix indicates Gasket Installed



Catalog No.	UPC #	Size	Ctn. Qty	Std. Pkg	Wgt/100
171	03066	1/2"	10	100	31
191	03070	3/4"	5	50	37
196		1"	5	50	42
1961		1 1/4"	5	50	45
171G	03068	1/2"	10	100	31
191G	03072	3/4"	5	50	37
196G	00027	1"	5	50	42
1961G	00028	1 1/4"	5	50	45

90° PULL ELLS -COMBO STYLE RIGID CONDUIT TO RIGID CONDUIT with Gasket



Catalog No.	UPC #	Size	Ctn. Qty	Std. Pkg	Wgt/100
171GC	03068	1/2"	10	100	31
191GC	03072	3/4"	5	50	37

OFFSET NIPPLES - THREADED FOR RIGID CONDUIT



Catalog No.	UPC #	Size	Ctn. Qty	Std. Pkg	Wgt/100
600	03660	1/2"	10	100	12
601	03661	3/4"	10	100	16
602	03662	1"	10	100	22
603	03663	1 1/4"	5	50	34
604	03664	1 1/2"	5	50	46
605	30665	2"	2	20	66
606	00080	2 1/2"	1	5	72
607	00081	3"	1	5	83

UNIVERSAL BEAM CLAMP - STAMPED STEEL (Plated)



Catalog No.	UPC #	Size	Ctn. Qty	Std. Pkg	Wgt/100
815	03525	1/2" (1/4" Tap)	50	500	14

MALLEABLE IRON BEAM CLAMP- (Plated)



Catalog No.	UPC #	Size	Ctn. Qty	Std. Pkg	Wgt/100
BC25	00202	1/4" - 20	25	250	22
BC38-1		3/8" - 16 with 13/16" Jaw Opening		50	
BC38	00302	3/8" - 16	-	25	46
BC50	00204	1/2" - 13	-	25	160

KNOCKOUT SEALS



Catalog No.	UPC #	Size	Ctn. Qty	Std. Pkg	Wgt/100
KO-90	03330	1/2"	100	1000	1.4
KO-91	03331	3/4"	100	1000	1.7
KO-92	03332	1"	50	500	2.5
KO-93	03333	1 1/4"	50	500	3.5
KO-94	03334	1 1/2"	50	500	4.4
KO-95	03335	2"	50	500	6.1

THREE-PIECE COUPLINGS - RIGID CONDUIT MALLEABLE IRON



Catalog No.	UPC #	Size	Ctn. Qty	Std. Pkg	Wgt/100
MK-1	03600	1/2"	40	400	20
MK-2	03601	3/4"	20	200	30
MK-3	03602	1"	10	100	46
MK-4	00443	1 1/4"	10	100	110
MK-5	00444	1 1/2"	5	500	147
MK-6	00445	2"	5	500	147
MK-7	00446	2 1/2"	-	1	370
MK-8	00447	3"	-	1	400
MK-9		3 1/2"	-	1	580
MK-10	00826	4"	-	1	900
MK-11	00890	5"	-	1	1200
MK-12	00891	6"	-	1	2100

STEEL CONDUIT HANGERS PLATED WITH BOLTS



Catalog No.	UPC #	Size			Ctn. Qty	Std. Pkg	Wgt/100
		H.W.	E.M.T.	Trade Size			
800B	03511	1/2"	1/2"	0B	100	1000	7.1
801B	03512	3/4"	3/4"	1B	50	500	8
802B	03513	1"	1"	2B	25	250	10
803B	03514	-	1 1/4"	2 1/2B	25	250	11
804B	03515	1 1/4"	-	3B	25	250	12
805B	03516	1 1/2"	1 1/2"	4B	25	125	18
806B	03517	2"	2"	5B	-	100	22
807B	03518	2 1/2"	2 1/2"	6B	-	25	26
808B	03519	3"	3"	7B	-	25	34
809B	03520	3 1/2"	3 1/2"	8B	-	25	42
810B	03521	4"	4"	9B	-	25	90

STEEL CONDUIT HANGERS PLATED WITH FORMED THREADS AND SCREW



Catalog No.	UPC #	Size		Trade Size	Ctn. Qty	Std. Pkg	Wgt/100
		H.W.	E.M.T.				
800TWS	00162	1/2"	1/2"	0B	100	1000	7.1
801TWS	00163	3/4"	3/4"	1B	50	500	8
802TWS	00164	1"	1"	2B	25	250	10
803TWS	00165	-	1 1/4"	2 1/2B	25	250	11
804TWS	00166	1 1/4"	-	3B	25	250	12
805TWS	00167	1 1/2"	1 1/2"	4B	25	125	18
806TWS	00168	2"	2"	5B	-	100	22

INSULATED BUSHINGS - PLASTIC FOR RIGID CONDUIT



Catalog No.	UPC #	Size	Ctn. Qty	Std. Pkg	Wgt/100
988	03275	1/2"	200	2000	0.75
989	03276	3/4"	100	1000	1
990	03277	1"	50	500	1.5
991	03278	1 1/4"	50	500	2
992	03279	1 1/2"	50	500	3
993	03280	2"	50	250	4
994	03281	2 1/2"	-	50	7
995	03282	3"	-	25	10
996	03283	3 1/2"	-	25	12
997	03284	4 "	-	25	15
998	00185	5"	-	25	28
999	00186	6"	-	25	34

DIE CAST INSULATED CONDUIT BUSHING




Catalog No.	UPC #	Size	Ctn. Qty	Std. Pkg	Wgt/100
988DCI		1/2"	100	1000	3
989DCI	00173	3/4"	100	1000	4
990DCI	00174	1"	50	500	6
991DCI		1 1/4"	50	500	10
992DCI	00177	1 1/2"	50	500	15
993DCI		2"	50	250	17
994DCI		2 1/2"	-	50	36
995DCI		3"	-	25	50
996DCI	00182	3 1/2"	-	25	60
997DCI		4"	-	25	70

MALLEABLE IRON INSULATED BUSHINGS - FOR RIGID CONDUIT




Catalog No.	UPC #	Size	Ctn. Qty	Std. Pkg	Wgt/100
988M		1/2"	100	100	5
989M		3/4"	50	500	6
990M		1"	50	500	8
991M		1 1/4"	25	250	12
992M		1 1/2"	-	25	88
993M	00830	2"	-	25	100
994M	00180	2 1/2"	-	10	130
995M	00783	3"	-	10	140
996M		3 1/2"	-	10	145
997M		4 "	-	10	200
998M		5"	-	10	250
999M		6"	-	10	350


WATERTIGHT HUBS FOR RIGID CONDUIT WITH INSULATED THROAT - ZINC DIE CAST




Catalog No.	UPC #	Size	Ctn. Qty	Std. Pkg	Wgt/100
ST-050DC	03450	1/2"	25	250	19
ST-075DC	03451	3/4"	25	250	27
ST-100DC	03452	1"	10	100	40
ST-125DC	03453	1 1/4"	10	100	50
ST-150DC	03454	1 1/2"	10	100	65
ST-200DC	03455	2"	5	25	85
ST-250DC	03456	2 1/2"	-	5	150
ST-300DC	03457	3"	-	10	200
ST-350DC	03458	3 1/2"	-	5	400
ST-400DC	03459	4"	-	5	500




WATERTIGHT HUBS GROUNDING HUBS WITH INSULATED THROAT - ZINC DIE CAST




Catalog No.	UPC #	Size	Min Wire Size	Max Wire Size	Ctn. Qty	Std. Pkg	Wgt/100
ST-050DCG		1/2"	#14 str.	#10 str.	25	250	19
ST-075DCG		3/4"	#14 str.	#10 str.	25	250	27
ST-100DCG		1"	#14 str.	#10 str.	10	100	40
ST-125DCG		1 1/4"	#10 sol.	#6 str.	10	100	50
ST-150DCG		1 1/2"	#10 sol.	#6 str.	10	100	65
ST-200DCG		2"	#10 sol.	#6 str.	5	25	85
ST-250DCG		2 1/2"	#10 sol.	#6 str.	-	5	150
ST-300DCG		3"	#10 sol.	#6 str.	-	10	200
ST-350DCG		3 1/2"	#10 sol.	#6 str.	-	5	400
ST-400DCG		4"	#10 sol.	#6 str.	-	5	500




CONDUIT NIPPLES - ZINC DIE CAST




Catalog No.	UPC #	Size	Ctn. Qty	Std. Pkg	Wgt/100
1551	03351	1/2"	100	1000	4
1552	03352	3/4"	50	500	6
1553	03353	1"	25	250	10
1554	03354	1 1/4"	25	360	14
1555	03355	1 1/2"	25	250	20
1556	03356	2"	10	100	32
1557	03357	2 1/2"	10	50	43
1558	03358	3"	10	50	55
1559	03359	3 1/2"	10	50	68
1560	03360	4"	5	25	70



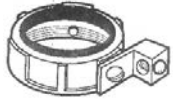
CONDUIT NIPPLES - MALLEABLE IRON



Catalog No.	UPC #	Size	Ctn. Qty	Std. Pkg	Wgt/100
1551M		1/2"	100	1000	5
1552M		3/4"	50	500	7
1553M		1"	25	250	12
1554M		1 1/4"	25	250	15
1555M		1 1/2"	25	250	22
1556M		2"	10	50	35
1557M		2 1/2"	10	50	76
1558M		3"	10	50	101
1559M		3 1/2"	10	50	124
1560M		4"	5	25	500
1561M		5"	-	1	750
1562M		6"	-	1	650



THREADED INSULATED METAL GROUNDING BUSHING WITH BOX LUG



Catalog No.	UPC #	Size	Min. Wire	Max. Wire	Ctn. Qty	Std. Pkg	Wgt/100
			Size	Size			
GBB-500	00268	1/2"	# 14	# 4	100	500	5
GBB-510	00269	3/4"	# 14	# 4	100	500	7
GBB-520	00270	1"	# 14	# 4	50	500	8
GBB-530	00271	1 1/4"	# 14	# 4	50	250	12
GBB-540	00272	1 1/2"	# 14	# 2	25	250	13
GBB-550	00273	2"	# 14	# 2	25	125	21
GBB-560	00274	2 1/2"	# 14	# 1/0	-	25	48
GBB-560SP		2 1/2"	# 6	# 250	-	25	48
GBB-570	00275	3"	# 14	# 1/0	-	25	57
GBB-570SP		3"	# 6	# 250	-	25	57
GBB-580		3 1/2"	# 14	# 2/0	-	25	66
GBB-580SP		3 1/2"	# 6	# 250	-	25	66
GBB-590	00276	4"	# 14	# 2/0	-	10	72
GBB-590SP		4"	# 6	# 250	-	10	72

THREADED INSULATED METAL GROUNDING BUSHING WITH LAY-IN LUG



Catalog No.	UPC #	Size	Min. Wire	Max. Wire	Ctn. Qty	Std. Pkg	Wgt/100
			Size	Size			
GB-500	06150	1/2"	# 14	# 4	100	500	5
GB-510	06151	3/4"	# 14	# 4	100	500	7
GB-520	06152	1"	# 14	# 4	50	500	8
GB-530	06153	1 1/4"	# 14	# 4	50	250	12
GB-540	06154	1 1/2"	# 14	# 2	25	250	13
GB-550	06155	2"	# 14	# 2	25	125	21
GB-560	06156	2 1/2"	# 14	# 1/0	-	25	48
GB-560SP		2 1/2"	# 6	# 250	-	25	48
GB-570	06157	3"	# 14	# 1/0	-	25	57
GB-570SP		3"	# 6	# 250	-	25	57
GB-580	06158	3 1/2"	# 14	# 2/0	-	25	66
GB-580SP		3 1/2"	# 6	# 250	-	25	66
GB-590	06159	4"	# 14	# 2/0	-	25	72
GB-590SP		4"	# 6	# 250	-	25	72

STEEL CONDUIT LOCKNUTS



Catalog No.	UPC #	Size	Ctn. Qty	Std. Pkg	Wgt/100
LN-4	03201	1/2"	100	1000	2
LN-5	03202	3/4"	100	1000	2
LN-6	03203	1"	100	1000	3
LN-7	03204	1 1/4"	100	1000	4
LN-8	03205	1 1/2"	100	1000	5
LN-9	03206	2"	50	500	7
LN-10	03207	2 1/2"	50	500	12
LN-11	03208	3"	25	125	18
LN-12	03209	3 1/2"	25	125	22
LN-13	03210	4"	25	125	26

STEEL GROUNDING CONDUIT LOCKNUTS



Catalog No.	UPC #	Size	Ctn. Qty	Std. Pkg	Wgt/100
GLN-4	00282	1/2"	100	1000	2
GLN-5	00283	3/4"	100	1000	2
GLN-6	00284	1"	50	500	3
GLN-7	00285	1 1/4"	50	500	4
GLN-8	00286	1 1/2"	25	250	5
GLN-9	00287	2"	25	250	7
GLN-10	00278	2 1/2"	-	50	12
GLN-11	00279	3"	-	25	18
GLN-12	00280	3 1/2"	-	25	22
GLN-13	00281	4"	-	25	26

STEEL SEALING CONDUIT LOCKNUTS



Catalog No.	UPC #	Size	Ctn. Qty	Std. Pkg	Wgt/100
SLN-4	00617	1/2"	100	1000	2
SLN-5	00618	3/4"	100	1000	2
SLN-6	00619	1"	50	500	3
SLN-7	00620	1 1/4"	50	500	4
SLN-8	00621	1 1/2"	25	250	5
SLN-9	00622	2"	25	250	7
SLN-10	00614	2 1/2"	-	50	12
SLN-11	00615	3"	-	25	18
SLN-12		3 1/2"	-	25	22
SLN-13	00616	4"	-	25	26

ONE HOLE RIGID PIPE STRAP - STEEL



Catalog No.	UPC #	Size	Ctn. Qty	Std. Pkg	Wgt/100
PS-1	03400	1/4"	100	1000	2
PS-3/8	03401	3/8"	100	1000	2.5
PS-2	03402	1/2"	100	1000	6
PS-3	03403	3/4"	100	1000	8
PS-4	03404	1"	50	500	11
PS-5	03405	1 1/4"	50	500	18
PS-6	03406	1 1/2"	50	250	20
PS-7	03407	2"	25	125	35
PS-8	03408	2 1/2"	-	25	51
PS-9	03409	3"	-	25	66
PS-10	03410	3 1/2"	-	25	92
PS-11	03411	4"	-	25	104

PARALLEL BEAM CLAMPS - MALLEABLE IRON



Catalog No.	UPC #	Size	Ctn. Qty	Std. Pkg	Wgt/Pkg
PC050	00807	1/2"		50	
PC075	00808	3/4"		50	
PC100	00809	1"		25	
PC125	00810	1 1/4"		25	
PC150	00811	1 1/2"		25	
PC200	00812	2"		10	
PC250	00813	2 1/2"		10	
PC300	00814	3"		10	
PC350	00815	3 1/2"		5	
PC400	00816	4"		5	

ONE HOLE RIGID PIPE STRAP - MALLEABLE IRON



Catalog No.	UPC #	Size	Ctn. Qty	Std. Pkg	Wgt/100
PS-3/8M		3/8"	100	1000	4
PS-2M	00559	1/2"	100	1000	4
PS-3M	00560	3/4"	50	500	6
PS-4M	00561	1"	25	250	8
PS-5M	00562	1 1/4"	20	200	10
PS-6M	00782	1 1/2"	10	100	16
PS-7M	00747	2"	-	25	36
PS-8M	00563	2 1/2"	-	25	68
PS-9M	00829	3"	-	25	100
PS-10M	00558	3 1/2"	-	25	150
PS-11M	00827	4"	-	25	220

TWO HOLE RIGID PIPE STRAP - STEEL



Catalog No.	UPC #	Size	Ctn. Qty	Std. Pkg	Wgt/100
THR-3/8	04240	3/8"	100	1000	1.45
THR-50	04241	1/2"	50	500	2
THR-75	04242	3/4"	50	500	2.6
THR-100	04243	1"	50	500	4.6
THR-125	04244	1 1/4"	25	250	6.7
THR-150	04245	1 1/2"	25	250	12
THR-200	04246	2"	25	250	15
THR-250	04247	2 1/2"	-	25	16.5
THR-300	04248	3"	-	10	22.8
THR-350	04249	3 1/2"	-	10	26
THR-400	04250	4"	-	10	32.6

CLAMP BACKS - MALLEABLE IRON



Catalog No.	UPC #	Size	Ctn. Qty	Std. Pkg	Wgt/Pkg
CB-050	00206	1/2"	25	250	16
CB-075	00207	3/4"	25	250	22
CB-100		1"	25	250	35
CB-125	00208	1 1/4"	10	100	21
CB-150	00209	1 1/2"	10	100	27
CB-200	00210	2"	5	50	22
CB-250	00211	2 1/2"	-	25	14
CB-300		3"	-	10	9
CB-350		3 1/2"	-	10	14
CB-400		4"	-	10	18

FLOOR FLANGE PLATES - MALLEABLE IRON



Catalog No.	UPC #	Size	Ctn. Qty	Std. Pkg	Wgt/100
FF-050	00253	1/2"	25	250	46
FF-075	00254	3/4"	25	250	50
FF-100	00255	1"	25	250	86
FF-125	00256	1 1/4"	10	100	60
FF-150	00257	1 1/2"	10	100	120
FF-200	00258	2"	5	50	135

REDUCING WASHERS - STEEL



Catalog No.	UPC #	Size	Ctn. Qty	Std. Pkg	Wgt/100
RW-110	03150	3/4" - 1/2"	100	1000	1
RW-120	03151	1" - 1/2"	50	500	1.5
RW-121	03152	1" - 3/4"	50	500	1.5
RW-130	03153	1 1/4" - 1/2"	25	250	3
RW-131	03154	1 1/4" - 3/4"	25	250	2.6
RW-132	03155	1 1/4" - 1"	25	250	1.9
RW-140	03156	1 1/2" - 1/2"	25	250	5.5
RW-141	03157	1 1/2" - 3/4"	25	250	5.2
RW-142	03158	1 1/2" - 1"	25	250	4.4
RW-143	03159	1 1/2" - 1 1/4"	25	250	4.4
RW-150	03160	2" - 1/2"	10	50	11.5
RW-151	03161	2" - 3/4"	10	50	10.5
RW-152	03162	2" - 1"	10	50	10.1
RW-153	03163	2" - 1 1/4"	10	50	5.9
RW-154	03164	2" - 1 1/2"	10	50	5.4
RW-160	03165	2 1/2" - 1/2"	5	25	8.3
RW-161	03166	2 1/2" - 3/4"	5	25	7.8
RW-162	03167	2 1/2" - 1"	5	25	7.4
RW-163	03168	2 1/2" - 1 1/4"	5	25	7.3
RW-164	03169	2 1/2" - 1 1/2"	5	25	6
RW-165	03170	2 1/2" - 2"	5	25	6
RW-170	03171	3" - 1/2"	-	10	24
RW-171	03172	3" - 3/4"	-	10	24
RW-172	03173	3" - 1"	-	10	21
RW-173	03174	3" - 1 1/4"	-	10	19
RW-174	03175	3" - 1 1/2"	-	10	18
RW-175	03176	3" - 2"	-	10	16
RW-176	03177	3" - 2 1/2"	-	10	15
RW-177		3 1/2" - 1/2"	-	5	17
RW-178	03128	3 1/2" - 3/4"	-	5	17
RW-179	03129	3 1/2" - 1"	-	5	17
RW-180	03130	3 1/2" - 1 1/4"	-	5	17
RW-181		3 1/2" - 1 1/2"	-	5	17
RW-182	00583	3 1/2" - 2"	-	5	17
RW-183	03131	3 1/2" - 2 1/2"	-	5	17
RW-184		3 1/2" - 3"	-	5	17
RW-185		4" - 1/2"	-	5	19
RW-186		4" - 3/4"	-	5	19
RW-187		4" - 1"	-	5	19
RW-188		4" - 1 1/4"	-	5	19
RW-189	00585	4" - 1 1/2"	-	5	19
RW-190	00586	4" - 2"	-	5	19
RW-191	00587	4" - 2 1/2"	-	5	19
RW-192	00588	4" - 3"	-	5	19
RW-193	00589	4" - 3 1/2"	-	5	19

STEEL CONDUIT REDUCING BUSHINGS




Catalog No.	UPC #	Size	Ctn. Qty	Std. Pkg	Wgt/100
RB-10	03100	3/4" - 1/2"	100	1000	4
RB-20	03101	1" - 1/2"	50	500	13
RB-21	03102	1" - 3/4"	50	500	8
RB-30	03103	1 1/4" - 1/2"	25	250	26
RB-31	03104	1 1/4" - 3/4"	25	250	22
RB-32	03105	1 1/4" - 1"	25	250	14
RB-40	03106	1 1/2" - 1/2"	25	250	36
RB-41	03107	1 1/2" - 3/4"	25	250	32
RB-42	03108	1 1/2" - 1"	25	250	27
RB-43	03109	1 1/2" - 1 1/4"	25	250	11
RB-50	03110	2" - 1/2"	10	50	62
RB-51	03111	2" - 3/4"	10	50	66
RB-52	03112	2" - 1"	10	50	56
RB-53	03113	2" - 1 1/4"	10	50	44
RB-54	03114	2" - 1 1/2"	10	50	30
RB-60	03115	Discontinued	5	25	128
RB-61	03116	Discontinued	5	25	126
RB-62	03117	2 1/2" - 1"	5	25	126
RB-63	03118	2 1/2" - 1 1/4"	5	25	161
RB-64	03119	2 1/2" - 1 1/2"	5	25	145
RB-65	03120	2 1/2" - 2"	5	25	52
RB-70	03121	Discontinued	-	10	202
RB-71	03122	Discontinued	-	10	196
RB-72	03123	Discontinued	-	10	190
RB-73	03124	3" - 1 1/4"	-	10	166
RB-74	03125	3" - 1 1/2"	-	10	172
RB-75	03126	3" - 2"	-	10	170
RB-76	03127	3" - 2 1/2"	-	10	169
RB-84		3 1/2" - 1 1/2"	-	5	200
RB-85	03128	3 1/2" - 2"	-	5	200
RB-86	03129	3 1/2" - 2 1/2"	-	5	190
RB-87	03130	3 1/2" - 3"	-	5	180
RB-95	00574	4" - 2"	-	5	360
RB-96	00781	4" - 2 1/2"	-	5	360
RB-97	03131	4" - 3"	-	5	360
RB-98	03132	4" - 3 1/2"	-	5	360

RIGHT ANGLE CLAMPS - MALLEABLE IRON



Catalog No.	UPC #	Size	Ctn. Qty	Std. Pkg	Wgt/Pkg
RA-050	00564	1/2"		50	
RA-075	00565	3/4"		50	
RA-100	00566	1"		25	
RA-125	00567	1 1/4"		25	
RA-150	00568	1 1/2"		25	
RA-200	00569	2"		10	
RA-250	00570	2 1/2"		10	
RA-300	00571	3"		10	
RA-350	00572	3 1/2"		5	
RA-400	00573	4"		5	


E.M.T. COMPRESSION CONNECTOR - ZINC DIE CAST



UL

Catalog No.	UPC #	Size	Ctn. Qty	Std. Pkg	Wgt/100
700	04000	1/2"	50	500	10
701	04001	3/4"	25	250	14
702	04002	1"	50	250	20
703	04003	1 1/4"	10	100	37
704	04004	1 1/2"	10	100	55
705	04005	2"	5	50	81
726	04006	2 1/2"	-	25	107
727	04007	3"	-	10	137
727A	04008	3 1/2"	-	10	176
728	04009	4"	-	10	206


E.M.T. COMPRESSION CONNECTOR -STEEL



UL

Catalog No.	UPC #	Size	Ctn. Qty	Std. Pkg	Wgt/100
700S	00091	1/2"	50	500	10
701S	00093	3/4"	25	250	14
702S	00095	1"	50	250	20
703S	00097	1 1/4"	10	50	37
704S	00100	1 1/2"	10	50	55
705S	00103	2"	5	25	81
726S	00132	2 1/2"	-	12	107
727S	00136	3"	-	12	137
727AS	00134	3 1/2"	-	10	176
728S	00138	4"	-	6	206


E.M.T. COMPRESSION COUPLINGS - ZINC DIE CAST



UL

Catalog No.	UPC #	Size	Ctn. Qty	Std. Pkg	Wgt/100
706	04020	1/2"	25	250	12
707	04021	3/4"	25	250	19
708	04022	1"	25	250	28
709	04023	1 1/4"	10	100	44
710	04024	1 1/2"	10	100	64
711	04025	2"	5	50	93
753	04026	2 1/2"	-	25	135
754	04027	3"	-	10	178
754A	04028	3 1/2"	-	10	217
755	04029	4"	-	10	255

E.M.T. COMPRESSION COUPLING -STEEL



UL

Catalog No.	UPC #	Size	Ctn. Qty	Std. Pkg	Wgt/100
706S	00106	1/2"	50	500	12
707S	00107	3/4"	25	250	19
708S	00109	1"	50	250	28
709S	00110	1 1/4"	10	50	44
710S	00111	1 1/2"	10	50	64
711S	00112	2"	5	25	93
753S	00145	2 1/2"	-	12	135
754S	00147	3"	-	12	178
754AS	00146	3 1/2"	-	10	217
755S	00148	4"	-	6	255

E.M.T. SET SCREW CONNECTOR - ZINC DIE CAST



Catalog No.	UPC #	Size	Ctn. Qty	Std. Pkg	Wgt/100
712	04050	1/2"	25	250	7
713	04051	3/4"	25	250	10
714	04052	1"	25	250	15
715	04053	1 1/4"	10	100	29
716	04054	1 1/2"	10	100	40
717	04055	2"	5	50	54
775	04056	2 1/2"	-	25	83
776	04057	3"	-	10	100
776A	04058	3 1/2"	-	10	128
777	04059	4"	-	10	156

E.M.T. SET SCREW CONNECTOR -STEEL



Catalog No.	UPC #	Size	Ctn. Qty	Std. Pkg	Wgt/100
712S	00113	1/2"	50	500	7
713S	00115	3/4"	25	250	10
714S	00117	1"	50	250	15
715S	00119	1 1/4"	10	50	29
716S	00121	1 1/2"	10	50	40
717S	00123	2"	5	25	54
775S	00150	2 1/2"	-	12	83
776S	00154	3"	-	12	100
776AS	00152	3 1/2"	-	10	128
777S	00156	4"	-	6	156

E.M.T. SET SCREW COUPLING - ZINC DIE CAST



Catalog No.	UPC #	Size	Ctn. Qty	Std. Pkg	Wgt/100
718	04070	1/2"	25	250	7
719	04071	3/4"	25	250	10
720	04072	1"	25	250	14
721	04073	1 1/4"	10	100	29
722	04074	1 1/2"	10	100	38
723	04075	2"	5	50	57
778	04076	2 1/2"	-	25	76
779	04077	3"	-	10	103
779A	04078	3 1/2"	-	10	123
780	04079	4"	-	10	161

E.M.T. SET SCREW COUPLING -STEEL



Catalog No.	UPC #	Size	Ctn. Qty	Std. Pkg	Wgt/100
718S	00125	1/2"	50	500	7
719S	00126	3/4"	25	250	10
720S	00127	1"	50	250	14
721S	00128	1 1/4"	10	50	29
722S	00129	1 1/2"	10	50	38
723S	00130	2"	5	25	57
778S	00158	2 1/2"	-	12	76
779S	00160	3"	-	12	103
779AS	00159	3 1/2"	-	10	123
780S	00161	4"	-	6	161

INSULATED THROAT E.M.T. COMPRESSION CONNECTOR -ZINC DIE CAST



Catalog No.	UPC #	Size	Ctn. Qty	Std. Pkg	Wgt/100
730	04010	1/2"	50	500	10
731	04011	3/4"	25	250	14
732	04012	1"	50	250	20
733	04013	1 1/4"	10	50	37
734	04014	1 1/2"	10	50	55
735	04015	2"	5	25	81
736	04016	2 1/2"	-	12	107
737	04017	3"	-	12	137
737A	04018	3 1/2"	-	10	176
738	04019	4"	-	6	206

INSULATED THROAT E.M.T. COMPRESSION CONNECTOR -STEEL



Catalog No.	UPC #	Size	Ctn. Qty	Std. Pkg	Wgt/100
730S	00140	1/2"	50	500	10
731S	00141	3/4"	25	250	14
732S	00142	1"	50	250	20
733S	00707	1 1/4"	10	50	37
734S	00143	1 1/2"	10	50	55
735S	00144	2"	5	25	81
736S	00708	2 1/2"	-	12	107
737S	00709	3"	-	12	137
737AS	00710	3 1/2"	-	10	176
738S	00711	4"	-	6	206

INSULATED THROAT E.M.T. SET SCREW CONNECTOR - ZINC DIE CAST



Catalog No.	UPC #	Size	Ctn. Qty	Std. Pkg	Wgt/100
742	04060	1/2"	50	500	7
743	04061	3/4"	25	250	10
744	04062	1"	50	250	15
745	04063	1 1/4"	10	50	29
746	04064	1 1/2"	10	50	40
747	04065	2"	5	25	54
748	04066	2 1/2"	-	12	83
749	04067	3"	-	12	100
749A	04068	3 1/2"	-	10	128
749B	04069	4"	-	6	156

INSULATED THROAT E.M.T. SET SCREW CONNECTOR -STEEL



Catalog No.	UPC #	Size	Ctn. Qty	Std. Pkg	Wgt/100
712SI	00114	1/2"	50	500	7
713SI	00116	3/4"	25	250	10
714SI	00118	1"	50	250	15
715SI	00120	1 1/4"	10	50	29
716SI	00122	1 1/2"	10	50	40
717SI	00124	2"	5	25	54
775SI	00151	2 1/2"	-	12	83
776SI	00155	3"	-	12	100
776ASI	00153	3 1/2"	-	10	128
777SI	00157	4"	-	6	156

90° PULL ELLS - E.M.T. TO BOX

"G" Suffix indicates Gasket Installed



Catalog No.	UPC #	Size	Ctn. Qty	Std. Pkg	Wgt/100
172	04100	1/2"	10	100	22
192	04104	3/4"	5	50	35
1721		1"	5	50	42
1921		1 1/4"	5	50	45
172G		1/2"	10	100	22
192G		3/4"	5	50	35
1721G		1"	5	50	42
1921G		1 1/4"	5	50	45

90° PULL ELLS - E.M.T. TO E.M.T.

"G" Suffix indicates Gasket Installed



Catalog No.	UPC #	Size	Ctn. Qty	Std. Pkg	Wgt/100
173	04101	1/2"	10	100	22
193	04105	3/4"	5	50	35
1931		1"	5	50	42
1932	00025	1 1/4"	5	50	45
173G	04103	1/2"	10	100	22
193G	04107	3/4"	5	50	35
1931G		1"	5	50	42
1932G		1 1/4"	5	50	45

90° PULL ELLS -COMBO STYLE RIGID CONDUIT TO RIGID CONDUIT with Gasket



Catalog No.	UPC #	Size	Ctn. Qty	Std. Pkg	Wgt/100
171GC	03068	1/2"	10	100	22
191GC	03072	3/4"	5	50	35

E.M.T. TO FLEXIBLE STEEL CONDUIT - ZINC DIE CAST



760 Style 761-763 Style

Catalog No.	UPC #	Size	Ctn. Qty	Std. Pkg	Wgt/100
760	04190	1/2"-3/8" F.S.C	50	500	8
761	04048	1/2"-1/2" F.S.C	25	250	10
762	04047	3/4"-3/4" F.S.C	25	250	12
763	04049	1"-1" F.S.C	25	250	15

INSIDE CORNER ELBOWS - ZINC DIE CAST



Catalog No.	UPC #	Size	Ctn. Qty	Std. Pkg	Wgt/100
195	00026	1/2"	10	100	20
1951		3/4"	5	50	26

E.M.T. (SET SCREW) OFFSET CONNECTOR - ZINC DIE CAST



Catalog No.	UPC #	Size	Ctn. Qty	Std. Pkg	Wgt/100
620	04610	1/2"	10	100	12
621	04611	3/4"	10	100	19
622	04612	1"	10	100	25

E.M.T. ONE HOLE CONDUIT STRAPS - STAMPED STEEL - PLATED



Catalog No.	UPC #	Size	Ctn. Qty	Std. Pkg	Wgt/100
S-50	04150	1/2"	100	1000	3
S-75	04151	3/4"	100	1000	5
S-100	04152	1"	100	500	6
S-125	04153	1 1/4"	50	250	10
S-150	04154	1 1/2"	50	250	20
S-200	04155	2"	25	125	25

E.M.T. TWO HOLE CONDUIT STRAPS - STAMPED STEEL - PLATED



Catalog No.	UPC #	Size	Ctn. Qty	Std. Pkg	Wgt/100
THS-50	04140	1/2"	100	1000	1
THS-75	04141	3/4"	100	1000	2
THS-100	04142	1"	50	500	2
THS-125	04143	1 1/4"	50	500	5
THS-150	04144	1 1/2"	50	500	7
THS-200	04145	2"	50	250	13

E.M.T. NAIL STRAP - STEEL



Catalog No.	UPC #	Size	Ctn. Qty	Std. Pkg	Wgt/100
NS-050	00556	1/2"	100	1000	12
NS-075	00557	3/4"	100	1000	19
NS-100		1"	100	1000	25

LIQUID TIGHT CONNECTORS - STRAIGHT CONNECTOR NON-INSULATED



Catalog No.	UPC #	Size	Ctn. Qty	Std. Pkg	Wgt/100
5500A	05500	3/8"	25	250	20
5501A	05501	1/2"	25	250	17
5502A	05502	3/4"	10	100	25
5503A	05503	1"	5	50	44
5504A	05504	1 1/4"	4	40	67
5505A	05505	1 1/2"	2	20	92
5506A	05506	2"	2	20	140
5507A	05507	2 1/2"	-	1	221
5508A	05508	3"	-	1	284
5509A	05509	3 1/2"	-	1	360
5510A	05510	4"	-	1	411

LIQUID TIGHT CONNECTORS - STRAIGHT WITH INSULATED THROAT



Catalog No.	UPC #	Size	Ctn. Qty	Std. Pkg	Wgt/100
5513A	05513	3/8"	25	250	20
5514A	05514	1/2"	25	250	17
5515A	05515	3/4"	10	100	25
5516A	05516	1"	5	50	44
5517A	05517	1 1/4"	4	40	67
5518A	05518	1 1/2"	2	20	92
5519A	05519	2"	2	20	140
5520A	05520	2 1/2"	-	1	221
5521A	05521	3"	-	1	284
5522A	05522	3 1/2"	-	1	360
5523A	05523	4"	-	1	411

90° ANGLE LIQUID TIGHT CONNECTOR - NON-INSULATED THROAT



Catalog No.	UPC #	Size	Ctn. Qty	Std. Pkg	Wgt/100
5553A	05553	3/8"	25	250	30
5554A	05554	1/2"	25	250	27
5555A	05555	3/4"	10	100	39
5556A	05556	1"	5	50	66
5557A	05557	1 1/4"	4	40	105
5558A	05558	1 1/2"	2	20	129
5559A	05559	2"	2	20	198
5560A	05560	2 1/2"	-	1	363
5561A	05561	3"	-	1	483
5562A	05562	3 1/2"	-	1	592
5563A	05563	4"	-	1	723

90° ANGLE LIQUID TIGHT CONNECTOR - WITH INSULATED THROAT



Catalog No.	UPC #	Size	Ctn. Qty	Std. Pkg	Wgt/100
5566A	05566	3/8"	25	250	30
5567A	05567	1/2"	25	250	27
5568A	05568	3/4"	10	100	39
5569A	05569	1"	5	50	66
5570A	05570	1 1/4"	4	40	105
5571A	05571	1 1/2"	2	20	129
5572A	05572	2"	2	20	198
5573A	05573	2 1/2"	-	1	363
5574A	05574	3"	-	1	483
5575A	05575	3 1/2"	-	1	592
5576A	05576	4"	-	1	723

LIQUID TIGHT CONNECTORS - STRAIGHT WITH INSULATED THROAT - MALLEABLE IRON



Catalog No.	UPC #	Size	Ctn. Qty	Std. Pkg	Wgt/100
MI5513A	00748	3/8"	25	250	31
MI5514A	00749	1/2"	25	250	30
MI5515A	00750	3/4"	10	100	41
MI5516A	00751	1"	5	50	68
MI5517A	00752	1 1/4"	4	40	110
MI5518A	00753	1 1/2"	2	20	133
MI5519A	00754	2"	2	20	201
MI5520A	00755	2 1/2"	-	1	350
MI5521A	00756	3"	-	1	498
MI5522A	00757	3 1/2"	-	1	601
MI5523A	00758	4"	-	1	741

90° ANGLE LIQUID TIGHT CONNECTOR - INSULATED THROAT - MALLEABLE IRON



Catalog No.	UPC #	Size	Ctn. Qty	Std. Pkg	Wgt/100
MI5566A	00759	3/8"	25	250	31
MI5567A	00760	1/2"	25	250	30
MI5568A	00761	3/4"	10	100	41
MI5569A	00762	1"	5	50	68
MI5570A	00763	1 1/4"	4	40	110
MI5571A	00764	1 1/2"	2	20	133
MI5572A	00765	2"	2	20	201
MI5573A	00766	2 1/2"	-	1	350
MI5574A	00767	3"	-	1	498
MI5575A	00768	3 1/2"	-	1	601
MI5576A	00769	4"	-	1	741

45° ANGLE LIQUID TIGHT CONNECTOR - WITH INSULATED THROAT - MALLEABLE IRON



Catalog No.	UPC #	Size	Ctn. Qty	Std. Pkg	Wgt/100
MI4566A	00770	3/8"	25	250	31
MI4567A	00771	1/2"	25	250	30
MI4568A	00772	3/4"	10	100	41
MI4569A	00773	1"	5	50	68
MI4570A	00774	1 1/4"	4	40	110
MI4571A	00775	1 1/2"	2	20	133
MI4572A	00776	2"	2	20	201
MI4573A	00777	2 1/2"	-	1	350
MI4574A	00778	3"	-	1	498
MI4575A	00779	3 1/2"	-	1	601
MI4576A	00780	4"	-	1	741

NON-METALLIC LIQUID TIGHT CONNECTORS - STRAIGHT CONNECTOR



Catalog No.	UPC #	Size	Ctn. Qty	Std. Pkg	Wgt/100
NM5500A	00541	3/8"	25	250	20
NM5501A	00542	1/2"	25	250	17
NM5502A	00543	3/4"	10	100	25
NM5503A	00544	1"	5	50	44
NM5504A	00545	1 1/4"	4	40	67
NM5505A	00546	1 1/2"	2	20	92
NM5506A	00547	2"	2	20	140

NON-METALLIC 90° ANGLE LIQUID TIGHT CONNECTOR




Catalog No.	UPC #	Size	Ctn. Qty	Std. Pkg	Wgt/100
NM5553A		3/8"	25	250	20
NM5554A	00548	1/2"	25	250	17
NM5555A	00549	3/4"	10	100	25
NM5556A	00500	1"	5	50	44
NM5557A	00551	1 1/4"	4	40	67
NM5558A	00552	1 1/2"	2	20	92
NM5559A	00553	2"	2	20	140

NON-METALLIC 45° ANGLE LIQUID TIGHT CONNECTOR




Catalog No.	UPC #	Size	Ctn. Qty	Std. Pkg	Wgt/100
NM4500A	00534	3/8"	25	250	20
NM4501A	00535	1/2"	25	250	17
NM4502A	00536	3/4"	10	100	25
NM4503A	00537	1"	5	50	44
NM4504A	00538	1 1/4"	4	40	67
NM4505A	00539	1 1/2"	2	20	92
NM4506A	00540	2"	2	20	140


GROUND CLAMPS - COPPER ALLOY - FOR BARE WIRE

	Catalog No.	UPC #	Size	Min. Wire	Max. Wire	Ctn. Qty	Std. Pkg	Wgt/
				Size	Size			100
UL	21B	06010	1/2" - 1"	10 sol.	2 str.	25	250	19
	850B	06022	1 1/4" - 2"	10 sol.	2 str.	10	100	50
	853B	06024	2 1/2" - 4"	10 sol.	2 str.	-	10	100
	857B	00171	4 1/2" - 6"	10 sol.	2 str.	-	10	150

GROUND CLAMPS - COPPER ALLOY WITH BRONZE SCREWS FOR DIRECT BURIAL


	Catalog No.	UPC #	Size	Min. Wire	Max. Wire	Ctn. Qty	Std. Pkg	Wgt/
				Size	Size			100
UL	21DB	00040	1/2" - 1"	10 sol.	2 str.	25	250	19
	850DB	00169	1 1/4" - 2"	10 sol.	2 str.	10	100	50
	853DB		2 1/2" - 4"	10 sol.	2 str.	-	12	100

GROUND CLAMPS - ZINC DIE CAST - FOR BARE WIRE


	Catalog No.	UPC #	Size	Min. Wire	Max. Wire	Ctn. Qty	Std. Pkg	Wgt/
				Size	Size			100
UL	21*	06008	1/2" - 1"	8 sol.	2 str.	25	250	19
	21M	06011	1 1/4" - 2"	8 sol.	2 str.	10	100	50

* Brass Colored Zinc Plated UL/CSA not applicable


GROUND CLAMPS - COPPER ALLOY - FOR RIGID CONDUIT WITH 1/2" HUB

	Catalog No.	UPC #	Size	Min. Wire	Max. Wire	Ctn. Qty	Std. Pkg	Wgt/
				Size	Size			100
UL	21B1	20500	1/2" - 1"	8 sol.	4 str.	25	250	19
	8501	20503	1 1/4" - 2"	8 sol.	4 str.	10	100	50
	8510	20504	2 1/2" - 4"	8 sol.	4 str.	-	10	100
	8571	20505	4 1/2" - 6"	8 sol.	4 str.	-	10	150


GROUND CLAMPS - COPPER ALLOY - FOR RIGID CONDUIT WITH 3/4" HUB

	Catalog No.	UPC #	Size	Min. Wire	Max. Wire	Ctn. Qty	Std. Pkg	Wgt/
				Size	Size			100
UL	21B2	00039	1/2" - 1"	8 sol.	4 str.	25	250	19
	8502	20506	1 1/4" - 2"	8 sol.	4 str.	10	100	50
	8511	20507	2 1/2" - 4"	8 sol.	4 str.	-	10	100
	8572	20508	4 1/2" - 6"	8 sol.	4 str.	-	10	150

GROUND CLAMPS - COPPER ALLOY - FOR RIGID CONDUIT WITH 1" HUB

	Catalog No.	UPC #	Size	Min. Wire	Max. Wire	Ctn. Qty	Std. Pkg	Wgt/
				Size	Size			100
UL	21B3	20502	1/2" - 1"	8 sol.	4 str.	25	250	19
	8503	20509	1 1/4" - 2"	8 sol.	4 str.	10	100	50
	8512	20510	2 1/2" - 4"	8 sol.	4 str.	-	10	100
	8573	20511	4 1/2" - 6"	8 sol.	4 str.	-	10	150

GROUND CLAMPS - COPPER ALLOY - FOR RIGID CONDUIT WITH COPPER STRAP & HUB

	Catalog No.	UPC #	Size	Min. Wire	Max. Wire	Hub Size	Std. Pkg	Wgt/
				Size	Size			100
UL	184B	06014	1/2" - 1"	8 sol.	4 str.	1/2"	50	19
	185B	06018	1/2" - 1"	8 sol.	4 str.	3/4"	25	50
	186B	06019	1/2" - 1"	8 sol.	4 str.	1"	25	65

INTERSYSTEM BONDING BRIDGE - Available in Zinc & Bronze



Catalog No.	UPC #	Conductor Range	Ctn. Qty	Std. Pkg	Wgt/
					100
IBB-5		6-2AWG Grounding Electrode	14-	1	10
IBBCU-5		4AWG Bonding Conductor (4)		1	10

GROUND CLAMPS FOR DIRECT BURIAL- COPPER ALLOY - UL Listed for Ground & Concrete



Catalog No.	UPC #	Size	Min. Wire	Max. Wire	Ctn. Qty	Std. Pkg	Wgt/100
			Size	Size			
1050	06090	1/2"	10 sol.	2 str.	50	500	9
1051	06091	5/8"	10 sol.	2 str.	50	250	10
1052	06092	3/4"	10 sol.	2 str.	25	250	13

GROUND CLAMPS FOR DIRECT BURIAL- BRONZE ALLOY - UL Listed for Ground & Concrete



Catalog No.	UPC #	Size	Min. Wire	Max. Wire	Ctn. Qty	Std. Pkg	Wgt/100
			Size	Size			
SRC*	20251	3/8"- 3/4"	10 sol.	1/0 Str.	50	500	9

*It fits ALL Sizes – 3/8", 1/2", 5/8", 3/4"

Bronze Ground Clamp with Lay-in Lug for direct Burial 1/2" - 1" Pipe, 3/8"-1" Rebar, 1/4"-1" Ground Rod Wire Range 10 Sol - 2 Str.

GROUND CLAMPS - COPPER ALLOY WITH STAINLESS STEEL SCREWS FOR DIRECT BURIAL



Catalog No.	UPC #	Size	Min. Wire	Max. Wire	Ctn. Qty	Std. Pkg	Wgt/100
			Size	Size			
JRD	20250	1/2" - 1"	10 sol.	2 str.	25	250	20

Bronze Ground Clamp with Lay-in Lug for direct Burial 1/2" - 1" Pipe, 3/8"-1" Rebar, 1/2"-1" Ground Rod Wire Range 10 Sol/Str. - 2 Str.

GROUND CLAMPS - COPPER ALLOY WITH STAINLESS STEEL SCREWS FOR DIRECT BURIAL



Catalog No.	UPC #	Size	Min. Wire	Max. Wire	Ctn. Qty	Std. Pkg	Wgt/100
			Size	Size			
JRD-1		1/2" - 1"	10 sol.	2 str.	25	250	20

Bronze Ground Clamp with Lay-in Lug for direct Burial 1/2" - 1" Rigid Conduit, 3/8"-1" Rebar, Ground Rod Wire Range 10 Sol/Str. - 2 Str.

GROUND CLAMPS - BRASS WITH BRONZE SCREWS FOR DIRECT BURIAL



Catalog No.	UPC #	Size	Min. Wire	Max. Wire	Ctn. Qty	Std. Pkg	Wgt/100
			Size	Size			
RBC1D	00718	1/2" - 1"	10 sol.	2 str.	25	250	20

KENNY CLAMPS - CONNECTOR FOR GROUNDING ELECTRODE CONDUCTORS



Catalog No.	UPC #	Size	Wire Size	Ctn. Qty	Std. Pkg	Wgt/
						100
KC1AST	20252	1/2"	# 1/0 Stranded	10	100	30
KC2AST	20253	1/2"	# 2/0 Stranded	10	100	30
KC2ST	20254	1/2"	# 2 Stranded	10	100	30
KC3AST	20255	1/2"	# 3/0 Stranded	10	100	30
KC3AST-CC		3/4"	3/0 Concentric	10	100	
KC3AST-CPS		3/4"	3/0 Compact Strand	10	100	
KC4AST-CC		3/4"	4/0 Concentric	10	100	
KC4AST-CPS		3/4"	4/0 Compact Strand	10	100	
KC4SO	20256	1/2"	# 4 Solid	10	100	30
KC4ST	20257	1/2"	# 4 Stranded	10	100	30
KC6SO	20258	1/2"	# 6 Solid	10	100	30
KC6ST	20259	1/2"	# 6 Stranded	10	100	30
KC8SO	20260	1/2"	# 8 Solid	10	100	30
KC8ST	20261	1/2"	# 8 Stranded	10	100	30

Install Kenny Clamp through a 1/2" or 3/4" knockout with paint removed, tighten the steel locknut, insert grounding electrode conductor through the Kenny Clamp, and tighten the compression nut. Your installation is now code compliant.

METALLIC ROMEX CONNECTOR



Catalog No.	UPC #	Trade Size	K.O. Size	Ctn. Qty	Std. Pkg	Wgt/100
474	07000	3/8"	1/2"	100	1000	5

COMBINATION BX-ROMEX CONNECTOR



Catalog No.	UPC #	Trade Size	K.O. Size	Ctn. Qty	Std. Pkg	Wgt/100
475	07000	3/8"	1/2"	100	1000	6

ARMORED CABLE (BX) SET SCREW CONNECTOR



Catalog No.	UPC #	Trade Size	K.O. Size	Ctn. Qty	Std. Pkg	Wgt/100
788	07000	3/8"	1/2"	100	1000	5

STRAP TYPE BX & GREENFIELD CONNECTOR



Catalog No.	UPC #	Trade Size	K.O. Size	Ctn. Qty	Std. Pkg	Wgt/100
673	07000	1/2"	1/2"	100	1000	12

TWO PIECE STEEL ROMEX CONNECTORS - (TILT-IN-CONNECTORS)



Catalog No.	UPC #	Size	Ctn. Qty	Std. Pkg	Wgt/100
TIC-50	01322	1/2"	100	1000	3
TIC-75/100	01323	3/4" or 1"	50	500	5
TIC-125	01324	1 1/4"	25	250	11
TIC-150	01325	1 1/2"	20	200	13

SADDLE CLAMP CONNECTOR



Catalog No.	UPC #	Trade Size	K.O. Size	Ctn. Qty	Std. Pkg	Wgt/100
SC38	000609	3/8"	1/2"	100	1000	12

DUPLEX CONNECTOR - SINGLE SCREW TYPE



Catalog No.	UPC #	Trade Size	K.O. Size	Ctn. Qty	Std. Pkg	Wgt/100
2254	07016	3/8"	1/2"	25	250	13

90° ANGLE CONNECTOR - BX & GREENFIELD



Catalog No.	UPC #	Trade Size	K.O. Size	Ctn. Qty	Std. Pkg	Wgt/100
550	07010	3/8"	1/2"	50	500	9
560	07011	1/2"	1/2"	25	250	14
565	07012	3/4"	3/4"	10	100	20
566	07013	1"	1"	5	50	38
567	07014	1 1/4"	1 1/4"	10	40	51
568	07015	1 1/2"	1 1/2"	-	5	113
569	07009	2"	2"	-	5	123
570	20119	2 1/2"	2 1/2"	-	2	400
571	20120	3"	3"	-	1	500
572	20121	3 1/2"	3 1/2"	-	1	1300
573	20122	4"	4"	-	1	1900

FLEXIBLE CONDUIT STRAIGHT SQUEEZE CONNECTOR



Catalog No.	UPC #	Trade Size	K.O. Size	Ctn. Qty	Std. Pkg	Wgt/100
690	07030	3/8"	1/2"	50	500	7
691	07031	1/2"	1/2"	25	250	10
692	07032	3/4"	3/4"	25	250	13
693	07033	1"	1"	10	100	20
694	07034	1 1/4"	1 1/4"	10	100	29
695	07035	1 1/2"	1 1/2"	5	50	39
696	07036	2"	2"	10	50	46
697	07037	2 1/2"	2 1/2"	-	5	104
698	07038	3"	3"	-	1	149
699	07039	3 1/2"	3 1/2"	-	1	182
699A	07040	4"	4"	-	1	231

90° ANGLE CONNECTOR - BX & GREENFIELD - MALLEABLE IRON



Catalog No.	UPC #	Trade Size	K.O. Size	Ctn. Qty	Std. Pkg	Wgt/100
560M	07011	1/2"	1/2"	25	250	14
565M	07012	3/4"	3/4"	10	100	20
566M	07013	1"	1"	5	50	38
567M	07014	1 1/4"	1 1/4"	10	40	51
568M	07015	1 1/2"	1 1/2"	-	5	113
569M	07009	2"	2"	-	5	123
570M	20119	2 1/2"	2 1/2"	-	2	400
571M	20120	3"	3"	-	1	500
572M	20121	3 1/2"	3 1/2"	-	1	1300
573M	20122	4"	4"	-	1	1900

FLEXIBLE CONDUIT STRAIGHT SQUEEZE CONNECTOR - MALLEABLE IRON



Catalog No.	UPC #	Trade Size	K.O. Size	Ctn. Qty	Std. Pkg	Wgt/100
691M	07030	1/2"	1/2"	50	500	7
692M	07031	3/4"	3/4"	25	250	10
693M	07032	1"	1"	25	250	13
694M	07033	1 1/4"	1 1/4"	10	100	20
695M	07034	1 1/2"	1 1/2"	10	100	29
696M	07035	2"	2"	5	50	39
697M	07036	2 1/2"	2 1/2"	10	50	46
698M	07037	3"	3"	-	5	104
699M	07038	3 1/2"	3 1/2"	-	1	149
699AM	07039	4"	4"	-	1	182

* For an insulated throat please add I suffix to any item on this page.

FLEXIBLE CONDUIT SCREW-IN CONNECTOR



Catalog No.	UPC #	Trade Size	K.O. Size	Ctn. Qty	Std. Pkg	Wgt/100
FC-38	07019	3/8"	1/2"	50	500	6
FC-50	07020	1/2"	1/2"	50	500	6
FC-75	07021	3/4"	3/4"	25	250	10
FC-100	07022	1"	1"	25	250	16
FC-125	07023	1 1/4"	1 1/4"	10	100	28
FC-150	07024	1 1/2"	1 1/2"	10	50	38
FC-200	07025	2"	2"	10	50	63

* For an insulated throat please add I suffix.

FLEXIBLE CONDUIT SCREW-IN COUPLING



Catalog No.	UPC #	Trade Size	K.O. Size	Ctn. Qty	Std. Pkg	Wgt/100
FCP-50	00251	1/2"	1/2"	50	500	6
FCP-75	00252	3/4"	3/4"	25	250	10
FCP-100		1"	1"	25	250	16
FCP-125		1 1/4"	1 1/4"	10	100	28
FCP-150		1 1/2"	1 1/2"	10	50	38
FCP-200		2"	2"	10	50	63

* For an insulated throat please add I suffix.

BX/MC ONE HOLE STRAP



Catalog No.	UPC #	Size	Ctn. Qty	Std. Pkg	Wgt/100
MBX-50	00418	1/2"	100	1000	5

ANTI-SHORT BUSHINGS



Catalog No.	UPC #	Trade Size	Cable Size	Bag Qty	Std. Pkg Bags	Wgt/100
ASB0		5/16"	14/2, 14/3, 12/2	35	500	7
ASB1		3/8"	14/4, 12/3, 6/1, 4/1	35	400	10
ASB2		7/16"	12/4, 10/2, 10/3, 2/1	35	300	13
ASB3		1/2"	10/4, 8/2, 8/3, 1/1	20	200	20
ASB4		3/4"	8/4, 6/2, 6/3, 6/4, 4/2, 4/3	16	100	29
ASB5		1"	3-1, 2-1, 2-1/10, 1- 300MCM, 1-350MCM, 1- 400MCM, 1-450MCM, 1- 500MCM	16	10	39
ASB6		1 1/4"	4-1, 4-1/10, 4-2/0, 3-1/0, 3- 2/0, 3-3/0, 2-2/0, 2- 3/0, 2-4/0, 1-600MCM, 1- 650MCM, 1-700MCM, 1- 750MCM, 1-800MCM, 1- 900MCM	10	10	46
ASB7		1 1/2"	4-3/0, 4-4/0, 3-4/0, 3- 250MCM, 3-300MCM, 2- 250MCM, 2-300MCM, 2- 350MCM, 1-1000MCM	10	10	104
ASB8		2" - 2 1/2"	4-250MCM, 4-300MCM, 4-350MCM, 4-400MCM, 4-450MCM, 4-500MCM, 3-350MCM, 3-400MCM, 3-450MCM, 3-500MCM, 2-400MCM, 2-450MCM, 2-500MCM	10	10	149

SNAP-IN BUSHING



Catalog No.	UPC #	Trade Size	Ctn. Qty	Std. Pkg	Wgt/100
SB-050	00590	1/2"	100	1000	0.69
SB-075	00591	3/4"	100	1000	0.88
SB-100	00592	1"	50	500	1.1
SB-125	00593	1 1/4"	50	500	1.6
SB-150	00594	1 1/2"	25	250	1.9
SB-200	00595	2"	25	250	2.8

UNIVERSAL SNAP-IN BUSHING



Catalog No.	UPC #	Trade Size	Ctn. Qty	Std. Pkg	Wgt/100
USB-1	00669	Metal Stud Grommet are intended for the most commonly used 1-11/32 in. openings for metal studs.	100	1000	3

NM SNAP-IN CONNECTOR



Catalog No.	UPC #	Trade Size	Ctn. Qty	Std. Pkg	Wgt/100
RCR-50	00576	1/2"	100	1000	2
RCR-75	00577	3/4"	100	1000	3

NM SNAP-IN CONNECTOR



Catalog No.	UPC #	Trade Size	Ctn. Qty	Std. Pkg	Wgt/100
NM-050	00533	1/2"	100	1000	1

BLUE CONCRETE SCREWS with DRILL BIT



Catalog No.	UPC #	Trade Size	Ctn. Qty	Std. Pkg	Wgt/100
TS25125		1/4 x 1 1/4	100	1000	1
TS25175		1/4 x 1 3/4	100		
TS25225		1/4 x 2 1/4	100		

GREEN GROUNDING SCREW



Catalog No.	UPC #	Trade Size	Ctn. Qty	Std. Pkg	Wgt/100
GS1300	20115	10/32 x 3/8	100	1000	1

GREEN GROUNDING CLIP



Catalog No.	UPC #	Trade Size	Ctn. Qty	Std. Pkg	Wgt/100
GC-1000	20116	#10 #12 or #14 AWG	100	1000	1

GREEN GROUNDING PIGTAILS



Catalog No.	UPC #	Trade Size	Ctn. Qty	Std. Pkg	Wgt/100
GP127	20114	12 AWG Solid, 6 1/2" Long	100	1000	24
GP128	00289	12 AWG Solid, 7 1/2" Long	100	1000	25
GP1212	00288	12 AWG Solid, 12" Long	100	1000	26

CUSTOM SIZES AVAILABLE CALL FOR DETAILS

#12 JACK CHAIN - ZINC PLATED STEEL



Catalog No.	UPC #	Load Limit -			Ctn. Qty	Std. Pkg	Wgt/100
		Trade Size	lbs	Type			
JC-56	01556	12	29	Reel	100	1000	9
JC-56H	00303	12	29	Box	100	1000	9

#12 "S" HOOKS - ZINC PLATED STEEL



Catalog No.	UPC #	Trade Size	Ctn. Qty	Std. Pkg	Wgt/100
JC-58	01558	#12	100	1000	3

ROOF TIE BRACKET



Catalog No.	UPC #	Trade Size	Ctn. Qty	Std. Pkg	Wgt/100
RT-100	07121	-	-	10	185

EMT INSULATING BUSHING



Catalog No.	UPC #	Trade Size	Ctn. Qty	Std. Pkg	Wgt/Pkg
EIB050	00905	1/2"	100	1000	5
EIB075	00906	3/4"	100	1000	6
EIB100	00907	1"	50	500	5
EIB125	00908	1 1/4"	25	250	4
EIB150	00909	1 1/2"	25	250	5
EIB200	00910	2"	20	200	5
EIB250	00911	2 1/2"	-	25	1
EIB300	00912	3"	-	25	2
EIB350	00913	3 1/2"	-	25	2
EIB400	00914	4"	-	25	2

SEALFLEX - DUCT SEAL - CAULKING SEALER



Catalog No.	UPC #	Trade Size	Ctn. Qty	Std. Pkg	Wgt/100
C-10	01552	1 LB Bag	50 Bags	50lbs	100
C-50	01553	5 LB Bag	10 Bags	50lbs	100

ABESTOS FREE - MSDS Sheets available upon request
UL File: R11678



SWITCH BOX SUPPORTS



Catalog No.	UPC #	Trade Size	Ctn. Qty	Std. Pkg	Wgt/Pkg
SBS-10		Sold in Pairs	50 Pair	500 Pr	25

ROUND POLE STRAPS - HEAVY DUTY - HOT DIPPED GALVANIZED



Catalog No.	UPC #	Trade Size	Ctn. Qty	Std. Pkg	Wgt/100
RPS75	20133	3/4"	25	250	16
RPS200	20134	2"	10	50	28
RHS200*	00578	2"	10	50	28
RPS250	20001	2 1/2"	10	50	32
RPS300	20136	3"	-	10	68
RPS400	20137	4"	-	10	72
RPS500	20138	5"	-	10	86
RPS600	20139	6"	-	10	109

*Flat Ends for Mounting to Flat Surfaces

THESE UNIQUELY SHAPED STRAPS CONFORM TO ROUND POLES VIRTUALLY ELIMINATING PULL OUT ASSOCIATED WITH STANDARD FLAT SURFACE STRAPS.

PROTECTOR (NAIL) PLATES



Catalog No.	UPC #	Trade Size	Ctn. Qty	Std. Pkg	Wgt/100
NP100	00554	1 1/2" x 2 1/2"	50	500	100
NP5	00555	1 1/2" x 5"	25	250	100

ANCHOR KIT



Catalog No.	UPC #	Trade Size	Ctn. Qty	Std. Pkg	Wgt/100
AK100	20141	10 X 1 Combo Pan Head Screws	1	25	100
AK100H	20110	10 X 1 Combo Hex Head Screws	1	25	100

EACH KIT CONTAINS:
 100: 10 X 1 SCREWS
 100: 10-12 X 1 PLASTIC ANCHORS
 1: 1/4" MASONRY DRILL BIT

PACKAGED IN DIVIDED VIEW THROUGH CLEAR PLASTIC BOX
LABELED WITH YOUR COMPANY NAME, ADDRESS, PHONE & FAX

PVC CONDUIT TWO-HOLE STRAP



Catalog No.	UPC #	Trade Size	Ctn. Qty	Std. Pkg	Wgt/100
J210	20127	1/2"	100	1000	0.69
J230	20128	3/4"	100	1000	0.88
J240	20129	1"	50	500	1.1
J250	20130	1 1/4"	50	500	1.6
J260	20131	1 1/2"	25	250	1.9
J270	20132	2"	25	250	2.8
J280	00804	2 1/2"	10	100	4
J290	00805	3"	10	100	5
J300	00806	4"	10	100	6

ELECTRICAL TAPE



Catalog No.	UPC #	Trade Size	Rolls per Sleeve	Std. Pkg	Wgt/100
ETBLACK	40000	3/4" X 60'	10	200	20
ETBLUE	40001	3/4" X 60'	10	200	20
ETYELLOW	40009	3/4" X 60'	10	200	20
ETGREEN	40004	3/4" X 60'	10	200	20
ETRED	40007	3/4" X 60'	10	200	20
ETWHITE	40008	3/4" X 60'	10	200	20
ETORANGE	40005	3/4" X 60'	10	200	20
ETPURPLE	40006	3/4" X 60'	10	200	20
ETBROWN	40002	3/4" X 60'	10	200	20
ETGRAY	40003	3/4" X 60'	10	200	20

2" X 60' Rolls Also Available


DUCT TAPE



Catalog No.	UPC #	Trade Size	Rolls per Case	Std. Pkg	Wgt/Pkg
DUCT TAPE	00235	2" X 60'	24	24	42

DIRECT BURIAL UNDERGROUND TAPES

DIRECT BURIAL TAPE - NON-DETECTABLE 4 Mil ----- Line Buried Below



Catalog No.	UPC #	Trade Size	Color	Std. Pkg	Wgt/EA
ELBBRED3000	00237	3" X 1000'	RED	8	5
ELBBRED6000	00239	6" X 1000'	RED	4	10
ELBBRED3300	00238	3" X 300'	RED	16	2
ELBBYEL3000	00240	3" X 1000'	*YELLOW	8	5
ELBBYEL6000	00241	6" X 1000'	*YELLOW	4	10
TLBBORG3000	00661	3" X 1000'	ORANGE	8	5
TLBBORG6000	00662	6" X 1000'	ORANGE	4	10
GLBBYEL3000	00277	3" X 1000'	YELLOW	8	5
GLBBYEL6000		6" X 1000'	YELLOW	4	10
WLBBLUE3000	00639	3" X 1000'	BLUE	8	5
WLBBLUE6000		6" X 1000'	BLUE	4	10
WLBBLUE3300	00694	3" X 300'	BLUE	16	2

APWA LEGEND

YELLOW GL = GAS

BLUE WL = WATER

RED EL = ELECTRIC

GREEN SL = SEWER


PURPLE RW = RECLAIMED WATER

***YELLOW ELECTRIC LINE BURIED BELOW**

ORANGE TL/FO = TELEPHONE/FIBER OPTIC

PLEASE CALL FOR PART NUMBER IF LEGEND NEEDED IS NOT SHOWN

DIRECT BURIAL TAPE - DETECTABLE 5 Mil ----- Line Buried Below



Catalog No.	UPC #	Trade Size	Color	Std. Pkg	Wgt/100
ELDTRED3000	00244	3" X 1000'	RED	8	7.5
ELDTRED6000	00245	6" X 1000'	RED	4	15
FOLDTORG3000	00261	3" X 1000'	ORANGE	8	7.5
FOLDTORG6000	00262	6" X 1000'	ORANGE	4	15
TLDTORG3000	00663	3" X 1000'	ORANGE	8	7.5
TLDTORG6000	00664	6" X 1000'	ORANGE	4	15

2" X 1000' ALSO AVAILABLE

BARRICADE TAPE - 3 Mil MANY DIFFERENT LEDGENDS AVAILABLE



Catalog No.	UPC #	Trade Size	Color	Std. Pkg	Wgt/100
CT1000	00266	3" X 1000'	YELLOW	8	2.8
CT3300	00225	3" X 300'	YELLOW	16	1.2

PLEASE CALL FOR PART NUMBER IF LEGEND NEEDED IS NOT SHOWN

SERVICE ENTRANCE STAPLES



Catalog No.	UPC #	Trade Size	Ctn. Qty	Std. Pkg	Wgt/100
RS-4100	20150	6 SER	50	500	
RS-4200	20151	6 SEU	50	500	
RS-4300	20152	2 SER	25	250	
RS-4400	20153	2 SEU	25	250	
RS-4500	20154	4/0 SEU	25	250	
RS-4600	00581	4/0 SER	25	250	
RS-4700	00582	2/0 SER	25	250	

CO-AX STAPLES



Catalog No.	UPC #	Trade Size	Ctn. Qty	Std. Pkg	Wgt/100
RSB5000	20147	1/4" 1-Nail Co-Ax Black	100	1000	
RSW5000	20146	1/4" 1-Nail Co-Ax White	100	1000	
RSB5100	20149	1/4" 1-Nail Flat Black	100	1000	
RSW5100	20148	1/4" 1-Nail Flat White	100	1000	

STACKING STAPLES



Catalog No.	UPC #	Trade Size	Ctn. Qty	Std. Pkg	Wgt/100
RS-6200	20155	1/2" Two-Wire	50	500	
RS-6300	20156	1/2" Three-Wire	50	500	
RS-6400	20157	1/2" Four-Wire	50	500	

TWO-NAIL STAPLES



Catalog No.	UPC #	Trade Size	Ctn. Qty	Std. Pkg	Wgt/100
RS-1200	20142	1/2" Two-Nail Strap	100	2000	
RS-1200B	20143	1/2" Two-Nail Strap	500	5000	
RS-3400	20144	3/4" Two-Nail Strap	100	2000	
RS-3400B	20145	3/4" Two-Nail Strap	250	2500	

Bulk Buckets also available

WIRE CONNECTORS - TWIST-ON STANDARD



Catalog No.	UPC #	Color	Min. Wire Size	Max. Wire Size	Ctn. Qty	Std. Pkg	Wgt/100
WNGS-1000	00697	GRAY	1 #20 w/1 #22	2 # 16	100	1000	
WNBS-1000	00695	BLUE	3 #22	3 #16	100	1000	
WNOS-1000	00699	ORANGE	3 #22	2 #14 w/1 #18	100	1000	
WNYS-1000	00703	YELLOW	1 #14 w/1#18	1 #10 w/1 #14	100	1000	
WNRS-1000	00700	RED	2 #14	4 #12	100	1000	

WIRE CONNECTORS - TWIST-ON STANDARD



Catalog No.	UPC #	Color	Min. Wire Size	Max. Wire Size	Ctn. Qty	Std. Pkg	Wgt/100
WNYW-1000	00704	YELLOW	2 #18	3 #12 Sol	100	1000	
WNRW-1000	00701	RED	2 #16	5 #12 Sol 3 #10 w/1 #12	100	1000	
WNGW-1000	00698	GRAY	2 #12	#12	100	1000	
WNGRW-1000		GREEN Grounding	2 #14	1 #10 w/3 #12 & 1 #14	100	1000	
WNBW-1000	00696	BLUE	1 # 10 w/1 #12	1 #6 w/2 #8	100	1000	

WIRE DISPENSER



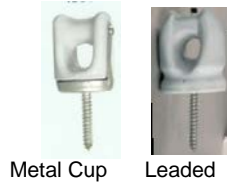
Catalog No.	UPC #	Description	Std. Pkg	Wgt/100
MH8110	00853	Floor or Stud Mount Cable Dispenser	1	

Capacity
 Minimum Inside Coil Diameter
 5 1/2"
 Maximum Outside Coil Diameter 17"
 Maximum Weight 50 lbs
 Pulling cable from dispenser too fast may result in tangles and/or backlash



HEAVY & MEDIUM DUTY WIREHOLDERS

Catalog No.	UPC #	Description	Std. Pkg	Wgt/100
131	05003	2 1/4" Lg. Lag Screw Leaded	50	63
132	05000	2 1/4" Lg. Lag Screw Attached w/Cup	50	68
133	05001	3" Lg. Lag Screw Attached w/Cup	50	68
134	05002	4" Lg. Lag Screw Attached w/Cup	25	75



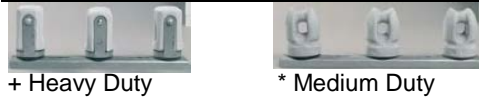
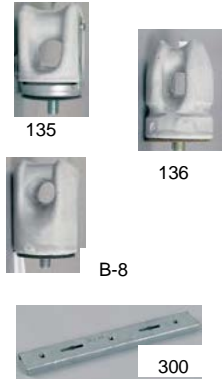
LIGHT DUTY WIREHOLDERS

Catalog No.	UPC #	Description	Std. Pkg	Wgt/100
B-9	05004	1 11/16" Lg. Lag Screw Leaded	100	25



HOUSE BRACKETS & INSULATORS

Catalog No.	UPC #	Description	Std. Pkg	Wgt/100
135	05005	3/8 x 3/8 Machine Stud Attached w/Cup	50	65
136	05006	3/8 x 3/8 Machine Stud Leaded	50	60
B-8	00201	1/4 x 1/4 Machine Stud Leaded	50	72
300	05050	3/8" Tap House Strap 4 1/2" Centers	10	64
302+	05051	# 300 with 2 No. 135 Wireholders	10	200
303+	05052	# 300 with 3 No. 135 Wireholders	10	250
304*	05053	# 300 with 2 No. 136 Wireholders	10	225
305*	05054	# 300 with 3 No. 136 Wireholders	10	300



MEDIUM DUTY SECONDARY RACKS *INCLUDING B-355 SPOOL INSULATORS

Catalog No.	UPC #	No. Insulators	Center Spacing	Std. Pkg	Wgt/100
B32	05110	2	8" 18"	5	570
B33	05111	3	4" 18"	5	691
B34	05112	3	8" 25"	5	911
B35	05113	5	4" 25"	5	1158
B38	05114	4	8" 34"	5	1232

SPOOLS

Catalog No.	UPC #	Description	Std. Pkg	Wgt/100
B-5	05010	2 1/4" Diameter Porcelain Spool	50	43
B-355	05011	3" Diameter Porcelain Spool	50	124

INSULATED SECONDARY & DEADEND CLEAVES - HOT DIP GALVANIZED - INCLUDING SPOOL INSULATORS

Catalog No.	UPC #	Extension	Mounting	Steel Size	Std. Pkg	Wgt/100
MWK1300		4"	11/16 x 13/16	4 3/4" x No. 11	10	220
MWK4111	00884	4"	11/16 Sqr	1/8 x 1/2 x 1	10	140
MWK4112	00524	4"	11/16 x 7/8	3/16 x 3	10	254
MWK4114		3 1/2"	11/16 x 7/8	3/16 x 3	10	248



INSULATED CROSSARM CLEAVES - HOT DIP GALVANIZED - INCLUDING SPOOL INSULATORS

Catalog No.	UPC #	Extension	Mounting	Steel Size	Std. Pkg	Wgt/100
MW4172		4 3/16"	11/16 x 13/16	1 1/2" X 3/16"	10	118
MWK4113	00885	5"	11/16 x 13/16	1 1/2" X 3/16"	10	160
MWK4115		5 3/4"	11/16 x 25/32	1/4" x 1 1/2"	10	244



INSULATED SWINGING CLEVISES - HOT DIP GALVANIZED - INCLUDING SPOOL INSULATORS



Catalog No.	UPC #	Extension	Mounting	Steel Size	Std. Pkg	Wgt/100
MW4171		5"	5/8 eyebolt	1 1/2" X 3/16"	10	160
MW4170		6 7/16"	1 1/16"	3/4" X 3/16"	10	95

LAG SCREWS - HOT DIP GALVANIZED



Catalog No.	UPC #	Size (Inches)	Minimum Thread Length (Inches)	Drive/Point	Std. Pkg	Wgt/100
LS050		1/2 x 4	1/2"	Fetter/Reg	250	23
LS050P		1/2 x 4	1/2"	Fetter/Pilot	250	23
LS050TP		1/2 x 4	1/2"	Twist/Pilot	250	23
LS050-1		1/2 x 4 -1/2	1/2"	Fetter/Reg	250	23
LS050-1P		1/2 x 4 -1/2	1/2"	Fetter/Pilot	250	23

MACHINE BOLTS with NUT- HOT DIP GALVANIZED - ROLLED THREADS



Min. Tensile Strength
 3/8" 4,250 lbs
 1/2" 7,800 lbs
 5/8" 12,400 lbs
 3/4" 18,350 lbs
 7/8" 25,400 lbs

Catalog No.	UPC #	Description	Std. Pkg	Wgt/100
MW3804.5		3/8" x 4 1/2" Machine Bolt	250	17
MW3805		3/8" x 5" Machine Bolt	250	19
MW5006		1/2" x 6" Machine Bolt	100	40
MW5008		1/2" x 8" Machine Bolt	100	52
MW5010		1/2" x 10" Machine Bolt	100	61
MW5012		1/2" x 12" Machine Bolt	100	70
MW5014		1/2" x 14" Machine Bolt	50	79
MW5016		1/2" x 16" Machine Bolt	50	91
MW5806	00865	5/8" x 6" Machine Bolt	100	68
MW5808	00866	5/8" x 8" Machine Bolt	50	82
MW5809	00867	5/8" x 9" Machine Bolt	50	90
MW5810	00868	5/8" x 10" Machine Bolt	50	98
MW5812	00869	5/8" x 12" Machine Bolt	50	112
MW5814	00870	5/8" x 14" Machine Bolt	50	128
MW5816	00871	5/8" x 16" Machine Bolt	50	146
MW5818	00872	5/8" x 18" Machine Bolt	50	162
MW5820	00873	5/8" x 20" Machine Bolt	40	170
MW5822		5/8" x 22" Machine Bolt	25	180
MW5824		5/8" x 24" Machine Bolt	25	220
MW5826		5/8" x 26" Machine Bolt	25	224
MW7506	00874	3/4" x 6" Machine Bolt	50	99
MW7508	00875	3/4" x 8" Machine Bolt	50	124
MW7510	00876	3/4" x 10" Machine Bolt	25	146
MW7512	00877	3/4" x 12" Machine Bolt	25	170
MW7514	00878	3/4" x 14" Machine Bolt	25	184
MW7516	00879	3/4" x 16" Machine Bolt	25	212
MW7518	00880	3/4" x 18" Machine Bolt	25	240
MW7520		3/4" x 20" Machine Bolt	25	262
MW7522		3/4" x 22" Machine Bolt	20	288
MW7524		3/4" x 24" Machine Bolt	20	296
MW7526		3/4" x 26" Machine Bolt	20	316
MW7812		7/8" x 12" Machine Bolt	25	240
MW7814		7/8" x 14" Machine Bolt	25	264
MW7816		7/8" x 16" Machine Bolt	25	288
MW7818		7/8" x 18" Machine Bolt	25	320
MW7820		7/8" x 20" Machine Bolt	20	345
MW7822		7/8" x 22" Machine Bolt	20	380
MW7824		7/8" x 24" Machine Bolt	20	430

FORGED OVAL EYE BOLTS with NUT - HOT DIP GALVANIZED - ROLLED THREADS



Min. Tensile Strength
 5/8" 13,550 lbs
 3/4" 18,350 lbs

Catalog No.	UPC #	Description	Std. Pkg	Wgt/100
MW9408	00855	5/8" x 8" Oval Eye Bolt	50	132
MW9410	00856	5/8" x 10" Oval Eye Bolt	50	146
MW9412	00857	5/8" x 12" Oval Eye Bolt	50	160
MW9414	00858	5/8" x 14" Oval Eye Bolt	25	176
MW9416	00859	5/8" x 16" Oval Eye Bolt	25	188
MW9418		5/8" x 18" Oval Eye Bolt	20	202
MW9420		5/8" x 20" Oval Eye Bolt	20	210
MW9508	00860	3/4" x 8" Oval Eye Bolt	25	192
MW9510	00861	3/4" x 10" Oval Eye Bolt	25	208
MW9512	00862	3/4" x 12" Oval Eye Bolt	25	224
MW9514	00863	3/4" x 14" Oval Eye Bolt	25	248
MW9516	00864	3/4" x 16" Oval Eye Bolt	25	268
MW9518		3/4" x 18" Oval Eye Bolt	20	280
MW9520		3/4" x 20" Oval Eye Bolt	20	302

FORGED OVAL EYENUTS - HOT DIP GALVANIZED



Catalog No.	UPC #	Bolt Diameter		Std. Pkg	Wgt/100
MW1075		5/8"	Forged Oval Eyenut	50	92
MW1076		3/4"	Forged Oval Eyenut	50	92

THIMBLE EYENUTS - HOT DIP GALVANIZED



Catalog No.	UPC #	Bolt Diameter	Max Strand Size	Std. Pkg	Wgt/100
MW6510		5/8"	1/2"	50	92
MW6511		3/4"	1/2"	50	92

STANDARD EYELETS - HOT DIP GALVANIZED



Catalog No.	UPC #	Bolt Diameter	Slot Size	Std. Pkg	Wgt/100
MW1070		5/8"	Forged Oval Eyenut	50	92
MW1071		3/4"	Forged Oval Eyenut	50	92

STRAIGHT THIMBLE EYELETS - HOT DIP GALVANIZED



Catalog No.	UPC #	Bolt Diameter	Max Strand Size	Std. Pkg	Wgt/100
MW6550C		5/8"	5/8	50	92

ANGLE THIMBLE EYELETS - HOT DIP GALVANIZED



Catalog No.	UPC #	Bolt Diameter	Max Strand Size	Std. Pkg	Wgt/100
MW6500		5/8"	1/2	50	97

EXPANDING ANCHOR - HOT DIP GALVANIZED



CLOSED

EXPANDED

Catalog No.	UPC #	Area (Sq. Inch)	Rod Size Inch	Std. Pkg	Wgt/100
MW7678		135	5/8 or 3/4	1	1000

DOUBLE ARMING BOLTS with NUTS- HOT DIP GALVANIZED - ROLLED THREADS



Min. Tensile Strength
 5/8" 12,400 lbs
 3/4" 18,350 lbs
 7/8" 25,400 lbs

Catalog No.	UPC #	Description	Std. Pkg	Wgt/100
DA5810		5/8" x 10" Double Arming Bolt	50	130
DA5812		5/8" x 12" Double Arming Bolt	50	136
DA5814		5/8" x 14" Double Arming Bolt	50	154
DA5816		5/8" x 16" Double Arming Bolt	25	176
DA5818		5/8" x 18" Double Arming Bolt	25	192
DA5820		5/8" x 20" Double Arming Bolt	25	204
DA5822		5/8" x 22" Double Arming Bolt	25	223
DA5824		5/8" x 24" Double Arming Bolt	25	232
DA5826		5/8" x 26" Double Arming Bolt	25	240
DA5828		5/8" x 28" Double Arming Bolt	20	256
DA5830		5/8" x 30" Double Arming Bolt	20	265
DA7512		3/4" x 12" Double Arming Bolt	25	206
DA7514		3/4" x 14" Double Arming Bolt	25	228
DA7516		3/4" x 16" Double Arming Bolt	25	244
DA7518		3/4" x 18" Double Arming Bolt	25	268
DA7520		3/4" x 20" Double Arming Bolt	25	280
DA7522		3/4" x 22" Double Arming Bolt	20	308
DA7524		3/4" x 24" Double Arming Bolt	25	336
DA7526		3/4" x 26" Double Arming Bolt	25	345
DA7528		3/4" x 28" Double Arming Bolt	20	365
DA7530		3/4" x 30" Double Arming Bolt	20	385
DA7812		7/8" x 12" Double Arming Bolt	20	283
DA7814		7/8" x 14" Double Arming Bolt	20	312
DA7816		7/8" x 16" Double Arming Bolt	20	341
DA7818		7/8" x 18" Double Arming Bolt	15	370
DA7820		7/8" x 20" Double Arming Bolt	15	398
DA7822		7/8" x 22" Double Arming Bolt	15	427
DA7824		7/8" x 24" Double Arming Bolt	15	456
DA7826		7/8" x 26" Double Arming Bolt	10	485
DA7828		7/8" x 28" Double Arming Bolt	10	514
DA7830		7/8" x 30" Double Arming Bolt	10	543
DA7832		7/8" x 32" Double Arming Bolt	10	572

CARRIAGE BOLTS with NUT- HOT DIP GALVANIZED - ROLLED THREADS



Min. Tensile Strength
 3/8" 4,250 lbs
 1/2" 7,800 lbs

Catalog No.	UPC #	Description	Thread Length (inches)	Std. Pkg	Wgt/100
CB384		3/8" x 4" Carriage Bolt	3	250	16
CB384-1/2		3/8" x 4 1/2" Carriage Bolt	3	250	17
CB385		3/8" x 5" Carriage Bolt	3	250	20
CB386		3/8" x 6" Carriage Bolt	3	250	20
CB388		3/8" x 8" Carriage Bolt	3	250	24
CB504-1/2		1/2" x 4 1/2" Carriage Bolt	3	200	32
CB505		1/2" x 5" Carriage Bolt	3	200	34
CB506		1/2" x 6" Carriage Bolt	3	200	41

DRIVE HOOK - HOT DIP GALVANIZED



Catalog No.	UPC #	Description	Std. Pkg	Wgt/100
MW1020	00514	7/16" x 4 3/4" Fetter Drive, Pilot Point	10	26

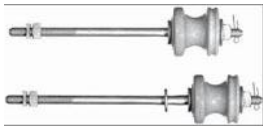
FORGED THIMBLE EYEBOLTS - HOT DIP GALVANIZED - ROLLED THREADS



Min. Tensile Strength
 5/8" 13,550 lbs
 3/4" 18,350 lbs

Catalog No.	UPC #	Description	Thread Length (inches)	Std. Pkg	Wgt/100
TE5808		5/8" x 8" Straight Thimble Eyebolt	4	50	124
TE5810		5/8" x 10" Straight Thimble Eyebolt	4	50	142
TE5812		5/8" x 12" Straight Thimble Eyebolt	6	50	160
TE5814		5/8" x 14" Straight Thimble Eyebolt	6	50	172
TE5808A		5/8" x 8" Angle Thimble Eyebolt	4	50	130
TE5810A		5/8" x 10" Angle Thimble Eyebolt	4	50	144
TE5812A		5/8" x 12" Angle Thimble Eyebolt	6	50	162
TE5814A		5/8" x 14" Angle Thimble Eyebolt	6	50	184
TE7510		3/4" x 10" Straight Thimble Eyebolt	4	25	148
TE7512		3/4" x 12" Straight Thimble Eyebolt	6	25	176
TE7514		3/4" x 14" Straight Thimble Eyebolt	6	25	188
TE7510A		3/4" x 10" Angle Thimble Eyebolt	4	25	148
TE7512A		3/4" x 12" Angle Thimble Eyebolt	6	25	176
TE7514A		3/4" x 14" Angle Thimble Eyebolt	6	25	188

SPOOL BOLTS - HOT DIP GALVANIZED - ROLLED THREADS - INSULATORS ARE NOT INCLUDED



Min. Tensile Strength
 5/8" 13,550 lbs

Catalog No.	UPC #	Upset	Shank Length (inches)	Overall Length (inches)	Thread Length (inches)	Std. Pkg	Wgt/100
MW2343		5/8" Single	9	13 1/2	4	50	124
MW2344		5/8" Single	10	14 1/2	4	50	142
MW2346		5/8" Single	12	16 1/2	6	50	160
MW2348		5/8" Single	14	18 1/2	8	50	172
MW2394		5/8" Double	8	14	4	50	130
MW2396		5/8" Double	10	16	4	25	176
MW2398		5/8" Double	12	18	6	25	188

Spool bolts are furnished complete with two square nuts, locknut and cotter pin.

FLAT SQUARE WASHER - HOT DIP GALVANIZED



Catalog No.	UPC #	Size (inches)	Thickness (inches)	Hole Diameter (inches)	Bolt Diameter (inches)	Std. Pkg	Wgt/100
SW50		2 x 2	1/8	9/16	1/2	10	15
SW58-2		2 x 2	1/8	11/16	5/8	10	14
SW58		2 1/4 x 2 1/4	3/16	11/16	5/8	10	26
SW75		2 1/4 x 2 1/4	3/16	13/16	3/4	10	25
SW78-3		3 x 3	1/4	15/16	7/8	10	64
SW78-4		4 x 4	1/4	15/16	7/8	10	114
SW58-4		4 x 4	1/4	11/16	5/8	10	113

CURVED SQUARE WASHER - HOT DIP GALVANIZED



Catalog No.	UPC #	Size (inches)	Thickness (inches)	Hole Diameter (inches)	Bolt Diameter (inches)	Std. Pkg	Wgt/100
CSW58-3		3 x 3	1/4	11/16	5/8	10	65
CSW58-4		4 x 4	1/4	11/16	5/8	10	113
CSW58-25		2 1/4 x 2 1/4	3/16	11/16	5/8	10	26
CSW58-50		2 1/4 x 2 1/2	3/16	11/16	5/8	10	31
CSW55-3		3 x 3	1/4	13/16	5/5	10	65
CSW78-4		4 x 4	1/4	15/16	7/8	10	65

ROUND FLAT WASHER - HOT DIP GALVANIZED



Catalog No.	UPC #	Size (inches)	Thickness(inches)	Hole Diameter (inches)	Bolt Diameter (inches)	Std. Pkg	Wgt/100
RFW38		1	3/32	9/16	3/8	50	1.6
RFW50		1 3/8	1/8	9/16	1/2	50	4.4
RFW58		1 3/4	1/8	11/16	5/8	50	7.5
RFW75		2	1/8	13/16	3/4	50	9.1

SQUARE NUTS - HOT DIP GALVANIZED



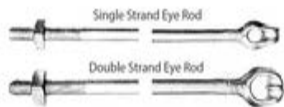
Catalog No.	UPC #	Nominal Size & Threads per Inch	Std. Pkg	Wgt/100
SN50		1/2-11 Square Nut	10	8
SN58		5/8-11 Square Nut	10	10.2
SN75		3/4-10 Square Nut	10	14.2
SN78		7/8-10 Square Nut	10	24

MF TYPE LOCK NUTS - HOT DIP GALVANIZED



Catalog No.	UPC #	Nominal Size & Threads per Inch	Std. Pkg	Wgt/100
MFLN50		1/2-11 MF Type Lock Nut	10	3
MFLN58		5/8-11 MF Type Lock Nut	10	4.2
MFLN75		3/4-10 MF Type Lock Nut	10	5.4
MFLN78		7/8-10 MF Type Lock Nut	10	8

FORGED ANCHOR RODS - HOT DIP GALVANIZED



Catalog No.	UPC #	Description	Min. Ultimate Strength (lbs)	Std. Pkg	Wgt/100
MW7656		5/8" x 6' Thimbleye Anchor	16,000	10	640
MW7657		5/8" x 7' Thimbleye Anchor	16,000	10	750
MW7658		5/8" x 8' Thimbleye Anchor	16,000	5	800
MW7666		3/4" x 6' Thimbleye Anchor	23,000	10	980
MW7667		3/4" x 7' Thimbleye Anchor	23,000	10	1100
MW7668		3/4" x 8' Thimbleye Anchor	23,000	5	1216
MW7616		5/8" x 6' Twineye Anchor	16,000	10	650
MW7617		5/8" x 7' Twineye Anchor	16,000	10	800
MW7618		5/8" x 8' Twineye Anchor	16,000	5	840
MW7626		3/4" x 6' Twineye Anchor	23,000	10	1012
MW7627		3/4" x 7' Twineye Anchor	23,000	10	1120
MW7628		3/4" x 8' Twineye Anchor	23,000	5	1300

NO WRENCH SCREW ANCHOR



Catalog No.	UPC #	Description	Std. Pkg	Wgt/EA
SA7554		3/4" X 54" No-Wrench Screw Anchor 4" Helix	1	9
SA7566		3/4" X 66" No-Wrench Screw Anchor 6" Helix	1	12

GUY CLAMPS with BOLTS INSTALLED - HOT DIP GALVANIZED



Catalog No.	UPC #	No. of Bolts & Diameter	Clamp		Strand Diameter inches	Std. Pkg	Wgt/100
			Dimension inches	Clamp			
MW8640		2 - 1/2"	3 3/8"	1 9/16	3/16-3/8	50	132
MW8645		3 - 1/2"	4"	1 9/16	3/16-7/16	50	162
MW8650		3 - 1/2"	6"	1 9/16	3/16-7/16	25	227
MW8655*		3 - 5/8"	6"	1 21/32	5/16-1/2	25	268

Guy clamps have straight parallel grooves which will not damage conductor strand.

*Meets Bell Telephone requirement of 18,000 lb. Minimum breaking strength for track bolts.

CABLE SUSPENSION CLAMPS - HOT DIP GALVANIZED



Catalog No.	UPC #	No. of Bolts & Diameter	Clamp Length (inches)	Mounting Slot Dia. (inches)	Strand Diameter (inches)	Std. Pkg	Wgt/100

CROSSARM BRACES - HOT DIPPED GALVANIZED



Catalog No.	UPC #	Size	Length (inches)	Hole Distance (inches)	Std. Pkg	Wgt/100
MW9030		1 1/4 x 1/4	30	28	10	245

Crossarm braces are used in pairs for aligning and supporting crossarms.

GUY ATTACHMENT - HOT DIPPED GALVANIZED



Catalog No.	UPC #	Steel Size	Hole Diameter (inches)	Std. Pkg	Wgt/100

LOW VOLTAGE FORGED STEEL PINS - HOT DIP GALVANIZED



Catalog No.	UPC #	Shank Diameter (inches)	Height Above Arm (inches)	Shank Length (inches)	Thread Length (inches)	Std. Pkg	Wgt/100
SP103		5/8	5"	5 3/4"	2 3/4	25	180
SP104		5/8	5"	6 1/2"	3	25	190
SP105		5/8	6"	5 3/4"	2 3/4	25	196
SP106		5/8	6"	6 1/2"	3	25	204
SHORT SHANK							
SP100		5/8	5"	1 1/2"	1 1/4	50	130
SP101		5/8	6"	1 1/2"	1 1/4	50	132
SP102		5/8	6"	1 3/4"	1 1/2	25	200

HIGH VOLTAGE FORGED STEEL PINS - HOT DIP GALVANIZED



Catalog No.	UPC #	Shank Diameter (inches)	Height Above Arm (inches)	Std. Pkg	Wgt/100
-------------	-------	-------------------------	---------------------------	----------	---------

For insulators with standard 1" threaded Pin Hole.

LONG SHANK

SP203		5/8	6"	20	240
SP204		3/4	6"	20	292

SHORT SHANK

SP202		3/4	7"	20	210
-------	--	-----	----	----	-----

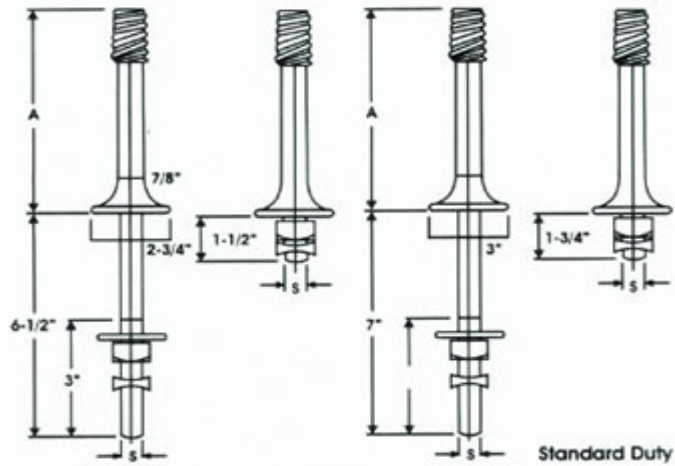
For insulators with standard 1 3/8" threaded Pin Hole.

STANDARD LONG SHANK

SP303		5/8	7"	20	240
SP404		3/4	8"	20	292

STANDARD SHORT SHANK

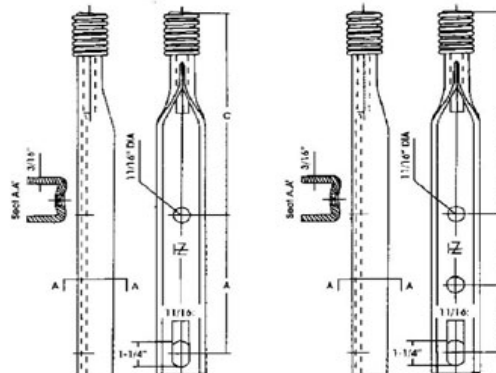
SP402		3/4	8"	20	210
-------	--	-----	----	----	-----



POLE TOP PINS - HOT DIP GALVANIZED



Catalog No.	Length (inches)	Diameter (inches)			Thread Diameter (inches)	Std. Pkg	Wgt/100
		A	B	C			
PRESSED STEEL							
PTP15	15	5	(2-Hole)	9	1	25	280
PTP18	18	5	3	9	1	15	336
PTP20	20	8	2	11	1	15	488
PTP24	24	5	3	15	1	10	615
PTP20-2	20	8	(2-Hole)	11	1 3/8	15	535



TYPE VE ALL SIDE HUBS WITH REMOVABLE PLUGS



Catalog Number		Dimensions with Guard				Std. Pkg. of 5 Wt., Lbs	
With Guard	Without Guard	Conduit Size	Recom. Max. Watts	A	B	With Guard	Without Guard
VE-217	VE-210	1/2"	100	9 1/4"	4 1/2"	19	16
VE-317	VE-310	3/4"	100	9 1/4"	4 1/2"	19	16
VE-227	VE-220	1/2"	200	11 1/4"	5 11/16"	25	22
VE-327	VE-320	3/4"	200	11 1/4"	5 11/16"	25	22

TYPE VXA WITH BACK TAPPED BOSS AND ALL SIDE HUBS WITH REMOVABLE PLUGS



Catalog Number		Dimensions with Guard				Std. Pkg. of 5 Wt., Lbs	
With Guard	Without Guard	Conduit Size	Recom. Max. Watts	A	B	With Guard	Without Guard
VXA-217	VXA-210	1/2"	100	9 1/4"	4 1/2"	19	16
VXA-317	VXA-310	3/4"	100	9 1/4"	4 1/2"	19	16
VXA-227	VXA-220	1/2"	200	11 1/4"	5 11/16"	25	22
VXA-327	VXA-320	3/4"	200	11 1/4"	5 11/16"	25	22

TYPE VWJE ALL SIDE HUBS WITH REMOVABLE PLUGS***



Catalog Number		Dimensions with Guard				Std. Pkg. of 5 Wt., Lbs	
With Guard	Without Guard	Conduit Size	Recom. Max. Watts	A	B	With Guard	Without Guard
VWJE-217	VWJE-210	1/2"	100	8"	7 1/4"	24	22
VWJE-317	VWJE-310	3/4"	100	8"	7 1/4"	24	22
VWJE-227	VWJE-220	1/2"	200	9 1/2"	8 3/8"	29	25
VWJE-327	VWJE-320	3/4"	200	9 1/2"	8 3/8"	29	25

*** Specify TYPE VWJA for back tapped boss and all side hubs with removable plugs.

100 & 200 WATT PENDENT MOUNT TYPE



Catalog Number		Dimensions with Guard				Std. Pkg. of 5 Wt., Lbs	
With Guard	Without Guard	Conduit Size	Recom. Max. Watts	A	B	With Guard	Without Guard
VA-217	VA-210	1/2"	100	9 1/4"	4 1/2"	19	16
VA-317	VA-310	3/4"	100	9 1/4"	4 1/2"	19	16
VA-227	VA-220	1/2"	200	11 1/4"	5 11/16"	25	22
VA-327	VA-320	3/4"	200	11 1/4"	5 11/16"	25	22

100 & 200 WATT CONDUIT MOUNTING TYPE



Catalog Number		Dimensions with Guard				Std. Pkg. of 5 Wt., Lbs	
With Guard	Without Guard	Conduit Size	Recom. Max. Watts	A	B	With Guard	Without Guard
VVE-217	VVE-210	1/2"	100	9 1/4"	4 1/2"	19	16
VVE-317	VVE-310	3/4"	100	9 1/4"	4 1/2"	19	16
VVE-227	VVE-220	1/2"	200	11 1/4"	5 11/16"	25	22
VVE-327	VVE-320	3/4"	200	11 1/4"	5 11/16"	25	22

100 & 200 WATT FOR 4" OUTLET BOX MOUNTING



VWB



VFA

Catalog Number		Dimensions with Guard			Std. Pkg. of 5 Wt., Lbs		
With Guard	Without Guard	Conduit Size	Recom. Max. Watts	A	B	With Guard	Without Guard
VWB-217	VWB-210	4"	100	8"	5 3/8"	17	15
VWB-227	VWB-220	4"	200	9 1/2"	6 1/2"	22	19
VFA-017	VFA-010	3 1/4 OR 4"	100	7 1/2"	4 5/8"	13	11
VFA-027	VFA-020	3 1/4 OR 4"	200	9"	5 3/4"	18	15

FEDERAL SPECIFICATIONS:

For U.S. Corps of Engineers Specification No. 40-06-04. Price same as standard VFA or VWB delivery stock to ten days.

VG-1 - VFA-017 CE (2 Screw Mounting)

VG-3 - VWB-217 CE (2 or 4 Screw Mounting)

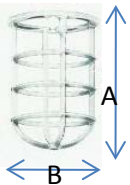
VG-2 - VFA-027 CE (2 Screw Mounting)

VG-4 - VWB-227 CE (2 or 4 Screw Mounting)

The suffix CE to the catalog numbers means that these fixtures are to be furnished with extra gasket and two non-ferrous mounting screws to meet specifications.

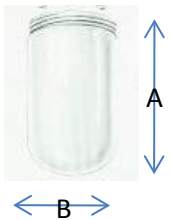
*Specifications call for 4 screw mounting, but most jobs seem to require only 2 screw mounting. If specified, VWB will be furnished with 4 screw mounting plate at no extra charge, but be sure this is what's needed or the extra holes will be subject to criticism.

GUARDS



Catalog #				Dimensions			
100 Watt Guard	A	B	Std. Pkg.	200 Watt Guard	A	B	Std. Pkg.
VGA17	7 1/4"	4 7/16"	10	VGA27	9"	5 5/8"	10

GLOBES - GLASS



Catalog Number				Heat Resisting Catalog Number			
100 Watt	200 Watt	Color	Std. Package	100 Watt	200 Watt	Color	Std. Package
VG128	VG233	Clear	10	VG128H	VG233H	Clear	10
VG128A	VG233A	Amber	10				
VG128B	VG233B	Blue	10				
VG128G	VG233G	Green	10				
VG128O	VG233O	Opal	10				
VG128R	VG233R	Red	10				

Weight - Standard Package of 10: 100 watt ...15 Lbs
200 watt ...23 Lbs

A	B	Dimensions
6 11/16"	3 5/8"	100 Watt
8 3/8"	4 11/32"	200 Watt

GLOBES - PLASTIC



Catalog #	Description
100 Watt	
VG128	Clear Round Bottom
VGPO128	Opal White Flat Bottom Rate for 75watt Lamp Max.
Catalog #	Description
200 Watt	
VG233	Clear Round Bottom
VGPO233	Opal White Flat Bottom Rate for 150watt Lamp Max.

Weight Pkg 10pcs
100 Watt ...5 lbs
200 Watt ...7 lbs

(GUARDS WILL NOT FIT ON PLASTIC GLOBES)

JUNCTION BOX PLUGS



Catalog No.	Conduit Size	Std. Pkg	Wgt/100
VSP-2	1/2"	500	2
VSP-3	3/4"	500	3
VSP-4	1"	100	4

PORCELAIN RECEPTACLES



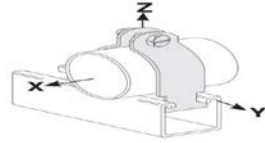
Catalog No.	Description	Std. Pkg	Wgt Per Box
VKR23	Standard Porcelain 660 watt keyless receptacle	25	9.5
VKRS23	Shock Asorbing receptacle	25	10

JUNCTION BOX COVER

Catalog No.	Description	Std. Pkg	Wgt Per Box
VWPB	Male threads 3/4" pipe, for mounting on 4" outlet box	25	7

STRUT CLAMPS

Universal Pipe Clamp for EMT, IMC & GRC



Part Number	Pipe Size		O.D. Size		Std. Package	Material Size	Max. Rec. Loads						Weight Each	
							X		Y		Z		Lbs.	kg
							Lbs.	kN	Lbs.	kN	Lbs.	kN		
USC038	3/8	(10)	.557 to .706	(14.15 to 17.93)	100	16 Ga.	50	(0.22)	50	(0.22)	400	(1.78)	0.11	(0.05)
USC050	1/2	(15)	.706 to .840	(17.93 to 21.34)	100	16 Ga.	50	(0.22)	50	(0.22)	400	(1.78)	0.11	(0.05)
USC075	3/4	(20)	.922 to 1.050	(23.42 to 26.67)	100	14 Ga.	50	(0.22)	50	(0.22)	400	(1.78)	0.15	(0.07)
USC100	1	(25)	1.163 to 1.315	(29.54 to 33.40)	100	14 Ga.	50	(0.22)	50	(0.22)	400	(1.78)	0.17	(0.08)
USC125	1 1/4	(32)	1.510 to 1.660	(38.35 to 42.16)	100	14 Ga.	50	(0.22)	50	(0.22)	400	(1.78)	0.19	(0.09)
USC150	1 1/2	(40)	1.740 to 1.900	(44.20 to 48.26)	50	12 Ga.	75	(0.33)	75	(0.33)	600	(2.67)	0.30	(0.14)
USC200	2	(50)	2.197 to 2.375	(55.80 to 60.33)	50	12 Ga.	75	(0.33)	75	(0.33)	600	(2.67)	0.35	(0.16)

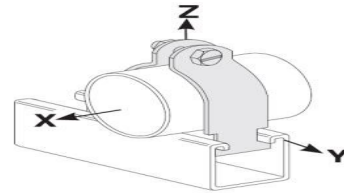
Unless otherwise specified, all dimensions on drawings and in charts are in inches and dimensions shown in parentheses are in millimeters.

MATERIAL: Low carbon steel

FINISH: Electro-galvanized

STRUT CLAMPS

I.P. Pipe Clamp



Part Number	Pipe Size		O.D. Size		Std. Package	Material Size	Max. Rec. Loads						Weight Each	
							X		Y		Z		Lbs.	kg
							Lbs.	kN	Lbs.	kN	Lbs.	kN		
STC038	3/8	(10)	--	--	100	16 Ga.	50	(0.22)	50	(0.22)	400	(1.78)	0.10	(0.05)
STC050	1/2	(15)	--	--	100	16 Ga.	50	(0.22)	50	(0.22)	400	(1.78)	0.10	(0.05)
STC075	3/4	(20)	--	--	100	14 Ga.	75	(0.33)	75	(0.33)	600	(2.67)	0.14	(0.06)
STC100	1	(25)	--	--	100	14 Ga.	75	(0.33)	75	(0.33)	600	(2.67)	0.17	(0.08)
STC125	1 1/4	(32)	--	--	100	14 Ga.	75	(0.33)	75	(0.33)	600	(2.67)	0.21	(0.10)
STC150	1 1/2	(40)	--	--	50	12 Ga.	125	(0.56)	125	(0.56)	800	(3.56)	0.30	(0.14)
STC200	2	(50)	2 7/8	(60.33)	50	12 Ga.	125	(0.56)	125	(0.56)	800	(3.56)	0.35	(0.16)
STC250	2 1/2	(65)	2 7/8	(73.03)	50	12 Ga.	125	(0.56)	125	(0.56)	800	(3.56)	0.39	(0.18)
STC300	3	(80)	3 1/2	(88.90)	50	12 Ga.	125	(0.56)	125	(0.56)	800	(3.56)	0.46	(0.21)
STC350	3 1/2	(90)	4	(101.60)	50	11 Ga.	150	(0.67)	200	(0.89)	1000	(4.45)	0.65	(0.29)
STC400	4	(100)	4 1/2	(114.30)	25	11 Ga.	150	(0.67)	200	(0.89)	1000	(4.45)	0.66	(0.30)
STC500	5	(125)	--	--	25	11 Ga.	150	(0.67)	200	(0.89)	1000	(4.45)	0.79	(0.36)
STC600	6	(150)	6 3/8	(168.28)	25	11 Ga.	150	(0.67)	200	(0.89)	1000	(4.45)	1.00	(0.45)
STC800	8	(200)	8 5/8	(219.08)	25	11 Ga.	200	(0.89)	250	(1.11)	1000	(4.45)	1.14	(0.52)
STC1000	10	(65)	10 3/4	(273.05)	25	11 Ga.	200	(0.89)	250	(1.11)	1000	(4.45)	1.43	(0.65)
STC1200	12	(80)	12 3/4	(323.85)	25	11 Ga.	200	(0.89)	250	(1.11)	1000	(4.45)	1.74	(0.79)

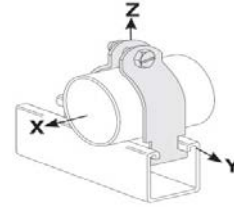
Unless otherwise specified, all dimensions on drawings and in charts are in inches and dimensions shown in parentheses are in millimeters.

MATERIAL: Low carbon steel

FINISH: Electro-galvanized

STRUT CLAMPS

EMT Conduit Clamp



Part Number	EMT Size		Std. Package	Material Size	Max. Rec. Loads						Weight Each	
					X		Y		Z		Lbs.	kg
					Lbs.	kN	Lbs.	kN	Lbs.	kN		
ESC038	3/8	(10)	100	16 Ga.	50	(0.22)	50	(0.22)	400	(1.78)	0.09	(0.04)
ESC050	1/2	(15)	100	16 Ga.	50	(0.22)	50	(0.22)	400	(1.78)	0.09	(0.04)
ESC075	3/4	(20)	100	16 Ga.	50	(0.22)	50	(0.22)	400	(1.78)	0.10	(0.05)
ESC100	1	(25)	100	14 Ga.	50	(0.22)	50	(0.22)	600	(2.67)	0.14	(0.06)
ESC125	1 1/4	(32)	100	14 Ga.	50	(0.22)	50	(0.22)	600	(2.67)	0.16	(0.07)
ESC150	1 1/2	(40)	50	12 Ga.	75	(0.33)	75	(0.33)	800	(3.56)	0.27	(0.12)
ESC200	2	(50)	50	12 Ga.	75	(0.33)	75	(0.33)	800	(3.56)	0.30	(0.14)

Unless otherwise specified, all dimensions on drawings and in charts are in inches and dimensions shown in parentheses are in

MATERIAL: Low carbon steel

FINISH: Electro-galvanized

BEAM CLAMPS

For use with 1 5/8" Strut

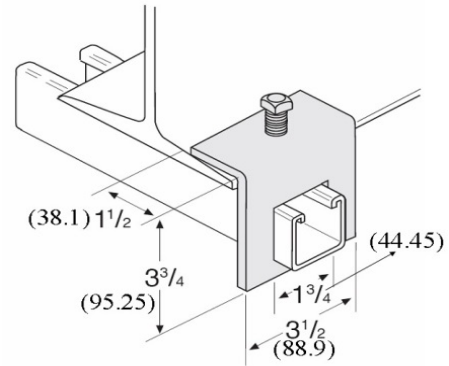
Fig. Number	Set Screw	Std. Packag	Max. Rec. Load		Wt. Each	
			lbs.	kN	lbs.	kg
SBC158	1/2	25	900*	(4.00)	1.07	(0.49)

MATERIAL: 1/4" (6.35)

FINISH: Electro-galvanized

*Max. load when used in pairs.

5/8" (19.05) Max. Flange Thickness



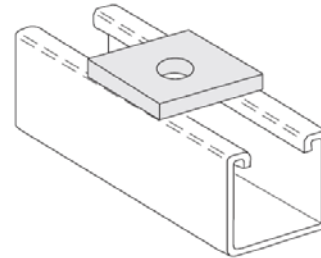
FLAT PLATE FITTINGS

Square Washer

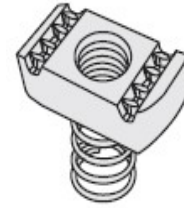
Fig. Number	Rod Size	Std. Pack	Wt. Each	
			lbs.	kg
FPSW25	1/4	100	0.18	(0.08)
FPSW38	3/8	100	0.17	(0.08)
FPSW50	1/2	100	0.17	(0.08)
FPSW58	5/8	100	0.16	(0.07)
FPSW75	3/4	100	0.16	(0.07)

MATERIAL: 1/4" X 1 3/8" (6.35 X 41.28)

FINISH: Electro-galvanized



Strut Nut with Spring

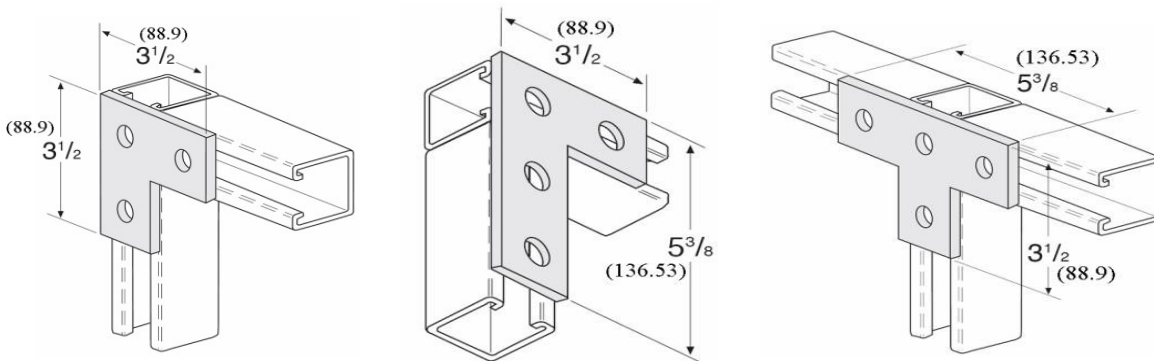


Part Number	Thread Size	Std. Package	Thickness		Wt. Each	
					Lbs.	kg
SNS01	#8 - 32	100	1/4	(6.35)	0.07	(0.03)
SNS02	#10 - 24	100	1/4	(6.35)	0.07	(0.03)
SNS03	#10 - 32	100	1/4	(6.35)	0.07	(0.03)
SNS04	1/4	100	1/4	(6.35)	0.07	(0.03)
SNS05	5/16	100	1/4	(6.35)	0.07	(0.03)
SNS06	3/8	100	3/8	(9.53)	0.10	(0.05)
SNS07	7/16	100	3/8	(9.53)	0.10	(0.05)
SNS08	1/2	100	1/2	(12.70)	0.13	(0.06)
SNS09	5/8	50	1/2	(12.70)	0.15	(0.07)
SNS10	3/4	50	1/2	(12.70)	0.15	(0.07)
SNS11	7/8	50	1/2	(12.70)	0.15	(0.07)

MATERIAL: Low carbon steel

FINISH: Electro-galvanized

FLAT PLATE FITTINGS

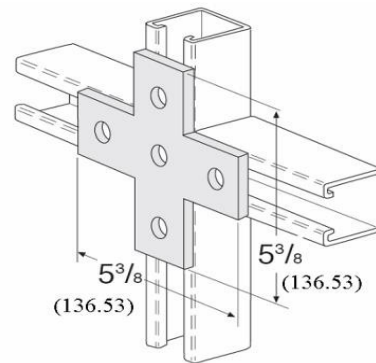


HOLE DIM: $\frac{9}{16}$ (14.29) dia. • $\frac{13}{16}$ (20.64) from end • $\frac{1}{8}$ (47.63) on centers

Part Number	Number of Holes	Std. Package	Wt. Each	
			lbs.	kg
CP25	3	25	0.58	(0.26)
CP30	4	25	0.75	(0.34)
TP35	4	25	0.75	(0.34)
CP40	5	25	1.00	(0.45)

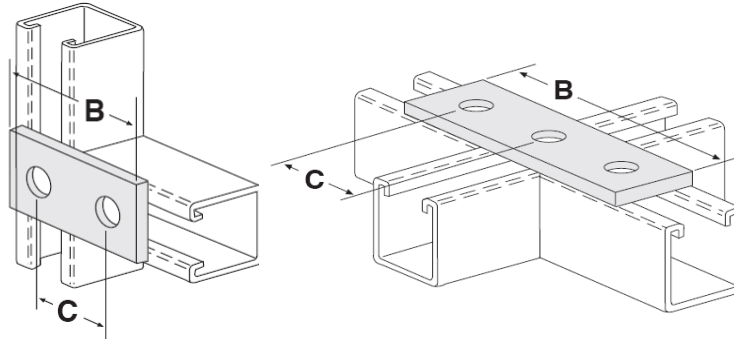
MATERIAL: 1/4 (6.35)

FINISH: Electro-galvanized



FLAT PLATE FITTINGS

Splice Plates

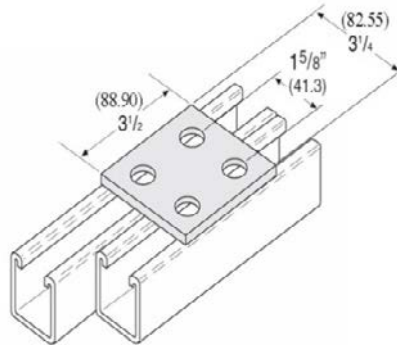
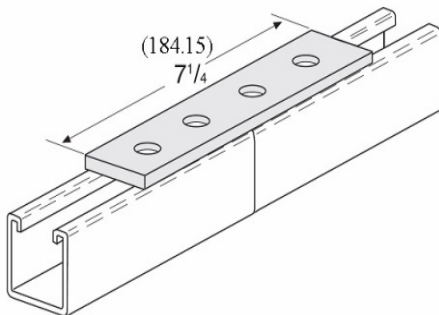


HOLE DIM: $\frac{9}{16}$ (14.29) dia. • $\frac{13}{16}$ (20.64) from end • $1\frac{7}{8}$ (47.63) on centers

Part Number	Number of Holes	Length B	C	Std. Package	Wt. Each	
					Lbs.	kg
SP5010	2	3 1/2	1 7/8	50	0.37	(0.17)
SP5011	2	4 5/8	2 1/2	50	0.50	(0.23)
SP5012	2	3 1/4	1 5/8	50	0.34	(0.15)
SP5013	3	5 3/8	1 7/8	25	0.55	(0.25)
SP5014	3	4 7/8	1 5/8	25	0.50	(0.23)

MATERIAL: $\frac{1}{4}$ (6.35)

FINISH: Electro-galvanized

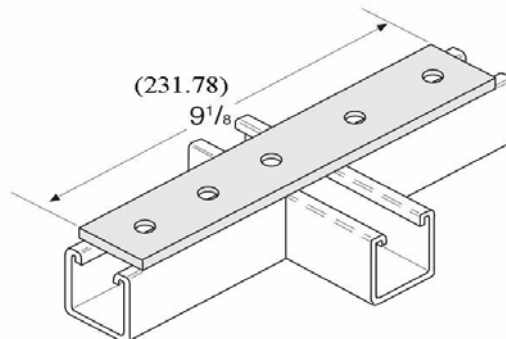


HOLE DIM: $\frac{9}{16}$ (14.29) dia. • $\frac{13}{16}$ (20.64) from end • $1\frac{7}{8}$ (47.63) on centers

Part Number	Number of Holes	Std. Package	Wt. Each	
			lbs.	kg
SP5015	4	50	0.75	(0.34)
SP5017	4	50	0.55	(0.25)
SP5019	5	50	0.96	(0.44)

MATERIAL: $\frac{1}{4}$ (6.35)

FINISH: Electro-galvanized

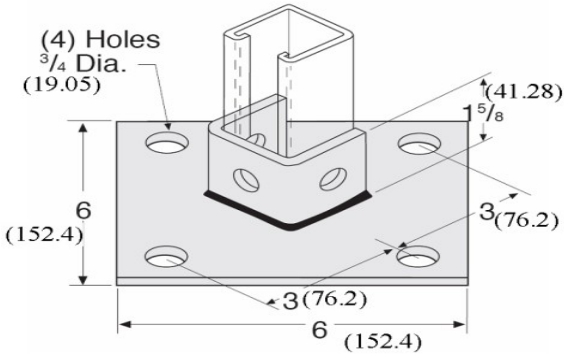


POST BASES

Post Base for 1 5/8" Strut

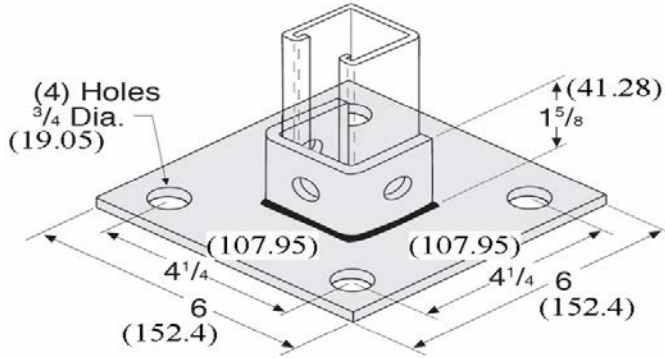
MATERIAL: 1/4" (6.35)

FINISH: Electro-galvanized



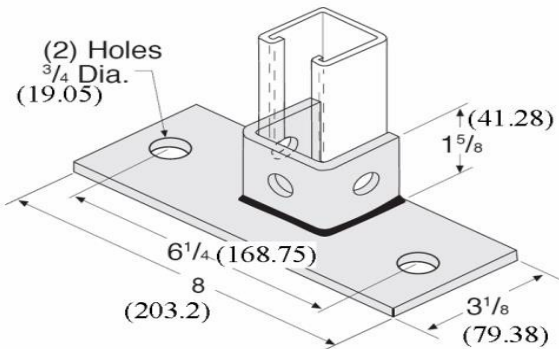
HOLE DIM: 9/16 (14.29) dia. • 13/16 (20.64) from end

Part Number	Std. Package	Wt. Each	
		lbs.	kg
PB05	10	3.14	(1.42)



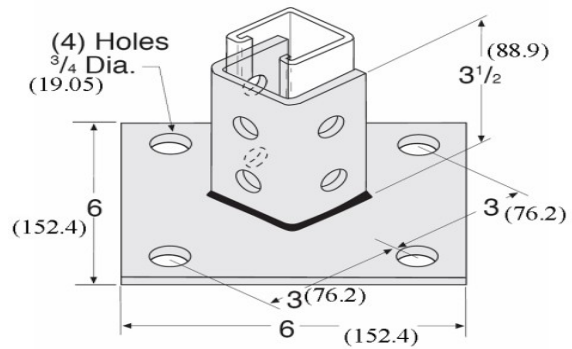
HOLE DIM: 9/16 (14.29) dia. • 13/16 (20.64) from end

Part Number	Std. Package	Wt. Each	
		lbs.	kg
PB10	10	3.14	(1.42)



HOLE DIM: 9/16 (14.29) dia. • 13/16 (20.64) from end

Part Number	Std. Package	Wt. Each	
		lbs.	kg
PB15	10	2.30	(1.04)



HOLE DIM: 9/16 (14.29) dia. • 13/16 (20.64) from end • 1 7/8 (47.63) on centers

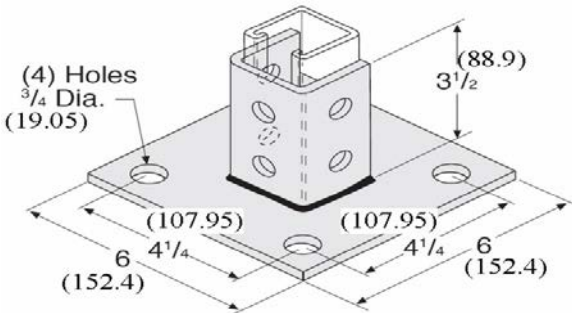
Part Number	Std. Package	Wt. Each	
		lbs.	kg
PB20	10	3.92	(1.78)

POST BASES

Post Base for 1 5/8" Strut

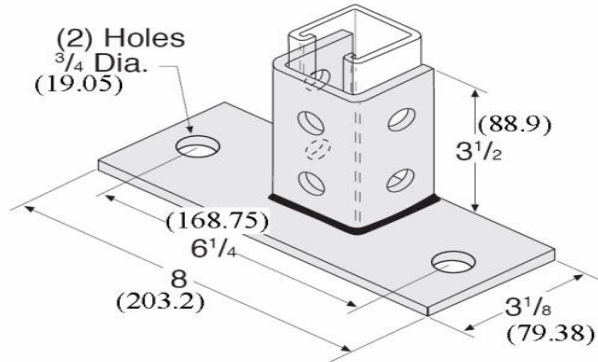
MATERIAL: 1/4" (6.35)

FINISH: Electro-galvanized



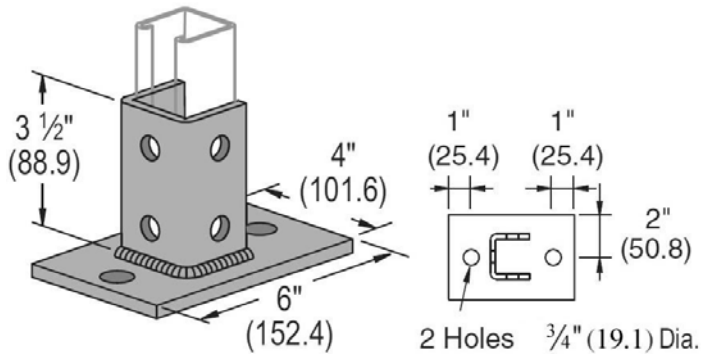
HOLE DIM: 9/16 (14.29) dia. • 13/16 (20.64) from end •
1 7/8 (47.63) on centers

Part Number	Std. Package	Wt. Each	
		lbs.	kg
PB25	10	3.92	(1.78)



HOLE DIM: 9/16 (14.29) dia. • 13/16 (20.64) from end •
1 7/8 (47.63) on centers

Part Number	Std. Package	Wt. Each	
		lbs.	kg
PB30	10	3.12	(1.42)



HOLE DIM: 9/16 (14.29) dia. • 13/16 (20.64) from end •
1 7/8 (47.63) on centers

Part Number	Std. Package	Wt. Each	
		lbs.	kg
PB35	10	3.58	(1.62)

Catalog Index 2017.xlsx

Part Number	Page Number	Part Number	Page Number	Part Number	Page Number	Part Number	Page Number
2	2	299	4	700	30	754	30
12	2	300	48	701	30	755	30
13	2	302	48	702	30	760	33
14	2	303	48	703	30	761	33
15	2	304	48	704	30	762	33
21	38	305	48	705	30	763	33
24	3	355	3	706	30	775	31
55	2	357	3	707	30	776	31
56	2	474	2	708	30	777	31
57	2	474	40	709	30	778	31
58	2	475	2	710	30	779	31
59	2	475	40	711	30	780	31
131	48	550	41	712	31	788	40
132	48	560	41	713	31	815	22
133	48	565	41	714	31	988	23
134	48	566	41	715	31	989	23
135	48	567	41	716	31	990	23
136	48	568	41	717	31	991	23
170	21	569	41	718	31	992	23
171	21	570	41	719	31	993	23
172	33	571	41	720	31	994	23
173	33	572	41	721	31	995	23
190	21	573	41	722	31	996	23
191	21	600	21	723	31	997	23
192	33	601	21	726	30	998	23
193	33	602	21	727	30	999	23
195	33	603	21	728	30	1050	39
196	21	604	21	730	32	1051	39
255	3	605	21	731	32	1052	39
256	3	606	21	732	32	1551	24
257	3	607	21	733	32	1552	24
258	3	620	33	734	32	1553	24
266	5	621	33	735	32	1554	24
267	5	622	33	736	32	1555	24
268	5	673	40	737	32	1556	24
269	5	690	41	738	32	1557	24
270	21	691	41	742	32	1558	24
271	21	692	41	743	32	1559	24
272	21	693	41	744	32	1560	24
273	21	694	41	745	32	1721	33
274	21	695	41	746	32	1901	21
275	21	696	41	747	32	1902	21
296	4	697	41	748	32	1921	33
297	4	698	41	749	32	1931	33
298	4	699	41	753	30	1932	33

Catalog Index 2017.xlsx

Part Number	Page Number	Part Number	Page Number	Part Number	Page Number	Part Number	Page Number
1951	33	0258W1051	9	191GC	33	2650HC	4
1961	21	0320/WTC-12	9	1921G	33	265DC	5
2125	6	0320W032R	9	192G	33	265HC	5
2254	40	0320W57	9	1931G	33	269-A	5
2350	6	032R	2	1932G	33	269-B	5
2400	4	032RB	2	193G	33	2700X	7
2425	4	033R	2	1961G	21	282-X	3
2550	4	0420/WTC-23	9	196G	21	282-XB	3
2600	4	0420W256	9	2/0R	2	284-X	3
2625	4	0420W58	9	2/0RB	2	284-XB	3
2750	7	0520/WTC-32	9	2/0RS	2	2850-A	6
2825	4	0520W211S	9	2/0RSB	2	2850L	6
2850	6	0520W256	9	2125-A	6	2850LA	6
2890	5	0620/WTC-34	9	2125L	6	2890N	5
2900	5	0620W256	9	21B	38	2900N	5
2950	6	0620W59	9	21B1	38	290DC	4
3000	5	1/0R	2	21B2	38	291DC	4
3050	6	1/0RS	2	21B3	38	292DC	4
3100	5	1551M	24	21DB	38	293DC	4
3150	6	1552M	24	21M	38	294DC	4
3300	5	1553M	24	2200X	7	295HC	4
3600	7	1554M	24	230-X	3	3/0R	2
3650	4	1555M	24	232-X	3	3000N	5
3700	7	1556M	24	2350-A	6	3100N	5
4000	6	1557M	24	2350L	6	4/0R	2
4050	6	1558M	24	2350LA	6	4/0RB	2
4200	7	1559M	24	240DC	4	4000CH	7
4400	6	1560M	24	241DC	4	4400H	7
4500	6	1561M	24	242DC	4	4500H	7
4600	6	1562M	24	243DC	4	4600H	7
4900	7	170G	21	244DC	4	5010A	8
5000	8	171G	21	245DC	4	5500A	35
5010	8	171GC	21	245RHC	4	5501A	35
7010	8	171GC	33	246R	4	5502A	35
8501	38	1721G	33	247R	4	5503A	35
8502	38	172G	33	248R	4	5504A	35
8503	38	173G	33	249R	4	5505A	35
8510	38	184B	38	255DC	3	5506A	35
8511	38	185B	38	257DC	3	5507A	35
8512	38	186B	38	260DC	5	5508A	35
8571	38	1901G	21	261DC	5	5509A	35
8572	38	1902G	21	262DC	5	5510A	35
8573	38	190G	21	263DC	5	5513A	35
0255W1051	9	191G	21	264DC	5	5514A	35
0257W1051	9	191GC	21	264HC	5	5515A	35

Catalog Index 2017.xlsx

Part Number	Page Number	Part Number	Page Number	Part Number	Page Number	Part Number	Page Number
5516A	35	693M	41	730S	32	806TWS	23
5517A	35	694M	41	731S	32	807B	22
5518A	35	695M	41	732S	32	808B	22
5519A	35	696M	41	733S	32	809B	22
5520A	35	697M	41	734S	32	810B	22
5521A	35	698M	41	735S	32	850B	38
5522A	35	699A	41	736S	32	850DB	38
5523A	35	699AM	41	737A	32	853B	38
5553A	35	699M	41	737AS	32	853DB	38
5554A	35	700S	30	737S	32	857B	38
5555A	35	7010A	8	738S	32	988DCI	23
5556A	35	701S	30	749A	32	988M	23
5557A	35	702S	30	749B	32	989DCI	23
5558A	35	703S	30	753S	30	989M	23
5559A	35	704S	30	754A	30	990DCI	23
5560A	35	705S	30	754AS	30	990M	23
5561A	35	706S	30	754S	30	991DCI	23
5562A	35	707S	30	755S	30	991M	23
5563A	35	708S	30	775S	31	992DCI	23
5566A	35	709S	30	775SI	32	992M	23
5567A	35	710S	30	776A	31	993DCI	23
5568A	35	711S	30	776AS	31	993M	23
5569A	35	712S	31	776ASI	32	994DCI	23
5570A	35	712SI	32	776S	31	994M	23
5571A	35	713S	31	776SI	32	995DCI	23
5572A	35	713SI	32	777S	31	995M	23
5573A	35	714S	31	777SI	32	996DCI	23
5574A	35	714SI	32	778S	31	996M	23
5575A	35	715S	31	779A	31	997DCI	23
5576A	35	715SI	32	779AS	31	997M	23
560M	41	716S	31	779S	31	998M	23
565M	41	716SI	32	780S	31	999M	23
566M	41	717S	31	800B	22	AK100	45
567M	41	717SI	32	800TWS	23	AK100H	45
568M	41	718S	31	801B	22	ASB0	43
569M	41	719S	31	801TWS	23	ASB1	43
570M	41	720S	31	802B	22	ASB2	43
571M	41	721S	31	802TWS	23	ASB3	43
572M	41	722S	31	803B	22	ASB4	43
573M	41	723S	31	803TWS	23	ASB5	43
57R	2	726S	30	804B	22	ASB6	43
58R	2	727A	30	804TWS	23	ASB7	43
59R	2	727AS	30	805B	22	ASB8	43
691M	41	727S	30	805TWS	23	B32	48
692M	41	728S	30	806B	22	B33	48

Catalog Index 2017.xlsx

Part Number	Page Number	Part Number	Page Number	Part Number	Page Number	Part Number	Page Number
B34	48	CP25	61	EIB075	44	FCP-75	42
B35	48	CP30	61	EIB100	44	FF-050	27
B-355	48	CP40	61	EIB125	44	FF-075	27
B38	48	CSW55-3	52	EIB150	44	FF-100	27
B-5	48	CSW58-25	52	EIB200	44	FF-125	27
B-8	48	CSW58-3	52	EIB250	44	FF-150	27
B-9	48	CSW58-4	52	EIB300	44	FF-200	27
BC25	22	CSW58-50	52	EIB350	44	FG-100	13
BC38	22	CSW78-4	52	EIB400	44	FG-125	13
BC38-1	22	CT1000	46	ELBBRED3000	46	FG-200	13
BC50	22	CT3300	46	ELBBRED3300	46	FG-250	13
C-10	44	DA5810	51	ELBBRED6000	46	FG-350	13
C-50	44	DA5812	51	ELBBYEL3000	46	FG-50	13
CB-050	27	DA5814	51	ELBBYEL6000	46	FG-75	13
CB-075	27	DA5816	51	ELDTRED3000	46	FOLDTORG3000	46
CB-100	27	DA5818	51	ELDTRED6000	46	FOLDTORG6000	46
CB-125	27	DA5820	51	ESC038	60	FPSW25	60
CB-150	27	DA5822	51	ESC050	60	FPSW38	60
CB-200	27	DA5824	51	ESC075	60	FPSW50	60
CB-250	27	DA5826	51	ESC100	60	FPSW58	60
CB-300	27	DA5828	51	ESC125	60	FPSW75	60
CB-350	27	DA5830	51	ESC150	60	GB-500	25
CB384	51	DA7512	51	ESC200	60	GB-510	25
CB384-1/2	51	DA7514	51	ETBLACK	45	GB-520	25
CB385	51	DA7516	51	ETBLUE	45	GB-530	25
CB386	51	DA7518	51	ETBROWN	45	GB-540	25
CB388	51	DA7520	51	ETGRAY	45	GB-550	25
CB-400	27	DA7522	51	ETGREEN	45	GB-560	25
CB504-1/2	51	DA7524	51	ETORANGE	45	GB-560SP	25
CB505	51	DA7526	51	ETPURPLE	45	GB-570	25
CB506	51	DA7528	51	ETRED	45	GB-570SP	25
CC-100	12	DA7530	51	ETWHITE	45	GB-580	25
CC-100S	12	DA7812	51	ETYELLOW	45	GB-580SP	25
CC-125	12	DA7814	51	FC-100	42	GB-590	25
CC-125S	12	DA7816	51	FC-125	42	GB-590SP	25
CC-200	12	DA7818	51	FC-150	42	GBB-500	25
CC-200S	12	DA7820	51	FC-200	42	GBB-510	25
CC-250	12	DA7822	51	FC-38	42	GBB-520	25
CC-250S	12	DA7824	51	FC-50	42	GBB-530	25
CC-350	12	DA7826	51	FC-75	42	GBB-540	25
CC-350S	12	DA7828	51	FCP-100	42	GBB-550	25
CC-50	12	DA7830	51	FCP-125	42	GBB-560	25
CC-50S	12	DA7832	51	FCP-150	42	GBB-560SP	25
CC-75	12	DUCT TAPE	46	FCP-200	42	GBB-570	25
CC-75S	12	EIB050	44	FCP-50	42	GBB-570SP	25

Catalog Index 2017.xlsx

Part Number	Page Number	Part Number	Page Number	Part Number	Page Number	Part Number	Page Number
GBB-580	25	HR-74	1	LB-150	10	LC-100ERCG	17
GBB-580SP	25	IBB-5	38	LB-150CG	10	LC-110	11
GBB-590	25	IBBCU-5	38	LB-150ER	16	LC-110CG	11
GBB-590SP	25	J210	45	LB-150ERCG	16	LC-125	11
GC-1000	44	J230	45	LB-200	10	LC-125CG	11
GLBBYEL3000	46	J240	45	LB-200CG	10	LC-125ER	17
GLBBYEL6000	46	J250	45	LB-200ER	16	LC-125ERCG	17
GLN-10	26	J260	45	LB-200ERCG	16	LC-150	11
GLN-11	26	J270	45	LB-250	10	LC-150CG	11
GLN-12	26	J280	45	LB-250CG	10	LC-150ER	17
GLN-13	26	J290	45	LB-300	10	LC-150ERCG	17
GLN-4	26	J300	45	LB-300CG	10	LC-200	11
GLN-5	26	JC-56	44	LB-350	10	LC-200CG	11
GLN-6	26	JC-56H	44	LB-350CG	10	LC-200ER	17
GLN-7	26	JC-58	44	LB-400	10	LC-200ERCG	17
GLN-8	26	JRD	39	LB-400CG	10	LC-250	11
GLN-9	26	JRD-1	39	LB-50	10	LC-250CG	11
GP1212	44	KC1AST	39	LB-50CG	10	LC-300	11
GP127	44	KC2AST	39	LB-50ER	16	LC-300CG	11
GP128	44	KC2ST	39	LB-50ERCG	16	LC-350	11
GS1300	44	KC3AST	39	LB-75	10	LC-350CG	11
HN-1/0R	1	KC3AST-CC	39	LB-75CG	10	LC-400	11
HN-1/0RS	1	KC3AST-CPS	39	LB-75ER	16	LC-400CG	11
HN-2/0R	1	KC4AST-CC	39	LB-75ERCG	16	LC-50	11
HN-2/0RB	1	KC4AST-CPS	39	LBSS-100	14	LC-50CG	11
HN-2/0RSB	1	KC4SO	39	LBSS-100CG	14	LC-50ER	17
HN-2/0RS	1	KC4ST	39	LBSS-125	14	LC-50ERCG	17
HN-200	1	KC6SO	39	LBSS-125CG	14	LC-75	11
HN-211	1	KC6ST	39	LBSS-150	14	LC-75CG	11
HN-23	1	KC8SO	39	LBSS-150CG	14	LC-75ER	17
HN-23B	1	KC8ST	39	LBSS-200	14	LC-75ERCG	17
HN-3	1	KO-90	22	LBSS-200CG	14	LCSS-110	15
HN-3/0R	1	KO-91	22	LBSS-250	14	LCSS-110CG	15
HN-33	1	KO-92	22	LBSS-250CG	14	LCSS-125	15
HN-33B	1	KO-93	22	LBSS-300	14	LCSS-125CG	15
HN-34B	1	KO-94	22	LBSS-300CG	14	LCSS-150	15
HN-4/0R	1	KO-95	22	LBSS-350	14	LCSS-150CG	15
HN-4/0RB	1	LB-100	10	LBSS-350CG	14	LCSS-200	15
HR-51	1	LB-100CG	10	LBSS-400	14	LCSS-200CG	15
HR-52	1	LB-100ER	16	LBSS-400CG	14	LCSS-250	15
HR-53	1	LB-100ERCG	16	LBSS-50	14	LCSS-250CG	15
HR-54	1	LB-125	10	LBSS-50CG	14	LCSS-300	15
HR-71	1	LB-125CG	10	LBSS-75	14	LCSS-300CG	15
HR-72	1	LB-125ER	16	LBSS-75CG	14	LCSS-350	15
HR-73	1	LB-125ERCG	16	LC-100ER	17	LCSS-350CG	15

Catalog Index 2017.xlsx

Part Number	Page Number	Part Number	Page Number	Part Number	Page Number	Part Number	Page Number
LCSS-400	15	LLSS-200CG	15	LR-400	10	MI4570A	36
LCSS-400CG	15	LLSS-250	15	LR-400CG	10	MI4571A	36
LCSS-50	15	LLSS-250CG	15	LR-50	10	MI4572A	36
LCSS-50CG	15	LLSS-300	15	LR-50CG	10	MI4573A	36
LCSS-75	15	LLSS-300CG	15	LR-50ER	16	MI4574A	36
LCSS-75CG	15	LLSS-350	15	LR-50ERCG	16	MI4575A	36
LL-100ER	16	LLSS-350CG	15	LR-75	10	MI4576A	36
LL-100ERCG	17	LLSS-400	15	LR-75CG	10	MI5513A	36
LL-110	11	LLSS-400CG	15	LR-75ER	16	MI5514A	36
LL-110CG	11	LLSS-50	15	LR-75ERCG	16	MI5515A	36
LL-125	11	LLSS-50CG	15	LRSS-100	14	MI5516A	36
LL-125CG	11	LLSS-75	15	LRSS-100CG	14	MI5517A	36
LL-125ER	16	LLSS-75CG	15	LRSS-125	14	MI5518A	36
LL-125ERCG	17	LN-10	25	LRSS-125CG	14	MI5519A	36
LL-150	11	LN-11	25	LRSS-150	14	MI5520A	36
LL-150CG	11	LN-12	25	LRSS-150CG	14	MI5521A	36
LL-150ER	16	LN-13	25	LRSS-200	14	MI5522A	36
LL-150ERCG	17	LN-4	25	LRSS-200CG	14	MI5523A	36
LL-200	11	LN-5	25	LRSS-250	14	MI5566A	36
LL-200CG	11	LN-6	25	LRSS-250CG	14	MI5567A	36
LL-200ER	16	LN-7	25	LRSS-300	14	MI5568A	36
LL-200ERCG	17	LN-8	25	LRSS-300CG	14	MI5569A	36
LL-250	11	LN-9	25	LRSS-350	14	MI5570A	36
LL-250CG	11	LR-100	10	LRSS-350CG	14	MI5571A	36
LL-300	11	LR-100CG	10	LRSS-400	14	MI5572A	36
LL-300CG	11	LR-100ER	16	LRSS-400CG	14	MI5573A	36
LL-350	11	LR-100ERCG	16	LRSS-50	14	MI5574A	36
LL-350CG	11	LR-125	10	LRSS-50CG	14	MI5575A	36
LL-400	11	LR-125CG	10	LRSS-75	14	MI5576A	36
LL-400CG	11	LR-125ER	16	LRSS-75CG	14	MK-1	22
LL-50	11	LR-125ERCG	16	LS050	49	MK-10	22
LL-50CG	11	LR-150	10	LS050-1	49	MK-11	22
LL-50ER	16	LR-150CG	10	LS050-1P	49	MK-12	22
LL-50ERCG	17	LR-150ER	16	LS050P	49	MK-2	22
LL-75	11	LR-150ERCG	16	LS050TP	49	MK-3	22
LL-75CG	11	LR-200	10	MBX-50	42	MK-4	22
LL-75ER	16	LR-200CG	10	MFLN50	53	MK-5	22
LL-75ERCG	17	LR-200ER	16	MFLN58	53	MK-6	22
LLSS-110	15	LR-200ERCG	16	MFLN75	53	MK-7	22
LLSS-110CG	15	LR-250	10	MFLN78	53	MK-8	22
LLSS-125	15	LR-250CG	10	MH8110	47	MK-9	22
LLSS-125CG	15	LR-300	10	MI4566A	36	MLB-100	18
LLSS-150	15	LR-300CG	10	MI4567A	36	MLB-100CG	18
LLSS-150CG	15	LR-350	10	MI4568A	36	MLB-125	18
LLSS-200	15	LR-350CG	10	MI4569A	36	MLB-125CG	18

Catalog Index 2017.xlsx

Part Number	Page Number	Part Number	Page Number	Part Number	Page Number	Part Number	Page Number
MLB-150	18	MLL-250CG	19	MTC-200	20	MW5818	49
MLB-150CG	18	MLL-300	19	MTC-200CG	20	MW5820	49
MLB-200	18	MLL-300CG	19	MTC-250	20	MW5822	49
MLB-200CG	18	MLL-350	19	MTC-250CG	20	MW5824	49
MLB-250	18	MLL-350CG	19	MTC-300	20	MW5826	49
MLB-250CG	18	MLL-400	19	MTC-300CG	20	MW6500	50
MLB-300	18	MLL-400CG	19	MTC-350	20	MW6510	50
MLB-300CG	18	MLL-50	19	MTC-350CG	20	MW6511	50
MLB-350	18	MLL-50CG	19	MTC-400	20	MW6550C	50
MLB-350CG	18	MLL-75	19	MTC-400CG	20	MW7506	49
MLB-400	18	MLL-75CG	19	MTC-50	20	MW7508	49
MLB-400CG	18	MLR-100	18	MTC-50CG	20	MW7510	49
MLB-50	18	MLR-100CG	18	MTC-75	20	MW7512	49
MLB-50CG	18	MLR-125	18	MTC-75CG	20	MW7514	49
MLB-75	18	MLR-125CG	18	MW1020	51	MW7516	49
MLB-75CG	18	MLR-150	18	MW1070	50	MW7518	49
MLC-110	19	MLR-150CG	18	MW1071	50	MW7520	49
MLC-110CG	19	MLR-200	18	MW1075	50	MW7522	49
MLC-125	19	MLR-200CG	18	MW1076	50	MW7524	49
MLC-125CG	19	MLR-250	18	MW2343	52	MW7526	49
MLC-150	19	MLR-250CG	18	MW2344	52	MW7616	53
MLC-150CG	19	MLR-300	18	MW2346	52	MW7617	53
MLC-200	19	MLR-300CG	18	MW2348	52	MW7618	53
MLC-200CG	19	MLR-350	18	MW2394	52	MW7626	53
MLC-250	19	MLR-350CG	18	MW2396	52	MW7627	53
MLC-250CG	19	MLR-400	18	MW2398	52	MW7628	53
MLC-300	19	MLR-400CG	18	MW25164	54	MW7656	53
MLC-300CG	19	MLR-50	18	MW3804.5	49	MW7657	53
MLC-350	19	MLR-50CG	18	MW3805	49	MW7658	53
MLC-350CG	19	MLR-75	18	MW4170	49	MW7666	53
MLC-400	19	MLR-75CG	18	MW4171	49	MW7667	53
MLC-400CG	19	MOLB-100CG	20	MW4172	48	MW7668	53
MLC-50	19	MOLB-125CG	20	MW5006	49	MW7678	50
MLC-50CG	19	MOLB-150CG	20	MW5008	49	MW7812	49
MLC-75	19	MOLB-200CG	20	MW5010	49	MW7814	49
MLC-75CG	19	MOLB-250CG	20	MW5012	49	MW7816	49
MLL-110	19	MOLB-300CG	20	MW5014	49	MW7818	49
MLL-110CG	19	MOLB-350CG	20	MW5016	49	MW7820	49
MLL-125	19	MOLB-400CG	20	MW5806	49	MW7822	49
MLL-125CG	19	MTC-110	20	MW5808	49	MW7824	49
MLL-150	19	MTC-110CG	20	MW5809	49	MW8640	54
MLL-150CG	19	MTC-125	20	MW5810	49	MW8645	54
MLL-200	19	MTC-125CG	20	MW5812	49	MW8650	54
MLL-200CG	19	MTC-150	20	MW5814	49	MW8655	54
MLL-250	19	MTC-150CG	20	MW5816	49	MW9028	54

Catalog Index 2017.xlsx

Part Number	Page Number	Part Number	Page Number	Part Number	Page Number	Part Number	Page Number
MW9030	54	NM5554A	37	PS-6M	27	RB-72	29
MW9096	54	NM5555A	37	PS-7	26	RB-73	29
MW9408	50	NM5556A	37	PS-7M	27	RB-74	29
MW9410	50	NM5557A	37	PS-8	26	RB-75	29
MW9412	50	NM5558A	37	PS-8M	27	RB-76	29
MW9414	50	NM5559A	37	PS-9	26	RB-84	29
MW9416	50	NP100	45	PS-9M	27	RB-85	29
MW9418	50	NP5	45	PTP15	55	RB-86	29
MW9420	50	NS-050	34	PTP18	55	RB-87	29
MW9508	50	NS-075	34	PTP20	55	RB-95	29
MW9510	50	NS-100	34	PTP20-2	55	RB-96	29
MW9512	50	ORP200	5	PTP24	55	RB-97	29
MW9514	50	PB05	63	RA-050	29	RB-98	29
MW9516	50	PB10	63	RA-075	29	RBC1D	39
MW9518	50	PB15	63	RA-100	29	RCR-50	43
MW9520	50	PB20	63	RA-125	29	RCR-75	43
MWK1300	48	PB25	64	RA-150	29	RFW38	53
MWK4111	48	PB30	64	RA-200	29	RFW50	53
MWK4112	48	PB35	64	RA-250	29	RFW58	53
MWK4113	48	PC050	26	RA-300	29	RFW75	53
MWK4114	48	PC075	26	RA-350	29	RHS200	45
MWK4115	48	PC100	26	RA-400	29	RP125	5
NG-100	13	PC125	26	RB-10	29	RP150	5
NG-125	13	PC150	26	RB-20	29	RP200	5
NG-200	13	PC200	26	RB-21	29	RP250	5
NG-250	13	PC250	26	RB-30	29	RPS200	45
NG-350	13	PC300	26	RB-31	29	RPS250	45
NG-50	13	PC350	26	RB-32	29	RPS300	45
NG-75	13	PC400	26	RB-40	29	RPS400	45
NM-050	43	PS-1	26	RB-41	29	RPS500	45
NM4500A	37	PS-10	26	RB-42	29	RPS600	45
NM4501A	37	PS-10M	27	RB-43	29	RPS75	45
NM4502A	37	PS-11	26	RB-50	29	RS-1200	47
NM4503A	37	PS-11M	27	RB-51	29	RS-1200B	47
NM4504A	37	PS-2	26	RB-52	29	RS-3400	47
NM4505A	37	PS-2M	27	RB-53	29	RS-3400B	47
NM4506A	37	PS-3	26	RB-54	29	RS-4100	46
NM5500A	37	PS-3/8	26	RB-60	29	RS-4200	46
NM5501A	37	PS-3/8M	27	RB-61	29	RS-4300	46
NM5502A	37	PS-3M	27	RB-62	29	RS-4400	46
NM5503A	37	PS-4	26	RB-63	29	RS-4500	46
NM5504A	37	PS-4M	27	RB-64	29	RS-4600	46
NM5505A	37	PS-5	26	RB-65	29	RS-4700	46
NM5506A	37	PS-5M	27	RB-70	29	RS-6200	47
NM5553A	37	PS-6	26	RB-71	29	RS-6300	47

Catalog Index 2017.xlsx

Part Number	Page Number	Part Number	Page Number	Part Number	Page Number	Part Number	Page Number
RS-6400	47	RW-188	28	SM202BF	8	SP5019	62
RSB5000	46	RW-189	28	SM202SF	8	SRC	39
RSB5100	46	RW-190	28	SM250ABF	8	ST-050DC	24
RSW5000	46	RW-191	28	SM250ABF1	8	ST-050DCG	24
RSW5100	46	RW-192	28	SM250ASF	8	ST-075DC	24
RT-100	44	RW-193	28	SM250ASF1	8	ST-075DCG	24
RW-110	28	S-100	34	SM250BF1	8	ST-100DC	24
RW-120	28	S-125	34	SM250SF	8	ST-100DCG	24
RW-121	28	S-150	34	SM250SPS	8	ST-125DC	24
RW-130	28	S-200	34	SM300ABF1	8	ST-125DCG	24
RW-131	28	S-50	34	SM400ABF1	8	ST-150DC	24
RW-132	28	S-75	34	SN50	53	ST-150DCG	24
RW-140	28	SA7554	53	SN58	53	ST-200DC	24
RW-141	28	SA7566	53	SN75	53	ST-200DCG	24
RW-142	28	SB-050	43	SN78	53	ST-250DC	24
RW-143	28	SB-075	43	SNS01	61	ST-250DCG	24
RW-150	28	SB-100	43	SNS02	61	ST-300DC	24
RW-151	28	SB-125	43	SNS03	61	ST-300DCG	24
RW-152	28	SB-150	43	SNS04	61	ST-350DC	24
RW-153	28	SB-200	43	SNS05	61	ST-350DCG	24
RW-154	28	SBC158	60	SNS06	61	ST-400DC	24
RW-160	28	SBS-10	44	SNS07	61	ST-400DCG	24
RW-161	28	SC38	40	SNS08	61	STC038	59
RW-162	28	SLN-10	26	SNS09	61	STC050	59
RW-163	28	SLN-11	26	SNS10	61	STC075	59
RW-164	28	SLN-12	26	SNS11	61	STC100	59
RW-165	28	SLN-13	26	SP100	54	STC1000	59
RW-170	28	SLN-4	26	SP101	54	STC1200	59
RW-171	28	SLN-5	26	SP102	54	STC125	59
RW-172	28	SLN-6	26	SP103	54	STC150	59
RW-173	28	SLN-7	26	SP104	54	STC200	59
RW-174	28	SLN-8	26	SP105	54	STC250	59
RW-175	28	SLN-9	26	SP106	54	STC300	59
RW-176	28	SM200ABF	8	SP203	55	STC350	59
RW-177	28	SM200ABF1	8	SP204	55	STC400	59
RW-178	28	SM200ASF	8	SP303	55	STC500	59
RW-179	28	SM200ASF1	8	SP402	55	STC600	59
RW-180	28	SM200BF	8	SP404	55	STC800	59
RW-181	28	SM200BF1	8	SP5010	62	SW50	52
RW-182	28	SM200BFL	8	SP5011	62	SW58	52
RW-183	28	SM200BFML/4200	8	SP5012	62	SW58-2	52
RW-184	28	SM200SF	8	SP5013	62	SW58-4	52
RW-185	28	SM200SF1	8	SP5014	62	SW75	52
RW-186	28	SM200SPS	8	SP5015	62	SW78-3	52
RW-187	28	SM202ASF	8	SP5017	62	SW78-4	52

Catalog Index 2017.xlsx

Part Number	Page Number	Part Number	Page Number	Part Number	Page Number	Part Number	Page Number
TC-100ER	17	TCSS-350CG	13	TIC-125	40	VG128O	57
TC-100ERCG	17	TCSS-400	13	TIC-150	40	VG128R	57
TC-110	12	TCSS-400CG	13	TIC-50	40	VG233	57
TC-110CG	12	TCSS-50	13	TIC-75/100	40	VG233A	57
TC-125	12	TCSS-50CG	13	TLBBORG3000	46	VG233B	57
TC-125CG	12	TCSS-75	13	TLBBORG6000	46	VG233G	57
TC-125ER	17	TCSS-75CG	13	TLDTORG3000	46	VG233H	57
TC-125ERCG	17	TE5808	52	TLDTORG6000	46	VG233O	57
TC-150	12	TE5808A	52	TP35	61	VG233R	57
TC-150CG	12	TE5810	52	TS25125	44	VGA17	57
TC-150ER	17	TE5810A	52	TS25175	44	VGA27	57
TC-150ERCG	17	TE5812	52	TS25225	44	VGP128	57
TC-200	12	TE5812A	52	USB-1	43	VGP233	57
TC-200CG	12	TE5814	52	USC038	59	VGPO128	57
TC-200ER	17	TE5814A	52	USC050	59	VGPO233	57
TC-200ERCG	17	TE7510	52	USC075	59	VKR23	58
TC-250	12	TE7510A	52	USC100	59	VKRS23	58
TC-250CG	12	TE7512	52	USC125	59	VSP-2	58
TC-300	12	TE7512A	52	USC150	59	VSP-3	58
TC-300CG	12	TE7514	52	USC200	59	VSP-4	58
TC-350	12	TE7514A	52	VA-210	56	VWB-210	57
TC-350CG	12	THC2	3	VA-217	56	VWB-217	57
TC-400	12	THC2/0	3	VA-220	56	VWB-220	57
TC-400CG	12	THC2/0A	3	VA-227	56	VWB-227	57
TC-50	12	THC2A	3	VA-310	56	VWE-210	56
TC-50CG	12	THC4/0	3	VA-317	56	VWE-217	56
TC-50ER	17	THC4/0A	3	VA-320	56	VWE-220	56
TC-50ERCG	17	THC6	3	VA-327	56	VWE-227	56
TC-75	12	THR-100	27	VE-210	56	VWE-310	56
TC-75CG	12	THR-125	27	VE-217	56	VWE-317	56
TC-75ER	17	THR-150	27	VE-220	56	VWE-320	56
TC-75ERCG	17	THR-200	27	VE-227	56	VWE-327	56
TCSS-100	13	THR-250	27	VE-310	56	VWJE-210	56
TCSS-100CG	13	THR-3/8	27	VE-317	56	VWJE-217	56
TCSS-125	13	THR-300	27	VE-320	56	VWJE-220	56
TCSS-125CG	13	THR-350	27	VE-327	56	VWJE-227	56
TCSS-150	13	THR-400	27	VFA-010	57	VWJE-310	56
TCSS-150CG	13	THR-50	27	VFA-017	57	VWJE-317	56
TCSS-200	13	THR-75	27	VFA-020	57	VWJE-320	56
TCSS-200CG	13	THS-100	34	VFA-027	57	VWJE-327	56
TCSS-250	13	THS-125	34	VG128	57	VWPB	58
TCSS-250CG	13	THS-150	34	VG128A	57	VXA-210	56
TCSS-300	13	THS-200	34	VG128B	57	VXA-217	56
TCSS-300CG	13	THS-50	34	VG128G	57	VXA-220	56
TCSS-350	13	THS-75	34	VG128H	57	VXA-227	56

Catalog Index 2017.xlsx

Part Number	Page Number
VXA-310	56
VXA-317	56
VXA-320	56
VXA-327	56
WC1/0ACSR	7
WC2ACSR	7
WC4/0ACSR	7
WLBBLUE3000	46
WLBBLUE3300	46
WLBBLUE6000	46
WNBS-1000	47
WNBW-1000	47
WNGRW-1000	47
WNGS-1000	47
WNGW-1000	47
WNOS-1000	47
WNRS-1000	47
WNRW-1000	47
WNYS-1000	47
WNYW-1000	47
WTC-1	1
WTC-11	1
WTC-12	1
WTC-13	1
WTC-2	1
WTC-22	1
WTC-23	1
WTC-3	1
WTC-31	1
WTC-32	1
WTC-33	1
WTC-34	1
WTC-35	1