

MODEL:

# PDUMV20HVNETLX

## Switched 0U Vertical PDU



High Voltage  
Input/Output



24 Outlets



3.8kW Load  
Capacity



Load Meter



Network  
Interface



0U Rack-Mount

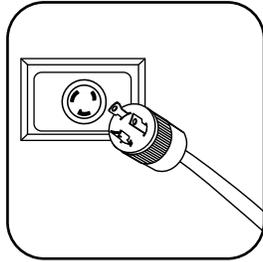


Toolless  
Mounting  
Buttons



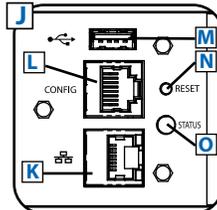
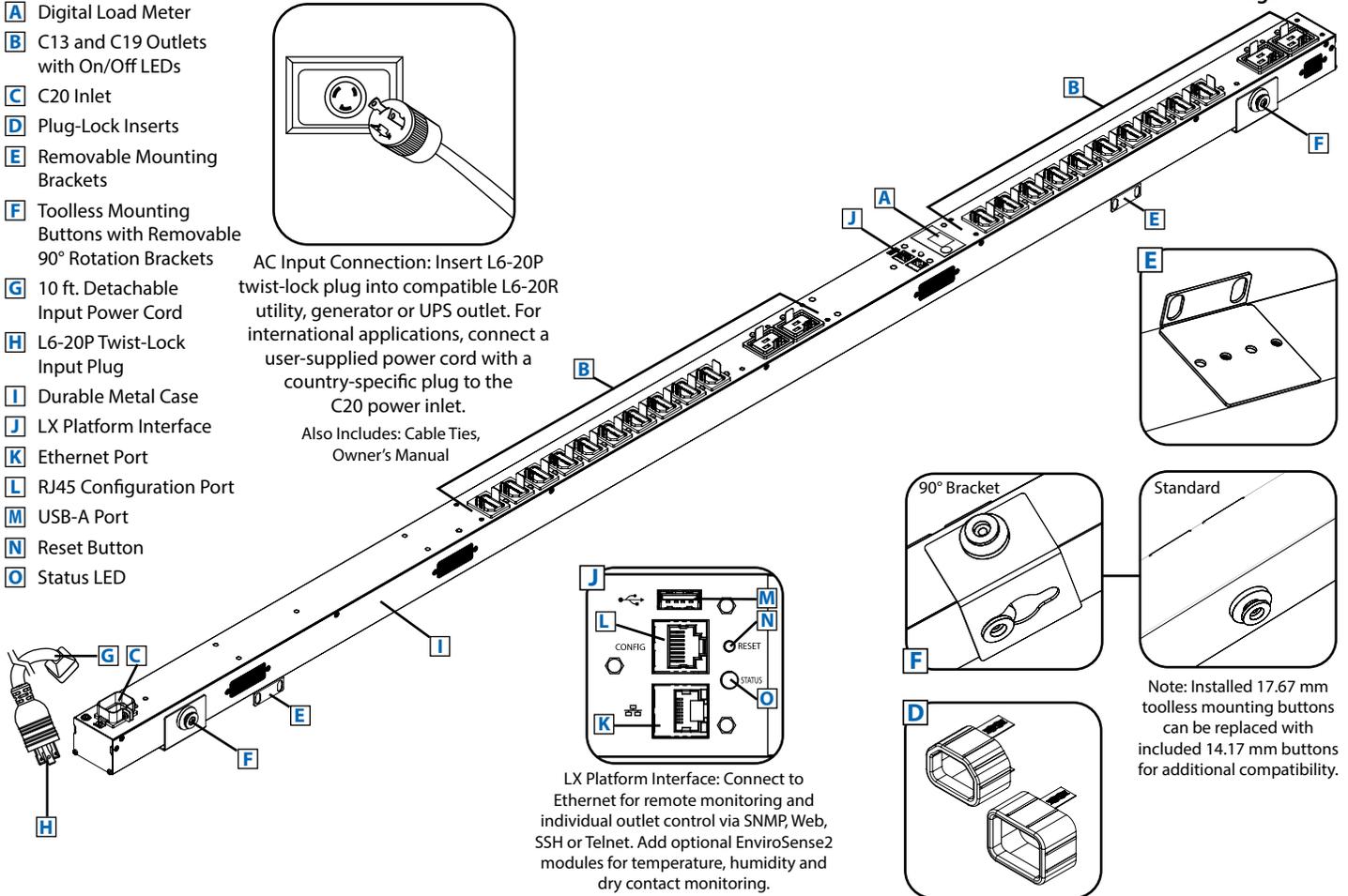
AC Inlet  
Supports  
International  
Plugs

- A** Digital Load Meter
- B** C13 and C19 Outlets with On/Off LEDs
- C** C20 Inlet
- D** Plug-Lock Inserts
- E** Removable Mounting Brackets
- F** Toolless Mounting Buttons with Removable 90° Rotation Brackets
- G** 10 ft. Detachable Input Power Cord
- H** L6-20P Twist-Lock Input Plug
- I** Durable Metal Case
- J** LX Platform Interface
- K** Ethernet Port
- L** RJ45 Configuration Port
- M** USB-A Port
- N** Reset Button
- O** Status LED

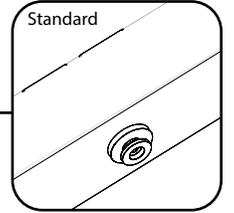
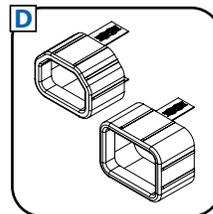
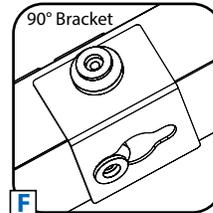


AC Input Connection: Insert L6-20P twist-lock plug into compatible L6-20R utility, generator or UPS outlet. For international applications, connect a user-supplied power cord with a country-specific plug to the C20 power inlet.

Also Includes: Cable Ties, Owner's Manual



LX Platform Interface: Connect to Ethernet for remote monitoring and individual outlet control via SNMP, Web, SSH or Telnet. Add optional EnviroSense2 modules for temperature, humidity and dry contact monitoring.



Note: Installed 17.67 mm toolless mounting buttons can be replaced with included 14.17 mm buttons for additional compatibility.

- Distributes power to 24 outlets
- Java-free, HTML5-based network interface allows for remote monitoring via SNMP, Web, SSH or Telnet
- Displays total load in real time
- Perfect for rack-mount server, network and telecom applications

SEE NEXT PAGE FOR DETAILED UNIT MEASUREMENTS

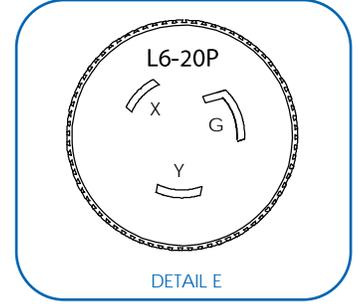
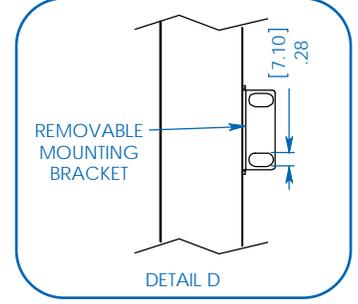
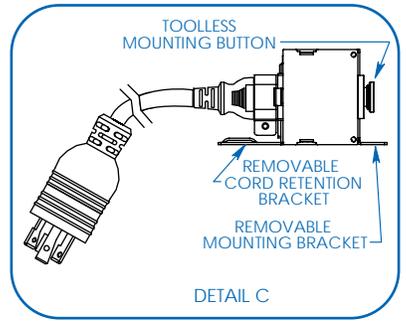
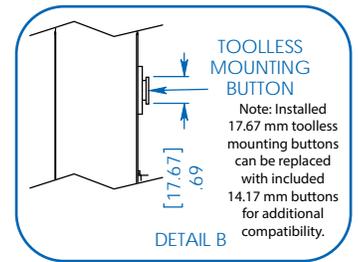
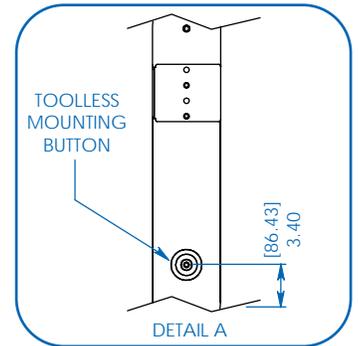
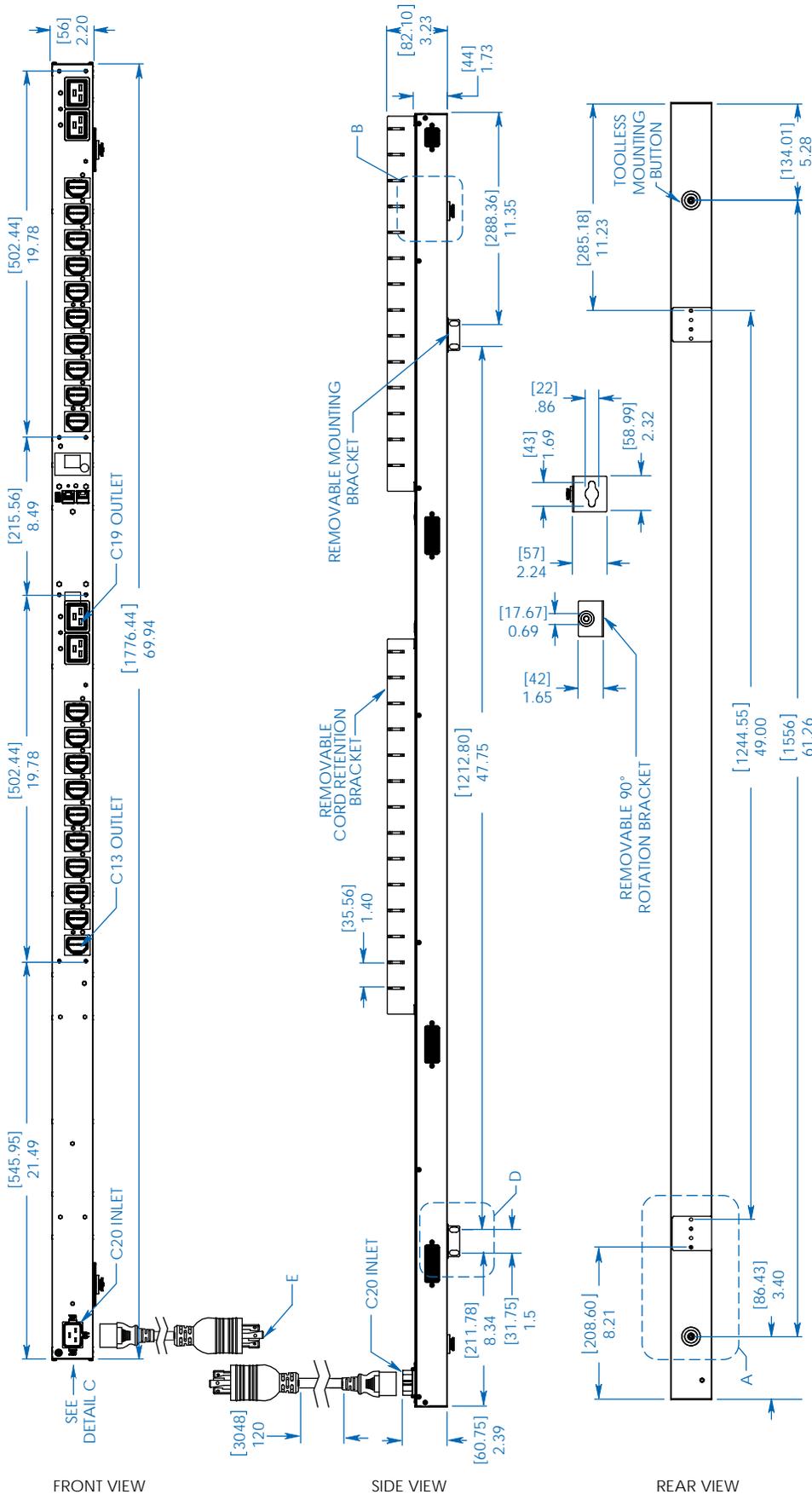


1111 W. 35th Street  
Chicago, IL 60609 USA  
773.869.1234  
www.tripplite.com

### Specifications

Model	PDUMV20HVNETLX
Voltage	200-240V
Frequency	50/60 Hz
Load Capacity	3.8kW
Input Connector	L6-20P (C20 Inlet)
Cord Length	10 ft. / 3 m
Outlets	24 (20 C13 / 4 C19)
Primary Mounting Option	0U (Vertical) Rack-mount
Unit Dimensions (H x W x D)	70 x 2.19 x 2.65 in. / 1778 x 56 x 67 mm
Unit Weight	8.5 lb. / 3.9 kg
Standards	Tested to 60950-1 (US, Canada & IEC), FCC Class A, NOM (Mexico), FCC Class A, RoHS, TAA





MODEL:  
**PDUMV20HVNETLX**



1111 W. 35th Street  
Chicago, IL 60609 USA  
773.869.1234  
www.tripplite.com

Dimensions: [mm] INCHES

Tripp Lite has a policy of continuous improvement. Specifications are subject to change without notice.