

MODEL:

# PDUMNV30HVLX

## Monitored 0U Vertical PDU



High Voltage  
Input/Output



24 Outlets



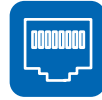
5/5.8kW  
Load Capacity



L6-30P Plug



Multimode  
Load Meter



HTML 5  
Network Interface



0U  
Rackmount

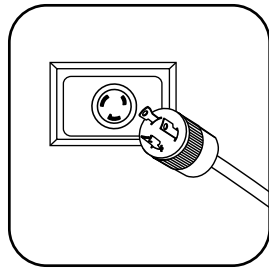


Toolless  
Mounting  
Buttons

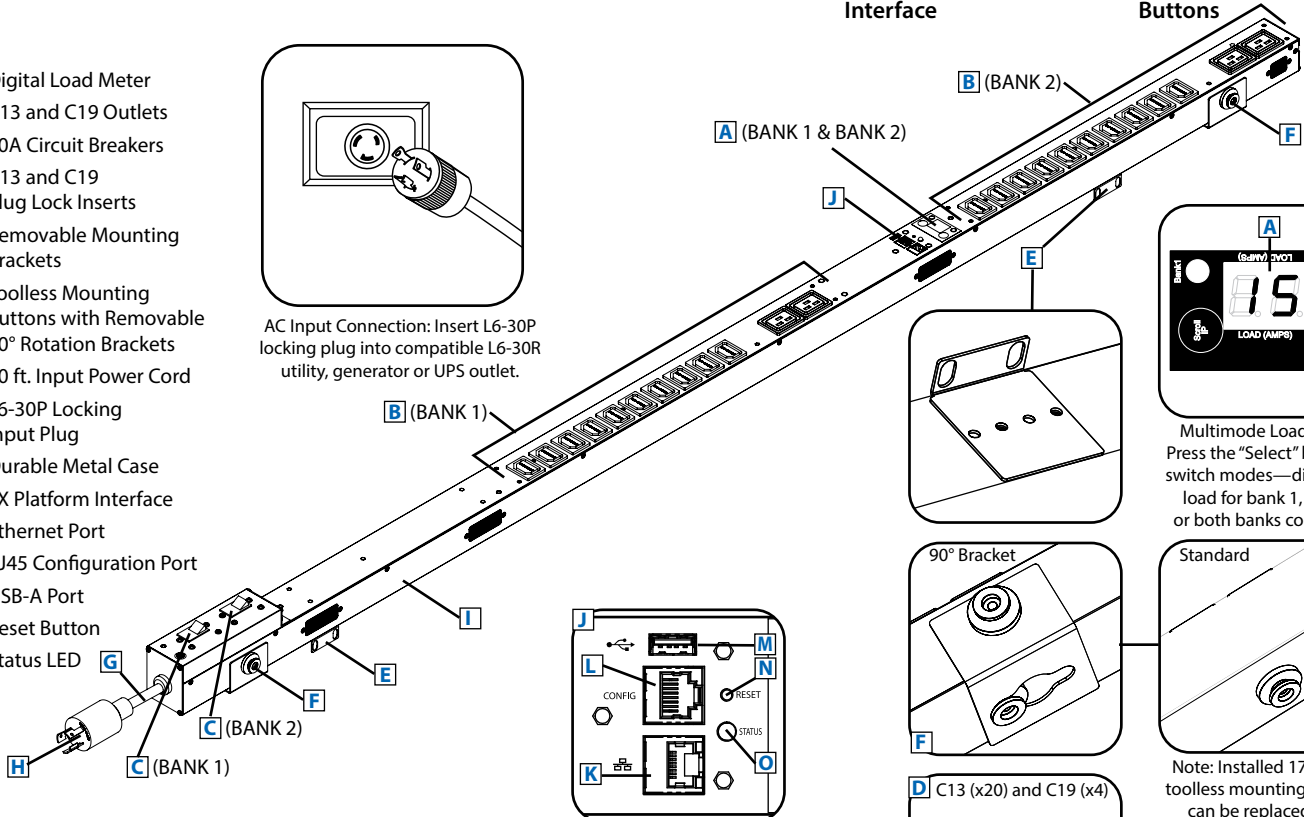


TAA  
Compliant

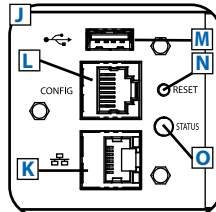
- A** Digital Load Meter
- B** C13 and C19 Outlets
- C** 20A Circuit Breakers
- D** C13 and C19 Plug Lock Inserts
- E** Removable Mounting Brackets
- F** Toolless Mounting Buttons with Removable 90° Rotation Brackets
- G** 10 ft. Input Power Cord
- H** L6-30P Locking Input Plug
- I** Durable Metal Case
- J** LX Platform Interface
- K** Ethernet Port
- L** RJ45 Configuration Port
- M** USB-A Port
- N** Reset Button
- O** Status LED



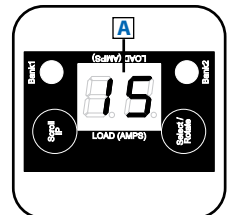
AC Input Connection: Insert L6-30P locking plug into compatible L6-30R utility, generator or UPS outlet.



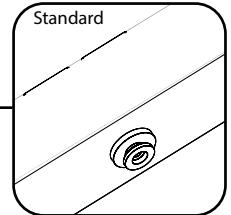
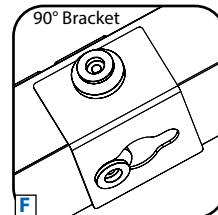
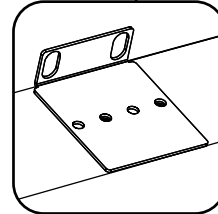
Also Includes: Configuration Cable, Owner's Manual



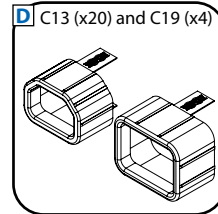
LX Platform Interface: Connect to Ethernet for remote monitoring via SNMP, Web, SSH or telnet. Add optional EnviroSense2 modules for temperature, humidity and dry contact monitoring.



Multimode Load Meter: Press the "Select" button to switch modes—display the load for bank 1, bank 2 or both banks combined.



Note: Installed 17.67 mm toolless mounting buttons can be replaced with included 14.17 mm buttons for additional compatibility.



- Distributes power to 24 outlets arranged in two banks
- Java-free, HTML5-based network interface allows for remote monitoring via SNMP, Web, SSH or telnet
- Displays load for either outlet bank or both banks combined in real time
- Perfect for rack-mount server, network and telecom applications

SEE NEXT PAGE FOR DETAILED UNIT MEASUREMENTS

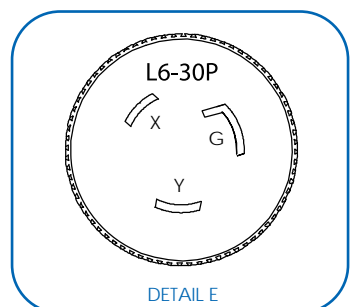
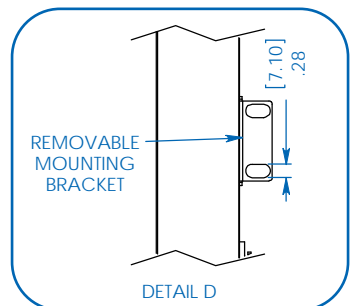
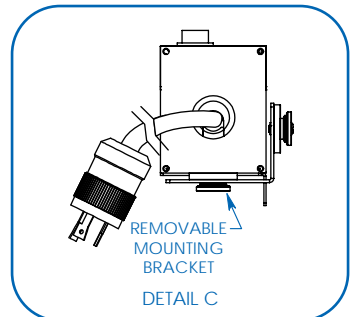
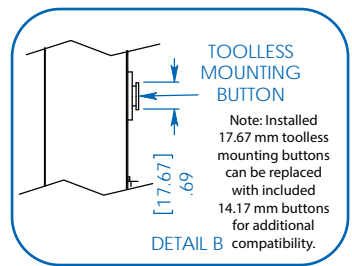
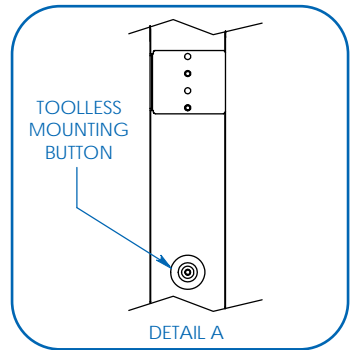
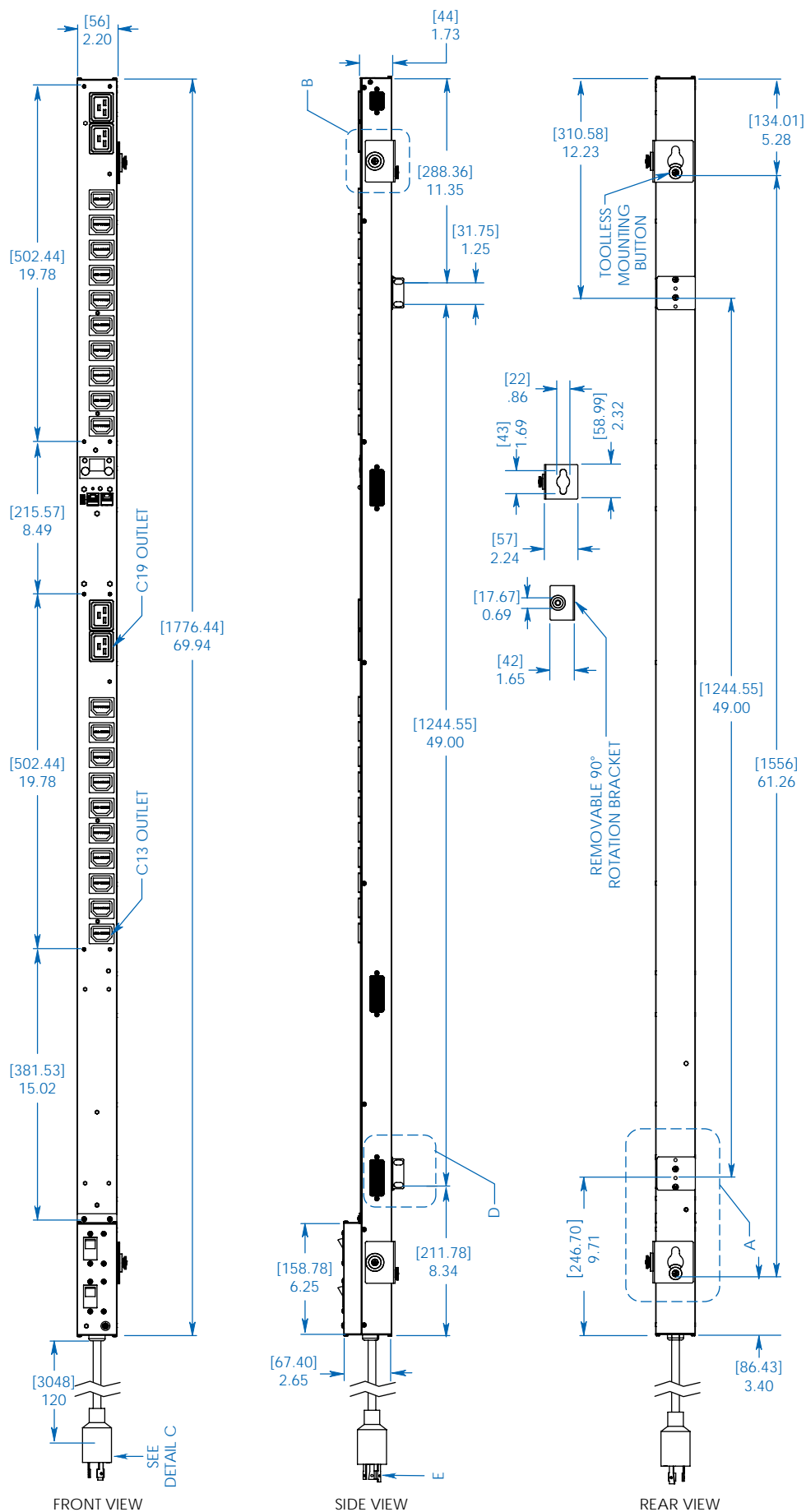


1111 W. 35th Street  
Chicago, IL 60609 USA  
773.869.1234  
www.tripplite.com

### Specifications

Model	PDUMNV30HVLX
Voltage	208/240V
Frequency	50/60 Hz
Load Capacity	5kW (208V) / 5.8kW (240V)
Input Connector	L6-30P
Cord Length	10 ft. [3 m]
Outlets	24 (20 C13 / 4 C19)
Primary Mounting Option	0U (Vertical) Rack-mount
Unit Dimensions—H x W x D	70 x 2.19 x 2.65 in. [1778 x 56 x 67 mm]
Unit Weight	11.5 lb. [5.2 kg]
Standards	Tested to UL/CAN 60950-1 (US & Canada), NOM (Mexico), FCC Class A; RoHS; TAA





Dimensions: [mm] INCHES

Tripp Lite has a policy of continuous improvement. Specifications are subject to change without notice.

MODEL:  
**PDUMNV30HVLX**

**TRIPP·LITE**

1111 W. 35th Street  
Chicago, IL 60609 USA  
773.869.1234

[www.triplite.com](http://www.triplite.com)