

Adjustable System

COMPATIBLE WITH ACTIVBOARD™ TOUCH 88"

PRODUCT SPECIFICATIONS



ActivBoard Touch with Adjustable System and UST-P2 Projector



ActivBoard Touch with Adjustable System and PRM-45A Projector*

SYSTEM OVERVIEW

The Adjustable System includes the choice of an Ultra Short Throw Projector (UST-P2) or Short Throw Projector (PRM-45A). Please note that the Short Throw Projector (PRM-45A) is not available for sale in North America.

PHYSICAL SPECIFICATIONS

	ABT 88" with Adjustable System and UST-P2 Projector	ABT 88" with Adjustable System and PRM-45A Projector
Overall Dimensions	1971 x 2489 x 990 mm (77.6 x 98 x 39 in)	1971 x 2342 x 1611 (77.6 x 92.2 x 63.4 in)
Net Weight	96.2 kgs (212.2 lbs)	99.4 kgs (219.2 lbs)

COMPLIANCE & CERTIFICATION

Regulatory Certification CE, FCC, IC, CUL, CB

WARRANTY

For Promethean Warranty Terms and Conditions, please visit: PrometheanWorld.com/ActivCare

INSTALLATION

The installation of this product should be completed by a qualified installer. Components supplied and minimum specifications stated have been tested and are required for optimal performance. Use of components not supplied by Promethean or not meeting minimum specifications may impact performance and affect warranty. Contact your Promethean partner or visit Support.PrometheanWorld.com for more information.

SUPPORT

For all Promethean Products, please visit: Support.PrometheanWorld.com

*Availability depends on region

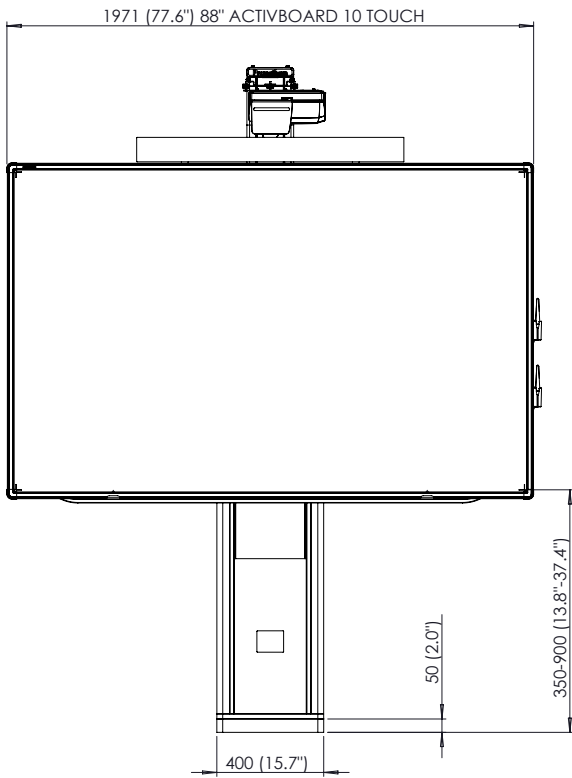
ABT Adjustable System SS 09/17 v2.3 EN

TECHNICAL DRAWINGS

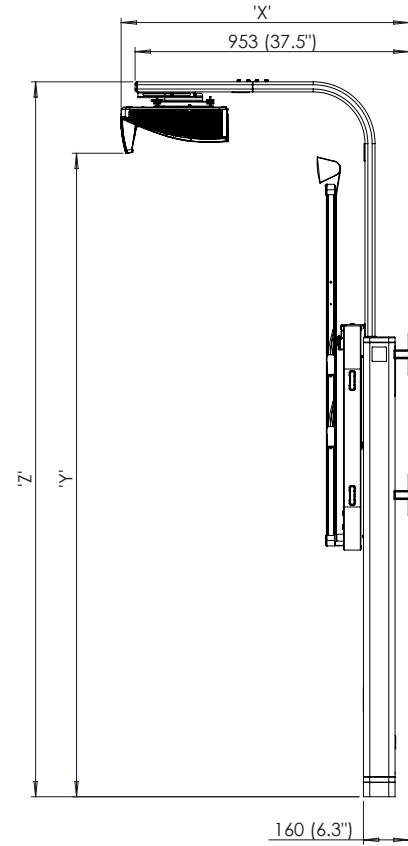
ActivBoard Touch with Adjustable System and UST-P2 Projector

DIMENSION	'X'		'Y'		'Z'	
	mm ± 10	IN ± 0.4	mm +10/-30	IN +0.4/-1.2	mm	IN
BOARD SIZE - 88"	990	39.0	2242	88.3	2489	98.0

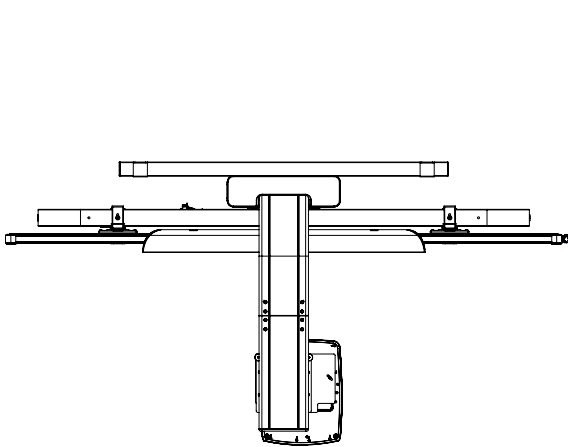
Front



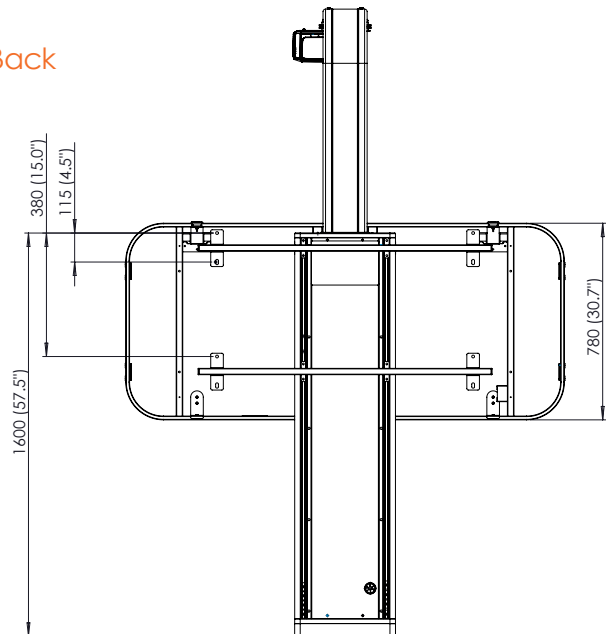
Side



Overhead



Back

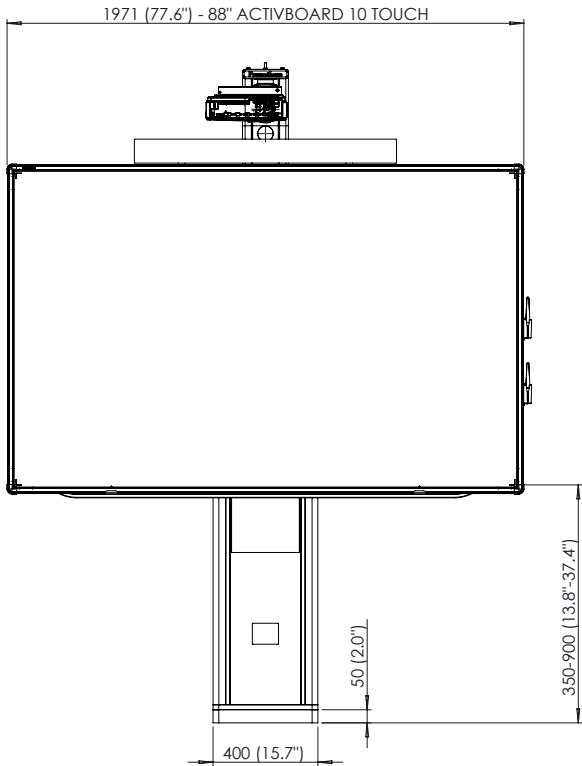


TECHNICAL DRAWINGS

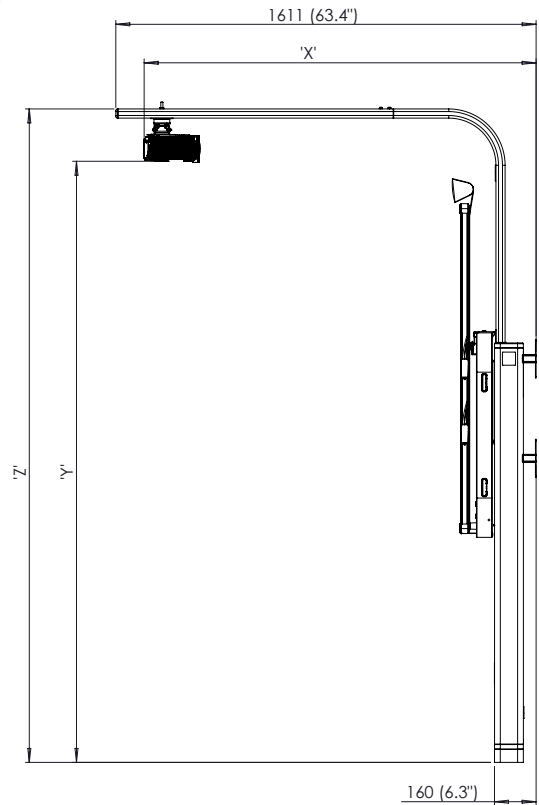
ActivBoard Touch with Adjustable System and PRM-45A Projector

DIMENSION	'X'		'Y'		'Z'	
	mm ± 10	IN ± 0.4	mm +10 - 30	IN +0.4 - 1.2	mm	IN
BOARD SIZE - 88"	1472	57.9	2244	88.3	2342	95.8

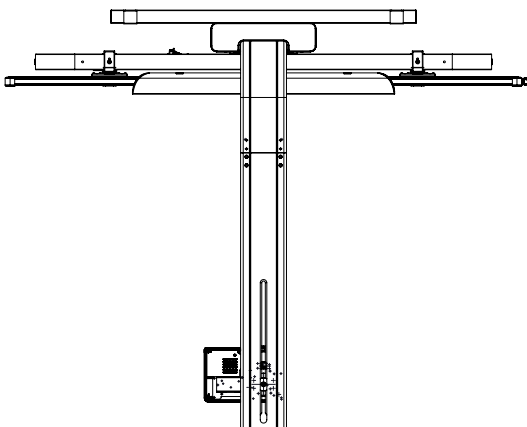
Front



Side



Overhead



Back

