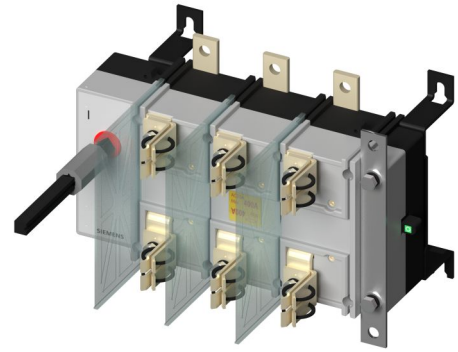
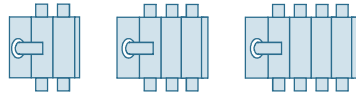


SIEMENS

SETRON SUPERSWITCH Switch Disconnecter Fuse - Size 3



3KL83...-.. (200A-400A)
3KA83...-.. (200A-400A)



IEC 60947-1
IEC 60947-3



Operating Instruction



EN

⚠ DANGER

Hazardous voltage will cause death or serious injury. Turn off and lock out all power supplying this device before working on this device. Replace all covers before power supplying this device is turned on.



NOTICE



Installation & Maintenance must be carried out by qualified personnel.



Required tools



2.5 mm



13 mm
16 mm



0.5 x 3 mm

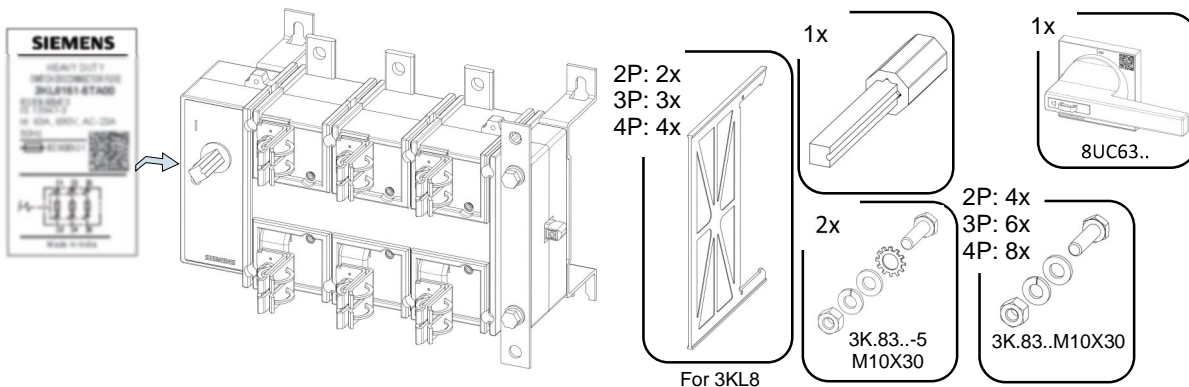


PZ 5

cal. ISO 6789



Contents

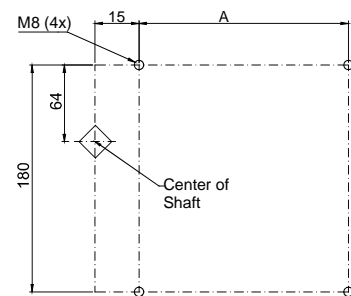
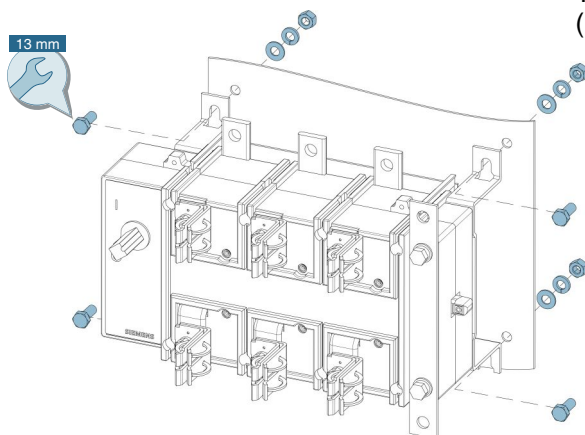


Assembly

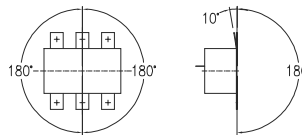


Mounting Details:

2P/3P/4P : M8 x 20 (4x)
Torque 10....14 Nm
(Not in scope of supply)



Drilling Plan for mounting plate



Permissible mounting position

POLE	A
2P	180
3P	250
4P	320



Connection



3KL831.../3KA831....

3KL832.../3KA832....

3KL833...

Max. Lug Size.... 185 mm² M10 x 30

Torque 20 Nm to 28 Nm

3KL834.../3KA834....

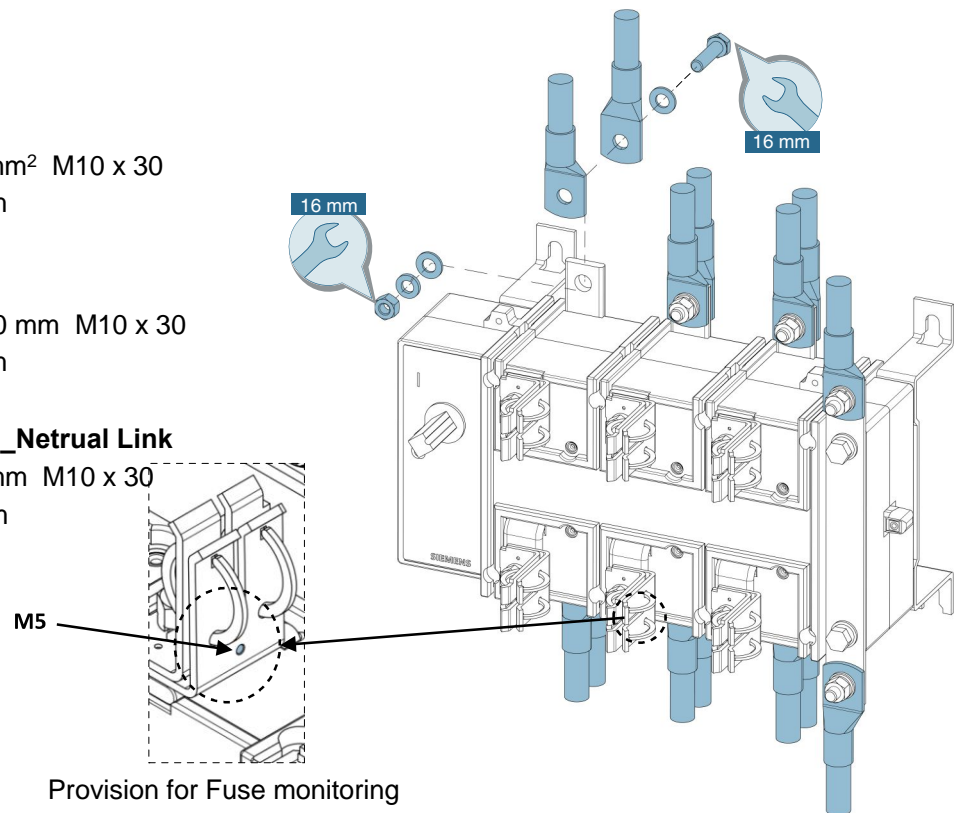
Max. Lug Size.... 2X120 mm M10 x 30

Torque 20 Nm to 28 Nm

3KL83...5.../3KA83...5_Netruual Link

Max. Lug Size.... 120 mm M10 x 30

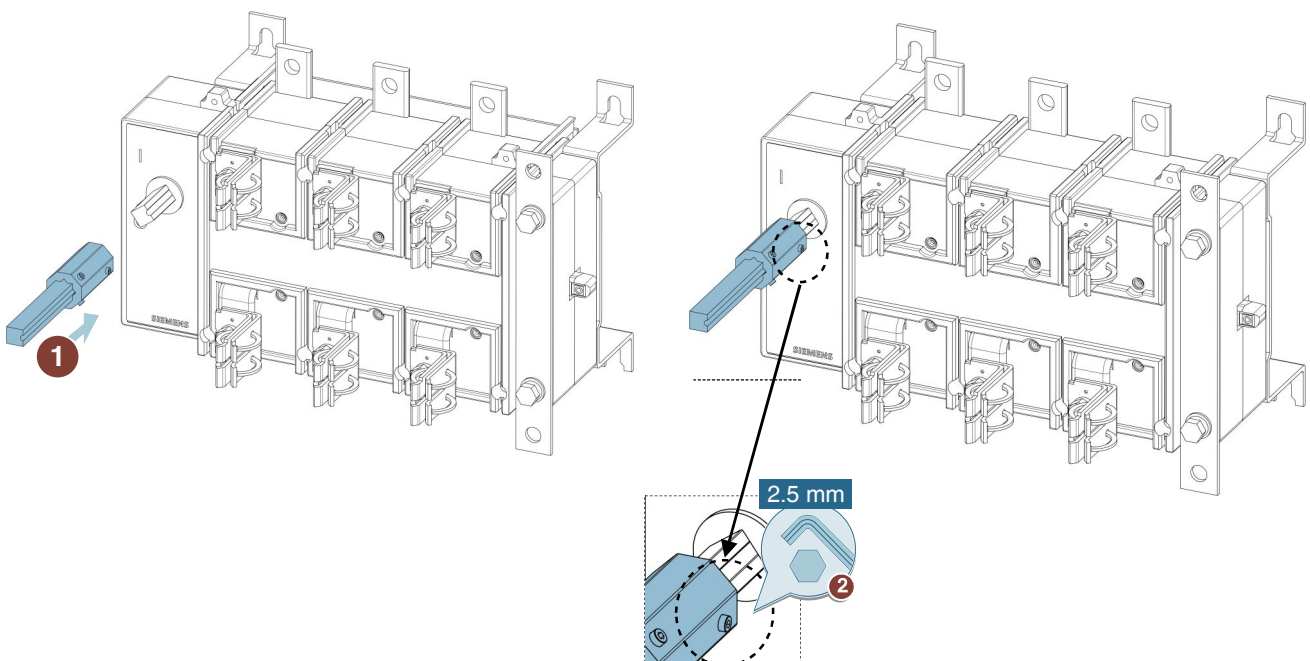
Torque 10 Nm to 28 Nm



Assembly



Installation of Shaft



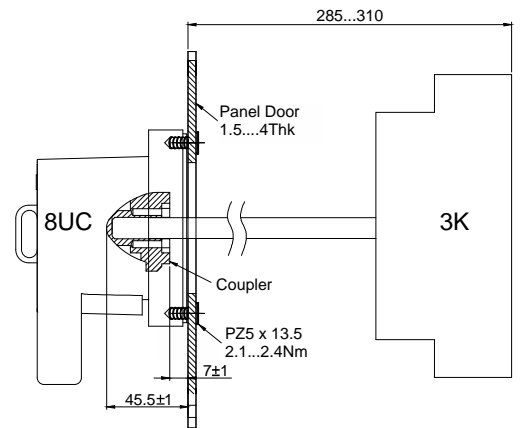
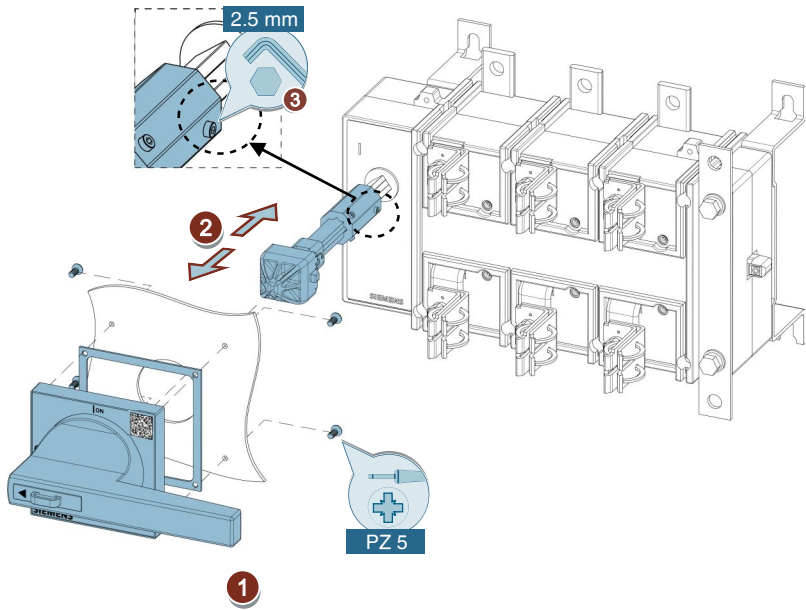


Assembly



Mounting Details for Front Drive

8UC6314-1BB00



8UC Coupler depth adjustment
Use Depth Setting Templet - 8UC6046-2

Adjust Depth of Drive as per dimensional plan

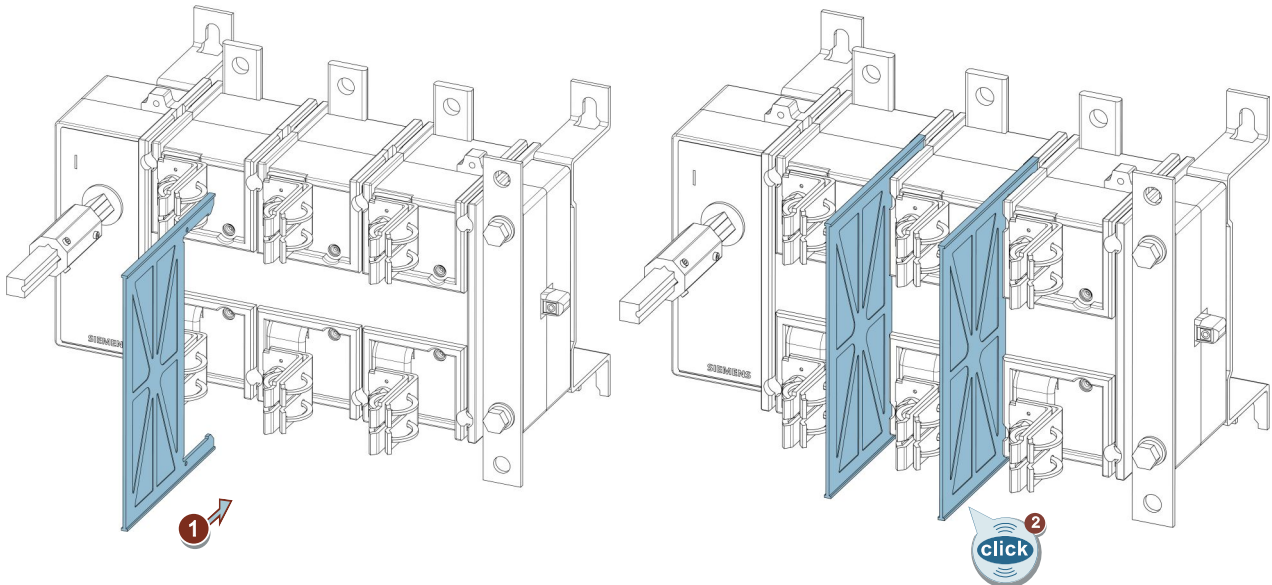


Assembly

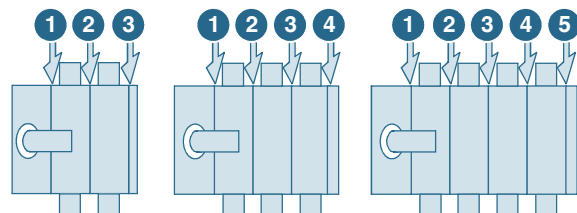


Phase Barrier:

3KX83430AE

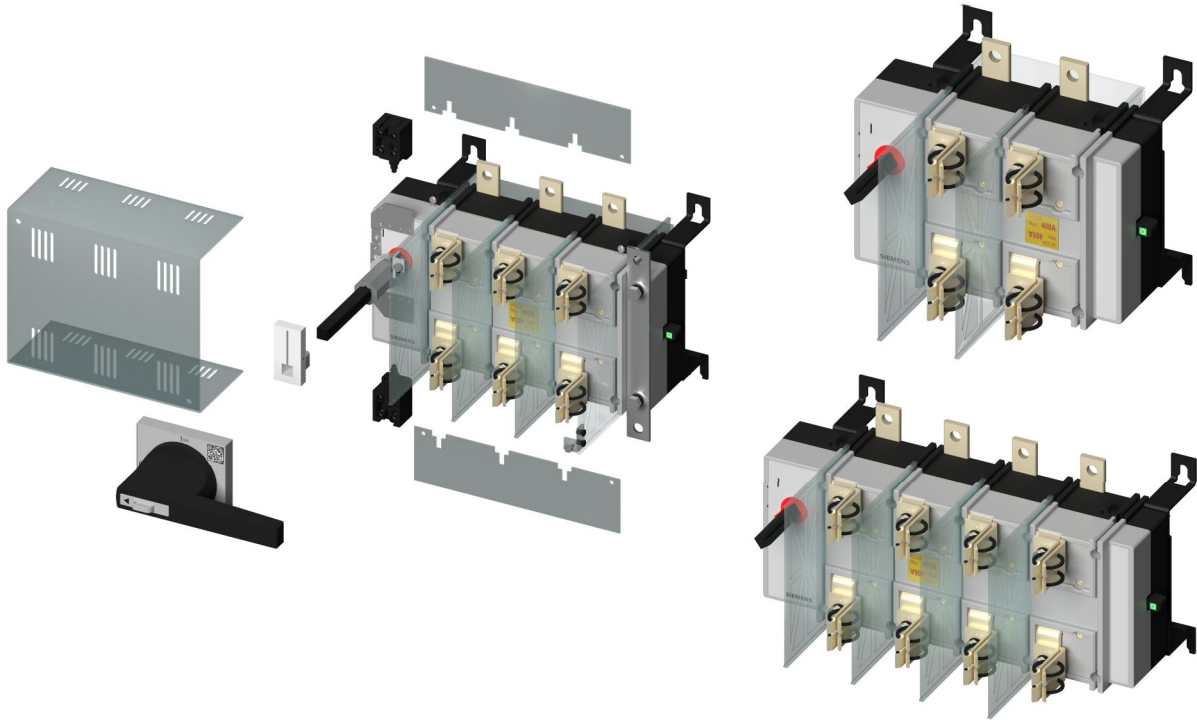


- 2P : Phase Barrier in position 1 & 2 are essential
- 3P : Phase Barrier in position 1, 2 & 3 are essential
- 4P : Phase Barrier in position 1, 2, 3 & 4 are essential



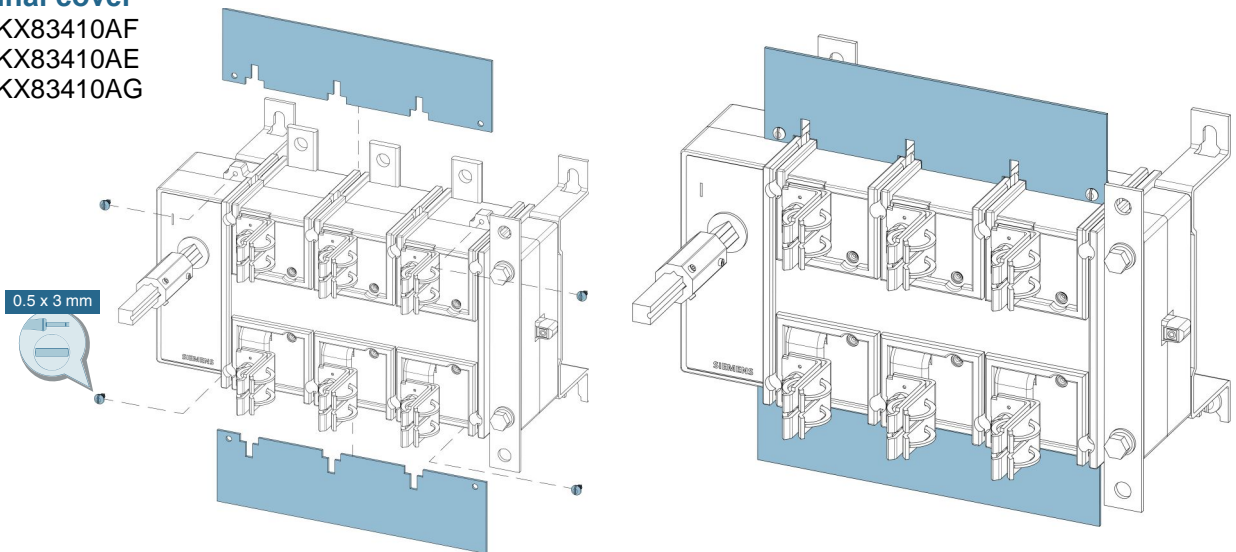


Assembly



Terminal cover

- 2P : 3KX83410AF
- 3P : 3KX83410AE
- 4P : 3KX83410AG

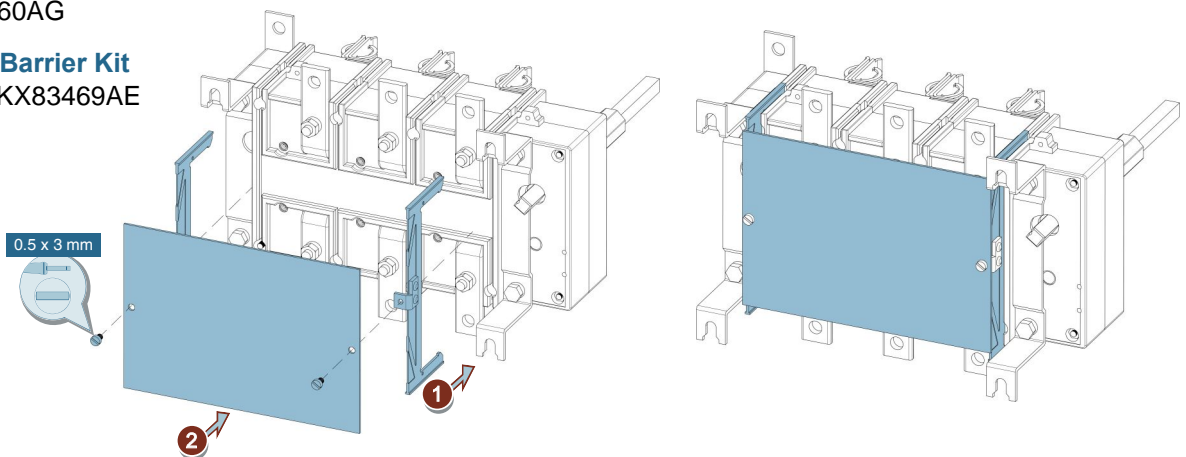


Rear cover

- 2P : 3KX83460AF
- 3P : 3KX83460AE
- 4P : 3KX83460AG

Rear Phase Barrier Kit

- 2P/3P/4P : 3KX83469AE





Assembly

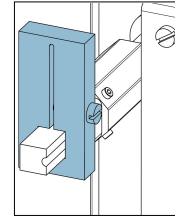


Fuse Cover:

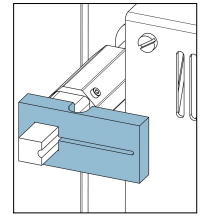
2P:3KX83400AF
 3P:3KX83400AE
 4P:3KX83400AG

Fuse Cover Phase Barrier Kit

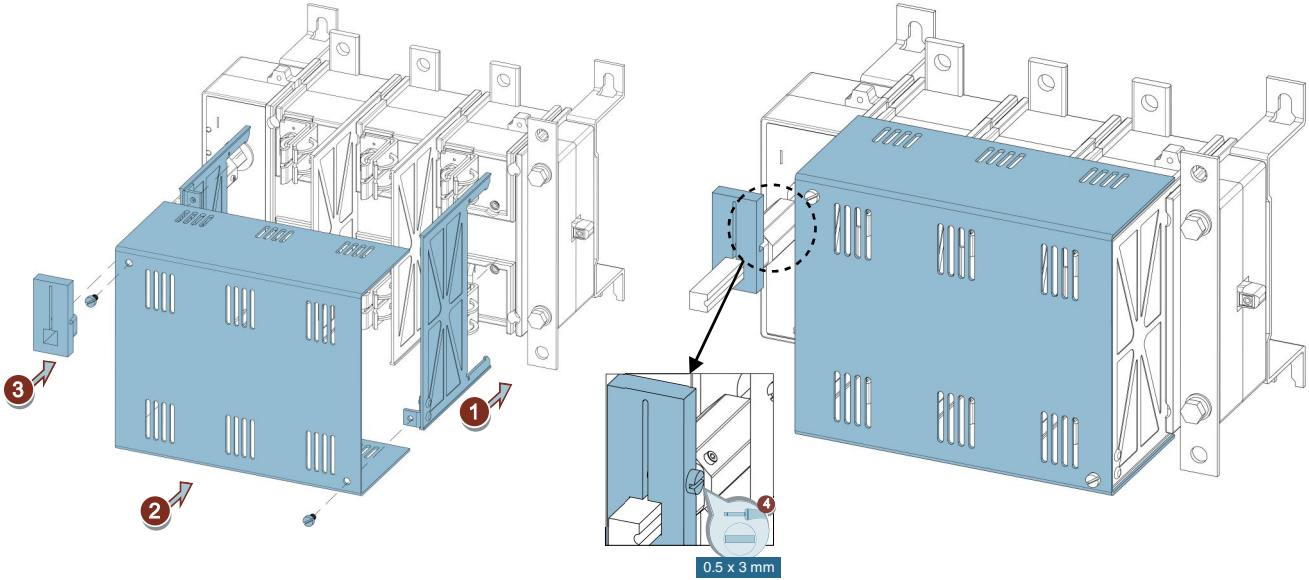
3KX83409AE



Unlocked



Locked

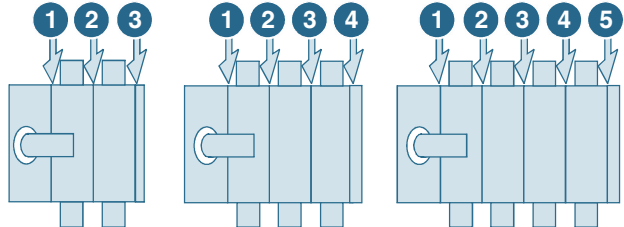


2P/3P/4P : Replace phase barrier in position 1 with Fuse Cover Phase Barrier

2P : Add Fuse Cover Phase Barrier in position 3

3P : Add Fuse Cover Phase Barrier in position 4

4P : Add Fuse Cover Phase Barrier in position 5



EN

WARNING

Hazardous Voltage. Will Cause death or Serious Injury.
 Ensure Switch is in OFF position.

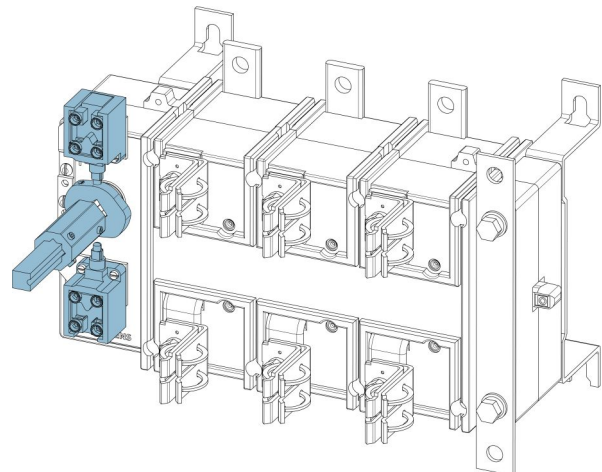
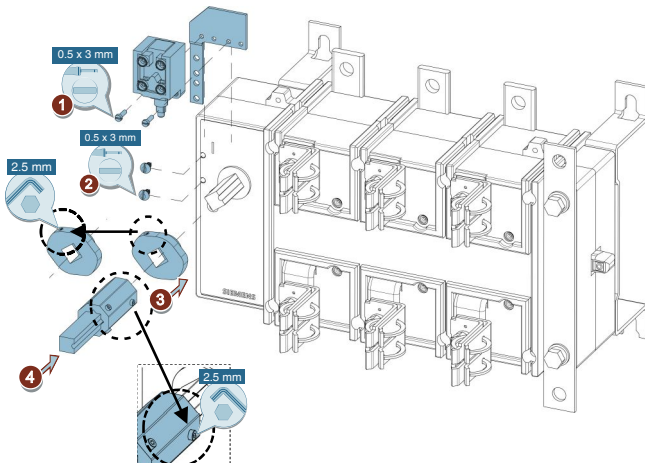


Assembly



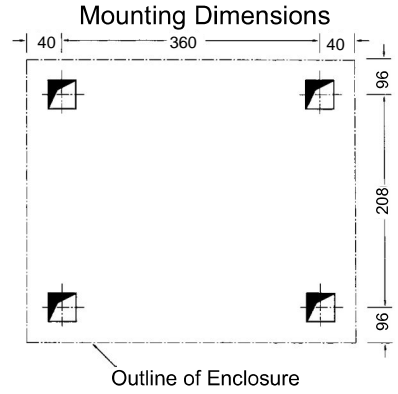
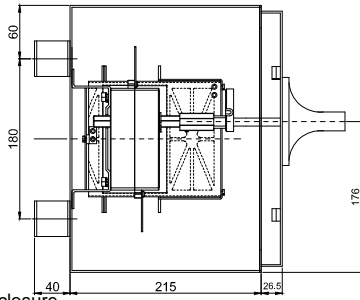
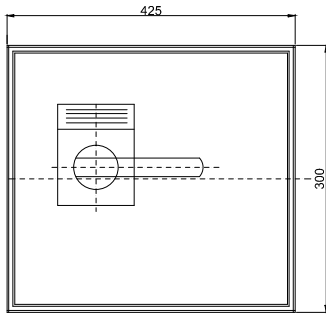
Mounting Aux. Switch

3KX35521YC
 3KX35521YD



i Information i

Dimension Details for SDF in Enclosure

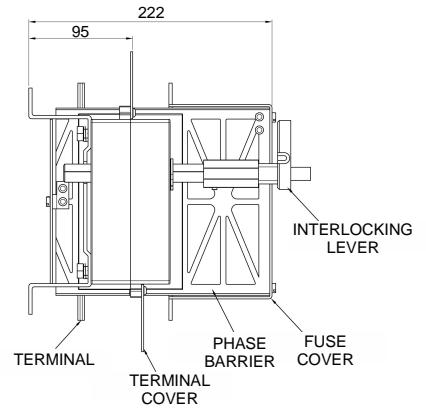
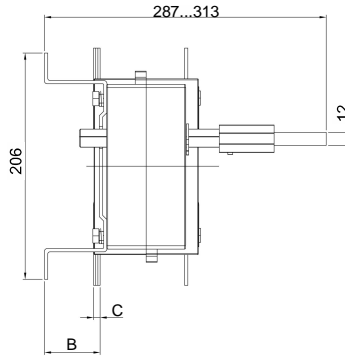
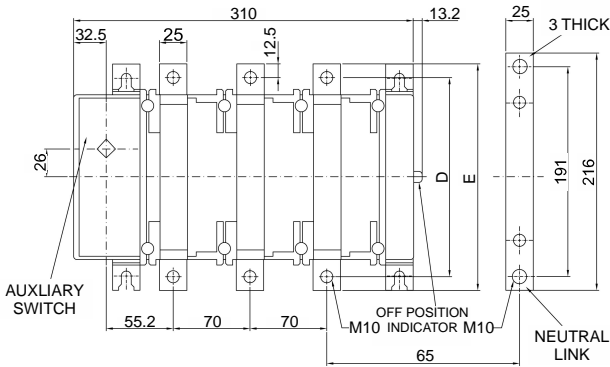


Note : Cut supplied shaft by 54mm for use with Enclosure

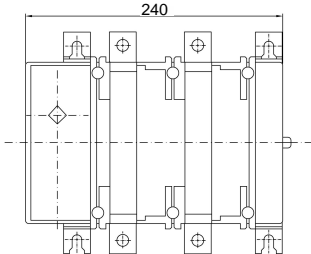
i Information i

Overall Dimensional details

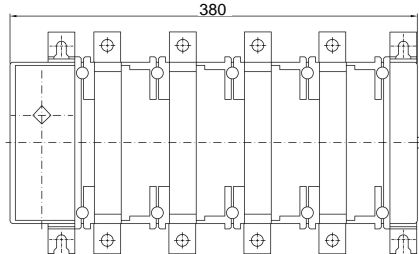
3KL8/3KA8 : 3P(3KL8)/3P+N



3KL8/3KA8 : 2P



3KL8/3KA8 : 4P



For missing Dimension refer 3P/3P+N

For missing Dimension refer 3P/3P+N

Type	Pole	B	C	D	E
3KL 831/832/833 3KA 831/832/834	3P	53.5	4	186.4	211.4
3KL 834	3P	55.5	6	191	216
3KL 831/832/833/834 3KA 831/832/834	2P/4P	55.5	6	191	216

Disposal

Siemens Products are environment-friendly, which predominantly consist of recyclable materials.

For Disposal, we recommend Disassembling and separation into following materials.

METALS. Segregate into Ferrous & Non Ferrous types for recycling through authorised dealer.

Email: ics.india@siemens.com

PLASTICS: Segregate as per material type for recycling through an authorised dealer.

Because of the long lifetime of Siemens products the disposal guidelines maybe replaced by other national regulations when taking the product out of service.

The local customer care service is available at any time to answer disposal-related questions

Customer Care Toll-free no. - 1800 209 0987