



Catalog
HA 40.6 ·
2024

MEDIUM-VOLTAGE SWITCHGEAR

Switchgear Type 8DJH 24 – blue GIS

for Secondary Distribution Systems up to 24 kV,
Gas-Insulated

[siemens.com/8DJH24](https://www.siemens.com/8DJH24)

SIEMENS

Application

Typical uses



Application
in public
and industrial
energy systems



MEDIUM-VOLTAGE SWITCHGEAR

Switchgear Type 8DJH 24 – blue GIS

for Secondary Distribution Systems up to 24 kV, Gas-Insulated

Catalog HA 40.6 · 2024

[siemens.com/medium-voltage-switchgear](https://www.siemens.com/medium-voltage-switchgear)

Contents

Page

Application

Versions	4
Typical uses, ratings, standards	5

Requirements

Features, Safety	6
Technology	7

Digitalization, condition monitoring

Siemens Xcelerator, available monitoring functionalities	8
Digitalization solutions from a single source	9

Sustainability

10

Technical data

Switchgear	12
Switching devices	13

Product range

Individual panels	14
Panel blocks (excerpt)	17

Design

Overview	20
Panel design (examples)	22
Outdoor enclosure	24

Components

Busbar extension, modularity	25
Cable connection	26
Current transformers, voltage transformers	27
Current sensors, voltage sensors	28
SIbushing	29
Low-voltage compartment, low-voltage niche	30

Dimensions

Room planning	31
Pressure relief	33

The products and systems described in this catalog are manufactured and sold according to a certified management system (acc. to ISO 9001, ISO 14001 and BS OHSAS 18001).

Application

Versions



R_1HA406_004.tif



R_1HA406_004.png

Individual circuit-breaker panel 450 mm

RRT block

Application

Typical uses, ratings, standards

8DJH 24 switchgear is a factory-assembled, type-tested, 3-pole metal-enclosed single-busbar switchgear for indoor installation.

8DJH 24 switchgear is used in public and industrial energy systems of the secondary distribution level, e.g. in

- Secondary transformer substations of power supply system operators
- Utilities transfer substations for business enterprises
- Installations of building supply technologies
- Water and sewage treatment plants
- Underground railway stations, railway stations, airports
- Charging stations for electric vehicles
- Generating plants for renewable energies (biomass, hydro power, wind turbines, solar parks).

Electrical data (maximum values) and dimensions

Rated voltage	kV	7.2	12	15	17.5	24
Rated frequency	Hz	50	50	50	50	50
Rated short-duration power-frequency withstand voltage	kV	20	28	36	38	50
Rated lightning impulse withstand voltage	kV	60	75	95	95	125
Rated peak withstand current	kA	50/52.5	50/52.5	50/52.5	50/52.5	50/52.5
Rated short-time withstand current 3 s	kA	20/21	20/21	20/21	20/21	20/21
Rated short-time withstand current 1 s	kA	20/21	20/21	20/21	20/21	20/21
Rated continuous current of the busbar	A	630	630	630	630	630
Rated continuous current of feeders	up to A	630 ¹⁾	630 ¹⁾	630 ¹⁾	630 ¹⁾	630 ¹⁾
Width (feeders)	mm	350/450/550 ¹⁾ →				
Depth						
– without pressure relief duct	mm	775	775	775	775	775
– with pressure relief duct	mm	890	890	890	890	890
Height without low-voltage compartment and pressure relief duct	mm	optionally 1200/1400/1700 →				

1) Depending on the feeder function and the selected design options

Standards

		IEC standard/ EN standard	
Switchgear		62271-1 62271-200	
Switching devices	Circuit-breakers	62271-100	
	Disconnectors and earthing switches	62271-102	
	Switch-disconnectors	62271-103	
	Switch-fuse combination	62271-105	
Voltage detecting systems		62271-213	
HV HRC fuses		60282	
Surge arresters / surge limiters		60099	
Degree of protection		60529	
		62262	
Insulation		60071	
Instrument transformers	General requirements	61869-1	
	Current transformers	61869-2	
	Inductive voltage transformers	61869-3	
	Low-power current transformers		61869-6
			61869-10
	Low-power voltage transformers	61869-6 61869-11	
Insulating gas		62271-4	
Installation		61936-1 / EN 50522	
Environmental conditions		60721-3-3	
Operation		EN 50110	

Requirements

Features

Environmental independence

Hermetically tight, welded switchgear vessels made of stainless steel as well as single-pole solid insulation make the parts of the primary circuit under high voltage of 8DJH 24 switchgear

- Insensitive to certain aggressive ambient conditions, such as:
 - Saline air
 - Air humidity
 - Dust
 - Condensation
- Tight to ingress of foreign objects, such as:
 - Dust
 - Pollution
 - Small animals
 - Humidity.

Compact design

Thanks to the use of an insulation of natural gases (Clean Air), compact dimensions are possible.

Thus:

- Existing switchgear rooms and substation rooms can be used effectively
- New constructions cost little
- Costly city-area space is saved.

Maintenance-free design

Switchgear vessels designed as sealed pressure systems, maintenance-free switching devices and enclosed cable plugs ensure:

- Maximum supply reliability
- Personnel safety
- Sealed-for-life design according to IEC 62271-200 (sealed pressure system)
- Installation, operation, extension and replacement without gas work
- Reduced operating costs
- Cost-efficient investment
- No maintenance cycles.

Innovation

The use of digital secondary systems and combined protection and control devices ensures:

- Clear integration in process control systems
- Flexible and highly simplified adaptation to new system conditions and thus to cost-efficient operation.

Service life

Under normal service conditions, the expected service life of gas-insulated switchgear 8DJH 24 is at least 40 years, taking the tightness of the hermetically welded switchgear vessel into account. The service life is limited by the maximum number of operating cycles of the switchgear devices installed:

- For circuit-breakers, according to the endurance class defined in IEC 62271-100
- For three-position disconnectors and earthing switches, according to the endurance class defined in IEC 62271-102
- For three-position switch-disconnectors, according to the endurance class defined in IEC 62271-103.

Safety

Personal safety

- Safe-to-touch and hermetically sealed primary enclosure
- Standard degree of protection IP65 for all high-voltage parts in the switchgear vessel, at least IP2X for the switchgear enclosure according to IEC 60529
- All high-voltage parts including the cable terminations, busbars and voltage transformers are metal-enclosed and / or provided with earthed layers
- Panels tested for resistance to internal faults up to 21 kA
- Capacitive voltage detecting system to verify safe isolation from supply
- Logical mechanical interlocks prevent maloperation
- HV HRC fuses and cable compartments are only accessible when outgoing feeders are earthed
- Feeder earthing via make-proof earthing switches.

Security of operation

- Hermetically sealed primary enclosure independent of environmental effects (pollution, humidity and small animals)
- Welded switchgear vessels, sealed for life
- Maintenance-free in an indoor environment (IEC 62271-1)
- Operating mechanisms of switching devices and auxiliary switches accessible outside the primary enclosure (switchgear vessel)
- Metal-coated, plug-in inductive voltage transformers mounted outside the switchgear vessel
- Current transformers as ring-core current transformers mounted outside the switchgear vessel
- Complete switchgear interlocking system with logical interlocks
- Mechanical position indicators integrated in the mimic diagram
- Minimum fire load
- Option: Resistance against earthquakes.

Reliability

- Type and routine-tested
- Standardized and manufactured using numerically controlled machines
- Quality assurance in accordance with DIN EN ISO 9001
- More than 1,500,000 switchgear panels of Siemens in operation worldwide for many years.

General

- Panels 3-pole metal-enclosed
- High-voltage compartments with metal partitions
- Hermetically tight, welded switchgear vessel made of stainless steel, with welded-in bushings for electrical connections and mechanical components
- Frame made of sendzimir-galvanized sheet steel
- Front covers and doors of low-voltage compartments powder-coated in color RAL 7035 (light gray)
- Functions as individual panels or combined in a panel block with up to four functions in a common switchgear vessel
- Switching devices 3-pole, fixed-mounted, depending on the function
 - Three-position switch-disconnector
 - Three-position switch-disconnector/fuse combination
 - Vacuum circuit-breaker with three-position disconnector
 - Make-proof earthing switch
- Cable connection with outside-cone plug-in system according to DIN EN 50181
 - In ring-main and circuit-breaker feeders with bolted contact (M16)
 - In transformer feeders with plug-in contact or optionally with bolted contact (M16)
- Wall-standing or free-standing arrangement
- Pressure relief downwards, optionally upwards via pressure absorber systems.

Interlocks

- According to IEC 62271-200
- Logical mechanical interlocks and the constructive features of the three-position switches prevent maloperation as well as access to the cable connection of the feeders and HV HRC fuses under voltage
- Impermissible and undesired operations can be prevented by means of locking devices provided at the switching devices.

Modular design

- Individual panels and panel blocks can be lined up and optionally extended – without gas work on site
- Option: Low-voltage compartment available in 3 overall heights. Installation and removal possible on site, wiring to the panel via plug connections.

Instrument transformers

- Ring-core current transformers not subjected to dielectric stress
- Metal-coated voltage transformers, plug-in type
- In the air-insulated metering panel:
Cast-resin insulated block-type current and voltage transformers (narrow design according to DIN 42600 Part 8 or Part 9)
- Replacement of instrument transformers without gas work, as they are located outside the switchgear vessel.

Sensors

- Current sensor as inductive current transformer in combination with precision shunt (voltage signal)
- Voltage sensor as resistor divider
- In combination with secondary devices such as
 - SICAM FCM
 - 7SJ81.

Vacuum circuit-breaker

- Maintenance-free under normal ambient conditions according to IEC 62271-1
- No relubrication or readjustment
- Up to 10,000 operating cycles
- Vacuum-tight for life.

Secondary systems

- Customary protection, measuring and control equipment
- Option: Numerical multifunction protection relay with integrated protection, control, communication, operating and monitoring functions
- Can be integrated in process control systems.

Digitalization, condition monitoring

Siemens Xcelerator, available monitoring functionalities

Siemens Xcelerator

Siemens Xcelerator is an open digital business platform that enables customers to accelerate their digital transformation more easily, quickly, and at scale.

Addressing key challenges in the energy sector and beyond

Maintaining grid stability – Increasing energy demands often clash with fluctuating generation. Balancing both is crucial for tomorrow's grid stability.

Our smart energy solutions simplify management, align OT and IT, and ensure a resilient, scalable, and adaptable grid.

Maximizing cyber and asset security – Power grids can be a target for cyberattacks, which may cause power outages and unpredictable results.

Our solutions incorporate security measures to remove vulnerabilities in IT components, control devices, as well as transformer substation and switchgear systems.

Reducing expenditures – Our solutions enhance competitiveness through optimized CAPEX and OPEX with asset optimization, digital planning, simulation, and flexible financing options.

Integrating distributed energy resources (DERs) – DERs are at the heart of a clean and resilient energy future. Nevertheless, a greater system flexibility is needed to consistently balance supply and demand.

Our solution offering covers the entire spectrum: from consulting through technical applications and services to tailored financing and business models.

Available monitoring functionalities for gas-insulated switchgear

Condition monitoring

Condition monitoring serves to continuously improve the resilience, reliability, and availability of maintenance-free, gas-insulated medium-voltage switchgear with an expected service life of 40 years. These values are based on the design and empirical data for switchgear assemblies, as well as on the intended use of the switchgear under normal service conditions according to IEC 62271-1.

To protect the investment (CAPEX) and reduce operational expenditures (OPEX), the extension of switchgear functions with a condition monitoring system is the appropriate way for early indication of irregularities at the switchgear and its peripheral components. This is the premise for condition-based inspection.

Temperature monitoring of the cable connections

Temperature monitoring of the cable connections ensures that the maximum permissible thermal service conditions of the gas-insulated switchgear and the cable connection set are not exceeded during operation. With the help of an intelligent correlation between the ambient air temperature, the cable connection temperature, and the switchgear utilization, anomalies can already be detected and indicated before the limit temperature is reached, based also on low-load scenarios.

Temperature and humidity monitoring of the environment (dew-point monitoring)

Ongoing condensation would lead to corrosion at the switchgear, and reduce its service life. Specific countermeasures after strong humidity at the switchgear assembly, as well as the prevention of further condensation, can remedy the situation.

Partial discharge monitoring

Partial discharges arise if the electrical insulation is damaged or insufficient. Partial discharge monitoring offers a pre-alarming in case of a possibly insufficient electrical insulation. In most cases, partial discharges are a long-term effect of thermal overstressing or of defective or incorrectly installed peripheral components.

Digital gas density monitoring

For perfect operation of a gas-insulated switchgear, the correct gas density inside the switchgear vessel is crucial. To maintain the full scope of functions of the switchgear, immediate action is required if the gas density falls below the necessary values.

Circuit-breaker monitoring

Continuous monitoring of circuit-breaker functions enables an evaluation of the actual health status of the circuit-breaker, based on both mechanical and electrical parameters. The evaluation of performed mechanical and electrical switching operations, as well as the monitoring of other components, allows to indicate at an early stage if servicing work is necessary, or if a suitable replacement switchgear should be procured.

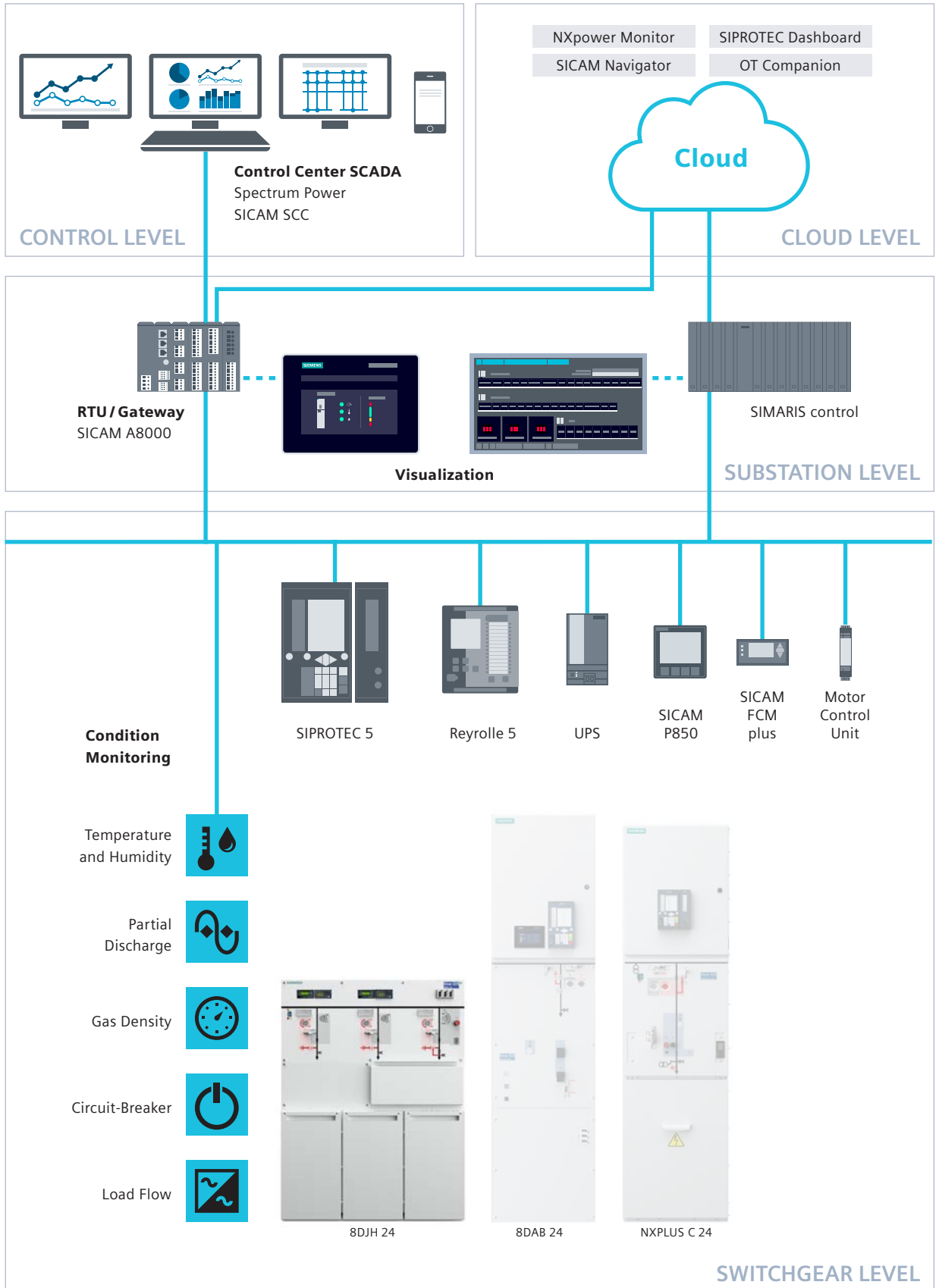
Load flow monitoring

An increasing number of distributed energy resources and the growing share of e-mobility lead to ever more volatile load flows in the distribution grids. Capturing this data is an important element for identifying hotspots in the grid, and it offers planning security for the operator.

Digitalization, condition monitoring

Digitalization solutions from a single source

End-to-End-Cybersecurity



Sustainability

Our contribution to a sustainable and cleaner planet

At Siemens, sustainability is not just a commitment, but a core strategy deeply ingrained in our operations. Our DEGREE framework, representing **Decarbonization, Ethics, Governance, Resource Efficiency, Equity, and Employability**, guides our journey towards a sustainable future. It constitutes a 360-degree approach for all stakeholders – our customers, our suppliers, our investors, our people, the societies we serve, and our planet.

Siemens aims to limit global warming to 1.5 degrees Celsius and takes action across its operations, targeting various ESG (Environmental, Social, and Governance) topics. We further contribute to decarbonization by helping our customers reduce emissions, and aim to lower our own operational emissions significantly by 2030. Additionally, we promote resource efficiency through recycling and a circular economy, incorporating sustainable design criteria into our products and increasing the use of secondary materials. Siemens focuses on sustainable materials, energy sources, and product service life optimization to minimize resource consumption and waste. Ultimately, we strive to create a better future by achieving sustainability goals and minimizing environmental impacts.

Siemens gas-insulated switchgear (GIS) systems have played a key role over the last 40 years for a reliable and safe power distribution. The new Siemens blue GIS portfolio reflects our commitment to 100% sustainable innovation, which integrates both Clean Air as an insulating medium and an eco-efficient design that reduces its CO₂ footprint throughout the entire life cycle. With a wide range of products covering all the needs, our blue GIS will be the core of a sustainable energy transition. The following innovative solutions offer a remarkable CO₂ footprint reduction:

F-gas-free insulation: Clean Air consists of natural-origin gases with a GWP < 1, which means it has virtually no negative impact on the environment or climate change during the entire life cycle. It can even be released into the atmosphere after reaching its end of life.

Space efficiency: Like the traditional GIS design, Siemens blue GIS also offer very compact solutions that save valuable space and additionally decrease the environmental impact of electrical infrastructure installations.



Material efficiency: blue GIS products are designed to have a very low CO₂ footprint. A prime example is SIBushing, a non-conventional instrument transformer that reduces the use of raw materials, energy consumption, and landfill waste.

Energy efficiency: An optimized main current path with a low ohmic resistance reduces the power loss during operation of the switchgear considerably, and thus increases the energy efficiency.

Long service life: With the right material selection and an innovative design, blue GIS have an expected service life of 40 years, thus extending the re-investment cycle and further diminishing the CO₂ footprint.

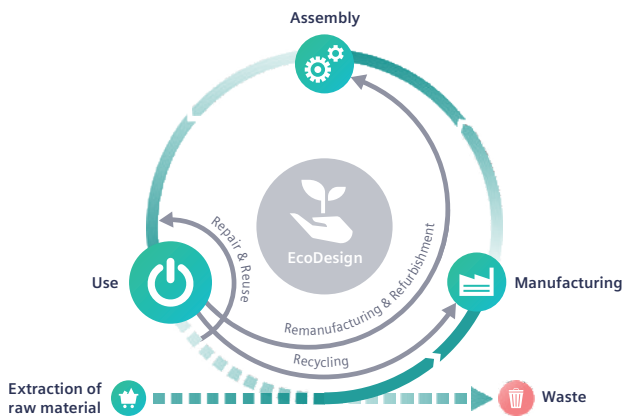
Maintenance-free design: No additional maintenance is necessary, and the CO₂ footprint can be reduced further by avoiding site visits during the operational phase of the switchgear.

Sustainable services: The CO₂ footprint can be diminished thanks to services from predictive maintenance to condition monitoring, remote FAT, CO₂ monitoring via NXpower monitor, the Totally Integrated Power planning tools, and paperless documentation.

The complete life cycle that counts

In view of the global climate crisis and the necessity to reduce carbon emissions and preserve natural resources, Siemens aims to decrease the environmental footprint of its own business operations as well as that of its customers and supply chains. With internationally standardized approaches, we provide transparency regarding the environmental impacts of our products, systems, solutions, and services.

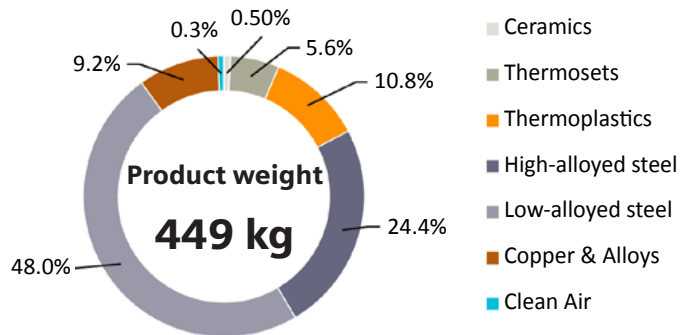
Robust Eco Design: Our blue GIS panels are designed as a part of the Eco Efficiency @ Siemens program, where the environmental impacts to be expected in each of the product's life cycle phases are addressed right from the design phase. The switchgear is designed not only to minimize its CO₂ footprint, but also to prioritize resource efficiency and circular economy.



The Siemens Environmental Product Declaration (EPD) adheres to ISO 14021 standards for environmental labels and declarations. It is based on a comprehensive Life Cycle Assessment (LCA) study conducted in accordance with ISO 14040/44, incorporating Product Category Rules (PCR) specified in EN 50693 for electronic and electrotechnical products and systems.

Product	8DJH 24 – secondary distribution blue GIS
Technical data	$U_r = 24 \text{ kV}$, $I_k = 21 \text{ kA}$, $I_r = 630 \text{ A}$
Product description	8DJH 24 is an F-gas-free gas-insulated load-break switchgear with Clean Air insulation for secondary distribution grids, and available as ring-main feeder (R), circuit-breaker feeder (L), transformer feeder (T), cable feeder (K), and metering panel (M); as individual panels and in panel blocks
Functional unit	Reference 8DJH 24 – RRT block – secondary distribution blue GIS, primary part, type-tested according to IEC 62271-200. Maintenance-free, operating 24 h, 365 days/a with an expected service life of 40 years

Material composition



Resource efficiency

The end-of-life phase of an 8DJH 24 – RRT block blue GIS was modeled with the LCA tool GaBi 9.5 by first dismantling the equipment, followed by a shredding, sorting, and material separation process, resulting in:

- An overall product recyclability of up to 82.4% mainly thanks to high metal content
- An energy recoverability of up to 16.8% from plastic materials
- A minimum disposal rate of 0.9%

The exact final values depend on the used recycling processes.

Use of environmentally safe materials

At Siemens, we are committed to the development and production of environmentally friendly and sustainably produced equipment. This includes avoiding hazardous substances in our products without compromising their benefits for our customers. Please visit the following website* to learn more about how we comply with product-related environmental regulations like RoHS, REACH and others.

* <https://www.siemens.com/global/en/products/energy/ecotransparency/ecotransparency-downloads.html>

Technical data

Switchgear

Electrical data of the switchgear

Rated insulation level		Rated voltage U_r	kV	7.2	12	15	17.5	24	
Rated short-duration power-frequency withstand voltage U_d :									
– phase-to-phase, phase-to-earth, open contact gap		kV	20	28	36	38	50		
– across the isolating distance		kV	23	32	39	45	60		
Rated lightning impulse withstand voltage U_p :									
– phase-to-phase, phase-to-earth, open contact gap		kV	60	75	95	95	125		
– across the isolating distance		kV	70	85	110	110	145		
Rated frequency f_r		Hz	50	50	50	50	50		
Rated continuous current I_r ²⁾		for busbar	A	630	630	630	630	630	
		for ring-main and cable feeders	A	630	630	630	630	630	
		for circuit-breaker feeders	A	630	630	630	630	630	
		for transformer feeders	A	Depending on the HV HRC fuse-link →					
50 Hz	Rated short-time withstand current I_k	for switchgear with $t_k = 1$ or 3 s ¹⁾	up to kA	20/21 ¹⁾					
	Rated peak withstand current I_p		up to kA	50/52.5 ¹⁾					
Filling level (pressure values at 20 °C)		Rated filling level p_{re} (absolute)	kPa	190	190	190	190	190	
		Minimum functional level p_{me} (absolute)	kPa	180	180	180	180	180	
Ambient air temperature T ³⁾		Operation	standard	°C	–25 to +55				
			on request	°C	–40 to +70				
		Storage / transport	standard	°C	–25 to +55				
			on request	°C	–40 to +70				
Degree of protection		for gas-filled switchgear vessel		IP65	IP65	IP65	IP65	IP65	
		for switchgear enclosure		IP2X/IP3X ¹⁾					
		for low-voltage compartment		IP3X/IP4X ¹⁾					
Partition class				PM	PM	PM	PM	PM	
Loss of service continuity category		Feeder panels with (switch-)disconnecter		LSC2	LSC2	LSC2	LSC2	LSC2	
		Billing metering panel M, cable feeder K		LSC1	LSC1	LSC1	LSC1	LSC1	
Accessibility to compartments (enclosure)		Busbar compartment		Non-accessible					
		Switching-device compartment		Non-accessible					
		Cable compartment / HV HRC fuse compartment							
		– Feeder panels with switching device		Interlock-controlled					
		– Billing metering panel M, cable feeder K		Tool-based					
Internal arc classification ⁴⁾ (option)		IAC A							
		Accessibility FL or FLR							
		Arc test current I_A	up to kA	21	21	21	21	21	
		Test duration t_A	s	1	1	1	1	1	

1) Design option

2) The rated continuous currents apply to ambient air temperatures of max. 40 °C.
The 24-hour mean value is max. 35 °C (according to IEC 62271-1)

3) Minimum and maximum permissible ambient air temperature depending on the secondary equipment used

4) Description of the design options as of page 33

Three-position switch-disconnector

Rated voltage U_r		kV	7.2	12	15	17.5	24
General-purpose switch function	Rated mainly active load breaking current I_{load}	A	630	630	630	630	630
	Rated short-circuit making current I_{ma} 50 Hz	up to kA	50/52.5 ¹⁾				→
	Electrical endurance	Class	E3	E3	E3	E3	E3
	Number of electrical operating cycles with I_{load}	n	100	100	100	100	100
	Number of short-circuit making operations with I_{ma}	n	5	5	5	5	5
	Capacitive switching	Class	C2	C2	C2	C2	C2
	Mechanical endurance	Class	M1	M1	M1	M1	M1
Disconnecter function	Number of mechanical operating cycles	n	1000	1000	1000	1000	1000
	Mechanical endurance	Class	M0	M0	M0	M0	M0
Make-proof earthing switch function	Number of mechanical operating cycles	n	1000	1000	1000	1000	1000
	Rated short-circuit making current I_{ma} 50 Hz	up to kA	50/52.5 ¹⁾				→
	Number of short-circuit making operations with I_{ma}	n	5	5	5	5	5
	Mechanical endurance	Class	M0	M0	M0	M0	M0
	Number of mechanical operating cycles	n	1000	1000	1000	1000	1000

Three-position switch-disconnector/fuse combination

Rated voltage U_r		kV	7.2	12	15	17.5	24
Switch function	Rated mainly active load breaking current I_{load}	A	200	200	200	200	200
	Rated short-circuit making current I_{ma} 50 Hz	up to kA	50/52.5 ¹⁾				→
	Number of electrical operating cycles with I_{load}	n	100	100	100	100	100
	Number of short-circuit making operations with I_{ma}	n	5	5	5	5	5
	Mechanical endurance	Class	M1	M1	M1	M1	M1
Switch-fuse combination function	Number of mechanical operating cycles	n	1000	1000	1000	1000	1000
	Rated transfer current $I_{transfer}$	A	1400	1400	1400	1400	1400
Disconnecter function	Maximum permissible rated power S_r of the transformer ²⁾	up to kVA	250 to 630	1250	1250	1250	2000
	Mechanical endurance	Class	M0	M0	M0	M0	M0
Make-proof earthing switch function	Number of mechanical operating cycles	n	1000	1000	1000	1000	1000
	Rated short-circuit making current I_{ma} 50 Hz	up to kA	6.3	6.3	6.3	6.3	6.3
	Number of short-circuit making operations with I_{ma}	n	5	5	5	5	5
	Mechanical endurance	Class	M1	M1	M1	M1	M1
	Number of mechanical operating cycles	n	1000	1000	1000	1000	1000

Vacuum circuit-breaker with three-position disconnector

Rated voltage U_r		kV	7.2	12	15	17.5	24
Circuit-breaker type 1 function	Rated operating sequence		0 – 0.3 s – CO – 3 min – CO				→
	Option		0 – 0.3 s – CO – 15 s – CO				→
	Rated short-circuit breaking current I_{sc}	up to kA	20/21 ¹⁾				→
	Electrical endurance	Class	E2	E2	E2	E2	E2
	Number of short-circuit breaking operations with I_{sc}	n	50	50	50	50	50
	Capacitive switching	Class	C2	C2	C2	C2	C2
	Switching of cable systems	Class	S1	S1	S1	S1	S1
	Mechanical endurance	Class	M2	M2	M2	M2	M2
Disconnecter function	Number of mechanical operating cycles	n	10000	10000	10000	10000	10000
	Mechanical endurance	Class	M0	M0	M0	M0	M0
Make-proof earthing switch function	Number of mechanical operating cycles	n	1000	1000	1000	1000	1000
	Rated short-circuit making current I_{ma} 50 Hz	up to kA	50/52.5 ¹⁾				→
	Number of short-circuit making operations with I_{ma}	n	5	5	5	5	5
	Mechanical endurance	Class	M0	M0	M0	M0	M0
	Number of mechanical operating cycles	n	1000	1000	1000	1000	1000

1) Design option

2) Depending on the primary voltage of the transformer and the HV HRC fuses used

Product range

Individual panels



Three-position disconnector



Vacuum circuit-breaker



Three-position switch-disconnector



Capacitive voltage detecting system



Surge arrester or limiter



Current transformer



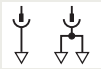
Voltage transformer



Voltage sensor



Current sensor

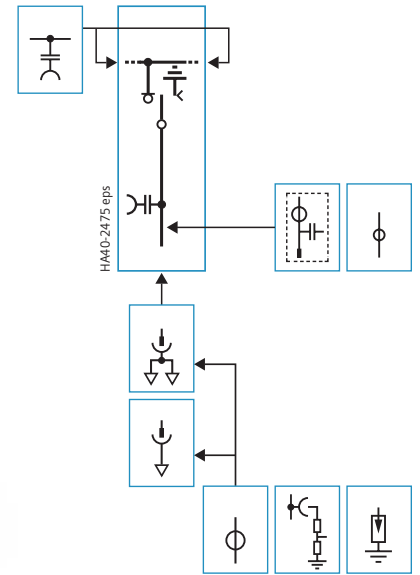


Cable connection with outside cone (not included in scope of supply)

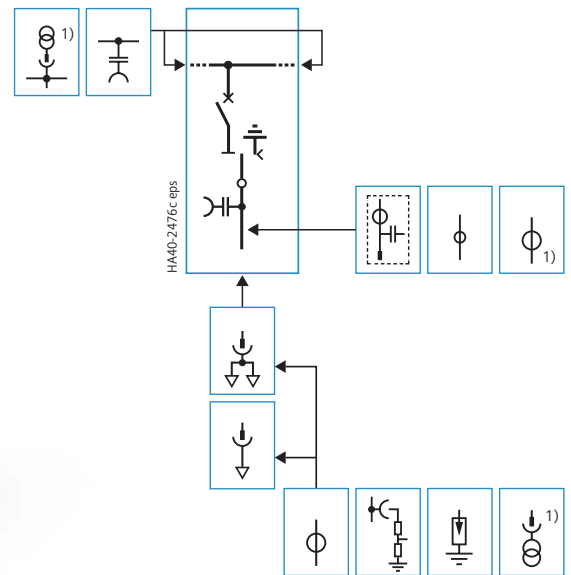


SIBushing (integrated measurement of current, voltage, and temperature)

Ring-main feeder (R)



Circuit-breaker feeder (L)



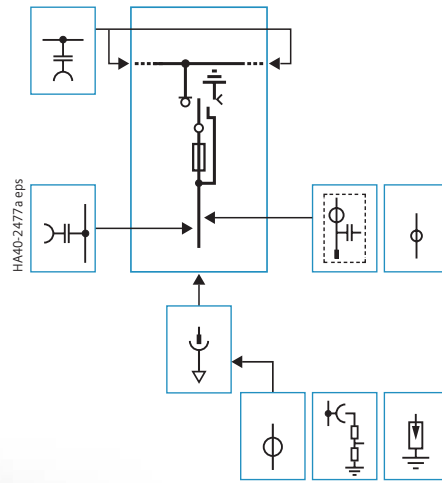
1) Only for panels with a width of 550 mm

All dimensions in mm.

Product range

Individual panels

Transformer feeder (T)



Three-position switch-disconnector



Capacitive voltage detecting system



Surge arrester or limiter



Current transformer



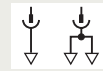
HV HRC fuse



Voltage sensor



Current sensor



Cable connection with outside cone (not included in scope of supply)



SIBushing (integrated measurement of current, voltage, and temperature)

All dimensions in mm.

Product range

Individual panels



Three-position disconnector



Vacuum circuit-breaker



Three-position switch-disconnector



Capacitive voltage detecting system



Surge arrester or limiter



Current transformer



HV HRC fuse



Voltage transformer



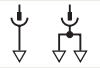
Voltage sensor



Current sensor



Fixed earthing points for busbar earthing



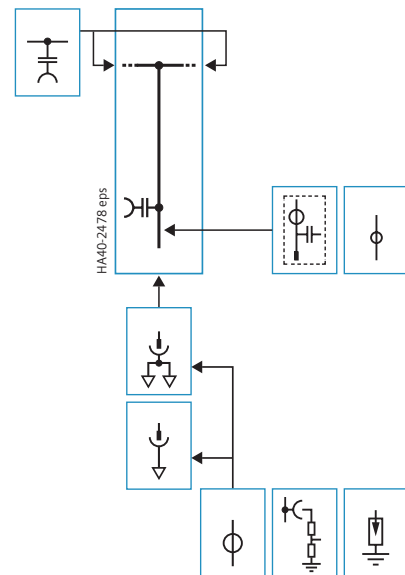
Cable connection with outside cone (not included in scope of supply)



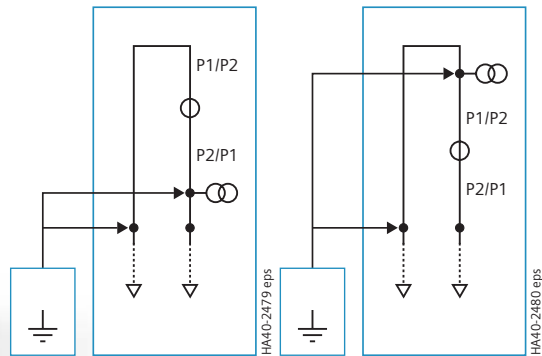
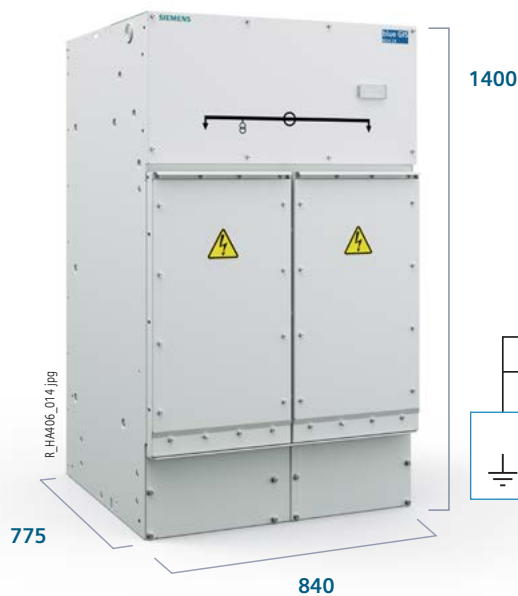
SiBushing (integrated measurement of current, voltage, and temperature)

P1 and P2 are terminal designations of the current transformer

Cable feeder (K)



Billing metering panel (M)



All dimensions in mm.

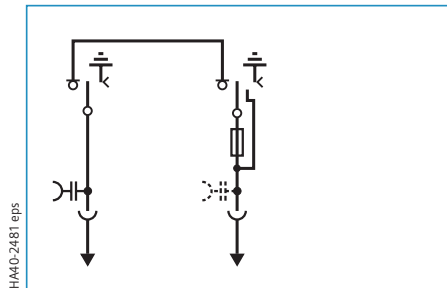
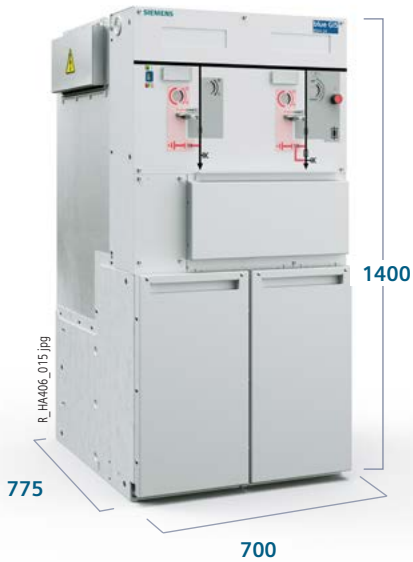
Product range

Panel blocks (excerpt)

Panel blocks for 8DJH 24, 2-panel design, optionally with busbar extension

Components shown in dotted lines can be used optionally.

RT 1 ring-main feeder, 1 transformer feeder



Three-position disconnect



Vacuum circuit-breaker



Three-position switch-disconnector



Capacitive voltage detecting system

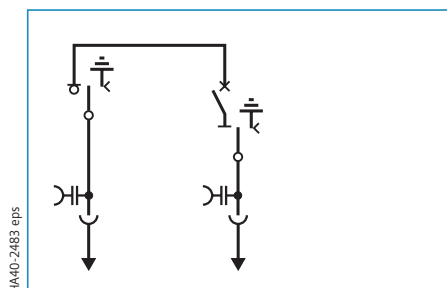
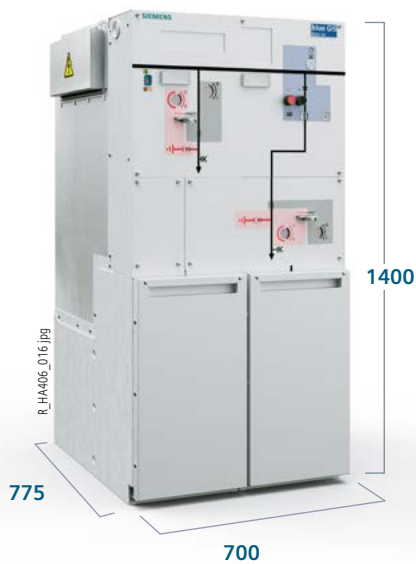


Cable connection with outside cone (not included in scope of supply)



HV HRC fuse

RL 1 ring-main feeder, 1 circuit-breaker feeder



All dimensions in mm.

Product range

Panel blocks (excerpt)



Three-position disconnector



Vacuum circuit-breaker



Three-position switch-disconnector



Capacitive voltage detecting system



Cable connection with outside cone (not included in scope of supply)

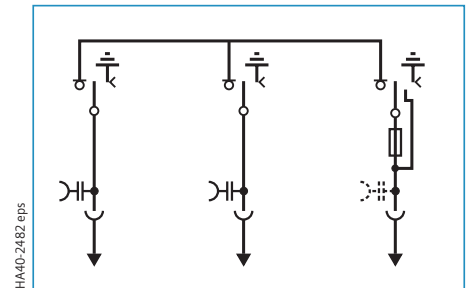


HV HRC fuse

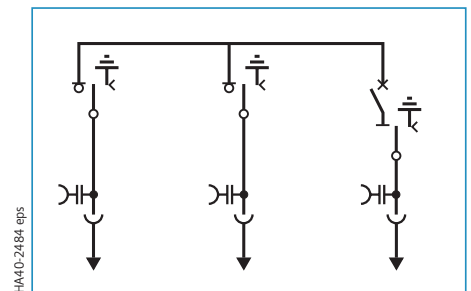
Panel blocks for 8DJH 24, 3-panel design, optionally with busbar extension

Components shown in dotted lines can be used optionally.

RRT 2 ring-main feeders, 1 transformer feeder



RRL 2 ring-main feeders, 1 circuit-breaker feeder



All dimensions in mm.

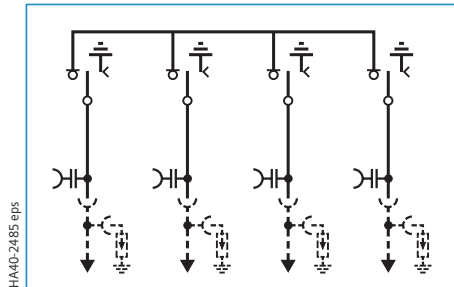
Product range

Panel blocks (excerpt)

Panel blocks for 8DJH 24, 4-panel design, optionally with busbar extension

Components shown in dotted lines can be used optionally.

RRRR 4 ring-main feeders

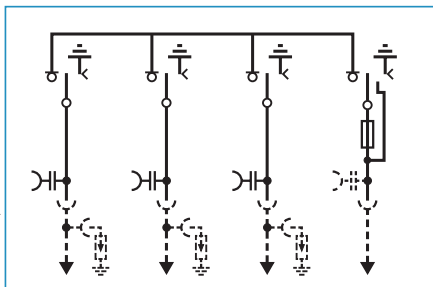


HA40-2485 eps

Dimensions in mm

Width	Depth	Height
1400	775	1200
		1400
		1700

RRRT 3 ring-main feeders, 1 transformer feeder

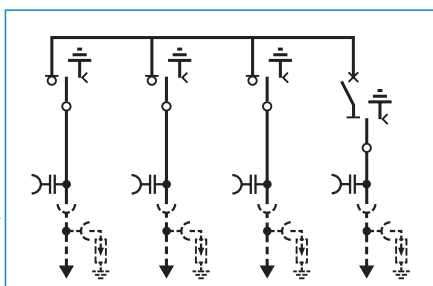


HA40-2486 eps

Dimensions in mm

Width	Depth	Height
1400	775	1200
		1400
		1700

RRRL 3 ring-main feeders, 1 circuit-breaker feeder



HA40-2487 eps

Dimensions in mm

Width	Depth	Height
1400	775	1200
		1400
		1700



Vacuum circuit-breaker



Three-position disconnector



Three-position switch-disconnector



HV HRC fuse



Capacitive voltage detecting system



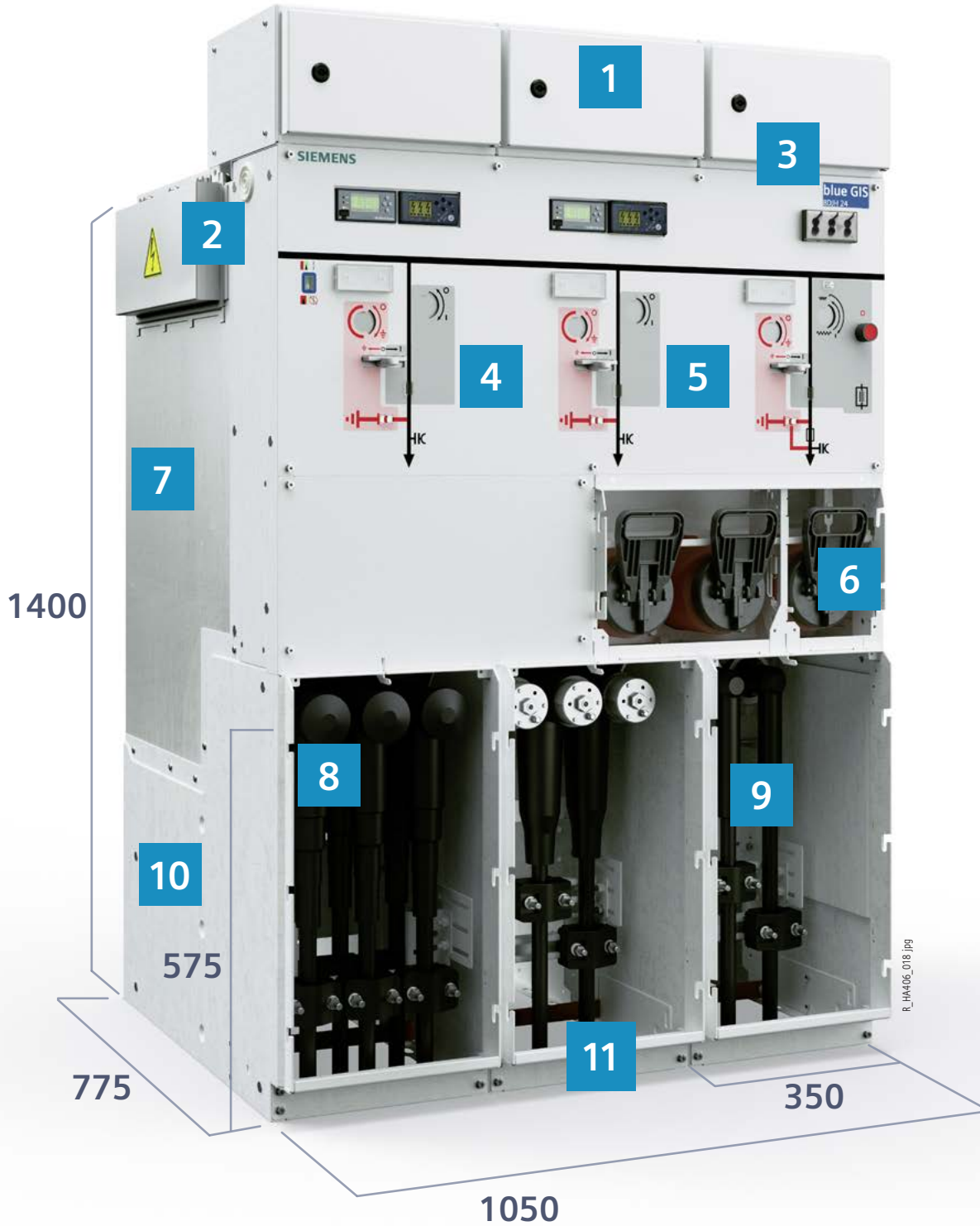
Cable connection with outside cone (not included in scope of supply)



Surge arrester

Design

Overview



All dimensions in mm.

1 Low-voltage compartment

- Low-voltage compartments (option) in different heights of 200 mm, 400 mm or 600 mm for customer-specific secondary equipment

2 Busbar extension, modularity

- Busbar extension as an ordering option
- Plug-in unit consisting of contact coupling and screened silicone coupling
- Insensitive to pollution and condensation
- Switchgear installation, extension, or panel replacement without gas work

3 Indicators

- Voltage detecting systems, short-circuit/earth-fault indicators, and transformer monitors from various manufacturers

4 Ring-main feeder

- Switching functions as general-purpose switch-disconnector according to IEC 62271-103 and IEC 62271-102
- Designed as a three-position switch incorporating the functions of a switch-disconnector and a make-proof earthing switch
- Switch positions: CLOSED – OPEN – EARTHED
- Manual operating mechanism, optionally motor operating mechanism

5 Transformer feeder

- High-voltage switch-fuse combination according to IEC 62271-105
- Designed as a three-position switch
- Switch positions: CLOSED – OPEN – EARTHED
- Manual operating mechanism, optionally motor operating mechanism
- Mechanical “fuse tripped” indicator at the switchgear front

6 HV HRC fuse assembly

- Fuse boxes, 1-pole, in the switchgear vessel
- HV HRC fuse-links according to DIN 43625 (main dimensions) with striker in “medium” version according to IEC 60282-1, for short-circuit protection of transformers

7 Enclosure

- Hermetically tight, welded switchgear vessel made of stainless steel
- Enclosure made of sendzimir-galvanized sheet steel, switchgear front powder-coated

8 SIBushing

- Outside-cone bushing type C with integrated sensors for current, voltage, and temperature measuring (option)

9 Cable compartment

- Bushings according to DIN EN 50181 with outside cone and bolted connection M16 as interface type C (standard in cable, ring-main, and circuit-breaker feeders) or with outside cone and plug-in contact as interface type A (standard in transformer feeders)
- Adjustable cable bracket with C-rail, optionally with plastic cable clamps pre-assembled at the factory

Connection of:

- Cable elbow plugs or cable T-plugs
- Thermoplastic-insulated cables (1- and 3-core cables)
- Ring-core current transformers according to IEC 61869-1 and -2, around the cables
- Current sensors according to IEC 61869-10, around the cable plugs or around the cables
- Voltage sensors (resistor divider) according to IEC 61869-11, mounted on the cable plugs
- Surge arresters

10 Dimension options

- Switchgear height 1400 mm (optionally 1200 mm or 1700 mm)
- Deep cable compartment cover

11 Pressure relief

- Pressure relief downwards
- Optionally upwards with absorber
- Up to IAC A FL 21 kA / 1 s or IAC A FLR 21 kA / 1 s

Note: More information on SIBushing, current sensor, voltage sensor can be found in the chapter “Digitalization, condition monitoring” on page 8.

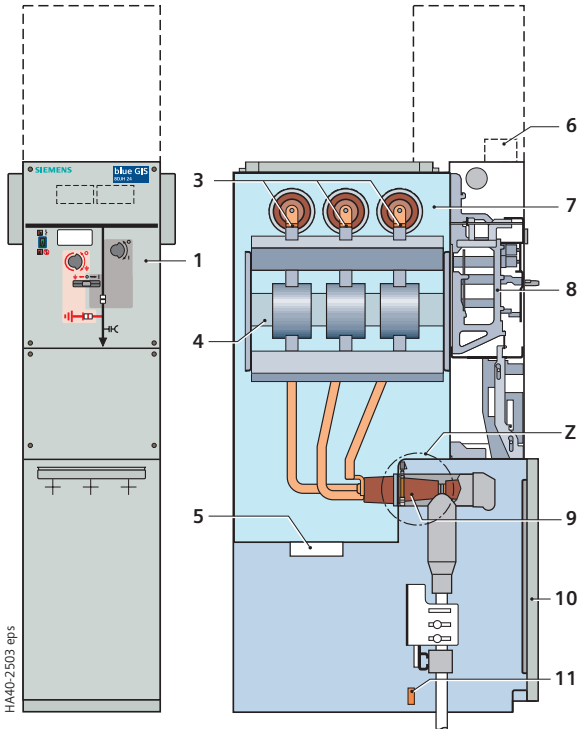
Design

Panel design (examples)

Ring-main feeder

Type R

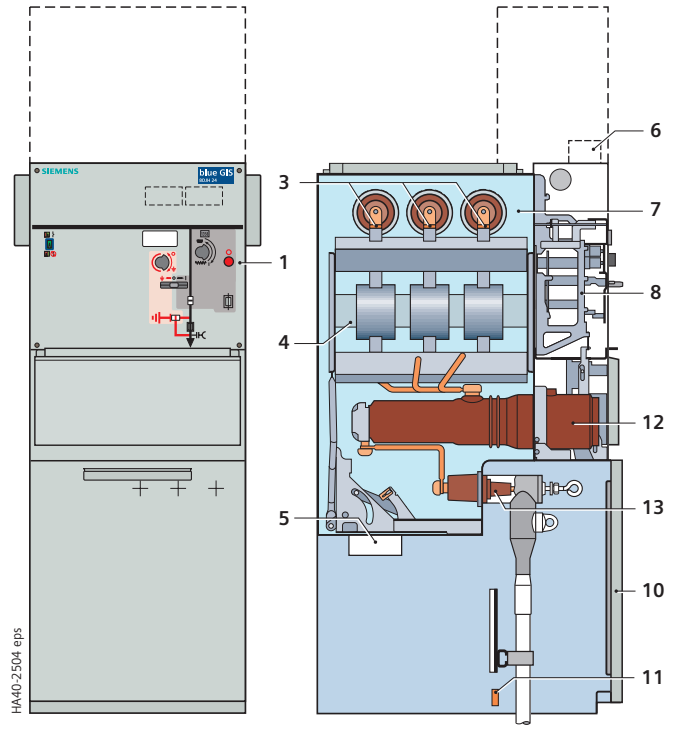
Section



Transformer feeder

Type T(550)

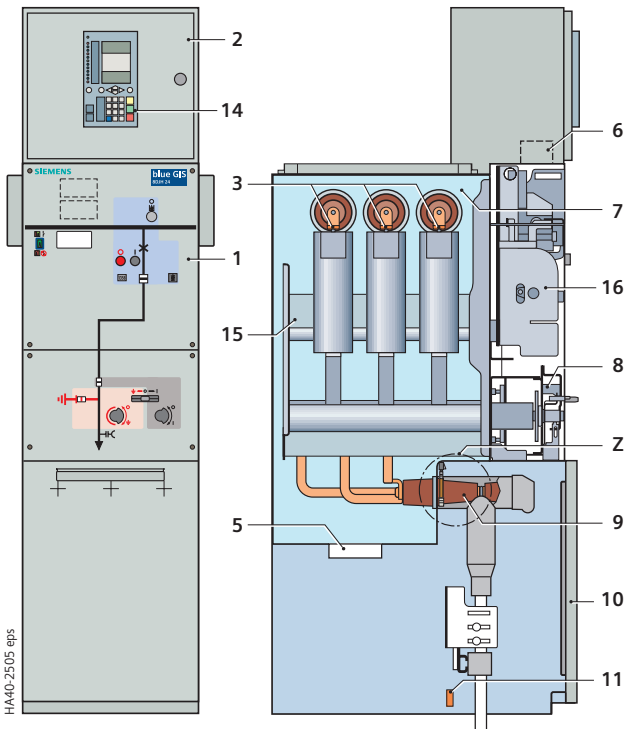
Section



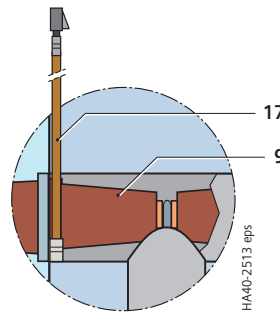
Circuit-breaker feeder

Type L(450)

Section



Detail Z

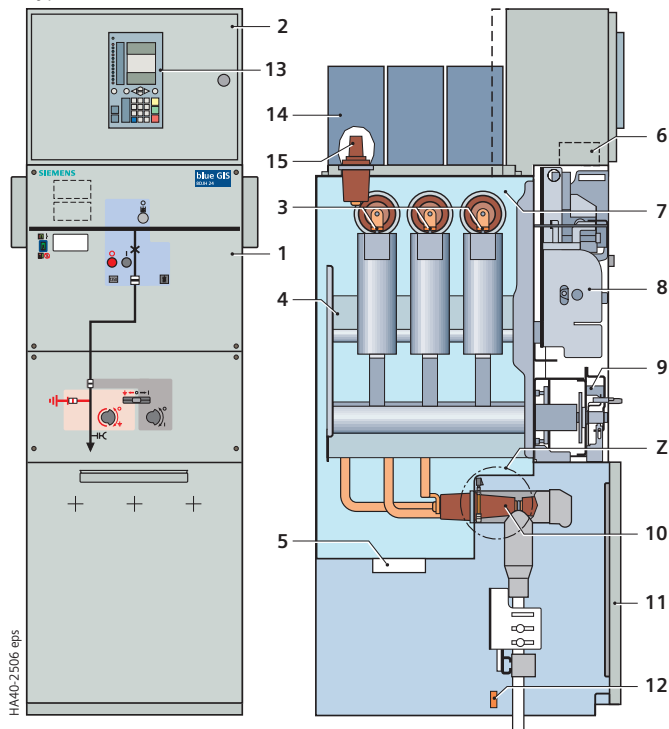


- 1 Control board
- 2 Low-voltage compartment (standard)
- 3 Busbar arrangement
- 4 Three-position switch-disconnector
- 5 Pressure relief device
- 6 Wiring duct, removable, for protection cables and/or bus wires
- 7 Switchgear vessel, filled with gas
- 8 Operating mechanism of three-position switch
- 9 Bushing for cable plug with bolted contact (M16)
- 10 Cable compartment cover
- 11 Earthing busbar with earthing connection (design option)
- 12 HV HRC fuse assembly
- 13 Bushing for cable plug with plug-in contact, optionally bolted contact (M16)
- 14 Option: SIPRTEC bay controller
- 15 Vacuum circuit-breaker
- 16 Circuit-breaker operating mechanism
- 17 SIBushing

Circuit-breaker feeder

Type L(550)

Section



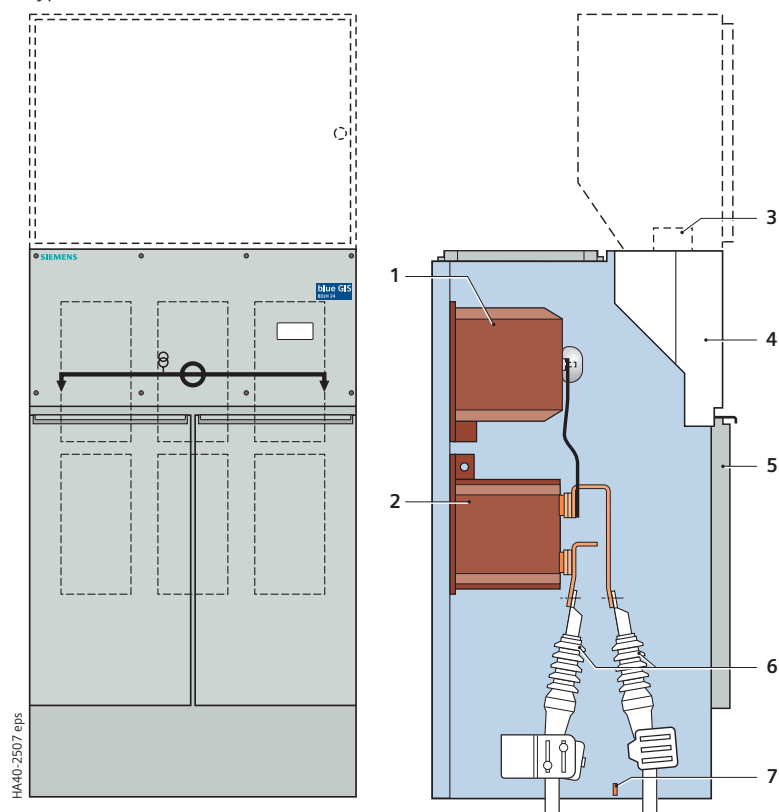
Detail Z

- 1 Control board
- 2 Low-voltage compartment (standard)
- 3 Busbar arrangement
- 4 Vacuum circuit-breaker
- 5 Pressure relief device
- 6 Wiring duct, removable, for protection cables and/or bus wires
- 7 Switchgear vessel, filled with gas
- 8 Operating mechanism of switching device
- 9 Operating mechanism of three-position switch
- 10 Bushing for cable plug with bolted contact (M16)
- 11 Cable compartment cover
- 12 Earthing busbar with earthing connection (design option)
- 13 Option: SIPROTEC bay controller
- 14 Option: Plug-in voltage transformer 4MT3 on the busbar
- 15 Bushing for connection of plug-in voltage transformers
- 16 SIBushing

Billing metering panel

Type M, air-insulated

Section



- 1 Voltage transformer type 4MR
- 2 Current transformer type 4MA7
- 3 Wiring duct, removable, for protection cables and/or bus wires
- 4 Niche for customer-side low-voltage equipment, screwed cover
- 5 Instrument transformer compartment cover
- 6 Cable connection
- 7 Earthing busbar with earthing connection

Connection: cable – cable

Design

Outdoor enclosure

Outdoor enclosure

On request, 8DJH 24 switchgear can be provided with an outdoor enclosure with the following features:

- For outdoor applications on company grounds
- Enclosure attached to standard indoor panels
- Enclosure for 1400 mm switchgear height (optionally with low-voltage compartment as a 200 mm or 400 mm high version)
- Enclosure with four different widths for freely configurable, non-extendable switchgear rows up to a switchgear width of 2200 mm
- Internal arc classification IAC A FL or FLR to 21 kA/1 s according to IEC 62271-200
- Degree of protection IP54.



Outdoor enclosure
(front open)



Outdoor enclosure
(front closed)

Features

- Busbar extension possible on all individual panels and panel blocks (ordering option)
- Plug-in unit consisting of contact coupling and screened silicone coupling
- Insensitive to pollution and condensation
- Switchgear installation, extension, or panel replacement without gas work.

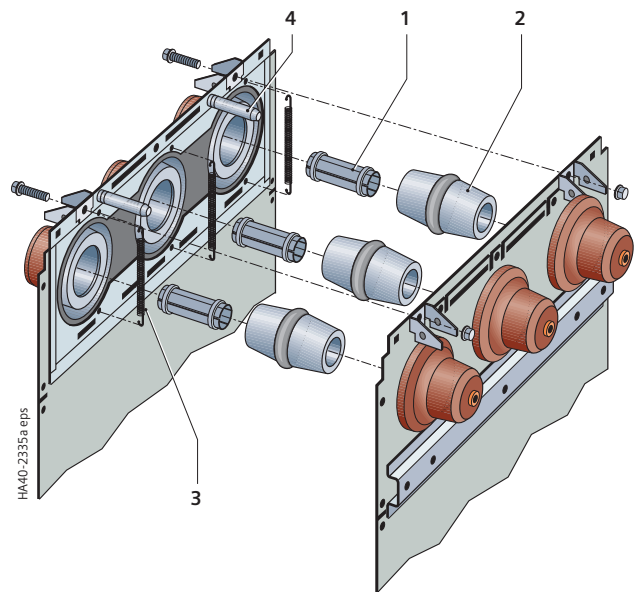
Every panel block and every individual panel is optionally available with busbar extension on the right, on the left, or on both sides. This offers a high flexibility for the creation of switchgear configurations whose functional units can be lined up in any order. Local installation and lining up is done without gas work.

Lining up takes place as follows:

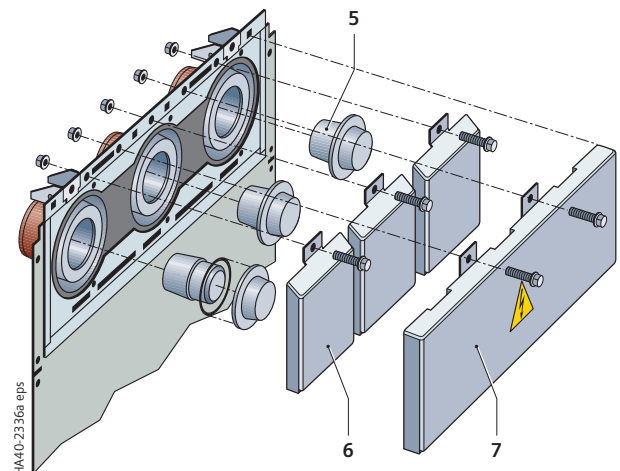
- By the busbar couplings on the medium-voltage side. Tolerances between adjacent panels are compensated by spherical fixed contacts and the movable contact coupling with degrees of freedom in all axis directions.
- By safe dielectric sealing with screened silicone couplings that are externally earthed and adjustable to tolerances. These silicone couplings are pressed on with a defined pressure when the panels are interconnected.
- On free busbar ends, screened dummy plugs are inserted, each of which is pressed on through a metal cover. A common protective cover with a warning is fixed over all three covers.
- By centering bolts for easier switchgear installation and fixing of adjacent panels.
- By bolted panel joints with defined stops for the distances between adjacent panels and the associated pressure for contact pieces and silicone couplings.

Switchgear installation, extension, or the replacement of one or more functional units requires a lateral wall distance ≥ 200 mm.

Interconnecting the panels



Surge-proof termination



- 1 Contact piece
- 2 Silicone coupling
- 3 Tension spring for earthing
- 4 Centering bolt
- 5 Silicone dummy plug with insertable sleeve
- 6 Clamping cover for dummy plugs
- 7 Busbar termination cover

Components

Cable connection

Features

- Access to the cable compartment only if the feeder has been disconnected and earthed
- Bushings according to DIN EN 50181 with outside cone and bolted connection M16 as interface type C or plug-in contact as interface type A (for transformer feeders).

Connection of

- Thermoplastic-insulated cables (1- or 3-core cables) via cable elbow plug or cable T-plug
- Paper-insulated mass-impregnated cables via customary adapters.

Option

- Mounted cable clamps on cable bracket
- Connection of two 1-core cables per phase
- Deep cable compartment cover for a larger available mounting depth (possibly required depending on the plug or arrester combinations).

Cable plugs

- Numerous cable plug types from different manufacturers can be used
- Screened cable plugs (with conductive, earthed layer) particularly suitable, even in harsh ambient conditions (e.g. pollution, humidity, high site altitude).

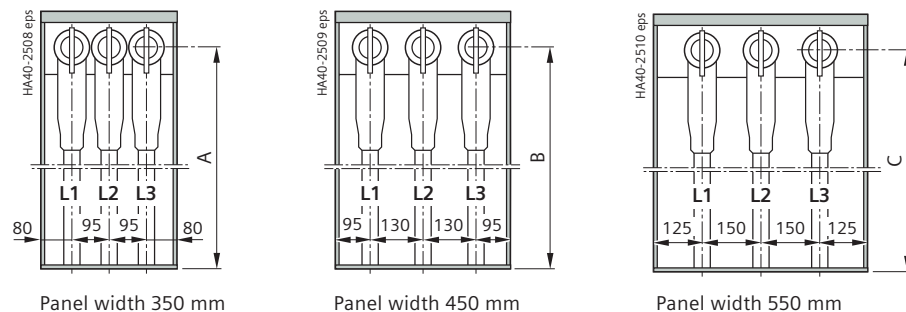
Surge arresters

- Connected directly at the cable T-plug
- Compatible arrester types from the cable manufacturers' product range can be used
- Surge arresters recommended if, at the same time,
 - the cable system is directly connected to the overhead line,
 - the protection zone of the surge arrester at the end tower of the overhead line does not cover the switchgear.

Surge limiters

- Connected directly at the cable T-plug
- Suitable cable plug / limiter combinations on request
- Surge limiters recommended when motors with starting currents < 600 A are connected.

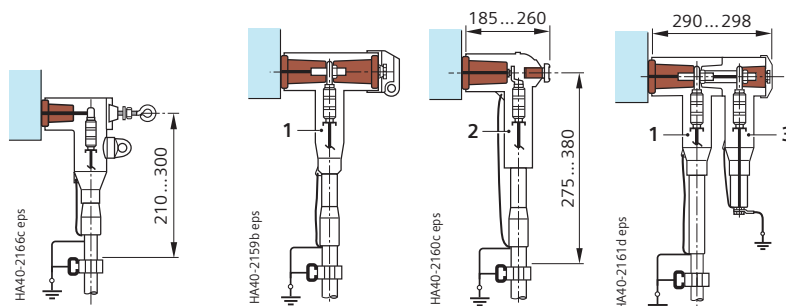
Cable compartment



	Switchgear height without low-voltage compartment ¹⁾		
	1200	1400 without absorber base frame	1400 with absorber base frame or 1700
A, B, C	375	575	875

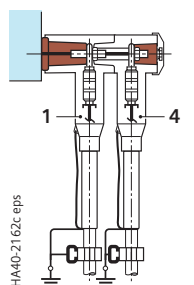
1) Option: With low-voltage compartment

Connection options



Single cable (type A)

Single cable (type C)

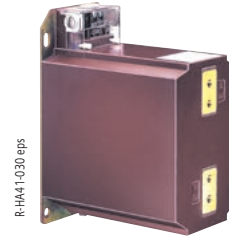


Double cable (type C)

- 1 Cable T-plug
- 2 Cable elbow plug
- 3 Surge arrester
- 4 Coupling T-plug

All dimensions in mm.

Current transformers according to IEC/EN 61869-1 and -2



Type	Cable-type current transformer 4MC7033	Three-phase current transformer 4MC63 (3-pole)	Block-type current transformer 4MA7 (1-pole)
Features	<ul style="list-style-type: none"> • Ring-core current transformer • Inductive type • Enclosure free of dielectric stress • Insulation class E • Secondary connection by means of cast-in wires 		<ul style="list-style-type: none"> • Dimensions according to DIN 42600-8 (narrow design) • Inductive type • Cast-resin insulated • Insulation class E • Secondary connection by means of screw-type terminals
Installation	<ul style="list-style-type: none"> • As current transformer at the feeder: Below the switchgear vessel, on current transformer mounting plates in the cable compartment, around the cables • Installation on the cables on site • <u>Note:</u> Depending on the design option of the panel and the overall height of the current transformer, the current transformers may protrude from the cable compartment downwards 	<ul style="list-style-type: none"> • As current transformer at the feeder (for a panel width 550 mm): Below the switchgear vessel, around the feeder bushings in the cable compartment • Factory-assembled 	<ul style="list-style-type: none"> • In the air-insulated metering panel • Factory-assembled • <u>Option:</u> Installation on site

Voltage transformers according to IEC/EN 61869-1 and -3



Type	4MT3 and 4MT8 (1-pole)	4MR (1-pole or 2-pole)
Features	<ul style="list-style-type: none"> • Plug-in voltage transformer for outside-cone bushing type A • Inductive type • Enclosure metal-coated or metal-enclosed (option) and earthed • Insulation class E • Secondary connection by means of system plug 	<ul style="list-style-type: none"> • Dimensions according to DIN 42600-9 (narrow design) • Inductive type • Cast-resin insulated • Insulation class E • Secondary connection by means of screw-type terminals
Installation	<ul style="list-style-type: none"> • As voltage transformer 4MT3 at the busbar: Above the switchgear vessel at separate outside-cone bushings, factory-assembled • As voltage transformer 4MT8 at the feeder: Below the switchgear vessel, in the cable compartment on the symmetrical T-plug 	<ul style="list-style-type: none"> • In the air-insulated metering panel • Factory-assembled • <u>Option:</u> Installation on site

Components

Current sensors, voltage sensors

Current sensors (make Zelisko)

The current sensors are inductive current transformers whose secondary winding delivers a voltage signal through a precision shunt. At the rated primary current, this is 225 mV.

Depending on their version, the sensors have a dual accuracy class; the output signal can be equally used for measuring, protection and, if required, earth-fault detection. Suitable secondary devices with low-signal inputs can process the sensor signal directly.



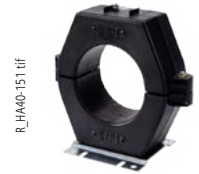
R_HA40-147.tif



R_HA40-152.tif



R_HA40-148.tif



R_HA40-151.tif

Type	Ring-core current sensor SMCS-JW 1001	Ring-core current sensor SMCS/T-JW 1002, divisible	Three-phase ring-core current sensor SMCS3-JW1004, optionally with integrated earth-fault detection sensor	Ring-core current sensor GAE120/SENS-JW 1003 for earth-fault detection, divisible
Features	Example for available secondary devices that can be connected: <ul style="list-style-type: none"> SICAM FCM 7SJ81 (SIPROTEC Compact) 7SY82 			
Installation	<ul style="list-style-type: none"> As current sensor at the feeder: Below the switchgear vessel, in the cable compartment, around the cables or cable plugs Installation on the cables or cable plugs on site 	<ul style="list-style-type: none"> As current sensor at the feeder (particularly for retrofitting): Below the switchgear vessel, in the cable compartment, around the cables Installation on the cables on site 	<ul style="list-style-type: none"> As current sensor at the feeder (for a panel width of 350 mm): Below the switchgear vessel, around the feeder bushings in the cable compartment Factory-assembled 	<ul style="list-style-type: none"> As summation current sensor at the feeder: Below the switchgear vessel, in the cable compartment, around the cables Installation on the cables on site

Voltage sensors (make Zelisko)

The voltage sensors are resistor dividers that provide an output signal of $3.25 V / \sqrt{3}$ at the rated primary voltage. Suitable secondary devices with low-signal inputs can process the sensor signal directly.



R_HA40-153.tif



R_HA3541-194.tif

Type	Voltage sensor SMVS-UW1001	Voltage sensor SMVS-UW1002
Features	Example for available secondary devices that can be connected: <ul style="list-style-type: none"> SICAM FCM 7SJ81 (SIPROTEC Compact) 7SY82 	
Installation	<ul style="list-style-type: none"> As voltage sensor at the feeder: Below the switchgear vessel, in the cable compartment, mounted on the cable plugs Installation on the cable plugs on site <u>Note:</u> Voltage sensors of different design options can be selected, matching with the corresponding cable plug type 	

SIBushing

As an alternative to the conventional cable connection bushings, the bushing type SIBushing from Siemens is available for cable, ring-main and circuit-breaker feeders. It delivers current and voltage values in low-signal technology, as well as values for temperature measurement directly from the cable connection to modern protection devices and indicators.



Type C1 630 A

Type		SIBushing
Panel types		K, R, L
Cable connection		Outside cone type C according to EN 50181, welded into the switchgear vessel
Voltage detecting and indicating systems		Connection for capacitive voltage detecting and indicating systems according to IEC 62271-213
Current measuring	Standard	IEC 61869-10
	Sensor principle	Rogowski coil
	Output signal	22.5 mV (at 50 A/50 Hz)
	Class	0.5
Voltage measuring	Standard	IEC 61869-11
	Sensor principle	Capacitive divider
	Ratio	10000/1
	Class	0.5
Temperature measuring	Sensor principle	Measuring resistor
	Resistor type	Pt100
Features		Examples for available secondary devices that can be connected: <ul style="list-style-type: none"> • SICAM FCM Plus (design option for SIBushing) • 7SY82

Components

Low-voltage compartment, low-voltage niche

Features

- Separate selection possible for every panel (depending on the panel type and the extent of the secondary equipment)
- Available overall heights 200 mm, 400 mm and 600 mm
- Mounted on the panel. Installation/removal possible on site
- Customer-specific equipping with protection, control, measuring and metering devices
- Door with hinge on the left (standard for heights of 400 mm and 600 mm)
- Door powder-coated (same color as the switchgear front), with hinge on the left, optionally with hinge on the right, closure with rotary lock
 - Option: (for an overall height of 200 mm)
Bolted front cover for narrow spaces, e.g. in substations without control aisle, powder-coated (same color as the switchgear front).

Low-voltage cables

- Control cables of the panel to the low-voltage compartment via multi-pole, coded module plug connectors
- Option: Plug-in bus wires from panel to panel in the separate wiring duct on the panel.

Low-voltage niche

- Integrated in the panel front of the billing metering panels type M
- With bolted front cover
- For accommodation of options, e.g.:
 - Voltage transformer m.c.b.s
 - Small distribution fuse-box and fuse-links type DIAZED or NEOZED.

Wiring duct

- Metallic duct, mounted on the panel
- Overall height 60 mm
- For panel-overlapping wiring
- Can be selected for panels without low-voltage compartment.

Top cover

- Cover made of powder-coated sheet-metal (same color as the switchgear front), mounted on the panel
- Overall heights 200 mm, 400 mm or 600 mm
- For height adjustment of the panel front
- Can be selected for panels without low-voltage compartment.

Low-voltage compartment (design example)



Open low-voltage compartment with built-in equipment (option)

Low-voltage niche



Low-voltage niche of a billing metering panel type M, open cover

- 1 Low-voltage niche
- 2 Built-in equipment (option)

Switchgear installation

Wall-standing arrangement

- 1 row
- 2 rows (for face-to-face arrangement)

Option: Free-standing arrangement.

Pressure relief

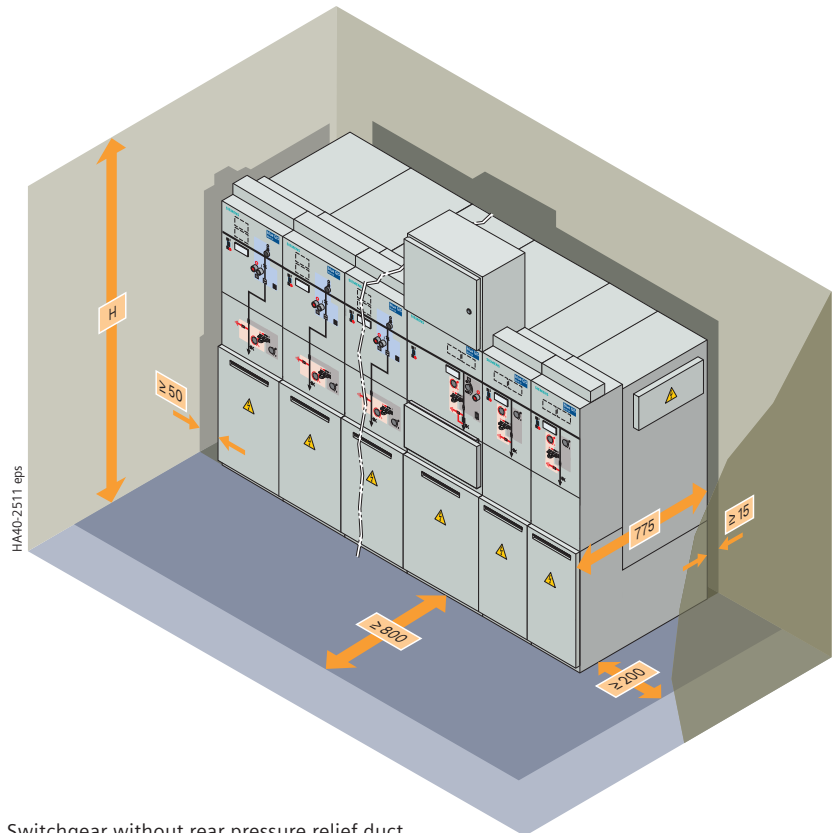
The type of pressure relief selected has an effect on the switchgear depth, and places requirements on the size of the cable basement and/or the room height. In case of pressure relief upwards, the room heights reproduced in the type test are decisive for the internal arc classification according to IEC 62271-200 (see table on page 33).

Switchgear extension or panel replacement

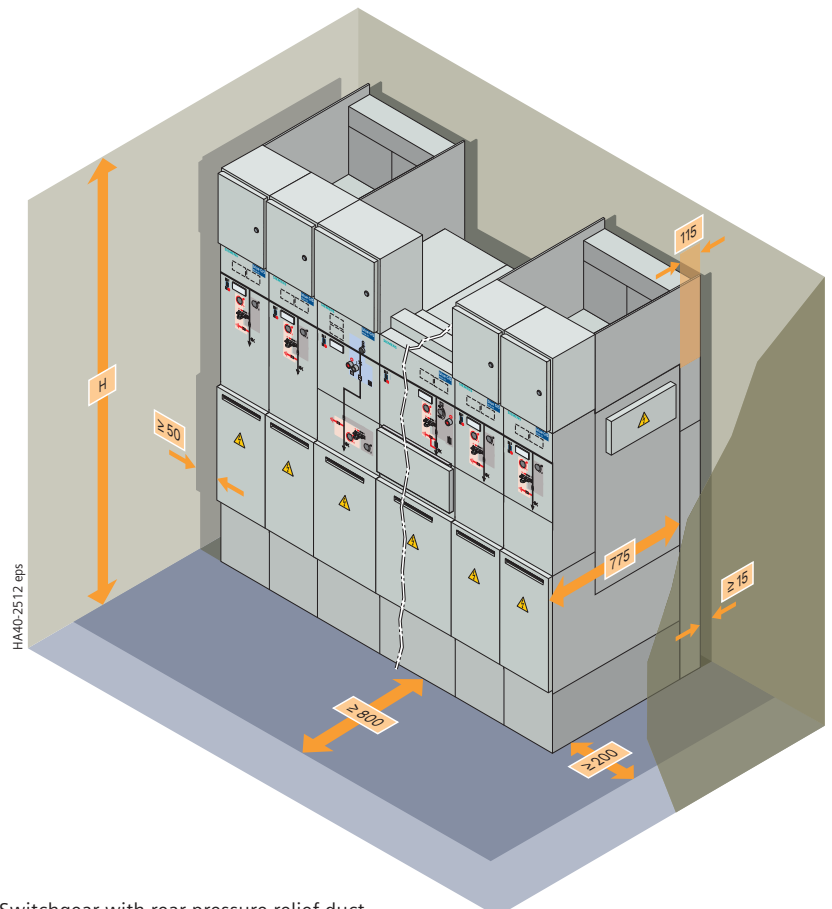
For switchgear extension or for panel replacement, a control aisle of at least 1000 mm is recommended in front of the switchgear. For panel replacement of lined up panels, there must be a wall distance of at least 200 mm on one side.

Control aisle

In front of the switchgear, a control aisle of at least 800 mm is required according to IEC 62271-200.



Switchgear without rear pressure relief duct



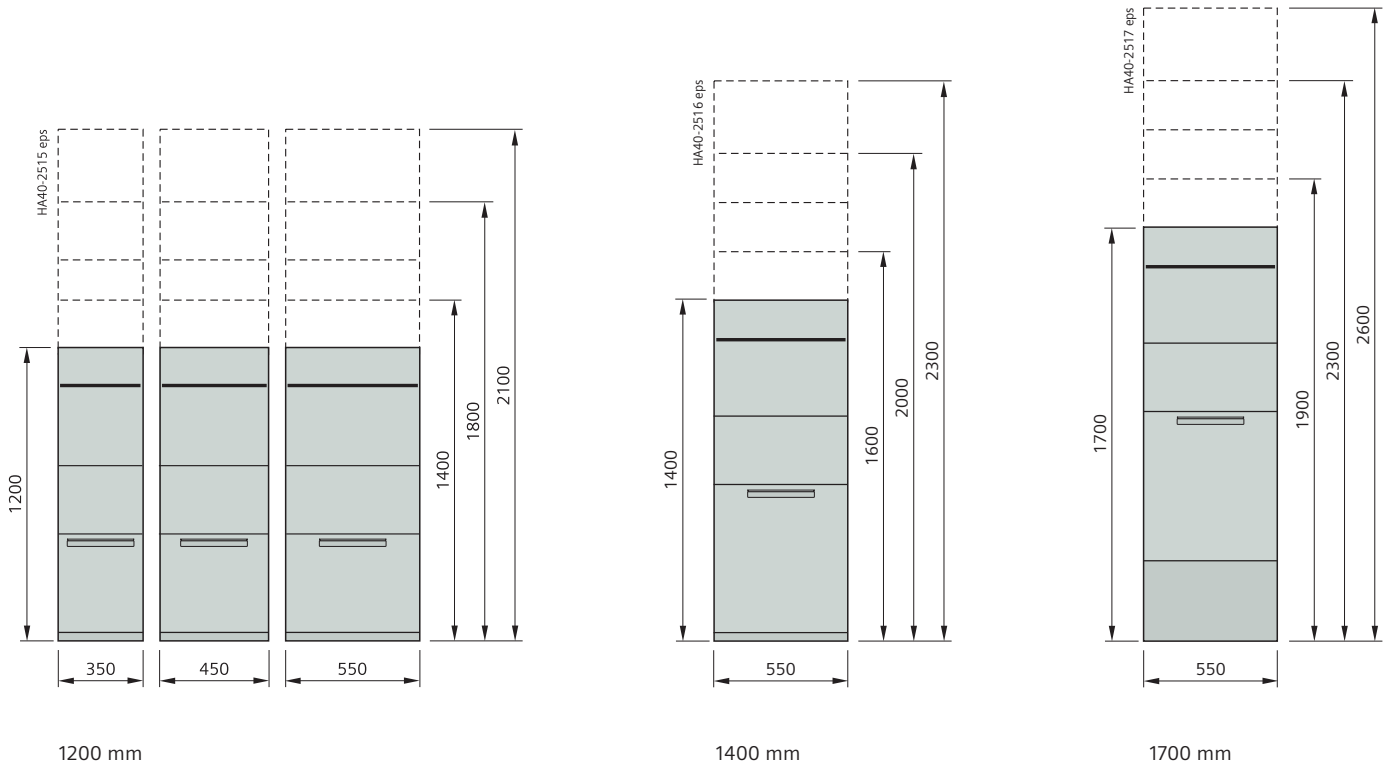
Switchgear with rear pressure relief duct

All dimensions in mm.

Dimensions

Room planning

Switchgear height



All dimensions in mm.

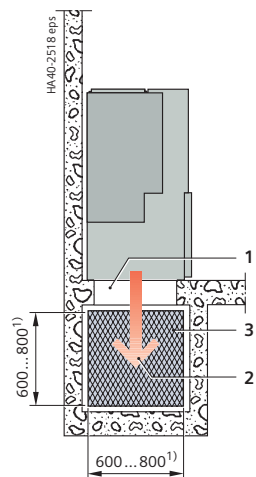
The following type-tested versions of the pressure relief system are available for 8DJH 24 switchgear:

- Downwards into the cable basement (for individual panels and panel blocks, internal arc classification up to IAC A FL 21 kA/1 s or IAC A FLR 21 kA/1 s, minimum cross-section of the cable basement according to the illustration below)
- Upwards through base frame and rear pressure relief duct (for individual panels and panel blocks, internal arc classification up to IAC A FL 21 kA/1 s and IAC A FLR 21 kA/1 s, minimum room heights according to the table on the right), with pressure absorber system.

Room heights for switchgear installation with pressure relief duct at the rear

Switchgear	Room height
Without metering panel M	Switchgear height + 200 mm, at least 2300 mm
With metering panel M	Switchgear height + 200 mm, at least 2500 mm

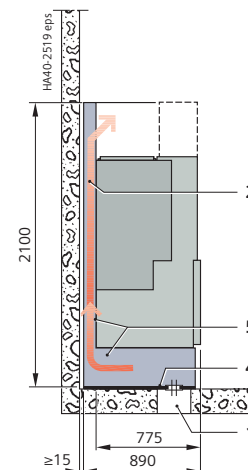
Switchgear installation with pressure relief downwards (standard)



Side view

- 1 Floor opening
- 2 Direction of pressure relief
- 3 Expanded metal (supplied by site)
- 4 Floor cover (divided plate for comfortable working at the cable connection)
- 5 Pressure absorber system with pressure relief duct

Switchgear installation with base frame and rear pressure relief duct (option) for switchgear with IAC A FL or FLR up to 21 kA/1 s



Side view

1) Total opening at least 0.48 m²

All dimensions in mm.

Dimensions

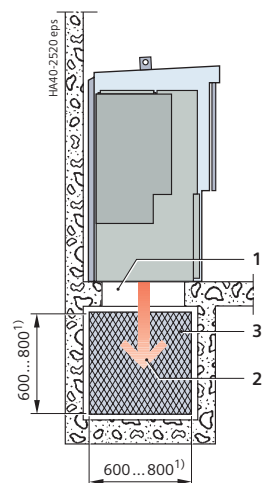
Pressure relief

For 8DJH 24 with outdoor enclosure (option), the direction of the pressure relief can be selected as follows:

- Downwards into the cable basement (internal arc classification up to IAC A FL or FLR 21 kA/1 s, minimum cross-section of the cable basement according to the illustration below)
- Upwards through rear pressure relief duct (internal arc classification up to IAC A FL or FLR 21 kA/1 s, free space above the switchgear 1000 mm as a minimum).

The dimensions for wall distances, control aisles, and cable basements correspond to those of the 8DJH 24 standard design. The outdoor enclosure is conceived for application on company grounds.

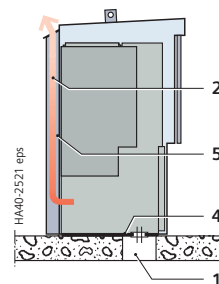
Switchgear installation for outdoor enclosure with pressure relief downwards



Side view

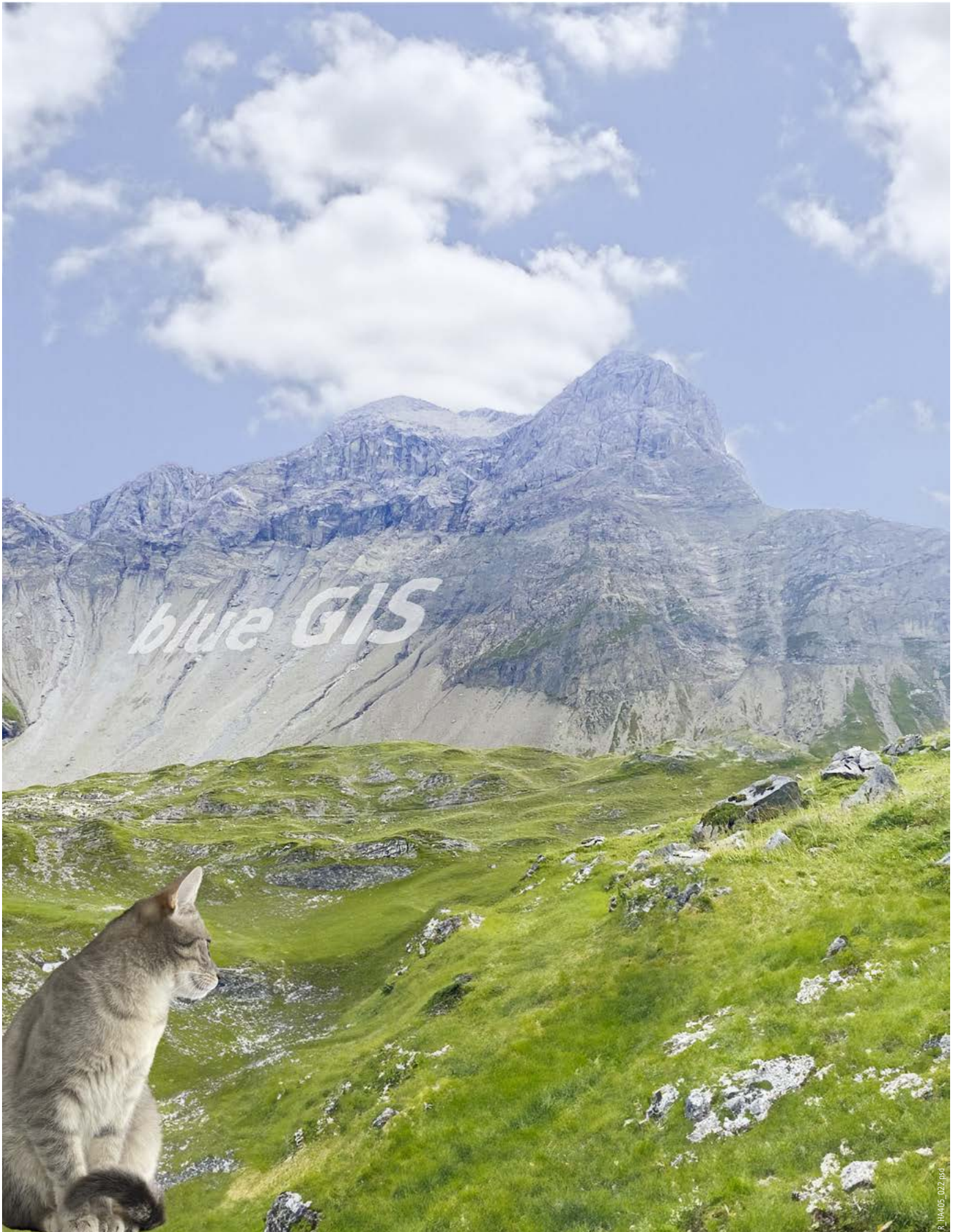
- 1 Floor opening
- 2 Direction of pressure relief
- 3 Expanded metal (supplied by site)
- 4 Floor cover (divided plate for comfortable working at the cable connection)
- 5 Pressure absorber system with pressure relief duct

Switchgear installation for outdoor enclosure with pressure relief upwards through rear duct



Side view

1) Total opening at least 0.48 m²



R_11A405_022.jpg

Smart Infrastructure combines the real and digital worlds across energy systems, buildings and industries, enhancing the way people live and work and significantly improving efficiency and sustainability.

We work together with customers and partners to create an ecosystem that both intuitively responds to the needs of people and helps customers achieve their business goals.

It helps our customers to thrive, communities to progress and supports sustainable development to protect our planet for the next generation.

[siemens.com/smart-infrastructure](https://www.siemens.com/smart-infrastructure)



**Published by
Siemens AG**

Smart Infrastructure
Electrification & Automation
Mozartstraße 31 C
91052 Erlangen, Germany

For further information, please contact
our Customer Support Center:
Phone: +49 180 524 70 00
Fax +49 180 524 24 71
E-mail: support.energy@siemens.com
[siemens.com/medium-voltage-switchgear](https://www.siemens.com/medium-voltage-switchgear)

Article no. SIEA-C10158-00-7600
VO 238296 en KG 03.24 0.0

**For the U.S. published by
Siemens Industry Inc.**

3617 Parkway Lane
Peachtree Corners, GA 30092
United States

Status 03/2024

Subject to changes and errors. The information given in this document only contains general descriptions and/or performance features which may not always specifically reflect those described, or which may undergo modification in the course of further development of the products. The requested performance features are binding only when they are expressly agreed upon in the concluded contract.

All product designations may be trademarks or product names of Siemens AG or other companies whose use by third parties for their own purposes could violate the rights of the owners.

© Siemens 2024