

SystemOne Recessed 10 Inch Core Hole Kits, for Use In Concrete Floors

10 Inch Fire-Rated Poke-Through

Hubbell SystemOne 10 Inch Recessed Floor Fitting with Installation Cover

Catalog Number

S1R10PTFIT

Approved for use in the City of Chicago with EMT and full blank bottom feed plates.

Note: See page P-36 for technical information.



S1R10PTFIT

10 Inch Fire-Rated Poke-Through Kits

Kits include:

- (1) Hubbell SystemOne 10 inch recessed floor fitting (S1R10PTFIT)
- (2) Hubbell SystemOne 10 inch perimeter device mounting brackets (S1R10PSPREPBRKT)
- (4) Hubbell SystemOne 10 inch bottom center pass through plate (S1R10CBFPT)
- (3) Hubbell SystemOne 10 inch bottom perimeter blank plate (S1R10PBFBLANK)
- (1) Hubbell SystemOne 10 inch bottom perimeter 3/4 inch plate (S1R10PBF075)
- (1) Hubbell SystemOne 10 inch perimeter divider (S1R10PERIMDIV)
- (1) Hubbell SystemOne 10 inch center divider (S1R10CENTERDIV)
- (1) Hubbell SystemOne 10 inch flange and universal cover assembly (S1R10CVRxx)

Cover Finish

- Brushed Aluminum
- Black Powder Coat
- Brushed Brass Plated
- Antique Bronze Plated
- Gray Powder Coat
- Satin Nickel Plated

Catalog Number

- S1R10PTALU**
- S1R10PTBLK**
- S1R10PTBRS**
- S1R10PTBRZ**
- S1R10PTGRY**
- S1R10PTNKL**



S1R10PTBRS

Pre-Wired 10 Inch Fire-Rated Poke-Through Kits

Kits include:

- (1) Hubbell SystemOne 10 inch recessed floor fitting (S1R10PTFIT)
- (2) 20A pre-wired receptacle sub-plates with 24 inch wire leads (S1R10PSPZ)
- (2) Hubbell SystemOne 10 inch perimeter device mounting brackets (S1R10PSPREPBRKT)
- (4) Hubbell SystemOne 10 inch bottom center pass through plate (S1R10CBFPT)
- (3) Hubbell SystemOne 10 inch bottom perimeter blank plate (S1R10PBFBLANK)
- (1) Hubbell SystemOne 10 inch bottom perimeter 3/4 inch plate (S1R10PBF075)
- (1) Hubbell SystemOne 10 inch perimeter divider (S1R10PERIMDIV)
- (1) Hubbell SystemOne 10 inch center divider (S1R10CENTERDIV)
- (1) Hubbell SystemOne 10 inch flange and universal cover assembly (S1R10CVRxx)

Cover Finish

- Brushed Aluminum
- Black Powder Coat
- Brushed Brass Plated
- Antique Bronze Plated
- Gray Powder Coat
- Satin Nickel Plated

Catalog Number

- S1R10PTZALU**
- S1R10PTZBLK**
- S1R10PTZBRS**
- S1R10PTZBRZ**
- S1R10PTZGRY**
- S1R10PTZNKL**



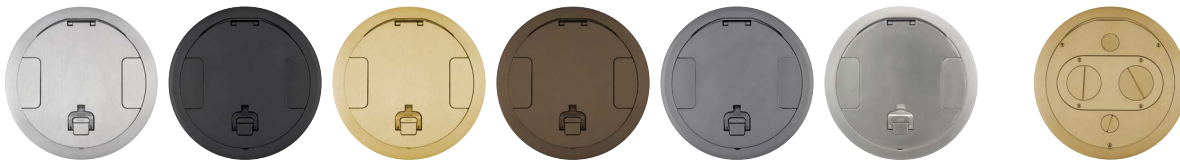
S1R10PTZBLK

Receptacles feature single circuit wiring

Note: xx indicates finish options.

Recessed 10 Inch Covers

The 10 inch FRPT cover assembly unit includes solid cast aluminum construction and mounting hardware. Covers are recessed and available in a number of durable, yet beautiful finishes to match any décor. The flange height of 0.16 inch exceeds ADA requirement and suitable for use on any floor finish. All covers are UL514A, scrubwater compliant. Furniture Feed covers includes (2) 2" Threaded Hubs & (2) 1" Threaded Hubs with 3/4" Reducers.



10 Inch Fire-Rated Poke-Through Covers

Finish	Recessed Cover Catalog Number	TR Recessed Cover* Catalog Number	Furniture Feed Cover** Catalog Number
Brushed Aluminum	S1R10CVRALU	S1R10CVRTRALU	S1R10FFCVRALU
Black Powder Coat	S1R10CVRBLK	S1R10CVRTRBLK	S1R10FFCVRBLK
Brushed Brass Plated	S1R10CVRBRS	S1R10CVRTRBRS	S1R10FFCVRBRS
Antique Bronze Plated	S1R10CVRBRZ	S1R10CVRTRBRZ	S1R10FFCVRBRZ
Gray Powder Coat	S1R10CVRGRY	S1R10CVRTRGRY	S1R10FFCVRGRY
Satin Nickel Plated	S1R10CVRNKL	S1R10CVRTRNKL	S1R10FFCVRNKL

Note: COVER LOAD RATING: 1,000 lbs with 2x safety factor. Load applied through a 3" (76mm) dia. mandrel at the center of the cover. Rated for static loads only.

*Tamper-resistant covers ship with (1) S1RTR10BIT Torx-T10 bit.

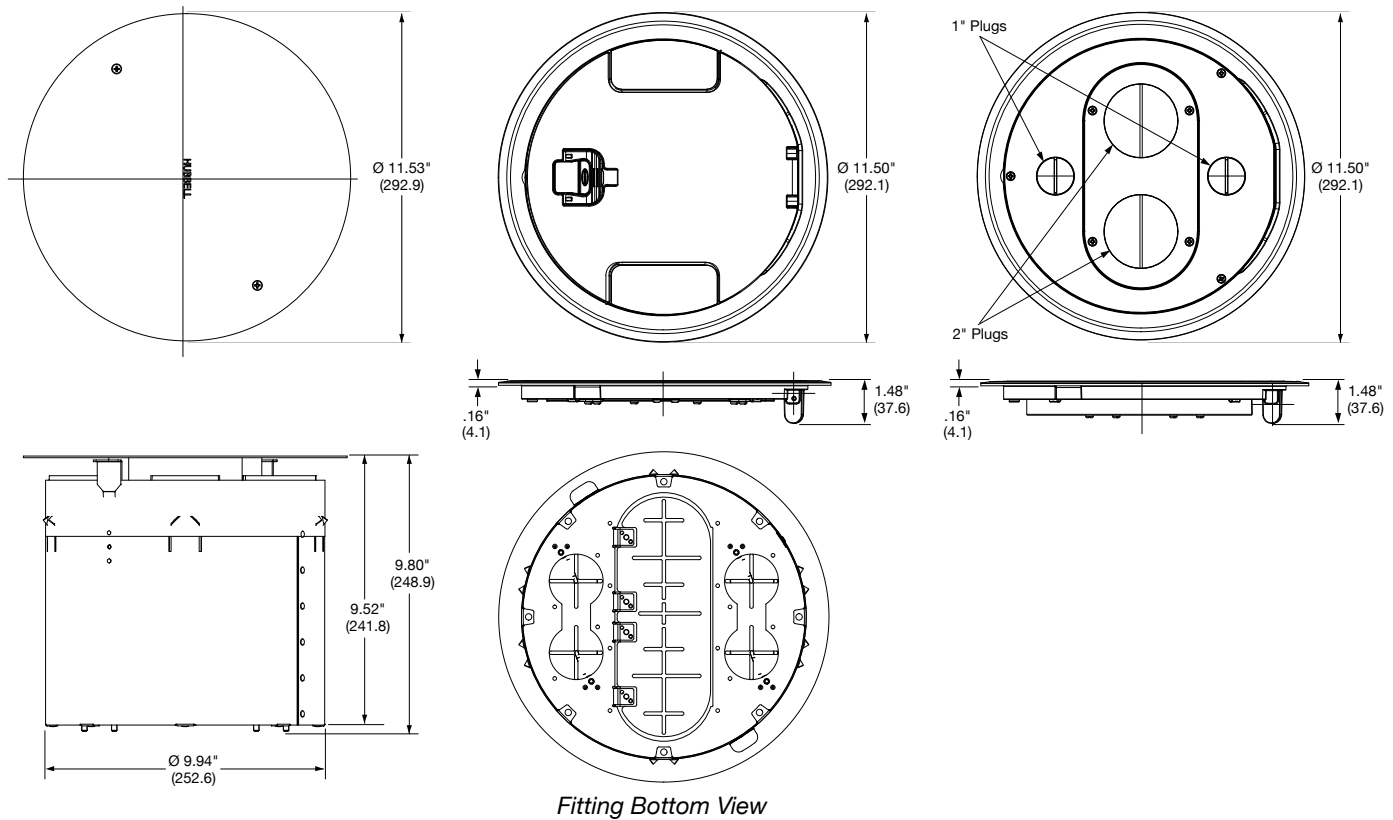
** (2) 1" NPT plugs for power with (2) 1" to 3/4" reducers and (2) 2" NPT plugs for Low Voltage.

Hubbell SystemOne Recessed 10 Inch Series

S1R10PTFIT Series

S1R10CVR Recessed Cover Series

S1R10CVRFF Cover Series



Product Information

- Plated cast aluminum covers available in brass, nickel or bronze finishes. Additionally available in brushed aluminum or black and gray powder coat.
- S1R10PSPZ series sub-plates supplied with pre-wired dual 20A receptacles. Wired with three #12 AWG solid conductors.
- Receptacles can be wired as dual circuit and isolated ground.
- S1R10FFCVR series furnished with one (2) 1 in. to 3/4 in. threaded reducer
- Meets ADA requirements for accessible design, "changes in level."
- Meets UL 514A scrubwater exclusion requirements.
- COVER LOAD RATING: 1,000 lbs with 2x safety factor. Load applied through a 3 in. (76) dia. mandrel at the center of the cover. **Rated for static loads only.**

Application Data

- Mounted in 10 in. (254.0) cored concrete diameter through hole.
- Minimum floor thickness: 2 1/4 in. (57.2).
- UL Listed for fire resistance in 1 – 2 hour rated D900 series floors.
- Approved for use in the City of Chicago.
- Not intended to be used in high traffic installations and not intended to support furniture.

Wire Size (AWG)	Copper Cross Sectional Area for Solid or Stranded Conductors
#24	.00032 sq. in. (.206mm ²)
#23	.00040 sq. in. (.258mm ²)
#22	.00050 sq. in. (.322mm ²)
#14	.00323 sq. in. (2.083mm ²)
#12	.00512 sq. in. (3.303mm ²)
#10	.00815 sq. in. (5.258mm ²)
# 8	.01296 sq. in. (8.361mm ²)

UL Listed Wiring Capacity

	S1R10PT Recessed Series		S1R10PT FF Series	
Fire Resistance Rating	2-Hrs. (D900)		2-Hrs. (D900)	
Max. Copper Cross Section	Center Chamber .0978 sq. in.	Perimeter Chambers (each) .0408 sq. in.	Each 1 in. Power Hub .1304 sq. in.	Each 2 in. Low Voltage Hub .0962 sq. in.

UL Characteristics

Listing	UL File Number	ULC File Number
Outlet Box	E31999	CEYYC
Fire Resistance	R8429	R8429

For use in 1, 1 1/2 or 2 hour rated unprotected reinforced floors or in 1 or 2 hour rated floors employing steel floor units and concrete topping (D900 Series designs).
UL Spacing Restrictions - Minimum of 2 ft. on center and not more than one unit per each 65 square feet of floor area in each span.

Note: The above product data pertains to both kitted units and through-floor fittings.
When connecting conduit sweeps to through-floor fittings, ensure compliance with NEC fill tables.
Dimensions in Inches (mm)