



# CLEMCO® APOLLO 600 BLASTING HELMET



**PART NUMBERS AND SCHEMATICS GUIDE**

## Company Profile

Allredi was formed in the early 2020, when two of the largest distributors in the blasting, coating, safety, and environmental industry, APE Companies and Marco Group International, joined forces. While the qualities both companies are known for have not changed, a lot about our business is new. New abilities. New agilities. New ways to help you win. This calls for a new name, Allredi.

This name exemplifies what we have become. It is completely oriented to the needs of our customers. To your needs. It says that when you call us for anything – products, service, expert advice, anything – you can consider it done. Or even better, Allredi done.

We are your right-now supplier. From skills to SKUs, we deliver the goods fast. So you can be more agile every minute, every day. This is who we are. This is what our new name means. Go ahead and expect excellence, because we're bringing it.

## The Allredi Difference

- **Industry Experience** – With Allredi on your team, you have access to expertise which can only come from decades of industry leadership. We have organized our engineering department, production specialists, customer operations, and safety support into a "Center of Competence." As an Allredi customer, you have access to hundreds of years of cumulative experience related to your operations.
- **Manufacturing Excellence** – Allredi is a U.S. based manufacturer of equipment for the Surface Preparation and Protective Coatings industries. Allredi's engineers benchmark the industry to ensure that we design and manufacture superior products that set the "Gold Standard" for performance, safety, and quality.
- **Legendary Customer Service** – Allredi's legendary customer service team is staffed by friendly, highly-trained individuals who are focused on providing the highest level of product support, order accuracy, and customer satisfaction.
- **Product Availability** – We stock over 10,000 SKU's and have over 45 shipping locations to serve North American and International markets for all major brands of blasting, coating, environmental, and safety equipment. Allredi is your right-now supplier, so you can keep your projects moving. From our foundation of strong relationships, we have built a nationwide network that puts vast inventory and ready service close to our customers. We provide advanced expertise, and we deliver the goods fast – so you can easily access the products and services you need to me more agile every minute, every day.
- **Technology Leadership** – Our website provides: Operator's Manuals, Part Numbers and Schematics Guides, SDS information, and key product features and specifications, providing access to information 24/7.

# TABLE OF CONTENTS

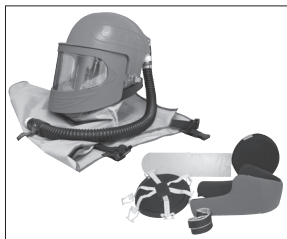
<b>Company Profile</b> .....	<b>2</b>
<b>Table of Contents</b> .....	<b>3</b>
<b>Apollo 600 Blasting Helmet</b> .....	<b>4-12</b>
Part Numbers .....	4
Lenses .....	5
Inner Lenses .....	5
Outer Lenses .....	5
Tear-off Lenses .....	5
Climate Control Devices .....	5
High Pressure Abrasive Blasting Respirator Part Numbers & Schematics .....	6-7
Low Pressure Abrasive Blasting Respirator Part Numbers & Schematics .....	8-9
Climate Control Devices .....	10-13
Clem-Cool Air Conditioner Tube Part Numbers & Schematics .....	10
Cool-Air Tube Assembly Part Numbers & Schematics .....	11
Climate Control Hot/Cold Tube Part Numbers & Schematics .....	12-13
Breathing Line and Couplings .....	14
Breathing Line .....	14
Couplings and Quick-Disconnects .....	14
<b>Maintenance Notes</b> .....	<b>15</b>

# PART NUMBERS

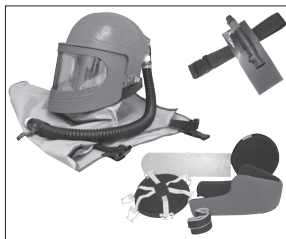
CLEMCO® APOLLO 600 BLASTING HELMETS								
Part Numbers	For Use with Compressed Air	For Use with Ambient Air Pump	Climate Control Device	Air Flow Fitting	Headband Suspension	Breathing Tube	Cape	Belt
10C25194	X		10C23825 Clem-Cool Air Conditioner		10C25189 (DLX Suspension)	10C22811	10C23818 36" Silver/Grey	10C04430
10C25192	X		10C04410 Cool-Air Tube		10C25189 (DLX Suspension)	10C22811	10C23818 36" Silver/Grey	10C04430
10C25193	X		10C04411 Climate Control Hot/Cold Tube		10C25189 (DLX Suspension)	10C22811	10C23818 36" Silver/Grey	10C04430
10C25190	X			10C21415 (Constant Flow)	10C25189 (DLX Suspension)	10C22811	10C23818 36" Silver/Grey	10C04430
10C24001	X			10C21415 (Constant Flow)	10C23802 (Web Suspension)	10C22811	10C23818 36" Silver/Grey	10C04430
10C24002	X			10C100024 (Adjustable Flow)	10C23802 (Web Suspension)	10C22811	10C23818 36" Silver/Grey	10C04430
10C25191	X			10C100024 (Adjustable Flow)	10C25189 (DLX Suspension)	10C22811	10C23818 36" Silver/Grey	10C04430
10C24010		X		10C21429 (Constant Flow)	10C23802 (Web Suspension)	10C22811	10C23818 36" Silver/Grey	10C04430
10C25195		X		10C21429 (Constant Flow)	10C25189 (DLX Suspension)	10C22811	10C23818 36" Silver/Grey	10C04430



10C24001  
10C24002  
10C24010



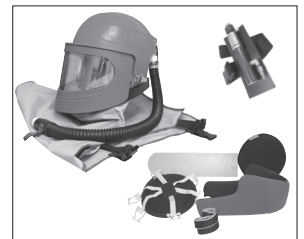
10C25190  
10C25191  
10C25195



10C25194



10C25192



10C25193

## LENSES AND CLIMATE CONTROL DEVICES



### Part Numbers

APOLLO 600 ABRASIVE BLASTING RESPIRATOR INNER LENSES						
Part Numbers	Style	Lens Style	Dimensions	Thickness	Material	U.O.M.
1060041	Alternative	Inner	14-3/8" x 5-7/16"	.040"	PETG	25/Pk
10C04367	Clemco	Inner	14-3/8" x 5-7/16"	.040"	Acetate	5/Pk



### Part Numbers

APOLLO 600 ABRASIVE BLASTING RESPIRATOR OUTER LENSES						
Part Numbers	Style	Lens Style	Dimensions	Thickness	Material	U.O.M.
106002	Alternative	Two-Sided Outer	17" x 5-5/8"	.020"	PETG	25/Pk
10C23067	Clemco	Two-Sided Outer	17" x 5-5/8"	.020"	Acetate	25/Pk



### Part Numbers

APOLLO 600 ABRASIVE BLASTING RESPIRATOR TEAR-OFF LENSES						
Part Numbers	Style	Lens Style	Dimensions	Thickness	Material	U.O.M.
1060004	Alternative	Perforated Tear-Off	16-7/8" x 5-3/4"	.004"	PETG	25/Pk
1060007	Alternative	Perforated Tear-Off	16-7/8" x 5-3/4"	.007"	PETG	25/Pk
10C23064	Clemco	Perforated Tear-Off	16-7/8" x 5-3/4"	.0075"	Acetate	25/Pk

### Part Numbers

CLEMCO CLIMATE CONTROL DEVICES	
10C04411	Climate Control Hot/Cold Tube with Belt 10C04430
10C23825	Clem-Cool Air Conditioner with Belt 10C04430
10C04410	Cool-Air Tube with Belt 10C04430



10C04411



10C23825



10C04410

## PART NUMBERS & SCHEMATICS

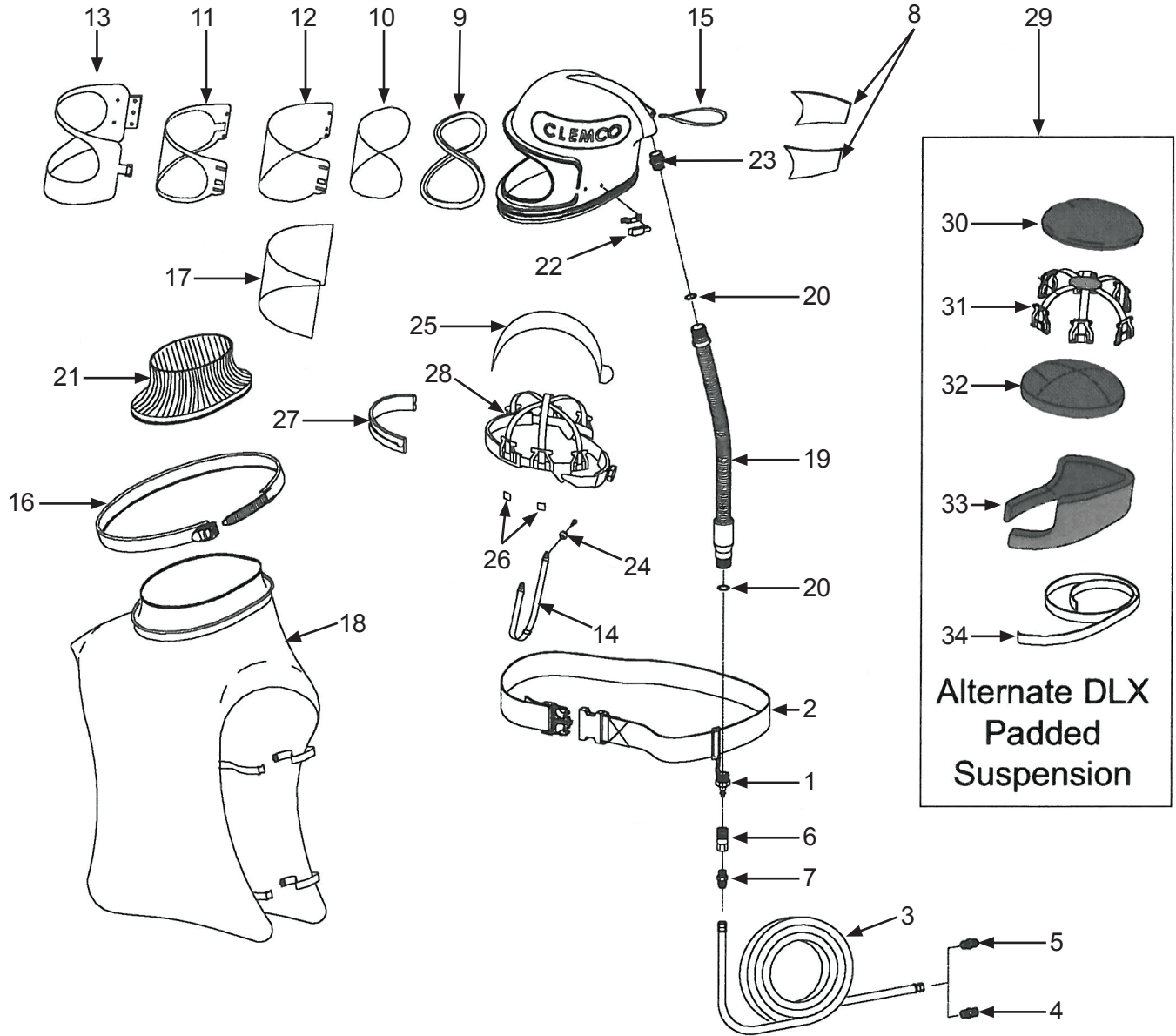
### Clemco® Apollo 600 High Pressure Blasting Helmet

Item #	Part #	Description
<b>Fig. 1</b>		
1	10C21415	Constant-Flow Connector, Low Pressure without Belt
2a	10C04430B	Belt ( <i>Alternative</i> )
2b	10C04430	Belt
3a	10C04397	3/8" x 25 Feet of Breathing Line ( <i>Includes Item #'s: 6 and 7</i> )
3b	10C04415	3/8" x 50 Feet of Breathing Line ( <i>Includes Item #'s: 6 and 7</i> )
3c	10C04398	3/8" x 100 Feet of Breathing Line ( <i>Includes Item #'s: 6 and 7</i> )
4	10BV13	3/8" Male NPT Pipe Thread to 3/8" Male Hose Adapter Hex Nipple
5	10BV11	3/8" Male x 3/8" Male Hose to Hose Connector Hex Nipple
6	10BV14	1/4" Female Quick-Disconnect Coupling, Shut-Off with 1/4" Female Pipe Thread
7	10BV12	3/8" Male NPT Pipe Thread to 1/4" Male Hose Adapter Hex Nipple
8	10C04369	Acoustical Foam Kit Sides
9	10C23819	Window Gasket
10a	1060041	Alternative Inner Lens, .040" Thickness ( <i>See Page 5</i> )
10b	10C23065	Inner Lens, .040" Thickness ( <i>See Page 5</i> )
11a	1060004	Alternative Tear-Off Lens, .004" Thickness ( <i>See Page 5</i> )
11b	1060007	Alternative Tear-Off Lens, .007" Thickness ( <i>See Page 5</i> )
11c	10C23064	Tear-Off Lens, .0075" Thickness ( <i>See Page 5</i> )
12a	106002	Alternative Outer Lens, .020" Thickness ( <i>See Page 5</i> )
12b	10C23067	Outer Lens, .020" Thickness ( <i>See Page 5</i> )
13	10C24012	Window Frame with Screws
14	10C04460	Adjustable Chin Strap
15	10C03623	Handle Strap
16	10C23801	Cape Attachment Strap
17	10C24005	Rectangular Outer Lens ( <i>Optional</i> )
18a	10C23818B	Cape, Silver/Grey, with Red Inner Collar ( <i>Alternative</i> )
18b	10C23818	Cape, Silver/Grey, with Red Inner Collar
19	10C22811	Breathing Tube With Swivel Ends
20	10C22815	O-Ring, 11/16" I.D. x 7/8" O.D. ( <i>Two Required</i> )
21a	10C08740B	Inner Collar ( <i>Alternative</i> )
21b	10C08740	Inner Collar

Item #	Part #	Description
22	10C24006	Window Latch Kit ( <i>Includes: Base and Screws</i> )
23	10C23804	Inlet Fitting
24	10C24008	Chin Strap Fasteners ( <i>Two Required</i> )
25	10C23811	Partition, Air Baffle
26	10C24773	Suspension Clips ( <i>Quantity of Four</i> )
27	10C23817	Sweatband ( <i>For use with item #28</i> )
28	10C23802	Web Suspension with Sweatband ( <i>Optional</i> )
29	10C25189	DLX Padded Suspension Kit ( <i>Optional</i> ) ( <i>Includes Item #'s: 30, 31, 32, 33, and 34</i> )
30	10C25181	Top Pad
31	10C25184	Suspension Web
32	10C25182	Middle Pad
33a	10C25183	Side Pad - Black/Grey ( <i>Fits Most Head Sizes</i> )
33b	10C25187	Side Pad - Black/Blue ( <i>For Smaller Head Sizes</i> )
34	10C24656	Hook and Loop Fastener Tape, 1" Wide with Adhesive Back, 3 Feet
—	106M344	Part Numbers and Schematics Guide - Clemco® Apollo 600 High Pressure Blasting Helmet
—	109V703	Operator's Manual - Clemco® Apollo 600 High Pressure Blasting Helmet

# PART NUMBERS & SCHEMATICS

Figure 1: Clemco® Apollo 600 High Pressure Blasting Helmet



## PART NUMBERS & SCHEMATICS

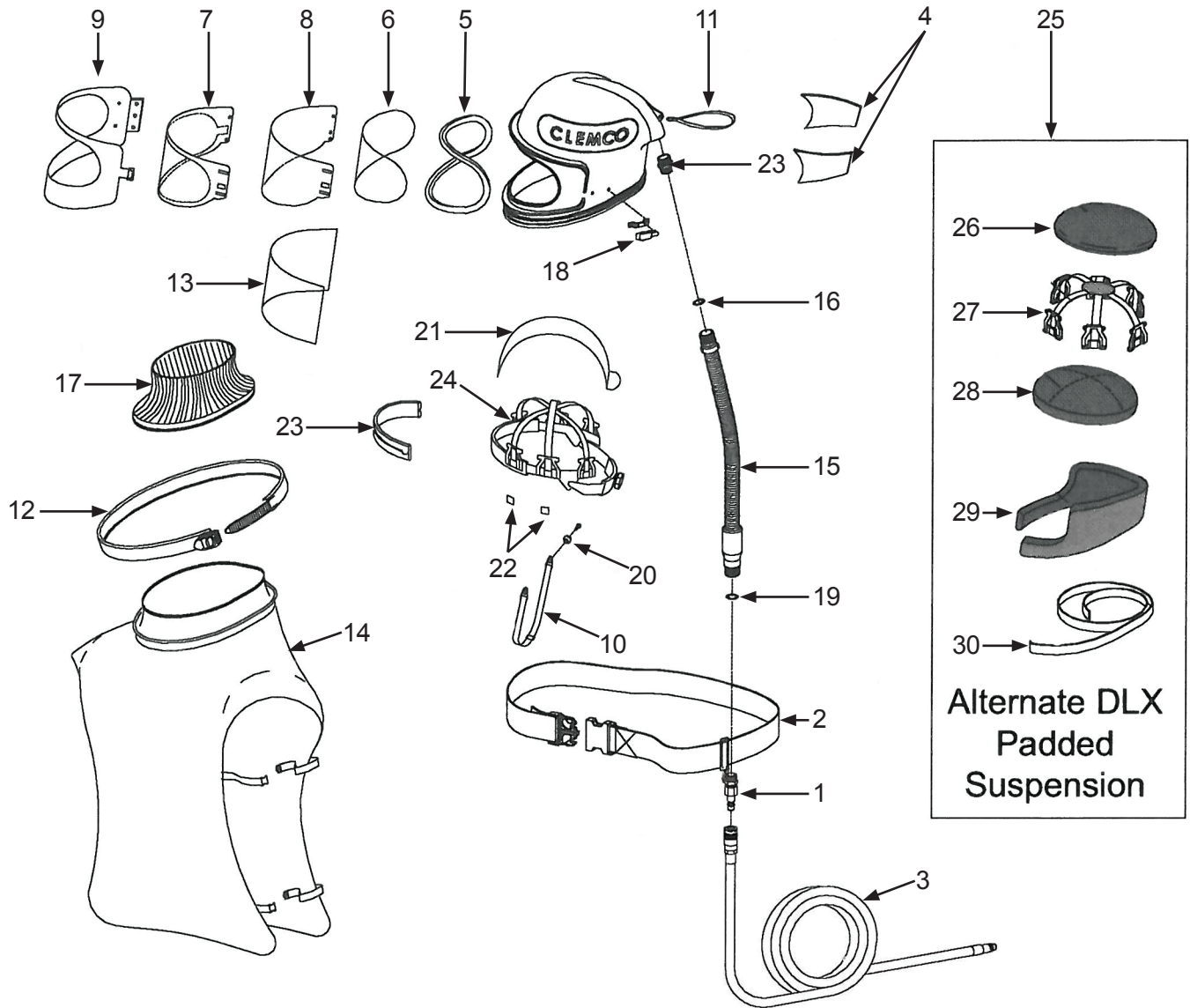
### Clemco® Apollo 600 Low Pressure Blasting Helmet

Item #	Part #	Description
<b>Fig. 2</b>		
1	10C21429	Constant-Flow Connector, Low Pressure without Belt
2a	10C04430B	Belt ( <i>Alternative</i> )
2b	10C04430	Belt
3a	10C22510	1/2" x 50 Feet of Breathing Line
3b	10C21413	1/2" x 100 Feet of Breathing Line
4	10C04369	Acoustical Foam Kit Sides
5	10C23819	Window Gasket
6a	106004I	Alternative Inner Lens, .040" Thickness ( <i>See Page 5</i> )
6b	10C23065	Inner Lens, .040" Thickness ( <i>See Page 5</i> )
7a	1060004	Alternative Tear-Off Lens, .004" Thickness ( <i>See Page 5</i> )
7b	1060007	Alternative Tear-Off Lens, .007" Thickness ( <i>See Page 5</i> )
7c	10C25021	Tear-Off Lens, .0075" Thickness ( <i>See Page 5</i> )
8a	106002	Alternative Outer Lens, .020" Thickness ( <i>See Page 5</i> )
8b	10C23067	Outer Lens, .020" Thickness ( <i>See Page 5</i> )
9	10C24012	Window Frame with Screws
10	10C04460	Adjustable Chin Strap
11	10C03623	Handle Strap
12	10C23801	Cape Attachment Strap
13	10C24005	Rectangular Outer Lens ( <i>Optional</i> )
14a	10C23818B	Cape, Silver/Grey, With Red Inner Collar ( <i>Alternative</i> )
14b	10C23818	Cape, Silver/Grey, With Red Inner Collar
15	10C22811	Breathing Tube With Swivel Ends
16	10C22815	O-Ring, 11/16" I.D. x 7/8" O.D. ( <i>Two Required</i> )
17a	10C08740B	Inner Collar ( <i>Alternative</i> )
17b	10C08740	Inner Collar
18	10C24006	Window Latch Kit ( <i>Includes: Base and Screws</i> )
19	10C23804	Inlet Fitting
20	10C24008	Chin Strap Fasteners ( <i>Two Required</i> )
21	10C23811	Partition, Air Baffle
22	10C24773	Suspension Clips ( <i>Quantity of Four</i> )
23	10C23817	Sweatband ( <i>For Use with Item #24</i> )
24	10C23802	Web Suspension with Sweatband ( <i>Optional</i> )
25	10C25189	DLX Padded Suspension Kit ( <i>Optional</i> ) ( <i>Includes Item #'s: 26, 27, 28, 29, and 30</i> )
26	10C25181	Top Pad
27	10C25184	Suspension Web
28	10C25182	Middle Pad
29a	10C25183	Side Pad - Black/Grey ( <i>Fits Most Head Sizes</i> )
29b	10C25187	Side Pad - Black/Blue ( <i>For Smaller Head Sizes</i> )
30	10C24656	Hook & Loop Fastener Tape, 1" Wide with Adhesive Back, 3 Feet
—	106M344	Part Numbers and Schematics Guide - Clemco® Apollo 600 Low Pressure Blasting Helmet
—	109V704	Operator's Manual - Clemco® Apollo 600 Low Pressure Blasting Helmet



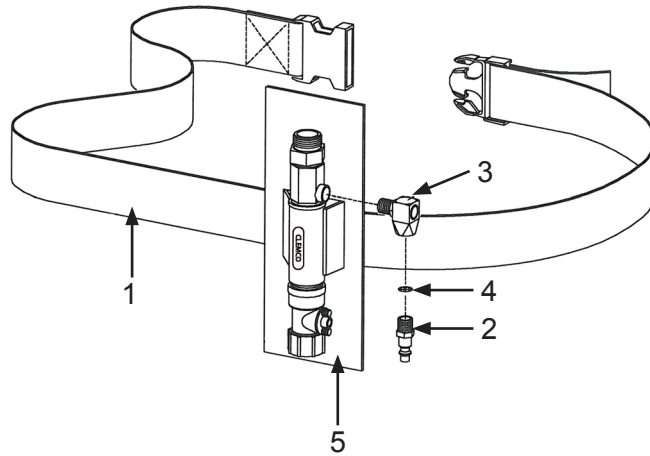
# PART NUMBERS & SCHEMATICS

Figure 2: Clemco® Apollo 600 Low Pressure Blasting Helmet



## PART NUMBERS & SCHEMATICS

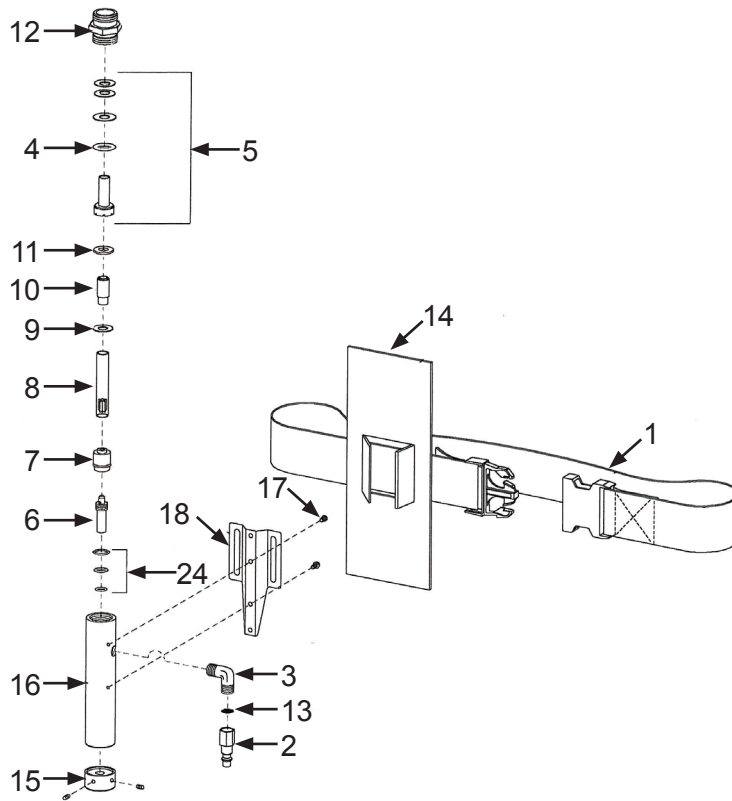
**Figure 3: Apollo Clem-Cool Air Conditioner with Belt**



Item #	Part #	Description
<b>Fig. 3</b>		
—	<b>10C23825</b>	<b>Clem-Cool Air Conditioner with Belt 10C04430</b>
1	10C04430	Belt
2	10C00015	Quick-Disconnect x 1/4" Male NPT
3	10C23829	Elbow, 1/4" NPT Swivel
4	10C08973	Screen
5	10C08981	Heat Shield
—	109V700	Operator's Manual – Clem-Cool Air Conditioner

## PART NUMBERS & SCHEMATICS

**Figure 4: Apollo Cool-Air Tube with Belt**



Item #	Part #	Description
<b>Fig. 4</b>		
—	<b>10C04410</b>	<b>Cool-Air Tube with Belt 10C04430</b>
1	10C04430	Belt
2	10C08449	Quick-Disconnect x 1/4" Female NPT
3	10C08869	Elbow, 1/4" Male
4	10C08870	Seal Kit (Includes: O-Rings (Quantity Of 4); And Item #6))
5	10C08871	Cool-End Venturi Kit (Includes: Cool-End Venturi O-Ring (Not Shown))
6	10C08962	Valve Stem
7	10C08963	Valve Insert
8	10C23030	Vortex Tube Assembly
9	10C08966	Narrow Spacer
10	10C08967	Venturi Tube
11	10C08968	Wide Spacer
12	10C08971	Helmet Tube Connection
13	10C08973	Screen
14	10C08981	Heat Shield
15	10C08985	Knob With Set Screws
16	10C08961	Body
17	10C08980	Machine Screw, Round Head 10-24 x 1/4"
18	10C08974	Belt Clip
—	109V701	Operator's Manual – Cool-Air Tube with Belt

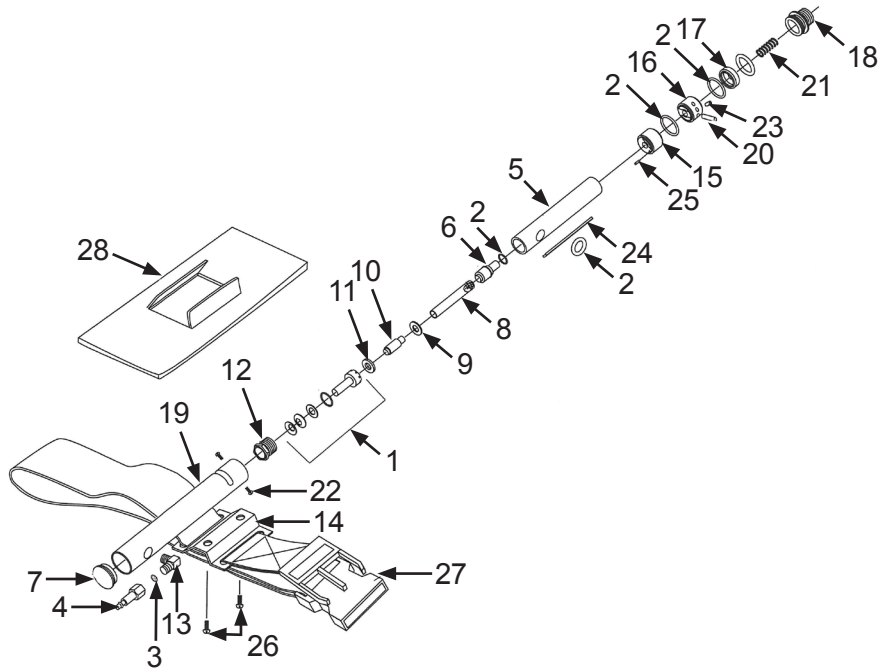
## PART NUMBERS & SCHEMATICS

### Apollo Climate Control Hot/Cold Tube with Belt

Item #	Part #	Description
<b>Fig. 5</b>		
—	<b>10C04411</b>	<b>Climate Control Hot/Cold Tube with Belt 10C04430</b>
1	10C08846	Cool-End Venturi <i>(Includes Cool-End Venturi O-Ring (Not Shown))</i>
2	10C08845	Seal Kit <i>(Includes O-Rings (Quantity of 6) and Seals (Not Shown))</i>
3	10C08983	Screen
4	10C08449	Quick-Disconnect x 1/4" Female NPT
5	10C08825	Body
6	10C08826	Hot-End Orifice
7	10C08827	Plug
8	10C23030	Vortex Tube Assembly
9	10C08968	Narrow Spacer
10	10C08967	Venturi
11	10C08968	Wide Spacer
12	10C08829	Threaded Retainer
13	10C08869	1/4" Male Elbow
14	10C08974	Belt Clip
15	10C08830	Lower Valve Plate
16	10C08831	Upper Valve Plate
17	10C08832	Support Washer
18	10C08833	Outlet Fitting
19	10C08834	Body Housing
20	10C08835	Control Lever
21	10C08844	Spring
22	10C03870	Machine Screw, 6-32 x 1/4"
23	10C03072	Set Screw, 1/4-NC x 1/2"
24	10C08836	Spacer
25	10C08838	Valve Plate Pin
26	10C03886	Machine Screw, 10-24 x 1/2"
27	10C04430	Belt
28	10C08981	Heat Shield
—	109V702	Operator's Manual – Climate Control Hot/Cold Tube

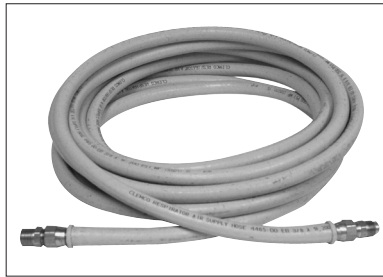
# PART NUMBERS & SCHEMATICS

Figure 5: Apollo Climate Control Hot/Cold Tube with Belt



## BREATHING LINE

Part Numbers	CLEMCO® BREATHING LINE					
	Compressed Air	Use with Ambient Air Pump	Breathing Line I.D.	Length	Installed Couplings	
					10BV11 Male x Male	10BV13 Male x Male
10C04397	X		3/8"	25 Feet	X	X
10C04415	X		3/8"	50 Feet	X	X
10C04398	X		3/8"	100 Feet	X	X
10C22510		X	1/2"	50 Feet		
10C21413		X	1/2"	100 Feet		




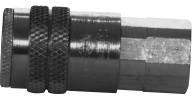


10C04397  
10C04415  
10C04398



10C22510  
10C21413

### Part Numbers BREATHING LINE HEX NIPPLES AND QUICK-DISCONNECT COUPLINGS

	<b>10BV12</b>	3/8" Male NPT Pipe Thread to 1/4" Male Hose Adapter Hex Nipple
	<b>10BV13</b>	3/8" Male NPT Pipe Thread to 3/8" Male Hose Adapter Hex Nipple
	<b>10BV11</b>	3/8" Male x 3/8" Male Hose to Hose Connector Hex Nipple
	<b>10BV14</b>	1/4" Female Quick-Disconnect Coupling, Shut-Off with 1/4" Female Pipe Thread





## ALLREDI THERE

Serving these industries: Bridge, Pipeline, Tank & Tower, Concrete Services, Rail, Shipyard & Marine, Pools & Fountains and Foundry

### UNITED STATES

**Pasadena, TX** (*Headquarters*)  
844.361.7038

**Beaumont, TX**  
409.722.1284

**Bristol, PA**  
215.826.8080

**Corpus Christi, TX**  
361.887.2038

**Davenport, IA**  
563.324.2519

**Deer Park, TX**  
(*Service & Rental Location*)  
281.930.0905

**Duluth, GA**  
800.535.4564

**Gonzales, LA**  
225.647.7575

**Harvey, LA**  
504.367.8090

**Houma, LA**  
985.580.4273

**Jacksonville, FL**  
800.535.4564

**Lafayette, LA**  
337.267.1440

**Theodore, AL**  
251.338.7525

**Youngstown, OH**  
330.448.6267

### CANADA

**Calgary, Alberta**  
403.279.1924

**Coquitlam, BC**  
604.464.6979

**Edmonton, Alberta**  
780.468.2588 (Manus)  
780.425.5510 (Mod-U-Blast)

**Hamilton, Ontario**  
905.527.6000 / 888.794.5665

**Mississauga, Ontario**  
905.890.5837

**Winnipeg, Manitoba**  
204.256.3324

**800-252-7848 / WWW.ALLREDI-US.COM**

Allredi™ and Blastmaster® are registered trademarks of Allredi, LLC.  
All other brand names or marks are used for identification purposes and are trademarks of their respective owners.

**ALLREDI™**

Literature #106M344\_2/25/22