

Olympian Plus Filter/Regulator
3/4", 1", 1-1/4", 1-1/2" Port Sizes

- Olympian Plus plug in system
- Effective liquid removal and positive solid particle filtration
- Large filter element area provides minimum pressure drop
- High flow unit with large valve and diaphragm
- Push to lock adjusting knob with tamper resistant option
- Excellent flow and regulation characteristics



Ordering Information. Models listed include a 1 quart w/long element, yoke with PTF threads, knob adjustment, automatic drain, 40 µm element, relieving diaphragm, and a 5 to 120 psig (0.4 to 8 bar) outlet pressure adjustment range*. A gauge is not included.

Port Size	Model	Flow** scfm (dm³/s)	Weight lb (kg)
3/4	B68E-6AK-AU3-RLN	509 (240)	6.47 (2.94)
1	B68E-8AK-AU3-RLN	509 (240)	6.20 (2.82)
1-1/4	B68E-AAK-AU3-RLN	509 (240)	6.42 (2.92)
1-1/2	B68E-BAK-AU3-RLN	509 (240)	6.07 (2.76)

Alternative Models

B 6 8 E - ★ ★ ★ - ★ ★ ★ - ★ ★ ★

Bowl/Element Type	Substitute
1 quart (1 liter) bowl w/long element	E
1 pint (0.5 liter) bowl w/short element	G

Port Size	Substitute
3/4"	6
1"	8
1-1/4"	A
1-1/2"	B
No Yoke	N

Threads	Substitute
PTF	A
ISO Rc taper	B
ISO G parallel	G
No Yoke (<i>N</i> in 5th position) Rc threaded gauge ports	N
No Yoke (<i>N</i> in 5th position) PTF threaded gauge ports	A

Adjustment	Substitute
Knob	K
T-bar	T

Drain	Substitute
Automatic	A
No drain (Closed bowl)	E
Manual	M
Manual, 1/4 turn	Q

Gauge	Substitute
With	G
Without	N

Outlet Pressure Adjustment Range*	Substitute
0 to 60 psig(0 to 4 bar)	F
5 to 120 psig (0.4 to 8 bar)	L
10 to 250 psig (0.7 to 17 bar)	S***

Diaphragm	Substitute
Relieving	R
Non relieving	N

Element	Substitute
5 µm	1
25 µm	2
40 µm	3

Bowl	Substitute
1 quart (1 liter) without liquid level indicator	C††
1 pint (0.5 liter) without liquid level indicator	M†
1 pint (0.5 liter) with liquid level indicator	R†
1 quart (1 liter) with liquid level indicator	U††

* Outlet pressure can be adjusted to pressures in excess of, and less than, those specified. Do not use these units to control pressures outside of the specified ranges.

** Typical flow with 150 psig (10 bar) inlet pressure, 90 psig (6.3 bar) set pressure and a 15 psig (1 bar) droop from set.

*** Units with 250 psig (17 bar) adjustment range are available only with the T-bar adjustment; therefore substitute **T** at the 7th digit and **S** at the 12th position.

† Only available with B68G.

†† Only available with B68EE

B68E/G Filter/Regulators

All Dimensions in Inches (mm)



Technical Data

Fluid: Compressed air
 Maximum pressure: 250 psig (17 bar)
 Operating temperature*: 0° to +175°F (-20° to +80°C)
 * Air supply must be dry enough to avoid ice formation at temperatures below +35°F (+2°C).
 Particulate removal: 5, 25 or 40 µm
 Air quality: Within ISO 8573-1, Class 3 and Class 5 (particulates)
 Typical flow at 150 psig (10 bar) inlet pressure, 90 psig (6.3 bar) set pressure and a droop of 15 psig (1 bar) from set: 509 scfm (240 dm³/s)
 1/4 turn manual drain connection: 1/8" pipe thread
 Automatic drain connection: 1/8" pipe thread
 Automatic drain operating conditions (float operated):
 Bowl pressure required to close drain: Greater than 5 psig (0.3 bar)
 Bowl pressure required to open drain: Less than 3 psig (0.2 bar)
 Minimum air flow required to close drain: 2 scfm (1 dm³/s)
 Manual operation: Depress pin inside drain outlet to drain bowl

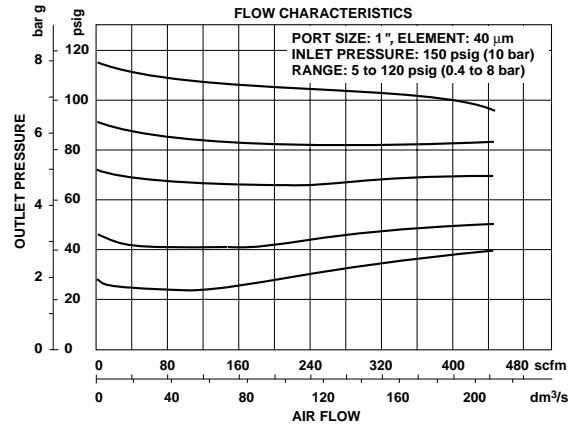
Nominal bowl size:
 1 pint U.S. (0.5 liter)
 1 quart U.S. (1 liter)

Gauge ports:
 1/8 PTF with PTF yoke ports
 Rc1/8 with ISO Rc yoke ports
 Rc1/8 with ISO G yoke ports

Materials:
 Body: Aluminum
 Yoke: Aluminum
 Bonnet: Aluminum
 Adjusting knob: Acetal resin
 Optional T-bar adjusting screw: Steel
 Valve: Aluminum
 Bowl: Aluminum
 Sight glass: Pyrex
 Element: Sintered bronze or polypropylene
 Elastomers: Synthetic rubber

An automatic drain is a two-way valve, which will close when the system is pressurized. The drain opens when the float rises due to accumulated liquid and on depressurization.

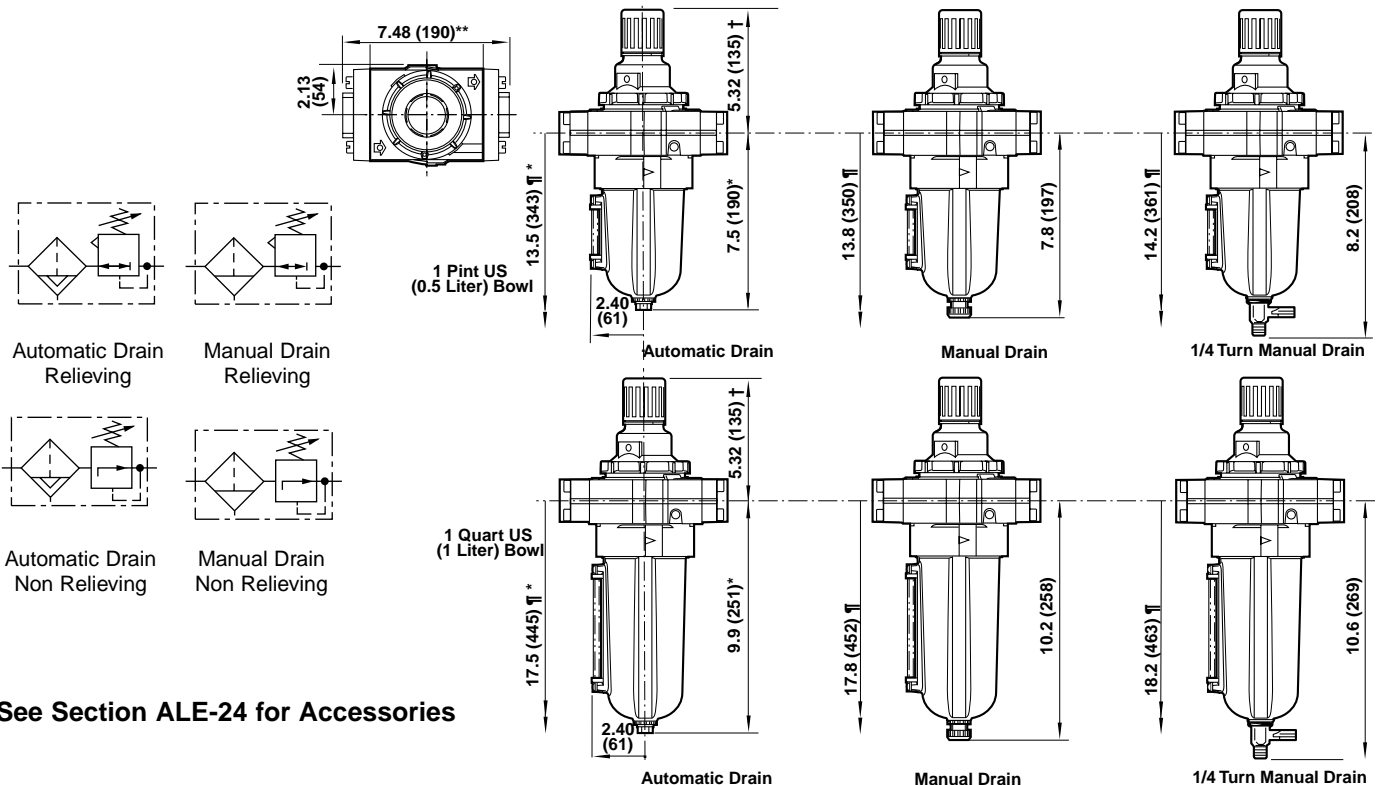
Typical Performance Characteristics



Service Kits

Item	Type	Part Number
Service kit	Relieving	4383-300
	Non relieving	4383-301
Replacement elements	5 µm (1 pint bowl)	5576-97
	25 µm (1 pint bowl)	5576-98
	40 µm (1 pint bowl)	5576-99
	5 µm (1 quart bowl)	5311-01
	25 µm (1 quart bowl)	5511-02
	40 µm (1 quart bowl)	5511-03
Replacement sight glass kit	1 pint bowl	4380-060
	1 quart bowl	4380-061
Replacement Drains	Automatic (G 1/8 outlet)	3000-97
	Automatic (1/8 NPT outlet)	3000-10
	Manual	684-84
	Manual quarter turn	619-50

Service kit includes, valve spring, slip ring, valve assembly, diaphragm assembly and necessary seals and 'o' rings.



See Section ALE-24 for Accessories

† Add 1.46" (37 mm) for unit with T-bar adjustment.
 ** For 1-1/4" and 1-1/2" ported yokes, add 0.39" (10 mm).

* Dimension also applies to closed bottom bowl.
 †† Minimum clearance required to remove bowl.