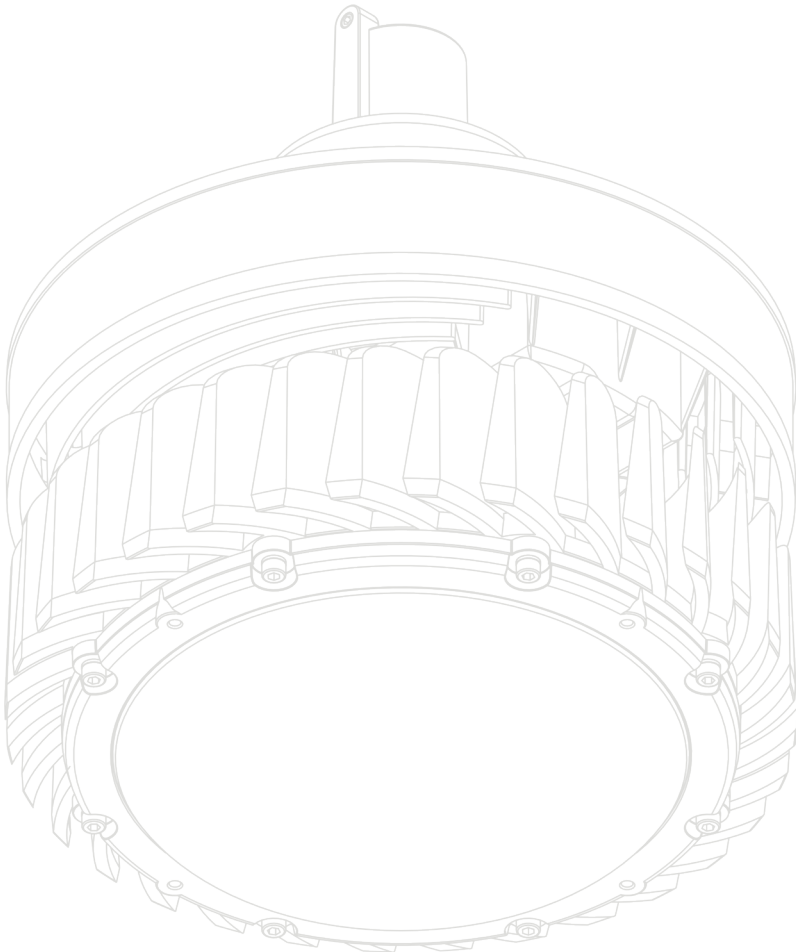


A R C U S

MOR-HL LED LUMINARIES



MORION™ FOR EX



EXPLOSION PROOF 

MORION™ FOR HL



HAZARDOUS LOCATION 

MORION™ FOR IL



INDUSTRIAL LOCATION 

SPECIFICATION

MODEL WATTAGE	80W	100W	120W	160W	180W
LUMEN OUTPUT	11500 LM*	14100 LM*	19000 LM*	22800 LM*	26900 LM*
DIMENSIONS	VARIOUS (SEE OUR 2D DRAWINGS)				
NET FIXTURE WEIGHT (with PM type of mounting)	23.3LBS/10.57KG	23.3LBS/10.57KG	24.07LBS/10.92KG	24.07LBS/10.92KG	24.07LBS/10.92KG
ENCLOSURE MATERIAL	Copper free aluminum alloy				
FINISH	Polyester powder coat finish				
HARDWARE AND MOUNTING	Marine grade stainless steel parts and screws				
CABLE GLANDS AND CONNECTORS	Not included				
LENS	Military Grade UL94 V-0 rated Lexan/Tempered clear glass				
LIGHT SOURCE	OSRAM LEDs				
COLOR RENDITION INDEX (CRI)	> 70				
INPUT POWER (+25°C)	74W (RV) / 72W (HV)	99W (RV) / 97W (HV)	117W (RV)	160W (RV)	160W (RV)
FIXTURE EFFICIENCY	157 LPW (RV)* 159 LPW (HV)	142 LPW (RV)* 145 LPW (HV)	162 LPW	142 LPW	168 LPW
LED DRIVER	PHILLIPS 120-277 VAC/ PHILLIPS 347-480 VAC	PHILLIPS 120-277 VAC/ PHILLIPS 347-480 VAC	INVENTRONICS 90-305VAC	INVENTRONICS 90-305VAC	INVENTRONICS 90-305VAC
LED DRIVER PROTECTION	SHORT CIRCUIT, OPEN CIRCUIT PROTECTION FOR LED - AND TEMPERATURE FOLDBACK	SHORT CIRCUIT, OPEN CIRCUIT PROTECTION FOR LED - AND TEMPERATURE FOLDBACK	SHORT CIRCUIT, OVER LOAD PROTECTION, OVER VOLTAGE		
SURGE PROTECTION	6 KV				
POWER FACTOR	> 0.95	> 0.95	> 0.96	> 0.96	> 0.96
THD (total harmonic distortion)	<10%	<10%	<20%	<20%	<20%
INRUSH CURRENT	74A (RV) / 65A (HV)	74A (RV) / 65A (HV)	147A	147A	147A
AMBIENT OPERATING TEMPERATURE	-40°C TO +65°C				
FIXTURE LIFE (+25°C)	100 000 HOURS				
FIXTURE LIFE (+45°C)	100 000 HOURS	100 000 HOURS	120 000 HOURS	80 000 HOURS	95 000 HOURS
FIXTURE LIFE (+55°C)	100 000 HOURS	100 000 HOURS	60 000 HOURS	41 000 HOURS	48 000 HOURS
FIXTURE LIFE (+65°C)	70 000 HOURS	50 000 HOURS (T5)	30 000 HOURS (T5)	19 000 HOURS	20 000 HOURS
WARRANTY	5 YEAR				

* - Measurement tolerance +/- 10%

ETL/cETL CERTIFIED TO:

UL 844 for Use in Hazardous (Classified) Locations
 UL 1598 Suitable for Wet Locations
 UL 1598A Marine Outside Type (Saltwater)
 CSA C22.2 No. 250.0
 CSA C22.2 No. 137
 IP66 rated per IEC 60598-1 | -40°C to +65°C

APPROVED FOR:

Class I Division 2 Groups A, B, C, D
 Class I Zone 2 Group IIC
 Class II Division 1 and 2 Groups E, F
 Class II Zone 20, 21, or 22 Group IIB
 Class III
 1Ex d IIC T5/T6 | -40°C to +65°C

ARCUS MOR-HL LED BENEFITS:

- Instant on/no warm up
- Extreme compact size and weight
- Energy-efficient/up to 65% savings when compared to traditional HID lighting
- Up to 23 years (at 12hrs a day) of light, eliminating bulb and ballast replacement maintenance
- Operating ambient -40°C to +65°C
- 5 year warranty
- High CRI for improved visibility and clarity

APPLICATION

- Mid-Bay and High-Bay Lighting
- Explosion Proof
- Locations requiring continuous and consistent light levels in extreme heat or cold.
- Hazardous Storage
- Marine, Engine rooms
- Energy, Gas & Oil
- Manufacturing
- Wastewater



ORDERING INFORMATION: PART NUMBER EXAMPLE MOR-HL-SS-GM-RV-T5-5K-100W-S

- 1 MOR
- 2 HL
- 3 SS
- 4 CPC
- 5 RV
- 6 T5
- 7 5K
- 8 100W
- 9 S

DETAILED INFORMATION

<p>2 FAMILY NAME ENCLOSURE TYPE</p> <p>HL Hazardous Locations Rated Body</p>	<p>3 MOUNTING</p> <p>PM Pendant Mount SB Swivel Bracket SS Stanchion Mount Straight SA Stanchion Mount 25°Angled WM Wall Mount WA Wall Mount 25° Angled CM Ceiling Mount CM Eye-Bolt Mount</p>	<p>4 REFLECTOR (LENS)</p> <p>GB Flat tempered clear glass 19 mm GBM Flat tempered clear glass 19 mm and mesh guard GT Flat tempered clear glass 4 mm GTM Flat tempered clear glass 4 mm and mesh guard CPC Clear protective polycarbonate</p>	<p>5 VOLTAGE</p> <p>RV 120-277 VAC, 50/60 Hz HV** 347-480 VAC, 50/60 Hz</p>
<p>6 SECONDARY OPTICS</p> <p>T5 Full Flood (No Optics - Standard) T3 Street, Aisle Type T1 Long and rectangular for hallways</p>	<p>7 COLOR TEMPERATURE</p> <p>3K 3000K 4K 4000K 5K 5000K</p>	<p>8 WATTAGE</p> <p>80W 100W 120W 160W 180W</p>	<p>9 BODY COLOR</p> <p>S Silver (Standard)</p> <p><small>** - only available for 80W, 100W</small></p>

PROJECT INFORMATION

PROJECT NAME:

LOCATION:

DESCRIPTION:

CONTACT INFORMATION:

NAME:

E-MAIL:

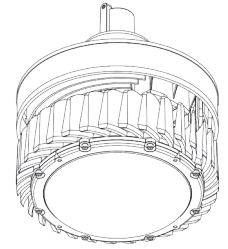
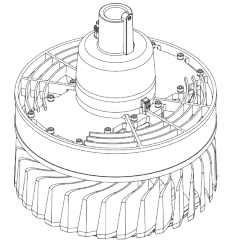
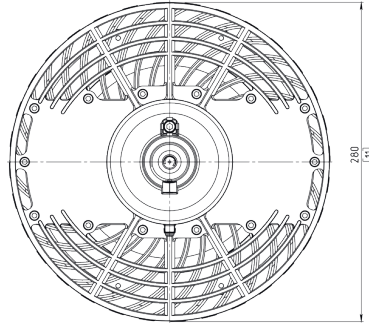
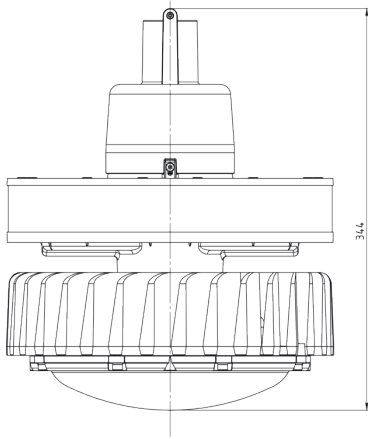
PHONE:

DATE:

MOR-HL-PM 80-100W/120-180W

FIXTURE WEIGHT:
23,3 lb (10,6 kg) / 24,07 lb (10,9 kg)

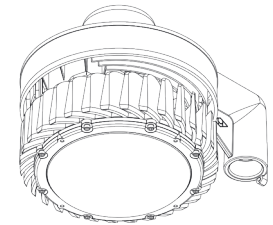
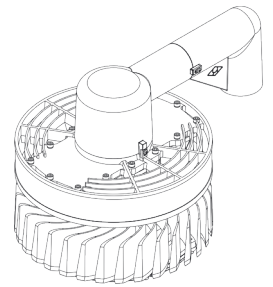
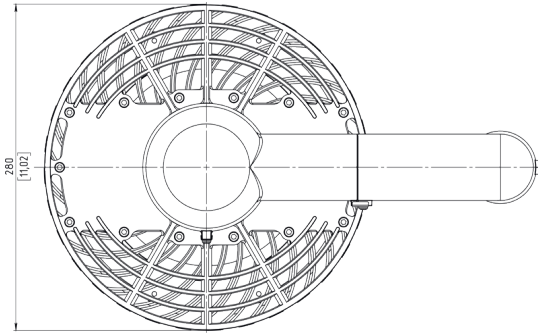
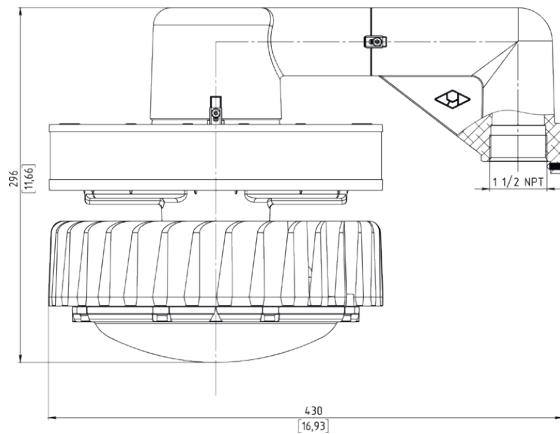
PENDANT MOUNT



MOR-HL-SS 80-100W/120-180W

FIXTURE WEIGHT:
25,4 lb (11,5 kg) / 26,15 lb (11,9 kg)

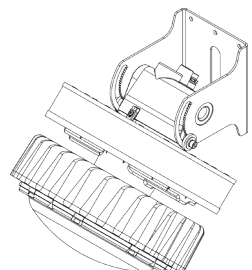
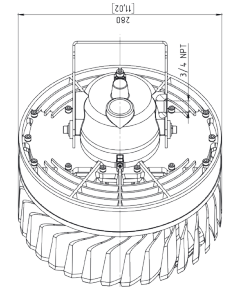
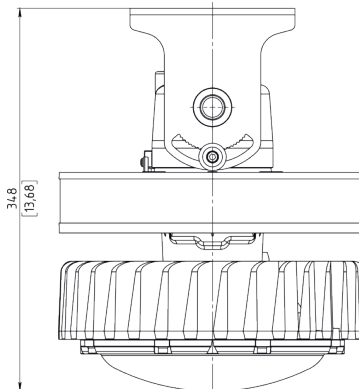
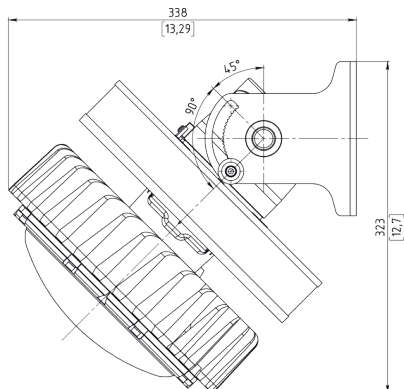
STANCHION MOUNT 90°



MOR-HL-SB 80-100W/120-180W

FIXTURE WEIGHT:
25,5 lb (11,6 kg) / 26,28 lb (11,9 kg)

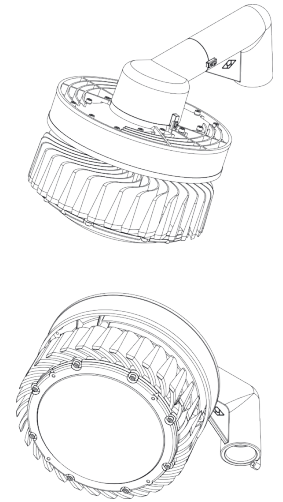
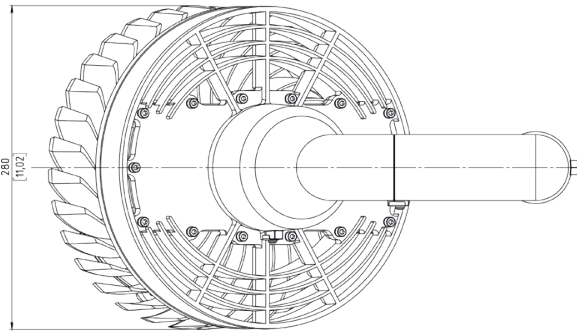
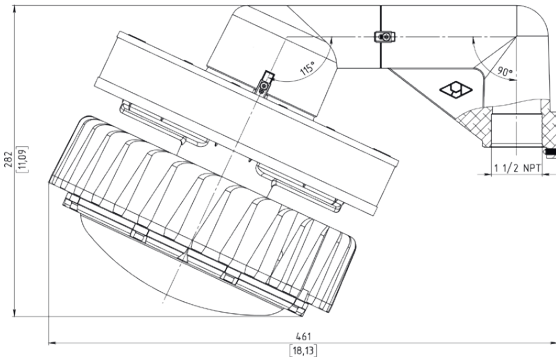
SWIVEL BRACKET



MOR-HL-SA 80-100W/120-180W

FIXTURE WEIGHT:
 24,8 lb (11,3 kg) / 25,57 lb (11,6 kg)

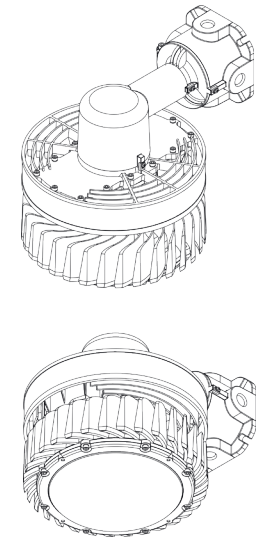
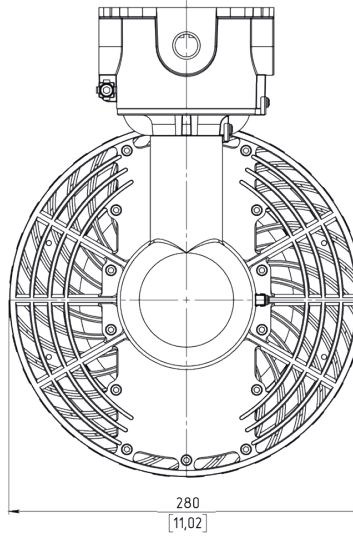
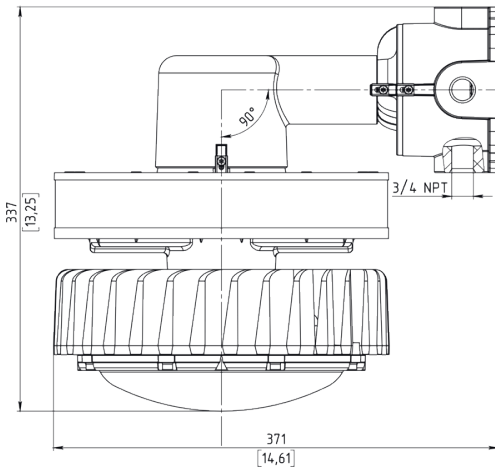
STANCHION MOUNT 25°



MOR-HL-WM 80-100W/120-180W

FIXTURE WEIGHT:
 26,93 lb (12,2 kg) / 27,60 lb (12,5 kg)

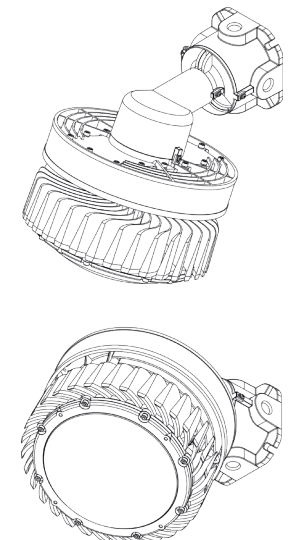
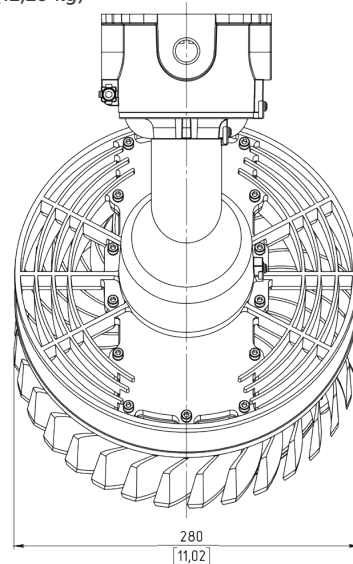
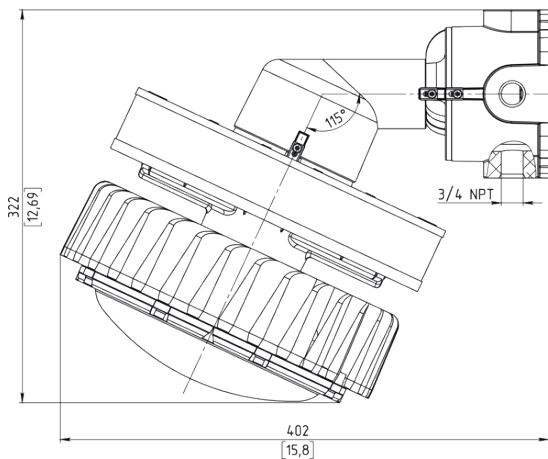
WALL MOUNT 90°



MOR-HL-WA 80-100W/120-180W

FIXTURE WEIGHT:
 26,32 lb (11,9 kg) / 27,09 lb (12,29 kg)

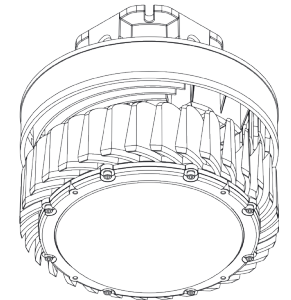
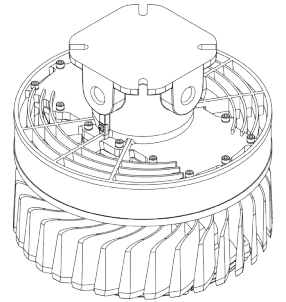
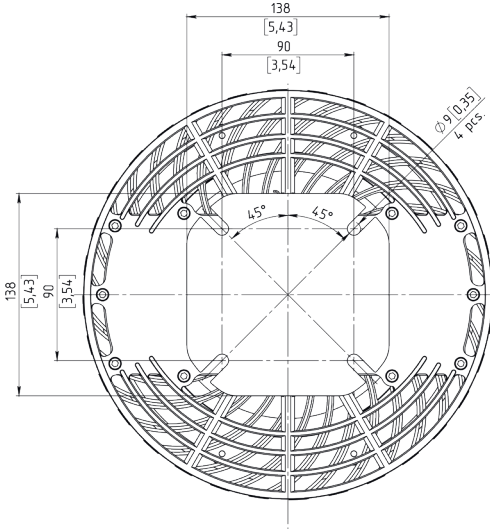
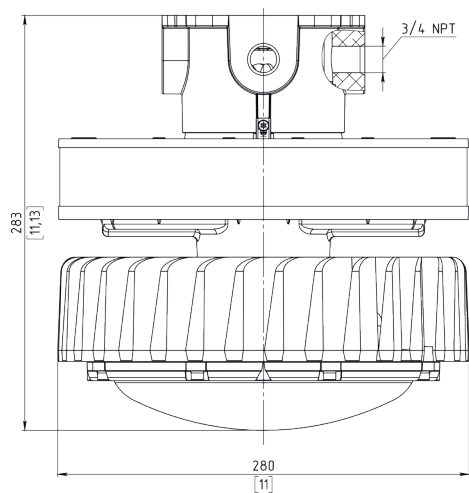
WALL MOUNT 25°



MOR-HL-CM 80-100W/120-180W

FIXTURE WEIGHT:
24,8 lb (11,3 kg) / 25,57 lb (11,6 kg)

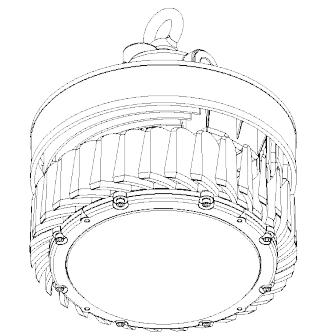
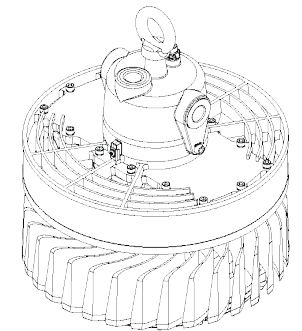
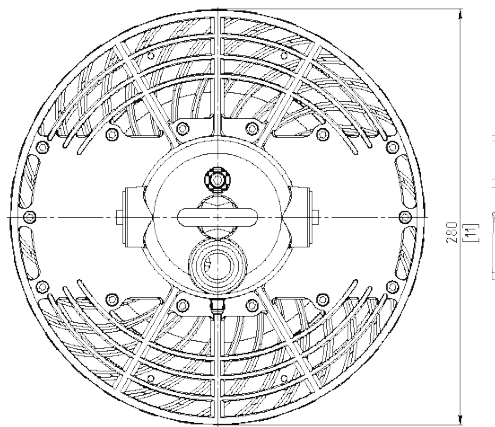
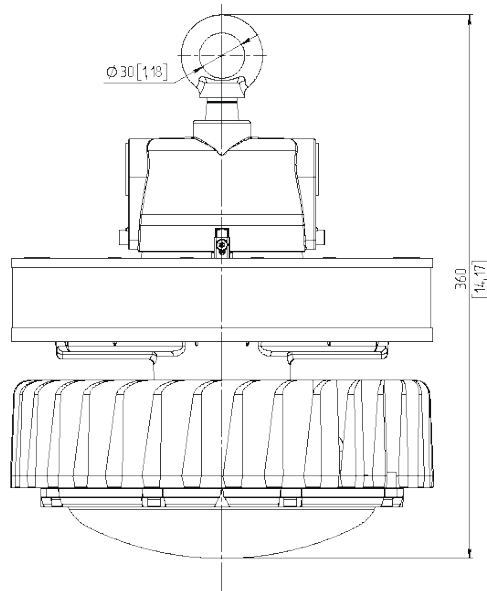
CEILING MOUNT



MOR-HL-EM 80-100W/120-180W

FIXTURE WEIGHT:
20,81 lb (9,5 kg) / 21,58 lb (9,8 kg)

EYE-BOLT MOUNT



 CONTACTS

(858) 353-1073

SALES@ARCUSLIGHT.COM

10457 ROSELLE STREET, SUITE#E
SAN DIEGO, CA 92121