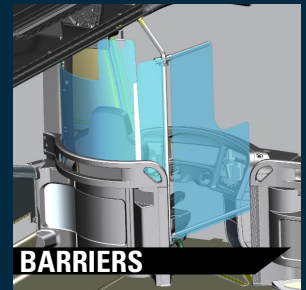


# Clean And Protect

## Product Guide

### KEEPING YOU MOVING WITH THE PRODUCTS YOU NEED

NFI Parts offers the latest solutions in keeping coaches and buses safe for your riders and staff. We continue to expand our catalogue to include many options to support social distancing and remove unwanted viruses and bacteria from vehicles. We are diligently working with our customers to ensure their unique needs are being met in these unprecedented times. Contact your NFI Parts customer service representative for more information.



# Driver Protection Systems

INFORMATION SHEET

nfi.parts™

MCI

NEW FLYER

## TRANSIT APPLICATION

### NFI Parts Offers the Latest in Driver Protection Systems

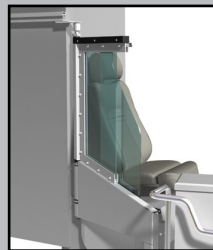


AROWguard Slide Door System

### FEATURES

- Fixed door slide system that incorporates a sliding two-piece glass system.
- Allows drivers to select a glass position in the same manner as a driver's window.
- Easy to close and protect the driver.
- Utilizes a time-tested and robust rocker latch.
- Incorporates a hinge design, free of pinch points and rattling.
- Standard and Extended sash options.
- Long-term solution providing both health and safety benefits.

Configuration Possibilities



DESIGNED TO FIT NEW FLYER, MCI, NABI, GILLIG, NOVA, ADL, AND OTHERS

### Benefits of NFI Parts Support on Retrofit Projects

- Experts in design
- Ease of design process
- Experience in custom design
- Onsite support
- Full life-cycle product support

Information on this sheet is subject to change at the discretion of NFI Parts and/or its affiliates. Contact your NFI Parts solutions manager or customer service representative for further details. All product names, trademarks, and registered trademarks are property of their respective owners. NFI Parts disclaims any proprietary interest in the marks and names of others.

nfi.parts™  
www.nfi.parts

NEW FLYER

U.S. & Canada  
800.665.2637

MCI

U.S. 800.323.1290  
Canada 800.665.0155  
partsstore.nfi.parts

# Driver Protection Systems

INFORMATION SHEET

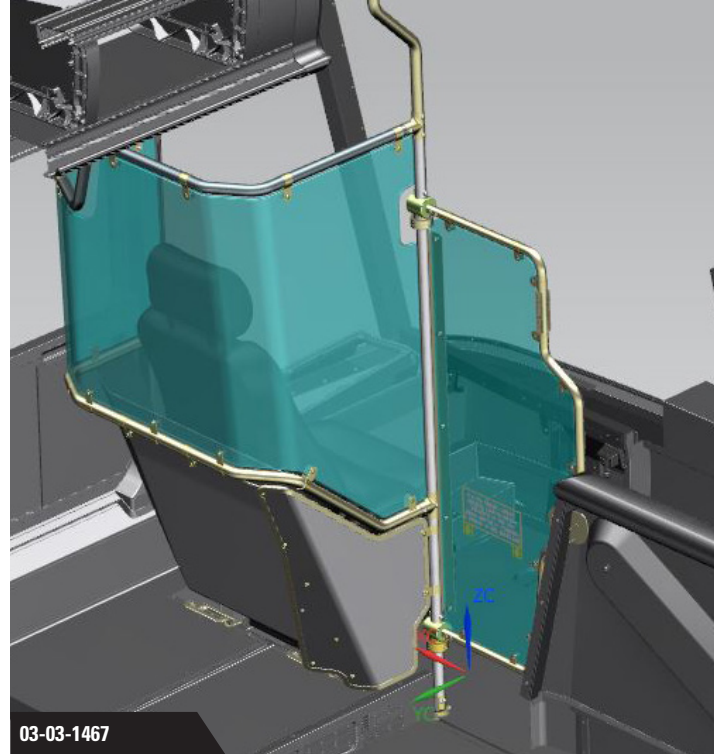
nfi.parts™

MCI

NEW FLYER

## MCI D Coaches

### NFI Parts Offers the Latest in Driver Protection Systems



### FEATURES

- Supports social distancing
- Protects drivers and riders
- Deflects projectiles
- Robust/permanent solution



PN / Status	Make	Model	Description
03-03-1467	MCI	D4005/D4505	Panel Inst'l - Drvr Mod, Aisle Gate, Sed/Dr, PU Pass Mod Pnl
6482676	MCI	D4005/D4505	Kit - Drivers Barrier, SVP D-Coach
03-03-1435	MCI	D4005/D4505	High Guard Driver's Shield - Clear, Low Roof
03-03-1409	MCI	D4005/D4505	High Guard Driver's Shield - Clear

### OTHER OPTIONS AVAILABLE, CALL FOR DETAILS

Information on this sheet is subject to change at the discretion of NFI Parts and/or its affiliates. Contact your NFI Parts solutions manager or customer service representative for further details. All product names, trademarks, and registered trademarks are property of their respective owners. NFI Parts disclaims any proprietary interest in the marks and names of others.

nfi.parts™  
www.nfi.parts

NEW FLYER

U.S. & Canada  
800.665.2637

MCI

U.S. 800.323.1290  
Canada 800.665.0155  
partsstore.nfi.parts

# Driver Protection Systems

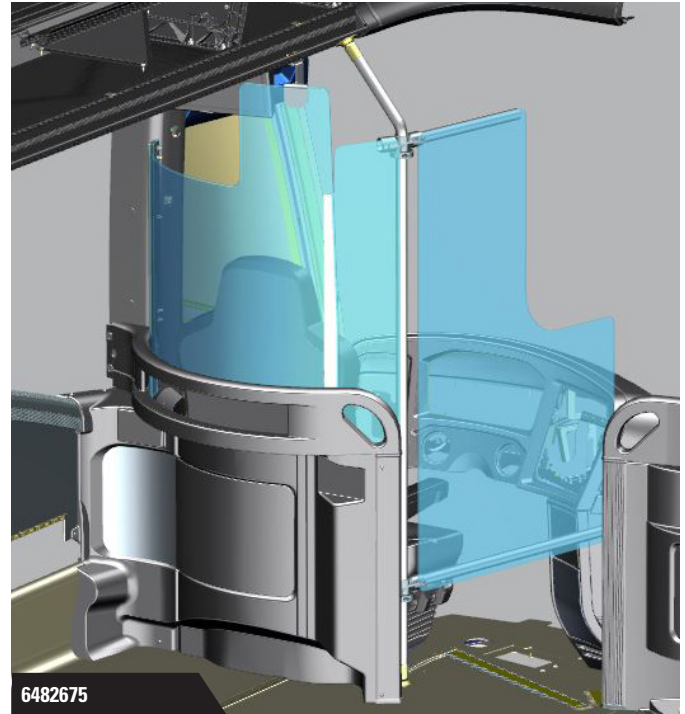
INFORMATION SHEET

nfi.parts™



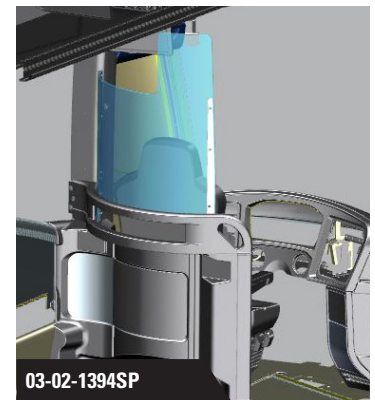
## MCI J4500 Coaches

### NFI Parts Offers the Latest in Driver Protection Systems



### FEATURES

- Supports social distancing
- Protects drivers and riders
- Deflects projectiles
- Robust/permanent solution



PN / Status	Make	Model	Description
6482696	MCI	J4500	Kit - Drivers Barrier, Arowguard, J-Coach
6482675	MCI	J4500	Kit - Drivers Barrier, SVP, Enclosure J-Coach
03-02-1394SP	MCI	J4500	High Guard w/Com P/Rack, W/15" LCD
6482697	MCI	J4500	Kit - Drivers Barrier, SVP High Guard, J Coach
6482695	MCI	J4500	Kit - Drivers Barrier Door Kit, SVP, J Coach

## OTHER OPTIONS AVAILABLE, CALL FOR DETAILS

Information on this sheet is subject to change at the discretion of NFI Parts and/or its affiliates. Contact your NFI Parts solutions manager or customer service representative for further details. All product names, trademarks, and registered trademarks are property of their respective owners. NFI Parts disclaims any proprietary interest in the marks and names of others.

nfi.parts™  
www.nfi.parts



U.S. & Canada  
800.665.2637



U.S. 800.323.1290  
Canada 800.665.0155  
partsstore.nfi.parts

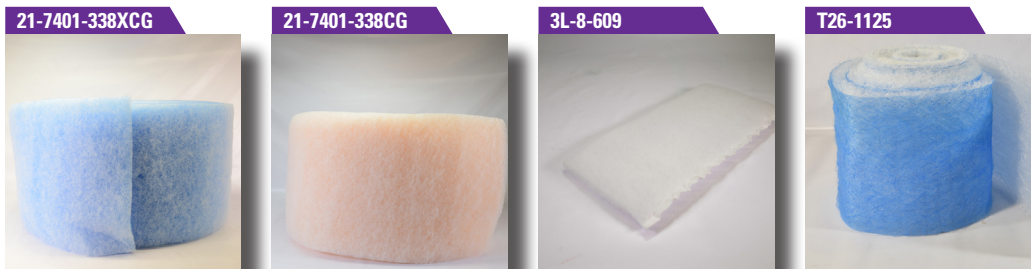
# Interior Air Filters

INFORMATION SHEET

nfi.parts™



**NFI Parts offers a wide variety of air filters to keep your fleet's interiors fresh and clean. We have the right filter to ensure your coaches are comfortable for your passengers. Easy to order and available online for expedited shipping.**



**It is a good practice to change out your air filters every 6 months.**

Part #	Type	Size	D Coach 1993-2014	D Coach 2014-Present	E/J 1998-2001	E, J, CRT 2002-Present	Xcelsior
637407	HVAC Return Air, Filter - MERV7						✓
636999	HVAC Return Air, Filter - MERV7						✓
16L-1-72	Evap Filter Roll, Poly Fiber - MERV5	20"x37.5"	✓	✓			
21-7401-338CG	Evap Filter Roll, Poly Fiber with Intercept - MERV5	20"x90"	✓	✓	✓	✓	
21-7401-338XCG	Evap Filter Roll, Poly Fiber w/o Intercept - MERV5	20"x90"	✓	✓	✓	✓	
3L-8-609	Parcel Rack, Filter Poly Fiber - MERV5	17"x8.25"	✓				
T26-1125	Evap Filter Roll, Filter Poly Fiber	12"x85"			✓	✓	
T16-1270	Evap Filter Roll, Filter Poly Fiber - MERV5	11.4"x90"				✓	
6481593	Evap Filter Roll, Filter Poly Fiber - MERV8	24"x90"	✓	✓	✓	✓	
16-14-1504	Driver Defroster Filter, Alum. Mesh - MERV8			✓			
16-14-1316	Driver Defroster Filter, Alum. Mesh - MERV8					✓	
16L-14-157	Driver Defroster Filter, Alum. Mesh - MERV8		✓				
16-14-1163	Driver Defroster Filter, Alum. Mesh - MERV8	5.75"x16.16"			✓		

Information on this sheet is subject to change at the discretion of NFI Parts and/or its affiliates. Contact your NFI Parts solutions manager or customer service representative for further details. All product names, trademarks, and registered trademarks are property of their respective owners. NFI Parts disclaims any proprietary interest in the marks and names of others.

nfi.parts™  
www.nfi.parts



U.S. & Canada  
800.665.2637



U.S. 800.323.1290  
Canada 800.665.0155  
partsstore.nfi.parts

# Power Vented Safety Roof Hatch Kit

INFORMATION SHEET

nfi.parts™

MCI

NEW FLYER

## Add ventilation and improve passenger comfort.

The power safety vent is a combination emergency exit and roof ventilator that utilizes the built in electric fan for extracting condensation, stale or hot air from inside the vehicle to improve passenger safety.



### Straightforward Installation



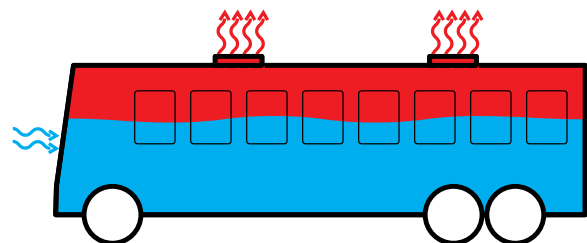
Simply remove your existing roof hatch lid from your existing bezel and install the new power lids



Run Power and Switch Circuit



Install Switch



Allows fresh air to circulate

## FEATURES

- Constructed of high strength UV stable materials
- Universal fit 24V application - fits most transit buses and motor coaches with an existing 24x24" roof hatch
- Creates a powerful airflow and cross breeze with a durable low profile fan
- Available in white (typical transit applications) or gray (typical motorcoach applications) interior color

NFI Part No.	Description
6482386	POWERED ROOF HATCH KIT (INCLUDES TWO POWER LIDS, HARNESSSES, DASH SWITCH AND INSTRUCTIONS) - GREY
6482437	POWERED ROOF HATCH KIT (INCLUDES TWO POWER LIDS, HARNESSSES, DASH SWITCH AND INSTRUCTIONS) - WHITE
6344894	ENGLISH DECAL
6349302	ENGLISH/SPANISH DECAL
6351298	FRENCH DECAL

Information on this sheet is subject to change at the discretion of NFI Parts and/or its affiliates. Contact your NFI Parts solutions manager or customer service representative for further details. All product names, trademarks, and registered trademarks are property of their respective owners. NFI Parts disclaims any proprietary interest in the marks and names of others.

nfi.parts™  
www.nfi.parts

NEW FLYER

U.S. & Canada  
800.665.2637

MCI

U.S. 800.323.1290  
Canada 800.665.0155  
partsstore.nfi.parts

# UV Lighting Kits

INFORMATION SHEET

nfi.parts™



**The smart answer to reducing viruses, bacteria and mold in the HVAC system.**

Durable, cost effective and reliable. Offers an improved safety focused environment for drivers and passengers.

## FEATURES

- High-cycle commercial grade ballast
- Simple installation into most main evaporator compartments
- UV-C lamp reduces viruses, bacteria, and mold in the air and on the HVAC coil by 99.9%
- Does not use harmful chemicals
- Produces no pollution
- Powered by high-powered ballast in a conveniently small size



Main Evaporator Install



Parcel Rack Install



**Two simple steps to get exactly what you need.**  
Select a lighting kit or kits and add the appropriate harness for your model coach.

### STEP 1 Select Lights

	NFI Part No.	Description
<b>J</b>	6482663	KIT - UV LIGHT, MAIN EVAP, J4500
	6482664	KIT - UV LIGHT, PARCEL RACK EVAPS, J4500
<b>D</b>	6482665	KIT - UV LIGHT, MAIN EVAP, D-COACH
	6482666	KIT - UV LIGHT, PARCEL RACK EVAPS, D-COACH

### STEP 2 Select Harness

	NFI Part No.	Description
<b>J</b>	6482667	KIT - EVAP HARNESS, UV, J COACH SENSATA
	6482668	KIT - EVAP HARNESS, UV, J COACH SHEKONIC
	6482669	KIT - EVAP HARNESS, UV, J COACH VANNER
	6482670	KIT - HARNESS, UV, J COACH NO INVERTERS
	6482693	KIT - HARNESS, UV, P/R EVAPS - J COACH
<b>D</b>	6482671	KIT - EVAP HARNESS, UV, D COACH SENSATA
	6482672	KIT - EVAP HARNESS, UV, D COACH SHEKONIC
	6482673	KIT - EVAP HARNESS, UV, D COACH VANNER
	6482674	KIT - HARNESS, UV, D COACH NO INVERTERS
	6482694	KIT - HARNESS, UV, P/R EVAPS - D COACH

Information on this sheet is subject to change at the discretion of NFI Parts and/or its affiliates. Contact your NFI Parts solutions manager or customer service representative for further details. All product names, trademarks, and registered trademarks are property of their respective owners. NFI Parts disclaims any proprietary interest in the marks and names of others.

nfi.parts™  
www.nfi.parts



U.S. & Canada  
800.665.2637



U.S. 800.323.1290  
Canada 800.665.0155  
partsstore.nfi.parts

# Celeste® Sanitizer Products - Sani-Cide EX3

INFORMATION SHEET

nfi.parts™

MCI

NEW FLYER

**An EPA registered broad-spectrum disinfectant and multi-purpose cleaner. It offers a safe and effective approach to the disinfection of a variety of surfaces throughout the vehicle while cleaning multi-soils leaving behind a clean, streak and haze free surface.**

## FEATURES

- Biodegradable
- Non-toxic and non-corrosive
- No quaternary ammonium compounds
- Water based, contains no volatile organic compounds (VOCs)
- Does not contribute to an accumulated grimy/dulled appearance
- Highly effective performance—shows substantial soil removal and minimal soil re-deposition—contains agents that prevent soil re-deposition and make subsequent cleaning easier
- Safe for use on glass, mirrors, metal, plastic, leather, fabric, and carpet
- Non-reactive to and fully compatible with all known fire retardant thermoplastics



NFI Part No.	Description
6482480	SANI-CIDE-EX3,CASE=(12) 1 QT BTL
6482481	SANI-CIDE-EX3,CASE+(4) 1 GAL JUG
6482483	SANI-CIDE-EX3,5 GAL PAIL

Information on this sheet is subject to change at the discretion of NFI Parts and/or its affiliates. Contact your NFI Parts solutions manager or customer service representative for further details. All product names, trademarks, and registered trademarks are property of their respective owners. NFI Parts disclaims any proprietary interest in the marks and names of others.

nfi.parts™  
www.nfi.parts

NEW FLYER

U.S. & Canada  
800.665.2637

MCI

U.S. 800.323.1290  
Canada 800.665.0155  
partsstore.nfi.parts



# Celeste® Sanitizer Products - SaniLuxe Hand Sanitizer

INFORMATION SHEET

nfi.parts™

MCI

NEW FLYER

**The mount  
anywhere hand  
sanitizer for  
operators and  
passengers safety**



## FEATURES

- Mild, gentle, moisturizing formula that does not dry out skin
- Contains emollients to leave hands feeling soft
- No need to rinse
- Easy viewing of sanitizer level
- Quick and easy bottle replacement

**Mounts Easy on  
Any Flat Surface**

- Drivers Areas
- Wheel Wells
- Lavatories

NFI Part No.	Description
T23-1026	SANITIZER-HAND,WATERLESS CS=32 (10 OZ.) BOTTLES
T23-1018	BASE HOLDER - COUNTER TOP, ANGLED BASE

Information on this sheet is subject to change at the discretion of NFI Parts and/or its affiliates. Contact your NFI Parts solutions manager or customer service representative for further details. All product names, trademarks, and registered trademarks are property of their respective owners. NFI Parts disclaims any proprietary interest in the marks and names of others.

nfi.parts™  
www.nfi.parts

NEW FLYER

U.S. & Canada  
800.665.2637

MCI

U.S. 800.323.1290  
Canada 800.665.0155  
partsstore.nfi.parts