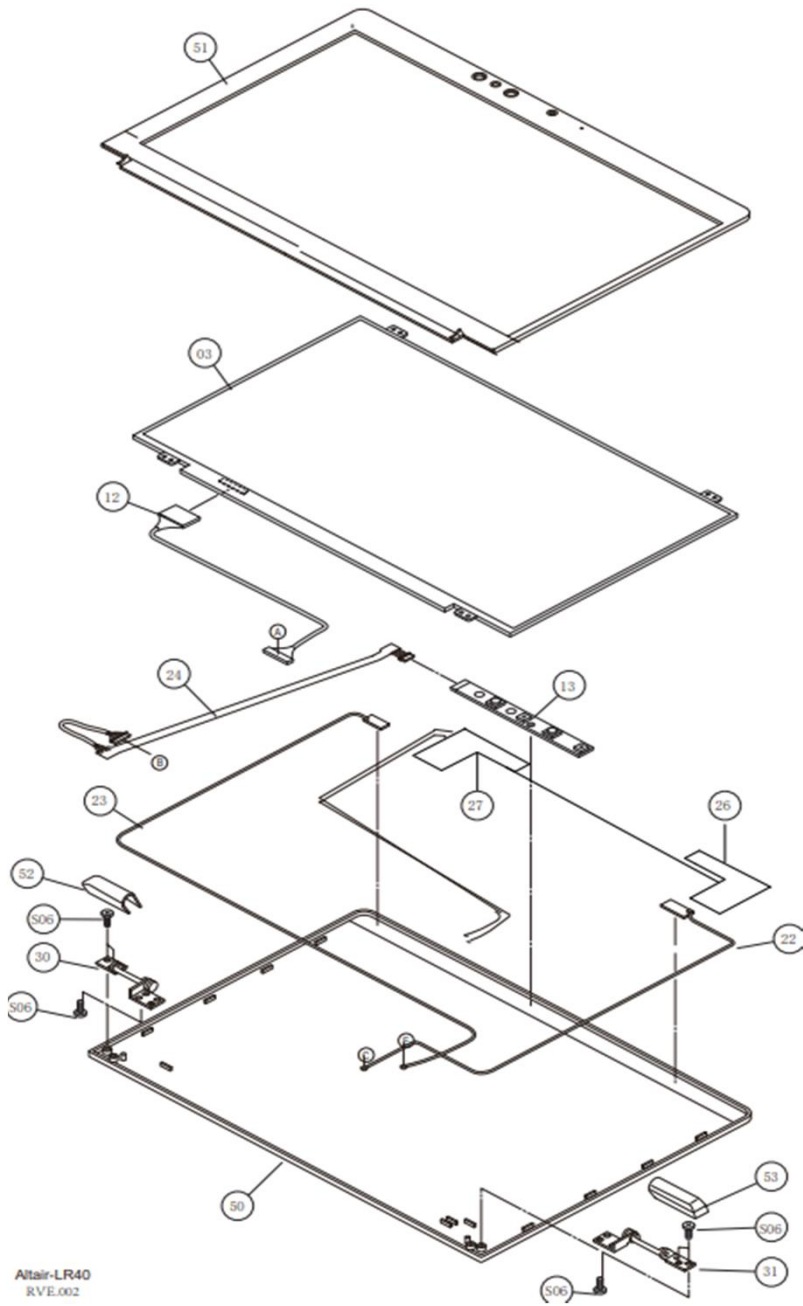


PARTS LIST

Model Name:	Portégé X50-G
Model Number [Short]:	PLR41E, PLR43E

SEQ. NO	LOCATION NO	PART NO	MFG NO	PART TYPE	DESCRIPTION
1	01-B	P000816190	A5A004587520	PCB	MOTHER BOARD ASSY
2	03	P000796710	G33C0009U110	LCD	15.6 FHD 470 WV
3	05-C	P000804120	G88C000CG1A0	SSD	SSD M.2 PCIE 1TB
4	05-C	P000834410	G88C000CS1A0	SSD	SSD M.2 PCIE 1TB
5	07-A	P000783860	G48C00035F50	MEM	MEMORY DDR4 2666 16GB
6	07-A	P000811700	G48C0003DFM0	MEM	MEMORY DDR4 2666 16GB
7	08	P000817340	G71C000LS210	ADP	AC ADAPTOR 3PIN 65W
8	08	P000834450	G71C000LS310	ADP	AC ADAPTOR 3PIN 65W
9	09	P000537110	GDM900001221	ACC	AC CORD SET(3WIRE)
10	09	P000644720	GDM900003015	ACC	AC CORD SET(3WIRE)
11	10	P000833390	G71C000LU210	LIB	BATTERY PACK U30
12	10	P000797340	G71C000LU110	LIB	BATTERY PACK U30
13	11-I	P000798360	G83C000KL5FR	KB	KEYBOARD UNIT(FR) BLACK
14	12	P000796740	GDM900003962	HAR	LCD HARNESS
15	12	P000796730	GDM900003953	HAR	FHD LCD HARNESS
16	13-A	P000793720	G9BC0006B110	COM	HD CAMERA MODULE
17	14	P000816110	G86C0007TD10	COM	WLAN+BT COMBO MODULE
18	15	P000790710	G61C0004A210	FAN	COOLING FAN
19	16	P000790720	G61C00049210	ETC	HEAT SINK
20	17	P000796750	GDM300000440	SPK	SPEAKER ASSY
21	18	P000729330	G70C0006U210	ETC	FPC DUAL BUTTON
22	19	P000674900	GM9036376481	INS	INSU SQUARE
23	20	P000790730	G83C000KH310	TP	SECURE PAD WITH ACCUPOINT
24	21	P000796760	GDM900003956	HAR	FFC SYS-FINGER PRINT
25	22	P000796770	GDM900003930	ANT	W-LAN ANTENNA MAIN
26	23	P000796780	GDM900003931	ANT	W-LAN ANTENNA AUX
27	24-A	P000798300	GDM900003934	HAR	CAMERA HARNESS
28	24-A	P000798310	GDM900003961	HAR	CAMERA HARNESS
29	25	P000796810	GDM900003955	HAR	FFC SYS-CLICK PAD
30	26	P000798370	GDM900003932	ANT	LTE MAIN ANTENNA
31	27	P000798380	GDM900003933	ANT	LTE AUX ANTENNA
32	28	P000796820	G28C0004S110	HAR	FPC SYS-SUB
33	29	P000796830	GDM900003957	HAR	FFC SYS-LED SUB BOARD
34	30	P000796840	GM9043354111	COV	HINGE L ASSY
35	31	P000796850	GM9043355111	COV	HINGE R ASSY
36	32	P000753020	G86C0007N310	COM	3G/LTE MODULE
37	33	P000796860	GDM900003959	HAR	SYS TO BATTERY HARNESS
38	40	P000797370	GM904334812A	COV	BASE ASSY
39	40A	P000830000	GM904333611A	CUS	BOTTOM CUSHION F
40	40B	P000830010	GM904333711A	CUS	BOTTOM CUSHION B
41	40C	P000746980	GM9042576111	INS	CU LAMI BASE
42	41	P000731970	GM904212011A	CUS	BOTTOM CUSHION M
43	49	P000746960	GY4C00073E10	ETC	COOL SHEET
44	50-A	P000798920	GM904335014A	COV	LCD COVER ASSY
45	50A	P000778100	GD9C00017G10	ETC	GASKET
46	50B	P000808700	GM9043334111	ETC	BD TAPE LCD
47	50C	P000808710	GM9043335111	ETC	BD TAPE MASK
48	50D	P000830700	GM9043527111	ETC	INSU SPT LCD
49	51-A	P000798320	GM904335111A	COV	LCD MASK ASSY
50	51A	P000808720	GM9032191251	ETC	MASK D STICK TAPE
51	52	P000796910	GM904330811A	COV	HINGE CAP L
52	53	P000796920	GM904330911A	COV	HINGE CAP R
53	54-A	P000797730	GM9035450531	ETC	AL TAPE
54	54-B	P000797050	GM9035450521	ETC	AL TAPE
55	54	P000694800	GM9035450421	ETC	AL TAPE
56	55	P000797740	GM9031851951	CUS	SQUARE CUSHION
57	57	P000796930	GM904333811A	PLT	CAM SHUTTER
58	58	P000796940	GM904332711A	INS	CAM PANEL
59	60-B	P000798400	GM904334911A	COV	COVER ASSY
60	60A	P000596450	GM9036376231	INS	INSULATOR SQUARE
61	61	P000796970	GM9043321111	INS	INSULATOR KB
62	62	P000796980	GM9043353111	COV	CPAD PLT ASSY
63	63	P000796990	GM9043370111	COV	CPAD RIM ASSY
64	64	P000797000	GM9043318111	INS	INSULATOR KB FPC
65	66	P000797010	GM904335211A	COV	PW BUTTON ASSY
66	67	P000797020	GM904331211A	COV	DUAL BUTTON
67	68	P000797030	GM9035507151	CUS	GUM CUSHION
68	69	P000797040	GM9031099471	INS	INSU SQUARE
69	72	P000799500	GM9043195131	CUS	SQUARE CUSHION
70	79	P000797220	GDM250000350	ETC	SIM TRAY
71	80	P000816210	A5A004588520	PCB	LED BOARD ASSY
72	81-A	P000798410	A5A004584010	PCB	USB BOARD ASSY
73	85	P000817910	GM9043644D60	ETC	NON-WOVEN CLOTH SHEET
74	88	P000798900	GM9043568111	INS	INSU KB FPC FIX
75	89	P000730900	G83C000JG310	ETC	ACCCUPOINT CAP
76	90	P000729970	GM9021049821	LAB	CAUTION LABEL
77	92	P000729480	GM902431168A	ETC	PRODUCT BADGE
78	A01	P000530560	GY4C0002M120	ETC	GLASS CLOTH TAPE
79	A02	P000554100	GH0C0001A110	ETC	CLEANER CLOTH
80	S01	P000717950	GDM640000667	SCR	SCREW M2X2 FLAT HEAD
81	S02	P000716570	GDM640000653	SCR	TSCREW M2X3 3CR
82	S03	P000716560	GDM640000664	SCR	G SCREW M2X2.5 3CR
83	S04	P000716630	GDM640000665	SCR	G SCREW M2X2.5SBN1
84	S05	P000714030	GDM640000661	SCR	SCREW M2X3 FLAT HEAD
85	S06	P000729980	GDM640000670	SCR	SCREW M2.5X5 FLAT HEAD
86	S07	P000729990	GDM640000669	SCR	SCREW M2X2.5 FLAT HEAD

Model Name:	Portégé X50-G
Model Number [Short]:	PLR41E, PLR43E



Altair-LR40
RVE.002

Model Name:	Portégé X50-G
Model Number [Short]:	PLR41E, PLR43E

