



# Cisco UCS C220 M4 High-Density Rack Server (Small Form Factor Disk Drive Model)

<b>OVERVIEW</b> . . . . .	<b>5</b>
<b>DETAILED VIEWS</b> . . . . .	<b>6</b>
Chassis Front View . . . . .	6
Chassis Rear View . . . . .	7
<b>BASE SERVER STANDARD CAPABILITIES and FEATURES</b> . . . . .	<b>8</b>
<b>CONFIGURING the SERVER</b> . . . . .	<b>13</b>
STEP 1 VERIFY SERVER SKU . . . . .	14
STEP 2 SELECT LOCKING SECURITY BEZEL (OPTIONAL) . . . . .	15
STEP 3 SELECT CPU(s) . . . . .	16
STEP 4 SELECT MEMORY . . . . .	19
STEP 5 SELECT RAID CONTROLLERS . . . . .	25
RAID Controller Options (internal HDD/SSD support) . . . . .	25
Embedded Software RAID . . . . .	25
Cisco 12G SAS Modular RAID Controller . . . . .	25
SAS HBA (internal HDD/SSD/JBOD support) . . . . .	25
SAS HBA (external JBOD support) . . . . .	25
RAID Volumes and Groups . . . . .	26
STEP 6 SELECT HARD DISK DRIVES (HDDs) or SOLID STATE DRIVES (SSDs) . . . . .	33
STEP 7 SELECT SED HARD DISK DRIVES (HDDs) or SOLID STATE DRIVES (SSDs) . . . . .	37
STEP 8 SELECT PCIe OPTION CARD(s) . . . . .	39
STEP 9 ORDER OPTIONAL NETWORK CARD ACCESSORIES . . . . .	43
STEP 10 ORDER POWER SUPPLY . . . . .	48
STEP 11 SELECT AC POWER CORD(s) . . . . .	49
STEP 12 ORDER TOOL-LESS RAIL KIT AND OPTIONAL REVERSIBLE CABLE MANAGEMENT ARM . . . . .	52
STEP 13 SELECT NIC MODE (OPTIONAL) . . . . .	53
STEP 14 ORDER A TRUSTED PLATFORM MODULE (OPTIONAL) . . . . .	54
STEP 15 ORDER CISCO FLEXIBLE FLASH SD CARD MODULE (OPTIONAL) . . . . .	56
STEP 16 ORDER OPTIONAL USB 3.0 DRIVE . . . . .	57
STEP 17 SELECT OPERATING SYSTEM AND VALUE-ADDED SOFTWARE . . . . .	58
STEP 18 SELECT OPERATING SYSTEM MEDIA KIT . . . . .	61
STEP 19 SELECT SERVICE and SUPPORT LEVEL . . . . .	62
<b>OPTIONAL STEP - ORDER RACK(s)</b> . . . . .	<b>67</b>
<b>OPTIONAL STEP - ORDER PDU</b> . . . . .	<b>68</b>
<b>SUPPLEMENTAL MATERIAL</b> . . . . .	<b>69</b>
CHASSIS . . . . .	69
Block Diagram . . . . .	70
CPUs and DIMMs . . . . .	71
Physical Layout . . . . .	71
Memory Population Rules . . . . .	72
DIMM Population Order . . . . .	73
Recommended Memory Configuration . . . . .	74
Additional DIMM Populations . . . . .	76
RAID Details . . . . .	77
RAID Option ROM (OPROM) Settings . . . . .	78
Embedded SATA RAID: Two SATA Controllers . . . . .	79
Serial Port Details . . . . .	82
Upgrade and Servicing-Related Parts . . . . .	83
Adding an Additional CPU (with CPU heat sink) or Replacing CPUs . . . . .	84
Motherboard Lithium Battery . . . . .	84
Thermal Grease (with syringe applicator) for CPU to Heatsink Seal . . . . .	84
Air Baffle Replacement Kit . . . . .	85
CPU Heat Sink Cleaning Kit . . . . .	85

---

# CONTENTS

- RACKS .....86
- PDU's .....88
- KVM CABLE .....89
- Motherboard USB and SD Ports, and RAID Card Backup Location .....90
- NEBS Compliance .....91
- TECHNICAL SPECIFICATIONS ..... 94**
- Dimensions and Weight .....94
- Power Specifications .....95
- Environmental Specifications .....97
- Compliance Requirements .....98



## OVERVIEW

The Cisco® UCS C220 M4 SFF rack server is the newest 2-socket, 1U rack server from Cisco, designed for both performance and expandability over a wide range of storage-intensive infrastructure workloads from web serving to distributed database.

The enterprise-class UCS C220 M4 small form factor (SFF) server extends the capabilities of Cisco's Unified Computing System portfolio in a 1U form factor with the addition of the Intel Xeon E5-2600 v3 and v4 series processor family that deliver significant performance and efficiency gains. In addition, the UCS C220 M4 SFF server provides 24 DIMM slots, up to 8 drives and 2 x 1 GbE LAN-on-motherboard (LOM) ports delivering outstanding levels of density and performance in a compact 1U package.

The C220 M4 SFF server includes a modular LAN on motherboard (mLOM) slot for installation of a Cisco Virtual Interface Card (VIC) or third-party network interface card (NIC) without consuming a PCI slot in addition to 2 x 1 GbE embedded (on the motherboard). These features combine to provide outstanding levels of internal memory and storage expandability along with exceptional performance.

The Cisco UCS C220 M4 SFF server can be used standalone, or as part of the Cisco Unified Computing System, which unifies computing, networking, management, virtualization, and storage access into a single integrated architecture enabling end-to-end server visibility, management, and control in both bare metal and virtualized environments.

Figure 1 Cisco UCS C220 M4 High-Density SFF Rack Server

Front View



Rear View

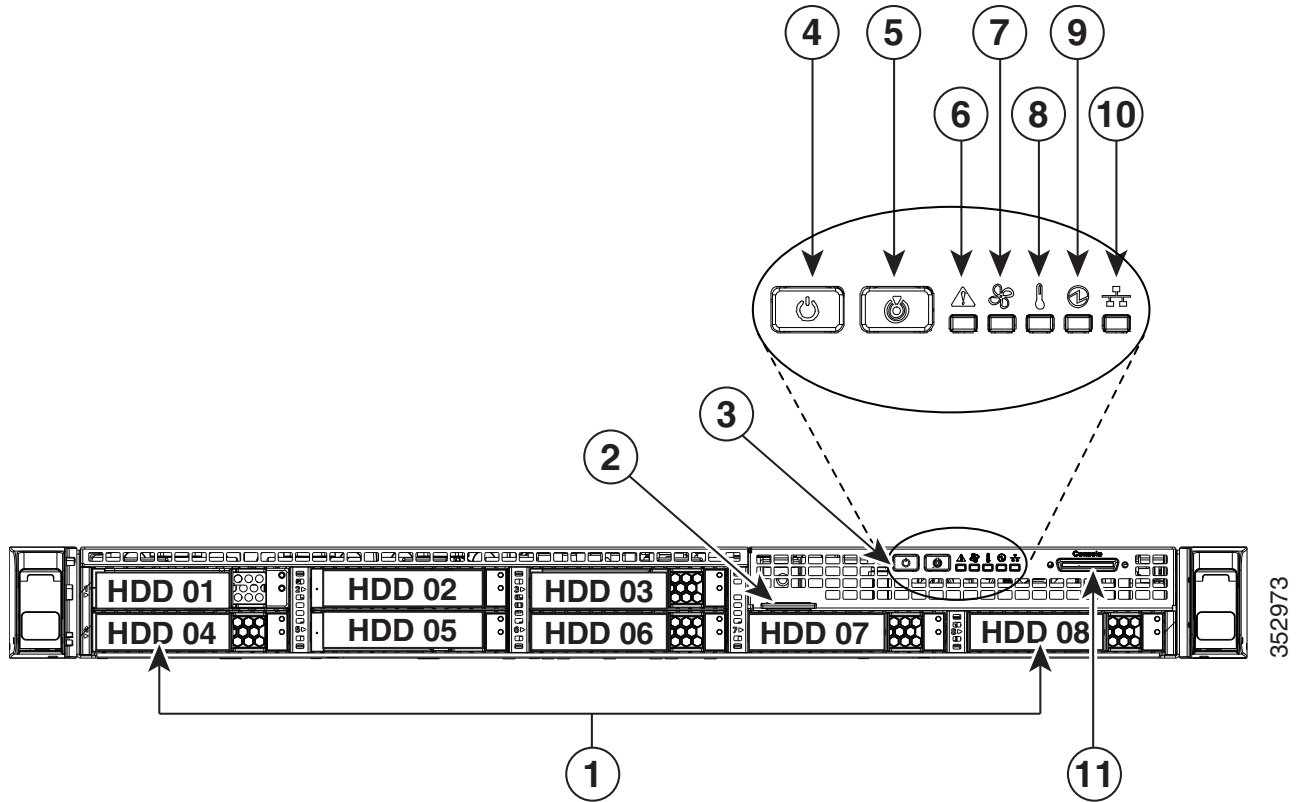


# DETAILED VIEWS

## Chassis Front View

Figure 2 shows the front view of the Cisco UCS C220 M4 High-Density SFF Rack Server.

Figure 2 Chassis Front View



1	Drives (up to eight 2.5-inch drives)	7	Fan status LED
2	Pull-out asset tag	8	Temperature status LED
3	Operations panel buttons and LEDs	9	Power supply status LED
4	Power button/Power status LED	10	Network link activity LED
5	Unit identification button/LED	11	KVM connector (used with KVM cable that provides two USB 2.0, one VGA, and one serial connector) <sup>1</sup>
6	System status LED		

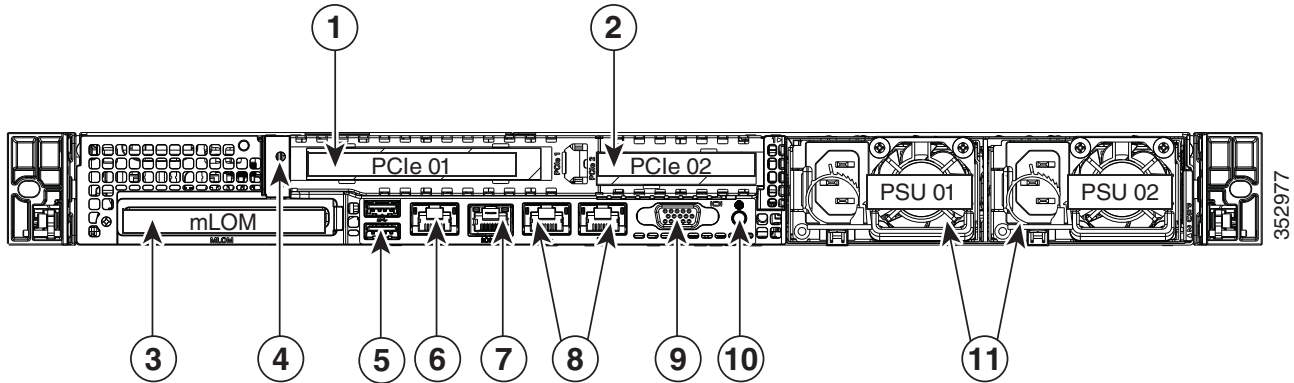
Notes . . .

1. For more information about the KVM cable connection, see [KVM CABLE, page 89](#)

## Chassis Rear View

Figure 3 shows the external features of the rear panel.

Figure 3 Chassis Rear View



1	PCIe riser 1/slot 1	7	Serial port (RJ-45 connector) <sup>1</sup>
2	PCIe riser 2/slot 2	8	Two embedded (on the motherboard) Intel i350 GbE Ethernet controller ports LAN1 is left connector and LAN2 is right connector
3	Modular LAN-on-motherboard (mLOM) card slot	9	VGA video port (DB-15)
4	Grounding-lug hole (for DC power supplies)	10	Rear unit identification button/LED
5	USB 3.0 ports (two)	11	Power supplies (up to two, redundant as 1+1)
6	1-Gb Ethernet dedicated management port		

Notes . . .

1. For details of the serial port pinout, see [Serial Port Details, page 82](#).

## BASE SERVER STANDARD CAPABILITIES and FEATURES

*Table 1* lists the capabilities and features of the base server. Details about how to configure the server for a particular feature or capability (for example, number of processors, disk drives, or amount of memory) are provided in *CONFIGURING the SERVER, page 13*.

Table 1 Capabilities and Features

Capability/Feature	Description
Chassis	One rack unit (1RU) chassis
CPU	One or two Intel® Xeon E5-2600 v3 or v4 series processor family CPUs
Chipset	Intel® C610 series chipset
Memory	24 slots for registered DIMMs (RDIMMs) or load-reduced DIMMs (LRDIMMs)
Multi-bit Error Protection	This server supports multi-bit error protection.
Embedded NIC	Two embedded (on the motherboard) Intel i350 GbE ports, supporting the following: <ul style="list-style-type: none"> <li>■ Pre-Execution Boot (PXE boot)</li> <li>■ iSCSI boot</li> <li>■ Checksum and segmentation offload</li> <li>■ NIC teaming</li> </ul>
Expansion slots	<ul style="list-style-type: none"> <li>■ Riser 1 (controlled by CPU 1): <ul style="list-style-type: none"> <li>• One full-height profile, 3/4-length slot with x24 connector and x16 lane</li> </ul> </li> <li>■ Riser 2 (controlled by CPU 2): <ul style="list-style-type: none"> <li>• One half-height profile, half-length slot with x24 connector and x16 lane, or</li> <li>• One half-height profile, half-length slot with x24 connector and x8 lane and two mini-SAS HD connectors that support two front-mount PCIe Gen 3 NVMe SFF 2.5” drives.</li> </ul> </li> <li>■ Dedicated RAID controller slot (see <a href="#">Figure 6 on page 69</a>) <ul style="list-style-type: none"> <li>• An internal slot is reserved for use by the Cisco 12G SAS Modular RAID controller or the Cisco 12 Gbps Modular SAS HBA.</li> </ul> </li> </ul>
Cisco Flexible Flash drives	<p>The server supports up to two internal 32 GB or two internal 64 GB Cisco Flexible Flash drives (SD cards).</p> <p>The second SD card is blank and can be used to mirror the first SD card. It can be used to protect the Hypervisor Partition with RAID1.</p>



Table 1 Capabilities and Features (*continued*)

Capability/Feature	Description
Internal storage devices	<p>Drives are installed into front-panel drive bays that provide hot-pluggable access.</p> <ul style="list-style-type: none"> <li>• Small Form Factor (SFF) drives. Up to eight 2.5-inch SAS or SATA hot-swappable hard disk drives (HDDs) or solid state drives (SSDs)<sup>1</sup>.</li> <li>• NVMe SFF 2.5” drives. These drives can be placed in front drive bays 1 and 2 only.</li> </ul> <ul style="list-style-type: none"> <li>■ The server also contains one internal USB 3.0 port on the motherboard that you can use with an optional 16 GB USB thumb drive for additional storage</li> <li>■ UCS Storage Accelerators are also available. These PCIe flash storage devices provide independent high-speed storage.</li> </ul>
Video	<p>The Cisco Integrated Management Controller (CIMC) provides video using the Matrox G200e video/graphics controller:</p> <ul style="list-style-type: none"> <li>■ Integrated 2D graphics core with hardware acceleration</li> <li>■ DDR2/3 memory interface supports up to 512 MB of addressable memory (8 MB is allocated by default to video memory)</li> <li>■ Supports display resolutions up to 1920 x 1200 16bpp @ 60Hz</li> <li>■ High-speed integrated 24-bit RAMDAC</li> <li>■ Single lane PCI-Express host interface running at Gen 1 speed</li> </ul>
Interfaces	<ul style="list-style-type: none"> <li>■ Rear panel <ul style="list-style-type: none"> <li>• One DB15 VGA connector</li> <li>• One RJ45 serial port connector</li> <li>• Two USB 3.0 port connectors</li> <li>• One RJ-45 10/100/1000 Ethernet management port, using Cisco Integrated Management Controller (CIMC) firmware</li> <li>• Two Intel i350 embedded (on the motherboard) GbE LOM ports</li> <li>• One flexible modular LAN on motherboard (mLOM) slot that can accommodate various interface cards</li> </ul> </li> <li>■ Front panel <ul style="list-style-type: none"> <li>• One KVM console connector (supplies two USB 2.0 connectors, one VGA DB15 connector, and one serial port (RS232) RJ45 connector)</li> </ul> </li> <li>■ Various PCIe card ports (dependent on which cards are installed) <ul style="list-style-type: none"> <li>• Virtual Interface Card (VIC) ports</li> <li>• Converged Network Adapter (CNA) ports</li> <li>• Network Interface Card (NIC) ports</li> <li>• Host Bus Adapter (HBA) ports</li> </ul> </li> </ul>

Table 1 Capabilities and Features *(continued)*

Capability/Feature	Description																		
Storage controller	<ul style="list-style-type: none"> <li>■ Embedded Software RAID (6 Gbps)                             <ul style="list-style-type: none"> <li>• Embedded SATA-only RAID controller, supporting up to 8 SATA-only drives (RAID 0, 1, 10), or</li> </ul> </li> <li>■ Cisco 12G SAS Modular RAID controller card with internal SAS connectivity.                             <ul style="list-style-type: none"> <li>• Supports up to 24 internal drives (note however that this server can be configured with a maximum of 8 drives)</li> <li>• Plugs into a dedicated internal RAID controller slot</li> <li>• Can be purchased alone, or along with an onboard Flash-Backed Write Cache (FBWC) upgrade option, as shown in the table below</li> </ul> </li> </ul>																		
	<table border="1"> <thead> <tr> <th>RAID Card Version</th> <th>Supported RAID Levels</th> <th>Onboard FBWC (cache)</th> </tr> </thead> <tbody> <tr> <td>UCSC-MRAID12G<sup>1</sup></td> <td>JBOD, 0, 1, 10</td> <td>None</td> </tr> <tr> <td>UCSC-MRAID12G-512<sup>2</sup></td> <td>JBOD, 0, 1, 5, 50</td> <td>512 MB</td> </tr> <tr> <td>UCSC-MRAID12G-1GB<sup>2</sup></td> <td>JBOD, 0, 1, 10, 5, 6, 50, 60</td> <td>1 GB</td> </tr> <tr> <td>UCSC-MRAID12G-2GB<sup>2</sup></td> <td>JBOD, 0, 1, 10, 5, 6, 50, 60</td> <td>2 GB</td> </tr> <tr> <td>UCSC-MRAID12G-4GB<sup>2</sup></td> <td>JBOD, 0, 1, 10, 5, 6, 50, 60</td> <td>4 GB</td> </tr> </tbody> </table>	RAID Card Version	Supported RAID Levels	Onboard FBWC (cache)	UCSC-MRAID12G <sup>1</sup>	JBOD, 0, 1, 10	None	UCSC-MRAID12G-512 <sup>2</sup>	JBOD, 0, 1, 5, 50	512 MB	UCSC-MRAID12G-1GB <sup>2</sup>	JBOD, 0, 1, 10, 5, 6, 50, 60	1 GB	UCSC-MRAID12G-2GB <sup>2</sup>	JBOD, 0, 1, 10, 5, 6, 50, 60	2 GB	UCSC-MRAID12G-4GB <sup>2</sup>	JBOD, 0, 1, 10, 5, 6, 50, 60	4 GB
RAID Card Version	Supported RAID Levels	Onboard FBWC (cache)																	
UCSC-MRAID12G <sup>1</sup>	JBOD, 0, 1, 10	None																	
UCSC-MRAID12G-512 <sup>2</sup>	JBOD, 0, 1, 5, 50	512 MB																	
UCSC-MRAID12G-1GB <sup>2</sup>	JBOD, 0, 1, 10, 5, 6, 50, 60	1 GB																	
UCSC-MRAID12G-2GB <sup>2</sup>	JBOD, 0, 1, 10, 5, 6, 50, 60	2 GB																	
UCSC-MRAID12G-4GB <sup>2</sup>	JBOD, 0, 1, 10, 5, 6, 50, 60	4 GB																	

Notes . . .

1. Base RAID controller card (RAID 0, 1, 10 only)
2. FBWC option for base RAID controller card (adding the FBWC option extends the RAID levels)

Table 1 Capabilities and Features *(continued)*


Capability/Feature	Description				
Storage controller	<ul style="list-style-type: none"> <li>■ Cisco 12 Gbps Modular SAS HBA with internal SAS connectivity                             <ul style="list-style-type: none"> <li>• Supports up to 24 internal drives (note however that this server can be configured with a maximum of 8 drives)</li> <li>• Plugs into a dedicated internal RAID controller slot</li> <li>• Supports JBOD only, not RAID, as shown in the below table.</li> </ul> </li> </ul> <table border="1" style="margin-left: 40px;"> <thead> <tr> <th>HBA Card Version</th> <th>Supported RAID Levels</th> </tr> </thead> <tbody> <tr> <td>UCSC-SAS12GHBA</td> <td>JBOD only</td> </tr> </tbody> </table>	HBA Card Version	Supported RAID Levels	UCSC-SAS12GHBA	JBOD only
HBA Card Version	Supported RAID Levels				
UCSC-SAS12GHBA	JBOD only				
	<ul style="list-style-type: none"> <li>■ Cisco 9300-8E 12G SAS HBA with external SAS connectivity                             <ul style="list-style-type: none"> <li>• Provides 8 external SAS ports</li> <li>• Plugs into a PCIe slot at the rear of the server</li> <li>• No FBWC (cache) or cache power backup</li> <li>• SAS 3.0 compliant</li> </ul> </li> </ul>				
WoL	The 1-Gb Base-T Ethernet LAN ports support the wake-on-LAN (WoL) standard.				
Front Panel	A front panel controller provides status indications and control buttons				
Modular LAN on Motherboard (mLOM) slot	<p>The mLOM slot can flexibly accommodate the following cards:</p> <ul style="list-style-type: none"> <li>■ Cisco Virtual Interface Cards (VIC)</li> <li>■ Quad Port Intel i350 1GbE RJ45 Network Interface Card (NIC)</li> </ul> <hr/> <div style="display: flex; align-items: center;">  <p><b>NOTE:</b> The four Intel i350 ports are provided on an optional card that plugs into the mLOM slot, and are separate from the two embedded (on the motherboard) LAN ports.</p> </div> <hr/>				
Power subsystem	Up to two 770 W (AC) hot swappable power supplies or two 1050 W (DC) power supplies. One is mandatory; one more can be added for 1 + 1 redundancy.				
ACPI	This server supports the advanced configuration and power interface (ACPI) 4.0 standard.				
Fans	<p>Chassis:</p> <ul style="list-style-type: none"> <li>■ Six hot-swappable fans for front-to-rear cooling</li> </ul>				

Table 1 Capabilities and Features *(continued)*

Capability/Feature	Description
Integrated management processor	Baseboard Management Controller (BMC) running Cisco Integrated Management Controller (CIMC) firmware. Depending on your CIMC settings, the CIMC can be accessed through the 1-GbE dedicated management port, the 1-GbE LOM ports, or a Cisco virtual interface card (VIC).

Notes . . .

1. The drives are available as both self-encrypted drives (SED) and non self-encrypted drives.

## CONFIGURING the SERVER

Follow these steps to configure the Cisco UCS C220 M4 High-Density SFF Rack Server:

- *STEP 1 VERIFY SERVER SKU, page 14*
- *STEP 2 SELECT LOCKING SECURITY BEZEL (OPTIONAL), page 15*
- *STEP 3 SELECT CPU(s), page 16*
- *STEP 4 SELECT MEMORY, page 19*
- *STEP 5 SELECT RAID CONTROLLERS, page 25*
- *STEP 6 SELECT HARD DISK DRIVES (HDDs) or SOLID STATE DRIVES (SSDs), page 33*
- *STEP 7 SELECT SED HARD DISK DRIVES (HDDs) or SOLID STATE DRIVES (SSDs), page 37*
- *STEP 8 SELECT PCIe OPTION CARD(s), page 39*
- *STEP 9 ORDER OPTIONAL NETWORK CARD ACCESSORIES, page 43*
- *STEP 10 ORDER POWER SUPPLY, page 48*
- *STEP 11 SELECT AC POWER CORD(s), page 49*
- *STEP 12 ORDER TOOL-LESS RAIL KIT AND OPTIONAL REVERSIBLE CABLE MANAGEMENT ARM, page 52*
- *STEP 13 SELECT NIC MODE (OPTIONAL), page 53*
- *STEP 14 ORDER A TRUSTED PLATFORM MODULE (OPTIONAL), page 54*
- *STEP 15 ORDER CISCO FLEXIBLE FLASH SD CARD MODULE (OPTIONAL), page 56*
- *STEP 16 ORDER OPTIONAL USB 3.0 DRIVE, page 57*
- *STEP 17 SELECT OPERATING SYSTEM AND VALUE-ADDED SOFTWARE, page 58*
- *STEP 18 SELECT OPERATING SYSTEM MEDIA KIT, page 61*
- *STEP 19 SELECT SERVICE and SUPPORT LEVEL, page 62*
- *OPTIONAL STEP - ORDER RACK(s), page 67*
- *OPTIONAL STEP - ORDER PDU, page 68*

## STEP 1 VERIFY SERVER SKU

Verify the product ID (PID) of the server as shown in [Table 2](#).

Table 2 PID of the C220 M4 High-Density SFF Rack Base Server

Product ID (PID)	Description
UCSC-C220-M4S	UCS C220 M4 SFF, no CPU, memory, HDD, SSD, power supply, SD cards, PCIe cards, or tool-less rail kit
UCSC-10PK-C220M4 <sup>1</sup>	MULTIPACK:10-Pk C220 M4 w/blanking panels, packaging
UCSC-C220-M4SNEBS	UCS C220 M4 NEBS SFF 8HD no CPU, memory, HDD, PCIe cards, power supply, or railkit <sup>2</sup>

Notes . . .

1. This selection allows you to order a quantity of 10 servers, all packaged together.
2. See [NEBS Compliance, page 91](#) for more details.

The Cisco UCS C220 M4 SFF server:

- Does not include power supply, CPU, memory, hard disk drives (HDDs), solid-state drives (SSDs), SD cards, tool-less rail kit, or plug-in PCIe cards.



**NOTE:** Use the steps on the following pages to configure the server with the components that you want to include.

---

## STEP 2 SELECT LOCKING SECURITY BEZEL (OPTIONAL)

An optional locking bezel can be mounted to the front of the chassis to prevent unauthorized access to the drives.

Select the locking bezel from [Table 3](#).

Table 3 Locking Bezel Option

Product ID (PID)	Description
UCSC-BZL-C220M4	C220 M4 Security Bezel

### STEP 3 SELECT CPU(s)

The standard CPU features are:

- Intel Xeon E5-2600 v3 and v4 series processor family CPUs
- Intel C610 series chipset
- Cache size of up to 55 MB

#### Select CPUs

The available CPUs are listed in [Table 4](#).

Table 4 Available Intel CPUs

Product ID (PID)	Intel Number	Clock Freq (GHz)	Power (W)	Cache Size (MB)	Cores	QPI	Highest DDR4 DIMM Clock Support (MHz) <sup>1</sup>
<b>E5-2600 v4 Series Processor Family CPUs</b>							
UCS-CPU-E52699AE	E5-2699A v4	2.40	145	55	22	9.6 GT/s	2400
UCS-CPU-E52699E	E5-2699 v4	2.20	145	55	22	9.6 GT/s	2400
UCS-CPU-E52698E	E5-2698 v4	2.20	135	50	20	9.6 GT/s	2400
UCS-CPU-E52697AE	E5-2697A v4	2.60	145	40	16	9.6 GT/s	2400
UCS-CPU-E52697E	E5-2697 v4	2.30	145	45	18	9.6 GT/s	2400
UCS-CPU-E52695E	E5-2695 v4	2.10	120	45	18	9.6 GT/s	2400
UCS-CPU-E52690E	E5-2690 v4	2.60	135	35	14	9.6 GT/s	2400
UCS-CPU-E52683E	E5-2683 v4	2.10	120	40	16	9.6 GT/s	2400
UCS-CPU-E52680E	E5-2680 v4	2.40	120	35	14	9.6 GT/s	2400
UCS-CPU-E52667E	E5-2667 v4	3.20	135	25	8	9.6 GT/s	2400
UCS-CPU-E52660E	E5-2660 v4	2.00	105	35	14	9.6 GT/s	2400
UCS-CPU-E52650E	E5-2650 v4	2.20	105	30	12	9.6 GT/s	2400
UCS-CPU-E52650LE	E5-2650L v4	1.70	65	35	14	9.6 GT/s	2400
UCS-CPU-E52643E	E5-2643 v4	3.40	135	20	6	9.6 GT/s	2400
UCS-CPU-E52640E	E5-2640 v4	2.40	90	25	10	8.0 GT/s	2133
UCS-CPU-E52637E	E5-2637 v4	3.50	135	15	4	9.6 GT/s	2400
UCS-CPU-E52630E	E5-2630 v4	2.20	85	25	10	8.0 GT/s	2133
UCS-CPU-E52630LE	E5-2630L v4	1.80	55	25	10	8.0 GT/s	2133
UCS-CPU-E52623E	E5-2623 v4	2.60	85	10	4	8.0 GT/s	2133
UCS-CPU-E52620E	E5-2620 v4	2.10	85	20	8	8.0 GT/s	2133
UCS-CPU-E52609E	E5-2609 v4	1.70	85	20	8	6.4 GT/s	1866
UCS-CPU-E52658E	E5-2658 v4	2.30	105	35	14	9.6 GT/s	2400



Table 4 Available Intel CPUs (*continued*)

Product ID (PID)	Intel Number	Clock Freq (GHz)	Power (W)	Cache Size (MB)	Cores	QPI	Highest DDR4 DIMM Clock Support (MHz) <sup>1</sup>
E5-2600 v3 Series Processor Family CPUs							
UCS-CPU-E52699D	E5-2699 v3	2.30	145	45	18	9.6 GT/s	2133
UCS-CPU-E52698D	E5-2698 v3	2.30	135	40	16	9.6 GT/s	2133
UCS-CPU-E52697D	E5-2697 v3	2.60	145	35	14	9.6 GT/s	2133
UCS-CPU-E52695D	E5-2695 v3	2.30	120	35	14	9.6 GT/s	2133
UCS-CPU-E52690D	E5-2690 v3	2.60	135	30	12	9.6 GT/s	2133
UCS-CPU-E52683D	E5-2683 v3	2.00	120	35	14	9.6 GT/s	2133
UCS-CPU-E52680D	E5-2680 v3	2.50	120	30	12	9.6 GT/s	2133
UCS-CPU-E52670D	E5-2670 v3	2.30	120	30	12	9.6 GT/s	2133
UCS-CPU-E52667D	E5-2667 v3	3.20	135	20	8	9.6 GT/s	2133
UCS-CPU-E52660D	E5-2660 v3	2.60	105	25	10	9.6 GT/s	2133
UCS-CPU-E52658D	E5-2658 v3	2.20	105	30	12	9.6 GT/s	2133
UCS-CPU-E52650D	E5-2650 v3	2.30	105	25	10	9.6 GT/s	2133
UCS-CPU-E52650LD	E5-2650L v3	1.80	65	30	12	9.6 GT/s	1866
UCS-CPU-E52643D	E5-2643 v3	3.40	135	20	6	9.6 GT/s	2133
UCS-CPU-E52640D	E5-2640 v3	2.60	90	20	8	8.0 GT/s	1866
UCS-CPU-E52637D	E5-2637 v3	3.50	135	15	4	9.6 GT/s	2133
UCS-CPU-E52630D	E5-2630 v3	2.40	85	20	8	8.0 GT/s	1866
UCS-CPU-E52630LD	E5-2630L v3	1.80	55	20	8	8.0 GT/s	1866
UCS-CPU-E52623D	E5-2623 v3	3.00	105	10	4	8.0 GT/s	1866
UCS-CPU-E52620D	E5-2620 v3	2.40	85	15	6	8.0 GT/s	1866
UCS-CPU-E52609D <sup>2</sup>	E5-2609 v3	1.90	85	15	6	6.4 GT/s	1600

## Notes . . .

1. If higher or lower speed DIMMs are selected than what is shown in the table for a given CPU, the DIMMs will be clocked at the lowest common denominator of CPU clock and DIMM clock.
2. The E5-2609 v3 CPU does not support Intel Hyper-Threading or Intel Turbo Boost technologies.

## Approved Configurations

---

(1) 1-CPU configurations:

- Select any one CPU listed in [Table 4 on page 16](#).

(2) 2-CPU Configurations:

- Select two identical CPUs from any one of the rows of [Table 4 on page 16](#).

## Caveats

---

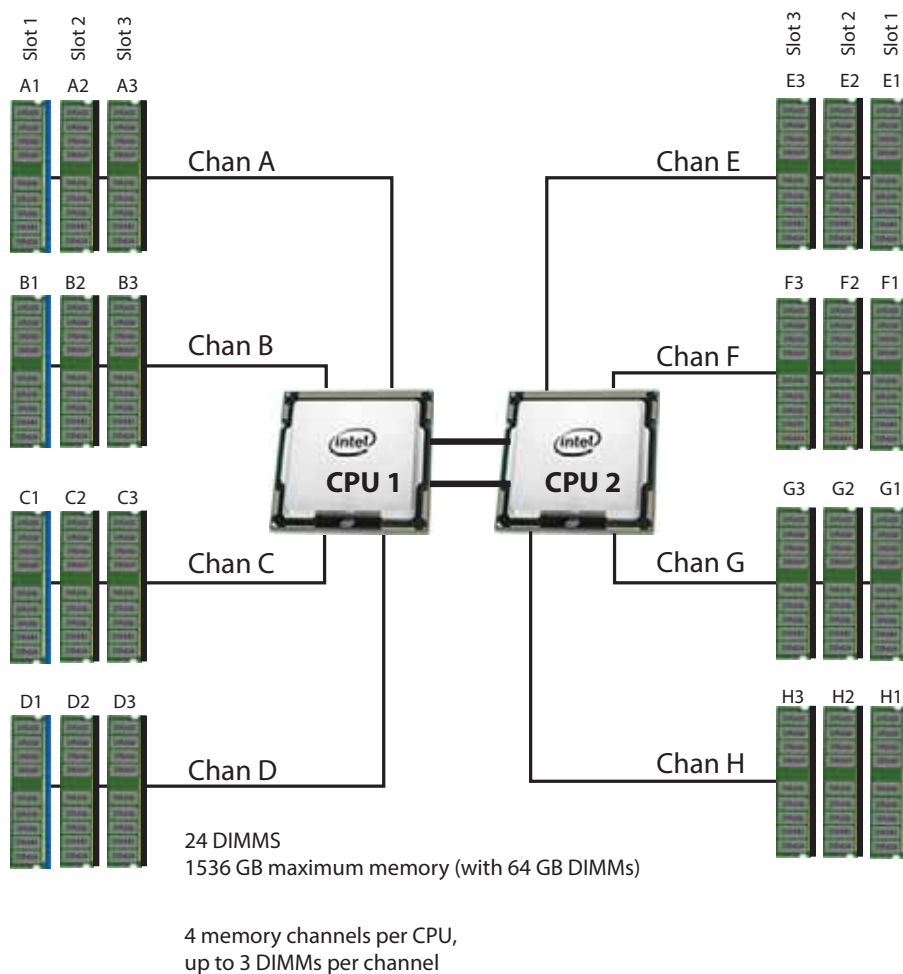
- You can select either one processor or two identical processors.
- The selection of 1 or 2 CPUs depends on the desired server functionality. See the following sections:
  - [STEP 4 SELECT MEMORY, page 19](#) (memory mirroring section)
  - [Table 9 on page 30](#) (RAID support table)
  - [STEP 5 SELECT RAID CONTROLLERS, page 25](#)
  - [STEP 8 SELECT PCIe OPTION CARD\(s\), page 39](#)
- For optimal performance, select DIMMs with the highest clock speed for a given processor (see [Table 4 on page 16](#)). If you select DIMMs whose speeds are lower or higher than that shown in the tables, suboptimal performance will result.
- See [NEBS Compliance, page 91](#) for complete information on Network Equipment Building Standards (NEBS) support for a C220 M4 configured with 1 CPU or 2 CPUs.

## STEP 4 SELECT MEMORY

The standard memory features are:

- DIMMs
  - Clock speed: 2400 or 2133 MHz
  - Ranks per DIMM: 1, 2, 4, or 8
  - Operational voltage: 1.2 V
  - Registered ECC DDR4 DIMMs (RDIMMs), TSV-RDIMMs, or load-reduced ECC DDR4 DIMMs (LRDIMMs)
- Memory is organized with four memory channels per CPU, with up to three DIMMs per channel, as shown in [Figure 4](#).

Figure 4 C220 M4 SFF Memory Organization



Select DIMMs and Memory Mirroring

Select the memory configuration and whether or not you want the memory mirroring option. The available memory DIMMs and mirroring option are listed in [Table 5](#).



**NOTE:** When memory mirroring is enabled, the memory subsystem simultaneously writes identical data to two channels. If a memory read from one of the channels returns incorrect data due to an uncorrectable memory error, the system automatically retrieves the data from the other channel. A transient or soft error in one channel does not affect the mirrored data, and operation continues unless there is a simultaneous error in exactly the same location on a DIMM and its mirrored DIMM. Memory mirroring reduces the amount of memory available to the operating system by 50% because only one of the two populated channels provides data.

Table 5 Available DDR4 DIMMs

Product ID (PID)	PID Description	Voltage	Ranks /DIMM
<b>2400-MHz DIMM Options</b>			
UCS-ML-1X644RV-A	64GB DDR4-2400-MHz LRDIMM/PC4-19200/quad rank/x4	1.2 V	4
UCS-ML-1X324RV-A	32GB DDR4-2400-MHz LRDIMM/PC4-19200/quad rank/x4	1.2 V	4
UCS-MR-1X322RV-A	32GB DDR4-2400-MHz RDIMM/PC4-19200/dual rank/x4	1.2 V	2
UCS-MR-1X162RV-A	16GB DDR4-2400-MHz RDIMM/PC4-19200/dual rank/x4	1.2 V	2
UCS-MR-1X161RV-A	16GB DDR4-2400-MHz RDIMM/PC4-19200/single rank/x4	1.2 V	1
UCS-MR-1X081RV-A	8 GB DDR4-2400-MHz RDIMM/PC4-19200/single rank/x4	1.2 V	1
<b>2133-MHz DIMM Options</b>			
UCS-MR-1X648RU-A <sup>1</sup>	64GB DDR4-2133-MHz TSV-RDIMM/PC4-17000/octal rank/x4	1.2 V	8
UCS-MR-1X322RU-A	32GB DDR4-2133-MHz RDIMM/PC4-17000/dual rank/x4	1.2 V	2
UCS-ML-1X324RU-A	32GB DDR4-2133-MHz LRDIMM/PC4-17000/quad rank/x4	1.2 V	4
UCS-MR-1X162RU-A	16GB DDR4-2133-MHz RDIMM/PC4-17000/dual rank/x4	1.2 V	2
UCS-MR-1X081RU-A	8GB DDR4-2133-MHz RDIMM/PC4-17000/single rank/x4	1.2 V	1
<b>Memory Mirroring Option</b>			
N01-MMIRROR	Memory mirroring option		

Notes . . .

1. Power capping is not supported when using 64GB TSV-RDIMMS.

## Approved Configurations

### (1) 1-CPU configuration without memory mirroring:

- Select from 1 to 12 DIMMs. Refer to [Memory Population Rules, page 72](#), for more detailed information.

### (2) 1-CPU configuration with memory mirroring:

- Select 2, 4, 8, or 12 identical DIMMs. The DIMMs will be placed by the factory as shown in the following table.

Total Number of DIMMs	CPU 1 DIMM Placement in Channels (for identical dual-rank DIMMs for 3DPC or identical quad-rank DIMMs for 2DPC)		
	Blue Slots	Black Slots	White Slots
2	(A1, B1)	—	—
4	(A1,B1); (C1,D1)	—	—
8	(A1,B1); (C1,D1)	(A2,B2); (C2,D2)	—
12	(A1,B1); (C1,D1)	(A2,B2); (C2,D2)	(A3,B3); (C3,D3)

- Select the memory mirroring option (N01-MMIRROR) as shown in [Table 5 on page 20](#).

### (3) 2-CPU configuration without memory mirroring:

- Select from 1 to 12 DIMMs per CPU. Refer to [Memory Population Rules, page 72](#), for more detailed information.

### (4) 2-CPU configuration with memory mirroring:

- Select 2, 4, 8, or 12 identical DIMMs per CPU. The DIMMs will be placed by the factory as shown in the following table.

Number of DIMMs per CPU	CPU 1 DIMM Placement in Channels (for identical dual-rank DIMMs for 3DPC or identical quad-rank DIMMs for 2DPC)			CPU 2 DIMM Placement in Channels (for identical dual-rank DIMMs for 3DPC or identical quad-rank DIMMs for 2DPC)		
	Blue Slots	Black Slots	White Slots	Blue Slots	Black Slots	White Slots
2	(A1, B1)	—	—	(E1, F1)	—	—
4	(A1,B1); (C1,D1)	—	—	(E1,F1); (G1,H1)	—	—
8 (CPU1) and 4 (CPU2) <sup>1</sup>	(A1,B1); (C1,D1)	(A2,B2); (C2,D2)	—	(E1,F1)	(E2, F2)	—
8	(A1,B1); (C1,D1)	(A2,B2); (C2,D2)	—	(E1,F1); (G1,H1)	(E2,F2); (G2,H2)	—
12	(A1,B1); (C1,D1)	(A2,B2); (C2,D2)	(A3, B3); (C3, D3)	(E1,F1); (G1,H1)	(E2,F2); (G2,H2)	(E3,F3); (G3,H3)

Notes . . .

1. Not recommended (for performance reasons)

- Select the memory mirroring option (N01-MMIRROR) as shown in [Table 5 on page 20](#).



**NOTE:** System performance is optimized when the DIMM type and quantity are equal for both CPUs, and when all channels are filled equally across the CPUs in the server.

**Caveats**

- System speed is dependent on how many DIMMs are populated per channel and the CPU DIMM speed support. See [Table 6 and Table 7 on page 23](#) for details.

**Table 6 2133-MHz DIMM Memory Speeds with Different CPUs**

DIMM Speed	DPC	1600-MHz Capable CPU		1866-MHz Capable CPU		2133-MHz Capable CPU	
		LRDIMM (QR)	RDIMM (8R, DR, SR)	LRDIMM (QR)	RDIMM (8R, DR, SR)	LRDIMM (QR)	RDIMM (8R, DR, SR)
2133 DIMM	1DPC	1600	1600	1866	1866	2133	2133
	2DPC	1600	1600	1866	1866	2133	2133
	3DPC	1600	1600	1600	1600	1866	1866 (32 GB RDIMMs and 16 GB DIMMs)  1600 (64 GB TSV RDIMMs, 8 GB RDIMMs)

Table 7 2400-MHz DIMM Memory Speeds with Different v4 CPUs

DIMM and CPU Frequencies	DPC	LRDIMM (QRx4) - 64 GB <sup>1</sup>	RDIMM (2Rx4) - 32 GB	LRDIMM (QRx4) - 32 GB <sup>1</sup>	RDIMM (SRx4) - 16 GB	RDIMM (SRx4) - 8 GB
		1.2 V	1.2 V	1.2 V	1.2 V	1.2 V
DIMM = 2400 MHz CPU = 2400 MHz	1DPC	2400 MHz	2400 MHz	2400 MHz	2400 MHz	2400 MHz
	2DPC <sup>2</sup>	2400 MHz	2400 MHz	2400 MHz	2400 MHz	2400 MHz
	3DPC	2133 MHz	1866 MHz	2133 MHz	2133 MHz	2133 MHz
DIMM = 2400 MHz CPU = 2133 MHz	1DPC	2133 MHz	2133 MHz	2133 MHz	2133 MHz	2133 MHz
	2DPC	2133 MHz	2133 MHz	2133 MHz	2133 MHz	2133 MHz
	3DPC	1866 MHz	1866 MHz	1866 MHz	1866 MHz	1600 MHz
DIMM = 2400 MHz CPU = 1866 MHz	1DPC	1866 MHz	1866 MHz	1866 MHz	1866 MHz	1866 MHz
	2DPC	1866 MHz	1866 MHz	1866 MHz	1866 MHz	1866 MHz
	3DPC	1866 MHz	1600 MHz	1866 MHz	1600 MHz	1600 MHz

## Notes . . .

1. Available at a future date
2. When you mix 2400 MHz RDIMMs of different sizes (for example, 4x32GB + 4x16GB), the memory speed clocks one step down to 2133 MHz.

- The C220 M4 server supports four different memory reliability, availability, and serviceability (RAS) modes:
  - Independent Channel Mode
  - Mirrored Channel Mode
  - Lockstep Channel Mode
- Below are the system level RAS Mode combination limitations:
  - Mixing of Independent and Lockstep channel mode is not allowed per platform.
  - Mixing of Non-Mirrored and Mirrored mode is not allowed per platform.
  - Mixing of Lockstep and Mirrored mode is not allowed per platform.
- Do not mix RDIMMs with LRDIMMs
- Do not mix 64GB DDR4-2133-MHz TSV-RDIMMs with any other DIMMs
- Single-rank DIMMs can be mixed with dual-rank DIMMs in the same channel
- Do not mix quad-rank DIMMs with single- or dual-rank DIMMs in the same channel
- For best performance, observe the following:

- DIMMs with different timing parameters can be installed on different slots within the same channel, but only timings that support the slowest DIMM will be applied to all. As a consequence, faster DIMMs will be operated at timings supported by the slowest DIMM populated.
- When one DIMM is used, it must be populated in DIMM slot 1 (farthest away from the CPU) of a given channel.
- When single, dual or quad rank DIMMs are populated for 2DPC or 3DPC, always populate the higher number rank DIMM first (starting from the farthest slot). For a 3DPC example, first populate with quad-rank DIMMs in the DIMM slot 1. Then dual-rank DIMMs in the DIMM 2 slot. Then single-rank DIMMs in the DIMM 3 slot.
- DIMMs for CPU 1 and CPU 2 (when populated) must always be configured identically.
- When using mirroring, DIMMs must be installed in identical pairs across paired DDR4 buses. That is, mirrored pairs in channels A and B must be identical and pairs in channels C and D must be identical. However, the DIMMs used in channels A and B can be different from those in channels C and D.
- Memory mirroring reduces the amount of available memory by 50% (quantity of DIMMs must be even for mirroring).
- Non-ECC DIMMs are not supported.
- Cisco memory from previous generation servers (DDR3) is not compatible with this server

For more information regarding memory, see [CPUs and DIMMs, page 71](#).



## STEP 5 SELECT RAID CONTROLLERS

### RAID Controller Options (internal HDD/SSD support)

#### Embedded Software RAID

You can choose the default embedded software RAID.

- The default RAID configuration is embedded software RAID, which supports SATA HDDs (RAID 0, 1, 10).



**NOTE:** The embedded software RAID in the Intel chipset hub is split into two, SATA and sSATA (secondary SATA). They are seen as separate software RAID controllers and are configurable separately. For more details, see [Embedded SATA RAID: Two SATA Controllers, page 79](#).

#### Cisco 12G SAS Modular RAID Controller

You can choose the Cisco 12G SAS RAID controller, which plugs into a dedicated RAID controller card slot. This RAID controller supports RAID 0, 1, 10 (without the FBWC option) and supports up to RAID 0, 1, 10, 5, 6, 50, 60 (with the FBWC option).



**NOTE:** The number of RAID groups (virtual drives) supported per RAID controller is as follows:

- Embedded RAID = 8
- Cisco 12G SAS Modular RAID controller = 64



**NOTE:** This controller can be ordered with several modular flash-backed write cache (FBWC) options: 512 MB, 1 GB, 2 GB, or 4 GB. If the controller has a FBWC and you are using a RAID configuration that uses striping (RAID 0, 10, 50, or 60), then the full list of stripe sizes is available (8, 16, 32, 64, 128, 256, 512, or 1024 KB). If the controller does not have a FBWC, then the only stripe size available is 64 KB.

#### SAS HBA (internal HDD/SSD/JBOD support)

Instead of a RAID controller, you can choose a SAS HBA for internal drive connectivity (non-RAID):

- Cisco 12 Gbps Modular SAS HBA, which plugs into a dedicated RAID controller slot.

#### SAS HBA (external JBOD support)

In addition to a RAID controller or JBOD controller for internal drives, you can choose the following SAS HBA for external connectivity (non-RAID), which plugs into one of the PCIe slots:

- Cisco 9300-8e 12G SAS HBA (provides 8 SAS ports for external JBOD connectivity).

## RAID Volumes and Groups

When creating each RAID volume, follow these guidelines:

- Use the same capacity for each drive in each RAID volume
- For embedded software RAID:
  - Use only SATA HDDs
  - Embedded software RAID has two ports and each port can control 4 drives, for 8 drives total.
  - Each set of 4 SATA HDDs for a port must be in separate RAID volumes.
  - You cannot mix drives across ports to create a RAID volume.
  - For more details, see [Embedded SATA RAID: Two SATA Controllers, page 79](#).
- For the Cisco 12G SAS modular RAID controller upgrade:
  - Use either all SAS HDDs, all SAS SSDs, or all SATA SSDs in each RAID volume

The number of RAID groups (virtual drives) supported per RAID controller is as follows:

- Embedded RAID = 8
- Cisco 12G SAS Modular RAID controller = 64

### Select Controller Options

---

Select one of the following:

- Embedded software RAID (this is the default if no other selection is made), or
- One Cisco 12G SAS modular RAID controller or Cisco 12 Gbps Modular SAS HBA (see [Table 8 on page 27](#)), or
- Mixed controllers:
  - One Cisco 12G SAS modular RAID controller or one Cisco 12 Gbps Modular SAS HBA and
  - One or two Cisco 9300-8E 12G SAS HBAs for external SAS JBOD/enclosure connectivity support (see [Table 8 on page 27](#)).



**NOTE:** Mixing the Cisco 9300-8e HBA in the same server as the Cisco 12 Gbps Modular SAS HBA requires the following firmware levels:

- Cisco IMC/BIOS 2.0(8) or later
  - Cisco UCS Manager 2.2(6) or later (for integrated servers only)
-

- Dual HBAs:
  - Two Cisco 9300-8E 12G SAS HBAs for external SAS JBOD/enclosure connectivity support (see [Table 8](#)).

For the Cisco 12G SAS modular RAID controller, select an appropriate optional RAID configuration listed in [Table 8 on page 27](#)



**NOTE:** The Cisco 12G SAS modular RAID controller can be ordered with or without an optional FBWC (cache). The FBWC option backs up the RAID controller write cache. The FBWC is available in 512 MB, 1 GB, 2 GB, or 4 GB sizes. See [Table 8 on page 27](#) for details.



**NOTE:** For all valid combinations of embedded RAID and internal/external RAID controller combinations, see [RAID Details, page 77](#).

[Table 8](#) shows the product ID for the C220 M4 server entry-level RAID solution. This RAID option is accomplished with embedded software that supports a limited number of drives, operating systems, and virtualized environments. For a more comprehensive enterprise RAID solution, choose the Cisco 12G SAS modular RAID controller listed in [Table 8](#).


**Table 8 Hardware Controller Options**

Product ID (PID)	PID Description
<b>Controllers for Internal Drives</b>	
<p>Note that if the following Cisco 12G SAS Modular RAID controller or Cisco 12Gbps Modular SAS HBA controller is selected, it is factory-installed in the dedicated internal slot.</p>	
UCSC-MRAID12G	<p>Cisco 12G SAS Modular RAID Controller</p> <ul style="list-style-type: none"> <li>■ Supports up to 24 internal SAS HDDs and SAS/SATA SSDs (limited to 8 drives in this server)</li> <li>■ Supports JBOD, RAID 0, 1, 10 (with no FBWC option chosen) and has the ability to also support RAID 5, 6 if a Flash-Backed Write cache upgrade is chosen (shown below in this table)</li> <li>■ SED drives are compatible with only with the combination of a UCSC-MRAID12G RAID controller along with one of the flash-back write cache modules (UCSC-MRAID12G-1GB, UCSC-MRAID12G-2GB, or UCSC-MRAID12G-4GB).</li> <li>■ For all self-encrypting drives (SED), standalone Management (CIMC) is supported for configuring and managing local keys (UCSM is not supported). For now, SED drives are managed with local key management only. In the future, third-party key management will be supported.</li> </ul>

Table 8 Hardware Controller Options (*continued*)

Product ID (PID)	PID Description
UCSC-SAS12GHBA	<p>Cisco 12 Gbps Modular SAS HBA</p> <ul style="list-style-type: none"> <li>■ Supports up to 24 internal SAS HDDs and SAS/SATA SSDs (limited to 8 drives in this server)</li> <li>■ Supports JBOD mode only (no RAID functionality. Ideal for SDS (Software Defined Storage) applications. It is also ideal for environments demanding the highest IOPs (for external SSD attach), where a RAID controller can be an I/O bottleneck.</li> </ul>
UCSC-PSAS12GHBA <sup>1</sup>	<p>Cisco 12 Gbps Modular SAS HBA</p> <ul style="list-style-type: none"> <li>■ Supports up to 24 internal SAS HDDs and SAS/SATA SSDs (limited to 8 drives in this server)</li> <li>■ Supports JBOD mode only (no RAID functionality. Ideal for SDS (Software Defined Storage) applications. It is also ideal for environments demanding the highest IOPs (for external SSD attach), where a RAID controller can be an I/O bottleneck.</li> <li>■ Same functionality as UCSC-SAS12GHBA, but vendor is Microsemi</li> </ul>
<b>Flash-Backed Write Cache (FBWC) Upgrade Options for Cisco 12G SAS Modular RAID controller</b>	
UCSC-MRAID12G-512	512 MB FBWC, which includes a 512 MB memory plus a SuperCap for data cache power backup for the Cisco 12G SAS Modular RAID controller. Supports JBOD, RAID 0, 1, 5, and 50.
UCSC-MRAID12G-1GB	1 GB FBWC, which includes a 1 GB MB memory plus a SuperCap for write cache backup. Supports JBOD, RAID 0, 1, 10, 5, 6, 50, and 60.
UCSC-MRAID12G-2GB	2 GB FBWC, which includes a 2 GB MB memory plus a SuperCap for write cache backup. Supports JBOD, RAID 0, 1, 10, 5, 6, 50, and 60.
UCSC-MRAID12G-4GB	4 GB FBWC, which includes a 4 GB MB memory plus a SuperCap for write cache backup. Supports JBOD, RAID 0, 1, 10, 5, 6, 50, and 60.

Table 8 Hardware Controller Options (*continued*)

Product ID (PID)	PID Description
<b>SAS HBA for External JBOD Attach</b>	
Two SFF8644 mini-SAS HD connectors on this card are accessible at the rear of the chassis.	
UCSC-SAS9300-8E	Cisco 9300-8e 12G SAS HBA for external JBOD attach <ul style="list-style-type: none"> <li>■ Supports external JBOD using X8 wide SAS ports.</li> </ul>
 <b>NOTE:</b> For Cisco SAS 9300-8e 12G SAS HBA external drive enclosure support, see the enclosure section of the compatibility list at the following link: <a href="http://tinyurl.com/pp83xyk">http://tinyurl.com/pp83xyk</a> Customers should contact their storage vendor for technical support related to external JBOD enclosures.	
<b>SuperCap Option</b>	
UCSC-MRAID-SC=	Spare SuperCap for Cisco 12G SAS Modular RAID, including all cables. This is a spare SuperCap. It is the exact same SuperCap that ships with the FBWC options listed earlier in this table and can be used as a replacement or upgrade part.
<b>RAID Configuration Options (not available for Cisco 12 Gbps Modular SAS HBA or embedded software RAID)</b>	
R2XX-SRAID0	Enable Single Disk Raid 0 Setting
R2XX-RAID0	Factory preconfigured RAID striping option Enable RAID 0 Setting. Requires a minimum of one hard drive.
R2XX-RAID1	Factory preconfigured RAID mirroring option Enable RAID 1 Setting. Requires exactly two drives with the same size, speed, capacity.
R2XX-RAID5	Factory preconfigured RAID option Enable RAID 5 Setting. Requires a minimum of three drives of the same size, speed, capacity.
R2XX-RAID6	Factory preconfigured RAID option Enable RAID 6 Setting. Requires a minimum of four drives of the same size, speed, capacity.

## Notes . . .

1. Supports higher IOPS



**NOTE:** Although RAID levels 50 and 60 are not orderable from the factory, they are supported for selected controllers as shown in [Table 8](#).

Approved Configurations

- The embedded software RAID default supports up to 8 internal SATA HDDs with RAID 0, 1, 10 support.
- The Cisco 12G SAS Modular RAID controller upgrade option supports up to 8 internal drives with up to RAID 0, 1, 10, 5, 6, 50, 60 support (with FBWC option chosen).
- The Cisco 12 Gbps Modular SAS HBA upgrade option supports up to 8 internal drives with JBOD support.
- The Cisco 9300-8e 12G SAS HBA supports up to 8 external SAS ports with JBOD support.

See [Table 9](#) for a summary of the supported controller configuration options.

Table 9 Supported Controller Configurations for C220 M4 SFF Server

# CPUs	Embedded RAID <sup>1</sup>	Cisco 12G SAS Modular RAID Controller or Cisco 12 Gbps Modular SAS HBA <sup>2</sup> (only one can be installed at a time)		Cisco 9300-8E 12G SAS HBA <sup>3</sup>	# Drives Supported	RAID Support	Internal Drive Types Allowed
		Cisco 12G SAS Modular RAID Controller	Cisco 12 Gbps Modular SAS HBA				
1	Enabled	Not allowed	Not allowed	Card absent	8 internal	0, 1, 10 (default)	SATA HDDs
1	Enabled	Not allowed	Not allowed	Installed slot 1	8 internal 1024 external	0, 1, 10 (default) for internal drives, as well as JBOD for external drives	SATA HDDs
1	Not allowed	Installed in dedicated slot	Installed in dedicated slot	Card absent	8 internal	0,1,10,5,6,50, 60 (for 12G SAS) or JBOD (for Modular SAS HBA)	SAS HDDs, SAS/SATA SSDs
1	Not allowed	Installed in dedicated slot	Installed in dedicated slot	Installed in slot 1 <sup>4</sup>	8 internal, 1024 external	0,1,10,5,6,50, 60 (for 12G SAS) or JBOD (for Modular SAS HBA) as well as JBOD for external drives	SAS HDDs, SAS/SATA SSDs
		<b>Only one of the above can be installed at a time</b>					
2	Enabled	Not allowed	Not allowed	Card absent	8 internal	0, 1, 10 (default)	SATA HDDs

Table 9 Supported Controller Configurations for C220 M4 SFF Server (*continued*)

# CPUs	Embedded RAID <sup>1</sup>	Cisco 12G SAS Modular RAID Controller or Cisco 12 Gbps Modular SAS HBA <sup>2</sup> ( <u>only one can be installed at a time</u> )		Cisco 9300-8E 12G SAS HBA <sup>3</sup>	# Drives Supported	RAID Support	Internal Drive Types Allowed
		Cisco 12G SAS Modular RAID Controller	Cisco 12 Gbps Modular SAS HBA				
2	Enabled	Not allowed	Not allowed	Installed in any slot	8 internal 1024 external	0, 1, 10 (default) for internal drives, as well as JBOD for external drives	SATA HDDs
2	Not allowed	Installed in dedicated slot	Installed in dedicated slot	Card absent	8 internal	0,1,10,5,6,50,60 (for 12G SAS) or JBOD (for Modular SAS HBA)	SAS HDDs, SAS/SATA SSDs
		Only one of the above can be installed at a time					
2	Not allowed	Installed in dedicated slot	Installed in dedicated slot	Installed in any slot	8 internal 1024 external	0,1,10,5,6,50,60 (for 12G SAS) or JBOD (for Modular SAS HBA) as well as JBOD for external drives	SAS HDDs, SAS/SATA SSDs
		Only one of the above can be installed at a time					

## Notes . . .

1. The RAID configuration options listed in [Table 8 on page 27](#) are not available if you have embedded software RAID (in this case, you must configure RAID yourself using separate software).
2. If you want to boot from a device other than the Cisco 12G SAS Modular RAID controller or Cisco 12 Gbps Modular SAS HBA, you can leave the card installed. Just disable the OPROM for its slot, and the system will boot even with the card installed.
3. External drive PCIe controller card is the Cisco 9300-8e 12G SAS HBA and can be installed simultaneously with the Cisco 12G SAS Modular RAID controller card or Cisco 12 Gbps Modular SAS HBA.
4. Only slot 1 is supported for 1-CPU systems.

## Caveats

- A maximum of two Cisco 9300-8e 12G SAS HBAs can be installed, and they can be installed in any slot (depending on the number of CPUs installed). The system can also support combinations of one Cisco 9300-8e 12G SAS HBA and a Storage Accelerator card along with either a Cisco 12G SAS Modular RAID Controller, or a Cisco 12 Gbps Modular SAS HBA.

- For the Cisco 12G SAS Modular RAID controller, you can choose an optional RAID configuration (up to RAID 0, 1, 10, 5, or 6 if optional FBWC option is chosen), which is preconfigured at the factory. The RAID level you choose must be an available RAID choice for the controller selected. RAID levels 50 and 60 are supported, although they are not available as configuration options. It plugs into an internal RAID controller slot and can be combined with one or two UCS 9300-8e 12G SAS HBAs.
- A system supports up to 8 SATA-only HDDs through embedded software RAID if no Cisco 12G SAS Modular RAID controller or Cisco 12 Gbps Modular SAS HBA is chosen.



**NOTE:** For more important information regarding RAID support, see [RAID Details, page 77](#) and [RAID Option ROM \(OPROM\) Settings, page 78](#).

---



## STEP 6 SELECT HARD DISK DRIVES (HDDs) or SOLID STATE DRIVES (SSDs)

The standard disk drive features are:

- 2.5-inch small form factor
- Hot-pluggable
- Drives come mounted in sleds



**NOTE:**

All SED HDDs are FIPs 140-2 compliant  
 SED SSDs (10X endurance) are FIPS 140-2 compliant  
 SED SSDs (3X and 1X endurance) are not FIPS 140-2 compliant

### Select Drives

The available drives are listed in [Table 10](#).

Table 10 Available Hot-Pluggable Sled-Mounted HDDs and SSDs

Product ID (PID)	PID Description	Drive Type	Capacity
<b>HDDs (15K RPM)</b>			
UCS-HD900G15K12G	900 GB 12G SAS 15K RPM SFF HDD	SAS	900 GB
UCS-HD600G15K12G	600 GB 12G SAS 15K RPM SFF HDD	SAS	600 GB
UCS-HD450G15K12G	450 GB 12G SAS 15K RPM SFF HDD	SAS	450 GB
UCS-HD300G15K12G	300 GB 12G SAS 15K RPM SFF HDD	SAS	300 GB
<b>HDDs (10K RPM)</b>			
UCS-HD18TB10KS4K <sup>1</sup>	1.8 TB 12 Gbps SAS 10K RPM SFF HDD (4K sector format)	SAS	1.8 TB
UCS-HD12TB10K12G	1.2 TB 12G SAS 10K RPM SFF HDD	SAS	1.2 TB
UCS-HD900G10K12G	900 GB 12G SAS 10K RPM SFF HDD	SAS	900 GB
UCS-HD600G10K12G	600 GB 12G SAS 10K RPM SFF HDD (Seagate)	SAS	600 GB
UCS-HD600G10KS4K <sup>1</sup>	600 GB 12 Gbps SAS 10K RPM SFF HDD (4K sector format)	SAS	600 GB
UCS-HD300G10K12G	300 GB 12G SAS 10K RPM SFF HDD	SAS	300 GB
<b>HDDs (7.2K RPM)</b>			
UCS-HD2T7K12G	2 TB 12G SAS 7.2K RPM SFF HDD	SAS	2 TB
UCS-HD1T7K12GA	1 TB 12G SAS 7.2K RPM SFF HDD	SAS	1 TB
UCS-HD1T7K6GA	1 TB 6G SATA 7.2K RPM SFF HDD	SATA	1 TB

Table 10 Available Hot-Pluggable Sled-Mounted HDDs and SSDs (continued)

Product ID (PID)	PID Description	Drive Type	Capacity
<b>SSDs</b>			
<b>Enterprise Performance SSDs (High endurance, supports up to 10X or 3X DWPDP (drive writes per day))<sup>2</sup></b>			
UCS-SD16TB12S4-EP	1.6 TB 2.5 inch Enterprise Performance 12G SAS SSD(10X DWPDP) (Sandisk Lightning Ascend)	SAS	1.6 TB
UCS-SD400G12S4-EP	400 GB 2.5 inch Enterprise Performance 12G SAS SSD (10X DWPDP) (Sandisk Lightning Ascend)	SAS	400 GB
UCS-SD800G12S4-EP	800 GB 2.5 inch Enterprise Performance 12G SAS SSD (10X DWPDP) (Samsung 1635))	SAS	800 GB
UCS-SD16TB12S3-EP	1.6 TB 2.5 inch Enterprise Performance 6G SATA SSD(3X DWPDP) (Intel 3610)	SATA	1.6 TB
UCS-SD800G12S3-EP	800 GB 2.5 inch Enterprise performance 6G SATA SSD(3X DWPDP) (Intel 3610)	SATA	800 GB
UCS-SD200G12S3-EP	200 GB 2.5 inch Enterprise performance 6G SATA SSD(3X DWPDP) (Intel 3610)	SATA	200 GB
UCS-SD480G12S3-EP	480 GB 2.5 inch Enterprise Performance 6GSATA SSD (3X DWPDP) (Intel 3610)	SATA	480 GB
<b>Enterprise Value SSDs (Low endurance, supports up to 1X DWPDP (drive writes per day))<sup>3</sup></b>			
UCS-SD38TBKS4-EV	3.8TB 2.5 inch Enterprise Value 6G SATA SSD (Samsung PM863)	SATA	3.8 TB
UCS-SD19TBKSS-EV	1.9 TB 2.5 inch Enterprise Value 6G SATA SSD (Samsung PM863)	SATA	1.9 TB
UCS-SD16TBKS4-EV	1.6 TB 2.5 inch Enterprise Value 6G SATA SSD (Intel 3510)	SATA	1.6 TB
UCS-SD480GBKSS-EV	480 GB 2.5 in Enterprise Value 6G SATA SSD (Samsung PM863)	SATA	480 GB
UCS-SD480GBKS4-EV	480 GB 2.5 inch Enterprise Value 6G SATA SSD (Intel 3510)	SATA	480 GB
UCS-SD120GBKS4-EV	120 GB 2.5 inch Enterprise Value 6G SATA SSD (Intel 3510)	SATA	120 GB
UCS-SD960GBKS4-EV	960 GB 2.5 inch Enterprise Value 6G SATA SSD (Samsung PM863)	SATA	960 GB
UCS-SD240GBKS4-EV	240 GB 2.5 inch Enterprise Value 6G SATA SSD (Samsung PM863)	SATA	240 GB

Notes . . .

1. UCS Rack Servers require minimum firmware version 2.0(4) to support 4K sector size drives. Operating Systems supported on 4k sector size drives is as follows:

- Windows: Windows 8 and later and Windows Server 2012 and later
- Linux: RHEL 6.5/6.6/6.7/7.0/7.2/SLES 11 SP3 and SLES 12
- ESXi/VMware is not supported

UEFI Mode must be used when booting from 4K sector size drives, legacy mode is not supported. Ensure that 4K sector size and 512 byte sector size drives are not mixed in the same RAID volume.

2. Targeted for write centric IO applications. Supports endurance of 10 or 3 DWPDP (drive writes per day). Target applications are caching, online transaction processing (OLTP), data warehousing, and virtual desktop infrastructure (VDI).
3. Targeted for read centric IO applications. Supports endurance of 1 DWPDP (drive writes per day). Target applications are boot, streaming media, and collaboration.

The available plug-in PCIe SSD drives and kit are listed in [Table 11](#).

Table 11 Available Plug-In NVMe SFF 2.5" drives<sup>1</sup>

Product ID (PID)	PID Description	Drive Type	Capacity
NVMe SFF 2.5" drives			
UCS-PCI25-38001	UCS PCIe/NVMe 2.5" SFF Storage 3800 GB (HGST SN100) Read Intensive	NVMe SSD	3.8 TB
UCS-PCI25-16003	UCS PCIe/NVMe 2.5" SFF Storage 1600 GB (Intel P3600) High Endurance	NVMe SSD	1.6 TB
UCS-SDHPCIE16TB	UCS PCIe/NVMe 2.5" Storage 1600 GB (HGST SN100) High Endurance	NVMe SSD	1.6 TB
UCS-SDHPCIE800GB	UCS PCIe/NVMe 2.5" Storage 800 GB (HGST SN100) High Endurance	NVMe SSD	800 GB
UCS-PCI25-80010	UCS PCIe/NVMe 2.5" SFF Storage 800 GB (Intel P3700) High Endurance	NVMe SSD	800 GB
UCS-PCI25-8003	UCS PCIe/NVMe 2.5" SFF Storage 800 GB (Intel P3600) High Endurance	NVMe SSD	800 GB
UCS-PCI25-40010	UCS PCIe/NVMe 2.5" SFF Storage 400 GB (Intel P3700) High Endurance	NVMe SSD	400 GB
C220 M4 NVMe SFF 2.5" drives riser card kit and cables <sup>2</sup>			
UCSC-PCI-2B-220M4			

Notes . . .

1. If you choose one or two PCIe SSD drives, drive slots 1 and 2 at the front of the chassis are reserved for these drives (see [Figure 2 on page 6](#) for drive slot numbering).
2. You must order a riser card kit and cables if you order an NVMe SFF 2.5" drive. One riser card kit and cables supports up to two NVMe SFF 2.5" drives.

### Approved Configurations

#### (1) Embedded Software RAID

- Select up to eight SATA-only HDDs from [Table 10 on page 33](#).

#### (2) Cisco 12G SAS Modular RAID Controller

- If you selected a Cisco 12G SAS Modular RAID controller you have the following options:
  - Cisco 12G SAS Modular RAID controller *with no FBWC option* (supports JBOD, RAID 0, 1, 10)
  - Cisco 12G SAS Modular RAID controller *with FBWC option* (supports JBOD and up to RAID 0, 1, 10, 5, 6, 50, and 60)
  - For either option, select up to eight SAS HDDs, eight SAS SSDs, or eight SATA SSDs listed in [Table 10](#). The Cisco 12G SAS Modular RAID controller does not support SATA HDDs.

**(3) Cisco 12 Gbps Modular SAS HBA**

- If you selected a Cisco 12 Gbps Modular SAS HBA, select up to eight SAS HDDs or eight SAS/SATA SSDs.

See [SELECT RAID CONTROLLERS, page 25](#) for more details.

**(4) Systems Using Plug-in NVMe SFF 2.5" drives**

Systems using NVMe SFF 2.5" drives are controlled through the PCIe bus. If you choose one or two NVMe SFF 2.5" drives they must be plugged into only drive slots 1 and 2 in the front of the chassis. Additionally, any system implementing NVMe SFF 2.5" drives must be ordered with two CPUs.

**Caveats**

---

- You can choose only SATA HDDs when using embedded software RAID.
- You can choose only SAS HDDs or SAS/SATA SSDs when using the Cisco 12G SAS Modular RAID Controller or Cisco 12 Gbps Modular SAS HBA.
- You can mix HDDs and SSDs as long as you keep all HDDs in their own RAID volume and all SSDs in their own RAID volume.
- You can mix SAS HDDs and SAS/SATA SSDs when using the Cisco 12G SAS Modular RAID Controller or Cisco 12 Gbps Modular SAS HBA.
- If you order any NVMe SFF 2.5" drives, you must also order two CPUs.
- A maximum of two NVMe SFF 2.5" drives can be ordered.
- NVMe SFF 2.5" drives are bootable only in standalone mode with IMC software and in UEFI mode only.
- NVMe HHHL drives are not bootable.
- NVMe SFF 2.5" drives cannot be controlled with a RAID controller.
- SED drives (see [SELECT SED HARD DISK DRIVES \(HDDs\) or SOLID STATE DRIVES \(SSDs\), page 37](#)) can be mixed with the non-SED drives in [Table 10 on page 33](#).

## STEP 7 SELECT SED HARD DISK DRIVES (HDDs) or SOLID STATE DRIVES (SSDs)

The standard disk drive features are:

- Self-encrypting drives (SED)
- 2.5-inch small form factor
- Hot-pluggable
- Drives come mounted in sleds



**NOTE:**

All SED HDDs are FIPs 140-2 compliant  
 SED SSDs (10X endurance) are FIPS 140-2 compliant  
 SED SSDs (3X and 1X endurance) are not FIPS 140-2 compliant

### Select Drives

The available drives are listed in [Table 10](#).

Table 12 Available Hot-Pluggable Sled-Mounted Self-Encrypting HDDs and SSDs

Product ID (PID)	PID Description <sup>1</sup>	Drive Type	Capacity
<b>HDDs (15K RPM)</b>			
UCS-HD600G15K9	600GB 12G SAS 15K RPM SFF HDD (SED)	SAS	600 GB
<b>HDDs (10K RPM)</b>			
UCS-HD18G10K9 <sup>2</sup>	1.8TB 12G SAS 10K RPM SFF HDD (4K sector format, SED)	SAS	1.8 TB
UCS-HD12G10K9	1.2 TB 12G SAS 10K RPM SFF HDD (SED)	SAS	1.2 TB
UCS-HD300G10K9	300GB 12G SAS 10K RPM SFF HDD (SED)	SAS	300 GB
<b>SSDs</b>			
<b>Enterprise Performance SSDs (High endurance, supports up to 10X or 3X DWPD (drive writes per day))<sup>2</sup></b>			
UCS-SD16TBKE9	1.6 TB Enterprise performance SAS SSD (10X DWPD, SED)	SAS	1.6 TB
UCS-SD800GBEK9	800 GB Enterprise performance SAS SSD (10X DWPD, SED)	SAS	800 GB
UCS-SD400GBEK9	400 GB Enterprise performance SAS SSD (10X DWPD, SED)	SAS	400 GB
UCS-SD600GBE3K9	600 GB Enterprise performance SATA SSD (3X DWPD, SED)	SATA	600 GB
<b>Enterprise Value SSDs (Low endurance, supports up to 1 DWPD (drive writes per day))<sup>3</sup></b>			
UCS-SD960GBE1K9	960 GB Enterprise value SATA SSD (1X DWPD, SED)	SATA	960 GB
UCS-SD480GBE1K9	480 GB Enterprise Value SATA SSD (1X DWPD, SED)	SATA	480 GB
UCS-SD120GBE1K9	120GB Enterprise Value SATA SSD (1X DWPD)	SATA	120 GB

### Notes . . .

1. For all self-encrypting drives (SED), standalone Management (CIMC) is supported for configuring and managing local keys (UCSM is not supported). For now, SED drives are managed with local key management only. In the future, third-party key management will be supported. Also, 4K sector format drives do not support VMware and require UEFI boot.
2. Targeted for write centric IO applications. Supports endurance of 10 DWP (drive writes per day). Target applications are caching, online transaction processing (OLTP), data warehousing, and virtual desktop infrastructure (VDI).
3. Targeted for read centric IO applications. Supports endurance of 1 DWP (drive write per day). Target applications are boot, streaming media, and collaboration.

### Approved Configurations

---

#### (1) Embedded Software RAID

- Select up to eight SATA-only HDDs from [Table 12 on page 37](#).

#### (2) Cisco 12G SAS Modular RAID Controller

- If you selected a Cisco 12G SAS Modular RAID controller you have the following options:
  - Cisco 12G SAS Modular RAID controller *with FBWC option* (supports JBOD and up to RAID 0, 1, 10, 5, 6, 50, and 60)
  - Select up to eight SAS HDDs, eight SAS SSDs, or eight SATA SSDs listed in [Table 12 on page 37](#). The Cisco 12G SAS Modular RAID controller does not support SATA HDDs.

See [SELECT RAID CONTROLLERS, page 25](#) for more details.

### Caveats

---

- You can choose only SATA HDDs when using embedded software RAID.
- You can choose only SAS HDDs or SAS/SATA SSDs when using the Cisco 12G SAS Modular RAID Controller.
- You can mix HDDs and SSDs as long as you keep all HDDs in their own RAID volume and all SSDs in their own RAID volume.
- You can mix SAS HDDs and SAS/SATA SSDs when using the Cisco 12G SAS Modular RAID Controller.
- Non-SED drives (see [SELECT HARD DISK DRIVES \(HDDs\) or SOLID STATE DRIVES \(SSDs\), page 33](#)) can be mixed with the SED drives in [Table 12 on page 37](#).
- SED drives are compatible with only with the combination of a UCSC-MRAID12G RAID controller along with one of the flash-back write cache modules:
  - UCSC-MRAID12G-1GB, or
  - UCSC-MRAID12G-2GB, or
  - UCSC-MRAID12G-4GB

## STEP 8 SELECT PCIe OPTION CARD(S)

The standard PCIe card offerings are:

- Modular LAN on Motherboard (mLOM)
- Virtual Interface Cards (VICs)
- Network Interface Cards (NICs)
- Converged Network Adapters (CNAs)
- Host Bus Adapters (HBAs)
- UCS Storage Accelerators

### Select PCIe Option Cards

The available PCIe option cards are listed in [Table 13](#).

Table 13 Available PCIe Option Cards

Product ID (PID)	PID Description	Card Height
<b>Modular LAN on Motherboard (mLOM)<sup>1</sup></b>		
UCSC-MLOM-C10T-02	Cisco UCS VIC1227T VIC MLOM - Dual Port 10GBaseT	N/A
UCSC-MLOM-CSC-02	Cisco UCS VIC1227 VIC MLOM - Dual Port 10Gb SFP+	N/A
UCSC-MLOM-IRJ45	Intel i350 quad-port MLOM NIC	N/A
UCSC-MLOM-C40Q-03	Cisco VIC 1387 Dual Port 40Gb QSFP CNA MLOM	N/A
<b>Virtual Interface Cards (VICs)</b>		
UCSC-PCIE-CSC-02	Cisco VIC 1225 Dual Port 10Gb SFP+ CNA	Half
UCSC-PCIE-C10T-02	Cisco VIC 1225T Dual Port 10GBaseT CNA	Half
UCSC-PCIE-C40Q-03	Cisco VIC 1385 Dual Port 40Gb QSFP+ CNA w/RDMA	Half
<b>Network Interface Cards (NICs)</b>		
<b>1 Gb NICs</b>		
N2XX-ABPCI03-M3	Broadcom 5709 Quad Port 1Gb w/TOE iSCSI for M3 Servers	Half
N2XX-ABPCI01-M3	Broadcom 5709 Dual-Port Ethernet PCIe Adapter M3 & later	Half
UCSC-PCIE-IRJ45	Intel i350 Quad Port 1Gb Adapter	Half
<b>10 Gb NICs</b>		
N2XX-AIPCI01 <sup>2</sup>	Intel X520 Dual Port 10Gb SFP+ Adapter	Half
UCSC-PCIE-ITG	Intel X540 Dual Port 10GBase-T Adapter	Half
UCSC-PCIE-QNICBT	QLogic QLE8442 dual-port 10Gbase-T NIC	Half
UCSC-PCIE-QNICSFP	QLogic QLE8442 dual-port 10G SFP+ NIC	Half
UCSC-PCIE-ID10GC	Intel X550-T2 dual-port 10GBase-T NIC	Half
UCSC-PCIE-ID10GF	Intel X710-DA2 dual-port 10G SFP+ NIC	Half
UCSC-PCIE-IQ10GF	Intel X710 quad-port 10G SFP+ NIC	Half

Table 13 Available PCIe Option Cards (*continued*)

Product ID (PID)	PID Description	Card Height
UCSC-PCIE-ID40GF	Intel XL710 dual-port 40G QSFP+ NIC	Half
<b>10 Gb Converged Network Adapters (CNAs)</b>		
UCSC-PCIE-E14102B	Emulex OCe14102B-UX dual-port 10G SFP+ with iSCSI, FCoE CNA	Half
UCSC-PCIE-E14102	Emulex OCe14102-UX dual-port 10 GbE FCoE CNA	Half
UCSC-PCIE-Q8362	Qlogic QLE8362 dual-port 10 GbE FCoE CNA	Half
<b>Host Bus Adapters (HBAs)</b>		
UCSC-PCIE-BS32GF	Broadcom LPe32000 Single-Port 32G FC HBA	Half
UCSC-PCIE-BD32GF	Broadcom LPe32002 Dual-Port 32G FC HBA	Half
UCSC-PCIE-QD32GF	Qlogic QLE2742 dual-port 32G FC HBA	Half
N2XX-AQPC105	Qlogic QLE2562 Dual Port 8Gb Fibre Channel HBA	Half
UCSC-PCIE-Q2672	Qlogic QLE2672-CSC, 16Gb Fibre Channel HBA with SR Optics	Half
N2XX-AEPC105	Emulex LPe 12002 Dual Port 8Gb Fibre Channel HBA	Half
UCSC-PCIE-E16002	Emulex LPe16002-M6, 16Gb Fibre Channel HBA with SR Optics	Half
<b>UCS Storage Accelerators<sup>3</sup></b>		
UCSC-F-S13002	UCS Rack PCIe Storage 1300 GB SanDisk SX350 Medium Endurance	Half
UCSC-F-S16002	UCS Rack PCIe Storage 1600 GB SanDisk SX350 Medium Endurance	Half
UCSC-F-S32002	UCS Rack PCIe Storage 3200 GB SanDisk SX350 Medium Endurance	Half
UCSC-F-S64002	UCS Rack PCIe Storage 6400 GB SanDisk SX350 Medium Endurance	Full
UCSC-F-FIO-1000PS	UCS 1000GB Fusion ioMemory3 PX Performance line for C-Series	Half
UCSC-F-FIO-1300PS	UCS 1300GB Fusion ioMemory3 PX Performance line for C-Series	Half
UCSC-F-FIO-2600PS	UCS 2600GB Fusion ioMemory3 PX Performance line for C-Series	Half
UCSC-F-FIO-5200PS	UCS 5200GB Fusion ioMemory3 PX Performance line for C-Series	Full
<b>UCS NVMe/PCIe Add in Cards</b>		
UCSC-F-H38001	3.8 TB NVMe/PCIe storage (HGST SN150) Read Intensive	Half
UCSC-F-I20003	2.0 TB NVMe/PCIe storage (Intel P3600) High Endurance	Half
UCSC-F-H19001	1.9 TB NVMe/PCIe storage (HGST SN150) Read Intensive	Half
UCSC-F-I160010	1.6 TB NVMe/PCIe storage (Intel P3700) High Endurance	Half
UCSC-F-I12003	1.2 TB NVMe/PCIe storage (Intel P3600) High Endurance	Half
UCSC-F-I80010	800 GB NVMe/PCIe storage (Intel P3700) High Endurance	Half

## Notes . . .

1. The mLOM cards do not plug into any of the riser 1 or riser 2 card slots; instead, they plug into a connector inside the server chassis.
2. The Intel X520 supports the following Cisco PIDs: CDE2-SFP-1WLR and CDE2-SFP-1WSR SFPs. Refer to the Intel X520 product brief for a full list of supported optics and cables
3. A maximum of two storage accelerator cards are supported if they are half height; the supported number of full height cards is one.



## Approved Configurations

---

### (1) 1-CPU Systems

- You can select up to one PCIe option card (slot 1 for 1-CPU systems) listed in [Table 13](#).

### (2) 2-CPU Systems

- You can select up to two PCIe option cards (slots 1 and 2 for 2-CPU systems) listed in [Table 13](#).

## Caveats

---

- A maximum of two storage accelerator cards are supported if they are half height; the supported number of full-height cards is one.
- For 1-CPU systems:
  - Only the full-height PCIe slot on riser 1 (slot 1) is supported
  - Only a single plug-in PCIe VIC card is supported and must be installed in slot 1 (the full-height slot). However, in addition to the one PCIe VIC card, you can also choose to install an mLOM VIC card.
  - If any of the Storage Accelerator cards are installed, they can be installed only in slot 1.
- For 2-CPU systems:
  - Both PCIe slots (slots 1 and 2) are supported
  - Two plug-in PCIe VIC cards can be installed in 2-CPU systems, using slots 1 and 2. In addition, you can order an mLOM VIC card, which is installed in the mLOM slot inside the chassis and thus have three VIC cards in operation at the same time. See [Table 13 on page 39](#) for the selection of plug-in and mLOM VIC cards. See also [Table 1 on page 8](#).
  - If any of the Storage Accelerator cards are installed, they can be installed only in slot 1.
- Other considerations for the Cisco VIC 1225/1225T/1227/1227T/1385 cards:
  - VIC 1225 and VIC 1227/1227T support 10G SFP+ optical and copper twinax connections
  - VIC 1225T Supports RJ45 Category 6 or better twisted pair cable connections
  - VIC 1385 supports a 4x10 Gbps QSFP to SFP breakout fiber cable.
  - The 2-CPU version of the server supports installation of two PCIe Cisco VIC 1225/1225T/1385 card and they are supported in PCIe slots 1 and 2. Slot 1 is the primary slot for UCSM integration and for Cisco card NIC mode.
  - The server supports up to two PCIe Cisco VICs (1225, 1225T, 1385) plus an MLOM VIC (1227, 1227T), however, single wire management is supported on only one VIC at a time. If multiple VICs are installed on a server, only one slot has NCSI enabled at a time and for single wire management, priority goes to the MLOM slot, then slot 1, then slot 2 for NCSI management traffic. When multiple cards are installed, connect the single wire management cables in the priority order mentioned above.

- Installation of the Cisco UCS VIC1225 requires that the server has CIMC firmware version 1.4(6) or later installed and VIC firmware of 2.1(0) or later. Installation of the Cisco UCS VIC1225T requires that the server has CIMC firmware version 1.5(1) or later installed and VIC firmware of 2.1(1) or later.
- The VIC features mentioned in this section are supported with the following software releases: 2.0.6 (CIMC) and 2.2.5a (UCSM).
- To help ensure that your operating system is compatible with the card you have selected, or to see additional cards that have been qualified to work with the UCS C220 M4 server, but are not sold on the Cisco pricelist, check the Hardware Compatibility List at this URL:

[http://www.cisco.com/en/US/products/ps10477/prod\\_technical\\_reference\\_list.html](http://www.cisco.com/en/US/products/ps10477/prod_technical_reference_list.html)

## STEP 9 ORDER OPTIONAL NETWORK CARD ACCESSORIES

Copper twinax cables and SFP optical modules may be ordered to support the two-port network cards that are available with the server.

### Choose Optional Twinax Cables

[Table 1](#) lists the copper twinax cables available for the PCIe cards. You can choose cable lengths of 1, 3, 5, 7, or 10 meters. The two longer cables (7 and 10 meters) are active, which means that they contain active components within the SFP+ housing to improve signal quality.

Table 14 Available Twinax Cables

Product ID (PID)	PID Description
SFP-H10GB-CU1M	10GBASE-CU SFP+ Cable (1 M)
SFP-H10GB-CU3M	10GBASE-CU SFP+ Cable (3 M)
SFP-H10GB-CU5M	10GBASE-CU SFP+ Cable (5 M)

### Approved Configurations

#### (1) Choose Up to Two Twinax Cables for Each Network Card Ordered

- You may choose one or two twinax cables for each compatible PCIe network card ordered. The cables can be different lengths; however, you would normally order two cables of equal lengths to connect to the primary and redundant network switching equipment.

### Choose Optional SFP Modules

Optical Cisco SFP+ modules are listed in [Table 2](#).

Table 15 Available SFP Modules

Product ID (PID)	PID Description
SFP-10G-SR	10GBASE-SR SFP+ Module 850 nm, multimode, SR, 3.3V, LC connector, with Digital Optical Monitoring
SFP-10G-LR	10GBASE-LR SFP+ Module 1310 nm, single mode, LR, 3.3 V, with Digital Optical Monitoring
DS-SFP-FC8G-SW	8 Gbit SFP+ Module 850 nm, multimode, SR, 3.3V, LC connector, with Digital Optical Monitoring



**NOTE:** The Intel X520 NIC supports the following Cisco PIDs: CDE2-SFP-1WLR and CDE2-SFP-1WSR SFPs. Refer to the Intel X520 product brief for a full list of supported optics and cables.

---

### Approved Configurations

---

#### (1) Choose Up to Two SFP+ Modules for Each Network Card Ordered

- You may choose one or two SFP+ optical modules cables for each compatible PCIe network card ordered. You would normally order two modules for connecting to the primary and redundant network switching equipment. With the SFP+ optical modules, you can use common fiber optic cables, widely available.

See the [Figure ?? on page 1](#) for typical SFP+ and twinax connections to the network cards.

### Caveats

---

Check the table on the following page for compatibility between the PCIe network cards and SFPs or twinax cables.



**NOTE:** The table shows all PCIe network cards for all C-series servers. Not all of the cards shown in the table are supported in this server. The intent of the table is to show compatibility between cards and twinax cables or SFPs.

---

Table 16 PCIe Card Compatibility

PCIe Cards	Twinax Cables	Cisco SFP Modules		
		SFP-10G-SR	SFP-10G-LR	DS-SFP-FC8G-SW
<b>Converged Network Adapters (CNAs)</b>				
UCSC-PCIE-BSFP (Broadcom 57712 Dual Port 10Gb SFP+ w/TOE iSCSI)	Yes	Yes	No	
UCSC-PCIE-CSC-02 (Cisco VIC 1225 Dual Port 10Gb SFP+ CNA)	Yes	Yes	Yes	No
UCSC-PCIE-C10T-02 (Cisco VIC 1225T Dual Port 10GBaseT CNA)	No	No	No	No
UCSC-MLOM-CSC-02 (Cisco UCS VIC1227 VIC MLOM - Dual Port 10Gb SFP+)	Yes	Yes	Yes	No
UCSC-MLOM-C10T-02 (Cisco UCS VIC1227T VIC MLOM - Dual Port 10GBaseT)	No	No	No	No
UCSC-PCIE-C40Q-02 (Cisco VIC 1285 Dual Port 40Gb QSFP CNA)	Yes	No <sup>1</sup>	No	
UCSC-PCIE-C40Q-03 (Cisco VIC 1385 Dual Port 40Gb QSFP+ CNA w/RDMA)	Yes	No <sup>1</sup>	No	
UCSC-PCIE-ESFP (Emulex OCe11102-FX dual-port 10 GbE FCoE CNA (Gen 3 CNA))	Yes	Yes	No	
UCSC-PCIE-QSFP (QLogic QLE8242-CU dual-port 10 GbE FCoE CNA)	Yes	Use Qlogic SFP		
UCSC-PCIE-B3SFP (Broadcom 57810 10Gb A-FEX SFP+)	Yes	Yes	No	
UCSC-PCIE-Q8362 (Qlogic QLE8362 dual-port 10 GbE FCoE CNA)	Yes	Use Qlogic SFP		
UCSC-PCIE-E14102 (Emulex OCe14102-UX dual-port 10 GbE FCoE CNA)	Yes	Yes	No	
<b>Network Interface Cards (NICs)</b>				
N2XX-ABPCI01-M3 (Broadcom 5709 Dual-Port Ethernet PCIe Adapter for M3 Servers)	Use RJ45 Ethernet cable			
N2XX-ABPCI03-M3 (Broadcom 5709 Quad Port 10/100/1Gb NIC w/TOE iSCSI for M3 Servers)	Use RJ45 Ethernet cable			
N2XX-AIPCI01 (Intel X520 Dual Port 10Gb SFP+ Adapter)	Yes	Use Intel SFP CDE2-SFP-1WLR or CDE2-SFP-1WSR		
UCSC-PCIE-ITG (Intel X540 Dual Port 10GBase-T Adapter)	Use RJ45 Ethernet cable			
UCSC-PCIE-IRJ45 (Intel i350 Quad Port 1Gb Adapter)	Use RJ45 Ethernet cable			

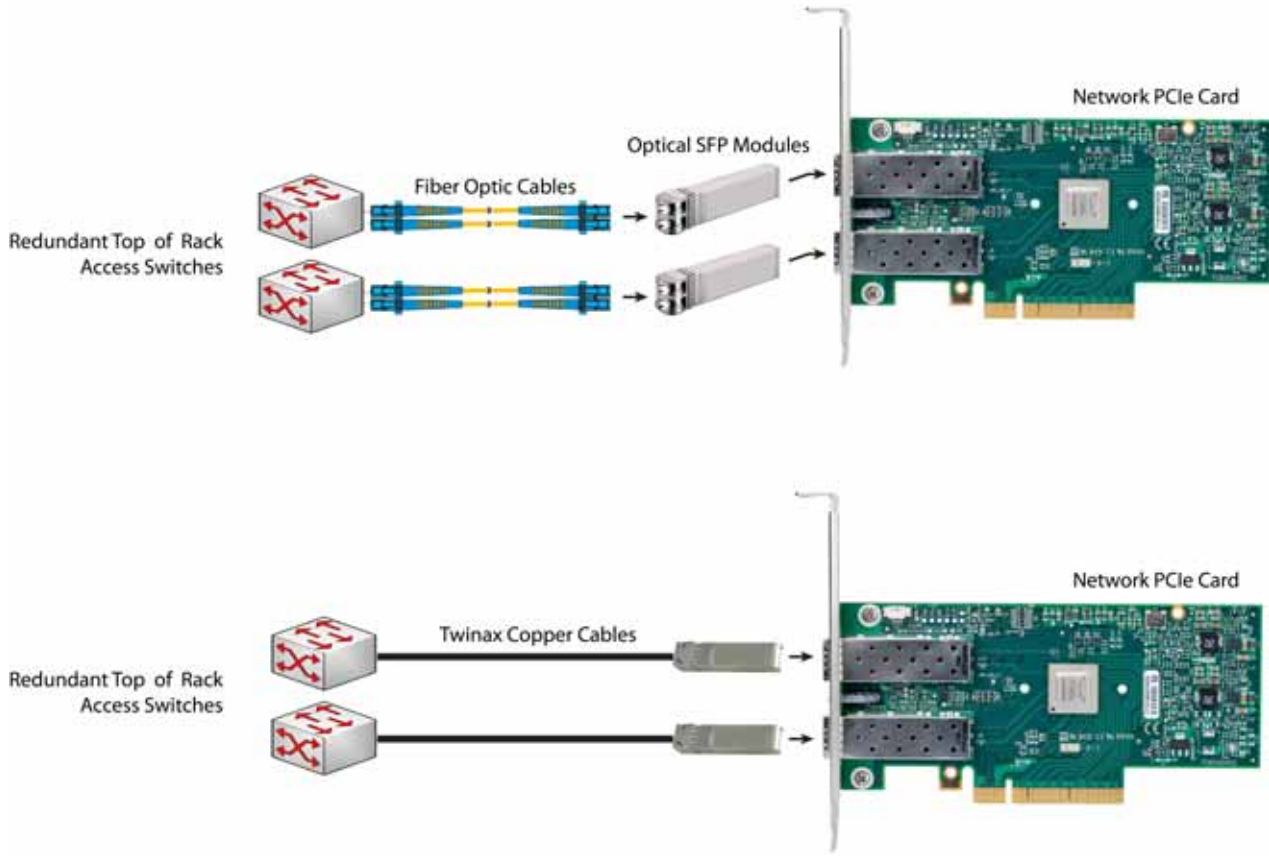
Table 16 PCIe Card Compatibility (*continued*)

PCIe Cards	Twinax Cables	Cisco SFP Modules		
		SFP-10G-SR	SFP-10G-LR	DS-SFP-FC8G-SW
UCSC-PCIE-BTG (Broadcom 57712 Dual Port 10GBASE-T w/TOE iSCSI)	Yes	No	No	
<b>Host Bus Adapters (HBAs)</b>				
N2XX-AEPCI03 (Emulex LPe 11002 Dual Port 4Gb Fibre Channel HBA)	No	Preinstalled - do not change SFP		
N2XX-AEPCI05 (Emulex LPe 12002 Dual Port 8Gb Fibre Channel HBA)	No	Preinstalled - do not change SFP		
N2XX-AQPCI03 (QLogic QLE2462 Dual Port 4Gb Fibre Channel HBA)	No	Preinstalled - do not change SFP		
N2XX-AQPCI05 (QLogic QLE2562 Dual Port 8Gb Fibre Channel HBA)	No	Preinstalled - do not change SFP		
UCSC-PCIE-Q2672 (QLogic QLE2672-CSC, 16Gb Fibre Channel HBA with SR Optics)	No	Preinstalled - do not change SFP		
UCSC-PCIE-E16002 (Emulex LPe16002-M6, 16Gb Fibre Channel HBA with SR Optics)	No	Preinstalled - do not change SFP		

Notes . . .

1. This card supports a 4x10 Gbps QSFP to SFP breakout fiber cable.

Figure 5 Network Card Connections



## STEP 10 ORDER POWER SUPPLY

The C220 M4 SFF server accommodates two power supplies. A lightly loaded server can operate from one 770 W AC power supply or one 1050 W DC power supply. A fully loaded server might need to be powered with two power supplies (see [Table 17](#)).

Use the power calculator at the following link to determine the needed power based on the options chosen (CPUs, drives, memory, and so on):

<http://ucspowercalc.cisco.com>

Table 17 Power Supply PIDs

Product ID (PID)	PID Description
UCSC-PSU1-770W	770 W power supply
UCSC-PSUV2-1050DC	1050W V2 -48 VDC Power Supply for C220 M4 C-Series Server



**NOTE:** In a two power supply server, both power supplies must be identical.



## STEP 11 SELECT AC POWER CORD(S)

Using [Table 18](#), select the appropriate AC power cords. You can select a minimum of no power cords and a maximum of two. If you select the option R2XX-DMYMPWRCORD, no power cord is shipped with the server.

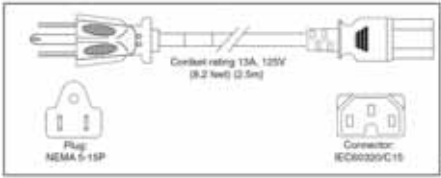
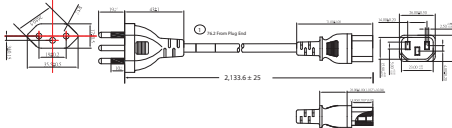
Table 18 Available Power Cords

Product ID (PID)	PID Description	Images
R2XX-DMYMPWRCORD	No power cord (dummy PID to allow for a no power cord option)	Not applicable
CAB-N5K6A-NA	Power Cord, 200/240V 6A, North America	
CAB-AC-L620-C13	AC Power Cord, NEMA L6-20 - C13, 2M/6.5ft	
CAB-C13-CBN	CABASY,WIRE,JUMPER CORD, 27" L, C13/C14, 10A/250V	
CAB-C13-C14-2M	CABASY,WIRE,JUMPER CORD, PWR, 2 Meter, C13/C14,10A/250V	
CAB-C13-C14-AC	CORD,PWR,JMP,IEC60320/C14,IEC60320/C13, 3.0M	

Table 18 Available Power Cords

Product ID (PID)	PID Description	Images
CAB-250V-10A-AR	Power Cord, 250V, 10A, Argentina	
CAB-9K10A-AU	Power Cord, 250VAC 10A 3112 Plug, Australia	
CAB-250V-10A-CN	AC Power Cord - 250V, 10A - PRC	
CAB-9K10A-EU	Power Cord, 250VAC 10A CEE 7/7 Plug, EU	
CAB-9K10A-IT	Power Cord, 250VAC 10A CEI 23-16/VII Plug, Italy	
CAB-9K10A-SW	Power Cord, 250VAC 10A MP232 Plug, Switzerland	
CAB-9K10A-UK	Power Cord, 250VAC 10A BS1363 Plug (13 A fuse), UK	

Table 18 Available Power Cords

Product ID (PID)	PID Description	Images
CAB-9K12A-NA	Power Cord, 125VAC 13A NEMA 5-15 Plug, North America	
CAB-250V-10A-BR	Power Cord - 250V, 10A - Brazil	
CAB-48DC-40A-8AWG	Power Cord for -48VDC PSU, 3.5M, 3 Wire, 8AWG, 4	Image not available
CAB-JPN-3PIN	Power Cord 3PIN, Japan	Image not available
CAB-C13-C14-2M-JP	Power Cord C13-C14, 2M/6.5ft Japan PSE mark	Image not available
CAB-250V-10A-IS	AC Power Cord - 250V, 10A - Israel	Image not available
CAB-250V-10A-ID	AC Power Cord - 250V, 10A, India	Image not available

## STEP 12 ORDER TOOL-LESS RAIL KIT AND OPTIONAL REVERSIBLE CABLE MANAGEMENT ARM

### Select a Tool-Less Rail Kit

---

Select a tool-less rail kit from [Table 19](#).

Table 19 Tool-Less Rail Kit Options

Product ID (PID)	PID Description
UCSC-RAILF-M4	Friction Rail Kit for C220 M4 Servers
UCSC-RAILB-M4	Ball Bearing Rail Kit for C220 M4 and C240 M4 Rack Servers

### Select an Optional Reversible Cable Management Arm

---

The reversible cable management arm mounts on either the right or left slide rails at the rear of the server and is used for cable management. Use [Table 20](#) to order a cable management arm.

Table 20 Cable Management Arm

Product ID (PID)	PID Description
UCSC-CMAF-M4	Reversible CMA for C220 M4 tool-less friction and ball bearing rail kit

For more information about the tool-less rail kit and cable management arm, see the *Cisco UCS C220 M4 Installation and Service Guide* at this URL:

[http://www.cisco.com/c/en/us/td/docs/unified\\_computing/ucs/c/hw/C220M4/install/C220M4.html](http://www.cisco.com/c/en/us/td/docs/unified_computing/ucs/c/hw/C220M4/install/C220M4.html)



**NOTE:** If you plan to rackmount your UCS C220 M4 server, you must order one of the tool-less rail kits.

---

## STEP 13 SELECT NIC MODE (OPTIONAL)

By default, the C220 M4 server NIC mode is configured to be Shared LOM Extended. This NIC mode allows any LOM port or adapter card port to be used to access the Cisco Integrated Management Controller (CIMC). The Cisco VIC card must be installed in a slot with NCSI support.

To change the default NIC mode to Dedicated, select the UCSC-DLOM-01 PID shown in [Table 21](#). In Dedicated NIC mode, the CIMC can be accessed only through the dedicated management port. See [Chassis Rear View, page 7](#) for the location of the management port.

To change the default NIC mode to Cisco Card Mode, select the UCSC-CCARD-01 PID shown in [Table 21](#). In this mode, you can assign an IP address to the CIMC using DHCP and from there you can fully automate your deployment.

For more details on all the NIC mode settings, see

[http://www.cisco.com/c/en/us/td/docs/unified\\_computing/ucs/c/sw/gui/config/guide/2-0/b\\_Cisco\\_UCS\\_C-series\\_GUI\\_Configuration\\_Guide\\_201.pdf](http://www.cisco.com/c/en/us/td/docs/unified_computing/ucs/c/sw/gui/config/guide/2-0/b_Cisco_UCS_C-series_GUI_Configuration_Guide_201.pdf)

Table 21 Dedicated NIC Mode Ordering Information

Product ID (PID)	PID Description
UCSC-DLOM-01	Dedicated Mode BIOS setting for C-Series Servers
UCSC-CCARD-01	Cisco Card Mode BIOS setting for C-Series Servers

## STEP 14 ORDER A TRUSTED PLATFORM MODULE (OPTIONAL)

Trusted Platform Module (TPM) is a computer chip (microcontroller) that can securely store artifacts used to authenticate the platform (server). These artifacts can include passwords, certificates, or encryption keys. A TPM can also be used to store platform measurements that help ensure that the platform remains trustworthy. Authentication (ensuring that the platform can prove that it is what it claims to be) and attestation (a process helping to prove that a platform is trustworthy and has not been breached) are necessary steps to ensure safer computing in all environments.

The TPM ordering information is listed in [Table 22](#).

Table 22 Trusted Platform Module

Product ID (PID)	PID Description
UCSX-TPM2-001	Trusted Platform Module 1.2 SPI-based for UCS Servers
UCSX-TPM2-002	Trusted Platform Module 2.0 for UCS servers



**NOTE:** The TPM module used in this system conforms to TPM v1.2 and 2.0, as defined by the Trusted Computing Group (TCG). It is also SPI-based.



**NOTE:** TPM installation is supported after-factory. However, a TPM installs with a one-way screw and cannot be replaced, upgraded, or moved to another server. If a server with a TPM is returned, the replacement server must be ordered with a new TPM. If there is no existing TPM in the server, you can install TPM 2.0. You must first upgrade to UCS firmware that supports Intel E5-2600 v4 CPUs, which is Cisco UCS Manager Release 2.2(7) and later or Release 3.1(1) and later (because Cisco aligned support for TPM 2.0 with these CPUs).



**CAUTION:** If the Cisco UCS server (with Intel E5-2600 v4 or v3 CPUs) is running UCS firmware that added support for Intel E5-2600 v4 CPUs, then it will work with TPM version 2.0. However, if you downgrade the firmware and BIOS to a version earlier than Release 2.2(7) or earlier than Release 3.1(1), then you are vulnerable to a potential security exposure. See the following support matrix for TPM versions.

Table 23 TPM Support Matrix by Intel CPU Version

Intel CPU	TPM Version	Minimum UCS Manager (UCSM) Version
Intel E5-2600 v3	TPM 1.2	Release 2.2(3)
	TPM 2.0	Release 2.2(7) or Release 3.1(1)
Intel E5-2600 v4	TPM 1.2	Release 2.2(7) or Release 3.1(1)
	TPM 2.0	Release 2.2(7) or Release 3.1(1)

**STEP 15 ORDER CISCO FLEXIBLE FLASH SD CARD MODULE (OPTIONAL)**

You can order 64 GB, or 32 GB SD cards. See [Figure 6 on page 69](#) for the location of the SD cards. There are two locations, SD1 and SD2.

Table 24 64 GB Secure Digital (SD) Card (blank)

Product ID (PID)	PID Description
UCS-SD-64G-S	64 GB SD Card for UCS Servers

Table 25 32 GB Secure Digital (SD) Card (blank)

Product ID (PID)	PID Description
UCS-SD-32G-S	32 GB SD Card for UCS Servers

**Caveats**

---

- Install either one or two 64 GB or 32 GB SD cards
- Do not mix SD card sizes



## STEP 16 ORDER OPTIONAL USB 3.0 DRIVE

You can order one optional USB 3.0 drive. The USB drive ordering information is listed in [Table 26](#).

Table 26 USB 3.0 Drive

Product ID (PID)	PID Description
UCS-USBFLSHB-16GB	UCS Servers 16 GB Flash USB Drive

See [Figure 6 on page 69](#) for the location of the USB connector

## STEP 17 SELECT OPERATING SYSTEM AND VALUE-ADDED SOFTWARE

Several software programs are available. Select as desired from [Table 27](#).

Table 27 Software (for 2-CPU servers)

PID Description	Product ID (PID)
<b>Cisco One</b>	
C1F2PUCSK9	Cisco ONE Foundation Perpetual UCS
C1A1PUCSK9	Cisco ONE Enterprise Cloud Perpetual UCS
C1UCS-OPT-OUT	Cisco One Data Center Compute Opt Out Option
<b>Energy Management (JouleX)</b>	
CEM-DC-PER	Perpetual License Key for Cisco Energy Management for DC
<b>UCS Director</b>	
CUIC-PHY-SERV-BM-U	Cisco UCS Director Resource Lic - 1 Phy Sevr node bare metal
CUIC-PHY-SERV-U	Cisco UCS Director Resource Lic - One physical Server node
CUIC-TERM	Acceptance of Cisco UCS Director License Terms
<b>UCS Performance Manager</b>	
UCS-PM-IE	UCS Performance Manager
UCS-PM-EE	UCS Performance Manager Express
EVAL-UCS-PM-IE	UCS Performance Manager - 90 days evaluation
EVAL-UCS-PM-EE	UCS Performance Manager Express - 90 days evaluation
<b>Nexus 1000V for Hyper-V and vSphere</b>	
N1K-VSG-UCS-BUN	Nexus 1000V Adv Edition for vSphere Paper License Qty 1
<b>IMC Supervisor</b>	
CIMC-SUP-B10	IMC Supervisor- Branch Mgt SW for C & E-Series up to 1K Svrs
CIMC-SUP-B02	IMC Supervisor- Branch Mgt SW for C & E-Series up to 250 Svrs
<b>UCS Multi-Domain Manager</b>	
UCS-MDMGR-100S	UCS Multi-Domain Manager (Central) Per Server License (100+)
UCS-MDMGR-50S	UCS Multi-Domain Manager (Central) Per Server License (50+)
UCS-MDMGR-1S	UCS Multi-Domain Manager (Central) Per Server License
UCS-MDMGR-10S	UCS Multi-Domain Manager (Central) Per Server License (10+)
UCS-MDMGR-1DMN	UCS Multi-Domain Manager (Central) Per Domain License
<b>VMware vCenter</b>	
VMW-VCS-STD-1A	VMware vCenter 6 Server Standard, 1 yr support required
VMW-VCS-STD-3A	VMware vCenter 6 Server Standard, 3 yr support required
VMW-VCS-STD-5A	VMware vCenter 6 Server Standard, 5 yr support required
VMW-VCS-FND-1A	VMware vCenter 6 Server Foundation (3 Host), 1 yr supp reqd
VMW-VCS-FND-3A	VMware vCenter 6 Server Foundation (3 Host), 3 yr supp reqd
VMW-VCS-FND-5A	VMware vCenter 6 Server Foundation (3 Host), 5 yr supp reqd
<b>Microsoft Windows Server</b>	
MSWS-12R2-DC2S	Windows Server 2012 R2 Datacenter (2 CPU/Unlimited VMs)

Table 27 Software (for 2-CPU servers) (continued)

PID Description	Product ID (PID)
MSWS-12-ST2S	Windows Server 2012 Standard (2 CPU/2 VMs)
MSWS-12-DC2S	Windows Server 2012 Datacenter (2 CPU/Unlimited VMs)
MSWS-12-ST2S-NS	Windows Server 2012 Standard (2 CPU/2 VMs) No Cisco SVC
MSWS-12R2-DC2S-NS	Windows Server 2012 R2 Datacen (2 CPU/Unlim VM) No Cisco Svc
MSWS-12R2-ST2S	Windows Server 2012 R2 Standard (2 CPU/2 VMs)
MSWS-12-DC2S-NS	Windows Server 2012 Datacenter (2 CPU/Unlim VM) No Cisco Svc
MSWS-12R2-ST2S-NS	Windows Server 2012 R2 Standard (2 CPU/2 VMs) No Cisco SVC
<b>Red Hat</b>	
RHEL-2S2V-3A	Red Hat Enterprise Linux (1-2 CPU,1-2 VN); 3-Yr Support Req
RHEL-2S2V-1A	Red Hat Enterprise Linux (1-2 CPU,1-2 VN); 1-Yr Support Req
<b>VMware</b>	
VMW-VSP-EPL-5A	VMware vSphere 6 Ent Plus (1 CPU), 5-yr, Support Required
VMW-VSP-STD-1A	VMware vSphere 6 Standard (1 CPU), 1-yr, Support Required
VMW-VSP-STD-3A	VMware vSphere 6 Standard (1 CPU), 3-yr, Support Required
VMW-VSP-EPL-3A	VMware vSphere 6 Ent Plus (1 CPU), 3-yr, Support Required
VMW-VSP-EPL-1A	VMware vSphere 6 Ent Plus (1 CPU), 1-yr, Support Required
VMW-VSP-STD-5A	VMware vSphere 6 Standard (1 CPU), 5-yr, Support Required
<b>SLES SAP</b>	
SLES-SAP-2S2V-1S	SLES for SAP Apps (1-2 CPU, 1-2 VM); Priority 1-Yr SnS
SLES-SAP-2SUV-1S	SLES for SAP Apps (1-2 CPU, Unl VM); Priority 1-Yr SnS
SLES-SAP-2S2V-3S	SLES for SAP Apps (1-2 CPU, 1-2 VM); Priority 3-Yr SnS
SLES-SAP-2SUV-3S	SLES for SAP Apps (1-2 CPU, Unl VM); Priority 3-Yr SnS
SLES-SAP-2S2V-5S	SLES for SAP Apps (1-2 CPU, 1-2 VM); Priority 5-Yr SnS
SLES-SAP-2SUV-5S	SLES for SAP Apps (1-2 CPU, Unl VM); Priority 5-Yr SnS
SLES-SAP-2S2V-5A	SLES for SAP Apps (1-2 CPU, 1-2 VM); 5-Yr Support Reqd
SLES-SAP-2SUV-3A	SLES for SAP Apps (1-2 CPU, Unl VM); 3-Yr Support Reqd
SLES-SAP-2S2V-3A	SLES for SAP Apps (1-2 CPU, 1-2 VM); 3-Yr Support Reqd
SLES-SAP-2SUV-5A	SLES for SAP Apps (1-2 CPU, Unl VM); 5-Yr Support Reqd
SLES-SAP-2S2V-1A	SLES for SAP Apps (1-2 CPU, 1-2 VM); 1-Yr Support Reqd
SLES-SAP-2SUV-1A	SLES for SAP Apps (1-2 CPU, Unl VM); 1-Yr Support Reqd
<b>SUSE</b>	
SLES-2S2V-1A	SUSE Linux Enterprise Svr (1-2 CPU,1-2 VM); 1-Yr Support Req
SLES-2SUV-1A	SUSE Linux Enterprise Svr (1-2 CPU,Unl VM); 1-Yr Support Req
SLES-2S2V-3A	SUSE Linux Enterprise Svr (1-2 CPU,1-2 VM); 3-Yr Support Req
SLES-2SUV-3A	SUSE Linux Enterprise Svr (1-2 CPU,Unl VM); 3-Yr Support Req
SLES-2S2V-5A	SUSE Linux Enterprise Svr (1-2 CPU,1-2 VM); 5-Yr Support Req
SLES-2SUV-5A	SUSE Linux Enterprise Svr (1-2 CPU,Unl VM); 5-Yr Support Req
SLES-2S2V-1S	SUSE Linux Enterprise Svr (1-2 CPU,1-2 VM); Prio 1-Yr SnS

Table 27 Software (for 2-CPU servers) *(continued)*

PID Description	Product ID (PID)
SLES-2SUV-1S	SUSE Linux Enterprise Svr (1-2 CPU,Unl VM); Prio 1-Yr SnS
SLES-2S2V-3S	SUSE Linux Enterprise Svr (1-2 CPU,1-2 VM); Prio 3-Yr SnS
SLES-2SUV-3S	SUSE Linux Enterprise Svr (1-2 CPU,Unl VM); Prio 3-Yr SnS
SLES-2S2V-5S	SUSE Linux Enterprise Svr (1-2 CPU,1-2 VM); Prio 5-Yr SnS
SLES-2SUV-5S	SUSE Linux Enterprise Svr (1-2 CPU,Unl VM); Prio 5-Yr SnS
SLES-2S-HA-1S	SUSE Linux High Availability Ext (1-2 CPU); 1yr SnS
SLES-2S-HA-3S	SUSE Linux High Availability Ext (1-2 CPU); 3yr SnS
SLES-2S-HA-5S	SUSE Linux High Availability Ext (1-2 CPU); 5yr SnS
SLES-2S-GC-1S	SUSE Linux GEO Clustering for HA (1-2 CPU); 1yr Sns
SLES-2S-GC-3S	SUSE Linux GEO Clustering for HA (1-2 CPU); 3yr SnS
SLES-2S-GC-5S	SUSE Linux GEO Clustering for HA (1-2 CPU); 5yr SnS

## STEP 18 SELECT OPERATING SYSTEM MEDIA KIT

Select the optional operating system media listed in [Table 28](#).

Table 28 OS Media

Product ID (PID)	PID Description
RHEL-6	RHEL 6 Recovery Media Only (Multilingual)
SLES-11	SLES 11 media only (multilingual)
MSWS-08R2-STHV-RM	Windows Svr 2008 R2 ST (1-4CPU, 5CAL), Media
MSWS-08R2-ENHV-RM	Windows Svr 2008 R2 EN (1-8CPU, 25CAL), Media
MSWS-08R2-DCHV-RM	Windows Svr 2008 R2 DC (1-8CPU, 25CAL), Media
MSWS-12-ST2S-RM	Windows Server 2012 Standard (2 CPU/2 VMs) Recovery Media
MSWS-12-DC2S-RM	Windows Server 2012 Datacenter(2 CPU/Unlimited VM) Rec Media
MSWS-12R2-ST2S-RM	Windows Server 2012 R2 Standard (2 CPU/2 VMs) Recovery Media
MSWS-12R2-DC2S-RM	Windows Server 2012 R2 Datacen (2 CPU/Unlimited VM) Rec Media

## STEP 19 SELECT SERVICE and SUPPORT LEVEL

A variety of service options are available, as described in this section.

### Unified Computing Warranty, No Contract

If you have noncritical implementations and choose to have no service contract, the following coverage is supplied:

- Three-year parts coverage.
- Next business day (NBD) onsite parts replacement eight hours a day, five days a week.
- 90-day software warranty on media.
- Ongoing downloads of BIOS, drivers, and firmware updates.
- UCSM updates for systems with Unified Computing System Manager. These updates include minor enhancements and bug fixes that are designed to maintain the compliance of UCSM with published specifications, release notes, and industry standards.

### SMARTnet for UCS

For support of the entire Unified Computing System, Cisco offers the Cisco SMARTnet for UCS Service. This service provides expert software and hardware support to help sustain performance and high availability of the unified computing environment. Access to Cisco Technical Assistance Center (TAC) is provided around the clock, from anywhere in the world.

For UCS blade servers, there is Smart Call Home, which provides proactive, embedded diagnostics and real-time alerts. For systems that include Unified Computing System Manager, the support service includes downloads of UCSM upgrades. The Cisco SMARTnet for UCS includes flexible hardware replacement options, including replacement in as little as two hours. There is also access to Cisco's extensive online technical resources to help maintain optimal efficiency and uptime of the unified computing environment. You can choose a desired service listed in [Table 29](#).

Table 29 Cisco SMARTnet for UCS Service

Product ID (PID)	On Site?	Description
CON-PREM-C220M4SF	Yes	ONSITE 24X7X2 UCS C220 M4 SFF
CON-OSP-C220M4SF	Yes	ONSITE 24X7X4 UCS C220 M4 SFF
CON-OSE-C220M4SF	Yes	ONSITE 8X5X4 UCS C220 M4 SFF
CON-OS-C220M4SF	Yes	ONSITE 8X5XNBD UCS C220 M4 SFF
CON-S2P-C220M4SF	No	SMARTNET 24X7X2 UCS C220 M4 SFF
CON-SNTP-C220M4SF	No	SMARTNET 24X7X4 UCS C220 M4 SFF
CON-SNTE-C220M4SF	No	SMARTNET 8X5X4 UCS C220 M4 SFF
CON-SNT-C220M4SF	No	SMARTNET 8X5XNBD UCS C220 M4 SFF

### SMARTnet for UCS Hardware Only Service

For faster parts replacement than is provided with the standard Cisco Unified Computing System warranty, Cisco offers the Cisco SMARTnet for UCS Hardware Only Service. You can choose from two levels of advanced onsite parts replacement coverage in as little as four hours. SMARTnet for UCS Hardware Only Service provides remote access any time to Cisco support professionals who can determine if a return materials authorization (RMA) is required. You can choose a service listed in [Table 30](#).

Table 30 SMARTnet for UCS Hardware Only Service

Product ID (PID)	Service Level GSP	On Site?	Description
CON-UCW7-C220M4SF	UCW7	Yes	UCS HW 24X7X40S UCS C220 M4 SFF
CON-UCW5-C220M4SF	UCW5	Yes	UC PLUS 8X5XNBDOS UCS C220 M4 SFF

### Unified Computing Partner Support Service

Cisco Partner Support Service (PSS) is a Cisco Collaborative Services service offering that is designed for partners to deliver their own branded support and managed services to enterprise customers. Cisco PSS provides partners with access to Cisco's support infrastructure and assets to help them:

- Expand their service portfolios to support the most complex network environments
- Lower delivery costs
- Deliver services that increase customer loyalty

Partner Unified Computing Support Options enable eligible Cisco partners to develop and consistently deliver high-value technical support that capitalizes on Cisco intellectual assets. This helps partners to realize higher margins and expand their practice.

PSS is available to all Cisco PSS partners, but requires additional specializations and requirements. For additional information, see the following URL:

[www.cisco.com/go/partnerucssupport](http://www.cisco.com/go/partnerucssupport)

The two Partner Unified Computing Support Options include:

- Partner Support Service for UCS
- Partner Support Service for UCS Hardware Only

Partner Support Service for UCS provides hardware and software support, including triage support for third party software, backed by Cisco technical resources and level three support.

See [Table 31](#).

**Table 31 Partner Support Service for UCS**

Product ID (PID)	Service Level GSP	On Site?	Description
CON-PSJ1-C220M4SF	PSJ1	No	UCS SUPP PSS 8X5XNBD UCS C220 M4 SFF
CON-PSJ2-C220M4SF	PSJ2	No	UCS SUPP PSS 8X5X4 UCS C220 M4 SFF
CON-PSJ3-C220M4SF	PSJ3	No	UCS SUPP PSS 24X7X4 UCS C220 M4 SFF
CON-PSJ4-C220M4SF	PSJ4	No	UCS SUPP PSS 24X7X2 UCS C220 M4 SFF

Partner Support Service for UCS Hardware Only provides customers with replacement parts in as little as two hours. See [Table 32](#).

**Table 32 Partner Support Service for UCS (Hardware Only)**

Product ID (PID)	Service Level GSP	On Site?	Description
CON-PSW2-C220M4SF	PSW2	No	UCS W PL PSS 8X5X4 UCS C220 M4 SFF
CON-PSW3-C220M4SF	PSW3	No	UCS W PL PSS 24X7X4 UCS C220 M4 SFF
CON-PSW4-C220M4SF	PSW4	No	UCS W PL PSS 24X7X2 UCS C220 M4 SFF

### Unified Computing Combined Support Service

Combined Services makes it easier to purchase and manage required services under one contract. SMARTnet services for UCS help increase the availability of your vital data center infrastructure and realize the most value from your unified computing investment. The more benefits you realize from the Cisco Unified Computing System (Cisco UCS), the more important the technology becomes to your business. These services allow you to:

- Optimize the uptime, performance, and efficiency of your UCS
- Protect your vital business applications by rapidly identifying and addressing issues
- Strengthen in-house expertise through knowledge transfer and mentoring
- Improve operational efficiency by allowing UCS experts to augment your internal staff resources
- Enhance business agility by diagnosing potential issues before they affect your operations



You can choose a service listed in [Table 33](#).

**Table 33 UCS Computing Combined Support Service**

Product ID (PID)	Service Level GSP	On Site?	Description
CON-NCF2-C220M4SF	NCF2	No	CMB SPT SVC 24X7X2 UCS C220 M4 SFF
CON-NCF2P-C220M4SF	NCF2P	Yes	CMB SPT SVC 24X7X2OS UCS C220 M4 SFF
CON-NCF4P-C220M4SF	NCF4P	Yes	CMB SPT SVC 24X7X4OS UCS C220 M4 SFF
CON-NCF4S-C220M4SF	NCF4S	Yes	CMB SPT SVC 8X5X4OS UCS C220 M4 SFF
CON-NCFCS-C220M4SF	NCFCS	Yes	CMB SPT SVC 8X5XNBDOS UCS C220 M4 SFF
CON-NCFE-C220M4SF	NCFE	No	CMB SPT SVC 8X5X4 UCS C220 M4 SFF
CON-NCFP-C220M4SF	NCFP	No	CMB SPT SVC 24X7X4 UCS C220 M4 SFF
CON-NCFT-C220M4SF	NCFT	No	CMB SPT SVC 8X5XNBD UCS C220 M4 SFF

#### Unified Computing Drive Retention Service

With the Cisco Unified Computing Drive Retention (UCDR) Service, you can obtain a new disk drive in exchange for a faulty drive without returning the faulty drive. In exchange for a Cisco replacement drive, you provide a signed Certificate of Destruction (CoD) confirming that the drive has been removed from the system listed, is no longer in service, and has been destroyed.

Sophisticated data recovery techniques have made classified, proprietary, and confidential information vulnerable, even on malfunctioning disk drives. The UCDR service enables you to retain your drives and ensures that the sensitive data on those drives is not compromised, which reduces the risk of any potential liabilities. This service also enables you to comply with regulatory, local, and federal requirements.

If your company has a need to control confidential, classified, sensitive, or proprietary data, you might want to consider one of the Drive Retention Services listed in [Table 34](#).



**NOTE:** Cisco does not offer a certified drive destruction service as part of this service.

**Table 34 Drive Retention Service Options**

Service Description	Service Program Name	Service Level GSP	Service Level	Product ID (PID)
SMARTnet for UCS Service with Drive Retention	UCS DR	UCSD7	24x7x4 Onsite	CON-UCSD7-C220M4SF
		UCSD5	8x5xNBD Onsite	CON-UCSD5-C220M4SF

Table 34 Drive Retention Service Options (*continued*)

Service Description	Service Program Name	Service Level GSP	Service Level	Product ID (PID)
SMARTnet for UCS HW ONLY+Drive Retention	UCS HW+DR	UCWD7	24x7x4 Onsite	CON-UCWD7-C220M4SF
		UCWD5	8x5xNBD Onsite	CON-UCWD5-C220M4SF

For more service and support information, see the following URL:

[http://www.cisco.com/en/US/services/ps2961/ps10312/Unified\\_Computing\\_Services\\_Overview.pdf](http://www.cisco.com/en/US/services/ps2961/ps10312/Unified_Computing_Services_Overview.pdf)

For a complete listing of available services for Cisco Unified Computing System, see this URL:

[http://www.cisco.com/en/US/products/ps10312/serv\\_group\\_home.html](http://www.cisco.com/en/US/products/ps10312/serv_group_home.html)

## OPTIONAL STEP - ORDER RACK(S)

The optional R42612 rack is available from Cisco for the C-Series servers, including the C240 M4 SFF server. This rack is a standard 19-inch rack and can be ordered with a variety of options, as listed in [Table 35](#). Racks are shipped separately from the C240 M4 SFF server.

Table 35 Racks and Rack Options

Product ID (PID)	PID Description
RACK2-UCS	Cisco R42612 expansion rack, no side panels.  This type of rack is used for multiple-rack deployments.
RACK2-UCS2	Cisco R42612 static (standard) rack, with side panels.  This type of rack is used for single-rack and end of row deployments. Side panels are needed for racks at the ends of multiple-rack deployments. For example, when configuring a row of 5 racks, order 1 standard rack plus 4 expansion racks. Apply the side panels from the standard rack to the racks at each end of the row.
RACK-BLANK-001	Blanking panels (qty 12), 1U, plastic, toolless.  Recommended to ensure proper airflow. Fill all empty RU spaces in the front of the rack. Because each blanking panel PID includes 12 panels, use the following calculation: 42RU - occupied RU = available RU. Divide available RU by 12 to determine PID order quantity.
RACK-CBLMGT-001	Cable mgt D rings (qty 10), metal.  Use the D rings to bundle system cables to ensure proper airflow.
RACK-CBLMGT-003	Brush strip (qty 1), 1 U.  The brush strip promotes proper airflow while allowing cables to be passed from the front to the rear of the rack.
RACK-CBLMGT-011	Cable mgt straps (qty 10), Velcro.  Use the Velcro straps to bundle system cables to ensure proper airflow.
RACK-FASTEN-001	Mounting screws (qty 100), M6.  The rack ships with nuts and screws, but extras may be ordered.
RACK-FASTEN-002	Cage nuts (qty 50), M6.  The rack ships with nuts and screws, but extras may be ordered.
RACK2-JOIN-001	Rack joining kit.  Use the kit to connect adjacent racks within a row. Order 1 unit less than the number of racks in the row.
RACK2-GRND-001	Cisco R42612 grounding kit

For more information about the R42612 rack, see [RACKS, page 86](#).

## OPTIONAL STEP - ORDER PDU

An optional power distribution unit (PDU) is available from Cisco for the C-Series rack servers, including the C240 M4 server. This PDU is available in a zero rack unit (RU) style or horizontal PDU style (see [Table 36](#)). For more information about the PDU, see [PDUs, page 88](#).

Table 36 Available PDUs

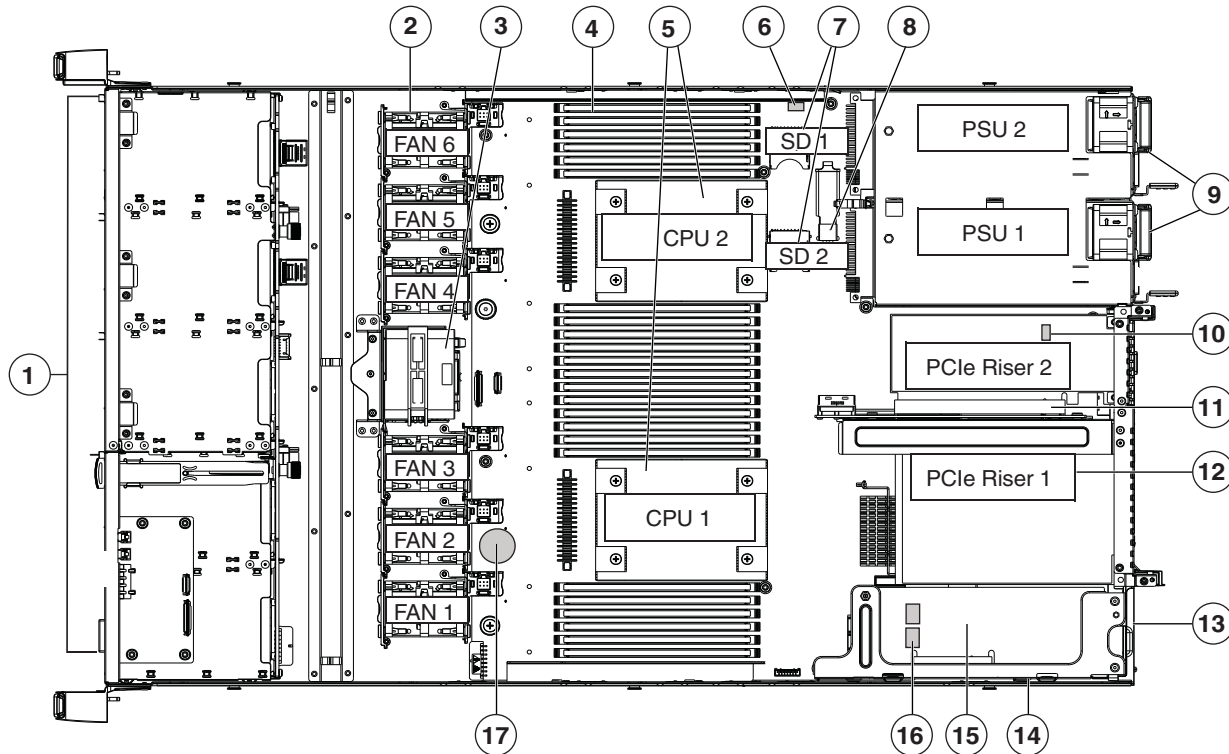
Product ID (PID)	Description	Plug	Country
<b>Zero-RU PDUs</b>			
RP208-30M1P-6-36	30 A, single-phase, vertical-mount PDU with 6 C19 and 36 C13 connectors	L6-30P	North America
RP208-30M3P-6-30	30 A, three-phase, vertical-mount PDU with 6 C19 and 30 C13 connectors	L15-30P	North America
RP208-60M3P-12-9	60 A, three-phase, vertical-mount PDU with 12 C19 and 9 C13 connectors	IEC60309 460P9	North America
RP230-32M1P-6-36	32 A, single-phase, button-mount (rear and sides) PDU with 6 C19 and 36 C13 connectors	IEC60309 332P6	International
RP230-32M3P-12-12	32 A, single-phase, button-mount (rear and sides) PDU with 12 C19 and 12 C13 connectors	IEC60309 532P6	International
<b>Horizontal PDUs (occupy RU space)</b>			
RP208-30M1P-4-8 (1 RU space)	30 A, single-phase, horizontal-mount PDU with 4 C19 and 8 C13 connectors	L6-30P	North America
RP208-60M3P-12 (2 RU spaces)	48 A, three-phase, horizontal-mount PDU with 12 C19 connectors	L15-30P	North America

# SUPPLEMENTAL MATERIAL

## CHASSIS

An internal view of the C220 M4 chassis with the top cover removed is shown in *Figure 6*.

Figure 6 C220 M4 SFF With Top Cover Off



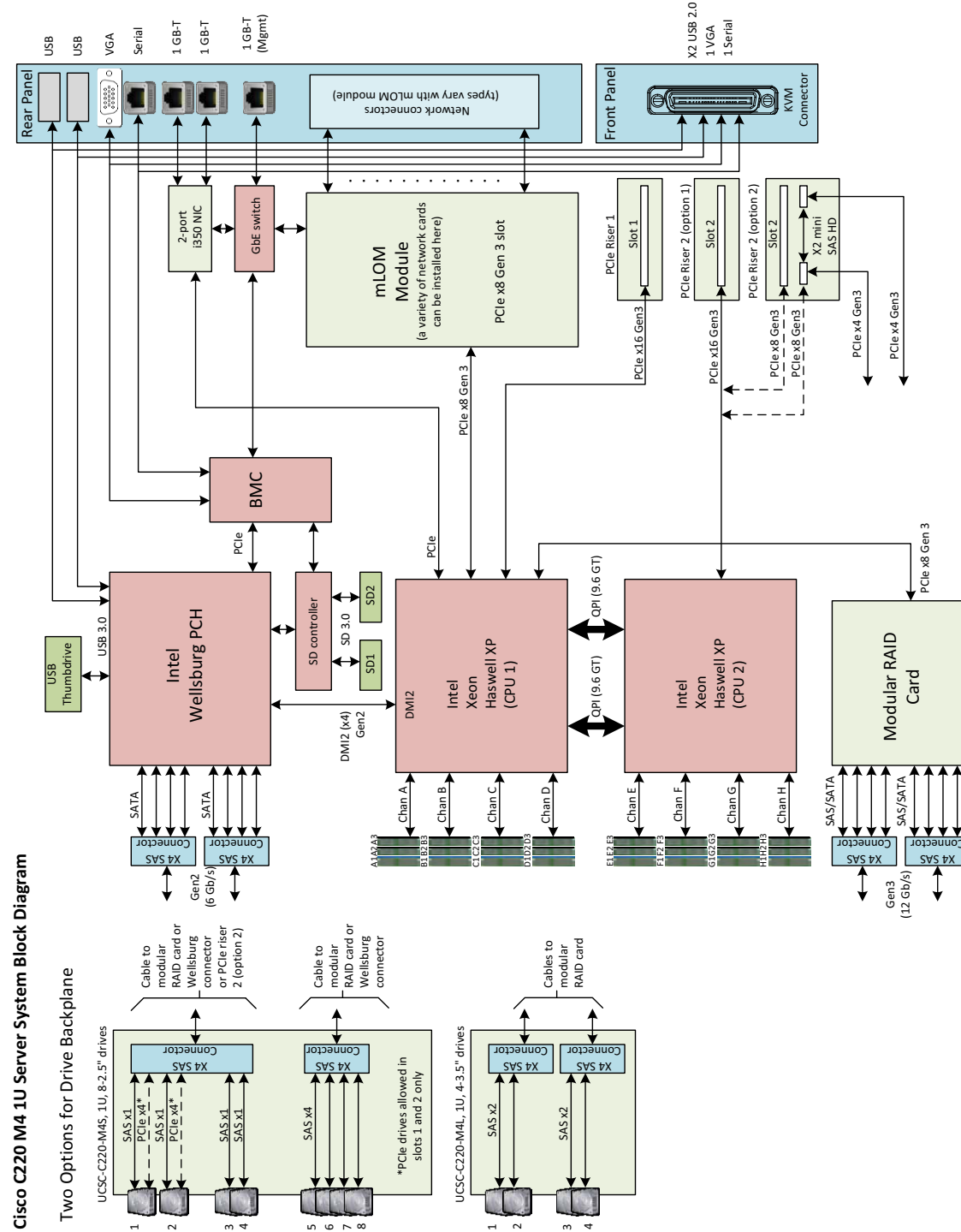
352978

1	Drives (SAS/SATA drives are hot-swappable)	10	Trusted platform module (TPM) socket on motherboard (not visible in this view)
2	Cooling fan modules (six)	11	PCIe riser 2 (half-height PCIe slot 2)
3	SuperCap backup unit mounting location	12	PCIe riser 1 (full-height PCIe slot 1)
4	DIMM sockets on motherboard (24)	13	Modular LOM (mLOM) connector on chassis floor
5	CPUs and heatsinks (up to two)	14	Cisco modular RAID controller PCIe riser (dedicated riser with horizontal socket)
6	Embedded SATA RAID header for RAID 5 key (not used)	15	Cisco modular RAID controller card
7	SD card bays on motherboard (two)	16	Embedded SATA RAID mini-SAS connectors on motherboard (not visible in this view)
8	Internal USB 3.0 port on motherboard	17	RTC battery on motherboard
9	Power supplies (up to two, hot-swappable when redundant as 1+1)	—	—

## Block Diagram

A simplified block diagram of the C220 M4 server is shown in *Figure 7*.

Figure 7 C220 M4 SFF Block Diagram (simplified)



## CPUs and DIMMs

### Physical Layout

Each CPU has four DIMM channels:

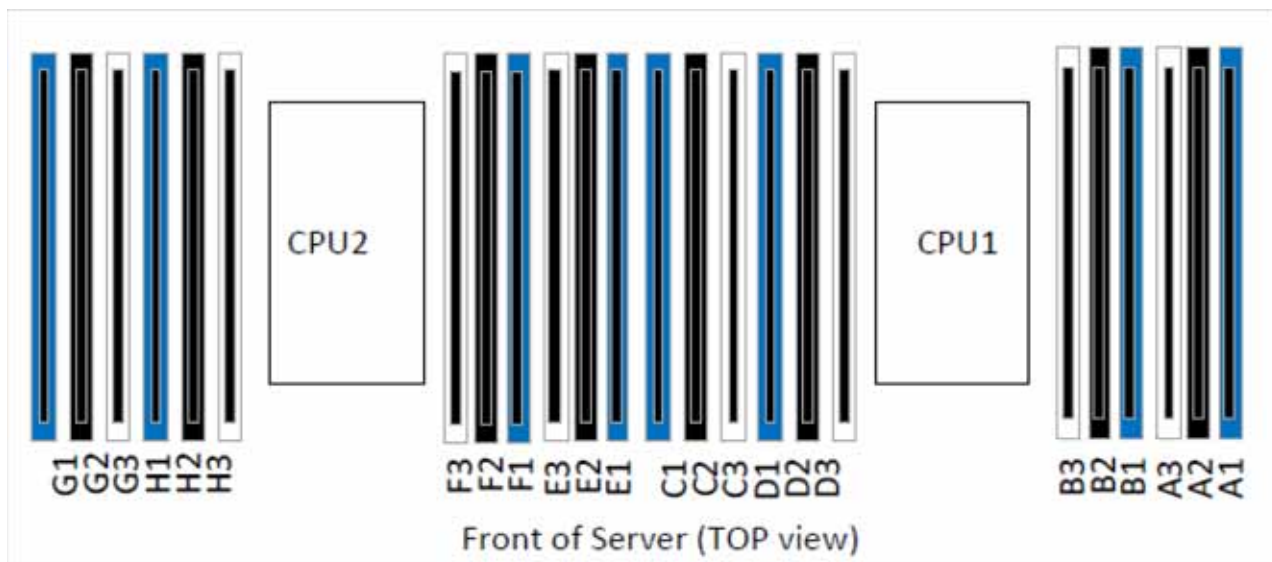
- CPU1 has channels A, B, C, and D
- CPU2 has channels E, F, G, and H

Each DIMM channel has three slots: slot 1, slot 2, and slot 3. The blue-colored DIMM slots are for slot 1, the black-colored slots for slot 2, and the white slots for slot 3.

As an example, DIMM slots A1, B1, C1, and D1 belong to slot 1, while A2, B2, C2, and D2 belong to slot 2.

*Figure 8* shows how slots and channels are physically laid out on the motherboard. The DIMM slots on the right half of the motherboard (channels A, B, C, and D) are associated with CPU 1, while the DIMM slots on the left half of the motherboard (channels E, F, G, and H) are associated with CPU 2. The slot 1 (blue) DIMM slots are always located farther away from a CPU than the corresponding slot 2 (black) and slot 3 (white) slots. Slot 1 slots (blue) are populated before slot 2 slots (black) and slot 3 (white) slots.

Figure 8 Physical Layout of CPU DIMM Channels and Slots



## Memory Population Rules

When considering the memory configuration of your server, you should consider the following items:

- Each channel has three DIMM slots (for example, channel A = slots A1, A2, and A3).
  - A channel can operate with one, two, or three DIMMs installed.
  - If a channel has only one DIMM, populate slot 1 first (the blue slot).
- When both CPUs are installed, populate the DIMM slots of each CPU identically.
  - Fill blue slots in the channels first: A1, E1, B1, F1, C1, G1, D1, H1
  - Fill black slots in the channels second: A2, E2, B2, F2, C2, G2, D2, H2
  - Fill white slots in the channels third: A3, E3, B3, F3, C3, G3, D3, H3
- Any DIMM installed in a DIMM socket for which the CPU is absent is not recognized.
- Observe the DIMM mixing rules shown in [Table 37](#)

Table 37 DIMM Rules for C220 M4 Servers

DIMM Parameter	DIMMs in the Same Channel	DIMM in the Same Slot <sup>1</sup>
<u>DIMM Capacity</u>		
RDIMM = 8, 16, or 32 GB LRDIMM = 32 or 64 GB TSV-RDIMM = 64 GB	DIMMs in the same channel (for example, A1, A2, and A3) can have different capacities.	For best performance, DIMMs in the same slot (for example, A1, B1, C1, D1) should have the same capacity.
	Do not mix TSV-RDIMMS with LRDIMMs nor RDIMMs	Do not mix TSV-RDIMMS with LRDIMMs nor RDIMMs
<u>DIMM Speed</u>		
2400-MHz 2133-MHz	DIMMs will run at the lowest speed of the CPU installed	DIMMs will run at the lowest speed of the CPU installed
<u>DIMM Type</u>		
TSV-RDIMMS, RDIMMs, or LRDIMMs	Do not mix DIMM types in a channel	Do not mix DIMM types in a slot
<b>1 DPC, 2 DPC, or 3 DPC</b>		
<b>DIMMs per Channel (DPC)</b>	See <a href="#">Table 6 on page 22</a> for valid LRDIMM and RDIMM 1 DPC, 2 DPC, and 3 DPC memory configurations	

Notes . . .

1. Although you can have different DIMM capacities in the same slot, this will result in less than optimal performance. For optimal performance, all DIMMs in the same slot should be identical.



## DIMM Population Order

Populate the DIMMs for a CPU according to [Table 38](#).

Table 38 DIMM Population Order per CPU

DIMMs per CPU	Populate CPU 1 Slots	Populate CPU 2 Slots
1	A1	E1
2	A1, B1	E1, F1
3	A1, B1, C1	E1, F1, G1
4	A1, B1, C1, D1	E1, F1, G1, H1
8	A1, B1, C1, D1, A2, B2, C2, D2	E1, F1, G1, H1, E2, F2, G2, H2
12	A1, B1, C1, D1, A2, B2, C2, D2, A3, B3, C3, D3	E1, F1, G1, H1, E2, F2, G2, H2, E3, F3, G3, H3

## Recommended Memory Configuration

This section explains the recommended DIMM population order rules for the C220 M4 server.

- All DIMMs must be DDR4 DIMMs.
- Do not mix:
  - DIMMs with different clock rates in a channel
  - RDIMMs and LRDIMMs
- There are blue, black, and white DIMM slots. Populate blue slots first.
- When DIMMs ranks are mixed in the same channel, always populate the highest rank DIMM in the blue DIMM slot and lower rank DIMM(s) in the black and white DIMM slots.

Many memory configurations are possible. For best results, follow [Table 39](#) when populating 2133-MHz DIMMs for Intel Xeon E5-2600 v3 CPUs and [Table 40](#) when populating 2400-MHz DIMMs for Intel Xeon E5-2600 v4 CPUs.



**NOTE:** These tables list only some recommended and suggested configurations. There are numerous other possible configurations supported by Cisco. Cisco supports all mixing and population configurations of the Cisco DIMMs as long as the mixing does not violate the few fundamental rules noted in this document.

Table 39 Recommended Memory Configurations for Intel Xeon E5-2600 v3 CPUs (with 2133-MHz DIMMs)<sup>1</sup>

Total System Memory Size	CPU 1 DIMMs			CPU 2 DIMMs			DIMM Max Speed (MHz)	Total DIMMs
	Blue Slots Slot 1 (A1,B1, C1,D1)	Black Slots Slot 2 (A2,B2, C2,D2)	White Slots Slot 3 (A3,B3, C3,D3)	Blue Slots Slot 1 (E1,F1, G1,H1)	Black Slots Slot 2 (E2,F2, G2,H2)	White Slots Slot 3 (E3,F3, G3,H3)		
64 GB	4x8 GB	–	–	4x8 GB	–	–	2133	8
128 GB	4x8 GB	4x8 GB	–	4x8 GB	4x8 GB	–	2133	16
	4x16 GB	–	–	4x16 GB	–	–	2133	8
192 GB	4x8 GB	4x8 GB	4x8 GB	4x8 GB	4x8 GB	4x8 GB	1600	24
	4x16 GB	4x8 GB	–	4x16 GB	4x8 GB	–	2133	16
256 GB	4x16 GB	4x16 GB	–	4x16 GB	4x16 GB	–	2133	16
	4x32 GB	–	–	4x32 GB	–	–	2133	8
384 GB	4x16 GB	4x16 GB	4x16 GB	4x16 GB	4x16 GB	4x16 GB	1866	24
512 GB	4x32 GB	4x32 GB	–	4x32 GB	4x32 GB	–	2133	16
	4x64 GB	–	–	4x64 GB	–	–	2133	8
768 GB	4x32 GB	4x32 GB	4x32 GB	4x32 GB	4x32 GB	4x32 GB	1866	24
1024 GB	4x64 GB	4x64 GB	–	4x64 GB	4x64 GB	–	2133	16
1536 GB	4x64 GB	4x64 GB	4x64 GB	4x64 GB	4x64 GB	4x64 GB	1600	24

Notes . . .

1. Rows marked in yellow indicate best performance.

Table 40 Recommended Memory Configurations for Intel Xeon E5-2600 v4 CPUs (with 2400-MHz DIMMs)<sup>1</sup>

Total System Memory Size	CPU 1 DIMMs			CPU 2 DIMMs			DIMM Max Speed (MHz)	Total DIMMs
	Blue Slots Slot 1 (A1,B1, C1,D1)	Black Slots Slot 2 (A2,B2, C2,D2)	White Slots Slot 3 (A3,B3, C3,D3)	Blue Slots Slot 1 (E1,F1, G1,H1)	Black Slots Slot 2 (E2,F2, G2,H2)	White Slots Slot 3 (E3,F3, G3,H3)		
64 GB	4x8 GB	—	—	4x8 GB	—	—	2400	8
128 GB	4x8 GB	4x8 GB	—	4x8 GB	4x8 GB	—	2400	16
	4x16 GB	—	—	4x16 GB	—	—	2400	8
192 GB	4x8 GB	4x8 GB	4x8 GB	4x8 GB	4x8 GB	4x8 GB	2133	24
	4x16 GB	4x8 GB	—	4x16 GB	4x8 GB	—	2133	16
256 GB	4x16 GB	4x16 GB	—	4x16 GB	4x16 GB	—	2400	16
	4x32 GB	—	—	4x32 GB	—	—	2400	8
320 GB	4x32 GB	4x8 GB	—	4x32 GB	4x8 GB	—	2133	16
384 GB	4x16 GB	4x16 GB	4x16 GB	4x16 GB	4x16 GB	4x16 GB	2133	24
	4x32GB	4x16GB	—	4x32GB	4x16GB	—	2133	16
512 GB	4x32 GB	4x32 GB	—	4x32 GB	4x32 GB	—	2400	16
	4x64 GB	—	—	4x64 GB	—	—	2400	8
768 GB	4x32 GB	4x32 GB	4x32 GB	4x32 GB	4x32 GB	4x32 GB	1866	24
1024 GB	4x64 GB	4x64 GB	—	4x64 GB	4x64 GB	—	2400	16
1536 GB	4x64 GB	4x64 GB	4x64 GB	4x64 GB	4x64 GB	4x64 GB	2133	24

Notes . . .

1. Rows marked in yellow indicate best performance.

## Additional DIMM Populations

The list in [Table 41](#) is not a complete list of all supported DIMM populations, but highlights common configuration options.

Table 41 Supported DIMM Configurations

CPU 1 DIMMs	Total DIMMs for CPU 1	CPU 1 Capacity	CPU 2 DIMMs	Total DIMMs for CPU 2	CPU 2 Capacity	Total Capacity for 2 CPUs
1 x 8 GB	1	8 GB	1 x 8 GB	1	8 GB	16 GB
2 x 8 GB	2	16 GB	2 x 8 GB	2	16 GB	32 GB
1 x 16 GB	1	16 GB	1 x 16 GB	1	16 GB	32 GB
4 x 8 GB	4	32 GB	4 x 8 GB	4	32 GB	64 GB
2 x 16 GB	2	32 GB	2 x 16 GB	2	32 GB	64 GB
1 x 32 GB	1	32 GB	1 x 32 GB	1	32 GB	64 GB
8 x 8 GB	8	64 GB	8 x 8 GB	8	64 GB	128 GB
4 x 16 GB	4	64 GB	4 x 16 GB	4	64 GB	128 GB
2 x 32 GB	2	64 GB	2 x 32 GB	2	64 GB	128 GB
12 x 8 GB	12	96 GB	12 x 8 GB	12	96 GB	192 GB
8 x 16 GB	8	128 GB	8 x 16 GB	8	128 GB	256 GB
4 x 32 GB	4	128 GB	4 x 32 GB	4	128 GB	256 GB
12 x 16 GB	12	192 GB	12 x 16 GB	12	192 GB	384 GB
8 x 32 GB	8	256 GB	8 x 32 GB	8	256 GB	512 GB
12 x 32 GB	12	384 GB	12 x 32 GB	12	384 GB	768 GB
12 x 64 GB	12	768 GB	12 x 64 GB	12	768 GB	1536 GB

## RAID Details

The available RAID configurations are shown in this section.

By default, the server comes with embedded software RAID

To upgrade from the default, select one of these:

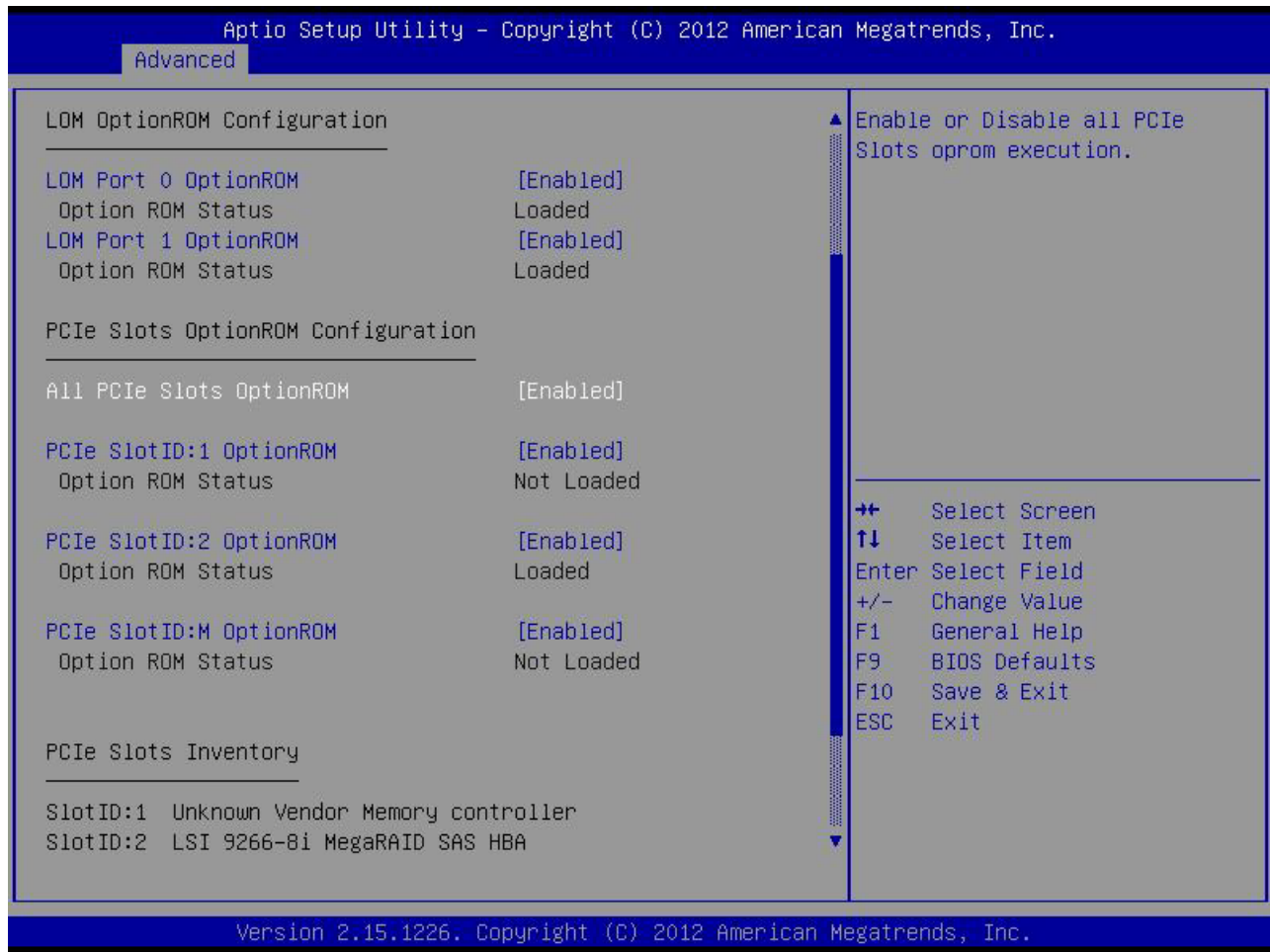
- One Cisco 12G SAS Modular RAID controller upgrade or Cisco 12 Gbps Modular SAS HBA from [Table 8 on page 27](#), or
- One or two Cisco 9300-8E 12G SAS HBA controllers from [Table 8 on page 27](#), or
- One Cisco 12G SAS Modular RAID controller or Cisco 12 Gbps Modular SAS HBA from [Table 8 on page 27](#) and one or two Cisco 9300-8E 12G SAS HBAs from [Table 8 on page 27](#)

Select an appropriate optional RAID configuration listed in [Table 8 on page 27](#)

## RAID Option ROM (OPROM) Settings

The server contains an Option ROM (OPROM) for the PCIe slots. The server has a finite amount of option ROM with which it can boot up devices. Go into the BIOS and disable the OPROM on the PCIe slots not used for booting so that resources are available for the slots that are used for booting. An example OPROM BIOS screen is shown in *Figure 9*.

Figure 9 Example BIOS Screen for OPROM

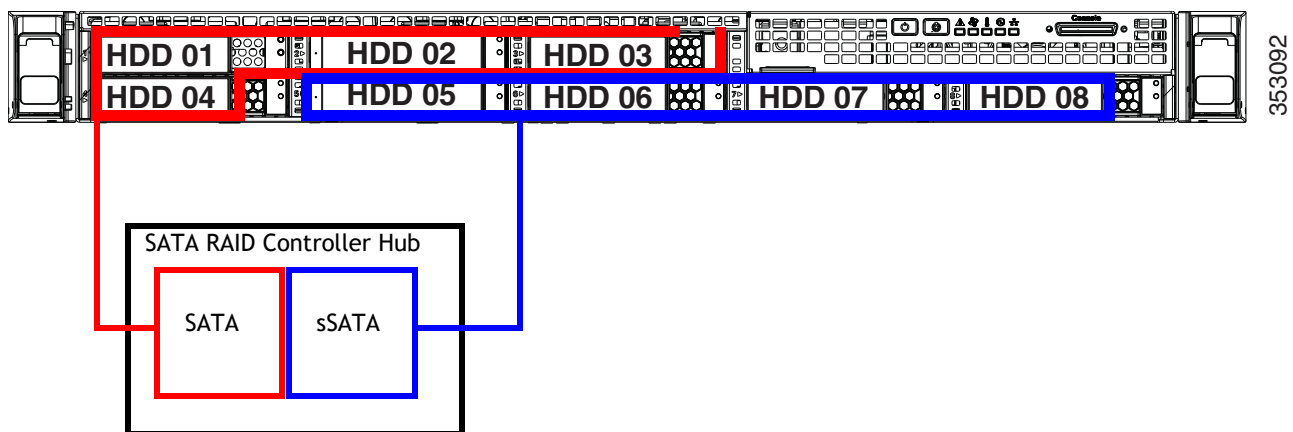


## Embedded SATA RAID: Two SATA Controllers

The embedded SATA RAID controller hub is split into two controllers, SATA and sSATA (secondary SATA). These two controllers are seen as separate RAID controllers in the Cisco IMC interface and are configurable separately.

- The first SATA controller controls drives 1-4; the secondary sSATA controller controls drives 5-8.
- When configuring RAID groups, you cannot create a group that spans more than four drives.
  - The first SATA controller can control a RAID group of up to four drives, consisting only of drives 1-4.
  - The secondary sSATA controller can control a RAID group of up to four drives, consisting only of drives 5-8. See [Figure 10](#).

Figure 10 Embedded RAID Controller RAID Groups



- Each controller is listed separately in the BIOS. You can select the boot order of the controllers in the BIOS (use the Boot Options tab in the BIOS Setup Utility).

Note the following considerations:

- The default setting for this embedded controller hub is SATA RAID 0, 1, and 10 support for up to eight SATA drives (in two groups of four drives).
- When you order the server with this embedded controller, the controller is enabled in the BIOS.
- You cannot downgrade from using a HW RAID controller card to using the SW RAID embedded controller.

To Create a RAID Group

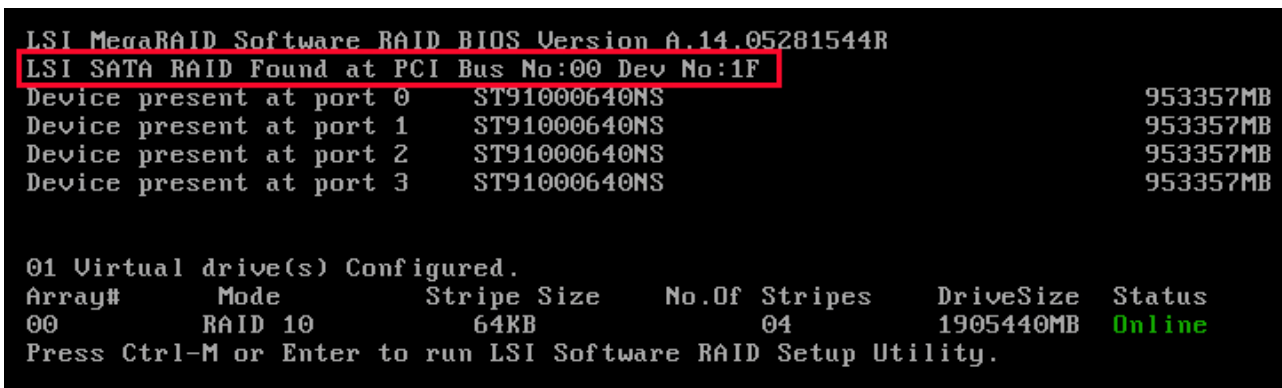
(1) While the server is booting, wait for the prompt and press function key F2 as shown in [Figure 11](#).

Figure 11 Function Key F2 Prompt



In a few seconds, you will see the screen that allows you to set up a RAID group for the primary SATA controller (see [Figure 12](#)).

Figure 12 Screen to Configure Primary SATA RAID Group





(2) Press Ctrl+M to start the RAID group creation process for the primary SATA controller (for drives 1-4, as shown in [Figure 10 on page 79](#)). Or, do nothing and wait for the next screen, which allows you to create a RAID group for the secondary SATA (sSATA) controller see [Figure 13](#).

Figure 13 Screen to Configure Secondary SATA (sSATA) RAID Group

```

Device present at port 3      ST91000640NS      953357MB

01 Virtual drive(s) Configured.
Array#      Mode      Stripe Size      No.Of Stripes      DriveSize      Status
00          RAID 10      64KB             04                 1905440MB     Online
Press Ctrl-M or Enter to run LSI Software RAID Setup Utility.

LSI MegaRAID Software RAID BIOS Version A.14.05281544R
LSI sSATA RAID Found at PCI Bus No:00 Dev No:11
Device present at port 0      INTEL SSDSC2BA200G3      190270MB
Device present at port 1      INTEL SSDSC2BA200G3      190270MB
Device present at port 2      INTEL SSDSC2BB120G4      113961MB
Device present at port 3      Micron_P400e-MTFDDAK100MAR 94884MB

04 Virtual drive(s) Configured.
Array#      Mode      Stripe Size      No.Of Stripes      DriveSize      Status
00          RAID 0      64KB             01                 189781MB     Online
01          RAID 0      64KB             01                 189781MB     Online
02          RAID 0      64KB             01                 113487MB     Online
03          RAID 0      64KB             01                 94413MB      Online
Press Ctrl-M or Enter to run LSI Software RAID Setup Utility.

```

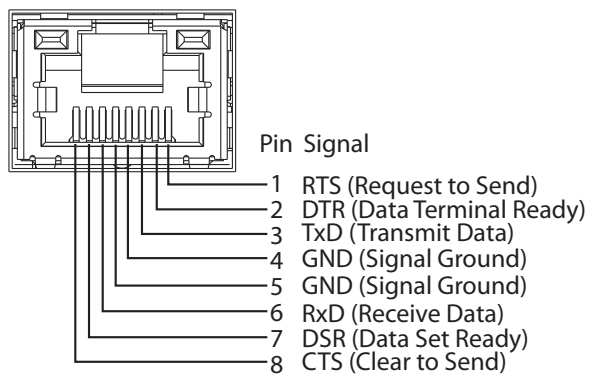
(3) Press Ctrl+M to start the RAID group creation process for the secondary SATA (sSATA) controller (for drives 5-8, as shown in [Figure 10 on page 79](#)).

## Serial Port Details

The pinout details of the rear RJ-45 serial port connector are shown in *Figure 14*.

Figure 14 Serial Port (Female RJ-45 Connector) Pinout

### Serial Port (RJ-45 Female Connector)



## Upgrade and Servicing-Related Parts

This section lists the upgrade and servicing-related parts you may need during the life of your server. Some of these parts are configured with every server, and some may be ordered when needed or may be ordered and kept on hand as spares for future use. See [Table 42](#). Drive Blanking Panels

Table 42 Upgrade and Servicing-related Parts for UCS C220 M4 LFF Server

Spare Product ID (PID)	Description
UCSC-HS-C220M4=	Heat sink for UCS C220 M4 rack servers
UCS-CPU-GREASE3=	M4 Server CPU thermal grease syringe - needed for heatsink seal
UCS-CPU-LPCVR=	CPU load plate dust cover (for unpopulated CPU sockets)
UCSX-HSCK=	UCS Processor Heat Sink Cleaning Kit For Replacement of CPU
UCSC-PCI-2A-220M4=	C220 M4 PCIe Riser 1&2 Assy
UCSC-PCI-2C-220M4=	C220 M4 PCIe Riser 3 (HBA)
UCSC-PCIF-01H=	PCIe Low Profile blanking panel for UCS C-Series Server
UCSC-PCIF-01F=	PCIe Full Height blanking panel for UCS C-Series Server
N20-BBLKD	HDD blanking panel <sup>1</sup>
UCSC-MLOM-BLK=	MLOM blanking panel
UCSC-RAILF-M4=	Tool-Less Friction Rail Kit for C220 M4 rack servers
UCSC-CMAF-M4=	Reversible CMA for C220 M4 friction & ball bearing rail kits
UCSC-RAILB-M4=	Tool-Less Ball Bearing Rail Kit for C220 M4 and C220 M4 rack servers
UCSC-FAN-C220M4=	C220 M4 Fan Module (one)
UCSC-BAFF-C220M4=	C220 M4 Air Baffle, Plastic Kit
N20-BKVM=	KVM cable for Server console port
UCSC-PSU-BLKP1U=	Power Supply Blanking Panel for C220 M4 servers
UCS-220CBLSR8=	C220 M4 set of 2 SATA/SW RAID cables for 8HDD bckpln chassis <sup>2</sup>
UCS-220CBLMR8=	C220 M4 set of 2 RAID cntrlr cables for 8HDD bckpln chassis <sup>2</sup>
UCSC-EARS-C220M4=	C200 M4 rack ears kit (two ears)
UCSC-PCI-2B-220M4=	C220 M4 PCIe Riser 1&2 Assy + PCIe SSD connector 8639

### Notes . . .

1. A drive blanking panel must be installed if you remove a disk drive from a UCS server. These panels are required to maintain system temperatures at safe operating levels, and to keep dust away from system components.
2. Required if ordering the RAID controller as a spare or to replace damaged cables

## Adding an Additional CPU (with CPU heat sink) or Replacing CPUs

All Cisco UCS two CPU socket-capable servers can be upgraded from having one to having two CPUs configured or can also support replacement of the CPUs. You will need to order and install a heat sink when adding any additional CPU to a server. Instructions for installing the new CPU or replacing CPUs and heat sink can be found at the following link:

[http://www.cisco.com/c/en/us/td/docs/unified\\_computing/ucs/c/hw/C220M4/install/C220M4.html](http://www.cisco.com/c/en/us/td/docs/unified_computing/ucs/c/hw/C220M4/install/C220M4.html)



**NOTE:** Unlike previous generation servers, the C220 M4 has tool-less CPU sockets, so no separate tools (such as “pick n place” tools) are required to add or replace CPUs.

---

See the section titled “Replacing CPUs and Heatsinks.”

## Motherboard Lithium Battery

You can order a replacement motherboard battery. Installation instructions are found at this link:

[http://www.cisco.com/c/en/us/td/docs/unified\\_computing/ucs/c/hw/C220M4/install/C220M4.html](http://www.cisco.com/c/en/us/td/docs/unified_computing/ucs/c/hw/C220M4/install/C220M4.html)

See the section titled “Replacing the Motherboard RTC Battery.”

## Thermal Grease (with syringe applicator) for CPU to Heatsink Seal

Thermal grease must be applied to the top of the CPU where it comes in contact with the heat sink (a grease syringe also ships with each CPU spare option kit). Instructions for applying thermal grease are found at:

[http://www.cisco.com/c/en/us/td/docs/unified\\_computing/ucs/c/hw/C220M4/install/C220M4.html](http://www.cisco.com/c/en/us/td/docs/unified_computing/ucs/c/hw/C220M4/install/C220M4.html)

See the section titled “Replacing CPUs and Heatsinks.”



**CAUTION:** Use only the thermal grease specified for this server (UCS-CPU-GREASE3=). This thermal grease comes in a white-tipped syringe and is to be used only in the C220 M4 and C240 M4 servers. Other servers use thermal grease in a blue-tipped syringe (UCS-CPU-GREASE=).

Thermal grease for other systems may have different thermal conductivity properties and may cause overheating if used in the C220 M4 or C240 M4 servers.

**DO NOT** use thermal grease available for purchase at any commercial electronics store. If these instructions are not followed, the CPU may overheat and be destroyed.

---



**NOTE:** When you purchase a spare CPU, the thermal grease with syringe applicator is included.

---

### Air Baffle Replacement Kit

Air baffles are designed to direct airflow through the server to maintain server temperature at a safe operating level. These baffles must always remain installed during server operation. The Air Baffle Replacement Kit includes the air baffles needed for one UCS C220 M4 server.

### CPU Heat Sink Cleaning Kit

The cleaning kit is used to remove the existing thermal compound from the bottom of the heat sink during a CPU replacement process. Instructions for cleaning are found at the following link:

[http://www.cisco.com/c/en/us/td/docs/unified\\_computing/ucs/c/hw/C220M4/install/C220M4.html](http://www.cisco.com/c/en/us/td/docs/unified_computing/ucs/c/hw/C220M4/install/C220M4.html)

See the section titled “Replacing CPUs and Heatsinks.”



**NOTE:** When you purchase a spare CPU, the CPU cleaning kit is included.

---

## RACKS

The Cisco R42612 rack (see [Figure 15 on page 87](#)) is certified for Cisco UCS installation at customer sites and is suitable for the following equipment:

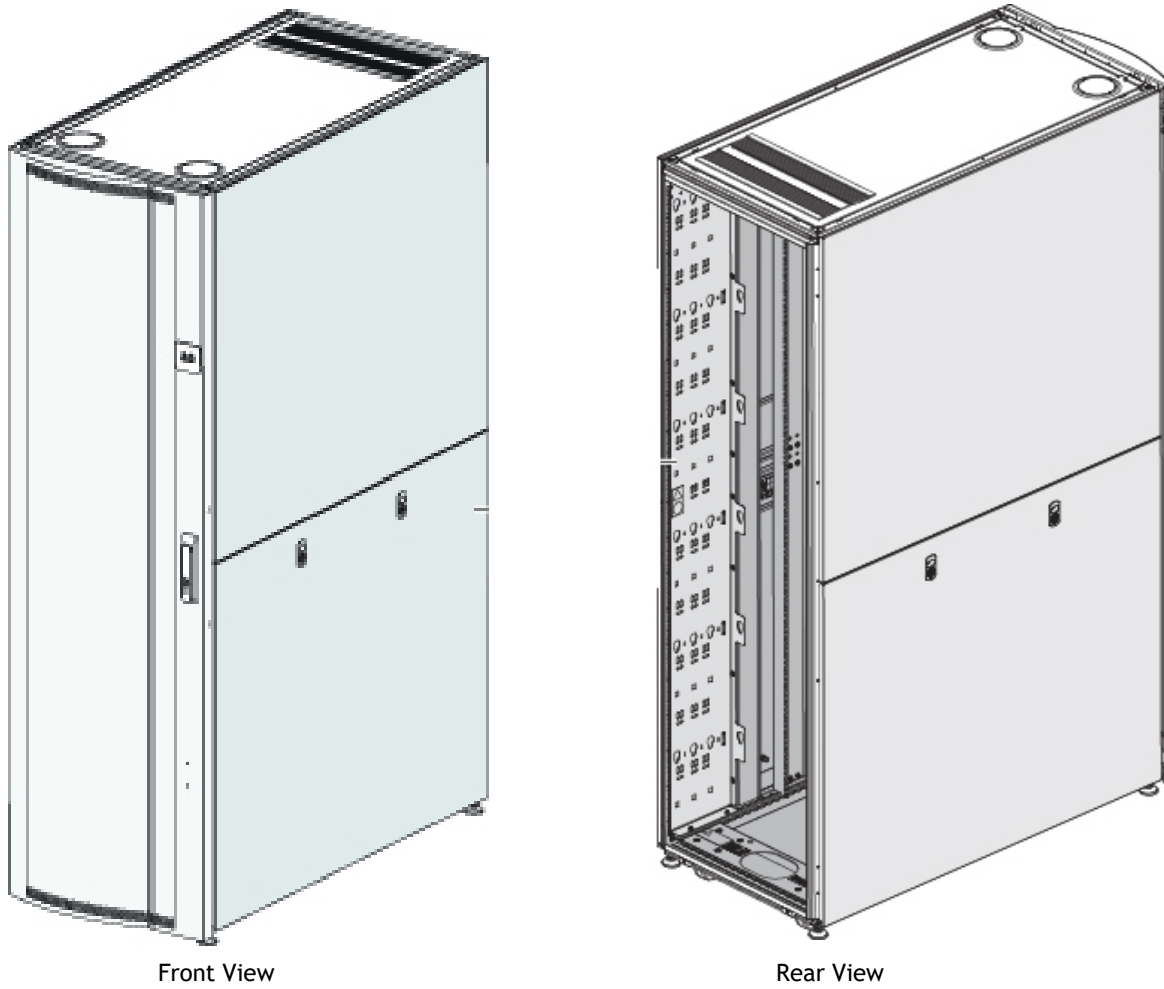
- Cisco UCS B-Series servers and fabric interconnects
- Cisco UCS C-Series and select Nexus switches

The rack is compatible with hardware designed for EIA-standard 19-inch racks. Rack specifications are listed in [Table 43](#).

Table 43 R42612 Specifications

Cisco R42612 Rack	Standard (Static with side panels)	Expansion (Static without Side Panels)
Dimensions (H x W x D)	79.25 x 23.50 x 49.84 in. (2013 x 597 x 1266 mm)	79.25 x 23.50 x 49.84 in. (2013 x 597 x 1266 mm)
Dimensions (H x W x D) with packaging	84.25 x 32 x 54.84 in. (2140 x 813 x 1393 mm)	84.25 x 32 x 54.84 in. (2140 x 813 x 1393 mm)
Distance from front mounting rail to rear mounting rail	29.19 in. (741.5 mm)	29.19 in. (741.5 mm)
Weight	339.51 lb (154 kg)	264.55 lb (120 kg)
Weight with packaging	410.06 lb (186 kg)	335.10 lb (152 kg)
Side panels included	Yes	No
Equipment mounting capacity	42 RU	42 RU
Static load capacity	2700 lb (1224.7 kg)	2700 lb (1224.7 kg)
Dynamic load capacity	N/A	N/A

Figure 15 Cisco R42612 Rack



## PDU

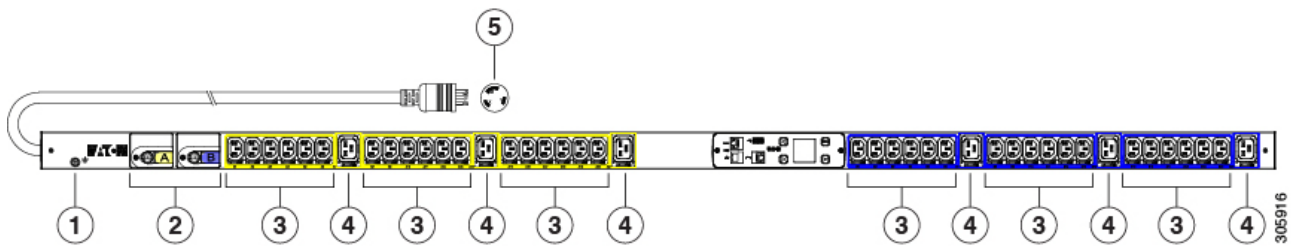
Cisco RP Series Power Distribution Units (PDUs) offer power distribution with branch circuit protection.

Cisco RP Series PDU models distribute power to up to 42 outlets. The architecture organizes power distribution, simplifies cable management, and enables you to move, add, and change rack equipment without an electrician.

With a Cisco RP Series PDU in the rack, you can replace up to two dozen input power cords with just one. The fixed input cord connects to the power source from overhead or under-floor distribution. Your IT equipment is then powered by PDU outlets in the rack using short, easy-to-manage power cords.

The C-series severs accept the zero-rack-unit (ORU) or horizontal PDU. See [Figure 16](#) for one example of a zero rack unit PDU.

Figure 16 RP208-30M1P-6-36 PDU



- 1 = Ground
- 2 = 20 A circuit breakers
- 3 = IEC 60320 C13 outlets
- 4 = EC 60320 C19 outlets
- 5 = NEMA L6-30P plug



## KVM CABLE

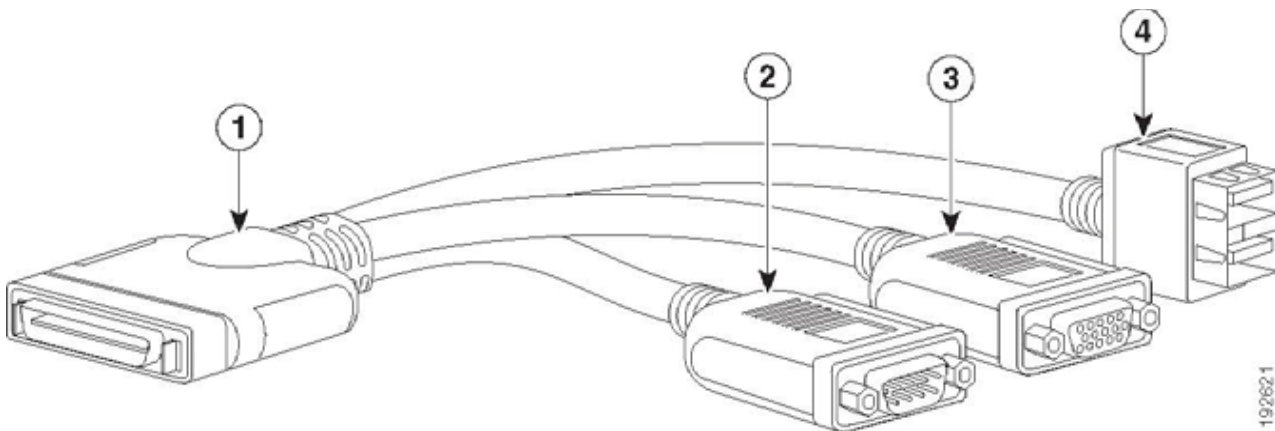
The KVM cable provides a connection into the server, providing a DB9 serial connector, a VGA connector for a monitor, and dual USB ports for a keyboard and mouse. With this cable, you can create a direct connection to the operating system and the BIOS running on the server.

The KVM cable ordering information is listed in [Table 44](#).

Table 44 KVM Cable

Product ID (PID)	PID Description
N20-BKVM=	KVM cable for B-Series Blade Server console port

Figure 17 KVM Cable

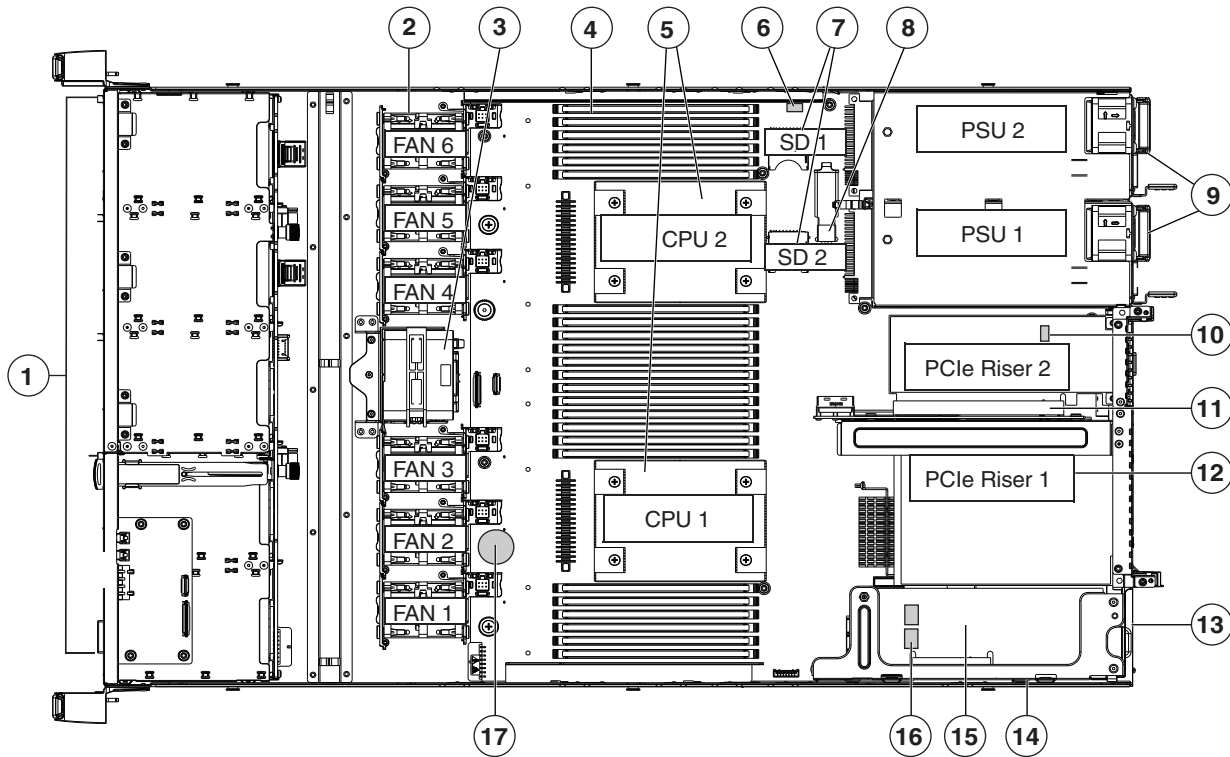


1	Connector (to server front panel)	3	VGA connector (for a monitor)
2	DB-9 serial connector	4	Two-port USB connector (for a mouse and keyboard)

## Motherboard USB and SD Ports, and RAID Card Backup Location

The C220 M4 SFF motherboard has a general-purpose USB socket, and two SD sockets as shown in *Figure 18*. The mounting location for the RAID SuperCap data cache power backup module is also shown.

Figure 18 Motherboard USB and SD Ports and RAID Card SuperCap Location



352978

1	Drives (SAS/SATA drives are hot-swappable)	10	Trusted platform module (TPM) socket on motherboard (not visible in this view)
2	Cooling fan modules (six)	11	PCIe riser 2 (half-height PCIe slot 2)
3	SuperCap Power Module (RAID backup) mounting bracket	12	PCIe riser 1 (full-height PCIe slot 1)
4	DIMM sockets on motherboard (24)	13	Modular LOM (mLOM) connector on chassis floor
5	CPUs and heatsinks (up to two)	14	Cisco modular RAID controller PCIe riser (dedicated riser with horizontal socket)
6	Embedded SATA RAID header for RAID 5 key (not used)	15	Cisco modular RAID controller card
7	SD card bays on motherboard (two)	16	Embedded SATA RAID mini-SAS connectors on motherboard (not visible in this view)
8	Internal USB 3.0 port on motherboard	17	RTC battery on motherboard
9	Power supplies (up to two, hot-swappable when redundant as 1+1)	—	—

## NEBS Compliance

When configured with choices from the specific set of components shown in [Table 45](#), the UCS C220 M4 server meets Network Equipment Building Standards (NEBS) Level 1 and Level 3 compliance. For specific configuration rules, see the applicable sections of this document.

Table 45 C220 M4 NEBS Compliant Components

Component Category	Description	Product ID (PID)
C220 M4 SFF NEBS	UCS C220 M4 NEBS SFF 8HD no CPU, memory, HDD, PCIe cards, power supply, or railkit	UCSC-C220-M4SNEBS
CPUs (up to two)	2.40 GHz E5-2680 v4/120W 14C/35MB Cache/DDR4 2400MHz	UCS-CPU-E52680E
DIMMs (up to 24)	32GB DDR4-2133-MHz LRDIMM/PC4-17000/quad rank/x4/1.2v	UCS-ML-1X324RU-A
	16GB DDR4-2133-MHz RDIMM/PC4-17000/dual rank/x4/1.2v	UCS-MR-1X162RU-A
	32GB DDR4-2400-MHz RDIMM/PC4-19200/dual rank/x4/1.2v	UCS-MR-1X322RV-A
	16GB DDR4-2400-MHz RDIMM/PC4-19200/single rank/x4/1.2v	UCS-MR-1X161RV-A
	8GB DDR4-2400-MHz RDIMM/PC4-19200/single rank/x4/1.2v	UCS-MR-1X081RV-A
Internal RAID Controller	Cisco 12G SAS Modular RAID Controller	UCSC-MRAID12G
Internal RAID Controller Cache Module (up to 1)	Cisco 12Gbps SAS 512 MB FBWC Cache module (RAID 0/1/5)	UCSC-MRAID12G-512
	Cisco 12Gbps SAS 1 GB FBWC Cache module (RAID 0/1/5/6)	UCSC-MRAID12G-1GB
	Cisco 12Gbps SAS 2 GB FBWC Cache module (RAID 0/1/5/6)	UCSC-MRAID12G-2GB
	Cisco 12Gbps SAS 4 GB FBWC Cache module (RAID 0/1/5/6)	UCSC-MRAID12G-4GB
External RAID Controller (up to one)	Cisco 12G SAS HBA with 8 external ports	UCSC-SAS9300-8E
HDDs (up to 8)	1.2 TB 12G SAS 10K RPM SFF HDD	UCS-HD12TB10K12G
	1.8 TB 12G SAS 10K RPM SFF HDD (4K)	UCS-HD18TB10KS4K
	900GB 12G SAS 10K RPM SFF HDD	UCS-HD900G10K12G
SSDs (up to 8)	1.6TB 2.5 inch Ent. Performance 12G SAS SSD(10X endurance)	UCS-SD16TB12S4-EP
	400GB 2.5 inch Ent Performance 12G SAS SSD (10X endurance)	UCS-SD400G12S4-EP
	960GB 2.5 inch Enterprise Value 6G SATA SSD	UCS-SD960GBKS4-EV
SD and USB	64GB SD Card for UCS Servers	UCS-SD-64G-S
	32GB SD Card for UCS servers	UCS-SD-32G-S

Table 45 C220 M4 NEBS Compliant Components

Component Category	Description	Product ID (PID)
PCIe mLOM Cards	Cisco UCS VIC1227T VIC MLOM - Dual Port 10GBaseT	UCSC-MLOM-C10T-02
	Cisco UCS VIC1227 VIC MLOM - Dual Port 10Gb SFP+	UCSC-MLOM-CSC-02
	Intel i350 MLOM NIC	UCSC-MLOM-IRJ45
PCIe Cards	Cisco VIC 1225 Dual Port 10Gb SFP+ CAN	UCSC-PCIE-CSC-02
	Cisco VIC 1225T Dual Port 10GBaseT CNA	UCSC-PCIE-C10T-02
	Intel i350 Quad Port 1Gb Adapter	UCSC-PCIE-IRJ45
	Intel X540 Dual Port 10GBase-T Adapter	UCSC-PCIE-ITG
	Intel X520 Dual Port 10Gb SFP+ Adapter	N2XX-AIPCI01
	Qlogic QLE8362 dual-port 10 GbE FCoE CNA	UCSC-PCIE-Q8362
	Emulex OCe14102-FX dual-port 10 GbE FCoE CNA	UCSC-PCIE-E14102
	Emulex OCe14102B-UX dual-port 10G SFP+ with iSCSI, FCoE CNA	UCSC-PCIE-E14102B
	Emulex LPe16002-M6, 16Gb Fibre Channel HBA with SR Optics	UCSC-PCIE-E16002
	Qlogic QLE2562 Dual Port 8Gb Fibre Channel HBA	N2XX-AQPCI05
Power Supply	770W AC Hot-Plug Power Supply for 1U C-Series Rack Server	UCSC-PSU1-770W
	1050W V2 DC Power Supply for C3160 and 1U C-Series Servers	UCSC-PSUV2-1050DC
Power Cables	C-Series -48VDC PSU Power Cord, 3.5M, 3 Wire, 8AWG, 40A	CAB-48DC-40A-8AWG
	Power Cord - 250V, 10A - Brazil	CAB-250V-10A-BR
	AC Power Cord - 250V, 10A - PRC	CAB-250V-10A-CN
	AC Power Cord - 250V, 10A - Argentina	CAB-250V-10A-AR
	AC Power Cord - 250V, 10A , India	CAB-250V-10A-ID
	AC Power Cord - 250V, 10A - Israel	CAB-250V-10A-IS
	N5000 AC Power Cable, 10A, 250V, Australia, 2.5m	CAB-9K10A-AU
	N5000 AC Power Cable, 10A, 250V, Europe, 2.5m	CAB-9K10A-EU
	N5000 AC Power Cable, 10A, 250V, Italy, 2.5m	CAB-9K10A-IT
	N5000 AC Power Cable, 10A, 250V, Switzerland, 2.5m	CAB-9K10A-SW
	N5000 AC Power Cable, 10A, 250V, United Kingdom, 2.5m	CAB-9K10A-UK
	N5000 Power Cord, 125VAC 15A NEMA 5-15 Plug, North America, 2.5m	CAB-9K12A-NA

Table 45 C220 M4 NEBS Compliant Components

Component Category	Description	Product ID (PID)
	AC Power Cord, NEMA L6-20 - C13, 2M/6.5ft	CAB-AC-L620-C13
	CABASY,WIRE,JUMPER CORD,PWR,2 Meter,C13/C14,10A/250V	CAB-C13-C14-2M
	Power Cord C13-C14, 2M/6.5ft Japan PSE mark	CAB-C13-C14-2M-JP
	Power cord, C13 to C14 (recessed receptacle), 10A	CAB-C13-C14-AC
	Cabinet Jumper Power Cord, 250 VAC 10A, C14-C13 Connectors	CAB-C13-CBN
	Japan, 90-125VAC 12A NEMA 5-15 Plug, 2.4m	CAB-JPN-3PIN
	N5000 AC Power Cable, 6A, 250V, North America, 2.5m	CAB-N5K6A-NA
	No power cord option	R2XX-DMYMPWRCORD
Rail Kit	Friction Rail Kit for C220 M4 Servers	UCSC-RAILF-M4
	Ball Bearing Rail Kit for C220 M4 and C240 M4 Rack Servers	UCSC-RAILB-M4
KVM Cable	KVM cable for Server console port	N20-BKVM

## TECHNICAL SPECIFICATIONS

### Dimensions and Weight

Table 46 UCS C220 M4 Dimensions and Weight

Parameter	Value
Height	1.7 in. (4.32 cm)
Width	16.89 in. (43.0 cm) including handles: 18.98 in. (48.2 cm)
Depth	29.8 in. (75.6 cm) including handles: 30.98 in. (78.7 cm)
Front Clearance	3 in. (76 mm)
Side Clearance	1 in. (25 mm)
Rear Clearance	6 in. (152 mm)
Weight	
Maximum (8 HDDs, 2 CPUs, 16 DIMMs, two power supplies)	37.9 lbs (17.2 kg)
Minimum (1 HDD, 1 CPU, 1 DIMM, one power supply)	30.5 lbs (13.8 kg)
Bare (0 HDD, 0 CPU, 0 DIMM, one power supply)	29.2 lbs (13.2 kg)

## Power Specifications

The general power specifications for the C220 M4 SFF server 770 W (AC) power supply are listed in [Table 47](#).

Table 47 UCS C220 M4 SFF 770 W (AC) Power Supply Specifications

Description	Specification
AC input voltage	100–240 VAC (nominal input voltage range) 90–264 VAC (min/max input voltage range)
AC input frequency	47 to 63 Hz (single phase)
Maximum AC input current	9.5 Amps maximum at 100 VAC 4.5 Amps maximum at 208 VAC
Maximum Input VA	915 at 230 VAC
Maximum output power for each power supply	770 W on 12 VDC main 36 W on 12 VDC standby
Maximum AC inrush current	15 A (subcycle duration)
Power supply output voltage	12 VDC $\pm$ 5%
Power supply efficiency	Climate Savers Platinum Efficiency (80Plus Platinum Certified)
Form factor	RSP2
Input connector	IEC320 C14

The general power specifications for the C220 M4 SFF server 1050 W (DC) power supply are listed in [Table 47](#).

Table 48 UCS C220 M4 SFF 1050 W (DC) Power Supply Specifications

Description	Specification
DC Input voltage range	Nominal range: -48 to -60 VDC nominal (maximum range: -40 to -72 VDC)
Maximum DC input current	32 A at -40 VDC
Maximum input W	1234 W
Maximum output power per PSU	1050 W on 12 VDC main power 36 W on 12 VDC standby power
Maximum inrush current	15 A at -72 VDC
Maximum hold-up time	5 ms at 100% load (1050 W main and 36 W standby)
Power supply output voltage	12 VDC

Table 48 UCS C220 M4 SFF 1050 W (DC) Power Supply Specifications *(continued)*

Description	Specification
Power supply standby voltage	12 VDC
Efficiency rating	Greater than or equal to 92% at 50% load
Form factor	RSP2
Input connector	3 wire Connector (Molex MINIFIT SR. R/A)

For configuration-specific power specifications, use the Cisco UCS Power Calculator at this URL:

<http://ucspowercalc.cisco.com>



## Environmental Specifications

The power specifications for the C220 M4 server are listed in [Table 49](#).

Table 49 UCS C220 M4 SFF Environmental Specifications

Parameter	Minimum
Temperature operating	41 to 95° F (5 to 35° C) derate the maximum temperature by 1° C per every 1000 ft. (305 m) of altitude above sea level
Temperature nonoperating	-40 to 149° F (-40 to 65° C)
Humidity (RH) operating	10 to 90%, non-condensing at 82° F (28° C)
Humidity (RH) nonoperating	5 to 93% at 82° F (28° C)
Altitude operating	0 to 3,000 m (0 to 10,000 ft.)
Altitude nonoperating	0 to 12,192 m (0 to 40,000 ft.)
Sound Power level, Measure A-weighted per ISO7779 LWAd (Bels) Operation at 73° F (23° C)	5.4
Sound Pressure level, Measure A-weighted per ISO7779 LpAm (dBA) Operation at 73° F (23° C)	37

## Compliance Requirements

The regulatory compliance requirements for C-Series servers are listed in [Table 50](#).

Table 50 UCS C-Series Regulatory Compliance Requirements

Parameter	Description
Regulatory Compliance	Products should comply with CE Markings per directives 2004/108/EC and 2006/95/EC
Safety	UL 60950-1 Second Edition CAN/CSA-C22.2 No. 60950-1 Second Edition EN 60950-1 Second Edition IEC 60950-1 Second Edition AS/NZS 60950-1 GB4943 2001
EMC - Emissions	47CFR Part 15 (CFR 47) Class A AS/NZS CISPR22 Class A CISPR22 Class A EN55022 Class A ICES003 Class A VCCI Class A EN61000-3-2 EN61000-3-3 KN22 Class A CNS13438 Class A
EMC - Immunity	EN55024 CISPR24 EN300386 KN24



**Americas Headquarters**  
Cisco Systems, Inc.  
San Jose, CA

**Asia Pacific Headquarters**  
Cisco Systems (USA) Pte. Ltd.  
Singapore

**Europe Headquarters**  
Cisco Systems International BV Amsterdam,  
The Netherlands

Cisco has more than 200 offices worldwide. Addresses, phone numbers, and fax numbers are listed on the Cisco Website at [www.cisco.com/go/offices](http://www.cisco.com/go/offices).

Cisco and the Cisco Logo are trademarks of Cisco Systems, Inc. and/or its affiliates in the U.S. and other countries. A listing of Cisco's trademarks can be found at [www.cisco.com/go/trademarks](http://www.cisco.com/go/trademarks). Third party trademarks mentioned are the property of their respective owners. The use of the word partner does not imply a partnership relationship between Cisco and any other company. (1005R)