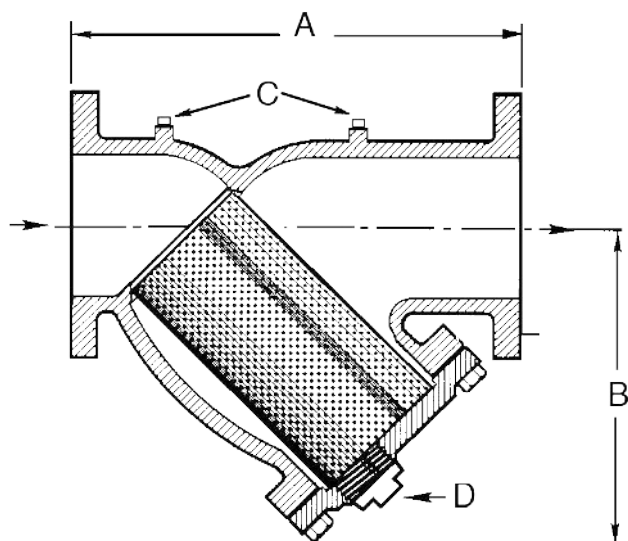


# Y-Type Flanged Strainer Model YF

## Dimensional Data (In Inches)



Model	Size	A	B	C NPT Pressure Gauge	D NPT Blowoff	Screen Removal	Weight (Lbs.)
YF0200	2	8 7/8	5 1/4	1/2	1	7	36
YF0250	2 1/2	10 3/4	5 3/4	1/2	1	9 3/4	48
YF0300	3	11 1/2	6 1/2	1/2	1	10	86
YF0400	4	13 5/8	8	1/2	1	12	106
YF0500	5	16 3/8	10 1/2	1/2	1 1/2	17	156
YF0600	6	18 1/2	12	1/2	1 1/2	20	201
YF0800	8	21 1/2	14 1/2	1/2	1 1/2	22 3/4	321
YF1000	10	26	18	1/2	2	28	370
YF1200	12	30	20 1/2	1/2	2	30	621
YF1400	14	37 3/8	27 1/8	1/2	2	36 1/2	992
YF1600	16	42 1/2	31 1/16	1/2	2	42	1367
YF 1800	18	45 1/4	32 3/4	1/2	2	43	1676
YF 2000	20	50 1/4	36 1/8	1/2	2	44	1764
YF2400	24	57 3/32	40 5/32	1/2	2	68	2535

## Operating Pressure & Temperature

Steam	125 PSI @ 350°F
Liquid	200 PSI @ 150°F

## Standard Screens

Service	Sizes	Screen Openings	Screen Material
Steam & Liquid	2"-3"	.045 (3/64")	Stainless Steel-304
	4"- 20"	.125 (1/8")	

## Bill of Materials

Part Name	Material
Cover	Cast Iron ASTM A126 Class B*
Gasket	Graphite & Steel
Screen	Stainless Steel - Type 304*
Body	Cast iron ASTM A126 Class B
Bolts	Steel ASTM A307

Screen Materials available in various perforation sizes and materials of construction.

All sizes come complete with flanged blow off cover, gasket and plug.

Dimensions are subject to change without notice, please confirm actual dimensions with factory at time of order.

JOB NAME _____
LOCATION _____
_____
CONTRACTOR _____
CONTRACTOR P.O. NO. _____

ITEMS	QUANTITY
_____	_____
_____	_____
_____	_____
_____	_____
_____	_____